



Form No. 3451-809 Rev A

**Count on it.**

**Operator's Manual**

**Walk-Behind Edger**

Model No. 58610—Serial No. 322000001 and Up



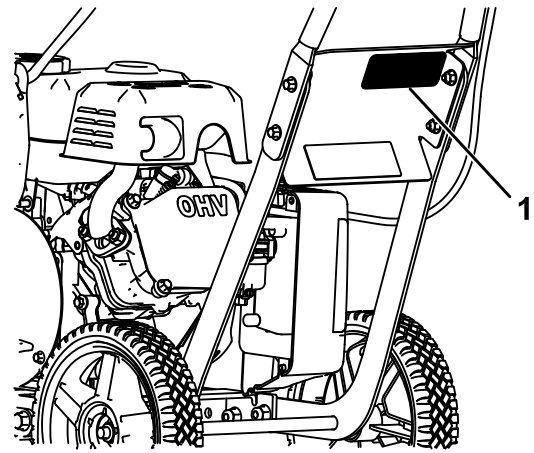
It is a violation of California Public Resource Code Section 4442 or 4443 to use or operate the engine on any forest-covered, brush-covered, or grass-covered land unless the engine is equipped with a spark arrester, as defined in Section 4442, maintained in effective working order or the engine is constructed, equipped, and maintained for the prevention of fire.

**⚠ WARNING**

**CALIFORNIA  
Proposition 65 Warning**

**The engine exhaust from this product contains chemicals known to the State of California to cause cancer, birth defects, or other reproductive harm.**

**Use of this product may cause exposure to chemicals known to the State of California to cause cancer, birth defects, or other reproductive harm.**



**Figure 1**

g394470

1. Model and serial number location

Model No. \_\_\_\_\_

Serial No. \_\_\_\_\_

## Introduction

This powered, walk-behind edger is intended to be used by residential homeowners to trim weeds and grass next to outdoor landscaping; it is not to be used to cut wood or concrete. Using this product for purposes other than its intended use could prove dangerous to you and bystanders.

Read this information carefully to learn how to operate and maintain your product properly and to avoid injury and product damage. You are responsible for operating the product properly and safely.

Visit [www.Toro.com](http://www.Toro.com) for more information, including safety tips, training materials, accessory information, help finding a dealer, or to register your product.

Whenever you need service, genuine Toro parts, or additional information, contact an Authorized Service Dealer or Toro Customer Service and have the model and serial numbers of your product ready. [Figure 1](#) identifies the location of the model and serial numbers on the product. Write the numbers in the space provided.

## Safety-Alert Symbol

The safety-alert symbol ([Figure 2](#)) shown in this manual and on the machine identifies important safety messages that you must follow to prevent accidents.



**Figure 2**

Safety-alert symbol

g000502

The safety-alert symbol appears above information that alerts you to unsafe actions or situations and is followed by the word **DANGER**, **WARNING**, or **CAUTION**.

**DANGER** indicates an imminently hazardous situation which, if not avoided, will result in death or serious injury.

**WARNING** indicates a potentially hazardous situation which, if not avoided, could result in death or serious injury.

**CAUTION** indicates a potentially hazardous situation which, if not avoided, may result in minor or moderate injury.

This manual uses two other words to highlight information. **Important** calls attention to special mechanical information and **Note** emphasizes general information worthy of special attention.

# Contents

Safety-Alert Symbol .....	2
Safety .....	3
General Safety .....	3
Safety and Instructional Decals .....	4
Setup .....	6
1 Assembling the Handlebars .....	7
2 Assemble the Cutting Head.....	8
3 Installing the Wheels.....	9
4 Adding Oil to the Engine.....	10
Product Overview .....	11
Controls .....	11
Specifications .....	12
Before Operation .....	12
Before Operation Safety .....	12
Adding Fuel .....	13
Performing Daily Maintenance.....	13
During Operation .....	14
During Operation Safety .....	14
Starting the Machine.....	15
Shutting Off the Engine.....	15
Using the Edger .....	15
Adjusting the Cutting Angle.....	15
After Operation .....	16
After Operation Safety .....	16
Hauling the Machine .....	16
Maintenance .....	17
Maintenance Safety.....	17
Recommended Maintenance Schedule(s) .....	17
Pre-Maintenance Procedures .....	17
Preparing for Maintenance .....	17
Engine Maintenance .....	18
Servicing the Air Cleaner .....	18
Servicing the Engine Oil.....	18
Servicing the Spark Plug.....	19
Fuel System Maintenance .....	20
Servicing the Fuel Filter .....	20
Blade Maintenance .....	21
Replacing the Blade.....	21
Storage .....	22
Storage Safety.....	22
Storing the Machine.....	22
Troubleshooting .....	23

# Safety

## General Safety

This product is capable of throwing objects. Always follow all safety instructions to avoid serious personal injury.

- The owner is responsible for assembling the machine correctly and for using, maintaining, and storing it safely.
- Read, understand, and follow the instructions and warnings in this manual and on the machine and attachments before starting the engine.
- Keep bystanders and children out of the operating area.
- Do not allow children to operate the machine. Local regulations may restrict the age of the operator. Allow only people who are responsible, trained, familiar with the instructions, and physically capable to operate the machine.
- Do not put your hands or feet near moving parts or under the machine.
- Do not operate the machine without all guards and other safety protective devices in place and functioning properly on the machine.
- Stop the machine, shut off the engine, and wait for all moving parts to stop before servicing, fueling, or unclogging the machine.

# Safety and Instructional Decals

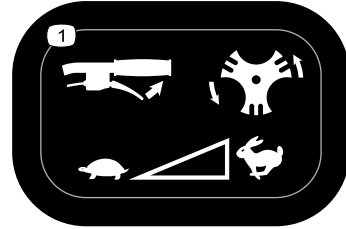


Safety decals and instructions are easily visible to the operator and are located near any area of potential danger. Replace any decal that is damaged or missing.



133-8062

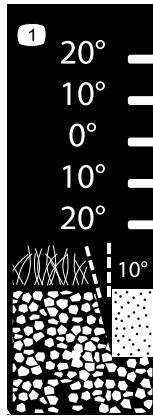
decal133-8062



147-4282

decal147-4282

1. Squeeze the throttle lever to increase engine speed and engage the blade.



147-4275

decal147-4275

1. Cutting angle



147-4284

decal147-4284

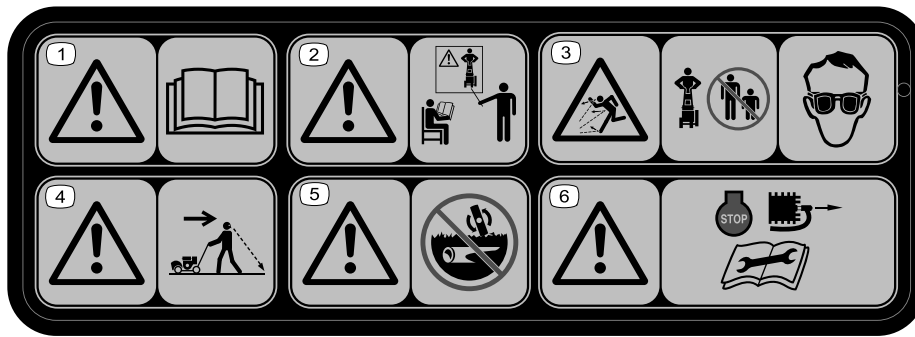
1. Belt entanglement hazard, cutting hazard of feet—keep hands away from moving parts; keep all guards and shields in place.



147-4281

decal147-4281

1. Turn the switch to the ON position; close the choke; pull the recoil handle; turn the choke lever to the RUN position.



decal147-4283

### 147-4283

1. Warning—read the *Operator's Manual*.
  2. Warning—all operators should be trained before operating the machine.
  3. Thrown object hazard—keep bystanders away; wear eye protection.
  4. Warning—look behind and down when operating the machine in reverse.
  5. Warning—do not operate over buried lines.
  6. Warning—stop the engine and remove the spark plug before performing maintenance.
-

# Setup

## Loose Parts

Use the chart below to verify that all parts have been shipped.

Procedure	Description	Qty.	Use
<b>1</b>	Dash panel assembly	1	Assemble the handlebars.
	Tool holder	1	
	Mounting plate	1	
	Blade-control handle	1	
	Bolt (M6 x 20 mm)	4	
	Bolt (M8 x 25 mm)	3	
	Bolt (M8 x 30 mm)	1	
	Locknut (M6)	4	
Nut (M8)	4		
<b>2</b>	Cutting head assembly	1	Assemble the cutting head.
	Pivot rod	1	
	Bracket	1	
	Bolt (M8 x 20 mm)	1	
	Nut (M8)	1	
	Hairpin cotter	4	
<b>3</b>	Front wheel	2	Install the wheels.
	Rear wheel	2	
	Front axle	1	
	Rear axle	1	
	Hairpin cotter	2	
	Axle spacer	4	
	Wheel-position spacer	1	
	Locknut (M10)	2	
<b>4</b>	Engine oil	1	Adding oil to the engine.

Determine the left and right sides of the machine from the normal operating position.

# 1

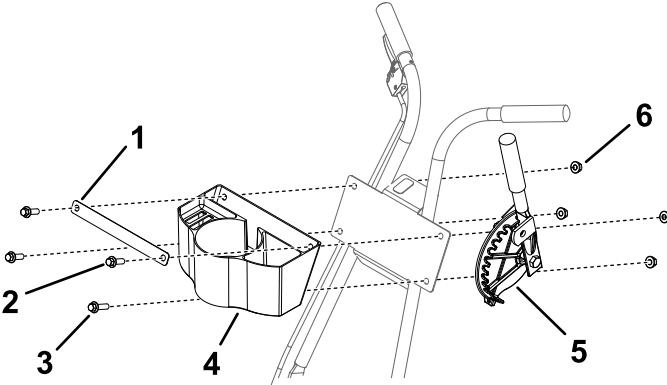
## Assembling the Handlebars

### Parts needed for this procedure:

1	Dash panel assembly
1	Tool holder
1	Mounting plate
1	Blade-control handle
4	Bolt (M6 x 20 mm)
3	Bolt (M8 x 25 mm)
1	Bolt (M8 x 30 mm)
4	Locknut (M6)
4	Nut (M8)

2. Install the tool holder and blade-control handle.

**Note:** Use the bolt (M8 x 30 mm) in the lower left corner.



g383593

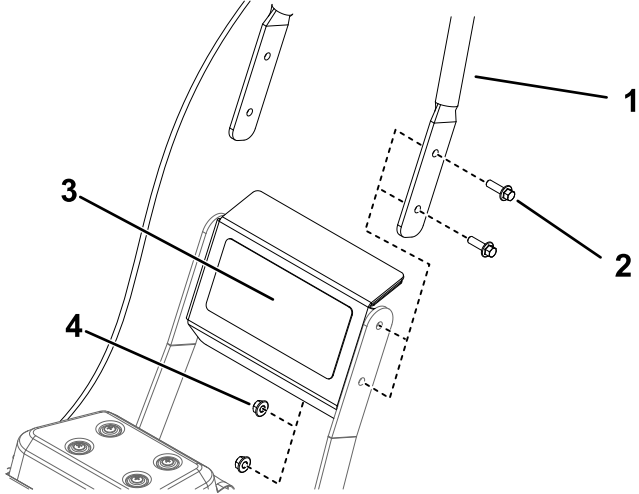
**Figure 4**

- 1. Mounting plate
- 2. Bolt—M8 x 25 mm (2)
- 3. Bolt—M8 x 30 mm
- 4. Tool holder
- 5. Blade-control handle
- 6. Nut—M8 (4)

## Procedure

1. Install the handlebar assembly and dash panel assembly.

**Note:** Ensure that the throttle cable routes outside of the handlebar assembly, not through the middle.



g383581

**Figure 3**

- 1. Handlebar assembly
- 2. Bolt—M6 x 20 (2 each side; 4 total)
- 3. Dash panel assembly
- 4. Locknut—M6 (2 each side; 4 total)

# 2

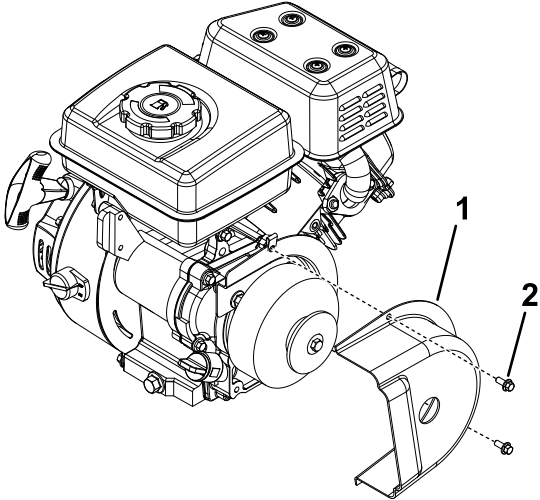
## Assemble the Cutting Head

**Parts needed for this procedure:**

1	Cutting head assembly
1	Pivot rod
1	Bracket
1	Bolt (M8 x 20 mm)
1	Nut (M8)
4	Hairpin cotter

### Procedure

1. Remove the engine shroud covering the pulley.

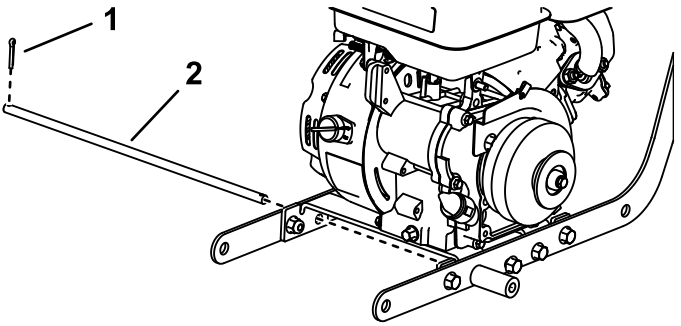


**Figure 5**

g383691

1. Shroud
2. Bolt—M5 x 12 mm (2)

2. Install the pivot rod and hairpin cotter.



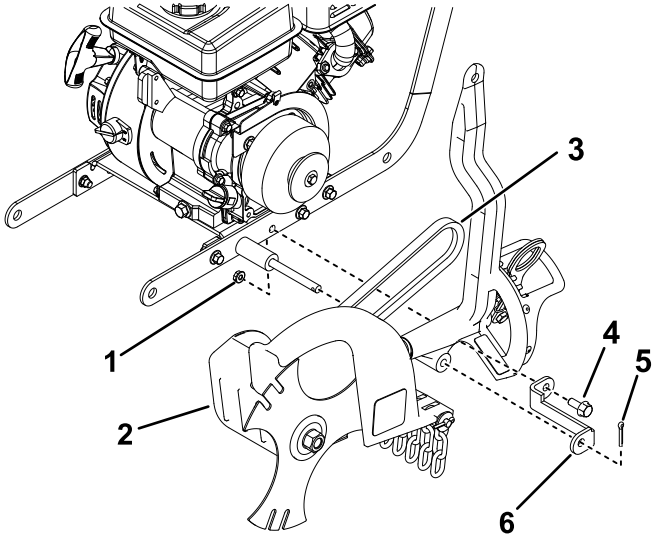
**Figure 6**

g383689

1. Hairpin cotter
2. Pivot rod

3. Push the pivot rod as far left as possible.
4. Install the belt from the cutter head onto the engine pulley.
5. Slide the cutter head onto the pivot rod and secure it to the rod and frame.

**Note:** You may tip the machine on its right side to aid in the assembly.



**Figure 7**

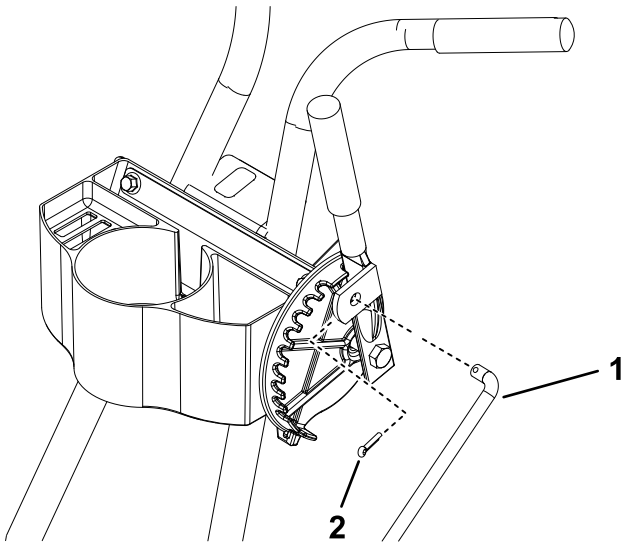
g383690

1. Nut (M8)
2. Cutter head
3. Belt
4. Bolt (M8 x 20 mm)
5. Hairpin cotter
6. Support racket

6. Install the engine shroud as shown in [Figure 5](#).



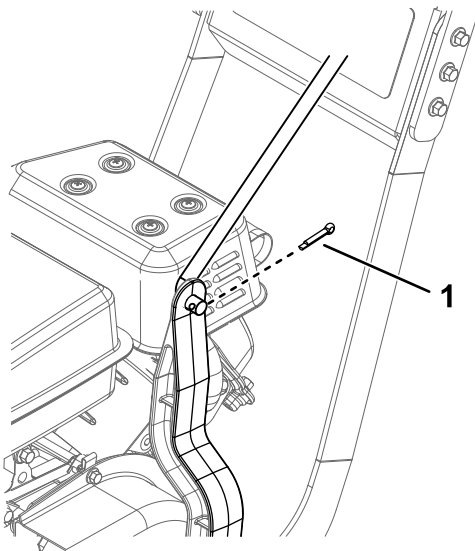
- Install the control rod to the blade-control handle and control arm as shown in [Figure 8](#) and [Figure 9](#).



**Figure 8**

g384286

- Control rod
- Hairpin cotter



**Figure 9**

g384285

- Hairpin cotter

# 3

## Installing the Wheels

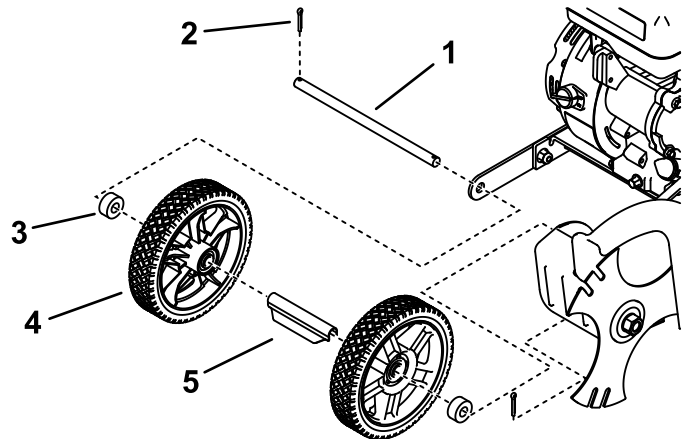
Parts needed for this procedure:

2	Front wheel
2	Rear wheel
1	Front axle
1	Rear axle
2	Hairpin cotter
4	Axle spacer
1	Wheel-position spacer
2	Locknut (M10)

## Procedure

- Install the front wheels onto the front axle.

**Note:** The front wheels are smaller than the rear wheels.

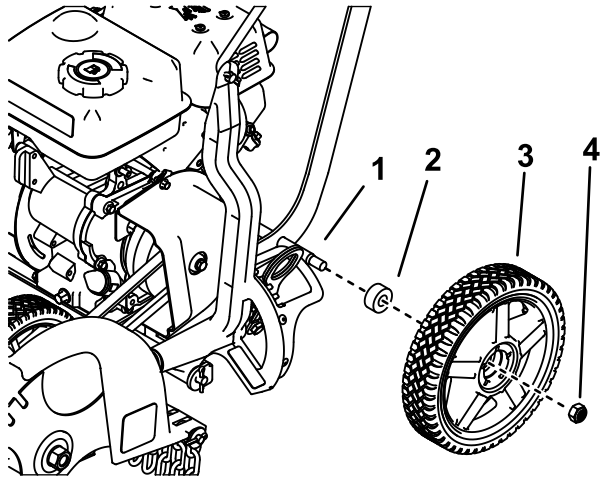


**Figure 10**

g384419

- Front axle
- Hairpin cotter (2)
- Axle spacer (2)
- Front wheel (2)
- Wheel-position spacer

2. Install a rear wheel to both sides of the machine.



**Figure 11**

g384420

1. Rear axle
2. Axle spacer
3. Rear wheel
4. Locknut (M10)

# 4

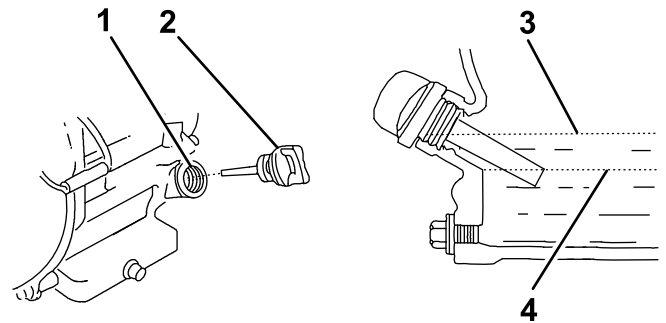
## Adding Oil to the Engine

**Parts needed for this procedure:**

1	Engine oil
---	------------

### Procedure

1. Move the machine to a level surface.
2. Remove the dipstick.



**Figure 12**

g360549

1. Filler tube
2. Dipstick
3. Upper limit
4. Lower limit

3. Slowly add oil into the filler tube until the level is at the top thread of the tube.
4. Insert the dipstick into the oil-fill tube and tighten it.

# Product Overview

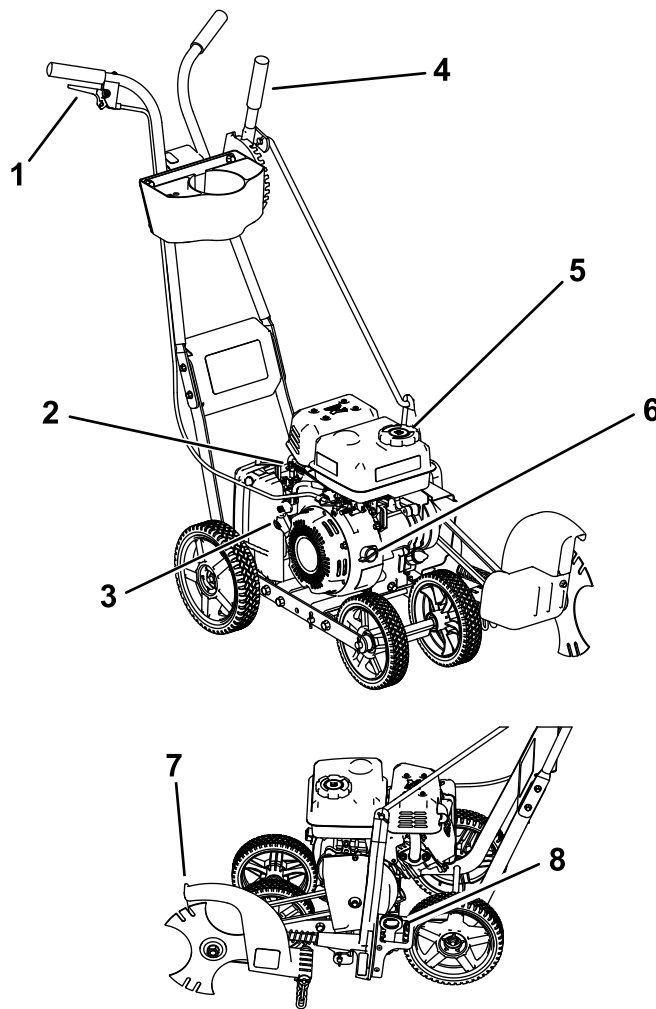


Figure 13

g385129

1. Throttle control
2. Choke lever
3. Starter handle
4. Depth-control lever

5. Fuel cap
6. Engine on/off switch
7. Cutter head
8. Angle-adjustment lever

---

## Controls

### Engine On/Off Switch

Use the engine on/off switch to shut the engine off. Ensure that the switch is in the ON position before starting the engine.

### Throttle Control

The throttle controls the engine and edger blade speed, and it has a continuous-variable setting.

Operate the machine using full throttle for best performance.

### Choke Lever

Move the choke lever on the engine to the CHOKE position when initially starting a cold engine, then move it into the RUN position once started.

### Depth-Control Lever

Use the depth-control lever to adjust the depth of cut. Move it forward to cut deeper into the soil.

# Specifications

Specifications and design are subject to change without notice.

Height	95.8 cm (37.7 inches)
Length	107.2 cm (42.2 inches)
Width	50.3 cm (19.8 inches)
Weight	26 kg (57 lb)
Blade length	22.9 cm (9.0 inches)
Cutting depth	6.4 cm (2.5 inches)

To ensure optimum performance and continued safety certification of the machine, use only genuine Toro replacement parts and accessories. Replacement parts and accessories made by other manufacturers could be dangerous, and such use could void the product warranty.

# Operation

**Note:** Determine the left and right sides of the machine from the normal operating position.

## *Before Operation*

## Before Operation Safety

### General Safety

- Do not allow children to operate the machine. Local regulations may restrict the age of the operator. Allow only people who are responsible, trained, familiar with the instructions, and physically capable to operate the machine.
- Inspect the area where you will use the machine and remove all foreign objects; they could interfere with operation or be thrown by the machine.
- Do not operate the machine above underground utilities, including water lines, gas lines, electric cables, or pipes.
- Be thoroughly familiar with the controls and the proper use of the machine before starting. Know how to shut off the engine quickly.
- Check that all guards and safety devices, such as deflectors, are in place and functioning properly. Do not operate the machine unless they are functioning properly.
- Shut off the machine and wait for all moving parts to stop before you leave the operator's position. Allow the machine to cool before adjusting, fueling, unclogging, servicing, cleaning, or storing the machine.
- Inspect the machine frequently to ensure that it is in safe working condition and that engine-mounting bolts and other fasteners are properly tightened.
- The blade should not rotate when the engine is idling; otherwise, contact an Authorized Service Dealer.
- Wear appropriate clothing, including eye protection; long pants; substantial, slip-resistant footwear; gloves; and hearing protection. Tie back long hair and do not wear loose clothing or loose jewelry.
- Do not operate the machine with a damaged or excessively worn cutting unit.
- Use only accessories and attachments approved by The Toro® Company.

## Fuel Safety

- Use extreme care in handling fuel. It is extremely flammable and its vapors are explosive.
- Extinguish all cigarettes, cigars, pipes, and other sources of ignition.
- Use only an approved fuel container.
- Do not remove the fuel cap or add fuel to the tank while the engine is running.
- Allow the engine to cool before filling the fuel tank.
- Do not fill the fuel tank indoors.
- Do not store the machine or fuel container where there is an open flame, spark, or pilot light, such as on a water heater or other appliance.
- Do not fill containers inside a vehicle or on a truck or trailer bed with a plastic liner. Always place containers on the ground, away from the vehicle before filling.
- Remove the machine from the truck or trailer before filling the fuel tank. If this is not possible, then add fuel from a portable container rather than from a fuel-dispenser nozzle.
- Keep the fuel-dispenser nozzle in contact with the rim of the fuel tank or container opening at all times until fueling is complete. Do not use a nozzle lock-open device.
- Do not overfill the fuel tank. Replace the fuel cap and tighten it securely after fueling.
- If you spill fuel, do not attempt to start the engine; move the machine away from the spill and avoid creating a source of ignition until the fuel vapors have dissipated.
- If you spill fuel on your clothing, change your clothing immediately.
- Store fuel in a fuel container and keep it out of the reach of children.
- Fuel is harmful or fatal if swallowed. Long-term exposure to vapors can cause serious injury and illness.
  - Avoid prolonged breathing of vapors.
  - Keep your hands and face away from the nozzle and the fuel-tank opening.
  - Keep fuel away from your eyes and skin.

## Adding Fuel

### Fuel Specifications

Type	Unleaded gasoline
Minimum octane rating	87 (US) or 91 (research octane; outside the US)
Ethanol	No more than 10% by volume
Methanol	None
MTBE (methyl tertiary butyl ether)	Less than 15% by volume
Oil	Do not add to the fuel

Use only clean, fresh (no more than 30 days old), fuel from a reputable source.

### Using Stabilizer/Conditioner

Use fuel stabilizer/conditioner in the machine to keep the fuel fresh longer when used as directed by the fuel-stabilizer manufacturer.

**Important:** Do not use fuel additives containing methanol or ethanol.

Add the amount of fuel stabilizer/conditioner to fresh fuel as directed by the fuel-stabilizer manufacturer.

### Filling the Fuel Tank

Fill the fuel tank as shown in [Figure 14](#).

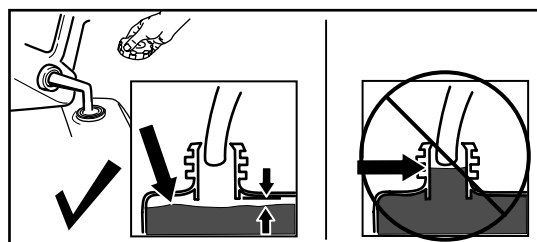


Figure 14

g230458

## Performing Daily Maintenance

Before starting the machine each day, perform the Each Use/Daily procedures listed in [Maintenance \(page 17\)](#).

# ***During Operation***

## **During Operation Safety**

### **General Safety**

- Use your full attention while operating the machine. Do not engage in any activity that causes distractions; otherwise, injury or property damage may occur.
- Do not operate the machine while ill, tired, or under the influence of alcohol or drugs.
- Ensure that all attachments are disengaged before starting the machine. Start the engine carefully, and keep your hands, feet, and clothing away from cutting unit and moving parts.
- Do not put your hands or feet near or under rotating parts.
- Keep bystanders out of the operating area. Keep small children out of the operating area and under the watchful care of a responsible adult who is not operating the machine. Shut off the machine if anyone enters the area.
- Always look down and behind you before moving the machine in reverse or pulling the machine toward you.
- Operate the machine only in daylight or good artificial light.
- Operate the machine only in appropriate weather conditions. Do not operate the machine when there is the risk of lightning.
- Wet grass or leaves can cause injury if you slip and fall. Avoid operating the machine in wet conditions.
- Use extreme care when approaching blind corners, shrubs, trees, or other objects that may block your view.
- Do not use the machine on graveled surfaces.
- Stay away from breakable objects, such as house windows, automobiles, greenhouses, etc.
- Watch for holes, ruts, bumps, rocks, or other hidden objects. Uneven terrain could cause you to lose your balance or footing.
- Do not overreach or stand on an unstable support. Maintain good footing and balance at all times.
- Do not direct the discharge material toward anyone. Avoid discharging material against a wall or obstruction; material may ricochet toward you. Stop the machine when crossing gravel surfaces.
- If the machine strikes an object or starts to vibrate, immediately shut off the engine, wait for

all moving parts to stop, and disconnect the wire from the spark plug before examining the machine for damage. Make all necessary repairs before resuming operation.

- If an object becomes lodged in the blade guard area, shut off the engine, disconnect the wire from the spark plug, and allow the engine to cool before attempting to remove the foreign object.
- Watch for traffic whenever you are crossing or operating near roadways.
- Always shut off the machine, wait for all moving parts to stop before you leave the operator's position. Allow the machine to cool before adjusting, servicing, cleaning, or storing it.
- Do not operate the engine without the muffler guard in place.
- If the engine has been running, it will be hot and can severely burn you. Keep away from the hot engine.
- Operate the engine only in outdoor, well-ventilated areas. Exhaust gasses contain carbon monoxide, which is an odorless, deadly poison.
- Do not pick up or carry the machine while the engine is running.
- Release the throttle when not edging or when transporting the machine to and from the operating area.

### **Slope Safety**

- Use caution when changing direction on slopes.
- Do not operate the machine on excessively steep slopes. Walk, never run. Poor footing could cause a slip-and-fall accident.
- Operate the machine with caution near drop-offs, ditches, or embankments.

## Starting the Machine

1. Move the engine on/off switch to the ON position.
2. Move the choke lever to the CHOKE position.  
**Note:** If the engine is warm or the ambient temperature is high, move the choke lever to the HALF CHOKE or RUN position.
3. Pull the starter handle lightly until you feel resistance, then pull the handle briskly. Return the starter handle gently.
4. After the engine starts, move the choke lever to the HALF CHOKE position.
5. Run the engine for 5 to 10 seconds, then slowly move the choke lever to the RUN position.

## Shutting Off the Engine

1. Release the throttle control.
2. Move the engine on/off switch to the OFF position.
3. Wait for all moving parts to stop before leaving the operating position.

## Using the Edger

1. Start the machine.
2. Ensure that the left rear wheel is on a hard surface and the edger blade is over the area to be cut.
3. Use the blade-depth lever to lower the blade to the desired depth of cut.
4. Squeeze the throttle control to engage the blade.
5. Slowly move the machine along the path forward and rearward. Ensure that the left rear wheel is on the hard surface and that the blade cuts close to, but does not touch, the hard surface.
6. After edging, release the throttle control and use the blade-depth lever to raise the blade.

## Adjusting the Cutting Angle

You can change the cutting angle to 0, 10, or 20 degrees from vertical.

1. Park the machine on a level surface, shut off the engine, and wait for all moving parts to stop.
2. Pull the lever out the slot and move it to the desired position.

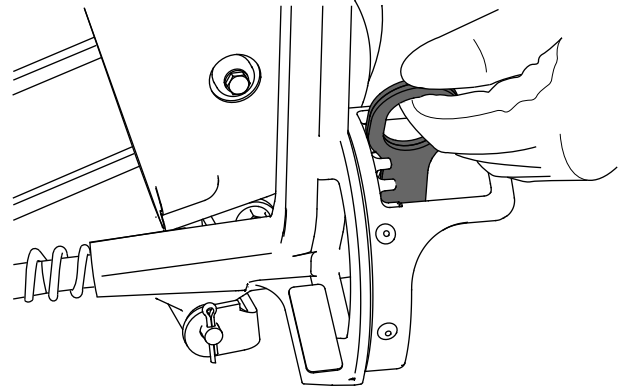


Figure 15

g385556

# After Operation

## After Operation Safety

### General Safety

- Always shut off the machine, wait for all moving parts to stop, and allow the machine to cool before adjusting, servicing, cleaning, or storing it.
- Clean grass, debris, and excessive grease from the machine to help prevent fires. Clean up oil or fuel spills.
- Never store the machine or fuel container where there is an open flame, spark, or pilot light, such as on a water heater or on other appliances.

### Hauling Safety

- Use care when loading or unloading the machine.
- Secure the machine from rolling.

# Hauling the Machine

## **▲ DANGER**

**When transporting the machine inside an enclosed space inside a vehicle, fuel and fuel vapors may ignite and cause serious injury or death.**

**Transport the machine in an upright position in an open vehicle or remove fuel from the machine.**

Ensure that the fuel cap is tight and transport the machine in an upright position in an open vehicle. Secure the machine from movement.

If fuel is present in the fuel tank and you must transport the machine in an enclosed vehicle, continue as follows:

1. Drain the fuel into an approved fuel container.
2. Start the machine and run it until it shuts off.
3. Wipe away any fuel spills and allow the machine to dry.
4. Tightly screw on the fuel cap.
5. Secure the machine from movement.



# Maintenance

## Maintenance Safety

- Shut off the machine and wait for all moving parts to stop before you leave the operator's position. Allow the machine to cool before adjusting, fueling, unclogging, servicing, cleaning, or storing it.
- Disconnect the spark-plug wire from the spark plug before performing any maintenance procedure.
- Never tamper with safety devices. Check their proper operation regularly.
- Keep all nuts, bolts and screws tight to ensure that the machine is in safe working condition.
- Replace a faulty muffler.
- Tipping the machine may cause the fuel to leak. Fuel is flammable and explosive, and can cause personal injury. Run the engine dry or remove the fuel with a hand pump; never siphon the fuel.
- Inspect the machine regularly and replace worn or damaged parts. Ensure that parts are not bent, damaged, or loose.
- To ensure optimum performance of the machine, use only genuine Toro replacement parts and accessories. Replacement parts and accessories made by other manufacturers could be dangerous, and such use could void the product warranty.

## Recommended Maintenance Schedule(s)

Maintenance Service Interval	Maintenance Procedure
After the first 20 hours	<ul style="list-style-type: none"> <li>• Change the engine oil.</li> </ul>
Before each use or daily	<ul style="list-style-type: none"> <li>• Check the engine-oil level.</li> <li>• Clean debris from cooling fins, air inlets and linkages.</li> </ul>
Every 25 hours	<ul style="list-style-type: none"> <li>• Service the air cleaner (more often in extremely dusty conditions).</li> <li>• Change the engine oil when operating in high temperatures or under heavy loads.</li> </ul>
Every 50 hours	<ul style="list-style-type: none"> <li>• Change the engine oil.</li> <li>• Check the spark plug.</li> </ul>

## Pre-Maintenance Procedures

### Preparing for Maintenance

1. Move the machine to a level surface, shut off the engine, and wait for all moving parts to stop.
2. Disconnect the spark-plug wire from the spark plug.

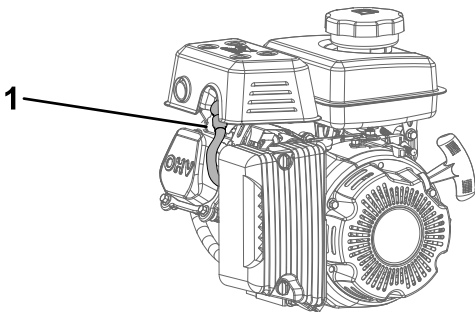


Figure 16

g385624

1. Spark-plug wire

3. After performing the maintenance procedure(s), connect the spark-plug wire to the spark plug.

**Important:** Before tipping the machine, allow the fuel tank to run dry through normal usage. If you must tip the machine prior to running out of fuel, use a hand fuel pump to remove the fuel.

# Engine Maintenance

## Servicing the Air Cleaner

**Service Interval:** Every 25 hours

1. Refer to [Preparing for Maintenance \(page 17\)](#).
2. Remove the air-cleaner cover.

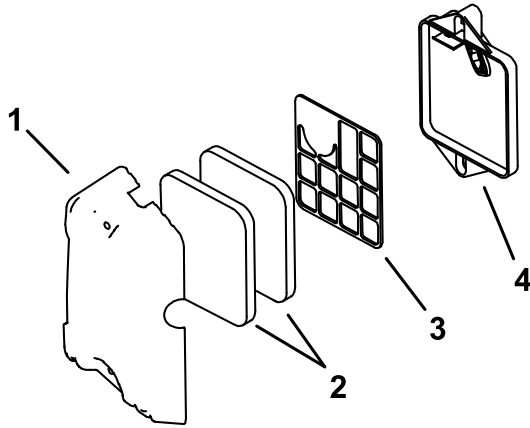


Figure 17

g360561

1. Air-cleaner cover
2. Air-cleaner element (2)
3. Air-cleaner screen
4. Air-cleaner base

3. Remove and inspect the air-cleaner elements.
4. Inspect the air-cleaner elements.
5. Replace any torn or worn element. Otherwise, clean each element as follows:
  - A. Wash the element with warm water and a mild detergent.

**Important:** Press the element when washing it; do not twist it.
  - B. Dry the element by pressing it in a clean cloth.
  - C. Thoroughly oil the foam element using new engine oil and press out any excess oil.
6. Install the elements, screen, and air-cleaner cover to the base.

# Servicing the Engine Oil

## Engine-Oil Specifications

Engine oil capacity	0.35 L (11.8 fl oz)
Oil viscosity	Refer to the chart below.
API service classification	SJ or higher

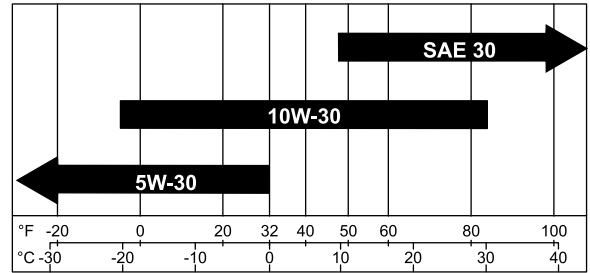


Figure 18

g360560

**Important:** Do not use SAE 10W-40 Motor Oil.

## Checking the Engine-Oil Level

**Service Interval:** Before each use or daily

1. Move the machine to a level surface.
2. Remove the dipstick.

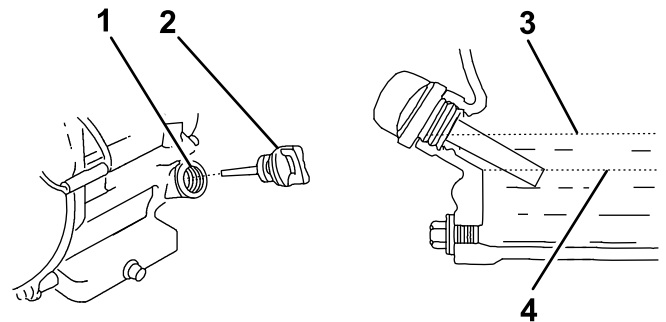


Figure 19

g360549

1. Filler tube
2. Dipstick
3. Upper limit
4. Lower limit

3. Wipe the dipstick clean with a clean cloth.
4. Insert the dipstick into the oil-fill tube and tighten it.
5. Remove the dipstick and check the engine-oil level.
6. If the oil level is low, slowly add oil into the filler tube until the level is at the top thread of the tube.
7. Insert the dipstick into the oil-fill tube and tighten it.

## Changing the Engine Oil

**Service Interval:** After the first 20 hours/After the first month (whichever comes first)—Change the engine oil.

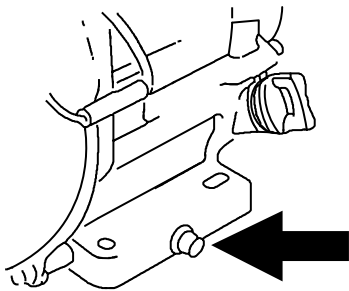
Every 25 hours—Change the engine oil when operating in high temperatures or under heavy loads.

Every 50 hours—Change the engine oil.

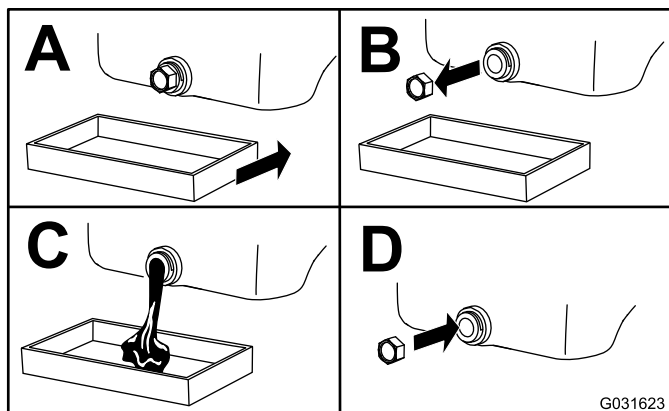
**Note:** Run the engine a few minutes before changing the oil to warm it. Warm oil flows better and carries more contaminants.

1. Move the machine to a level surface.
2. Refer to [Preparing for Maintenance \(page 17\)](#).
3. Place a pan under the drain plug to catch the oil.
4. Remove the oil-fill plug and allow the oil to drain.

**Note:** Dispose of the used oil at a certified recycling center.



g360043



g031623

Figure 20

5. Install the oil-fill plug.
6. Slowly pour oil into the oil-fill hole until the oil is at the correct level; refer to [Engine-Oil Specifications \(page 18\)](#).
7. Ensure that the oil is at the correct level on the dipstick; refer to [Checking the Engine-Oil Level \(page 18\)](#).
8. Wipe up any spilled oil.

## Servicing the Spark Plug

**Service Interval:** Every 50 hours

Ensure that the air gap between the center and side electrodes is correct before installing the spark plug.

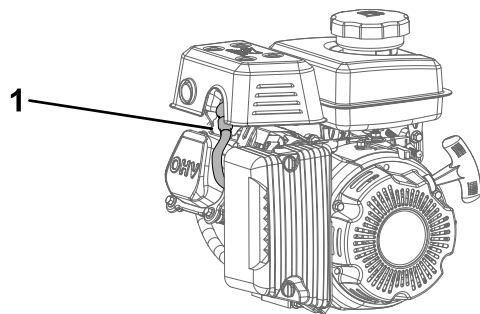
Use a spark plug wrench for removing and installing the spark plug(s) and a gapping tool/feeler gauge to check and adjust the air gap. Install a new spark plug(s) if necessary.

**Type:** LG E5RTC

Air gap: 0.75 mm (0.03 inch)

### Removing the Spark Plug

1. Disconnect the spark-plug wire from the spark plug.



g385624

Figure 21

1. Spark-plug wire

---

2. Clean around the spark plugs to prevent dirt from entering the engine and potentially causing damage.
3. Remove the spark plug.

## Checking the Spark Plug

**Important:** Do not clean the spark plug(s). Always replace the spark plug(s) when it has a black coating, worn electrodes, an oily film, or cracks.

If you see light brown or gray on the insulator, the engine is operating properly. A black coating on the insulator usually means the air cleaner is dirty.

Set the gap to 0.75 mm (0.03 inch).

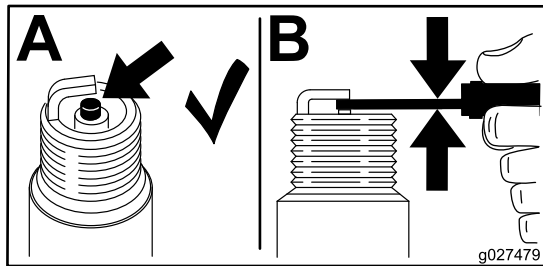


Figure 22

g027479

## Installing the Spark Plug

1. Thread the spark plug clockwise into the spark-plug hole by hand.
2. Rotate the spark plug clockwise using a spark-plug wrench until the plug and sealing washer are seated.
3. Tighten the spark plug as follows:
  - When installing the original spark plug, tighten the plug an additional 1/2 turn.
  - When installing a new spark plug, tighten the plug an additional 1/8 to 1/4 turn.

**Important:** A loose spark plug may cause the cylinder to overheat. An over-tight spark plug may damage the threads in the cylinder head.

4. Connect the spark-plug wire to the spark plug.

## Fuel System Maintenance

### ⚠ DANGER

In certain conditions, fuel is extremely flammable and highly explosive. A fire or explosion from fuel can burn you and others and can damage property.

Refer to [Fuel Safety \(page 13\)](#) for a complete list of fuel related precautions.

## Servicing the Fuel Filter

1. Refer to [Preparing for Maintenance \(page 17\)](#).
2. Drain fuel from the fuel tank.
3. Remove the 2 nuts securing the muffler to the engine and remove the muffler.
4. Remove the 3 bolts securing the fuel-tank assembly to the engine.
5. Gently lift the fuel tank off the engine. Loosen the hose clamp and disconnect the hose from the filter.

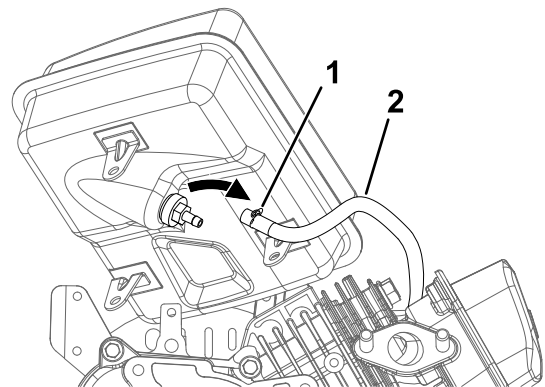
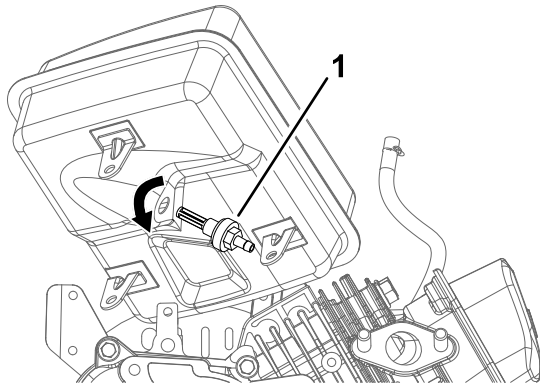


Figure 23

g360643

1. Hose clamp
2. Hose

6. Remove the filter by using a socket to turn it counterclockwise.



g360644

**Figure 24**

1. Fuel filter

7. Clean the filter using kerosene or a similar solvent.

**Note:** Replace the filter if it is extremely dirty or torn.

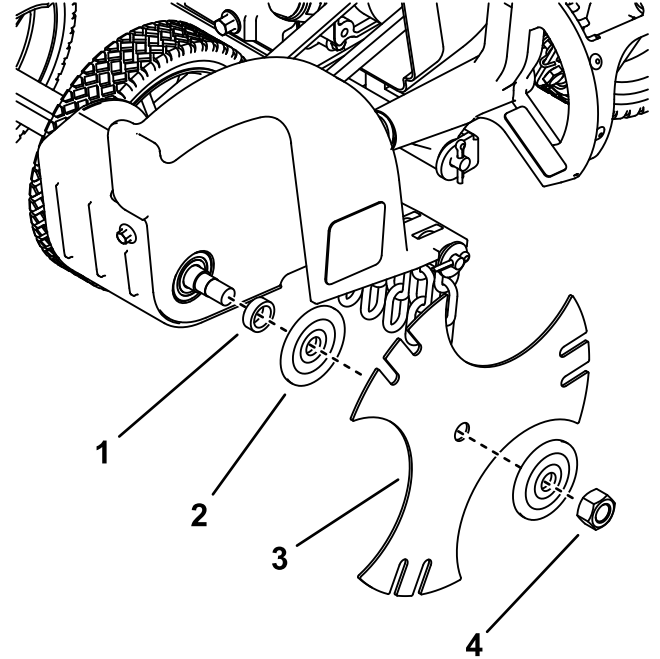
8. Install the filter by using a socket to turn it clockwise.
9. Connect the hose to the filter and secure it using the hose clamp.
10. Install the fuel tank and secure it using the 3 bolts previously removed.
11. Install the muffler and secure it using the 2 bolts previously removed.
12. Add fresh fuel to the engine. Check for leaks before starting the engine.

## Blade Maintenance

### Replacing the Blade

Replace the blade whenever it is worn or damaged.

1. Refer to [Preparing for Maintenance \(page 17\)](#).
2. Replace the blade as shown.



g386911

**Figure 25**

1. Spacer
2. Blade-clamp washer (2)
3. Blade
4. Nut—M14

# Storage

## Storage Safety

- Always shut off the machine, wait for all moving parts to stop, and allow the machine to cool before adjusting, servicing, cleaning, or storing it.
- Never store the machine with fuel in the tank inside a building where fumes may reach an open flame or spark.

7. Check and tighten all fasteners. Repair or replace any part that is damaged.
8. Paint all scratched or bare metal surfaces. Paint is available from your Authorized Service Dealer.
9. Store the machine in an upright position in a clean, dry garage or storage area. Keep it out of reach of children or other unauthorized users. Cover the machine to protect it and keep it clean.

## Storing the Machine

1. Park the machine on a level surface, shut off the engine, and wait for all moving parts to stop before leaving the operating position.
2. Remove debris from the machine and engine.

**Important:** You can wash the machine with mild detergent and water. Do not pressure-wash the machine. Avoid excessive use of water, especially near the engine and transmission.

3. Service the air cleaner; refer to [Servicing the Air Cleaner \(page 18\)](#).
4. Change the engine oil; refer to [Changing the Engine Oil \(page 19\)](#).
5. Prepare the machine for storage for over 30 days as follows:
  - A. Add fuel stabilizer/conditioner to fresh fuel in the tank. Follow mixing instructions from the fuel stabilizer manufacturer. Do not use an alcohol-based stabilizer (ethanol or methanol).
  - B. Run the engine to distribute conditioned fuel through the fuel system for 5 minutes.
  - C. Shut off the engine, allow it to cool, and drain the fuel tank.
  - D. Start the engine and run it until it shuts off.
  - E. Dispose of fuel properly. Recycle the fuel according to local codes.

**Important:** Do not store fuel containing stabilizer/conditioner longer than the duration recommended by the fuel-stabilizer manufacturer.

6. Remove and check the condition of the spark plug; refer to [Servicing the Spark Plug \(page 19\)](#). With the spark plug removed from the engine, pour 15 ml (1 tablespoon) of engine oil into the spark plug hole. Install the spark plug and pull the recoil rope 3 times to coat the cylinder with oil. Do not install the wire on the spark plug.

# Troubleshooting

Problem	Possible Cause	Corrective Action
The engine does not start.	<ol style="list-style-type: none"> <li>1. The engine switch is in the OFF position.</li> <li>2. The spark-plug wire is loose or disconnected.</li> <li>3. The spark plug is wet, pitted, fouled, or the gap is incorrect.</li> <li>4. The fuel tank is empty.</li> <li>5. Dirt, water, or stale fuel is in fuel system.</li> </ol>	<ol style="list-style-type: none"> <li>1. Move the switch to the ON position.</li> <li>2. Install the wire on the spark plug.</li> <li>3. Install a new, correctly gapped spark plug.</li> <li>4. Add fuel.</li> <li>5. Contact an Authorized Service Dealer.</li> </ol>
The engine runs rough or floods during operation.	<ol style="list-style-type: none"> <li>1. The air filter is dirty.</li> <li>2. The choke is partially engaged.</li> <li>3. The carburetor is dirty.</li> </ol>	<ol style="list-style-type: none"> <li>1. Clean or replace the air filter.</li> <li>2. Move the choke lever to the RUN position.</li> <li>3. Contact an Authorized Service Dealer.</li> </ol>
The engine is difficult to start.	<ol style="list-style-type: none"> <li>1. Stale fuel is in the fuel system.</li> <li>2. The spark-plug wire is loose or disconnected.</li> <li>3. The carburetor is dirty.</li> </ol>	<ol style="list-style-type: none"> <li>1. Drain the fuel tank and add fresh fuel.</li> <li>2. Install the wire on the spark plug.</li> <li>3. Contact an Authorized Service Dealer.</li> </ol>
The engine misses or lacks power.	<ol style="list-style-type: none"> <li>1. The fuel filter is clogged.</li> <li>2. The air cleaner is dirty or damaged.</li> <li>3. The spark plug is wet, pitted, fouled, or the gap is incorrect.</li> <li>4. The carburetor needle is stuck open.</li> </ol>	<ol style="list-style-type: none"> <li>1. Remove the fuel filter and clean it.</li> <li>2. Clean or replace the air-cleaner element.</li> <li>3. Install a new, correctly gapped spark plug.</li> <li>4. Clean the carburetor.</li> </ol>
The engine runs and then stops.	<ol style="list-style-type: none"> <li>1. The fuel cap is not venting.</li> </ol>	<ol style="list-style-type: none"> <li>1. Unclog or replace the fuel cap.</li> </ol>
The engine revs too high.	<ol style="list-style-type: none"> <li>1. The engine speed needs adjustment.</li> </ol>	<ol style="list-style-type: none"> <li>1. Contact an Authorized Service Dealer.</li> </ol>
The edger blade spins when the machine is idling.	<ol style="list-style-type: none"> <li>1. The idle speed is too high.</li> <li>2. The clutch spring is broken.</li> </ol>	<ol style="list-style-type: none"> <li>1. Lower the idle speed.</li> <li>2. Replace the clutch.</li> </ol>
The edger blade does not turn.	<ol style="list-style-type: none"> <li>1. The blade is jammed or there is a foreign object in the blade area.</li> </ol>	<ol style="list-style-type: none"> <li>1. Clear the obstruction.</li> </ol>
The edger blade does not cut properly.	<ol style="list-style-type: none"> <li>1. The blade is worn.</li> <li>2. The blade wobbles.</li> </ol>	<ol style="list-style-type: none"> <li>1. Replace the blade.</li> <li>2. Replace the clamp washer and tighten the nut.</li> </ol>

# California Proposition 65 Warning Information

## What is this warning?

You may see a product for sale that has a warning label like the following:



**WARNING: Cancer and Reproductive Harm—[www.p65Warnings.ca.gov](http://www.p65Warnings.ca.gov).**

## What is Prop 65?

Prop 65 applies to any company operating in California, selling products in California, or manufacturing products that may be sold in or brought into California. It mandates that the Governor of California maintain and publish a list of chemicals known to cause cancer, birth defects, and/or other reproductive harm. The list, which is updated annually, includes hundreds of chemicals found in many everyday items. The purpose of Prop 65 is to inform the public about exposure to these chemicals.

Prop 65 does not ban the sale of products containing these chemicals but instead requires warnings on any product, product packaging, or literature with the product. Moreover, a Prop 65 warning does not mean that a product is in violation of any product safety standards or requirements. In fact, the California government has clarified that a Prop 65 warning "is not the same as a regulatory decision that a product is 'safe' or 'unsafe.'" Many of these chemicals have been used in everyday products for years without documented harm. For more information, go to <https://oag.ca.gov/prop65/faqs-view-all>.

A Prop 65 warning means that a company has either (1) evaluated the exposure and has concluded that it exceeds the "no significant risk level"; or (2) has chosen to provide a warning based on its understanding about the presence of a listed chemical without attempting to evaluate the exposure.

## Does this law apply everywhere?

Prop 65 warnings are required under California law only. These warnings are seen throughout California in a wide range of settings, including but not limited to restaurants, grocery stores, hotels, schools, and hospitals, and on a wide variety of products. Additionally, some online and mail order retailers provide Prop 65 warnings on their websites or in catalogs.

## How do the California warnings compare to federal limits?

Prop 65 standards are often more stringent than federal and international standards. There are various substances that require a Prop 65 warning at levels that are far lower than federal action limits. For example, the Prop 65 standard for warnings for lead is 0.5 µg/day, which is well below the federal and international standards.

## Why don't all similar products carry the warning?

- Products sold in California require Prop 65 labelling while similar products sold elsewhere do not.
- A company involved in a Prop 65 lawsuit reaching a settlement may be required to use Prop 65 warnings for its products, but other companies making similar products may have no such requirement.
- The enforcement of Prop 65 is inconsistent.
- Companies may elect not to provide warnings because they conclude that they are not required to do so under Prop 65; a lack of warnings for a product does not mean that the product is free of listed chemicals at similar levels.

## Why does Toro include this warning?

Toro has chosen to provide consumers with as much information as possible so that they can make informed decisions about the products they buy and use. Toro provides warnings in certain cases based on its knowledge of the presence of one or more listed chemicals without evaluating the level of exposure, as not all the listed chemicals provide exposure limit requirements. While the exposure from Toro products may be negligible or well within the "no significant risk" range, out of an abundance of caution, Toro has elected to provide the Prop 65 warnings. Moreover, if Toro does not provide these warnings, it could be sued by the State of California or by private parties seeking to enforce Prop 65 and subject to substantial penalties.