



---

**EN** Stick Edger Attachment

88710

**ES** Accesorio de cortabordes de cuchilla

88710

**FR** Coupe-bordures à manche

88710







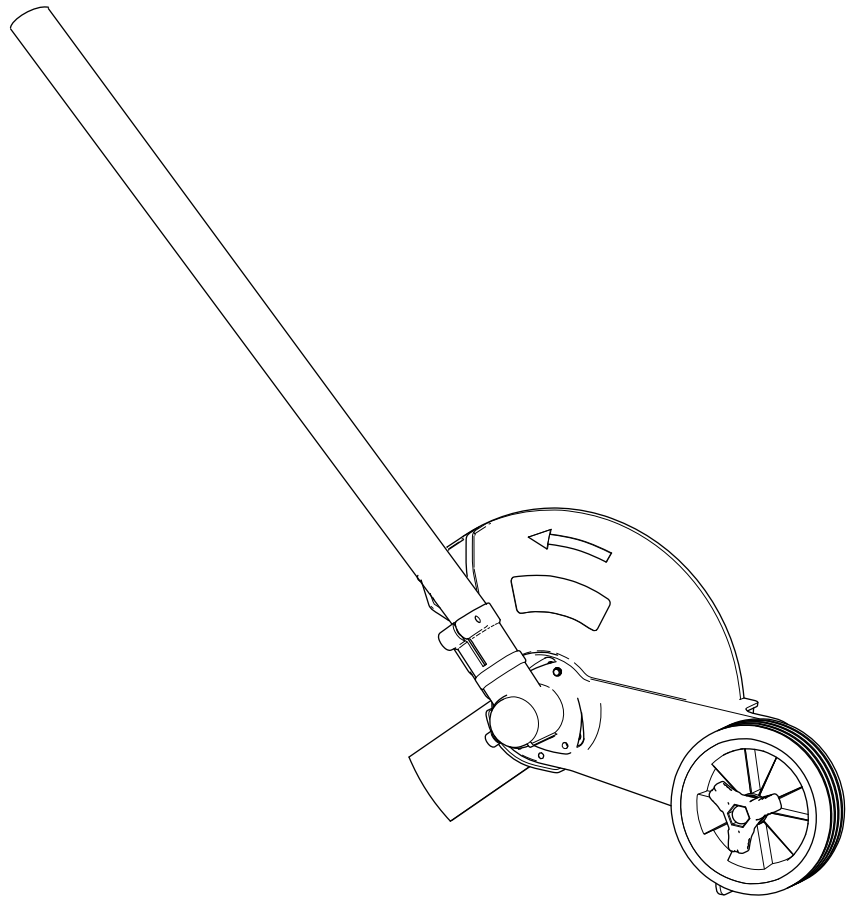
**Count on it.**

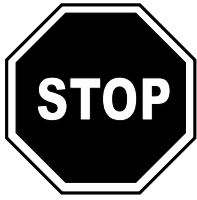
Form No. 3447-178 Rev C

**Operator's Manual**

**Stick Edger Attachment  
Flex-Force Power System™ 60V MAX  
Attachment**

Model No. 88710—Serial No. 321000001 and Up





For assistance, please see [www.Toro.com/support](http://www.Toro.com/support) for instructional videos or contact 1-888-384-9939 before returning this product.

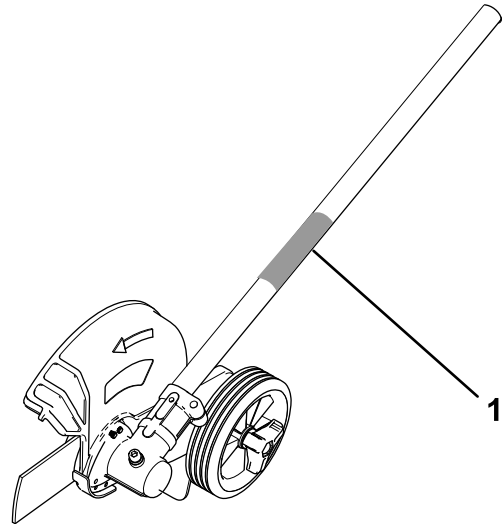
**⚠ WARNING**

**CALIFORNIA  
Proposition 65 Warning**

The power cord on this product contains lead, a chemical known to the State of California to cause birth defects or other reproductive harm. Wash hands after handling.

Use of this product may cause exposure to chemicals known to the State of California to cause cancer, birth defects, or other reproductive harm.

**Important:** With your mobile device, you can scan the QR code on the serial number decal (if equipped) to access warranty, parts, and other product information.



**Figure 1**

g367404

1. Model and serial number location

Model No. \_\_\_\_\_

Serial No. \_\_\_\_\_

# Introduction

This edger is intended to be used by residential homeowners to trim grass around the edge of driveways, sidewalks, and more as needed outdoors. It is to be used only by adults. It is designed to be used in combination with the Toro Flex-Force Power System 60V MAX Attachment-Capable Power Head Model 51810T. Using this product for purposes other than its intended use could prove dangerous to you and bystanders.

Read this information carefully to learn how to operate and maintain your product properly and to avoid injury and product damage. You are responsible for operating the product properly and safely.

Visit [www.Toro.com](http://www.Toro.com) for product safety and operation training materials, accessory information, help finding a dealer, or to register your product.

Whenever you need service, genuine the manufacturer parts, or additional information, contact an Authorized Service Dealer or the manufacturer Customer Service and have the model and serial numbers of your product ready. [Figure 1](#) identifies the location of the model and serial numbers on the product. Write the numbers in the space provided.

This manual identifies potential hazards and has safety messages identified by the safety-alert symbol ([Figure 2](#)), which signals a hazard that may cause serious injury or death if you do not follow the recommended precautions.



**Figure 2**

Safety-alert symbol

g000502

This manual uses 2 words to highlight information. **Important** calls attention to special mechanical information and **Note** emphasizes general information worthy of special attention.

The Model 51810T Power Head is compatible with a variety of Toro-approved attachments that, when combined, comply with specific standards; see the following table for more detail.

Combination	Power Head Model	Attachment Model	Standard
String Trimmer	51810T	88716	Conforms to UL STD 82 Certified to CSA STD C22.2 No. 147
Edger	51810T	88710	Conforms to UL STD 82 Certified to CSA STD C22.2 No. 147
Pole Saw	51810T	88714	Conforms to UL STD 82 Certified to CSA STD C22.2 No. 147
Cultivator	51810T	88715	Conforms to UL STD 82 Certified to CSA STD C22.2 No. 147
Hedge Trimmer	51810T	88713	Conforms to UL STD 62841-4-2 Certified to CSA STD C22.2 62841-4-2

# Safety

## Read All Instructions

**WARNING**—When using electric gardening appliances, always read and follow basic safety warnings and instructions to reduce the risk of fire, electric shock, and personal injury, including the following:

## IMPORTANT SAFETY INSTRUCTIONS

### I. Training

1. The operator of the appliance is responsible for any accidents or hazards occurring to others or their property.
2. Do not allow children to use or play with the appliance, battery pack, or the battery charger; local regulations may restrict the age of the operator.
3. Do not allow children or untrained people to operate or service this device. Allow only people who are responsible, trained, familiar with the instructions, and physically capable to operate or service the device.
4. Before using the appliance, battery pack, and battery charger, read all the instructions and cautionary markings on these products.
5. Become familiar with the controls and proper use of the appliance, battery pack, and battery charger.

### II. Preparation

1. Keep bystanders and children away from the operating area.
2. Use only the battery pack specified by Toro. Using other accessories and attachments may increase the risk of injury and fire.
3. Plugging the battery charger into an outlet that is not 120 V can cause a fire or electric shock. Do not plug the battery charger into an outlet other than 120 V. For a different style of connection, use an attachment plug adapter of the proper configuration for the power outlet if needed.
4. Do not use a damaged or modified battery pack or battery charger, which may exhibit unpredictable behavior that results in fire, explosion, or risk of injury.
5. If the supply cord to the battery charger is damaged, contact an Authorized Service Dealer to replace it.
6. Do not use non-rechargeable batteries.

7. Charge the battery pack with only the battery charger specified by Toro. A charger suitable for 1 type of battery pack may create a risk of fire when used with another battery pack.
8. Charge the battery pack in a well-ventilated area only.
9. Do not expose a battery pack or battery charger to fire or to temperatures higher than 100°C (212°F).
10. Follow all charging instructions and do not charge the battery pack outside of the temperature range specified in the instructions. Otherwise, you may damage the battery pack and increase the risk of fire.
11. Do not operate the appliance without all guards and other safety protective devices in place and functioning properly on the appliance.
12. Dress properly—Wear appropriate clothing, including eye protection; long pants; substantial, slip-resistant footwear; rubber gloves; and hearing protection. Tie back long hair and do not wear loose clothing or loose jewelry that can get caught in moving parts. Wear a dust mask in dusty operating conditions.
10. Do not overreach—Keep proper footing and balance at all times, especially on slopes. Walk, never run with the appliance.
11. Stay alert—Watch what you are doing and use common sense when operating the appliance. Do not use the appliance while ill, tired, or under the influence of alcohol or drugs.
12. Ensure that the ventilation openings are kept clear of debris.
13. Under abusive conditions, the battery pack may eject liquid; avoid contact. If you accidentally come into contact with the liquid, flush with water. If the liquid contacts your eyes, seek medical help. Liquid ejected from the battery pack may cause irritation or burns.
14. CAUTION—A mistreated battery pack may present a risk of fire or chemical burn. Do not disassemble the battery pack. Do not heat the battery pack above 68°C (154°F) or incinerate it. Replace the battery pack with a genuine Toro battery pack only; using another type of battery pack may cause a fire or explosion. Keep battery packs out of the reach of children and in the original packaging until you are ready to use them.

### III. Operation

1. Avoid dangerous environments—Do not use the appliance in rain or in damp or wet locations.
2. Use the proper appliance for your application—Using the appliance for purposes other than its intended use could prove dangerous to you and bystanders.
3. Prevent unintentional starting—Ensure that the switch is in the OFF position before connecting to the battery pack and handling the appliance. Do not carry the appliance with your finger on the switch or energize the appliance with the switch in the ON position.
4. Operate the appliance only in daylight or good artificial light.
5. Remove the battery pack from the appliance before adjusting it or changing accessories.
6. Keep your hands and feet away from the cutting area and all moving parts.
7. Stop the appliance, remove the battery pack from the appliance, and wait for all movement to stop before adjusting, servicing, cleaning, or storing the appliance.
8. Remove the battery pack from the appliance whenever you leave it unattended.
9. Do not force the appliance—Allow the appliance to do the job better and safer at the rate for which it was designed.

### IV. Maintenance and Storage

1. Maintain the appliance with care—Keep it clean and in good repair for best performance and to reduce the risk of injury. Follow the instructions for lubricating and changing accessories. Keep handles dry, clean, and free from oil and grease.
2. When the battery pack is not in use, keep it away from metal objects such as paper clips, coins, keys, nails, and screws that can make a connection from 1 terminal to another. Shorting the battery terminals may cause burns or a fire.
3. Keep your hands and feet away from moving parts.
4. Stop the appliance, remove the battery pack from the appliance, and wait for all movement to stop before adjusting, servicing, cleaning, or storing the appliance.
5. Check the appliance for damaged parts—If there are damaged guards or other parts, determine whether it will operate properly. Check for misaligned and binding moving parts, broken parts, mounting, and any other condition that may affect its operation. Unless indicated in the instructions, have an Authorized Service Dealer repair or replace a damaged guard or part.
6. If the blade becomes worn, bent, or damaged, replace it; contact an authorized Toro distributor.

7. Do not replace the existing non-metallic cutting means on the appliance with a metallic cutting means.
8. Do not attempt to service or repair the appliance, battery pack, or battery charger except as indicated in the instructions. Have an Authorized Service Dealer perform service using identical replacement parts to ensure that the product is safely maintained.
9. Store an idle appliance indoors in a place that is dry, secure, and out of the reach of children.
10. Do not dispose of the battery in a fire. The cell may explode. Check with local codes for possible special disposal instructions.

## **SAVE THESE INSTRUCTIONS**

# Safety and Instructional Decals



Safety decals and instructions are easily visible to the operator and are located near any area of potential danger. Replace any decal that is damaged or missing.

**WARNING** TO REDUCE THE RISK OF INJURY, USER MUST READ INSTRUCTION MANUAL.  
To reduce risk of electric shock, do not expose unit to water or operate unit on wet ground. Risk of eye injury. Use safety glasses or similar eye protection. Always use two hands when operating the unit. To reduce risk of injury to persons, remove battery pack when not in use. See instruction manual for compatible TORO 60v devices and attachments.

**WARNING** Cancer and Reproductive Harm - [www.P65Warnings.ca.gov](http://www.P65Warnings.ca.gov).  
For more information, please visit [www.itcoCAProp65.com](http://www.itcoCAProp65.com)

**AVERTISSEMENT** POUR RÉDUIRE LES RISQUES DE BLESSURE, L'UTILISATEUR DOIT LIRE ET COMPRENDRE LE MODE D'EMPLOI. Pour réduire les risques d'électrocution, évitez tout contact de la machine avec l'eau et ne l'utilisez pas sur sol mouillé. Risque de blessure oculaire. Utilisez des lunettes de sécurité ou autre protection oculaire semblable. Toujours tenir la machine à deux mains pour l'utiliser. Pour réduire les risques de blessures corporelles, retirez la batterie quand vous ne l'utilisez pas. Voir le manuel d'instructions pour les appareils et accessoires TORO 60v compatibles.

**AVERTISSEMENT** Cancer et Troubles de l'appareil reproducteur - [www.P65Warnings.ca.gov](http://www.P65Warnings.ca.gov).  
Pour plus d'informations, veuillez visiter [www.itcoCAProp65.com](http://www.itcoCAProp65.com)

decal145-3141

145-3141



decal139-5210

139-5210

1. Warning—read the *Operator's Manual*; stay away from moving parts; keep all guards in place; wear eye protection; do not operate in wet conditions.



# Setup

## Connecting the Attachment to the Power Head

1. Install the square shaft of the attachment into the square shaft of the power head (A of [Figure 3](#)).
2. Align the locking button on the lower shaft with the slotted hole on the upper shaft and slide the 2 shafts together (B and C of [Figure 3](#)).
3. The locking button clicks into the slotted hole when the shafts are secured (C of [Figure 3](#)).
4. Using the screw-handle, tighten the screw on the shaft connector until it is secure (D of [Figure 3](#)).

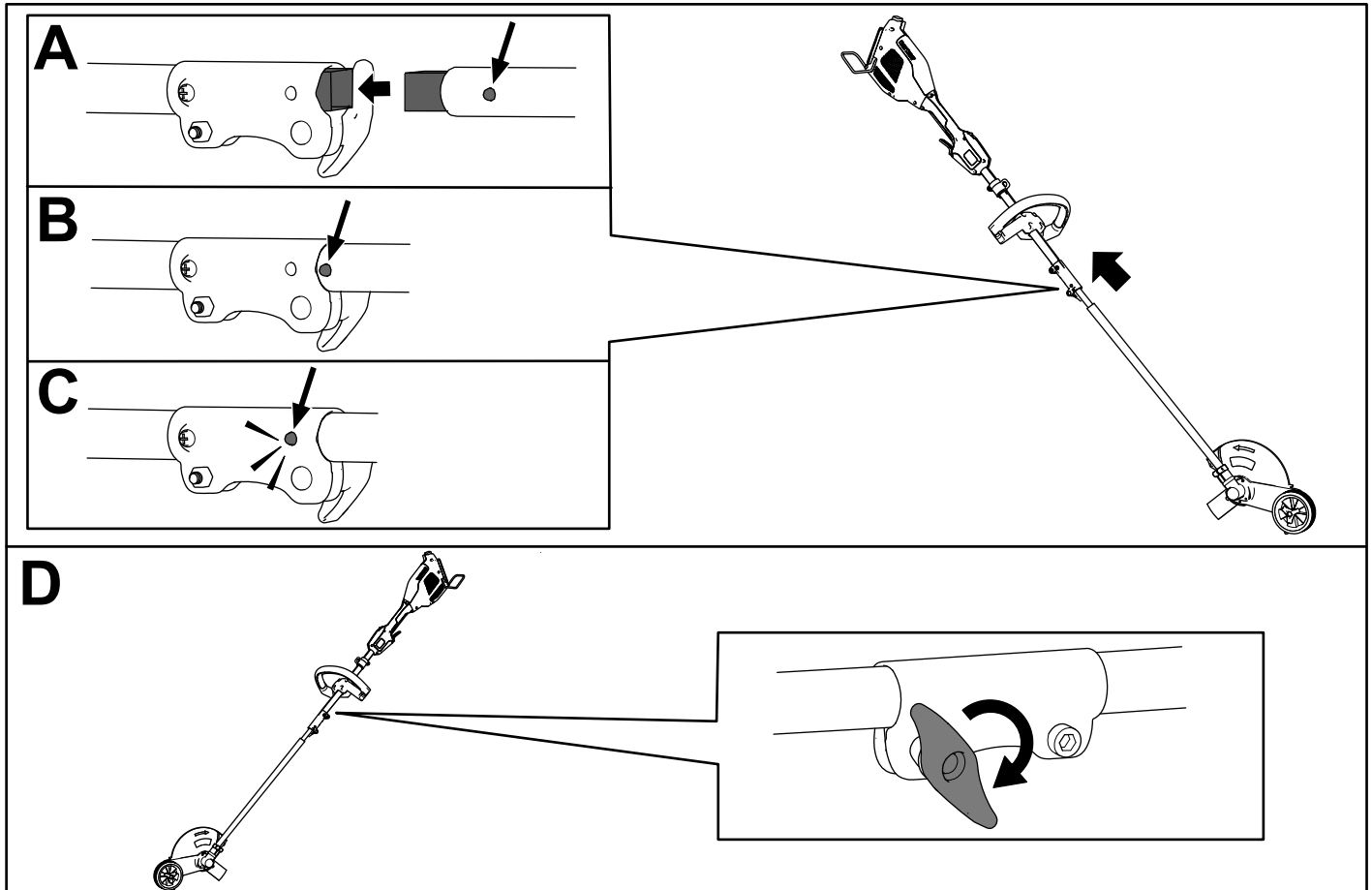
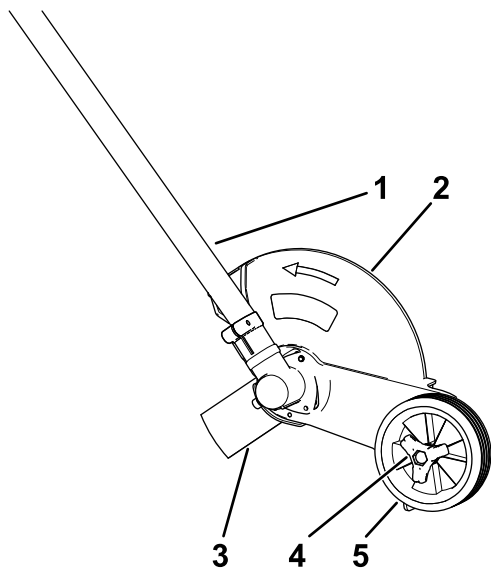


Figure 3

g367406

# Product Overview



**Figure 4**

g367403

- 1. Shaft
- 2. Guard
- 3. Edger blade
- 4. Wheel height adjustment knob
- 5. Wheel

# Specifications

<b>Model</b>	88710, attaches to 51810T
<b>Blade Length</b>	203 mm (8 inches)
<b>Rated Voltage</b>	60V DC maximum, 54 VDC nominal usage
<b>No-load Max Speed</b>	7000 rpm
<b>Weight (without battery pack)</b>	4.6 kg (10.1 lbs)

## Appropriate Temperature Ranges

Charge/store the battery pack at	5°C (41°F) to 40°C (104°F)*
Use the battery pack at	-30°C (-22°F) to 49°C (120°F)*
Use the machine at	0°C (32°F) to 49°C (120°F)*

\*Charging time will increase if you do not charge the battery within this range.

Store the tool, battery pack, and battery charger in an enclosed clean, dry area.

# Operation

## Starting the Attachment

1. Ensure that the vents on the attachment, power head, and battery are clear of any dust and debris.
2. Align the cavity in the battery pack with the tongue on the handle housing (Figure 5).

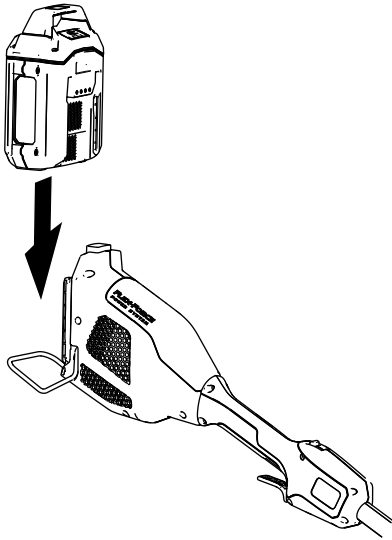


Figure 5

g357444

3. Push the battery pack into the handle until the battery locks into the latch.
4. To start the attachment, press the lockout button, then squeeze the run trigger (Figure 6).

**Note:** Slide the variable-speed switch to change the speed of the attachment.

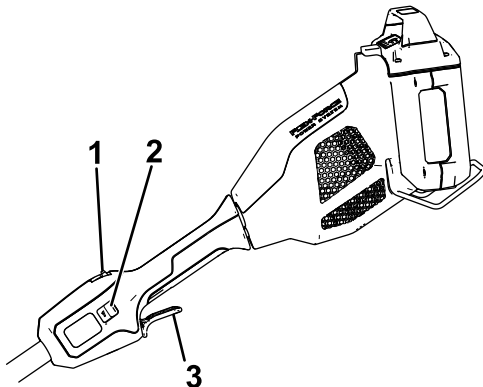


Figure 6

g357456

1. Lockout button
2. Variable-speed switch
3. Run trigger

## Shutting Off the Edger

To shut off the edger, release the run trigger (Figure 6). Allow at least 5 seconds for the blade to stop moving.

Whenever you are not using the edger or are transporting the edger to or from the work area, remove the battery pack.

## Removing the Battery Pack from the Power Head

Press the battery latch on the machine to release the battery pack and slide the battery pack out of the machine (Figure 7).

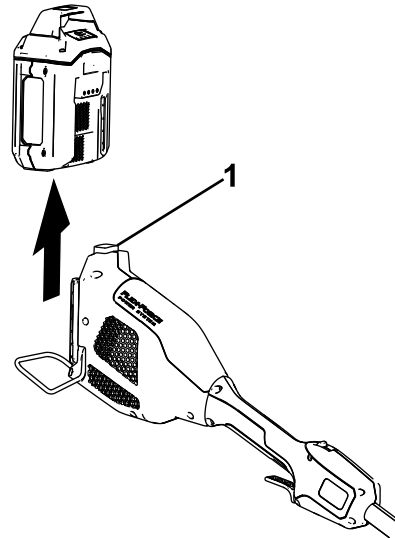


Figure 7

g357457

1. Battery latch

## Removing the Attachment from the Power Head

1. Ensure that the battery pack is removed from the power head; refer to [Removing the Battery Pack from the Power Head](#) (page 9).
2. Loosen the screw-handle on the shaft connector (Figure 3).
3. Press the locking button down while pulling the 2 shafts apart (Figure 3).

## Adjusting the Depth of Cut

1. Remove the battery from the edger.
2. Loosen the knob on the wheel and move it up or down in the track to increase or decrease the depth (Figure 8).

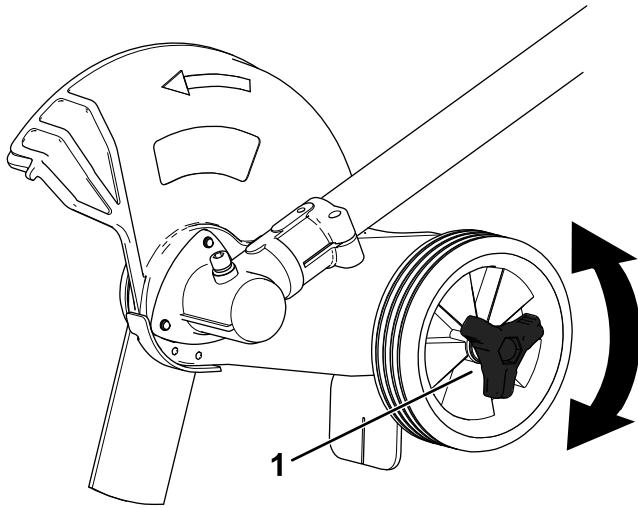


Figure 8

g367405

1. Wheel knob

- 
3. Adjust the depth so that the blade barely touches the ground when the machine is held in a normal working position.
  4. Tighten the wheel knob.
  5. Standing in a normal working position, check the depth of cut again and correct if necessary.

## Operating Tips

- Hold the edger with your right hand on the rear handle and your left hand on the front handle.
- Keep a firm grip with both hands while in operation.
- The edger should be held at a comfortable position with the rear handle at about hip height.
- The edger will edge along sidewalks, driveways, flower beds, curbs, and similar areas.
- Cut at a steady pace. If the blade begins to slow down, you are edging too fast; slow your pace. Do not force the blade into the ground.
- Light contact of the blade against the sidewalk edge, curb, etc., is acceptable and will not damage the edger.
- To achieve the best appearance, edge when grass is dry. Edging in wet soil or wet grass areas might clog the blade guard and result in an uneven edge. If the blade guard becomes clogged, stop the edger, remove the battery and remove debris from the blade guard.

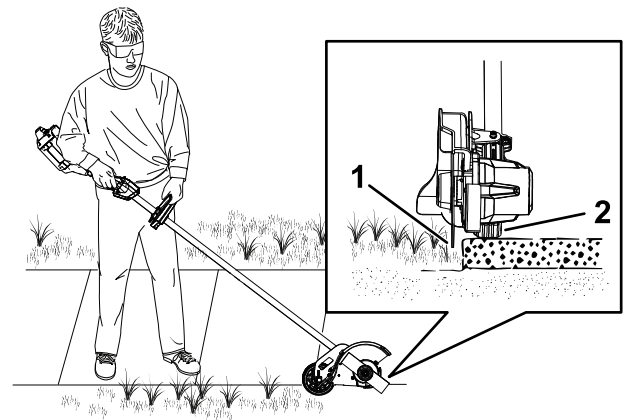


Figure 9

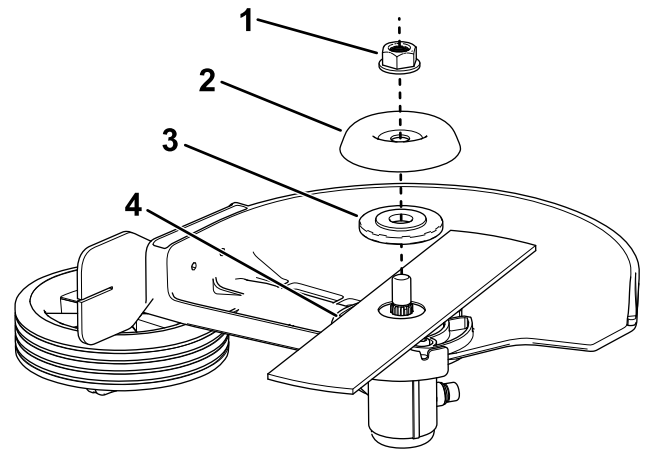
g333294

1. Blade
2. Wheel

# Maintenance

After each use of the edger, complete the following:

1. Remove the battery from the edger.
2. Wipe the edger clean with a damp cloth. Do not hose the edger down or submerge it in water.
3. Wipe or scrape clean the cutting head area any time there is an accumulation of debris.
4. Check and tighten all fasteners. If any part is damaged or lost, repair or replace it.
5. Brush debris away from air intake vents and exhaust on motor housing to prevent the motor from overheating.



g367407

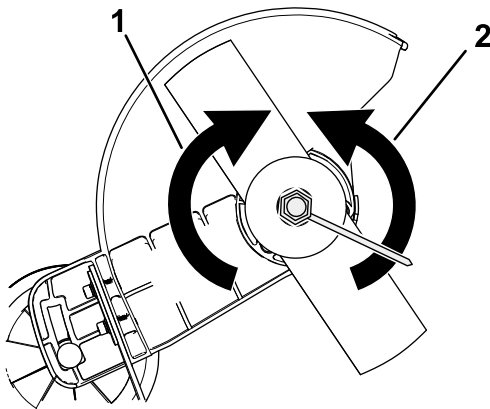
**Figure 11**

- |                       |                 |
|-----------------------|-----------------|
| 1. Blade nut          | 3. Blade washer |
| 2. Blade washer cover | 4. Blade        |

## Replacing the Blade

If the blade becomes worn, bent, or damaged, replace it; contact your authorized Toro distributor.

1. Ensure that the battery is removed from the machine.
2. Secure the blade so that it cannot spin using a gloved hand.
3. Remove the blade nut by turning it counterclockwise using a wrench ([Figure 10](#)).



g367408

**Figure 10**

- |  |  |
|--|--|
| 1. Rotate clockwise to tighten the blade nut | 2. Rotate counterclockwise to loosen the blade nut |
|--|--|

4. Remove the blade washer, blade washer cover, and the old blade from the edger shaft ([Figure 11](#)).

**Note:** You may discard the old blade.

5. Install the new blade and secure it with the previously removed blade washer, blade washer cover, and blade nut ([Figure 11](#)).

**Note:** Install the blade washer with the raised side facing away from the edger blade shaft.

# Storage

**Important:** Store the tool, battery pack, and charger only in temperatures that are within the appropriate range; refer to [Specifications \(page 8\)](#).

**Important:** If you are storing the battery pack for the off-season, remove the battery pack from the tool and charge the battery pack until 2 or 3 LED indicators turn green on the battery. Do not store a fully charged or fully depleted battery. When you are ready to use the tool again, charge the battery pack until the left indicator light turns green on the charger or all 4 LED indicators turn green on the battery.

- Disconnect the product from the power supply (i.e., remove the plug from the power supply or the battery pack) and check for damage after use.
- Do not store the tool with the battery pack installed.
- Clean all foreign material from the product.
- When not in use, store the tool, battery pack, and battery charger out of the reach of children.
- Keep the tool, battery pack, and battery charger away from corrosive agents, such as garden chemicals and de-icing salts.
- To reduce the risk of serious personal injury, do not store the battery pack outside or in vehicles.
- Store the tool, battery pack, and battery charger in an enclosed clean, dry area.

## Preparing the Battery Pack for Recycling

**Important:** Upon removal, cover the terminals of the battery pack with heavy-duty adhesive tape. Do not attempt to destroy or disassemble the battery pack or remove any of its components.

	<p>Lithium-ion battery packs labeled with the Call2Recycle seal can be recycled at any participating retailer or battery recycling facility in the Call2Recycle program (US and Canada only). To locate a participating retailer or facility closest to you, please call 1-800-822-8837 or visit <a href="http://www.call2recycle.org">www.call2recycle.org</a>. If you cannot locate a participating retailer or facility nearby, or if your rechargeable battery is not labeled with the Call2Recycle seal, please contact your local municipality for more information on how to responsibly recycle the battery. If you are located outside of the US and Canada, please contact your authorized Toro distributor.</p>
---	--

# Troubleshooting

Perform only the steps described in these instructions. All further inspection, maintenance, and repair work must be performed by an authorized service center or a similarly qualified specialist if you cannot solve the problem yourself.

Problem	Possible Cause	Corrective Action
The tool does not start.	<ol style="list-style-type: none"> <li>1. The battery is not fully installed in the tool.</li> <li>2. The battery pack is not charged.</li> <li>3. The battery pack is damaged.</li> <li>4. There is another electrical problem with the tool.</li> </ol>	<ol style="list-style-type: none"> <li>1. Remove and then replace the battery into the tool, making sure that it is fully installed and latched.</li> <li>2. Remove the battery pack from the tool and charge it.</li> <li>3. Replace the battery pack.</li> <li>4. Contact an Authorized Service Dealer.</li> </ol>
The tool does not reach full power.	<ol style="list-style-type: none"> <li>1. The battery pack charge capacity is too low.</li> <li>2. The air vents are blocked.</li> </ol>	<ol style="list-style-type: none"> <li>1. Remove the battery pack from the tool and fully charge the battery pack.</li> <li>2. Clean the air vents.</li> </ol>
The tool is producing excessive vibration or noise.	<ol style="list-style-type: none"> <li>1. There is debris on the cutting head of the edger.</li> <li>2. The blade is not properly tightened.</li> </ol>	<ol style="list-style-type: none"> <li>1. Clean any debris off from the cutting head area.</li> <li>2. Tighten the blade.</li> </ol>
The edger stops during use.	<ol style="list-style-type: none"> <li>1. The depth is set too low.</li> <li>2. Walking or cutting too fast.</li> </ol>	<ol style="list-style-type: none"> <li>1. Raise the depth of cut.</li> <li>2. Slow your pace so the machine can work effectively.</li> </ol>
The battery pack loses charge quickly.	<ol style="list-style-type: none"> <li>1. The battery pack is over or under the appropriate temperature range.</li> </ol>	<ol style="list-style-type: none"> <li>1. Move the battery pack to a place where it is dry and the temperature is between 5°C (41°F) and 40°C (104°F).</li> </ol>
The tool does not run or run continuously.	<ol style="list-style-type: none"> <li>1. There is moisture on the leads of the battery pack.</li> <li>2. The battery is not fully installed into the tool.</li> </ol>	<ol style="list-style-type: none"> <li>1. Allow the battery pack to dry or wipe it dry.</li> <li>2. Remove and then replace the battery into the tool making sure that it is fully installed and latched.</li> </ol>

# California Proposition 65 Warning Information

## What is this warning?

You may see a product for sale that has a warning label like the following:



**WARNING: Cancer and Reproductive Harm—[www.p65Warnings.ca.gov](http://www.p65Warnings.ca.gov).**

## What is Prop 65?

Prop 65 applies to any company operating in California, selling products in California, or manufacturing products that may be sold in or brought into California. It mandates that the Governor of California maintain and publish a list of chemicals known to cause cancer, birth defects, and/or other reproductive harm. The list, which is updated annually, includes hundreds of chemicals found in many everyday items. The purpose of Prop 65 is to inform the public about exposure to these chemicals.

Prop 65 does not ban the sale of products containing these chemicals but instead requires warnings on any product, product packaging, or literature with the product. Moreover, a Prop 65 warning does not mean that a product is in violation of any product safety standards or requirements. In fact, the California government has clarified that a Prop 65 warning "is not the same as a regulatory decision that a product is 'safe' or 'unsafe.'" Many of these chemicals have been used in everyday products for years without documented harm. For more information, go to <https://oag.ca.gov/prop65/faqs-view-all>.

A Prop 65 warning means that a company has either (1) evaluated the exposure and has concluded that it exceeds the "no significant risk level"; or (2) has chosen to provide a warning based on its understanding about the presence of a listed chemical without attempting to evaluate the exposure.

## Does this law apply everywhere?

Prop 65 warnings are required under California law only. These warnings are seen throughout California in a wide range of settings, including but not limited to restaurants, grocery stores, hotels, schools, and hospitals, and on a wide variety of products. Additionally, some online and mail order retailers provide Prop 65 warnings on their websites or in catalogs.

## How do the California warnings compare to federal limits?

Prop 65 standards are often more stringent than federal and international standards. There are various substances that require a Prop 65 warning at levels that are far lower than federal action limits. For example, the Prop 65 standard for warnings for lead is 0.5 µg/day, which is well below the federal and international standards.

## Why don't all similar products carry the warning?

- Products sold in California require Prop 65 labelling while similar products sold elsewhere do not.
- A company involved in a Prop 65 lawsuit reaching a settlement may be required to use Prop 65 warnings for its products, but other companies making similar products may have no such requirement.
- The enforcement of Prop 65 is inconsistent.
- Companies may elect not to provide warnings because they conclude that they are not required to do so under Prop 65; a lack of warnings for a product does not mean that the product is free of listed chemicals at similar levels.

## Why does the manufacturer include this warning?

the manufacturer has chosen to provide consumers with as much information as possible so that they can make informed decisions about the products they buy and use. the manufacturer provides warnings in certain cases based on its knowledge of the presence of one or more listed chemicals without evaluating the level of exposure, as not all the listed chemicals provide exposure limit requirements. While the exposure from the manufacturer products may be negligible or well within the "no significant risk" range, out of an abundance of caution, the manufacturer has elected to provide the Prop 65 warnings. Moreover, if the manufacturer does not provide these warnings, it could be sued by the State of California or by private parties seeking to enforce Prop 65 and subject to substantial penalties.





**Count on it.**

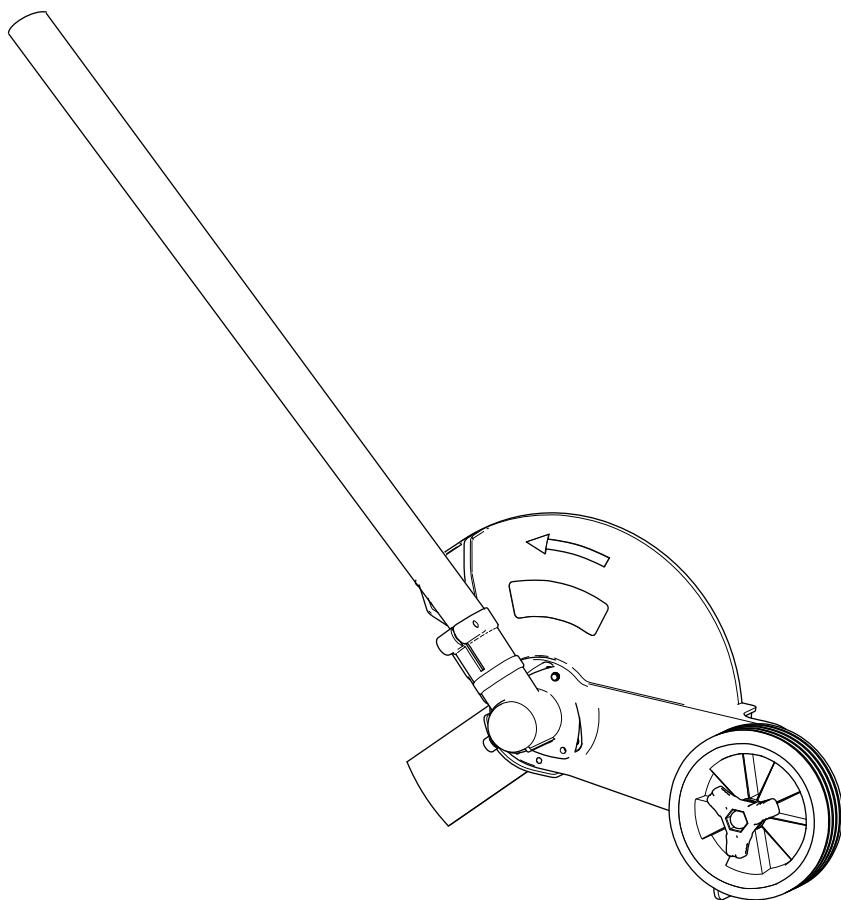
Form No. 3447-179 Rev C

**Manual del operador**

## Accesorio de cortabordes de cuchilla

Accesorio Flex-Force Power System™ 60V MAX

Nº de modelo 88710—Nº de serie 321000001 y superiores





**Si necesita ayuda, consulte los vídeos instruccionales en [www.Toro.com/support](http://www.Toro.com/support) o llame al 1-888-384-9939 antes de devolver este producto.**

mano el número de serie y de modelo del producto. [Figura 1](#) identifica la ubicación de los números de modelo y serie en el producto. Escriba los números en el espacio provisto.

## **⚠ ADVERTENCIA**

### **CALIFORNIA**

#### **Advertencia de la Propuesta 65**

**El cable eléctrico de este producto contiene plomo, que el Estado de California sabe que causa defectos congénitos u otros peligros para la reproducción. Lávese las manos después de manejar el material.**

**El uso de este producto puede provocar la exposición a sustancias químicas que el Estado de California considera causantes de cáncer, defectos congénitos u otros trastornos del sistema reproductor.**

# Introducción

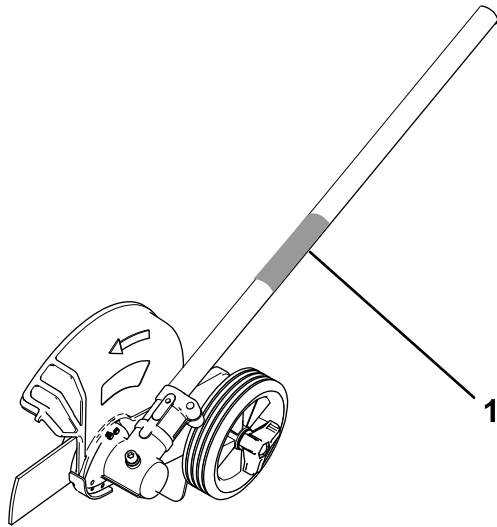
Este cortabordes está diseñado para ser usado por usuarios domésticos para recortar el césped en el borde de caminos de acceso, aceras, y similares, en espacios exteriores. Debe ser utilizado únicamente por adultos. Está diseñada para ser usada en combinación con la unidad de potencia de cabezal intercambiable Flex-Force Power System 60 V MAX de Toro, Modelo 51810T. El uso de este producto para otros propósitos que los previstos podría ser peligroso para usted y para otras personas.

Lea este manual detenidamente para aprender a utilizar y mantener correctamente su producto, y para evitar lesiones y daños al producto. Usted es responsable de utilizar el producto de forma correcta y segura.

Visite [www.Toro.com](http://www.Toro.com) para buscar materiales de formación y seguridad o información sobre accesorios, para localizar un distribuidor o para registrar su producto.

Si necesita asistencia técnica, piezas genuinas del fabricante o información adicional, póngase en contacto con un Servicio Técnico Autorizado o con el Servicio de atención al cliente del fabricante y tenga a

**Importante:** Con su dispositivo móvil, puede escanear el código QR de la pegatina del número de serie (en su caso) para acceder a información sobre la garantía, las piezas, y otra información sobre el producto.



**Figura 1**

g367404

1. Ubicación de los números de modelo y de serie

N° de modelo _____ N° de serie _____
---

Este manual identifica peligros potenciales y contiene mensajes de seguridad identificados por el símbolo de alerta de seguridad (Figura 2), que señala un peligro que puede causar lesiones graves o la muerte si usted no sigue las precauciones recomendadas.



**Figura 2**

g000502

Símbolo de alerta de seguridad

Este manual utiliza 2 palabras más para resaltar información. **Importante** llama la atención sobre información mecánica especial, y **Nota** resalta información general que merece una atención especial.

La unidad de potencia Modelo 51810T es compatible con una variedad de accesorios homologados por Toro que, en combinación, cumplen unas normas específicas; consulte la tabla siguiente para obtener más detalles.

Combinación	Modelo de la unidad de potencia	Modelo del accesorio	Norma
Desbrozadora de hilo	51810T	88716	Cumple UL STD 82 Certificado según CSA STD C22.2 N° 147
Cortabordes	51810T	88710	Cumple UL STD 82 Certificado según CSA STD C22.2 N° 147
Sierra de pértiga	51810T	88714	Cumple UL STD 82 Certificado según CSA STD C22.2 N° 147
Motoazada	51810T	88715	Cumple UL STD 82 Certificado según CSA STD C22.2 N° 147
Cortasetos	51810T	88713	Cumple UL STD 62841-4-2 Certificado según CSA STD C22.2 62841-4-2

# Seguridad

## Lea todas las instrucciones

ADVERTENCIA – cuando utilice aparatos de jardinería eléctricos, lea y observe siempre las normas básicas de seguridad y las instrucciones, a fin de reducir el riesgo de incendio, descarga eléctrica y lesiones personales:

## INSTRUCCIONES DE SEGURIDAD IMPORTANTES

### I. Formación

1. El operador del aparato es responsable de cualquier accidente o peligro que afecte a otras personas o a su propiedad.
2. No deje que los niños utilicen o jueguen con el aparato, la batería o el cargador de la batería; la normativa local puede restringir la edad del operador.
3. No permita que este dispositivo sea utilizado o mantenido por niños o por personas que no hayan recibido la formación adecuada. Sólo permita que manejen o mantengan el dispositivo personas responsables, formadas, familiarizadas con las instrucciones y físicamente capaces de utilizar la máquina.
4. Antes de utilizar el aparato, la batería y el cargador de la batería, lea todas las instrucciones y símbolos de advertencia de estos productos.
5. Familiarícese con los controles y con el uso correcto del aparato, la batería y el cargador de la batería.

### II. Preparación

1. Mantenga a otras personas y niños alejados de la zona de trabajo.
2. Utilice únicamente la batería especificada por Toro. El uso de otros accesorios puede aumentar el riesgo de incendio y lesiones.
3. Si se enchufa el cargador en una toma de corriente que no sea de 120 voltios, puede causar un incendio o una descarga eléctrica. No conecte el cargador de la batería a una toma de corriente que no sea de 120 V. Para otros tipos de conexión, utilice un adaptador en el enchufe del accesorio del tipo correcto para la toma de corriente, si es necesario.
4. No utilice la batería o el cargador de la batería si están dañados o modificados, porque podrían mostrar un comportamiento impredecible con

resultado de incendio, explosión o riesgo de lesiones.

5. Si el cable de alimentación del cargador de la batería está dañado, póngase en contacto con un Servicio Técnico Autorizado para cambiarlo.
6. No utilice baterías no recargables.
7. Cargue la batería únicamente con el cargador de la batería especificado por Toro. Un cargador diseñado para un tipo de batería puede crear un riesgo de incendio si se utiliza con otra batería.
8. Cargue la batería únicamente en una zona bien ventilada.
9. No exponga la batería o el cargador al fuego o a temperaturas superiores a 100 °C (212 °F).
10. Siga todas las instrucciones de carga y no cargue la batería si la temperatura está fuera del intervalo especificado en las instrucciones. Podría dañar la batería y aumentar el riesgo de incendio.
11. No haga funcionar el aparato sin que todos los protectores y otros dispositivos de seguridad estén colocados en el aparato y funcionen correctamente.
12. Vestimenta adecuada – lleve ropa adecuada, incluida protección ocular, pantalón largo, calzado resistente y antideslizante, guantes de goma y protección auditiva. Si tiene el pelo largo, recójase, y no lleve prendas holgadas o joyas sueltas que puedan quedar atrapadas en las piezas móviles. Lleve una mascarilla en condiciones de mucho polvo.

### III. Operación

1. Evite los entornos peligrosos – no utilice el aparato bajo la lluvia o en lugares húmedos o mojados.
2. Utilice el aparato correcto para su aplicación – el uso del aparato para otros propósitos que los previstos podría ser peligroso para usted y para otras personas.
3. Evite el encendido accidental – asegúrese de que el interruptor está en la posición de DESCONECTADO antes de conectar la batería y manejar el aparato. No lleve el aparato con el dedo sobre el interruptor; no energice el aparato con el interruptor en la posición de ENCENDIDO.
4. Utilice el aparato únicamente con luz natural o con una buena iluminación artificial.
5. Retire la batería del aparato antes de ajustarlo o cambiar de accesorio.
6. Mantenga las manos y los pies alejados de la zona de corte y de todas las piezas en movimiento.

7. Pare el aparato, retire la batería del aparato y espere a que se detenga todo movimiento antes de ajustar, revisar, limpiar o almacenar el aparato.
  8. Retire siempre la batería del aparato antes de dejarlo desatendido.
  9. No fuerce el aparato – deje que el aparato haga el trabajo mejor y con mayor seguridad a la velocidad para la que fue diseñado.
  10. No intente alcanzar zonas demasiado alejadas – pise firme y mantenga el equilibrio en todo momento, sobre todo en pendientes. Camine, no corra nunca con el aparato.
  11. Manténgase alerta – esté atento a lo que está haciendo y utilice el sentido común al trabajar con el aparato. No utilice el aparato si está enfermo, cansado o bajo la influencia de alcohol o drogas.
  12. Asegúrese de que los orificios de ventilación están libres de residuos.
  13. En condiciones abusivas, la batería puede expulsar líquido; evite el contacto. En caso de un contacto accidental con el líquido, enjuague con agua. Si el líquido entra en contacto con sus ojos, busque ayuda médica. El líquido expulsado de la batería puede causar irritación o quemaduras.
  14. CUIDADO – una batería maltratada puede representar un riesgo de incendio o quemadura química. No desmonte la batería. No caliente la batería a más de 68 °C (154 °F) ni la incinere. Sustituya la batería únicamente con una batería Toro genuina; el uso de otro tipo de batería podría provocar un incendio o una explosión. Mantenga las baterías fuera del alcance de los niños y en el embalaje original hasta su uso.
4. Pare el aparato, retire la batería del aparato y espere a que se detenga todo movimiento antes de ajustar, revisar, limpiar o almacenar el aparato.
  5. Inspeccione el aparato en busca de piezas dañadas – si hay protectores u otras piezas dañadas, determine si funciona correctamente. Compruebe que las piezas móviles están correctamente alineadas y que se mueven libremente sin agarrotarse, que están correctamente montadas, que no hay piezas rotas, y que no hay otras circunstancias que pudieran afectar a su uso. A menos que se indique lo contrario en las instrucciones, haga que un Servicio Técnico Autorizado repare o sustituya cualquier protector o componente dañado.
  6. Si la cuchilla llega a estar desgastada, doblada o dañada, cámbiela; póngase en contacto con un distribuidor autorizado Toro.
  7. No cambie los medios de corte no-metálicos existentes del aparato por medios de corte metálicos.
  8. No intente reparar o mantener el aparato, la batería o el cargador de la batería, salvo con arreglo a lo indicado en las instrucciones. Haga que un Servicio Técnico Autorizado realice el mantenimiento usando piezas de repuesto idénticas para mantener el nivel de seguridad del producto.
  9. Cuando el aparato no se está utilizando, guárdelo en un lugar seco y seguro, fuera del alcance de los niños.
  10. No tire la batería usada al fuego. Las celdas pueden explotar. Compruebe si la normativa local contiene alguna instrucción especial sobre la eliminación de las baterías.

#### **IV. Mantenimiento y almacenamiento**

1. No descuide el mantenimiento del aparato – debe estar siempre limpio y en buenas condiciones de uso para obtener el mejor rendimiento y para reducir el riesgo de lesiones. Siga las instrucciones al lubricar y cambiar de accesorio. Mantenga las empuñaduras secas, limpias y libres de aceite y grasa.
2. Cuando la batería no se está utilizando, manténgala alejada de objetos metálicos como clips, monedas, llaves, clavos y tornillos que pudieran hacer una conexión entre un terminal y otro. Un cortocircuito entre los terminales de la batería puede causar quemaduras o un incendio.
3. Mantenga las manos y los pies alejados de las piezas en movimiento.

## **GUARDE ESTAS INSTRUCCIONES**

# Pegatinas de seguridad e instrucciones



Las pegatinas de seguridad e instrucciones están a la vista del operador y están ubicadas cerca de cualquier zona de peligro potencial. Sustituya cualquier pegatina que esté dañada o que falte.

	<b>WARNING</b>	<b>TO REDUCE THE RISK OF INJURY, USER MUST READ INSTRUCTION MANUAL.</b> To reduce risk of electric shock, do not expose unit to water or operate unit on wet ground. Risk of eye injury. Use safety glasses or similar eye protection. Always use two hands when operating the unit. To reduce risk of injury to persons, remove battery pack when not in use. See instruction manual for compatible TORO 60v devices and attachments.
	<b>WARNING</b>	<b>Cancer and Reproductive Harm - <a href="http://www.P65Warnings.ca.gov">www.P65Warnings.ca.gov</a>.</b> For more information, please visit <a href="http://www.tcoCAProp65.com">www.tcoCAProp65.com</a>
	<b>AVERTISSEMENT</b>	<b>POUR RÉDUIRE LES RISQUES DE BLESSURE, L'UTILISATEUR DOIT LIRE ET COMPRENDRE LE MODE D'EMPLOI.</b> Pour réduire les risques d'électrocution, évitez tout contact de la machine avec l'eau et ne l'utilisez pas sur sol mouillé. Risque de blessure oculaire. Utilisez des lunettes de sécurité ou autre protection oculaire semblable. Toujours tenir la machine à deux mains pour l'utiliser. Pour réduire les risques de blessures corporelles, retirez la batterie quand vous ne l'utilisez pas. Voir le manuel d'instructions pour les appareils et accessoires TORO 60v compatibles.
	<b>AVERTISSEMENT</b>	<b>Cancer et Troubles de l'appareil reproducteur - <a href="http://www.P65Warnings.ca.gov">www.P65Warnings.ca.gov</a>.</b> Pour plus d'informations, veuillez visiter <a href="http://www.tcoCAProp65.com">www.tcoCAProp65.com</a>

145-3141

decal145-3141



139-5210

decal139-5210

1. Advertencia: lea el *Manual del operador*; manténgase alejado de las piezas móviles; mantenga colocados todos los protectores; utilice protección ocular; no utilice en condiciones húmedas.

# Montaje

## Conexión del accesorio a la unidad de alimentación

1. Instale el tubo cuadrado del accesorio en el tubo cuadrado de la unidad de potencia (**Figura 3, A**).
2. Alinee el botón de bloqueo de la barra inferior con el orificio ranurado de la barra superior, y junte las dos barras (**Figura 3, B y C**).
3. El botón de bloqueo encaja en el orificio ranurado al juntarse las barras (**Figura 3, C**).
4. Usando la maneta, apriete el tornillo del conector de la barra hasta que quede firme (**Figura 3, D**).

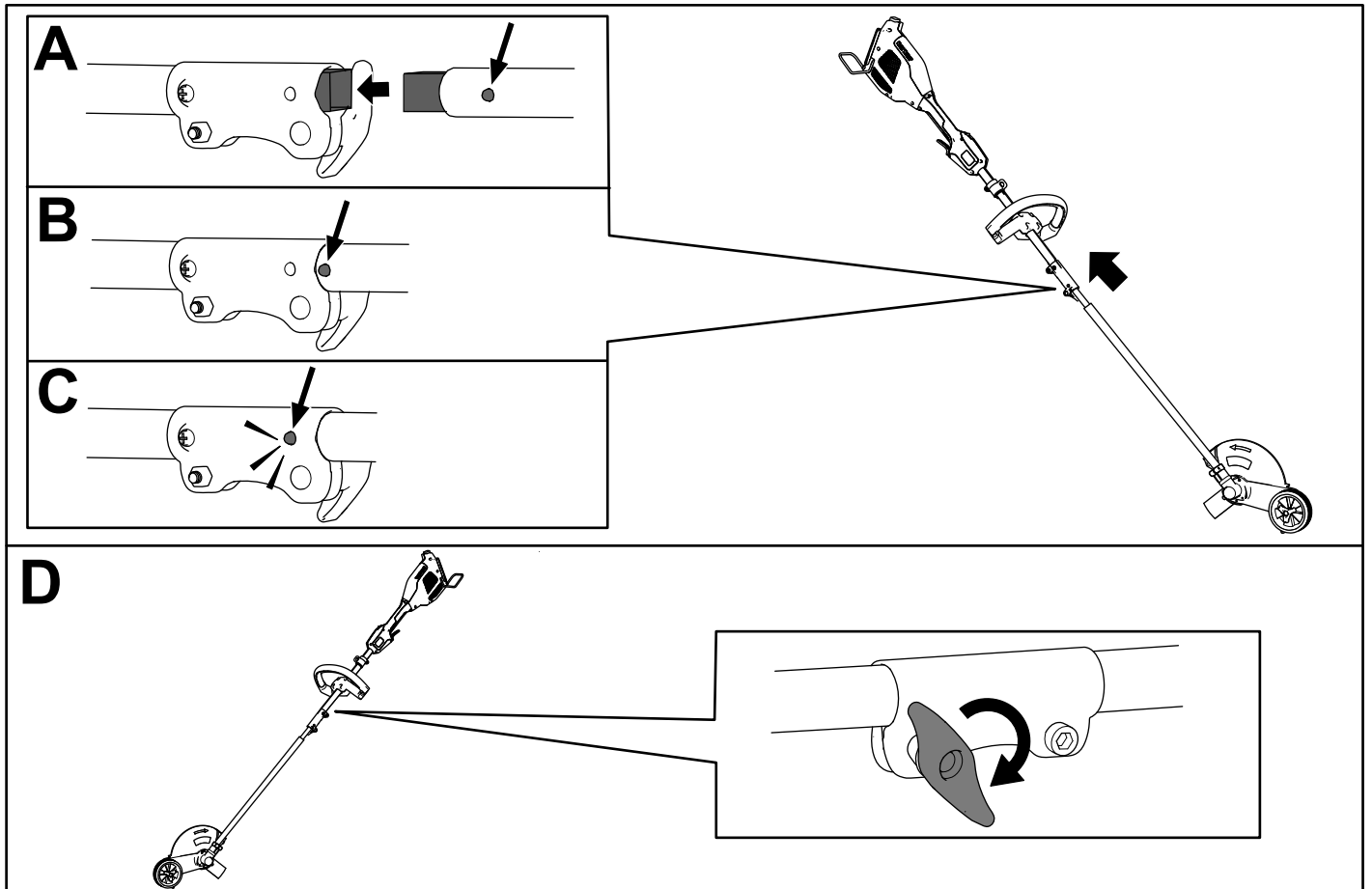
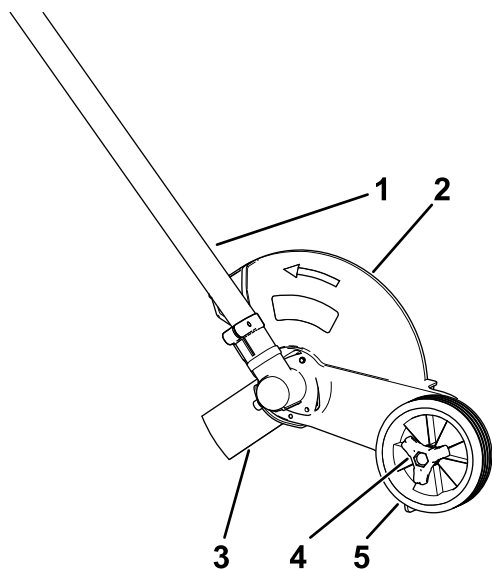


Figura 3

g367406

# El producto



**Figura 4**

1. Barra
2. Protector
3. Cuchilla del cortabordes
4. Pomo de ajuste de la altura de la rueda
5. Rueda

# Especificaciones

<b>Modelo</b>	88710, se acopla al 51810T
<b>Longitud de la cuchilla</b>	203 mm (8")
<b>Voltaje nominal</b>	Máximo 60 VCC , uso nominal 54 VCC
<b>Velocidad máxima sin carga</b>	7000 rpm
<b>Peso (sin batería)</b>	4.6 kg (10.1 libras)

## Intervalos de temperatura adecuados

Cargue/guarde la batería a	5 °C – 40 °C (41 °F – 104 °F)*
Utilice la batería a	Entre -30 °C y 49 °C (-22 °F y 120 °F)*
Utilice la máquina a	0 °C – 49 °C (32 °F – 120 °F)*

\*El tiempo de carga será mayor si la temperatura no está en este intervalo durante la carga.

Guarde la herramienta, la batería y el cargador en un lugar cerrado, limpio y seco.



# Operación

## Arranque del accesorio

1. Compruebe que los orificios de ventilación del accesorio, de la unidad de potencia y de la batería están libres de polvo y residuos.
2. Alinee el hueco de la batería con la lengüeta del alojamiento de la empuñadura ([Figura 5](#)).

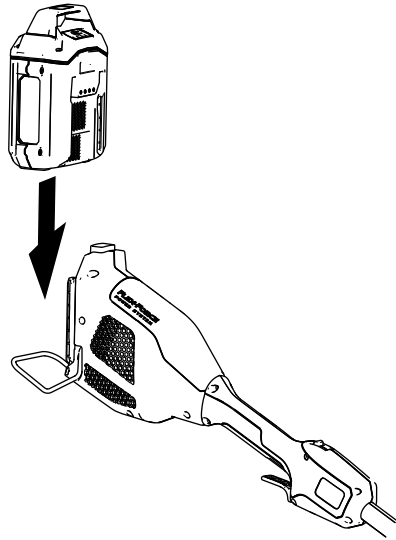


Figura 5

g357444

3. Introduzca la batería en la empuñadura hasta la batería encaje en el cierre.
4. Para arrancar el accesorio, presione el botón de bloqueo y apriete el gatillo de accionamiento ([Figura 6](#)).

**Nota:** Mueva el interruptor de velocidad variable para cambiar la velocidad del accesorio.

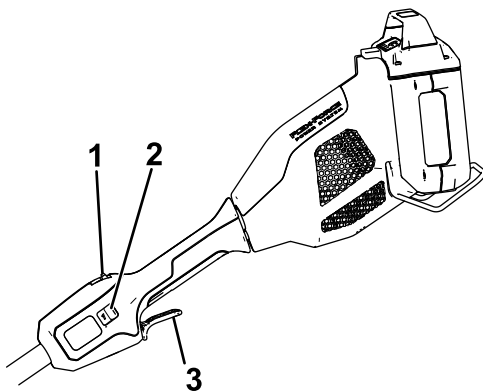


Figura 6

g357456

1. Botón de bloqueo
2. Interruptor de velocidad variable
3. Gatillo de accionamiento

## Apagado del cortabordes

Para apagar el cortabordes, suelte el gatillo de accionamiento ([Figura 6](#)). Espere al menos 5 segundos para que la cuchilla deje de girar.

Cuando no esté utilizando el cortabordes o cuando lo esté transportando a o desde el área de trabajo, retire la batería.

## Retirada de la batería de la unidad de alimentación

Presione el cierre de la batería en la máquina para liberar la batería, y retire la batería de la máquina ([Figura 7](#)).

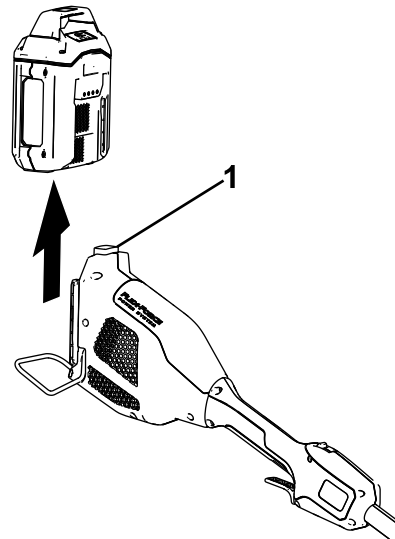


Figura 7

g357457

1. Cierre de la batería

## Retirada del accesorio de la unidad de potencia

1. Asegúrese de que la batería ha sido retirada de la unidad de potencia; consulte [Retirada de la batería de la unidad de alimentación](#) (página 9).
2. Afloje la maneta del conector de la barra ([Figura 3](#)).
3. Presione el botón de bloqueo hacia abajo y separe las dos barras ([Figura 3](#)).

# Ajuste de la profundidad de corte

1. Retire la batería del cortabordes.
2. Afloje el pomo de la rueda y muévalo hacia arriba o hacia abajo en la ranura para aumentar o reducir la profundidad (Figura 8).

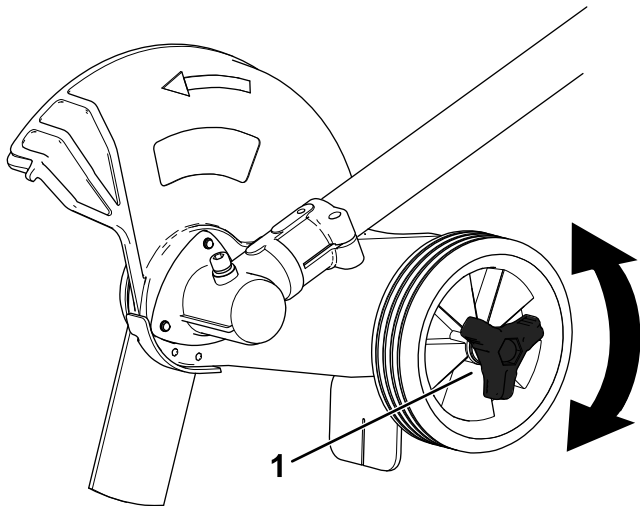


Figura 8

g367405

1. Pomo de la rueda

3. Ajuste la profundidad para que la cuchilla apenas toque el suelo cuando la máquina se sujeta en una posición de trabajo normal.
4. Apriete el pomo de la rueda.
5. Adopte una postura de trabajo normal, compruebe de nuevo la profundidad de corte y corrija si es necesario.

# Consejos de operación

- Sujete el cortabordes con la mano derecha sobre la empuñadura trasera y la mano izquierda en la empuñadura delantera.
- Agarre firmemente con las dos manos mientras trabaja.
- Sujete el cortabordes en una posición cómoda, con la empuñadura trasera a la altura de las caderas aproximadamente.
- El cortabordes puede perfilar los bordes de aceras, caminos de acceso, parterres, bordillos y otras zonas similares.
- Corte a un ritmo uniforme. Si la cuchilla empieza a ir más despacio, está cortando demasiado deprisa; reduzca la velocidad. No fuerce la cuchilla haciendo que penetre en el suelo.
- Un contacto ligero entre la cuchilla y el borde de la acera, el bordillo, etc. es aceptable y no dañará el cortabordes.
- Para obtener el mejor aspecto, corte cuando la hierba está seca. Si la tierra está húmeda o si hay zonas de césped húmedo, el protector de la cuchilla podría obturarse y el borde no se cortaría en línea recta. Si el protector de la cuchilla se obstruye, pare el cortabordes, retire la batería y elimine los residuos del protector de la cuchilla.

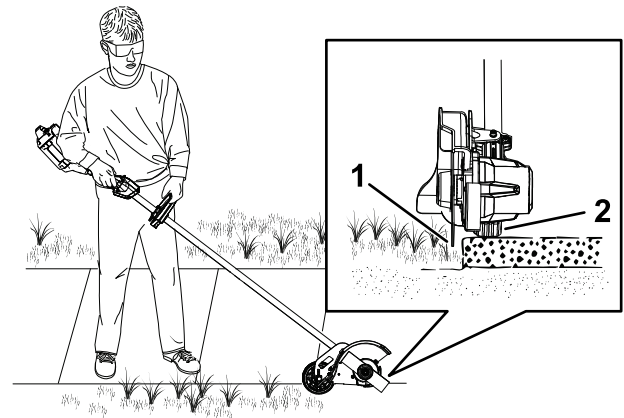


Figura 9

g333294

1. Cuchilla
2. Rueda

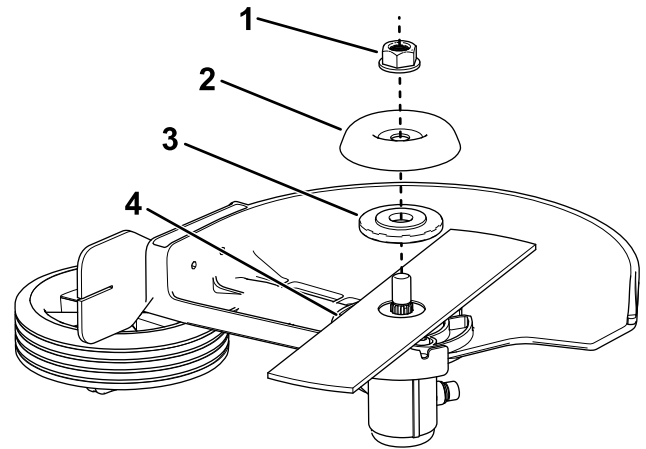
# Mantenimiento

Después de cada uso del cortabordes, complete los procedimientos siguientes:

1. Retire la batería del cortabordes.
2. Limpie el cortabordes pasando un trapo húmedo. No lave el cortabordes con una manguera ni la sumerja en agua.
3. Limpie el cabezal de corte con un paño, rascando si es necesario, si observa una acumulación de residuos.
4. Compruebe y apriete todas las fijaciones. Repare o sustituya cualquier pieza dañada o que falte.
5. Con un cepillo, elimine cualquier residuo de las entradas y salidas de aire de la carcasa del motor para evitar que se sobrecaliente el motor.

arandela y la tuerca de la cuchilla que se retiraron anteriormente (Figura 11).

**Nota:** Instale la arandela de la cuchilla en el eje con el resalte orientado hacia fuera respecto a la cuchilla del cortabordes.



g367407

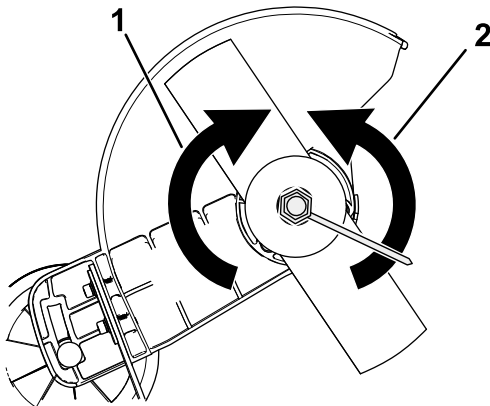
Figura 11

- |   |                            |
|---|----------------------------|
| 1. Tuerca de la cuchilla                  | 3. Arandela de la cuchilla |
| 2. Cubierta de la arandela de la cuchilla | 4. Cuchilla                |

## Sustitución de la cuchilla

Si la cuchilla llega a estar desgastada, doblada o dañada, cámbiela; póngase en contacto con un distribuidor autorizado Toro.

1. Asegúrese de que la batería está retirada de la máquina.
2. Con la mano enguantada, agarre la cuchilla para que no pueda girar.
3. Retire la tuerca de la cuchilla girándola en sentido antihorario usando una llave (Figura 10).



g367408

Figura 10

- |   |   |
|---|---|
| 1. Girar en sentido horario para apretar la tuerca de la cuchilla | 2. Girar en sentido antihorario para aflojar la tuerca de la cuchilla |
|---|---|

4. Retire la arandela de la cuchilla, la cubierta de la arandela y la cuchilla usada del eje del cortabordes (Figura 11).

**Nota:** Puede desechar la cuchilla usada.

5. Instale la cuchilla nueva y sujétela con la arandela de la cuchilla, la cubierta de la

# Almacenamiento

**Importante:** Almacene la herramienta, la batería y el cargador solo a temperaturas que estén dentro del intervalo apropiado; consulte [Especificaciones \(página 8\)](#).

**Importante:** Si va a almacenar la batería fuera de temporada, retire la batería de la herramienta y cargue la batería hasta que 2 o 3 de los indicadores LED de la batería cambien a verde. No almacene la batería completamente cargada ni completamente descargada. Antes de volver a usar la herramienta, cargue la batería hasta que se encienda el indicador izquierdo del cargador en verde, o hasta que los 4 indicadores LED de la batería cambien a verde.

- Desconecte el producto del suministro de energía (es decir, retire el enchufe del suministro de energía o la batería) y compruebe si hay daños después del uso.
- No almacene la herramienta con la batería instalada.
- Limpie cualquier material extraño del producto.
- Cuando no se estén utilizando, almacene la herramienta, la batería y el cargador de la batería fuera del alcance de los niños.
- Mantenga la herramienta, la batería y el cargador de la batería alejados de agentes corrosivos como productos químicos de jardín o sal para deshielo.
- Para reducir el riesgo de lesiones personales graves, no almacene la batería en el exterior o en un vehículo.
- Guarde la herramienta, la batería y el cargador en un lugar cerrado, limpio y seco.

## Preparación de la batería para el reciclado

**Importante:** Al retirarla, cubra los terminales de la batería con cinta adhesiva de servicio pesado. No intente destruir o desmontar la batería ni intente retirar cualquiera de los componentes de la misma.



Las baterías de iones de litio etiquetadas con el sello Call2Recycle pueden ser recicladas en cualquier comercio o instalación de reciclado de baterías adscrito al programa Call2Recycle (solo EUA y Canadá). Para localizar un comercio o una instalación adscrito cercano, llame al 1-800-822-8837 o visite [www.call2recycle.org](http://www.call2recycle.org). Si no puede localizar un comercio o instalación adscrito cercano, o si su batería recargable no está etiquetada con el sello Call2Recycle, póngase en contacto con su ayuntamiento para obtener más información sobre el reciclado responsable de la batería. Si se encuentra fuera de EUA o Canadá, póngase en contacto con su distribuidor Toro autorizado.

# Solución de problemas

Realice solo los pasos descritos en estas instrucciones. Cualquier otro trabajo de inspección, mantenimiento o reparación debe ser realizado por un Servicio Técnico Autorizado o por un especialista autorizado si no puede solucionar el problema usted mismo.

Problema	Posible causa	Acción correctora
La herramienta no arranca.	<ol style="list-style-type: none"> <li>1. La batería no está correctamente instalada en la herramienta.</li> <li>2. La batería no está cargada.</li> <li>3. La batería está dañada.</li> <li>4. Hay otro problema eléctrico con la herramienta.</li> </ol>	<ol style="list-style-type: none"> <li>1. Retire y luego vuelva a colocar la batería en la herramienta, asegurándose de que está completamente instalada y bloqueada.</li> <li>2. Retire la batería de la herramienta y cárguela.</li> <li>3. Sustituya la batería.</li> <li>4. Póngase en contacto con el Servicio Técnico Autorizado.</li> </ol>
La herramienta no alcanza la potencia completa.	<ol style="list-style-type: none"> <li>1. La batería está casi descargada.</li> <li>2. Los orificios de ventilación están obstruidos.</li> </ol>	<ol style="list-style-type: none"> <li>1. Retire la batería de la herramienta y cargue la batería completamente.</li> <li>2. Limpie los orificios de ventilación.</li> </ol>
La herramienta produce vibraciones o ruidos excesivos.	<ol style="list-style-type: none"> <li>1. Hay residuos en el cabezal de corte del cortabordes.</li> <li>2. La cuchilla no está correctamente apretada.</li> </ol>	<ol style="list-style-type: none"> <li>1. Limpie cualquier residuo de la zona del cabezal de corte.</li> <li>2. Apriete la cuchilla.</li> </ol>
El cortabordes se para durante el uso.	<ol style="list-style-type: none"> <li>1. El ajuste de profundidad es demasiado bajo.</li> <li>2. Camina o corta demasiado deprisa.</li> </ol>	<ol style="list-style-type: none"> <li>1. Eleve la profundidad de corte.</li> <li>2. Reduzca su velocidad para que la máquina pueda funcionar eficazmente.</li> </ol>
La batería se descarga rápidamente.	<ol style="list-style-type: none"> <li>1. La temperatura de la batería está por encima o por debajo del intervalo de temperatura adecuado.</li> </ol>	<ol style="list-style-type: none"> <li>1. Traslade la batería a un lugar seco cuya temperatura sea de entre 5 °C y 40 °C (41 °F y 104 °F).</li> </ol>
La herramienta no funciona, o funciona de forma intermitente.	<ol style="list-style-type: none"> <li>1. Hay humedad en los cables de la batería.</li> <li>2. La batería no está instalada por completo en la herramienta.</li> </ol>	<ol style="list-style-type: none"> <li>1. Deje que la batería se seque o séquela con un paño.</li> <li>2. Retire y luego vuelva a colocar la batería en la herramienta, asegurándose de que está completamente instalada y bloqueada.</li> </ol>

# Información sobre las Advertencias de la Proposición 65 de California

## ¿Qué significa esta advertencia?

Puede ver un producto a la venta que lleva una etiqueta de advertencia como la siguiente:



**ADVERTENCIA: Cáncer y daños reproductivos – [www.p65Warnings.ca.gov](http://www.p65Warnings.ca.gov).**

## ¿Qué es la Proposición 65?

La Proposición 65 afecta a cualquier empresa que tenga presencia en California, que venda productos en California, o que fabrique productos que podrían ser introducidos o vendidos en California. Esta ley exige que el Gobernador de California mantenga y publique una lista de sustancias químicas identificadas como causantes de cáncer, defectos de nacimiento y/u otros daños reproductivos. La lista, que se actualiza anualmente, incluye cientos de productos químicos que se encuentran en muchos artículos de uso diario. El propósito de la Proposición 65 es informar al público sobre la exposición a estos productos químicos.

La Proposición 65 no prohíbe la venta de productos que contengan estos productos químicos, sino que requiere la presencia de advertencias en el producto, el envase y la documentación suministrada con el producto. Además, una advertencia de la Proposición 65 no significa que el producto contravenga ninguna norma o requisito de seguridad. De hecho, el gobierno de California ha aclarado que una advertencia bajo la Proposición 65 "no es lo mismo que una decisión legal sobre la 'seguridad' o la 'inseguridad' de un producto". Muchos de estos productos químicos han sido utilizados durante años en productos de uso diario sin que se hayan producido daños documentados. Para obtener más información, visite <https://oag.ca.gov/prop65/faqs-view-all>.

Una advertencia de la Proposición 65 significa que una empresa (1) ha evaluado la exposición y ha concluido que supera el nivel de "sin riesgo significativo"; o (2) ha optado por proporcionar una advertencia basándose en sus conocimientos respecto a la presencia de un producto químico de los incluidos en la lista, sin intentar evaluar la exposición.

## ¿Esta ley es aplicable en todas partes?

Las advertencias de la Proposición 65 sólo son obligatorias bajo la legislación de California. Estas advertencias se ven por toda California en una gran variedad de entornos, incluyendo entre otros restaurantes, tiendas de alimentación, hoteles, escuelas y hospitales, y en una amplia variedad de productos. Además, algunos minoristas de Internet y de la venta por correo incluyen advertencias de la Proposición 65 en sus sitios web o en sus catálogos.

## ¿Qué diferencia hay entre las advertencias de California y los límites federales?

Las normas de la Proposición 65 son a menudo más exigentes que las normas federales o internacionales. Varias sustancias requieren una advertencia bajo la Proposición 65 a niveles muy inferiores a los límites federales. Por ejemplo, el nivel exigido por la Proposición 65 para las advertencias sobre el plomo es de 0.5 µg/día, que es muy inferior a lo que exigen las normas federales e internacionales.

## ¿Por qué no llevan la advertencia todos los productos similares?

- Los productos vendidos en California deben llevar etiquetas bajo la Proposición 65, mientras que otros productos similares que se venden en otros lugares no las necesitan.
- Una empresa puede estar obligada a incluir advertencias de Proposición 65 en sus productos como condición de un acuerdo tras un procedimiento legal relacionado con la Proposición 65, pero otras empresas que fabrican productos similares no tienen necesariamente la misma obligación.
- La aplicación de la Proposición 65 no es uniforme.
- Algunas empresas pueden optar por no proporcionar advertencias porque concluyen que no están obligadas a hacerlo bajo la Proposición 65; la falta de advertencias en un producto no significa que el producto esté libre de los productos químicos incluidos en la lista a niveles similares.

## ¿Por qué incluye el fabricante esta advertencia?

El fabricante ha optado por proporcionar a los consumidores la mayor cantidad posible de información para que puedan tomar decisiones informadas sobre los productos que compra y utiliza. El fabricante proporciona advertencias en ciertos casos basándose en sus conocimientos sobre la presencia de uno o más productos químicos de la lista, sin evaluar el nivel de exposición, puesto que la lista no incluye límites de exposición para todos los productos químicos que contiene. Aunque la exposición que provocan los productos del fabricante puede ser insignificante, o estar dentro de los límites de la categoría "sin riesgo significativo", el fabricante ha optado por proporcionar las advertencias de la Proposición 65 por simple precaución. Además, si el fabricante no proporcionara estas advertencias, podría ser demandada por el Estado de California o por particulares bajo la Proposición 65, y estar sujeta a importantes sanciones.



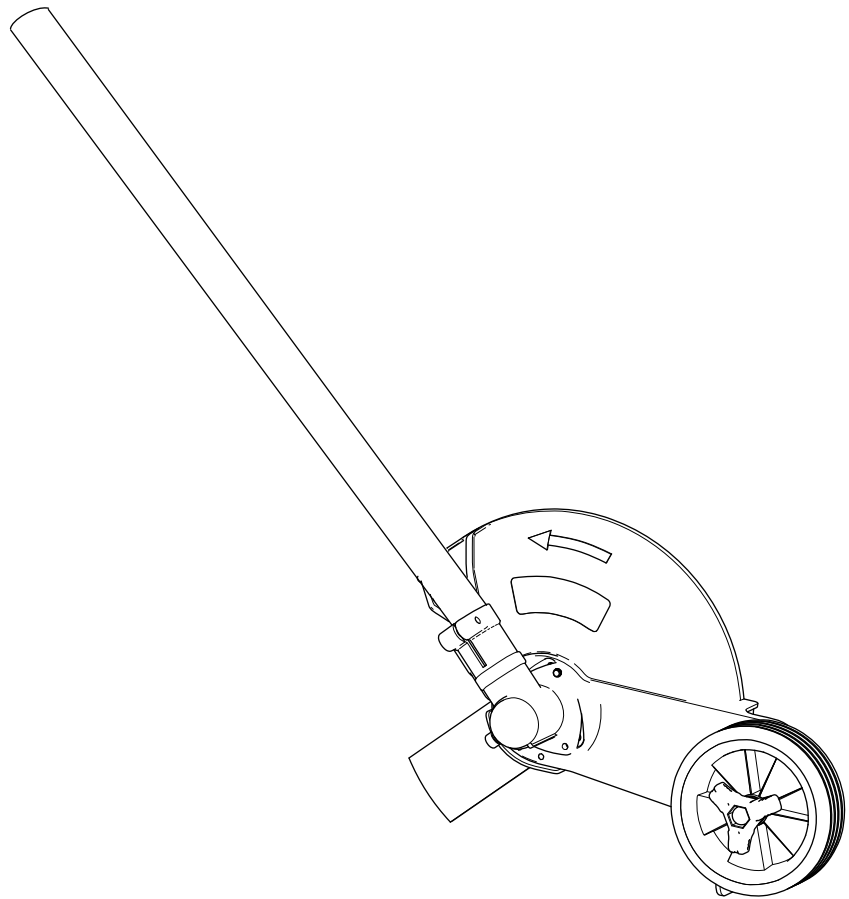
**Count on it.**

**Manuel de l'utilisateur**

# Coupe-bordures à manche

## Accessoire Flex-Force Power System™ 60 V MAX

N° de modèle 88710—N° de série 321000001 et suivants





**Si vous avez besoin d'aide, visionnez les vidéos d'instruction sur [www.Toro.com/support](http://www.Toro.com/support) ou appelez le 1-888-384-9939 avant de renvoyer ce produit.**

Pour obtenir des prestations de service, des pièces d'origine ou des renseignements complémentaires, munissez-vous des numéros de modèle et de série du produit et contactez un dépositaire-réparateur agréé ou le service client du constructeur. La [Figure 1](#) indique l'emplacement des numéros de modèle et de série du produit. Inscrivez les numéros dans l'espace réservé à cet effet.

### **⚠ ATTENTION**

#### **CALIFORNIE**

##### **Proposition 65 - Avertissement**

**Le cordon d'alimentation de cette machine contient du plomb, une substance chimique considérée par l'état de Californie comme susceptible de provoquer des malformations congénitales et autres troubles de la reproduction. Lavez-vous les mains après avoir manipulé la batterie.**

**L'utilisation de ce produit peut entraîner une exposition à des substances chimiques considérées par l'état de Californie comme capables de provoquer des cancers, des anomalies congénitales ou d'autres troubles de la reproduction.**

## **Introduction**

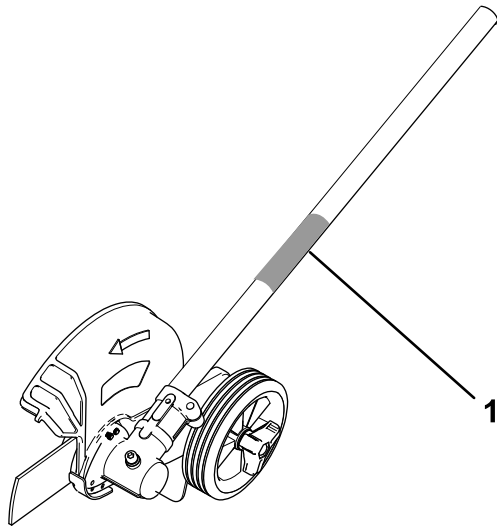
Ce coupe-bordures destiné au grand-public permet de couper l'herbe en bordure des allées, trottoirs, etc., à l'extérieur. Elle ne doit être utilisée que par des adultes. Il est conçu pour être utilisé en association avec la tête motrice modèle 51810T compatible avec les accessoires Toro Flex-Force Power System 60 V MAX. L'utilisation de ce produit à d'autres fins que celle prévue peut être dangereuse pour vous-même et toute personne à proximité.

Lisez attentivement cette notice pour apprendre comment utiliser et entretenir correctement votre produit, et éviter ainsi de l'endommager ou de vous blesser. Vous êtes responsable de l'utilisation sûre et correcte du produit.

Rendez-vous sur [www.Toro.com](http://www.Toro.com) pour tout document de formation à la sécurité et à l'utilisation des produits, pour tout renseignement concernant un produit ou un accessoire, pour obtenir l'adresse des dépositaires ou pour enregistrer votre produit.



**Important:** Avec votre appareil mobile, vous pouvez scanner le code QR sur l'autocollant du numéro de série (le cas échéant) pour accéder à l'information sur la garantie, les pièces et autres renseignements concernant le produit.



**Figure 1**

g367404

1. Emplacement des numéros de modèle et de série

N° de modèle _____
N° de série _____

Les mises en garde de ce manuel soulignent des dangers potentiels et sont signalées par le symbole de sécurité (Figure 2), qui indique un danger pouvant entraîner des blessures graves ou mortelles si les précautions recommandées ne sont pas respectées.



**Figure 2**

Symbole de sécurité

g000502

Ce manuel utilise deux termes pour faire passer des renseignements essentiels. **Important**, pour attirer l'attention sur une information d'ordre mécanique spécifique, et **Remarque**, pour souligner une information d'ordre général méritant une attention particulière.

La tête motrice modèle 51810T est compatible avec divers accessoires agréés par Toro et est conforme à des normes spécifiques en combinaison avec ces accessoires; voir le tableau suivant pour plus de précisions.

Combinaison	Modèle de tête motrice	Modèle d'accessoire	Norme
Débroussailluse à fil	51810T	88716	Conforme à UL STD 82 Certifié conforme à CSA STD C22.2 No. 147
Coupe-bordures	51810T	88710	Conforme à UL STD 82 Certifié conforme à CSA STD C22.2 No. 147
Élagueuse sur perche	51810T	88714	Conforme à UL STD 82 Certifié conforme à CSA STD C22.2 No. 147
Cultivateur	51810T	88715	Conforme à UL STD 82 Certifié conforme à CSA STD C22.2 No. 147
Taille-haies	51810T	88713	Conforme à UL STD 62841-4-2 Certifié conforme à CSA STD C22.2 62841-4-2

# Sécurité

## Lisez toutes les instructions

ATTENTION – quand vous utilisez des outils de jardinage électriques, lisez et respectez toujours les mises en garde et consignes de sécurité élémentaires pour réduire les risques d'incendie, de choc électrique et de blessure, notamment :

## IMPORTANTES CONSIGNES DE SÉCURITÉ

### I. Formation à l'utilisation

1. L'utilisateur de l'appareil est responsable des accidents et dommages causés aux autres personnes et à leurs biens.
2. N'autorisez pas les enfants à jouer avec l'appareil, la batterie ou le chargeur de batterie; certaines législations imposent un âge minimum pour l'utilisation de ce type d'appareil.
3. Ne confiez pas l'utilisation ou l'entretien de cet appareil à des enfants ou à des personnes non compétentes. Seules les personnes responsables, formées à l'utilisation de l'appareil, ayant lu et compris les instructions et physiquement aptes sont autorisées à utiliser l'appareil ou à en faire l'entretien.
4. Avant d'utiliser l'appareil, la batterie et le chargeur de batterie, lisez toutes les instructions et mises en garde qui figurent sur ces produits.
5. Familiarisez-vous avec les commandes et le maniement correct de l'appareil, de la batterie et du chargeur de batterie.

### II. Avant l'utilisation

1. N'admettez personne, notamment les enfants, dans le périmètre de travail.
2. Utilisez uniquement la batterie spécifiée par Toro. L'utilisation d'autres accessoires et outils peut accroître le risque de blessure et d'incendie.
3. Vous pouvez causer un incendie ou un choc électrique si vous branchez le chargeur de batterie à une prise qui n'est pas de 120 V. Ne branchez pas le chargeur de batterie à une prise autre que 120 V. Pour un autre mode de connexion, vous pouvez, au besoin, utiliser un adaptateur configuré correctement pour la prise.
4. N'utilisez pas la batterie ou le chargeur de batterie s'ils sont endommagés ou modifiés, car ils pourraient se comporter de manière

imprévisible et causer un incendie, une explosion ou des blessures.

5. Si le cordon d'alimentation relié au chargeur de batterie est endommagé, contactez un dépositaire-réparateur agréé pour le faire remplacer.
6. N'utilisez pas de batteries non rechargeables.
7. Ne chargez la batterie qu'avec le chargeur spécifié par Toro. Un chargeur convenant à un certain type de batterie peut créer un risque d'incendie s'il est utilisé avec une autre batterie.
8. Ne chargez la batterie que dans un endroit bien aéré.
9. N'exposez pas la batterie ou le chargeur de batterie au feu ou à des températures au-dessus de 100 °C (212 °F).
10. Suivez toutes les instructions de charge et ne chargez pas la batterie hors de la plage de température spécifiée dans les instructions. Vous risquez sinon d'endommager la batterie et d'accroître le risque d'incendie.
11. N'utilisez pas l'appareil s'il manque des capots ou d'autres dispositifs de protection, ou s'ils sont en mauvais état.
12. Portez des vêtements adéquats – portez une tenue appropriée, y compris une protection oculaire, un pantalon, des chaussures solides à semelle antidérapante, des gants de caoutchouc et des protecteurs d'oreilles. Si vos cheveux sont longs, attachez-les et ne portez pas de vêtements amples ou de bijoux pendants qui pourraient se prendre dans les pièces mobiles. Portez un masque antipoussière si l'atmosphère est poussiéreuse.

### III. Utilisation

1. Évitez les environnements dangereux – n'utilisez pas l'appareil sous la pluie ou dans des endroits humides ou détrempés.
2. Utilisez l'appareil correct pour la tâche à accomplir – l'utilisation de l'appareil à d'autres fins que celle qui est prévue peut-être dangereuse pour vous-même et toute personne à proximité.
3. Évitez tout démarrage accidentel – assurez-vous que l'interrupteur est en position ARRÊT avant de brancher la batterie et de manipuler l'appareil. Ne gardez pas le doigt sur l'interrupteur quand vous transportez l'appareil et ne mettez pas l'appareil sous tension quand l'interrupteur est en position MARCHÉ.
4. Utilisez l'appareil seulement à la lumière du jour ou sous un bon éclairage artificiel.
5. Retirez la batterie de l'appareil avant de le régler ou de changer d'accessoire.

6. N'approchez jamais les mains ou les pieds de la zone de coupe et des pièces mobiles.
  7. Arrêtez l'appareil, retirez la batterie et attendez l'arrêt de tout mouvement avant de régler, réviser, nettoyer ou ranger l'appareil.
  8. Retirez la batterie de l'appareil chaque fois que vous le laissez sans surveillance.
  9. Ne faites pas forcer l'appareil – vous obtiendrez des performances supérieures et plus sûres si vous l'utilisez à la vitesse pour laquelle il est prévu.
  10. Ne travaillez pas trop loin devant vous – gardez toujours les pieds solidement ancrés au sol et maintenez votre équilibre, en particulier sur les terrains en pente. Avancez toujours à une allure normale avec l'appareil, ne courez pas.
  11. Restez vigilant(e) – concentrez-vous sur votre tâche et faites preuve de bon sens lorsque vous utilisez l'appareil. N'utilisez pas l'appareil si vous êtes malade ou fatigué(e), ni sous l'emprise de l'alcool, de drogues ou de médicaments.
  12. Vérifiez toujours que les prises d'air sont dégagées.
  13. Dans des conditions d'utilisation abusive, du liquide peut jaillir hors de la batterie; évitez tout contact. En cas de contact accidentel avec le liquide, rincez à l'eau. En cas de contact du liquide avec les yeux, consultez un médecin. Le liquide éjecté de la batterie peut causer des irritations ou des brûlures.
  14. PRUDENCE – la batterie peut présenter un risque d'incendie ou de brûlure chimique en cas de mauvais traitement. Ne démontez pas la batterie. N'exposez pas la batterie à une température supérieure à 68 °C (154 °F) et ne l'incinerez pas. Remplacez toujours la batterie par une batterie Toro d'origine; l'utilisation de tout autre type de batterie peut entraîner un incendie ou une explosion. Conservez les batteries hors de la portée des enfants et dans leur emballage d'origine jusqu'au dernier moment avant de les utiliser.
- pourraient relier les bornes entre elles. Un court-circuit aux bornes de la batterie peut causer des brûlures ou un incendie.
3. N'approchez jamais les mains ou les pieds des pièces mobiles.
  4. Arrêtez l'appareil, retirez la batterie et attendez l'arrêt de tout mouvement avant de régler, réviser, nettoyer ou ranger l'appareil.
  5. Vérifiez si des pièces de l'appareil sont endommagées – si vous constatez que des capots, ou autres pièces, sont endommagés, déterminez si cela gênera le bon fonctionnement de l'appareil. Vérifiez qu'aucune pièce mobile n'est mal alignée ou grippée, et qu'aucune pièce n'est cassée, mal fixée ou ne présente tout autre défaut susceptible d'affecter son fonctionnement. Sauf indication contraire dans les instructions, faites réparer ou remplacer les protections ou les pièces endommagées par un dépositaire-réparateur agréé.
  6. Si lame est usée, faussée ou endommagée, remplacez-la; contactez un dépositaire Toro agréé.
  7. Ne remplacez pas les dispositifs de coupe non métallique existants de l'appareil par des équivalents en métal.
  8. Ne réviser ou réparer l'appareil, la batterie ou le chargeur de batterie qu'en vous conformant aux instructions. Pour assurer l'entretien sécuritaire du produit, ne le confiez qu'à un dépositaire-réparateur agréé utilisant exclusivement des pièces de rechange identiques.
  9. Lorsque l'appareil ne sert pas, rangez-le dans un local sûr et sec, et hors de la portée des enfants.
  10. Ne jetez pas la batterie au feu. L'élément pourrait exploser. Vérifiez si la réglementation locale impose des procédures de mise au rebut spéciales.

## **CONSERVEZ CES INSTRUCTIONS**

### **IV. Entretien et remisage**

1. Entretenez bien l'appareil – gardez-le propre et en bon état pour assurer des performances optimales et réduire les risques de blessure. Suivez les instructions de graissage et de remplacement des accessoires. Gardez les poignées sèches et propres, et exemptes d'huile et de graisse.
2. Lorsque la batterie ne sert pas, rangez-la à l'écart d'objets métalliques tels que trombones, pièces de monnaie, clés, clous et vis qui

# Autocollants de sécurité et d'instruction



Des autocollants de sécurité et des instructions bien visibles par l'opérateur sont placés près de tous les endroits potentiellement dangereux. Remplacez tout autocollant endommagé ou manquant.

**WARNING** TO REDUCE THE RISK OF INJURY, USER MUST READ INSTRUCTION MANUAL.  
To reduce risk of electric shock, do not expose unit to water or operate unit on wet ground. Risk of eye injury. Use safety glasses or similar eye protection. Always use two hands when operating the unit. To reduce risk of injury to persons, remove battery pack when not in use. See instruction manual for compatible TORO 60v devices and attachments.

**WARNING** Cancer and Reproductive Harm - [www.P65Warnings.ca.gov](http://www.P65Warnings.ca.gov).  
For more information, please visit [www.ttcocAProp65.com](http://www.ttcocAProp65.com)

**AVERTISSEMENT** POUR RÉDUIRE LES RISQUES DE BLESSURE, L'UTILISATEUR DOIT LIRE ET COMPRENDRE LE MODE D'EMPLOI. Pour réduire les risques d'électrocution, évitez tout contact de la machine avec l'eau et ne l'utilisez pas sur sol mouillé. Risque de blessure oculaire. Utilisez des lunettes de sécurité ou autre protection oculaire semblable. Toujours tenir la machine à deux mains pour l'utiliser. Pour réduire les risques de blessures corporelles, retirez la batterie quand vous ne l'utilisez pas. Voir le manuel d'instructions pour les appareils et accessoires TORO 60v compatibles.

**AVERTISSEMENT** Cancer et Troubles de l'appareil reproducteur - [www.P65Warnings.ca.gov](http://www.P65Warnings.ca.gov).  
Pour plus d'informations, veuillez visiter [www.ttcocAProp65.com](http://www.ttcocAProp65.com)

145-3141

decal145-3141



decal139-5210

139-5210

1. Attention – lisez le *Manuel de l'utilisateur*; n'approchez pas des pièces en mouvement; laissez toutes les protections en place; protégez-vous les yeux; n'utilisez pas l'appareil par temps humide.

# Mise en service

## Connexion de l'accessoire à la tête motrice

1. Insérez l'arbre carré de l'accessoire dans l'arbre carré de la tête motrice (A de [Figure 3](#)).
2. Placez le bouton de verrouillage situé sur la moitié inférieure du manche en face du trou situé sur la moitié supérieure, et emboîtez-les 2 moitiés ensemble (B et C de la [Figure 3](#)).
3. Le bouton de verrouillage s'enclenche dans le trou quand les deux moitiés du manche sont correctement emboîtées (C de la [Figure 3](#)).
4. À l'aide de la poignée, serrez la vis sur le connecteur du manche jusqu'à ce qu'il soit bien fixé (D de la [Figure 3](#)).

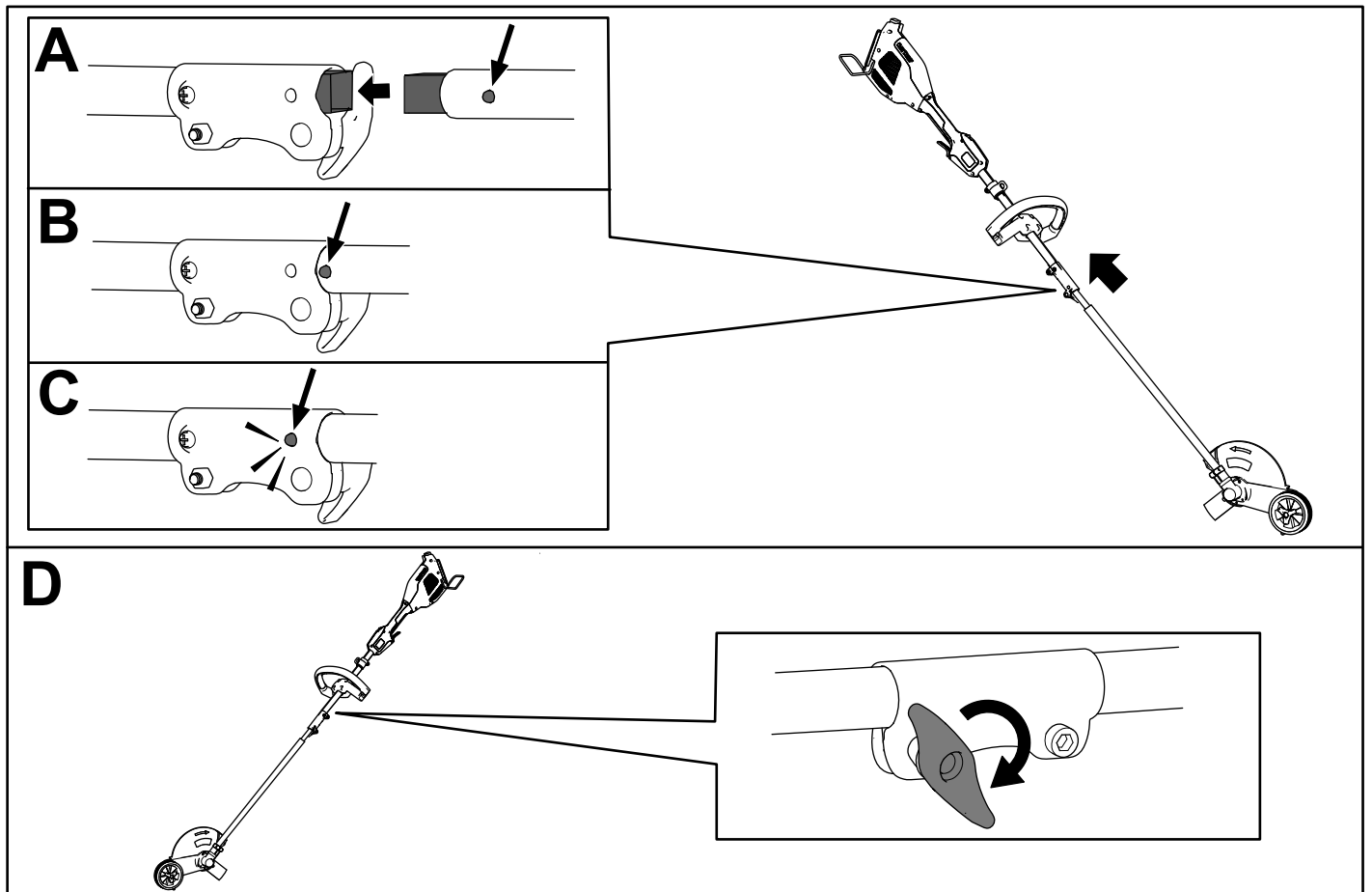


Figure 3

g367406

# Vue d'ensemble du produit

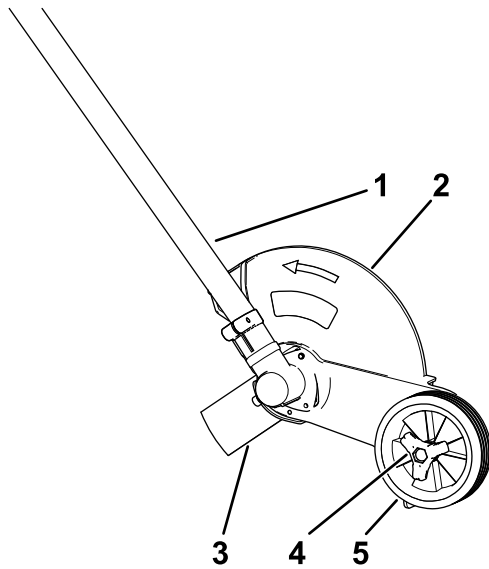


Figure 4

g367403

1. Arbre
2. Déflecteur
3. Lame du coupe-bordures
4. Bouton de réglage de hauteur de roue
5. Roue

## Caractéristiques techniques

Modèle	88710, se monte sur 51810T
Longueur de la lame	203 mm (8 po)
Tension nominale	60 V c.c. maximum, 54 V c.c. utilisation nominale
Vitesse max. sans charge	7000 tr/min
Poids (sans batterie)	4,6 kg (10,1 lb)

### Plages de température adéquates

Charger/ranger la batterie entre	5 °C (41 °F) et 40 °C (104 °F)*
Utiliser la batterie entre	-30 °C (-22 °F) et 49 °C (120 °F)*
Utiliser la machine entre	0 °C (32 °F) et 49 °C (120 °F)*

\*Le temps de charge sera plus long en dehors de cette plage de température.

Rangez l'outil, la batterie et le chargeur dans un lieu fermé, propre et sec.

# Utilisation

## Démarrage de l'accessoire

1. Vérifiez que les événements de l'accessoire, la tête motrice et la batterie sont exempts de poussière et de débris.
2. Alignez le creux de la batterie sur la languette du corps de la poignée (Figure 5).

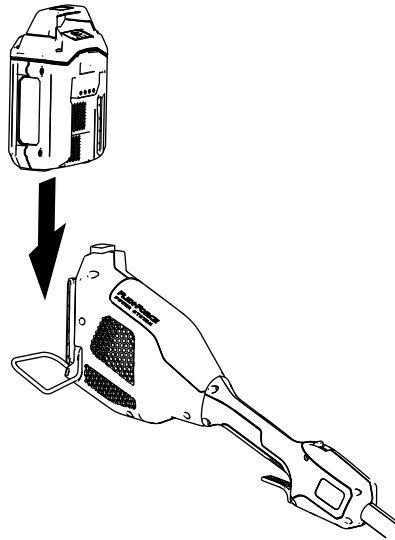


Figure 5

g357444

3. Poussez la batterie dans la poignée jusqu'à ce qu'elle s'enclenche dans le verrou.
4. Pour mettre l'accessoire en marche, appuyez sur le bouton de verrouillage, puis serrez la gâchette de marche (Figure 6).

**Remarque:** Faites coulisser la commande de vitesse variable pour modifier la vitesse de l'accessoire.

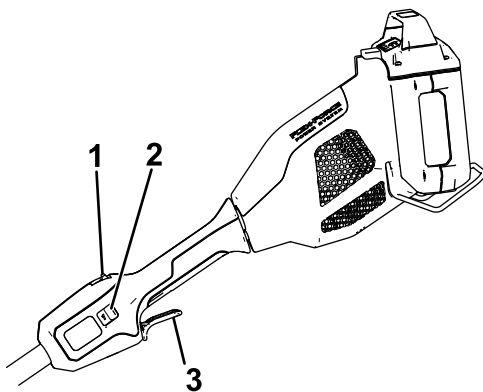


Figure 6

g357456

1. Bouton de verrouillage
2. Commande de vitesse variable
3. Gâchette de marche

## Arrêt du coupe-bordures

Relâchez la gâchette pour arrêter le coupe-bordures (Figure 6). Patientez au moins 5 secondes jusqu'à l'arrêt complet de la lame.

Retirez la batterie chaque fois que vous cessez d'utiliser le coupe-bordures ou que vous le transportez vers ou de la zone de travail.

## Retrait de la batterie de la tête motrice

Appuyez sur le verrou de batterie sur la machine afin de débloquer la batterie, et faites glisser cette dernière hors de la machine (Figure 7).

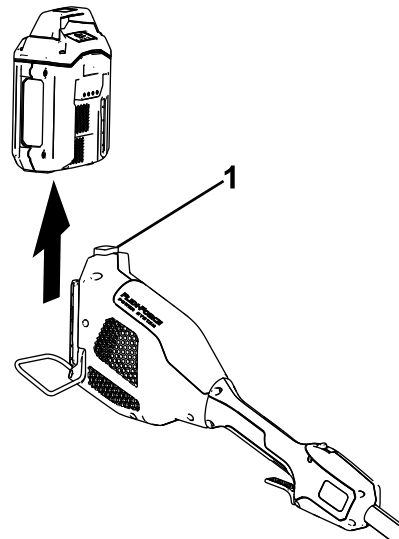


Figure 7

g357457

1. Verrou de batterie

## Dépose de l'accessoire de la tête motrice

1. Veillez à retirer la batterie de la tête motrice; voir [Retrait de la batterie de la tête motrice \(page 9\)](#).
2. Desserrez la poignée de vis sur le connecteur de l'arbre (Figure 3).
3. Appuyez sur le bouton de verrouillage tout en séparant les 2 arbres (Figure 3).

# Réglage de la profondeur de coupe

1. Retirez la batterie du coupe-bordures.
2. Desserrez le bouton sur la roue, et faites-le monter ou descendre dans la glissière pour augmenter ou réduire la profondeur de coupe (Figure 8).

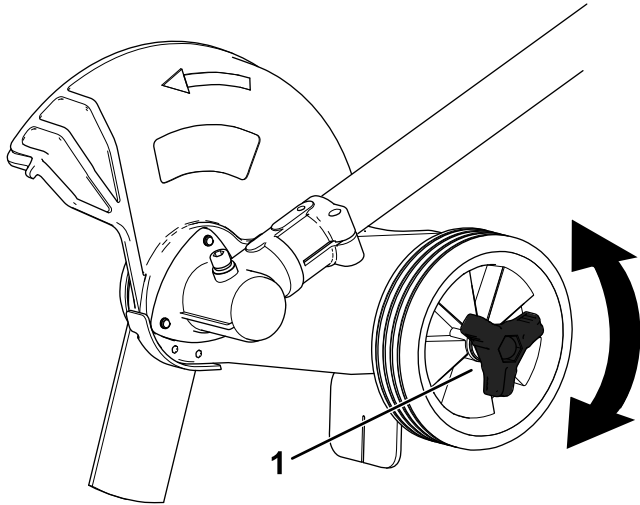


Figure 8

g367405

1. Bouton de roue

3. Réglez la profondeur de telle sorte que la lame touche à peine le sol quand vous tenez l'appareil dans la position de travail normale.
4. Serrez le bouton de la roue.
5. En vous tenant à la position de travail normale, vérifiez à nouveau la profondeur de coupe et corrigez-la au besoin.

# Conseils d'utilisation

- Tenez le coupe-bordures en posant la main droite sur la poignée arrière et la main gauche sur la poignée avant.
- Tenez fermement l'appareil des deux mains pendant l'utilisation.
- Tenez le coupe-bordures dans une position confortable, avec la poignée arrière à peu près à hauteur des hanches.
- Le coupe-bordures coupe nettement le long des trottoirs, allées, plate-bandes, bordures et zones similaires.
- Coupez à un rythme régulier. Si la lame commence à ralentir, cela signifie que vous allez trop vite; ralentissez le rythme de coupe. Ne forcez pas la lame dans le sol.
- Un léger contact de la lame contre le bord des trottoirs, les bordures, etc., est acceptable et n'endommagera pas le coupe-bordures.
- Pour un résultat optimal, passez le coupe-bordures quand l'herbe est sèche. Si vous utilisez le coupe-bordures lorsque le sol ou l'herbe est humide, la lame risque de s'obstruer et de produire un bord irrégulier. Si le protège-lame s'encrasse, arrêtez le coupe-bordures, enlevez la batterie et éliminez les débris agglomérés sur le protège-lame.

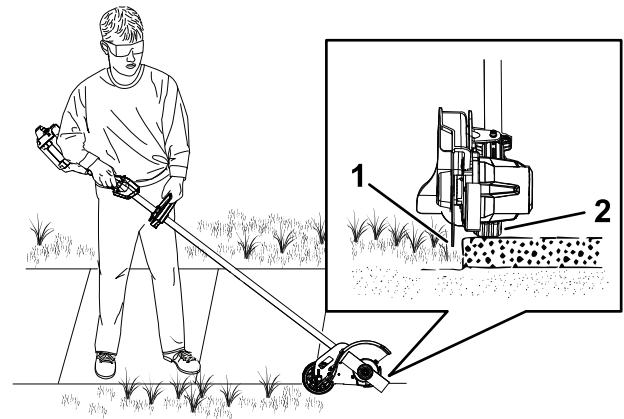


Figure 9

g333294

1. Lame
2. Roue

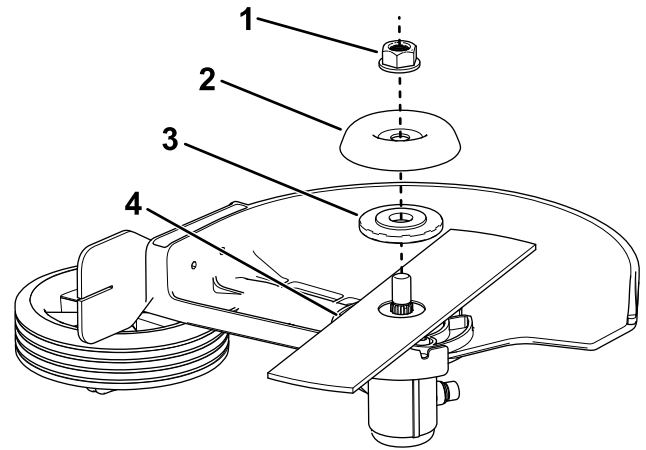


# Entretien

Après chaque utilisation du coupe-bordures, suivez les procédures ci-après :

1. Retirez la batterie du coupe-bordures.
2. Nettoyez le coupe-bordures avec un chiffon humide. Ne lavez pas le coupe-bordures au jet d'eau et ne le trempez pas dans l'eau.
3. Essuyez ou raclez la tête de coupe si des débris se sont accumulés dessus.
4. Contrôlez et resserrez toutes les fixations. Réparez ou remplacez les pièces éventuellement endommagées ou manquantes.
5. Enlevez à la brosse les débris accumulés sur les prises d'air et l'échappement du carter du moteur pour empêcher le moteur de surchauffer.

**Remarque:** Installez la rondelle avec le côté surélevé à l'opposé de l'arbre du coupe-bordures.



g367407

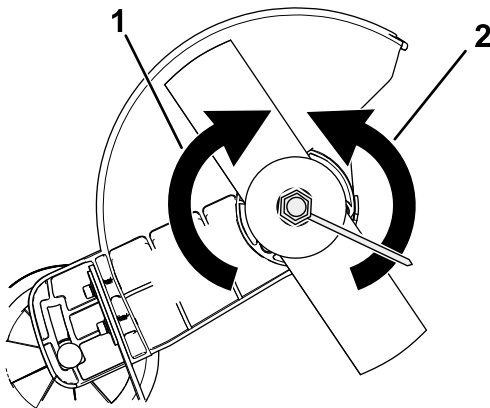
Figure 11

- |                          |                     |
|--------------------------|---------------------|
| 1. Écrou de lame         | 3. Rondelle de lame |
| 2. Couvercle de rondelle | 4. Lame             |

## Remplacement de la lame

Si la lame est usée, faussée ou endommagée, remplacez-la; contactez un dépositaire Toro agréé.

1. Veillez à retirer la batterie de la machine.
2. Enfilez un gant pour tenir la lame et l'empêcher de tourner.
3. Retirez l'écrou de la lame en le tournant dans le sens antihoraire avec une clé (Figure 10).



g367408

Figure 10

- |  |   |
|--|---|
| 1. Tourner dans le sens horaire pour serrer l'écrou de la lame | 2. Tourner dans le sens antihoraire pour desserrer l'écrou de la lame |
|--|---|

4. Retirez la rondelle, le couvercle de la rondelle et l'ancienne lame de l'arbre du coupe-bordures (Figure 11).

**Remarque:** Vous pouvez mettre la lame au rebut

5. Installez la nouvelle lame et fixez-la en place avec la rondelle, le couvercle de la rondelle et l'écrou retirés précédemment (Figure 11).

# Remisage

**Important:** Remisez l'outil, la batterie et le chargeur uniquement à des températures comprises dans la plage adéquate; voir [Caractéristiques techniques \(page 8\)](#).

**Important:** Si vous remisez la batterie à la fin de la saison, retirez-la de l'outil et chargez-la jusqu'à ce que 2 ou 3 de ses diodes deviennent vertes. Ne remisez pas une batterie complètement chargée ou complètement déchargée. Avant de réutiliser l'outil, chargez la batterie jusqu'à ce que le voyant gauche devienne vert sur le chargeur, ou que les 4 diodes de la batterie deviennent vertes.

- Débranchez le produit de l'alimentation (autrement dit, retirez la prise de l'alimentation ou de la batterie) et recherchez tout dommage éventuel après utilisation.
- Ne remisez pas l'outil en laissant la batterie dessus.
- Débarrassez l'appareil de tout corps étranger.
- Lorsqu'ils ne sont pas utilisés, rangez l'outil, la batterie et le chargeur de batterie hors de la portée des enfants.
- N'approchez pas l'outil, la batterie et le chargeur des agents corrosifs, tels les produits chimiques de jardinage et les sels de dégivrage.
- Pour réduire les risques de blessures graves, ne rangez pas la batterie à l'extérieur ou dans un véhicule.
- Rangez l'outil, la batterie et le chargeur dans un lieu fermé, propre et sec.

## Préparation de la batterie pour le recyclage

**Important:** Après avoir retiré la batterie, recouvrez les bornes de ruban adhésif épais. N'essayez pas de détruire ou de démonter la batterie ni de déposer aucun de ses composants.



Les batteries ion-lithium avec le label Call2Recycle peuvent être recyclées dans n'importe quel centre de recyclage participant au programme Call2Recycle (États-Unis et Canada seulement). Pour trouver le revendeur ou le centre participant le plus proche, téléphonez au 1-800-822-8837 ou rendez-vous sur [www.call2recycle.org](http://www.call2recycle.org). Si vous ne trouvez pas de revendeur ou de centre à proximité, ou si votre batterie rechargeable ne porte pas le label Call2Recycle, contactez votre municipalité pour vous renseigner sur le recyclage responsable de la batterie. Hors des États-Unis et du Canada, veuillez contacter votre dépositaire Toro agréé.

# Dépistage des défauts

Effectuez uniquement les opérations décrites dans cette notice. Tout autre contrôle, entretien ou réparation doit être réalisé par un centre d'entretien agréé ou un spécialiste qualifié si vous n'arrivez pas à résoudre le problème vous-même.

Problème	Cause possible	Mesure corrective
L'outil ne démarre pas.	<ol style="list-style-type: none"><li>1. La batterie n'est pas complètement installée dans l'outil.</li><li>2. La batterie n'est pas chargée.</li><li>3. La batterie est endommagée.</li><li>4. L'outil a un problème de nature électrique.</li></ol>	<ol style="list-style-type: none"><li>1. Retirez et remettez la batterie en place dans l'outil, en vérifiant qu'elle est complètement insérée et enclenchée.</li><li>2. Retirez la batterie de l'outil et chargez-la.</li><li>3. Remplacez la batterie.</li><li>4. Contactez un dépositaire-réparateur agréé.</li></ol>
L'outil n'atteint pas sa pleine puissance.	<ol style="list-style-type: none"><li>1. La capacité de charge de la batterie est trop faible.</li><li>2. Les prises d'air sont obstruées.</li></ol>	<ol style="list-style-type: none"><li>1. Retirez la batterie de l'outil et chargez-la complètement.</li><li>2. Nettoyez les prises d'air.</li></ol>
L'outil produit des vibrations ou des bruits excessifs.	<ol style="list-style-type: none"><li>1. Des débris sont déposés sur la tête de coupe du coupe-bordures.</li><li>2. La lame n'est pas serrée correctement.</li></ol>	<ol style="list-style-type: none"><li>1. Enlevez les débris présents sur la tête de coupe.</li><li>2. Serrez la lame.</li></ol>
Le coupe-bordures s'arrête pendant l'utilisation.	<ol style="list-style-type: none"><li>1. La profondeur de coupe est trop basse.</li><li>2. Vous marchez ou travaillez trop vite.</li></ol>	<ol style="list-style-type: none"><li>1. Augmentez la profondeur de coupe.</li><li>2. Ralentissez pour que la machine fonctionne de manière plus efficace.</li></ol>
La batterie se décharge rapidement.	<ol style="list-style-type: none"><li>1. La température de la batterie est supérieure ou inférieure à la plage de température appropriée.</li></ol>	<ol style="list-style-type: none"><li>1. Placez la batterie dans un endroit sec, où la température est comprise entre 5 °C (41 °F) et 40 °C (104 °F).</li></ol>
L'outil ne fonctionne pas ou fonctionne par intermittence.	<ol style="list-style-type: none"><li>1. Il y a de l'humidité sur les fils de la batterie.</li><li>2. La batterie n'est pas complètement installée dans l'outil.</li></ol>	<ol style="list-style-type: none"><li>1. Laissez sécher ou essuyez la batterie.</li><li>2. Retirez et remettez la batterie en place dans l'outil, en vérifiant qu'elle est complètement insérée et enclenchée.</li></ol>

# Proposition 65 de Californie – Information concernant cet avertissement

## En quoi consiste cet avertissement?

Certains produits commercialisés présentent une étiquette d'avertissement semblable à ce qui suit :



**AVERTISSEMENT : Cancer et troubles de la reproduction –**  
[www.p65Warnings.ca.gov](http://www.p65Warnings.ca.gov).

## Qu'est-ce que la Proposition 65?

La Proposition 65 s'applique à toute société exerçant son activité en Californie, qui vend des produits en Californie ou qui fabrique des produits susceptibles d'être vendus ou importés en Californie. Elle stipule que le Gouverneur de Californie doit tenir et publier une liste des substances chimiques connues comme causant des cancers, malformations congénitales et/ou autres troubles de la reproduction. Cette liste, qui est mise à jour chaque année, comprend des centaines de substances chimiques présentes dans de nombreux objets du quotidien. La Proposition 65 a pour objet d'informer le public quant à l'exposition à ces substances chimiques.

La Proposition 65 n'interdit pas la vente de produits contenant ces substances chimiques, mais impose la présence d'avertissements sur tout produit concerné, sur son emballage ou sur la documentation fournie avec le produit. D'autre part, un avertissement de la Proposition 65 ne signifie pas qu'un produit est en infraction avec les normes ou exigences de sécurité du produit. D'ailleurs, le gouvernement californien a clairement indiqué qu'un avertissement de la Proposition 65 « n'est pas une décision réglementaire quant au caractère « sûr » ou « dangereux » d'un produit ». Bon nombre de ces substances chimiques sont utilisées dans des produits du quotidien depuis des années, sans aucun effet nocif documenté. Pour plus de renseignements, rendez-vous sur <https://oag.ca.gov/prop65/faqs-view-all>.

Un avertissement de la Proposition 65 signifie qu'une société a soit (1) évalué l'exposition et conclu qu'elle dépassait le « niveau ne posant aucun risque significatif »; soit (2) choisi d'émettre un avertissement simplement sur la base de sa compréhension quant à la présence d'une substance chimique de la liste, sans tenter d'en évaluer l'exposition.

## Cette loi s'applique-t-elle partout?

Les avertissements de la Proposition 65 sont exigés uniquement en vertu de la loi californienne. Ces avertissements sont présents dans tout l'état de Californie, dans des environnements très variés, notamment mais pas uniquement les restaurants, magasins d'alimentation, hôtels, écoles et hôpitaux, et sur un vaste éventail de produits. En outre, certains détaillants en ligne et par correspondance fournissent des avertissements de la Proposition 65 sur leurs sites internet ou dans leurs catalogues.

## Quelles différences entre les avertissements de Californie et les limites fédérales?

Les normes de la Proposition 65 sont souvent plus strictes que les normes fédérales et internationales. Diverses substances exigent un avertissement de la Proposition 65 à des niveaux bien inférieurs aux limites d'intervention fédérales. Par exemple, la norme de la Proposition 65 en matière d'avertissements pour le plomb se situe à 0,5 µg/jour, soit bien moins que les normes fédérales et internationales.

## Pourquoi l'avertissement ne figure-t-il pas sur tous les produits semblables?

- Pour les produits commercialisés en Californie, l'étiquetage Proposition 65 est exigé, tandis qu'il ne l'est pas sur des produits similaires commercialisés ailleurs.
- Il se peut qu'une société impliquée dans un procès lié à la Proposition 65 et parvenant à un accord soit obligée d'utiliser les avertissements de la Proposition 65 pour ses produits, tandis que d'autres sociétés fabriquant des produits semblables peuvent ne pas être soumises à cette obligation.
- L'application de la Proposition 65 n'est pas uniforme.
- Certaines sociétés peuvent choisir de ne pas indiquer d'avertissements car elles considèrent qu'elles n'y sont pas obligées au titre de la Proposition 65; l'absence d'avertissements sur un produit ne signifie pas que le produit ne contient pas de substances de la liste à des niveaux semblables.

## Pourquoi le fabricant inclut-il cet avertissement?

Le fabricant a choisi de fournir aux consommateurs le plus d'information possible afin qu'ils puissent prendre des décisions éclairées quant aux produits qu'ils achètent et utilisent. Le fabricant fournit des avertissements dans certains cas d'après ses connaissances quant à la présence de l'une ou plusieurs des substances chimiques de la liste, sans en évaluer le niveau d'exposition, car des exigences de limites ne sont pas fournies pour tous les produits chimiques de la liste. Bien que l'exposition associée aux produits du fabricant puisse être négligeable ou parfaitement dans les limites « sans aucun risque significatif », par mesure de précaution, le fabricant a décidé de fournir les avertissements de la Proposition 65. De plus, en l'absence de ces avertissements, le fabricant pourrait faire l'objet de poursuites par l'État de Californie ou par des particuliers cherchant à faire appliquer la Proposition 65, et donc assujettie à d'importantes pénalités.