



Count on it.

Parts Catalog

**Greensmaster® eTriFlex 3370
Traction Unit**

Model No. 04590—Serial No. 410300000 and Up



Ordering Replacement Parts

To order replacement parts, please supply the part number, the quantity, and the description of each part desired.

Understanding Reference Numbers

Each identified part in an illustration has a reference number. The reference number for a part also appears in the parts list, along with other information about the part.

This catalog uses two special reference number formats, one to indicate parts in a service assembly and another to indicate the quantity of a given part in an illustration.

Service Assembly Reference Numbers

Parts in service assemblies have reference numbers in the form a:b. The a represents the reference number of the entire service assembly and the b represents a sequential number unique to each part within the service assembly.

For example, a wheel assembly might be identified by reference number 6, the tire by 6:1, the valve by 6:2, and the wheel by 6:3. When you order the assembly identified by reference number 6, you receive all parts identified by reference numbers 6:1, 6:2, and 6:3. However, you may also order any part individually. Reference numbers of this type appear in illustration and in parts lists.

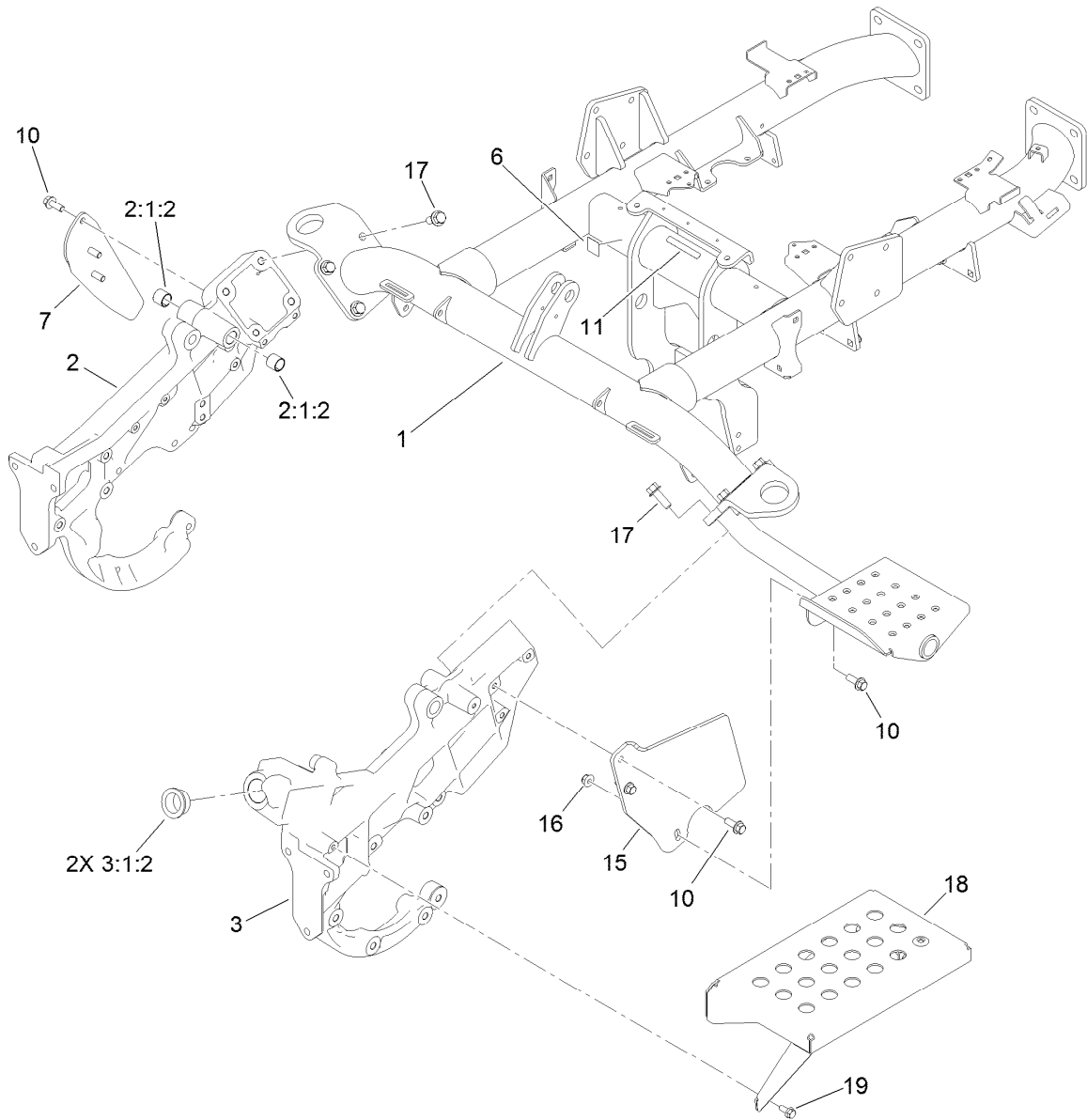
Reference Numbers Indicating Quantity

In an illustration, if a reference number indicates more than one part, the reference number has the form nX y. The n represents the quantity of the part, the X is the multiplication symbol, and the y represents the reference number.

For example, in an illustration, the reference number 2X 37 means that two of the parts identified by reference number 37 are indicated.

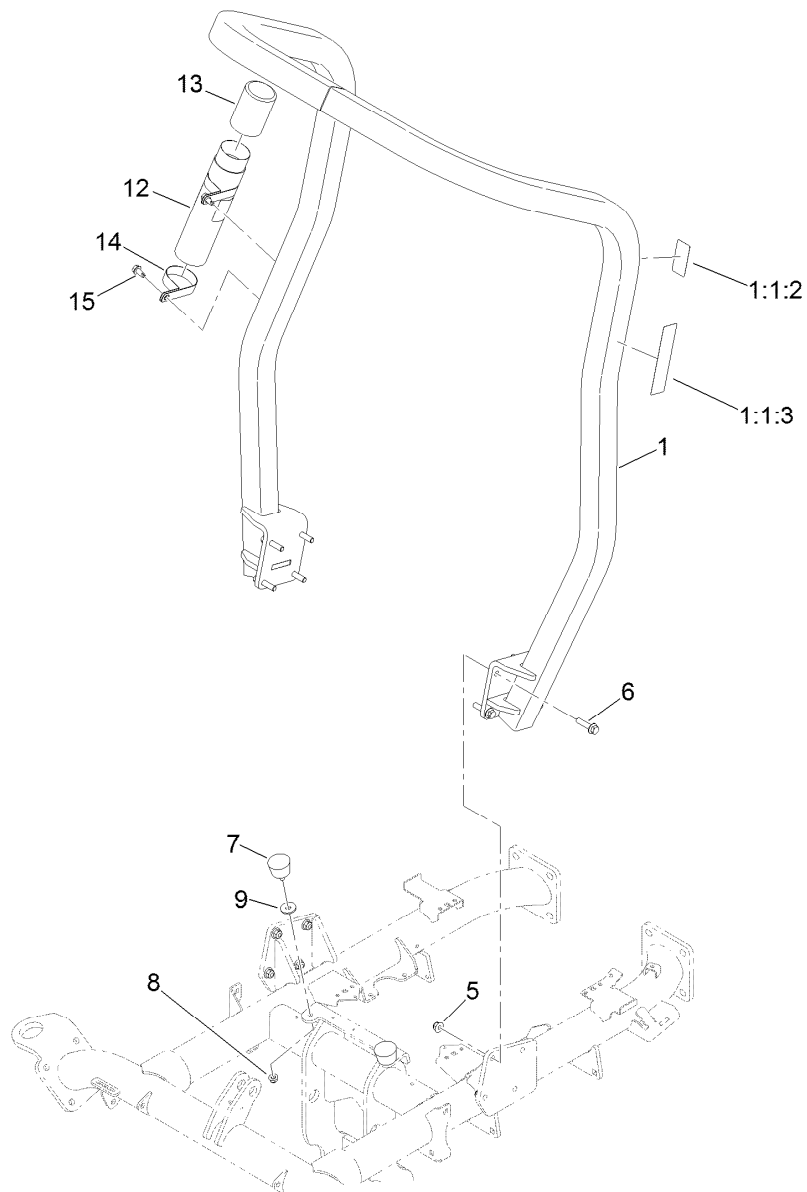
Contents

Frame Assembly	4
ROPS Assembly	5
Platform Assembly	6
Traction Pedal Assembly	7
Brake Pedal Assembly	8
Brake Actuator Assembly	9
Brake Rod Assembly No. 137-2185	10
Steering Assembly	11
Wheel and Tire Assembly	12
Wheel Spindle Assembly No. 119-4490	13
Console Assembly	14
Joystick Bracket Assembly No. 120-5280	15
Seat Plate Assembly	16
Top Battery Tray Assembly	17
Side Battery Tray Assembly	18
Traction Assembly	19
RH Wheel Motor Assembly No. 139-8565	20
Gearbox Assembly No. 127-1529	21
LH Wheel Motor Assembly No. 139-8567	22
Lift Assembly	23
Suspension, Reel Motor and Basket Assembly	24
Electric Reel Motor Assembly No. 138-8905	25
Electric Motor Assembly	26
Basket Assembly No. 132-9599	27
Suspension Pin Position Assembly	28
Hood Assembly	29
Hood Assembly No. 139-8317	30
Electrical Assembly	31
Wire Harness Assembly No. 122-1922	33
Controller Assembly	34
Harness Bracket Assembly	35
Suspension A-Arm Assembly	36
Suspension Crossarm Assembly	37
Top Battery Installation Assembly	38
Battery Assembly No. 04070	39
Side Battery Installation Assembly	40
1200 Watt Lithium Battery Charger Assembly	41
Attachments and Accessories	42



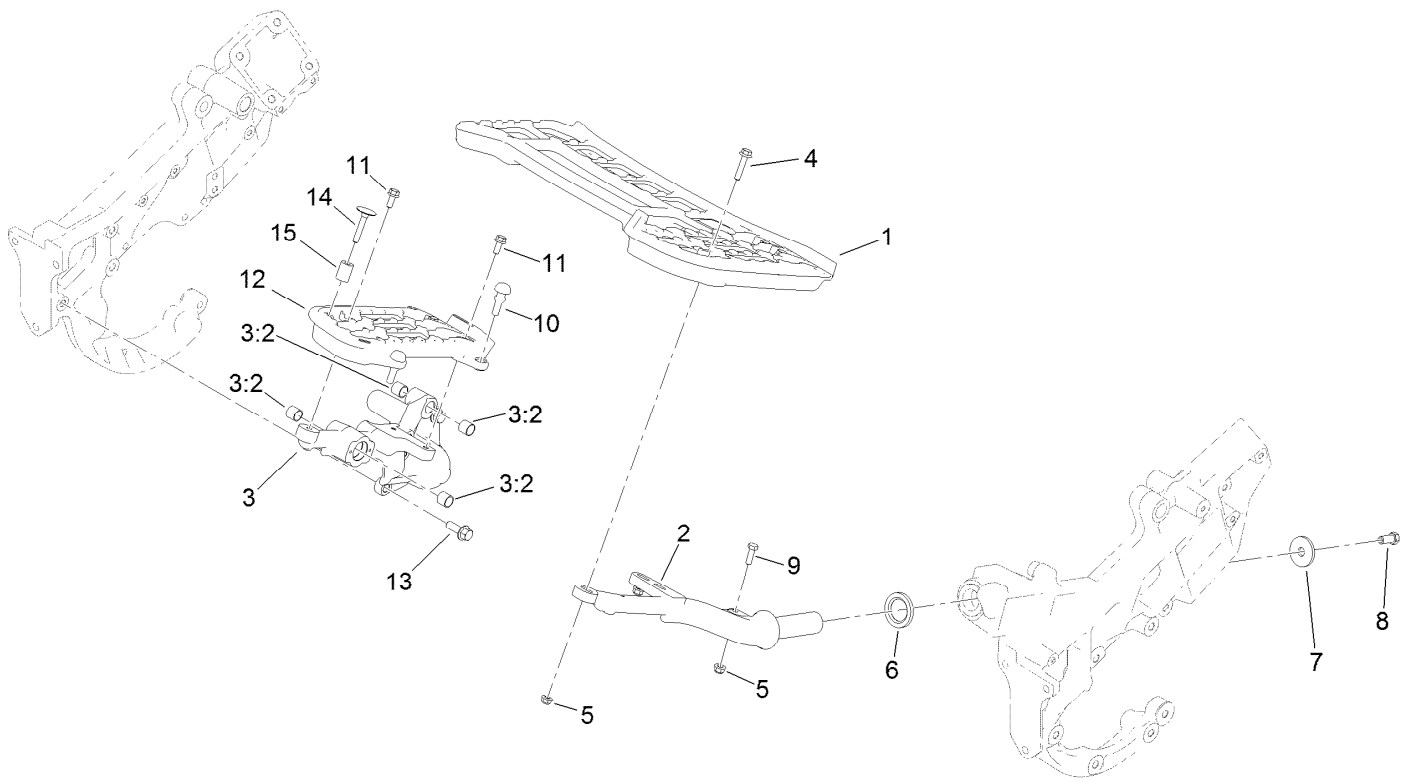
Frame Assembly

Ref.	Part Number	Qty.	Description
1	139-8585SP	1	Frame ASM
2	139-8318	1	Side Casting, RH
2:1:2	94-9609	2	Bushing-Straight
3	139-8319	1	Side Casting, LH
3:1:2	60-0080	2	Bushing
6	133-8095	1	Decal-CE
7	133-0062-01	1	Bracket-Jack
10	3234-42	6	Screw-HHF
11	133-8061	1	Decal-Warning
15	133-0004-01	1	Bracket-Step
16	104-8301	1	Nut-HF, NI
17	117-9035	8	Screw-HHF
18	132-9994-01	1	Step
19	3234-47	4	Screw-HHF



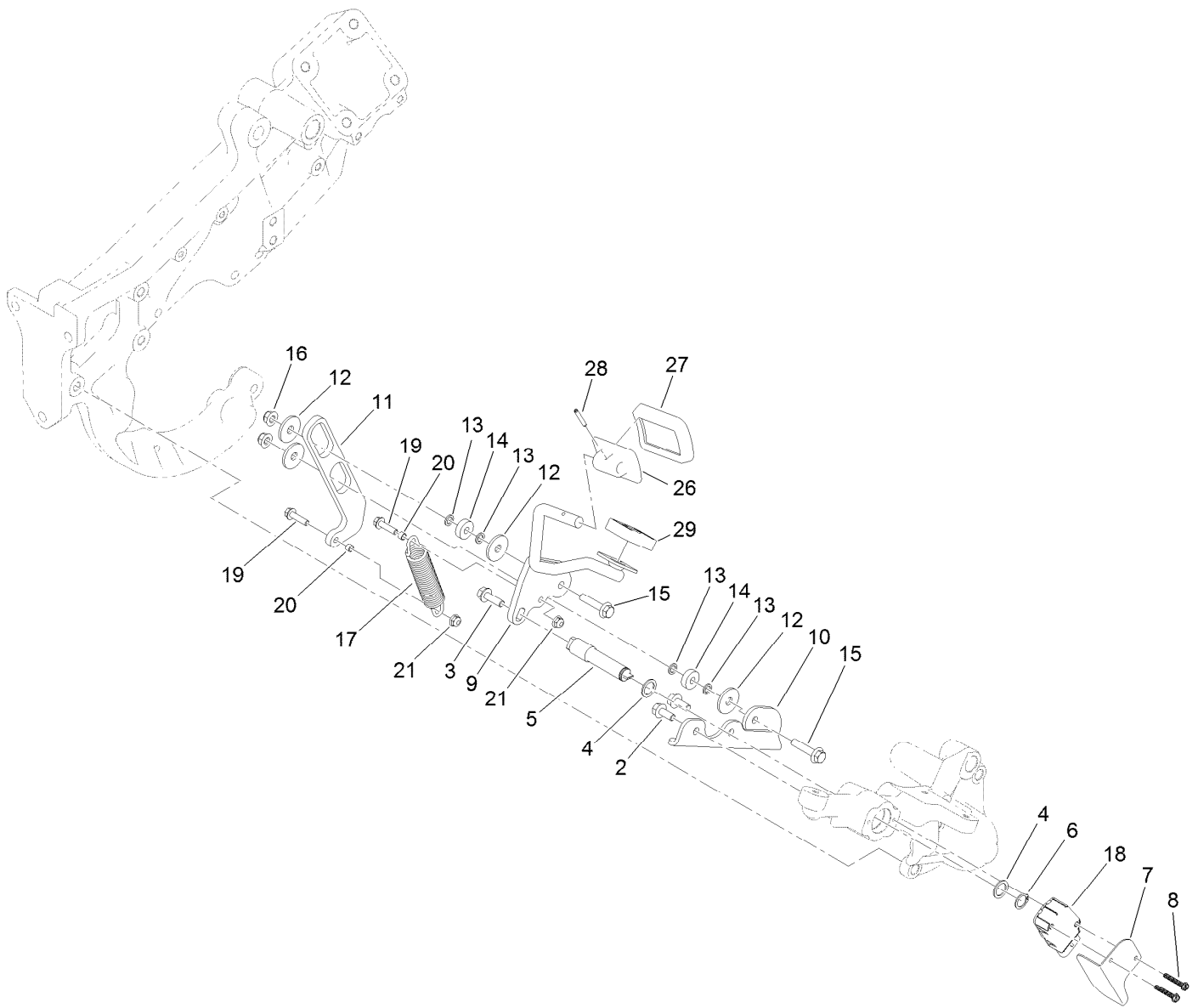
ROPS Assembly

<i>Ref.</i>	<i>Part Number</i>	<i>Qty.</i>	<i>Description</i>
1	139-8311	1	ROPS ASM
1:1:2	115-8199	1	Decal-ROPS
1:1:3	115-8226	1	Decal-ROPS
5	104-8301	8	Nut-HF, NI
6	137-7951	8	Screw-HHF
7	68-3270	2	Bumper-Rubber
8	104-8300	2	Nut-HF, NI
9	52-2861	2	Washer
12	104-7050	1	Tube-Manual
13	104-7048	1	Cap-Housing
14	2412-133	2	Clamp-R
15	32104-32	2	Screw-HWH



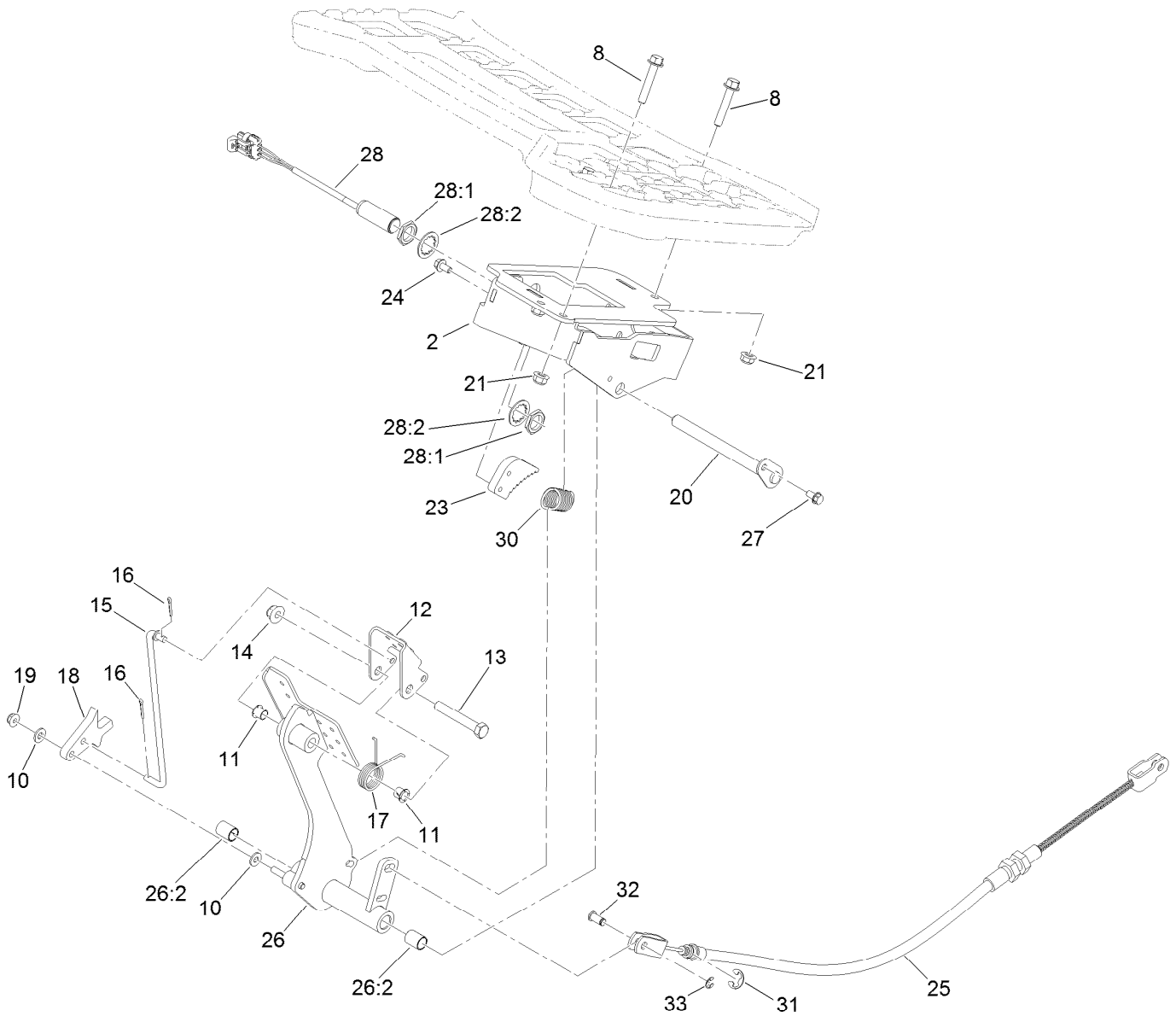
Platform Assembly

<i>Ref.</i>	<i>Part Number</i>	<i>Qty.</i>	<i>Description</i>	<i>Ref.</i>	<i>Part Number</i>	<i>Qty.</i>	<i>Description</i>
1	137-7768	1	Platform-LH	8	324-4	1	Screw-HH
2	117-9006-01	1	Support-Platform, LH	9	322-5	1	Screw-HH
3	132-9895	1	Support-Platform, RH	10	117-9072	2	Bumper-Rubber
3:2	256-311	4	Bushing-Split	11	3234-47	3	Screw-HHF
4	115-1794	3	Screw-HHF	12	117-9008	1	Platform-RH
5	104-8300	4	Nut-HF, NI	13	117-9035	3	Screw-HHF
6	94-8946	1	Washer-Thrust	14	115-8240	1	Screw-Elevator
7	84-1560	1	Washer-Thrust	15	119-0718	1	Spacer



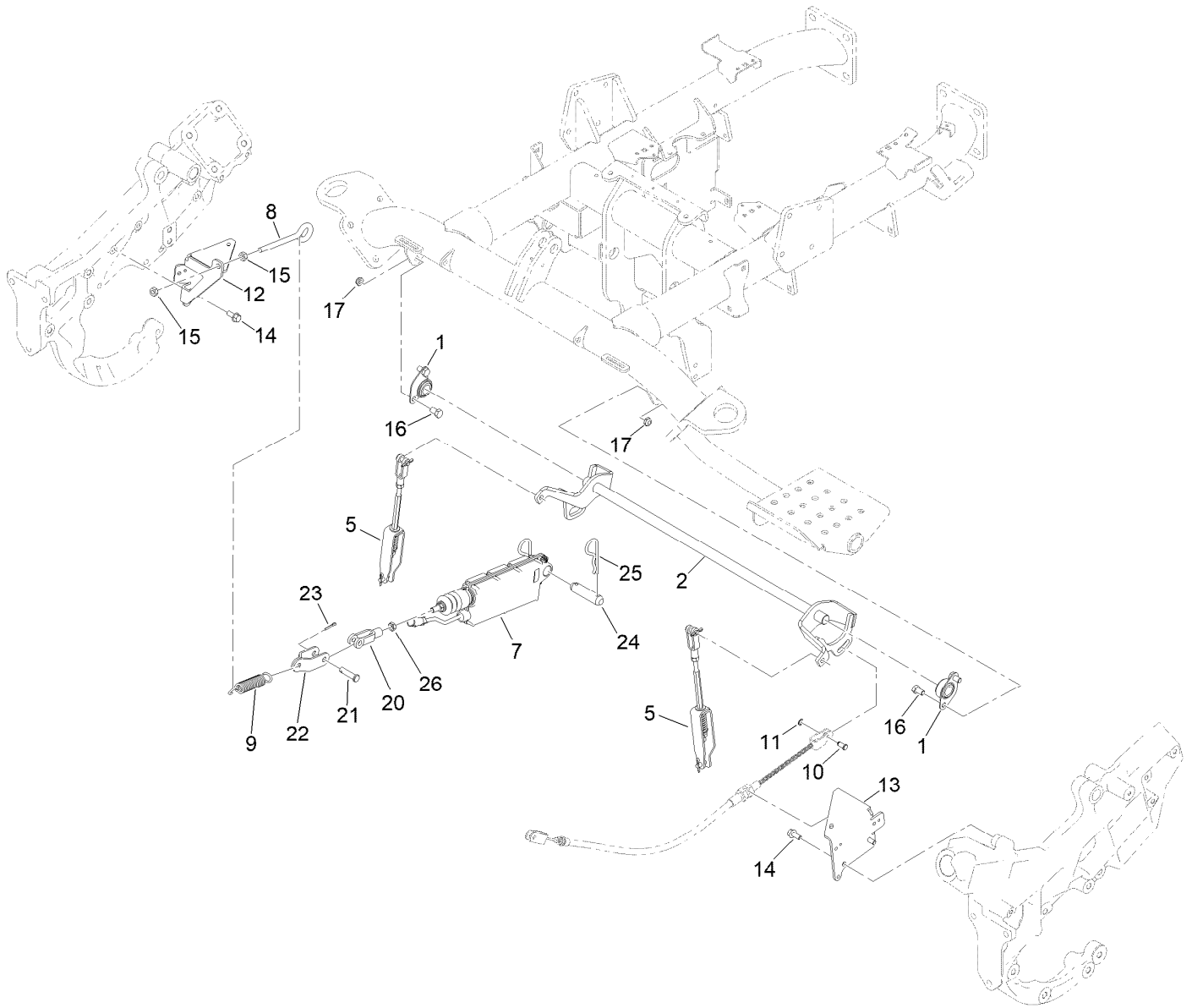
Traction Pedal Assembly

<i>Ref.</i>	<i>Part Number</i>	<i>Qty.</i>	<i>Description</i>	<i>Ref.</i>	<i>Part Number</i>	<i>Qty.</i>	<i>Description</i>
2	98-9940	2	Screw-HHF	14	251-259	2	Bearing-Ball
3	115-5142	1	Screw-HHF	15	115-1794	2	Screw-HHF
4	7-3590	2	Washer	16	104-8300	2	Nut-HF, NI
5	132-9852	1	Shaft-Pedal	17	137-7944	1	Spring-Extension
6	32151-62	1	Ring-Retaining	18	122-0917	1	Sensor-Position
7	121-7035	1	Shield-Sensor	19	120-4654	2	Screw-HHF
8	692501	2	Screw-SHWH	20	121-2015	2	Spacer
9	137-7814-01	1	Rod-Traction	21	104-7201	2	Nut-HF, NI
10	137-7811-01	1	Bracket-Control, Motion	26	117-9507	1	Pedal-Accelerator
11	139-8405	1	Link-Connecting	27	74-9100	1	Pad-Pedal, Forward
12	107675	4	Washer	28	32121-45	1	Pin-Spring
13	75-5470	4	Spacer-Bearing	29	74-9110	1	Pad-Pedal, Reverse



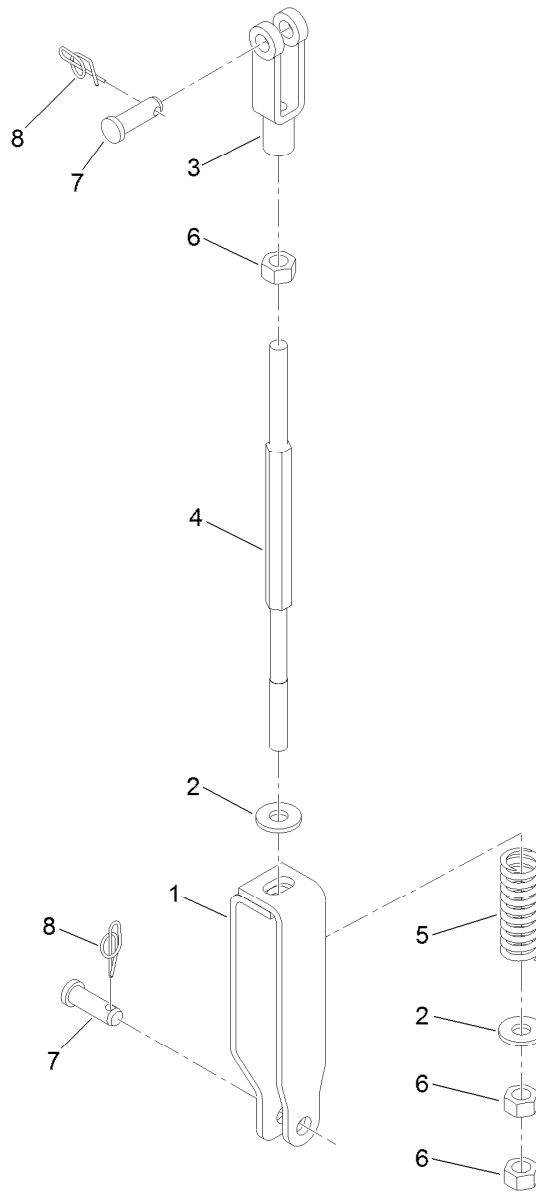
Brake Pedal Assembly

Ref.	Part Number	Qty.	Description	Ref.	Part Number	Qty.	Description
2	132-9890-03	1	Support-Pedal	23	99-7214	1	Pawl-Brake
8	94-5780	3	Screw-HWH	24	119-1065	2	Screw-HWH
10	3256-22	2	Washer-Flat	25	137-7770	1	Cable-Brake
11	52-2891	2	Bushing-Flanged, Nylon	26	137-8109	1	Brake Pedal ASM
12	99-7963-03	1	Pedal-Park	26:2	133-0090	2	Bushing-Split
13	323-12	1	Screw-HH	27	32144-4	1	Screw-HWH
14	104-8301	1	Nut-HF, NI	28	115-5300	1	Proximity Switch ASM
15	115-0129	1	Rod-Pawl, Brake	28:1	117-3207	2	Nut-Hex
16	3272-6	2	Pin-Cotter	28:2	117-3208	2	Washer-Lock, Internal Tooth
17	99-7140	1	Spring-Torsion	30	136-7316	1	Spring-Extension
18	117-0238	1	Detent	31	32120-47	1	Ring-Retaining, External
19	104-7201	1	Nut-HF, NI	32	109-6887	1	Pin-Clevis
20	133-0089	1	Pivot-Pedals	33	701197	1	E-Ring
21	104-8300	3	Nut-HF, NI				



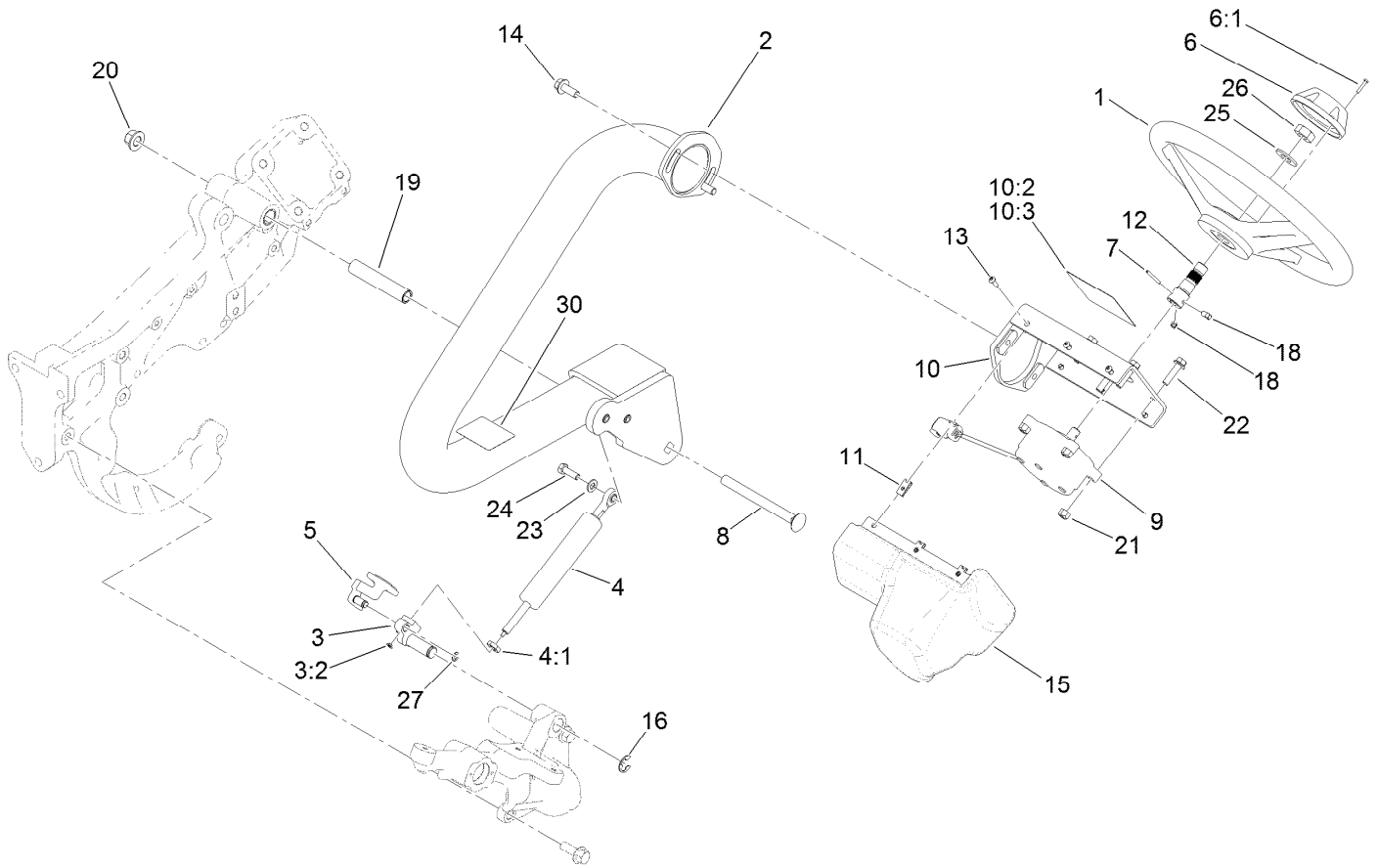
Brake Actuator Assembly

<i>Ref.</i>	<i>Part Number</i>	<i>Qty.</i>	<i>Description</i>	<i>Ref.</i>	<i>Part Number</i>	<i>Qty.</i>	<i>Description</i>
1	1-633102	2	Bearing-Flange, Side	15	3217-7	2	Nut-Hex
2	145-0060-03	1	Cross Shaft-Brake [black]	16	323-34	4	Screw-HH
5	137-2185	2	Brake Rod ASM	17	3296-59	4	Nut-Lock, NI
7	139-8587	1	Actuator-Brake	20	1-633131	1	Yoke-Linkage, Brake
8	137-8026	1	Bolt-Eye	21	283-10	1	Pin-Clevis
9	93-5985	1	Spring-Extension	22	137-7838	1	Link ASM
10	109-6887	1	Pin-Clevis	23	3272-10	1	Pin-Cotter
11	701197	1	E-Ring	24	27-4240	1	Pin-Cylinder
12	137-7790-03	1	Bracket-Spring	25	3290-256	2	Pin-Hair
13	137-7769-03	1	Bracket-Cable	26	3220-3	1	Nut-HJ
14	98-9940	4	Screw-HHF				



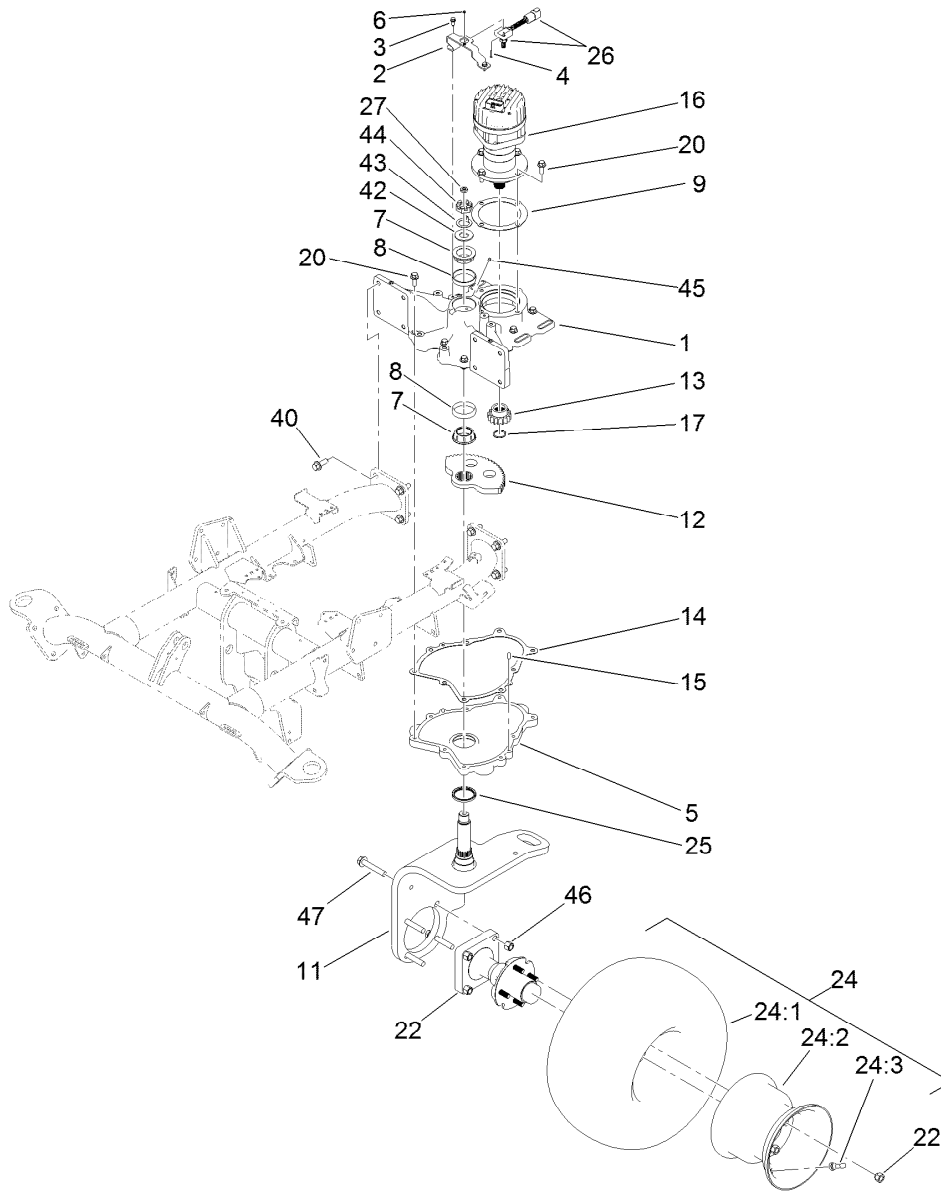
Brake Rod Assembly No. 137-2185

Ref.	Part Number	Qty.	Description
1	137-2180	1	Brake Clevis ASM
2	120-9646	2	Washer-Flat
3	282-2	1	Yoke
4	137-8056	1	Rod-Brake
5	137-8085	1	Spring-Seat, Compression
6	3219-2	3	Nut-Hex
7	283-1	2	Pin-Clevis
8	116-6639	2	Pin-Cotter, Locking



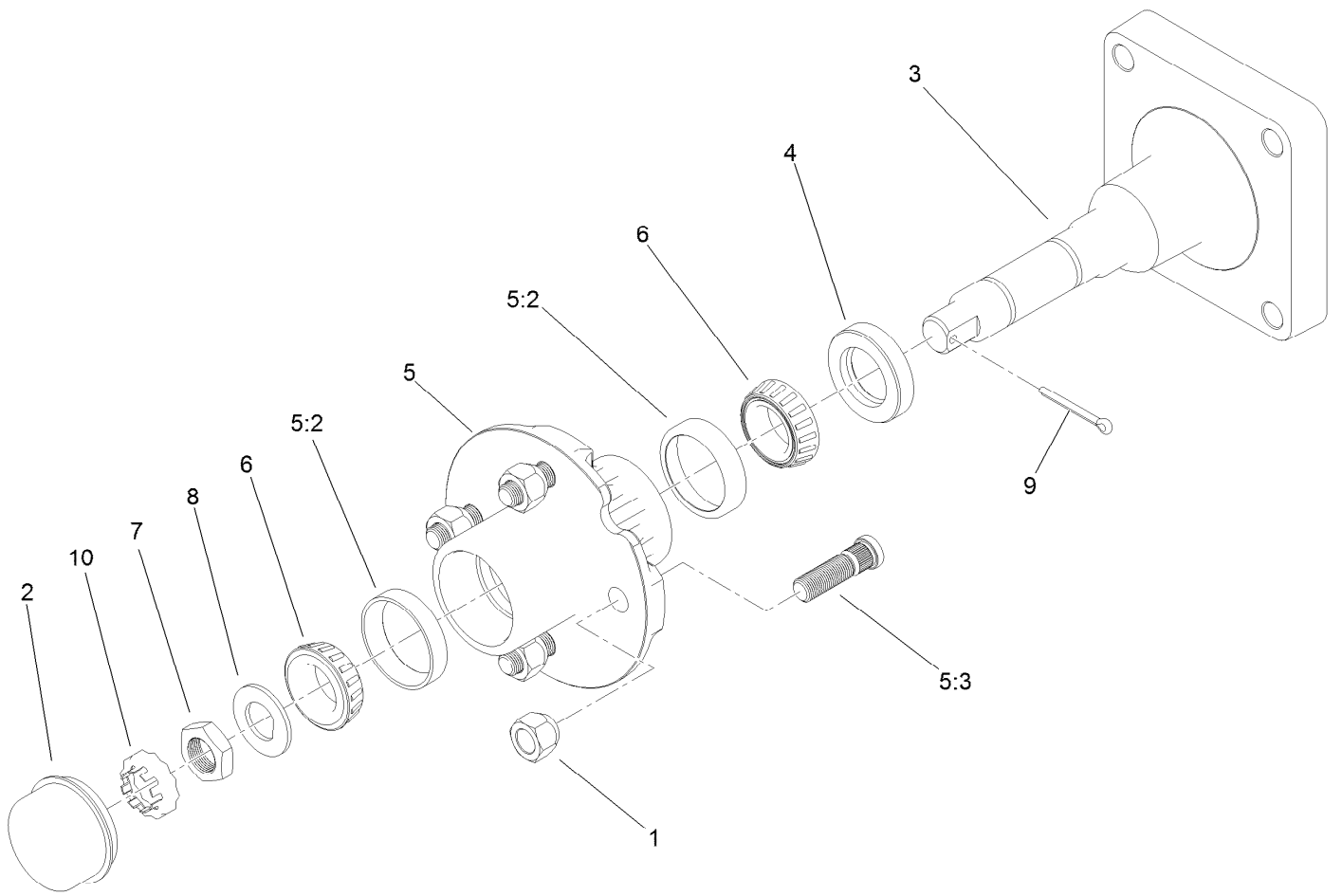
Steering Assembly

Ref.	Part Number	Qty.	Description	Ref.	Part Number	Qty.	Description
1	145-0051	1	Steering Wheel	12	136-4262	1	Shaft-Adapter, Steering
2	139-8582-01	1	Steering Arm ASM [red]	13	3274-39	6	Screw-HSBH
3	133-9030	1	Pivot Lever ASM	14	3234-42	2	Screw-HHF
3:2	133-8995	1	Bushing	15	119-9300	1	Cover-Valve, Steering
4	133-9036	1	Cylinder-Gas	16	32120-19	1	E-Ring
4:1	112-8617	1	Nut-Hex	18	126-3824	2	Screw-Set, SQH
5	138-6456	1	Lever (Mach)	19	117-9002	1	Spacer
6	68-5140	1	Cap-Wheel, Steering	20	99-5107	1	Nut-Lock
6:1	32144-21	1	Screw	21	3296-29	4	Nut-Lock, NI
7	933156	1	Pin-Roll	22	119-4036	4	Screw-HHF
8	114-7723	1	Screw-CARR	23	3256-23	1	Washer-Plain
9	132-9935	1	Steering Unit	24	322-5	1	Screw-HH
10	137-8092	1	Steering Mount ASM	25	3256-27	1	Washer-Flat
10:2	139-8320	1	Decal-Danger	26	3296-33	1	Nut-Lock, NI
10:3	139-8321	1	Decal-Danger, CE	27	701197	1	E-Ring
11	3290-277	6	Nut-Speed	30	119-9346	1	Decal-Arm, Steering



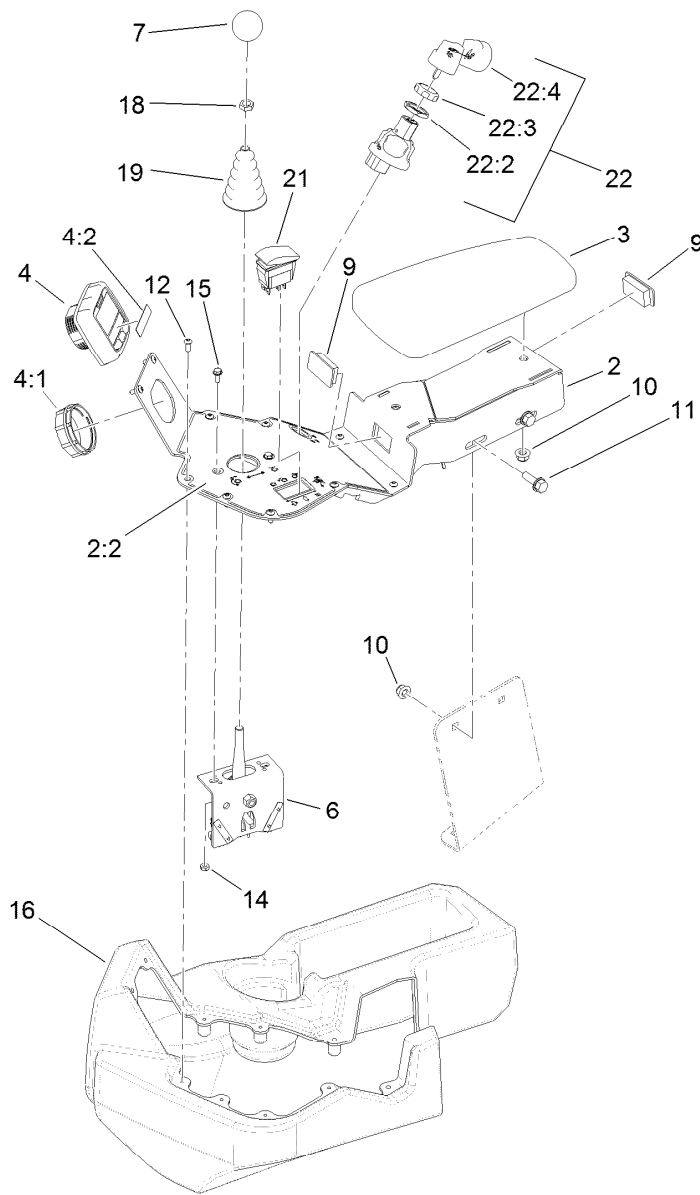
Wheel and Tire Assembly

Ref.	Part Number	Qty.	Description	Ref.	Part Number	Qty.	Description
1	139-8314	1	Housing-Steering	22	119-4490	1	Wheel Spindle ASM
2	137-7868-03	1	Bracket-Sensor, Steering	24	117-9033	1	Wheel And Tire ASM
3	32144-10	2	Screw-HWH	24:1	120-2783	1	Tire
4	3290-313	2	Screw-SPH	24:2	217-60	1	Rim
5	137-8166-03	1	Housing	24:3	232-27	1	Stem-Valve
6	3296-52	2	Nut-Lock, NI	25	108-7019	1	Seal-Shaft
7	107-7589	2	Cone-Bearing (W/ Seal)	26	122-0914	1	Sensor-Rotary, Body/Magnet Matched Set
8	107-7590	2	Cup-Bearing	27	112-8617	1	Nut-Hex
9	133-0347	1	Gasket	40	117-9035	8	Screw-HHF
11	139-8313	1	Fork-Caster	42	137-8171	1	Washer
12	137-8170	1	Gear-Spur, 64T	43	137-7943	1	Washer-Tang
13	133-0346	1	Pinion-16T	44	137-7942	1	Nut-Castle
14	133-0348	1	Gasket	45	302-59	1	Plug-EXT Hex Spl
15	136-2667	2	Pin-Dowel	46	3296-23	4	Nut-Lock, NI
16	133-0349	1	Steering Unit ASM	47	3234-40	4	Screw-HF
17	32120-2	1	Ring-Retaining				
20	3234-42	13	Screw-HHF				



Wheel Spindle Assembly No. 119-4490

<i>Ref.</i>	<i>Part Number</i>	<i>Qty.</i>	<i>Description</i>
1	242-50	4	Nut-Lug
2	241-119	1	Cap-Dust
3	112-7173	1	Spindle
4	112-1690	1	Seal-Oil
5	117-9093	1	Hub ASM
5:2	254-72	2	Bearing-Cup, Tapered
5:3	114-3918	4	Stud-Wheel
6	254-92	2	Cone-Bearing, Outer
7	117-8260	1	Nut
8	117-8259	1	Washer-Spindle
9	3272-18	1	Pin-Cotter
10	93-0307	1	Nut-Lock, Retainer



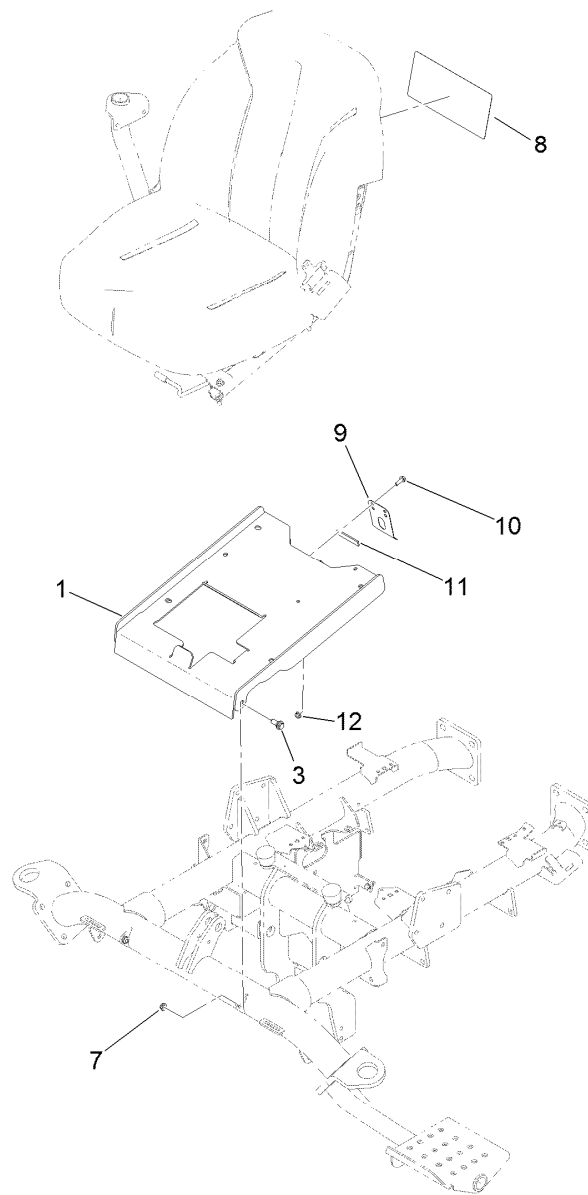
Console Assembly

<i>Ref.</i>	<i>Part Number</i>	<i>Qty.</i>	<i>Description</i>	<i>Ref.</i>	<i>Part Number</i>	<i>Qty.</i>	<i>Description</i>
2	137-8094	1	Console ASM	12	115-9830	10	Screw-HSBH
2:2	137-8058	1	Decal-Console	14	3296-12	2	Nut-Lock, NI
3	108-7602	1	Rest-Arm	15	3290-321	2	Screw-HWH
4	120-6310	1	LCD Display ASM	16	132-9955	1	Cover-Console
4:1	120-4630	1	Nut-Display	18	3218-3	1	Nut-Jam
4:2	120-6311	1	Decal-Display	19	93-5961	1	Boot-Lever
6	120-5280	1	Bracket-Joystick	21	112-3530	1	Switch-Rocker, On-On-On
7	120-9752	1	Knob-Round, Yellow	22	106-5269	1	Ignition Switch ASM
9	99-7420	2	Plug-Hole	22:2	108-8660	1	Nut-Mounting
10	104-8300	4	Nut-HF, NI	22:3	106-5270	1	Ignition Key Set
11	3234-29	2	Screw-HHF	22:4	108-8659	1	Washer-Backup



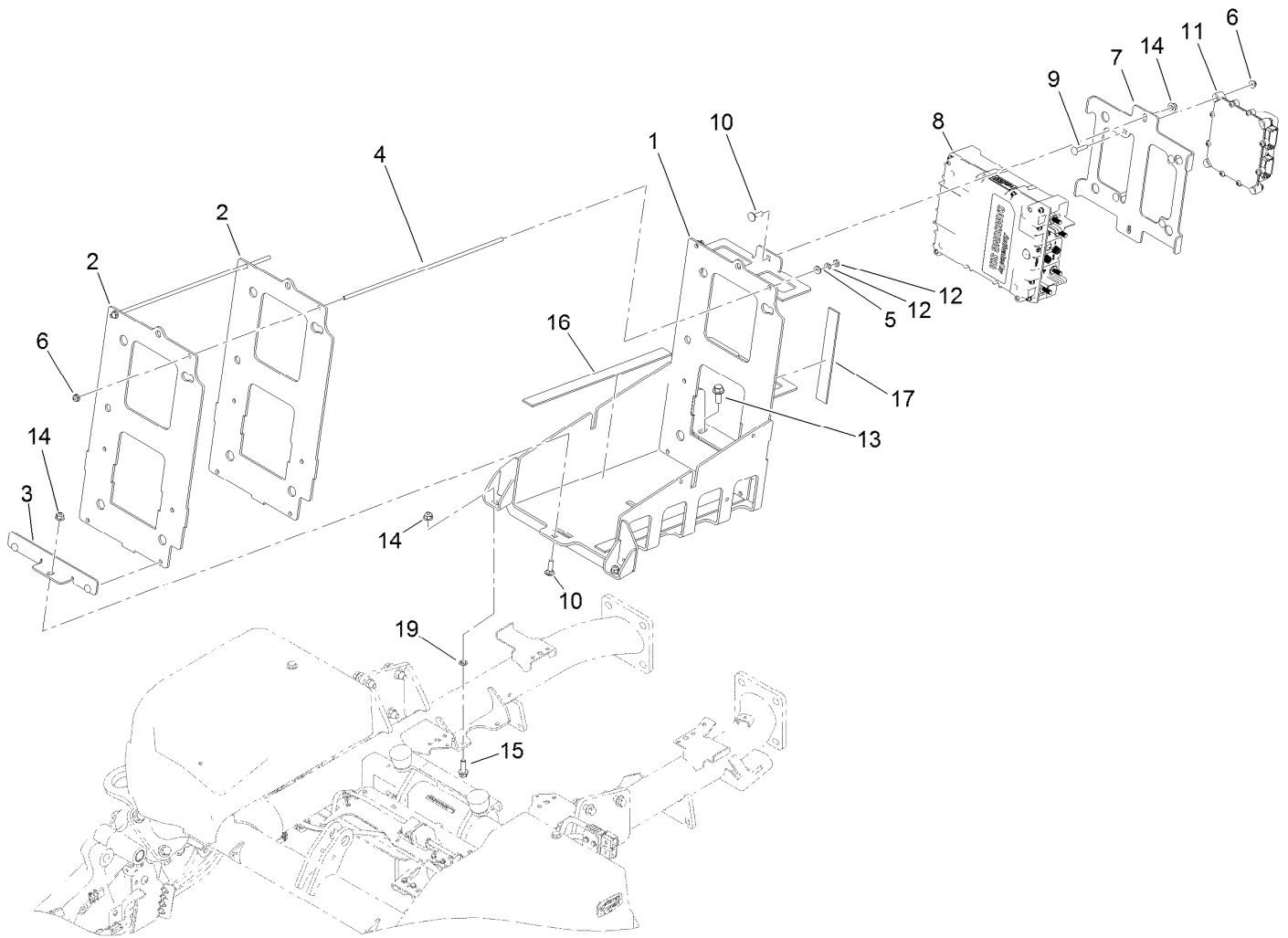
Joystick Bracket Assembly No. 120-5280

<i>Ref.</i>	<i>Part Number</i>	<i>Qty.</i>	<i>Description</i>
1	115-5357-03	1	Bracket-Joystick
2	106-4192	1	Spacer
3	93-5547	2	Bushing-Nylon
4	119-3540	1	Hub-Pivot, Joystick
5	105-8289	1	Spring-Torsion
6	106-4193	2	Washer-Finger, Spring
7	322-9	1	Screw-HH
8	3296-29	1	Nut-Lock, NI
9	3290-354	2	Nut-Speed
10	108-6496	2	Switch (W/Boot)
11	95-3003	4	Screw-PPHTF
12	3256-3	1	Washer-Flat



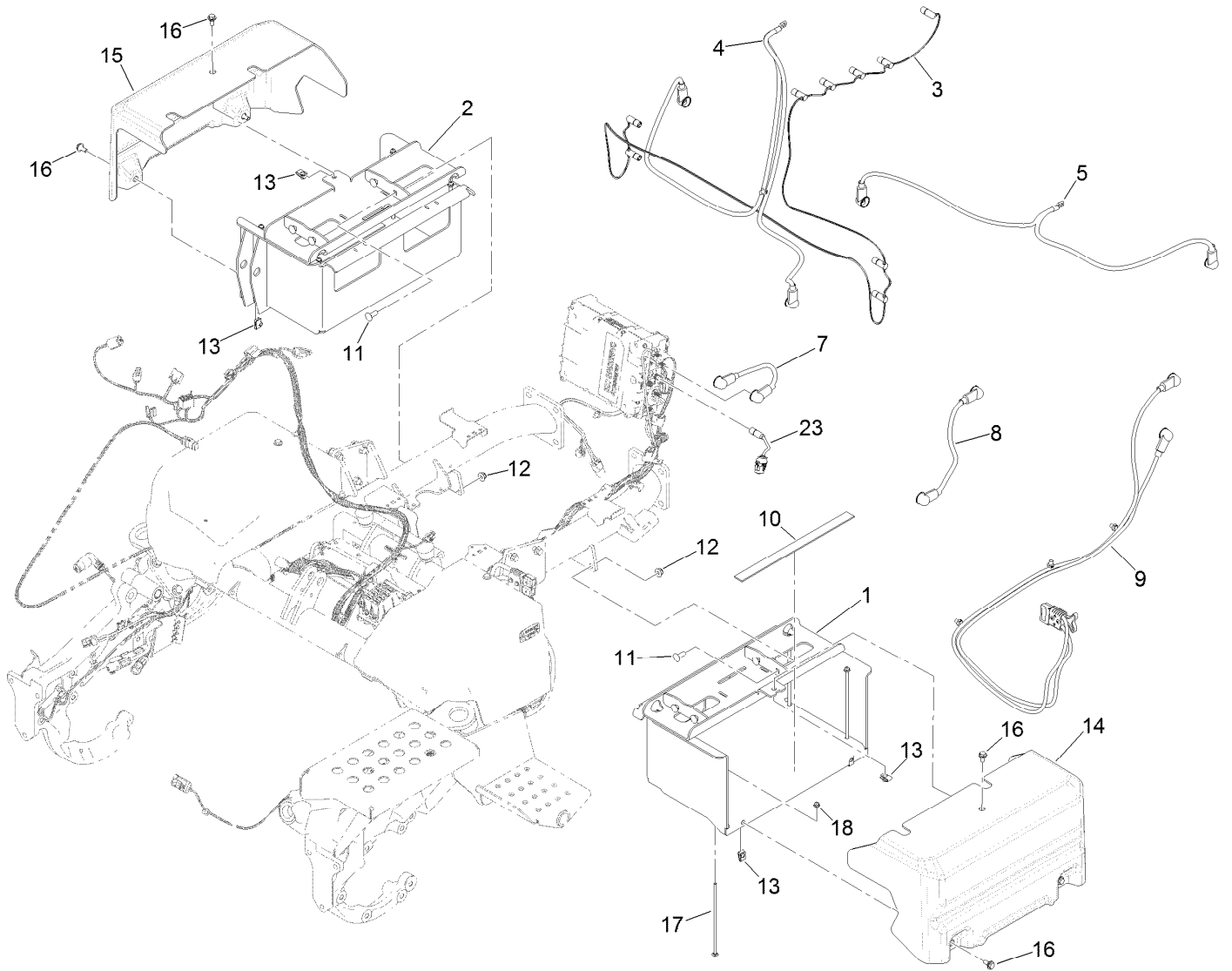
Seat Plate Assembly

<i>Ref.</i>	<i>Part Number</i>	<i>Qty.</i>	<i>Description</i>
1	139-8552-03	1	Seat Plate ASM [black]
3	94-7582	2	Bolt-Shoulder
7	3296-59	2	Nut-Lock, NI
8	137-8052	1	Decal-Service
9	139-8557	1	Latch-Seat
10	115-5103	2	Screw-HHF
11	120-5753	1	Strip-Foam
12	104-7201	2	Nut-HF, NI



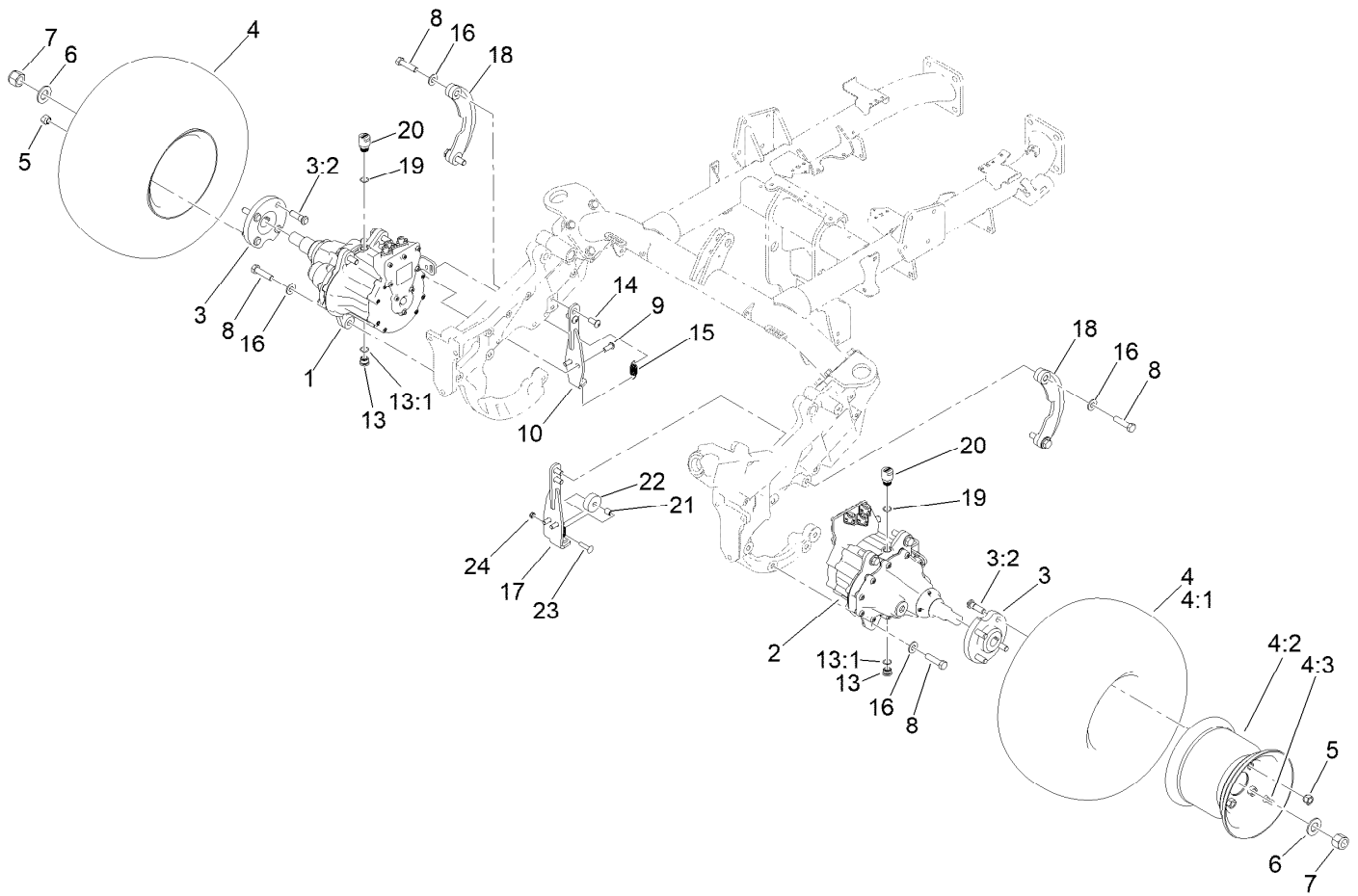
Top Battery Tray Assembly

<i>Ref.</i>	<i>Part Number</i>	<i>Qty.</i>	<i>Description</i>	<i>Ref.</i>	<i>Part Number</i>	<i>Qty.</i>	<i>Description</i>
1	137-7996-03	1	Main Battery ASM	10	3230-2	3	Bolt-CARR
2	137-8011-03	2	Support-Battery	11	122-1683	1	Controller-Tec 2402
3	137-8192-03	1	Clamp-Battery	12	3218-1	4	Nut-Jam
4	137-8009	2	Rod-Support, Battery	13	3234-42	2	Screw-HHF
5	3256-22	2	Washer-Flat	14	104-8300	5	Nut-HF, NI
6	104-7201	6	Nut-HF, NI	15	3234-29	2	Screw-HHF
7	137-8007-03	1	Bracket-Controller	16	137-8082	2	Strip-Foam
8	137-9651	1	Controller	17	137-8083	2	Strip-Foam
9	3229-3	4	Screw-CARR	19	109-5667	2	Nut-Push



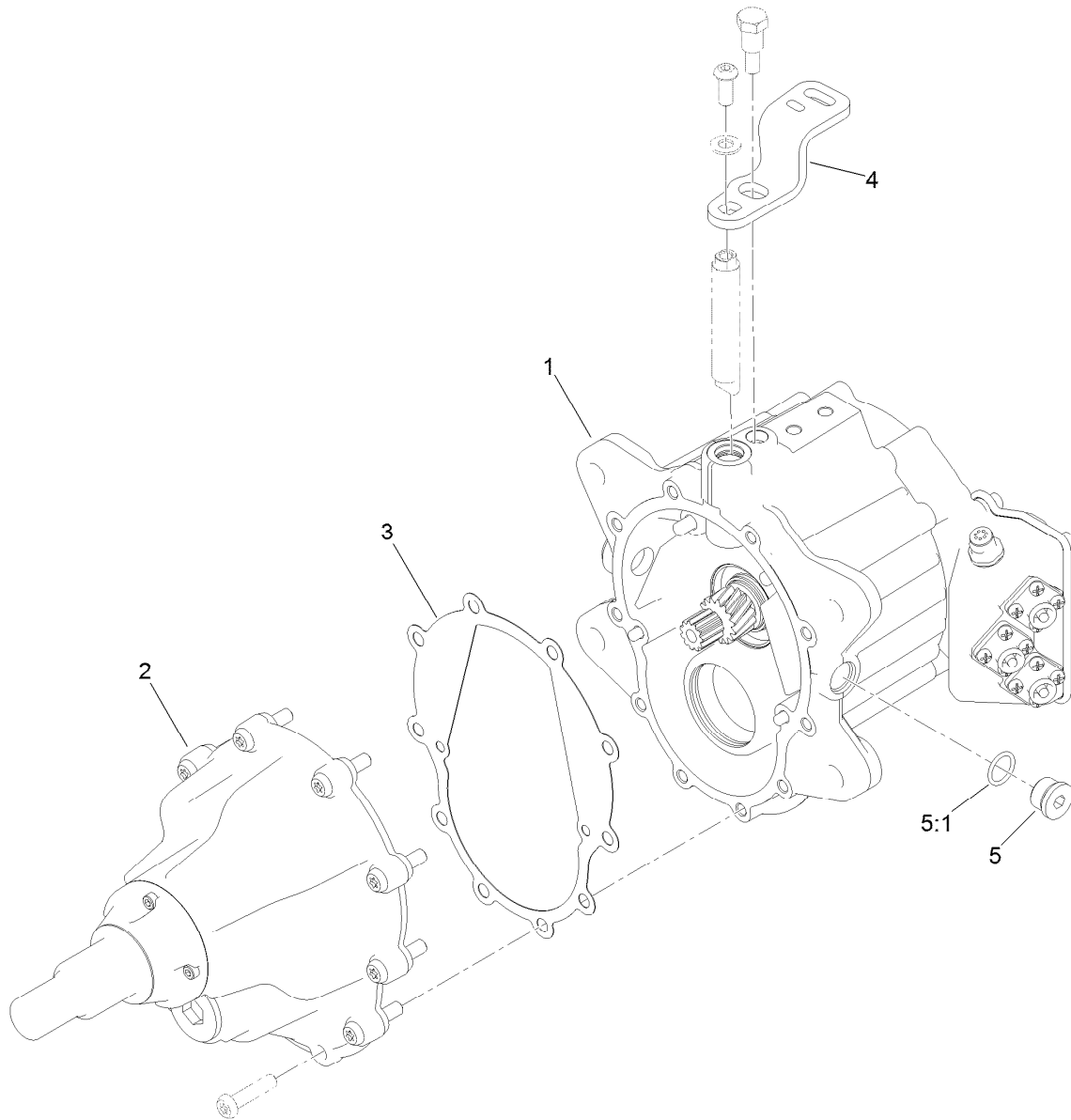
Side Battery Tray Assembly

Ref.	Part Number	Qty.	Description	Ref.	Part Number	Qty.	Description
1	137-8104-01	1	Tray-Battery	11	3231-22	8	Screw-CARR
2	137-8105-01	1	Tray-Battery, RH	12	104-8301	8	Nut-HF, NI
3	122-1511	1	Harness-Wire, Samsung Interface, M/S	13	112-3306	6	Nut
4	122-1517	1	Cable-Battery, Positive	14	137-8046	1	Cover-Li, LH
5	122-1518	1	Cable-Battery, Negative	15	137-8169	1	Cover-Li, RH
7	122-1664	1	Cable-Battery, Positive	16	19-1470	6	Screw-Shoulder
8	122-1564	1	Cable-Battery, Negative	17	137-8106	8	Screw-CARR
9	122-1565	1	Cable-Battery, Pos And Neg	18	104-7201	8	Nut-HF, NI
10	137-8082	2	Strip-Foam	23	122-1335	1	Harness-Wire, Interface(System)



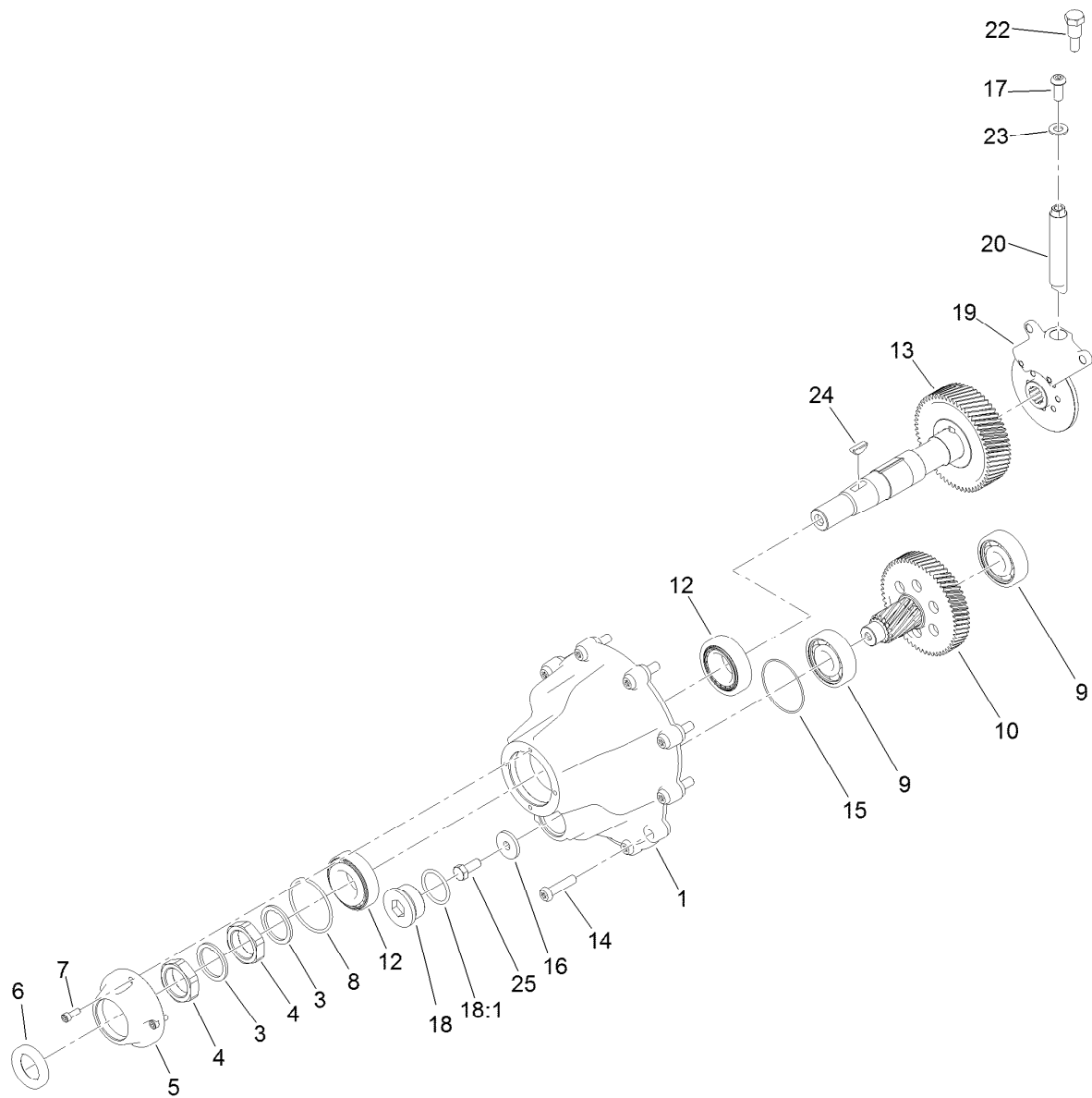
Traction Assembly

<i>Ref.</i>	<i>Part Number</i>	<i>Qty.</i>	<i>Description</i>	<i>Ref.</i>	<i>Part Number</i>	<i>Qty.</i>	<i>Description</i>
1	139-8565	1	RH Wheel Motor ASM	13	133-7659	2	Plug ASM
2	139-8567	1	LH Wheel Motor ASM	13:1	237-79	1	O-Ring
3	140-6228	2	Hub ASM-Wheel	14	3274-105	4	Screw-HSBH
3:2	10-6830	4	Stud-Type, Drive	15	136-7153	2	Spring-Extension
4	117-9030	2	Wheel And Tire ASM	16	87-7270	12	Washer-Thrust
4:1	120-2783	1	Tire	17	139-8348-01	1	Gusset-LH
4:2	117-9032	1	Rim	18	132-9996-01	2	Link-Support
4:3	232-27	1	Stem-Valve	19	237-79	2	O-Ring
5	242-50	8	Nut-Lug	20	139-8576	2	Valve-Breather
6	AU496-11094	2	Washer-Flat	21	88-7450	1	Spacer-Lever, Control
7	137-7973	2	Nut-Hex	22	139-8346	1	Roller
8	325-8	12	Screw-HH	23	112-6950	1	Screw-CARR
9	3274-94	4	Screw-HSBH	24	3296-47	1	Nut-Lock,NI
10	137-7727-01	1	Gusset-Motor, RH				



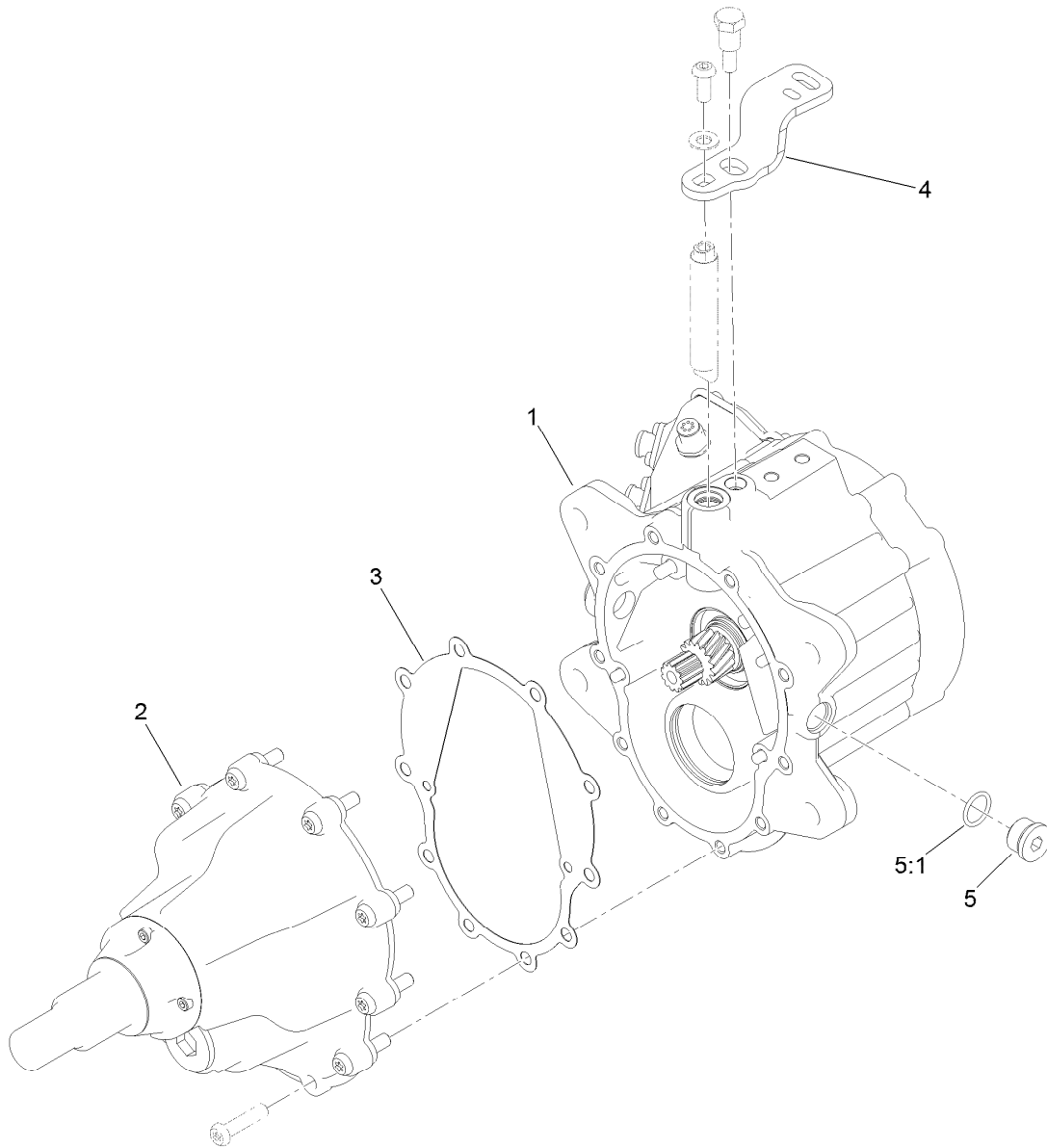
RH Wheel Motor Assembly No. 139-8565

<i>Ref.</i>	<i>Part Number</i>	<i>Qty.</i>	<i>Description</i>
1	139-8566	1	RH Motor ASM
2	127-1529	1	Gear Box ASM
3	121-9254	1	Gasket-Gearbox
4	132-9873	1	Lever-Brake, RH
5	353-988	2	Plug-Hex
5:1	237-79	1	O-Ring



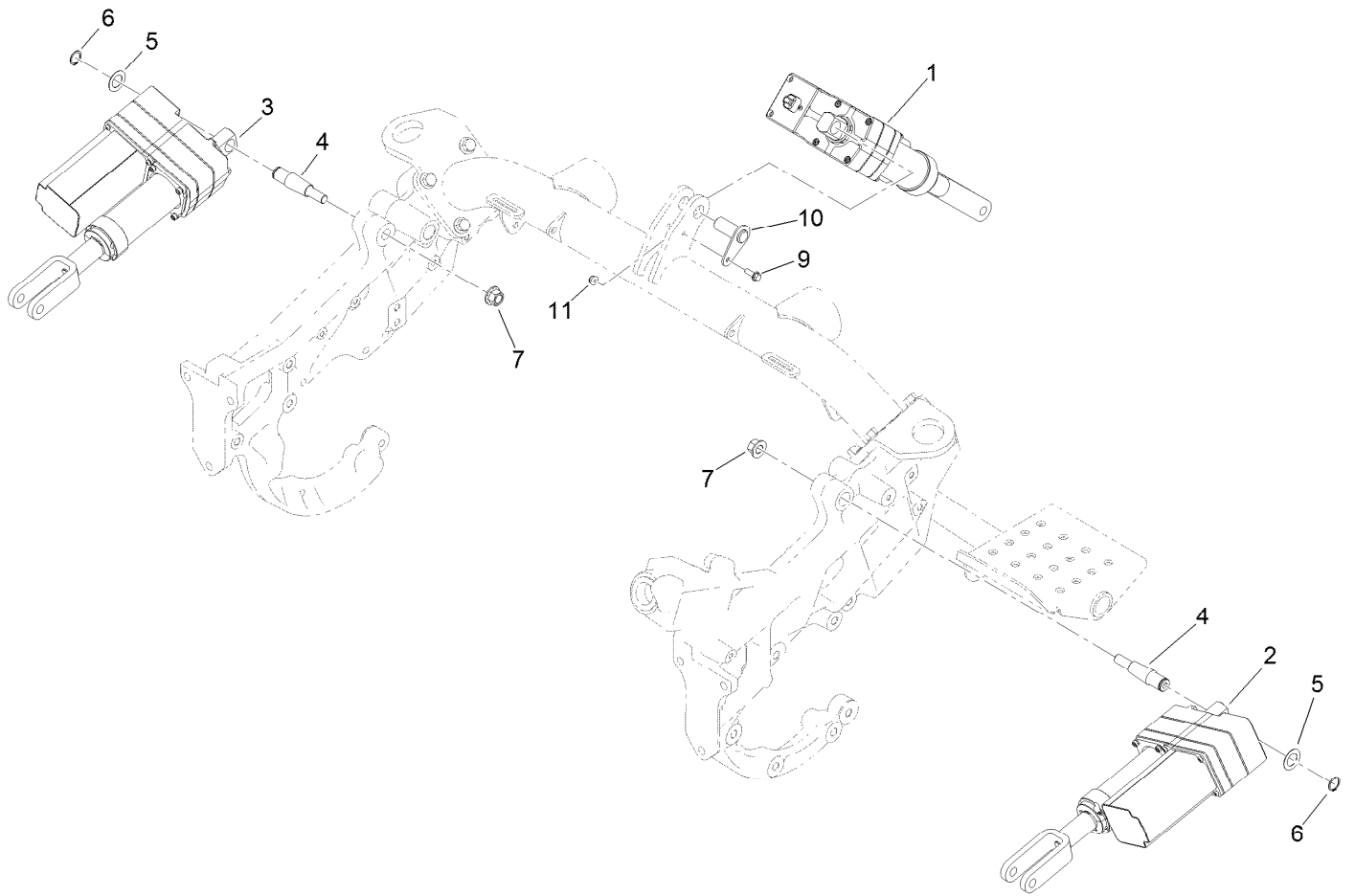
Gearbox Assembly No. 127-1529

<i>Ref.</i>	<i>Part Number</i>	<i>Qty.</i>	<i>Description</i>	<i>Ref.</i>	<i>Part Number</i>	<i>Qty.</i>	<i>Description</i>
1	127-1559	1	Cover-Motor, Axle	15	121-9273	1	O-Ring
3	121-5235	2	Washer-Special	16	132-9927	1	Washer-Flat
4	121-9263	2	Nut-Jam	17	3274-96	1	Screw-HSBH
5	127-1561	1	Cover-Nose, Axle	18	105-3921	1	Fitting-Plug
6	137-7857	1	Seal-Shaft	18:1	237-146	1	O-Ring
7	112-5181	4	Screw -HSH	19	132-9974	1	Brake ASM
8	108-9919	1	O-Ring	20	121-9247	1	Shaft-Brake
9	121-9266	2	Bearing-Ball	22	121-9250	1	Pin-Lever, Stop
10	132-9978	1	Countershaft Gear ASM	23	120-9683	1	Washer-Plain
12	121-9256	2	Bearing-Taper	24	132-9904	1	Key-Woodruff #91
13	132-9841	1	Shaft ASM	25	137-7767	1	Screw-HH
14	127-1519	10	Screw-BHCS				



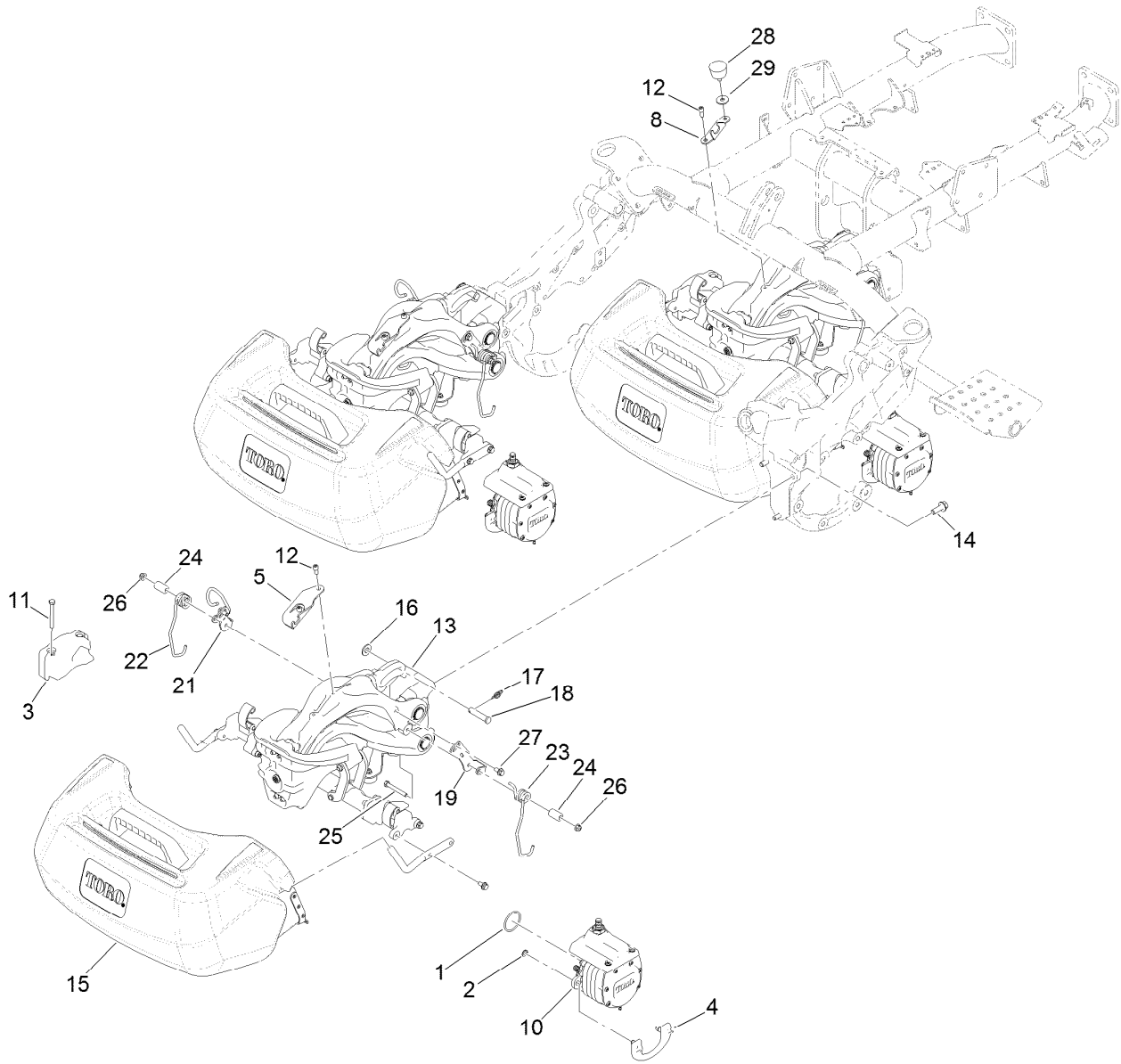
LH Wheel Motor Assembly No. 139-8567

<i>Ref.</i>	<i>Part Number</i>	<i>Qty.</i>	<i>Description</i>
1	139-8568	1	LH Motor ASM
2	127-1529	1	Gear Box ASM
3	121-9254	1	Gasket-Gearbox
4	132-9874	1	Lever-Brake, LH
5	353-988	2	Plug-Hex
5:1	237-79	1	O-Ring



Lift Assembly

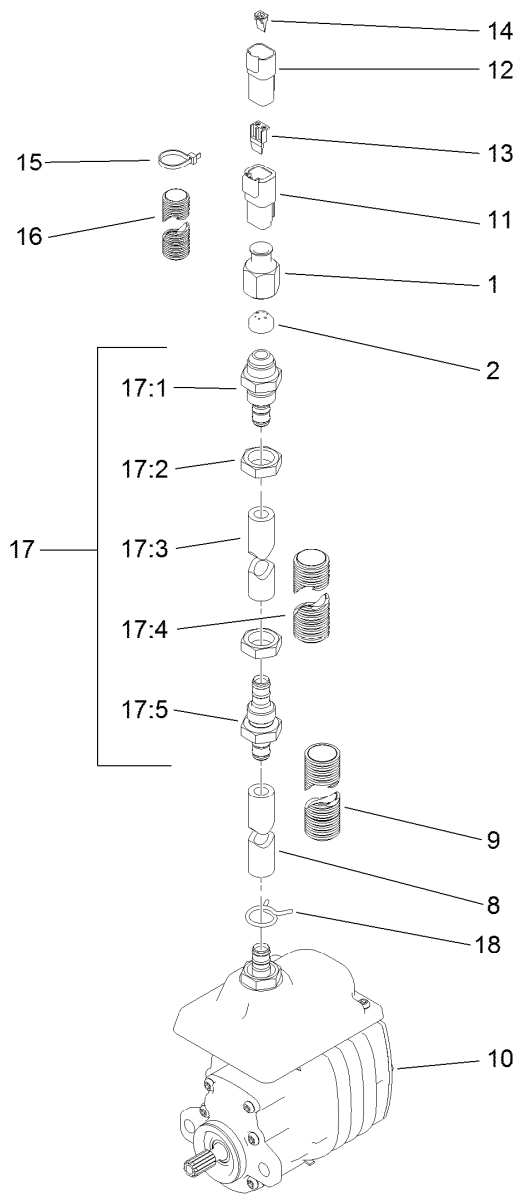
<i>Ref.</i>	<i>Part Number</i>	<i>Qty.</i>	<i>Description</i>
1	137-7933	1	Actuator-1 Crown
2	137-7934	1	Actuator-2 Crown
3	137-7935	1	Actuator-3 Crown
4	136-2691	2	Pin-Tapered
5	9202574	2	Washer-Flat
6	32120-72	2	Ring-Snap
7	99-5107	2	Nut-Lock
9	115-5103	1	Screw-HHF
10	137-7766	1	Pin ASM
11	104-7201	1	Nut-HF, NI



Suspension, Reel Motor and Basket Assembly

Ref.	Part Number	Qty.	Description	Ref.	Part Number	Qty.	Description
1	115-3298	3	O-Ring	17	112-1491	3	Pin-Cotter
2	133-8926	6	Ring-Retaining (Metric)	18	92-2739	3	Pin-Clevis
3	117-6774-03	3	Weight-Electric	19	133-8998	3	Retainer-Spring, LH
4	115-5389	3	Cam-Mount, Motor	21	133-9025	3	Bracket ASM
5	119-7487	2	Bracket-Clamp, Hose	22	117-6826	3	Spring-Stabilizer, RH
8	119-7540	1	Bracket-Hose, Rear	23	117-6827	3	Spring-Stabilizer, LH
10	138-8905	3	Electric Motor ASM	24	117-6825	6	Spacer
11	322-13	6	Screw-HH	25	322-12	6	Screw-HH
12	100-2401	5	Screw-HSH	26	104-8300	6	Nut-HF, NI
13		3	Suspension ASM ●	27	114-7728	6	Screw-HF
14	117-9035	9	Screw-HHF	28	68-3270	1	Bumper-Rubber
15	132-9599	3	Basket ASM	29	52-2861	1	Washer
16	29-8910	3	Washer				

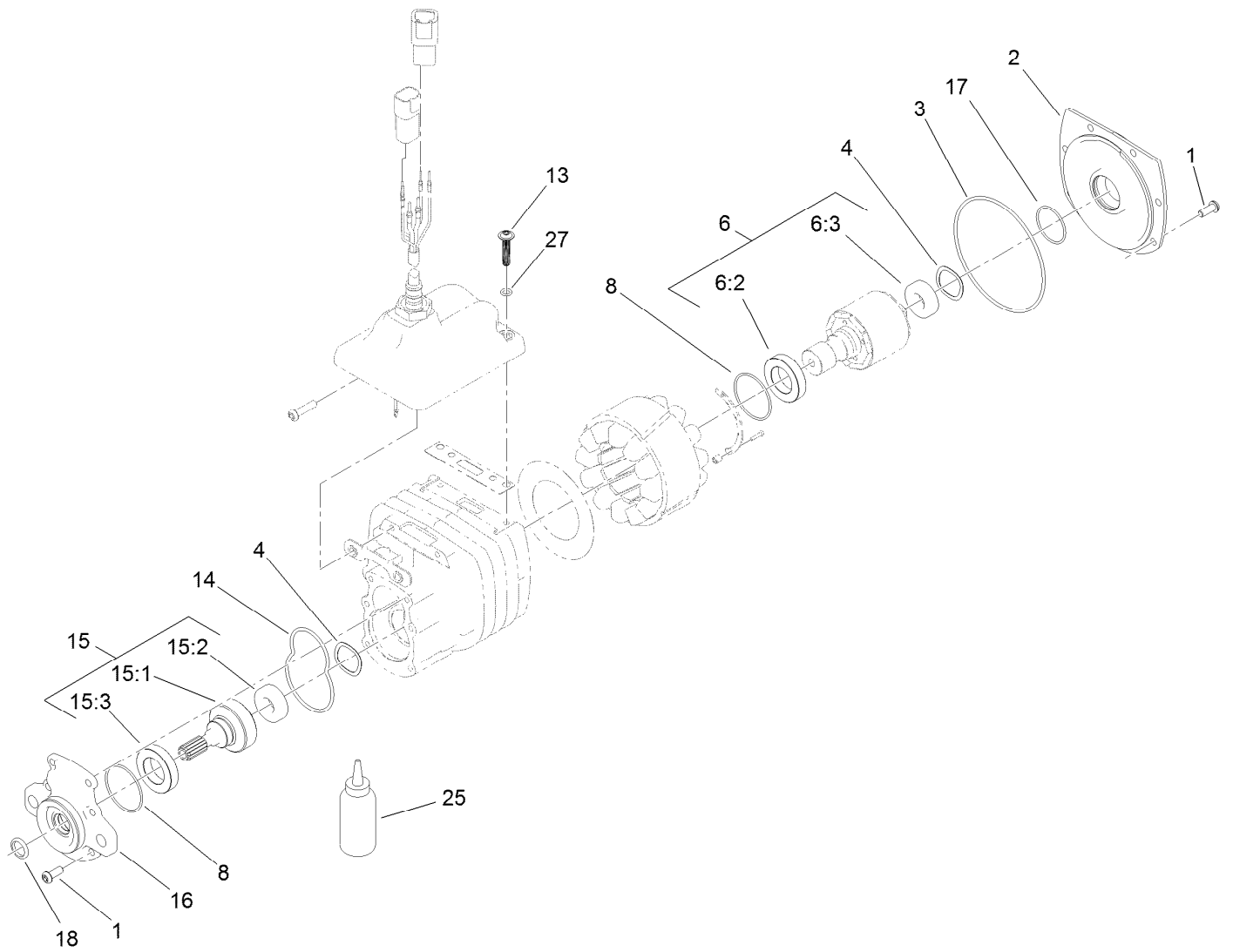
● Not serviced separately



Electric Reel Motor Assembly No. 138-8905

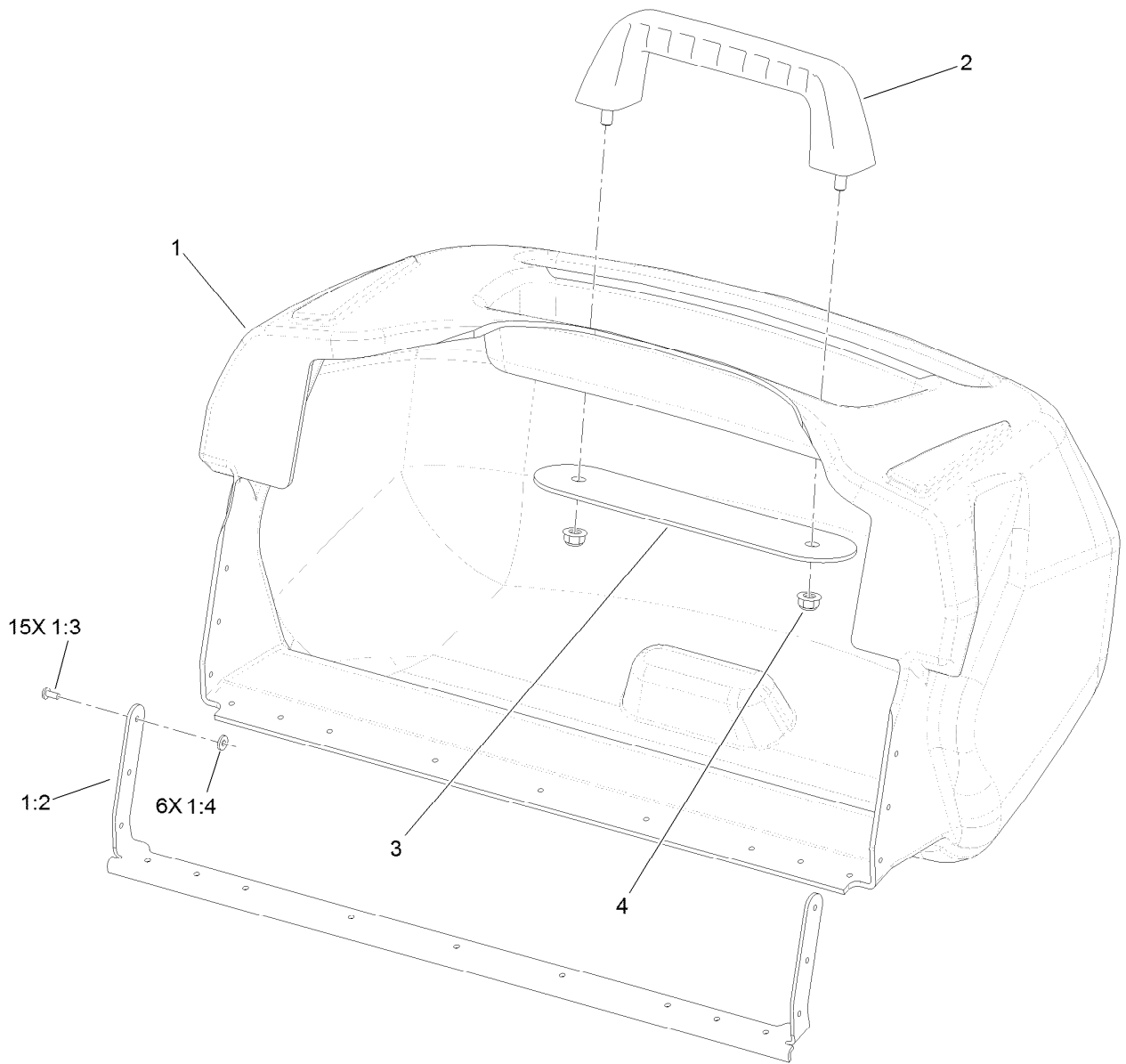
<i>Ref.</i>	<i>Part Number</i>	<i>Qty.</i>	<i>Description</i>	<i>Ref.</i>	<i>Part Number</i>	<i>Qty.</i>	<i>Description</i>
1	119-7481	1	Nut-Ferrule	15	3290-378	4	Tie-Cable
2	119-7480	1	Ferrule	16	120-3223	1	Tubing-Convoluted, Slit
8	119-7476	1	Hose	17	120-4532	1	Hose ASM
9	119-7558	1	Tubing-Convoluted, Slit	17:1	119-7545	1	Fitting-Bulkhead
10		1	Motor-Electric ●	17:2	119-7457	2	Nut
11	32160-245	1	Connector	17:3	119-7524	1	Hose
12	32160-315	1	Connector	17:4	119-7559	1	Tubing-Convoluted, Slit
13	32180-083	1	Wedge	17:5	119-7544	1	Fitting-Bulkhead
14	32180-084	1	Wedge	18	138-8924	1	Clamp-Hose

● Not serviced separately



Electric Motor Assembly

<i>Ref.</i>	<i>Part Number</i>	<i>Qty.</i>	<i>Description</i>	<i>Ref.</i>	<i>Part Number</i>	<i>Qty.</i>	<i>Description</i>
1	120-4559	12	Screw-BHCS	15	115-4782	1	Output Gear ASM
2	115-4779	1	Cover-Motor	15:1	112-5153	1	Gear-Output
3	112-9609	1	O-Ring	15:2	120-4557	1	Bearing
4	112-5163	2	Washer-Wave	15:3	112-5158	1	Bearing-Ball
6	119-7450	1	Rotor ASM	16	115-4777	1	Cover-Gearbox
6:2	112-5158	1	Bearing-Ball	17	119-1156	1	O-Ring
6:3	120-4557	1	Bearing	18	119-7451	1	Seal-Oil
8	112-9616	2	O-Ring	25	136-8595	1	Grease-Synthetic
13	138-8918	2	Screw-Fbhcs	27	138-8916	2	O-Ring
14	112-9611	1	O-Ring				



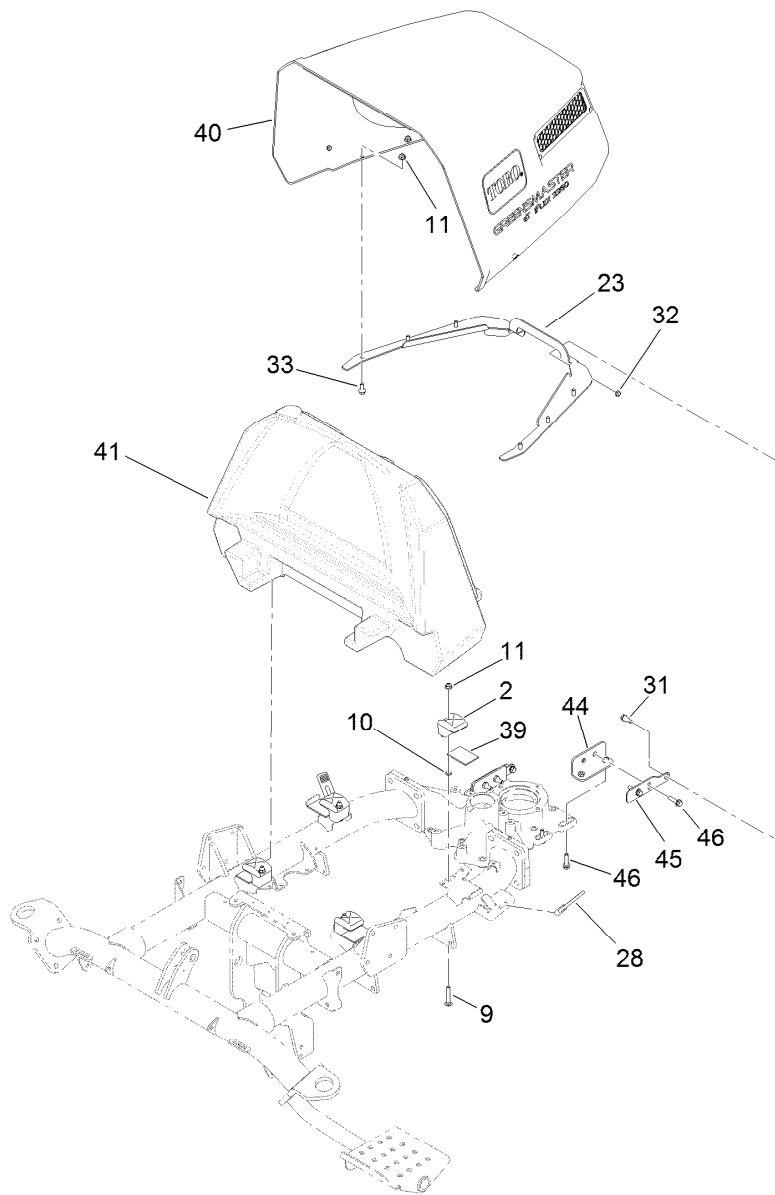
Basket Assembly No. 132-9599

<i>Ref.</i>	<i>Part Number</i>	<i>Qty.</i>	<i>Description</i>
1	132-9510	1	Basket Assembly
1:2	132-3806	1	Support-Basket
1:3	3269-25	15	Rivet-Pop
1:4	3256-75	6	Washer-Flat
2	117-8088	1	Handle-Grab
3	117-8092-03	1	Plate-Mounting
4	104-8300	2	Nut-HF, NI



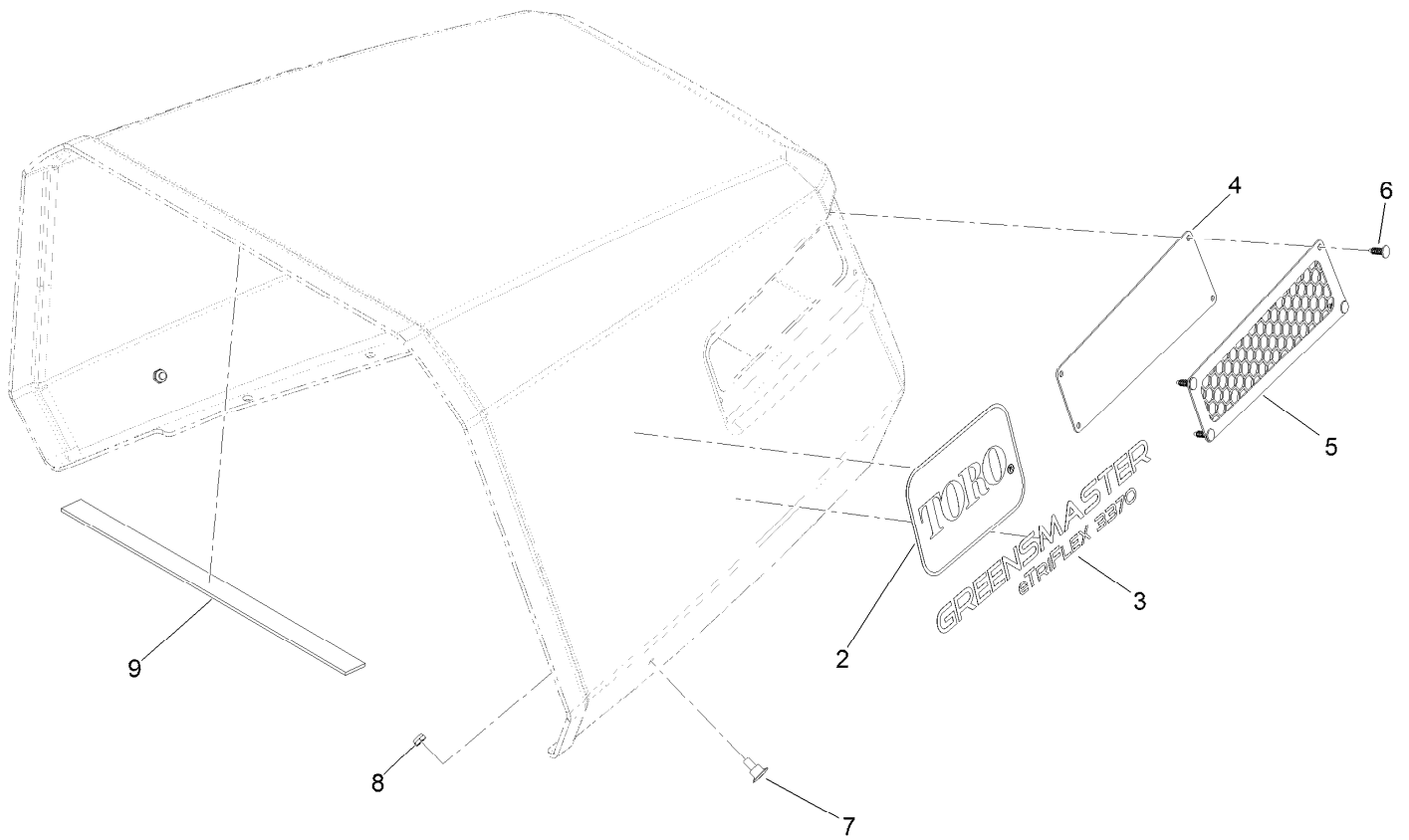
Suspension Pin Position Assembly

<i>Ref.</i>	<i>Part Number</i>	<i>Qty.</i>	<i>Description</i>
1	100-6541	3	Pin-Clevis
2	112-1491	3	Pin-Cotter



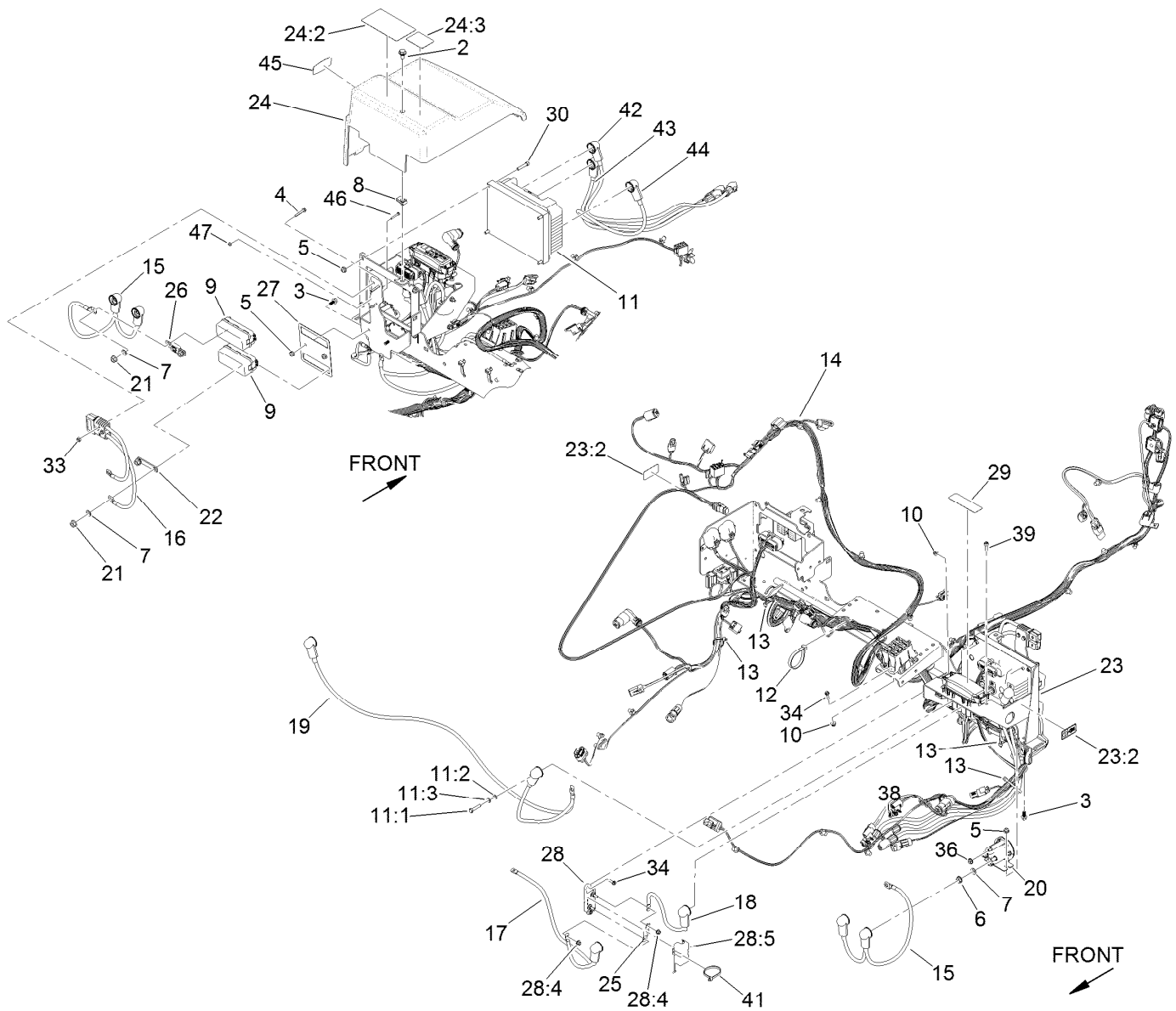
Hood Assembly

Ref.	Part Number	Qty.	Description
2	107-4543	4	Clamp
9	3230-6	4	Bolt-CARR
10	109-5667	4	Nut-Push
11	104-8300	10	Nut-HF, NI
23	137-2193-03	1	Bracket-Hinge, Shroud
28	131-8402	2	Strap-Down, Hold
31	115-1958	2	Bolt-Shoulder
32	99-6007	2	Nut-Lock, NI
33	3234-47	6	Screw-HHF
39	136-4259	4	Foam-Strip, Tank
40	139-8317	1	Battery Hood ASM
41	137-7829	1	Cover-Battery
44	137-2242-03	2	Bracket-Hood
45	137-7914	2	Bracket-Hood
46	119-4036	8	Screw-HHF



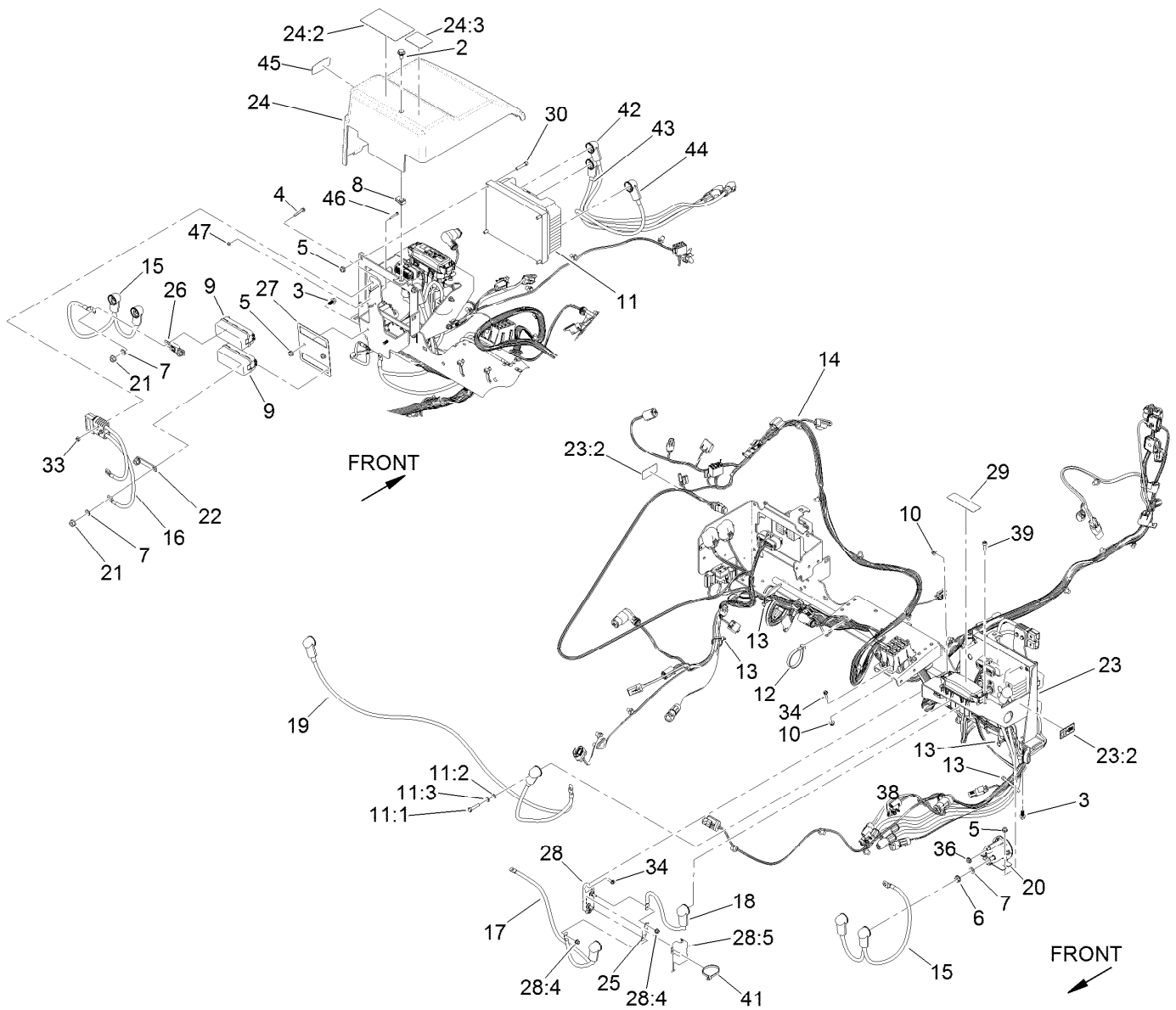
Hood Assembly No. 139-8317

Ref.	Part Number	Qty.	Description
2	62-5550	2	Decal
3	137-7928	2	Decal-Etriflex 3370
4	137-7926-03	2	Screen
5	137-7911-03	2	Screen
6	120-6737	8	Plug-Plastic
7	125-1122	2	Screw
8	3296-56	2	Nut-Lock, NI
9	137-8082	1	Strip-Foam



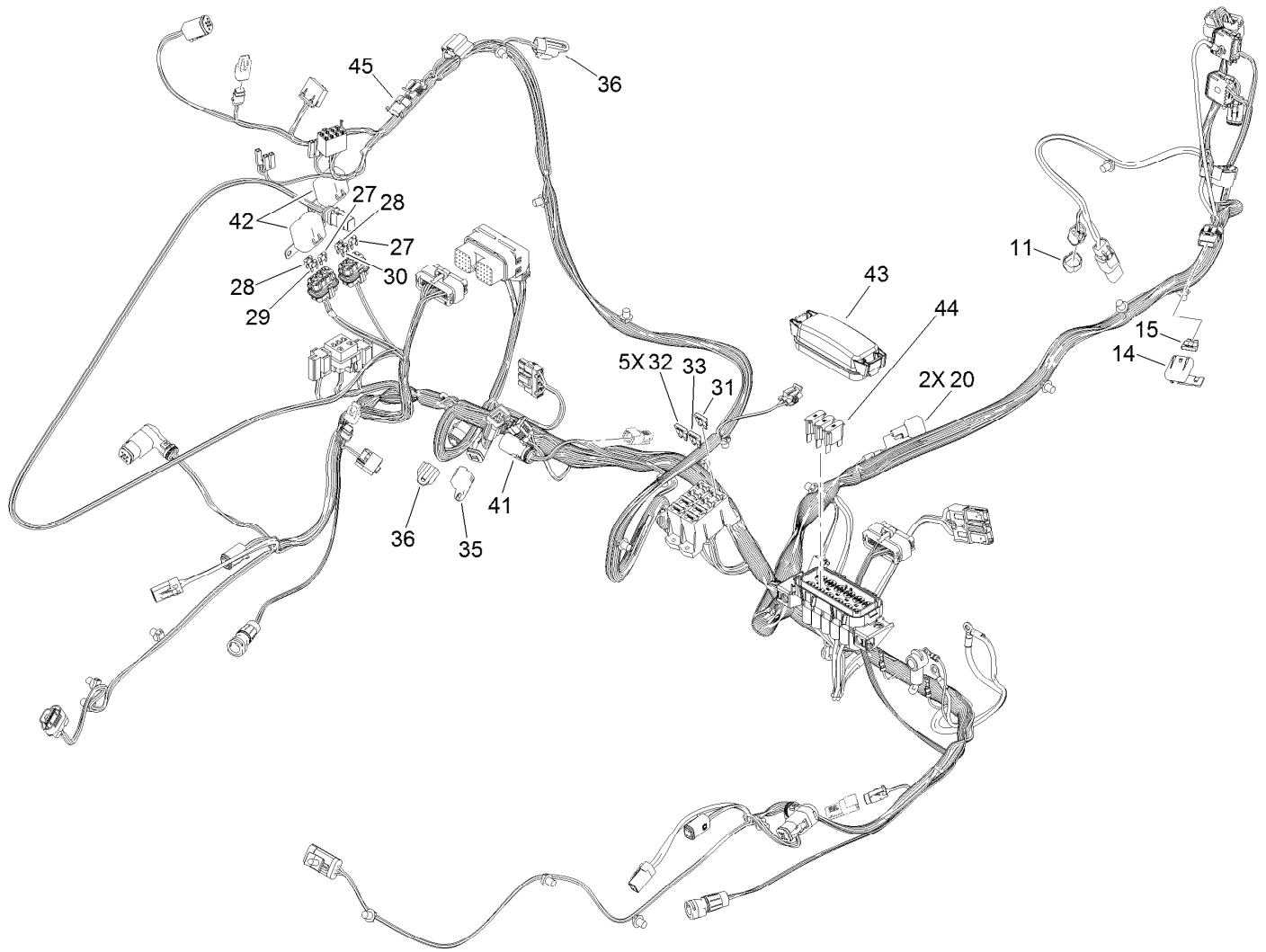
Electrical Assembly

Ref.	Part Number	Qty.	Description	Ref.	Part Number	Qty.	Description
2	19-1470	1	Screw-Shoulder	20	122-1274	2	Contactor-DC, 48V
3	99-6810	6	Screw-HHF	21	127-2371	4	Nut-HF
4	100-4352	2	Screw-HWH	22	132-9815	1	Strap-Jumper
5	104-7201	10	Nut-HF, NI	23	137-8196	1	Bracket-Components
6	107-0380	4	Nut-HHF	23:2	137-8127	2	Decal-No Spray
7	107-0394	8	Washer-Flat	24	139-8472	1	Cover-LH
8	112-3306	1	Nut	24:2	139-8471	1	Decal-Charging
9	114-3318	2	Holder-Fuse, Mega	24:3	139-8554	1	Decal-Warning, Charger
10	120-4578	6	Nut-HF	25	137-7707	1	Fuse-60 Amp
11	120-4780	1	Controller-Motor, Traction	26	139-8414	1	Fuse-175 Amp
11:1	33113-030	5	Screw-HH	27	137-7835	1	Bracket-Fuses
11:2	33093-00	5	Washer-Flat	28	137-7861	1	Fuse Block ASM
11:3	43-5930	5	Washer-Lock, Spring	28:4	120-4580	2	Nut-HF
12	3334-945	3	Tie-Cable	28:5	137-7863	1	Cover-Fuse
13	3290-379	4	Tie-Cable	29	137-8037	1	Decal-Fuses, Cutting Unit
14	122-1922	1	Harness-Wire, E-Tri-Flex	30	3274-51	4	Screw-HSH
15	122-1695	1	Cable-Battery, Positive	33	3296-2	2	Nut-Lock, NI
16	122-1698	1	Cable-Battery, Pos And Neg	34	32105-13	6	Screw-HWH
17	122-1108	1	Cable-Battery, Positive	36	32149-8	4	Nut-Keys
18	122-1112	1	Cable-Battery, Positive	38	32180-103	2	Clip-Connector
19	122-1115	1	Cable-Battery, Negative	39	52-6290	2	Screw-HSH



Electrical Assembly (continued)

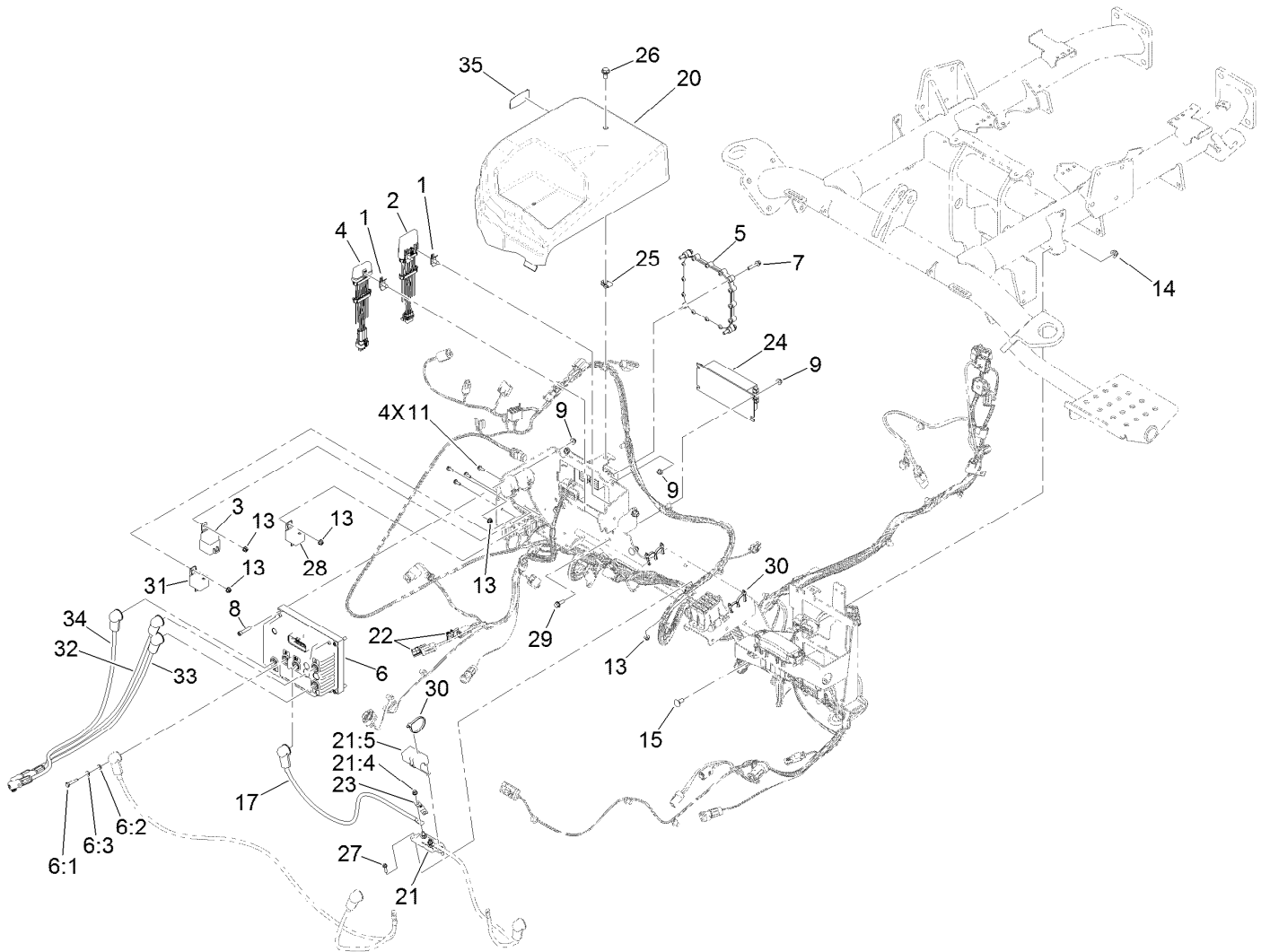
<i>Ref.</i>	<i>Part Number</i>	<i>Qty.</i>	<i>Description</i>	<i>Ref.</i>	<i>Part Number</i>	<i>Qty.</i>	<i>Description</i>
41	3290-378	1	Tie-Cable	45	119-7580	1	Decal-Smart, Energy
42	122-1611	1	Cable-Battery, Positive	46	32105-9	2	Screw
43	122-1612	1	Cable-Battery, Positive	47	120-9684	2	Nut-Lock
44	122-1613	1	Cable-Battery, Positive				



Wire Harness Assembly No. 122-1922

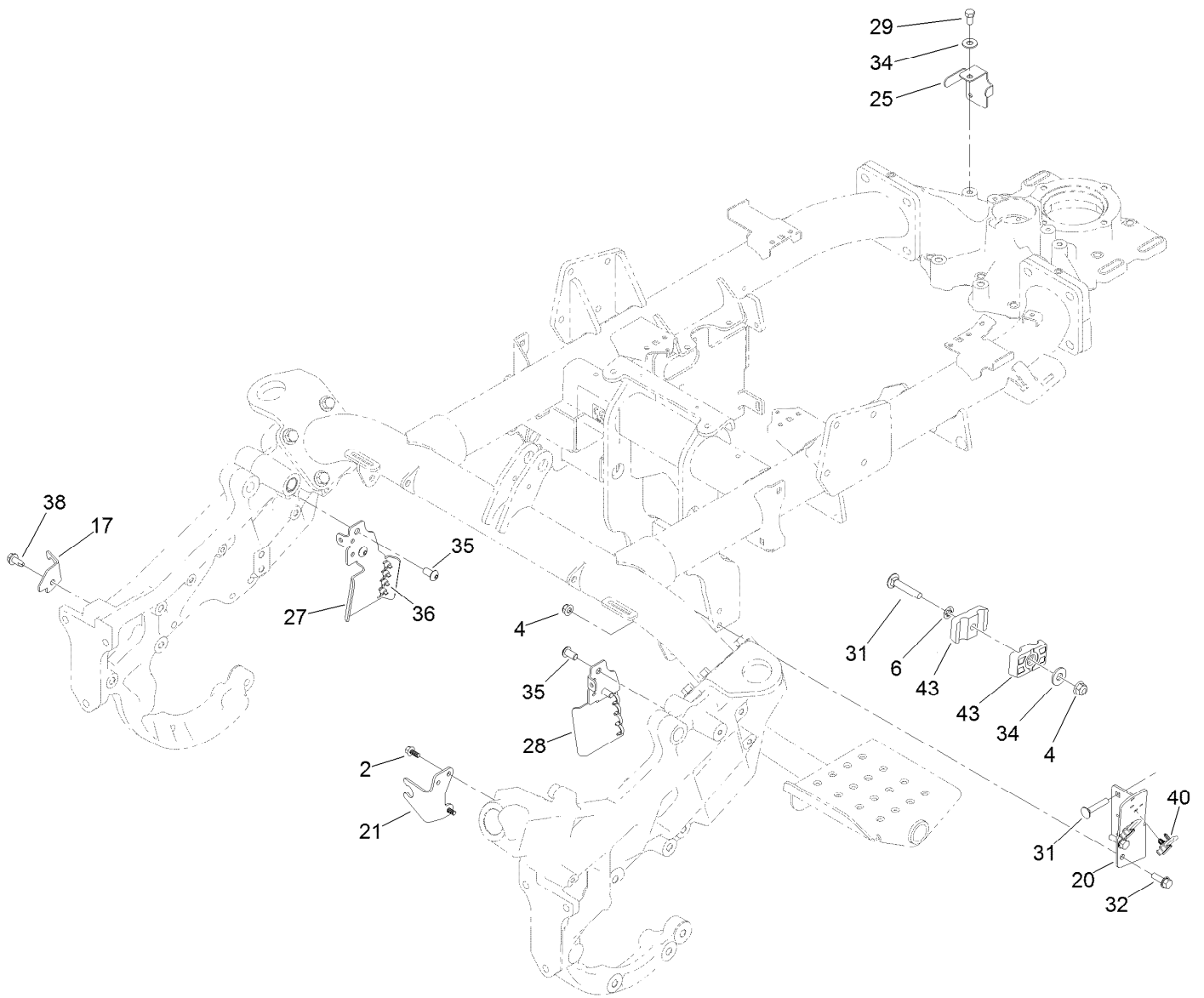
Ref.	Part Number	Qty.	Description	Ref.	Part Number	Qty.	Description
11	32180-260	1	Cap-Deutsch, Dust, 4 Way	32	117-4724	5	Fuse-Blade, 10A
12	32180-091	1	Cap-Dust, 2 Way ●	33	117-4728	1	Fuse-Blade, 30A
14	32180-019	1	Cover-Fuse, Single	35	32180-156	1	Cap-Plug, 6 Way
15	117-4720	1	Fuse-Blade, 3A	36	32180-089	2	Cap-Plug, 3 Way
20	100-4918	2	Diode	41	32180-090	3	Backshell-Deutsch, Dt06-06S 90 DEG
27	121-8861	2	Fuse-Mini Blade, 2 Amp	42	32180-179	2	Cover-Bussman
28	121-8865	1	Fuse-Mini Blade, 7.5 Amp	43	32180-146	1	Cover-Fuse
29	121-8866	1	Fuse-Mini Blade, 10 Amp	44	122-0255	3	Fuse-Maxi, 35 Amp-58V
30	121-8867	1	Fuse-Mini Blade, 15 Amp	45	32180-056	1	Cap
31	117-4722	1	Fuse-Blade, 5A				

● Not illustrated



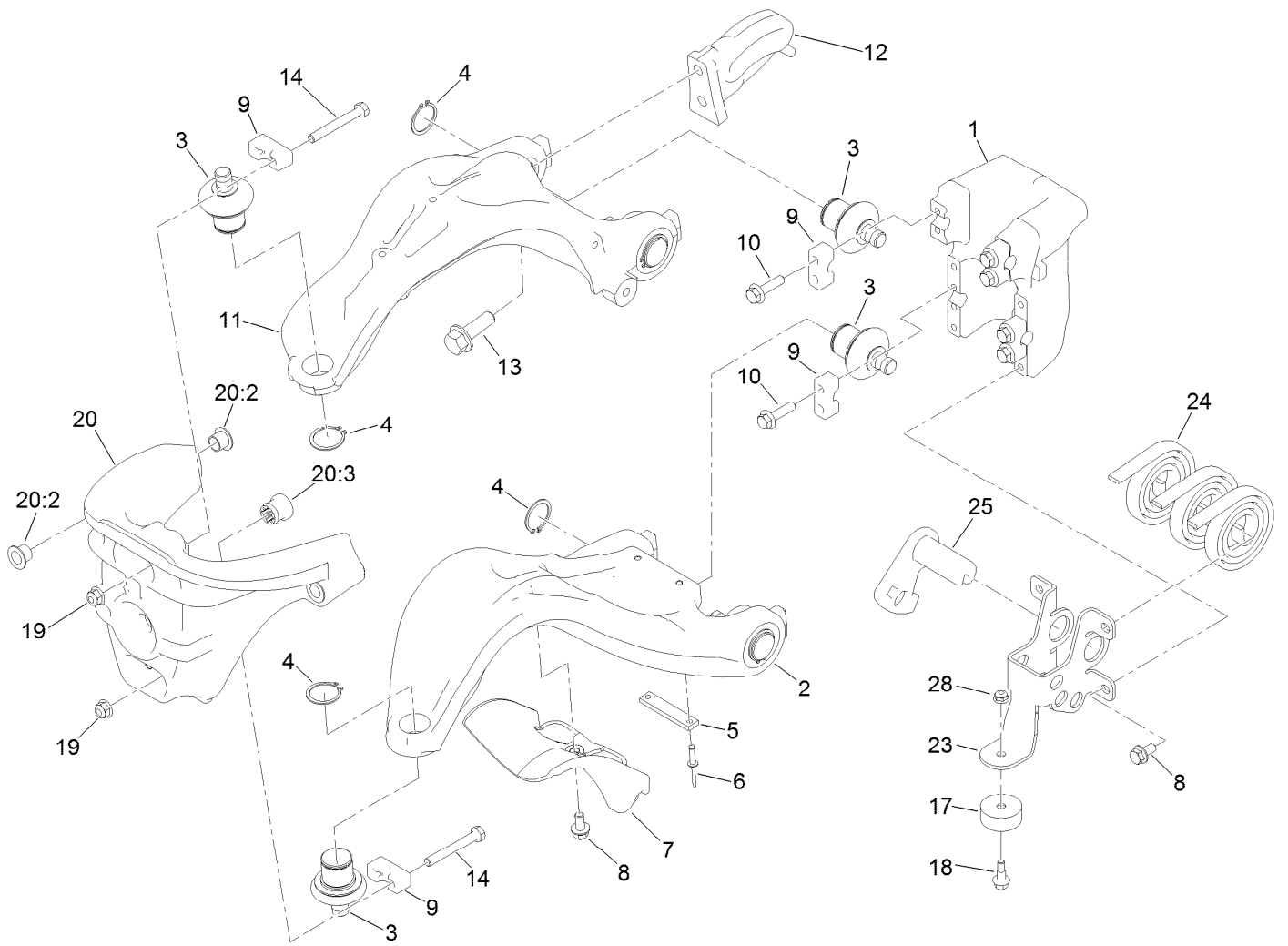
Controller Assembly

<i>Ref.</i>	<i>Part Number</i>	<i>Qty.</i>	<i>Description</i>	<i>Ref.</i>	<i>Part Number</i>	<i>Qty.</i>	<i>Description</i>
1	32180-011	3	Clip-Connector	21	137-7861	1	Fuse Block ASM
2	119-4330	1	Isolated Can Module ASM	21:4	120-4580	2	Nut-HF
3	99-7430	1	Relay-Mini	21:5	137-7863	1	Cover-Fuse
4	112-9630	1	Module-Reel, I.D.	22	32180-103	2	Clip-Connector
5	127-2770	1	Controller	23	137-7707	1	Fuse-60 Amp
6	120-4780	1	Controller-Motor, Traction	24	137-7952	1	Converter-DC-DC
6:1	33113-030	5	Screw-HH	25	112-3306	1	Nut
6:2	33093-00	5	Washer-Flat	26	19-1470	1	Screw-Shoulder
6:3	43-5930	5	Washer-Lock, Spring	27	32105-13	2	Screw-HWH
7	127-8639	4	Screw-HHF	28	122-2400	1	Relay, 12V Coil, 50A At 48V
8	3274-51	4	Screw-HSH	29	3234-4	2	Screw-HHF
9	104-7201	10	Nut-HF, NI	30	3290-378	3	Tie-Cable
11	32105-23	7	Screw	31	122-2401	1	Relay, 48V Coil, 50A At 48V
13	120-4578	9	Nut-HF	32	122-1614	1	Cable-Battery, Positive ASM
14	104-8300	4	Nut-HF, NI	33	122-1615	1	Cable-Battery, Positive ASM
15	3230-1	4	Bolt-CARR	34	122-1616	1	Cable-Battery, Positive ASM
17	122-1110	1	Cable-Battery, Positive	35	119-7580	1	Decal-Smart, Energy
20	133-0095	1	Cover-RH				



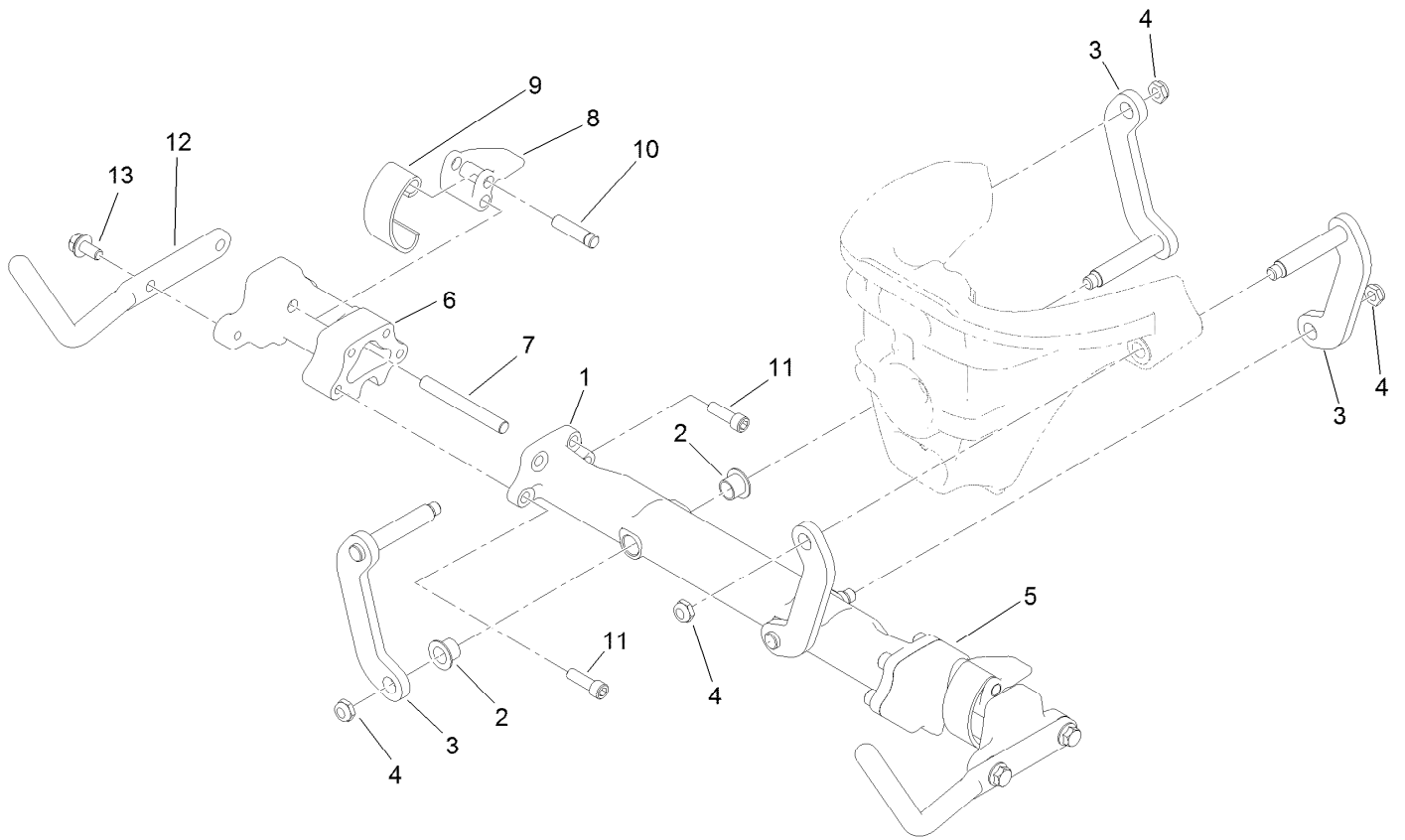
Harness Bracket Assembly

Ref.	Part Number	Qty.	Description	Ref.	Part Number	Qty.	Description
2	99-6810	2	Screw-HHF	29	3210-2	1	Screw-HH
4	104-8300	3	Nut-HF, NI	31	3230-5	1	Bolt-CARR
6	109-5667	1	Nut-Push	32	3234-29	2	Screw-HHF
17	139-8409	1	Brkt-Hose	34	3256-3	2	Washer-Flat
20	137-8146-03	1	Bracket-Hose, Rear	35	3274-80	4	Screw-HH
21	136-2697	1	Bracket-Hose	36	3290-378	8	Tie-Cable
25	137-7859	1	Bracket-Harness	38	32104-32	1	Screw-HWH
27	137-7905-01	1	Bracket-Harness, RH	40	32180-103	2	Clip-Connector
28	137-7906-01	1	Bracket-Harness, LH	43	56-7971	2	Clamp-Tube



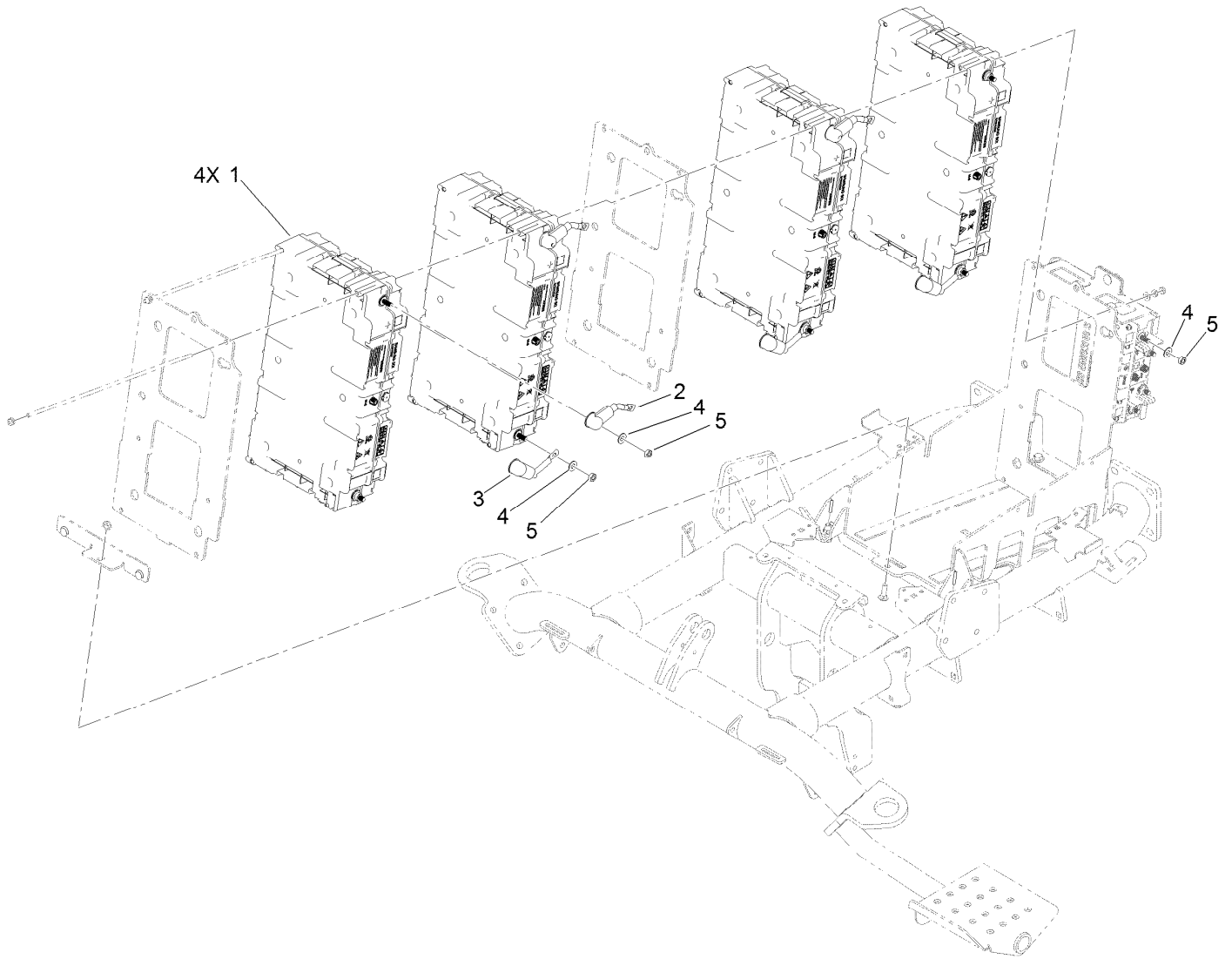
Suspension A-Arm Assembly

Ref.	Part Number	Qty.	Description	Ref.	Part Number	Qty.	Description
1	117-9480	1	Mount-Pivot, A-Arms	13	100-6116	2	Screw-HHF
2	117-6656	1	A-Arm, Lower	14	132-3838	4	Screw-HH
3	132-6959	6	Balljoint	17	133-0308	1	Bumper-Rubber
4	120-3225	6	Ring-Retaining, EXT	18	133-0315	1	Screw-Shoulder, HF
5	117-6674	1	Plate-Striker	19	104-8300	4	Nut-HF, NI
6	3269-28	2	Rivet-Pop	20	120-3216	1	Steering Head ASM
7	117-6755	1	Stop-Steering	20:2	125-5239	4	Bushing-Flange
8	114-7728	5	Screw-HF	20:3	131-1836	1	Grommet
9	112-5647	6	Clamp	23	140-5232	1	C-Balance Mount
10	132-3837	8	Screw-HHF	24	114-9306	3	Spring
11	139-6452	1	A-Arm, Upper	25	140-5234	1	Tensioner
12	139-8407	1	Plate-Lift	28	104-7201	1	Nut-HF, NI



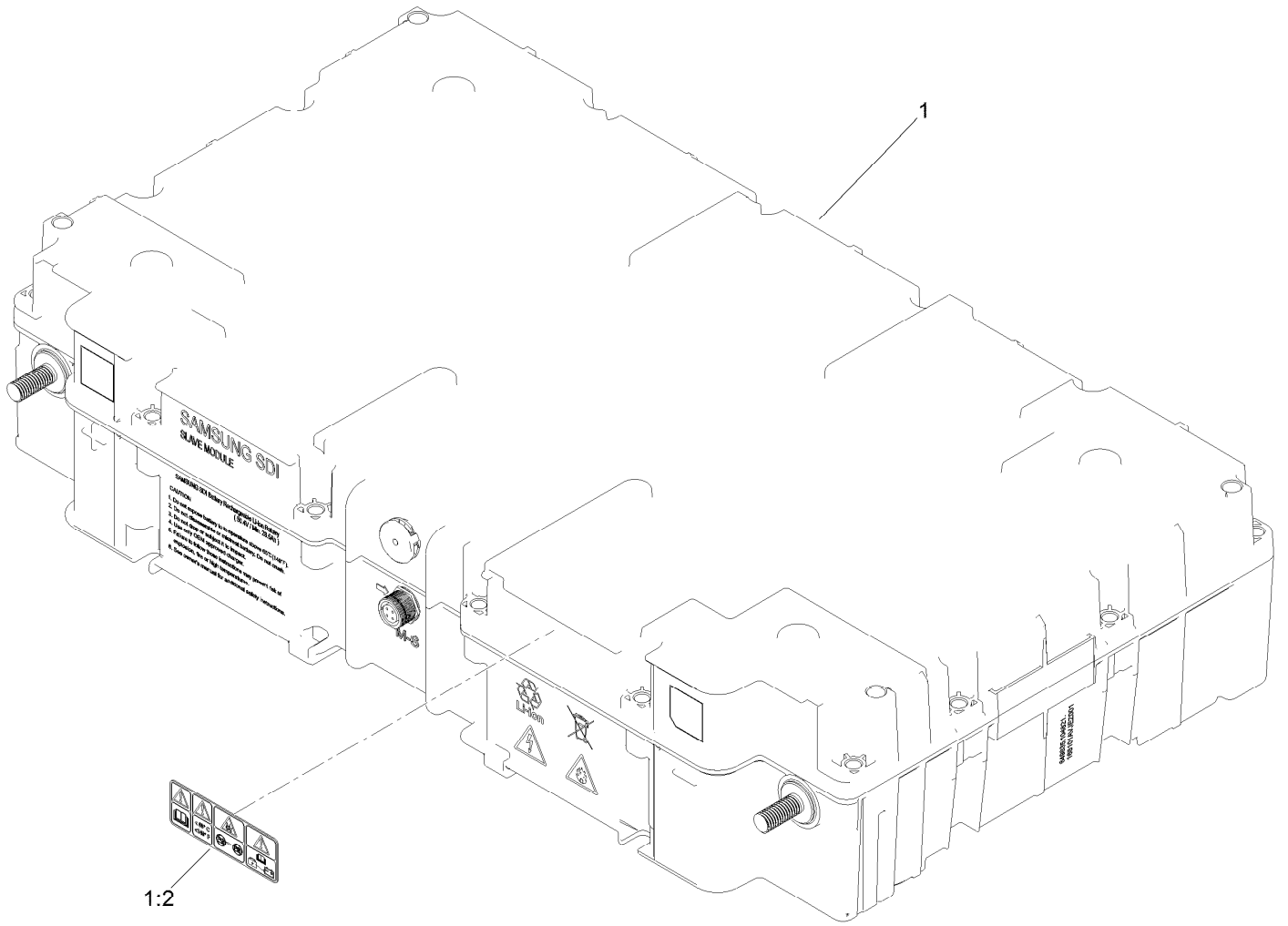
Suspension Crossarm Assembly

Ref.	Part Number	Qty.	Description
1	120-3217	1	Crossarm
2	125-5239	4	Bushing-Flange
3	117-6654	4	Link
4	3296-59	4	Nut-Lock, NI
5	117-9482	1	Mount-Cross Arm, LH
6	117-9492	1	Mount-Cross Arm, RH
7	114-8051	2	Pin-Pivot
8	114-8047	2	Lever
9	114-8048	2	Spring
10	114-8049	2	Pin-Pivot
11	120-3227	8	Screw-HSH
12	120-2784-01	2	Horn-Basket
13	114-7728	4	Screw-HF



Top Battery Installation Assembly

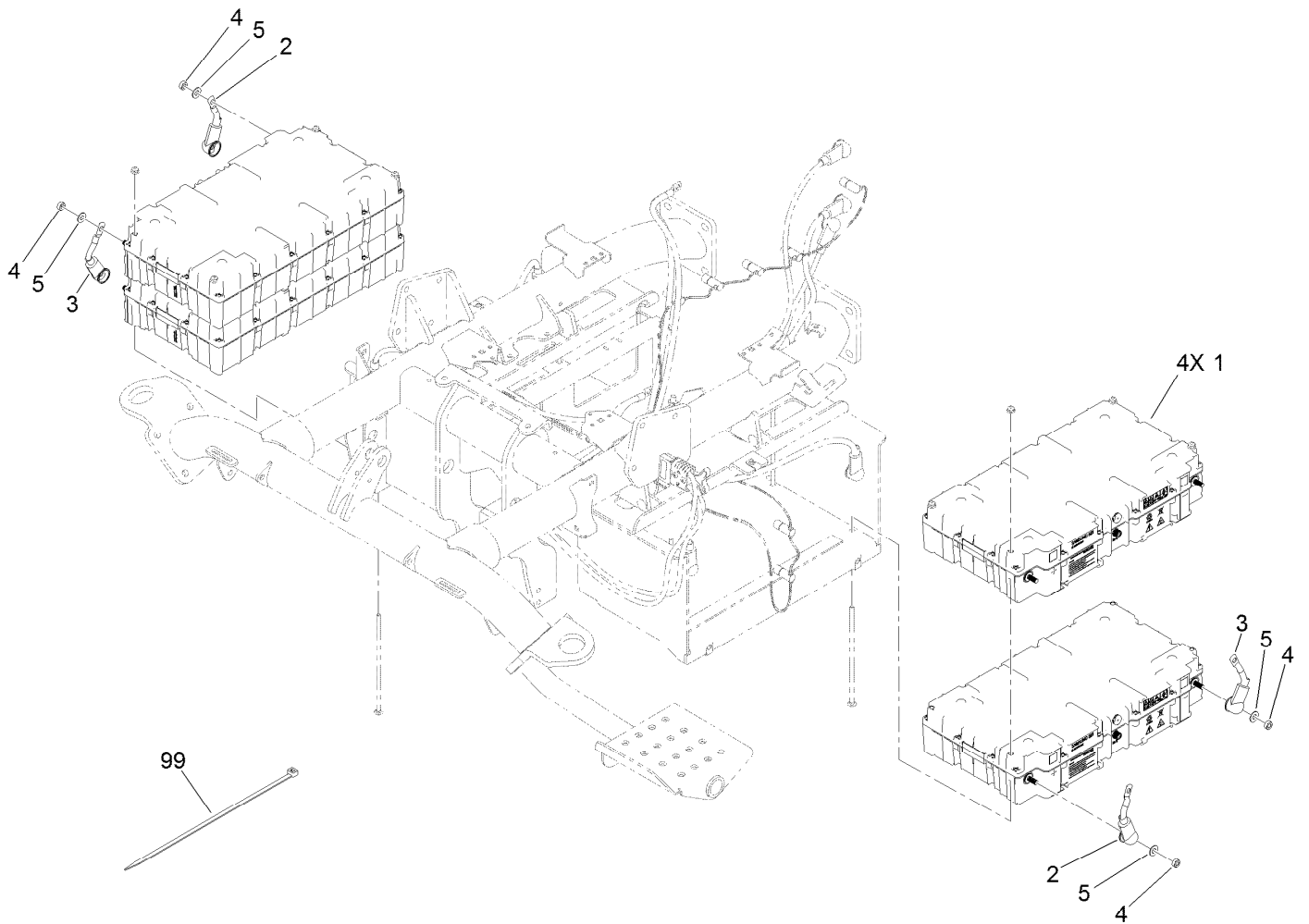
<i>Ref.</i>	<i>Part Number</i>	<i>Qty.</i>	<i>Description</i>
1	04070	4	Battery
2	122-1696	3	Cable-Battery, Positive
3	122-1697	3	Cable-Battery, Negative
4	107-0279	12	Washer
5	137-8088	12	Nut-Hex



Battery Assembly No. 04070

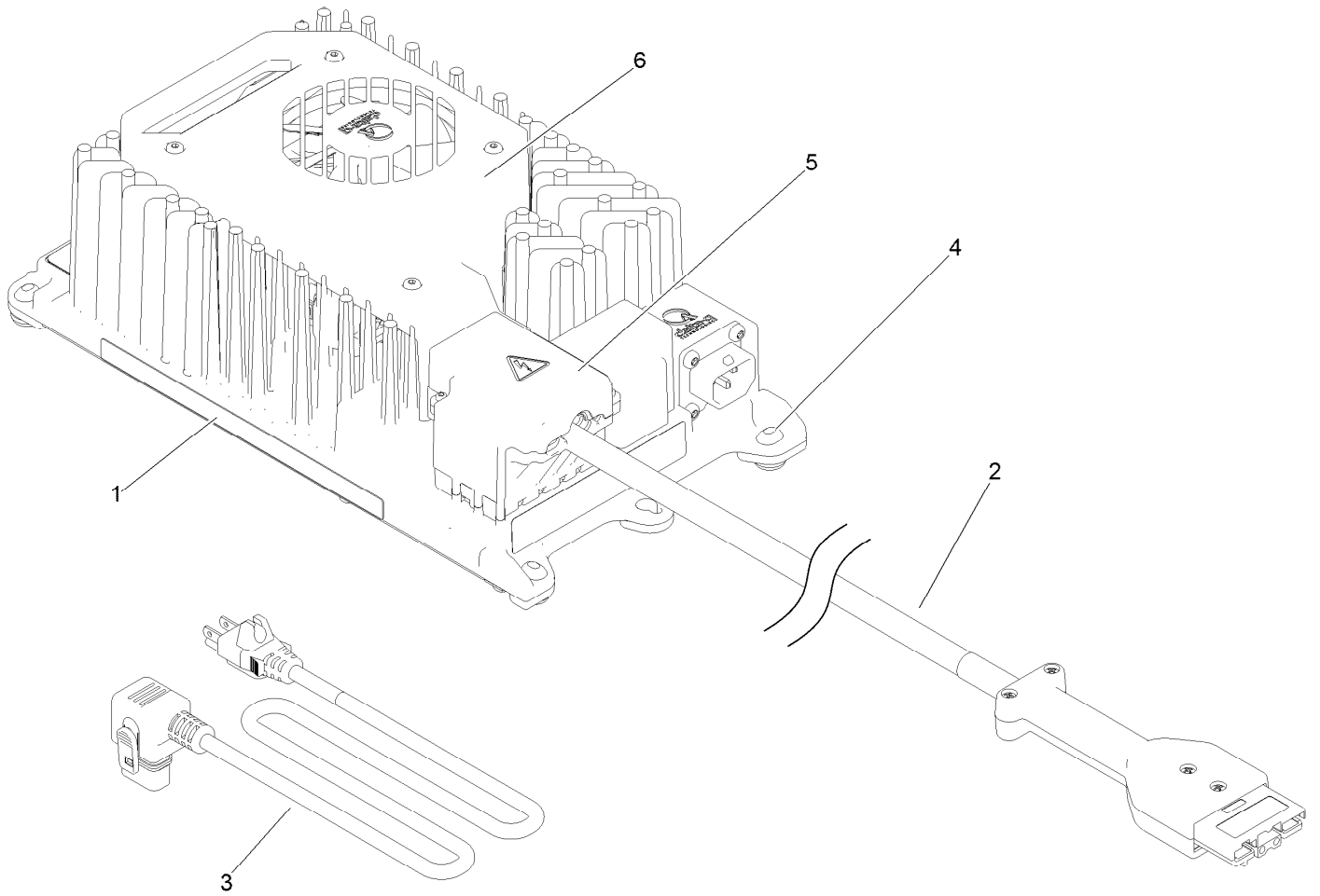
Ref.	Part Number	Qty.	Description
1		1	Battery Service ASM ●
1:2	137-9712	1	Decal-Safety

● Not serviced separately



Side Battery Installation Assembly

Ref.	Part Number	Qty.	Description
1	04070	4	Battery
2	122-1696	2	Cable-Battery, Positive
3	122-1697	2	Cable-Battery, Negative
4	137-8088	8	Nut-Hex
5	107-0279	8	Washer
99	1-809066	2	Cable Tie-Plastic



1200 Watt Lithium Battery Charger Assembly

<i>Ref.</i>	<i>Part Number</i>	<i>Qty.</i>	<i>Description</i>
1	137-9713	1	Decal-Charger
2	137-9715	1	Cord-DC W/Can Bus
3	107-0382	1	Powercord-AC, Europe ●■
3	107-0383	1	Powercord-AC, U.K. ●■
3	137-7983	1	Cord-AC, 120V
4	137-7984	1	Handle And Feet Kit
5	137-7985	1	Cover-Plastic, DC Power
6	139-8423	1	Fan-W/Handle

● Not illustrated

■ Optional Equipment

Attachments and Accessories

For 04590 Greensmaster eTriFlex 3370 Traction Unit

Product Name	Model/Part
TIRE	144-3665
8-Blade DPA Reel Mower	04651
11-Blade DPA Reel Mower	04653
14-Blade DPA Reel Mower	04655
Tri-Roller	04722
Spiker	04723
Anti-Bobbing Kit	04716
Standard Greensmower Seat Kit	04508
Premium Seat	04729
Wireless Hourmeter	115-4754
Premium Armrest Kit	119-7105
Weight Kit	119-7129
Bimini Shade Kit	138-8579
Height-of-Cut Bar	94-9010
Light Kit	04500
Rear Light Kit	137-7945
Bag Kit	137-8130
Armrest Kit	121-3660
1200 Watt LI-ION Battery Charger	04012
Powercord-AC, Europe	107-0382
Powercord-AC, U.K.	107-0383
Kit-Fuses	139-8482
3WD Kit, Electric Triflex	04503
Turf Evaluator	04399

For 04590 Greensmaster eTriFlex 3370 Traction Unit

Product Name	Model/Part
TIRE	144-3665
8-Blade DPA Reel Mower	04651
11-Blade DPA Reel Mower	04653
14-Blade DPA Reel Mower	04655
Tri-Roller	04722
Spiker	04723
Anti-Bobbing Kit	04716
Standard Greensmower Seat Kit	04508
Premium Seat	04729
Wireless Hourmeter	115-4754
Premium Armrest Kit	119-7105
Weight Kit	119-7129
Bimini Shade Kit	138-8579
Height-of-Cut Bar	94-9010
Light Kit	04500
Rear Light Kit	137-7945
Bag Kit	137-8130

Attachments and Accessories (continued)

Armrest Kit..... 121-3660
1200 Watt LI-ION Battery Charger..... 04012
Powercord-AC, Europe..... 107-0382
Powercord-AC, U.K. 107-0383
Kit-Fuses 139-8482
3WD Kit, Electric Triflex 04503
Turf Evaluator 04399



Count on it.