



Count on it.

Parts Catalog

Titan® ZX5400

Riding Mower

Model No. 75305—Serial No. 411600000 and Up



Ordering Replacement Parts

To order replacement parts, please supply the part number, the quantity, and the description of each part desired.

Understanding Reference Numbers

Each identified part in an illustration has a reference number. The reference number for a part also appears in the parts list, along with other information about the part.

This catalog uses two special reference number formats, one to indicate parts in a service assembly and another to indicate the quantity of a given part in an illustration.

Service Assembly Reference Numbers

Parts in service assemblies have reference numbers in the form a:b. The a represents the reference number of the entire service assembly and the b represents a sequential number unique to each part within the service assembly.

For example, a wheel assembly might be identified by reference number 6, the tire by 6:1, the valve by 6:2, and the wheel by 6:3. When you order the assembly identified by reference number 6, you receive all parts identified by reference numbers 6:1, 6:2, and 6:3. However, you may also order any part individually. Reference numbers of this type appear in illustration and in parts lists.

Reference Numbers Indicating Quantity

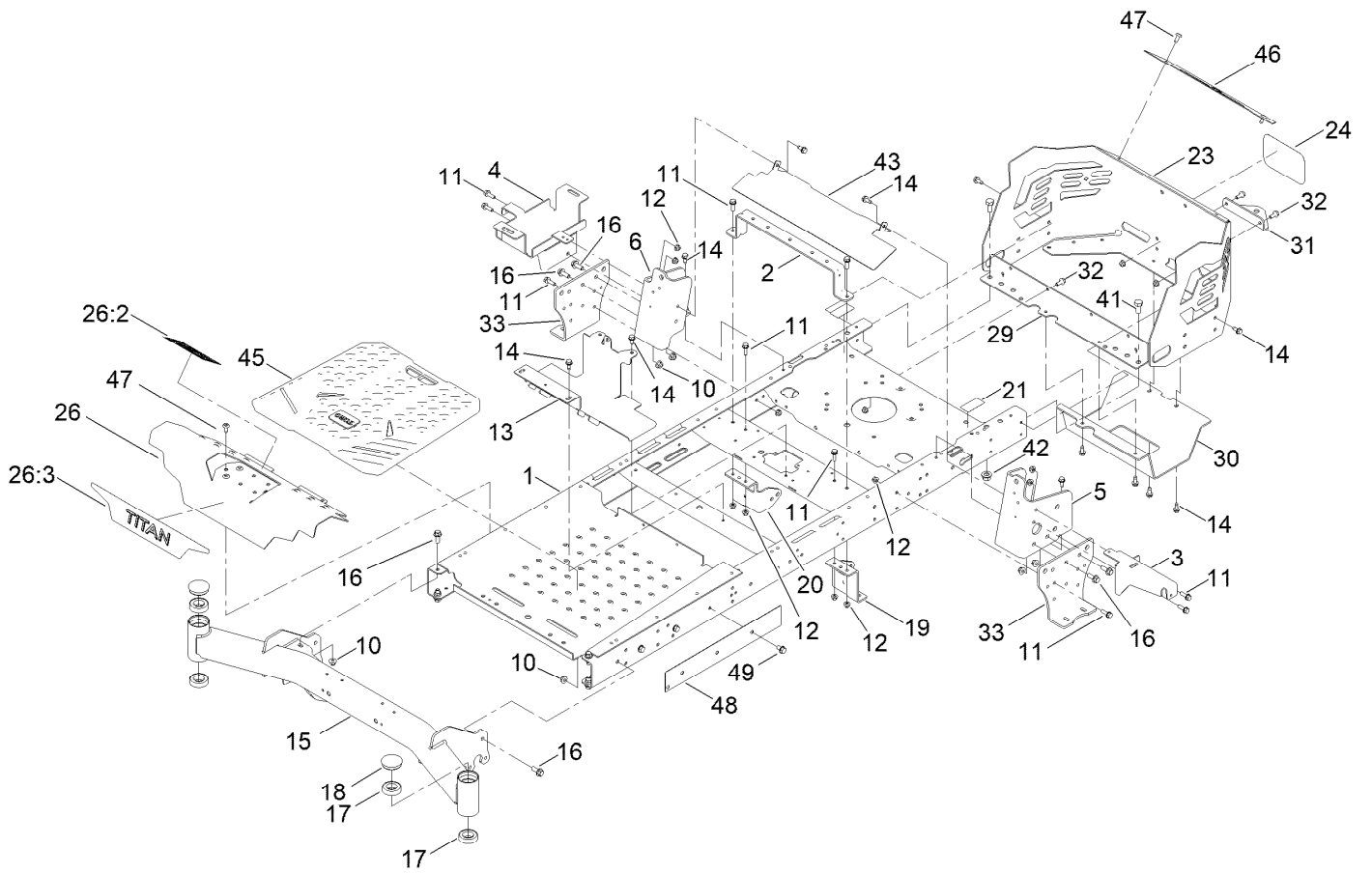
In an illustration, if a reference number indicates more than one part, the reference number has the form nX y. The n represents the quantity of the part, the X is the multiplication symbol, and the y represents the reference number.

For example, in an illustration, the reference number 2X 37 means that two of the parts identified by reference number 37 are indicated.

Contents

Frame Assembly	4
Deck Lift Assembly	6
Fork and Caster Wheel Assembly	8
Traction Drive Assembly	10
RH Hydro Transmission Assembly No. 140-8310	12
LH Hydro Transmission Assembly No. 140-8311	14
Brake Assembly	16
Tire Assembly	18
Seat Pan Assembly	20
Seat Assembly No. 140-2714	22
Motion Control Assembly	24
Engine and Muffler Assembly	26
Body Styling and Fuel Pod Assembly	28
Fuel Tank Assembly No. 144-5303	30
Electrical Assembly	32
54 Inch Deck Assembly	34
Frame Decal Assembly	36
Maintenance and HOC Decal Assembly	38
Clutch Assembly	40
Attachments and Accessories	42

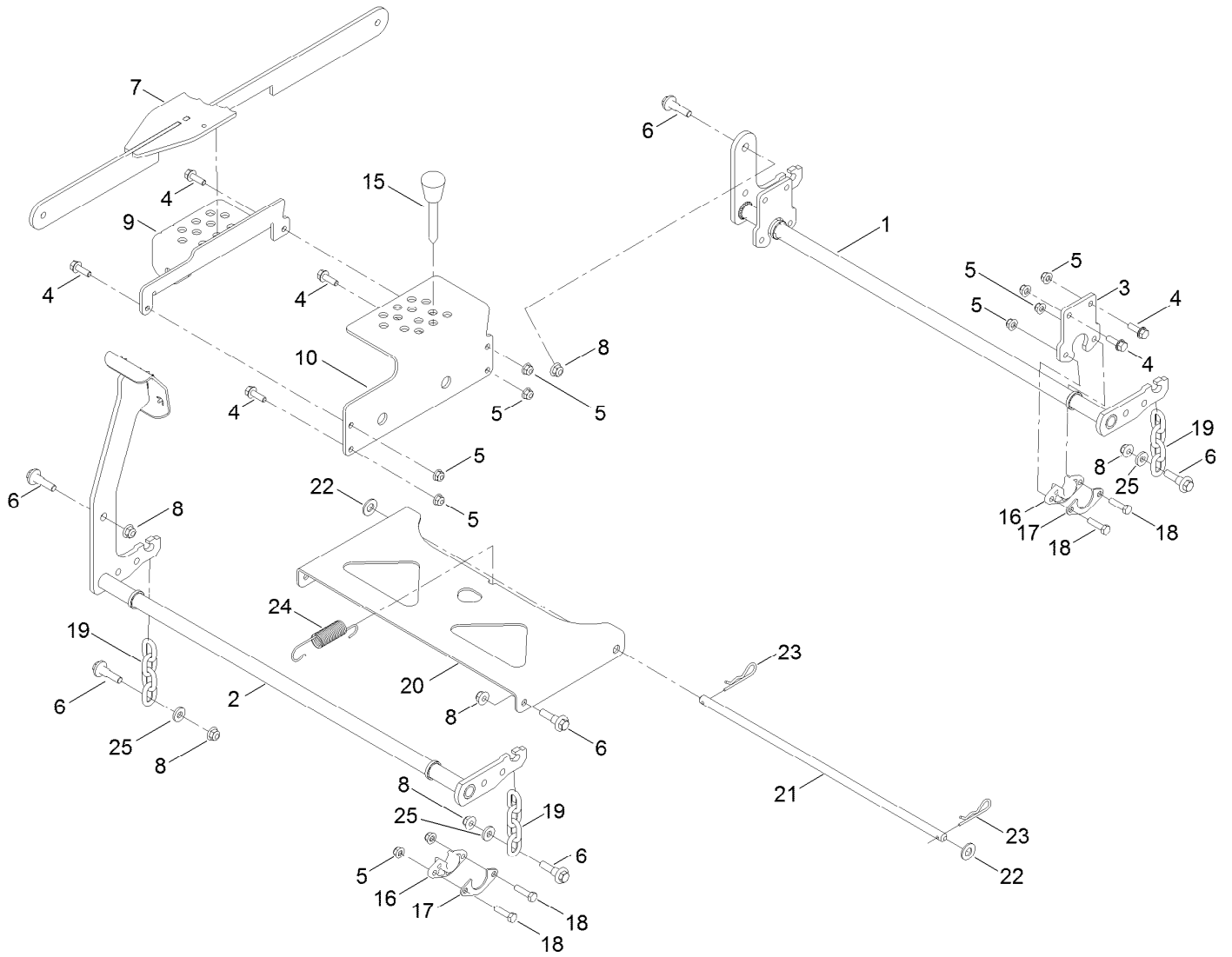
Frame Assembly



Frame Assembly (continued)

<i>Ref.</i>	<i>Part Number</i>	<i>Qty.</i>	<i>Description</i>	<i>Ref.</i>	<i>Part Number</i>	<i>Qty.</i>	<i>Description</i>
1	133-1191-01	1	Frame ASM	23	140-1031-03	1	Guard-Engine
2	135-0687-03	1	Brace-Seat, Rear (Wide)	24	99-4693	1	Decal
3	133-7051-03	1	Bracket-Support, Pod (LH)	26	140-3485	1	Footrest-Titan
4	139-3570	1	Tray-Battery	26:2	140-3451	1	Decal-Danger
5	137-5068-01	1	Bracket-Mounting, LH	26:3	139-7469	1	Decal-Titan
6	137-5069-01	1	Bracket-Mounting, RH	29	137-7016-01	1	Crossmember-Rear, Wide
10	104-8301	10	Nut-HF, NI	30	133-4429-03	1	Guard-Muffler
11	3234-29	16	Screw-HHF	31	117-1232-03	1	Bracket-Hitch
12	104-8300	20	Nut-HF, NI	32	3234-47	4	Screw-HHF
13	133-4485-03	1	Bracket-Mount	33	133-1201-03	2	Mount-Hydro
14	32144-70	22	Screw-HWHTF	41	325-4	2	Screw-HH
15	139-5839-01	1	Front Axle ASM	42	99-5107	2	Nut-Lock
16	3234-42	10	Screw-HHF	43	136-9183-03	1	Shield
17	109-3678	4	Bearing-Ball	45	139-7487	1	Floor Mat
18	138-7200	2	Cap-Grease	46	140-1032-01	1	Trim-Guard, Engine
19	139-3211-01	1	Mount-Hydro, Front (Left)	47	138-9753	4	Screw
20	137-7020-01	1	Mount-Hydro, Front (Right)	48	140-0366-01	1	Plate-Frame
21	121-2989	2	Decal-Bypass	49	32144-69	3	Screw-HWHTF

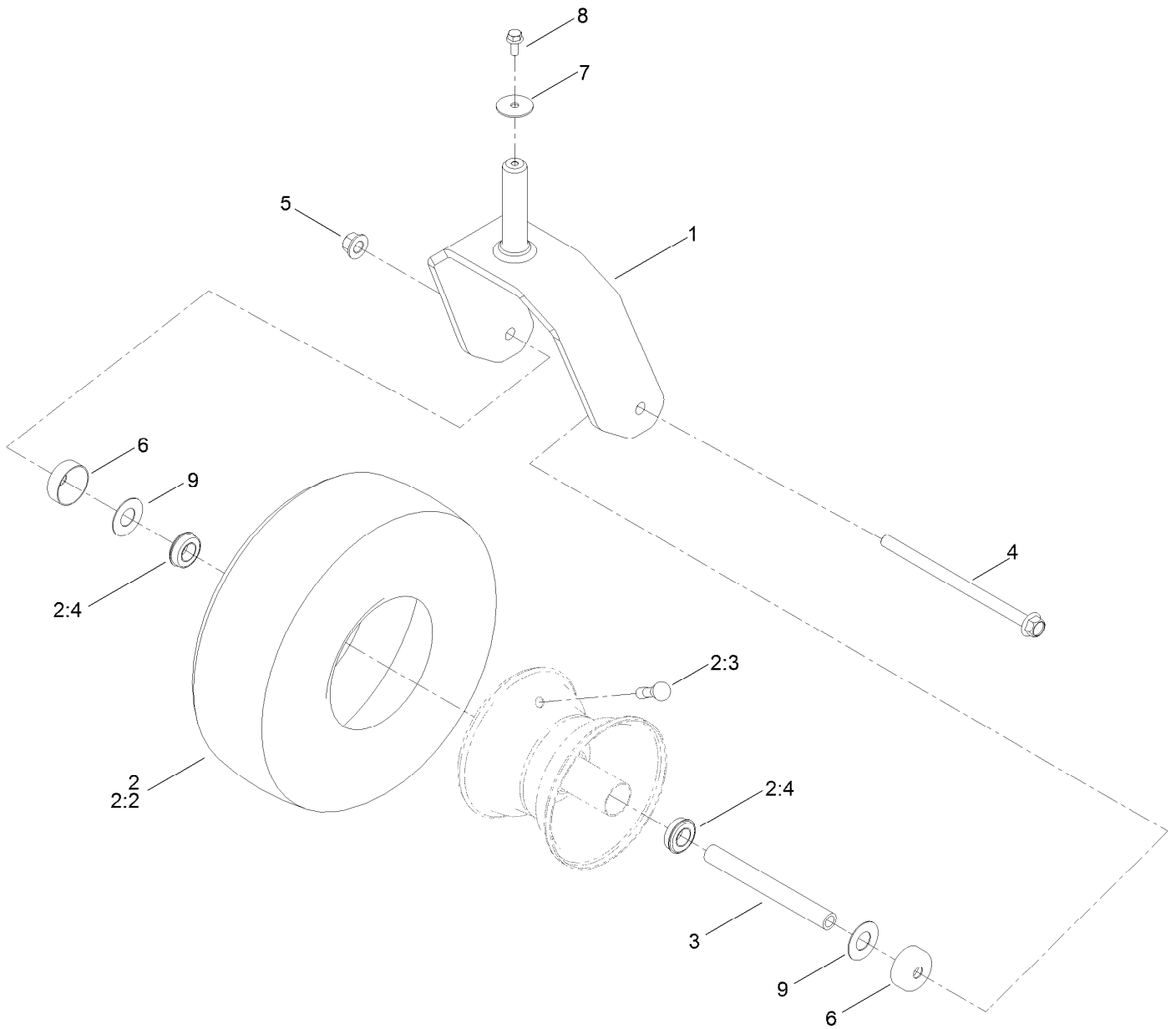
Deck Lift Assembly



Deck Lift Assembly (continued)

<i>Ref.</i>	<i>Part Number</i>	<i>Qty.</i>	<i>Description</i>	<i>Ref.</i>	<i>Part Number</i>	<i>Qty.</i>	<i>Description</i>
1	137-2020-03	1	Pivot-Rear	16	139-5872	4	Bearing-Flange
2	133-4430-03	1	Pivot-Front	17	138-7204	4	Gusset-Deck Lift
3	137-2021-03	2	Plate	18	322-6	8	Screw-HH
4	3234-29	8	Screw-HHF	19	138-7205	4	Chain-Decklift, 4-Link
5	104-8300	16	Nut-HF, NI	20	133-4311-01	1	Pan-Pivot, Deck
6	130-0742	8	Bolt-Shoulder	21	133-7071	1	Rod-Pivot, Deck
7	139-3553-03	1	Lift Link ASM	22	3256-26	2	Washer-Flat
8	104-8301	8	Nut-HF, NI	23	1-806005	2	Pin-Cotter
9	139-3557-03	1	Plate-HOC, Lower	24	138-7206	1	Spring-Extension
10	139-3556-03	1	Plate-HOC, Upper	25	138-7207	4	Spacer-Hub, Blower
15	140-2146	1	HOC Pin ASM				

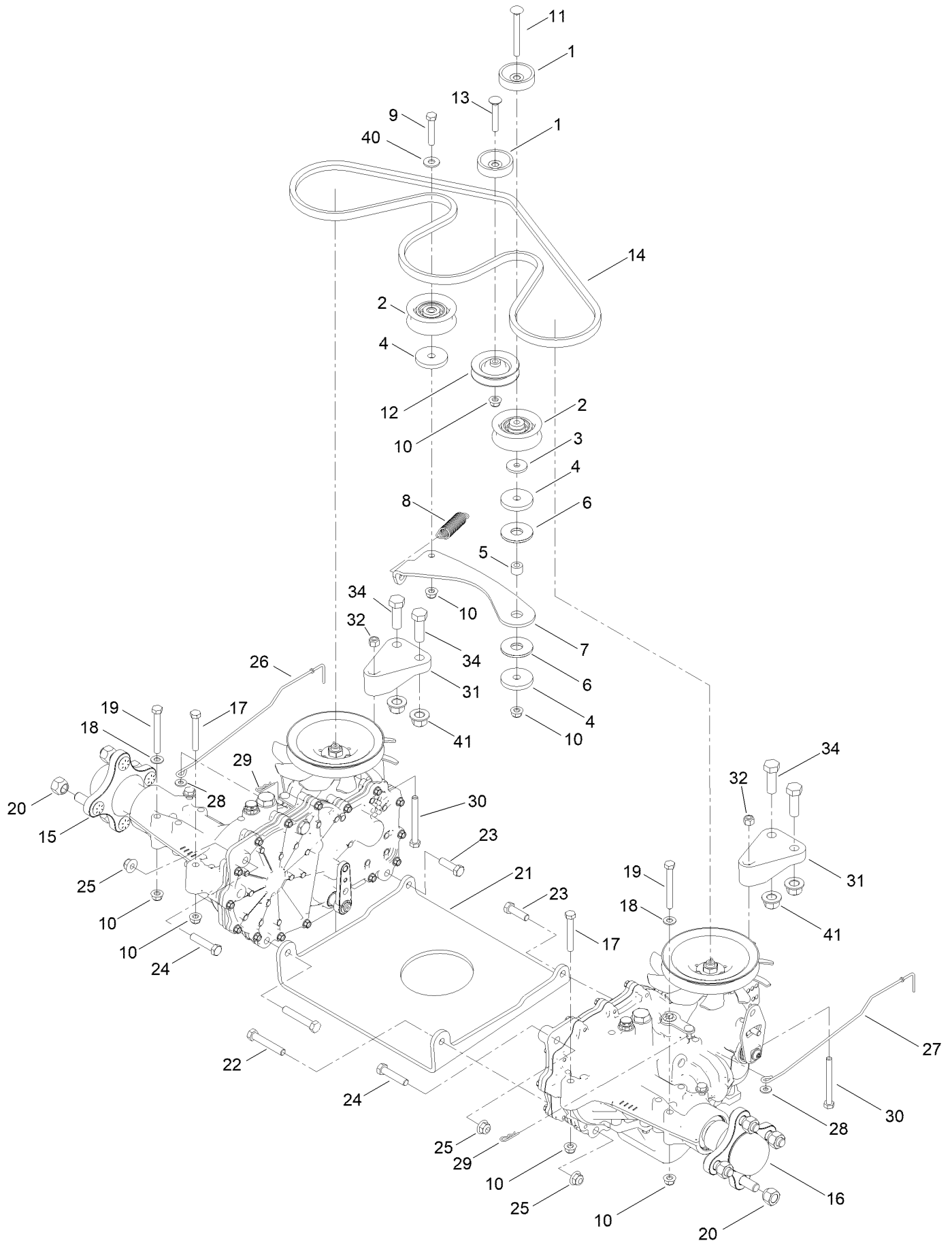
Fork and Caster Wheel Assembly



Fork and Caster Wheel Assembly (continued)

<i>Ref.</i>	<i>Part Number</i>	<i>Qty.</i>	<i>Description</i>	<i>Ref.</i>	<i>Part Number</i>	<i>Qty.</i>	<i>Description</i>
1	139-7537-01	2	Fork-Caster	4	126-5389	2	Screw-HHF
2	139-7532	2	Tire And Wheel ASM	5	99-5107	2	Nut-Lock
2:2	126-5959	1	Tire	6	138-7208	4	Guard-Seal
2:3	232-27	1	Stem-Valve	7	3256-68	2	Washer-Flat
2:4	136-4190	2	Bearing	8	3234-47	2	Screw-HHF
3	133-4487	2	Spanner-Wheel	9	136-5590	4	Washer

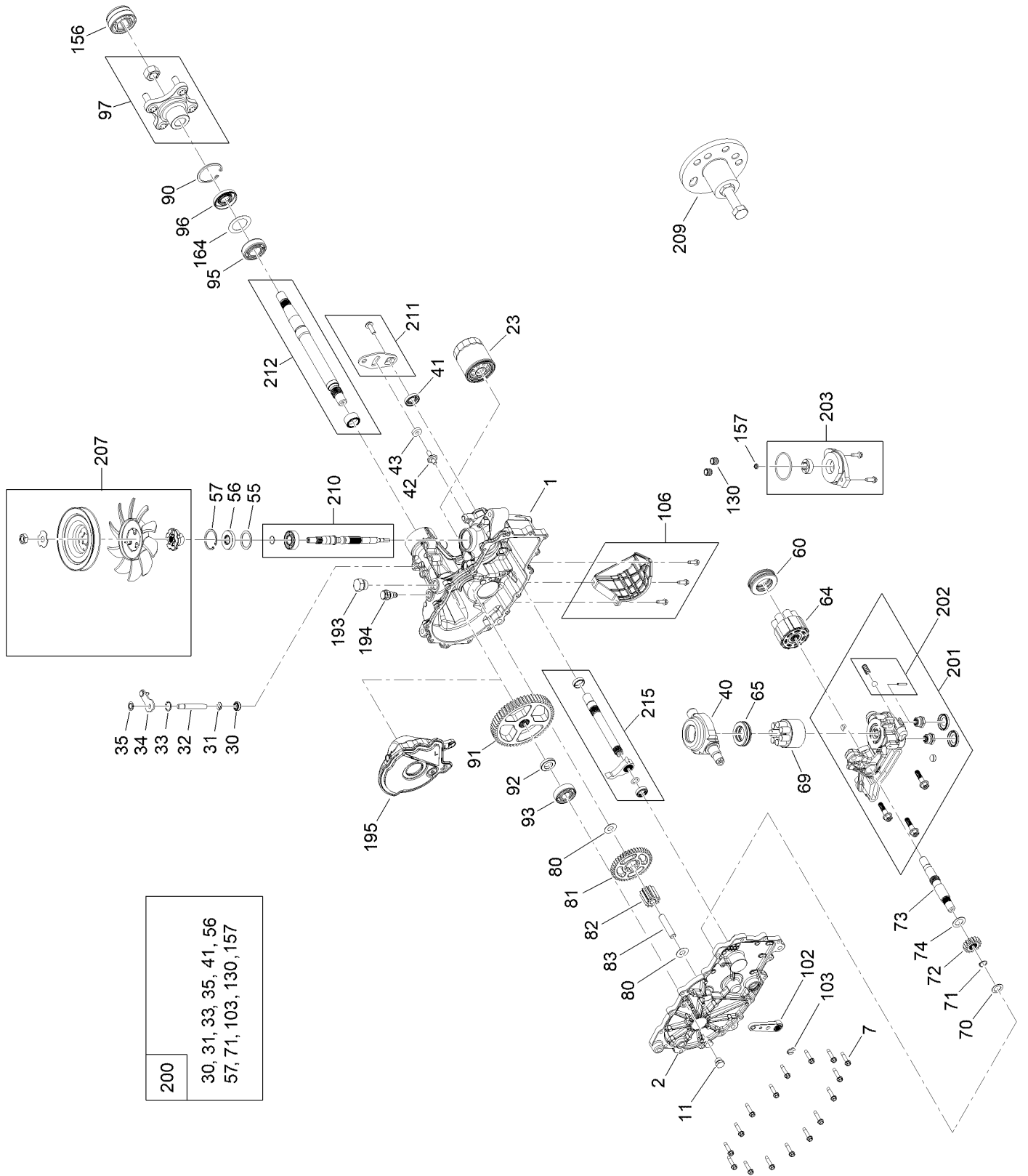
Traction Drive Assembly



Traction Drive Assembly (continued)

<i>Ref.</i>	<i>Part Number</i>	<i>Qty.</i>	<i>Description</i>	<i>Ref.</i>	<i>Part Number</i>	<i>Qty.</i>	<i>Description</i>
1	119-3353	2	Spacer	18	3256-23	6	Washer-Plain
2	138-7597	2	Pulley-Idler, Flat	19	322-13	4	Screw-HH
3	1-613235	1	Washer	20	242-50	8	Nut-Lug
4	110-9981	3	Washer-Plain	21	130-0718-01	1	Plate-Cross, Hydro
5	138-7209	1	Bushing	22	323-11	2	Screw-HH
6	114-0463	2	Washer-Friction, Composite	23	323-7	2	Screw-HH
7	133-4423	1	Arm-Idler	24	323-9	2	Screw-HH
8	137-7040	1	Spring-Return, Pedal	25	104-8301	6	Nut-HF, NI
9	322-9	1	Screw-HH	26	139-5855	1	Rod-Bypass, RH
10	104-8300	9	Nut-HF, NI	27	139-5854	1	Rod-Bypass, LH
11	119-9784	1	Screw-CARR	28	3256-22	2	Washer-Flat
12	119-8822	1	Pulley-Idler	29	3290-307	2	Pin-Cotter
13	3230-6	1	Bolt-CARR	30	322-14	2	Screw-HH
14	133-4371	1	V-Belt	31	133-1247	2	Support-Hydro, Rear
15	140-8310	1	RH Hydro Transmission ASM	32	3296-29	2	Nut-Lock, NI
16	140-8311	1	LH Hydro Transmission ASM	34	325-6	4	Screw-HH
17	322-11	2	Screw-HH	40	3256-3	1	Washer-Flat
				41	99-5107	4	Nut-Lock

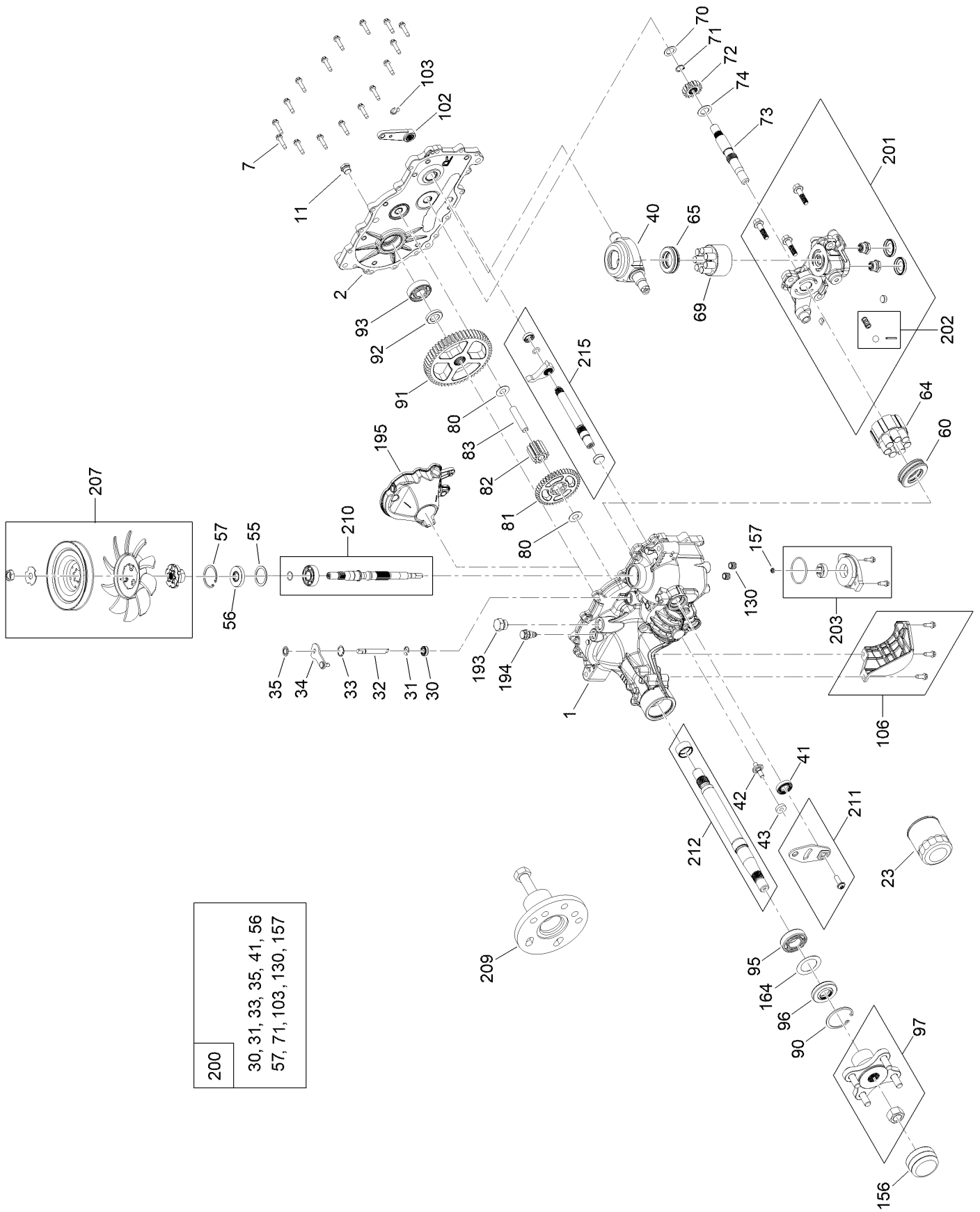
RH Hydro Transmission Assembly No. 140-8310



RH Hydro Transmission Assembly No. 140-8310 (continued)

<i>Ref.</i>	<i>Part Number</i>	<i>Qty.</i>	<i>Description</i>	<i>Ref.</i>	<i>Part Number</i>	<i>Qty.</i>	<i>Description</i>
1	140-8347	1	LH Main Housing Kit	83	104-5329	1	Pin-Jackshaft
2	140-8350	1	LH Side Cover Kit	90	104-2169	1	Ring-Retaining
7	117-5359	16	Screw-HHF	91	114-1694	1	Gear-54T
11	135-1140	1	Plug-Straight	92	120-7975	1	Spacer
23	109-3321	1	Element-Oil Filter, HYD	93	137-2004	1	Bearing Kit
30	139-7497	1	Seal-Lip	95	130-8477	1	Bearing-Ball
31	106-8677	1	Ring-Retaining, External	96	104-2144	1	Seal
32	114-1685	1	Rod-Bypass	97	109-5939	1	Hub Kit
33	106-8679	1	Ring-Retaining, Internal	102	125-0021	1	Handle-Brake
34	107-2490	1	Arm-Bypass	103	131-0906	1	Ring-Retaining, EXT
35	106-8681	1	Ring-Retaining, External	106	139-7498	1	Filter Guard Kit
40	104-5304	1	Swashplate-Trunnion	130	126-3251	2	Tube-Charge
41	104-5313	1	Seal-Lip	156	115-5057	1	Cover-Nut, Axle
42	104-2116	1	Stud	157	126-1930	1	Gerotor Seal Kit
43	112-9853	1	Puck-Friction	164	121-5745	1	Spacer
55	104-5308	1	Spacer	193	140-8343	1	Plug
56	104-5310	1	Seal-Lip	194	140-8356	1	Breather Fitting ASM
57	104-5309	1	Ring-Retaining	195	140-8358	1	LH Internal Expansion Tank ASM
60	112-4154	1	Bearing-Thrust	200	140-8351	1	Seal Kit
64	139-4074	1	Cylinder Block ASM Kit	201	137-2012	1	LH Charge Center Section Kit
65	94-6922	1	Bearing-Thrust	202	114-8464	1	Charge Relief Kit
69	110-8561	1	Pump Block ASM	203	114-8465	1	Charge Kit
70	104-5339	1	Washer-Flat	207	135-7343	1	Fan And Pulley Kit
71	104-5340	1	Ring-Retaining	209	114-8467	1	Puller-Hub, 4 Bolt
72	114-1690	1	Gear-14T	210	139-7502	1	Input Shaft Kit
73	114-1691	1	Shaft-Motor	211	117-5362	1	Control Arm Kit
74	104-5360	1	Washer	212	114-8470	1	Axle Shaft Kit
80	94-1933	2	Washer	215	140-8353	1	Inboard Kit
81	114-1692	1	Gear-45T				
82	114-1693	1	Gear-11T				

LH Hydro Transmission Assembly No. 140-8311

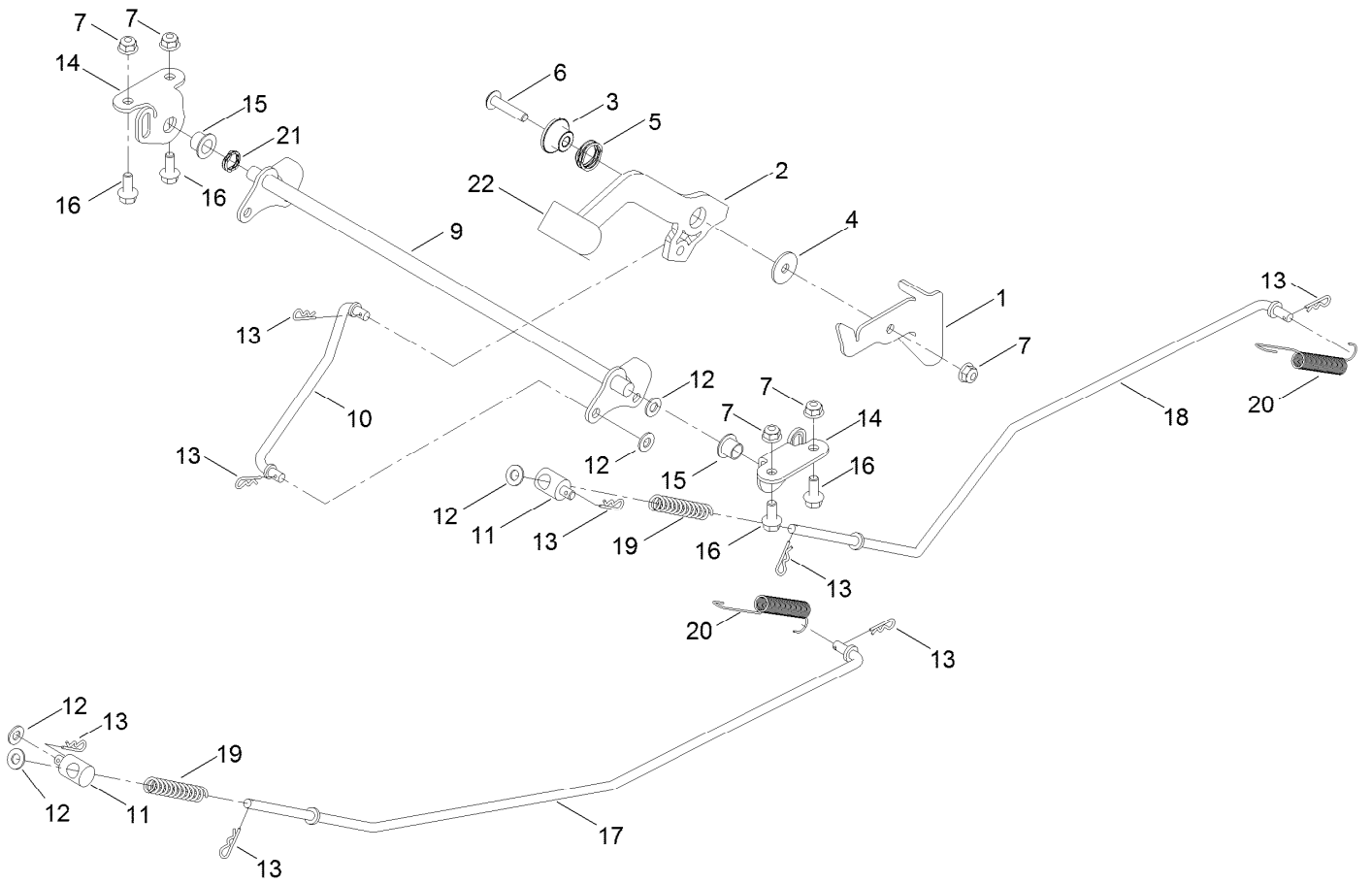


- | |
|------------------------|
| 200 |
| 30, 31, 33, 35, 41, 56 |
| 57, 71, 103, 130, 157 |

LH Hydro Transmission Assembly No. 140-8311 (continued)

<i>Ref.</i>	<i>Part Number</i>	<i>Qty.</i>	<i>Description</i>	<i>Ref.</i>	<i>Part Number</i>	<i>Qty.</i>	<i>Description</i>
1	140-8345	1	RH Main Housing Kit	83	104-5329	1	Pin-Jackshaft
2	140-8349	1	RH Side Cover Kit	90	104-2169	1	Ring-Retaining
7	117-5359	16	Screw-HHF	91	114-1694	1	Gear-54T
11	135-1140	1	Plug-Straight	92	120-7975	1	Spacer
23	109-3321	1	Element-Oil Filter, HYD	93	137-2004	1	Bearing Kit
30	139-7497	1	Seal-Lip	95	130-8477	1	Bearing-Ball
31	106-8677	1	Ring-Retaining, External	96	104-2144	1	Seal
32	114-1685	1	Rod-Bypass	97	109-5939	1	Hub Kit
33	106-8679	1	Ring-Retaining, Internal	102	125-0021	1	Handle-Brake
34	112-9852	1	Arm-Bypass	103	131-0906	1	Ring-Retaining, EXT
35	106-8681	1	Ring-Retaining, External	106	139-7499	1	Filter Guard Kit
40	104-5304	1	Swashplate-Trunnion	130	126-3251	2	Tube-Charge
41	104-5313	1	Seal-Lip	156	115-5057	1	Cover-Nut, Axle
42	104-2116	1	Stud	157	126-1930	1	Gerotor Seal Kit
43	112-9853	1	Puck-Friction	164	121-5745	1	Spacer
55	104-5308	1	Spacer	193	140-8343	1	Plug
56	104-5310	1	Seal-Lip	194	140-8356	1	Breather Fitting ASM
57	104-5309	1	Ring-Retaining	195	140-8357	1	RH Internal Expansion Tank ASM
60	112-4154	1	Bearing-Thrust	200	140-8351	1	Seal Kit
64	139-4074	1	Cylinder Block ASM Kit	201	137-2005	1	RH Charge Center Section Kit
65	94-6922	1	Bearing-Thrust	202	114-8464	1	Charge Relief Kit
69	110-8561	1	Pump Block ASM	203	114-8465	1	Charge Kit
70	104-5339	1	Washer-Flat	207	135-7343	1	Fan And Pulley Kit
71	104-5340	1	Ring-Retaining	209	114-8467	1	Puller-Hub, 4 Bolt
72	114-1690	1	Gear-14T	210	139-7502	1	Input Shaft Kit
73	114-1691	1	Shaft-Motor	211	117-5362	1	Control Arm Kit
74	104-5360	1	Washer	212	114-8470	1	Axle Shaft Kit
80	94-1933	2	Washer	215	140-8352	1	Inboard Kit
81	114-1692	1	Gear-45T				
82	114-1693	1	Gear-11T				

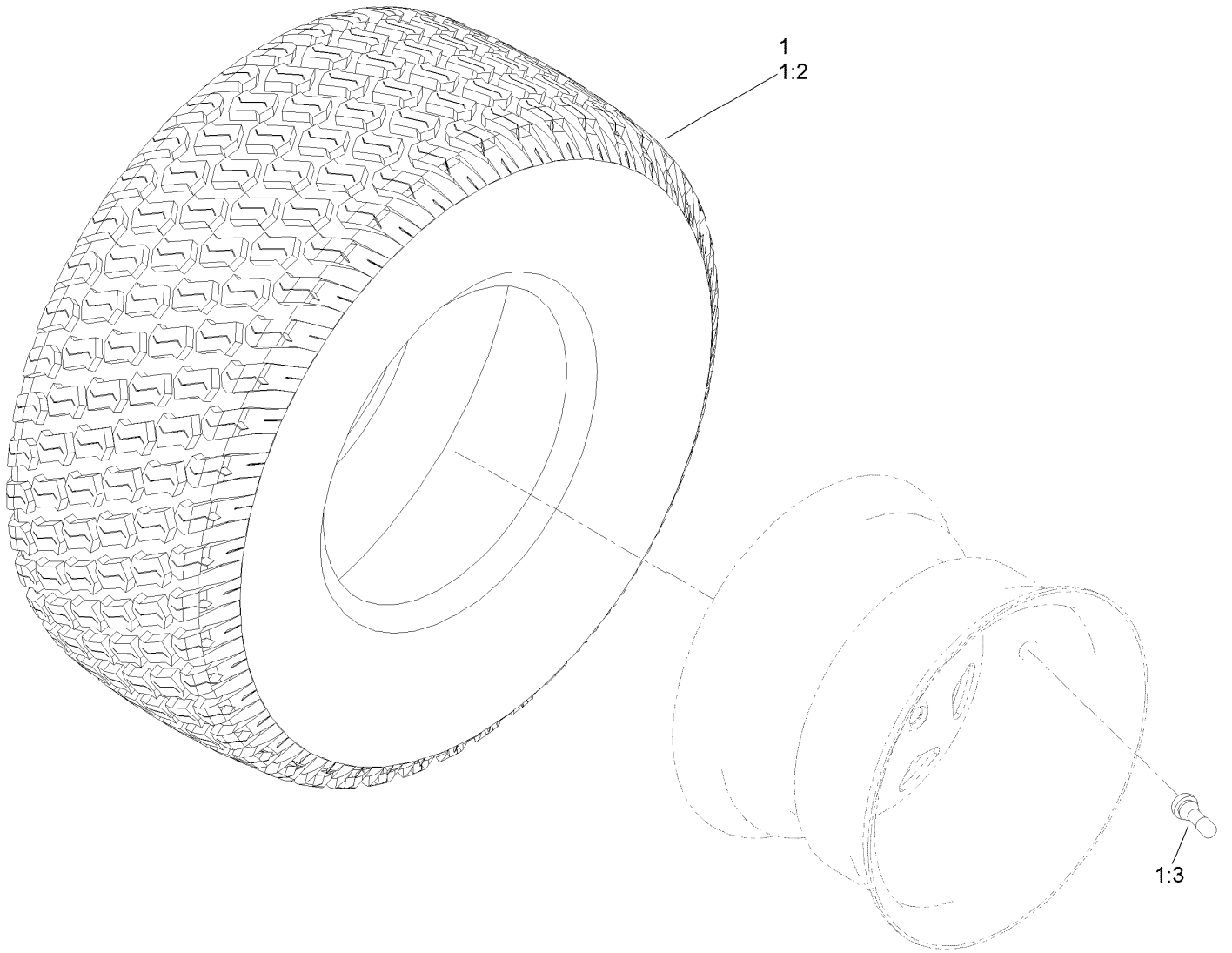
Brake Assembly



Brake Assembly (continued)

<i>Ref.</i>	<i>Part Number</i>	<i>Qty.</i>	<i>Description</i>	<i>Ref.</i>	<i>Part Number</i>	<i>Qty.</i>	<i>Description</i>
1	136-5554	1	Detent-Brake	13	3290-307	8	Pin-Cotter
2	140-0412	1	Handle-Brake, Parking	14	139-5878-03	2	Plate-Support, Bellcrank
3	139-3572	1	Bushing-Flange	15	125-5239	2	Bushing-Flange
4	5-4460	1	Washer-Pivot	16	3234-47	4	Screw-HHF
5	120-5116	1	Washer-Wave	17	133-9343	1	Rod-Brake, RH
6	126-7439	1	Screw-Torx	18	133-9344	1	Rod-Brake, LH
7	104-8300	5	Nut-HF, NI	19	1-603807	2	Spring-Return, Neutral
9	133-9338	1	Bellcrank-Brake	20	110769	2	Spring-Extension
10	133-9342	1	Rod-Brake, Intermediate	21	137-5011	1	Spring-Wave
11	138-7212	2	Fitting-Rod	22	140-0413	1	Grip-Handle
12	3256-23	5	Washer-Plain				

Tire Assembly



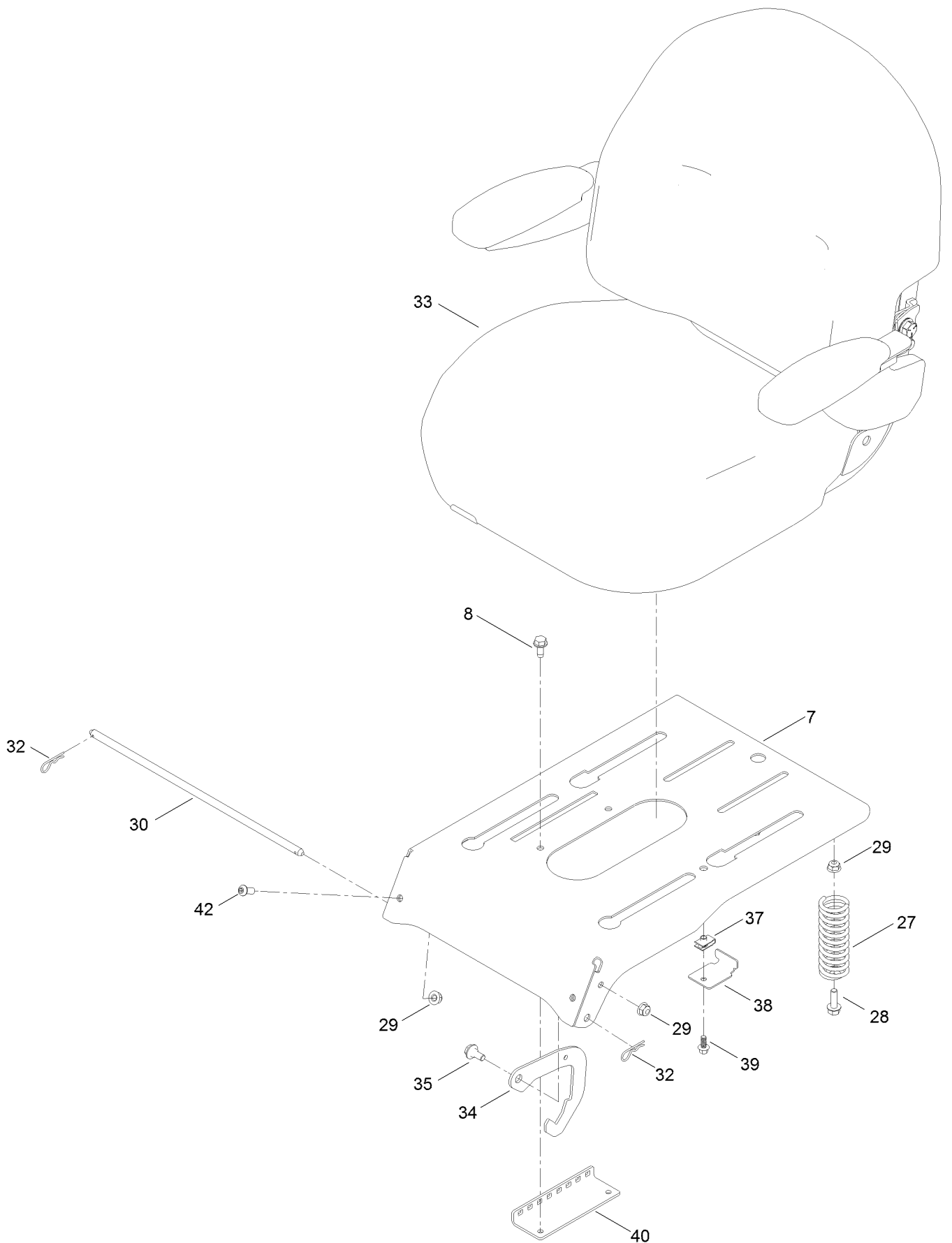
Tire Assembly (continued)

<i>Ref.</i>	<i>Part Number</i>	<i>Qty.</i>	<i>Description</i>	<i>Ref.</i>	<i>Part Number</i>	<i>Qty.</i>	<i>Description</i>
1	145-0495	2	Tire ASM	1:3	232-27	1	Stem-Valve
1:2	145-0494	1	Tire	1:99	105-4070	1	Tube-Inner ■●

● Not illustrated

■ Optional Equipment

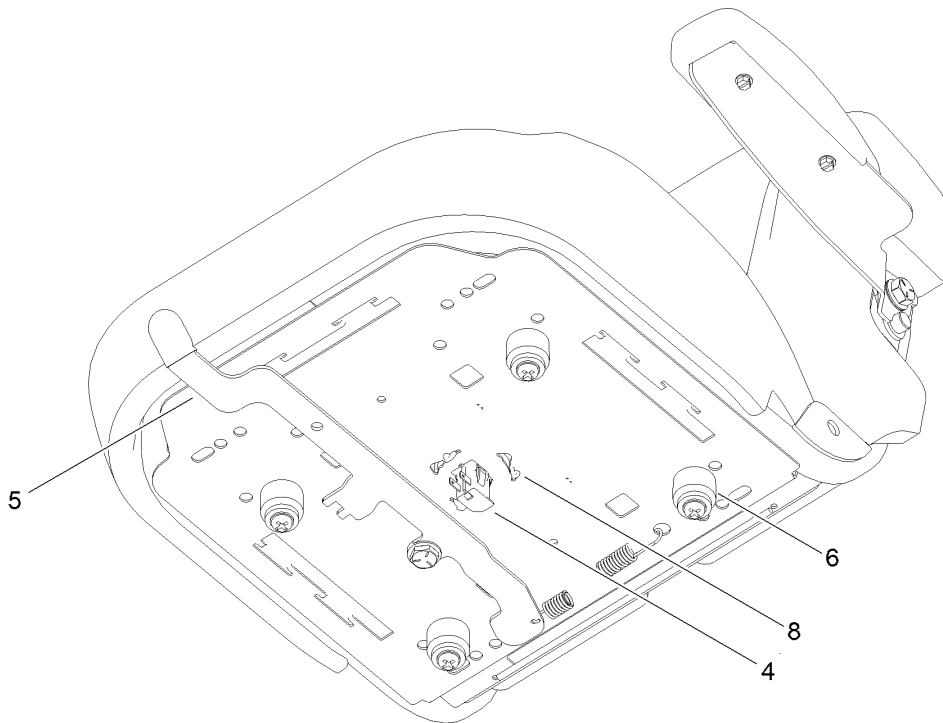
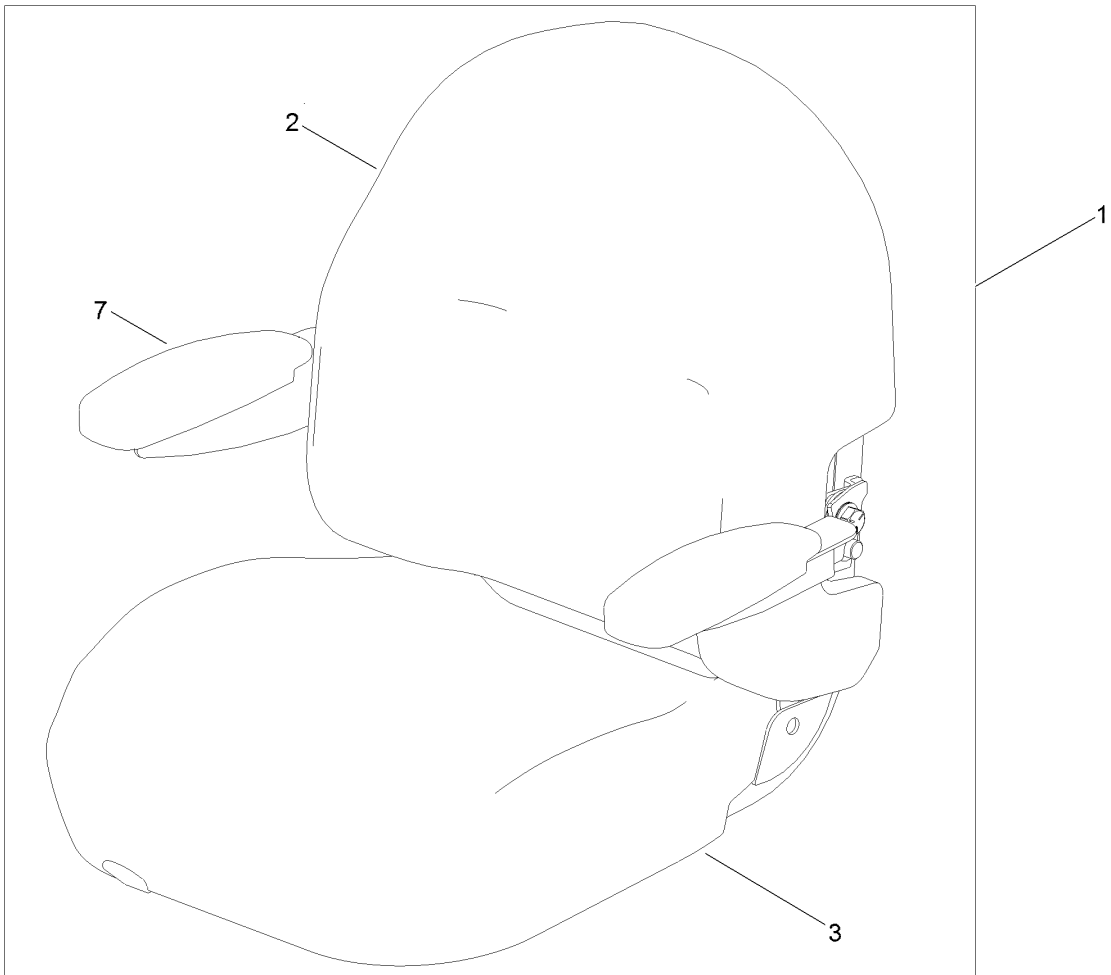
Seat Pan Assembly



Seat Pan Assembly (continued)

<i>Ref.</i>	<i>Part Number</i>	<i>Qty.</i>	<i>Description</i>	<i>Ref.</i>	<i>Part Number</i>	<i>Qty.</i>	<i>Description</i>
7	136-5571-03	1	Pan-Seat, Deluxe	34	138-7250	2	Seat Latch
8	32144-70	2	Screw-HWHTF	35	19-1470	2	Screw-Shoulder
27	92-7054	3	Spring-Compression	37	107069	1	Clip
28	3234-29	3	Screw-HHF	38	138-7214	1	Bracket-Stop, Seat
29	104-8300	7	Nut-HF, NI	39	99-6810	1	Screw-HHF
30	138-7213	1	Rod-Pivot, Narrow	40	131-4008-03	1	Bracket-Latch, Seat
32	3290-250	2	Pin-Cotter	42	3274-55	2	Screw-HSBH
33	140-2714	1	Seat ASM				

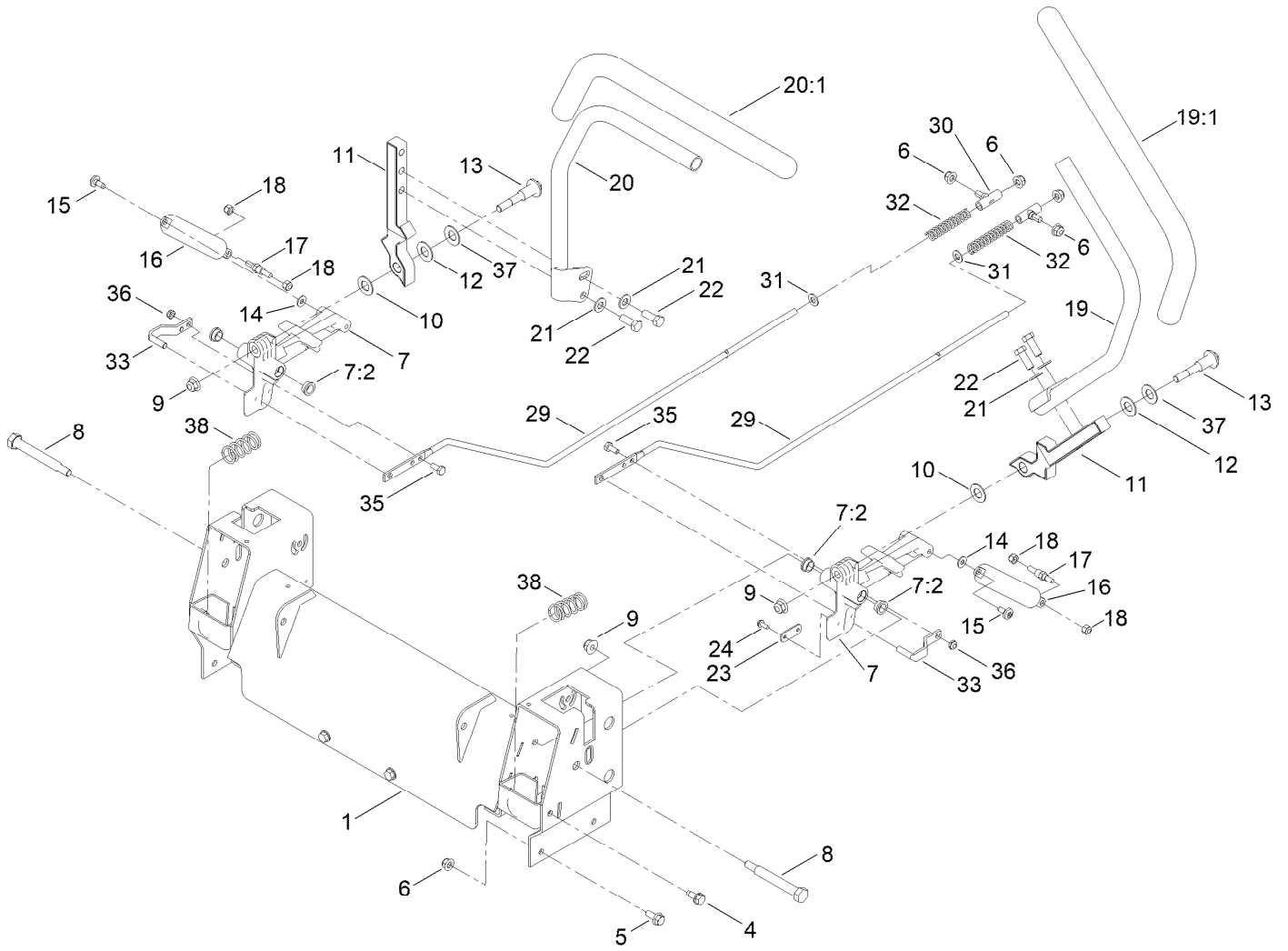
Seat Assembly No. 140-2714



Seat Assembly No. 140-2714 (continued)

<i>Ref.</i>	<i>Part Number</i>	<i>Qty.</i>	<i>Description</i>	<i>Ref.</i>	<i>Part Number</i>	<i>Qty.</i>	<i>Description</i>
1	139-7548	1	Seat ASM	5	131-4153	1	Track ASM
2	140-2077	1	Cover-Seat Back	6	131-4154	1	Bushing ASM
3	140-2078	1	Cover-Seat Base	7	139-5823	1	Arm Rest Kit
4	82-2190	1	Switch-Bail	8	140-3468	1	Cap-Switch, Actuator

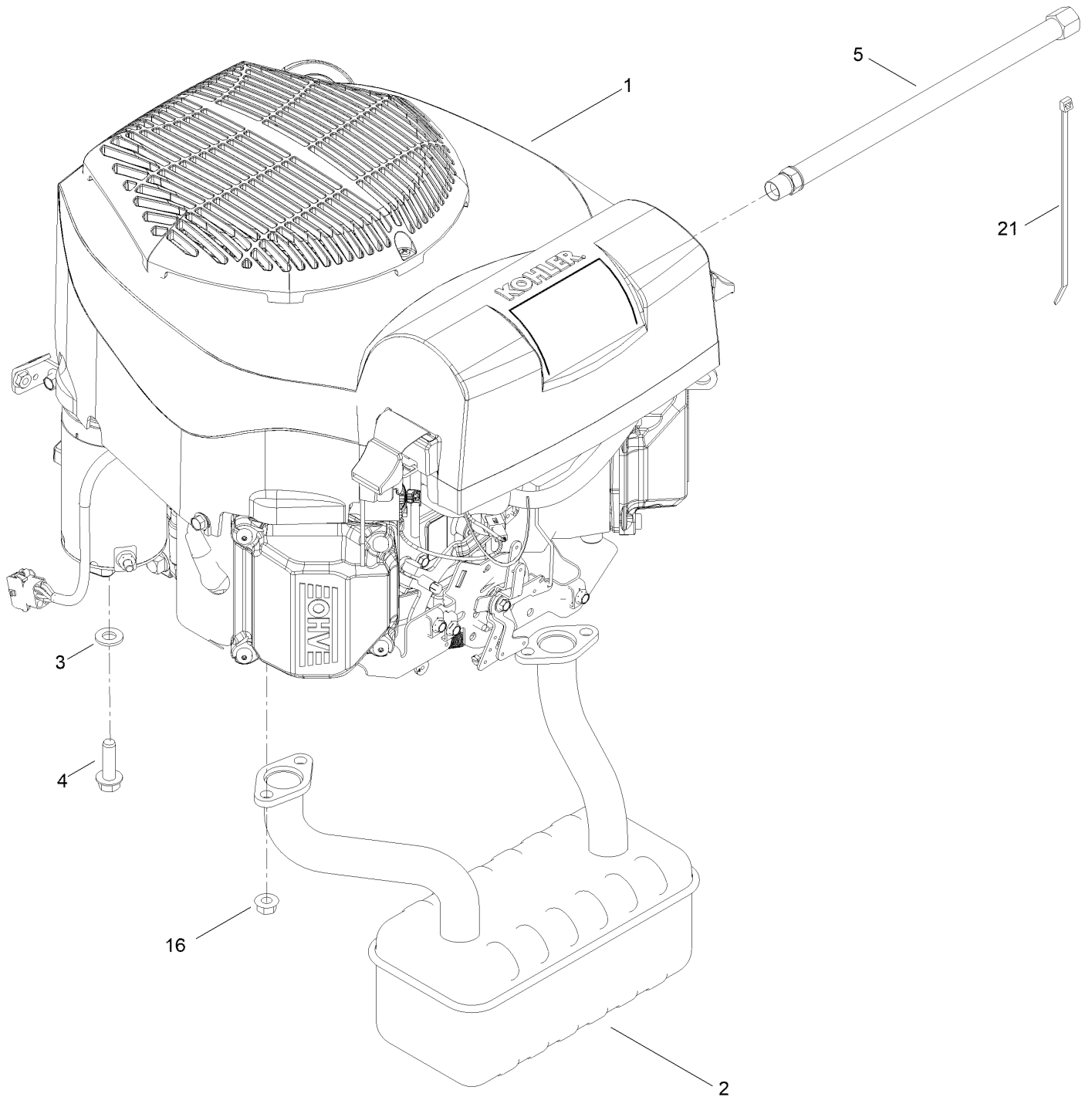
Motion Control Assembly



Motion Control Assembly (continued)

<i>Ref.</i>	<i>Part Number</i>	<i>Qty.</i>	<i>Description</i>	<i>Ref.</i>	<i>Part Number</i>	<i>Qty.</i>	<i>Description</i>
1	139-7531-03	1	Control Box ASM	19	133-7055	1	Handle-Control, LH
4	32144-70	4	Screw-HWHTF	19:1	121-0726	1	Grip
5	3234-47	6	Screw-HHF	20	133-7057	1	Handle-Control, RH
6	104-8300	10	Nut-HF, NI	20:1	121-0726	1	Grip
7	119-3470	2	Actuator Arm ASM	21	3256-24	4	Washer-Flat
7:2	256-156	2	Bushing-Flange	22	323-6	4	Screw-HH
8	115-5099	2	Bolt-Pivot	23	119-8948	2	Plate-Stop, Hydro
9	104-8301	4	Nut-HF, NI	24	32144-1	4	Screw-Taptite
10	120-2273	2	Washer-Nylon	29	138-7217	2	Rod-Hydro
11	136-5570-05	2	Arm-Control	30	138-7218	2	Mount-Rod, Hydro
12	117-1240	2	Washer	31	3256-23	2	Washer-Plain
13	139-2556	2	Bolt-Pivot	32	138-7252	2	Spring-Compression
14	119-8952	2	Washer	33	121-1753	2	Pin-Rod, Hydro
15	120-7950	2	Screw-Torx	35	321-3	2	Screw-HH
16	132-6853	2	Damper-Non Cavitating	36	3296-56	2	Nut-Lock, NI
17	138-7215	2	Stud-Damper	37	119-8925	2	Washer-Belleville
18	3296-42	4	Nut-Lock, NI	38	138-7219	2	Spring-Return

Engine and Muffler Assembly



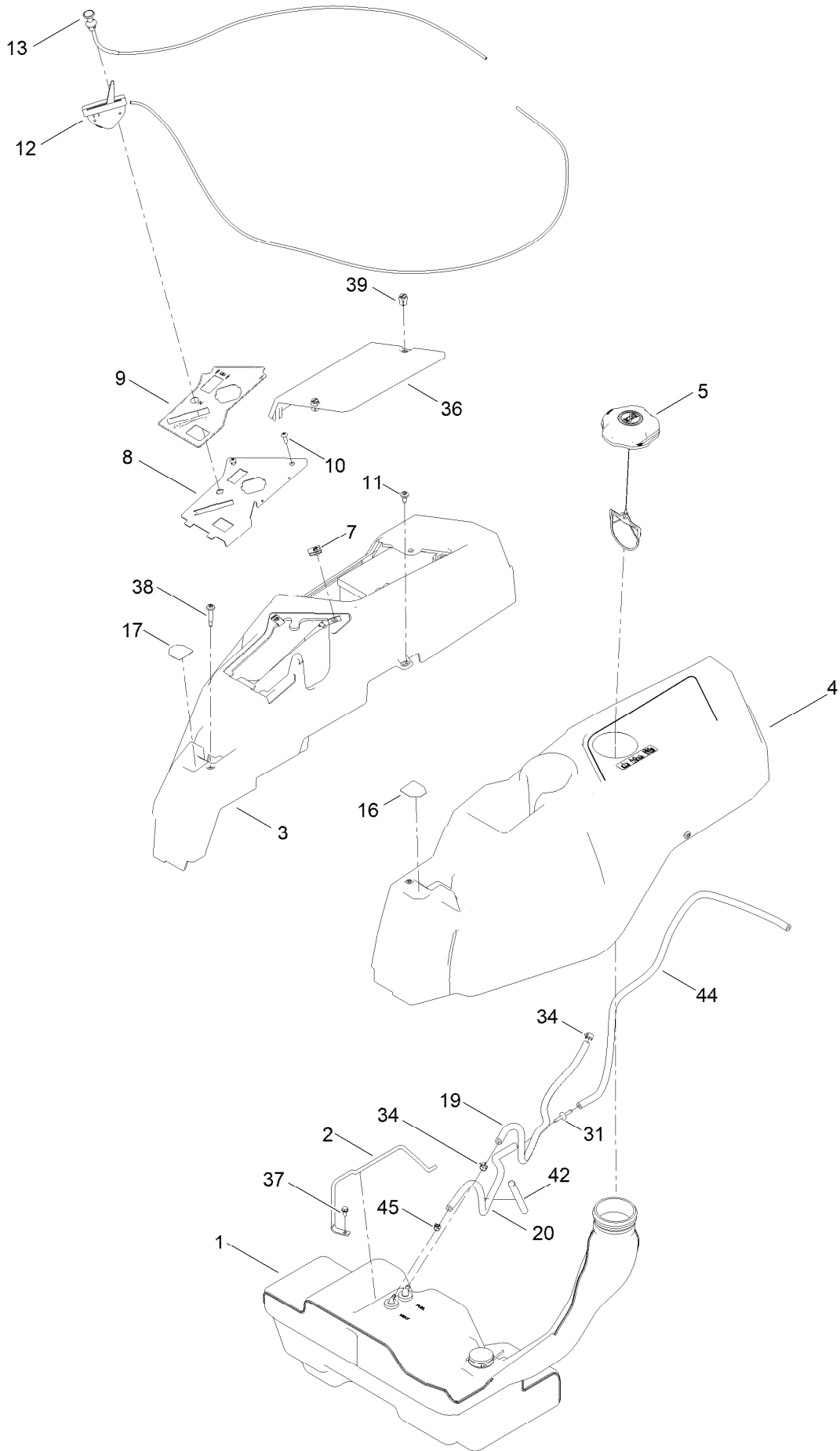
Engine and Muffler Assembly (continued)

<i>Ref.</i>	<i>Part Number</i>	<i>Qty.</i>	<i>Description</i>	<i>Ref.</i>	<i>Part Number</i>	<i>Qty.</i>	<i>Description</i>
1		1	Engine-Kohler Kt745 ■▲	5	117-1261	1	Hose-Drain, Oil
1:4	281-1	1	Plug-Pipe, SQH ●	16	33004-00	4	Nut-HF
2	139-5868	1	Muffler	21	614249	1	Tie-Cable
3	3256-24	4	Washer-Flat	99	110-6697	1	Gasket-Exhaust ●
4	32144-109	4	Screw-Thd				

● Not illustrated
 ▲ Obtain parts from www.kohlerplus.com

■ Not serviced separately

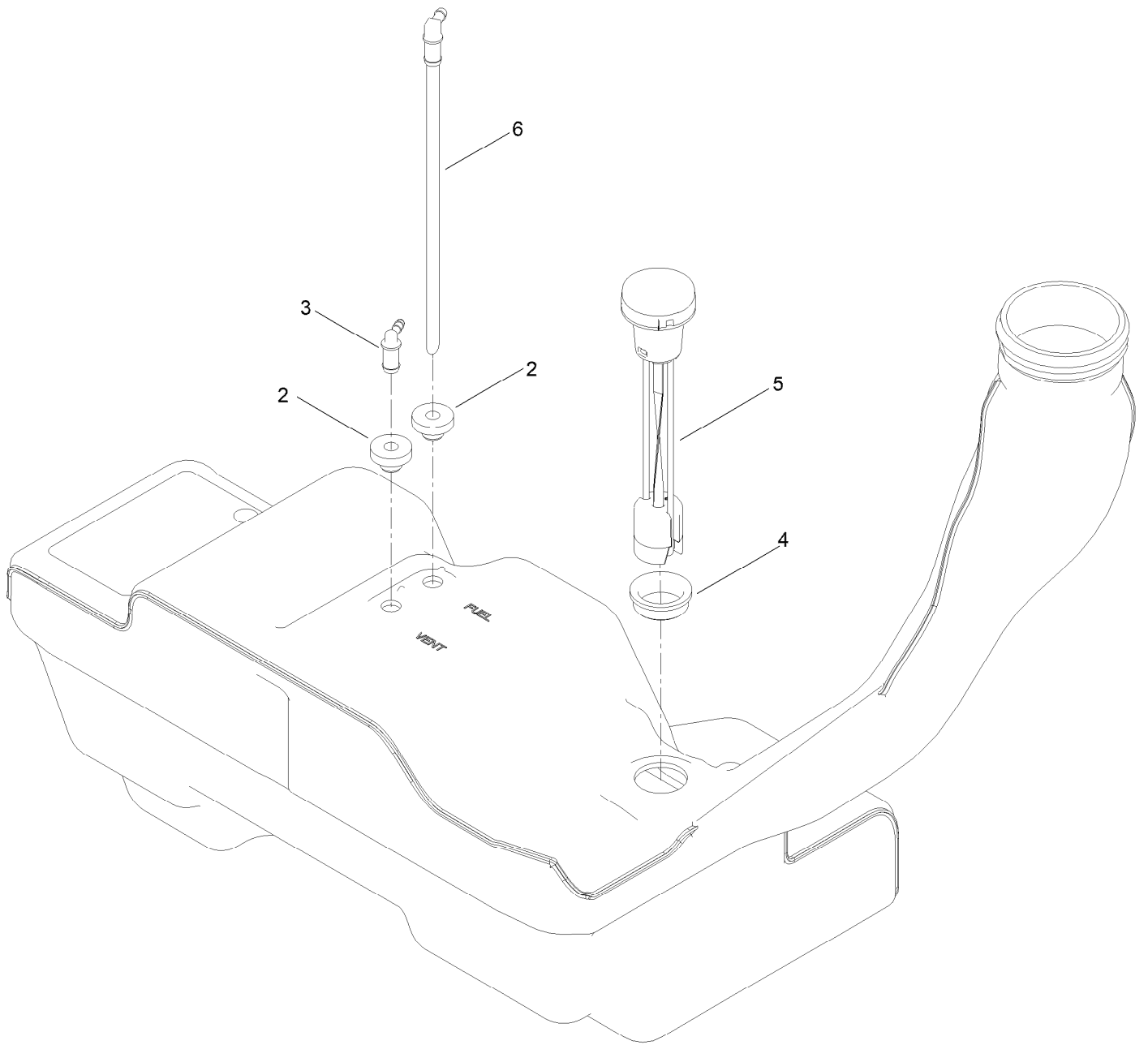
Body Styling and Fuel Pod Assembly



Body Styling and Fuel Pod Assembly (continued)

<i>Ref.</i>	<i>Part Number</i>	<i>Qty.</i>	<i>Description</i>	<i>Ref.</i>	<i>Part Number</i>	<i>Qty.</i>	<i>Description</i>
1	144-5303	1	Tank-Fuel ASM	17	136-4244	1	Decal-Lever, Control (RH)
2	136-4180	1	Rod-Hold Down	19	110-5701	1	Hose-Fuel
3	133-9307	1	Pod-RH	20	138-3151	1	Hose-Vent
4	133-9315	1	Pod-LH	31	144-1983	1	Adapter Orifice
5	137-4119	1	Cap-Fuel, Ratcheting	34	2412-98	2	Clamp-Hose
7	107069	2	Clip	36	133-9308	1	Cover-Battery
8	139-7486-03	1	Panel-Control	37	32144-4	1	Screw-HWH
9	139-7473	1	Decal-Panel, Control	38	136-4195	2	Screw-Shoulder
10	3258-166	2	Screw-PRH	39	121-5840	2	Fastener
11	120-7950	4	Screw-Torx	42	138-2522	1	Sleeve-Fuel Line Protector
12	139-3267	1	Cable-Throttle	44	119-6074	1	Hose-Fuel
13	139-2402	1	Cable-Choke	45	2412-80	1	Clamp-Hose
16	136-4243	1	Decal-Lever, Control (LH)				

Fuel Tank Assembly No. 144-5303

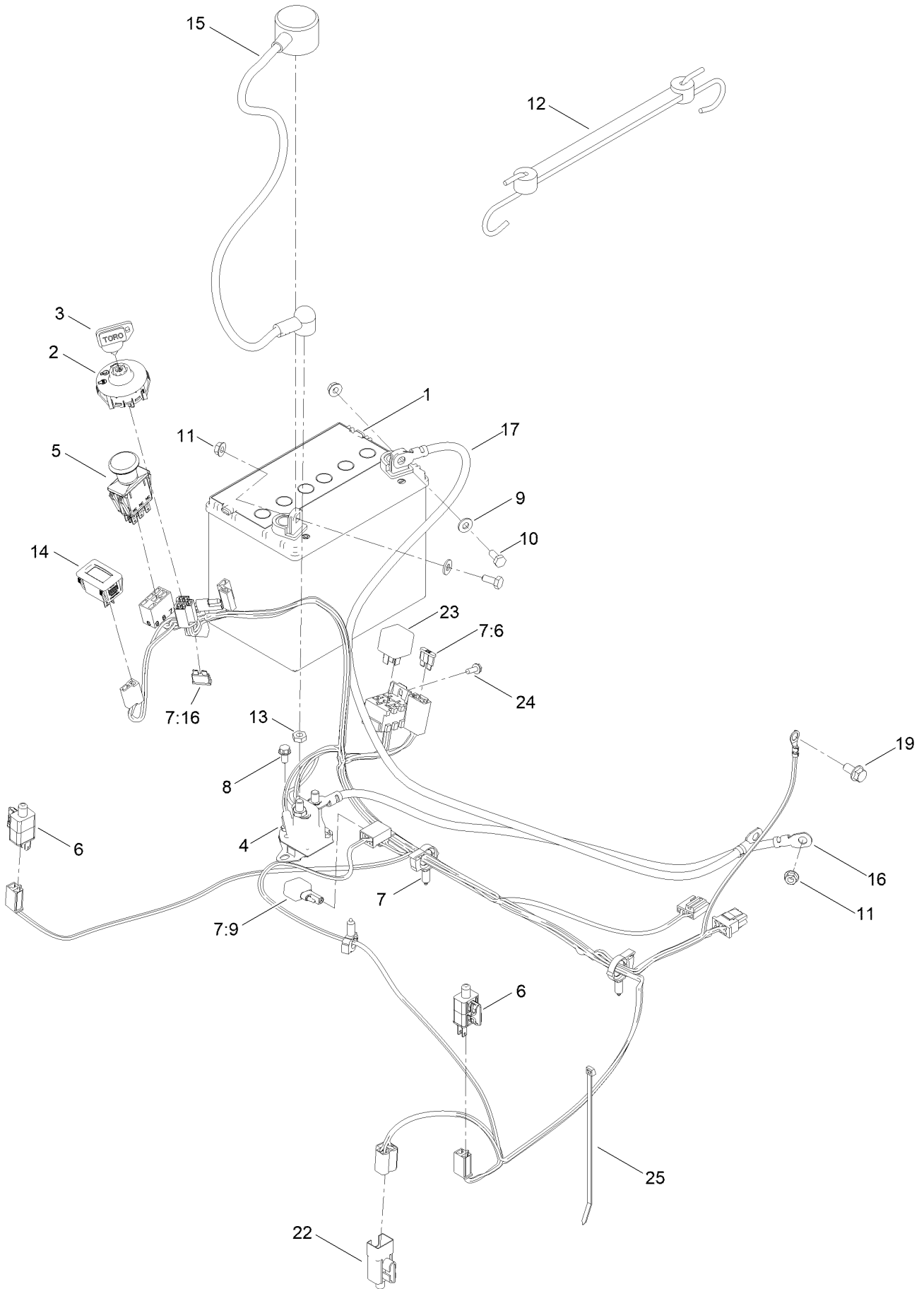


Fuel Tank Assembly No. 144-5303 (continued)

<i>Ref.</i>	<i>Part Number</i>	<i>Qty.</i>	<i>Description</i>
2	46-6560	2	Bushing
3	144-5302	1	Fitting-Elbow 90
4	133-9269	1	Grommet-Fuel

<i>Ref.</i>	<i>Part Number</i>	<i>Qty.</i>	<i>Description</i>
5	133-9270	1	Gauge-Fuel
6	121-0793	1	Connector-Elbow, 90 DEG

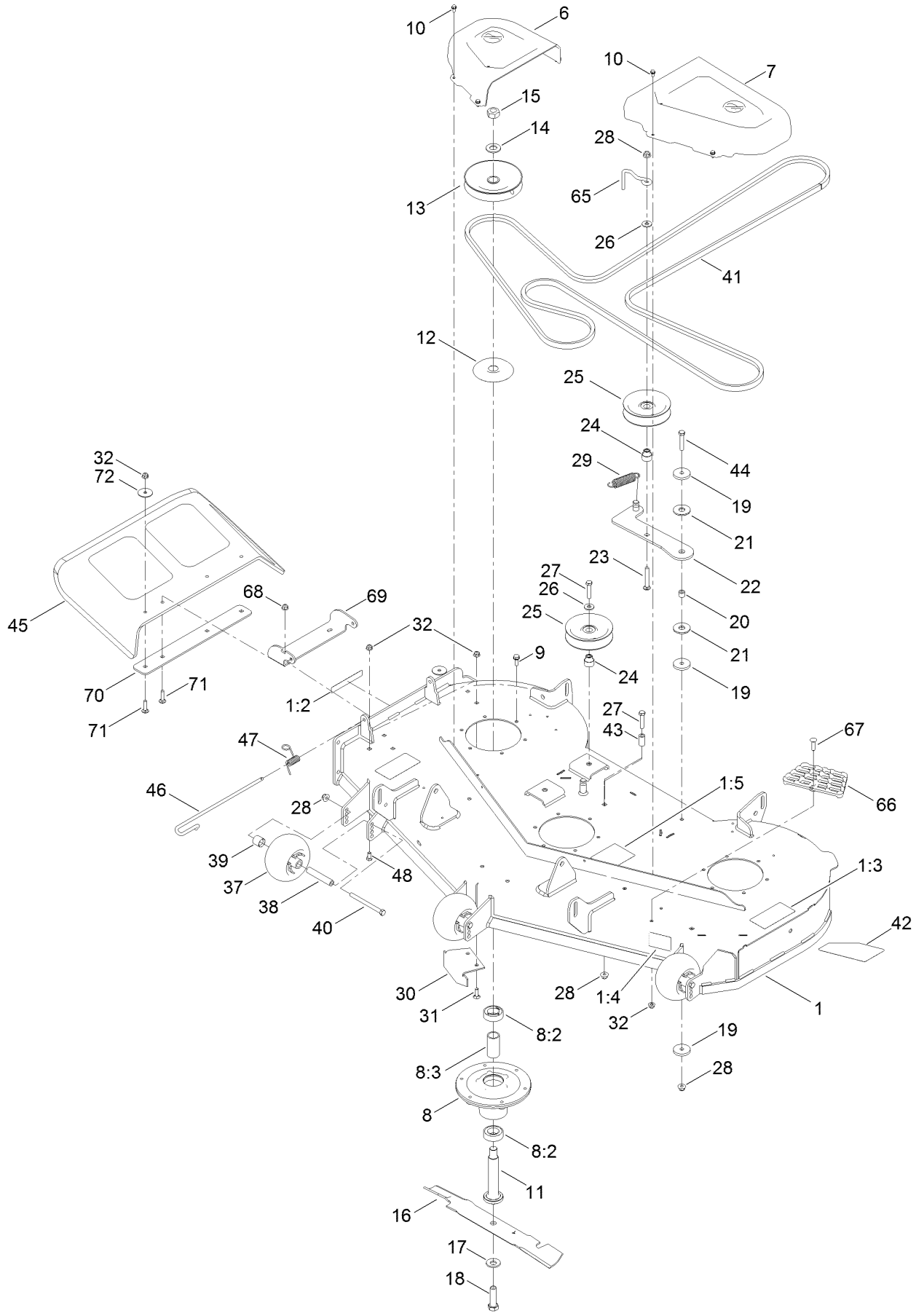
Electrical Assembly



Electrical Assembly (continued)

<i>Ref.</i>	<i>Part Number</i>	<i>Qty.</i>	<i>Description</i>	<i>Ref.</i>	<i>Part Number</i>	<i>Qty.</i>	<i>Description</i>
1	104-8162	1	Battery	11	32128-33	3	Nut-HF
2	137-4100	1	Switch-Ignition	12	104-2466	1	Holddown-Battery
3	63-8360	1	Key-Ignition	13	3220-2	2	Nut-Jam
4	117-1197	1	Solenoid	14	120-2244	1	Hourmeter
5	103-5221	1	Switch-PTO	15	115-3864	1	Cable-Battery, Positive
6	110-6765	2	Switch	16	144-5276	1	Cable-Battery, Rd ASM
7	137-7002	1	Harness-Wire	17	117-7240	1	Cable-Battery, Negative
7:6	109102	1	Fuse-Blade, 25 Amp	19	3234-14	1	Screw-HHF
7:9	100-4918	1	Diode	22	99-7408	1	Switch-Reverse
7:16	109355	1	Fuse-Blade, 15 Amp	23	98-7249	1	Relay
8	32144-4	2	Screw-HWH	24	32144-1	1	Screw-Taptite
9	3256-22	2	Washer-Flat	25	614249	1	Tie-Cable
10	321-3	2	Screw-HH				

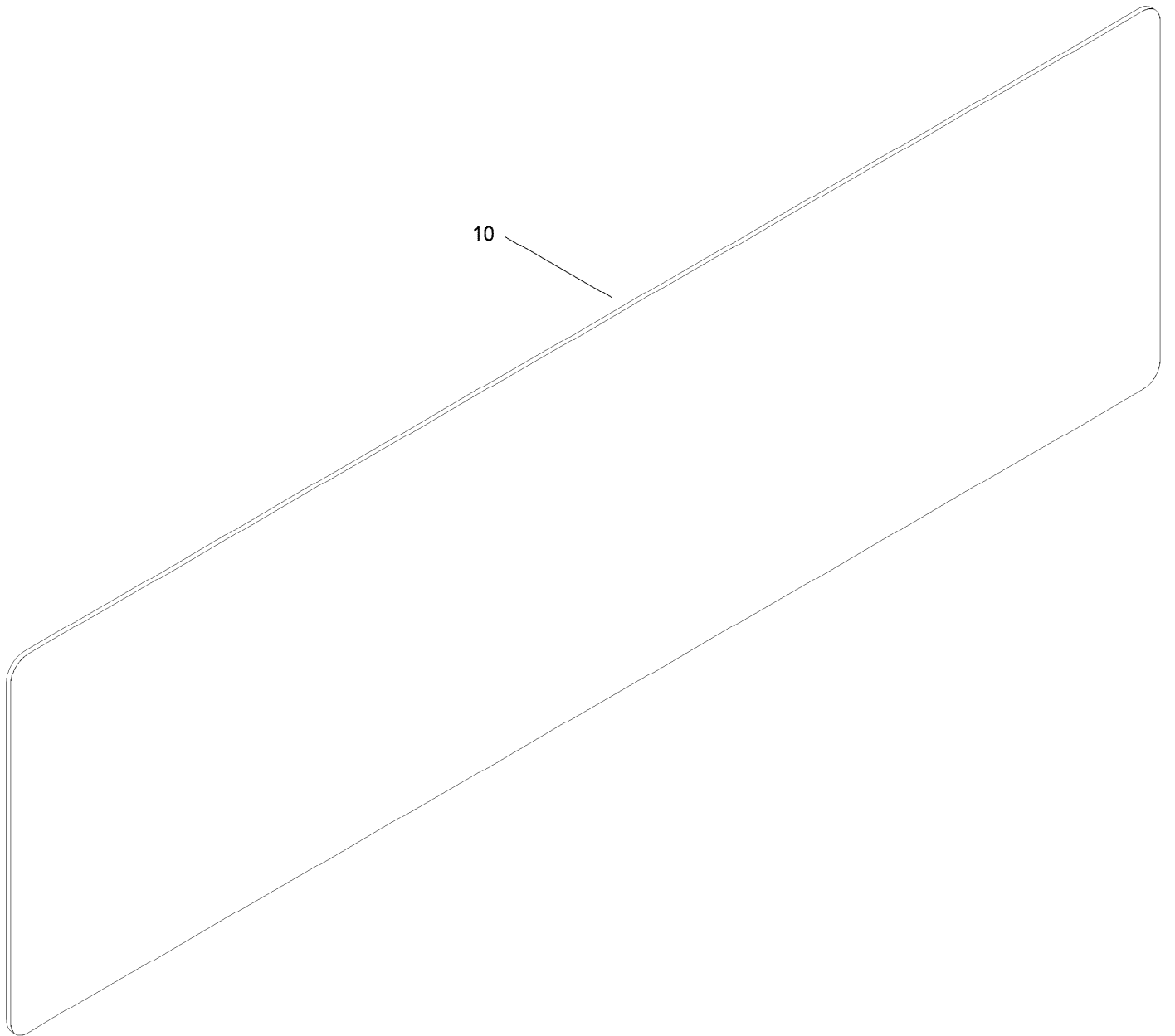
54 Inch Deck Assembly



54 Inch Deck Assembly (continued)

<i>Ref.</i>	<i>Part Number</i>	<i>Qty.</i>	<i>Description</i>	<i>Ref.</i>	<i>Part Number</i>	<i>Qty.</i>	<i>Description</i>
1	140-0353	1	54In Deck ASM	26	80-6990	3	Washer-Hardened
1:2	130-0731	1	Decal-Danger	27	323-9	3	Screw-HH
1:3	132-0872	2	Decal-Danger, Deck	28	104-8301	6	Nut-HF, NI
1:4	130-0765	1	Decal-Scalp, Anti	29	138-7228	1	Spring-Extension
1:5	117-1194	1	Decal-Routing, Belt	30	115-9653-03	1	Baffle-Cutoff
6	133-9283	1	Cover-Belt, RH	31	3230-22	2	Screw-CARR
7	133-9282	1	Cover-Belt, LH	32	104-8300	2	Nut-HF, NI
8	139-2357	3	Spindle ASM	37	1-603299	3	Roller-Scalp, Anti
8:2	116-0720	2	Bearing-Ball	38	138-7229	3	Tube-Spanner
8:3	138-7220	1	Spacer-Bearing	39	104-0892	3	Spacer-Axle, Rear
9	32144-41	18	Screw-Taptite	40	323-23	3	Screw-HH
10	32144-4	8	Screw-HWH	41	133-7076	1	V-Belt
11	115-2642	3	Shaft-Spindle	42	139-3255	1	Decal-Deck
12	138-7221	3	Shield-Bearing	43	138-7230	1	Spacer-Fender
13	139-7455	3	Pulley	44	323-10	1	Screw-HH
14	7-4150	3	Washer	45	117-1270	1	Deflector
15	3219-7	3	Nut-Hex	46	138-7231	1	Pin-Chute
16	115-9650-03	3	Blade-Hi Flo	47	138-7232	1	Spring-Torsion
17	125-1736	3	Washer-Belleville	48	322-2	5	Screw-HH
18	51-4060	3	Screw-Blade	65	136-5615	1	Guide-Belt, Idler
19	110-9981	3	Washer-Plain	66	126-4781-03	1	Step-Deck
20	138-7225	1	Spacer	67	139-1702	1	Bolt-Carriage
21	114-0463	2	Washer-Friction, Composite	68	104-8300	5	Nut-HF, NI
22	138-7226	1	Idler Arm ASM	69	114-1648-03	1	Bracket-Deflector, Upper
23	3231-31	1	Screw-CARR	70	115-5048-03	1	Plate-Deflector
24	138-7227	3	Bushing-Idler	71	3230-3	4	Screw-CARR
25	132-4718	3	Pulley-Idler, Flat	72	3256-68	2	Washer-Flat

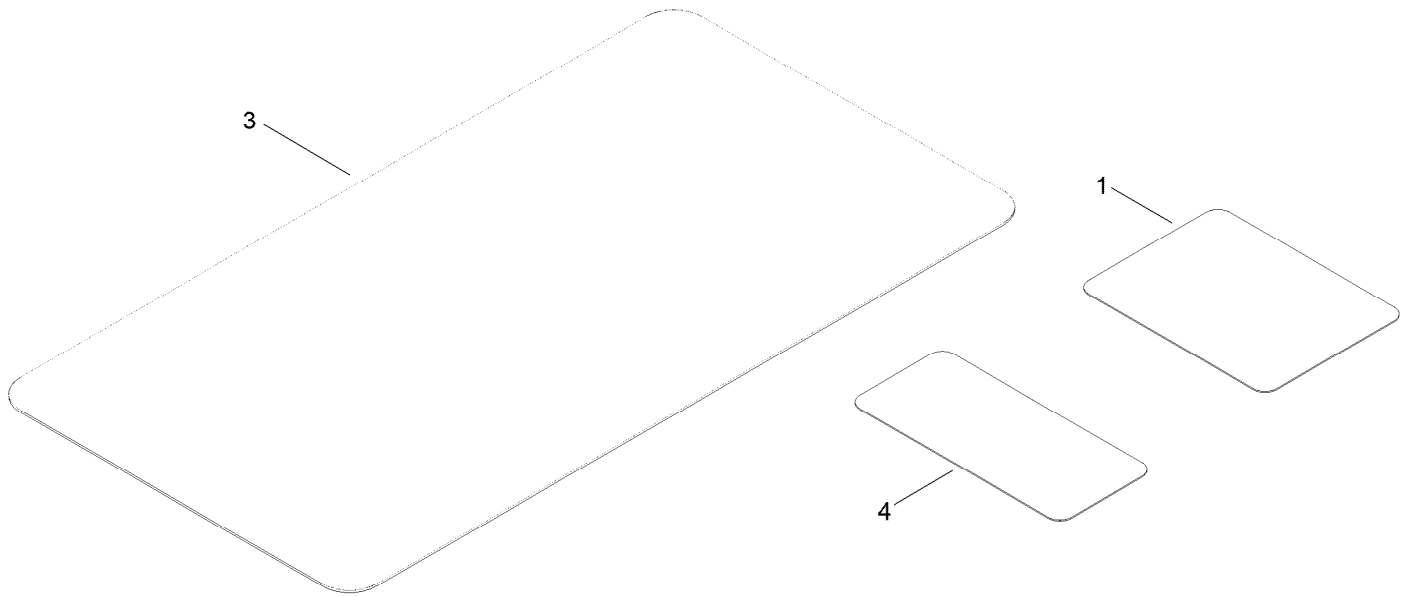
Frame Decal Assembly



Frame Decal Assembly (continued)

<i>Ref.</i>	<i>Part Number</i>	<i>Qty.</i>	<i>Description</i>
10	140-2099	1	Decal

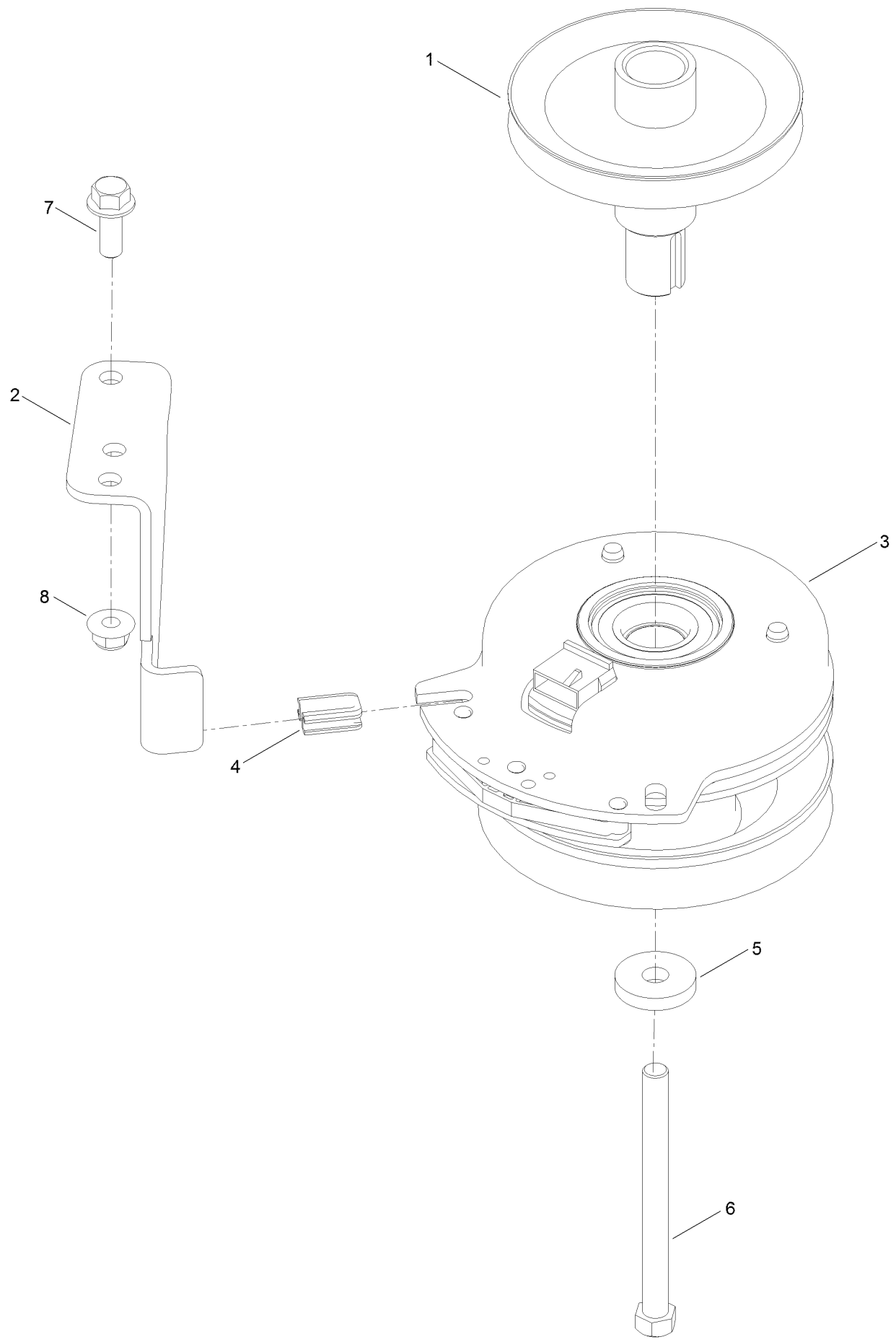
Maintenance and HOC Decal Assembly



Maintenance and HOC Decal Assembly (continued)

<i>Ref.</i>	<i>Part Number</i>	<i>Qty.</i>	<i>Description</i>
1	136-5596	1	Decal-Maintenance
3	139-3550	1	Decal-HOC
4	121-5684	1	Decal-Location, Service Dealer

Clutch Assembly



Clutch Assembly (continued)

<i>Ref.</i>	<i>Part Number</i>	<i>Qty.</i>	<i>Description</i>	<i>Ref.</i>	<i>Part Number</i>	<i>Qty.</i>	<i>Description</i>
1	138-9831	1	Pulley-Engine	5	112843	1	Washer
2	137-7000	1	Stop-Clutch (Wide)	6	3212-19	1	Screw-HH
3	127-3410	1	Clutch-PTO	7	3234-42	1	Screw-HHF
4	120-2217	1	Isolator-Clutch	8	104-8301	1	Nut-HF, NI

Attachments and Accessories

For 75305 Titan ZX5400 Riding Mower

Product Name	Model/Part
54in Recycler Kit.....	136-7489
Powered Bagger.....	79346
Mount Kit.....	140-5125
Weight Kit.....	140-5084
Light Kit.....	136-7493
Bucket Mount Kit.....	140-2066
5 Gallon Bucket.....	133-2533
ROPS Kit.....	139-2638
Striping Kit 54/60".....	140-5120
Leaf Bagging Enhancement Kit.....	140-5122
Deck Lift Assist Kit.....	140-5123
Jack Mount Kit.....	140-2067
Jack Kit.....	127-6666
Product Cover.....	137-7012
Sunshade.....	137-7011
Fuel Stabilizer .05 oz.....	130-2393
Toro Premium Fuel Treatment 12 Oz Bottle.....	131-6572
4-Cycle Fuel, Snow And Lawn 32oz Can.....	131-3823
Oil-30/10W-30 Synthetic (Quart).....	138-6053
Toro 4-Cycle SAE 30 Oil (32oz Bottle).....	38903
10w30 4-Cycle Engine Oil (32oz Bottle).....	38280
Maintenance Kit Toro.....	139-0649
HD Bagger Cover Kit.....	140-5036
Residential Z Slope Sensor Kit.....	79400
Hydro Service Kit.....	144-5347
Flat Free Caster Wheel Kit.....	145-0489

Notes:



Count on it.