



Count on it.

Parts Catalog

**Groundsmaster® 4300-D
Traction Unit**

Model No. 30853—Serial No. 315000170 and Up



Ordering Replacement Parts

To order replacement parts, please supply the part number, the quantity, and the description of each part desired.

Understanding Reference Numbers

Each identified part in an illustration has a reference number. The reference number for a part also appears in the parts list, along with other information about the part.

This catalog uses two special reference number formats, one to indicate parts in a service assembly and another to indicate the quantity of a given part in an illustration.

Service Assembly Reference Numbers

Parts in service assemblies have reference numbers in the form a:b. The a represents the reference number of the entire service assembly and the b represents a sequential number unique to each part within the service assembly.

For example, a wheel assembly might be identified by reference number 6, the tire by 6:1, the valve by 6:2, and the wheel by 6:3. When you order the assembly identified by reference number 6, you receive all parts identified by reference numbers 6:1, 6:2, and 6:3. However, you may also order any part individually. Reference numbers of this type appear in illustration and in parts lists.

Reference Numbers Indicating Quantity

In an illustration, if a reference number indicates more than one part, the reference number has the form nX y. The n represents the quantity of the part, the X is the multiplication symbol, and the y represents the reference number.

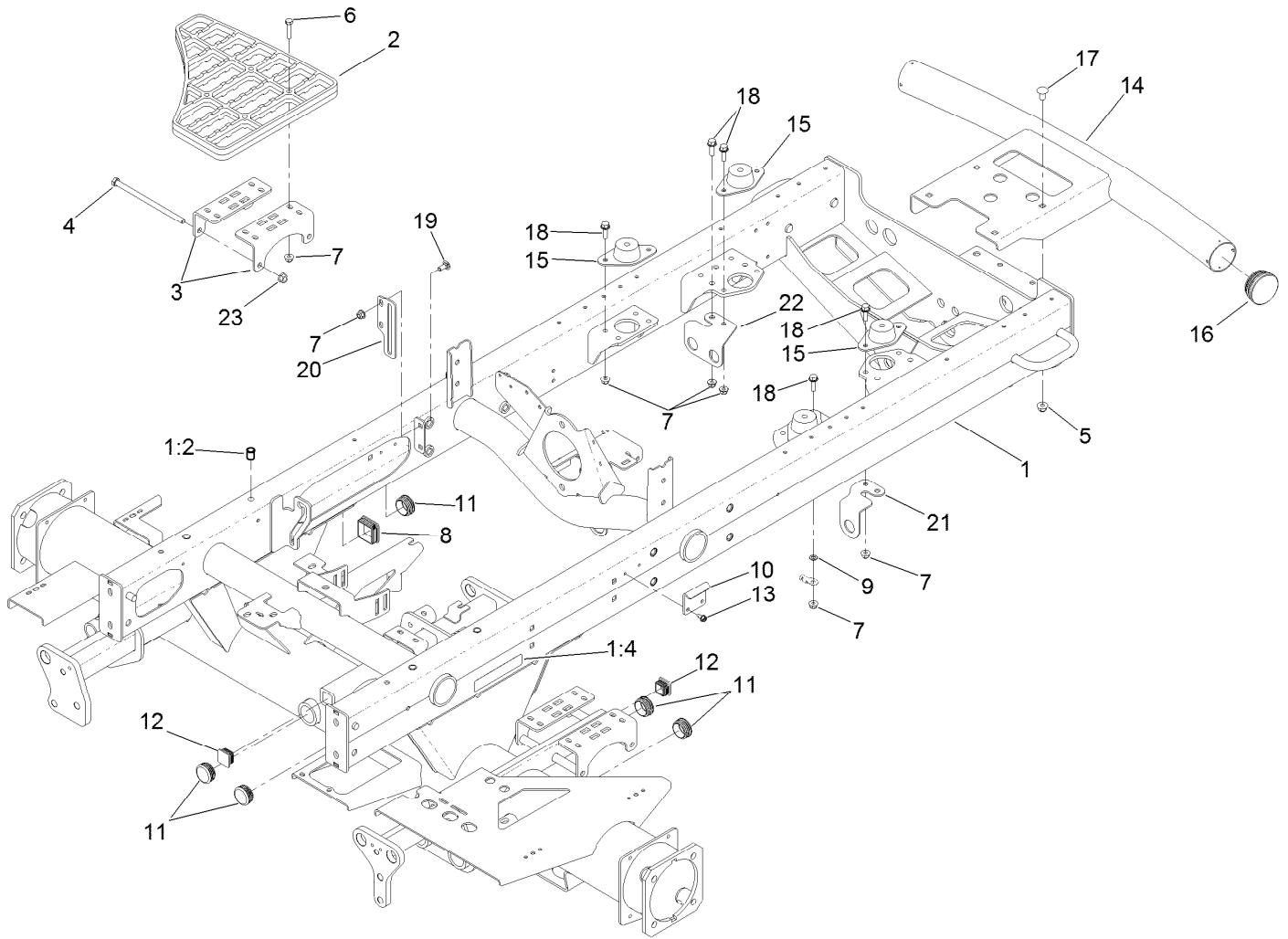
For example, in an illustration, the reference number 2X 37 means that two of the parts identified by reference number 37 are indicated.

Contents

Frame Assembly	5
Operator Platform Assembly	6
Pedal Assembly	7
Steering Assembly	9
Steering Tilt Column Assembly No. 106-3622	10
Steering Valve Assembly No. 106-3621	11
Control Arm Assembly	12
Joystick Bracket Assembly No. 120-5280	14
Front Axle Assembly	15
LH Brake Assembly No. 120-6261	16
RH Brake Assembly No. 120-6260	17
Rear Axle Assembly	18
Tie Rod Assembly No. 110-5334-03	19
No. 1, 4 and 5 Lift Arm and Deck Assembly	20
No. 2 and 3 Lift Arm and Deck Assembly	22
Roller and Carrier Frame Assembly	24
Roller Assembly No. 108-7387	25
Height-of-Cut Assembly	26
Spindle, Blade and Chamber Assembly	27
Spindle Assembly No. 115-3435	28
Seat and Control Arm Wiring Harness Assembly	29
Main Wiring Harness Assembly	30
Electrical Assembly	31
Gear Pump Mounting Assembly	32
Gear Pump Assembly No. 108-4003	33
Seat Base Assembly	34
Hood Assembly	35
Radiator Assembly	36
Hydraulic Tank Assembly	38
Fuel System Assembly	39
Seat Mount and Roll-Over Protection System Assembly	41
Mechanical Seat Suspension Assembly No. 110-8851	42
Traction Pump Assembly	43
Hydraulic Pump Assembly No. 119-6972	44
Front Traction Hydraulic Circuit	46
Hydraulic Motor Assembly No. 120-6264 (CCW)	48
Hydraulic Motor Assembly No. 120-6265 (CW)	49
Rear Traction Hydraulic Circuit	50
Hydraulic Motor Assembly No. 107-4544	51
Hydraulic Motor Assembly No. 110-0901	52
Four Wheel Drive Manifold Assembly No. 108-1825	53
Front Deck Hydraulic Assembly	54
Gear Motor Assembly No. 108-4004	56
Deck Control Manifold Assembly No. 114-0359	57
Rear Deck Hydraulic Assembly	58
Deck No. 1, 4 and 5 Lift Circuit Hydraulic Assembly	60
Lift Control Manifold Assembly No. 117-0158	61
Hydraulic Cylinder Assembly No. 119-6989	62
Hydraulic Cylinder Assembly No. 119-6990	63
Hydraulic Cylinder Assembly No. 119-6991	64
Deck No. 2 and 3 Lift Circuit Hydraulic Assembly	65
Hydraulic Cylinder Assembly No. 119-6988	66
Steering Hydraulic Assembly	67
Hydraulic Cylinder Assembly No. 114-0403	69

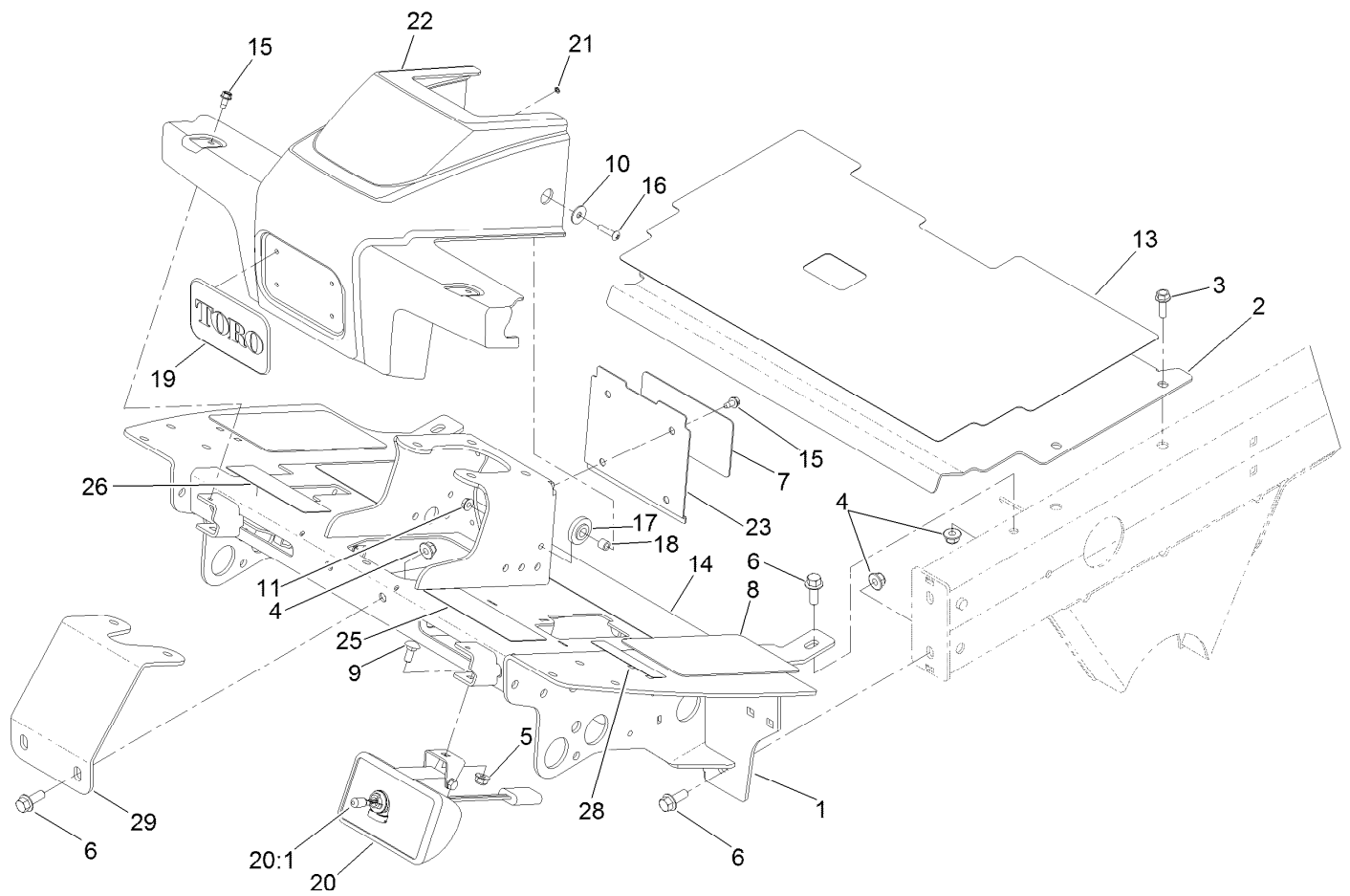
Contents (continued)

Engine, Muffler and Air Cleaner Assembly	70
Air Cleaner Assembly No. 110-8917	72
Driveshaft Assembly No. 108-1641	73
Crankcase Assembly	74
Oil Pan Assembly	75
Cylinder Head Assembly	76
Gear Case Assembly	77
Cylinder Head Cover Assembly	78
Dipstick and Guide Assembly	79
Main Bearing Case Assembly	80
Cam Shaft and Idle Gear Shaft Assembly	81
Piston and Crankshaft Assembly	82
Flywheel Assembly	83
Fuel Camshaft and Governor Shaft Assembly	84
Idle Apparatus Assembly	85
Injection Pump Assembly	86
Speed Control Plate Assembly	87
Nozzle Holder and Glow Plug Assembly	88
Nozzle Holder Component Assembly	89
Governor Assembly	90
Alternator and Pulley Assembly	91
Alternator Assembly No. 98-9474	92
Starter Assembly	93
Water Flange and Thermostat Assembly	94
Water Pump Assembly	95
Overflow Bottle Assembly	96
Valve and Rocker Arm Assembly	97
Inlet and Exhaust Manifold Assembly	98
Turbo Charger Assembly	99
Oil Pipe (Turbo Charger) Assembly	100
Oil Cooler Assembly	101
Attachments and Accessories	102



Frame Assembly

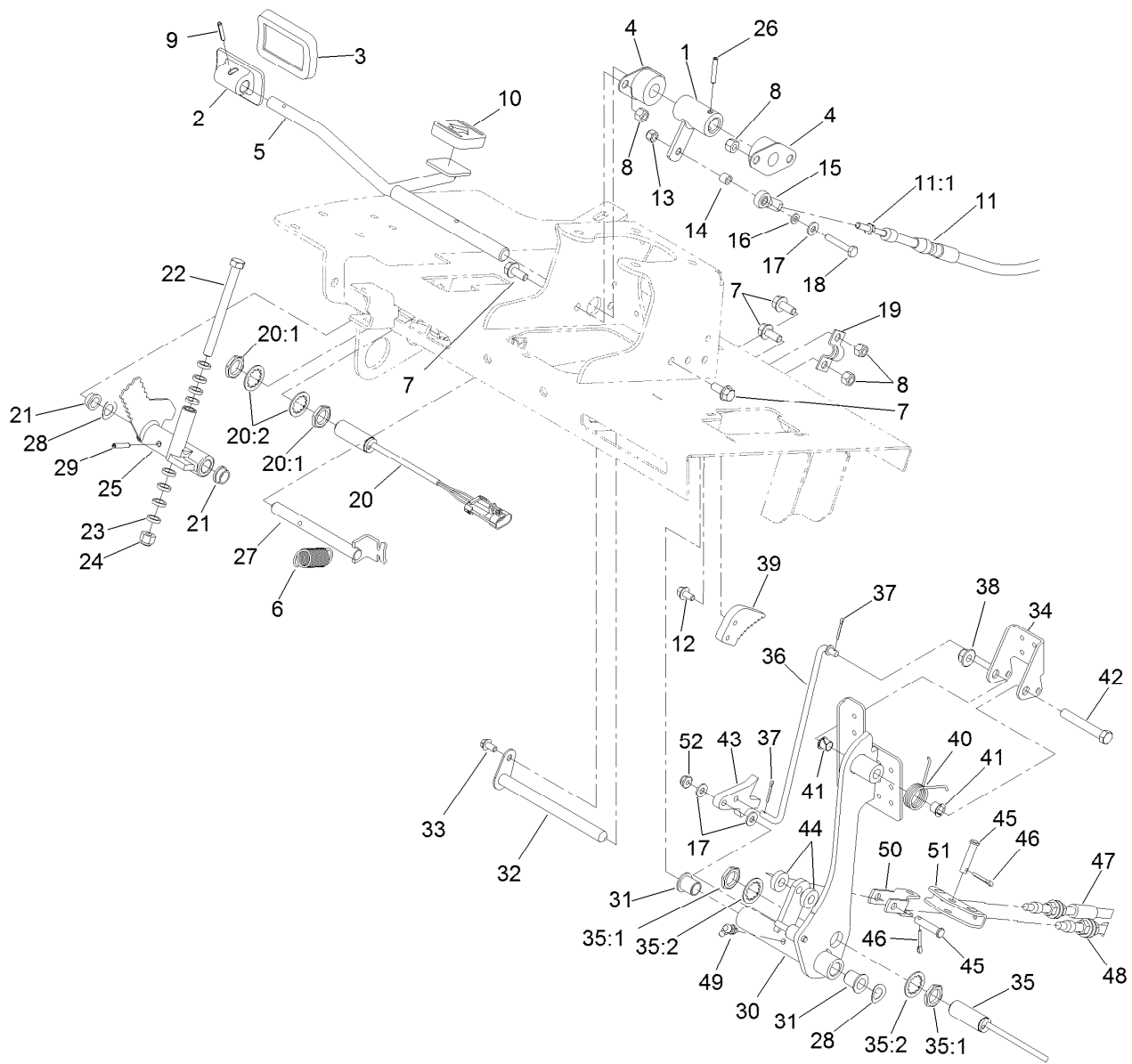
<i>Ref.</i>	<i>Part Number</i>	<i>Qty.</i>	<i>Description</i>	<i>Ref.</i>	<i>Part Number</i>	<i>Qty.</i>	<i>Description</i>
1	120-3809	1	Frame ASM	12	110-9013	2	Caplug
1:2	32148-7	4	Nut-Clinch	13	32104-17	2	Screw-HWH
1:4	93-6689	2	Decal-No Riders	14	110-8951-03	1	Bumper
2	110-9041	2	Step-Aluminum	15	120-6274	4	Mount-Engine
3	127-2697-01	4	Bracket-Step	16	2410-42	2	Cap-End
4	323-36	4	Screw-HH	17	3231-21	4	Screw-CARR
5	104-8301	4	Nut-HF, NI	18	3234-29	10	Screw-HHF
6	322-17	8	Screw-HH	19	3230-1	2	Bolt-CARR
7	104-8300	20	Nut-HF, NI	20	108-7584-01	1	Plate-Guide, Rod
8	95-9495	1	Cap	21	117-0155	1	Bracket-4Wd, LH
9	3255-8	1	Washer-Lock	22	117-0154	1	Bracket-4Wd, RH
10	110-8972	1	Hook-Latch	23	32128-21	4	Nut-HF Lock
11	110-9012	5	Caplug				



Items 20:2, 20:3 and 20:4
not used on this model

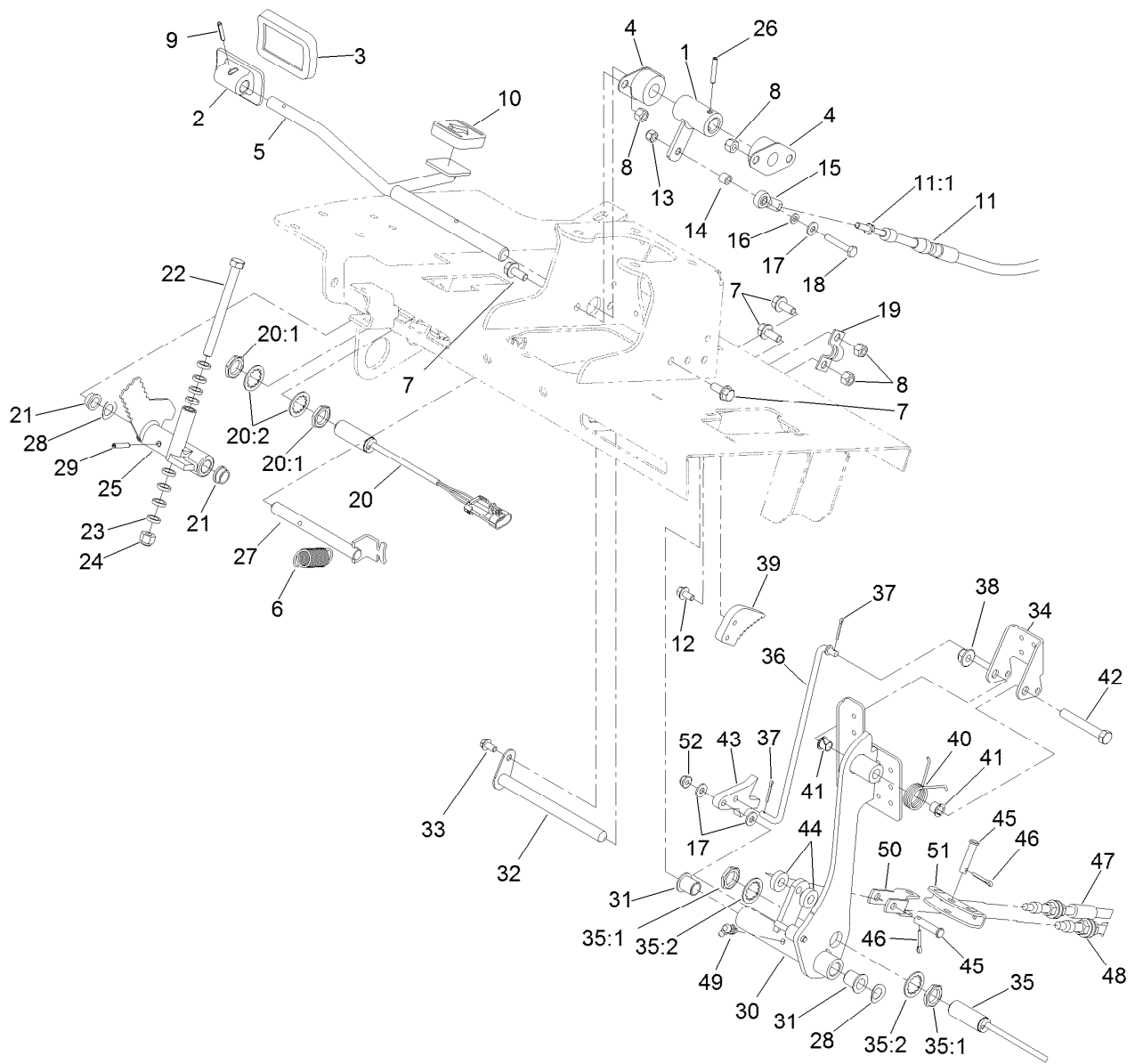
Operator Platform Assembly

<i>Ref.</i>	<i>Part Number</i>	<i>Qty.</i>	<i>Description</i>	<i>Ref.</i>	<i>Part Number</i>	<i>Qty.</i>	<i>Description</i>
1	127-2310-01	1	Platform ASM	17	240-11	2	Bushing-Flange
2	115-8064-01	1	Plate-Floor	18	66-8010	2	Spacer
3	3234-17	4	Screw-HHF	19	93-6028	1	Plate-Logo
4	104-8301	6	Nut-HF, NI	20	94-9024	2	Lamp ASM
5	104-8300	2	Nut-HF, NI	20:1	95-0909	1	Lamp-12 Volt
6	3234-11	6	Screw-HHF	20:2	3230-28	1	Screw-CARR
7	110-0986	1	Decal-Plate, Cover	20:3	3253-33	1	Washer-Lock
8	125-2910	2	Tread-Floor, Side	20:4	3217-6	1	Nut-Hex
9	3230-1	2	Bolt-CARR	21	3254-9	4	Washer-Lock, Internal
10	87-6630	2	Washer-Plain	22	110-0944	1	Shroud-Platform
11	32128-33	2	Nut-HF	23	110-0947-03	1	Plate-Cover
13	125-2911	1	Tread-Panel, Service	25	133-2930	1	Decal-Danger
14	125-2909	1	Tread-Floorboard	26	110-8921	1	Decal-Speed, Mow
15	32104-17	6	Screw-HWH	28	117-2718	1	Decal-Arrester, Spark
16	106-9518	2	Screw-PRH	29	110-8876-01	1	Brace-Column



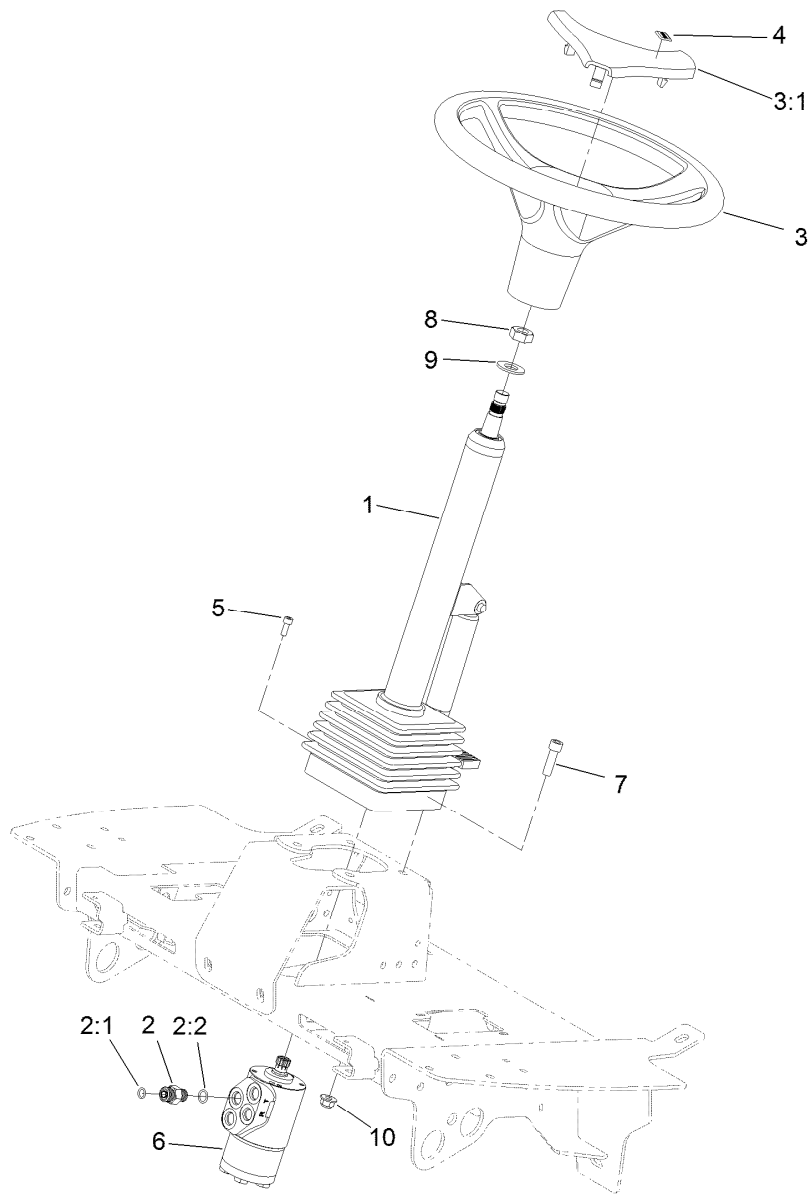
Pedal Assembly

Ref.	Part Number	Qty.	Description	Ref.	Part Number	Qty.	Description
1	117-5199	1	Hub-Pedal, Traction	20:1	117-3207	2	Nut-Hex
2	117-9507	1	Pedal-Accelerator	20:2	117-3208	2	Washer-Lock, Internal Tooth
3	74-9100	1	Pad-Pedal, Forward	21	256-156	2	Bushing-Flange
4	256-236	2	Bearing-Mount, Flange	22	323-17	1	Screw-HH
5	106-3840	1	Pedal-Traction	23	62-4420	8	Washer
6	92-7305	1	Spring-Extension	24	3296-39	1	Nut-Lock, NI
7	3234-5	6	Screw-HHF	25	117-8066	1	Mow-Stop
8	3296-29	6	Nut-Lock, NI	26	32121-6	1	Pin-Roll, Slotted
9	32121-45	1	Pin-Spring	27	106-3731	1	Rod-Pivot
10	74-9110	1	Pad-Pedal, Reverse	28	110-8982	2	Washer-Spring
11	127-2721	1	Cable-Traction	29	32121-16	1	Pin-Spring
11:1	3220-1	2	Nut-Jam	30	115-0120-03	1	Pedal-Brake
12	3234-13	2	Screw-HHF	31	125-8775	2	Bushing-Flange
13	3296-42	1	Nut-Lock, NI	32	104-7179	1	Pivot-Pedal
14	66-8010	1	Spacer	33	32144-4	1	Screw-HWH
15	2411-41	1	Rod End-Ball Joint	34	99-7963-03	1	Pedal-Park
16	33093-00	1	Washer-Flat	35	115-5300	1	Proximity Switch ASM
17	3256-22	3	Washer-Flat	35:1	117-3207	2	Nut-Hex
18	321-9	1	Screw-HH	35:2	117-3208	2	Washer-Lock, Internal Tooth
19	93-2092	1	Clamp-Cable	36	115-0129	1	Rod-Pawl, Brake
20	115-0282	1	Proximity Sensor ASM	37	3272-6	2	Pin-Cotter



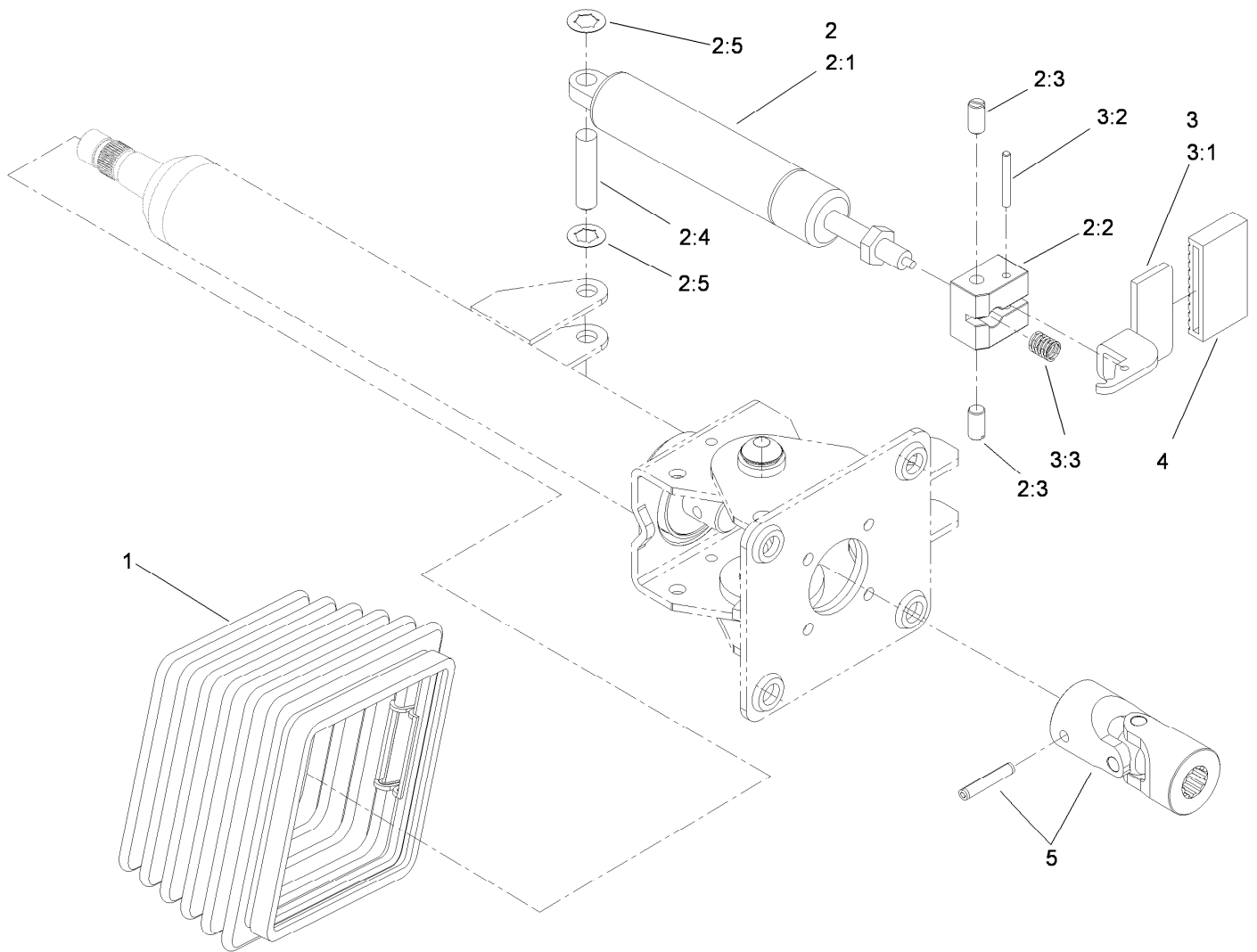
Pedal Assembly (continued)

<i>Ref.</i>	<i>Part Number</i>	<i>Qty.</i>	<i>Description</i>	<i>Ref.</i>	<i>Part Number</i>	<i>Qty.</i>	<i>Description</i>
38	104-8301	1	Nut-HF, NI	46	3272-10	2	Pin-Cotter
39	99-7214	1	Pawl-Brake	47	117-0106	1	Cable-Brake, RH
40	99-7140	1	Spring-Torsion	48	117-0107	1	Cable-Brake, LH
41	52-2891	2	Bushing-Flanged, Nylon	49	302-60	1	Fitting-Grease
42	323-12	1	Screw-HH	50	115-8060	1	Clevis-Double
43	117-0238	1	Detent	51	115-8059	1	Yoke-Cable
44	5-0652	2	Spacer	52	104-7201	1	Nut-HF, NI
45	283-14	2	Pin-Clevis				



Steering Assembly

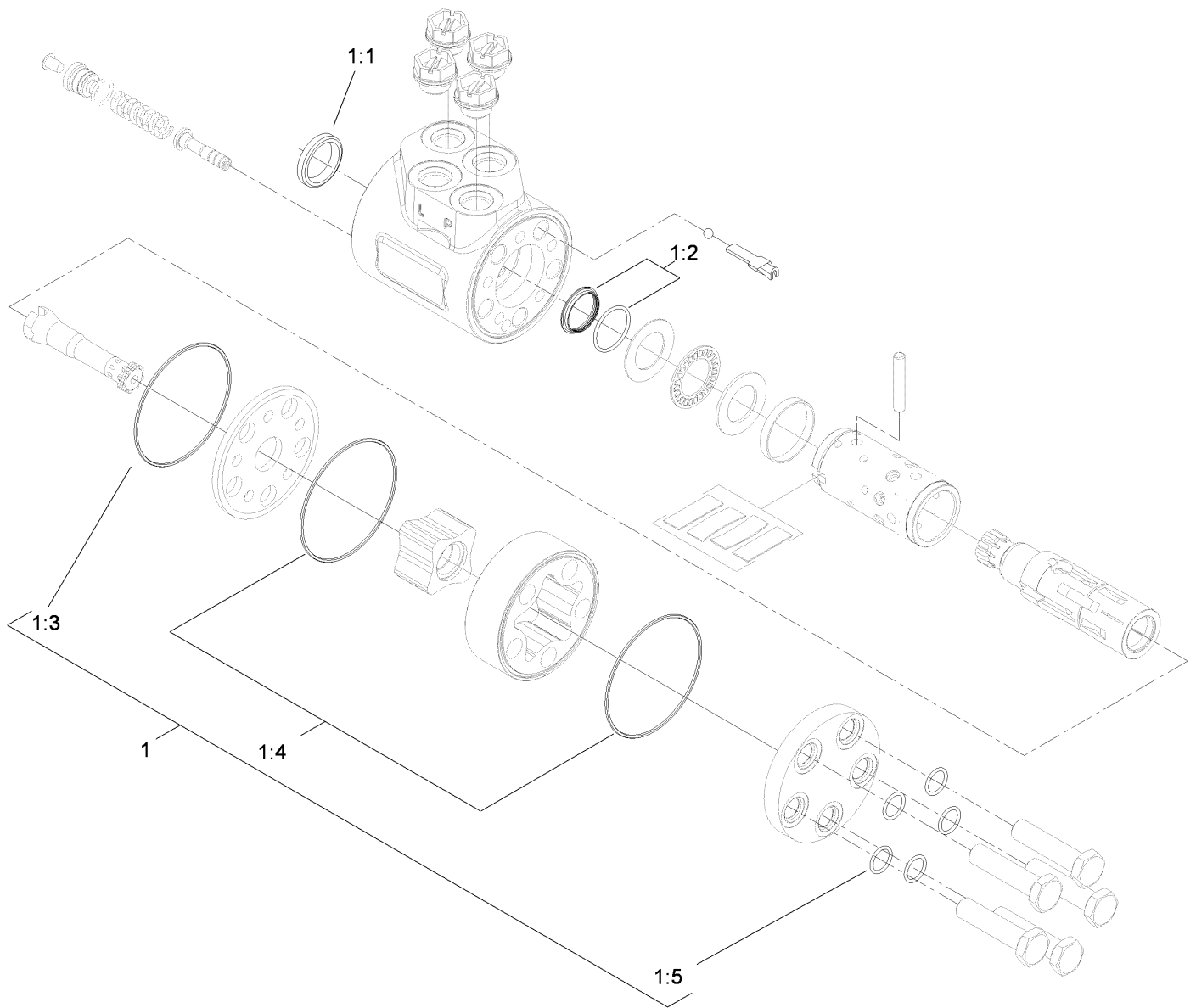
Ref.	Part Number	Qty.	Description
1	106-3622	1	Steering Tilt Column ASM
2	340-2	4	Fitting-Straight
2:1	237-22	1	O-Ring
2:2	237-42	1	O-Ring
3	98-1471	1	Wheel-Steering
3:1	98-1468	1	Cover-Wheel, Steering
4	98-1459	1	Decal
5	105-2409	4	Screw-HSH
6	106-3621	1	Steering Valve ASM
7	3274-1	4	Screw-HSH
8	3296-33	1	Nut-Lock, NI
9	3256-27	1	Washer-Flat
10	104-8301	4	Nut-HF, NI



Steering Tilt Column Assembly No. 106-3622

Ref.	Part Number	Qty.	Description
1	110-6462	1	Bellows-Rubber
2	110-6463	1	Cylinder Service Kit
2:1		1	Cylinder-Gas ●
2:2		1	Block-Pedal ●
2:3		2	Bolt ●
2:4		1	Pin ●
2:5		2	Washer-Lock ●
3	110-6464	1	Pedal Service Kit
3:1		1	Pedal ●
3:2		1	Pin ●
3:3		1	Spring ●
4	110-6465	1	Cover-Pedal
5	120-6256	1	Universal Joint Kit

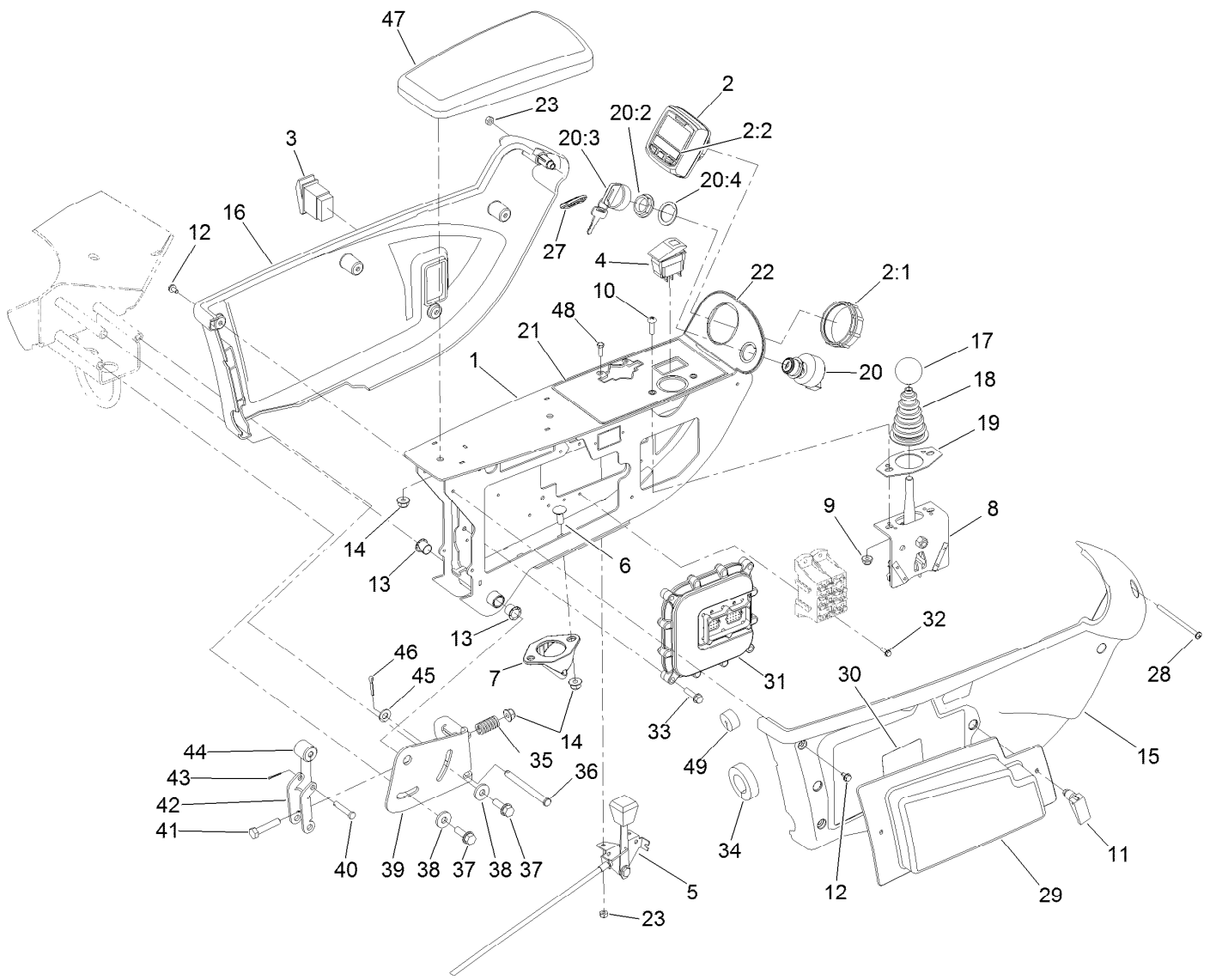
● Not serviced separately



Steering Valve Assembly No. 106-3621

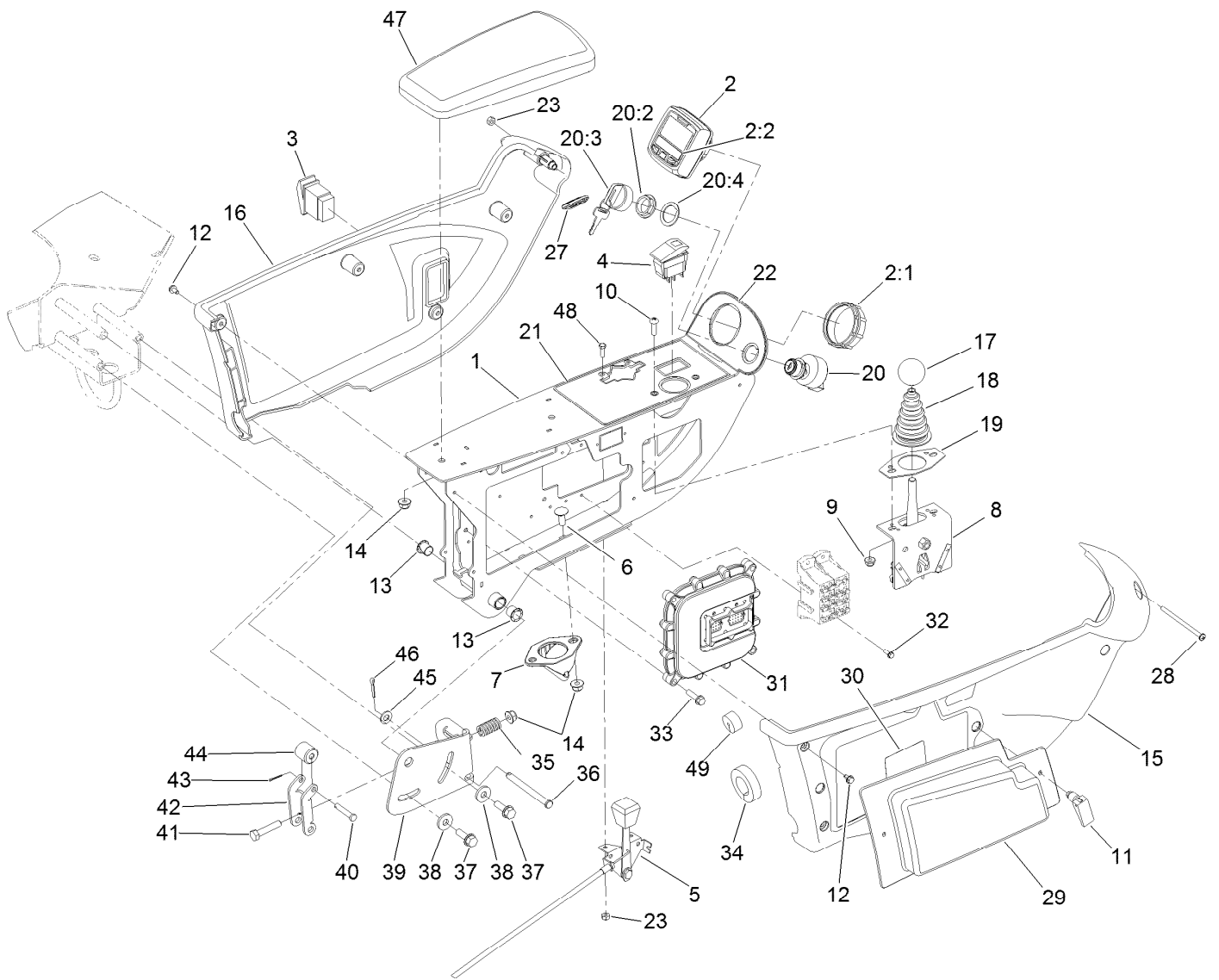
<i>Ref.</i>	<i>Part Number</i>	<i>Qty.</i>	<i>Description</i>
1	106-6716	1	Seal Kit
1:1		1	Ring-Seal, Dust ●
1:2		1	Seal-Shaft ●
1:3		1	O-Ring ●
1:4		2	O-Ring ●
1:5		5	O-Ring ●

● Not serviced separately



Control Arm Assembly

Ref.	Part Number	Qty.	Description	Ref.	Part Number	Qty.	Description
1	120-3801-03	1	Frame-Arm, Control	20	106-5269	1	Ignition Switch ASM
2	120-6310	1	LCD Display ASM	20:2	108-8660	1	Nut-Mounting
2:1	120-4630	1	Nut-Display	20:3	106-5270	1	Ignition Key Set
2:2	120-6311	1	Decal-Display	20:4	108-8659	1	Washer-Backup
3	95-8999	1	Switch	21	121-5644	1	Decal-Control Panel
4	105-4232	1	Switch	22	120-4158	1	Decal-Console, Upper
5	114-8886	1	Control-Throttle	23	3296-2	3	Nut-Lock, NI
6	3230-23	2	Bolt-CARR	27	99-8970	1	Key-Latch, Hood
7	125-1938	1	Latch	28	3250-22	1	Screw-PPH
8	120-5280	1	Bracket-Joystick	29	114-0446	1	Panel-Access
9	104-7201	2	Nut-HF, NI	30	117-0169	1	Decal-Fuses
10	3258-166	2	Screw-PRH	31	114-3321	1	Controller-Tec
11	74-5950	2	Latch-Swell	32	32144-87	4	Screw-HWHTF
12	104-2065	10	Screw-HWH	33	32144-86	4	Screw-HWHTF
13	256-257	2	Bushing-Nyliner	34	110-8912	1	Seal-Foam
14	104-8300	5	Nut-HF, NI	35	110-5331	1	Spring-Compression
15	108-7605	1	Cover-RH	36	283-88	1	Pin-Clevis
16	108-7604	1	Cover-LH	37	3234-29	2	Screw-HHF
17	233-42	1	Knob	38	4-2390	2	Washer-Flat
18	93-5961	1	Boot-Lever	39	110-5313-03	1	Bracket-Retainer
19	112-9181	1	Plate-Boot	40	283-73	1	Pin-Clevis



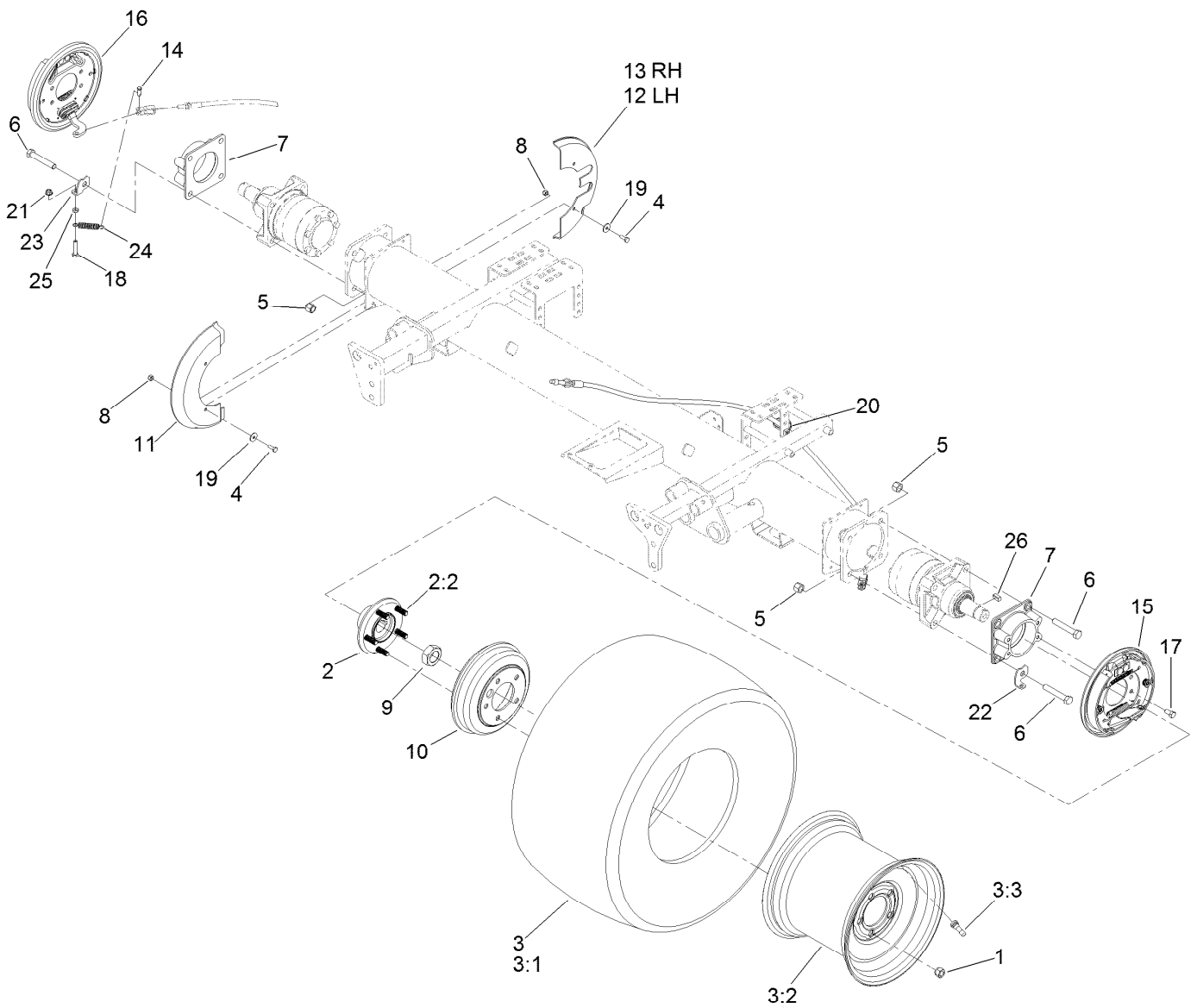
Control Arm Assembly (continued)

<i>Ref.</i>	<i>Part Number</i>	<i>Qty.</i>	<i>Description</i>	<i>Ref.</i>	<i>Part Number</i>	<i>Qty.</i>	<i>Description</i>
41	322-7	1	Screw-HH	46	3272-10	1	Pin-Cotter
42	110-5314	1	Latch	47	108-7602	1	Rest-Arm
43	3272-1	1	Pin-Cotter	48	3290-134	2	Screw
44	110-8856	1	Spacer	49	110-8911	1	Seal-Foam
45	3256-23	1	Washer-Plain				



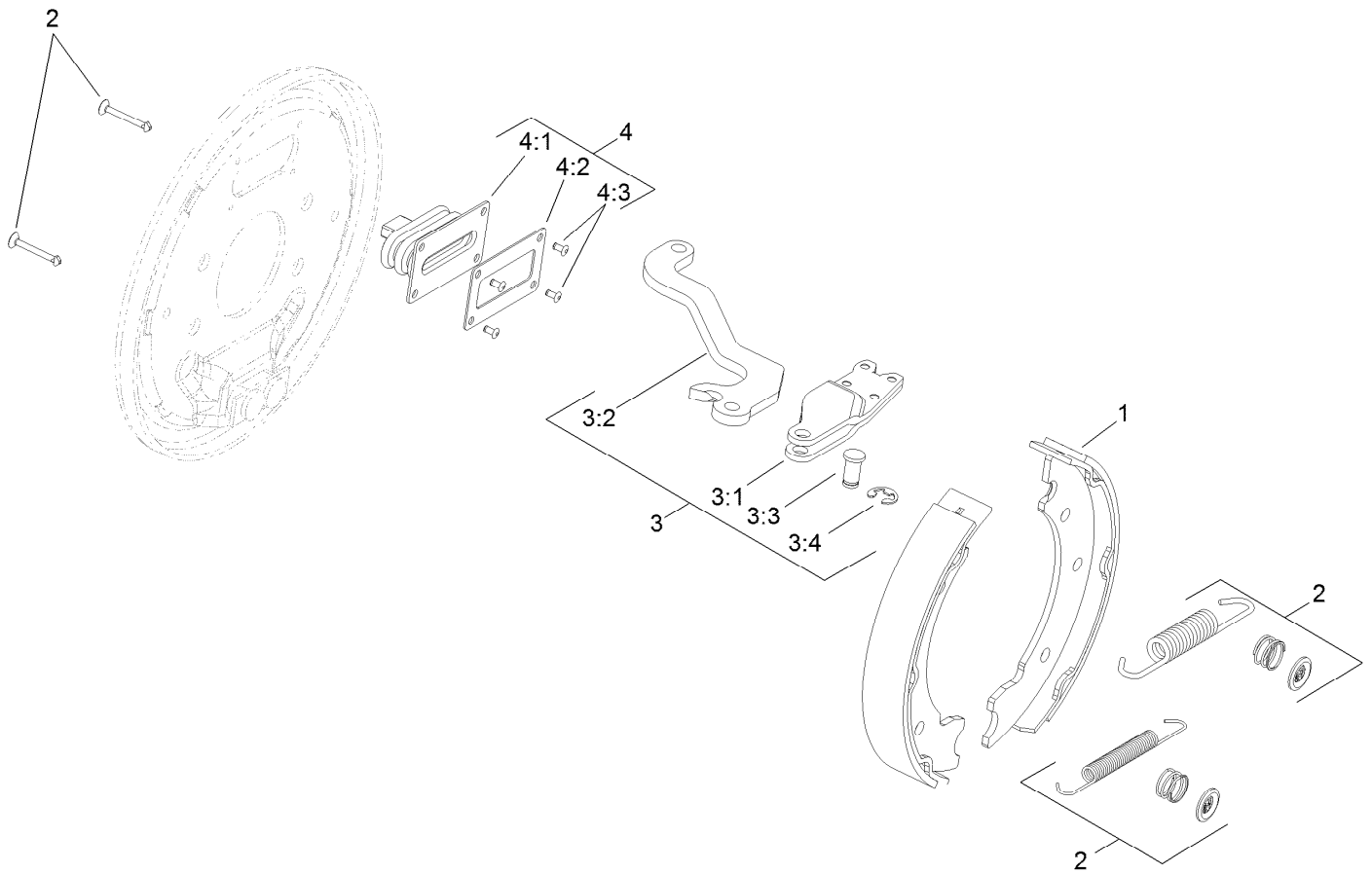
Joystick Bracket Assembly No. 120-5280

<i>Ref.</i>	<i>Part Number</i>	<i>Qty.</i>	<i>Description</i>
1	115-5357-03	1	Bracket-Joystick
2	106-4192	1	Spacer
3	93-5547	2	Bushing-Nylon
4	119-3540	1	Hub-Pivot, Joystick
5	105-8289	1	Spring-Torsion
6	106-4193	2	Washer-Finger, Spring
7	322-9	1	Screw-HH
8	3296-29	1	Nut-Lock, NI
9	3290-354	2	Nut-Speed
10	108-6496	2	Switch (W/Boot)
11	95-3003	4	Screw-PPHTF
12	3256-3	1	Washer-Flat



Front Axle Assembly

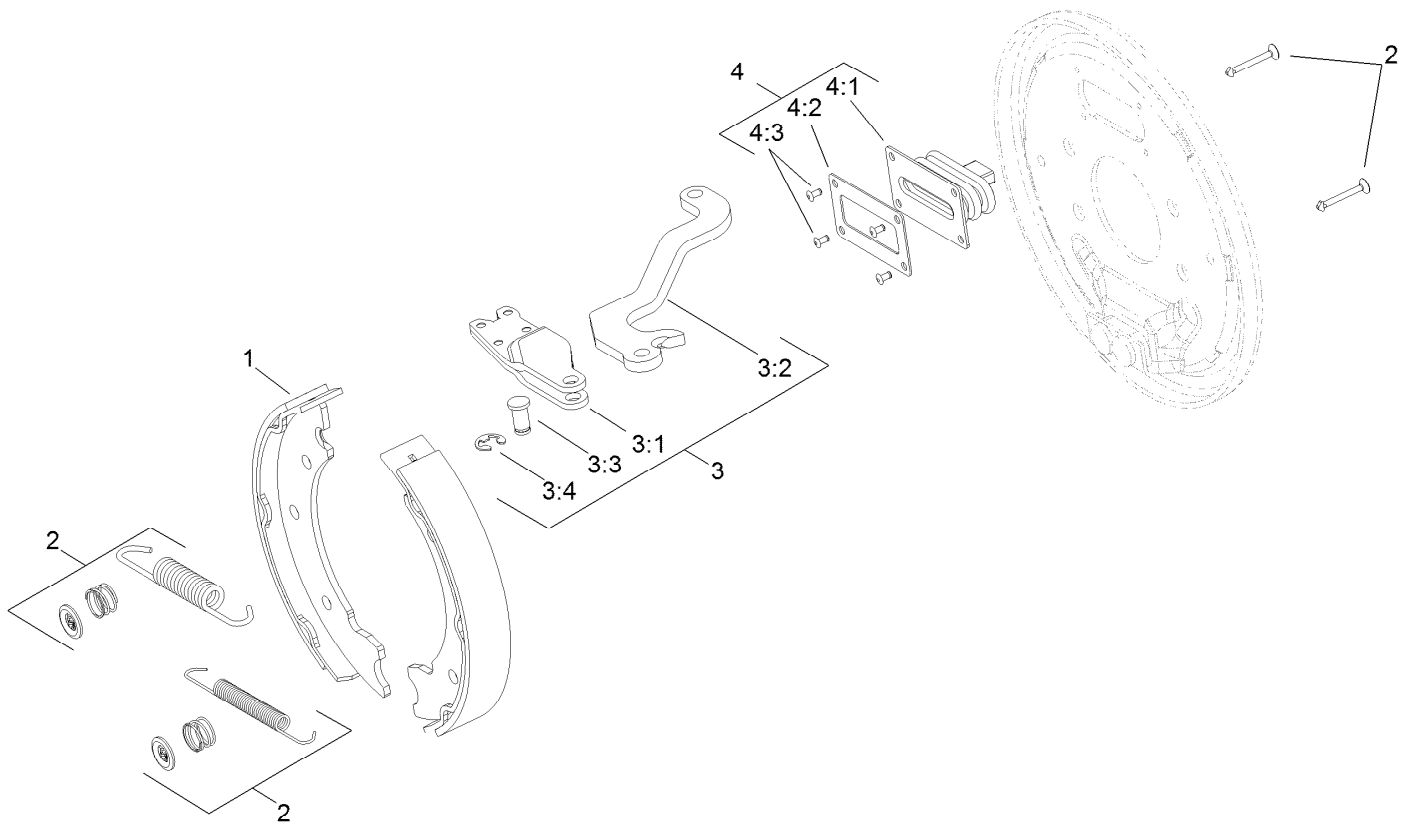
Ref.	Part Number	Qty.	Description	Ref.	Part Number	Qty.	Description
1	242-50	10	Nut-Lug	12	110-0951	1	Shield-Wheel, Rear (LH)
2	121-5631	2	Hub ASM	13	110-8878	1	Shield-Wheel, Rear (RH)
2:2	114-3918	5	Stud-Wheel	14	283-62	2	Pin-Clevis
3	117-5194	2	Tire ASM	15	120-6261	1	LH Brake ASM
3:1	117-5196	1	Tire	16	120-6260	1	RH Brake ASM
3:2	117-5197	1	Wheel	17	323-4	8	Screw-HH
3:3	232-27	1	Stem-Valve	18	322-7	2	Screw-HH
4	321-4	8	Screw-HH	19	3256-67	8	Washer
5	3296-23	8	Nut-Lock, NI	20	3290-378	2	Tie-Cable
6	325-12	8	Screw-HH	21	104-8300	2	Nut-HF, NI
7	120-6253-03	2	Adapter-Brake	22	120-6267	1	Clip-Spring, LH
8	3296-42	8	Nut-Lock, NI	23	120-6266	1	Clip-Spring, RH
9	117-3290	2	Nut-Hex	24	87-4020	2	Spring-Extension
10	114-8864	2	Drum-Brake	25	3218-2	2	Nut-Hex Jam
11	110-0950	2	Shield-Wheel, Front	26	117-5198	2	Key-Square



LH Brake Assembly No. 120-6261

Ref.	Part Number	Qty.	Description
1	108-6981	1	Brake Shoe Kit
2	108-6983	1	Brake Hardware Kit
3	110-8910	1	LH Actuator Kit
3:1		1	Housing ●
3:2		1	Lever-LH ●
3:3		1	Pin-Pivot ●
3:4		1	E-Ring ●
4	110-8885	1	Dust Boot Kit
4:1		1	Boot ●
4:2		1	Plate-Back Up ●
4:3		2	Rivet ●

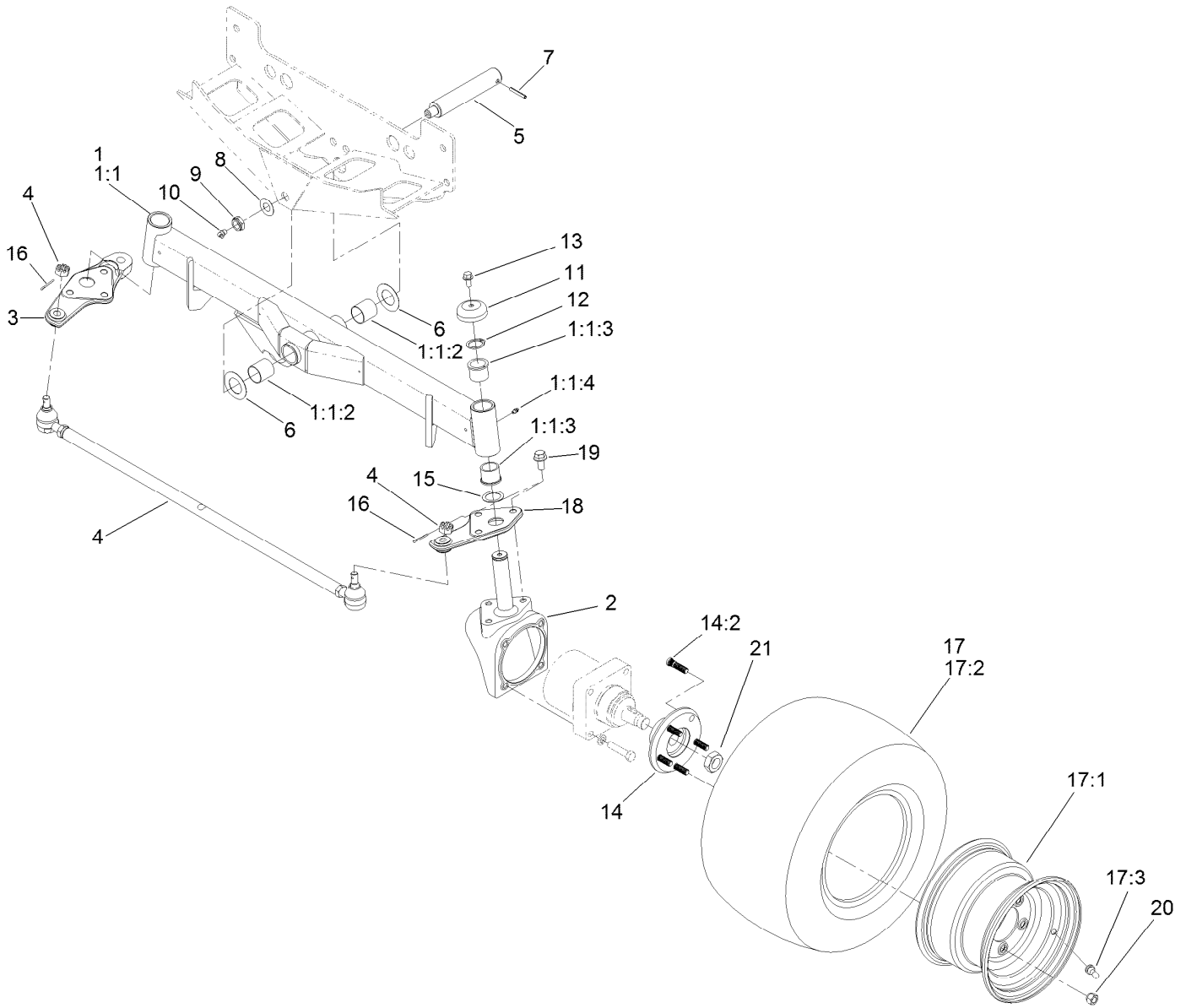
● Not serviced separately



RH Brake Assembly No. 120-6260

Ref.	Part Number	Qty.	Description
1	108-6981	1	Brake Shoe Kit
2	108-6983	1	Brake Hardware Kit
3	110-8884	1	RH Actuator Kit
3:1		1	Housing ●
3:2		1	Lever-RH ●
3:3		1	Pin-Pivot ●
3:4		1	E-Ring ●
4	110-8885	1	Dust Boot Kit
4:1		1	Boot ●
4:2		1	Plate-Back Up ●
4:3		2	Rivet ●

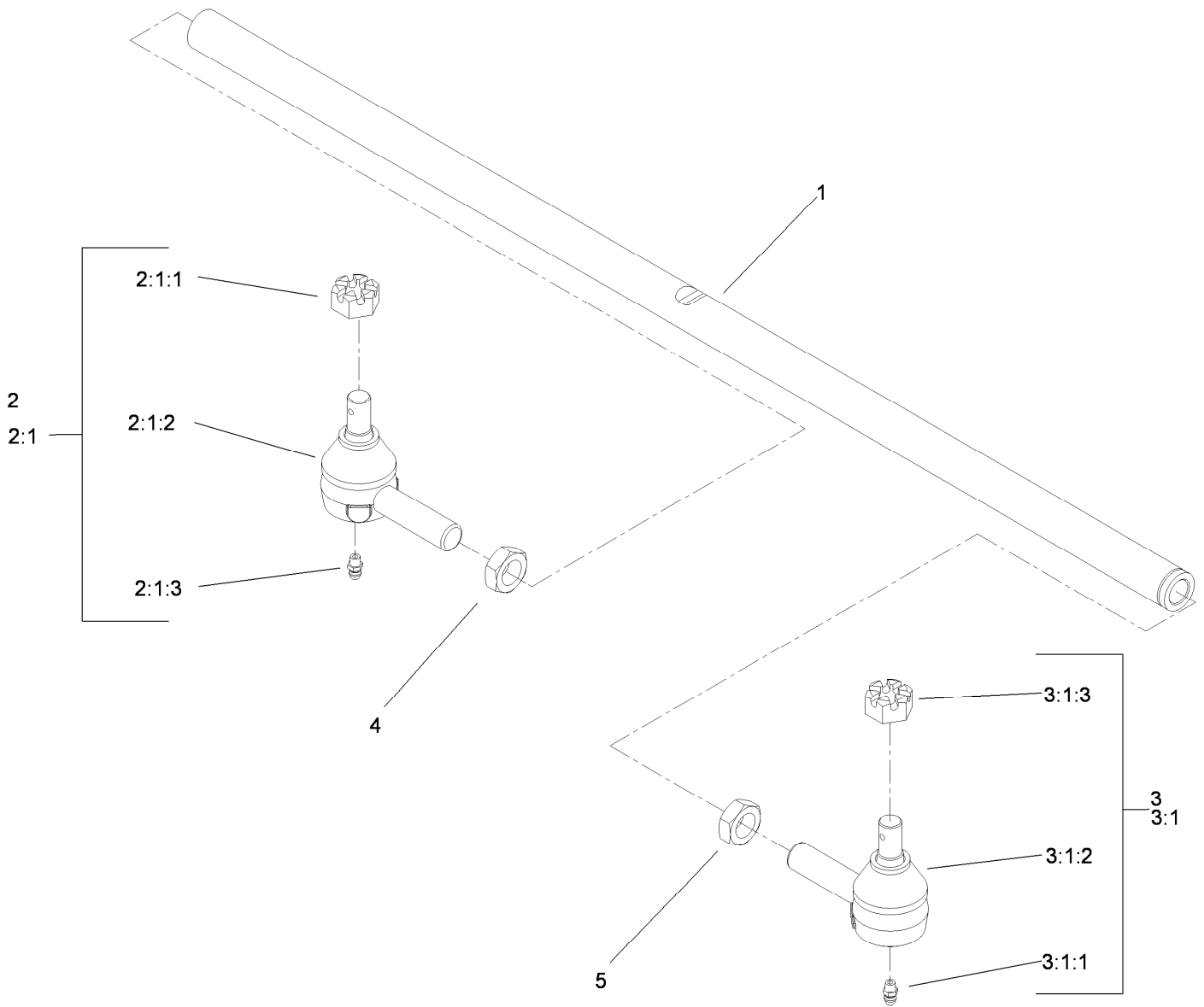
● Not serviced separately



Rear Axle Assembly

Ref.	Part Number	Qty.	Description	Ref.	Part Number	Qty.	Description
1	117-0256-03	1	Axle ASM	12	32151-77	2	Ring-Retaining, External
1:1		1	Axle ●	13	3234-1	2	Screw-HHF
1:1:2	99-6964	2	Bushing-Axle	14	121-5633	2	Hub ASM
1:1:3	104-0015	4	Bushing-Flange	14:2	114-3918	5	Stud-Wheel
1:1:4	302-5	2	Fitting-Grease	15	76-2980	2	Washer-Thrust
2	107-4517-03	2	Housing-Motor	16	3272-12	2	Pin-Cotter
3	110-5295-03	1	Link-Drag, RH	17	117-0281	2	Rim And Tire ASM
4	110-5334-03	1	Tie Rod ASM	17:1	117-0280	1	Rim
5	98-8173	1	Pin-Pivot, Axle	17:2	117-5125	1	Tire
6	99-8432	2	Washer-Thrust	17:3	232-27	1	Stem-Valve
7	32121-32	1	Pin-Roll	18	110-5297-03	1	Link-Drag, LH
8	71-4540	1	Washer-Thrust	19	3234-6	6	Screw-HHF
9	3296-15	1	Nut-Lock, NI	20	242-50	10	Nut-Lug
10	302-33	1	Fitting-Grease	21	26-3790	2	Nut-Lock
11	69-8890	2	Cap-Spindle				

● Not serviced separately

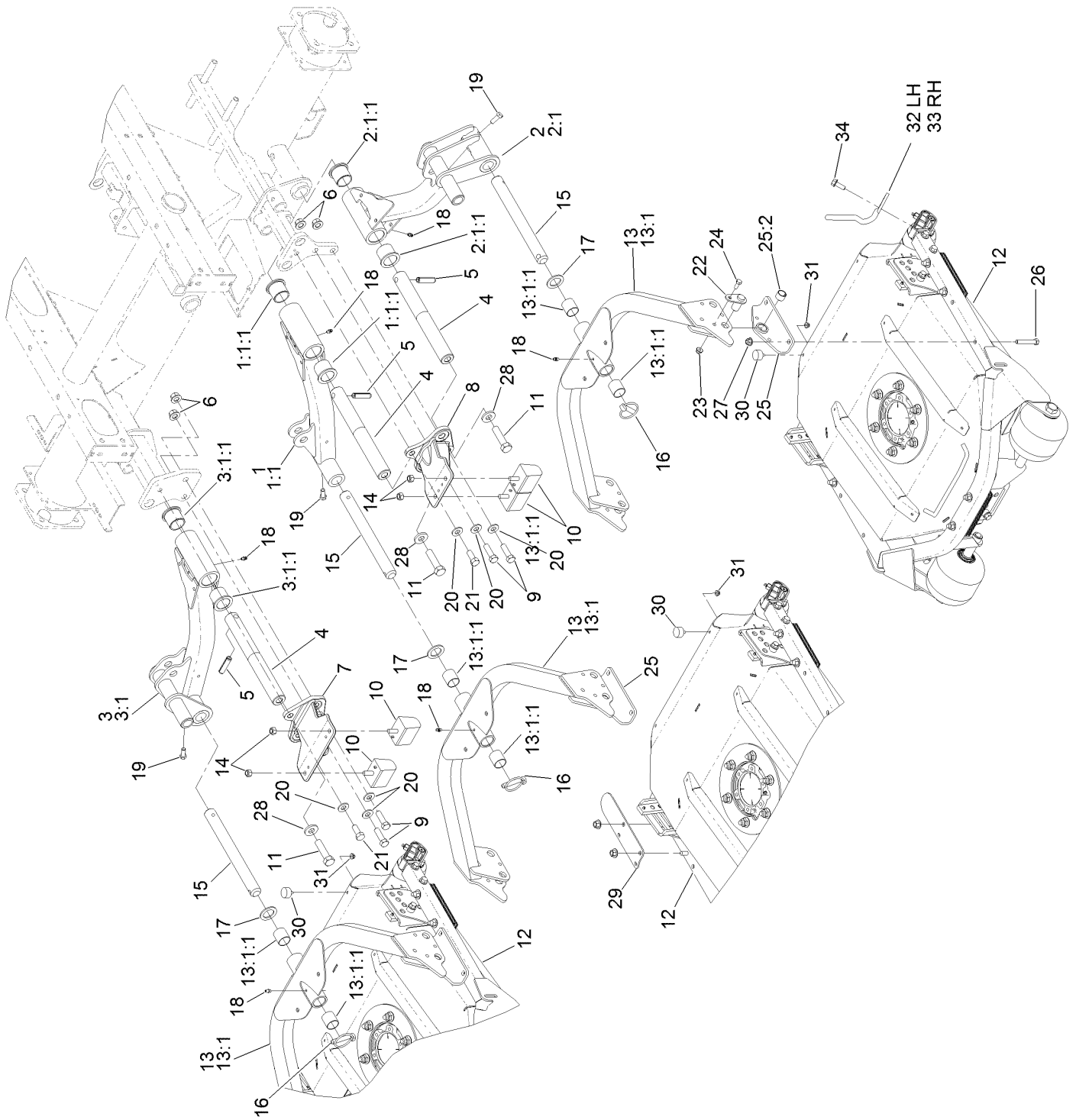


Tie Rod Assembly No. 110-5334-03

Ref.	Part Number	Qty.	Description
1	110-5335	1	Rod-Tie
2	71-4740-03	1	RH Tie Rod End ASM
2:1		1	End-Rod, Tie (RH) ●
2:1:1	105-7941	1	Nut-Hex, Slotted
2:1:2	105-7835	1	Seal
2:1:3	302-5	1	Fitting-Grease
3	2411-46-03	1	LH Tie Rod ASM
3:1		1	End-Rod, Tie (LH) ●
3:1:1	302-5	1	Fitting-Grease
3:1:2	105-7835	1	Seal
3:1:3	105-7941	1	Nut-Hex, Slotted
4	84-5300	1	Nut-Jam
5	110-5337	1	Nut-Jam

● Not serviced separately

No. 1, 4 and 5 Lift Arm and Deck Assembly

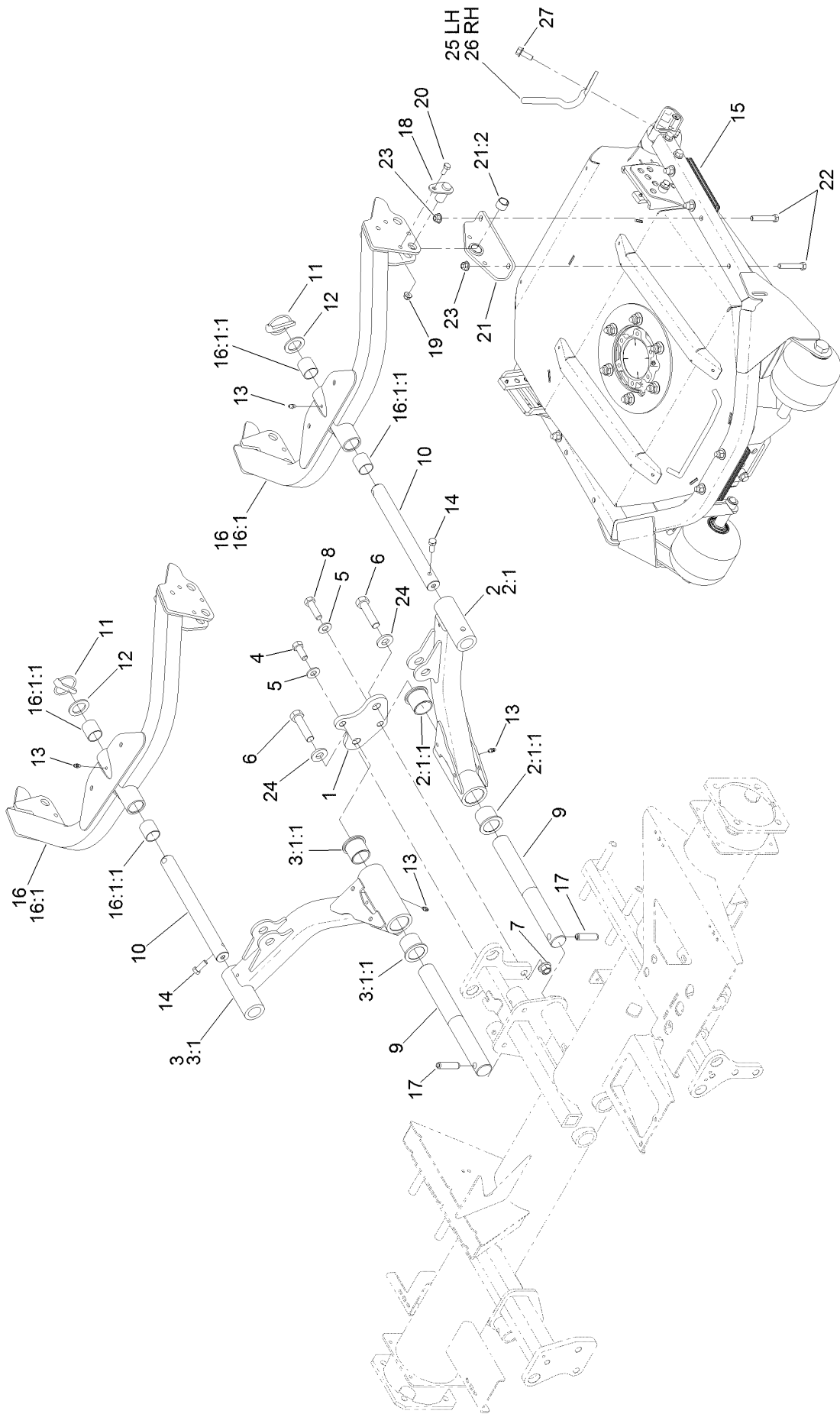


No. 1, 4 and 5 Lift Arm and Deck Assembly (continued)

<i>Ref.</i>	<i>Part Number</i>	<i>Qty.</i>	<i>Description</i>	<i>Ref.</i>	<i>Part Number</i>	<i>Qty.</i>	<i>Description</i>
1	114-0381-03	1	Arm No. 1 ASM	14	33025-00	4	Nut-Lock, NI
1:1		1	Arm ●	15	105-7560	3	Shaft-Cu Pivot
1:1:1	69-6470	2	Bushing-Caster	16	283-71	3	Pin-Lynch
2	114-0384-03	1	Arm No. 4 ASM	17	3-6781	3	Washer-Thrust
2:1		1	Arm ●	18	302-5	6	Fitting-Grease
2:1:1	69-6470	2	Bushing-Caster	19	323-6	3	Screw-HH
3	114-0385-03	1	Arm No. 5 ASM	20	87-7270	6	Washer-Thrust
3:1		1	Arm ●	21	325-5	2	Screw-HH
3:1:1	69-6470	2	Bushing-Caster	22	117-0132	6	Pin
4	117-0208	3	Shaft-Pivot, Liftarm	23	104-8300	6	Nut-HF, NI
5	32121-122	3	Pin-Roll	24	322-3	6	Screw-HH
6	99-5107	4	Nut-Lock	25	117-0118	6	Pivot ASM
7	117-0250-03	1	Tippe-RH	25:2	108-8482	1	Bushing-Sleeve
8	117-0252-03	1	Tipper-LH	26	323-11	12	Screw-HH
9	325-7	4	Screw-HH	27	104-8301	12	Nut-HF, NI
10	87-3470	4	Bumper	28	99-7667	3	Washer-Flat
11	327-7	3	Screw-HH	29	105-9831-03	1	Bracket-Bumper, No. 1
12	30845	3	22 Inch Contour Plus Deck ASM	30	240-14	3	Bumper-Rubber
13	108-7384-03	3	Carrier Frame ASM	31	104-7201	3	Nut-HF, NI
13:1		1	Frame-Carrier ●	32	127-2613-03	1	Guard-Foot, LH
13:1:1	108-4000	2	Bushing	33	127-2614-03	1	Guard-Foot, RH
				34	3234-11	2	Screw-HHF

● Not serviced separately

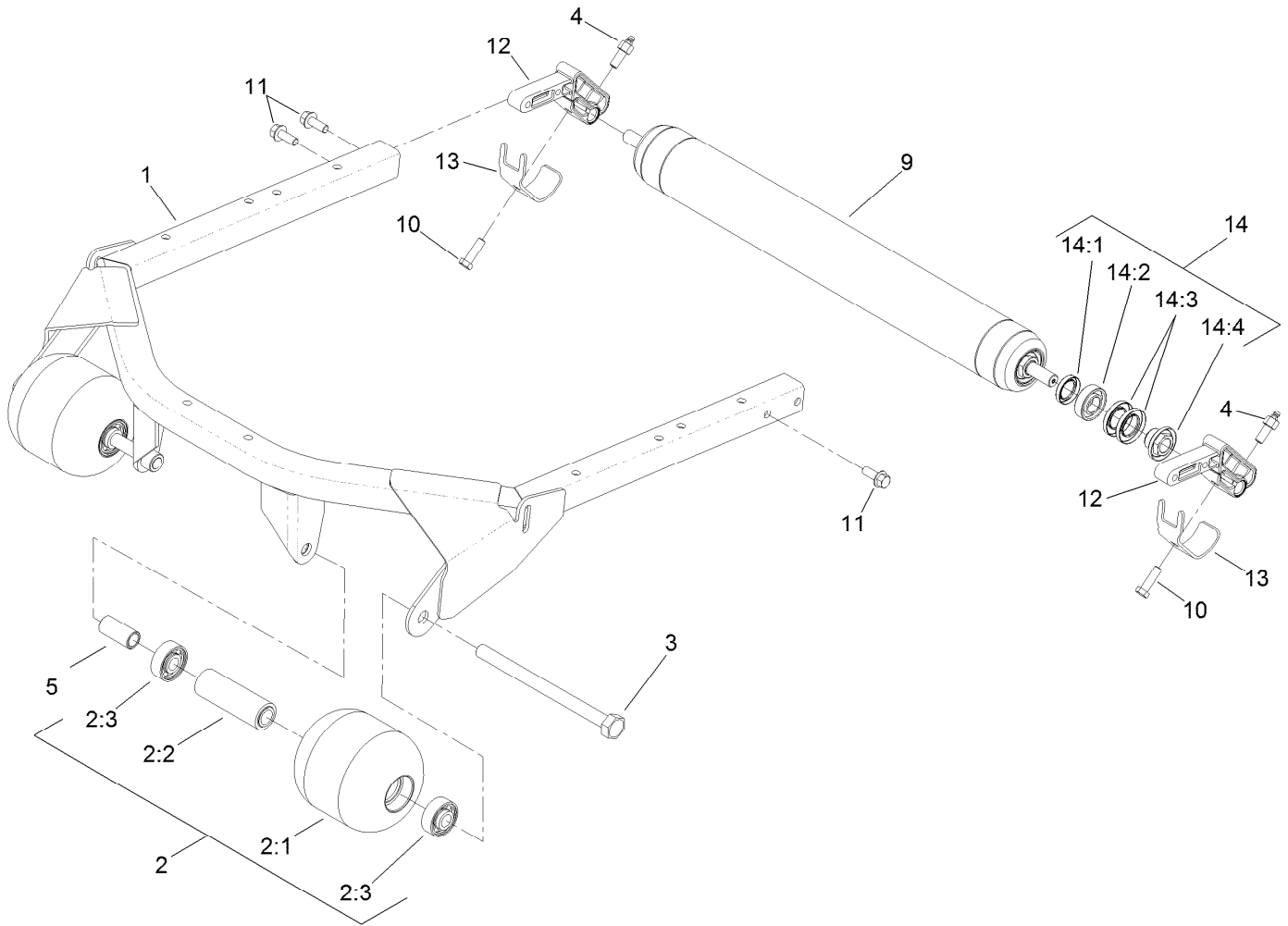
No. 2 and 3 Lift Arm and Deck Assembly



No. 2 and 3 Lift Arm and Deck Assembly (continued)

<i>Ref.</i>	<i>Part Number</i>	<i>Qty.</i>	<i>Description</i>	<i>Ref.</i>	<i>Part Number</i>	<i>Qty.</i>	<i>Description</i>
1	114-0352-01	1	Plate-Bridge, No. 2 And 3	15	30845	2	22 Inch Contour Plus Deck ASM
2	114-0382-03	1	Arm No. 2 ASM	16	108-7384-03	2	Carrier Frame ASM
2:1		1	Arm ●	16:1		1	Frame-Carrier ●
2:1:1	69-6470	2	Bushing-Caster	16:1:1	108-4000	2	Bushing
3	114-0383-03	1	Arm No. 3 ASM	17	32121-122	2	Pin-Roll
3:1		1	Arm ●	18	117-0132	4	Pin
3:1:1	69-6470	2	Bushing-Caster	19	104-8300	4	Nut-HF, NI
4	325-5	1	Screw-HH	20	322-3	4	Screw-HH
5	87-7270	2	Washer-Thrust	21	117-0118	4	Pivot ASM
6	327-7	2	Screw-HH	21:2	108-8482	1	Bushing-Sleeve
7	99-5107	1	Nut-Lock	22	323-11	8	Screw-HH
8	325-7	1	Screw-HH	23	104-8301	8	Nut-HF, NI
9	117-0208	2	Shaft-Pivot, Liftarm	24	99-7667	2	Washer-Flat
10	105-7560	2	Shaft-Cu Pivot	25	127-2613-03	1	Guard-Foot, LH
11	283-71	2	Pin-Lynch	26	127-2614-03	1	Guard-Foot, RH
12	3-6781	2	Washer-Thrust	27	3234-11	2	Screw-HHF
13	302-5	4	Fitting-Grease				
14	323-6	2	Screw-HH				

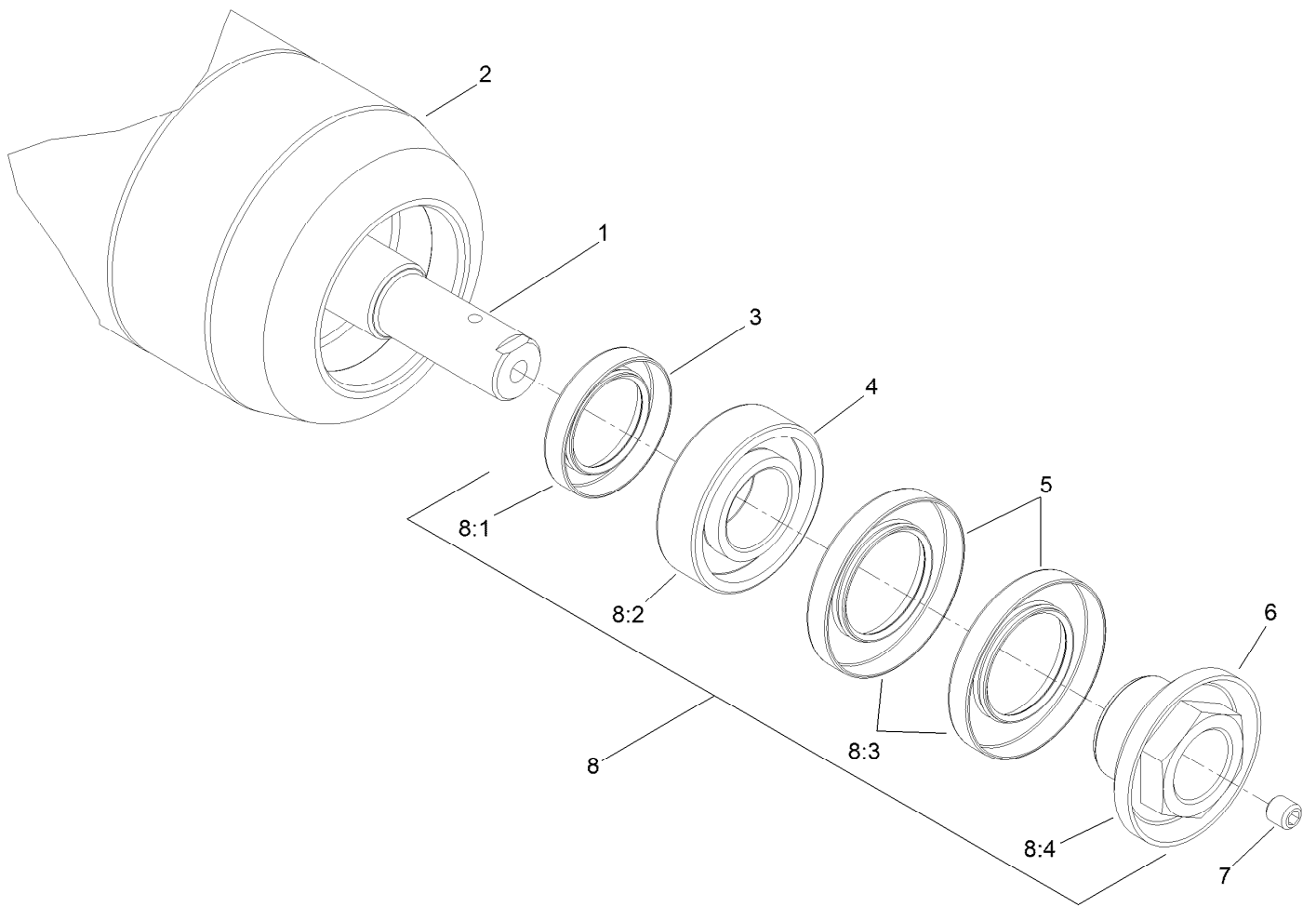
● Not serviced separately



Roller and Carrier Frame Assembly

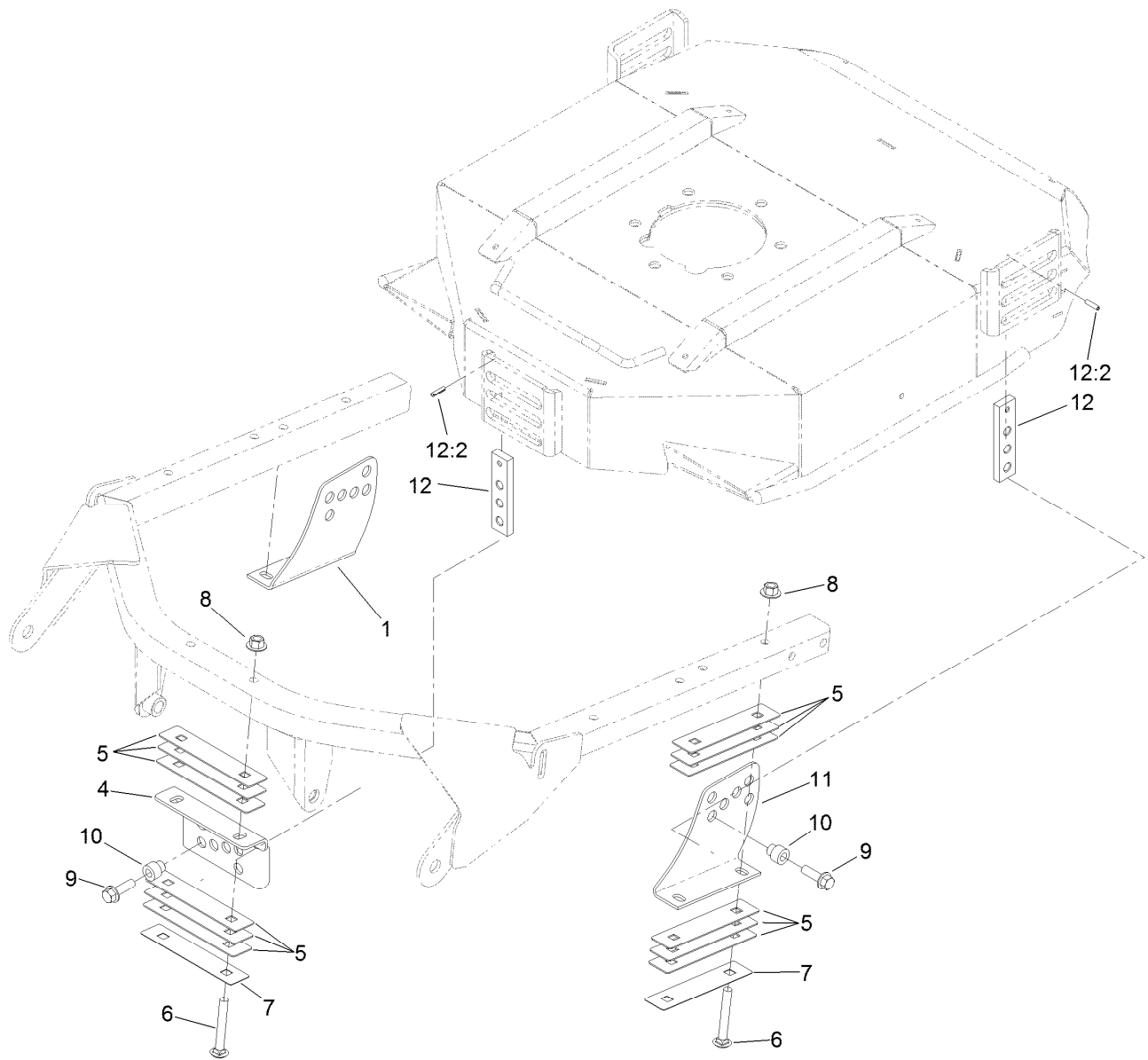
Ref.	Part Number	Qty.	Description
1	114-0440-03	1	Support-Deck
2	115-3418	2	Roller ASM
2:1	104-1093	1	Roller
2:2	100-5762	1	Spacer-Bearing
2:3	120-3366	2	Bearing
3	117-0172	2	Screw-HH
4	127-6422	2	Screw-Grease, Roller
5	114-0430	2	Tube-Seg, Roller
9	108-7387	1	Roller ASM

Ref.	Part Number	Qty.	Description
10	323-7	2	Screw-HH
11	3234-11	4	Screw-HHF
12	112-5268	2	Mount-Roller
13	107-7816	2	Bracket-Skid
14	114-5430	1	Roller Rebuild Kit
14:1	114-3717	2	Seal-Oil
14:2	112-5290	2	Bearing-Steel, Stainless
14:3	112-7494	4	Seal
14:4	114-5411	2	Nut-Lock, Bearing



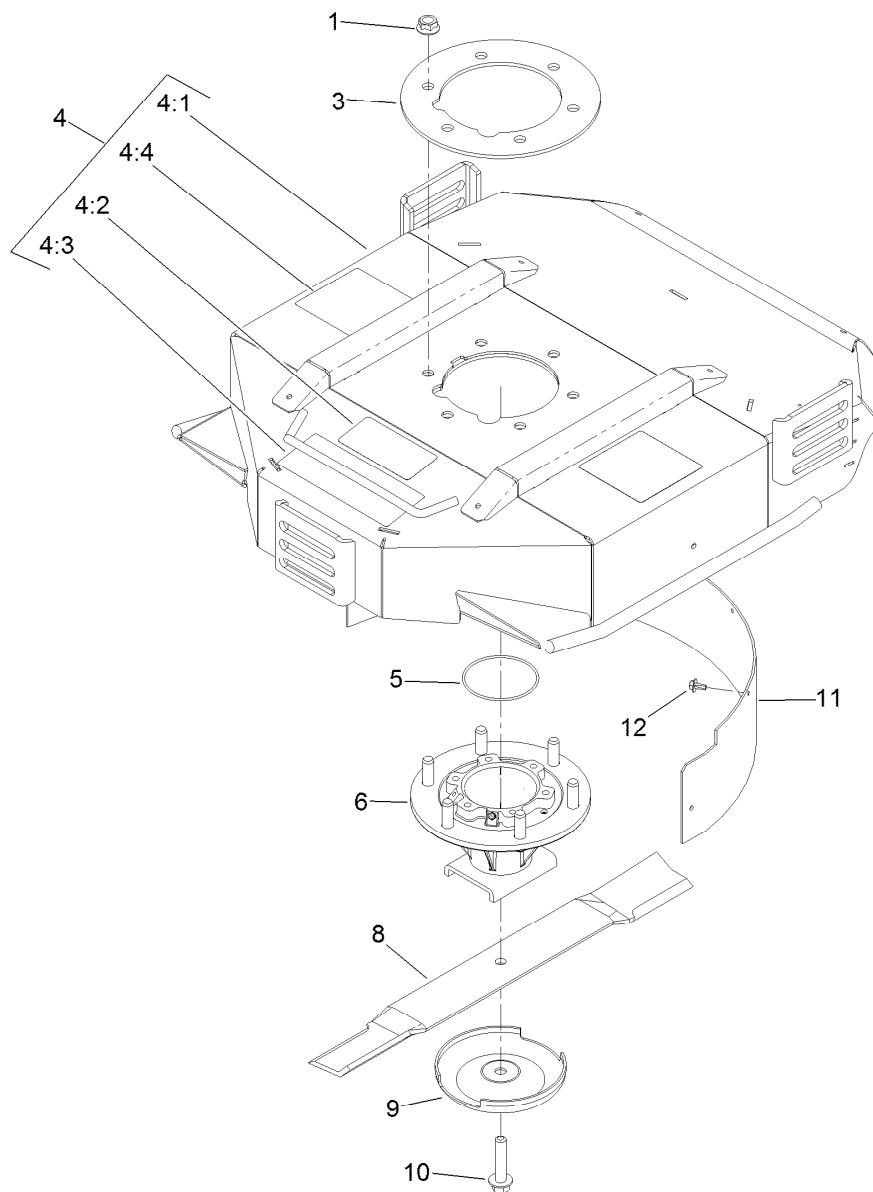
Roller Assembly No. 108-7387

<i>Ref.</i>	<i>Part Number</i>	<i>Qty.</i>	<i>Description</i>
1	108-7388	1	Shaft-Roller
2	108-7389-03	1	Roller Tube ASM
3	114-3717	2	Seal-Oil
4	112-5290	2	Bearing-Steel, Stainless
5	112-7494	4	Seal
6	114-3745	2	Nut-Lock, Bearing
7	108-0989	2	Screw-Set
8	114-5430	1	Roller Rebuild Kit
8:1	114-3717	2	Seal-Oil
8:2	112-5290	2	Bearing-Steel, Stainless
8:3	112-7494	4	Seal
8:4	114-5411	2	Nut-Lock, Bearing



Height-of-Cut Assembly

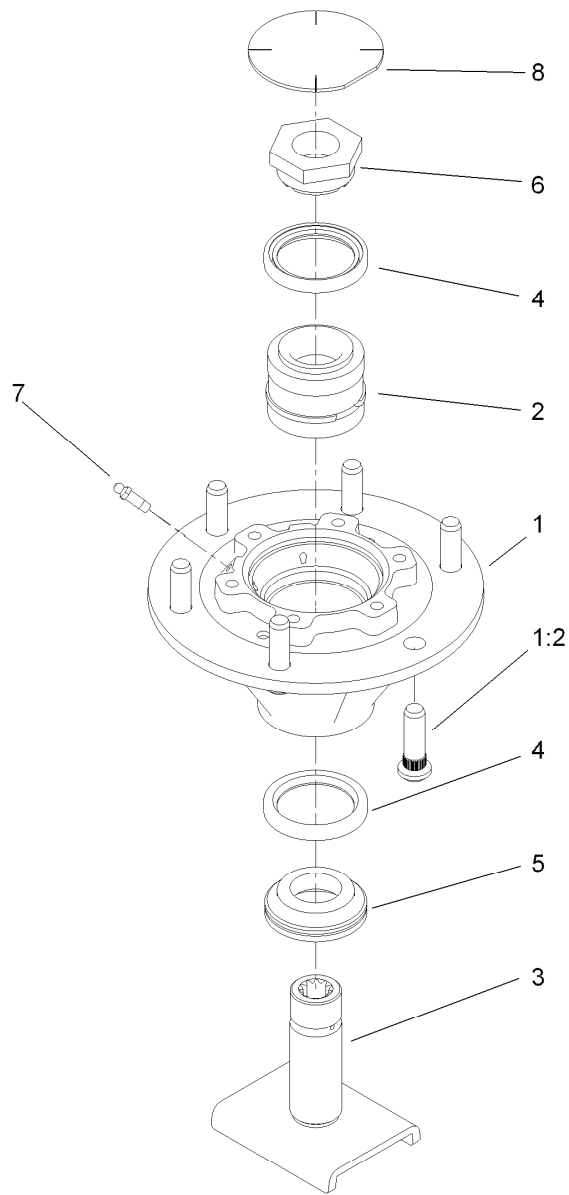
Ref.	Part Number	Qty.	Description
1	108-7391-03	1	Bracket-HOC, RH
4	104-1052-03	1	Bracket-HOC, Front
5	100-5799	18	Shim-HOC, .060 Inch
6	3231-9	6	Screw-CARR
7	104-4641	3	Shim-HOC, .030 Inch
8	32128-43	6	Nut-Flange
9	3234-24	3	Screw-HHF
10	121-3575	3	Spacer-HOC
11	108-7392-03	1	Bracket-HOC, LH
12	105-9225	3	HOC Plate ASM
12:2	32121-3	1	Pin-Spring



Spindle, Blade and Chamber Assembly

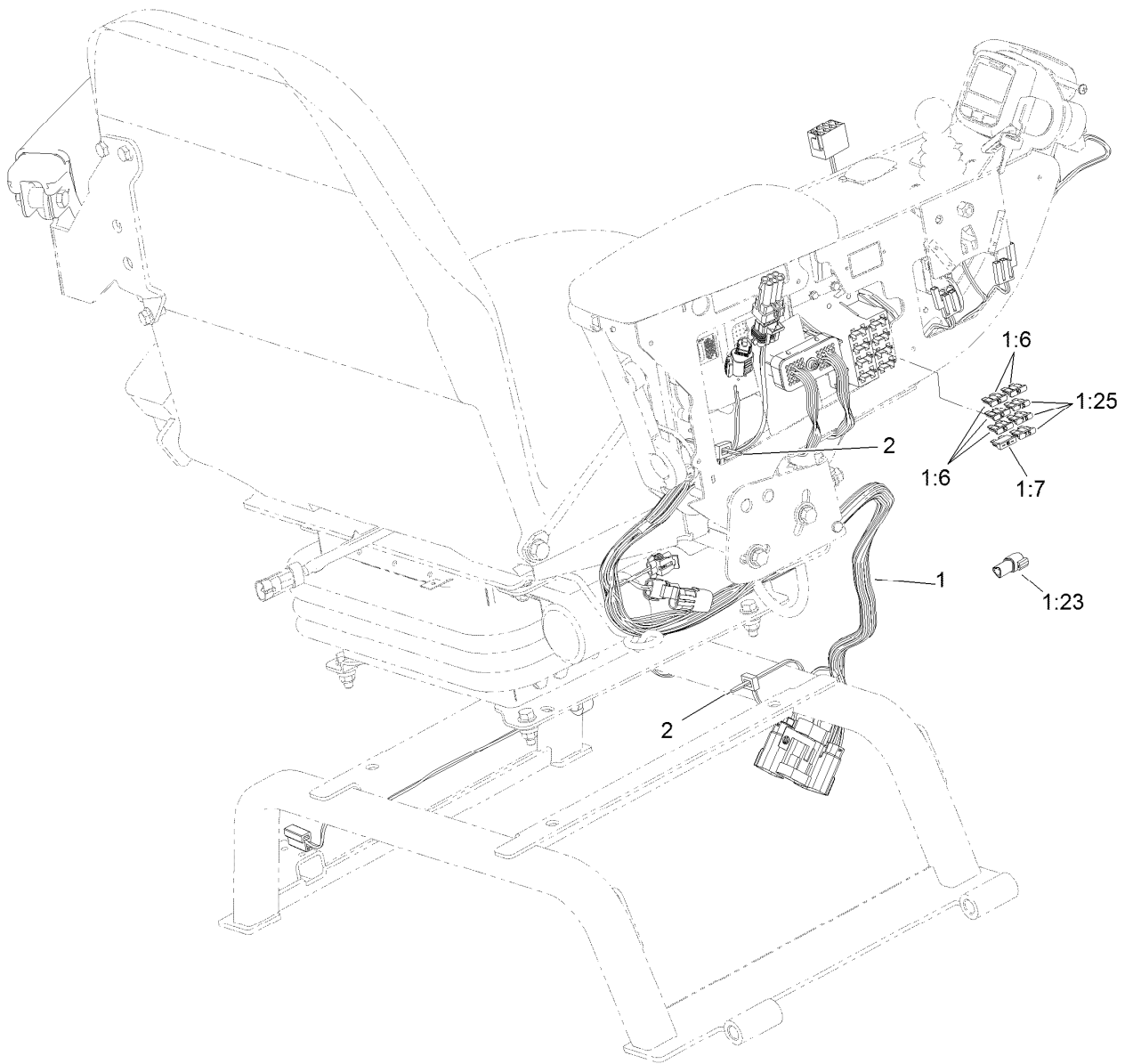
Ref.	Part Number	Qty.	Description	Ref.	Part Number	Qty.	Description
1	32128-39	6	Nut-HHF	8	108-7395-03	1	Blade-Combo, 22In
3	104-1051-03	1	Plate-Spindle	8	114-0434-03	1	Blade-High Lift, 22In
4	108-7373	1	Chamber ASM	8	114-0435-03	1	Blade-Atomic, 22In
4:1		1	Chamber ●	8	117-0209-03	1	Blade-Angle Sail, 22In
4:2	93-7818	1	Decal-Torque, Blade Bolt	9	72-9361	1	Cup-Scalp, Anti
4:3	104-1086	1	Decal-HOC	10	92-5816	1	Bolt-Blade
4:4	117-4764	2	Decal-Danger	11	108-7409-01	1	Baffle-Mulching
5	237-161	1	O-Ring	12	46-8560	5	Screw-HHFTF
6	115-3435	1	Spindle ASM				

● Not serviced separately



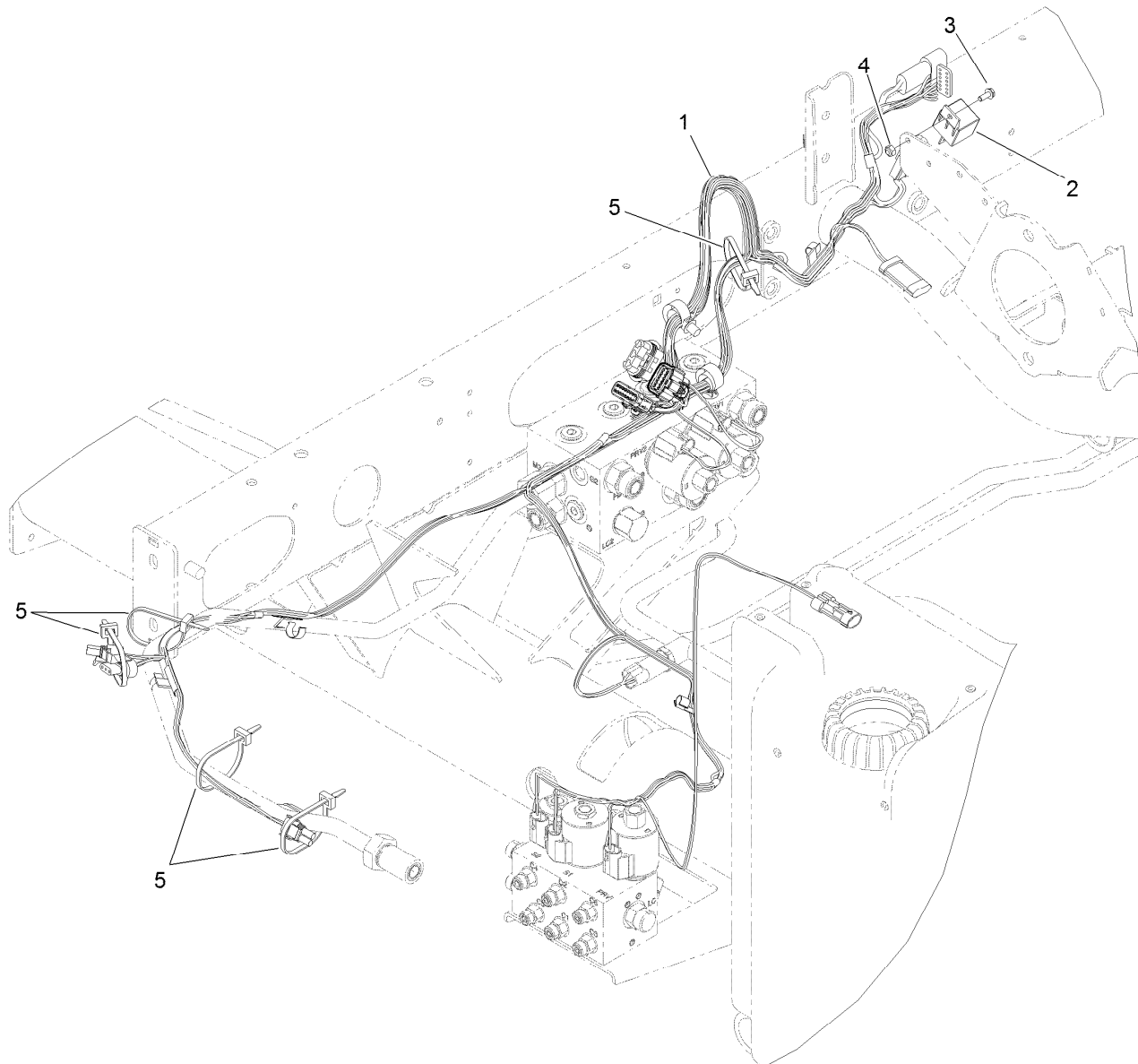
Spindle Assembly No. 115-3435

<i>Ref.</i>	<i>Part Number</i>	<i>Qty.</i>	<i>Description</i>
1	115-3434	1	Spindle
1:2	10-6830	6	Stud-Type, Drive
2	100-5703	1	Spacer And Bearing ASM
3	100-5705	1	Spindle Shaft ASM
4	253-154	2	Seal-Oil
5	69-6950	1	Spacer-Shaft, Spindle
6	100-5709	1	Nut-Spindle, Spcl
7	302-62	2	Fitting-Grease
8	94-2703	1	Plug



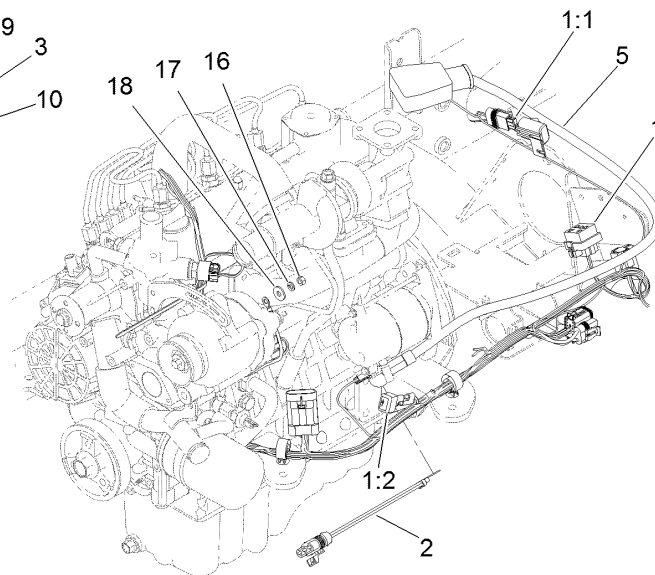
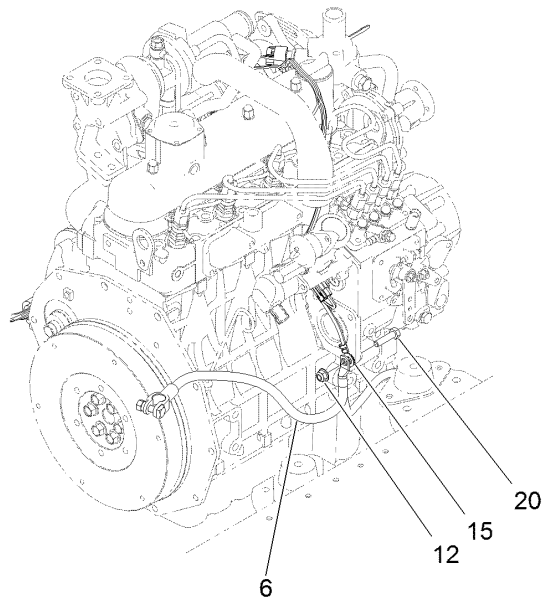
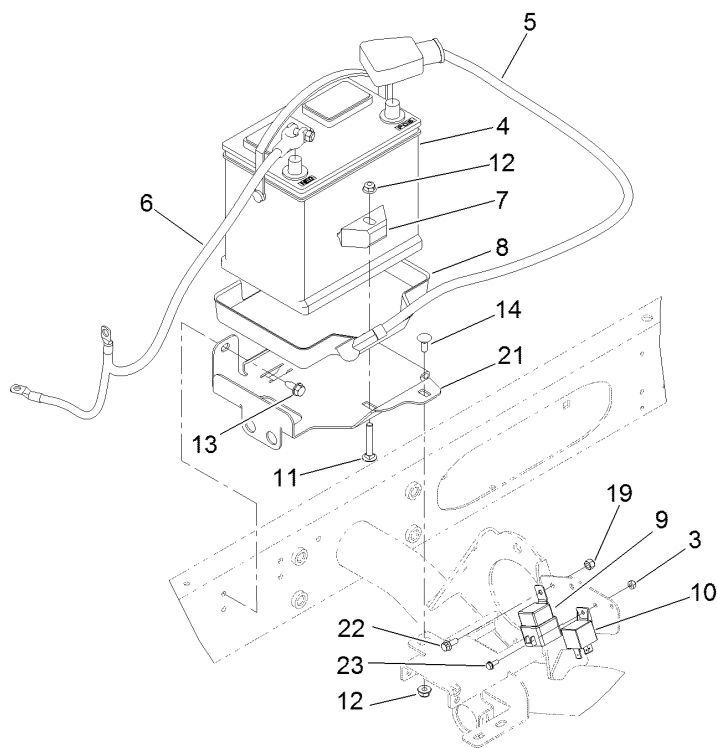
Seat and Control Arm Wiring Harness Assembly

<i>Ref.</i>	<i>Part Number</i>	<i>Qty.</i>	<i>Description</i>
1	115-8081	1	Harness-Wire, Seat
1:6	218-578	3	Fuse-Blade, 10 Amp
1:7	109355	1	Fuse-Blade, 15 Amp
1:23	32180-043	1	Resistor-120 Ohm
1:25	114241	3	Fuse-Blade, 7.5 Amp
2	3290-378	3	Tie-Cable



Main Wiring Harness Assembly

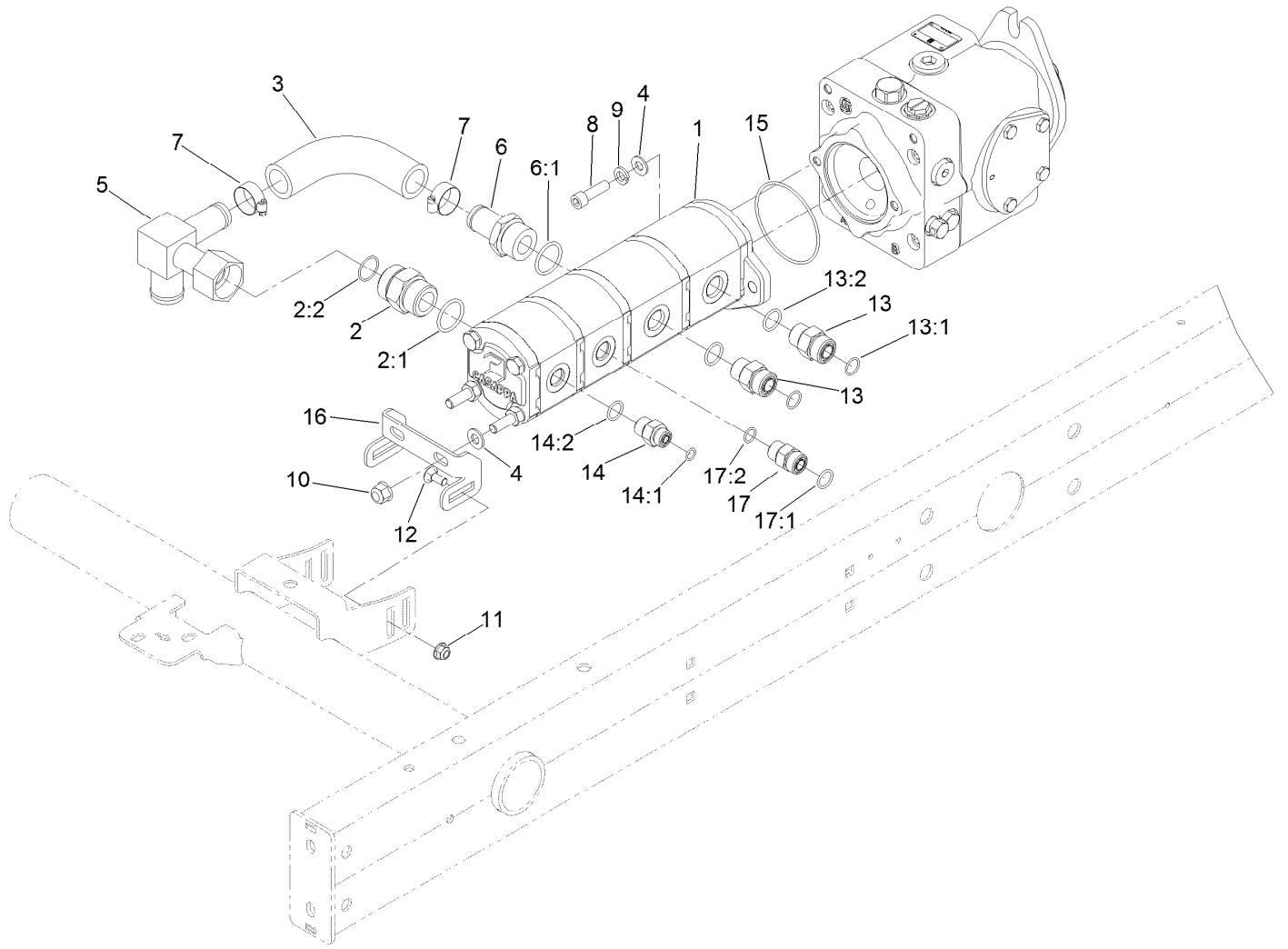
<i>Ref.</i>	<i>Part Number</i>	<i>Qty.</i>	<i>Description</i>
1	120-6384	1	Harness-Wire, Main
2	99-7435	1	Relay
3	3290-321	1	Screw-HWH
4	3296-2	1	Nut-Lock, NI
5	3290-378	10	Tie-Cable



Electrical Assembly

Ref.	Part Number	Qty.	Description
1	120-6346	1	Harness-Wire, Row Engine
1:1	100-4918	1	Diode
1:2	94-6710	1	Fuse-2 Amp
2	99-3441	1	Harness-Wire, Fusible Link
3	3296-2	1	Nut-Lock, NI
4	104-9979	1	Battery
5	108-1802	1	Cable-Battery, Positive
6	110-8813	1	Cable-Battery, Negative
7	66-2490	1	Retainer-Battery
8	99-3513	1	Tray-Battery
9	99-7430	1	Relay-Mini
10	99-7435	1	Relay
11	3230-6	1	Bolt-CARR

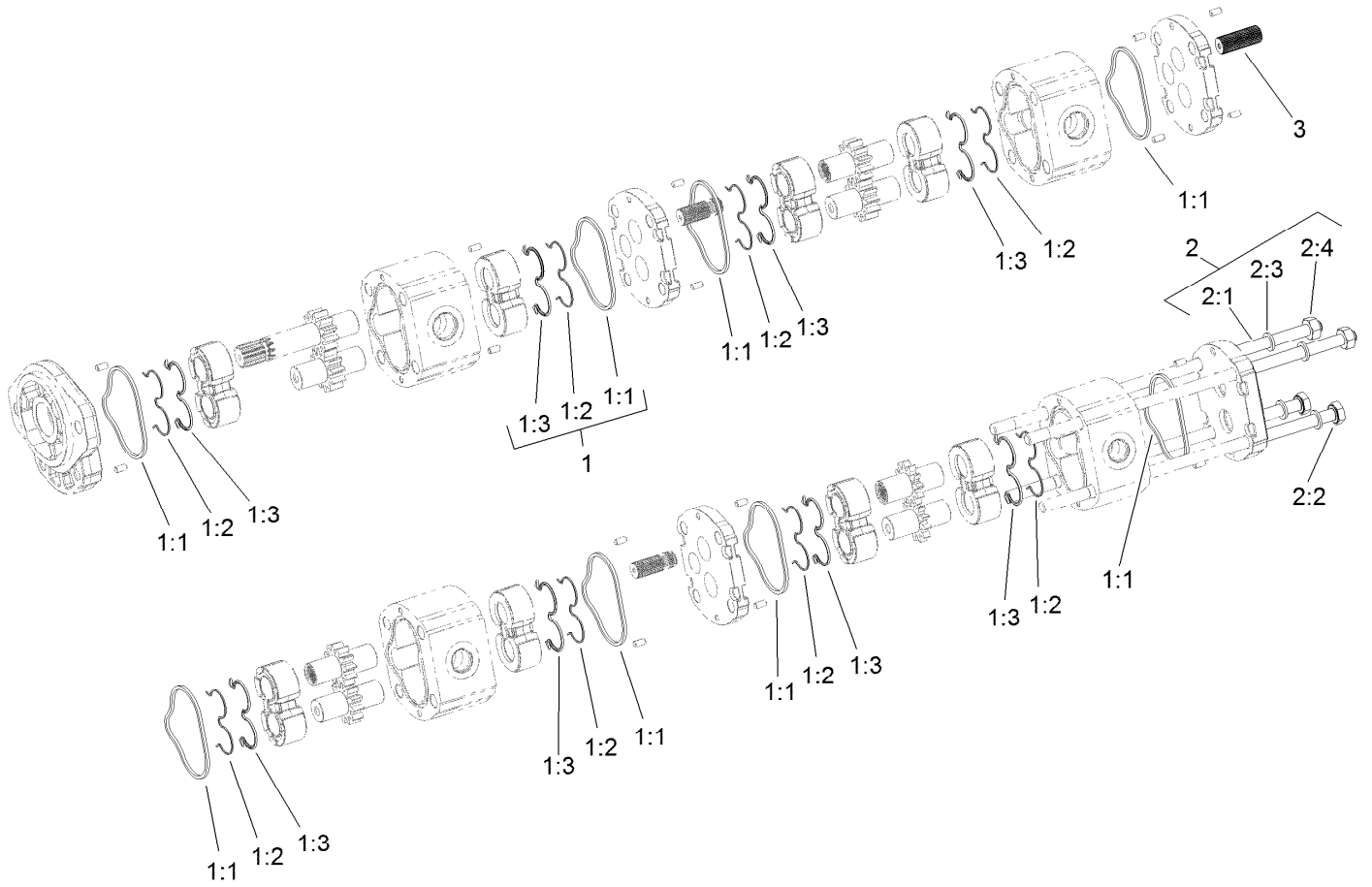
Ref.	Part Number	Qty.	Description
12	104-8300	3	Nut-HF, NI
13	32104-32	2	Screw-HWH
14	3230-1	1	Bolt-CARR
15	3255-8	1	Washer-Lock
16	48-7890	1	Nut-Hex
17	43-5930	1	Washer-Lock, Spring
18	3256-78	1	Washer-Flat
19	3296-42	1	Nut-Lock, NI
20	322-6	1	Screw-HH
21	110-0907-01	1	Bracket-Battery
22	3234-33	1	Screw-HHF
23	3290-321	1	Screw-HWH



Gear Pump Mounting Assembly

<i>Ref.</i>	<i>Part Number</i>	<i>Qty.</i>	<i>Description</i>
1	108-4003	1	Gear Pump ASM
2	104-3797	1	Fitting-Straight
2:1	237-146	1	O-Ring
2:2	340-65	1	O-Ring
3	108-1683	1	Hose-Formed
4	3256-24	4	Washer-Flat
5	108-1672	1	Manifold-Tube
6	354-78	1	Fitting-STR
6:1	237-146	1	O-Ring
7	2412-34	2	Clamp-Hose
8	3274-1	2	Screw-HSH
9	3253-5	2	Washer-Lock
10	103-9511	2	Nut-Lock, NI

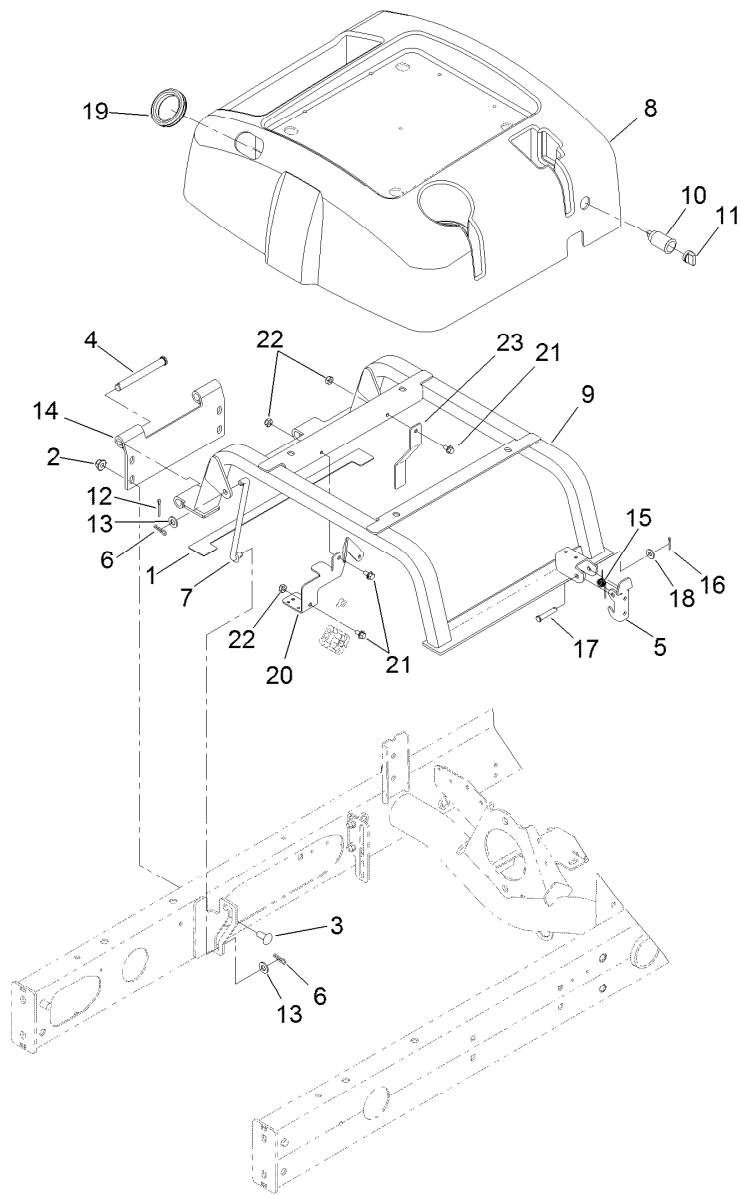
<i>Ref.</i>	<i>Part Number</i>	<i>Qty.</i>	<i>Description</i>
11	104-8300	2	Nut-HF, NI
12	3230-1	2	Bolt-CARR
13	340-7	2	Fitting-Straight
13:1	237-65	1	O-Ring
13:2	237-80	1	O-Ring
14	340-3	1	Fitting-Straight
14:1	237-22	1	O-Ring
14:2	237-79	1	O-Ring
15	237-161	1	O-Ring
16	108-1801-01	1	Bracket-Support, Pump
17	340-4	1	Fitting-Straight
17:1	237-30	1	O-Ring
17:2	237-79	1	O-Ring



Gear Pump Assembly No. 108-4003

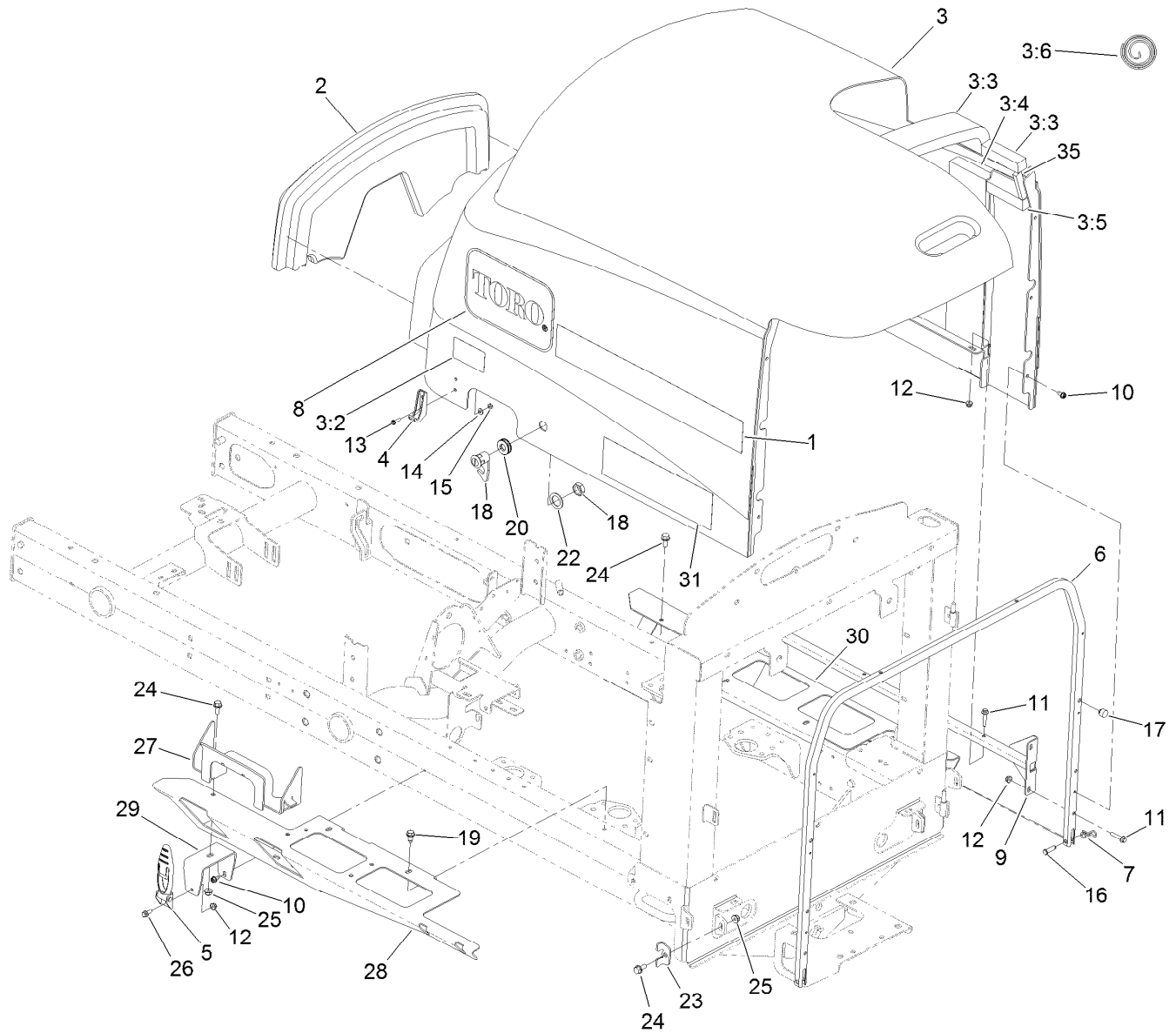
<i>Ref.</i>	<i>Part Number</i>	<i>Qty.</i>	<i>Description</i>
1	108-4595	1	Seal Kit
1:1		8	Seal ●
1:2		8	Seal ●
1:3		8	Ring-Back Up ●
2	120-6273	1	Bolt Kit
2:1		2	Stud Bolt ●
2:2		2	Screw ●
2:3		4	Washer ●
2:4		2	Nut ●
3	120-6284	3	Hub-Connecting

● Not serviced separately



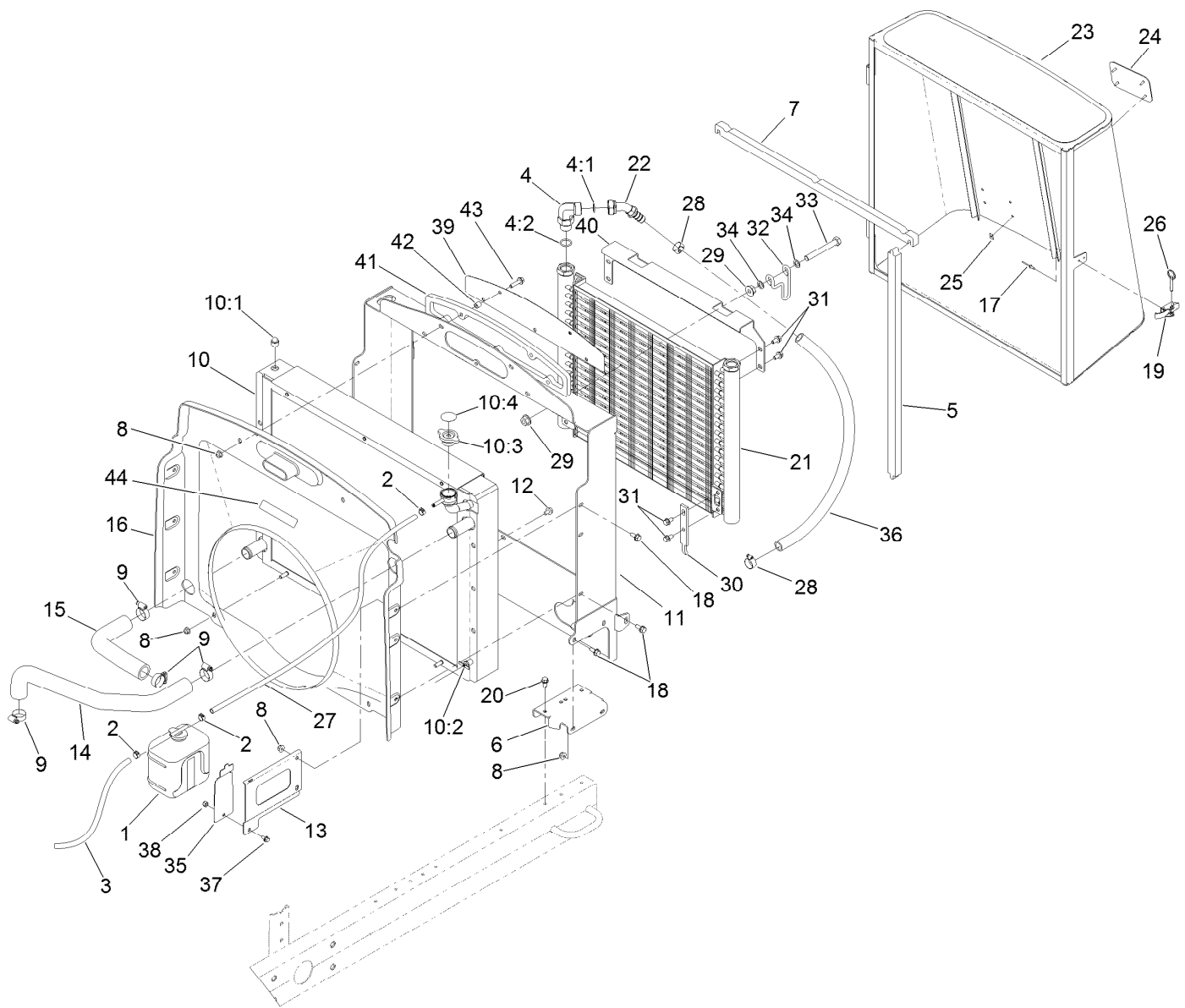
Seat Base Assembly

<i>Ref.</i>	<i>Part Number</i>	<i>Qty.</i>	<i>Description</i>	<i>Ref.</i>	<i>Part Number</i>	<i>Qty.</i>	<i>Description</i>
1	110-5255	2	Bumper-Base, Seat	13	3256-24	4	Washer-Flat
2	104-8301	4	Nut-HF, NI	14	125-2121-03	1	Hinge-Seatbase
3	3231-27	4	Screw-CARR	15	104-4821	1	Spring-Torsion
4	283-83	2	Pin-Clevis	16	3272-6	1	Pin-Cotter
5	110-8971	1	Latch	17	94-3829	1	Pin-Clevis
6	3290-307	4	Pin-Cotter	18	3256-2	1	Washer-Flat
7	98-0917	2	Rod-Prop	19	240-12	1	Grommet-Rubber
8	108-1757	1	Cover-Seatbase	20	127-2711-03	1	Bracket-Harness
9	125-2122-03	1	Seat Base ASM	21	3234-13	3	Screw-HHF
10	99-7411	1	Point-Power	22	3296-16	3	Nut-Lock, NI
11	99-7416	1	Cap	23	127-2615-03	1	Bracket-Harness, Wire
12	3272-11	2	Pin-Cotter				



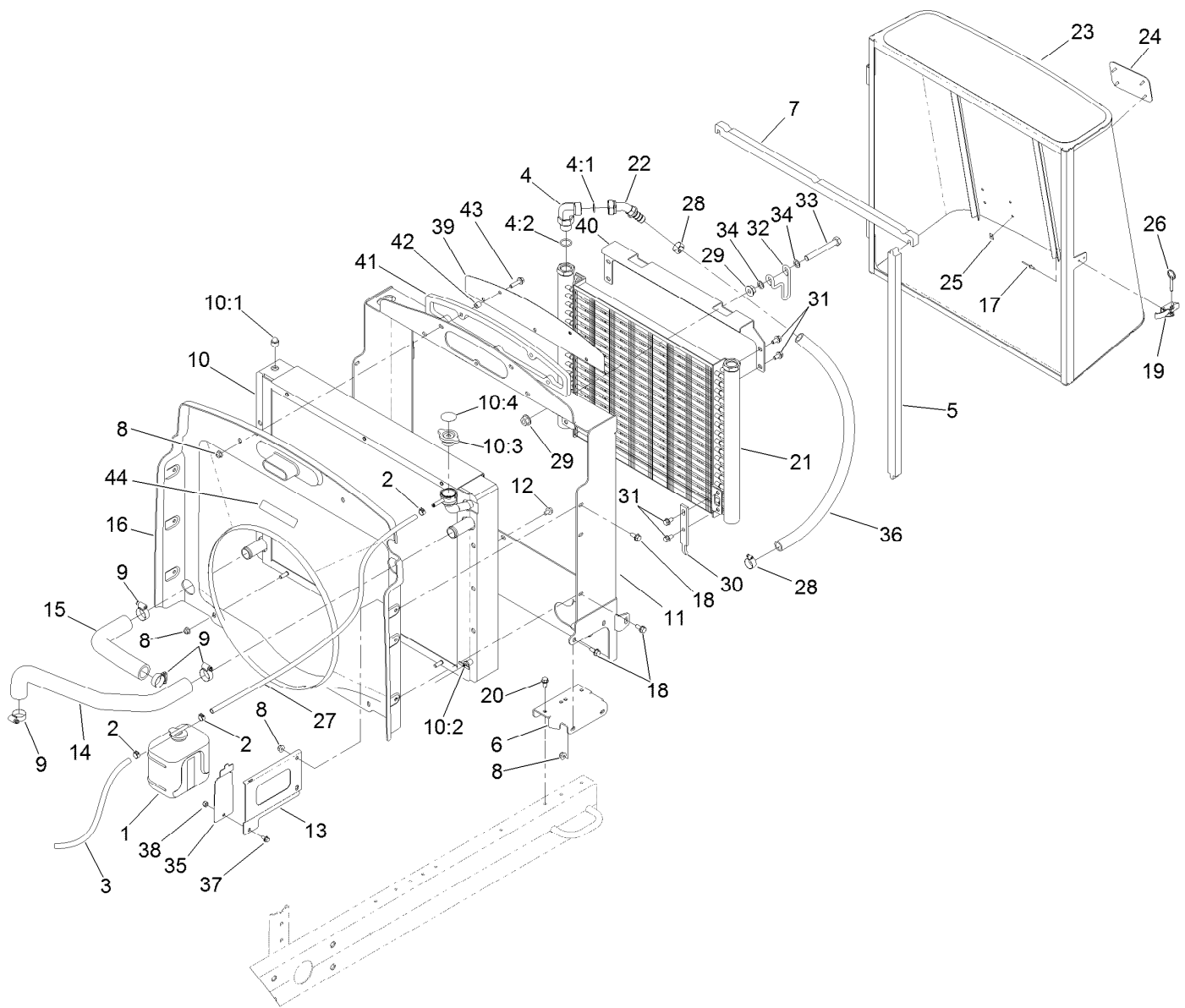
Hood Assembly

Ref.	Part Number	Qty.	Description	Ref.	Part Number	Qty.	Description
1	125-2930	2	Decal	14	3256-14	4	Washer-Flat
2	108-7587	1	Saddle-Hood	15	3296-12	4	Nut-Lock, NI
3	110-8995	1	Hood ASM	16	283-61	2	Pin-Yoke
3:2	106-6754	1	Decal-Danger	17	107-8042	2	Bumper-Rubber
3:3	110-8948	1	Foam-Hood	18	98-5398	1	Latch
3:4	110-8947	2	Foam-Hood	19	32104-32	6	Screw-HWH
3:5	110-8949	4	Seal-Foam	20	104-1453	1	Grommet
3:6	110-9002	1	Foil Tape Kit	22	99-4958	1	Spacer
4	103-2897	2	Latch-Catch	23	110-8946	2	Clamp-Frame, Radiator
5	103-2898	2	Latch-Rubber	24	3234-5	6	Screw-HHF
6	125-8820-03	1	Tube-Hood	25	104-8300	6	Nut-HF, NI
7	105-7512	2	Pin-Tie, Bow	26	3234-33	2	Screw-HHF
8	66-6140	2	Decal	27	121-5627-03	2	Guide-Hood
9	108-1790-03	2	Tube	28	110-5253-01	1	Adapter-Hood, LH
10	32104-17	8	Screw-HWH	29	110-5256-01	2	Bracket-Latch, Hood
11	3234-21	10	Screw-HHF	30	110-5254-01	1	Adapter-Hood, RH
12	104-7201	12	Nut-HF, NI	31	110-8859	2	Decal
13	32105-13	4	Screw-HWH	35	110-8950	2	Seal-Foam



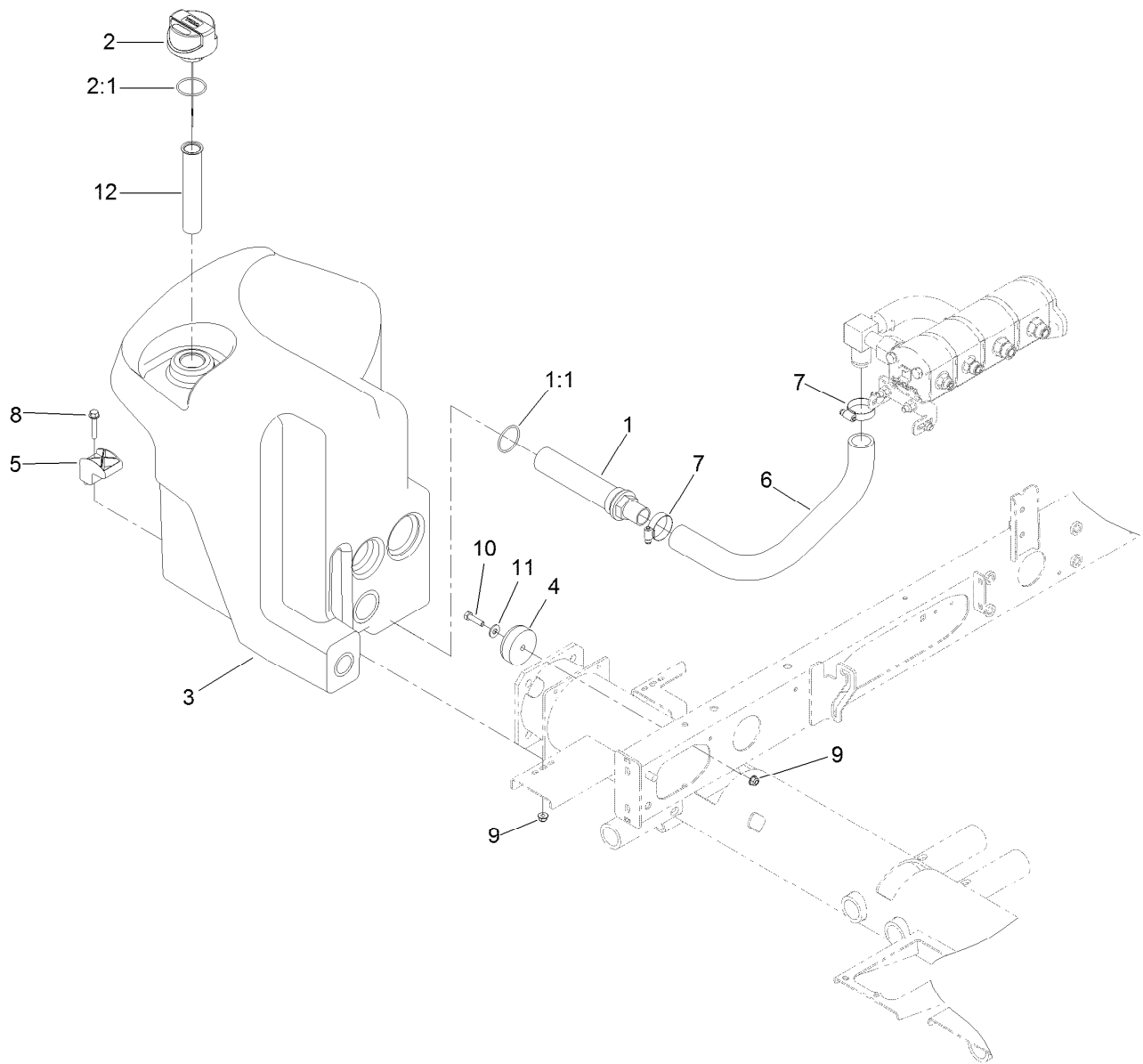
Radiator Assembly

Ref.	Part Number	Qty.	Description	Ref.	Part Number	Qty.	Description
1	108-0638	1	Bottle-Overflow	16	110-5311	1	Shroud-Fan
2	92-2379	3	Clamp-Hose	17	3269-15	2	Rivet-Pop
3	110-3257	1	Hose-Fuel	18	3234-5	10	Screw-HHF
4	340-142	2	Fitting-Elbow, 90 DEG	19	115-1554	1	Latch-Draw
4:1	237-58	1	O-Ring	20	32104-32	6	Screw-HWH
4:2	237-81	1	O-Ring	21	110-0485	1	Cooler-Oil
5	110-5275	2	Seal-Foam	22	104-7851	2	Fitting-HYD, 45 DEG
6	110-5310-01	2	Bracket-Mounting	23	110-5269-03	1	Screen
7	110-5276	2	Seal-Foam	24	93-6028	1	Plate-Logo
8	104-8300	17	Nut-HF, NI	25	94-2638	4	Nut-Flat
9	2412-129	4	Clamp-Hose	26	115-1556	1	Pin-Ball, Detent
10	117-8093	1	Radiator ASM	27	110-4104	1	Hose-Fuel
10:1	281-13	1	Plug-Pipe	28	2412-34	4	Clamp-Hose
10:2	304-46	1	Draincock	29	32128-49	4	Nut-HHF
10:3	93-5957	1	Cap-Radiator	30	104-5460-03	2	Plate-Mount, Oil Cooler
10:4	106-6755	1	Decal-Cap, Radiator	31	3234-14	8	Screw-HHF
11	110-5251-03	1	Frame-Radiator	32	104-5429	2	Clamp-Form, Wire
12	3234-30	6	Screw-HHF	33	325-17	2	Screw-HH
13	108-1666-03	1	Bracket-Reservoir	34	41-8440	4	Washer
14	110-8942	1	Hose-Formed	35	108-1665-03	1	Bracket-Reservoir
15	110-8943	1	Hose-Formed	36	110-8955	2	Hose



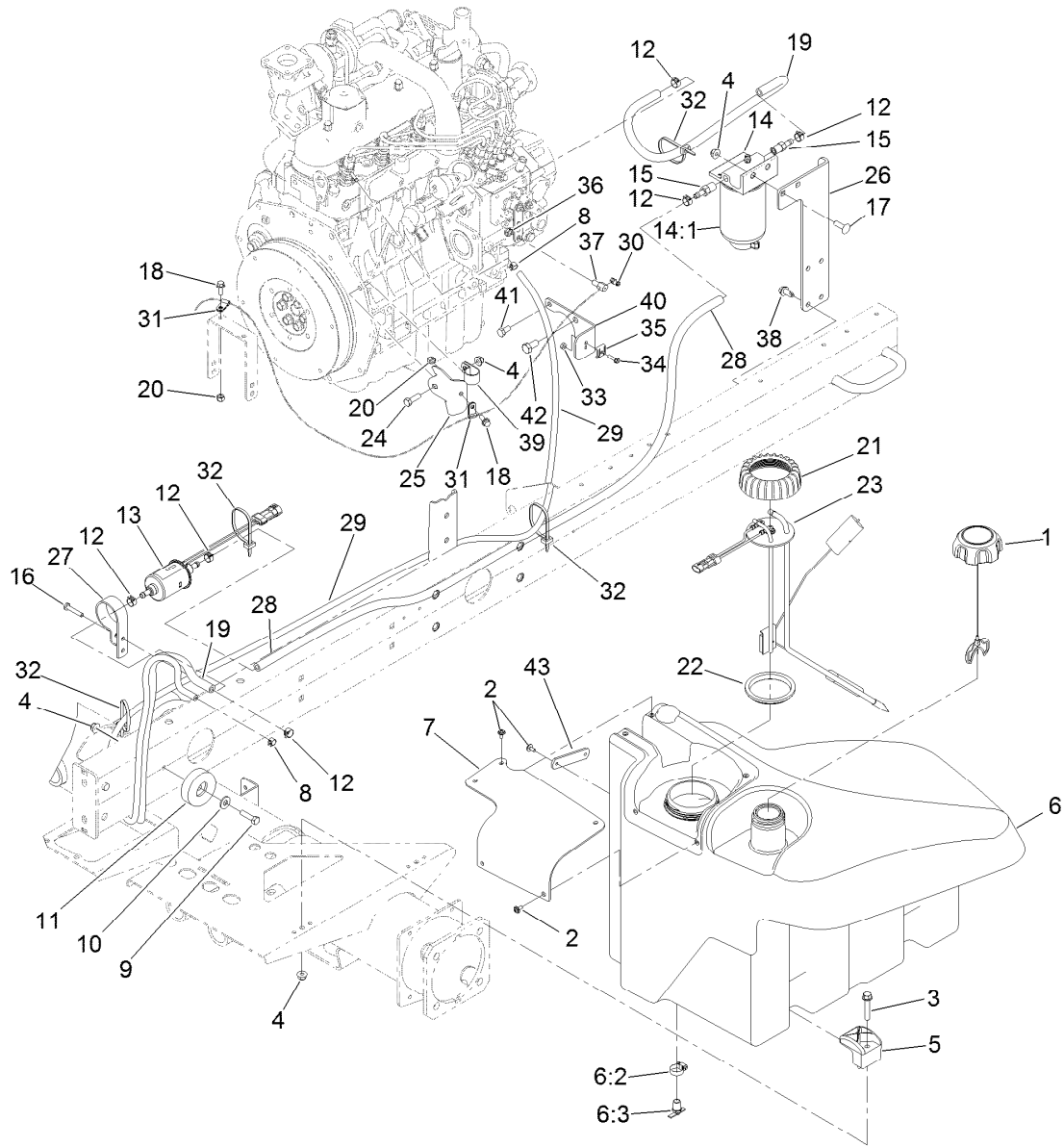
Radiator Assembly (continued)

<i>Ref.</i>	<i>Part Number</i>	<i>Qty.</i>	<i>Description</i>	<i>Ref.</i>	<i>Part Number</i>	<i>Qty.</i>	<i>Description</i>
37	3234-13	1	Screw-HHF	41	110-5324	1	Seal-Foam
38	3296-42	1	Nut-Lock, NI	42	1-603903	5	Spacer
39	108-1843-03	1	Screen-Intake, Air	43	3234-36	5	Screw-HHF
40	104-5428	1	Bracket-Oil Cooler, Top	44	93-7272	1	Decal-Warning



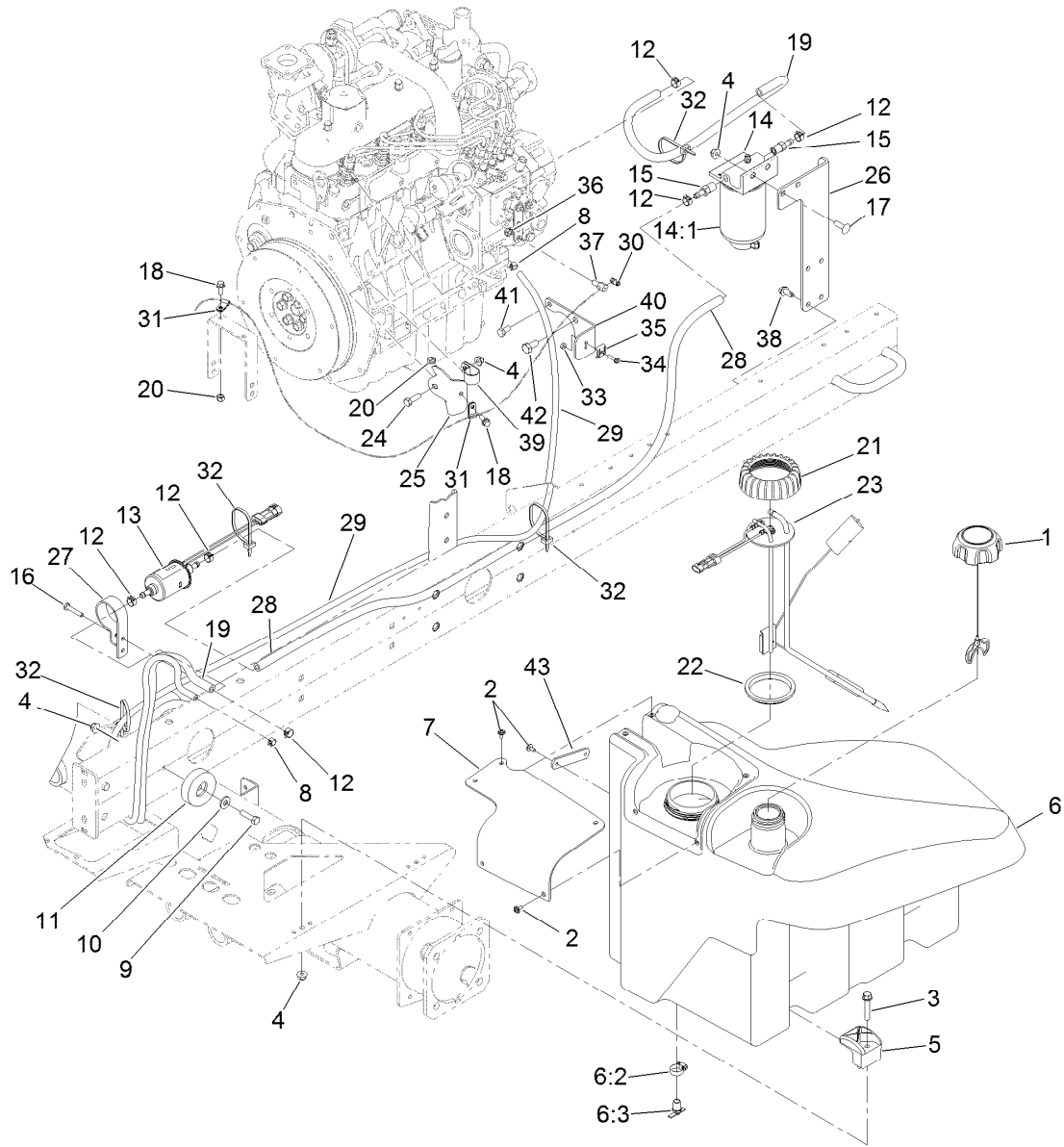
Hydraulic Tank Assembly

<i>Ref.</i>	<i>Part Number</i>	<i>Qty.</i>	<i>Description</i>
1	105-0131	1	Strainer-Tank, Oil
1:1	340-136	1	O-Ring
2	117-0193	1	Cap-Hydraulic, Vented Breather
2:1	237-101	1	O-Ring
3	121-5587	1	Tank-Hydraulic
4	108-1605	1	Bumper-Recess
5	107-4543	2	Clamp
6	108-1685	1	Hose-Formed
7	2412-111	2	Clamp-Hose, W/Liner
8	94-5780	2	Screw-HWH
9	104-8300	3	Nut-HF, NI
10	322-6	1	Screw-HH
11	3256-3	1	Washer-Flat
12	61-2790	1	Filter-Screen



Fuel System Assembly

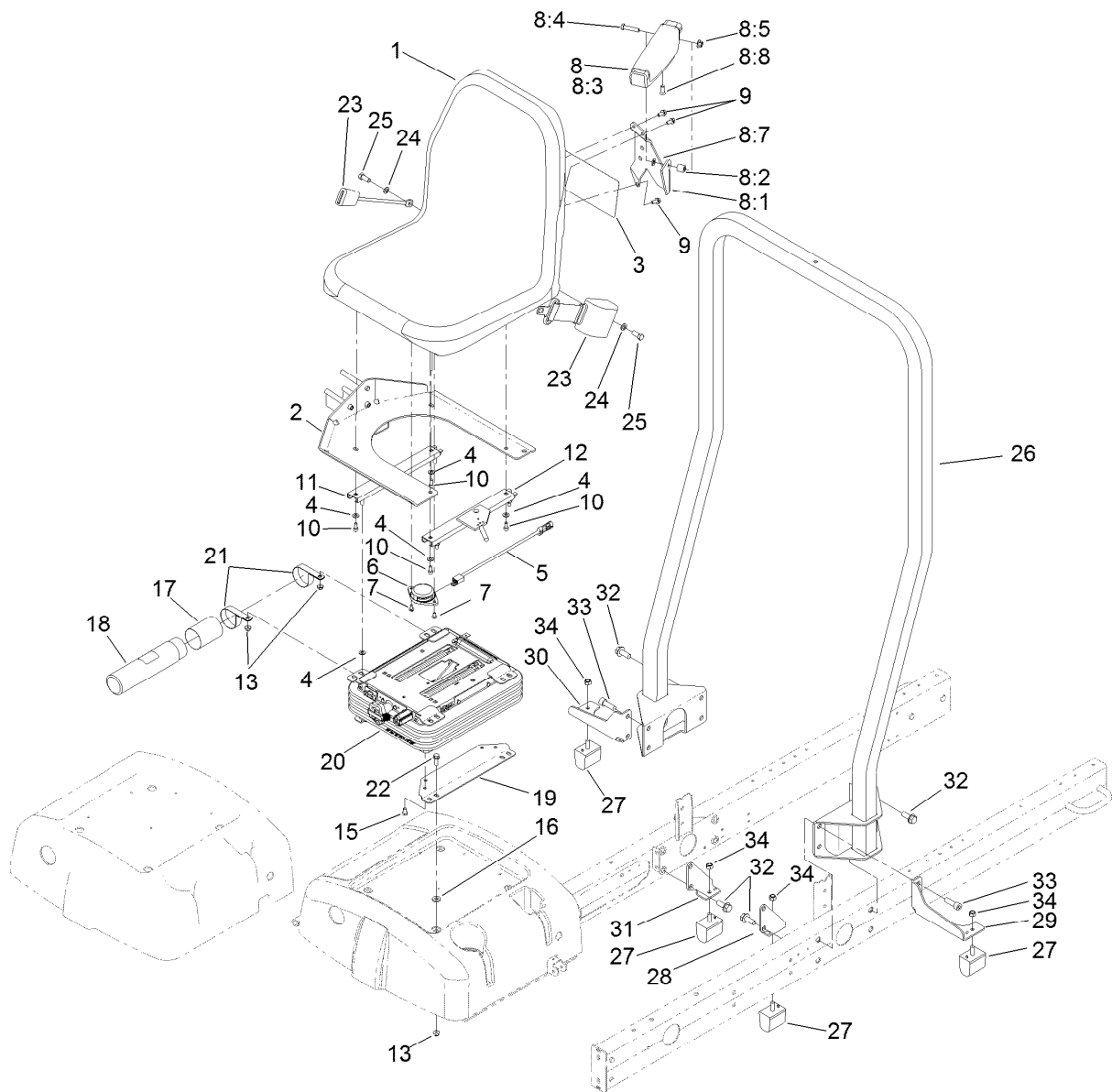
Ref.	Part Number	Qty.	Description	Ref.	Part Number	Qty.	Description
1	117-5894	1	Fuel Cap ASM	19	109-0309	2	Hose-Fuel
2	109-2661	7	Screw-PPH	20	3296-42	2	Nut-Lock, NI
3	94-5780	2	Screw-HWH	21	115-2162	1	Cap-Pump, Fuel
4	104-8300	6	Nut-HF, NI	22	115-2163	1	Gasket-Pump, Fuel
5	107-4543	2	Clamp	23	121-5642	1	Sender-Fuel
6	125-2907	1	Fuel Tank ASM	24	322-5	1	Screw-HH
6:2	2412-36	1	Clamp-Hose	25	110-9007-03	1	Support-Cable, Throttle
6:3	304-46	1	Draincock	26	110-8968-01	1	Mount-Separator, Water
7	125-2903	1	Cover-Pump/Sender	27	110-8817	1	Bracket-Pump, Fuel
8	2412-80	2	Clamp-Hose	28	110-3259	1	Hose-Fuel
9	322-6	1	Screw-HH	29	125-8808	1	Hose-Fuel
10	3256-3	1	Washer-Flat	30	112-9919	1	Stop-Cable, Throttle
11	108-1605	1	Bumper-Recess	31	2412-149	2	Clamp-R
12	92-2379	6	Clamp-Hose	32	3290-378	5	Tie-Cable
13	110-8806	1	Pump-Fuel	33	3296-2	1	Nut-Lock, NI
14	110-9044	1	Separator-Filter	34	32105-13	1	Screw-HWH
14:1	110-9049	1	Filter-Spin On, Fuel/Water	35	81-1690	1	Clamp-Cable
15	353-783	2	Fitting-STR	36	3296-20	1	Nut-Lock, NI
16	32104-96	1	Screw-HH	37	98-9311	1	Swivel-Throttle
17	3230-22	2	Screw-CARR	38	32104-32	4	Screw-HWH
18	3234-4	2	Screw-HHF	39	2412-41	1	Clamp-R



Fuel System Assembly (continued)

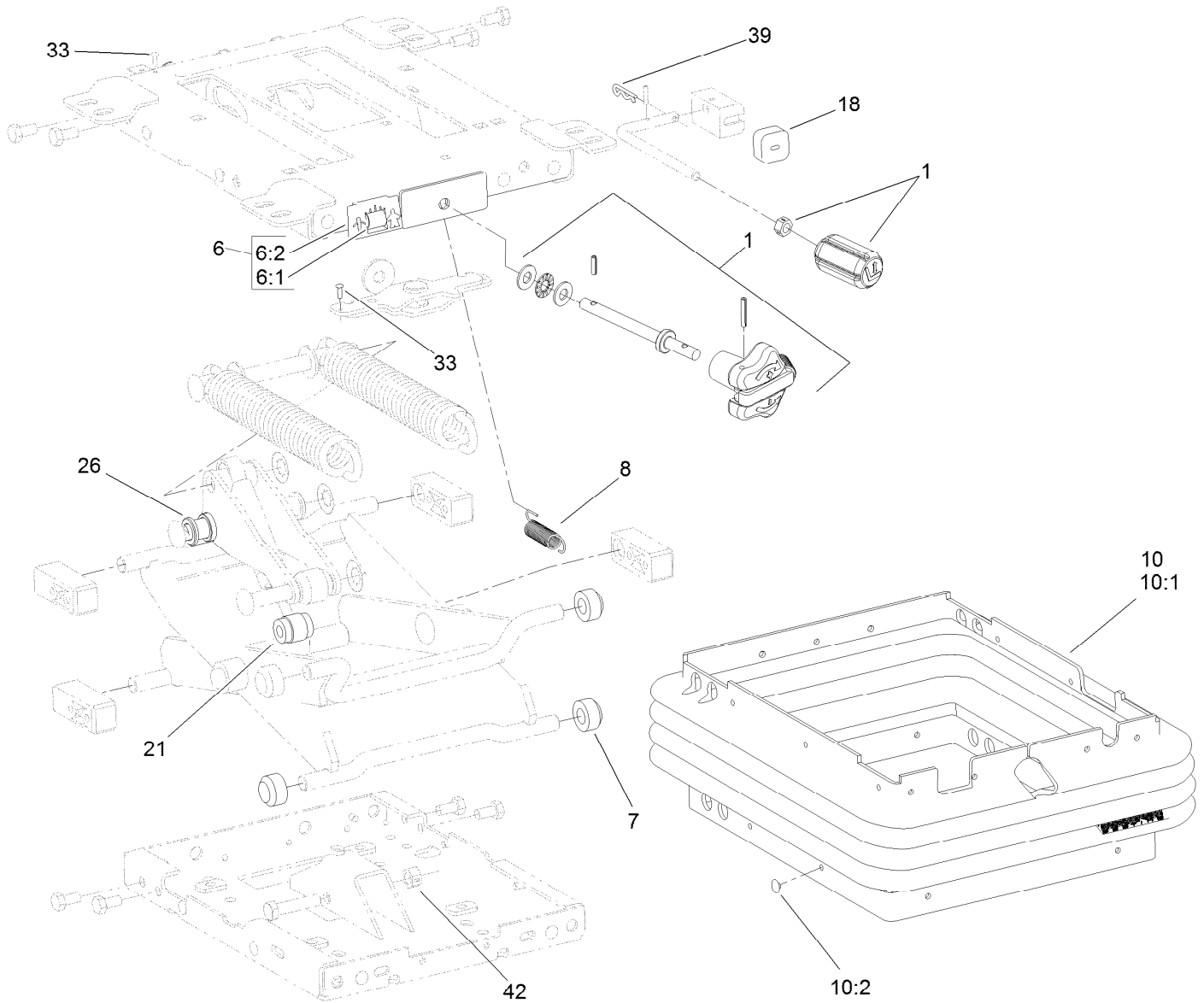
Ref.	Part Number	Qty.	Description
40	110-9009-03	1	Bracket-Cable, Throttle
41	33114-016	1	Screw-HH

Ref.	Part Number	Qty.	Description
42	63-7790	1	Screw-Cap
43	125-2945	1	Strap-Cable



Seat Mount and Roll-Over Protection System Assembly

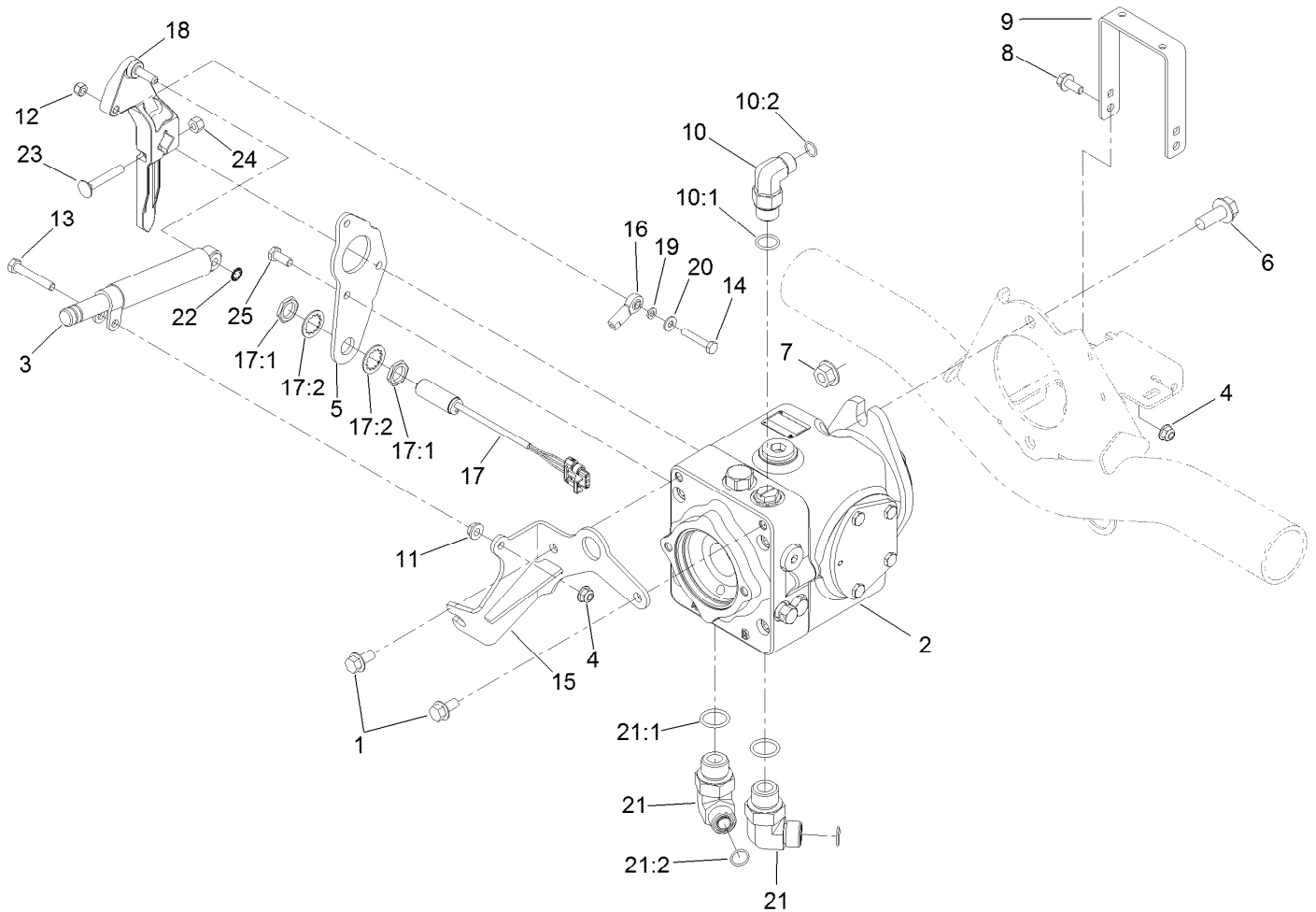
Ref.	Part Number	Qty.	Description	Ref.	Part Number	Qty.	Description
1	104-4620	1	Seat	16	71-9310	4	Spacer
2	125-2900-03	1	Mount-Seat	17	104-7048	1	Cap-Housing
3	125-8753	1	Decal-Service	18	104-7050	1	Tube-Manual
4	3256-23	8	Washer-Plain	19	108-6590-03	2	Bracket-Seat, Lower
5	108-8657	1	Harness-Wire, Seat	20	110-8851	1	Mechanical Suspension ASM
6	92-6282	1	Switch-Seat	21	2412-133	2	Clamp-R
7	9266714	2	Screw-HWH	22	3234-17	4	Screw-HHF
8	92-7307	1	LH Armrest ASM	23	100-4928	1	Belt-Seat
8:1	69-0760	1	Bracket-Arm, LH	24	3253-6	2	Washer-Lock
8:2	92-7301	1	Spacer	25	3212-4	2	Screw-HH
8:3	69-1180	1	Armrest	26	125-8821	1	ROPS ASM
8:4	323-9	1	Screw-HH	27	87-3470	4	Bumper
8:5	32128-19	1	Nut-HF Lock, Large Flg	28	117-0183-03	1	Bracket-Bumper, LH
8:7	3256-24	1	Washer-Flat	29	117-0184-03	1	Bracket-Bumper, LH
8:8	92-7318	1	Screw	30	117-0233-03	1	Bracket-Bumper, RH
9	3234-14	3	Screw-HHF	31	117-0234-03	1	Bracket-Bumper, RH
10	3274-12	4	Screw-HSH	32	3234-38	8	Screw-HHF
11	92-8990	1	Adjuster-Seat, Non-Locking	33	3274-4	4	Screw-HSH
12	92-8991	1	Adjuster (W/Latch)	34	33025-00	4	Nut-Lock, NI
13	104-8300	8	Nut-HF, NI				
15	48-7680	4	Screw-HH				



Mechanical Seat Suspension Assembly No. 110-8851

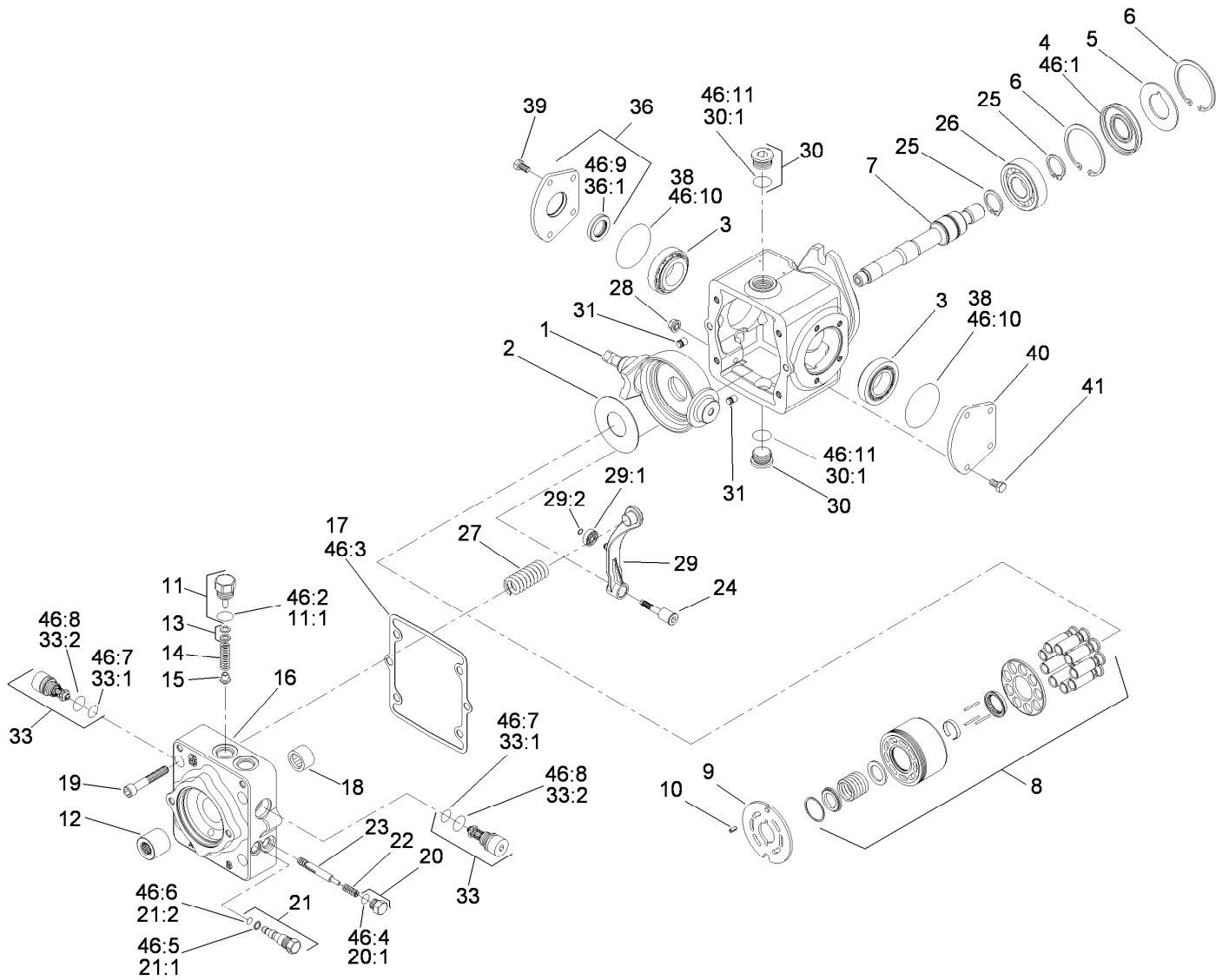
Ref.	Part Number	Qty.	Description
1	119-8040	1	Knobs Service Kit
6	108-4584	1	Weight Indicator Service Kit
6:1		1	Tape-Weight Adjust ●
6:2		1	Guide-Weight Adjust ●
7	108-9632	4	Roller
8	108-9633	1	Spring-Extension
10	112-0164	1	Boot Kit
10:1		1	Boot-Suspension ●
10:2	108-9641	21	Clip-Plug
18	108-9634	1	Bumper
21	108-9614	1	Damper
26	108-9622	2	Tube
33	3290-54	2	Rivet-Blind
39	3272-9	1	Pin-Cotter
42	32152-2	1	Nut-Lock, Cone

● Not serviced separately



Traction Pump Assembly

<i>Ref.</i>	<i>Part Number</i>	<i>Qty.</i>	<i>Description</i>	<i>Ref.</i>	<i>Part Number</i>	<i>Qty.</i>	<i>Description</i>
1	3234-1	2	Screw-HHF	14	321-9	1	Screw-HH
2	119-6972	1	Variable Hydraulic Pump ASM	15	127-2356-03	1	Bracket-Cable
3	76-8870	1	Damper-Lever	16	2411-41	1	Rod End-Ball Joint
4	104-8300	3	Nut-HF, NI	17	115-5300	1	Proximity Switch ASM
5	125-8822-03	1	Plate-Pump	17:1	117-3207	2	Nut-Hex
6	3234-38	2	Screw-HHF	17:2	117-3208	2	Washer-Lock, Internal Tooth
7	32128-49	2	Nut-HHF	18	117-0265	1	Lever-Pump
8	3234-5	2	Screw-HHF	19	33093-00	1	Washer-Flat
9	108-1799-03	1	Hoop-Guard	20	3256-22	1	Washer-Flat
10	340-105	1	Fitting-Elbow, 90 DEG	21	340-139	2	Fitting-Elbow 90
10:1	237-80	1	O-Ring	21:1	237-81	1	O-Ring
10:2	237-30	1	O-Ring	21:2	237-65	1	O-Ring
11	32128-20	1	Nut-HF	22	32151-72	1	Ring-Retaining
12	3296-42	1	Nut-Lock, NI	23	3230-6	1	Bolt-CARR
13	322-10	1	Screw-HH	24	3296-29	1	Nut-Lock, NI
				25	33114-020	3	Screw-HH

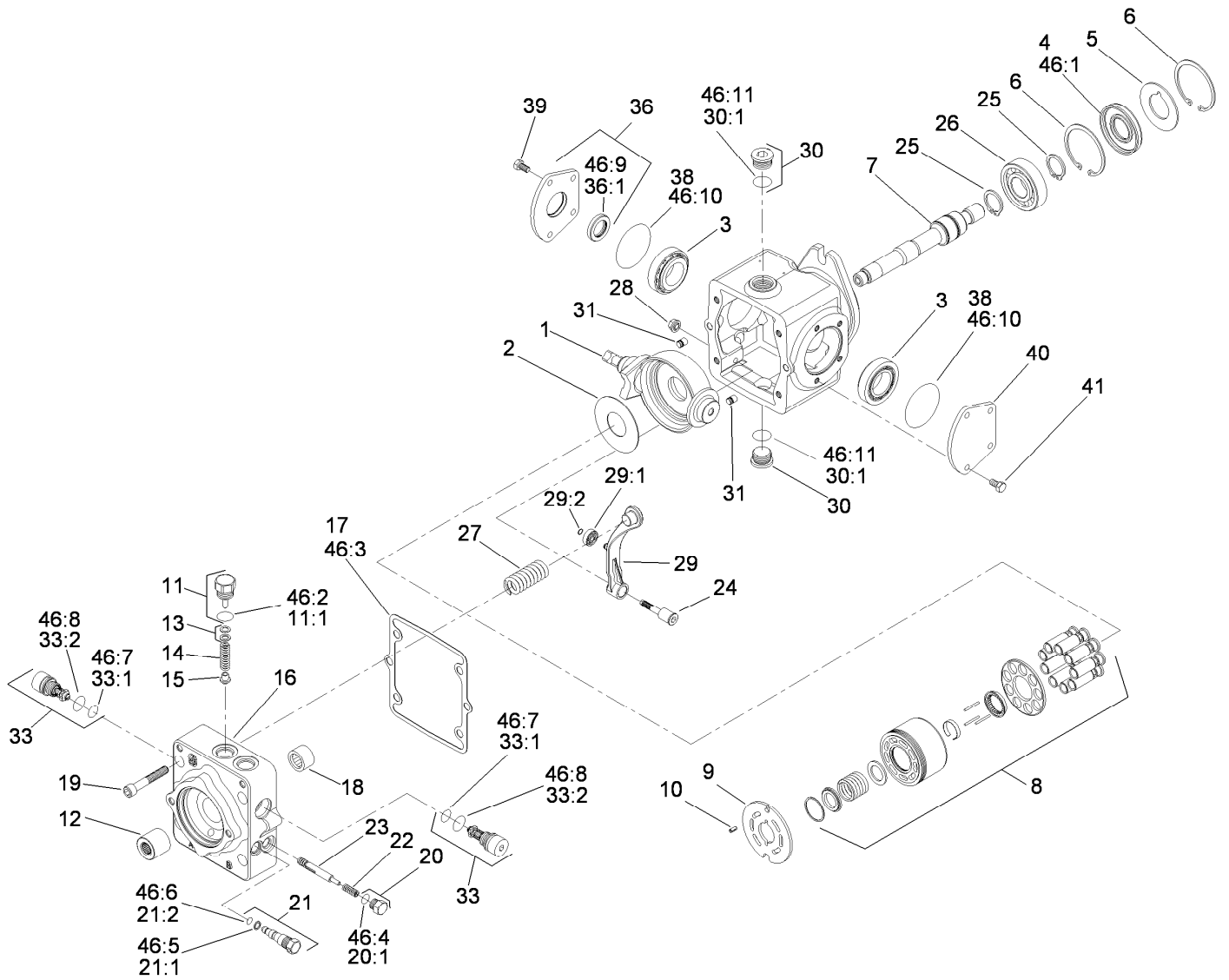


Hydraulic Pump Assembly No. 119-6972

Ref.	Part Number	Qty.	Description	Ref.	Part Number	Qty.	Description
1	115-8092	1	Swashplate	18	75-0500	1	Bearing-Needle
2	75-0400	1	Plate-Thrust	19	110-6489	4	Screw
3	110-6483	2	Bearing Kit	20	94-9415	2	Plug ASM
4	110-6471	1	Seal-Lip	20:1		1	O-Ring ■
5	95-4400	1	Washer-Backup	21	107-4364	1	Bypass Valve ASM
6	69-3200	2	Ring-Retaining	21:1	25-2630	1	Ring-Back Up
7	110-6484	1	Shaft-Auxiliary	21:2	110-6498	1	O-Ring
8	110-6472	1	Cylinder Block Kit ASM	22	110-6491	2	Spring
9	110-6473	1	Plate-Valve (Clockwise)	23	110-6492	1	Spool-Loop, Flush
10	110-6485	1	Pin-Slotted	24	110-6493	1	Pivot-Return, Neutral
11	110-6486	1	Plug-Relief, Charge	25	69-3170	2	Ring-Retaining
11:1	28-3570	1	O-Ring	26	75-0460	1	Bearing-Ball
12	110-6480	1	Coupling	27	115-8085	1	Spring-Neutral Return
13	92-1353	1	Shim Kit	28	110-6496	1	Nut-Seal
14	110-6474	1	Spring	29	110-6497	1	Neutral Return Arm ASM
15	110-6475	1	Poppet	29:1	110-6494	1	Bearing-Cam
16	115-8087	1	Cap-End	29:2	110-3056	1	Ring-Retaining
17	110-6476	1	Gasket-Cap, End	30	69-3130	2	Plug

● Not illustrated

■ Not serviced separately



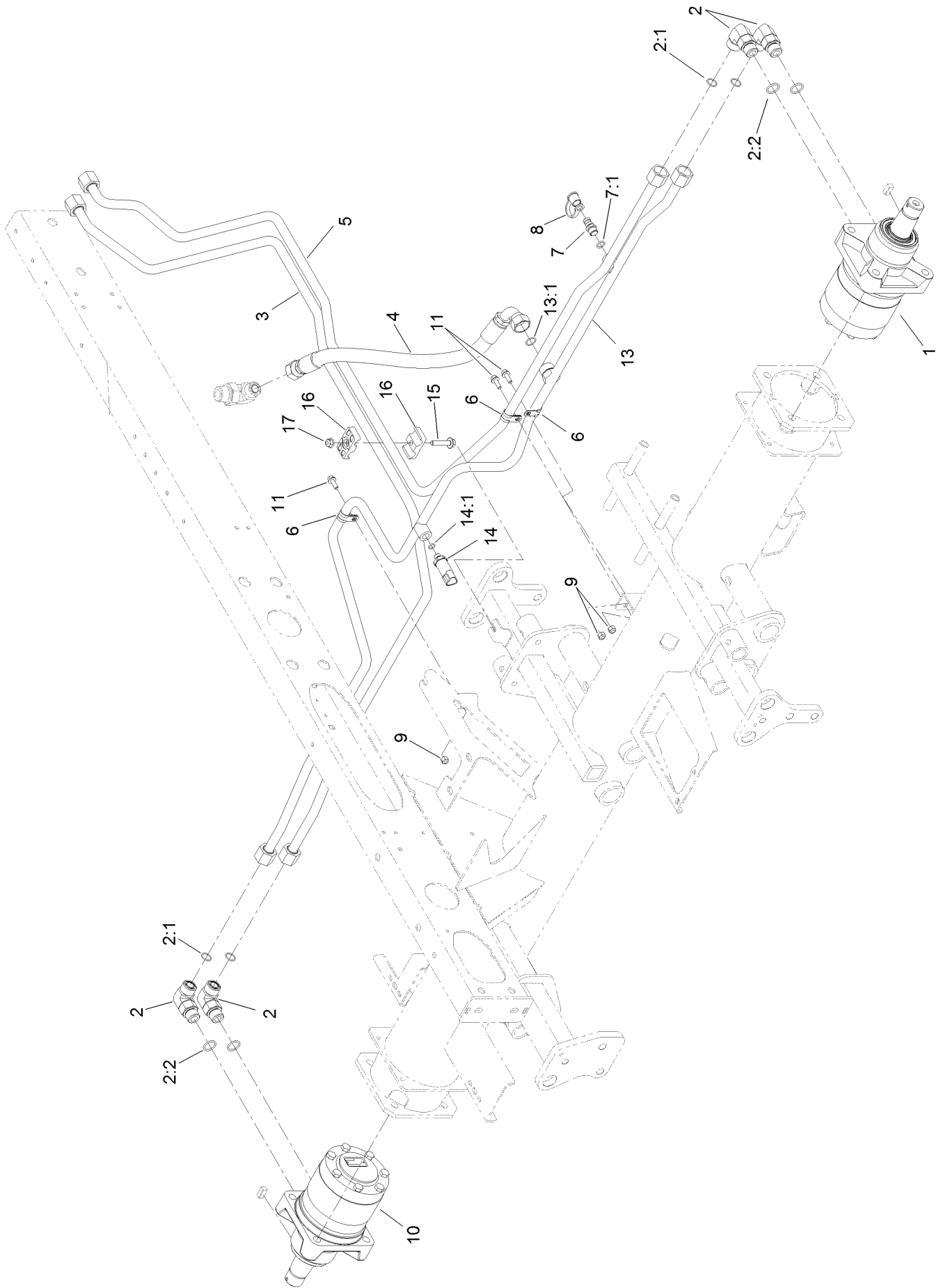
Hydraulic Pump Assembly No. 119-6972 (continued)

Ref.	Part Number	Qty.	Description	Ref.	Part Number	Qty.	Description
30:1		1	O-Ring ■	46:1	110-6471	1	Seal-Lip
31	112-0158	2	Pin	46:2	28-3570	1	O-Ring
33	110-6477	2	Valve-Relief	46:3	110-6476	1	Gasket-Cap, End
33:1	75-0240	1	O-Ring	46:4		1	O-Ring ■
33:2	84-0560	1	O-Ring	46:5	25-2630	1	Ring-Back Up
36	110-6499	1	Trunnion Cover ASM	46:6	110-6498	1	O-Ring
36:1	110-6478	1	Seal-Lip	46:7	75-0240	2	O-Ring
38	84-0430	2	O-Ring	46:8	84-0560	2	O-Ring
39	112-0150	4	Screw	46:9	110-6478	1	Seal-Lip
40	84-0440	1	Cover-Trunnion	46:10	84-0430	2	O-Ring
41	112-0151	4	Screw	46:11		2	O-Ring ■
46	110-6481	1	Seal Kit ●				

● Not illustrated

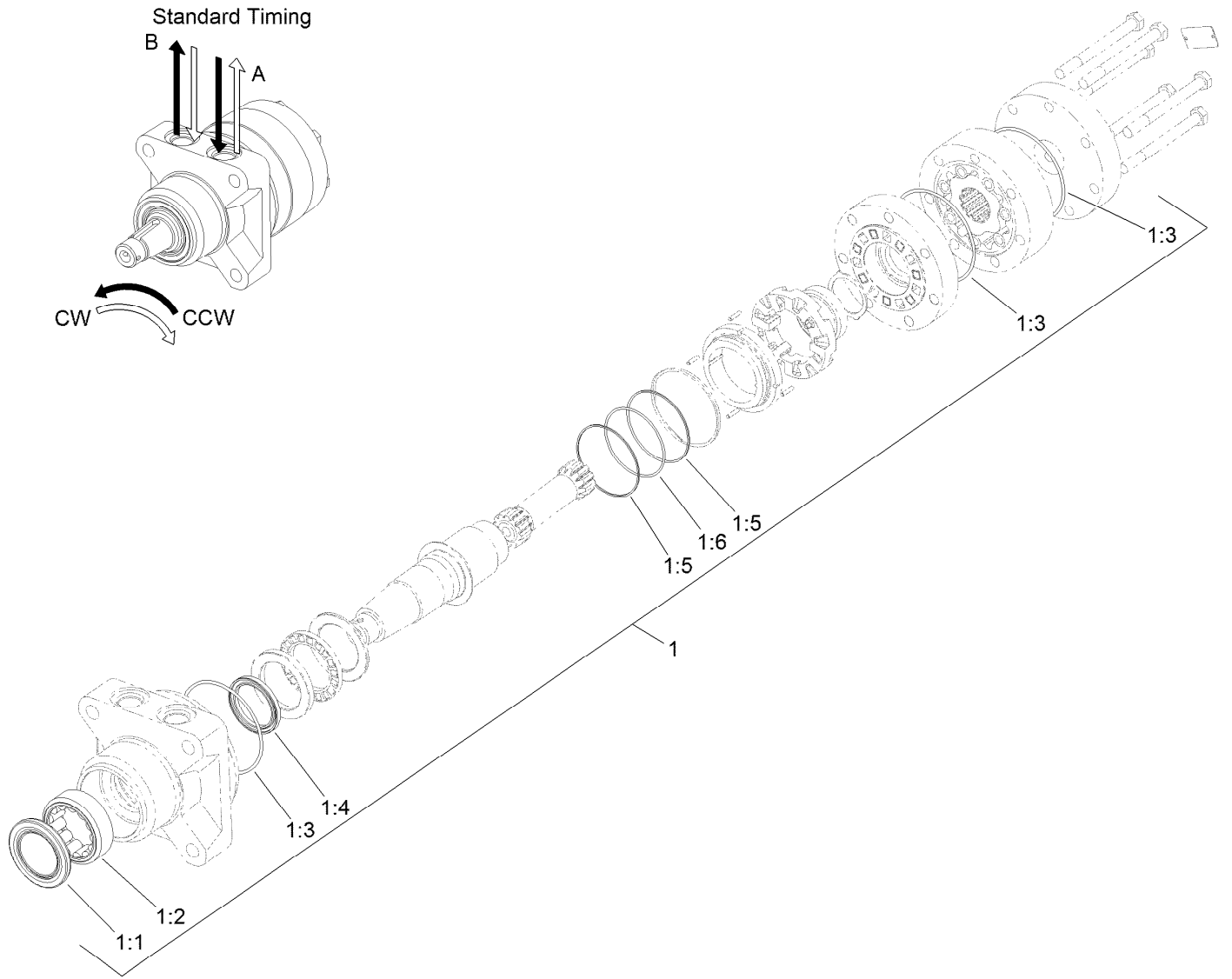
■ Not serviced separately

Front Traction Hydraulic Circuit



Front Traction Hydraulic Circuit (continued)

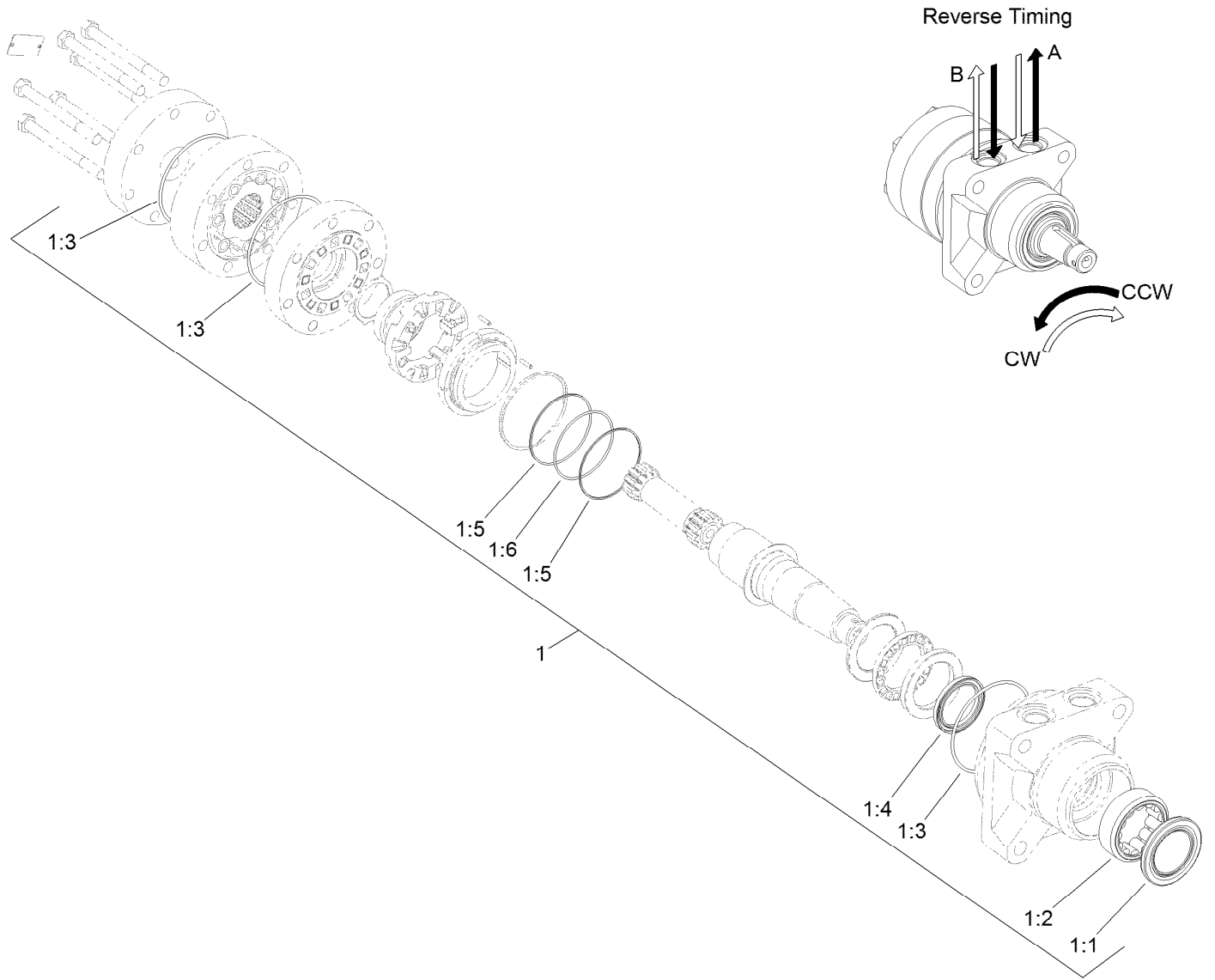
<i>Ref.</i>	<i>Part Number</i>	<i>Qty.</i>	<i>Description</i>	<i>Ref.</i>	<i>Part Number</i>	<i>Qty.</i>	<i>Description</i>
1	120-6264	1	Hydraulic Motor ASM (CCW)	9	3296-42	3	Nut-Lock, NI
2	340-17	4	Fitting-Elbow, 90 DEG	10	120-6265	1	Hydraulic Motor ASM (CW)
2:1	237-65	1	O-Ring	11	3234-4	3	Screw-HHF
2:2	237-80	1	O-Ring	13	114-0389	1	Hydraulic Tube ASM
3	114-0425	1	Hydraulic Tube ASM	13:1	237-65	1	O-Ring
4	108-1679	1	Hose-HYD	14	119-0011	1	Pressure Transducer ASM
5	114-0424	1	Hydraulic Tube ASM	14:1	237-78	1	O-Ring
6	2412-134	3	Clamp-R	15	115-1794	1	Screw-HHF
7	59-7410	1	Fitting-Diagnostic	16	56-7971	2	Clamp-Tube
7:1	237-42	1	O-Ring	17	104-8300	1	Nut-HF, NI
8	354-79	1	Cap-Dust				



Hydraulic Motor Assembly No. 120-6264 (CCW)

Ref.	Part Number	Qty.	Description
1	120-6268	1	Seal Kit
1:1		1	Seal-Grease ●
1:2		1	Shell-Bearing ●
1:3		3	O-Ring ●
1:4		1	Seal-Shaft ●
1:5		2	Ring-Back Up ●
1:6		1	O-Ring ●

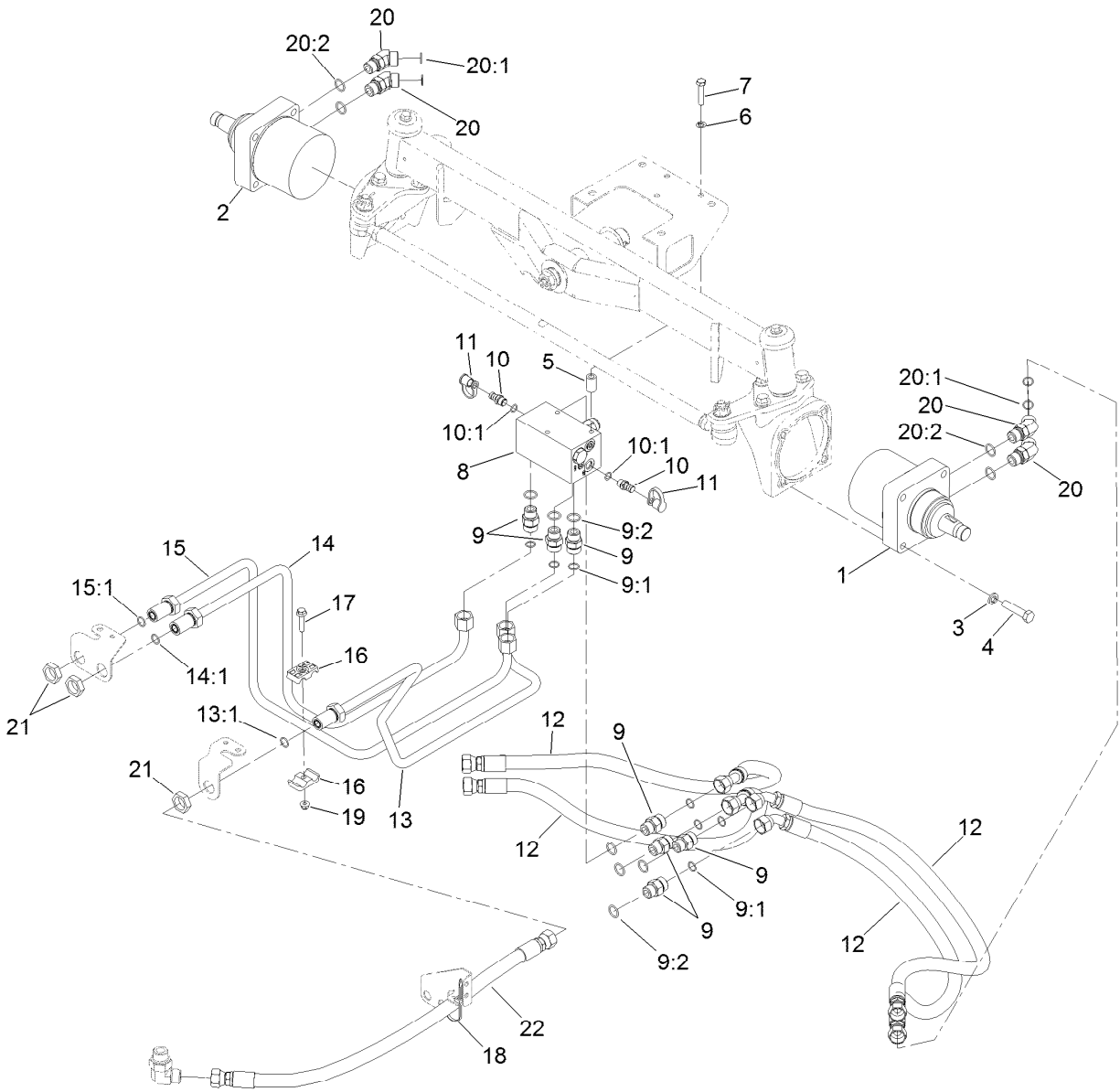
● Not serviced separately



Hydraulic Motor Assembly No. 120-6265 (CW)

Ref.	Part Number	Qty.	Description
1	120-6268	1	Seal Kit
1:1		1	Seal-Grease ●
1:2		1	Shell-Bearing ●
1:3		3	O-Ring ●
1:4		1	Seal-Shaft ●
1:5		2	Ring-Back Up ●
1:6		1	O-Ring ●

● Not serviced separately

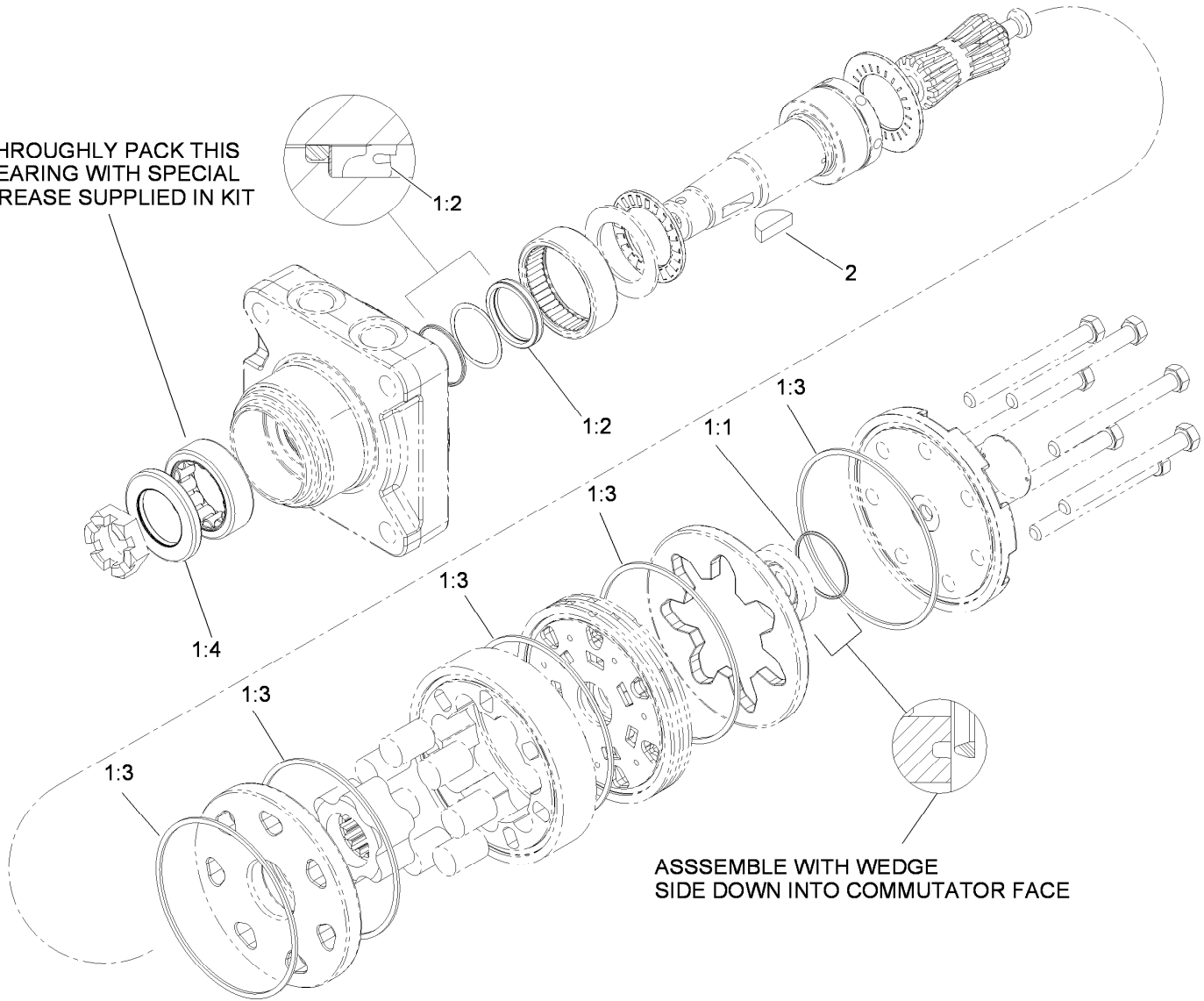


Rear Traction Hydraulic Circuit

Ref.	Part Number	Qty.	Description
1	107-4544	1	HYD Motor ASM
2	110-0901	1	HYD Motor ASM
3	3253-7	8	Washer-Lock
4	325-9	8	Screw-HH
5	93-6981	3	Spacer
6	3253-21	3	Washer-Lock
7	323-9	3	Screw-HH
8	108-1825	1	HYD Manifold ASM
9	340-7	7	Fitting-Straight
9:1	237-65	1	O-Ring
9:2	237-80	1	O-Ring
10	59-7410	2	Fitting-Diagnostic
10:1	237-42	1	O-Ring
11	354-79	2	Cap-Dust
12	106-3662	4	Hose-HYD

Ref.	Part Number	Qty.	Description
13	108-7626	1	Tube ASM
13:1	237-65	1	O-Ring
14	108-7625	1	Tube ASM
14:1	237-65	1	O-Ring
15	108-7624	1	Tube ASM
15:1	237-65	1	O-Ring
16	56-7971	2	Clamp-Tube
17	94-5780	1	Screw-HWH
18	3290-378	1	Tie-Cable
19	104-8300	1	Nut-HF, NI
20	340-14	4	Fitting-HYD, 45 DEG
20:1	237-65	1	O-Ring
20:2	237-80	1	O-Ring
21	340-74	3	Nut-Lock, Bulkhead
22	108-7645	1	Hose-HYD

THOROUGHLY PACK THIS BEARING WITH SPECIAL GREASE SUPPLIED IN KIT



ASSEMBLE WITH WEDGE SIDE DOWN INTO COMMUTATOR FACE

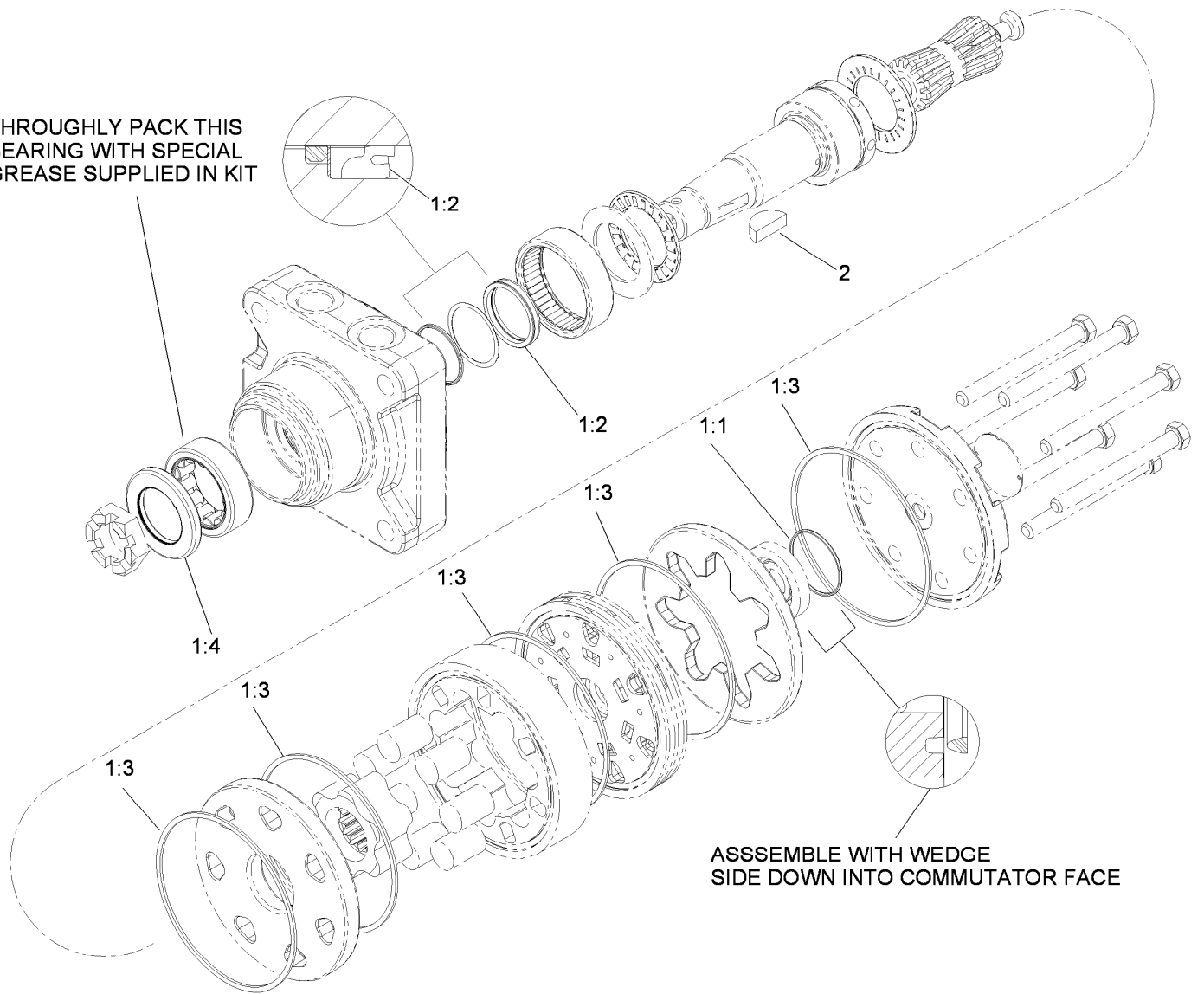
Hydraulic Motor Assembly No. 107-4544

Ref.	Part Number	Qty.	Description
1	110-8897	1	Seal Kit ●
1:1		1	Seal-Commutator, Vespel ■
1:2		1	Seal-Shaft ■
1:3		5	Seal-Body, Buna ■
1:4		1	Seal-Dirt / Water ■
2	3257-42	1	Key-Woodruff

● Not illustrated

■ Not serviced separately

THOROUGHLY PACK THIS BEARING WITH SPECIAL GREASE SUPPLIED IN KIT



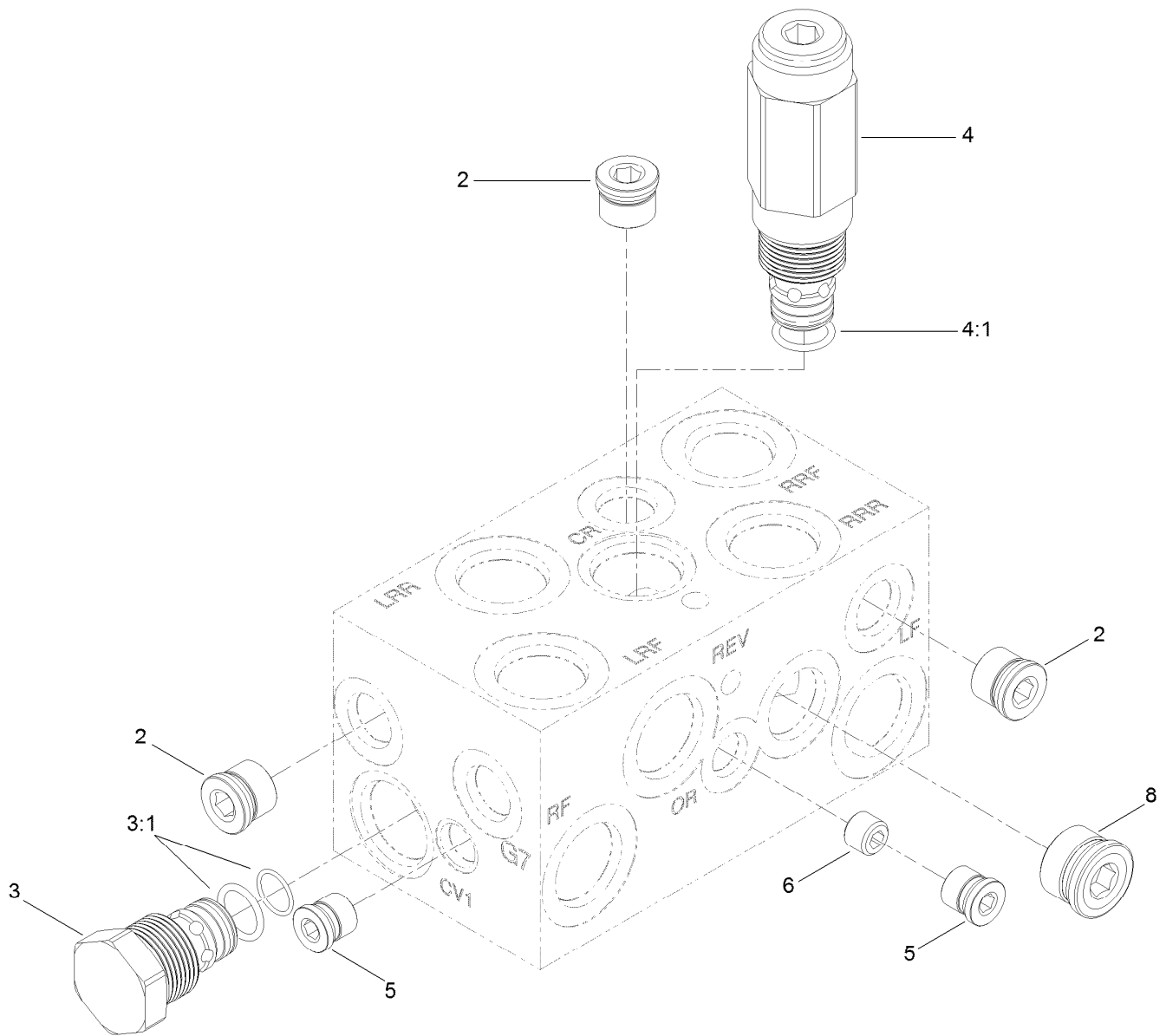
ASSEMBLE WITH WEDGE
SIDE DOWN INTO COMMUTATOR FACE

Hydraulic Motor Assembly No. 110-0901

Ref.	Part Number	Qty.	Description
1	110-8897	1	Seal Kit ●
1:1		1	Seal-Commutator, Vespel ■
1:2		1	Seal-Shaft ■
1:3		5	Seal-Body, Buna ■
1:4		1	Seal-Dirt / Water ■
2	3257-42	1	Key-Woodruff

● Not illustrated

■ Not serviced separately

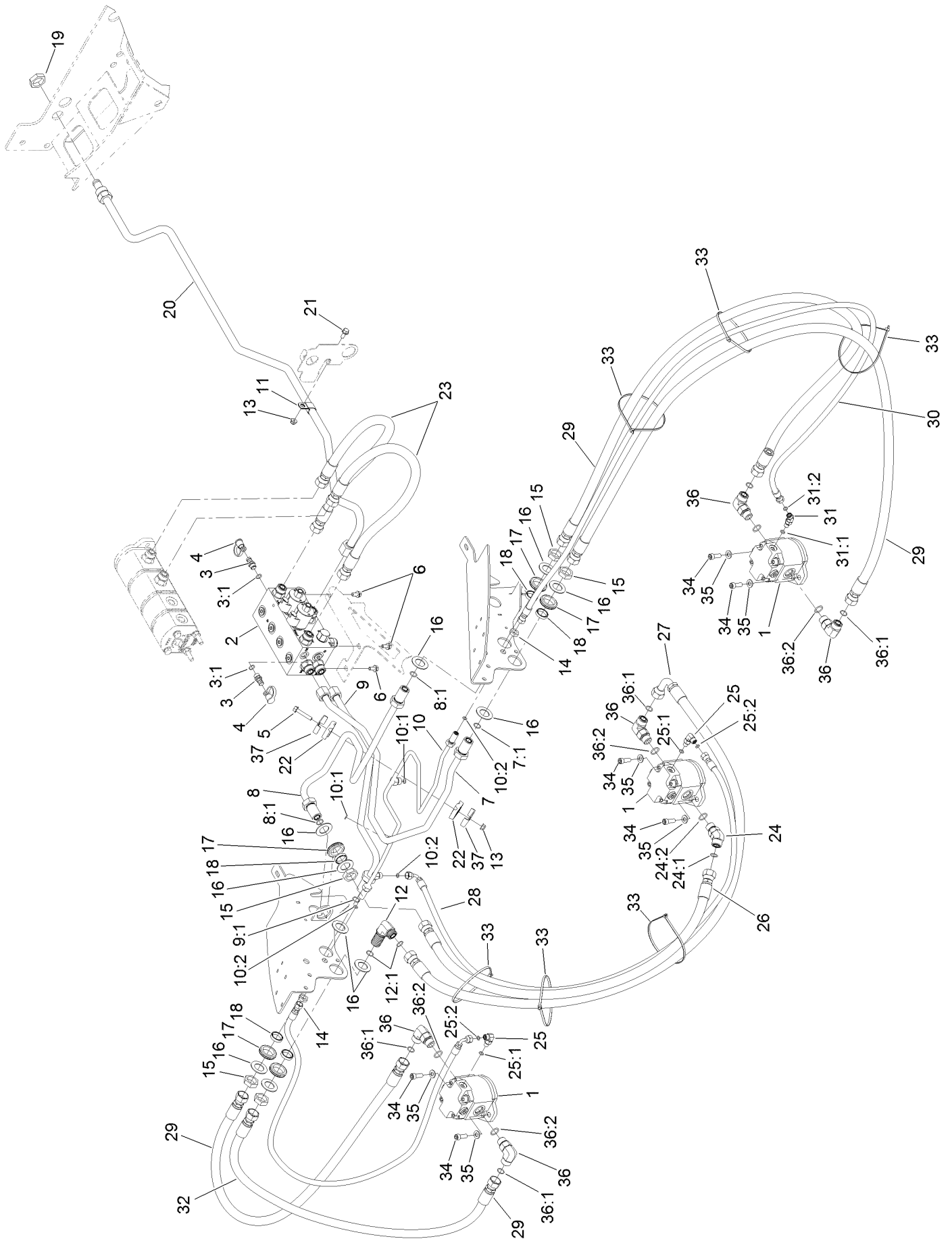


Four Wheel Drive Manifold Assembly No. 108-1825

Ref.	Part Number	Qty.	Description
2	106-1026	3	Plug-HYD
3	110-8881	2	Valve-Check
3:1	105-9159	1	Seal Kit ●
4	110-8882	1	Valve-Relief, Cross Over
4:1	110-6316	1	Seal Kit
5	106-1025	2	Plug-HYD
6	110-8883	1	Plug-Orifice (0.040)
8	106-1027	1	Plug

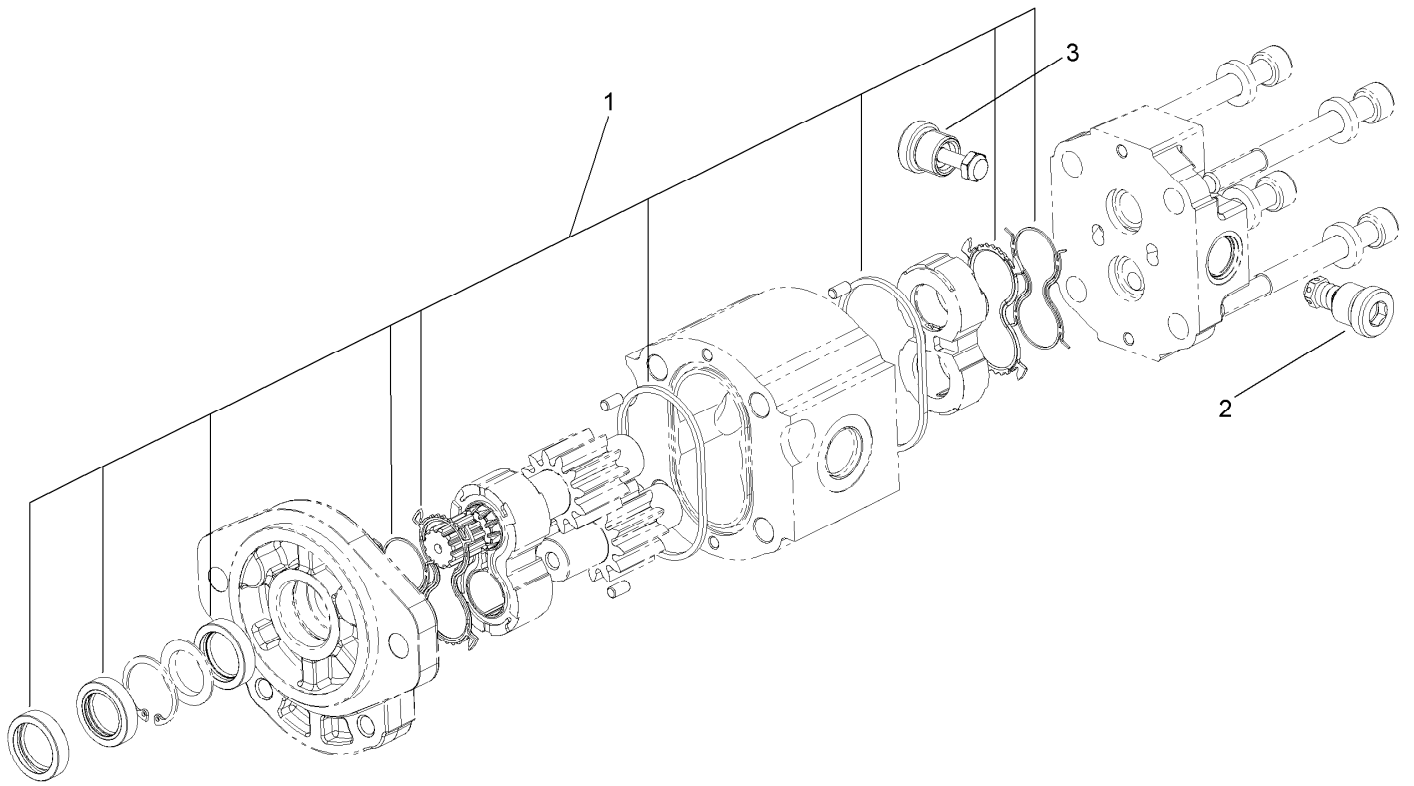
● Not illustrated

Front Deck Hydraulic Assembly



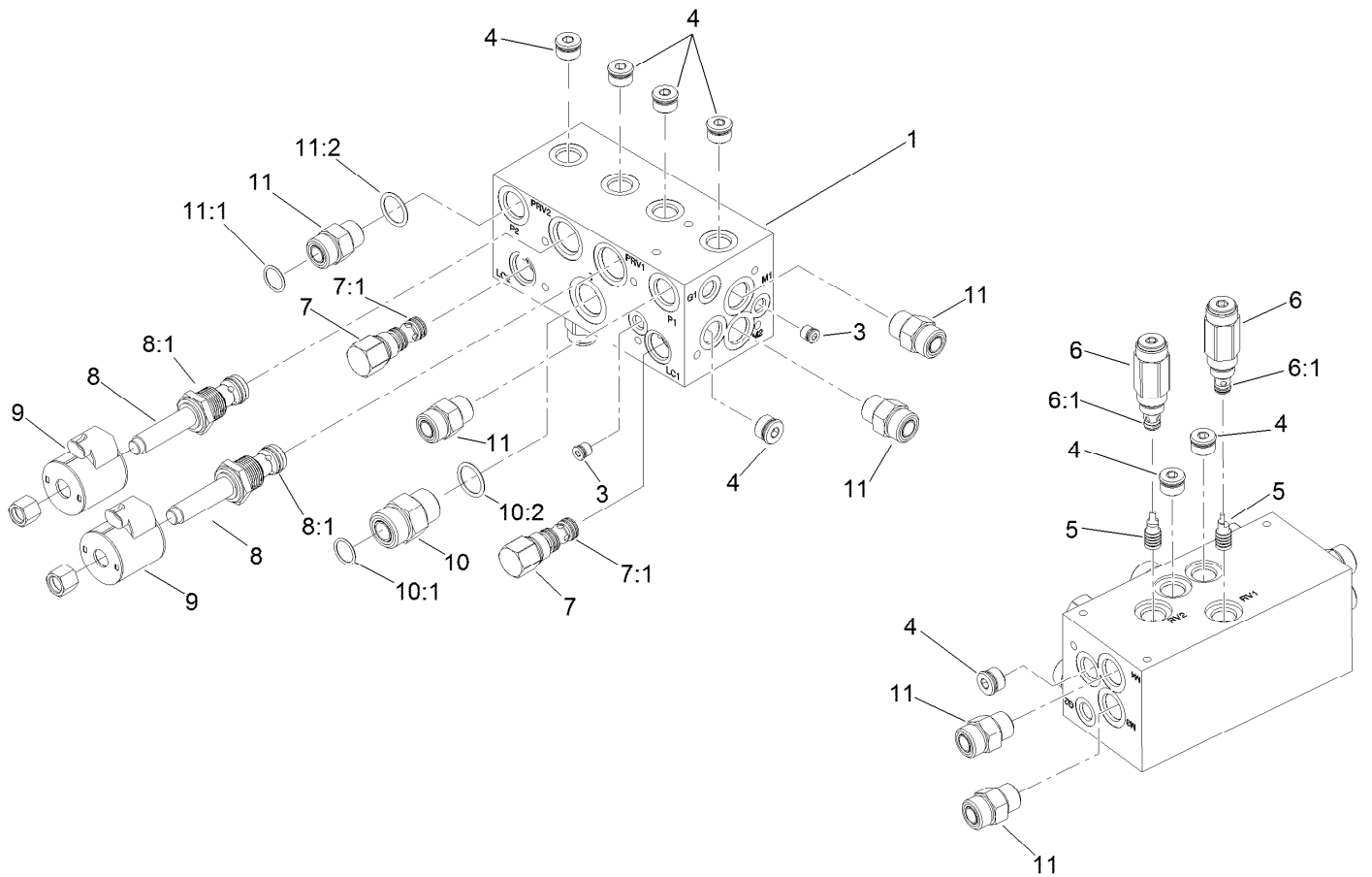
Front Deck Hydraulic Assembly (continued)

<i>Ref.</i>	<i>Part Number</i>	<i>Qty.</i>	<i>Description</i>	<i>Ref.</i>	<i>Part Number</i>	<i>Qty.</i>	<i>Description</i>
1	108-4004	3	Gear Motor ASM	20	108-1700	1	Tube ASM
2	114-0359	1	Deck Control Manifold ASM	21	3234-5	1	Screw-HHF
3	59-7410	2	Fitting-Diagnostic	22	56-7970	2	Clamp-Tube
3:1	237-42	1	O-Ring	23	108-1686	2	Hose-HYD
4	354-79	2	Cap-Dust	24	340-14	1	Fitting-HYD, 45 DEG
5	94-5780	1	Screw-HWH	24:1	237-65	1	O-Ring
6	3234-14	3	Screw-HHF	24:2	237-80	1	O-Ring
7	117-0138	1	Tube ASM	25	340-132	2	Fitting-Elbow, 90 DEG
7:1	237-65	1	O-Ring	25:1	237-78	1	O-Ring
8	117-0137	1	Tube ASM	25:2	237-21	1	O-Ring
8:1	237-65	2	O-Ring	26	117-0213	1	HYD Hose ASM
9	117-0139	1	Tube ASM	27	117-0211	1	HYD Hose ASM
9:1	237-65	1	O-Ring	28	117-0212	1	HYD Hose ASM
10	110-5286	1	Tube ASM	29	117-0299	4	HYD Hose ASM
10:1	237-22	2	O-Ring	30	104-9323	1	Hose-HYD
10:2	237-21	3	O-Ring	31	340-103	1	Fitting-HYD, 45 DEG
11	2412-4	1	Clamp-R	31:1	237-78	1	O-Ring
12	340-72	1	Fitting-Bulkhead, 90 DEG	31:2	237-21	1	O-Ring
12:1	237-65	2	O-Ring	32	92-7638	1	Hose ASM
13	104-8300	2	Nut-HF, NI	33	3334-945	9	Tie-Cable
14	340-78	2	Nut-Lock	34	3274-7	6	Screw-HSH
15	340-74	5	Nut-Lock, Bulkhead	35	3256-24	6	Washer-Flat
16	69-9010	10	Washer	36	340-17	5	Fitting-Elbow, 90 DEG
17	240-3	5	Grommet-Rubber	36:1	237-65	1	O-Ring
18	125-1984	5	Spacer	36:2	237-80	1	O-Ring
19	340-126	1	Nut-Bulkhead	37	119-1419	2	Plate-Clamp



Gear Motor Assembly No. 108-4004

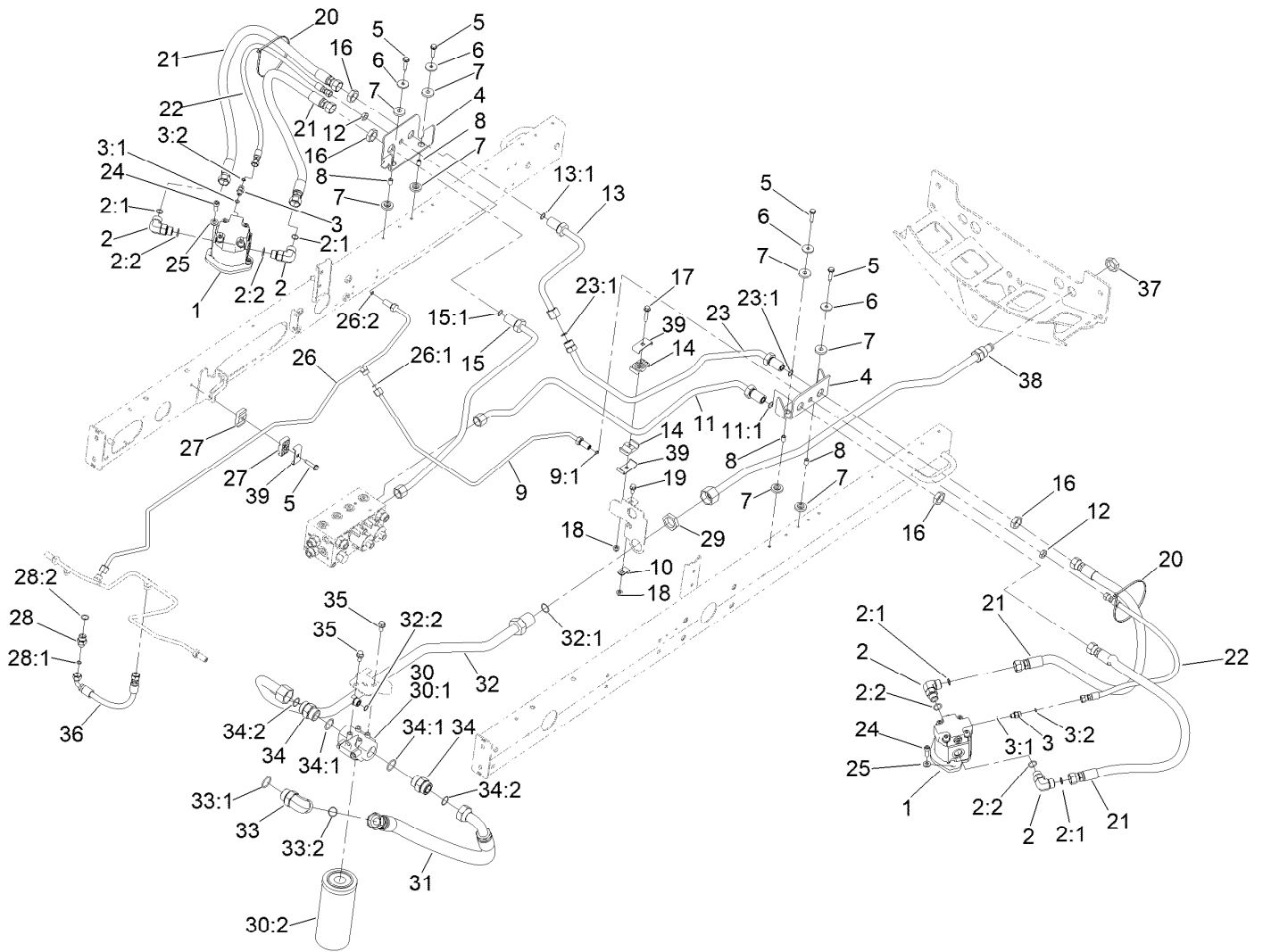
<i>Ref.</i>	<i>Part Number</i>	<i>Qty.</i>	<i>Description</i>
1	117-0235	1	Seal Kit
2	107-7820	1	Valve-Relief
3	107-7821	1	Valve-Anticavitation



Deck Control Manifold Assembly No. 114-0359

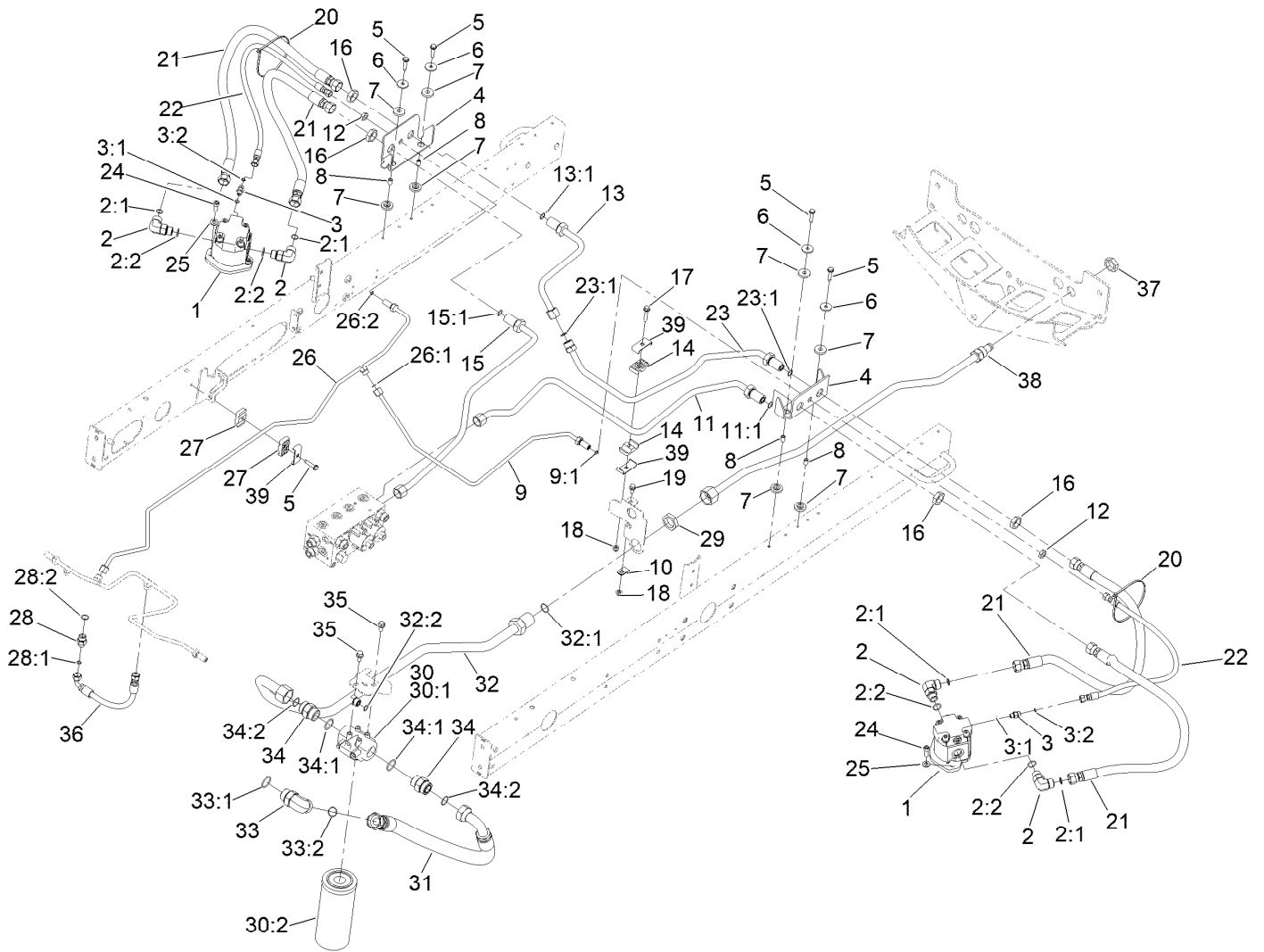
<i>Ref.</i>	<i>Part Number</i>	<i>Qty.</i>	<i>Description</i>	<i>Ref.</i>	<i>Part Number</i>	<i>Qty.</i>	<i>Description</i>
1		1	Hydraulic Manifold ●	8:1	117-1114	1	Seal Kit
3	106-1025	2	Plug-HYD	9	110-6344	2	Coil-12V, DC
4	106-1027	8	Plug	10	340-9	1	Fitting-STR
5	105-9157	2	Piston-Pilot	10:1	237-58	1	O-Ring
6	112-5259	2	Valve-Relief	10:2	237-81	1	O-Ring
6:1	105-9156	1	Seal Kit	11	340-7	2	Fitting-Straight
7	105-9153	2	Element-Logic, Vented	11:1	237-65	1	O-Ring
7:1	119-2159	1	Seal Kit	11:2	237-80	1	O-Ring
8	117-0229	2	Valve-Relief, Proportional				

● Not serviced separately



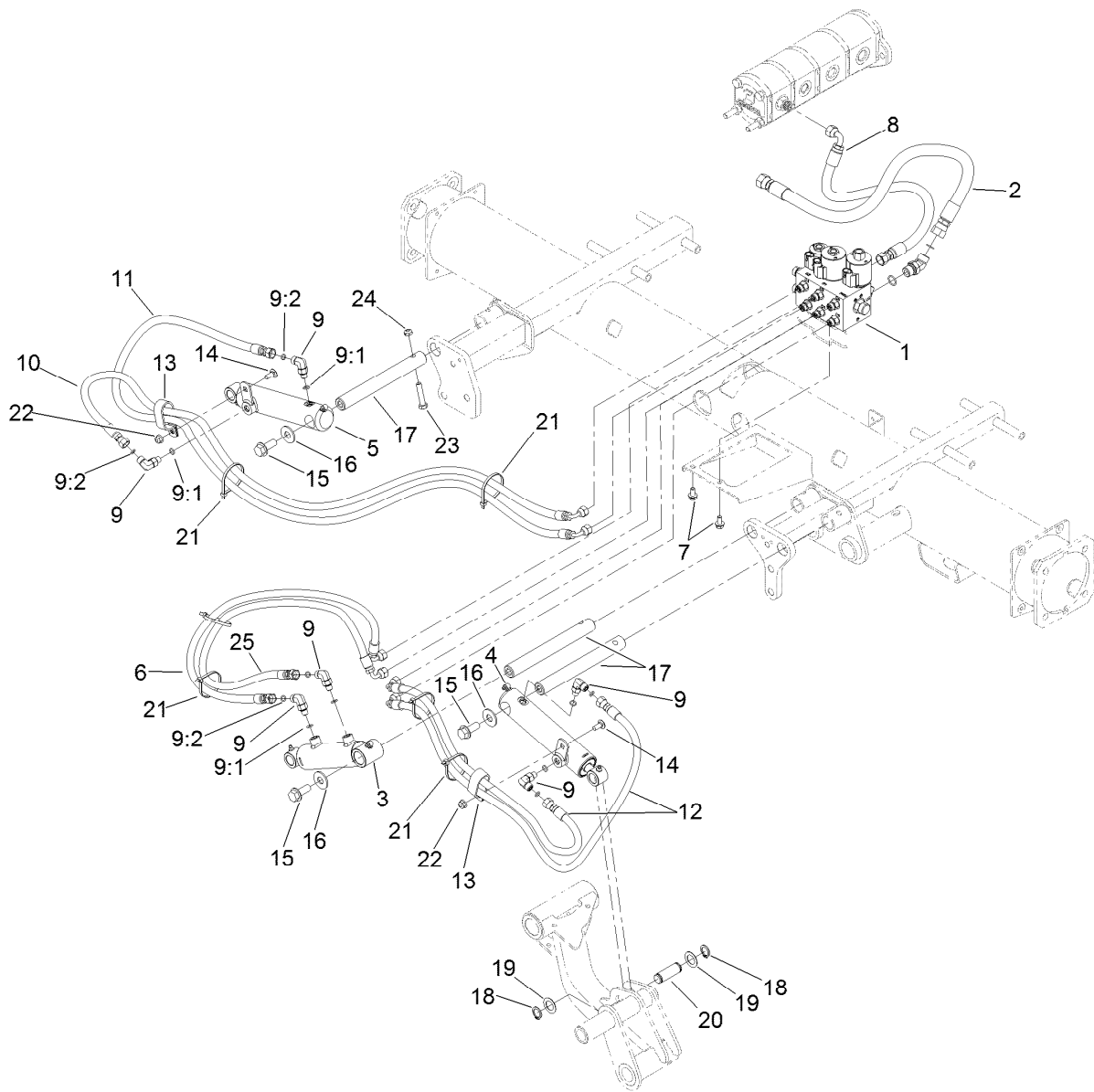
Rear Deck Hydraulic Assembly

Ref.	Part Number	Qty.	Description	Ref.	Part Number	Qty.	Description
1	108-4004	2	Gear Motor ASM	15	117-0141	1	Tube ASM
2	340-17	4	Fitting-Elbow, 90 DEG	15:1	237-65	1	O-Ring
2:1	237-65	1	O-Ring	16	340-74	4	Nut-Lock, Bulkhead
2:2	237-80	1	O-Ring	17	94-5780	1	Screw-HWH
3	340-92	2	Fitting-Straight	18	104-8300	2	Nut-HF, NI
3:1	237-78	1	O-Ring	19	3234-5	1	Screw-HHF
3:2	237-21	1	O-Ring	20	3334-945	6	Tie-Cable
4	117-0174-03	2	Bracket-Bulkhead	21	105-1215	4	Hose-HYD
5	32144-57	5	Screw	22	108-6507	2	Hose-HYD
6	105-3048	4	Washer-Flat	23	117-0177	1	Tube ASM
7	240-11	8	Bushing-Flange	23:1	237-65	2	O-Ring
8	99-8611	4	Spacer	24	3274-7	4	Screw-HSH
9	114-8887	1	Tube ASM	25	3256-24	4	Washer-Flat
9:1	237-21	1	O-Ring	26	114-8888	1	Tube ASM
10	2412-113	1	Clamp-R	26:1	237-22	1	O-Ring
11	117-0142	1	Tube ASM	26:2	237-21	1	O-Ring
11:1	237-65	1	O-Ring	27	56-7972	2	Clamp-Tube
12	340-78	2	Nut-Lock	28	340-3	1	Fitting-Straight
13	117-0140	1	Tube ASM	28:1	237-22	1	O-Ring
13:1	237-65	1	O-Ring	28:2	237-79	1	O-Ring
14	56-7971	2	Clamp-Tube	29	340-128	1	Nut-Bulkhead



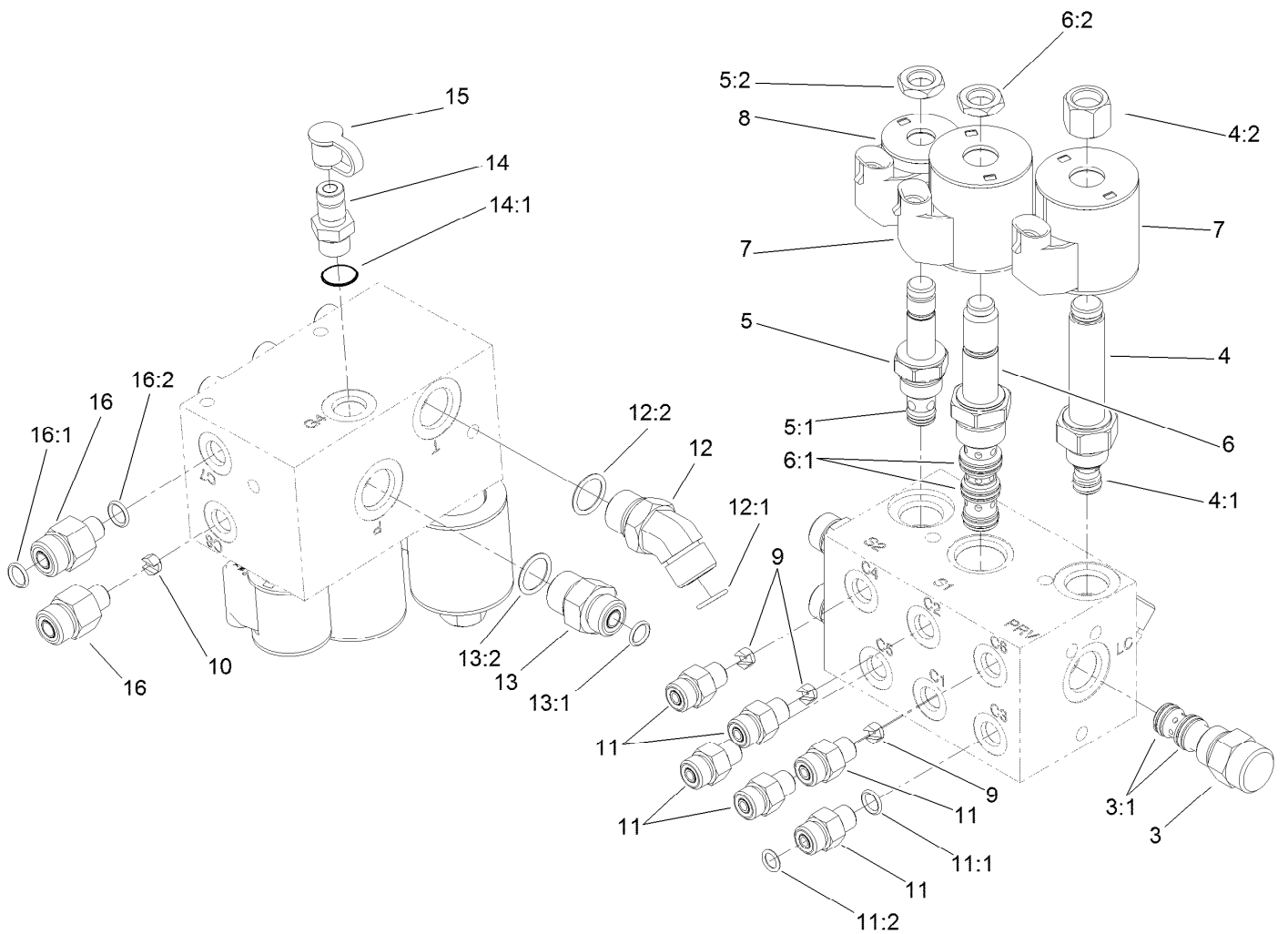
Rear Deck Hydraulic Assembly (continued)

<i>Ref.</i>	<i>Part Number</i>	<i>Qty.</i>	<i>Description</i>	<i>Ref.</i>	<i>Part Number</i>	<i>Qty.</i>	<i>Description</i>
30	98-3923	1	Oil Filter ASM	33:2	340-65	1	O-Ring
30:1	104-0080	1	Filter Head ASM	34	104-3797	2	Fitting-Straight
30:2	94-2621	1	Element-Filter	34:1	237-146	1	O-Ring
31	108-1689	1	Hose-HYD	34:2	340-65	1	O-Ring
32	108-1699	1	Tube ASM	35	3234-1	2	Screw-HHF
32:1	340-65	1	O-Ring	36	66-8490	1	Hose-HYD
32:2	237-30	1	O-Ring	37	340-126	1	Nut-Bulkhead
33	340-129	1	Fitting-Elbow, 90 DEG	38	108-1691	1	Tube ASM
33:1	237-146	1	O-Ring	39	119-1419	3	Plate-Clamp



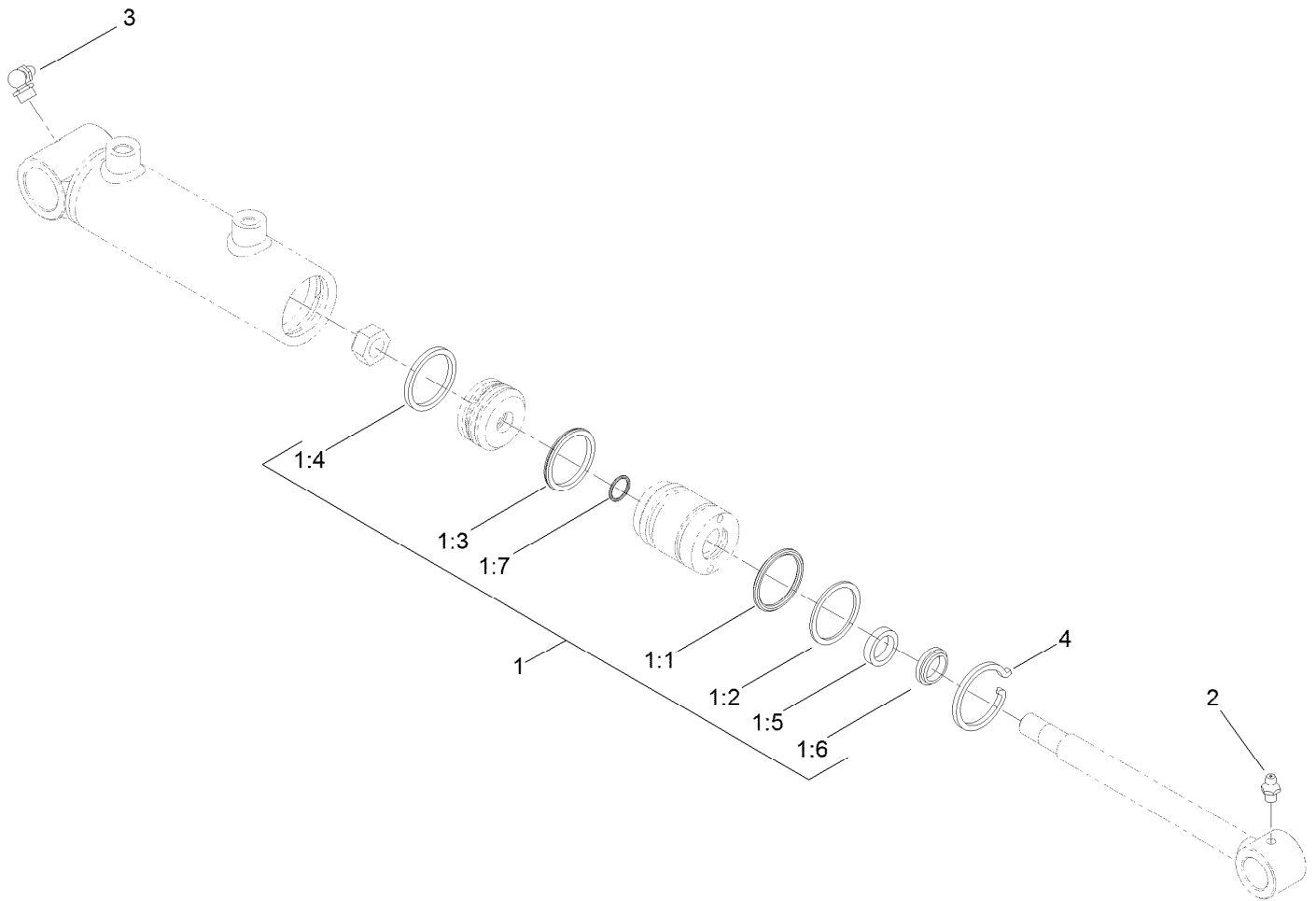
Deck No. 1, 4 and 5 Lift Circuit Hydraulic Assembly

Ref.	Part Number	Qty.	Description	Ref.	Part Number	Qty.	Description
1	117-0158	1	Lift Control Manifold ASM	13	2412-137	2	Clamp-R, Double
2	117-0180	1	Hose-HYD	14	3230-23	2	Bolt-CARR
3	119-6989	1	HYD Cylinder ASM	15	3234-38	3	Screw-HHF
4	119-6990	1	HYD Cylinder ASM	16	3256-6	3	Washer-Flat
5	119-6991	1	HYD Cylinder ASM	17	117-0148	3	Pin-Cylinder
6	117-0253	1	Hose-HYD	18	32120-93	6	Ring-Retaining
7	3234-14	2	Screw-HHF	19	3-6498	6	Washer-Thrust
8	92-5694	1	Hose-Hydraulic	20	104-0046	3	Pin-Slide, Cylinder
9	340-132	6	Fitting-Elbow, 90 DEG	21	3290-379	6	Tie-Cable
9:1	237-78	1	O-Ring	22	104-8300	2	Nut-HF, NI
9:2	237-21	1	O-Ring	23	323-9	3	Screw-HH
10	117-0262	1	Hose-HYD	24	3296-59	3	Nut-Lock, NI
11	117-0261	1	Hose-HYD	25	117-0254	1	HP HYD Hose ASM
12	85-4940	2	Hose-HYD				



Lift Control Manifold Assembly No. 117-0158

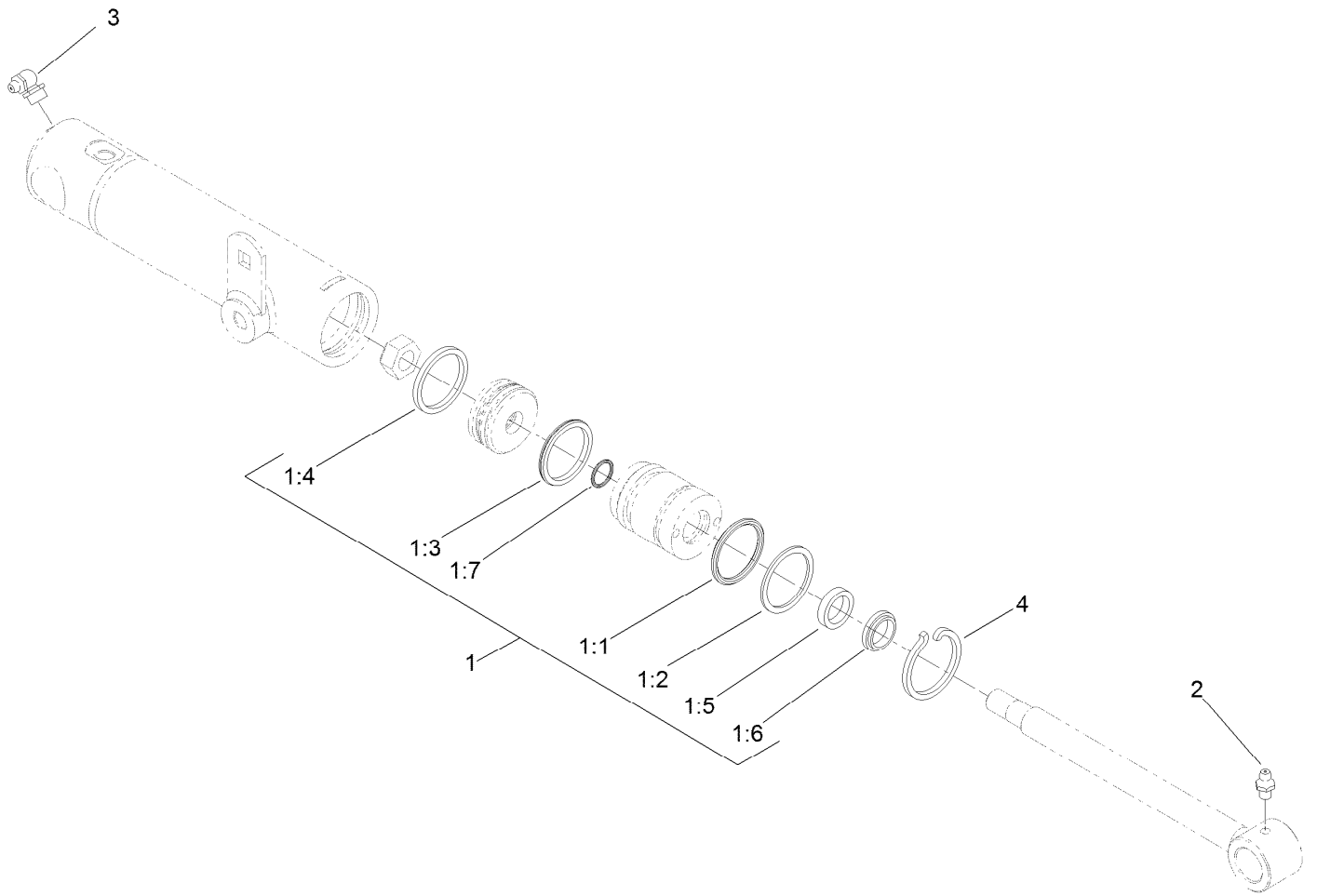
Ref.	Part Number	Qty.	Description	Ref.	Part Number	Qty.	Description
3	117-0228	1	Element-Directional, Pilot	11:1	237-78	1	O-Ring
3:1	115-5413	1	Seal Kit	11:2	237-21	1	O-Ring
4	117-0227	1	Valve-Relief, Proportional	12	340-101	1	Fitting-HYD, 45 DEG
4:1	105-9156	1	Seal Kit	12:1	237-30	1	O-Ring
4:2	119-2160	1	Nut-Coil	12:2	237-79	1	O-Ring
5	107-7516	1	Solenoid Valve ASM	13	340-3	1	Fitting-Straight
5:1	105-9156	1	Seal Kit	13:1	237-22	1	O-Ring
5:2	110-2634	1	Nut-Coil	13:2	237-79	1	O-Ring
6	110-8906	1	Valve-Solenoid	14	59-7410	1	Fitting-Diagnostic
6:1	110-8908	1	Spool Valve Seal Kit	14:1	237-42	1	O-Ring
6:2	110-2634	1	Nut-Coil	15	354-79	1	Cap-Dust
7	110-6344	2	Coil-12V, DC	16	340-88	2	Fitting-Straight
8	110-0497	1	Coil-Solenoid	16:1	237-22	1	O-Ring
9	110-8902	3	Orifice-Control, Flow (0.046)	16:2	237-78	1	O-Ring
10	114-4682	1	Orifice-Flow Control (.030)				
11	340-92	6	Fitting-Straight				



Hydraulic Cylinder Assembly No. 119-6989

Ref.	Part Number	Qty.	Description
1	119-6992	1	Seal Kit
1:1		1	O-Ring ●
1:2		1	Backup ●
1:3		1	Bp Seal ●
1:4		1	Wear Ring-Ht ●
1:5		1	Bs Seal ●
1:6		1	Dust Seal-Dt ●
1:7		1	O-Ring ●
2	302-5	1	Fitting-Grease
3	302-33	1	Fitting-Grease
4	84-1680	1	Ring-Retaining

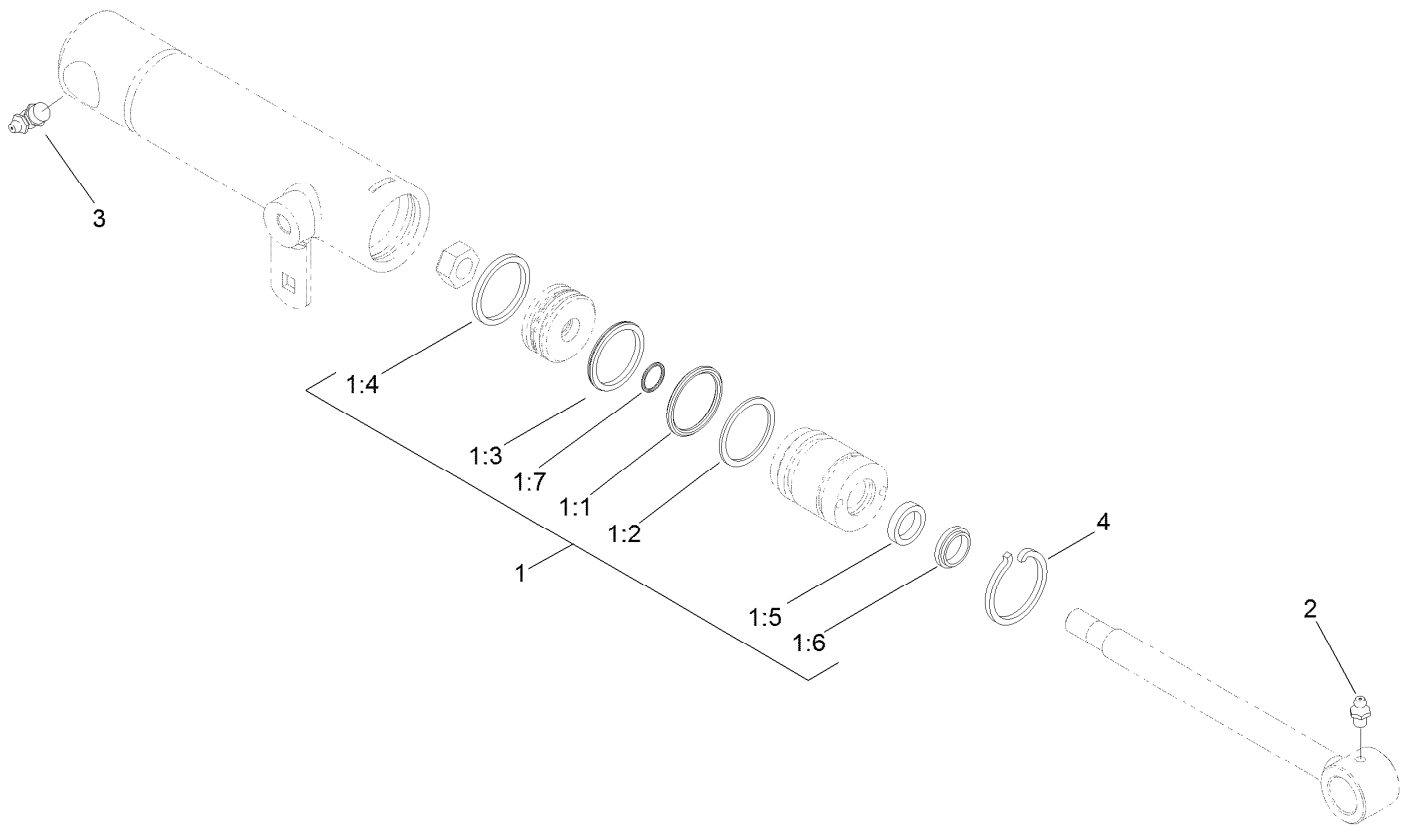
● Not serviced separately



Hydraulic Cylinder Assembly No. 119-6990

<i>Ref.</i>	<i>Part Number</i>	<i>Qty.</i>	<i>Description</i>
1	119-6992	1	Seal Kit
1:1		1	O-Ring ●
1:2		1	Backup ●
1:3		1	Bp Seal ●
1:4		1	Wear Ring-Ht ●
1:5		1	Bs Seal ●
1:6		1	Dust Seal-Dt ●
1:7		1	O-Ring ●
2	302-5	1	Fitting-Grease
3	302-33	1	Fitting-Grease
4	84-1680	1	Ring-Retaining

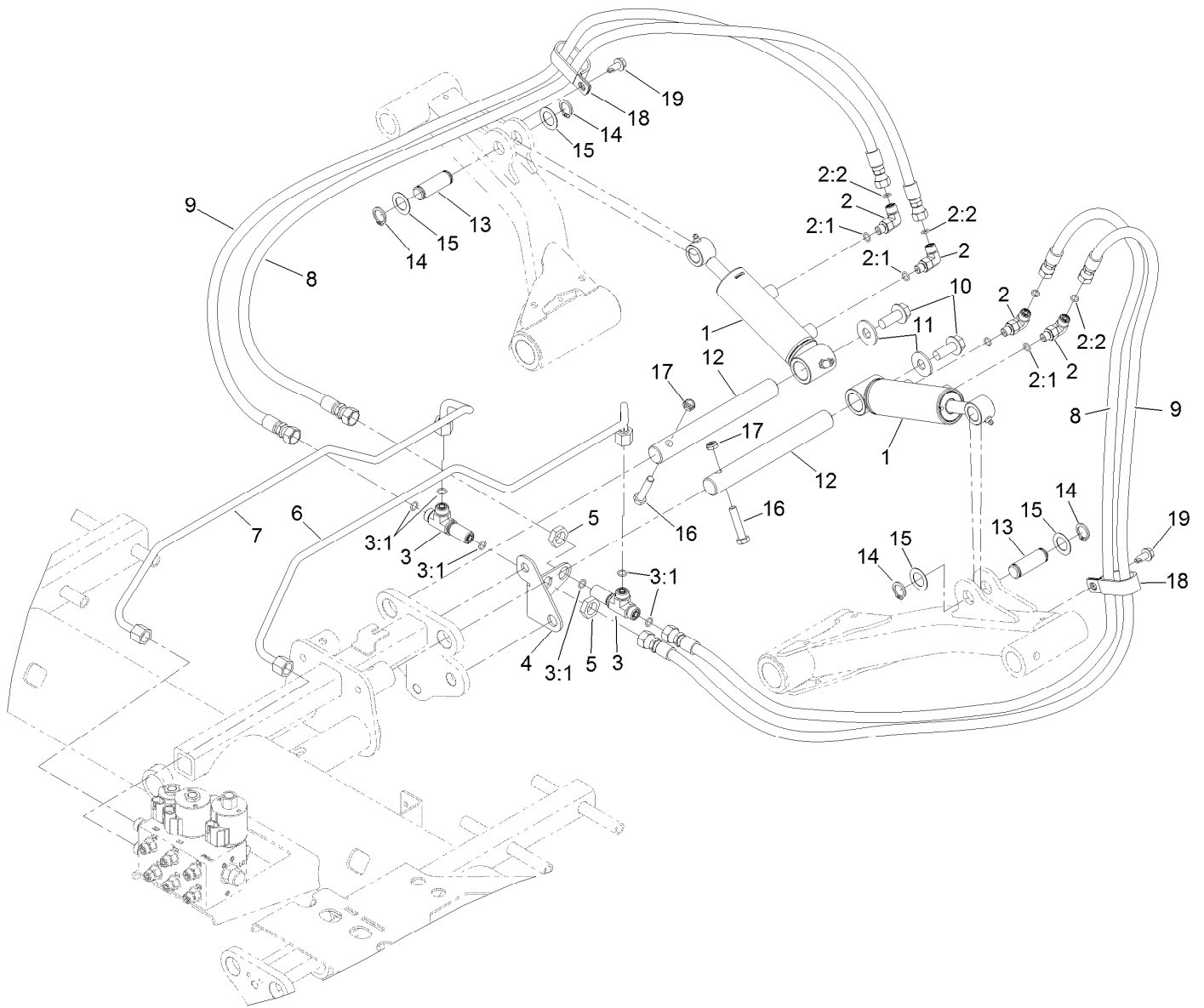
● Not serviced separately



Hydraulic Cylinder Assembly No. 119-6991

<i>Ref.</i>	<i>Part Number</i>	<i>Qty.</i>	<i>Description</i>
1	119-6992	1	Seal Kit
1:1		1	O-Ring ●
1:2		1	Backup ●
1:3		1	Bp Seal ●
1:4		1	Wear Ring-Ht ●
1:5		1	Bs Seal ●
1:6		1	Dust Seal-Dt ●
1:7		1	O-Ring ●
2	302-5	1	Fitting-Grease
3	302-33	1	Fitting-Grease
4	84-1680	1	Ring-Retaining

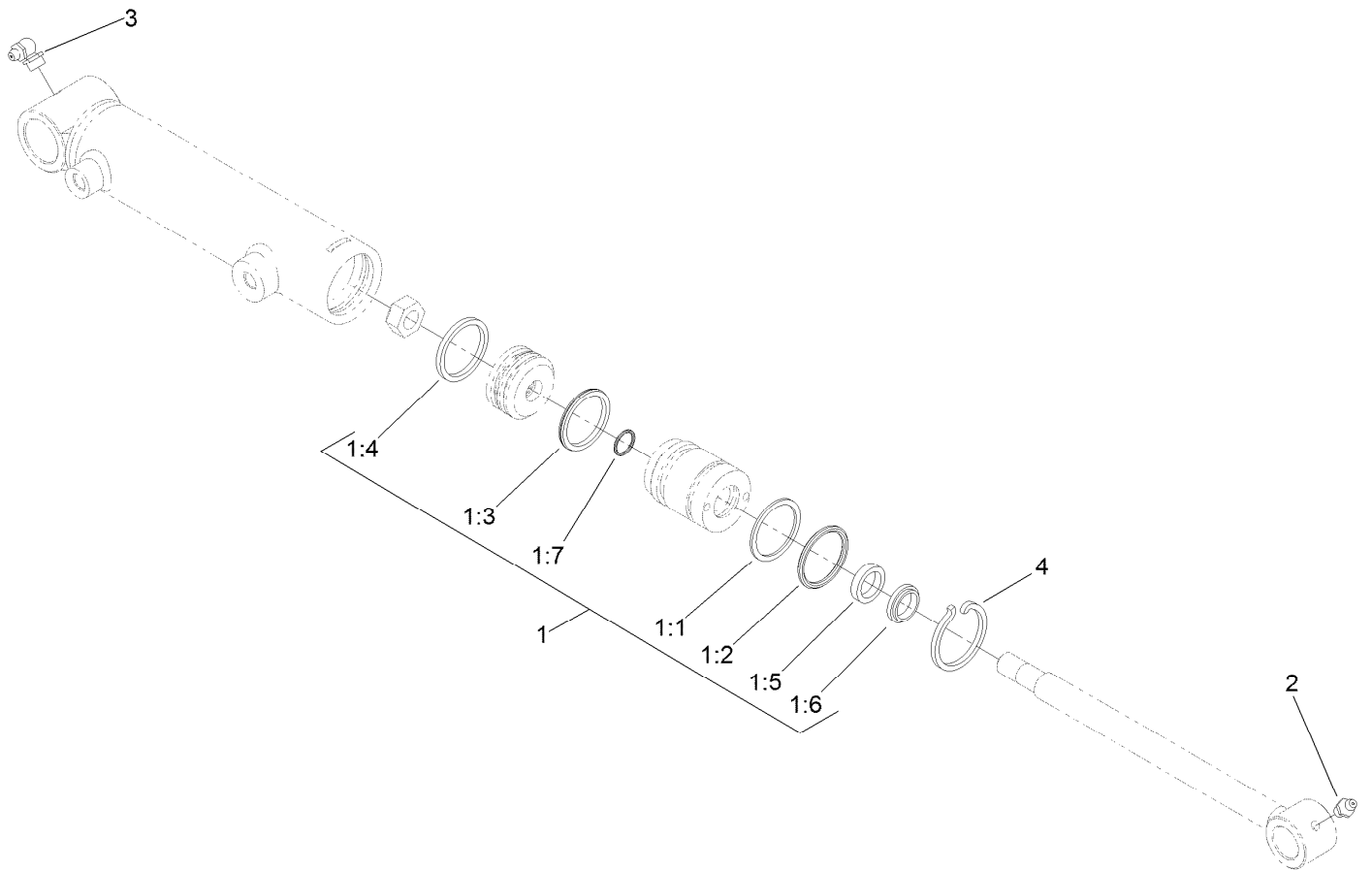
● Not serviced separately



Deck No. 2 and 3 Lift Circuit Hydraulic Assembly

<i>Ref.</i>	<i>Part Number</i>	<i>Qty.</i>	<i>Description</i>
1	119-6988	2	HYD Cylinder ASM
2	340-132	4	Fitting-Elbow, 90 DEG
2:1	237-78	1	O-Ring
2:2	237-21	1	O-Ring
3	340-68	2	Fitting-Tee, Bulkhead
3:1	237-22	3	O-Ring
4	117-0179	1	Bracket-Bulkhead
5	340-70	2	Nut-Lock
6	117-0175	1	Tube-HYD
7	117-0176	1	Tube-HYD
8	105-5402	2	Hose-HYD

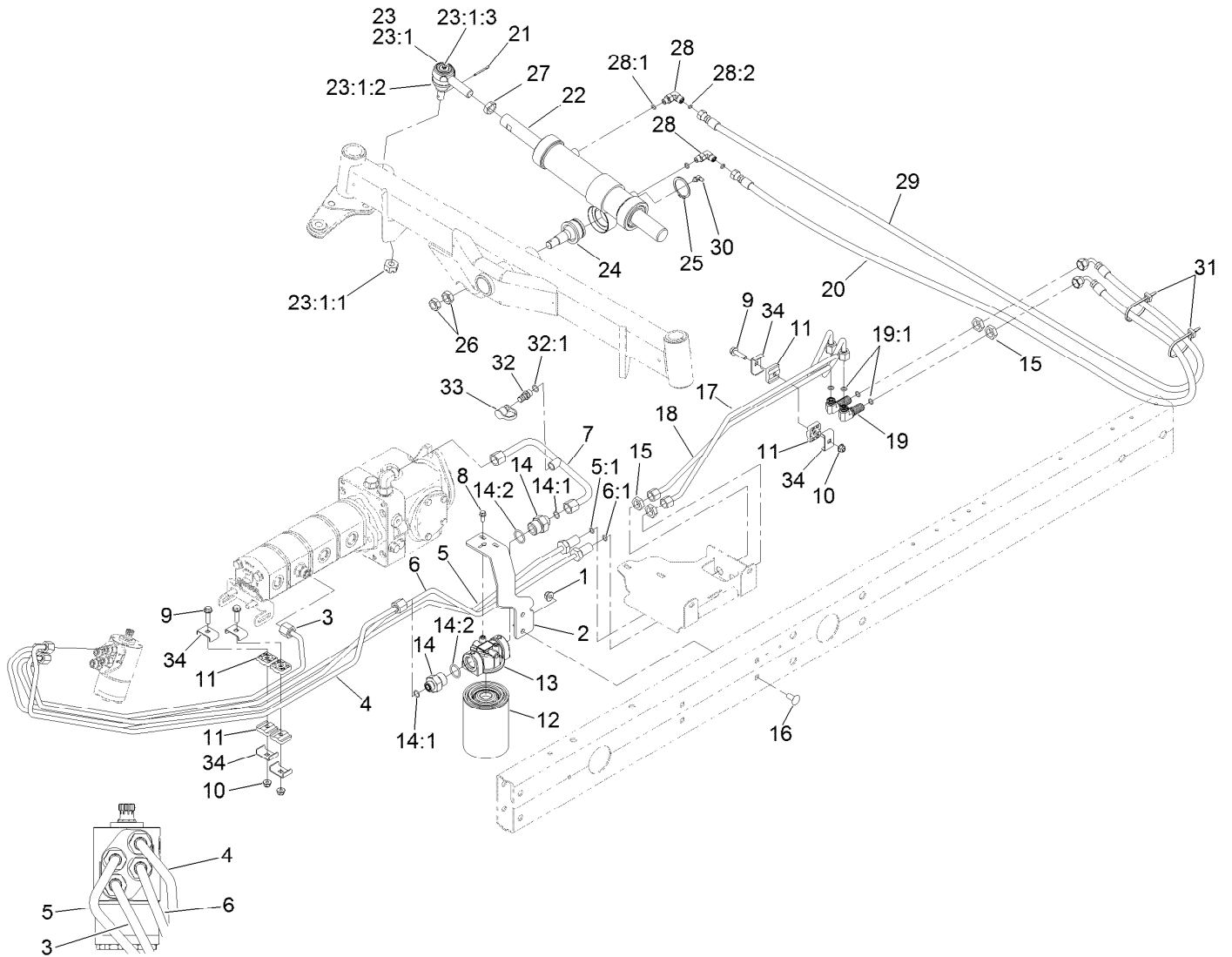
<i>Ref.</i>	<i>Part Number</i>	<i>Qty.</i>	<i>Description</i>
9	105-5405	2	Hose-HYD
10	3234-38	2	Screw-HHF
11	3256-6	2	Washer-Flat
12	117-0148	2	Pin-Cylinder
13	104-0046	2	Pin-Slide, Cylinder
14	32120-93	4	Ring-Retaining
15	3-6498	4	Washer-Thrust
16	323-9	2	Screw-HH
17	3296-59	2	Nut-Lock, NI
18	2412-137	2	Clamp-R, Double
19	32104-32	2	Screw-HWH



Hydraulic Cylinder Assembly No. 119-6988

Ref.	Part Number	Qty.	Description
1	119-6992	1	Seal Kit
1:1		1	O-Ring ●
1:2		1	Backup ●
1:3		1	Bp Seal ●
1:4		1	Wear Ring-Ht ●
1:5		1	Bs Seal ●
1:6		1	Dust Seal-Dt ●
1:7		1	O-Ring ●
2	302-5	1	Fitting-Grease
3	302-33	1	Fitting-Grease
4	84-1680	1	Ring-Retaining

● Not serviced separately

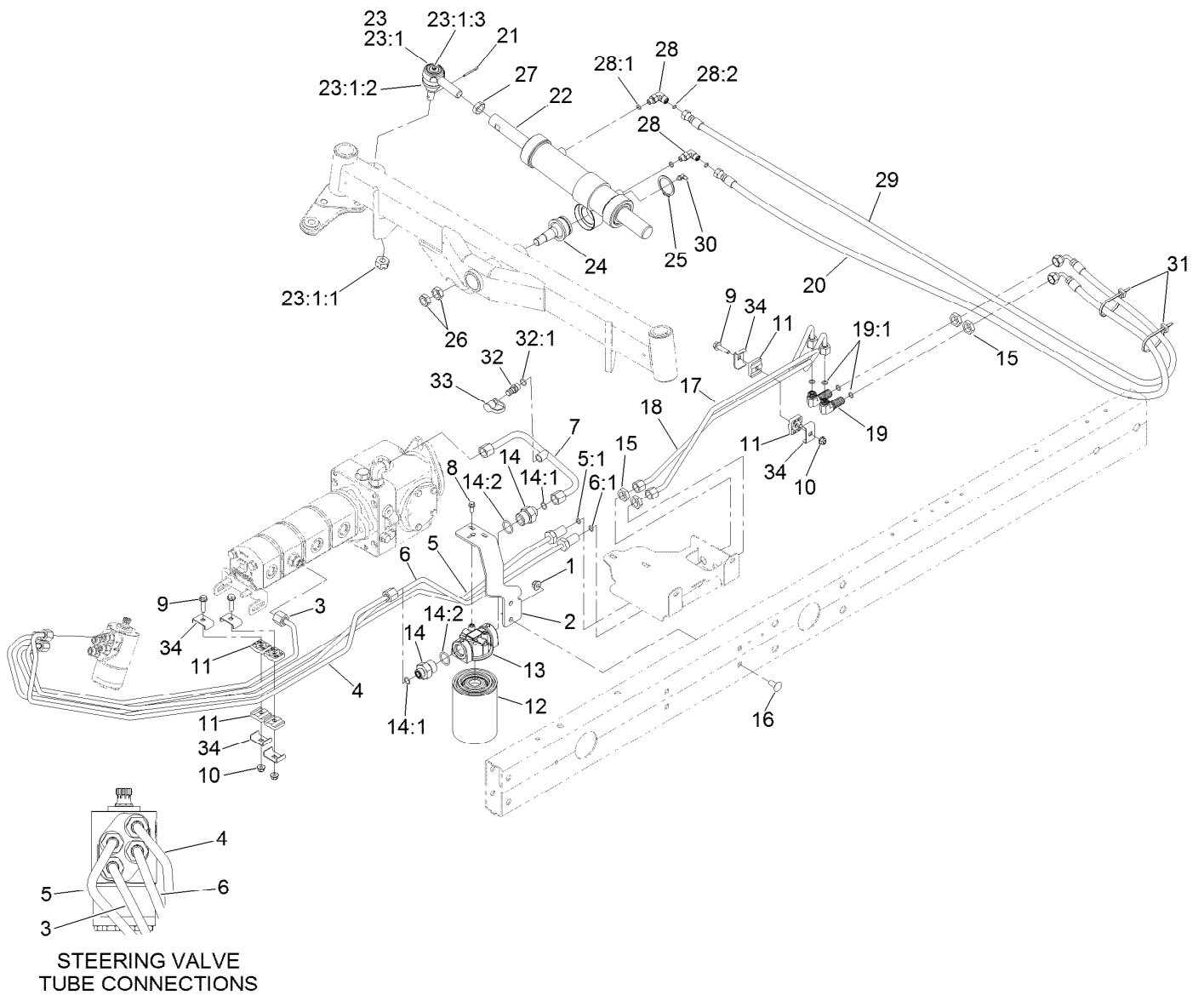


STEERING VALVE
TUBE CONNECTIONS

Steering Hydraulic Assembly

Ref.	Part Number	Qty.	Description	Ref.	Part Number	Qty.	Description
1	104-8301	2	Nut-HF, NI	15	340-70	4	Nut-Lock
2	110-0906-01	1	Support-Filter, Oil	16	3231-27	2	Screw-CARR
3	117-0167	1	Tube-HYD	17	110-9019	1	Tube-HYD
4	108-1711	1	Tube-HYD	18	110-9020	1	Tube-HYD
5	108-1712	1	Tube ASM	19	340-154	2	Union-Bulkhead
5:1	237-22	1	O-Ring	19:1	237-22	2	O-Ring
6	108-1713	1	Tube ASM	20	110-0928	1	Hose-HYD
6:1	237-22	1	O-Ring	21	3272-12	1	Pin-Cotter
7	121-5601	1	Tube-HYD	22	114-0403	1	HYD Steering Cylinder ASM
8	3234-33	2	Screw-HHF	23	71-4740-03	1	RH Tie Rod End ASM
9	3234-36	3	Screw-HHF	23:1		1	End-Rod, Tie (RH) ●
10	104-8300	3	Nut-HF, NI	23:1:1	105-7941	1	Nut-Hex, Slotted
11	56-7973	6	Clamp-Tube	23:1:2	105-7835	1	Seal
12	86-3010	1	Filter-Oil	23:1:3	302-5	1	Fitting-Grease
13	117-5820	1	Head-Filter	24	106-6774	1	Joint-Ball
14	100-4240	2	Fitting-STR	25	32151-104	1	Ring-Retaining, External
14:1	237-30	1	O-Ring	26	3220-6	2	Nut-Jam
14:2	237-81	1	O-Ring	27	84-5300	1	Nut-Jam

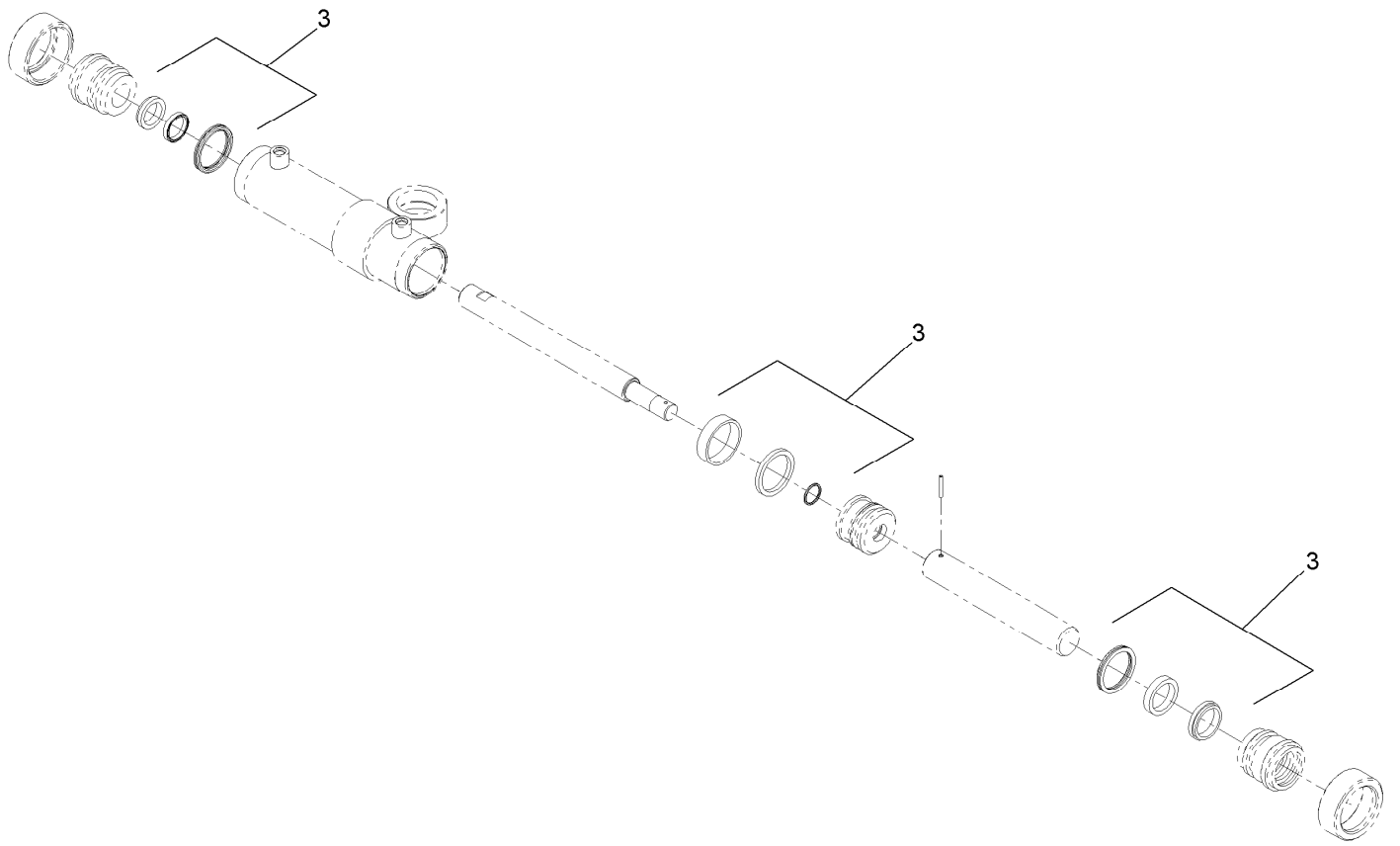
● Not serviced separately



Steering Hydraulic Assembly (continued)

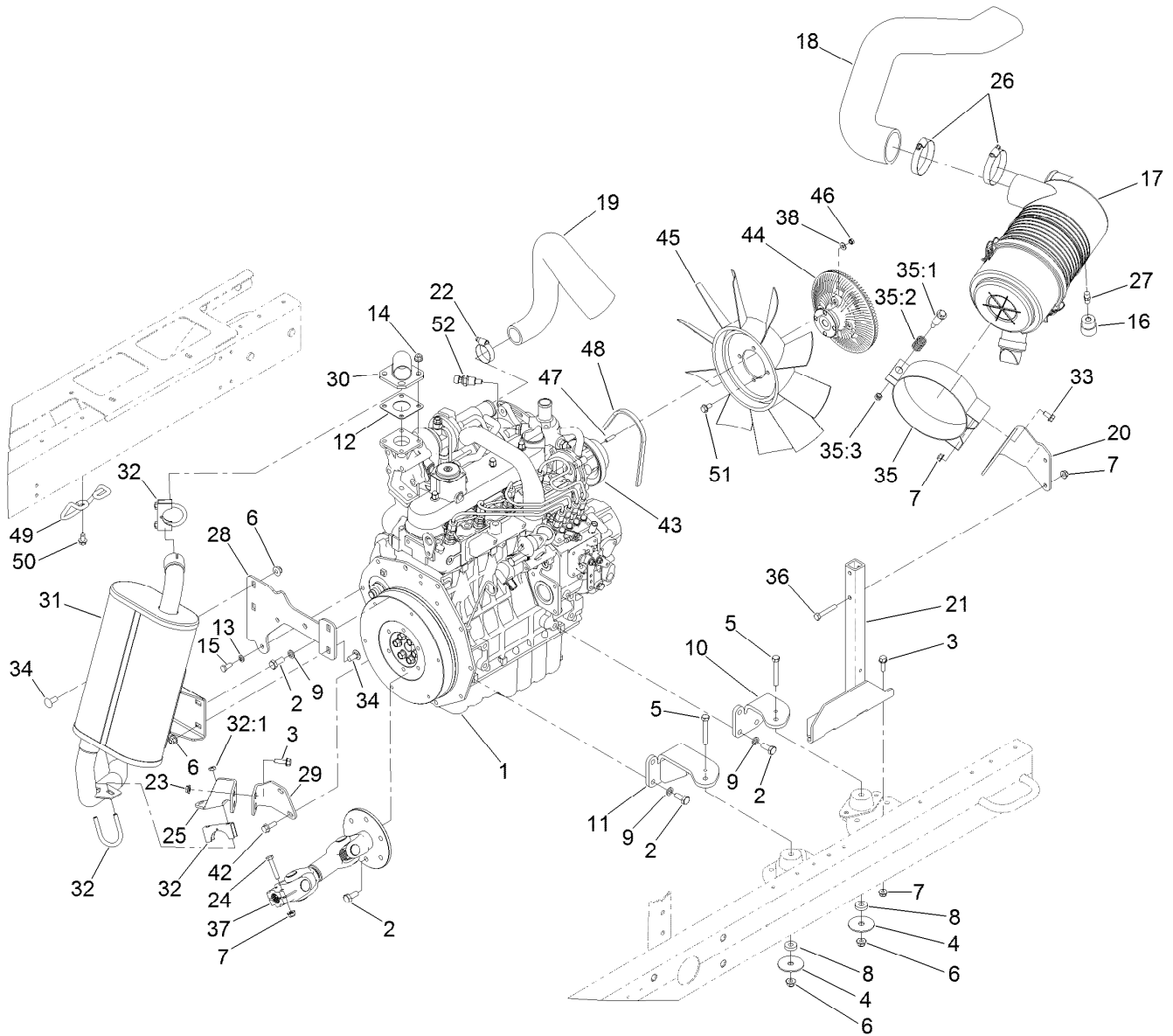
<i>Ref.</i>	<i>Part Number</i>	<i>Qty.</i>	<i>Description</i>	<i>Ref.</i>	<i>Part Number</i>	<i>Qty.</i>	<i>Description</i>
28	340-132	2	Fitting-Elbow, 90 DEG	31	3290-378	2	Tie-Cable
28:1	237-78	1	O-Ring	32	59-7410	1	Fitting-Diagnostic
28:2	237-21	1	O-Ring	32:1	237-42	1	O-Ring
29	110-0973	1	Hose-HYD	33	354-79	1	Cap-Dust
30	302-40	1	Fitting-Grease, 90 DEG	34	119-1418	6	Plate-Clamp, Short

● Not serviced separately



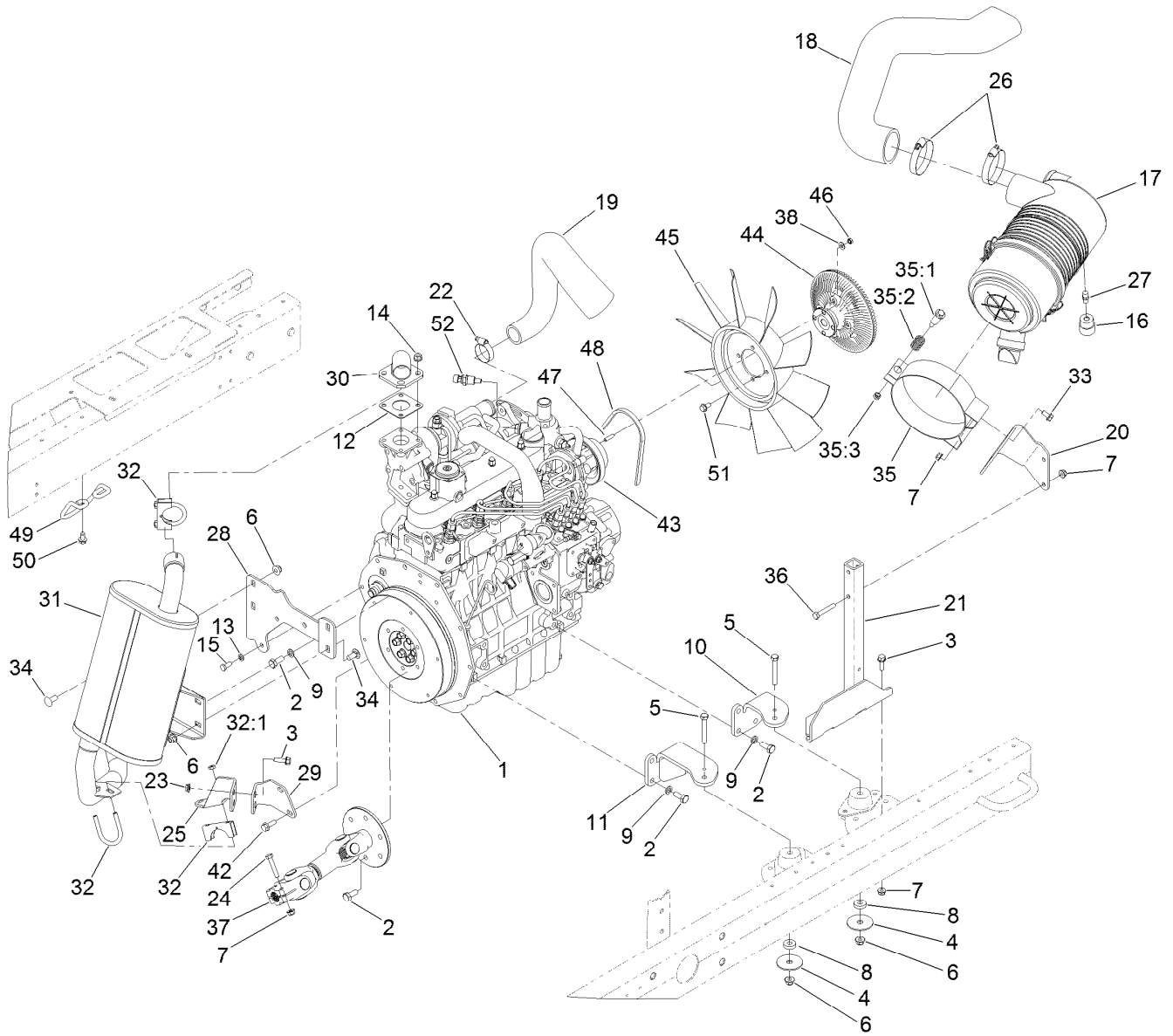
Hydraulic Cylinder Assembly No. 114-0403

<i>Ref.</i>	<i>Part Number</i>	<i>Qty.</i>	<i>Description</i>
3	114-0404	1	Cylinder Repair Kit



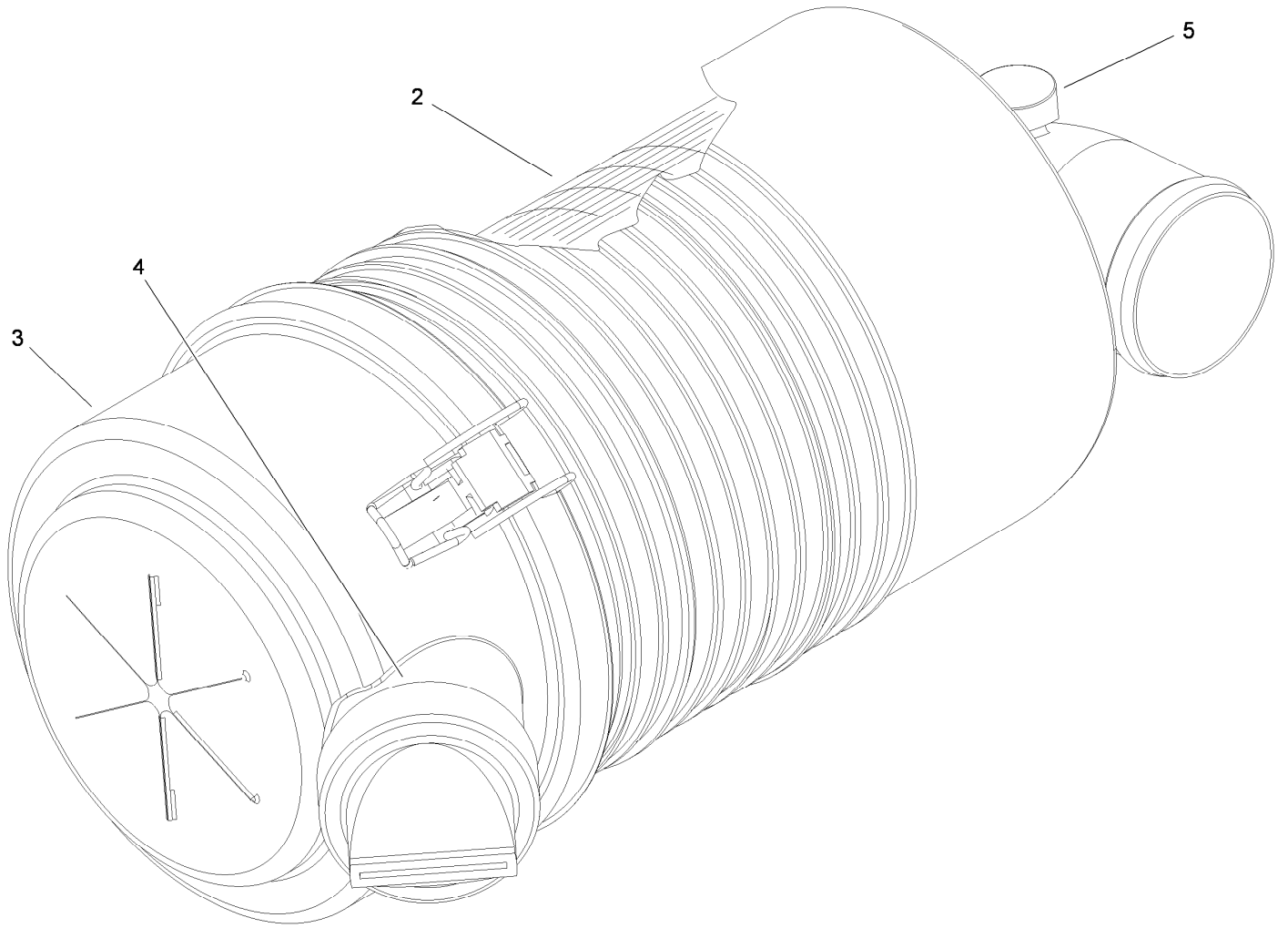
Engine, Muffler and Air Cleaner Assembly

Ref.	Part Number	Qty.	Description	Ref.	Part Number	Qty.	Description
1	125-2169	1	Engine-Kubota, V1505T	22	2412-3	1	Clamp-Hose
2	43-0090	19	Screw-HH	23	32128-20	2	Nut-HF
3	3234-29	5	Screw-HHF	24	322-9	2	Screw-HH
4	87-5100	4	Washer-Snubbing	25	117-0286	1	Bracket-Tailpipe
5	323-12	4	Screw-HH	26	2412-125	3	Clamp-Hose
6	104-8301	8	Nut-HF, NI	27	94-1416	1	Adapter-Indicator
7	104-8300	9	Nut-HF, NI	28	108-1785-03	1	Bracket-Support, Muffler
8	62-6660	4	Spacer	29	117-0288	1	Bracket-Tailpipe
9	48-9590	13	Washer-Lock	30	108-1783	1	Header ASM
10	115-8066-03	2	Mount-Engine	31	108-7643	1	Muffler
11	120-3812-03	2	Mount-Engine	32	2112-9	2	Clamp
12	99-8343	1	Gasket-Muffler	32:1	32128-20	2	Nut-HF
13	3253-4	2	Washer-Lock	33	3234-14	2	Screw-HHF
14	104-2612	4	Nut-HF	34	3231-27	4	Screw-CARR
15	33114-020	2	Screw-HH	35	93-7486	1	Clamp ASM
16	93-9164	1	Indicator-Mini	35:1	94-3653	1	Bolt
17	110-8917	1	Air Cleaner ASM	35:2	94-3654	1	Spring
18	110-8944	1	Hose-Formed	35:3	48-9510	1	Nut
19	117-8061	1	Hose-Turbo	36	322-10	2	Screw-HH
20	110-8981-03	1	Bracket-Mounting	37	108-1641	1	Driveshaft ASM
21	121-5611-03	1	Stand-Air Cleaner	38	3256-22	4	Washer-Flat



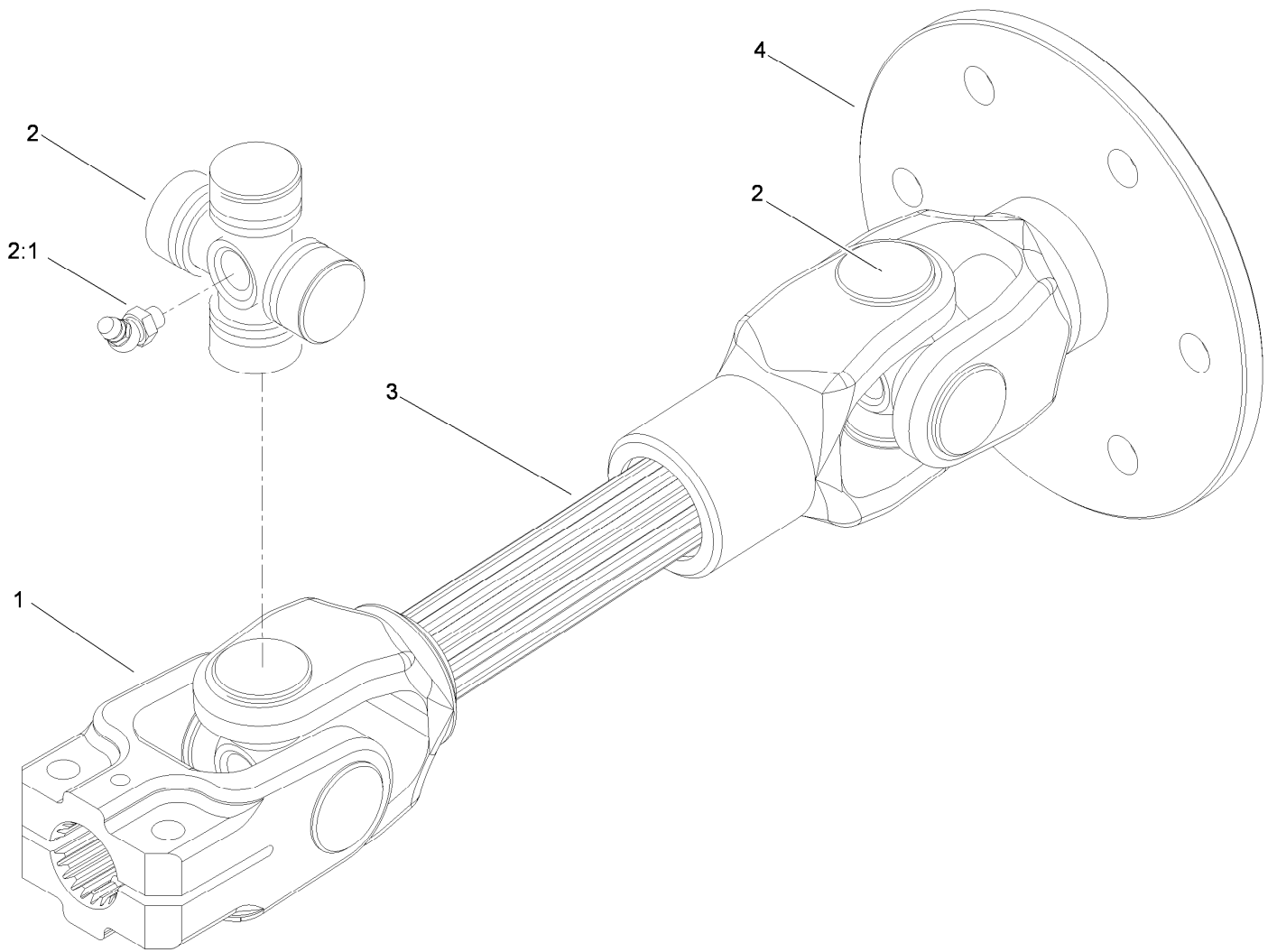
Engine, Muffler and Air Cleaner Assembly (continued)

<i>Ref.</i>	<i>Part Number</i>	<i>Qty.</i>	<i>Description</i>	<i>Ref.</i>	<i>Part Number</i>	<i>Qty.</i>	<i>Description</i>
42	33104-025	2	Screw-HHF	48	98-9676	1	V-Belt
43	110-0972	1	Pulley	49	127-2612	1	Guard-Pipe, Tail
44	117-8972	1	Fan Clutch ASM	50	32104-32	2	Screw-HWH
45	74-3650	1	Fan	51	3234-7	4	Screw-HHF
46	98-5845	4	Nut-Hex	52	119-4478	1	Sender-Temperature
47	104-5222	4	Stud				



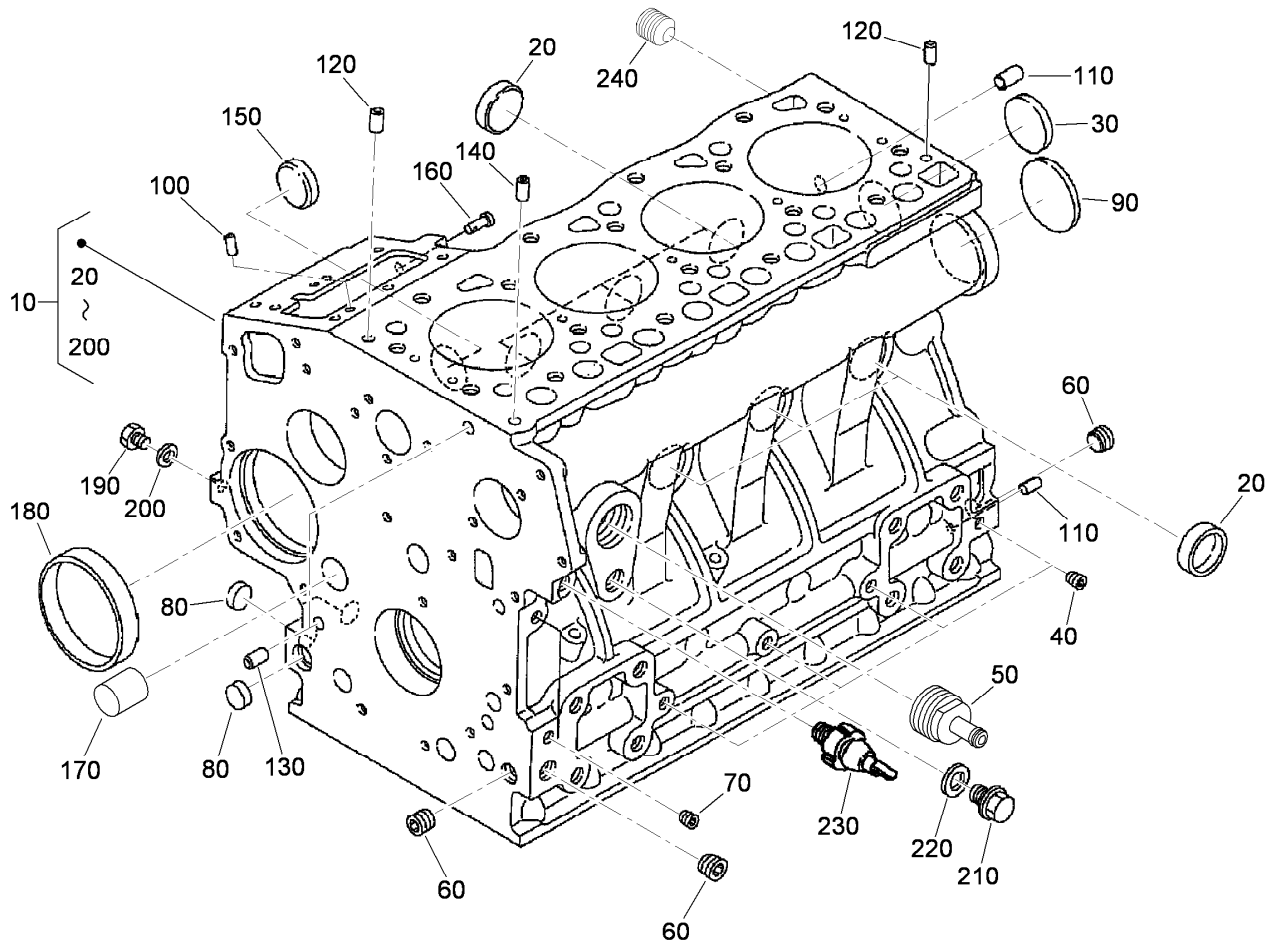
Air Cleaner Assembly No. 110-8917

<i>Ref.</i>	<i>Part Number</i>	<i>Qty.</i>	<i>Description</i>
2	108-3812	1	Filter-Air
3	93-5986	1	Cover ASM
4	87-9400	1	Valve-Vacuator
5	285-17	1	Plug-Pipe



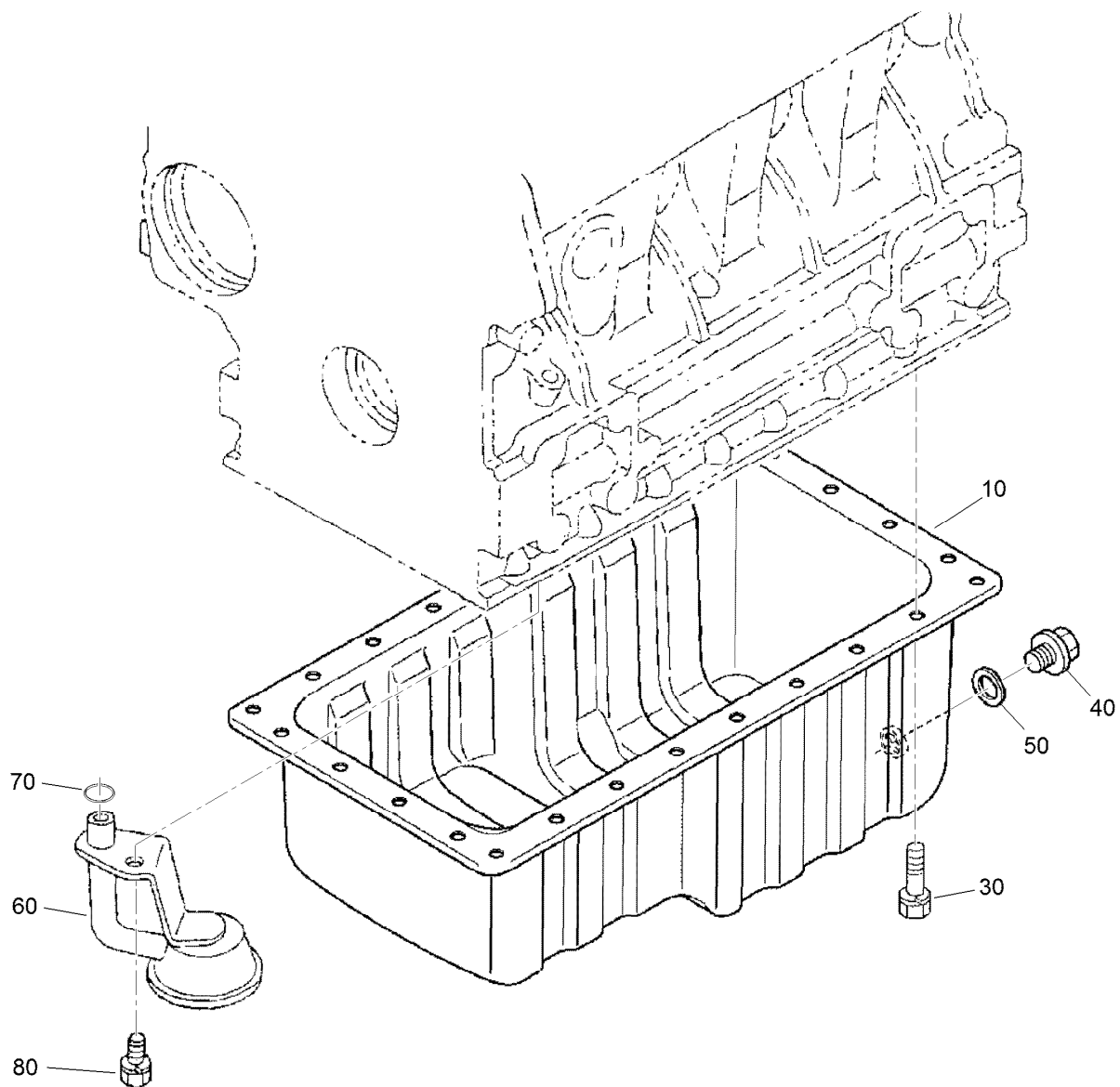
Driveshaft Assembly No. 108-1641

<i>Ref.</i>	<i>Part Number</i>	<i>Qty.</i>	<i>Description</i>
1	54-9040	1	Yoke-End
2	54-9180	2	U-Joint Kit
2:1	62-3820	1	Fitting-Grease
3	108-4574	1	Joint And Shaft ASM
4	108-4575	1	Joint And Yoke ASM



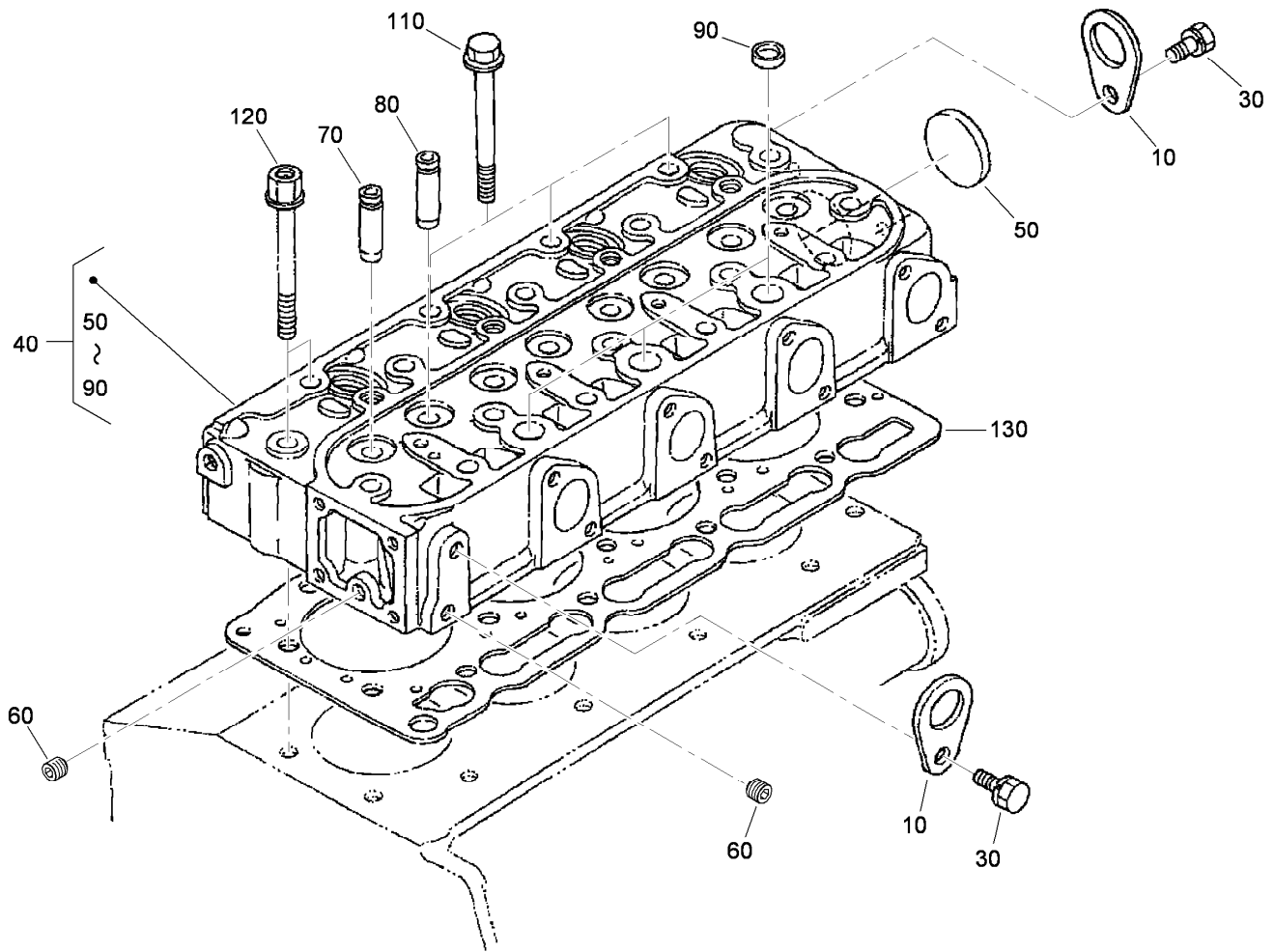
Crankcase Assembly

<i>Ref.</i>	<i>Part Number</i>	<i>Qty.</i>	<i>Description</i>
10	115-4115	1	Crankcase ASM
20	98-9398	6	Cap-Sealing
30	98-7539	1	Cap-Sealing
40	98-7540	4	Plug
50	99-8347	1	Joint-Pipe, Drain
60	98-9597	3	Plug
70	98-7487	2	Plug
80	98-9379	3	Plug-Expansion
90	98-9668	1	Plug-Expansion
100	98-9375	1	Pin-Straight
110	98-9377	1	Pin-Straight
120	98-9376	2	Pin-Straight
130	98-9387	2	Pin-Pipe
140	98-9539	1	Pin-Pipe
150	98-9599	1	Plug
160	105-3796	1	Pin-Spring, Start
170	98-9675	1	Plug
180	98-9656	1	Bushing-Governor, Gear
190	98-7507	1	Plug
200	98-7428	1	Gasket
210	99-3447	1	Plug
220	106-7056	1	Gasket
230	98-9416	1	Switch-Oil
240	98-9444	1	Plug



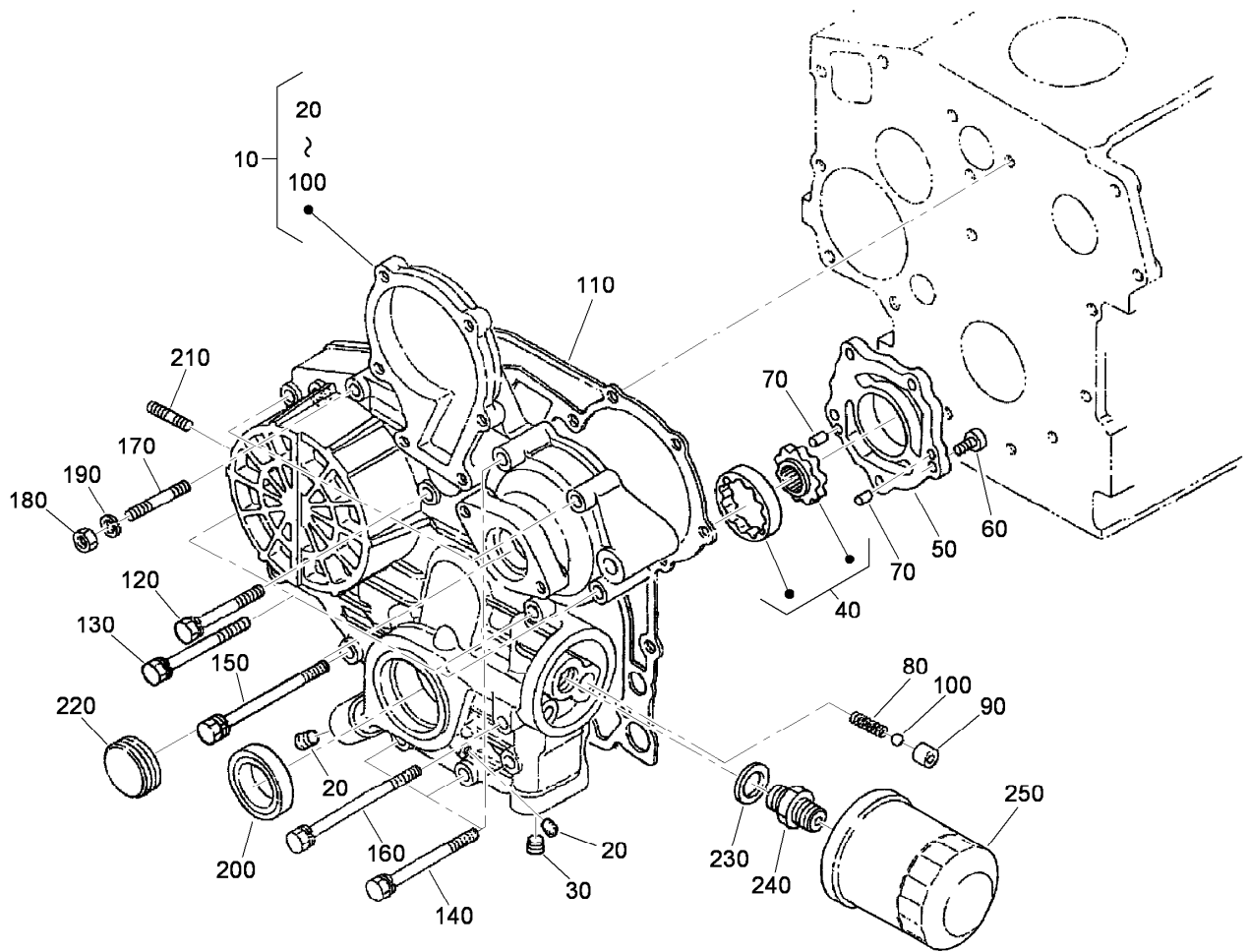
Oil Pan Assembly

<i>Ref.</i>	<i>Part Number</i>	<i>Qty.</i>	<i>Description</i>
10	112-0186	1	Oil Pan ASM
30	98-9351	26	Bolt
40	114-8151	1	Plug-Drain
50	98-7524	1	Gasket
60	112-7003	1	Head-Filter, Oil
70	105-3776	1	O-Ring
80	98-7526	1	Bolt



Cylinder Head Assembly

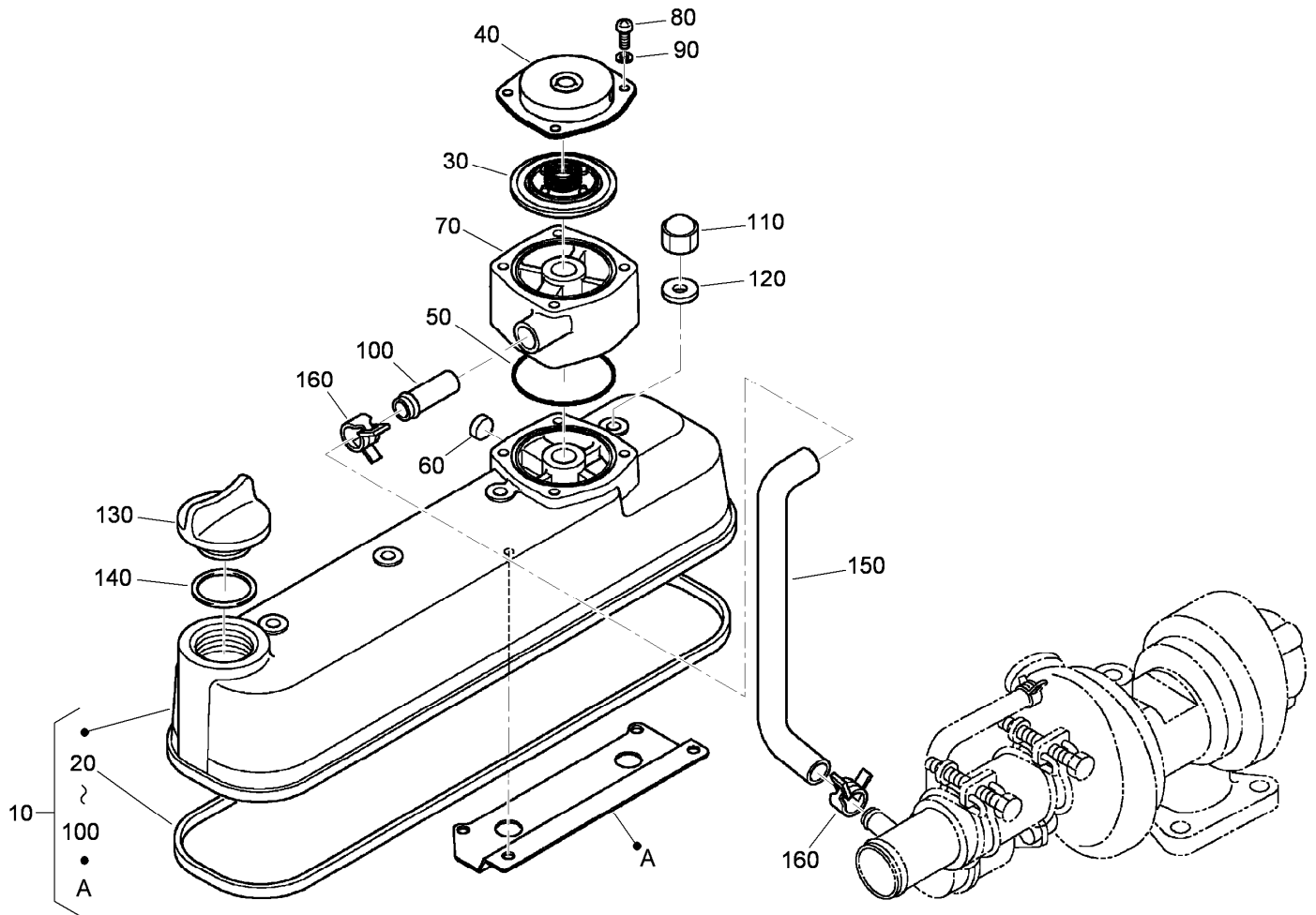
<i>Ref.</i>	<i>Part Number</i>	<i>Qty.</i>	<i>Description</i>
10	98-7531	2	Hook-Engine
30	100-9195	2	Bolt
40	108-2854	1	Cylinder Head ASM
50	105-3705	1	Cap-Sealing
60	98-7540	2	Plug
70	107-9066	4	Guide-Valve, Inlet
80	107-9067	4	Guide-Valve, Exhaust
90	98-9389	3	Cap-Sealing
110	98-9479	16	Bolt-Head, Cylinder
120	98-9647	2	Bolt-Head, Cylinder
130	108-2855	1	Gasket-Head, Cylinder



Gear Case Assembly

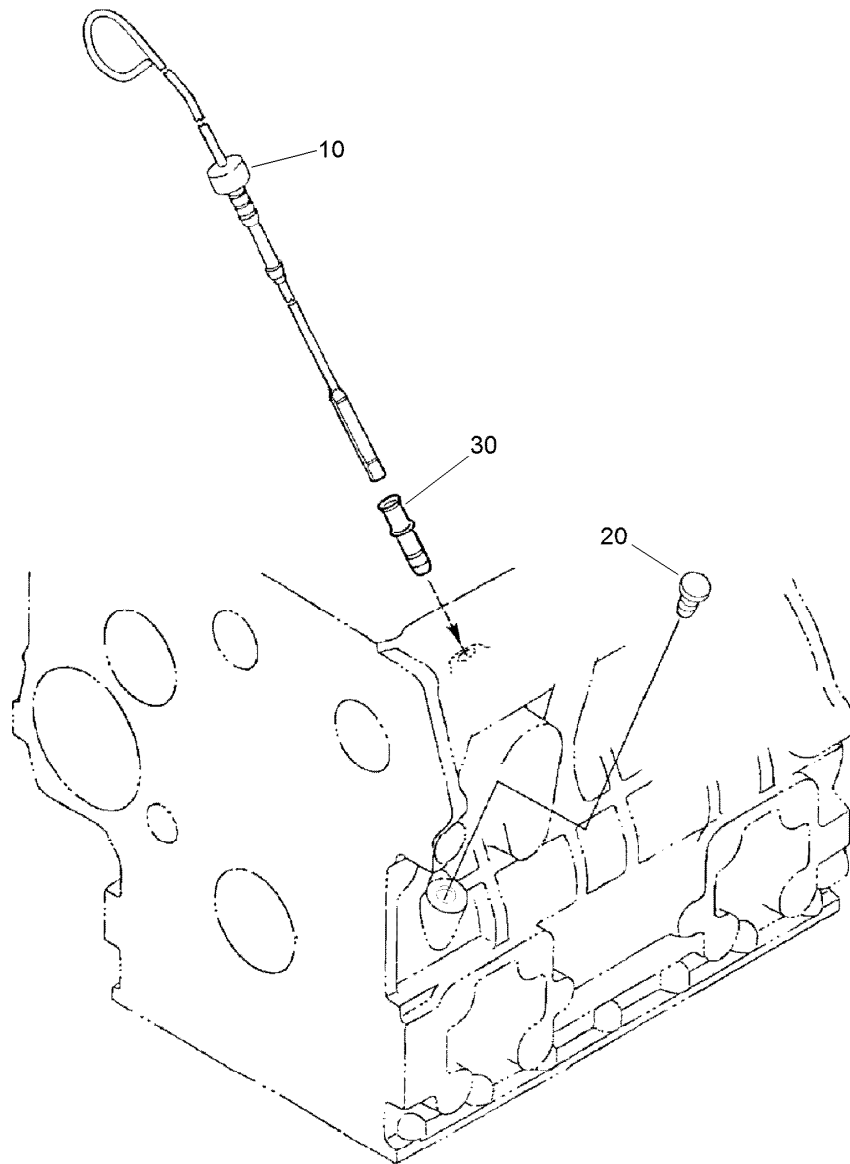
<i>Ref.</i>	<i>Part Number</i>	<i>Qty.</i>	<i>Description</i>
10	115-4111	1	Gear Case ASM
20	98-9598	5	Plug
30	98-7487	1	Plug
40	98-9540	1	Oil Pump Rotor ASM
50	107-9069	1	Cover-Pump, Oil
60	107-9071	1	Screw
70	107-9072	1	Pin-Straight
80	98-9544	1	Spring
90	98-9543	1	Seat-Valve
100	98-9380	1	Ball
110	98-9633	1	Gasket-Case, Gear
120	98-7496	3	Bolt
130	105-3797	4	Bolt

<i>Ref.</i>	<i>Part Number</i>	<i>Qty.</i>	<i>Description</i>
140	98-9356	2	Bolt
150	107-9074	1	Bolt
160	98-9586	1	Bolt
170	105-3709	1	Stud
180	98-7572	1	Nut
190	98-7699	1	Washer-Spring
200	98-9482	1	Seal-Oil
210	105-3710	2	Stud
220	98-9641	1	Cover-Case, Gear
230	98-9727	1	Collar
240	104-5159	1	Holder ASM
250	108-3841	1	Filter-Oil



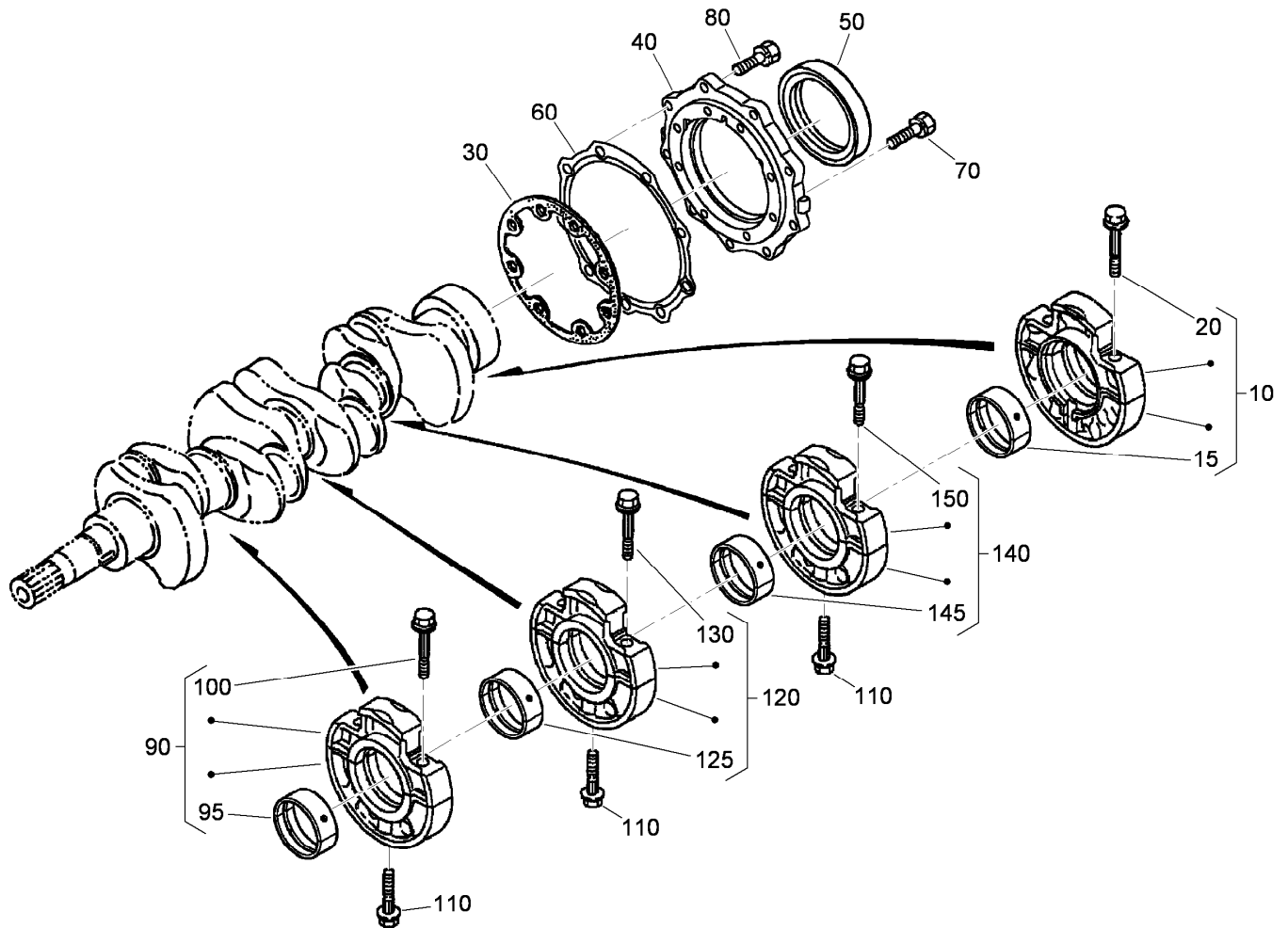
Cylinder Head Cover Assembly

<i>Ref.</i>	<i>Part Number</i>	<i>Qty.</i>	<i>Description</i>
10	115-3041	1	Cylinder Head Cover ASM
20	105-3712	1	Gasket-Cover, Head
30	110-3715	1	Valve-Breather
40	110-3714	1	Cover-Breather
50	110-3846	1	O Ring-Breather
60	115-3042	1	Cap-Sealing
70	115-3043	1	Spacer-Breather
80	115-3044	4	Screw-Pan Head
90	100-2204	4	Washer-Spring
100	98-7766	1	Pipe-Return, Water
110	98-9455	4	Nut-Cap
120	98-9454	4	Gasket
130	107-9075	1	Plug-Filler, Oil
140	99-3446	1	O-Ring
150	115-4119	1	Tube-Breather, Turbo
160	108-2859	2	Clamp-Hose



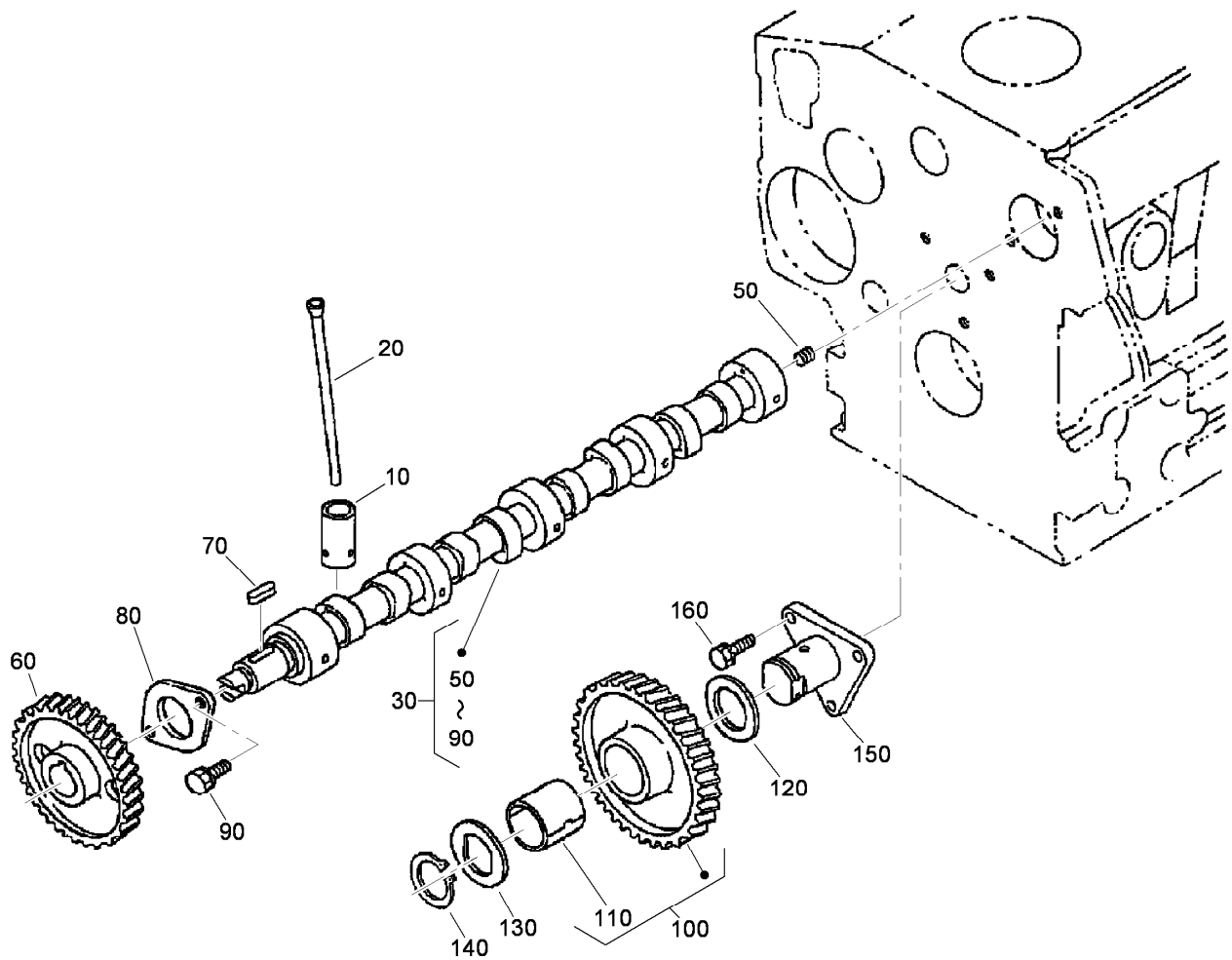
Dipstick and Guide Assembly

<i>Ref.</i>	<i>Part Number</i>	<i>Qty.</i>	<i>Description</i>
10	105-3714	1	Gauge-Oil
20	110-3720	1	Plug-Gauge, Oil
30	105-4580	1	Guide-Gauge, Oil



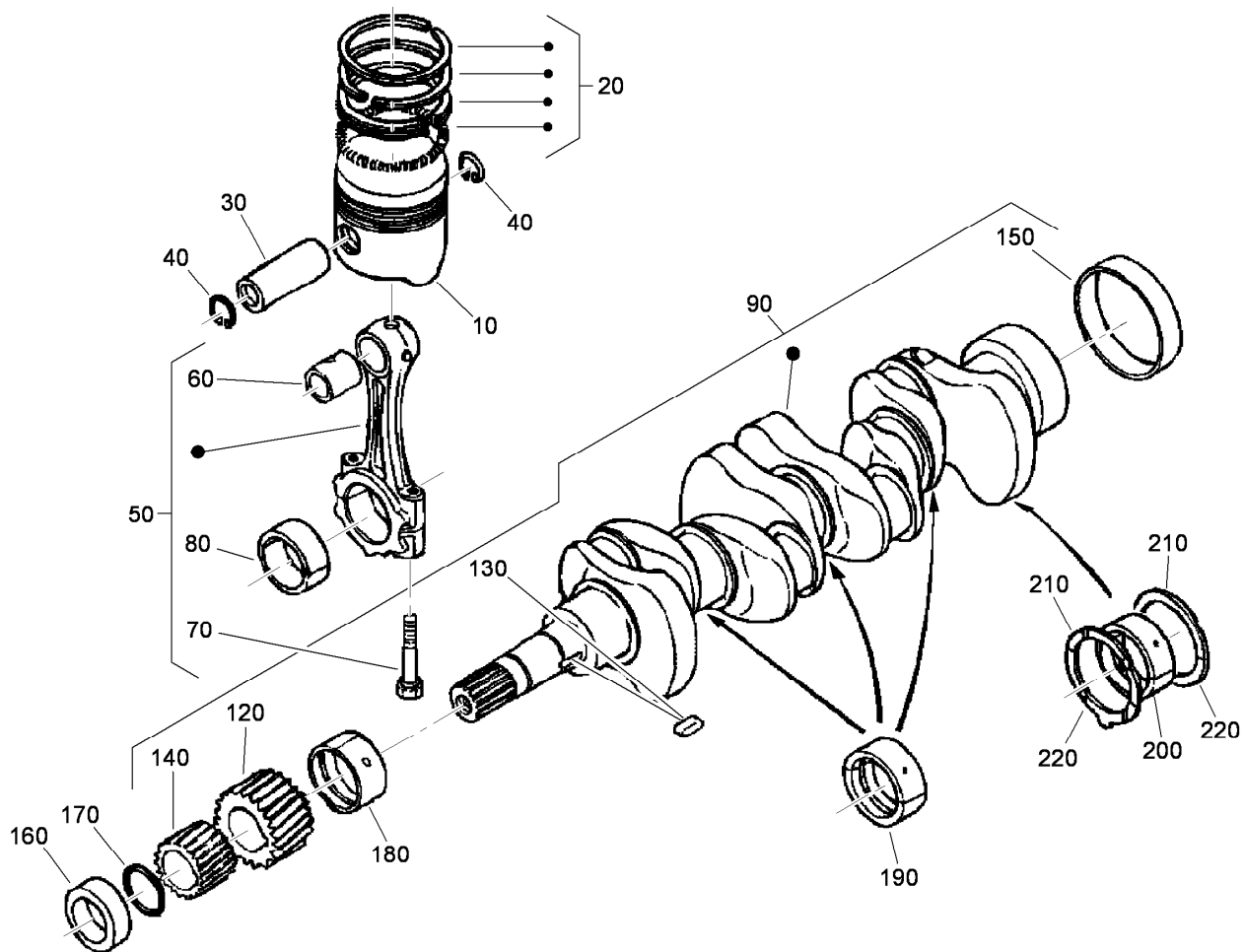
Main Bearing Case Assembly

<i>Ref.</i>	<i>Part Number</i>	<i>Qty.</i>	<i>Description</i>
10	112-7026	1	Wheel Bearing Case ASM
15	112-7045	1	Metal-Crankshaft
20	98-9484	2	Bolt-Case, Bearing
30	98-9634	1	Gasket-Case, Bearing
40	112-7046	1	Cover-Case, Bearing
50	112-0180	1	Seal-Oil
60	112-7037	1	Gasket-Cover, Case
70	98-9352	8	Bolt
80	98-7568	9	Bolt
90	112-7028	1	Bearing ASM
95	112-7011	1	Bearing-Main (STD)
100	98-9484	2	Bolt-Case, Bearing
110	98-9485	3	Bolt-Case, Bearing
120	112-7027	1	Bearing ASM
125	112-7011	1	Bearing-Main (STD)
130	98-9484	2	Bolt-Case, Bearing
140	115-4120	1	Bearing Case ASM
145	112-7011	1	Bearing-Main (STD)
150	98-9484	2	Bolt-Case, Bearing



Cam Shaft and Idle Gear Shaft Assembly

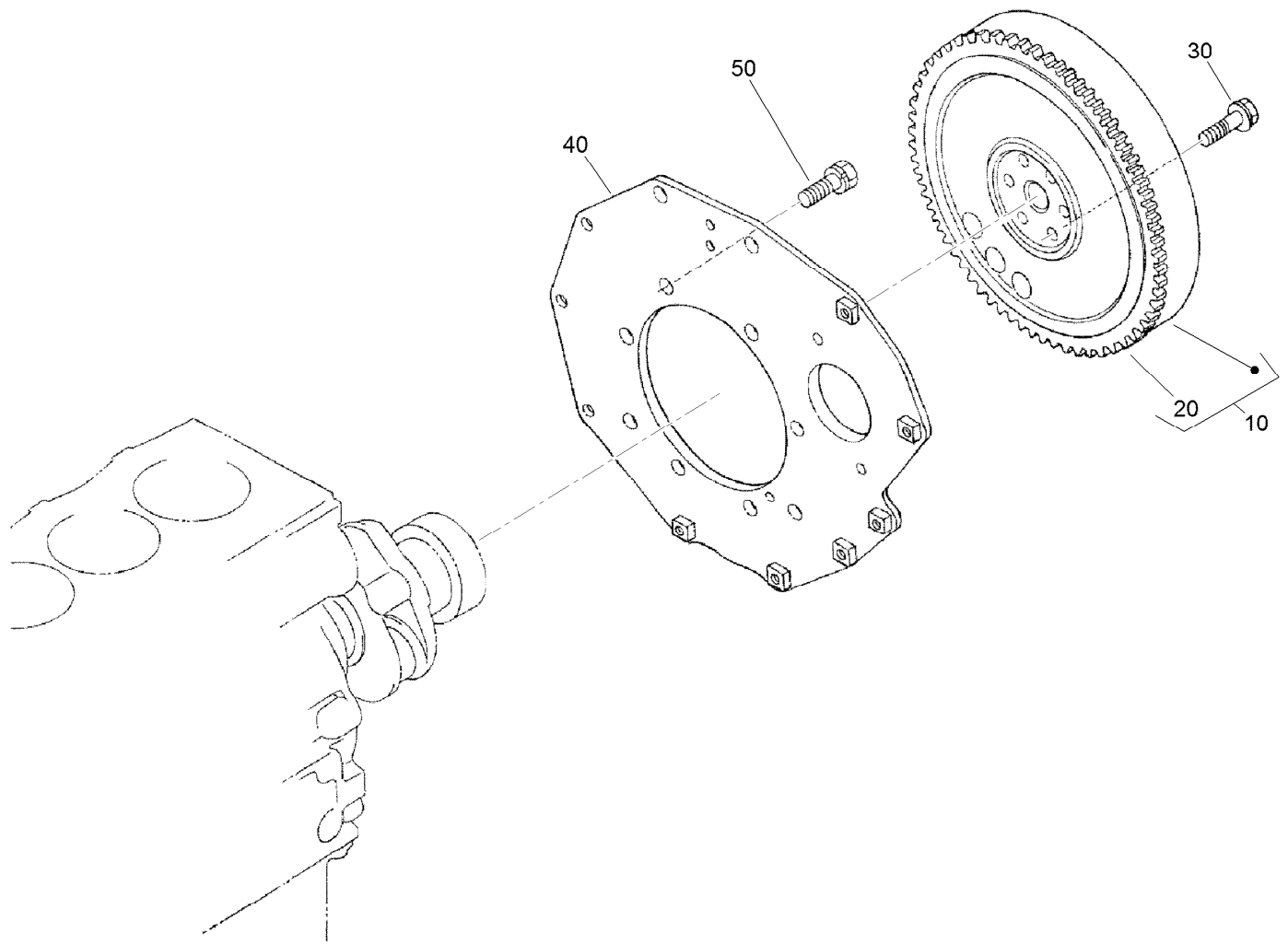
<i>Ref.</i>	<i>Part Number</i>	<i>Qty.</i>	<i>Description</i>
10	112-0185	8	Tappet
20	98-9509	8	Rod-Push
30	112-8402	1	Camshaft ASM
50	98-7449	1	Screw-Set
60	98-9512	1	Gear-Cam
70	98-9378	1	Key-Feather
80	98-9510	1	Stopper-Camshaft
90	98-7692	2	Bolt
100	98-9649	1	Idle Gear ASM
110	98-9650	1	Bushing-Gear, Idle
120	98-9535	1	Collar-Gear, Idle
130	98-9536	1	Collar-Gear, Idle
140	98-9534	1	Circlip-Gear, Idle
150	98-9533	1	Shaft-Gear, Idle
160	98-7692	3	Bolt



Piston and Crankshaft Assembly

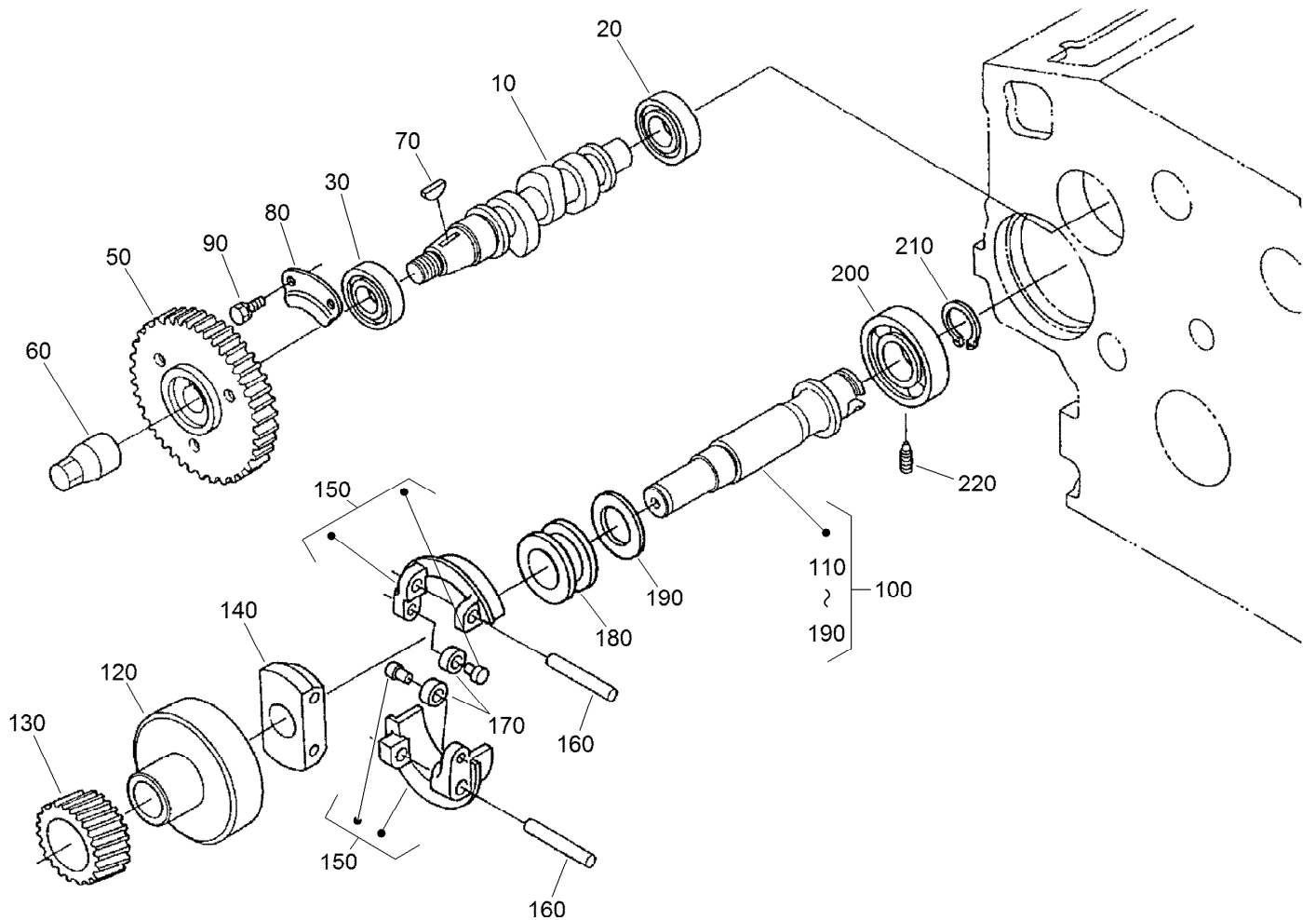
<i>Ref.</i>	<i>Part Number</i>	<i>Qty.</i>	<i>Description</i>
10	98-9550	4	Piston (STD)
10	108-1417	4	Piston (+0.5MM)
20	98-9551	4	Piston Ring ASM (STD)
20	108-1404	4	Piston Ring ASM (+0.5MM)
30	98-9513	4	Pin-Piston
40	98-9514	8	Circlip-Pin, Piston
50	98-9552	4	Connecting Rod ASM
60	115-3014	4	Bushing-Pin, Piston
70	98-9517	8	Bolt-Rod, Connecting
80	98-9553	4	Bearing-Rod (STD)
80	108-1405	4	Metal-Crankpin (-0.2MM)
80	108-1406	4	Metal-Crankpin (-0.4MM)
90	105-3718	1	Crankshaft ASM
120	98-9532	1	Gear-Crankshaft
130	98-9666	1	Key
140	98-9542	1	Gear-Drive, Oil Pump
150	98-9522	1	Sleeve-Crankshaft

<i>Ref.</i>	<i>Part Number</i>	<i>Qty.</i>	<i>Description</i>
160	98-9521	1	Collar-Crankshaft
170	105-3783	1	O-Ring
180	112-7005	1	Bearing-Main (STD)
180	112-7009	1	Metal-Crankpin (-0.2MM)
180	112-7010	1	Metal-Crankpin (-0.4MM)
190	112-7011	3	Bearing-Main (STD)
190	112-7012	3	Metal-Crankpin (-0.2MM)
190	112-7013	3	Metal-Crankpin (-0.4MM)
200	112-7006	1	Bearing-Main (STD)
200	112-7007	1	Metal-Crankshaft (.2MM)
200	112-7040	1	Metal-Crankshaft (-0.4Mm)
210	98-9413	2	Bearing-Thrust (STD)
210	98-9414	2	Bearing-Thrust (0.2MM)
210	98-9415	2	Bearing-Thrust (0.4MM)
220	98-9688	2	Bearing-Thrust (STD)
220	98-9689	2	Bearing-Thrust (0.2MM)
220	98-9690	2	Bearing-Thrust (0.4MM)



Flywheel Assembly

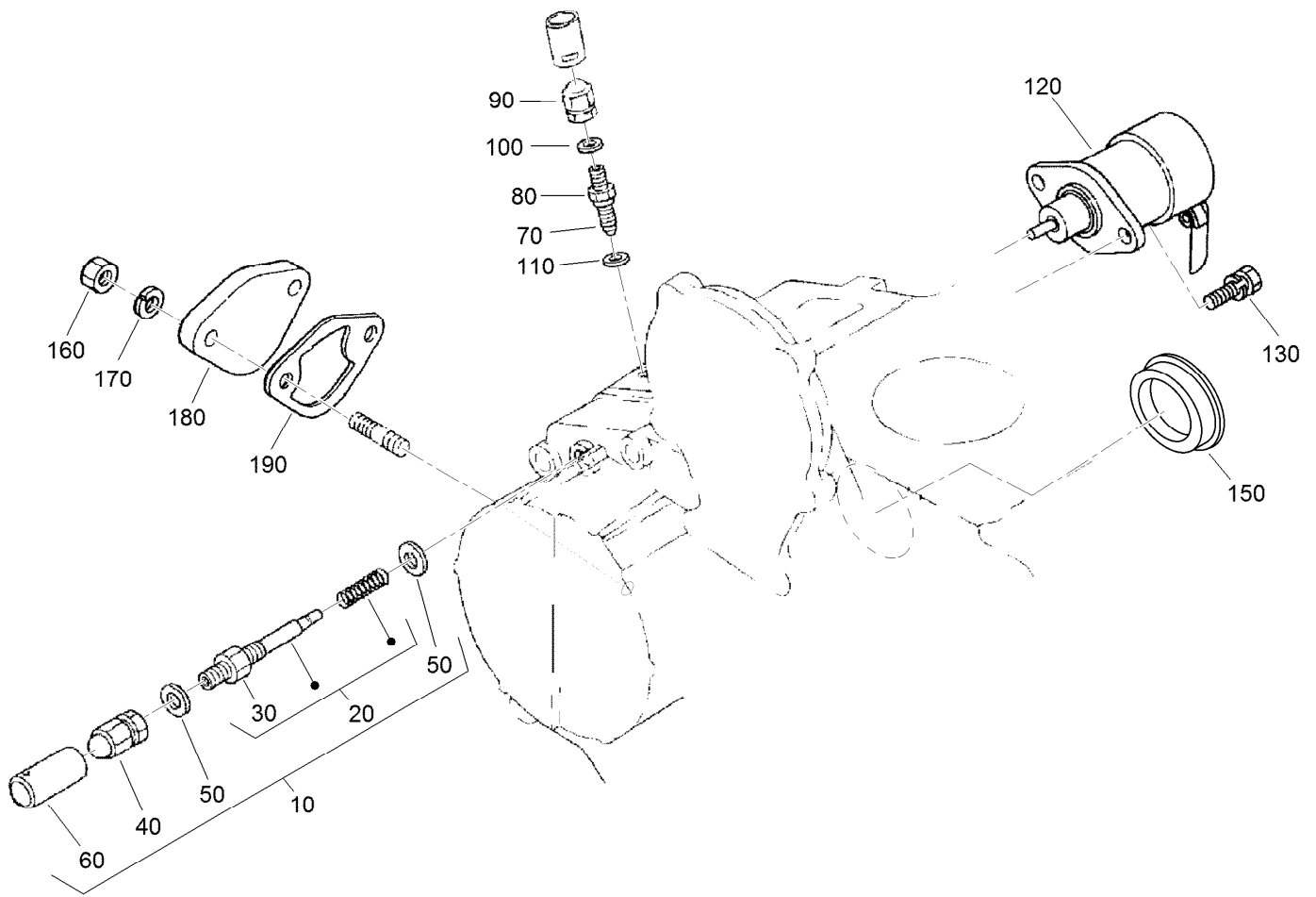
<i>Ref.</i>	<i>Part Number</i>	<i>Qty.</i>	<i>Description</i>
10	105-3721	1	Flywheel ASM
20	115-3015	1	Gear-Ring
30	98-9537	6	Bolt-Flywheel
40	98-9486	1	Plate-End, Rear
50	98-9392	8	Bolt



Fuel Camshaft and Governor Shaft Assembly

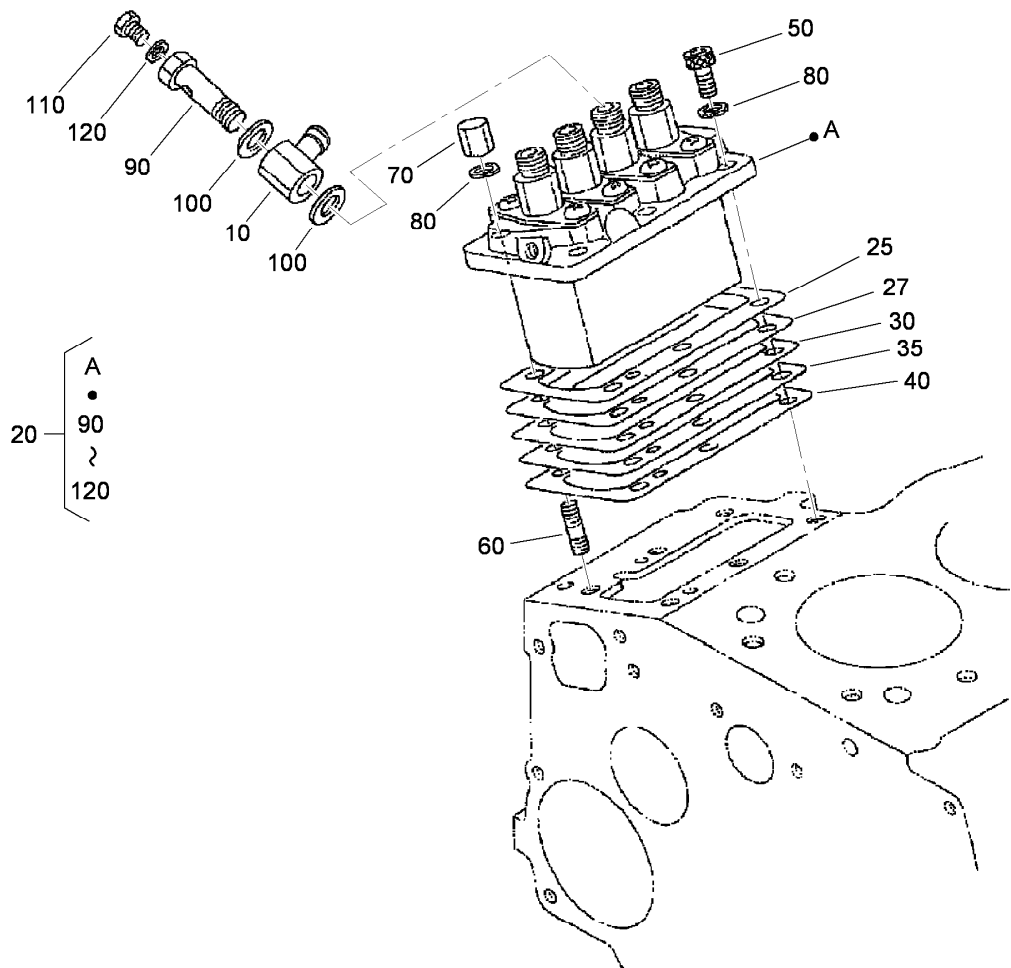
Ref.	Part Number	Qty.	Description
10	105-3723	1	Camshaft-Fuel
20	107-9077	1	Bearing-Ball
30	107-9078	1	Bearing-Ball
50	98-9669	1	Gear-Pump, Injection
60	98-9590	1	Nut-Cap
70	98-9595	1	Key-Woodruff
80	98-9511	1	Stopper-Fuel, Camshaft
90	98-7692	2	Bolt
100	105-3724	1	Governor Shaft ASM
110	105-3725	1	Shaft-Governor
120	98-9562	1	Holder-Gear, Governor

Ref.	Part Number	Qty.	Description
130	98-9673	1	Gear-Governor
140	98-9561	1	Holder-Weight, Governor
150	98-9559	2	Governor Weight ASM
160	98-9560	2	Shaft-Weight, Governor
170	98-9692	2	Roller
180	98-9563	1	Sleeve-Governor
190	98-9564	1	Washer-Thrust
200	107-9079	1	Bearing-Ball
210	98-9657	1	Circlip-Shaft, Governor
220	98-9565	1	Screw-Set



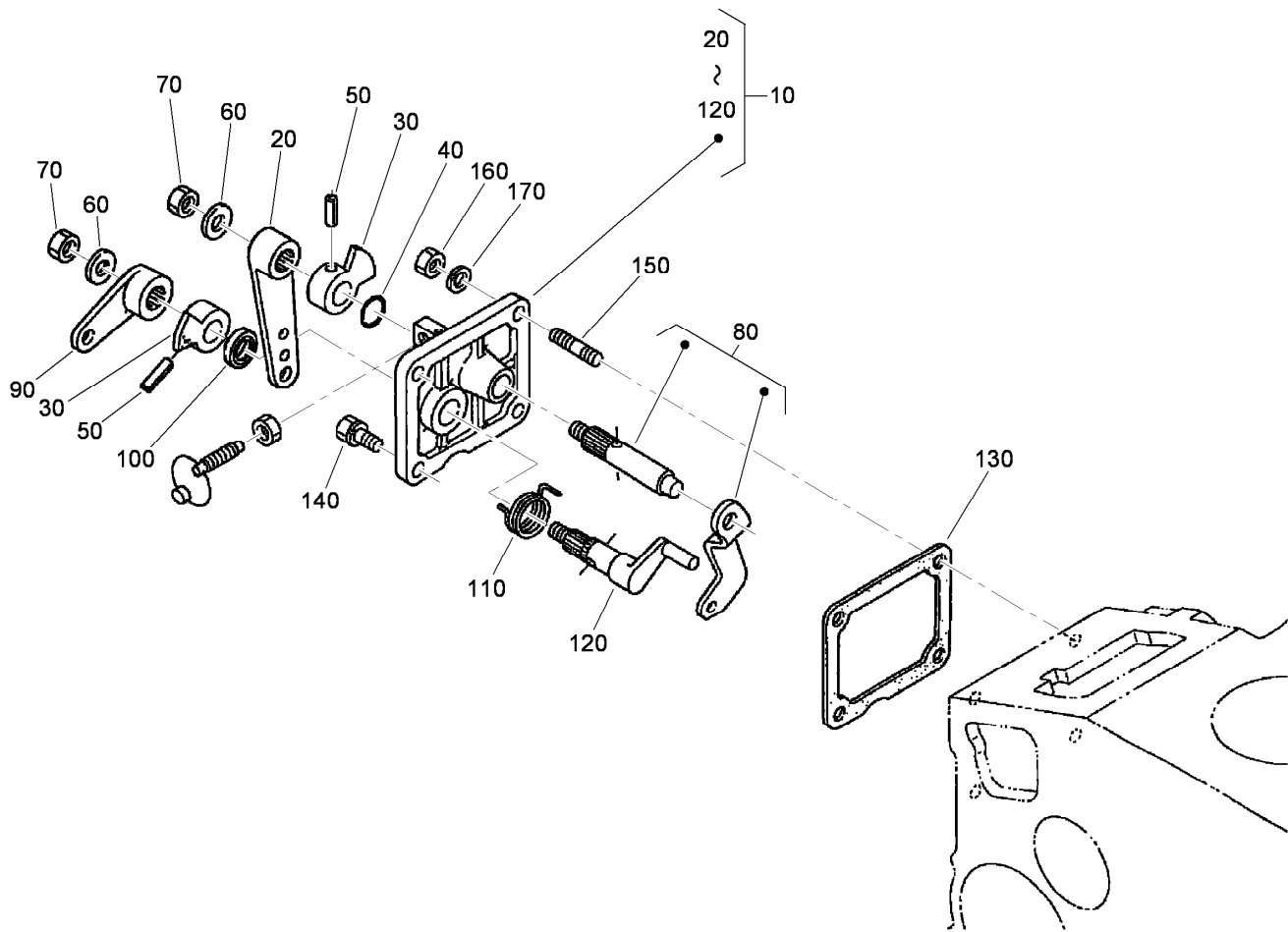
Idle Apparatus Assembly

<i>Ref.</i>	<i>Part Number</i>	<i>Qty.</i>	<i>Description</i>
10	98-9678	1	Idle Apparatus ASM
20	112-7014	1	Adjusting Bolt ASM
30	98-9439	1	Nut
40	112-0181	1	Nut
50	98-7654	2	Gasket
60	98-7656	1	Cap
70	112-7015	1	Bolt-Adjusting
80	100-2175	1	Nut-Lock
90	112-0181	1	Nut
100	98-7654	1	Gasket
110	107-9081	1	Gasket
120	104-5155	1	Solenoid-Stop
130	115-3039	2	Bolt-HSH
150	112-7016	1	Cover-Pump
160	98-7572	2	Nut
170	98-7699	2	Washer-Spring
180	99-3514	1	Cover
190	98-9636	1	Gasket-Pump, Fuel



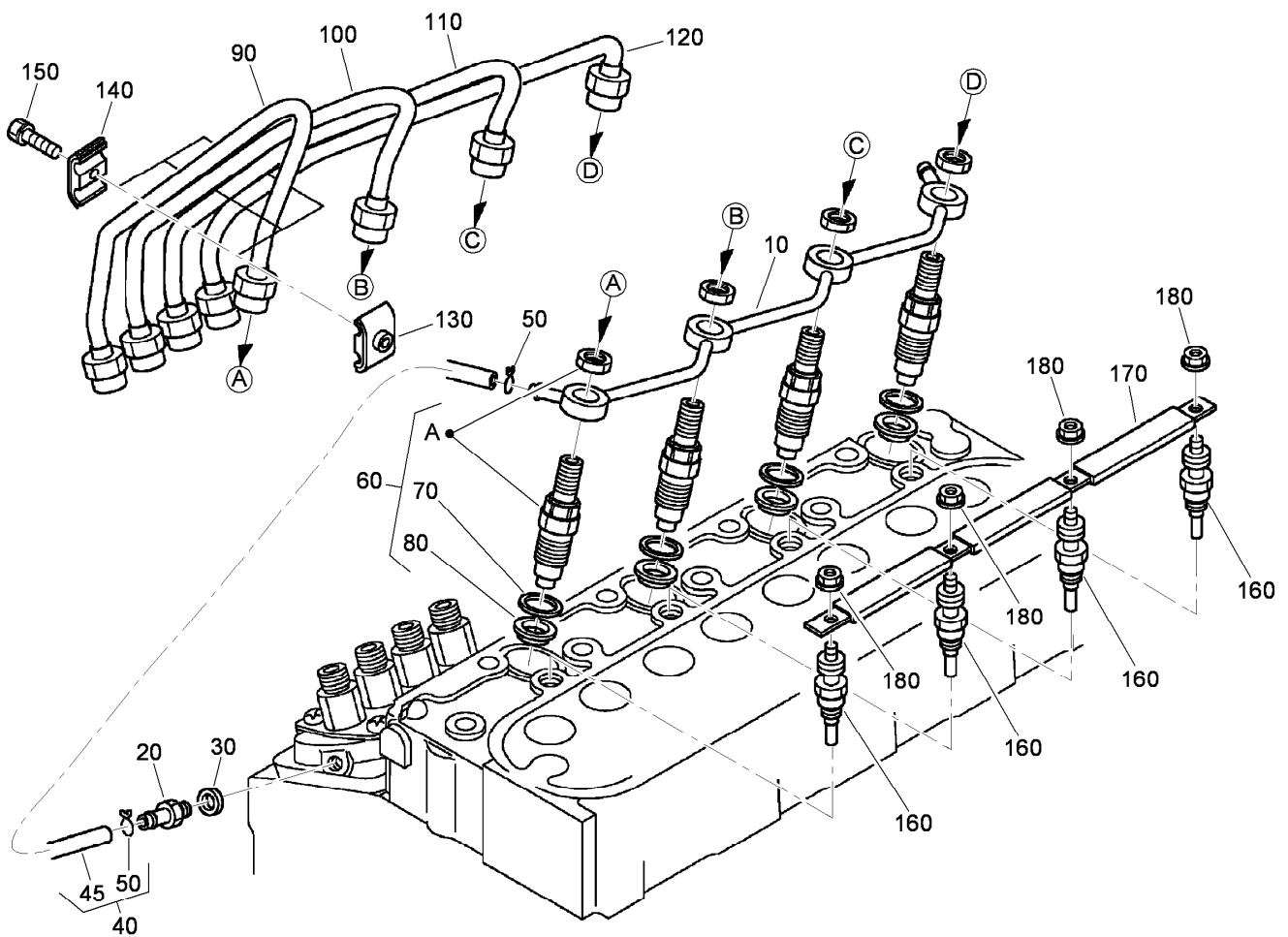
Injection Pump Assembly

<i>Ref.</i>	<i>Part Number</i>	<i>Qty.</i>	<i>Description</i>
10	98-9596	1	Joint-Eye
20	105-3727	1	Injection Pump ASM
25	115-3016	1	Shim-Pump, Injection (.350MM)
27	115-3017	1	Shim-Pump, Injection (.175MM)
30	105-3728	1	Shim-Pump, Injection (.20MM)
35	105-3729	1	Shim-Pump, Injection (.25MM)
40	105-3730	1	Shim-Pump, Injection (.30MM)
50	98-9361	3	Bolt-HSH
60	98-9438	3	Stud
70	98-9440	3	Nut-Cap
80	98-7699	6	Washer-Spring
90	98-9464	1	Bolt-Joint
100	98-9445	2	Gasket
110	98-9430	1	Screw
120	98-9446	1	Gasket



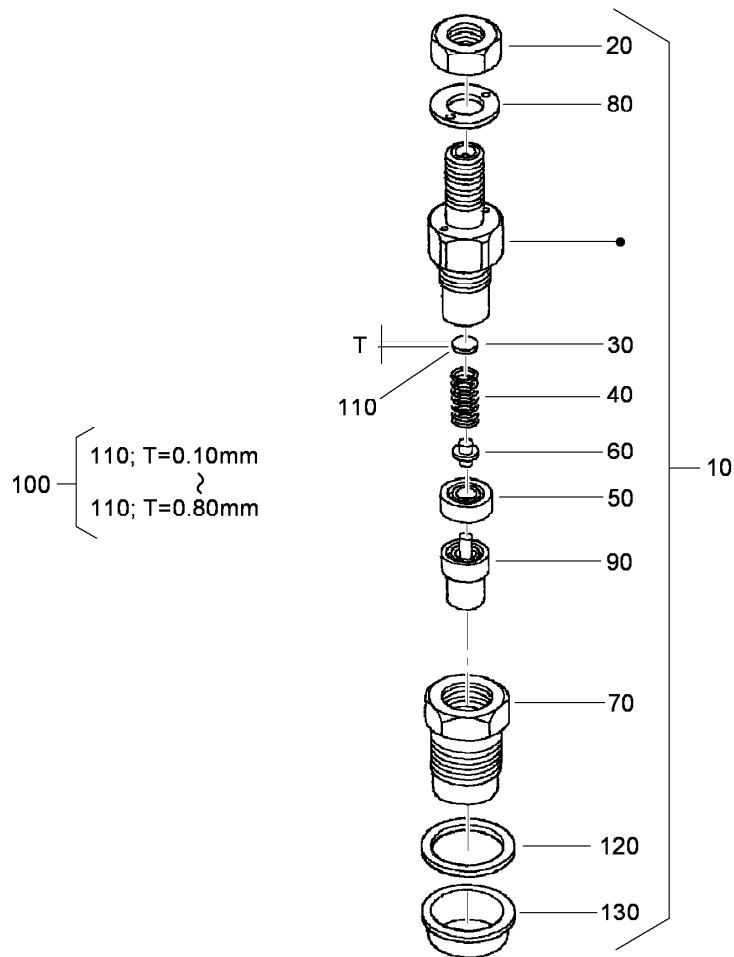
Speed Control Plate Assembly

<i>Ref.</i>	<i>Part Number</i>	<i>Qty.</i>	<i>Description</i>
10	105-3735	1	Control Plate ASM
20	98-9662	1	Lever-Control, Speed
30	98-9572	2	Lever-Control, Speed
40	105-3788	1	O-Ring
50	98-7602	2	Pin-Spring
60	98-9594	2	Washer-Plain
70	98-9589	2	Nut
80	98-9658	1	Governor Lever ASM
90	98-9663	1	Lever-Stop, Engine
100	98-7601	1	Seal-Oil
110	98-9472	1	Spring-Return
120	98-9664	1	Shaft-Lever, Stop
130	98-9637	1	Gasket
140	98-7692	2	Bolt
150	105-3710	2	Stud
160	98-7572	2	Nut
170	98-7699	2	Washer-Spring



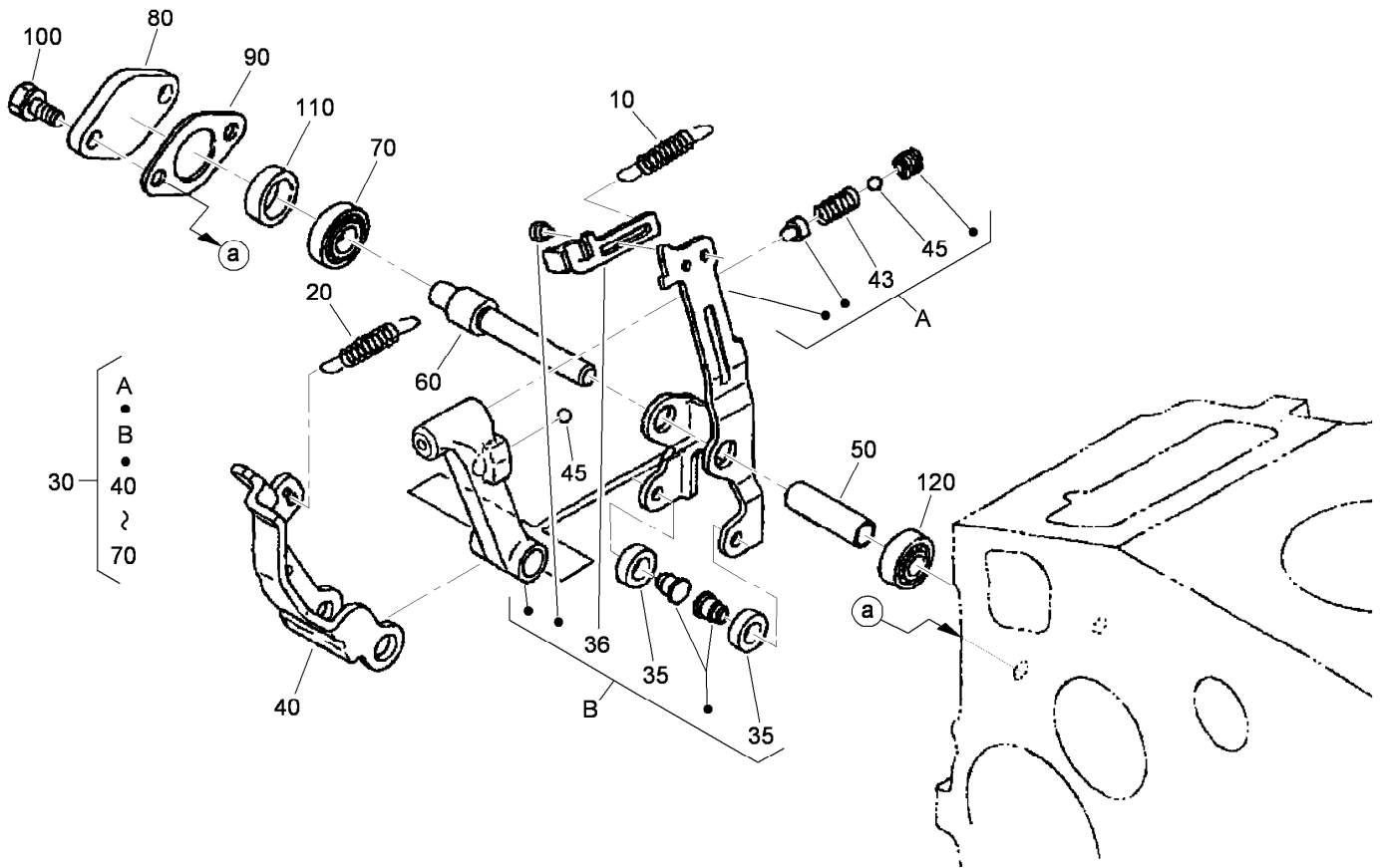
Nozzle Holder and Glow Plug Assembly

Ref.	Part Number	Qty.	Description
10	105-3737	1	Over Flow Pipe ASM
20	98-9431	1	Screw-Bleeder, Air
30	98-7654	1	Gasket
40	98-9420	1	Overflow Pipe ASM
45	112-0182	1	Pipe-Overflow
50	98-7671	2	Clip-Pipe
60	108-2866	4	Nozzle Holder Kit
70	98-7676	4	Gasket
80	98-7677	4	Seal-Heat
90	98-9622	1	Pipe-Injection
100	98-9654	1	Pipe-Injection
110	98-9655	1	Pipe-Injection
120	105-3738	1	Pipe-Injection
130	98-7682	3	Clamp-Pipe
140	98-7683	3	Clamp-Pipe
150	98-7684	3	Screw (W/Washer)
160	98-9623	4	Plug-Glow
170	105-3739	1	Cord-Plug, Glow
180	99-8377	4	Nut-Flange



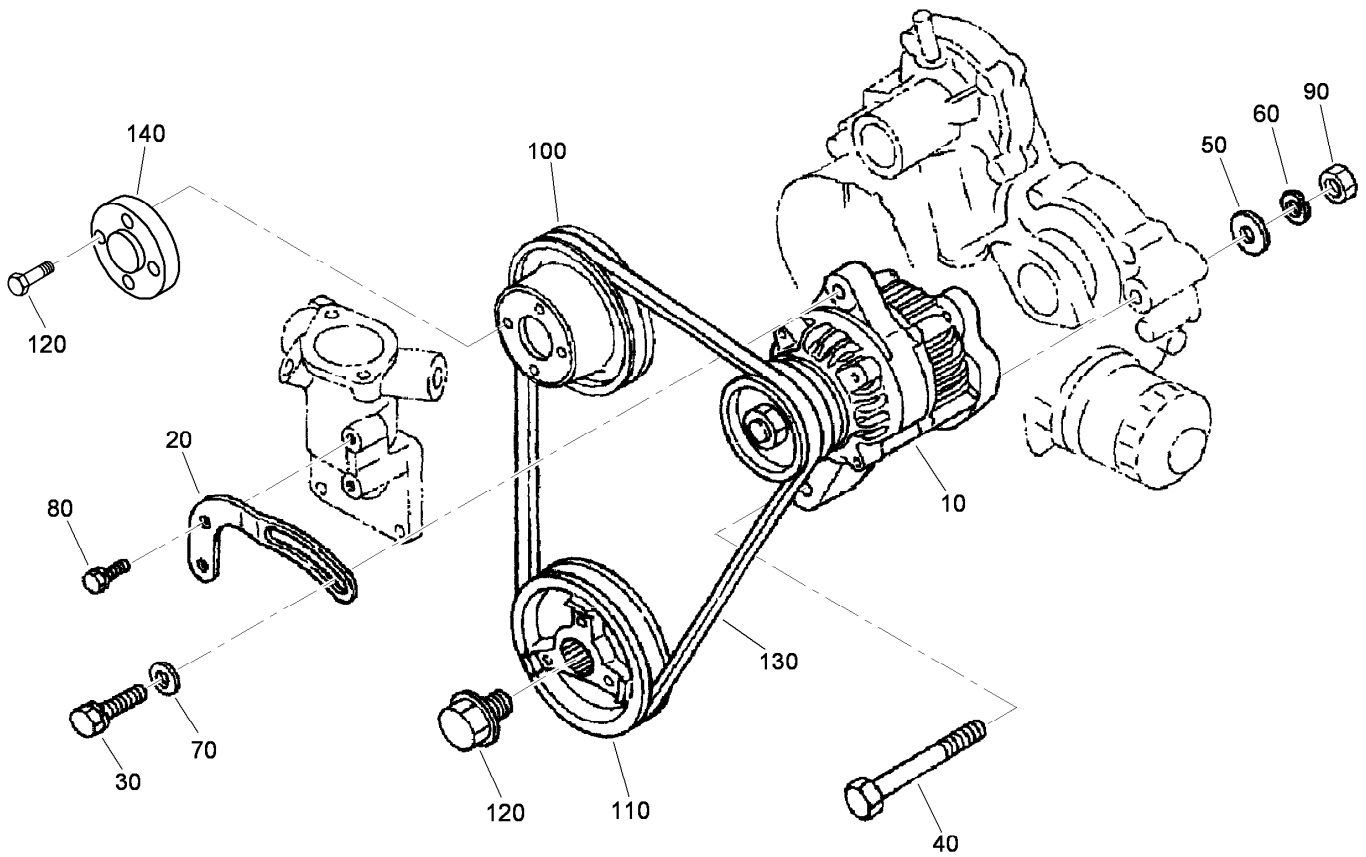
Nozzle Holder Component Assembly

Ref.	Part Number	Qty.	Description
10	108-2866	4	Nozzle Holder Kit
20	99-8301	4	Nut
30	99-8302	4	Washer-Adjusting
40	99-8303	4	Spring-Nozzle
50	99-8304	4	Spacer-Distance
60	99-8305	4	Rod-Push
70	99-8306	4	Nut-Nozzle
80	99-8307	4	Washer-Plain
90	107-7826	4	Piece-Nozzle
100	99-8309	4	Adjusting Washer ASM
110	99-8310	4	Washer-Adjust (0.10MM)
110	99-8311	4	Washer-Adjust (0.20MM)
110	99-8312	4	Washer-Adjust (0.30MM)
110	99-8313	4	Washer-Adjust (0.40MM)
110	99-8314	4	Washer-Adjust (0.50MM)
110	99-8315	4	Washer-Adjust (0.52MM)
110	99-8316	4	Washer-Adjust (0.54MM)
110	99-8317	4	Washer-Adjust (0.56MM)
110	99-8318	4	Washer-Adjust (0.58MM)
110	99-8319	4	Washer-Adjust (0.80MM)
120	98-7676	4	Gasket
130	98-7677	4	Seal-Heat



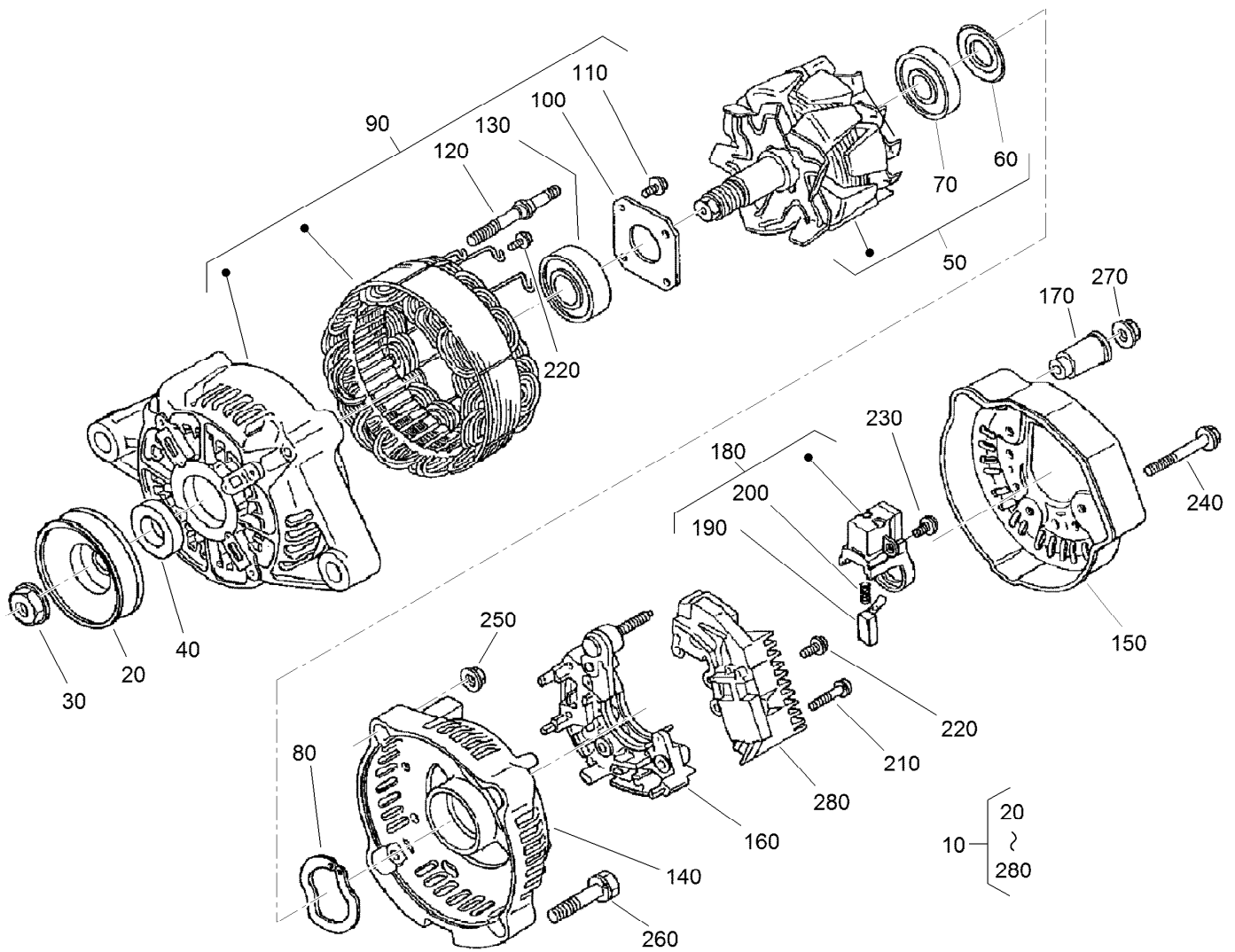
Governor Assembly

<i>Ref.</i>	<i>Part Number</i>	<i>Qty.</i>	<i>Description</i>
10	105-3741	1	Spring-Start
20	98-9681	1	Spring-Governor
30	108-4427	1	Fork Lever ASM
35	98-9692	2	Roller
36	107-9083	1	Lever-Thrust
40	107-9084	1	Lever-Fork
43	108-2867	1	Spring
45	98-7580	2	Ball
50	107-9085	1	Shaft-Lever, Fork
60	107-9086	1	Shaft-Lever, Fork
70	98-9570	1	Bearing-Miniaturize
80	115-4122	1	Cover-Shaft, Fork Lever
90	98-9682	1	Gasket
100	98-9350	2	Bolt
110	98-9567	1	Collar
120	98-9571	1	Bearing-Miniaturize



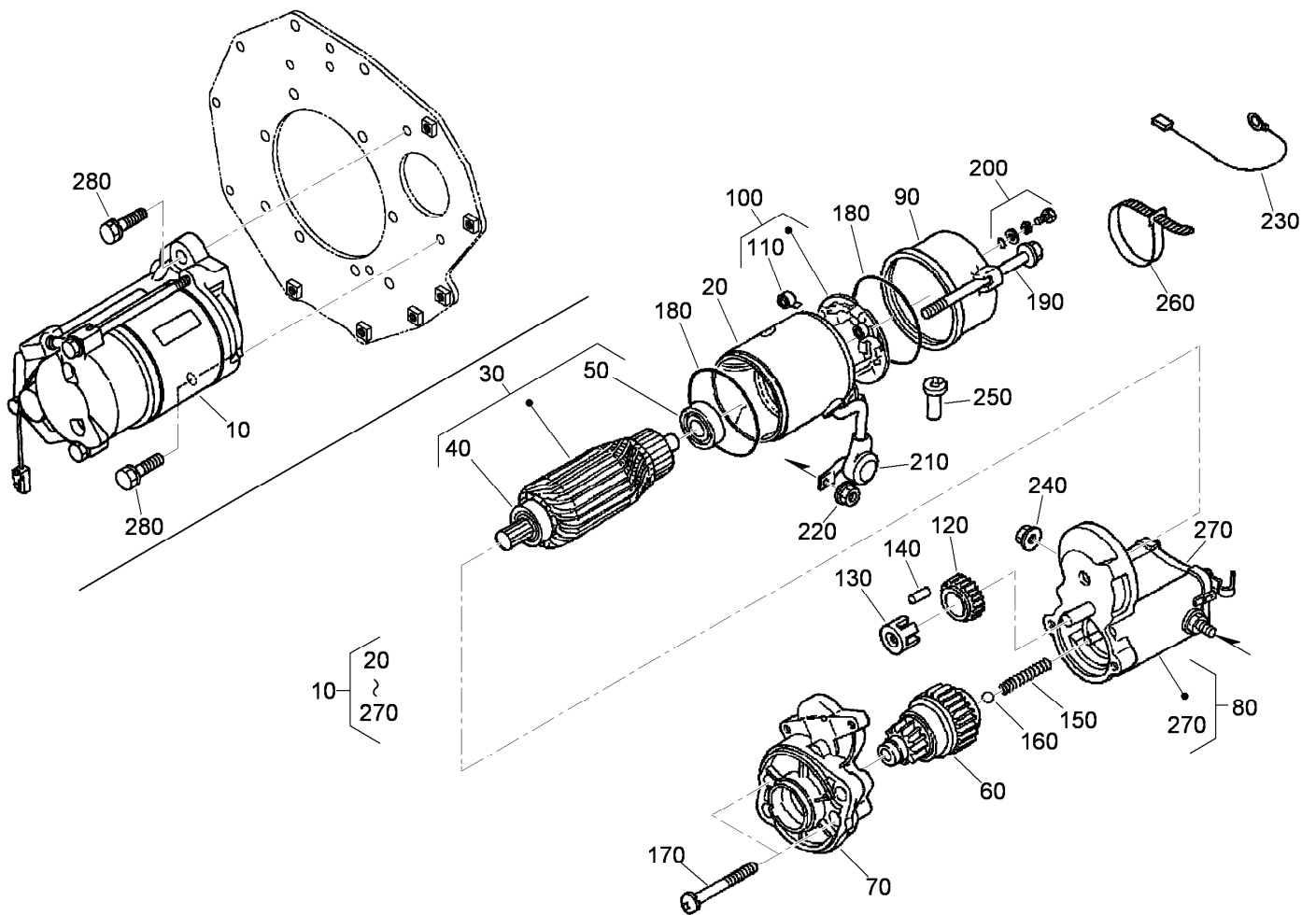
Alternator and Pulley Assembly

<i>Ref.</i>	<i>Part Number</i>	<i>Qty.</i>	<i>Description</i>
10	98-9474	1	Alternator ASM
20	112-7047	1	Stay-Dynamo
30	108-7088	1	Bolt
40	98-9360	1	Bolt
50	98-7696	1	Washer-Plain
60	98-7738	1	Washer-Spring
70	100-9233	1	Washer-Plain
80	98-7692	1	Bolt
90	98-7737	1	Nut
100	110-0972	1	Pulley
110	105-3745	1	Pulley-Drive, Fan
120	98-9585	1	Bolt
130	98-9676	1	V-Belt
140	108-2872	1	Collar-Fan



Alternator Assembly No. 98-9474

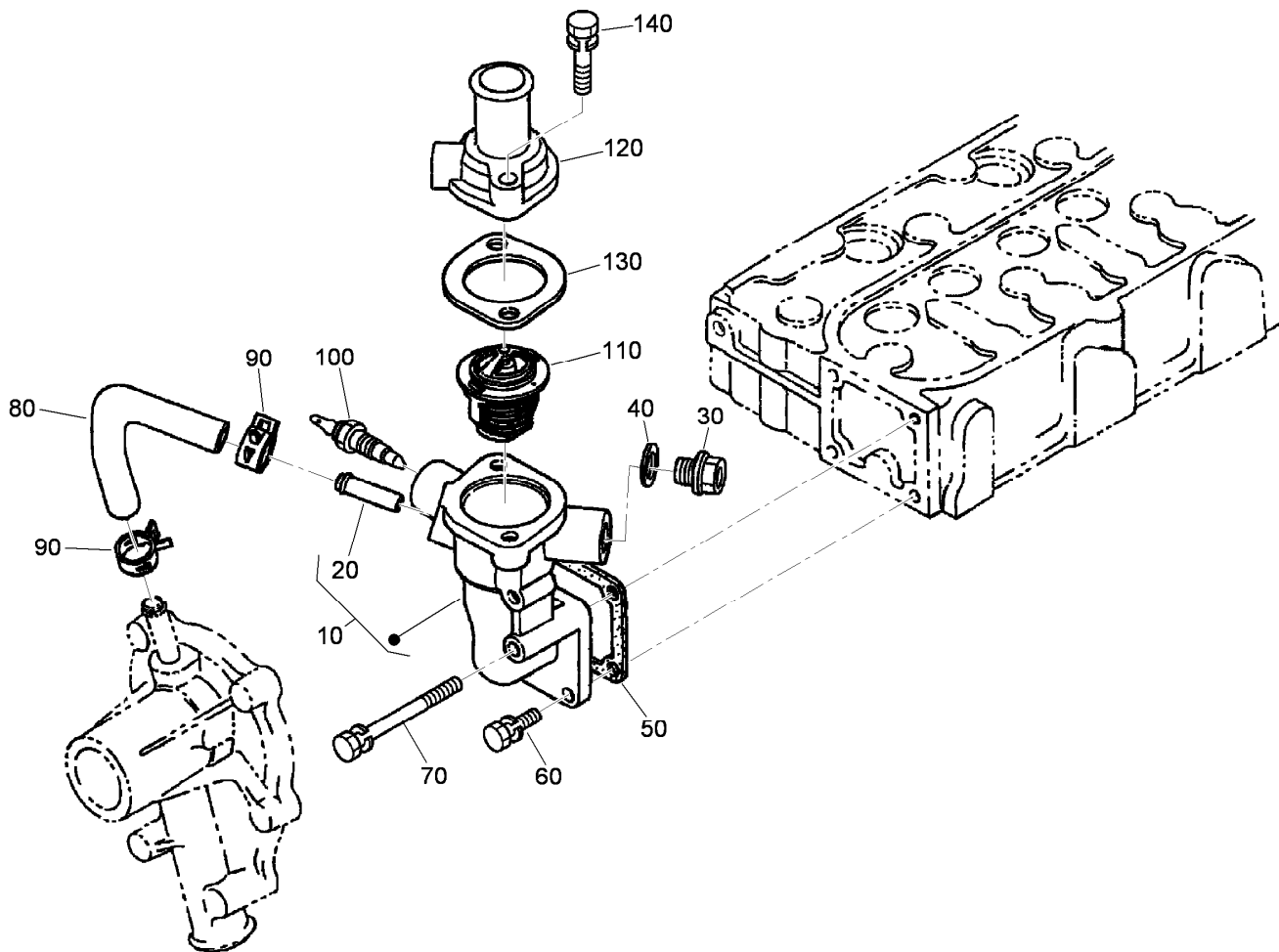
Ref.	Part Number	Qty.	Description	Ref.	Part Number	Qty.	Description
10	98-9474	1	Alternator ASM	150	107-0140	1	Cover-End
20	98-9453	1	Pulley-Dynamo	160	98-7721	1	Rectifier ASM
30	98-7708	1	Nut	170	98-7722	1	Bushing-Insulation
40	98-7709	1	Collar	180	107-0141	1	Brush Holder ASM
50	107-0136	1	Rotor ASM	190	98-7724	2	Brush
60	98-7711	1	Cover-Bearing	200	98-7725	2	Spring-Brush
70	107-0138	1	Bearing-Ball	210	98-7726	2	Screw-Head, Round
80	98-7713	1	Washer-Thrust	220	98-7727	6	Screw-Head, Round
90	107-0139	1	Drive End Frame ASM	230	98-7728	1	Screw-Head, Round
100	98-7715	1	Plate-Retainer	240	98-7729	3	Bolt
110	98-7716	4	Screw-Head, Round	250	98-7730	2	Nut
120	98-7717	2	Bolt-Through	260	98-7731	2	Bolt
130	107-0137	1	Bearing-Ball	270	98-7732	1	Nut
140	107-9087	1	Frame-End	280	110-3799	1	Regulator ASM



Starter Assembly

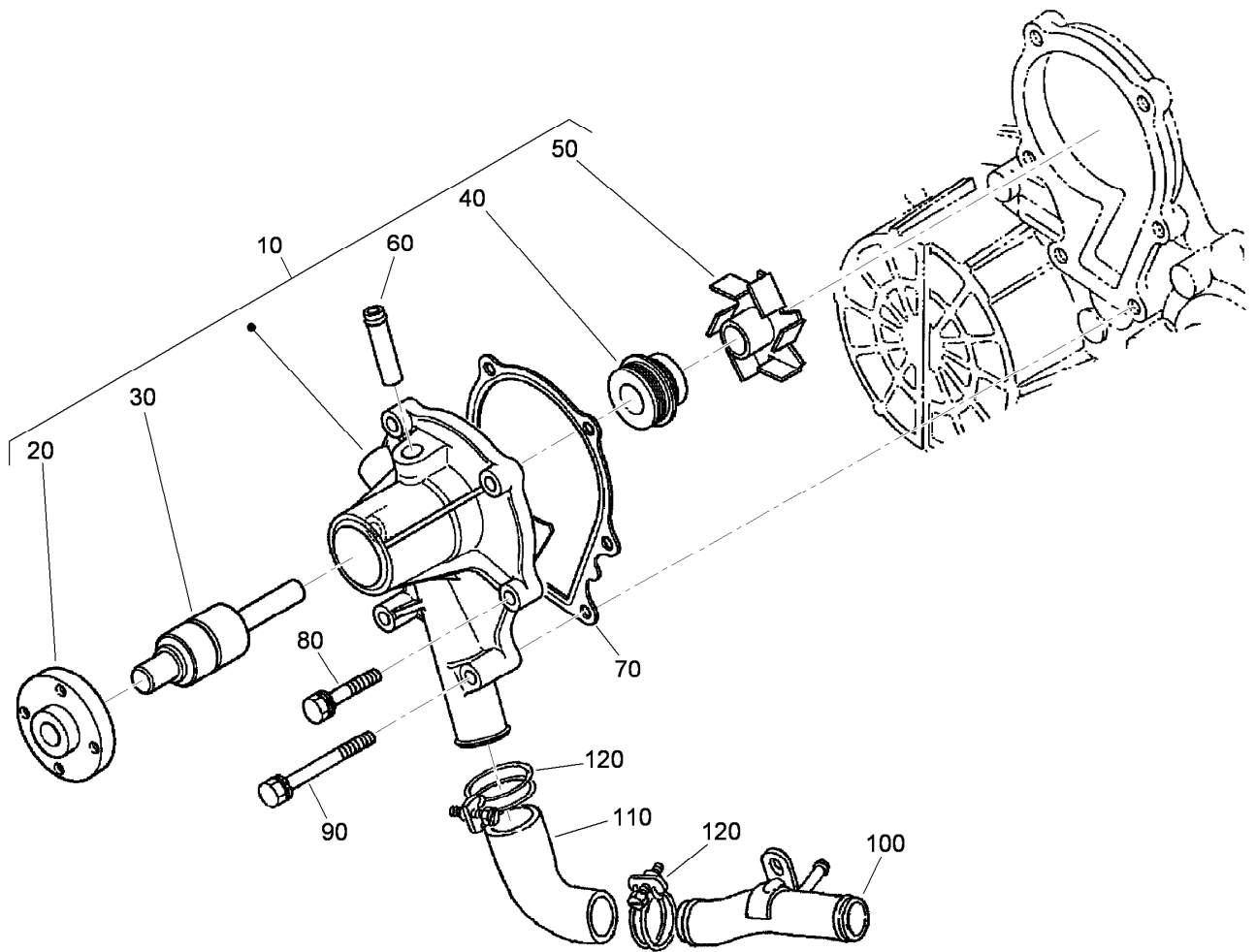
Ref.	Part Number	Qty.	Description
10	98-9705	1	Starter ASM
20	104-8608	1	Yoke ASM
30	98-7742	1	Armature ASM
40	98-7744	1	Bearing
50	98-7743	1	Bearing
60	99-8373	1	Clutch-Running, Over
70	99-8374	1	Frame-End, Drive
80	105-3746	1	Magnetic Switch ASM
90	98-7748	1	Frame-End
100	98-7749	1	Brush Holder ASM
110	98-7750	4	Spring-Brush
120	98-7751	1	Gear
130	98-7752	1	Retainer
140	98-7753	5	Roller

Ref.	Part Number	Qty.	Description
150	98-7754	1	Spring
160	98-7755	1	Ball
170	98-7756	2	Bolt
180	98-7757	2	O-Ring
190	100-9240	2	Bolt
200	98-7758	2	Bolt ASM
210	99-8375	1	Cover
220	99-8371	1	Nut-Hex
230	98-9711	1	Cord-Solenoid, Stop
240	99-8376	1	Nut-Hex
250	98-7759	1	Pipe-Drain
260	98-9712	1	Band-Cover
270	105-2886	1	Cover ASM
280	98-7697	2	Bolt



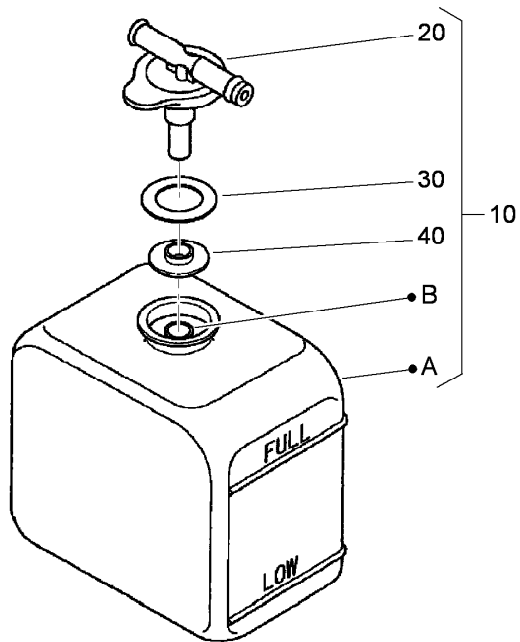
Water Flange and Thermostat Assembly

<i>Ref.</i>	<i>Part Number</i>	<i>Qty.</i>	<i>Description</i>
10	98-9713	1	Water Flange ASM
20	98-9580	1	Pipe-Return, Water
30	105-3747	1	Plug
40	99-3583	1	Gasket
50	98-9638	1	Gasket-Flange, Water
60	98-7692	3	Bolt
70	98-9356	1	Bolt
80	98-9578	1	Pipe-Return, Water
90	98-9579	2	Band-Pipe
100	112-0183	1	Switch-Thermometer
110	98-7778	1	Thermostat ASM
120	98-9471	1	Cover-Thermostat
130	105-3748	1	Gasket-Thermostat
140	98-7777	2	Bolt



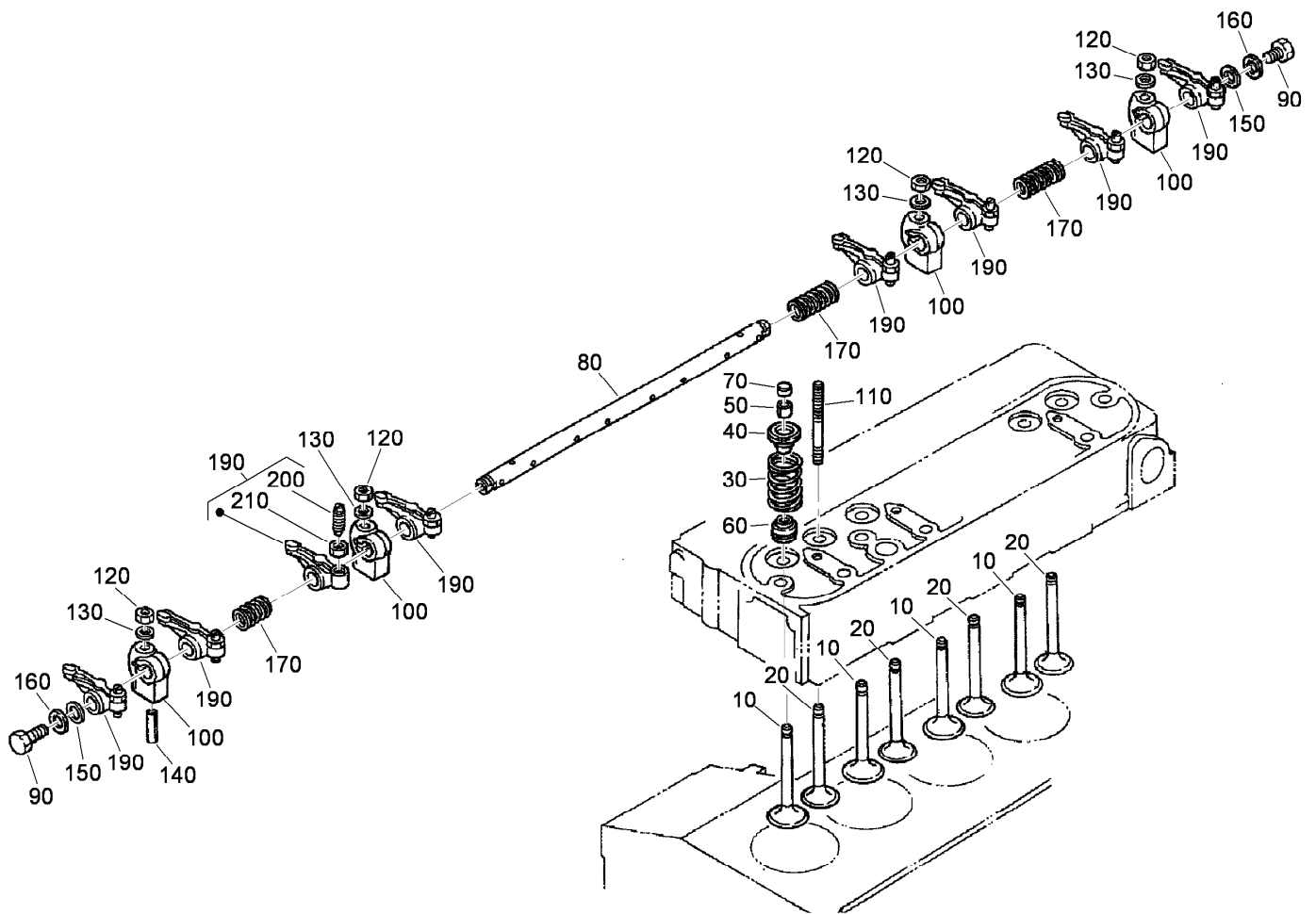
Water Pump Assembly

<i>Ref.</i>	<i>Part Number</i>	<i>Qty.</i>	<i>Description</i>
10	107-9089	1	Water Pump ASM
20	99-3516	1	Flange-Pump, Water
30	99-3517	1	Bearing-Pump, Water
40	105-3750	1	Mechanical Seal ASM
50	112-7017	1	Impeller-Pump, Water
60	100-1932	1	Pipe-Return, Water
70	99-3454	1	Gasket-Pump, Water
80	98-9353	4	Bolt
90	107-9090	2	Bolt
100	99-8379	1	Pipe-Water
110	107-9091	1	Pipe-Water
120	98-9717	2	Clamp



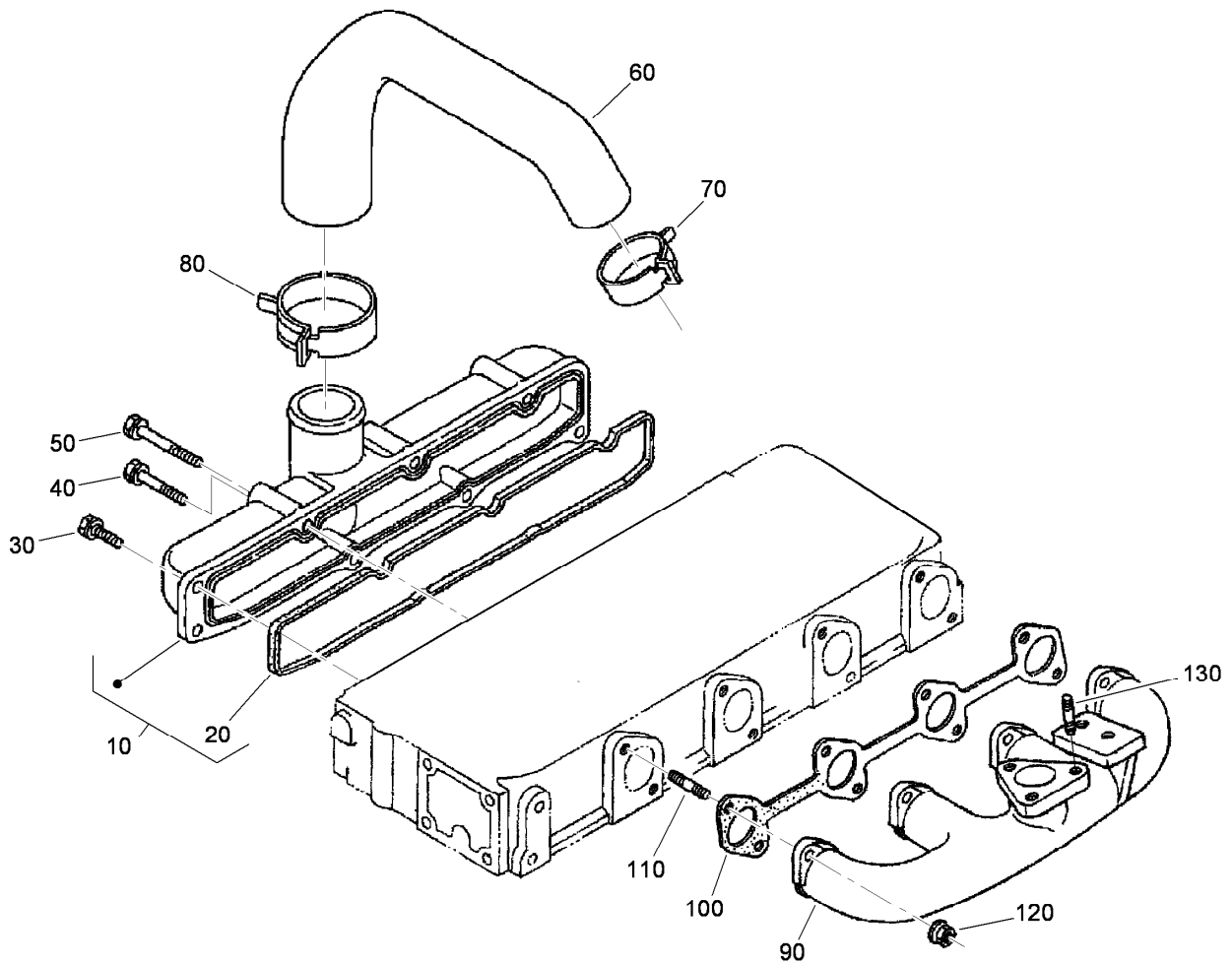
Overflow Bottle Assembly

<i>Ref.</i>	<i>Part Number</i>	<i>Qty.</i>	<i>Description</i>
10	104-9318	1	Bottle-Overflow
20	115-4132	1	Cap
30	105-3755	1	Gasket
40	105-3756	1	Plate



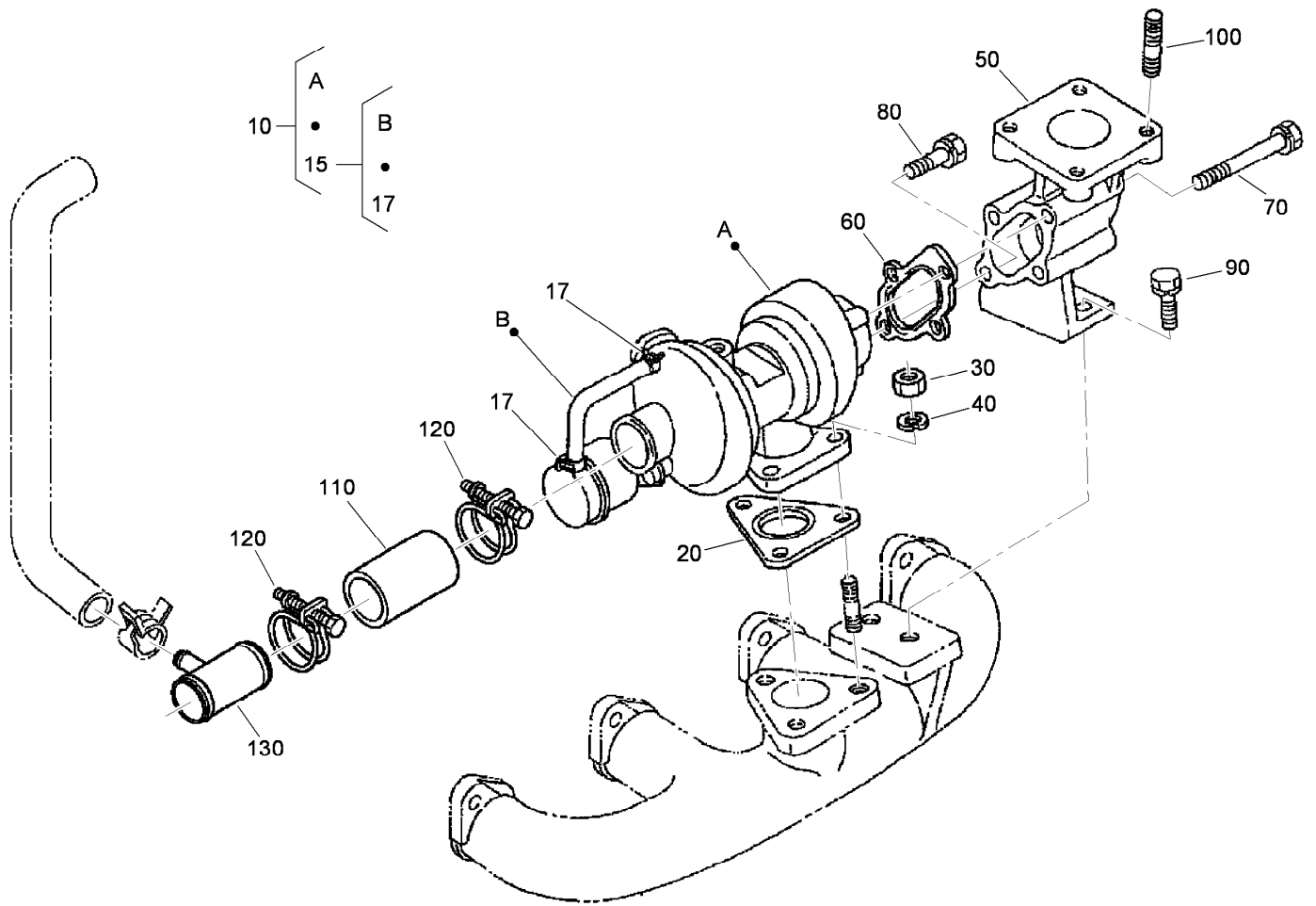
Valve and Rocker Arm Assembly

<i>Ref.</i>	<i>Part Number</i>	<i>Qty.</i>	<i>Description</i>
10	112-7018	4	Valve-Inlet
20	112-7019	4	Valve-Exhaust
30	98-9626	8	Spring-Valve
40	107-9092	8	Retainer-Spring
50	98-9390	8	Collet-Spring, Valve
60	99-8385	8	Seal-Stem, Valve
70	98-9497	8	Cap-Valve
80	105-3757	1	Shaft-Arm, Rocker
90	100-9265	2	Bolt
100	98-9505	4	Bracket-Arm, Rocker
110	98-9506	4	Stud
120	98-9393	4	Nut
130	98-9385	4	Washer-Flat
140	105-3758	2	Pin-Spring
150	98-9507	2	Washer-Shaft, Rocker Arm
160	110-3832	2	Washer-Plain
170	98-9504	3	Spring-Arm, Rocker
190	112-7020	8	Rocker Arm ASM
200	98-9502	8	Screw-Adjusting
210	98-9503	8	Nut



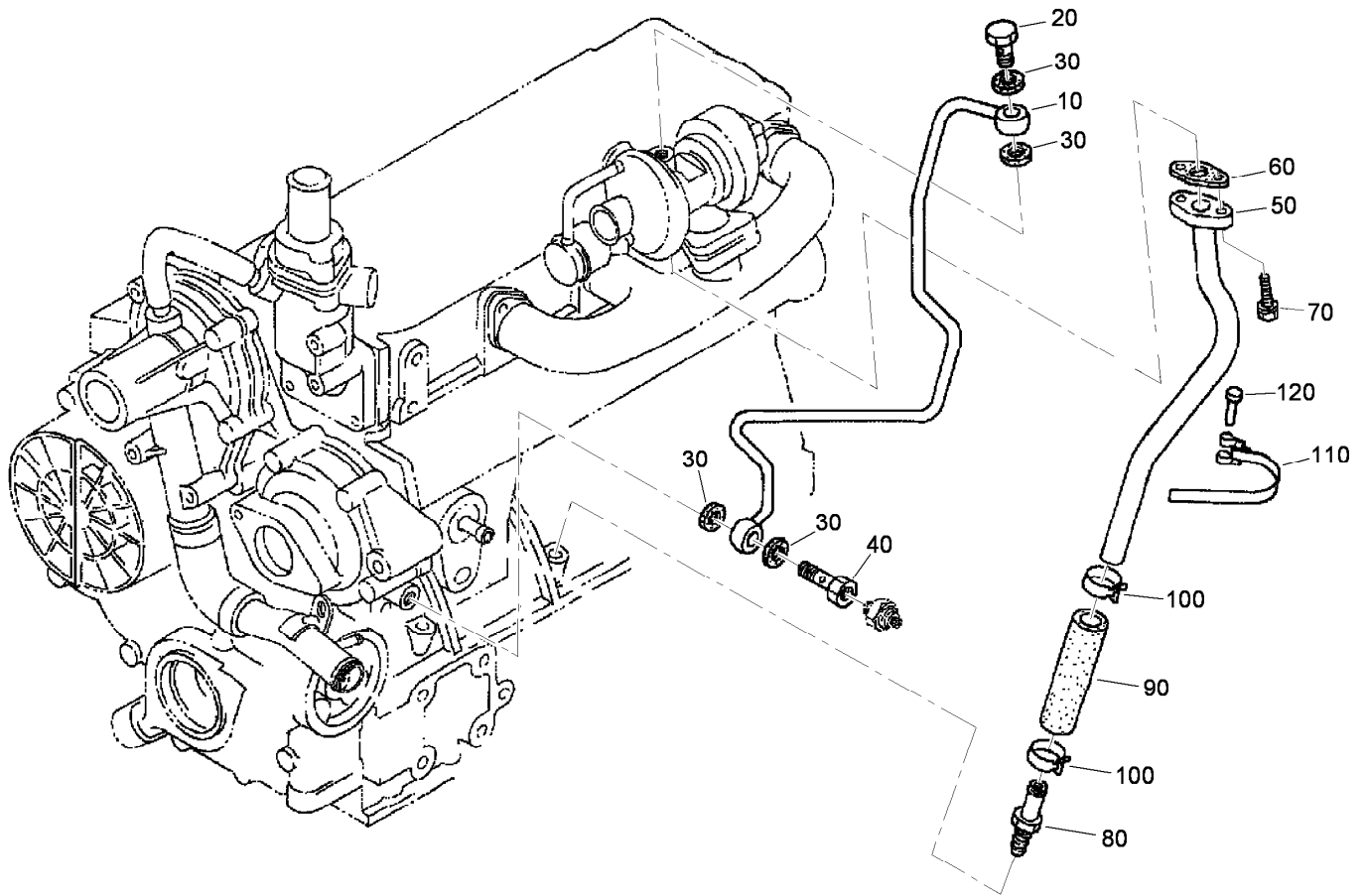
Inlet and Exhaust Manifold Assembly

<i>Ref.</i>	<i>Part Number</i>	<i>Qty.</i>	<i>Description</i>
10	105-3759	1	Inlet Manifold ASM
20	105-3760	1	Gasket-Manifold, Intake
30	98-7605	3	Bolt
40	98-9353	2	Bolt
50	105-3797	3	Bolt
60	115-4123	1	Hose-Inlet
70	115-3048	1	Clamp-Hose
80	115-3049	1	Clamp-Hose
90	108-4425	1	Manifold-Exhaust
100	105-3765	1	Gasket-Manifold, Exhaust
110	98-9588	8	Stud
120	98-9665	8	Nut
130	99-8342	3	Stud



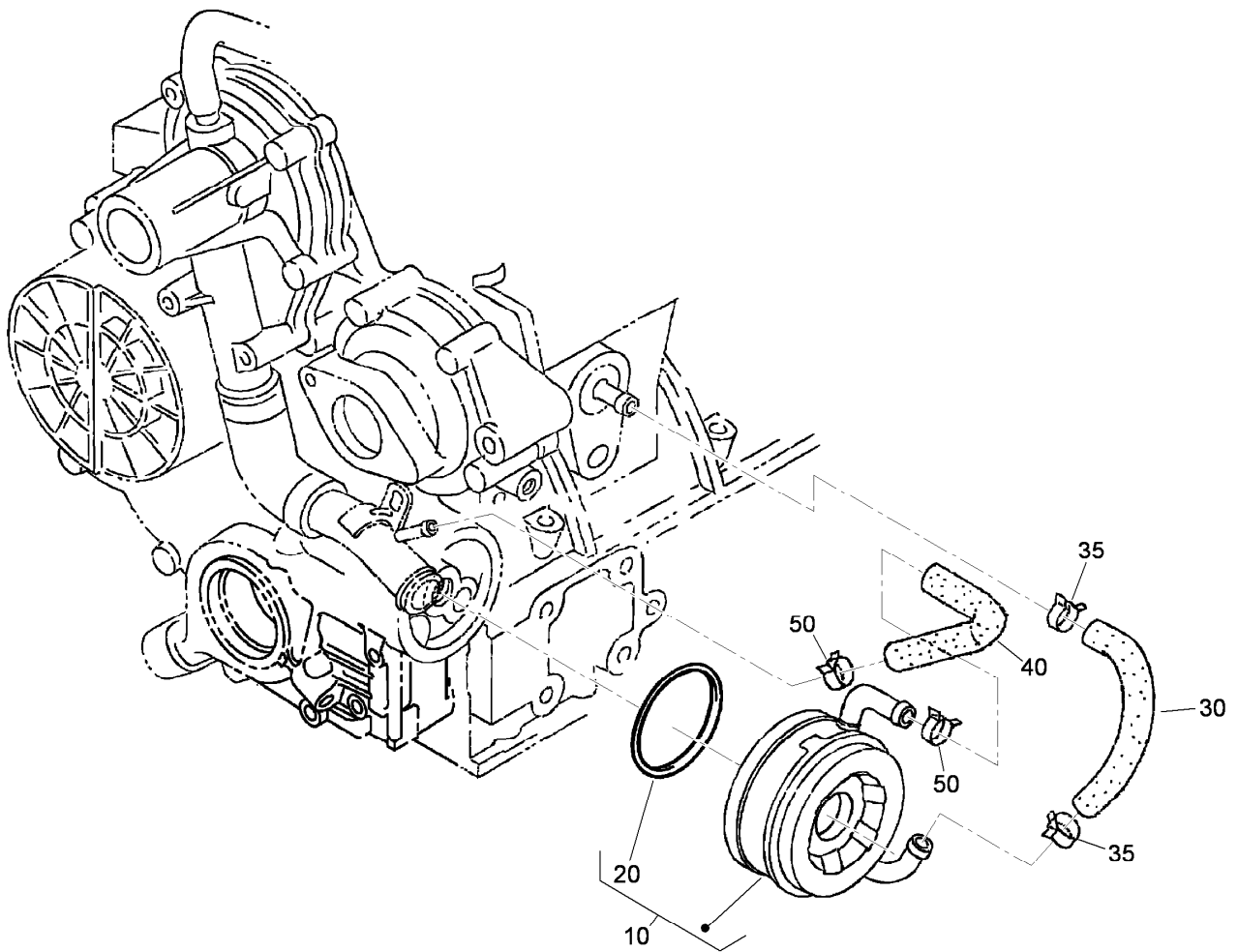
Turbo Charger Assembly

<i>Ref.</i>	<i>Part Number</i>	<i>Qty.</i>	<i>Description</i>
10	108-1412	1	Turbo Charger ASM
15	108-1413	1	Hose ASM
17	108-1414	2	Clamp-Hose
20	105-3767	1	Gasket
30	98-7534	3	Nut
40	105-2893	3	Washer-Spring
50	99-8335	1	Flange-Muffler
60	105-3768	1	Gasket
70	115-4100	3	Bolt
80	105-2895	1	Bolt
90	98-7610	2	Bolt
100	98-7769	4	Stud
110	115-4101	1	Tube-Inlet, Turbo
120	115-4102	2	Band
130	115-4103	1	Pipe-Inlet, Breather



Oil Pipe (Turbo Charger) Assembly

<i>Ref.</i>	<i>Part Number</i>	<i>Qty.</i>	<i>Description</i>
10	108-4424	1	Oil Pipe ASM
20	115-4126	1	Bolt-Joint, Eye
30	99-8346	4	Gasket
40	98-9417	1	Bolt-Joint, Eye
50	108-4423	1	Oil Pipe ASM
60	108-4422	1	Gasket
70	98-7605	2	Bolt
80	105-3771	1	Oil Pipe ASM
90	98-9721	1	Pipe-Oil
100	98-9714	2	Clamp-Hose
110	98-9601	1	Clamp-Pipe
120	98-9591	1	Pin-Band



Oil Cooler Assembly

<i>Ref.</i>	<i>Part Number</i>	<i>Qty.</i>	<i>Description</i>
10	104-5158	1	Oil Cooler ASM
20	112-7030	1	O-Ring
30	98-9724	1	Pipe-Cooler, Oil
35	98-9579	2	Band-Pipe
40	98-9578	1	Pipe-Return, Water
50	98-9579	2	Band-Pipe

Attachments and Accessories

For 30853 Groundsmaster 4300-D Traction Unit

Product Name	Model/Part
Air Ride Seat Suspension Kit.....	03667
Wheel Weight Kit	104-1478
Premium All Season Hydraulic Fluid (55 Gallon Drum)	108-1177
Premium All Season Hydraulic Fluid (5 Gallon Pail).....	108-1178
Premium All Purpose Grease (Tube)	108-1190
Air Cleaner Safety Element.....	108-3813
22in Combo Blade	108-7395-03
ROPS Extension Kit.....	110-8030
Operator Fan Kit - US Sales Only, 3in ROPS Post	110-8804
Weight Plate	110-8985-03
22in High Lift Blade.....	114-0434-03
22in Atomic Blade.....	114-0435-03
Roller Scraper Kit.....	117-0149
Mulching Kit	117-0185
22in Angle Sail Blade.....	117-0209-03
Hydraulic Hose Kit	117-0289
22in Rotary Cutting Unit Sectional Roller ASM	117-0297
Premium Synthetic Bio-Degradable Hydraulic Fluid (5 Gallon Pail)	119-2157
Premium Synthetic Bio-Degradable Hydraulic Fluid (55 Gallon Drum).....	119-2158
Service Pack-Combo Blade	119-6957
Large Seat Cover.....	120-5179
Premium Engine Oil 10w30 (55 Gallon Drum)	121-6392
Premium Engine Oil 10w30 (5 Gallon Pail)	121-6393
Canopy Completion Kit.....	130-5895
400-Hour Filter Maintenance Kit	30055
Universal Sunshade	30349
22in Rotary Cutting Unit.....	30845
Spark Arrestor	98-9099

Notes:



Count on it.