



Count on it.

Parts Catalog

**60in Completion Kit
Z Master[®] 4000 Series Riding Mower**

Model No. 78466—Serial No. 411600000 and Up



Ordering Replacement Parts

To order replacement parts, please supply the part number, the quantity, and the description of each part desired.

Understanding Reference Numbers

Each identified part in an illustration has a reference number. The reference number for a part also appears in the parts list, along with other information about the part.

This catalog uses two special reference number formats, one to indicate parts in a service assembly and another to indicate the quantity of a given part in an illustration.

Service Assembly Reference Numbers

Parts in service assemblies have reference numbers in the form a:b. The a represents the reference number of the entire service assembly and the b represents a sequential number unique to each part within the service assembly.

For example, a wheel assembly might be identified by reference number 6, the tire by 6:1, the valve by 6:2, and the wheel by 6:3. When you order the assembly identified by reference number 6, you receive all parts identified by reference numbers 6:1, 6:2, and 6:3. However, you may also order any part individually. Reference numbers of this type appear in illustration and in parts lists.

Reference Numbers Indicating Quantity

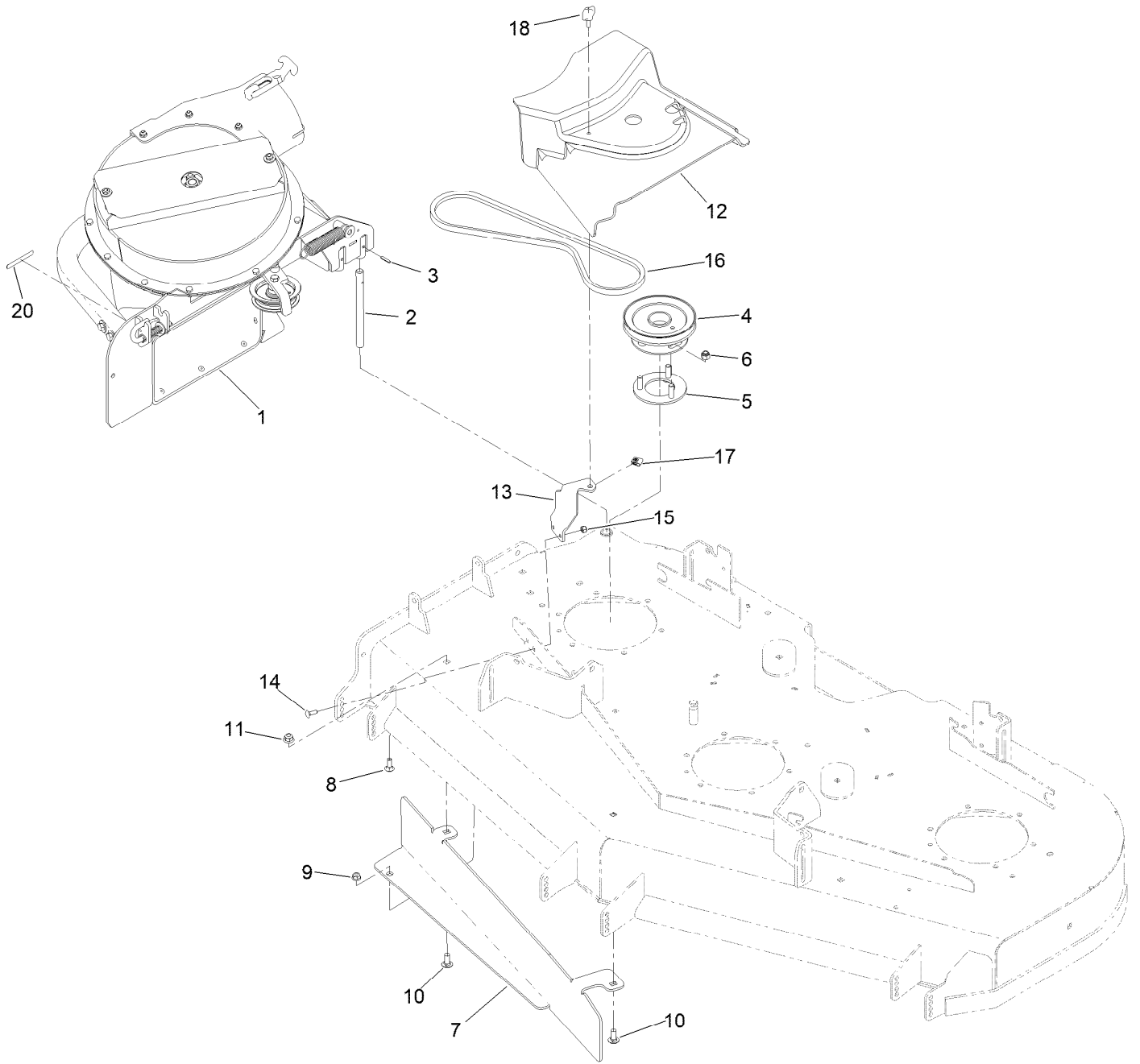
In an illustration, if a reference number indicates more than one part, the reference number has the form nX y. The n represents the quantity of the part, the X is the multiplication symbol, and the y represents the reference number.

For example, in an illustration, the reference number 2X 37 means that two of the parts identified by reference number 37 are indicated.

Contents

Blower and Drive Assembly 4
Blower Assembly No. 126-7697 6

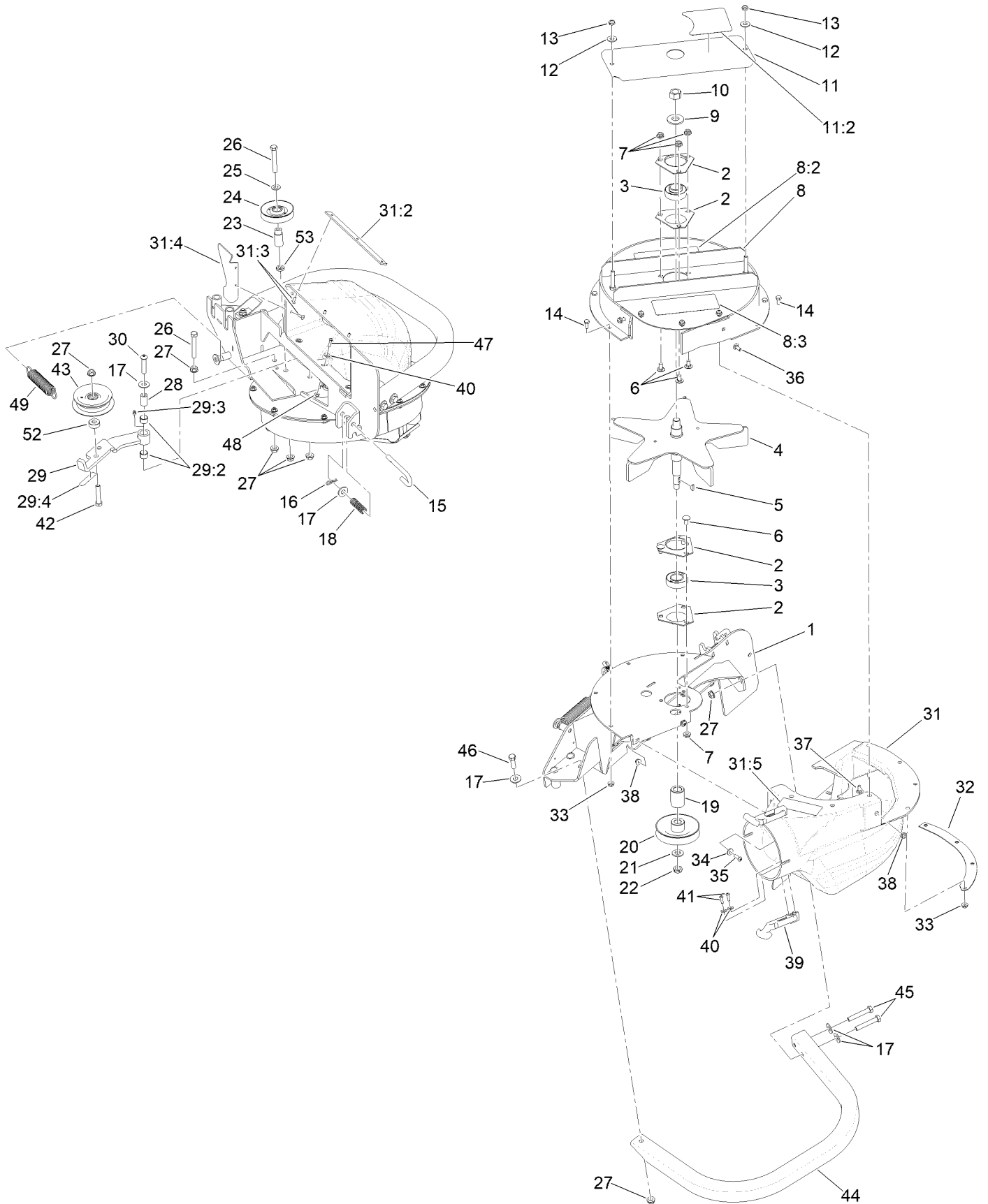
Blower and Drive Assembly



Blower and Drive Assembly (continued)

<i>Ref.</i>	<i>Part Number</i>	<i>Qty.</i>	<i>Description</i>	<i>Ref.</i>	<i>Part Number</i>	<i>Qty.</i>	<i>Description</i>
1	126-7697	1	Blower ASM	11	104-8301	2	Nut-HF, NI
2	1-353050	1	Shaft-Catcher, Grass	12	144-6578	1	Cover-Belt
3	1-806323	1	Pin-Roll	13	117-0342-01	1	Bracket-Cover, Belt
4	135-0894	1	Sheave-HD60 Blower Drive	14	3229-1	2	Screw-CARR
5	140-4906	1	Pulley Mount ASM	15	3296-42	2	Nut-Lock, NI
6	3296-39	3	Nut-Lock, NI	16	145-3684	1	Belt-V Hi-Temp
7	135-0154-01	1	Baffle-Bagger	17	609900	1	Nut-Speed
8	3230-16	1	Screw-CARR	18	98-8332	1	Knob
9	104-8300	1	Nut-HF, NI	20	133-8061	1	Decal-Warning
10	3231-27	2	Screw-CARR				

Blower Assembly No. 126-7697



Blower Assembly No. 126-7697 (continued)

<i>Ref.</i>	<i>Part Number</i>	<i>Qty.</i>	<i>Description</i>	<i>Ref.</i>	<i>Part Number</i>	<i>Qty.</i>	<i>Description</i>
1	126-7613-03	1	Mount-Blower	29	117-0345	1	Idler Arm ASM W/Bushings
2	1-513013	4	Housing-Flange	29:2	1-653600	2	Bushing
3	1-653346	2	Bearing	29:3	302-19	1	Fitting-Grease
4	103-3815	1	Impeller	29:4	126-4659	1	Decal-Warning
5	3257-32	1	Key-Woodruff	30	3274-107	1	Screw-HSBH
6	3230-18	6	Screw-CARR	31	116-6487	1	Blower Chute ASM
7	32128-20	6	Nut-HF	31:2	103-4752-03	1	Plate-Reinforcing
8	126-9450	1	Upper-Housing W/Decals	31:3	114439	5	Rivet-Blind
8:2	126-9451	1	Decal-Warning	31:4	116-6486-03	1	Plate-Filler
8:3	144-2629	1	Decal - E-Z Vac	31:5	126-4853	1	Decal-Warning
9	1-513208	1	Washer-Spring	32	1-653596-03	1	Plate-Backing, Blower
10	3219-6	1	Nut-Hex	33	32128-33	8	Nut-HF
11	126-9785	1	Cover-Bearing W/Decal	34	3256-22	2	Washer-Flat
11:2	126-9595	1	Decal-Warning	35	3274-69	2	Screw-HSBH
12	3256-3	2	Washer-Flat	36	3229-1	2	Screw-CARR
13	3296-47	2	Nut-Lock,NI	37	3229-11	3	Screw-CARR
14	321-3	8	Screw-HH	38	104-7201	7	Nut-HF, NI
15	116-4356	1	Pin-Latch	39	103-4080	2	Latch-Rubber
16	3290-307	1	Pin-Cotter	40	3256-16	7	Washer-Flat
17	3256-4	5	Washer-Flat	41	3274-39	4	Screw-HSBH
18	121-3249	1	Spring-Compression	42	323-10	1	Screw-HH
19	1-653365	1	Spacer	43	103-1103	1	Idler-Flat
20	112-2345	1	Pulley	44	109-1122-01	1	Bumper
21	3256-26	1	Washer-Flat	45	323-11	2	Screw-HH
22	3296-28	1	Nut-Lock, NI	46	323-7	1	Screw-HH
23	1-653366	1	Hub	47	104-2408	3	Screw-HSBH
24	1-653322	1	Idler-Inside	48	3296-2	3	Nut-Lock, NI
25	3256-24	1	Washer-Flat	49	1-603693	1	Spring-Extension
26	323-12	2	Screw-HH	52	135-0456	1	Spacer
27	3290-357	8	Nut-HSF	53	135-0457	1	Spacer
28	103-0130	1	Bushing-Pivot, Idler				



Count on it.