



USB Kit

Z Master® 2000 Series Riding Mower

Model No. 145-8458

Installation Instructions

Installation

Preparing the Machine

1. Park the machine on a level surface.
2. Disengage the blade-control switch.
3. Move the motion-control levers outward to the NEUTRAL-LOCK position.
4. Engage the parking brake.
5. Shut off the engine and remove the key.

Installing the Kit

1. Remove the plug on the control panel.

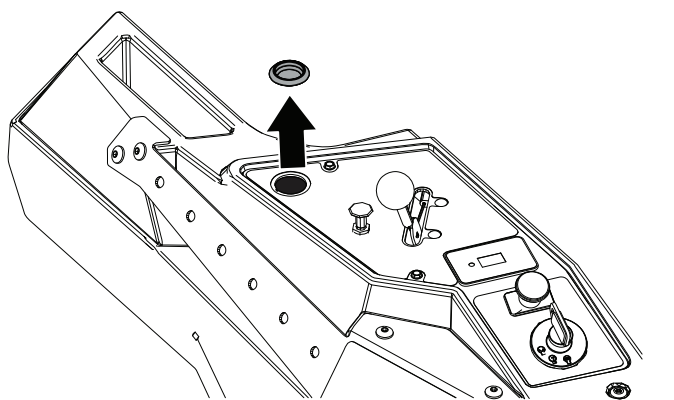


Figure 1

g379887

2. Connect the USB port to the wire harness adapter and install the assembly.

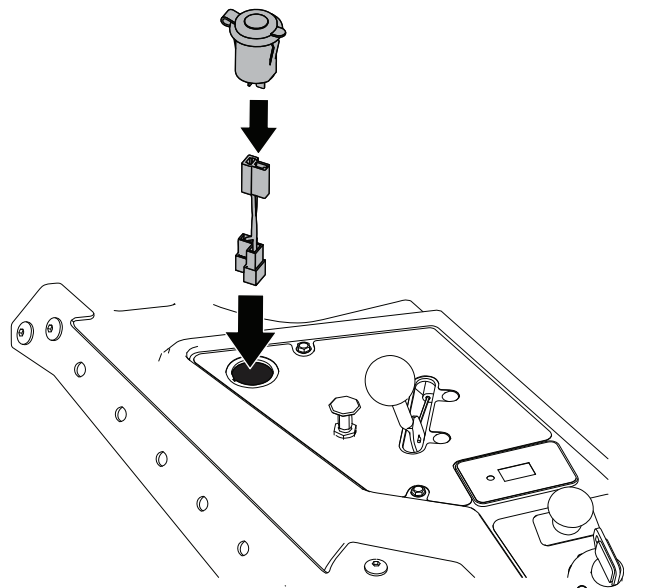


Figure 2

g379885

3. Locate the USB wire connector on the main wire harness. Cut the cable tie securing the USB harness to the machine.

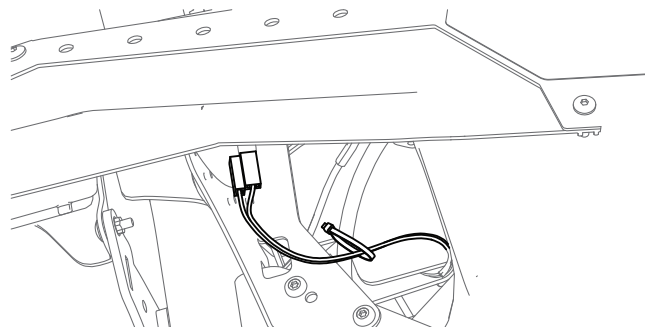


Figure 3

g379886



- 4. Connect the USB wire harness connector to the adapter.

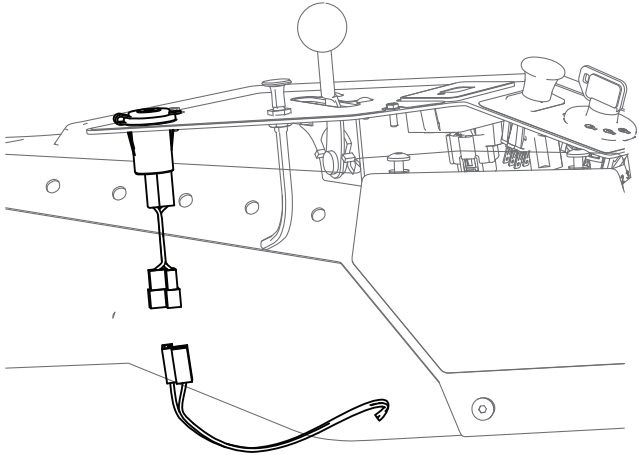


Figure 4

g379884