



**Count on it.**

**Parts Catalog**

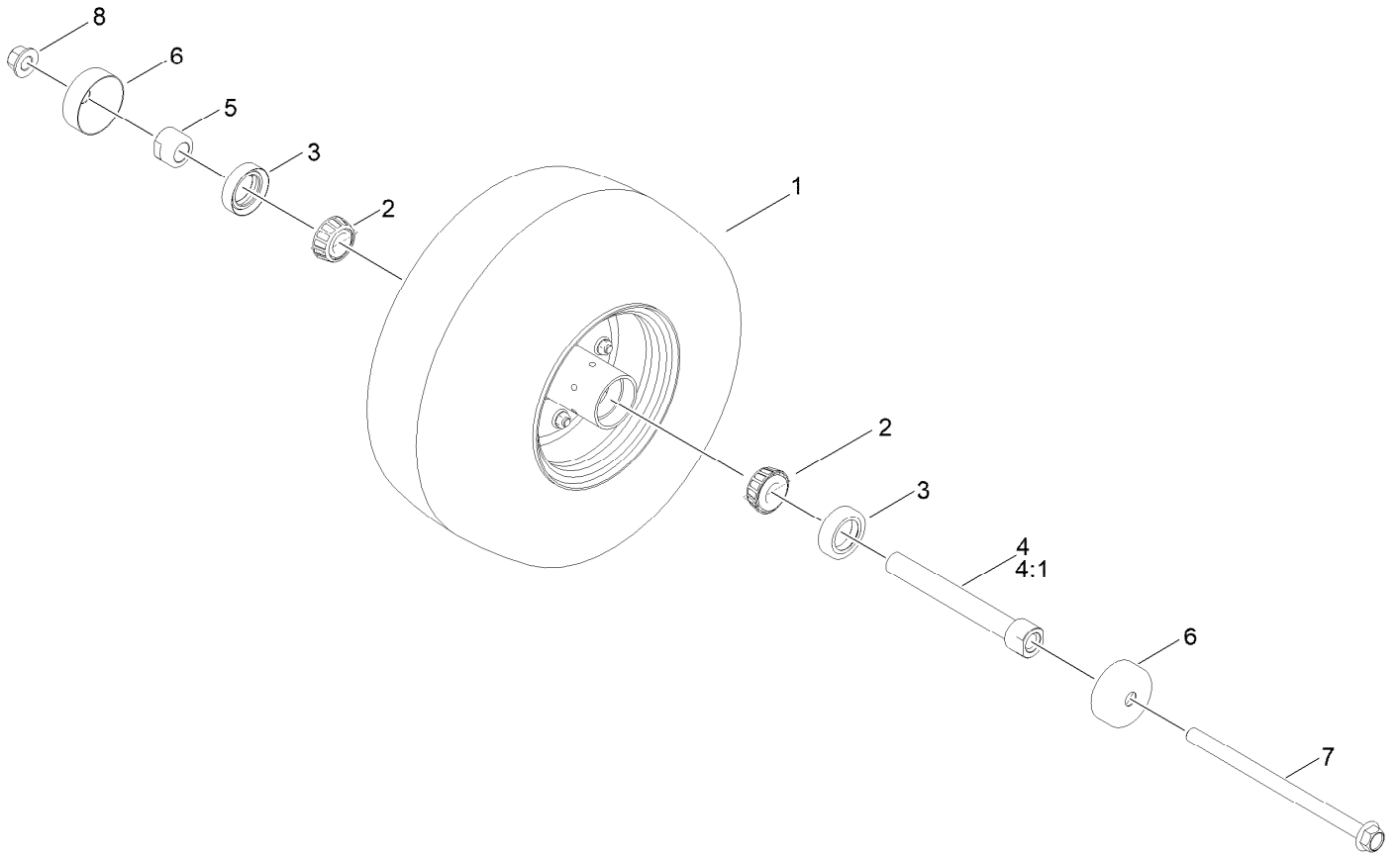
**Flat Free Wheel Kit**

**Titan® Riding Mower**

Model No. 126-9368



# Flat Free Wheel Kit No. 126-9368



## Flat Free Wheel Kit No. 126-9368 (continued)

<i>Ref.</i>	<i>Part Number</i>	<i>Qty.</i>	<i>Description</i>	<i>Ref.</i>	<i>Part Number</i>	<i>Qty.</i>	<i>Description</i>
1	126-7710	1	Wheel 13X6.50-6 Spt Grey	5	103-3051	1	Spacer-Nut
2	1-633585	2	Bearing-Cone, Taper	6	103-2768	2	Guard-Seal
3	103-0063	2	Seal-Caster	7	126-5389	1	Screw-HHF
4	126-7796	1	Caster Axle ASM	8	99-5107	1	Nut-Lock
4:1	126-5220	1	Axle-Caster				



**Count on it.**