



Count on it.

Parts Catalog

Reelmaster® 5410

Traction Unit

Model No. 03675—Serial No. 401400001 and Up



Ordering Replacement Parts

To order replacement parts, please supply the part number, the quantity, and the description of each part desired.

Understanding Reference Numbers

Each identified part in an illustration has a reference number. The reference number for a part also appears in the parts list, along with other information about the part.

This catalog uses two special reference number formats, one to indicate parts in a service assembly and another to indicate the quantity of a given part in an illustration.

Service Assembly Reference Numbers

Parts in service assemblies have reference numbers in the form a:b. The a represents the reference number of the entire service assembly and the b represents a sequential number unique to each part within the service assembly.

For example, a wheel assembly might be identified by reference number 6, the tire by 6:1, the valve by 6:2, and the wheel by 6:3. When you order the assembly identified by reference number 6, you receive all parts identified by reference numbers 6:1, 6:2, and 6:3. However, you may also order any part individually. Reference numbers of this type appear in illustration and in parts lists.

Reference Numbers Indicating Quantity

In an illustration, if a reference number indicates more than one part, the reference number has the form nX y. The n represents the quantity of the part, the X is the multiplication symbol, and the y represents the reference number.

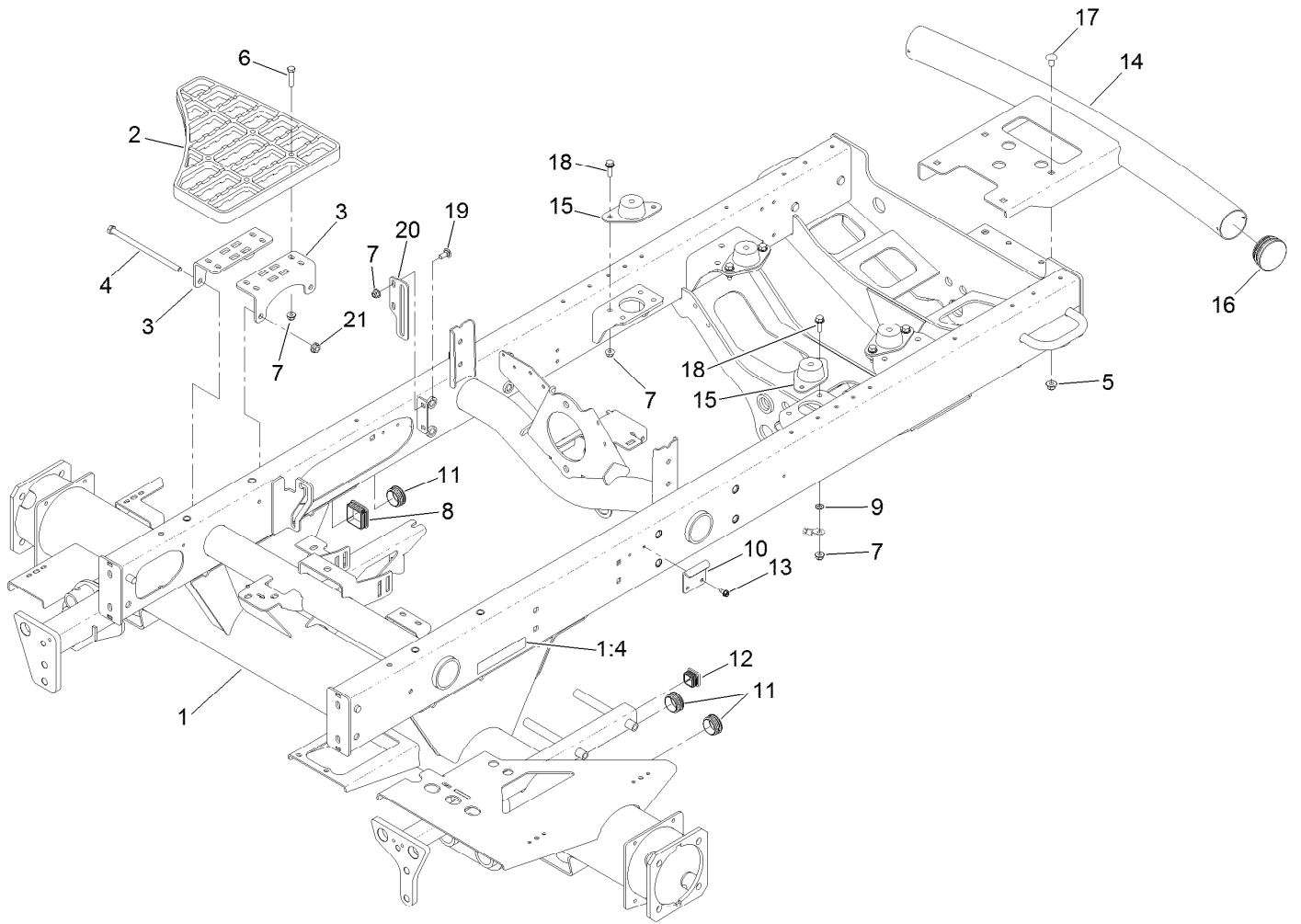
For example, in an illustration, the reference number 2X 37 means that two of the parts identified by reference number 37 are indicated.

Contents

Frame Assembly	5
Operator Platform and Front Shroud Assembly	6
Pedal Assembly	7
Steering Assembly	9
Steering Tilt Column Assembly No. 106-3622	10
Steering Valve Assembly No. 106-3621	11
Console and Control Arm Assembly	12
Joystick Bracket Assembly No. 120-5280	14
Front Axle Assembly	15
LH Brake Assembly No. 120-6261	16
RH Brake Assembly No. 120-6260	17
Rear Axle Assembly	18
Tie Rod Assembly No. 110-5334-03	19
Hub and Spindle Assembly No. 117-8961	20
No. 1, 4 and 5 Lift Arm Assembly	21
No. 2 and 3 Lift Arm Assembly	22
Seat and Control Arm Wiring Harness Assembly	23
Main Wiring Harness Assembly	24
Battery Mounting Assembly	25
Gear Pump Mounting Assembly	26
Gear Pump Assembly No. 105-7576	27
Seat Base Assembly	28
Hood Assembly	29
Cooling System Assembly	30
Hydraulic Tank Assembly	32
Fuel System Assembly	33
Seat Mounting Assembly	35
Mechanical Seat Suspension Assembly No. 110-8851	36
Traction Pump Mounting Assembly	37
Hydraulic Pump Assembly No. 119-6972	38
Traction Hydraulic Assembly	40
Hydraulic Motor Assembly No. 133-2935 (CCW)	41
Hydraulic Motor Assembly No. 133-2934 (CW)	42
No. 1, 4 and 5 Reel Drive Hydraulic Assembly	43
Hydraulic Reel Motor Assembly No. 120-2072	45
Manifold Assembly No. 121-5628	46
No. 2 and 3 Reel Drive Hydraulic Assembly	47
No. 1, 4 and 5 Lift Arm Hydraulic Assembly	49
Hydraulic Cylinder Assembly No. 119-6987	50
Hydraulic Cylinder Assembly No. 119-6988	51
Hydraulic Manifold Block Assembly No. 105-7577	52
Rear Lift Hydraulic Assembly	53
Steering Hydraulic Assembly	54
Hydraulic Cylinder Assembly No. 110-9035	56
Engine, Muffler and Air Cleaner Assembly	57
Air Cleaner Assembly No. 106-5277	59
Driveshaft Assembly No. 108-1641	60
Crankcase Assembly	61
Oil Pan Assembly	62
Cylinder Head Assembly	63
Gear Case Assembly	64
Cylinder Head Cover Assembly	65
Dipstick and Guide Assembly	66
Main Bearing Case Assembly	67

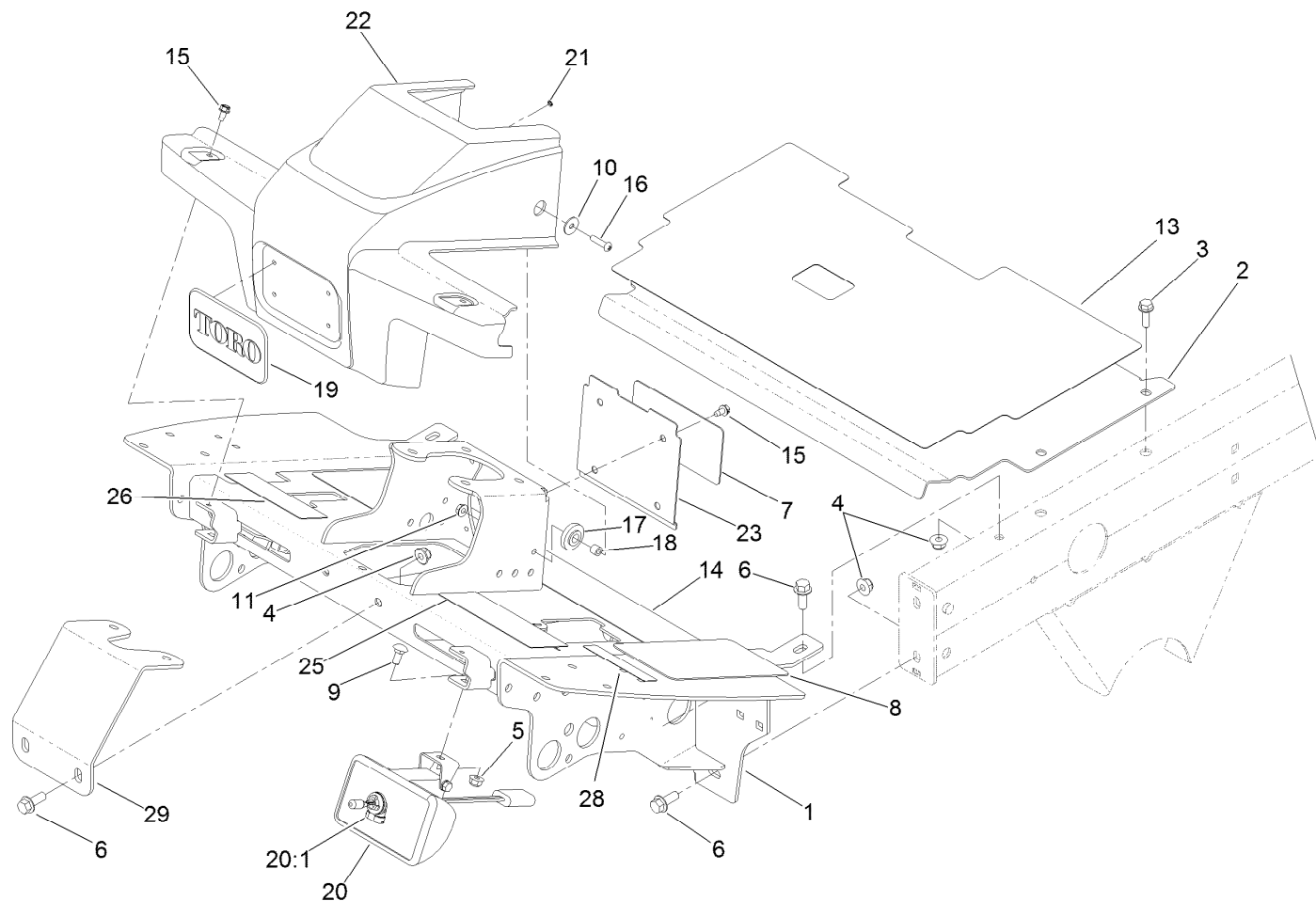
Contents (continued)

Cam Shaft and Idle Gear Assembly	68
Piston and Crankshaft Assembly	69
Flywheel Assembly	70
Fuel Camshaft and Governor Shaft Assembly	71
Idle Apparatus Assembly	72
Injection Pump Assembly	73
Governor Assembly	74
Speed Control Plate Assembly	75
Nozzle Holder and Glow Plug Assembly	76
Nozzle Holder Component Assembly	77
Alternator and Pulley Assembly	78
Alternator Components Assembly	79
Starter Assembly	80
Starter Component Part Assembly No. 111-7496	81
Thermostat Assembly	82
Water Pump Assembly	83
Valve and Rocker Arm Assembly	84
Intake and Exhaust Manifold Assembly	85
Engine Operator Manual	86
Attachments and Accessories	87



Frame Assembly

<i>Ref.</i>	<i>Part Number</i>	<i>Qty.</i>	<i>Description</i>	<i>Ref.</i>	<i>Part Number</i>	<i>Qty.</i>	<i>Description</i>
1	120-3803	1	Frame ASM	11	110-9012	5	Caplug
1:4	93-6689	2	Decal-No Riders	12	110-9013	1	Caplug
2	110-9041	2	Step-Aluminum	13	32104-17	2	Screw-HWH
3	127-2697-01	4	Bracket-Step	14	110-8951-03	1	Bumper
4	323-36	4	Screw-HH	15	120-6274	4	Mount-Engine
5	104-8301	4	Nut-HF, NI	16	2410-42	2	Cap-End
6	322-17	8	Screw-HH	17	3231-21	4	Screw-CARR
7	104-8300	18	Nut-HF, NI	18	3234-29	8	Screw-HHF
8	95-9495	1	Cap	19	3230-1	2	Bolt-CARR
9	3255-8	1	Washer-Lock	20	108-7584-01	1	Plate-Guide, Rod
10	110-8972	1	Hook-Latch	21	32128-21	4	Nut-HF Lock



Items 20:2, 20:3 and 20:4
not used on this model.

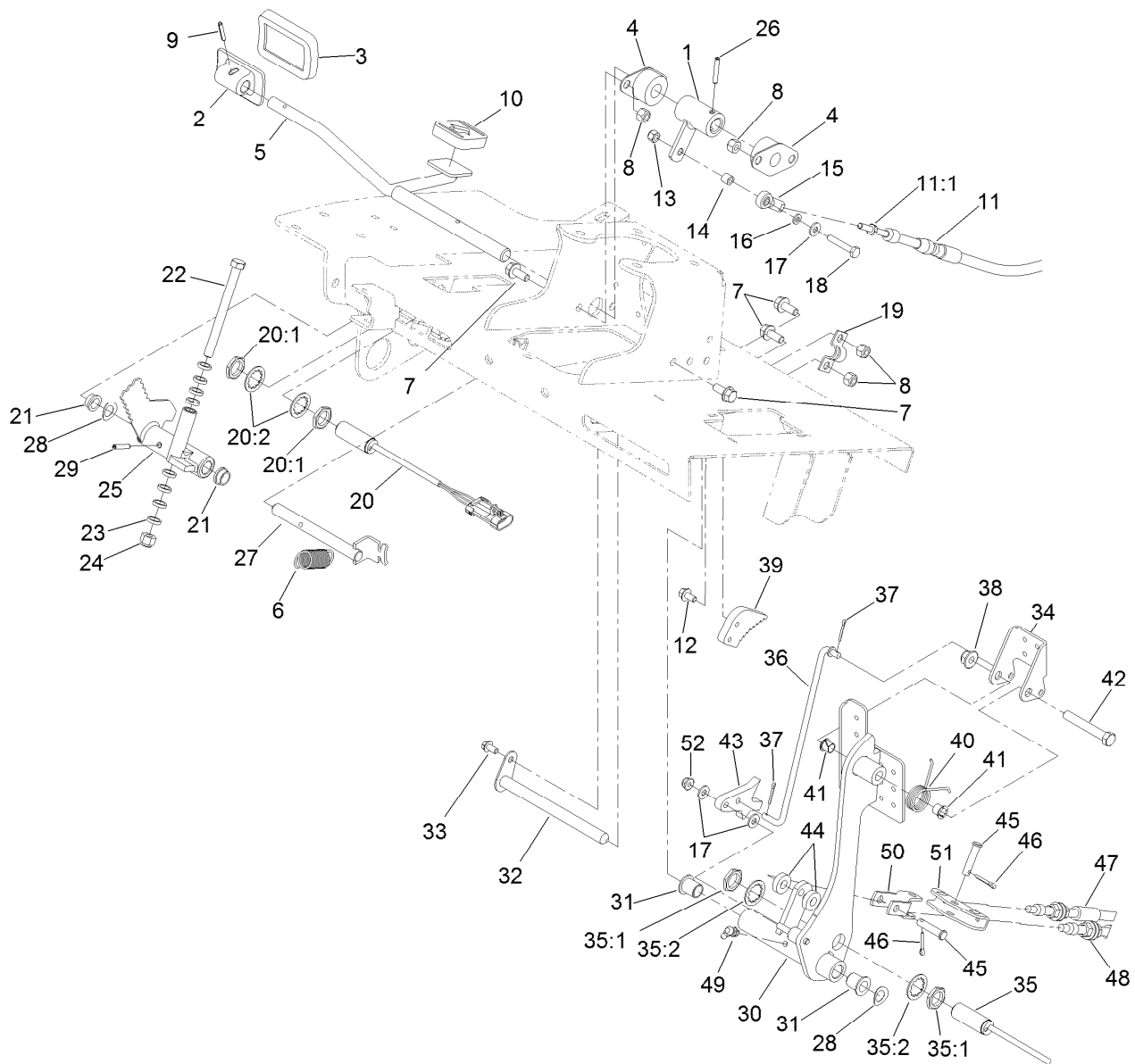
Operator Platform and Front Shroud Assembly

Ref.	Part Number	Qty.	Description	Ref.	Part Number	Qty.	Description
1	127-2310-01	1	Platform ASM	18	66-8010	2	Spacer
2	115-8064-01	1	Plate-Floor	19	93-6028	1	Plate-Logo
3	3234-17	4	Screw-HHF	20	94-9024	2	Lamp ASM
4	104-8301	6	Nut-HF, NI	20:1	95-0909	1	Lamp-12 Volt
5	104-8300	2	Nut-HF, NI	20:2	3230-28	1	Screw-CARR
6	3234-11	6	Screw-HHF	20:3	3253-33	1	Washer-Lock
7	110-0986	1	Decal-Plate, Cover	20:4	3217-6	1	Nut-Hex
8	125-2910	2	Tread-Floor, Side	21	3254-9	4	Washer-Lock, Internal
9	3230-1	2	Bolt-CARR	22	110-0944	1	Shroud-Platform
10	87-6630	2	Washer-Plain	23	110-0947-03	1	Plate-Cover
11	32128-33	2	Nut-HF	25	133-2930	1	Decal-Danger
13	125-2911	1	Tread-Panel, Service	25	133-2931	1	Decal-Danger (CE)
14	125-2909	1	Tread-Floorboard	26	110-8921	1	Decal-Speed, Mow
15	32104-17	6	Screw-HWH	28	117-2718	1	Decal-Arrester, Spark
16	106-9518	2	Screw-PRH	29	110-8876-01	1	Brace-Column
17	240-11	2	Bushing-Flange				



Pedal Assembly

Ref.	Part Number	Qty.	Description	Ref.	Part Number	Qty.	Description
1	117-5199	1	Hub-Pedal, Traction	20:1	117-3207	2	Nut-Hex
2	117-9507	1	Pedal-Accelerator	20:2	117-3208	2	Washer-Lock, Internal Tooth
3	74-9100	1	Pad-Pedal, Forward	21	256-156	2	Bushing-Flange
4	256-236	2	Bearing-Mount, Flange	22	323-17	1	Screw-HH
5	106-3840	1	Pedal-Traction	23	62-4420	8	Washer
6	92-7305	1	Spring-Extension	24	3296-39	1	Nut-Lock, NI
7	3234-5	6	Screw-HHF	25	117-8066	1	Mow-Stop
8	3296-29	6	Nut-Lock, NI	26	32121-6	1	Pin-Roll, Slotted
9	32121-45	1	Pin-Spring	27	106-3731	1	Rod-Pivot
10	74-9110	1	Pad-Pedal, Reverse	28	110-8982	2	Washer-Spring
11	127-2721	1	Cable-Traction	29	32121-16	1	Pin-Spring
11:1	3220-1	2	Nut-Jam	30	115-0120-03	1	Pedal-Brake
12	3234-13	2	Screw-HHF	31	125-8775	2	Bushing-Flange
13	3296-42	1	Nut-Lock, NI	32	104-7179	1	Pivot-Pedal
14	66-8010	1	Spacer	33	32144-4	1	Screw-HWH
15	2411-41	1	Rod End-Ball Joint	34	99-7963-03	1	Pedal-Park
16	33093-00	1	Washer-Flat	35	115-5300	1	Proximity Switch ASM
17	3256-22	3	Washer-Flat	35:1	117-3207	2	Nut-Hex
18	321-9	1	Screw-HH	35:2	117-3208	2	Washer-Lock, Internal Tooth
19	93-2092	1	Clamp-Cable	36	115-0129	1	Rod-Pawl, Brake
20	115-0282	1	Proximity Sensor ASM	37	3272-6	2	Pin-Cotter



Pedal Assembly (continued)

<i>Ref.</i>	<i>Part Number</i>	<i>Qty.</i>	<i>Description</i>	<i>Ref.</i>	<i>Part Number</i>	<i>Qty.</i>	<i>Description</i>
38	104-8301	1	Nut-HF, NI	46	3272-10	2	Pin-Cotter
39	99-7214	1	Pawl-Brake	47	117-0106	1	Cable-Brake, RH
40	99-7140	1	Spring-Torsion	48	117-0107	1	Cable-Brake, LH
41	52-2891	2	Bushing-Flanged, Nylon	49	302-60	1	Fitting-Grease
42	323-12	1	Screw-HH	50	115-8060	1	Clevis-Double
43	117-0238	1	Detent	51	115-8059	1	Yoke-Cable
44	5-0652	2	Spacer	52	104-7201	1	Nut-HF, NI
45	283-14	2	Pin-Clevis				



Steering Assembly

Ref.	Part Number	Qty.	Description
1	106-3622	1	Steering Tilt Column ASM
2	340-2	4	Fitting-Straight
2:1	237-22	1	O-Ring
2:2	237-42	1	O-Ring
3	98-1471	1	Wheel-Steering
3:1	98-1468	1	Cover-Wheel, Steering
4	98-1459	1	Decal
5	105-2409	4	Screw-HSH
6	106-3621	1	Steering Valve ASM
7	3274-1	4	Screw-HSH
8	3296-33	1	Nut-Lock, NI
9	3256-27	1	Washer-Flat
10	104-8301	4	Nut-HF, NI



Steering Tilt Column Assembly No. 106-3622

Ref.	Part Number	Qty.	Description
1	110-6462	1	Bellows-Rubber
2	110-6463	1	Cylinder Service Kit
2:1		1	Cylinder-Gas ●
2:2		1	Block-Pedal ●
2:3		2	Bolt ●
2:4		1	Pin ●
2:5		2	Washer-Lock ●
3	110-6464	1	Pedal Service Kit
3:1		1	Pedal ●
3:2		1	Pin ●
3:3		1	Spring ●
4	110-6465	1	Cover-Pedal
5	120-6256	1	Universal Joint Kit

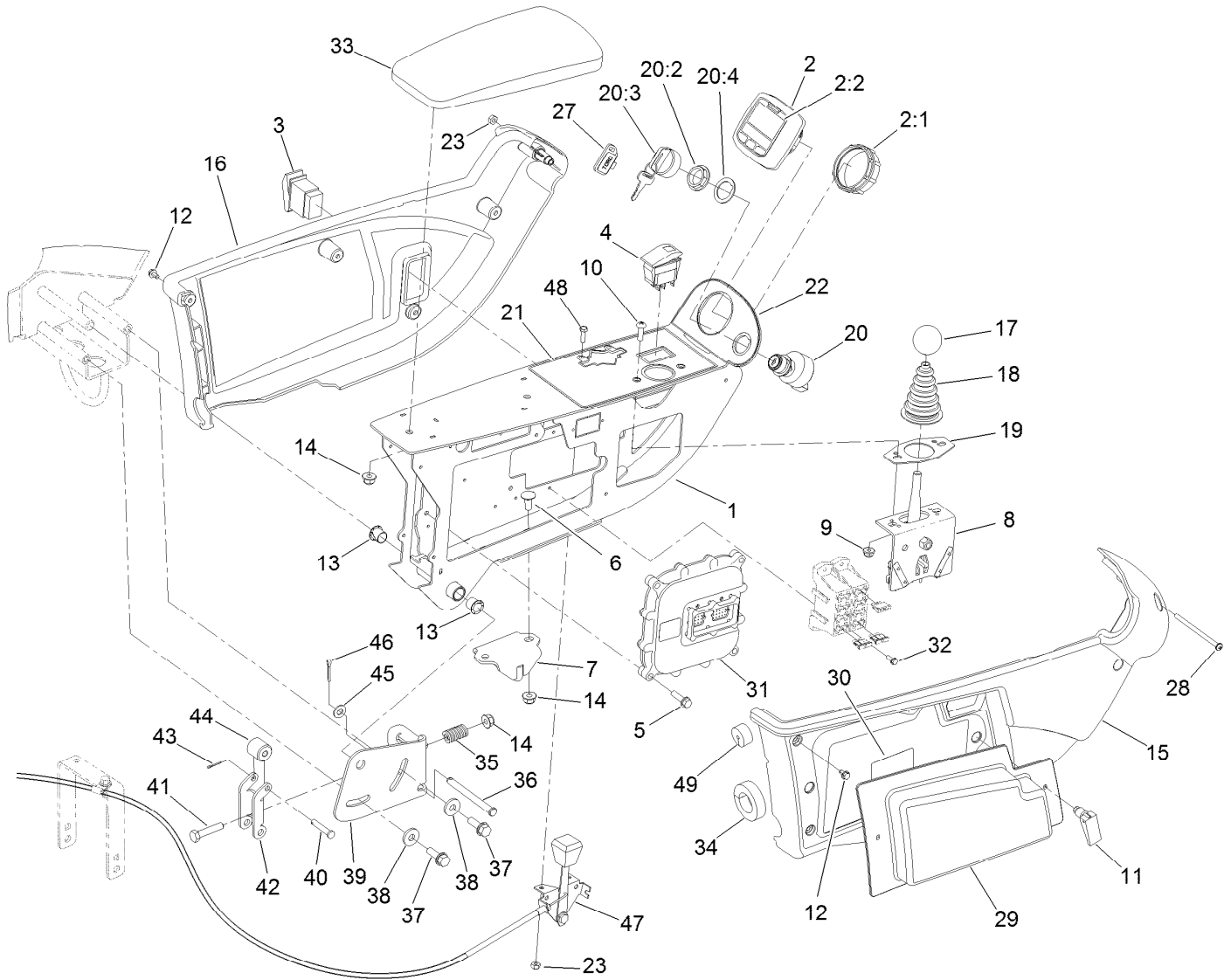
● Not serviced separately



Steering Valve Assembly No. 106-3621

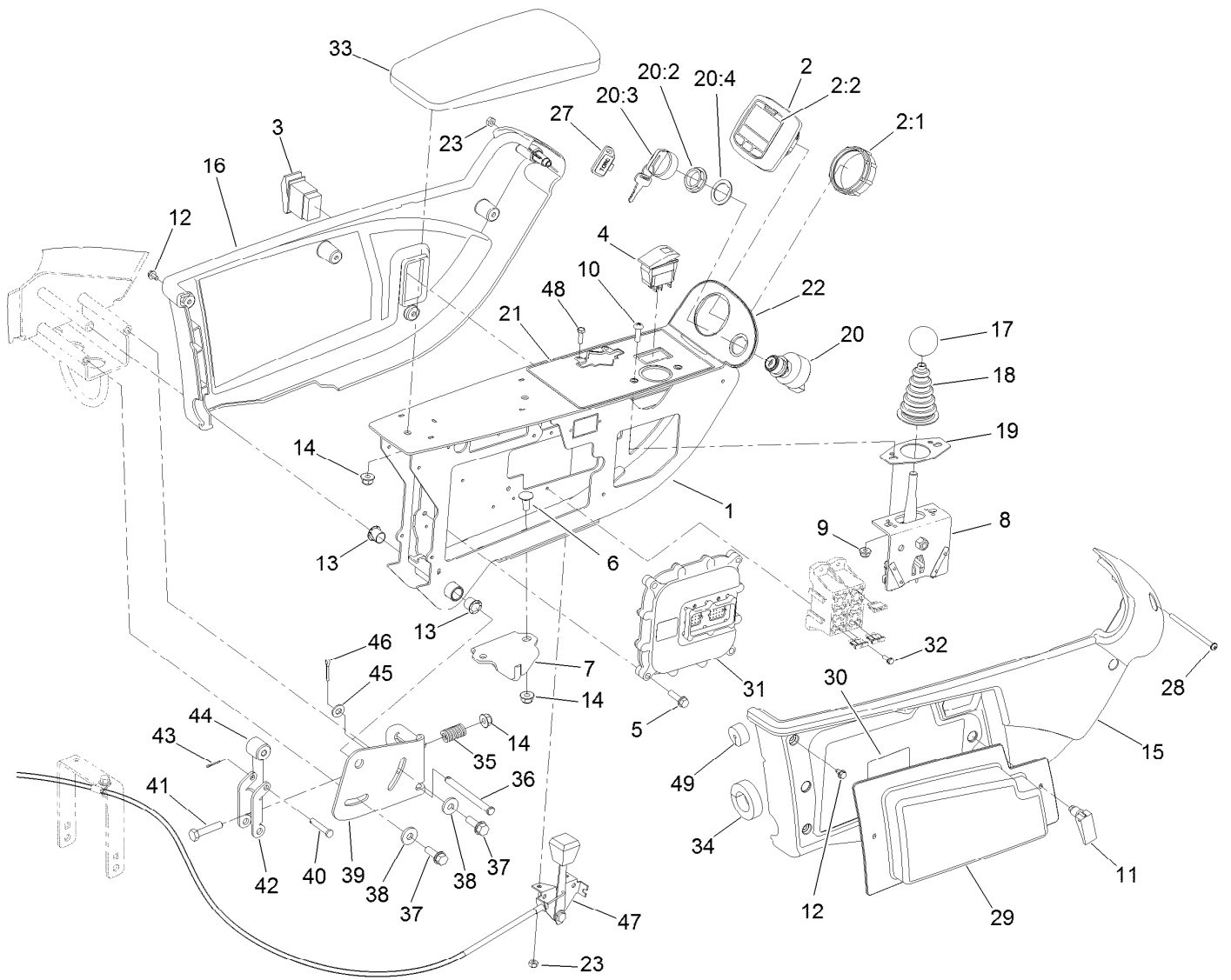
<i>Ref.</i>	<i>Part Number</i>	<i>Qty.</i>	<i>Description</i>
1	106-6716	1	Seal Kit
1:1		1	Ring-Seal, Dust ●
1:2		1	Seal-Shaft ●
1:3		1	O-Ring ●
1:4		2	O-Ring ●
1:5		5	O-Ring ●

● Not serviced separately



Console and Control Arm Assembly

Ref.	Part Number	Qty.	Description	Ref.	Part Number	Qty.	Description
1	120-3801-03	1	Frame-Arm, Control	20	106-5269	1	Ignition Switch ASM
2	120-6310	1	LCD Display ASM	20:2	108-8660	1	Nut-Mounting
2:1	120-4630	1	Nut-Display	20:3	106-5270	1	Ignition Key Set
2:2	120-6311	1	Decal-Display	20:4	108-8659	1	Washer-Backup
3	95-8999	1	Switch	21	121-5644	1	Decal-Control Panel
4	105-4232	1	Switch	22	120-4158	1	Decal-Console, Upper
5	32144-86	4	Screw-HWHTF	23	3296-2	3	Nut-Lock, NI
6	3230-23	2	Bolt-CARR	27	99-8970	1	Key-Latch, Hood
7	125-1938	1	Latch	28	3250-22	1	Screw-PPH
8	120-5280	1	Bracket-Joystick	29	114-0446	1	Panel-Access
9	104-7201	2	Nut-HF, NI	30	117-0169	1	Decal-Fuses
10	3258-166	2	Screw-PRH	31	114-3321	1	Controller-Tec
11	74-5950	2	Latch-Swell	32	32144-87	4	Screw-HWHTF
12	104-2065	10	Screw-HWH	33	108-7602	1	Rest-Arm
13	256-257	2	Bushing-Nyliner	34	110-8912	1	Seal-Foam
14	104-8300	5	Nut-HF, NI	35	110-5331	1	Spring-Compression
15	108-7605	1	Cover-RH	36	283-88	1	Pin-Clevis
16	108-7604	1	Cover-LH	37	32144-41	2	Screw-Taptite
17	233-42	1	Knob	38	4-2390	2	Washer-Flat
18	93-5961	1	Boot-Lever	39	110-5313-03	1	Bracket-Retainer
19	112-9181	1	Plate-Boot	40	283-73	1	Pin-Clevis



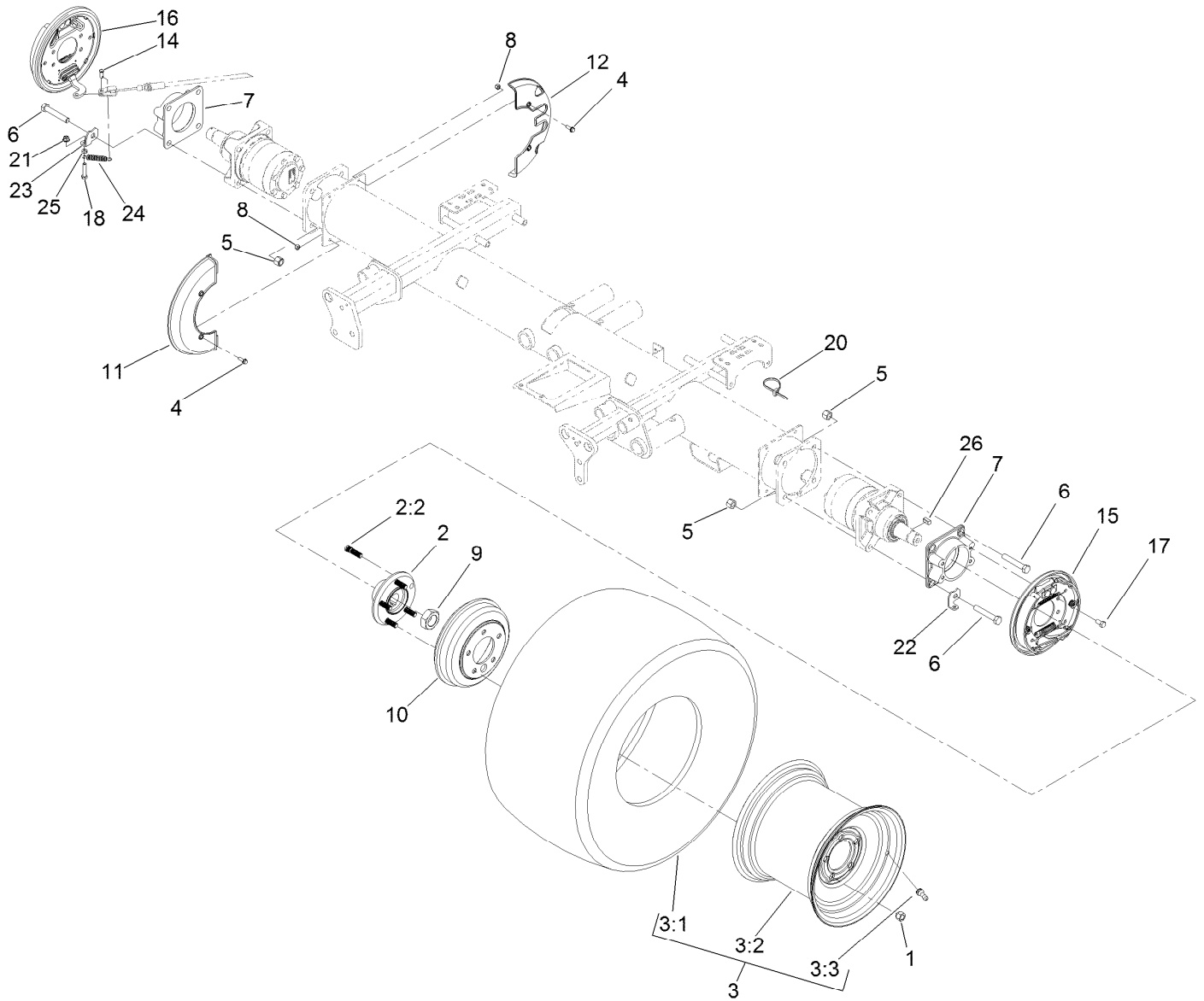
Console and Control Arm Assembly (continued)

<i>Ref.</i>	<i>Part Number</i>	<i>Qty.</i>	<i>Description</i>	<i>Ref.</i>	<i>Part Number</i>	<i>Qty.</i>	<i>Description</i>
41	322-7	1	Screw-HH	46	3272-10	1	Pin-Cotter
42	110-5314	1	Latch	47	133-2929	1	Control-Throttle
43	3272-1	1	Pin-Cotter	48	3290-134	2	Screw
44	110-8856	1	Spacer	49	110-8911	1	Seal-Foam
45	3256-23	1	Washer-Plain				



Joystick Bracket Assembly No. 120-5280

<i>Ref.</i>	<i>Part Number</i>	<i>Qty.</i>	<i>Description</i>
1	115-5357-03	1	Bracket-Joystick
2	106-4192	1	Spacer
3	93-5547	2	Bushing-Nylon
4	119-3540	1	Hub-Pivot, Joystick
5	105-8289	1	Spring-Torsion
6	106-4193	2	Washer-Finger, Spring
7	322-9	1	Screw-HH
8	3296-29	1	Nut-Lock, NI
9	3290-354	2	Nut-Speed
10	108-6496	2	Switch (W/Boot)
11	95-3003	4	Screw-PPHTF
12	3256-3	1	Washer-Flat



Front Axle Assembly

Ref.	Part Number	Qty.	Description	Ref.	Part Number	Qty.	Description
1	242-50	10	Nut-Lug	11	127-2741	2	Shield-Wheel, Front
2	121-5631	2	Hub ASM	12	127-2742	2	Shield-Wheel, Rear
2:2	114-3918	5	Stud-Wheel	14	283-62	2	Pin-Clevis
3	136-7963	2	Tire ASM	15	120-6261	1	LH Brake ASM
3:1	117-5196	1	Tire	16	120-6260	1	RH Brake ASM
3:2	136-7964	1	Wheel	17	323-4	8	Screw-HH
3:3	232-27	1	Stem-Valve	18	322-7	2	Screw-HH
4	115-5103	8	Screw-HHF	20	3290-378	2	Tie-Cable
5	3296-23	8	Nut-Lock, NI	21	104-8300	2	Nut-HF, NI
6	325-12	8	Screw-HH	22	120-6267	1	Clip-Spring, LH
7	120-6253-03	2	Adapter-Brake	23	120-6266	1	Clip-Spring, RH
8	3296-42	8	Nut-Lock, NI	24	87-4020	2	Spring-Extension
9	117-3290	2	Nut-Hex	25	3218-2	2	Nut-Hex Jam
10	114-8864	2	Drum-Brake	26	117-5198	2	Key-Square



LH Brake Assembly No. 120-6261

Ref.	Part Number	Qty.	Description
1	108-6981	1	Brake Shoe Kit
2	108-6983	1	Brake Hardware Kit
3	110-8910	1	LH Actuator Kit
3:1		1	Housing ●
3:2		1	Lever-LH ●
3:3		1	Pin-Pivot ●
3:4		1	E-Ring ●
4	110-8885	1	Dust Boot Kit
4:1		1	Boot ●
4:2		1	Plate-Back Up ●
4:3		2	Rivet ●

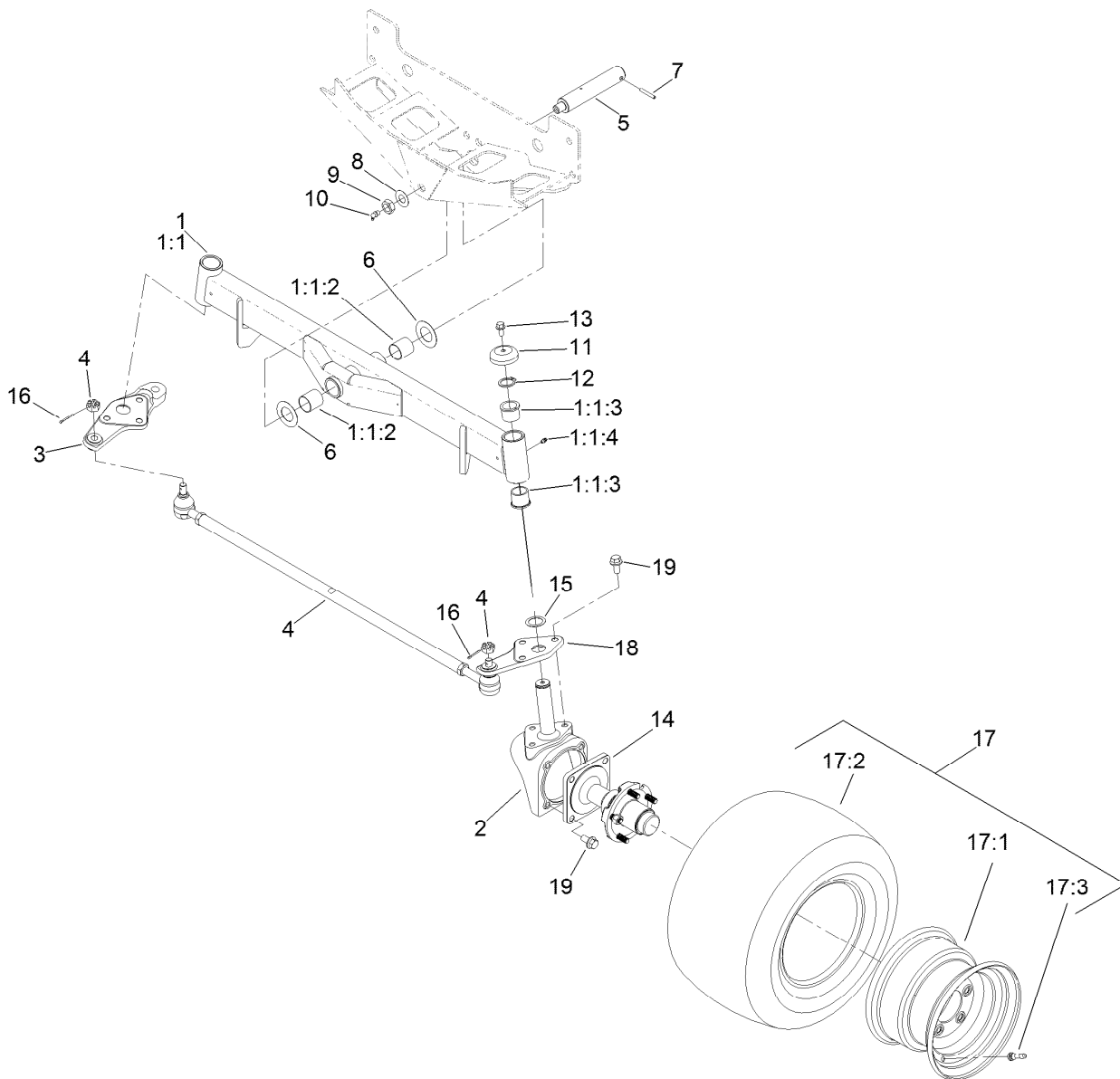
● Not serviced separately



RH Brake Assembly No. 120-6260

Ref.	Part Number	Qty.	Description
1	108-6981	1	Brake Shoe Kit
2	108-6983	1	Brake Hardware Kit
3	110-8884	1	RH Actuator Kit
3:1		1	Housing ●
3:2		1	Lever-RH ●
3:3		1	Pin-Pivot ●
3:4		1	E-Ring ●
4	110-8885	1	Dust Boot Kit
4:1		1	Boot ●
4:2		1	Plate-Back Up ●
4:3		2	Rivet ●

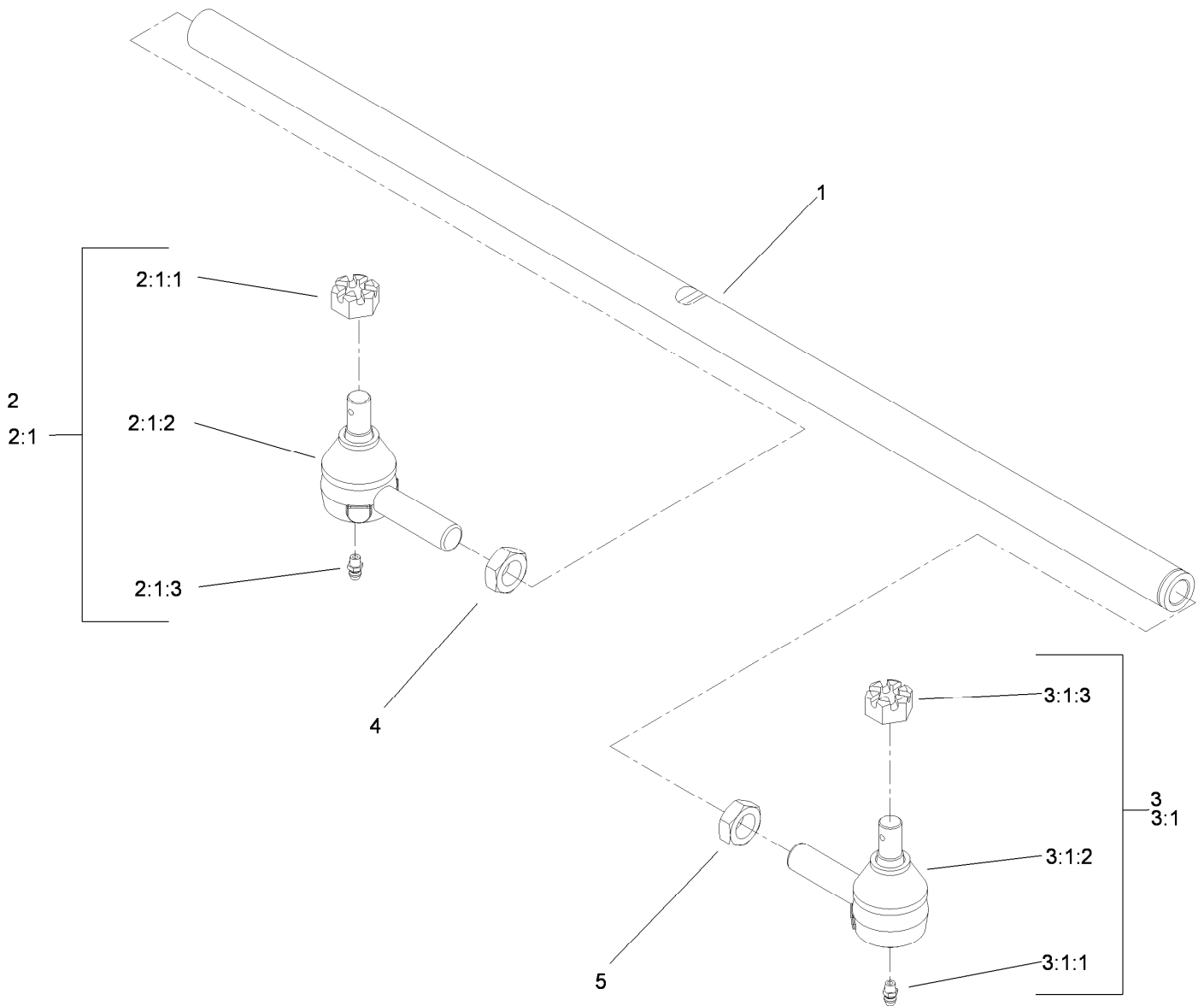
● Not serviced separately



Rear Axle Assembly

Ref.	Part Number	Qty.	Description	Ref.	Part Number	Qty.	Description
1	107-4546-03	1	Axle ASM	10	302-33	1	Fitting-Grease
1:1		1	Axle ●	11	69-8890	2	Cap-Spindle
1:1:2	99-6964	2	Bushing-Axle	12	32151-77	2	Ring-Retaining, External
1:1:3	104-0015	4	Bushing-Flange	13	3234-1	2	Screw-HHF
1:1:4	302-5	2	Fitting-Grease	14	117-8961	2	Hub And Spindle ASM
2	107-4517-03	2	Housing-Motor	15	76-2980	2	Washer-Thrust
3	110-5295-03	1	Link-Drag, RH	16	3272-12	2	Pin-Cotter
4	110-5334-03	1	Tie Rod ASM	17	117-0281	2	Rim And Tire ASM
5	98-8173	1	Pin-Pivot, Axle	17:1	117-0280	1	Rim
6	99-8432	2	Washer-Thrust	17:2	117-5125	1	Tire
7	32121-32	1	Pin-Roll	17:3	232-27	1	Stem-Valve
8	71-4540	1	Washer-Thrust	18	110-5297-03	1	Link-Drag, LH
9	3296-15	1	Nut-Lock, NI	19	3234-6	14	Screw-HHF

● Not serviced separately



Tie Rod Assembly No. 110-5334-03

Ref.	Part Number	Qty.	Description
1	110-5335	1	Rod-Tie
2	71-4740-03	1	RH Tie Rod End ASM
2:1		1	End-Rod, Tie (RH) ●■
2:1:1	105-7941	1	Nut-Hex, Slotted ●
2:1:2	105-7835	1	Seal ●
2:1:3	302-5	1	Fitting-Grease
3	2411-46-03	1	LH Tie Rod ASM
3:1		1	End-Rod, Tie (LH) ●■
3:1:1	302-5	1	Fitting-Grease ●
3:1:2	105-7835	1	Seal ●
3:1:3	105-7941	1	Nut-Hex, Slotted ●
4	84-5300	1	Nut-Jam
5	110-5337	1	Nut-Jam

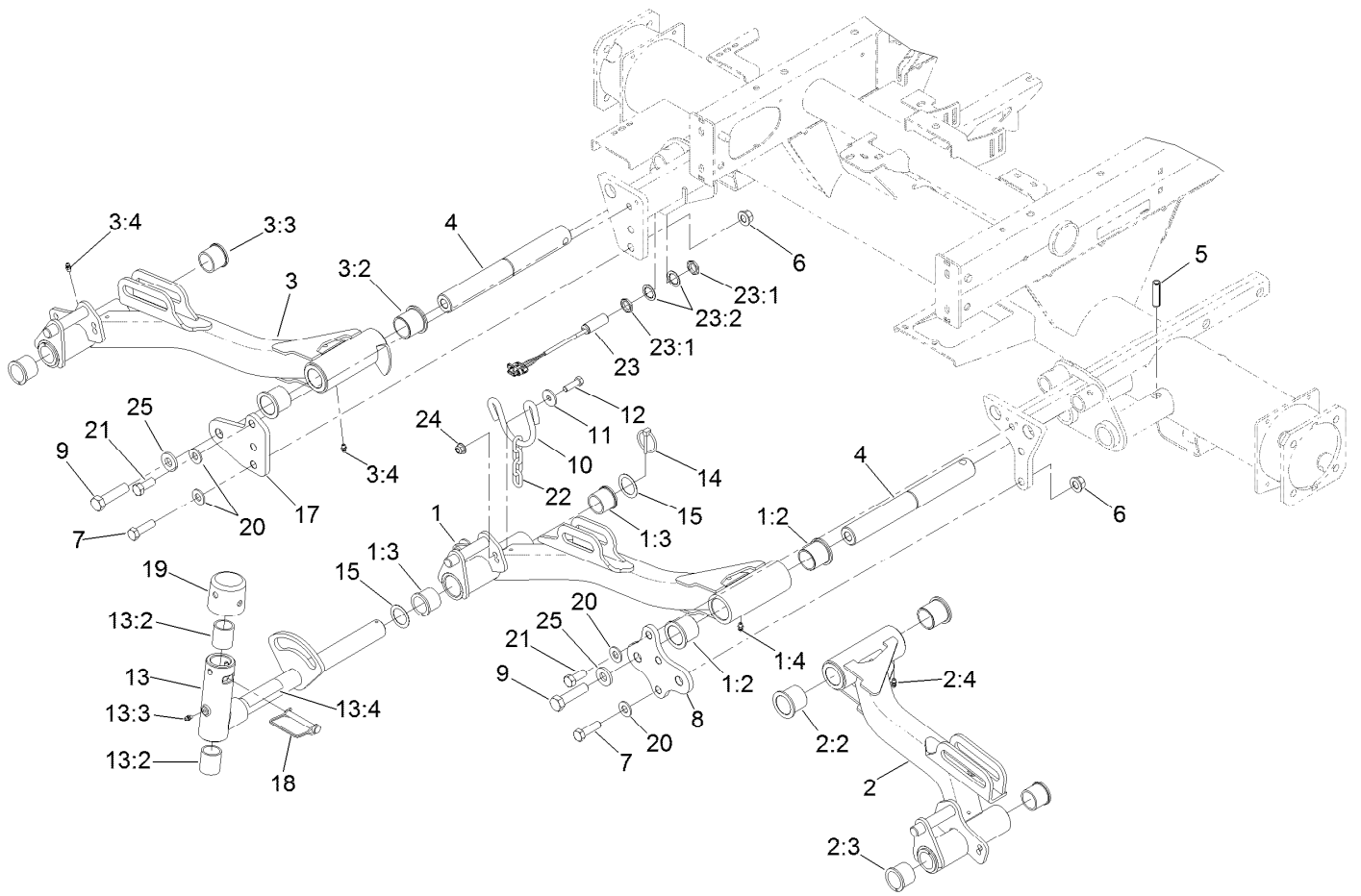
● Not illustrated

■ Not serviced separately



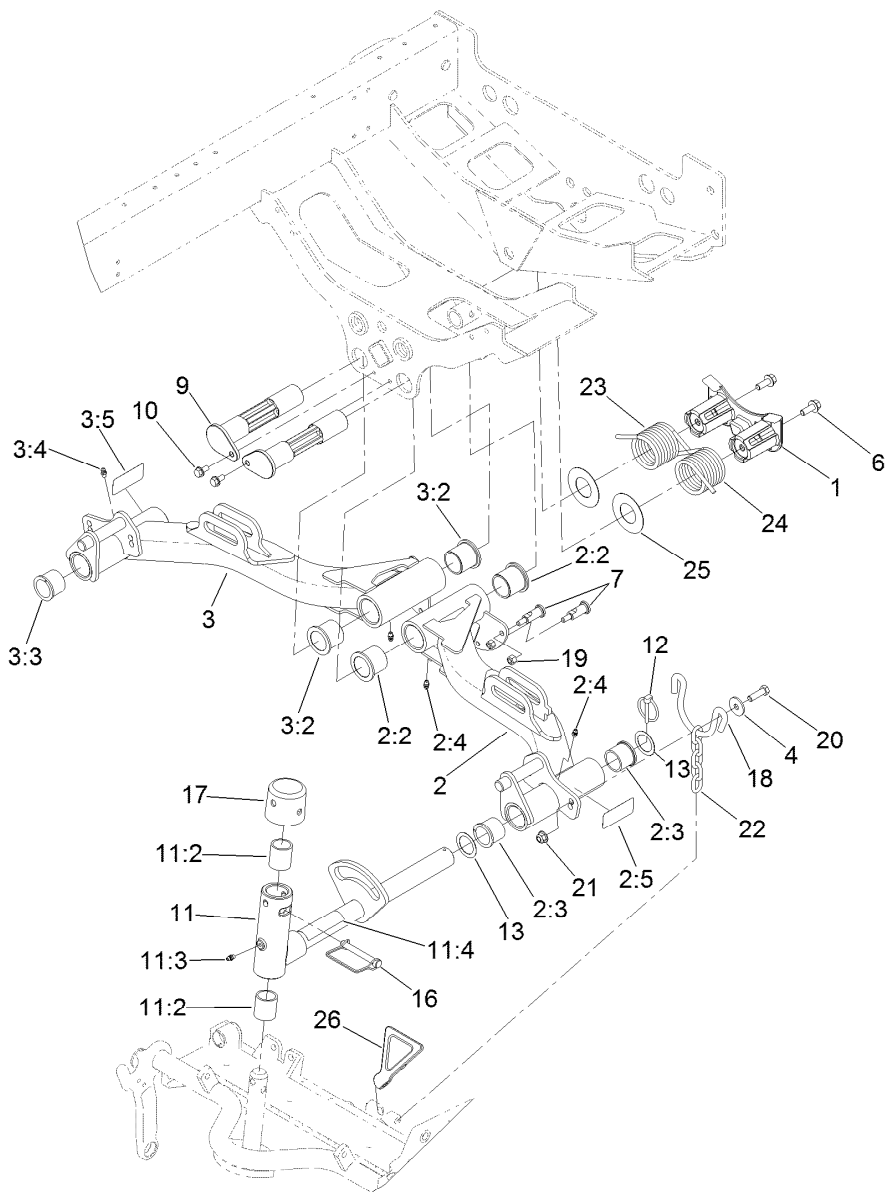
Hub and Spindle Assembly No. 117-8961

<i>Ref.</i>	<i>Part Number</i>	<i>Qty.</i>	<i>Description</i>
1	117-8958	1	Spindle
2	117-8963	1	Hub ASM
2:2	254-72	2	Bearing-Cup, Tapered
2:3	114-3918	5	Stud-Wheel
3	254-94	2	Bearing-Cone, Tapered
4	112-1690	1	Seal-Oil
5	242-50	5	Nut-Lug
6	241-119	1	Cap-Dust
7	117-8259	1	Washer-Spindle
8	117-8260	1	Nut
9	93-0307	1	Nut-Lock, Retainer
10	3272-18	1	Pin-Cotter



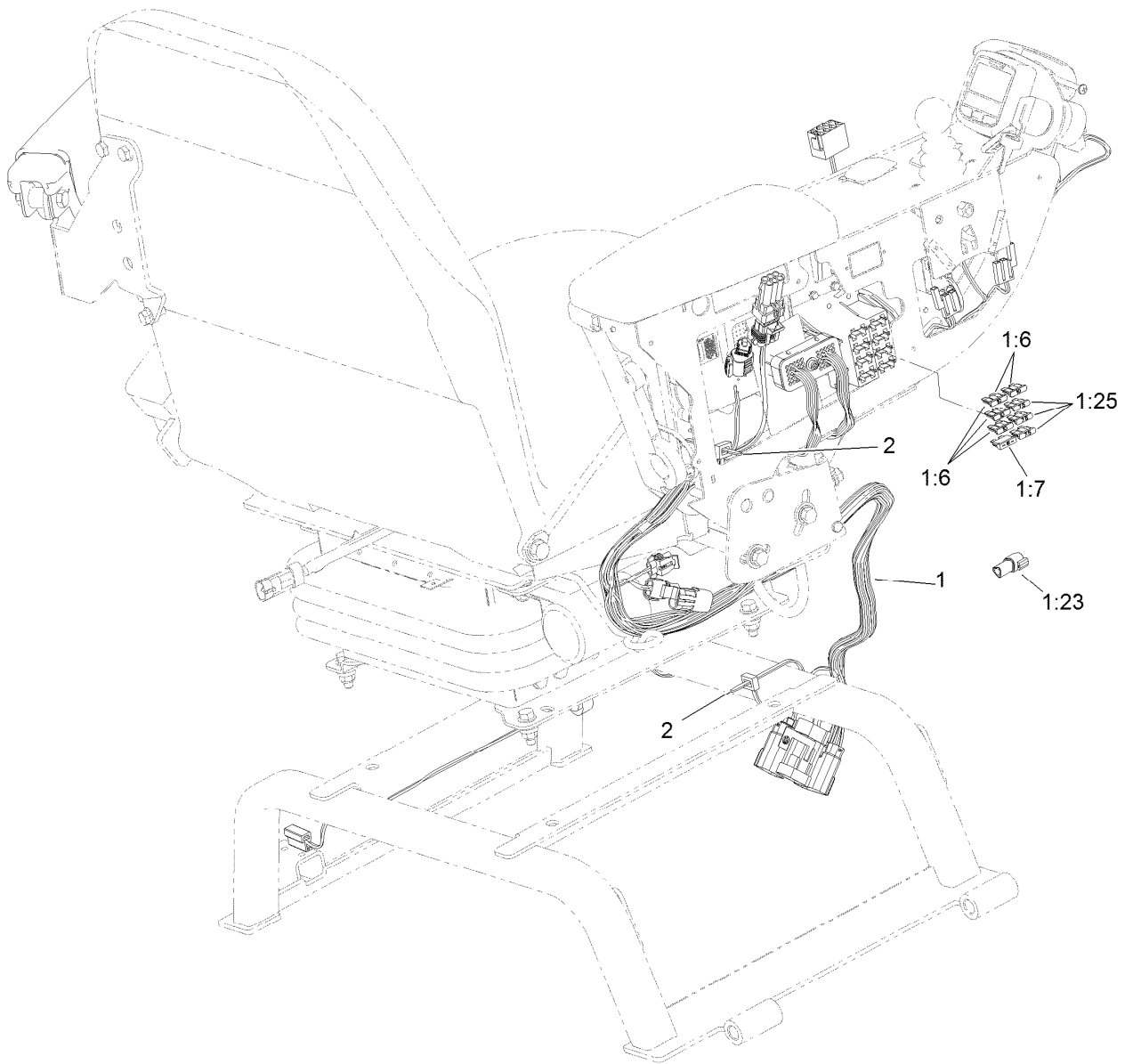
No. 1, 4 and 5 Lift Arm Assembly

Ref.	Part Number	Qty.	Description	Ref.	Part Number	Qty.	Description
1	136-8001	1	Lift Arm #1	11	63-8410	6	Washer
1:2	69-6470	2	Bushing-Caster	12	323-7	6	Screw-HH
1:3	104-0015	2	Bushing-Flange	13	107-2052	3	Pivot Yoke ASM
1:4	302-5	2	Fitting-Grease	13:2	121-3187	2	Bushing
2	136-8004	1	Lift Arm #4	13:3	302-5	1	Fitting-Grease
2:2	69-6470	2	Bushing-Caster	13:4	110-9642	1	Decal-Warning
2:3	104-0015	2	Bushing-Flange	14	92-1298	3	Pin-Lynch
2:4	302-5	2	Fitting-Grease	15	76-2980	6	Washer-Thrust
3	136-8005	1	Lift Arm #5	17	117-5153-01	1	Plate-Bridge 5
3:2	69-6470	2	Bushing-Caster	18	107-7400	3	Pin-Lynch
3:3	104-0015	2	Bushing-Flange	19	107-4027	3	Cap
3:4	302-5	2	Fitting-Grease	20	87-7270	6	Washer-Thrust
4	117-0208	3	Shaft-Pivot, Liftarm	21	325-5	2	Screw-HH
5	32121-122	3	Pin-Roll	22	84-2450	3	Chain-Straight, 4-Link
6	99-5107	4	Nut-Lock	23	115-5300	1	Proximity Switch ASM
7	325-7	4	Screw-HH	23:1	117-3207	2	Nut-Hex
8	117-5154-01	1	Plate-Bridge 1 And 4	23:2	117-3208	2	Washer-Lock, Internal Tooth
9	327-7	3	Screw-HH	24	104-8301	6	Nut-HF, NI
10	110-0922	3	Hoop-Chain	25	99-7667	3	Washer-Flat



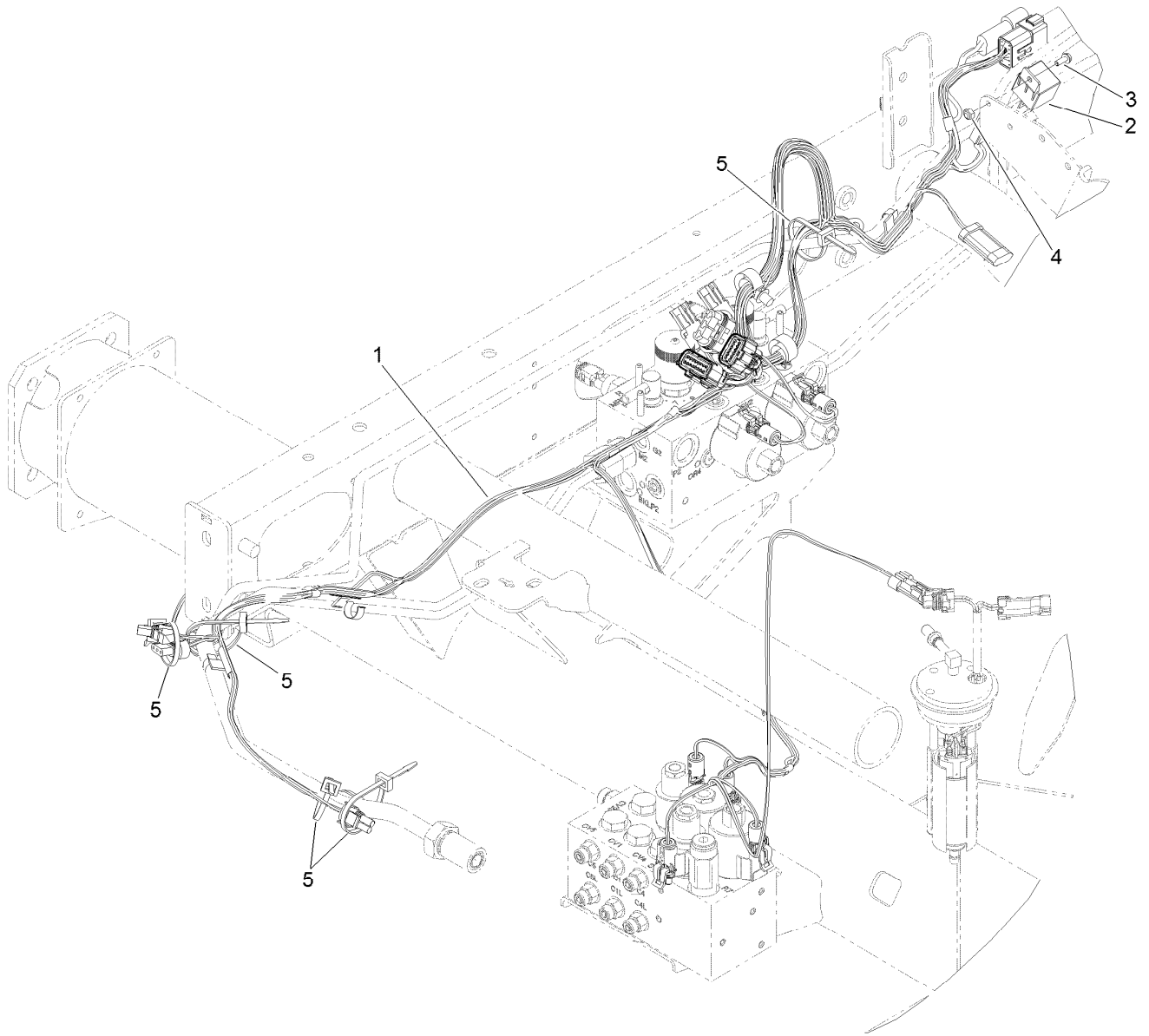
No. 2 and 3 Lift Arm Assembly

Ref.	Part Number	Qty.	Description	Ref.	Part Number	Qty.	Description
1	125-2018	1	Housing	11:2	121-3187	2	Bushing
2	136-8002	1	Lift Arm #2	11:3	302-5	1	Fitting-Grease
2:2	69-6470	2	Bushing-Caster	11:4	110-9642	1	Decal-Warning
2:3	104-0015	2	Bushing-Flange	12	92-1298	2	Pin-Lynch
2:4	302-5	2	Fitting-Grease	13	76-2980	4	Washer-Thrust
2:5	93-6696	1	Decal-Warning	16	107-7400	2	Pin-Lynch
3	136-8003	1	Lift Arm #3	17	107-4027	2	Cap
3:2	69-6470	2	Bushing-Caster	18	110-0922	2	Hoop-Chain
3:3	104-0015	2	Bushing-Flange	19	3296-29	6	Nut-Lock, NI
3:4	302-5	2	Fitting-Grease	20	323-7	4	Screw-HH
3:5	93-6696	1	Decal-Warning	21	104-8301	4	Nut-HF, NI
4	63-8410	4	Washer	22	84-2450	2	Chain-Straight, 4-Link
6	3234-11	2	Screw-HHF	23	99-5608-03	1	Spring-Torsion, RH
7	120-6283	6	Stud-Shouldered	24	99-5609-03	1	Spring-Torsion, LH
9	125-2037	2	Shaft	25	110-5345	2	Washer
10	32144-14	2	Screw-HWHTF	26	119-8010-03	1	Kickstand
11	107-2052	2	Pivot Yoke ASM				



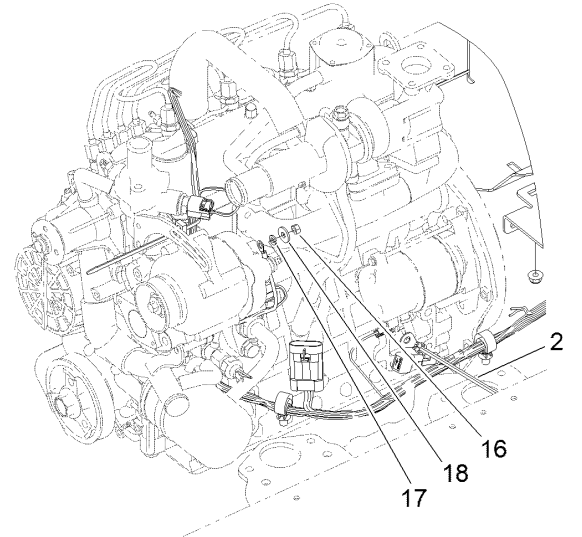
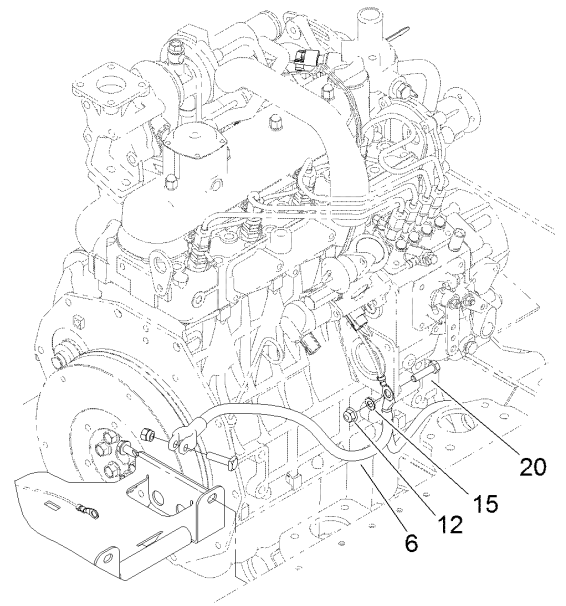
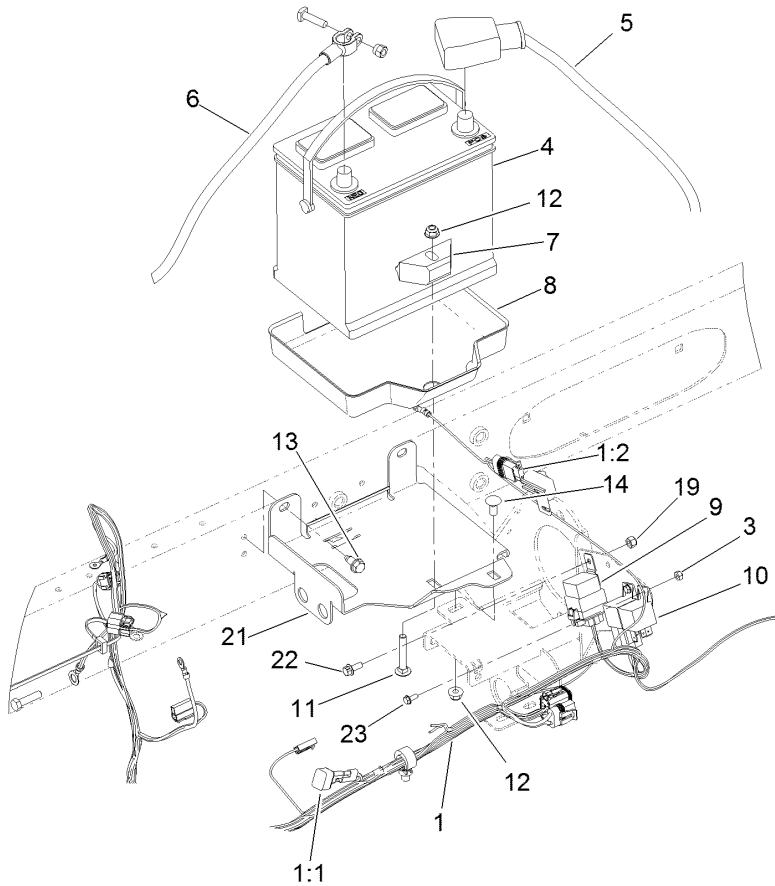
Seat and Control Arm Wiring Harness Assembly

<i>Ref.</i>	<i>Part Number</i>	<i>Qty.</i>	<i>Description</i>
1	115-8081	1	Harness-Wire, Seat
1:6	218-578	3	Fuse-Blade, 10 Amp
1:7	109355	1	Fuse-Blade, 15 Amp
1:23	32180-043	1	Resistor-120 Ohm
1:25	114241	3	Fuse-Blade, 7.5 Amp
2	3290-378	3	Tie-Cable



Main Wiring Harness Assembly

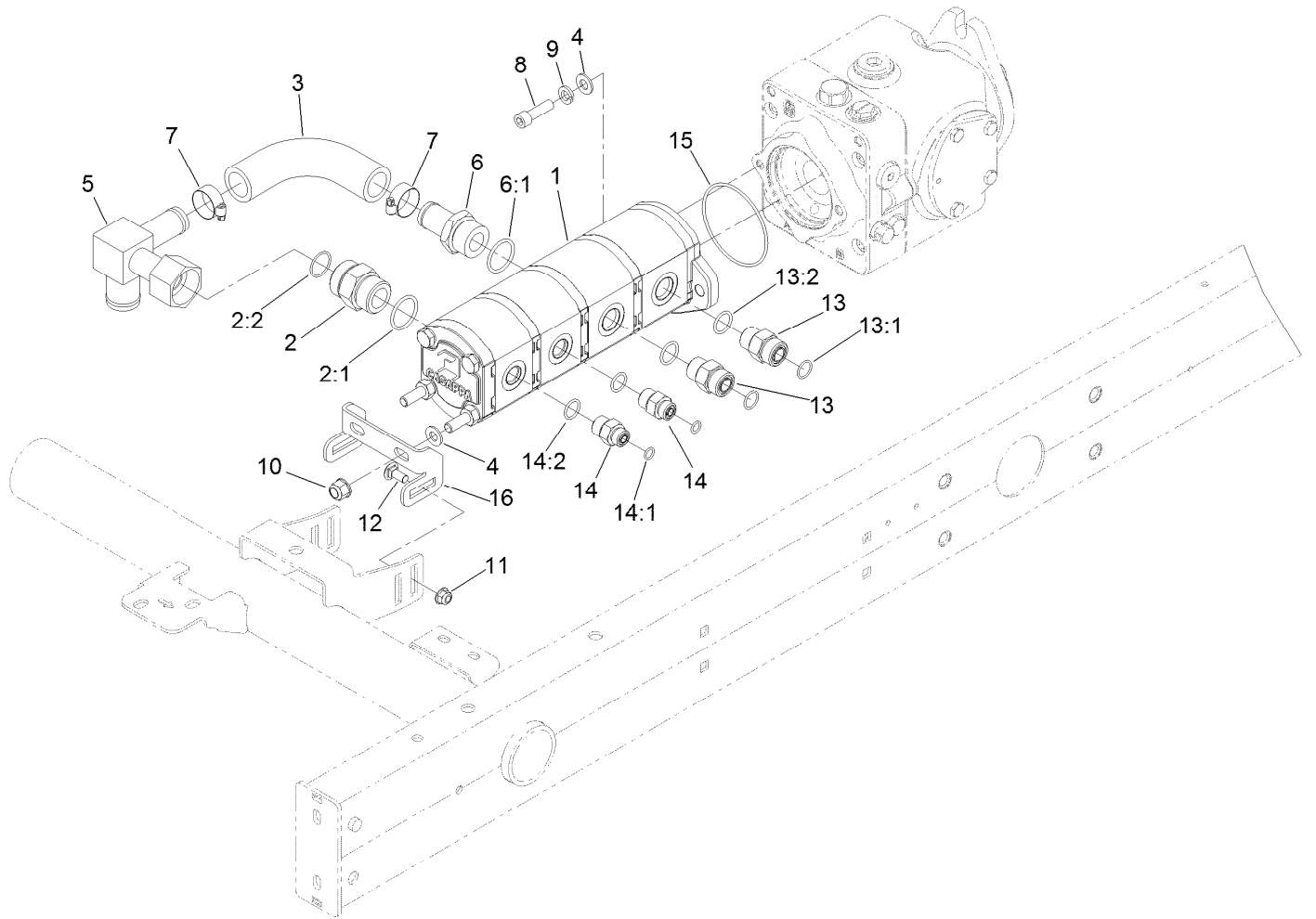
<i>Ref.</i>	<i>Part Number</i>	<i>Qty.</i>	<i>Description</i>
1	120-6356	1	Harness-Wire, Main
2	99-7435	1	Relay
3	3290-321	1	Screw-HWH
4	3296-2	1	Nut-Lock, NI
5	3290-378	10	Tie-Cable



Battery Mounting Assembly

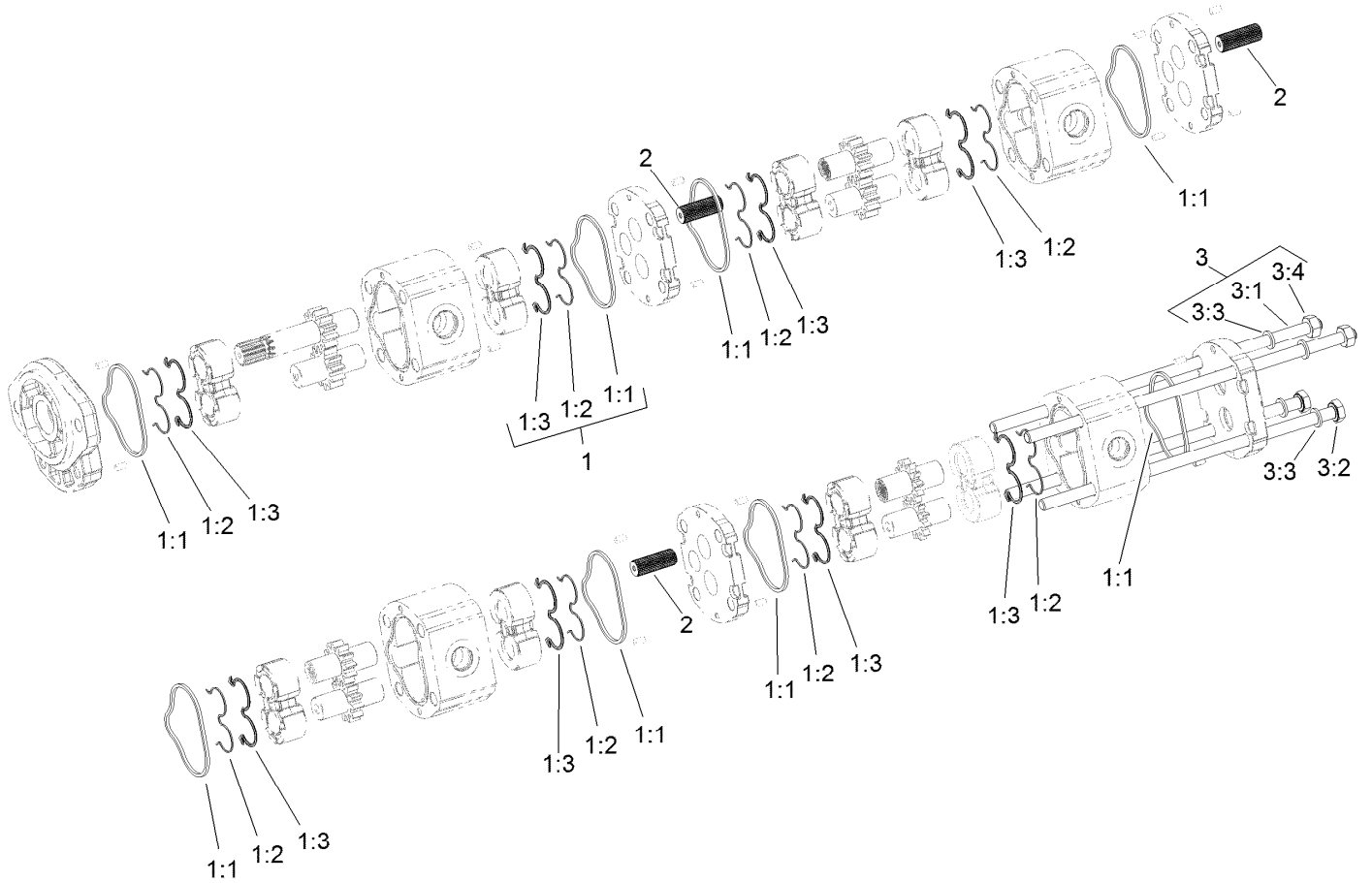
Ref.	Part Number	Qty.	Description
1	120-6346	1	Harness-Wire, Row Engine
1:1	100-4918	1	Diode
1:2	94-6710	1	Fuse-2 Amp
2	99-3441	1	Harness-Wire, Fusible Link
3	3296-2	1	Nut-Lock, NI
4	104-9979	1	Battery
5	108-1802	1	Cable-Battery, Positive
6	110-8813	1	Cable-Battery, Negative
7	66-2490	1	Retainer-Battery
8	99-3513	1	Tray-Battery
9	99-7430	1	Relay-Mini
10	99-7435	1	Relay
11	3230-6	1	Bolt-CARR

Ref.	Part Number	Qty.	Description
12	104-8300	4	Nut-HF, NI
13	32104-32	2	Screw-HWH
14	3230-1	1	Bolt-CARR
15	3255-8	1	Washer-Lock
16	48-7890	1	Nut-Hex
17	43-5930	1	Washer-Lock, Spring
18	3256-78	1	Washer-Flat
19	3296-42	1	Nut-Lock, NI
20	322-6	1	Screw-HH
21	110-0907-01	1	Bracket-Battery
22	3234-33	1	Screw-HHF
23	3290-321	1	Screw-HWH



Gear Pump Mounting Assembly

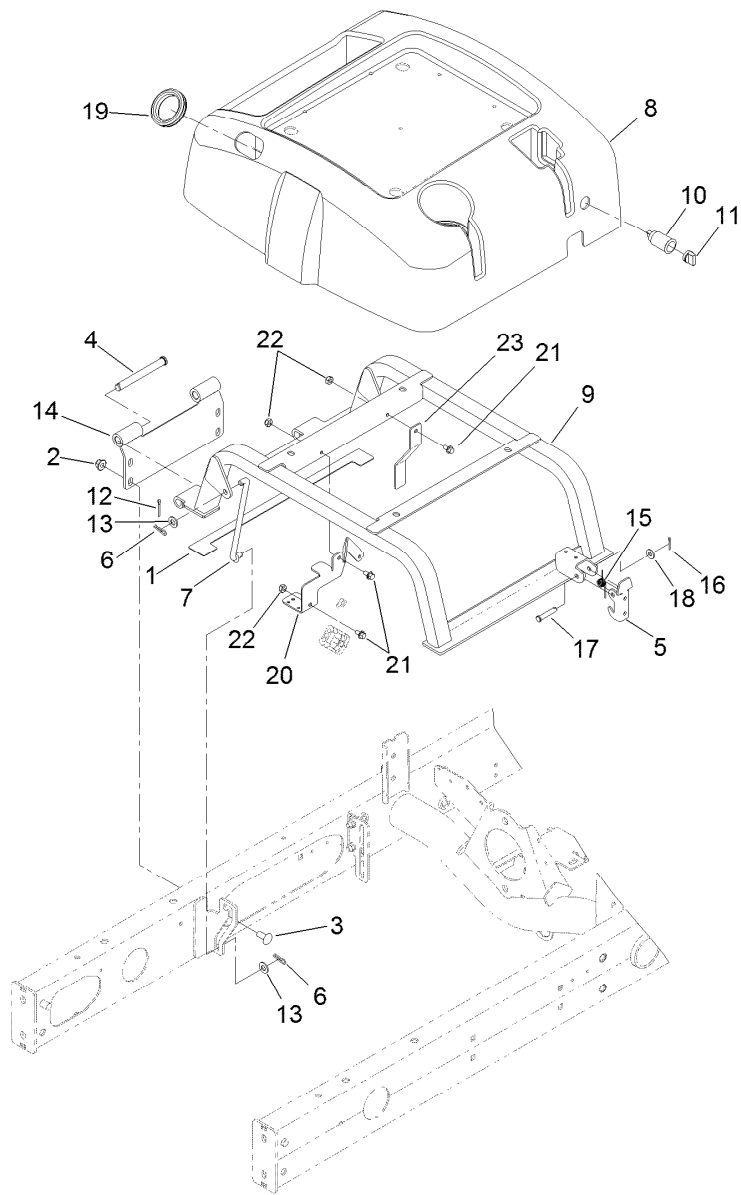
<i>Ref.</i>	<i>Part Number</i>	<i>Qty.</i>	<i>Description</i>	<i>Ref.</i>	<i>Part Number</i>	<i>Qty.</i>	<i>Description</i>
1	105-7576	1	Gear Pump ASM	10	103-9511	2	Nut-Lock, NI
2	104-3797	1	Fitting-Straight	11	104-8300	2	Nut-HF, NI
2:1	237-146	1	O-Ring	12	3230-1	2	Bolt-CARR
2:2	340-65	1	O-Ring	13	340-7	2	Fitting-Straight
3	108-1683	1	Hose-Formed	13:1	237-65	1	O-Ring
4	3256-24	4	Washer-Flat	13:2	237-80	1	O-Ring
5	108-1672	1	Manifold-Tube	14	340-3	2	Fitting-Straight
6	354-78	1	Fitting-STR	14:1	237-22	1	O-Ring
6:1	237-146	1	O-Ring	14:2	237-79	1	O-Ring
7	2412-34	2	Clamp-Hose	15	237-161	1	O-Ring
8	3274-1	2	Screw-HSH	16	108-1801-01	1	Bracket-Support, Pump
9	3253-5	2	Washer-Lock				



Gear Pump Assembly No. 105-7576

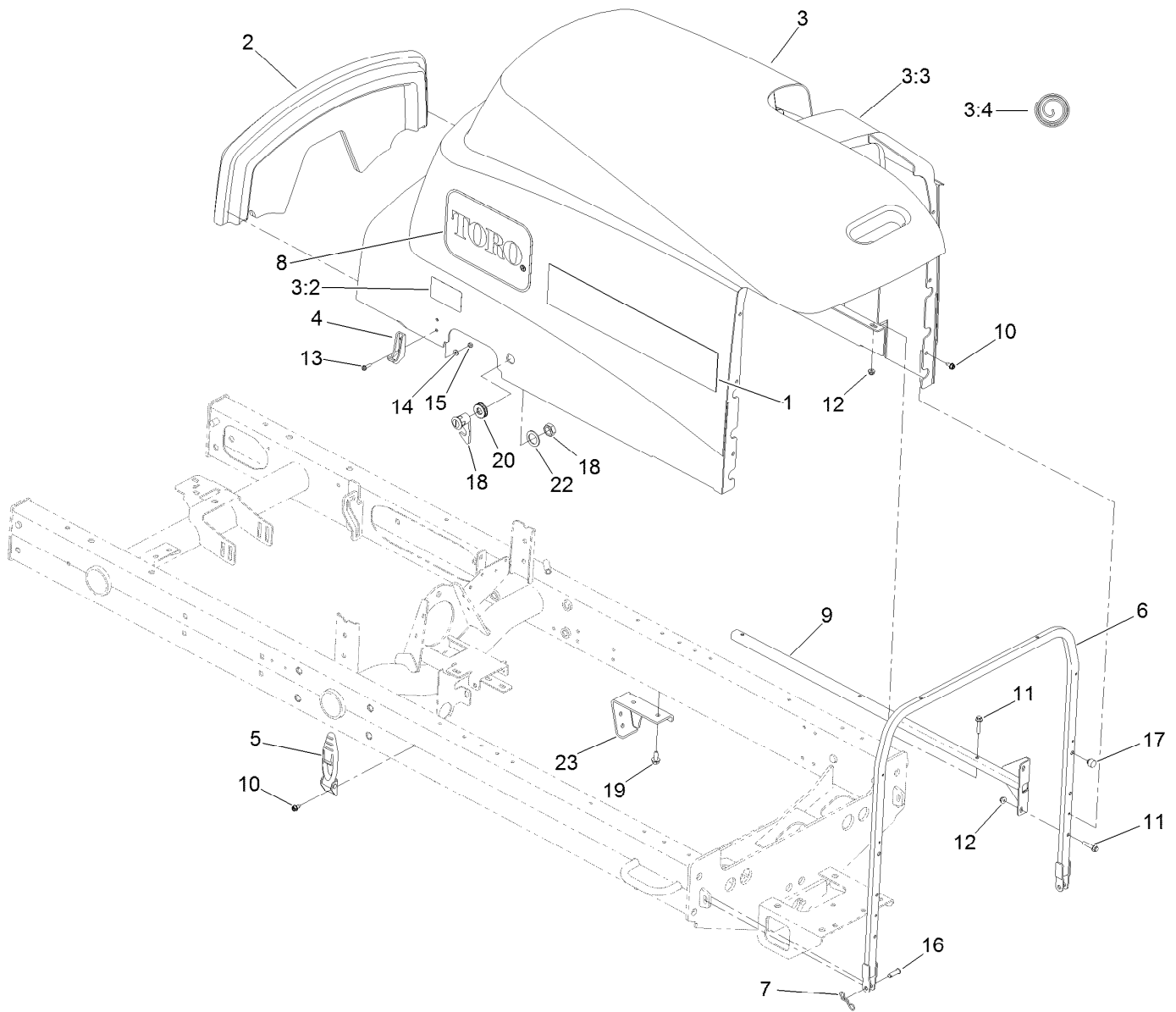
<i>Ref.</i>	<i>Part Number</i>	<i>Qty.</i>	<i>Description</i>
1	108-4595	1	Seal Kit
1:1		8	Seal ●
1:2		8	Seal ●
1:3		8	Ring-Back Up ●
2	120-6284	3	Hub-Connecting
3	125-8759	1	Kit-Bolt
3:1		2	Bolt-Stud ●
3:2		2	Screw ●
3:3		4	Washer ●
3:4		2	Nut ●

● Not serviced separately



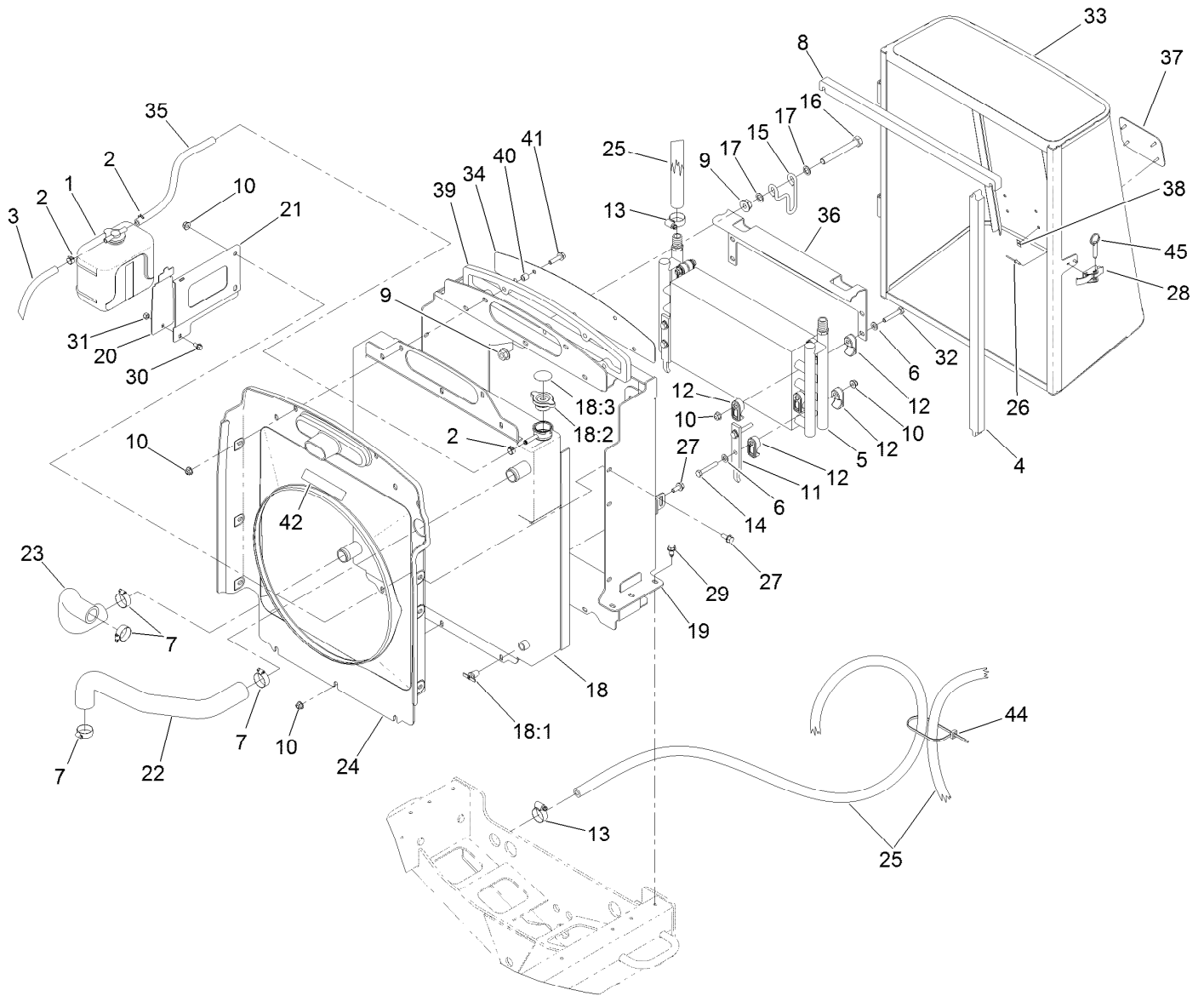
Seat Base Assembly

<i>Ref.</i>	<i>Part Number</i>	<i>Qty.</i>	<i>Description</i>	<i>Ref.</i>	<i>Part Number</i>	<i>Qty.</i>	<i>Description</i>
1	110-5255	2	Bumper-Base, Seat	13	3256-24	4	Washer-Flat
2	104-8301	4	Nut-HF, NI	14	125-2121-03	1	Hinge-Seatbase
3	3231-27	4	Screw-CARR	15	104-4821	1	Spring-Torsion
4	283-83	2	Pin-Clevis	16	3272-6	1	Pin-Cotter
5	110-8971	1	Latch	17	94-3829	1	Pin-Clevis
6	3290-307	4	Pin-Cotter	18	3256-2	1	Washer-Flat
7	98-0917	2	Rod-Prop	19	240-12	1	Grommet-Rubber
8	108-1757	1	Cover-Seatbase	20	127-2711-03	1	Bracket-Harness
9	125-2122-03	1	Seat Base ASM	21	3234-13	3	Screw-HHF
10	99-7411	1	Point-Power	22	3296-16	3	Nut-Lock, NI
11	99-7416	1	Cap	23	127-2615-03	1	Bracket-Harness, Wire
12	3272-11	2	Pin-Cotter				



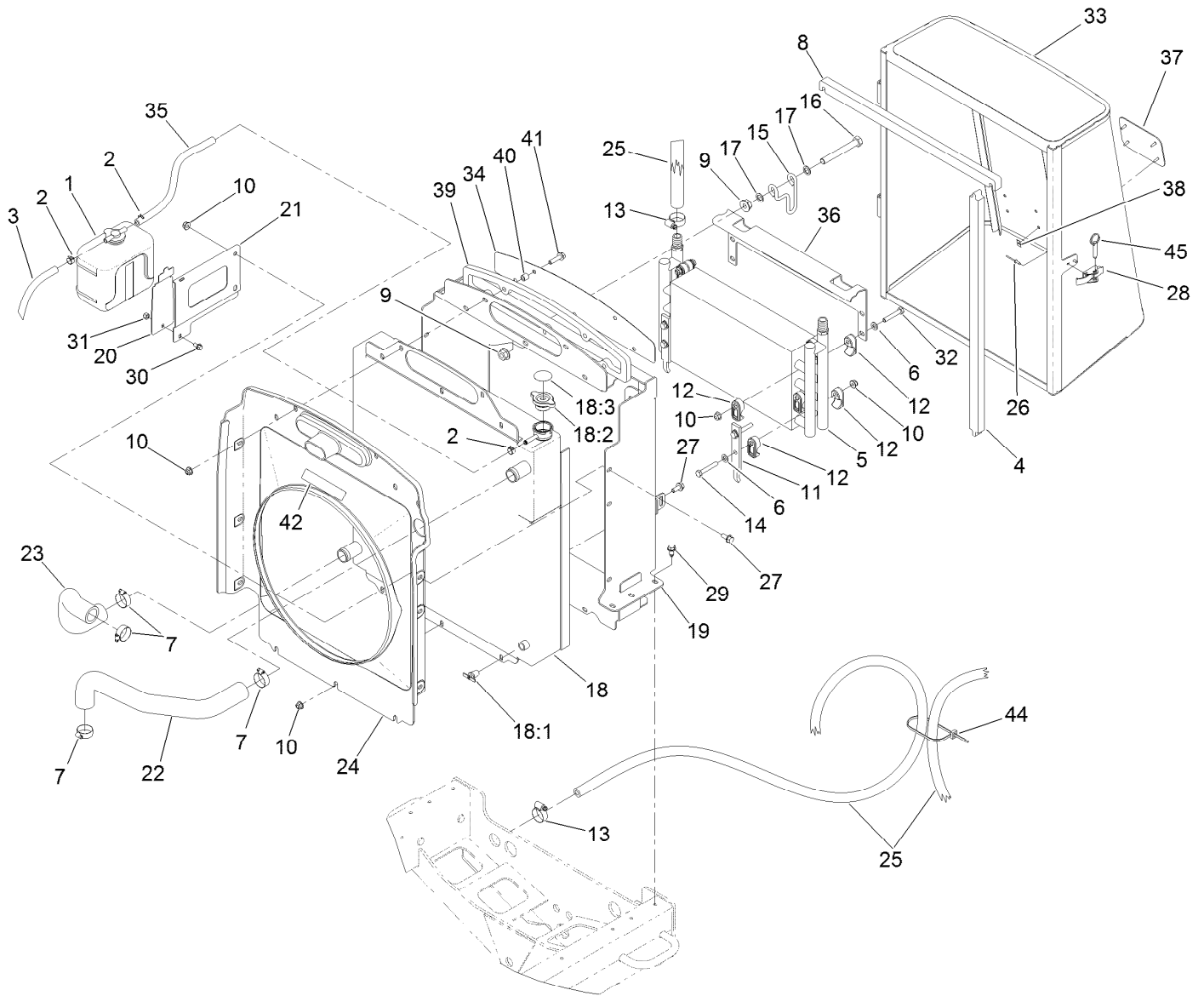
Hood Assembly

<i>Ref.</i>	<i>Part Number</i>	<i>Qty.</i>	<i>Description</i>	<i>Ref.</i>	<i>Part Number</i>	<i>Qty.</i>	<i>Description</i>
1	110-0963	2	Decal	11	3234-21	10	Screw-HHF
2	108-7587	1	Saddle-Hood	12	104-7201	10	Nut-HF, NI
3	110-8994	1	Hood ASM	13	32105-13	4	Screw-HWH
3:2	106-6754	1	Decal-Danger	14	3256-14	4	Washer-Flat
3:3	110-5252	1	Foam-Sealed	15	3296-12	4	Nut-Lock, NI
3:4	110-9002	1	Foil Tape Kit	16	283-61	2	Pin-Yoke
4	103-2897	2	Latch-Catch	17	107-8042	2	Bumper-Rubber
5	103-2898	2	Latch-Rubber	18	98-5398	1	Latch
6	125-8819-03	1	Tube-Frame, Hood	19	32104-32	4	Screw-HWH
7	105-7512	2	Pin-Tie, Bow	20	104-1453	1	Grommet
8	66-6140	2	Decal	22	99-4958	1	Spacer
9	108-1790-03	2	Tube	23	110-0979-03	2	Bracket-Deflector
10	32104-17	8	Screw-HWH				



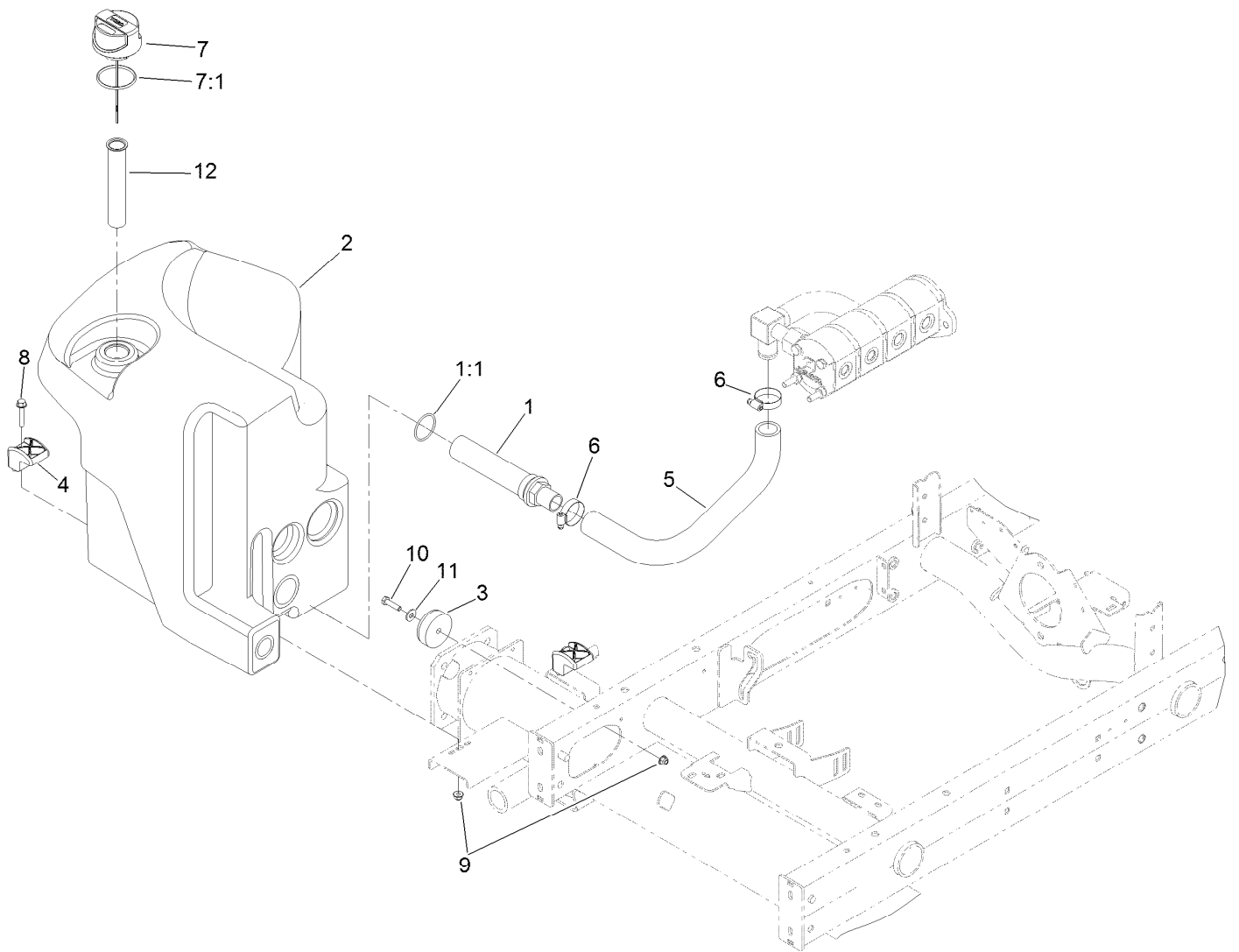
Cooling System Assembly

Ref.	Part Number	Qty.	Description	Ref.	Part Number	Qty.	Description
1	108-0638	1	Bottle-Overflow	19	127-2665-03	1	Frame-Support, Radiator
2	92-2379	3	Clamp-Hose	20	108-1665-03	1	Bracket-Reservoir
3	110-3257	1	Hose-Fuel	21	108-1666-03	1	Bracket-Reservoir
4	110-0967	2	Seal-Foam	22	108-1696	1	Hose-Formed
5	100-4869	1	Cooler-Oil	23	108-1697	1	Hose-Formed
6	3256-23	8	Washer-Plain	24	108-1791	1	Shroud-Fan
7	2412-34	4	Clamp-Hose	25	108-1693	2	Hose
8	110-0968	2	Seal-Foam	26	3269-15	2	Rivet-Pop
9	32128-49	4	Nut-HHF	27	3234-5	9	Screw-HHF
10	104-8300	22	Nut-HF, NI	28	115-1554	1	Latch-Draw
11	104-5460-03	2	Plate-Mount, Oil Cooler	29	32104-32	6	Screw-HWH
12	105-3943	16	Clamp-Cooler, Oil	30	3234-13	1	Screw-HHF
13	2412-129	4	Clamp-Hose	31	3296-42	1	Nut-Lock, NI
14	322-10	4	Screw-HH	32	322-21	4	Screw-HH
15	104-5429	2	Clamp-Form, Wire	33	110-0952-03	1	Screen ASM
16	325-17	2	Screw-HH	34	108-1843-03	1	Screen-Intake, Air
17	41-8440	4	Washer	35	110-4104	1	Hose-Fuel
18	119-6956	1	Radiator ASM	36	107-2043-03	1	Bracket-Oil Cooler, Top
18:1	304-46	1	Draincock	37	93-6028	1	Plate-Logo
18:2	93-5957	1	Cap-Radiator	38	94-2638	4	Nut-Flat
18:3	106-6755	1	Decal-Cap, Radiator	39	110-5324	1	Seal-Foam



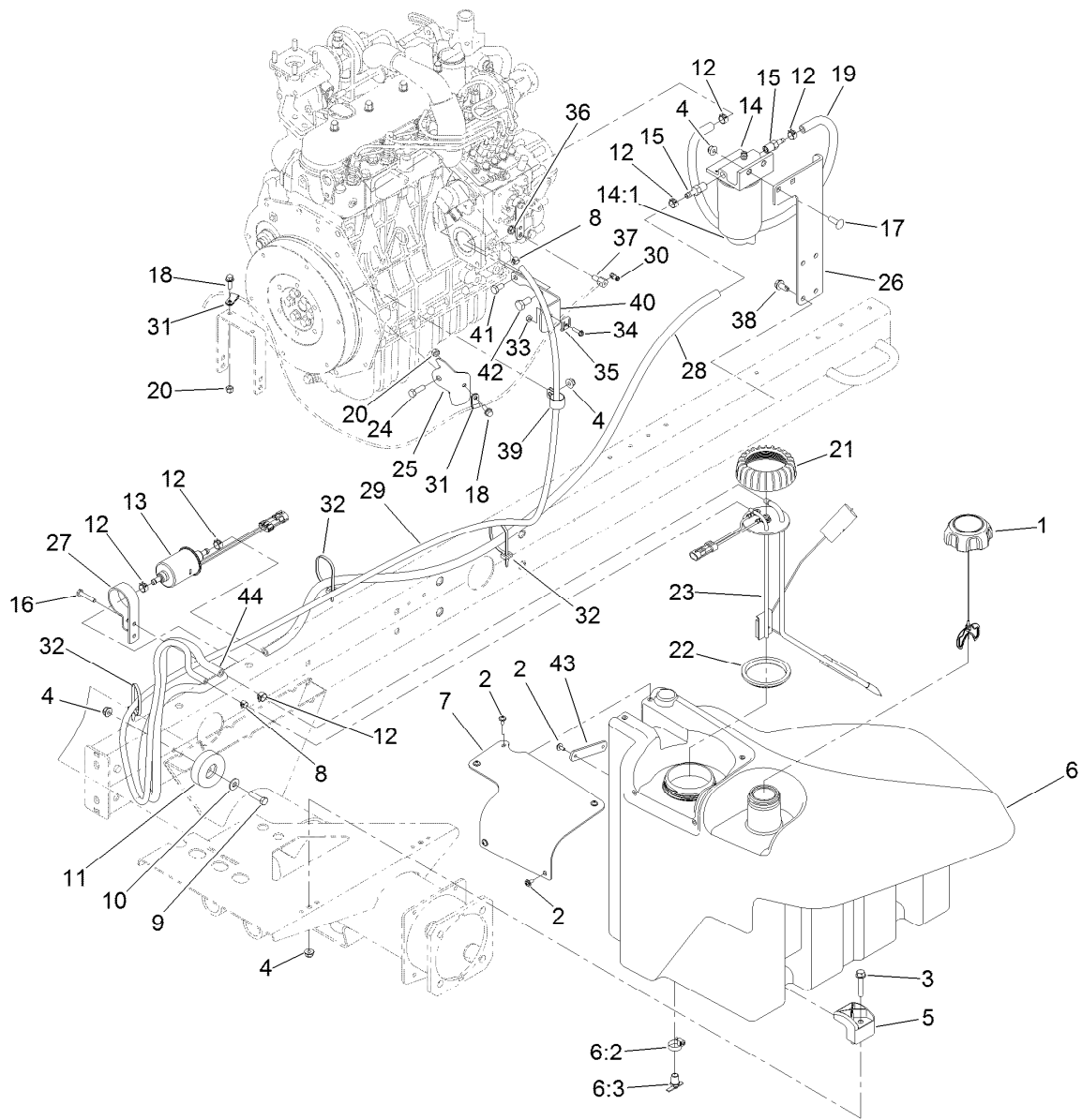
Cooling System Assembly (continued)

<i>Ref.</i>	<i>Part Number</i>	<i>Qty.</i>	<i>Description</i>	<i>Ref.</i>	<i>Part Number</i>	<i>Qty.</i>	<i>Description</i>
40	1-603903	5	Spacer	44	3290-378	1	Tie-Cable
41	3234-36	5	Screw-HHF	45	115-1556	1	Pin-Ball, Detent
42	93-7272	1	Decal-Warning				



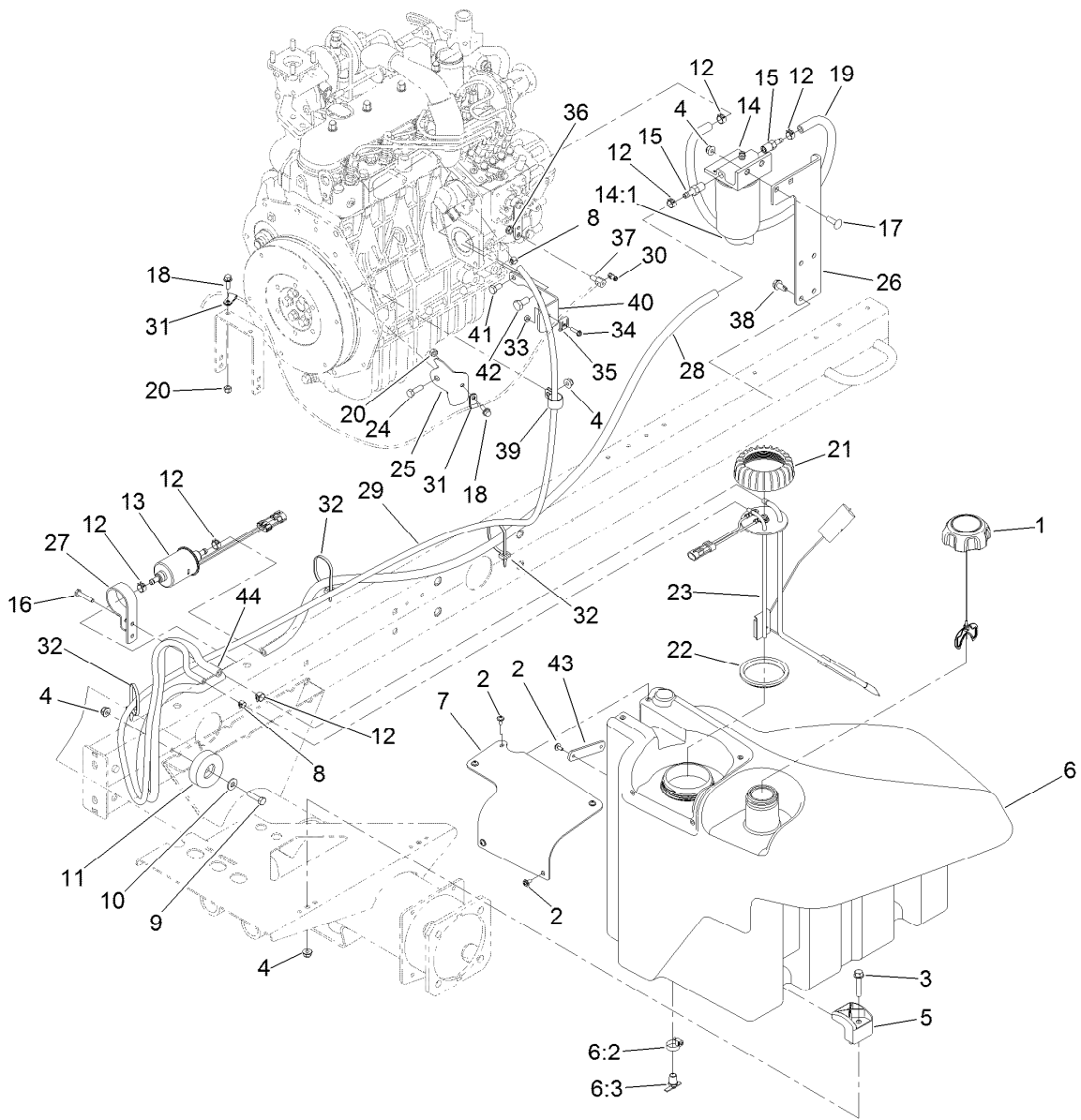
Hydraulic Tank Assembly

Ref.	Part Number	Qty.	Description
1	105-0131	1	Strainer-Tank, Oil
1:1	340-136	1	O-Ring
2	121-5587	1	Tank-Hydraulic
3	108-1605	1	Bumper-Recess
4	107-4543	2	Clamp
5	108-1685	1	Hose-Formed
6	2412-3	2	Clamp-Hose
7	117-0193	1	Cap-Hydraulic, Vented Breather
7:1	237-101	1	O-Ring
8	94-5780	2	Screw-HWH
9	104-8300	3	Nut-HF, NI
10	322-6	1	Screw-HH
11	3256-3	1	Washer-Flat
12	61-2790	1	Filter-Screen



Fuel System Assembly

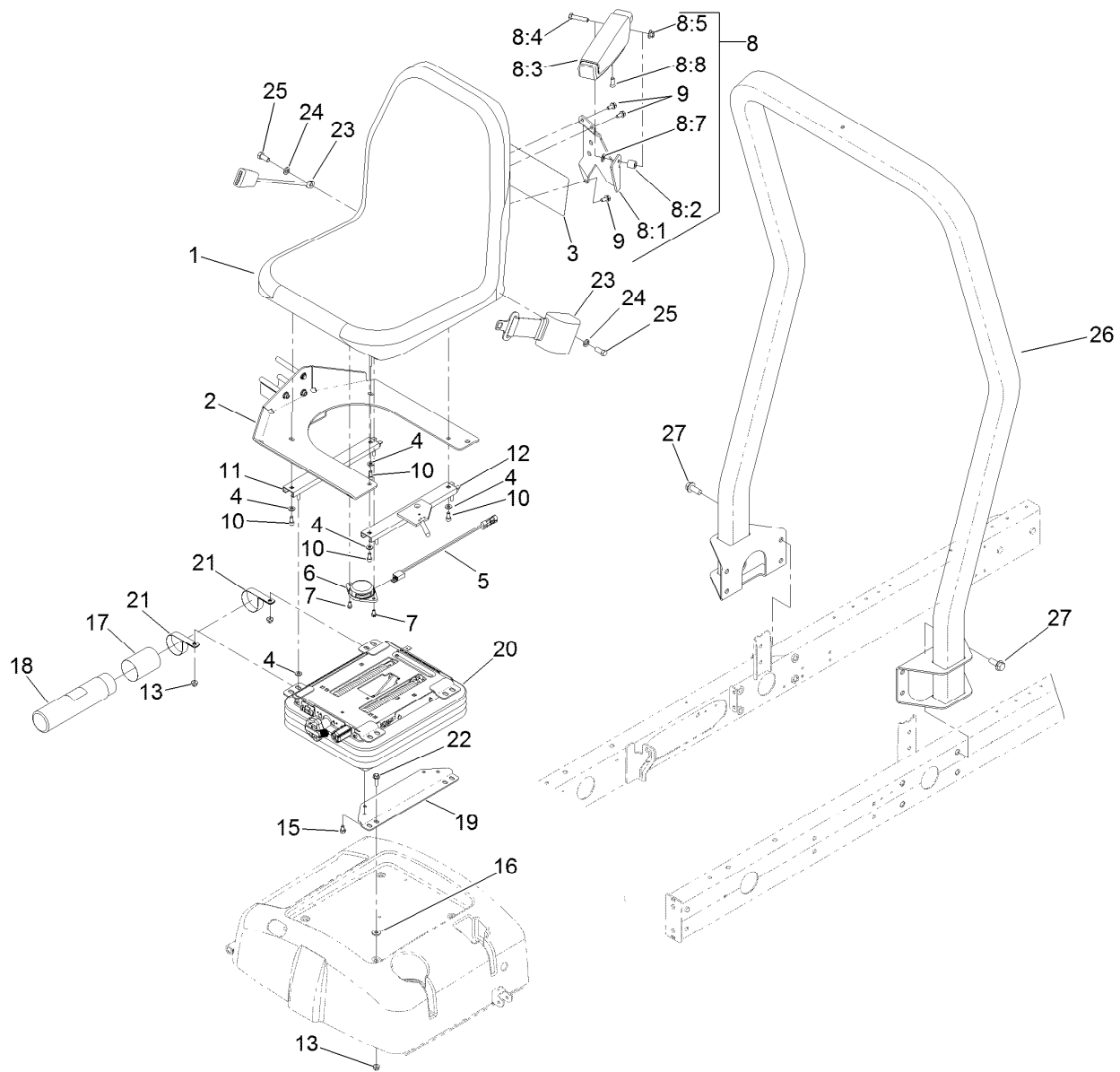
Ref.	Part Number	Qty.	Description	Ref.	Part Number	Qty.	Description
1	117-5894	1	Fuel Cap ASM	19	109-0309	1	Hose-Fuel
2	109-2661	7	Screw-PPH	20	3296-42	2	Nut-Lock, NI
3	94-5780	2	Screw-HWH	21	115-2162	1	Cap-Pump, Fuel
4	104-8300	6	Nut-HF, NI	22	115-2163	1	Gasket-Pump, Fuel
5	107-4543	2	Clamp	23	121-5642	1	Sender-Fuel
6	125-2907	1	Fuel Tank ASM	24	322-5	1	Screw-HH
6:2	2412-36	1	Clamp-Hose	25	110-9007-03	1	Support-Cable, Throttle
6:3	304-46	1	Draincock	26	110-8968-01	1	Mount-Separator, Water
7	125-2903	1	Cover-Pump/Sender	27	110-8817	1	Bracket-Pump, Fuel
8	2412-80	2	Clamp-Hose	28	110-3259	1	Hose-Fuel
9	322-6	1	Screw-HH	29	125-8808	1	Hose-Fuel
10	3256-3	1	Washer-Flat	30	112-9919	1	Stop-Cable, Throttle
11	108-1605	1	Bumper-Recess	31	2412-149	2	Clamp-R
12	92-2379	6	Clamp-Hose	32	3290-378	5	Tie-Cable
13	110-8806	1	Pump-Fuel	33	3296-2	1	Nut-Lock, NI
14	110-9044	1	Separator-Filter	34	32105-13	1	Screw-HWH
14:1	110-9049	1	Filter-Spin On, Fuel/Water	35	81-1690	1	Clamp-Cable
15	353-783	2	Fitting-STR	36	3296-20	1	Nut-Lock, NI
16	32104-96	1	Screw-HH	37	98-9311	1	Swivel-Throttle
17	3230-22	2	Screw-CARR	38	32104-32	4	Screw-HWH
18	3234-4	2	Screw-HHF	39	2412-41	1	Clamp-R



Fuel System Assembly (continued)

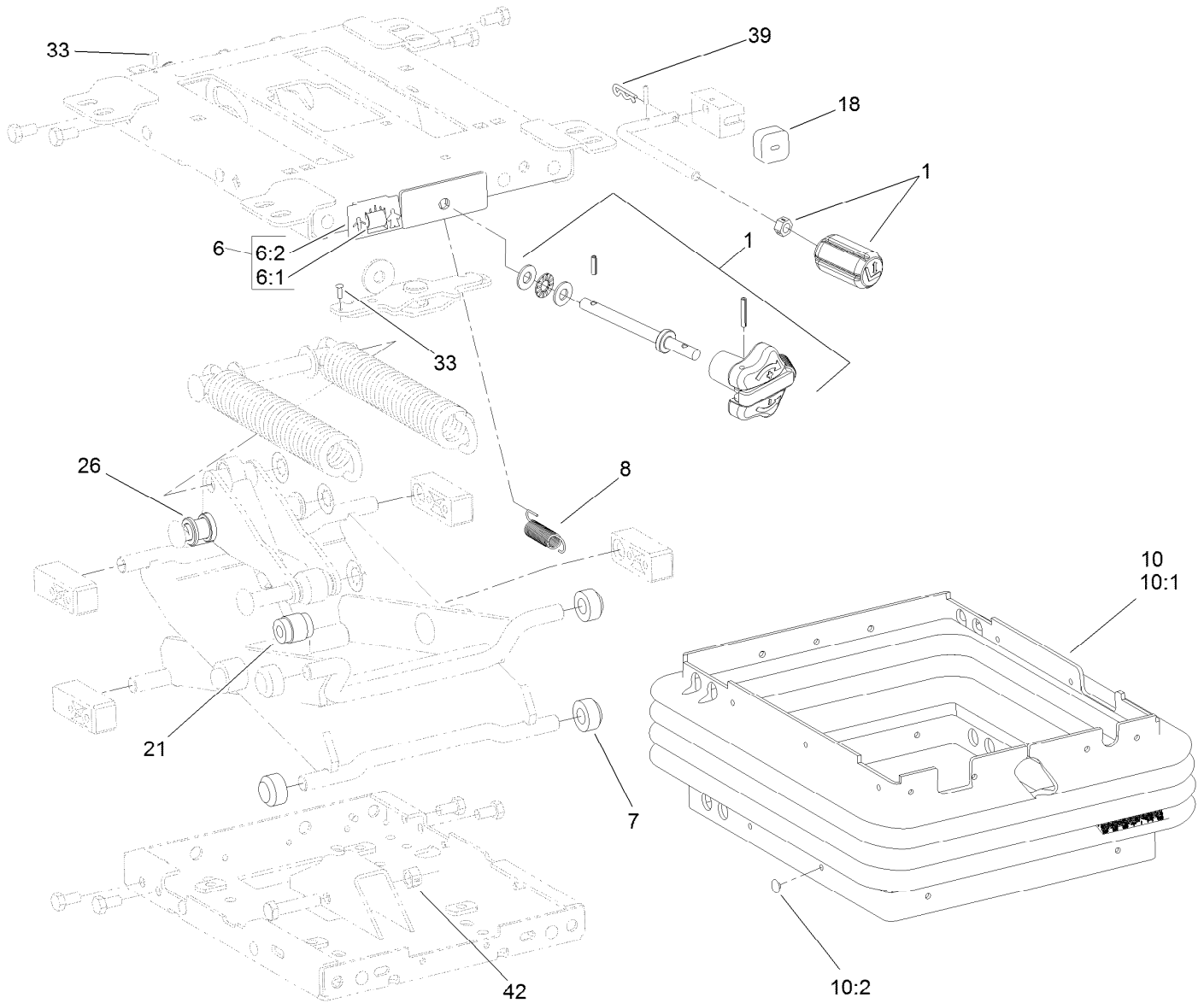
<i>Ref.</i>	<i>Part Number</i>	<i>Qty.</i>	<i>Description</i>
40	110-9009-03	1	Bracket-Cable, Throttle
41	33114-016	1	Screw-HH
42	63-7790	1	Screw-Cap

<i>Ref.</i>	<i>Part Number</i>	<i>Qty.</i>	<i>Description</i>
43	125-2945	1	Strap-Cable
44	110-3258	1	Hose-Fuel



Seat Mounting Assembly

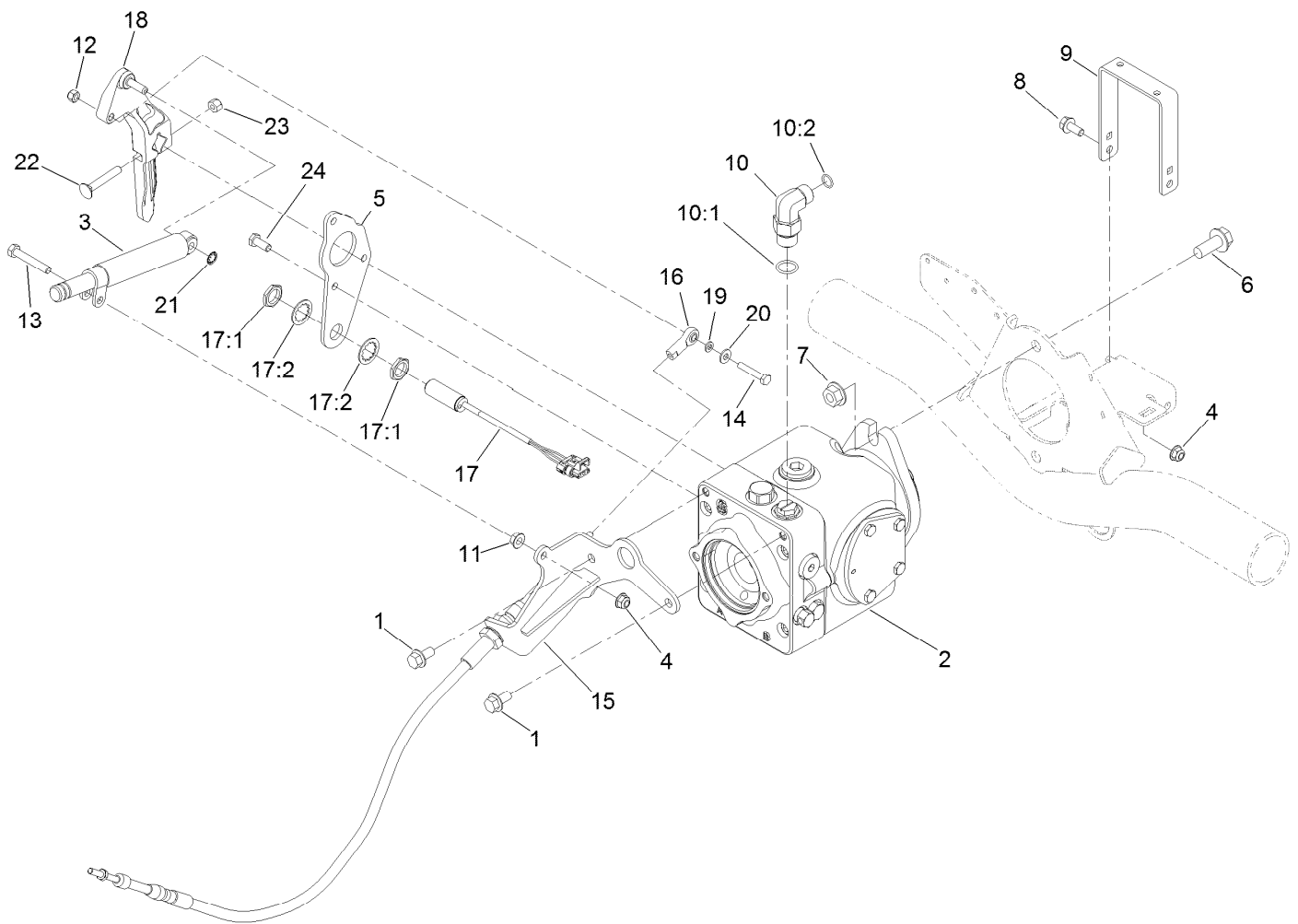
Ref.	Part Number	Qty.	Description	Ref.	Part Number	Qty.	Description
1	104-4620	1	Seat	11	92-8990	1	Adjuster-Seat, Non-Locking
2	125-2900-03	1	Mount-Seat	12	92-8991	1	Adjuster (W/Latch)
3	125-8753	1	Decal-Service	13	104-8300	8	Nut-HF, NI
3	125-8798	1	Decal-Service, Japanese	15	48-7680	4	Screw-HH
4	3256-23	8	Washer-Plain	16	71-9310	4	Spacer
5	108-8657	1	Harness-Wire, Seat	17	104-7048	1	Cap-Housing
6	92-6282	1	Switch-Seat	18	104-7050	1	Tube-Manual
7	9266714	2	Screw-HWH	19	108-6590-03	2	Bracket-Seat, Lower
8	92-7307	1	LH Armrest ASM	20	110-8851	1	Mechanical Suspension ASM
8:1	69-0760	1	Bracket-Arm, LH	21	2412-133	2	Clamp-R
8:2	92-7301	1	Spacer	22	3234-17	4	Screw-HHF
8:3	69-1180	1	Armrest	23	100-4928	1	Belt-Seat
8:4	323-9	1	Screw-HH	24	3253-6	2	Washer-Lock
8:5	32128-19	1	Nut-HF Lock, Large Flg	25	3212-4	2	Screw-HH
8:7	3256-24	1	Washer-Flat	26	136-7954	1	ROPS ASM
8:8	92-7318	1	Screw	27	3234-38	8	Screw-HHF
9	3234-14	3	Screw-HHF				
10	3274-12	4	Screw-HSH				



Mechanical Seat Suspension Assembly No. 110-8851

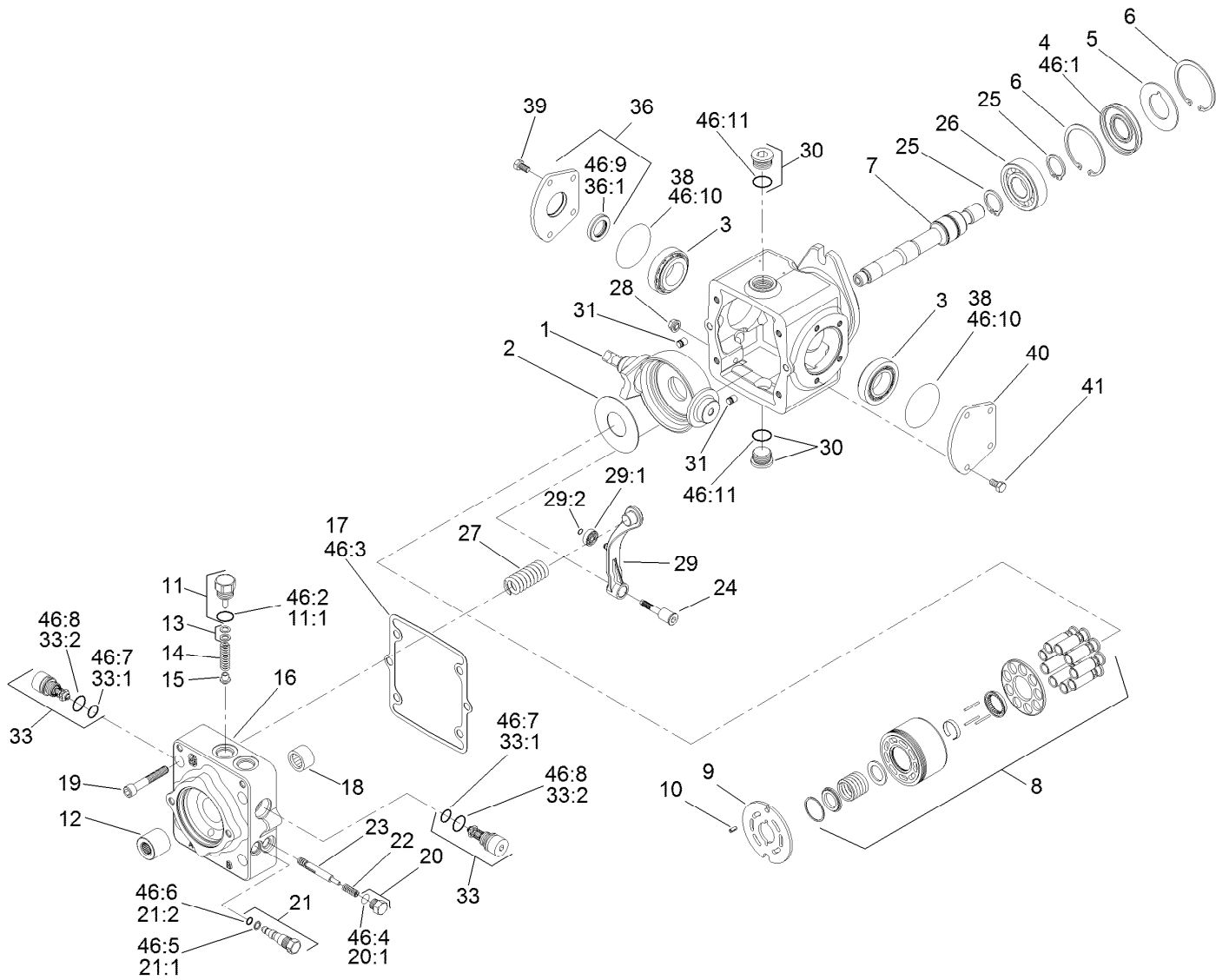
Ref.	Part Number	Qty.	Description
1	119-8040	1	Knobs Service Kit
6	108-4584	1	Weight Indicator Service Kit
6:1		1	Tape-Weight Adjust ●
6:2		1	Guide-Weight Adjust ●
7	108-9632	4	Roller
8	108-9633	1	Spring-Extension
10	112-0164	1	Boot Kit
10:1		1	Boot-Suspension ●
10:2	108-9641	21	Clip-Plug
18	108-9634	1	Bumper
21	108-9614	1	Damper
26	108-9622	2	Tube
33	3290-54	2	Rivet-Blind
39	3272-9	1	Pin-Cotter
42	32152-2	1	Nut-Lock, Cone

● Not serviced separately



Traction Pump Mounting Assembly

Ref.	Part Number	Qty.	Description	Ref.	Part Number	Qty.	Description
1	3234-1	2	Screw-HHF	13	322-10	1	Screw-HH
2	119-6972	1	Variable Hydraulic Pump ASM	14	321-9	1	Screw-HH
3	76-8870	1	Damper-Lever	15	127-2356-03	1	Bracket-Cable
4	104-8300	3	Nut-HF, NI	16	2411-41	1	Rod End-Ball Joint
5	125-8822-03	1	Plate-Pump	17	115-5300	1	Proximity Switch ASM
6	3234-38	2	Screw-HHF	17:1	117-3207	2	Nut-Hex
7	32128-49	2	Nut-HHF	17:2	117-3208	2	Washer-Lock, Internal Tooth
8	3234-5	2	Screw-HHF	18	117-0265	1	Lever-Pump
9	108-1799-03	1	Hoop-Guard	19	33093-00	1	Washer-Flat
10	340-105	1	Fitting-Elbow, 90 DEG	20	3256-22	1	Washer-Flat
10:1	237-80	1	O-Ring	21	32151-72	1	Ring-Retaining
10:2	237-30	1	O-Ring	22	3230-6	1	Bolt-CARR
11	32128-20	1	Nut-HF	23	3296-29	1	Nut-Lock, NI
12	3296-42	1	Nut-Lock, NI	24	33114-020	3	Screw-HH

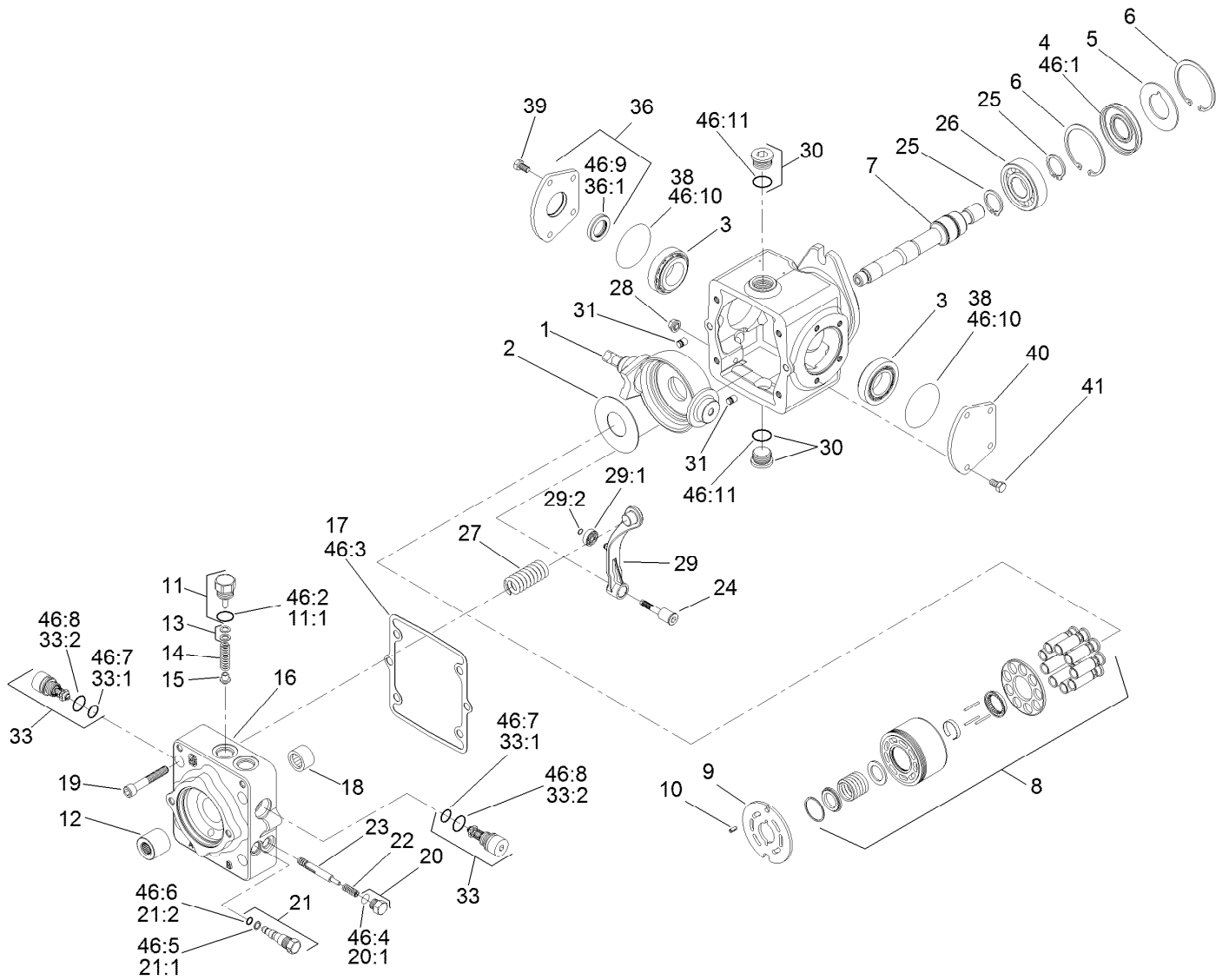


Hydraulic Pump Assembly No. 119-6972

Ref.	Part Number	Qty.	Description	Ref.	Part Number	Qty.	Description
1	115-8092	1	Swashplate	18	75-0500	1	Bearing-Needle
2	75-0400	1	Plate-Thrust	19	110-6489	4	Screw
3	110-6483	2	Bearing Kit	20	94-9415	2	Plug ASM
4	110-6471	1	Seal-Lip	20:1		1	O-Ring ■
5	95-4400	1	Washer-Backup	21	107-4364	1	Bypass Valve ASM
6	69-3200	2	Ring-Retaining	21:1	25-2630	1	Ring-Back Up
7	110-6484	1	Shaft-Auxiliary	21:2	110-6498	1	O-Ring
8	110-6472	1	Cylinder Block Kit ASM	22	110-6491	2	Spring
9	110-6473	1	Plate-Valve (Clockwise)	23	110-6492	1	Spool-Loop, Flush
10	110-6485	1	Pin-Slotted	24	110-6493	1	Pivot-Return, Neutral
11	110-6486	1	Plug-Relief, Charge	25	69-3170	2	Ring-Retaining
11:1	28-3570	1	O-Ring	26	75-0460	1	Bearing-Ball
12	110-6480	1	Coupling	27	115-8085	1	Spring-Neutral Return
13	92-1353	1	Shim Kit	28	110-6496	1	Nut-Seal
14	110-6474	1	Spring	29	110-6497	1	Neutral Return Arm ASM
15	110-6475	1	Poppet	29:1	110-6494	1	Bearing-Cam
16	115-8087	1	Cap-End	29:2	110-3056	1	Ring-Retaining
17	110-6476	1	Gasket-Cap, End	30	69-3130	2	Plug

● Not illustrated

■ Not serviced separately

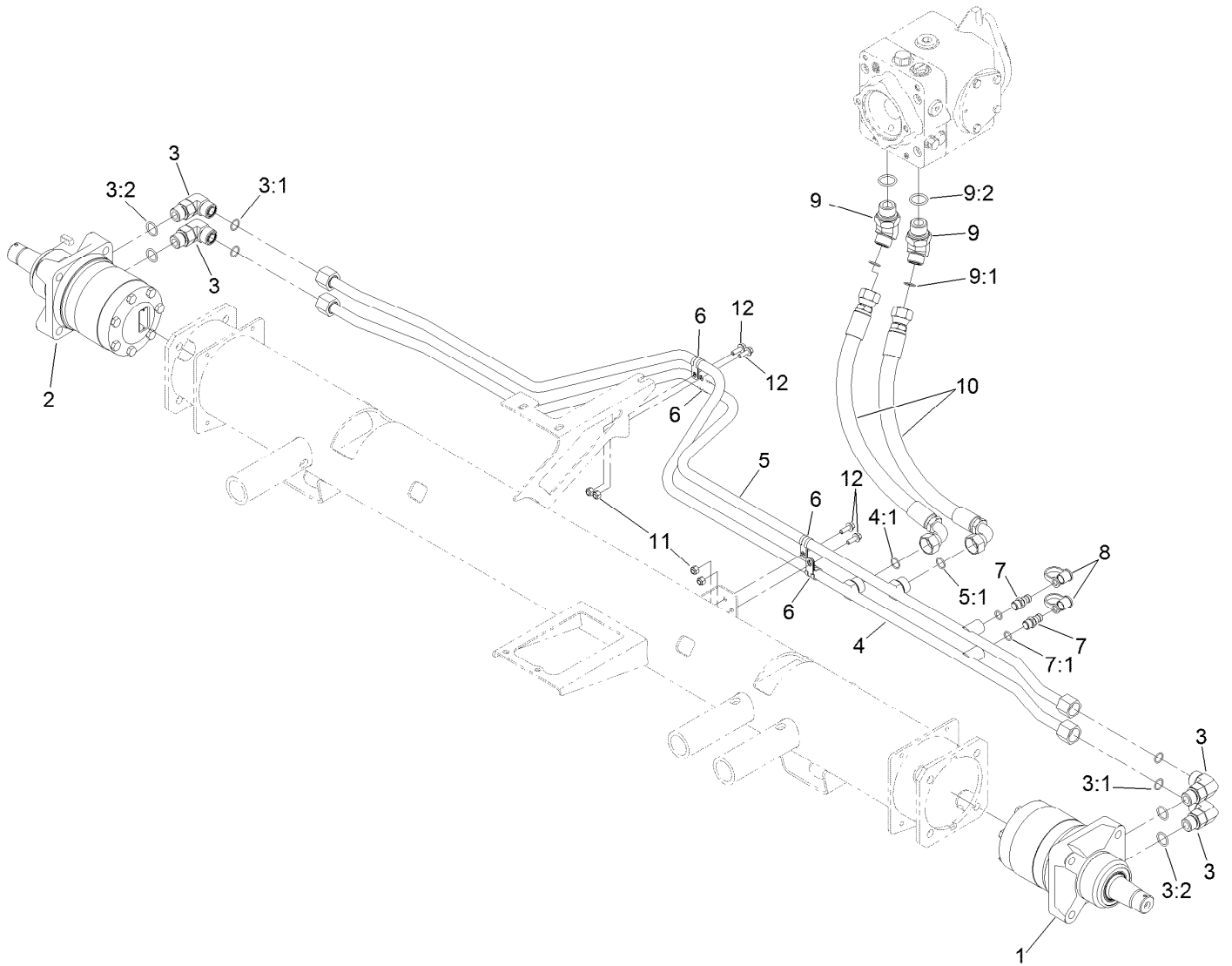


Hydraulic Pump Assembly No. 119-6972 (continued)

Ref.	Part Number	Qty.	Description	Ref.	Part Number	Qty.	Description
31	112-0158	2	Pin	46:1	110-6471	1	Seal-Lip
33	110-6477	2	Valve-Relief	46:2	28-3570	1	O-Ring
33:1	75-0240	1	O-Ring	46:3	110-6476	1	Gasket-Cap, End
33:2	84-0560	1	O-Ring	46:4	131-8631	2	O-Ring
36	110-6499	1	Trunnion Cover ASM	46:5	25-2630	1	Ring-Back Up
36:1	110-6478	1	Seal-Lip	46:6	110-6498	1	O-Ring
38	84-0430	2	O-Ring	46:7	75-0240	2	O-Ring
39	112-0150	4	Screw	46:8	84-0560	2	O-Ring
40	84-0440	1	Cover-Trunnion	46:9	110-6478	1	Seal-Lip
41	112-0151	4	Screw	46:10	84-0430	2	O-Ring
46	110-6481	1	Seal Kit ●	46:11	131-8614	2	O-Ring

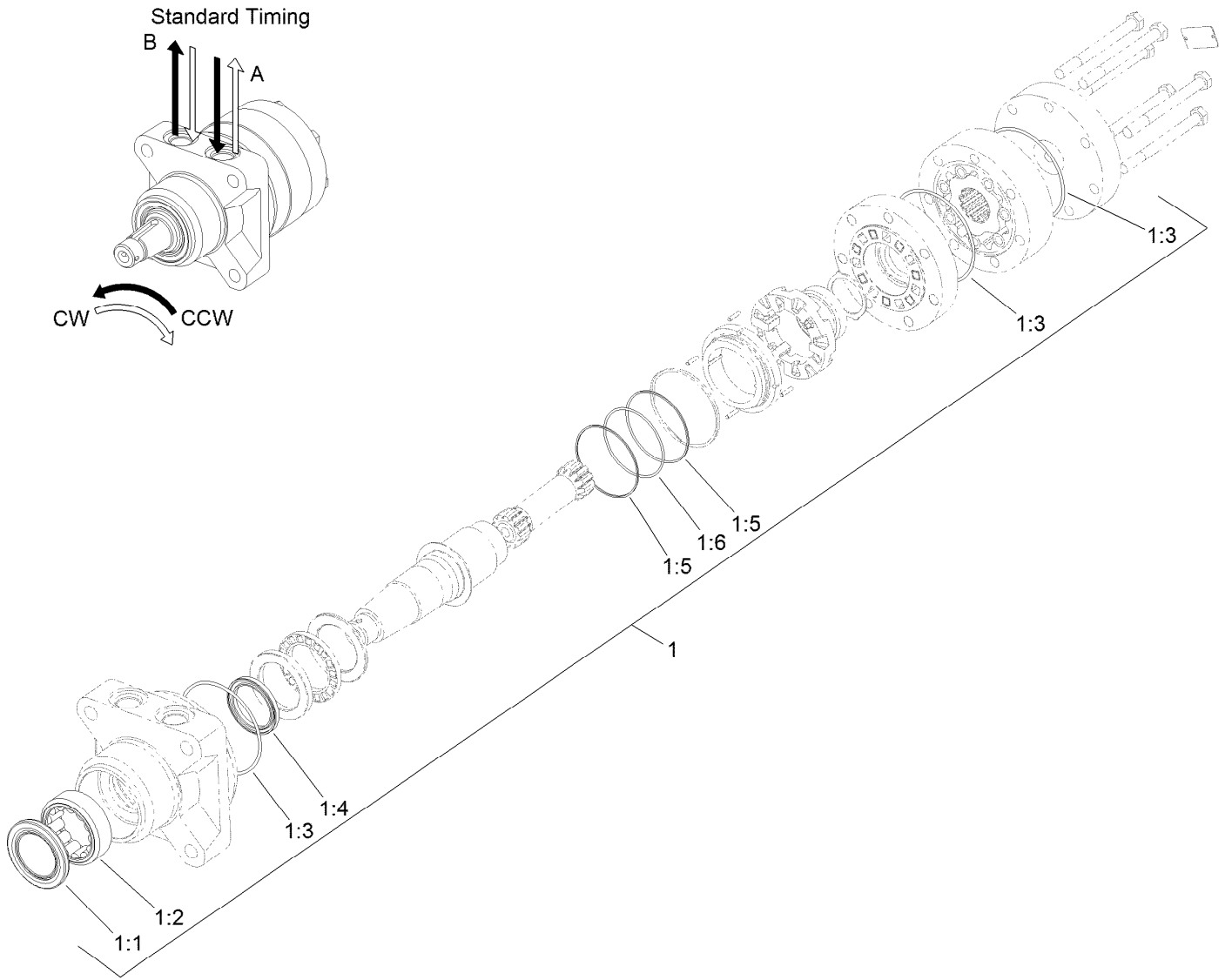
● Not illustrated

■ Not serviced separately



Traction Hydraulic Assembly

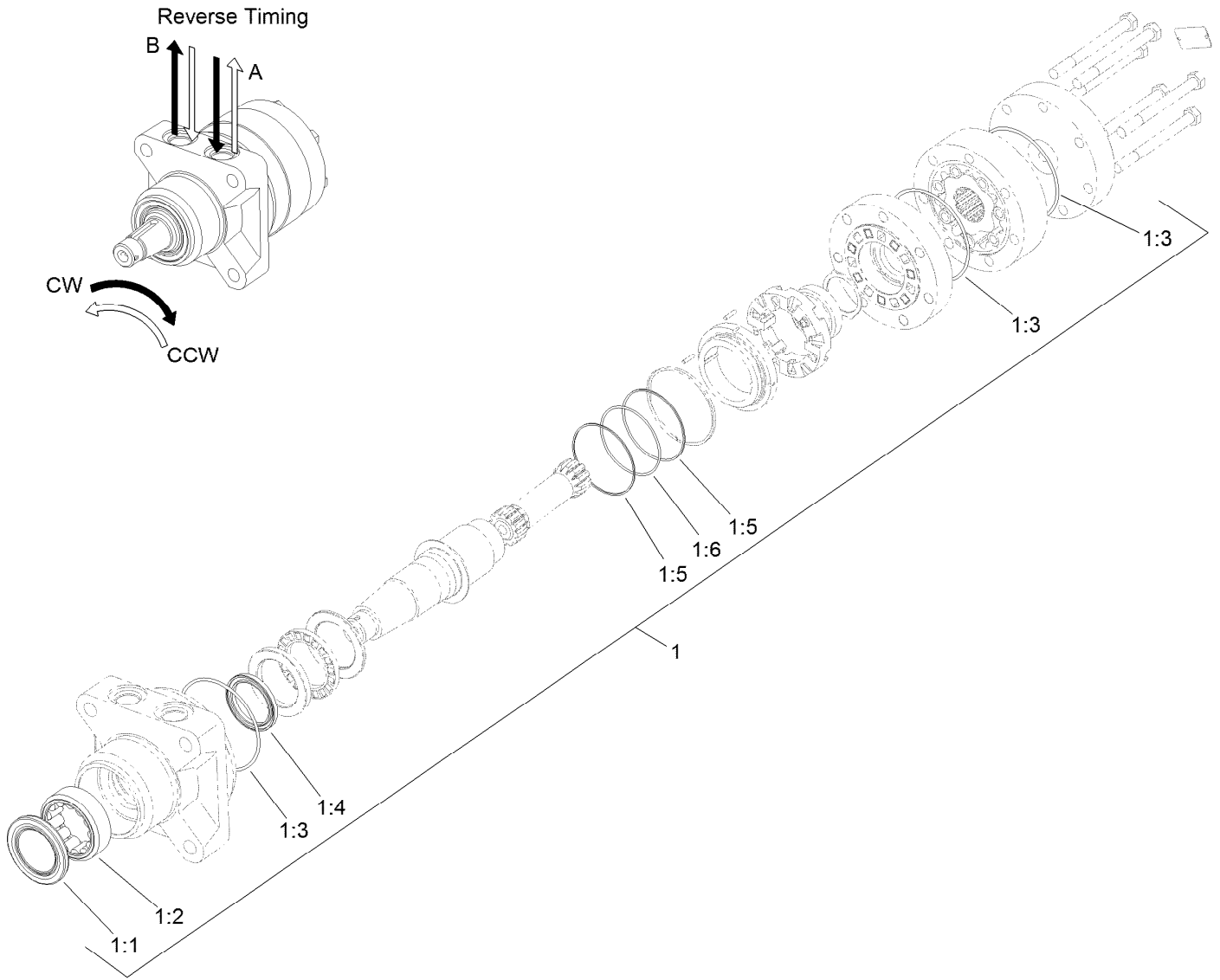
Ref.	Part Number	Qty.	Description	Ref.	Part Number	Qty.	Description
1	133-2935	1	Hydraulic Motor ASM	7	59-7410	2	Fitting-Diagnostic
2	133-2934	1	Hydraulic Motor ASM	7:1	237-42	1	O-Ring
3	340-17	4	Fitting-Elbow, 90 DEG	8	354-79	2	Cap-Dust
3:1	237-65	1	O-Ring	9	340-156	2	Fitting-Elbow 45
3:2	237-80	1	O-Ring	9:1	237-65	1	O-Ring
4	108-7632	1	Tube ASM	9:2	237-81	1	O-Ring
4:1	237-65	1	O-Ring	10	108-1679	2	Hose-HYD
5	108-7633	1	Tube ASM	11	3296-42	4	Nut-Lock, NI
5:1	237-65	1	O-Ring	12	3234-4	4	Screw-HHF
6	2412-134	4	Clamp-R				



Hydraulic Motor Assembly No. 133-2935 (CCW)

Ref.	Part Number	Qty.	Description
1	120-6268	1	Seal Kit
1:1		1	Seal-Grease ●
1:2		1	Shell-Bearing ●
1:3		3	O-Ring ●
1:4		1	Seal-Shaft ●
1:5		2	Ring-Back Up ●
1:6		1	O-Ring ●

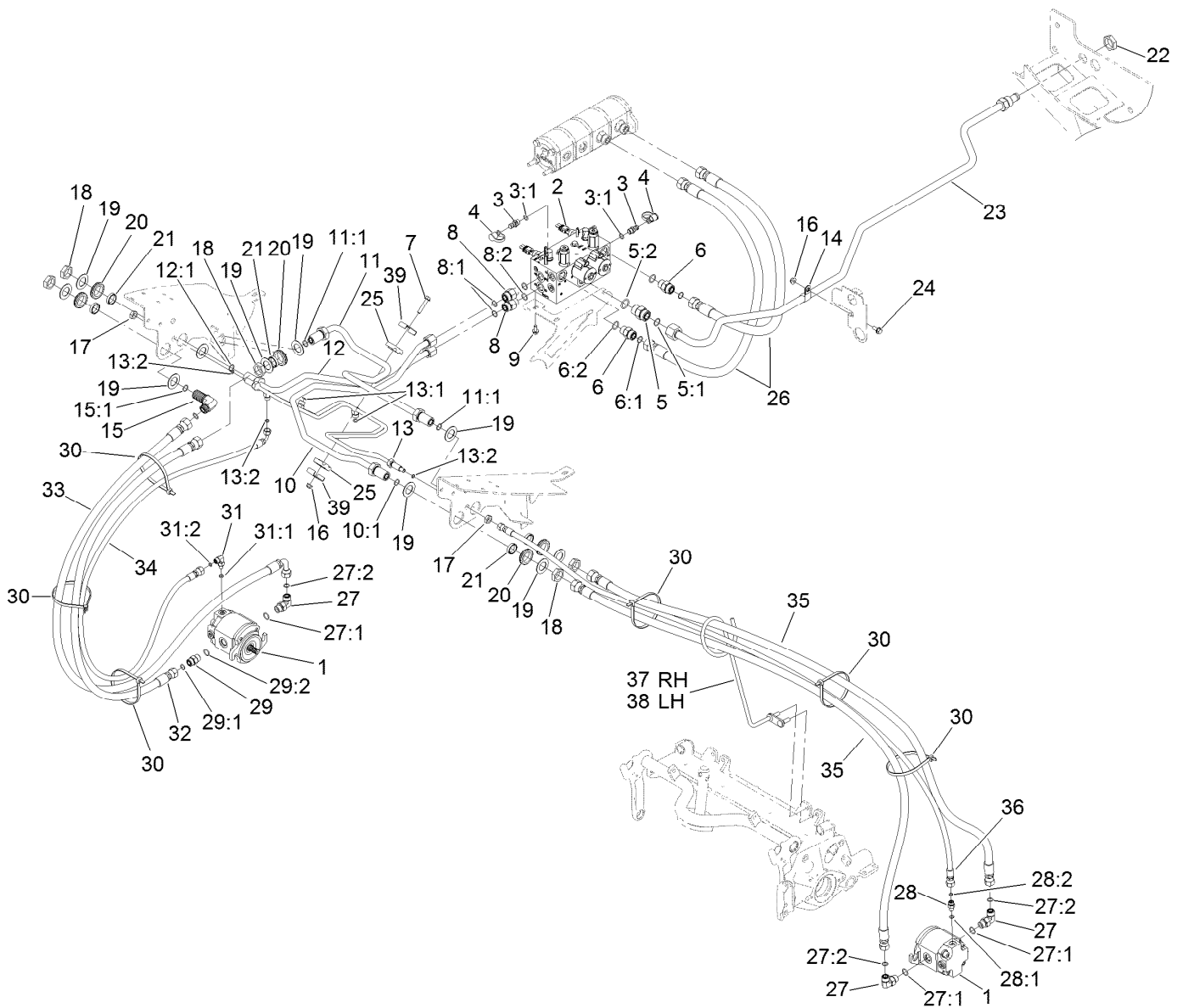
● Not serviced separately



Hydraulic Motor Assembly No. 133-2934 (CW)

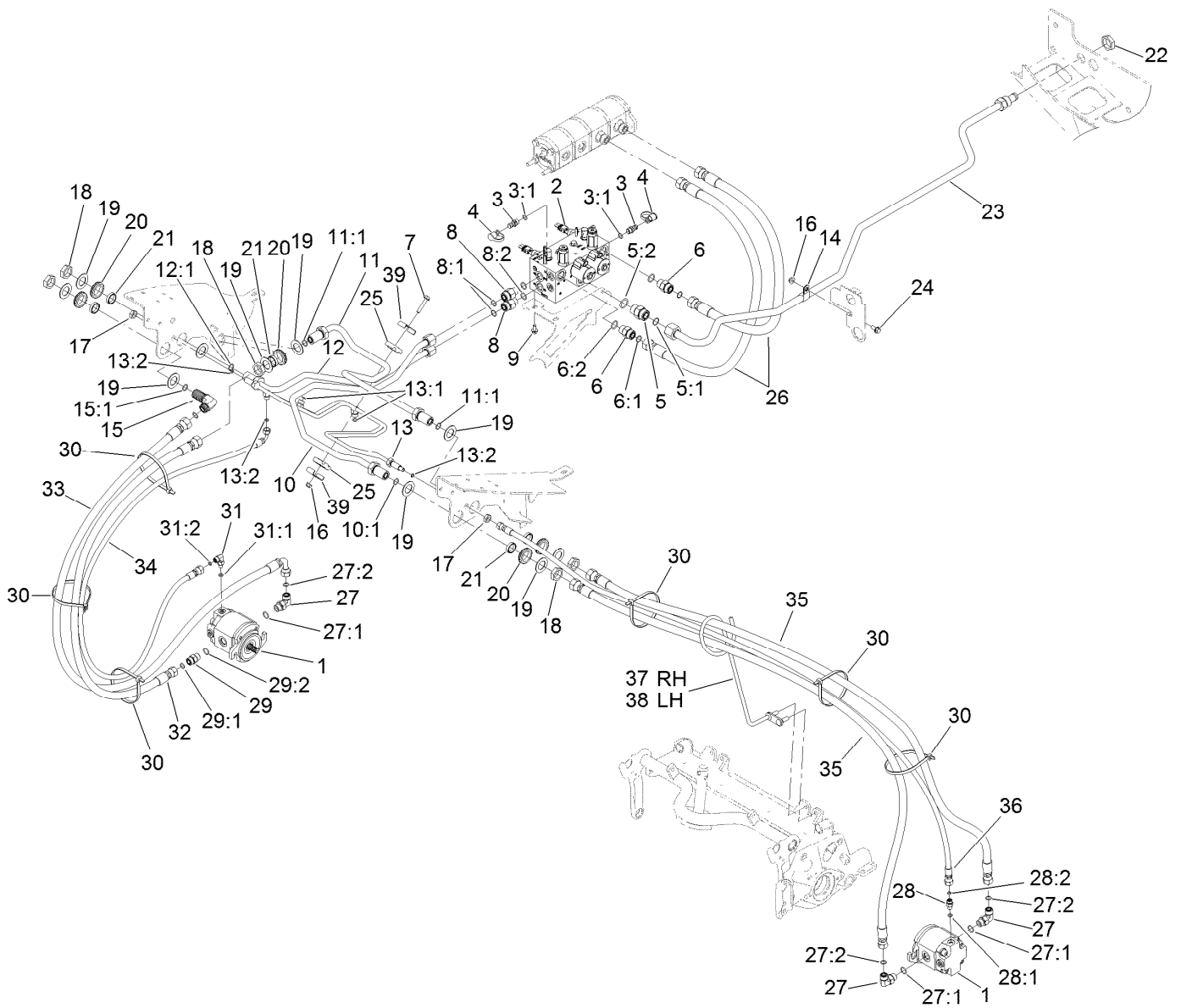
Ref.	Part Number	Qty.	Description
1	120-6268	1	Seal Kit
1:1		1	Seal-Grease ●
1:2		1	Shell-Bearing ●
1:3		3	O-Ring ●
1:4		1	Seal-Shaft ●
1:5		2	Ring-Back Up ●
1:6		1	O-Ring ●

● Not serviced separately



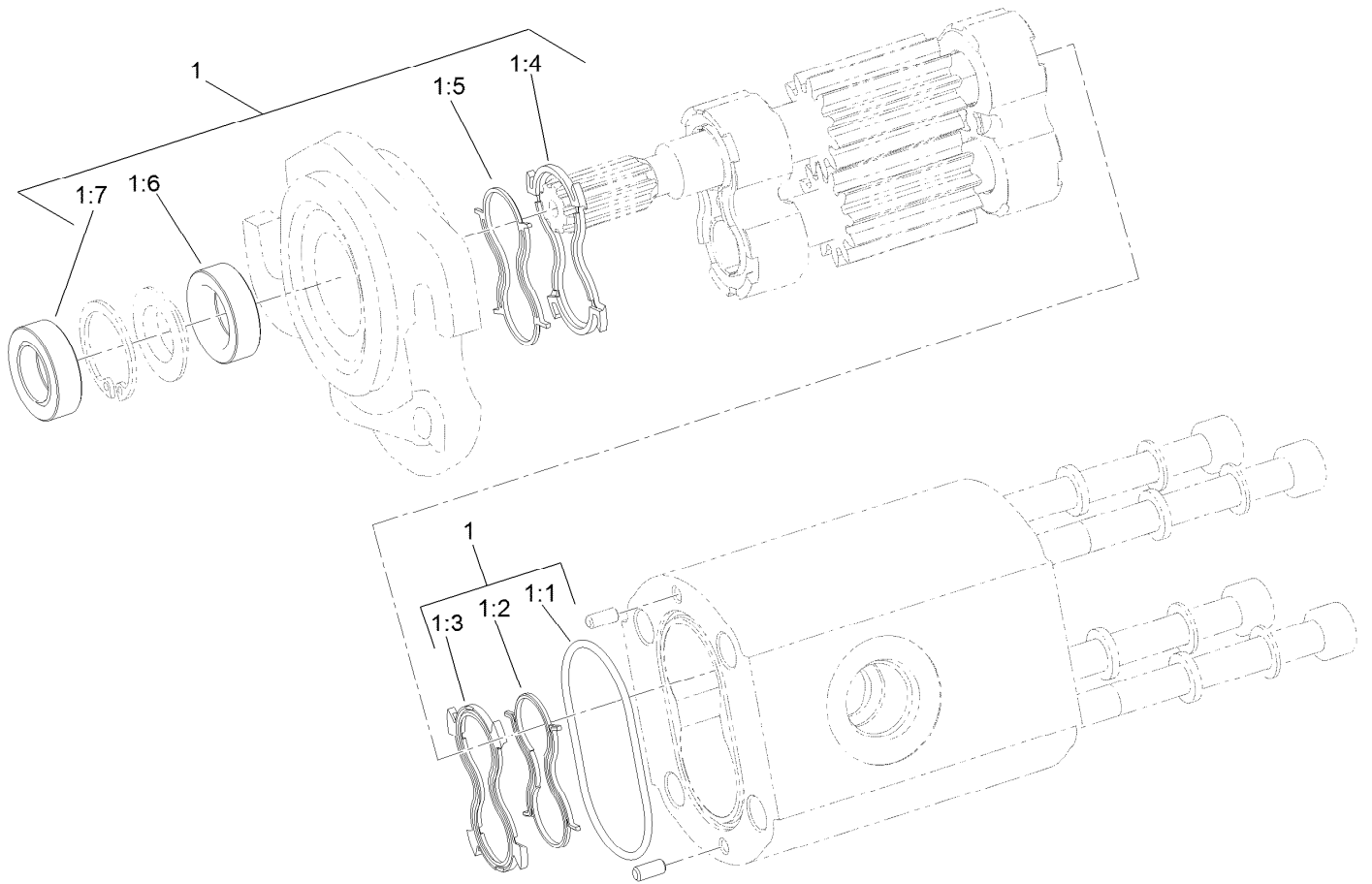
No. 1, 4 and 5 Reel Drive Hydraulic Assembly

Ref.	Part Number	Qty.	Description	Ref.	Part Number	Qty.	Description
1	120-2072	3	HYD Motor ASM	12:1	237-65	1	O-Ring
2	121-5628	1	Hydraulic Manifold ASM	13	110-5286	1	Tube ASM
3	59-7410	2	Fitting-Diagnostic	13:1	237-22	2	O-Ring
3:1	237-42	1	O-Ring	13:2	237-21	3	O-Ring
4	354-79	2	Cap-Dust	14	2412-4	1	Clamp-R
5	340-9	1	Fitting-STR	15	340-72	1	Fitting-Bulkhead, 90 DEG
5:1	237-58	1	O-Ring	15:1	237-65	2	O-Ring
5:2	237-81	1	O-Ring	16	104-8300	2	Nut-HF, NI
6	340-7	2	Fitting-Straight	17	340-78	2	Nut-Lock
6:1	237-65	1	O-Ring	18	340-74	5	Nut-Lock, Bulkhead
6:2	237-80	1	O-Ring	19	69-9010	10	Washer
7	115-1794	1	Screw-HHF	20	240-3	5	Grommet-Rubber
8	340-155	2	Fitting-Straight	21	125-1984	5	Spacer
8:1	237-79	1	O-Ring	22	340-126	1	Nut-Bulkhead
8:2	237-151	1	O-Ring	23	108-1700	1	Tube ASM
9	3234-14	3	Screw-HHF	24	3234-5	1	Screw-HHF
10	117-0138	1	Tube ASM	25	56-7970	2	Clamp-Tube
10:1	237-65	1	O-Ring	26	108-1686	2	Hose-HYD
11	117-0137	1	Tube ASM	27	340-98	5	Fitting-Elbow, 90 DEG
11:1	237-65	2	O-Ring	27:1	237-79	1	O-Ring
12	117-0139	1	Tube ASM	27:2	237-30	1	O-Ring



No. 1, 4 and 5 Reel Drive Hydraulic Assembly (continued)

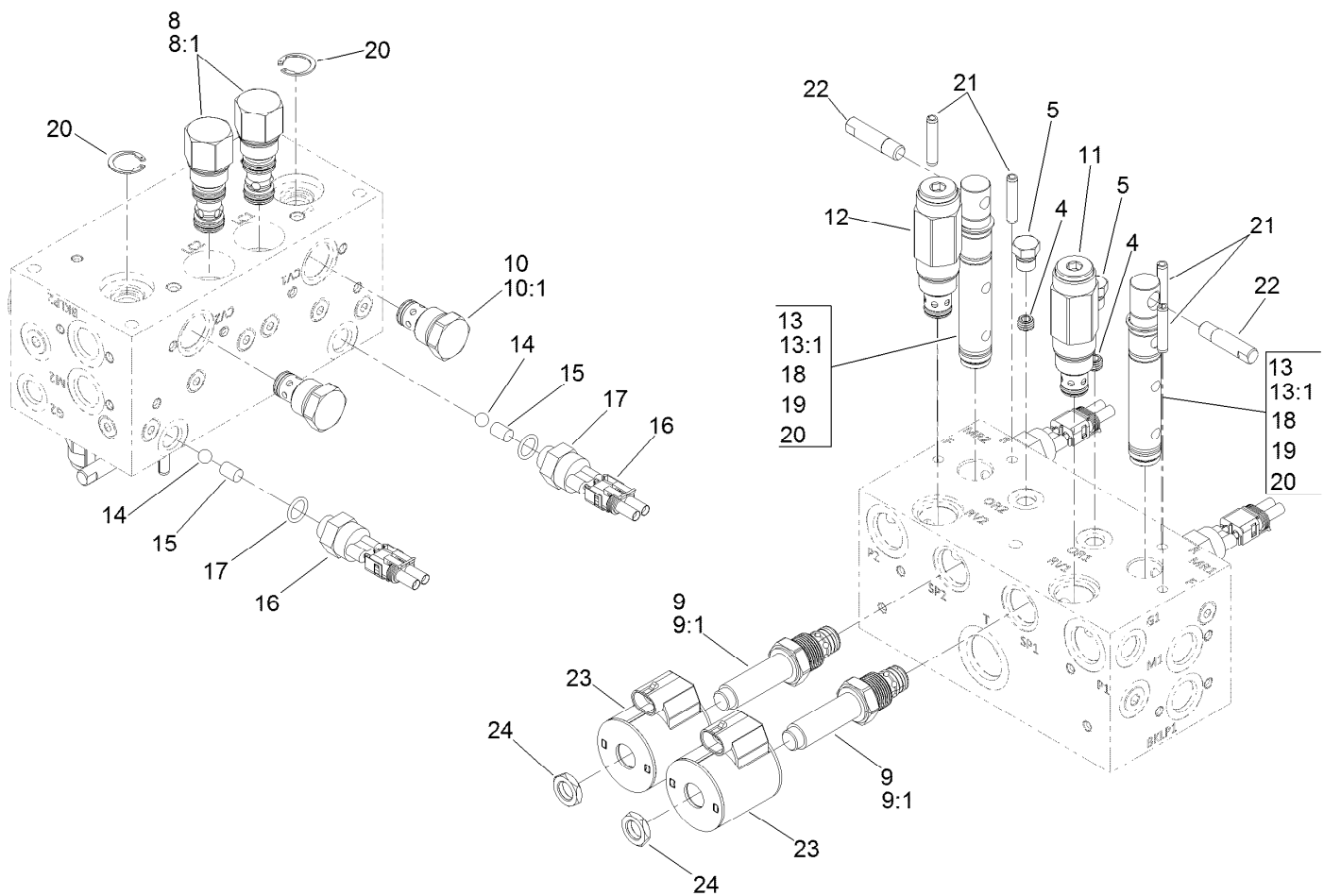
<i>Ref.</i>	<i>Part Number</i>	<i>Qty.</i>	<i>Description</i>	<i>Ref.</i>	<i>Part Number</i>	<i>Qty.</i>	<i>Description</i>
28	340-92	2	Fitting-Straight	31:2	237-21	1	O-Ring
28:1	237-78	1	O-Ring	32	114-0633	1	Hose-HYD
28:2	237-21	1	O-Ring	33	117-5190	1	Hose-HYD
29	340-4	1	Fitting-Straight	34	106-3671	1	Hose-HYD
29:1	237-30	1	O-Ring	35	117-5188	4	Hose-HYD
29:2	237-79	1	O-Ring	36	106-3680	2	Hose-HYD
30	3334-945	9	Tie-Cable	37	119-3920	1	Guide-Hose, RH
31	340-132	1	Fitting-Elbow, 90 DEG	38	119-3921	1	Guide-Hose, LH
31:1	237-78	1	O-Ring	39	119-1419	2	Plate-Clamp



Hydraulic Reel Motor Assembly No. 120-2072

<i>Ref.</i>	<i>Part Number</i>	<i>Qty.</i>	<i>Description</i>
1	119-7113	1	Seal Kit
1:1		1	O-Ring Housing ●
1:2		1	Seal-Anti Extrusion ●
1:3		1	Seal-Plate, Balancing ●
1:4		1	Seal-Plate, Balancing ●
1:5		1	Seal-Anti Extrusion ●
1:6		1	Seal-Shaft (Inboard) ●
1:7		1	Seal-Shaft (Outboard) ●

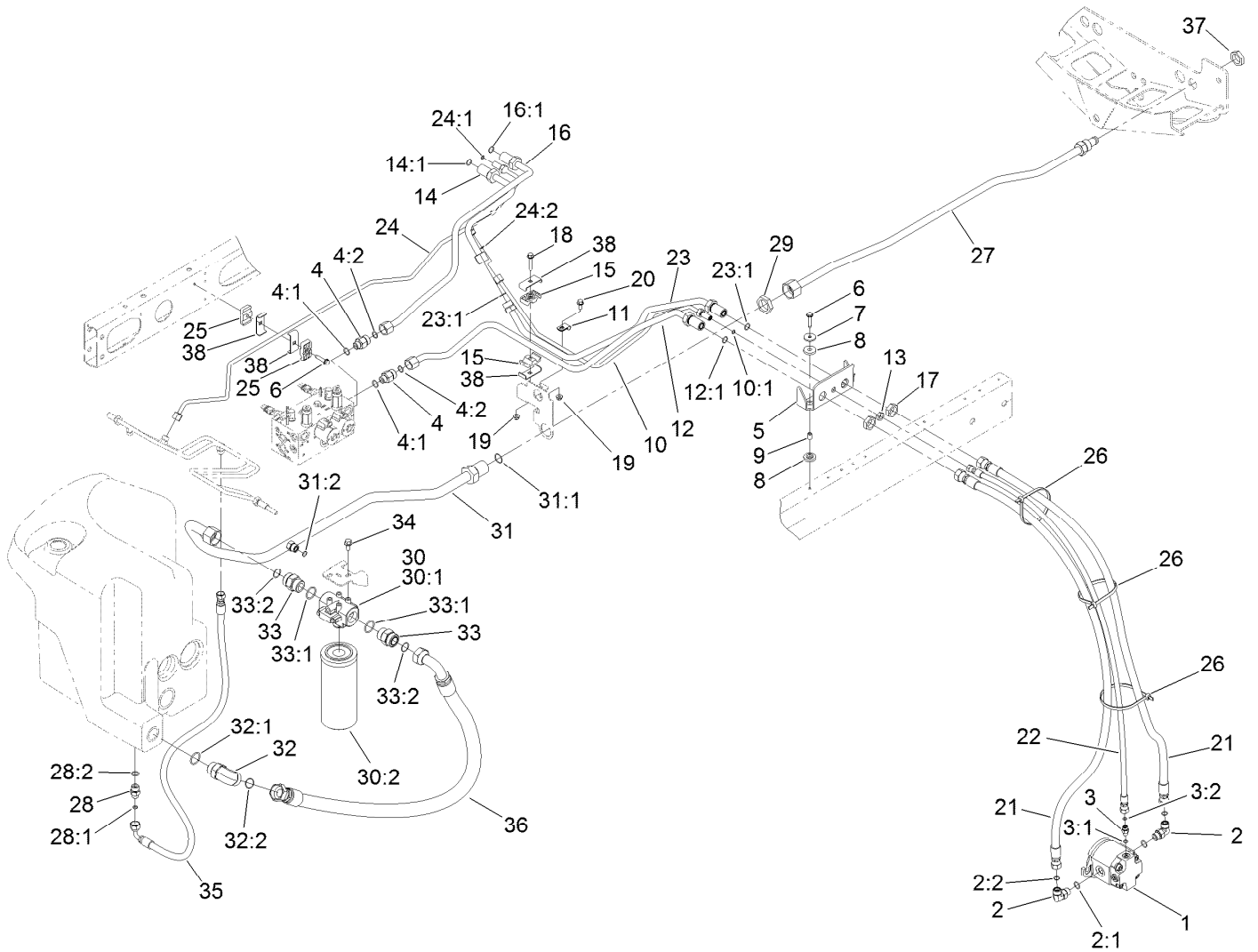
● Not serviced separately



Manifold Assembly No. 121-5628

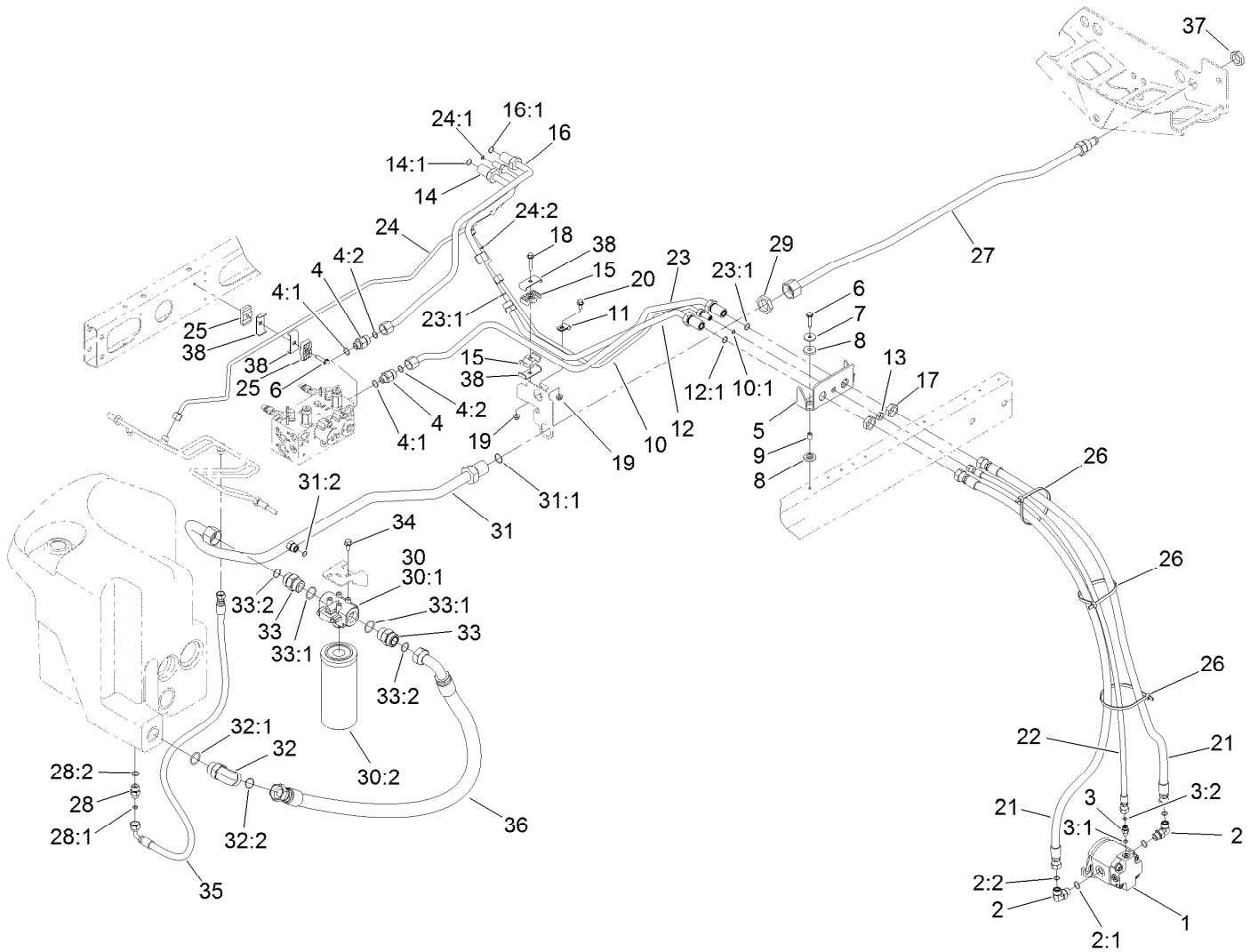
Ref.	Part Number	Qty.	Description	Ref.	Part Number	Qty.	Description
4	110-8883	1	Plug-Orifice (0.040)	14	117-4605	2	Ball-SS
5	117-0115	1	Plug	15	120-1650	2	Pin
8	120-1693	2	Compensator-Pressure	16	72-4310	2	Switch-Ball
8:1	119-2159	1	Seal Kit	17	110-8757	2	O-Ring
9	120-1694	2	Valve-Proportional, NC	18	117-4606	6	O-Ring
9:1	105-9159	1	Seal Kit	19	112-6534	4	Ring-Back Up
10	110-8881	2	Valve-Check	20	112-6532	4	Ring-Retaining
10:1	105-9159	1	Seal Kit ●	21	112-6531	4	Pin-Spring
11	125-8757	1	Valve-Relief, 2500 PSI	22	110-8758	2	Handle-Spool
12	125-8758	1	Valve-Relief	23	110-6344	2	Coil-12V, DC
13	117-0108	2	Spool-Rotary	24	110-2634	2	Nut-Coil
13:1	117-0109	1	Seal Kit				

● Not illustrated



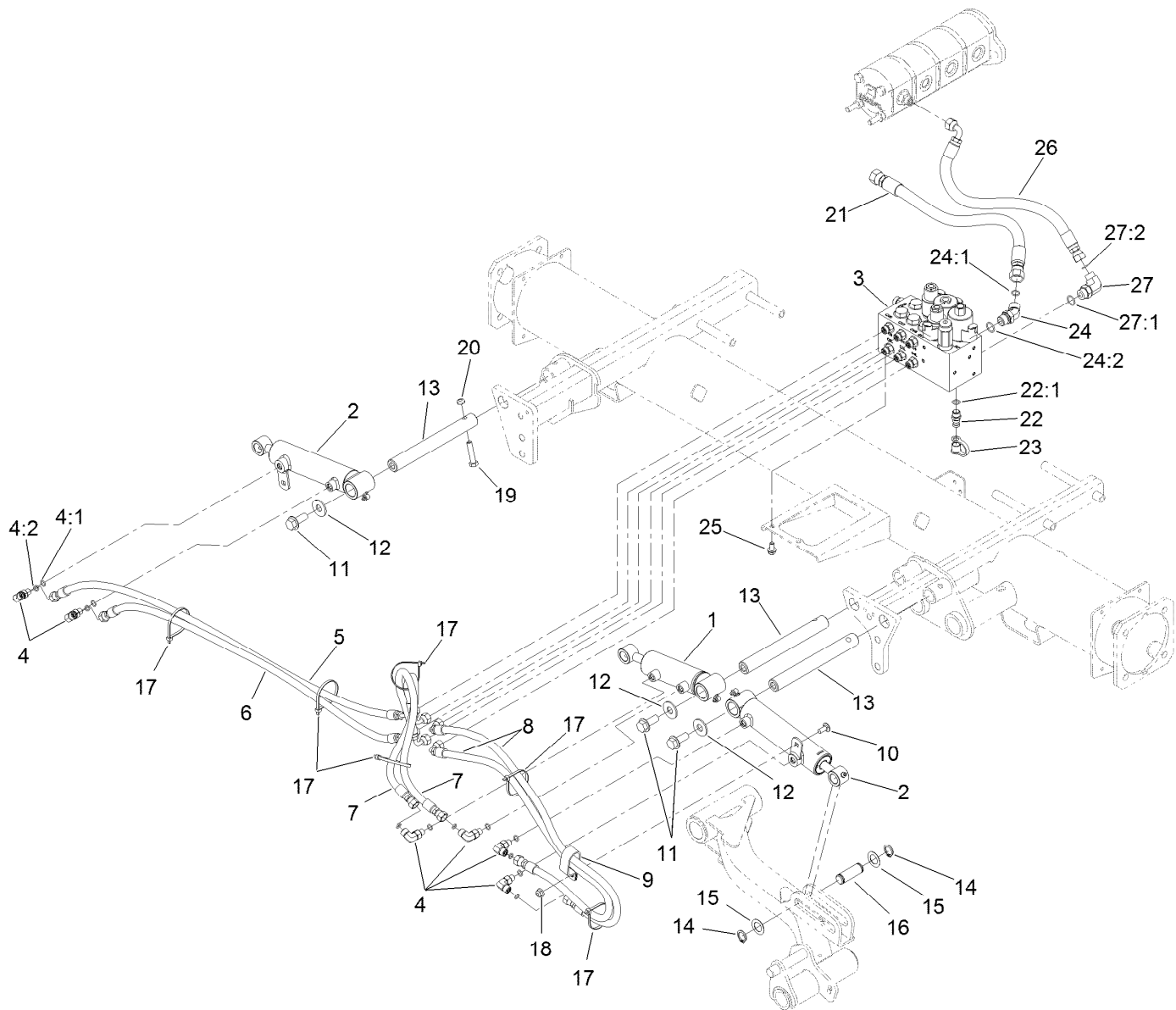
No. 2 and 3 Reel Drive Hydraulic Assembly

Ref.	Part Number	Qty.	Description	Ref.	Part Number	Qty.	Description
1	120-2072	2	HYD Motor ASM	14	117-0140	1	Tube ASM
2	340-98	4	Fitting-Elbow, 90 DEG	14:1	237-65	1	O-Ring
2:1	237-79	1	O-Ring	15	56-7971	2	Clamp-Tube
2:2	237-30	1	O-Ring	16	117-0141	1	Tube ASM
3	340-92	2	Fitting-Straight	16:1	237-65	1	O-Ring
3:1	237-78	1	O-Ring	17	340-74	4	Nut-Lock, Bulkhead
3:2	237-21	1	O-Ring	18	115-1794	1	Screw-HHF
4	340-155	2	Fitting-Straight	19	104-8300	2	Nut-HF, NI
4:1	237-79	1	O-Ring	20	3234-5	1	Screw-HHF
4:2	237-151	1	O-Ring	21	114-0633	4	Hose-HYD
5	117-0174-03	2	Bracket-Bulkhead	22	98-4590	2	Hose-HYD
6	32144-57	5	Screw	23	117-0177	1	Tube ASM
7	105-3048	4	Washer-Flat	23:1	237-65	2	O-Ring
8	240-11	8	Bushing-Flange	24	114-8888	1	Tube ASM
9	99-8611	4	Spacer	24:1	237-22	1	O-Ring
10	114-8887	1	Tube ASM	24:2	237-21	1	O-Ring
10:1	237-21	1	O-Ring	25	56-7972	2	Clamp-Tube
11	2412-113	1	Clamp-R	26	3334-945	6	Tie-Cable
12	117-0142	1	Tube ASM	27	108-1691	1	Tube ASM
12:1	237-65	1	O-Ring	28	340-3	1	Fitting-Straight
13	340-78	2	Nut-Lock	28:1	237-22	1	O-Ring



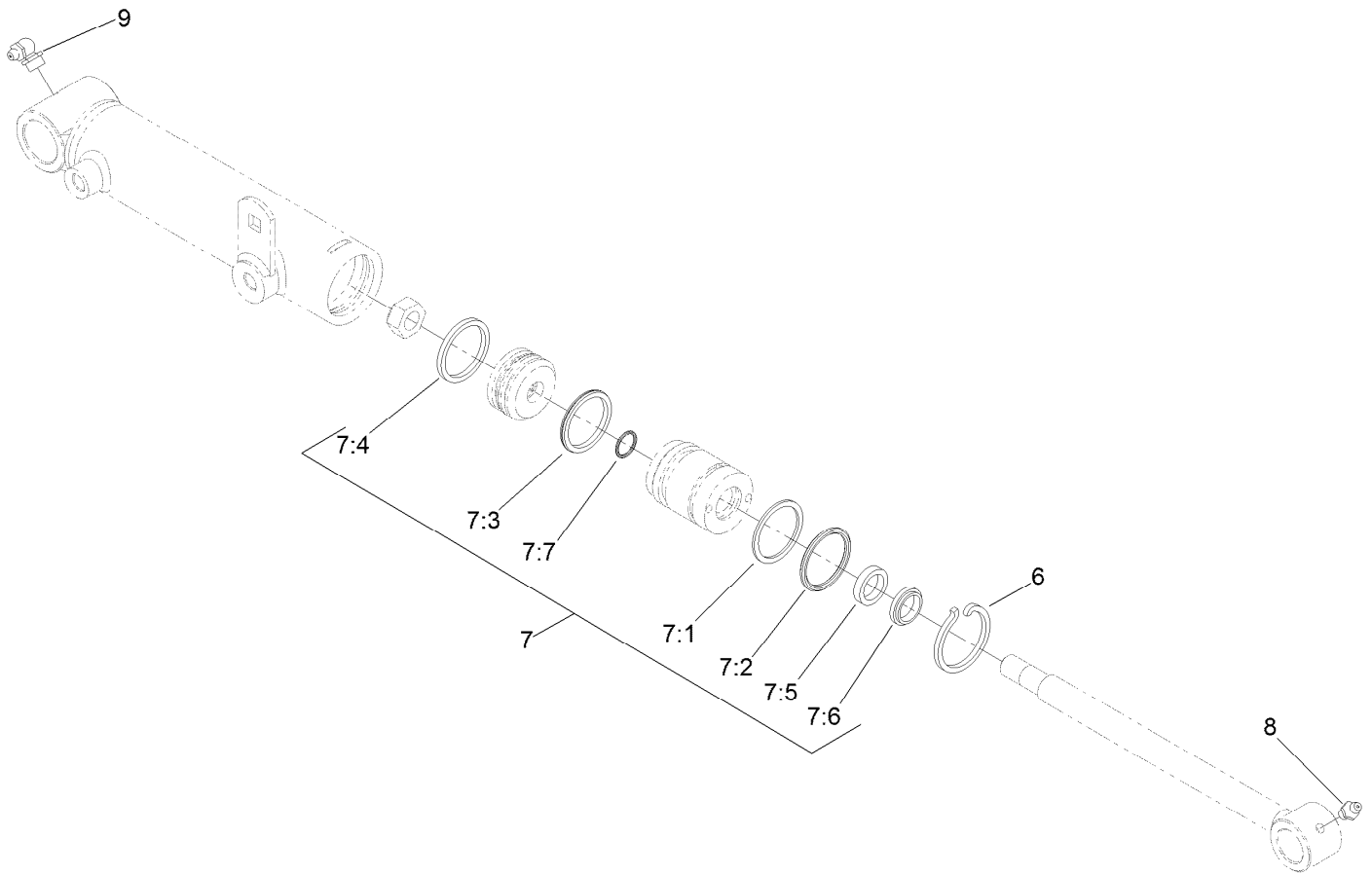
No. 2 and 3 Reel Drive Hydraulic Assembly (continued)

<i>Ref.</i>	<i>Part Number</i>	<i>Qty.</i>	<i>Description</i>	<i>Ref.</i>	<i>Part Number</i>	<i>Qty.</i>	<i>Description</i>
28:2	237-79	1	O-Ring	32:2	340-65	1	O-Ring
29	340-128	1	Nut-Bulkhead	33	104-3797	2	Fitting-Straight
30	98-3923	1	Oil Filter ASM	33:1	237-146	1	O-Ring
30:1	104-0080	1	Filter Head ASM	33:2	340-65	1	O-Ring
30:2	94-2621	1	Element-Filter	34	3234-1	2	Screw-HHF
31	108-1699	1	Tube ASM	35	66-8490	1	Hose-HYD
31:1	340-65	1	O-Ring	36	108-1689	1	Hose-HYD
31:2	237-30	1	O-Ring	37	340-126	1	Nut-Bulkhead
32	340-129	1	Fitting-Elbow, 90 DEG	38	119-1419	3	Plate-Clamp
32:1	237-146	1	O-Ring				



No. 1, 4 and 5 Lift Arm Hydraulic Assembly

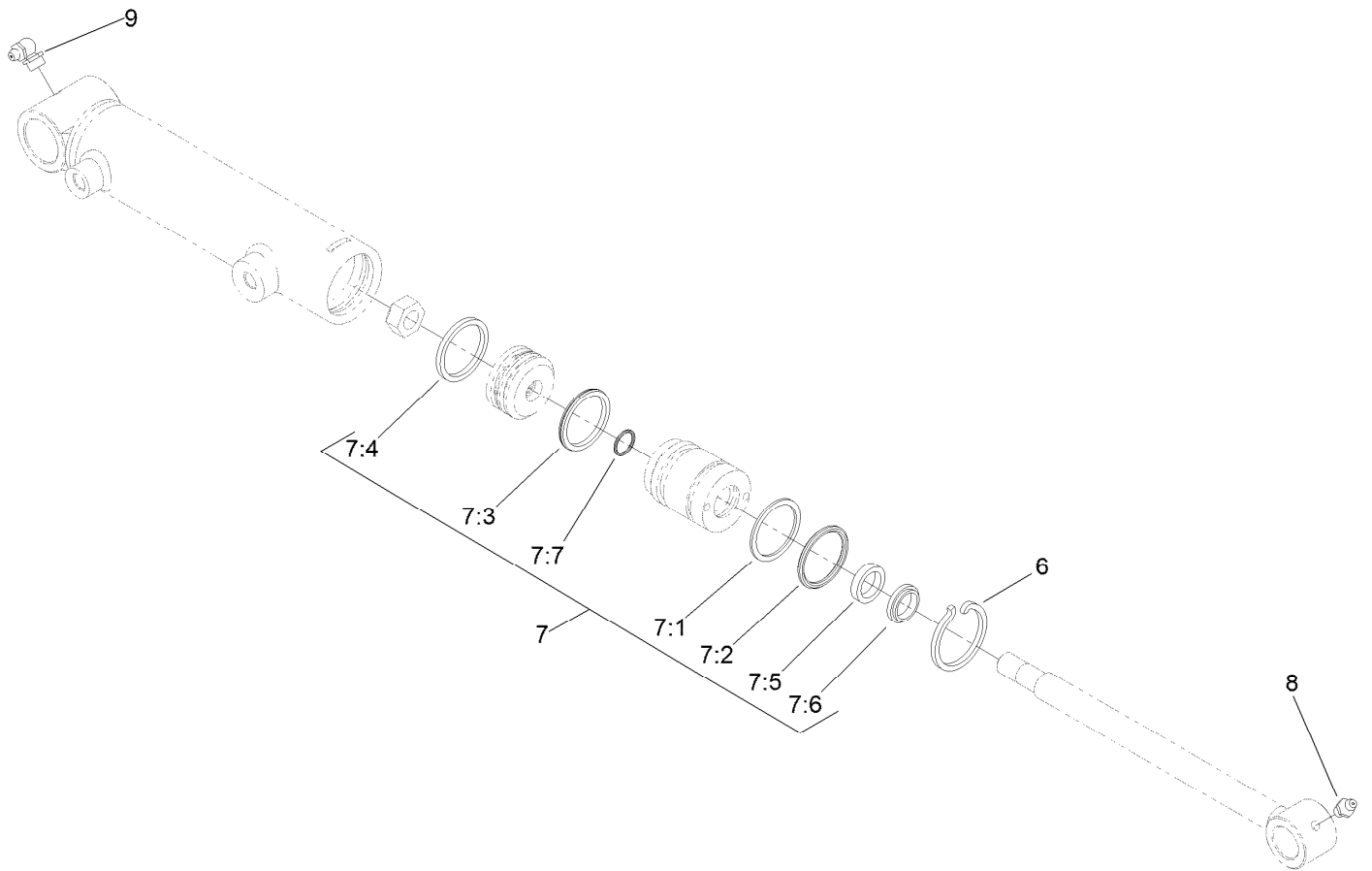
Ref.	Part Number	Qty.	Description	Ref.	Part Number	Qty.	Description
1	119-6988	1	HYD Cylinder ASM	16	104-0046	3	Pin-Slide, Cylinder
2	119-6987	2	HYD Cylinder ASM	17	3290-379	6	Tie-Cable
3	105-7577	1	HYD Lift Block Manifold ASM	18	104-8300	1	Nut-HF, NI
4	340-132	6	Fitting-Elbow, 90 DEG	19	323-9	3	Screw-HH
4:1	237-78	1	O-Ring	20	3296-59	3	Nut-Lock, NI
4:2	237-21	1	O-Ring	21	117-0180	1	Hose-HYD
5	106-3692	1	Hose-HYD	22	59-7410	1	Fitting-Diagnostic
6	106-3693	1	Hose-HYD	22:1	237-42	1	O-Ring
7	93-6887	2	Hose-HYD	23	354-79	1	Cap-Dust
8	85-4940	2	Hose-HYD	24	340-101	1	Fitting-HYD, 45 DEG
9	2412-137	1	Clamp-R, Double	24:1	237-30	1	O-Ring
10	3230-23	1	Bolt-CARR	24:2	237-79	1	O-Ring
11	3234-38	3	Screw-HHF	25	3234-14	2	Screw-HHF
12	3256-6	3	Washer-Flat	26	92-5694	1	Hose-Hydraulic
13	117-0148	3	Pin-Cylinder	27	340-18	1	Fitting-HYD, 90 DEG
14	32120-93	6	Ring-Retaining	27:1	237-79	1	O-Ring
15	3-6498	6	Washer-Thrust	27:2	237-22	1	O-Ring



Hydraulic Cylinder Assembly No. 119-6987

Ref.	Part Number	Qty.	Description
6	84-1680	1	Ring-Retaining
7	119-6992	1	Seal Kit
7:1		1	O-Ring ●
7:2		1	Backup ●
7:3		1	Bp Seal ●
7:4		1	Wear Ring-Ht ●
7:5		1	Bs Seal ●
7:6		1	Dust Seal-Dt ●
7:7		1	O-Ring ●
8	302-5	1	Fitting-Grease
9	302-33	1	Fitting-Grease

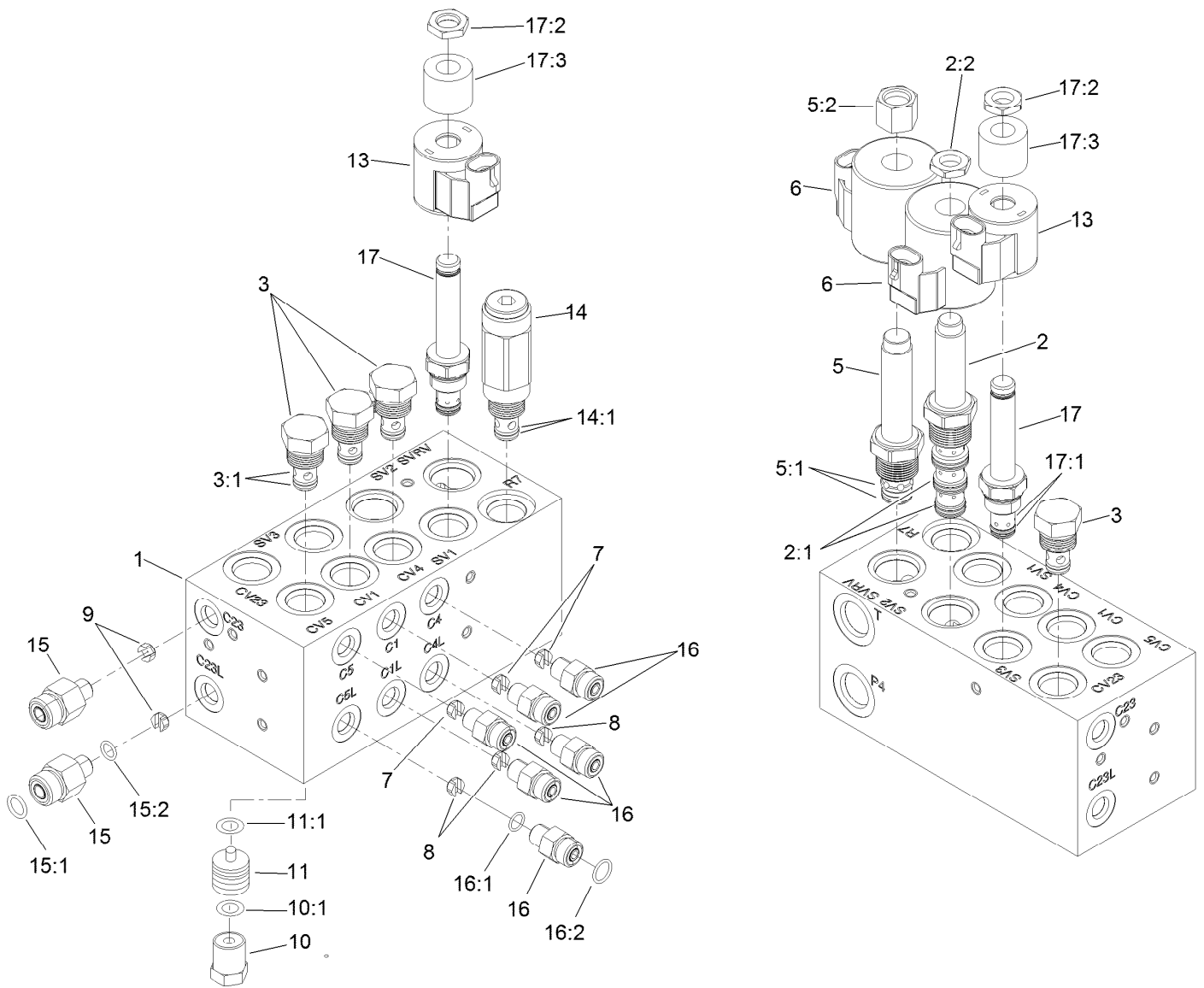
● Not serviced separately



Hydraulic Cylinder Assembly No. 119-6988

Ref.	Part Number	Qty.	Description
6	84-1680	1	Ring-Retaining
7	119-6992	1	Seal Kit
7:1		1	O-Ring ●
7:2		1	Backup ●
7:3		1	Bp Seal ●
7:4		1	Wear Ring-Ht ●
7:5		1	Bs Seal ●
7:6		1	Dust Seal-Dt ●
7:7		1	O-Ring ●
8	302-5	1	Fitting-Grease
9	302-33	1	Fitting-Grease

● Not serviced separately



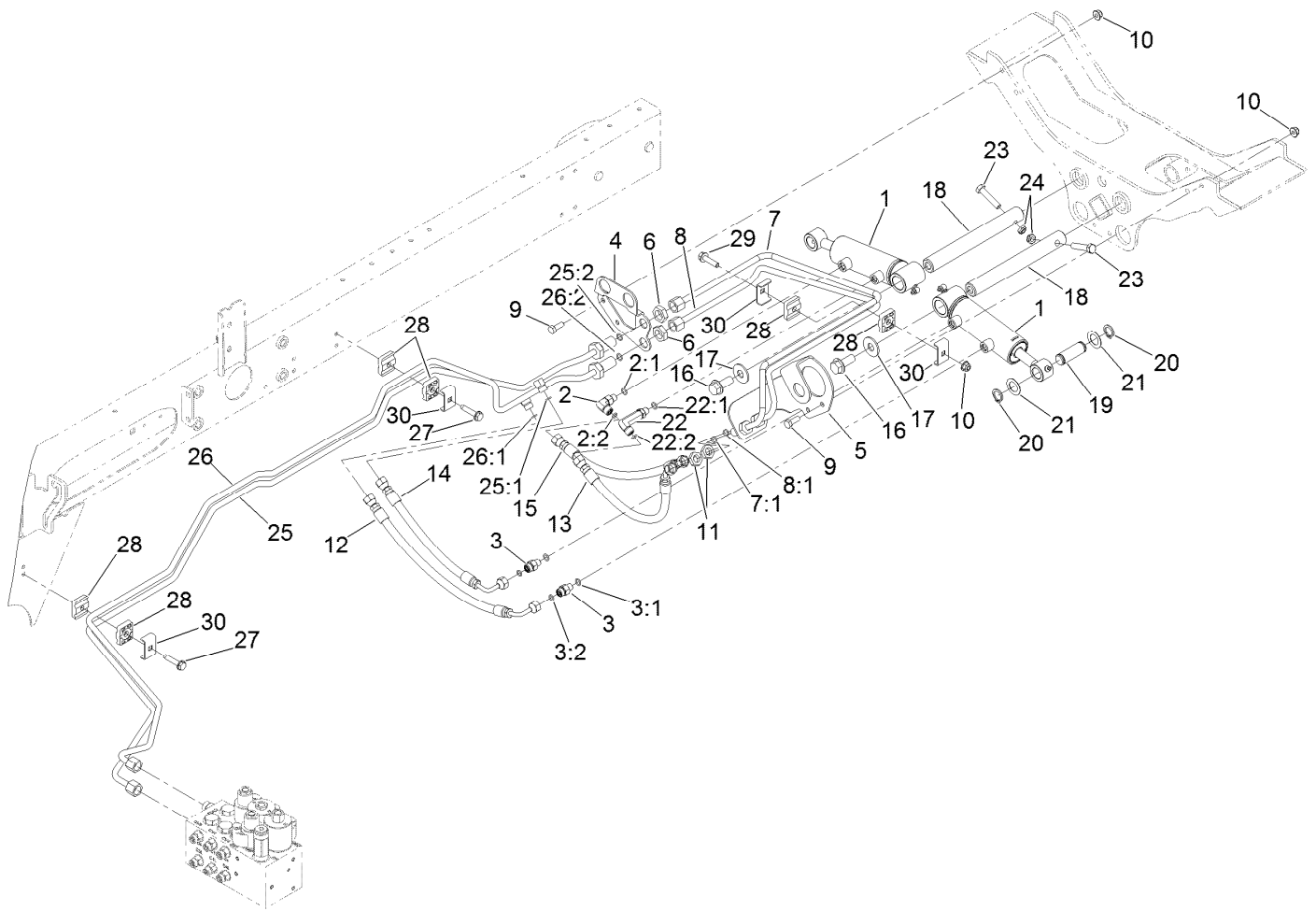
Hydraulic Manifold Block Assembly No. 105-7577

Ref.	Part Number	Qty.	Description
1		1	Block-Manifold ■
2	110-8906	1	Valve-Solenoid
2:1	110-8908	1	Spool Valve Seal Kit
2:2	110-2634	1	Nut-Coil
3	110-9006	4	Valve-Check
3:1	105-9156	1	Seal Kit
5	110-8905	1	Valve-Relief, Solenoid
5:1	110-6316	1	Seal Kit
5:2	130-8180	1	Nut-Coil (9/16-24 Unef-2B)
6	110-6344	2	Coil-12V, DC
7	110-8904	3	Orifice-Control, Flow (0.028)
7	125-8849	3	Orifice-Flow Control ●
8	110-8903	3	Orifice-Control, Flow (0.055)
9	110-8902	2	Orifice-Control, Flow (0.046)
10	354-70	4	Plug-Hex, Hollow
10:1	237-80	1	O-Ring

Ref.	Part Number	Qty.	Description
11	110-8901	4	Piston-Pilot
11:1	110-8900	1	O-Ring
13	110-0497	2	Coil-Solenoid
14	110-8899	1	Valve-Relief
14:1	105-9156	1	Seal Kit
15	340-88	2	Fitting-Straight
15:1	237-22	1	O-Ring
15:2	237-78	1	O-Ring
16	340-92	6	Fitting-Straight
16:1	237-78	1	O-Ring
16:2	237-21	1	O-Ring
17	110-8898	2	Valve-Solenoid
17:1	107-7527	1	Seal Kit
17:2	110-2634	1	Nut-Coil
17:3	110-8909	1	Spacer-Coil

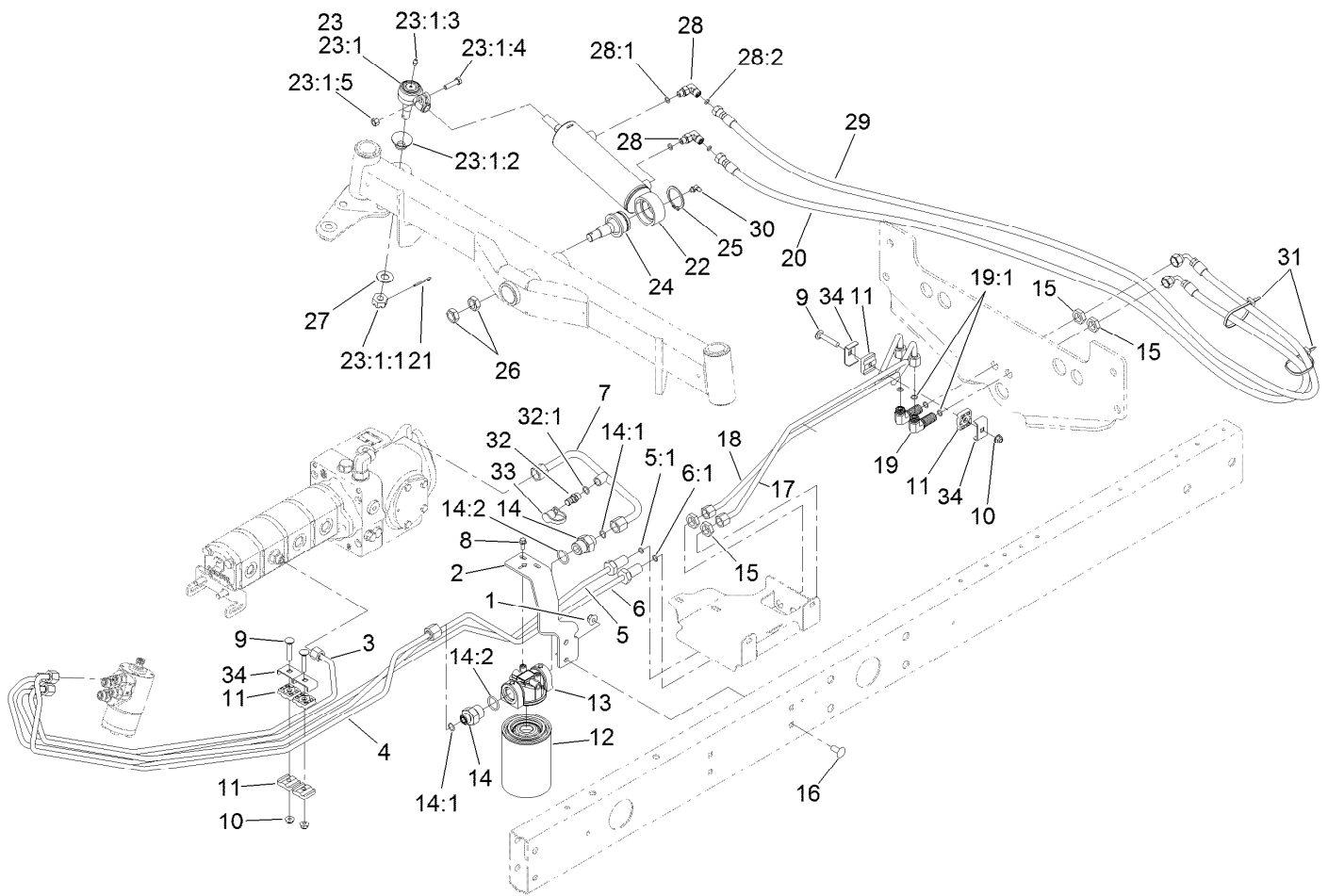
● Optional Equipment

■ Not serviced separately



Rear Lift Hydraulic Assembly

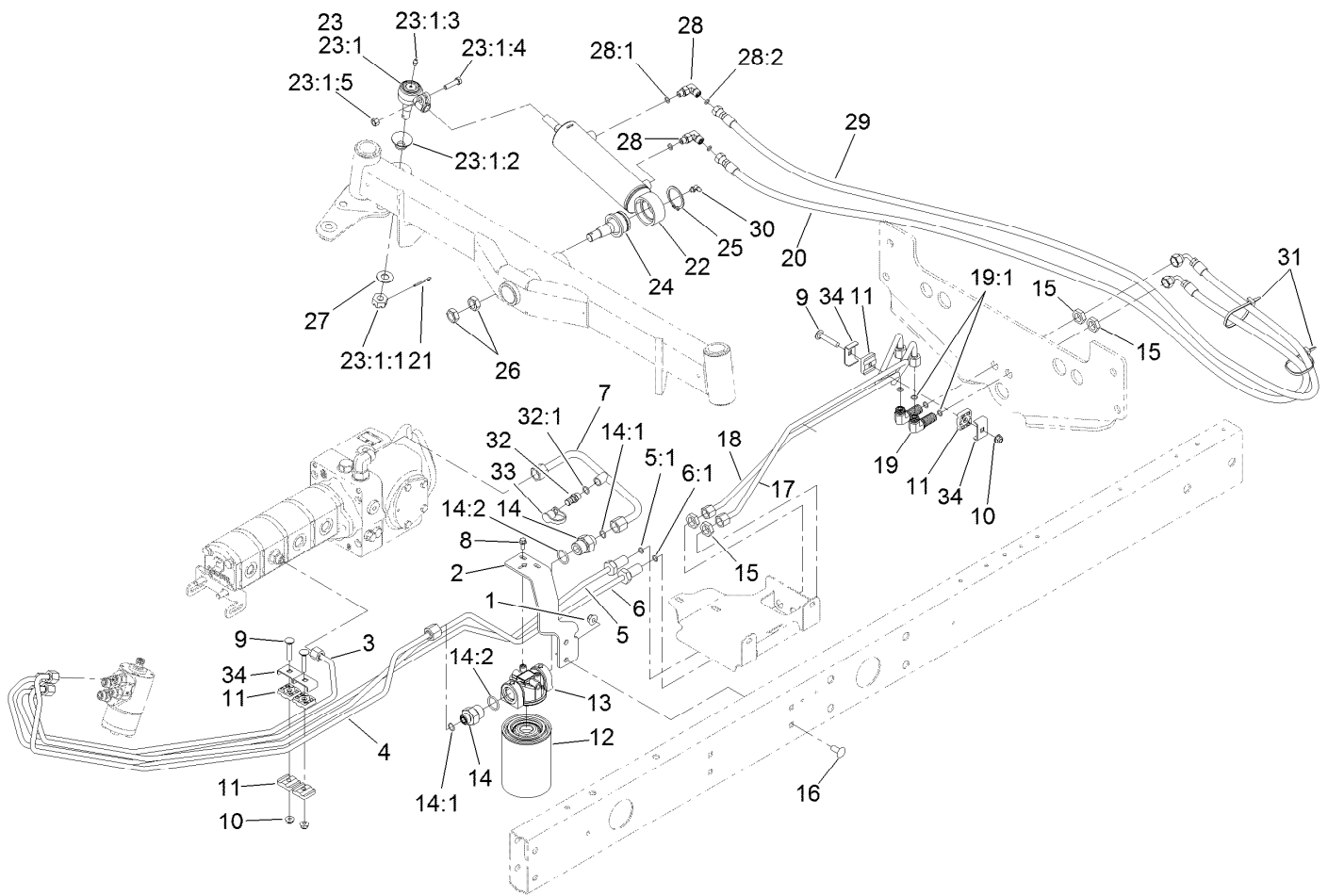
<i>Ref.</i>	<i>Part Number</i>	<i>Qty.</i>	<i>Description</i>	<i>Ref.</i>	<i>Part Number</i>	<i>Qty.</i>	<i>Description</i>
1	119-6988	2	HYD Cylinder ASM	16	3234-38	2	Screw-HHF
2	340-132	1	Fitting-Elbow, 90 DEG	17	3256-6	2	Washer-Flat
2:1	237-78	1	O-Ring	18	117-0148	2	Pin-Cylinder
2:2	237-21	1	O-Ring	19	104-0046	2	Pin-Slide, Cylinder
3	340-92	2	Fitting-Straight	20	32120-93	4	Ring-Retaining
3:1	237-78	1	O-Ring	21	3-6498	4	Washer-Thrust
3:2	237-21	1	O-Ring	22	100-7695	1	Fitting-Elbow 90
4	120-3782-01	1	Bracket-Bulkhead, RH	22:1	237-78	1	O-Ring
5	110-0917-01	1	Bracket-Bulkhead, LH	22:2	237-21	1	O-Ring
6	340-70	2	Nut-Lock	23	323-9	2	Screw-HH
7	133-2987	1	Tube-ASM	24	3296-59	2	Nut-Lock, NI
7:1	237-21	1	O-Ring	25	120-3766	1	HYD Tube ASM
8	133-2986	1	Tube-ASM	25:1	237-21	1	O-Ring
8:1	237-21	1	O-Ring	25:2	237-22	1	O-Ring
9	322-4	4	Screw-HH	26	120-3771	1	HYD Tube ASM
10	104-8300	5	Nut-HF, NI	26:1	237-21	1	O-Ring
11	340-78	2	Nut-Lock	26:2	237-22	1	O-Ring
12	110-0930	1	Hose-HYD	27	32144-57	2	Screw
13	110-8966	1	Hose-HYD	28	56-7973	6	Clamp-Tube
14	110-0929	1	Hose-HYD	29	3230-5	1	Bolt-CARR
15	110-0931	1	Hose-HYD	30	119-1418	3	Plate-Clamp, Short



Steering Hydraulic Assembly

Ref.	Part Number	Qty.	Description	Ref.	Part Number	Qty.	Description
1	104-8301	2	Nut-HF, NI	15	340-70	4	Nut-Lock
2	110-0906-01	1	Support-Filter, Oil	16	3231-27	2	Screw-CARR
3	108-1710	1	Tube ASM	17	110-9019	1	Tube-HYD
4	108-1711	1	Tube-HYD	18	110-9020	1	Tube-HYD
5	108-1712	1	Tube ASM	19	340-154	2	Union-Bulkhead
5:1	237-22	1	O-Ring	19:1	237-22	2	O-Ring
6	108-1713	1	Tube ASM	20	110-0928	1	Hose-HYD
6:1	237-22	1	O-Ring	21	3272-12	1	Pin-Cotter
7	121-5601	1	Tube-HYD	22	110-9035	1	HYD Cylinder ASM
8	3234-33	2	Screw-HHF	23	106-6895-03	1	Ball Joint ASM
9	3230-5	3	Bolt-CARR	23:1		1	Joint-Ball ●
10	104-8300	3	Nut-HF, NI	23:1:1	32136-13	1	Nut-SHH
11	56-7973	6	Clamp-Tube	23:1:2	106-6896	1	Seal
12	86-3010	1	Filter-Oil	23:1:3	302-5	1	Fitting-Grease
13	117-5820	1	Head-Filter	23:1:4	3210-7	1	Screw-HH
14	100-4240	2	Fitting-STR	23:1:5	32152-5	1	Nut-Hex
14:1	237-30	1	O-Ring	24	106-6774	1	Joint-Ball
14:2	237-81	1	O-Ring	25	32151-104	1	Ring-Retaining, External

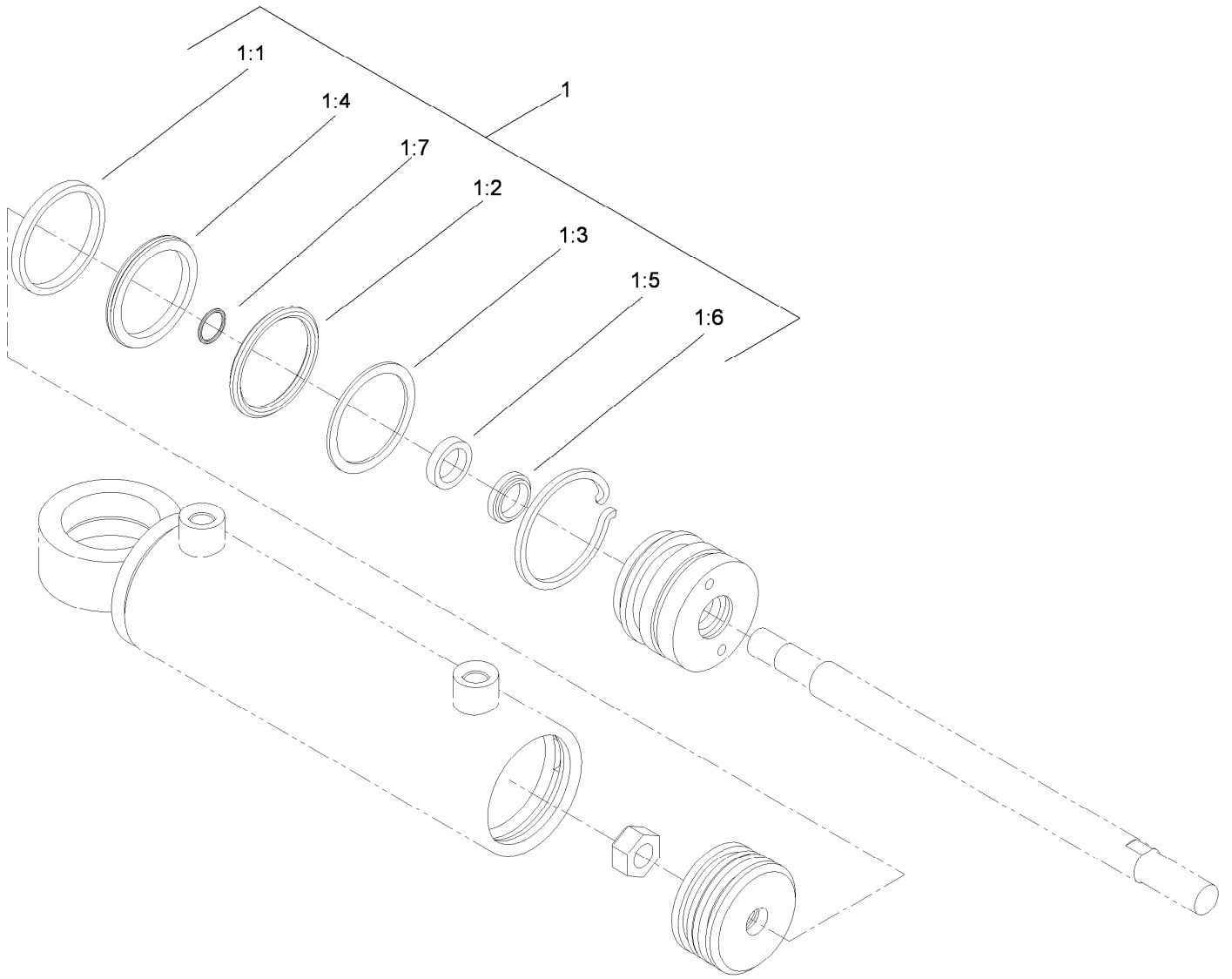
● Not serviced separately



Steering Hydraulic Assembly (continued)

<i>Ref.</i>	<i>Part Number</i>	<i>Qty.</i>	<i>Description</i>	<i>Ref.</i>	<i>Part Number</i>	<i>Qty.</i>	<i>Description</i>
26	3220-6	2	Nut-Jam	30	302-40	1	Fitting-Grease, 90 DEG
27	69-8980	1	Washer	31	3290-378	2	Tie-Cable
28	340-132	2	Fitting-Elbow, 90 DEG	32	59-7410	1	Fitting-Diagnostic
28:1	237-78	1	O-Ring	32:1	237-42	1	O-Ring
28:2	237-21	1	O-Ring	33	354-79	1	Cap-Dust
29	110-0973	1	Hose-HYD	34	119-1418	4	Plate-Clamp, Short

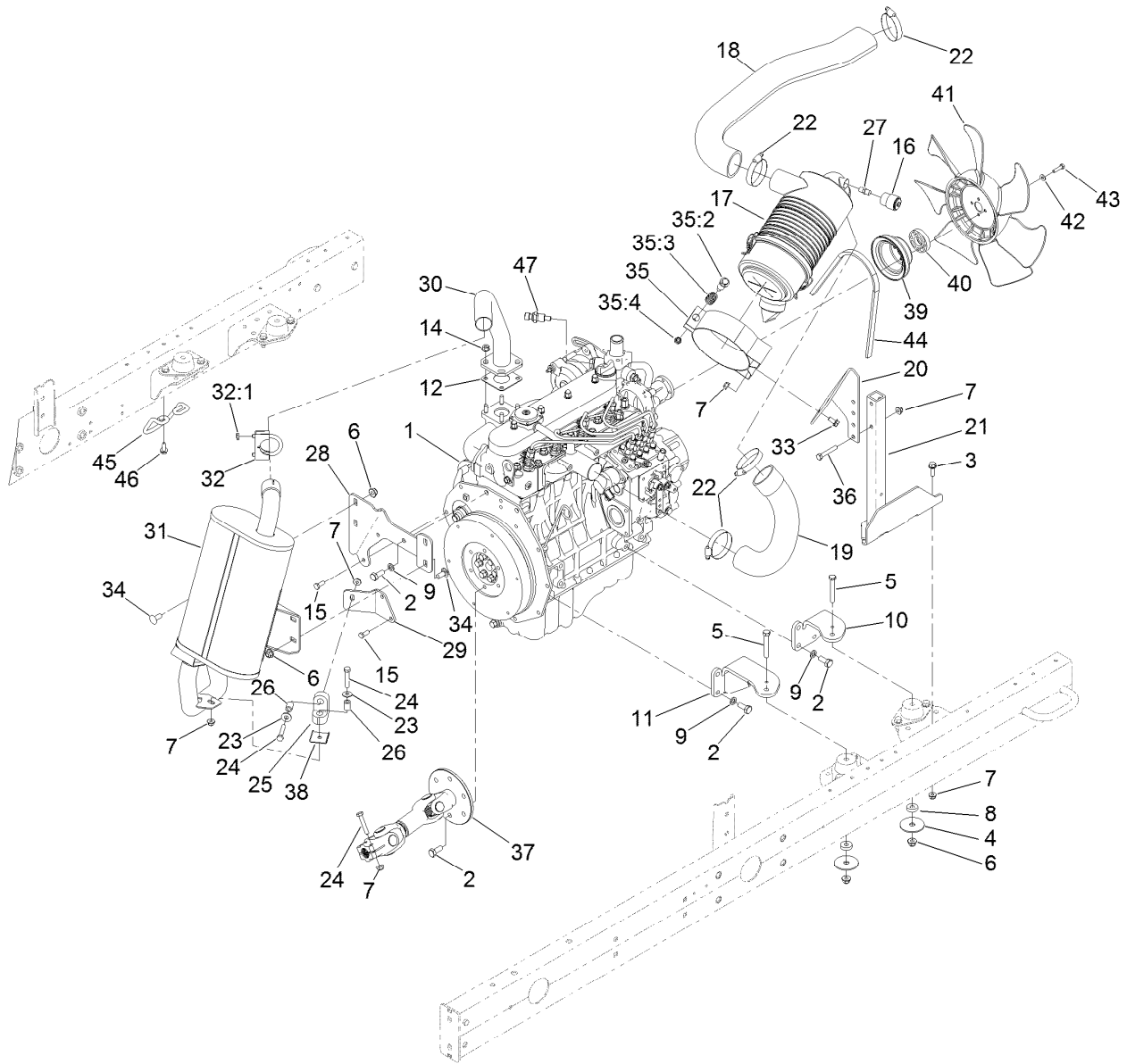
● Not serviced separately



Hydraulic Cylinder Assembly No. 110-9035

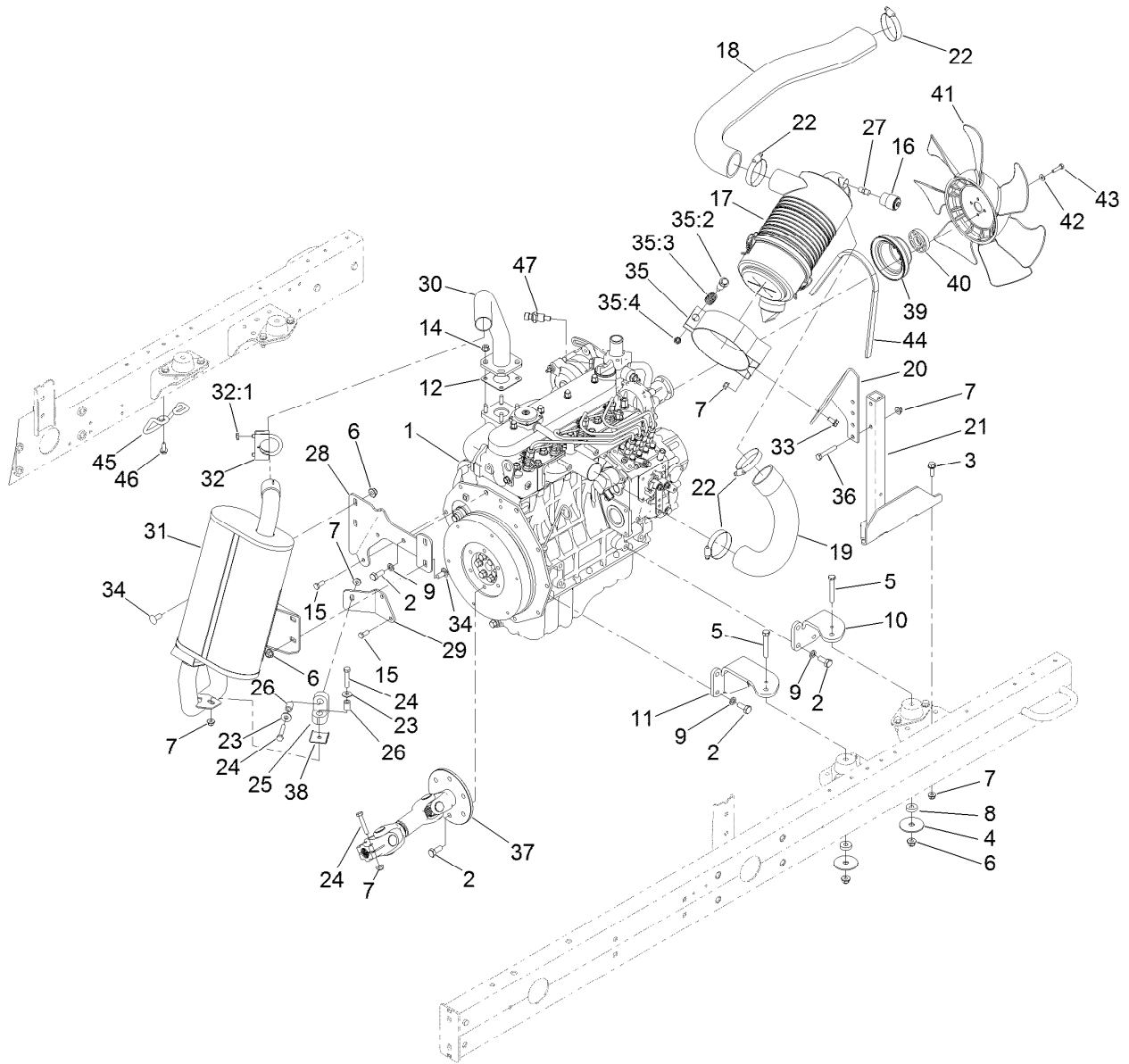
<i>Ref.</i>	<i>Part Number</i>	<i>Qty.</i>	<i>Description</i>
1	114-8875	1	Seal Kit
1:1		1	Wear Ring ●
1:2		1	O-Ring ●
1:3		1	Backup ●
1:4		1	Bp Seal ●
1:5		1	Bs Seal ●
1:6		1	Dust Seal ●
1:7		1	O-Ring ●

● Not serviced separately



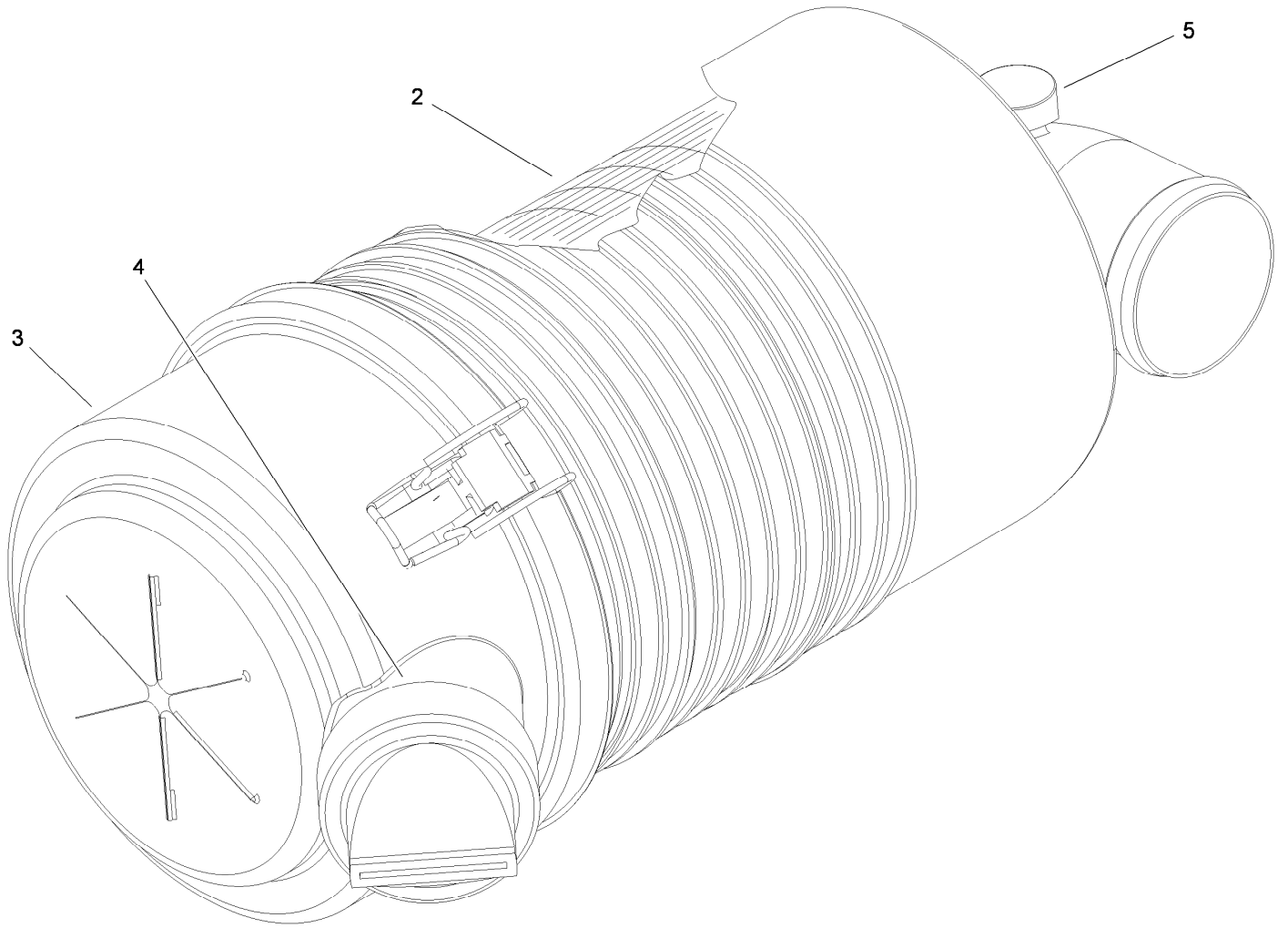
Engine, Muffler and Air Cleaner Assembly

Ref.	Part Number	Qty.	Description	Ref.	Part Number	Qty.	Description
1	125-2165	1	Engine-Kubota, V1505	23	3256-3	2	Washer-Flat
2	43-0090	19	Screw-HH	24	322-9	4	Screw-HH
3	3234-29	3	Screw-HHF	25	95-5622	1	Hanger-Rubber
4	87-5100	4	Washer-Snubbing	26	93-5023	2	Spacer
5	323-12	4	Screw-HH	27	94-1416	1	Adapter-Indicator
6	104-8301	8	Nut-HF, NI	28	108-1785-03	1	Bracket-Support, Muffler
7	104-8300	11	Nut-HF, NI	29	110-8974-03	1	Bracket-Pipe, Tail
8	62-6660	4	Spacer	30	108-1782	1	Header
9	48-9590	13	Washer-Lock	31	114-8897	1	Muffler
10	115-8066-03	2	Mount-Engine	32	2112-9	1	Clamp
11	120-3812-03	2	Mount-Engine	32:1	32128-20	2	Nut-HF
12	99-8343	1	Gasket-Muffler	33	3234-14	2	Screw-HHF
14	104-2612	4	Nut-HF	34	3231-27	4	Screw-CARR
15	33104-020	4	Screw-HHF	35	100-4825	1	Band-Mounting, Air Cleaner
16	93-9164	1	Indicator-Mini	35:2	94-3653	1	Bolt
17	106-5277	1	Air Cleaner ASM	35:3	94-3654	1	Spring
18	117-5162	1	Hose-Formed	35:4	48-9510	1	Nut
19	117-5164	1	Hose-Formed	36	322-10	2	Screw-HH
20	127-2695-03	1	Bracket-Air Cleaner	37	108-1641	1	Driveshaft ASM
21	121-5610-03	1	Stand-Air Cleaner	38	110-8976	1	Plate-Support, Isolator
22	2412-130	4	Clamp-Hose	39	110-0972	1	Pulley



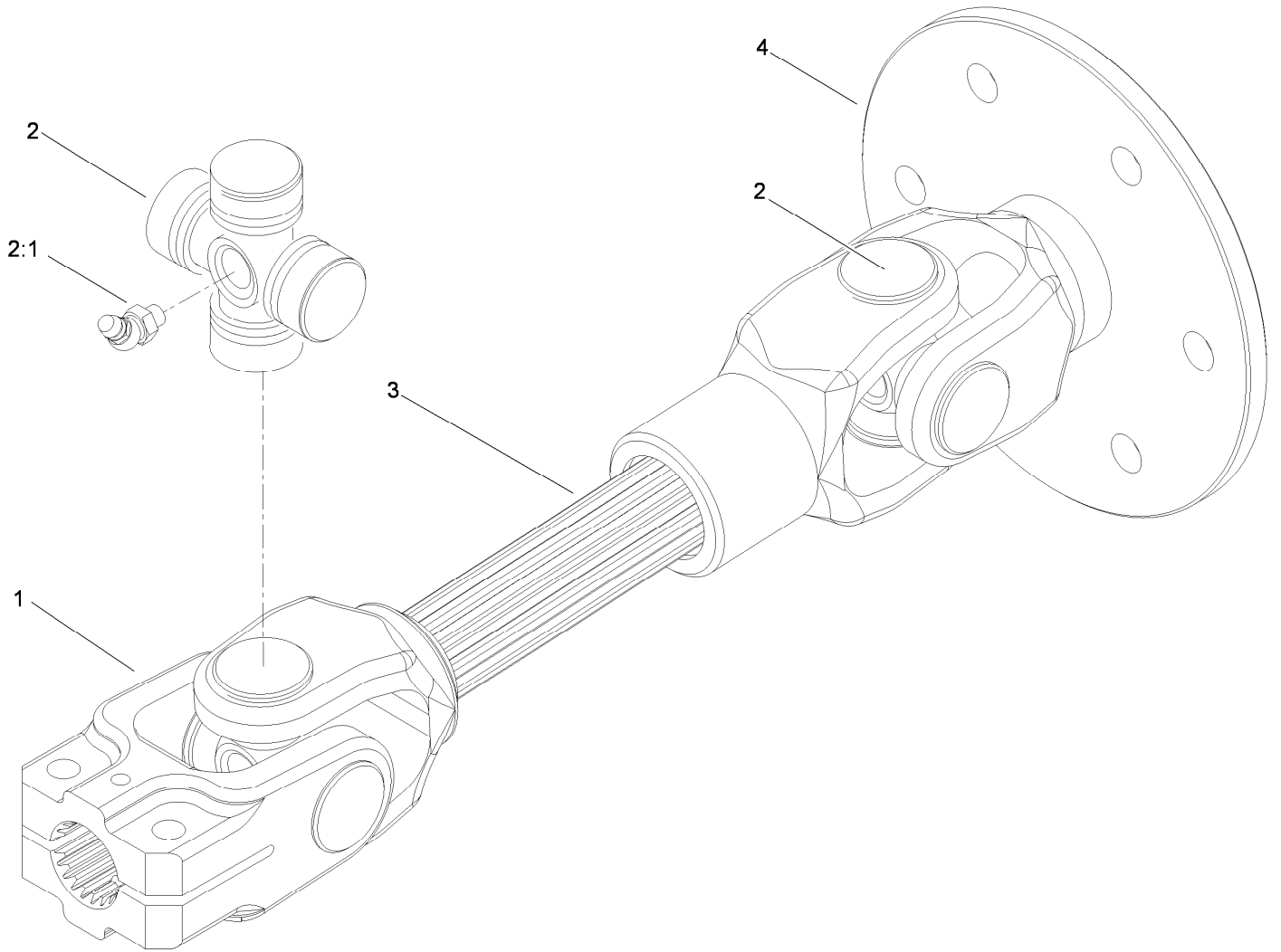
Engine, Muffler and Air Cleaner Assembly (continued)

<i>Ref.</i>	<i>Part Number</i>	<i>Qty.</i>	<i>Description</i>	<i>Ref.</i>	<i>Part Number</i>	<i>Qty.</i>	<i>Description</i>
40	104-4247	1	Spacer-Fan	44	98-9676	1	V-Belt
41	110-0966	1	Fan-Cooling	45	127-2612	1	Guard-Pipe, Tail
42	3256-22	4	Washer-Flat	46	32104-32	2	Screw-HWH
43	33113-025	4	Screw-HH	47	119-4478	1	Sender-Temperature



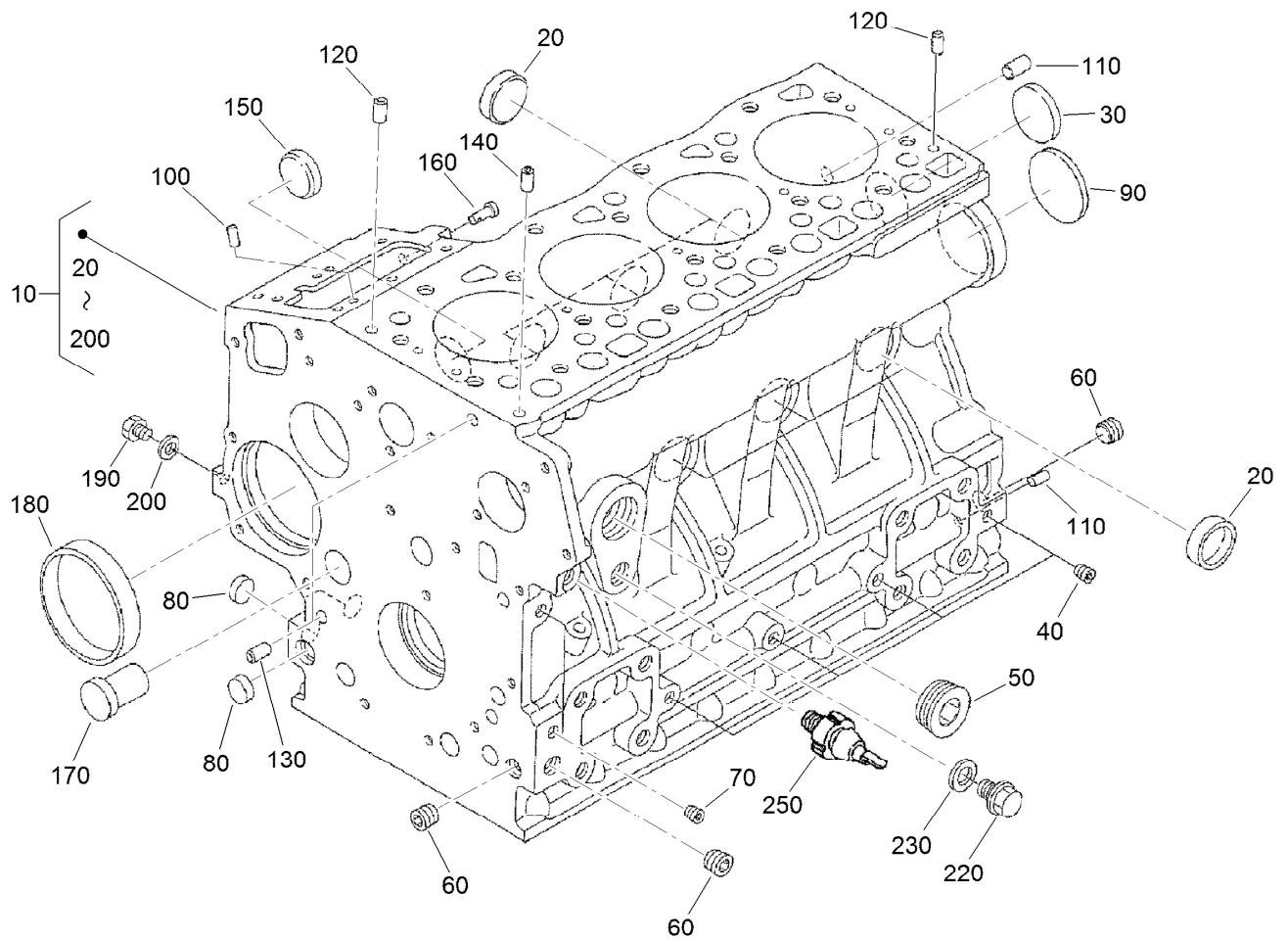
Air Cleaner Assembly No. 106-5277

<i>Ref.</i>	<i>Part Number</i>	<i>Qty.</i>	<i>Description</i>
2	108-3810	1	Filter-Air
3	98-9771	1	Cover ASM
4	87-9400	1	Valve-Vacuator
5	285-17	1	Plug-Pipe



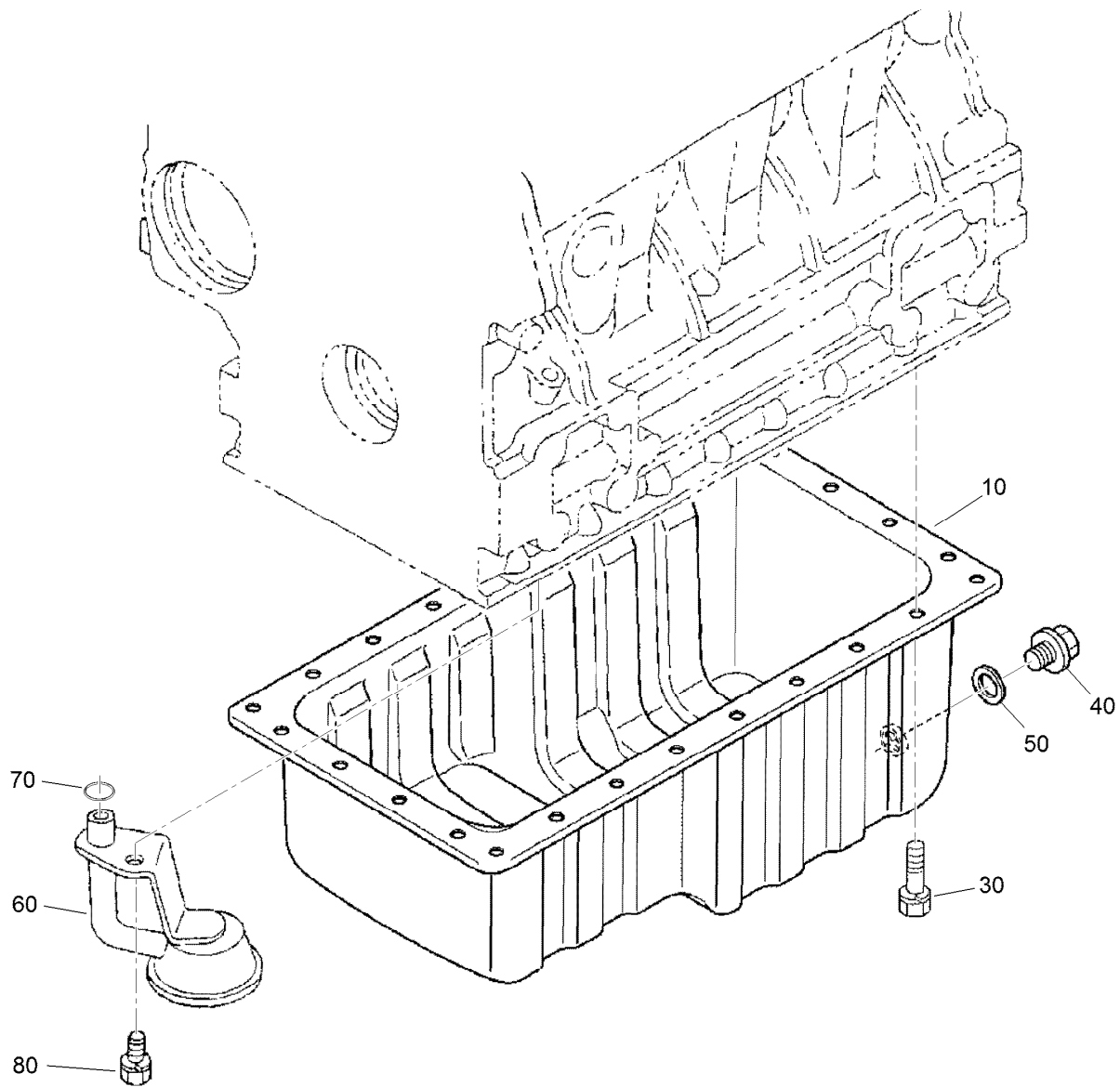
Driveshaft Assembly No. 108-1641

<i>Ref.</i>	<i>Part Number</i>	<i>Qty.</i>	<i>Description</i>
1	54-9040	1	Yoke-End
2	54-9180	2	U-Joint Kit
2:1	62-3820	1	Fitting-Grease
3	108-4574	1	Joint And Shaft ASM
4	108-4575	1	Joint And Yoke ASM



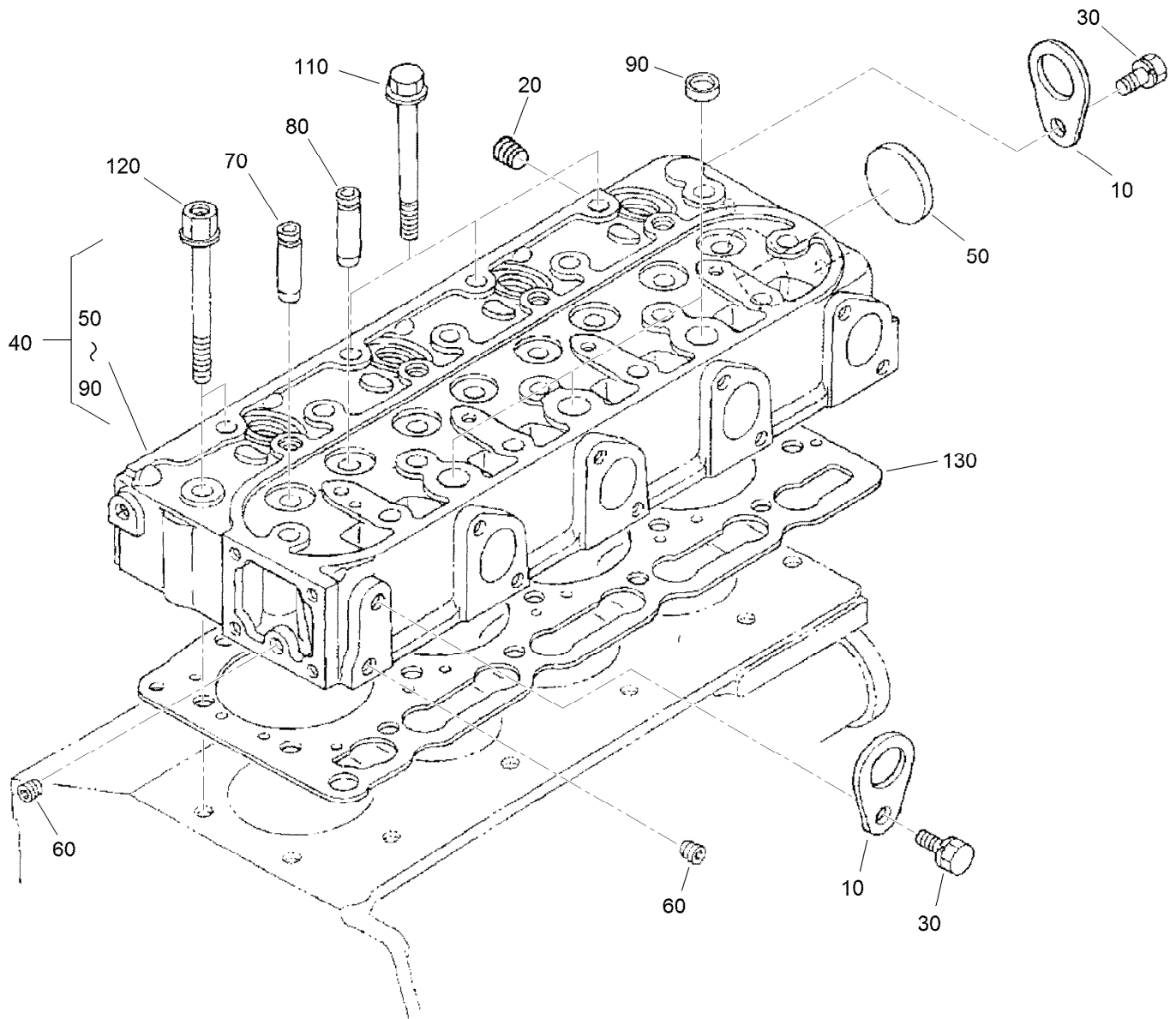
Crankcase Assembly

<i>Ref.</i>	<i>Part Number</i>	<i>Qty.</i>	<i>Description</i>	<i>Ref.</i>	<i>Part Number</i>	<i>Qty.</i>	<i>Description</i>
10	115-4109	1	Crankcase ASM	130	98-9387	2	Pin-Pipe
20	98-9398	6	Cap-Sealing	140	98-9539	1	Pin-Pipe
30	98-7539	1	Cap-Sealing	150	98-9599	1	Plug
40	98-7540	4	Plug	160	105-3796	1	Pin-Spring, Start
50	105-3779	1	Plug	170	98-9675	1	Plug
60	98-9597	3	Plug	180	98-9656	1	Bushing-Governor, Gear
70	98-7487	2	Plug	190	98-7507	1	Plug
80	98-9379	3	Plug-Expansion	200	98-7428	1	Gasket
90	98-9668	1	Plug-Expansion	220	99-3447	1	Plug
100	98-9375	2	Pin-Straight	230	106-7056	1	Gasket
110	98-9377	2	Pin-Straight	250	98-9416	1	Switch-Oil
120	98-9376	2	Pin-Straight				



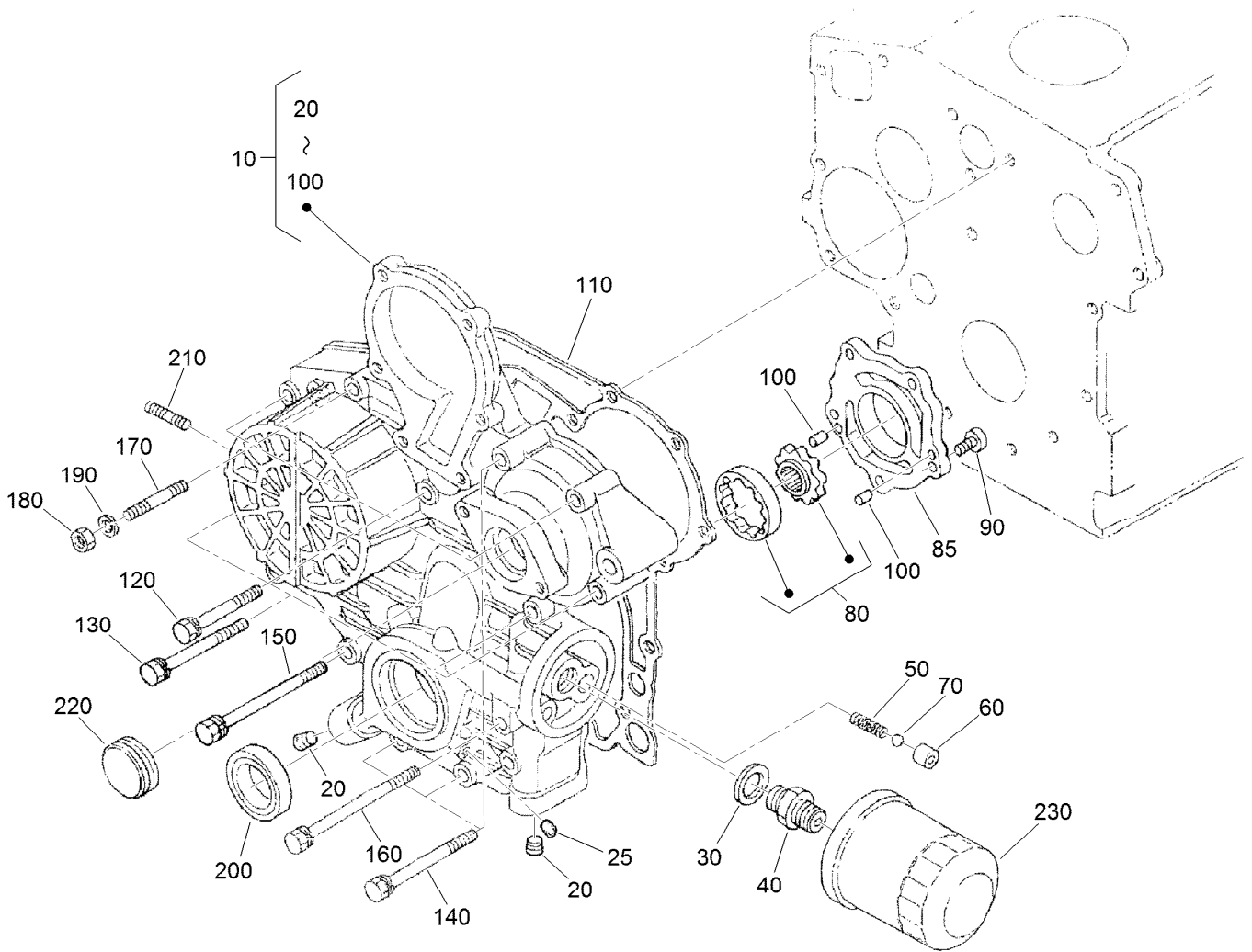
Oil Pan Assembly

<i>Ref.</i>	<i>Part Number</i>	<i>Qty.</i>	<i>Description</i>
10	112-0186	1	Oil Pan ASM
30	98-9351	26	Bolt
40	114-8151	1	Plug-Drain
50	98-7524	1	Gasket
60	112-7003	1	Head-Filter, Oil
70	105-3776	1	O-Ring
80	98-7526	1	Bolt



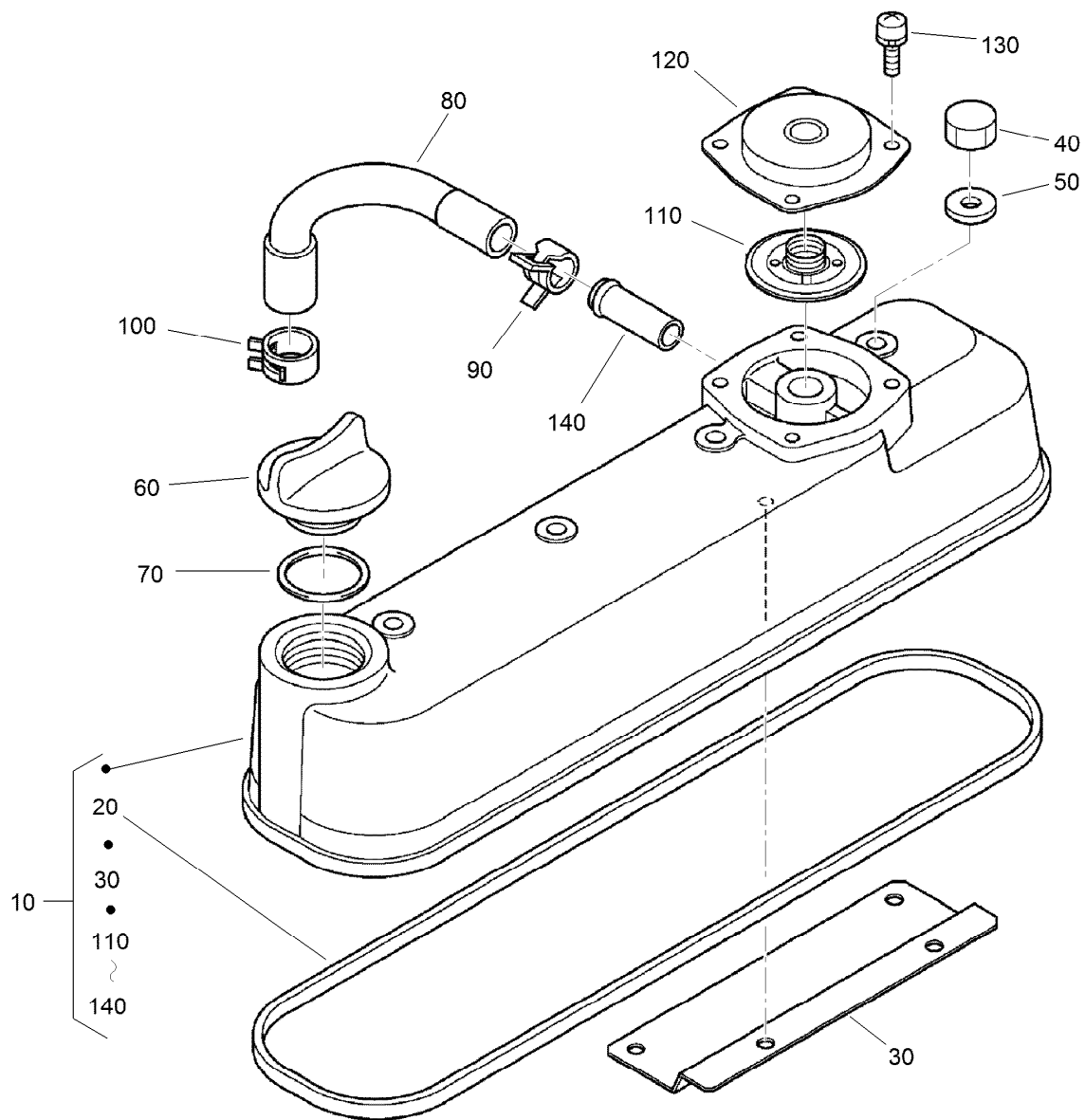
Cylinder Head Assembly

Ref.	Part Number	Qty.	Description
10	98-7531	2	Hook-Engine
20	98-9444	1	Plug
30	100-9195	2	Bolt
40	115-3012	1	Cylinder Head ASM
50	105-3705	1	Cap-Sealing
60	98-7540	2	Plug
70	107-9066	4	Guide-Valve, Inlet
80	107-9067	4	Guide-Valve, Exhaust
90	98-9389	3	Cap-Sealing
110	98-9479	16	Bolt-Head, Cylinder
120	98-9647	2	Bolt-Head, Cylinder
130	108-2855	1	Gasket-Head, Cylinder



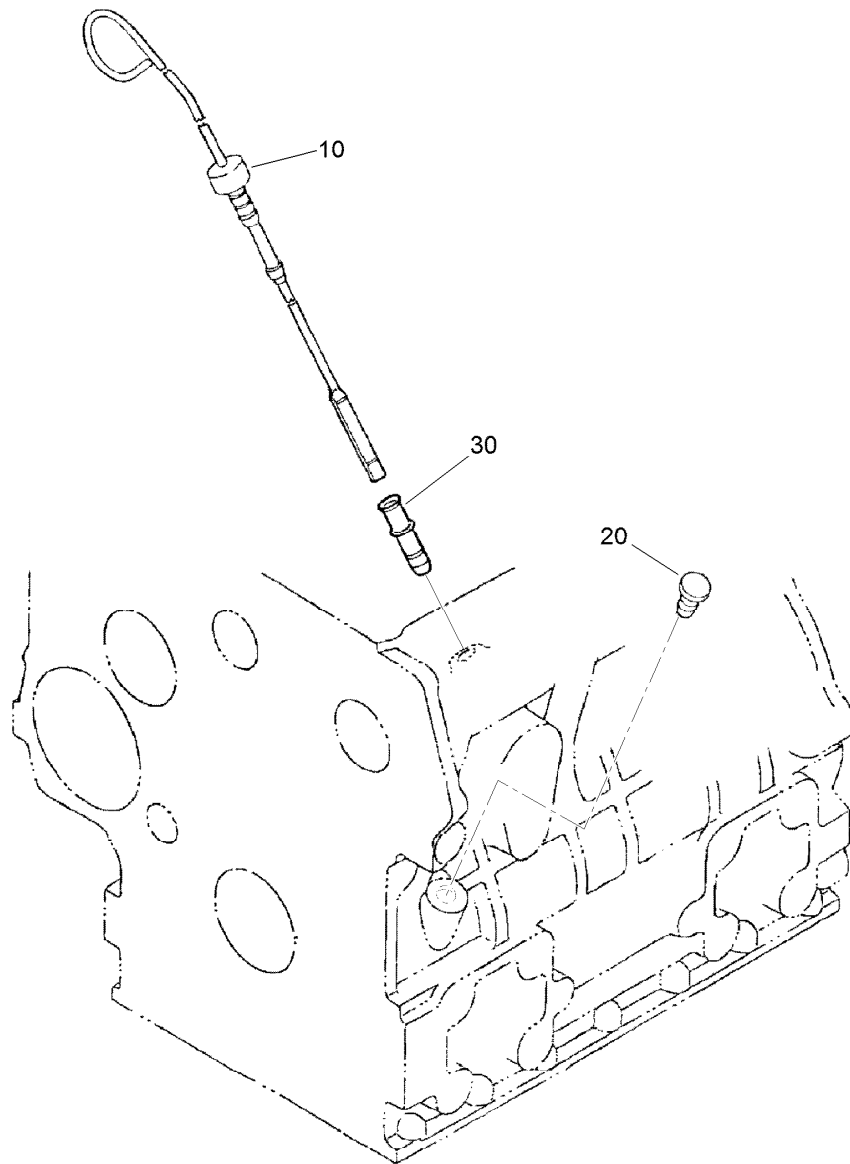
Gear Case Assembly

<i>Ref.</i>	<i>Part Number</i>	<i>Qty.</i>	<i>Description</i>	<i>Ref.</i>	<i>Part Number</i>	<i>Qty.</i>	<i>Description</i>
10	115-4115	1	Crankcase ASM	120	107-9073	3	Bolt
20	98-9598	2	Plug	130	105-3797	4	Bolt
25	98-7487	1	Plug	140	98-9356	4	Bolt
30	98-7562	1	Washer-Plain	150	107-9074	1	Bolt
40	98-9388	1	Joint-Pipe	160	98-9586	1	Bolt
50	98-9544	1	Spring	170	105-3709	1	Stud
60	98-9543	1	Seat-Valve	180	98-7572	1	Nut
70	98-9380	1	Ball	190	98-7699	1	Washer-Spring
80	98-9540	1	Oil Pump Rotor ASM	200	98-9482	1	Seal-Oil
85	107-9069	1	Cover-Pump, Oil	210	105-3710	2	Stud
90	107-9071	5	Screw	220	98-9641	1	Cover-Case, Gear
100	107-9072	2	Pin-Straight	230	108-3841	1	Filter-Oil
110	98-9633	1	Gasket-Case, Gear				



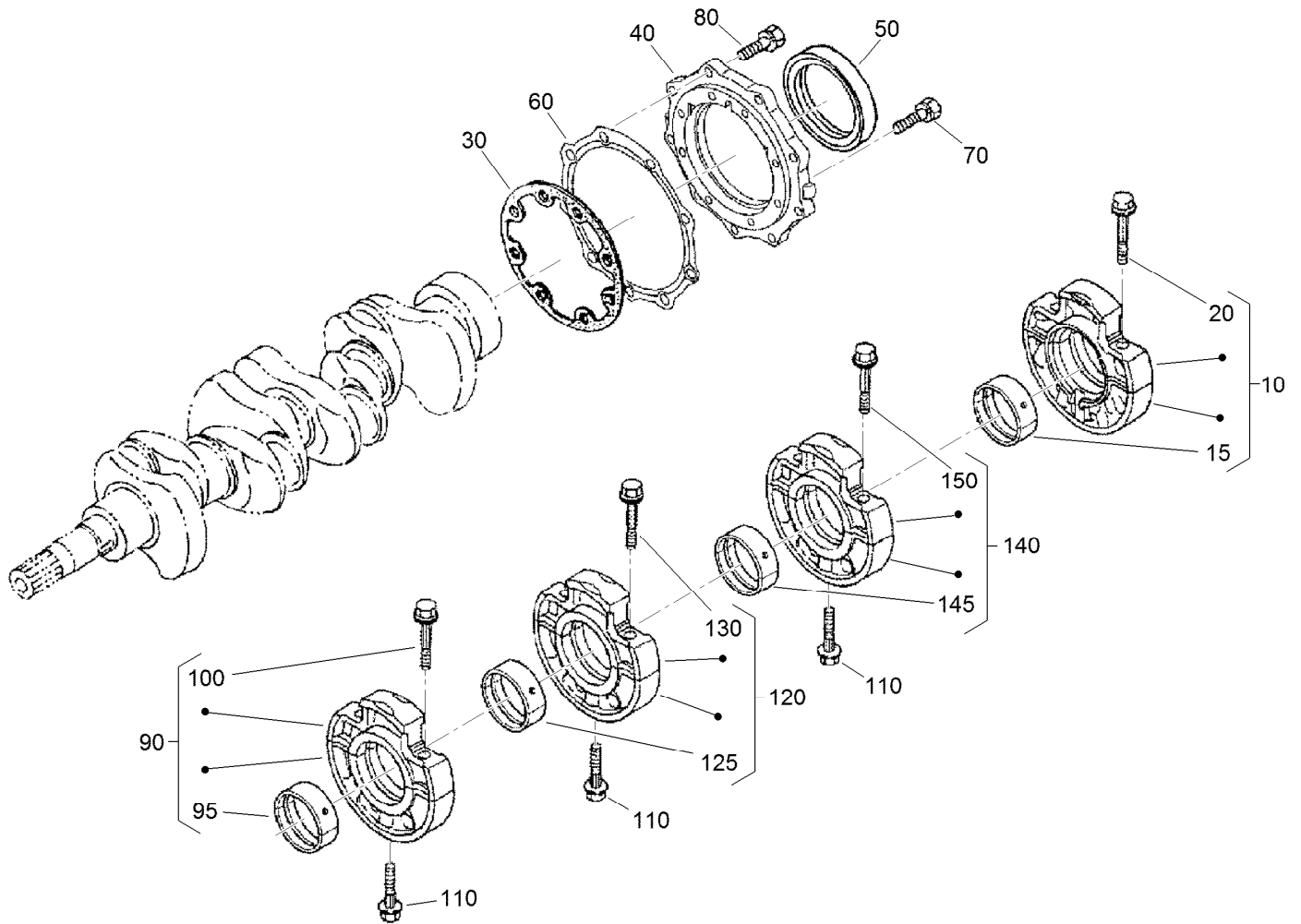
Cylinder Head Cover Assembly

<i>Ref.</i>	<i>Part Number</i>	<i>Qty.</i>	<i>Description</i>
10	115-4130	1	Cylinder Head Cover ASM
20	105-3712	1	Gasket-Cover, Head
30	108-2857	1	Shield-Breather
40	98-9455	4	Nut-Cap
50	98-9454	4	Gasket
60	107-9075	1	Plug-Filler, Oil
70	99-3446	1	O-Ring
80	108-2858	1	Tube-Breather
90	108-2859	1	Clamp-Hose
100	108-2860	1	Clamp-Hose
110	110-3715	1	Valve-Breather
120	110-3714	1	Cover-Breather
130	98-9364	4	Screw (With Washer)
140	98-7766	1	Pipe-Return, Water



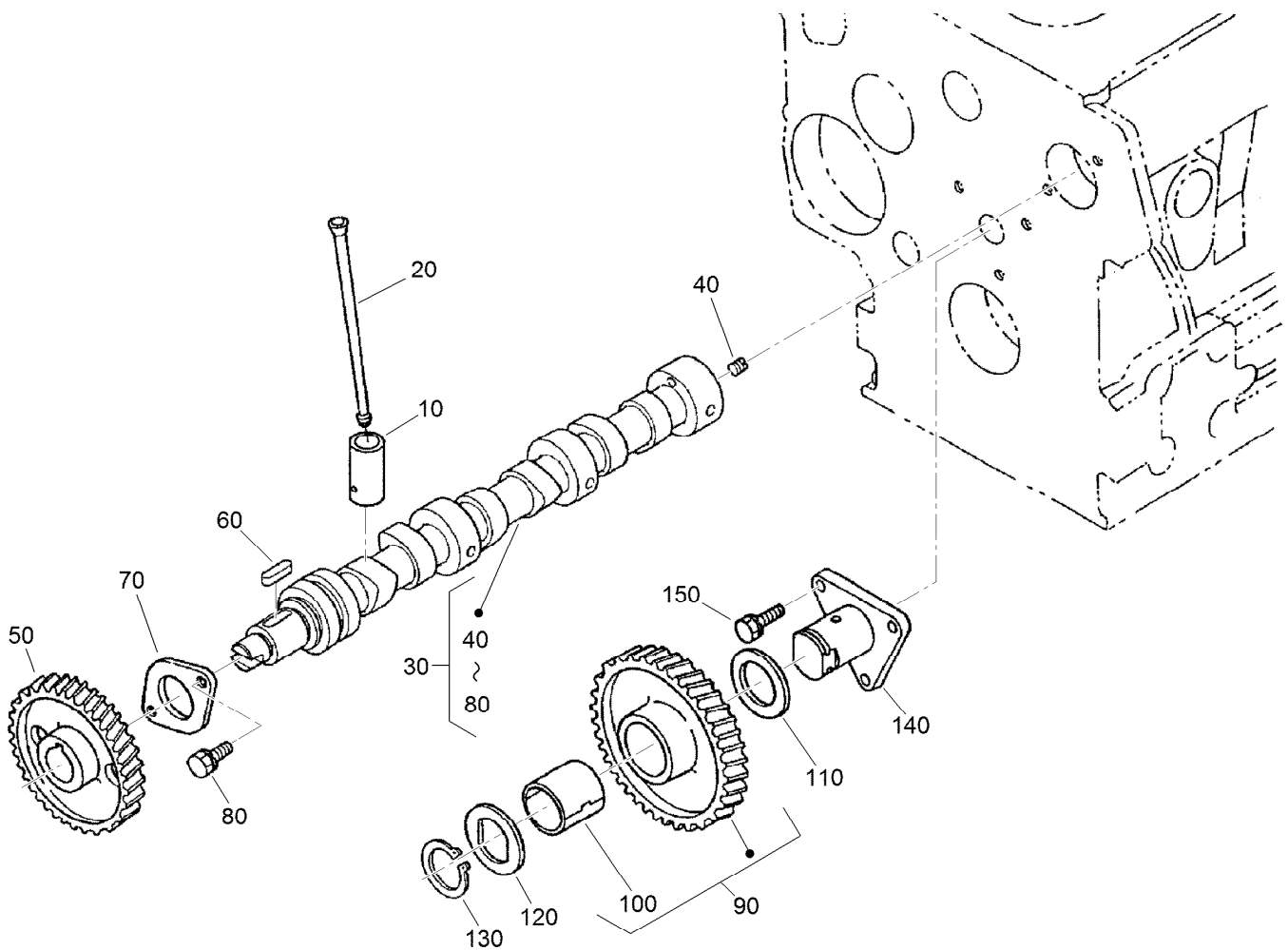
Dipstick and Guide Assembly

<i>Ref.</i>	<i>Part Number</i>	<i>Qty.</i>	<i>Description</i>
10	105-3714	1	Gauge-Oil
20	105-4580	1	Guide-Gauge, Oil
30	110-3720	1	Plug-Gauge, Oil



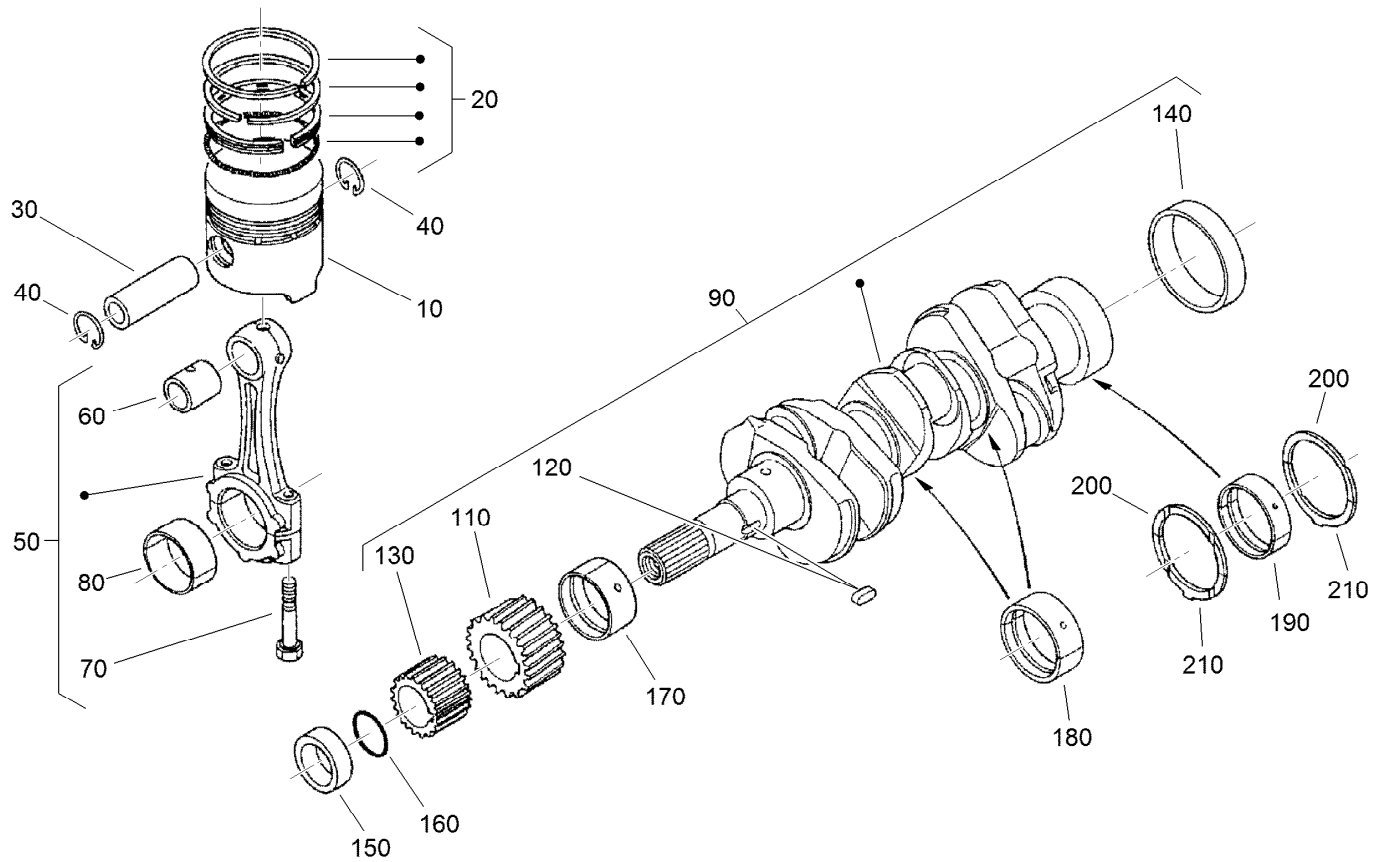
Main Bearing Case Assembly

<i>Ref.</i>	<i>Part Number</i>	<i>Qty.</i>	<i>Description</i>	<i>Ref.</i>	<i>Part Number</i>	<i>Qty.</i>	<i>Description</i>
10	112-7026	1	Wheel Bearing Case ASM	95	98-9524	1	Metal-Crankshaft (STD Set)
15	112-7045	1	Metal-Crankshaft	100	98-9484	2	Bolt-Case, Bearing
20	98-9484	2	Bolt-Case, Bearing	110	98-9485	3	Bolt-Case, Bearing
30	98-9634	1	Gasket-Case, Bearing	120	115-4107	1	Main Bearing Case ASM
40	112-7046	1	Cover-Case, Bearing	125	115-4106	1	Main Bearing Case ASM
50	112-0180	1	Seal-Oil	130	98-9484	2	Bolt-Case, Bearing
60	112-7037	1	Gasket-Cover, Case	140	115-4108	1	Main Bearing Case ASM
70	98-9352	8	Bolt	145	115-4106	1	Main Bearing Case ASM
80	98-7568	9	Bolt	150	98-9484	2	Bolt-Case, Bearing
90	115-4106	1	Main Bearing Case ASM				



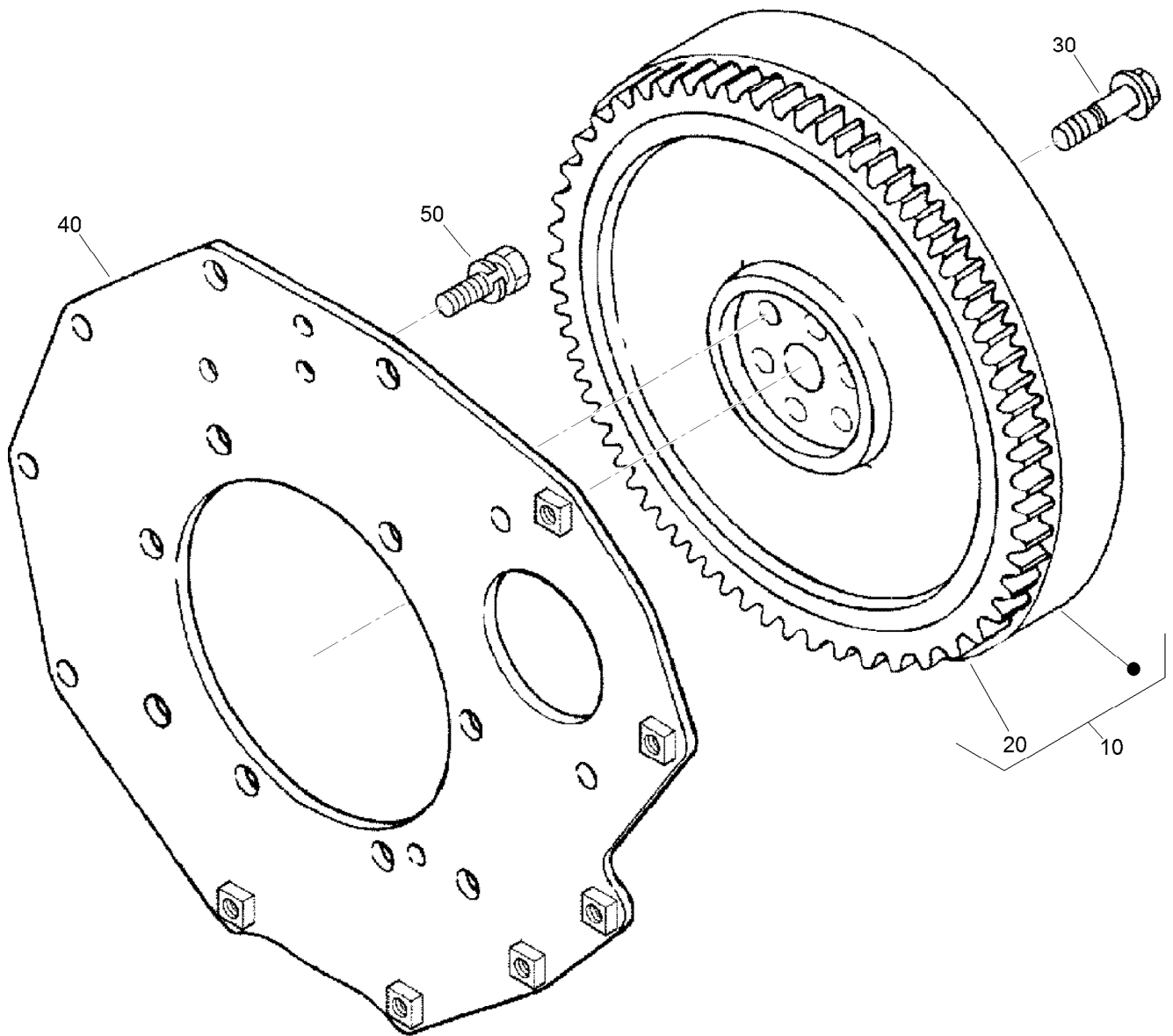
Cam Shaft and Idle Gear Assembly

<i>Ref.</i>	<i>Part Number</i>	<i>Qty.</i>	<i>Description</i>
10	112-0185	8	Tappet
20	98-9509	8	Rod-Push
30	115-4128	1	Camshaft ASM
40	98-7449	1	Screw-Set
50	98-9512	1	Gear-Cam
60	98-9378	1	Key-Feather
70	98-9510	1	Stopper-Camshaft
80	98-7692	2	Bolt
90	98-9649	1	Idle Gear ASM
100	98-9650	1	Bushing-Gear, Idle
110	98-9535	1	Collar-Gear, Idle
120	98-9536	1	Collar-Gear, Idle
130	98-9534	1	Circlip-Gear, Idle
140	98-9533	1	Shaft-Gear, Idle
150	98-7692	3	Bolt



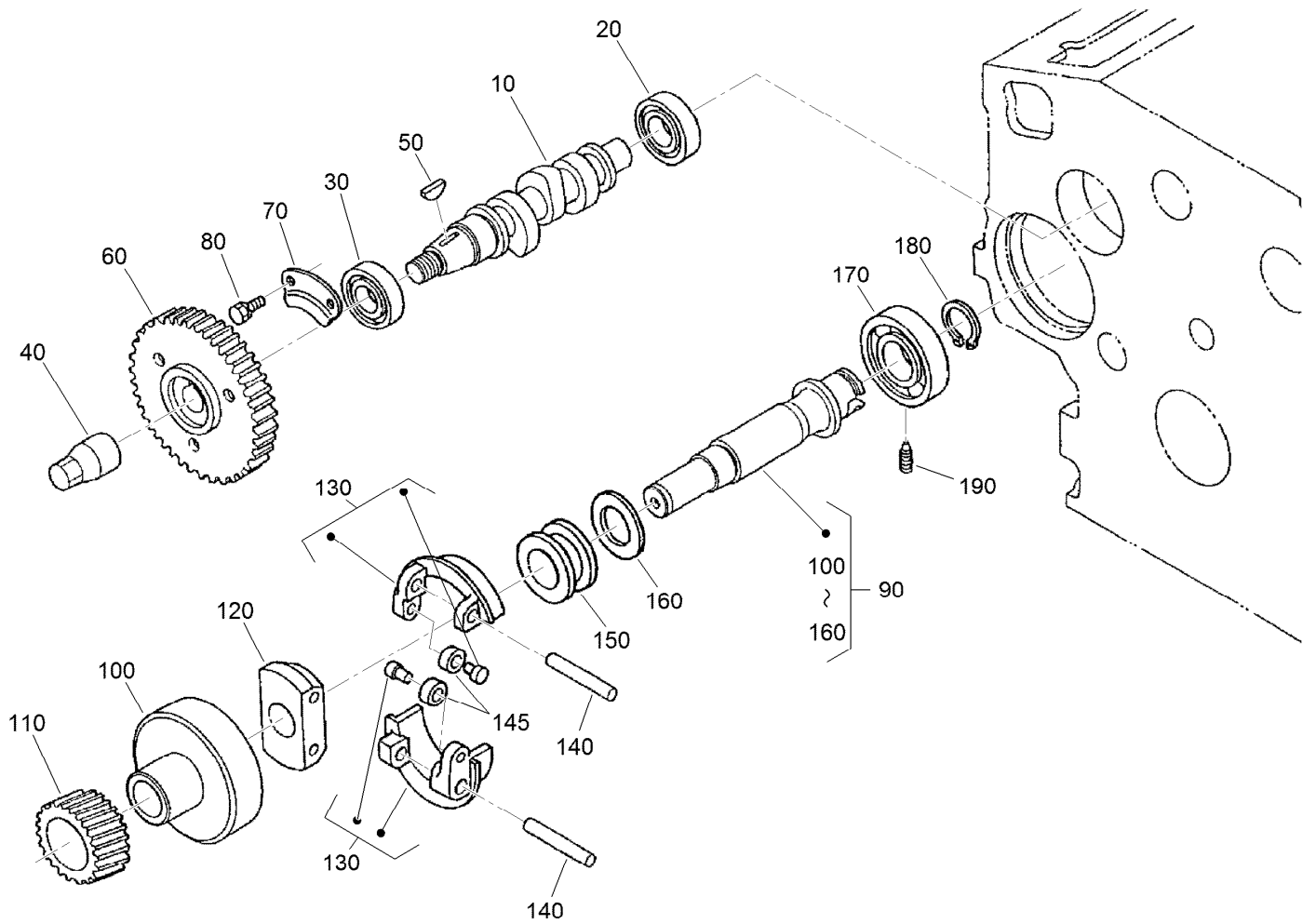
Piston and Crankshaft Assembly

<i>Ref.</i>	<i>Part Number</i>	<i>Qty.</i>	<i>Description</i>	<i>Ref.</i>	<i>Part Number</i>	<i>Qty.</i>	<i>Description</i>
10	112-8404	4	Piston (STD)	150	98-9521	1	Collar-Crankshaft
10	112-8414	4	Piston (+0.5Mm)	160	105-3783	1	O-Ring
20	98-9551	4	Piston Ring ASM (STD)	170	98-9523	1	Metal Crankshaft (STD)
20	108-1404	4	Piston Ring ASM (+0.5MM)	170	98-9528	1	Bearing-Main (-0.2MM)
30	98-9513	4	Pin-Piston	170	98-9529	1	Bearing-Main (0.4MM)
40	98-9514	8	Circlip-Pin, Piston	180	98-9524	3	Metal-Crankshaft (STD Set)
50	117-7586	4	Connecting Rod ASM	180	98-9530	3	Bearing-Main (0.2MM)
60	115-3014	4	Bushing-Pin, Piston	180	98-9531	3	Bearing-Main (0.4MM)
70	98-9517	8	Bolt-Rod, Connecting	190	112-7006	1	Bearing-Main (STD)
80	98-9520	4	Bearing-Rod (0.4MM)	190	112-7007	1	Metal-Crankshaft (.2MM)
80	98-9519	4	Bearing-Rod (-0.2MM)	190	112-7008	1	Metal-Crankshaft (.4MM)
80	98-9518	4	Metal-Crankpin (STD)	200	112-7045	2	Metal-Crankshaft
90	105-3718	1	Crankshaft ASM	200	112-7039	2	Metal-Crankshaft (0.2Mm)
110	98-9532	1	Gear-Crankshaft	200	112-7040	2	Metal-Crankshaft (-0.4Mm)
120	98-9666	1	Key	210	98-9688	2	Bearing-Thrust (STD)
130	98-9542	1	Gear-Drive, Oil Pump	210	98-9689	2	Bearing-Thrust (0.2MM)
140	98-9522	1	Sleeve-Crankshaft	210	98-9690	2	Bearing-Thrust (0.4MM)



Flywheel Assembly

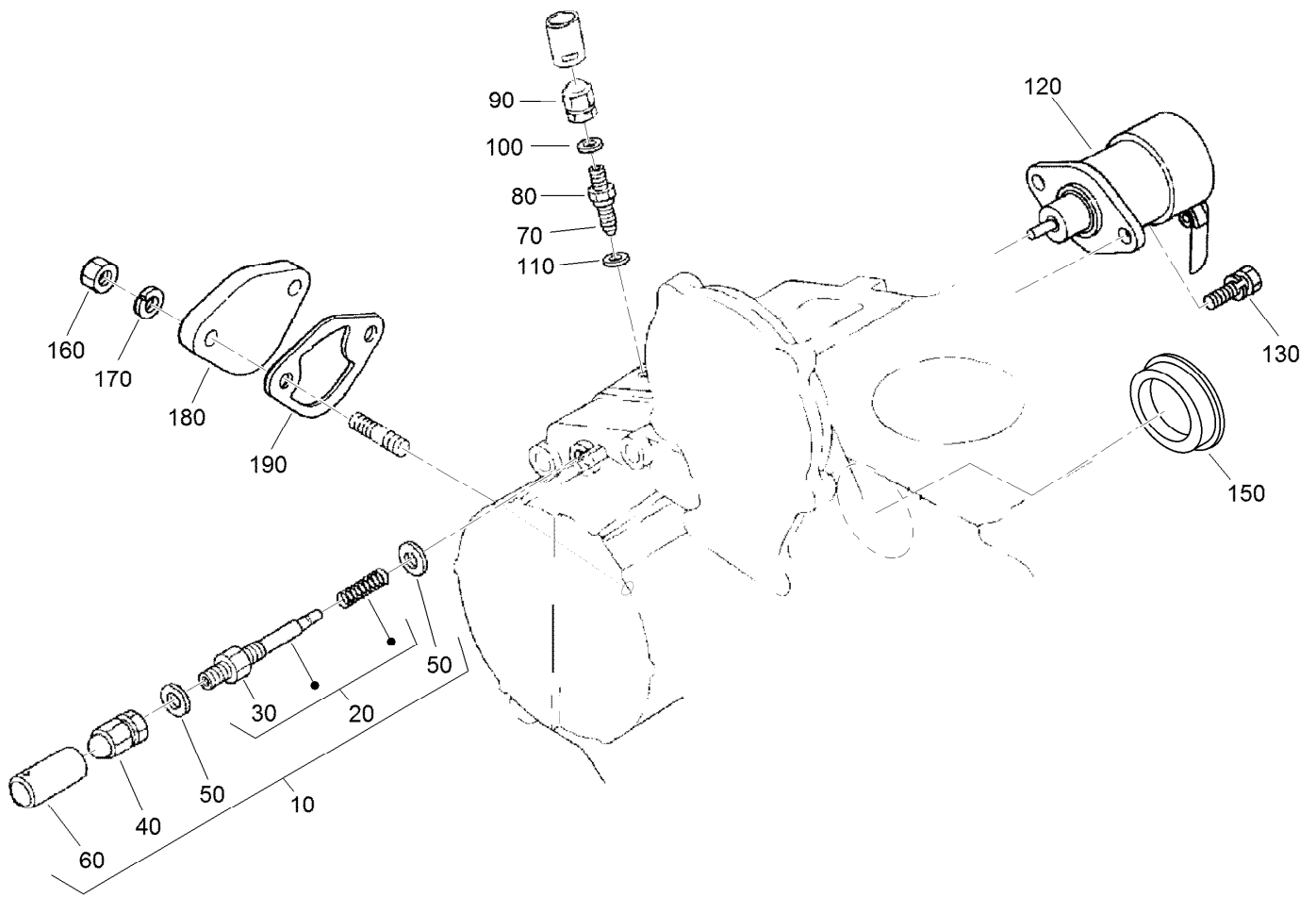
<i>Ref.</i>	<i>Part Number</i>	<i>Qty.</i>	<i>Description</i>
10	105-3721	1	Flywheel ASM
20	115-3015	1	Gear-Ring
30	98-9537	6	Bolt-Flywheel
40	98-9486	1	Plate-End, Rear
50	98-9392	8	Bolt



Fuel Camshaft and Governor Shaft Assembly

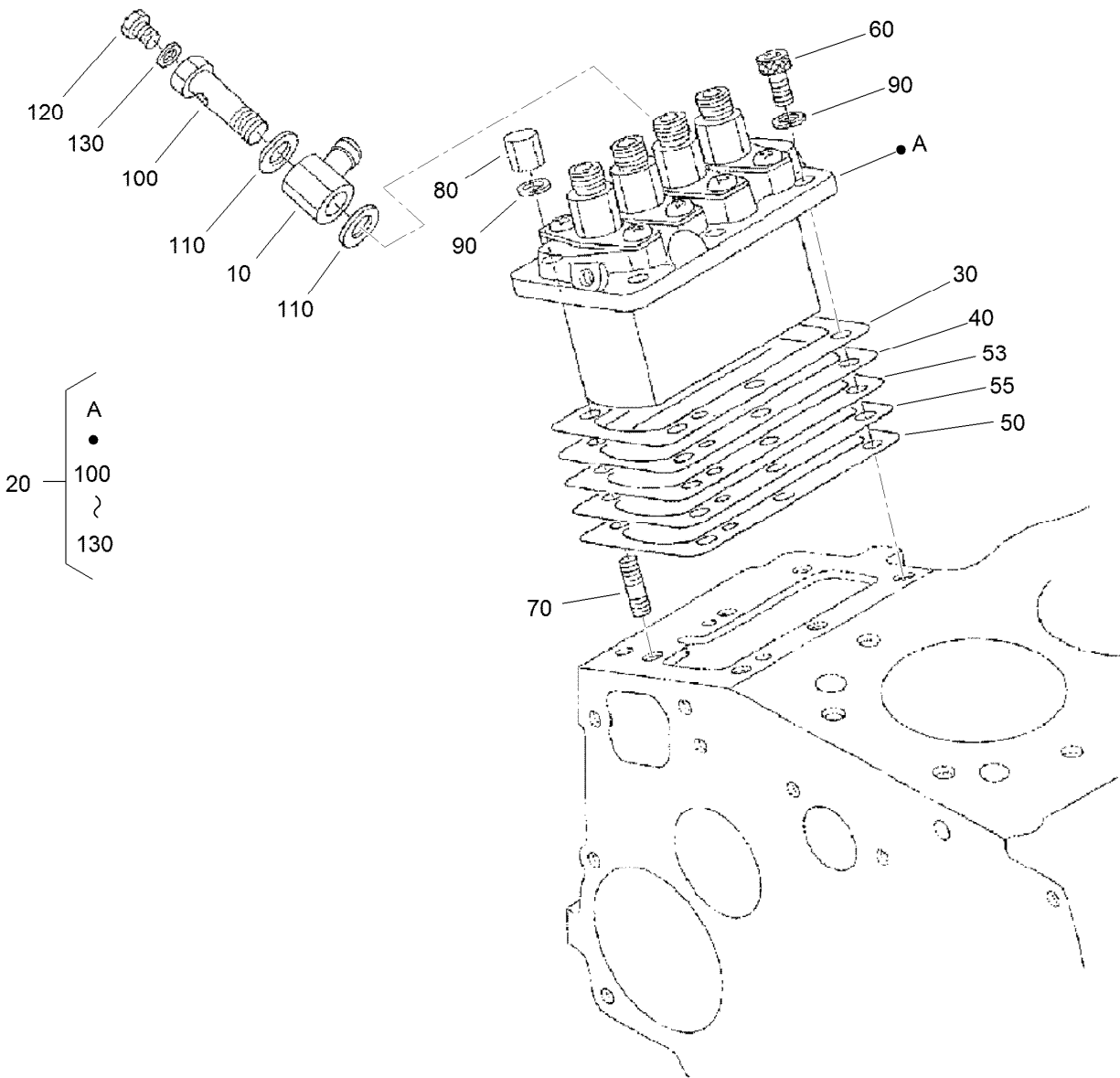
Ref.	Part Number	Qty.	Description
10	105-3723	1	Camshaft-Fuel
20	107-9077	1	Bearing-Ball
30	107-9078	1	Bearing-Ball
40	98-9590	1	Nut-Cap
50	98-9595	1	Key-Woodruff
60	98-9669	1	Gear-Pump, Injection
70	98-9511	1	Stopper-Fuel, Camshaft
80	98-7692	2	Bolt
90	105-3724	1	Governor Shaft ASM
100	98-9562	1	Holder-Gear, Governor

Ref.	Part Number	Qty.	Description
110	98-9673	1	Gear-Governor
120	98-9561	1	Holder-Weight, Governor
130	98-9559	2	Governor Weight ASM
140	98-9560	2	Shaft-Weight, Governor
145	98-9692	2	Roller
150	98-9563	1	Sleeve-Governor
160	98-9564	1	Washer-Thrust
170	107-9079	1	Bearing-Ball
180	98-9657	1	Circlip-Shaft, Governor
190	98-9565	1	Screw-Set



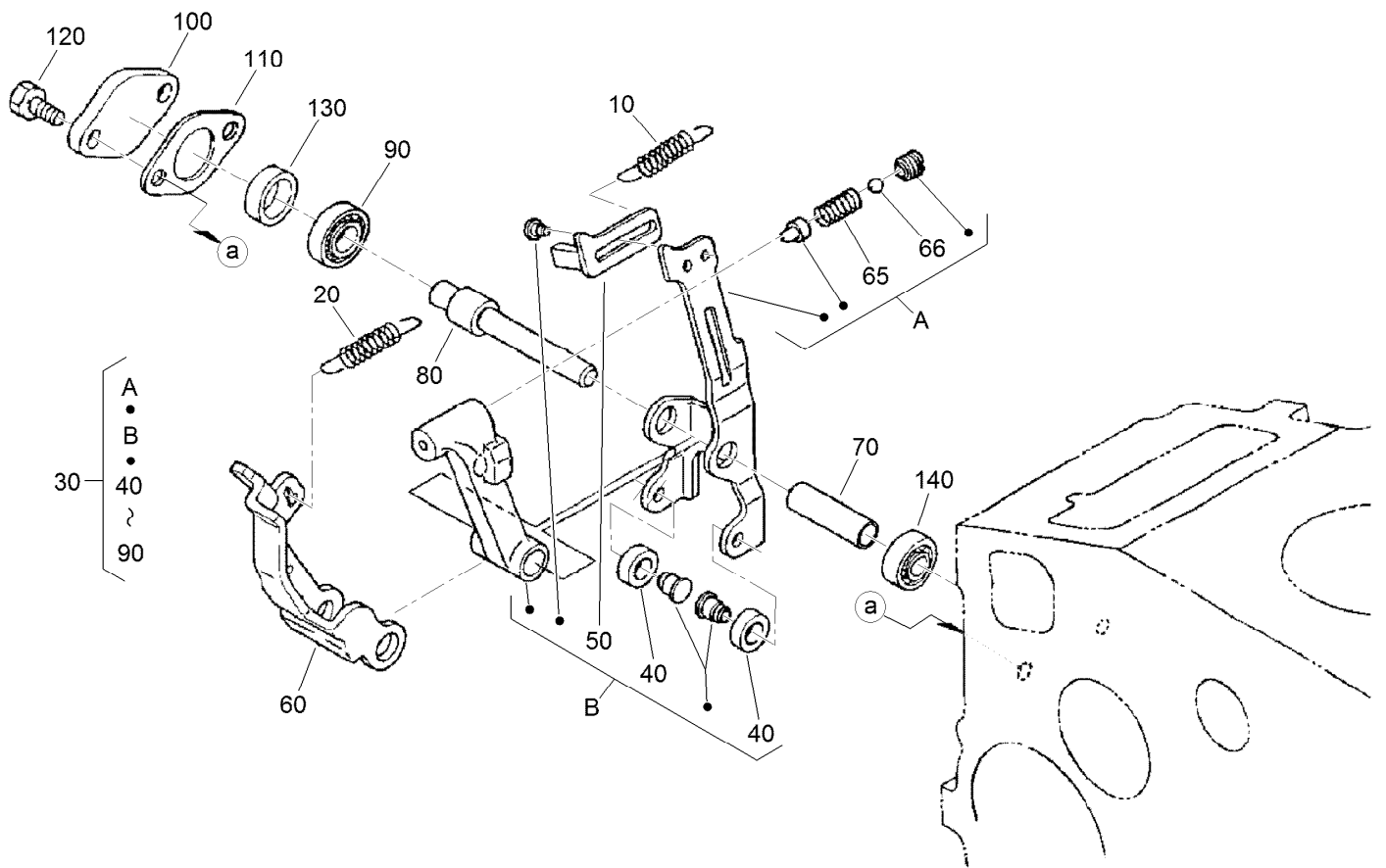
Idle Apparatus Assembly

<i>Ref.</i>	<i>Part Number</i>	<i>Qty.</i>	<i>Description</i>
10	98-9678	1	Idle Apparatus ASM
20	112-7014	1	Adjusting Bolt ASM
30	98-9439	1	Nut
40	112-0181	1	Nut
50	98-7654	2	Gasket
60	98-7656	1	Cap
70	112-7015	1	Bolt-Adjusting
80	100-2175	1	Nut-Lock
90	112-0181	1	Nut
100	98-7654	1	Gasket
110	107-9081	1	Gasket
120	104-5155	1	Solenoid-Stop
130	115-3039	2	Bolt-HSH
150	112-7016	1	Cover-Pump
160	98-7572	2	Nut
170	98-7699	2	Washer-Spring
180	99-3514	1	Cover
190	98-9636	1	Gasket-Pump, Fuel



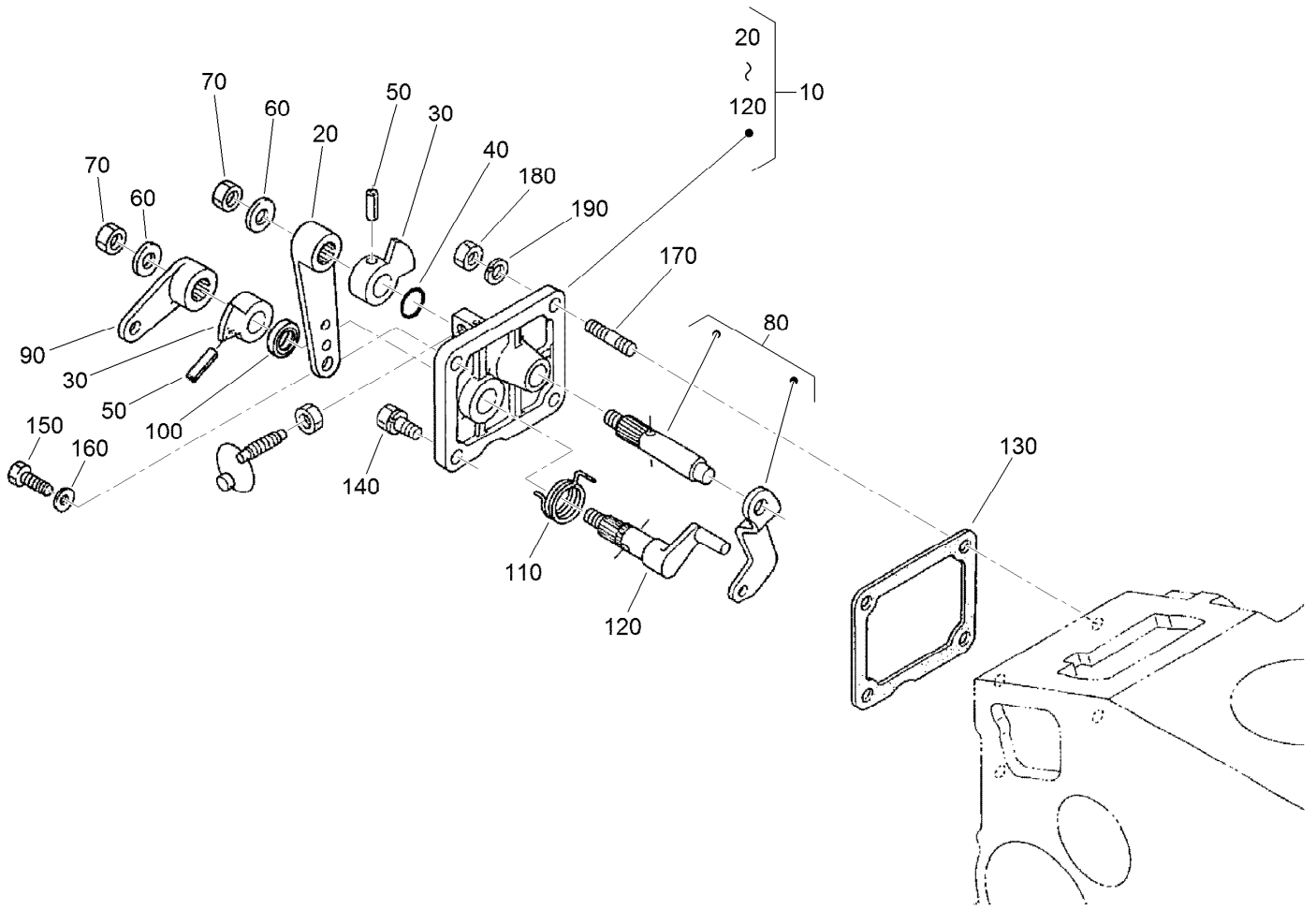
Injection Pump Assembly

<i>Ref.</i>	<i>Part Number</i>	<i>Qty.</i>	<i>Description</i>
10	98-9596	1	Joint-Eye
20	105-3727	1	Injection Pump ASM
30	105-3728	1	Shim-Pump, Injection (.20MM)
40	105-3729	1	Shim-Pump, Injection (.25MM)
50	105-3730	1	Shim-Pump, Injection (.30MM)
53	115-3016	1	Shim-Pump, Injection (.350MM)
55	115-3017	1	Shim-Pump, Injection (.175MM)
60	98-9361	3	Bolt-HSH
70	98-9438	3	Stud
80	98-9440	3	Nut-Cap
90	98-7699	6	Washer-Spring
100	98-9464	1	Bolt-Joint
110	98-9445	2	Gasket
120	98-9430	1	Screw
130	98-9446	1	Gasket



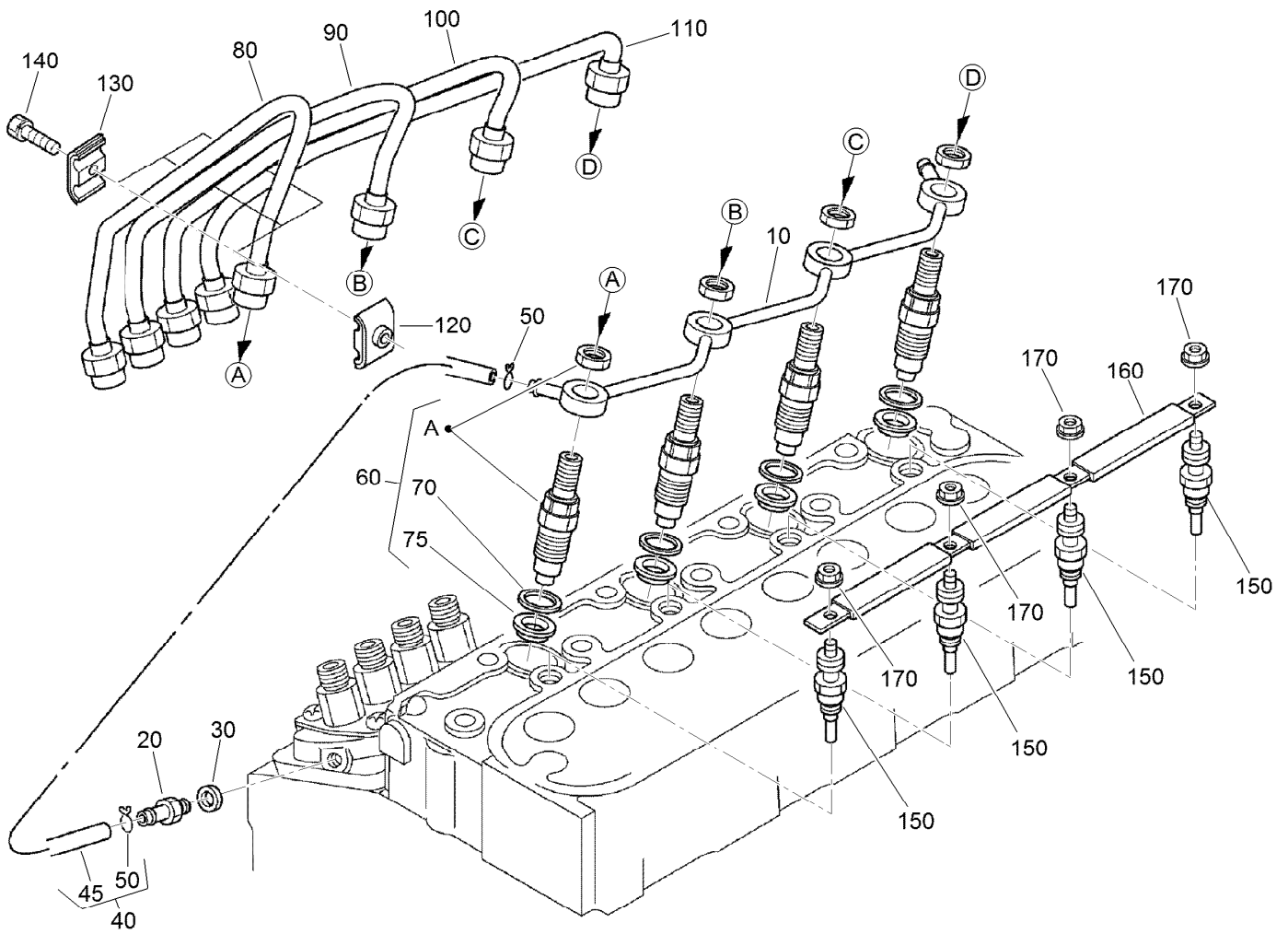
Governor Assembly

<i>Ref.</i>	<i>Part Number</i>	<i>Qty.</i>	<i>Description</i>	<i>Ref.</i>	<i>Part Number</i>	<i>Qty.</i>	<i>Description</i>
10	105-3741	1	Spring-Start	70	107-9085	1	Shaft-Lever, Fork
20	98-9681	1	Spring-Governor	80	107-9086	1	Shaft-Lever, Fork
30	115-4502	1	Fork Lever ASM	90	98-9570	1	Bearing-Miniaturize
40	98-9692	2	Roller	100	115-4122	1	Cover-Shaft, Fork Lever
50	107-9083	1	Lever-Thrust	110	98-9682	1	Gasket
60	107-9084	1	Lever-Fork	120	98-9350	2	Bolt
65	108-2867	1	Spring	130	98-9567	1	Collar
66	98-7580	2	Ball	140	98-9571	1	Bearing-Miniaturize



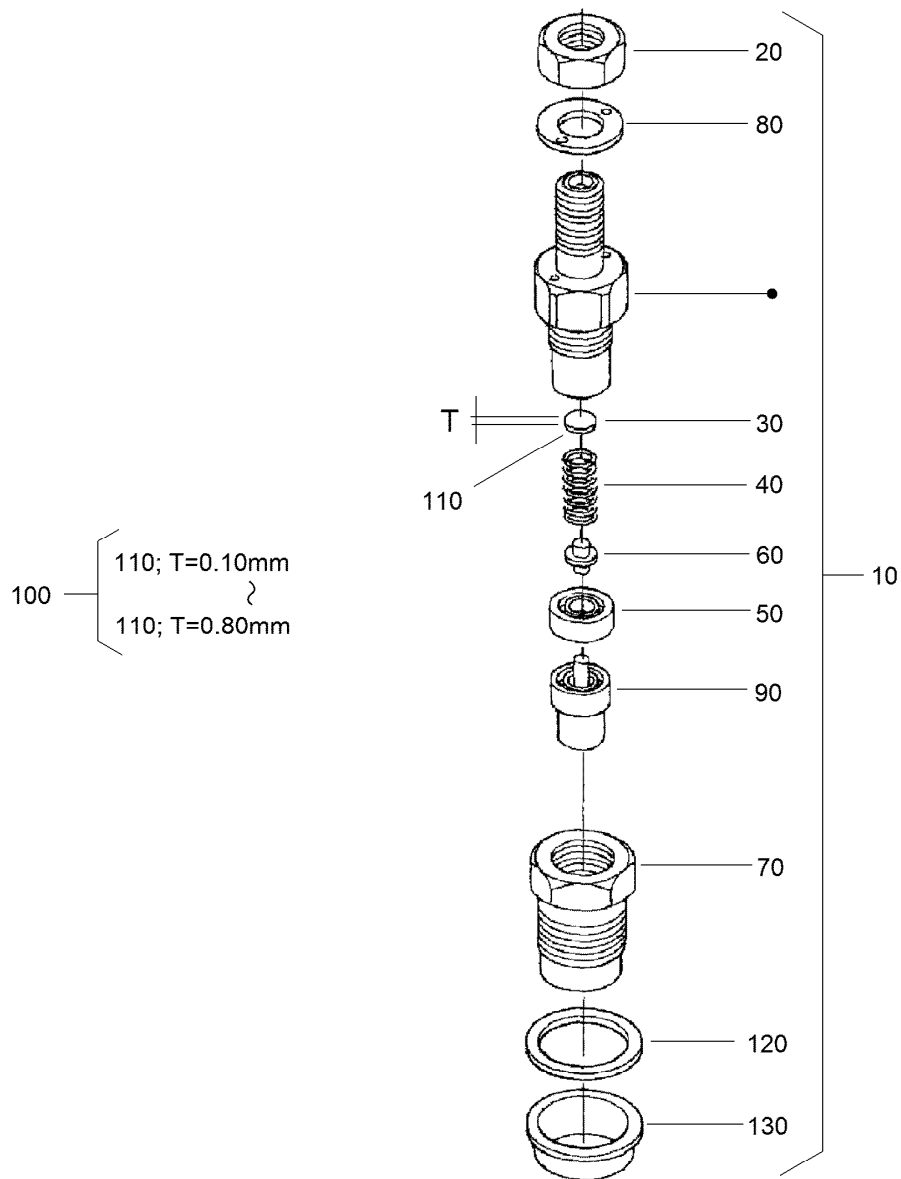
Speed Control Plate Assembly

<i>Ref.</i>	<i>Part Number</i>	<i>Qty.</i>	<i>Description</i>	<i>Ref.</i>	<i>Part Number</i>	<i>Qty.</i>	<i>Description</i>
10	105-3735	1	Control Plate ASM	110	98-9472	1	Spring-Return
20	98-9662	1	Lever-Control, Speed	120	98-9664	1	Shaft-Lever, Stop
30	98-9572	2	Lever-Control, Speed	130	98-9637	1	Gasket
40	105-3788	1	O-Ring	140	98-7692	1	Bolt
50	98-7602	2	Pin-Spring	150	99-8348	1	Bolt
60	98-9594	2	Washer-Plain	160	98-7654	2	Gasket
70	98-9589	2	Nut	170	105-3710	2	Stud
80	98-9658	1	Governor Lever ASM	180	98-7572	2	Nut
90	98-9663	1	Lever-Stop, Engine	190	98-7699	2	Washer-Spring
100	98-7601	1	Seal-Oil				



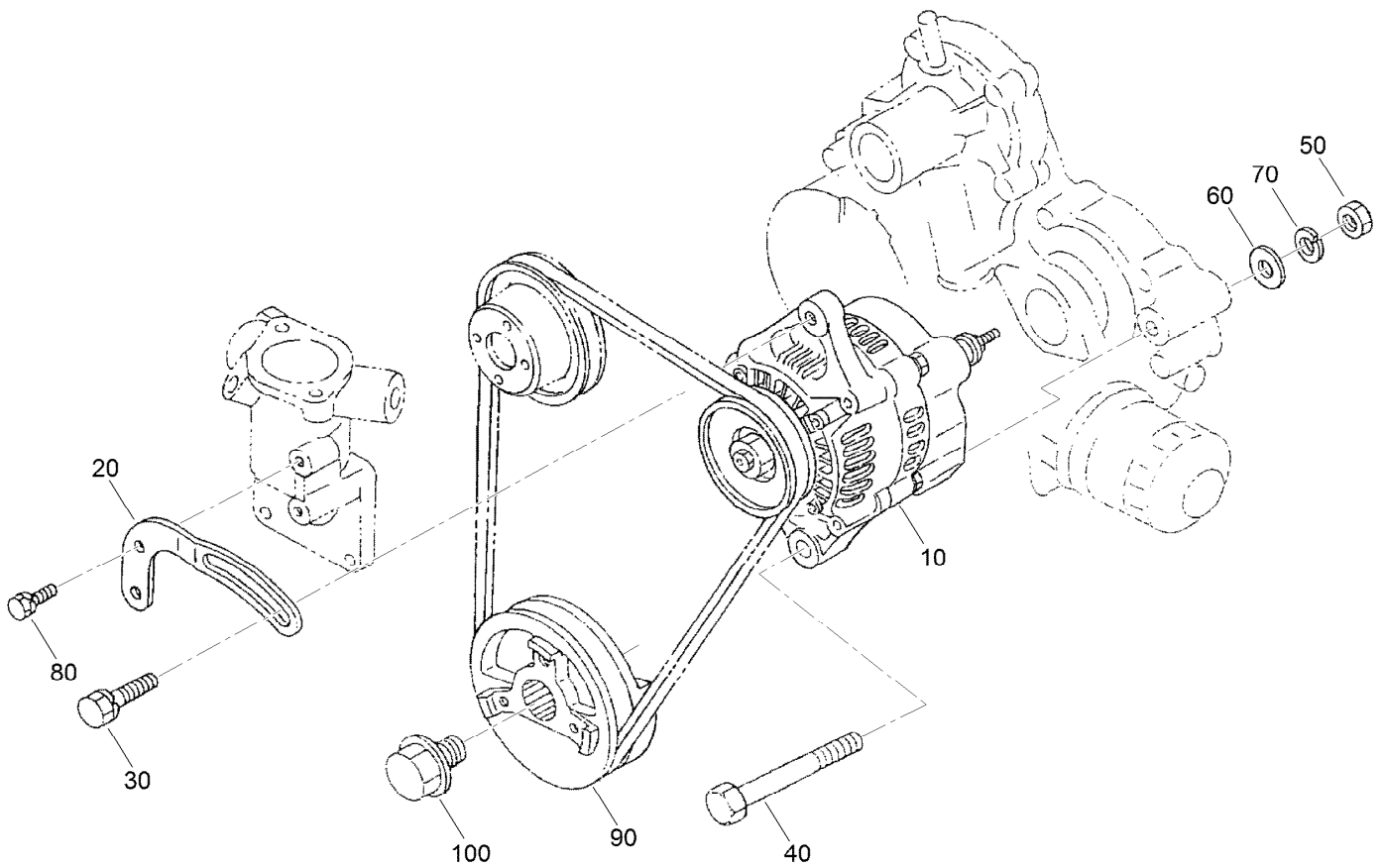
Nozzle Holder and Glow Plug Assembly

Ref.	Part Number	Qty.	Description	Ref.	Part Number	Qty.	Description
10	105-3737	1	Over Flow Pipe ASM	90	98-9654	1	Pipe-Injection
20	98-9431	1	Screw-Bleeder, Air	100	98-9655	1	Pipe-Injection
30	98-7654	1	Gasket	110	105-3738	1	Pipe-Injection
40	98-9420	1	Overflow Pipe ASM	120	98-7682	3	Clamp-Pipe
45	112-0182	1	Pipe-Overflow	130	98-7683	3	Clamp-Pipe
50	98-7671	2	Clip-Pipe	140	98-7684	3	Screw (W/Washer)
60	115-3018	4	Nozzle Holder Kit	150	115-3019	4	Plug-Glow
70	98-7676	4	Gasket	160	105-3739	1	Cord-Plug, Glow
75	98-7677	4	Seal-Heat	170	99-8377	4	Nut-Flange
80	98-9653	1	Pipe-Injection				



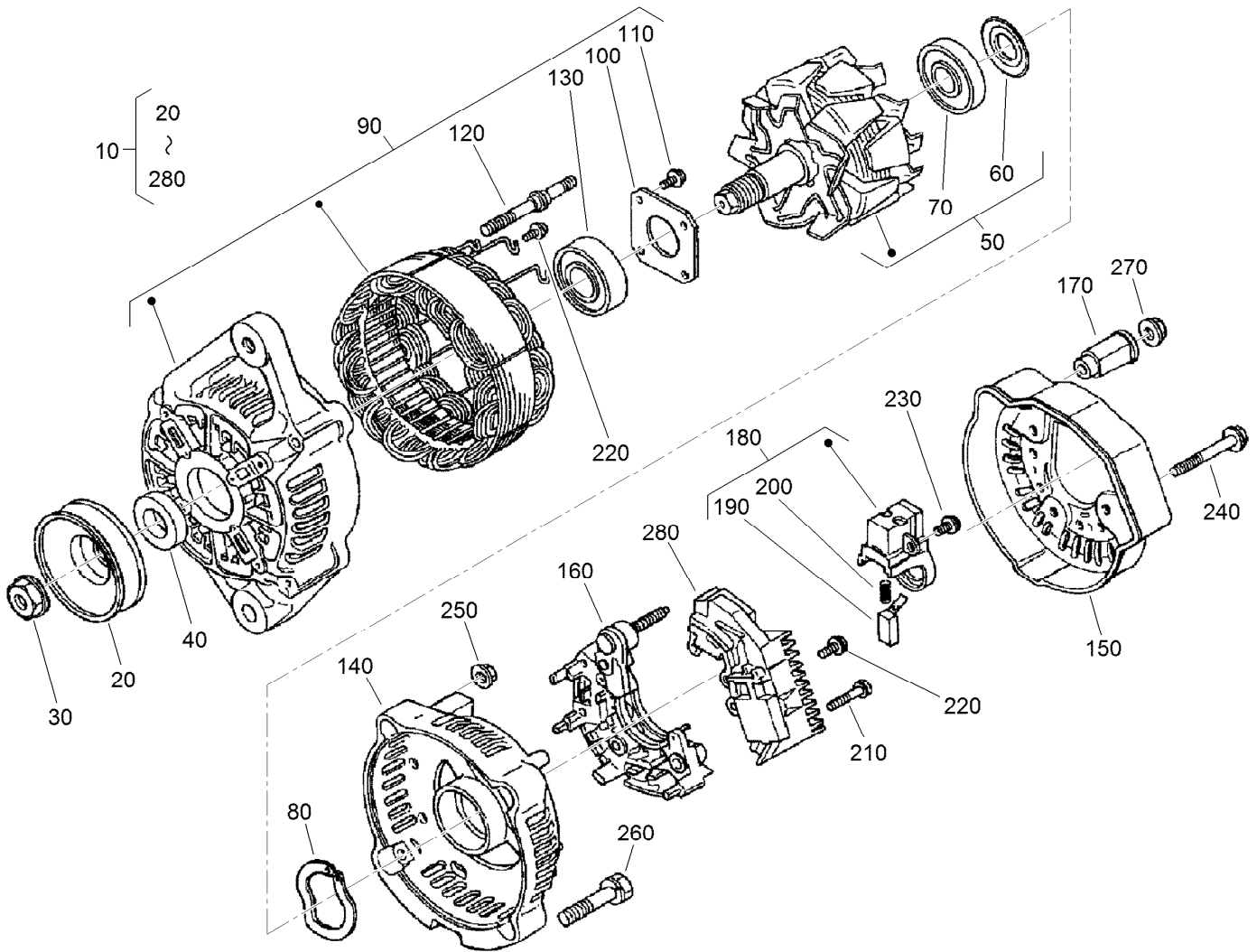
Nozzle Holder Component Assembly

Ref.	Part Number	Qty.	Description	Ref.	Part Number	Qty.	Description
10	115-3018	4	Nozzle Holder Kit	110	99-8311	4	Washer-Adjust (0.20MM)
20	99-8301	4	Nut	110	99-8312	4	Washer-Adjust (0.30MM)
30	99-8302	4	Washer-Adjusting	110	99-8313	4	Washer-Adjust (0.40MM)
40	99-8303	4	Spring-Nozzle	110	99-8314	4	Washer-Adjust (0.50MM)
50	99-8304	4	Spacer-Distance	110	99-8315	4	Washer-Adjust (0.52MM)
60	99-8305	4	Rod-Push	110	99-8316	4	Washer-Adjust (0.54MM)
70	99-8306	4	Nut-Nozzle	110	99-8317	4	Washer-Adjust (0.56MM)
80	99-8307	4	Washer-Plain	110	99-8318	4	Washer-Adjust (0.58MM)
90	115-3020	4	Piece-Nozzle	110	99-8319	4	Washer-Adjust (0.80MM)
100	99-8309	4	Adjusting Washer ASM	120	98-7676	4	Gasket
110	99-8310	4	Washer-Adjust (0.10MM)	130	98-7677	4	Seal-Heat



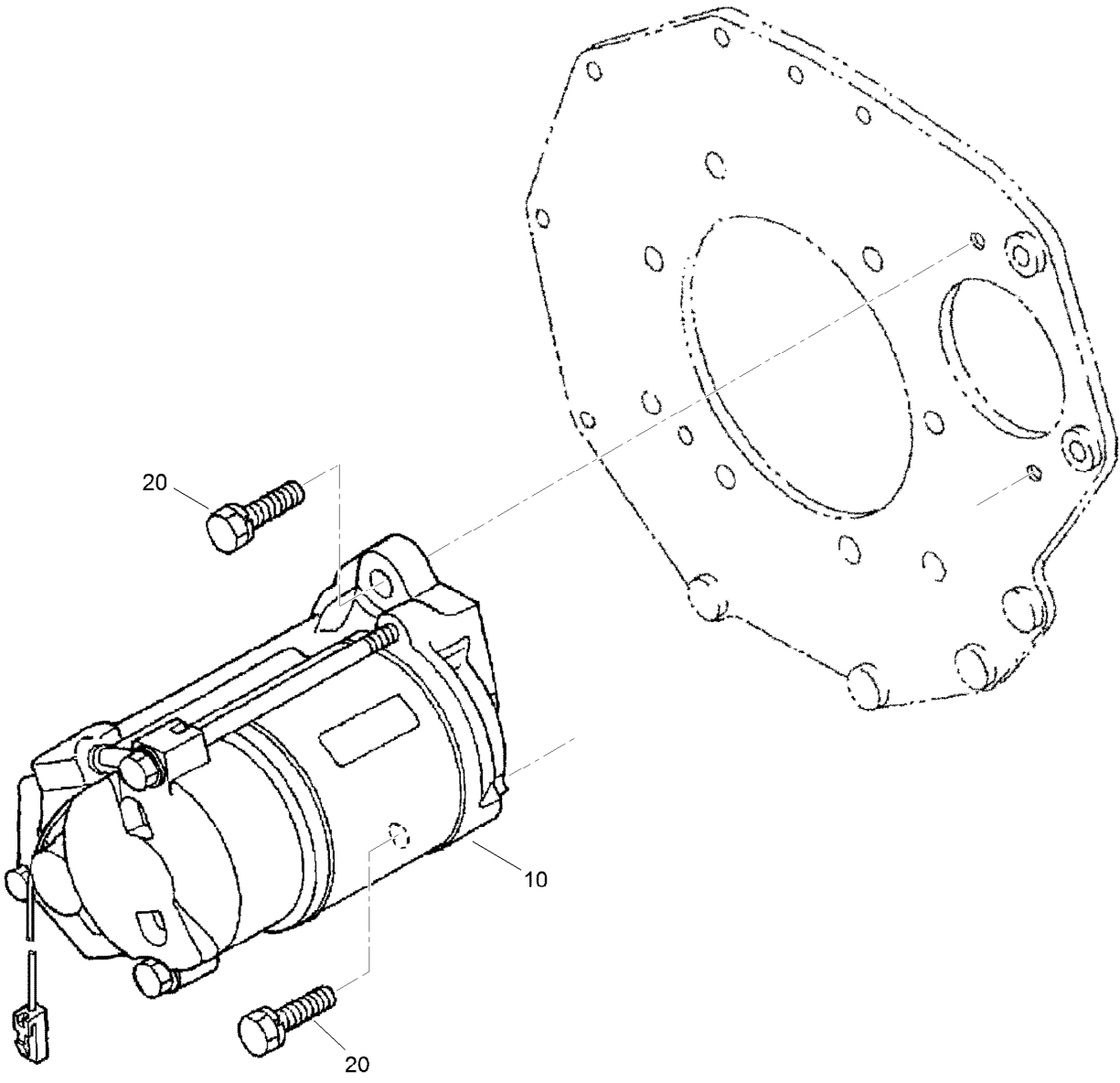
Alternator and Pulley Assembly

Ref.	Part Number	Qty.	Description
10	98-9474	1	Alternator ASM
20	112-7047	1	Stay-Dynamo
30	108-7088	1	Bolt
40	98-9360	1	Bolt
50	98-7737	1	Nut
60	98-7696	1	Washer-Plain
70	98-7738	1	Washer-Spring
80	98-7692	1	Bolt
90	105-3745	1	Pulley-Drive, Fan
100	98-9585	1	Bolt



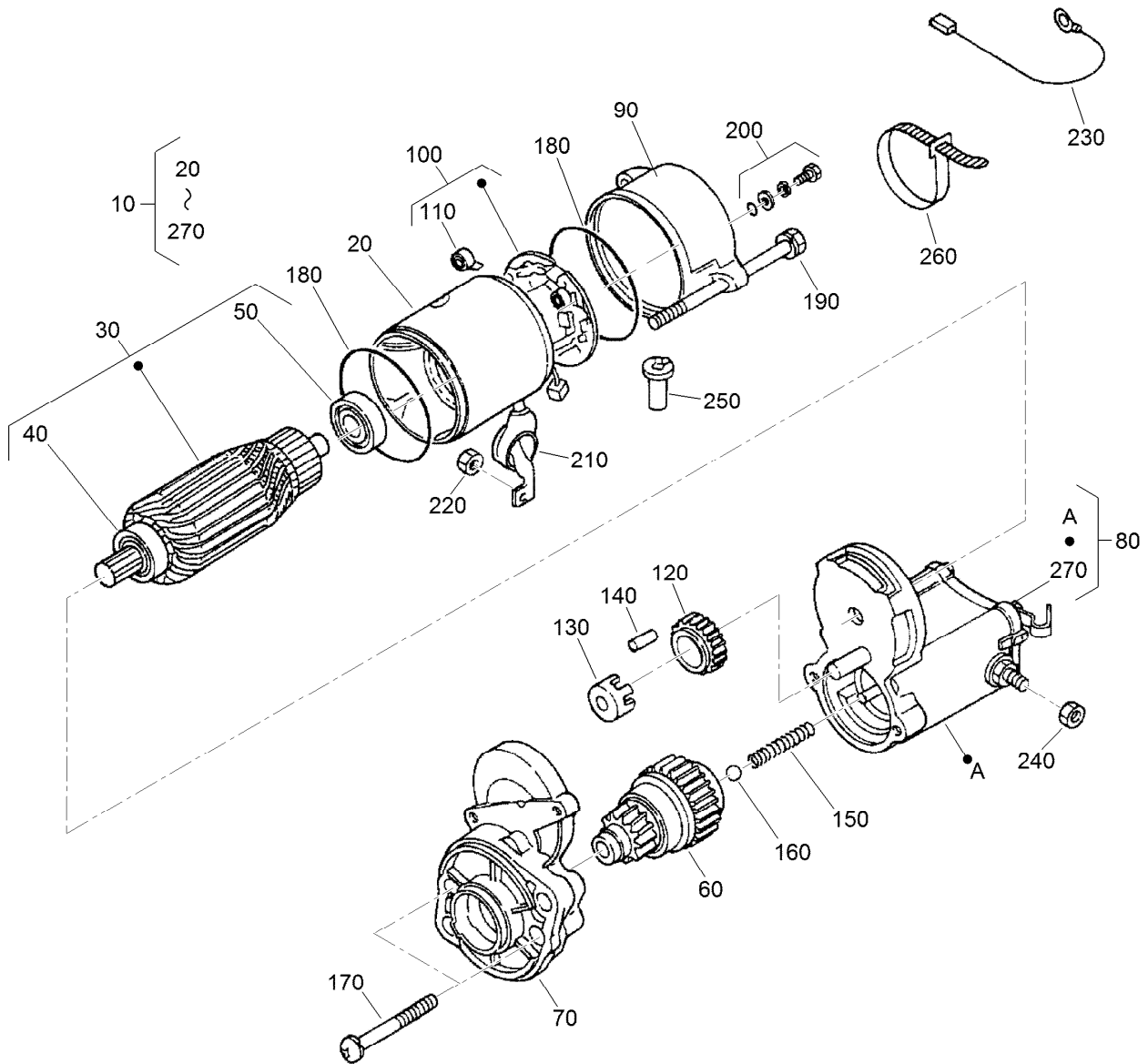
Alternator Components Assembly

<i>Ref.</i>	<i>Part Number</i>	<i>Qty.</i>	<i>Description</i>	<i>Ref.</i>	<i>Part Number</i>	<i>Qty.</i>	<i>Description</i>
10	98-9474	1	Alternator ASM	150	107-0140	1	Cover-End
20	98-9453	1	Pulley-Dynamo	160	98-7721	1	Rectifier ASM
30	98-7708	1	Nut	170	98-7722	1	Bushing-Insulation
40	98-7709	1	Collar	180	107-0141	1	Brush Holder ASM
50	107-0136	1	Rotor ASM	190	98-7724	2	Brush
60	98-7711	1	Cover-Bearing	200	98-7725	2	Spring-Brush
70	107-0138	1	Bearing-Ball	210	98-7726	2	Screw-Head, Round
80	98-7713	1	Washer-Thrust	220	98-7727	6	Screw-Head, Round
90	107-0139	1	Drive End Frame ASM	230	98-7728	1	Screw-Head, Round
100	98-7715	1	Plate-Retainer	240	98-7729	3	Bolt
110	98-7716	4	Screw-Head, Round	250	98-7730	2	Nut
120	98-7717	2	Bolt-Through	260	98-7731	2	Bolt
130	133-2811	1	Bearing	270	98-7732	1	Nut
140	107-9087	1	Frame-End	280	110-3799	1	Regulator ASM



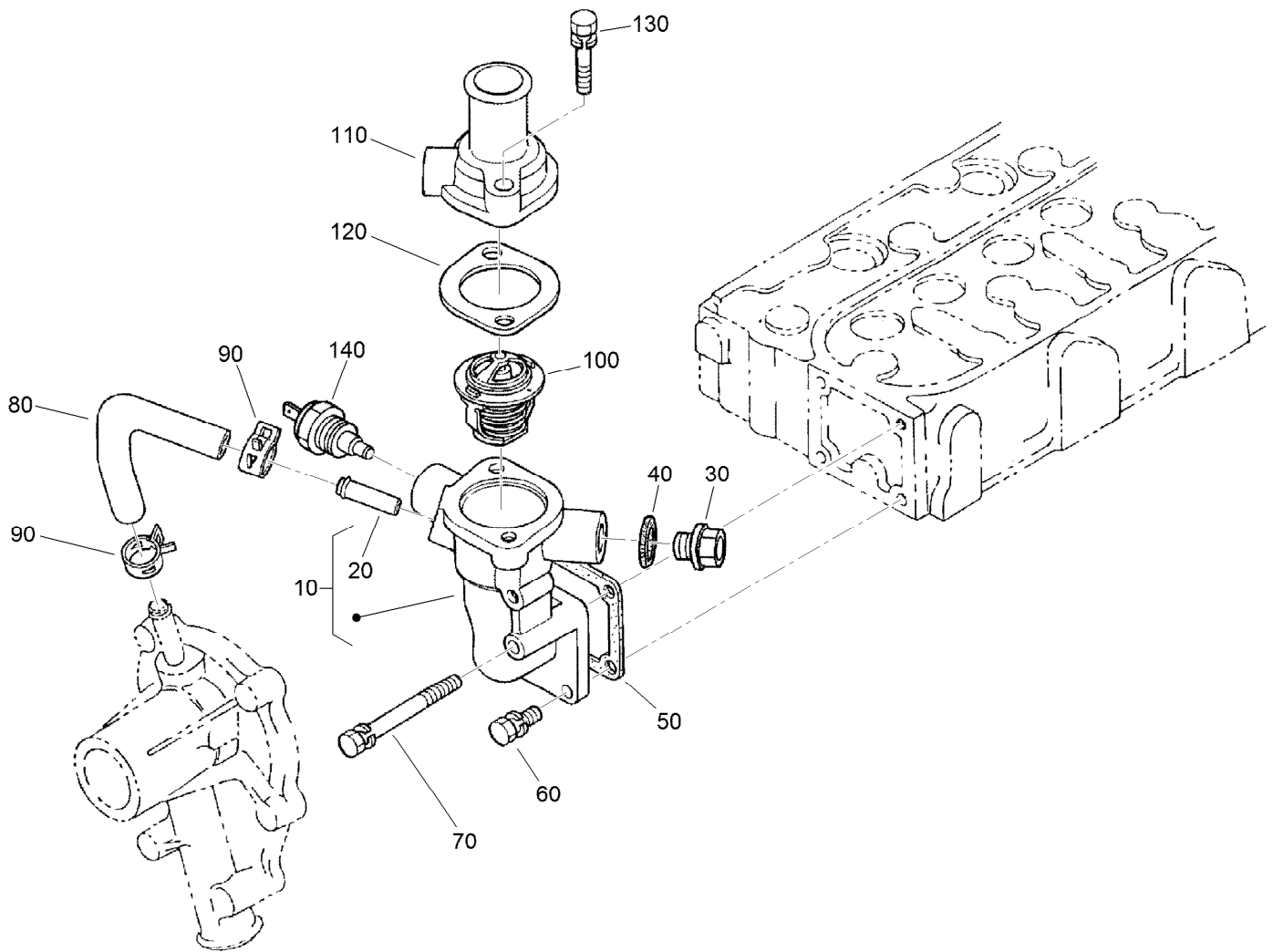
Starter Assembly

<i>Ref.</i>	<i>Part Number</i>	<i>Qty.</i>	<i>Description</i>
10	98-9705	1	Starter ASM
20	98-7697	2	Bolt



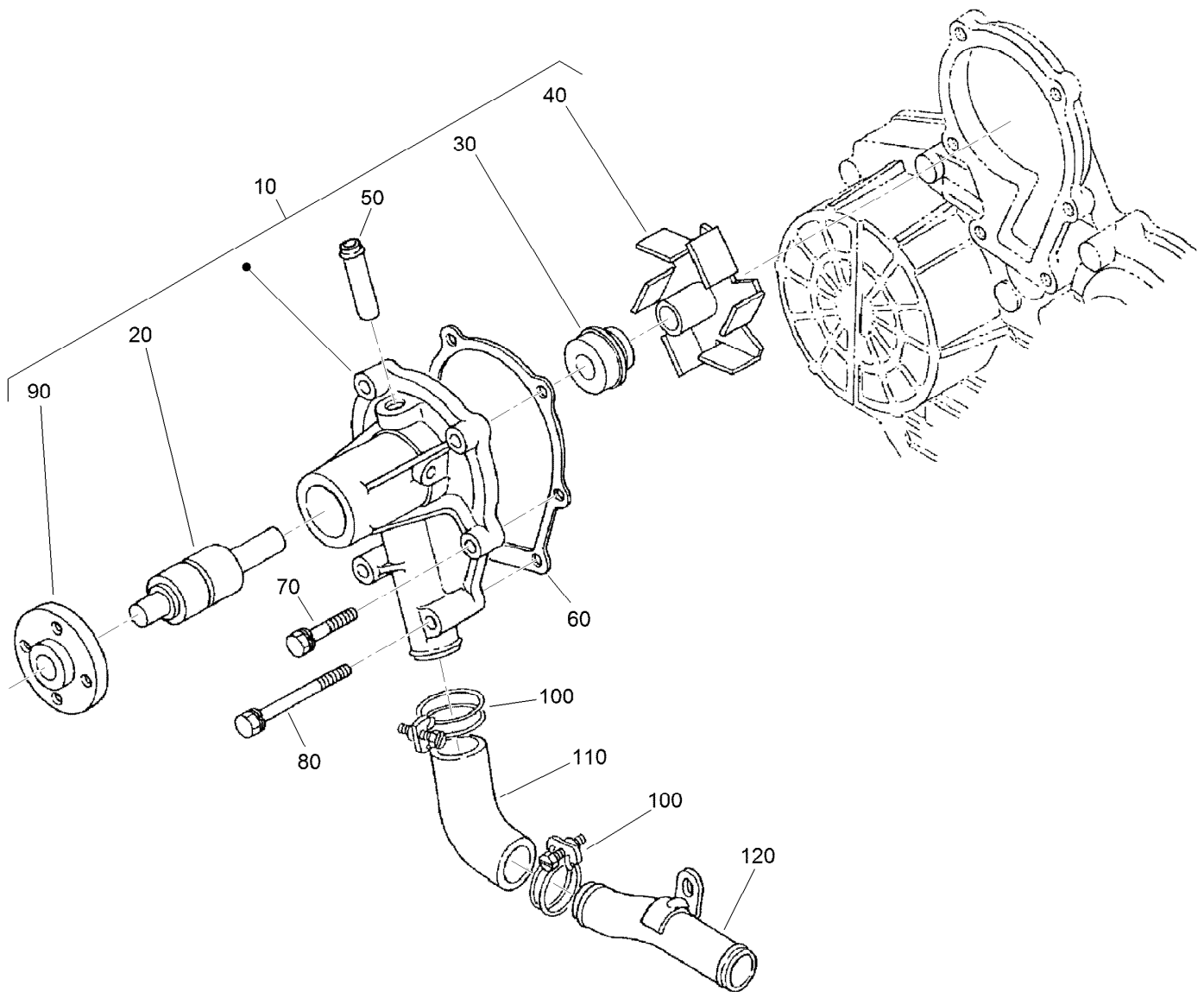
Starter Component Part Assembly No. 111-7496

<i>Ref.</i>	<i>Part Number</i>	<i>Qty.</i>	<i>Description</i>	<i>Ref.</i>	<i>Part Number</i>	<i>Qty.</i>	<i>Description</i>
10	98-9705	1	Starter ASM	150	98-7754	1	Spring
20	104-8608	1	Yoke ASM	160	98-7755	1	Ball
30	98-7742	1	Armature ASM	170	98-7756	2	Bolt
40	98-7744	1	Bearing	180	98-7757	2	O-Ring
50	98-7743	1	Bearing	190	100-9240	2	Bolt
60	99-8373	1	Clutch-Running, Over	200	98-7758	2	Bolt ASM
70	99-8374	1	Frame-End, Drive	210	99-8375	1	Cover
80	105-3746	1	Magnetic Switch ASM	220	99-8371	1	Nut-Hex
90	98-7748	1	Frame-End	230	98-9711	1	Cord-Solenoid, Stop
100	98-7749	1	Brush Holder ASM	240	99-8376	1	Nut-Hex
110	98-7750	4	Spring-Brush	250	98-7759	1	Pipe-Drain
120	98-7751	1	Gear	260	98-9712	1	Band-Cover
130	98-7752	1	Retainer	270	105-2886	1	Cover ASM
140	98-7753	5	Roller				



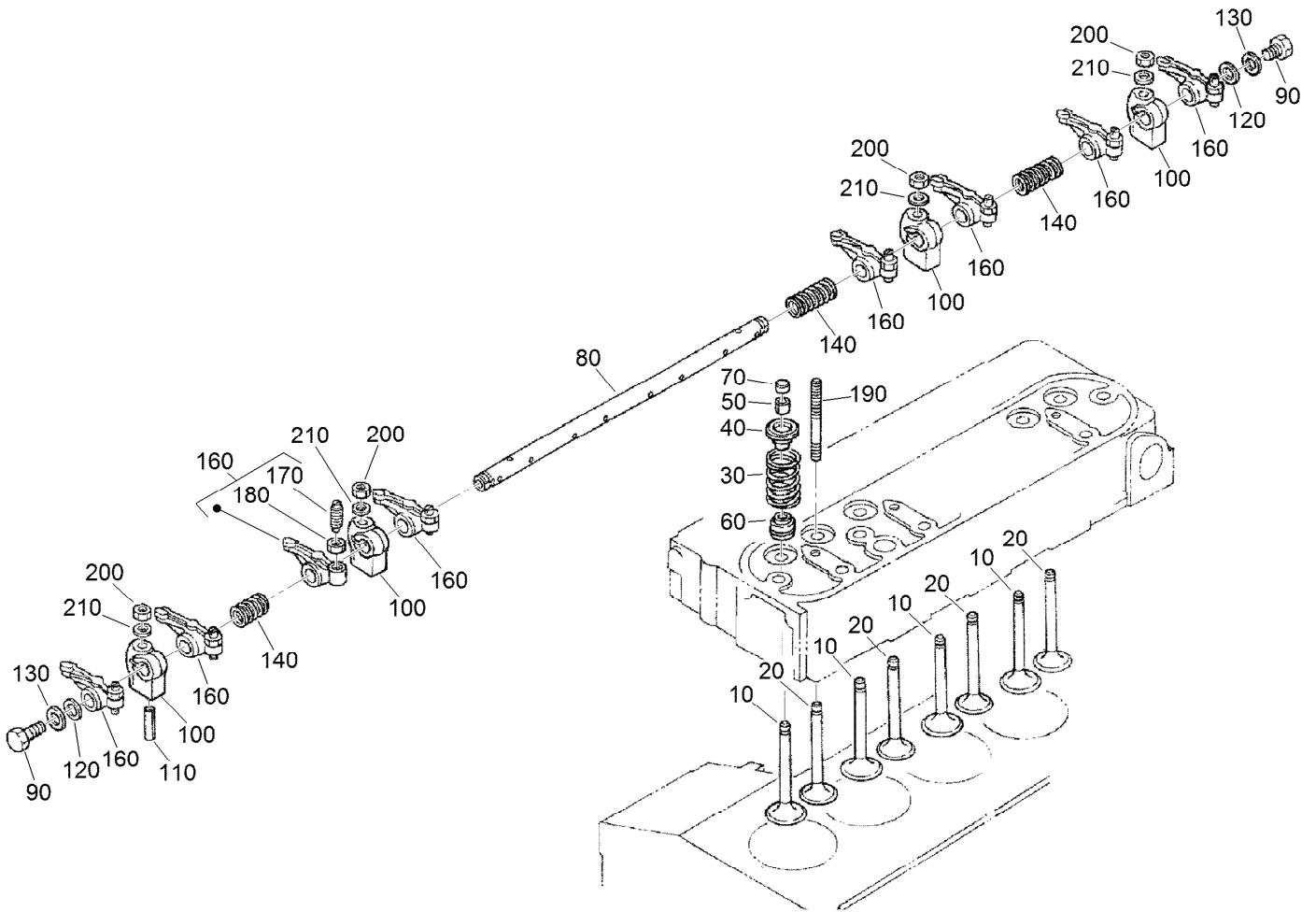
Thermostat Assembly

<i>Ref.</i>	<i>Part Number</i>	<i>Qty.</i>	<i>Description</i>
10	98-9713	1	Water Flange ASM
20	98-9580	1	Pipe-Return, Water
30	105-3747	1	Plug
40	99-3583	1	Gasket
50	98-9638	1	Gasket-Flange, Water
60	98-7692	3	Bolt
70	98-9356	1	Bolt
80	98-9578	1	Pipe-Return, Water
90	98-9579	2	Band-Pipe
100	98-7778	1	Thermostat ASM
110	98-9471	1	Cover-Thermostat
120	105-3748	1	Gasket-Thermostat
130	98-7777	2	Bolt
140	112-0183	1	Switch-Thermometer



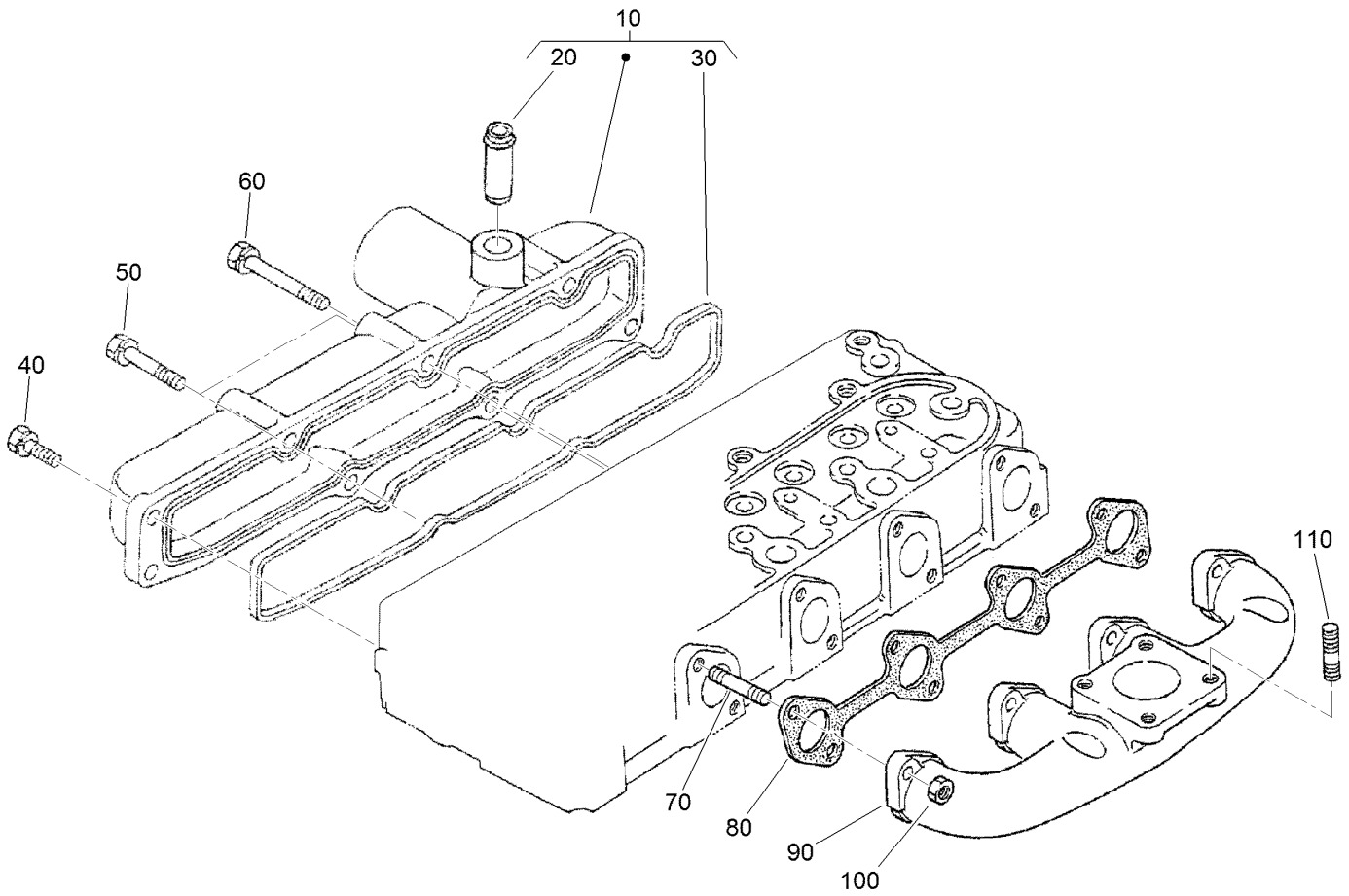
Water Pump Assembly

<i>Ref.</i>	<i>Part Number</i>	<i>Qty.</i>	<i>Description</i>
10	107-9089	1	Water Pump ASM
20	99-3517	1	Bearing-Pump, Water
30	105-3750	1	Mechanical Seal ASM
40	112-7017	1	Impeller-Pump, Water
50	100-1932	1	Pipe-Return, Water
60	99-3454	1	Gasket-Pump, Water
70	98-9353	4	Bolt
80	107-9090	2	Bolt
90	99-3516	1	Flange-Pump, Water
100	98-9717	2	Clamp
110	107-9091	1	Pipe-Water
120	98-9716	1	Pipe-Water



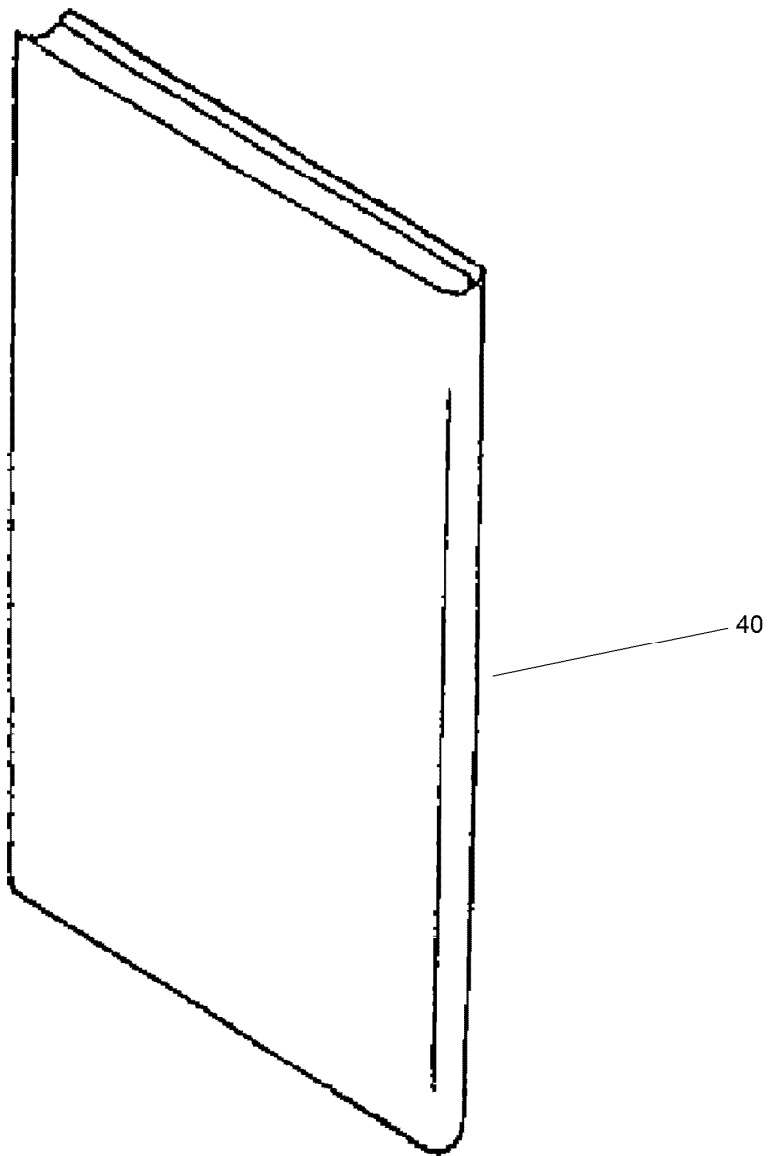
Valve and Rocker Arm Assembly

<i>Ref.</i>	<i>Part Number</i>	<i>Qty.</i>	<i>Description</i>	<i>Ref.</i>	<i>Part Number</i>	<i>Qty.</i>	<i>Description</i>
10	112-7018	4	Valve-Inlet	110	105-3758	1	Pin-Spring
20	112-7021	4	Valve-Exhaust	120	98-9507	2	Washer-Shaft, Rocker Arm
30	98-9648	8	Spring-Valve	130	110-3832	2	Washer-Plain
40	107-9092	8	Retainer-Spring	140	98-9504	2	Spring-Arm, Rocker
50	98-9390	8	Collet-Spring, Valve	160	112-7020	8	Rocker Arm ASM
60	99-8385	8	Seal-Stem, Valve	170	98-9502	8	Screw-Adjusting
70	98-9497	8	Cap-Valve	180	98-9503	8	Nut
80	105-3790	1	R-Arm Shaft ASM	190	98-9506	4	Stud
90	100-9265	2	Bolt	200	98-9393	4	Nut
100	98-9505	4	Bracket-Arm, Rocker	210	98-9385	4	Washer-Flat



Intake and Exhaust Manifold Assembly

<i>Ref.</i>	<i>Part Number</i>	<i>Qty.</i>	<i>Description</i>
10	108-2874	1	Intake Manifold ASM
20	98-9492	1	Joint-Pipe, Breather
30	105-3760	1	Gasket-Manifold, Intake
40	98-7605	3	Bolt
50	98-9353	2	Bolt
60	105-3797	3	Bolt
70	98-9588	8	Stud
80	105-3765	1	Gasket-Manifold, Exhaust
90	112-0187	1	Manifold-Exhaust
100	98-9665	8	Nut
110	98-7769	4	Stud



Engine Operator Manual

<i>Ref.</i>	<i>Part Number</i>	<i>Qty.</i>	<i>Description</i>
40	115-4104	1	Operator Manual

Attachments and Accessories

For 03675 Reelmaster 5410 Traction Unit

Product Name	Model/Part
CrossTrax All-Wheel Drive Kit	03655
Air Ride Seat Suspension Kit	03667
Turf Evaluator	04399
Wheel Weight Kit	104-1478
Premium All Season Hydraulic Fluid (55 Gallon Drum)	108-1177
Premium All Season Hydraulic Fluid (5 Gallon Pail)	108-1178
Premium All Purpose Grease (Tube)	108-1190
Gauge Bar Assembly	108-6715
ROPS Extension Kit	110-8030
Weight Plate	110-8985-03
Rear Lift Cylinder Limit Kit	110-9604
5in Air Cleaner Safety Element	114-4057
Premium Synthetic Bio-Degradable Hydraulic Fluid (5 Gallon Pail)	119-2157
Premium Synthetic Bio-Degradable Hydraulic Fluid (55 Gallon Drum)	119-2158
Cutting Unit Hydraulic Hose Kit	119-6955
Large Seat Cover	120-5179
Premium Engine Oil 10w30 (55 Gallon Drum)	121-6392
Premium Engine Oil 10w30 (5 Gallon Pail)	121-6393
Smooth Rear Tire	127-2796
Canopy Completion Kit	130-5895
Smooth Front Tire	133-2940
Brush and Handle Kit	29-9100
400-Hour Filter Maintenance Kit	30054
Universal Sunshade	30349
Red Universal Sunshade	30552
Spark Arrestor	98-9099



Count on it.