



Count on it.

Parts Catalog

**Greensmaster® 3150 2-Wheel
Drive**

Traction Unit

Model No. 04358—Serial No. 401287377 and Up



Ordering Replacement Parts

To order replacement parts, please supply the part number, the quantity, and the description of each part desired.

Understanding Reference Numbers

Each identified part in an illustration has a reference number. The reference number for a part also appears in the parts list, along with other information about the part.

This catalog uses two special reference number formats, one to indicate parts in a service assembly and another to indicate the quantity of a given part in an illustration.

Service Assembly Reference Numbers

Parts in service assemblies have reference numbers in the form a:b. The a represents the reference number of the entire service assembly and the b represents a sequential number unique to each part within the service assembly.

For example, a wheel assembly might be identified by reference number 6, the tire by 6:1, the valve by 6:2, and the wheel by 6:3. When you order the assembly identified by reference number 6, you receive all parts identified by reference numbers 6:1, 6:2, and 6:3. However, you may also order any part individually. Reference numbers of this type appear in illustration and in parts lists.

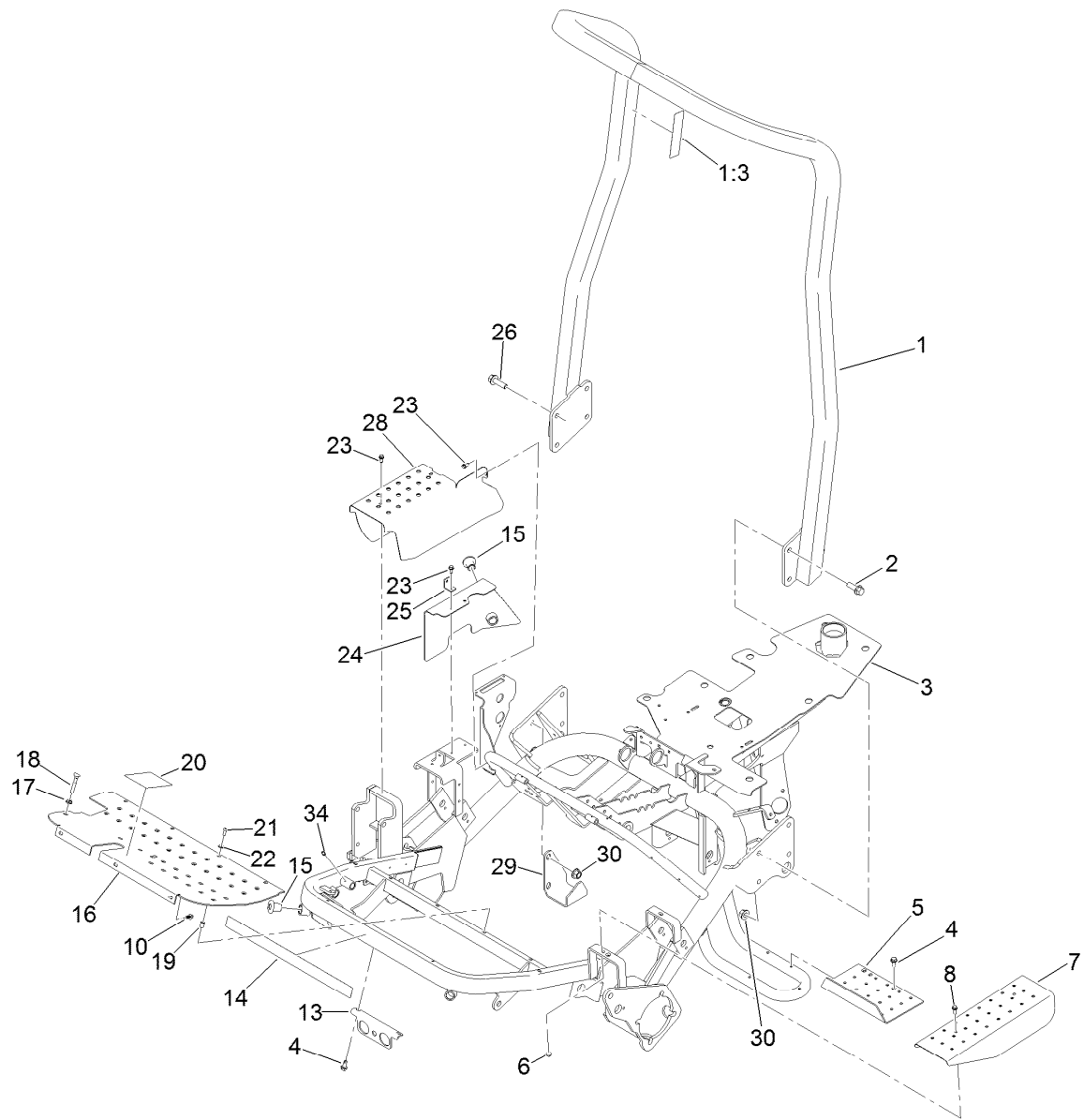
Reference Numbers Indicating Quantity

In an illustration, if a reference number indicates more than one part, the reference number has the form nX y. The n represents the quantity of the part, the X is the multiplication symbol, and the y represents the reference number.

For example, in an illustration, the reference number 2X 37 means that two of the parts identified by reference number 37 are indicated.

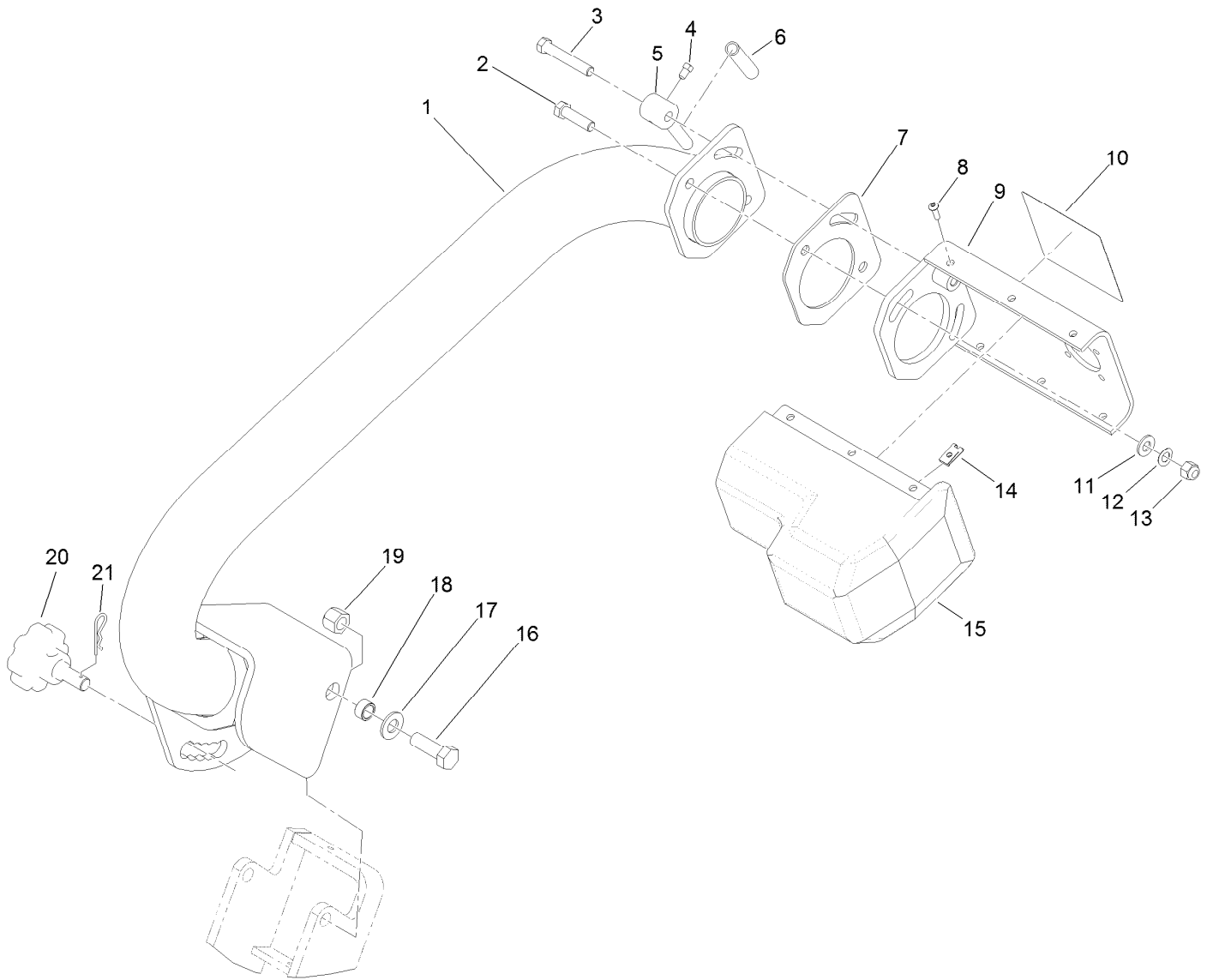
Contents

| | |
|--|----|
| ROPS and Frame Assembly | 4 |
| Steering Arm Assembly | 5 |
| Traction Pedal Assembly | 6 |
| Joystick Assembly | 7 |
| Joystick Bracket Assembly No. 120-5280 | 8 |
| Speed Selector Lever and Console Assembly | 9 |
| Control Panel Assembly | 11 |
| Engine Installation Assembly | 12 |
| Fuel Tank Assembly | 14 |
| Wire Harness Assembly | 15 |
| Battery Assembly | 16 |
| Ignition and Seat Switch Assembly | 17 |
| Engine Wire Harness Assembly | 18 |
| Ground Drive Assembly | 19 |
| Hydraulic Motor Assembly (CCW) No. 110-4015 | 20 |
| Hydraulic Motor Assembly (CW) No. 110-4016 | 21 |
| Hydrostat and Gear Pump Drive Assembly | 22 |
| Hydraulic Gear Pump Assembly No. 114-9956 | 23 |
| Hydraulic Pump Assembly No. 121-9557 | 24 |
| Neutral System Assembly | 26 |
| Front Hydraulic Reel Drive and Hose Assembly | 27 |
| Hydraulic Reel Motor Assembly No. 120-2072 | 28 |
| Hydraulic Steering Hose and Center Lift Cylinder Hose Assembly | 29 |
| Rear Hydraulic Reel Drive and Hose Assembly | 30 |
| Front Lift Cylinders Hose and Filter Assembly | 31 |
| Steering Wheel and Valve Assembly | 32 |
| Steering Valve Assembly No. 114-4672 | 33 |
| Right Hand and Left Hand Lift Cylinder Assembly | 34 |
| Hydraulic Cylinder Assembly No. 131-2787 | 35 |
| Steering Cylinder and Center Lift Cylinder Assembly | 36 |
| Hydraulic Cylinder Assembly No. 131-2786 | 37 |
| Hydraulic Manifold Assembly | 38 |
| Hydraulic Manifold Assembly No. 112-0289 | 39 |
| Hydraulic Reservoir and Leak Detector Assembly | 41 |
| Center Pull Frame Assembly | 42 |
| Left Pull Frame Assembly | 44 |
| Right Pull Frame Assembly | 46 |
| Front Wheel and Brake Assembly | 48 |
| Brake Assembly No. 104-7705 | 49 |
| Rear Wheel Assembly | 50 |
| Seat Assembly | 51 |
| Attachments and Accessories | 52 |



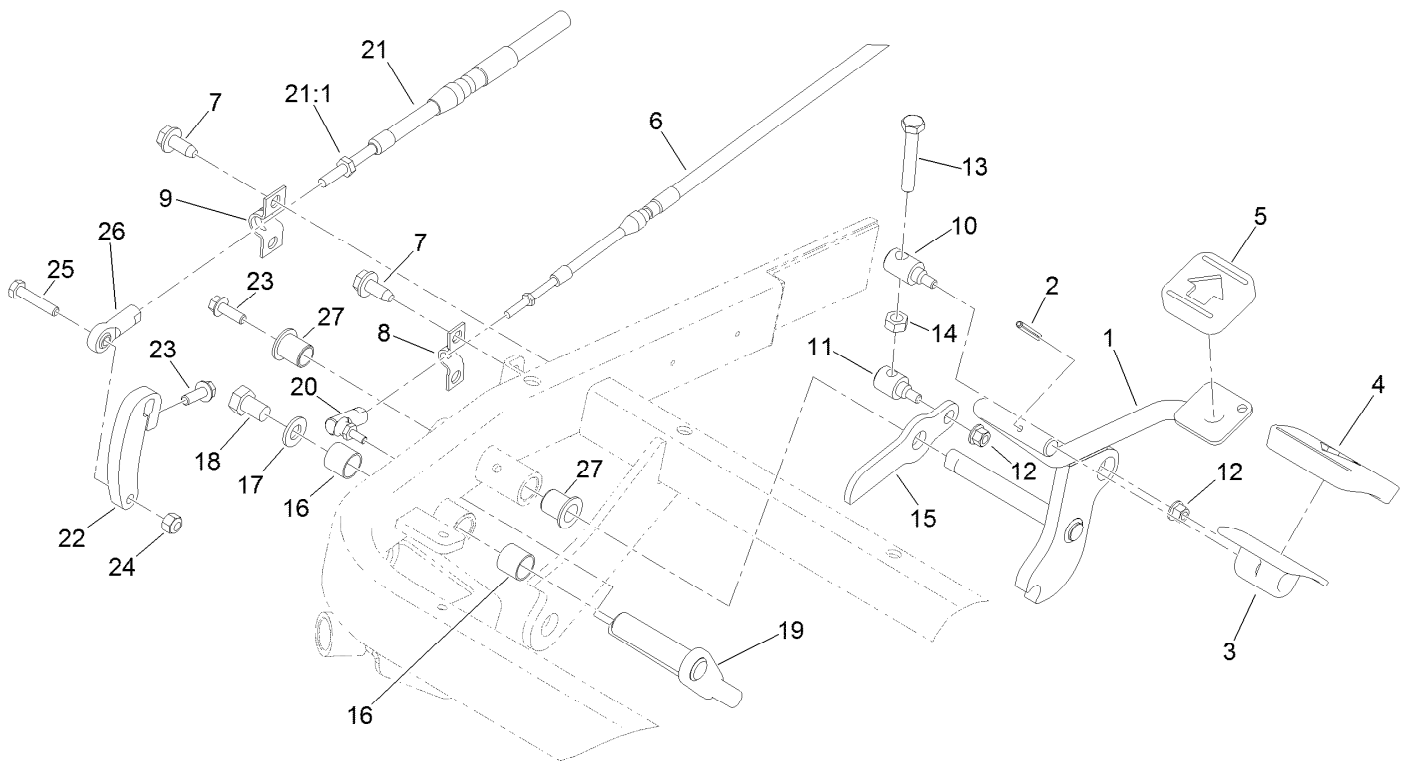
ROPS and Frame Assembly

| <i>Ref.</i> | <i>Part Number</i> | <i>Qty.</i> | <i>Description</i> | <i>Ref.</i> | <i>Part Number</i> | <i>Qty.</i> | <i>Description</i> |
|-------------|--------------------|-------------|--------------------|-------------|--------------------|-------------|----------------------|
| 1 | 133-2308 | 1 | ROPS ASM | 17 | 32128-20 | 1 | Nut-HF |
| 1:3 | 115-8226 | 1 | Decal-ROPS | 18 | 17-9426 | 1 | Screw-Handle |
| 2 | 130-6482 | 6 | Screw-HHF | 19 | 32148-6 | 7 | Nut-Clinch |
| 3 | 127-6143-01 | 1 | Frame | 20 | 93-8062 | 1 | Decal-Brake, Parking |
| 4 | 32104-32 | 5 | Screw-HWH | 21 | 3274-31 | 4 | Screw-HSBH |
| 5 | 130-0103-01 | 1 | Step | 22 | 3256-1 | 4 | Washer-Flat |
| 6 | 32128-33 | 2 | Nut-HF | 23 | 32144-10 | 5 | Screw-HWH |
| 7 | 83-0200-01 | 1 | Plate-Cover, LH | 24 | 105-8282-01 | 1 | Shield-Side |
| 8 | 115-5103 | 2 | Screw-HHF | 25 | 120-3172 | 1 | Bracket |
| 10 | 99-6810 | 3 | Screw-HHF | 26 | 130-6481 | 2 | Screw-HHF |
| 13 | 107-2552-01 | 1 | Bracket-Bulkhead | 28 | 130-6548-01 | 1 | Channel-Step, Right |
| 14 | 115-5216 | 1 | Decal | 29 | 105-8263-01 | 1 | Bracket-ROPS |
| 15 | 83-1700 | 3 | Bushing-Flange | 30 | 99-5107 | 8 | Nut-Lock |
| 16 | 127-2225-01 | 1 | Plate-Footrest | 34 | 302-5 | 1 | Fitting-Grease |



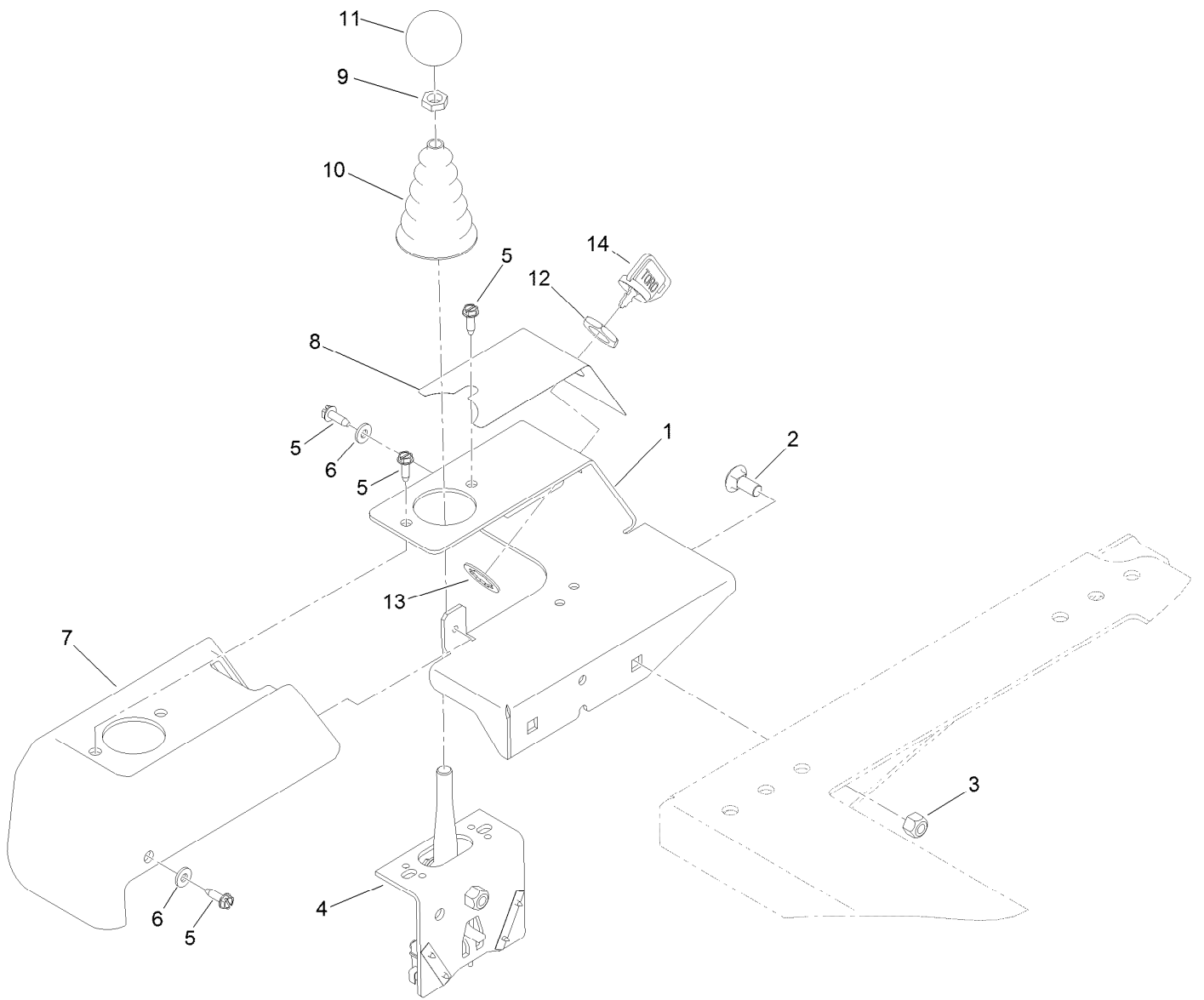
Steering Arm Assembly

| <i>Ref.</i> | <i>Part Number</i> | <i>Qty.</i> | <i>Description</i> | <i>Ref.</i> | <i>Part Number</i> | <i>Qty.</i> | <i>Description</i> |
|-------------|--------------------|-------------|--------------------|-------------|--------------------|-------------|--------------------|
| 1 | 105-0418-01 | 1 | Arm-Steering | 11 | 3256-24 | 2 | Washer-Flat |
| 2 | 323-29 | 2 | Screw-HH | 12 | 3290-477 | 2 | Washer-Curved |
| 3 | 105-4326 | 1 | Screw-HH, LH | 13 | 3296-39 | 2 | Nut-Lock, NI |
| 4 | 3241-1 | 1 | Screw-Set, SQH | 14 | 3290-277 | 6 | Nut-Speed |
| 5 | 119-3587 | 1 | Lever-Steering | 15 | 83-0810 | 1 | Cover-Steering |
| 6 | 92-6798 | 1 | Cap-Rod, Tilt | 16 | 325-6 | 2 | Screw-HH |
| 7 | 105-0457 | 1 | Plate-Friction | 17 | 3256-26 | 2 | Washer-Flat |
| 8 | 3274-39 | 6 | Screw-HSBH | 18 | 47-2890 | 2 | Bushing |
| 9 | 114-4693-03 | 1 | Mount-Steering | 19 | 3296-23 | 2 | Nut-Lock, NI |
| 10 | 133-2338 | 1 | Decal-Danger | 20 | 117-9513 | 1 | Knob-Steering |
| 10 | 133-2339 | 1 | Decal-Danger, CE | 21 | 3290-467 | 1 | Pin-Hair |



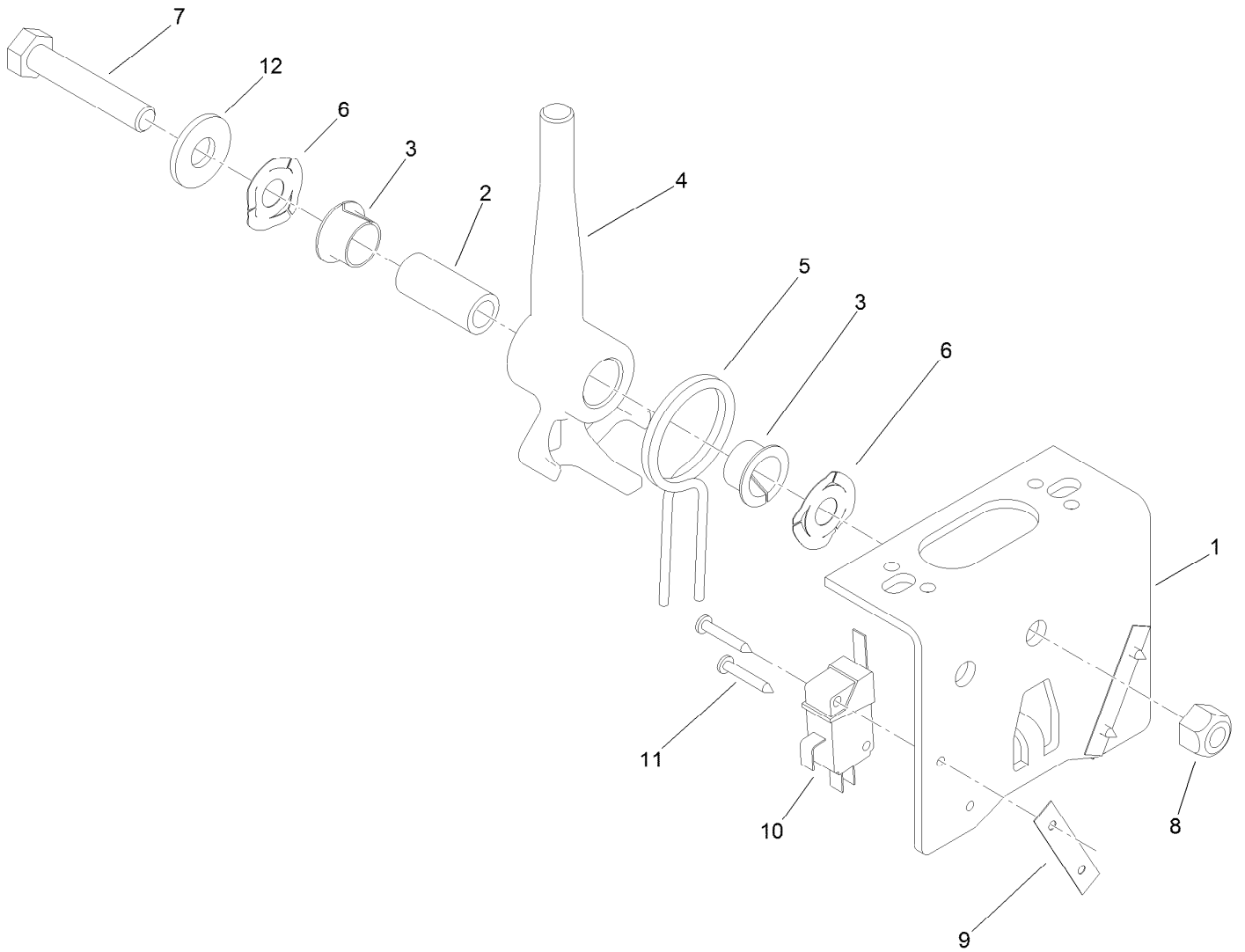
Traction Pedal Assembly

| <i>Ref.</i> | <i>Part Number</i> | <i>Qty.</i> | <i>Description</i> | <i>Ref.</i> | <i>Part Number</i> | <i>Qty.</i> | <i>Description</i> |
|-------------|--------------------|-------------|------------------------|-------------|--------------------|-------------|--------------------|
| 1 | 127-2222-01 | 1 | Pedal-Traction | 15 | 127-2241 | 1 | Plate-Stop |
| 2 | 32121-45 | 1 | Pin-Spring | 16 | 256-311 | 2 | Bushing-Split |
| 3 | 117-9507 | 1 | Pedal-Accelerator | 17 | 3256-24 | 1 | Washer-Flat |
| 4 | 74-9100 | 1 | Pad-Pedal, Forward | 18 | 33115-016 | 1 | Screw-HH |
| 5 | 74-9110 | 1 | Pad-Pedal, Reverse | 19 | 132-3803 | 1 | Lock-Neutral |
| 6 | 127-2244 | 1 | Cable-Neutral Lock | 20 | 2411-38 | 1 | Joint-Ball |
| 7 | 32144-70 | 4 | Screw-HWHTF | 21 | 105-5445 | 1 | Cable-Traction |
| 8 | 93-2279 | 1 | Clamp-Cable | 21:1 | 3220-1 | 2 | Nut-Jam |
| 9 | 93-2092 | 1 | Clamp-Cable | 22 | 130-6539 | 1 | Lever-Traction |
| 10 | 94-1375 | 1 | Trunnion-Bracket, Lock | 23 | 117-8304 | 2 | Screw-HHF |
| 11 | 94-1374 | 1 | Trunnion-Bracket, Mow | 24 | 3296-42 | 1 | Nut-Lock, NI |
| 12 | 81-0130 | 2 | Nut-Flange, NI | 25 | 321-8 | 1 | Screw-HH |
| 13 | 94-3489 | 1 | Screw-HH | 26 | 2411-41 | 1 | Rod End-Ball Joint |
| 14 | 33014-00 | 1 | Nut-Hex | 27 | 125-8775 | 2 | Bushing-Flange |



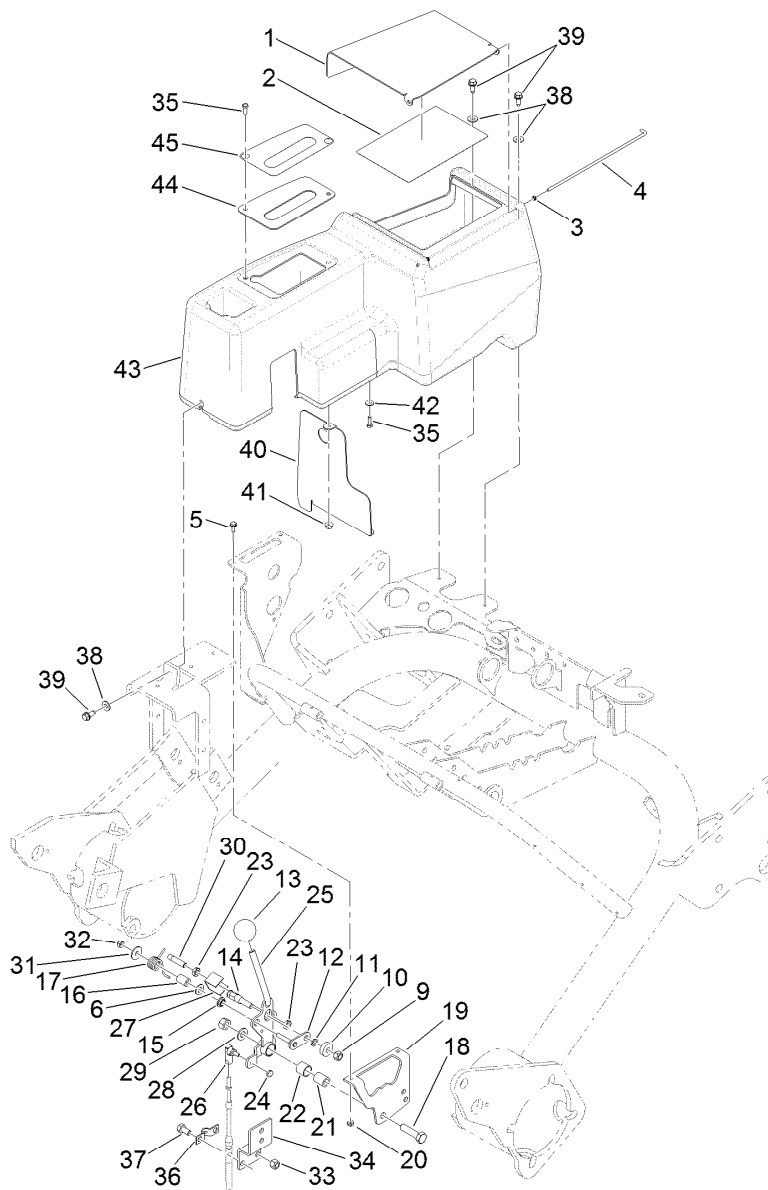
Joystick Assembly

| Ref. | Part Number | Qty. | Description |
|-------------|--------------------|-------------|----------------------|
| 1 | 105-8252-03 | 1 | Bracket-Pod |
| 2 | 3230-1 | 2 | Bolt-CARR |
| 3 | 3296-29 | 2 | Nut-Lock, NI |
| 4 | 120-5280 | 1 | Bracket-Joystick |
| 5 | 32144-19 | 4 | Screw-SHWH |
| 6 | 3256-14 | 2 | Washer-Flat |
| 7 | 105-8251 | 1 | Pod |
| 8 | 105-8305 | 1 | Decal-Panel, Control |
| 9 | 3218-3 | 1 | Nut-Jam |
| 10 | 93-5961 | 1 | Boot-Lever |
| 11 | 233-42 | 1 | Knob |
| 12 | 107-1571 | 1 | Nut-Hex |
| 13 | 107-1572 | 1 | Washer-Lock |
| 14 | 63-8360 | 2 | Key-Ignition |



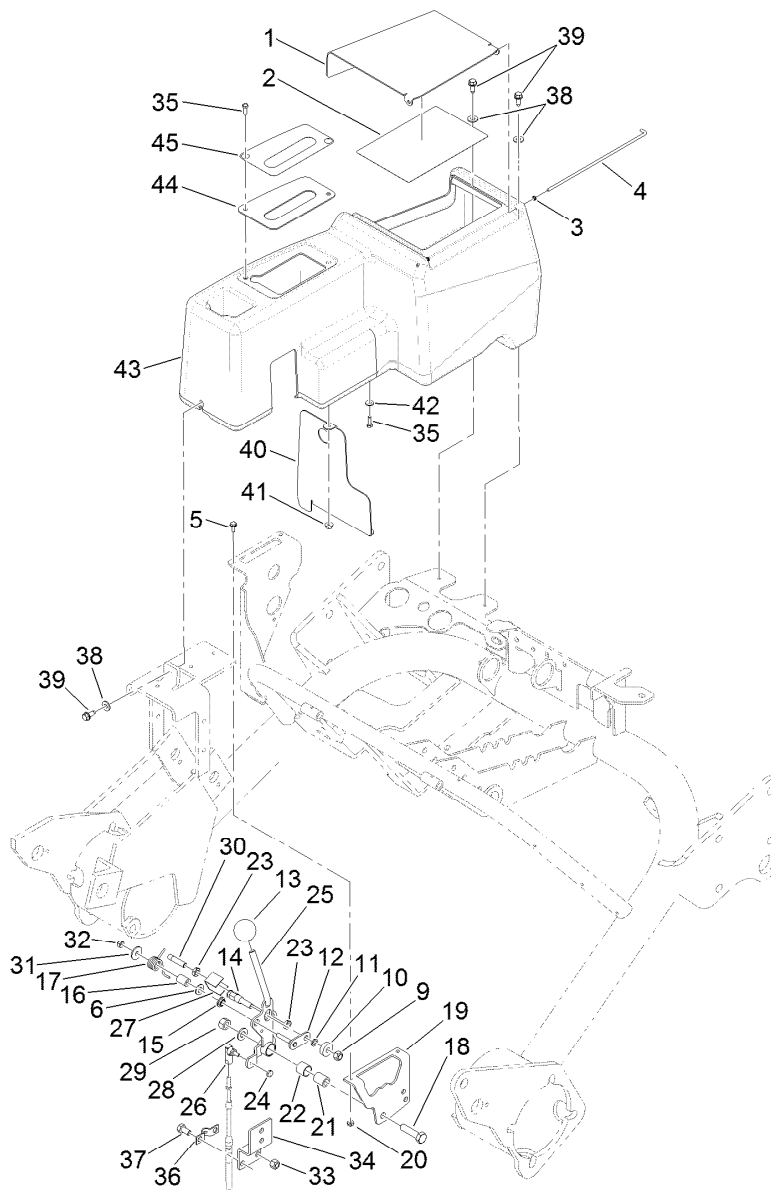
Joystick Bracket Assembly No. 120-5280

| <i>Ref.</i> | <i>Part Number</i> | <i>Qty.</i> | <i>Description</i> |
|-------------|--------------------|-------------|-----------------------|
| 1 | 115-5357-03 | 1 | Bracket-Joystick |
| 2 | 106-4192 | 1 | Spacer |
| 3 | 93-5547 | 2 | Bushing-Nylon |
| 4 | 119-3540 | 1 | Hub-Pivot, Joystick |
| 5 | 105-8289 | 1 | Spring-Torsion |
| 6 | 106-4193 | 2 | Washer-Finger, Spring |
| 7 | 322-9 | 1 | Screw-HH |
| 8 | 3296-29 | 1 | Nut-Lock, NI |
| 9 | 3290-354 | 2 | Nut-Speed |
| 10 | 108-6496 | 2 | Switch (W/Boot) |
| 11 | 95-3003 | 4 | Screw-PPHTF |
| 12 | 3256-3 | 1 | Washer-Flat |



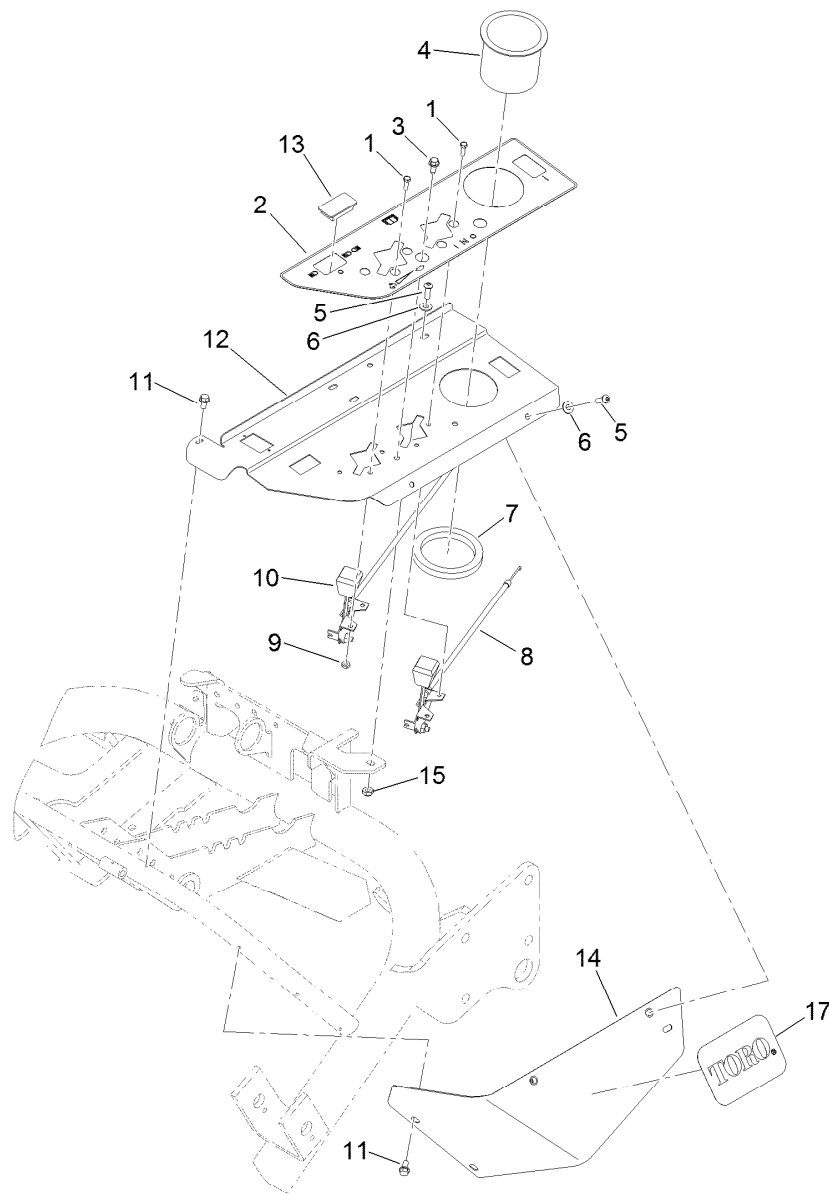
Speed Selector Lever and Console Assembly

| Ref. | Part Number | Qty. | Description | Ref. | Part Number | Qty. | Description |
|------|-------------|------|--------------------|------|-------------|------|------------------------|
| 1 | 105-8254-03 | 1 | Lid-Console | 24 | 3296-27 | 1 | Nut-Lock, NI |
| 2 | 115-8156 | 1 | Decal-Speed, Clip | 25 | 94-9611 | 1 | Handle |
| 3 | 105-8283 | 2 | Bushing | 26 | 2411-38 | 1 | Joint-Ball |
| 4 | 105-8256 | 1 | Rod-Hinge | 27 | 106-6356 | 1 | Shield-Switch |
| 5 | 3290-321 | 2 | Screw-HWH | 28 | 3256-24 | 1 | Washer-Flat |
| 6 | 3256-23 | 1 | Washer-Plain | 29 | 33025-00 | 1 | Nut-Lock, NI |
| 9 | 33024-00 | 1 | Nut-Lock, NI | 30 | 120-5348 | 1 | Actuator-Switch |
| 10 | 251-259 | 1 | Bearing-Ball | 31 | 3256-67 | 1 | Washer |
| 11 | 75-5470 | 1 | Spacer-Bearing | 32 | 33023-00 | 1 | Nut-Lock |
| 12 | 120-3198 | 1 | Roller-Pivot | 33 | 3296-29 | 4 | Nut-Lock, NI |
| 13 | 233-42 | 1 | Knob | 34 | 105-5417-03 | 1 | Bracket-Cable, Shifter |
| 14 | 94-9617 | 1 | Pin-Spring | 35 | 3290-134 | 4 | Screw |
| 15 | 94-9619 | 1 | Bushing | 36 | 93-2279 | 1 | Clamp-Cable |
| 16 | 94-9618 | 1 | Spacer-Spring | 37 | 322-2 | 4 | Screw-HH |
| 17 | 94-9620 | 1 | Spring-Torsion | 38 | 3256-22 | 3 | Washer-Flat |
| 18 | 33115-040 | 1 | Screw-HH | 39 | 32144-10 | 3 | Screw-HWH |
| 19 | 94-6398 | 1 | Bracket-Traction | 40 | 105-8255-03 | 1 | Baffle-Console |
| 20 | 3296-12 | 2 | Nut-Lock, NI | 41 | 3290-148 | 4 | Nut-HF |
| 21 | 94-1378 | 1 | Tube-Pivot, Handle | 42 | 3256-77 | 2 | Washer-Flat |
| 22 | 256-311 | 1 | Bushing-Split | 43 | 105-8250 | 1 | Console |
| 23 | 117-4059 | 2 | Nut-Hex | | | | |



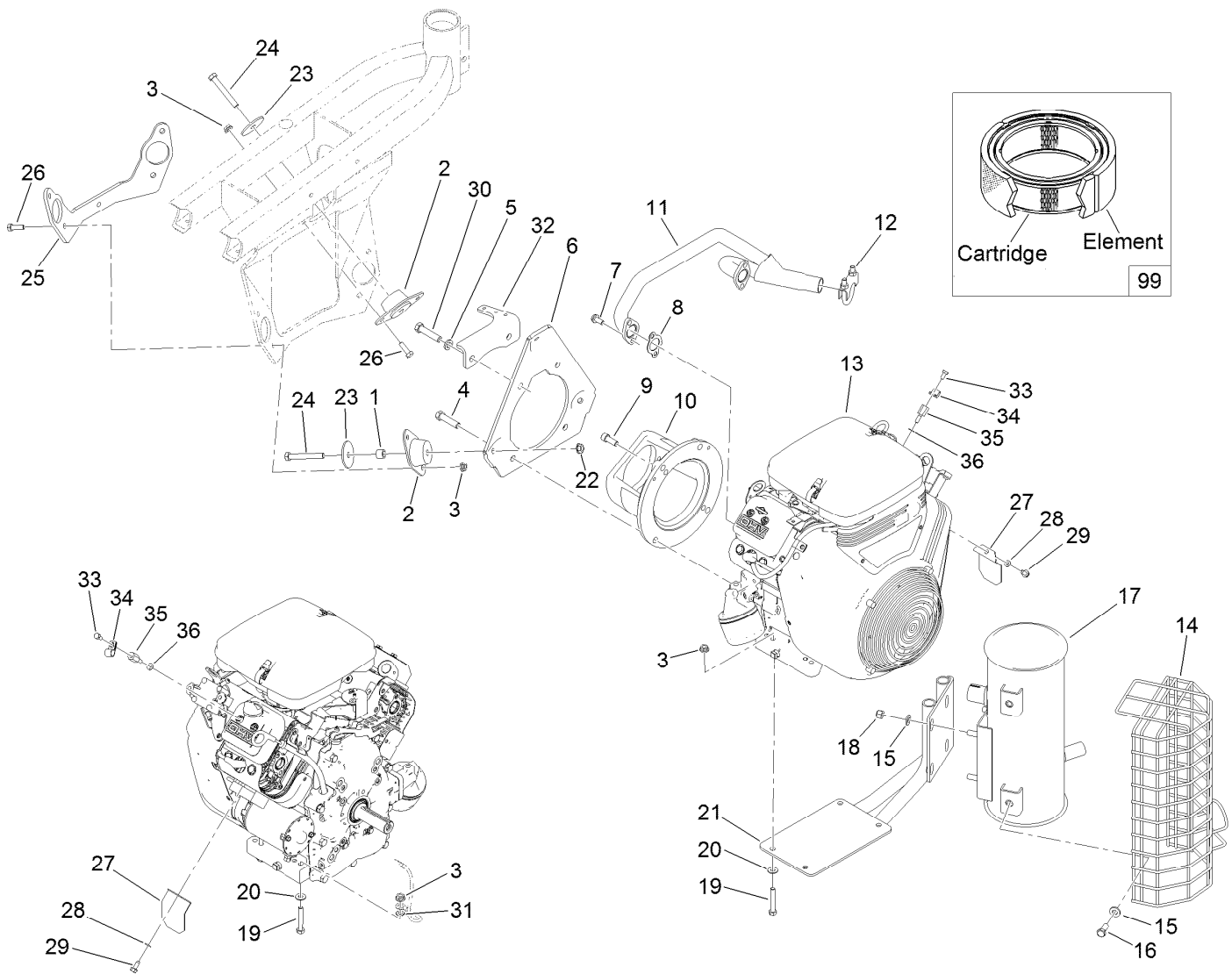
Speed Selector Lever and Console Assembly (continued)

| <i>Ref.</i> | <i>Part Number</i> | <i>Qty.</i> | <i>Description</i> |
|-------------|--------------------|-------------|-----------------------|
| 44 | 105-8280-03 | 1 | Plate-Console |
| 45 | 105-8306 | 1 | Decal-Selector, Speed |



Control Panel Assembly

| <i>Ref.</i> | <i>Part Number</i> | <i>Qty.</i> | <i>Description</i> | <i>Ref.</i> | <i>Part Number</i> | <i>Qty.</i> | <i>Description</i> |
|-------------|--------------------|-------------|-----------------------------|-------------|--------------------|-------------|---------------------|
| 1 | 3290-134 | 4 | Screw | 9 | 3296-12 | 4 | Nut-Lock, NI |
| 2 | 131-2007 | 1 | Decal-Panel, Control (Left) | 10 | 83-0030 | 1 | Control-Throttle |
| 3 | 32144-10 | 2 | Screw-HWH | 11 | 32104-116 | 3 | Screw-HWHTF |
| 4 | 94-1410 | 1 | Holder-Can, Beverage | 12 | 127-2246-03 | 1 | Panel-Control |
| 5 | 3274-69 | 4 | Screw-HSBH | 13 | 99-7420 | 1 | Plug-Hole |
| 6 | 3256-22 | 4 | Washer-Flat | 14 | 105-5411 | 1 | Shield-Cover, Valve |
| 7 | 104-1476 | 1 | Ring-Rubber | 15 | 3296-16 | 2 | Nut-Lock, NI |
| 8 | 83-0040 | 1 | Control-Choke | 17 | 94-2579 | 1 | Decal |



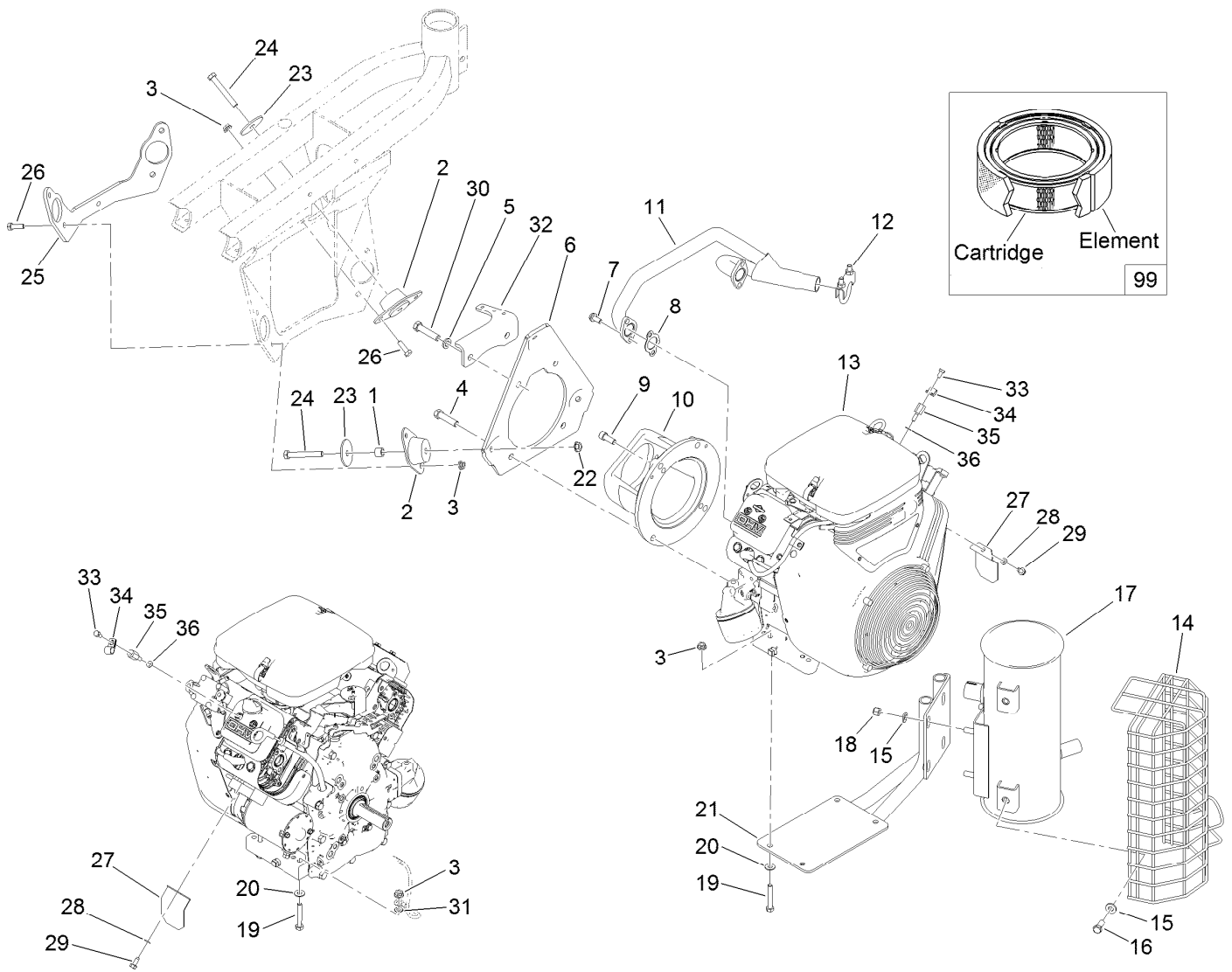
Engine Installation Assembly

| Ref. | Part Number | Qty. | Description |
|------|-------------|------|----------------------------|
| 1 | 93-9847 | 2 | Spacer |
| 2 | 125-5244 | 3 | Mount-Engine |
| 3 | 32128-20 | 10 | Nut-HF |
| 4 | 324-7 | 2 | Screw-HH |
| 5 | 3253-6 | 4 | Washer-Lock |
| 6 | 85-8120-03 | 1 | Plate-Mount, Engine |
| 7 | 94-5300 | 4 | Screw-HHF |
| 8 | 94-3449 | 2 | Gasket-Manifold, Exhaust |
| 9 | 3274-7 | 2 | Screw-HSH |
| 10 | 83-1060-03 | 1 | Adapter-Pump |
| 11 | 119-4128 | 1 | Manifold-Exhaust |
| 12 | 2112-11 | 1 | Clamp-Muffler |
| 13 | 130-6472 | 1 | Engine-Briggs And Stratton |
| 13:1 | 107-7817 | 1 | Filter-Oil, Engine ● |
| 14 | 112-0291 | 1 | Shield-Muffler |
| 15 | 100-4852 | 8 | Washer-Hardened |
| 16 | 323-5 | 4 | Screw-HH |

| Ref. | Part Number | Qty. | Description |
|------|-------------|------|------------------|
| 17 | 110-4001 | 1 | Muffler |
| 18 | 32152-2 | 4 | Nut-Lock, Cone |
| 19 | 322-10 | 4 | Screw-HH |
| 20 | 87-8640 | 4 | Washer-Flat |
| 21 | 127-6130-03 | 1 | Mount-Muffler |
| 22 | 3290-357 | 3 | Nut-HSF |
| 23 | 83-1040 | 3 | Washer-Flat |
| 24 | 323-13 | 3 | Screw-HH |
| 25 | 121-9539-01 | 1 | Support-Engine |
| 26 | 322-5 | 6 | Screw-HH |
| 27 | 83-2310 | 1 | Shield-Regulator |
| 28 | 3253-3 | 1 | Washer-Lock |
| 29 | 32144-10 | 1 | Screw-HWH |
| 30 | 324-8 | 2 | Screw-HH |
| 31 | 3255-8 | 1 | Washer-Lock |
| 32 | 105-4307-03 | 1 | Bracket-Spring |
| 33 | 33113-012 | 1 | Screw-HH |
| 34 | 2412-94 | 1 | Clamp |

● Not illustrated

■ Obtain parts from www.briggsandstratton.com

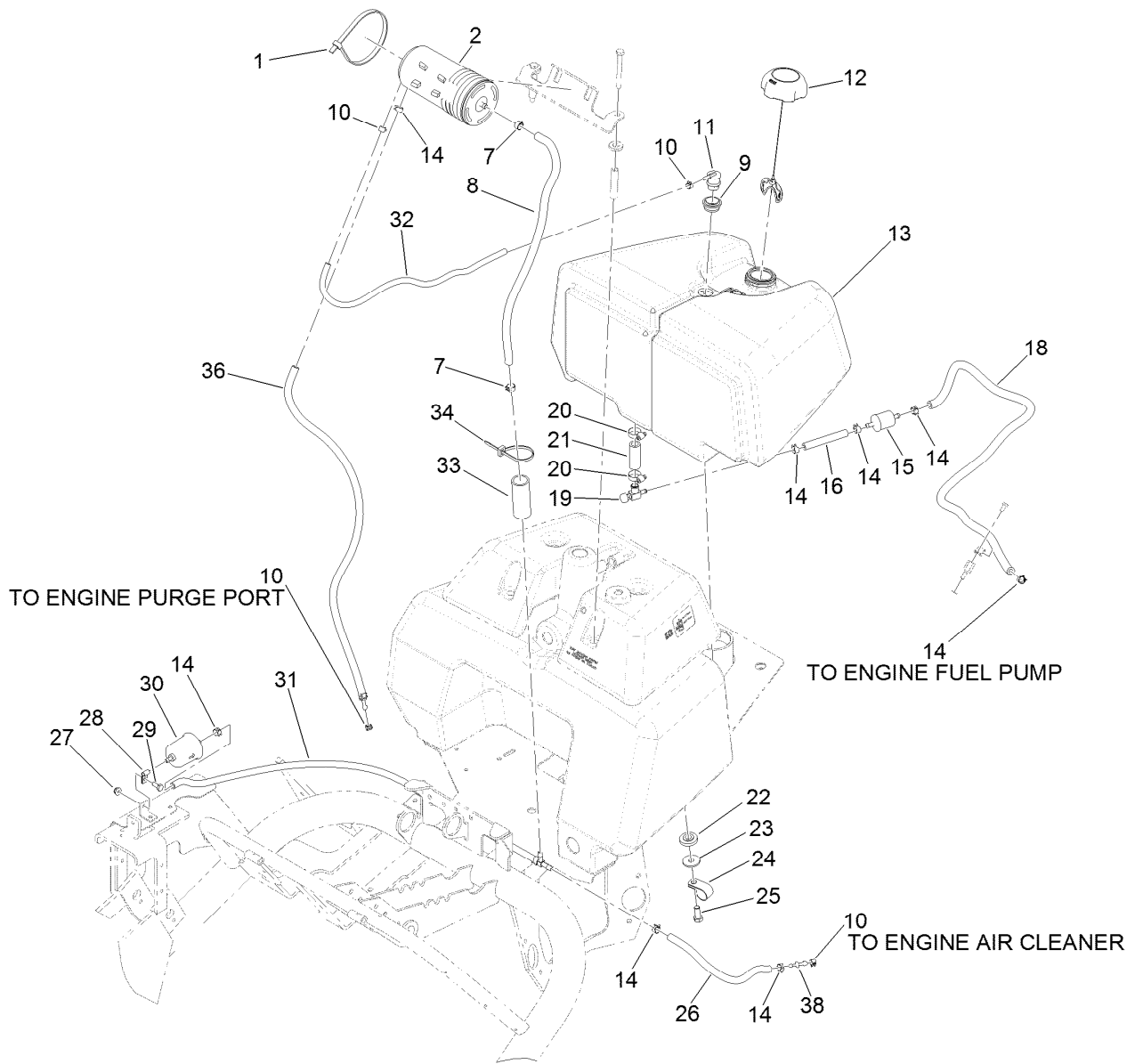


Engine Installation Assembly (continued)

| Ref. | Part Number | Qty. | Description | Ref. | Part Number | Qty. | Description |
|------|-------------|------|--------------------|------|-------------|------|------------------------|
| 35 | 106-4616 | 1 | Screw-Spacer | 99 | 108-6945 | 2 | Plug-Spark |
| 36 | 127-2229 | 1 | Washer-Fiber | 99 | 92-0527 | 1 | Cartridge-Cleaner, Air |
| 99 | 107-7817 | 1 | Filter-Oil, Engine | 99 | 92-0530 | 1 | Element-Filter |

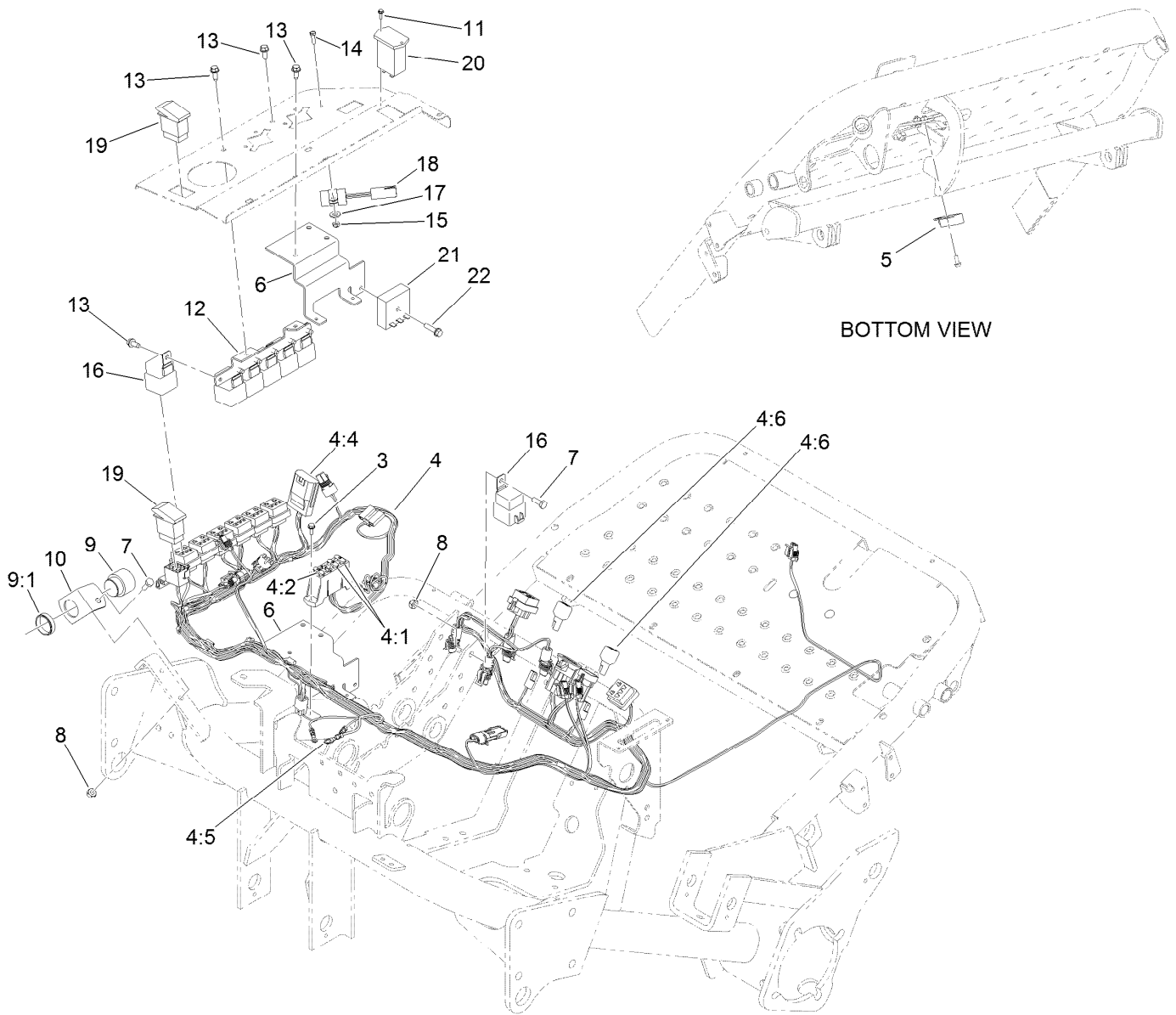
● Not illustrated

■ Obtain parts from www.briggsandstratton.com



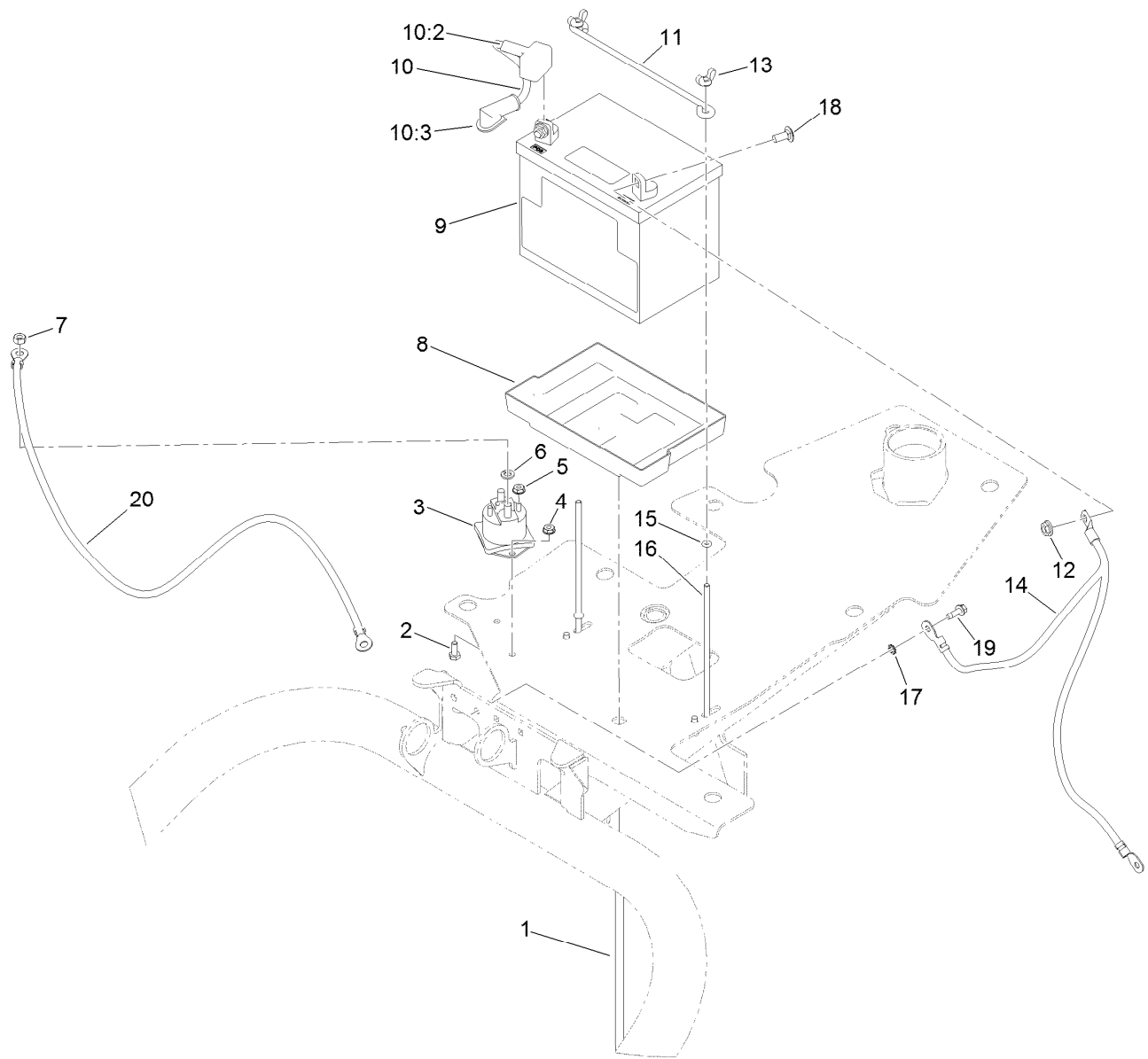
Fuel Tank Assembly

| Ref. | Part Number | Qty. | Description | Ref. | Part Number | Qty. | Description |
|------|-------------|------|------------------------|------|-------------|------|------------------------|
| 1 | 103-2446 | 2 | Tie-Cable | 22 | 240-11 | 4 | Bushing-Flange |
| 2 | 117-1221 | 1 | Canister-Carbon, 800Cc | 23 | 63-8410 | 4 | Washer |
| 7 | 92-2379 | 2 | Clamp-Hose | 24 | 2412-41 | 3 | Clamp-R |
| 8 | 114-4028 | 1 | Hose-Fuel | 25 | 323-6 | 4 | Screw-HH |
| 9 | 114-0284 | 1 | Grommet | 26 | 109-0296 | 1 | Hose-Fuel |
| 10 | 2412-80 | 4 | Clamp-Hose | 27 | 104-7201 | 1 | Nut-HF, NI |
| 11 | 119-3547 | 1 | Valve-Vent, Fuel | 28 | 2412-72 | 1 | Clip-Closed, Insulated |
| 12 | 115-7788 | 1 | Cap-Fuel | 29 | 321-3 | 1 | Screw-HH |
| 13 | 115-5387 | 1 | Tank-Fuel | 30 | 121-2583 | 1 | Filter-Fuel, Inline |
| 14 | 2412-98 | 8 | Clamp-Hose | 31 | 121-2584 | 1 | Hose ASM |
| 15 | 94-2690 | 1 | Filter-Fuel | 32 | 119-8149 | 1 | Hose-Fuel |
| 16 | 109-0660 | 1 | Hose-Fuel | 33 | 121-2586 | 1 | Tubing-Convolved, Slit |
| 18 | 109-0275 | 1 | Hose-Fuel | 34 | 3290-378 | 2 | Tie-Cable |
| 19 | 83-1390 | 1 | Valve-Shut-Off, Fuel | 36 | 121-2585 | 1 | Hose ASM |
| 20 | 2412-36 | 2 | Clamp-Hose | 38 | 121-2573 | 1 | Fitting-Straight |
| 21 | 106-1128 | 1 | Hose-Fuel | | | | |



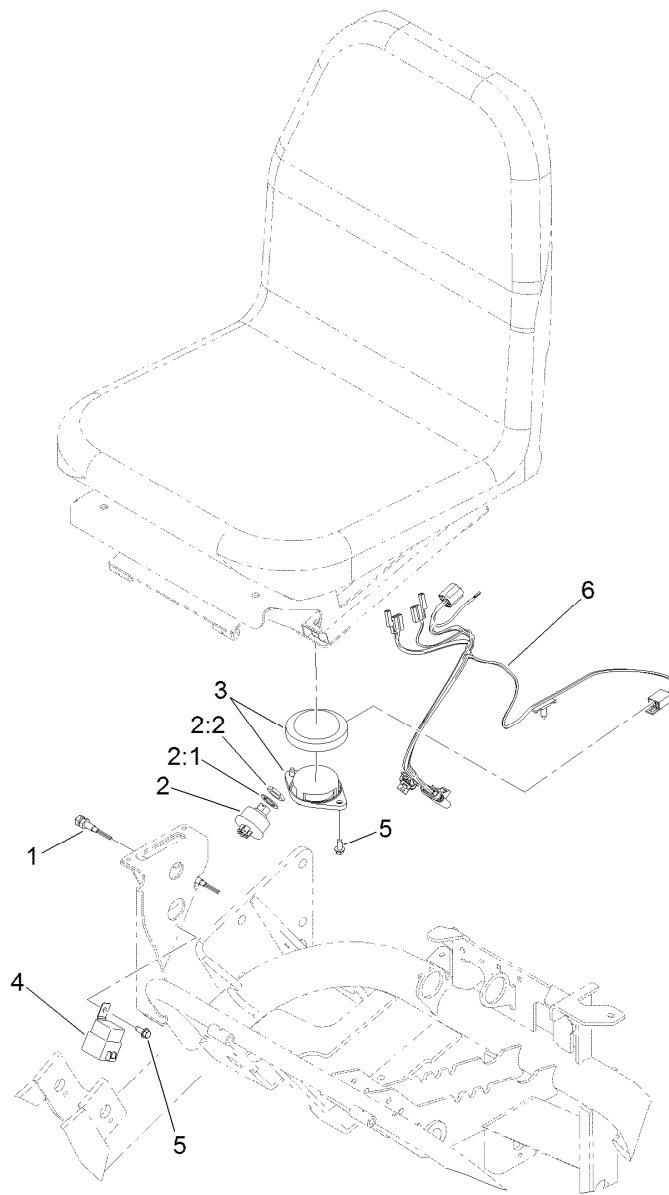
Wire Harness Assembly

| <i>Ref.</i> | <i>Part Number</i> | <i>Qty.</i> | <i>Description</i> | <i>Ref.</i> | <i>Part Number</i> | <i>Qty.</i> | <i>Description</i> |
|-------------|--------------------|-------------|----------------------------|-------------|--------------------|-------------|-------------------------|
| 3 | 32144-1 | 2 | Screw-Taptite | 10 | 83-1530 | 1 | Bracket-Support, Buzzer |
| 4 | 122-0148 | 1 | Harness-Wire | 11 | 32144-18 | 2 | Screw-HWH |
| 4:1 | 218-578 | 2 | Fuse-Blade, 10 Amp | 12 | 105-4306-03 | 1 | Bracket-Relay |
| 4:2 | 109101 | 1 | Fuse-Blade, 20 Amp | 13 | 32144-10 | 9 | Screw-HWH |
| 4:4 | 92-3188 | 2 | Diode-Board, Circuit | 14 | 3290-134 | 1 | Screw |
| 4:5 | 106-4641 | 1 | Harness-Wire, Fusible Link | 15 | 3296-12 | 1 | Nut-Lock, NI |
| 4:6 | 100-4918 | 2 | Diode | 16 | 99-7430 | 7 | Relay-Mini |
| 5 | 104-2057 | 1 | Sensor | 17 | 3256-22 | 1 | Washer-Flat |
| 6 | 105-4310-01 | 1 | Bracket-Fuse | 18 | 83-2280 | 1 | Timer-Delay |
| 7 | 321-4 | 2 | Screw-HH | 19 | 106-2027 | 1 | Switch-Intermittent |
| 8 | 3296-16 | 2 | Nut-Lock, NI | 20 | 75-6820 | 1 | Hourmeter |
| 9 | 80-9330 | 1 | Audio Alarm ASM | 21 | 92-2538 | 1 | Module-Timer |
| 9:1 | 104-5107 | 1 | Nut-Plastic, Knurled | 22 | 32144-86 | 1 | Screw-HWHTF |



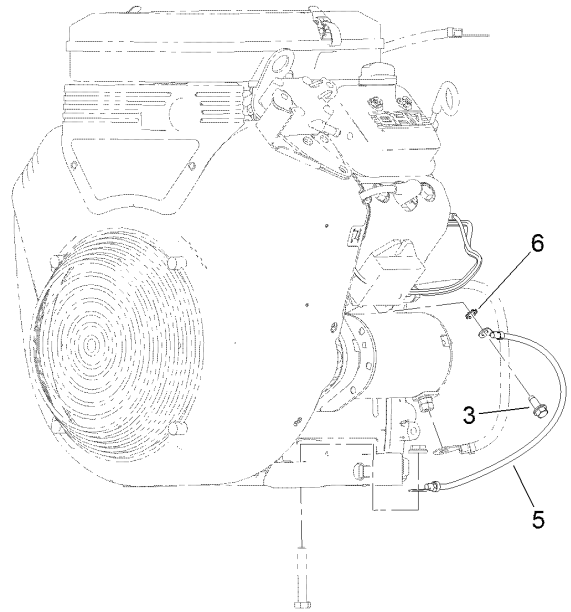
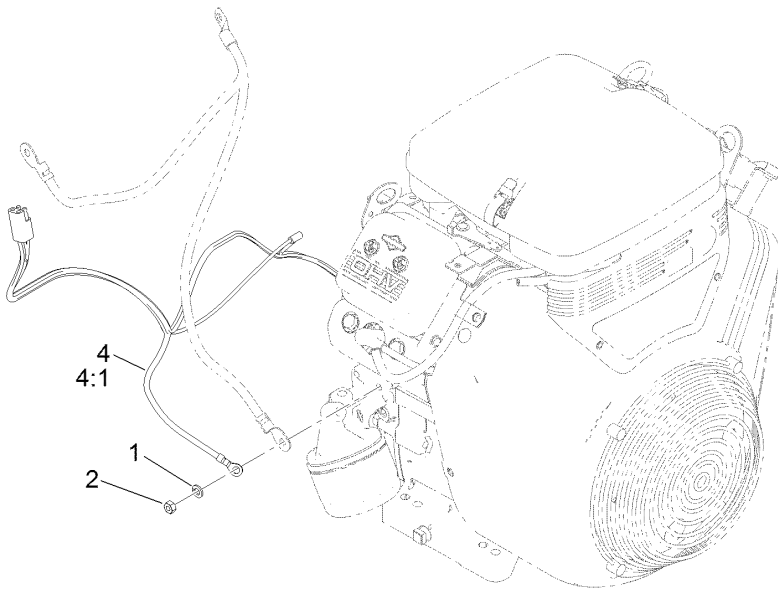
Battery Assembly

| <i>Ref.</i> | <i>Part Number</i> | <i>Qty.</i> | <i>Description</i> | <i>Ref.</i> | <i>Part Number</i> | <i>Qty.</i> | <i>Description</i> |
|-------------|--------------------|-------------|---------------------|-------------|--------------------|-------------|-------------------------|
| 1 | 104-2061 | 1 | Tube-Drain, Battery | 10:3 | 83-2430 | 1 | Boot-Terminal |
| 2 | 321-3 | 2 | Screw-HH | 11 | 100-6434 | 1 | Rod-Hold Down, Battery |
| 3 | 28-4210 | 1 | Solenoid | 12 | 32128-20 | 2 | Nut-HF |
| 4 | 32149-2 | 2 | Nut-Keps | 13 | 32103-22 | 2 | Nut-Wing |
| 5 | 32149-8 | 2 | Nut-Keps | 14 | 122-0370 | 1 | Cable-Battery, Negative |
| 6 | 3253-4 | 2 | Washer-Lock | 15 | 237-143 | 2 | O-Ring |
| 7 | 3218-13 | 2 | Nut-Jam, Brass | 16 | 100-6435 | 2 | Post-Battery |
| 8 | 106948 | 1 | Tray-Battery | 17 | 3255-7 | 1 | Washer-Lock/EXT |
| 9 | 104-8162 | 1 | Battery | 18 | 3230-23 | 2 | Bolt-CARR |
| 10 | 83-2420 | 1 | Positive Cable ASM | 19 | 32104-95 | 1 | Screw-HWH |
| 10:2 | 28-8080 | 1 | Boot-Terminal | 20 | 98-2161 | 1 | Cable-Battery, Positive |



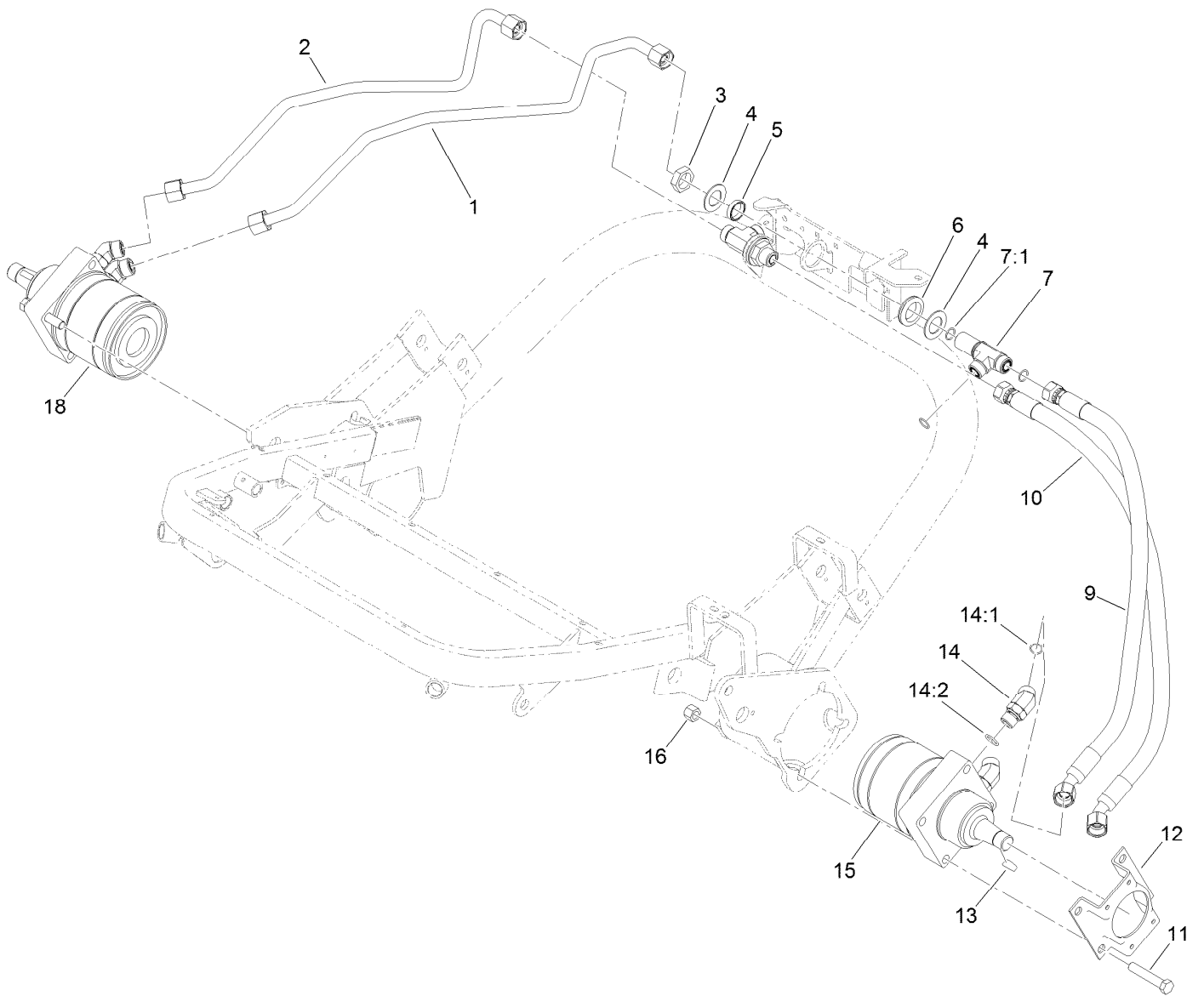
Ignition and Seat Switch Assembly

| <i>Ref.</i> | <i>Part Number</i> | <i>Qty.</i> | <i>Description</i> |
|-------------|--------------------|-------------|---------------------|
| 1 | 112-0278 | 2 | Switch-Reed |
| 2 | 104-2541 | 1 | Ignition Switch ASM |
| 2:1 | 218-461 | 1 | Nut-HH |
| 2:2 | 3254-5 | 1 | Washer-Lock |
| 3 | 92-6282 | 1 | Switch-Seat |
| 4 | 99-7430 | 1 | Relay-Mini |
| 5 | 32144-10 | 3 | Screw-HWH |
| 6 | 108-9466 | 1 | Harness-Wire, Seat |



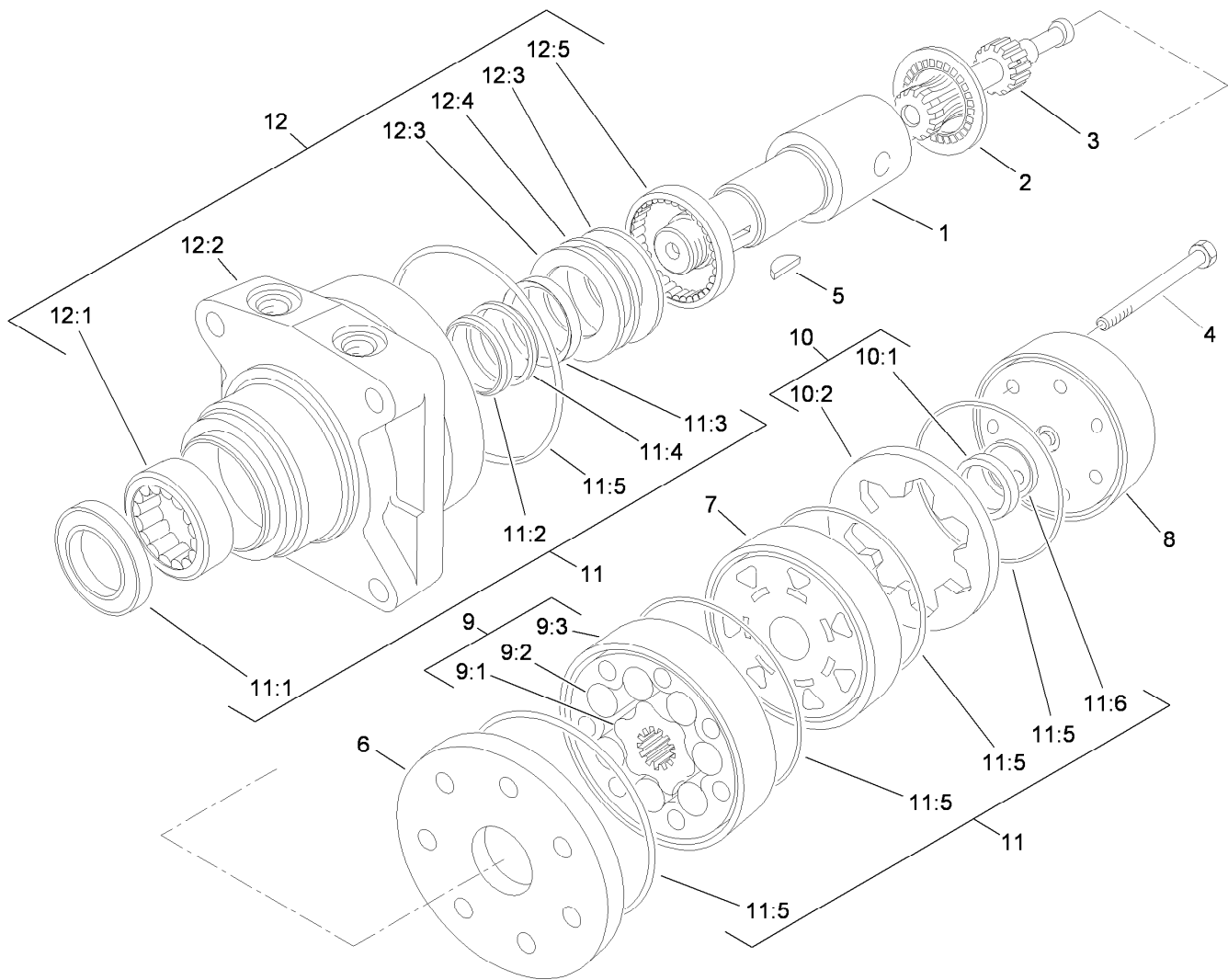
Engine Wire Harness Assembly

| <i>Ref.</i> | <i>Part Number</i> | <i>Qty.</i> | <i>Description</i> |
|-------------|--------------------|-------------|----------------------------|
| 1 | 3253-3 | 1 | Washer-Lock |
| 2 | 43-2830 | 1 | Nut-Hex |
| 3 | 32144-10 | 1 | Screw-HWH |
| 4 | 105-8276 | 1 | Harness-Wire, Engine |
| 4:1 | 106-4642 | 1 | Harness-Wire, Fusible Link |
| 5 | 108-6486 | 1 | Wire-Ground |
| 6 | 3255-7 | 1 | Washer-Lock/EXT |



Ground Drive Assembly

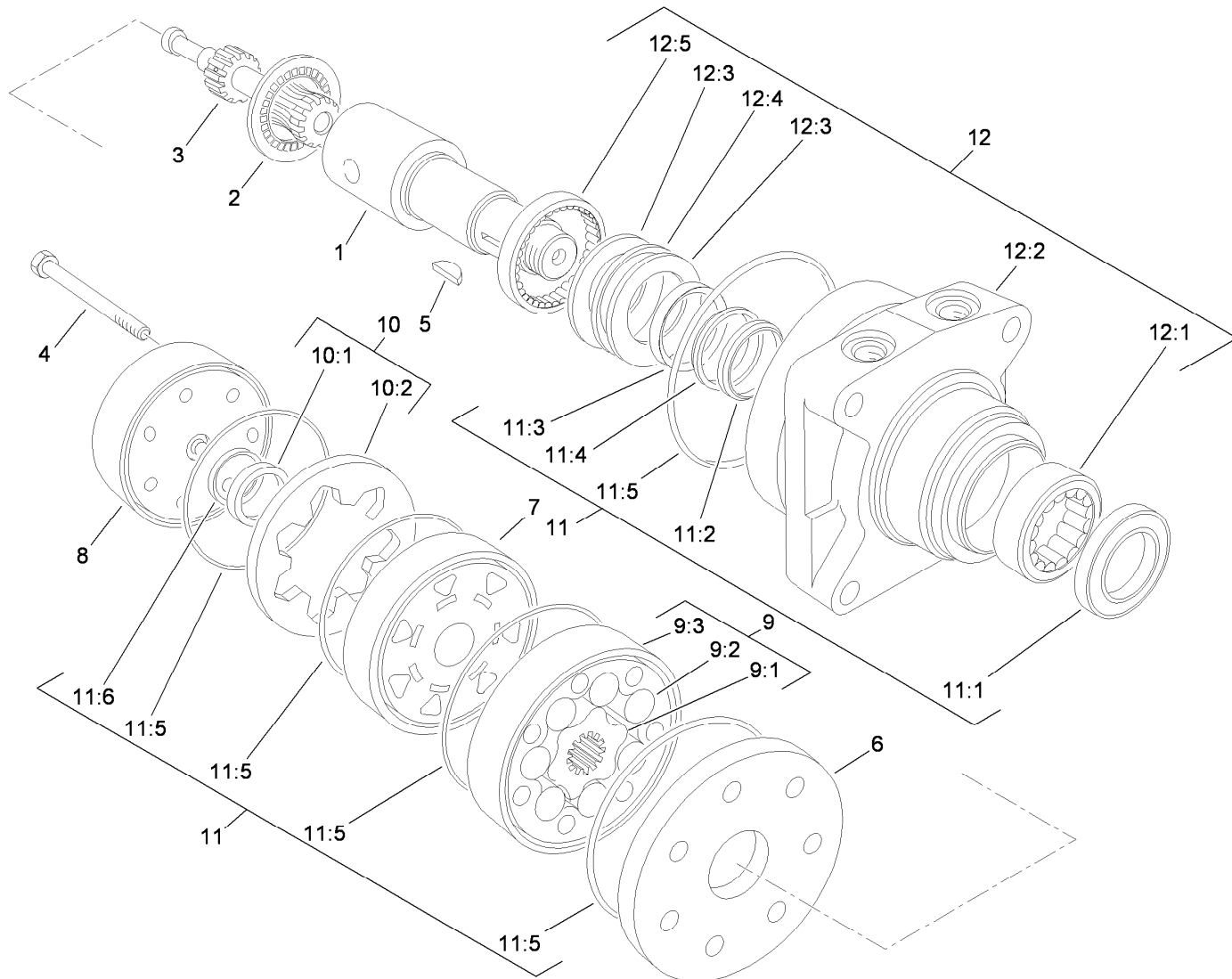
| <i>Ref.</i> | <i>Part Number</i> | <i>Qty.</i> | <i>Description</i> | <i>Ref.</i> | <i>Part Number</i> | <i>Qty.</i> | <i>Description</i> |
|-------------|--------------------|-------------|--------------------|-------------|--------------------|-------------|---------------------|
| 1 | 112-0204 | 1 | Tube-HYD | 11 | 325-11 | 8 | Screw-HH |
| 2 | 112-0203 | 1 | Tube-HYD | 12 | 84-2000-03 | 2 | Bracket-Brake |
| 3 | 340-74 | 2 | Nut-Lock, Bulkhead | 13 | 3257-42 | 2 | Key-Woodruff |
| 4 | 69-9010 | 4 | Washer | 14 | 340-14 | 4 | Fitting-HYD, 45 DEG |
| 5 | 125-1984 | 2 | Spacer | 14:1 | 237-65 | 1 | O-Ring |
| 6 | 240-3 | 2 | Grommet-Rubber | 14:2 | 237-80 | 1 | O-Ring |
| 7 | 94-5350 | 2 | Fitting-Tee | 15 | 110-4015 | 1 | HYD Motor ASM (CCW) |
| 7:1 | 237-65 | 3 | O-Ring | 16 | 3296-23 | 8 | Nut-Lock, NI |
| 9 | 105-4336 | 1 | Hose-HYD | 18 | 110-4016 | 1 | HYD Motor ASM (CW) |
| 10 | 105-4333 | 1 | Hose-HYD | | | | |



Hydraulic Motor Assembly (CCW) No. 110-4015

| Ref. | Part Number | Qty. | Description | Ref. | Part Number | Qty. | Description |
|------|-------------|------|----------------|------|-------------|------|-----------------------------|
| 1 | 76-0860 | 1 | Shaft-Coupling | 10:2 | | 1 | Ring-Commutator ● |
| 2 | 76-0850 | 1 | Bearing-Thrust | 11 | 94-8178 | 1 | Seal Kit |
| 3 | 92-9761 | 1 | Link-Drive | 11:1 | | 1 | Seal-Dirt And Water ● |
| 4 | 92-9762 | 7 | Screw-HH | 11:2 | | 1 | Backup-Ring ● |
| 5 | 3257-42 | 1 | Key-Woodruff | 11:3 | | 1 | Seal-Shaft ● |
| 6 | 92-9754 | 1 | Plate-Wear | 11:4 | | 1 | Washer-Backup ● |
| 7 | 76-0840 | 1 | Manifold | 11:5 | | 5 | Seal-Square, Ring (Inner) ● |
| 8 | 76-0940 | 1 | End Cover ASM | 11:6 | | 1 | Seal-Commutator ● |
| 9 | 92-9763 | 1 | Rotor Set | 12 | 76-0810 | 1 | Housing ASM |
| 9:1 | | 1 | Rotor ● | 12:1 | | 1 | Bearing ● |
| 9:2 | | 1 | Vane ● | 12:2 | | 1 | Housing ● |
| 9:3 | | 1 | Stator ● | 12:3 | | 2 | Washer-Thrust ● |
| 10 | 76-0880 | 1 | Commutator ASM | 12:4 | | 1 | Bearing-Thrust ● |
| 10:1 | | 1 | Commutator ● | 12:5 | | 1 | Bearing ● |

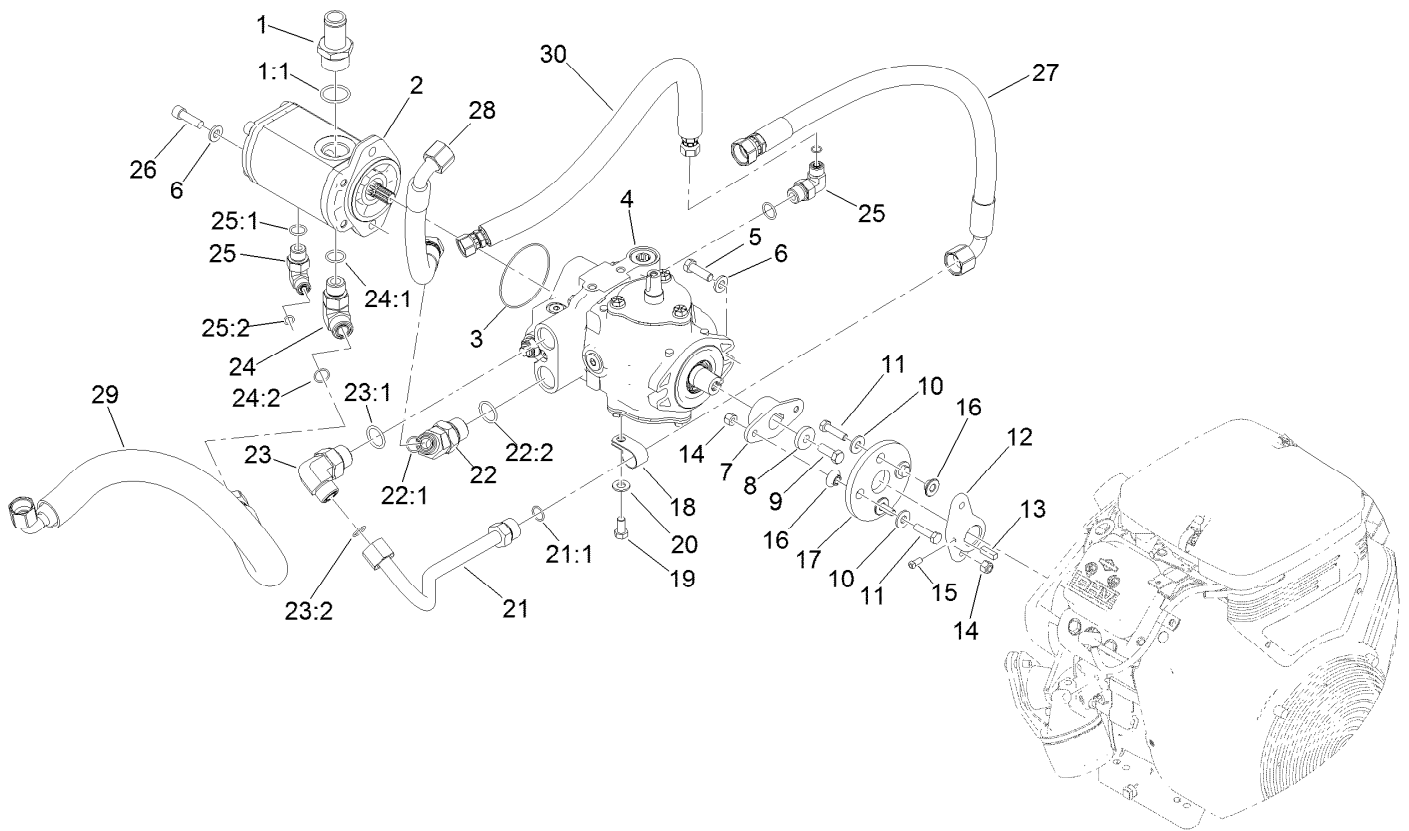
● Not serviced separately



Hydraulic Motor Assembly (CW) No. 110-4016

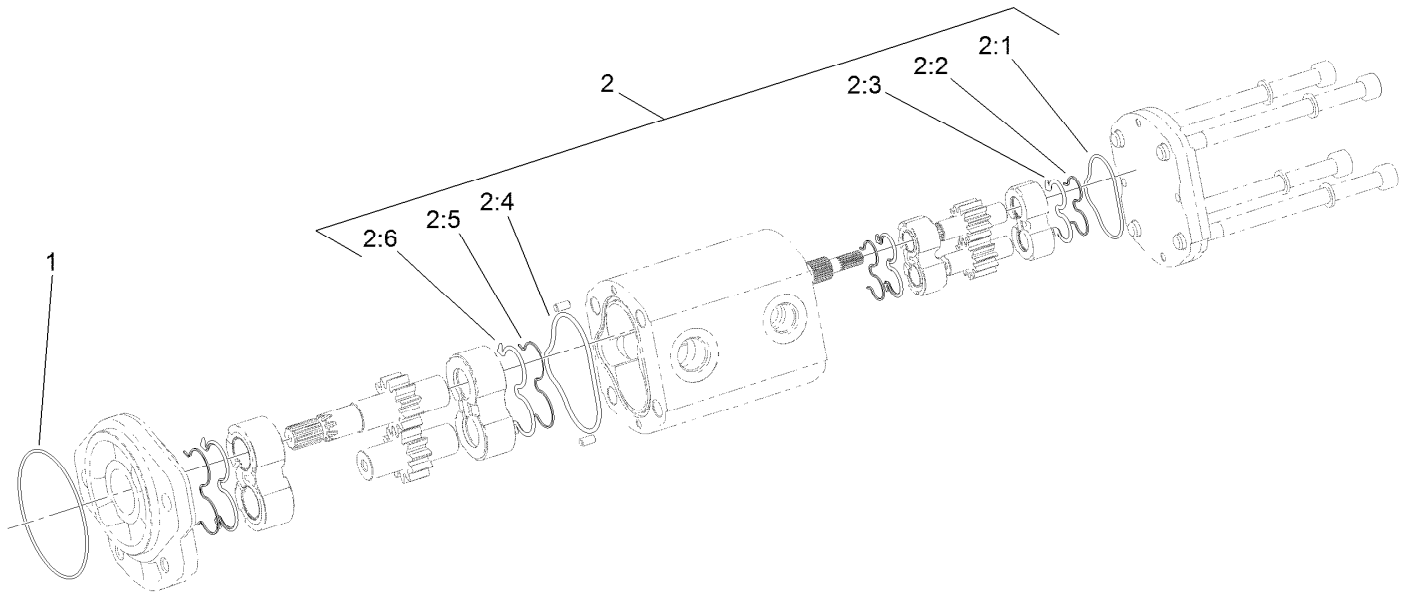
| Ref. | Part Number | Qty. | Description | Ref. | Part Number | Qty. | Description |
|------|-------------|------|----------------|------|-------------|------|-----------------------------|
| 1 | 76-0860 | 1 | Shaft-Coupling | 10:2 | | 1 | Ring-Commutator ● |
| 2 | 76-0850 | 1 | Bearing-Thrust | 11 | 94-8178 | 1 | Seal Kit |
| 3 | 92-9761 | 1 | Link-Drive | 11:1 | | 1 | Seal-Dirt And Water ● |
| 4 | 92-9762 | 7 | Screw-HH | 11:2 | | 1 | Backup-Ring ● |
| 5 | 3257-42 | 1 | Key-Woodruff | 11:3 | | 1 | Seal-Shaft ● |
| 6 | 92-9754 | 1 | Plate-Wear | 11:4 | | 1 | Washer-Backup ● |
| 7 | 76-0840 | 1 | Manifold | 11:5 | | 5 | Seal-Square, Ring (Inner) ● |
| 8 | 76-0940 | 1 | End Cover ASM | 11:6 | | 1 | Seal-Commutator ● |
| 9 | 92-9763 | 1 | Rotor Set | 12 | 76-0810 | 1 | Housing ASM |
| 9:1 | | 1 | Rotor ● | 12:1 | | 1 | Bearing ● |
| 9:2 | | 1 | Vane ● | 12:2 | | 1 | Housing ● |
| 9:3 | | 1 | Stator ● | 12:3 | | 2 | Washer-Thrust ● |
| 10 | 76-0880 | 1 | Commutator ASM | 12:4 | | 1 | Bearing-Thrust ● |
| 10:1 | | 1 | Commutator ● | 12:5 | | 1 | Bearing ● |

● Not serviced separately



Hydrostat and Gear Pump Drive Assembly

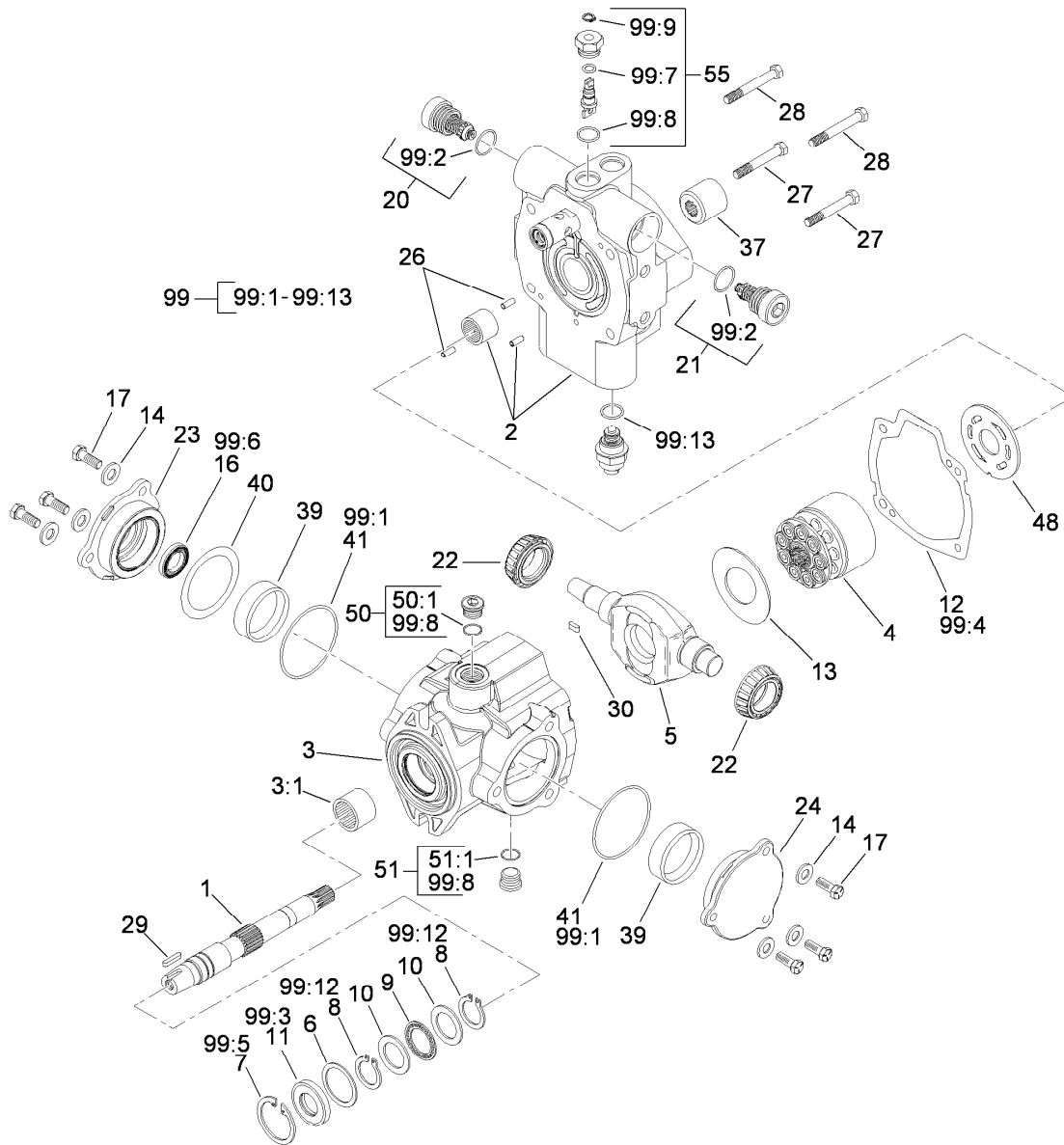
| <i>Ref.</i> | <i>Part Number</i> | <i>Qty.</i> | <i>Description</i> | <i>Ref.</i> | <i>Part Number</i> | <i>Qty.</i> | <i>Description</i> |
|-------------|--------------------|-------------|------------------------|-------------|--------------------|-------------|-----------------------|
| 1 | 354-78 | 1 | Fitting-STR | 20 | 3256-24 | 1 | Washer-Flat |
| 1:1 | 237-146 | 1 | O-Ring | 21 | 121-2561 | 1 | Tube-HYD |
| 2 | 114-9956 | 1 | HYD Gear Pump ASM | 21:1 | 237-65 | 1 | O-Ring |
| 3 | 353-949 | 1 | O-Ring | 22 | 340-156 | 1 | Fitting-Elbow 45 |
| 4 | 121-9557 | 1 | Pump-Hydro | 22:1 | 237-65 | 1 | O-Ring |
| 5 | 323-7 | 2 | Screw-HH | 22:2 | 237-81 | 1 | O-Ring |
| 6 | 100-4852 | 4 | Washer-Hardened | 23 | 340-139 | 1 | Fitting-Elbow 90 |
| 7 | 119-4485 | 1 | Hub-Pump | 23:1 | 237-81 | 1 | O-Ring |
| 8 | 53-7930 | 1 | Spacer-Pivot | 23:2 | 237-65 | 1 | O-Ring |
| 9 | 3211-4 | 1 | Screw-HH | 24 | 340-17 | 1 | Fitting-Elbow, 90 DEG |
| 10 | 3256-3 | 4 | Washer-Flat | 24:1 | 237-65 | 1 | O-Ring |
| 11 | 322-6 | 4 | Screw-HH | 24:2 | 237-80 | 1 | O-Ring |
| 12 | 110-5236 | 1 | Hub-Engine | 25 | 340-18 | 2 | Fitting-HYD, 90 DEG |
| 13 | 10-7070 | 1 | Key-Square | 25:1 | 237-79 | 1 | O-Ring |
| 14 | 3296-29 | 4 | Nut-Lock, NI | 25:2 | 237-22 | 1 | O-Ring |
| 15 | 3241-7 | 2 | Screw-SQH | 26 | 3274-1 | 2 | Screw-HSH |
| 16 | 125-9249 | 4 | Spacer-Coupler, Rubber | 27 | 99-6193 | 1 | Hose ASM |
| 17 | 115-4523 | 1 | Coupling-Rubber | 28 | 105-4332 | 1 | Hose-HYD |
| 18 | 2412-41 | 1 | Clamp-R | 29 | 131-2042 | 1 | Hose-HYD |
| 19 | 323-4 | 1 | Screw-HH | 30 | 131-2041 | 1 | Hose ASM |



Hydraulic Gear Pump Assembly No. 114-9956

| <i>Ref.</i> | <i>Part Number</i> | <i>Qty.</i> | <i>Description</i> |
|-------------|--------------------|-------------|------------------------|
| 1 | 353-949 | 1 | O-Ring |
| 2 | 119-7134 | 1 | Kit-Seal |
| 2:1 | | 1 | O-Ring ● |
| 2:2 | | 2 | Seal-Extrusion, Anti ● |
| 2:3 | | 2 | Seal-Backup ● |
| 2:4 | | 1 | O-Ring ● |
| 2:5 | | 2 | Seal-Extrusion, Anti ● |
| 2:6 | | 2 | Seal-Backup ● |

● Not serviced separately

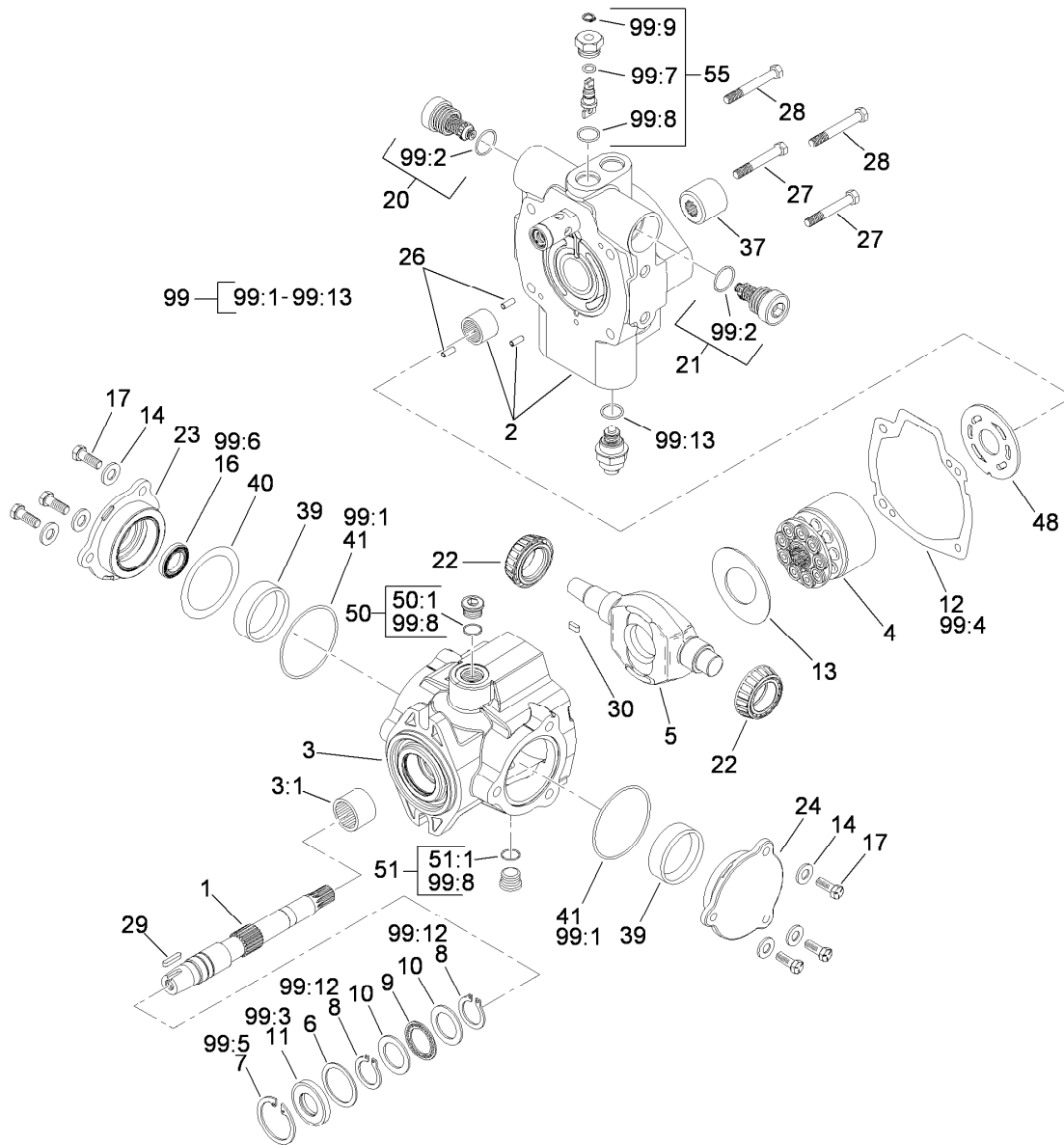


Hydraulic Pump Assembly No. 121-9557

| Ref. | Part Number | Qty. | Description | Ref. | Part Number | Qty. | Description |
|------|-------------|------|----------------------|------|-------------|------|------------------|
| 1 | 119-7148 | 1 | Shaft-Drive, Tapered | 21 | 120-1989 | 1 | Relief Valve ASM |
| 2 | 121-9574 | 1 | Endcover ASM | 22 | 98-4639 | 2 | Bearing-Cone |
| 3 | 100-3176 | 1 | Housing ASM | 23 | 98-4645 | 1 | Plate-Cover |
| 3:1 | 94-6363 | 1 | Bearing | 24 | 98-4644 | 1 | Plate-Cover |
| 4 | 76-6070 | 1 | Rotating Kit | 26 | 76-6150 | 2 | Pin-Dowel |
| 5 | 100-3175 | 1 | Camplate | 27 | 76-6160 | 2 | Capscrew |
| 6 | 33-3720 | 1 | Washer | 28 | 76-6170 | 2 | Capscrew |
| 7 | 32151-13 | 1 | Ring-Retaining | 29 | 120-5751 | 1 | Key |
| 8 | 32151-29 | 2 | Ring-Retaining | 30 | 94-3646 | 1 | Key |
| 9 | 252-66 | 1 | Bearing-Thrust | 37 | 74-9040 | 1 | Coupler |
| 10 | 252-71 | 2 | Washer-Thrust | 39 | 104-4046 | 2 | Bearing-Cup |
| 11 | 104-4861 | 1 | Seal-Shaft | 40 | 100-3182 | 1 | Shim Kit |
| 12 | 33-4930 | 1 | Gasket-Housing | 41 | 100-3179 | 2 | O-Ring |
| 13 | 98-4635 | 1 | Insert-Plate, Cam | 48 | 100-3180 | 1 | Plate-Valve |
| 14 | 105-9762 | 6 | Washer | 50 | 74-9280 | 1 | Plug ASM |
| 16 | 76-6190 | 1 | Seal-Shaft | 50:1 | | 1 | O-Ring ■ |
| 17 | 98-4640 | 6 | Screw-Cap | 51 | 74-9280 | 1 | Plug ASM |
| 20 | 120-1989 | 1 | Relief Valve ASM | 51:1 | | 1 | O-Ring ■ |

● Not illustrated

■ Not serviced separately



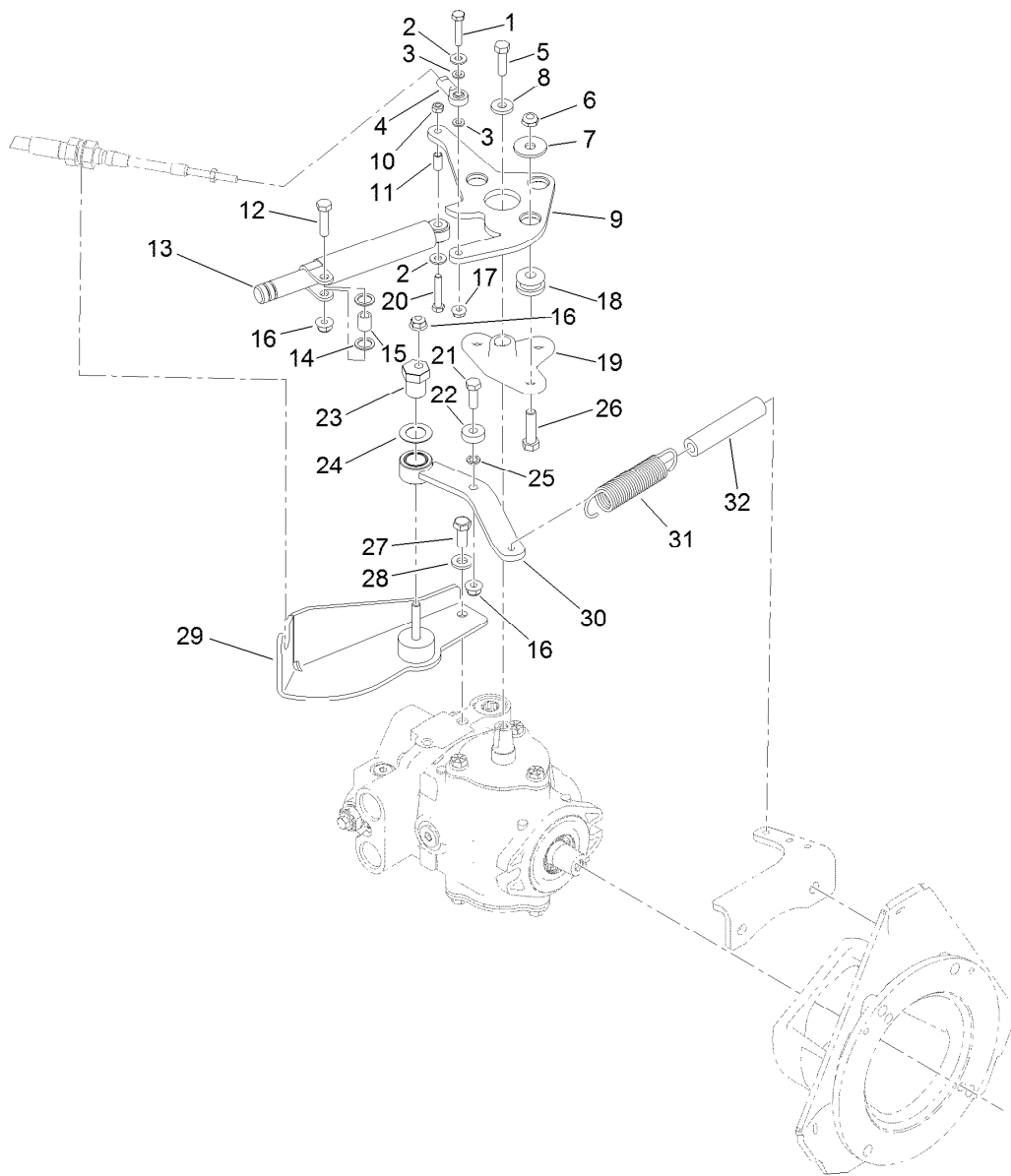
Hydraulic Pump Assembly No. 121-9557 (continued)

| Ref. | Part Number | Qty. | Description |
|------|-------------|------|------------------|
| 55 | 105-3811 | 1 | Valve-Bypass |
| 99 | 120-5754 | 1 | Seal Kit |
| 99:1 | | 2 | O-Ring ■ |
| 99:2 | | 2 | O-Ring ■ |
| 99:3 | | 1 | Seal-Shaft ■ |
| 99:4 | | 1 | Gasket ■ |
| 99:5 | | 1 | Ring-Retaining ■ |
| 99:6 | | 1 | Seal-Shaft ■ |

| Ref. | Part Number | Qty. | Description |
|-------|-------------|------|------------------|
| 99:7 | | 1 | O-Ring ■ |
| 99:8 | | 5 | O-Ring ■ |
| 99:9 | | 1 | Ring-Retaining ■ |
| 99:10 | | 1 | O-Ring ●■ |
| 99:11 | | 1 | O Ring-Molded ●■ |
| 99:12 | | 2 | Ring-Retaining ■ |
| 99:13 | | 1 | O-Ring ●■ |

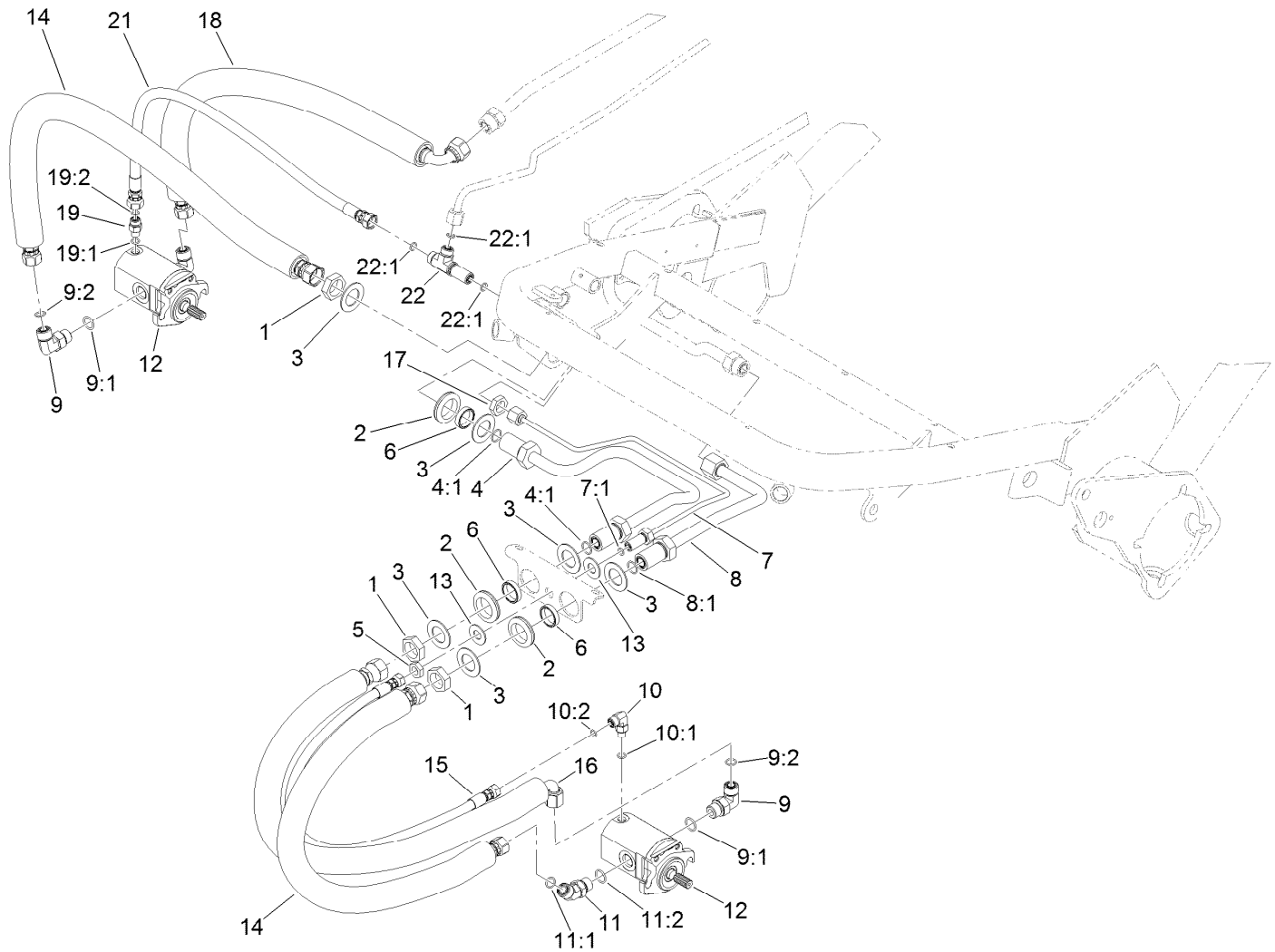
● Not illustrated

■ Not serviced separately



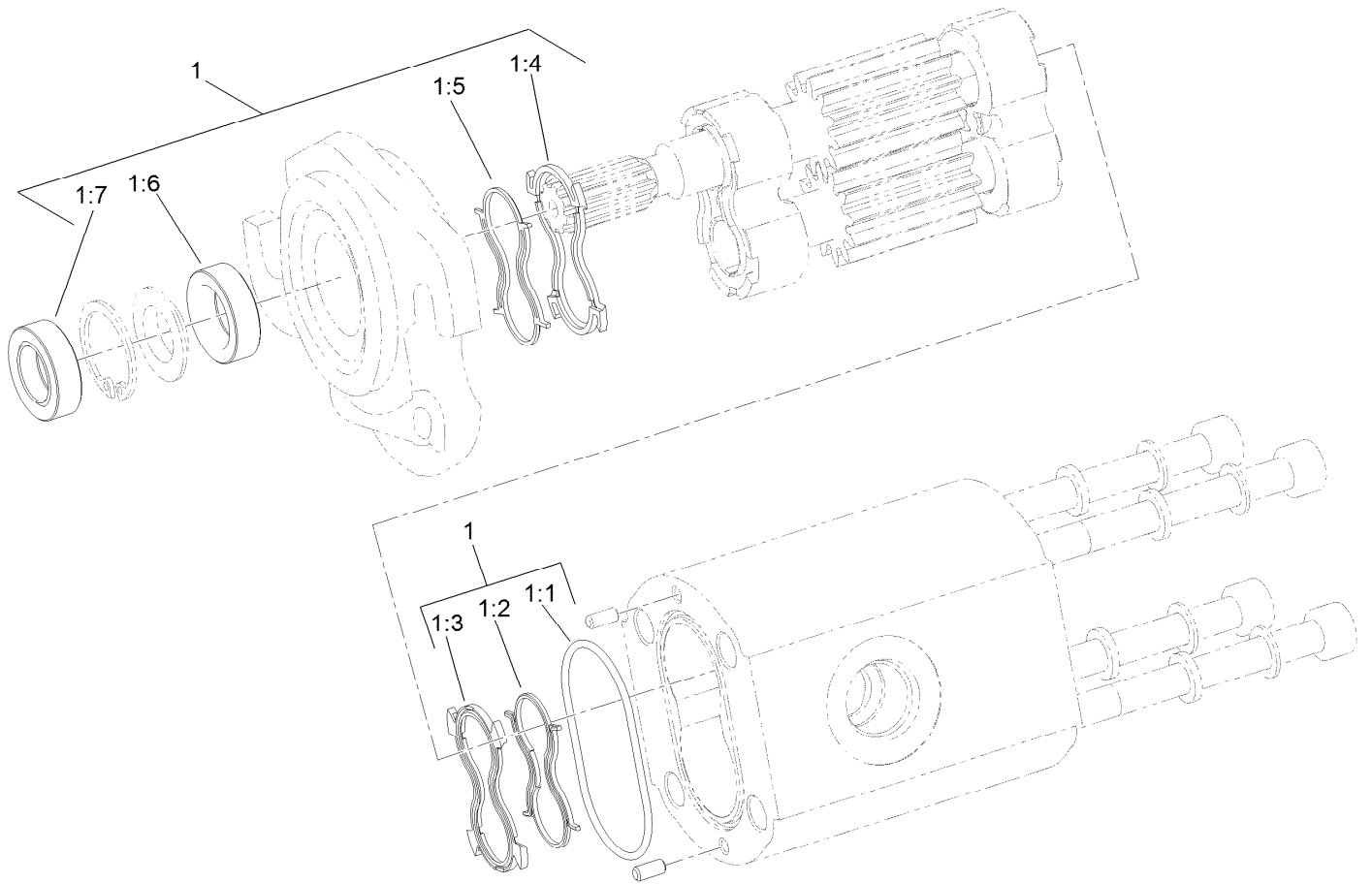
Neutral System Assembly

| <i>Ref.</i> | <i>Part Number</i> | <i>Qty.</i> | <i>Description</i> | <i>Ref.</i> | <i>Part Number</i> | <i>Qty.</i> | <i>Description</i> |
|-------------|--------------------|-------------|--------------------|-------------|--------------------|-------------|--------------------|
| 1 | 321-8 | 1 | Screw-HH | 17 | 104-7201 | 1 | Nut-HF, NI |
| 2 | 3256-22 | 2 | Washer-Flat | 18 | 63-9750 | 3 | Mount |
| 3 | 33093-00 | 2 | Washer-Flat | 19 | 117-9500 | 1 | Plate-Pivot |
| 4 | 2411-41 | 1 | Rod End-Ball Joint | 20 | 33113-035 | 1 | Screw-HH |
| 5 | 3210-6 | 1 | Screw-HH | 21 | 322-5 | 1 | Screw-HH |
| 6 | 3296-59 | 3 | Nut-Lock, NI | 22 | 251-259 | 1 | Bearing-Ball |
| 7 | 93-8806 | 3 | Washer-Hardened | 23 | 93-2111 | 1 | Stud-Traction |
| 8 | 88-7200 | 1 | Washer-Flat | 24 | 3-6498 | 1 | Washer-Thrust |
| 9 | 105-5477-03 | 1 | Lever-Pump | 25 | 75-5470 | 1 | Spacer-Bearing |
| 10 | 33023-00 | 1 | Nut-Lock | 26 | 323-29 | 3 | Screw-HH |
| 11 | 94-1312 | 1 | Spacer-Pivot | 27 | 323-5 | 2 | Screw-HH |
| 12 | 322-6 | 1 | Screw-HH | 28 | 100-4852 | 2 | Washer-Hardened |
| 13 | 76-8870 | 1 | Damper-Lever | 29 | 105-5475 | 1 | Cable Support ASM |
| 14 | 94-8196 | 2 | Washer-Nylon | 30 | 105-4302 | 1 | Neutral Arm ASM |
| 15 | 94-8197 | 1 | Tube-Pivot | 31 | 94-1369 | 1 | Spring-Extension |
| 16 | 104-8300 | 3 | Nut-HF, NI | 32 | 99-4251 | 1 | Hose-Dampener |



Front Hydraulic Reel Drive and Hose Assembly

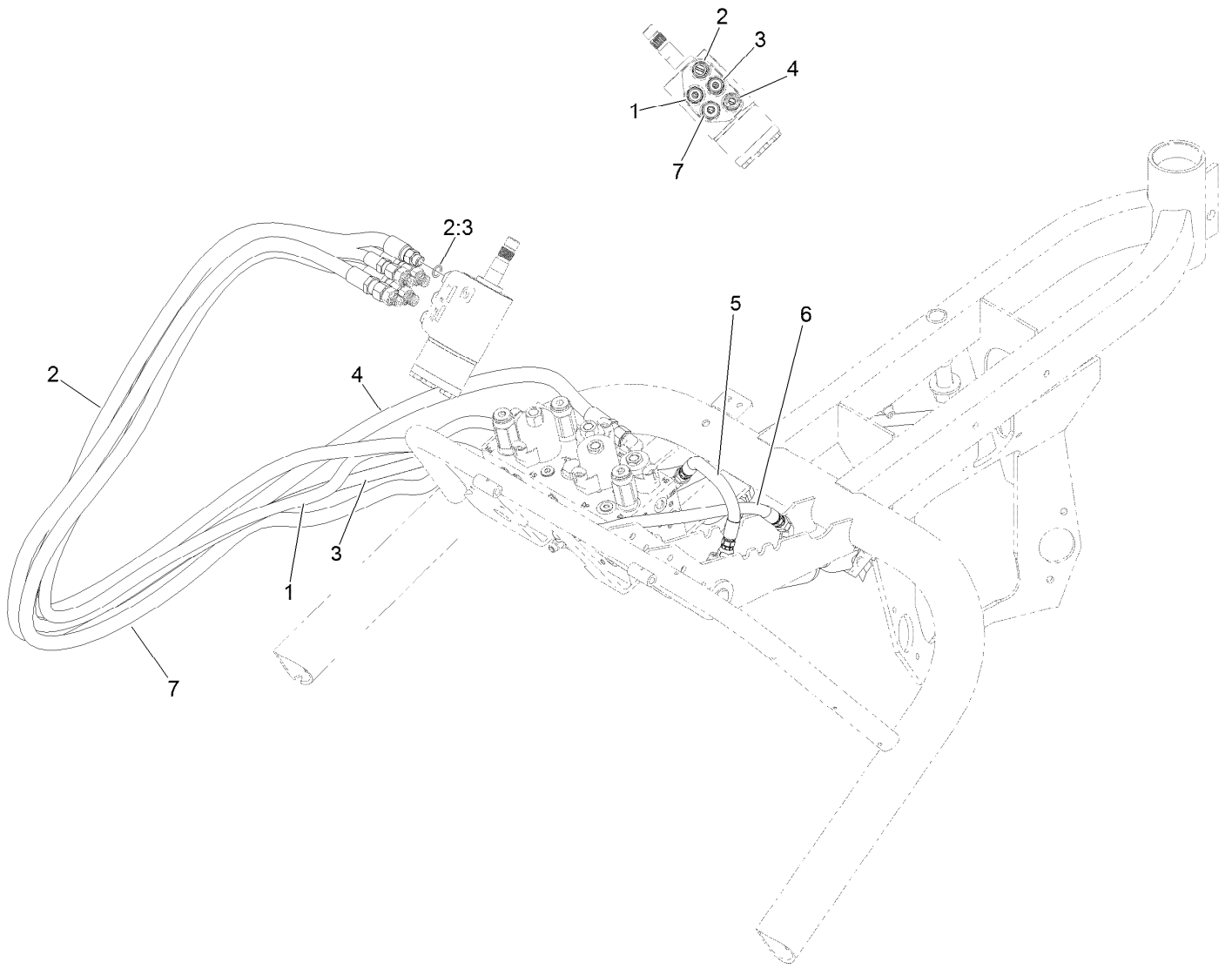
| Ref. | Part Number | Qty. | Description | Ref. | Part Number | Qty. | Description |
|------|-------------|------|-----------------------|------|-------------|------|-----------------------|
| 1 | 340-74 | 3 | Nut-Lock, Bulkhead | 11 | 340-101 | 1 | Fitting-HYD, 45 DEG |
| 2 | 240-3 | 3 | Grommet-Rubber | 11:1 | 237-30 | 1 | O-Ring |
| 3 | 69-9010 | 6 | Washer | 11:2 | 237-79 | 1 | O-Ring |
| 4 | 107-2580 | 1 | Tube-HYD | 12 | 120-2072 | 2 | HYD Motor ASM |
| 4:1 | 237-65 | 2 | O-Ring | 13 | 69-8980 | 2 | Washer |
| 5 | 340-78 | 1 | Nut-Lock | 14 | 95-2908 | 2 | Hose-HYD |
| 6 | 125-1984 | 3 | Spacer | 15 | 106-9674 | 1 | Hose-HYD |
| 7 | 127-2227 | 1 | Tube-HYD | 16 | 95-2909 | 1 | Hose-HYD |
| 7:1 | 237-21 | 1 | O-Ring | 17 | 340-70 | 1 | Nut-Lock |
| 8 | 107-2581 | 1 | Tube-HYD | 18 | 105-5404 | 1 | Hose-HYD |
| 8:1 | 237-65 | 1 | O-Ring | 19 | 340-92 | 1 | Fitting-Straight |
| 9 | 340-98 | 3 | Fitting-Elbow, 90 DEG | 19:1 | 237-78 | 1 | O-Ring |
| 9:1 | 237-79 | 1 | O-Ring | 19:2 | 237-21 | 1 | O-Ring |
| 9:2 | 237-30 | 1 | O-Ring | 21 | 105-5405 | 1 | Hose-HYD |
| 10 | 340-132 | 1 | Fitting-Elbow, 90 DEG | 22 | 340-68 | 1 | Fitting-Tee, Bulkhead |
| 10:1 | 237-78 | 1 | O-Ring | 22:1 | 237-22 | 3 | O-Ring |
| 10:2 | 237-21 | 1 | O-Ring | | | | |



Hydraulic Reel Motor Assembly No. 120-2072

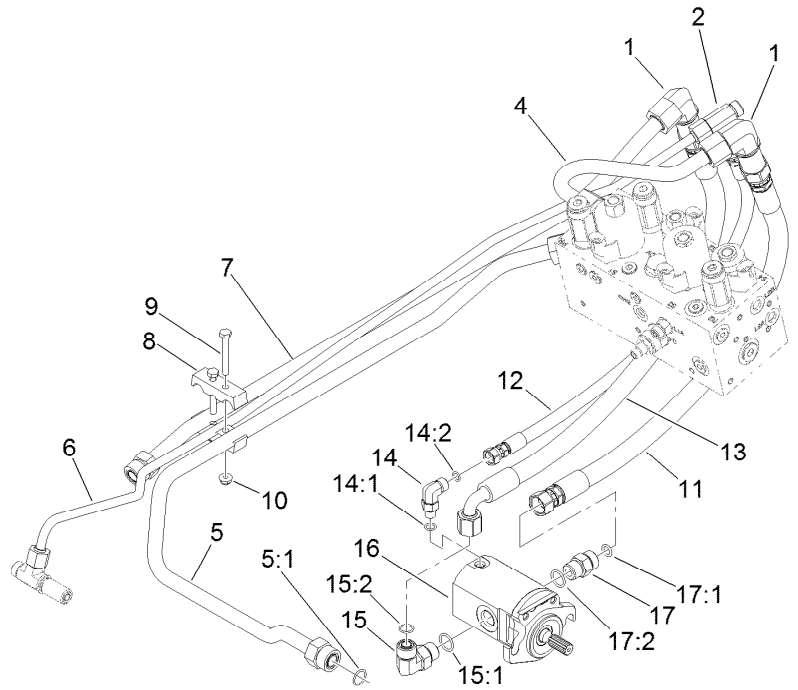
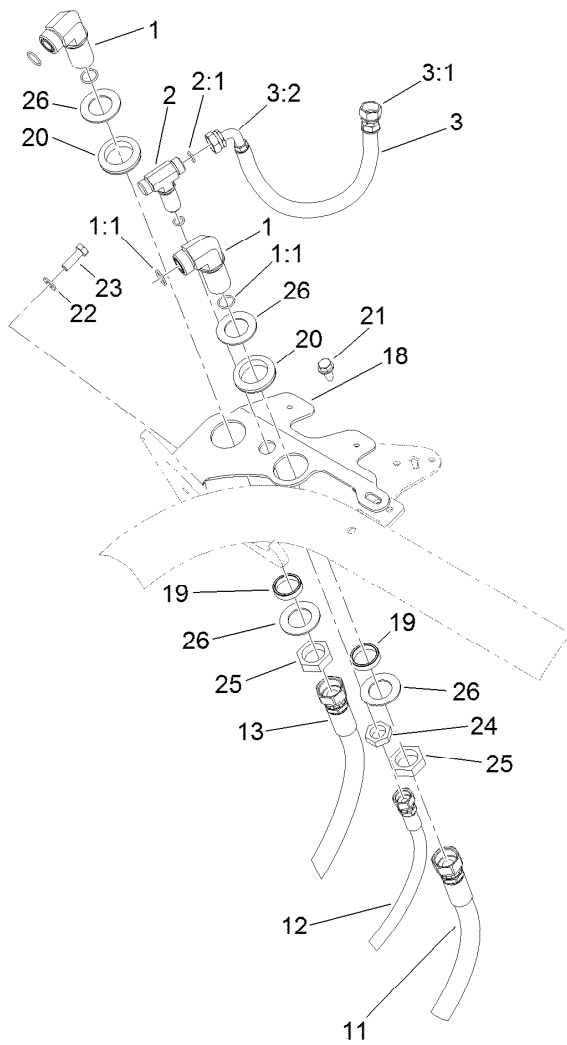
| <i>Ref.</i> | <i>Part Number</i> | <i>Qty.</i> | <i>Description</i> |
|-------------|--------------------|-------------|-------------------------|
| 1 | 119-7113 | 1 | Seal Kit |
| 1:1 | | 1 | O-Ring Housing ● |
| 1:2 | | 1 | Seal-Anti Extrusion ● |
| 1:3 | | 1 | Seal-Plate, Balancing ● |
| 1:4 | | 1 | Seal-Plate, Balancing ● |
| 1:5 | | 1 | Seal-Anti Extrusion ● |
| 1:6 | | 1 | Seal-Shaft (Inboard) ● |
| 1:7 | | 1 | Seal-Shaft (Outboard) ● |

● Not serviced separately



Hydraulic Steering Hose and Center Lift Cylinder Hose Assembly

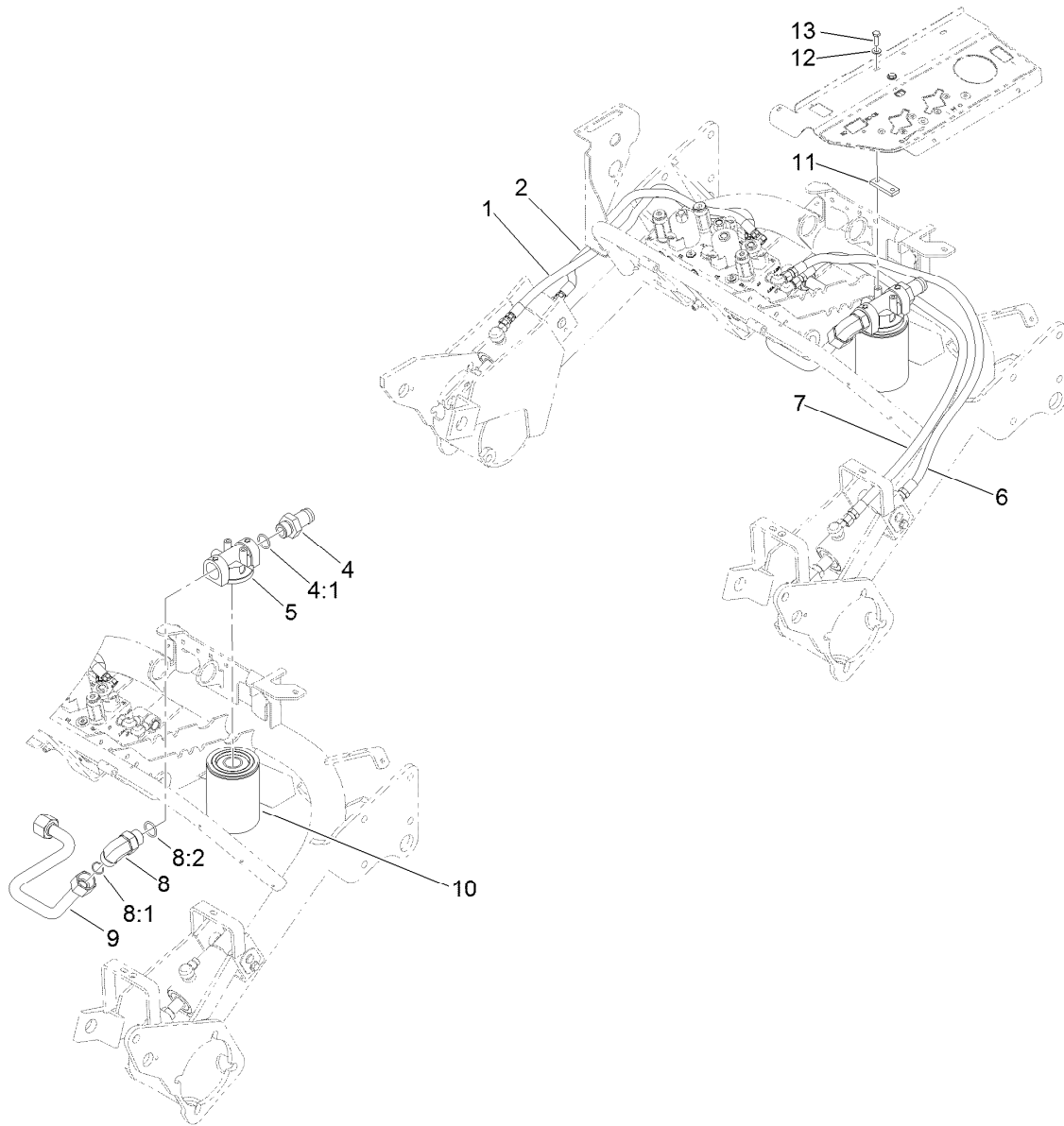
| <i>Ref.</i> | <i>Part Number</i> | <i>Qty.</i> | <i>Description</i> |
|-------------|--------------------|-------------|--------------------|
| 1 | 100-4892 | 1 | Hose-HYD |
| 2 | 131-2043 | 1 | Hose-HYD |
| 2:3 | 237-42 | 1 | O-Ring |
| 3 | 105-4337 | 1 | Hose-HYD |
| 4 | 105-4339 | 1 | Hose-HYD |
| 5 | 131-2040 | 1 | Hose-HYD |
| 6 | 130-6545 | 1 | Hose-HYD |
| 7 | 131-2044 | 1 | Hose-HYD |



Rear Hydraulic Reel Drive and Hose Assembly

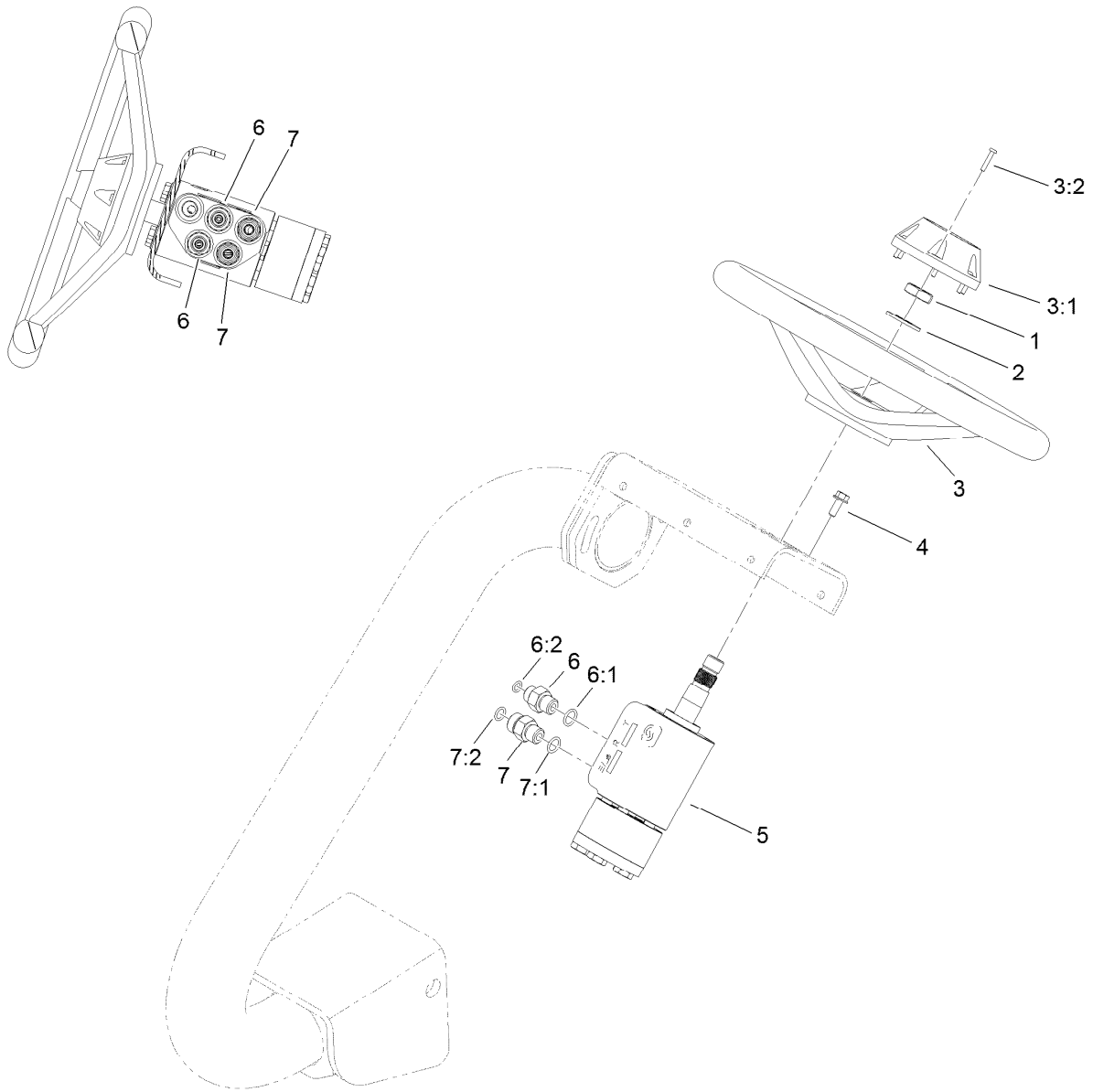
| Ref. | Part Number | Qty. | Description |
|------|-------------|------|--------------------------|
| 1 | 340-72 | 2 | Fitting-Bulkhead, 90 DEG |
| 1:1 | 237-65 | 2 | O-Ring |
| 2 | 105-8281 | 1 | Tee-Bulkhead |
| 2:1 | 237-22 | 3 | O-Ring |
| 3 | 105-5409 | 1 | Hose ASM |
| 3:1 | 105-8311 | 1 | Fitting-HYD |
| 3:2 | 105-8312 | 1 | Fitting-HYD, 90 DEG |
| 4 | 105-5482 | 1 | Tube-HYD |
| 5 | 107-2582 | 1 | Tube-HYD |
| 5:1 | 237-65 | 1 | O-Ring |
| 6 | 132-9530 | 1 | Tube-HYD |
| 7 | 105-5493 | 1 | Tube-HYD |
| 8 | 93-2509 | 2 | Clamp-Tube |
| 9 | 321-11 | 2 | Screw-HH |
| 10 | 104-7201 | 2 | Nut-HF, NI |
| 11 | 105-5400 | 1 | Hose-HYD |
| 12 | 105-5402 | 1 | Hose-HYD |
| 13 | 105-5401 | 1 | Hose-HYD |
| 14 | 340-132 | 1 | Fitting-Elbow, 90 DEG |

| Ref. | Part Number | Qty. | Description |
|------|-------------|------|-----------------------|
| 14:1 | 237-78 | 1 | O-Ring |
| 14:2 | 237-21 | 1 | O-Ring |
| 15 | 340-98 | 1 | Fitting-Elbow, 90 DEG |
| 15:1 | 237-79 | 1 | O-Ring |
| 15:2 | 237-30 | 1 | O-Ring |
| 16 | 120-2072 | 1 | HYD Motor ASM |
| 17 | 340-4 | 1 | Fitting-Straight |
| 17:1 | 237-30 | 1 | O-Ring |
| 17:2 | 237-79 | 1 | O-Ring |
| 18 | 105-8253-01 | 1 | Bracket-Bulkhead |
| 19 | 125-1984 | 2 | Spacer |
| 20 | 240-3 | 2 | Grommet-Rubber |
| 21 | 32104-32 | 1 | Screw-HWH |
| 22 | 3256-23 | 1 | Washer-Plain |
| 23 | 322-5 | 1 | Screw-HH |
| 24 | 340-70 | 1 | Nut-Lock |
| 25 | 340-74 | 2 | Nut-Lock, Bulkhead |
| 26 | 69-9010 | 4 | Washer |



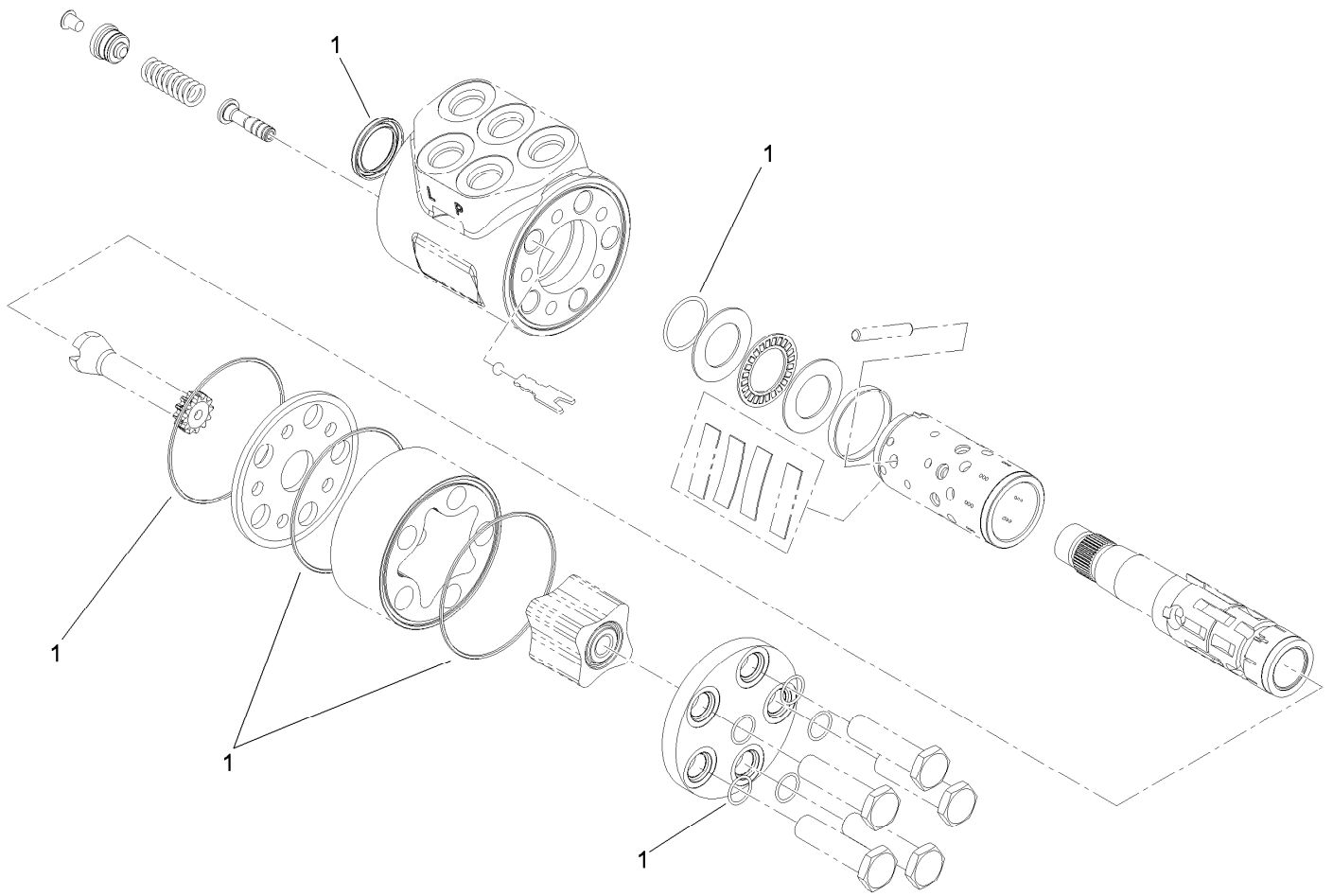
Front Lift Cylinders Hose and Filter Assembly

| Ref. | Part Number | Qty. | Description |
|------|-------------|------|-----------------------|
| 1 | 108-6506 | 1 | Hose-HYD |
| 2 | 108-6505 | 1 | Hose-HYD |
| 4 | 99-3017 | 1 | Fitting |
| 4:1 | 237-81 | 1 | O-Ring |
| 5 | 92-5821 | 1 | Head-Filter |
| 6 | 130-6547 | 1 | Hose-HYD |
| 7 | 130-6546 | 1 | Hose-HYD |
| 8 | 340-142 | 1 | Fitting-Elbow, 90 DEG |
| 8:1 | 237-58 | 1 | O-Ring |
| 8:2 | 237-81 | 1 | O-Ring |
| 9 | 105-5460 | 1 | Tube-HYD |
| 10 | 107-9531 | 1 | Filter-Oil, HYD |
| 11 | 105-4309 | 1 | Plate-Filter |
| 12 | 3256-22 | 2 | Washer-Flat |
| 13 | 321-5 | 2 | Screw-HH |



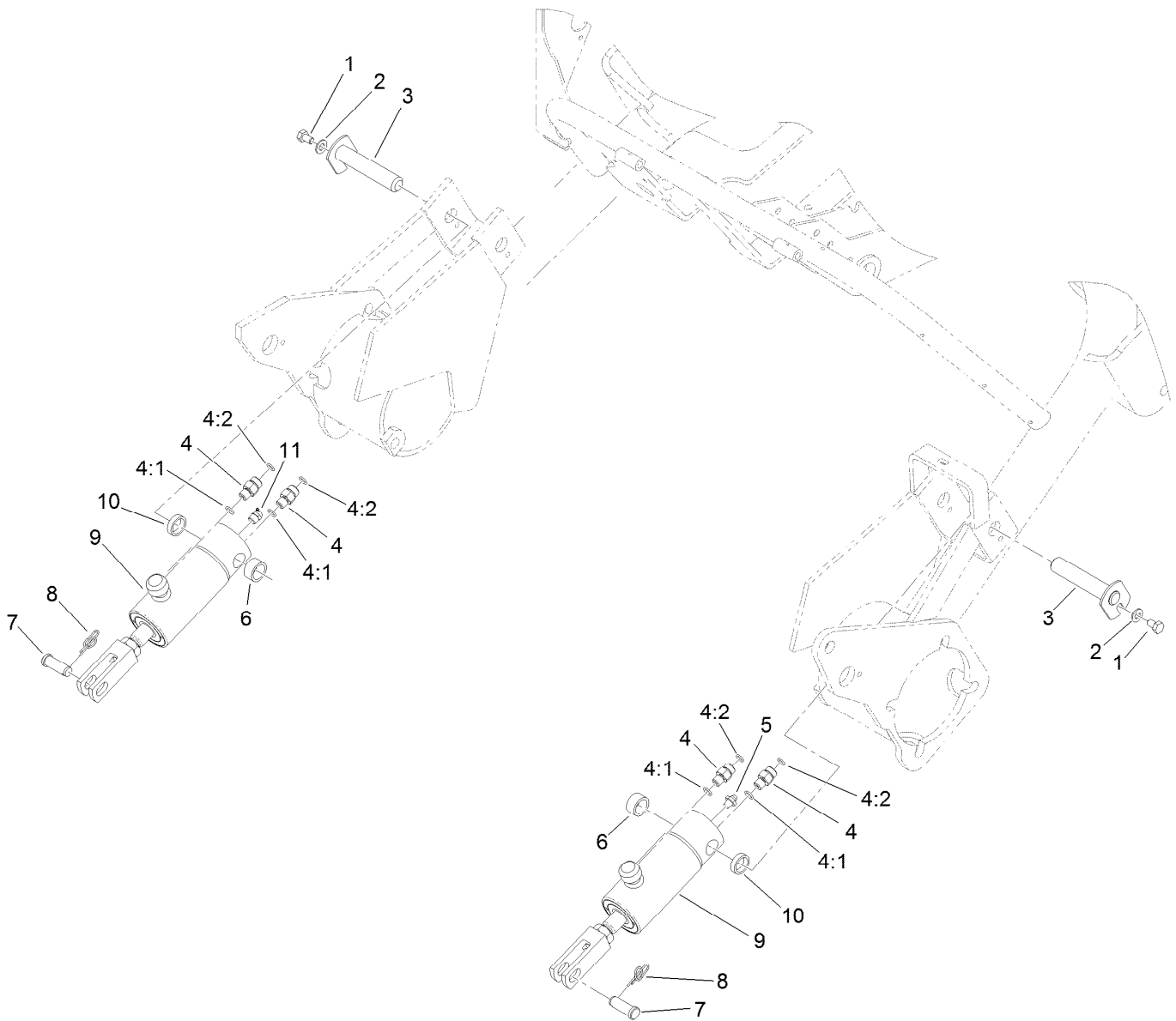
Steering Wheel and Valve Assembly

| Ref. | Part Number | Qty. | Description |
|------|-------------|------|---------------------|
| 1 | 3296-33 | 1 | Nut-Lock, NI |
| 2 | 3256-27 | 1 | Washer-Flat |
| 3 | 75-0560 | 1 | Steering Wheel ASM |
| 3:1 | 32144-21 | 1 | Screw |
| 3:2 | 68-5140 | 1 | Cap-Wheel, Steering |
| 4 | 33103-016 | 4 | Screw-HHF |
| 5 | 114-4672 | 1 | Steering Valve ASM |
| 6 | 340-1 | 2 | Fitting-Straight |
| 6:1 | 237-21 | 1 | O-Ring |
| 6:2 | 237-42 | 1 | O-Ring |
| 7 | 340-2 | 2 | Fitting-Straight |
| 7:1 | 237-22 | 1 | O-Ring |
| 7:2 | 237-42 | 1 | O-Ring |



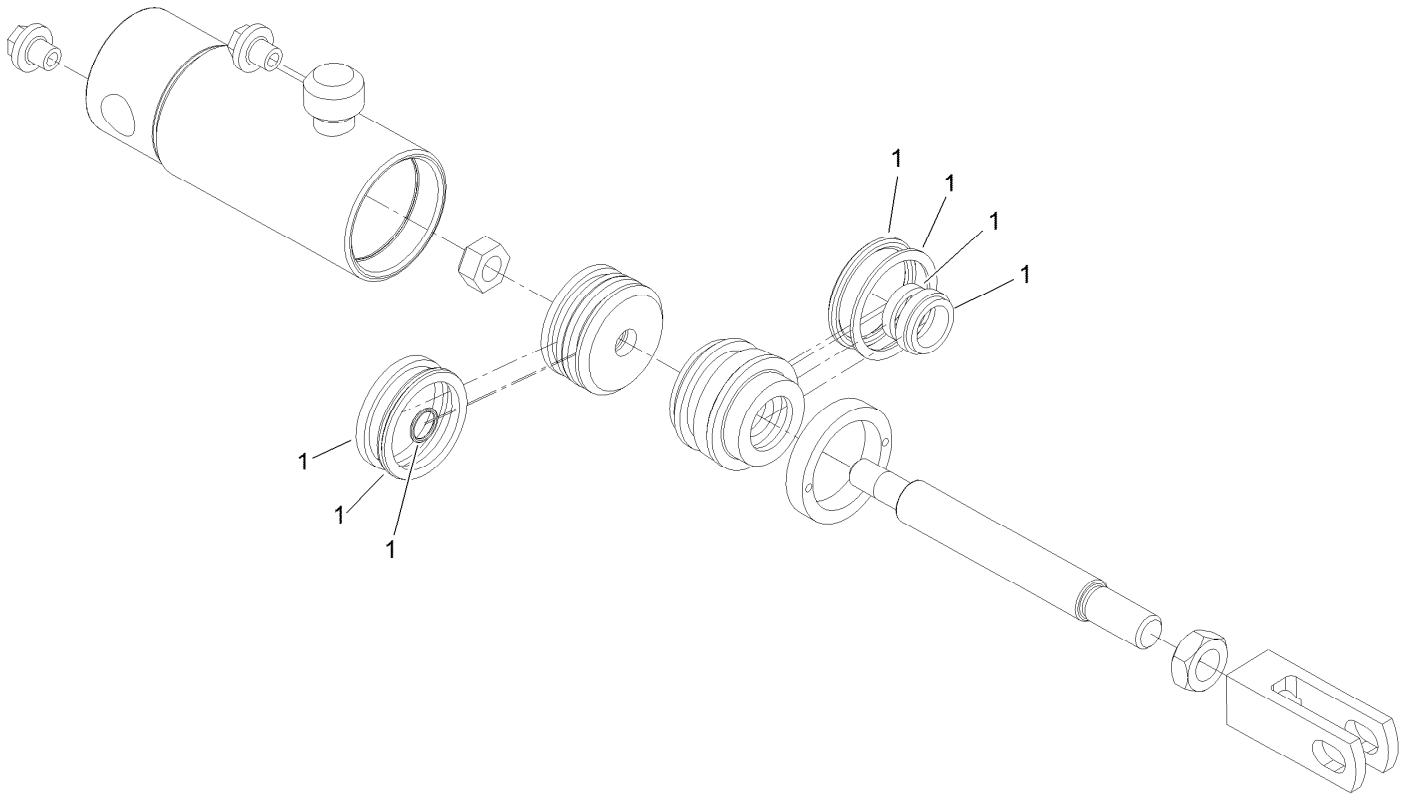
Steering Valve Assembly No. 114-4672

| <i>Ref.</i> | <i>Part Number</i> | <i>Qty.</i> | <i>Description</i> |
|-------------|--------------------|-------------|--------------------|
| 1 | 106-6716 | 1 | Seal Kit |



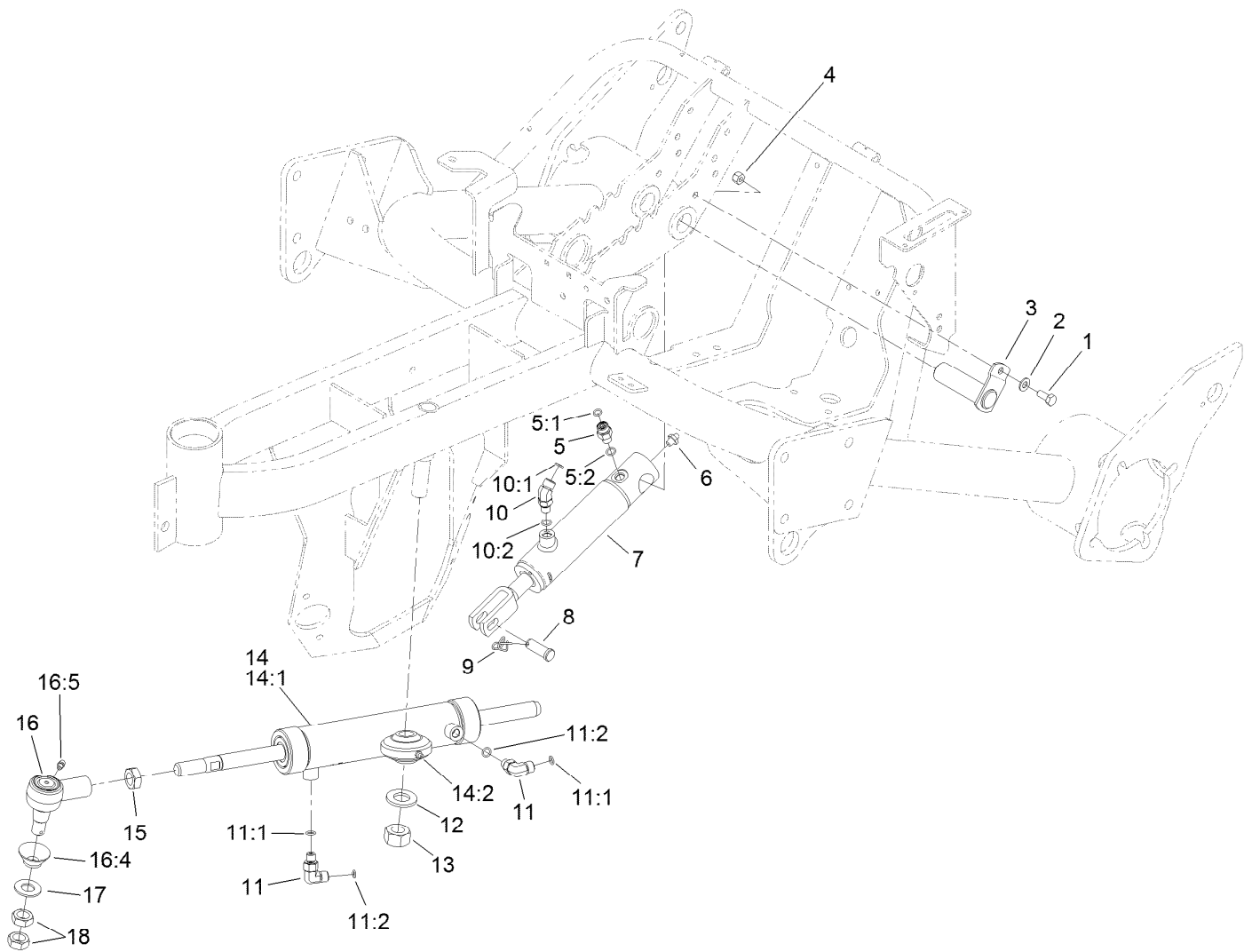
Right Hand and Left Hand Lift Cylinder Assembly

| Ref. | Part Number | Qty. | Description |
|------|-------------|------|----------------------|
| 1 | 322-1 | 2 | Screw-HH |
| 2 | 3256-23 | 2 | Washer-Plain |
| 3 | 120-3199 | 2 | Pin-Pivot |
| 4 | 340-92 | 4 | Fitting-Straight |
| 4:1 | 237-78 | 1 | O-Ring |
| 4:2 | 237-21 | 1 | O-Ring |
| 5 | 302-2 | 1 | Fitting-Grease |
| 6 | 74-3730 | 2 | Spacer-Spindle, Rear |
| 7 | 283-8 | 2 | Pin-Clevis |
| 8 | 112-1491 | 2 | Pin-Cotter |
| 9 | 131-2787 | 2 | HYD Cylinder ASM |
| 10 | 105-3828 | 2 | Spacer |
| 11 | 302-10 | 1 | Fitting-Grease |



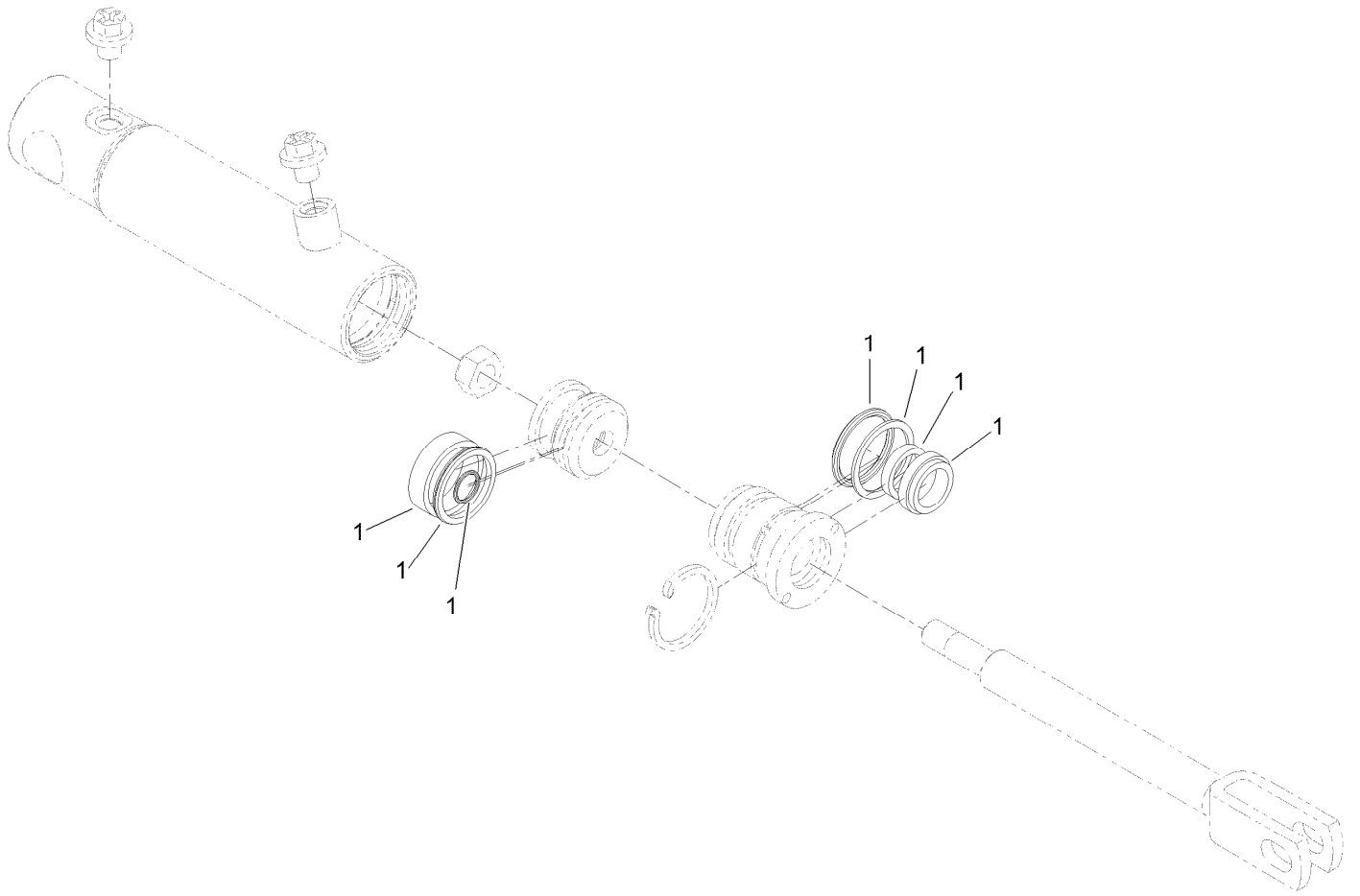
Hydraulic Cylinder Assembly No. 131-2787

| <i>Ref.</i> | <i>Part Number</i> | <i>Qty.</i> | <i>Description</i> |
|-------------|--------------------|-------------|--------------------|
| 1 | 132-9515 | 1 | Seal Kit |



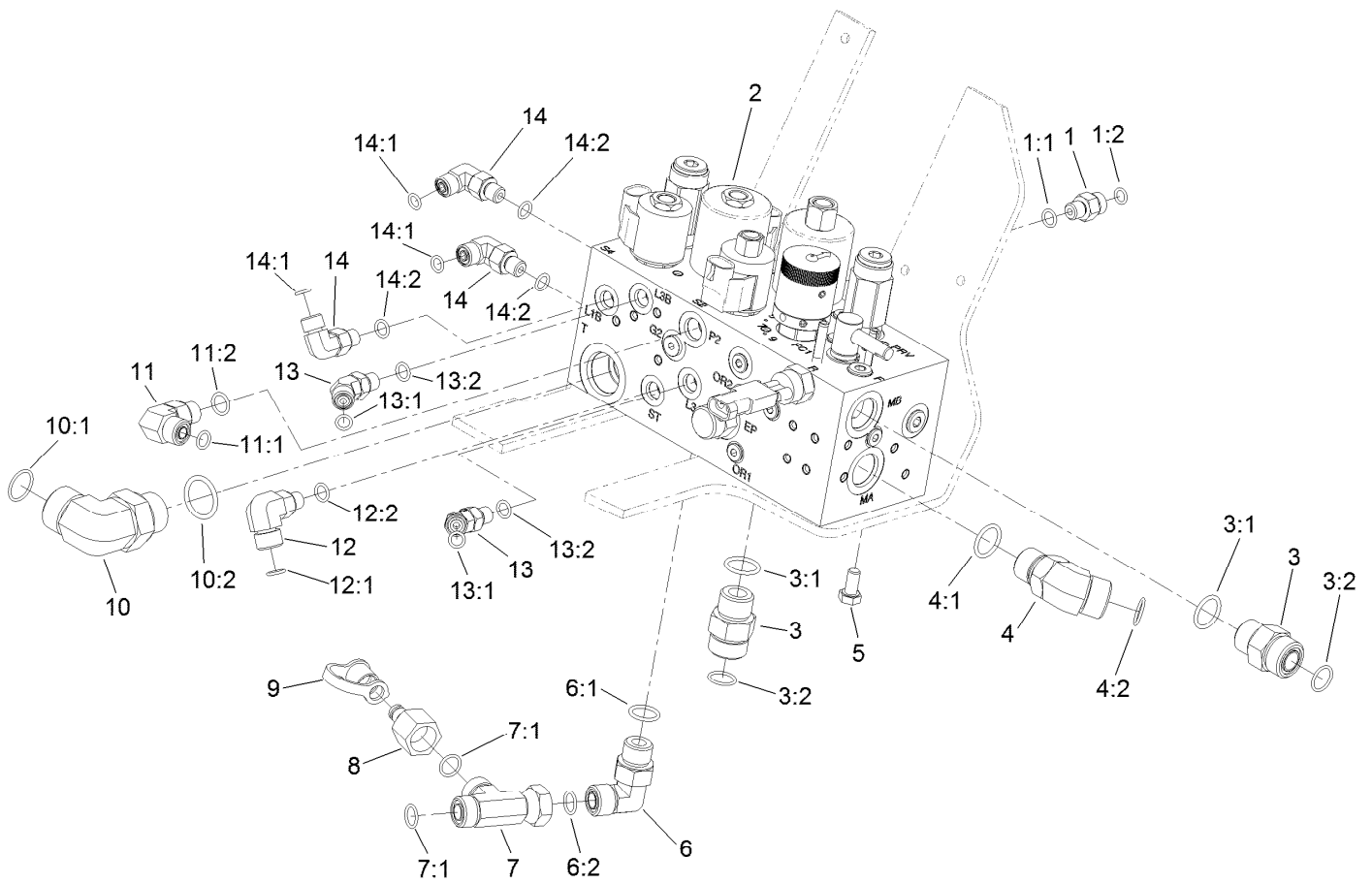
Steering Cylinder and Center Lift Cylinder Assembly

| Ref. | Part Number | Qty. | Description | Ref. | Part Number | Qty. | Description |
|------|-------------|------|---------------------|------|-------------|------|-----------------------|
| 1 | 322-3 | 1 | Screw-HH | 11 | 340-132 | 2 | Fitting-Elbow, 90 DEG |
| 2 | 3256-23 | 1 | Washer-Plain | 11:1 | 237-78 | 1 | O-Ring |
| 3 | 68-5560 | 1 | Pin-Cylinder, Pivot | 11:2 | 237-21 | 1 | O-Ring |
| 4 | 3296-29 | 1 | Nut-Lock, NI | 12 | 3256-28 | 1 | Washer-Flat |
| 5 | 340-92 | 1 | Fitting-Straight | 13 | 3217-12 | 1 | Nut-Hex |
| 5:1 | 237-78 | 1 | O-Ring | 14 | 132-3777 | 1 | Steering Cylinder ASM |
| 5:2 | 237-21 | 1 | O-Ring | 14:1 | 132-6964 | 1 | Seal Kit |
| 6 | 302-2 | 1 | Fitting-Grease | 14:2 | 302-5 | 1 | Fitting-Grease |
| 7 | 131-2786 | 1 | HYD Cylinder ASM | 15 | 84-5300 | 1 | Nut-Jam |
| 8 | 283-8 | 1 | Pin-Clevis | 16 | 107-2553 | 1 | Rod End ASM |
| 9 | 112-1491 | 1 | Pin-Cotter | 16:4 | 106-6896 | 1 | Seal |
| 10 | 340-103 | 1 | Fitting-HYD, 45 DEG | 16:5 | 302-5 | 1 | Fitting-Grease |
| 10:1 | 237-78 | 1 | O-Ring | 17 | 3256-27 | 1 | Washer-Flat |
| 10:2 | 237-21 | 1 | O-Ring | 18 | 3220-6 | 2 | Nut-Jam |



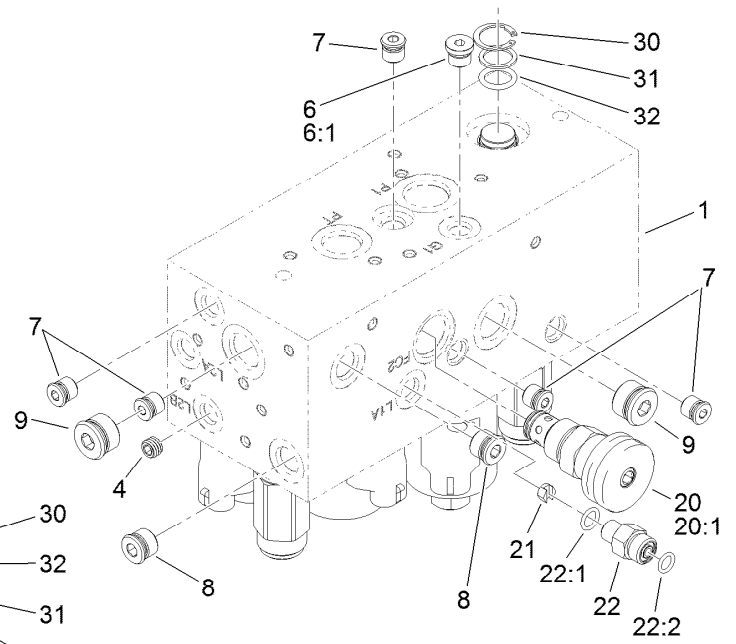
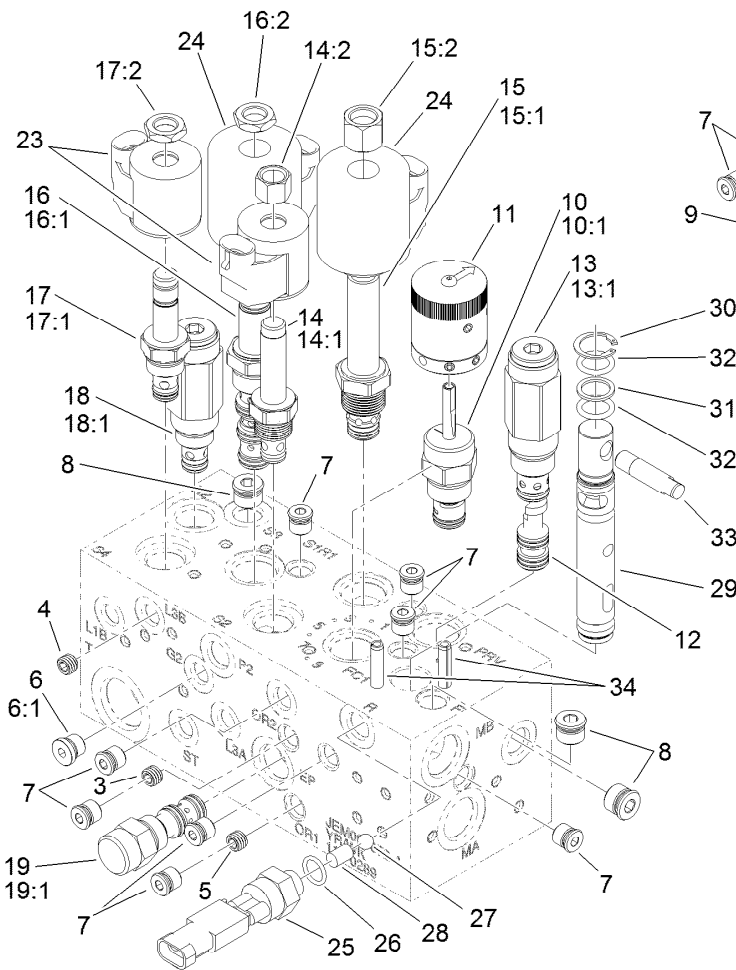
Hydraulic Cylinder Assembly No. 131-2786

| <i>Ref.</i> | <i>Part Number</i> | <i>Qty.</i> | <i>Description</i> |
|-------------|--------------------|-------------|--------------------|
| 1 | 132-9516 | 1 | Seal Kit |



Hydraulic Manifold Assembly

| Ref. | Part Number | Qty. | Description | Ref. | Part Number | Qty. | Description |
|------|-------------|------|-----------------------------|------|-------------|------|-----------------------|
| 1 | 340-92 | 1 | Fitting-Straight | 8 | 100-5616 | 1 | Fitting |
| 1:1 | 237-78 | 1 | O-Ring | 9 | 354-79 | 1 | Cap-Dust |
| 1:2 | 237-21 | 1 | O-Ring | 10 | 340-142 | 1 | Fitting-Elbow, 90 DEG |
| 2 | 112-0289 | 1 | Manifold ASM (With Backlap) | 10:1 | 237-58 | 1 | O-Ring |
| 3 | 340-7 | 2 | Fitting-Straight | 10:2 | 237-81 | 1 | O-Ring |
| 3:1 | 237-65 | 1 | O-Ring | 11 | 340-77 | 1 | Fitting-Elbow, 90 DEG |
| 3:2 | 237-80 | 1 | O-Ring | 11:1 | 237-22 | 1 | O-Ring |
| 4 | 340-14 | 1 | Fitting-HYD, 45 DEG | 11:2 | 237-42 | 1 | O-Ring |
| 4:1 | 237-65 | 1 | O-Ring | 12 | 340-97 | 1 | Fitting-Elbow, 90 DEG |
| 4:2 | 237-80 | 1 | O-Ring | 12:1 | 237-22 | 1 | O-Ring |
| 5 | 33114-016 | 2 | Screw-HH | 12:2 | 237-78 | 1 | O-Ring |
| 6 | 340-98 | 1 | Fitting-Elbow, 90 DEG | 13 | 340-103 | 2 | Fitting-HYD, 45 DEG |
| 6:1 | 237-79 | 1 | O-Ring | 13:1 | 237-78 | 1 | O-Ring |
| 6:2 | 237-30 | 1 | O-Ring | 13:2 | 237-21 | 1 | O-Ring |
| 7 | 340-104 | 1 | Fitting-Tee | 14 | 340-132 | 3 | Fitting-Elbow, 90 DEG |
| 7:1 | 237-30 | 2 | O-Ring | 14:1 | 237-78 | 1 | O-Ring |
| | | | | 14:2 | 237-21 | 1 | O-Ring |

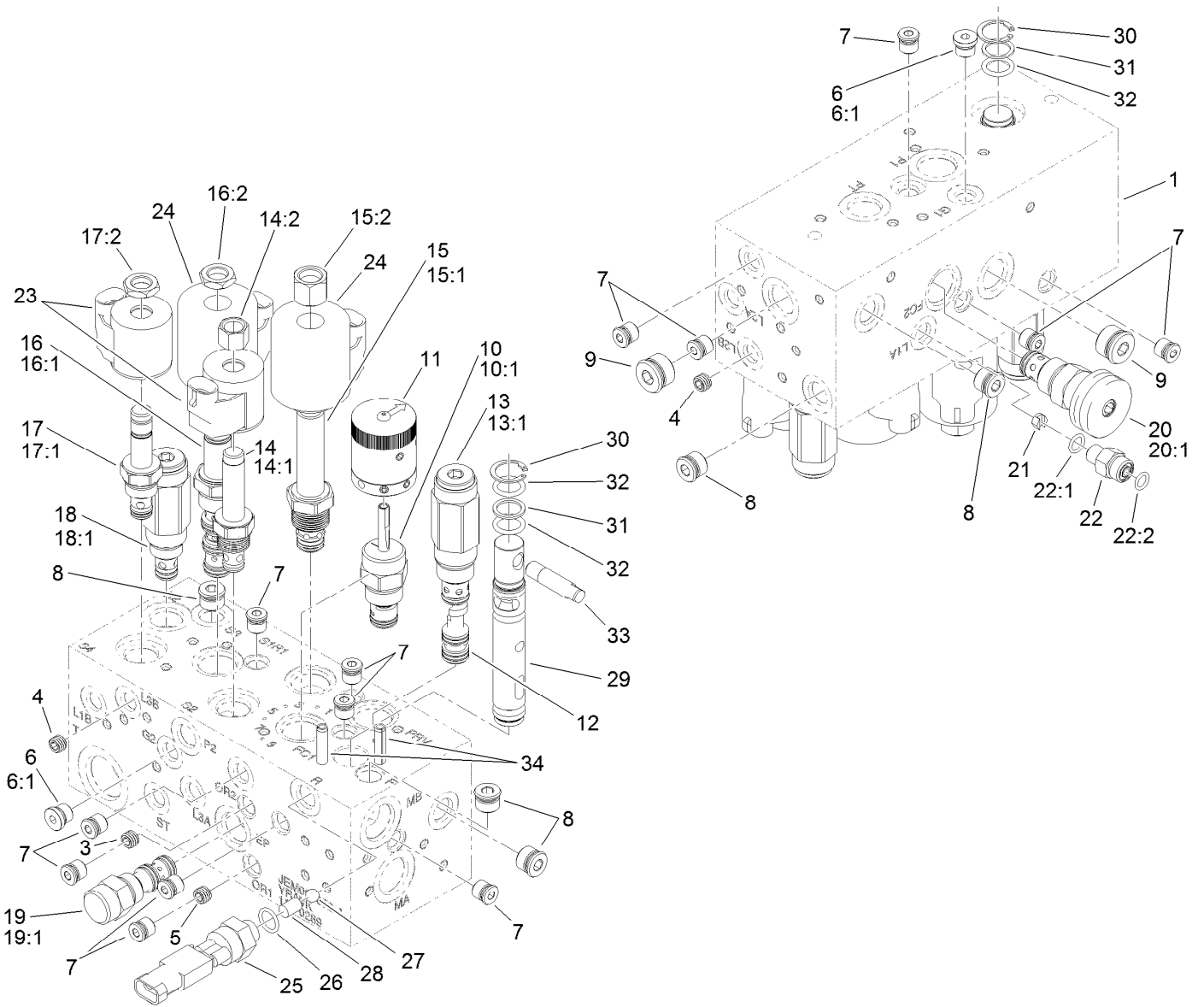


Hydraulic Manifold Assembly No. 112-0289

| Ref. | Part Number | Qty. | Description |
|------|-------------|------|------------------------------|
| 1 | | 1 | Body-Manifold ● |
| 3 | 112-9202 | 1 | Orifice-Flow, Control (.060) |
| 4 | 110-8887 | 2 | Plug-Orifice (0.055) |
| 5 | 112-9203 | 1 | Orifice-Control, Flow (.013) |
| 6 | 353-990 | 2 | Plug ASM |
| 6:1 | 237-78 | 1 | O-Ring |
| 7 | 106-1025 | 13 | Plug-HYD |
| 8 | 106-1026 | 5 | Plug-HYD |
| 9 | 106-1027 | 2 | Plug |
| 10 | 110-8769 | 1 | Valve-Control, Manual Flow |
| 10:1 | 110-2633 | 1 | Seal Kit |
| 11 | 110-8767 | 1 | Rotary Handle ASM |
| 12 | 119-3506 | 1 | Piston-Pilot |
| 13 | 112-9205 | 1 | Valve-Relief |
| 13:1 | 105-9159 | 1 | Seal Kit |
| 14 | 107-7517 | 1 | Valve-Solenoid |
| 14:1 | 105-9156 | 1 | Seal Kit |
| 14:2 | 107-7812 | 1 | Nut-Solenoid |

| Ref. | Part Number | Qty. | Description |
|------|-------------|------|-----------------------------|
| 15 | 119-4137 | 1 | Valve-Relief, Solenoid |
| 15:1 | 110-6316 | 1 | Seal Kit |
| 15:2 | 130-8180 | 1 | Nut-Coil (9/16-24 Unef-2B) |
| 16 | 110-8906 | 1 | Valve-Solenoid |
| 16:1 | 110-8908 | 1 | Spool Valve Seal Kit |
| 16:2 | 110-2634 | 1 | Nut-Coil |
| 17 | 112-9206 | 1 | Solenoid Valve ASM |
| 17:1 | 105-9156 | 1 | Seal Kit |
| 17:2 | 110-2634 | 1 | Nut-Coil |
| 18 | 133-8873 | 1 | Valve-Relief |
| 18:1 | 105-9156 | 1 | Seal Kit |
| 19 | 110-8988 | 1 | Element-Logic |
| 19:1 | 110-8773 | 1 | Seal Kit |
| 20 | 119-4136 | 1 | Control-Flow |
| 20:1 | 110-2633 | 1 | Seal Kit |
| 21 | 114-4682 | 1 | Orifice-Flow Control (.030) |
| 22 | 340-92 | 1 | Fitting-Straight |
| 22:1 | 237-78 | 1 | O-Ring |

● Not serviced separately

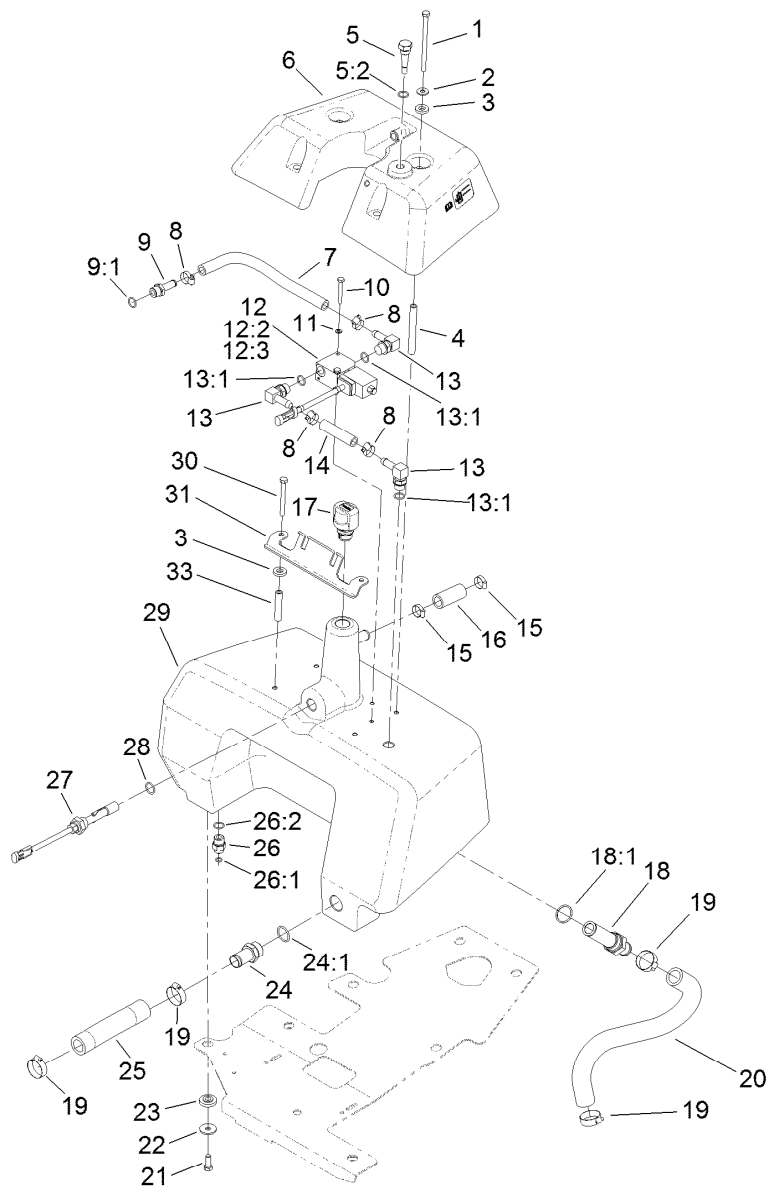


Hydraulic Manifold Assembly No. 112-0289 (continued)

| Ref. | Part Number | Qty. | Description |
|------|-------------|------|-------------|
| 22:2 | 237-21 | 1 | O-Ring |
| 23 | 105-9333 | 2 | Coil-12Vdc |
| 24 | 110-2630 | 2 | Coil-12Vdc |
| 25 | 72-4320 | 1 | Switch-Ball |
| 26 | 110-8757 | 1 | O-Ring |
| 27 | 110-8762 | 1 | Ball-Chrome |
| 28 | 112-6533 | 1 | Pin-Dowel |

| Ref. | Part Number | Qty. | Description |
|------|-------------|------|----------------|
| 29 | 112-6536 | 1 | Spool |
| 30 | 112-6532 | 2 | Ring-Retaining |
| 31 | 112-6534 | 2 | Ring-Back Up |
| 32 | 117-4606 | 3 | O-Ring |
| 33 | 110-8758 | 1 | Handle-Spool |
| 34 | 112-6531 | 2 | Pin-Spring |

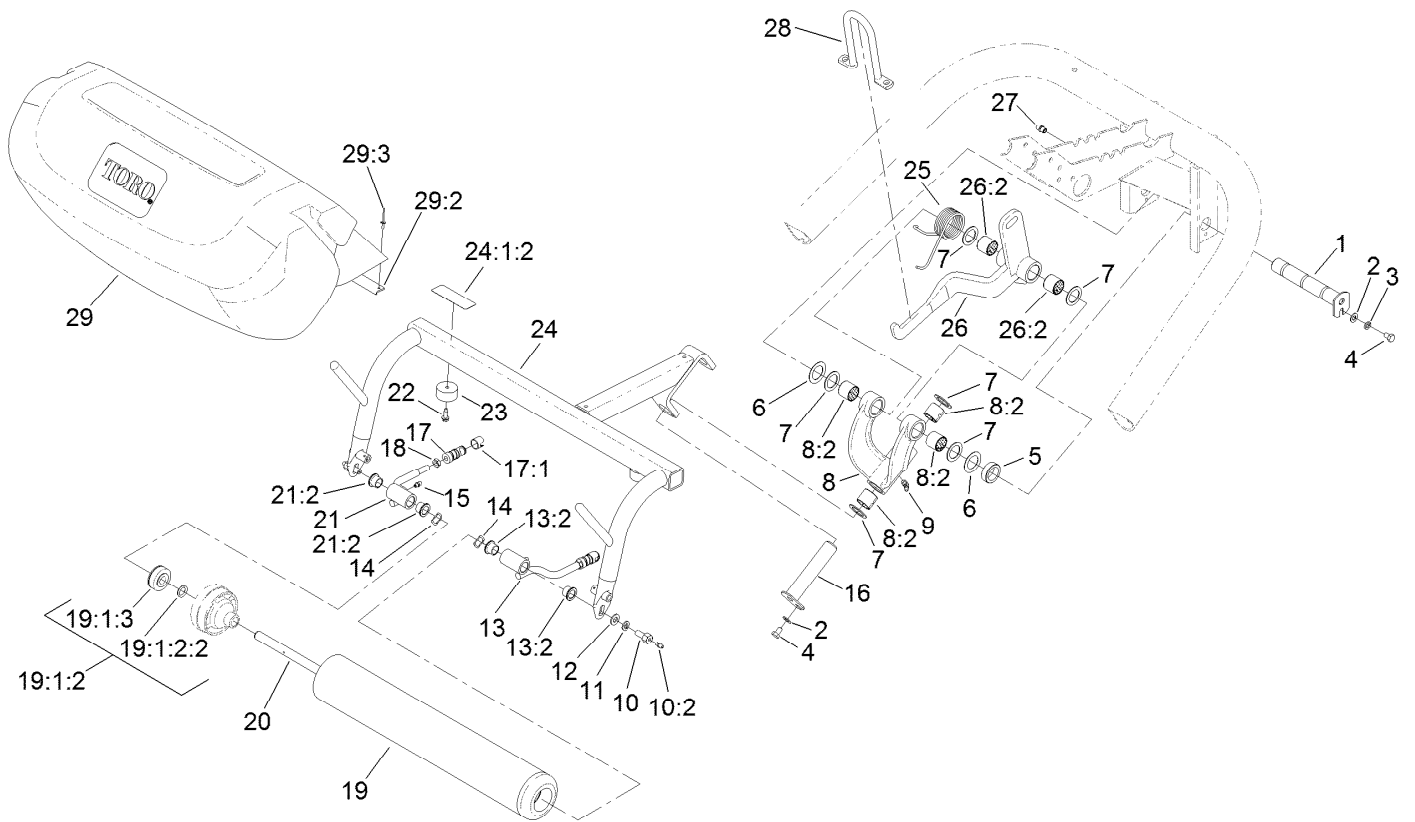
● Not serviced separately



Hydraulic Reservoir and Leak Detector Assembly

| Ref. | Part Number | Qty. | Description |
|------|-------------|------|---------------------|
| 1 | 322-29 | 2 | Screw-HH |
| 2 | 3256-71 | 2 | Washer-Flat |
| 3 | 83-1470 | 4 | Washer-Neoprene |
| 4 | 83-1560 | 2 | Spacer-Tube, Long |
| 5 | 133-2334 | 1 | Dipstick ASM |
| 5:2 | 237-79 | 1 | O-Ring |
| 6 | 121-2565 | 1 | Tank-Detector, Leak |
| 7 | 83-2070 | 1 | Hose-Valve |
| 8 | 2412-36 | 4 | Clamp-Hose |
| 9 | 354-121 | 1 | Fitting-STR |
| 9:1 | 237-79 | 1 | O-Ring |
| 10 | 321-11 | 2 | Screw-HH |
| 11 | 3253-3 | 2 | Washer-Lock |
| 12 | 83-1460 | 1 | Solenoid Valve ASM |
| 12:2 | 83-2000 | 1 | Spool-Valve |
| 12:3 | 83-2010 | 1 | Coil ASM |
| 13 | 354-120 | 3 | Fitting-Elbow, 90 |
| 13:1 | 237-79 | 1 | O-Ring |
| 14 | 83-2080 | 1 | Hose-Valve, Tank |
| 15 | 2412-141 | 2 | Clamp-Drive, Worm |
| 16 | 110-3998 | 1 | Hose-Overflow |

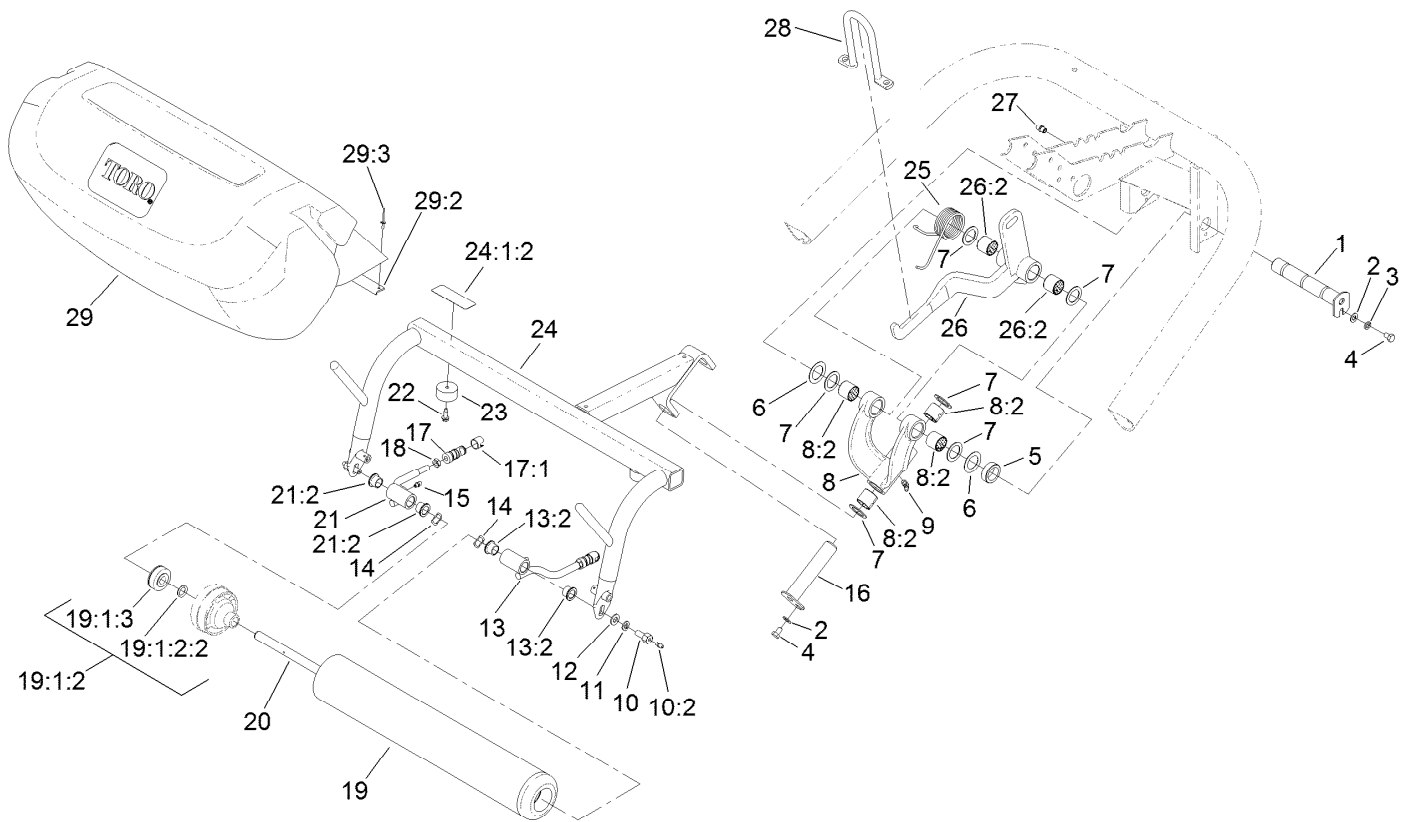
| Ref. | Part Number | Qty. | Description |
|------|-------------|------|----------------------|
| 17 | 115-9793 | 1 | Breather |
| 18 | 112-0211 | 1 | Strainer Fitting ASM |
| 18:1 | 237-146 | 1 | O-Ring |
| 19 | 2412-34 | 4 | Clamp-Hose |
| 20 | 105-8285 | 1 | Hose-Inlet, Pump |
| 21 | 323-6 | 3 | Screw-HH |
| 22 | 63-8410 | 3 | Washer |
| 23 | 240-11 | 3 | Bushing-Flange |
| 24 | 83-0870 | 1 | Fitting-Hose, Barbed |
| 24:1 | 237-177 | 1 | O-Ring |
| 25 | 105-5410 | 1 | Hose-HYD |
| 26 | 340-3 | 1 | Fitting-Straight |
| 26:1 | 237-22 | 1 | O-Ring |
| 26:2 | 237-79 | 1 | O-Ring |
| 27 | 83-1450 | 1 | Sensor-Level, Oil |
| 28 | 237-80 | 1 | O-Ring |
| 29 | 119-3562 | 1 | Tank-Hydraulic |
| 30 | 322-14 | 2 | Screw-HH |
| 31 | 121-2564 | 1 | Bracket |
| 33 | 83-1550 | 2 | Spacer-Tube, Short |



Center Pull Frame Assembly

| Ref. | Part Number | Qty. | Description | Ref. | Part Number | Qty. | Description |
|------|-------------|------|------------------------|----------|-------------|------|-------------------------|
| 1 | 114-4685 | 1 | Pin-Hinge | 16 | 10-6090 | 1 | Pin-Pivot |
| 2 | 3256-23 | 2 | Washer-Plain | 17 | 99-1460 | 2 | Ball Joint Receiver ASM |
| 3 | 3253-4 | 1 | Washer-Lock | 17:1 | 99-1461 | 1 | Sleeve-Joint, Ball |
| 4 | 322-1 | 2 | Screw-HH | 18 | 3220-3 | 2 | Nut-HJ |
| 5 | 93-2384 | 1 | Spacer-Carrier | 19 | 133-2337 | 1 | Roller ASM |
| 6 | 5-1226 | 2 | Washer | 19:1:2 | | 2 | Hub Yoke ASM ● |
| 7 | 10-8110 | 6 | Washer-Thrust | 19:1:2:2 | 253-83 | 1 | Seal-Oil |
| 8 | 105-0452 | 1 | Pivot Hinge ASM | 19:1:3 | 133-2378 | 2 | Bearing |
| 8:2 | 125-5196 | 4 | Bushing | 20 | 21-8470 | 1 | Shaft-Roller |
| 9 | 302-60 | 1 | Fitting-Grease | 21 | 92-0585 | 1 | Pull Arm ASM |
| 10 | 11-0160 | 2 | Roller Shaft Screw ASM | 21:2 | 125-5178 | 2 | Bushing |
| 10:2 | 302-5 | 1 | Fitting-Grease | 22 | 32104-95 | 2 | Screw-HWH |
| 11 | 3253-21 | 2 | Washer-Lock | 23 | 94-4548 | 2 | Bumper-Recessed |
| 12 | 3256-24 | 2 | Washer-Flat | 24 | 136-8485 | 1 | Frame-Pull, Center |
| 13 | 92-0586 | 1 | Pull Arm ASM | 24:1:2 | 104-7729 | 1 | Decal-Danger, CE |
| 13:2 | 125-5178 | 2 | Bushing | 25 | 110-3953 | 1 | Spring-Torsion, Center |
| 14 | 3290-317 | 2 | Washer-Spring | 26 | 110-3955 | 1 | Center Lift Arm ASM |
| 15 | 302-5 | 2 | Fitting-Grease | 26:2 | 125-5196 | 2 | Bushing |

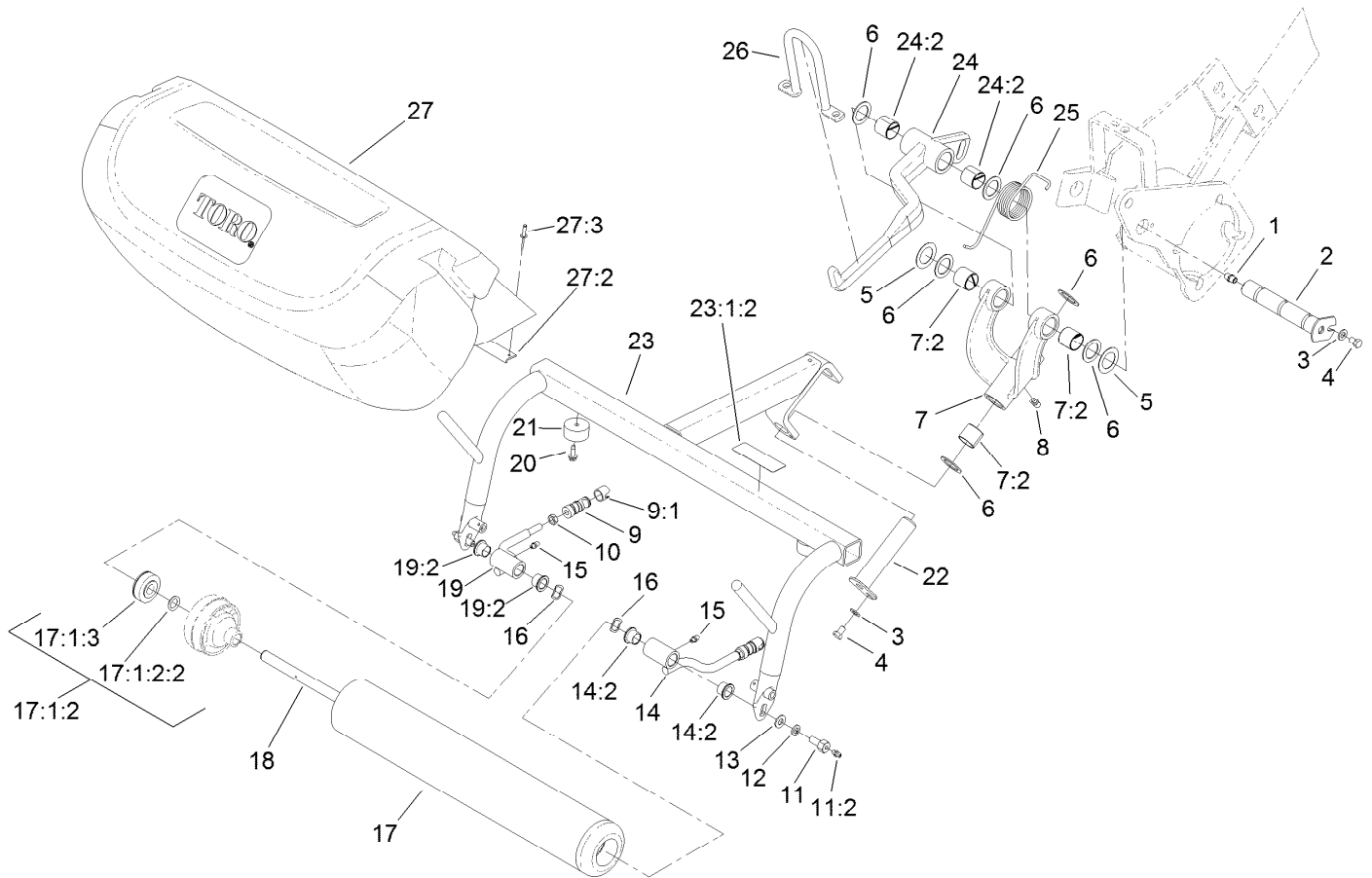
● Not serviced separately



Center Pull Frame Assembly (continued)

| <i>Ref.</i> | <i>Part Number</i> | <i>Qty.</i> | <i>Description</i> | <i>Ref.</i> | <i>Part Number</i> | <i>Qty.</i> | <i>Description</i> |
|-------------|--------------------|-------------|--------------------|-------------|--------------------|-------------|--------------------|
| 27 | 302-33 | 1 | Fitting-Grease | 29:2 | 104-2607 | 1 | Strip-Basket |
| 28 | 105-5740 | 1 | Hook-Lift | 29:3 | 3290-382 | 8 | Rivet-Pop |
| 29 | 108-8642 | 1 | Grass Basket ASM | | | | |

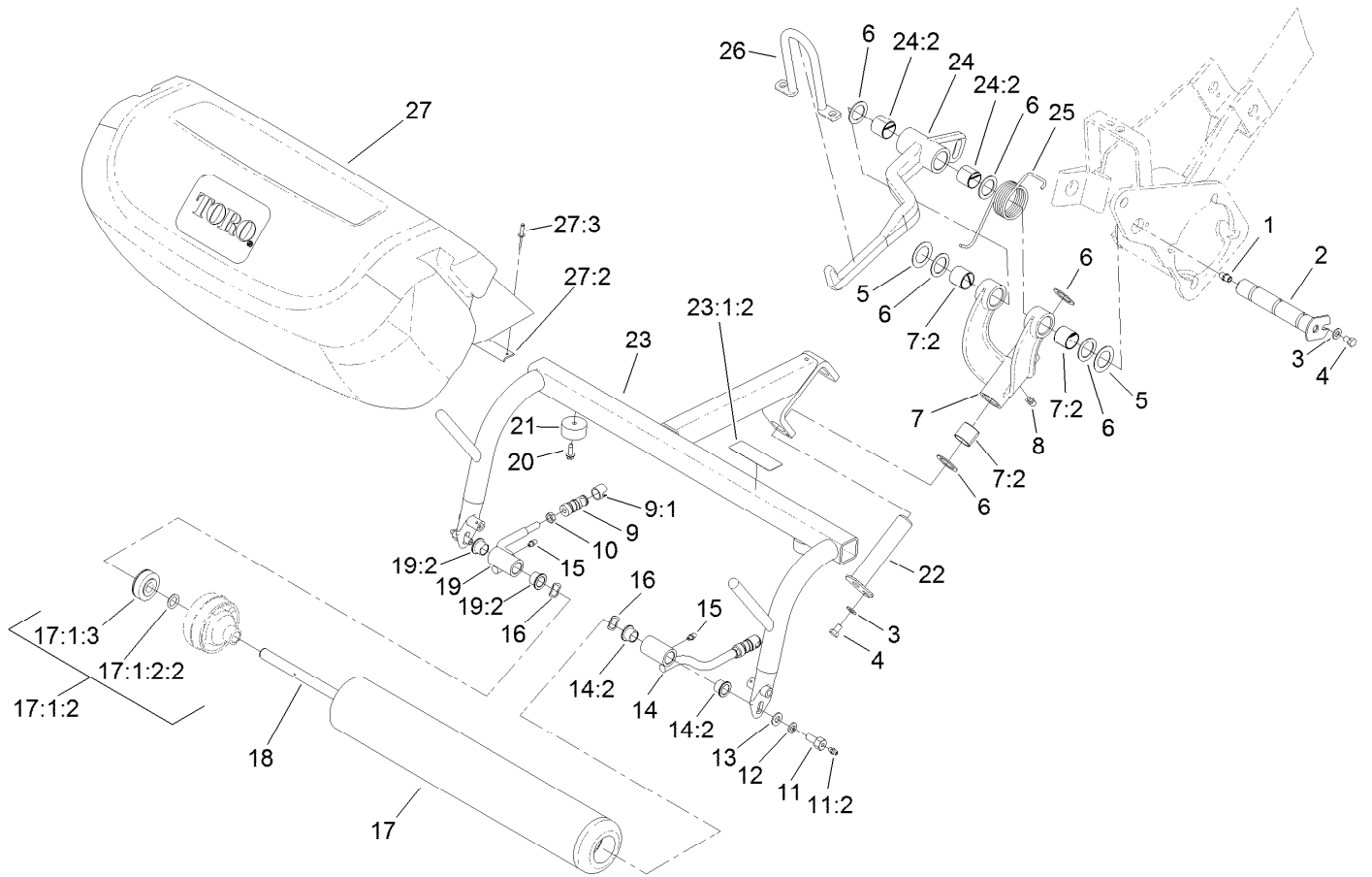
● Not serviced separately



Left Pull Frame Assembly

| Ref. | Part Number | Qty. | Description | Ref. | Part Number | Qty. | Description |
|------|-------------|------|-------------------------|----------|-------------|------|--------------------|
| 1 | 302-33 | 1 | Fitting-Grease | 15 | 302-5 | 2 | Fitting-Grease |
| 2 | 114-4683 | 1 | Pin-Hinge | 16 | 3290-317 | 2 | Washer-Spring |
| 3 | 3256-23 | 2 | Washer-Plain | 17 | 133-2337 | 1 | Roller ASM |
| 4 | 322-1 | 2 | Screw-HH | 17:1:2 | | 2 | Hub Yoke ASM ● |
| 5 | 5-1226 | 2 | Washer | 17:1:2:2 | 253-83 | 1 | Seal-Oil |
| 6 | 10-8110 | 6 | Washer-Thrust | 17:1:3 | 133-2378 | 2 | Bearing |
| 7 | 10-7820 | 1 | Pivot Hinge ASM | 18 | 21-8470 | 1 | Shaft-Roller |
| 7:2 | 125-5196 | 4 | Bushing | 19 | 92-0585 | 1 | Pull Arm ASM |
| 8 | 302-60 | 1 | Fitting-Grease | 19:2 | 125-5178 | 2 | Bushing |
| 9 | 99-1460 | 2 | Ball Joint Receiver ASM | 20 | 32104-95 | 2 | Screw-HWH |
| 9:1 | 99-1461 | 1 | Sleeve-Joint, Ball | 21 | 94-4548 | 2 | Bumper-Recessed |
| 10 | 3220-3 | 2 | Nut-HJ | 22 | 10-6090 | 1 | Pin-Pivot |
| 11 | 11-0160 | 2 | Roller Shaft Screw ASM | 23 | 136-8484 | 1 | Frame-Pull, LH |
| 11:2 | 302-5 | 1 | Fitting-Grease | 23:1:2 | 104-7729 | 1 | Decal-Danger, CE |
| 12 | 3253-21 | 2 | Washer-Lock | 24 | 107-2598 | 1 | LH Lift Arm ASM |
| 13 | 3256-24 | 2 | Washer-Flat | 24:2 | 125-5196 | 2 | Bushing |
| 14 | 92-0586 | 1 | Pull Arm ASM | 25 | 110-3952 | 1 | Spring-Torsion, LH |
| 14:2 | 125-5178 | 2 | Bushing | 26 | 105-5740 | 1 | Hook-Lift |

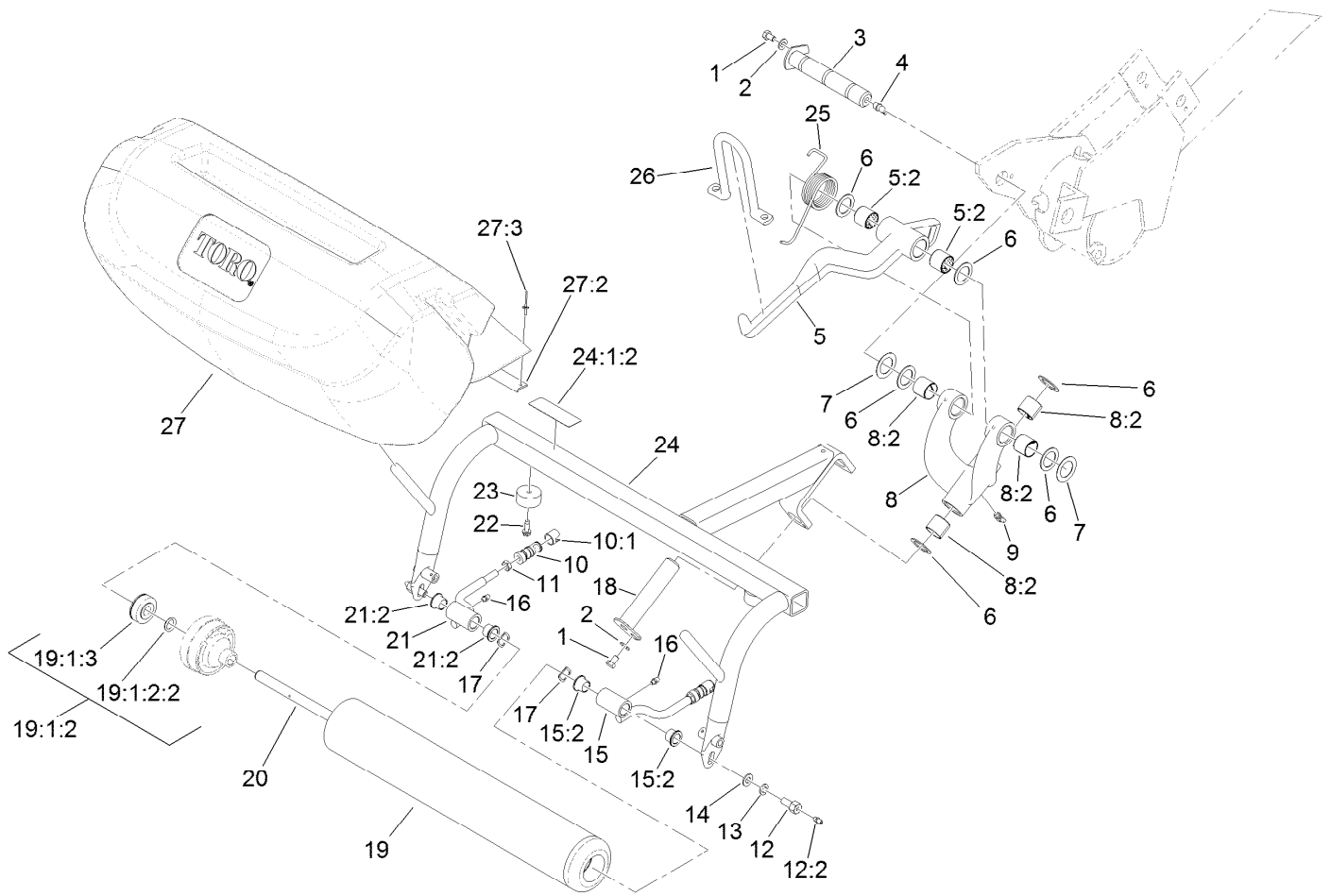
● Not serviced separately



Left Pull Frame Assembly (continued)

| <i>Ref.</i> | <i>Part Number</i> | <i>Qty.</i> | <i>Description</i> | <i>Ref.</i> | <i>Part Number</i> | <i>Qty.</i> | <i>Description</i> |
|-------------|--------------------|-------------|--------------------|-------------|--------------------|-------------|--------------------|
| 27 | 108-8642 | 1 | Grass Basket ASM | 27:2 | 104-2607 | 1 | Strip-Basket |
| | | | | 27:3 | 3290-382 | 8 | Rivet-Pop |

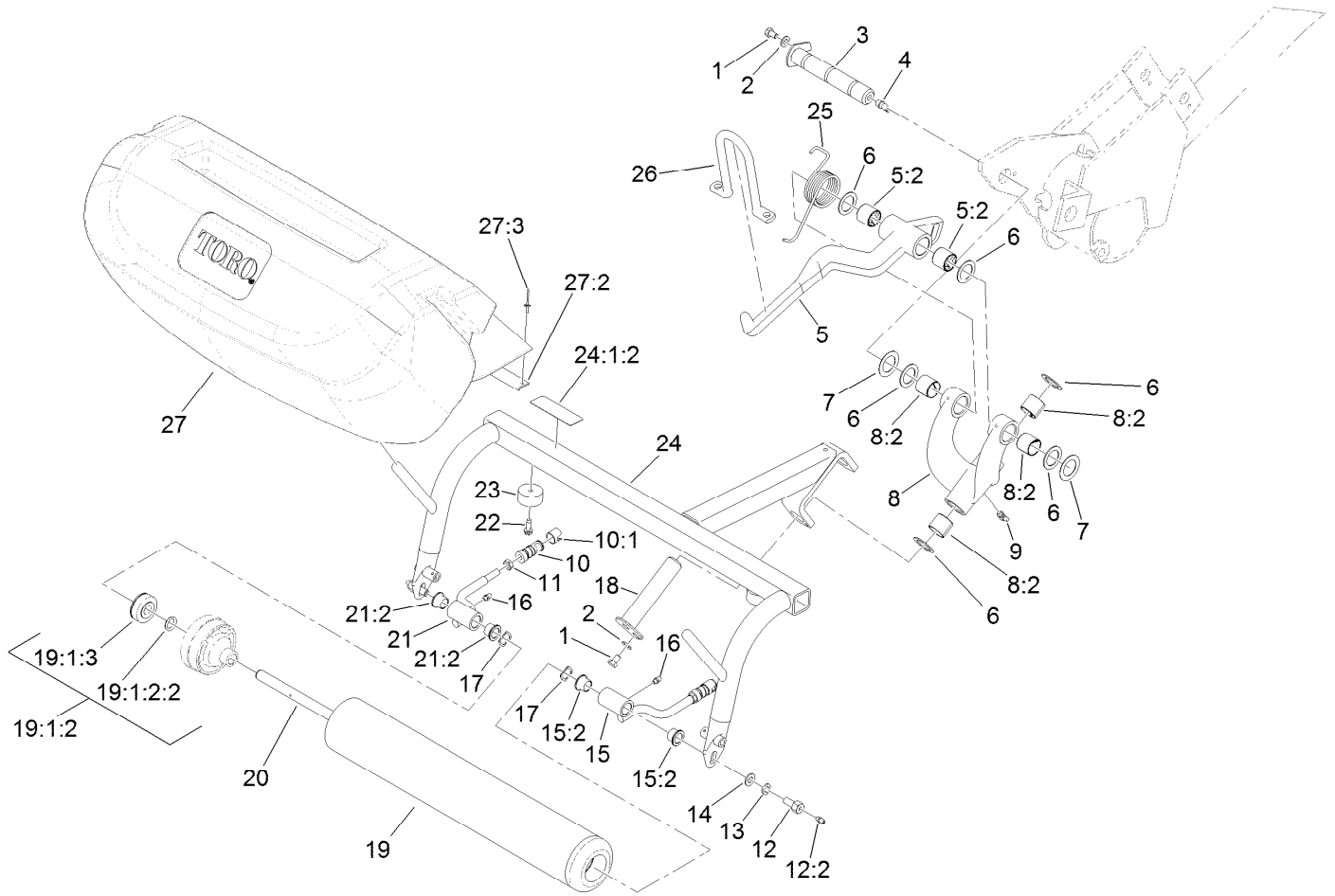
● Not serviced separately



Right Pull Frame Assembly

| Ref. | Part Number | Qty. | Description | Ref. | Part Number | Qty. | Description |
|------|-------------|------|-------------------------|----------|-------------|------|--------------------|
| 1 | 322-1 | 2 | Screw-HH | 15 | 92-0586 | 1 | Pull Arm ASM |
| 2 | 3256-23 | 2 | Washer-Plain | 15:2 | 125-5178 | 2 | Bushing |
| 3 | 114-4683 | 1 | Pin-Hinge | 16 | 302-5 | 2 | Fitting-Grease |
| 4 | 302-33 | 1 | Fitting-Grease | 17 | 3290-317 | 2 | Washer-Spring |
| 5 | 107-2599 | 1 | RH Lift Arm ASM | 18 | 10-6090 | 1 | Pin-Pivot |
| 5:2 | 125-5196 | 2 | Bushing | 19 | 133-2337 | 1 | Roller ASM |
| 6 | 10-8110 | 6 | Washer-Thrust | 19:1:2 | | 2 | Hub Yoke ASM ● |
| 7 | 5-1226 | 2 | Washer | 19:1:2:2 | 253-83 | 1 | Seal-Oil |
| 8 | 10-7820 | 1 | Pivot Hinge ASM | 19:1:3 | 133-2378 | 2 | Bearing |
| 8:2 | 125-5196 | 4 | Bushing | 20 | 21-8470 | 1 | Shaft-Roller |
| 9 | 302-60 | 1 | Fitting-Grease | 21 | 92-0585 | 1 | Pull Arm ASM |
| 10 | 99-1460 | 2 | Ball Joint Receiver ASM | 21:2 | 125-5178 | 2 | Bushing |
| 10:1 | 99-1461 | 1 | Sleeve-Joint, Ball | 22 | 32104-95 | 2 | Screw-HWH |
| 11 | 3220-3 | 2 | Nut-HJ | 23 | 94-4548 | 2 | Bumper-Recessed |
| 12 | 11-0160 | 2 | Roller Shaft Screw ASM | 24 | 136-8483 | 1 | Frame-Pull, RH |
| 12:2 | 302-5 | 1 | Fitting-Grease | 24:1:2 | 104-7729 | 1 | Decal-Danger, CE |
| 13 | 3253-21 | 2 | Washer-Lock | 25 | 110-3951 | 1 | Spring-Torsion, RH |
| 14 | 3256-24 | 2 | Washer-Flat | 26 | 105-5740 | 1 | Hook-Lift |

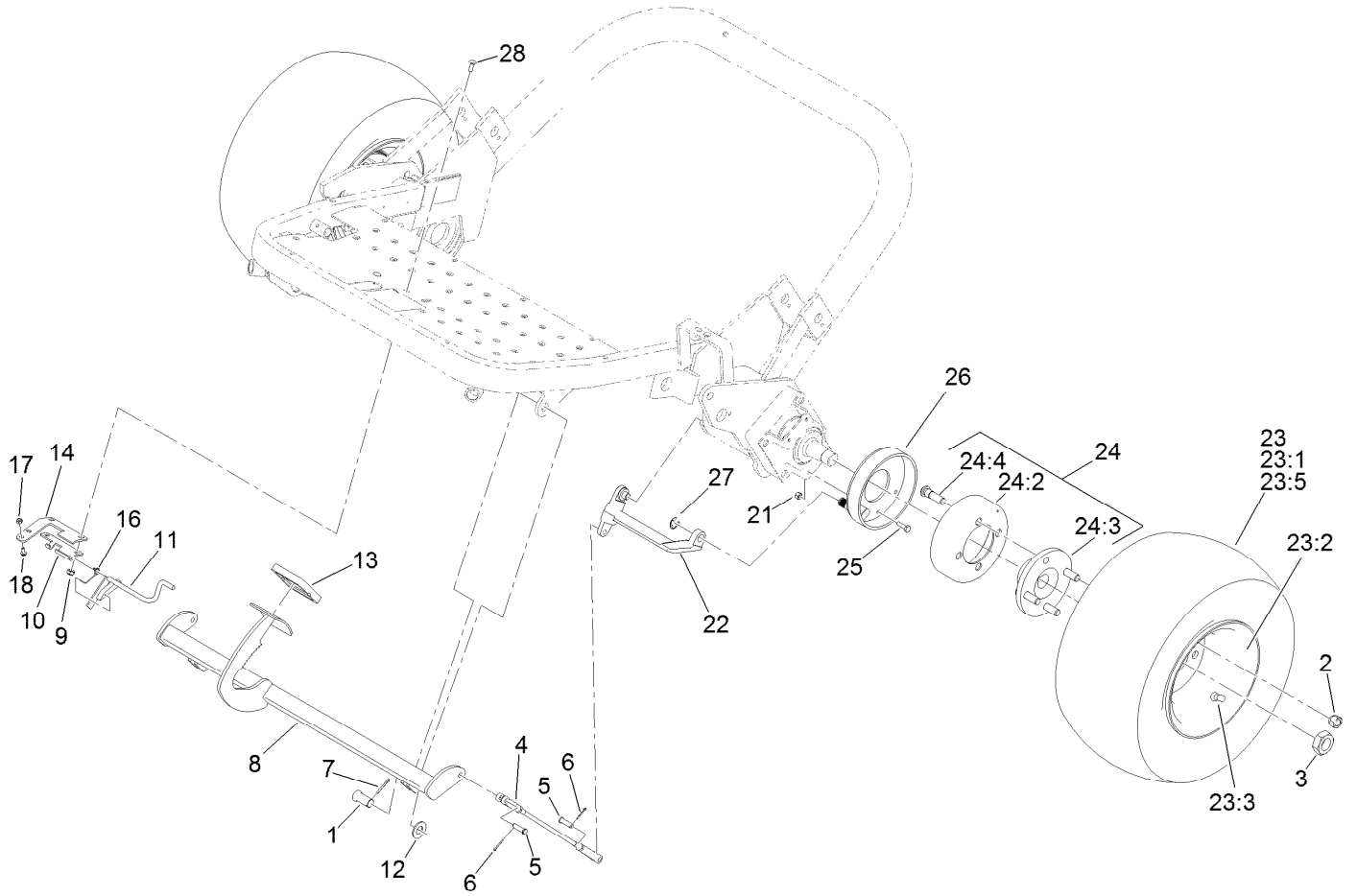
● Not serviced separately



Right Pull Frame Assembly (continued)

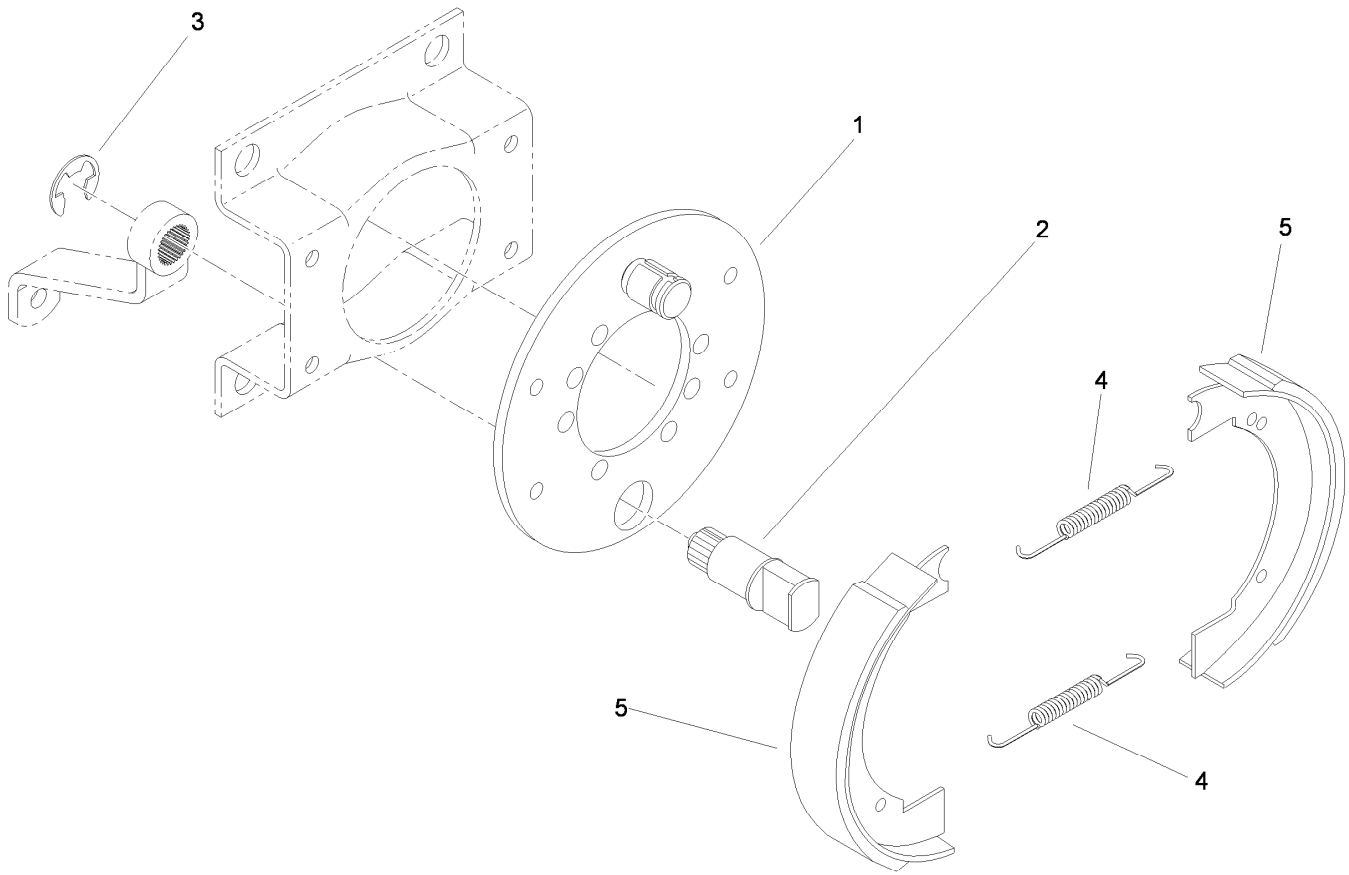
| Ref. | Part Number | Qty. | Description | Ref. | Part Number | Qty. | Description |
|------|-------------|------|------------------|------|-------------|------|--------------|
| 27 | 108-8642 | 1 | Grass Basket ASM | 27:2 | 104-2607 | 1 | Strip-Basket |
| | | | | 27:3 | 3290-382 | 8 | Rivet-Pop |

● Not serviced separately



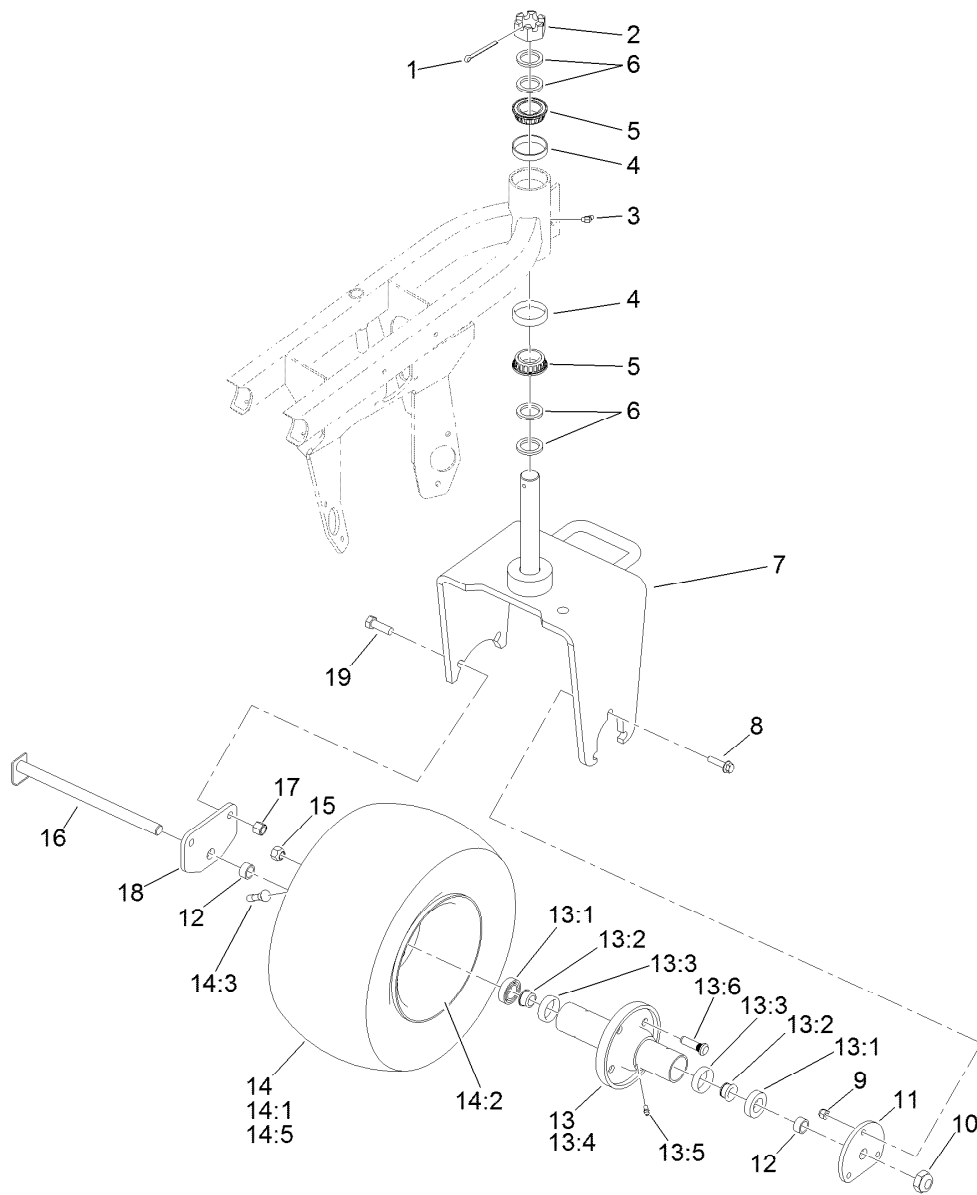
Front Wheel and Brake Assembly

| Ref. | Part Number | Qty. | Description | Ref. | Part Number | Qty. | Description |
|------|-------------|------|---------------------|------|-------------|------|--------------------|
| 1 | 283-87 | 2 | Pin-Clevis | 18 | 3290-321 | 2 | Screw-HWH |
| 2 | 242-50 | 8 | Nut-Lug | 21 | 3296-42 | 8 | Nut-Lock, NI |
| 3 | 26-3790 | 2 | Nut-Lock | 22 | 93-2096 | 2 | Lever-Brake |
| 4 | 130-0110 | 2 | Brake Rod ASM | 23 | 10-6790 | 2 | Wheel And Tire ASM |
| 5 | 283-61 | 4 | Pin-Yoke | 23:1 | 28-3680 | 1 | Tire |
| 6 | 3272-6 | 4 | Pin-Cotter | 23:2 | 217-60 | 1 | Rim |
| 7 | 3272-11 | 2 | Pin-Cotter | 23:3 | 232-27 | 1 | Stem-Valve |
| 8 | 127-2208-01 | 1 | Pedal-Brake | 23:5 | 232-37 | 1 | Tube |
| 9 | 3296-16 | 2 | Nut-Lock, NI | 24 | 10-6821 | 2 | Brake Drum ASM |
| 10 | 131-2078 | 1 | Sheet-Hinge, Sensor | 24:2 | 10-6850 | 1 | Drum-Brake |
| 11 | 131-2081 | 1 | Latch | 24:3 | 10-6870-03 | 1 | Hub-Wheel |
| 12 | 3256-27 | 2 | Washer-Flat | 24:4 | 85-6540 | 4 | Stud-Drive |
| 13 | 93-7629 | 1 | Pad-Foot, Brake | 25 | 321-5 | 8 | Screw-HH |
| 14 | 131-2077 | 1 | Sheet-Hinge | 26 | 104-7705 | 2 | Brake ASM |
| 16 | 132-6988 | 1 | Spring-Brake Latch | 27 | 104-7706 | 2 | E-Ring, Bowed |
| 17 | 3296-2 | 2 | Nut-Lock, NI | 28 | 3229-1 | 2 | Screw-CARR |



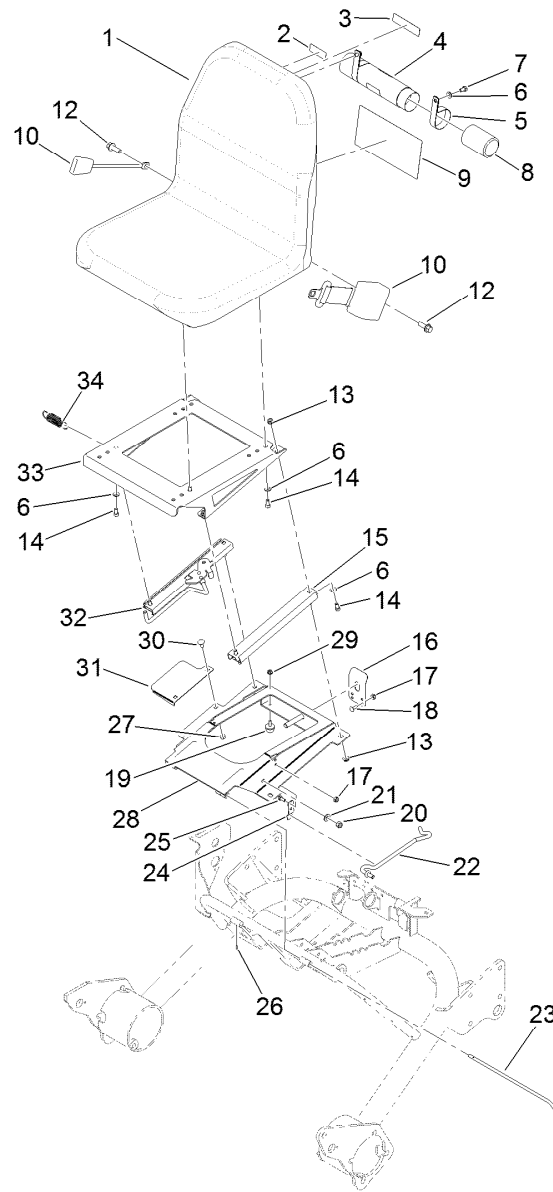
Brake Assembly No. 104-7705

| <i>Ref.</i> | <i>Part Number</i> | <i>Qty.</i> | <i>Description</i> |
|-------------|--------------------|-------------|--------------------|
| 1 | 70-9870 | 1 | Plate-Backing |
| 2 | 104-7707 | 1 | Shaft-Cam, Brake |
| 3 | 104-7706 | 1 | E-Ring, Bowed |
| 4 | 70-9880 | 2 | Spring-Return |
| 5 | 70-9840 | 2 | Shoe-Brake |



Rear Wheel Assembly

| Ref. | Part Number | Qty. | Description | Ref. | Part Number | Qty. | Description |
|------|-------------|------|-----------------------|------|-------------|------|----------------------|
| 1 | 3272-37 | 1 | Pin-Cotter | 13:3 | 254-79 | 2 | Bearing-Roller, Cup |
| 2 | 32136-9 | 1 | Nut-Hex, Slotted | 13:4 | 75-9440 | 1 | Hub ASM |
| 3 | 302-11 | 1 | Fitting-Lube, 45 DEG | 13:5 | 302-11 | 1 | Fitting-Lube, 45 DEG |
| 4 | 115-9471 | 2 | Bearing-Cup | 13:6 | 10-6830 | 4 | Stud-Type, Drive |
| 5 | 115-9472 | 2 | Bearing-Cone And Seal | 14 | 10-6790 | 1 | Wheel And Tire ASM |
| 6 | 18-6320 | 4 | Washer-Steering | 14:1 | 28-3680 | 1 | Tire |
| 7 | 112-0285-01 | 1 | Fork-Castor | 14:2 | 217-60 | 1 | Rim |
| 8 | 114-4681 | 3 | Screw-HHF | 14:3 | 232-27 | 1 | Stem-Valve |
| 9 | 3296-39 | 3 | Nut-Lock, NI | 14:5 | 232-37 | 1 | Tube |
| 10 | 3296-67 | 1 | Nut-Lock, NI | 15 | 242-50 | 4 | Nut-Lug |
| 11 | 99-1486-01 | 1 | Plate-Adapter | 16 | 5-3934 | 1 | Bolt-Caster |
| 12 | 74-3730 | 2 | Spacer-Spindle, Rear | 17 | 3296-23 | 2 | Nut-Lock, NI |
| 13 | 72-9710 | 1 | Hub-Tire | 18 | 99-1485-01 | 1 | Plate-Adapter, Motor |
| 13:1 | 253-111 | 2 | Seal-Oil | 19 | 325-6 | 2 | Screw-HH |
| 13:2 | 254-78 | 2 | Bearing-Cone | | | | |



Seat Assembly

| <i>Ref.</i> | <i>Part Number</i> | <i>Qty.</i> | <i>Description</i> | <i>Ref.</i> | <i>Part Number</i> | <i>Qty.</i> | <i>Description</i> |
|-------------|--------------------|-------------|-----------------------|-------------|--------------------|-------------|--------------------|
| 1 | 104-4620 | 1 | Seat | 19 | 1-523420 | 2 | Bumper |
| 2 | 93-6686 | 1 | Decal-Oil, HYD | 20 | 3296-39 | 1 | Nut-Lock, NI |
| 3 | 117-2718 | 1 | Decal-Arrester, Spark | 21 | 3256-24 | 1 | Washer-Flat |
| 4 | 104-7050 | 1 | Tube-Manual | 22 | 106-4643 | 1 | Rod-Prop, Seat |
| 5 | 2412-133 | 2 | Clamp-R | 23 | 105-0483 | 1 | Rod-Pivot, Seat |
| 6 | 3256-23 | 10 | Washer-Plain | 24 | 68-5310 | 1 | Clip-Rod, Prop |
| 7 | 322-2 | 2 | Screw-HH | 25 | 321-3 | 2 | Screw-HH |
| 8 | 104-7048 | 1 | Cap-Housing | 26 | 32121-7 | 1 | Pin-Roll, Slotted |
| 9 | 121-9566 | 1 | Decal-Service | 27 | 3296-29 | 2 | Nut-Lock, NI |
| 10 | 100-4928 | 1 | Belt-Seat | 28 | 105-0464-03 | 1 | Plate-Seat |
| 12 | 117-9035 | 2 | Screw-HHF | 29 | 32128-33 | 2 | Nut-HF |
| 13 | 32128-25 | 8 | Nut-HF | 30 | 3230-1 | 2 | Bolt-CARR |
| 14 | 3274-12 | 8 | Screw-HSH | 31 | 105-8284-03 | 1 | Shield-Valve |
| 15 | 51-0780 | 1 | Slider-Seat | 32 | 105-8265 | 1 | Adjuster-Seat |
| 16 | 66-2630 | 1 | Latch-Seat | 33 | 105-0466-03 | 1 | Plate-Seat, Upper |
| 17 | 3296-16 | 4 | Nut-Lock, NI | 34 | 88-6330 | 1 | Spring-Extension |
| 18 | 3229-1 | 2 | Screw-CARR | | | | |

Attachments and Accessories

For 04358 Greensmaster 3150 2-Wheel Drive Traction Unit

| Product Name | Model/Part |
|--|-------------------|
| Turf Evaluator | 04399 |
| CE Guard Kit..... | 04440 |
| Three-Wheel Drive Kit without ROPS | 04476 |
| Dethatching Unit | 04479 |
| Spiker Kit | 04494 |
| Tri-Roller Kit..... | 04495 |
| Light Kit..... | 04554 |
| 8-Blade DPA Reel Mower | 04652 |
| 11-Blade DPA Reel Mower | 04654 |
| 14-Blade DPA Reel Mower | 04656 |
| Weight Kit, Greensmaster and Sand Pro/Infield Pro Traction Unit..... | 100-6442 |
| Spark Arrestor Screen | 104-6540 |
| Filter-Oil, Engine | 107-7817 |
| Premium All Season Hydraulic Fluid (55 Gallon Drum) | 108-1177 |
| Premium All Season Hydraulic Fluid (5 Gallon Pail)..... | 108-1178 |
| Premium Engine Oil SAE 30 (Drum) | 108-1196 |
| Premium Engine Oil SAE 30 (Pail)..... | 108-1197 |
| Bimini Folding Shade Assembly | 115-4510 |
| Wireless Hourmeter | 115-4754 |
| Hydraulic Hose Kit | 117-2725 |
| Premium Synthetic Bio-Degradable Hydraulic Fluid (5 Gallon Pail) | 119-2157 |
| Premium Synthetic Bio-Degradable Hydraulic Fluid (55 Gallon Drum)..... | 119-2158 |
| Tire-Traction | 119-3516 |
| Toro Reel Paper (10 Pack)..... | 125-5610 |
| Toro Reel Shim (0.002in) | 125-5611 |
| Oil Cooler Kit..... | 130-6536 |
| MVP Initial 800 Hour Filter Kit, 2012 and After Greensmaster 3150-D Traction Unit | 131-6262 |
| MVP Standard Filter Kit, 2012 and After Greensmaster 3150-D Traction Unit | 131-8785 |
| Cartridge-Cleaner, Air..... | 92-0527 |
| Element-Filter | 92-0530 |
| Filter-Fuel | 94-2690 |
| Height-of-Cut Bar..... | 94-9010 |
| Weight Kit, Greensmaster 3100, 3150 or 3250-D Traction Unit with Three-Wheel Drive | 99-1645 |

Notes:

Notes:

Notes:



Count on it.