



**Count on it.**

**Parts Catalog**

**Greensmaster® 3150 2-Wheel  
Drive Traction Unit**

Model No. 04358—Serial No. 314004001 and Up



# Ordering Replacement Parts

To order replacement parts, please supply the part number, the quantity, and the description of each part desired.

## Understanding Reference Numbers

Each identified part in an illustration has a reference number. The reference number for a part also appears in the parts list, along with other information about the part.

This catalog uses two special reference number formats, one to indicate parts in a service assembly and another to indicate the quantity of a given part in an illustration.

## Service Assembly Reference Numbers

Parts in service assemblies have reference numbers in the form a:b. The a represents the reference number of the entire service assembly and the b represents a sequential number unique to each part within the service assembly.

For example, a wheel assembly might be identified by reference number 6, the tire by 6:1, the valve by 6:2, and the wheel by 6:3. When you order the assembly identified by reference number 6, you receive all parts identified by reference numbers 6:1, 6:2, and 6:3. However, you may also order any part individually. Reference numbers of this type appear in illustration and in parts lists.

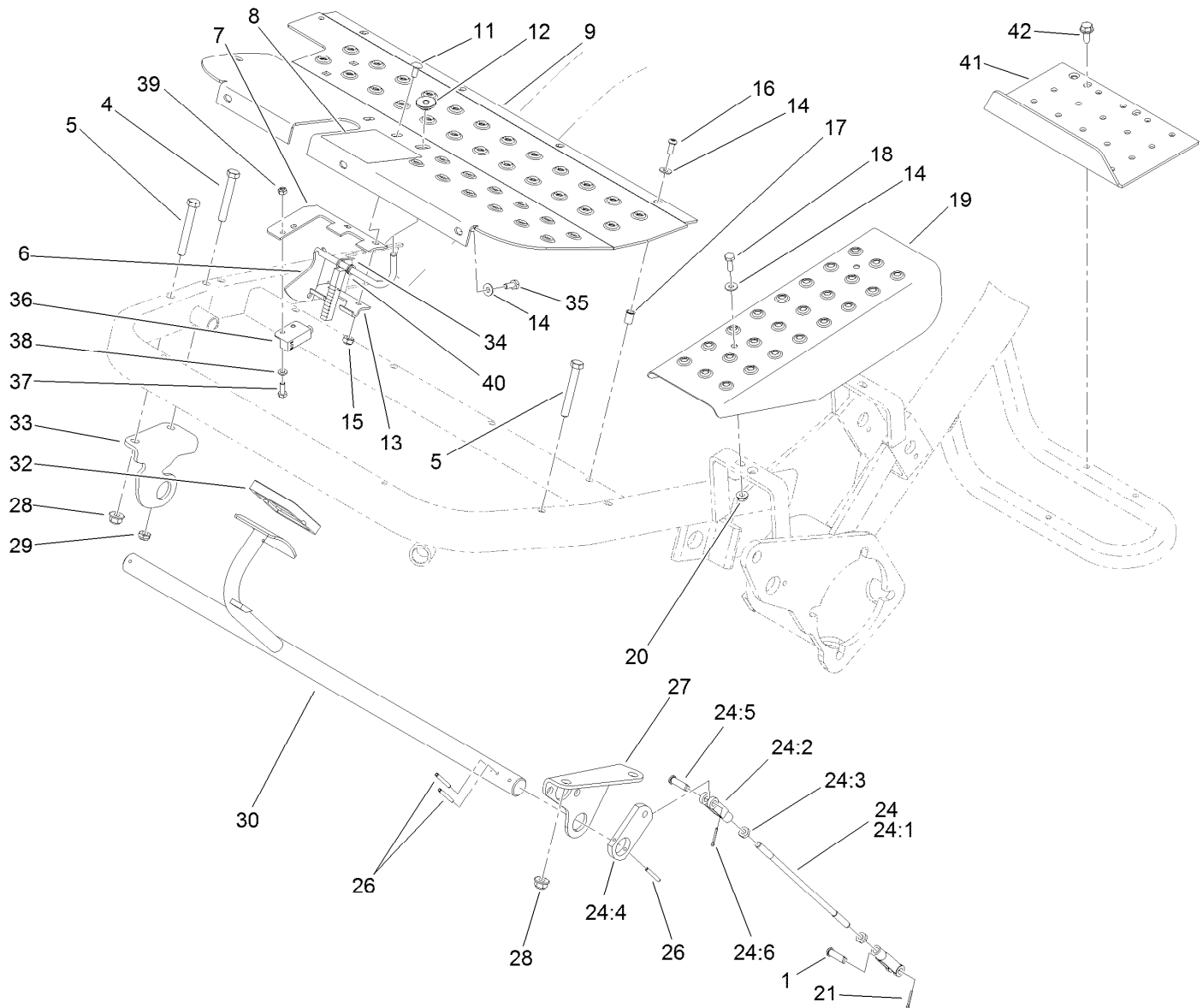
## Reference Numbers Indicating Quantity

In an illustration, if a reference number indicates more than one part, the reference number has the form nX y. The n represents the quantity of the part, the X is the multiplication symbol, and the y represents the reference number.

For example, in an illustration, the reference number 2X 37 means that two of the parts identified by reference number 37 are indicated.

# Contents

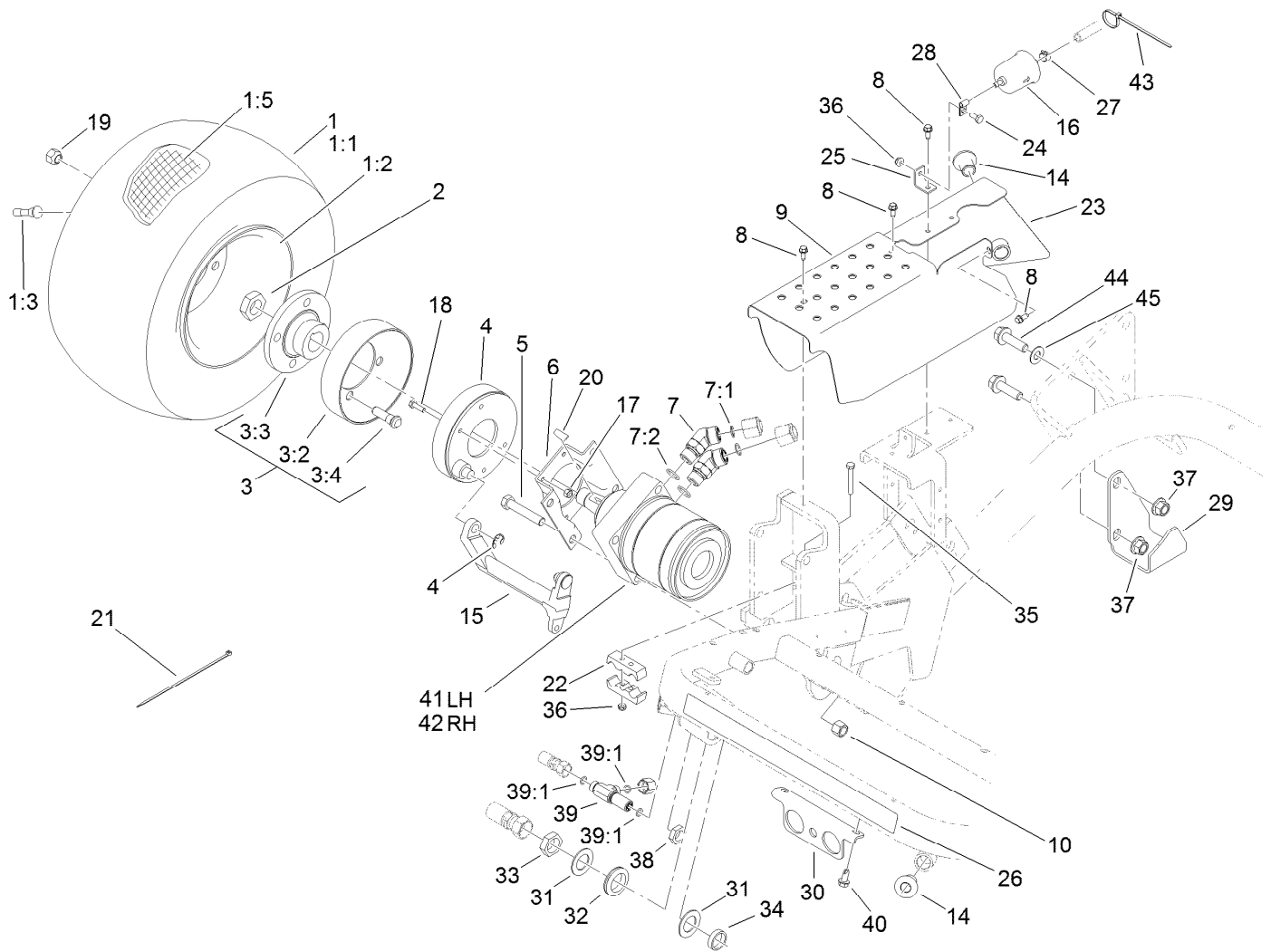
Brake Pedal Assembly .....	4
Traction Pedal Assembly.....	5
Front Wheel and Brake Assembly .....	6
Brake Assembly No. 104-7705 .....	8
Hydraulic Motor Assembly (CCW) No. 110-4015 .....	9
Hydraulic Motor Assembly (CW) No. 110-4016.....	10
Steering Arm Assembly.....	11
Steering Valve Assembly No. 114-4672 .....	12
Right Hand Pull Frame Assembly .....	13
Hydraulic Cylinder Assembly No. 106-9066 .....	15
Left Hand Pull Frame Assembly.....	16
Center Pull Frame Assembly .....	18
Hydraulic Cylinder Assembly No. 106-9064 .....	20
Seat Assembly .....	21
Neutral System Assembly.....	23
Engine Installation Assembly .....	24
Hydrostat and Gear Pump Drive Assembly .....	26
Hydraulic Pump Assembly No. 121-9557.....	27
Hydraulic Gear Pump Assembly No. 114-9956.....	29
Frame and Battery Assembly .....	30
Rear Wheel Assembly .....	31
Hydraulic Cylinder Assembly No. 112-0297.....	33
Control Panel Assembly .....	34
Hydraulic Reservoir and Leak Detector Assembly .....	35
Fuel Tank Assembly.....	37
Speed Selector Lever Assembly .....	38
Joystick and Console Assembly.....	39
Joystick Bracket Assembly No. 120-5280 .....	40
Grass Basket and Roll-Over Protection System Assembly .....	41
Hydraulic Manifold Assembly .....	42
Hydraulic Manifold Assembly No. 112-0289 .....	43
Hydraulic Traction Assembly .....	45
Hydraulic Reel Drive Assembly .....	46
Hydraulic Reel Motor Assembly No. 120-2072 .....	48
Hydraulic Lift Assembly.....	49
Hydraulic Steering Assembly .....	50
Wire Harness Routing Assembly.....	51
Carbon Canister Hose Routing Assembly .....	52
Attachments and Accessories .....	53



## Brake Pedal Assembly

Ref.	Part Number	Qty.	Description	Ref.	Part Number	Qty.	Description
1	283-61	2	Pin-Yoke	24:3	3220-2	2	Nut-Jam
4	323-12	1	Screw-HH	24:4	112-9180	1	Strap-Shaft, Brake
5	323-13	3	Screw-HH	24:5	283-61	1	Pin-Yoke
6	100-9819	1	Latch ASM	24:6	3272-6	1	Pin-Cotter
7	100-9821	1	Plate-Switch, Reed	26	32121-35	4	Pin-Roll
8	93-8062	1	Decal-Brake, Parking	27	88-9640-01	1	Bracket-Lift Pivot, LH
9	105-0463-01	1	Plate-Footrest	28	104-8301	3	Nut-HF, NI
11	3229-11	2	Screw-CARR	29	3296-59	1	Nut-Lock, NI
12	32141-111	1	Nut-Adjusting	30	83-0160	1	Shaft-Brake
13	95-1629	1	Hinge-Lower	32	93-7629	1	Pad-Foot, Brake
14	3256-1	4	Washer-Flat	33	105-0440-01	1	Bracket-Brake, RH
15	3296-16	2	Nut-Lock, NI	34	10-8140	1	Spring-Latch, Brake
16	3274-31	4	Screw-HSBH	35	99-6810	3	Screw-HHF
17	32148-6	7	Nut-Clinch	36	104-2057	1	Sensor
18	115-5103	2	Screw-HHF	37	33113-016	2	Screw-HH
19	83-0200-01	1	Plate-Cover, LH	38	33093-00	2	Washer-Flat
20	32128-33	2	Nut-HF	39	33023-00	2	Nut-Lock
21	3272-6	2	Pin-Cotter	40	75-5470	2	Spacer-Bearing
24	115-6676	2	Brake Rod ASM	41	130-0103-01	1	Step
24:1	27-2270	1	Rod-Adjustment, Brake	42	32104-32	3	Screw-HWH
24:2	1-303105	2	Yoke-Adjustable				

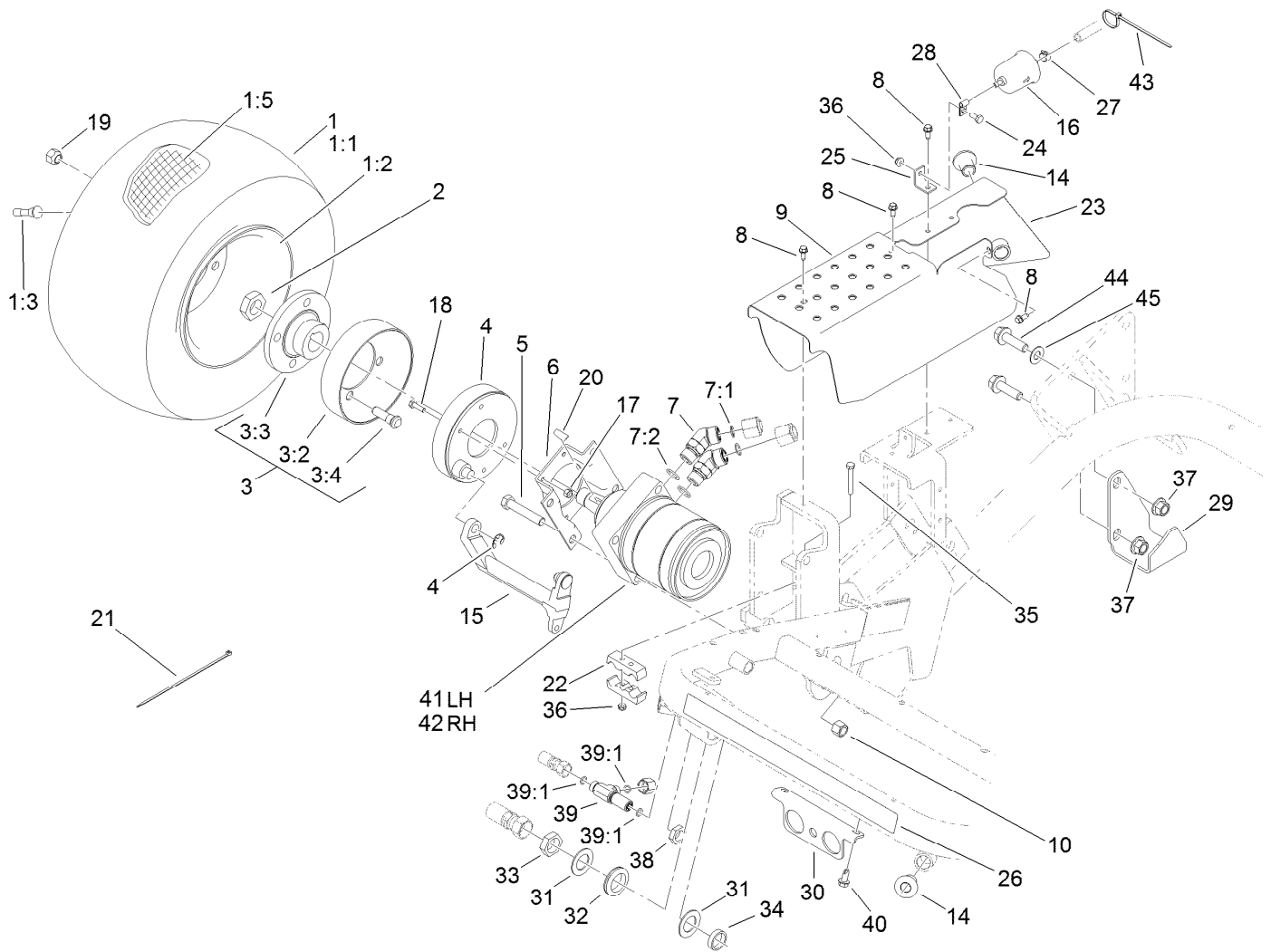




## Front Wheel and Brake Assembly

Ref.	Part Number	Qty.	Description	Ref.	Part Number	Qty.	Description
1		2	Wheel And Tire ASM ●	10	3296-23	8	Nut-Lock, NI
1:1	28-3680	1	Tire	14	83-1700	3	Bushing-Flange
1:2	217-60	1	Rim	15	93-2096	2	Lever-Brake
1:3	232-27	1	Stem-Valve	16	121-2583	1	Filter-Fuel, Inline
1:5	232-37	1	Tube	17	3296-42	8	Nut-Lock, NI
2	26-3790	2	Nut-Lock	18	321-5	8	Screw-HH
3	10-6821	2	Brake Drum ASM	19	242-50	8	Nut-Lug
3:2	10-6850	1	Drum-Brake	20	3257-42	2	Key-Woodruff
3:3	10-6870-03	1	Hub-Wheel	21	3290-378	3	Tie-Cable
3:4	85-6540	4	Stud-Drive	22	93-2509	2	Clamp-Tube
4	104-7705	2	Brake ASM	23	105-8282-01	1	Shield-Side
5	325-11	8	Screw-HH	24	321-3	1	Screw-HH
6	84-2000-03	2	Bracket-Brake	25	120-3172	1	Bracket
7	340-14	4	Fitting-HYD, 45 DEG	26	115-5216	1	Decal
7:1	237-65	1	O-Ring	27	2412-98	1	Clamp-Hose
7:2	237-80	1	O-Ring	28	2412-72	1	Clip-Closed, Insulated
8	32144-10	5	Screw-HWH	29	105-8263-01	1	Bracket-ROPS
9	130-6548-01	1	Channel-Step, Right	30	107-2552-01	1	Bracket-Bulkhead

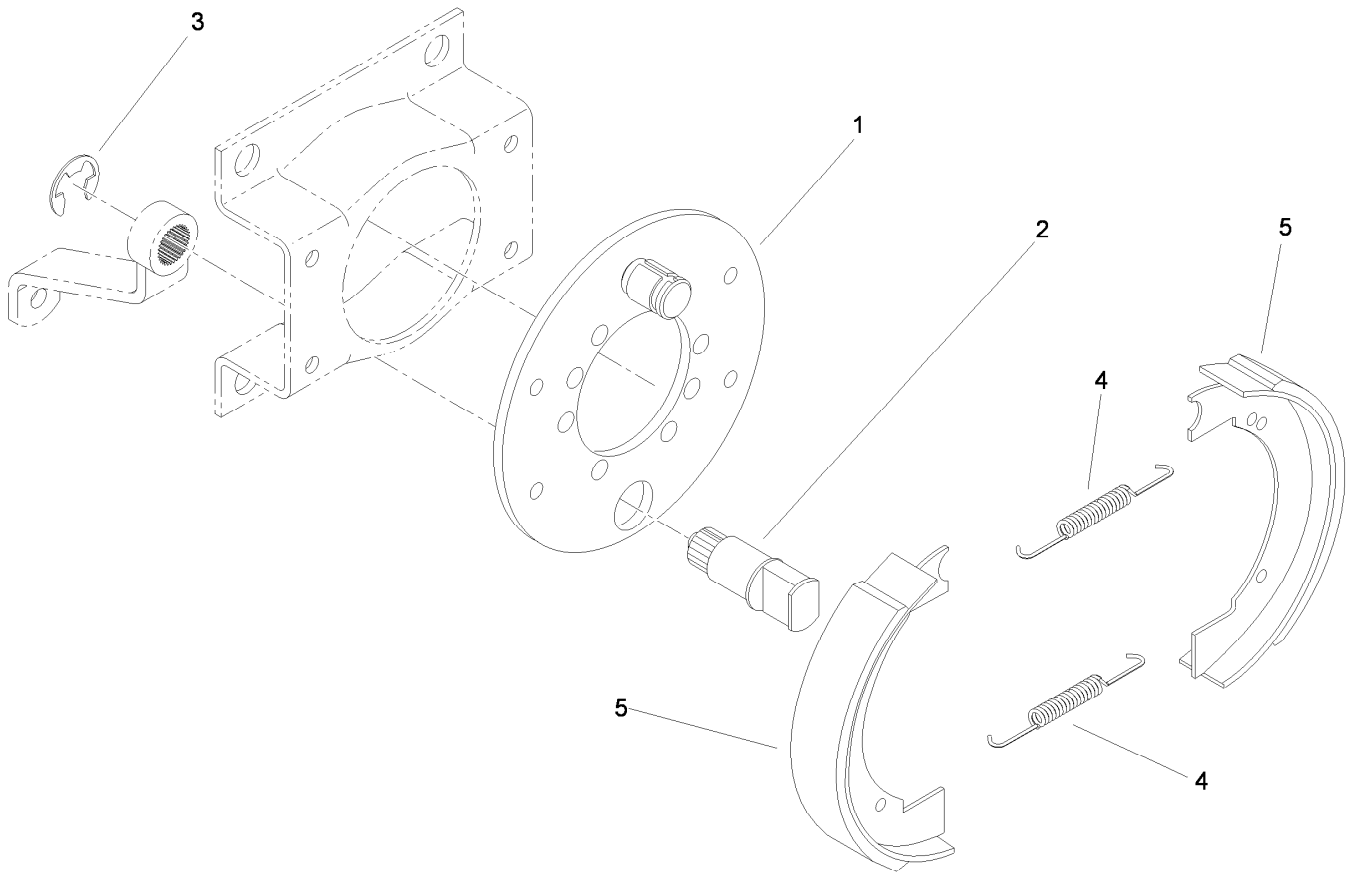
● Not serviced separately



## Front Wheel and Brake Assembly (continued)

<i>Ref.</i>	<i>Part Number</i>	<i>Qty.</i>	<i>Description</i>	<i>Ref.</i>	<i>Part Number</i>	<i>Qty.</i>	<i>Description</i>
31	69-9010	2	Washer	39	340-68	1	Fitting-Tee, Bulkhead
32	240-3	1	Grommet-Rubber	39:1	237-22	3	O-Ring
33	340-74	1	Nut-Lock, Bulkhead	40	32104-32	2	Screw-HWH
34	125-1984	1	Spacer	41	110-4015	1	HYD Motor ASM (CCW)
35	321-11	2	Screw-HH	42	110-4016	1	HYD Motor ASM (CW)
36	104-7201	3	Nut-HF, NI	43	100-2894	3	Tie-Cable
37	99-5107	2	Nut-Lock	44	130-6481	2	Screw-HHF
38	340-70	1	Nut-Lock	45	110-6894	1	Washer-Pivot

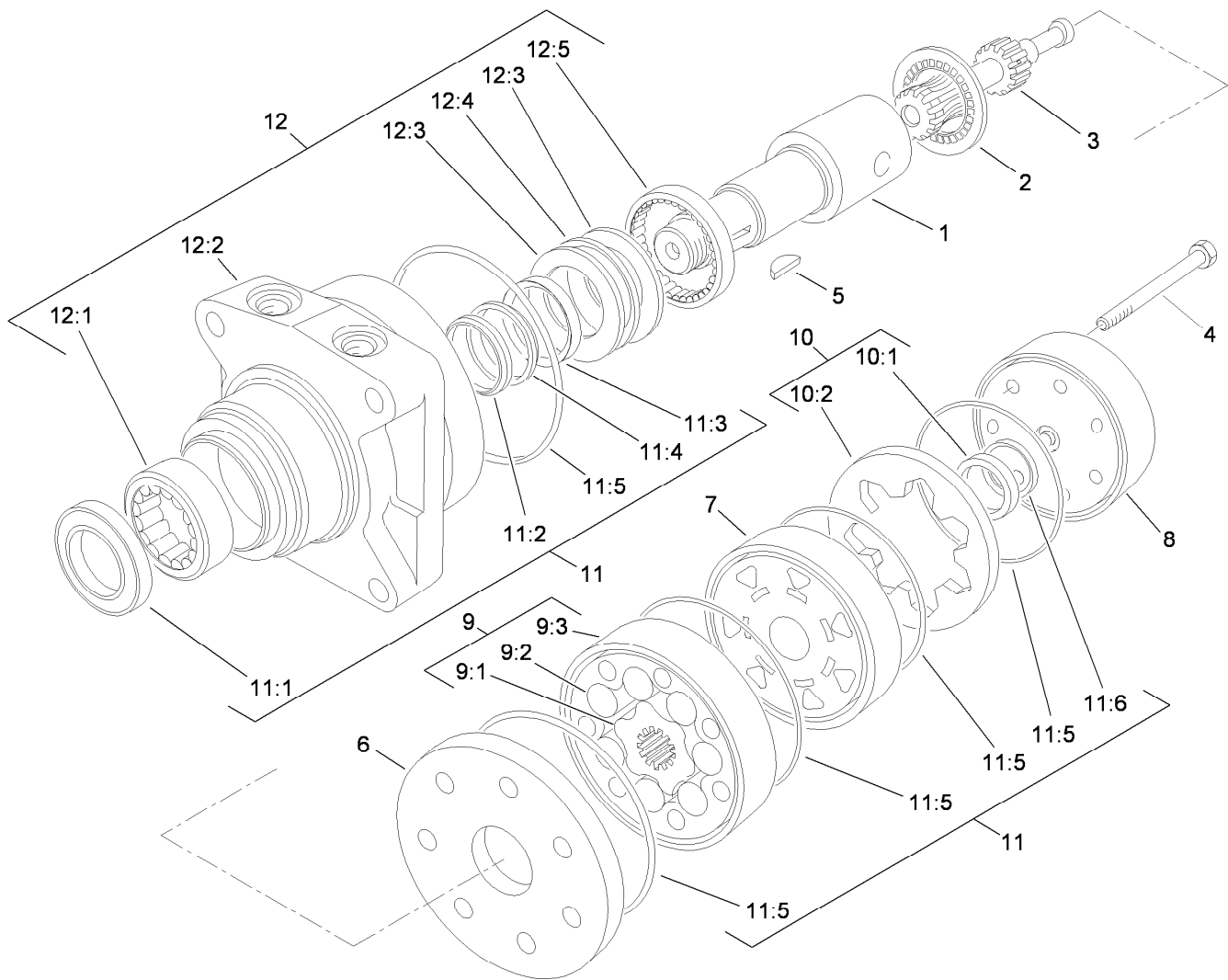
● Not serviced separately



## Brake Assembly No. 104-7705

<i>Ref.</i>	<i>Part Number</i>	<i>Qty.</i>	<i>Description</i>
1	70-9870	1	Plate-Backing
2	104-7707	1	Shaft-Cam, Brake
3	104-7706	1	E-Ring, Bowed
4	70-9880	2	Spring-Return
5	70-9840	2	Shoe-Brake

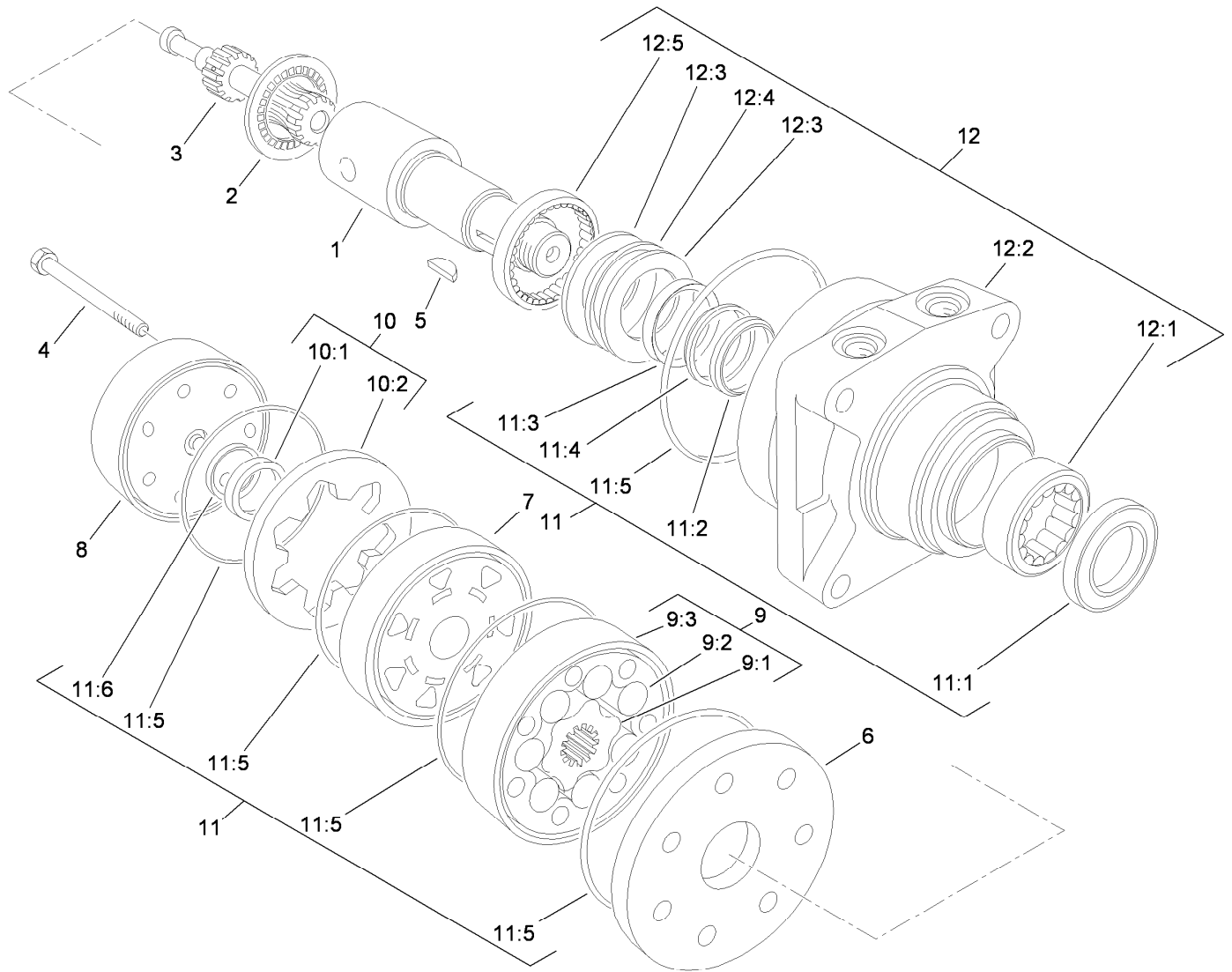




## Hydraulic Motor Assembly (CCW) No. 110-4015

Ref.	Part Number	Qty.	Description	Ref.	Part Number	Qty.	Description
1	76-0860	1	Shaft-Coupling	10:2		1	Ring-Commutator ●
2	76-0850	1	Bearing-Thrust	11	94-8178	1	Seal Kit
3	92-9761	1	Link-Drive	11:1		1	Seal-Dirt And Water ●
4	92-9762	7	Screw-HH	11:2		1	Backup-Ring ●
5	3257-42	1	Key-Woodruff	11:3		1	Seal-Shaft ●
6	92-9754	1	Plate-Wear	11:4		1	Washer-Backup ●
7	76-0840	1	Manifold	11:5		5	Seal-Square, Ring (Inner) ●
8	76-0940	1	End Cover ASM	11:6		1	Seal-Commutator ●
9	92-9763	1	Rotor Set	12	76-0810	1	Housing ASM
9:1		1	Rotor ●	12:1		1	Bearing ●
9:2		1	Vane ●	12:2		1	Housing ●
9:3		1	Stator ●	12:3		2	Washer-Thrust ●
10	76-0880	1	Commutator ASM	12:4		1	Bearing-Thrust ●
10:1		1	Commutator ●	12:5		1	Bearing ●

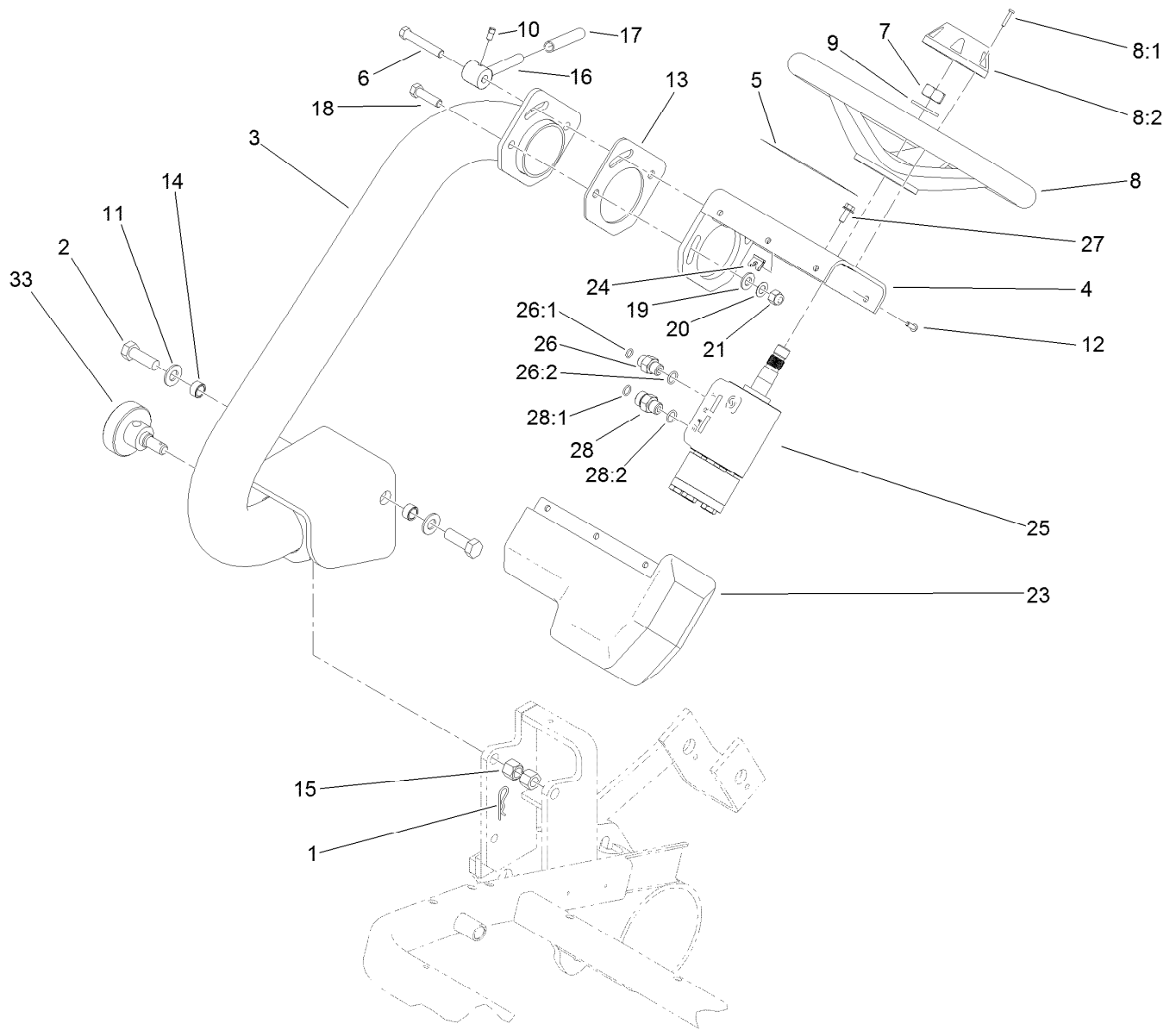
● Not serviced separately



## Hydraulic Motor Assembly (CW) No. 110-4016

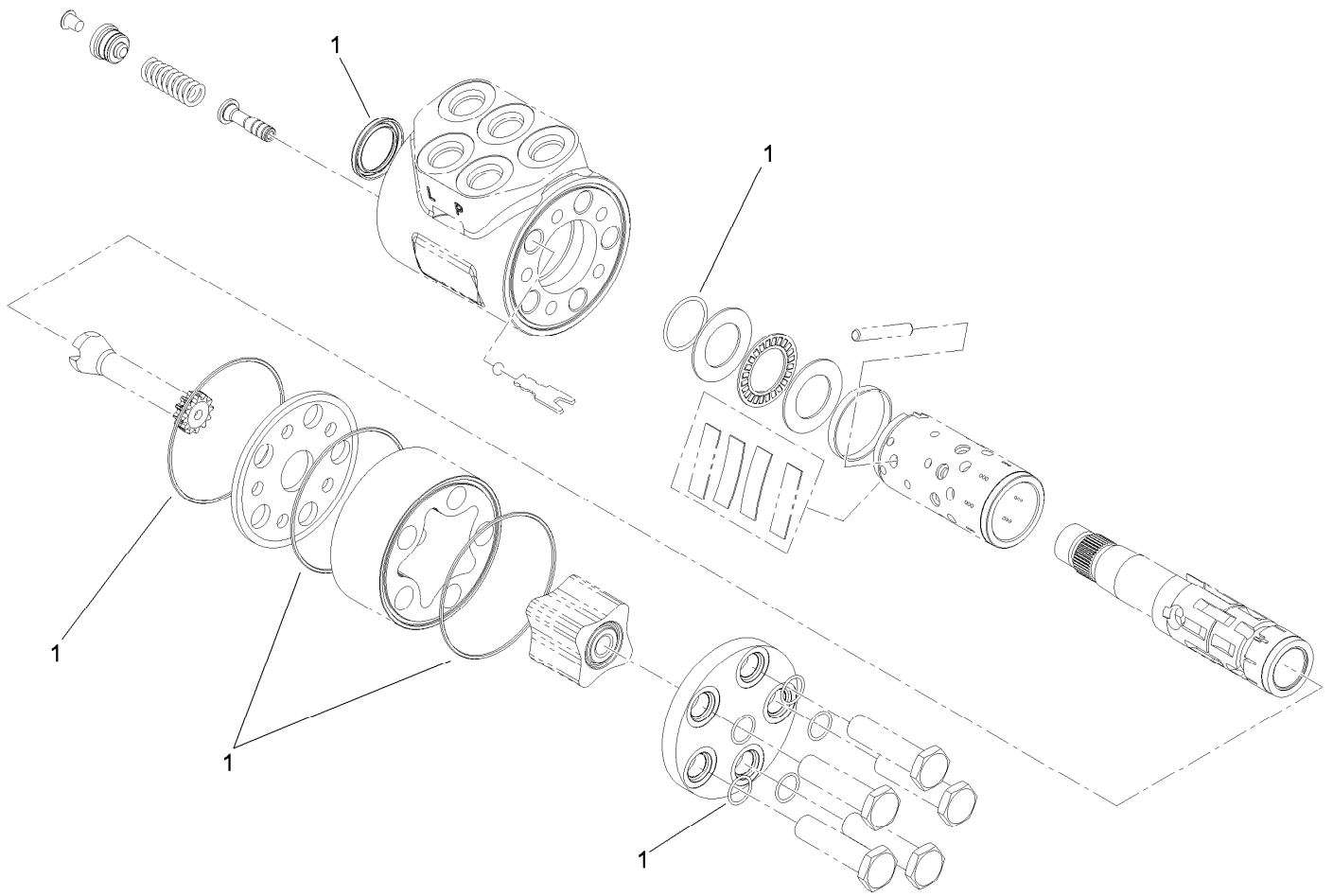
Ref.	Part Number	Qty.	Description	Ref.	Part Number	Qty.	Description
1	76-0860	1	Shaft-Coupling	10:2		1	Ring-Commutator ●
2	76-0850	1	Bearing-Thrust	11	94-8178	1	Seal Kit
3	92-9761	1	Link-Drive	11:1		1	Seal-Dirt And Water ●
4	92-9762	7	Screw-HH	11:2		1	Backup-Ring ●
5	3257-42	1	Key-Woodruff	11:3		1	Seal-Shaft ●
6	92-9754	1	Plate-Wear	11:4		1	Washer-Backup ●
7	76-0840	1	Manifold	11:5		5	Seal-Square, Ring (Inner) ●
8	76-0940	1	End Cover ASM	11:6		1	Seal-Commutator ●
9	92-9763	1	Rotor Set	12	76-0810	1	Housing ASM
9:1		1	Rotor ●	12:1		1	Bearing ●
9:2		1	Vane ●	12:2		1	Housing ●
9:3		1	Stator ●	12:3		2	Washer-Thrust ●
10	76-0880	1	Commutator ASM	12:4		1	Bearing-Thrust ●
10:1		1	Commutator ●	12:5		1	Bearing ●

● Not serviced separately



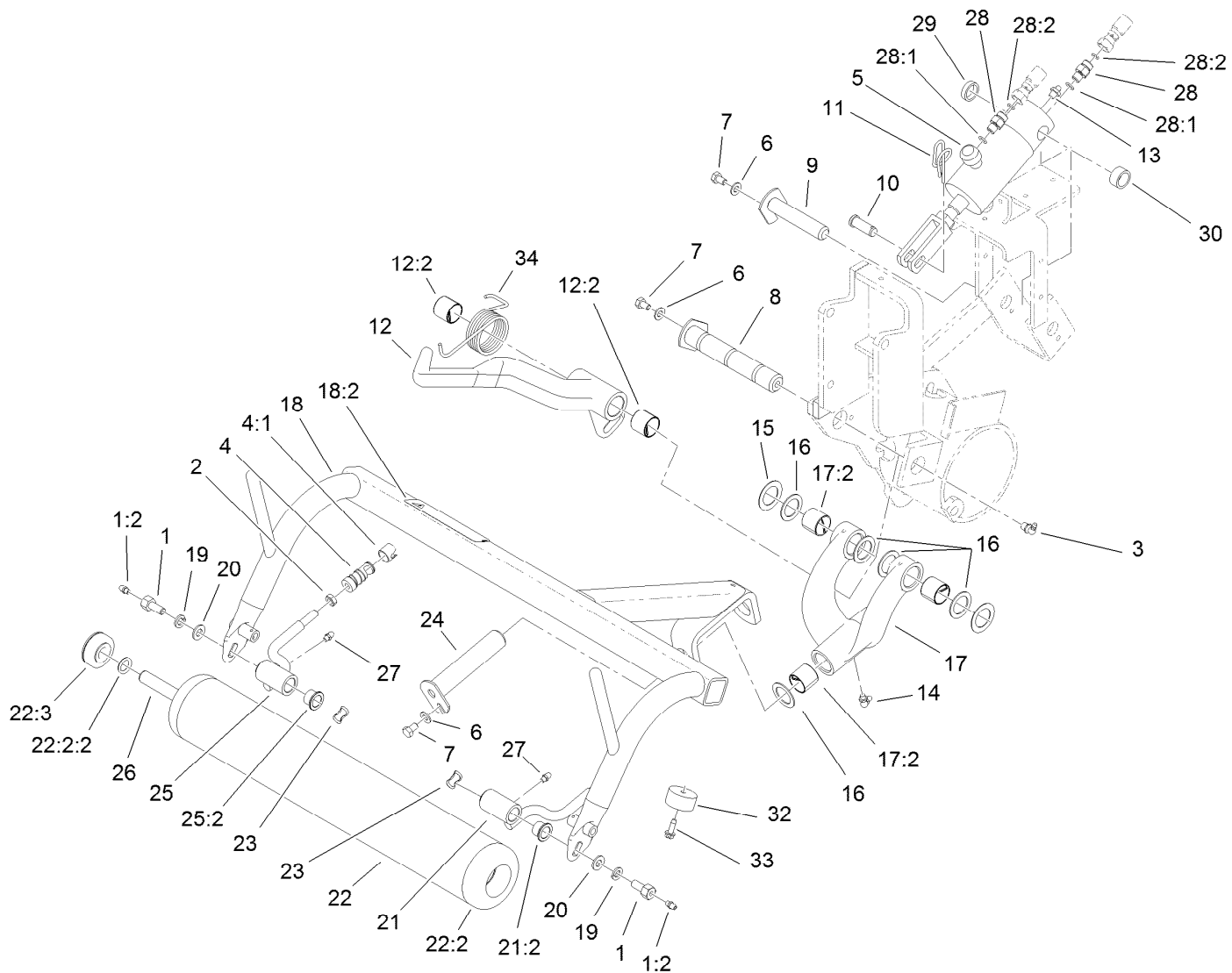
## Steering Arm Assembly

<i>Ref.</i>	<i>Part Number</i>	<i>Qty.</i>	<i>Description</i>	<i>Ref.</i>	<i>Part Number</i>	<i>Qty.</i>	<i>Description</i>
1	3290-467	1	Pin-Hair	16	119-3587	1	Lever-Steering
2	325-6	2	Screw-HH	17	92-6798	1	Cap-Rod, Tilt
3	105-0418-01	1	Arm-Steering	18	323-29	2	Screw-HH
4	114-4693-03	1	Mount-Steering	19	3256-24	2	Washer-Flat
5	121-2640	1	Decal-Danger, CE	20	3290-477	2	Washer-Curved
5	121-2641	1	Decal-Danger	21	3296-39	2	Nut-Lock, NI
6	105-4326	1	Screw-HH, LH	23	83-0810	1	Cover-Steering
7	3296-33	1	Nut-Lock, NI	24	3290-277	6	Nut-Speed
8	75-0560	1	Steering Wheel ASM	25	114-4672	1	Steering Valve ASM
8:1	32144-21	1	Screw	26	340-1	2	Fitting-Straight
8:2	68-5140	1	Cap-Wheel, Steering	26:1	237-21	1	O-Ring
9	3256-27	1	Washer-Flat	26:2	237-42	1	O-Ring
10	3241-1	1	Screw-Set, SQH	27	33103-016	4	Screw-HHF
11	3256-26	2	Washer-Flat	28	340-2	2	Fitting-Straight
12	3274-39	6	Screw-HSBH	28:1	237-22	1	O-Ring
13	105-0457	1	Plate-Friction	28:2	237-42	1	O-Ring
14	47-2890	2	Bushing	33	117-9513	1	Knob-Steering
15	3296-23	2	Nut-Lock, NI				



## Steering Valve Assembly No. 114-4672

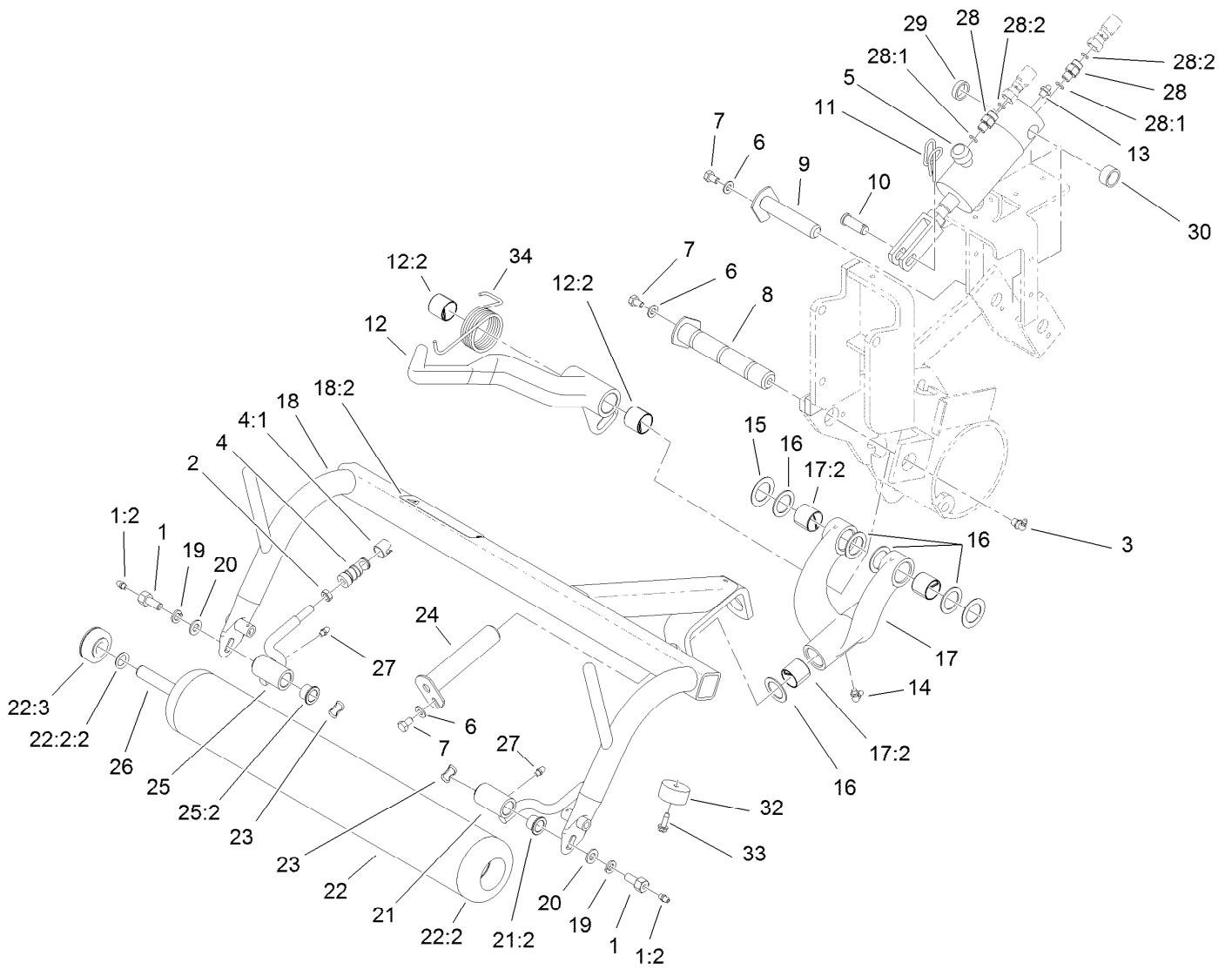
<i>Ref.</i>	<i>Part Number</i>	<i>Qty.</i>	<i>Description</i>
1	106-6716	1	Seal Kit



## Right Hand Pull Frame Assembly

Ref.	Part Number	Qty.	Description	Ref.	Part Number	Qty.	Description
1	11-0160	2	Roller Shaft Screw ASM	16	10-8110	6	Washer-Thrust
1:2	302-5	1	Fitting-Grease	17	10-7820	1	Pivot Hinge ASM
2	3220-3	2	Nut-HJ	17:2	125-5196	4	Bushing
3	302-33	1	Fitting-Grease	18	117-9543	1	RH Pull Frame ASM
4	99-1460	2	Ball Joint Receiver ASM	18:2	104-7729	1	Decal-Danger, CE
4:1	99-1461	1	Sleeve-Joint, Ball	19	3253-21	2	Washer-Lock
5	106-9066	1	HYD Cylinder ASM	20	3256-24	2	Washer-Flat
6	3256-23	3	Washer-Plain	21	92-0586	1	Pull Arm ASM
7	322-1	3	Screw-HH	21:2	125-5178	2	Bushing
8	114-4683	1	Pin-Hinge	22	99-4277	1	Roller ASM
9	120-3199	1	Pin-Pivot	22:2	253-83	2	Hub Yoke ASM ●
10	283-8	1	Pin-Clevis	22:2:2	253-83	1	Seal-Oil
11	112-1491	1	Pin-Cotter	22:3	251-141	2	Bearing-Ball
12	107-2599	1	RH Lift Arm ASM	23	3290-317	2	Washer-Spring
12:2	125-5196	2	Bushing	24	10-6090	1	Pin-Pivot
13	302-2	1	Fitting-Grease	25	92-0585	1	Pull Arm ASM
14	302-60	1	Fitting-Grease	25:2	125-5178	2	Bushing
15	5-1226	4	Washer	26	21-8470	1	Shaft-Roller

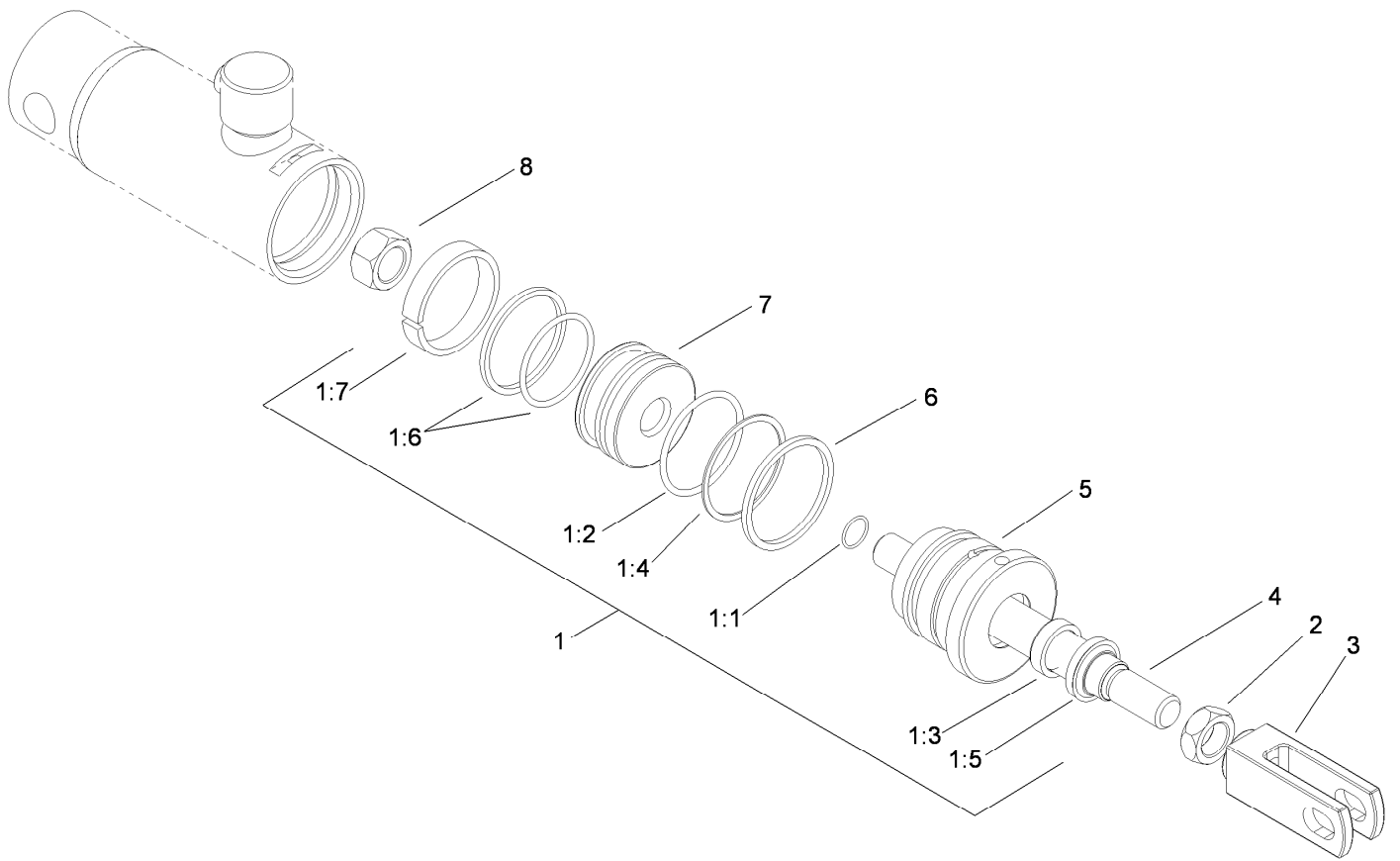
● Not serviced separately



## Right Hand Pull Frame Assembly (continued)

Ref.	Part Number	Qty.	Description	Ref.	Part Number	Qty.	Description
27	302-5	2	Fitting-Grease	30	74-3730	1	Spacer-Spindle, Rear
28	340-92	2	Fitting-Straight	32	94-4548	2	Bumper-Recessed
28:1	237-78	1	O-Ring	33	32104-95	2	Screw-HWH
28:2	237-21	1	O-Ring	34	110-3951	1	Spring-Torsion, RH
29	105-3828	1	Spacer				

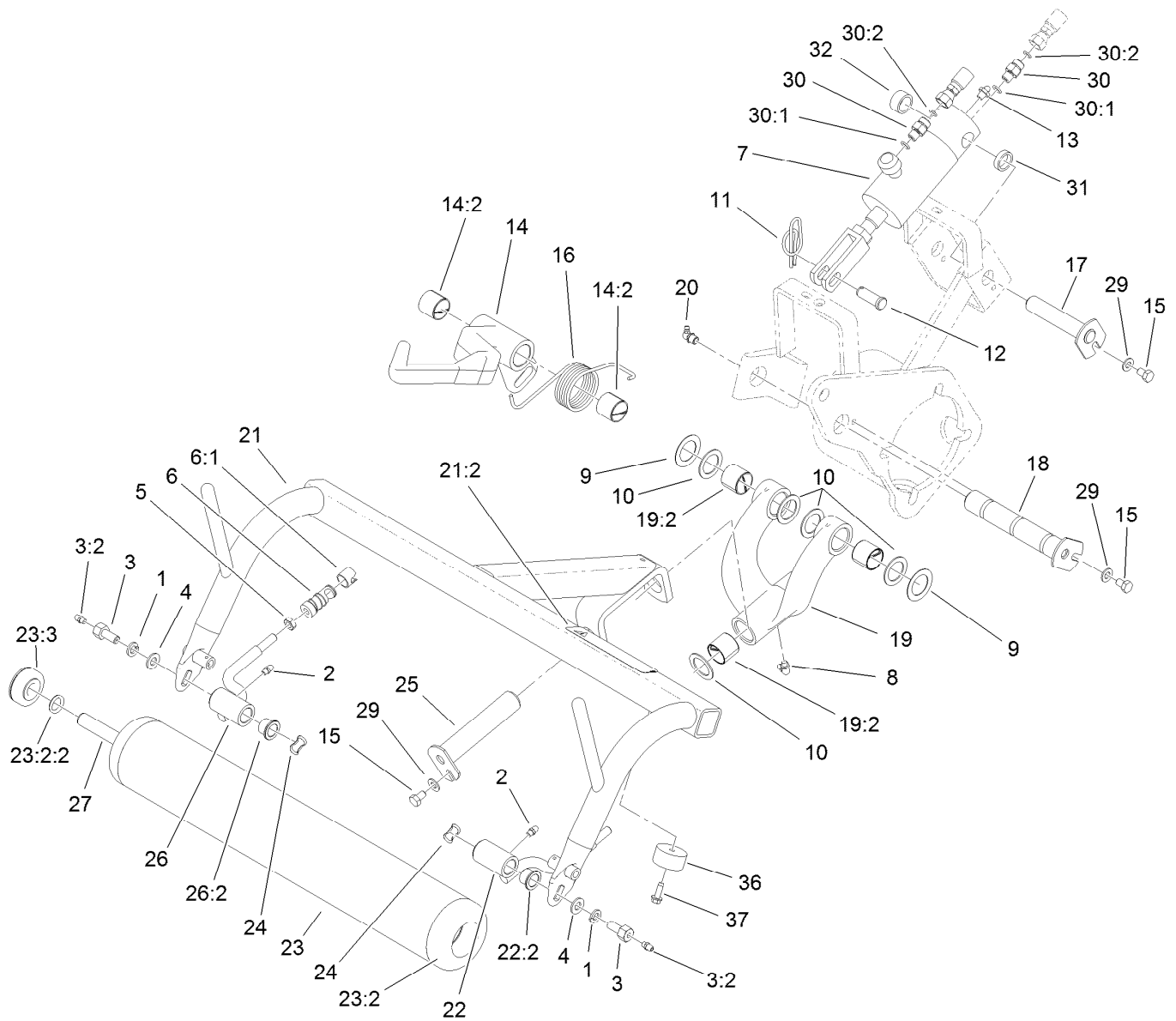
● Not serviced separately



## Hydraulic Cylinder Assembly No. 106-9066

<i>Ref.</i>	<i>Part Number</i>	<i>Qty.</i>	<i>Description</i>
1	107-2564	1	Seal Kit
1:1		1	O-Ring ●
1:2		1	O-Ring ●
1:3		1	Seal ●
1:4		1	Back-Up ●
1:5		1	Wiper ●
1:6		1	Seal-W/Out Ring ●
1:7		1	Ring-Wear ●
2	3220-6	1	Nut-Jam
3	106-9065	1	Clevis-Cylinder
4		1	Rod ●
5		1	Head ●
6	119-3501	1	Ring-Retaining
7		1	Piston ●
8		1	Locknut ●

● Not serviced separately

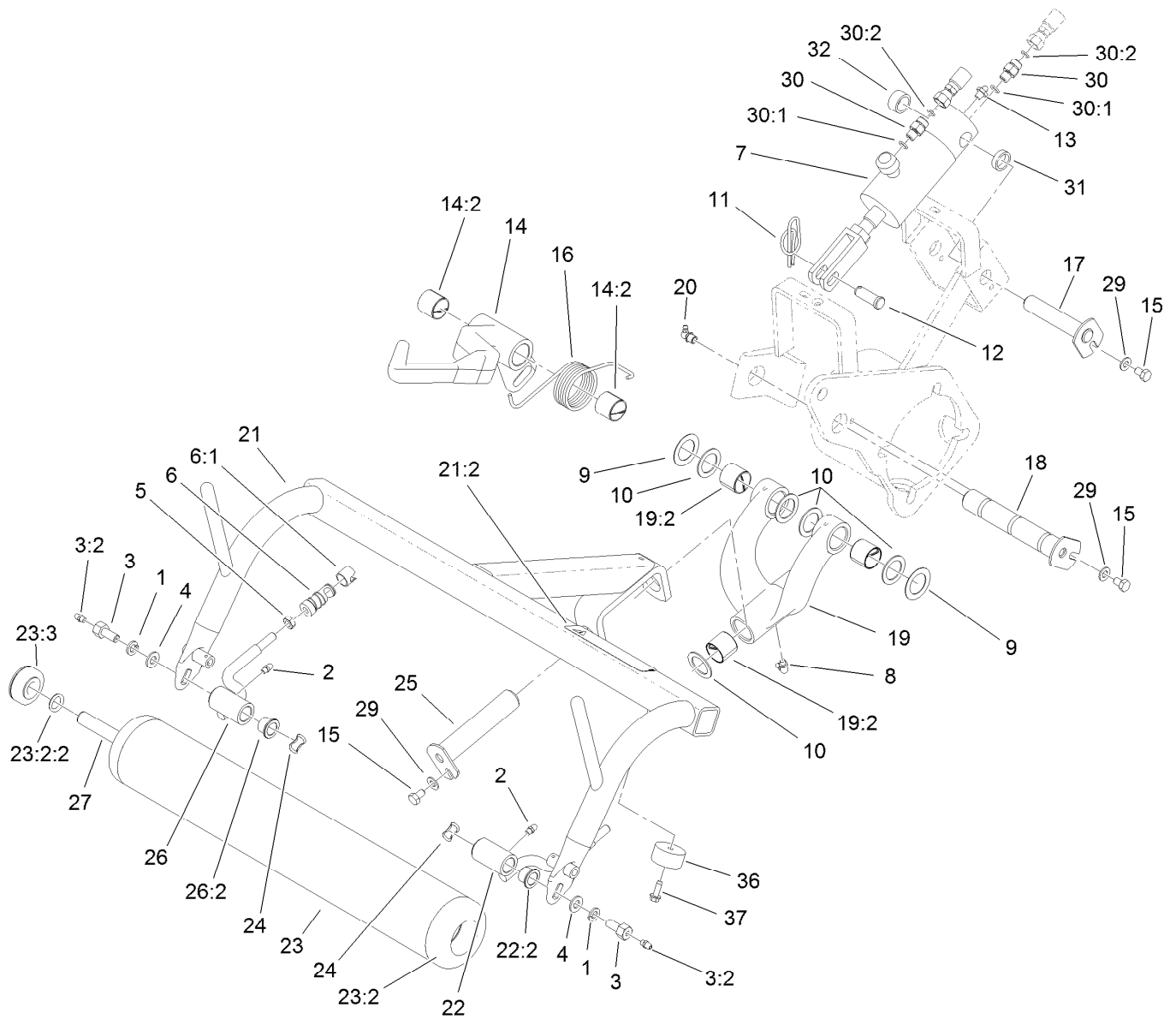


## Left Hand Pull Frame Assembly

Ref.	Part Number	Qty.	Description	Ref.	Part Number	Qty.	Description
1	3253-21	2	Washer-Lock	16	110-3952	1	Spring-Torsion, LH
2	302-5	2	Fitting-Grease	17	120-3199	1	Pin-Pivot
3	11-0160	2	Roller Shaft Screw ASM	18	114-4683	1	Pin-Hinge
3:2	302-5	1	Fitting-Grease	19	10-7820	1	Pivot Hinge ASM
4	3256-24	2	Washer-Flat	19:2	125-5196	4	Bushing
5	3220-3	2	Nut-HJ	20	302-33	1	Fitting-Grease
6	99-1460	2	Ball Joint Receiver ASM	21	117-9542	1	LH Pull Frame ASM
6:1	99-1461	1	Sleeve-Joint, Ball	21:2	104-7729	1	Decal-Danger, CE
7	106-9066	1	HYD Cylinder ASM	22	92-0586	1	Pull Arm ASM
8	302-60	1	Fitting-Grease	22:2	125-5178	2	Bushing
9	5-1226	4	Washer	23	99-4277	1	Roller ASM
10	10-8110	6	Washer-Thrust	23:2	253-83	2	Hub Yoke ASM ●
11	112-1491	1	Pin-Cotter	23:3	251-141	2	Bearing-Ball
12	283-8	1	Pin-Clevis	24	3290-317	2	Washer-Spring
13	302-2	1	Fitting-Grease	25	10-6090	1	Pin-Pivot
14	107-2598	1	LH Lift Arm ASM	26	92-0585	1	Pull Arm ASM
14:2	125-5196	2	Bushing	26:2	125-5178	2	Bushing
15	322-1	3	Screw-HH				

● Not serviced separately

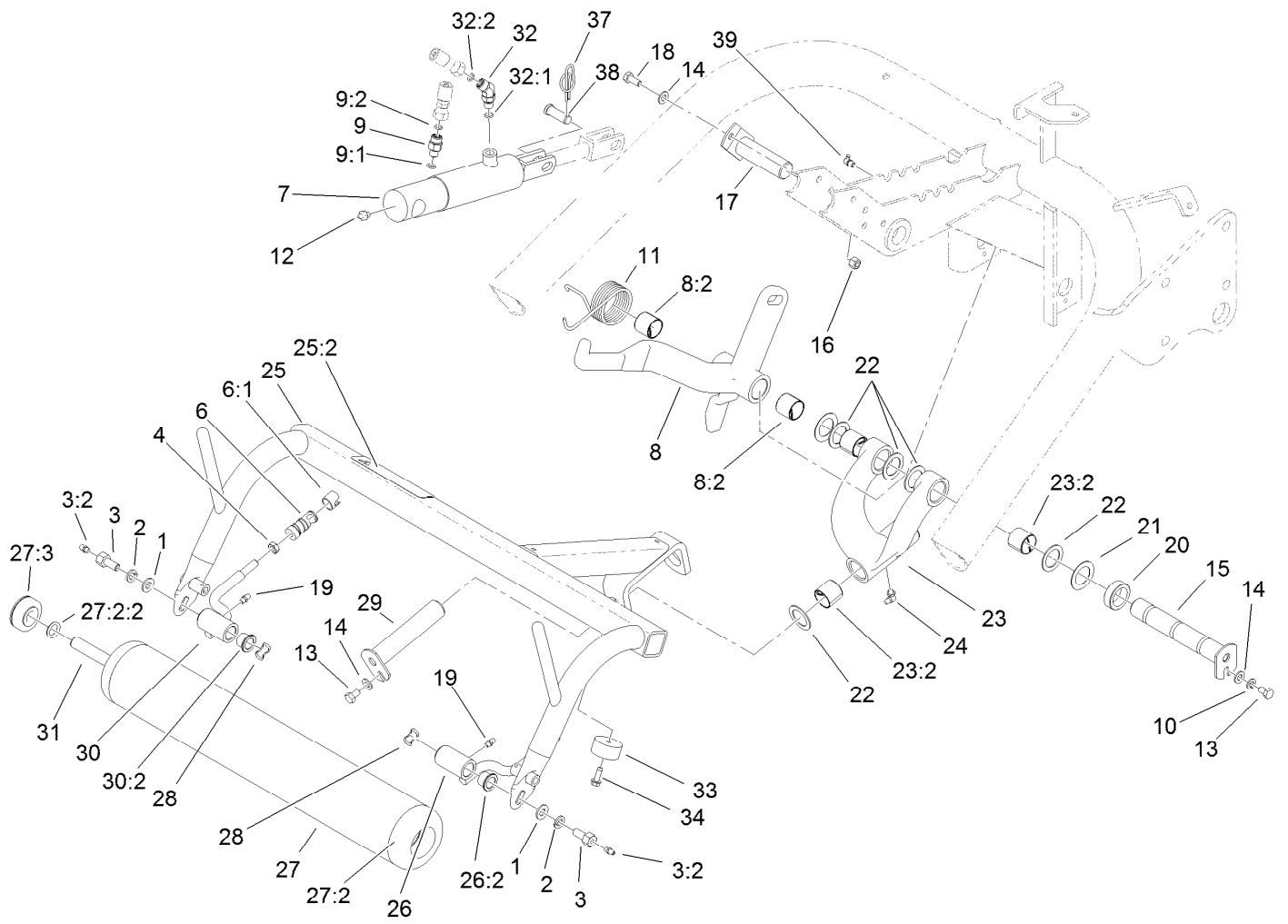




## Left Hand Pull Frame Assembly (continued)

<i>Ref.</i>	<i>Part Number</i>	<i>Qty.</i>	<i>Description</i>	<i>Ref.</i>	<i>Part Number</i>	<i>Qty.</i>	<i>Description</i>
27	21-8470	1	Shaft-Roller	31	105-3828	1	Spacer
29	3256-23	3	Washer-Plain	32	74-3730	1	Spacer-Spindle, Rear
30	340-92	2	Fitting-Straight	36	94-4548	2	Bumper-Recessed
30:1	237-78	1	O-Ring	37	32104-95	2	Screw-HWH
30:2	237-21	1	O-Ring				

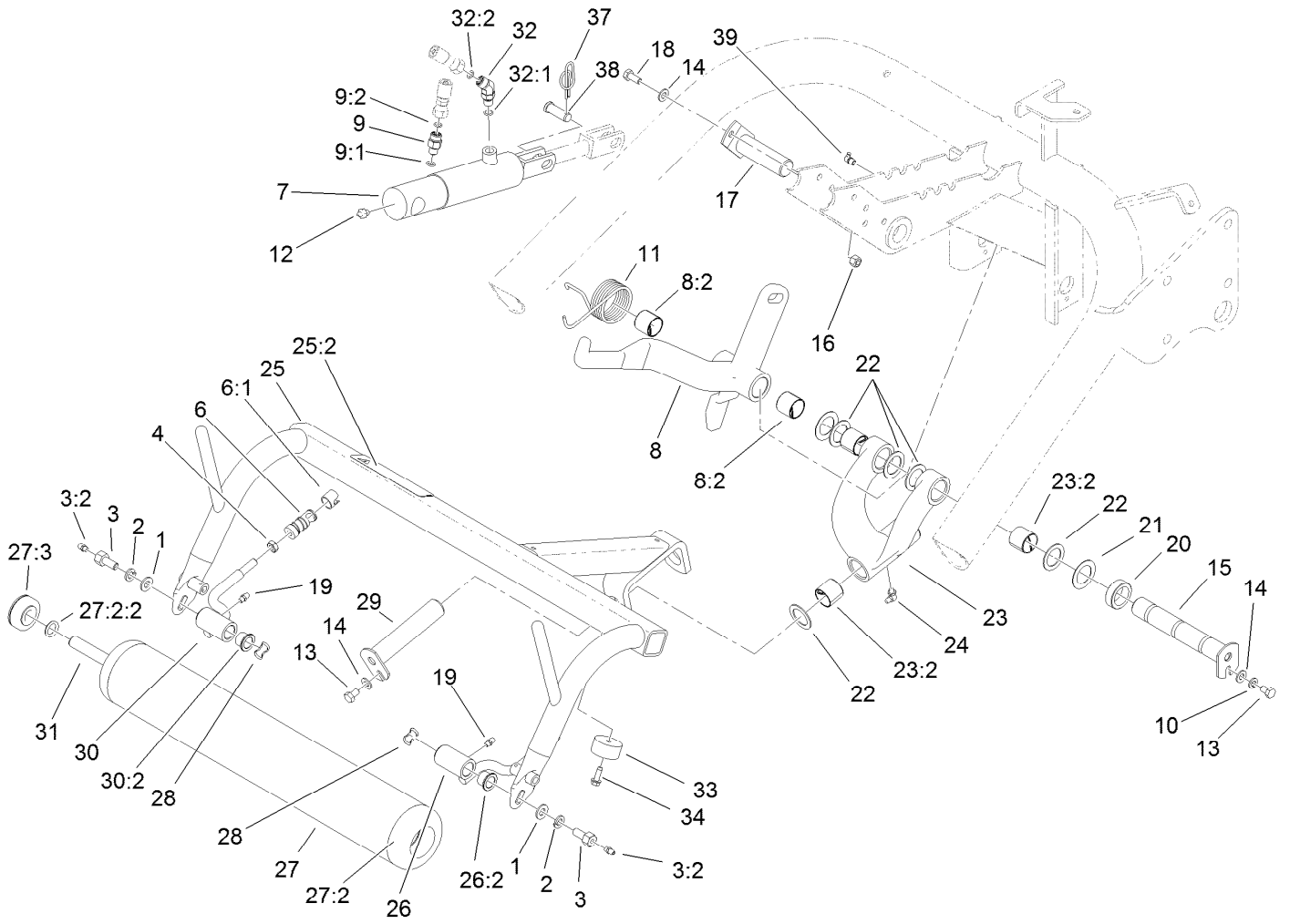
● Not serviced separately



## Center Pull Frame Assembly

Ref.	Part Number	Qty.	Description	Ref.	Part Number	Qty.	Description
1	3256-24	2	Washer-Flat	15	114-4685	1	Pin-Hinge
2	3253-21	2	Washer-Lock	16	3296-29	1	Nut-Lock, NI
3	11-0160	2	Roller Shaft Screw ASM	17	68-5560	1	Pin-Cylinder, Pivot
3:2	302-5	1	Fitting-Grease	18	322-3	1	Screw-HH
4	3220-3	2	Nut-HJ	19	302-5	2	Fitting-Grease
6	99-1460	2	Ball Joint Receiver ASM	20	93-2384	1	Spacer-Carrier
6:1	99-1461	1	Sleeve-Joint, Ball	21	5-1226	4	Washer
7	106-9064	1	HYD Cylinder ASM	22	10-8110	6	Washer-Thrust
8	110-3955	1	Center Lift Arm ASM	23	105-0452	1	Pivot Hinge ASM
8:2	125-5196	2	Bushing	23:2	125-5196	4	Bushing
9	340-92	1	Fitting-Straight	24	302-60	1	Fitting-Grease
9:1	237-78	1	O-Ring	25	117-9541	1	Center Pull Frame ASM
9:2	237-21	1	O-Ring	25:2	104-7729	1	Decal-Danger, CE
10	3253-4	1	Washer-Lock	26	92-0586	1	Pull Arm ASM
11	110-3953	1	Spring-Torsion, Center	26:2	125-5178	2	Bushing
12	302-2	1	Fitting-Grease	27	99-4277	1	Roller ASM
13	322-1	2	Screw-HH	27:2		2	Hub Yoke ASM ●
14	3256-23	3	Washer-Plain	27:2:2	253-83	1	Seal-Oil

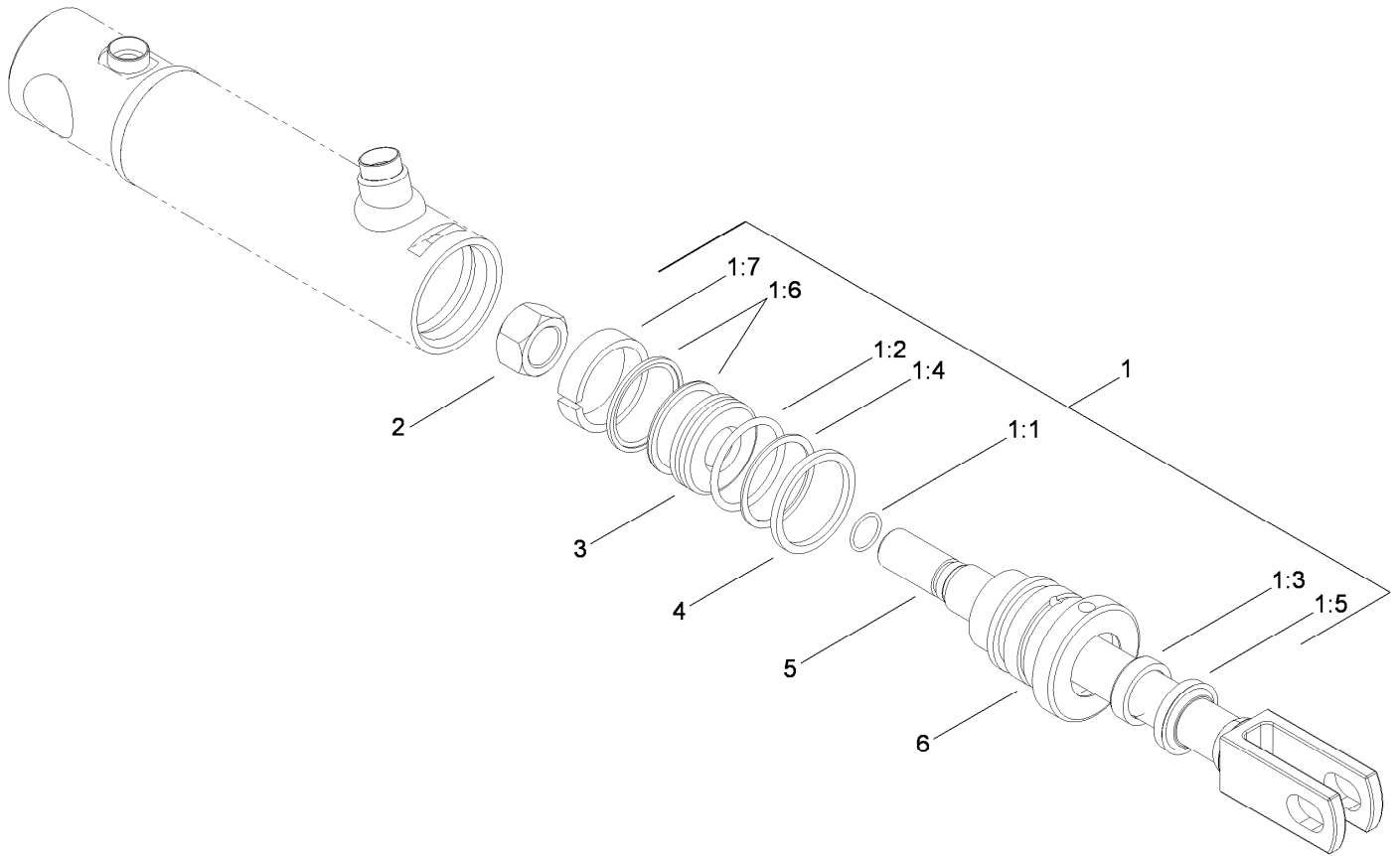
● Not serviced separately



## Center Pull Frame Assembly (continued)

<i>Ref.</i>	<i>Part Number</i>	<i>Qty.</i>	<i>Description</i>	<i>Ref.</i>	<i>Part Number</i>	<i>Qty.</i>	<i>Description</i>
27:3	251-141	2	Bearing-Ball	32:1	237-78	1	O-Ring
28	3290-317	2	Washer-Spring	32:2	237-21	1	O-Ring
29	10-6090	1	Pin-Pivot	33	94-4548	2	Bumper-Recessed
30	92-0585	1	Pull Arm ASM	34	32104-95	2	Screw-HWH
30:2	125-5178	2	Bushing	37	112-1491	1	Pin-Cotter
31	21-8470	1	Shaft-Roller	38	283-8	1	Pin-Clevis
32	340-103	1	Fitting-HYD, 45 DEG	39	302-33	1	Fitting-Grease

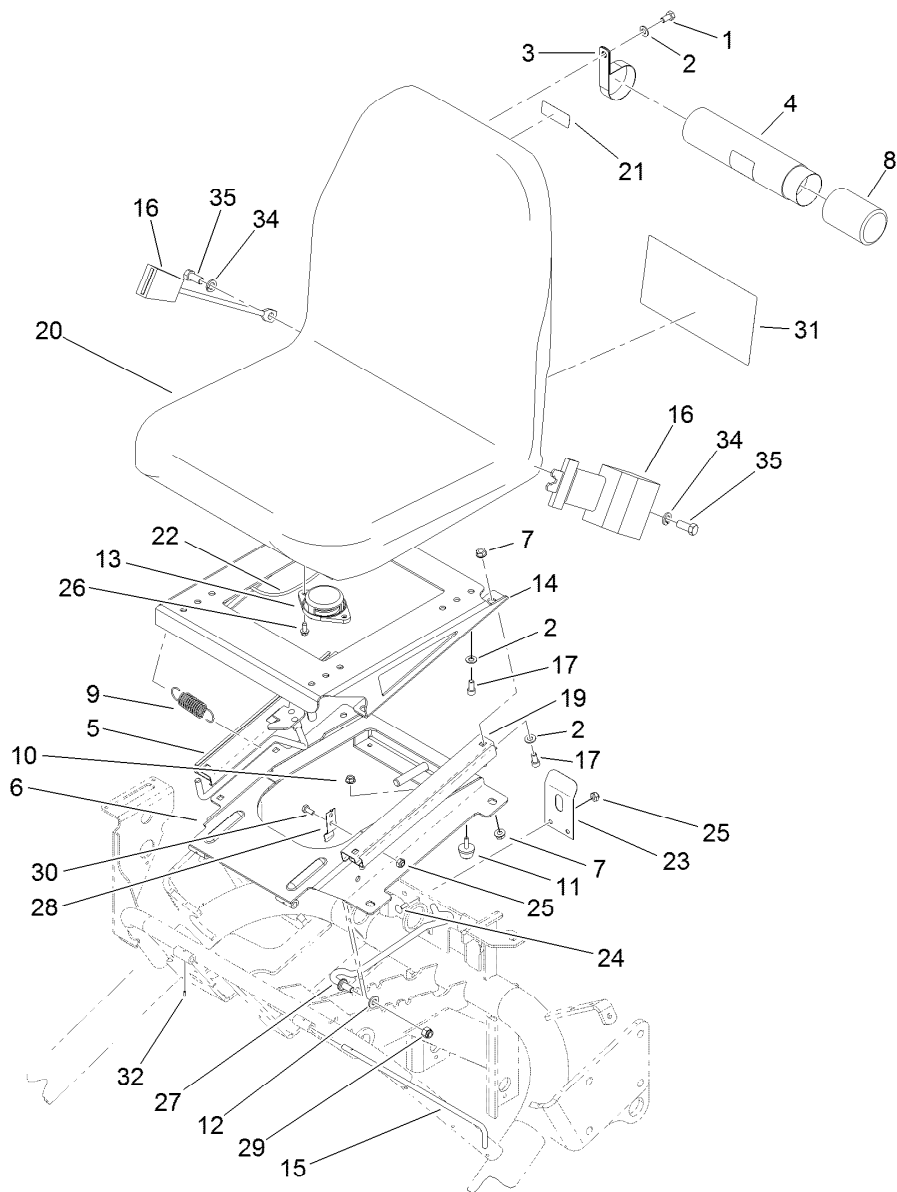
● Not serviced separately



## Hydraulic Cylinder Assembly No. 106-9064

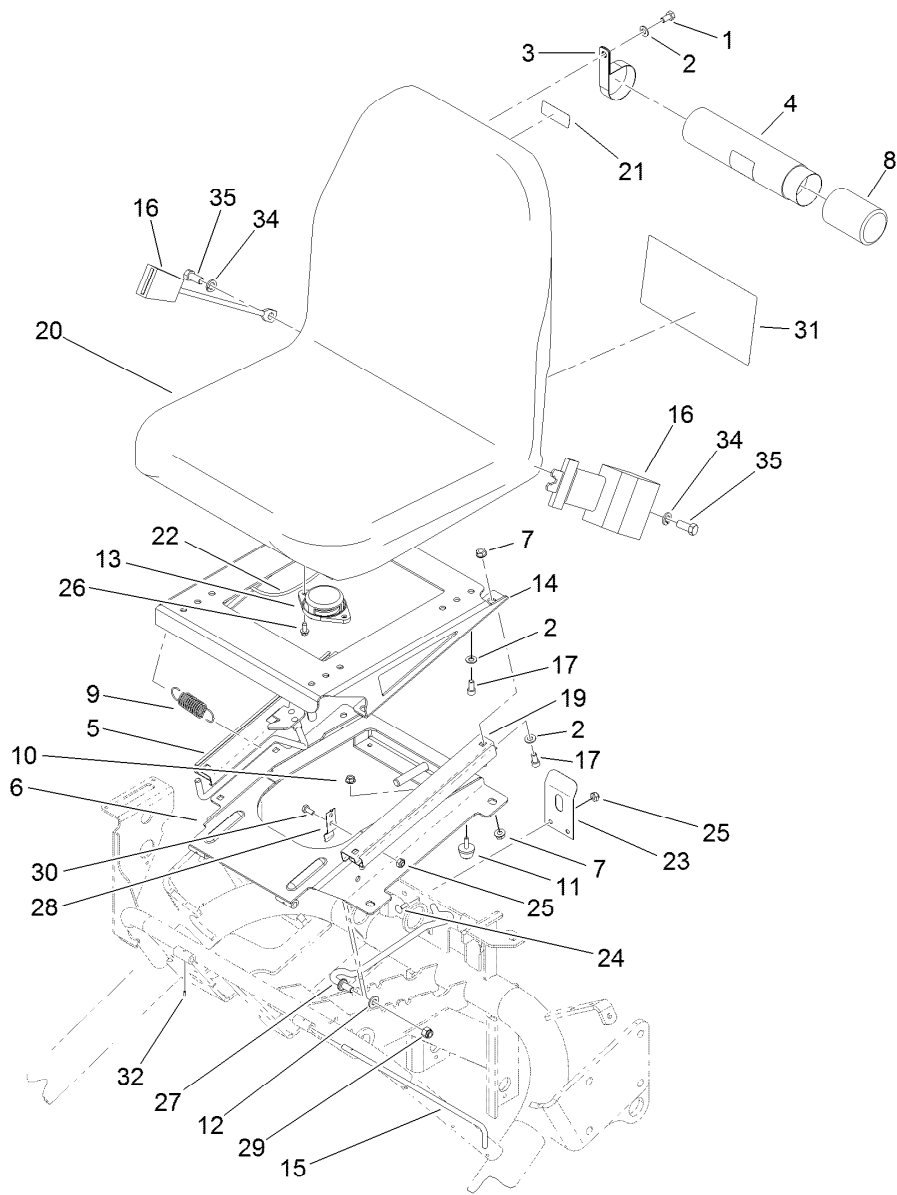
Ref.	Part Number	Qty.	Description
1	107-2563	1	Seal Kit
1:1		1	O-Ring ●
1:2		1	O-Ring ●
1:3		1	Seal ●
1:4		1	Back-Up ●
1:5		1	Wiper ●
1:6		1	Seal W/Loader ●
1:7		1	Wear Ring ●
2		1	Locknut ●
3		1	Piston ●
4	117-9548	1	Ring-Retaining
5		1	Rod ASM ●
6		1	Head ●

● Not serviced separately



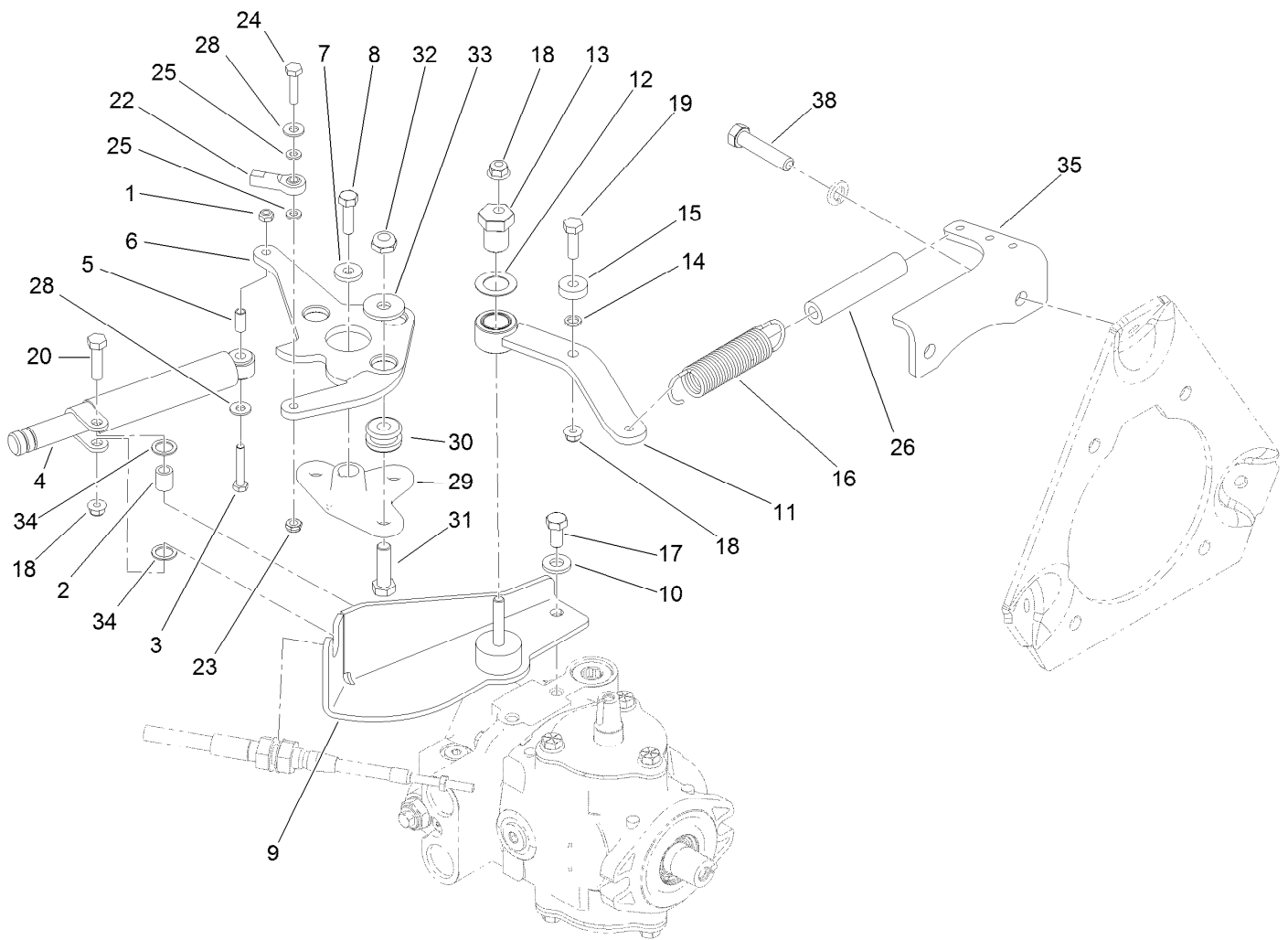
## Seat Assembly

<i>Ref.</i>	<i>Part Number</i>	<i>Qty.</i>	<i>Description</i>	<i>Ref.</i>	<i>Part Number</i>	<i>Qty.</i>	<i>Description</i>
1	322-2	2	Screw-HH	23	66-2630	1	Latch-Seat
2	3256-23	10	Washer-Plain	24	3229-1	2	Screw-CARR
3	2412-133	2	Clamp-R	25	3296-16	4	Nut-Lock, NI
4	104-7050	1	Tube-Manual	26	32144-10	2	Screw-HWH
5	105-8265	1	Adjuster-Seat	27	106-4643	1	Rod-Prop, Seat
6	105-0464-03	1	Plate-Seat	28	68-5310	1	Clip-Rod, Prop
7	32128-25	8	Nut-HF	29	3296-39	1	Nut-Lock, NI
8	104-7048	1	Cap-Housing	30	321-3	2	Screw-HH
9	88-6330	1	Spring-Extension	31	121-9566	1	Decal-Service
10	32128-33	2	Nut-HF	31	121-9576	1	Decal-Service, Spanish
11	1-523420	2	Bumper	31	121-9577	1	Decal-Service, French
12	3256-24	1	Washer-Flat	31	121-9578	1	Decal-Service, German
13	92-6282	1	Switch-Seat	31	121-9579	1	Decal-Service, Swedish
14	105-0466-03	1	Plate-Seat, Upper	31	121-9580	1	Decal-Service, Italian
15	105-0483	1	Rod-Pivot, Seat	31	121-9581	1	Decal-Service, Portuguese
16	100-4928	1	Belt-Seat	31	121-9582	1	Decal-Service, Norwegian
17	3274-12	8	Screw-HSH	31	121-9583	1	Decal-Service, Finnish
19	51-0780	1	Slider-Seat	31	121-9584	1	Decal-Service, Danish
20	104-4620	1	Seat	31	121-9585	1	Decal-Service, Dutch
21	93-6686	1	Decal-Oil, HYD	31	121-9586	1	Decal-Service, Japanese
22	108-9466	1	Harness-Wire, Seat	32	32121-7	1	Pin-Roll, Slotted



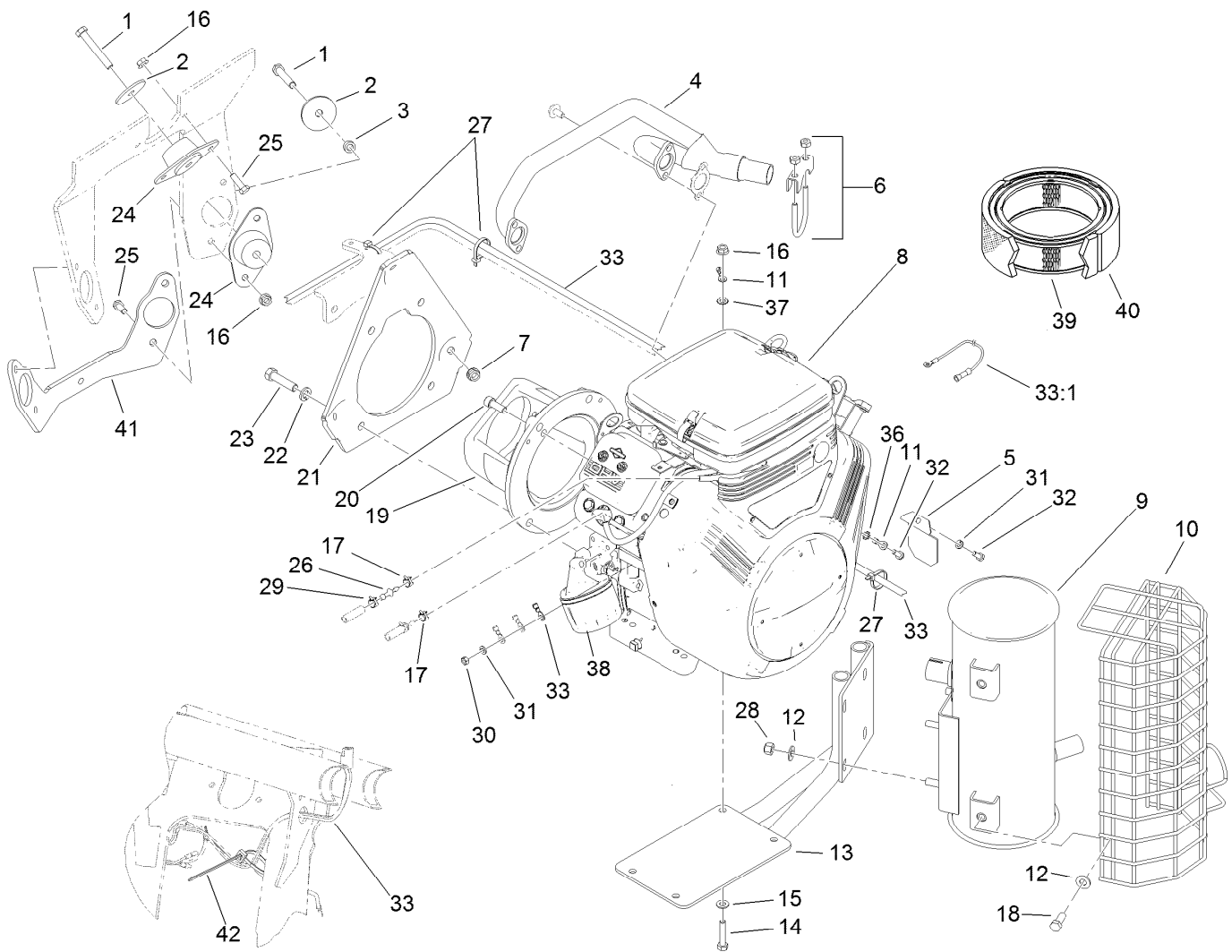
## Seat Assembly (continued)

<i>Ref.</i>	<i>Part Number</i>	<i>Qty.</i>	<i>Description</i>
34	3253-6	2	Washer-Lock
35	3212-4	2	Screw-HH



## Neutral System Assembly

<i>Ref.</i>	<i>Part Number</i>	<i>Qty.</i>	<i>Description</i>	<i>Ref.</i>	<i>Part Number</i>	<i>Qty.</i>	<i>Description</i>
1	33023-00	1	Nut-Lock	18	104-8300	3	Nut-HF, NI
2	94-8197	1	Tube-Pivot	19	322-5	1	Screw-HH
3	33113-035	1	Screw-HH	20	322-6	1	Screw-HH
4	76-8870	1	Damper-Lever	22	2411-41	1	Rod End-Ball Joint
5	94-1312	1	Spacer-Pivot	23	104-7201	1	Nut-HF, NI
6	105-5477-03	1	Lever-Pump	24	321-8	1	Screw-HH
7	88-7200	1	Washer-Flat	25	33093-00	2	Washer-Flat
8	3210-6	1	Screw-HH	26	99-4251	1	Hose-Dampener
9	105-5475	1	Cable Support ASM	28	3256-22	2	Washer-Flat
10	100-4852	2	Washer-Hardened	29	117-9500	1	Plate-Pivot
11	105-4302	1	Neutral Arm ASM	30	63-9750	3	Mount
12	3-6498	1	Washer-Thrust	31	323-29	3	Screw-HH
13	93-2111	1	Stud-Traction	32	3296-59	3	Nut-Lock, NI
14	75-5470	1	Spacer-Bearing	33	93-8806	3	Washer-Hardened
15	251-259	1	Bearing-Ball	34	94-8196	2	Washer-Nylon
16	94-1369	1	Spring-Extension	35	105-4307-03	1	Bracket-Spring
17	323-5	2	Screw-HH	38	324-8	2	Screw-HH

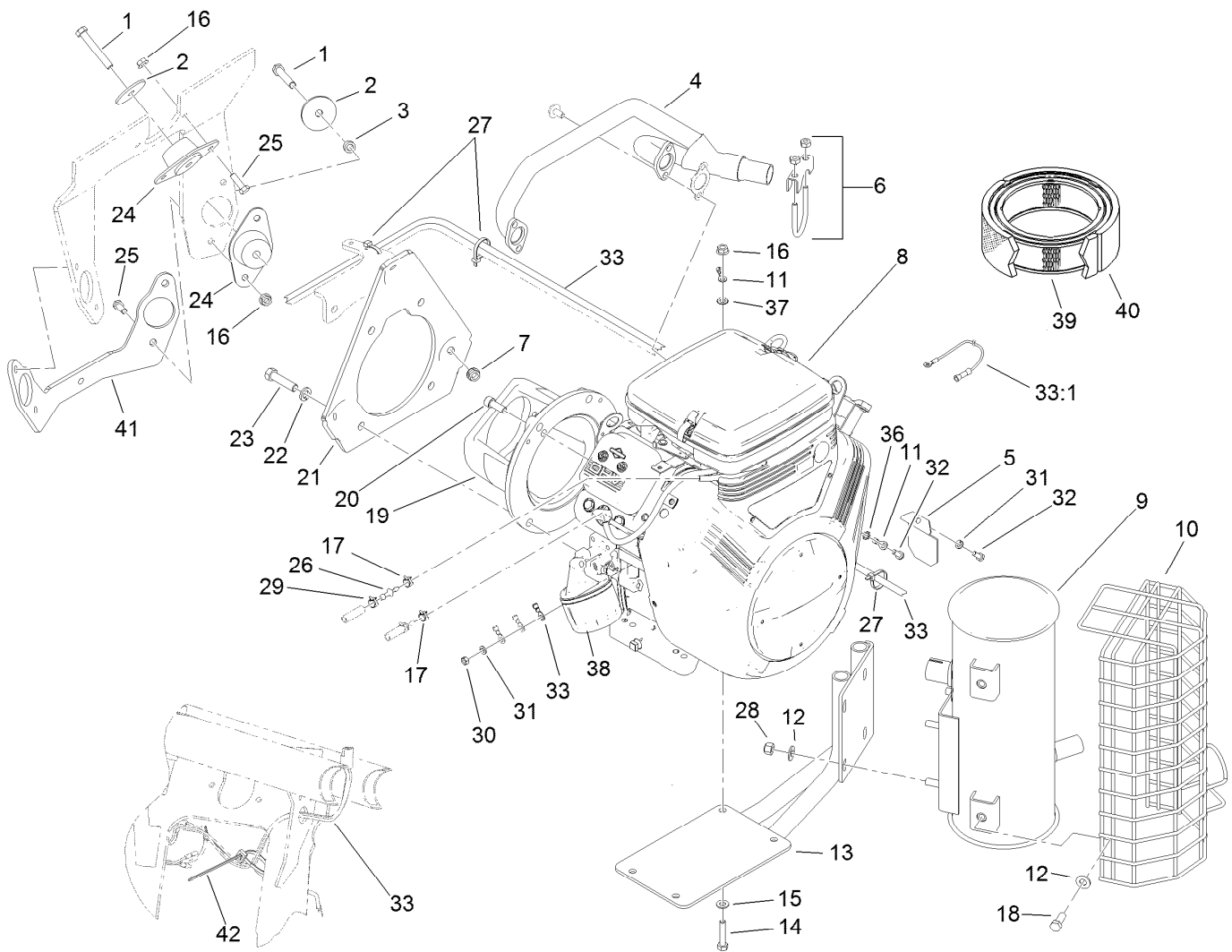


## Engine Installation Assembly

Ref.	Part Number	Qty.	Description	Ref.	Part Number	Qty.	Description
1	323-13	3	Screw-HH	18	323-5	4	Screw-HH
2	83-1040	3	Washer-Flat	19	83-1060-03	1	Adapter-Pump
3	93-9847	2	Spacer	20	3274-7	2	Screw-HSH
4	119-4128	1	Manifold-Exhaust	21	85-8120-03	1	Plate-Mount, Engine
5	83-2310	1	Shield-Regulator	22	3253-6	4	Washer-Lock
6	2112-11	1	Clamp-Muffler	23	324-7	2	Screw-HH
7	3290-357	3	Nut-HSF	24	125-5244	3	Mount-Engine
8	130-6472	1	Engine-Briggs And Stratton ●	25	322-5	6	Screw-HH
9	110-4001	1	Muffler	26	121-2573	1	Fitting-Straight
10	112-0291	1	Shield-Muffler	27	3290-379	3	Tie-Cable
11	108-6486	1	Wire-Ground	28	32152-2	4	Nut-Lock, Cone
12	100-4852	8	Washer-Hardened	29	2412-98	1	Clamp-Hose
13	112-9196-03	1	Mount-Muffler	30	43-2830	1	Nut-Hex
14	322-10	4	Screw-HH	31	3253-3	2	Washer-Lock
15	87-8640	4	Washer-Flat	32	32144-10	2	Screw-HWH
16	32128-20	10	Nut-HF	33	105-8276	1	Harness-Wire, Engine
17	2412-80	2	Clamp-Hose	33:1	106-4642	1	Harness-Wire, Fusible Link
				36	3255-7	1	Washer-Lock/EXT

● Obtain parts from [www.briggsandstratton.com](http://www.briggsandstratton.com)

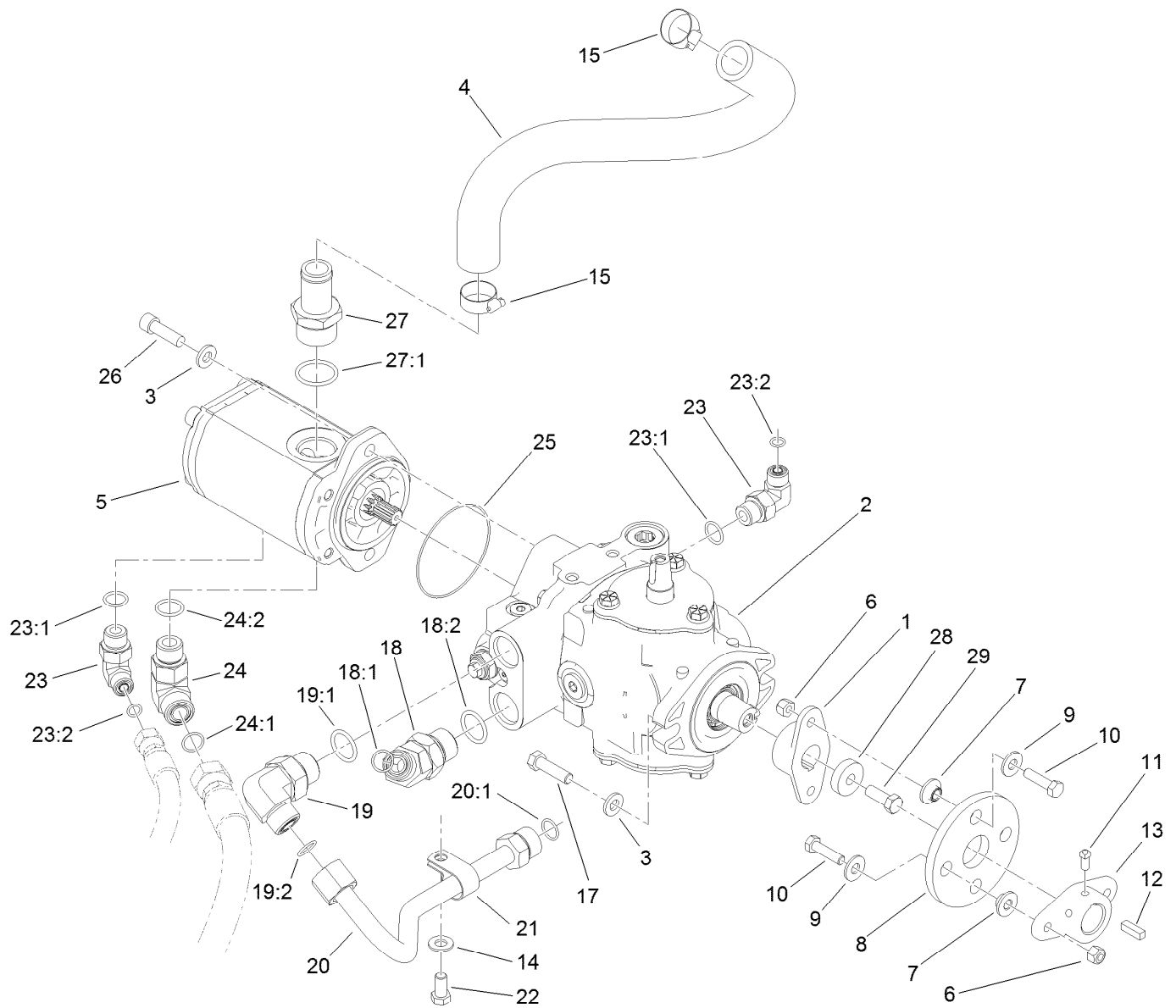




## Engine Installation Assembly (continued)

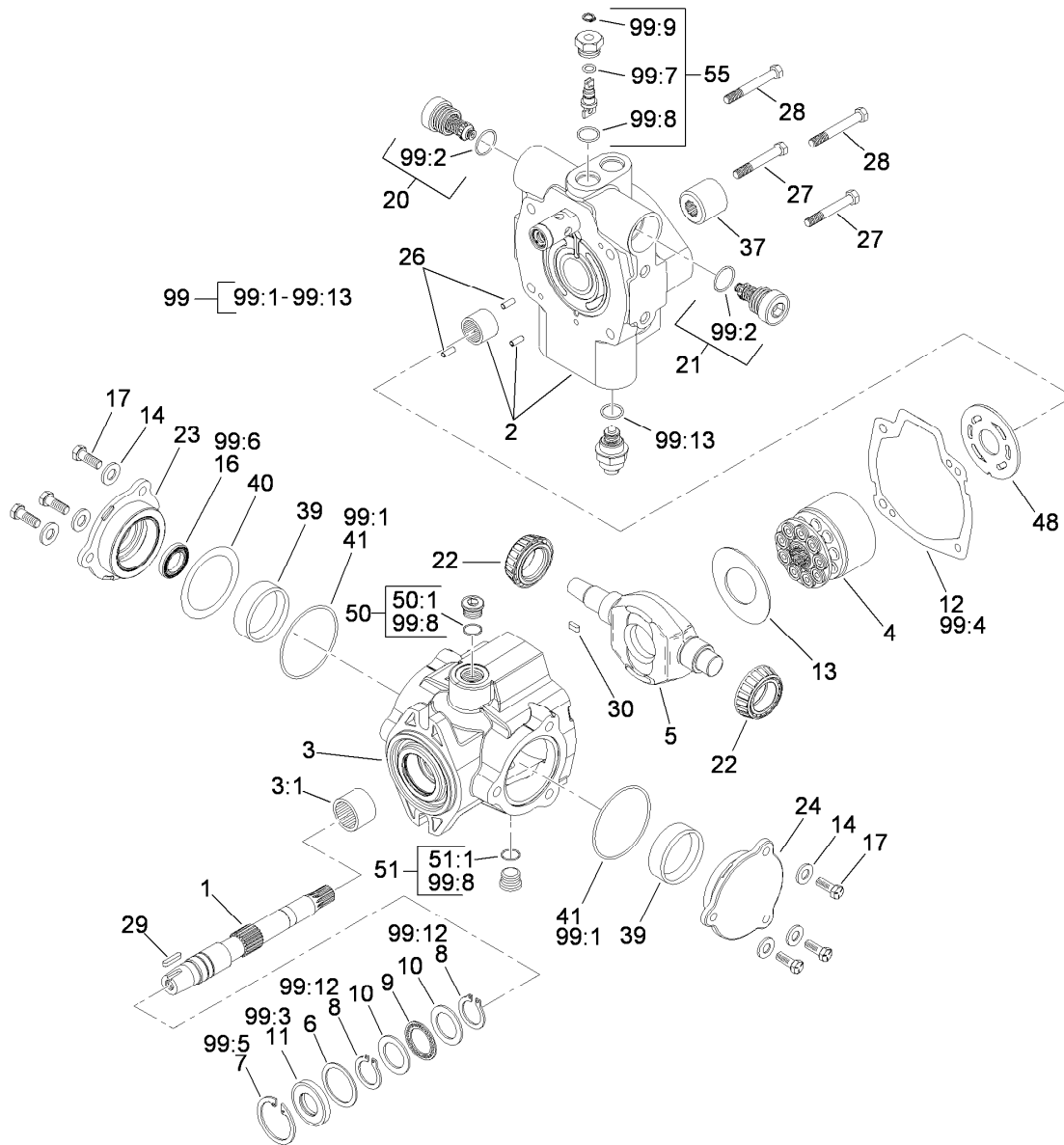
<i>Ref.</i>	<i>Part Number</i>	<i>Qty.</i>	<i>Description</i>	<i>Ref.</i>	<i>Part Number</i>	<i>Qty.</i>	<i>Description</i>
37	3255-8	1	Washer-Lock	40	92-0530	1	Element-Filter
38	107-7817	1	Filter-Oil, Engine	41	121-9539-01	1	Support-Engine
39	92-0527	1	Cartridge-Cleaner, Air	42	3290-378	1	Tie-Cable

● Obtain parts from [www.briggsandstratton.com](http://www.briggsandstratton.com)



## Hydrostat and Gear Pump Drive Assembly

Ref.	Part Number	Qty.	Description	Ref.	Part Number	Qty.	Description
1	119-4485	1	Hub-Pump	19	340-139	1	Fitting-Elbow 90
2	121-9557	1	Pump-Hydro	19:1	237-81	1	O-Ring
3	100-4852	4	Washer-Hardened	19:2	237-65	1	O-Ring
4	105-8285	1	Hose-Inlet, Pump	20	121-2561	1	Tube-HYD
5	114-9956	1	HYD Gear Pump ASM	20:1	237-65	1	O-Ring
6	3296-29	4	Nut-Lock, NI	21	2412-41	1	Clamp-R
7	125-9249	4	Spacer-Coupler, Rubber	22	323-4	1	Screw-HH
8	115-4523	1	Coupling-Rubber	23	340-18	2	Fitting-HYD, 90 DEG
9	3256-3	4	Washer-Flat	23:1	237-79	1	O-Ring
10	322-6	4	Screw-HH	23:2	237-22	1	O-Ring
11	3241-7	2	Screw-SQH	24	340-17	1	Fitting-Elbow, 90 DEG
12	10-7070	1	Key-Square	24:1	237-65	1	O-Ring
13	110-5236	1	Hub-Engine	24:2	237-80	1	O-Ring
14	3256-24	1	Washer-Flat	25	353-949	1	O-Ring
15	2412-34	2	Clamp-Hose	26	3274-1	2	Screw-HSH
17	323-7	2	Screw-HH	27	354-78	1	Fitting-STR
18	340-156	1	Fitting-Elbow 45	27:1	237-146	1	O-Ring
18:1	237-65	1	O-Ring	28	53-7930	1	Spacer-Pivot
18:2	237-81	1	O-Ring	29	3211-4	1	Screw-HH

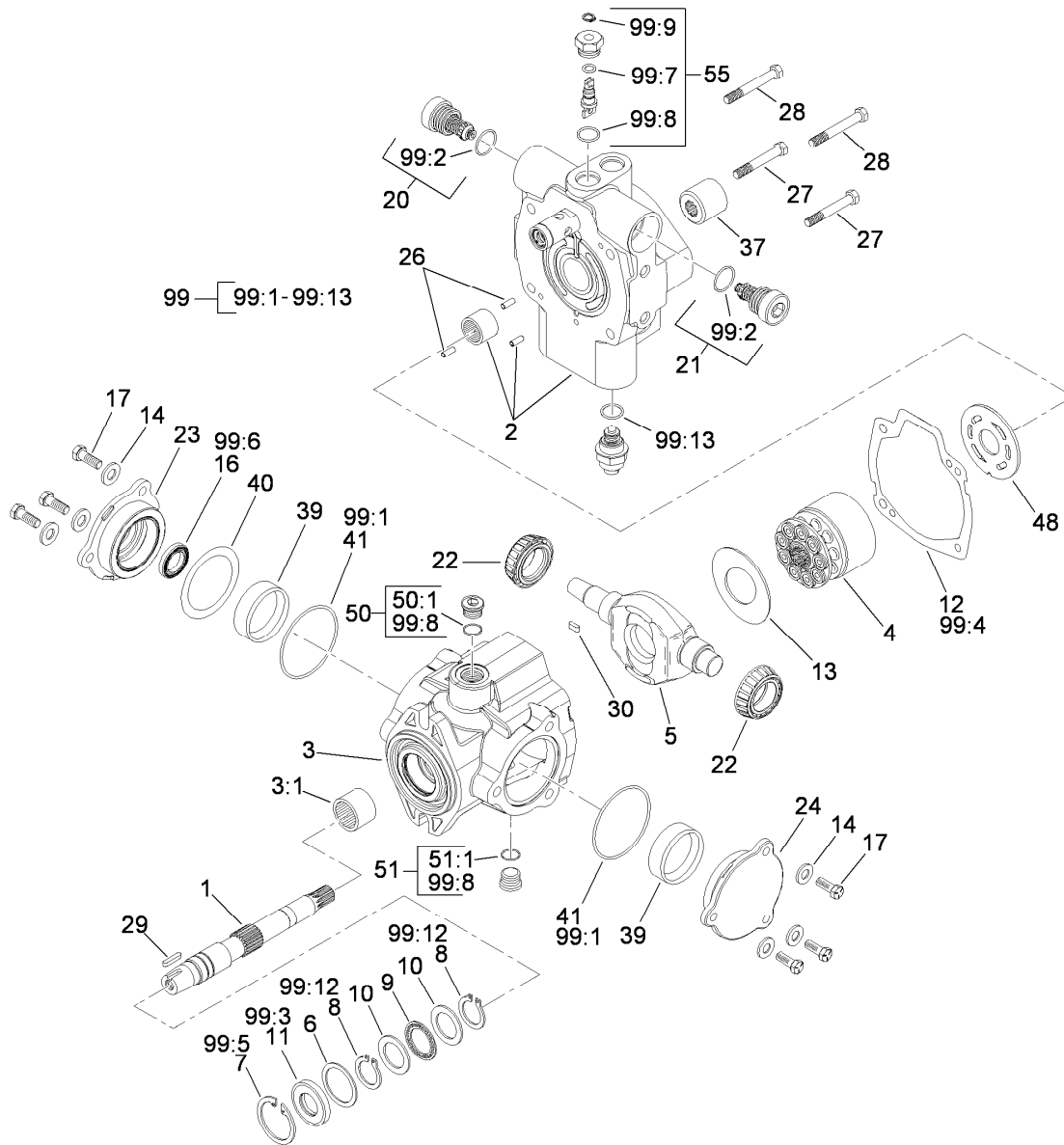


## Hydraulic Pump Assembly No. 121-9557

Ref.	Part Number	Qty.	Description	Ref.	Part Number	Qty.	Description
1	119-7148	1	Shaft-Drive, Tapered	21	120-1989	1	Relief Valve ASM
2	121-9574	1	Endcover ASM	22	98-4639	2	Bearing-Cone
3	100-3176	1	Housing ASM	23	98-4645	1	Plate-Cover
3:1	94-6363	1	Bearing	24	98-4644	1	Plate-Cover
4	76-6070	1	Rotating Kit	26	76-6150	2	Pin-Dowel
5	100-3175	1	Camplate	27	76-6160	2	Capscrew
6	33-3720	1	Washer	28	76-6170	2	Capscrew
7	32151-13	1	Ring-Retaining	29	120-5751	1	Key
8	32151-29	2	Ring-Retaining	30	94-3646	1	Key
9	252-66	1	Bearing-Thrust	37	74-9040	1	Coupler
10	252-71	2	Washer-Thrust	39	104-4046	2	Bearing-Cup
11	104-4861	1	Seal-Shaft	40	100-3182	1	Shim Kit
12	33-4930	1	Gasket-Housing	41	100-3179	2	O-Ring
13	98-4635	1	Insert-Plate, Cam	48	100-3180	1	Plate-Valve
14	105-9762	6	Washer	50	74-9280	1	Plug ASM
16	76-6190	1	Seal-Shaft	50:1		1	O-Ring ■
17	98-4640	6	Screw-Cap	51	74-9280	1	Plug ASM
20	120-1989	1	Relief Valve ASM	51:1		1	O-Ring ■

● Not illustrated

■ Not serviced separately

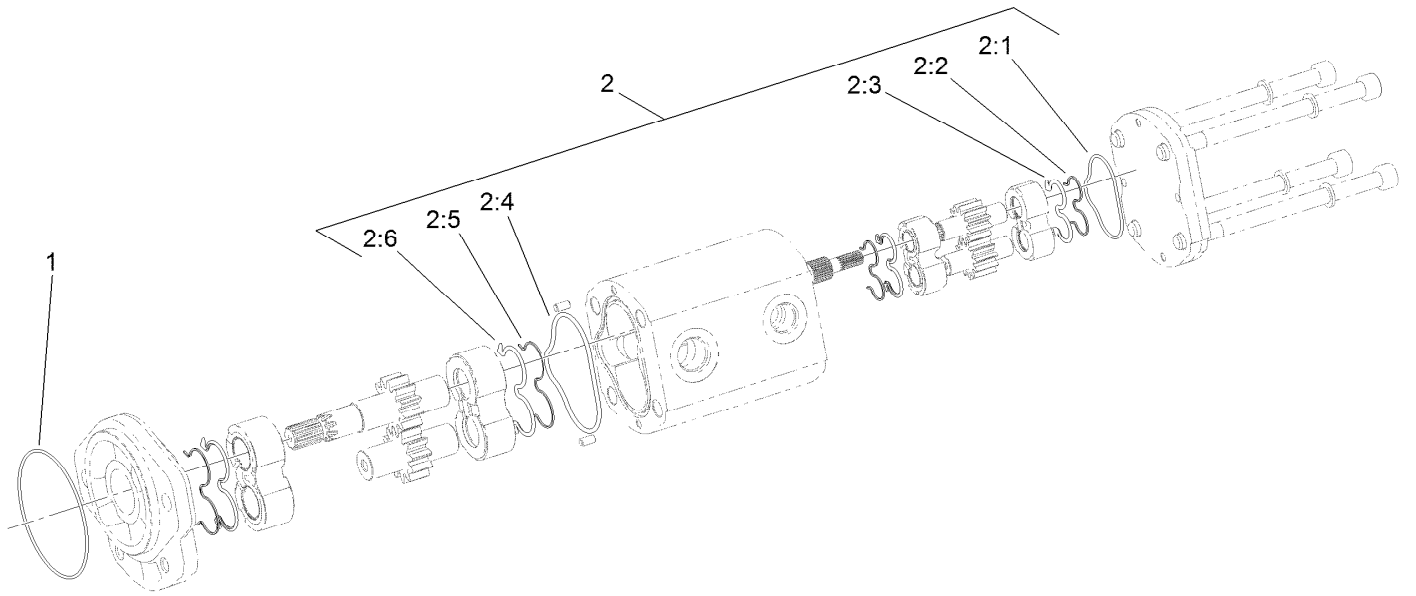


## Hydraulic Pump Assembly No. 121-9557 (continued)

Ref.	Part Number	Qty.	Description	Ref.	Part Number	Qty.	Description
55	105-3811	1	Valve-Bypass	99:8	5	O-Ring ■	
99	120-5754	1	Seal Kit	99:9	1	Ring-Retaining ■	
99:1		2	O-Ring ■	99:10	1	O-Ring (Not Used For This Configuration) ●■	
99:2		2	O-Ring ■	99:11	1	O Ring-Molded (Not Used For This Configuration) ●■	
99:3		1	Seal-Shaft ■	99:12	2	Ring-Retaining ■	
99:4		1	Gasket ■	99:13	1	O-Ring ■	
99:5		1	Ring-Retaining ■				
99:6		1	Seal-Shaft ■				
99:7		1	O-Ring ■				

● Not illustrated

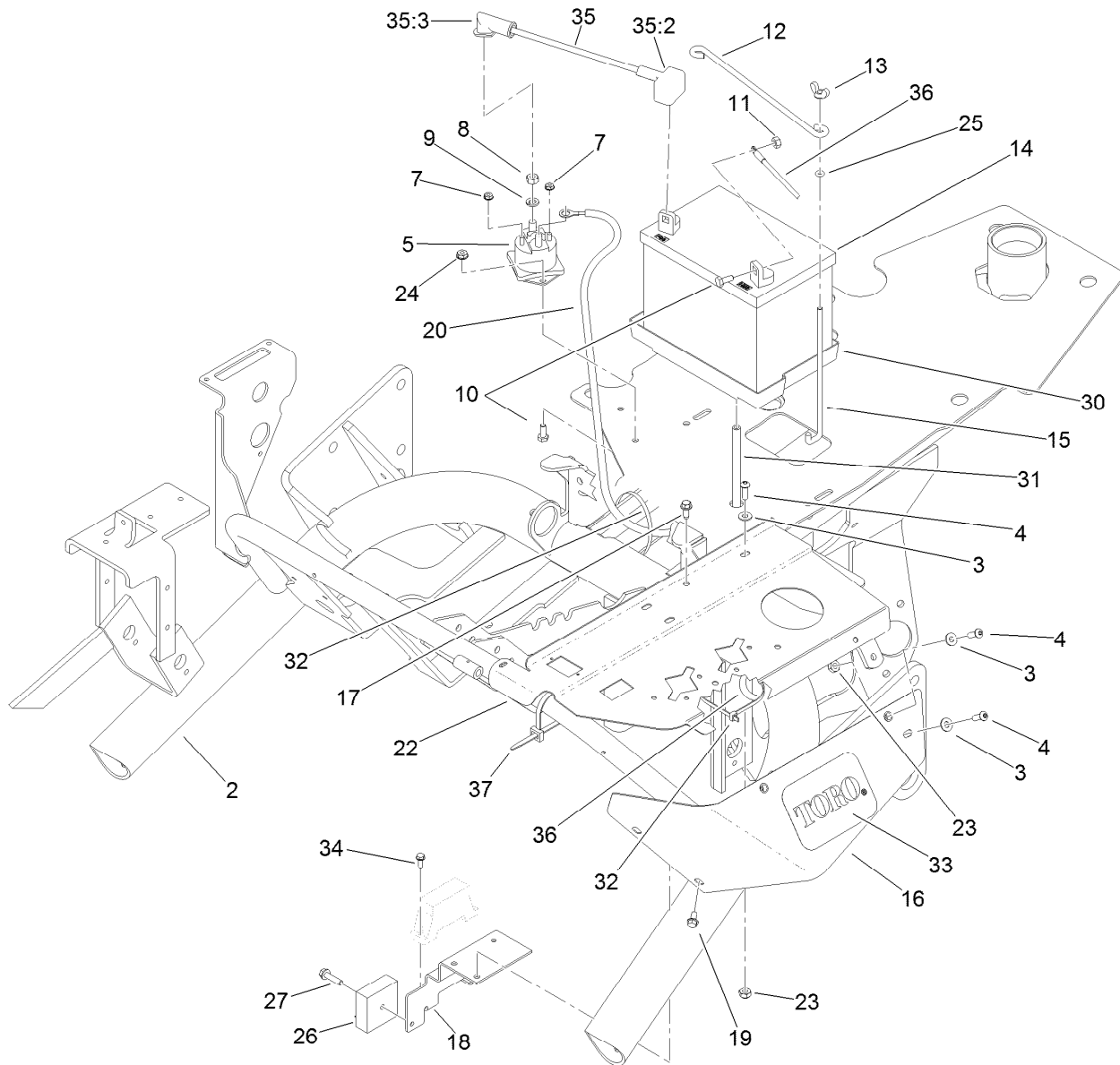
■ Not serviced separately



## Hydraulic Gear Pump Assembly No. 114-9956

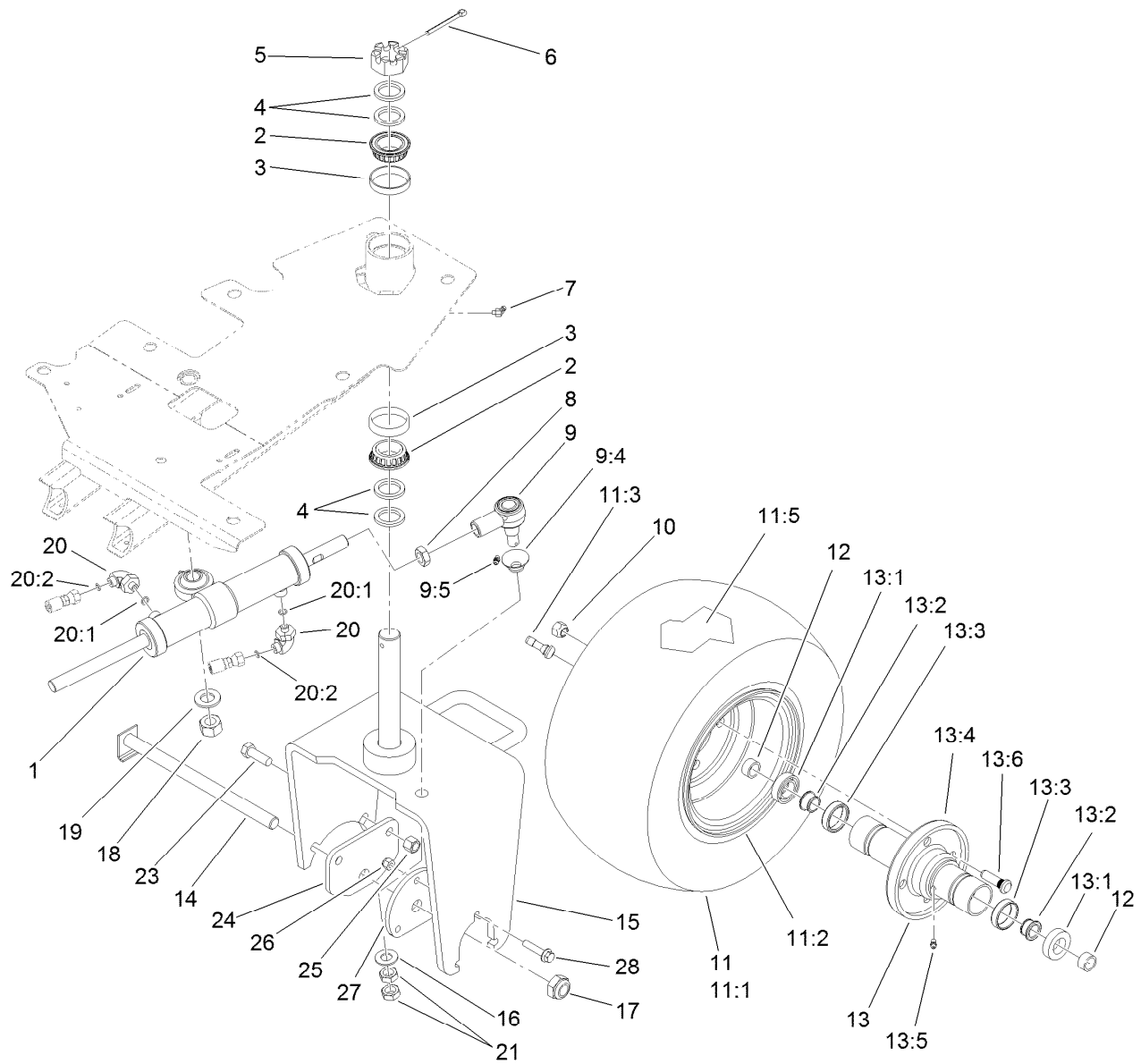
<i>Ref.</i>	<i>Part Number</i>	<i>Qty.</i>	<i>Description</i>
1	353-949	1	O-Ring
2	119-7134	1	Kit-Seal
2:1		1	O-Ring ●
2:2		2	Seal-Extrusion, Anti ●
2:3		2	Seal-Backup ●
2:4		1	O-Ring ●
2:5		2	Seal-Extrusion, Anti ●
2:6		2	Seal-Backup ●

● Not serviced separately



## Frame and Battery Assembly

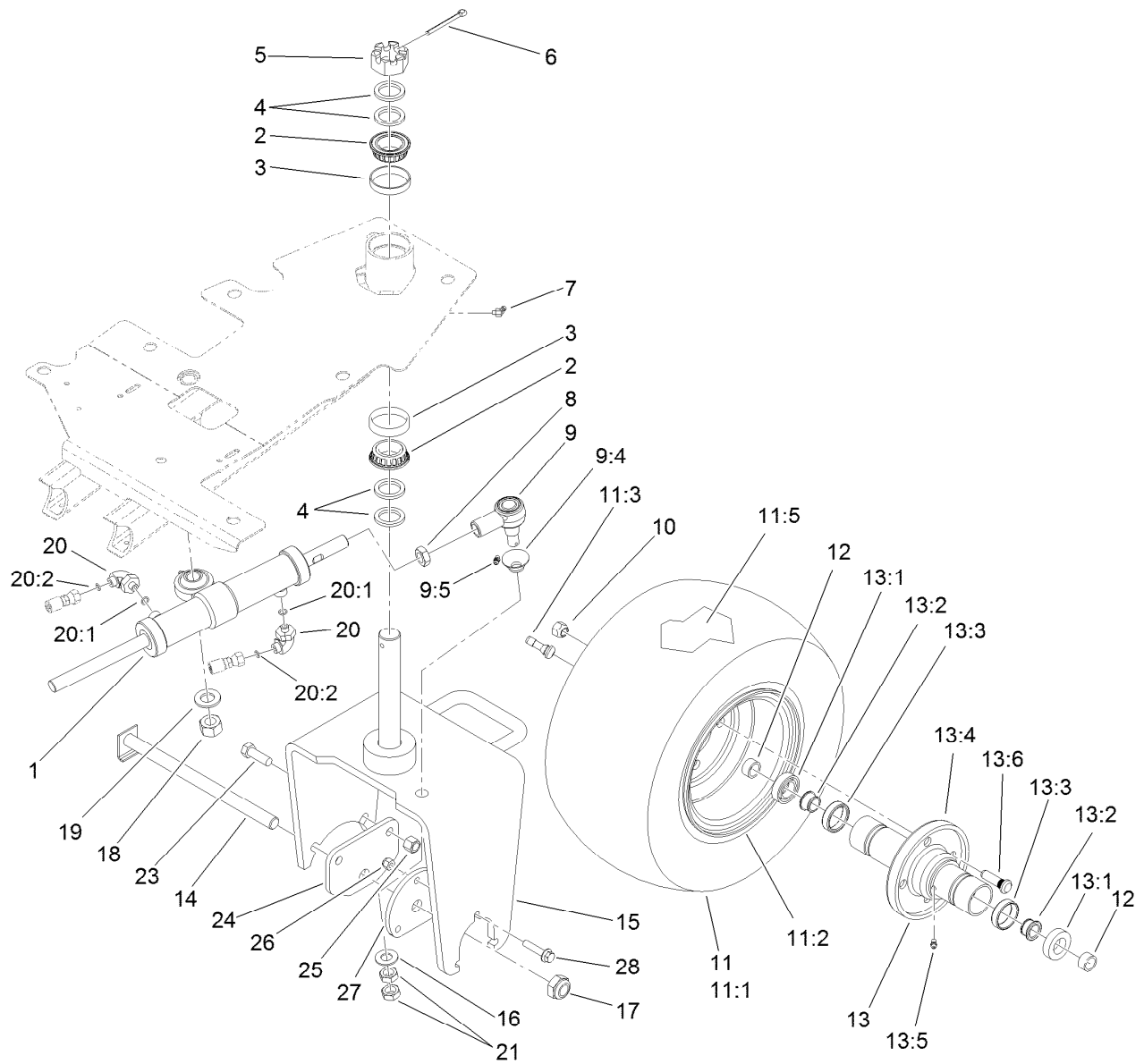
<i>Ref.</i>	<i>Part Number</i>	<i>Qty.</i>	<i>Description</i>	<i>Ref.</i>	<i>Part Number</i>	<i>Qty.</i>	<i>Description</i>
2	130-0112-01	1	Frame	20	98-2161	1	Cable-Battery, Positive
3	3256-22	4	Washer-Flat	22	105-0499-03	1	Panel-Control
4	3274-69	4	Screw-HSBH	23	3296-16	2	Nut-Lock, NI
5	28-4210	1	Solenoid	24	32149-2	2	Nut-Keps
7	32149-8	2	Nut-Keps	25	237-143	2	O-Ring
8	3218-13	2	Nut-Jam, Brass	26	92-2538	1	Module-Timer
9	3253-4	2	Washer-Lock	27	32144-86	1	Screw-HWHTF
10	321-3	4	Screw-HH	30	106948	1	Tray-Battery
11	3217-5	2	Nut-Hex	31	104-2061	1	Tube-Drain, Battery
12	100-6434	1	Rod-Hold Down, Battery	32	3290-379	2	Tie-Cable
13	32103-22	2	Nut-Wing	33	94-2579	1	Decal
14	104-8162	1	Battery	34	32144-1	2	Screw-Taptite
15	100-6435	2	Post-Battery	35	83-2420	1	Positive Cable ASM
16	105-5411	1	Shield-Cover, Valve	35:2	28-8080	1	Boot-Terminal
17	32144-10	1	Screw-HWH	35:3	83-2430	1	Boot-Terminal
18	105-4310-01	1	Bracket-Fuse	36	112-0276	1	Wire-Ground, Engine
19	32104-116	2	Screw-HWHTF	37	3290-378	1	Tie-Cable



## Rear Wheel Assembly

Ref.	Part Number	Qty.	Description	Ref.	Part Number	Qty.	Description
1	112-0297	1	Steering Cylinder ASM	13	72-9710	1	Hub-Tire
2	115-9472	2	Bearing-Cone And Seal	13:1	253-111	2	Seal-Oil
3	115-9471	2	Bearing-Cup	13:2	254-78	2	Bearing-Cone
4	18-6320	4	Washer-Steering	13:3	254-79	2	Bearing-Roller, Cup
5	32136-9	1	Nut-Hex, Slotted	13:4	75-9440	1	Hub ASM
6	3272-37	1	Pin-Cotter	13:5	302-11	1	Fitting-Lube, 45 DEG
7	302-11	1	Fitting-Lube, 45 DEG	13:6	10-6830	4	Stud-Type, Drive
8	84-5300	1	Nut-Jam	14	5-3934	1	Bolt-Caster
9	107-2553	1	Rod End ASM	15	112-0285-01	1	Fork-Castor
9:4	106-6896	1	Seal	16	3256-27	1	Washer-Flat
9:5	302-5	1	Fitting-Grease	17	3296-67	1	Nut-Lock, NI
10	242-50	4	Nut-Lug	18	3217-12	1	Nut-Hex
11		1	Wheel And Tire ASM ●	19	3256-28	1	Washer-Flat
11:1	28-3680	1	Tire	20	340-132	2	Fitting-Elbow, 90 DEG
11:2	217-60	1	Rim	20:1	237-78	1	O-Ring
11:3	232-27	1	Stem-Valve	20:2	237-21	1	O-Ring
11:5	232-37	1	Tube	21	3220-6	2	Nut-Jam
12	74-3730	2	Spacer-Spindle, Rear	23	325-6	2	Screw-HH

● Not serviced separately



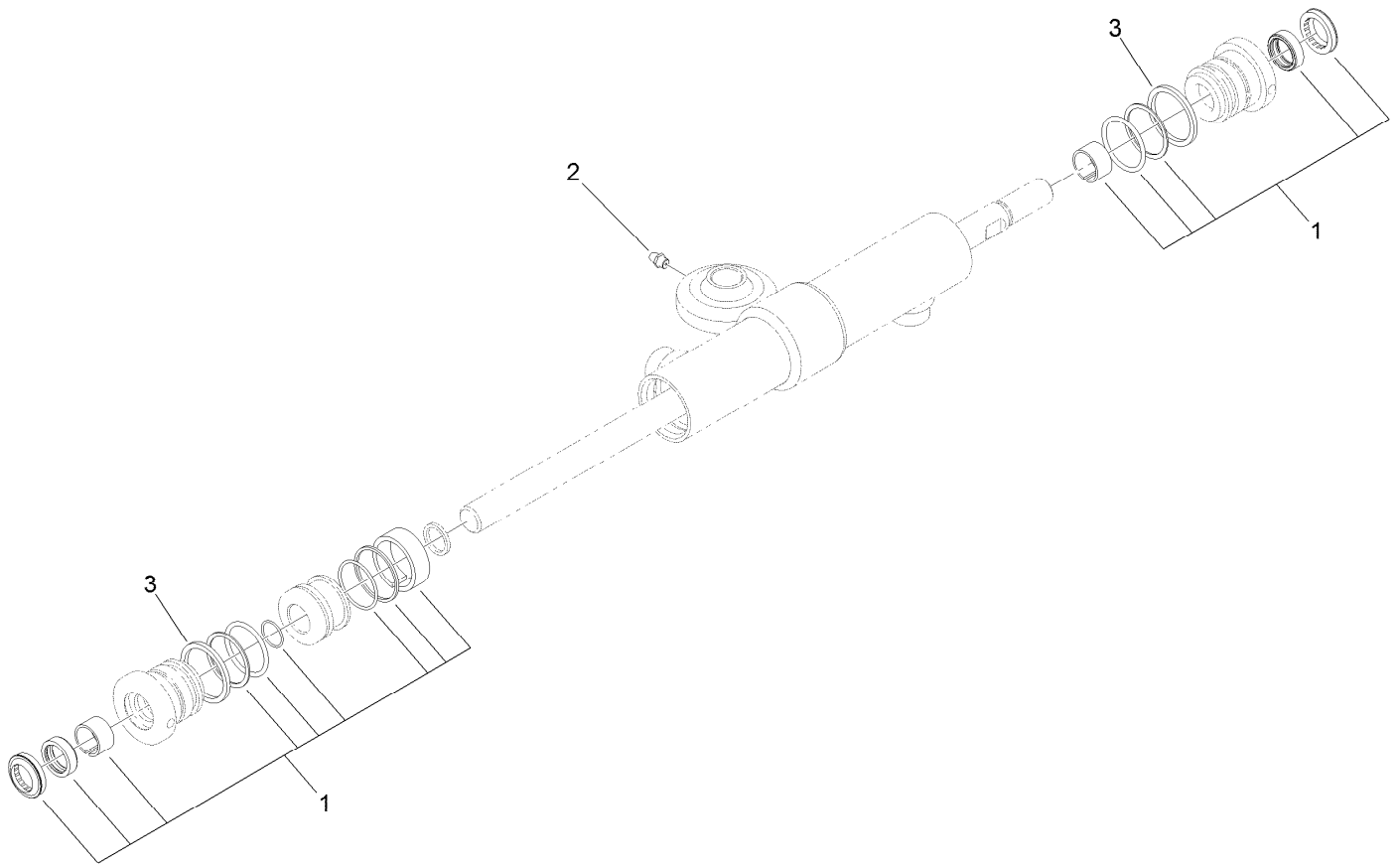
## Rear Wheel Assembly (continued)

Ref.	Part Number	Qty.	Description
24	99-1485-01	1	Plate-Adapter, Motor
25	3296-23	2	Nut-Lock, NI
26	3296-39	3	Nut-Lock, NI

Ref.	Part Number	Qty.	Description
27	99-1486-01	1	Plate-Adapter
28	114-4681	3	Screw-HHF

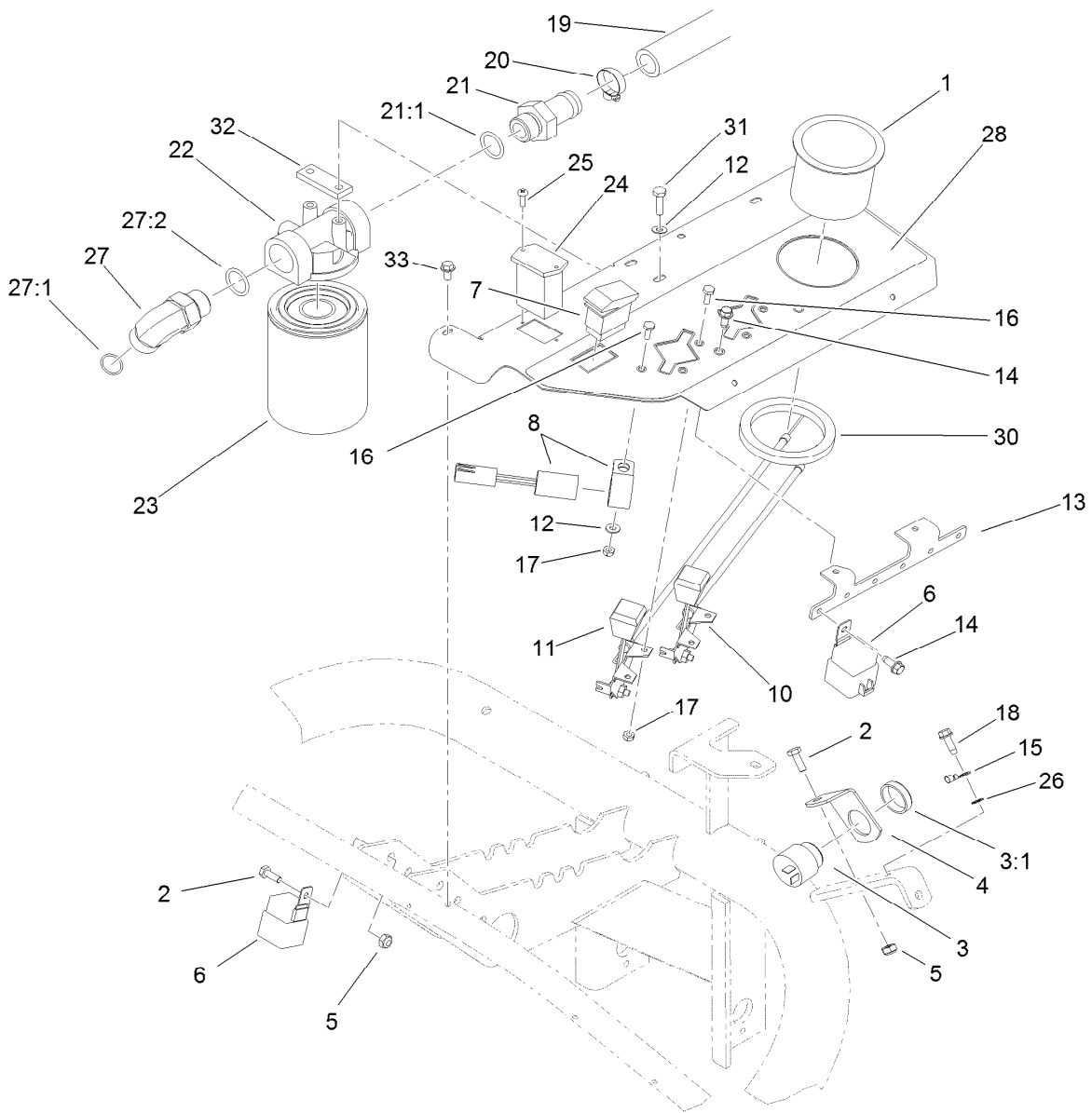
● Not serviced separately





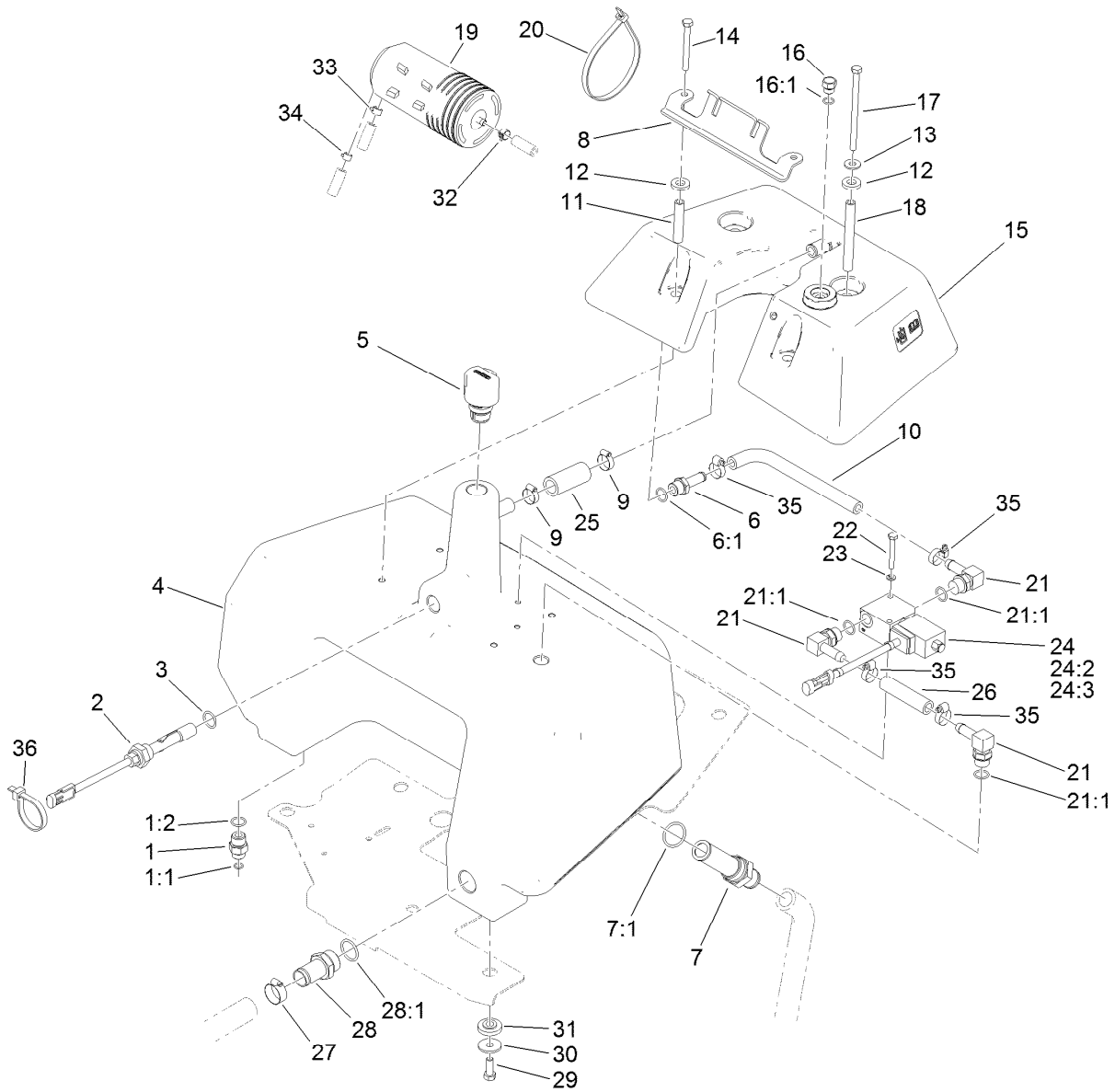
## Hydraulic Cylinder Assembly No. 112-0297

<i>Ref.</i>	<i>Part Number</i>	<i>Qty.</i>	<i>Description</i>
1	112-9170	1	Seal Kit
2	302-5	1	Fitting-Grease
3	117-9548	2	Ring-Retaining



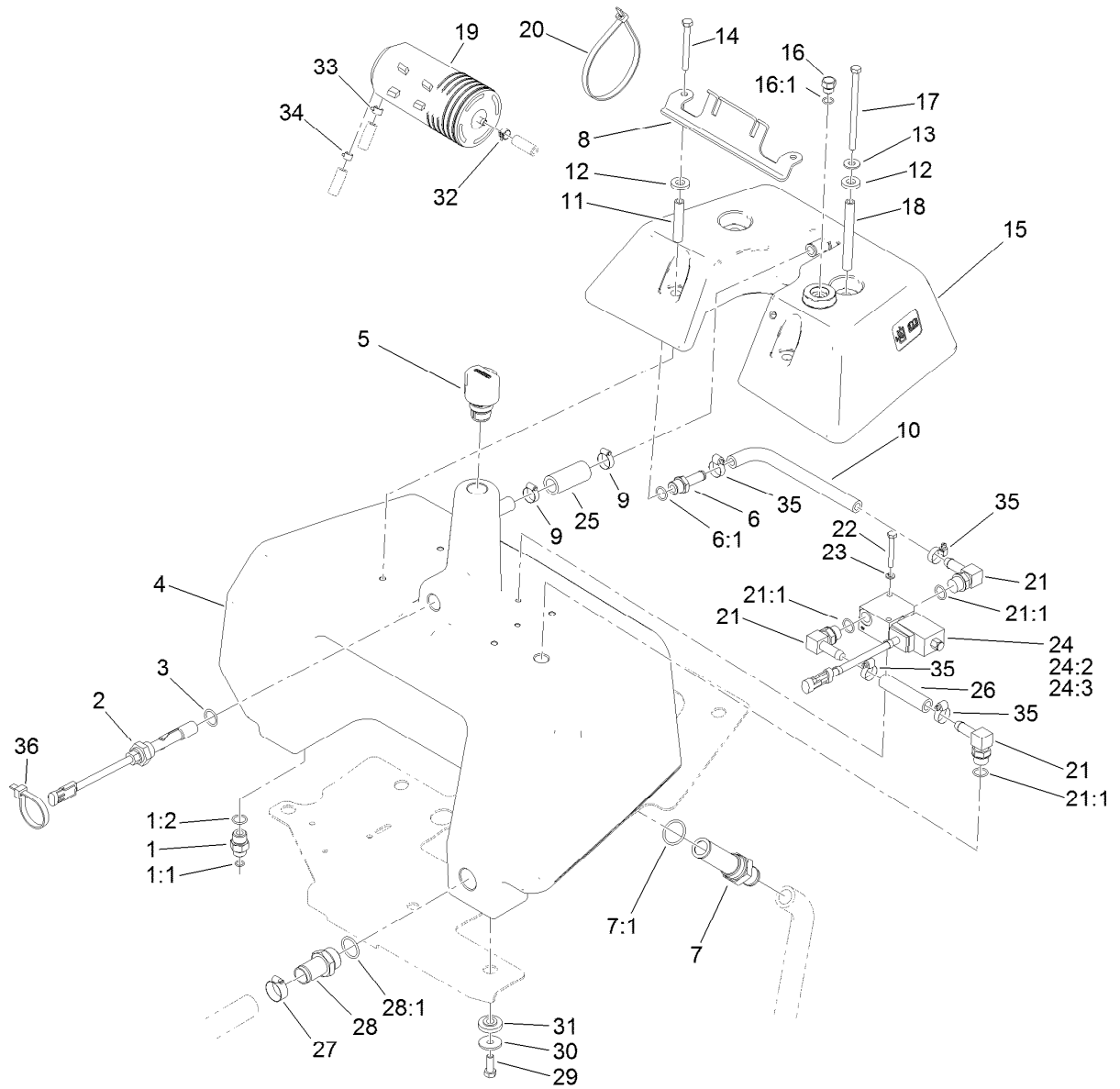
## Control Panel Assembly

Ref.	Part Number	Qty.	Description	Ref.	Part Number	Qty.	Description
1	94-1410	1	Holder-Can, Beverage	19	105-5410	1	Hose-HYD
2	321-4	2	Screw-HH	20	2412-34	1	Clamp-Hose
3	80-9330	1	Audio Alarm ASM	21	99-3017	1	Fitting
3:1	104-5107	1	Nut-Plastic, Knurled	21:1	237-81	1	O-Ring
4	83-1530	1	Bracket-Support, Buzzer	22	92-5821	1	Head-Filter
5	3296-16	2	Nut-Lock, NI	23	107-9531	1	Filter-Oil, HYD
6	99-7430	7	Relay-Mini	24	75-6820	1	Hourmeter
7	105-4320	1	Switch	25	32144-18	2	Screw-HWH
8	83-2280	1	Timer-Delay	26	3255-7	1	Washer-Lock/EXT
10	83-0040	1	Control-Choke	27	340-142	1	Fitting-Elbow, 90 DEG
11	83-0030	1	Control-Throttle	27:1	237-58	1	O-Ring
12	3256-22	3	Washer-Flat	27:2	237-81	1	O-Ring
13	105-4306-03	1	Bracket-Relay	28	105-5471	1	Decal-Panel, Left Control
14	32144-10	8	Screw-HWH	30	104-1476	1	Ring-Rubber
15	83-1150	1	Engine Ground Wire ASM	31	321-5	2	Screw-HH
16	3290-134	5	Screw	32	105-4309	1	Plate-Filter
17	3296-12	5	Nut-Lock, NI	33	32104-116	1	Screw-HWHTF
18	32104-95	1	Screw-HWH				



## Hydraulic Reservoir and Leak Detector Assembly

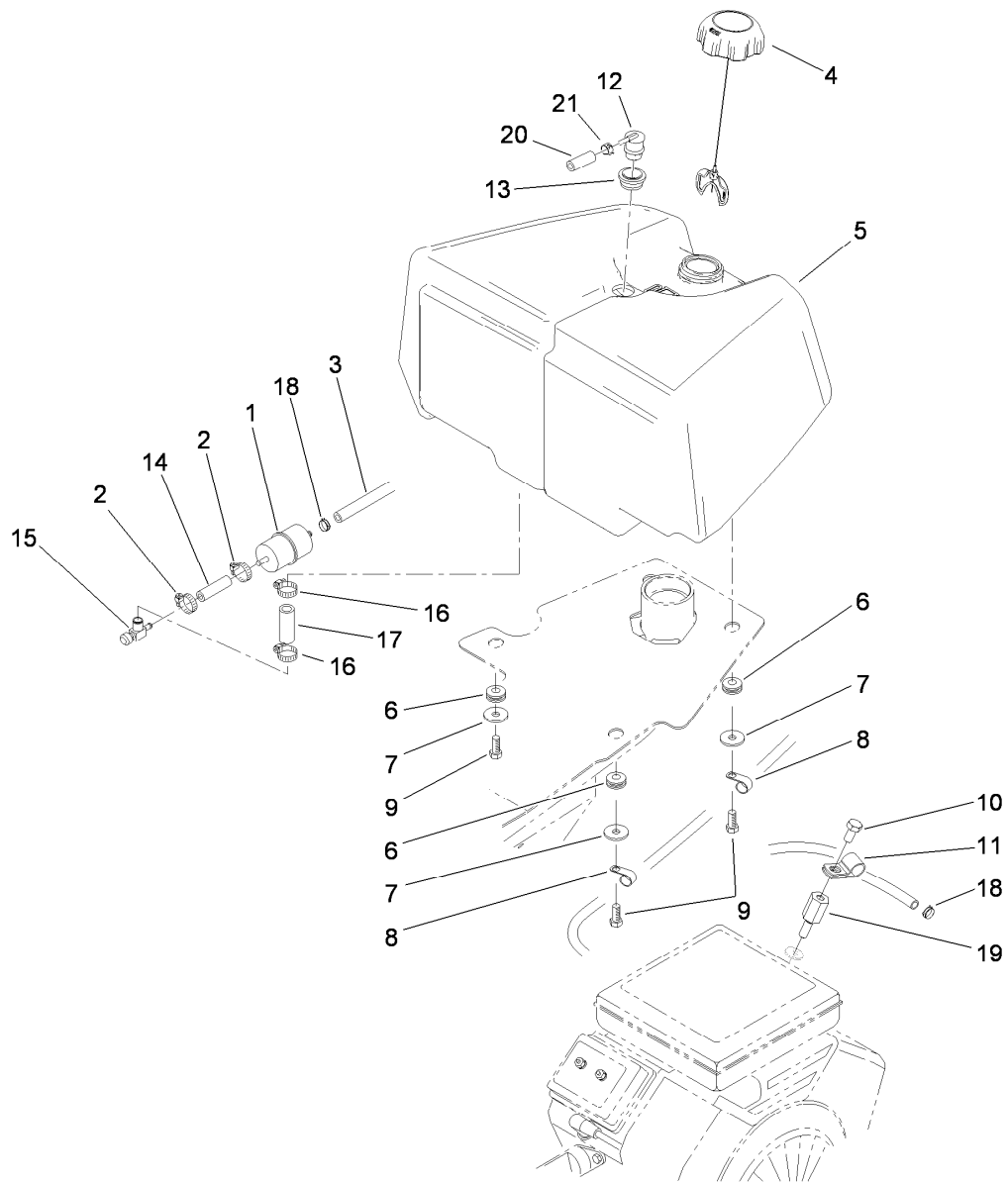
Ref.	Part Number	Qty.	Description	Ref.	Part Number	Qty.	Description
1	340-3	1	Fitting-Straight	17	322-29	2	Screw-HH
1:1	237-22	1	O-Ring	18	83-1560	2	Spacer-Tube, Long
1:2	237-79	1	O-Ring	19	117-1221	1	Canister-Carbon, 800Cc
2	83-1450	1	Sensor-Level, Oil	20	103-2446	2	Tie-Cable
3	237-80	1	O-Ring	21	354-120	3	Fitting-Elbow, 90
4	119-3562	1	Tank-Hydraulic	21:1	237-79	1	O-Ring
5	115-9793	1	Breather	22	321-11	2	Screw-HH
6	354-121	1	Fitting-STR	23	3253-3	2	Washer-Lock
6:1	237-79	1	O-Ring	24	83-1460	1	Solenoid Valve ASM
7	112-0211	1	Strainer Fitting ASM	24:2	83-2000	1	Spool-Valve
7:1	237-146	1	O-Ring	24:3	83-2010	1	Coil ASM
8	121-2564	1	Bracket	25	110-3998	1	Hose-Overflow
9	2412-141	2	Clamp-Drive, Worm	26	83-2080	1	Hose-Valve, Tank
10	83-2070	1	Hose-Valve	27	2412-34	1	Clamp-Hose
11	83-1550	2	Spacer-Tube, Short	28	83-0870	1	Fitting-Hose, Barbed
12	83-1470	4	Washer-Neoprene	28:1	237-177	1	O-Ring
13	3256-71	2	Washer-Flat	29	323-6	3	Screw-HH
14	322-14	2	Screw-HH	30	93-4637	3	Washer-Flat
15	121-2565	1	Tank-Detector, Leak	31	240-11	3	Bushing-Flange
16	353-508	1	Plug-HH	32	92-2379	1	Clamp-Hose
16:1	237-42	1	O-Ring	33	2412-98	1	Clamp-Hose



## Hydraulic Reservoir and Leak Detector Assembly (continued)

Ref.	Part Number	Qty.	Description
34	2412-80	1	Clamp-Hose

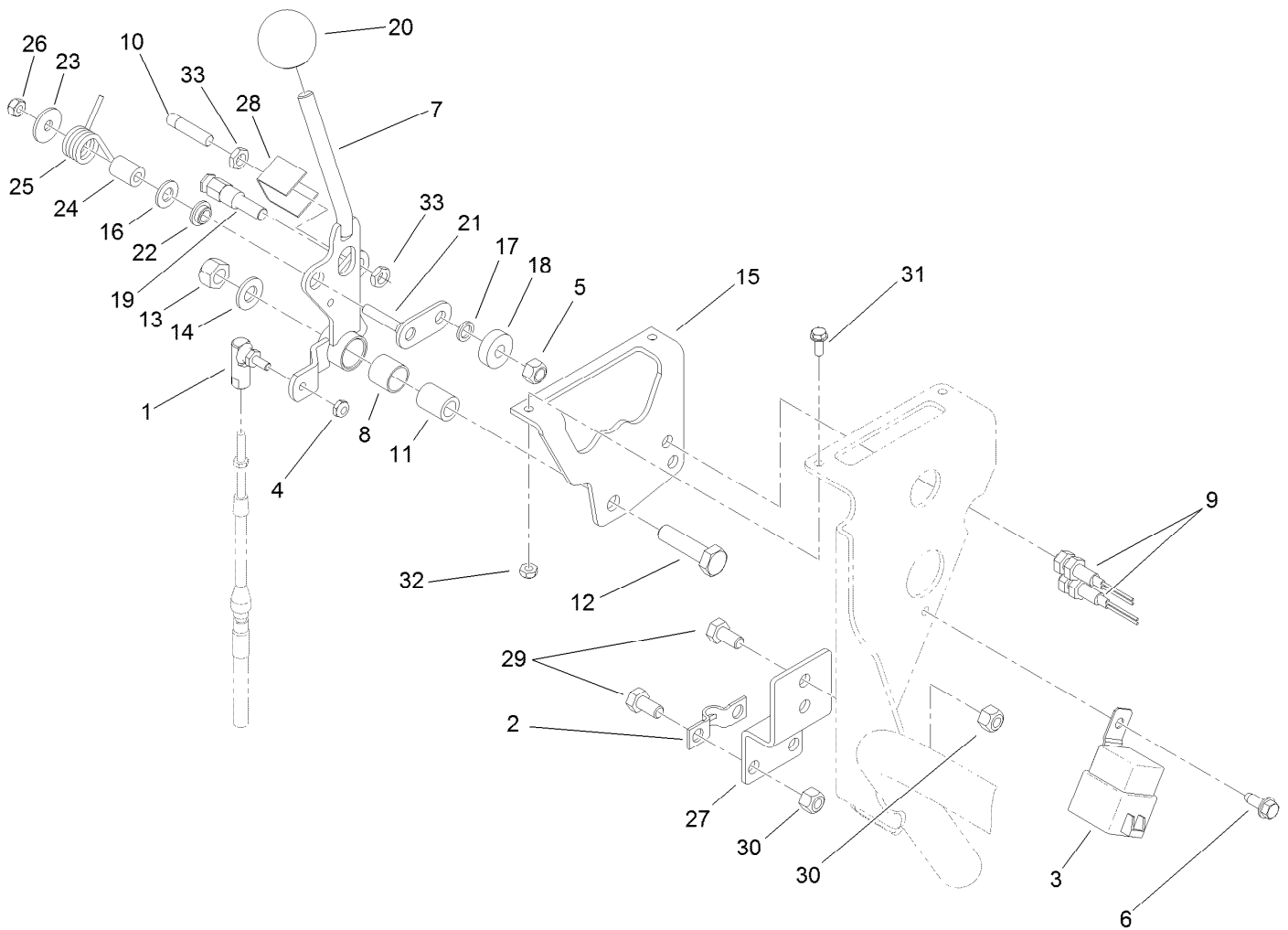
Ref.	Part Number	Qty.	Description
35	2412-36	4	Clamp-Hose
36	3290-378	1	Tie-Cable



## Fuel Tank Assembly

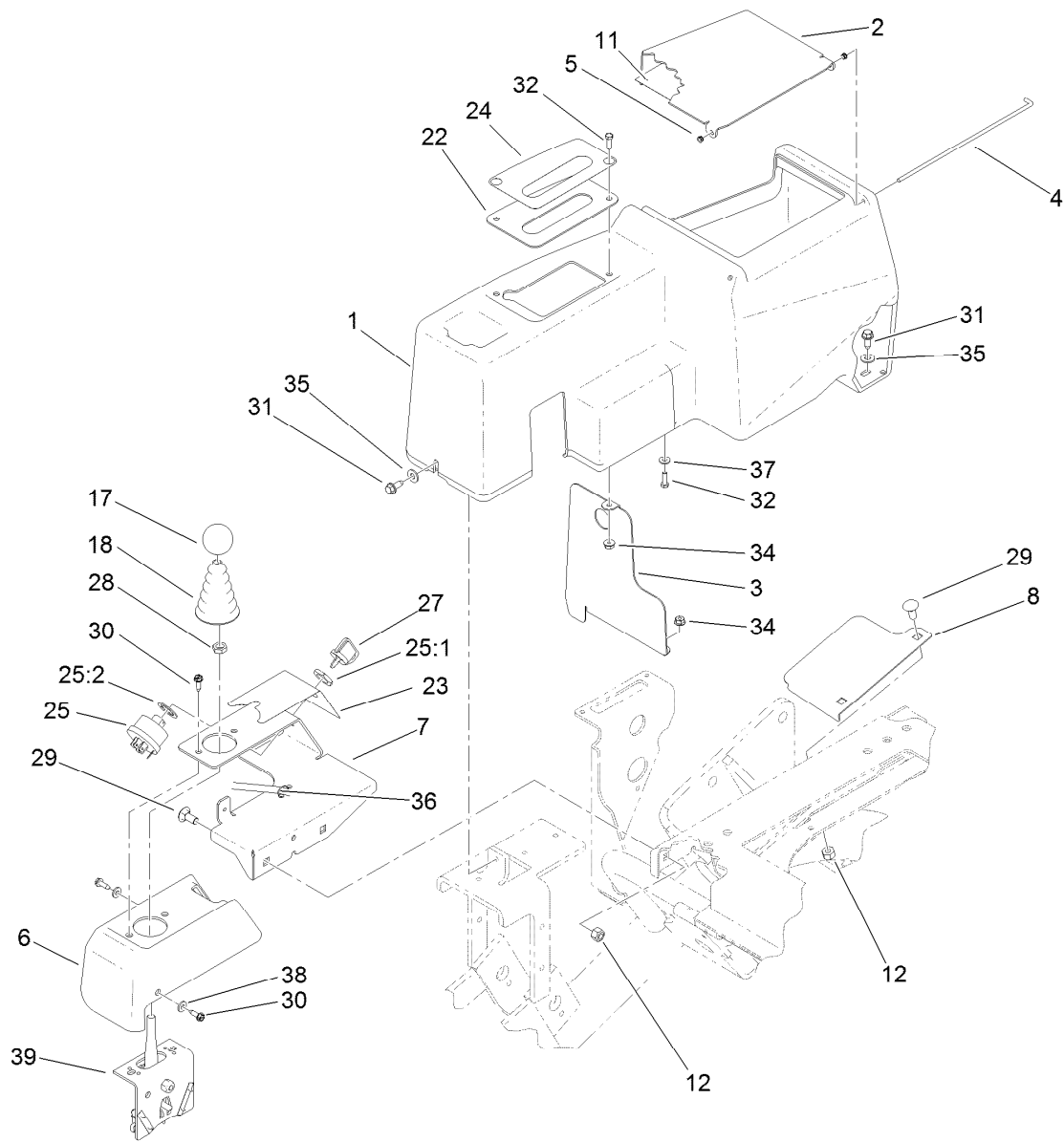
Ref.	Part Number	Qty.	Description
1	94-2690	1	Filter-Fuel
2	2412-108	2	Clamp-Worm
3	109-0275	1	Hose-Fuel
4	115-7788	1	Cap-Fuel
5	115-5387	1	Tank-Fuel
6	240-11	4	Bushing-Flange
7	93-4637	4	Washer-Flat
8	2412-41	3	Clamp-R
9	323-6	4	Screw-HH
10	33113-012	1	Screw-HH
11	2412-94	1	Clamp

Ref.	Part Number	Qty.	Description
12	119-3547	1	Valve-Vent, Fuel
13	114-0284	1	Grommet
14	109-0660	1	Hose-Fuel
15	83-1390	1	Valve-Shut-Off, Fuel
16	2412-36	2	Clamp-Hose
17	106-1128	1	Hose-Fuel
18	2412-98	2	Clamp-Hose
19	106-4616	1	Screw-Spacer
20	119-8149	1	Hose-Fuel
21	2412-80	1	Clamp-Hose



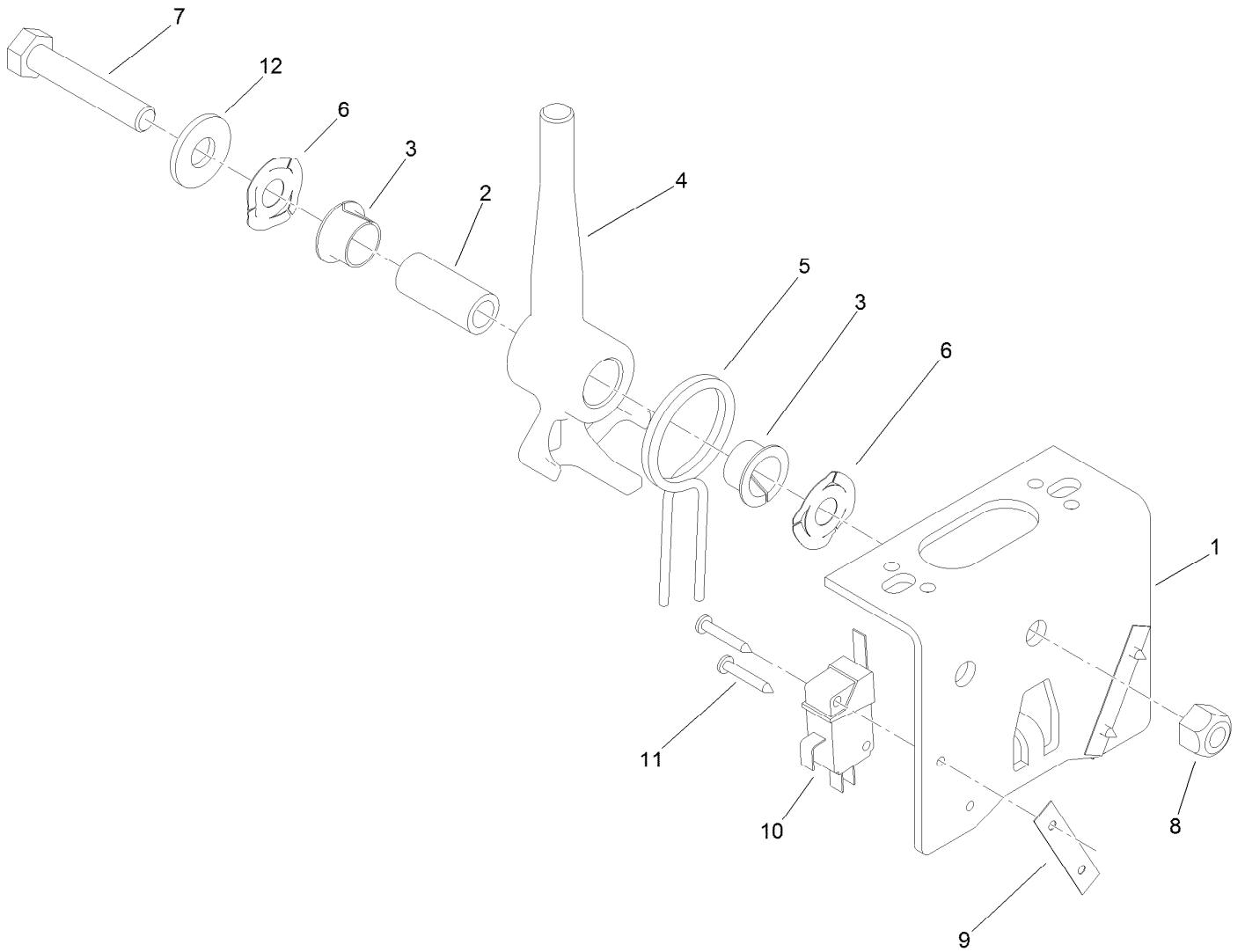
## Speed Selector Lever Assembly

Ref.	Part Number	Qty.	Description	Ref.	Part Number	Qty.	Description
1	2411-38	1	Joint-Ball	18	251-259	1	Bearing-Ball
2	93-2279	1	Clamp-Cable	19	94-9617	1	Pin-Spring
3	99-7430	1	Relay-Mini	20	233-42	1	Knob
4	3296-27	1	Nut-Lock, NI	21	120-3198	1	Roller-Pivot
5	33024-00	1	Nut-Lock, NI	22	94-9619	1	Bushing
6	32144-10	1	Screw-HWH	23	3256-67	1	Washer
7	94-9611	1	Handle	24	94-9618	1	Spacer-Spring
8	256-311	1	Bushing-Split	25	94-9620	1	Spring-Torsion
9	112-0278	2	Switch-Reed	26	33023-00	1	Nut-Lock
10	120-5348	1	Actuator-Switch	27	105-5417-03	1	Bracket-Cable, Shifter
11	94-1378	1	Tube-Pivot, Handle	28	106-6356	1	Shield-Switch
12	33115-040	1	Screw-HH	29	322-2	4	Screw-HH
13	33025-00	1	Nut-Lock, NI	30	3296-29	4	Nut-Lock, NI
14	3256-24	1	Washer-Flat	31	3290-321	2	Screw-HWH
15	94-6398	1	Bracket-Traction	32	3296-12	2	Nut-Lock, NI
16	3256-23	1	Washer-Plain	33	117-4059	2	Nut-Hex
17	75-5470	1	Spacer-Bearing				



## Joystick and Console Assembly

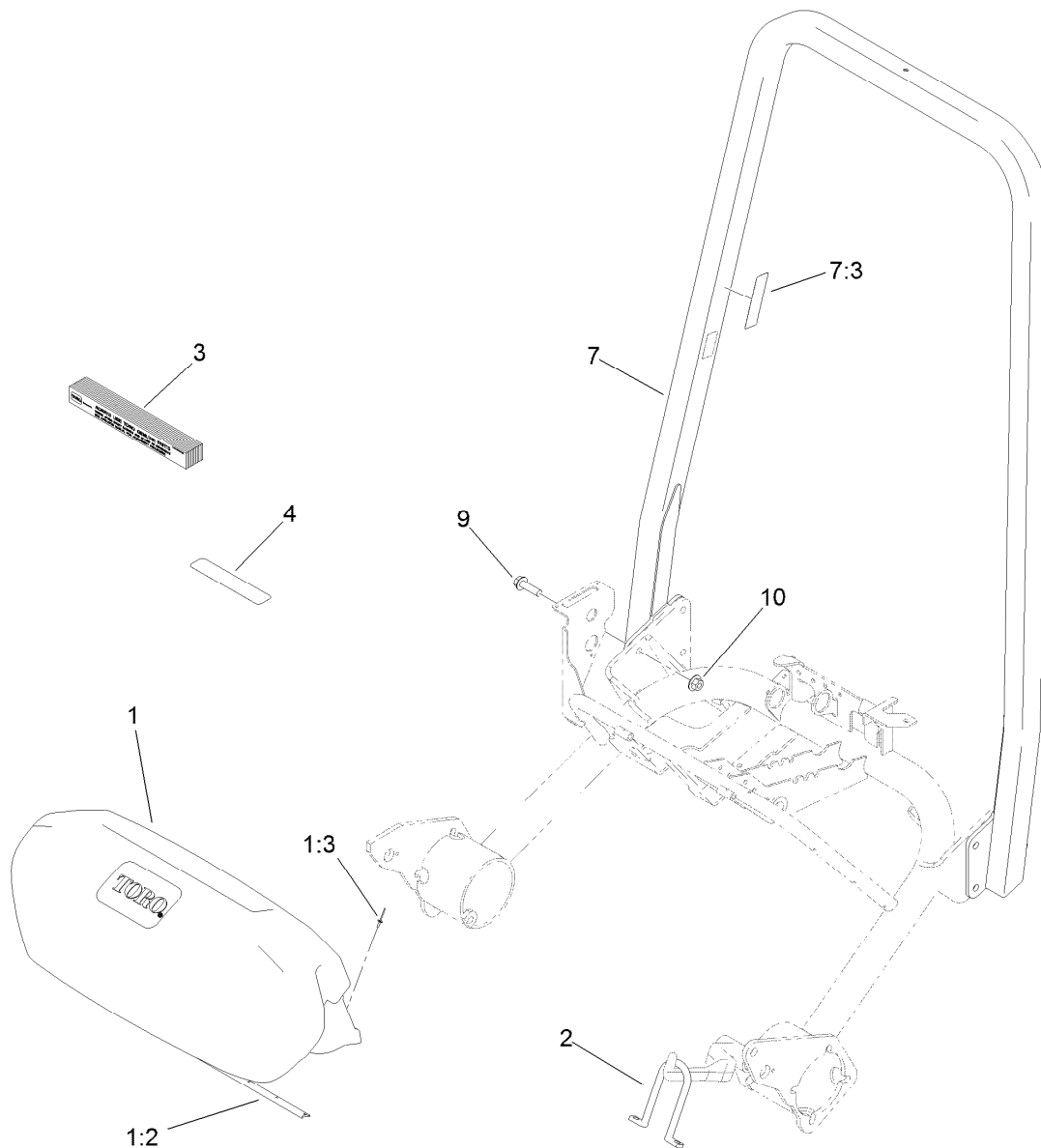
<i>Ref.</i>	<i>Part Number</i>	<i>Qty.</i>	<i>Description</i>	<i>Ref.</i>	<i>Part Number</i>	<i>Qty.</i>	<i>Description</i>
1	105-8250	1	Console	25	104-2541	1	Ignition Switch ASM
2	105-8254-03	1	Lid-Console	25:1	218-461	1	Nut-HH
3	105-8255-03	1	Baffle-Console	25:2	3254-5	1	Washer-Lock
4	105-8256	1	Rod-Hinge	27	63-8360	2	Key-Ignition
5	105-8283	2	Bushing	28	3218-3	1	Nut-Jam
6	105-8251	1	Pod	29	3230-1	4	Bolt-CARR
7	105-8252-03	1	Bracket-Pod	30	32144-19	4	Screw-SHWH
8	105-8284-03	1	Shield-Valve	31	32144-10	3	Screw-HWH
11	115-8156	1	Decal-Speed, Clip	32	3290-134	4	Screw
12	3296-29	4	Nut-Lock, NI	34	3290-148	4	Nut-HF
17	233-42	1	Knob	35	3256-22	3	Washer-Flat
18	93-5961	1	Boot-Lever	36	3290-378	1	Tie-Cable
22	105-8280-03	1	Plate-Console	37	3256-77	2	Washer-Flat
23	105-8305	1	Decal-Panel, Control	38	3256-14	2	Washer-Flat
24	105-8306	1	Decal-Selector, Speed	39	120-5280	1	Bracket-Joystick



## Joystick Bracket Assembly No. 120-5280

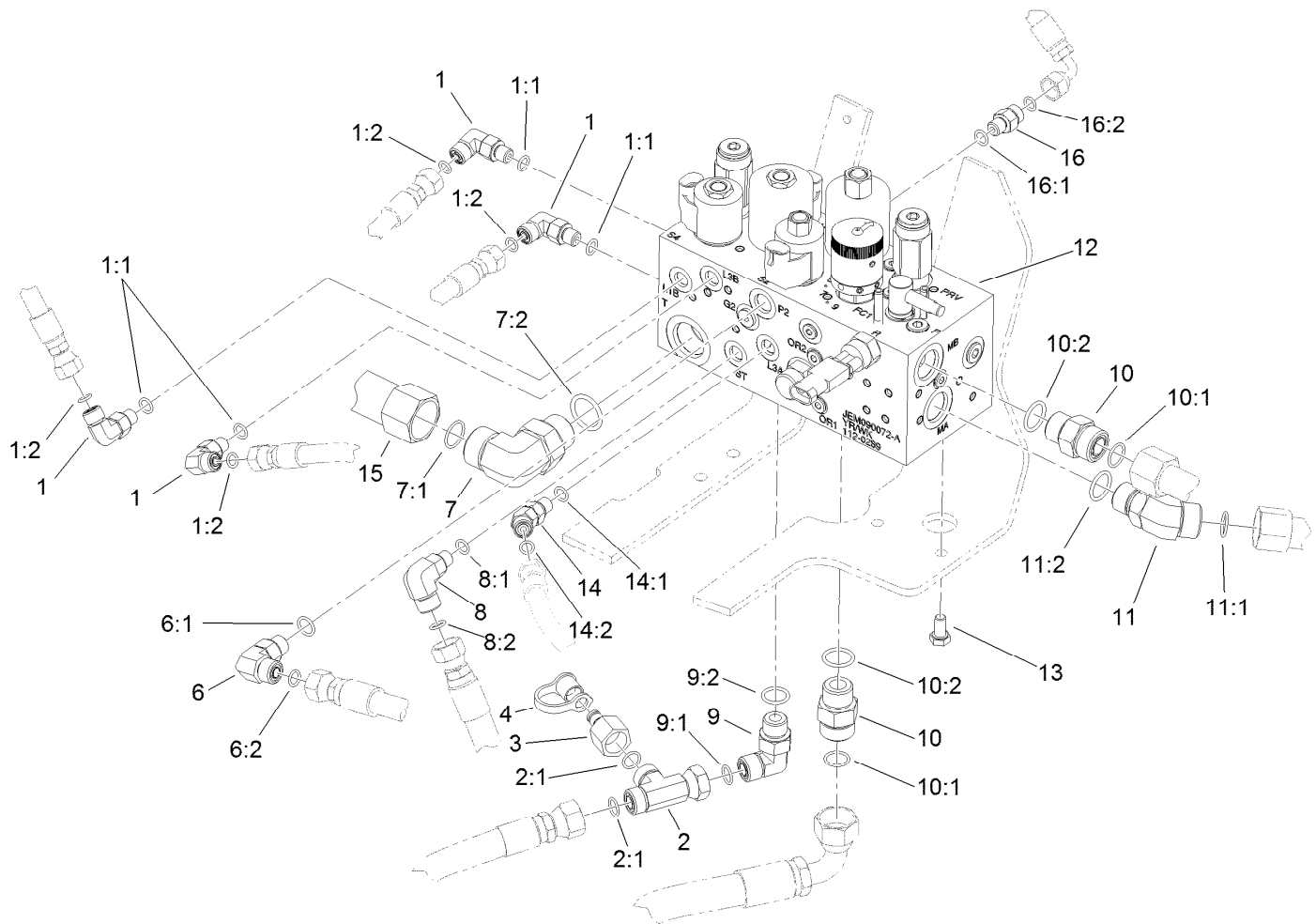
<i>Ref.</i>	<i>Part Number</i>	<i>Qty.</i>	<i>Description</i>
1	115-5357-03	1	Bracket-Joystick
2	106-4192	1	Spacer
3	93-5547	2	Bushing-Nylon
4	119-3540	1	Hub-Pivot, Joystick
5	105-8289	1	Spring-Torsion
6	106-4193	2	Washer-Finger, Spring
7	322-9	1	Screw-HH
8	3296-29	1	Nut-Lock, NI
9	3290-354	2	Nut-Speed
10	108-6496	2	Switch (W/Boot)
11	95-3003	4	Screw-PPHTF
12	3256-3	1	Washer-Flat





## Grass Basket and Roll-Over Protection System Assembly

<i>Ref.</i>	<i>Part Number</i>	<i>Qty.</i>	<i>Description</i>
1	108-8642	3	Grass Basket ASM
1:2	104-2607	1	Strip-Basket
1:3	3290-382	8	Rivet-Pop
2	105-5740	3	Hook-Lift
3	125-5610	1	Paper-Reel, Toro (10 Pack)
4	125-5611	1	Shim-Reel, Toro (0.002 Inch)
7	105-8314	1	ROPS ASM
7:3	115-8226	1	Decal-ROPS
9	130-6482	6	Screw-HHF
10	99-5107	6	Nut-Lock

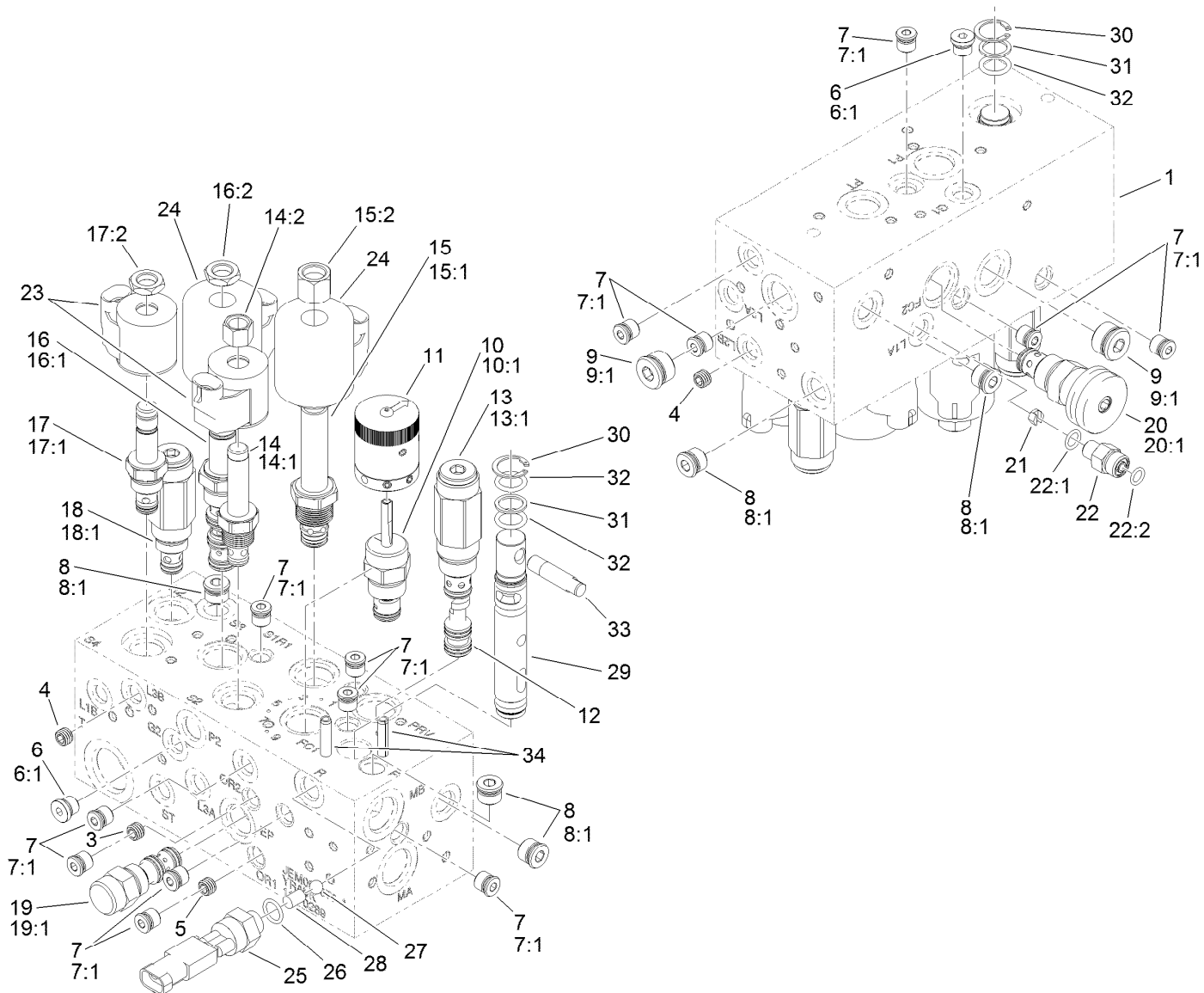


## Hydraulic Manifold Assembly

Ref.	Part Number	Qty.	Description
1	340-132	4	Fitting-Elbow, 90 DEG
1:1	237-78	1	O-Ring
1:2	237-21	1	O-Ring
2	340-104	1	Fitting-Tee
2:1	237-30	2	O-Ring
3	100-5616	1	Fitting
4	354-79	1	Cap-Dust
6	340-77	1	Fitting-Elbow, 90 DEG
6:1	237-22	1	O-Ring
6:2	237-42	1	O-Ring
7	340-142	1	Fitting-Elbow, 90 DEG
7:1	237-58	1	O-Ring
7:2	237-81	1	O-Ring
8	340-97	1	Fitting-Elbow, 90 DEG
8:1	237-22	1	O-Ring
8:2	237-78	1	O-Ring
9	340-98	1	Fitting-Elbow, 90 DEG
9:1	237-79	1	O-Ring

Ref.	Part Number	Qty.	Description
9:2	237-30	1	O-Ring
10	340-7	2	Fitting-Straight
10:1	237-65	1	O-Ring
10:2	237-80	1	O-Ring
11	340-14	1	Fitting-HYD, 45 DEG
11:1	237-65	1	O-Ring
11:2	237-80	1	O-Ring
12	112-0289	1	Manifold ASM (With Backlap)
13	33114-016	2	Screw-HH
14	340-103	1	Fitting-HYD, 45 DEG
14:1	237-78	1	O-Ring
14:2	237-21	1	O-Ring
15	105-5460	1	Tube-HYD
16	340-92	1	Fitting-Straight
16:1	237-78	1	O-Ring
16:2	237-21	1	O-Ring

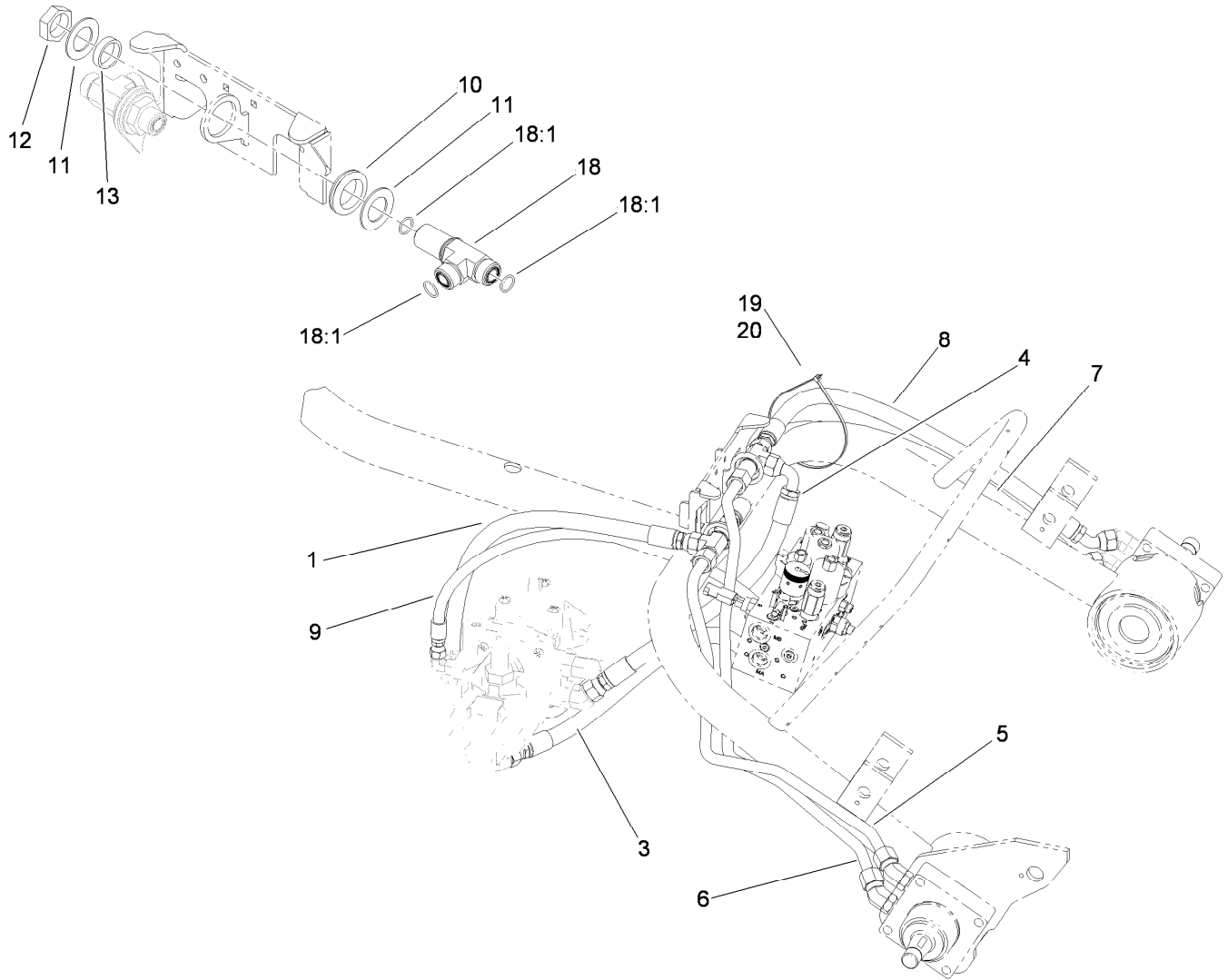




## Hydraulic Manifold Assembly No. 112-0289 (continued)

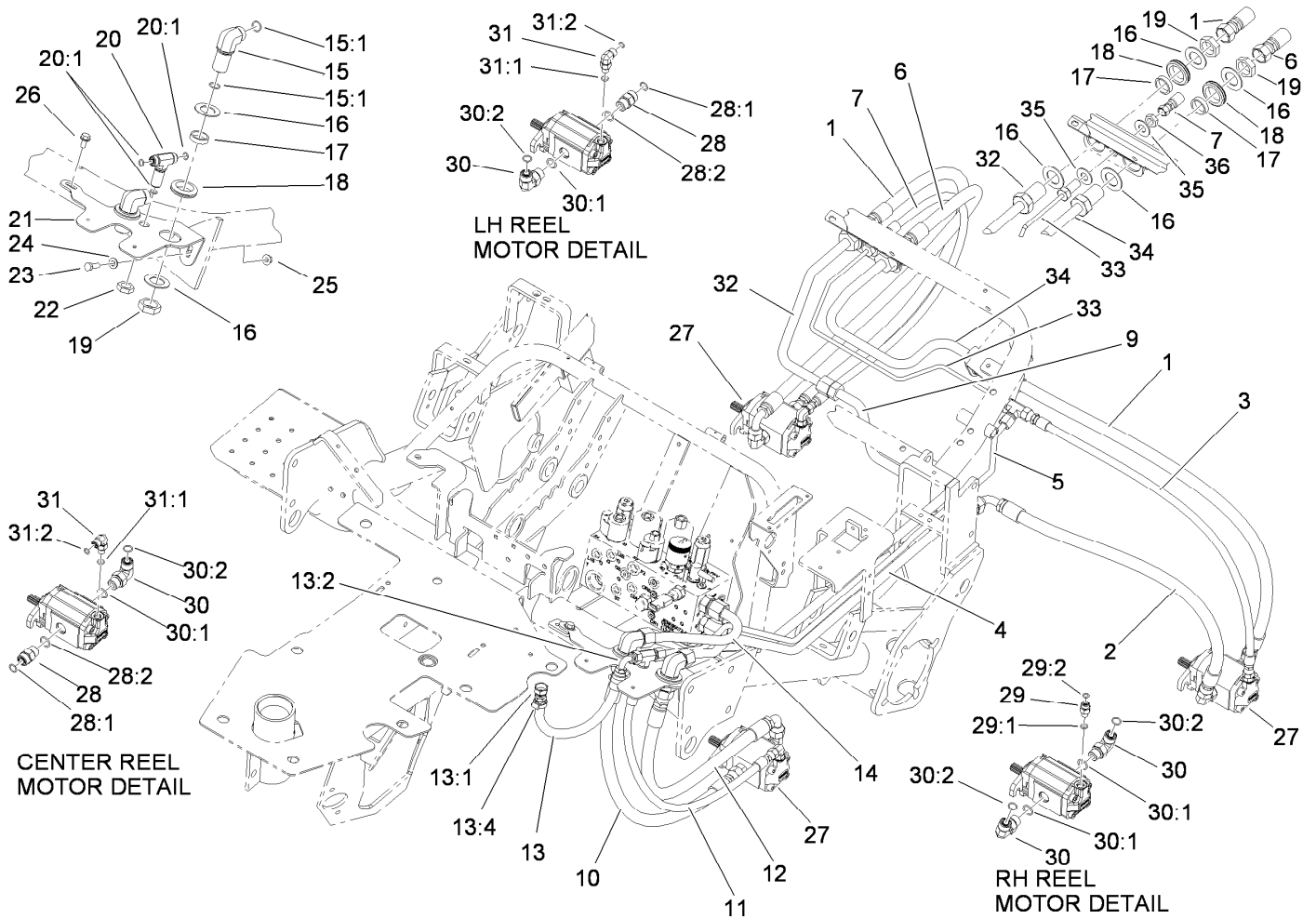
Ref.	Part Number	Qty.	Description	Ref.	Part Number	Qty.	Description
21	114-4682	1	Orifice-Flow Control (.030)	27	110-8762	1	Ball-Chrome
22	340-92	1	Fitting-Straight	28	112-6533	1	Pin-Dowel
22:1	237-78	1	O-Ring	29	112-6536	1	Spool
22:2	237-21	1	O-Ring	30	112-6532	2	Ring-Retaining
23	105-9333	2	Coil-12Vdc	31	112-6534	2	Ring-Back Up
24	110-2630	2	Coil-12Vdc	32	117-4606	3	O-Ring
25	72-4320	1	Switch-Ball	33	110-8758	1	Handle-Spool
26	110-8757	1	O-Ring	34	112-6531	2	Pin-Spring

● Not serviced separately



## Hydraulic Traction Assembly

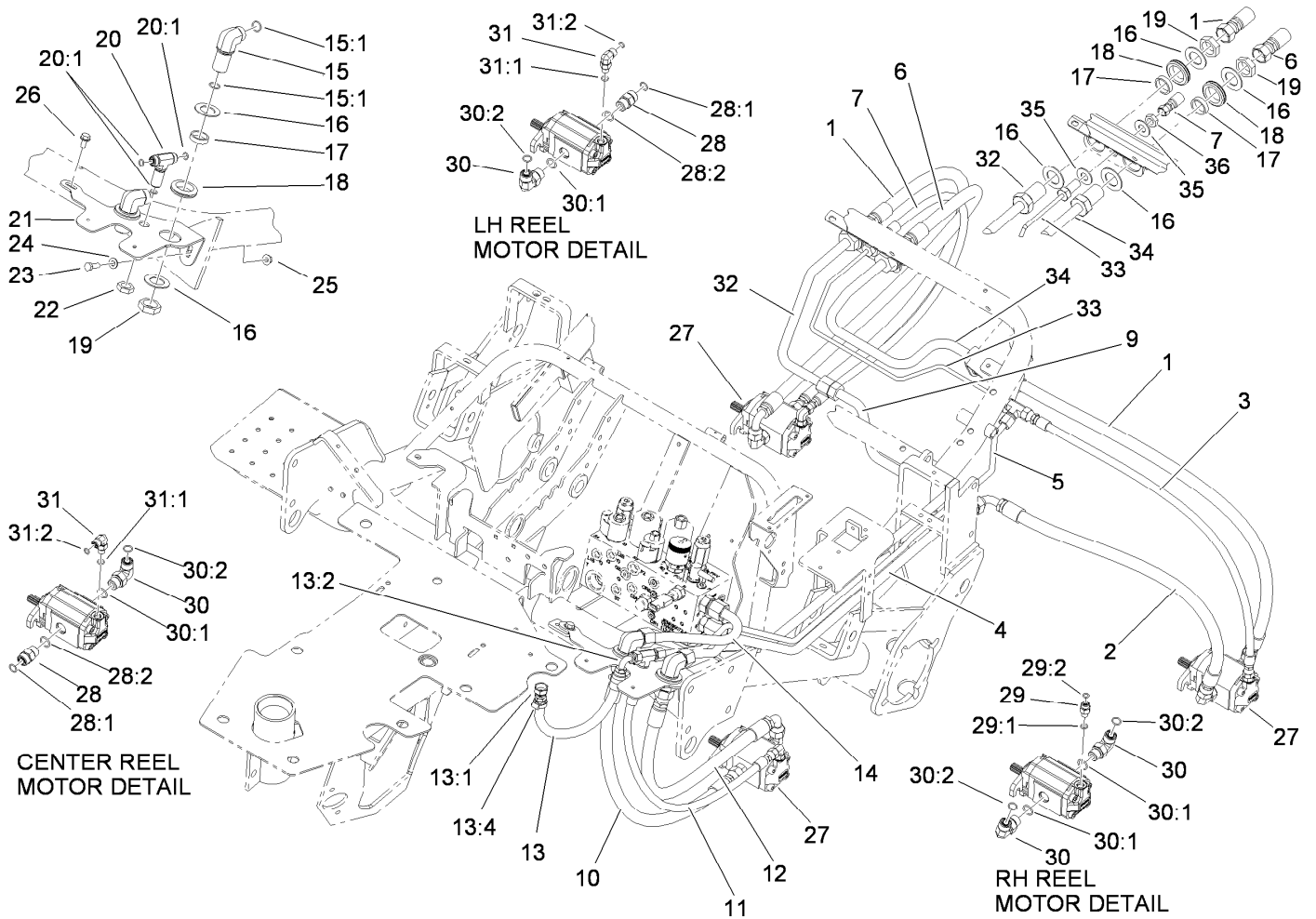
<i>Ref.</i>	<i>Part Number</i>	<i>Qty.</i>	<i>Description</i>	<i>Ref.</i>	<i>Part Number</i>	<i>Qty.</i>	<i>Description</i>
1	99-6193	1	Hose ASM	10	240-3	2	Grommet-Rubber
3	131-2042	1	Hose-HYD	11	69-9010	4	Washer
4	105-4332	1	Hose-HYD	12	340-74	2	Nut-Lock, Bulkhead
5	112-0203	1	Tube-HYD	13	125-1984	2	Spacer
6	112-0204	1	Tube-HYD	18	94-5350	2	Fitting-Tee
7	105-4333	1	Hose-HYD	18:1	237-65	3	O-Ring
8	105-4336	1	Hose-HYD	19	3290-378	1	Tie-Cable
9	131-2041	1	Hose ASM	20	3290-379	1	Tie-Cable



## Hydraulic Reel Drive Assembly

Ref.	Part Number	Qty.	Description	Ref.	Part Number	Qty.	Description
1	95-2908	2	Hose-HYD	15:1	237-65	2	O-Ring
2	105-5404	1	Hose-HYD	16	69-9010	8	Washer
3	105-5405	1	Hose-HYD	17	125-1984	4	Spacer
4	105-5493	1	Tube-HYD	18	240-3	4	Grommet-Rubber
5	105-4327	1	Tube-HYD, Casedrain	19	340-74	4	Nut-Lock, Bulkhead
6	95-2909	1	Hose-HYD	20	105-8281	1	Tee-Bulkhead
7	106-9674	1	Hose-HYD	20:1	237-22	3	O-Ring
9	107-2582	1	Tube-HYD	21	105-8253-01	1	Bracket-Bulkhead
9:1	237-65	1	O-Ring ●	22	340-70	1	Nut-Lock
10	105-5400	1	Hose-HYD	23	322-5	1	Screw-HH
11	105-5402	1	Hose-HYD	24	3256-23	1	Washer-Plain
12	105-5401	1	Hose-HYD	25	32128-20	1	Nut-HF
13	105-5409	1	Hose ASM	26	32104-32	3	Screw-HWH
13:1	105-8311	1	Fitting-HYD	27	120-2072	3	HYD Motor ASM
13:2	105-8312	1	Fitting-HYD, 90 DEG	28	340-4	2	Fitting-Straight
13:4	2412-141	2	Clamp-Drive, Worm	28:1	237-30	1	O-Ring
14	105-5482	1	Tube-HYD	28:2	237-79	1	O-Ring
15	340-72	2	Fitting-Bulkhead, 90 DEG	29	340-92	1	Fitting-Straight

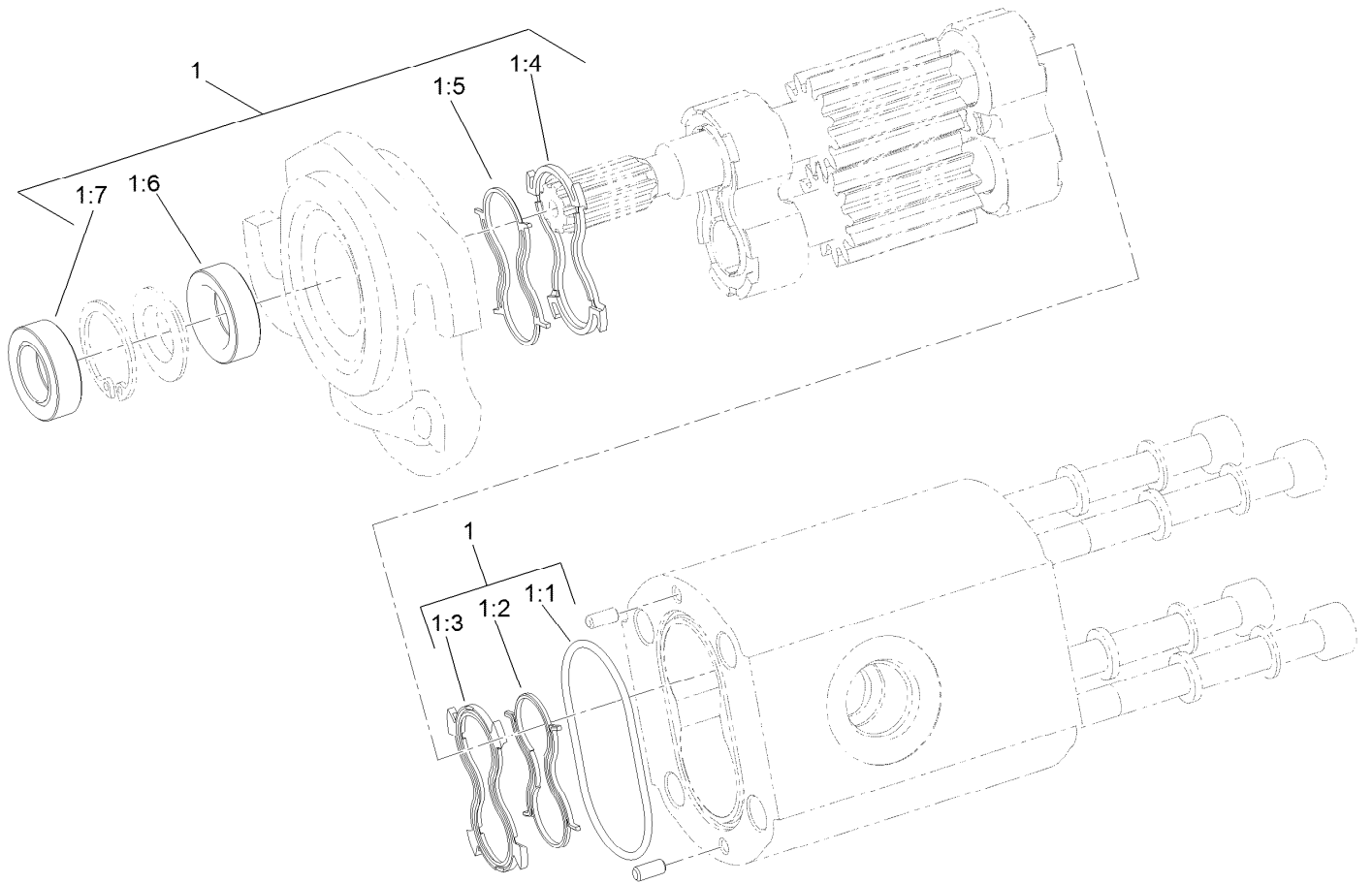
● Not illustrated



## Hydraulic Reel Drive Assembly (continued)

Ref.	Part Number	Qty.	Description	Ref.	Part Number	Qty.	Description
29:1	237-78	1	O-Ring	32	107-2581	1	Tube-HYD
29:2	237-21	1	O-Ring	32:1	237-65	1	O-Ring ●
30	340-98	4	Fitting-Elbow, 90 DEG	33	107-2583	1	Tube-HYD
30:1	237-79	1	O-Ring	33:1	237-21	1	O-Ring ●
30:2	237-30	1	O-Ring	34	107-2580	1	Tube-HYD
31	340-132	2	Fitting-Elbow, 90 DEG	34:1	237-65	2	O-Ring ●
31:1	237-78	1	O-Ring	35	69-8980	2	Washer
31:2	237-21	1	O-Ring	36	340-78	1	Nut-Lock

● Not illustrated

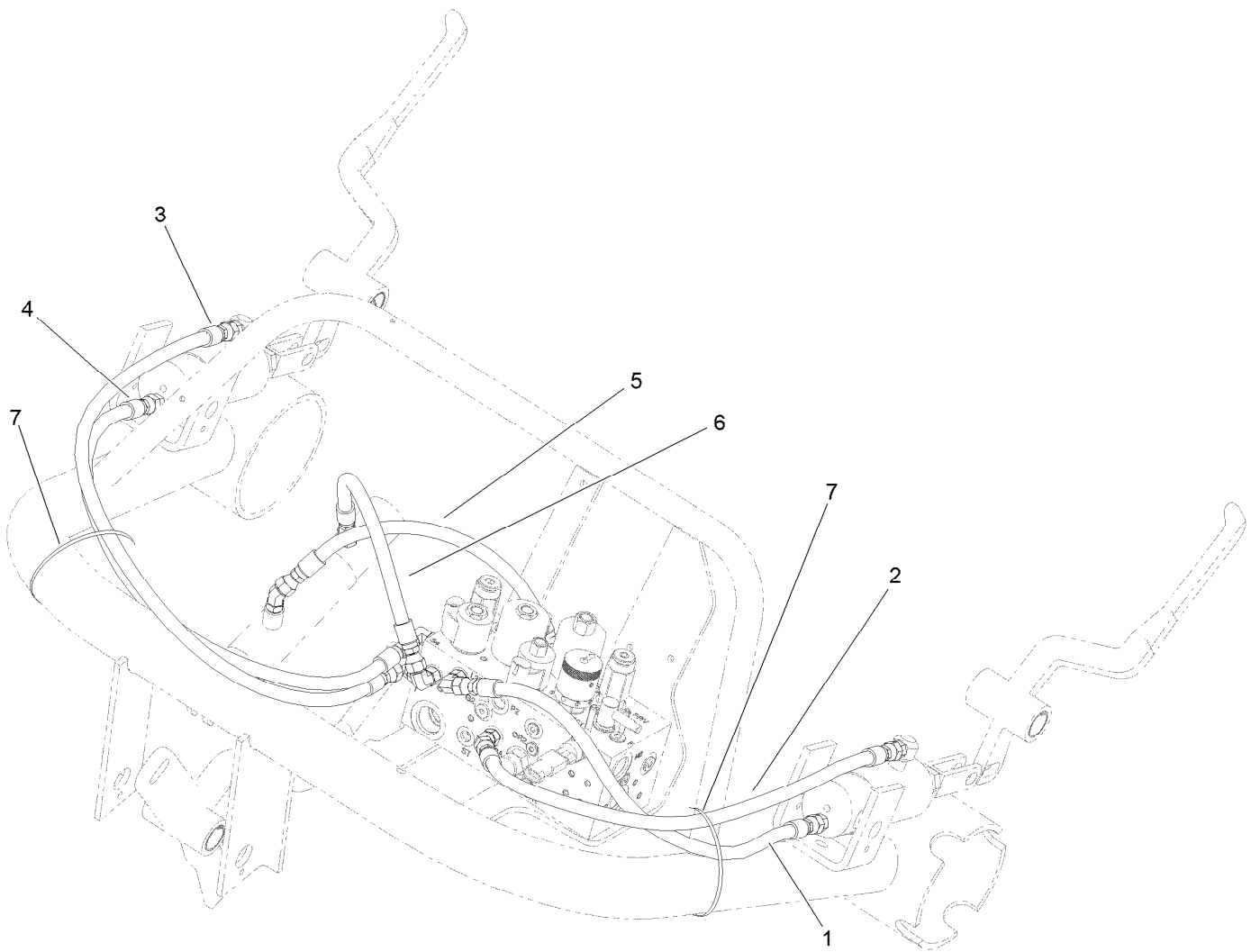


## Hydraulic Reel Motor Assembly No. 120-2072

<i>Ref.</i>	<i>Part Number</i>	<i>Qty.</i>	<i>Description</i>
1	119-7113	1	Seal Kit
1:1		1	O-Ring Housing ●
1:2		1	Seal-Anti Extrusion ●
1:3		1	Seal-Plate, Balancing ●
1:4		1	Seal-Plate, Balancing ●
1:5		1	Seal-Anti Extrusion ●
1:6		1	Seal-Shaft (Inboard) ●
1:7		1	Seal-Shaft (Outboard) ●

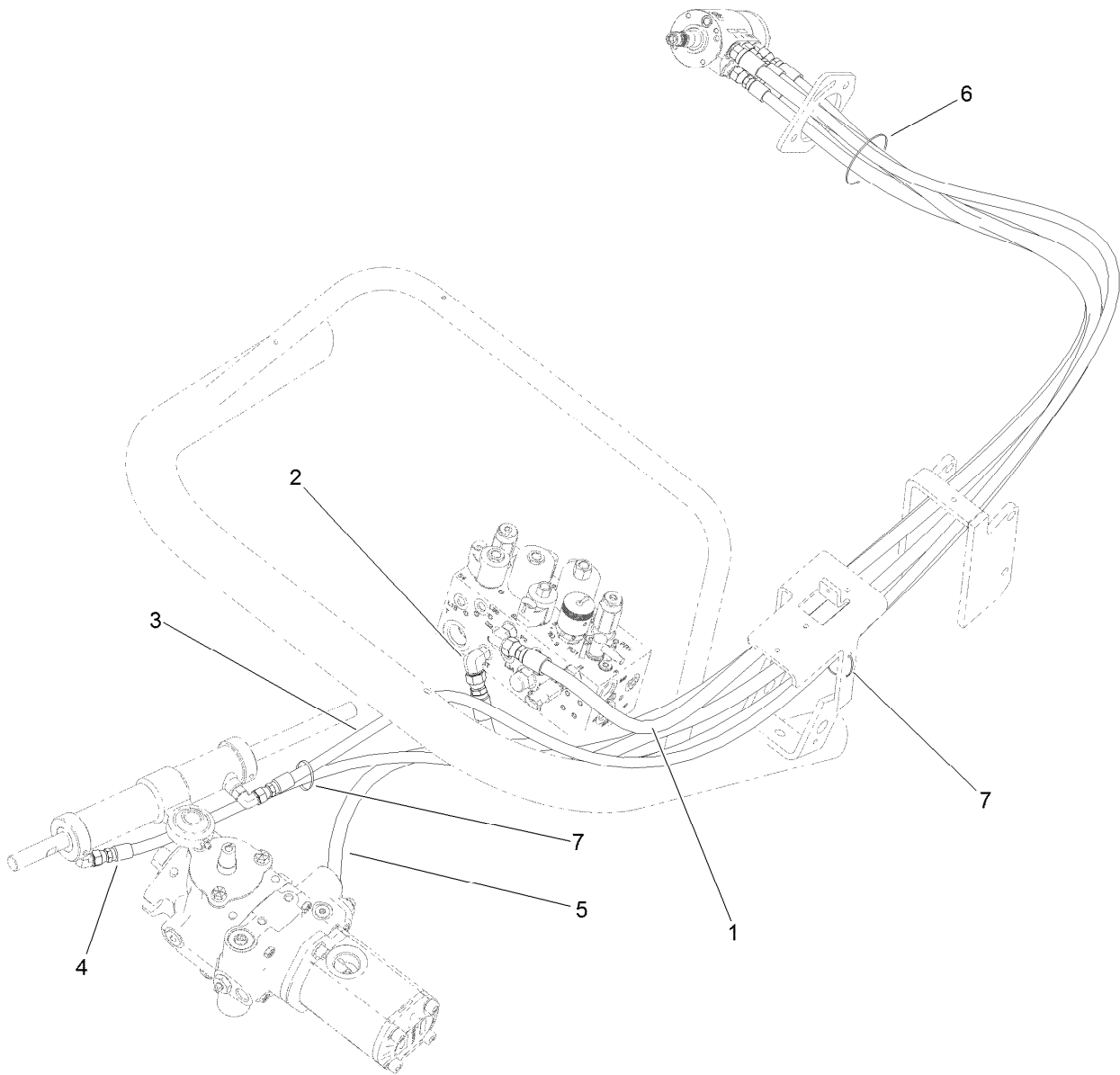
● Not serviced separately





## Hydraulic Lift Assembly

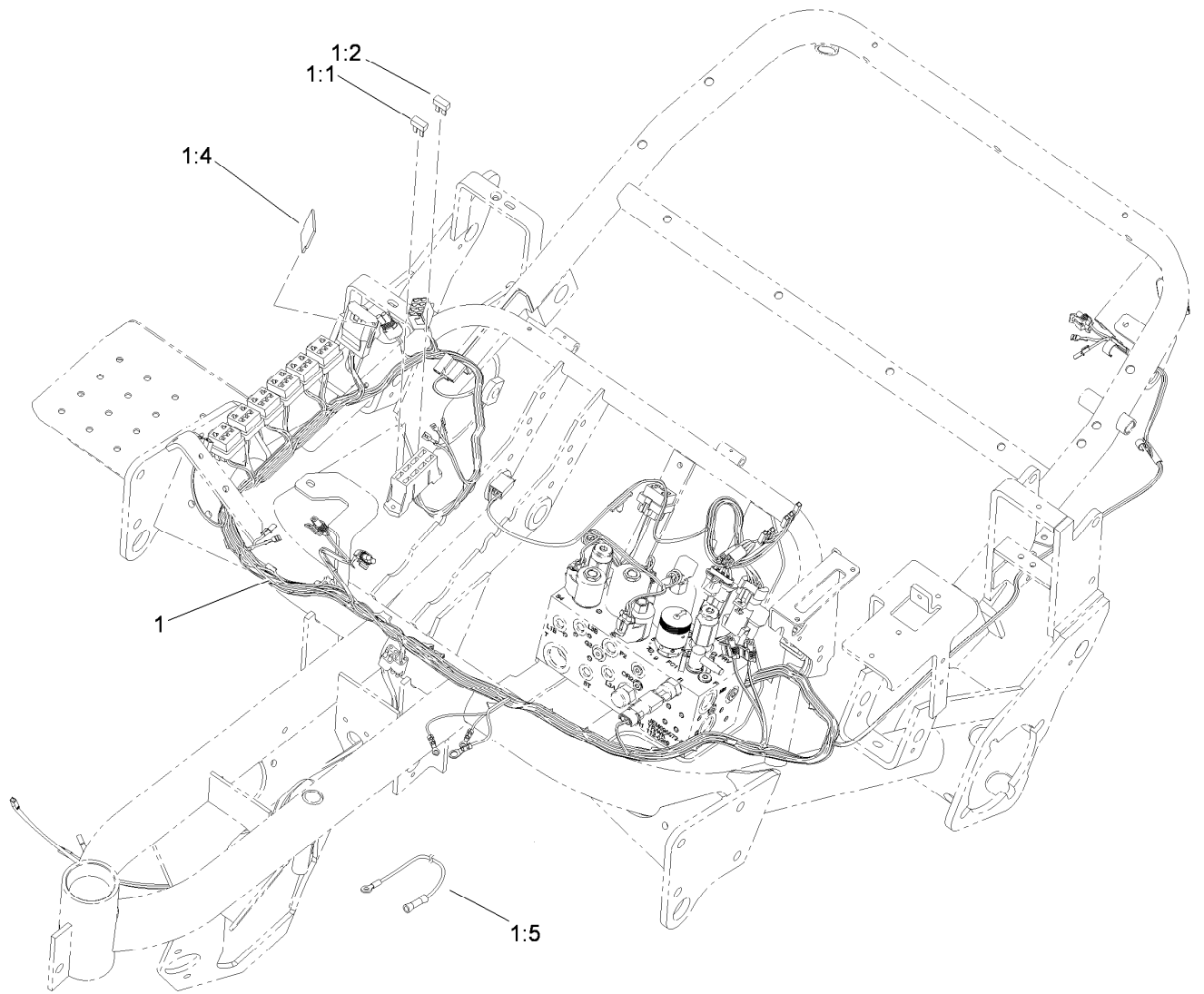
<i>Ref.</i>	<i>Part Number</i>	<i>Qty.</i>	<i>Description</i>
1	108-6505	1	Hose-HYD
2	108-6506	1	Hose-HYD
3	130-6546	1	Hose-HYD
4	130-6547	1	Hose-HYD
5	130-6545	1	Hose-HYD
6	131-2040	1	Hose-HYD
7	3290-379	2	Tie-Cable



## Hydraulic Steering Assembly

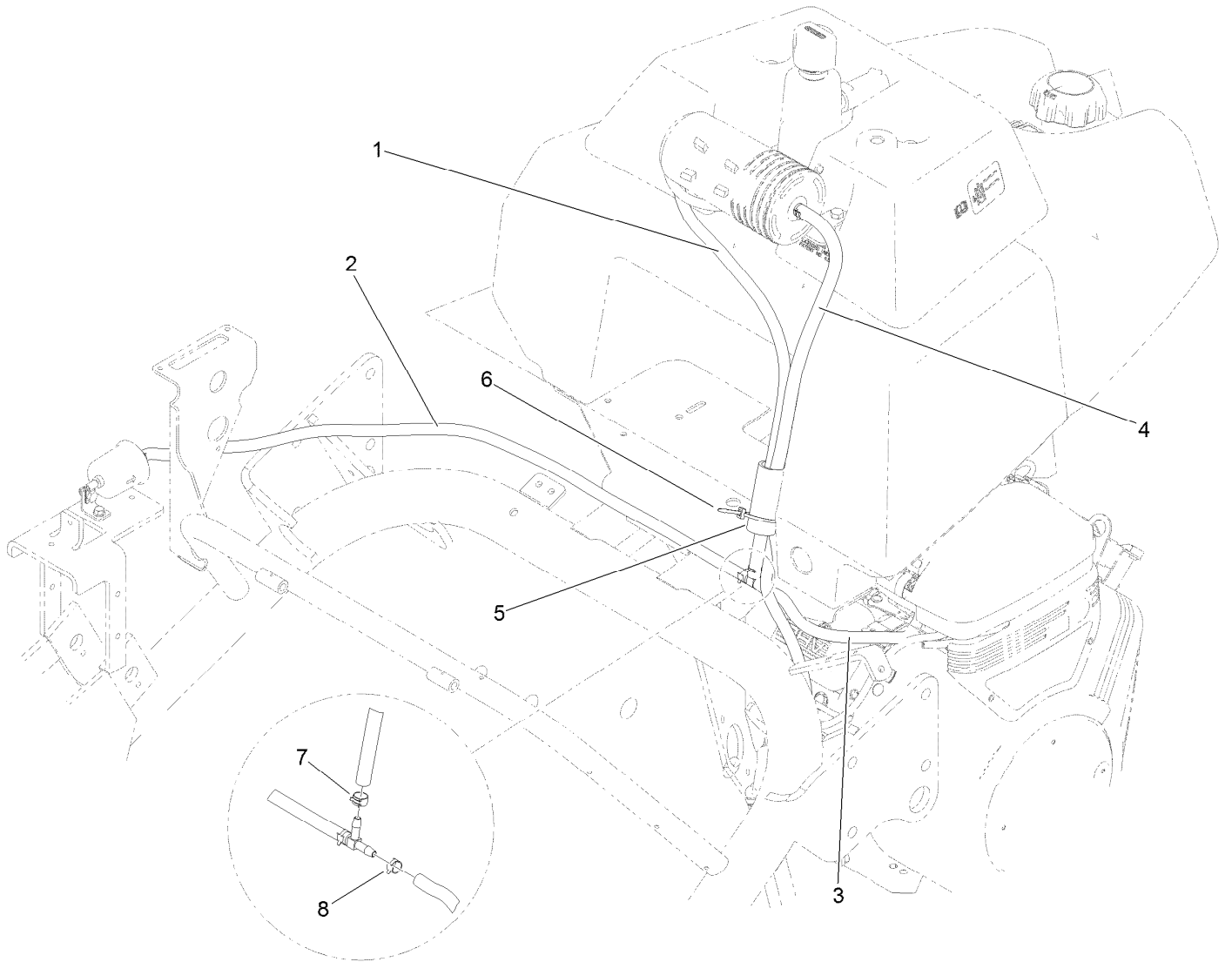
Ref.	Part Number	Qty.	Description
1	105-4339	1	Hose-HYD
2	131-2043	1	Hose-HYD
2:3	237-42	1	O-Ring ●
3	105-4337	1	Hose-HYD
4	100-4892	1	Hose-HYD
5	131-2044	1	Hose-HYD
6	3334-945	1	Tie-Cable
7	3290-378	3	Tie-Cable

● Not illustrated



## Wire Harness Routing Assembly

<i>Ref.</i>	<i>Part Number</i>	<i>Qty.</i>	<i>Description</i>
1	114-3319	1	Harness-Wire, Main
1:1	218-578	2	Fuse-Blade, 10 Amp
1:2	109101	1	Fuse-Blade, 20 Amp
1:4	92-3188	2	Diode-Board, Circuit
1:5	106-4641	1	Harness-Wire, Fusible Link



## Carbon Canister Hose Routing Assembly

<i>Ref.</i>	<i>Part Number</i>	<i>Qty.</i>	<i>Description</i>
1	121-2585	1	Hose ASM
2	121-2584	1	Hose ASM
3	109-0296	1	Hose-Fuel
4	114-4028	1	Hose-Fuel
5	121-2586	1	Tubing-Convoluted, Slit
6	3290-378	2	Tie-Cable
7	92-2379	1	Clamp-Hose
8	2412-98	1	Clamp-Hose

# Attachments and Accessories

## For 04358 Greensmaster 3150 2-Wheel Drive Traction Unit

<b>Product Name</b>	<b>Model/Part</b>
Turf Evaluator .....	04399
Three-Wheel Drive Kit without ROPS .....	04476
Dethatching Unit .....	04479
Spiker Kit .....	04494
Tri-Roller Kit .....	04495
8-Blade DPA Reel Mower .....	04618
11-Blade DPA Reel Mower .....	04619
14-Blade DPA Reel Mower .....	04624
Weight Kit, Greensmaster and Sand Pro/Infield Pro Traction Unit .....	100-6442
Spark Arrestor Screen .....	104-6540
Light Kit .....	105-8336
Filter-Oil, Engine .....	107-7817
Premium All Season Hydraulic Fluid (55 Gallon Drum) .....	108-1177
Premium All Season Hydraulic Fluid (5 Gallon Pail) .....	108-1178
Premium Engine Oil SAE 30 (Drum) .....	108-1196
Premium Engine Oil SAE 30 (Pail) .....	108-1197
Speed Control Kit .....	108-6472
Lamp-LED, Low Draw .....	112-9177
Bimini Folding Shade Assembly .....	115-4510
Wireless Hourmeter .....	115-4754
Hydraulic Hose Kit .....	117-2725
Premium Synthetic Bio-Degradable Hydraulic Fluid (5 Gallon Pail) .....	119-2157
Premium Synthetic Bio-Degradable Hydraulic Fluid (55 Gallon Drum) .....	119-2158
Tire-Traction .....	119-3516
Toro Reel Paper (10 Pack) .....	125-5610
Toro Reel Shim (0.002in) .....	125-5611
Oil Cooler Kit .....	130-6536
MVP Initial 800 Hour Filter Kit, 2012 and After Greensmaster 3150-D Traction Unit .....	131-6262
MVP Standard Filter Kit, 2012 and After Greensmaster 3150-D Traction Unit .....	131-8785
Arm Rest Kit .....	30707
Cartridge-Cleaner, Air .....	92-0527
Element-Filter .....	92-0530
Filter-Fuel .....	94-2690
Weight Kit, Greensmaster 3100, 3150 or 3250-D Traction Unit with Three-Wheel Drive .....	99-1645

**Notes:**

**Notes:**



**Count on it.**