



Count on it.

Parts Catalog

**Greensmaster® 3150 2-Wheel
Drive**

Traction Unit

Model No. 04358—Serial No. 400000000 and Up



Ordering Replacement Parts

To order replacement parts, please supply the part number, the quantity, and the description of each part desired.

Understanding Reference Numbers

Each identified part in an illustration has a reference number. The reference number for a part also appears in the parts list, along with other information about the part.

This catalog uses two special reference number formats, one to indicate parts in a service assembly and another to indicate the quantity of a given part in an illustration.

Service Assembly Reference Numbers

Parts in service assemblies have reference numbers in the form a:b. The a represents the reference number of the entire service assembly and the b represents a sequential number unique to each part within the service assembly.

For example, a wheel assembly might be identified by reference number 6, the tire by 6:1, the valve by 6:2, and the wheel by 6:3. When you order the assembly identified by reference number 6, you receive all parts identified by reference numbers 6:1, 6:2, and 6:3. However, you may also order any part individually. Reference numbers of this type appear in illustration and in parts lists.

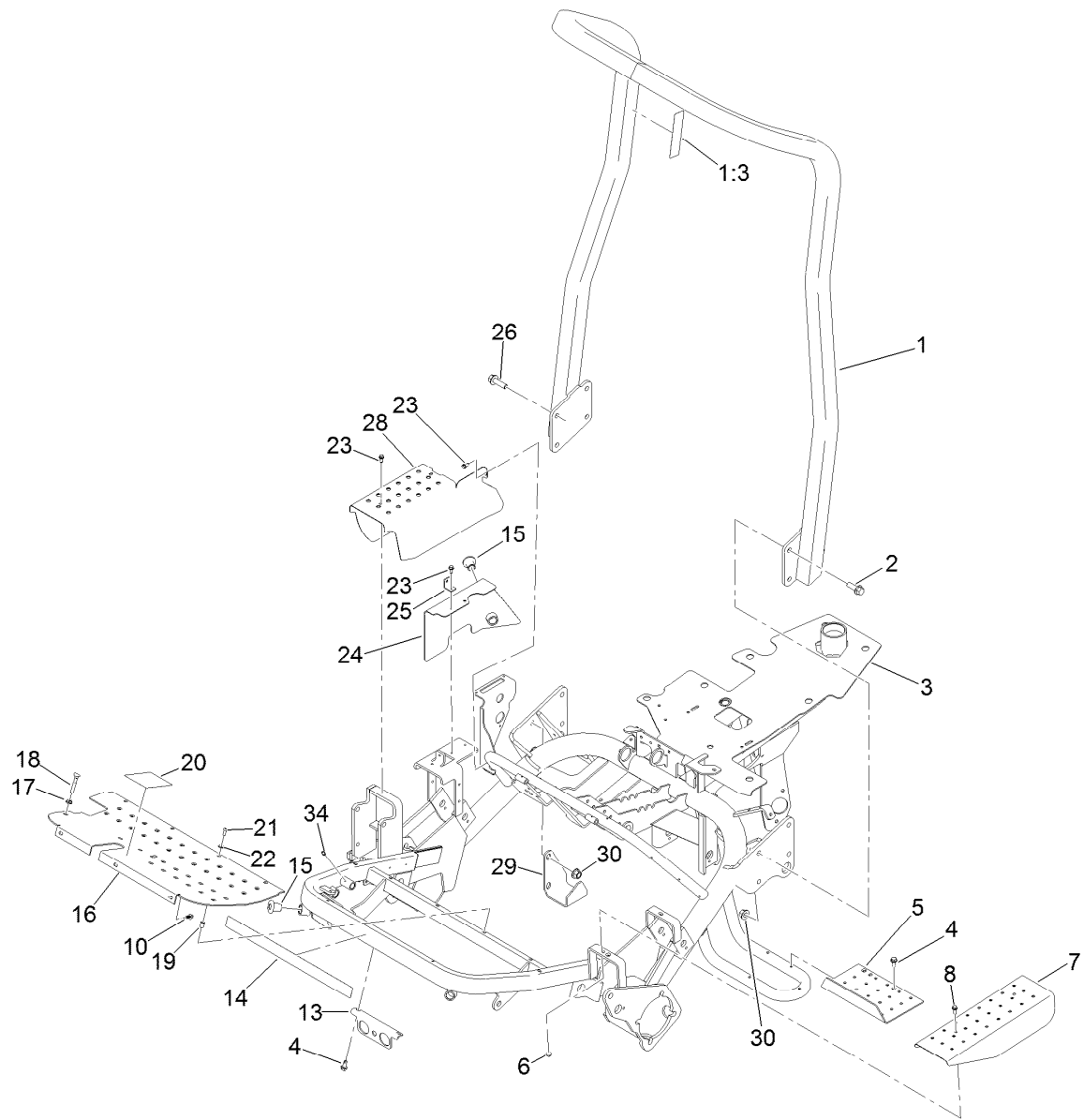
Reference Numbers Indicating Quantity

In an illustration, if a reference number indicates more than one part, the reference number has the form nX y. The n represents the quantity of the part, the X is the multiplication symbol, and the y represents the reference number.

For example, in an illustration, the reference number 2X 37 means that two of the parts identified by reference number 37 are indicated.

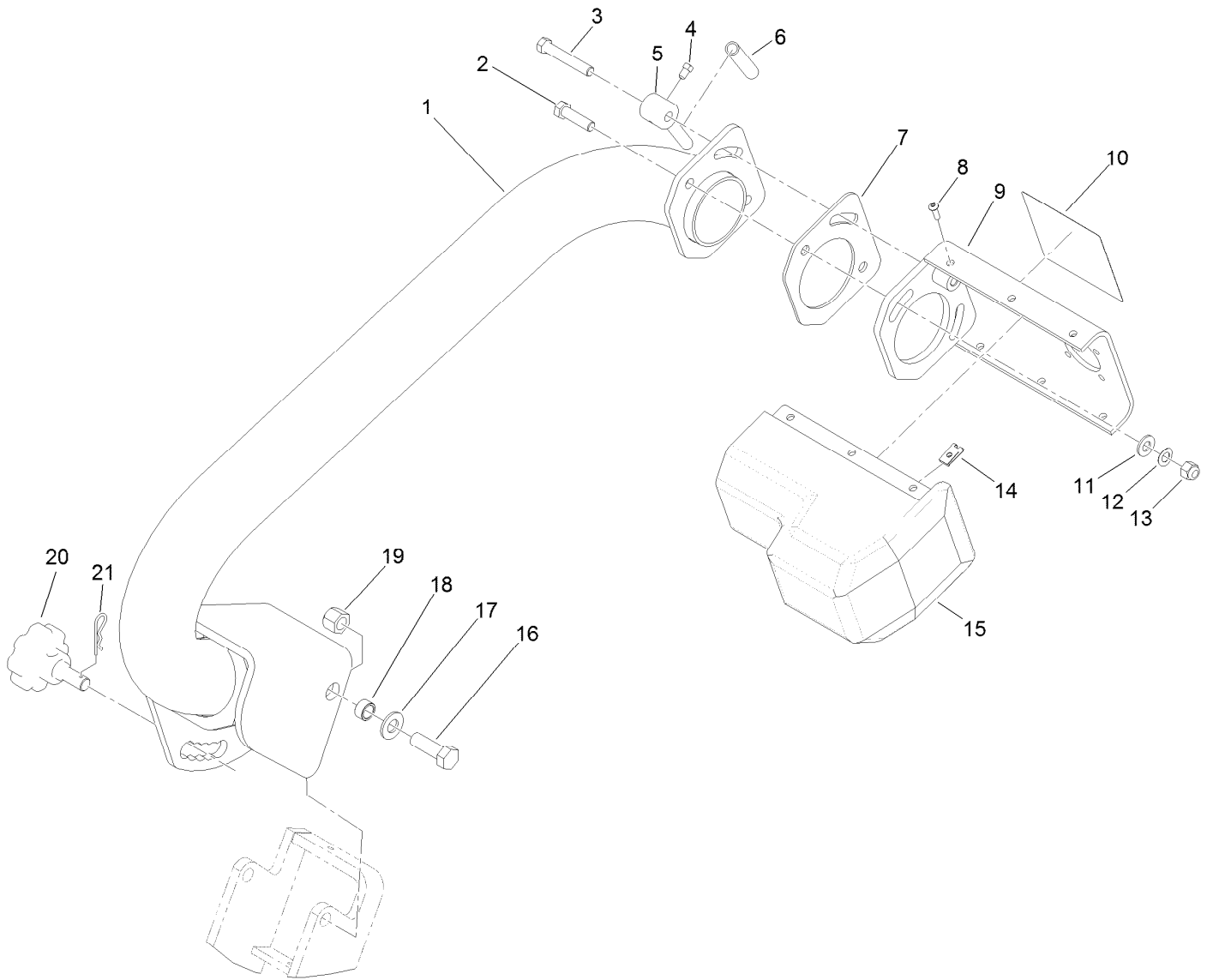
Contents

ROPS and Frame Assembly	4
Steering Arm Assembly	5
Traction Pedal Assembly	6
Joystick Assembly	7
Joystick Bracket Assembly No. 120-5280	8
Speed Selector Lever and Console Assembly	9
Control Panel Assembly	11
Engine Installation Assembly	12
Fuel Tank Assembly	14
Wire Harness Assembly	15
Battery Assembly	16
Ignition and Seat Switch Assembly	17
Engine Wire Harness Assembly	18
Ground Drive Assembly	19
Hydraulic Motor Assembly (CCW) No. 110-4015	20
Hydraulic Motor Assembly (CW) No. 110-4016	21
Hydrostat and Gear Pump Drive Assembly	22
Hydraulic Gear Pump Assembly No. 114-9956	23
Hydraulic Pump Assembly No. 121-9557	24
Neutral System Assembly	26
Front Hydraulic Reel Drive and Hose Assembly	27
Hydraulic Reel Motor Assembly No. 120-2072	28
Hydraulic Steering Hose and Center Lift Cylinder Hose Assembly	29
Rear Hydraulic Reel Drive and Hose Assembly	30
Front Lift Cylinders Hose and Filter Assembly	31
Steering Wheel and Valve Assembly	32
Steering Valve Assembly No. 114-4672	33
Right Hand and Left Hand Lift Cylinder Assembly	34
Hydraulic Cylinder Assembly No. 131-2787	35
Steering Cylinder and Center Lift Cylinder Assembly	36
Hydraulic Cylinder Assembly No. 131-2786	37
Hydraulic Manifold Assembly	38
Hydraulic Manifold Assembly No. 112-0289	39
Hydraulic Reservoir and Leak Detector Assembly	41
Center Pull Frame Assembly	42
Left Pull Frame Assembly	44
Right Pull Frame Assembly	46
Front Wheel and Brake Assembly	48
Brake Assembly No. 104-7705	49
Rear Wheel Assembly	50
Seat Assembly	51
Attachments and Accessories	52



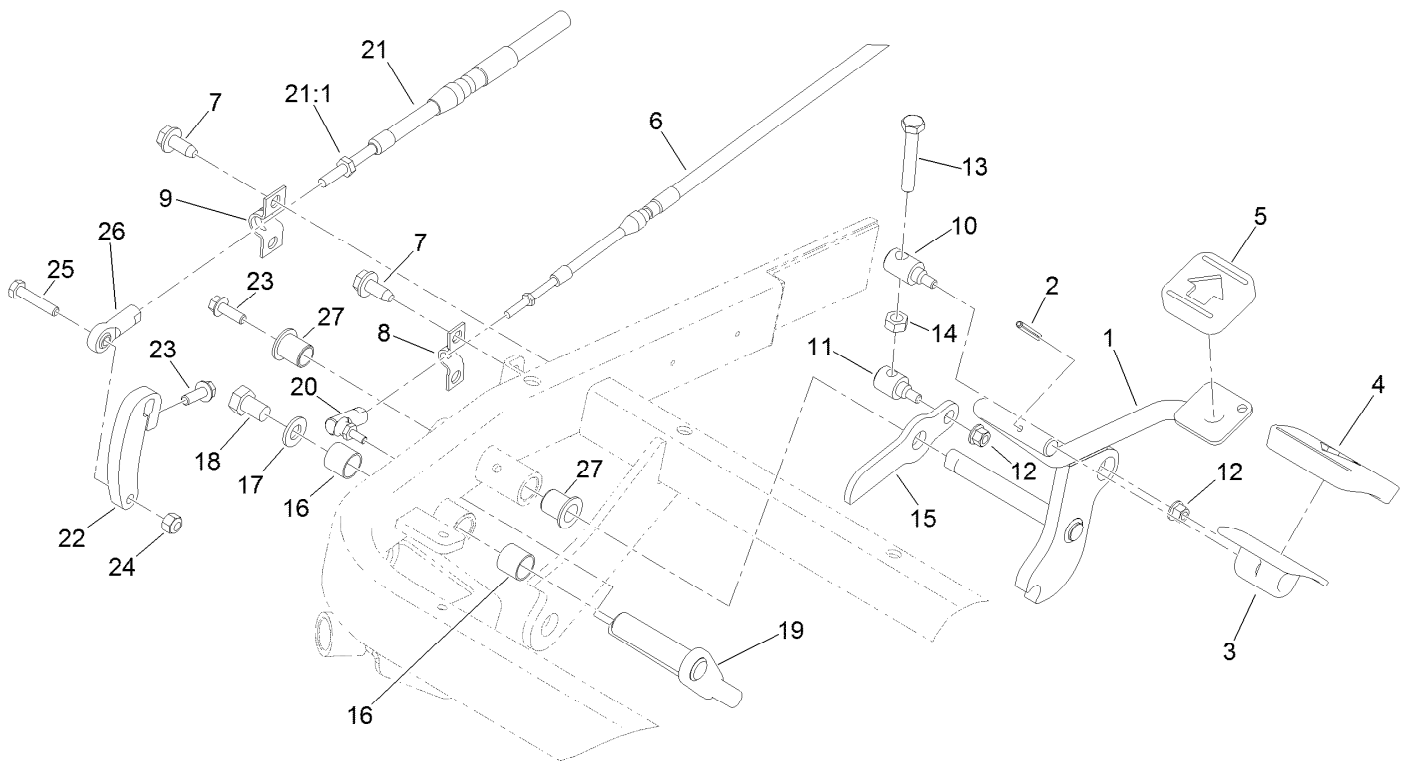
ROPS and Frame Assembly

<i>Ref.</i>	<i>Part Number</i>	<i>Qty.</i>	<i>Description</i>	<i>Ref.</i>	<i>Part Number</i>	<i>Qty.</i>	<i>Description</i>
1	133-2308	1	ROPS ASM	17	32128-20	1	Nut-HF
1:3	115-8226	1	Decal-ROPS	18	17-9426	1	Screw-Handle
2	130-6482	6	Screw-HHF	19	32148-6	7	Nut-Clinch
3	127-6143-01	1	Frame	20	93-8062	1	Decal-Brake, Parking
4	32104-32	5	Screw-HWH	21	3274-31	4	Screw-HSBH
5	130-0103-01	1	Step	22	3256-1	4	Washer-Flat
6	32128-33	2	Nut-HF	23	32144-10	5	Screw-HWH
7	83-0200-01	1	Plate-Cover, LH	24	105-8282-01	1	Shield-Side
8	115-5103	2	Screw-HHF	25	120-3172	1	Bracket
10	99-6810	3	Screw-HHF	26	130-6481	2	Screw-HHF
13	107-2552-01	1	Bracket-Bulkhead	28	130-6548-01	1	Channel-Step, Right
14	115-5216	1	Decal	29	105-8263-01	1	Bracket-ROPS
15	83-1700	3	Bushing-Flange	30	99-5107	8	Nut-Lock
16	127-2225-01	1	Plate-Foatrest	34	302-5	1	Fitting-Grease



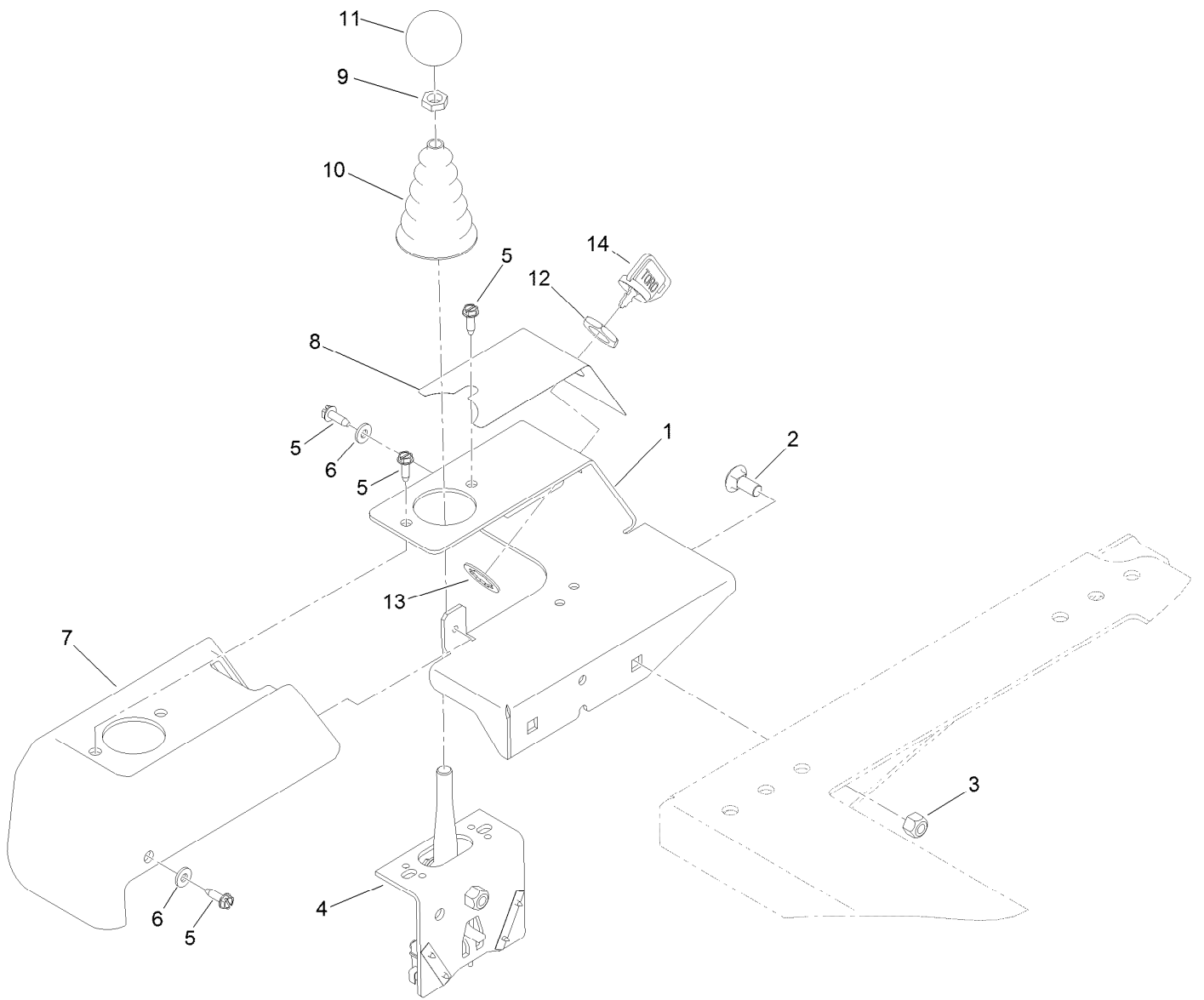
Steering Arm Assembly

<i>Ref.</i>	<i>Part Number</i>	<i>Qty.</i>	<i>Description</i>	<i>Ref.</i>	<i>Part Number</i>	<i>Qty.</i>	<i>Description</i>
1	105-0418-01	1	Arm-Steering	11	3256-24	2	Washer-Flat
2	323-29	2	Screw-HH	12	3290-477	2	Washer-Curved
3	105-4326	1	Screw-HH, LH	13	3296-39	2	Nut-Lock, NI
4	3241-1	1	Screw-Set, SQH	14	3290-277	6	Nut-Speed
5	119-3587	1	Lever-Steering	15	83-0810	1	Cover-Steering
6	92-6798	1	Cap-Rod, Tilt	16	325-6	2	Screw-HH
7	105-0457	1	Plate-Friction	17	3256-26	2	Washer-Flat
8	3274-39	6	Screw-HSBH	18	47-2890	2	Bushing
9	114-4693-03	1	Mount-Steering	19	3296-23	2	Nut-Lock, NI
10	133-2338	1	Decal-Danger	20	117-9513	1	Knob-Steering
10	133-2339	1	Decal-Danger, CE	21	3290-467	1	Pin-Hair



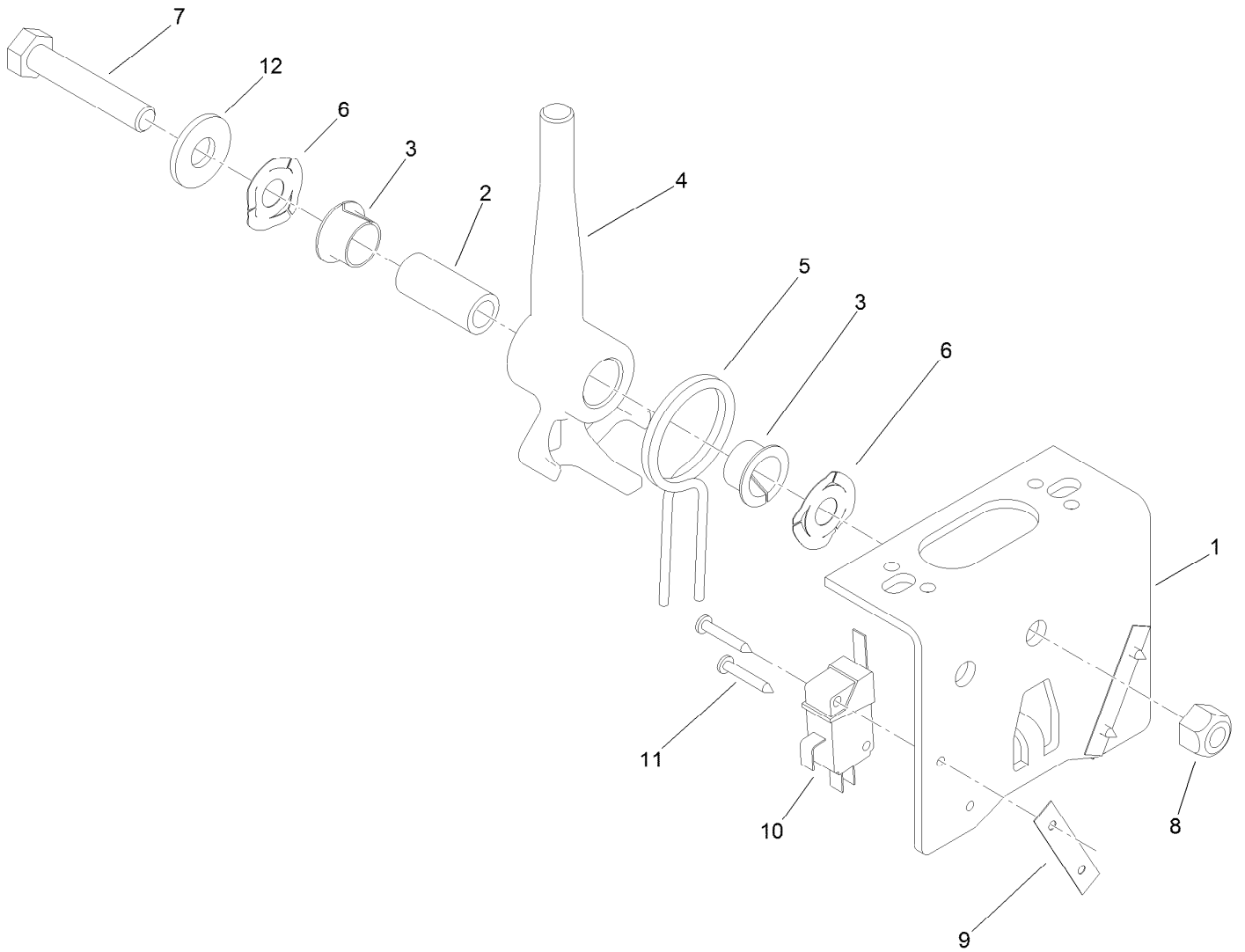
Traction Pedal Assembly

<i>Ref.</i>	<i>Part Number</i>	<i>Qty.</i>	<i>Description</i>	<i>Ref.</i>	<i>Part Number</i>	<i>Qty.</i>	<i>Description</i>
1	127-2222-01	1	Pedal-Traction	15	127-2241	1	Plate-Stop
2	32121-45	1	Pin-Spring	16	256-311	2	Bushing-Split
3	117-9507	1	Pedal-Accelerator	17	3256-24	1	Washer-Flat
4	74-9100	1	Pad-Pedal, Forward	18	33115-016	1	Screw-HH
5	74-9110	1	Pad-Pedal, Reverse	19	132-3803	1	Lock-Neutral
6	127-2244	1	Cable-Neutral Lock	20	2411-38	1	Joint-Ball
7	32144-70	4	Screw-HWHTF	21	105-5445	1	Cable-Traction
8	93-2279	1	Clamp-Cable	21:1	3220-1	2	Nut-Jam
9	93-2092	1	Clamp-Cable	22	130-6539	1	Lever-Traction
10	94-1375	1	Trunnion-Bracket, Lock	23	117-8304	2	Screw-HHF
11	94-1374	1	Trunnion-Bracket, Mow	24	3296-42	1	Nut-Lock, NI
12	81-0130	2	Nut-Flange, NI	25	321-8	1	Screw-HH
13	94-3489	1	Screw-HH	26	2411-41	1	Rod End-Ball Joint
14	33014-00	1	Nut-Hex	27	125-8775	2	Bushing-Flange



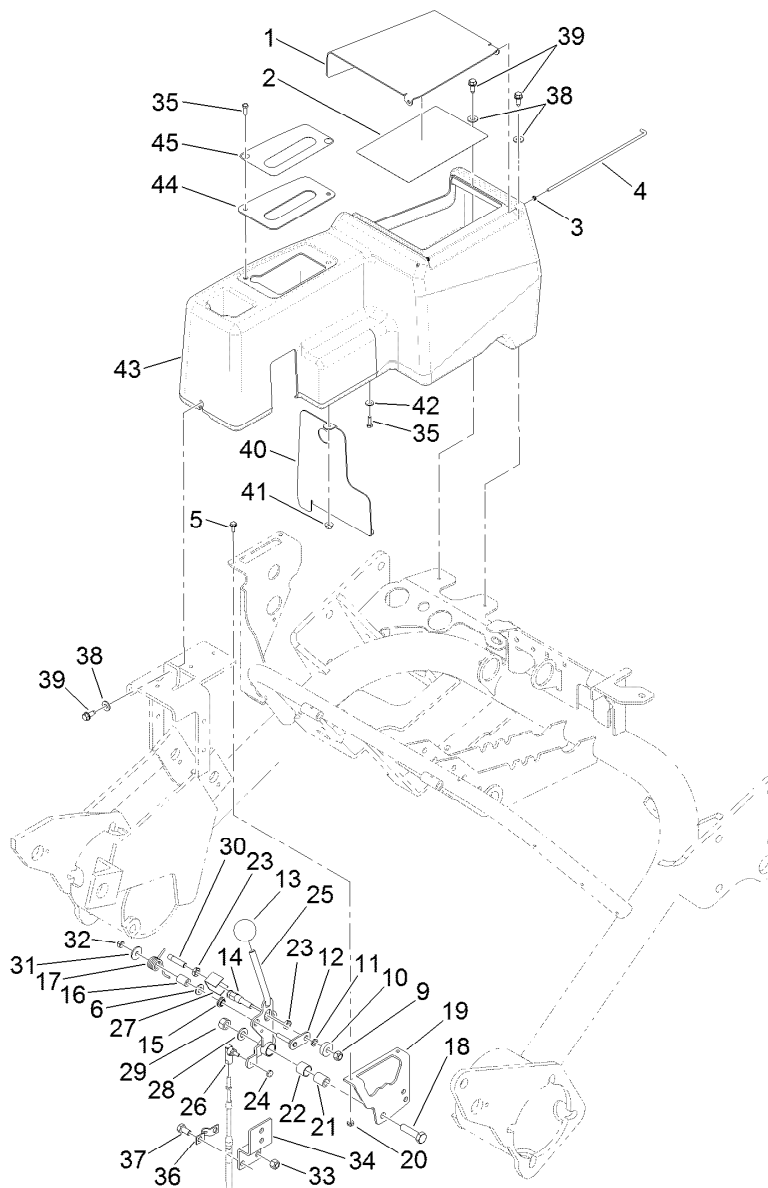
Joystick Assembly

Ref.	Part Number	Qty.	Description
1	105-8252-03	1	Bracket-Pod
2	3230-1	2	Bolt-CARR
3	3296-29	2	Nut-Lock, NI
4	120-5280	1	Bracket-Joystick
5	32144-19	4	Screw-SHWH
6	3256-14	2	Washer-Flat
7	105-8251	1	Pod
8	105-8305	1	Decal-Panel, Control
9	3218-3	1	Nut-Jam
10	93-5961	1	Boot-Lever
11	233-42	1	Knob
12	107-1571	1	Nut-Hex
13	107-1572	1	Washer-Lock
14	63-8360	2	Key-Ignition



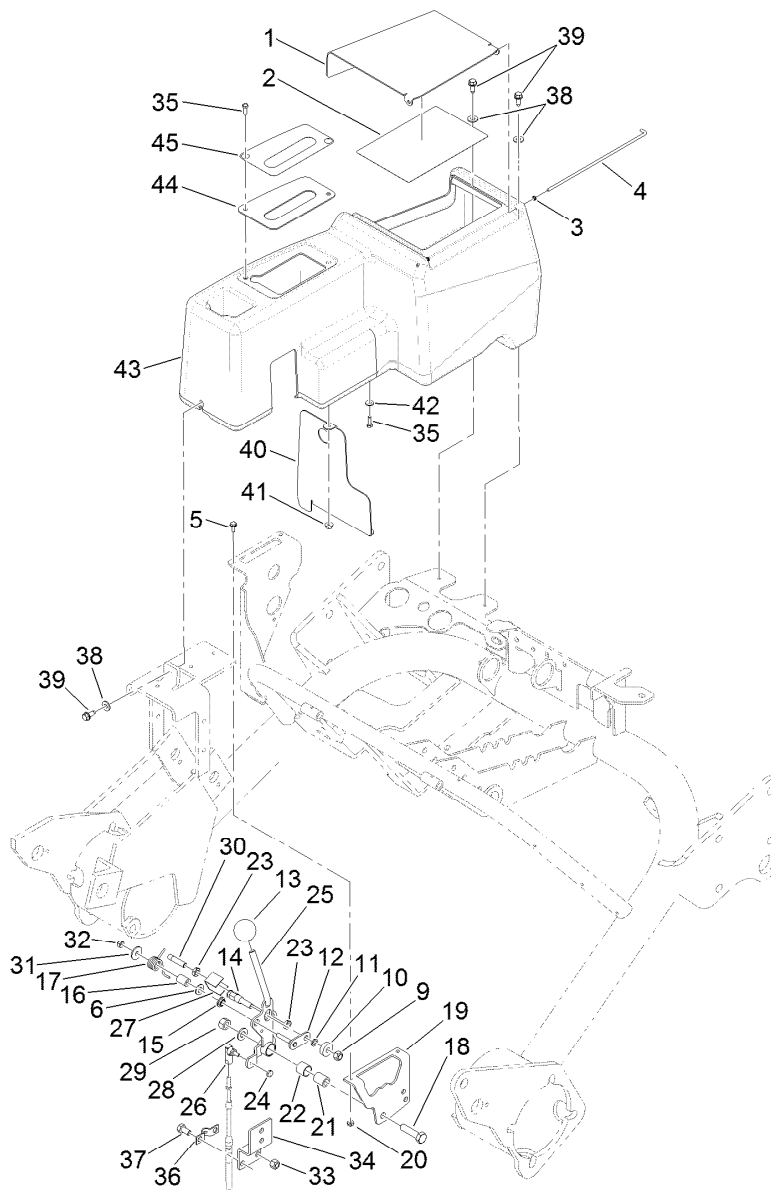
Joystick Bracket Assembly No. 120-5280

<i>Ref.</i>	<i>Part Number</i>	<i>Qty.</i>	<i>Description</i>
1	115-5357-03	1	Bracket-Joystick
2	106-4192	1	Spacer
3	93-5547	2	Bushing-Nylon
4	119-3540	1	Hub-Pivot, Joystick
5	105-8289	1	Spring-Torsion
6	106-4193	2	Washer-Finger, Spring
7	322-9	1	Screw-HH
8	3296-29	1	Nut-Lock, NI
9	3290-354	2	Nut-Speed
10	108-6496	2	Switch (W/Boot)
11	95-3003	4	Screw-PPHTF
12	3256-3	1	Washer-Flat



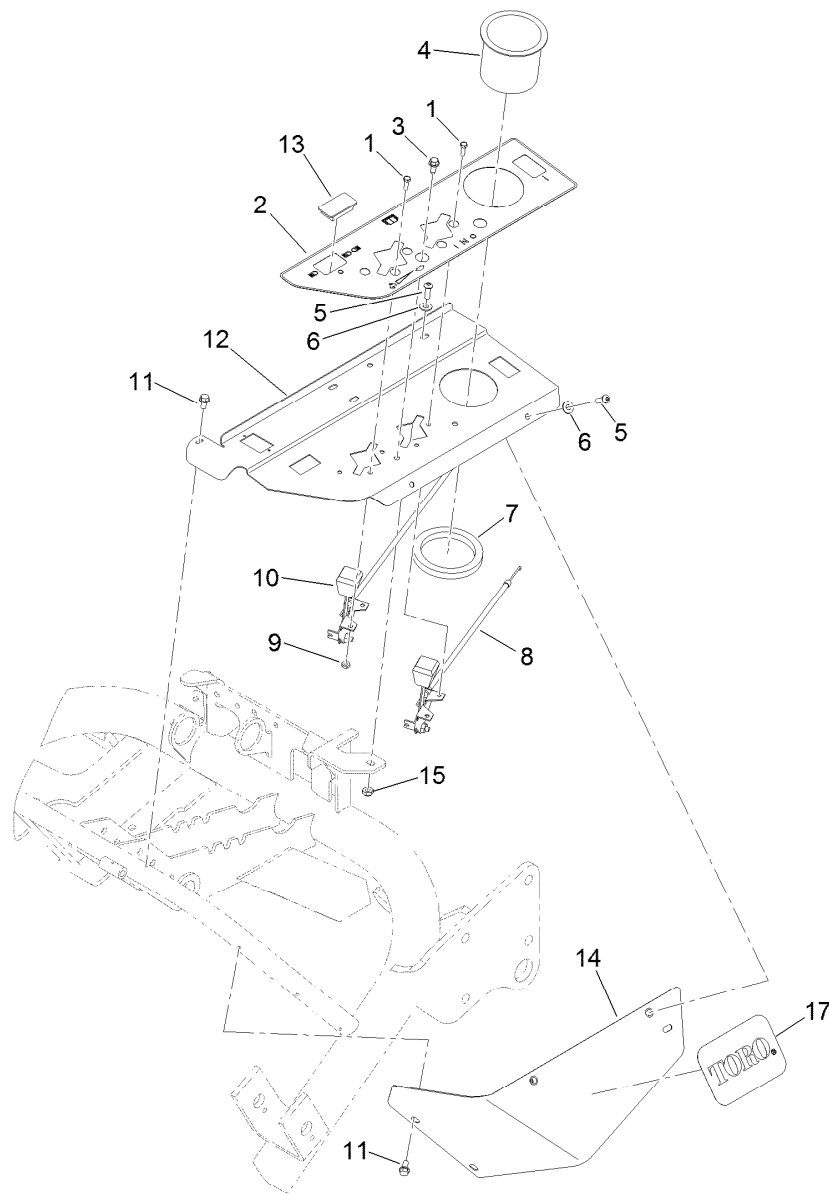
Speed Selector Lever and Console Assembly

Ref.	Part Number	Qty.	Description	Ref.	Part Number	Qty.	Description
1	105-8254-03	1	Lid-Console	24	3296-27	1	Nut-Lock, NI
2	115-8156	1	Decal-Speed, Clip	25	94-9611	1	Handle
3	105-8283	2	Bushing	26	2411-38	1	Joint-Ball
4	105-8256	1	Rod-Hinge	27	106-6356	1	Shield-Switch
5	3290-321	2	Screw-HWH	28	3256-24	1	Washer-Flat
6	3256-23	1	Washer-Plain	29	33025-00	1	Nut-Lock, NI
9	33024-00	1	Nut-Lock, NI	30	120-5348	1	Actuator-Switch
10	251-259	1	Bearing-Ball	31	3256-67	1	Washer
11	75-5470	1	Spacer-Bearing	32	33023-00	1	Nut-Lock
12	120-3198	1	Roller-Pivot	33	3296-29	4	Nut-Lock, NI
13	233-42	1	Knob	34	105-5417-03	1	Bracket-Cable, Shifter
14	94-9617	1	Pin-Spring	35	3290-134	4	Screw
15	94-9619	1	Bushing	36	93-2279	1	Clamp-Cable
16	94-9618	1	Spacer-Spring	37	322-2	4	Screw-HH
17	94-9620	1	Spring-Torsion	38	3256-22	3	Washer-Flat
18	33115-040	1	Screw-HH	39	32144-10	3	Screw-HWH
19	94-6398	1	Bracket-Traction	40	105-8255-03	1	Baffle-Console
20	3296-12	2	Nut-Lock, NI	41	3290-148	4	Nut-HF
21	94-1378	1	Tube-Pivot, Handle	42	3256-77	2	Washer-Flat
22	256-311	1	Bushing-Split	43	105-8250	1	Console
23	117-4059	2	Nut-Hex				



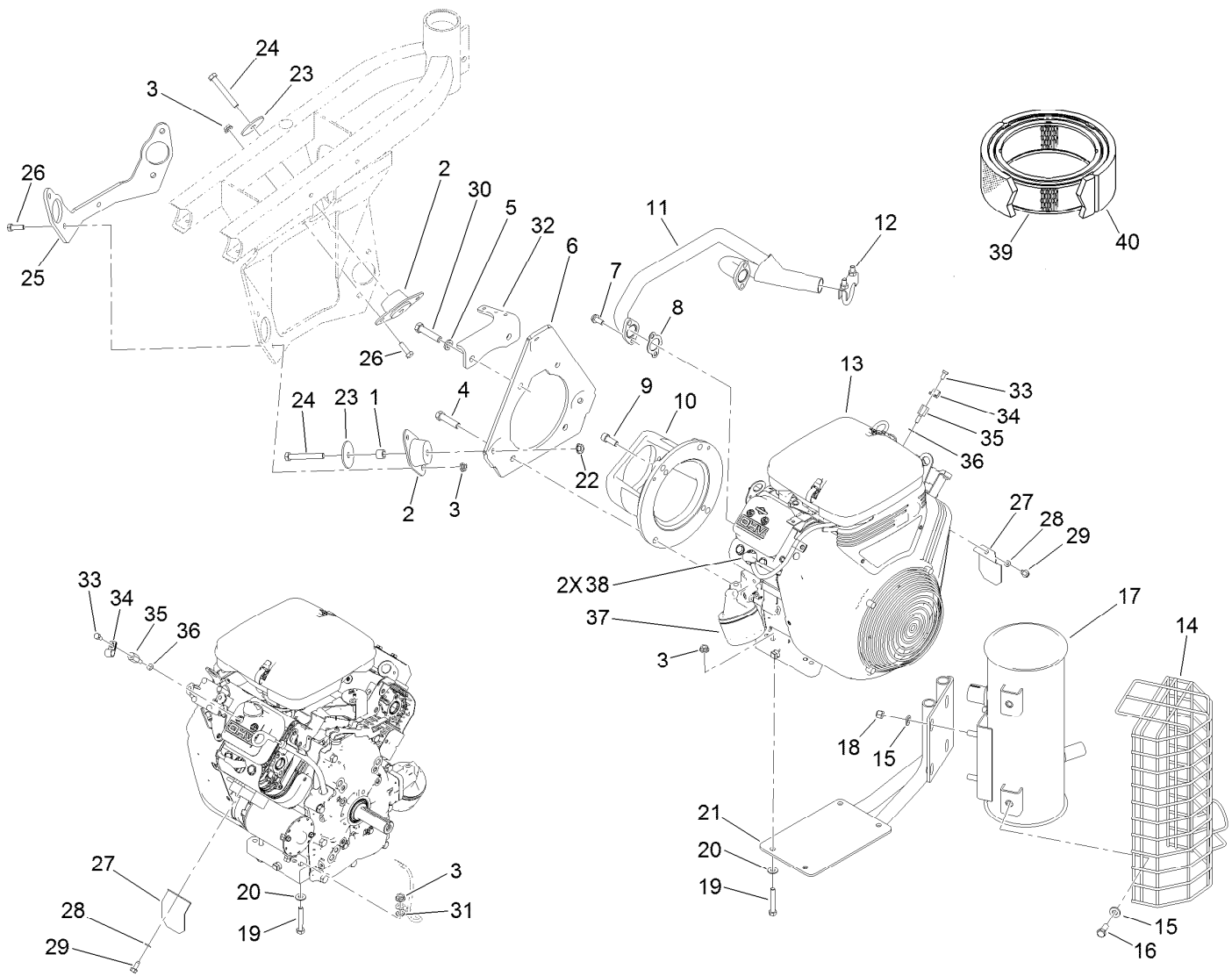
Speed Selector Lever and Console Assembly (continued)

<i>Ref.</i>	<i>Part Number</i>	<i>Qty.</i>	<i>Description</i>
44	105-8280-03	1	Plate-Console
45	105-8306	1	Decal-Selector, Speed



Control Panel Assembly

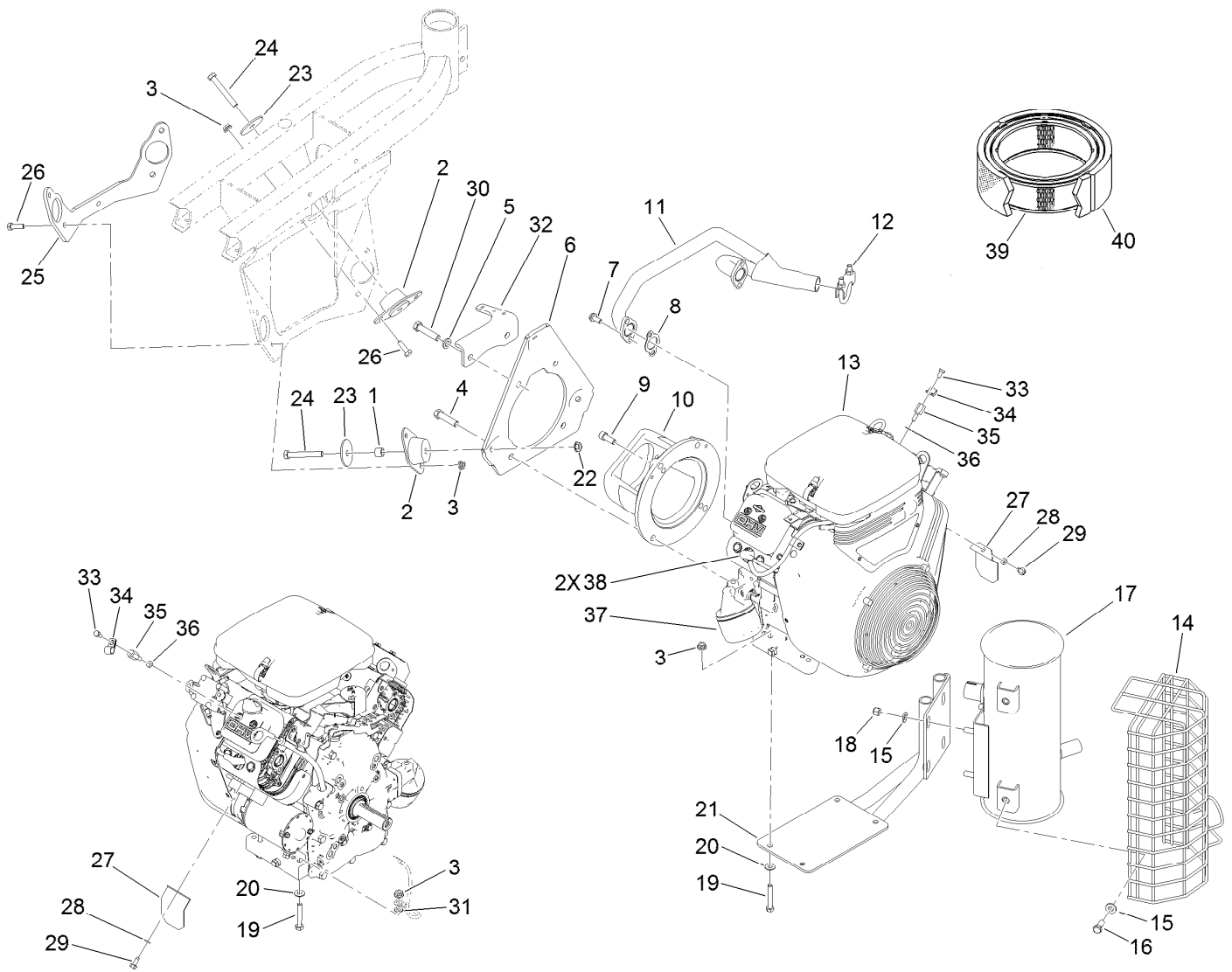
<i>Ref.</i>	<i>Part Number</i>	<i>Qty.</i>	<i>Description</i>	<i>Ref.</i>	<i>Part Number</i>	<i>Qty.</i>	<i>Description</i>
1	3290-134	4	Screw	9	3296-12	4	Nut-Lock, NI
2	131-2007	1	Decal-Panel, Control (Left)	10	83-0030	1	Control-Throttle
3	32144-10	2	Screw-HWH	11	32104-116	3	Screw-HWHTF
4	94-1410	1	Holder-Can, Beverage	12	127-2246-03	1	Panel-Control
5	3274-69	4	Screw-HSBH	13	99-7420	1	Plug-Hole
6	3256-22	4	Washer-Flat	14	105-5411	1	Shield-Cover, Valve
7	104-1476	1	Ring-Rubber	15	3296-16	2	Nut-Lock, NI
8	83-0040	1	Control-Choke	17	94-2579	1	Decal



Engine Installation Assembly

Ref.	Part Number	Qty.	Description	Ref.	Part Number	Qty.	Description
1	93-9847	2	Spacer	18	32152-2	4	Nut-Lock, Cone
2	125-5244	3	Mount-Engine	19	322-10	4	Screw-HH
3	32128-20	10	Nut-HF	20	87-8640	4	Washer-Flat
4	324-7	2	Screw-HH	21	127-6130-03	1	Mount-Muffler
5	3253-6	4	Washer-Lock	22	3290-357	3	Nut-HSF
6	85-8120-03	1	Plate-Mount, Engine	23	83-1040	3	Washer-Flat
7	94-5300	4	Screw-HHF	24	323-13	3	Screw-HH
8	94-3449	2	Gasket-Manifold, Exhaust	25	121-9539-01	1	Support-Engine
9	3274-7	2	Screw-HSH	26	322-5	6	Screw-HH
10	83-1060-03	1	Adapter-Pump	27	83-2310	1	Shield-Regulator
11	119-4128	1	Manifold-Exhaust	28	3253-3	1	Washer-Lock
12	2112-11	1	Clamp-Muffler	29	32144-10	1	Screw-HWH
13	130-6472	1	Engine-Briggs And Stratton	30	324-8	2	Screw-HH
			●	31	3255-8	1	Washer-Lock
14	112-0291	1	Shield-Muffler	32	105-4307-03	1	Bracket-Spring
15	100-4852	8	Washer-Hardened	33	33113-012	1	Screw-HH
16	323-5	4	Screw-HH	34	2412-94	1	Clamp
17	110-4001	1	Muffler	35	106-4616	1	Screw-Spacer

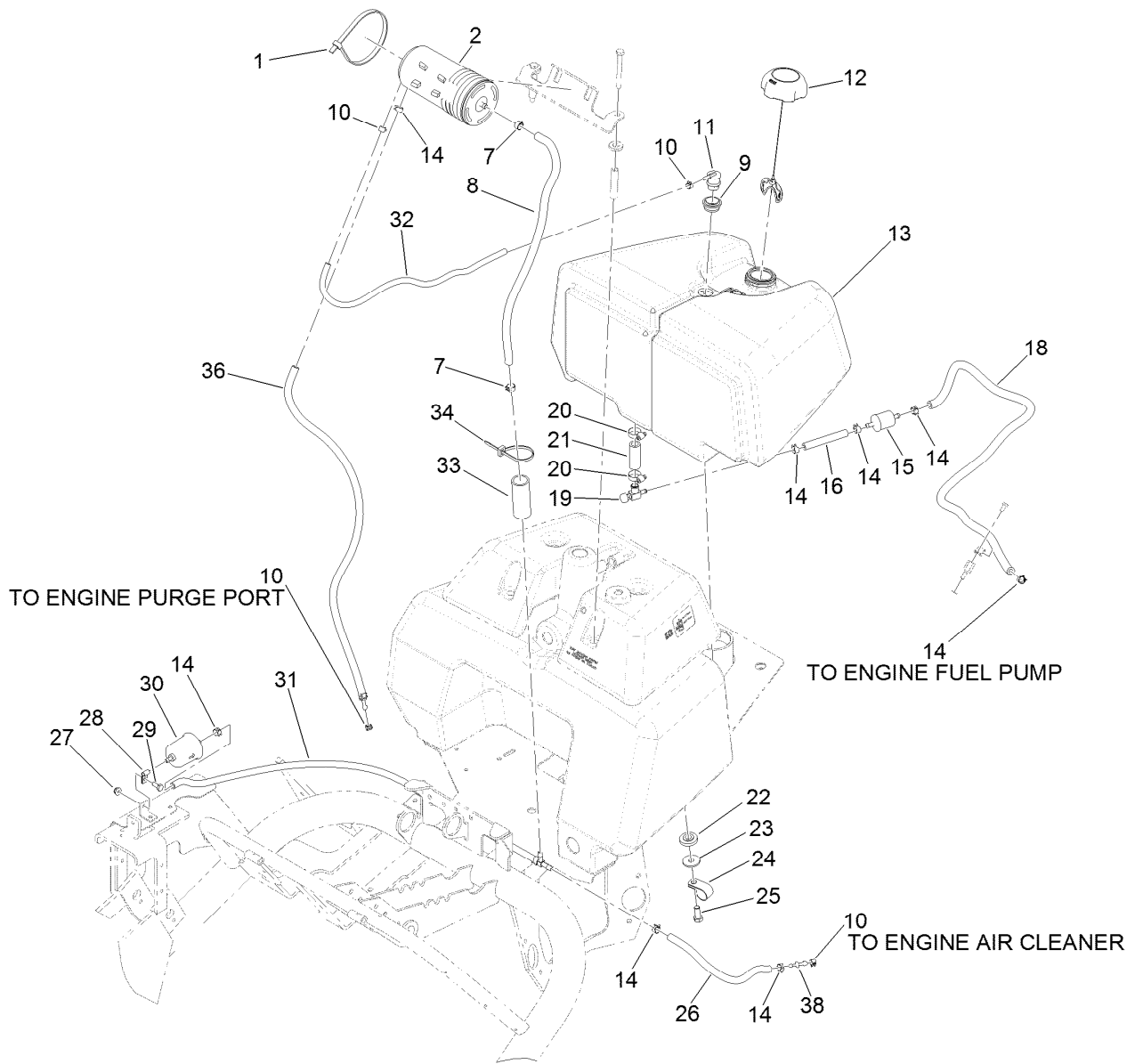
● Obtain parts from www.briggsandstratton.com



Engine Installation Assembly (continued)

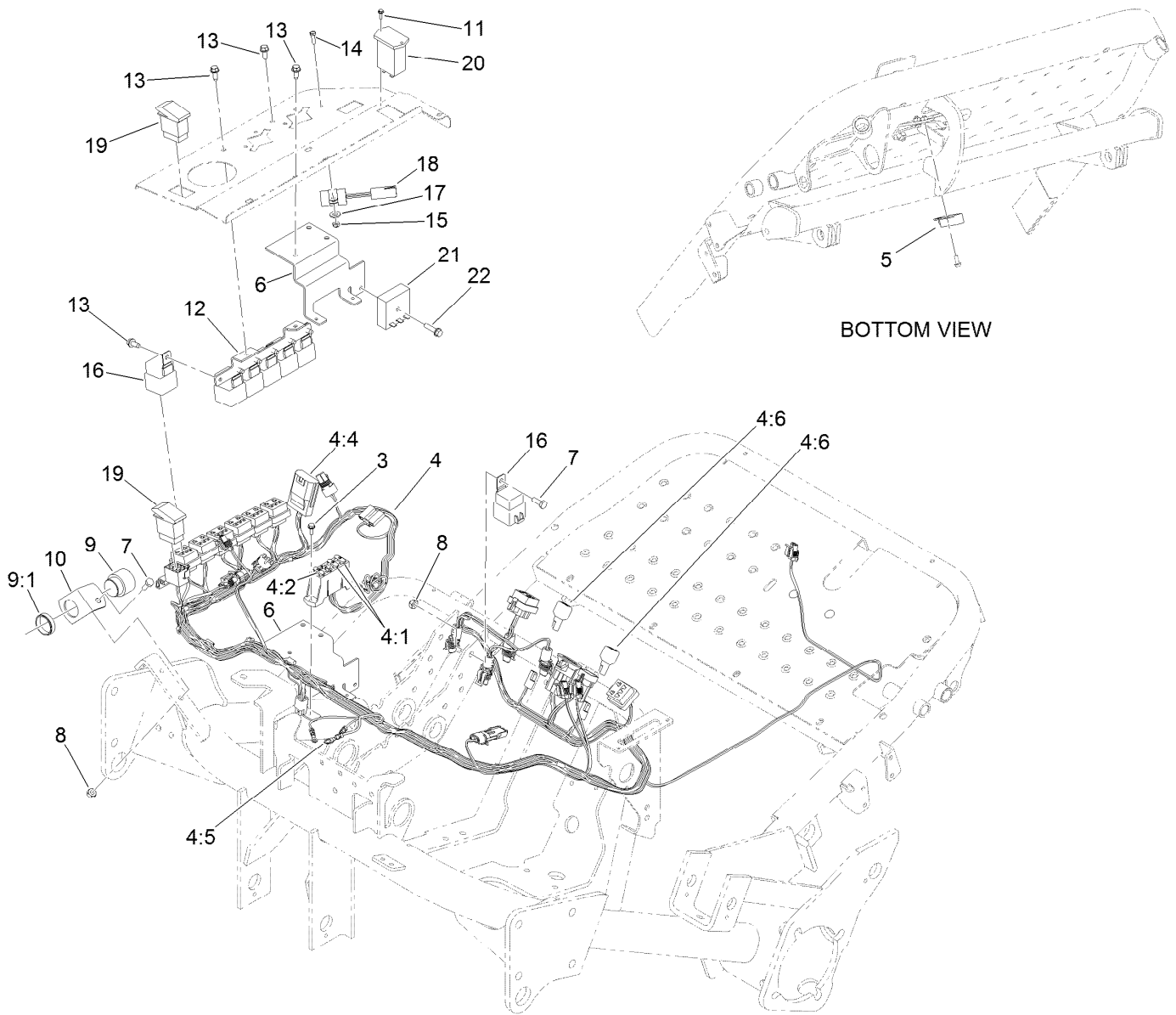
<i>Ref.</i>	<i>Part Number</i>	<i>Qty.</i>	<i>Description</i>	<i>Ref.</i>	<i>Part Number</i>	<i>Qty.</i>	<i>Description</i>
36	127-2229	1	Washer-Fiber	39	92-0527	1	Cartridge-Cleaner, Air
37	107-7817	1	Filter-Oil, Engine	40	92-0530	1	Element-Filter
38	108-6945	2	Plug-Spark				

● Obtain parts from www.briggsandstratton.com



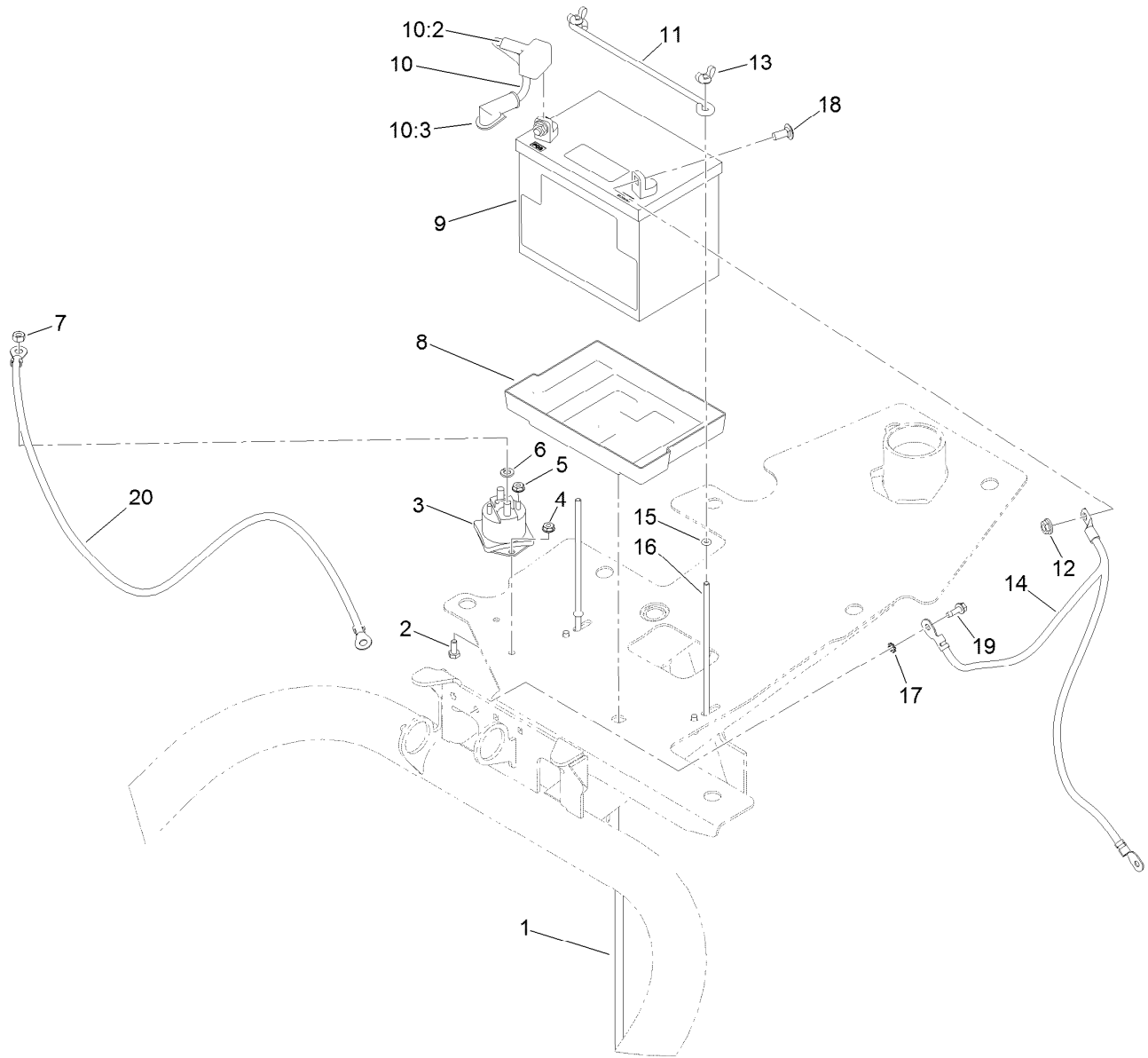
Fuel Tank Assembly

Ref.	Part Number	Qty.	Description	Ref.	Part Number	Qty.	Description
1	103-2446	2	Tie-Cable	22	240-11	4	Bushing-Flange
2	117-1221	1	Canister-Carbon, 800Cc	23	63-8410	4	Washer
7	92-2379	2	Clamp-Hose	24	2412-41	3	Clamp-R
8	114-4028	1	Hose-Fuel	25	323-6	4	Screw-HH
9	114-0284	1	Grommet	26	109-0296	1	Hose-Fuel
10	2412-80	4	Clamp-Hose	27	104-7201	1	Nut-HF, NI
11	119-3547	1	Valve-Vent, Fuel	28	2412-72	1	Clip-Closed, Insulated
12	115-7788	1	Cap-Fuel	29	321-3	1	Screw-HH
13	115-5387	1	Tank-Fuel	30	121-2583	1	Filter-Fuel, Inline
14	2412-98	8	Clamp-Hose	31	121-2584	1	Hose ASM
15	94-2690	1	Filter-Fuel	32	119-8149	1	Hose-Fuel
16	109-0660	1	Hose-Fuel	33	121-2586	1	Tubing-Convolved, Slit
18	109-0275	1	Hose-Fuel	34	3290-378	2	Tie-Cable
19	83-1390	1	Valve-Shut-Off, Fuel	36	121-2585	1	Hose ASM
20	2412-36	2	Clamp-Hose	38	121-2573	1	Fitting-Straight
21	106-1128	1	Hose-Fuel				



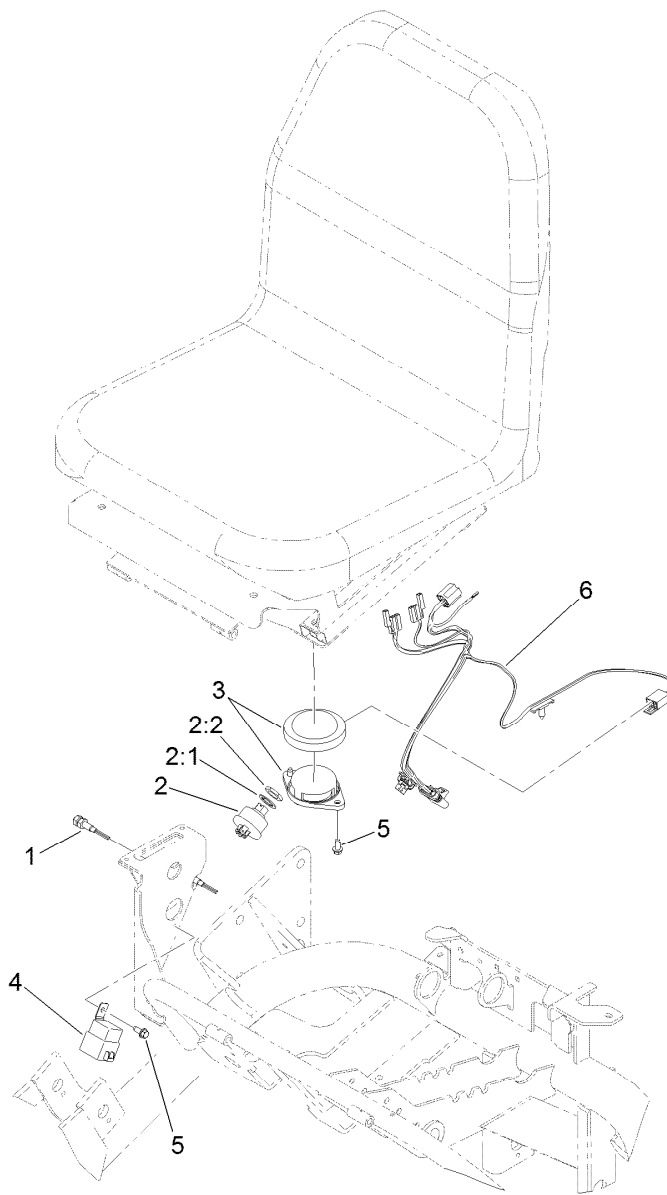
Wire Harness Assembly

<i>Ref.</i>	<i>Part Number</i>	<i>Qty.</i>	<i>Description</i>	<i>Ref.</i>	<i>Part Number</i>	<i>Qty.</i>	<i>Description</i>
3	32144-1	2	Screw-Taptite	10	83-1530	1	Bracket-Support, Buzzer
4	122-0148	1	Harness-Wire	11	32144-18	2	Screw-HWH
4:1	218-578	2	Fuse-Blade, 10 Amp	12	105-4306-03	1	Bracket-Relay
4:2	109101	1	Fuse-Blade, 20 Amp	13	32144-10	9	Screw-HWH
4:4	92-3188	2	Diode-Board, Circuit	14	3290-134	1	Screw
4:5	106-4641	1	Harness-Wire, Fusible Link	15	3296-12	1	Nut-Lock, NI
4:6	100-4918	2	Diode	16	99-7430	7	Relay-Mini
5	104-2057	1	Sensor	17	3256-22	1	Washer-Flat
6	105-4310-01	1	Bracket-Fuse	18	83-2280	1	Timer-Delay
7	321-4	2	Screw-HH	19	106-2027	1	Switch-Intermittent
8	3296-16	2	Nut-Lock, NI	20	75-6820	1	Hourmeter
9	80-9330	1	Audio Alarm ASM	21	92-2538	1	Module-Timer
9:1	104-5107	1	Nut-Plastic, Knurled	22	32144-86	1	Screw-HWHTF



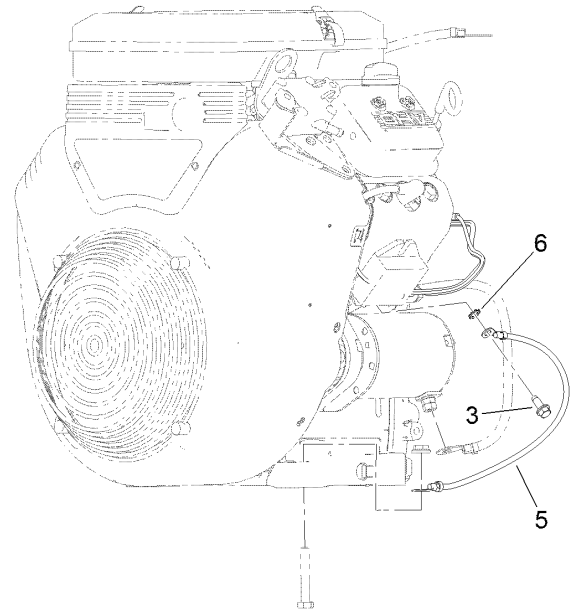
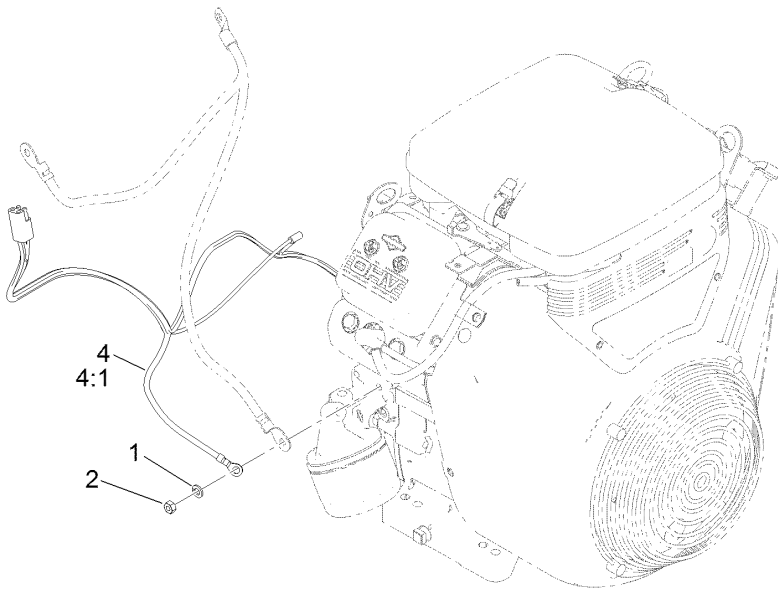
Battery Assembly

<i>Ref.</i>	<i>Part Number</i>	<i>Qty.</i>	<i>Description</i>	<i>Ref.</i>	<i>Part Number</i>	<i>Qty.</i>	<i>Description</i>
1	104-2061	1	Tube-Drain, Battery	10:3	83-2430	1	Boot-Terminal
2	321-3	2	Screw-HH	11	100-6434	1	Rod-Hold Down, Battery
3	28-4210	1	Solenoid	12	32128-20	2	Nut-HF
4	32149-2	2	Nut-Keps	13	32103-22	2	Nut-Wing
5	32149-8	2	Nut-Keps	14	122-0370	1	Cable-Battery, Negative
6	3253-4	2	Washer-Lock	15	237-143	2	O-Ring
7	3218-13	2	Nut-Jam, Brass	16	100-6435	2	Post-Battery
8	106948	1	Tray-Battery	17	3255-7	1	Washer-Lock/EXT
9	104-8162	1	Battery	18	3230-23	2	Bolt-CARR
10	83-2420	1	Positive Cable ASM	19	32104-95	1	Screw-HWH
10:2	28-8080	1	Boot-Terminal	20	98-2161	1	Cable-Battery, Positive



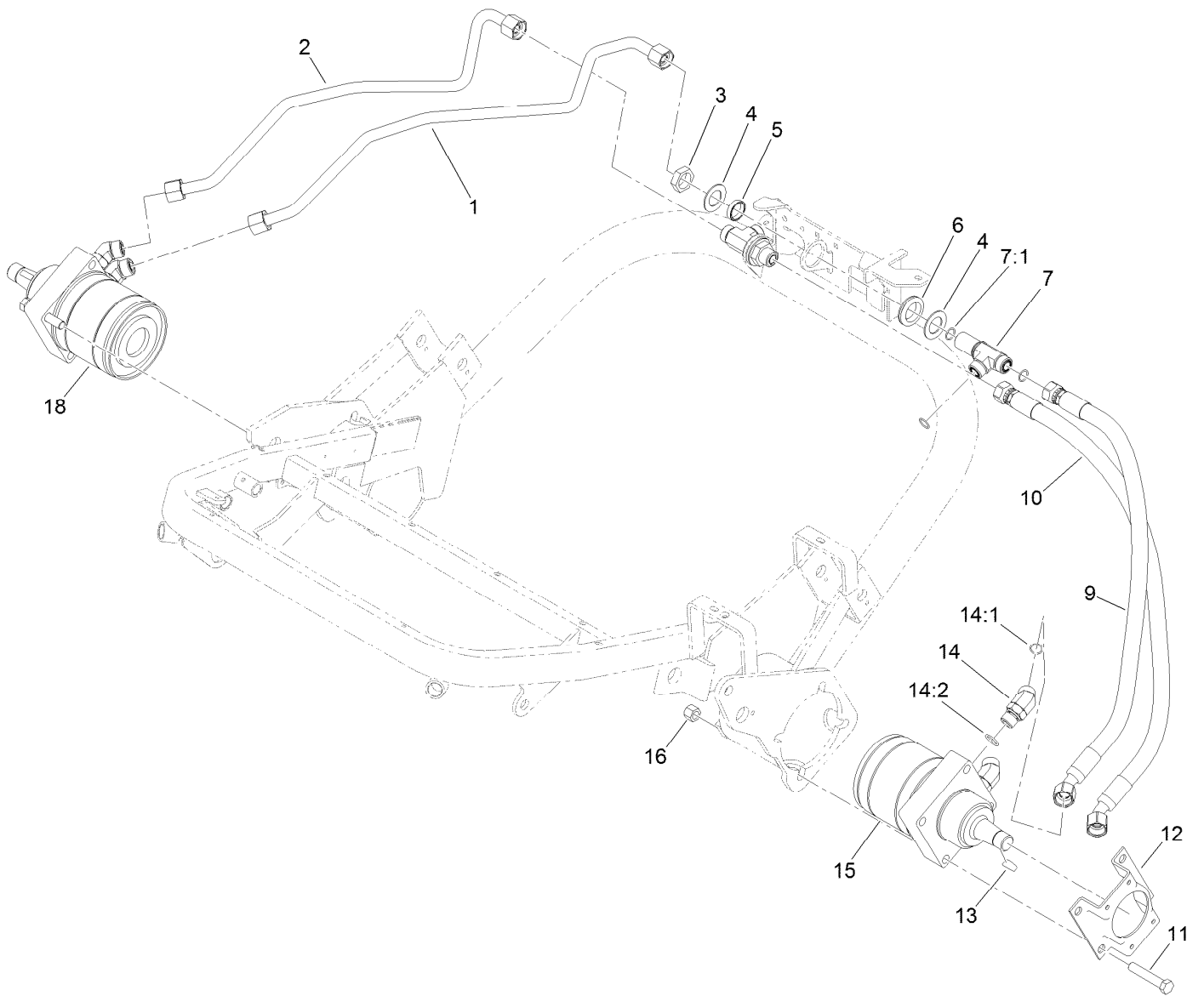
Ignition and Seat Switch Assembly

<i>Ref.</i>	<i>Part Number</i>	<i>Qty.</i>	<i>Description</i>
1	112-0278	2	Switch-Reed
2	104-2541	1	Ignition Switch ASM
2:1	218-461	1	Nut-HH
2:2	3254-5	1	Washer-Lock
3	92-6282	1	Switch-Seat
4	99-7430	1	Relay-Mini
5	32144-10	3	Screw-HWH
6	108-9466	1	Harness-Wire, Seat



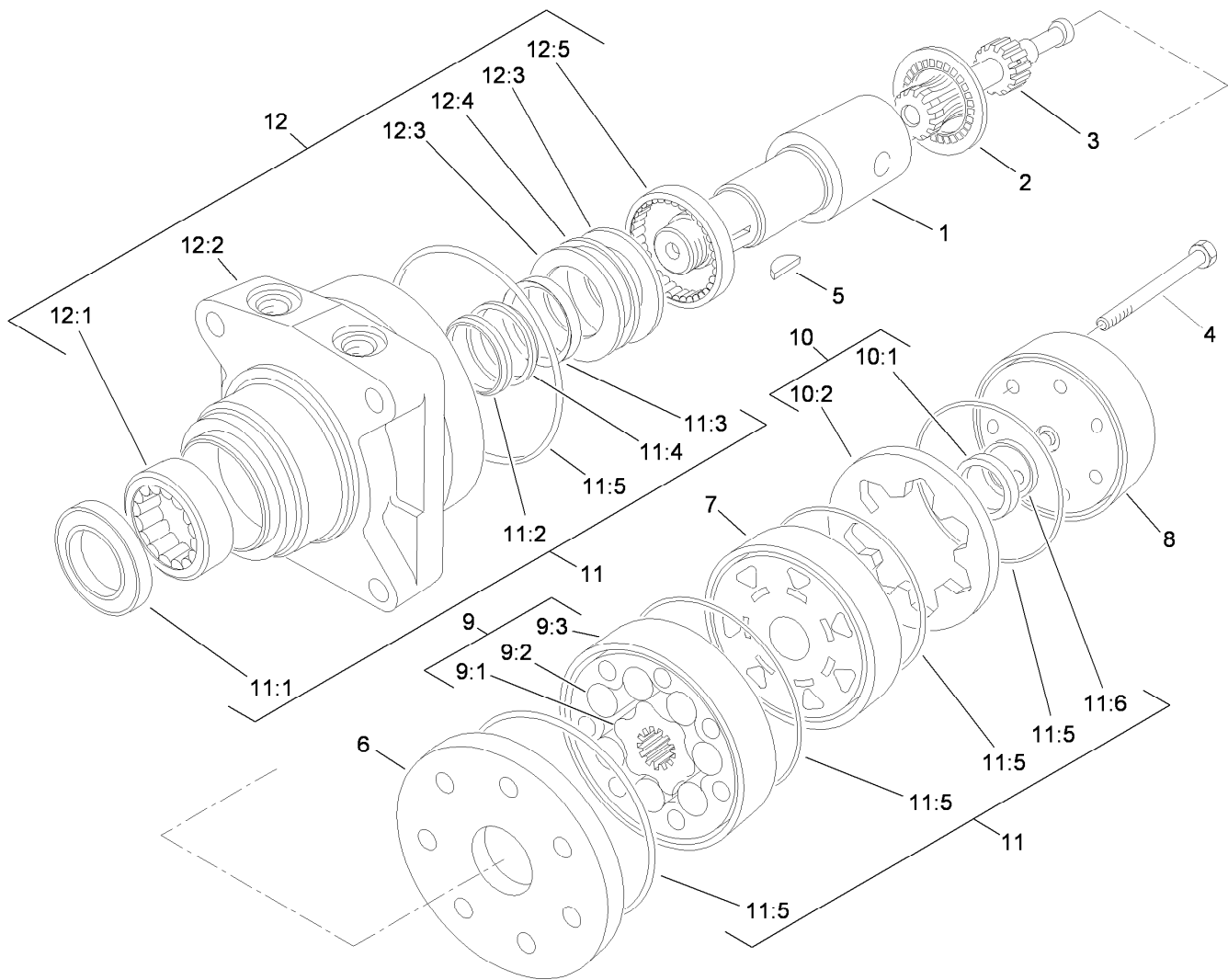
Engine Wire Harness Assembly

<i>Ref.</i>	<i>Part Number</i>	<i>Qty.</i>	<i>Description</i>
1	3253-3	1	Washer-Lock
2	43-2830	1	Nut-Hex
3	32144-10	1	Screw-HWH
4	105-8276	1	Harness-Wire, Engine
4:1	106-4642	1	Harness-Wire, Fusible Link
5	108-6486	1	Wire-Ground
6	3255-7	1	Washer-Lock/EXT



Ground Drive Assembly

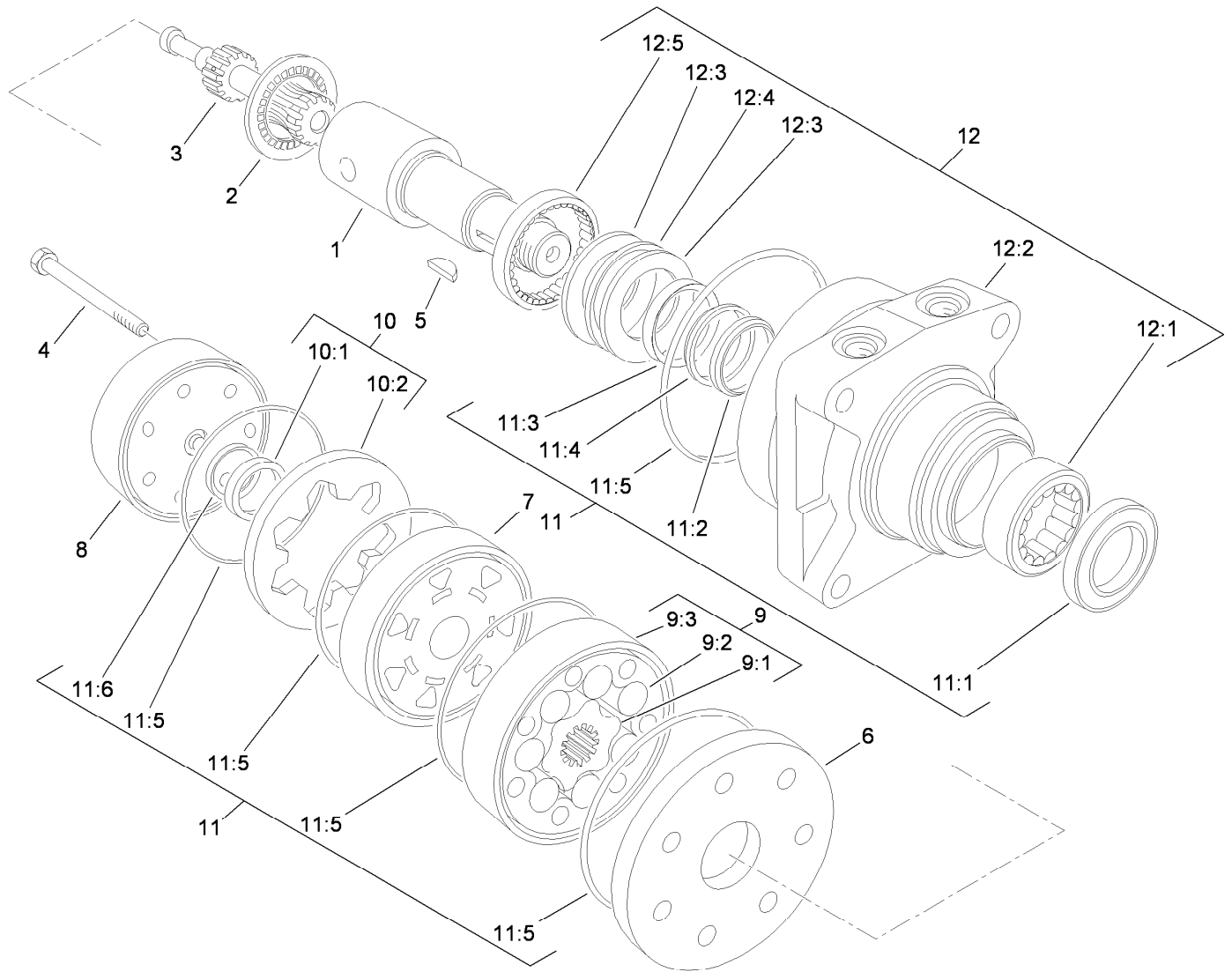
<i>Ref.</i>	<i>Part Number</i>	<i>Qty.</i>	<i>Description</i>	<i>Ref.</i>	<i>Part Number</i>	<i>Qty.</i>	<i>Description</i>
1	112-0204	1	Tube-HYD	11	325-11	8	Screw-HH
2	112-0203	1	Tube-HYD	12	84-2000-03	2	Bracket-Brake
3	340-74	2	Nut-Lock, Bulkhead	13	3257-42	2	Key-Woodruff
4	69-9010	4	Washer	14	340-14	4	Fitting-HYD, 45 DEG
5	125-1984	2	Spacer	14:1	237-65	1	O-Ring
6	240-3	2	Grommet-Rubber	14:2	237-80	1	O-Ring
7	94-5350	2	Fitting-Tee	15	110-4015	1	HYD Motor ASM (CCW)
7:1	237-65	3	O-Ring	16	3296-23	8	Nut-Lock, NI
9	105-4336	1	Hose-HYD	18	110-4016	1	HYD Motor ASM (CW)
10	105-4333	1	Hose-HYD				



Hydraulic Motor Assembly (CCW) No. 110-4015

Ref.	Part Number	Qty.	Description	Ref.	Part Number	Qty.	Description
1	76-0860	1	Shaft-Coupling	10:2		1	Ring-Commutator ●
2	76-0850	1	Bearing-Thrust	11	94-8178	1	Seal Kit
3	92-9761	1	Link-Drive	11:1		1	Seal-Dirt And Water ●
4	92-9762	7	Screw-HH	11:2		1	Backup-Ring ●
5	3257-42	1	Key-Woodruff	11:3		1	Seal-Shaft ●
6	92-9754	1	Plate-Wear	11:4		1	Washer-Backup ●
7	76-0840	1	Manifold	11:5		5	Seal-Square, Ring (Inner) ●
8	76-0940	1	End Cover ASM	11:6		1	Seal-Commutator ●
9	92-9763	1	Rotor Set	12	76-0810	1	Housing ASM
9:1		1	Rotor ●	12:1		1	Bearing ●
9:2		1	Vane ●	12:2		1	Housing ●
9:3		1	Stator ●	12:3		2	Washer-Thrust ●
10	76-0880	1	Commutator ASM	12:4		1	Bearing-Thrust ●
10:1		1	Commutator ●	12:5		1	Bearing ●

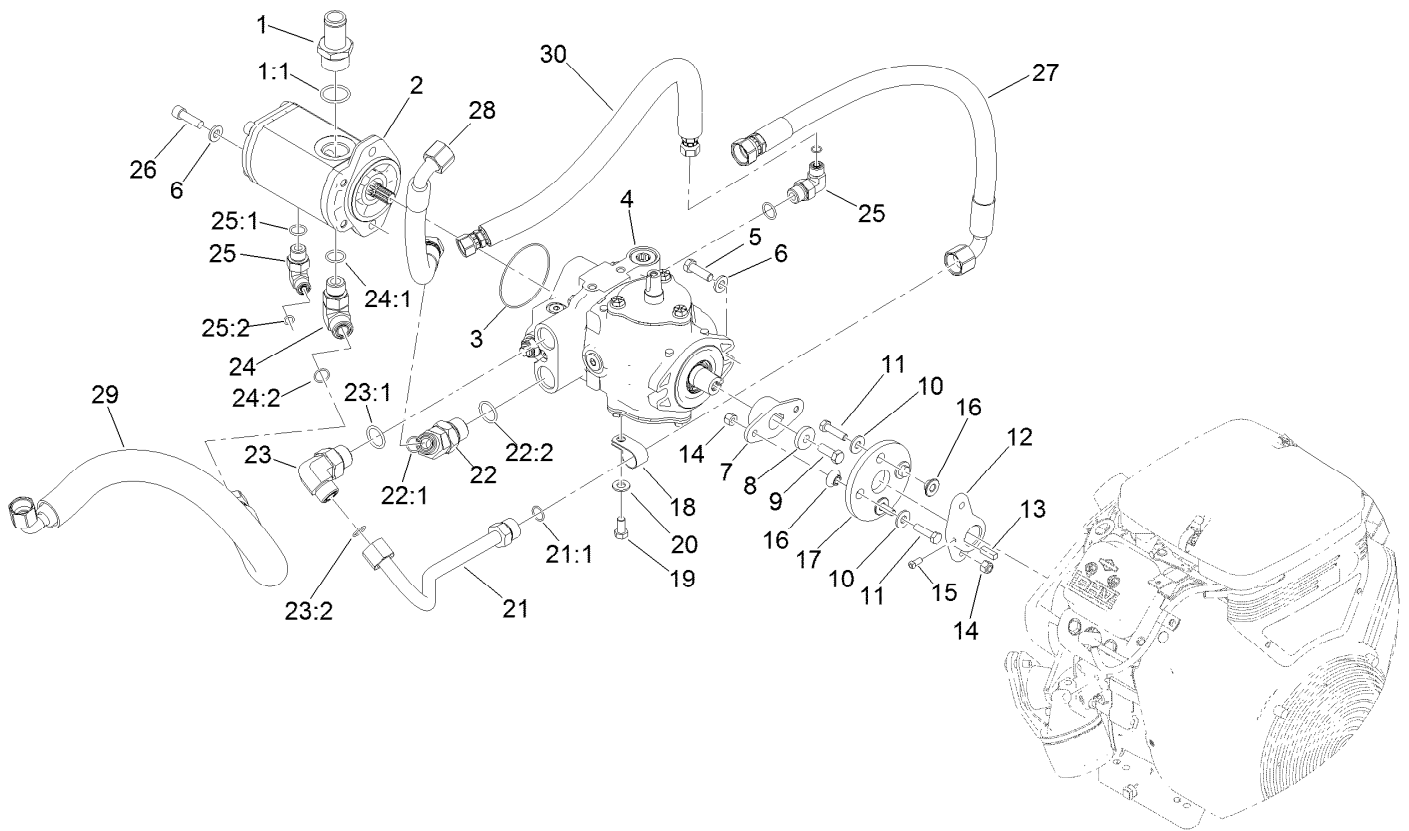
● Not serviced separately



Hydraulic Motor Assembly (CW) No. 110-4016

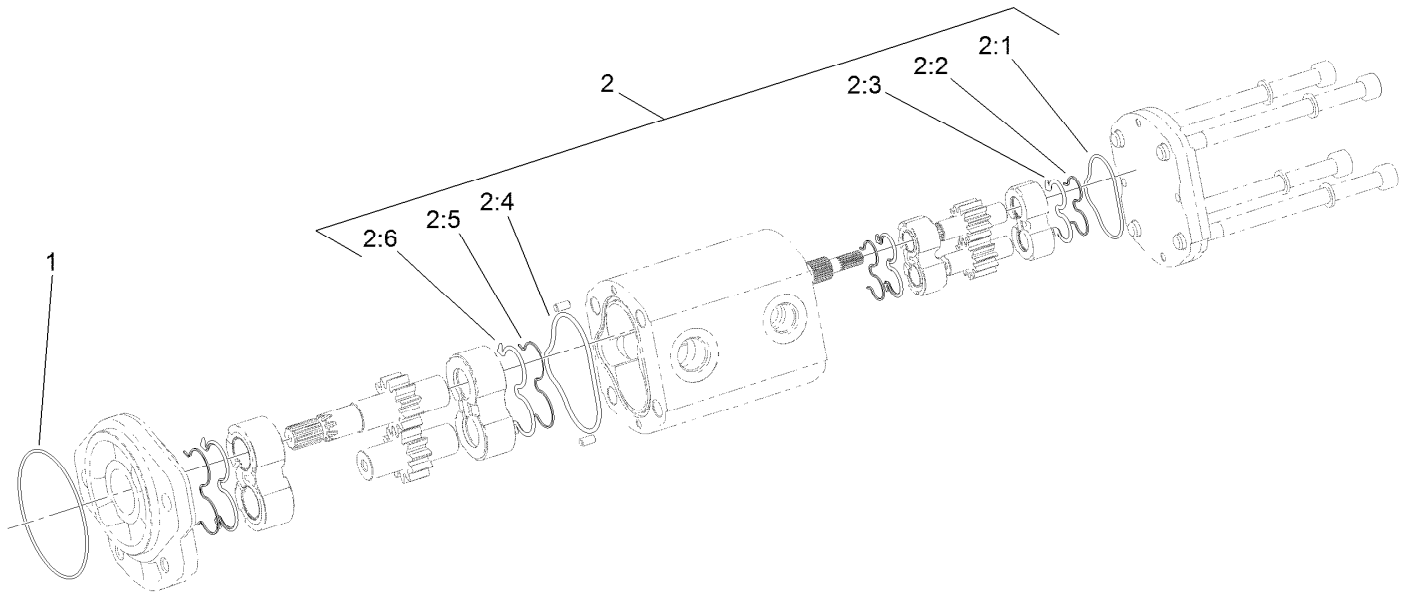
Ref.	Part Number	Qty.	Description	Ref.	Part Number	Qty.	Description
1	76-0860	1	Shaft-Coupling	10:2		1	Ring-Commutator ●
2	76-0850	1	Bearing-Thrust	11	94-8178	1	Seal Kit
3	92-9761	1	Link-Drive	11:1		1	Seal-Dirt And Water ●
4	92-9762	7	Screw-HH	11:2		1	Backup-Ring ●
5	3257-42	1	Key-Woodruff	11:3		1	Seal-Shaft ●
6	92-9754	1	Plate-Wear	11:4		1	Washer-Backup ●
7	76-0840	1	Manifold	11:5		5	Seal-Square, Ring (Inner) ●
8	76-0940	1	End Cover ASM	11:6		1	Seal-Commutator ●
9	92-9763	1	Rotor Set	12	76-0810	1	Housing ASM
9:1		1	Rotor ●	12:1		1	Bearing ●
9:2		1	Vane ●	12:2		1	Housing ●
9:3		1	Stator ●	12:3		2	Washer-Thrust ●
10	76-0880	1	Commutator ASM	12:4		1	Bearing-Thrust ●
10:1		1	Commutator ●	12:5		1	Bearing ●

● Not serviced separately



Hydrostat and Gear Pump Drive Assembly

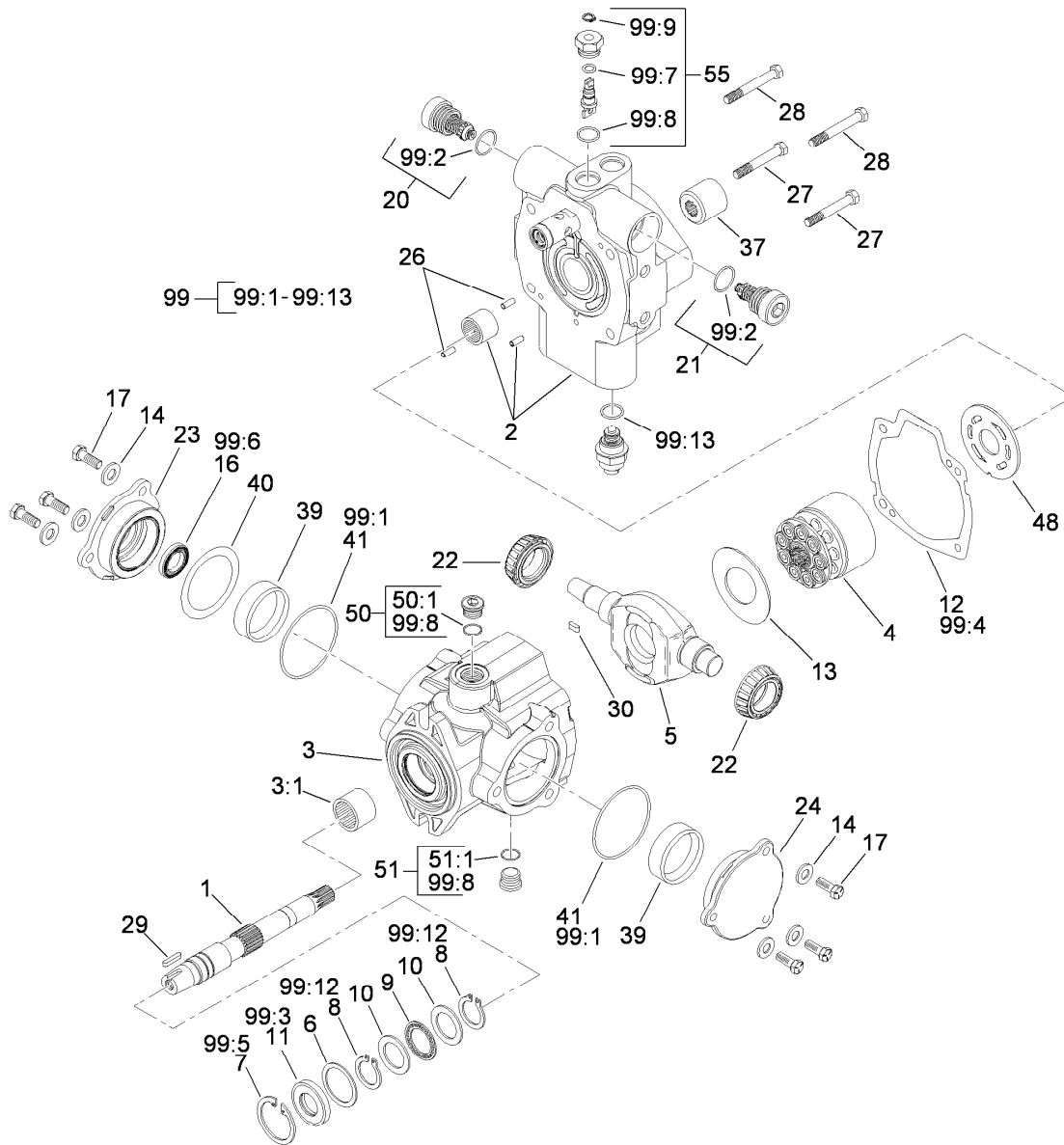
<i>Ref.</i>	<i>Part Number</i>	<i>Qty.</i>	<i>Description</i>	<i>Ref.</i>	<i>Part Number</i>	<i>Qty.</i>	<i>Description</i>
1	354-78	1	Fitting-STR	20	3256-24	1	Washer-Flat
1:1	237-146	1	O-Ring	21	121-2561	1	Tube-HYD
2	114-9956	1	HYD Gear Pump ASM	21:1	237-65	1	O-Ring
3	353-949	1	O-Ring	22	340-156	1	Fitting-Elbow 45
4	121-9557	1	Pump-Hydro	22:1	237-65	1	O-Ring
5	323-7	2	Screw-HH	22:2	237-81	1	O-Ring
6	100-4852	4	Washer-Hardened	23	340-139	1	Fitting-Elbow 90
7	119-4485	1	Hub-Pump	23:1	237-81	1	O-Ring
8	53-7930	1	Spacer-Pivot	23:2	237-65	1	O-Ring
9	3211-4	1	Screw-HH	24	340-17	1	Fitting-Elbow, 90 DEG
10	3256-3	4	Washer-Flat	24:1	237-65	1	O-Ring
11	322-6	4	Screw-HH	24:2	237-80	1	O-Ring
12	110-5236	1	Hub-Engine	25	340-18	2	Fitting-HYD, 90 DEG
13	10-7070	1	Key-Square	25:1	237-79	1	O-Ring
14	3296-29	4	Nut-Lock, NI	25:2	237-22	1	O-Ring
15	3241-7	2	Screw-SQH	26	3274-1	2	Screw-HSH
16	125-9249	4	Spacer-Coupler, Rubber	27	99-6193	1	Hose ASM
17	115-4523	1	Coupling-Rubber	28	105-4332	1	Hose-HYD
18	2412-41	1	Clamp-R	29	131-2042	1	Hose-HYD
19	323-4	1	Screw-HH	30	131-2041	1	Hose ASM



Hydraulic Gear Pump Assembly No. 114-9956

<i>Ref.</i>	<i>Part Number</i>	<i>Qty.</i>	<i>Description</i>
1	353-949	1	O-Ring
2	119-7134	1	Kit-Seal
2:1		1	O-Ring ●
2:2		2	Seal-Extrusion, Anti ●
2:3		2	Seal-Backup ●
2:4		1	O-Ring ●
2:5		2	Seal-Extrusion, Anti ●
2:6		2	Seal-Backup ●

● Not serviced separately

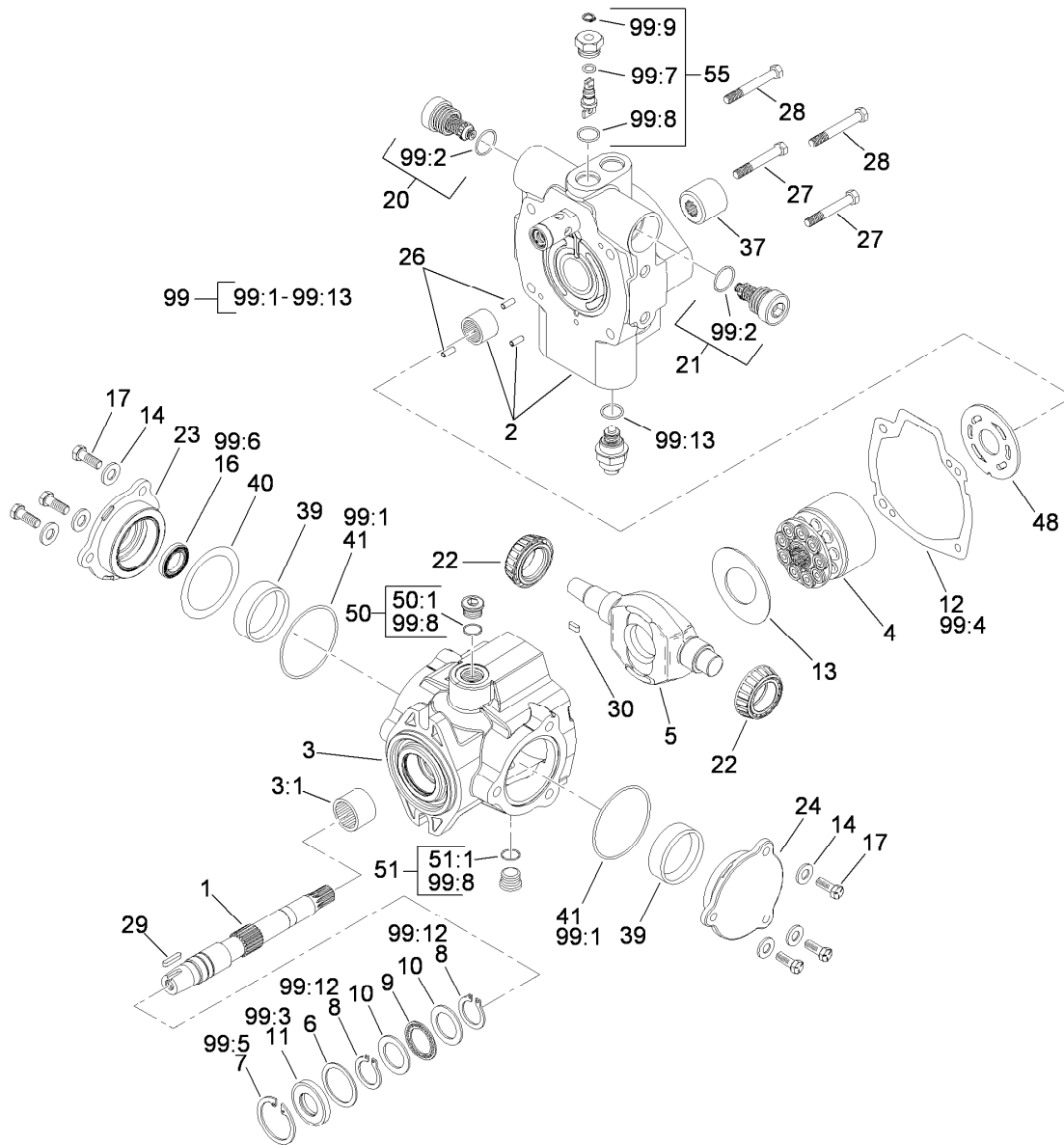


Hydraulic Pump Assembly No. 121-9557

Ref.	Part Number	Qty.	Description	Ref.	Part Number	Qty.	Description
1	119-7148	1	Shaft-Drive, Tapered	21	120-1989	1	Relief Valve ASM
2	121-9574	1	Endcover ASM	22	98-4639	2	Bearing-Cone
3	100-3176	1	Housing ASM	23	98-4645	1	Plate-Cover
3:1	94-6363	1	Bearing	24	98-4644	1	Plate-Cover
4	76-6070	1	Rotating Kit	26	76-6150	2	Pin-Dowel
5	100-3175	1	Camplate	27	76-6160	2	Capscrew
6	33-3720	1	Washer	28	76-6170	2	Capscrew
7	32151-13	1	Ring-Retaining	29	120-5751	1	Key
8	32151-29	2	Ring-Retaining	30	94-3646	1	Key
9	252-66	1	Bearing-Thrust	37	74-9040	1	Coupler
10	252-71	2	Washer-Thrust	39	104-4046	2	Bearing-Cup
11	104-4861	1	Seal-Shaft	40	100-3182	1	Shim Kit
12	33-4930	1	Gasket-Housing	41	100-3179	2	O-Ring
13	98-4635	1	Insert-Plate, Cam	48	100-3180	1	Plate-Valve
14	105-9762	6	Washer	50	74-9280	1	Plug ASM
16	76-6190	1	Seal-Shaft	50:1		1	O-Ring ■
17	98-4640	6	Screw-Cap	51	74-9280	1	Plug ASM
20	120-1989	1	Relief Valve ASM	51:1		1	O-Ring ■

● Not illustrated

■ Not serviced separately



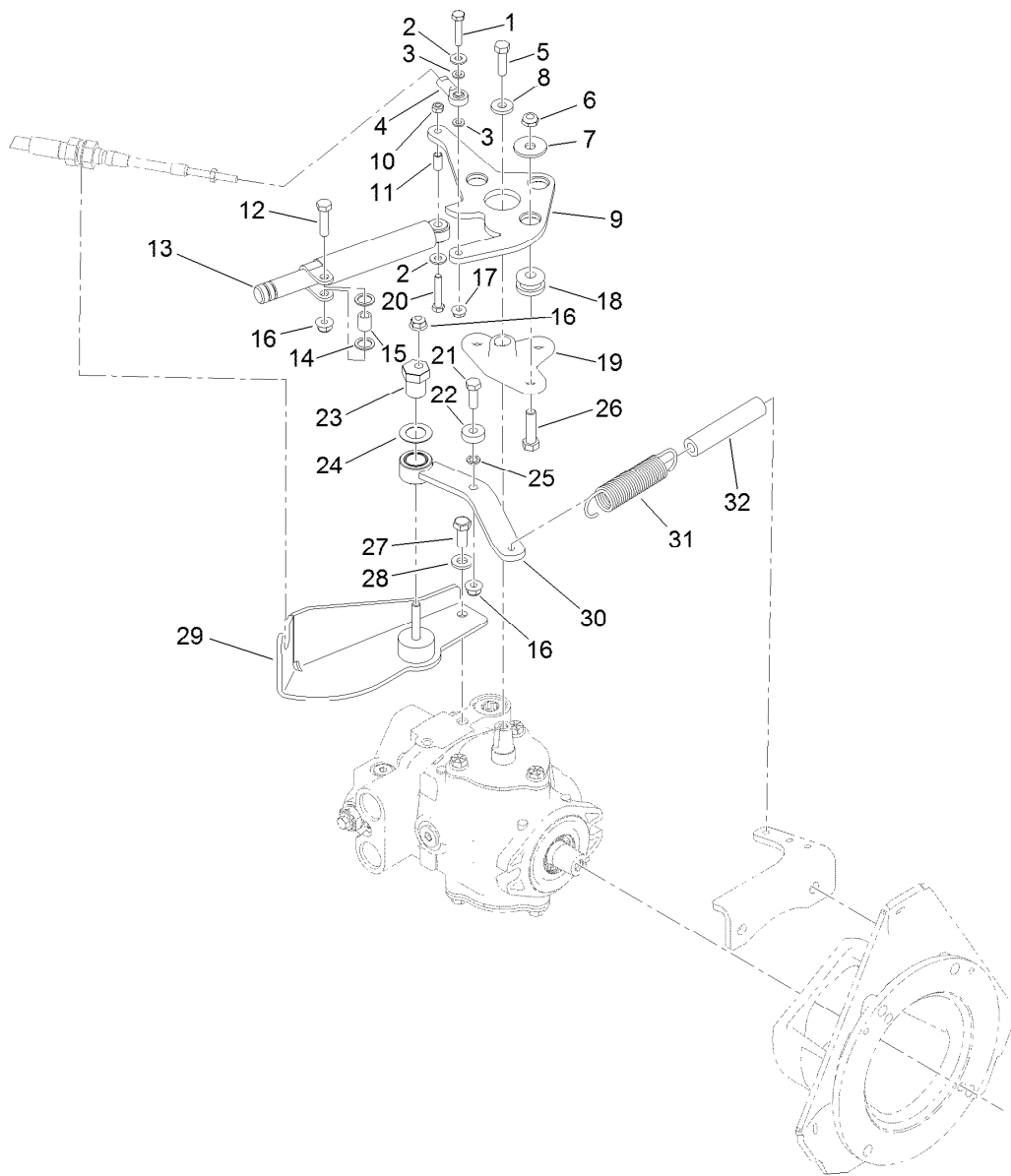
Hydraulic Pump Assembly No. 121-9557 (continued)

Ref.	Part Number	Qty.	Description
55	105-3811	1	Valve-Bypass
99	120-5754	1	Seal Kit
99:1		2	O-Ring ■
99:2		2	O-Ring ■
99:3		1	Seal-Shaft ■
99:4		1	Gasket ■
99:5		1	Ring-Retaining ■
99:6		1	Seal-Shaft ■

Ref.	Part Number	Qty.	Description
99:7		1	O-Ring ■
99:8		5	O-Ring ■
99:9		1	Ring-Retaining ■
99:10		1	O-Ring ●■
99:11		1	O Ring-Molded ●■
99:12		2	Ring-Retaining ■
99:13		1	O-Ring ●■

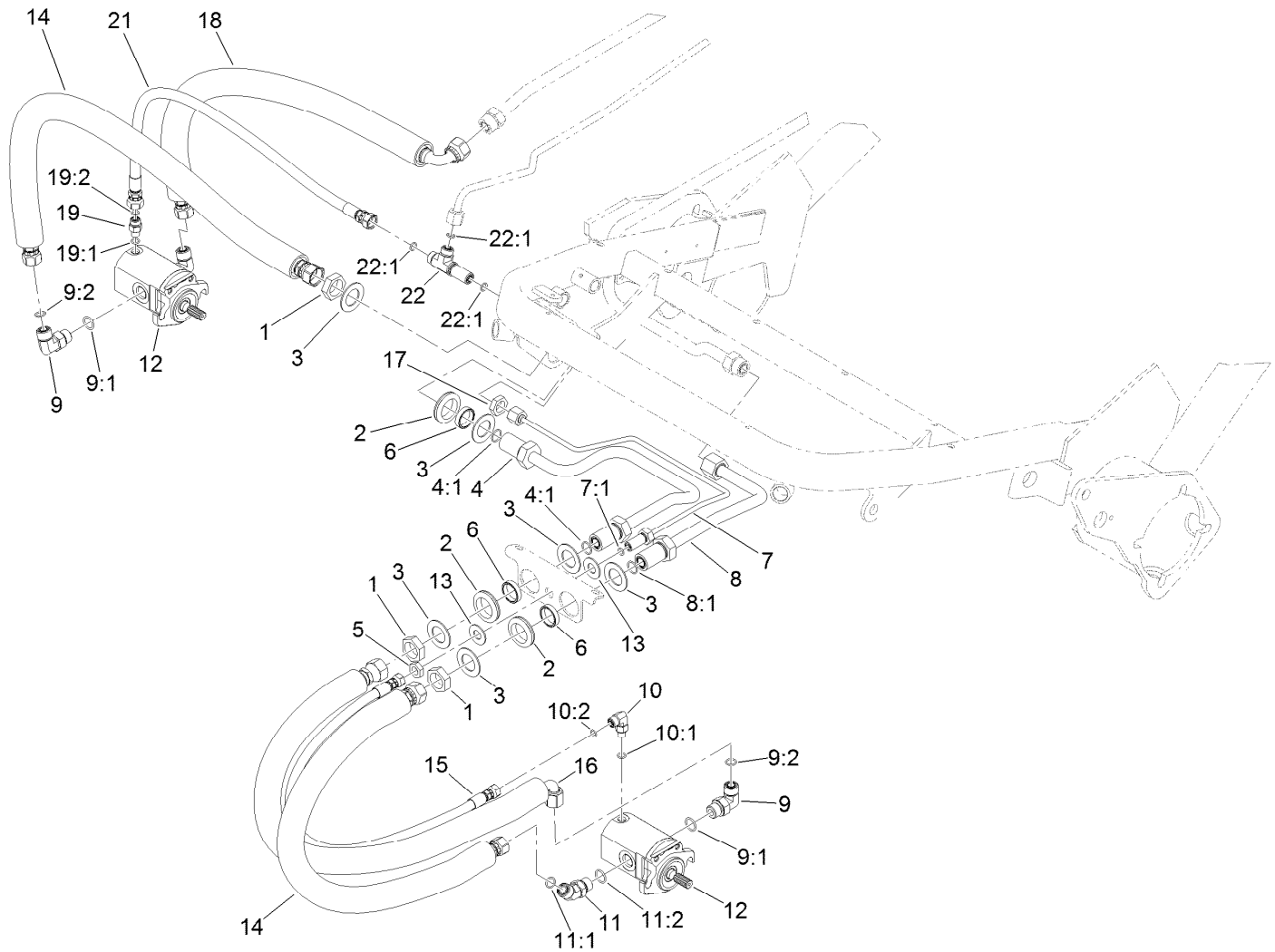
● Not illustrated

■ Not serviced separately



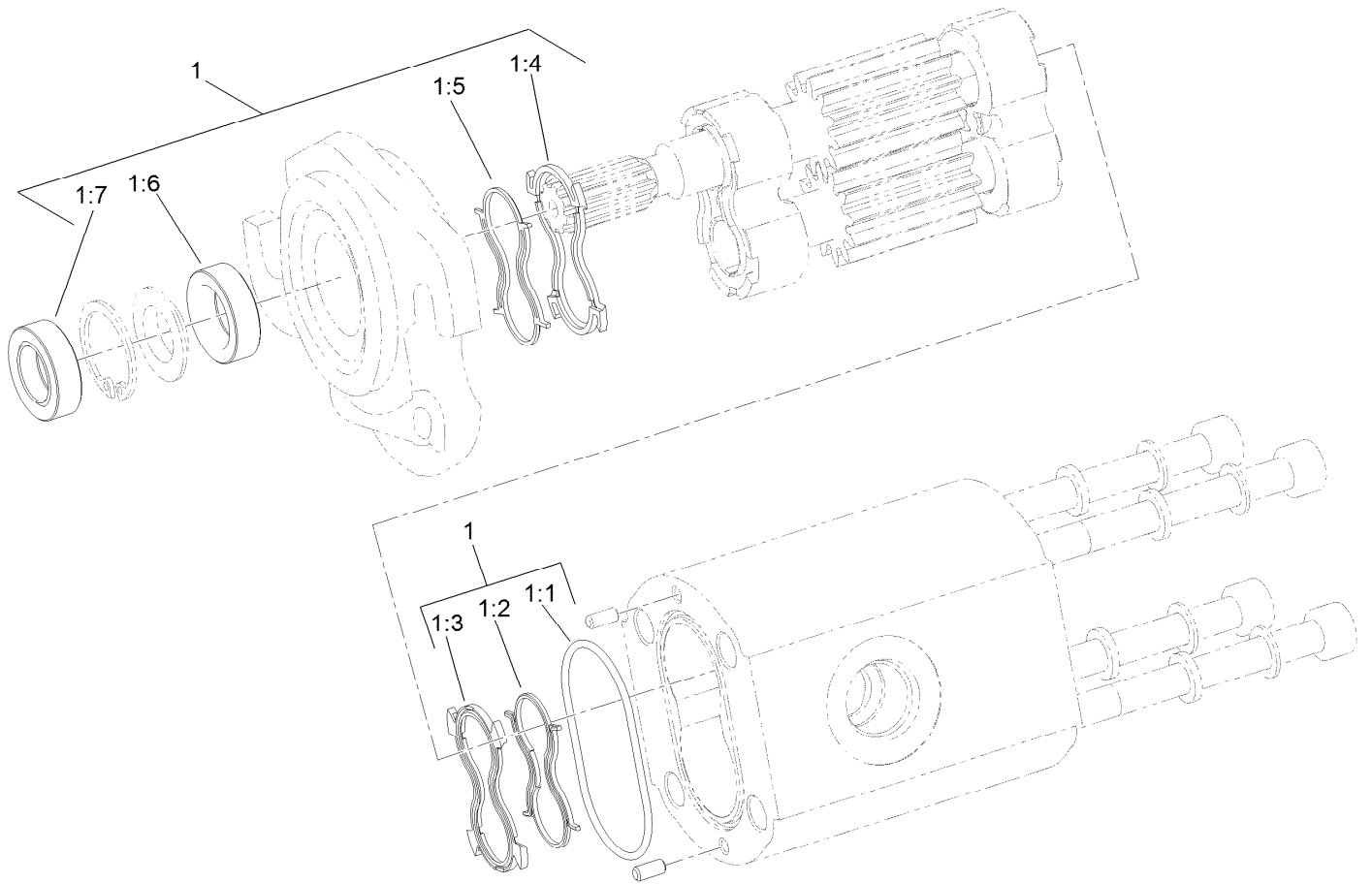
Neutral System Assembly

Ref.	Part Number	Qty.	Description	Ref.	Part Number	Qty.	Description
1	321-8	1	Screw-HH	17	104-7201	1	Nut-HF, NI
2	3256-22	2	Washer-Flat	18	63-9750	3	Mount
3	33093-00	2	Washer-Flat	19	117-9500	1	Plate-Pivot
4	2411-41	1	Rod End-Ball Joint	20	33113-035	1	Screw-HH
5	3210-6	1	Screw-HH	21	322-5	1	Screw-HH
6	3296-59	3	Nut-Lock, NI	22	251-259	1	Bearing-Ball
7	93-8806	3	Washer-Hardened	23	93-2111	1	Stud-Traction
8	88-7200	1	Washer-Flat	24	3-6498	1	Washer-Thrust
9	105-5477-03	1	Lever-Pump	25	75-5470	1	Spacer-Bearing
10	33023-00	1	Nut-Lock	26	323-29	3	Screw-HH
11	94-1312	1	Spacer-Pivot	27	323-5	2	Screw-HH
12	322-6	1	Screw-HH	28	100-4852	2	Washer-Hardened
13	76-8870	1	Damper-Lever	29	105-5475	1	Cable Support ASM
14	94-8196	2	Washer-Nylon	30	105-4302	1	Neutral Arm ASM
15	94-8197	1	Tube-Pivot	31	94-1369	1	Spring-Extension
16	104-8300	3	Nut-HF, NI	32	99-4251	1	Hose-Dampener



Front Hydraulic Reel Drive and Hose Assembly

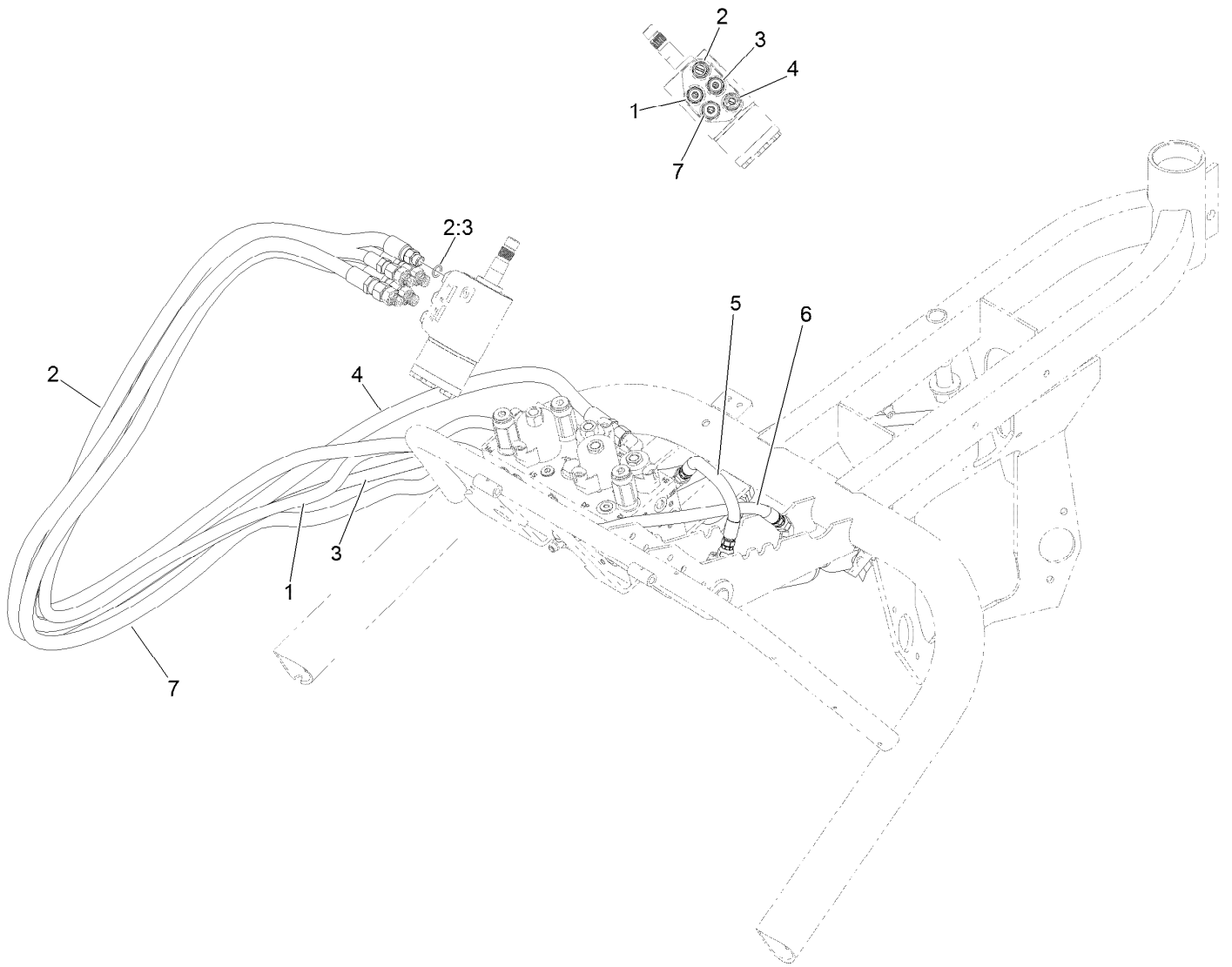
Ref.	Part Number	Qty.	Description	Ref.	Part Number	Qty.	Description
1	340-74	3	Nut-Lock, Bulkhead	11	340-101	1	Fitting-HYD, 45 DEG
2	240-3	3	Grommet-Rubber	11:1	237-30	1	O-Ring
3	69-9010	6	Washer	11:2	237-79	1	O-Ring
4	107-2580	1	Tube-HYD	12	120-2072	2	HYD Motor ASM
4:1	237-65	2	O-Ring	13	69-8980	2	Washer
5	340-78	1	Nut-Lock	14	95-2908	2	Hose-HYD
6	125-1984	3	Spacer	15	106-9674	1	Hose-HYD
7	127-2227	1	Tube-HYD	16	95-2909	1	Hose-HYD
7:1	237-21	1	O-Ring	17	340-70	1	Nut-Lock
8	107-2581	1	Tube-HYD	18	105-5404	1	Hose-HYD
8:1	237-65	1	O-Ring	19	340-92	1	Fitting-Straight
9	340-98	3	Fitting-Elbow, 90 DEG	19:1	237-78	1	O-Ring
9:1	237-79	1	O-Ring	19:2	237-21	1	O-Ring
9:2	237-30	1	O-Ring	21	105-5405	1	Hose-HYD
10	340-132	1	Fitting-Elbow, 90 DEG	22	340-68	1	Fitting-Tee, Bulkhead
10:1	237-78	1	O-Ring	22:1	237-22	3	O-Ring
10:2	237-21	1	O-Ring				



Hydraulic Reel Motor Assembly No. 120-2072

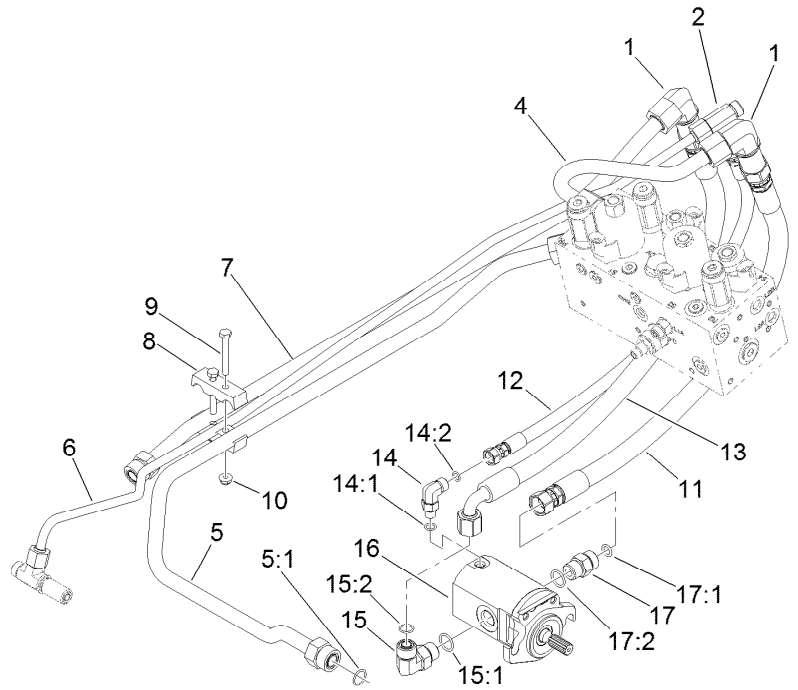
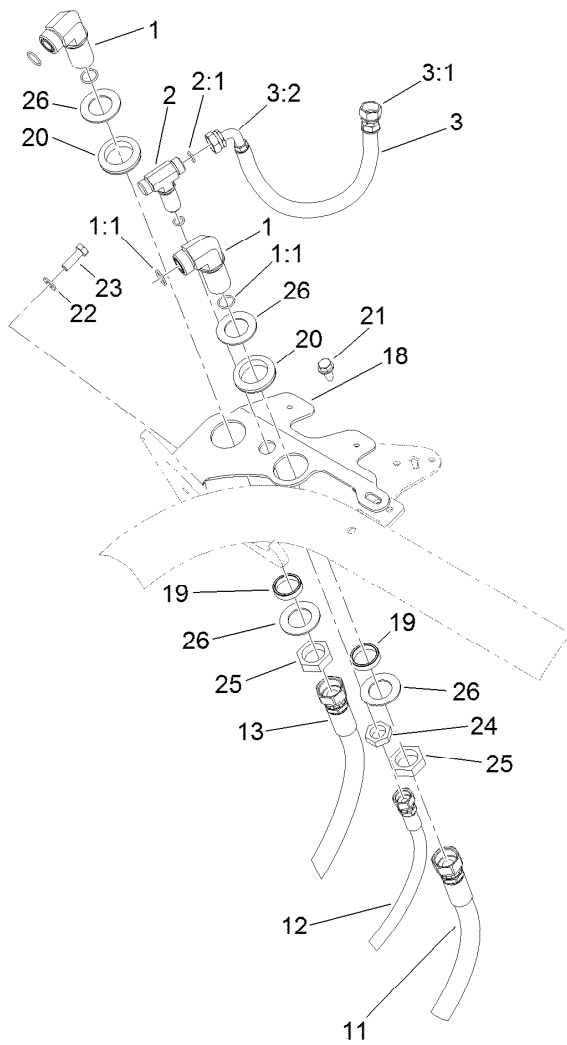
<i>Ref.</i>	<i>Part Number</i>	<i>Qty.</i>	<i>Description</i>
1	119-7113	1	Seal Kit
1:1		1	O-Ring Housing ●
1:2		1	Seal-Anti Extrusion ●
1:3		1	Seal-Plate, Balancing ●
1:4		1	Seal-Plate, Balancing ●
1:5		1	Seal-Anti Extrusion ●
1:6		1	Seal-Shaft (Inboard) ●
1:7		1	Seal-Shaft (Outboard) ●

● Not serviced separately



Hydraulic Steering Hose and Center Lift Cylinder Hose Assembly

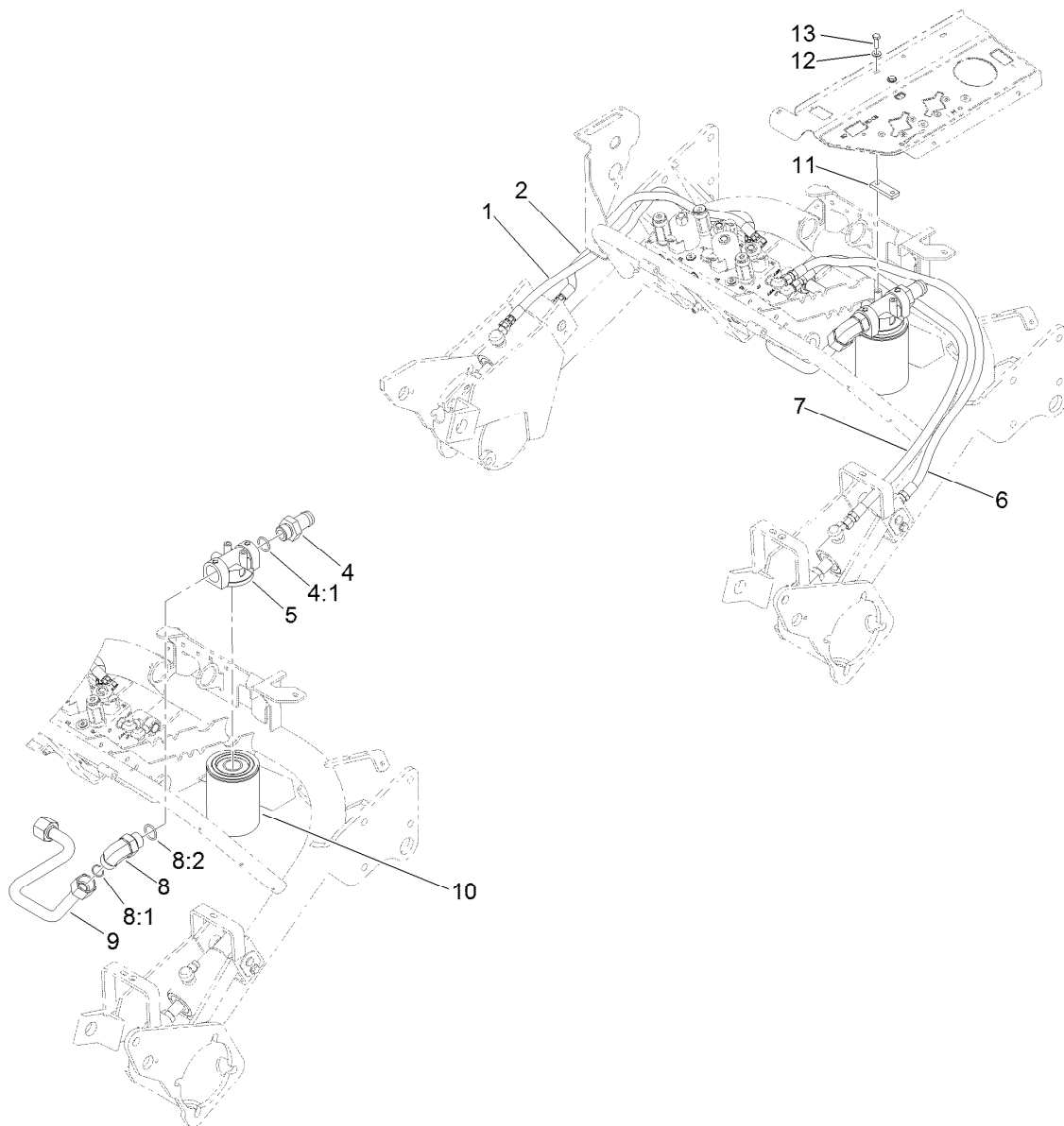
<i>Ref.</i>	<i>Part Number</i>	<i>Qty.</i>	<i>Description</i>
1	100-4892	1	Hose-HYD
2	131-2043	1	Hose-HYD
2:3	237-42	1	O-Ring
3	105-4337	1	Hose-HYD
4	105-4339	1	Hose-HYD
5	131-2040	1	Hose-HYD
6	130-6545	1	Hose-HYD
7	131-2044	1	Hose-HYD



Rear Hydraulic Reel Drive and Hose Assembly

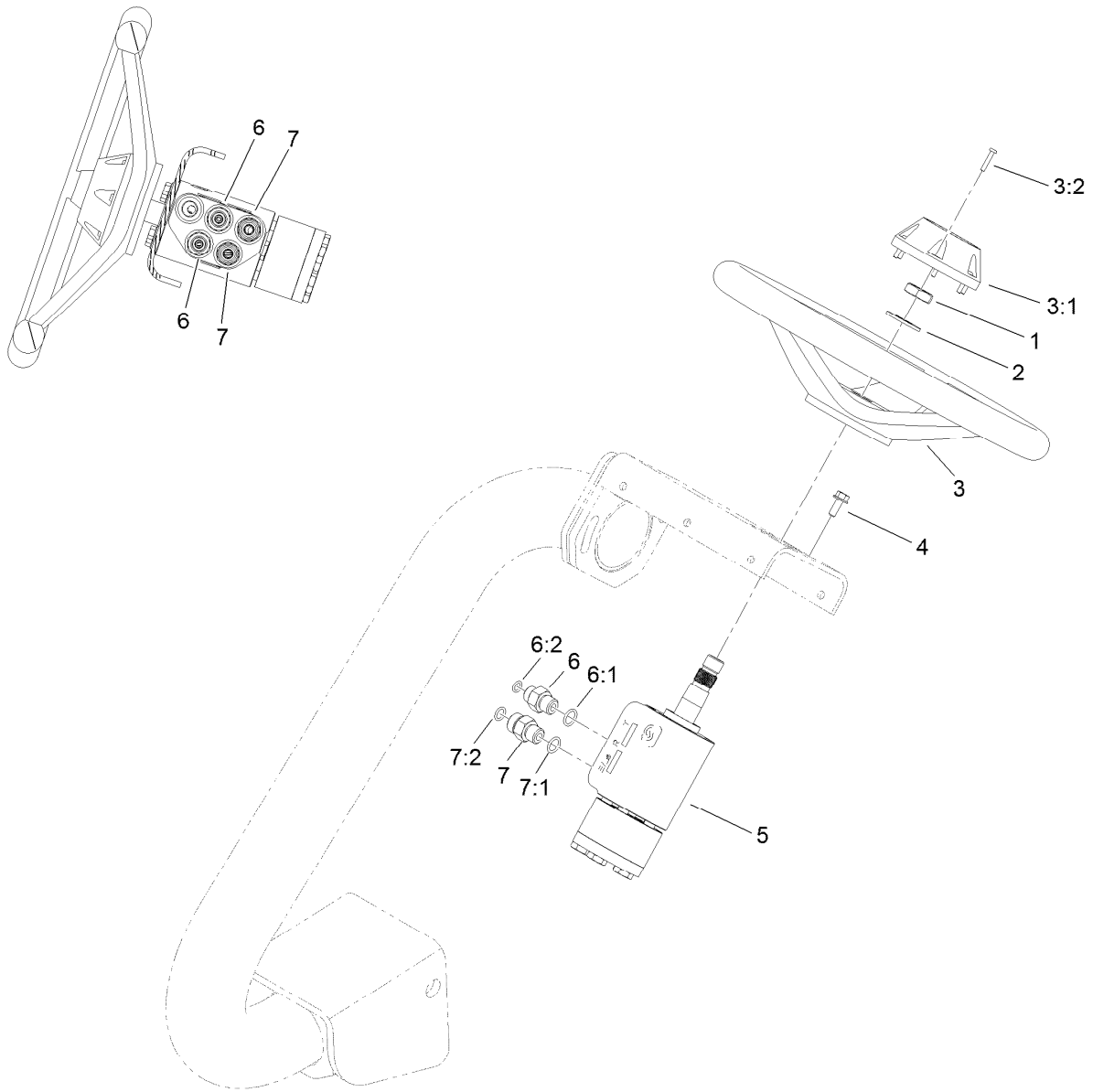
Ref.	Part Number	Qty.	Description
1	340-72	2	Fitting-Bulkhead, 90 DEG
1:1	237-65	2	O-Ring
2	105-8281	1	Tee-Bulkhead
2:1	237-22	3	O-Ring
3	105-5409	1	Hose ASM
3:1	105-8311	1	Fitting-HYD
3:2	105-8312	1	Fitting-HYD, 90 DEG
4	105-5482	1	Tube-HYD
5	107-2582	1	Tube-HYD
5:1	237-65	1	O-Ring
6	132-9530	1	Tube-HYD
7	105-5493	1	Tube-HYD
8	93-2509	2	Clamp-Tube
9	321-11	2	Screw-HH
10	104-7201	2	Nut-HF, NI
11	105-5400	1	Hose-HYD
12	105-5402	1	Hose-HYD
13	105-5401	1	Hose-HYD
14	340-132	1	Fitting-Elbow, 90 DEG

Ref.	Part Number	Qty.	Description
14:1	237-78	1	O-Ring
14:2	237-21	1	O-Ring
15	340-98	1	Fitting-Elbow, 90 DEG
15:1	237-79	1	O-Ring
15:2	237-30	1	O-Ring
16	120-2072	1	HYD Motor ASM
17	340-4	1	Fitting-Straight
17:1	237-30	1	O-Ring
17:2	237-79	1	O-Ring
18	105-8253-01	1	Bracket-Bulkhead
19	125-1984	2	Spacer
20	240-3	2	Grommet-Rubber
21	32104-32	1	Screw-HWH
22	3256-23	1	Washer-Plain
23	322-5	1	Screw-HH
24	340-70	1	Nut-Lock
25	340-74	2	Nut-Lock, Bulkhead
26	69-9010	4	Washer



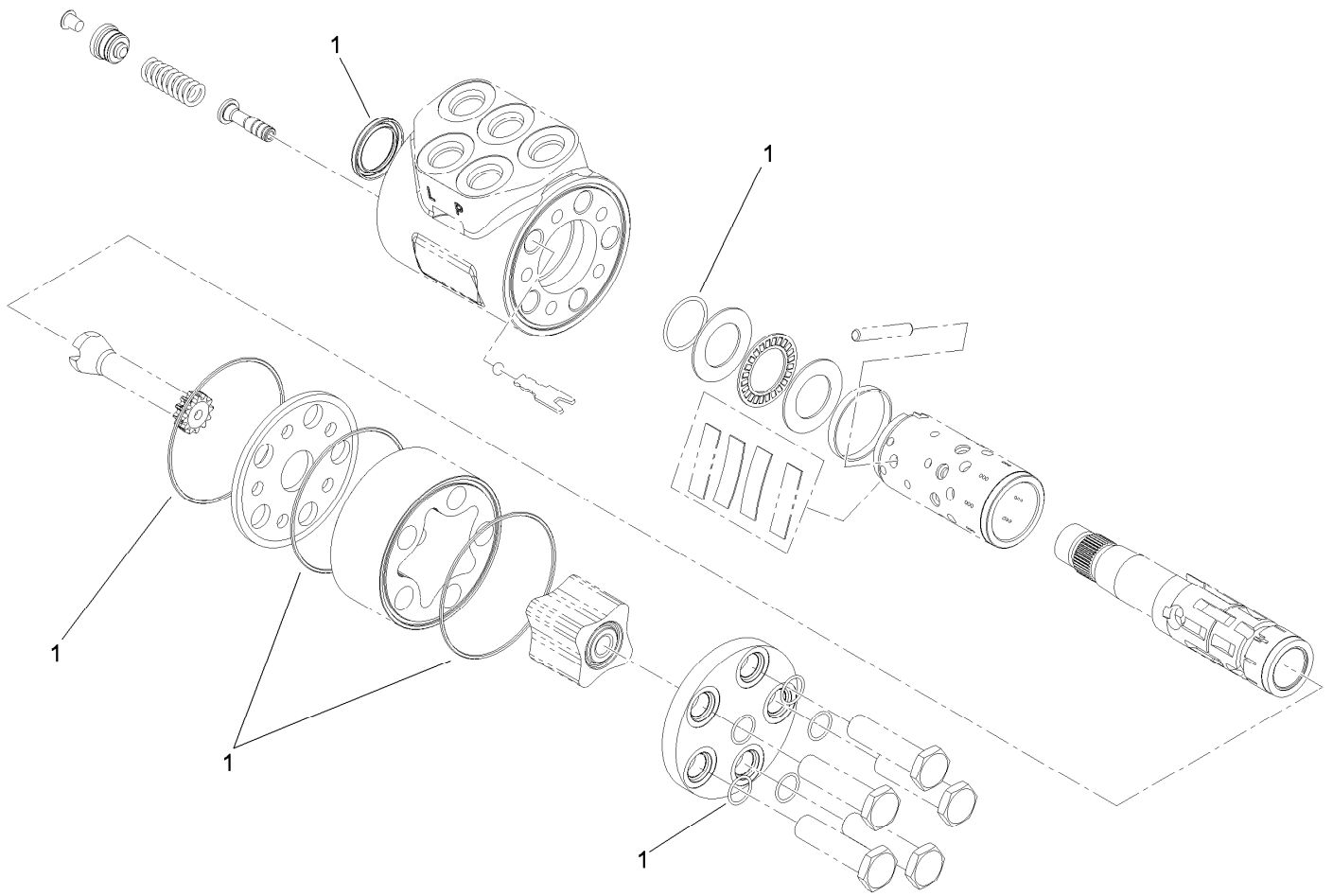
Front Lift Cylinders Hose and Filter Assembly

Ref.	Part Number	Qty.	Description
1	108-6506	1	Hose-HYD
2	108-6505	1	Hose-HYD
4	99-3017	1	Fitting
4:1	237-81	1	O-Ring
5	92-5821	1	Head-Filter
6	130-6547	1	Hose-HYD
7	130-6546	1	Hose-HYD
8	340-142	1	Fitting-Elbow, 90 DEG
8:1	237-58	1	O-Ring
8:2	237-81	1	O-Ring
9	105-5460	1	Tube-HYD
10	107-9531	1	Filter-Oil, HYD
11	105-4309	1	Plate-Filter
12	3256-22	2	Washer-Flat
13	321-5	2	Screw-HH



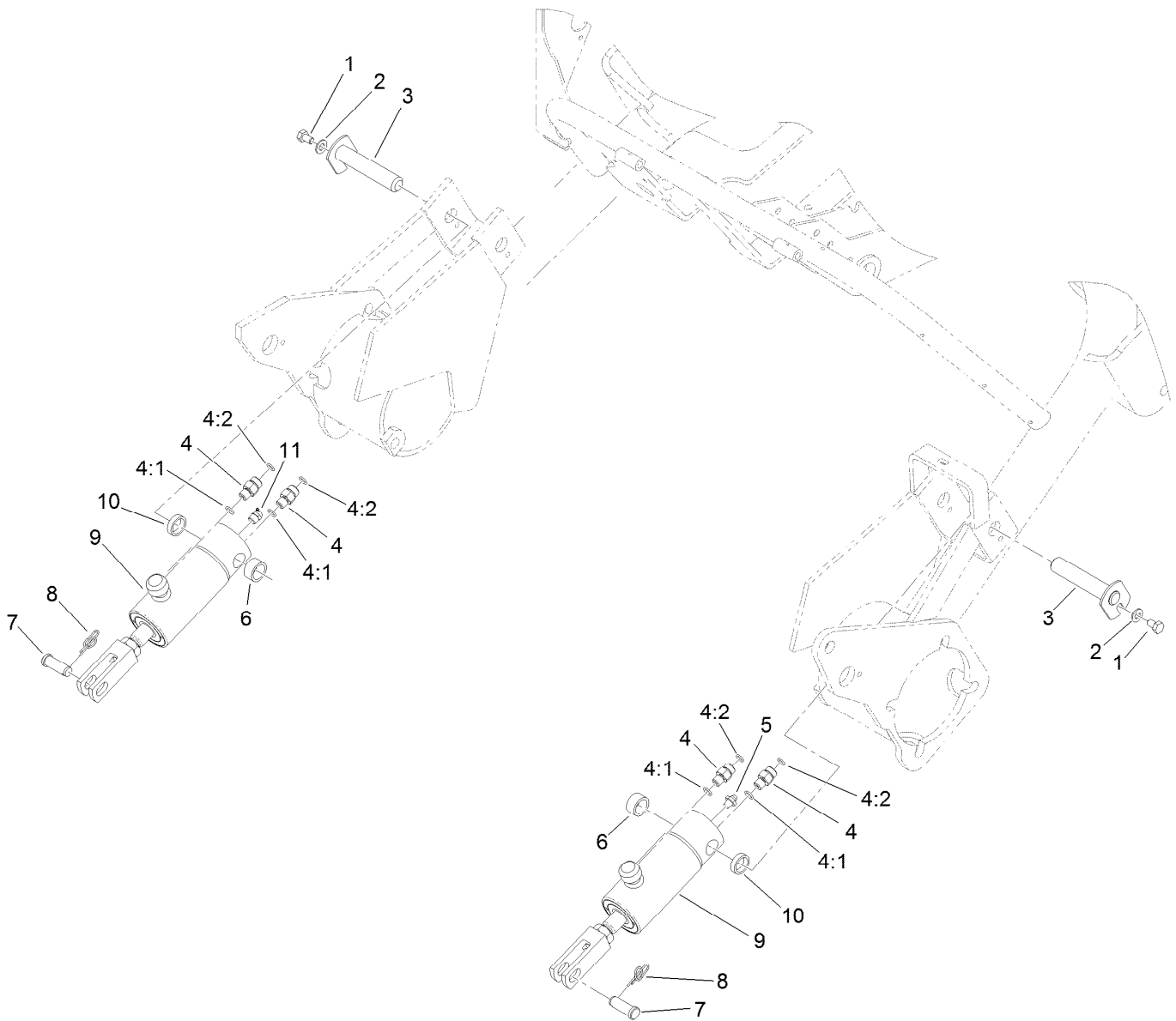
Steering Wheel and Valve Assembly

Ref.	Part Number	Qty.	Description
1	3296-33	1	Nut-Lock, NI
2	3256-27	1	Washer-Flat
3	75-0560	1	Steering Wheel ASM
3:1	32144-21	1	Screw
3:2	68-5140	1	Cap-Wheel, Steering
4	33103-016	4	Screw-HHF
5	114-4672	1	Steering Valve ASM
6	340-1	2	Fitting-Straight
6:1	237-21	1	O-Ring
6:2	237-42	1	O-Ring
7	340-2	2	Fitting-Straight
7:1	237-22	1	O-Ring
7:2	237-42	1	O-Ring



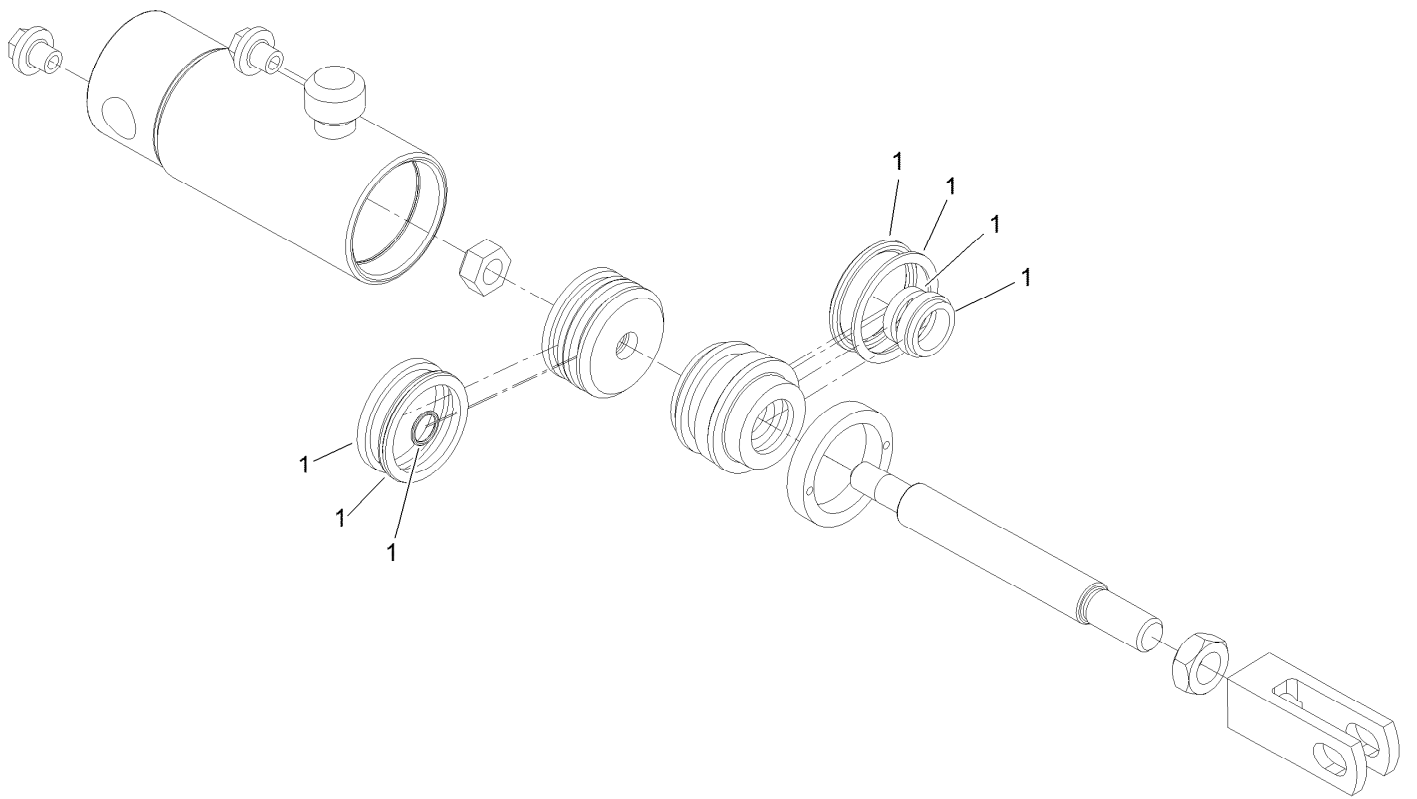
Steering Valve Assembly No. 114-4672

<i>Ref.</i>	<i>Part Number</i>	<i>Qty.</i>	<i>Description</i>
1	106-6716	1	Seal Kit



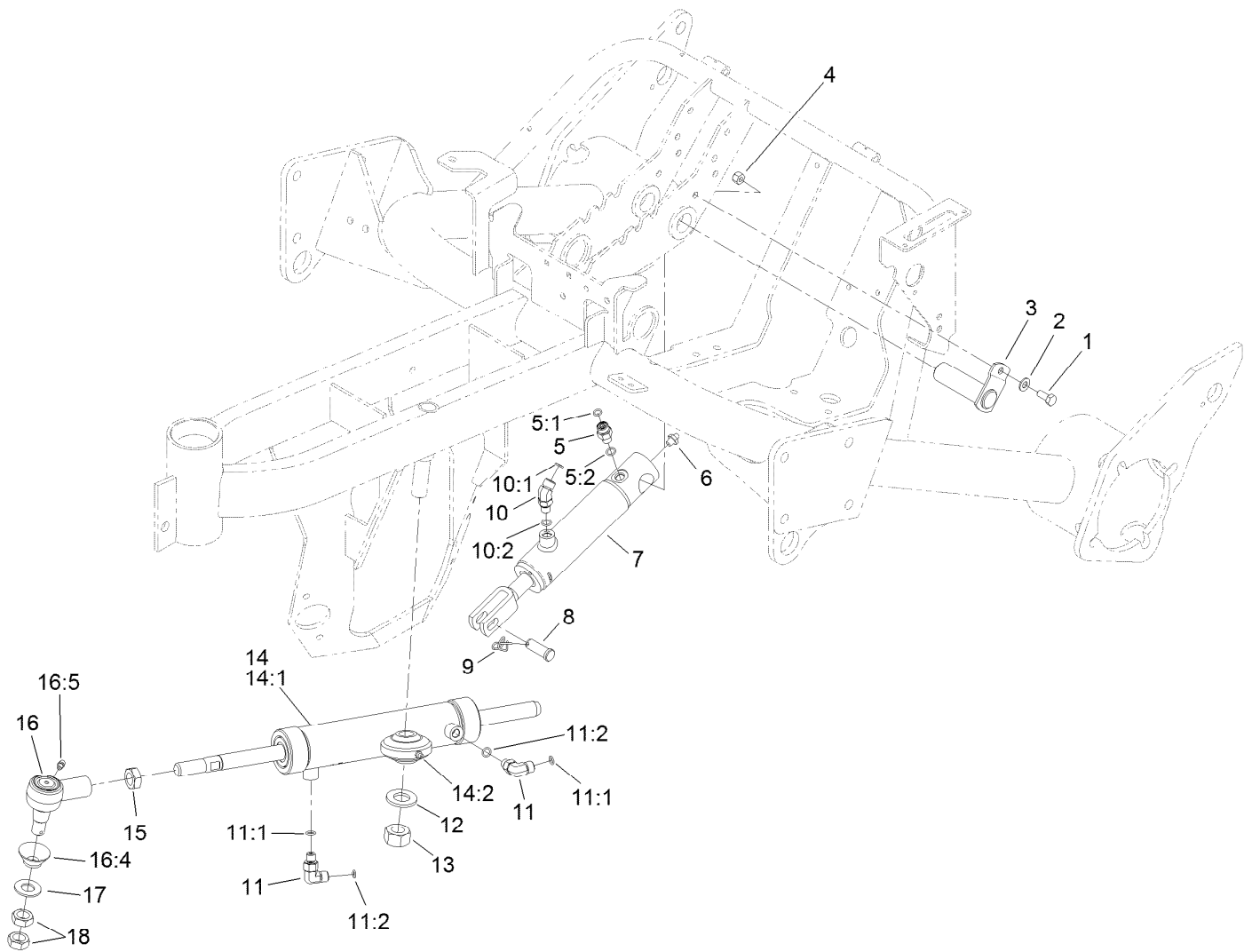
Right Hand and Left Hand Lift Cylinder Assembly

Ref.	Part Number	Qty.	Description
1	322-1	2	Screw-HH
2	3256-23	2	Washer-Plain
3	120-3199	2	Pin-Pivot
4	340-92	4	Fitting-Straight
4:1	237-78	1	O-Ring
4:2	237-21	1	O-Ring
5	302-2	1	Fitting-Grease
6	74-3730	2	Spacer-Spindle, Rear
7	283-8	2	Pin-Clevis
8	112-1491	2	Pin-Cotter
9	131-2787	2	HYD Cylinder ASM
10	105-3828	2	Spacer
11	302-10	1	Fitting-Grease



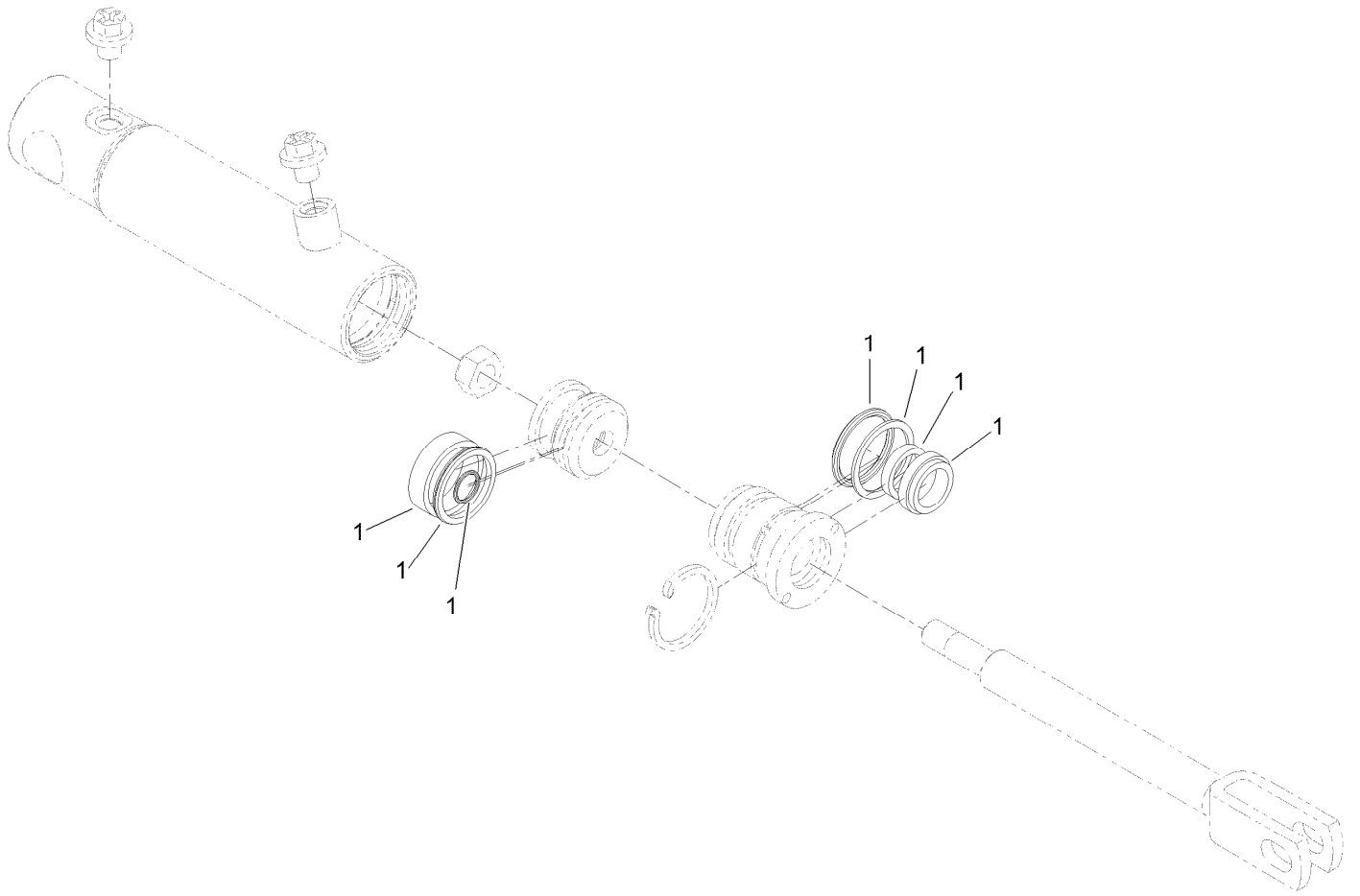
Hydraulic Cylinder Assembly No. 131-2787

<i>Ref.</i>	<i>Part Number</i>	<i>Qty.</i>	<i>Description</i>
1	132-9515	1	Seal Kit



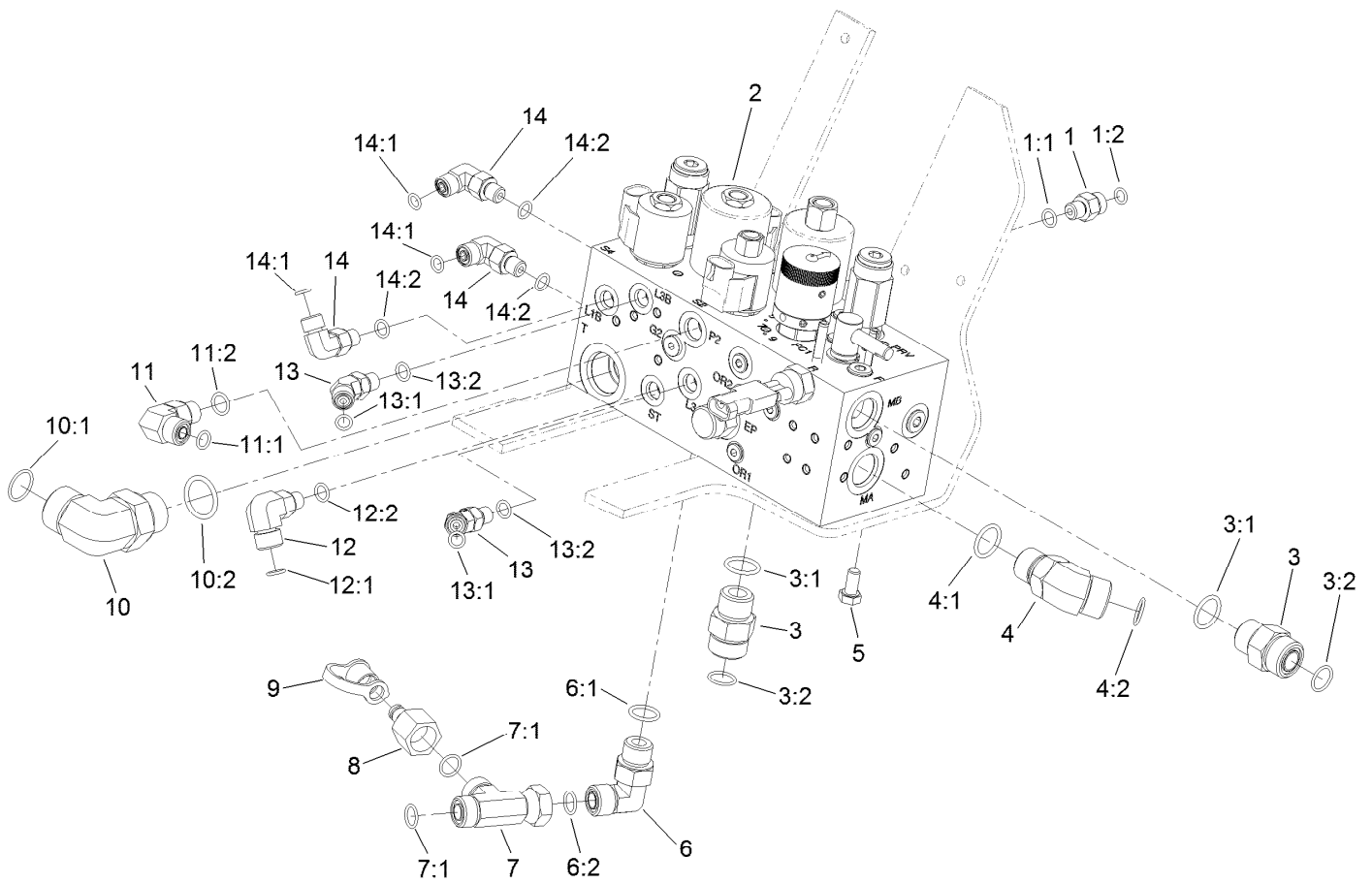
Steering Cylinder and Center Lift Cylinder Assembly

Ref.	Part Number	Qty.	Description	Ref.	Part Number	Qty.	Description
1	322-3	1	Screw-HH	11	340-132	2	Fitting-Elbow, 90 DEG
2	3256-23	1	Washer-Plain	11:1	237-78	1	O-Ring
3	68-5560	1	Pin-Cylinder, Pivot	11:2	237-21	1	O-Ring
4	3296-29	1	Nut-Lock, NI	12	3256-28	1	Washer-Flat
5	340-92	1	Fitting-Straight	13	3217-12	1	Nut-Hex
5:1	237-78	1	O-Ring	14	132-3777	1	Steering Cylinder ASM
5:2	237-21	1	O-Ring	14:1	132-6964	1	Seal Kit
6	302-2	1	Fitting-Grease	14:2	302-5	1	Fitting-Grease
7	131-2786	1	HYD Cylinder ASM	15	84-5300	1	Nut-Jam
8	283-8	1	Pin-Clevis	16	107-2553	1	Rod End ASM
9	112-1491	1	Pin-Cotter	16:4	106-6896	1	Seal
10	340-103	1	Fitting-HYD, 45 DEG	16:5	302-5	1	Fitting-Grease
10:1	237-78	1	O-Ring	17	3256-27	1	Washer-Flat
10:2	237-21	1	O-Ring	18	3220-6	2	Nut-Jam



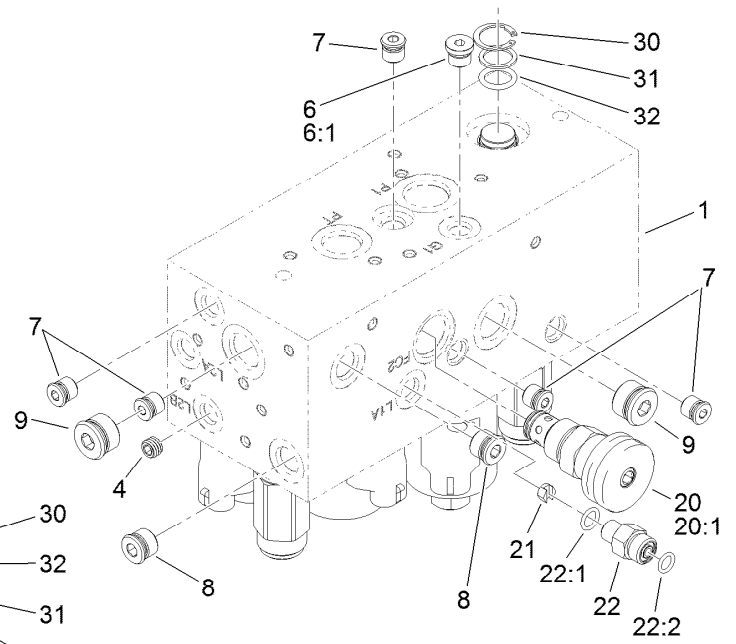
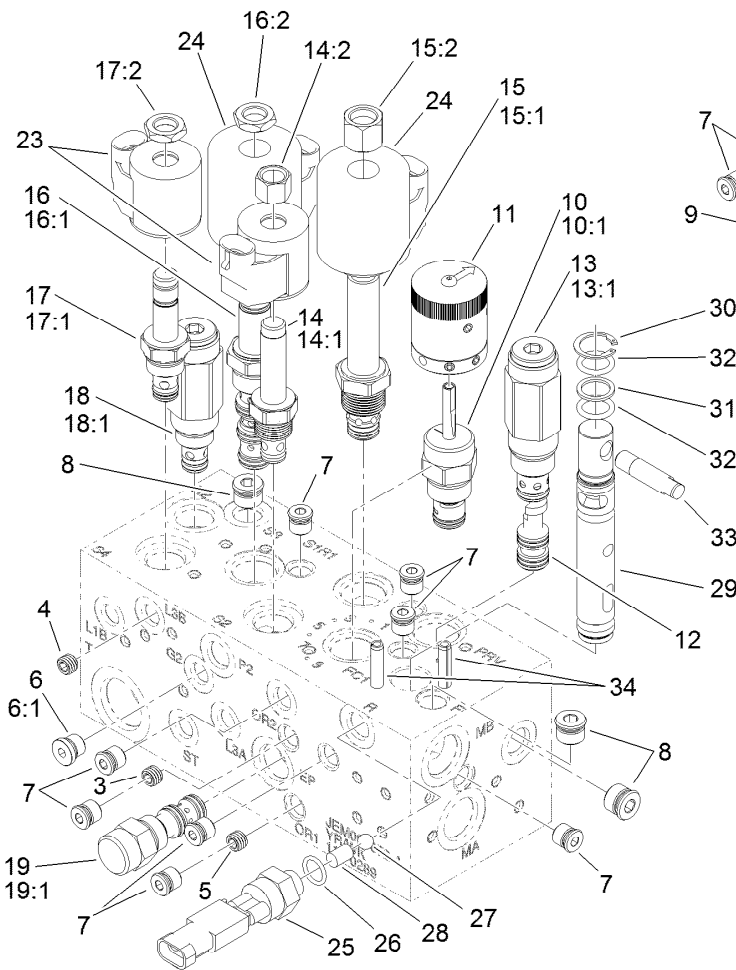
Hydraulic Cylinder Assembly No. 131-2786

<i>Ref.</i>	<i>Part Number</i>	<i>Qty.</i>	<i>Description</i>
1	132-9516	1	Seal Kit



Hydraulic Manifold Assembly

Ref.	Part Number	Qty.	Description	Ref.	Part Number	Qty.	Description
1	340-92	1	Fitting-Straight	8	100-5616	1	Fitting
1:1	237-78	1	O-Ring	9	354-79	1	Cap-Dust
1:2	237-21	1	O-Ring	10	340-142	1	Fitting-Elbow, 90 DEG
2	112-0289	1	Manifold ASM (With Backlap)	10:1	237-58	1	O-Ring
3	340-7	2	Fitting-Straight	10:2	237-81	1	O-Ring
3:1	237-65	1	O-Ring	11	340-77	1	Fitting-Elbow, 90 DEG
3:2	237-80	1	O-Ring	11:1	237-22	1	O-Ring
4	340-14	1	Fitting-HYD, 45 DEG	11:2	237-42	1	O-Ring
4:1	237-65	1	O-Ring	12	340-97	1	Fitting-Elbow, 90 DEG
4:2	237-80	1	O-Ring	12:1	237-22	1	O-Ring
5	33114-016	2	Screw-HH	12:2	237-78	1	O-Ring
6	340-98	1	Fitting-Elbow, 90 DEG	13	340-103	2	Fitting-HYD, 45 DEG
6:1	237-79	1	O-Ring	13:1	237-78	1	O-Ring
6:2	237-30	1	O-Ring	13:2	237-21	1	O-Ring
7	340-104	1	Fitting-Tee	14	340-132	3	Fitting-Elbow, 90 DEG
7:1	237-30	2	O-Ring	14:1	237-78	1	O-Ring
				14:2	237-21	1	O-Ring

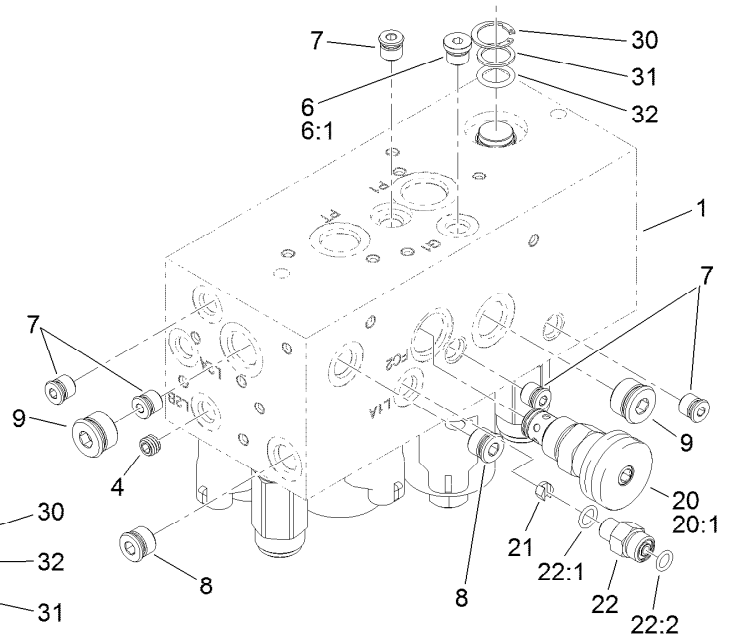
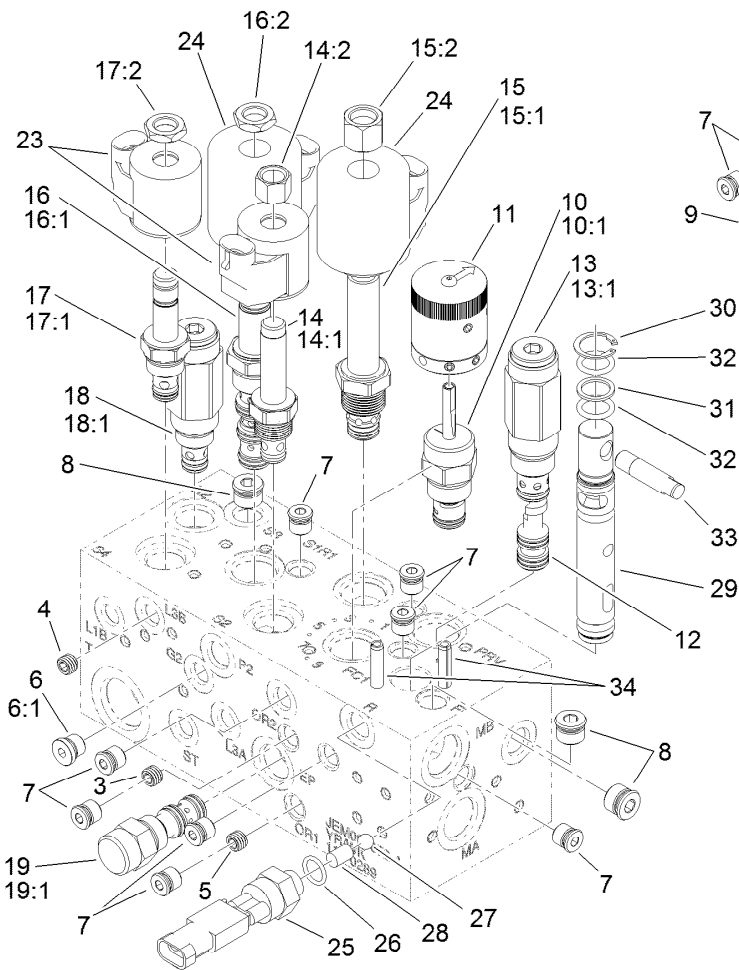


Hydraulic Manifold Assembly No. 112-0289

Ref.	Part Number	Qty.	Description
1		1	Body-Manifold ●
3	112-9202	1	Orifice-Flow, Control (.060)
4	110-8887	2	Plug-Orifice (0.055)
5	112-9203	1	Orifice-Control, Flow (.013)
6	353-990	2	Plug ASM
6:1	237-78	1	O-Ring
7	106-1025	13	Plug-HYD
8	106-1026	5	Plug-HYD
9	106-1027	2	Plug
10	110-8769	1	Valve-Control, Manual Flow
10:1	110-2633	1	Seal Kit
11	110-8767	1	Rotary Handle ASM
12	119-3506	1	Piston-Pilot
13	112-9205	1	Valve-Relief
13:1	105-9159	1	Seal Kit
14	107-7517	1	Valve-Solenoid
14:1	105-9156	1	Seal Kit
14:2	107-7812	1	Nut-Solenoid

Ref.	Part Number	Qty.	Description
15	119-4137	1	Valve-Relief, Solenoid
15:1	110-6316	1	Seal Kit
15:2	130-8180	1	Nut-Coil (9/16-24 Unef-2B)
16	110-8906	1	Valve-Solenoid
16:1	110-8908	1	Spool Valve Seal Kit
16:2	110-2634	1	Nut-Coil
17	112-9206	1	Solenoid Valve ASM
17:1	105-9156	1	Seal Kit
17:2	110-2634	1	Nut-Coil
18	133-8873	1	Valve-Relief
18:1	105-9156	1	Seal Kit
19	110-8988	1	Element-Logic
19:1	110-8773	1	Seal Kit
20	119-4136	1	Control-Flow
20:1	110-2633	1	Seal Kit
21	114-4682	1	Orifice-Flow Control (.030)
22	340-92	1	Fitting-Straight
22:1	237-78	1	O-Ring

● Not serviced separately

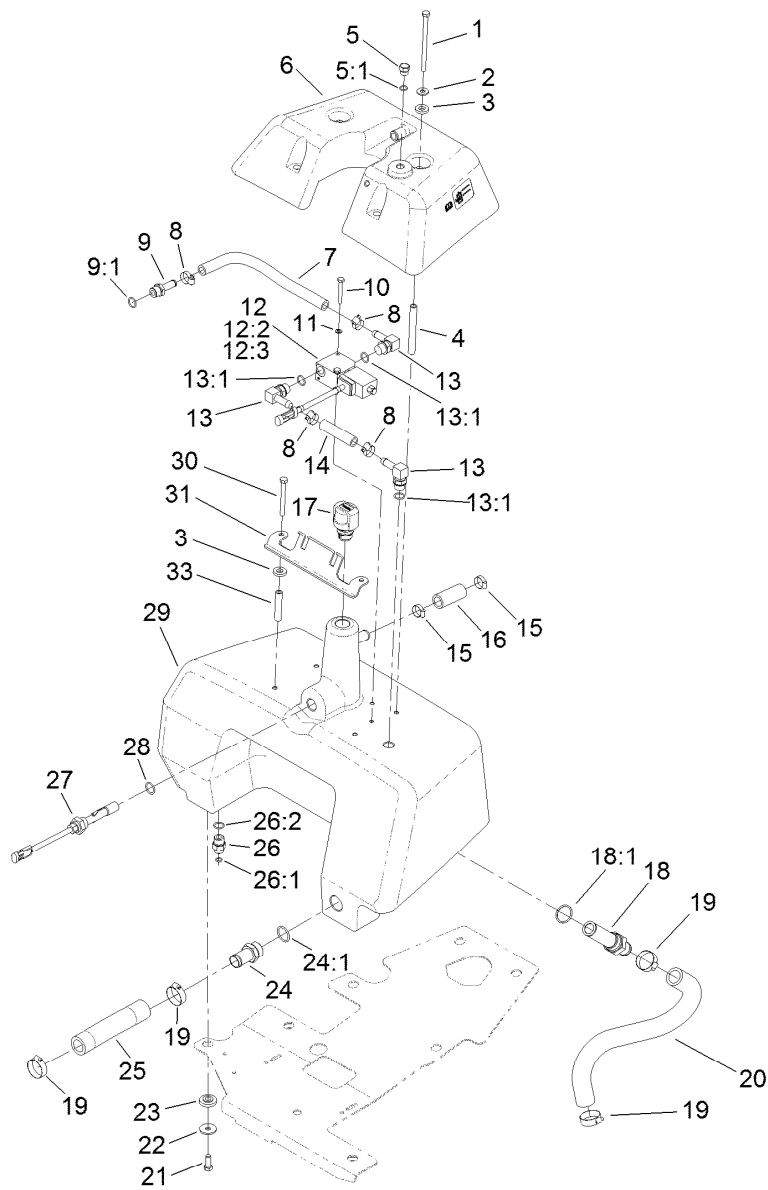


Hydraulic Manifold Assembly No. 112-0289 (continued)

Ref.	Part Number	Qty.	Description
22:2	237-21	1	O-Ring
23	105-9333	2	Coil-12Vdc
24	110-2630	2	Coil-12Vdc
25	72-4320	1	Switch-Ball
26	110-8757	1	O-Ring
27	110-8762	1	Ball-Chrome
28	112-6533	1	Pin-Dowel

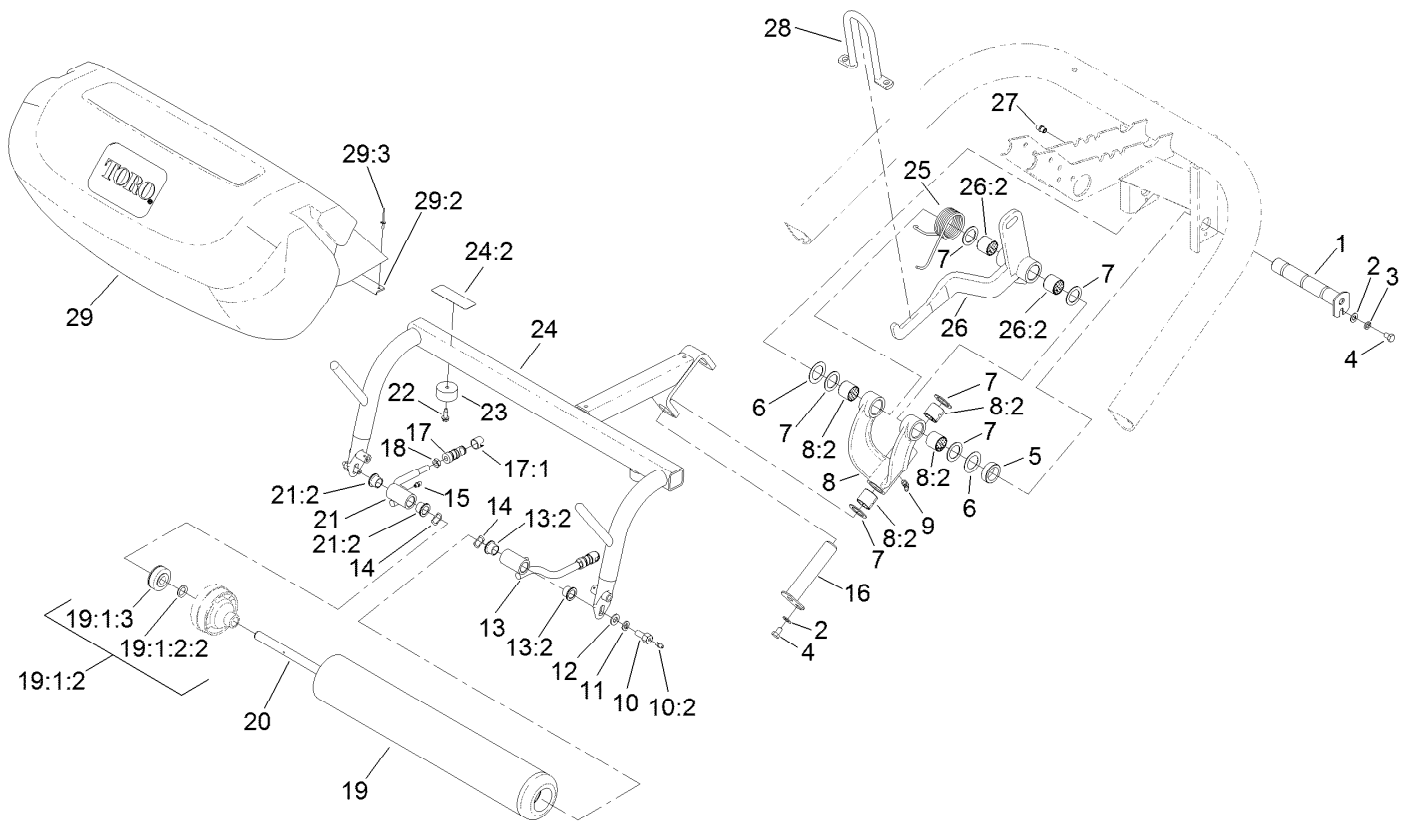
Ref.	Part Number	Qty.	Description
29	112-6536	1	Spool
30	112-6532	2	Ring-Retaining
31	112-6534	2	Ring-Back Up
32	117-4606	3	O-Ring
33	110-8758	1	Handle-Spool
34	112-6531	2	Pin-Spring

● Not serviced separately



Hydraulic Reservoir and Leak Detector Assembly

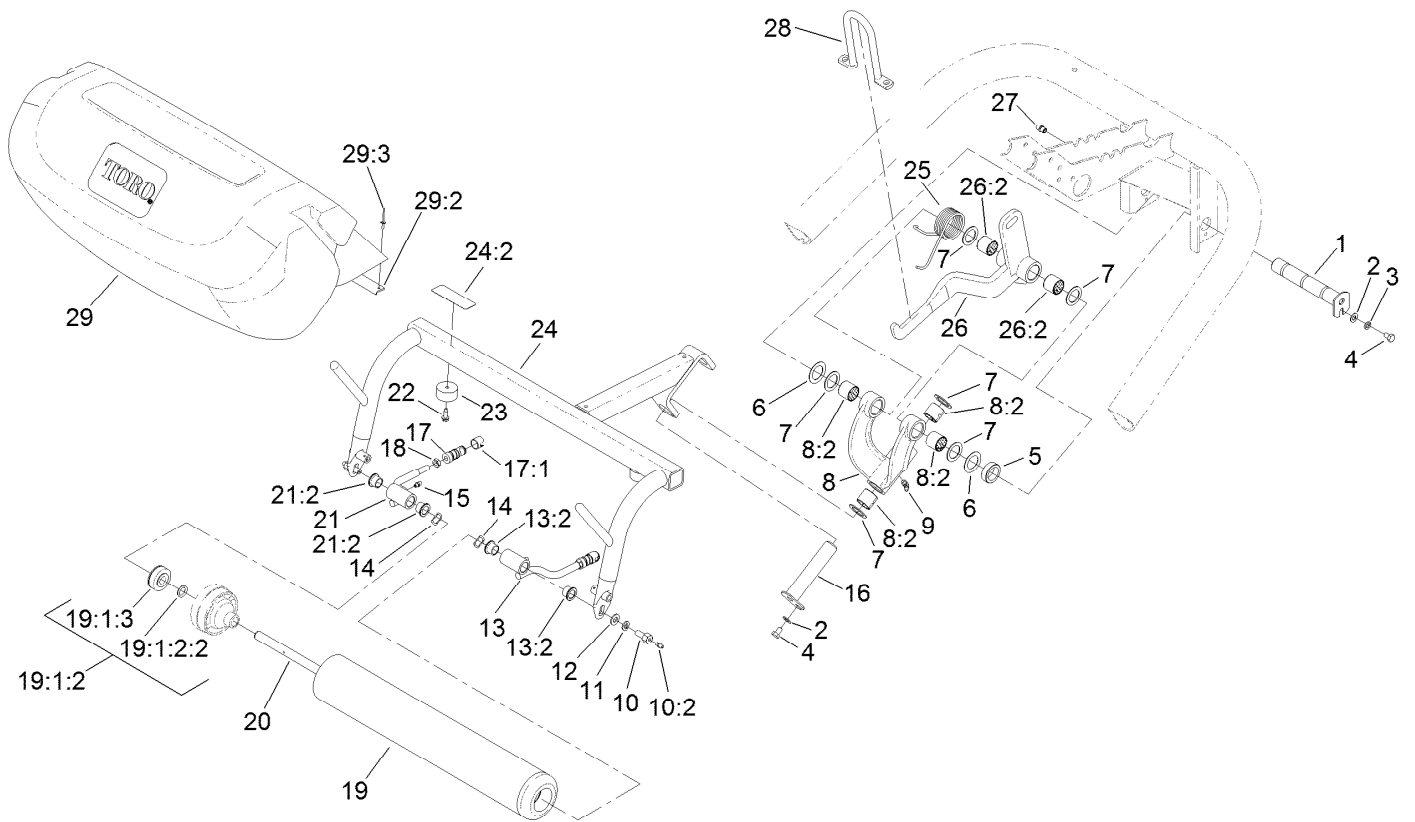
Ref.	Part Number	Qty.	Description	Ref.	Part Number	Qty.	Description
1	322-29	2	Screw-HH	17	115-9793	1	Breather
2	3256-71	2	Washer-Flat	18	112-0211	1	Strainer Fitting ASM
3	83-1470	4	Washer-Neoprene	18:1	237-146	1	O-Ring
4	83-1560	2	Spacer-Tube, Long	19	2412-34	4	Clamp-Hose
5	353-508	1	Plug-HH	20	105-8285	1	Hose-Inlet, Pump
5:1	237-42	1	O-Ring	21	323-6	3	Screw-HH
6	121-2565	1	Tank-Detector, Leak	22	63-8410	3	Washer
7	83-2070	1	Hose-Valve	23	240-11	3	Bushing-Flange
8	2412-36	4	Clamp-Hose	24	83-0870	1	Fitting-Hose, Barbed
9	354-121	1	Fitting-STR	24:1	237-177	1	O-Ring
9:1	237-79	1	O-Ring	25	105-5410	1	Hose-HYD
10	321-11	2	Screw-HH	26	340-3	1	Fitting-Straight
11	3253-3	2	Washer-Lock	26:1	237-22	1	O-Ring
12	83-1460	1	Solenoid Valve ASM	26:2	237-79	1	O-Ring
12:2	83-2000	1	Spool-Valve	27	83-1450	1	Sensor-Level, Oil
12:3	83-2010	1	Coil ASM	28	237-80	1	O-Ring
13	354-120	3	Fitting-Elbow, 90	29	119-3562	1	Tank-Hydraulic
13:1	237-79	1	O-Ring	30	322-14	2	Screw-HH
14	83-2080	1	Hose-Valve, Tank	31	121-2564	1	Bracket
15	2412-141	2	Clamp-Drive, Worm	33	83-1550	2	Spacer-Tube, Short
16	110-3998	1	Hose-Overflow				



Center Pull Frame Assembly

Ref.	Part Number	Qty.	Description	Ref.	Part Number	Qty.	Description
1	114-4685	1	Pin-Hinge	16	10-6090	1	Pin-Pivot
2	3256-23	2	Washer-Plain	17	99-1460	2	Ball Joint Receiver ASM
3	3253-4	1	Washer-Lock	17:1	99-1461	1	Sleeve-Joint, Ball
4	322-1	2	Screw-HH	18	3220-3	2	Nut-HJ
5	93-2384	1	Spacer-Carrier	19	133-2337	1	Roller ASM
6	5-1226	2	Washer	19:1:2		2	Hub Yoke ASM ●
7	10-8110	6	Washer-Thrust	19:1:2:2	253-83	1	Seal-Oil
8	105-0452	1	Pivot Hinge ASM	19:1:3	133-2378	2	Bearing
8:2	125-5196	4	Bushing	20	21-8470	1	Shaft-Roller
9	302-60	1	Fitting-Grease	21	92-0585	1	Pull Arm ASM
10	11-0160	2	Roller Shaft Screw ASM	21:2	125-5178	2	Bushing
10:2	302-5	1	Fitting-Grease	22	32104-95	2	Screw-HWH
11	3253-21	2	Washer-Lock	23	94-4548	2	Bumper-Recessed
12	3256-24	2	Washer-Flat	24	117-9541	1	Center Pull Frame ASM
13	92-0586	1	Pull Arm ASM	24:2	104-7729	1	Decal-Danger, CE
13:2	125-5178	2	Bushing	25	110-3953	1	Spring-Torsion, Center
14	3290-317	2	Washer-Spring	26	110-3955	1	Center Lift Arm ASM
15	302-5	2	Fitting-Grease	26:2	125-5196	2	Bushing

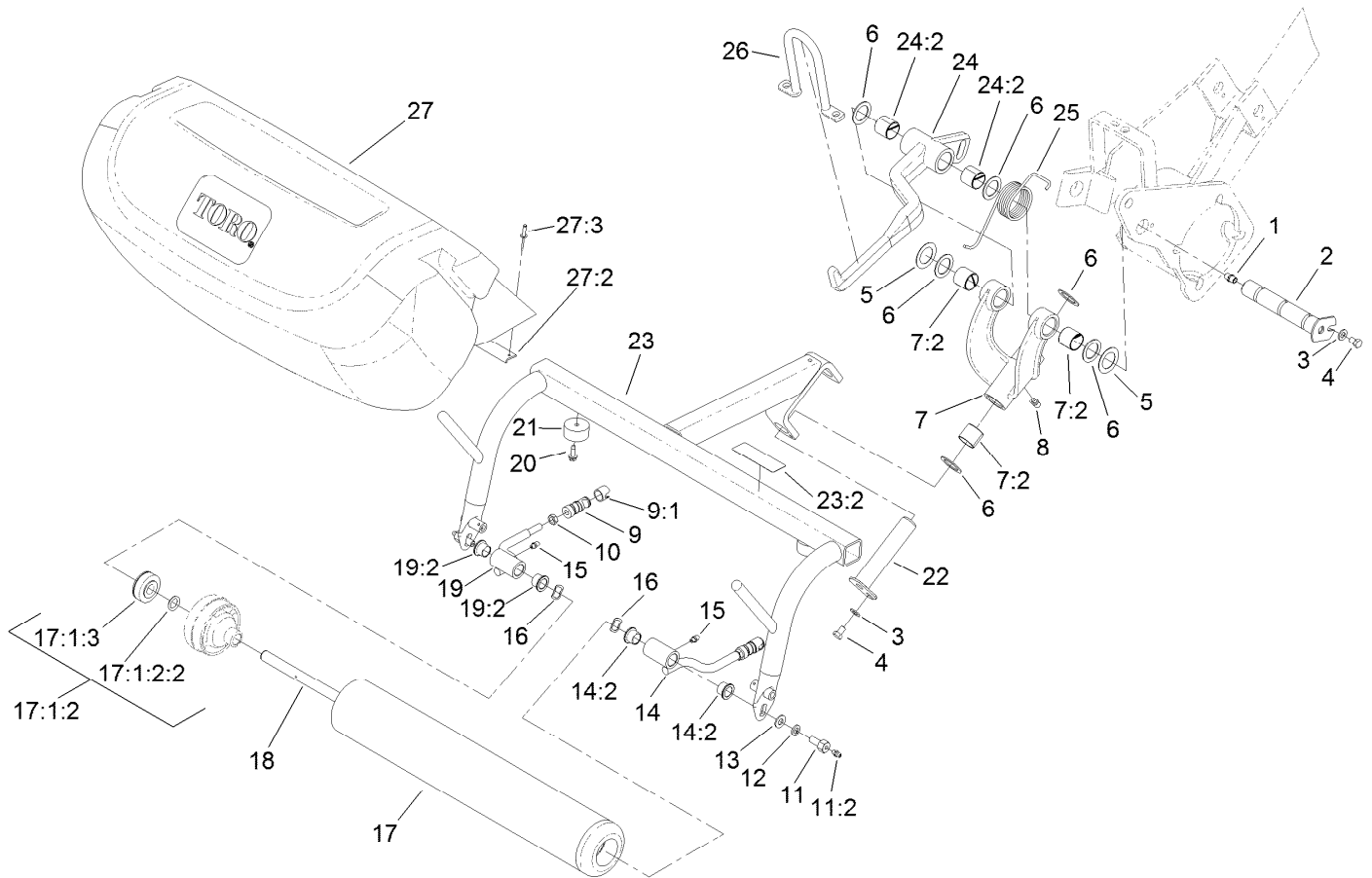
● Not serviced separately



Center Pull Frame Assembly (continued)

<i>Ref.</i>	<i>Part Number</i>	<i>Qty.</i>	<i>Description</i>	<i>Ref.</i>	<i>Part Number</i>	<i>Qty.</i>	<i>Description</i>
27	302-33	1	Fitting-Grease	29:2	104-2607	1	Strip-Basket
28	105-5740	1	Hook-Lift	29:3	3290-382	8	Rivet-Pop
29	108-8642	1	Grass Basket ASM				

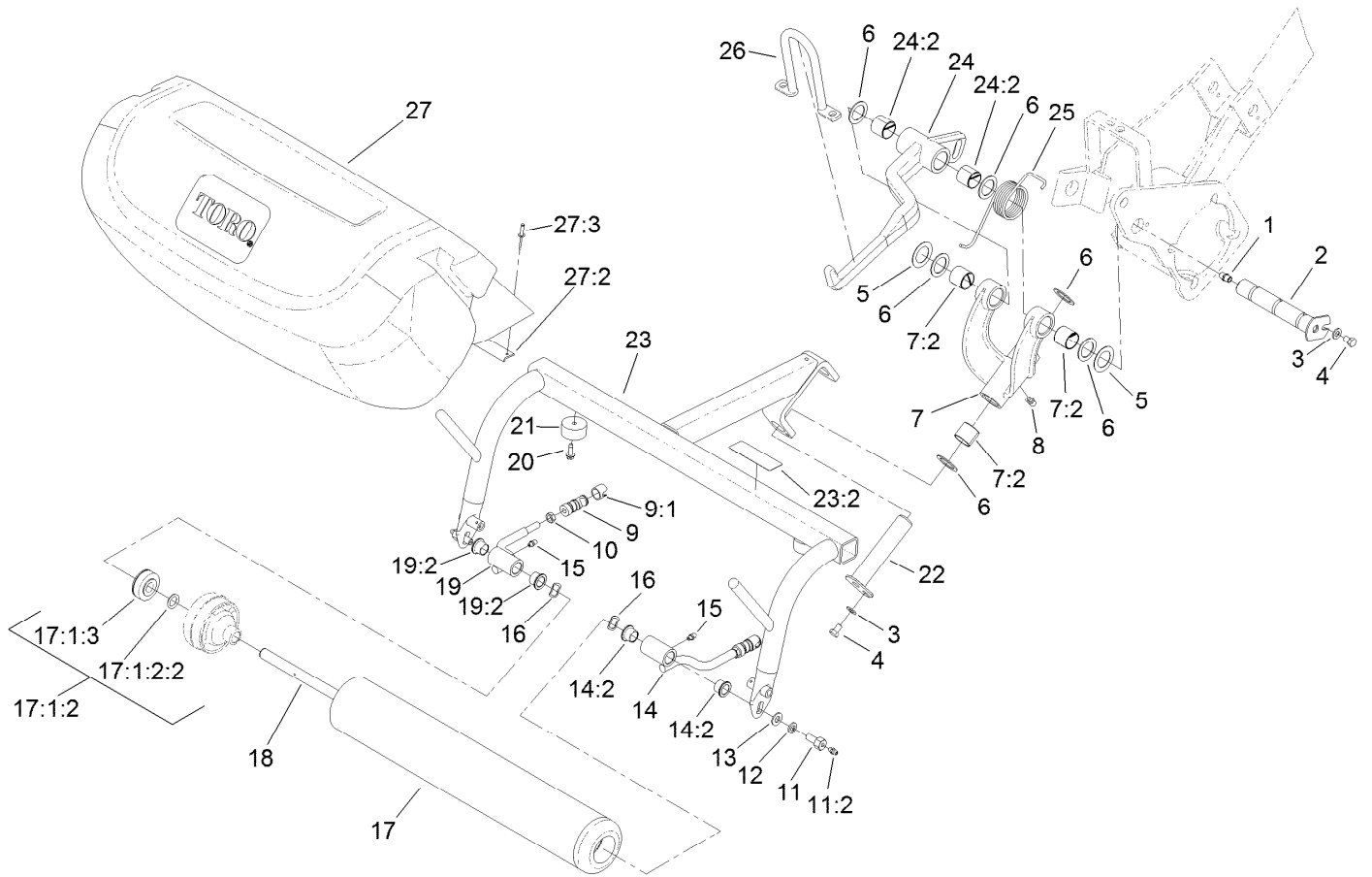
● Not serviced separately



Left Pull Frame Assembly

Ref.	Part Number	Qty.	Description	Ref.	Part Number	Qty.	Description
1	302-33	1	Fitting-Grease	15	302-5	2	Fitting-Grease
2	114-4683	1	Pin-Hinge	16	3290-317	2	Washer-Spring
3	3256-23	2	Washer-Plain	17	133-2337	1	Roller ASM
4	322-1	2	Screw-HH	17:1:2		2	Hub Yoke ASM ●
5	5-1226	2	Washer	17:1:2:2	253-83	1	Seal-Oil
6	10-8110	6	Washer-Thrust	17:1:3	133-2378	2	Bearing
7	10-7820	1	Pivot Hinge ASM	18	21-8470	1	Shaft-Roller
7:2	125-5196	4	Bushing	19	92-0585	1	Pull Arm ASM
8	302-60	1	Fitting-Grease	19:2	125-5178	2	Bushing
9	99-1460	2	Ball Joint Receiver ASM	20	32104-95	2	Screw-HWH
9:1	99-1461	1	Sleeve-Joint, Ball	21	94-4548	2	Bumper-Recessed
10	3220-3	2	Nut-HJ	22	10-6090	1	Pin-Pivot
11	11-0160	2	Roller Shaft Screw ASM	23	117-9542	1	LH Pull Frame ASM
11:2	302-5	1	Fitting-Grease	23:2	104-7729	1	Decal-Danger, CE
12	3253-21	2	Washer-Lock	24	107-2598	1	LH Lift Arm ASM
13	3256-24	2	Washer-Flat	24:2	125-5196	2	Bushing
14	92-0586	1	Pull Arm ASM	25	110-3952	1	Spring-Torsion, LH
14:2	125-5178	2	Bushing	26	105-5740	1	Hook-Lift

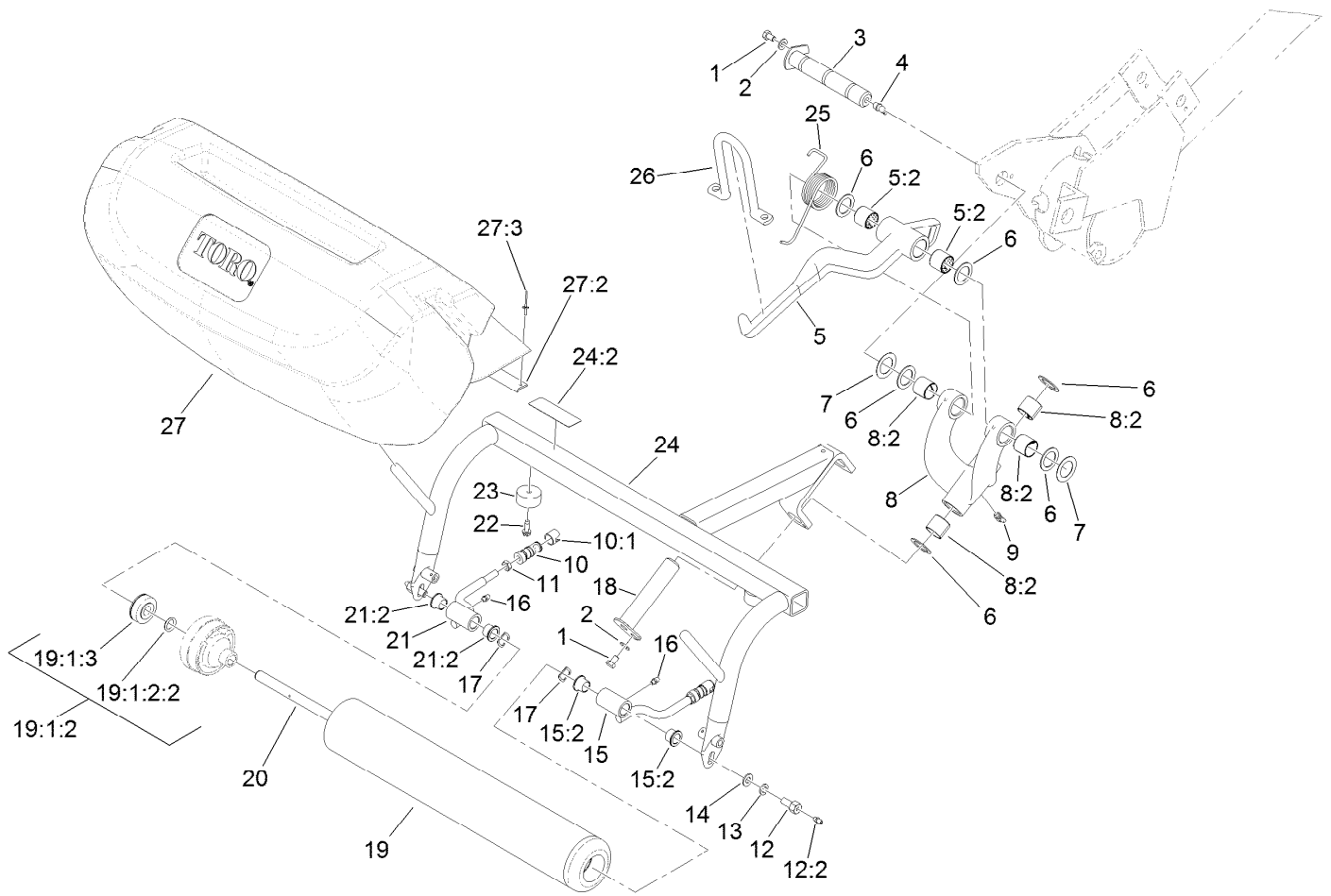
● Not serviced separately



Left Pull Frame Assembly (continued)

<i>Ref.</i>	<i>Part Number</i>	<i>Qty.</i>	<i>Description</i>	<i>Ref.</i>	<i>Part Number</i>	<i>Qty.</i>	<i>Description</i>
27	108-8642	1	Grass Basket ASM	27:2	104-2607	1	Strip-Basket
				27:3	3290-382	8	Rivet-Pop

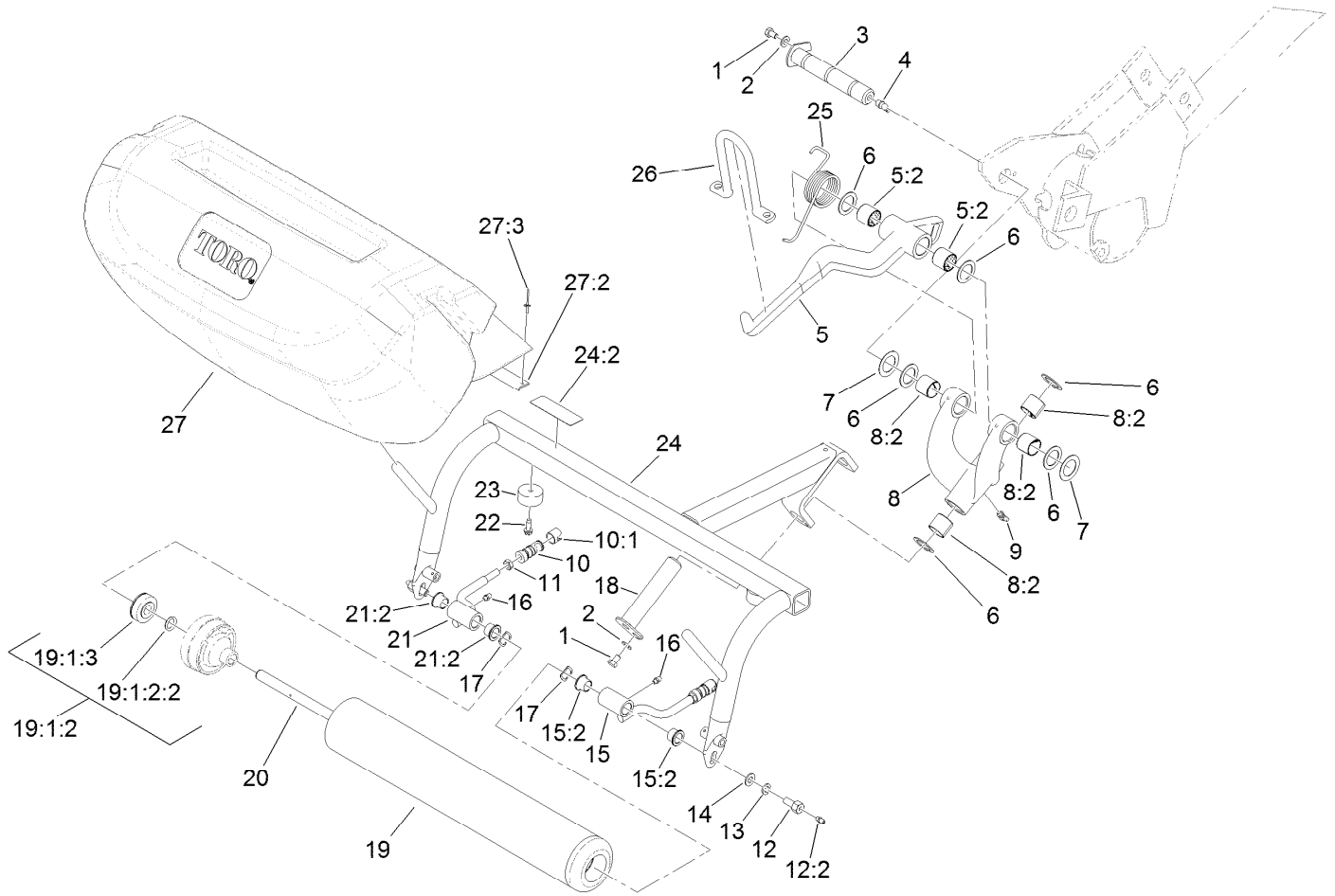
● Not serviced separately



Right Pull Frame Assembly

Ref.	Part Number	Qty.	Description	Ref.	Part Number	Qty.	Description
1	322-1	2	Screw-HH	15	92-0586	1	Pull Arm ASM
2	3256-23	2	Washer-Plain	15:2	125-5178	2	Bushing
3	114-4683	1	Pin-Hinge	16	302-5	2	Fitting-Grease
4	302-33	1	Fitting-Grease	17	3290-317	2	Washer-Spring
5	107-2599	1	RH Lift Arm ASM	18	10-6090	1	Pin-Pivot
5:2	125-5196	2	Bushing	19	133-2337	1	Roller ASM
6	10-8110	6	Washer-Thrust	19:1:2		2	Hub Yoke ASM ●
7	5-1226	2	Washer	19:1:2:2	253-83	1	Seal-Oil
8	10-7820	1	Pivot Hinge ASM	19:1:3	133-2378	2	Bearing
8:2	125-5196	4	Bushing	20	21-8470	1	Shaft-Roller
9	302-60	1	Fitting-Grease	21	92-0585	1	Pull Arm ASM
10	99-1460	2	Ball Joint Receiver ASM	21:2	125-5178	2	Bushing
10:1	99-1461	1	Sleeve-Joint, Ball	22	32104-95	2	Screw-HWH
11	3220-3	2	Nut-HJ	23	94-4548	2	Bumper-Recessed
12	11-0160	2	Roller Shaft Screw ASM	24	117-9543	1	RH Pull Frame ASM
12:2	302-5	1	Fitting-Grease	24:2	104-7729	1	Decal-Danger, CE
13	3253-21	2	Washer-Lock	25	110-3951	1	Spring-Torsion, RH
14	3256-24	2	Washer-Flat	26	105-5740	1	Hook-Lift

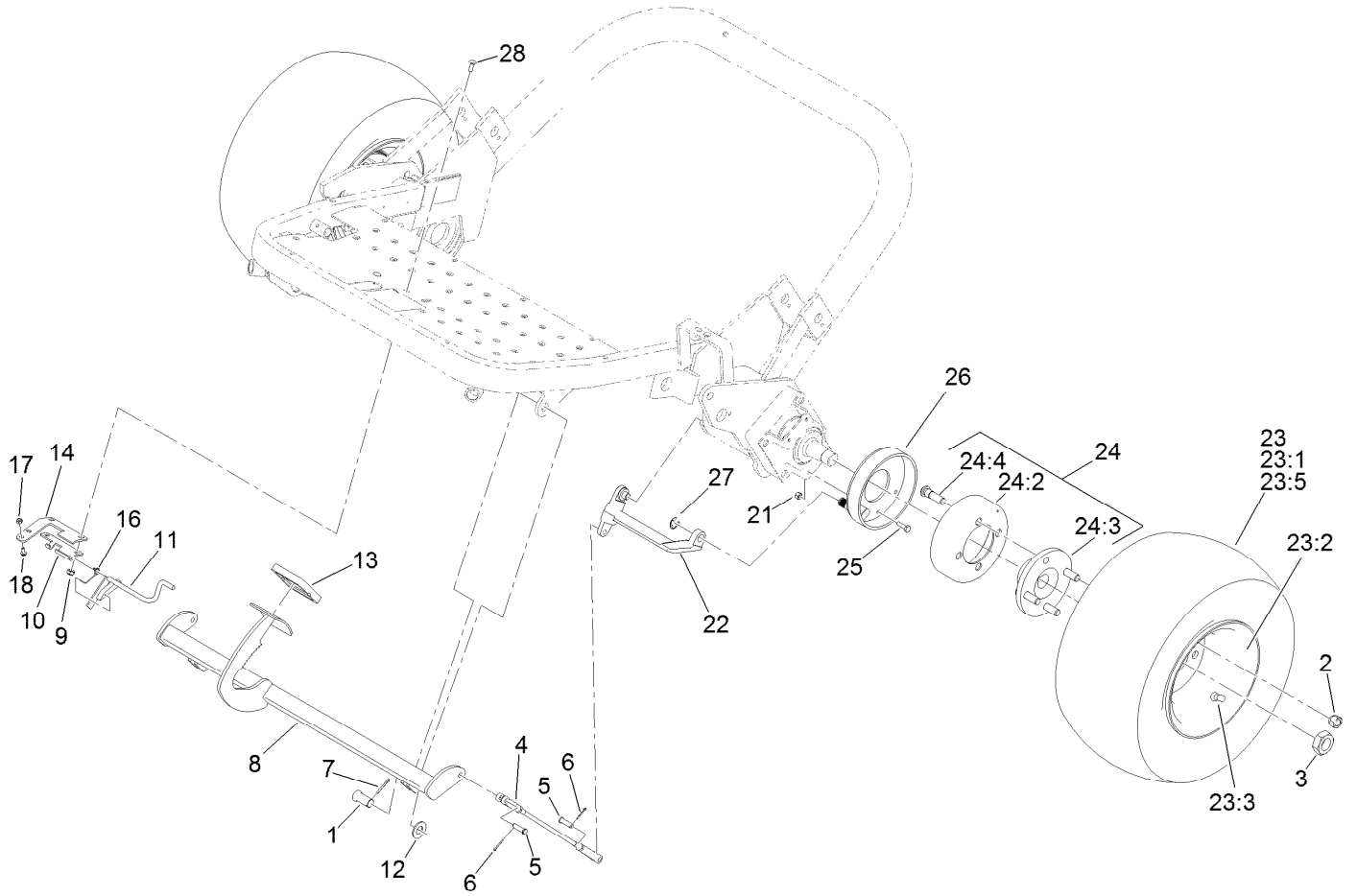
● Not serviced separately



Right Pull Frame Assembly (continued)

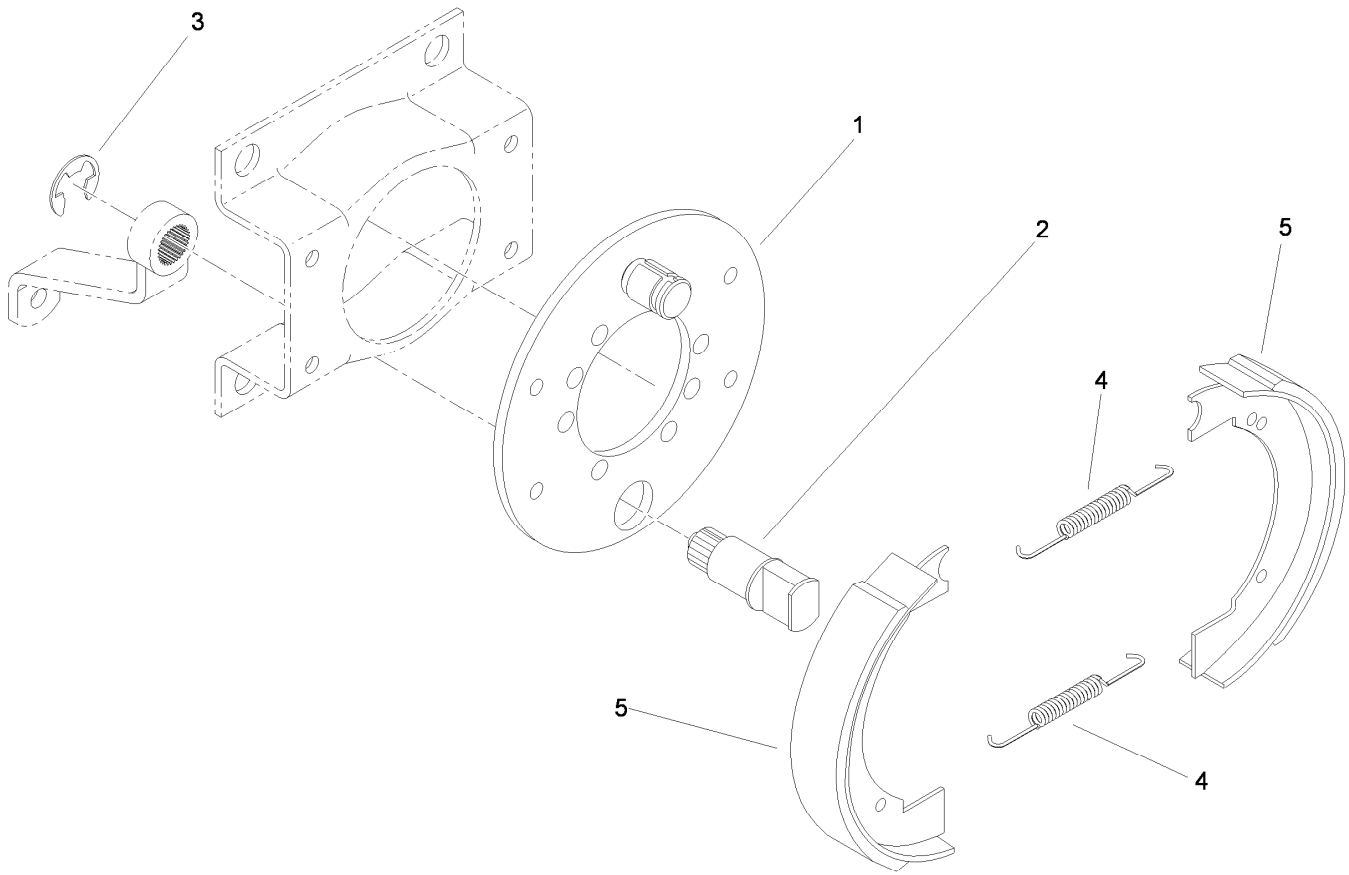
Ref.	Part Number	Qty.	Description	Ref.	Part Number	Qty.	Description
27	108-8642	1	Grass Basket ASM	27:2	104-2607	1	Strip-Basket
				27:3	3290-382	8	Rivet-Pop

● Not serviced separately



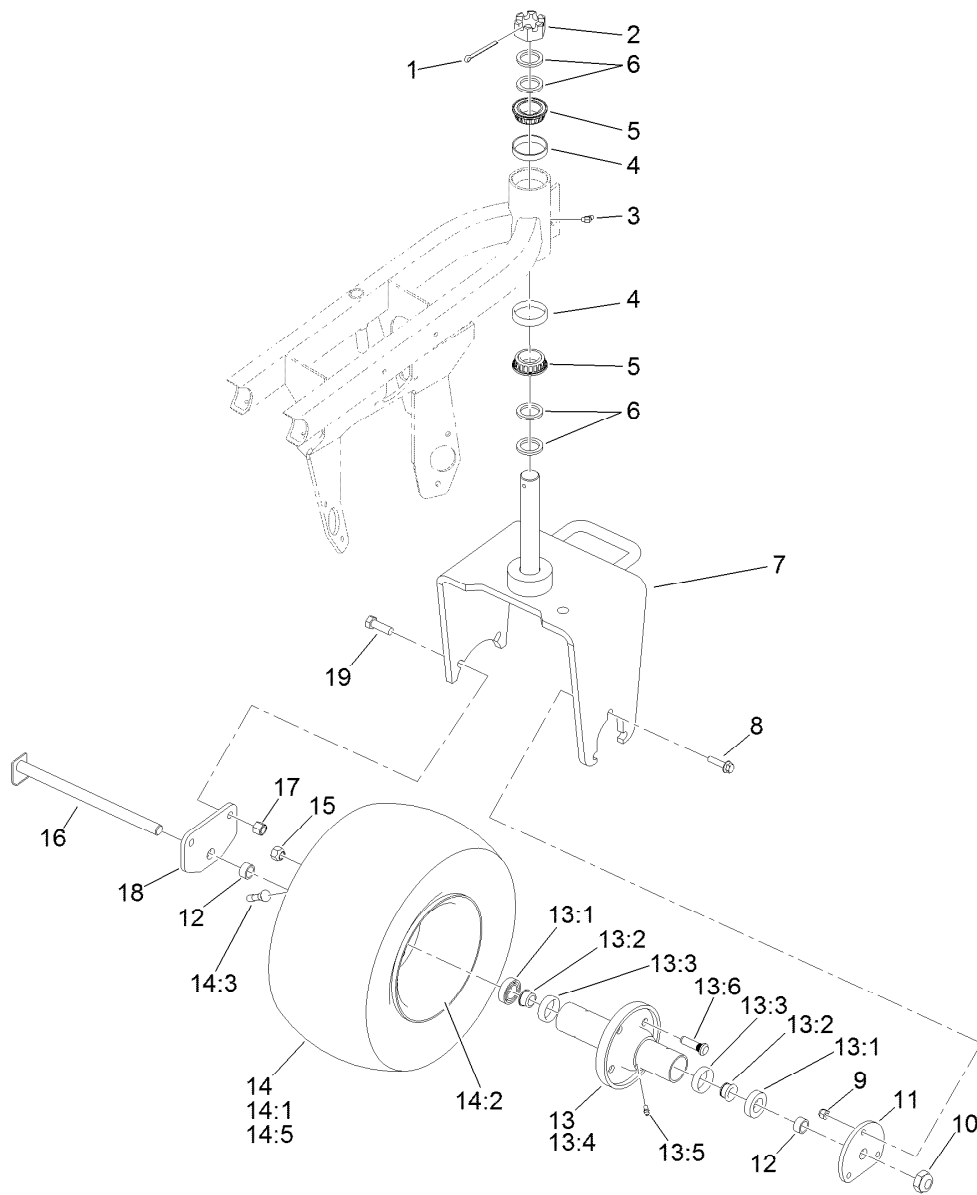
Front Wheel and Brake Assembly

Ref.	Part Number	Qty.	Description	Ref.	Part Number	Qty.	Description
1	283-87	2	Pin-Clevis	18	3290-321	2	Screw-HWH
2	242-50	8	Nut-Lug	21	3296-42	8	Nut-Lock, NI
3	26-3790	2	Nut-Lock	22	93-2096	2	Lever-Brake
4	130-0110	2	Brake Rod ASM	23	10-6790	2	Wheel And Tire ASM
5	283-61	4	Pin-Yoke	23:1	28-3680	1	Tire
6	3272-6	4	Pin-Cotter	23:2	217-60	1	Rim
7	3272-11	2	Pin-Cotter	23:3	232-27	1	Stem-Valve
8	127-2208-01	1	Pedal-Brake	23:5	232-37	1	Tube
9	3296-16	2	Nut-Lock, NI	24	10-6821	2	Brake Drum ASM
10	131-2078	1	Sheet-Hinge, Sensor	24:2	10-6850	1	Drum-Brake
11	131-2081	1	Latch	24:3	10-6870-03	1	Hub-Wheel
12	3256-27	2	Washer-Flat	24:4	85-6540	4	Stud-Drive
13	93-7629	1	Pad-Foot, Brake	25	321-5	8	Screw-HH
14	131-2077	1	Sheet-Hinge	26	104-7705	2	Brake ASM
16	132-6988	1	Spring-Brake Latch	27	104-7706	2	E-Ring, Bowed
17	3296-2	2	Nut-Lock, NI	28	3229-1	2	Screw-CARR



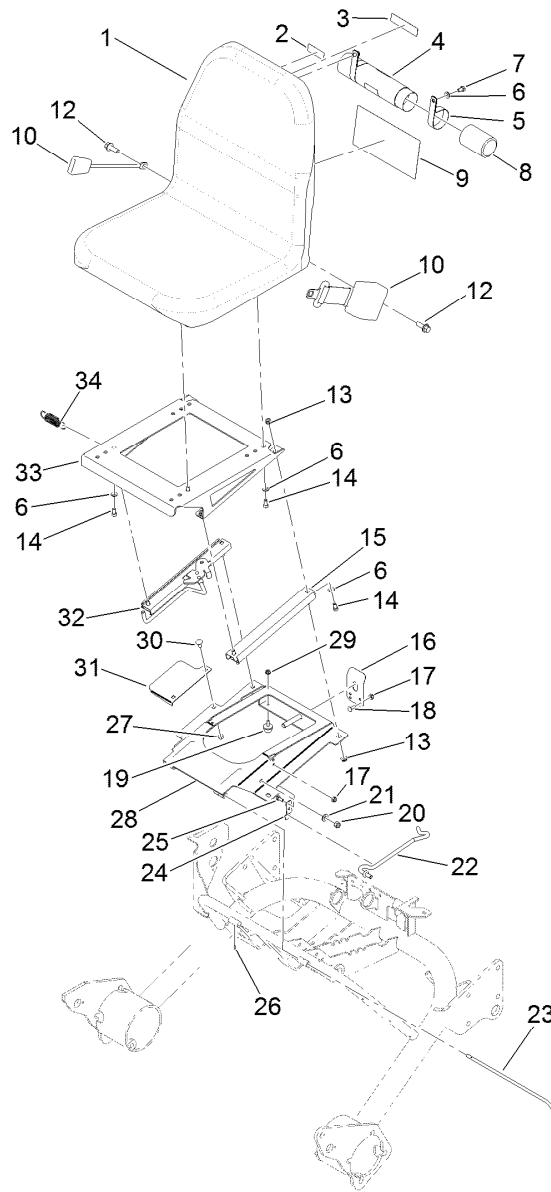
Brake Assembly No. 104-7705

<i>Ref.</i>	<i>Part Number</i>	<i>Qty.</i>	<i>Description</i>
1	70-9870	1	Plate-Backing
2	104-7707	1	Shaft-Cam, Brake
3	104-7706	1	E-Ring, Bowed
4	70-9880	2	Spring-Return
5	70-9840	2	Shoe-Brake



Rear Wheel Assembly

Ref.	Part Number	Qty.	Description	Ref.	Part Number	Qty.	Description
1	3272-37	1	Pin-Cotter	13:3	254-79	2	Bearing-Roller, Cup
2	32136-9	1	Nut-Hex, Slotted	13:4	75-9440	1	Hub ASM
3	302-11	1	Fitting-Lube, 45 DEG	13:5	302-11	1	Fitting-Lube, 45 DEG
4	115-9471	2	Bearing-Cup	13:6	10-6830	4	Stud-Type, Drive
5	115-9472	2	Bearing-Cone And Seal	14	10-6790	1	Wheel And Tire ASM
6	18-6320	4	Washer-Steering	14:1	28-3680	1	Tire
7	112-0285-01	1	Fork-Castor	14:2	217-60	1	Rim
8	114-4681	3	Screw-HHF	14:3	232-27	1	Stem-Valve
9	3296-39	3	Nut-Lock, NI	14:5	232-37	1	Tube
10	3296-67	1	Nut-Lock, NI	15	242-50	4	Nut-Lug
11	99-1486-01	1	Plate-Adapter	16	5-3934	1	Bolt-Caster
12	74-3730	2	Spacer-Spindle, Rear	17	3296-23	2	Nut-Lock, NI
13	72-9710	1	Hub-Tire	18	99-1485-01	1	Plate-Adapter, Motor
13:1	253-111	2	Seal-Oil	19	325-6	2	Screw-HH
13:2	254-78	2	Bearing-Cone				



Seat Assembly

<i>Ref.</i>	<i>Part Number</i>	<i>Qty.</i>	<i>Description</i>	<i>Ref.</i>	<i>Part Number</i>	<i>Qty.</i>	<i>Description</i>
1	104-4620	1	Seat	19	1-523420	2	Bumper
2	93-6686	1	Decal-Oil, HYD	20	3296-39	1	Nut-Lock, NI
3	117-2718	1	Decal-Arrester, Spark	21	3256-24	1	Washer-Flat
4	104-7050	1	Tube-Manual	22	106-4643	1	Rod-Prop, Seat
5	2412-133	2	Clamp-R	23	105-0483	1	Rod-Pivot, Seat
6	3256-23	10	Washer-Plain	24	68-5310	1	Clip-Rod, Prop
7	322-2	2	Screw-HH	25	321-3	2	Screw-HH
8	104-7048	1	Cap-Housing	26	32121-7	1	Pin-Roll, Slotted
9	121-9566	1	Decal-Service	27	3296-29	2	Nut-Lock, NI
10	100-4928	1	Belt-Seat	28	105-0464-03	1	Plate-Seat
12	117-9035	2	Screw-HHF	29	32128-33	2	Nut-HF
13	32128-25	8	Nut-HF	30	3230-1	2	Bolt-CARR
14	3274-12	8	Screw-HSH	31	105-8284-03	1	Shield-Valve
15	51-0780	1	Slider-Seat	32	105-8265	1	Adjuster-Seat
16	66-2630	1	Latch-Seat	33	105-0466-03	1	Plate-Seat, Upper
17	3296-16	4	Nut-Lock, NI	34	88-6330	1	Spring-Extension
18	3229-1	2	Screw-CARR				

Attachments and Accessories

For 04358 Greensmaster 3150 2-Wheel Drive Traction Unit

Product Name	Model/Part
Turf Evaluator	04399
CE Guard Kit.....	04440
Three-Wheel Drive Kit without ROPS	04476
Dethatching Unit	04479
Spiker Kit	04494
Tri-Roller Kit.....	04495
Light Kit.....	04554
8-Blade DPA Reel Mower	04652
11-Blade DPA Reel Mower	04654
14-Blade DPA Reel Mower	04656
Weight Kit, Greensmaster and Sand Pro/Infield Pro Traction Unit.....	100-6442
Spark Arrestor Screen	104-6540
Filter-Oil, Engine	107-7817
Premium All Season Hydraulic Fluid (55 Gallon Drum)	108-1177
Premium All Season Hydraulic Fluid (5 Gallon Pail).....	108-1178
Premium Engine Oil SAE 30 (Drum)	108-1196
Premium Engine Oil SAE 30 (Pail).....	108-1197
Bimini Folding Shade Assembly	115-4510
Wireless Hourmeter	115-4754
Hydraulic Hose Kit	117-2725
Premium Synthetic Bio-Degradable Hydraulic Fluid (5 Gallon Pail)	119-2157
Premium Synthetic Bio-Degradable Hydraulic Fluid (55 Gallon Drum).....	119-2158
Tire-Traction	119-3516
Toro Reel Paper (10 Pack).....	125-5610
Toro Reel Shim (0.002in)	125-5611
Oil Cooler Kit.....	130-6536
MVP Initial 800 Hour Filter Kit, 2012 and After Greensmaster 3150-D Traction Unit	131-6262
MVP Standard Filter Kit, 2012 and After Greensmaster 3150-D Traction Unit	131-8785
Cartridge-Cleaner, Air.....	92-0527
Element-Filter	92-0530
Filter-Fuel	94-2690
Height-of-Cut Bar.....	94-9010
Weight Kit, Greensmaster 3100, 3150 or 3250-D Traction Unit with Three-Wheel Drive	99-1645

Notes:

Notes:

Notes:



Count on it.