



**Count on it.**

**Parts Catalog**

**Greensmaster® 3150**  
**2-Wheel Drive Traction Unit**

Model No. 04358—Serial No. 409050852 and Up



# Ordering Replacement Parts

To order replacement parts, please supply the part number, the quantity, and the description of each part desired.

## Understanding Reference Numbers

Each identified part in an illustration has a reference number. The reference number for a part also appears in the parts list, along with other information about the part.

This catalog uses two special reference number formats, one to indicate parts in a service assembly and another to indicate the quantity of a given part in an illustration.

## Service Assembly Reference Numbers

Parts in service assemblies have reference numbers in the form a:b. The a represents the reference number of the entire service assembly and the b represents a sequential number unique to each part within the service assembly.

For example, a wheel assembly might be identified by reference number 6, the tire by 6:1, the valve by 6:2, and the wheel by 6:3. When you order the assembly identified by reference number 6, you receive all parts identified by reference numbers 6:1, 6:2, and 6:3. However, you may also order any part individually. Reference numbers of this type appear in illustration and in parts lists.

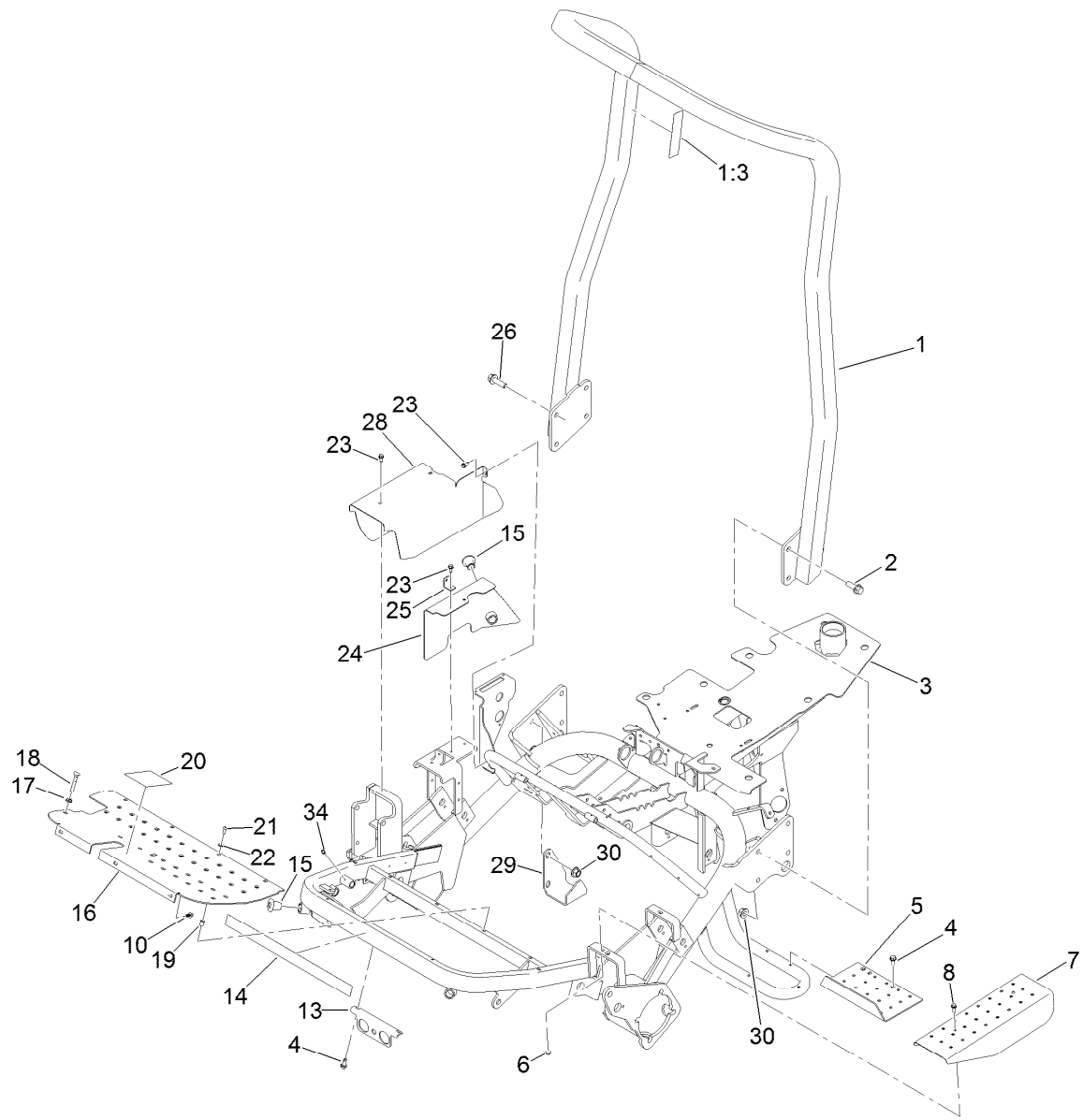
## Reference Numbers Indicating Quantity

In an illustration, if a reference number indicates more than one part, the reference number has the form nX y. The n represents the quantity of the part, the X is the multiplication symbol, and the y represents the reference number.

For example, in an illustration, the reference number 2X 37 means that two of the parts identified by reference number 37 are indicated.

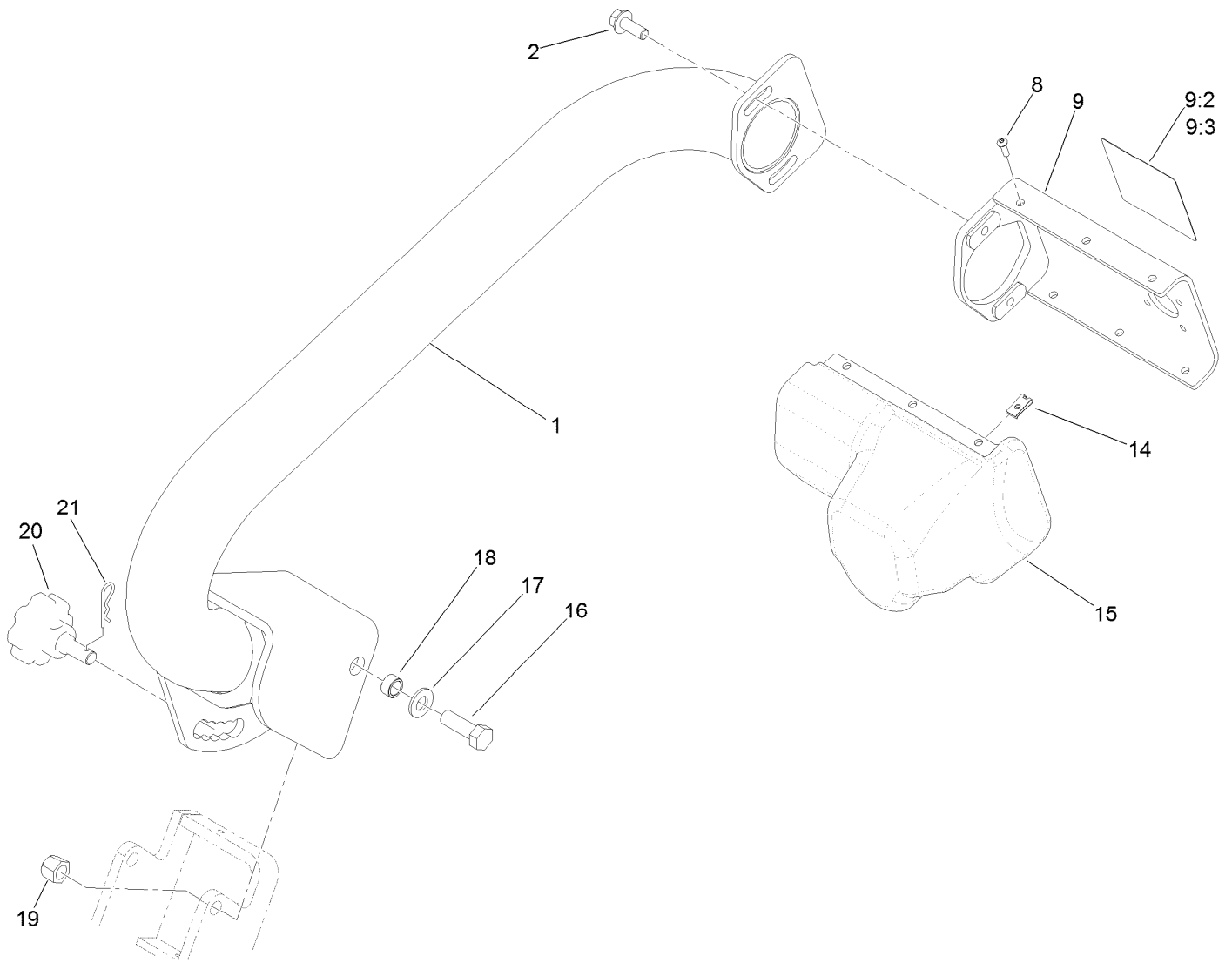
# Contents

ROPS and Frame Assembly . . . . .	4
Steering Arm Assembly . . . . .	5
Traction Pedal Assembly . . . . .	6
Joystick Assembly . . . . .	7
Joystick Bracket Assembly No. 120-5280 . . . . .	8
Speed Selector Lever and Console Assembly . . . . .	9
Control Panel Assembly . . . . .	10
Engine Installation Assembly . . . . .	11
Fuel Tank Assembly . . . . .	13
Wire Harness Assembly . . . . .	14
Wire Harness Assembly No. 122-1453 . . . . .	15
Battery Assembly . . . . .	16
Ignition and Reed Switch Assembly . . . . .	17
Engine Wire Harness Assembly . . . . .	18
Ground Drive Assembly . . . . .	19
Hydraulic Motor Assembly (CW) No. 110-4016 . . . . .	20
Hydraulic Motor Assembly (CCW) No. 110-4015 . . . . .	21
Hydrostat and Gear Pump Drive Assembly . . . . .	22
Hydraulic Gear Pump Assembly No. 114-9956 . . . . .	23
Hydraulic Pump Assembly No. 121-9557 . . . . .	24
Neutral System Assembly . . . . .	26
Front Hydraulic Reel Drive and Hose Assembly . . . . .	27
Hydraulic Reel Motor Assembly No. 120-2072 . . . . .	28
Hydraulic Steering Hose and Center Lift Cylinder Hose Assembly . . . . .	29
Rear Hydraulic Reel Drive and Hose Assembly . . . . .	30
Front Lift Cylinders Hose and Filter Assembly . . . . .	31
Steering Wheel and Valve Assembly . . . . .	32
Steering Valve Assembly No. 114-4672 . . . . .	33
Right Hand and Left Hand Lift Cylinder Assembly . . . . .	34
Hydraulic Cylinder Assembly No. 131-2787 . . . . .	35
Steering Cylinder and Center Lift Cylinder Assembly . . . . .	36
Hydraulic Cylinder Assembly No. 131-2786 . . . . .	37
Hydraulic Manifold Assembly . . . . .	38
Hydraulic Manifold Assembly No. 112-0289 . . . . .	39
Hydraulic Reservoir and Leak Detector Assembly . . . . .	41
Center Pull Frame Assembly . . . . .	43
Left Pull Frame Assembly . . . . .	45
Right Pull Frame Assembly . . . . .	46
Front Wheel and Brake Assembly . . . . .	47
Brake Assembly No. 104-7705 . . . . .	48
Rear Wheel Assembly . . . . .	49
Seat Assembly . . . . .	50
Attachments and Accessories . . . . .	51



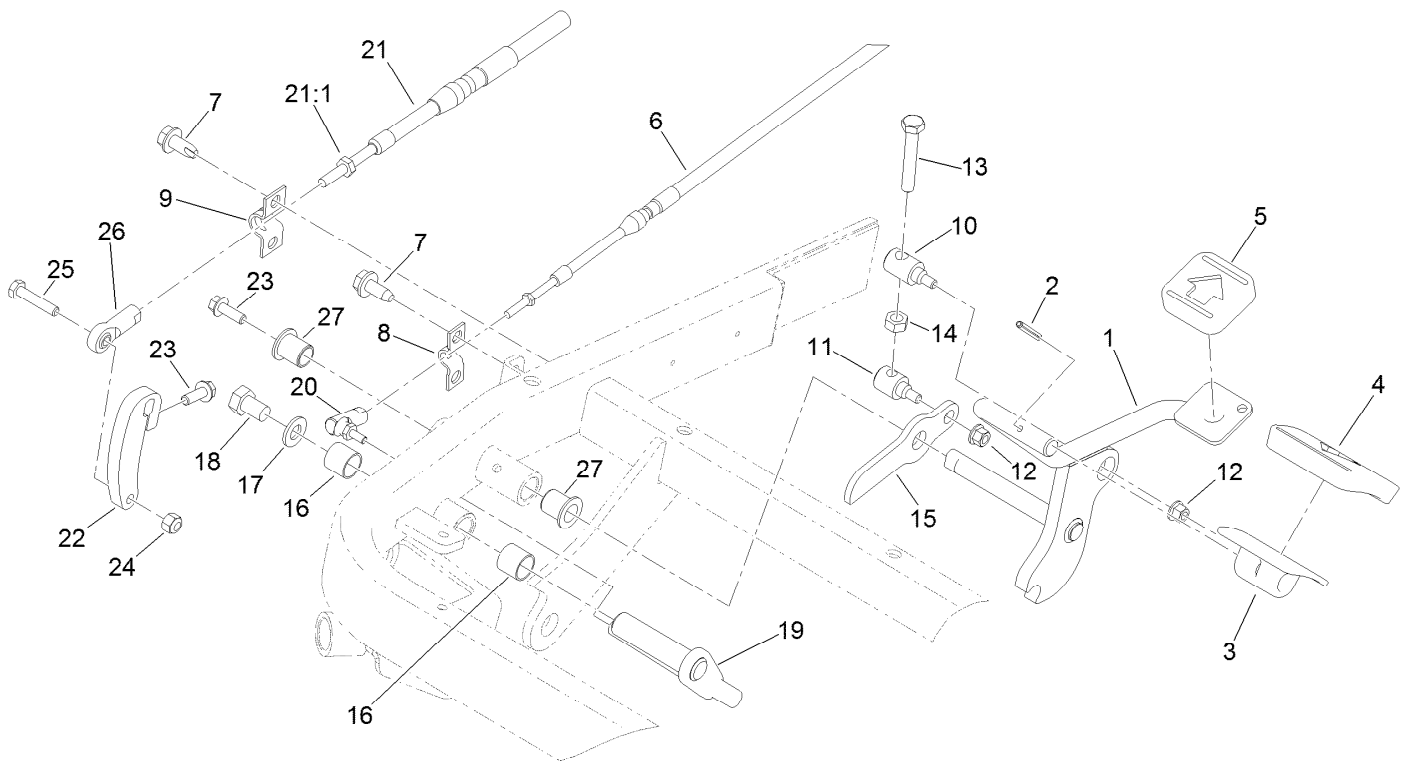
## ROPS and Frame Assembly

<i>Ref.</i>	<i>Part Number</i>	<i>Qty.</i>	<i>Description</i>	<i>Ref.</i>	<i>Part Number</i>	<i>Qty.</i>	<i>Description</i>
1	133-2308	1	ROPS ASM	17	32128-20	1	Nut-HF
1:3	115-8226	1	Decal-ROPS	18	17-9426	1	Screw-Handle
2	130-6482	6	Screw-HHF	19	32148-6	7	Nut-Clinch
3	127-6143-01	1	Frame	20	93-8062	1	Decal-Brake, Parking
4	32104-32	5	Screw-HWH	21	3274-31	4	Screw-HSBH
5	130-0103-01	1	Step	22	3256-1	4	Washer-Flat
6	32128-33	2	Nut-HF	23	32144-10	5	Screw-HWH
7	83-0200-01	1	Plate-Cover, LH	24	105-8282-01	1	Shield-Side
8	115-5103	2	Screw-HHF	25	120-3172	1	Bracket
10	99-6810	3	Screw-HHF	26	130-6481	2	Screw-HHF
13	107-2552-01	1	Bracket-Bulkhead	28	138-8507-01	1	Cover-Right
14	115-5216	1	Decal	29	105-8263-01	1	Bracket-ROPS
15	83-1700	3	Bushing-Flange	30	99-5107	8	Nut-Lock
16	127-2225-01	1	Plate-Footrest	34	302-5	1	Fitting-Grease



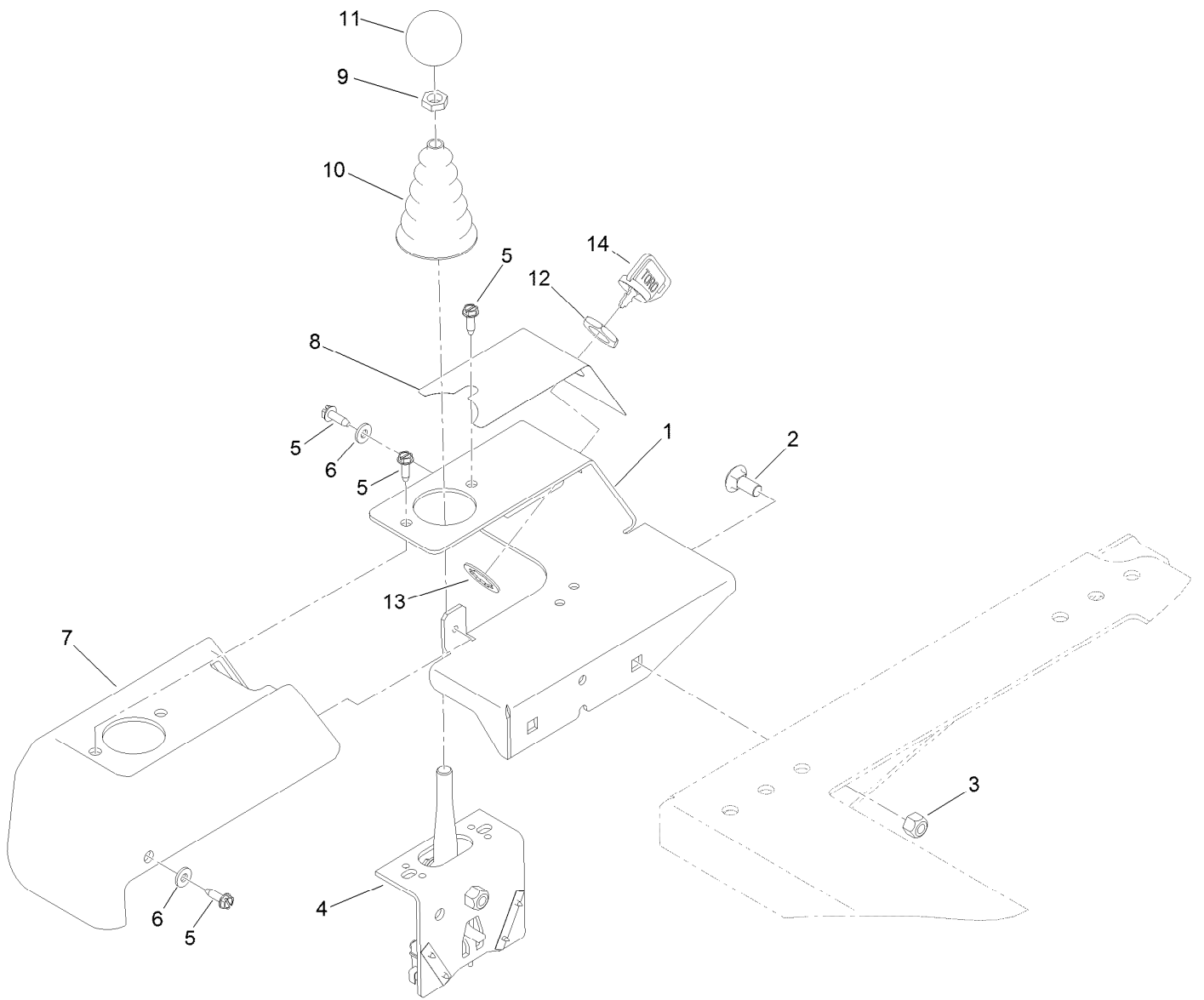
## Steering Arm Assembly

Ref.	Part Number	Qty.	Description
1	138-5021-01	1	Arm-Steering
2	3234-42	2	Screw-HHF
8	3274-39	6	Screw-HSBH
9	136-8571	1	Mount-Steering
9:2	136-8506	1	Decal-Danger
9:3	136-8505	1	Decal-Danger, CE
14	3290-277	6	Nut-Speed
15	119-9300	1	Cover-Valve, Steering
16	325-6	2	Screw-HH
17	3256-26	2	Washer-Flat
18	47-2890	2	Bushing
19	3296-23	2	Nut-Lock, NI
20	117-9513	1	Knob-Steering
21	3290-467	1	Pin-Hair



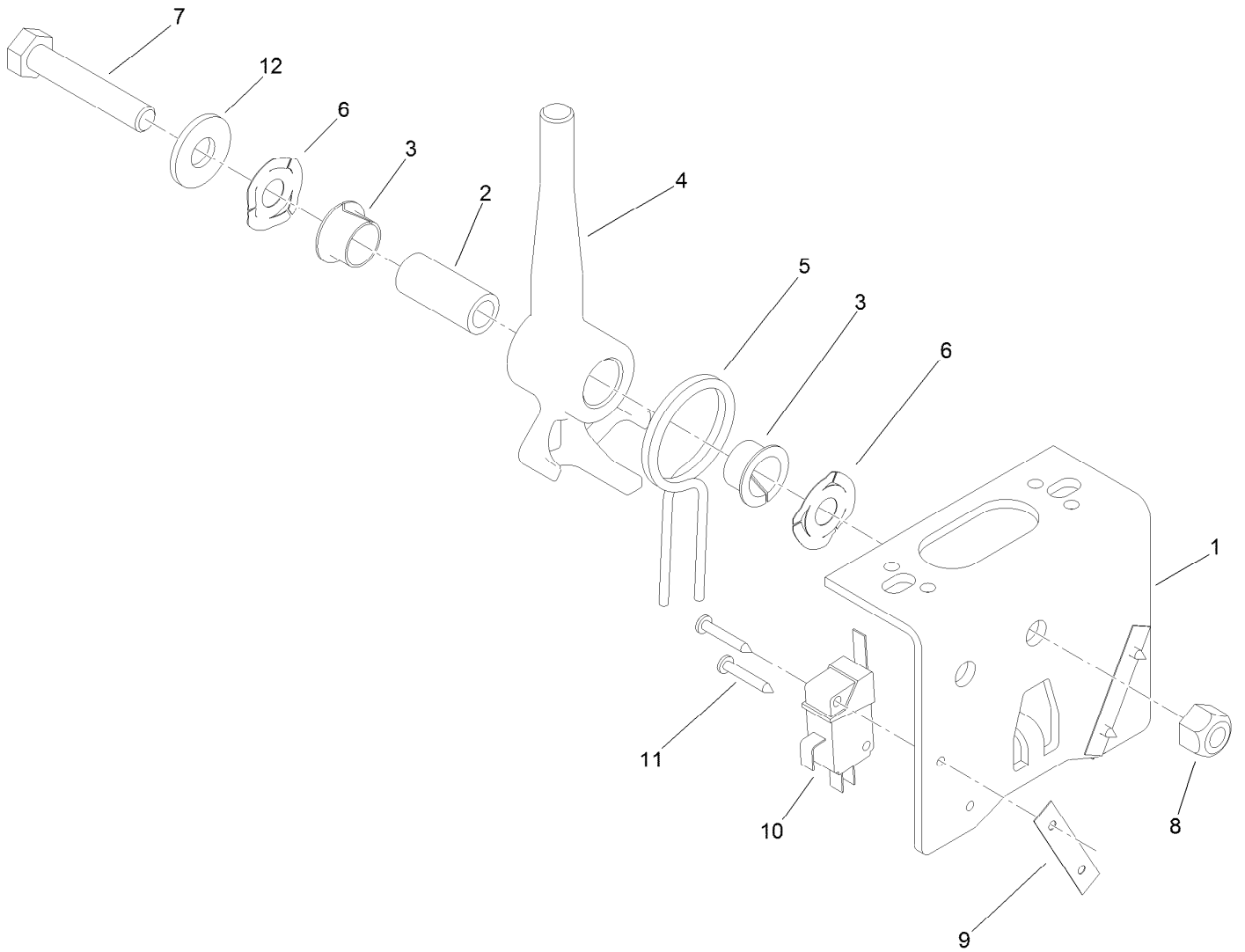
## Traction Pedal Assembly

<i>Ref.</i>	<i>Part Number</i>	<i>Qty.</i>	<i>Description</i>	<i>Ref.</i>	<i>Part Number</i>	<i>Qty.</i>	<i>Description</i>
1	127-2222-01	1	Pedal-Traction	15	127-2241	1	Plate-Stop
2	32121-45	1	Pin-Spring	16	256-311	2	Bushing-Split
3	117-9507	1	Pedal-Accelerator	17	3256-24	1	Washer-Flat
4	74-9100	1	Pad-Pedal, Forward	18	33115-016	1	Screw-HH
5	74-9110	1	Pad-Pedal, Reverse	19	132-3803	1	Lock-Neutral
6	127-2244	1	Cable-Neutral Lock	20	2411-38	1	Joint-Ball
7	32104-32	4	Screw-HWH	21	105-5445	1	Cable-Traction
8	93-2279	1	Clamp-Cable	21:1	3220-1	2	Nut-Jam
9	93-2092	1	Clamp-Cable	22	130-6539	1	Lever-Traction
10	94-1375	1	Trunnion-Bracket, Lock	23	117-8304	2	Screw-HHF
11	94-1374	1	Trunnion-Bracket, Mow	24	3296-42	1	Nut-Lock, NI
12	81-0130	2	Nut-Flange, NI	25	321-8	1	Screw-HH
13	94-3489	1	Screw-HH	26	2411-41	1	Rod End-Ball Joint
14	33014-00	1	Nut-Hex	27	125-8775	2	Bushing-Flange



## Joystick Assembly

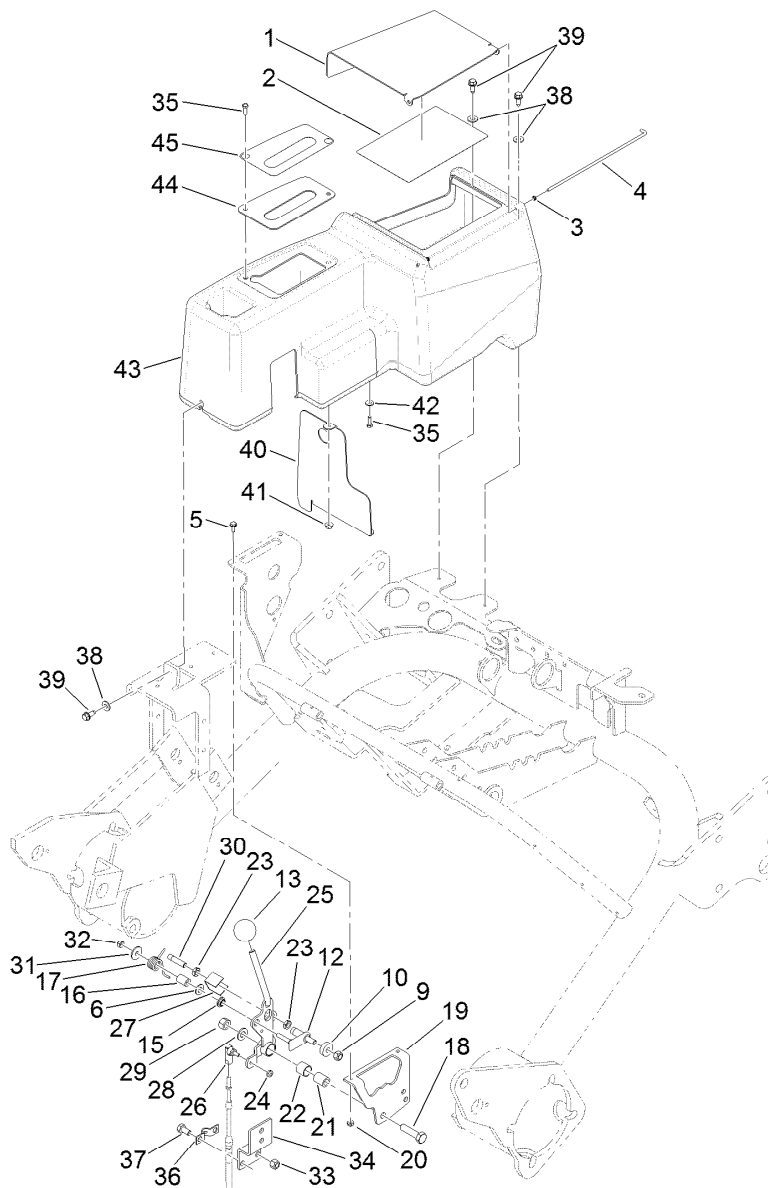
<b>Ref.</b>	<b>Part Number</b>	<b>Qty.</b>	<b>Description</b>
1	105-8252-03	1	Bracket-Pod
2	3230-1	2	Bolt-CARR
3	3296-29	2	Nut-Lock, NI
4	120-5280	1	Bracket-Joystick
5	32144-19	4	Screw-SHWH
6	3256-14	2	Washer-Flat
7	105-8251	1	Pod
8	105-8305	1	Decal-Panel, Control
9	3218-3	1	Nut-Jam
10	93-5961	1	Boot-Lever
11	233-42	1	Knob
12	107-1571	1	Nut-Hex
13	107-1572	1	Washer-Lock
14	63-8360	2	Key-Ignition



## Joystick Bracket Assembly No. 120-5280

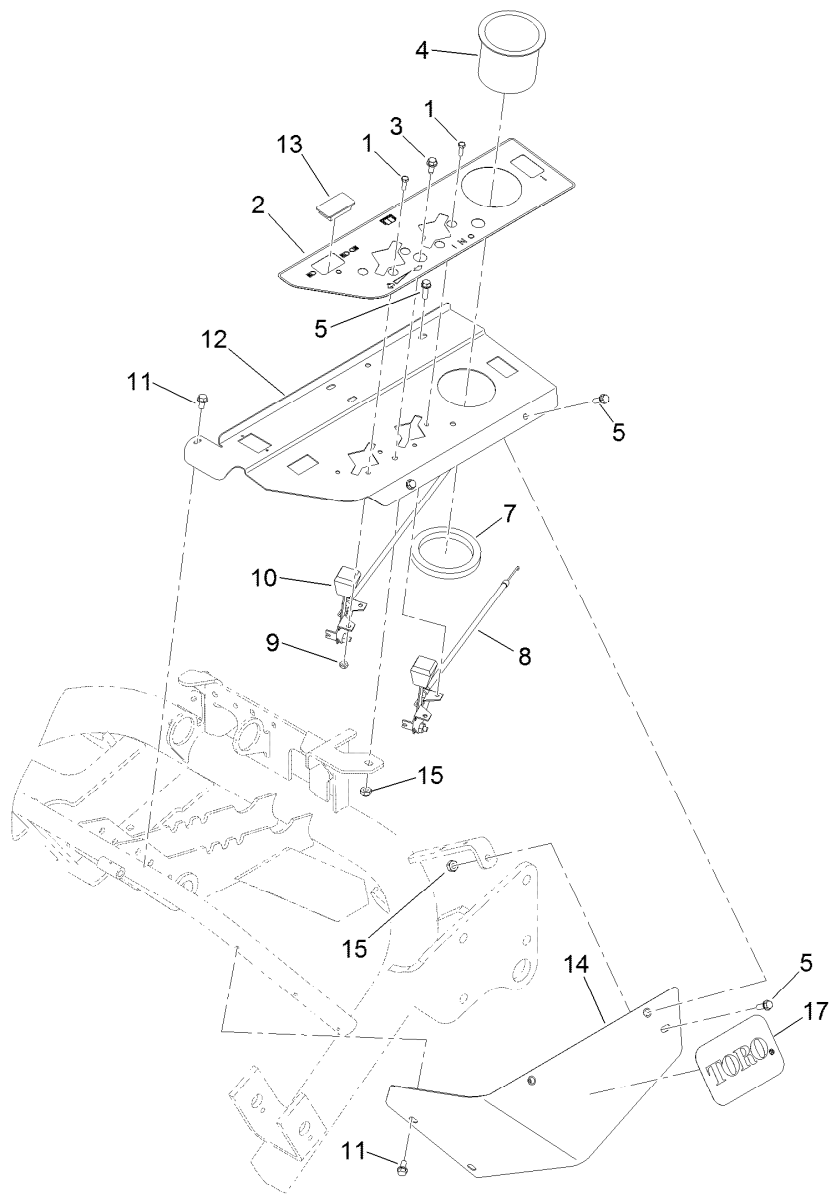
<i>Ref.</i>	<i>Part Number</i>	<i>Qty.</i>	<i>Description</i>
1	115-5357-03	1	Bracket-Joystick
2	106-4192	1	Spacer
3	93-5547	2	Bushing-Nylon
4	119-3540	1	Hub-Pivot, Joystick
5	105-8289	1	Spring-Torsion
6	106-4193	2	Washer-Finger, Spring
7	322-9	1	Screw-HH
8	3296-29	1	Nut-Lock, NI
9	3290-354	2	Nut-Speed
10	108-6496	2	Switch (W/Boot)
11	95-3003	4	Screw-PPHTF
12	3256-3	1	Washer-Flat





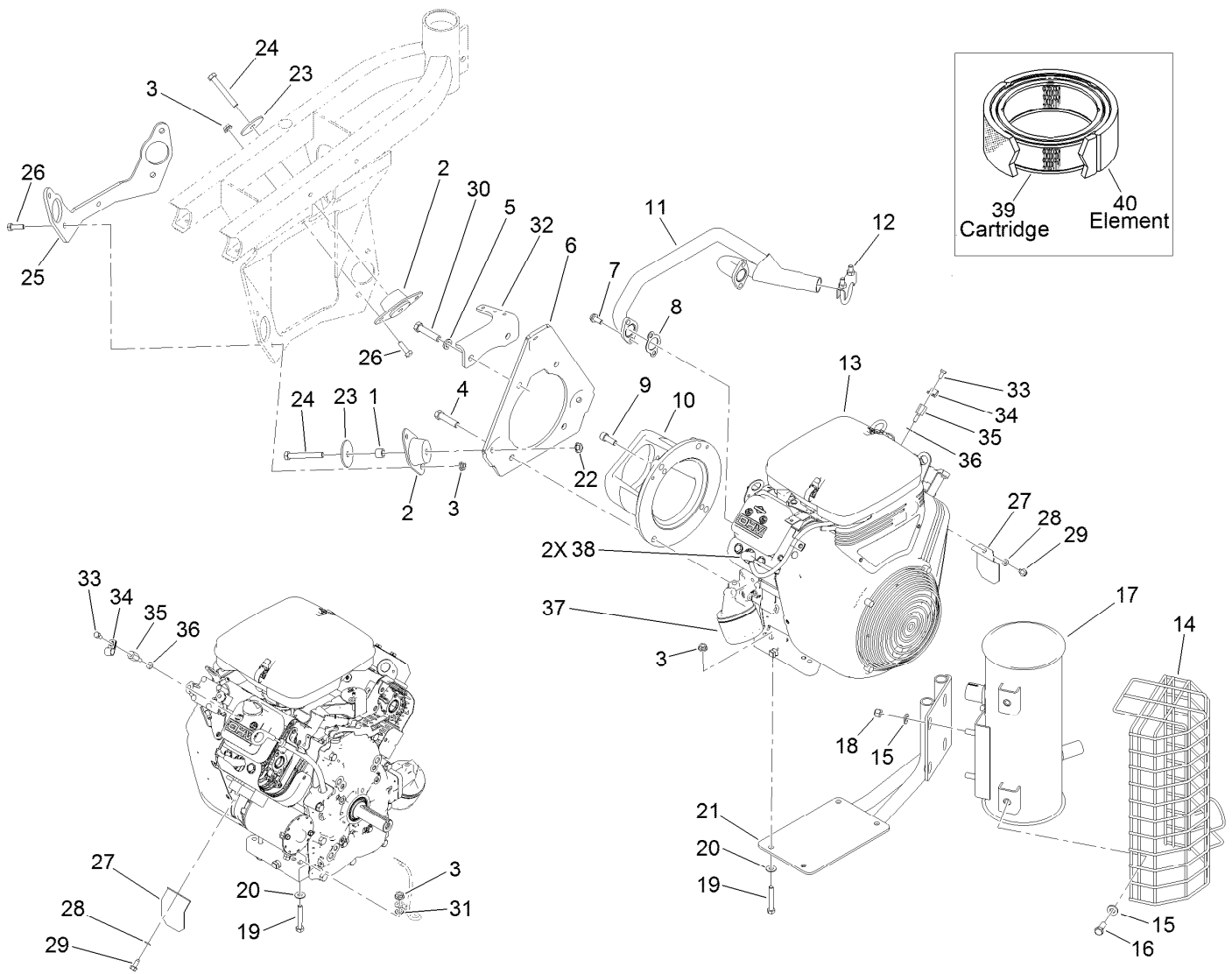
## Speed Selector Lever and Console Assembly

Ref.	Part Number	Qty.	Description	Ref.	Part Number	Qty.	Description
1	105-8254-03	1	Lid-Console	26	2411-38	1	Joint-Ball
2	115-8156	1	Decal-Speed, Clip	27	106-6356	1	Shield-Switch
3	105-8283	2	Bushing	28	3256-24	1	Washer-Flat
4	105-8256	1	Rod-Hinge	29	33025-00	1	Nut-Lock, NI
5	3290-321	2	Screw-HWH	30	120-5348	1	Actuator-Switch
6	3256-23	1	Washer-Plain	31	3256-67	1	Washer
9	33024-00	1	Nut-Lock, NI	32	33023-00	1	Nut-Lock
10	251-259	1	Bearing-Ball	33	3296-29	4	Nut-Lock, NI
12	125-1928	1	Pin	34	105-5417-03	1	Bracket-Cable, Shifter
13	233-42	1	Knob	35	3290-134	4	Screw
15	94-9619	1	Bushing	36	93-2279	1	Clamp-Cable
16	94-9618	1	Spacer-Spring	37	322-2	4	Screw-HH
17	94-9620	1	Spring-Torsion	38	3256-22	3	Washer-Flat
18	33115-040	1	Screw-HH	39	32144-10	3	Screw-HWH
19	94-6398	1	Bracket-Traction	40	105-8255-03	1	Baffle-Console
20	3296-12	2	Nut-Lock, NI	41	3290-148	4	Nut-HF
21	94-1378	1	Tube-Pivot, Handle	42	3256-77	2	Washer-Flat
22	136-8417	1	Bushing	43	105-8250	1	Console
23	117-4059	2	Nut-Hex	44	105-8280-03	1	Plate-Console
24	3296-27	1	Nut-Lock, NI	45	105-8306	1	Decal-Selector, Speed
25	94-9611	1	Handle				



## Control Panel Assembly

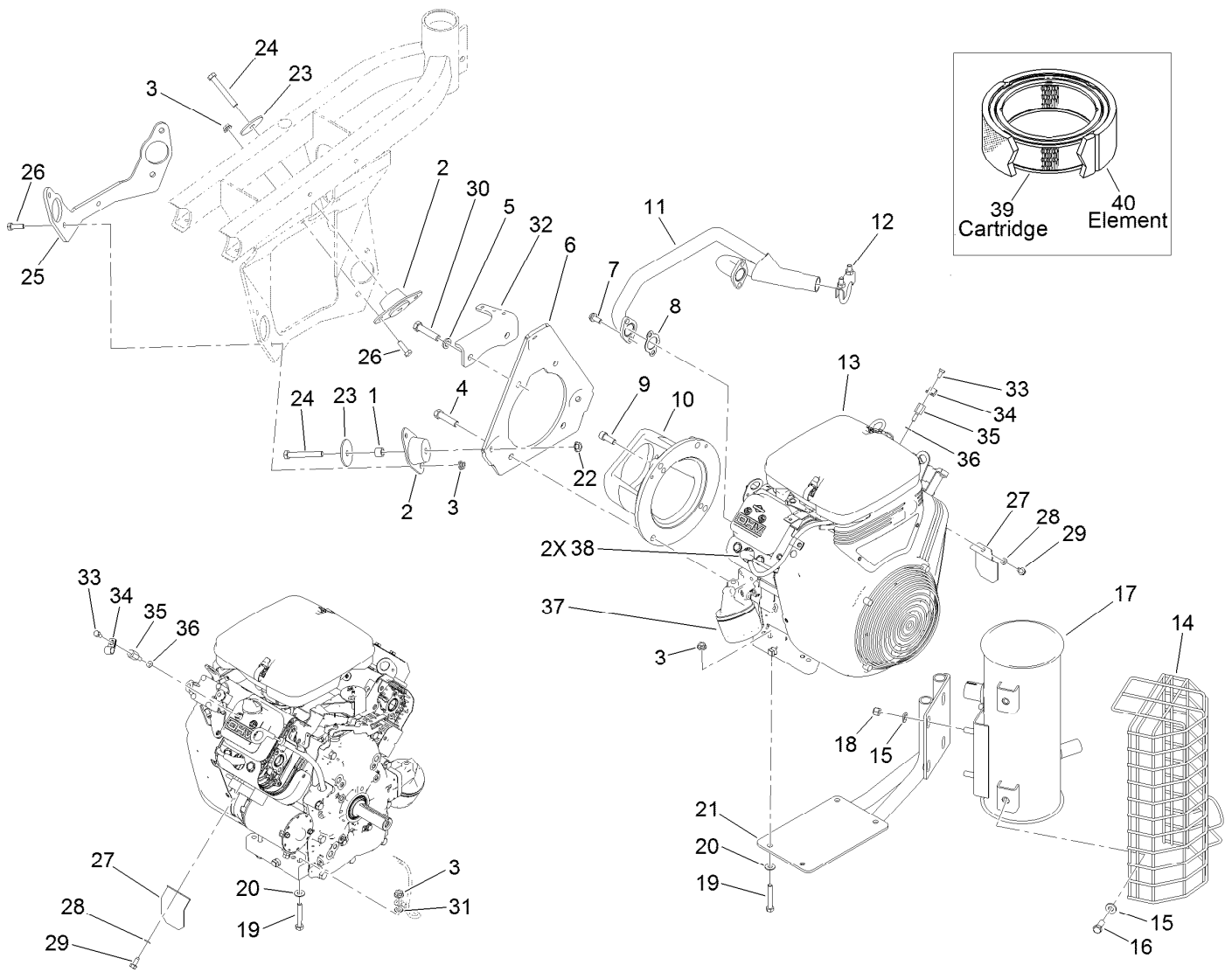
Ref.	Part Number	Qty.	Description
1	3290-134	4	Screw
2	131-2007	1	Decal-Panel, Control (Left)
3	32144-10	2	Screw-HWH
4	94-1410	1	Holder-Can, Beverage
5	32105-15	4	Screw-HWH
7	104-1476	1	Ring-Rubber
8	83-0040	1	Control-Choke
9	3296-12	4	Nut-Lock, NI
10	83-0030	1	Control-Throttle
11	32104-116	3	Screw-HWHTF
12	127-2246-03	1	Panel-Control
13	99-7420	1	Plug-Hole
14	105-5411	1	Shield-Cover, Valve
15	3296-16	2	Nut-Lock, NI
17	94-2579	1	Decal



## Engine Installation Assembly

Ref.	Part Number	Qty.	Description	Ref.	Part Number	Qty.	Description
1	93-9847	2	Spacer	18	32128-19	4	Nut-HF Lock, Large Fig
2	125-5244	3	Mount-Engine	19	322-10	4	Screw-HH
3	32128-20	10	Nut-HF	20	87-8640	4	Washer-Flat
4	324-7	2	Screw-HH	21	127-6130-03	1	Mount-Muffler
5	3253-6	4	Washer-Lock	22	3290-357	3	Nut-HSF
6	85-8120-03	1	Plate-Mount, Engine	23	83-1040	3	Washer-Flat
7	94-5300	4	Screw-HHF	24	323-13	3	Screw-HH
8	94-3449	2	Gasket-Manifold, Exhaust	25	121-9539-01	1	Support-Engine
9	3274-7	2	Screw-HSH	26	322-5	6	Screw-HH
10	83-1060-0P	1	Pump Mount - Mach. *b	27	83-2310	1	Shield-Regulator
11	119-4128	1	Manifold-Exhaust	28	3253-3	1	Washer-Lock
12	2112-11	1	Clamp-Muffler	29	32144-10	1	Screw-HWH
13	139-6524	1	Engine-Briggs Stratton, Vanguard ●	30	324-8	2	Screw-HH
14	112-0291	1	Shield-Muffler	31	3255-8	1	Washer-Lock
15	100-4852	4	Washer-Hardened	32	105-4307-03	1	Bracket-Spring
16	323-5	4	Screw-HH	33	33113-012	1	Screw-HH
17	110-4001	1	Muffler	34	2412-94	1	Clamp
				35	106-4616	1	Screw-Spacer

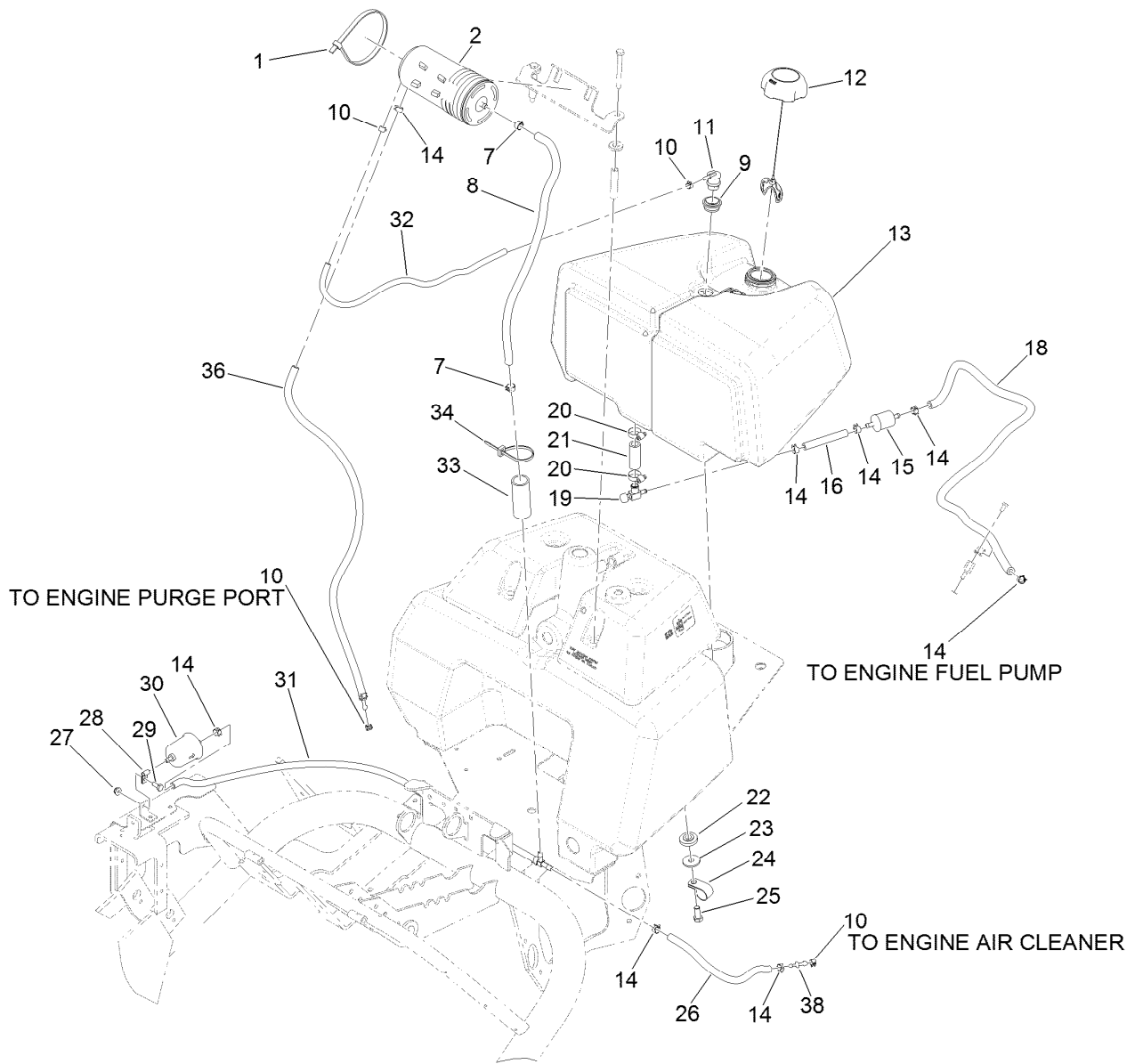
● Obtain parts from [www.briggsandstratton.com](http://www.briggsandstratton.com)



## Engine Installation Assembly (continued)

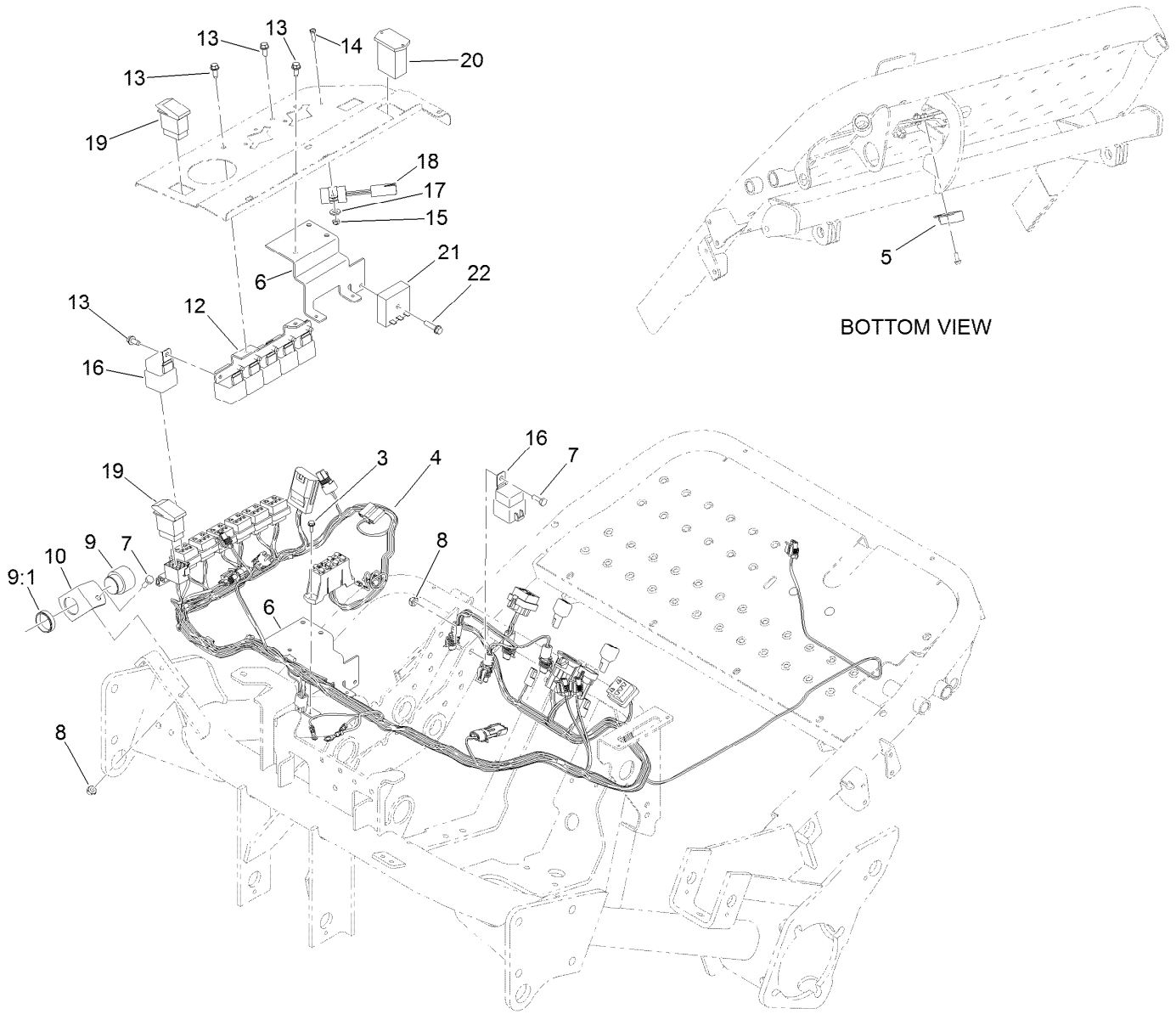
Ref.	Part Number	Qty.	Description	Ref.	Part Number	Qty.	Description
36	127-2229	1	Washer-Fiber	39	92-0527	1	Cartridge-Cleaner, Air
37	107-7817	1	Filter-Oil, Engine	40	92-0530	1	Element-Filter
38	108-6945	2	Plug-Spark				

● Obtain parts from [www.briggsandstratton.com](http://www.briggsandstratton.com)



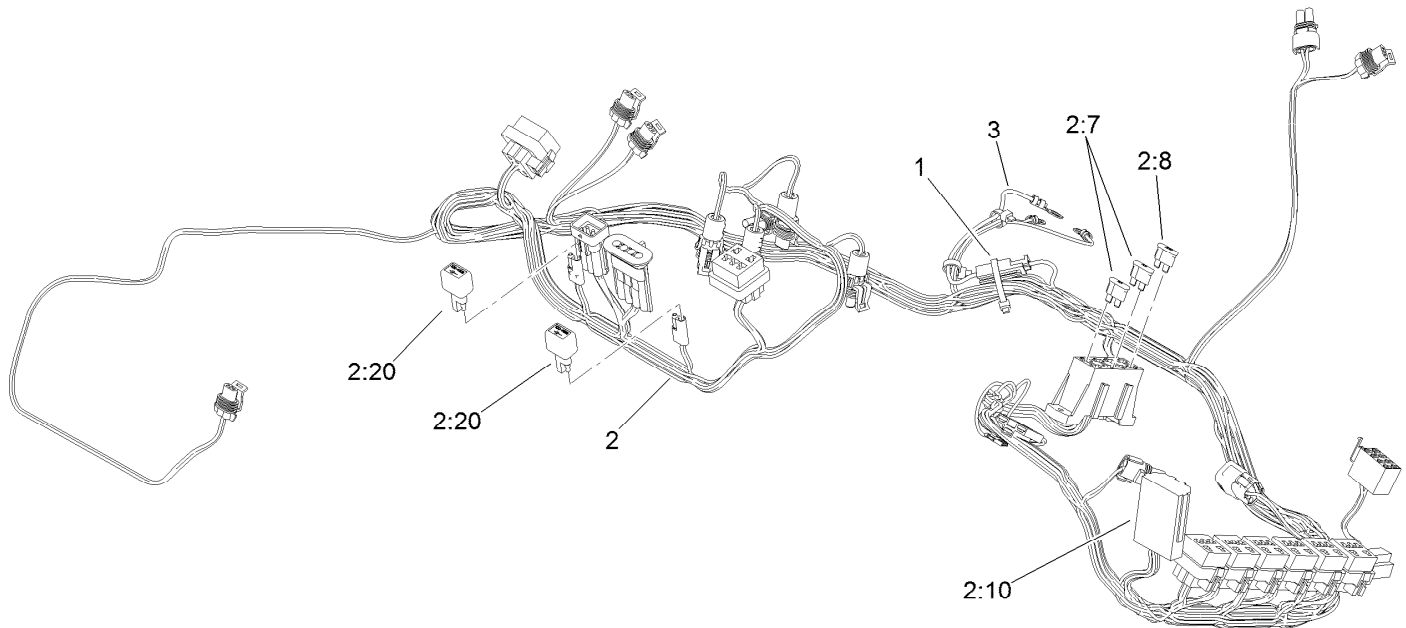
## Fuel Tank Assembly

Ref.	Part Number	Qty.	Description	Ref.	Part Number	Qty.	Description
1	103-2446	2	Tie-Cable	22	240-11	4	Bushing-Flange
2	117-1221	1	Canister-Carbon, 800Cc	23	63-8410	4	Washer
7	92-2379	2	Clamp-Hose	24	2412-41	3	Clamp-R
8	114-4028	1	Hose-Fuel	25	323-6	4	Screw-HH
9	114-0284	1	Grommet	26	109-0296	1	Hose-Fuel
10	2412-80	4	Clamp-Hose	27	104-7201	1	Nut-HF, NI
11	119-3547	1	Valve-Vent, Fuel	28	2412-72	1	Clip-Closed, Insulated
12	137-4127	1	Cap-Fuel	29	321-3	1	Screw-HH
13	115-5387	1	Tank-Fuel	30	121-2583	1	Filter-Fuel, Inline
14	2412-98	8	Clamp-Hose	31	121-2584	1	Hose ASM
15	94-2690	1	Filter-Fuel	32	119-8149	1	Hose-Fuel
16	109-0660	1	Hose-Fuel	33	121-2586	1	Tubing-Convolved, Slit
18	109-0275	1	Hose-Fuel	34	3290-378	2	Tie-Cable
19	83-1390	1	Valve-Shut-Off, Fuel	36	121-2585	1	Hose ASM
20	2412-36	2	Clamp-Hose	38	121-2573	1	Fitting-Straight
21	106-1128	1	Hose-Fuel				



## Wire Harness Assembly

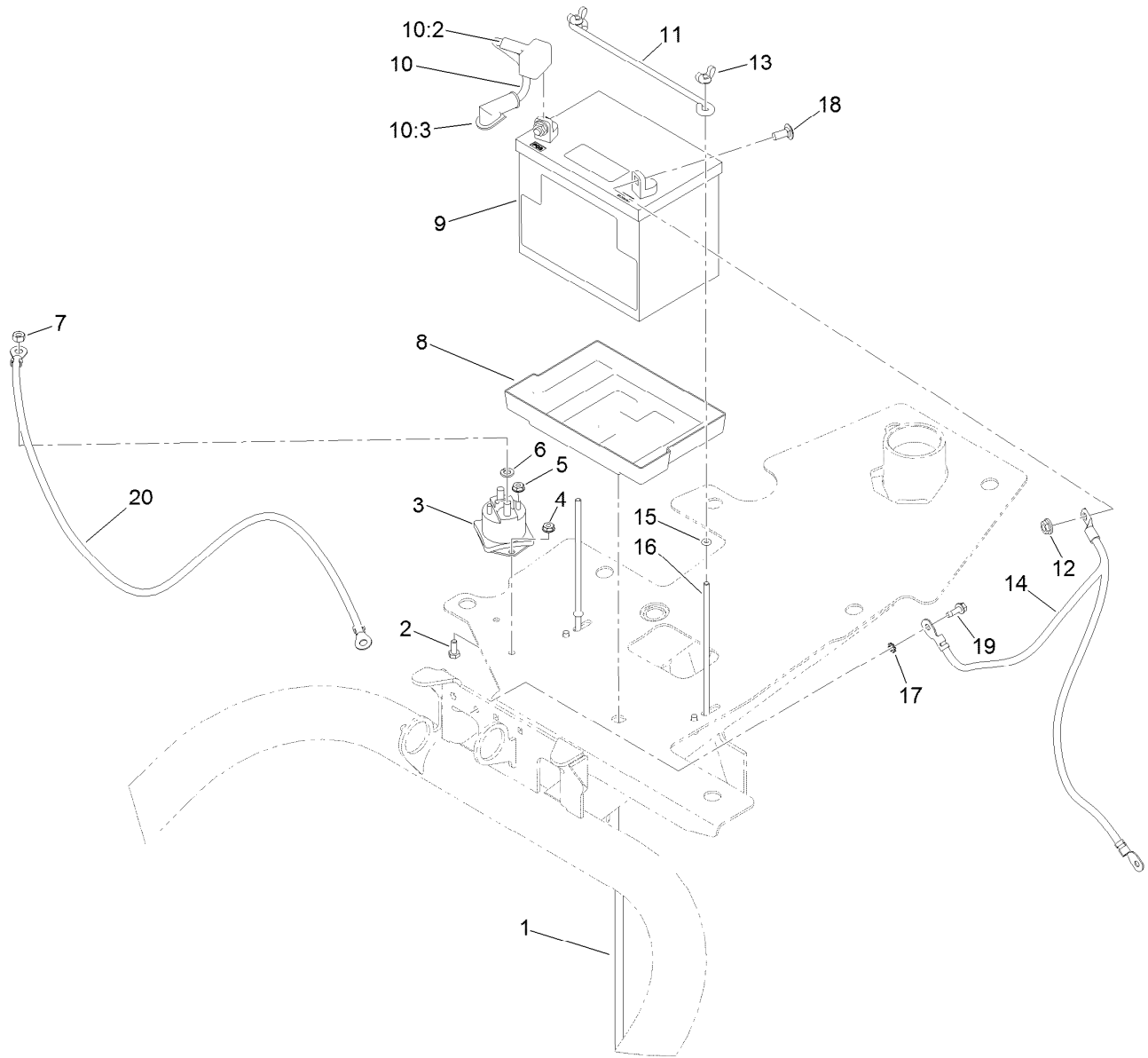
<i>Ref.</i>	<i>Part Number</i>	<i>Qty.</i>	<i>Description</i>	<i>Ref.</i>	<i>Part Number</i>	<i>Qty.</i>	<i>Description</i>
3	32144-1	2	Screw-Taptite	13	32144-10	9	Screw-HWH
4	122-1453	1	Harness-Wire, Main	14	3290-134	1	Screw
5	104-2057	1	Sensor	15	3296-12	1	Nut-Lock, NI
6	105-4310-01	1	Bracket-Fuse	16	99-7430	7	Relay-Mini
7	321-4	2	Screw-HH	17	3256-22	1	Washer-Flat
8	3296-16	2	Nut-Lock, NI	18	83-2280	1	Timer-Delay
9	80-9330	1	Audio Alarm ASM	19	106-2027	1	Switch-Intermittent
9:1	104-5107	1	Nut-Plastic, Knurled	20	75-6820	1	Hourmeter
10	83-1530	1	Bracket-Support, Buzzer	21	92-2538	1	Module-Timer
12	105-4306-03	1	Bracket-Relay	22	32144-86	1	Screw-HWHTF



## Wire Harness Assembly No. 122-1453

<i>Ref.</i>	<i>Part Number</i>	<i>Qty.</i>	<i>Description</i>
1	3290-378	3	Tie-Cable
2		1	Harness-Wire ●
2:7	218-578	2	Fuse-Blade, 10 Amp
2:8	109101	1	Fuse-Blade, 20 Amp
2:10	92-3188	2	Diode-Board, Circuit
2:20	100-4918	2	Diode
3	108-9455	1	Harness-Wire, Fusible Link

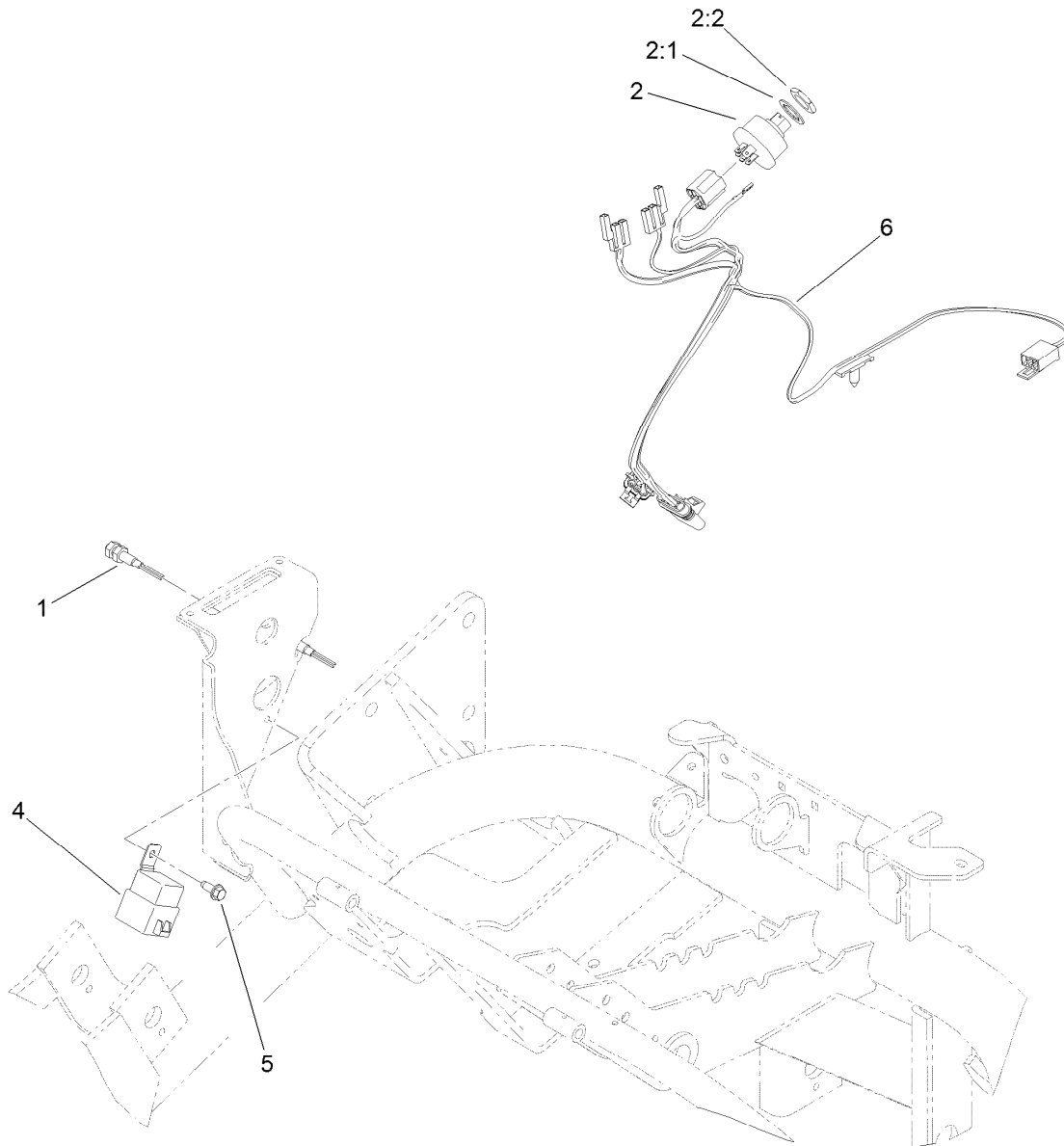
● Not serviced separately



## Battery Assembly

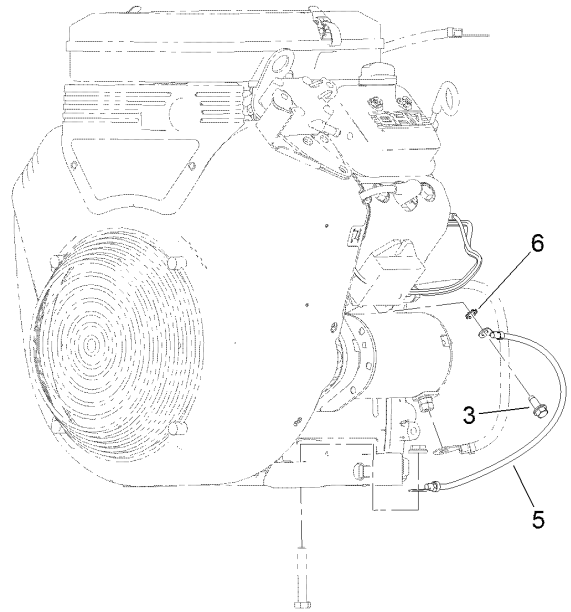
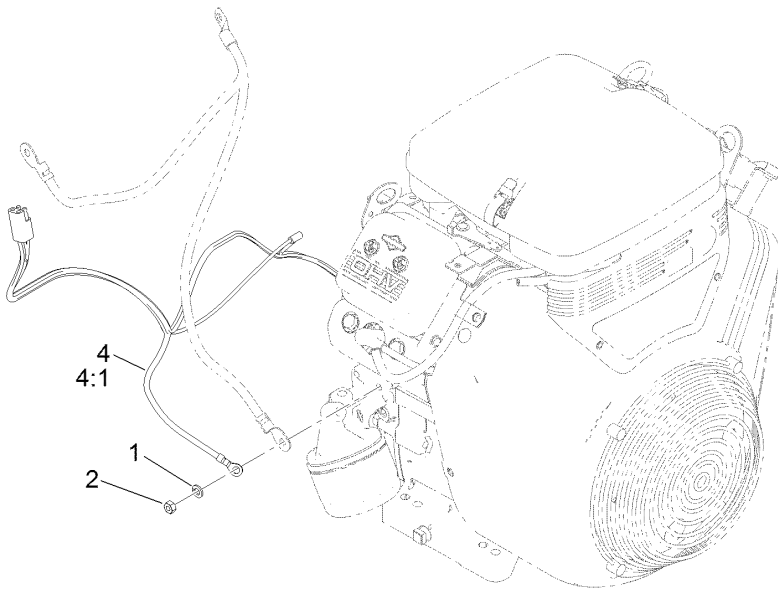
<i>Ref.</i>	<i>Part Number</i>	<i>Qty.</i>	<i>Description</i>	<i>Ref.</i>	<i>Part Number</i>	<i>Qty.</i>	<i>Description</i>
1	104-2061	1	Tube-Drain, Battery	10:3	83-2430	1	Boot-Terminal
2	321-3	2	Screw-HH	11	100-6434	1	Rod-Hold Down, Battery
3	28-4210	1	Solenoid	12	32128-20	2	Nut-HF
4	32149-2	2	Nut-Keps	13	32103-22	2	Nut-Wing
5	32149-8	2	Nut-Keps	14	122-0370	1	Cable-Battery, Negative
6	3253-4	2	Washer-Lock	15	237-143	2	O-Ring
7	3218-13	2	Nut-Jam, Brass	16	100-6435	2	Post-Battery
8	106948	1	Tray-Battery	17	3255-7	1	Washer-Lock/EXT
9	99-7421	1	Battery	18	3230-23	2	Bolt-CARR
10	83-2420	1	Positive Cable ASM	19	32104-95	1	Screw-HWH
10:2	28-8080	1	Boot-Terminal	20	98-2161	1	Cable-Battery, Positive





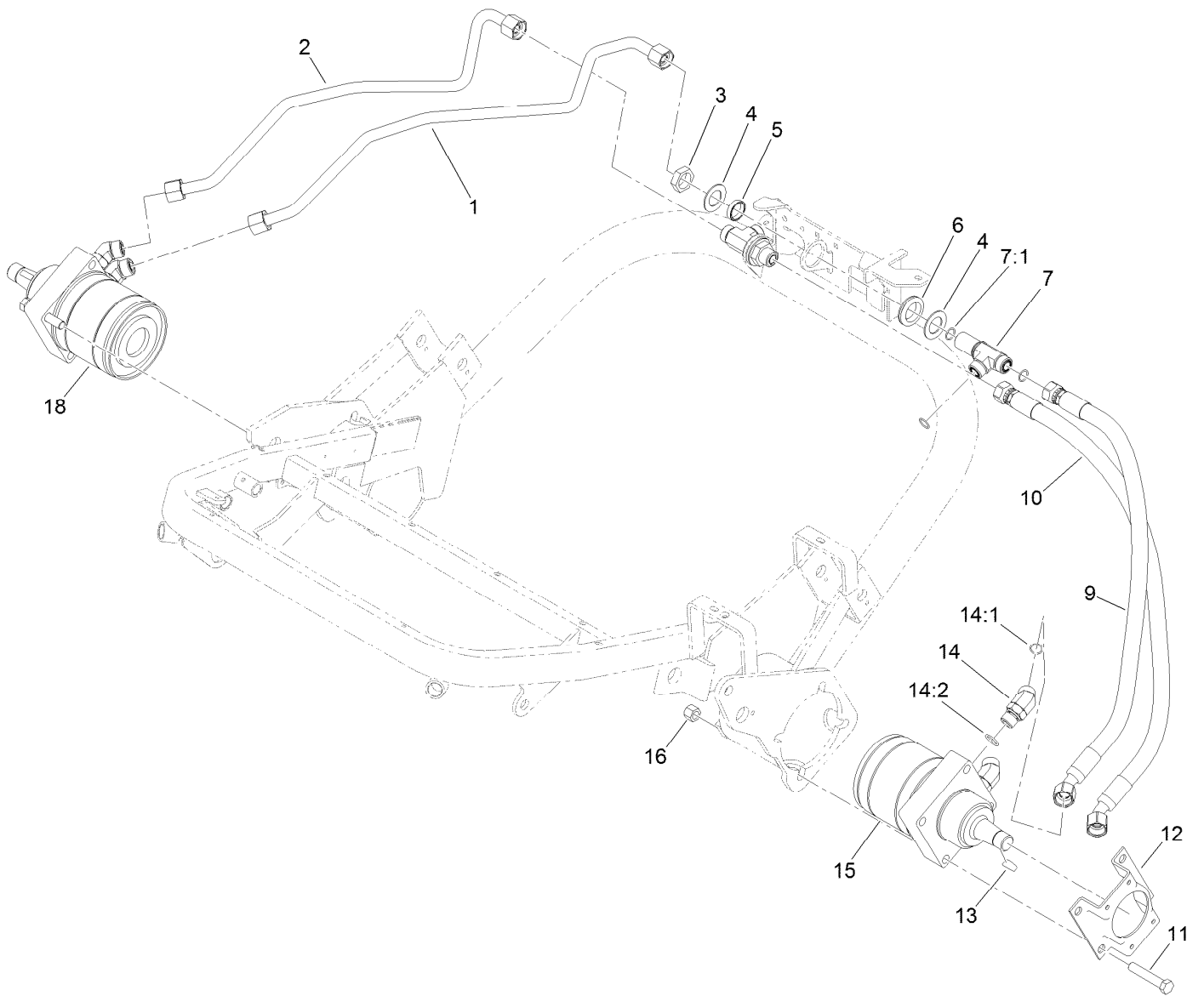
## Ignition and Reed Switch Assembly

<i>Ref.</i>	<i>Part Number</i>	<i>Qty.</i>	<i>Description</i>
1	112-0278	2	Switch-Reed
2	104-2541	1	Ignition Switch ASM
2:1	218-461	1	Nut-HH
2:2	3254-5	1	Washer-Lock
4	99-7430	1	Relay-Mini
5	32144-10	1	Screw-HWH
6	108-9466	1	Harness-Wire, Seat



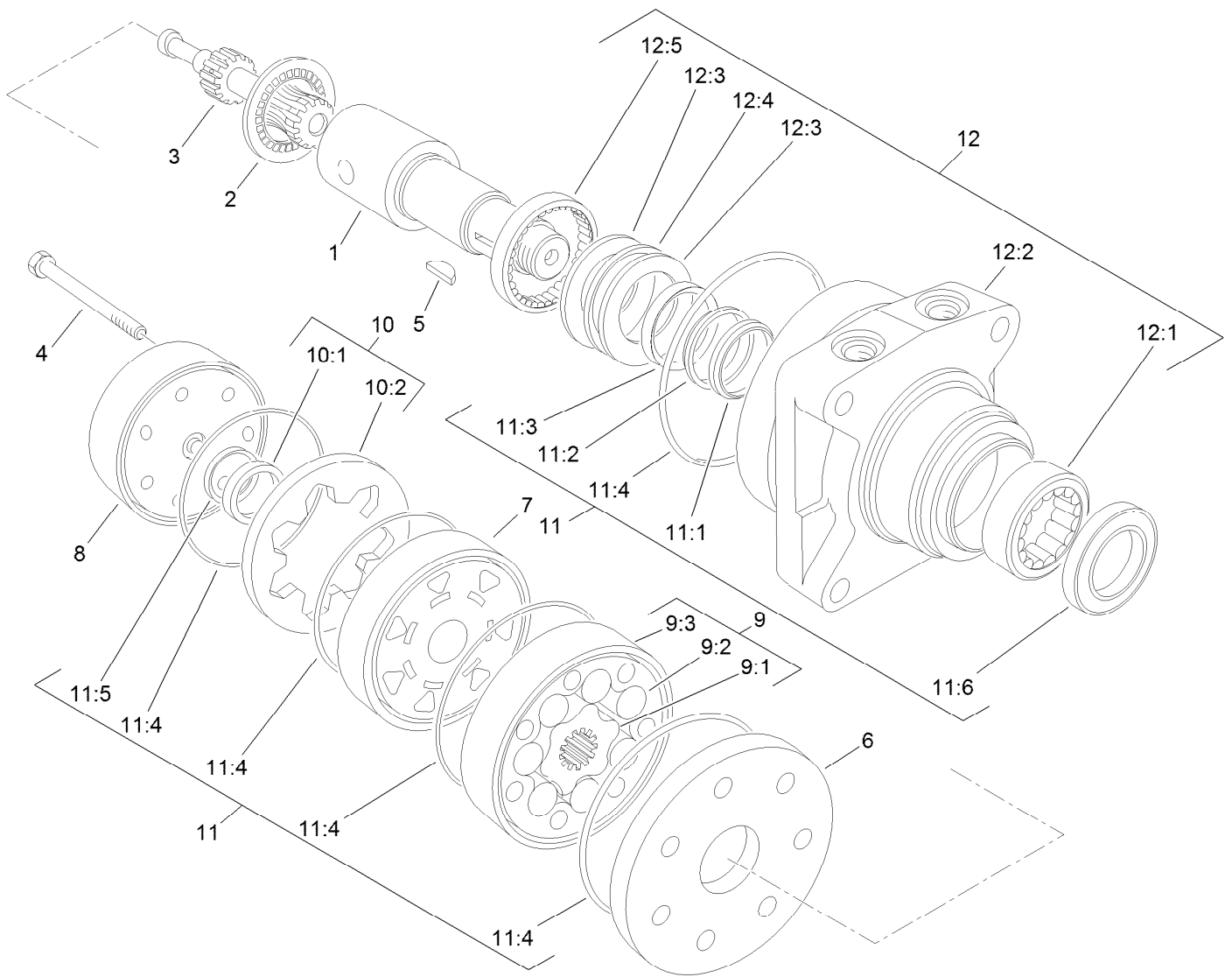
## Engine Wire Harness Assembly

<i>Ref.</i>	<i>Part Number</i>	<i>Qty.</i>	<i>Description</i>
1	3253-3	1	Washer-Lock
2	43-2830	1	Nut-Hex
3	32144-10	1	Screw-HWH
4	105-8276	1	Harness-Wire, Engine
4:1	106-4642	1	Harness-Wire, Fusible Link
5	108-6486	1	Wire-Ground
6	3255-7	1	Washer-Lock/EXT



## Ground Drive Assembly

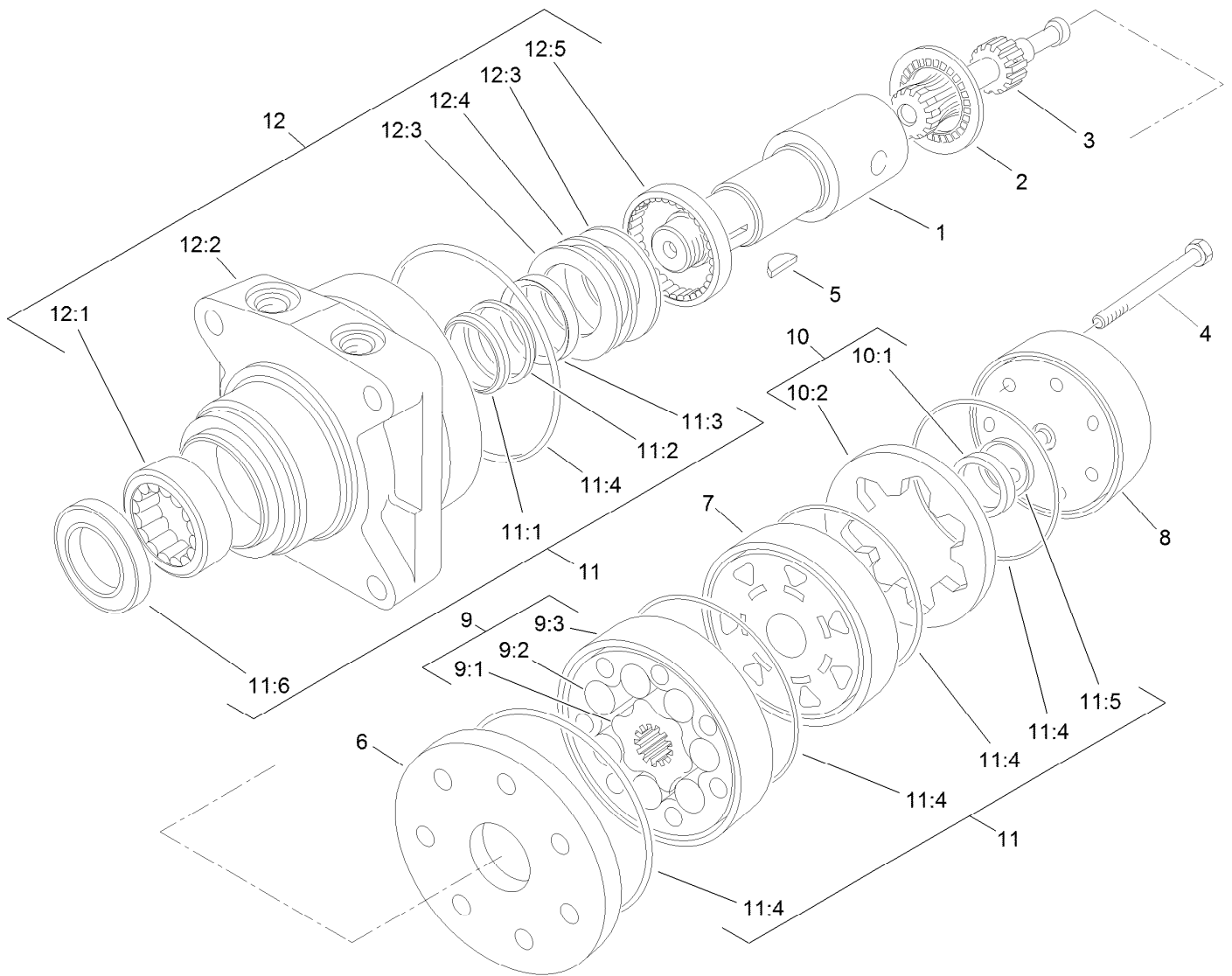
<i>Ref.</i>	<i>Part Number</i>	<i>Qty.</i>	<i>Description</i>	<i>Ref.</i>	<i>Part Number</i>	<i>Qty.</i>	<i>Description</i>
1	112-0204	1	Tube-HYD	11	325-11	8	Screw-HH
2	112-0203	1	Tube-HYD	12	84-2000-0P	2	Bracket-Brake
3	340-74	2	Nut-Lock, Bulkhead	13	3257-42	2	Key-Woodruff
4	69-9010	4	Washer	14	340-14	4	Fitting-HYD, 45 DEG
5	125-1984	2	Spacer	14:1	237-65	1	O-Ring
6	240-3	2	Grommet-Rubber	14:2	237-80	1	O-Ring
7	94-5350	2	Fitting-Tee	15	110-4015	1	HYD Motor ASM (CCW)
7:1	237-65	3	O-Ring	16	3296-23	8	Nut-Lock, NI
9	138-4975	1	Hose ASM-HYD HP	18	110-4016	1	HYD Motor ASM (CW)
10	105-4333	1	Hose-HYD				



## Hydraulic Motor Assembly (CW) No. 110-4016

Ref.	Part Number	Qty.	Description	Ref.	Part Number	Qty.	Description
1	76-0860	1	Shaft-Coupling	10:2		1	Ring-Commutator ●
2	76-0850	1	Bearing-Thrust	11	100-6131	1	Seal Kit
3	92-9761	1	Link-Drive	11:1		1	Ring-Back Up ●
4	92-9762	7	Screw-HH	11:2		1	Washer-Back Up ●
5	3257-42	1	Key-Woodruff	11:3		1	Seal-Shaft ●
6	92-9754	1	Plate-Wear	11:4		5	Seal-Ring ●
7	76-0840	1	Manifold	11:5		1	Seal-Commutator ●
8	76-0940	1	End Cover ASM	11:6		1	Seal-Dirt And Water ●
9	92-9763	1	Rotor Set	12	76-0810	1	Housing ASM
9:1		1	Rotor ●	12:1		1	Bearing ●
9:2		1	Vane ●	12:2		1	Housing ●
9:3		1	Stator ●	12:3		2	Washer-Thrust ●
10	76-0880	1	Commutator ASM	12:4		1	Bearing-Thrust ●
10:1		1	Commutator ●	12:5		1	Bearing ●

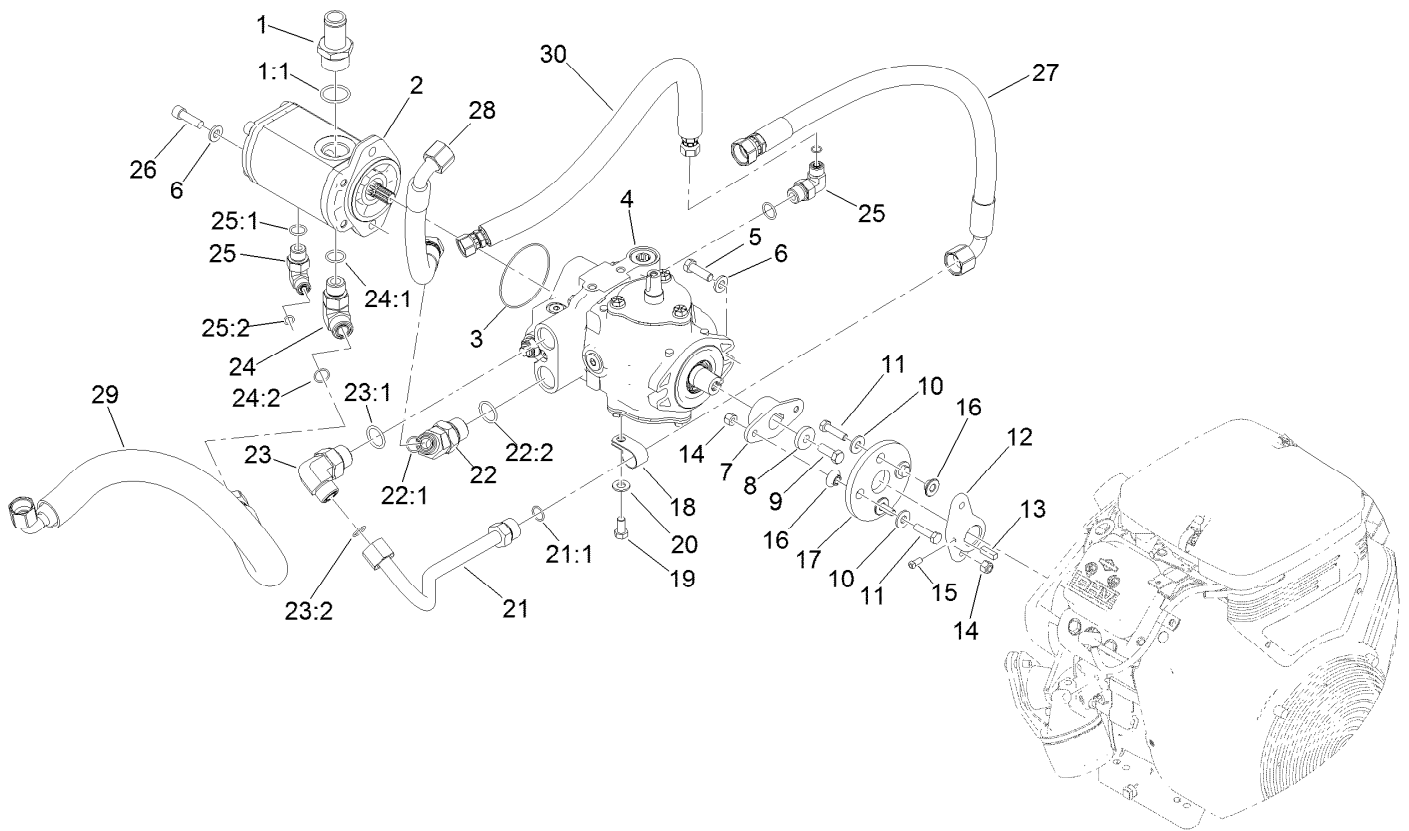
● Not serviced separately



## Hydraulic Motor Assembly (CCW) No. 110-4015

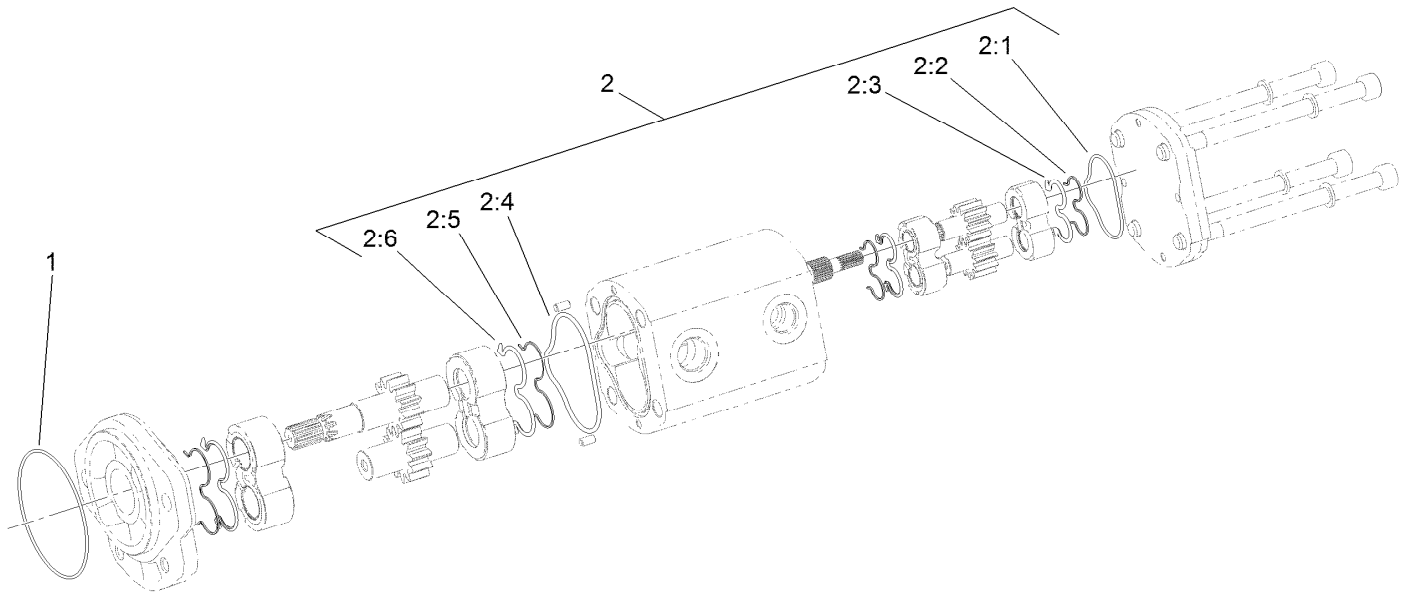
Ref.	Part Number	Qty.	Description	Ref.	Part Number	Qty.	Description
1	76-0860	1	Shaft-Coupling	10:2		1	Ring-Commutator ●
2	76-0850	1	Bearing-Thrust	11	100-6131	1	Seal Kit
3	92-9761	1	Link-Drive	11:1		1	Ring-Back Up ●
4	92-9762	7	Screw-HH	11:2		1	Washer-Back Up ●
5	3257-42	1	Key-Woodruff	11:3		1	Seal-Shaft ●
6	92-9754	1	Plate-Wear	11:4		5	Seal-Ring ●
7	76-0840	1	Manifold	11:5		1	Seal-Commutator ●
8	76-0940	1	End Cover ASM	11:6		1	Seal-Dirt And Water ●
9	92-9763	1	Rotor Set	12	76-0810	1	Housing ASM
9:1		1	Rotor ●	12:1		1	Bearing ●
9:2		1	Vane ●	12:2		1	Housing ●
9:3		1	Stator ●	12:3		2	Washer-Thrust ●
10	76-0880	1	Commutator ASM	12:4		1	Bearing-Thrust ●
10:1		1	Commutator ●	12:5		1	Bearing ●

● Not serviced separately



## Hydrostat and Gear Pump Drive Assembly

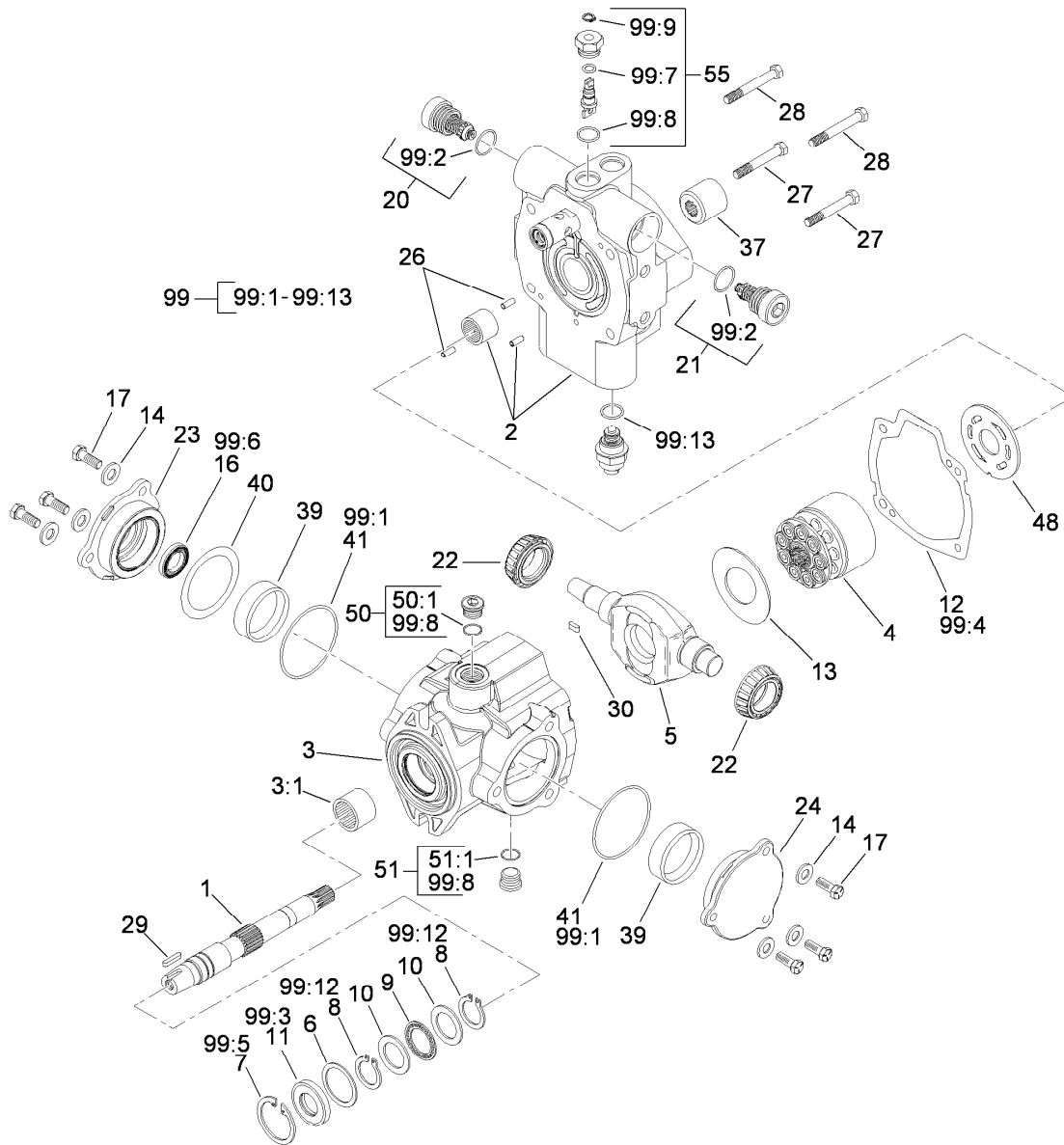
Ref.	Part Number	Qty.	Description	Ref.	Part Number	Qty.	Description
1	354-78	1	Fitting-STR	20	3256-24	1	Washer-Flat
1:1	237-146	1	O-Ring	21	121-2561	1	Tube-HYD
2	114-9956	1	HYD Gear Pump ASM	21:1	237-65	1	O-Ring
3	353-949	1	O-Ring	22	340-156	1	Fitting-Elbow 45
4	121-9557	1	Pump-Hydro	22:1	237-65	1	O-Ring
5	323-7	2	Screw-HH	22:2	237-81	1	O-Ring
6	100-4852	4	Washer-Hardened	23	340-139	1	Fitting-Elbow 90
7	119-4485	1	Hub-Pump	23:1	237-81	1	O-Ring
8	138-8594	1	Spacer	23:2	237-65	1	O-Ring
9	3211-4	1	Screw-HH	24	340-17	1	Fitting-Elbow, 90 DEG
10	3256-3	4	Washer-Flat	24:1	237-65	1	O-Ring
11	322-6	4	Screw-HH	24:2	237-80	1	O-Ring
12	110-5236	1	Hub-Engine	25	340-18	2	Fitting-HYD, 90 DEG
13	10-7070	1	Key-Square	25:1	237-79	1	O-Ring
14	3296-29	4	Nut-Lock, NI	25:2	237-22	1	O-Ring
15	3241-7	2	Screw-SQH	26	3274-1	2	Screw-HSH
16	125-9249	4	Spacer-Coupler, Rubber	27	99-6193	1	Hose ASM
17	115-4523	1	Coupling-Rubber	28	105-4332	1	Hose-HYD
18	2412-41	1	Clamp-R	29	131-2042	1	Hose-HYD
19	323-4	1	Screw-HH	30	131-2041	1	Hose ASM



## Hydraulic Gear Pump Assembly No. 114-9956

<i>Ref.</i>	<i>Part Number</i>	<i>Qty.</i>	<i>Description</i>
1	353-949	1	O-Ring
2	119-7134	1	Kit-Seal
2:1		1	O-Ring ●
2:2		2	Seal-Extrusion, Anti ●
2:3		2	Seal-Backup ●
2:4		1	O-Ring ●
2:5		2	Seal-Extrusion, Anti ●
2:6		2	Seal-Backup ●

● Not serviced separately



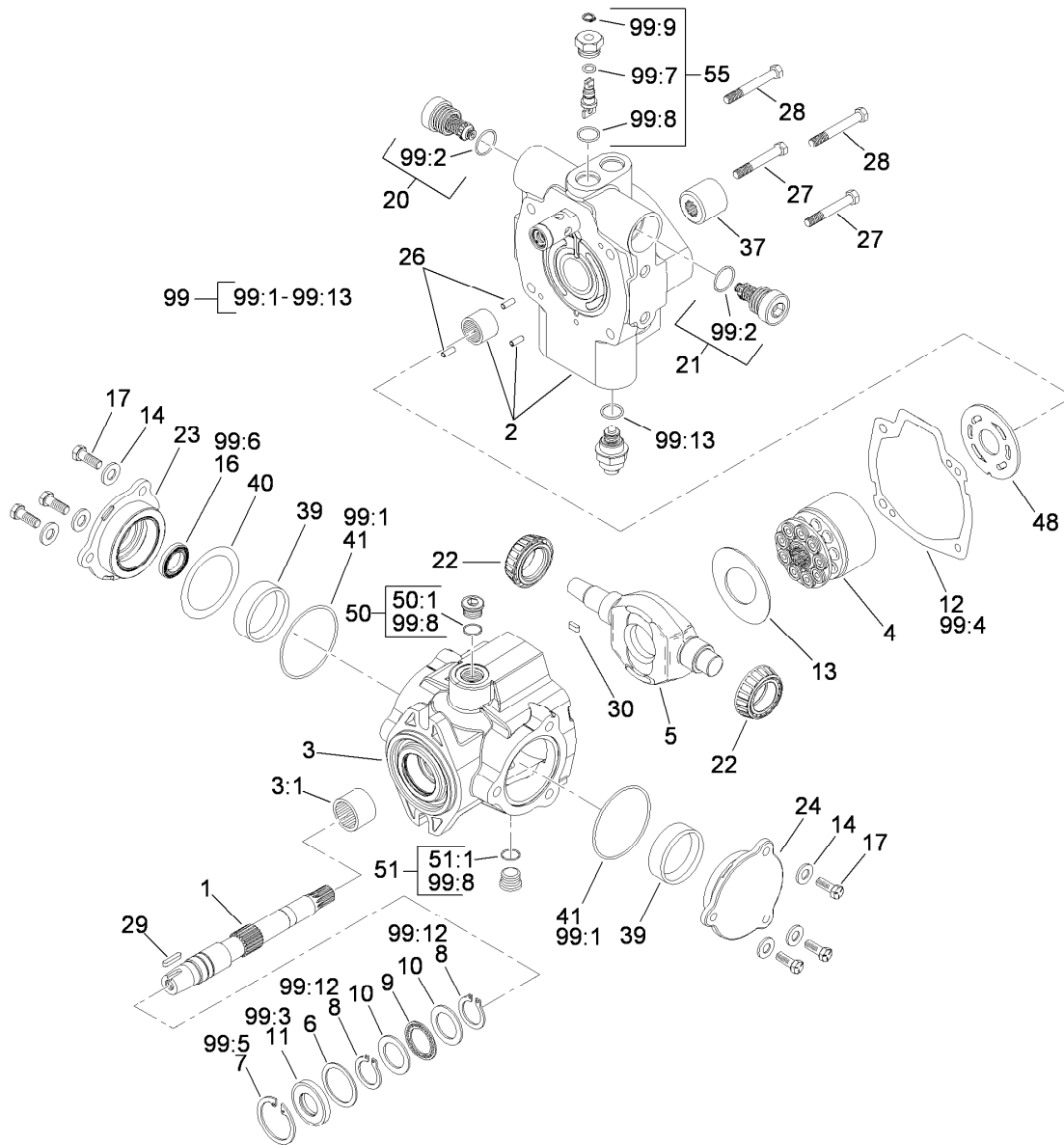
## Hydraulic Pump Assembly No. 121-9557

Ref.	Part Number	Qty.	Description	Ref.	Part Number	Qty.	Description
1	119-7148	1	Shaft-Drive, Tapered	21	120-1989	1	Relief Valve ASM
2	121-9574	1	Endcover ASM	22	98-4639	2	Bearing-Cone
3	100-3176	1	Housing ASM	23	98-4645	1	Plate-Cover
3:1	94-6363	1	Bearing	24	98-4644	1	Plate-Cover
4	76-6070	1	Rotating Kit	26	76-6150	2	Pin-Dowel
5	100-3175	1	Camplate	27	76-6160	2	Capscrew
6	33-3720	1	Washer	28	76-6170	2	Capscrew
7	32151-13	1	Ring-Retaining	29	120-5751	1	Key
8	32151-29	2	Ring-Retaining	30	94-3646	1	Key
9	252-66	1	Bearing-Thrust	37	74-9040	1	Coupler
10	252-71	2	Washer-Thrust	39	104-4046	2	Bearing-Cup
11	104-4861	1	Seal-Shaft	40	100-3182	1	Shim Kit
12	33-4930	1	Gasket-Housing	41	100-3179	2	O-Ring
13	98-4635	1	Insert-Plate, Cam	48	100-3180	1	Plate-Valve
14	105-9762	6	Washer	50	74-9280	1	Plug ASM
16	76-6190	1	Seal-Shaft	50:1		1	O-Ring ■
17	98-4640	6	Screw-Cap	51	74-9280	1	Plug ASM
20	120-1989	1	Relief Valve ASM	51:1		1	O-Ring ■

● Not illustrated

■ Not serviced separately





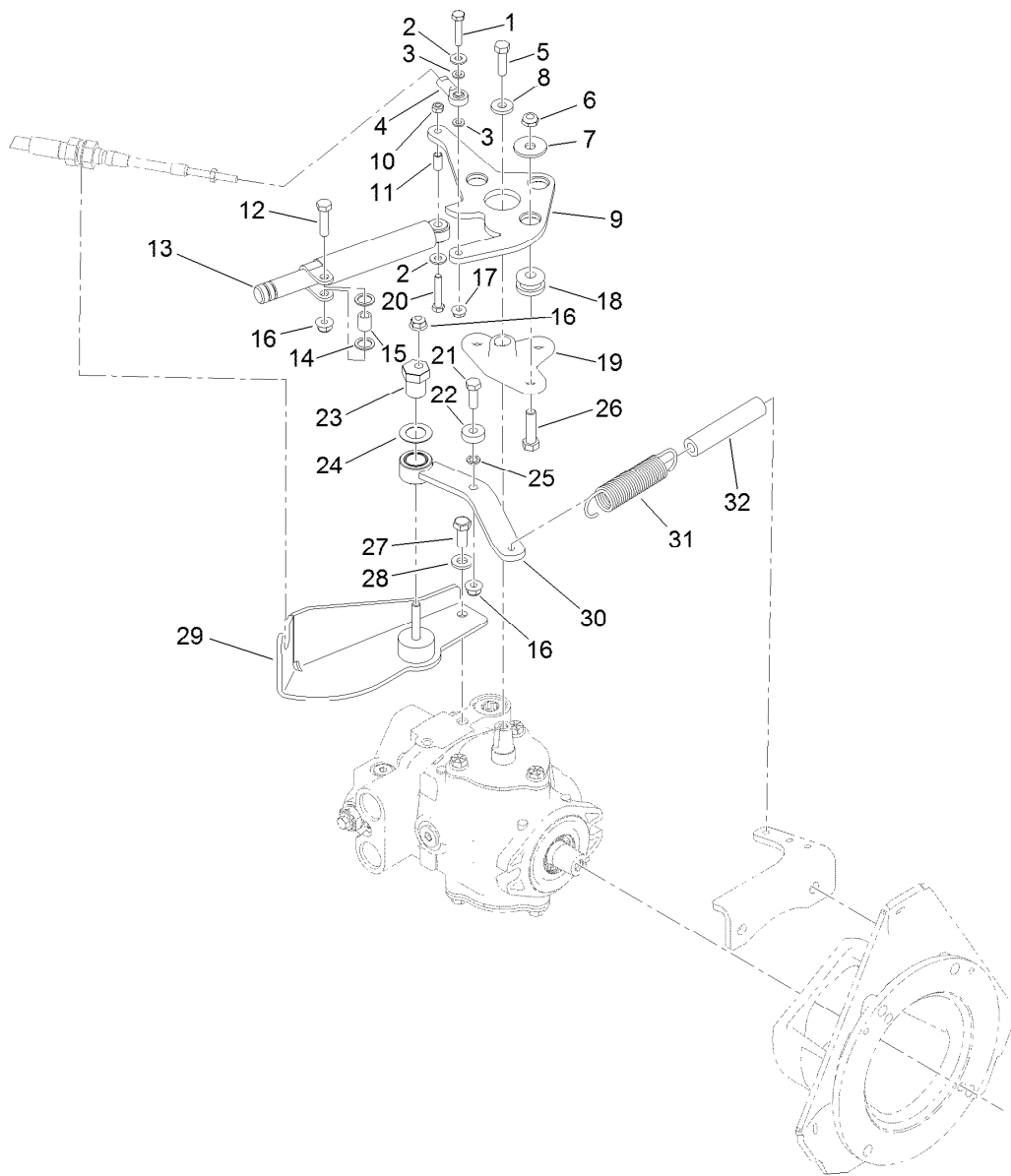
## Hydraulic Pump Assembly No. 121-9557 (continued)

Ref.	Part Number	Qty.	Description
55	105-3811	1	Valve-Bypass
99	120-5754	1	Seal Kit
99:1		2	O-Ring ■
99:2		2	O-Ring ■
99:3		1	Seal-Shaft ■
99:4		1	Gasket ■
99:5		1	Ring-Retaining ■
99:6		1	Seal-Shaft ■

Ref.	Part Number	Qty.	Description
99:7		1	O-Ring ■
99:8		5	O-Ring ■
99:9		1	Ring-Retaining ■
99:10		1	O-Ring ●■
99:11		1	O Ring-Molded ●■
99:12		2	Ring-Retaining ■
99:13		1	O-Ring ●■

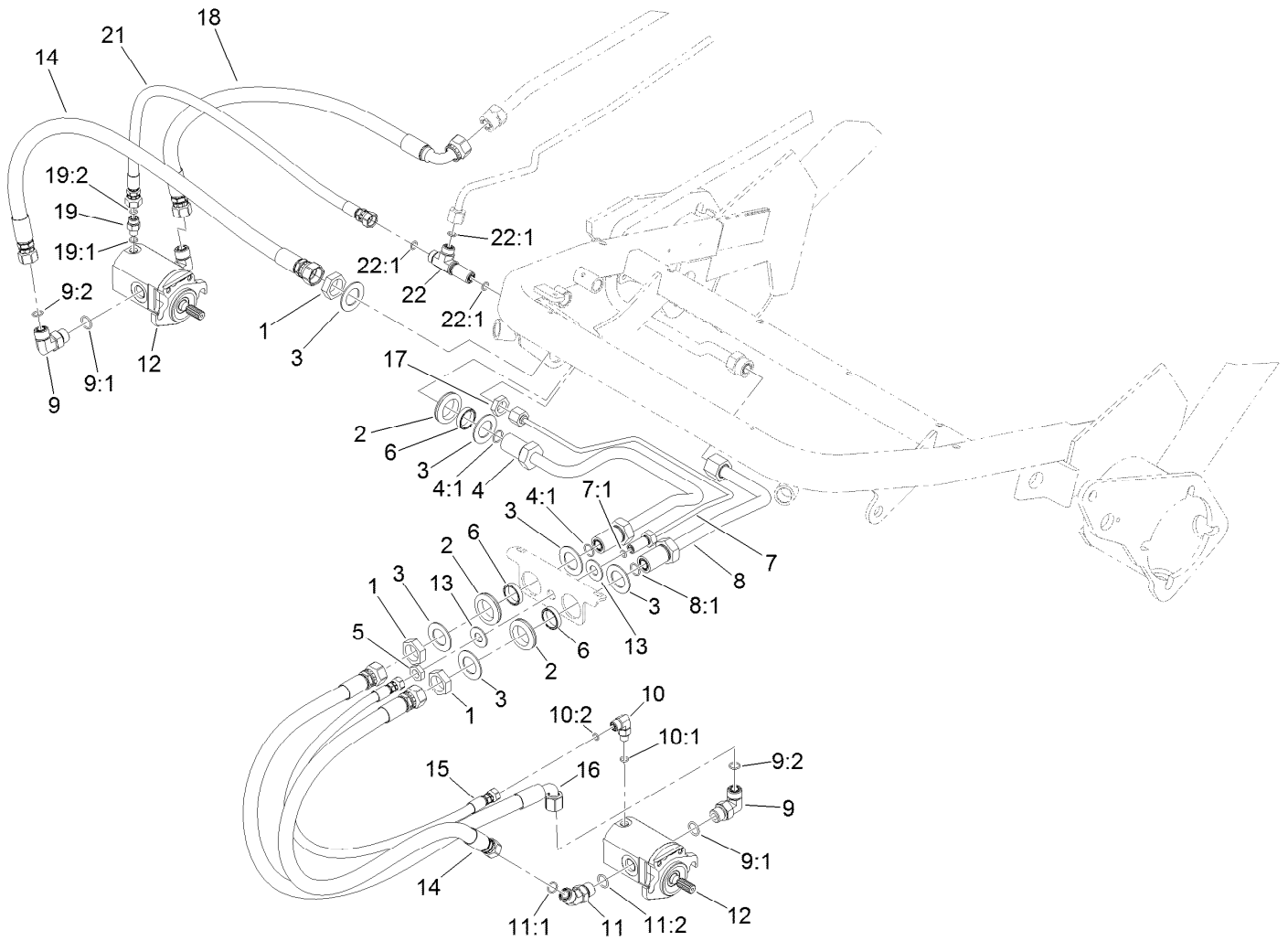
● Not illustrated

■ Not serviced separately



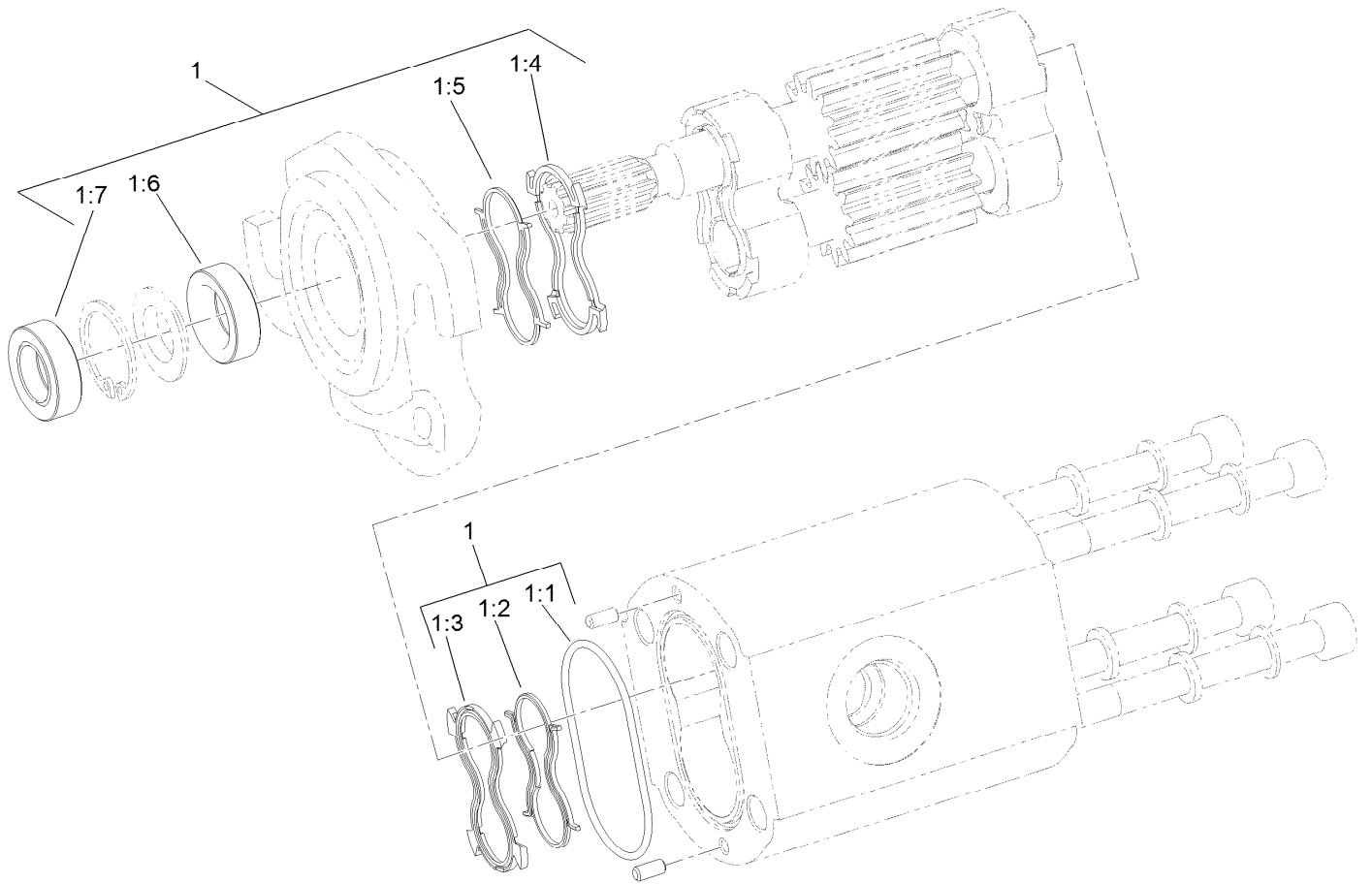
## Neutral System Assembly

<i>Ref.</i>	<i>Part Number</i>	<i>Qty.</i>	<i>Description</i>	<i>Ref.</i>	<i>Part Number</i>	<i>Qty.</i>	<i>Description</i>
1	321-8	1	Screw-HH	17	104-7201	1	Nut-HF, NI
2	3256-22	2	Washer-Flat	18	63-9750	3	Mount
3	33093-00	2	Washer-Flat	19	117-9500	1	Plate-Pivot
4	2411-41	1	Rod End-Ball Joint	20	33113-035	1	Screw-HH
5	3210-6	1	Screw-HH	21	322-5	1	Screw-HH
6	3296-59	3	Nut-Lock, NI	22	251-259	1	Bearing-Ball
7	93-8806	3	Washer-Hardened	23	93-2111	1	Stud-Traction
8	88-7200	1	Washer-Flat	24	3-6498	1	Washer-Thrust
9	105-5477-03	1	Lever-Pump	25	75-5470	1	Spacer-Bearing
10	33023-00	1	Nut-Lock	26	323-29	3	Screw-HH
11	94-1312	1	Spacer-Pivot	27	323-5	2	Screw-HH
12	322-6	1	Screw-HH	28	100-4852	2	Washer-Hardened
13	76-8870	1	Damper-Lever	29	105-5475	1	Cable Support ASM
14	94-8196	2	Washer-Nylon	30	144-5749	1	Neutral Arm ASM
15	94-8197	1	Tube-Pivot	31	94-1369	1	Spring-Extension
16	104-8300	3	Nut-HF, NI	32	99-4251	1	Hose-Dampener



## Front Hydraulic Reel Drive and Hose Assembly

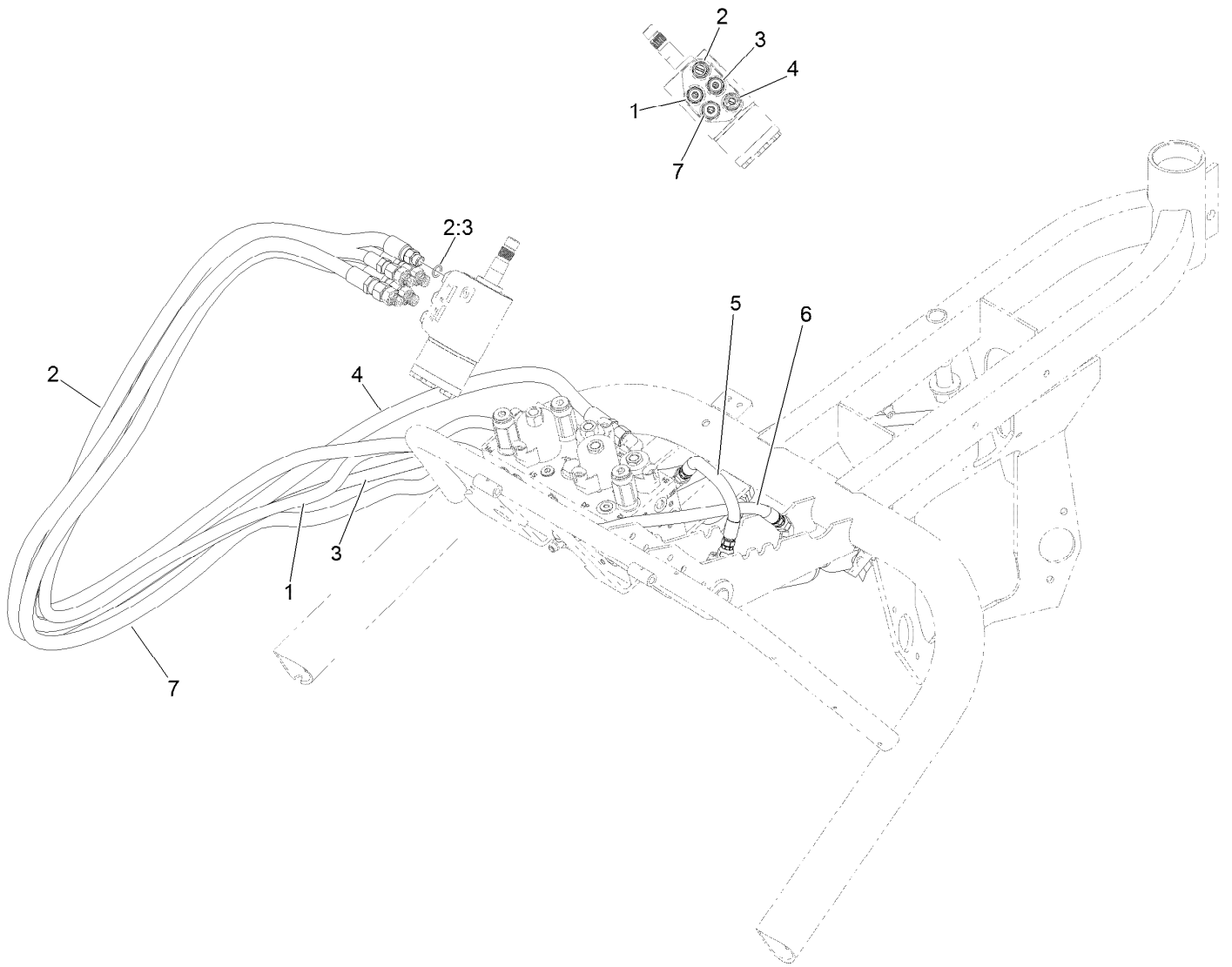
Ref.	Part Number	Qty.	Description	Ref.	Part Number	Qty.	Description
1	340-74	3	Nut-Lock, Bulkhead	11	340-101	1	Fitting-HYD, 45 DEG
2	240-3	3	Grommet-Rubber	11:1	237-30	1	O-Ring
3	69-9010	6	Washer	11:2	237-79	1	O-Ring
4	107-2580	1	Tube-HYD	12	120-2072	2	HYD Motor ASM
4:1	237-65	2	O-Ring	13	69-8980	2	Washer
5	340-78	1	Nut-Lock	14	139-6529	2	Hose ASM
6	125-1984	3	Spacer	15	106-9674	1	Hose-HYD
7	127-2227	1	Tube-HYD	16	139-6530	1	Hose ASM
7:1	237-21	1	O-Ring	17	340-70	1	Nut-Lock
8	107-2581	1	Tube-HYD	18	139-6532	1	Hose ASM
8:1	237-65	1	O-Ring	19	340-92	1	Fitting-Straight
9	340-98	3	Fitting-Elbow, 90 DEG	19:1	237-78	1	O-Ring
9:1	237-79	1	O-Ring	19:2	237-21	1	O-Ring
9:2	237-30	1	O-Ring	21	105-5405	1	Hose-HYD
10	340-132	1	Fitting-Elbow, 90 DEG	22	340-68	1	Fitting-Tee, Bulkhead
10:1	237-78	1	O-Ring	22:1	237-22	3	O-Ring
10:2	237-21	1	O-Ring				



## Hydraulic Reel Motor Assembly No. 120-2072

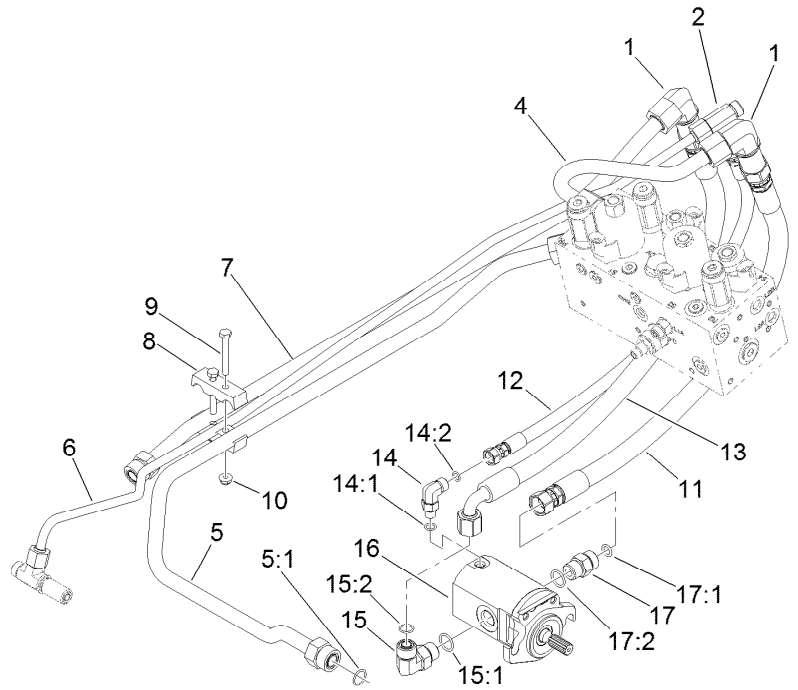
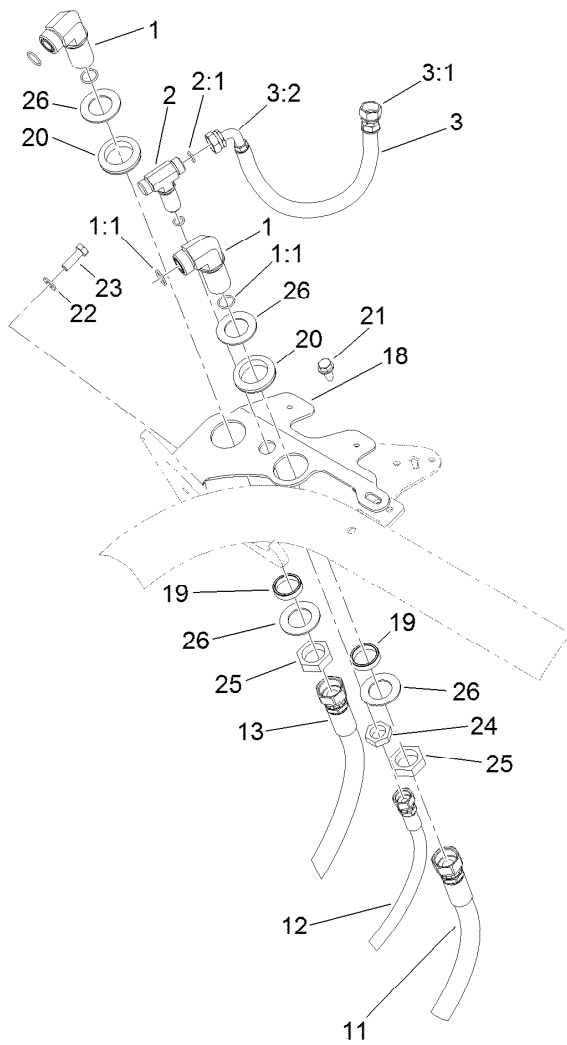
<i>Ref.</i>	<i>Part Number</i>	<i>Qty.</i>	<i>Description</i>
1	119-7113	1	Seal Kit
1:1		1	O-Ring Housing ●
1:2		1	Seal-Anti Extrusion ●
1:3		1	Seal-Plate, Balancing ●
1:4		1	Seal-Plate, Balancing ●
1:5		1	Seal-Anti Extrusion ●
1:6		1	Seal-Shaft (Inboard) ●
1:7		1	Seal-Shaft (Outboard) ●

● Not serviced separately



## Hydraulic Steering Hose and Center Lift Cylinder Hose Assembly

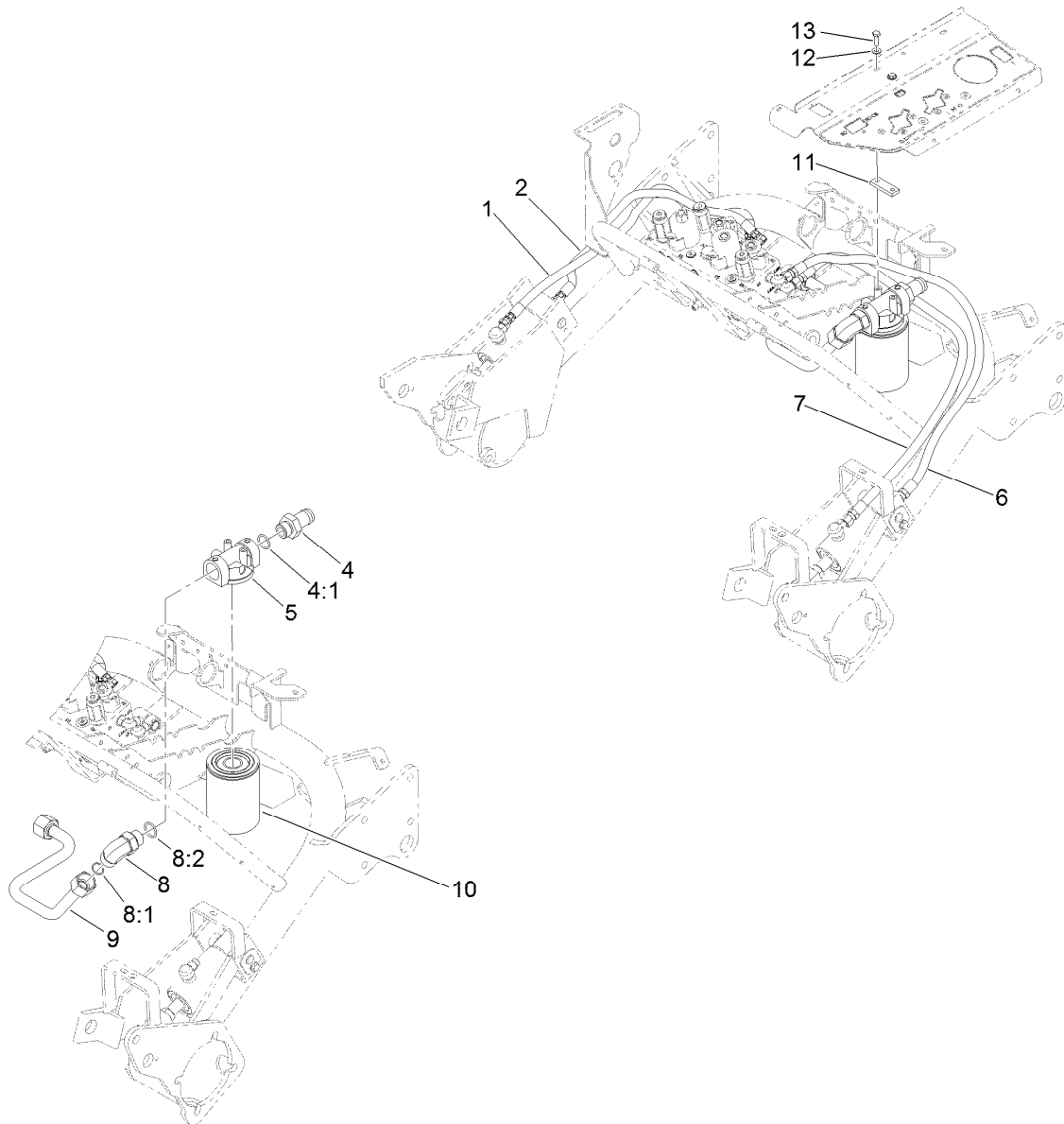
<i>Ref.</i>	<i>Part Number</i>	<i>Qty.</i>	<i>Description</i>
1	100-4892	1	Hose-HYD
2	131-2043	1	Hose-HYD
2:3	237-42	1	O-Ring
3	105-4337	1	Hose-HYD
4	105-4339	1	Hose-HYD
5	131-2040	1	Hose-HYD
6	130-6545	1	Hose-HYD
7	131-2044	1	Hose-HYD



## Rear Hydraulic Reel Drive and Hose Assembly

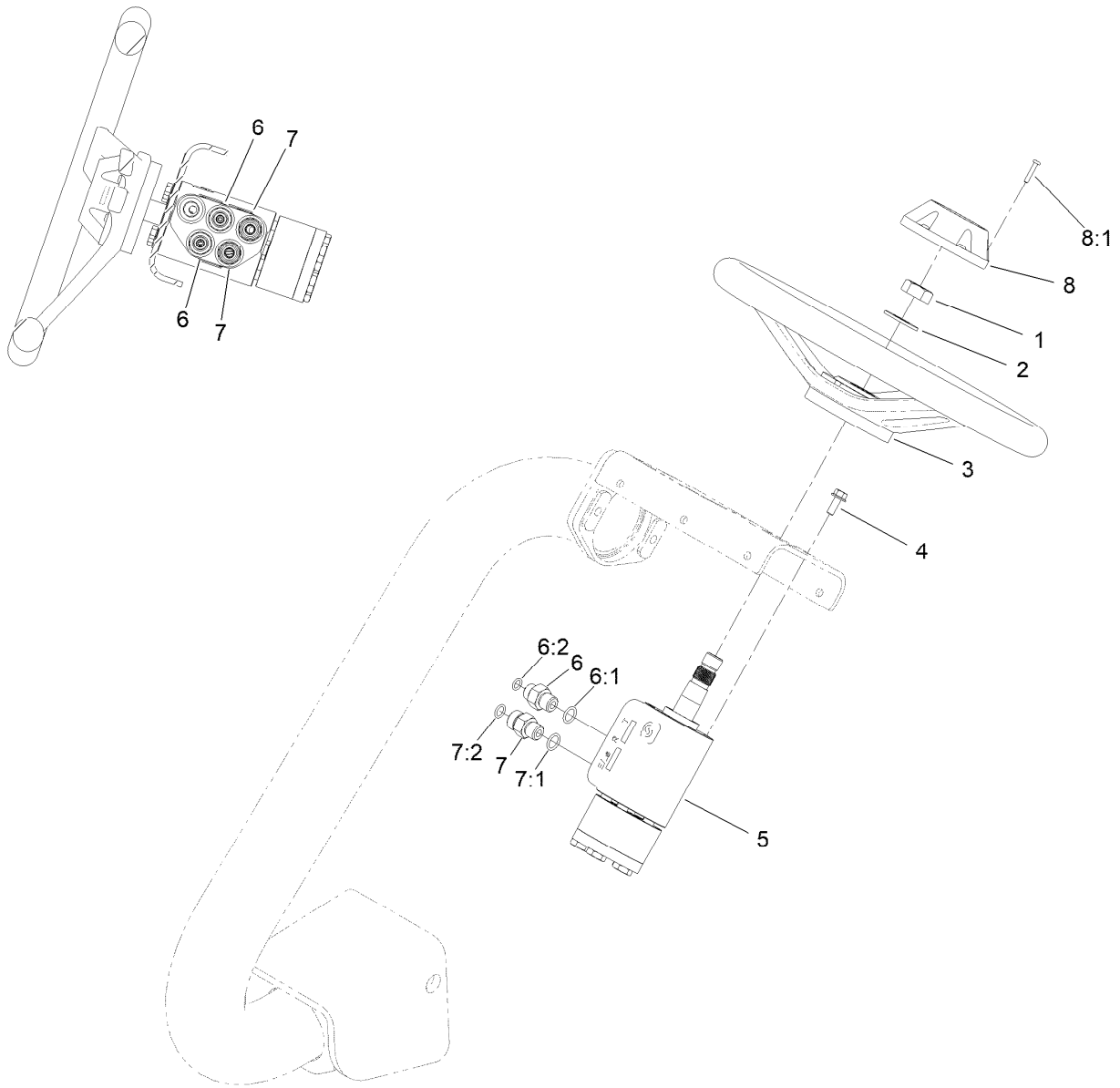
Ref.	Part Number	Qty.	Description
1	340-72	2	Fitting-Bulkhead, 90 DEG
1:1	237-65	2	O-Ring
2	105-8281	1	Tee-Bulkhead
2:1	237-22	3	O-Ring
3	105-5409	1	Hose ASM
3:1	105-8311	1	Fitting-HYD
3:2	105-8312	1	Fitting-HYD, 90 DEG
4	105-5482	1	Tube-HYD
5	107-2582	1	Tube-HYD
5:1	237-65	1	O-Ring
6	132-9530	1	Tube-HYD
7	105-5493	1	Tube-HYD
8	93-2509	2	Clamp-Tube
9	321-11	2	Screw-HH
10	104-7201	2	Nut-HF, NI
11	139-6533	1	Hose ASM
12	105-5402	1	Hose-HYD
13	139-6531	1	Hose ASM
14	340-132	1	Fitting-Elbow, 90 DEG

Ref.	Part Number	Qty.	Description
14:1	237-78	1	O-Ring
14:2	237-21	1	O-Ring
15	340-98	1	Fitting-Elbow, 90 DEG
15:1	237-79	1	O-Ring
15:2	237-30	1	O-Ring
16	120-2072	1	HYD Motor ASM
17	340-4	1	Fitting-Straight
17:1	237-30	1	O-Ring
17:2	237-79	1	O-Ring
18	105-8253-01	1	Bracket-Bulkhead
19	125-1984	2	Spacer
20	240-3	2	Grommet-Rubber
21	32104-32	1	Screw-HWH
22	3256-23	1	Washer-Plain
23	322-5	1	Screw-HH
24	340-70	1	Nut-Lock
25	340-74	2	Nut-Lock, Bulkhead
26	69-9010	4	Washer



## Front Lift Cylinders Hose and Filter Assembly

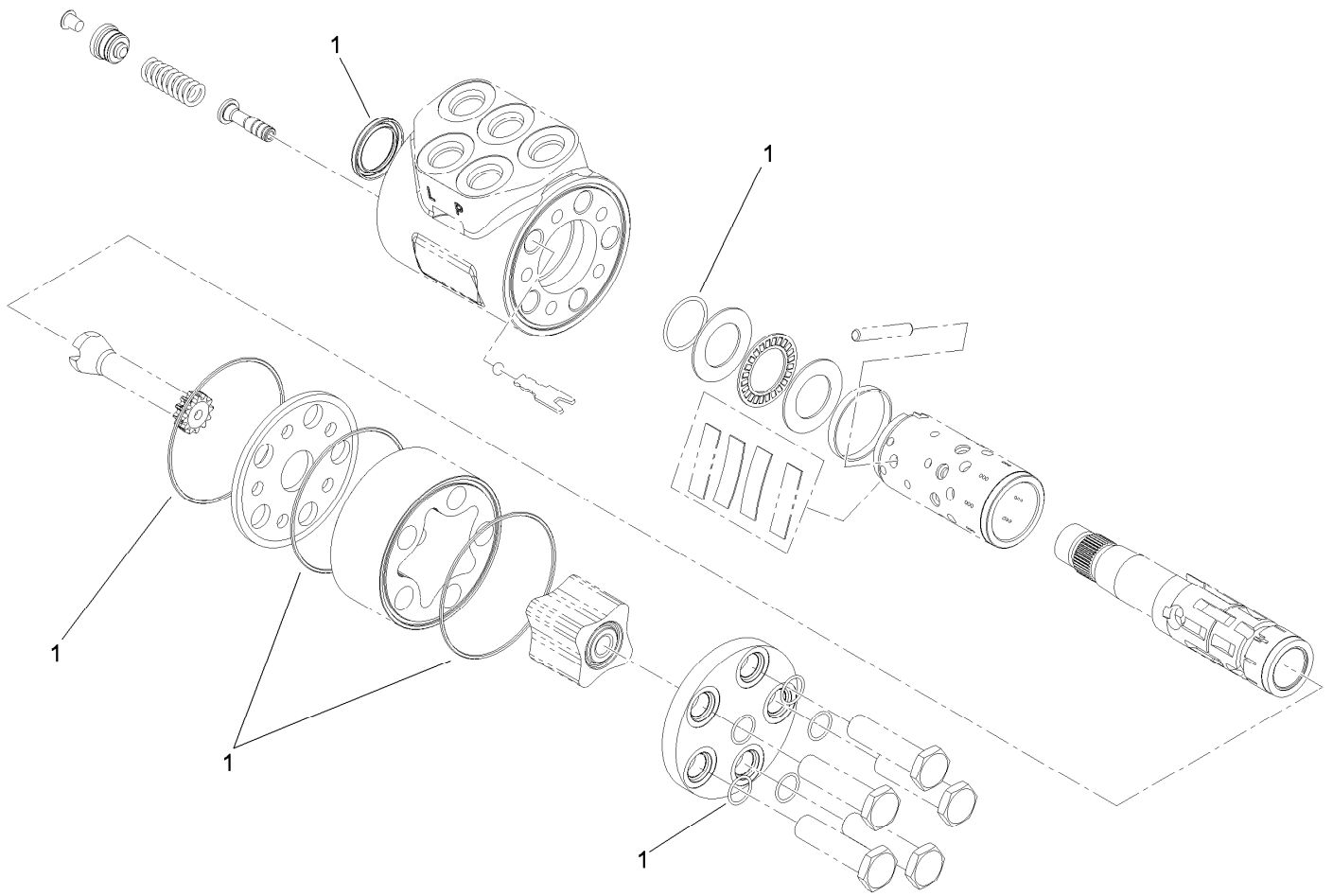
Ref.	Part Number	Qty.	Description
1	108-6506	1	Hose-HYD
2	108-6505	1	Hose-HYD
4	99-3017	1	Fitting
4:1	237-81	1	O-Ring
5	92-5821	1	Head-Filter
6	130-6547	1	Hose-HYD
7	130-6546	1	Hose-HYD
8	340-142	1	Fitting-Elbow, 90 DEG
8:1	237-58	1	O-Ring
8:2	237-81	1	O-Ring
9	105-5460	1	Tube-HYD
10	107-9531	1	Filter-Oil, HYD
11	105-4309	1	Plate-Filter
12	3256-22	2	Washer-Flat
13	321-5	2	Screw-HH



## Steering Wheel and Valve Assembly

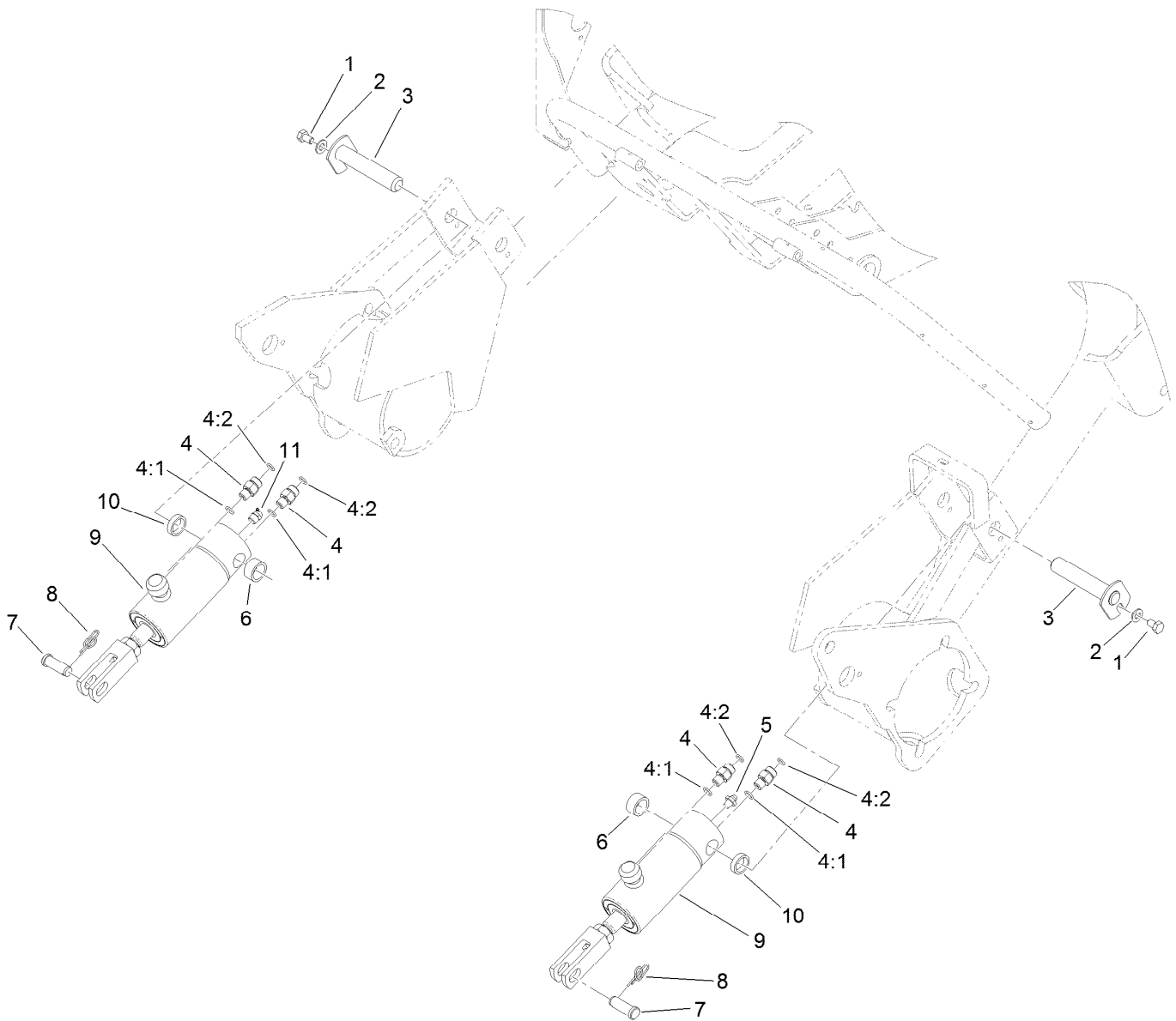
<i>Ref.</i>	<i>Part Number</i>	<i>Qty.</i>	<i>Description</i>
1	3296-33	1	Nut-Lock, NI
2	3256-27	1	Washer-Flat
3	145-0051	1	Steering Wheel
4	33103-016	4	Screw-HHF
5	114-4672	1	Steering Valve ASM
6	340-1	2	Fitting-Straight
6:1	237-21	1	O-Ring
6:2	237-42	1	O-Ring
7	340-2	2	Fitting-Straight
7:1	237-22	1	O-Ring
7:2	237-42	1	O-Ring
8	68-5140	1	Cap-Wheel, Steering
8:1	32144-21	1	Screw





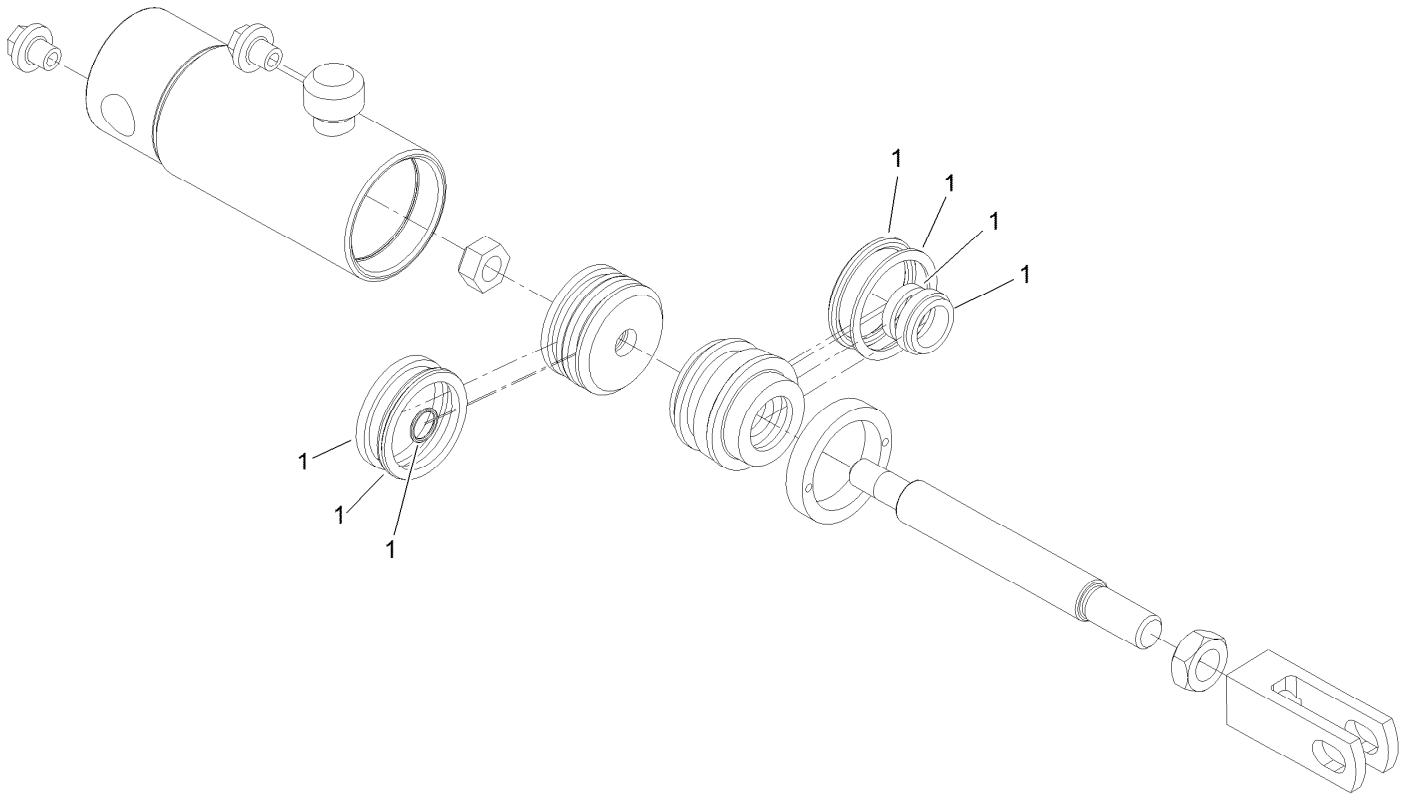
## Steering Valve Assembly No. 114-4672

<i>Ref.</i>	<i>Part Number</i>	<i>Qty.</i>	<i>Description</i>
1	106-6716	1	Seal Kit



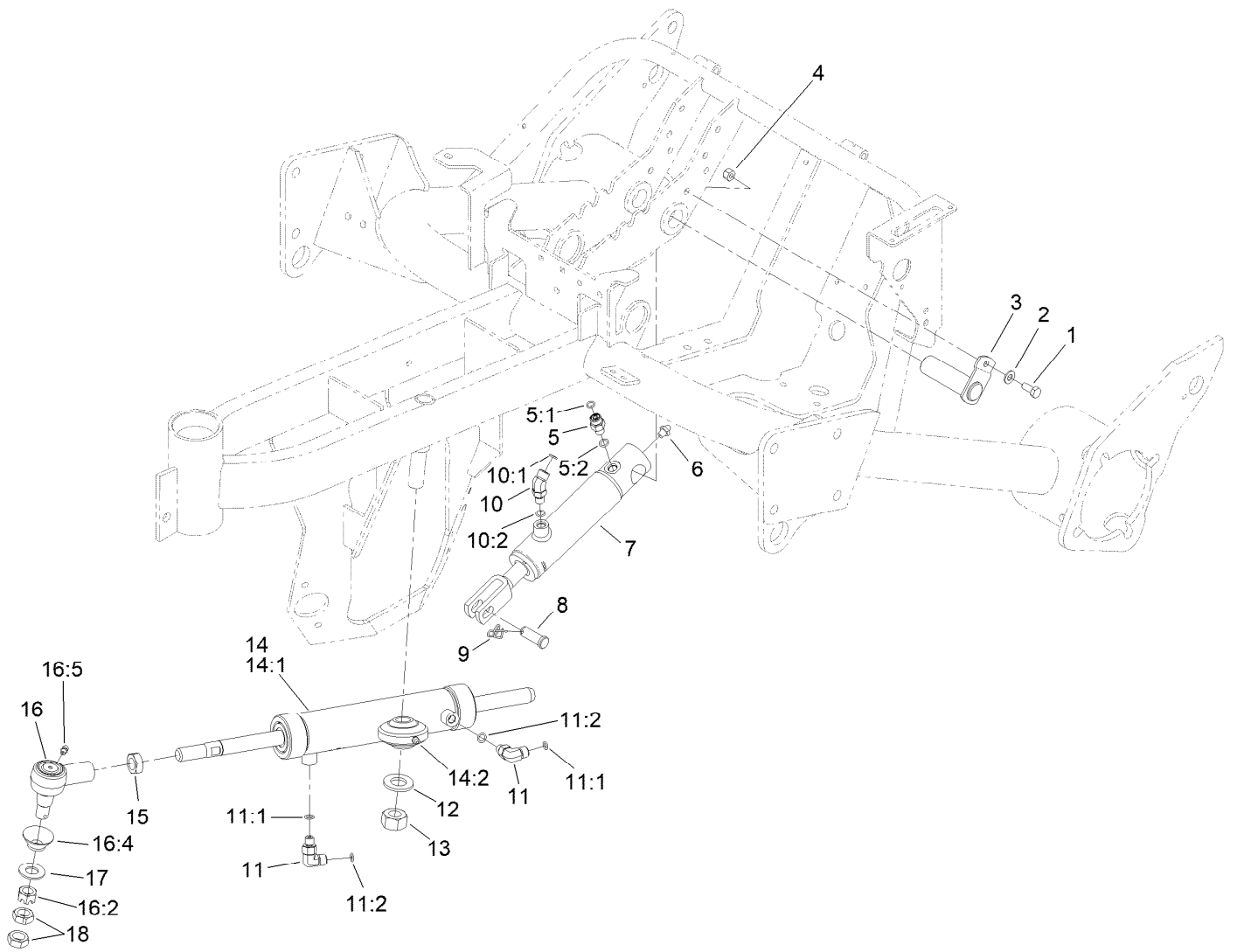
## Right Hand and Left Hand Lift Cylinder Assembly

Ref.	Part Number	Qty.	Description
1	322-1	2	Screw-HH
2	3256-23	2	Washer-Plain
3	140-5248	2	Pin-Ram, Pivot
4	340-92	4	Fitting-Straight
4:1	237-78	1	O-Ring
4:2	237-21	1	O-Ring
5	302-2	1	Fitting-Grease
6	74-3730	2	Spacer-Spindle, Rear
7	283-8	2	Pin-Clevis
8	112-1491	2	Pin-Cotter
9	131-2787	2	HYD Cylinder ASM
10	105-3828	2	Spacer
11	302-10	1	Fitting-Grease



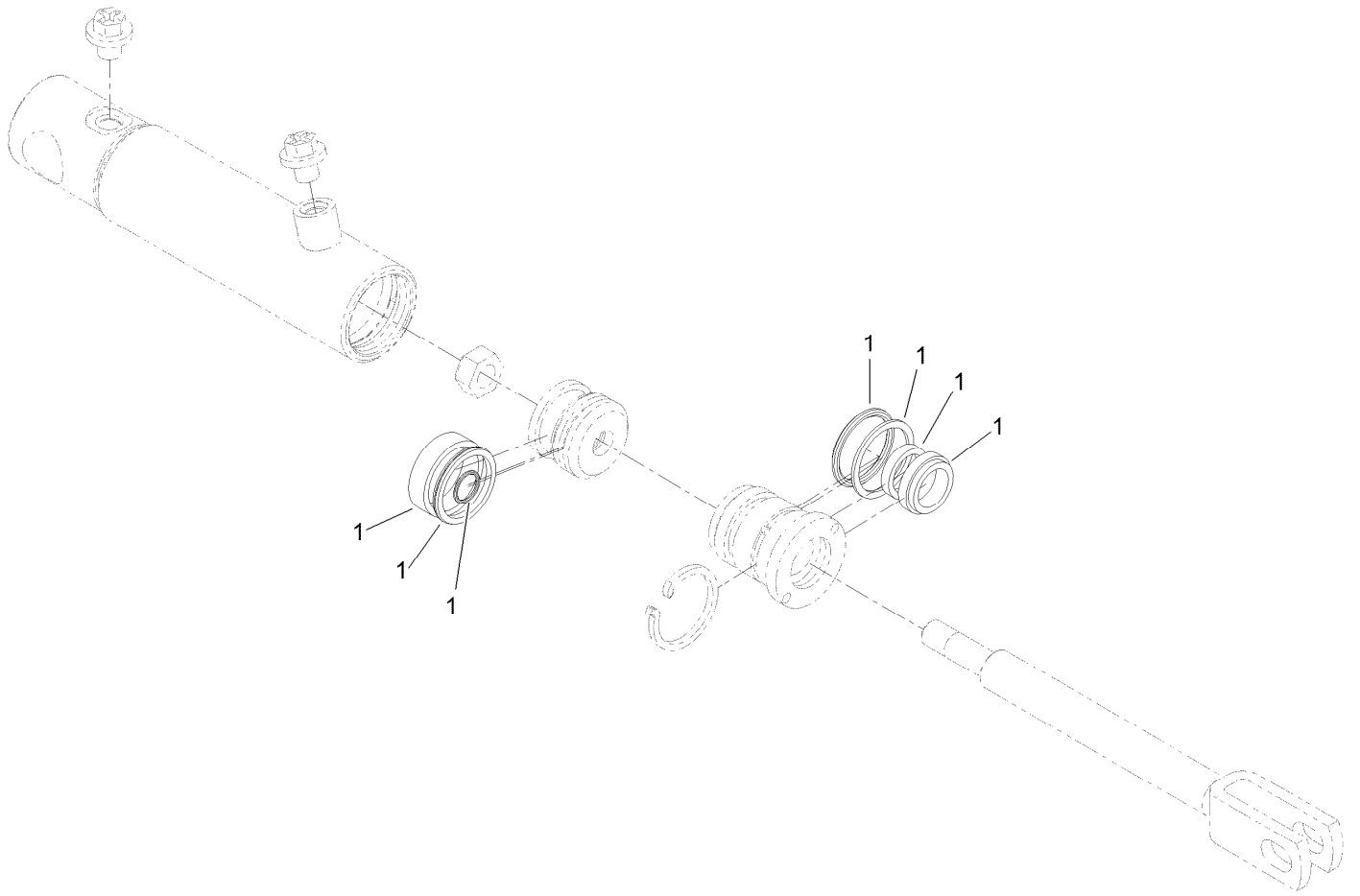
## Hydraulic Cylinder Assembly No. 131-2787

<i>Ref.</i>	<i>Part Number</i>	<i>Qty.</i>	<i>Description</i>
1	132-9515	1	Seal Kit



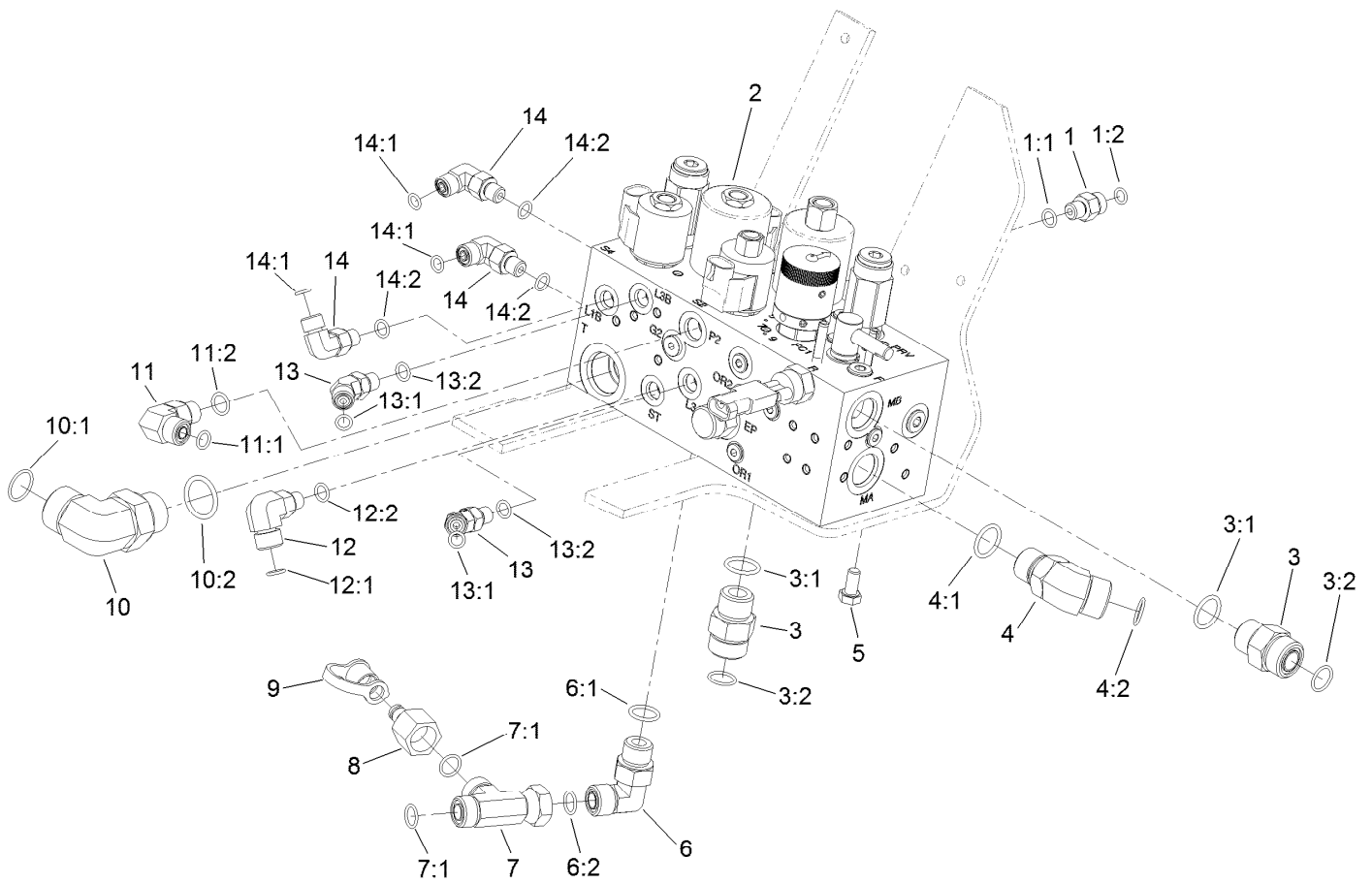
## Steering Cylinder and Center Lift Cylinder Assembly

Ref.	Part Number	Qty.	Description	Ref.	Part Number	Qty.	Description
1	322-3	1	Screw-HH	11:1	237-78	1	O-Ring
2	3256-23	1	Washer-Plain	11:2	237-21	1	O-Ring
3	68-5560	1	Pin-Cylinder, Pivot	12	3256-28	1	Washer-Flat
4	3296-29	1	Nut-Lock, NI	13	3217-12	1	Nut-Hex
5	340-92	1	Fitting-Straight	14	132-3777	1	Steering Cylinder ASM
5:1	237-78	1	O-Ring	14:1	132-6964	1	Seal Kit
5:2	237-21	1	O-Ring	14:2	302-5	1	Fitting-Grease
6	302-2	1	Fitting-Grease	15	84-5300	1	Nut-Jam
7	131-2786	1	HYD Cylinder ASM	16	107-2553	1	Rod End ASM
8	283-8	1	Pin-Clevis	16:2	32136-2	1	Nut-SHH
9	112-1491	1	Pin-Cotter	16:4	106-6896	1	Seal
10	340-103	1	Fitting-HYD, 45 DEG	16:5	302-5	1	Fitting-Grease
10:1	237-78	1	O-Ring	17	3256-27	1	Washer-Flat
10:2	237-21	1	O-Ring	18	3220-6	2	Nut-Jam
11	340-132	2	Fitting-Elbow, 90 DEG				



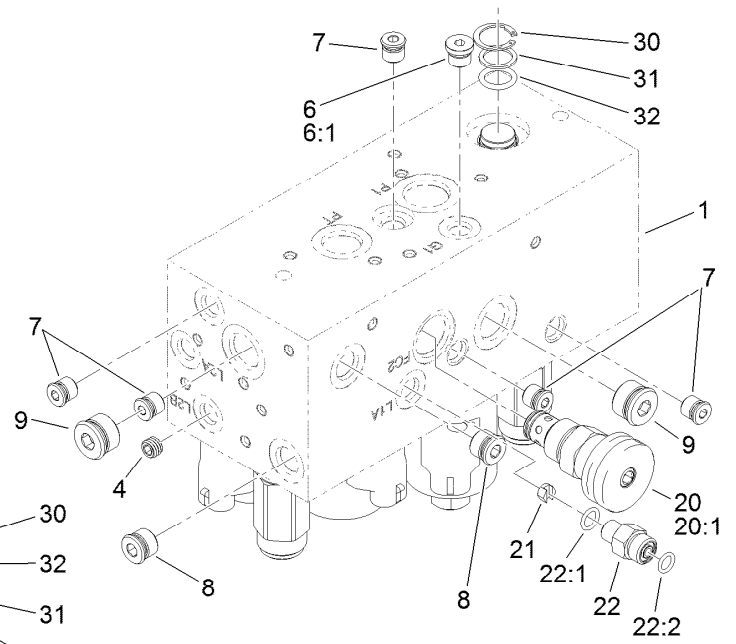
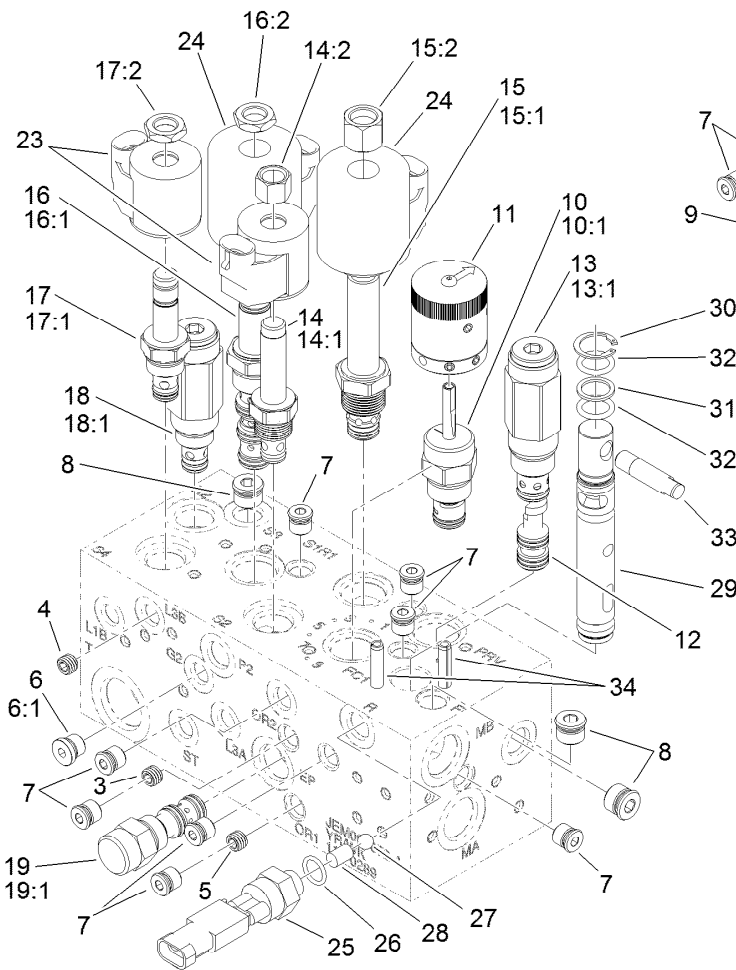
## Hydraulic Cylinder Assembly No. 131-2786

<i>Ref.</i>	<i>Part Number</i>	<i>Qty.</i>	<i>Description</i>
1	132-9516	1	Seal Kit



## Hydraulic Manifold Assembly

Ref.	Part Number	Qty.	Description	Ref.	Part Number	Qty.	Description
1	340-92	1	Fitting-Straight	8	100-5616	1	Fitting
1:1	237-78	1	O-Ring	9	354-79	1	Cap-Dust
1:2	237-21	1	O-Ring	10	340-142	1	Fitting-Elbow, 90 DEG
2	112-0289	1	Manifold ASM (With Backlap)	10:1	237-58	1	O-Ring
3	340-7	2	Fitting-Straight	10:2	237-81	1	O-Ring
3:1	237-65	1	O-Ring	11	340-77	1	Fitting-Elbow, 90 DEG
3:2	237-80	1	O-Ring	11:1	237-22	1	O-Ring
4	340-14	1	Fitting-HYD, 45 DEG	11:2	237-42	1	O-Ring
4:1	237-65	1	O-Ring	12	340-97	1	Fitting-Elbow, 90 DEG
4:2	237-80	1	O-Ring	12:1	237-22	1	O-Ring
5	33114-016	2	Screw-HH	12:2	237-78	1	O-Ring
6	340-98	1	Fitting-Elbow, 90 DEG	13	340-103	2	Fitting-HYD, 45 DEG
6:1	237-79	1	O-Ring	13:1	237-78	1	O-Ring
6:2	237-30	1	O-Ring	13:2	237-21	1	O-Ring
7	340-104	1	Fitting-Tee	14	340-132	3	Fitting-Elbow, 90 DEG
7:1	237-30	2	O-Ring	14:1	237-78	1	O-Ring
				14:2	237-21	1	O-Ring

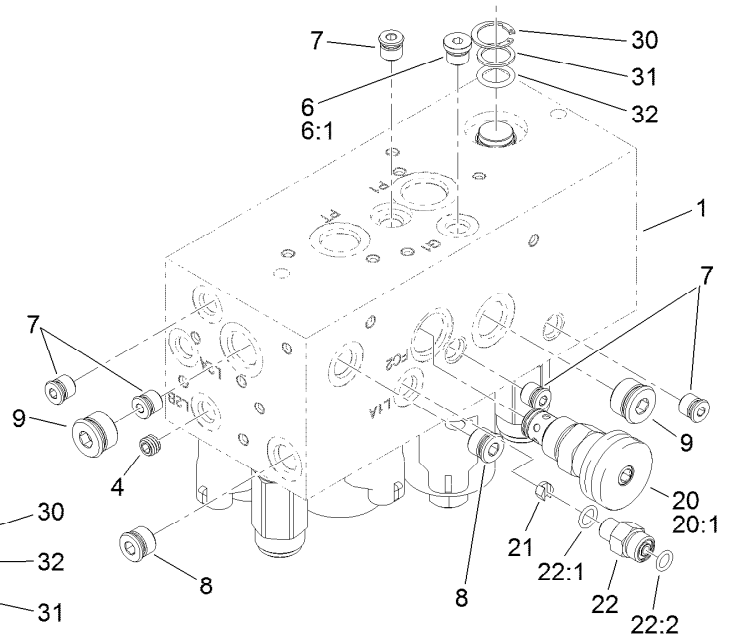
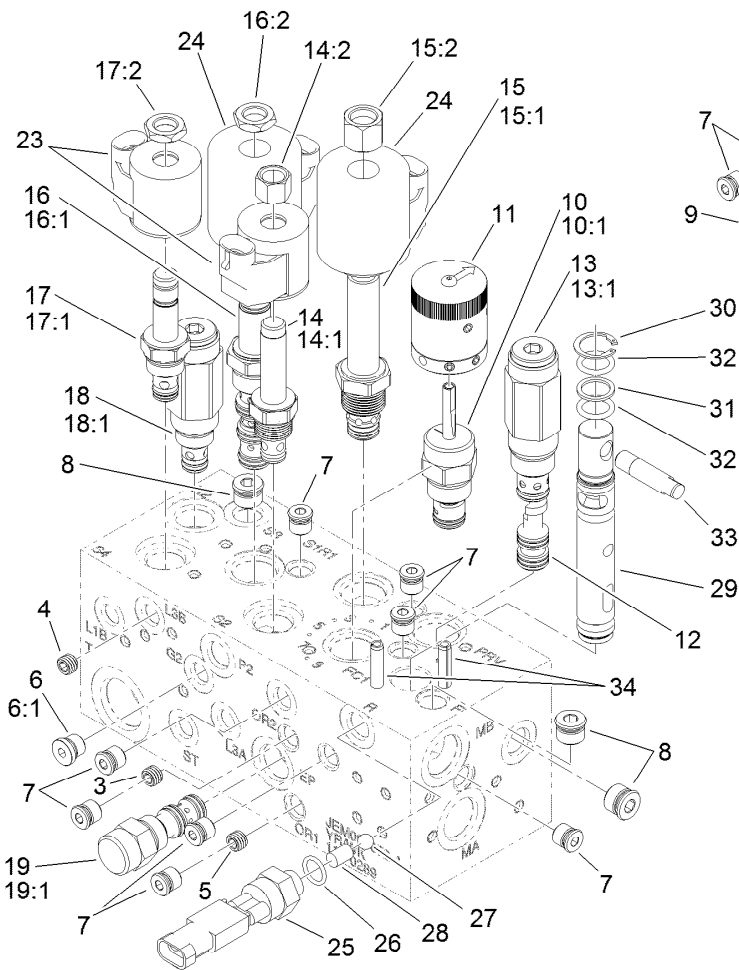


## Hydraulic Manifold Assembly No. 112-0289

Ref.	Part Number	Qty.	Description
1		1	Body-Manifold ●
3	112-9202	1	Orifice-Flow, Control (.060)
4	110-8887	2	Plug-Orifice (0.055)
5	112-9203	1	Orifice-Control, Flow (.013)
6	353-990	2	Plug ASM
6:1	237-78	1	O-Ring
7	106-1025	13	Plug-HYD
8	106-1026	5	Plug-HYD
9	106-1027	2	Plug
10	139-2665	1	Valve-Control, Manual Flow
10:1	132-6231	1	Seal Kit
11	110-8767	1	Rotary Handle ASM
12	119-3506	1	Piston-Pilot
13	112-9205	1	Valve-Relief
13:1	105-9159	1	Seal Kit
14	107-7517	1	Valve-Solenoid
14:1	105-9156	1	Seal Kit
14:2	107-7812	1	Nut-Solenoid

Ref.	Part Number	Qty.	Description
15	119-4137	1	Valve-Relief, Solenoid
15:1	110-6316	1	Seal Kit
15:2	130-8180	1	Nut-Coil (9/16-24 Unef-2B)
16	110-8906	1	Valve-Solenoid
16:1	110-8908	1	Spool Valve Seal Kit
16:2	110-2634	1	Nut-Coil
17	112-9206	1	Solenoid Valve ASM
17:1	105-9156	1	Seal Kit
17:2	110-2634	1	Nut-Coil
18	133-8873	1	Valve-Relief
18:1	105-9156	1	Seal Kit
19	110-8988	1	Element-Logic
19:1	110-8773	1	Seal Kit
20	119-4136	1	Control-Flow
20:1	110-2633	1	Seal Kit
21	114-4682	1	Orifice-Flow Control (.030)
22	340-92	1	Fitting-Straight
22:1	237-78	1	O-Ring

● Not serviced separately



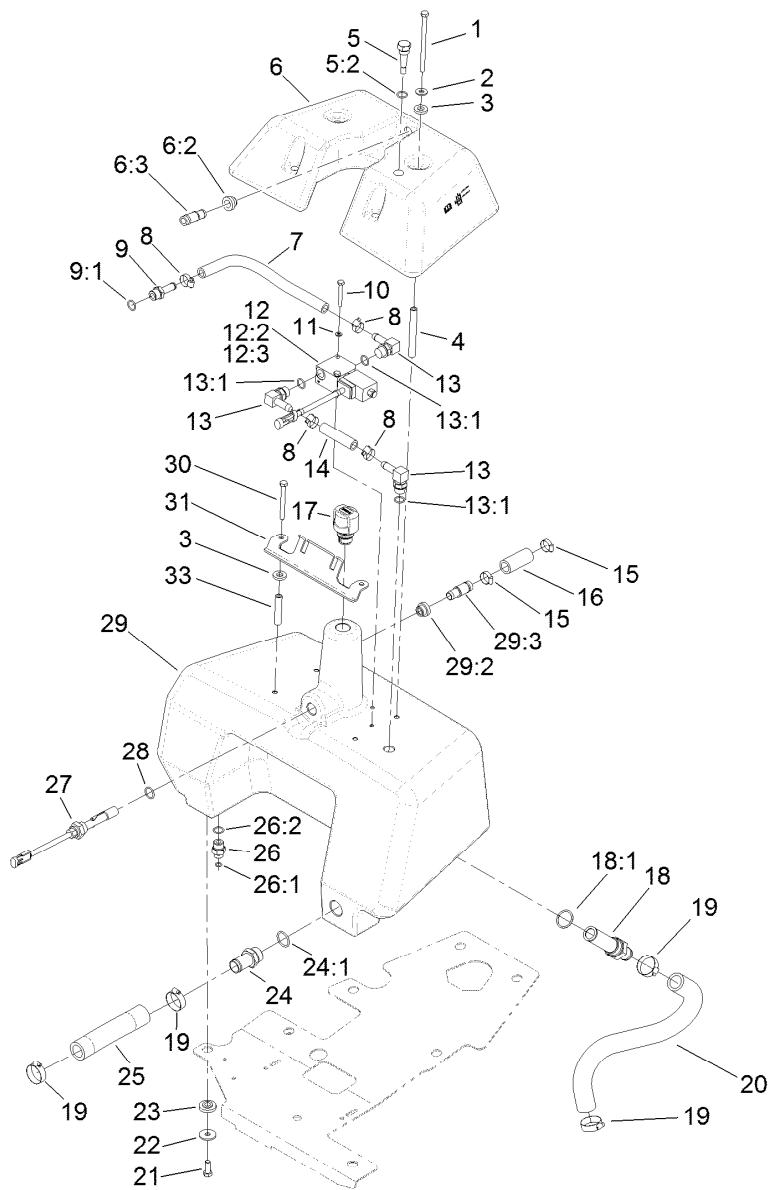
## Hydraulic Manifold Assembly No. 112-0289 (continued)

Ref.	Part Number	Qty.	Description
22:2	237-21	1	O-Ring
23	105-9333	2	Coil-12Vdc
24	110-2630	2	Coil-12Vdc
25	72-4320	1	Switch-Ball
26	110-8757	1	O-Ring
27	110-8762	1	Ball-Chrome
28	112-6533	1	Pin-Dowel

Ref.	Part Number	Qty.	Description
29	112-6536	1	Spool
30	112-6532	2	Ring-Retaining
31	112-6534	2	Ring-Back Up
32	117-4606	3	O-Ring
33	110-8758	1	Handle-Spool
34	112-6531	2	Pin-Spring

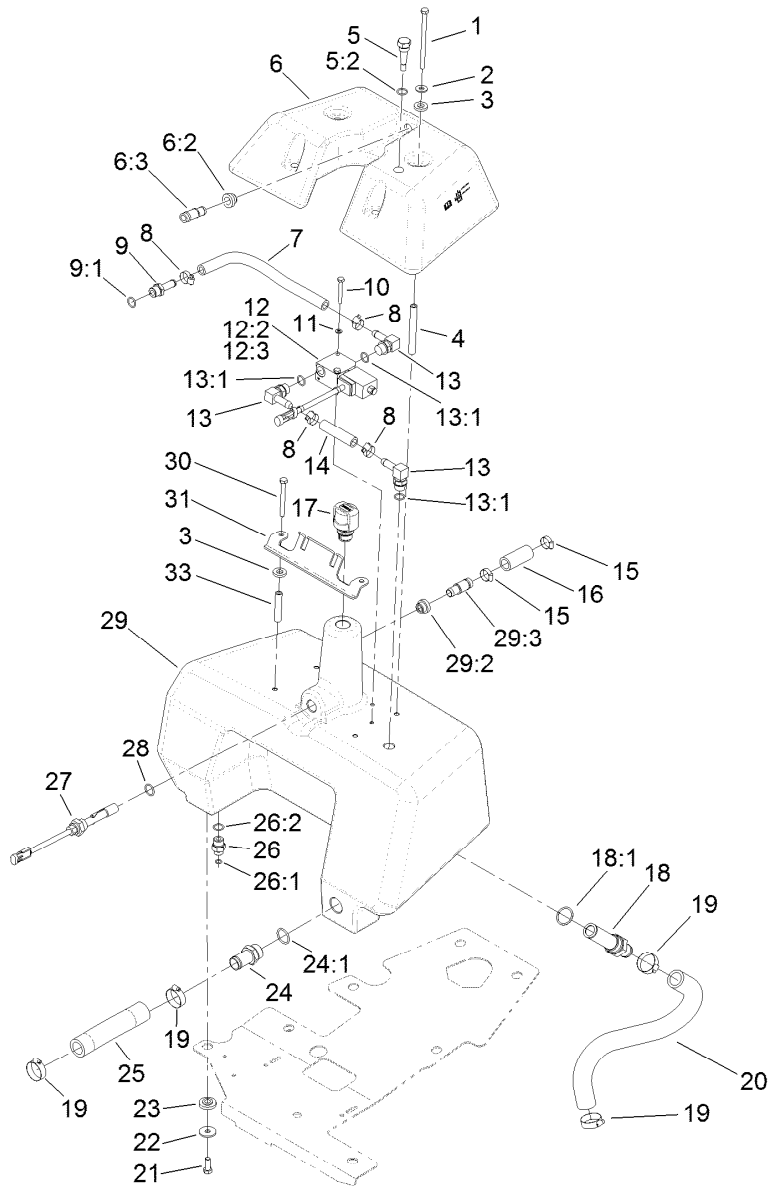
● Not serviced separately





## Hydraulic Reservoir and Leak Detector Assembly

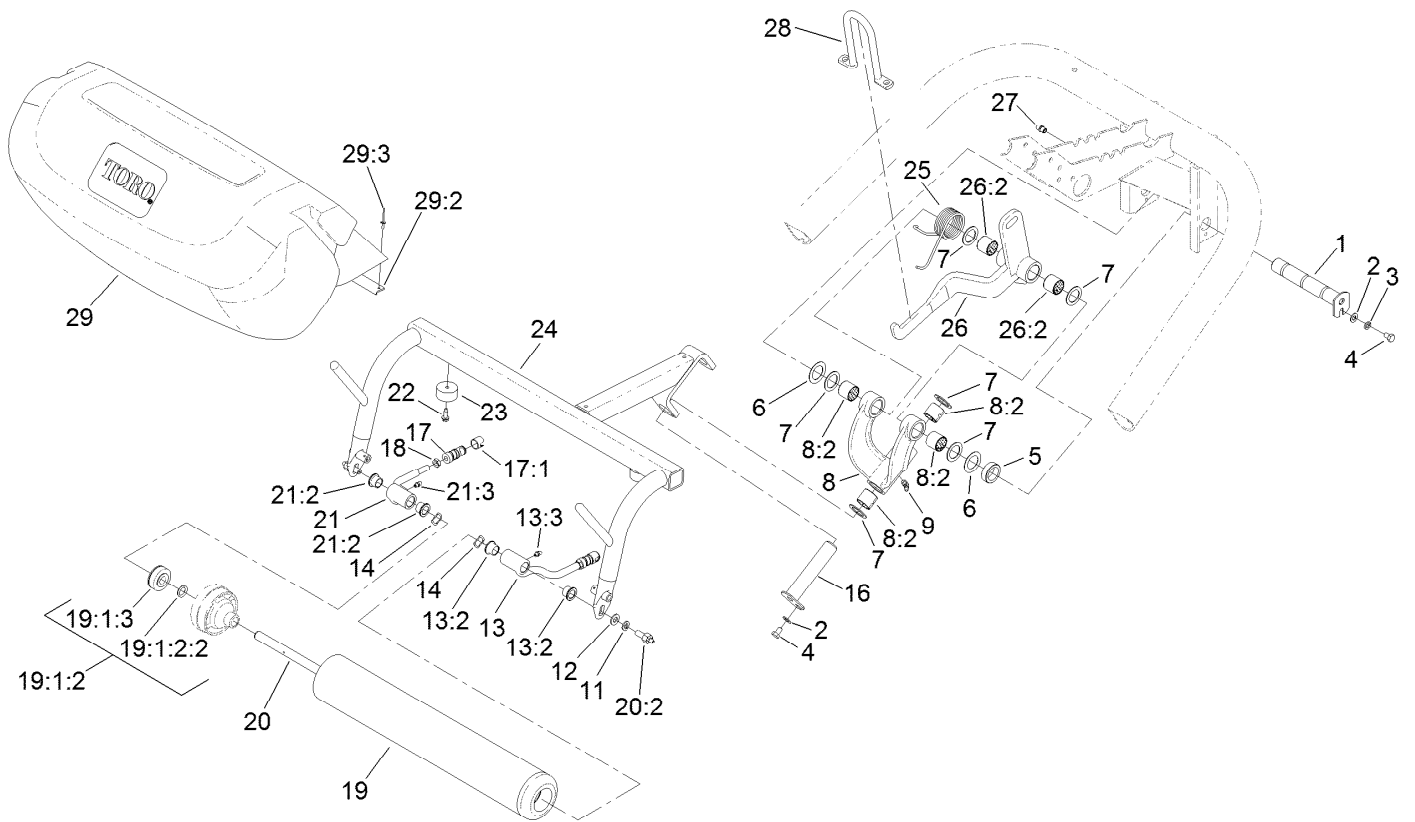
Ref.	Part Number	Qty.	Description	Ref.	Part Number	Qty.	Description
1	322-29	2	Screw-HH	15	2412-141	2	Clamp-Drive, Worm
2	3256-71	2	Washer-Flat	16	139-2716	1	Hose-Formed
3	83-1470	4	Washer-Neoprene	17	115-9793	1	Breather
4	83-1560	2	Spacer-Tube, Long	18	112-0211	1	Strainer Fitting ASM
5	133-2334	1	Dipstick ASM	18:1	237-146	1	O-Ring
5:2	237-79	1	O-Ring	19	2412-34	4	Clamp-Hose
6	136-8528	1	Tank-Detector, Leak	20	105-8285	1	Hose-Inlet, Pump
6:2	136-8531	1	Grommet	21	323-6	3	Screw-HH
6:3	136-8532	1	Spout	22	63-8410	3	Washer
7	83-2070	1	Hose-Valve	23	240-11	3	Bushing-Flange
8	2412-36	4	Clamp-Hose	24	83-0870	1	Fitting-Hose, Barbed
9	354-121	1	Fitting-STR	24:1	237-177	1	O-Ring
9:1	237-79	1	O-Ring	25	105-5410	1	Hose-HYD
10	321-11	2	Screw-HH	26	340-3	1	Fitting-Straight
11	3253-3	2	Washer-Lock	26:1	237-22	1	O-Ring
12	83-1460	1	Solenoid Valve ASM	26:2	237-79	1	O-Ring
12:2	83-2000	1	Spool-Valve	27	83-1450	1	Sensor-Level, Oil
12:3	83-2010	1	Coil ASM	28	237-80	1	O-Ring
13	354-120	3	Fitting-Elbow, 90	29	136-8526	1	Hydraulic Tank ASM
13:1	237-79	1	O-Ring	29:2	136-8531	1	Grommet
14	83-2080	1	Hose-Valve, Tank	29:3	136-8532	1	Spout



## Hydraulic Reservoir and Leak Detector Assembly (continued)

Ref.	Part Number	Qty.	Description
30	322-14	2	Screw-HH

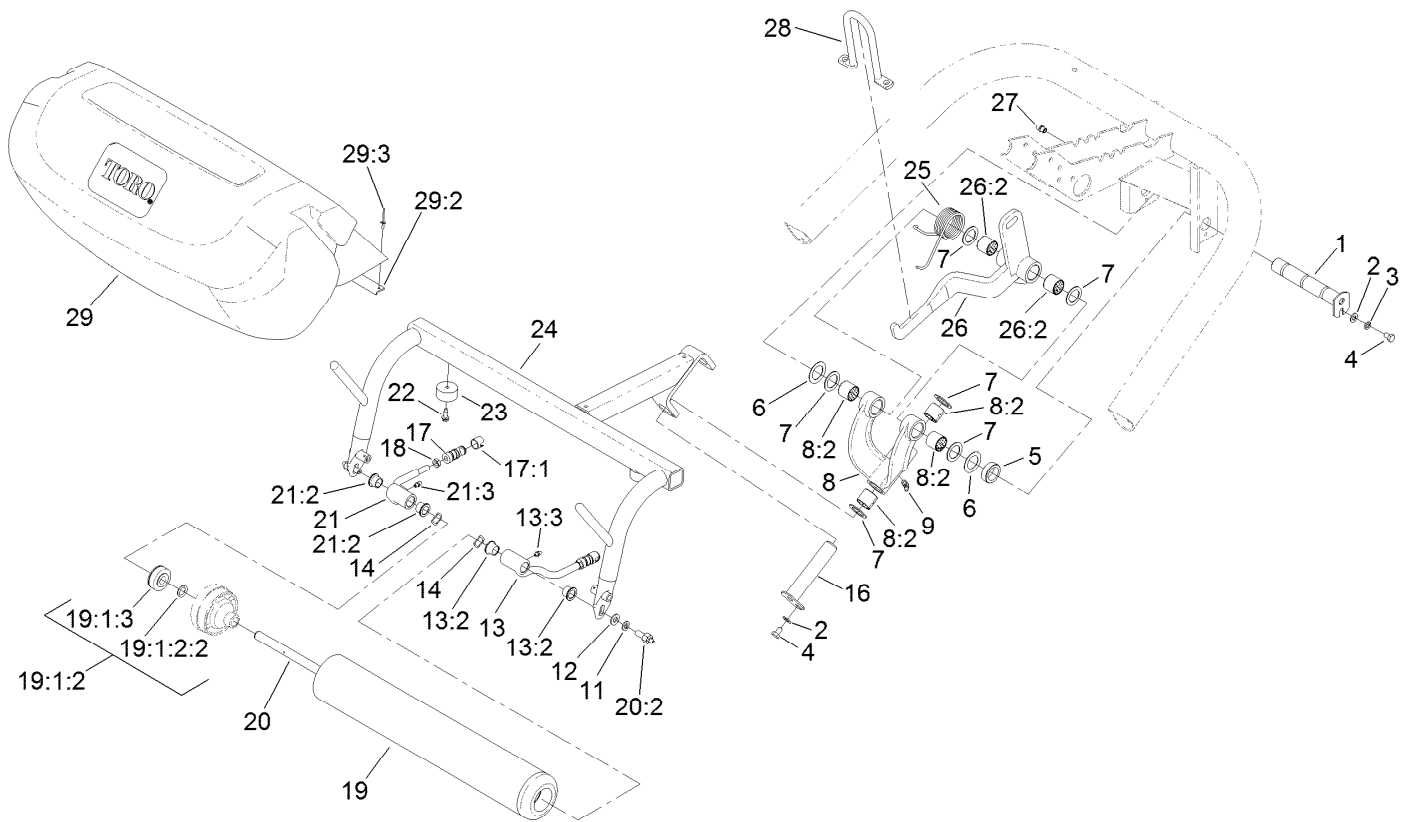
Ref.	Part Number	Qty.	Description
31	121-2564	1	Bracket
33	83-1550	2	Spacer-Tube, Short



## Center Pull Frame Assembly

Ref.	Part Number	Qty.	Description	Ref.	Part Number	Qty.	Description
1	114-4685	1	Pin-Hinge	17:1	99-1461	1	Sleeve-Joint, Ball
2	3256-23	2	Washer-Plain	18	3220-3	2	Nut-HJ
3	3253-4	1	Washer-Lock	19	133-2337	1	Roller ASM
4	322-1	2	Screw-HH	19:1:2		2	Hub Yoke ASM ●
5	93-2384	1	Spacer-Carrier	19:1:2:2	253-83	1	Seal-Oil
6	5-1226	2	Washer	19:1:3	133-2378	2	Bearing
7	10-8110	6	Washer-Thrust	20	136-8471	1	Shaft Kit
8	105-0452	1	Pivot Hinge ASM	20:2	127-6422	2	Screw-Grease, Roller
8:2	125-5196	4	Bushing	21	138-6303	1	Arm-Pull-Assembly-RH
9	302-60	1	Fitting-Grease	21:2	125-5178	2	Bushing
11	3253-21	2	Washer-Lock	21:3	302-5	1	Fitting-Grease
12	3256-24	2	Washer-Flat	22	32104-95	2	Screw-HWH
13	138-6311	1	Arm-Pull-Assembly-LH	23	94-4548	2	Bumper-Recessed
13:2	125-5178	1	Bushing	24	136-8485	1	Frame-Pull, Center
13:3	302-5	1	Fitting-Grease	25	110-3953	1	Spring-Torsion, Center
14	3290-317	2	Washer-Spring	26	110-3955	1	Center Lift Arm ASM
16	10-6090	1	Pin-Pivot	26:2	125-5196	2	Bushing
17	99-1460	2	Ball Joint Receiver ASM	27	302-33	1	Fitting-Grease

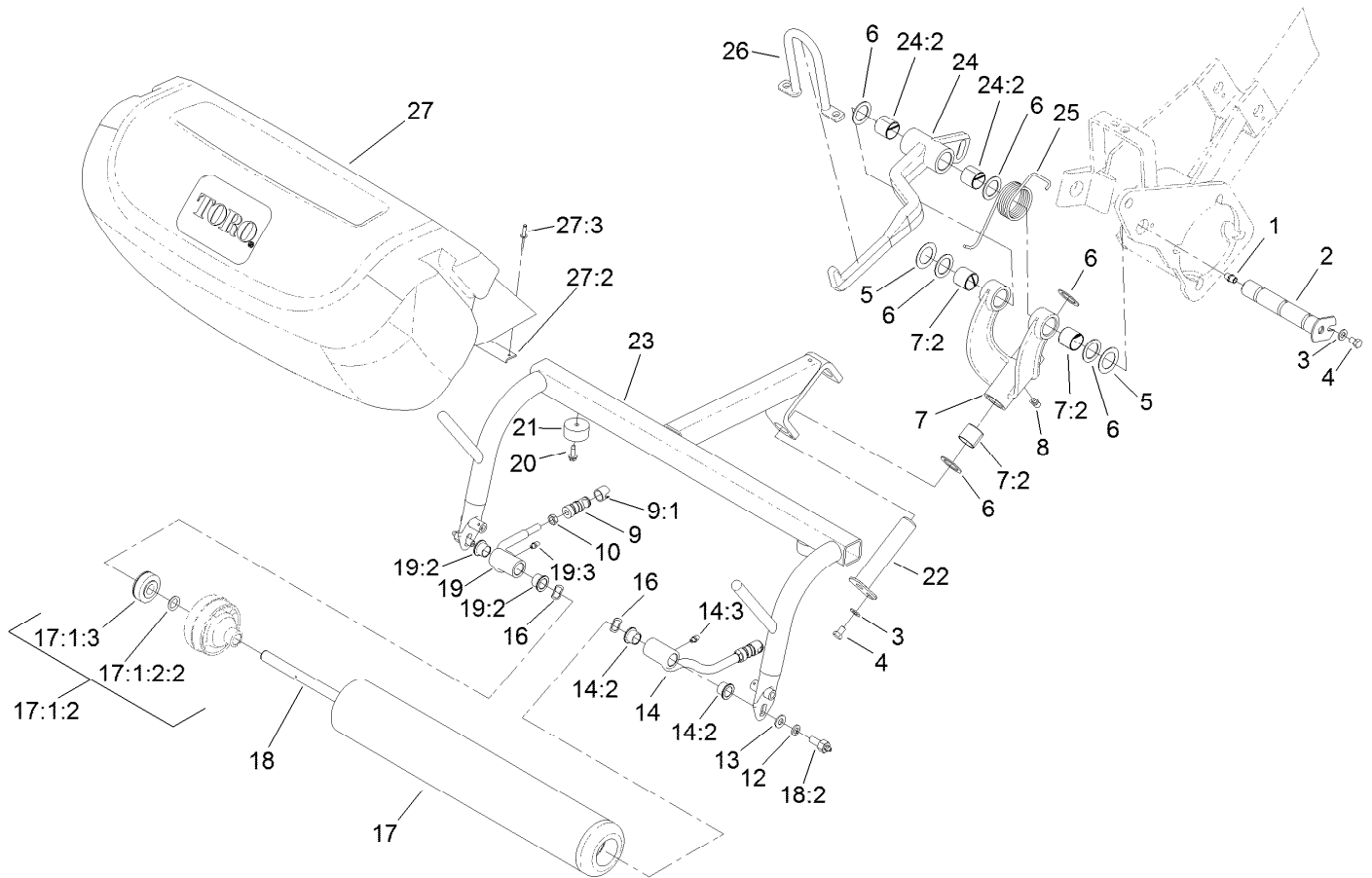
● Not serviced separately



## Center Pull Frame Assembly (continued)

<i>Ref.</i>	<i>Part Number</i>	<i>Qty.</i>	<i>Description</i>	<i>Ref.</i>	<i>Part Number</i>	<i>Qty.</i>	<i>Description</i>
28	105-5740	1	Hook-Lift	29:2	104-2607	1	Strip-Basket
29	108-8642	1	Grass Basket ASM	29:3	3269-5	8	Rivet-Pop

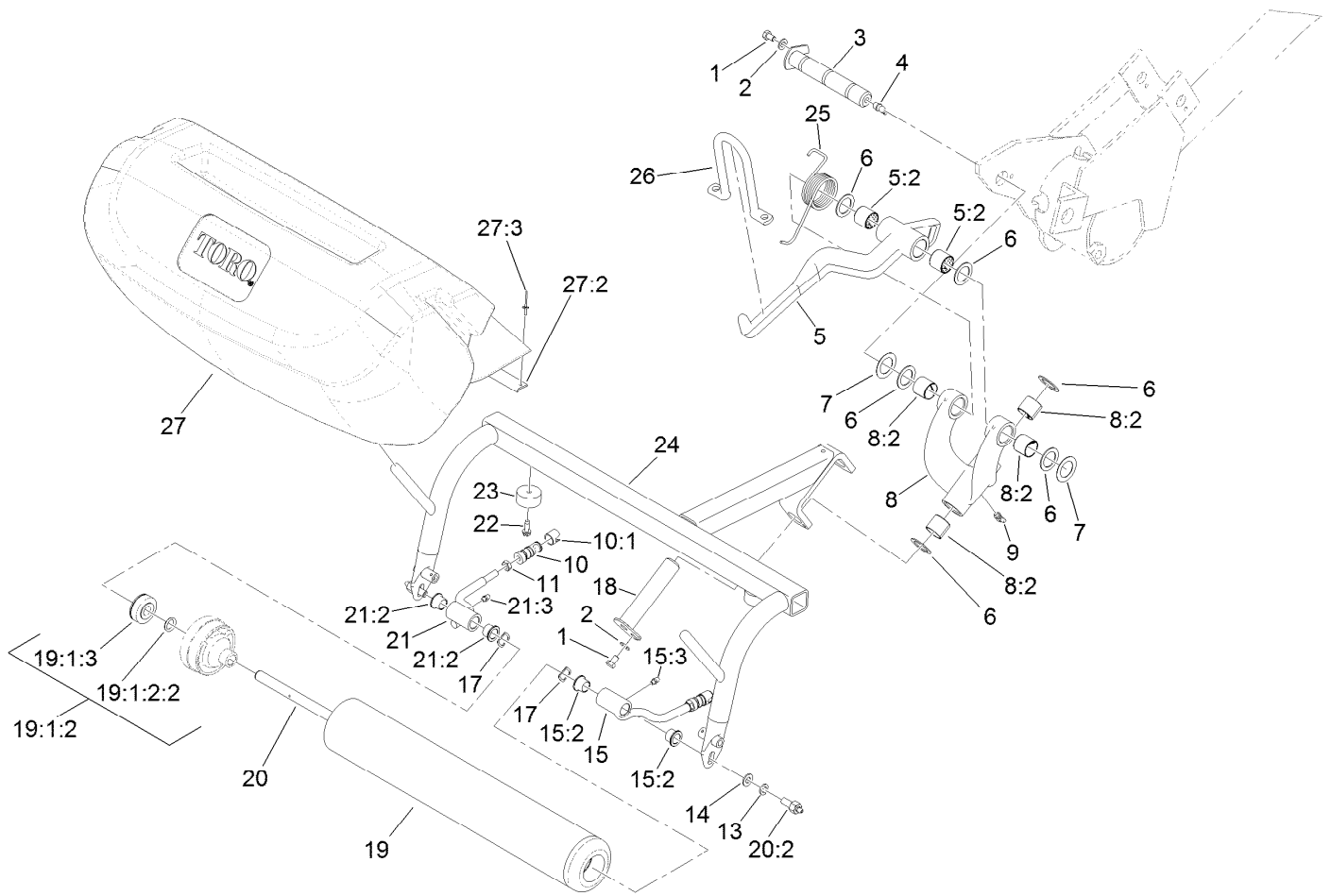
● Not serviced separately



## Left Pull Frame Assembly

Ref.	Part Number	Qty.	Description	Ref.	Part Number	Qty.	Description
1	302-33	1	Fitting-Grease	17:1:2		2	Hub Yoke ASM ●
2	114-4683	1	Pin-Hinge	17:1:2:2	253-83	1	Seal-Oil
3	3256-23	2	Washer-Plain	17:1:3	133-2378	2	Bearing
4	322-1	2	Screw-HH	18	136-8471	1	Shaft Kit
5	5-1226	2	Washer	18:2	127-6422	2	Screw-Grease, Roller
6	10-8110	6	Washer-Thrust	19	138-6303	1	Arm-Pull-Assembly-RH
7	10-7820	1	Pivot Hinge ASM	19:2	125-5178	2	Bushing
7:2	125-5196	4	Bushing	19:3	302-5	1	Fitting-Grease
8	302-60	1	Fitting-Grease	20	32104-95	2	Screw-HWH
9	99-1460	2	Ball Joint Receiver ASM	21	94-4548	2	Bumper-Recessed
9:1	99-1461	1	Sleeve-Joint, Ball	22	10-6090	1	Pin-Pivot
10	3220-3	2	Nut-HJ	23	136-8484	1	Frame-Pull, LH
12	3253-21	2	Washer-Lock	24	107-2598	1	LH Lift Arm ASM
13	3256-24	2	Washer-Flat	24:2	125-5196	2	Bushing
14	138-6311	1	Arm-Pull-Assembly-LH	25	110-3952	1	Spring-Torsion, LH
14:2	125-5178	1	Bushing	26	105-5740	1	Hook-Lift
14:3	302-5	1	Fitting-Grease	27	108-8642	1	Grass Basket ASM
16	3290-317	2	Washer-Spring	27:2	104-2607	1	Strip-Basket
17	133-2337	1	Roller ASM	27:3	3269-5	8	Rivet-Pop

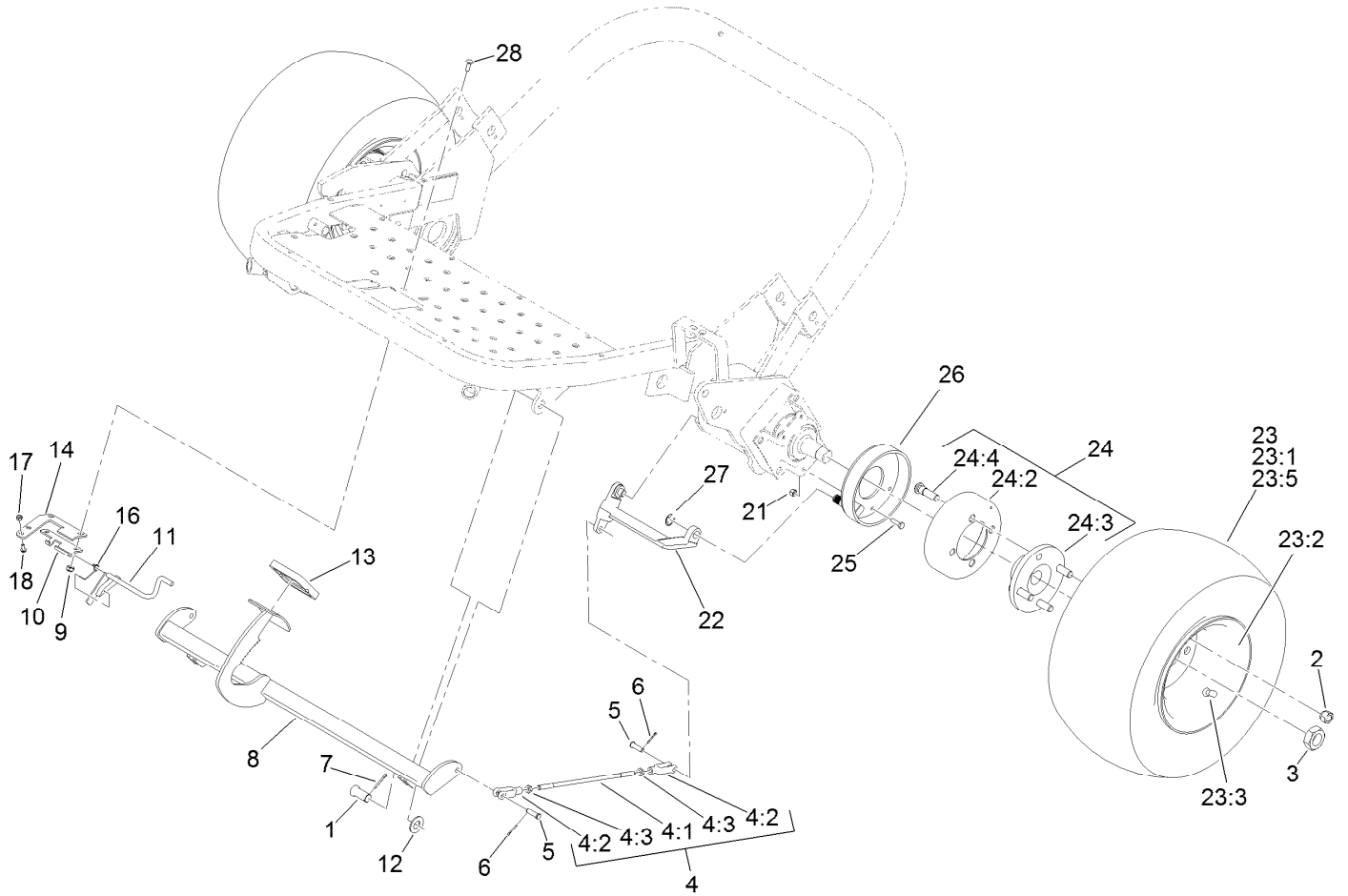
● Not serviced separately



## Right Pull Frame Assembly

Ref.	Part Number	Qty.	Description	Ref.	Part Number	Qty.	Description
1	322-1	2	Screw-HH	17	3290-317	2	Washer-Spring
2	3256-23	2	Washer-Plain	18	10-6090	1	Pin-Pivot
3	114-4683	1	Pin-Hinge	19	133-2337	1	Roller ASM
4	302-33	1	Fitting-Grease	19:1:2		2	Hub Yoke ASM ●
5	107-2599	1	RH Lift Arm ASM	19:1:2:2	253-83	1	Seal-Oil
5:2	125-5196	2	Bushing	19:1:3	133-2378	2	Bearing
6	10-8110	6	Washer-Thrust	20	136-8471	1	Shaft Kit
7	5-1226	2	Washer	20:2	127-6422	2	Screw-Grease, Roller
8	10-7820	1	Pivot Hinge ASM	21	138-6303	1	Arm-Pull-Assembly-RH
8:2	125-5196	4	Bushing	21:2	125-5178	2	Bushing
9	302-60	1	Fitting-Grease	21:3	302-5	1	Fitting-Grease
10	99-1460	2	Ball Joint Receiver ASM	22	32104-95	2	Screw-HWH
10:1	99-1461	1	Sleeve-Joint, Ball	23	94-4548	2	Bumper-Recessed
11	3220-3	2	Nut-HJ	24	136-8483	1	Frame-Pull, RH
13	3253-21	2	Washer-Lock	25	110-3951	1	Spring-Torsion, RH
14	3256-24	2	Washer-Flat	26	105-5740	1	Hook-Lift
15	138-6311	1	Arm-Pull-Assembly-LH	27	108-8642	1	Grass Basket ASM
15:2	125-5178	1	Bushing	27:2	104-2607	1	Strip-Basket
15:3	302-5	1	Fitting-Grease	27:3	3269-5	8	Rivet-Pop

● Not serviced separately



## Front Wheel and Brake Assembly

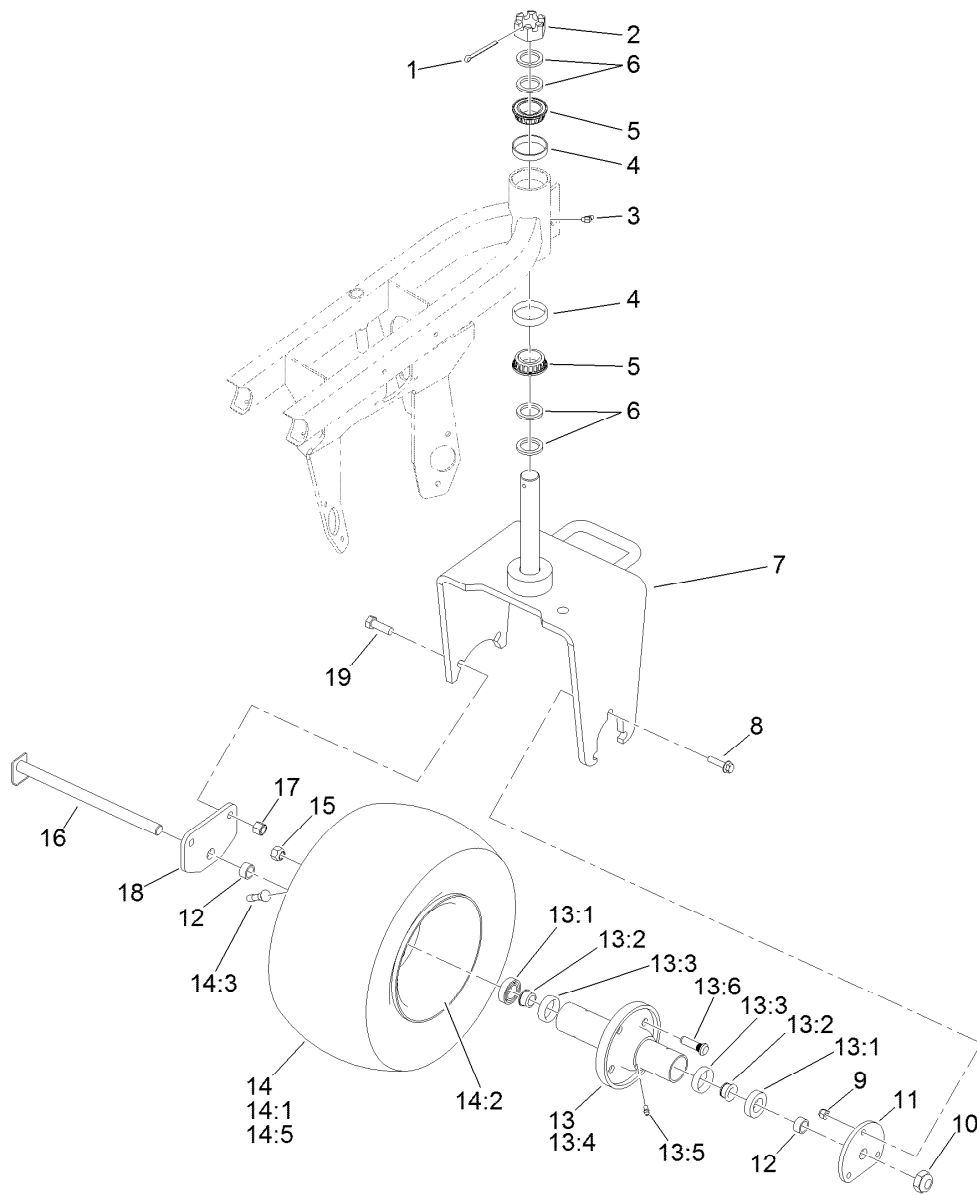
Ref.	Part Number	Qty.	Description	Ref.	Part Number	Qty.	Description
1	283-87	2	Pin-Clevis	17	3296-2	2	Nut-Lock, NI
2	242-50	8	Nut-Lug	18	3290-321	2	Screw-HWH
3	26-3790	2	Nut-Lock	21	3296-42	8	Nut-Lock, NI
4	130-0110	2	Brake Rod ASM	22	93-2096	2	Lever-Brake
4:1	27-2270	1	Rod-Adjustment, Brake	23	10-6790	2	Wheel And Tire ASM
4:2	1-303105	2	Yoke-Adjustable	23:1	28-3680	1	Tire
4:3	3220-2	2	Nut-Jam	23:2	217-60	1	Rim
5	283-61	4	Pin-Yoke	23:3	232-27	1	Stem-Valve
6	3272-6	4	Pin-Cotter	23:5	232-37	1	Tube
7	3272-11	2	Pin-Cotter	24	10-6821	2	Brake Drum ASM
8	127-2208-01	1	Pedal-Brake	24:2	10-6850	1	Drum-Brake
9	3296-16	2	Nut-Lock, NI	24:3	10-6870-0P	1	Hub-Wheel
10	131-2078	1	Sheet-Hinge, Sensor	24:4	85-6540	4	Stud-Drive
11	131-2081	1	Latch	25	321-5	8	Screw-HH
12	3256-27	2	Washer-Flat	26	104-7705	2	Brake ASM
13	93-7629	1	Pad-Foot, Brake	27	104-7706	2	E-Ring, Bowed
14	131-2077	1	Sheet-Hinge	28	3229-1	2	Screw-CARR
16	132-6988	1	Spring-Brake Latch				



## Brake Assembly No. 104-7705

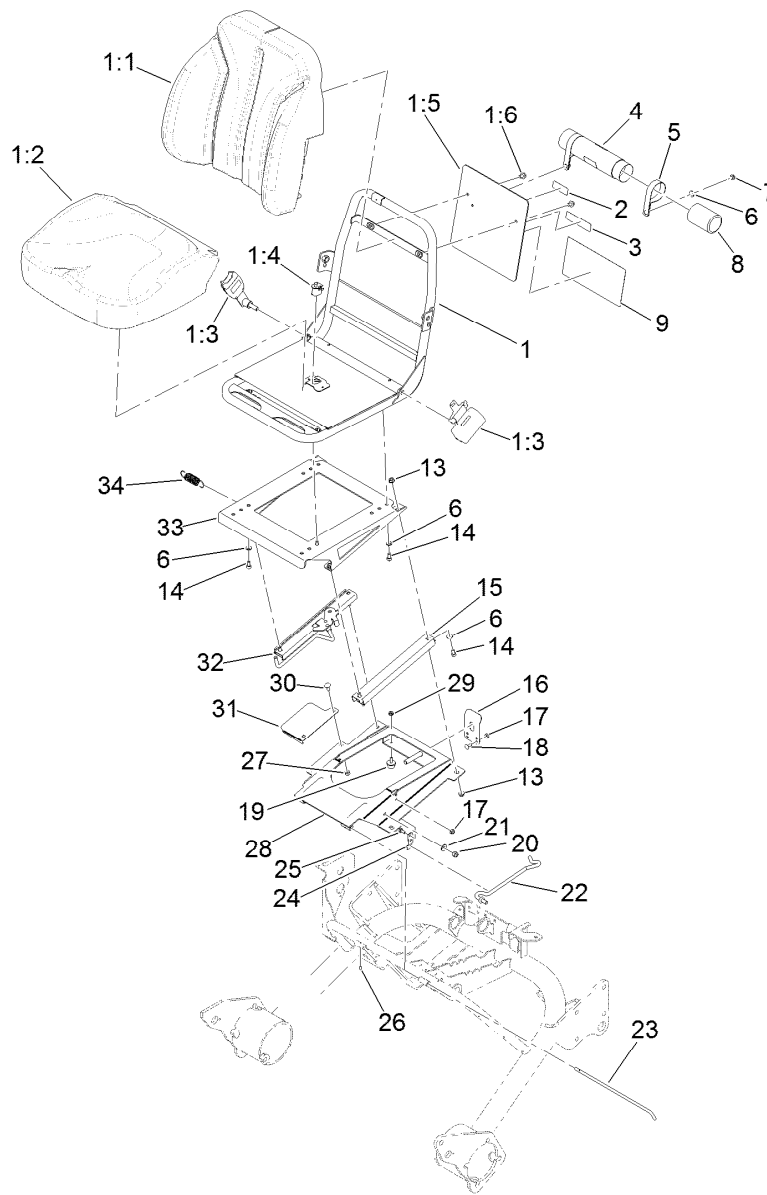
<i>Ref.</i>	<i>Part Number</i>	<i>Qty.</i>	<i>Description</i>
1	70-9870	1	Plate-Backing
2	104-7707	1	Shaft-Cam, Brake
3	104-7706	1	E-Ring, Bowed
4	70-9880	2	Spring-Return
5	70-9840	2	Shoe-Brake





## Rear Wheel Assembly

<i>Ref.</i>	<i>Part Number</i>	<i>Qty.</i>	<i>Description</i>	<i>Ref.</i>	<i>Part Number</i>	<i>Qty.</i>	<i>Description</i>
1	3272-37	1	Pin-Cotter	13:3	254-79	2	Bearing-Roller, Cup
2	32136-9	1	Nut-Hex, Slotted	13:4	75-9440	1	Hub ASM
3	302-11	1	Fitting-Lube, 45 DEG	13:5	302-11	1	Fitting-Lube, 45 DEG
4	115-9471	2	Bearing-Cup	13:6	10-6830	4	Stud-Type, Drive
5	115-9472	2	Bearing-Cone And Seal	14	10-6790	1	Wheel And Tire ASM
6	18-6320	4	Washer-Steering	14:1	28-3680	1	Tire
7	112-0285-01	1	Fork-Castor	14:2	217-60	1	Rim
8	114-4681	3	Screw-HHF	14:3	232-27	1	Stem-Valve
9	3296-39	3	Nut-Lock, NI	14:5	232-37	1	Tube
10	3296-67	1	Nut-Lock, NI	15	242-50	4	Nut-Lug
11	99-1486-01	1	Plate-Adapter	16	5-3934	1	Bolt-Caster
12	74-3730	2	Spacer-Spindle, Rear	17	3296-23	2	Nut-Lock, NI
13	72-9710	1	Hub-Tire	18	99-1485-01	1	Plate-Adapter, Motor
13:1	253-111	2	Seal-Oil	19	325-6	2	Screw-HH
13:2	254-78	2	Bearing-Cone				



## Seat Assembly

Ref.	Part Number	Qty.	Description	Ref.	Part Number	Qty.	Description
1	139-2680	1	Seat ASM	17	3296-16	4	Nut-Lock, NI
1:1	139-2705	1	Cover-Seat, Back	18	3229-1	2	Screw-CARR
1:2	139-2706	1	Cover-Seat, Bottom	19	1-523420	2	Bumper
1:3	139-2707	1	Seat Belt Kit	20	3296-39	1	Nut-Lock, NI
1:4	82-2190	1	Switch-Bail	21	3256-24	1	Washer-Flat
1:5	139-2701	1	Plate-Decal	22	106-4643	1	Rod-Prop, Seat
1:6	3234-30	2	Screw-HHF	23	105-0483	1	Rod-Pivot, Seat
2	93-6686	1	Decal-Oil, HYD	24	68-5310	1	Clip-Rod, Prop
3	133-8062	1	Decal-Arrestor, Spark	25	321-3	2	Screw-HH
4	104-7050	1	Tube-Manual	26	32121-7	1	Pin-Roll, Slotted
5	2412-133	2	Clamp-R	27	3296-29	2	Nut-Lock, NI
6	3256-23	10	Washer-Plain	28	105-0464-03	1	Plate-Seat
7	32104-82	2	Screw-HHF	29	32128-33	2	Nut-HF
8	104-7048	1	Cap-Housing	30	3230-1	2	Bolt-CARR
9	139-2725	1	Decal-Service	31	105-8284-03	1	Shield-Valve
13	32128-25	8	Nut-HF	32	105-8265	1	Adjuster-Seat
14	3274-12	8	Screw-HSH	33	105-0466-03	1	Plate-Seat, Upper
15	51-0780	1	Slider-Seat	34	88-6330	1	Spring-Extension
16	66-2630	1	Latch-Seat				

# Attachments and Accessories

## For 04358 Greensmaster 3150 2-Wheel Drive Traction Unit

<b>Product Name</b>	<b>Model/Part</b>
Turf Evaluator .....	04399
CE Guard Kit.....	04440
Three-Wheel Drive Kit without ROPS .....	04476
Dethatching Unit .....	04479
Light Kit.....	04554
8-Blade DPA Reel Mower .....	04652
11-Blade DPA Reel Mower .....	04654
14-Blade DPA Reel Mower .....	04656
Weight Kit, Greensmaster and Sand Pro/Infield Pro Traction Unit.....	100-6442
Spark Arrestor Screen .....	104-6540
Filter-Oil, Engine .....	107-7817
Premium Engine Oil SAE 30 (Drum) .....	108-1196
Premium Engine Oil SAE 30 (Pail).....	108-1197
Wireless Hourmeter .....	115-4754
Premium Synthetic Bio-Degradable Hydraulic Fluid (5 Gallon Pail) .....	119-2157
Premium Synthetic Bio-Degradable Hydraulic Fluid (55 Gallon Drum).....	119-2158
Tire-Traction .....	119-3516
Oil Cooler Kit.....	130-6536
Hi-Back Seat Cover .....	133-1308
PX Hydraulic Fluid (5 Gal) .....	133-8086
PX Hydraulic Fluid (55 Gal).....	133-8087
Bag Kit .....	137-8130
Groomer Pull Link Kit, Serial Number 401500000 and After Greensmaster 3120 or Greensmaster 3150 Traction Unit .....	138-4976
Bimini Shade Kit .....	138-8579
MVP Kit-HYD Hose.....	140-5236
MVP Kit-1000 Hour .....	44955
Cartridge-Cleaner, Air .....	92-0527
Element-Filter .....	92-0530
Filter-Fuel .....	94-2690
Height-of-Cut Bar.....	94-9010
Weight Kit, Greensmaster 3100, 3150 or 3250-D Traction Unit with Three-Wheel Drive .....	99-1645



**Count on it.**