



**Count on it.**

**Parts Catalog**

**MB TX 2500S**

**Tracked Mud Buggy**

Model No. 68141—Serial No. 408900000 and Up



# Ordering Replacement Parts

To order replacement parts, please supply the part number, the quantity, and the description of each part desired.

## Understanding Reference Numbers

Each identified part in an illustration has a reference number. The reference number for a part also appears in the parts list, along with other information about the part.

This catalog uses two special reference number formats, one to indicate parts in a service assembly and another to indicate the quantity of a given part in an illustration.

## Service Assembly Reference Numbers

Parts in service assemblies have reference numbers in the form a:b. The a represents the reference number of the entire service assembly and the b represents a sequential number unique to each part within the service assembly.

For example, a wheel assembly might be identified by reference number 6, the tire by 6:1, the valve by 6:2, and the wheel by 6:3. When you order the assembly identified by reference number 6, you receive all parts identified by reference numbers 6:1, 6:2, and 6:3. However, you may also order any part individually. Reference numbers of this type appear in illustration and in parts lists.

## Reference Numbers Indicating Quantity

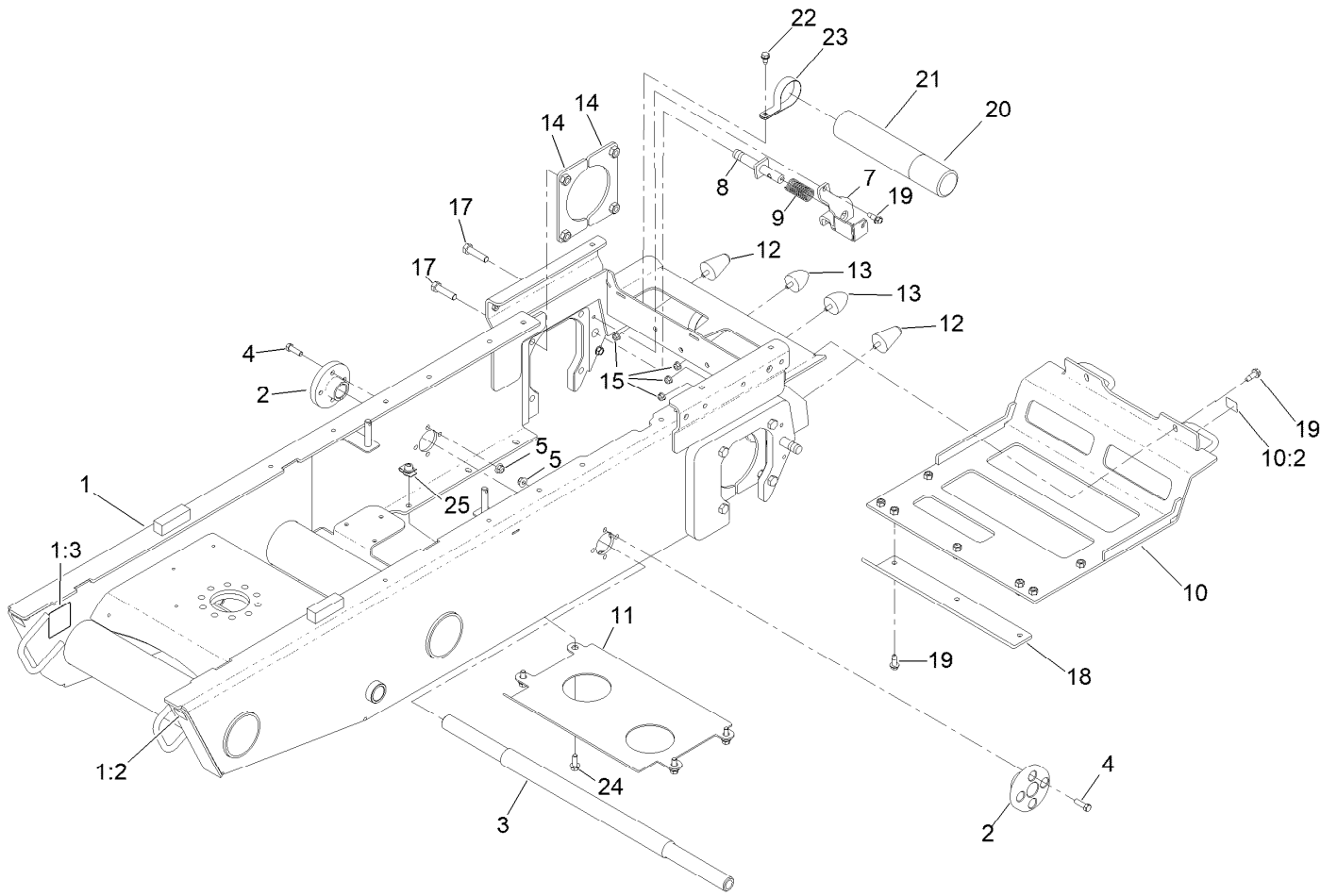
In an illustration, if a reference number indicates more than one part, the reference number has the form nX y. The n represents the quantity of the part, the X is the multiplication symbol, and the y represents the reference number.

For example, in an illustration, the reference number 2X 37 means that two of the parts identified by reference number 37 are indicated.

# Contents

Frame Assembly . . . . .	4
Hydraulic Pump Assembly . . . . .	6
RH Hydro Transaxle Assembly No. 132-8803 . . . . .	8
LH Hydro Transaxle Assembly No. 132-8802 . . . . .	10
Hydraulic Manifold Assembly . . . . .	12
Manifold Assembly No 140-3572 . . . . .	14
Engine Assembly . . . . .	16
Hydraulic Gear Pump Assembly No. 139-7183 . . . . .	18
Fuel Tank and Tower Assembly . . . . .	20
Track Assembly . . . . .	22
Hopper Assembly . . . . .	24
Electrical Harness Assembly . . . . .	26
Control Assembly . . . . .	28
Platform Assembly . . . . .	30
Hood Assembly . . . . .	32
Attachments and Accessories . . . . .	34

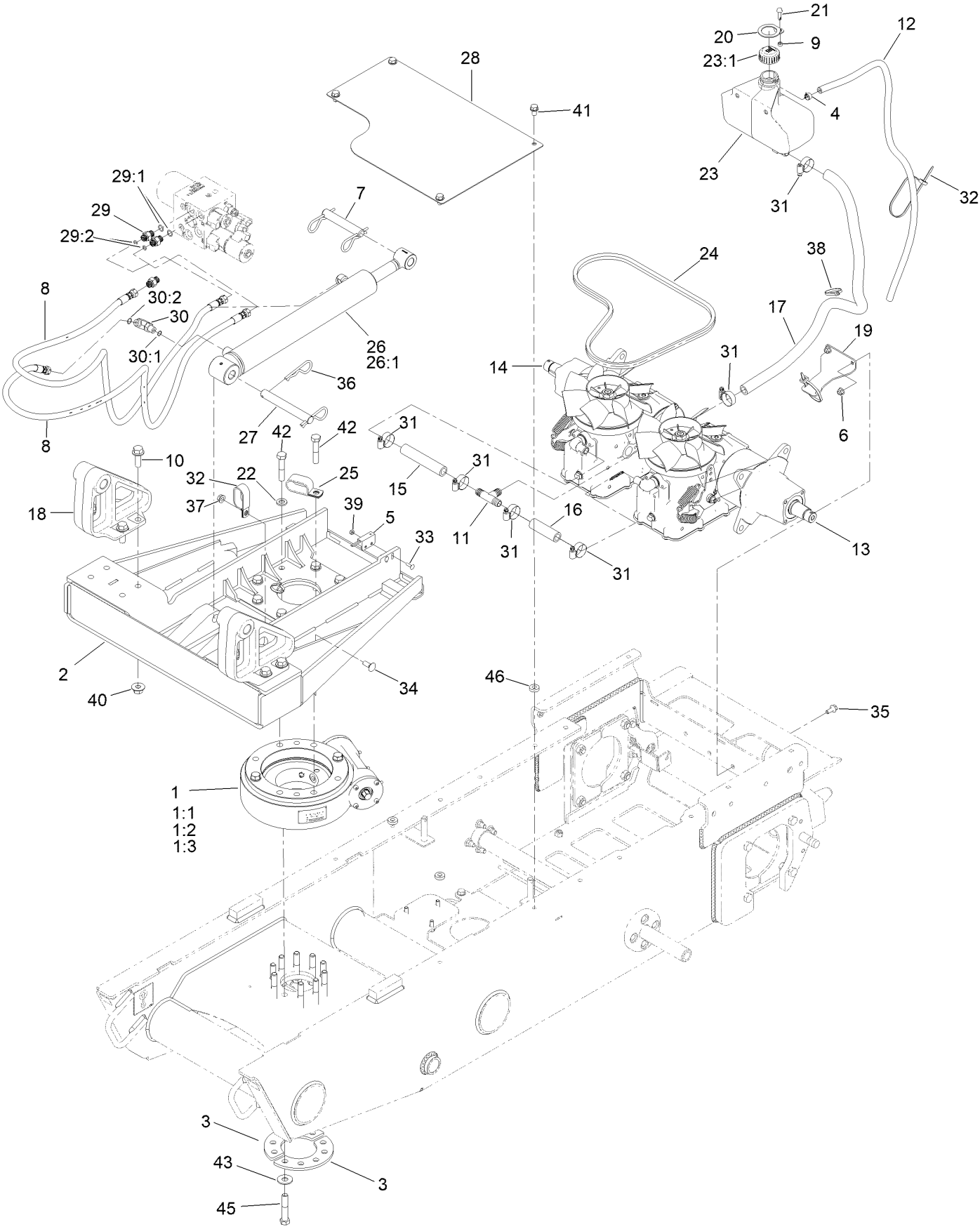
# Frame Assembly



## Frame Assembly (continued)

<i>Ref.</i>	<i>Part Number</i>	<i>Qty.</i>	<i>Description</i>	<i>Ref.</i>	<i>Part Number</i>	<i>Qty.</i>	<i>Description</i>
1	139-7197	1	Frame ASM- Swivel	12	114-1925	2	Bumper-Rubber
1:2	132-9051	2	Decal-Tiedown	13	114-1926	2	Bumper-Rubber
1:3	125-4967	2	Decal-Lift Here	14	132-8936-03	4	Hydro Mounting Plate ASM
2	132-9075	2	Hub-Mount, Track	15	104-8300	4	Nut-HF, NI
3	125-0425	1	Shaft-Track	17	325-8	8	Screw-HH
4	323-7	8	Screw-HH	18	136-4611-03	1	Plate-Skid
5	104-8301	8	Nut-HF, NI	19	105-6245	13	Screw-Tapping
7	130-5284-03	2	Bracket-Brake	20	104-7048	1	Cap-Housing
8	132-8866	2	Shaft-Brake	21	104-7050	1	Tube-Manual
9	125-0344	2	Spring-Compression	22	32144-70	2	Screw-HWHTF
10	136-4651	1	Plate-Side	23	2412-133	2	Clamp-R
10:2	132-9051	2	Decal-Tiedown	24	3234-11	4	Screw-HHF
11	145-1158-03	1	Skid Plate, Hydraulic Tank	25	105-4886	4	Nut-Tinnerman

# Hydraulic Pump Assembly

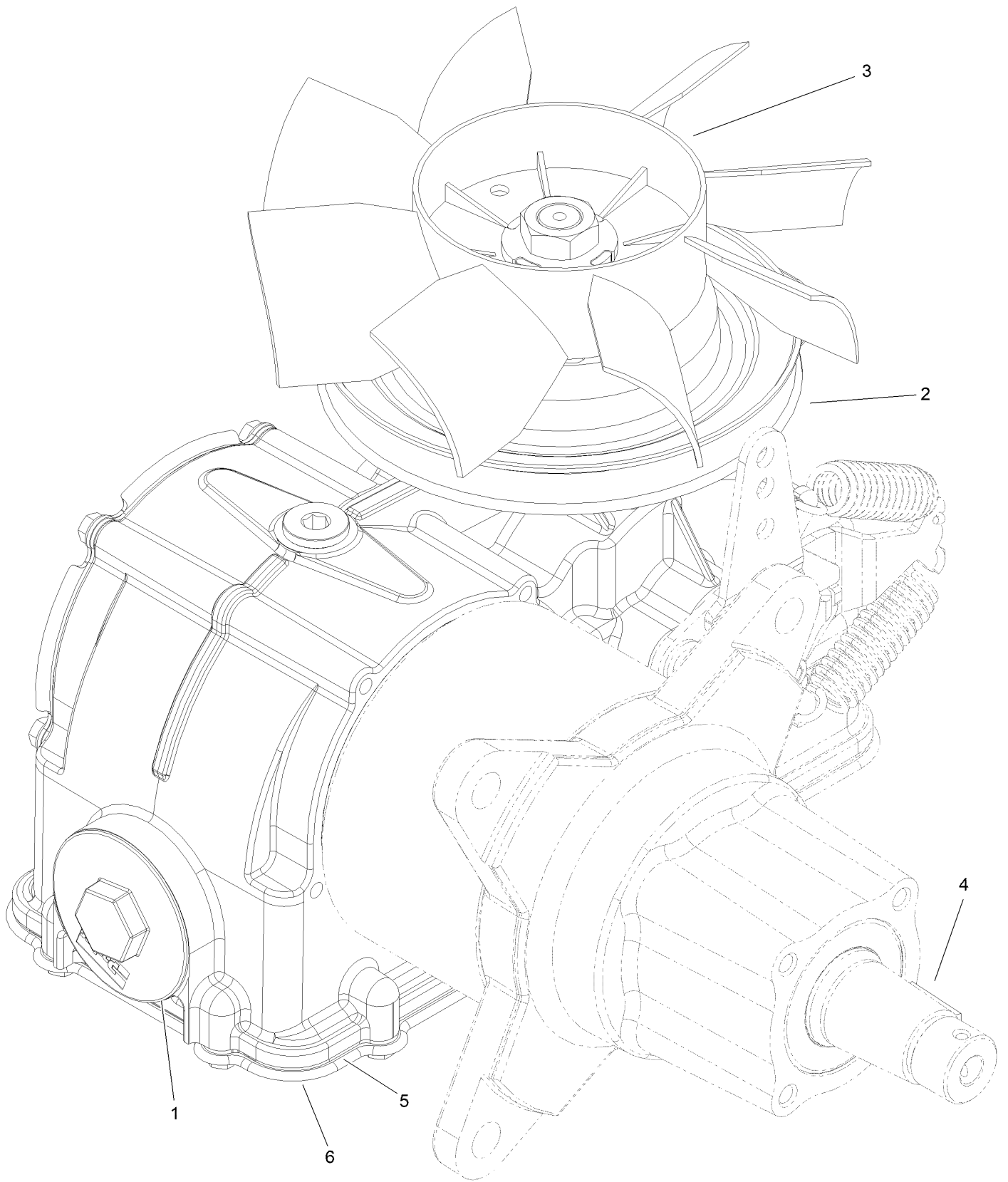


# Hydraulic Pump Assembly (continued)

<i>Ref.</i>	<i>Part Number</i>	<i>Qty.</i>	<i>Description</i>	<i>Ref.</i>	<i>Part Number</i>	<i>Qty.</i>	<i>Description</i>
1	139-7184	1	Drive-Slew	23:1	133-8677	1	Cap-Vented
1:1	140-3579	1	Motor-HYD, Slew	24	139-1295	1	Belt-V
1:2	139-7235	1	Seal-Lip	25	139-7218	1	Clamp-R, Double
1:3	139-7236	1	Seal-Top Plate	26	140-3558	1	Cylinder, Hydraulic
2	140-2347-03	1	Top Swivel Plate ASM [black]	26:1	137-1813	1	Seal Repair Kit ●
3	139-7228-03	2	Spacer-Slew Mount	27	140-3582	1	Pin,Plain
4	92-2379	1	Clamp-Hose	28	140-7204-03	1	Shield_cover
5	100-1270	1	Switch-Proximity	29	340-1	3	Fitting-Straight
6	104-8300	2	Nut-HF, NI	29:1	237-21	1	O-Ring
7	105-7456	1	Pin-Pivot	29:2	237-42	1	O-Ring
8	121-4347	2	Hose-HYD	30	340-82	1	Fitting-Elbow, 90 DEG
9	126-0416	1	Spacer	30:1	237-42	1	O-Ring
10	130-6482	8	Screw-HHF	30:2	237-21	1	O-Ring
11	132-5127	1	Tee	31	2412-129	6	Clamp-Hose
12	132-7563	1	Hose-Breather, Transmission	32	2412-137	1	Clamp-R, Double
13	132-8802	1	LH Hydro Transaxle ASM	33	3229-20	2	Screw-CARR
14	132-8803	1	RH Hydro Transaxle ASM	34	3231-2	1	Bolt-CARR
15	132-8933	1	Hose-HYD, Hydro	35	3234-47	5	Screw-HHF
16	132-8934	1	Hose-HYD, Hydro	36	3290-256	4	Pin-Hair
17	132-8935	1	Hose-HYD, Hydro	37	3290-357	1	Nut-HSF
18	132-9025-03	2	Pivot-Dump	38	3290-378	4	Tie-Cable
19	132-9032-03	1	Bracket-Hose Retainer	39	3296-2	2	Nut-Lock, NI
20	136-0549-01	1	Lock-Tank	40	32128-52	8	Nut-Lock, Flange
21	137-3711	1	Screw	41	32144-15	4	Screw-HHFTF
22	137-5550	7	Washer-Thrust	42	AU426-840	8	Screw-HH
23	138-3164	1	Tank-Hydraulic	43	AU495-81163	10	Washer-Flat
				45	325-34	10	Screw-HH
				46	5-0652	4	Spacer

● Not illustrated

# RH Hydro Transaxle Assembly No. 132-8803



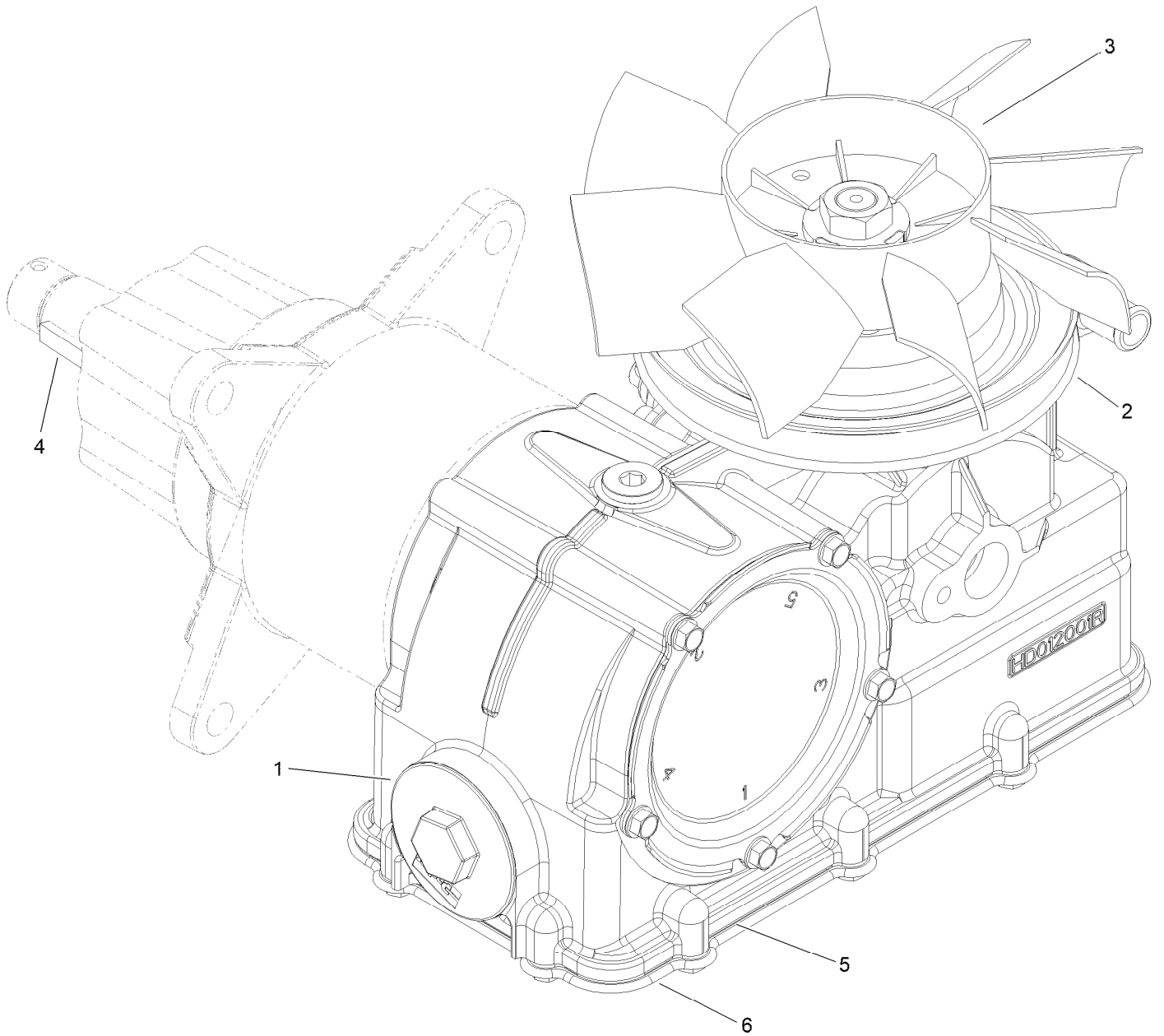


# RH Hydro Transaxle Assembly No. 132-8803 (continued)

<i>Ref.</i>	<i>Part Number</i>	<i>Qty.</i>	<i>Description</i>	<i>Ref.</i>	<i>Part Number</i>	<i>Qty.</i>	<i>Description</i>
1	137-3772	1	Filter	6	139-7233	1	Cover-Service
2	137-3773	1	Pulley	7	145-1155	1	Kit-Seal, Motor ●
3	137-3774	1	Fan (8.3 Inch)	8	145-1156	1	Seal-Shaft ●
4	3257-42	1	Key-Woodruff	9	145-1167	1	Rtn Spring ASM ●
5	140-1148	1	Gasket-Cover, Bottom				

● Not illustrated

# LH Hydro Transaxle Assembly No. 132-8802

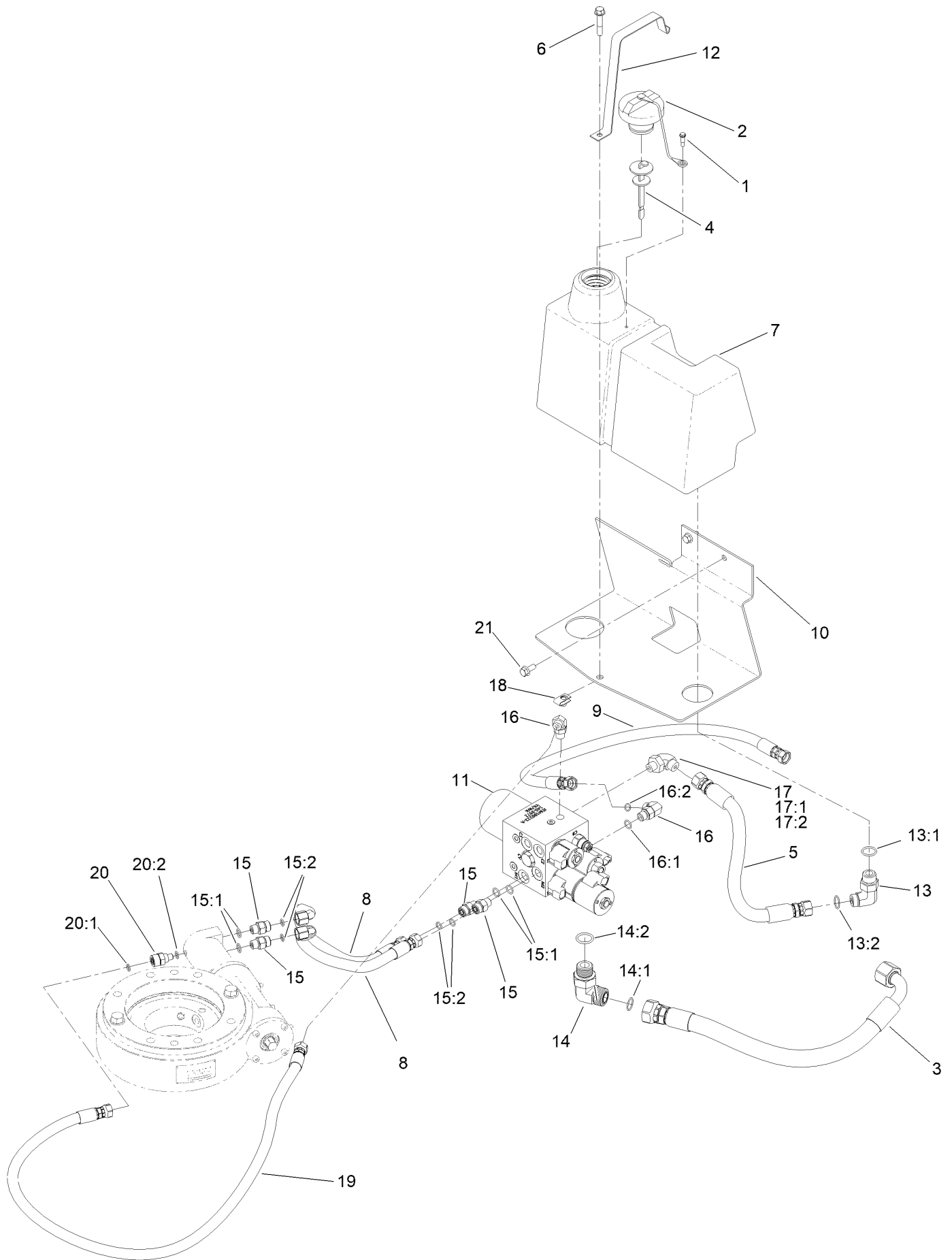


# LH Hydro Transaxle Assembly No. 132-8802 (continued)

<i>Ref.</i>	<i>Part Number</i>	<i>Qty.</i>	<i>Description</i>	<i>Ref.</i>	<i>Part Number</i>	<i>Qty.</i>	<i>Description</i>
1	137-3772	1	Filter	6	139-7233	1	Cover-Service
2	137-3773	1	Pulley	7	145-1155	1	Kit-Seal, Motor ●
3	137-3774	1	Fan (8.3 Inch)	8	145-1156	1	Seal-Shaft ●
4	3257-42	1	Key-Woodruff	9	145-1166	1	Rtn Spring ASM ●
5	140-1148	1	Gasket-Cover, Bottom				

● Not illustrated

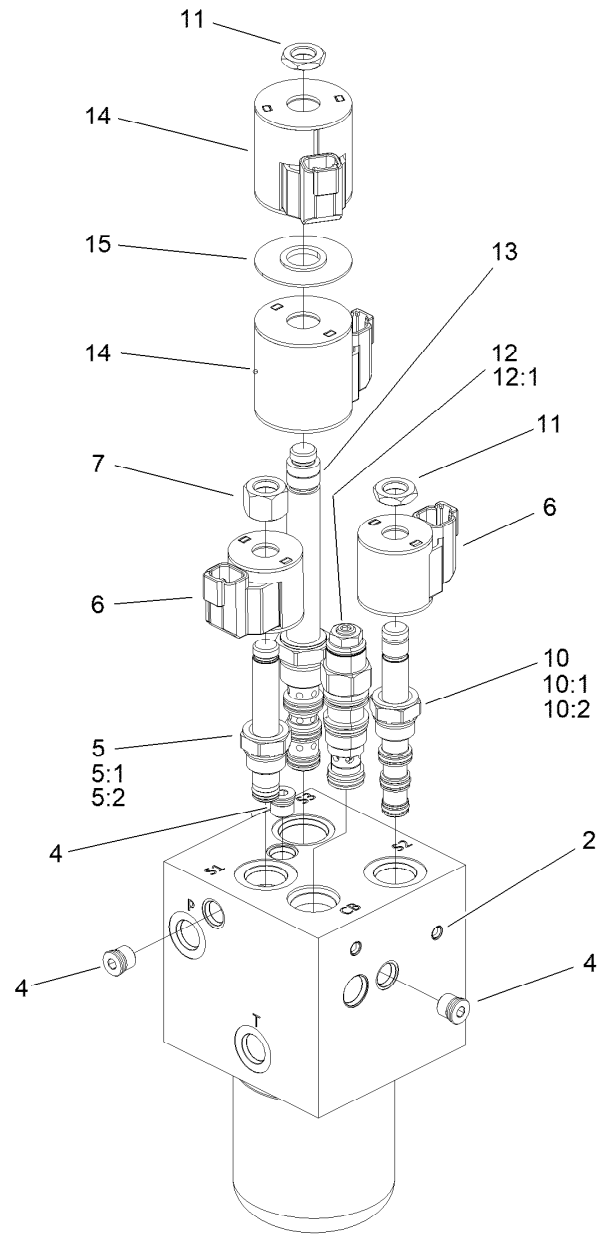
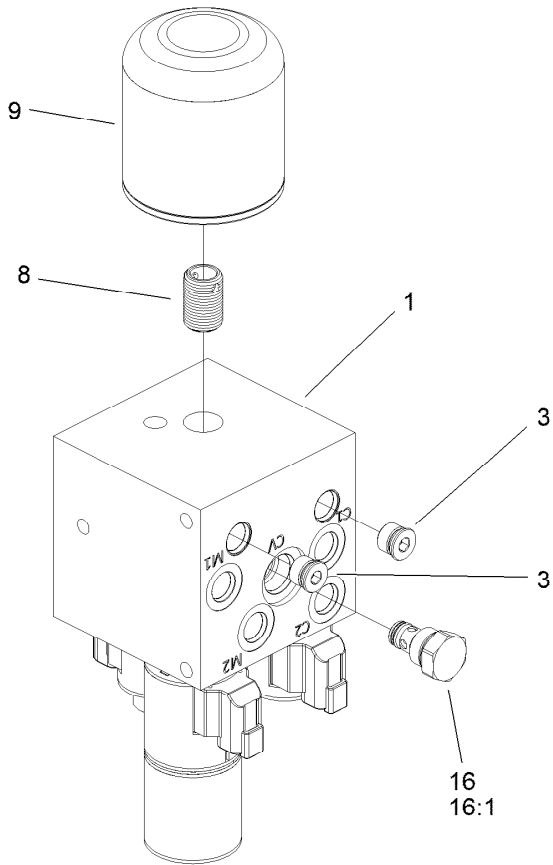
# Hydraulic Manifold Assembly



## Hydraulic Manifold Assembly (continued)

<i>Ref.</i>	<i>Part Number</i>	<i>Qty.</i>	<i>Description</i>	<i>Ref.</i>	<i>Part Number</i>	<i>Qty.</i>	<i>Description</i>
1	57-5420	1	Screw-Shoulder	14:2	237-81	1	O-Ring
2	93-7160	1	Cap-Oil, HYD	15	340-2	4	Fitting-Straight
3	100-5579	1	Hose ASM	15:1	237-22	1	O-Ring
4	106-8811	1	Dipstick ASM	15:2	237-42	1	O-Ring
5	117-0729	1	Hose ASM	16	340-77	2	Fitting-Elbow, 90 DEG
6	94-5780	1	Screw-HWH	16:1	237-22	1	O-Ring
7	127-4162	1	Reservoir-Oil, HYD	16:2	237-42	1	O-Ring
8	144-7466	2	Hose ASM-HYD	17	340-99	1	Fitting-HYD, 90 DEG
9	133-2260	1	Hose ASM	17:1	237-30	1	O-Ring
10	140-3552-03	1	Support - Tank, HYD	17:2	237-42	1	O-Ring
11	140-3572	1	Manifold-Hydraulic ASM	18	94-2413	1	Nut-U
12	140-7639-03	1	Strap-Hydraulic Tank	19	144-7464	1	Hose ASM-HYD
13	340-105	1	Fitting-Elbow, 90 DEG	20	98-1282	1	Adapter-HYD, Straight
13:1	237-80	1	O-Ring	20:1	237-22	1	O-Ring
13:2	237-30	1	O-Ring	20:2	237-118	1	O-Ring
14	340-142	1	Fitting-Elbow, 90 DEG	21	3234-47	2	Screw-HHF
14:1	237-58	1	O-Ring				

# Manifold Assembly No 140-3572

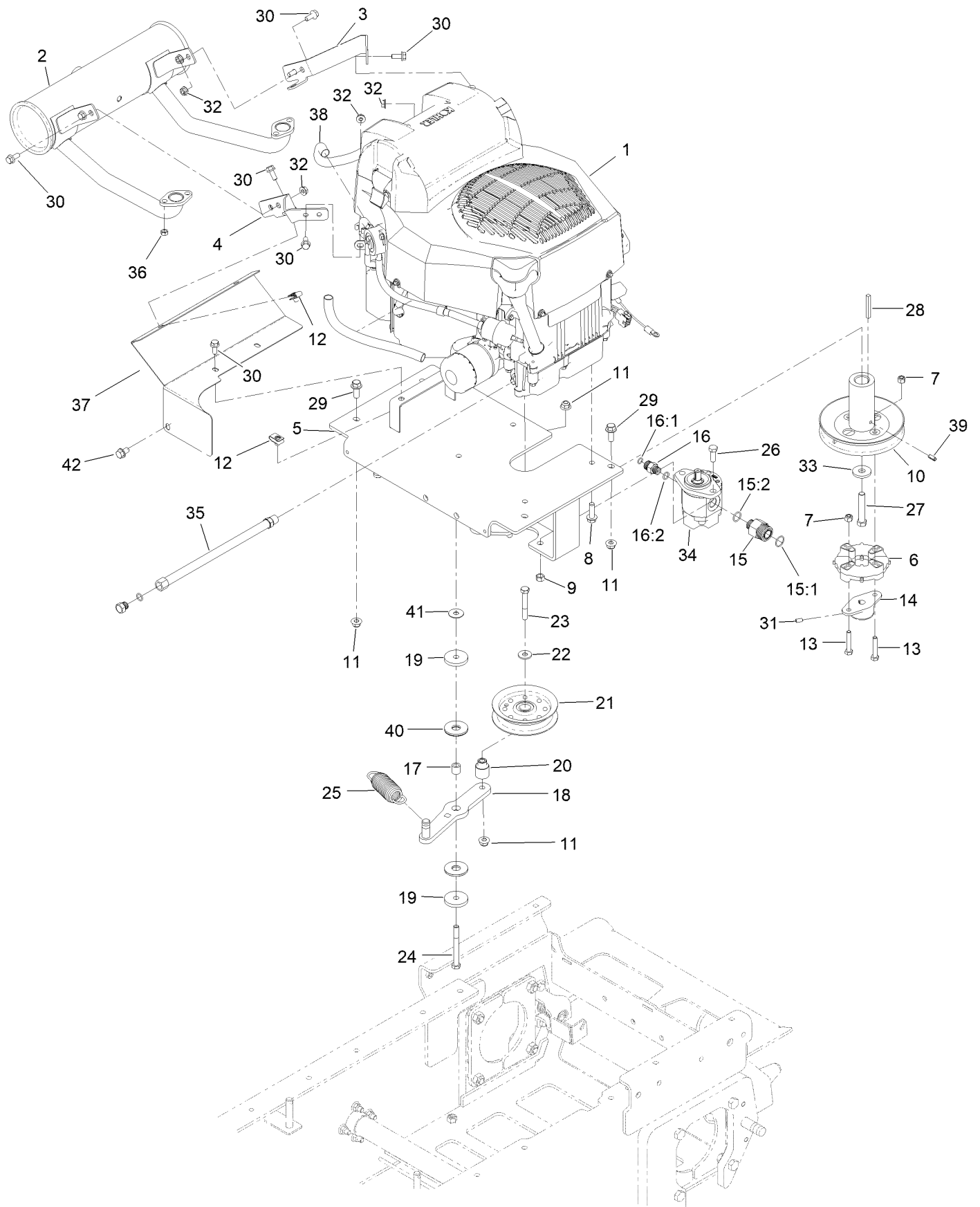


## Manifold Assembly No 140-3572 (continued)

<i>Ref.</i>	<i>Part Number</i>	<i>Qty.</i>	<i>Description</i>	<i>Ref.</i>	<i>Part Number</i>	<i>Qty.</i>	<i>Description</i>
1		1	Manifold Block ●	10	120-1665	1	Valve-Solenoid
2		1	Expander Plug ●	10:1	112-6520	1	Seal Kit
3	112-9213	2	Plug	10:2	110-2634	1	Nut-Coil
4	112-9212	3	Plug	11	110-2634	2	Nut-Coil
5	107-7517	1	Valve-Solenoid	12	114-5082	1	Valve-Balance, Counter
5:1	105-9156	1	Seal Kit	12:1	114-5083	1	Seal Kit
5:2	107-7812	1	Nut-Solenoid	13	139-7230	1	Valve-Solenoid
6	119-8036	2	Coil	14	119-4619	2	Coil-Solenoid
7	107-7812	1	Nut-Solenoid	15	117-8316	1	Spacer-E Coil
8	127-3885	1	Nipple-Filter	16	105-9321	1	Check Valve ASM
9	1-633750	1	Filter-Oil, HYD	16:1	105-9156	1	Seal Kit

● Not serviced separately

# Engine Assembly

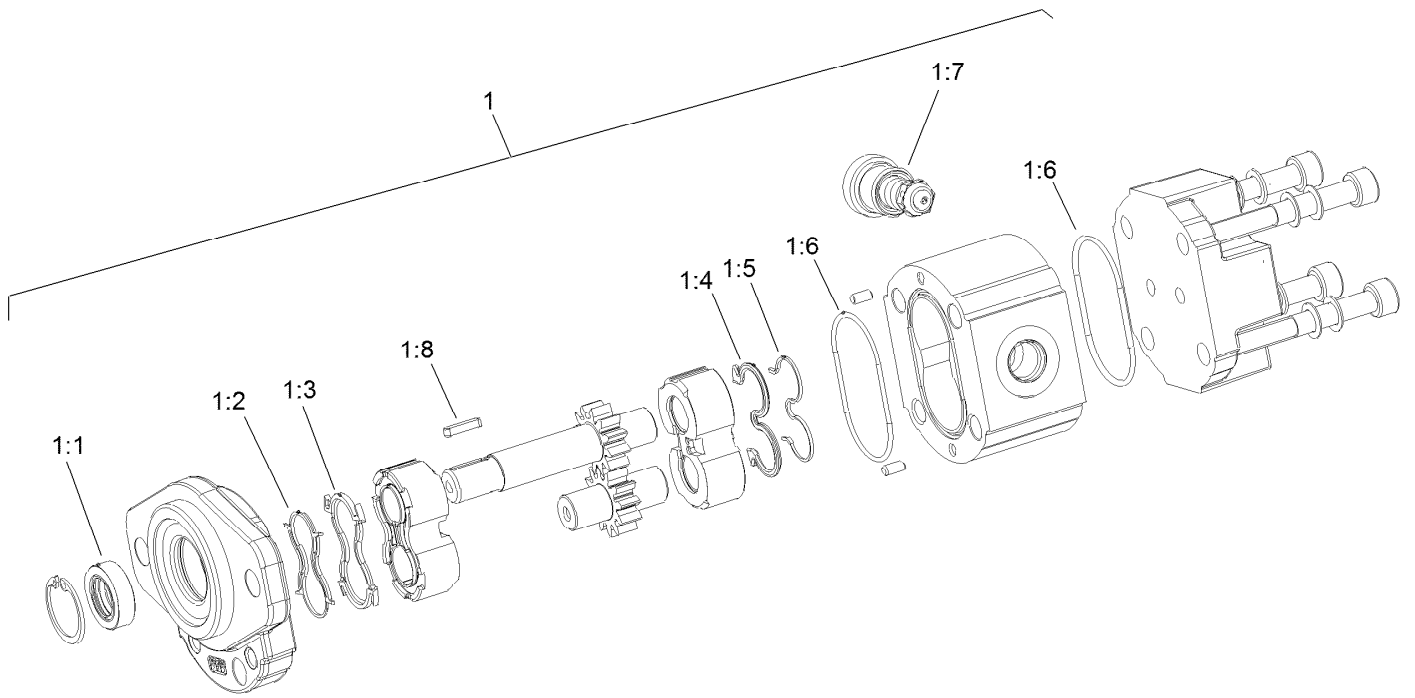




## Engine Assembly (continued)

<i>Ref.</i>	<i>Part Number</i>	<i>Qty.</i>	<i>Description</i>	<i>Ref.</i>	<i>Part Number</i>	<i>Qty.</i>	<i>Description</i>
1	139-7245	1	Engine-Kohler, Zt740 [service]	20	132-9080	1	Bushing-Idler
2	132-8995	1	Muffler-Kohler	21	116-3626	1	Pulley-Idler
3	132-8916-03	1	Bracket-Muffler	22	80-6990	1	Washer-Hardened
4	132-8917-03	1	Bracket-Muffler	23	323-12	1	Screw-HH
5	132-8907-03	1	Plate-Engine	24	323-15	1	Screw-HH
6	119-0652	1	Coupler-Rubber	25	138-7110	1	Spring-Extension
7	3296-29	4	Nut-Lock, NI	26	323-6	2	Screw-HH
8	32144-109	4	Screw-Thd	27	3212-10	1	Screw-HH
9	125-5069	2	Nut-Hex	28	103-4177	1	Key
10	132-8938	1	Pulley-Engine	29	3234-42	4	Screw-HHF
11	104-8301	6	Nut-HF, NI	30	3234-47	12	Screw-HHF
12	115-7721	4	Nut-Clip, U	31	3245-9	2	Screw-Set, HSH
13	322-9	4	Screw-HH	32	32128-26	8	Nut-Flange
14	132-9033	1	Hub-Pump	33	110-6147	1	Washer-Flat
15	98-9921	1	Fitting-Straight	34	139-7183	1	Pump-Gear
15:1	237-145	1	O-Ring	35	117-1261	1	Hose-Drain, Oil
15:2	237-79	1	O-Ring	36	114-3549	4	Nut
16	340-2	1	Fitting-Straight	37	139-7232-03	1	Shield-Muffler
16:1	237-22	1	O-Ring	38	136-4617	2	Sleeve-Thermal
16:2	237-42	1	O-Ring	39	32121-134	1	Pin-Roll
17	75-5270	1	Spacer-Knob, Seat	40	114-0463	2	Washer-Friction, Composite
18	132-9086-03	1	Arm-Idler	41	119-4150	1	Washer-Flat
19	110-9981	2	Washer-Plain	42	32144-15	2	Screw-HHFTF

# Hydraulic Gear Pump Assembly No. 139-7183

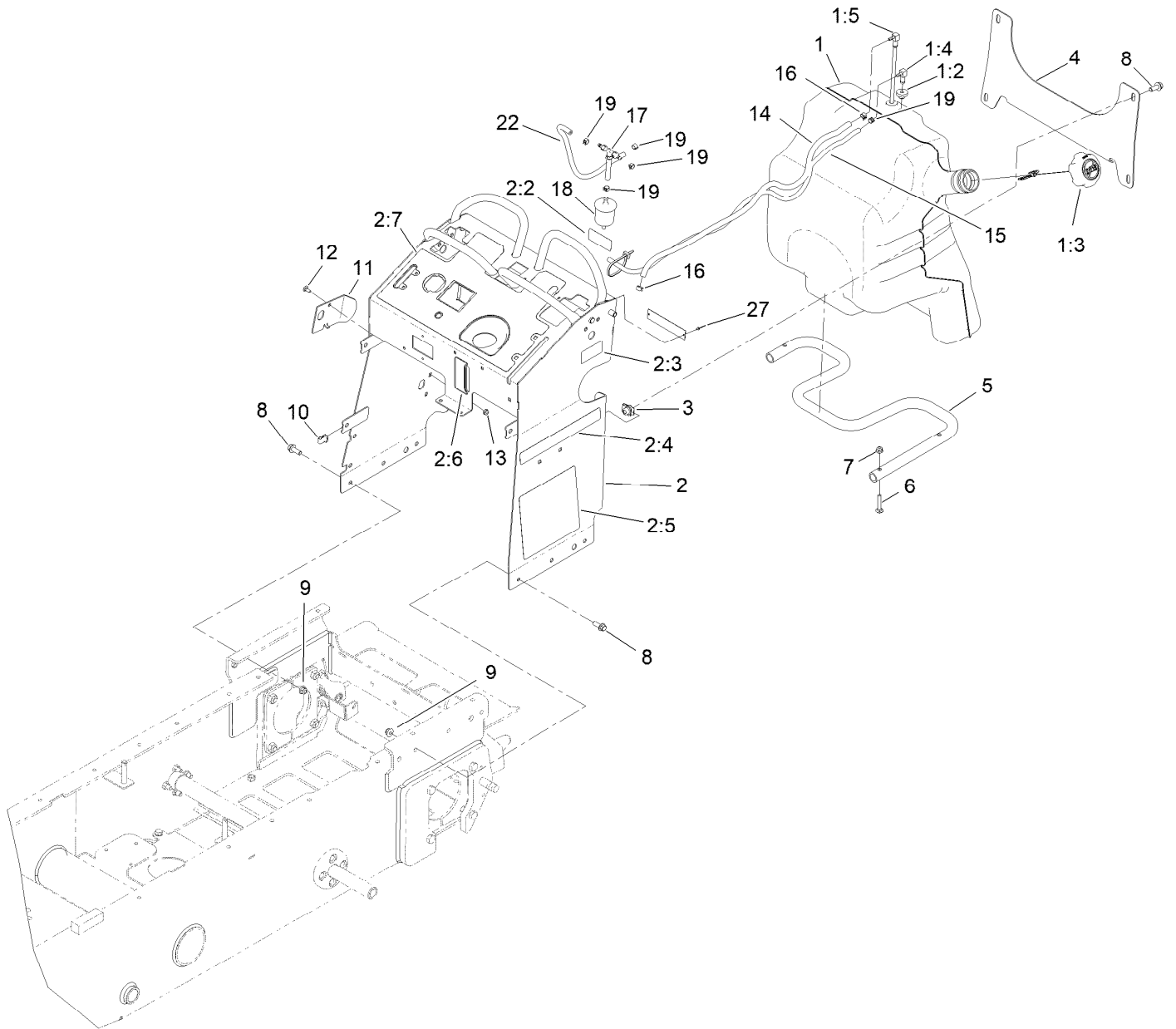


# Hydraulic Gear Pump Assembly No. 139-7183 (continued)

<i>Ref.</i>	<i>Part Number</i>	<i>Qty.</i>	<i>Description</i>	<i>Ref.</i>	<i>Part Number</i>	<i>Qty.</i>	<i>Description</i>
1	132-8969	1	Seal-Kit	1:5		1	Anti Extrusion ●
1:1		1	Shaft Seal ●	1:6		2	O-Ring Seal ●
1:2		1	Anti Extrusion ●	1:7		1	O-Ring Seal ●
1:3		1	Upper Seal ●	1:8		1	Key ●
1:4		1	Seal ●				

● Not serviced separately

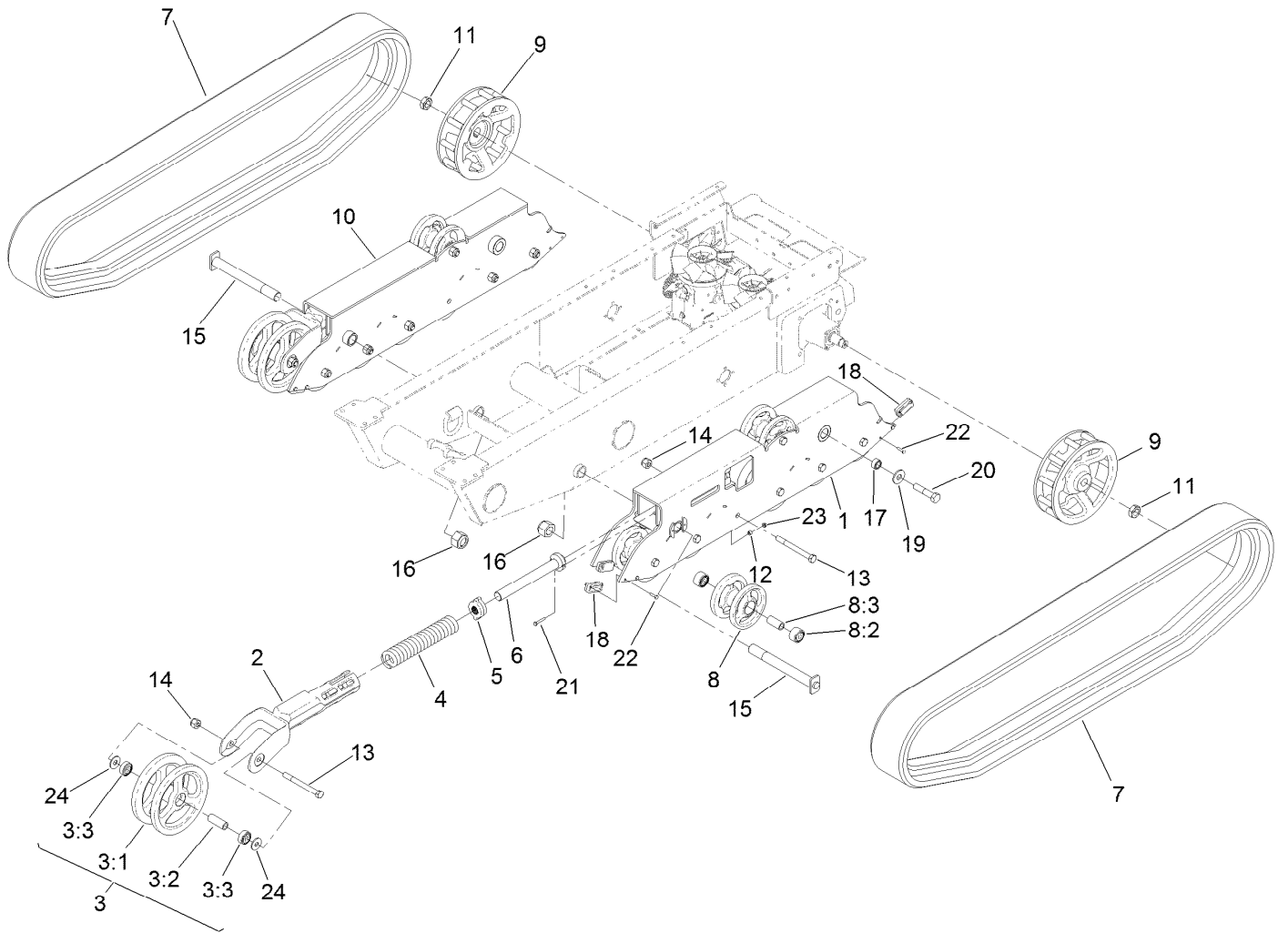
# Fuel Tank and Tower Assembly



## Fuel Tank and Tower Assembly (continued)

<i>Ref.</i>	<i>Part Number</i>	<i>Qty.</i>	<i>Description</i>	<i>Ref.</i>	<i>Part Number</i>	<i>Qty.</i>	<i>Description</i>
1	132-7560	1	Fuel Tank ASM	7	104-8300	3	Nut-HF, NI
1:2	46-6560	2	Bushing	8	3234-42	10	Screw-HHF
1:3	137-4127	1	Cap-Fuel	9	104-8301	6	Nut-HF, NI
1:4	104-5228	1	Fitting-Elbow, 90 DEG	10	115-7721	5	Nut-Clip, U
1:5	132-7559	1	Fuel Tube ASM	11	131-7455	1	Plate-Striker
2	140-7621	1	Tower ASM- Swivel	12	3229-11	1	Screw-CARR
2:2	132-9052	1	Decal-Fuse	13	104-7201	1	Nut-HF, NI
2:3	116-8775	1	Decal-Fill, Fuel	14	132-8929	1	Hose-Fuel
2:4	139-7210	2	Decal	15	110-3958	1	Hose-Fuel
2:5	139-7223	1	Decal - Service, Mbtx-2500S	16	2412-98	2	Clamp-Hose
2:6	137-0575	1	Decal-Level, Oil	17	116-5464	1	Tee And Check
2:7	139-7202	1	Decal-Control Panel	18	120-2235	1	Filter-Fuel
3	105-4886	4	Nut-Tinnerman	19	2412-146	5	Clamp-Hose
4	132-1145-03	1	Bracket-Cross	22	132-9046	1	Hose-Vent
5	132-5161-01	1	Tube-Mount, Fuel Tank	27	3269-29	2	Rivet-Pop
6	3230-5	3	Bolt-CARR				

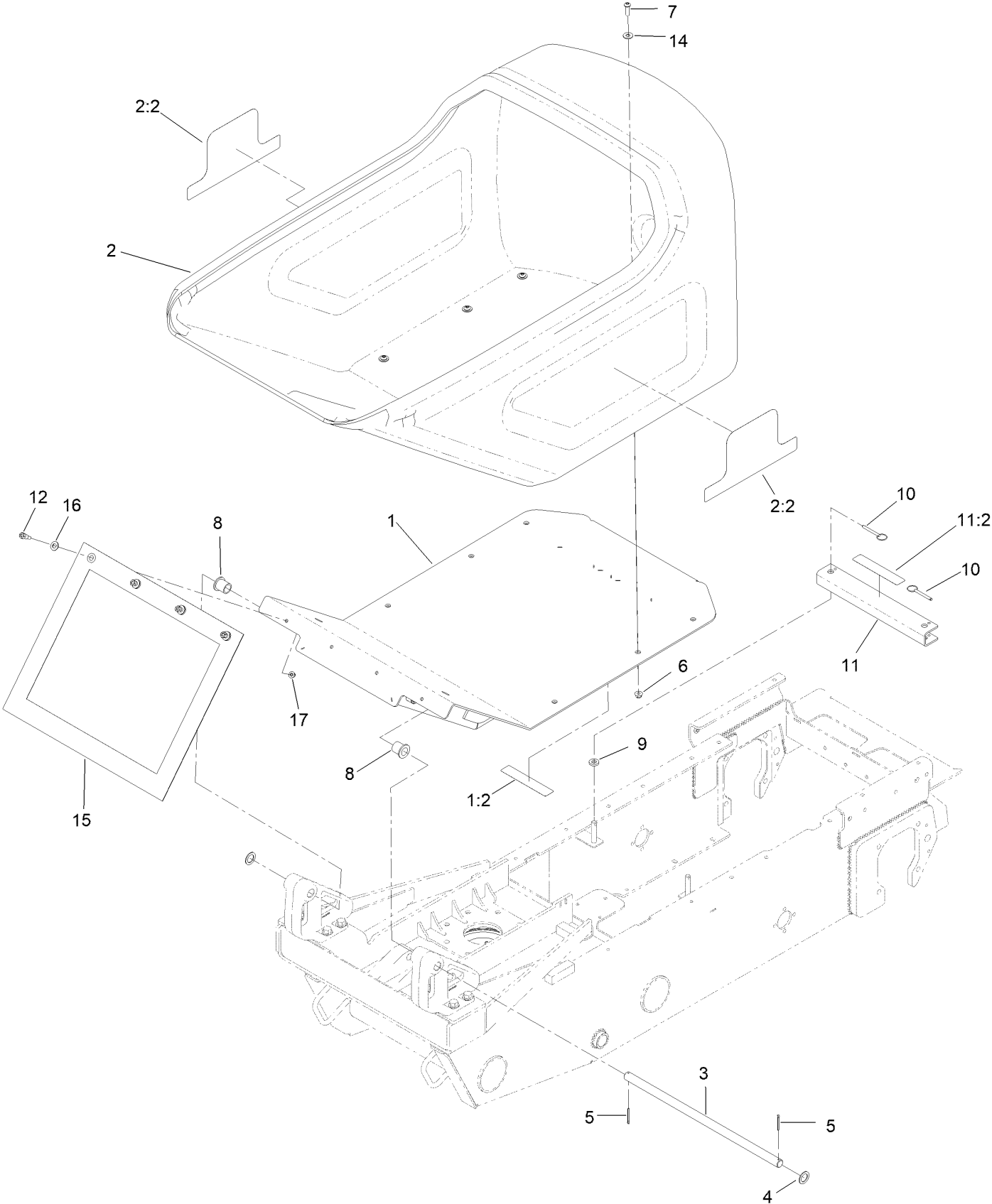
# Track Assembly



## Track Assembly (continued)

<i>Ref.</i>	<i>Part Number</i>	<i>Qty.</i>	<i>Description</i>	<i>Ref.</i>	<i>Part Number</i>	<i>Qty.</i>	<i>Description</i>
1	132-8813-03	1	Mount-Wheel, LH	11	26-3790	2	Nut-Lock
2	108-4691-03	2	Arm-Tensioner	12	98-4799	2	Spacer
3	104-5745	2	Tensioner Wheel ASM	13	327-17	16	Screw-HH
3:1	104-5747-03	1	Wheel-Tensioner	14	3296-24	16	Nut-Hex
3:2	98-9835	1	Spacer-Wheel, Tensioner	15	130-1050	2	Pin-Track
3:3	120-5378	2	Bearing-Ball	16	125-0399	2	Nut-HH
4	95-3624	2	Spring-Compression	17	132-8944	2	Spacer-Track, Outside Mount
5	108-4664	2	Block-Tensioner	18	132-6053	8	Block-Track
6	127-9563	2	Bolt-Tensioner	19	99-2659	2	Washer
7	137-8712	2	Track	20	328-5	2	Screw-HH
8	138-5231	14	Wheel ASM	21	321-37	2	Screw-HH
8:2	138-0547	2	Bearing-Ball	22	321-6	16	Screw-HH
8:3	130-7564	1	Spacer-Wheel	23	32128-32	2	Nut-HHF
9	132-8893-03	2	Wheel-Drive	24	3256-7	4	Washer-Flat
10	132-8814-03	1	Mount-Wheel, RH				

# Hopper Assembly

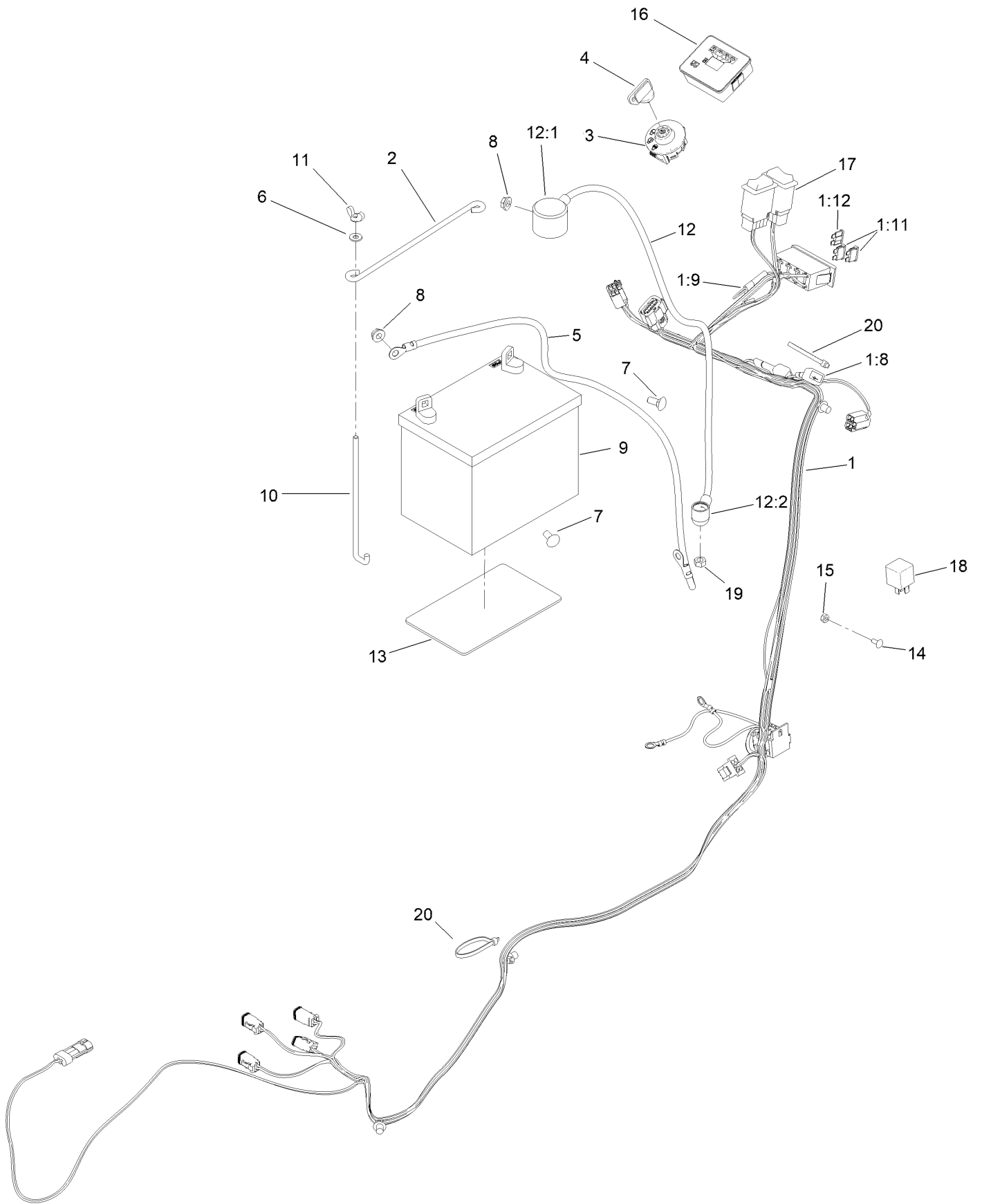




## Hopper Assembly (continued)

<i>Ref.</i>	<i>Part Number</i>	<i>Qty.</i>	<i>Description</i>	<i>Ref.</i>	<i>Part Number</i>	<i>Qty.</i>	<i>Description</i>
1	140-3575	1	Hopper Base ASM (Service)	9	83-1470	2	Washer-Neoprene
1:2	115-4858	2	Decal-Danger	10	108-0094	2	Pin-Cotterless
2	139-7240	1	Hopper-Mortar, ASM	11	139-7203	1	Arm-Locking
2:2	139-7234	2	Decal-Mud Buggy	11:2	115-4858	1	Decal-Danger
3	132-8854	1	Shaft-Pivot, Tub	12	28-0540	4	Bolt-Shoulder
4	99-4958	2	Spacer	14	3256-4	6	Washer-Flat
5	3272-13	2	Pin-Cotter	15	132-9044	1	Shield-Splatter
6	104-8301	6	Nut-HF, NI	16	3256-25	4	Washer-Flat
7	3274-63	6	Screw-HSBH	17	104-8300	4	Nut-HF, NI
8	1-303514	2	Bearing-Flanged				

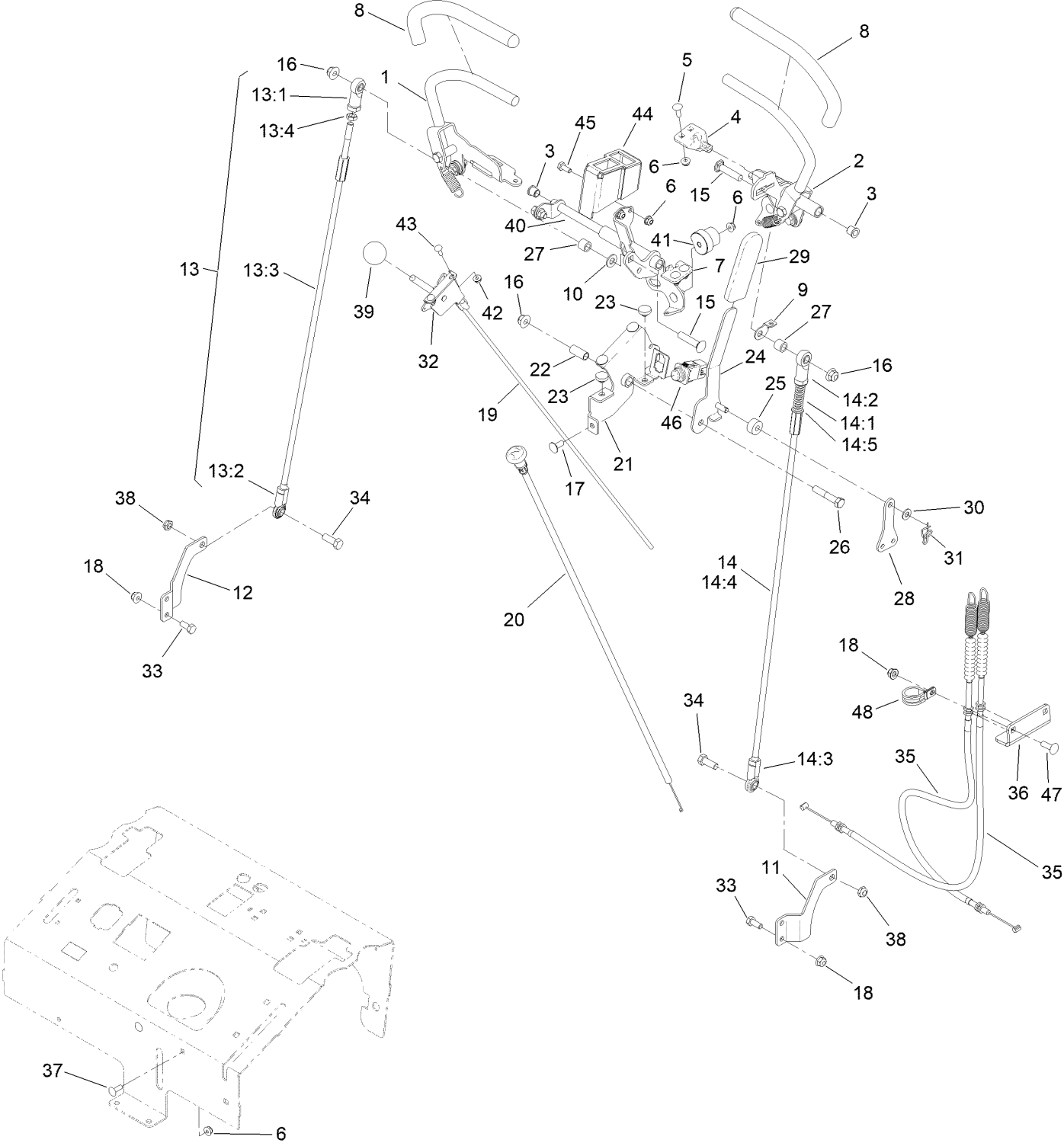
# Electrical Harness Assembly



## Electrical Harness Assembly (continued)

<i>Ref.</i>	<i>Part Number</i>	<i>Qty.</i>	<i>Description</i>	<i>Ref.</i>	<i>Part Number</i>	<i>Qty.</i>	<i>Description</i>
1	139-6385	1	Harness-Wire, Mud Buggy	10	100-6435	2	Post-Battery
1:8	100-4918	2	Diode	11	32103-22	2	Nut-Wing
1:9	32180-416	1	Cap-Tethered	12	109-7630	1	Positive Battery Cable ASM
1:11	109355	2	Fuse-Blade, 15 Amp	12:1	109-2407	1	Insulator-Battery
1:12	114241	1	Fuse-Blade, 7.5 Amp	12:2	1-543393	1	Insulator-Solenoid
2	100-6434	1	Rod-Hold Down, Battery	13	62-4300	1	Pad-Skid, Anti
3	137-4101	1	Switch-Ignition	14	1-807513	1	Bolt-CARR
4	63-8360	1	Key-Ignition	15	3296-2	1	Nut-Lock, NI
5	117-7240	1	Cable-Battery, Negative	16	132-8959	1	Module, Hour Meter
6	3256-22	2	Washer-Flat	17	AU113664	2	Switch-Rocker, 2 Pole
7	3230-1	2	Bolt-CARR	18	1-643275	1	Relay
8	32128-20	2	Nut-HF	19	33014-00	1	Nut-Hex
9	104-4657	1	Battery (340 CCA, Wet)	20	3290-378	3	Tie-Cable

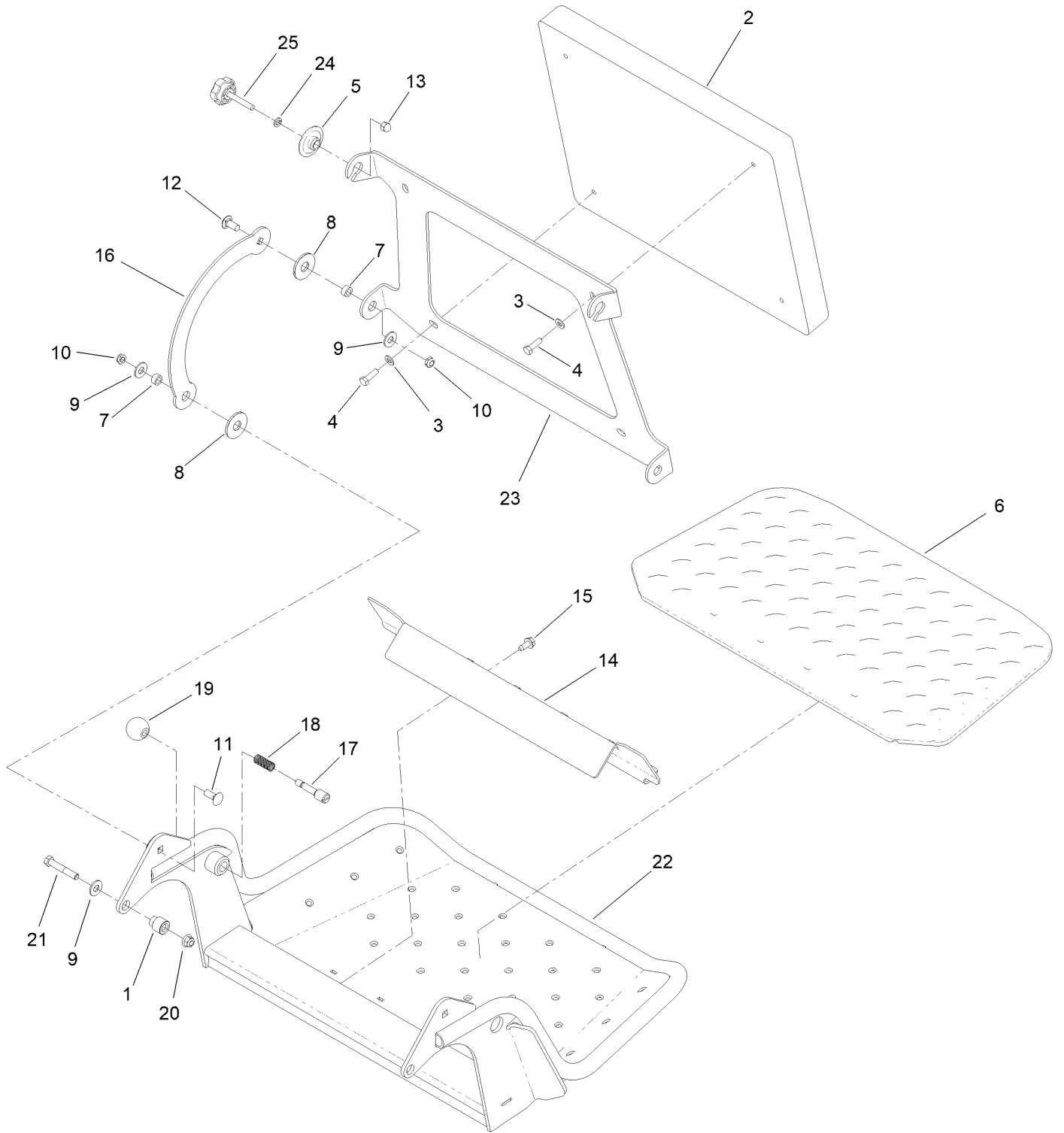
# Control Assembly



## Control Assembly (continued)

<i>Ref.</i>	<i>Part Number</i>	<i>Qty.</i>	<i>Description</i>	<i>Ref.</i>	<i>Part Number</i>	<i>Qty.</i>	<i>Description</i>
1	132-9048	1	RH Control Handle ASM	21	132-8919-03	1	Bracket-Brake, Pivot
2	132-9047	1	LH Control Handle ASM	22	131-3562	1	Bearing-Sleeve
3	103-9928	2	Bearing	23	1-513658	2	Bumper
4	120-3288	1	Tab-Pivot, LH	24	132-8920-03	1	Handle-Arm, Brake
5	3229-1	4	Screw-CARR	25	132-9064	1	Bushing-Brake
6	104-7201	10	Nut-HF, NI	26	323-10	1	Screw-HH
7	120-3287	1	Tab-Pivot, RH	27	93-9847	2	Spacer
8	119-0222	2	Grip	28	132-1188	1	Yoke-Cable
9	132-7538	1	Bracket-Adjustment, Speed	29	1-633268	1	Grip-Lever
10	3256-24	1	Washer-Flat	30	93-6079	1	Spacer-Nylon
11	131-5748-03	1	Bracket-Hydro, LH	31	112-1491	1	Pin-Cotter
12	131-5747-03	1	Bracket-Hydro, RH	32	110-5547	1	Lever-Control
13	138-8642	1	RH Control Rod ASM	33	322-3	5	Screw-HH
13:1	92-7008	1	End-Rod, Female	34	323-6	2	Screw-HH
13:2	103-1167	1	Joint-Ball End, LH	35	132-8921	2	Cable-Brake
13:3	138-8641	1	Rod-Control	36	132-8923-03	1	Bracket-Cable, Brake
13:4	3220-3	1	Nut-HJ	37	3229-25	2	Screw-CARR
14	138-8643	1	LH Control Rod ASM	38	3296-59	2	Nut-Lock, NI
14:1	1-603807	1	Spring-Return, Neutral	39	1-603175	1	Knob-Ball
14:2	92-7008	1	End-Rod, Female	40	132-9029-03	1	Pivot/Plate Switch ASM
14:3	103-1167	1	Joint-Ball End, LH	41	126-1499	2	Cam
14:4	138-8641	1	Rod-Control	42	32128-17	2	Nut-Lock, Flange
14:5	3256-45	2	Washer-Flat	43	1-807533	2	Bolt-CARR
15	3231-29	2	Screw-CARR	44	145-1157-03	1	Bracket-Switch
16	104-8301	3	Nut-HF, NI	45	321-3	2	Screw-HH
17	3230-23	3	Bolt-CARR	46	100-1268	1	Switch-Plunger
18	104-8300	10	Nut-HF, NI	47	3230-22	2	Screw-CARR
19	115-1211	1	Cable-Control	48	2412-104	1	Clamp-R
20	132-9035	1	Cable-Choke				

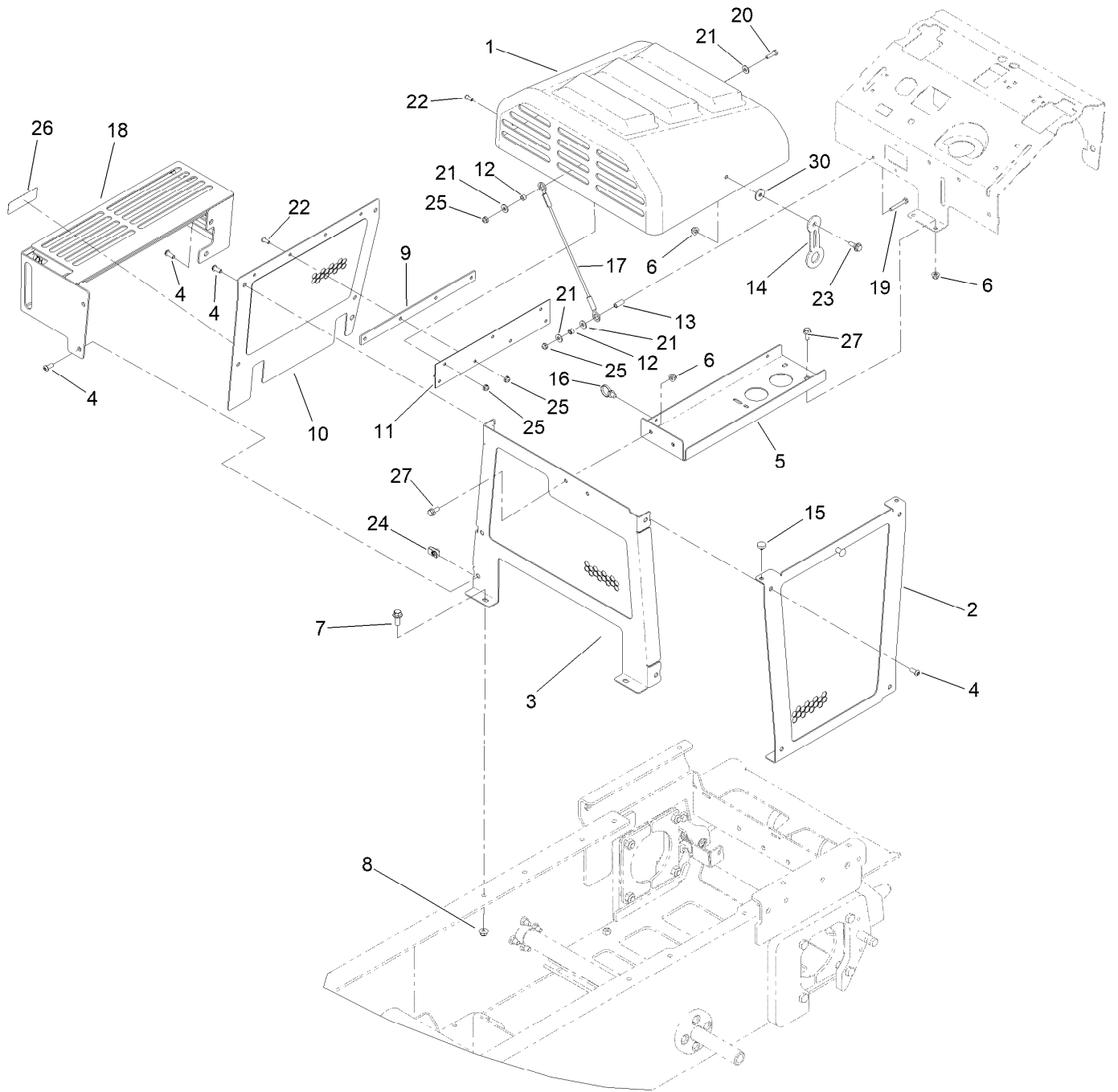
# Platform Assembly



## Platform Assembly (continued)

<i>Ref.</i>	<i>Part Number</i>	<i>Qty.</i>	<i>Description</i>	<i>Ref.</i>	<i>Part Number</i>	<i>Qty.</i>	<i>Description</i>
1	132-7583	2	Bushing-Flanged	14	136-5669-03	1	Clamp-Shield
2	117-9739	1	Pad-Cushion	15	32144-70	2	Screw-HWHTF
3	3256-23	4	Washer-Plain	16	114-1915-03	2	Link-Pad
4	121-7999	4	Screw-HH	17	119-8650	1	Pin-Latch
5	116-2886	2	Slide-Bushing	18	114-5348	1	Spring
6	126-7157	1	Mat-Platform	19	1-603175	1	Knob-Ball
7	111044	4	Spacer	20	104-8301	2	Nut-HF, NI
8	114-0463	4	Washer-Friction, Composite	21	323-11	2	Screw-HH
9	3256-4	6	Washer-Flat	22	120-8475-03	1	Platform ASM
10	3296-59	4	Nut-Lock, NI	23	120-8499-03	1	Hinge-Pad
11	3231-2	2	Bolt-CARR	24	3253-4	2	Washer-Lock
12	3231-27	2	Screw-CARR	25	133-1426	2	Knob
13	137-4808	2	Nut-Acorn				

# Hood Assembly





## Hood Assembly (continued)

<i>Ref.</i>	<i>Part Number</i>	<i>Qty.</i>	<i>Description</i>	<i>Ref.</i>	<i>Part Number</i>	<i>Qty.</i>	<i>Description</i>
1	132-8990	1	Hood	15	1-513658	2	Bumper
2	132-8886-01	1	Panel-Side, LH	16	32180-118	2	Clip-Tie
3	138-8619-01	1	Panel-Front (Welded)	17	130-5726	1	Lanyard
4	3274-55	12	Screw-HSBH	18	136-4592-01	1	Guard-Muffler
5	132-8876-03	1	Platform-Battery	19	321-10	1	Screw-HH
6	104-8300	5	Nut-HF, NI	20	321-6	1	Screw-HH
7	3234-42	2	Screw-HHF	21	3256-2	4	Washer-Flat
8	104-8301	2	Nut-HF, NI	22	32105-15	7	Screw-HWH
9	132-9050-03	1	Plate-Spacer, Hood	23	116-2670	1	Screw-Shoulder
10	132-3905-01	1	Panel-Side, Upper	24	115-7721	6	Nut-Clip, U
11	132-9021	1	Hinge-Hood	25	104-7201	9	Nut-HF, NI
12	55-9370	2	Spacer-Blade, Rotor	26	133-8062	1	Decal-Arrestor, Spark
13	87-4710	1	Spacer-Brake, Parking	27	3234-47	4	Screw-HHF
14	ST47182	1	Latch-Rubber	30	115-7109	1	Washer-Flat

# Attachments and Accessories

## For 68141 MB TX 2500S Tracked Mud Buggy

<b>Product Name</b>	<b>Model/Part</b>
Light Kit.....	137-0558
Kit-Hopper, Mortar .....	139-7216
Toro Red 12oz Aerosol Can .....	361-10
New Red Paint - Gallon .....	361-11
Semi-Gloss Black Spray Paint.....	361-9
Spark Arrestor .....	98-9099

**Notes:**



**Count on it.**