



Count on it.

Parts Catalog

55cm Recycler®

Lawn Mower

Model No. 21771—Serial No. 41000000 and Up



Ordering Replacement Parts

To order replacement parts, please supply the part number, the quantity, and the description of each part desired.

Understanding Reference Numbers

Each identified part in an illustration has a reference number. The reference number for a part also appears in the parts list, along with other information about the part.

This catalog uses two special reference number formats, one to indicate parts in a service assembly and another to indicate the quantity of a given part in an illustration.

Service Assembly Reference Numbers

Parts in service assemblies have reference numbers in the form a:b. The a represents the reference number of the entire service assembly and the b represents a sequential number unique to each part within the service assembly.

For example, a wheel assembly might be identified by reference number 6, the tire by 6:1, the valve by 6:2, and the wheel by 6:3. When you order the assembly identified by reference number 6, you receive all parts identified by reference numbers 6:1, 6:2, and 6:3. However, you may also order any part individually. Reference numbers of this type appear in illustration and in parts lists.

Reference Numbers Indicating Quantity

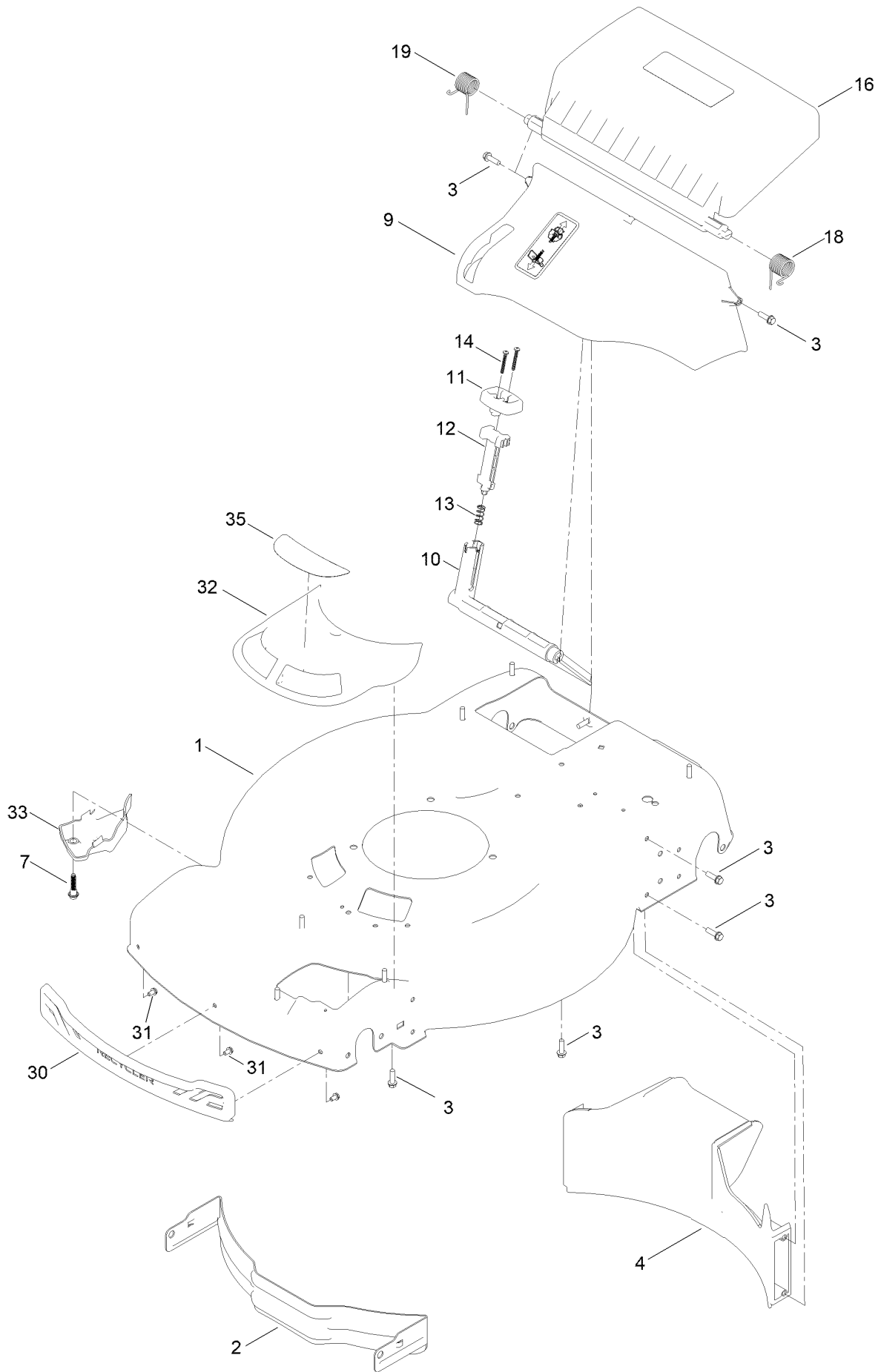
In an illustration, if a reference number indicates more than one part, the reference number has the form nX y. The n represents the quantity of the part, the X is the multiplication symbol, and the y represents the reference number.

For example, in an illustration, the reference number 2X 37 means that two of the parts identified by reference number 37 are indicated.

Contents

- Housing Assembly 4
- Housing Decal Assembly No. 145-1525..... 6
- Rear Bag Assembly 8
- Decal Assembly 10
- Engine and Blade Assembly 12
- Front Wheel and Height-of-Cut Assembly 14
- Rear Wheel and Height-of-Cut Assembly..... 16
- Handle Assembly 18
- Attachments and Accessories 20

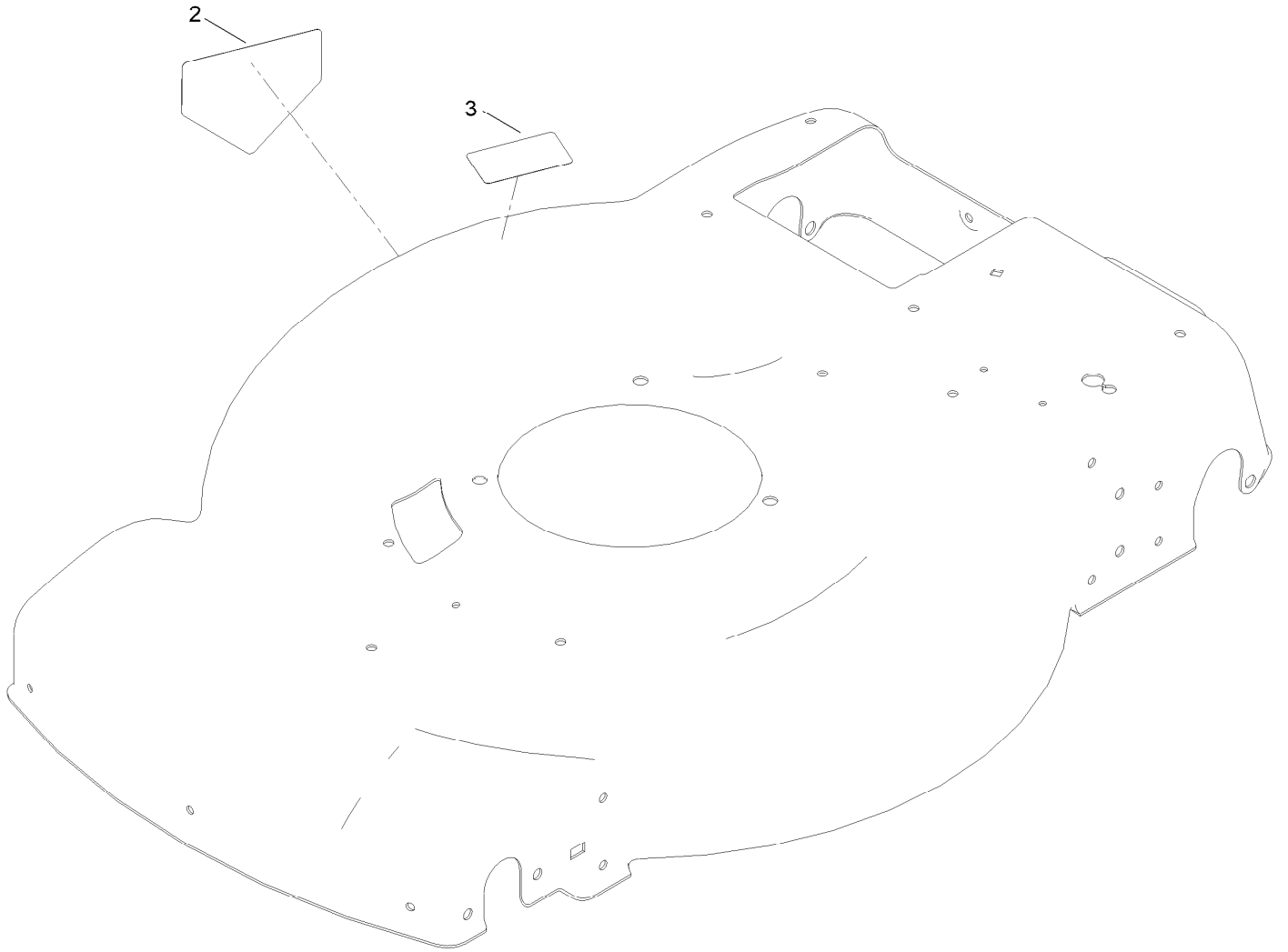
Housing Assembly



Housing Assembly (continued)

<i>Ref.</i>	<i>Part Number</i>	<i>Qty.</i>	<i>Description</i>	<i>Ref.</i>	<i>Part Number</i>	<i>Qty.</i>	<i>Description</i>
1	145-1525	1	Housing ASM	14	32104-120	2	Screw-PPH
2	115-4667-01	1	Baffle-Front	16	139-5476	1	ASM-Rear Door, In Mold
3	137-3099	13	Screw-Plastite, HWH	18	139-5478	1	Spring-Torsion, LH
4	139-5440	1	Baffle-Rear, Rwd	19	139-5479	1	Spring-Torsion, RH
7	131-0837	1	Screw-Shoulder, HHF	30	139-5457	1	Bumper-Front
9	140-2368	1	ASM-Chute, In Mold	31	139-5467	3	Screw-Plastic, HWH
10	139-5443	1	Deflector-Recycle	32	144-0210	1	ASM-Intake, Rwd
11	139-5444	1	Knob-Recycle	33	140-2384	1	Cover-Intake, Bottom
12	139-5445	1	Latch-Recycle	35	145-1487	1	Decal-Vortex Rwd
13	140-4192	1	Spring-Compression				

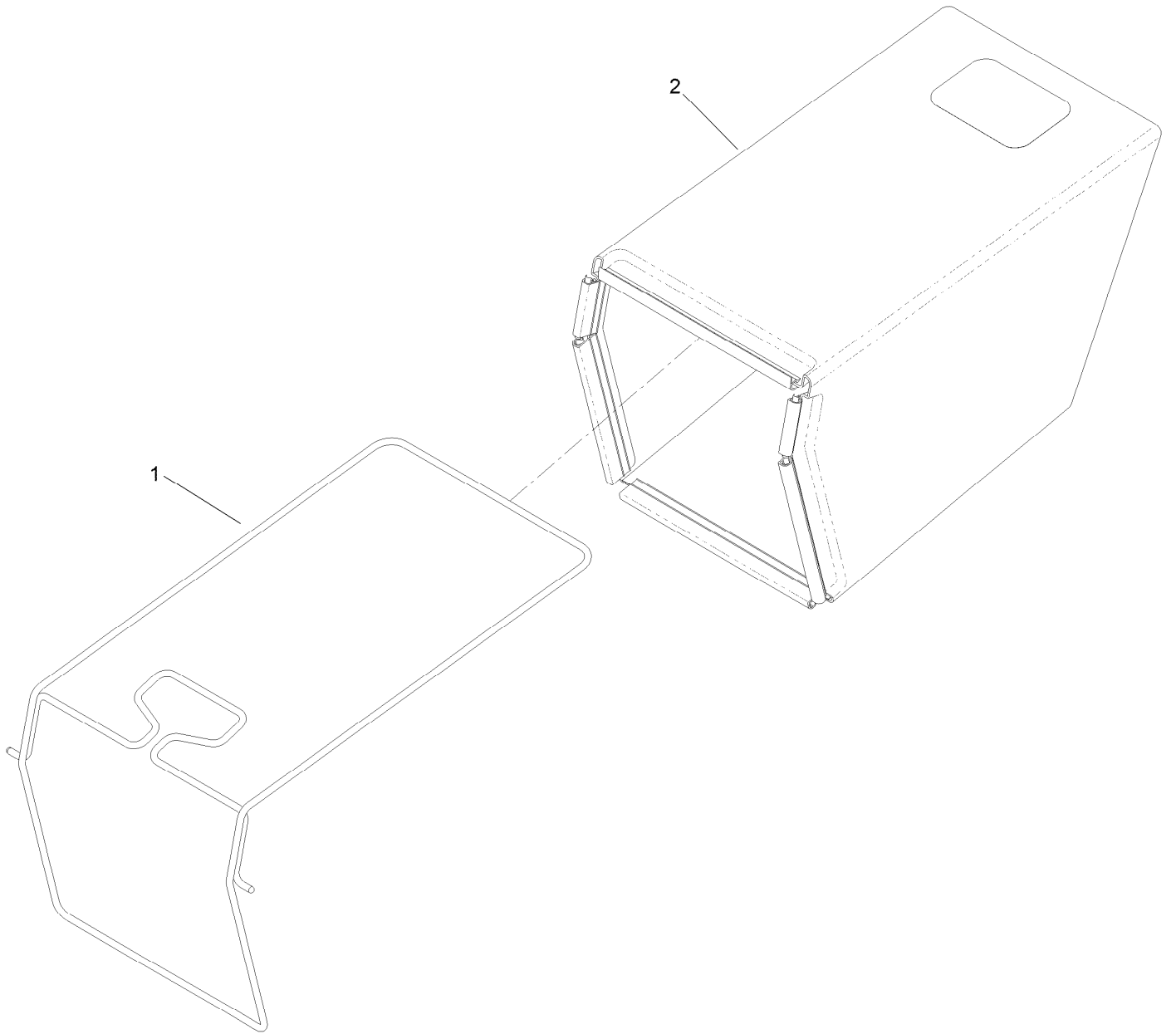
Housing Decal Assembly No. 145-1525



Housing Decal Assembly No. 145-1525 (continued)

<i>Ref.</i>	<i>Part Number</i>	<i>Qty.</i>	<i>Description</i>
2	112-8760	1	Decal-Danger
3	125-5092	1	Decal-Placement, Foot

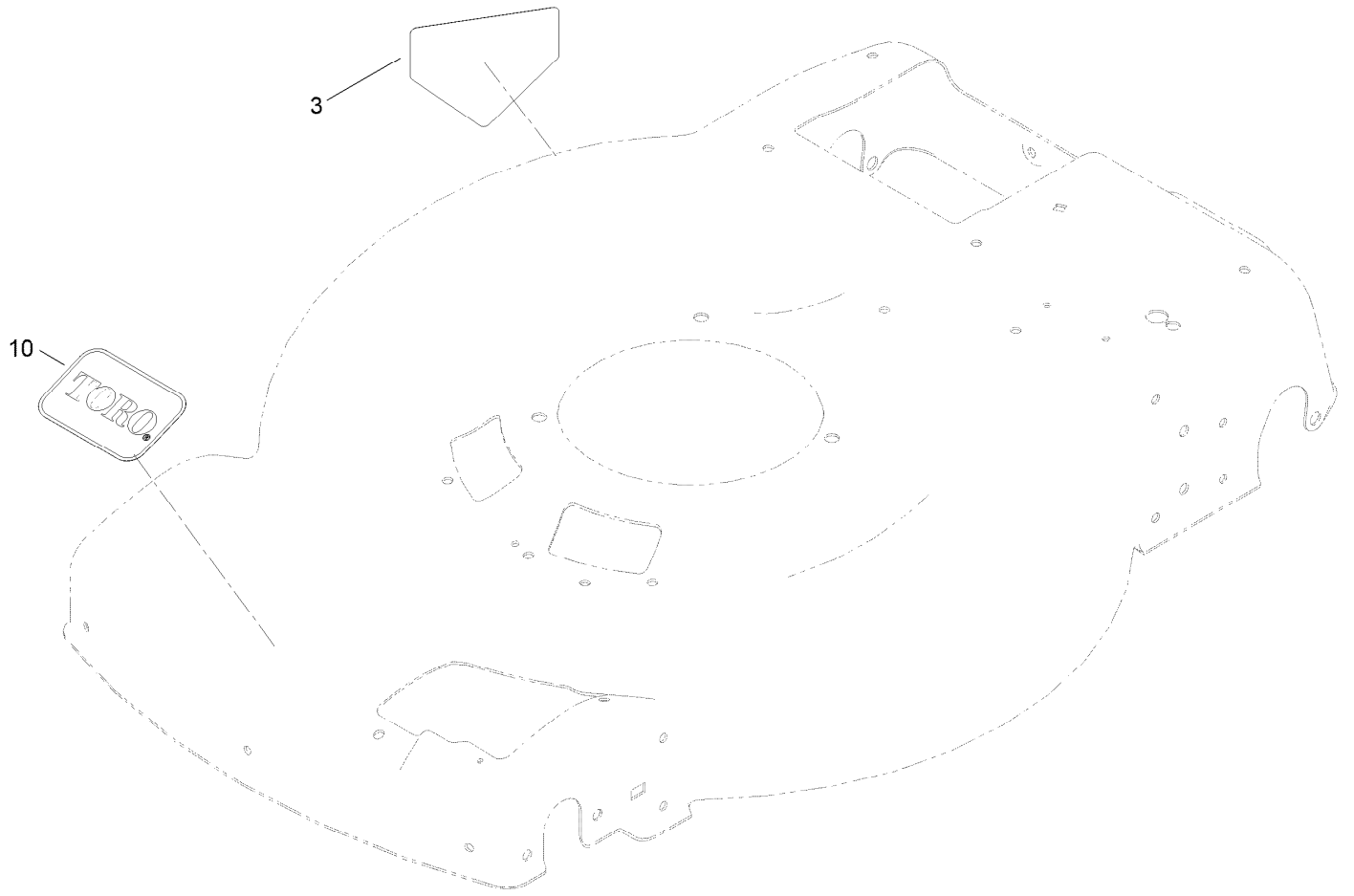
Rear Bag Assembly



Rear Bag Assembly (continued)

<i>Ref.</i>	<i>Part Number</i>	<i>Qty.</i>	<i>Description</i>
1	139-5470-03	1	ASM-Frame, Bag
2	139-5471	1	ASM-Bag, Grass

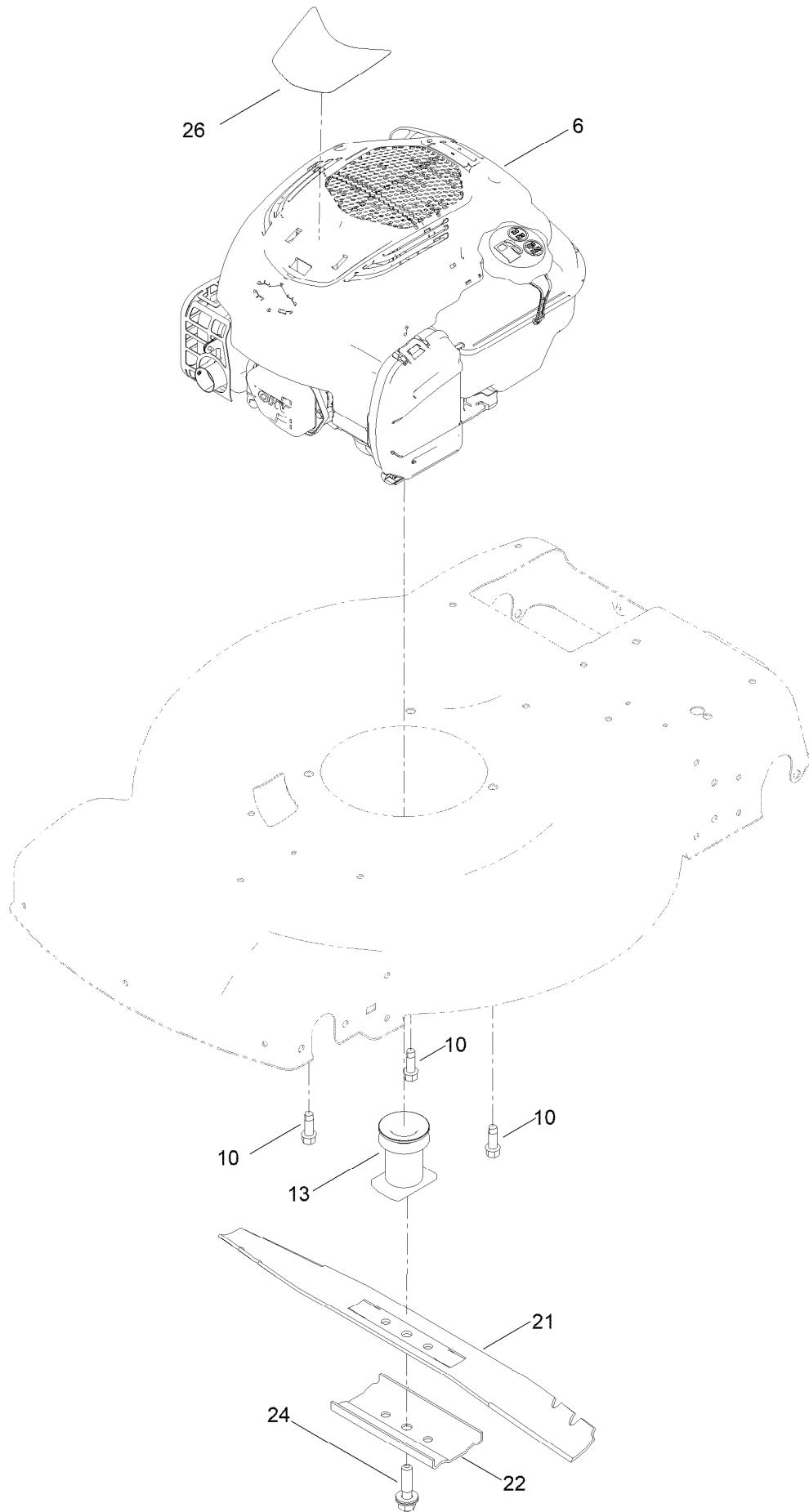
Decal Assembly



Decal Assembly (continued)

<i>Ref.</i>	<i>Part Number</i>	<i>Qty.</i>	<i>Description</i>
3	112-8760	1	Decal-Danger
10	140-4183	1	Decal

Engine and Blade Assembly



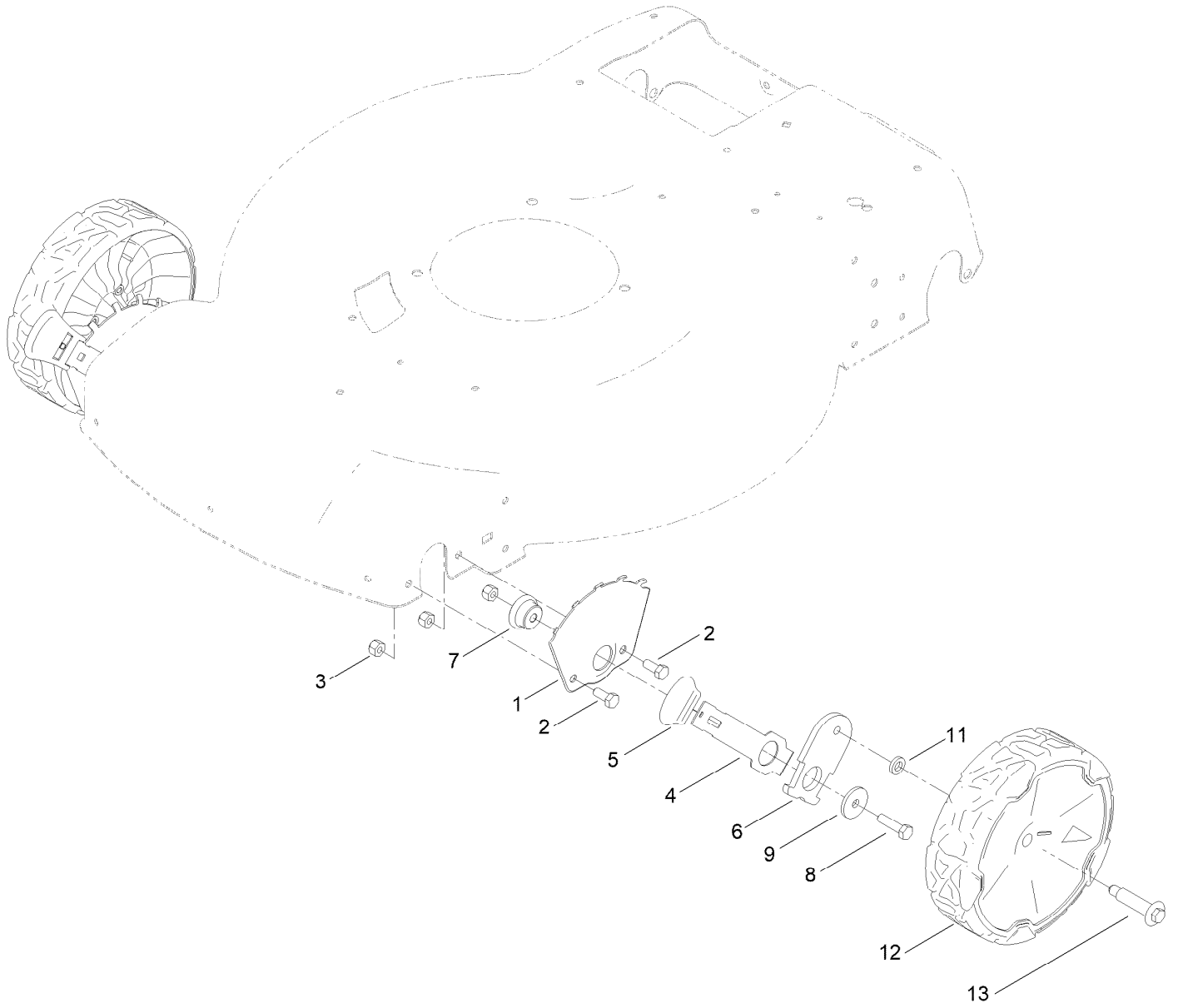
Engine and Blade Assembly (continued)

<i>Ref.</i>	<i>Part Number</i>	<i>Qty.</i>	<i>Description</i>	<i>Ref.</i>	<i>Part Number</i>	<i>Qty.</i>	<i>Description</i>
6		1	Engine-Briggs 104M020043F1 ●■	21	131-9683-03	1	Blade
10	121-5844	3	Screw-Thd Form, HWH	22	108-3766-03	1	Support-Blade
13	139-1816	1	Driver-Blade	24	125-2466	1	Bolt-Blade
				26	145-1457	1	Decal - Briggs 725 Ex

● Not serviced separately

■ Obtain parts from www.briggsandstratton.com

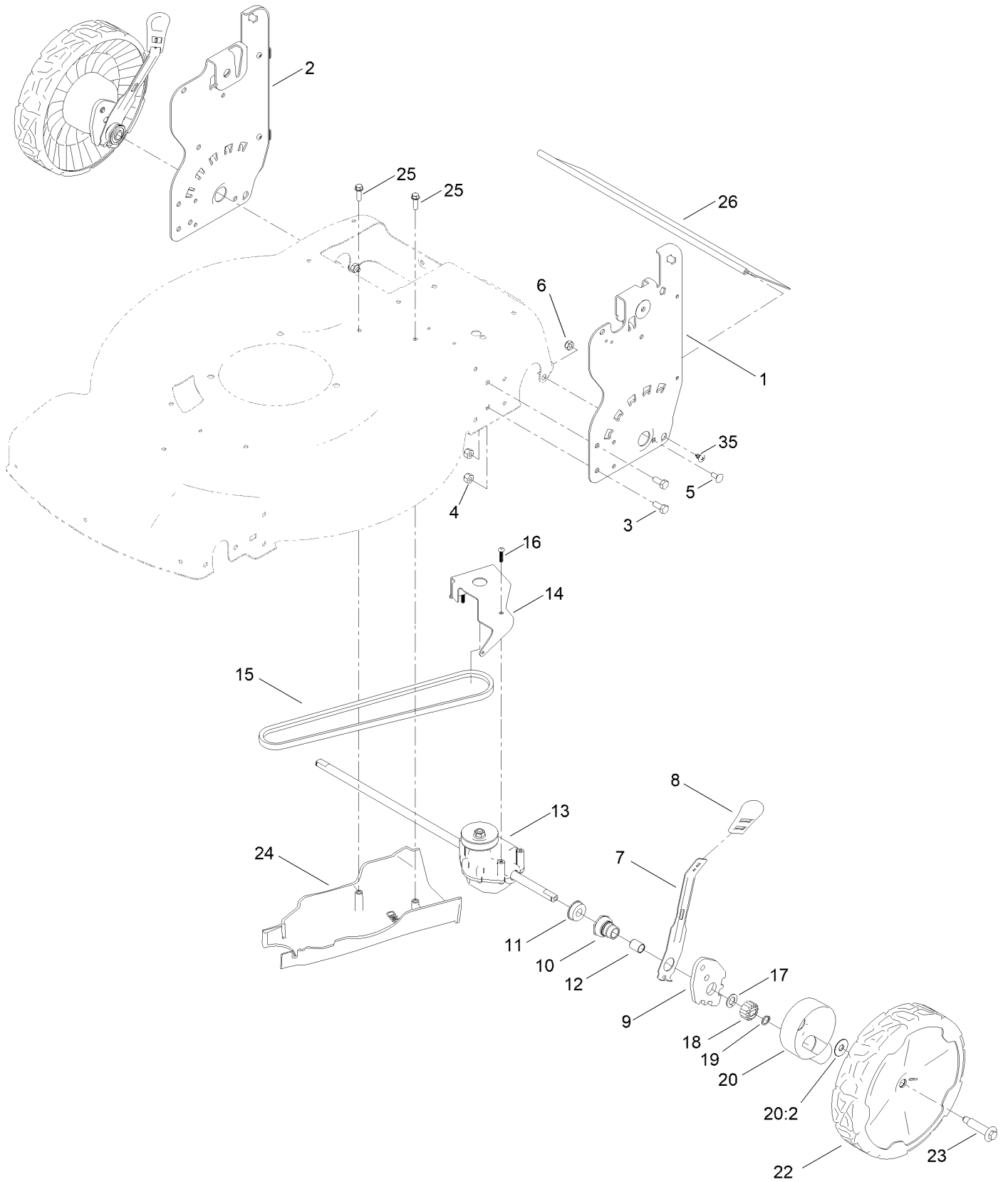
Front Wheel and Height-of-Cut Assembly



Front Wheel and Height-of-Cut Assembly (continued)

<i>Ref.</i>	<i>Part Number</i>	<i>Qty.</i>	<i>Description</i>	<i>Ref.</i>	<i>Part Number</i>	<i>Qty.</i>	<i>Description</i>
1	115-1956-05	2	Plate-HOC,Front Fsvq Wednesday	7	105-1818	2	Bushing-Mount, HOC
2	137-3052	4	Screw-HH	8	120-9696	2	Screw-HH
3	119-4038	6	Nut-Hex	9	139-1704	2	Washer-Flat
4	105-1809	2	Arm-Spring	11	139-5449	2	Washer-Wheel Bolt
5	110-0549	2	Knob-HOC	12	140-2355	2	ASM-8" Wheel, Idler
6	137-9128	2	Arm-Pivot, Front	13	139-1789	2	Wheel Bolt

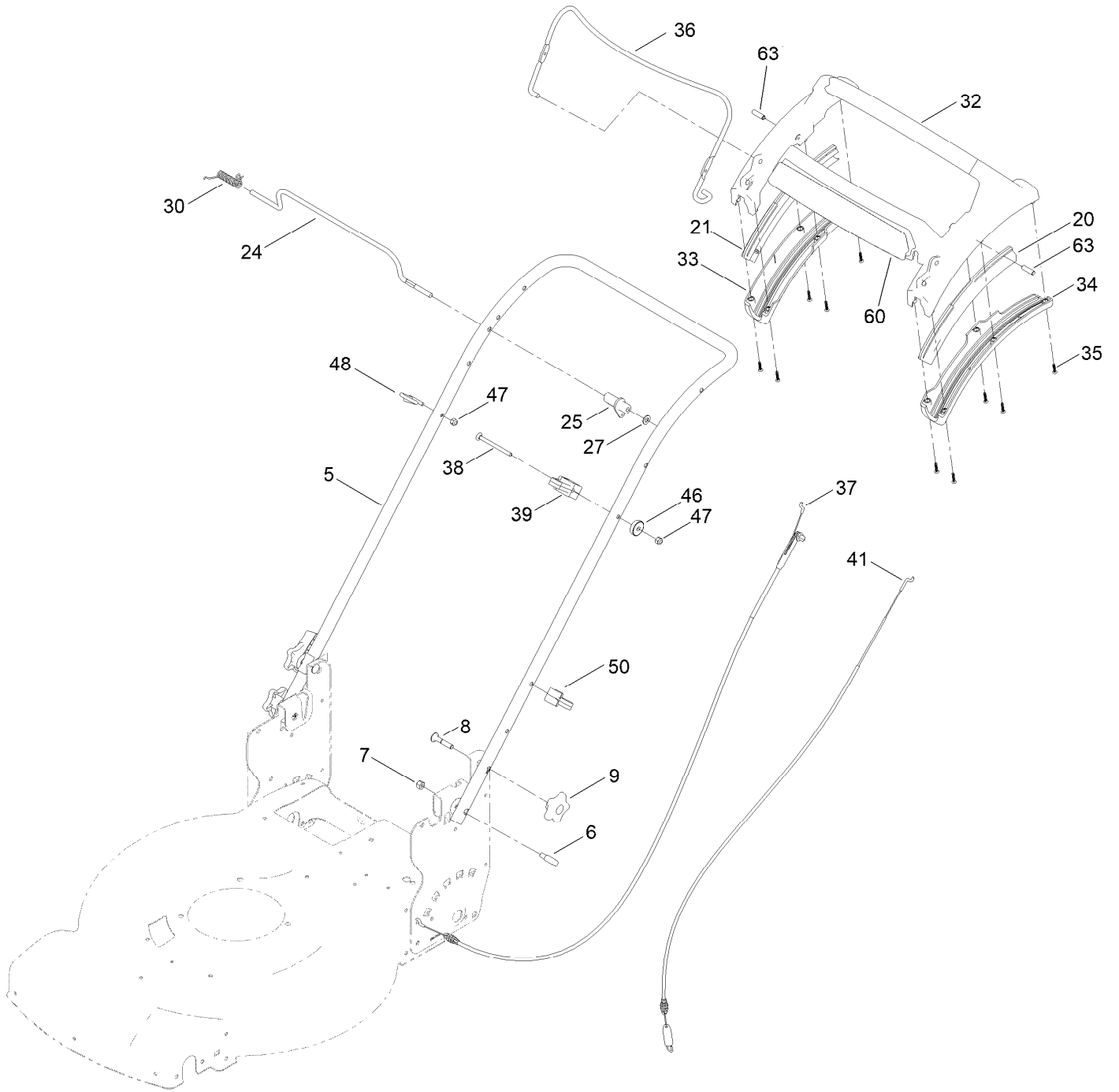
Rear Wheel and Height-of-Cut Assembly



Rear Wheel and Height-of-Cut Assembly (continued)

<i>Ref.</i>	<i>Part Number</i>	<i>Qty.</i>	<i>Description</i>	<i>Ref.</i>	<i>Part Number</i>	<i>Qty.</i>	<i>Description</i>
1	144-6476-05	1	Plate-HOC, LH	15	140-4041	1	V-Belt
2	144-6515-05	1	Plate-HOC, RH (ISO)	16	120-9676	3	Screw-Plastite
3	137-3052	4	Screw-HH	17	110-7191	2	Washer-Thrust
4	119-4038	4	Nut-Hex	18	131-5399	2	Gear-Pinion, 15T
5	100-1445	2	Bolt-CARR	19	32151-61	2	Ring-Retaining
6	139-1724	2	Nut-Lock	20	140-2362	2	ASM-Cover, Gear (Dk Gray)
7	132-4486	2	Arm-Spring	20:2	614426	1	Washer-Stepped
8	110-0549	2	Knob-HOC	22	140-2350	2	ASM-9.65" Wheel, Geared
9	139-5451	2	Arm-Pivot, Rear	23	139-1789	2	Wheel Bolt
10	108-9779	2	Retainer-Bushing, HOC	24	139-5448	1	Cover-Belt, Rwd
11	104-8699	2	Bearing-Ball	25	137-3099	2	Screw-Plastite, HWH
12	108-9782	2	Bushing-Sleeve	26	139-6597	1	Shield-Trailing
13	139-6561	1	Transmission-Rwd	35	139-1692	2	Screw-Thd
14	114-7977-03	1	Bracket-Transmission				

Handle Assembly



Handle Assembly (continued)

<i>Ref.</i>	<i>Part Number</i>	<i>Qty.</i>	<i>Description</i>	<i>Ref.</i>	<i>Part Number</i>	<i>Qty.</i>	<i>Description</i>
5	139-5458-05	1	Handle-Curved	34	139-6568	1	Bottom-Handle, LH
6	139-6599	2	Bolt-Shoulder, Handle	35	94-4496	10	Screw-PPH
7	119-4038	1	Nut-Hex	36	140-4023-03	1	Bail-Brake
8	131-9663	2	Screw-CARR	37	139-6594	1	Cable-Brake, Pp B&s
9	117-5976	2	Knob-Handle	38	144-0221	1	Screw-CARR
20	140-2367	1	Guide-Curved, LH (Rwd)	39	139-6581	1	Anchor-Cable, Rwd
21	140-2366	1	Guide-Curved, RH (Rwd)	41	139-6595	1	Cable-Traction, Rwd (Pp)
24	139-5464	1	Rod-Control, Traction	46	136-9075	1	Washer-Curved
25	139-6554	1	Lever-Traction, Rwd	47	137-3094	2	Nut-Hex
27	120-9683	1	Washer-Plain	48	86-9671	1	Guide-Rope
30	140-4194	1	Spring-Torsion	50	114-7988	1	Guide-Cable
32	139-6569	1	Handle-Personal Pace, Curved	60	145-1459	1	Decal - Ads, Handle
33	139-6567	1	Bottom-Handle, RH	63	139-6577	2	Pin-Handle, Pp

Attachments and Accessories

For 21771 55cm Recycler Lawn Mower

Product Name	Model/Part
22 Inch Atomic Blade	59534P
Lawnmower Cover	490-7462
Lawn Striping Kit with 22in Roller	20601
Bag-Walk Behind (Toro)	490-7318
Chute ASM	139-6556

Notes:

Notes:

Notes:



Count on it.