



**Count on it.**

**Parts Catalog**

**Greensmaster® 3400 TriFlex®  
Traction Unit**

Model No. 04520—Serial No. 311000139 and Up



# Ordering Replacement Parts

To order replacement parts, please supply the part number, the quantity, and the description of each part desired.

## Understanding Reference Numbers

Each identified part in an illustration has a reference number. The reference number for a part also appears in the parts list, along with other information about the part.

This catalog uses two special reference number formats, one to indicate parts in a service assembly and another to indicate the quantity of a given part in an illustration.

## Service Assembly Reference Numbers

Parts in service assemblies have reference numbers in the form a:b. The a represents the reference number of the entire service assembly and the b represents a sequential number unique to each part within the service assembly.

For example, a wheel assembly might be identified by reference number 6, the tire by 6:1, the valve by 6:2, and the wheel by 6:3. When you order the assembly identified by reference number 6, you receive all parts identified by reference numbers 6:1, 6:2, and 6:3. However, you may also order any part individually. Reference numbers of this type appear in illustration and in parts lists.

## Reference Numbers Indicating Quantity

In an illustration, if a reference number indicates more than one part, the reference number has the form nX y. The n represents the quantity of the part, the X is the multiplication symbol, and the y represents the reference number.

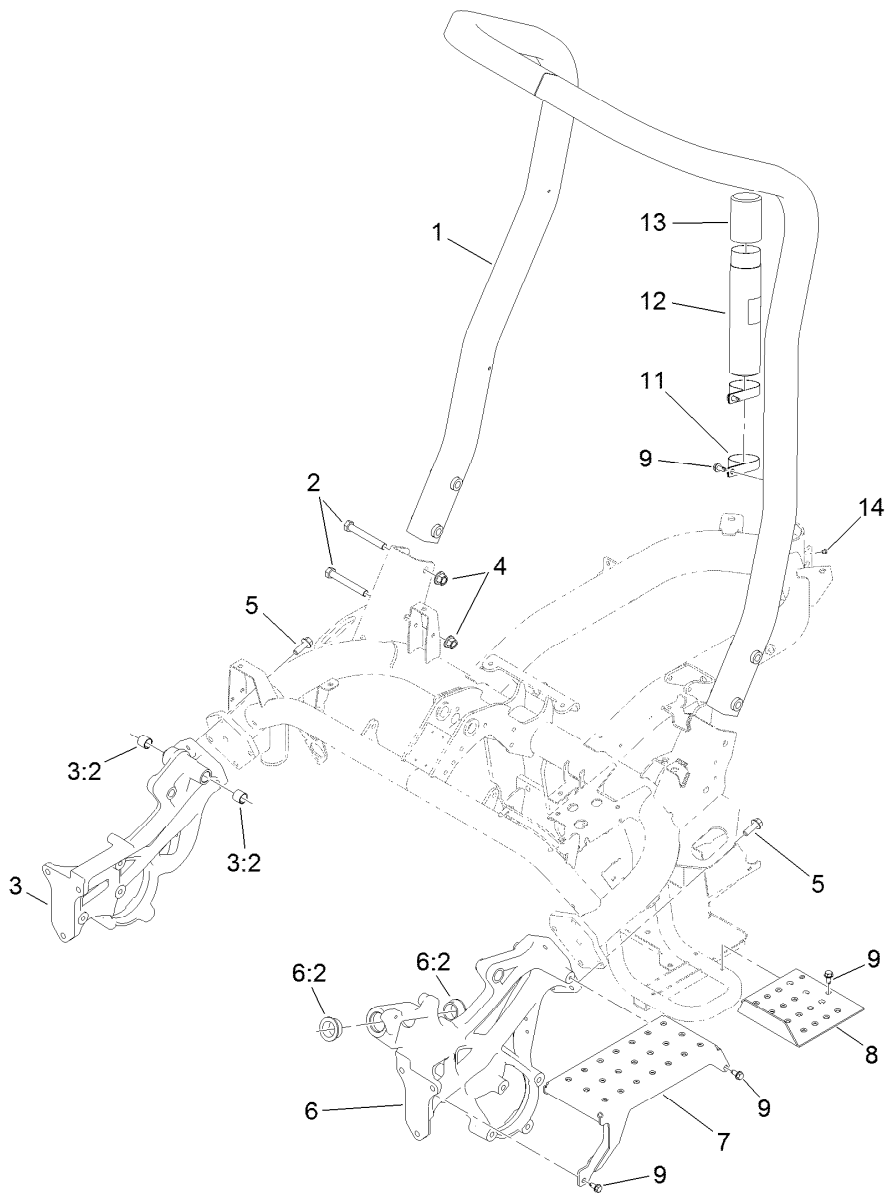
For example, in an illustration, the reference number 2X 37 means that two of the parts identified by reference number 37 are indicated.

# Contents

|   |    |
|---|----|
| Roll-Over Protection System Assembly .....          | 5  |
| Brake Cable Grommet Assembly .....                  | 6  |
| Frame Assembly .....                                | 7  |
| Platform Assembly .....                             | 8  |
| Right Hand Support Platform Assembly .....          | 9  |
| Seatbase Assembly .....                             | 10 |
| Steering Arm and Adjuster Assembly .....            | 11 |
| Brake Cable and Lever Assembly .....                | 12 |
| Back Wheel Assembly .....                           | 13 |
| Hydraulic Cylinder Assembly No. 117-4480 .....      | 14 |
| Front Wheel Assembly .....                          | 15 |
| Right Hand Brake Assembly No. 115-9441 .....        | 16 |
| Left Hand Brake Assembly No. 115-9440 .....         | 17 |
| Right Hand Wheel Motor Assembly No. 117-4302 .....  | 18 |
| Left Hand Wheel Motor Assembly No. 117-4303 .....   | 19 |
| Console and Reel Control Assembly .....             | 20 |
| Traction Interface Control Assembly .....           | 21 |
| Ignition, Throttle and Choke Control Assembly ..... | 22 |
| Console Cable Routing Assembly .....                | 23 |
| Engine and Exhaust Assembly .....                   | 24 |
| Radiator, Fuel Pump and Air Cleaner Assembly .....  | 26 |
| Air Cleaner Assembly No. 95-5805 .....              | 27 |
| Radiator, Air and Fuel Line Assembly .....          | 28 |
| Bellhousing Assembly .....                          | 29 |
| Fuel and Hydraulic Tank Assembly .....              | 30 |
| Controller Assembly .....                           | 31 |
| Battery Assembly .....                              | 32 |
| Wire Harness Assembly .....                         | 33 |
| Pump Coupling Assembly .....                        | 34 |
| Hydraulic Pump Assembly No. 114-9957 .....          | 35 |
| Neutral Centering Assembly .....                    | 37 |
| Traction Drive Hydraulic Line Assembly .....        | 38 |
| Traction Drive Hose Routing Assembly .....          | 39 |
| Hydraulic Mow Assembly .....                        | 40 |
| Hydraulic Mow Manifold Assembly .....               | 41 |
| Hydraulic Mow Manifold Assembly No. 117-9858 .....  | 42 |
| Hydraulic Mow Clamp Assembly .....                  | 43 |
| Hydraulic Mow Hose Routing Assembly .....           | 44 |
| Hydraulic Mow Reel Motor Assembly .....             | 45 |
| Hydraulic Reel Motor Assembly No. 115-3321 .....    | 46 |
| Hydraulic Mow Gear Pump Assembly .....              | 47 |
| Hydraulic Gear Pump Assembly No. 114-9956 .....     | 48 |
| Lift Circuit Assembly .....                         | 49 |
| Steering Valve Assembly No. 114-4672 .....          | 51 |
| Hydraulic Cylinder Assembly No. 119-8128 .....      | 52 |
| Hydraulic Cylinder Assembly No. 119-8129 .....      | 53 |
| Hydraulic Lift Manifold Assembly .....              | 54 |
| Hydraulic Lift Manifold Assembly No. 117-9856 ..... | 55 |
| Steering Circuit Assembly (1) .....                 | 56 |
| Steering Circuit Assembly (2) .....                 | 57 |
| Suspension and Basket Assembly .....                | 58 |
| Suspension Pin Position Assembly .....              | 59 |
| Suspension A-Arm Assembly .....                     | 60 |
| Suspension Crossarm Assembly .....                  | 61 |

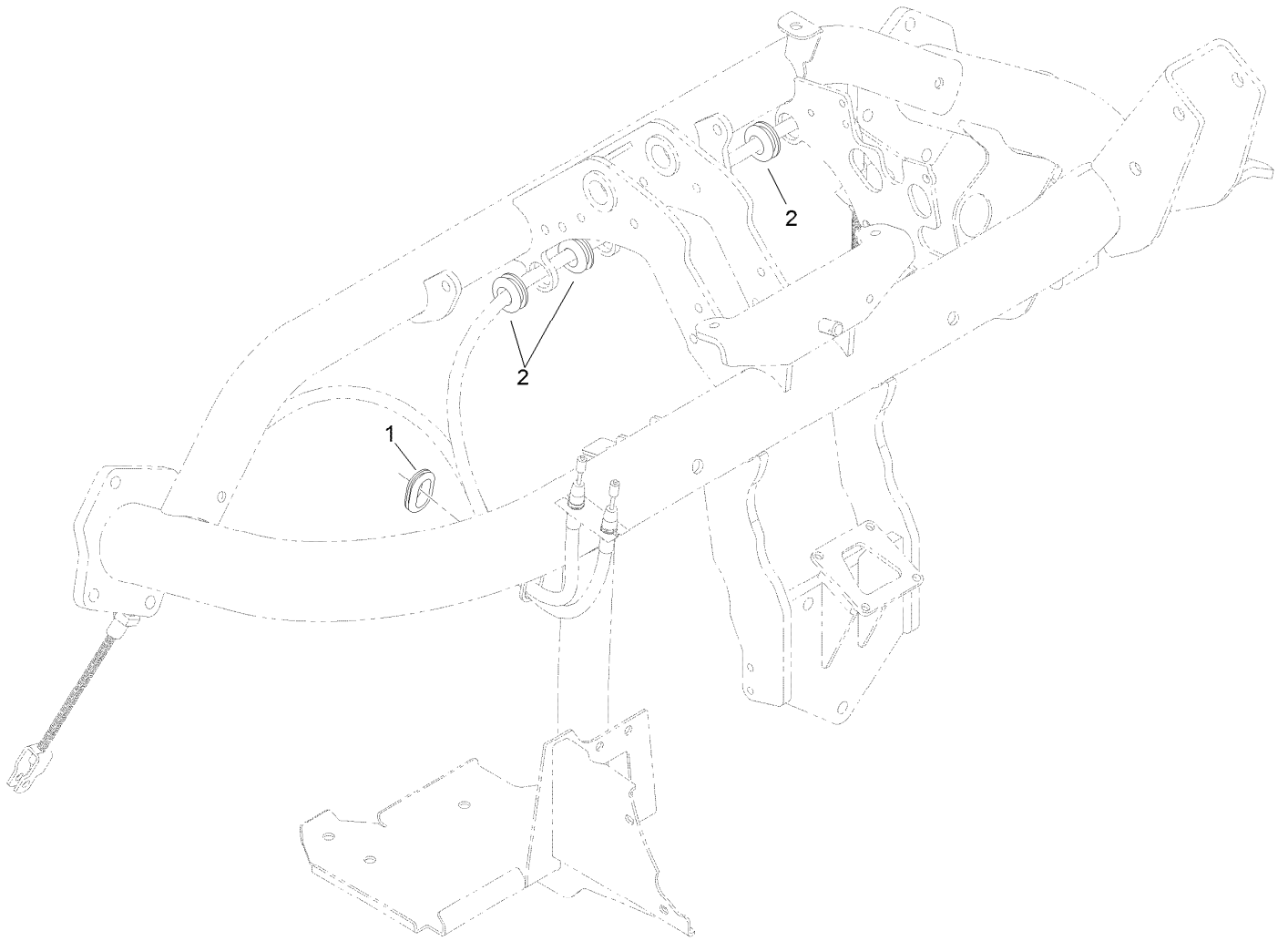
# Contents (continued)

|  |    |
|--|----|
| Crankcase Assembly . . . . .                                 | 62 |
| Oil Pan Assembly . . . . .                                   | 63 |
| Cylinder Head Assembly . . . . .                             | 64 |
| Gear Case Assembly . . . . .                                 | 65 |
| Cylinder Head Cover Assembly . . . . .                       | 66 |
| Dipstick and Guide Assembly . . . . .                        | 67 |
| Main Bearing Case Assembly . . . . .                         | 68 |
| Cam Shaft and Idle Gear Shaft Assembly . . . . .             | 69 |
| Piston and Crankshaft Assembly . . . . .                     | 70 |
| Flywheel and Fuel Camshaft Assembly . . . . .                | 71 |
| Idle Apparatus and Stop Solenoid Assembly . . . . .          | 72 |
| Injection Pump and Governor Assembly . . . . .               | 73 |
| Speed Control Plate Assembly . . . . .                       | 74 |
| Nozzle Holder and Glow Plug Assembly . . . . .               | 75 |
| Nozzle Holder Component Assembly . . . . .                   | 76 |
| Alternator and Pulley and Fuel Pump Cover Assembly . . . . . | 79 |
| Alternator Components . . . . .                              | 80 |
| Starter Installation Assembly . . . . .                      | 81 |
| Starter Assembly No. 110-3800 . . . . .                      | 82 |
| Water Flange, Thermostat and Water Pump Assembly . . . . .   | 83 |
| Water Pipe Assembly . . . . .                                | 84 |
| Valve and Rocker Arm Assembly . . . . .                      | 85 |
| Intake Manifold Assembly . . . . .                           | 86 |
| Exhaust Manifold Assembly . . . . .                          | 87 |
| Attachments and Accessories . . . . .                        | 88 |



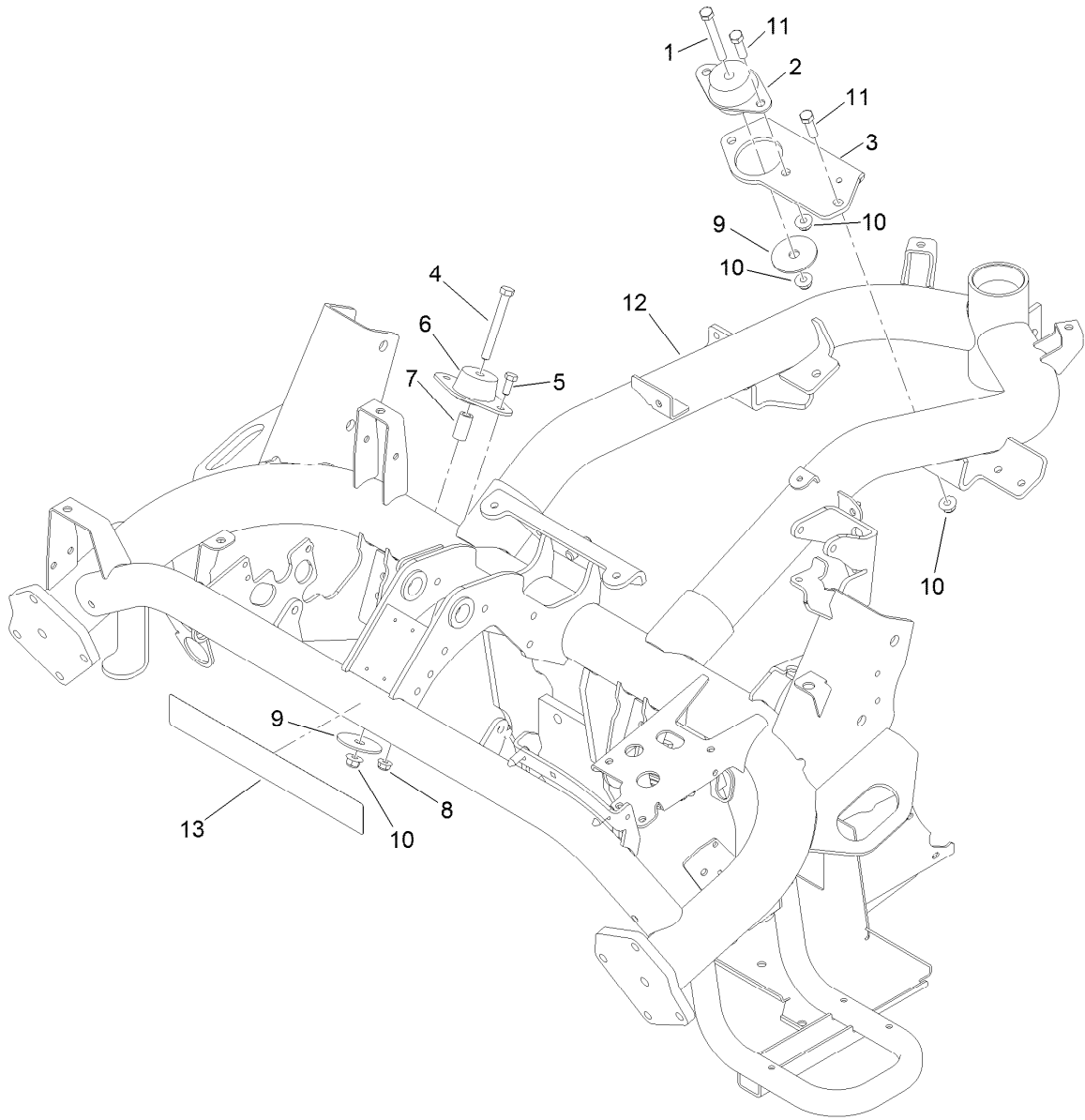
## Roll-Over Protection System Assembly

| <i>Ref.</i> | <i>Part Number</i> | <i>Qty.</i> | <i>Description</i> |
|-------------|--------------------|-------------|--------------------|
| 1           | 115-8206           | 1           | ROPS ASM           |
| 2           | 325-35             | 4           | Screw-HH           |
| 3           | 117-9023           | 1           | Casting-Side, RH   |
| 3:2         | 94-9609            | 2           | Bushing-Straight   |
| 4           | 99-5107            | 4           | Nut-Lock           |
| 5           | 117-9035           | 8           | Screw-HHF          |
| 6           | 117-9022           | 1           | Casting-Side, LH   |
| 6:2         | 60-0080            | 2           | Bushing            |
| 7           | 117-9051-01        | 1           | Step               |
| 8           | 119-4468-01        | 1           | Plate-Step         |
| 9           | 32104-32           | 9           | Screw-HWH          |
| 11          | 2412-133           | 2           | Clamp-R            |
| 12          | 104-7050           | 1           | Tube-Manual        |
| 13          | 104-7048           | 1           | Cap-Housing        |
| 14          | 302-59             | 1           | Plug-EXT Hex Spl   |



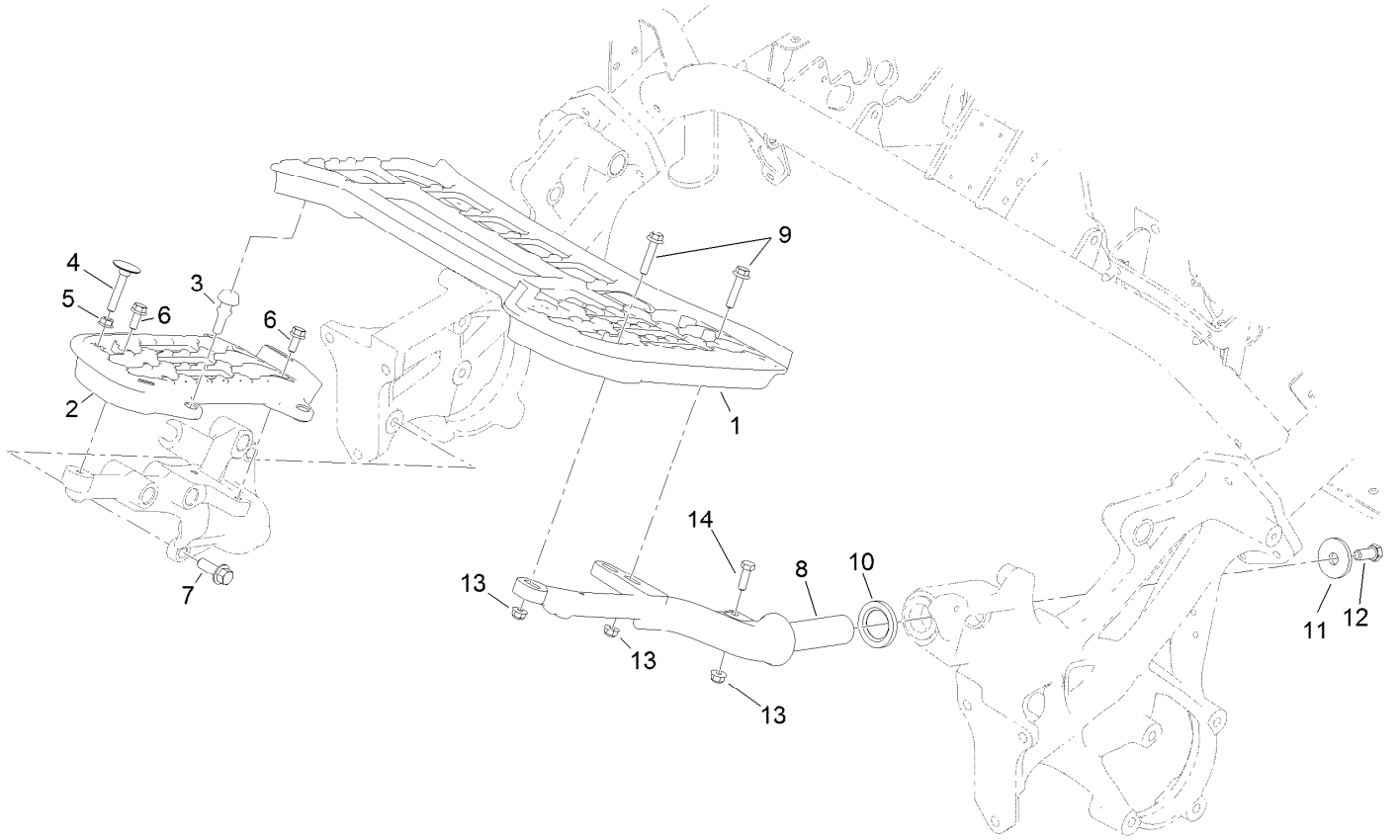
## Brake Cable Grommet Assembly

| <i>Ref.</i> | <i>Part Number</i> | <i>Qty.</i> | <i>Description</i> |
|-------------|--------------------|-------------|--------------------|
| 1           | 240-5              | 1           | Grommet            |
| 2           | 98-8529            | 3           | Grommet            |



## Frame Assembly

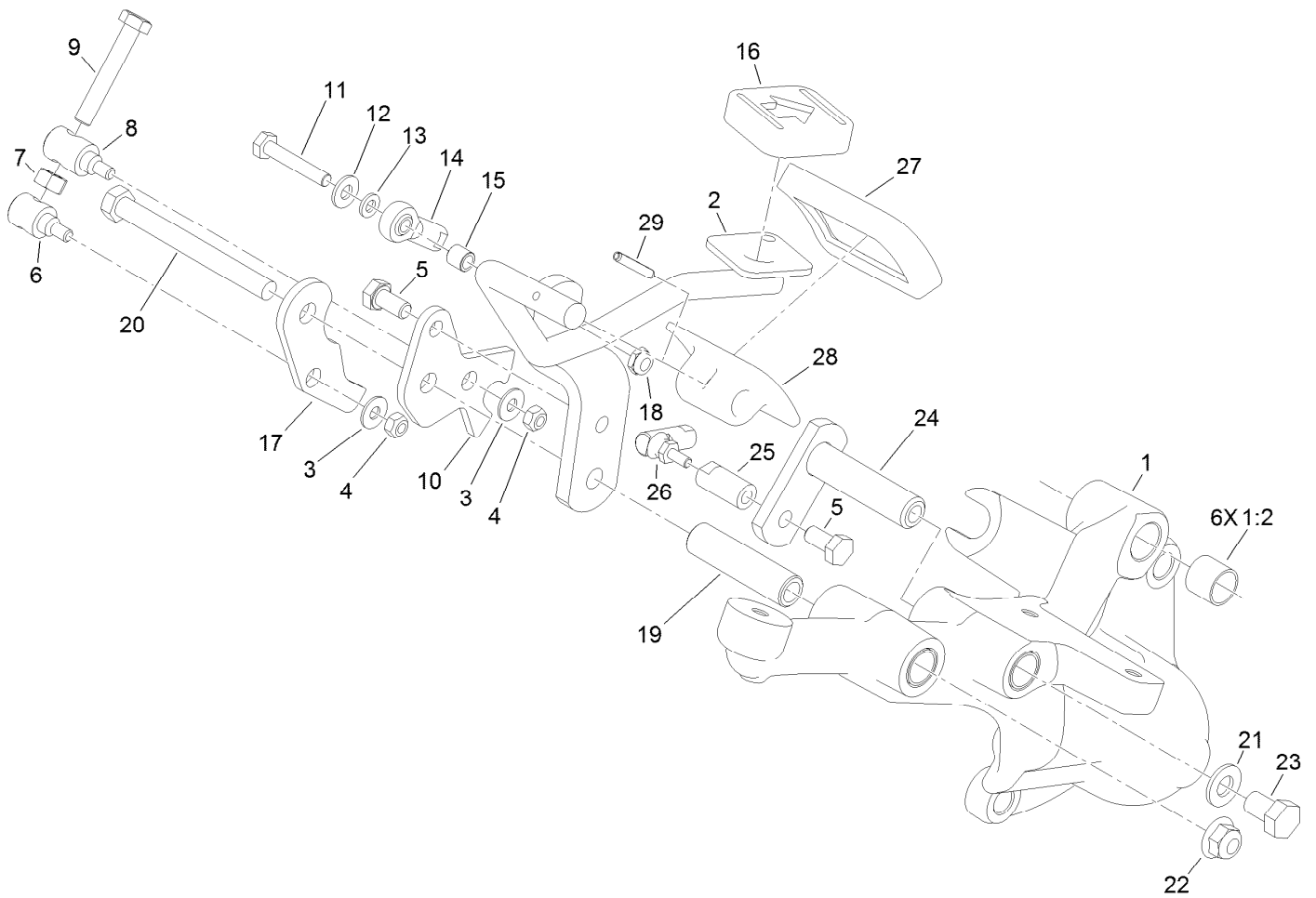
| <i>Ref.</i> | <i>Part Number</i> | <i>Qty.</i> | <i>Description</i>  |
|-------------|--------------------|-------------|---------------------|
| 1           | 323-14             | 1           | Screw-HH            |
| 2           | 53-9680            | 1           | Mount-Engine        |
| 3           | 119-2134-01        | 1           | Bracket-Mount, Rear |
| 4           | 323-20             | 2           | Screw-HH            |
| 5           | 322-4              | 4           | Screw-HH            |
| 6           | 83-1030            | 2           | Mount-Engine        |
| 7           | 110-4631           | 2           | Tube-Spacer         |
| 8           | 104-8300           | 4           | Nut-HF, NI          |
| 9           | 87-5100            | 3           | Washer-Snubbing     |
| 10          | 104-8301           | 6           | Nut-HF, NI          |
| 11          | 323-7              | 3           | Screw-HH            |
| 12          | 117-4461-01        | 1           | Diesel Frame ASM    |
| 13          | 119-9347           | 1           | Decal               |



## Platform Assembly

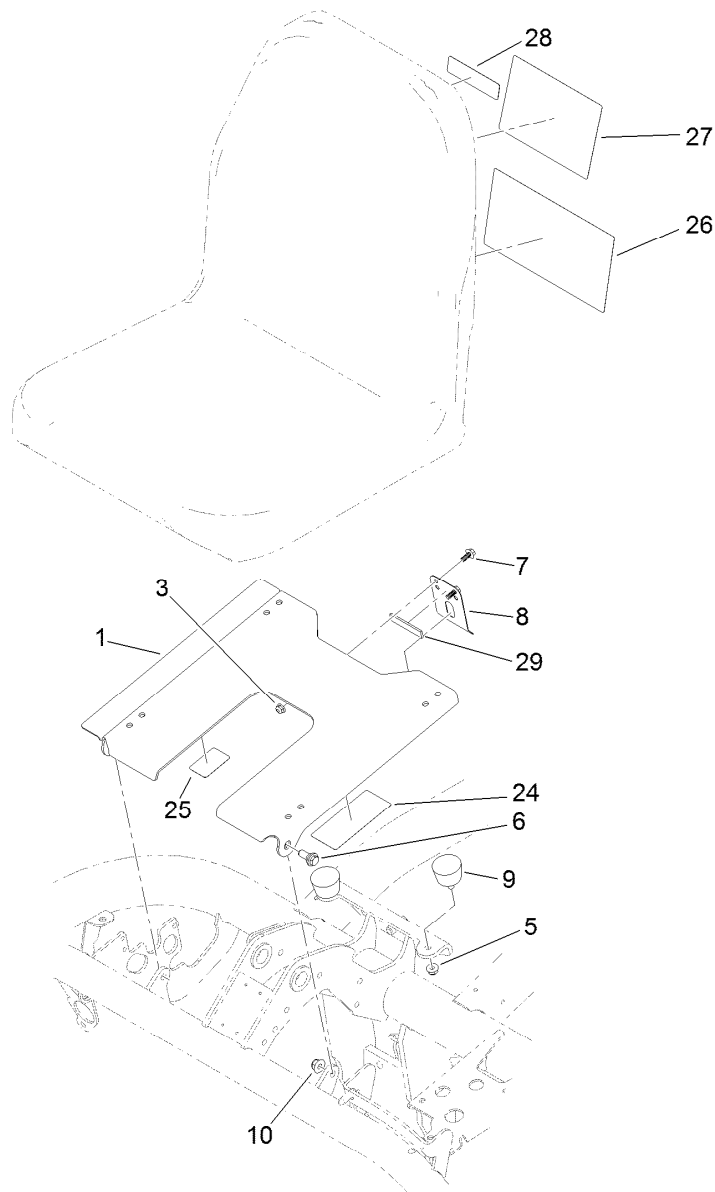
| <i>Ref.</i> | <i>Part Number</i> | <i>Qty.</i> | <i>Description</i>   |
|-------------|--------------------|-------------|----------------------|
| 1           | 117-9009           | 1           | Platform-LH          |
| 2           | 117-9008           | 1           | Platform-RH          |
| 3           | 117-9072           | 2           | Bumper-Rubber        |
| 4           | 115-8240           | 1           | Screw-Elevator       |
| 5           | 32128-20           | 1           | Nut-HF               |
| 6           | 3234-47            | 3           | Screw-HHF            |
| 7           | 117-9035           | 3           | Screw-HHF            |
| 8           | 117-9006-01        | 1           | Support-Platform, LH |
| 9           | 115-1794           | 3           | Screw-HHF            |
| 10          | 94-8946            | 1           | Washer-Thrust        |
| 11          | 84-1560            | 1           | Washer-Thrust        |
| 12          | 324-4              | 1           | Screw-HH             |
| 13          | 104-8300           | 4           | Nut-HF, NI           |
| 14          | 322-5              | 1           | Screw-HH             |





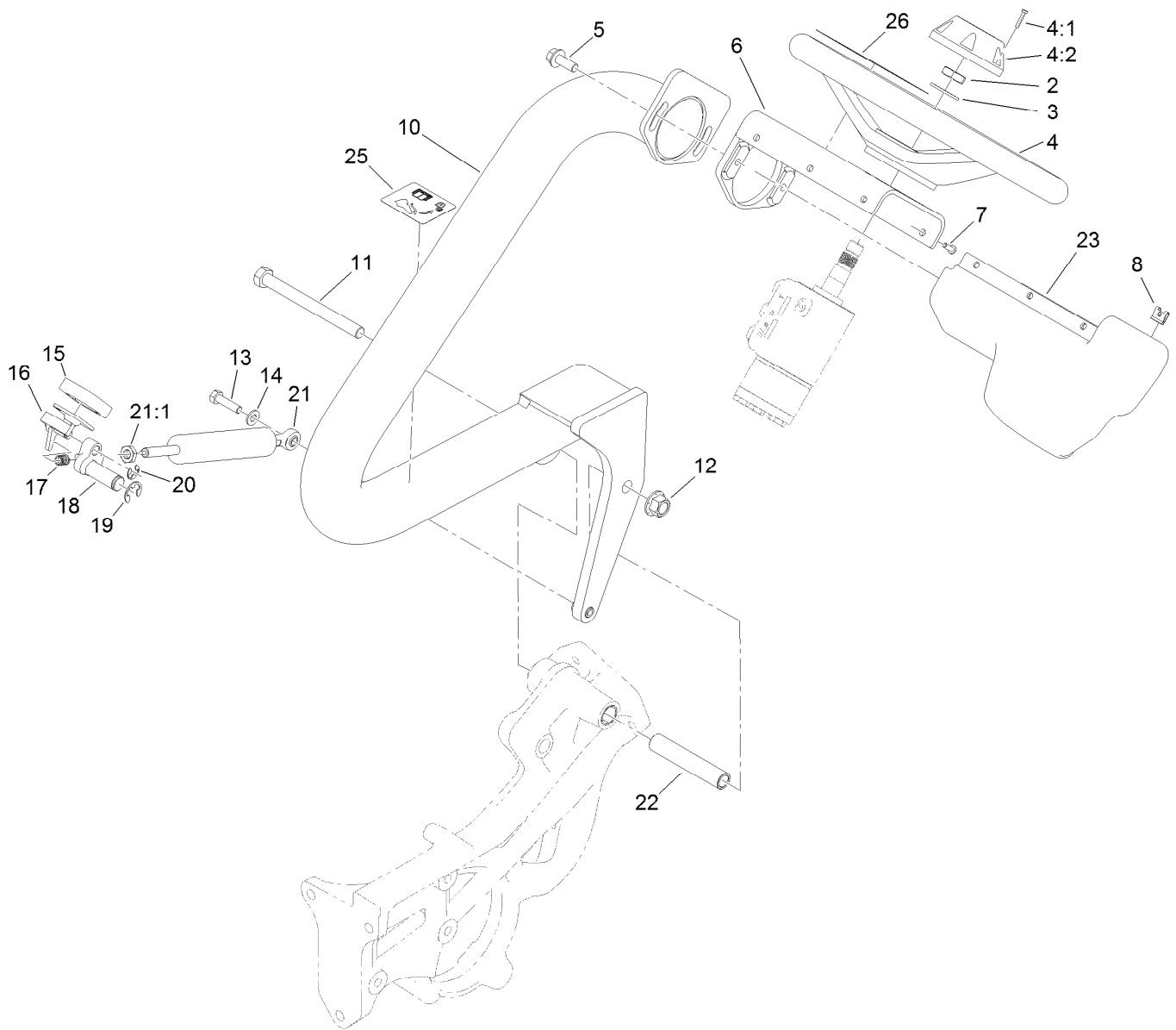
## Right Hand Support Platform Assembly

| <i>Ref.</i> | <i>Part Number</i> | <i>Qty.</i> | <i>Description</i>     | <i>Ref.</i> | <i>Part Number</i> | <i>Qty.</i> | <i>Description</i> |
|-------------|--------------------|-------------|------------------------|-------------|--------------------|-------------|--------------------|
| 1           | 117-9019           | 1           | Support-Platform, RH   | 15          | 99-3545            | 1           | Spacer             |
| 1:2         | 256-311            | 6           | Bushing-Split          | 16          | 74-9110            | 1           | Pad-Pedal, Reverse |
| 2           | 119-1725-01        | 1           | Rod-Traction           | 17          | 119-9315           | 1           | Bracket-Mow        |
| 3           | 3256-1             | 2           | Washer-Flat            | 18          | 3296-56            | 1           | Nut-Lock, NI       |
| 4           | 33023-00           | 2           | Nut-Lock               | 19          | 94-1371            | 1           | Spacer             |
| 5           | 33114-016          | 2           | Screw-HH               | 20          | 323-42             | 1           | Screw-HH           |
| 6           | 94-1374            | 1           | Trunnion-Bracket, Mow  | 21          | 3256-24            | 1           | Washer-Flat        |
| 7           | 33014-00           | 1           | Nut-Hex                | 22          | 104-8301           | 1           | Nut-HF, NI         |
| 8           | 94-1375            | 1           | Trunnion-Bracket, Lock | 23          | 33115-016          | 1           | Screw-HH           |
| 9           | 94-3489            | 1           | Screw-HH               | 24          | 94-1300            | 1           | Lock-Neutral       |
| 10          | 117-9021           | 1           | Bracket-Lock           | 25          | 94-1386            | 1           | Shaft-Pedal        |
| 11          | 321-9              | 1           | Screw-HH               | 26          | 2411-38            | 1           | Joint-Ball         |
| 12          | 3256-22            | 1           | Washer-Flat            | 27          | 74-9100            | 1           | Pad-Pedal, Forward |
| 13          | 33093-00           | 1           | Washer-Flat            | 28          | 117-9507           | 1           | Pedal-Accelerator  |
| 14          | 2411-41            | 1           | Rod End-Ball Joint     | 29          | 32121-45           | 1           | Pin-Spring         |



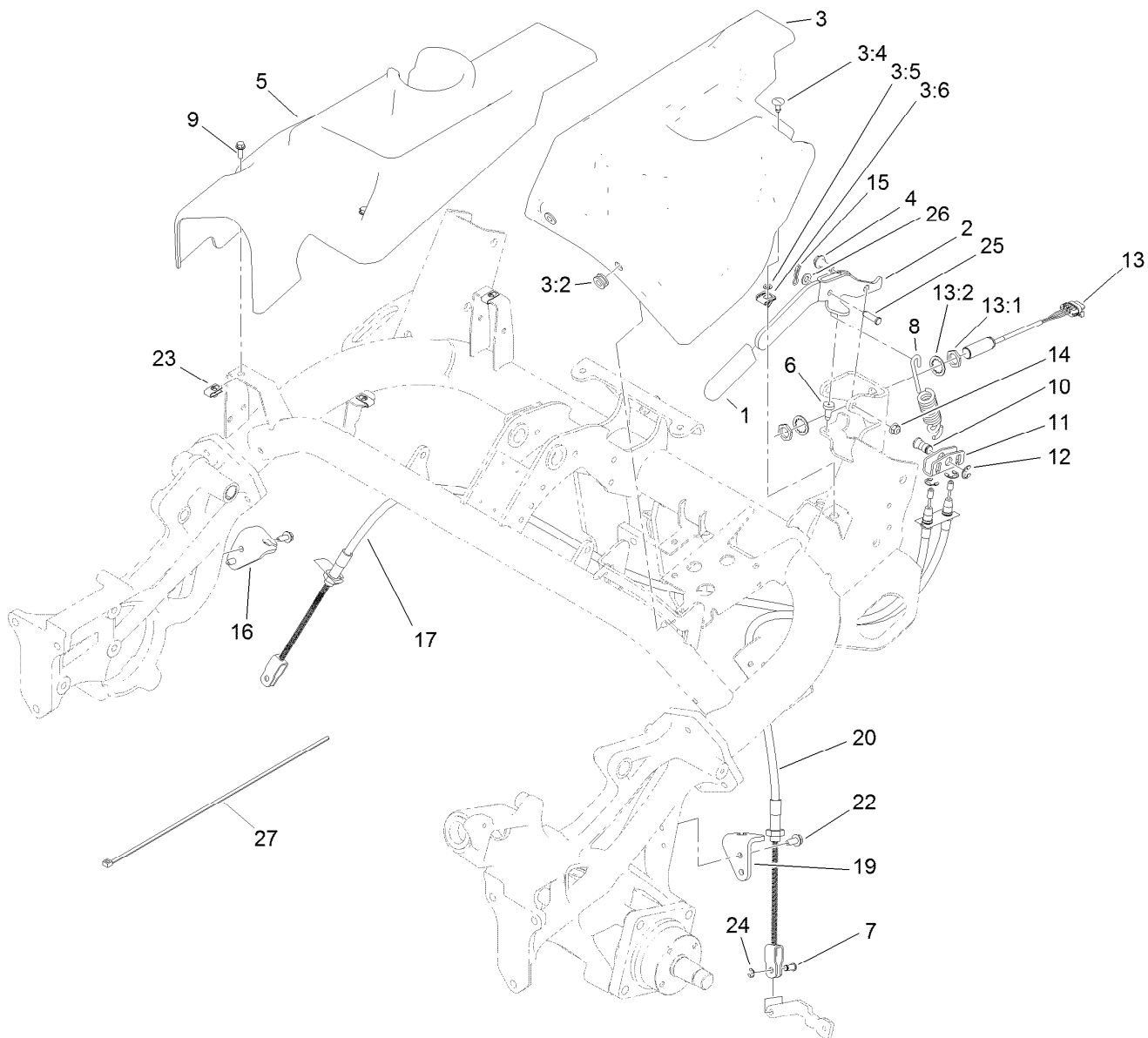
## Seatbase Assembly

| <i>Ref.</i> | <i>Part Number</i> | <i>Qty.</i> | <i>Description</i>                   | <i>Ref.</i> | <i>Part Number</i> | <i>Qty.</i> | <i>Description</i>        |
|-------------|--------------------|-------------|--------------------------------------|-------------|--------------------|-------------|---------------------------|
| 1           | 117-4440-03        | 1           | Plate-Seat                           | 26          | 115-8172           | 1           | Decal-Service, German     |
| 3           | 104-7201           | 2           | Nut-HF, NI                           | 26          | 115-8173           | 2           | Decal, Service, Swedish   |
| 5           | 104-8300           | 2           | Nut-HF, NI                           | 26          | 115-8174           | 1           | Decal-Service, Italian    |
| 6           | 94-7582            | 2           | Bolt-Shoulder                        | 26          | 115-8175           | 1           | Decal-Service, Portuguese |
| 7           | 99-6810            | 2           | Screw-HHF                            | 26          | 115-8176           | 1           | Decal-Service, Norwegian  |
| 8           | 66-2630            | 1           | Latch-Seat                           | 26          | 115-8177           | 1           | Decal-Service, Finnish    |
| 9           | 68-3270            | 2           | Bumper-Rubber                        | 26          | 115-8178           | 1           | Decal-Service, Danish     |
| 10          | 104-8301           | 2           | Nut-HF, NI                           | 26          | 115-8179           | 1           | Decal-Service, Dutch      |
| 24          | 115-8201           | 1           | Decal-Fuse Reference Diesel          | 26          | 115-8180           | 1           | Decal-Service, Japanese   |
| 25          | 115-8203           | 1           | Decal-Reference, Fuse (Radiator Fan) | 26          | 119-9343           | 1           | Decal-Service, 3400/3420  |
| 26          | 115-8170           | 1           | Decal-Service, Spanish               | 27          | 115-8156           | 1           | Decal-Speed, Clip         |
| 26          | 115-8171           | 1           | Decal-Service, French                | 28          | 117-2718           | 1           | Decal-Arrester, Spark     |
|             |                    |             |                                      | 29          | 120-5753           | 1           | Strip-Foam                |



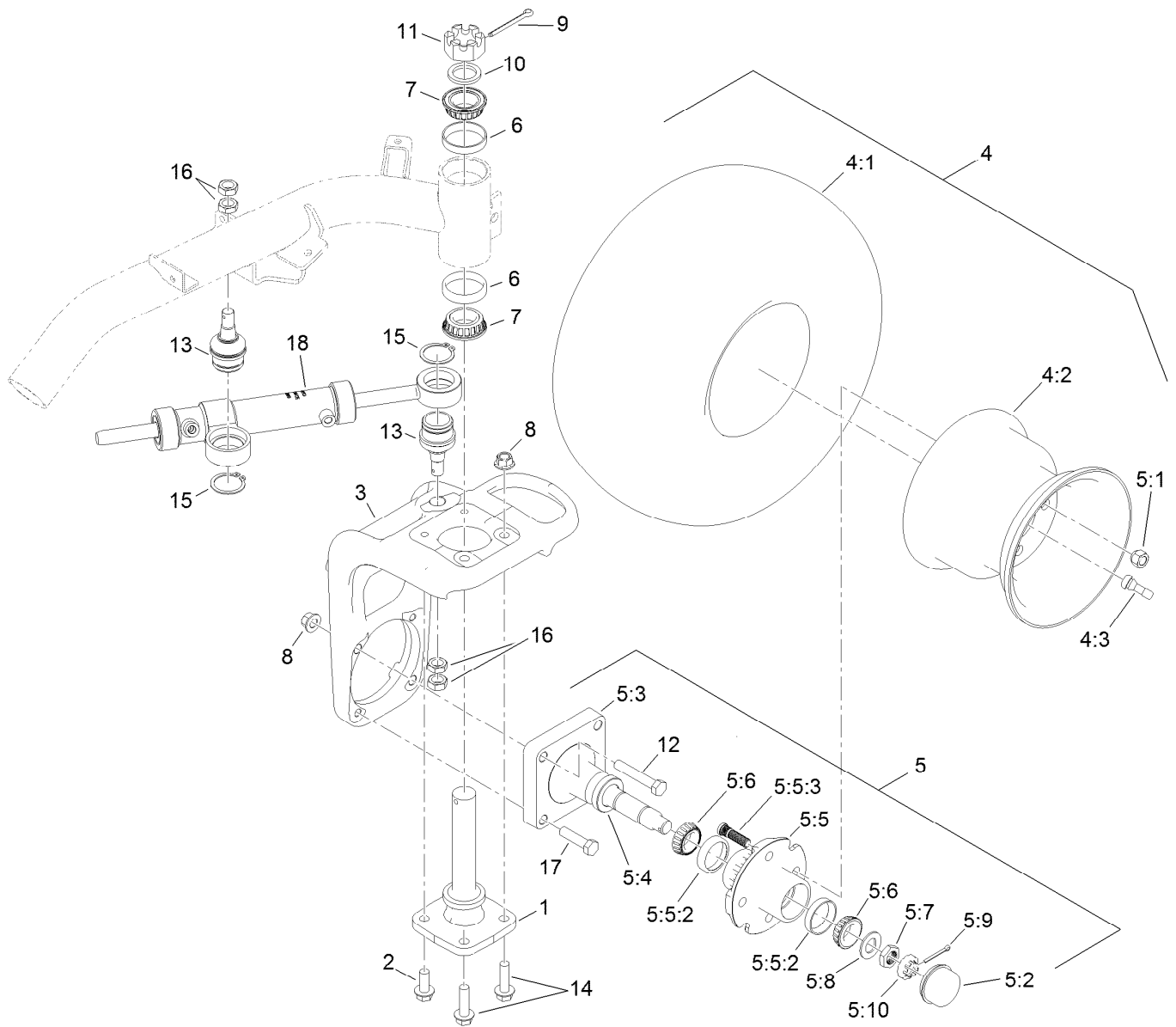
## Steering Arm and Adjuster Assembly

| <i>Ref.</i> | <i>Part Number</i> | <i>Qty.</i> | <i>Description</i>  | <i>Ref.</i> | <i>Part Number</i> | <i>Qty.</i> | <i>Description</i>    |
|-------------|--------------------|-------------|---------------------|-------------|--------------------|-------------|-----------------------|
| 2           | 3296-33            | 1           | Nut-Lock, NI        | 15          | 74-9110            | 1           | Pad-Pedal, Reverse    |
| 3           | 3256-27            | 1           | Washer-Flat         | 16          | 117-4457           | 1           | Lever                 |
| 4           | 75-0560            | 1           | Steering Wheel ASM  | 17          | 106-9791           | 1           | Spring                |
| 4:1         | 32144-21           | 1           | Screw               | 18          | 117-9024           | 1           | Lever-Pivot           |
| 4:2         | 68-5140            | 1           | Cap-Wheel, Steering | 19          | 32120-19           | 1           | E-Ring                |
| 5           | 3234-42            | 2           | Screw-HHF           | 20          | 105-7004           | 1           | E-Ring                |
| 6           | 117-9346-03        | 1           | Mount-Steering      | 21          | 117-4447           | 1           | Cylinder-Gas          |
| 7           | 3274-39            | 6           | Screw-HSBH          | 21:1        | 112-8617           | 1           | Nut-Hex               |
| 8           | 3290-277           | 6           | Nut-Speed           | 22          | 117-9002           | 1           | Spacer                |
| 10          | 117-4444-01        | 1           | Arm-Steering        | 23          | 119-9300           | 1           | Cover-Valve, Steering |
| 11          | 325-22             | 1           | Screw-HH            | 25          | 119-9346           | 1           | Decal-Arm, Steering   |
| 12          | 99-5107            | 1           | Nut-Lock            | 26          | 117-9536           | 1           | Decal-Danger          |
| 13          | 322-47             | 1           | Screw-HH            | 26          | 117-9537           | 1           | Decal-Danger, CE      |
| 14          | 3256-23            | 1           | Washer-Plain        |             |                    |             |                       |



## Brake Cable and Lever Assembly

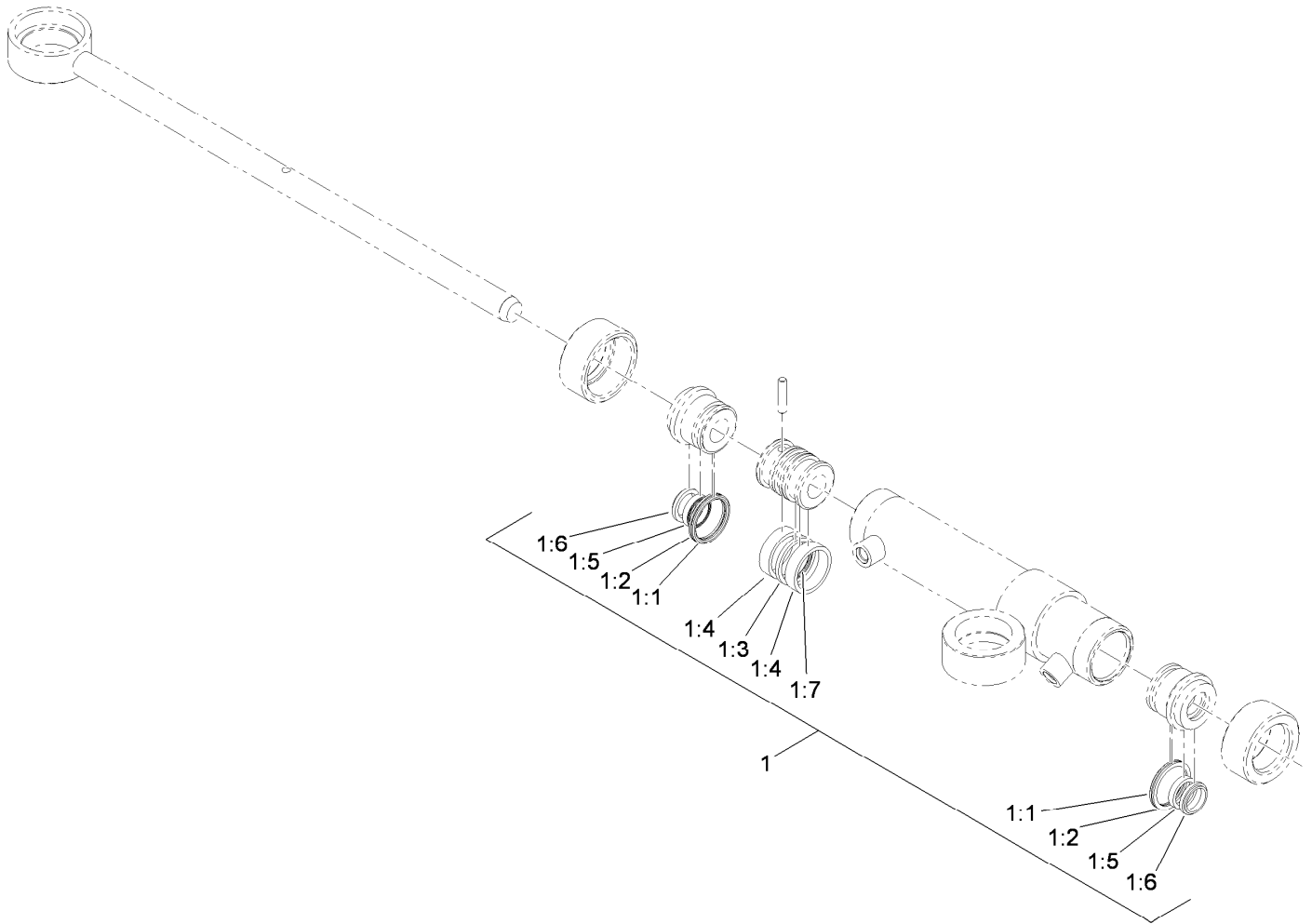
| Ref. | Part Number | Qty. | Description              | Ref. | Part Number | Qty. | Description                 |
|------|-------------|------|--------------------------|------|-------------|------|-----------------------------|
| 1    | 21-1880     | 1    | Grip-Handle              | 13   | 115-5300    | 1    | Proximity Switch ASM        |
| 2    | 119-2149-03 | 1    | Lever-Brake              | 13:1 | 117-3207    | 2    | Nut-Hex                     |
| 3    | 119-1731    | 1    | LH Cover ASM             | 13:2 | 117-3208    | 2    | Washer-Lock, Internal Tooth |
| 3:2  | 92-5972     | 2    | Grommet-Rubber           | 14   | 104-8300    | 2    | Nut-HF, NI                  |
| 3:4  | 119-1728    | 1    | Stud-1/4 Turn            | 15   | 119-1415    | 1    | Pin-Cotter, Locking         |
| 3:5  | 119-1729    | 1    | Retainer-Stud            | 16   | 115-5787    | 1    | Bracket-Brake Cable, RH     |
| 3:6  | 119-1730    | 1    | Receptacle-Clip, Mini    | 17   | 115-9412    | 1    | Cable-Brake, RH             |
| 4    | 116-1297    | 2    | Screw-Shoulder           | 19   | 114-9997    | 1    | Bracket-Brake Cable, LH     |
| 5    | 119-1678    | 1    | Cover-Side, RH           | 20   | 114-9996    | 1    | Cable-Brake, LH             |
| 6    | 87-8460     | 1    | Bumper-Rubber            | 22   | 32104-32    | 4    | Screw-HWH                   |
| 7    | 109-6887    | 2    | Pin-Clevis               | 23   | 107069      | 3    | Clip                        |
| 8    | 119-2144    | 1    | Spring-Extention         | 24   | 701197      | 2    | E-Ring                      |
| 9    | 115-5103    | 3    | Screw-HHF                | 25   | 283-61      | 1    | Pin-Yoke                    |
| 10   | 119-2146    | 1    | Pin                      | 26   | 3256-23     | 1    | Washer-Plain                |
| 11   | 114-9994    | 1    | Bracket-Equalizer, Cable | 27   | 3290-379    | 1    | Tie-Cable                   |
| 12   | 32120-47    | 3    | Ring-Retaining, External |      |             |      |                             |



## Back Wheel Assembly

| Ref.  | Part Number | Qty. | Description           | Ref. | Part Number | Qty. | Description              |
|-------|-------------|------|-----------------------|------|-------------|------|--------------------------|
| 1     | 115-2657    | 1    | Spindle-Steering      | 5:8  | 117-8259    | 1    | Washer-Spindle           |
| 2     | 3234-38     | 2    | Screw-HHF             | 5:9  | 3272-18     | 1    | Pin-Cotter               |
| 3     | 117-4366-01 | 1    | Base-Fork, Rear       | 5:10 | 93-0307     | 1    | Nut-Lock, Retainer       |
| 4     |             | 1    | Wheel And Tire ASM ●  | 6    | 115-9471    | 2    | Bearing-Cup              |
| 4:1   | 117-9031    | 1    | Tire                  | 7    | 115-9472    | 2    | Bearing-Cone And Seal    |
| 4:2   | 217-60      | 1    | Rim                   | 8    | 99-5107     | 4    | Nut-Lock                 |
| 4:3   | 232-27      | 1    | Stem-Valve            | 9    | 3272-37     | 1    | Pin-Cotter               |
| 5     | 119-4490    | 1    | Wheel Spindle ASM     | 10   | 18-6320     | 1    | Washer-Steering          |
| 5:1   | 242-50      | 4    | Nut-Lug               | 11   | 32136-9     | 1    | Nut-Hex, Slotted         |
| 5:2   | 241-119     | 1    | Cap-Dust              | 12   | 325-12      | 2    | Screw-HH                 |
| 5:3   | 112-7173    | 1    | Spindle               | 13   | 117-9875    | 2    | Joint-Ball               |
| 5:4   | 112-1690    | 1    | Seal-Oil              | 14   | 3234-22     | 2    | Screw-HHF                |
| 5:5   | 117-9093    | 1    | Hub ASM               | 15   | 32151-104   | 2    | Ring-Retaining, External |
| 5:5:2 | 254-72      | 2    | Bearing-Cup, Tapered  | 16   | 3220-6      | 4    | Nut-Jam                  |
| 5:5:3 | 114-3918    | 4    | Stud-Wheel            | 17   | 325-8       | 2    | Screw-HH                 |
| 5:6   | 254-94      | 2    | Bearing-Cone, Tapered | 18   | 117-4480    | 1    | HYD Cylinder ASM         |
| 5:7   | 117-8260    | 1    | Nut                   |      |             |      |                          |

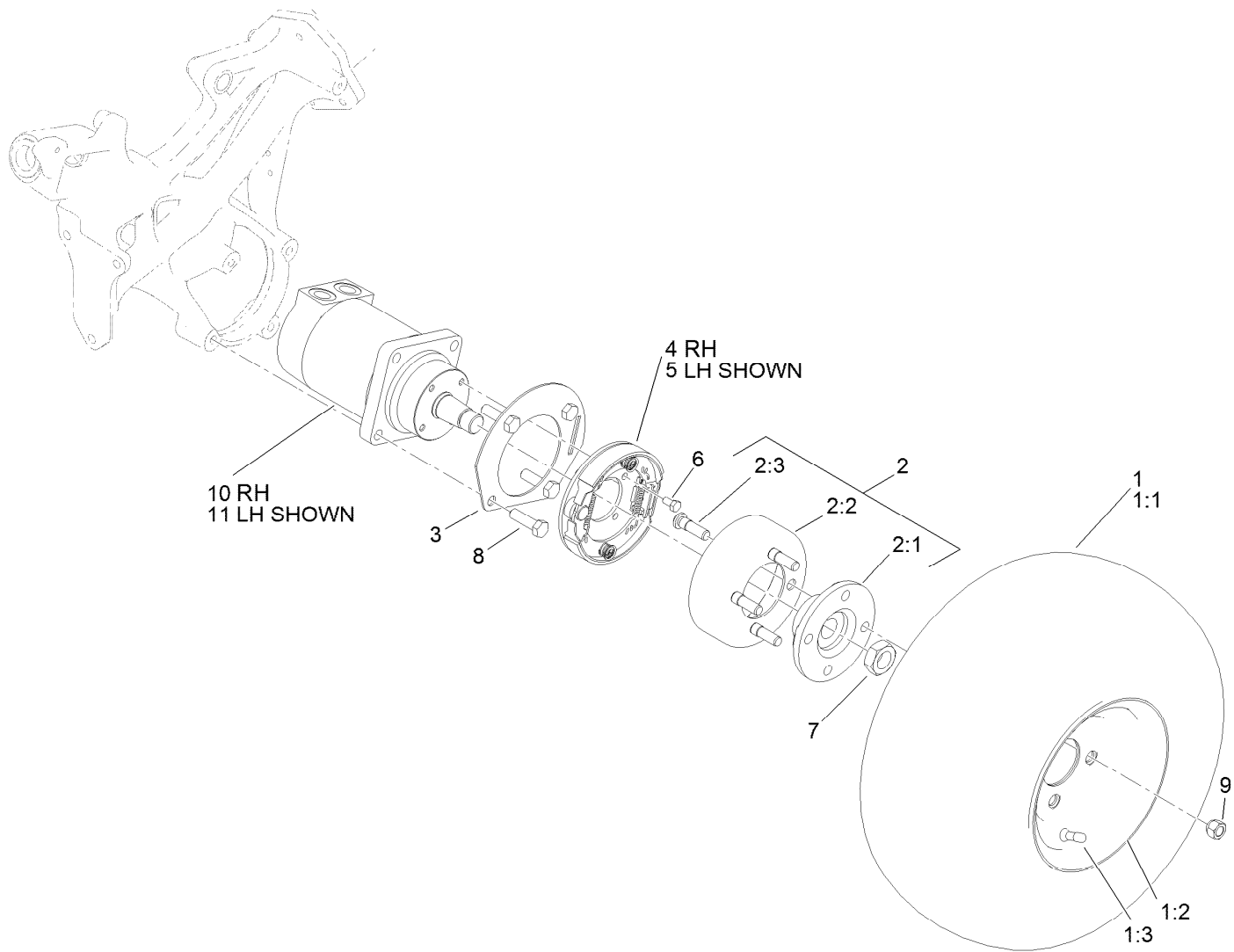
● Not serviced separately



## Hydraulic Cylinder Assembly No. 117-4480

| <i>Ref.</i> | <i>Part Number</i> | <i>Qty.</i> | <i>Description</i> |
|-------------|--------------------|-------------|--------------------|
| 1           | 119-7124           | 1           | Kit-Seal           |
| 1:1         |                    | 2           | O-Ring ●           |
| 1:2         |                    | 2           | Ring-Backup ●      |
| 1:3         |                    | 1           | Seal-Psp ●         |
| 1:4         |                    | 2           | Ring-Wear ●        |
| 1:5         |                    | 2           | Seal-Bs ●          |
| 1:6         |                    | 2           | Seal-Dust ●        |
| 1:7         |                    | 1           | O-Ring ●           |

● Not serviced separately

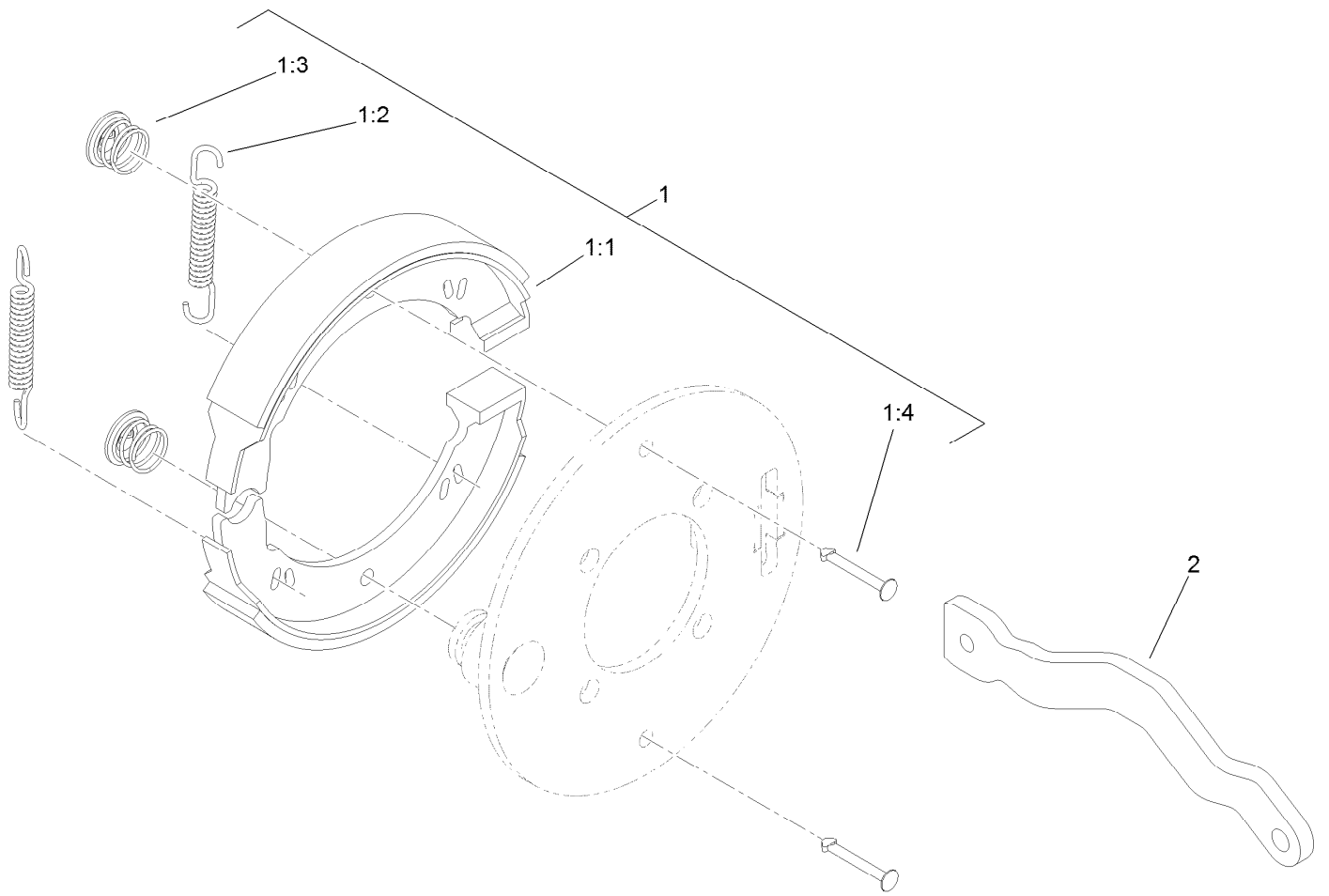


## Front Wheel Assembly

| Ref. | Part Number | Qty. | Description          |
|------|-------------|------|----------------------|
| 1    |             | 2    | Wheel And Tire ASM ● |
| 1:1  | 117-9031    | 1    | Tire                 |
| 1:2  | 117-9032    | 1    | Rim                  |
| 1:3  | 232-27      | 1    | Stem-Valve           |
| 2    | 115-2661    | 2    | Brake Drum ASM       |
| 2:1  | 115-2662-03 | 1    | Hub-Wheel            |
| 2:2  | 115-2663    | 1    | Drum-Brake           |
| 2:3  | 85-6540     | 4    | Stud-Drive           |
| 3    | 114-9998-03 | 2    | Tab-Lever, Brake     |

| Ref. | Part Number | Qty. | Description        |
|------|-------------|------|--------------------|
| 4    | 115-9441    | 1    | RH Brake ASM       |
| 5    | 115-9440    | 1    | LH Brake ASM       |
| 6    | 322-2       | 8    | Screw-HH           |
| 7    | 26-3790     | 2    | Nut-Lock           |
| 8    | 325-7       | 8    | Screw-HH           |
| 9    | 242-50      | 8    | Nut-Lug            |
| 10   | 117-4302    | 1    | RH Wheel Motor ASM |
| 11   | 117-4303    | 1    | LH Wheel Motor ASM |

● Not serviced separately

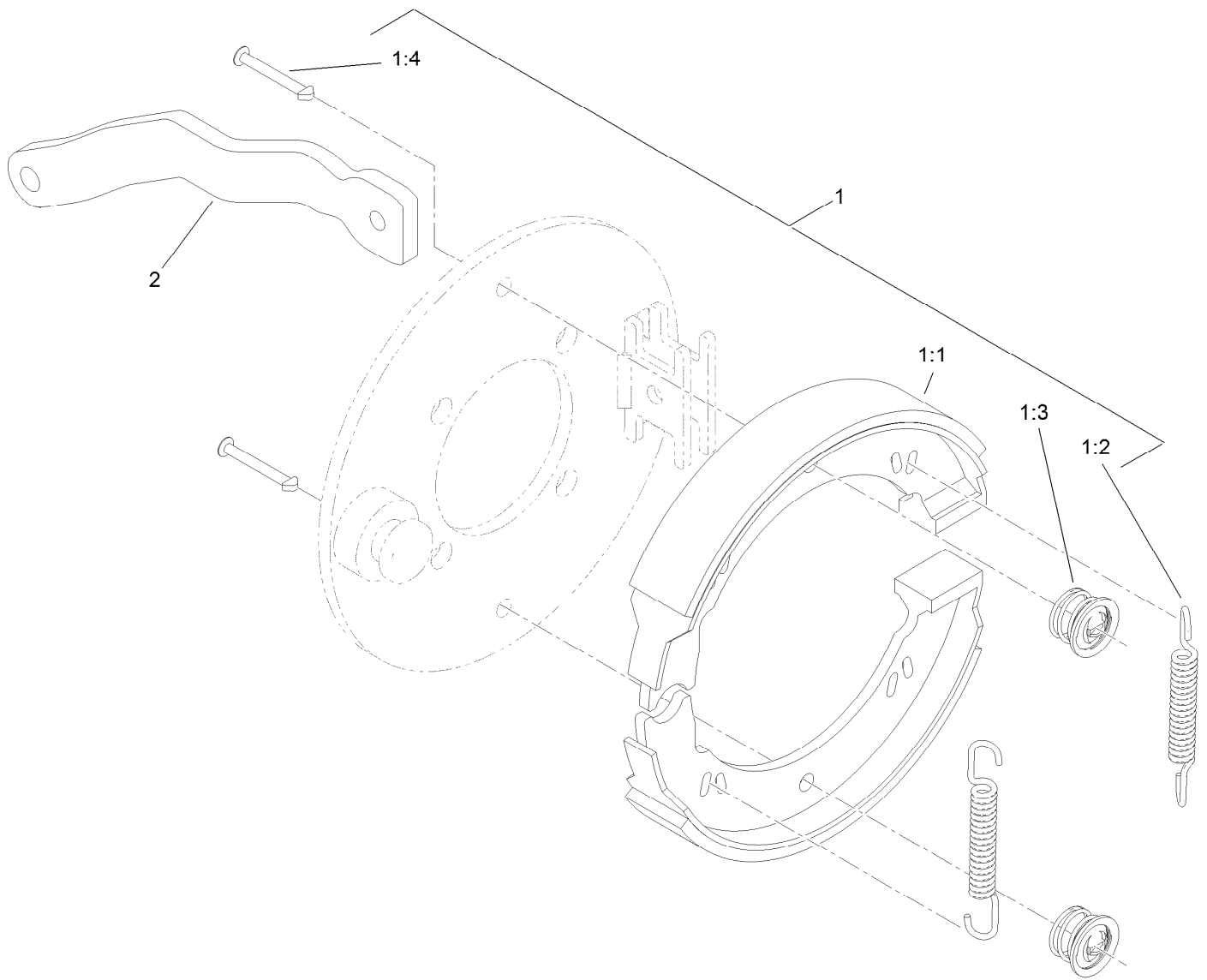


## Right Hand Brake Assembly No. 115-9441

| <i>Ref.</i> | <i>Part Number</i> | <i>Qty.</i> | <i>Description</i> |
|-------------|--------------------|-------------|--------------------|
| 1           | 119-7136           | 1           | Kit-Brake          |
| 1:1         |                    | 2           | Shoe-Brake ●       |
| 1:2         |                    | 2           | Spring ●           |
| 1:3         |                    | 2           | Clip ●             |
| 1:4         |                    | 2           | Pin-Retainer ●     |
| 2           | 115-5789           | 1           | Lever-Brake, RH    |

● Not serviced separately

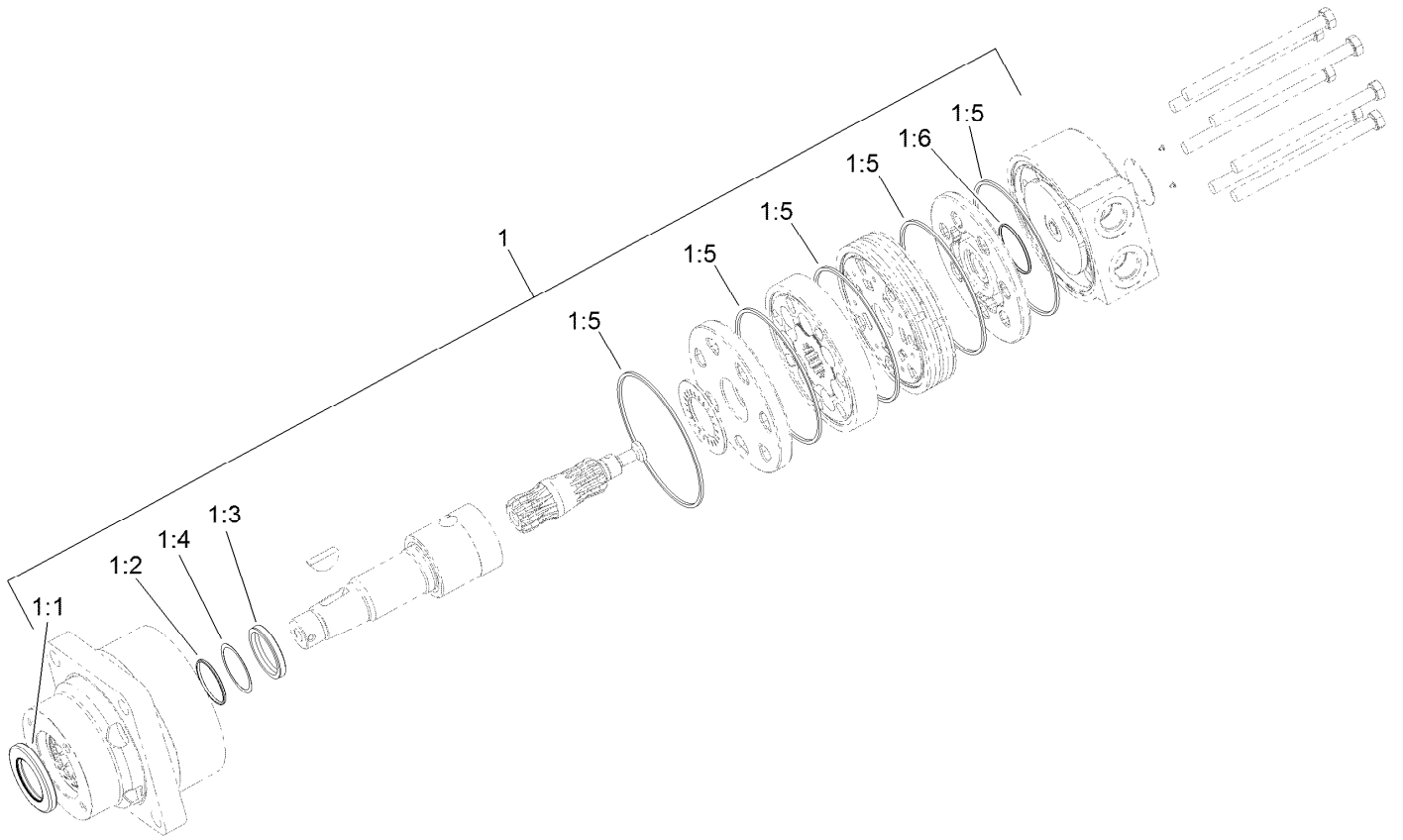




## Left Hand Brake Assembly No. 115-9440

| Ref. | Part Number | Qty. | Description     |
|------|-------------|------|-----------------|
| 1    | 119-7136    | 1    | Kit-Brake       |
| 1:1  |             | 2    | Shoe-Brake ●    |
| 1:2  |             | 2    | Spring ●        |
| 1:3  |             | 2    | Clip ●          |
| 1:4  |             | 2    | Pin-Retainer ●  |
| 2    | 115-2664    | 1    | Lever-Brake, LH |

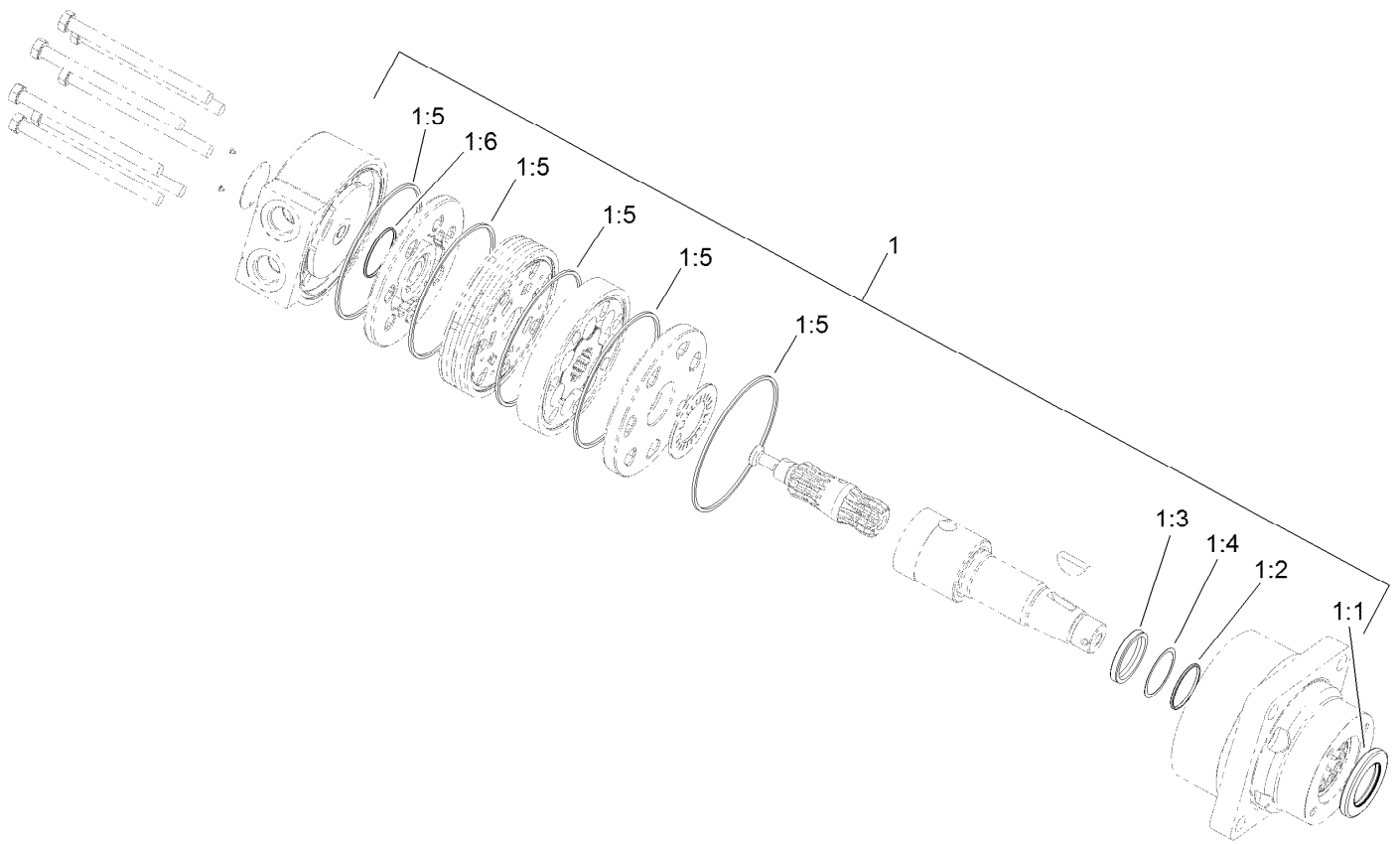
● Not serviced separately



## Right Hand Wheel Motor Assembly No. 117-4302

| <i>Ref.</i> | <i>Part Number</i> | <i>Qty.</i> | <i>Description</i>          |
|-------------|--------------------|-------------|-----------------------------|
| 1           | 94-8178            | 1           | Seal Kit                    |
| 1:1         |                    | 1           | Seal-Dirt And Water ●       |
| 1:2         |                    | 1           | Backup-Ring ●               |
| 1:3         |                    | 1           | Seal-Shaft ●                |
| 1:4         |                    | 1           | Washer-Backup ●             |
| 1:5         |                    | 5           | Seal-Square, Ring (Inner) ● |
| 1:6         |                    | 1           | Seal-Commutator ●           |

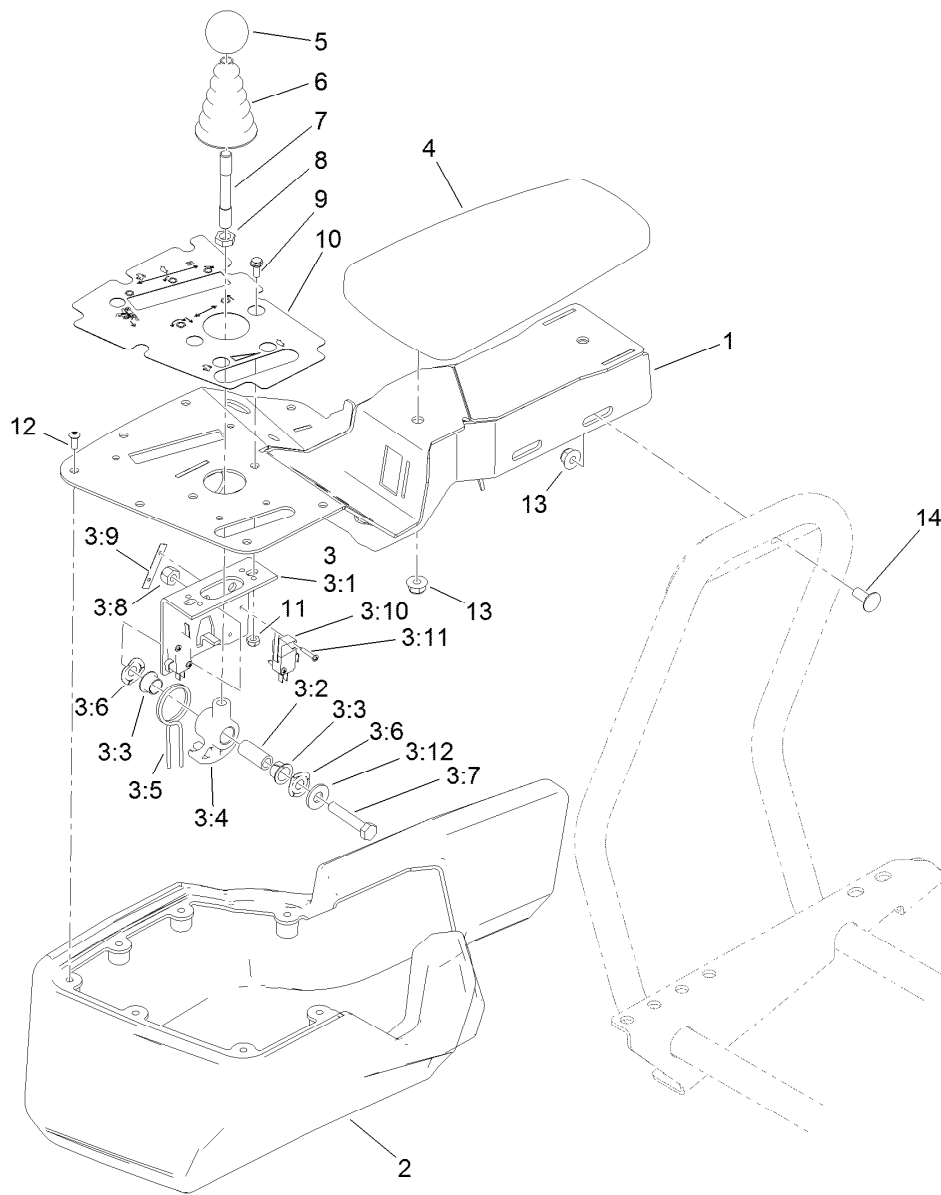
● Not serviced separately



## Left Hand Wheel Motor Assembly No. 117-4303

| <i>Ref.</i> | <i>Part Number</i> | <i>Qty.</i> | <i>Description</i>          |
|-------------|--------------------|-------------|-----------------------------|
| 1           | 94-8178            | 1           | Seal Kit                    |
| 1:1         |                    | 1           | Seal-Dirt And Water ●       |
| 1:2         |                    | 1           | Backup-Ring ●               |
| 1:3         |                    | 1           | Seal-Shaft ●                |
| 1:4         |                    | 1           | Washer-Backup ●             |
| 1:5         |                    | 5           | Seal-Square, Ring (Inner) ● |
| 1:6         |                    | 1           | Seal-Commutator ●           |

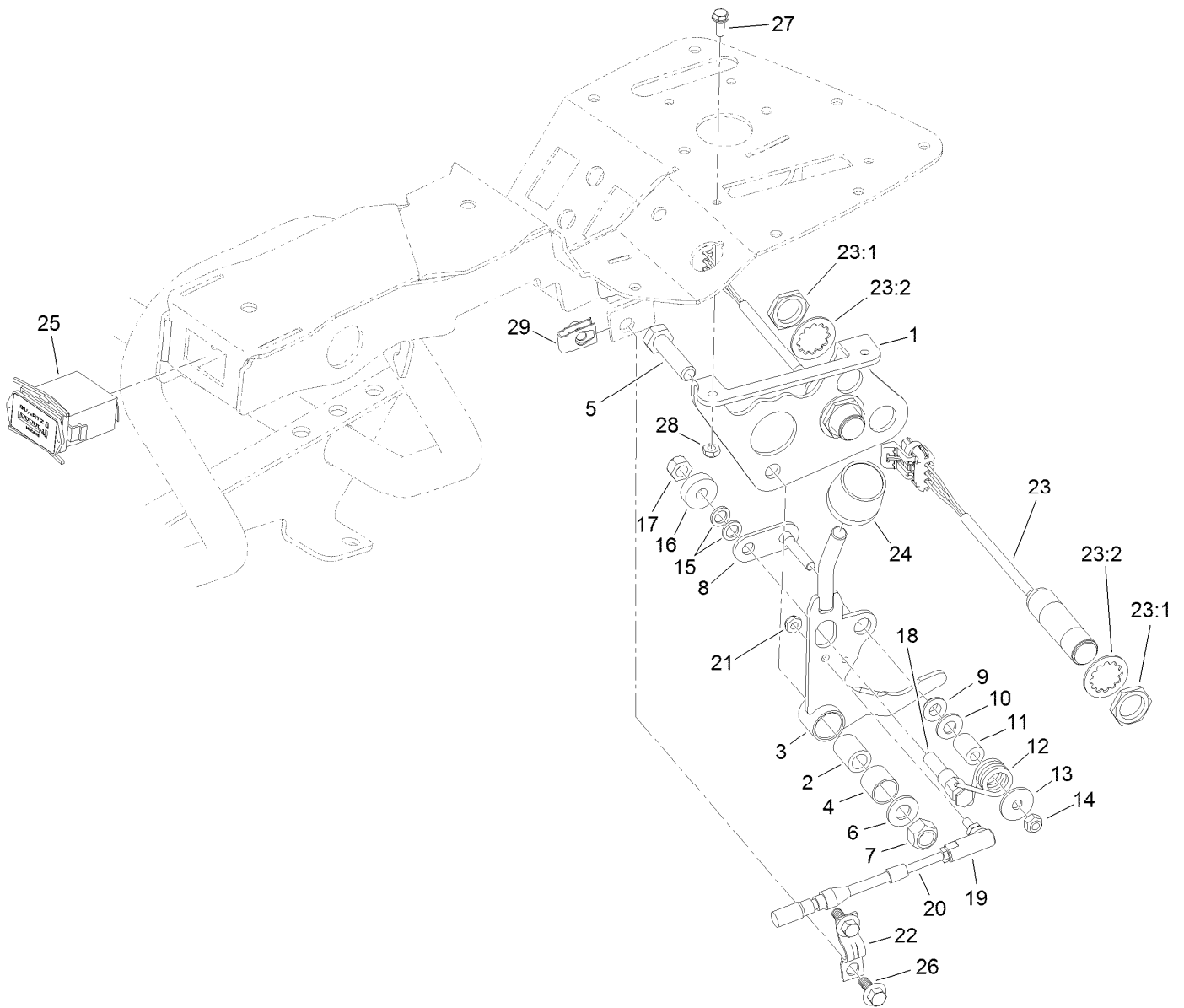
● Not serviced separately



## Console and Reel Control Assembly

| Ref. | Part Number | Qty. | Description           |
|------|-------------|------|-----------------------|
| 1    | 115-9804-03 | 1    | Cover                 |
| 2    | 115-9798    | 1    | Cover-Console         |
| 3    | 106-4167    | 1    | Joystick Bracket ASM  |
| 3:1  | 115-5357-03 | 1    | Bracket-Joystick      |
| 3:2  | 106-4192    | 1    | Spacer                |
| 3:3  | 93-5547     | 2    | Bushing-Nylon         |
| 3:4  | 105-7507    | 1    | Hub-Pivot, Joystick   |
| 3:5  | 105-8289    | 1    | Spring-Torsion        |
| 3:6  | 106-4193    | 2    | Washer-Finger, Spring |
| 3:7  | 322-9       | 1    | Screw-HH              |
| 3:8  | 3296-29     | 1    | Nut-Lock, NI          |
| 3:9  | 3290-354    | 2    | Nut-Speed             |
| 3:10 | 108-6496    | 2    | Switch (W/Boot)       |

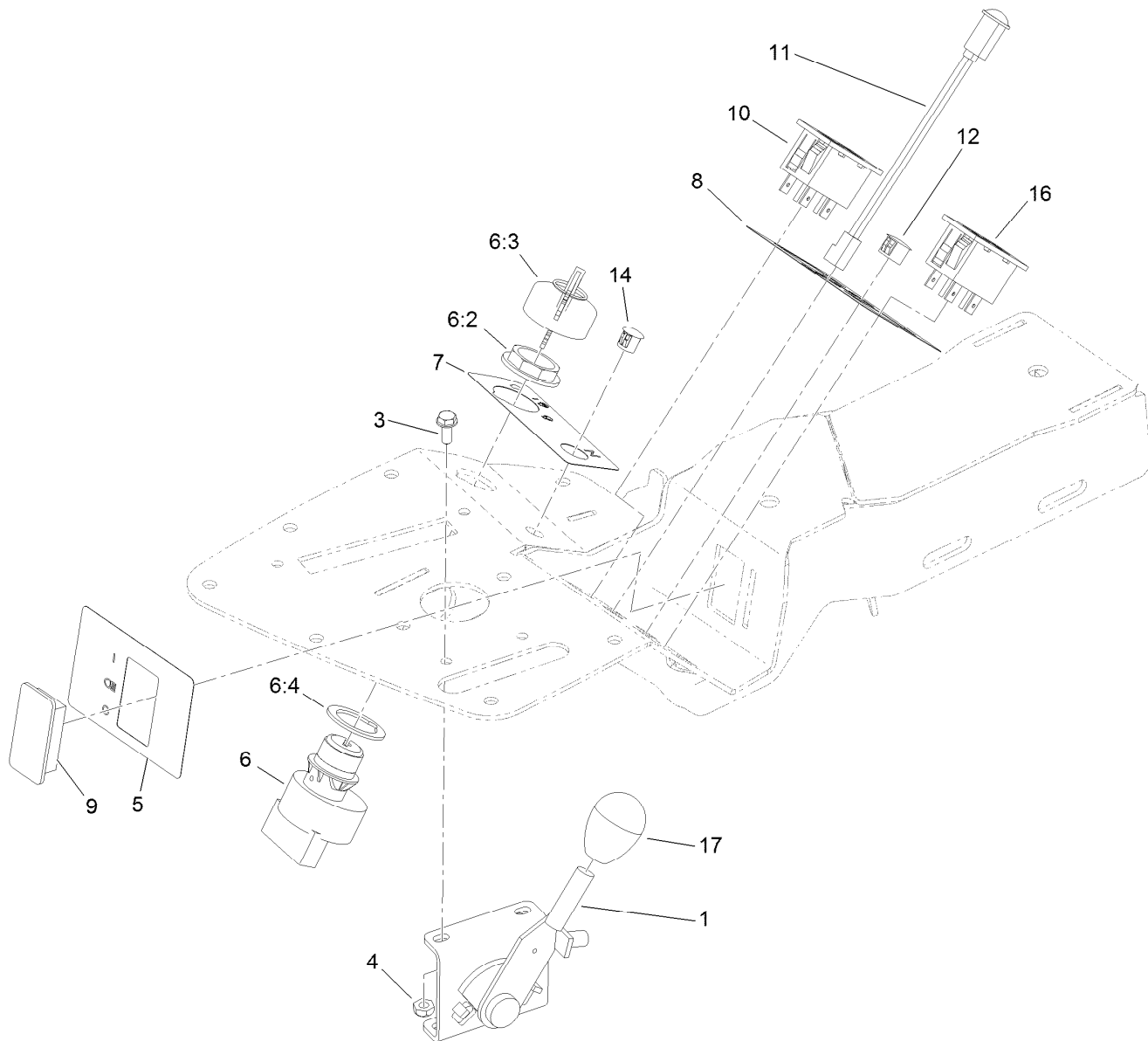
| Ref. | Part Number | Qty. | Description        |
|------|-------------|------|--------------------|
| 3:11 | 95-3003     | 4    | Screw-PPHTF        |
| 3:12 | 3256-3      | 1    | Washer-Flat        |
| 4    | 108-7602    | 1    | Rest-Arm           |
| 5    | 120-9752    | 1    | Knob-Round, Yellow |
| 6    | 93-5961     | 1    | Boot-Lever         |
| 7    | 105-8288    | 1    | Rod-Joystick       |
| 8    | 3218-3      | 1    | Nut-Jam            |
| 9    | 3290-321    | 2    | Screw-HWH          |
| 10   | 119-1657    | 1    | Decal-Console      |
| 11   | 3296-12     | 2    | Nut-Lock, NI       |
| 12   | 115-9830    | 7    | Screw-HSBH         |
| 13   | 104-8300    | 4    | Nut-HF, NI         |
| 14   | 3230-23     | 2    | Bolt-CARR          |



## Traction Interface Control Assembly

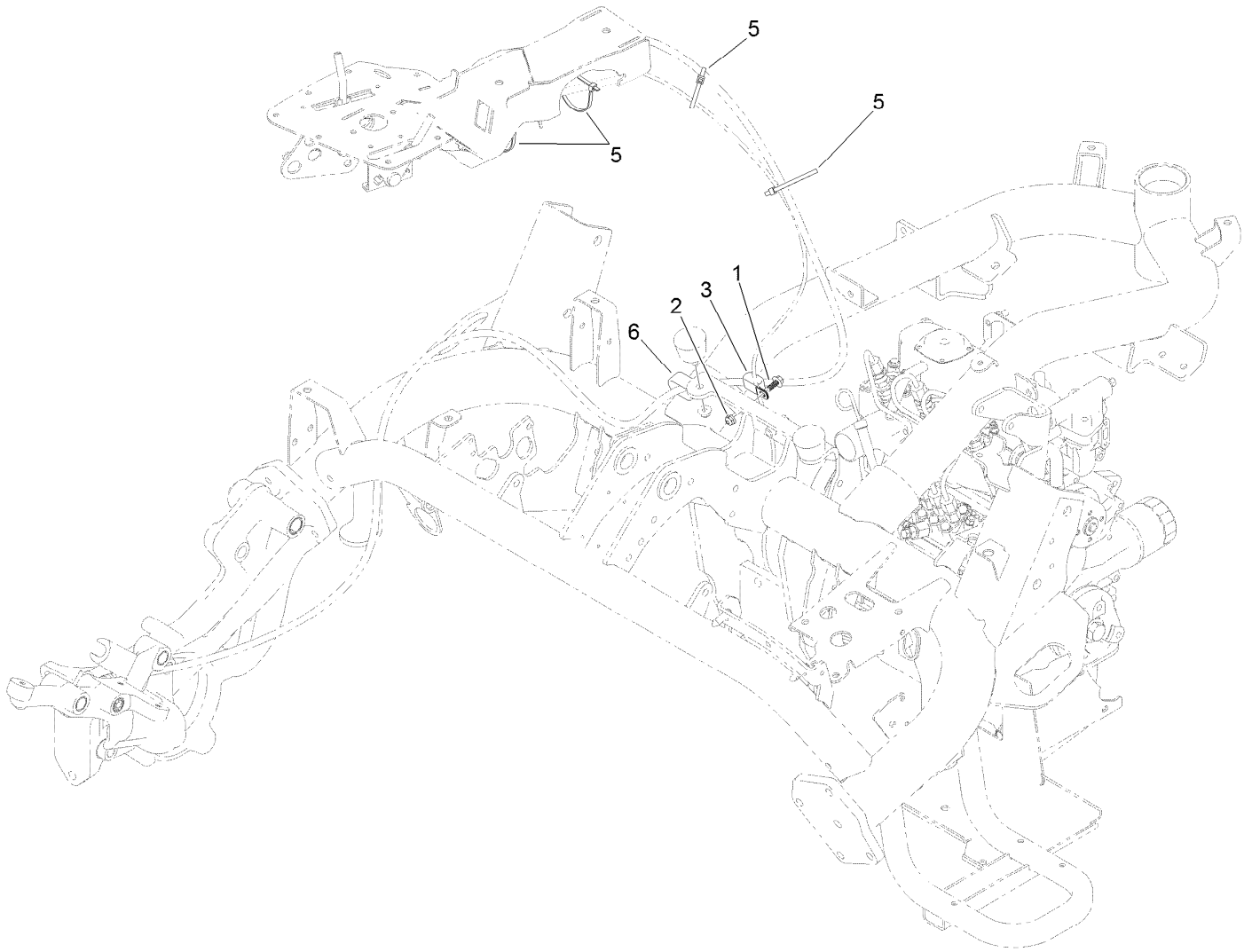
| Ref. | Part Number | Qty. | Description             |
|------|-------------|------|-------------------------|
| 1    | 115-9774-03 | 1    | Bracket-Function, Lever |
| 2    | 94-1378     | 1    | Tube-Pivot, Handle      |
| 3    | 115-9772    | 1    | Handle ASM              |
| 4    | 256-311     | 1    | Bushing-Split           |
| 5    | 33115-040   | 1    | Screw-HH                |
| 6    | 3256-24     | 1    | Washer-Flat             |
| 7    | 33025-00    | 1    | Nut-Lock, NI            |
| 8    | 94-9614     | 1    | Pivot-Roller            |
| 9    | 94-9619     | 1    | Bushing                 |
| 10   | 3256-23     | 1    | Washer-Plain            |
| 11   | 94-9618     | 1    | Spacer-Spring           |
| 12   | 94-9620     | 1    | Spring-Torsion          |
| 13   | 3256-67     | 1    | Washer                  |
| 14   | 33023-00    | 1    | Nut-Lock                |
| 15   | 75-5470     | 2    | Spacer-Bearing          |
| 16   | 251-259     | 1    | Bearing-Ball            |

| Ref. | Part Number | Qty. | Description                 |
|------|-------------|------|-----------------------------|
| 17   | 33024-00    | 1    | Nut-Lock, NI                |
| 18   | 94-9617     | 1    | Pin-Spring                  |
| 19   | 2411-38     | 1    | Joint-Ball                  |
| 20   | 115-8247    | 1    | Cable-Lock, Neutral         |
| 21   | 3296-27     | 1    | Nut-Lock, NI                |
| 22   | 93-2279     | 1    | Clamp-Cable                 |
| 23   | 115-5300    | 2    | Proximity Switch ASM        |
| 23:1 | 117-3207    | 2    | Nut-Hex                     |
| 23:2 | 117-3208    | 2    | Washer-Lock, Internal Tooth |
| 24   | 120-9753    | 1    | Knob-Cylindrical, Orange    |
| 25   | 1-513374    | 1    | Meter-Hour                  |
| 26   | 99-6810     | 2    | Screw-HHF                   |
| 27   | 3290-321    | 2    | Screw-HWH                   |
| 28   | 3296-12     | 2    | Nut-Lock, NI                |
| 29   | 107069      | 2    | Clip                        |



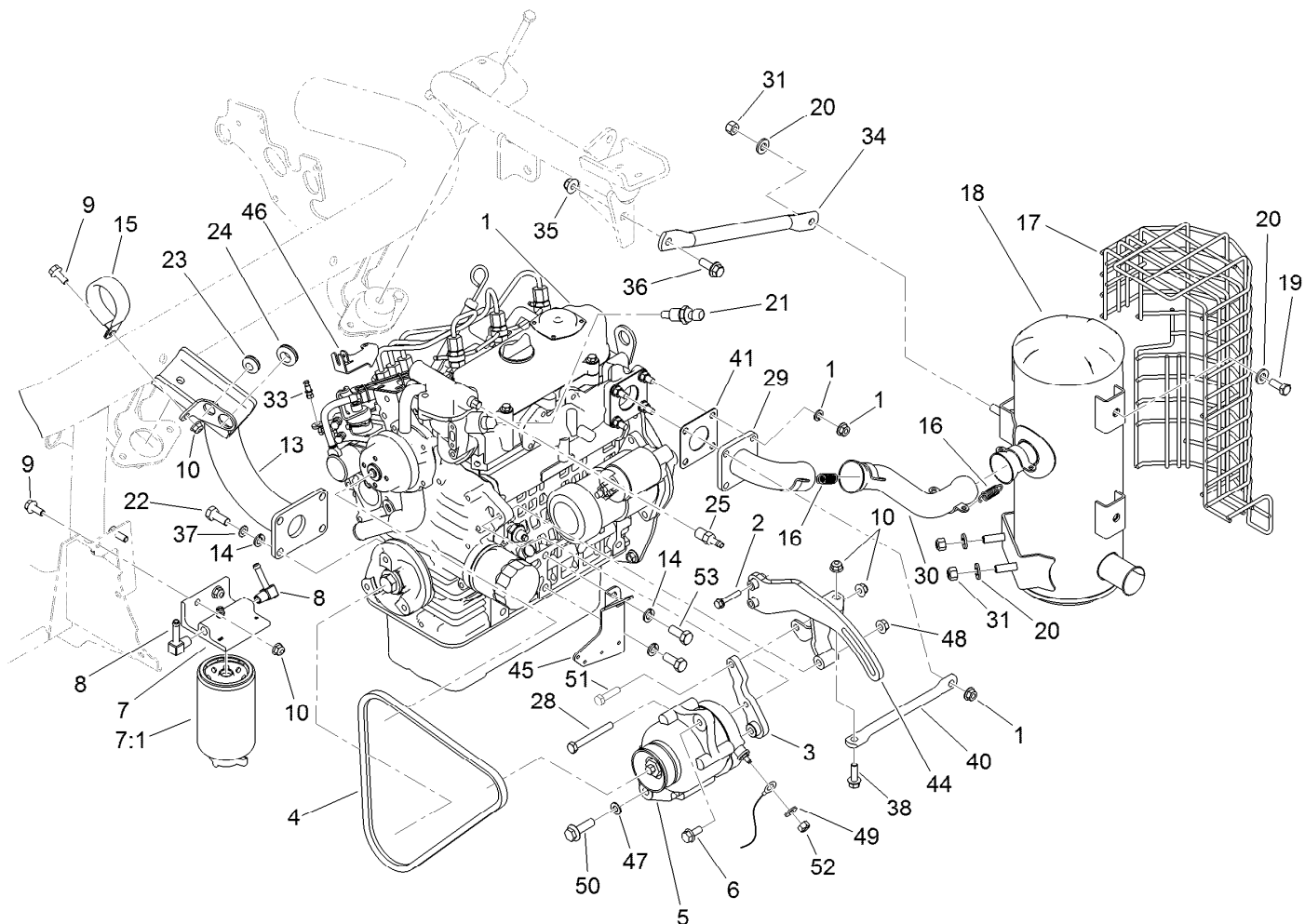
## Ignition, Throttle and Choke Control Assembly

| <i>Ref.</i> | <i>Part Number</i> | <i>Qty.</i> | <i>Description</i>      | <i>Ref.</i> | <i>Part Number</i> | <i>Qty.</i> | <i>Description</i>        |
|-------------|--------------------|-------------|-------------------------|-------------|--------------------|-------------|---------------------------|
| 1           | 119-1662           | 1           | Throttle ASM            | 8           | 119-1658           | 1           | Decal-Diagnostic, Console |
| 3           | 3290-321           | 2           | Screw-HWH               | 9           | 99-7420            | 1           | Plug-Hole                 |
| 4           | 3296-12            | 2           | Nut-Lock, NI            | 10          | 100-8071           | 1           | Lamp-Warning              |
| 5           | 119-1687           | 1           | Decal-Lights            | 11          | 95-7652            | 1           | Light-Indicator           |
| 6           | 106-5269           | 1           | Ignition Switch ASM     | 12          | 2410-64            | 1           | Plug-Button               |
| 6:2         | 108-8660           | 1           | Nut-Mounting            | 14          | 104-9368           | 1           | Plug-Dome                 |
| 6:3         | 106-5270           | 1           | Ignition Key Set        | 16          | 100-8070           | 1           | Lamp-Warning              |
| 6:4         | 108-8659           | 1           | Washer-Backup           | 17          | 120-9751           | 1           | Knob-Oval, Black          |
| 7           | 119-1688           | 1           | Decal-Ignition, Console |             |                    |             |                           |



## Console Cable Routing Assembly

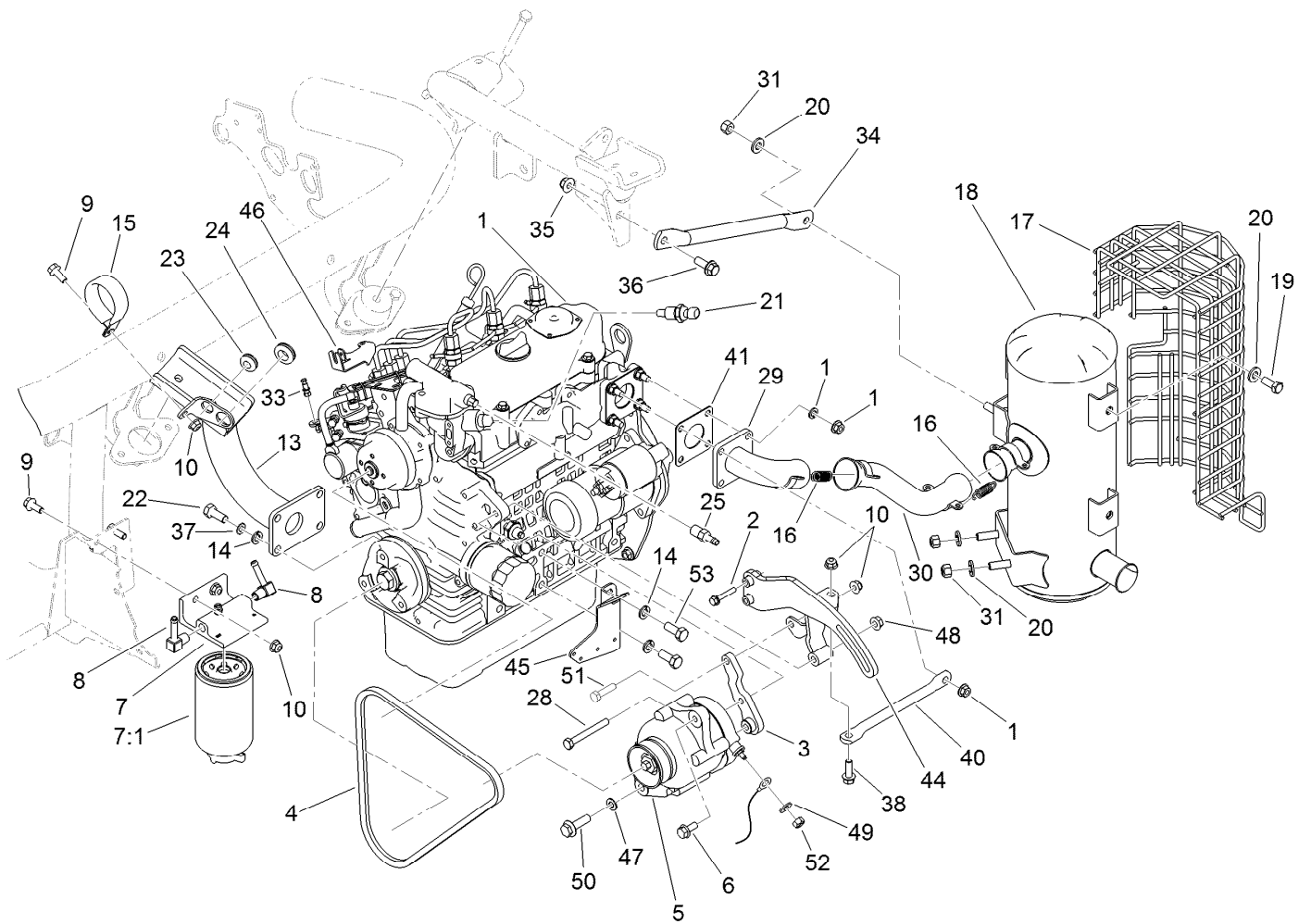
| <i>Ref.</i> | <i>Part Number</i> | <i>Qty.</i> | <i>Description</i>   |
|-------------|--------------------|-------------|----------------------|
| 1           | 99-6810            | 1           | Screw-HHF            |
| 2           | 104-7201           | 1           | Nut-HF, NI           |
| 3           | 119-8153           | 1           | Clamp-R, Double Tube |
| 5           | 3290-379           | 4           | Tie-Cable            |
| 6           | 120-1959           | 1           | Clamp                |



## Engine and Exhaust Assembly

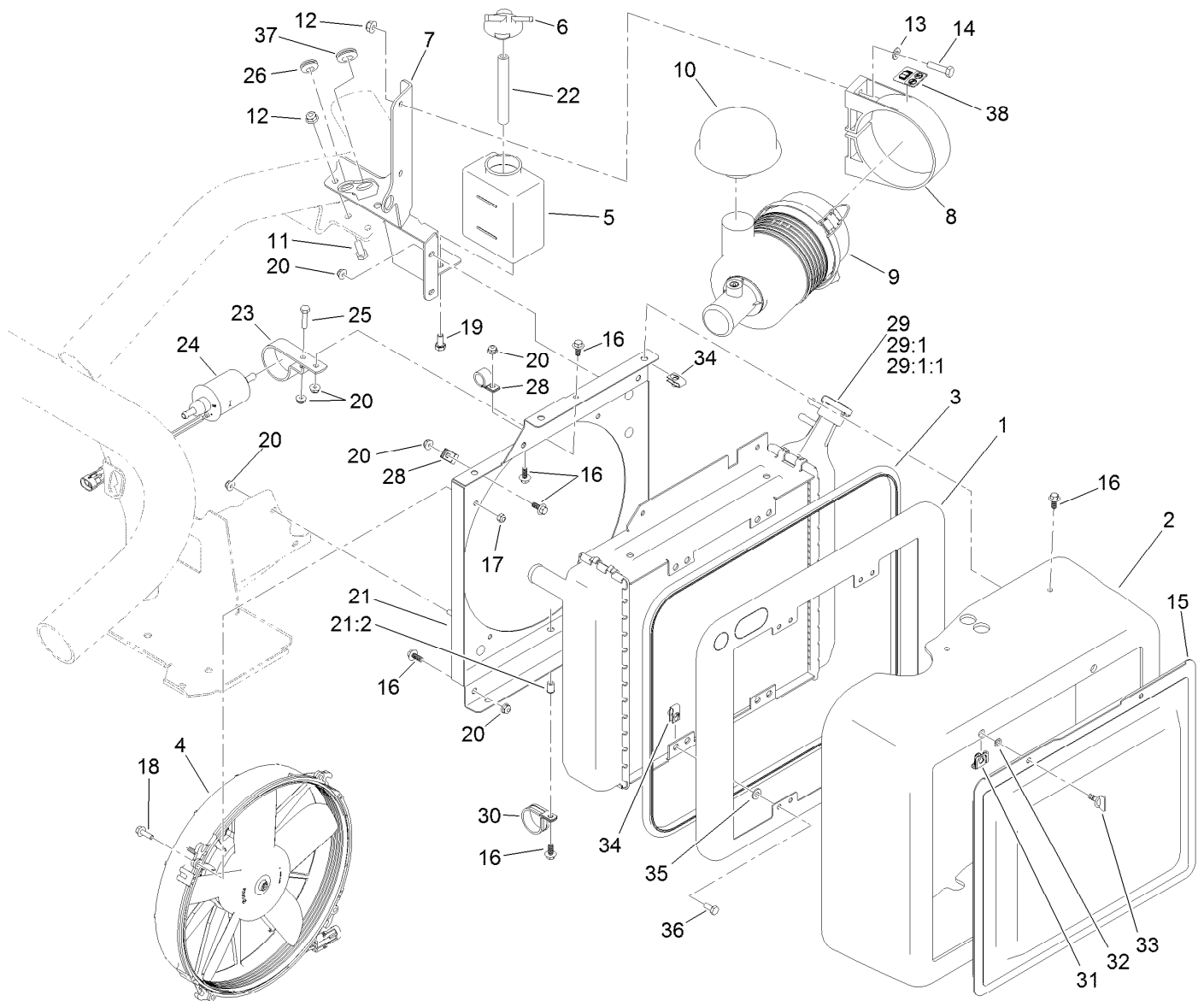
| Ref. | Part Number | Qty. | Description                | Ref. | Part Number | Qty. | Description               |
|------|-------------|------|----------------------------|------|-------------|------|---------------------------|
| 1    | 119-2141    | 1    | Engine ASM                 | 23   | 1-633630    | 1    | Grommet                   |
| 2    | 33103-035   | 2    | Screw-HHF                  | 24   | 237-124     | 2    | Grommet                   |
| 3    | 119-4428-03 | 1    | Bracket-Alternator         | 25   | 353-783     | 1    | Fitting-STR               |
| 4    | 119-4486    | 1    | Belt-V, Fan                | 28   | 119-8194    | 1    | Screw-HH                  |
| 5    | 117-5541    | 1    | 60 Amp Alternator ASM      | 29   | 114-8009    | 1    | Plate-Exhaust             |
| 6    | 33104-020   | 1    | Screw-HHF                  | 30   | 114-8013    | 1    | Pipe-Exhaust              |
| 7    | 110-9044    | 1    | Separator-Filter           | 31   | 32152-2     | 4    | Nut-Lock, Cone            |
| 7:1  | 110-9049    | 1    | Filter-Spin On, Fuel/Water | 33   | 108-5928    | 1    | Swivel-Stop, Cable        |
| 8    | 353-707     | 2    | Fitting-HYD, 90 DEG        | 34   | 120-1956-03 | 1    | Tube-Brace                |
| 9    | 3234-47     | 2    | Screw-HHF                  | 35   | 104-8301    | 1    | Nut-HF, NI                |
| 10   | 104-8300    | 5    | Nut-HF, NI                 | 36   | 3234-42     | 1    | Screw-HHF                 |
| 13   | 119-2128-03 | 1    | Support-Engine             | 37   | 3255-8      | 1    | Washer-Lock               |
| 14   | 42-9600     | 6    | Washer-Lock                | 38   | 3234-29     | 2    | Screw-HHF                 |
| 15   | 115-9469    | 1    | Clamp-R                    | 40   | 120-1961-03 | 1    | Tube-Brace                |
| 16   | 104-6478    | 4    | Spring-Extension           | 41   | 99-8343     | 1    | Gasket-Muffler            |
| 17   | 115-8718-03 | 1    | Shield-Muffler             | 44   | 119-8182-03 | 1    | Bracket-Alternator        |
| 18   | 120-1950    | 1    | Muffler                    | 45   | 120-1964-03 | 1    | Bracket-Harness           |
| 19   | 323-5       | 4    | Screw-HH                   | 46   | 108-5922    | 1    | Bracket-Support, Throttle |
| 20   | 100-4852    | 8    | Washer-Hardened            | 47   | 3256-23     | 1    | Washer-Plain              |
| 21   | 119-4478    | 1    | Sender-Temperature         | 48   | 33004-00    | 1    | Nut-HF                    |
| 22   | 43-0090     | 4    | Screw-HH                   | 49   | 3256-2      | 1    | Washer-Flat               |





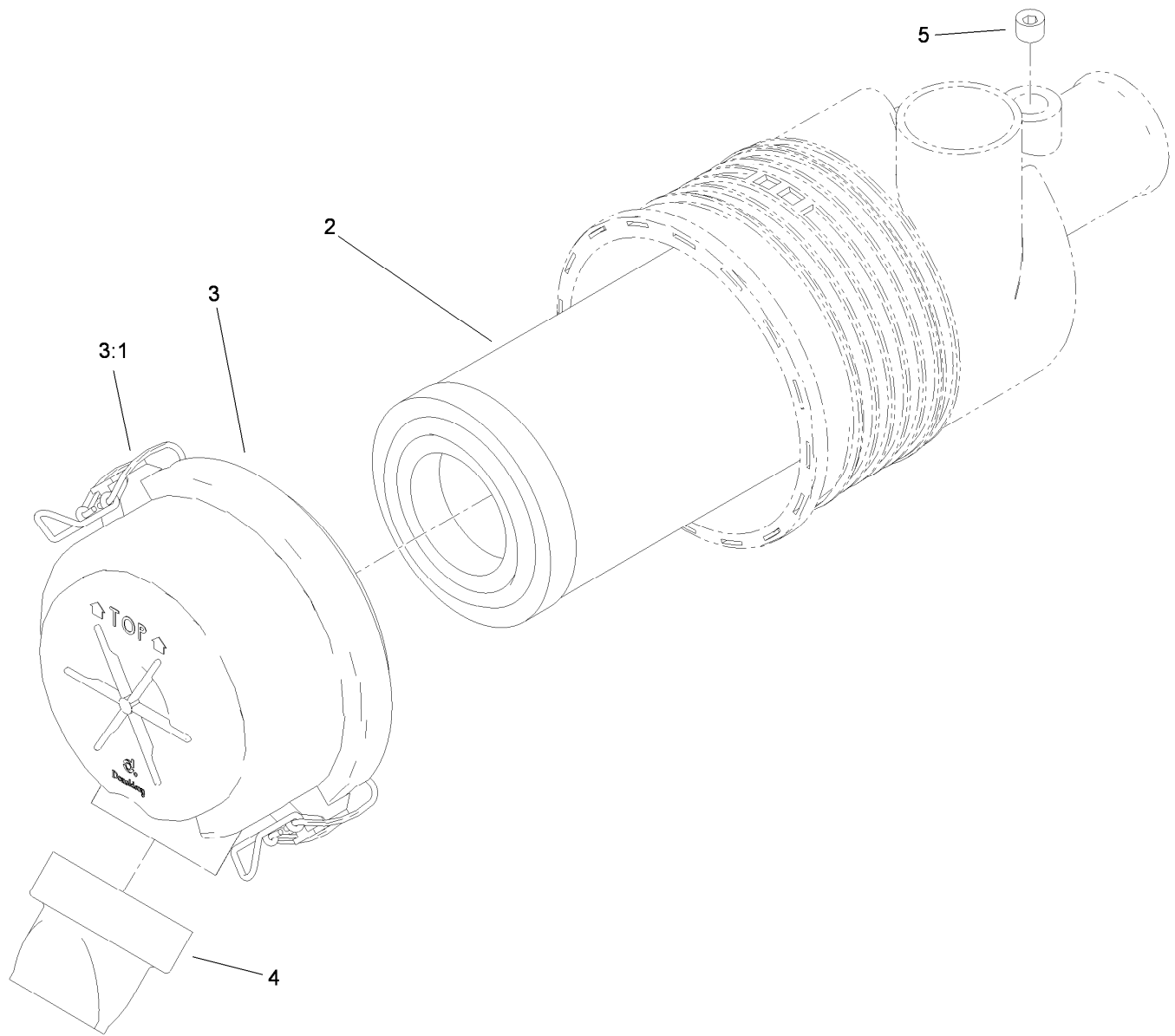
## Engine and Exhaust Assembly (continued)

| <i>Ref.</i> | <i>Part Number</i> | <i>Qty.</i> | <i>Description</i> | <i>Ref.</i> | <i>Part Number</i> | <i>Qty.</i> | <i>Description</i> |
|-------------|--------------------|-------------|--------------------|-------------|--------------------|-------------|--------------------|
| 50          | 33105-035          | 1           | Screw-HHF          | 52          | 33013-00           | 1           | Nut-Hex            |
| 51          | 322-6              | 1           | Screw-HH           | 53          | 63-7790            | 2           | Screw-Cap          |



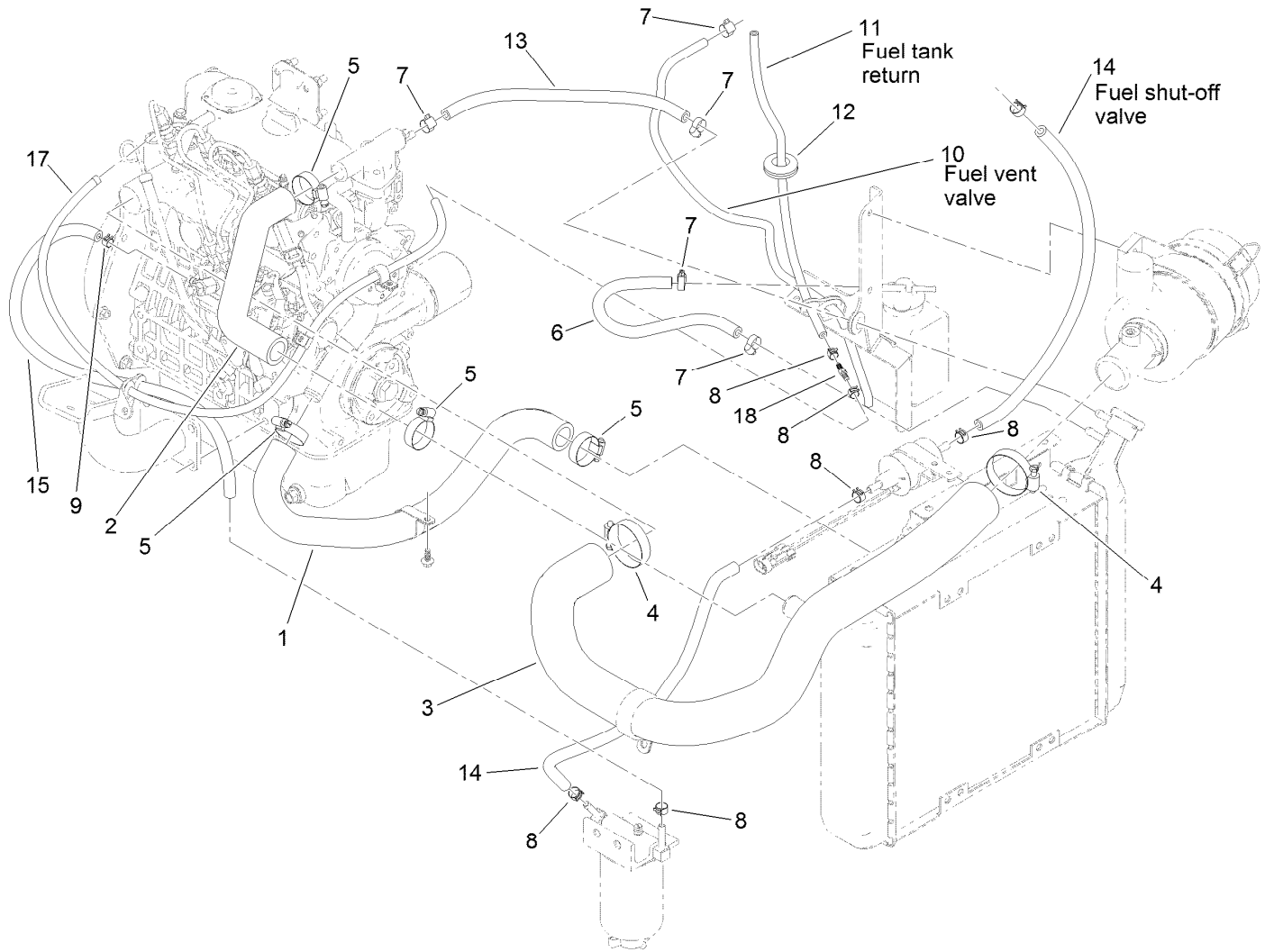
## Radiator, Fuel Pump and Air Cleaner Assembly

| Ref. | Part Number | Qty. | Description                   | Ref.   | Part Number | Qty. | Description           |
|------|-------------|------|-------------------------------|--------|-------------|------|-----------------------|
| 1    | 117-9307-03 | 1    | Panel-Seal, Radiator          | 21     | 119-9038    | 1    | Shroud ASM            |
| 2    | 117-9296    | 1    | Shroud-Radiator               | 21:2   | 32117-2     | 1    | Nut-Clinch            |
| 3    | 117-9308    | 1    | Trim-Seal                     | 22     | 108-3283    | 1    | Hose-Fuel             |
| 4    | 115-5765    | 1    | Fan                           | 23     | 110-8817    | 1    | Bracket-Pump, Fuel    |
| 5    | 93-2049     | 1    | Tank-Overflow                 | 24     | 110-8806    | 1    | Pump-Fuel             |
| 6    | 93-2048     | 1    | Cap-Tank, Overflow            | 25     | 321-7       | 1    | Screw-HH              |
| 7    | 117-9260-03 | 1    | Air Cleaner Bracket ASM       | 26     | 1-633630    | 1    | Grommet               |
| 8    | 95-5806     | 1    | Bracket-Mounting, Air Cleaner | 28     | 2412-87     | 2    | Clamp-Cable           |
| 9    | 95-5805     | 1    | Air Cleaner ASM               | 29     | 117-9860    | 1    | Radiator              |
| 10   | 46-7510     | 1    | Hood-Inlet, Air               | 29:1   | 115-7766    | 1    | Cap-Radiator          |
| 11   | 322-4       | 2    | Screw-HH                      | 29:1:1 | 106-6755    | 1    | Decal-Cap, Radiator   |
| 12   | 104-8300    | 4    | Nut-HF, NI                    | 30     | 119-9037    | 1    | Clamp-R               |
| 13   | 3256-23     | 2    | Washer-Plain                  | 31     | 119-1730    | 2    | Receptacle-Clip, Mini |
| 14   | 322-6       | 2    | Screw-HH                      | 32     | 119-1729    | 2    | Retainer-Stud         |
| 15   | 117-9311-03 | 1    | Screen                        | 33     | 120-1957    | 2    | Stud-Rapier           |
| 16   | 99-6810     | 12   | Screw-HHF                     | 34     | 107069      | 8    | Clip                  |
| 17   | 110-8451    | 4    | Nut-Hex, NI                   | 35     | 3256-22     | 4    | Washer-Flat           |
| 18   | 33103-020   | 4    | Screw-HHF                     | 36     | 321-3       | 4    | Screw-HH              |
| 19   | 33114-016   | 2    | Screw-HH                      | 37     | 237-124     | 1    | Grommet               |
| 20   | 104-7201    | 12   | Nut-HF, NI                    | 38     | 115-8155    | 1    | Decal-Warning         |



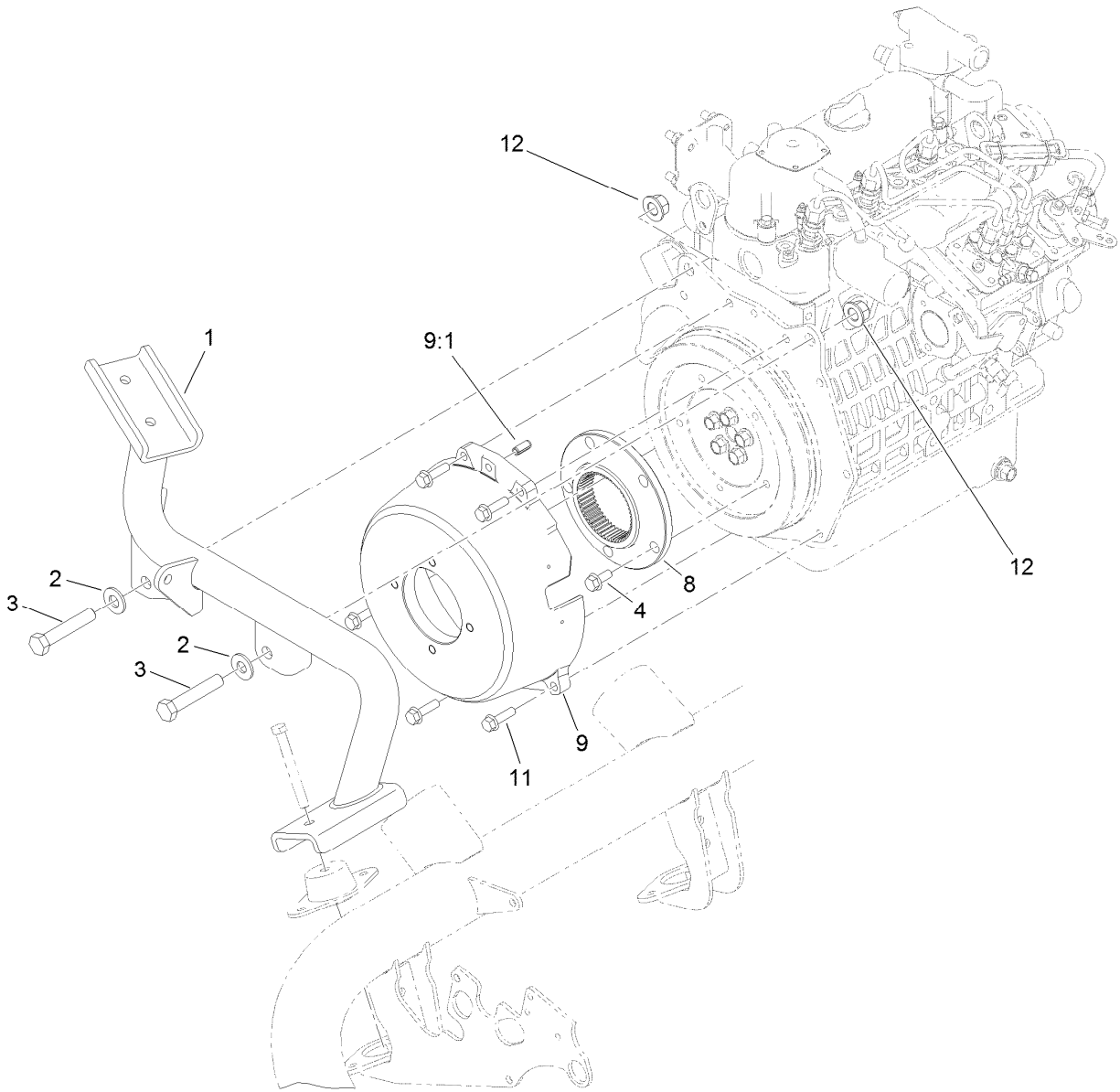
## Air Cleaner Assembly No. 95-5805

| Ref. | Part Number | Qty. | Description        |
|------|-------------|------|--------------------|
| 2    | 108-3811    | 1    | Filter-Air         |
| 3    | 94-3652     | 1    | Cover ASM          |
| 3:1  | 1-643283    | 2    | Latch-Cleaner, Air |
| 4    | 87-9400     | 1    | Valve-Vacuator     |
| 5    | 285-17      | 1    | Plug-Pipe          |



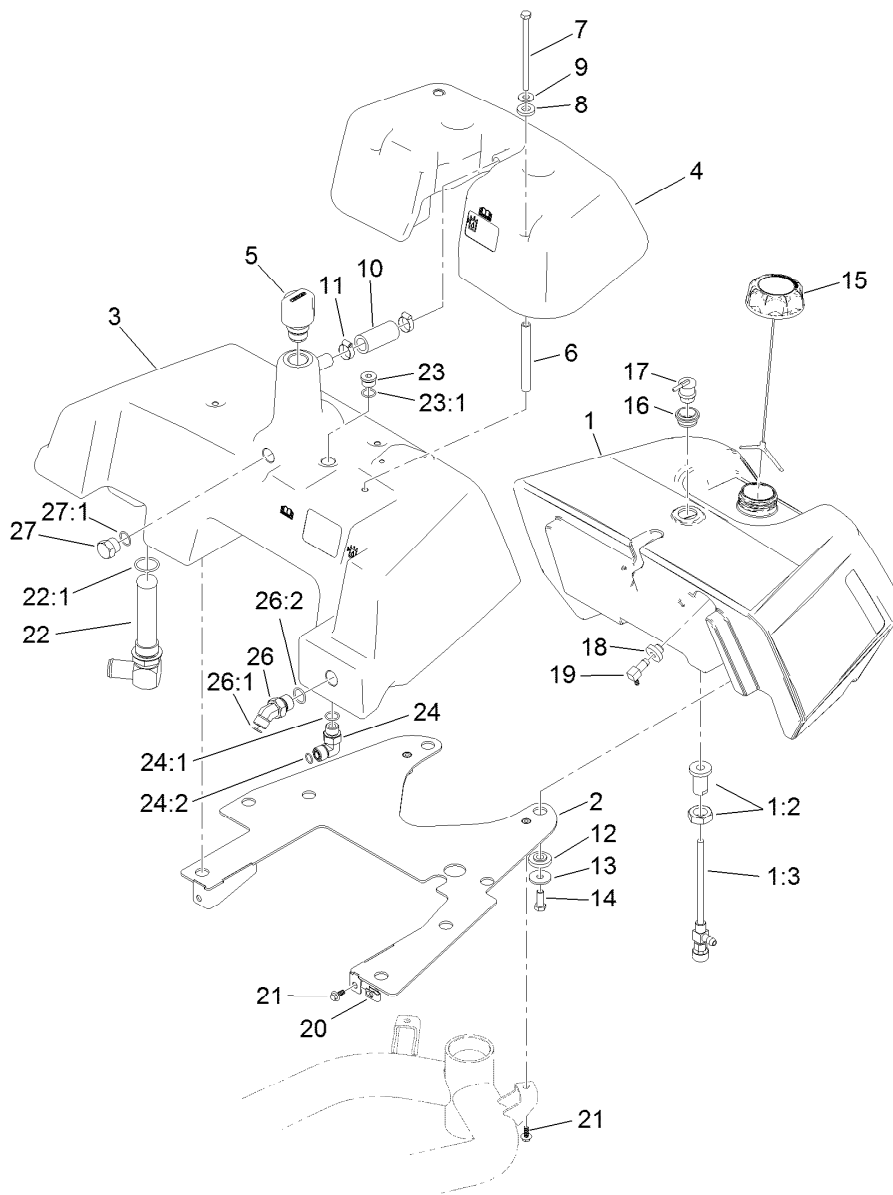
## Radiator, Air and Fuel Line Assembly

| <i>Ref.</i> | <i>Part Number</i> | <i>Qty.</i> | <i>Description</i>   | <i>Ref.</i> | <i>Part Number</i> | <i>Qty.</i> | <i>Description</i> |
|-------------|--------------------|-------------|----------------------|-------------|--------------------|-------------|--------------------|
| 1           | 117-9268           | 1           | Hose-Radiator, Lower | 10          | 119-6074           | 1           | Hose-Fuel          |
| 2           | 117-9261           | 1           | Hose-Radiator, Upper | 11          | 119-8150           | 1           | Hose-Fuel          |
| 3           | 117-4481           | 1           | Hose-Air             | 12          | 240-4              | 1           | Grommet-Rubber     |
| 4           | 2412-92            | 2           | Clamp-Hose           | 13          | 119-8136           | 1           | Hose-Fuel          |
| 5           | 1-633989           | 4           | Clamp-Hose           | 14          | 110-4109           | 2           | Hose-Fuel          |
| 6           | 110-4110           | 1           | Hose-LP              | 15          | 110-6187           | 1           | Hose-Fuel          |
| 7           | 2412-108           | 5           | Clamp-Worm           | 17          | 119-3517           | 1           | Hose-Fuel          |
| 8           | 92-2379            | 6           | Clamp-Hose           | 18          | 120-1996           | 1           | Fitting-STR        |
| 9           | 2412-146           | 4           | Clamp-Hose           |             |                    |             |                    |



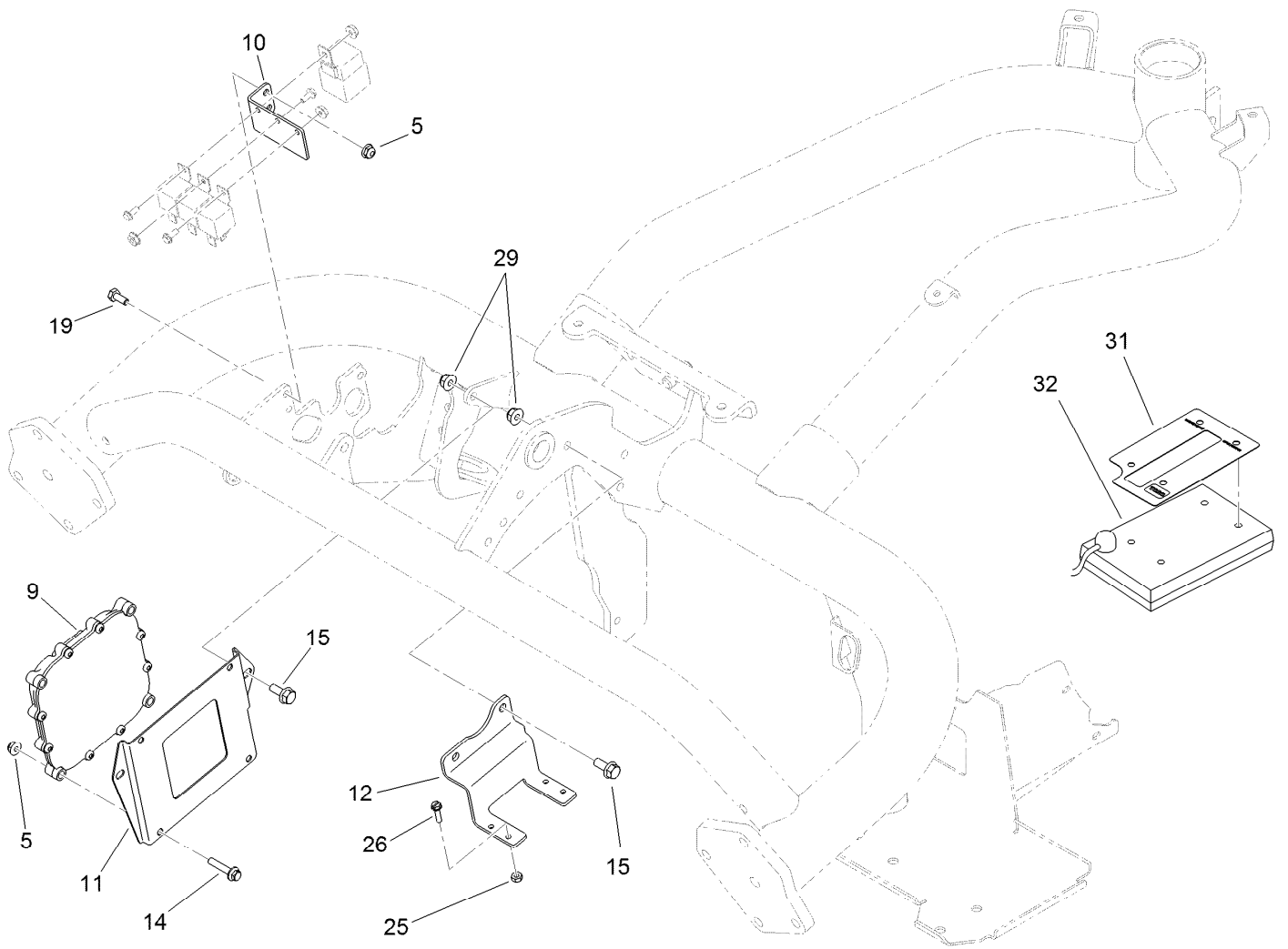
## Bellhousing Assembly

| <i>Ref.</i> | <i>Part Number</i> | <i>Qty.</i> | <i>Description</i> |
|-------------|--------------------|-------------|--------------------|
| 1           | 119-4470-03        | 1           | Mount-Engine, Rear |
| 2           | 87-7270            | 2           | Washer-Thrust      |
| 3           | 325-11             | 2           | Screw-HH           |
| 4           | 33104-020          | 5           | Screw-HHF          |
| 8           | 115-8727           | 1           | Flange-Coupling    |
| 9           | 119-4412           | 1           | Bellhousing        |
| 9:1         | 32121-123          | 1           | Pin-Roll           |
| 11          | 33104-030          | 5           | Screw-HHF          |
| 12          | 99-5107            | 2           | Nut-Lock           |



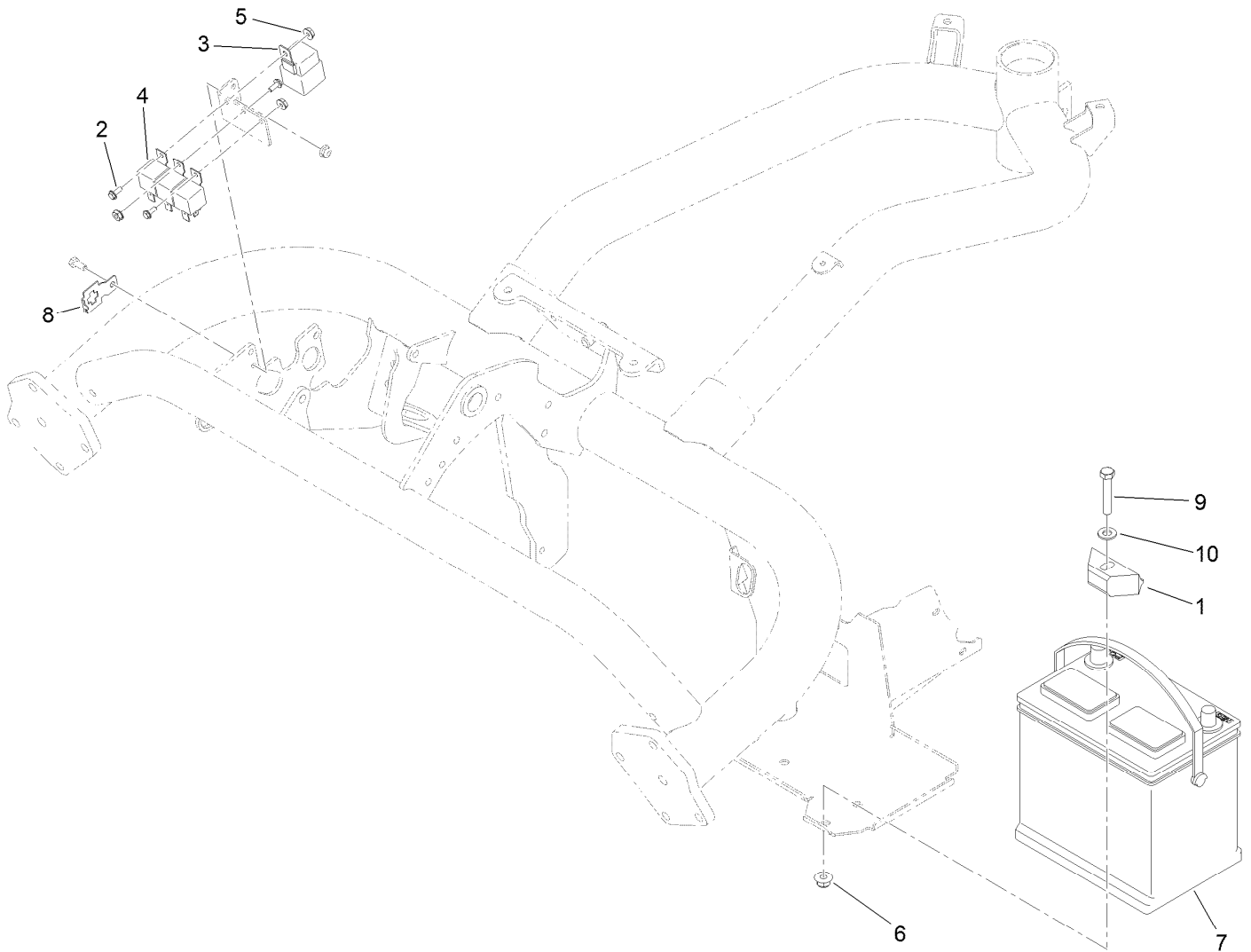
## Fuel and Hydraulic Tank Assembly

| Ref. | Part Number | Qty. | Description            | Ref. | Part Number | Qty. | Description           |
|------|-------------|------|------------------------|------|-------------|------|-----------------------|
| 1    | 115-9816    | 1    | Fuel Tank ASM          | 17   | 119-3547    | 1    | Valve-Vent, Fuel      |
| 1:2  | 114-4677    | 1    | Bulkhead ASM           | 18   | 46-6560     | 1    | Bushing               |
| 1:3  | 114-4679    | 1    | Fitting-Shut Off, Fuel | 19   | 104-5228    | 1    | Fitting-Elbow, 90 DEG |
| 2    | 115-9849-03 | 1    | Plate-Mount, Tank      | 20   | 107069      | 2    | Clip                  |
| 3    | 115-9823    | 1    | Tank-Hydraulic         | 21   | 99-6810     | 4    | Screw-HHF             |
| 4    | 115-9837    | 1    | Cover-Tank             | 22   | 105-0204    | 1    | Strainer Fitting ASM  |
| 5    | 115-9793    | 1    | Breather               | 22:1 | 237-146     | 1    | O-Ring                |
| 6    | 115-9825    | 4    | Spacer-Tube, Long      | 23   | 353-988     | 1    | Plug-Hex              |
| 7    | 322-29      | 4    | Screw-HH               | 23:1 | 237-79      | 1    | O-Ring                |
| 8    | 83-1470     | 4    | Washer-Neoprene        | 24   | 340-98      | 1    | Fitting-Elbow, 90 DEG |
| 9    | 3256-71     | 4    | Washer-Flat            | 24:1 | 237-79      | 1    | O-Ring                |
| 10   | 110-3998    | 1    | Hose-Overflow          | 24:2 | 237-30      | 1    | O-Ring                |
| 11   | 2412-141    | 2    | Clamp-Drive, Worm      | 26   | 340-89      | 1    | Fitting-HYD, 45 DEG   |
| 12   | 240-11      | 8    | Bushing-Flange         | 26:1 | 237-30      | 1    | O-Ring                |
| 13   | 63-8410     | 8    | Washer                 | 26:2 | 237-80      | 1    | O-Ring                |
| 14   | 323-6       | 8    | Screw-HH               | 27   | 353-551     | 1    | Plug-HH               |
| 15   | 115-8249    | 1    | Cap-Fuel, Ratcheting   | 27:1 | 237-80      | 1    | O-Ring                |
| 16   | 114-0284    | 1    | Grommet                |      |             |      |                       |



## Controller Assembly

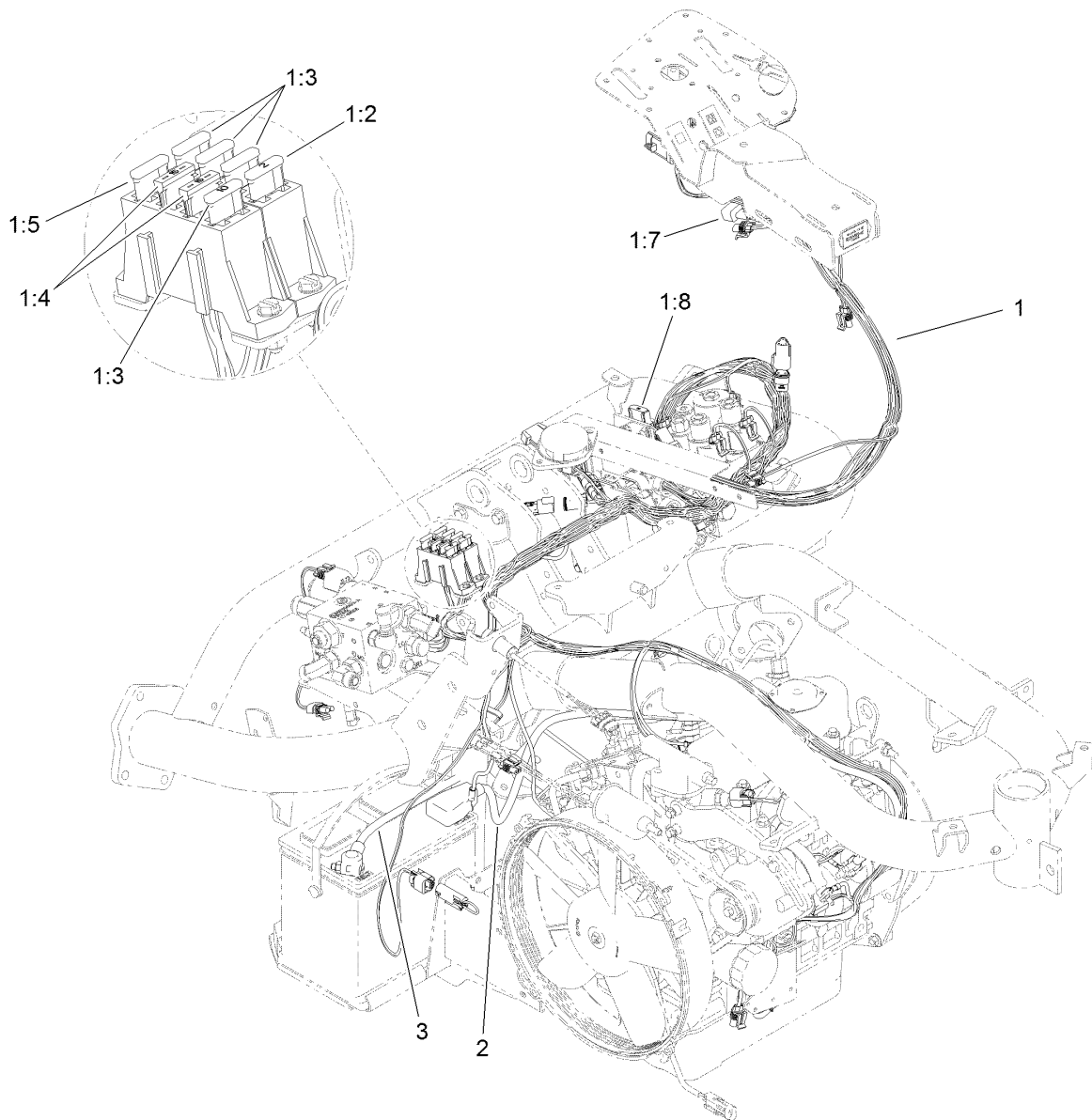
| Ref. | Part Number | Qty. | Description                |
|------|-------------|------|----------------------------|
| 5    | 104-7201    | 6    | Nut-HF, NI                 |
| 9    | 115-1900    | 1    | Controller                 |
| 10   | 119-2097-01 | 1    | Bracket-Relay              |
| 11   | 119-2099-01 | 1    | Plate-Mounting, Controller |
| 12   | 119-2119-01 | 1    | Bracket-Block, Fuse        |
| 14   | 3234-21     | 4    | Screw-HHF                  |
| 15   | 3234-47     | 4    | Screw-HHF                  |
| 19   | 321-3       | 2    | Screw-HH                   |
| 25   | 3296-2      | 4    | Nut-Lock, NI               |
| 26   | 32105-13    | 4    | Screw-HWH                  |
| 29   | 104-8300    | 4    | Nut-HF, NI                 |
| 31   | 115-8227    | 1    | Decal-Controller           |
| 32   | 85-4750     | 1    | Box-Display, Diagnostic    |



## Battery Assembly

| <i>Ref.</i> | <i>Part Number</i> | <i>Qty.</i> | <i>Description</i> |
|-------------|--------------------|-------------|--------------------|
| 1           | 66-2490            | 1           | Retainer-Battery   |
| 2           | 112-6349           | 3           | Screw-HWH          |
| 3           | 99-7430            | 1           | Relay-Mini         |
| 4           | 99-7435            | 3           | Relay              |
| 5           | 32149-8            | 3           | Nut-Keps           |
| 6           | 104-8301           | 1           | Nut-HF, NI         |
| 7           | 104-9979           | 1           | Battery            |
| 8           | 114-5502           | 1           | Clip-Fuse          |
| 9           | 323-10             | 1           | Screw-HH           |
| 10          | 3256-24            | 1           | Washer-Flat        |

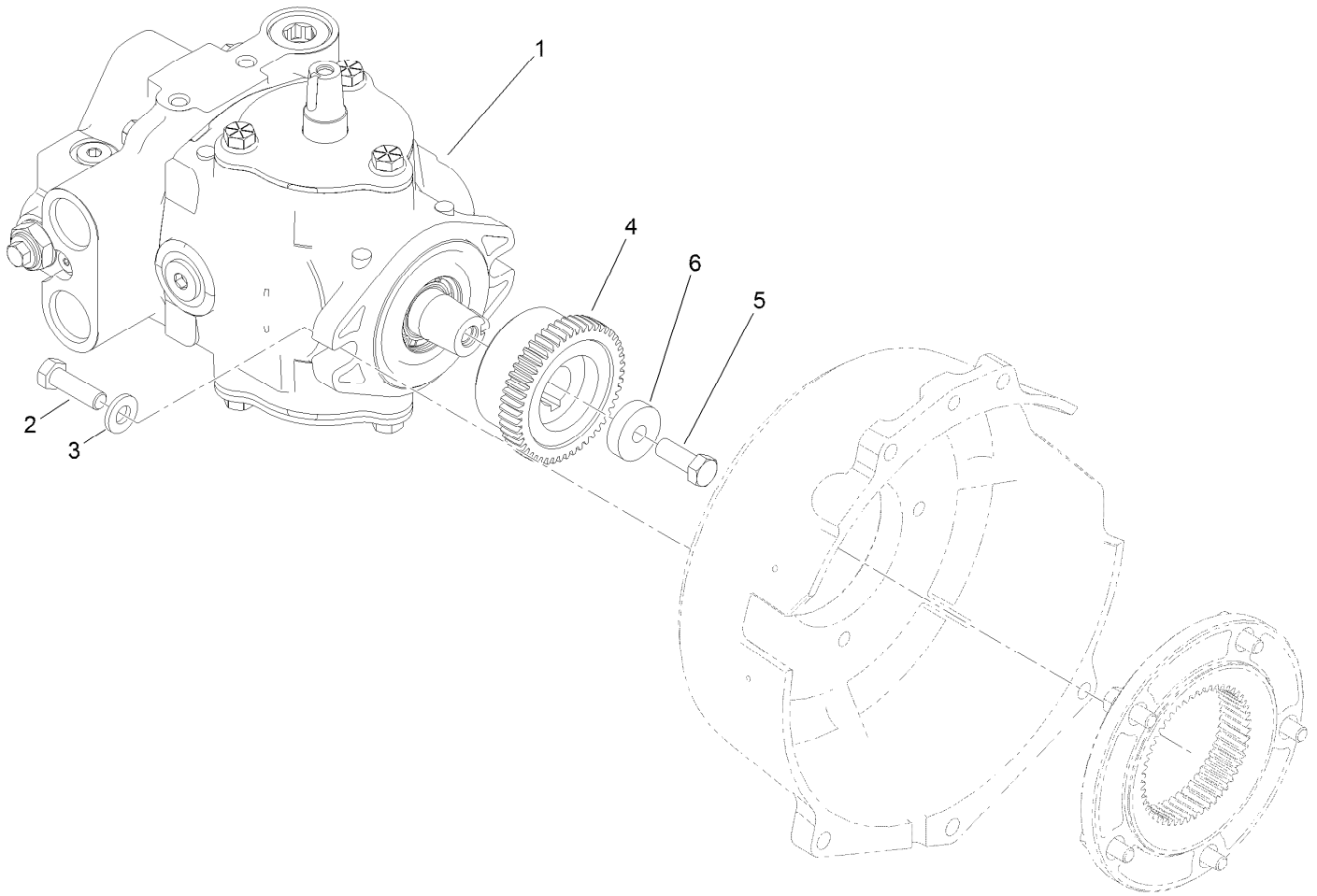




## Wire Harness Assembly

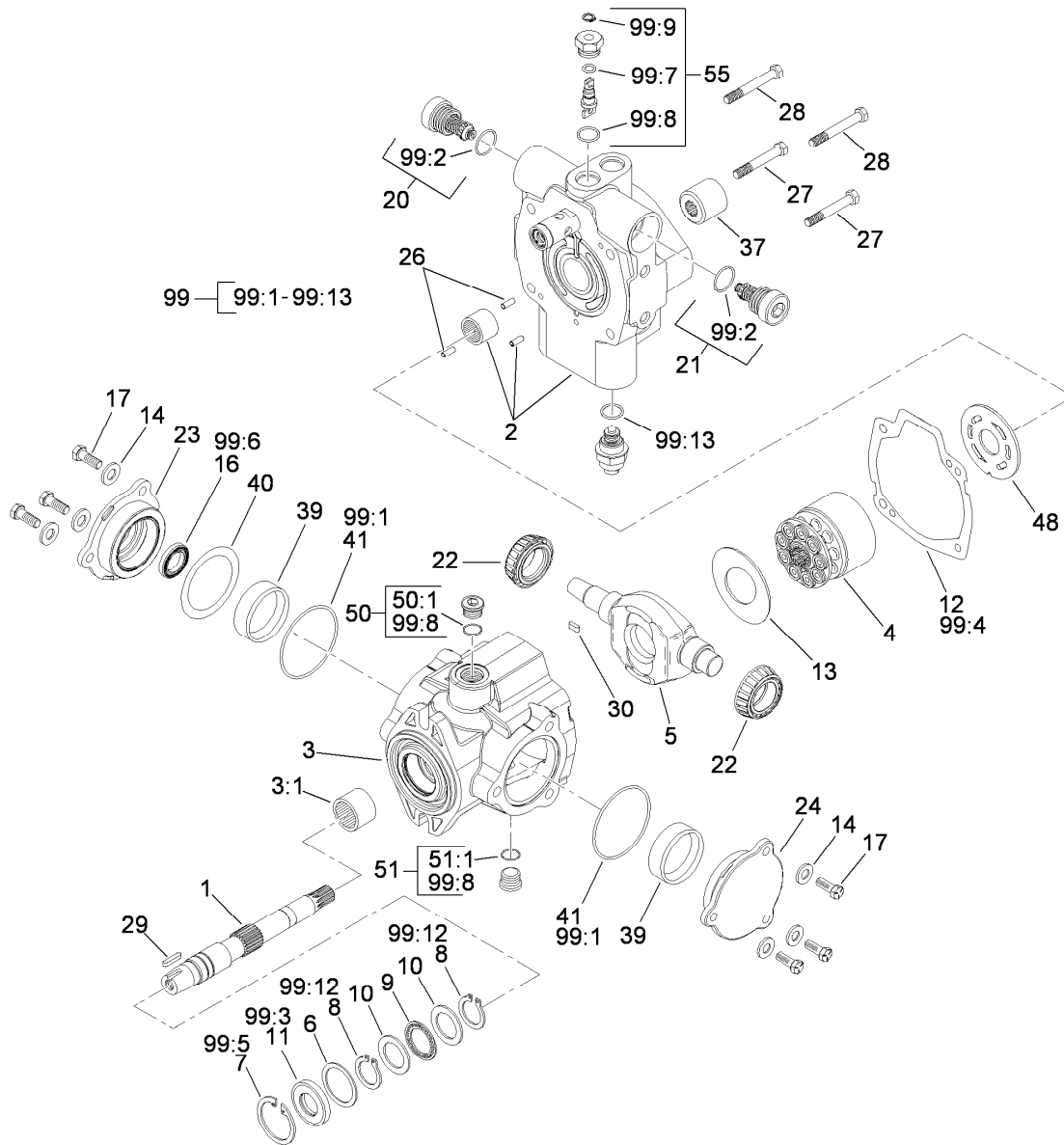
| <i>Ref.</i> | <i>Part Number</i> | <i>Qty.</i> | <i>Description</i>      |
|-------------|--------------------|-------------|-------------------------|
| 1           | 117-5646           | 1           | Harness-Wire            |
| 1:2         | 94-6710            | 1           | Fuse-2 Amp              |
| 1:3         | 218-578            | 4           | Fuse-Blade, 10 Amp      |
| 1:4         | 109355             | 2           | Fuse-Blade, 15 Amp      |
| 1:5         | 114241             | 1           | Fuse-Blade, 7.5 Amp     |
| 1:6         | 100-4918           | 1           | Diode ●                 |
| 1:7         | 104-4022           | 1           | Resistor-75 Ohm         |
| 1:8         | 94-8002            | 1           | Fuse-Blade, 50 Amp      |
| 2           | 114-9747           | 1           | Cable-Battery, Positive |
| 3           | 115-8135           | 1           | Cable-Battery, Negative |

● Not illustrated



## Pump Coupling Assembly

| <i>Ref.</i> | <i>Part Number</i> | <i>Qty.</i> | <i>Description</i> |
|-------------|--------------------|-------------|--------------------|
| 1           | 114-9957           | 1           | HYD Pump ASM       |
| 2           | 323-7              | 2           | Screw-HH           |
| 3           | 100-4852           | 2           | Washer-Hardened    |
| 4           | 119-4418           | 1           | Coupling           |
| 5           | 3211-4             | 1           | Screw-HH           |
| 6           | 117-3657           | 1           | Spacer             |

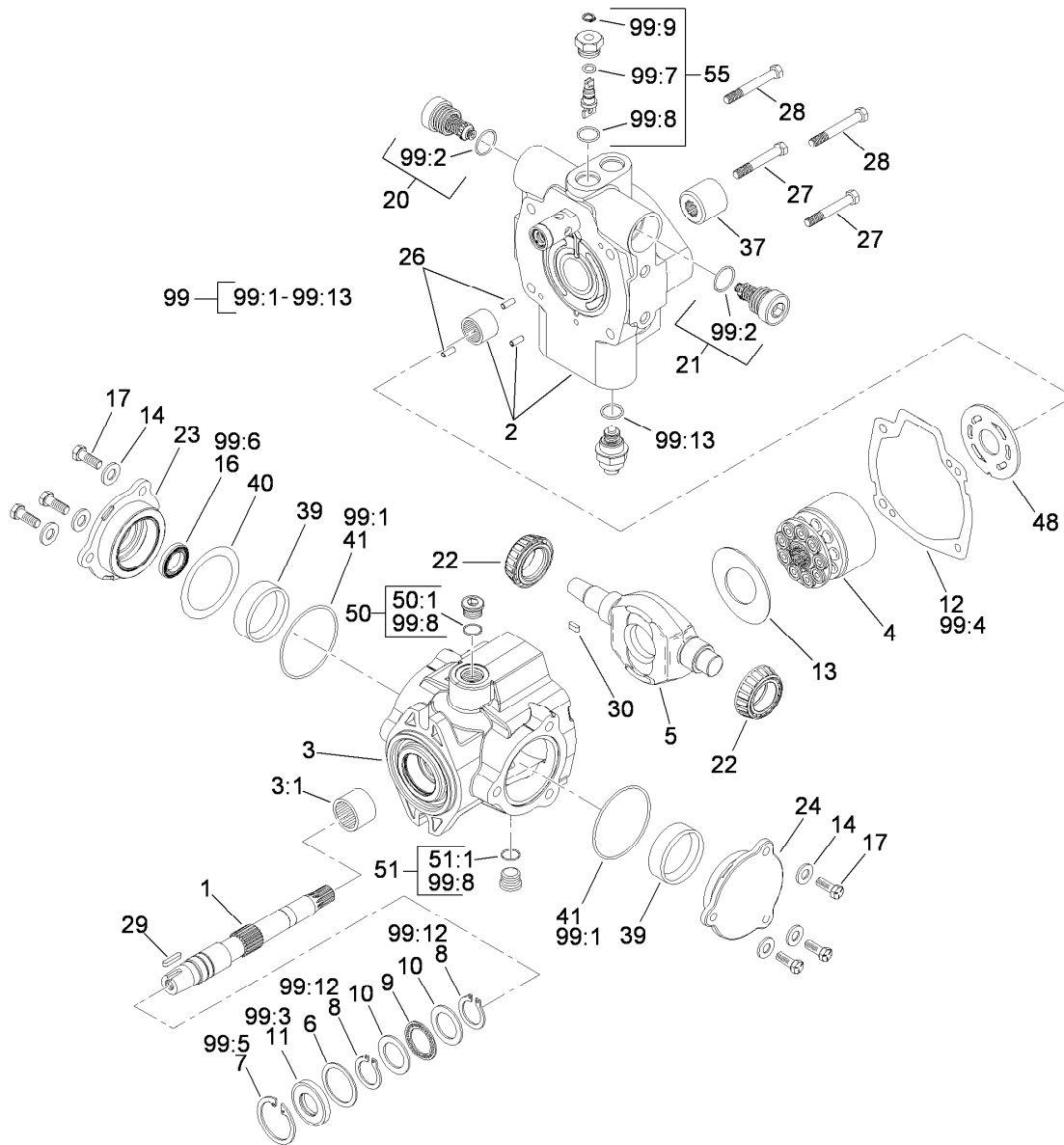


## Hydraulic Pump Assembly No. 114-9957

| Ref. | Part Number | Qty. | Description          | Ref. | Part Number | Qty. | Description      |
|------|-------------|------|----------------------|------|-------------|------|------------------|
| 1    | 119-7148    | 1    | Shaft-Drive, Tapered | 21   | 120-1989    | 1    | Relief Valve ASM |
| 2    | 119-7149    | 1    | Endcover ASM         | 22   | 98-4639     | 2    | Bearing-Cone     |
| 3    | 100-3176    | 1    | Housing ASM          | 23   | 98-4645     | 1    | Plate-Cover      |
| 3:1  | 94-6363     | 1    | Bearing              | 24   | 98-4644     | 1    | Plate-Cover      |
| 4    | 76-6070     | 1    | Rotating Kit         | 26   | 76-6150     | 2    | Pin-Dowel        |
| 5    | 104-4888    | 1    | Swashplate           | 27   | 76-6160     | 2    | Capscrew         |
| 6    | 33-3720     | 1    | Washer               | 28   | 76-6170     | 2    | Capscrew         |
| 7    | 32151-13    | 1    | Ring-Retaining       | 29   | 120-5751    | 1    | Key              |
| 8    | 32151-29    | 2    | Ring-Retaining       | 30   | 94-3646     | 1    | Key              |
| 9    | 252-66      | 1    | Bearing-Thrust       | 37   | 74-9040     | 1    | Coupler          |
| 10   | 252-71      | 2    | Washer-Thrust        | 39   | 104-4046    | 2    | Bearing-Cup      |
| 11   | 104-4861    | 1    | Seal-Shaft           | 40   | 100-3182    | 1    | Shim Kit         |
| 12   | 33-4930     | 1    | Gasket-Housing       | 41   | 100-3179    | 2    | O-Ring           |
| 13   | 98-4635     | 1    | Insert-Plate, Cam    | 48   | 100-3180    | 1    | Plate-Valve      |
| 14   | 105-9762    | 6    | Washer               | 50   | 74-9280     | 1    | Plug ASM         |
| 16   | 76-6190     | 1    | Seal-Shaft           | 50:1 |             | 1    | O-Ring ■         |
| 17   | 98-4640     | 6    | Screw-Cap            | 51   | 74-9280     | 1    | Plug ASM         |
| 20   | 120-1989    | 1    | Relief Valve ASM     | 51:1 |             | 1    | O-Ring ■         |

● Not illustrated

■ Not serviced separately

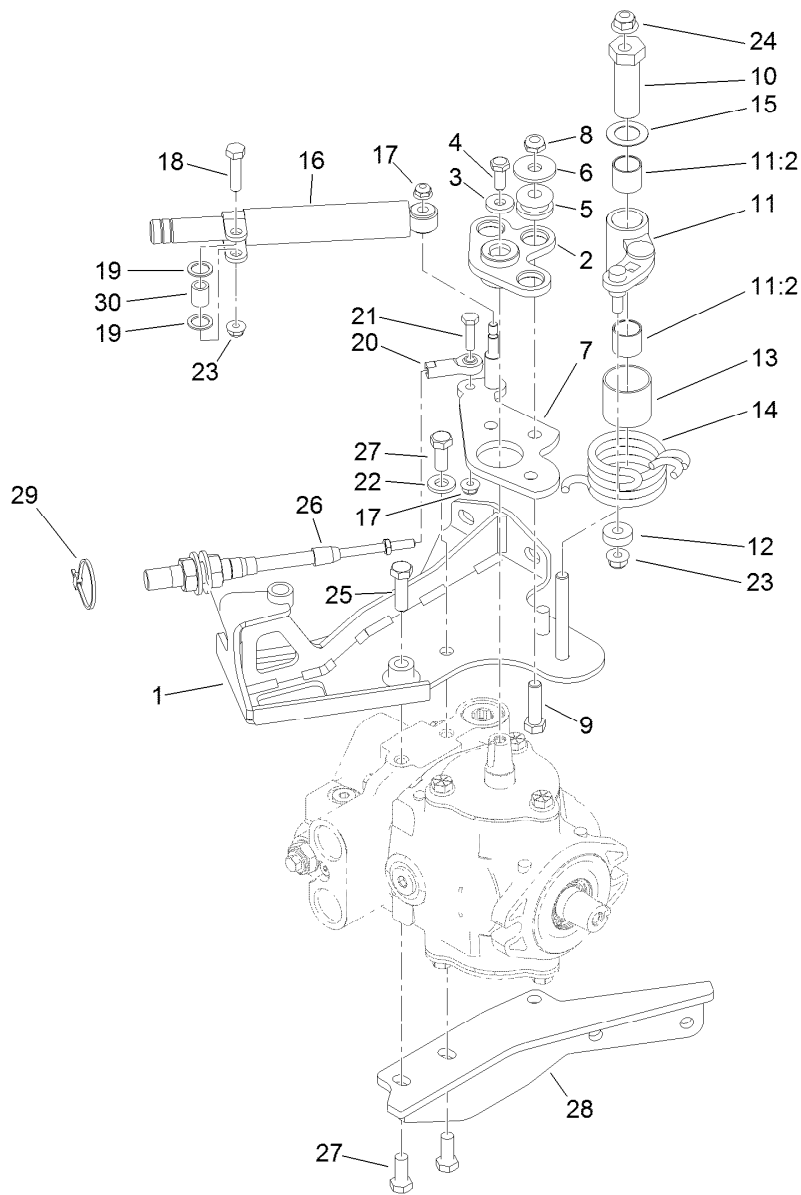


## Hydraulic Pump Assembly No. 114-9957 (continued)

| Ref. | Part Number | Qty. | Description      | Ref.  | Part Number | Qty.   | Description |
|------|-------------|------|------------------|-------|-------------|--|-------------|
| 55   | 105-3811    | 1    | Valve-Bypass     | 99:8  | 5           | O-Ring ■   |             |
| 99   | 120-5754    | 1    | Seal Kit         | 99:9  | 1           | Ring-Retaining ■                                   |             |
| 99:1 |             | 2    | O-Ring ■         | 99:10 | 1           | O-Ring (Not Used For This Configuration) ●■        |             |
| 99:2 |             | 2    | O-Ring ■         | 99:11 | 1           | O Ring-Molded (Not Used For This Configuration) ●■ |             |
| 99:3 |             | 1    | Seal-Shaft ■     | 99:12 | 2           | Ring-Retaining ■                                   |             |
| 99:4 |             | 1    | Gasket ■         | 99:13 | 1           | O-Ring ■   |             |
| 99:5 |             | 1    | Ring-Retaining ■ |       |             |  |             |
| 99:6 |             | 1    | Seal-Shaft ■     |       |             |  |             |
| 99:7 |             | 1    | O-Ring ■         |       |             |  |             |

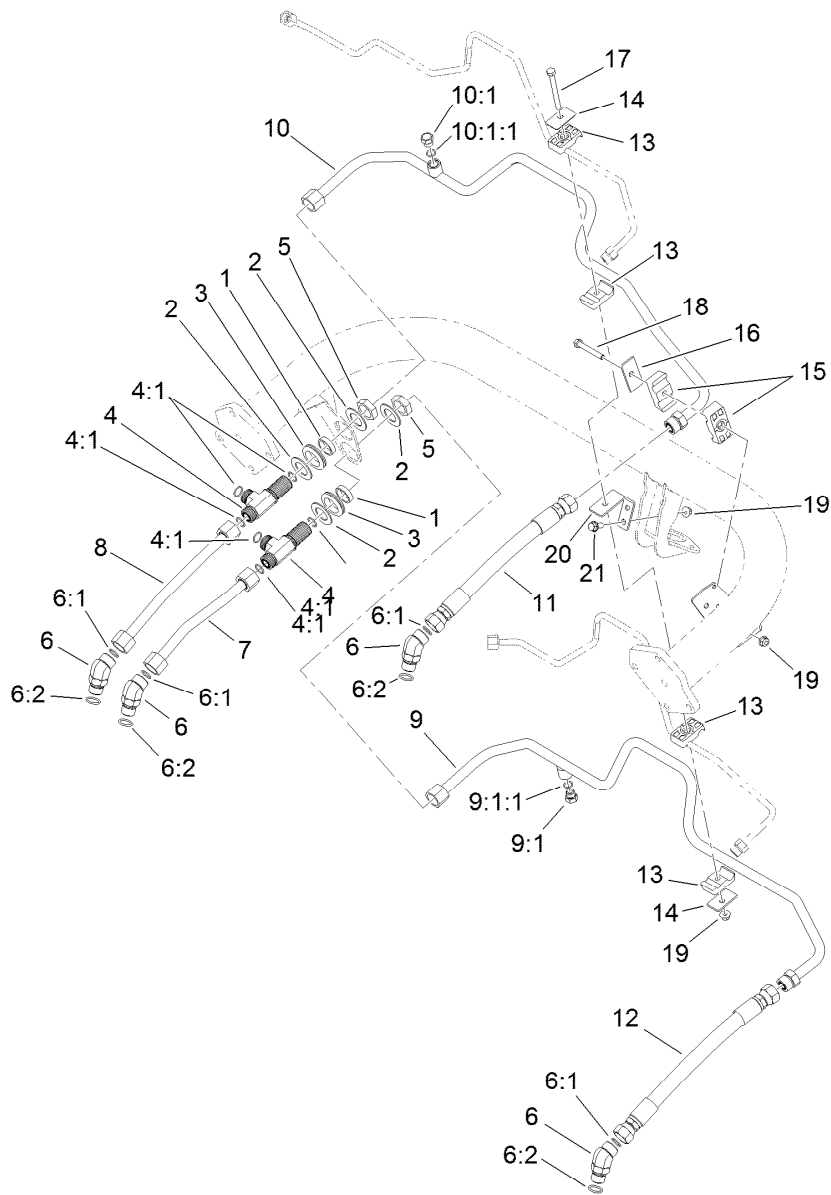
● Not illustrated

■ Not serviced separately



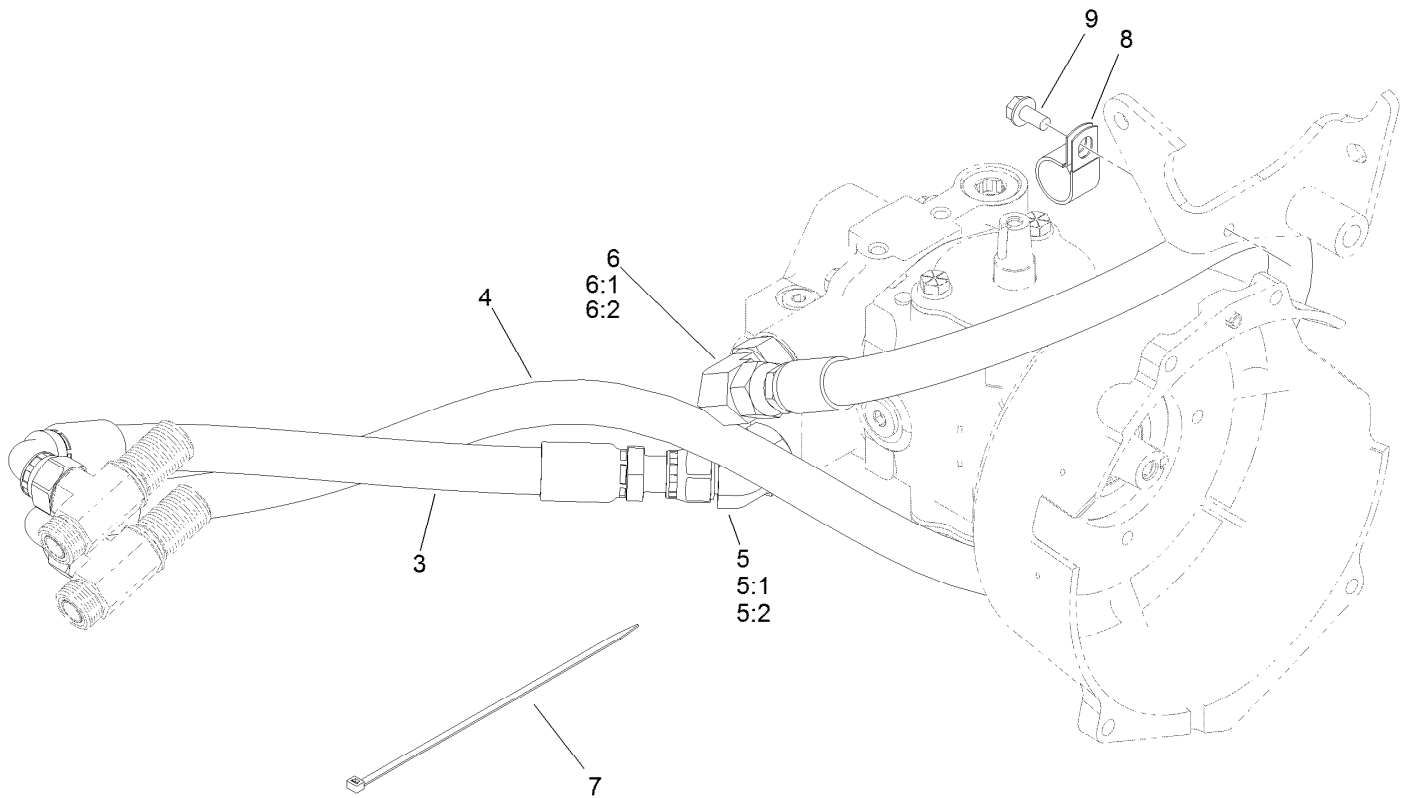
## Neutral Centering Assembly

| Ref. | Part Number | Qty. | Description      | Ref. | Part Number | Qty. | Description             |
|------|-------------|------|------------------|------|-------------|------|-------------------------|
| 1    | 120-2016    | 1    | Support-Cable    | 16   | 76-8870     | 1    | Damper-Lever            |
| 2    | 117-4466    | 1    | Plate ASM        | 17   | 104-7201    | 2    | Nut-HF, NI              |
| 3    | 88-7200     | 1    | Washer-Flat      | 18   | 322-6       | 1    | Screw-HH                |
| 4    | 3235-6      | 1    | Screw-HH         | 19   | 94-8196     | 2    | Washer-Nylon            |
| 5    | 63-9750     | 3    | Mount            | 20   | 2411-41     | 1    | Rod End-Ball Joint      |
| 6    | 93-8806     | 3    | Washer-Hardened  | 21   | 321-6       | 1    | Screw-HH                |
| 7    | 117-9061    | 1    | Lever-Pump       | 22   | 100-4852    | 1    | Washer-Hardened         |
| 8    | 3296-59     | 3    | Nut-Lock, NI     | 23   | 104-8300    | 2    | Nut-HF, NI              |
| 9    | 323-29      | 3    | Screw-HH         | 24   | 104-8301    | 1    | Nut-HF, NI              |
| 10   | 117-9046    | 1    | Stud-Eccentric   | 25   | 323-7       | 1    | Screw-HH                |
| 11   | 117-9053    | 1    | Neutral Arm ASM  | 26   | 119-1734    | 1    | Cable-Control, Traction |
| 11:2 | 94-9609     | 2    | Bushing-Straight | 27   | 323-5       | 3    | Screw-HH                |
| 12   | 251-259     | 1    | Bearing-Ball     | 28   | 119-4474    | 1    | Bracket-Muffler         |
| 13   | 115-8158    | 1    | Spacer-Spring    | 29   | 3290-379    | 1    | Tie-Cable               |
| 14   | 117-9047    | 1    | Spring-Torsion   | 30   | 94-8197     | 1    | Tube-Pivot              |
| 15   | 119-8199    | 1    | Washer-Nylon     |      |             |      |                         |



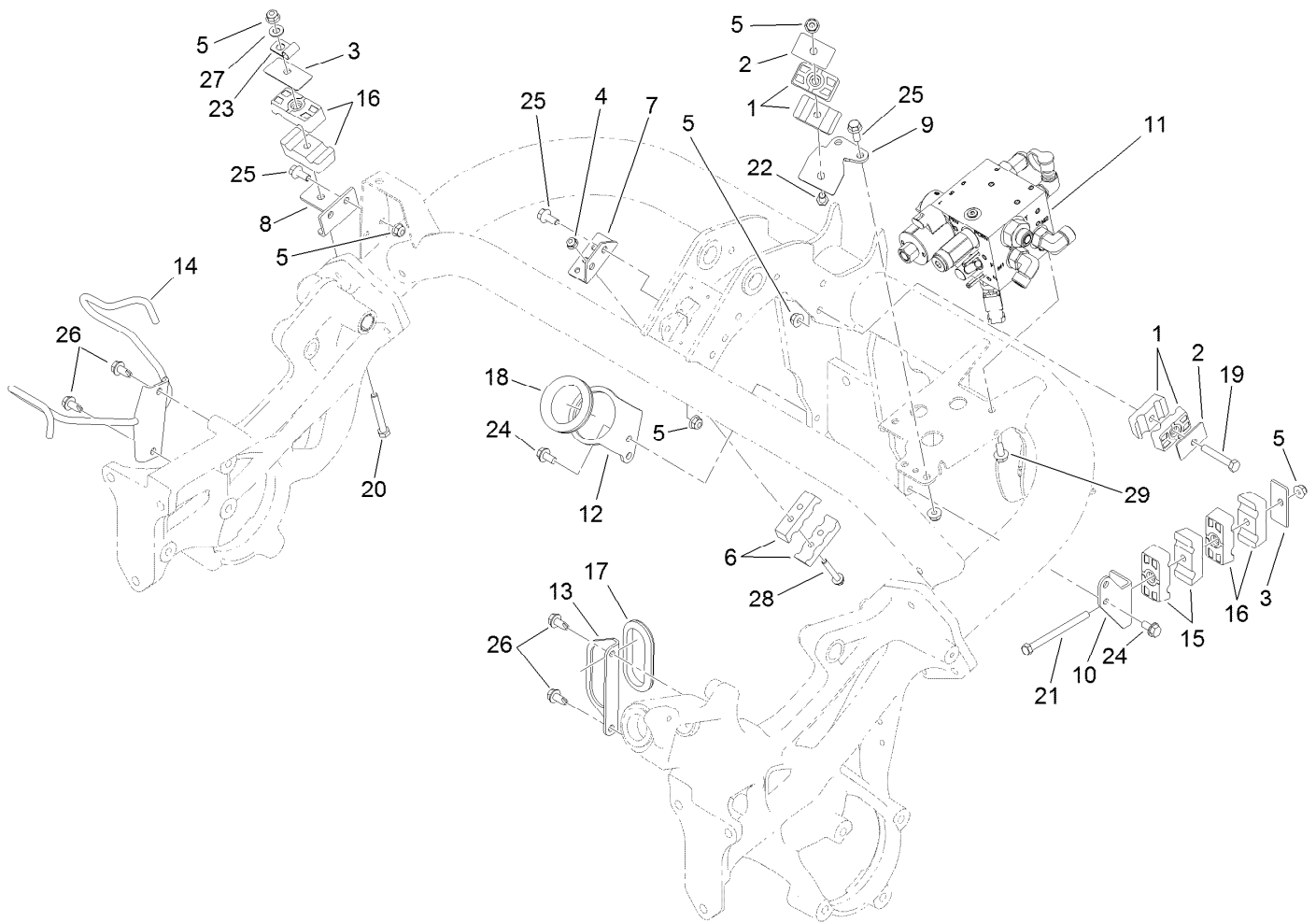
## Traction Drive Hydraulic Line Assembly

| <i>Ref.</i> | <i>Part Number</i> | <i>Qty.</i> | <i>Description</i>  | <i>Ref.</i> | <i>Part Number</i> | <i>Qty.</i> | <i>Description</i> |
|-------------|--------------------|-------------|---------------------|-------------|--------------------|-------------|--------------------|
| 1           | 69-9000            | 2           | Spacer              | 10          | 119-2064           | 1           | HYD Tube ASM       |
| 2           | 69-9010            | 4           | Washer              | 10:1        | 353-508            | 1           | Plug-HH            |
| 3           | 240-3              | 2           | Grommet-Rubber      | 10:1:1      | 237-42             | 1           | O-Ring             |
| 4           | 94-5350            | 2           | Fitting-Tee         | 11          | 115-9484           | 1           | Hose-HYD           |
| 4:1         | 237-65             | 3           | O-Ring              | 12          | 115-9485           | 1           | Hose-HYD           |
| 5           | 340-74             | 2           | Nut-Lock, Bulkhead  | 13          | 56-7970            | 4           | Clamp-Tube         |
| 6           | 340-14             | 4           | Fitting-HYD, 45 DEG | 14          | 69-9760            | 2           | Plate-Cover        |
| 6:1         | 237-65             | 1           | O-Ring              | 15          | 119-8173           | 2           | Clamp-Tube         |
| 6:2         | 237-80             | 1           | O-Ring              | 16          | 69-9761            | 1           | Plate-Cover        |
| 7           | 119-2057           | 1           | Tube-HYD            | 17          | 322-20             | 1           | Screw-HH           |
| 8           | 119-2058           | 1           | Tube-HYD            | 18          | 322-12             | 1           | Screw-HH           |
| 9           | 119-2063           | 1           | Tube-HYD            | 19          | 104-8300           | 4           | Nut-HF, NI         |
| 9:1         | 353-508            | 1           | Plug-HH             | 20          | 119-2092           | 1           | Bracket-Tube       |
| 9:1:1       | 237-42             | 1           | O-Ring              | 21          | 3234-47            | 2           | Screw-HHF          |



## Traction Drive Hose Routing Assembly

| <i>Ref.</i> | <i>Part Number</i> | <i>Qty.</i> | <i>Description</i> |
|-------------|--------------------|-------------|--------------------|
| 3           | 117-3698           | 1           | HYD Hose ASM       |
| 4           | 120-1967           | 1           | Hose-HYD           |
| 5           | 340-156            | 1           | Fitting-Elbow 45   |
| 5:1         | 237-65             | 1           | O-Ring             |
| 5:2         | 237-81             | 1           | O-Ring             |
| 6           | 340-139            | 1           | Fitting-Elbow 90   |
| 6:1         | 237-81             | 1           | O-Ring             |
| 6:2         | 237-65             | 1           | O-Ring             |
| 7           | 3290-378           | 1           | Tie-Cable          |
| 8           | 2412-39            | 1           | Clamp-R            |
| 9           | 32144-14           | 1           | Screw-HWHTF        |

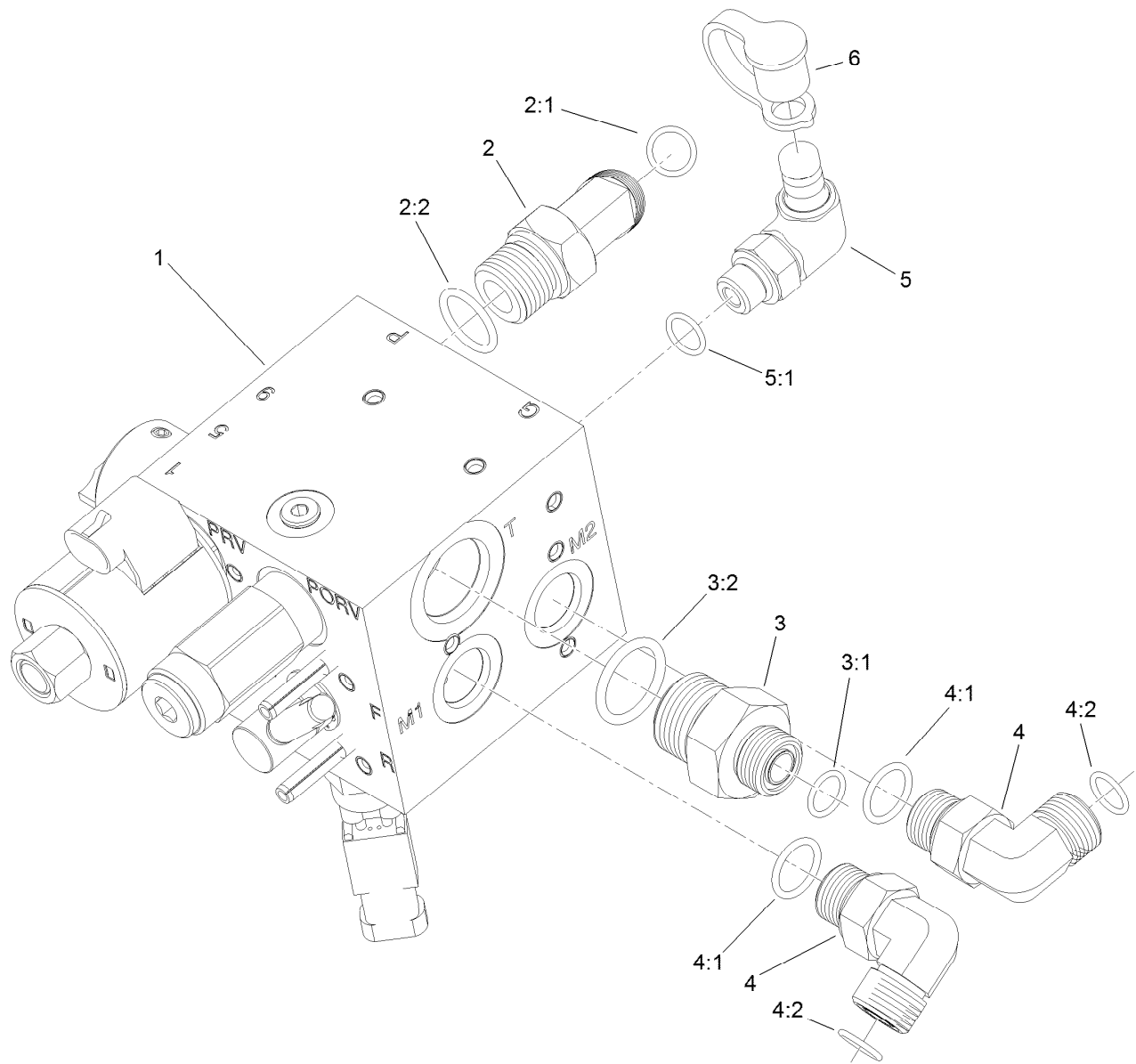


## Hydraulic Mow Assembly

| <i>Ref.</i> | <i>Part Number</i> | <i>Qty.</i> | <i>Description</i>    | <i>Ref.</i> | <i>Part Number</i> | <i>Qty.</i> | <i>Description</i> |
|-------------|--------------------|-------------|-----------------------|-------------|--------------------|-------------|--------------------|
| 1           | 56-7972            | 4           | Clamp-Tube            | 16          | 119-8168           | 4           | Clamp-Tube         |
| 2           | 69-9760            | 2           | Plate-Cover           | 17          | 237-164            | 1           | Grommet            |
| 3           | 69-9761            | 2           | Plate-Cover           | 18          | 240-12             | 1           | Grommet-Rubber     |
| 4           | 104-7201           | 2           | Nut-HF, NI            | 19          | 322-10             | 1           | Screw-HH           |
| 5           | 104-8300           | 14          | Nut-HF, NI            | 20          | 322-12             | 1           | Screw-HH           |
| 6           | 119-2082           | 2           | Clamp-Tube            | 21          | 322-19             | 1           | Screw-HH           |
| 7           | 119-2091           | 1           | Bracket-Tube          | 22          | 322-21             | 1           | Screw-HH           |
| 8           | 119-2095           | 1           | Bracket-Tube          | 23          | 2412-113           | 1           | Clamp-R            |
| 9           | 119-2106           | 1           | Bracket-Clamp         | 24          | 3234-29            | 4           | Screw-HHF          |
| 10          | 119-4493           | 1           | Bracket-Support, Tube | 25          | 3234-47            | 6           | Screw-HHF          |
| 11          |                    | 1           | Mow Manifold ASM ●    | 26          | 32104-32           | 4           | Screw-HWH          |
| 12          | 119-8100           | 1           | Bracket-Grommet       | 27          | 3256-23            | 1           | Washer-Plain       |
| 13          | 119-8101-03        | 1           | Bracket-Grommet       | 28          | 32105-18           | 2           | Screw-HHF          |
| 14          | 119-8109-03        | 1           | Bracket-Hose          | 29          | 3234-7             | 2           | Screw-HHF          |
| 15          | 119-8156           | 2           | Clamp-Tube            |             |                    |             |                    |

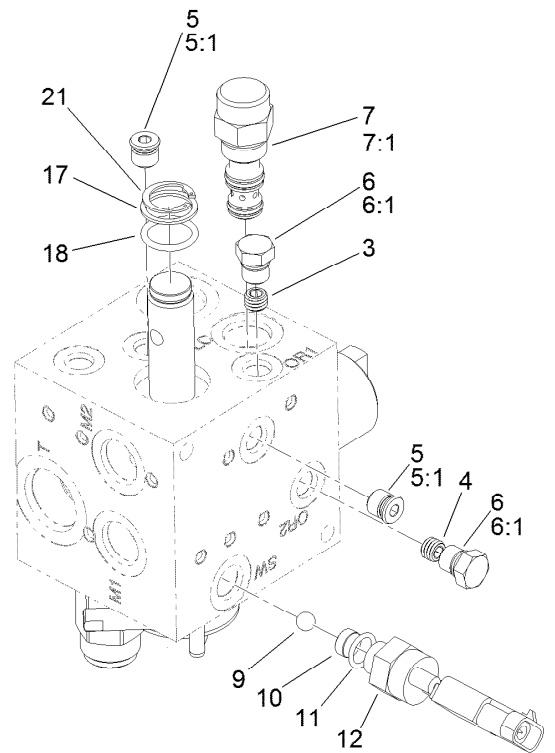
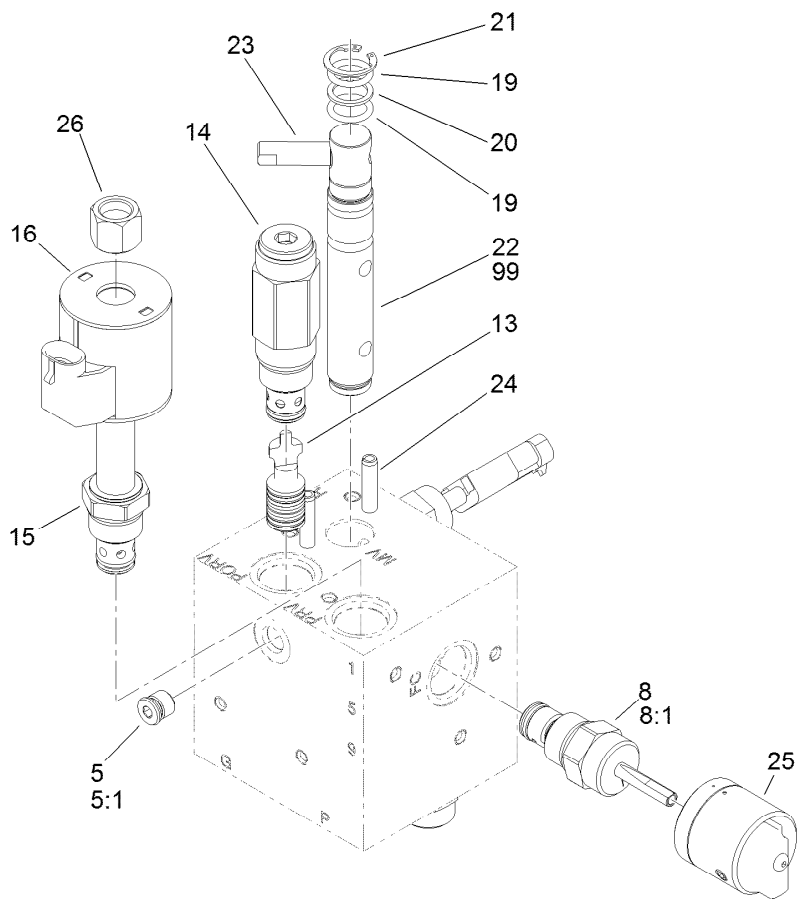
● Not serviced separately





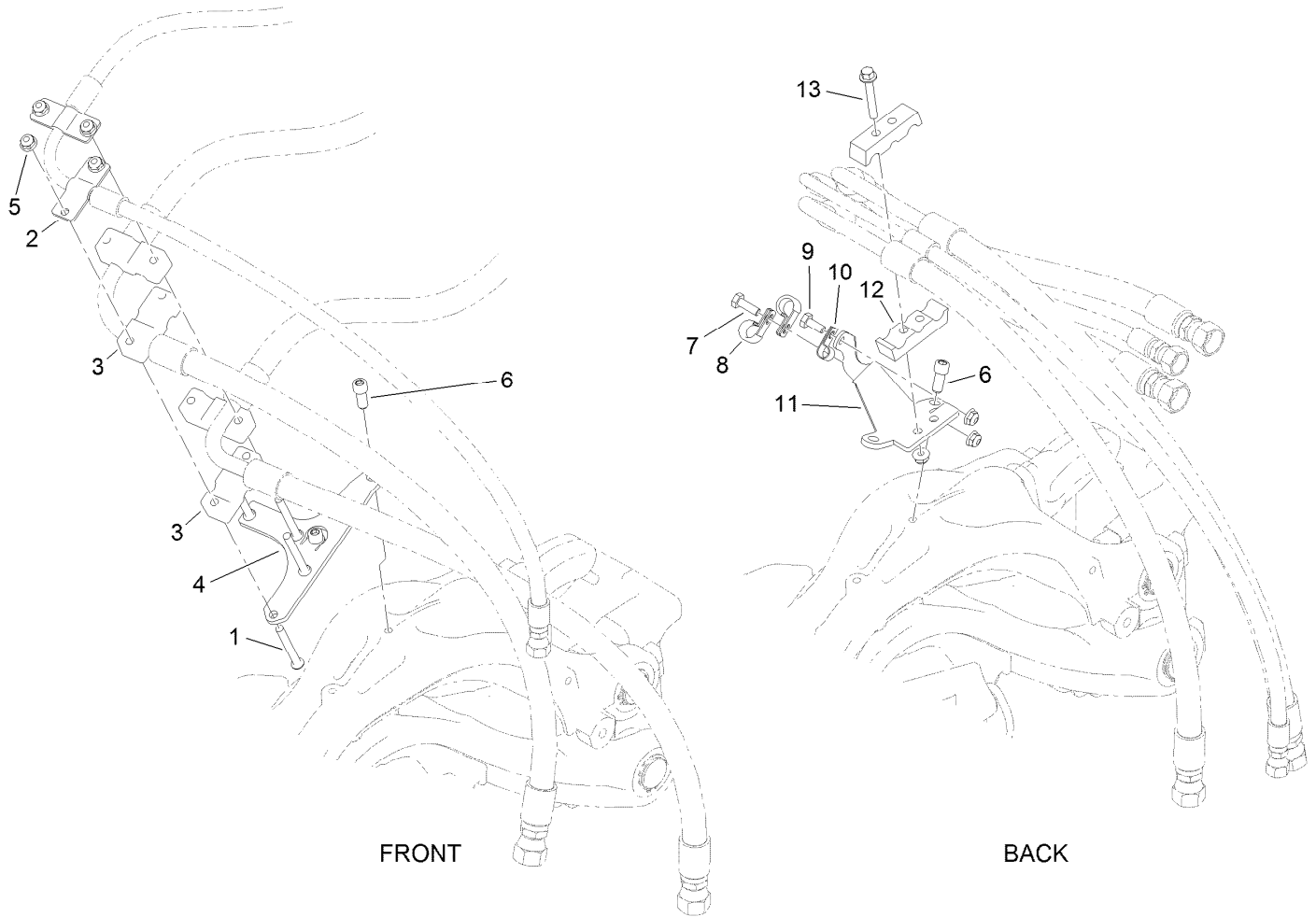
## Hydraulic Mow Manifold Assembly

| Ref. | Part Number | Qty. | Description                 |
|------|-------------|------|-----------------------------|
| 1    | 117-9858    | 1    | Manifold-HYD, Mow (Backlap) |
| 2    | 340-89      | 1    | Fitting-HYD, 45 DEG         |
| 2:1  | 237-30      | 1    | O-Ring                      |
| 2:2  | 237-80      | 1    | O-Ring                      |
| 3    | 100-4240    | 1    | Fitting-STR                 |
| 3:1  | 237-30      | 1    | O-Ring                      |
| 3:2  | 237-81      | 1    | O-Ring                      |
| 4    | 340-98      | 2    | Fitting-Elbow, 90 DEG       |
| 4:1  | 237-79      | 1    | O-Ring                      |
| 4:2  | 237-30      | 1    | O-Ring                      |
| 5    | 115-9147    | 1    | Fitting-Elbow, 90 DEG       |
| 5:1  | 237-78      | 1    | O-Ring                      |
| 6    | 354-79      | 1    | Cap-Dust                    |



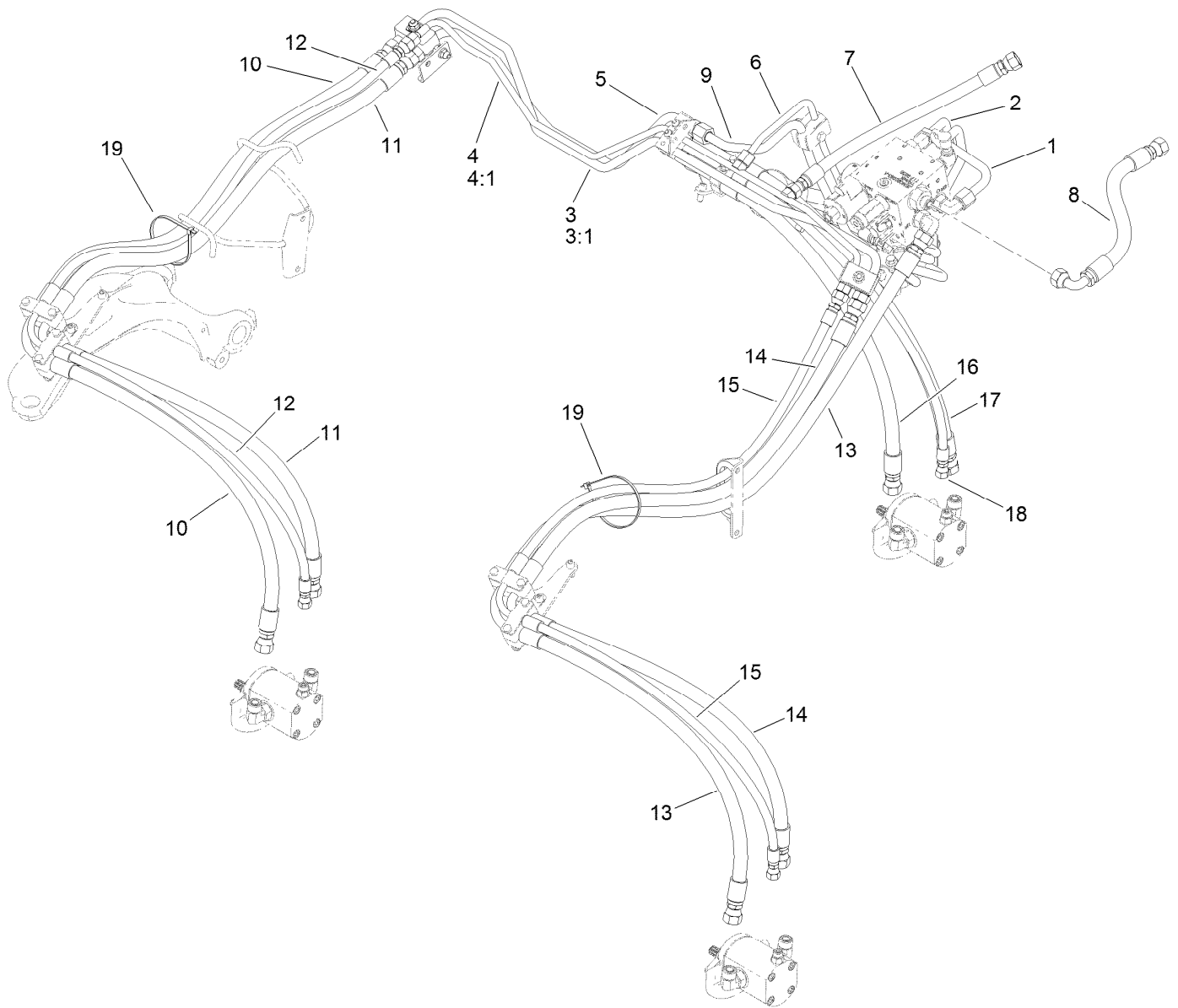
## Hydraulic Mow Manifold Assembly No. 117-9858

| Ref. | Part Number | Qty. | Description                  | Ref. | Part Number | Qty. | Description                |
|------|-------------|------|------------------------------|------|-------------|------|----------------------------|
| 3    | 120-5761    | 1    | Orifice (.020)               | 14   | 119-7147    | 1    | Valve-Relief               |
| 4    | 112-9202    | 1    | Orifice-Flow, Control (.060) | 15   | 110-8799    | 1    | Valve-Relief, Proportional |
| 5    | 106-1025    | 3    | Plug-HYD                     | 16   | 110-6344    | 1    | Coil-12V, DC               |
| 5:1  | 237-78      | 1    | O-Ring                       | 17   | 106-8139    | 1    | Ring-Back Up               |
| 6    | 117-0115    | 2    | Plug                         | 18   | 117-4607    | 1    | O-Ring                     |
| 6:1  | 237-78      | 1    | O-Ring                       | 19   | 117-4606    | 2    | O-Ring                     |
| 7    | 110-8988    | 1    | Element-Logic                | 20   | 112-6534    | 1    | Ring-Back Up               |
| 7:1  | 110-8773    | 1    | Seal Kit                     | 21   | 112-6532    | 2    | Ring-Retaining             |
| 8    | 110-8769    | 1    | Valve-Control, Manual Flow   | 22   | 119-7141    | 1    | Spool                      |
| 8:1  | 110-2633    | 1    | Seal Kit                     | 23   | 110-8758    | 1    | Handle-Spool               |
| 9    | 117-4605    | 1    | Ball-SS                      | 24   | 112-6531    | 2    | Pin-Spring                 |
| 10   | 119-7145    | 1    | Shim-SS                      | 25   | 119-7140    | 1    | Knob                       |
| 11   | 110-8757    | 1    | O-Ring                       | 26   | 130-8180    | 1    | Nut-Coil (9/16-24 Unef-2B) |
| 12   | 72-4320     | 1    | Switch-Ball                  | 99   | 119-7142    | 1    | Kit-Seal, Spool            |
| 13   | 119-7146    | 1    | Piston-Pilot (With Seals)    |      |             |      |                            |



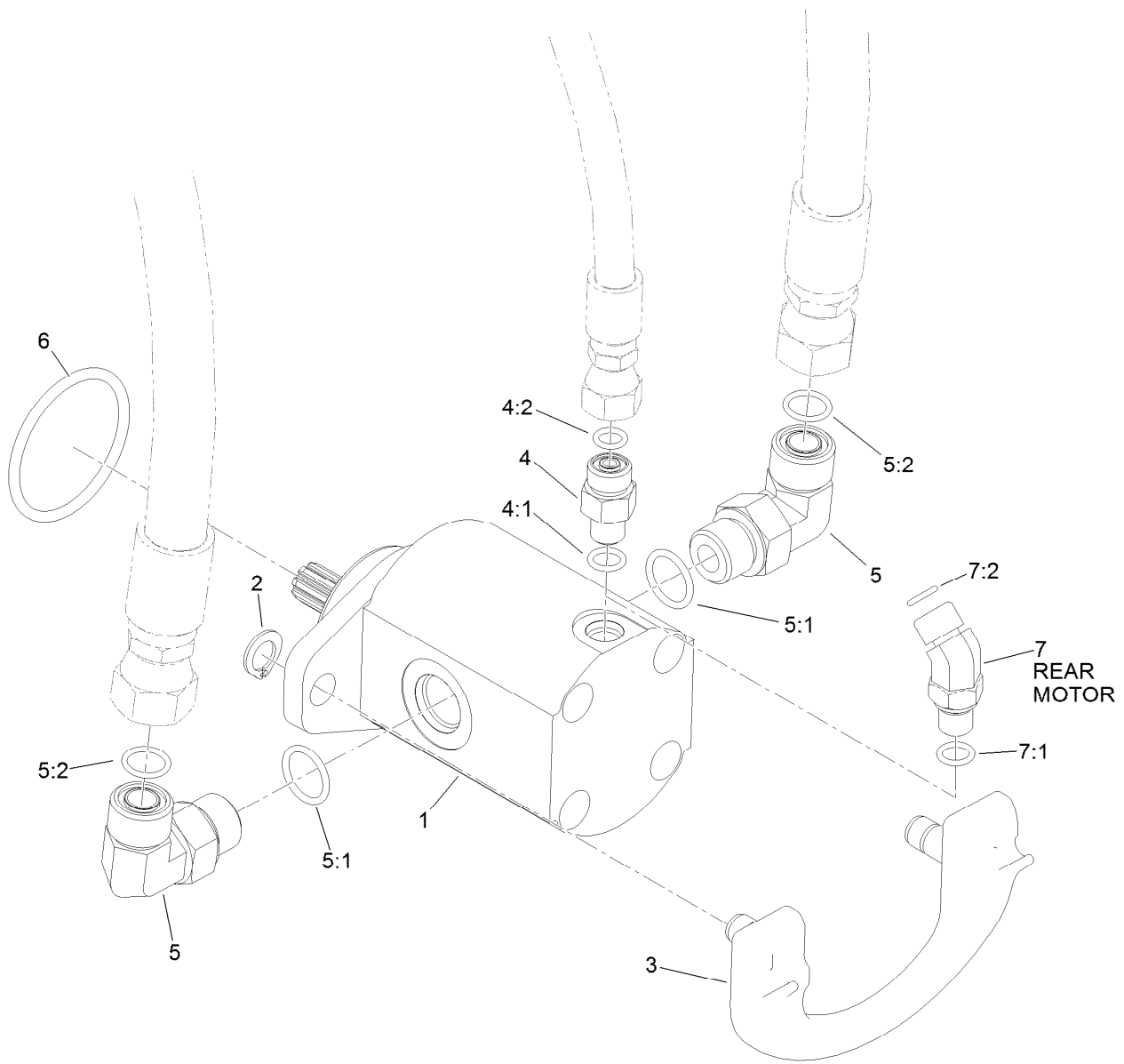
## Hydraulic Mow Clamp Assembly

| <i>Ref.</i> | <i>Part Number</i> | <i>Qty.</i> | <i>Description</i>  |
|-------------|--------------------|-------------|---------------------|
| 1           | 120-2011           | 8           | Screw-HSBH          |
| 2           | 119-8142           | 4           | Strap               |
| 3           | 119-8141           | 8           | Clamp-Tube          |
| 4           | 119-8143-03        | 2           | Bracket-Clamp, Hose |
| 5           | 104-7201           | 12          | Nut-HF, NI          |
| 6           | 100-2401           | 6           | Screw-HSH           |
| 7           | 321-4              | 1           | Screw-HH            |
| 8           | 2412-73            | 2           | Clamp-R             |
| 9           | 321-3              | 1           | Screw-HH            |
| 10          | 2412-89            | 1           | Clamp-R             |
| 11          | 119-8172-03        | 1           | Bracket-Hose        |
| 12          | 119-2082           | 2           | Clamp-Tube          |
| 13          | 32105-18           | 2           | Screw-HHF           |



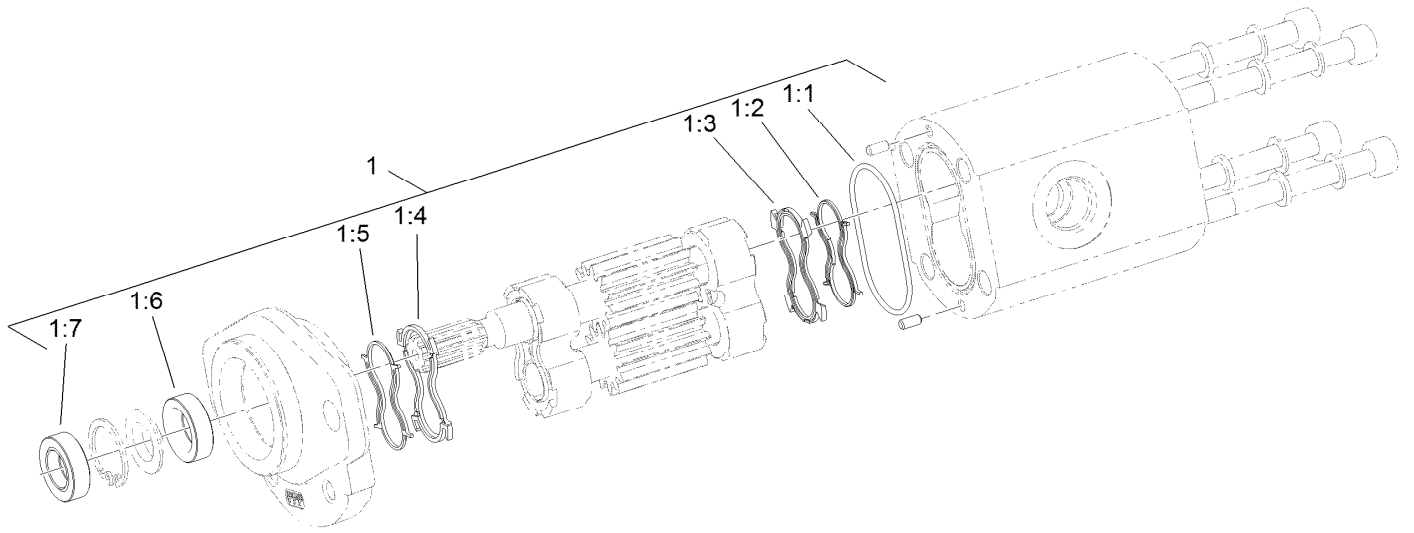
## Hydraulic Mow Hose Routing Assembly

| <i>Ref.</i> | <i>Part Number</i> | <i>Qty.</i> | <i>Description</i>        | <i>Ref.</i> | <i>Part Number</i> | <i>Qty.</i> | <i>Description</i>        |
|-------------|--------------------|-------------|---------------------------|-------------|--------------------|-------------|---------------------------|
| 1           | 117-9347           | 1           | HYD Tube ASM              | 10          | 119-8145           | 1           | Hose-HYD (Pressure No. 3) |
| 2           | 119-2073           | 1           | HYD Tube ASM              | 11          | 119-8146           | 1           | Hose-HYD (Return No. 3)   |
| 3           | 119-2078           | 1           | HYD Tube ASM              | 12          | 119-8147           | 1           | Hose-HYD (Case No. 3)     |
| 3:1         | 237-30             | 2           | O-Ring                    | 13          | 119-8157           | 1           | Hose-HYD (Pressure No. 2) |
| 4           | 119-2079           | 1           | HYD Tube ASM              | 14          | 119-8158           | 1           | Hose-HYD (Return No. 2)   |
| 4:1         | 237-22             | 4           | O-Ring                    | 15          | 119-8159           | 1           | HYD Hose ASM (Case No. 2) |
| 5           | 119-2084           | 1           | HYD Tube ASM              | 16          | 119-8160           | 1           | Hose-HYD (Pressure No. 1) |
| 6           | 119-2085           | 1           | HYD Tube ASM              | 17          | 119-8161           | 1           | Hose-HYD (Return No. 1)   |
| 7           | 119-2089           | 1           | Hose-HYD (Case To Tank)   | 18          | 119-8162           | 1           | Hose-HYD (Case No. 1)     |
| 8           | 119-8106           | 1           | Hose-HYD (Mow Block/Tank) | 19          | 3290-379           | 2           | Tie-Cable                 |
| 9           | 119-8122           | 1           | HYD Tube ASM              |             |                    |             |                           |



## Hydraulic Mow Reel Motor Assembly

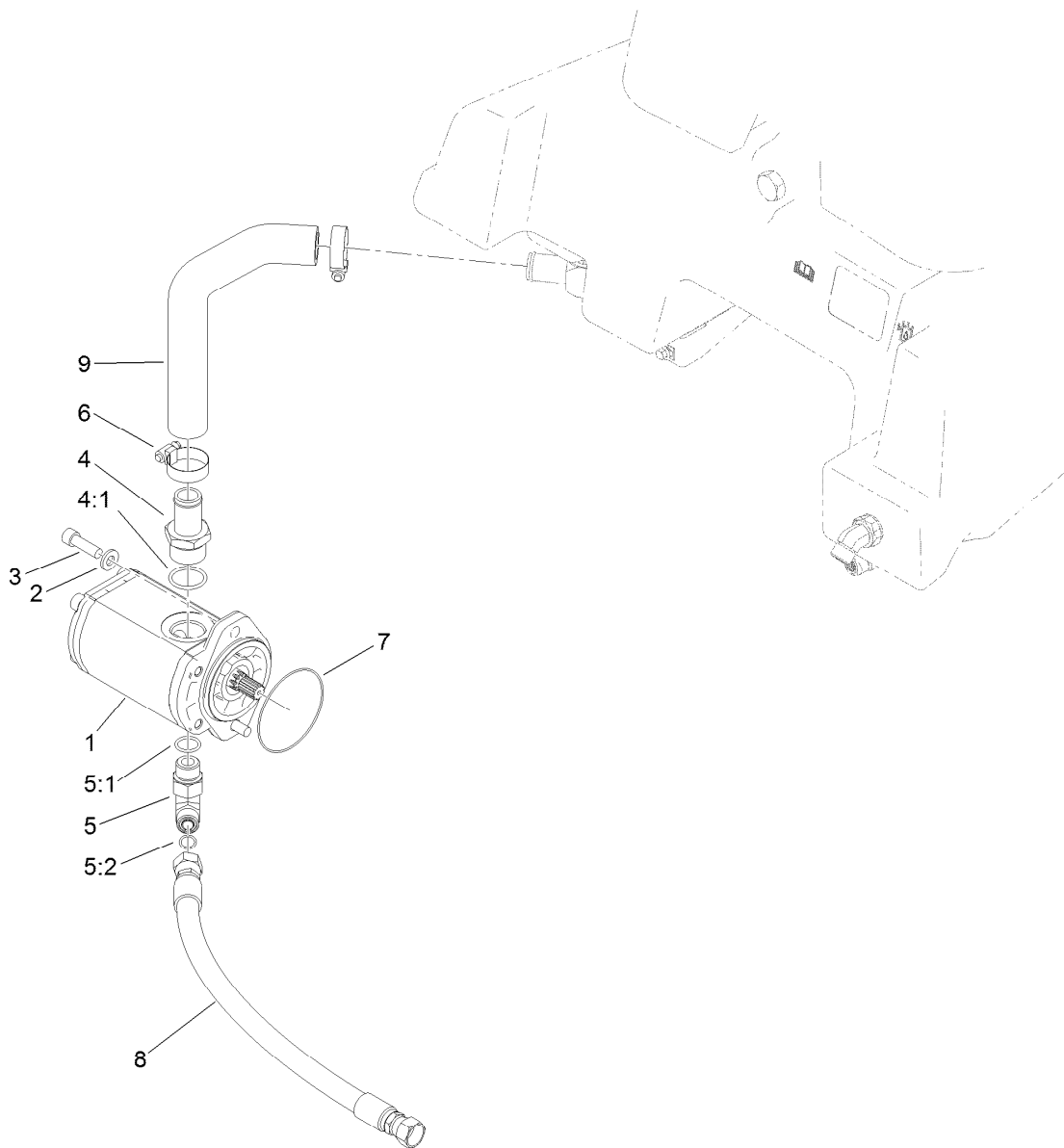
| <b>Ref.</b> | <b>Part Number</b> | <b>Qty.</b> | <b>Description</b>    |
|-------------|--------------------|-------------|-----------------------|
| 1           | 115-3321           | 3           | HYD Reel Motor ASM    |
| 2           | 115-5206           | 6           | Ring-Retaining        |
| 3           | 115-5389           | 3           | Cam-Mount, Motor      |
| 4           | 340-92             | 2           | Fitting-Straight      |
| 4:1         | 237-78             | 1           | O-Ring                |
| 4:2         | 237-21             | 1           | O-Ring                |
| 5           | 340-98             | 6           | Fitting-Elbow, 90 DEG |
| 5:1         | 237-79             | 1           | O-Ring                |
| 5:2         | 237-30             | 1           | O-Ring                |
| 6           | 115-3298           | 3           | O-Ring                |
| 7           | 340-103            | 1           | Fitting-HYD, 45 DEG   |
| 7:1         | 237-78             | 1           | O-Ring                |
| 7:2         | 237-21             | 1           | O-Ring                |



## Hydraulic Reel Motor Assembly No. 115-3321

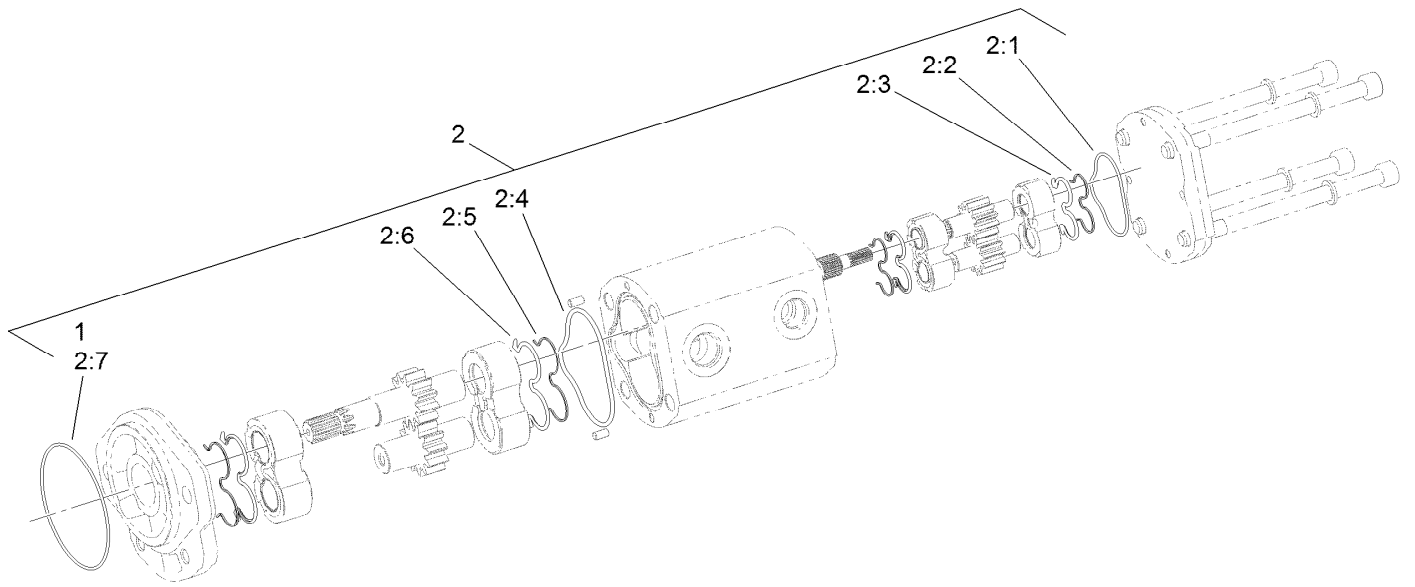
| <i>Ref.</i> | <i>Part Number</i> | <i>Qty.</i> | <i>Description</i>      |
|-------------|--------------------|-------------|-------------------------|
| 1           | 119-7113           | 1           | Seal Kit                |
| 1:1         |                    | 1           | O-Ring Housing ●        |
| 1:2         |                    | 1           | Seal-Anti Extrusion ●   |
| 1:3         |                    | 1           | Seal-Plate, Balancing ● |
| 1:4         |                    | 1           | Seal-Plate, Balancing ● |
| 1:5         |                    | 1           | Seal- Anti Extrusion ●  |
| 1:6         |                    | 1           | Seal-Shaft (Inboard) ●  |
| 1:7         |                    | 1           | Seal-Shaft (Outboard) ● |

● Not serviced separately



## Hydraulic Mow Gear Pump Assembly

| <b>Ref.</b> | <b>Part Number</b> | <b>Qty.</b> | <b>Description</b>    |
|-------------|--------------------|-------------|-----------------------|
| 1           | 114-9956           | 1           | HYD Gear Pump ASM     |
| 2           | 100-4852           | 2           | Washer-Hardened       |
| 3           | 3274-1             | 2           | Screw-HSH             |
| 4           | 354-78             | 1           | Fitting-STR           |
| 4:1         | 237-146            | 1           | O-Ring                |
| 5           | 340-105            | 1           | Fitting-Elbow, 90 DEG |
| 5:1         | 237-80             | 1           | O-Ring                |
| 5:2         | 237-30             | 1           | O-Ring                |
| 6           | 1-633989           | 2           | Clamp-Hose            |
| 7           | 60-3520            | 1           | O-Ring                |
| 8           | 119-2075           | 1           | Hose-HYD              |
| 9           | 119-4477           | 1           | Hose-Inlet            |

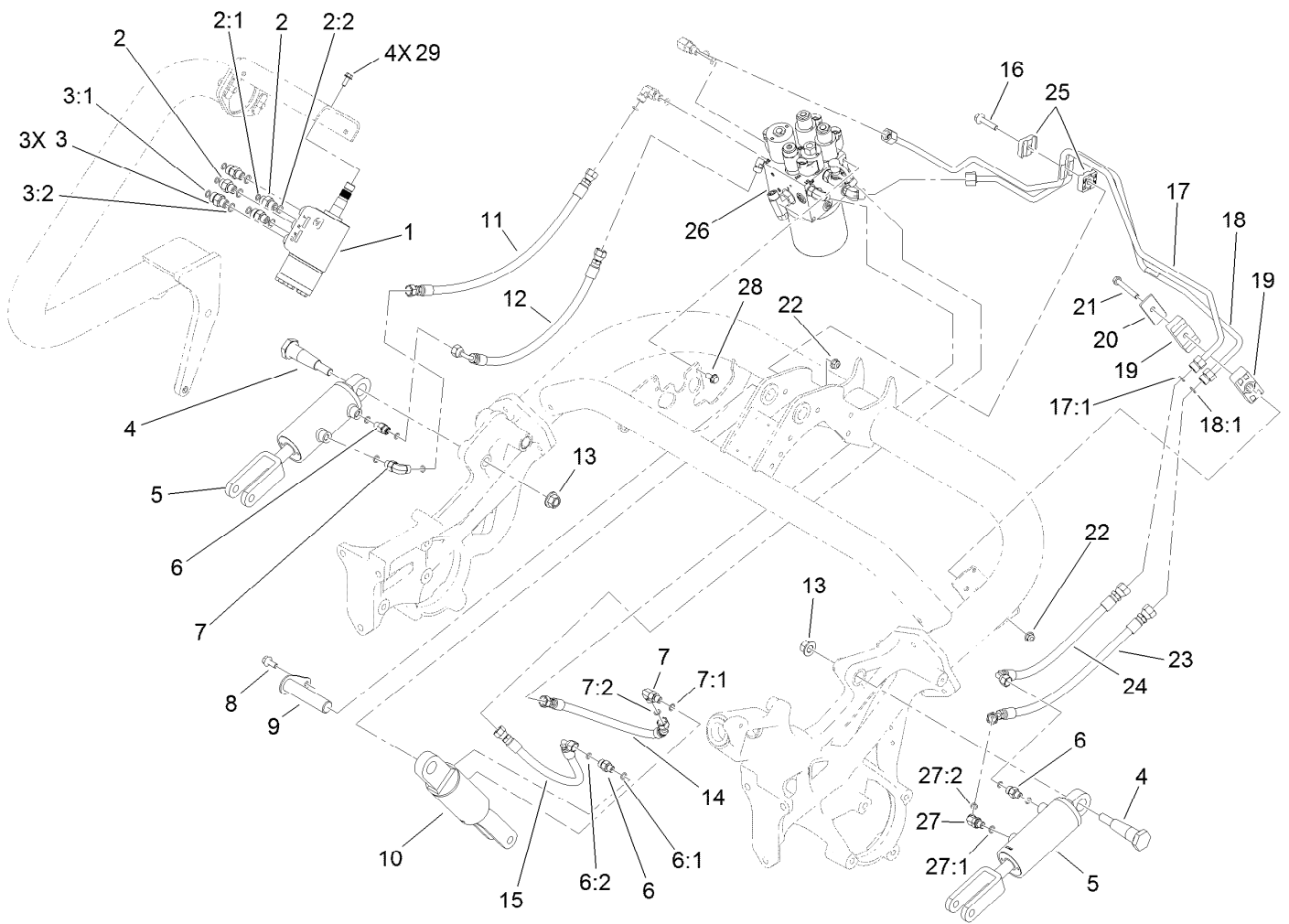


## Hydraulic Gear Pump Assembly No. 114-9956

| <i>Ref.</i> | <i>Part Number</i> | <i>Qty.</i> | <i>Description</i>     |
|-------------|--------------------|-------------|------------------------|
| 1           | 60-3520            | 1           | O-Ring                 |
| 2           | 119-7134           | 1           | Kit-Seal               |
| 2:1         |                    | 1           | O-Ring ●               |
| 2:2         |                    | 2           | Seal-Extrusion, Anti ● |
| 2:3         |                    | 2           | Seal-Backup ●          |
| 2:4         |                    | 1           | O-Ring ●               |
| 2:5         |                    | 2           | Seal-Extrusion, Anti ● |
| 2:6         |                    | 2           | Seal-Backup ●          |
| 2:7         |                    | 1           | O-Ring ●               |

● Not serviced separately

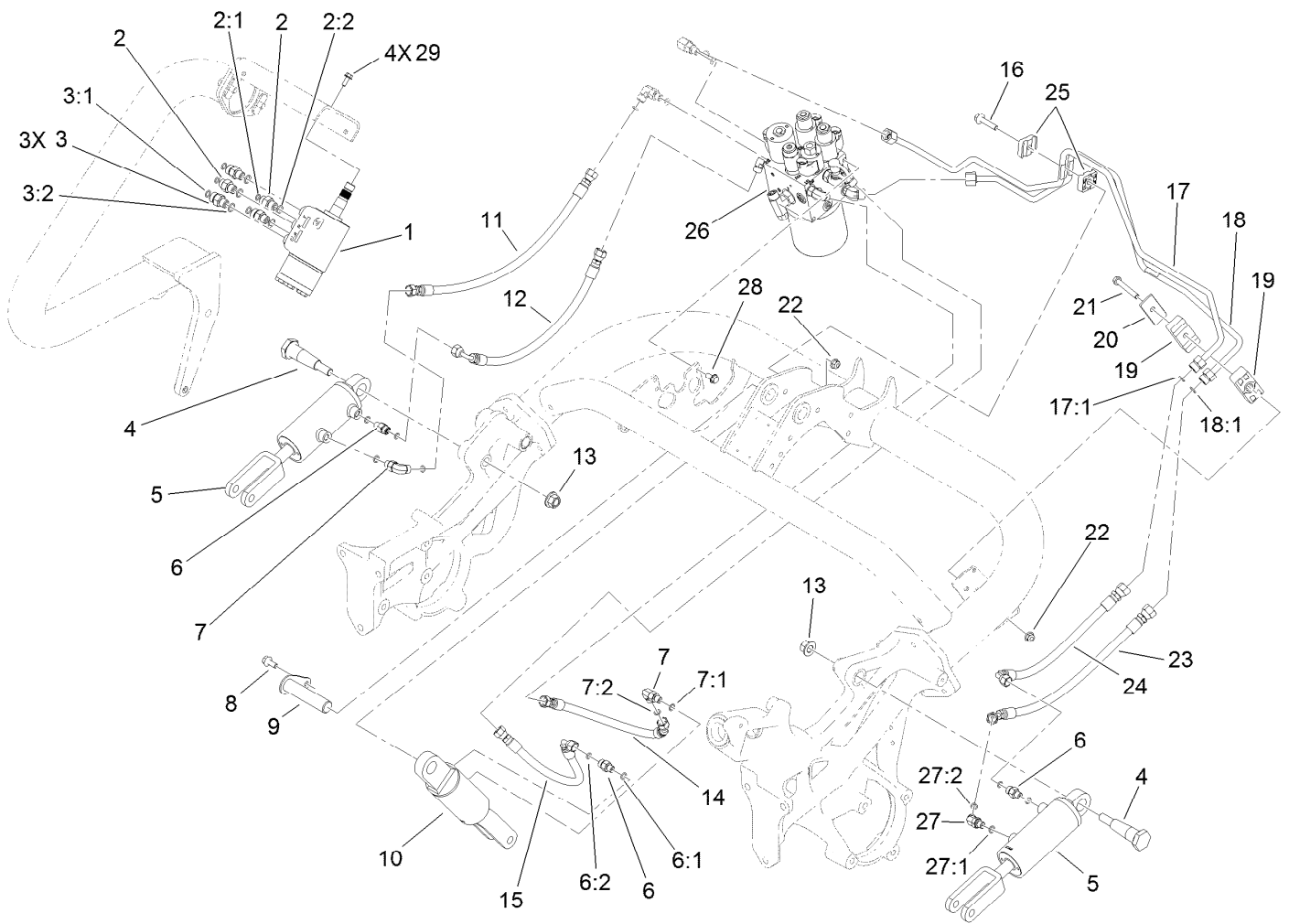




## Lift Circuit Assembly

| Ref. | Part Number | Qty. | Description                  | Ref. | Part Number | Qty. | Description            |
|------|-------------|------|------------------------------|------|-------------|------|------------------------|
| 1    | 114-4672    | 1    | Steering Valve ASM           | 10   | 119-8128    | 1    | No. 1 HYD Cylinder ASM |
| 2    | 340-1       | 2    | Fitting-Straight             | 11   | 119-2052    | 1    | Hose-HYD               |
| 2:1  | 237-21      | 1    | O-Ring                       | 12   | 119-2053    | 1    | Hose-HYD               |
| 2:2  | 237-42      | 1    | O-Ring                       | 13   | 99-5107     | 2    | Nut-Lock               |
| 3    | 340-2       | 3    | Fitting-Straight             | 14   | 119-2051    | 1    | Hose-HYD               |
| 3:1  | 237-22      | 1    | O-Ring                       | 15   | 119-2050    | 1    | Hose-HYD               |
| 3:2  | 237-42      | 1    | O-Ring                       | 16   | 115-1794    | 1    | Screw-HHF              |
| 4    | 112-5709    | 2    | Pin-Tapered                  | 17   | 119-8126    | 1    | HYD Tube ASM           |
| 5    | 119-8129    | 2    | No. 2 And 3 HYD Cylinder ASM | 17:1 | 237-22      | 1    | O-Ring                 |
| 6    | 340-92      | 3    | Fitting-Straight             | 18   | 119-8127    | 1    | HYD Tube ASM           |
| 6:1  | 237-78      | 1    | O-Ring                       | 18:1 | 237-22      | 1    | O-Ring                 |
| 6:2  | 237-21      | 1    | O-Ring                       | 19   | 120-3200    | 2    | Clamp-Tube             |
| 7    | 340-132     | 2    | Fitting-Elbow, 90 DEG        | 20   | 69-9761     | 1    | Plate-Cover            |
| 7:1  | 237-78      | 1    | O-Ring                       | 21   | 322-12      | 1    | Screw-HH               |
| 7:2  | 237-21      | 1    | O-Ring                       | 22   | 104-8300    | 3    | Nut-HF, NI             |
| 8    | 3234-47     | 1    | Screw-HHF                    | 23   | 119-2066    | 1    | Hose-HYD               |
| 9    | 119-8104    | 1    | Pin                          | 24   | 119-2065    | 1    | Hose-HYD               |
|      |             |      |                              | 25   | 56-7973     | 2    | Clamp-Tube             |

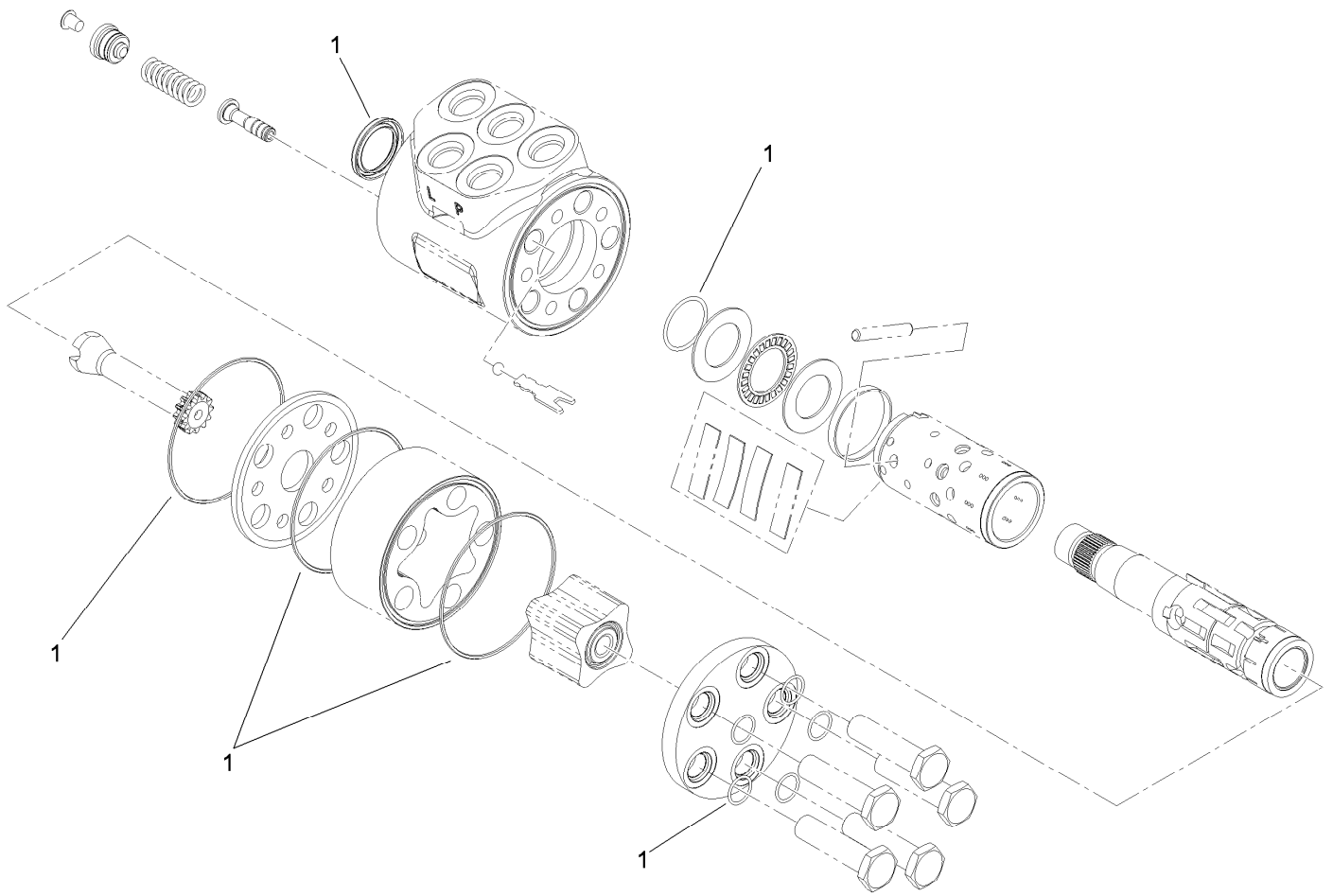
● Not serviced separately



## Lift Circuit Assembly (continued)

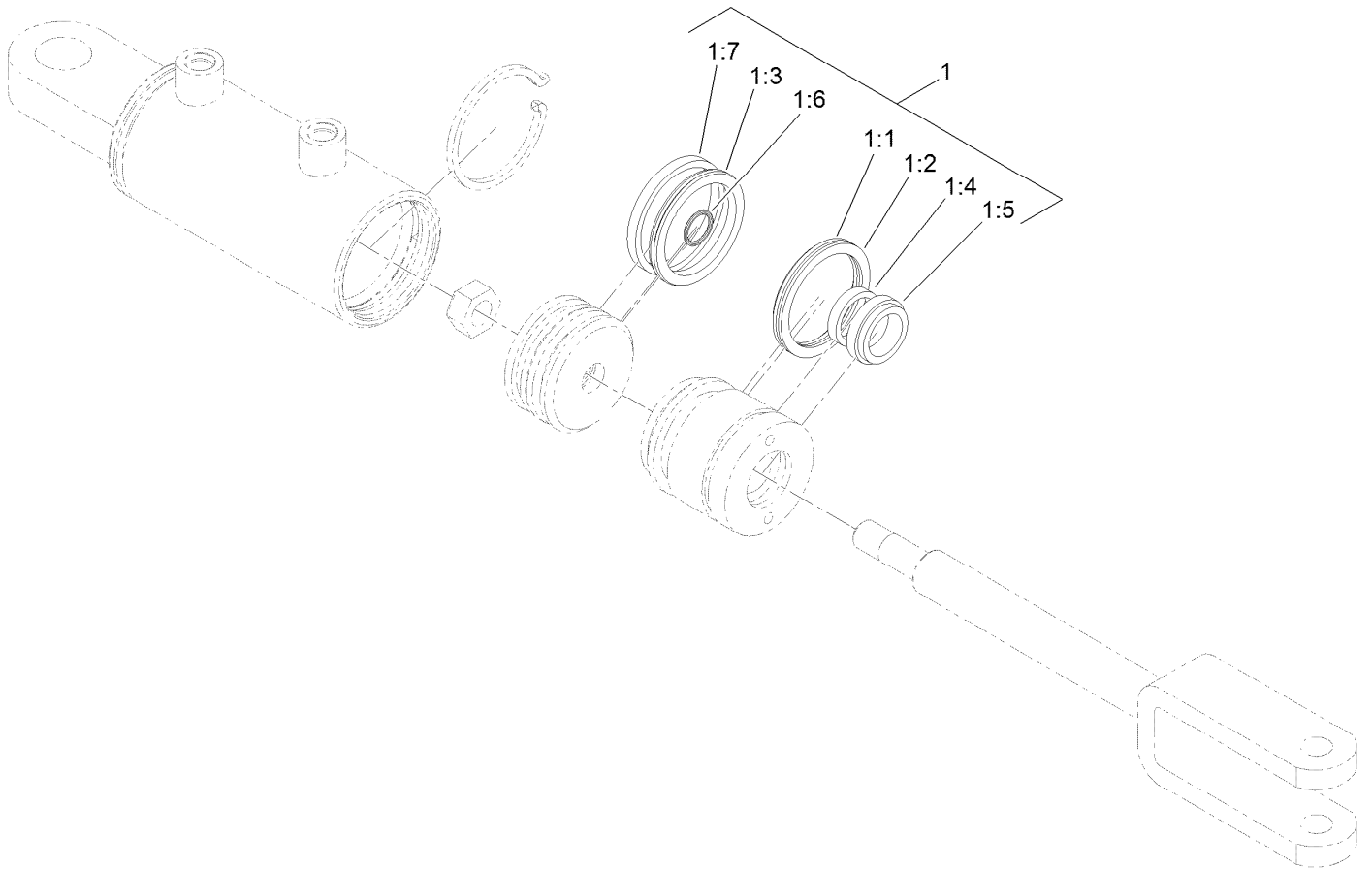
| Ref. | Part Number | Qty. | Description                 | Ref. | Part Number | Qty. | Description |
|------|-------------|------|-----------------------------|------|-------------|------|-------------|
| 26   |             | 1    | Hydraulic Lift Manifold ASM | 27:2 | 237-21      | 1    | O-Ring      |
| 27   | 340-103     | 1    | Fitting-HYD, 45 DEG         | 28   | 3234-7      | 2    | Screw-HHF   |
| 27:1 | 237-78      | 1    | O-Ring                      | 29   | 33103-016   | 4    | Screw-HHF   |

● Not serviced separately



## Steering Valve Assembly No. 114-4672

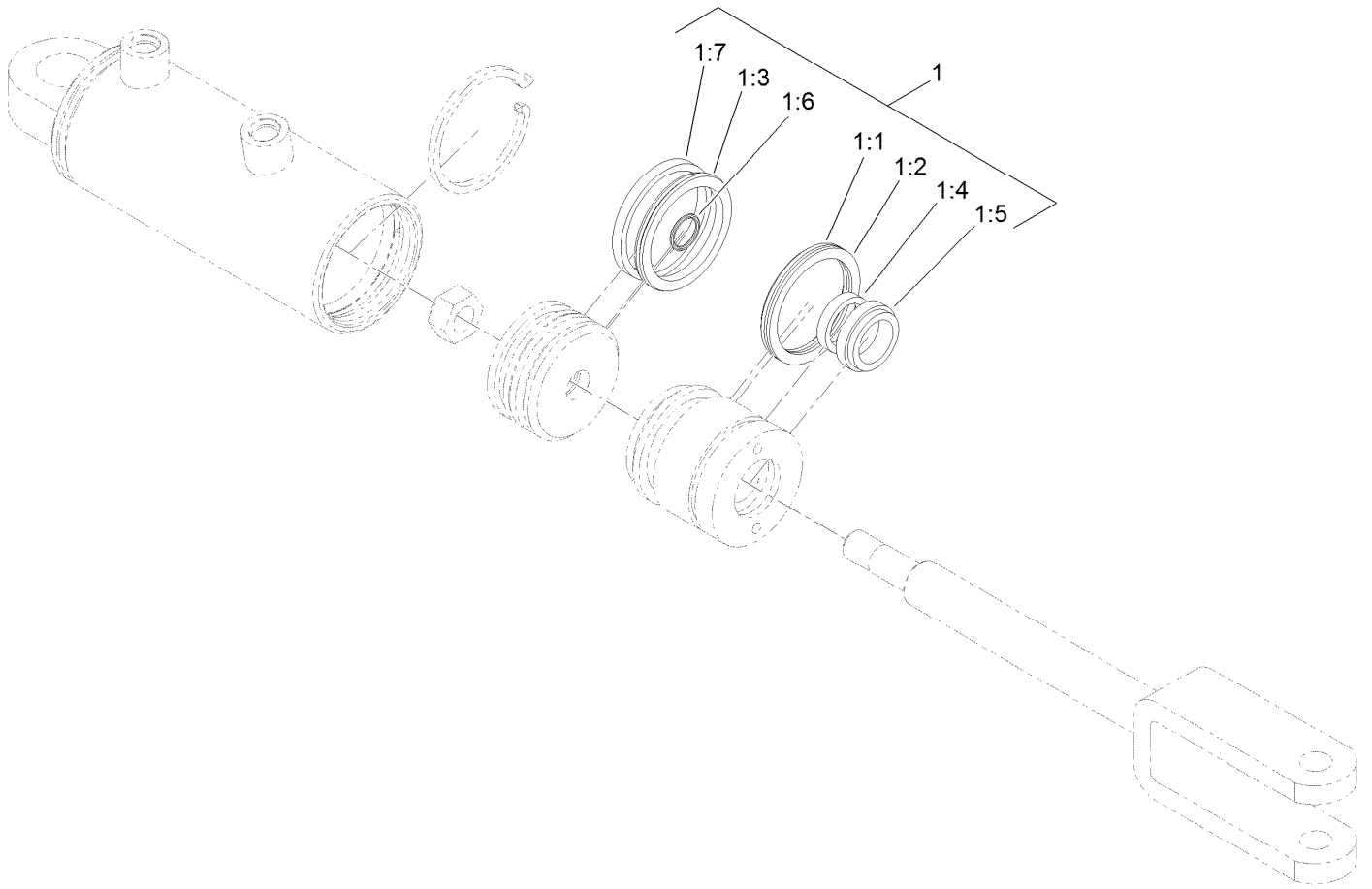
| <i>Ref.</i> | <i>Part Number</i> | <i>Qty.</i> | <i>Description</i> |
|-------------|--------------------|-------------|--------------------|
| 1           | 106-6716           | 1           | Seal Kit           |



## Hydraulic Cylinder Assembly No. 119-8128

| <i>Ref.</i> | <i>Part Number</i> | <i>Qty.</i> | <i>Description</i> |
|-------------|--------------------|-------------|--------------------|
| 1           | 115-3410           | 1           | Seal Kit           |
| 1:1         |                    | 1           | O-Ring ●           |
| 1:2         |                    | 1           | Backup ●           |
| 1:3         |                    | 1           | Bp Seal ●          |
| 1:4         |                    | 1           | Bs Seal ●          |
| 1:5         |                    | 1           | Seal-Dust ●        |
| 1:6         |                    | 1           | O-Ring ●           |
| 1:7         |                    | 1           | Ring-Wear ●        |

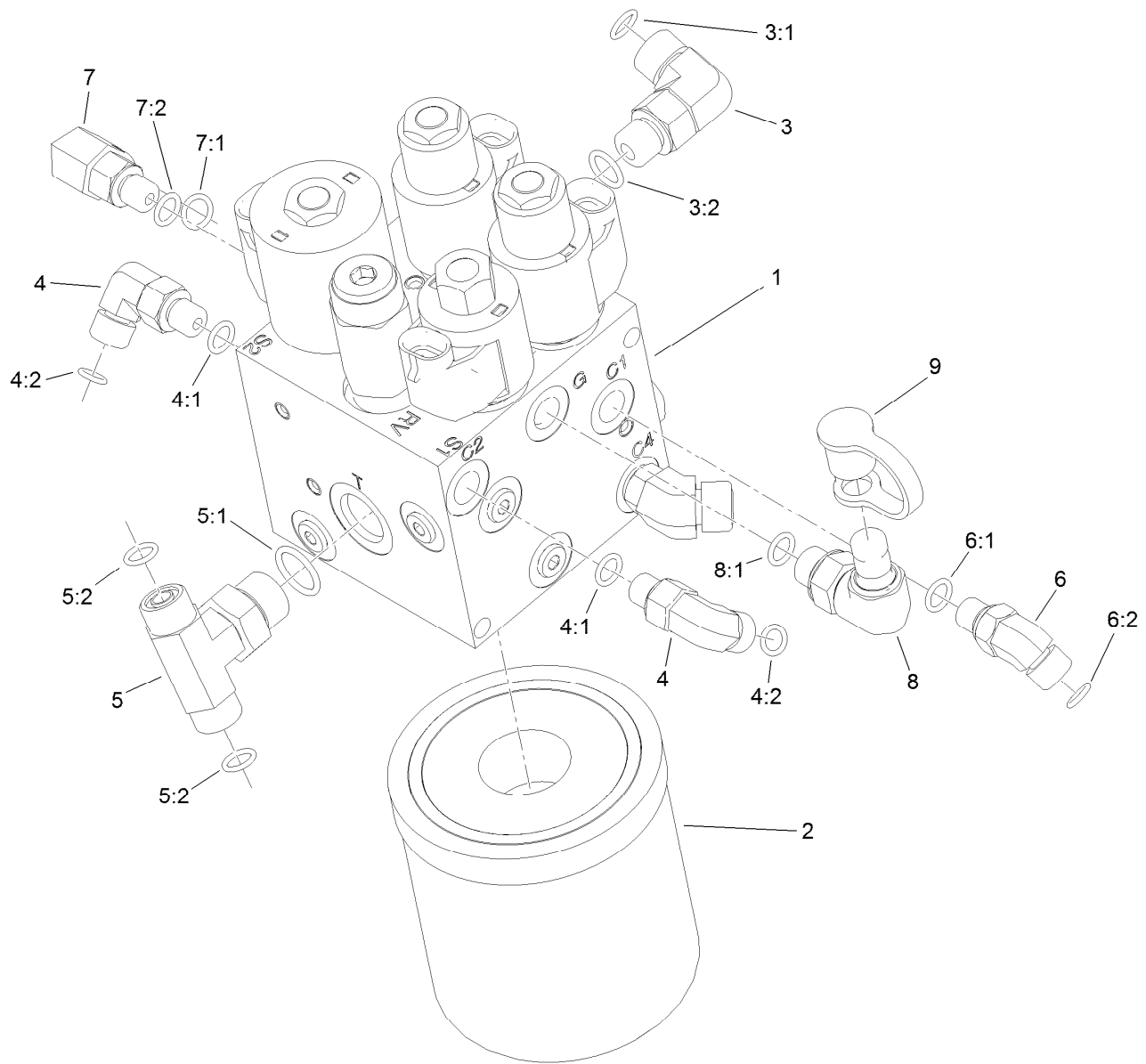
● Not serviced separately



## Hydraulic Cylinder Assembly No. 119-8129

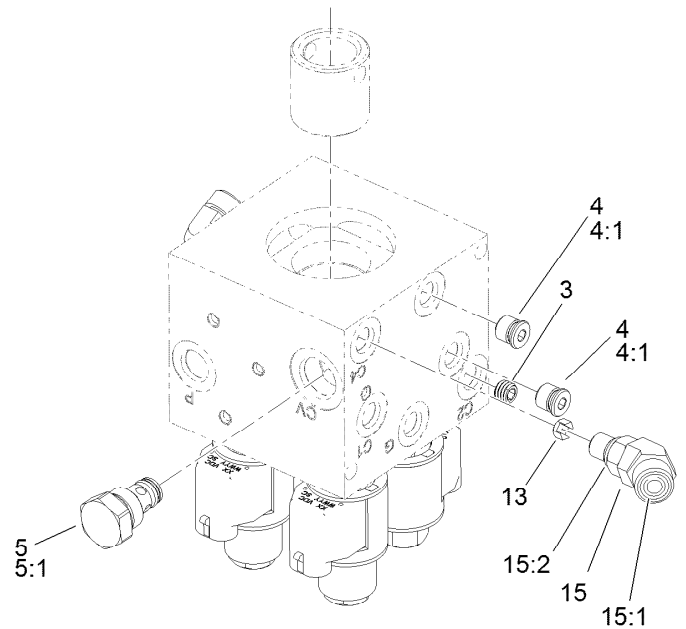
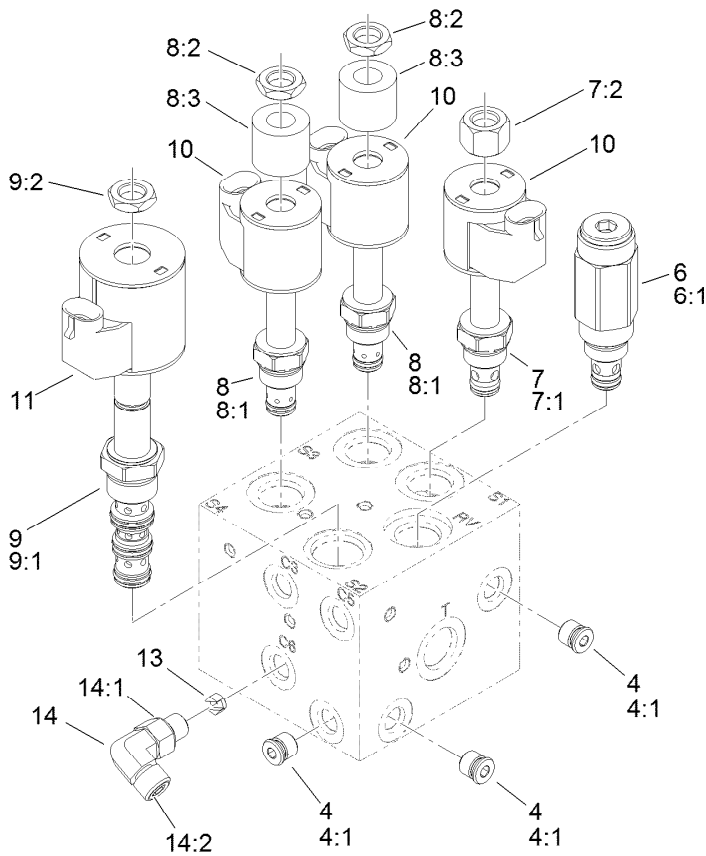
| <i>Ref.</i> | <i>Part Number</i> | <i>Qty.</i> | <i>Description</i> |
|-------------|--------------------|-------------|--------------------|
| 1           | 115-3410           | 1           | Seal Kit           |
| 1:1         |                    | 1           | O-Ring ●           |
| 1:2         |                    | 1           | Backup ●           |
| 1:3         |                    | 1           | Bp Seal ●          |
| 1:4         |                    | 1           | Bs Seal ●          |
| 1:5         |                    | 1           | Seal-Dust ●        |
| 1:6         |                    | 1           | O-Ring ●           |
| 1:7         |                    | 1           | Ring-Wear ●        |

● Not serviced separately



## Hydraulic Lift Manifold Assembly

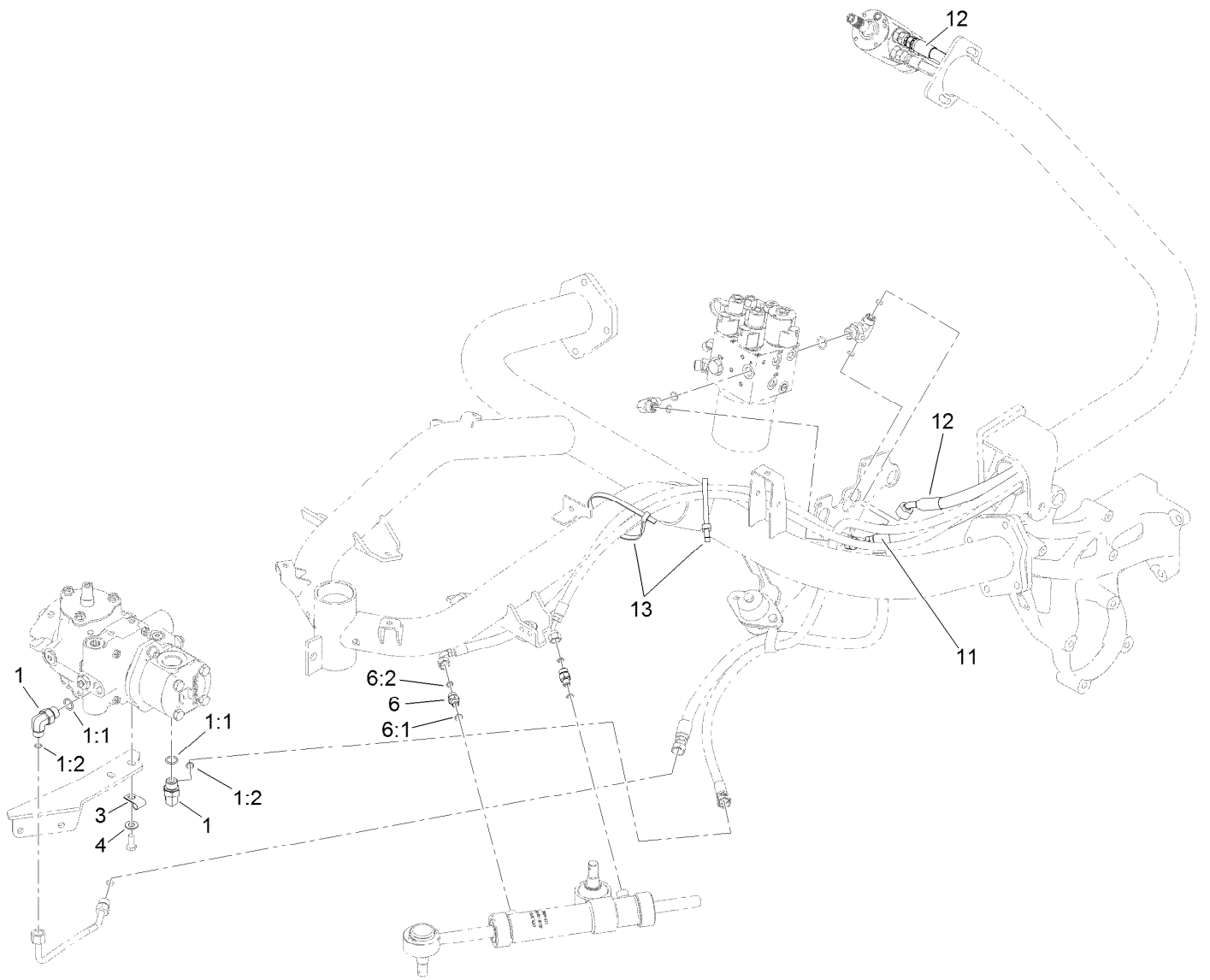
| Ref. | Part Number | Qty. | Description           | Ref. | Part Number | Qty. | Description           |
|------|-------------|------|-----------------------|------|-------------|------|-----------------------|
| 1    | 117-9856    | 1    | Manifold-Lift, HYD    | 5:2  | 237-22      | 2    | O-Ring                |
| 2    | 108-5194    | 1    | Filter-Oil, HYD       | 6    | 340-103     | 1    | Fitting-HYD, 45 DEG   |
| 3    | 340-77      | 1    | Fitting-Elbow, 90 DEG | 6:1  | 237-78      | 1    | O-Ring                |
| 3:1  | 237-22      | 1    | O-Ring                | 6:2  | 237-21      | 1    | O-Ring                |
| 3:2  | 237-42      | 1    | O-Ring                | 7    | 340-97      | 1    | Fitting-Elbow, 90 DEG |
| 4    | 340-132     | 2    | Fitting-Elbow, 90 DEG | 7:1  | 237-22      | 1    | O-Ring                |
| 4:1  | 237-78      | 1    | O-Ring                | 7:2  | 237-78      | 1    | O-Ring                |
| 4:2  | 237-21      | 1    | O-Ring                | 8    | 115-9147    | 1    | Fitting-Elbow, 90 DEG |
| 5    | 92-4799     | 1    | Fitting-Tee, HYD      | 8:1  | 237-78      | 1    | O-Ring                |
| 5:1  | 237-79      | 1    | O-Ring                | 9    | 354-79      | 1    | Cap-Dust              |



## Hydraulic Lift Manifold Assembly No. 117-9856

| Ref. | Part Number | Qty. | Description         |
|------|-------------|------|---------------------|
| 3    | 119-7144    | 1    | Orifice (.037 Inch) |
| 4    | 353-990     | 5    | Plug ASM            |
| 4:1  | 237-78      | 1    | O-Ring              |
| 5    | 107-7524    | 1    | Check Valve ASM     |
| 5:1  | 105-9156    | 1    | Seal Kit            |
| 6    | 112-9207    | 1    | Valve-Relief        |
| 6:1  | 105-9156    | 1    | Seal Kit            |
| 7    | 107-7517    | 1    | Valve-Solenoid      |
| 7:1  | 105-9156    | 1    | Seal Kit            |
| 7:2  | 107-7812    | 1    | Nut-Solenoid        |
| 8    | 110-8898    | 2    | Valve-Solenoid      |
| 8:1  | 107-7527    | 1    | Seal Kit            |
| 8:2  | 110-2634    | 1    | Nut-Coil            |

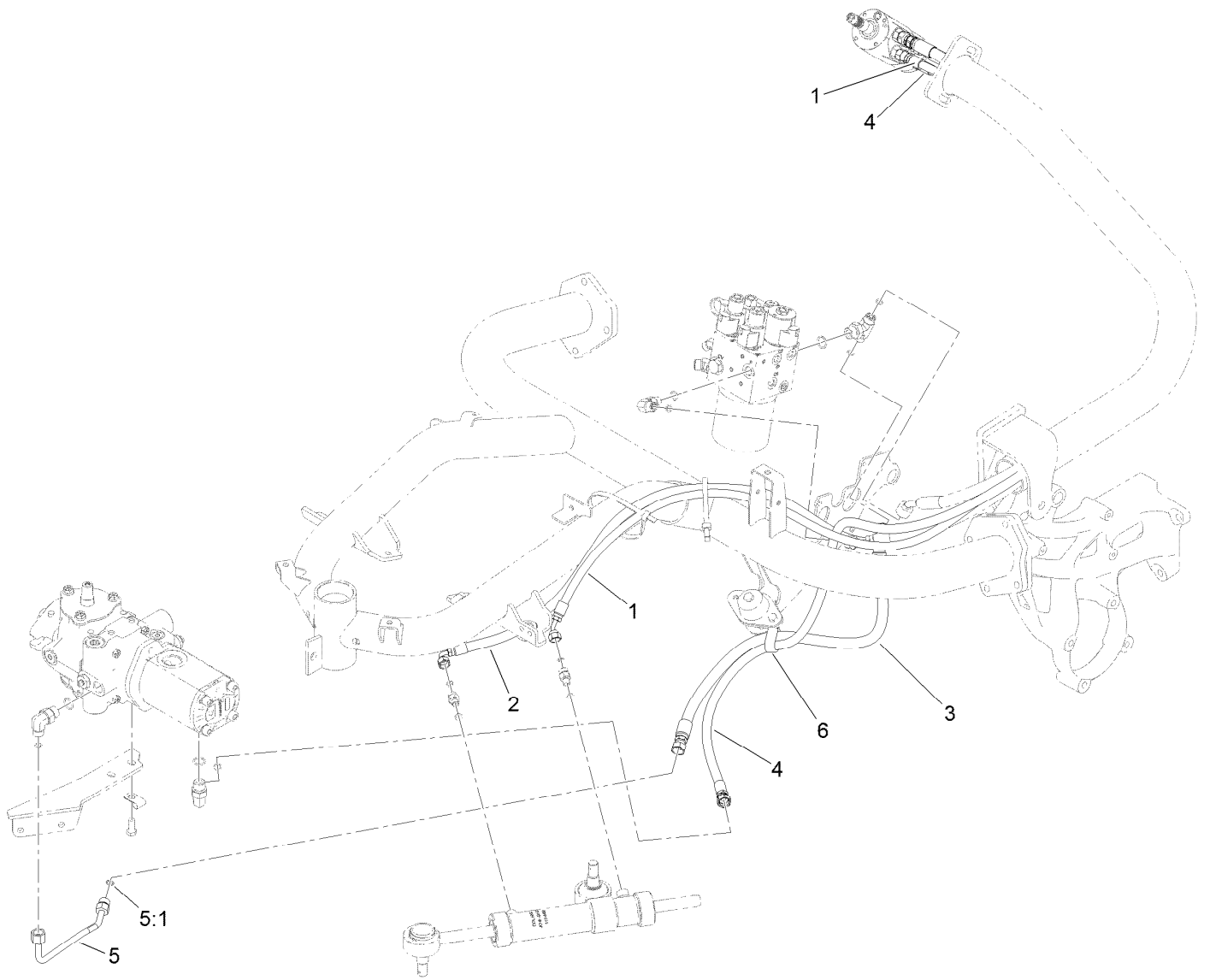
| Ref. | Part Number | Qty. | Description                   |
|------|-------------|------|-------------------------------|
| 8:3  | 110-8909    | 1    | Spacer-Coil                   |
| 9    | 110-8906    | 1    | Valve-Solenoid                |
| 9:1  | 110-8908    | 1    | Spool Valve Seal Kit          |
| 9:2  | 110-2634    | 1    | Nut-Coil                      |
| 10   | 110-0497    | 3    | Coil-Solenoid                 |
| 11   | 110-6344    | 1    | Coil-12V, DC                  |
| 13   | 110-8904    | 2    | Orifice-Control, Flow (0.028) |
| 14   | 340-132     | 1    | Fitting-Elbow, 90 DEG         |
| 14:1 | 237-78      | 1    | O-Ring                        |
| 14:2 | 237-21      | 1    | O-Ring                        |
| 15   | 340-54      | 1    | Elbow-45 DEG                  |
| 15:1 | 237-22      | 1    | O-Ring                        |
| 15:2 | 237-78      | 1    | O-Ring                        |



## Steering Circuit Assembly (1)

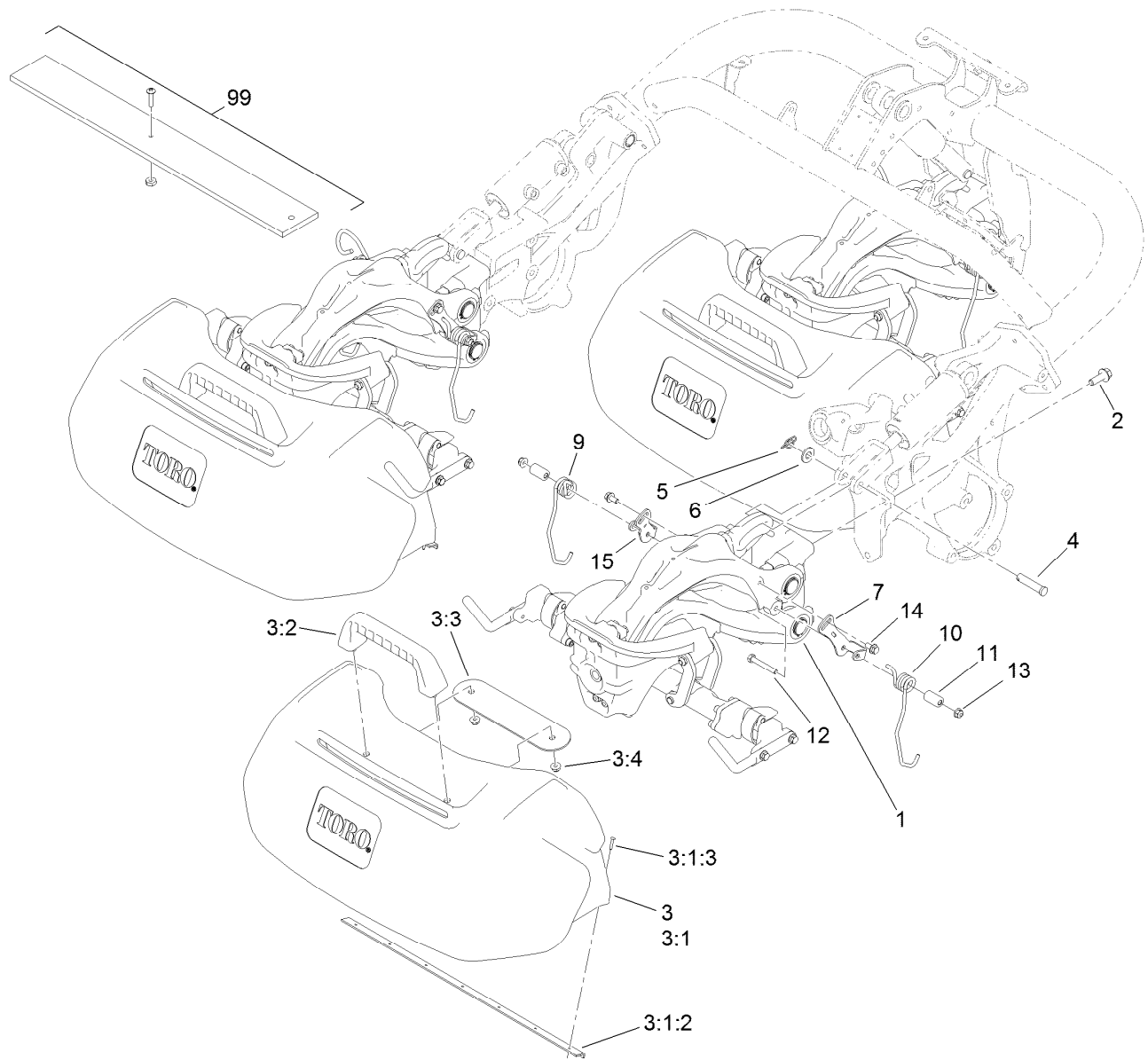
| Ref. | Part Number | Qty. | Description                  |
|------|-------------|------|------------------------------|
| 1    | 340-18      | 2    | Fitting-HYD, 90 DEG          |
| 1:1  | 237-79      | 1    | O-Ring                       |
| 1:2  | 237-22      | 1    | O-Ring                       |
| 3    | 2412-113    | 1    | Clamp-R                      |
| 4    | 3256-24     | 1    | Washer-Flat                  |
| 6    | 340-92      | 2    | Fitting-Straight             |
| 6:1  | 237-78      | 1    | O-Ring                       |
| 6:2  | 237-21      | 1    | O-Ring                       |
| 11   | 117-3683    | 1    | Hose-HYD                     |
| 12   | 117-3684    | 1    | HYD Hose ASM (Steering Tank) |
| 13   | 3334-945    | 2    | Tie-Cable                    |





## Steering Circuit Assembly (2)

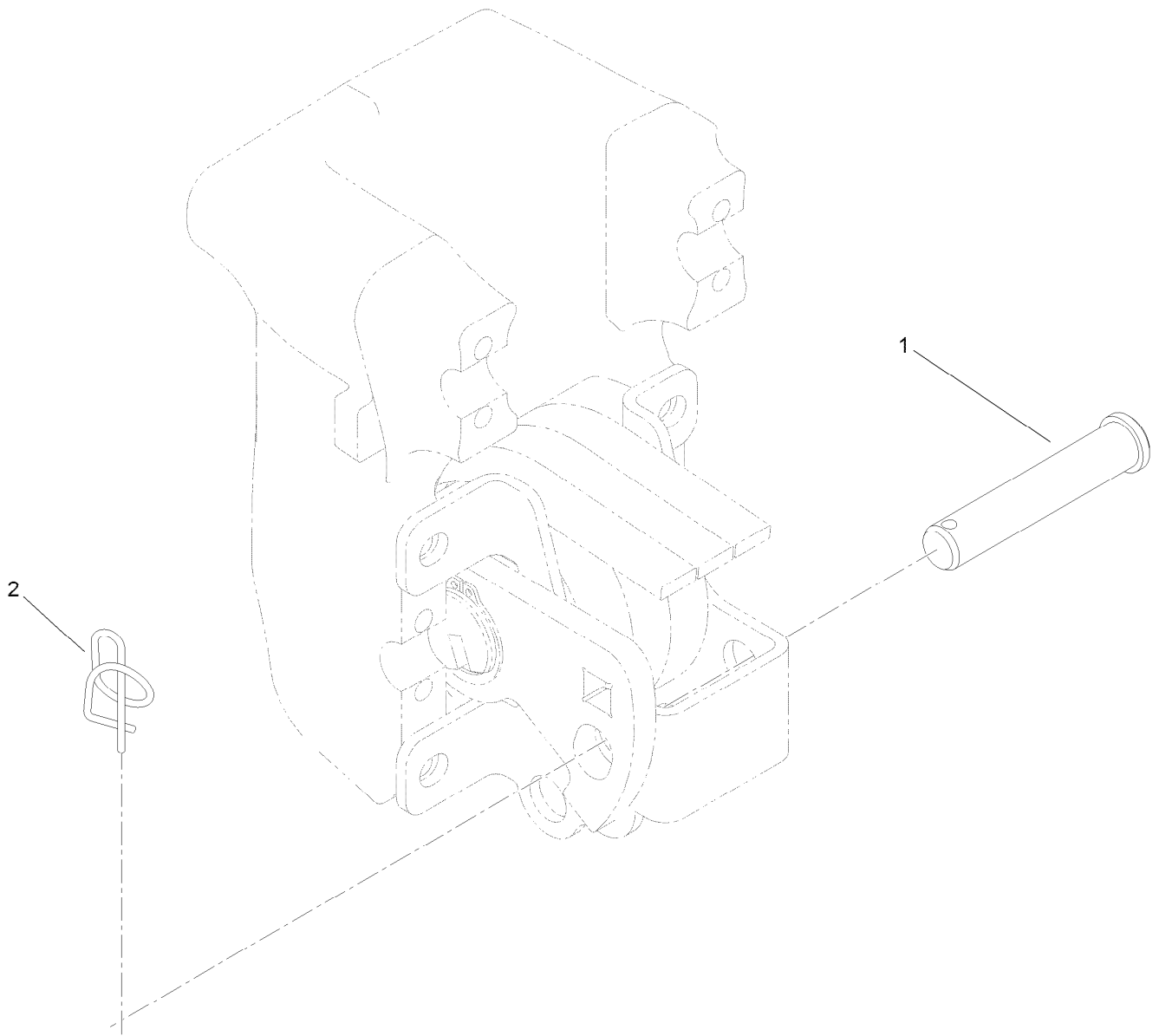
| <i>Ref.</i> | <i>Part Number</i> | <i>Qty.</i> | <i>Description</i> |
|-------------|--------------------|-------------|--------------------|
| 1           | 117-3685           | 1           | Hose-HYD           |
| 2           | 117-3688           | 1           | Hose-HYD           |
| 3           | 119-2059           | 1           | HYD Hose ASM       |
| 4           | 119-2067           | 1           | Hose-HYD           |
| 5           | 120-1952           | 1           | HYD Tube ASM       |
| 5:1         | 237-22             | 1           | O-Ring             |
| 6           | 120-1959           | 1           | Clamp              |



## Suspension and Basket Assembly

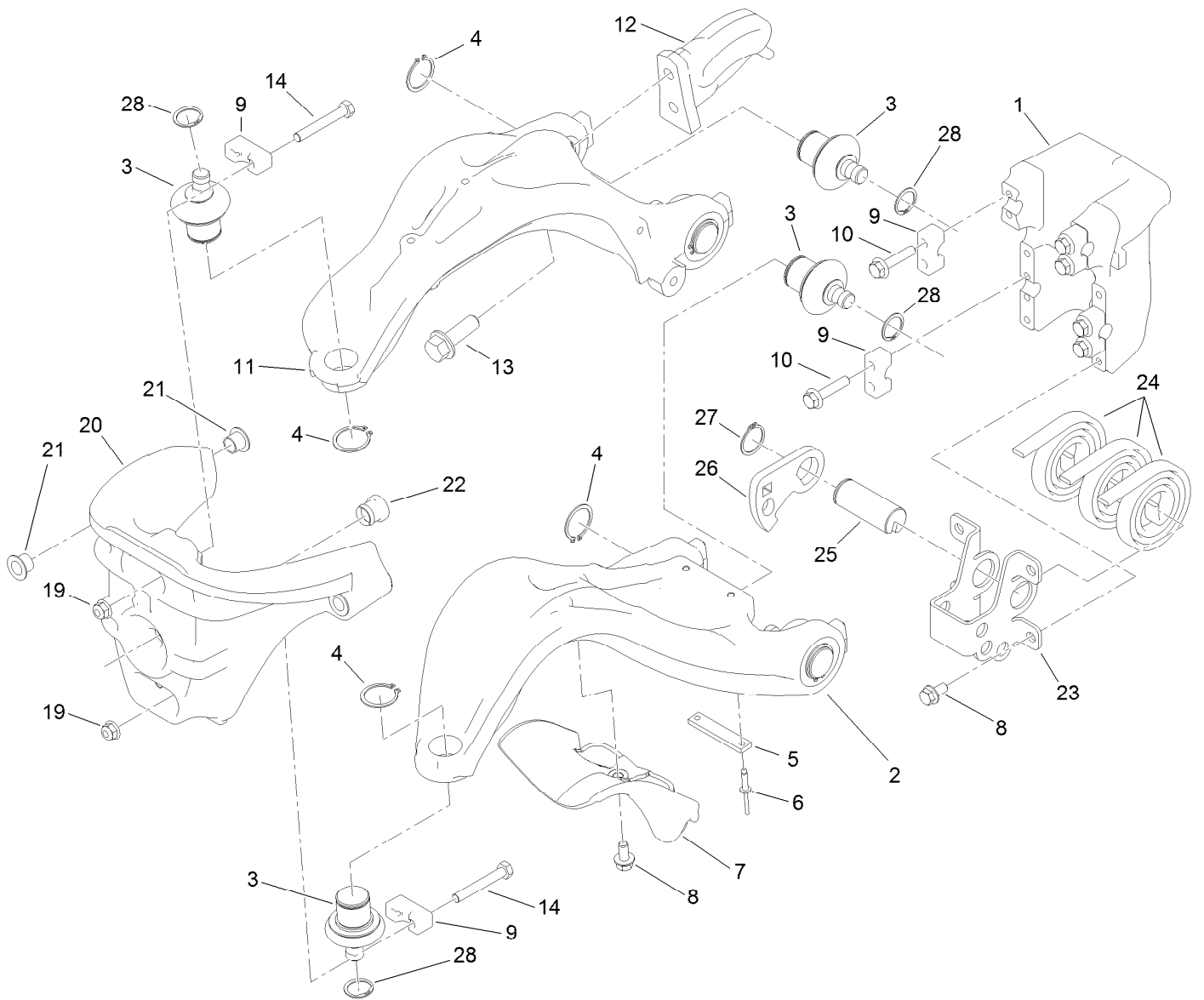
| Ref.  | Part Number | Qty. | Description      | Ref. | Part Number | Qty. | Description           |
|-------|-------------|------|------------------|------|-------------|------|-----------------------|
| 1     |             | 3    | Suspension ASM ● | 7    | 117-6822    | 3    | Retainer-Spring, LH   |
| 2     | 117-9035    | 9    | Screw-HHF        | 9    | 117-6826    | 3    | Spring-Stabilizer, RH |
| 3     | 117-8096    | 3    | Basket ASM       | 10   | 117-6827    | 3    | Spring-Stabilizer, LH |
| 3:1   | 117-8094    | 1    | Grass Basket ASM | 11   | 117-6825    | 6    | Spacer                |
| 3:1:2 | 115-5274    | 1    | Support-Basket   | 12   | 322-12      | 6    | Screw-HH              |
| 3:1:3 | 3290-382    | 7    | Rivet-Pop        | 13   | 104-8300    | 6    | Nut-HF, NI            |
| 3:2   | 117-8088    | 1    | Handle-Grab      | 14   | 114-7728    | 6    | Screw-HF              |
| 3:3   | 117-8092-03 | 1    | Plate-Mounting   | 15   | 117-6821    | 3    | Retainer-Spring, RH   |
| 3:4   | 104-8300    | 2    | Nut-HF, NI       | 99   | 32122-22    | 1    | Screw-PTH             |
| 4     | 92-2739     | 3    | Pin-Clevis       | 99   | 3219-14     | 1    | Nut-Hex               |
| 5     | 112-1491    | 3    | Pin-Cotter       | 99   | 65-8320     | 1    | Bar-Gauge             |
| 6     | 29-8910     | 3    | Washer           |      |             |      |                       |

● Not serviced separately



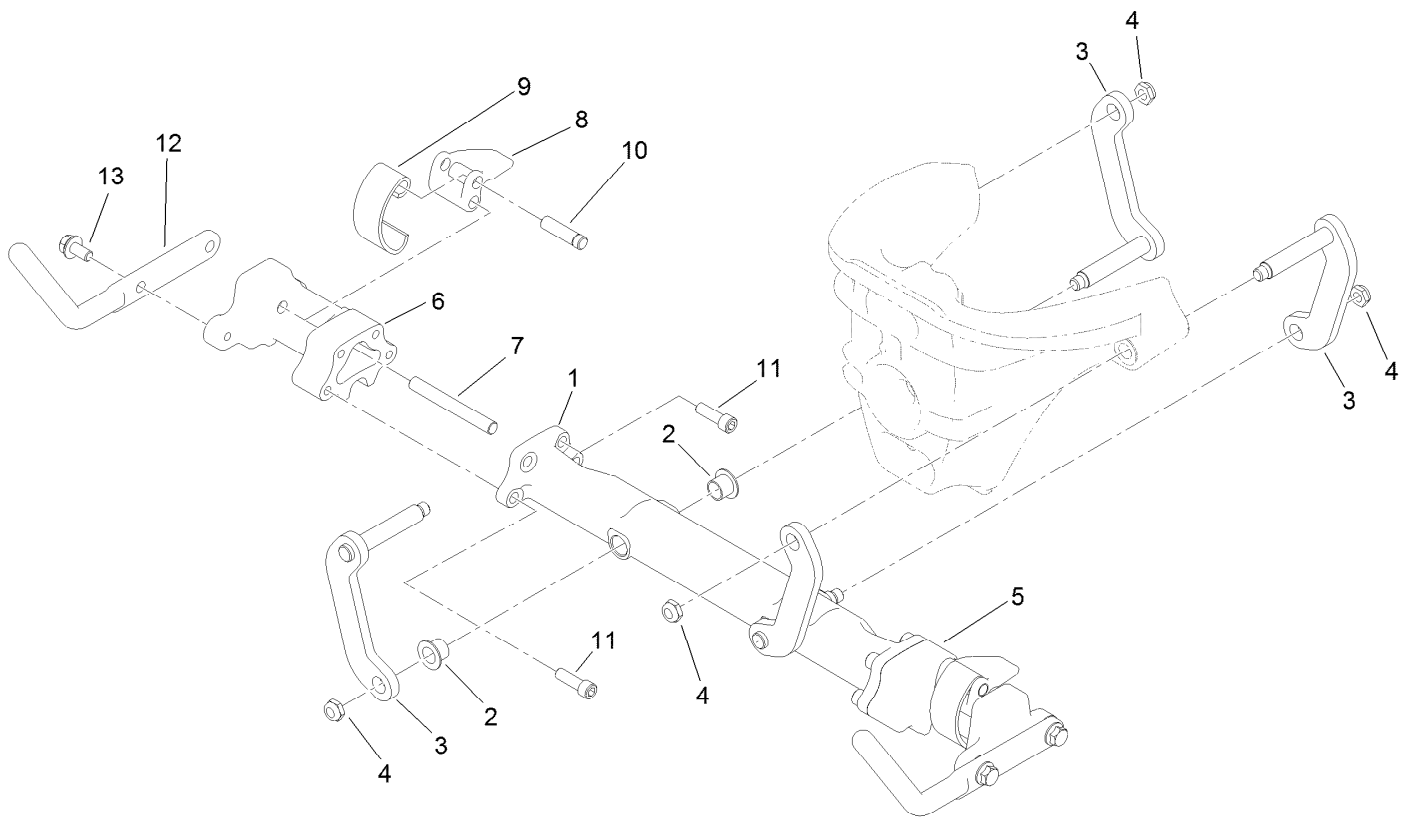
## Suspension Pin Position Assembly

| <i>Ref.</i> | <i>Part Number</i> | <i>Qty.</i> | <i>Description</i> |
|-------------|--------------------|-------------|--------------------|
| 1           | 100-6541           | 3           | Pin-Clevis         |
| 2           | 112-1491           | 3           | Pin-Cotter         |



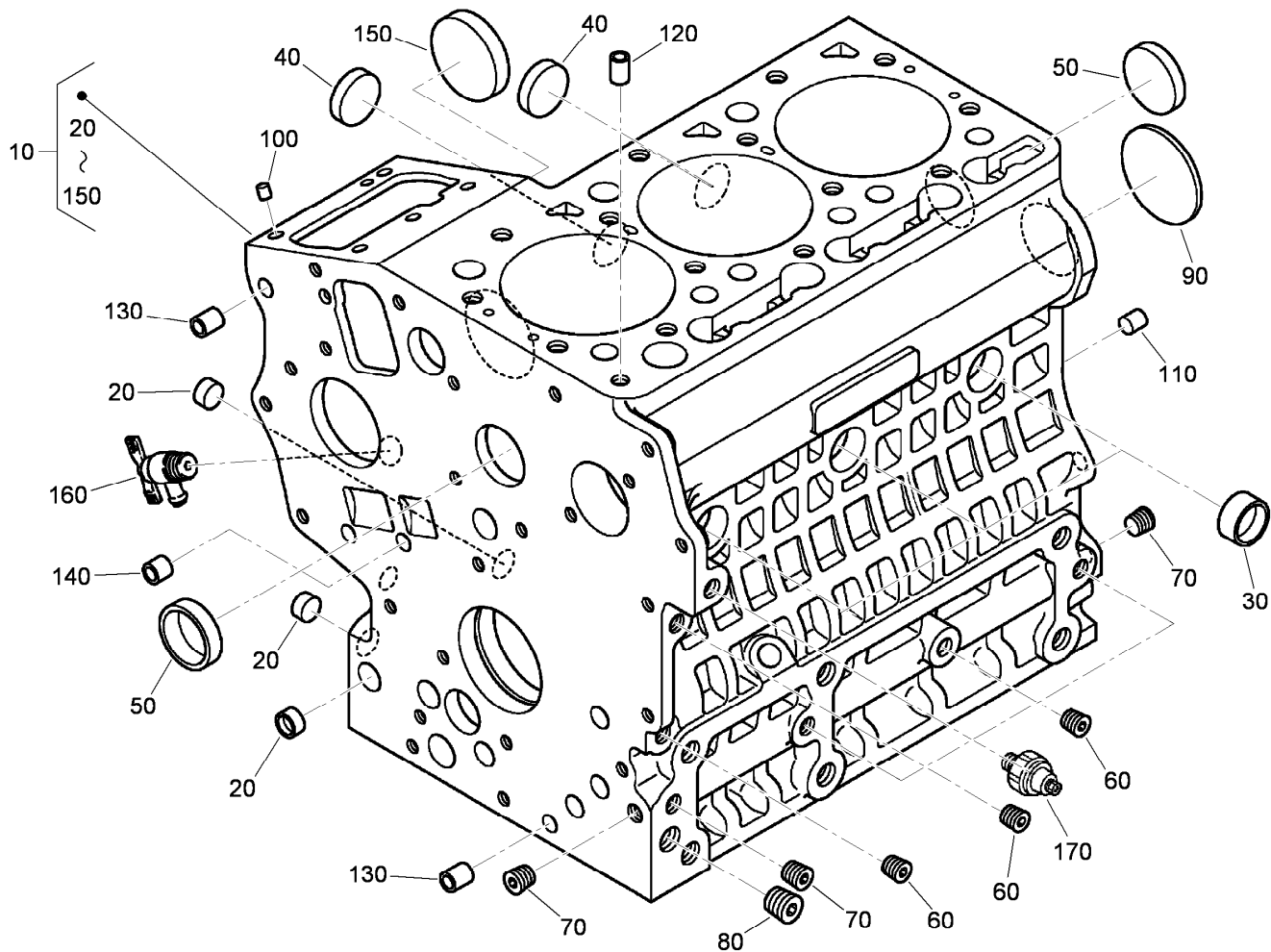
## Suspension A-Arm Assembly

| Ref. | Part Number | Qty. | Description         | Ref. | Part Number | Qty. | Description                |
|------|-------------|------|---------------------|------|-------------|------|----------------------------|
| 1    | 117-9480    | 1    | Mount-Pivot, A-Arms | 13   | 100-6116    | 2    | Screw-HHF                  |
| 2    | 117-6656    | 1    | A-Arm, Lower        | 14   | 132-3838    | 4    | Screw-HH                   |
| 3    | 117-6658    | 6    | Balljoint           | 19   | 104-8300    | 4    | Nut-HF, NI                 |
| 4    | 120-3225    | 6    | Ring-Retaining, EXT | 20   | 120-3216    | 1    | Steering Head ASM          |
| 5    | 117-6674    | 1    | Plate-Striker       | 21   | 93-2561     | 4    | Bushing-Flange             |
| 6    | 3269-28     | 2    | Rivet-Pop           | 22   | 117-6819    | 1    | Grommet                    |
| 7    | 117-6755    | 1    | Stop-Steering       | 23   | 117-6730    | 1    | Mount-Counterbalance       |
| 8    | 114-7728    | 5    | Screw-HF            | 24   | 114-9306    | 3    | Spring                     |
| 9    | 112-5647    | 6    | Clamp               | 25   | 117-6608    | 1    | Pin                        |
| 10   | 132-3837    | 8    | Screw-HHF           | 26   | 117-6738    | 1    | Arm-Tensioner              |
| 11   | 117-6648    | 1    | A-Arm, Upper        | 27   | 32151-29    | 1    | Ring-Retaining             |
| 12   | 117-6650    | 1    | Plate-Lift          | 28   | 120-3226    | 6    | Ring-Retaining, EXT (Clip) |



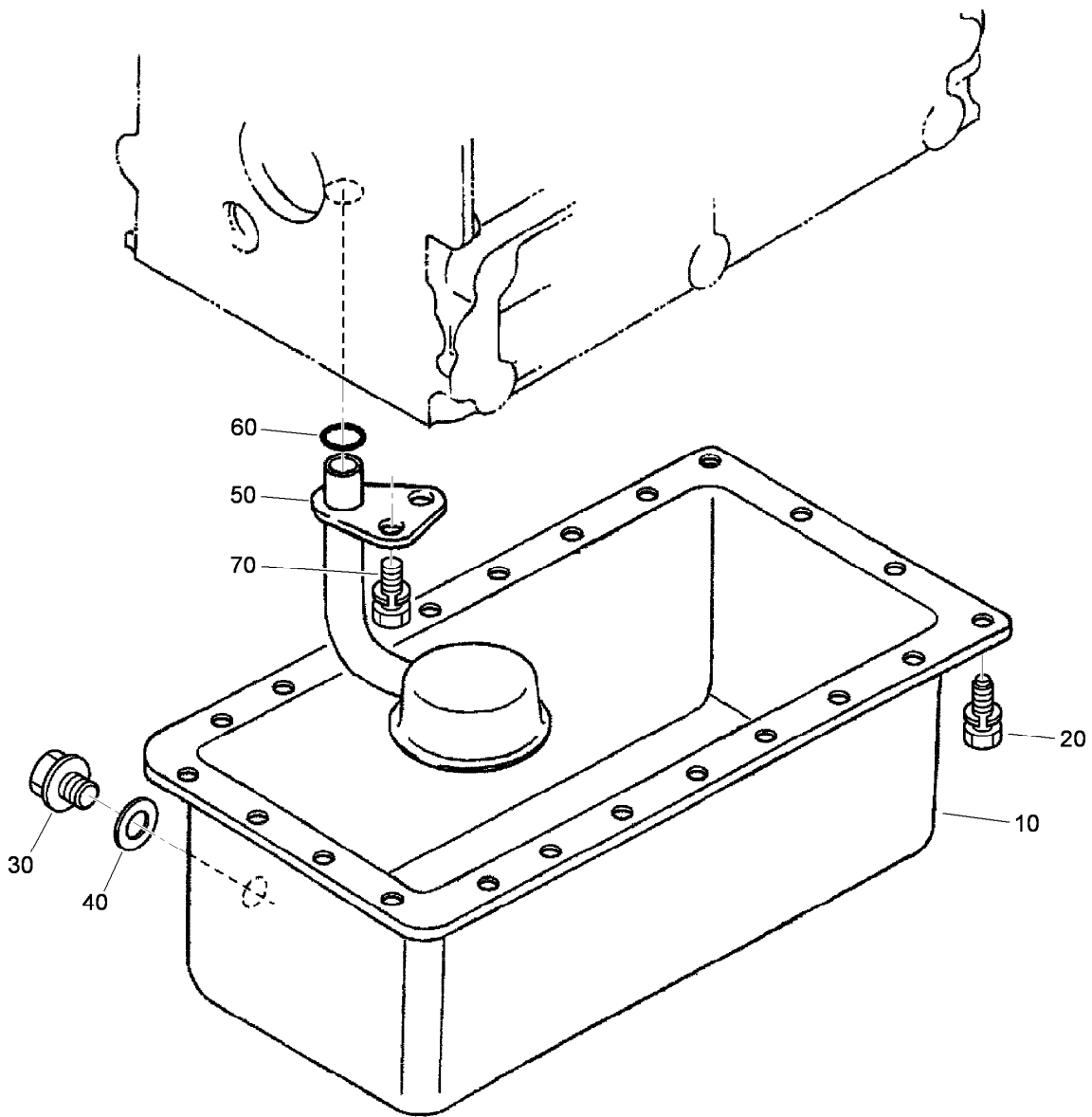
## Suspension Crossarm Assembly

| Ref. | Part Number | Qty. | Description         |
|------|-------------|------|---------------------|
| 1    | 120-3217    | 1    | Crossarm            |
| 2    | 93-2561     | 4    | Bushing-Flange      |
| 3    | 117-6654    | 4    | Link                |
| 4    | 3296-59     | 4    | Nut-Lock, NI        |
| 5    | 117-9482    | 1    | Mount-Cross Arm, LH |
| 6    | 117-9492    | 1    | Mount-Cross Arm, RH |
| 7    | 114-8051    | 2    | Pin-Pivot           |
| 8    | 114-8047    | 2    | Lever               |
| 9    | 114-8048    | 2    | Spring              |
| 10   | 114-8049    | 2    | Pin-Pivot           |
| 11   | 120-3227    | 8    | Screw-HSH           |
| 12   | 117-8091-03 | 2    | Horn-Basket         |
| 13   | 114-7728    | 4    | Screw-HF            |



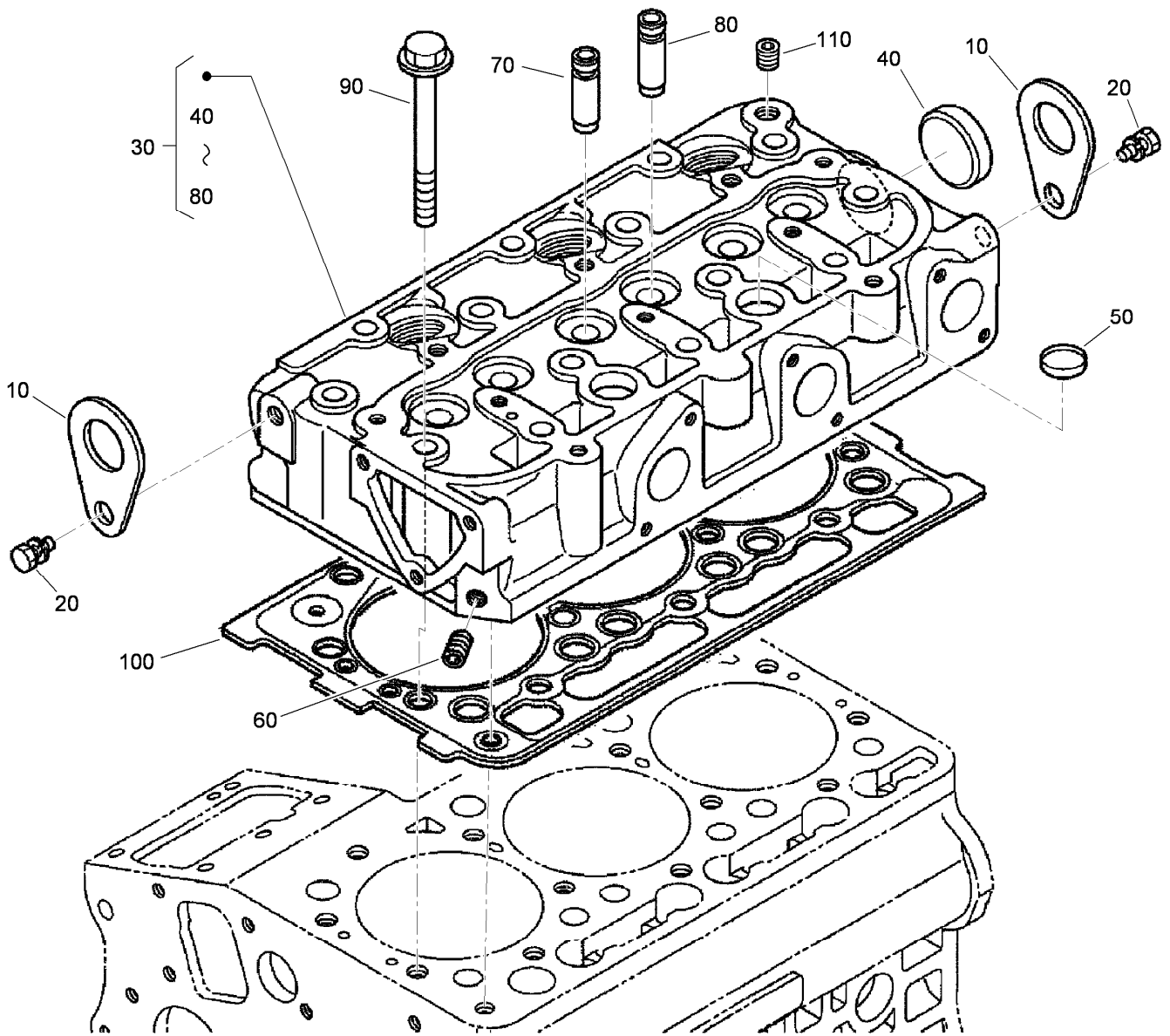
## Crankcase Assembly

| <i>Ref.</i> | <i>Part Number</i> | <i>Qty.</i> | <i>Description</i> | <i>Ref.</i> | <i>Part Number</i> | <i>Qty.</i> | <i>Description</i>   |
|-------------|--------------------|-------------|--------------------|-------------|--------------------|-------------|----------------------|
| 10          | 120-3120           | 1           | Crankcase ASM      | 100         | 98-9375            | 2           | Pin-Straight         |
| 20          | 100-2019           | 3           | Cap-Sealing        | 110         | 98-9377            | 2           | Pin-Straight         |
| 30          | 100-2020           | 3           | Cap-Sealing        | 120         | 98-7506            | 1           | Pin-Pipe             |
| 40          | 110-3702           | 2           | Cap-Sealing        | 130         | 98-9387            | 2           | Pin-Pipe             |
| 50          | 98-9398            | 2           | Cap-Sealing        | 140         | 100-2051           | 2           | Pin-Pipe             |
| 60          | 98-9687            | 5           | Plug               | 150         | 100-1991           | 1           | Cover-Fuel, Camshaft |
| 70          | 98-7487            | 3           | Plug               | 160         | 120-3121           | 1           | Draincock ASM        |
| 80          | 98-7488            | 1           | Plug               | 170         | 98-7764            | 1           | Switch-Oil           |
| 90          | 100-1851           | 1           | Plug-Expansion     |             |                    |             |                      |



## Oil Pan Assembly

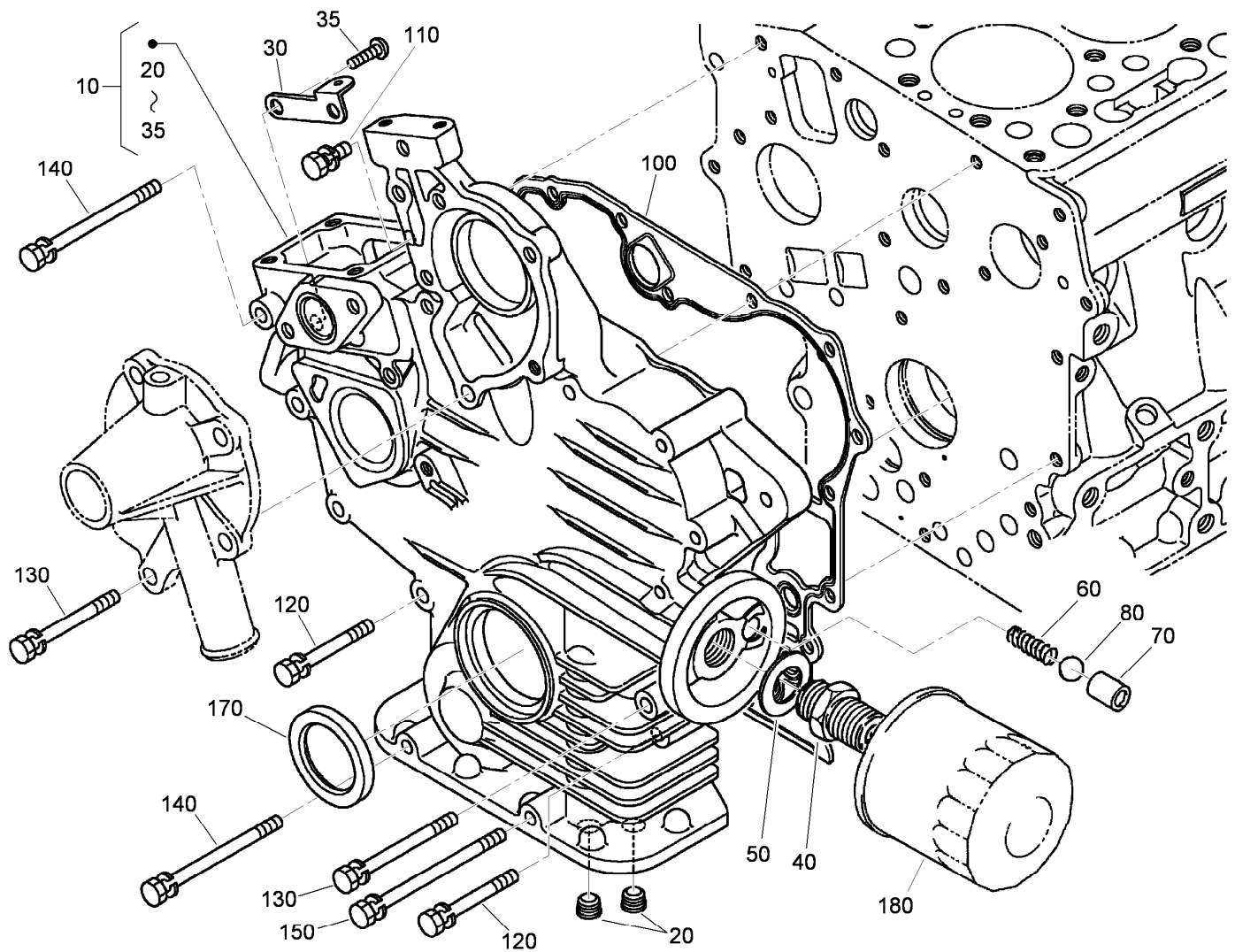
| <i>Ref.</i> | <i>Part Number</i> | <i>Qty.</i> | <i>Description</i>   |
|-------------|--------------------|-------------|----------------------|
| 10          | 120-3122           | 1           | Oil Pan ASM          |
| 20          | 98-9351            | 22          | Bolt                 |
| 30          | 114-8151           | 1           | Plug-Drain           |
| 40          | 98-7524            | 1           | Gasket               |
| 50          | 100-2001           | 1           | Strainer-Pickup, Oil |
| 60          | 105-3776           | 1           | O-Ring               |
| 70          | 100-9195           | 1           | Bolt                 |



## Cylinder Head Assembly

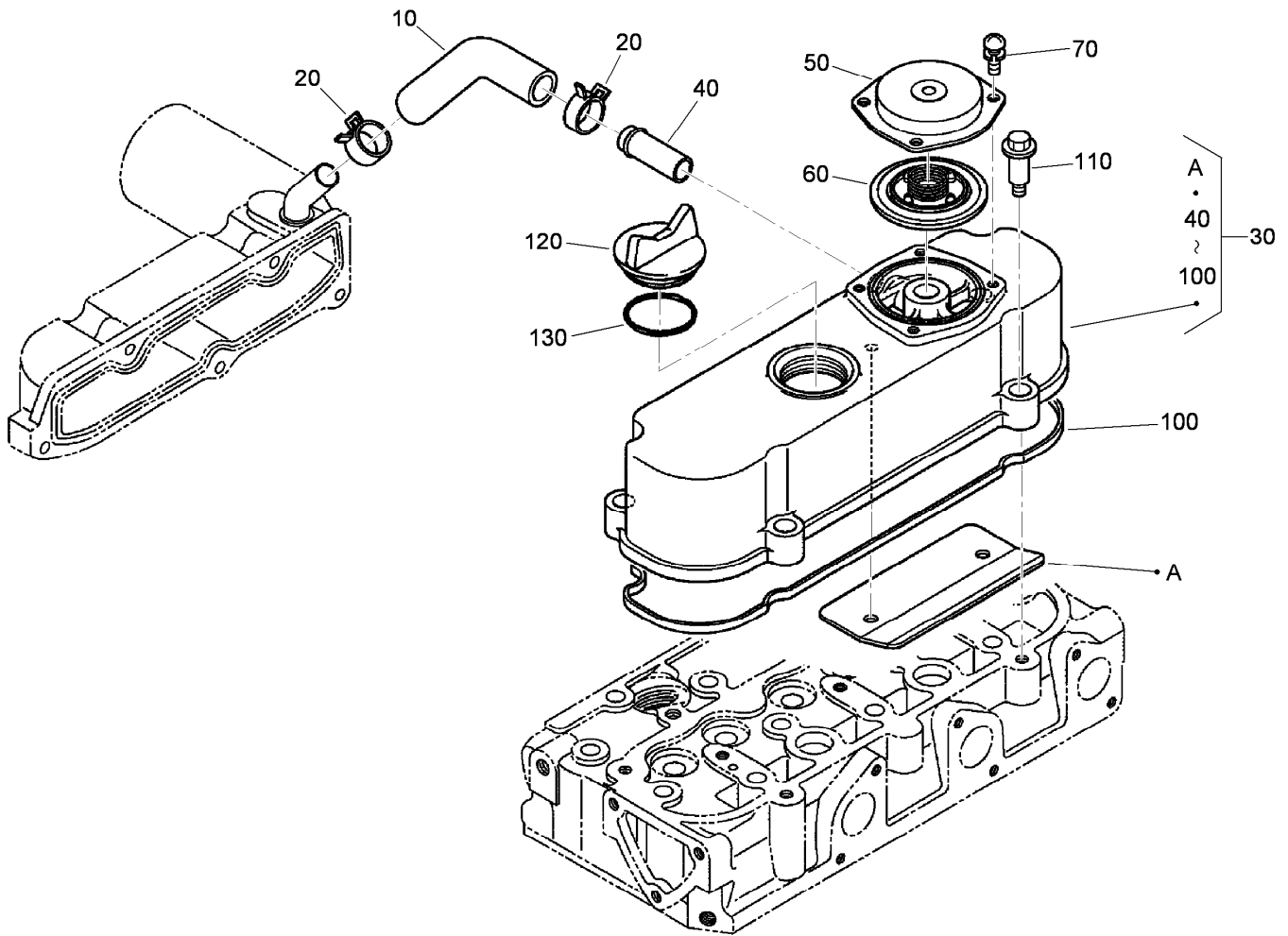
| <i>Ref.</i> | <i>Part Number</i> | <i>Qty.</i> | <i>Description</i>    |
|-------------|--------------------|-------------|-----------------------|
| 10          | 98-7531            | 2           | Hook-Engine           |
| 20          | 98-7526            | 2           | Bolt                  |
| 30          | 120-3123           | 1           | Cylinder Head ASM     |
| 40          | 105-3705           | 1           | Cap-Sealing           |
| 50          | 98-9389            | 2           | Cap-Sealing           |
| 60          | 98-7540            | 1           | Plug                  |
| 70          | 100-1882           | 3           | Guide-Valve, Inlet    |
| 80          | 100-1883           | 3           | Guide-Valve, Exhaust  |
| 90          | 100-1820           | 14          | Bolt-Head, Cylinder   |
| 100         | 112-2520           | 1           | Gasket-Head, Cylinder |
| 110         | 98-9444            | 1           | Plug                  |





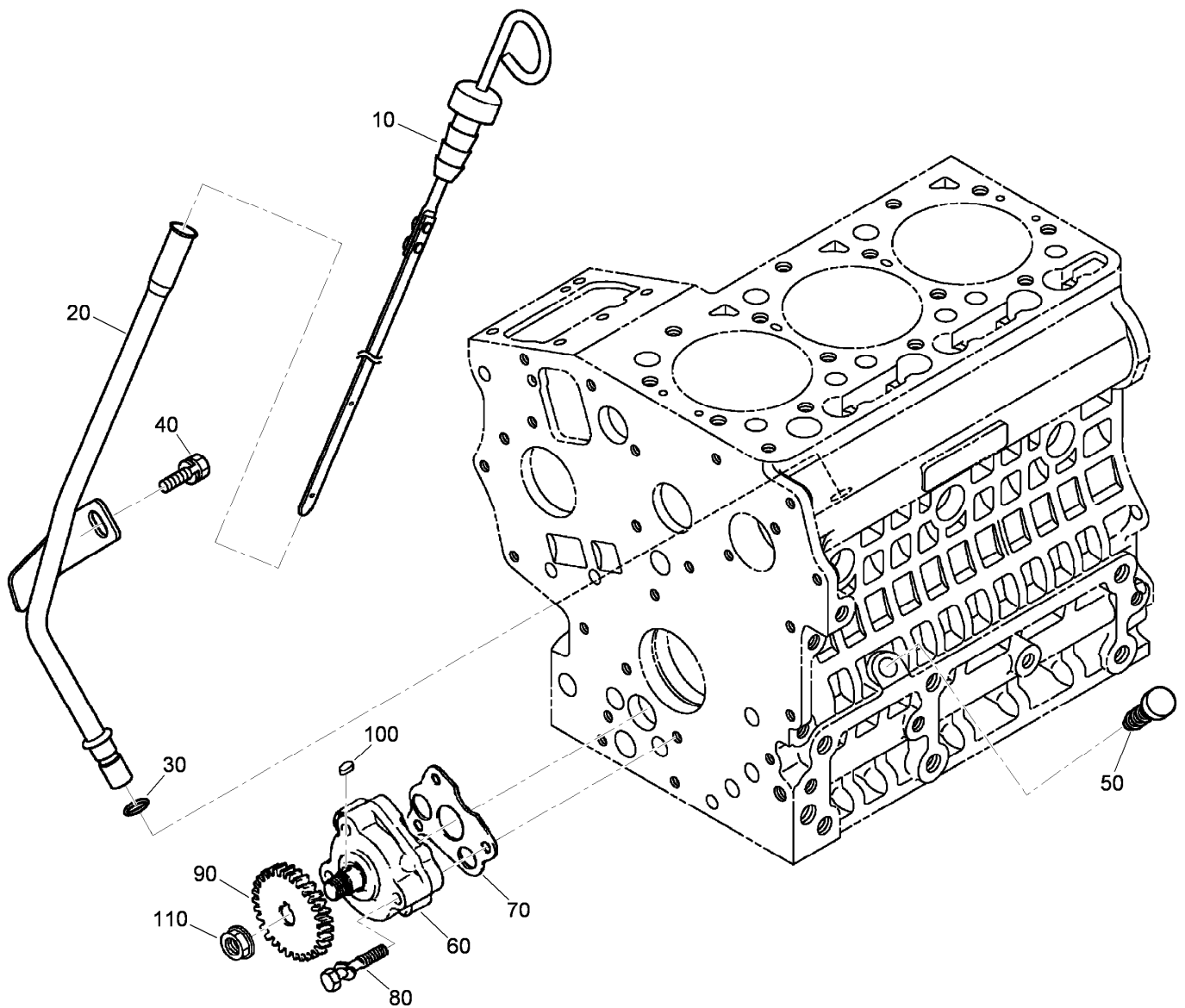
## Gear Case Assembly

| Ref. | Part Number | Qty. | Description        | Ref. | Part Number | Qty. | Description           |
|------|-------------|------|--------------------|------|-------------|------|-----------------------|
| 10   | 120-3138    | 1    | Gear Case ASM      | 100  | 117-0327    | 1    | Gasket-Case, Gear     |
| 20   | 98-7488     | 2    | Plug               | 110  | 98-7605     | 1    | Bolt                  |
| 30   | 110-3708    | 1    | Stay-Spring, Start | 120  | 105-3797    | 9    | Bolt                  |
| 35   | 100-2040    | 2    | Screw              | 130  | 100-1922    | 2    | Bolt                  |
| 40   | 98-9388     | 1    | Joint-Pipe         | 140  | 98-9357     | 2    | Bolt                  |
| 50   | 100-1926    | 1    | Washer-Plain       | 150  | 110-3710    | 1    | Bolt                  |
| 60   | 100-2004    | 1    | Spring             | 170  | 100-1971    | 1    | Seal-Oil              |
| 70   | 100-1894    | 1    | Seat-Valve         | 180  | 100-1892    | 1    | Cartridge-Filter, Oil |
| 80   | 100-1792    | 1    | Ball               |      |             |      |                       |



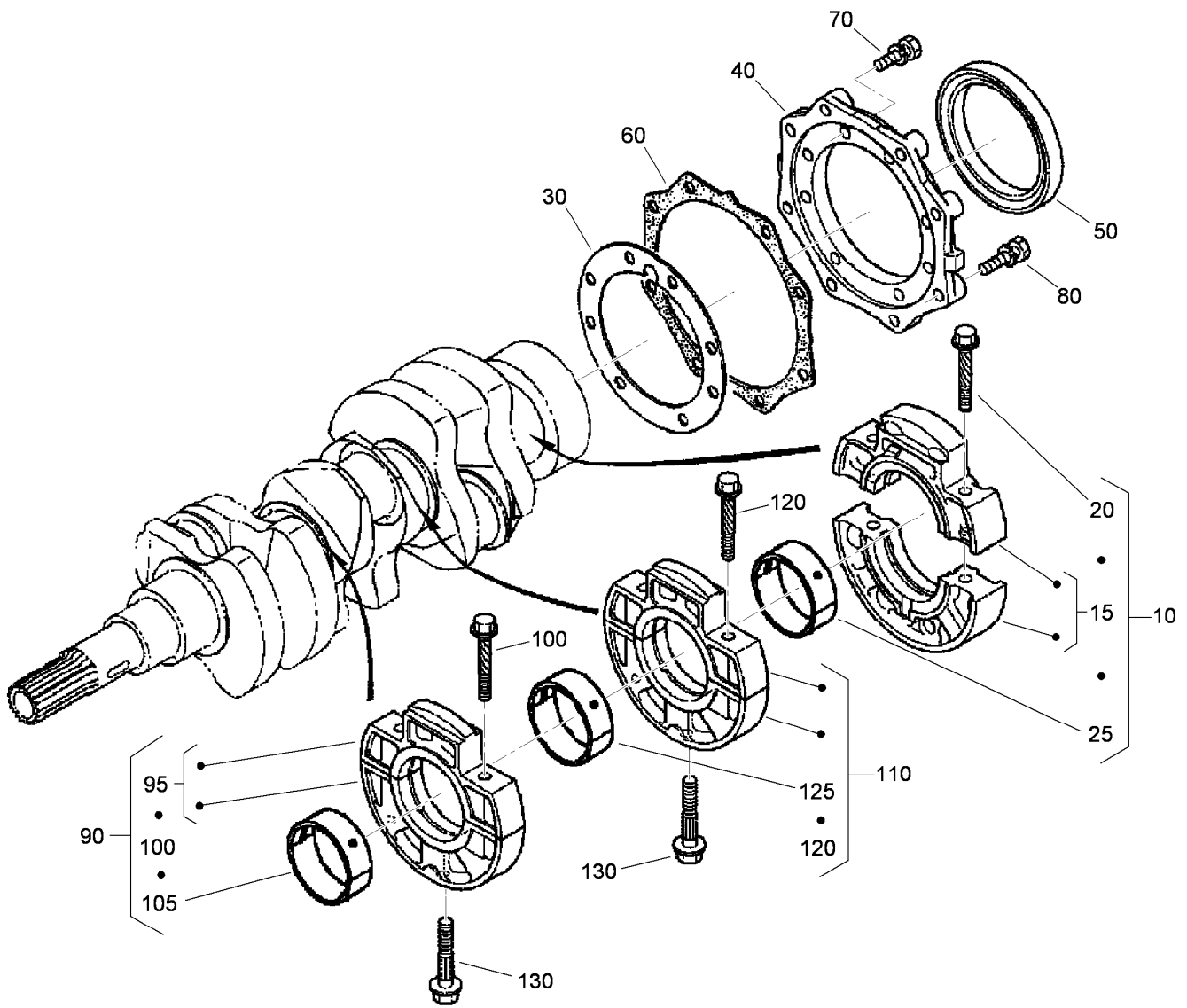
## Cylinder Head Cover Assembly

| <i>Ref.</i> | <i>Part Number</i> | <i>Qty.</i> | <i>Description</i>      |
|-------------|--------------------|-------------|-------------------------|
| 10          | 120-3139           | 1           | Tube-Breather           |
| 20          | 110-3712           | 2           | Clamp-Hose              |
| 30          | 112-8332           | 1           | Cylinder Head Cover ASM |
| 40          | 98-9580            | 1           | Pipe-Return, Water      |
| 50          | 110-3714           | 1           | Cover-Breather          |
| 60          | 110-3715           | 1           | Valve-Breather          |
| 70          | 98-9364            | 4           | Screw (With Washer)     |
| 100         | 112-2521           | 1           | Gasket-Cover, Head      |
| 110         | 108-7063           | 4           | Bolt                    |
| 120         | 107-9075           | 1           | Plug-Filler, Oil        |
| 130         | 120-2560           | 1           | O-Ring                  |



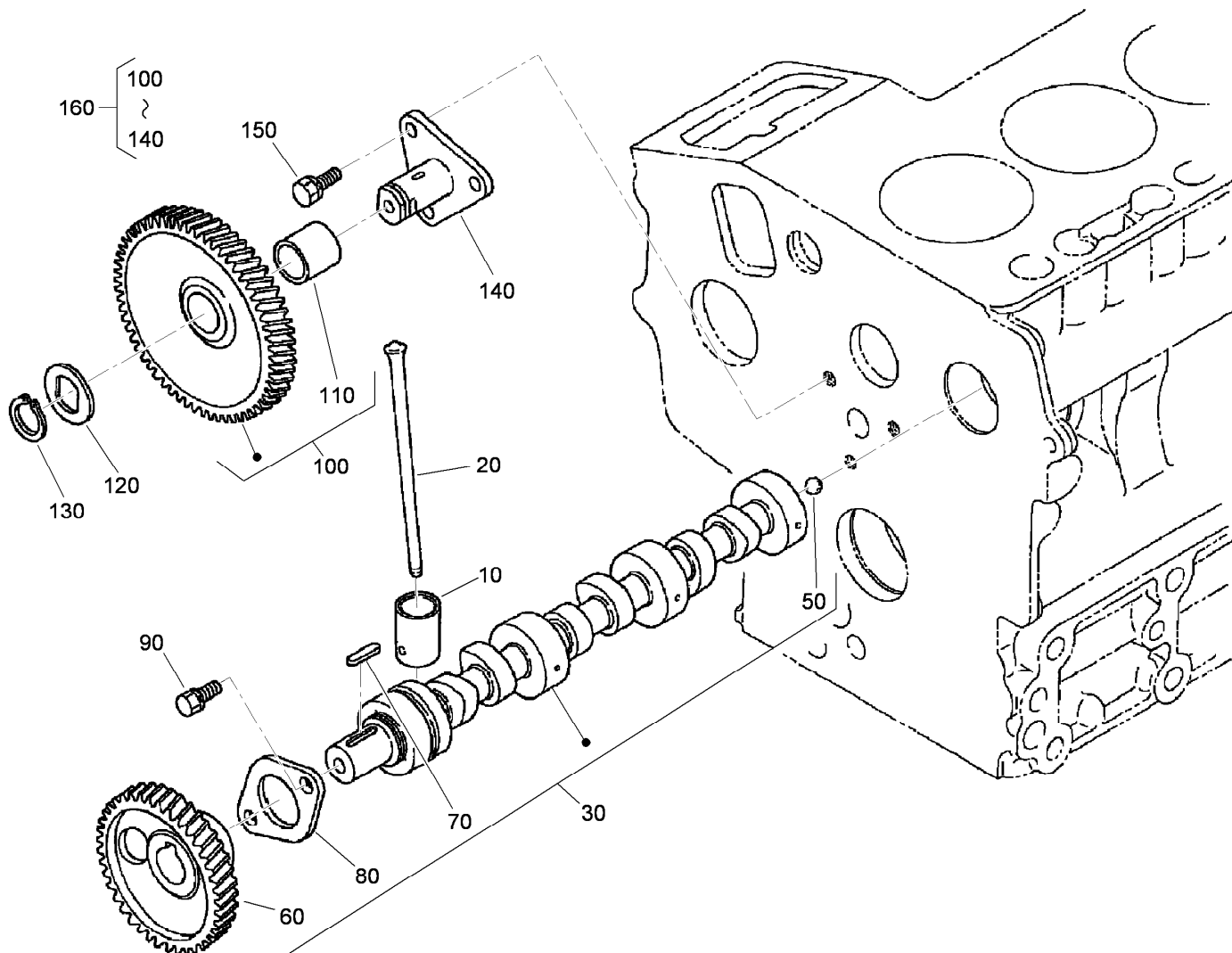
## Dipstick and Guide Assembly

| Ref. | Part Number | Qty. | Description          |
|------|-------------|------|----------------------|
| 10   | 120-3124    | 1    | Gauge-Oil            |
| 20   | 120-3125    | 1    | Guide-Gauge, Oil     |
| 30   | 98-9722     | 1    | O-Ring               |
| 40   | 115-8504    | 1    | Bolt-Flange          |
| 50   | 110-3720    | 1    | Plug-Gauge, Oil      |
| 60   | 100-2002    | 1    | Oil Pump ASM         |
| 70   | 100-2003    | 1    | Gasket-Pump, Oil     |
| 80   | 100-1923    | 3    | Bolt                 |
| 90   | 100-1893    | 1    | Gear-Drive, Oil Pump |
| 100  | 98-7658     | 1    | Key-Feather          |
| 110  | 100-1779    | 1    | Nut-Flange           |



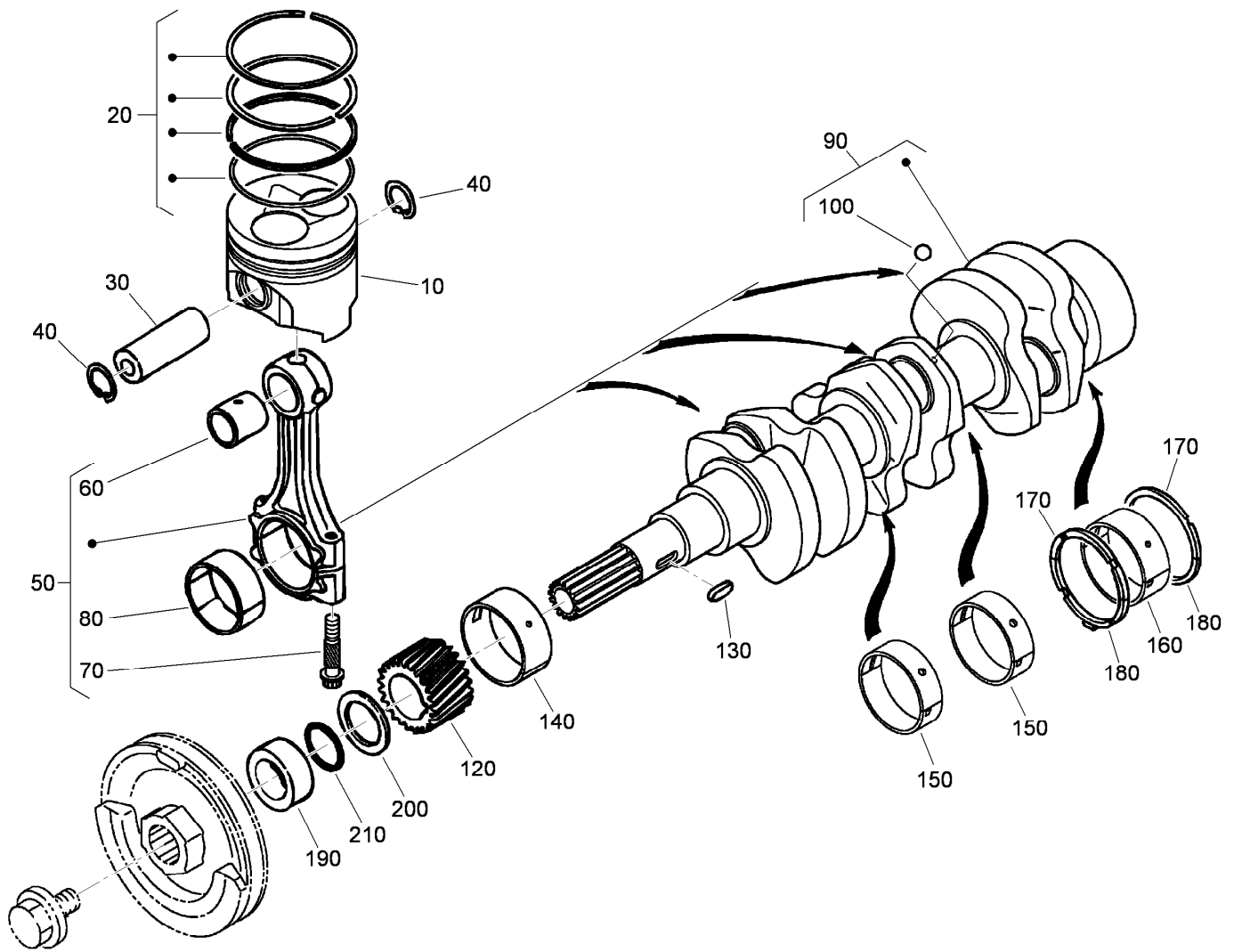
## Main Bearing Case Assembly

| <i>Ref.</i> | <i>Part Number</i> | <i>Qty.</i> | <i>Description</i>         | <i>Ref.</i> | <i>Part Number</i> | <i>Qty.</i> | <i>Description</i>         |
|-------------|--------------------|-------------|----------------------------|-------------|--------------------|-------------|----------------------------|
| 10          | 112-2494           | 1           | Wheel Case Bearing ASM     | 90          | 112-2495           | 1           | Main Case Bearing ASM      |
| 15          | 110-3722           | 1           | Main Bearing Case ASM      | 95          | 110-3722           | 1           | Main Bearing Case ASM      |
| 20          | 110-3723           | 2           | Bolt-Case, Bearing         | 100         | 110-3723           | 2           | Bolt-Case, Bearing         |
| 25          | 110-3744           | 1           | Crankshaft Metal ASM (STD) | 105         | 110-3741           | 1           | Crankshaft Metal ASM (STD) |
| 30          | 100-1873           | 1           | Gasket-Case, Bearing       | 110         | 112-2496           | 1           | Main Case Bearing ASM      |
| 40          | 112-8334           | 1           | Cover-Case, Bearing        | 120         | 110-3723           | 2           | Bolt-Case, Bearing         |
| 50          | 110-3724           | 1           | Seal-Oil                   | 125         | 110-3741           | 1           | Crankshaft Metal ASM (STD) |
| 60          | 100-1876           | 1           | Gasket-Cover, Case         | 130         | 100-1874           | 2           | Bolt-Case, Bearing         |
| 70          | 98-7568            | 8           | Bolt                       |             |                    |             |                            |
| 80          | 100-1750           | 8           | Bolt                       |             |                    |             |                            |



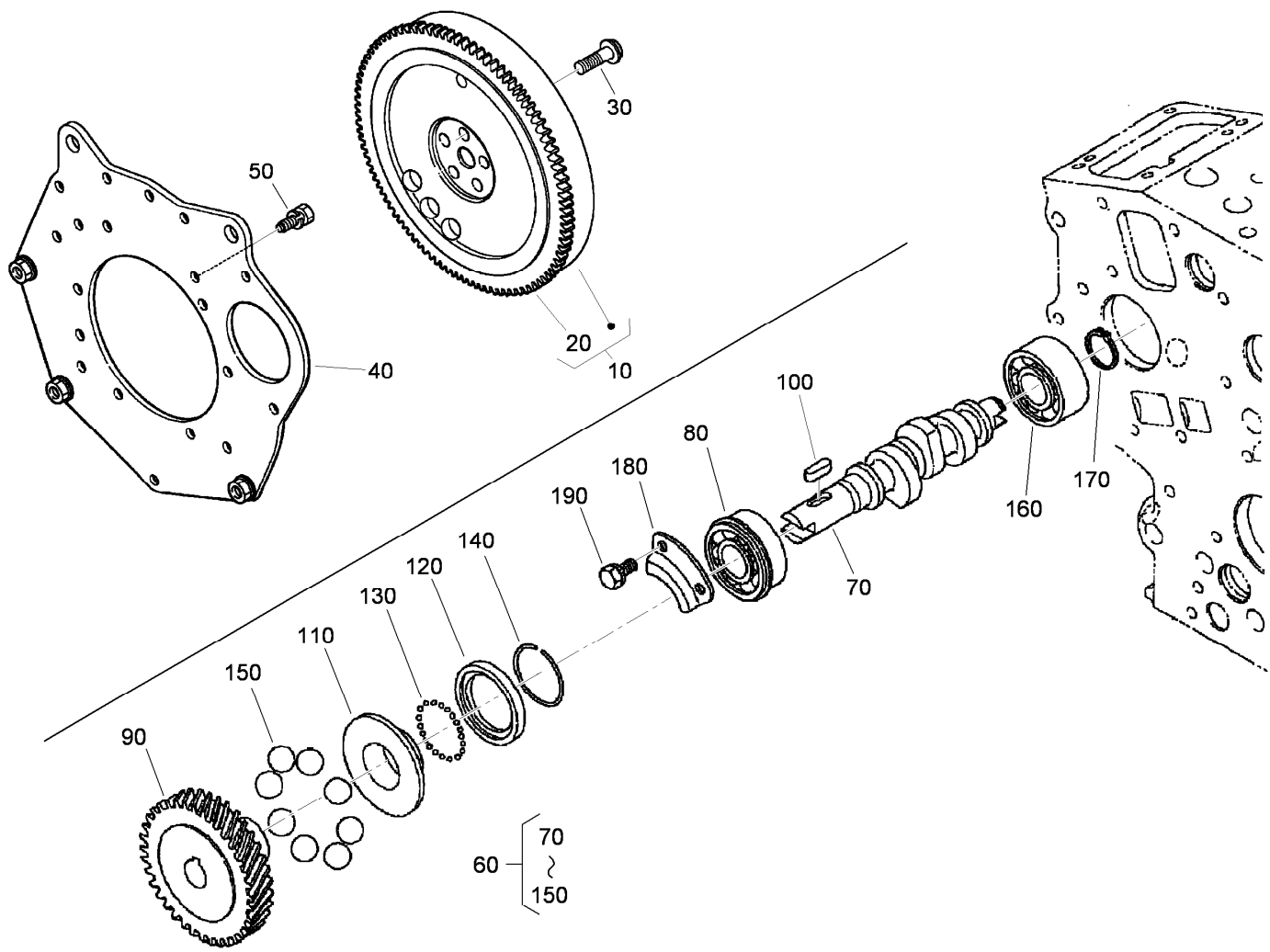
## Cam Shaft and Idle Gear Shaft Assembly

| Ref. | Part Number | Qty. | Description       |
|------|-------------|------|-------------------|
| 10   | 110-3727    | 6    | Tappet            |
| 20   | 100-1989    | 6    | Rod-Push          |
| 30   | 120-3126    | 1    | Camshaft ASM      |
| 50   | 110-3729    | 1    | Ball              |
| 60   | 100-1889    | 1    | Gear-Camshaft     |
| 70   | 98-9378     | 1    | Key-Feather       |
| 80   | 100-1887    | 1    | Stopper-Camshaft  |
| 90   | 98-9350     | 2    | Bolt              |
| 100  | 100-1966    | 1    | Gear-Idle         |
| 110  | 100-1968    | 1    | Bushing           |
| 120  | 100-1970    | 1    | Collar-Gear, Idle |
| 130  | 100-1969    | 1    | Ring-Snap         |
| 140  | 100-1967    | 1    | Shaft-Gear, Idle  |
| 150  | 98-9351     | 3    | Bolt              |
| 160  | 100-2240    | 1    | Idle Gear ASM     |



## Piston and Crankshaft Assembly

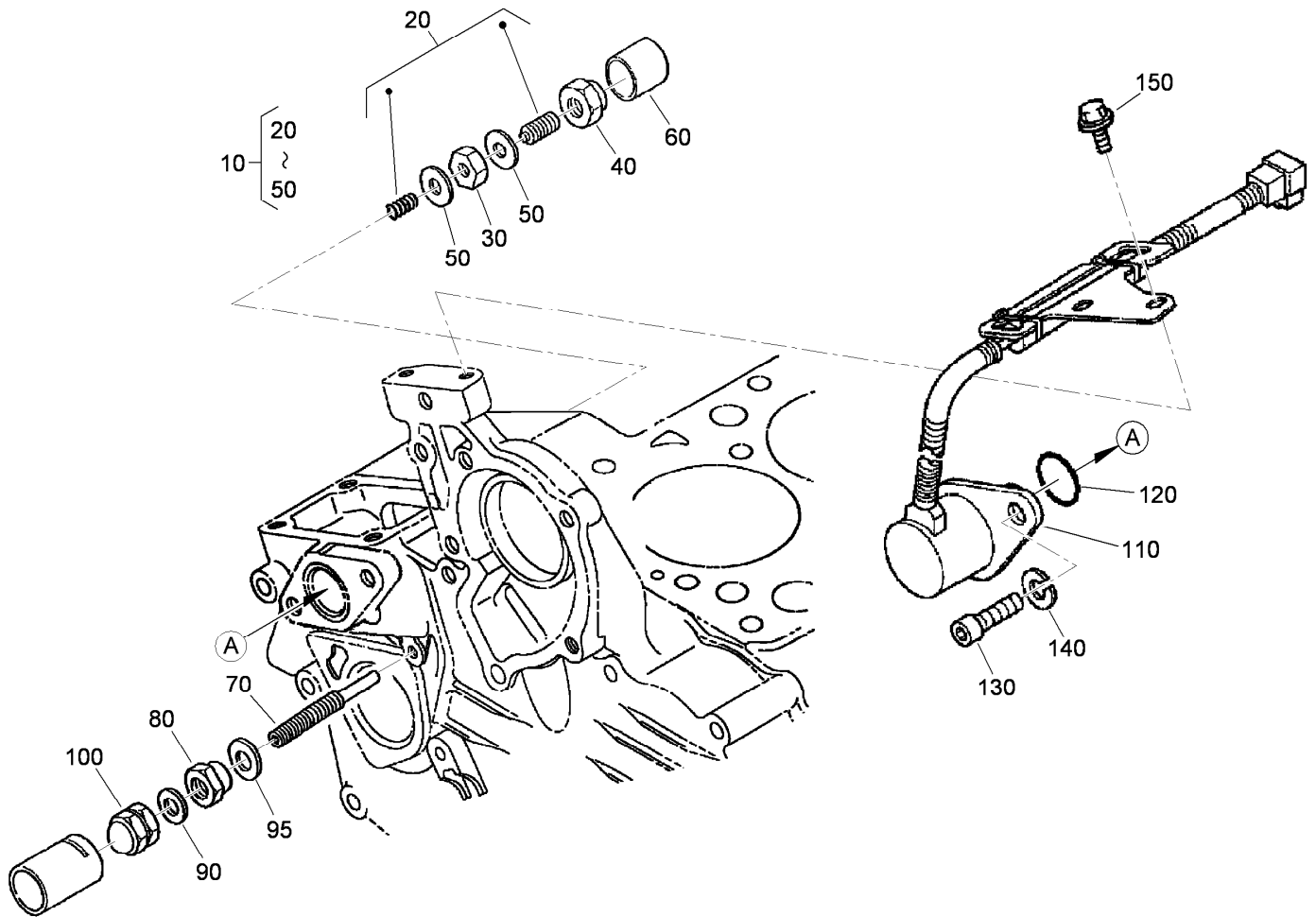
| Ref. | Part Number | Qty. | Description                | Ref. | Part Number | Qty. | Description                    |
|------|-------------|------|----------------------------|------|-------------|------|--------------------------------|
| 10   | 117-8849    | 3    | Piston STD                 | 150  | 110-3741    | 2    | Crankshaft Metal ASM (STD)     |
| 10   | 112-8399    | 3    | Piston (+.25MM)            | 150  | 110-3742    | 2    | Crankshaft Metal ASM (-0.20MM) |
| 20   | 110-3732    | 3    | Piston Ring ASM (STD)      | 150  | 110-3743    | 2    | Crankshaft Metal ASM (-0.40Mm) |
| 20   | 110-3733    | 3    | Piston Ring ASM (+.25MM)   | 160  | 110-3744    | 1    | Crankshaft Metal ASM (STD)     |
| 30   | 110-3734    | 3    | Pin-Piston                 | 160  | 110-3745    | 1    | Crankshaft Metal ASM (-0.20MM) |
| 40   | 100-1835    | 6    | Circlip-Internal           | 160  | 110-3746    | 1    | Crankshaft Metal ASM (-0.40MM) |
| 50   | 110-3735    | 3    | Connecting Rod ASM         | 170  | 100-1836    | 2    | Metal-Side (STD)               |
| 60   | 110-3736    | 3    | Bushing-Pin, Piston        | 170  | 100-1838    | 2    | Metal-Side (+0.20MM)           |
| 70   | 100-1999    | 6    | Bolt-Rod, Connecting       | 170  | 100-1839    | 2    | Metal-Side (+0.40MM)           |
| 80   | 100-2000    | 3    | Metal-Crankpin (STD)       | 180  | 117-0309    | 2    | Metal-Side (STD)               |
| 80   | 100-1942    | 3    | Metal-Crankpin (-0.20Mm)   | 180  | 117-0310    | 2    | Metal-Side (+0.20Mm)           |
| 80   | 100-1943    | 3    | Metal-Crankpin (-0.40Mm)   | 180  | 117-0311    | 2    | Metal-Side (+0.40Mm)           |
| 90   | 117-0308    | 1    | Crankshaft                 | 190  | 100-1890    | 1    | Collar-Crankshaft              |
| 100  | 100-1791    | 3    | Ball                       | 200  | 100-1974    | 1    | Slinger-Oil                    |
| 120  | 100-1891    | 1    | Gear-Crankshaft            | 210  | 100-2209    | 1    | O-Ring                         |
| 130  | 100-1752    | 1    | Key-Feather                |      |             |      |                                |
| 140  | 110-3738    | 1    | Metal-Crankshaft (STD)     |      |             |      |                                |
| 140  | 110-3739    | 1    | Metal-Crankshaft (-0.20MM) |      |             |      |                                |
| 140  | 110-3740    | 1    | Metal-Crankshaft (-0.40MM) |      |             |      |                                |



## Flywheel and Fuel Camshaft Assembly

| <i>Ref.</i> | <i>Part Number</i> | <i>Qty.</i> | <i>Description</i>   |
|-------------|--------------------|-------------|----------------------|
| 10          | 120-3128           | 1           | Flywheel ASM         |
| 20          | 120-3129           | 1           | Ring-Gear            |
| 30          | 100-1930           | 5           | Bolt-Flywheel        |
| 40          | 120-3130           | 1           | Plate-End, Rear      |
| 50          | 110-3754           | 10          | Bolt                 |
| 60          | 112-8335           | 1           | Fuel Camshaft ASM    |
| 70          | 112-2818           | 1           | Camshaft-Fuel        |
| 80          | 100-1795           | 1           | Bearing-Ball         |
| 90          | 100-2006           | 1           | Gear-Pump, Injection |
| 100         | 100-1752           | 1           | Key-Feather          |

| <i>Ref.</i> | <i>Part Number</i> | <i>Qty.</i> | <i>Description</i>     |
|-------------|--------------------|-------------|------------------------|
| 110         | 112-8336           | 1           | Sleeve-Governor        |
| 120         | 100-1904           | 1           | Case-Ball, Governor    |
| 130         | 100-1790           | 32          | Ball                   |
| 140         | 100-1843           | 1           | Circ-Clip              |
| 150         | 100-1793           | 8           | Ball                   |
| 160         | 110-3757           | 1           | Bearing-Ball           |
| 170         | 100-1784           | 1           | Circ-Clip, External    |
| 180         | 100-1888           | 1           | Stopper-Fuel, Camshaft |
| 190         | 98-9350            | 2           | Bolt                   |

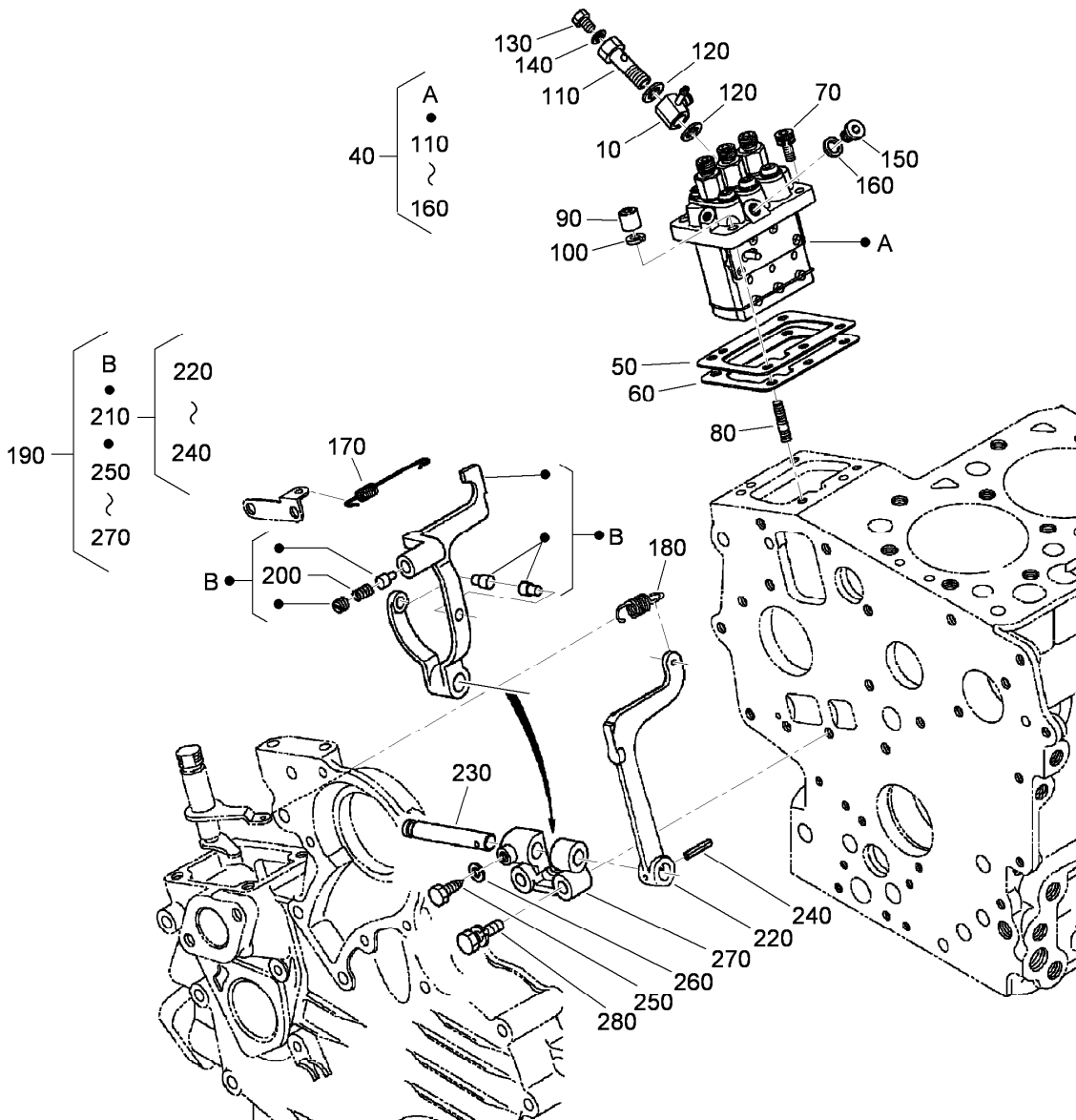


## Idle Apparatus and Stop Solenoid Assembly

| Ref. | Part Number | Qty. | Description        |
|------|-------------|------|--------------------|
| 10   | 100-1898    | 1    | Idle Apparatus ASM |
| 20   | 100-1899    | 1    | Adjusting Bolt ASM |
| 30   | 100-1846    | 1    | Nut                |
| 40   | 100-1901    | 1    | Nut-Cap            |
| 50   | 98-7428     | 2    | Gasket             |
| 60   | 100-1902    | 1    | Cap                |
| 70   | 110-3758    | 1    | Bolt-Adjusting     |
| 80   | 100-2175    | 1    | Nut-Lock           |

| Ref. | Part Number | Qty. | Description       |
|------|-------------|------|-------------------|
| 90   | 98-7654     | 1    | Gasket            |
| 95   | 107-9081    | 1    | Gasket            |
| 100  | 99-8387     | 1    | Nut-Cap           |
| 110  | 117-2719    | 1    | Solenoid Stop ASM |
| 120  | 110-3762    | 1    | O-Ring            |
| 130  | 110-3763    | 2    | Bolt-HSH          |
| 140  | 98-7699     | 2    | Washer-Spring     |
| 150  | 100-1774    | 2    | Bolt-Flange       |

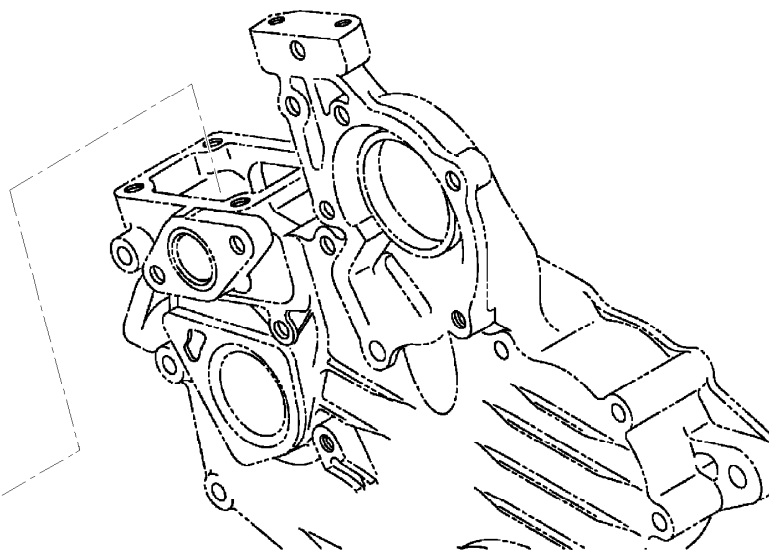
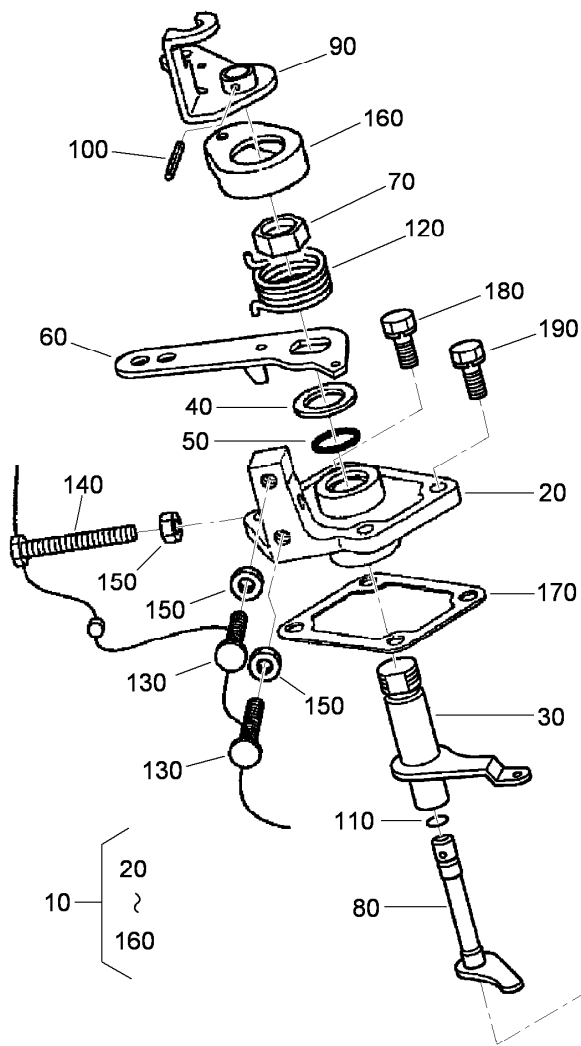




## Injection Pump and Governor Assembly

| Ref. | Part Number | Qty. | Description              |
|------|-------------|------|--------------------------|
| 10   | 110-3764    | 1    | Joint                    |
| 40   | 110-3765    | 1    | Injection Pump ASM       |
| 50   | 115-3045    | 1    | Shim-Injection (0.175MM) |
| 50   | 98-9456     | 1    | Shim-Injection (0.20MM)  |
| 50   | 98-9457     | 1    | Shim-Injection (0.25MM)  |
| 60   | 98-9458     | 1    | Shim-Injection (0.30MM)  |
| 60   | 115-3046    | 1    | Shim-Injection (0.35MM)  |
| 70   | 98-9361     | 2    | Bolt-HSH                 |
| 80   | 98-9438     | 2    | Stud                     |
| 90   | 98-9440     | 2    | Nut-Cap                  |
| 100  | 98-7699     | 4    | Washer-Spring            |
| 110  | 100-1896    | 1    | Screw-Hollow             |
| 120  | 98-9445     | 2    | Gasket                   |
| 130  | 98-9430     | 1    | Screw                    |
| 140  | 98-9446     | 1    | Gasket                   |

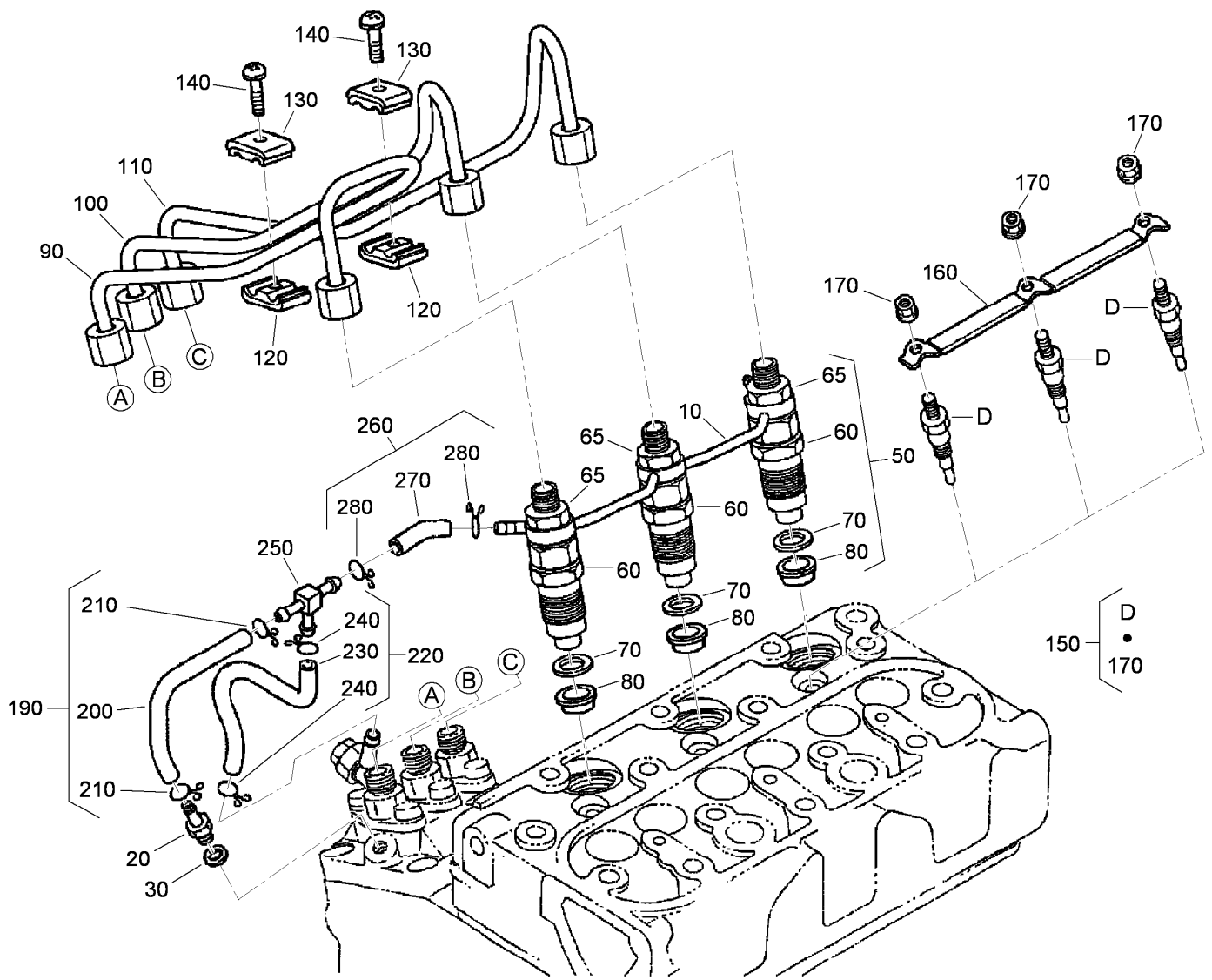
| Ref. | Part Number | Qty. | Description        |
|------|-------------|------|--------------------|
| 150  | 98-9466     | 1    | Plug               |
| 160  | 98-9451     | 1    | Gasket             |
| 170  | 110-3766    | 1    | Spring-Start       |
| 180  | 110-3767    | 1    | Spring-Governor    |
| 190  | 120-3131    | 1    | Fork Lever ASM     |
| 200  | 120-3132    | 1    | Spring             |
| 210  | 100-1905    | 1    | Fork Lever ASM     |
| 220  | 100-1907    | 1    | Lever-Fork         |
| 230  | 100-1908    | 1    | Shaft-Lever, Fork  |
| 240  | 100-1751    | 1    | Pin-Spring         |
| 250  | 100-1845    | 1    | Bolt               |
| 260  | 100-2204    | 1    | Washer-Spring      |
| 270  | 100-1909    | 1    | Holder-Lever, Fork |
| 280  | 100-1763    | 2    | Bolt               |



## Speed Control Plate Assembly

| Ref. | Part Number | Qty. | Description             |
|------|-------------|------|-------------------------|
| 10   | 110-3769    | 1    | Speed Control Plate ASM |
| 20   | 110-3770    | 1    | Plate-Control, Speed    |
| 30   | 110-3771    | 1    | Lever-Governor          |
| 40   | 110-3772    | 1    | Collar                  |
| 50   | 100-2208    | 1    | O-Ring                  |
| 60   | 110-3773    | 1    | Lever-Control, Speed    |
| 70   | 110-3774    | 1    | Nut-Control, Speed      |
| 80   | 110-3775    | 1    | Shaft-Lever             |
| 90   | 110-3776    | 1    | Lever-Stop, Engine      |
| 100  | 110-3777    | 1    | Pin-Spring              |

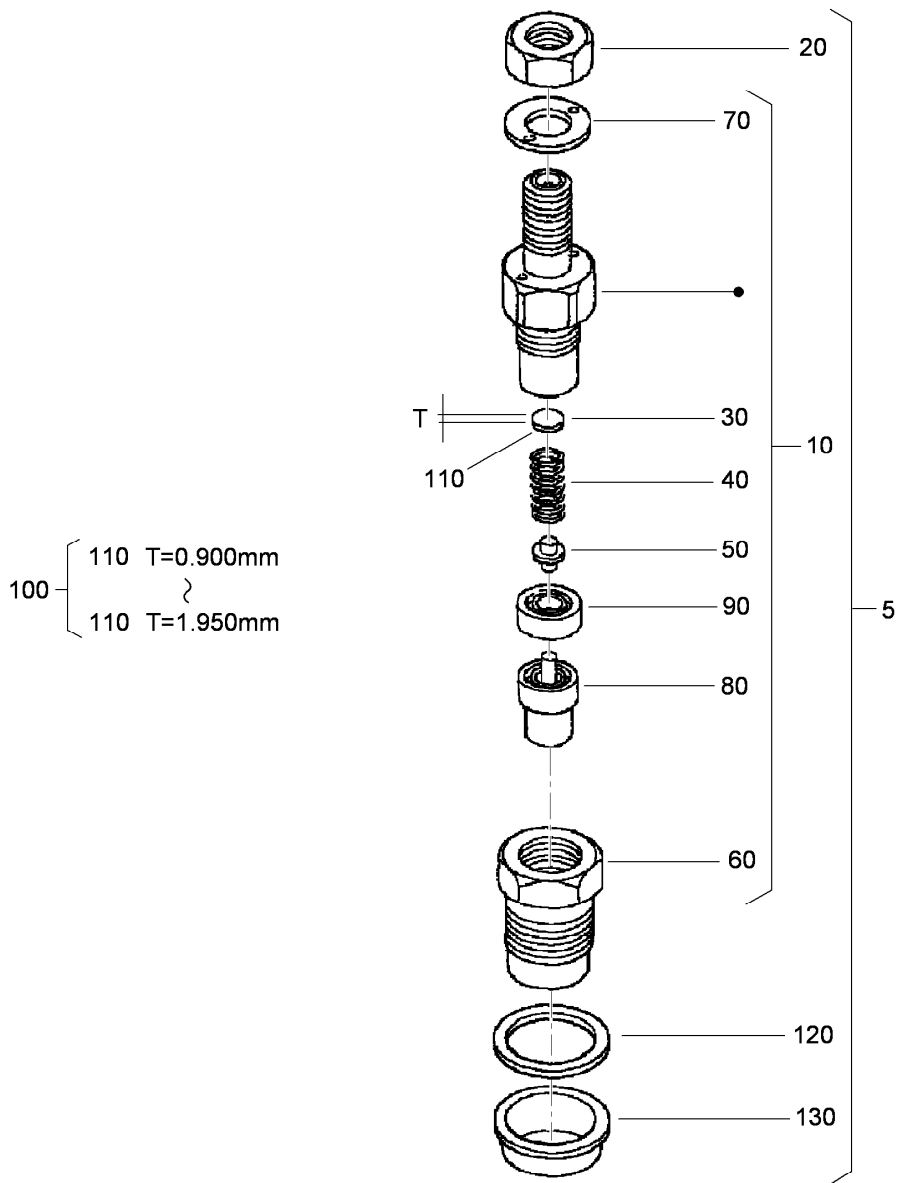
| Ref. | Part Number | Qty. | Description           |
|------|-------------|------|-----------------------|
| 110  | 100-2207    | 1    | O-Ring                |
| 120  | 110-3778    | 1    | Spring-Return         |
| 130  | 120-3133    | 2    | Screw-Stopper         |
| 140  | 120-3134    | 1    | Bolt                  |
| 150  | 98-7572     | 3    | Nut                   |
| 160  | 110-3779    | 1    | Cap                   |
| 170  | 100-1962    | 1    | Gasket-Plate, Control |
| 180  | 98-7605     | 2    | Bolt                  |
| 190  | 112-2507    | 2    | Bolt                  |



## Nozzle Holder and Glow Plug Assembly

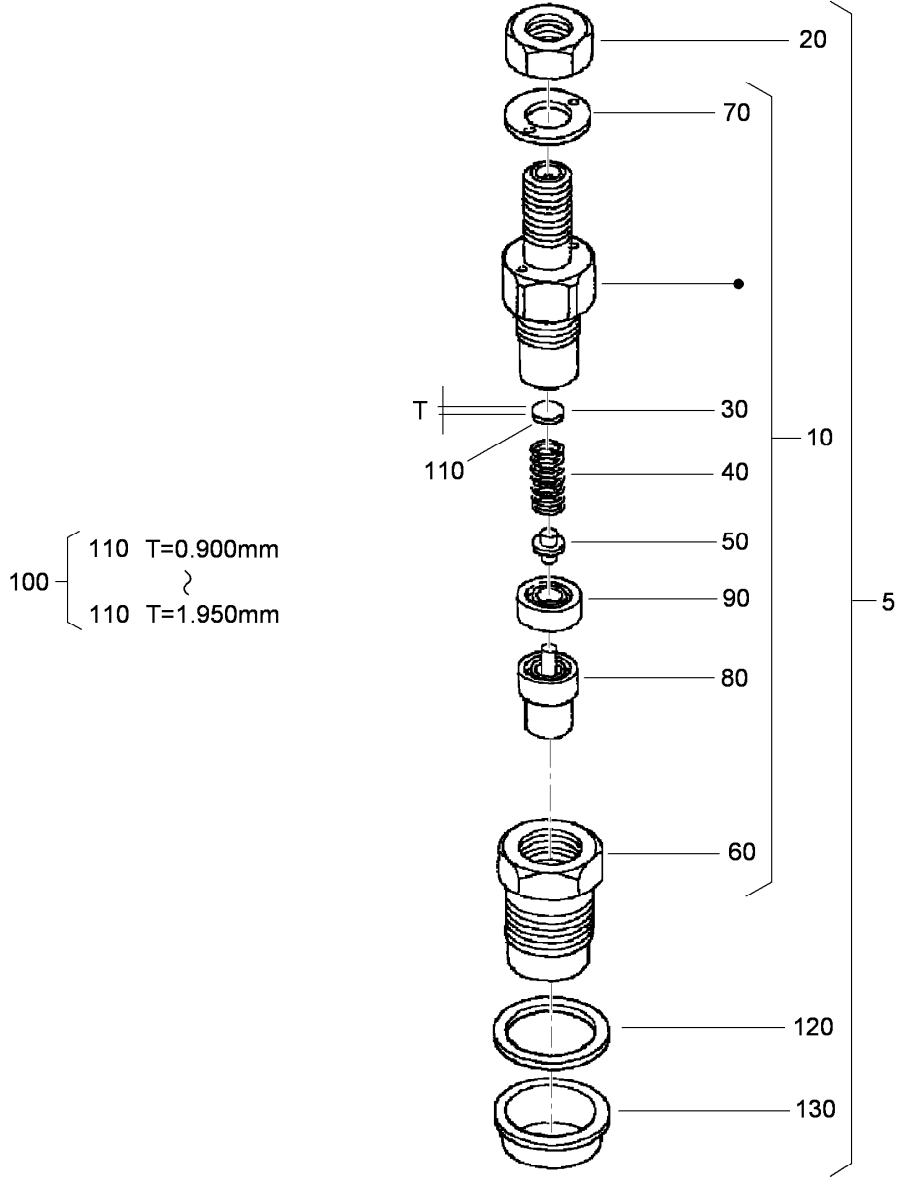
| Ref. | Part Number | Qty. | Description        |
|------|-------------|------|--------------------|
| 10   | 110-3780    | 1    | Over Flow Pipe ASM |
| 20   | 98-9431     | 1    | Screw-Bleeder, Air |
| 30   | 98-7654     | 1    | Gasket             |
| 50   | 100-1982    | 3    | Nozzle Holder Kit  |
| 60   | 100-1758    | 3    | Nozzle Holder ASM  |
| 65   | 98-7613     | 3    | Nut                |
| 70   | 98-7676     | 3    | Gasket             |
| 80   | 98-7677     | 3    | Seal-Heat          |
| 90   | 110-3781    | 1    | Pipe-Injection     |
| 100  | 110-3782    | 1    | Pipe-Injection     |
| 110  | 110-3783    | 1    | Pipe-Injection     |
| 120  | 98-7682     | 2    | Clamp-Pipe         |
| 130  | 98-7683     | 2    | Clamp-Pipe         |
| 140  | 98-7684     | 2    | Screw (W/Washer)   |

| Ref. | Part Number | Qty. | Description     |
|------|-------------|------|-----------------|
| 150  | 100-1854    | 3    | Plug-Glow       |
| 160  | 110-3784    | 1    | Cord-Plug, Glow |
| 170  | 99-8377     | 3    | Nut-Flange      |
| 190  | 110-3785    | 1    | Fuel Tube ASM   |
| 200  | 110-3786    | 1    | Tube-Fuel       |
| 210  | 98-7671     | 2    | Clip-Pipe       |
| 220  | 110-3787    | 1    | Fuel Tube ASM   |
| 230  | 110-3788    | 1    | Tube-Fuel       |
| 240  | 98-7671     | 2    | Clip-Pipe       |
| 250  | 112-8338    | 1    | Pipe-Joint, T   |
| 260  | 110-3790    | 1    | Fuel Tube ASM   |
| 270  | 110-3791    | 1    | Tube-Fuel       |
| 280  | 98-7671     | 2    | Clip-Pipe       |



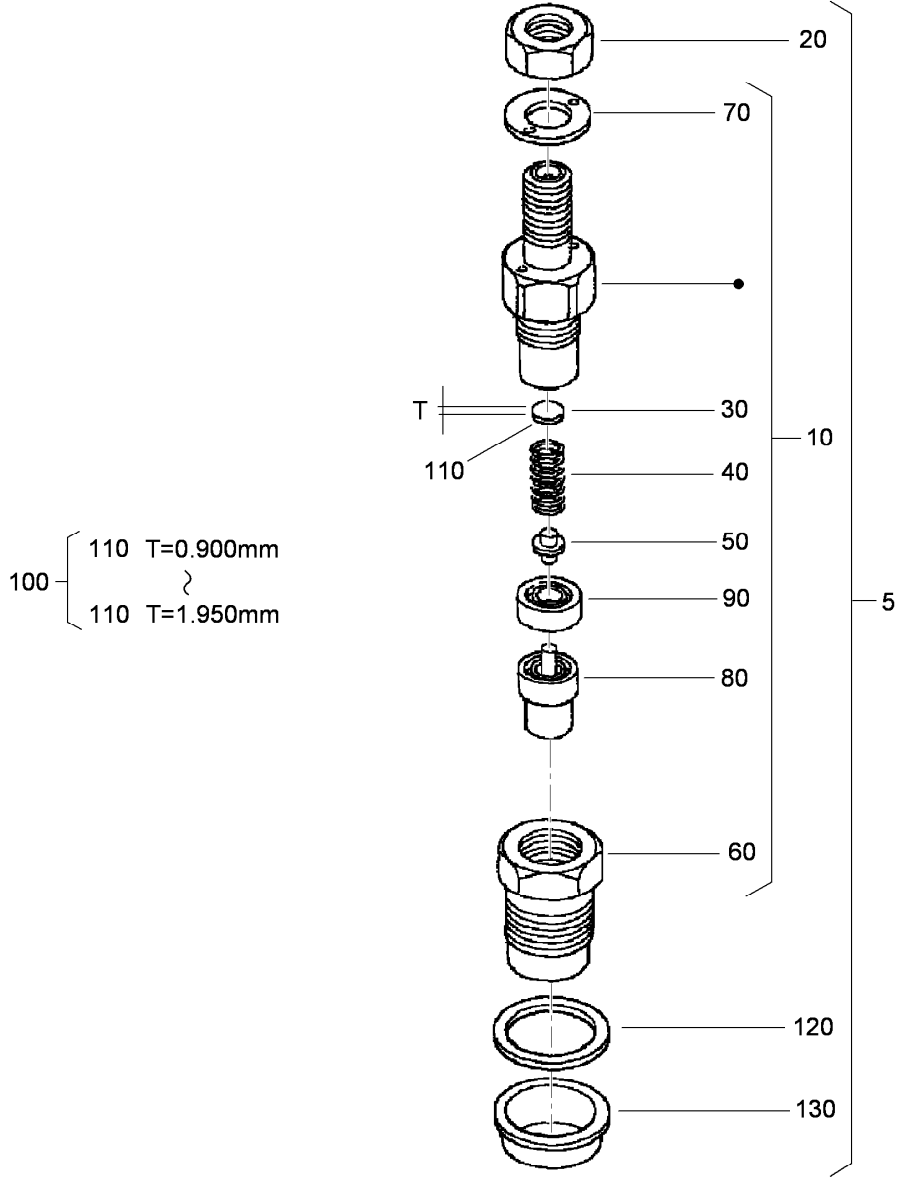
## Nozzle Holder Component Assembly

| Ref. | Part Number | Qty. | Description                | Ref. | Part Number | Qty. | Description                |
|------|-------------|------|----------------------------|------|-------------|------|----------------------------|
| 5    | 100-1982    | 3    | Nozzle Holder Kit          | 110  | 98-7844     | 3    | Washer-Adjusting (1.000Mm) |
| 10   | 100-1758    | 3    | Nozzle Holder ASM          | 110  | 98-7845     | 3    | Washer-Adjusting (1.025Mm) |
| 20   | 98-7613     | 3    | Nut                        | 110  | 98-7846     | 3    | Washer-Adjusting (1.050Mm) |
| 30   | 98-7642     | 3    | Washer-Adjusting (0.900Mm) | 110  | 98-7847     | 3    | Washer-Adjusting (1.075MM) |
| 40   | 98-7647     | 3    | Spring-Nozzle              | 110  | 98-7848     | 3    | Washer-Adjusting (1.100MM) |
| 50   | 98-7666     | 3    | Rod-Push                   | 110  | 98-7849     | 3    | Washer-Adjusting (1.125MM) |
| 60   | 100-2242    | 3    | Nut-Nozzle                 | 110  | 98-7850     | 3    | Washer-Adjusting (1.150MM) |
| 70   | 98-7668     | 3    | Washer                     | 110  | 98-7851     | 3    | Washer-Adjusting (1.175MM) |
| 80   | 100-2009    | 3    | Piece-Nozzle               | 110  | 98-7852     | 3    | Washer-Adjusting (1.200MM) |
| 90   | 98-7665     | 3    | Spacer-Distance            | 110  | 98-7853     | 3    | Washer-Adjusting (1.225MM) |
| 100  | 98-9448     | 3    | Adjusting Washer ASM       |      |             |      |                            |
| 110  | 98-7642     | 3    | Washer-Adjusting (0.900Mm) |      |             |      |                            |
| 110  | 98-7842     | 3    | Washer-Adjusting (0.950Mm) |      |             |      |                            |
| 110  | 98-7841     | 3    | Washer-Adjusting (0.925Mm) |      |             |      |                            |
| 110  | 98-7843     | 3    | Washer-Adjusting (0.975Mm) |      |             |      |                            |



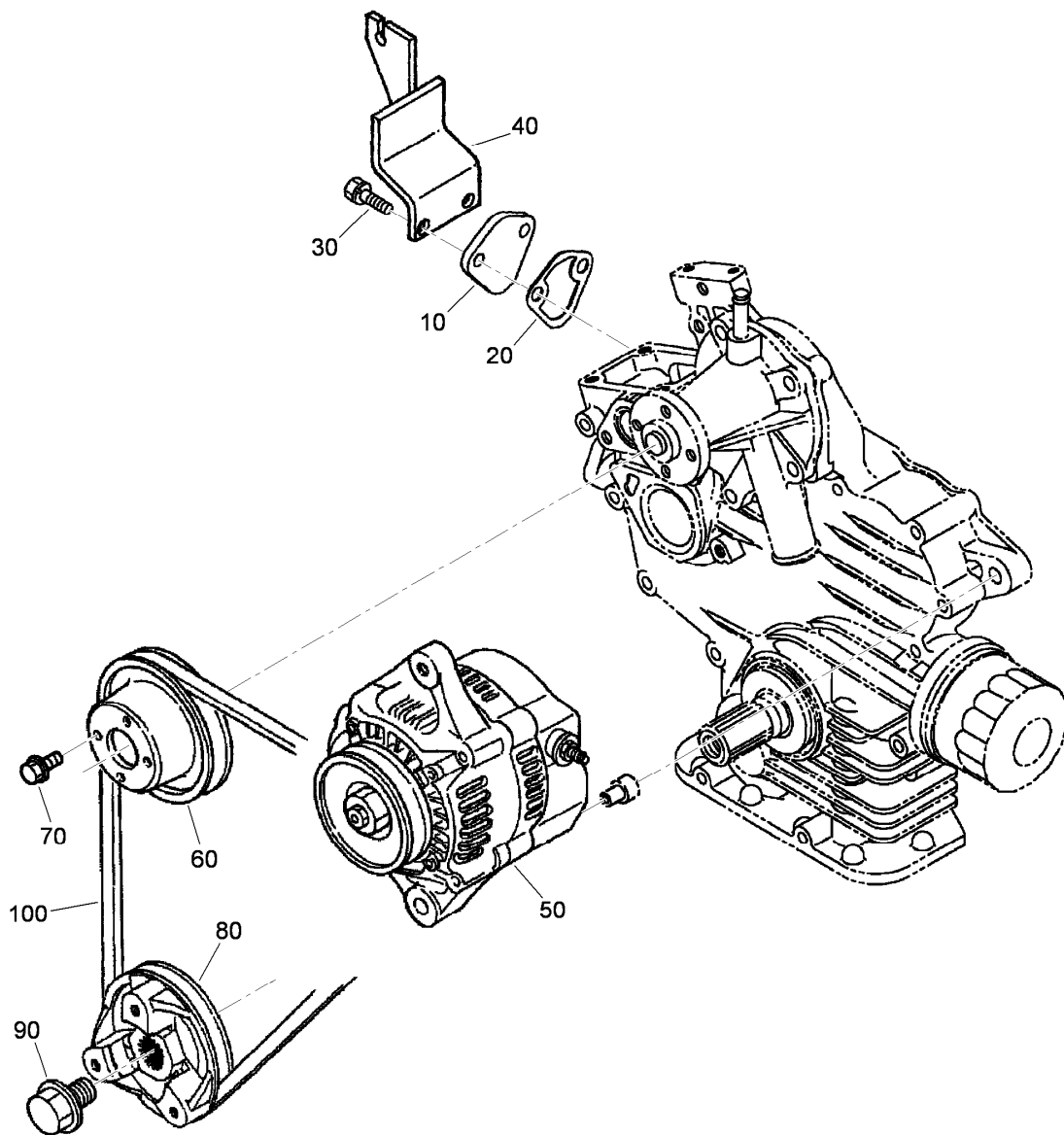
## Nozzle Holder Component Assembly (continued)

| <i>Ref.</i> | <i>Part Number</i> | <i>Qty.</i> | <i>Description</i>            | <i>Ref.</i> | <i>Part Number</i> | <i>Qty.</i> | <i>Description</i>            |
|-------------|--------------------|-------------|-------------------------------|-------------|--------------------|-------------|-------------------------------|
| 110         | 98-7854            | 3           | Washer-Adjusting<br>(1.250MM) | 110         | 98-7864            | 3           | Washer-Adjusting<br>(1.500MM) |
| 110         | 98-7855            | 3           | Washer-Adjusting<br>(1.275MM) | 110         | 98-7865            | 3           | Washer-Adjusting<br>(1.525MM) |
| 110         | 98-7856            | 3           | Washer-Adjusting<br>(1.300MM) | 110         | 98-7866            | 3           | Washer-Adjusting<br>(1.550MM) |
| 110         | 98-7857            | 3           | Washer-Adjusting<br>(1.325MM) | 110         | 98-7867            | 3           | Washer-Adjusting<br>(1.575MM) |
| 110         | 98-7858            | 3           | Washer-Adjusting<br>(1.350MM) | 110         | 98-7868            | 3           | Washer-Adjusting<br>(1.600MM) |
| 110         | 98-7859            | 3           | Washer-Adjusting<br>(1.375MM) | 110         | 98-7869            | 3           | Washer-Adjusting<br>(1.625MM) |
| 110         | 98-7860            | 3           | Washer-Adjusting<br>(1.400MM) | 110         | 98-7870            | 3           | Washer-Adjusting<br>(1.650MM) |
| 110         | 98-7861            | 3           | Washer-Adjusting<br>(1.425MM) | 110         | 98-7871            | 3           | Washer-Adjusting<br>(1.675MM) |
| 110         | 98-7862            | 3           | Washer-Adjusting<br>(1.450MM) | 110         | 98-7872            | 3           | Washer-Adjusting<br>(1.700MM) |
| 110         | 98-7863            | 3           | Washer-Adjusting<br>(1.475MM) | 110         | 98-7873            | 3           | Washer-Adjusting<br>(1.725MM) |



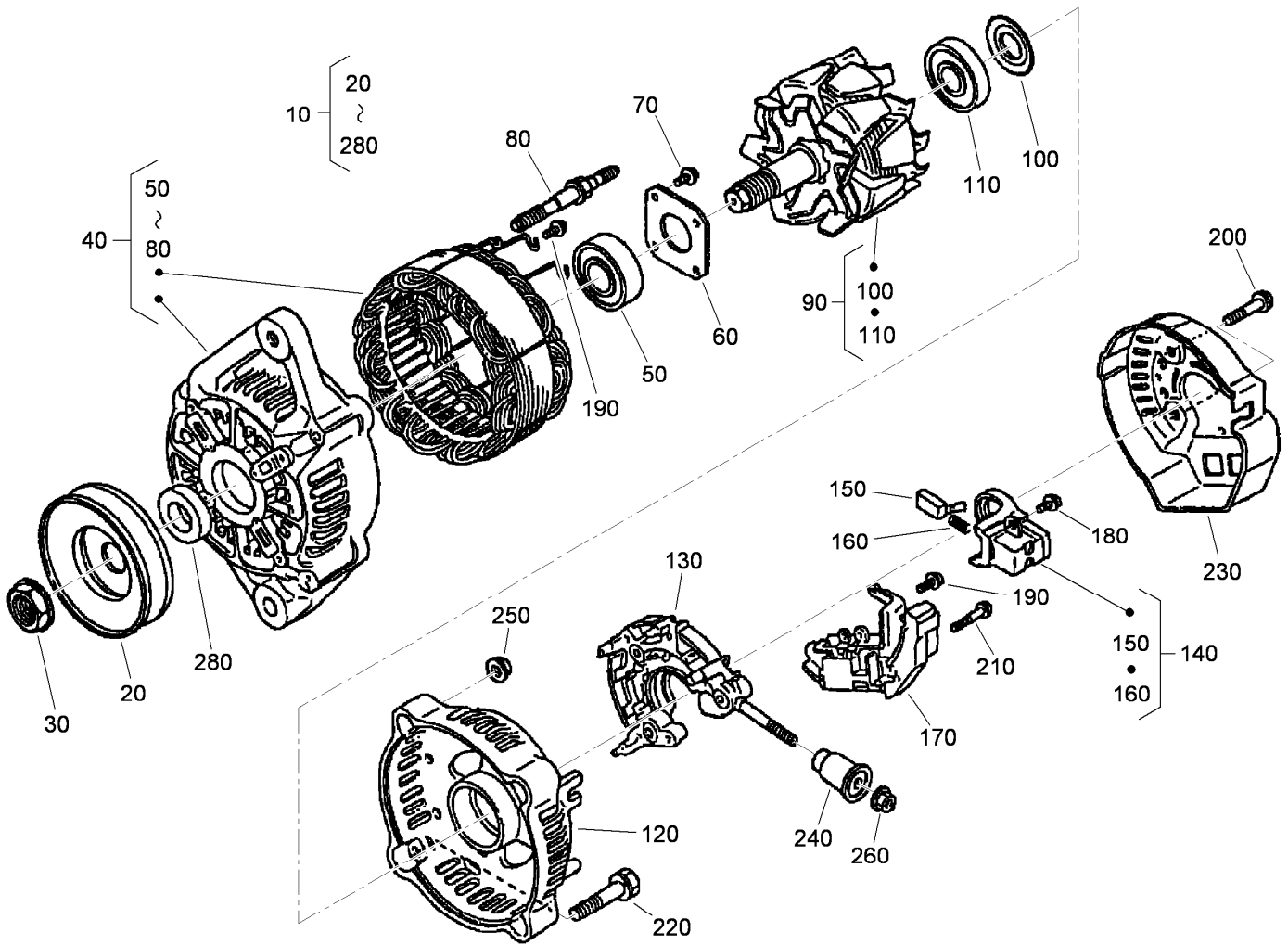
## Nozzle Holder Component Assembly (continued)

| <i>Ref.</i> | <i>Part Number</i> | <i>Qty.</i> | <i>Description</i>            | <i>Ref.</i> | <i>Part Number</i> | <i>Qty.</i> | <i>Description</i>            |
|-------------|--------------------|-------------|-------------------------------|-------------|--------------------|-------------|-------------------------------|
| 110         | 98-7874            | 3           | Washer-Adjusting<br>(1.750MM) | 110         | 98-7879            | 3           | Washer-Adjusting<br>(1.875MM) |
| 110         | 98-7875            | 3           | Washer-Adjusting<br>(1.775MM) | 110         | 98-7880            | 3           | Washer-Adjusting<br>(1.900MM) |
| 110         | 98-7876            | 3           | Washer-Adjusting<br>(1.800MM) | 110         | 98-7881            | 3           | Washer-Adjusting<br>(1.925MM) |
| 110         | 98-7877            | 3           | Washer-Adjusting<br>(1.825MM) | 110         | 98-7882            | 3           | Washer-Adjusting<br>(1.950MM) |
| 110         | 98-7878            | 3           | Washer-Adjusting<br>(1.850MM) | 120         | 98-7676            | 3           | Gasket                        |
|             |                    |             |                               | 130         | 98-7677            | 3           | Seal-Heat                     |



## Alternator and Pulley and Fuel Pump Cover Assembly

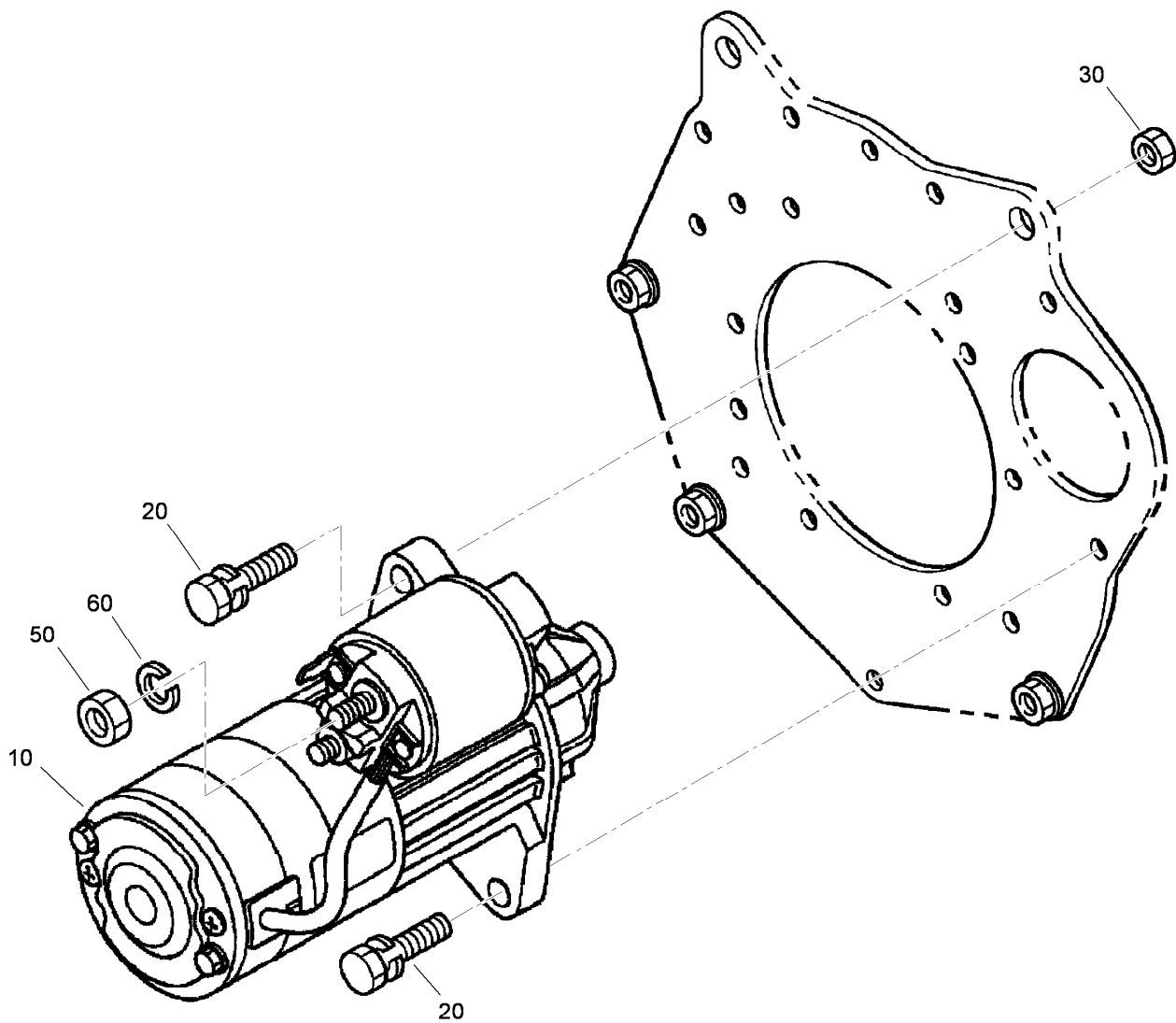
| <i>Ref.</i> | <i>Part Number</i> | <i>Qty.</i> | <i>Description</i>    |
|-------------|--------------------|-------------|-----------------------|
| 10          | 99-3514            | 1           | Cover                 |
| 20          | 98-9636            | 1           | Gasket-Pump, Fuel     |
| 30          | 98-7605            | 2           | Bolt                  |
| 40          | 120-3135           | 1           | Clamp-Wire            |
| 50          | 117-5541           | 1           | 60 Amp Alternator ASM |
| 60          | 100-1921           | 1           | Pulley-Fan            |
| 70          | 99-8363            | 4           | Bolt-Flange           |
| 80          | 112-2510           | 1           | Pulley-Drive, Fan     |
| 90          | 100-1978           | 1           | Bolt                  |
| 100         | 119-4486           | 1           | Belt-V, Fan           |



## Alternator Components

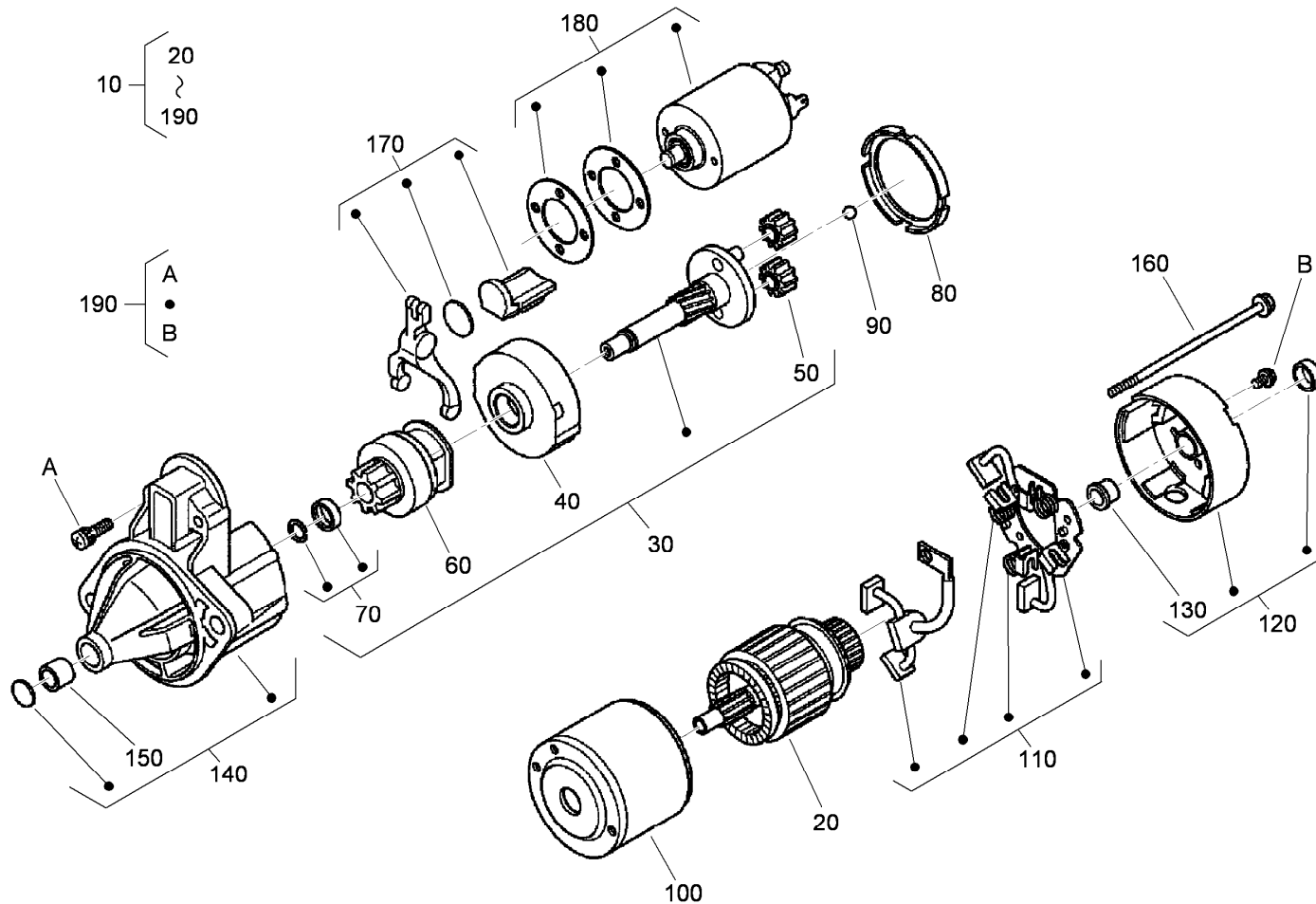
| Ref. | Part Number | Qty. | Description           | Ref. | Part Number | Qty. | Description       |
|------|-------------|------|-----------------------|------|-------------|------|-------------------|
| 10   | 117-5541    | 1    | 60 Amp Alternator ASM | 150  | 98-7724     | 2    | Brush             |
| 20   | 98-9453     | 1    | Pulley-Dynamo         | 160  | 98-7725     | 2    | Spring-Brush      |
| 30   | 98-7708     | 1    | Nut                   | 170  | 117-0319    | 1    | Regulator ASM     |
| 40   | 117-0316    | 1    | Drive End Frame ASM   | 180  | 98-7727     | 1    | Screw-Head, Round |
| 50   | 107-0137    | 1    | Bearing-Ball          | 190  | 98-7728     | 6    | Screw-Head, Round |
| 60   | 98-7715     | 1    | Plate-Retainer        | 200  | 98-7729     | 3    | Bolt              |
| 70   | 98-7716     | 4    | Screw-Head, Round     | 210  | 98-7726     | 2    | Screw-Head, Round |
| 80   | 98-7717     | 2    | Bolt-Through          | 220  | 98-7731     | 2    | Bolt              |
| 90   | 117-0317    | 1    | Rotor ASM             | 230  | 117-0320    | 1    | Cover-End         |
| 100  | 98-7711     | 1    | Cover-Bearing         | 240  | 117-0321    | 1    | Insulation-Brush  |
| 110  | 107-0138    | 1    | Bearing-Ball          | 250  | 98-7730     | 2    | Nut               |
| 120  | 117-0318    | 1    | *obs* Frame-End       | 260  | 98-7732     | 1    | Nut               |
| 130  | 117-0322    | 1    | Holder                | 280  | 98-7709     | 1    | Collar            |
| 140  | 107-0141    | 1    | Brush Holder ASM      |      |             |      |                   |





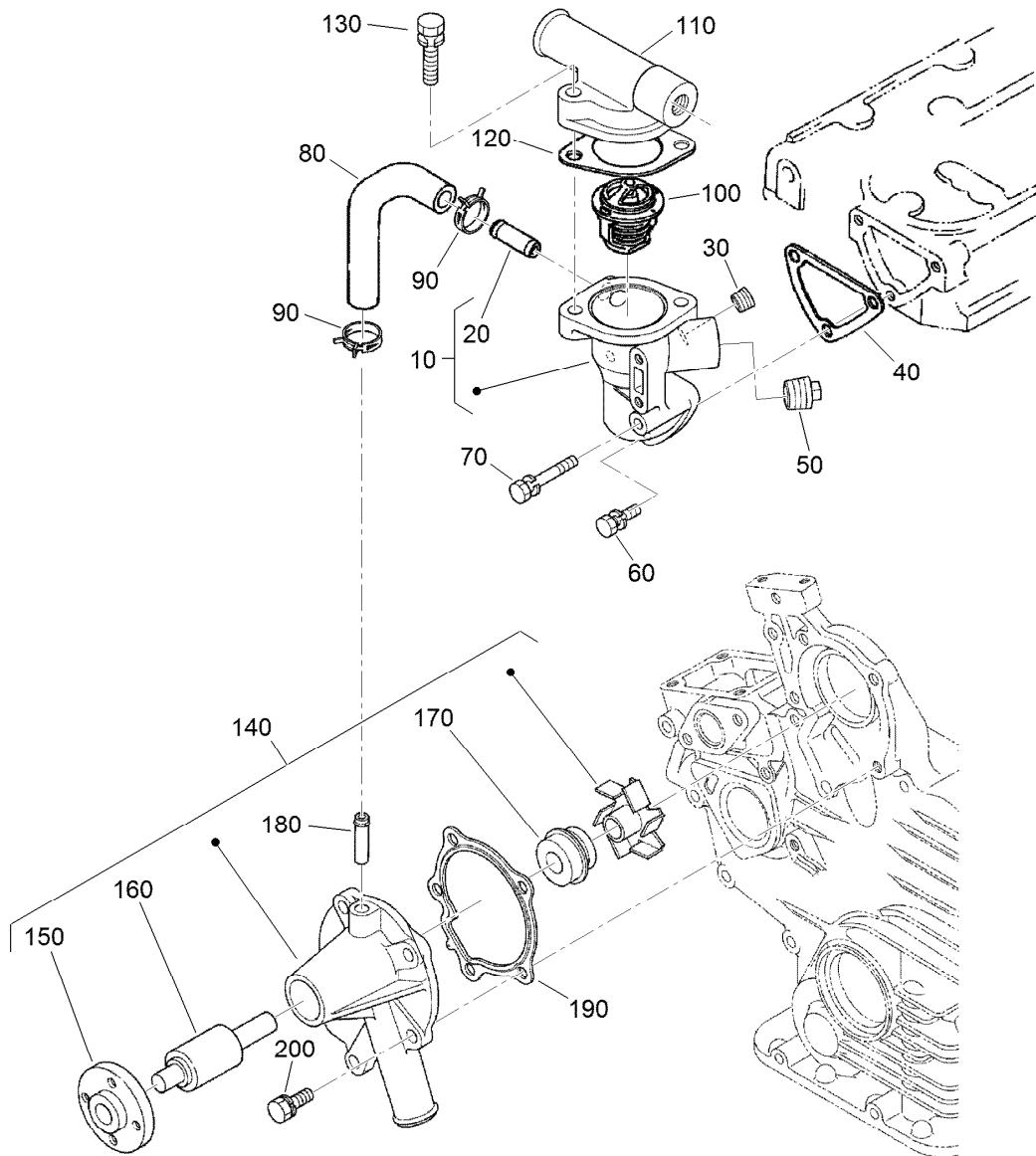
## Starter Installation Assembly

| Ref. | Part Number | Qty. | Description   |
|------|-------------|------|---------------|
| 10   | 110-3800    | 1    | Starter ASM   |
| 20   | 98-7697     | 2    | Bolt          |
| 30   | 98-7534     | 2    | Nut           |
| 50   | 98-7534     | 1    | Nut           |
| 60   | 105-2893    | 1    | Washer-Spring |



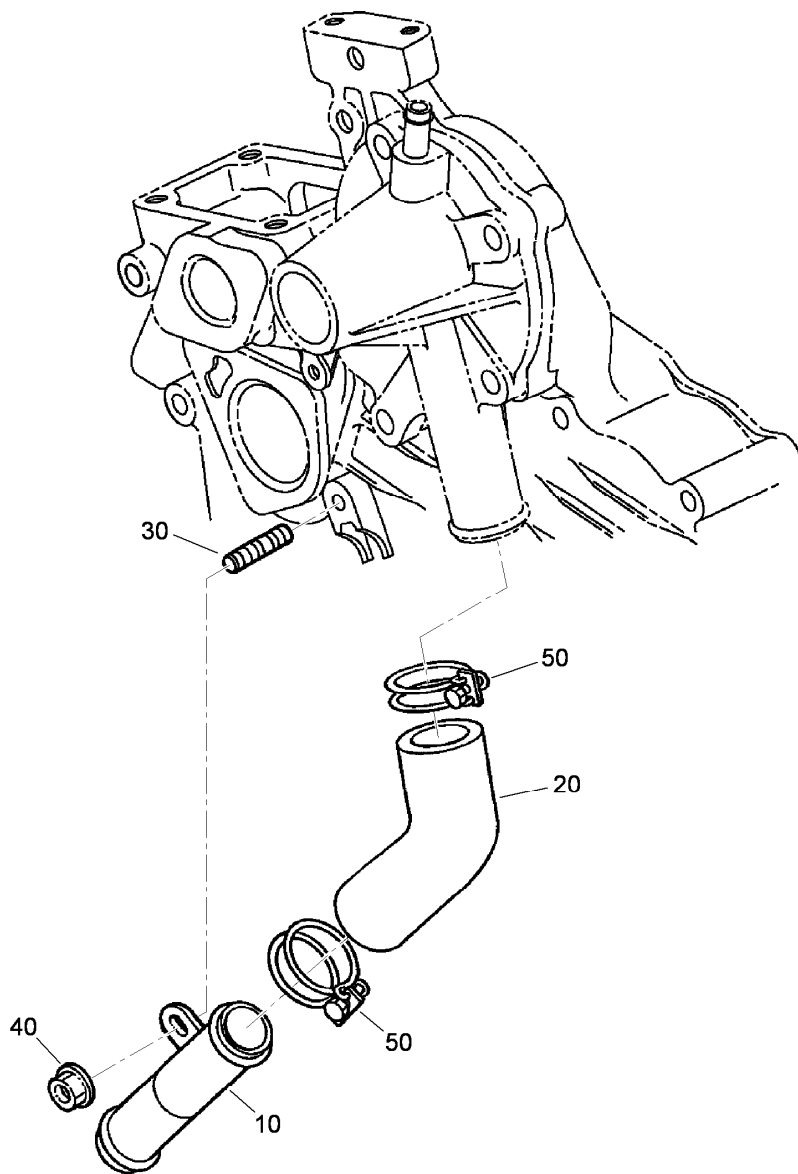
## Starter Assembly No. 110-3800

| <i>Ref.</i> | <i>Part Number</i> | <i>Qty.</i> | <i>Description</i>   | <i>Ref.</i> | <i>Part Number</i> | <i>Qty.</i> | <i>Description</i>  |
|-------------|--------------------|-------------|----------------------|-------------|--------------------|-------------|---------------------|
| 10          | 110-3800           | 1           | Starter ASM          | 110         | 110-3810           | 1           | Brush Holder ASM    |
| 20          | 110-3801           | 1           | Armature             | 120         | 110-3811           | 1           | Rear Bracket ASM    |
| 30          | 110-3802           | 1           | Shaft ASM            | 130         | 110-3812           | 1           | Bushing             |
| 40          | 120-3142           | 1           | Gear-Internal        | 140         | 110-3813           | 1           | Front Bracket ASM   |
| 50          | 110-3804           | 3           | Gear-Planetary       | 150         | 110-3814           | 1           | Bushing             |
| 60          | 110-3805           | 1           | Clutch-Running, Over | 160         | 110-3815           | 2           | Bolt                |
| 70          | 110-3806           | 1           | Stopper              | 170         | 110-3816           | 1           | Fork Lever ASM      |
| 80          | 120-3143           | 1           | Gasket               | 180         | 110-3817           | 1           | Magnetic Switch ASM |
| 90          | 110-3808           | 1           | Ball                 | 190         | 110-3818           | 1           | Screws (Set Of 4)   |
| 100         | 110-3809           | 1           | Yoke                 |             |                    |             |                     |



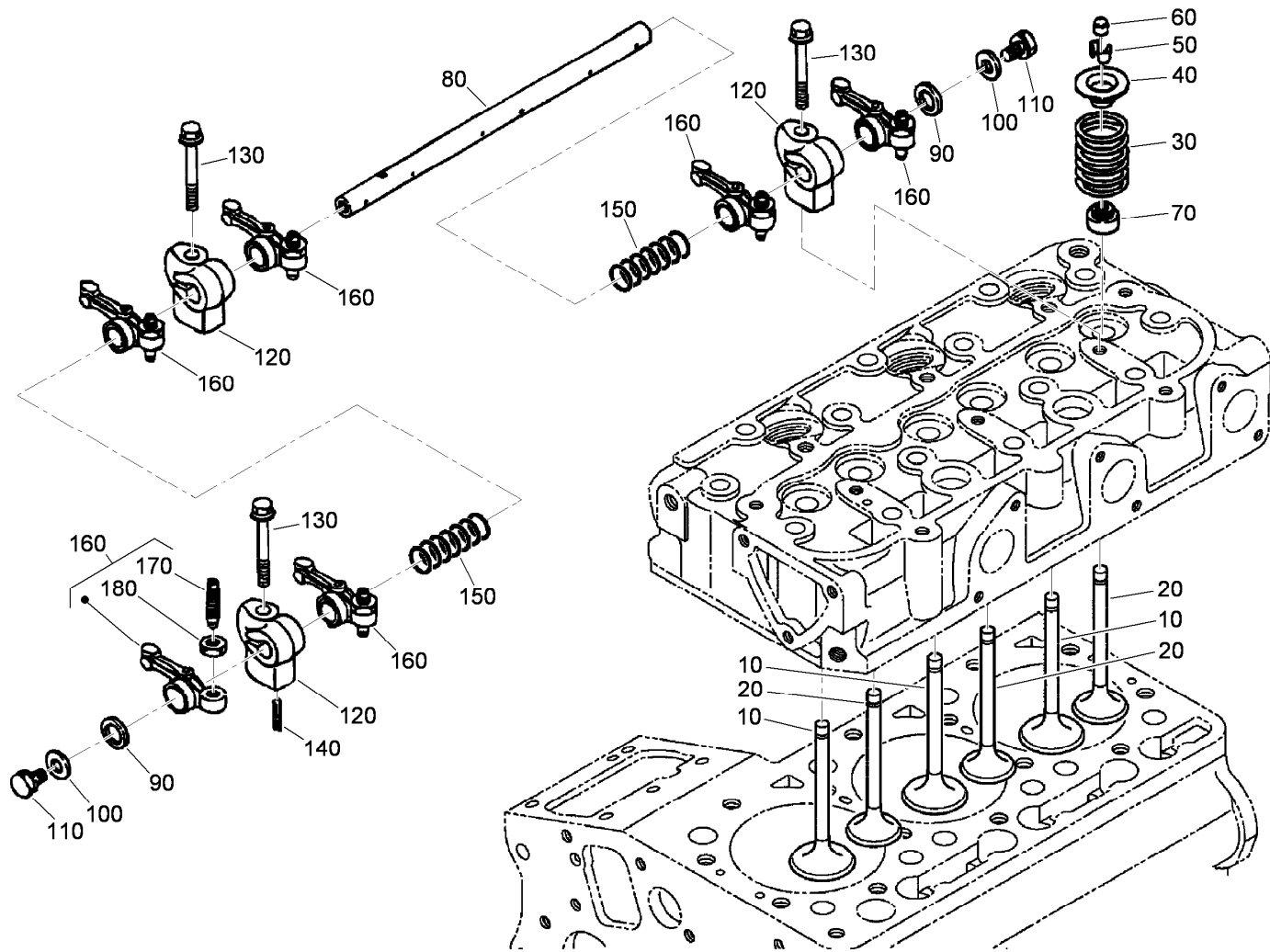
## Water Flange, Thermostat and Water Pump Assembly

| <i>Ref.</i> | <i>Part Number</i> | <i>Qty.</i> | <i>Description</i>   | <i>Ref.</i> | <i>Part Number</i> | <i>Qty.</i> | <i>Description</i>  |
|-------------|--------------------|-------------|----------------------|-------------|--------------------|-------------|---------------------|
| 10          | 110-3819           | 1           | Water Flange ASM     | 110         | 120-7575           | 1           | Cover-Thermostat    |
| 20          | 98-9580            | 1           | Pipe-Return, Water   | 120         | 105-3748           | 1           | Gasket-Thermostat   |
| 30          | 98-9444            | 1           | Plug                 | 130         | 98-7777            | 2           | Bolt                |
| 40          | 110-3820           | 1           | Gasket-Flange, Water | 140         | 110-3824           | 1           | Water Pump ASM      |
| 50          | 110-3821           | 1           | Plug                 | 150         | 100-1933           | 1           | Flange-Pump, Water  |
| 60          | 98-7692            | 2           | Bolt                 | 160         | 100-1934           | 1           | Bearing-Ball        |
| 70          | 105-3797           | 1           | Bolt                 | 170         | 99-3518            | 1           | Water Pump Seal ASM |
| 80          | 110-3822           | 1           | Pipe-Return, Water   | 180         | 100-1932           | 1           | Pipe-Return, Water  |
| 90          | 98-9579            | 2           | Band-Pipe            | 190         | 117-0330           | 1           | Gasket-Pump, Water  |
| 100         | 98-7778            | 1           | Thermostat ASM       | 200         | 100-1750           | 4           | Bolt                |



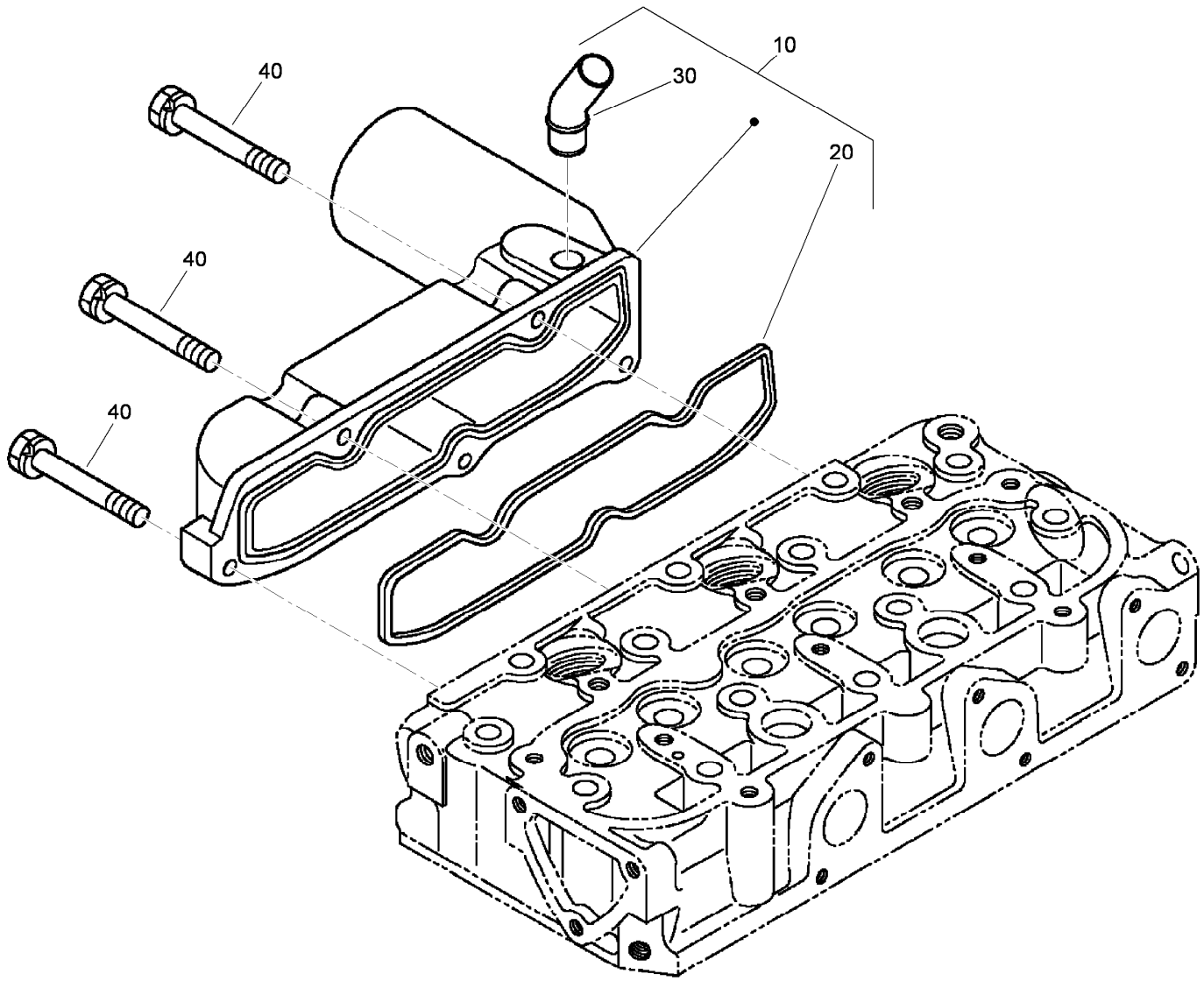
## Water Pipe Assembly

| <i>Ref.</i> | <i>Part Number</i> | <i>Qty.</i> | <i>Description</i> |
|-------------|--------------------|-------------|--------------------|
| 10          | 100-1918           | 1           | Pipe-Water         |
| 20          | 110-3827           | 1           | Pipe-Water         |
| 30          | 100-1924           | 1           | Stud               |
| 40          | 100-2203           | 1           | Nut-Flange         |
| 50          | 110-3828           | 2           | Band-Pipe          |



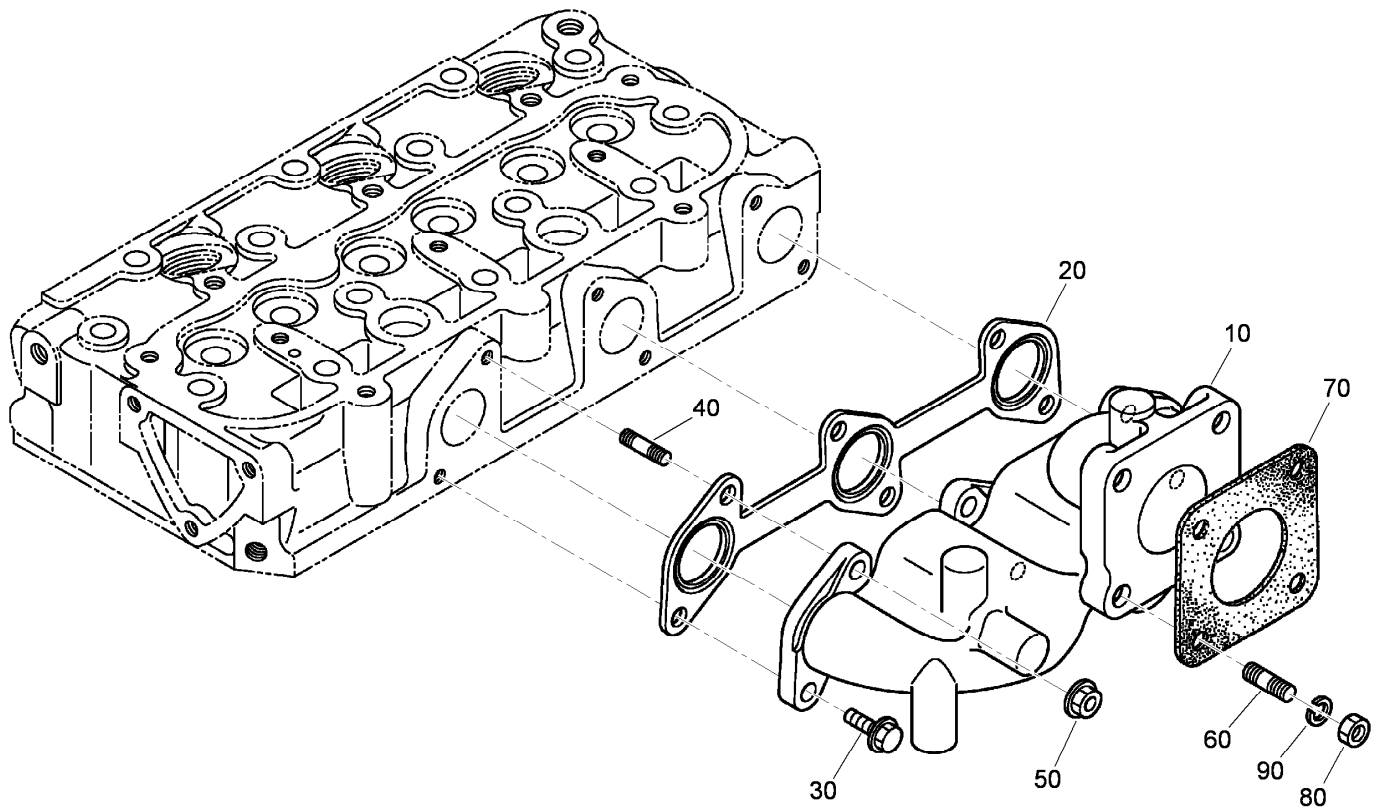
## Valve and Rocker Arm Assembly

| Ref. | Part Number | Qty. | Description            | Ref. | Part Number | Qty. | Description          |
|------|-------------|------|------------------------|------|-------------|------|----------------------|
| 10   | 112-2514    | 3    | Valve-Inlet            | 100  | 110-3832    | 2    | Washer-Plain         |
| 20   | 112-2515    | 3    | Valve-Exhaust          | 110  | 100-1762    | 2    | Bolt                 |
| 30   | 100-1823    | 6    | Spring-Valve           | 120  | 110-3833    | 3    | Bracket-Arm, Rocker  |
| 40   | 100-1825    | 6    | Retainer-Spring, Valve | 130  | 110-3834    | 3    | Bolt-Flange          |
| 50   | 120-3136    | 6    | Collet-Spring, Valve   | 140  | 98-7602     | 1    | Pin-Spring           |
| 60   | 100-2155    | 6    | Cap-Valve              | 150  | 112-8342    | 2    | Spring               |
| 70   | 100-1797    | 6    | Seal-Stem, Valve       | 160  | 120-3140    | 6    | *obs* Rocker Arm ASM |
| 80   | 112-8341    | 1    | Shaft-Arm, Rocker      | 170  | 100-1885    | 6    | Screw-Adjusting      |
| 90   | 100-2044    | 2    | Washer                 | 180  | 100-1827    | 6    | Nut                  |



## Intake Manifold Assembly

| <i>Ref.</i> | <i>Part Number</i> | <i>Qty.</i> | <i>Description</i>      |
|-------------|--------------------|-------------|-------------------------|
| 10          | 120-3141           | 1           | Intake Manifold ASM     |
| 20          | 110-3838           | 1           | Gasket-Manifold, Intake |
| 30          | 110-3837           | 1           | Pipe-Breather           |
| 40          | 98-9352            | 5           | Bolt                    |



## Exhaust Manifold Assembly

| <i>Ref.</i> | <i>Part Number</i> | <i>Qty.</i> | <i>Description</i>       |
|-------------|--------------------|-------------|--------------------------|
| 10          | 110-3839           | 1           | Manifold-Exhaust         |
| 20          | 110-3840           | 1           | Gasket-Manifold, Exhaust |
| 30          | 100-1775           | 3           | Bolt                     |
| 40          | 100-2202           | 3           | Stud                     |
| 50          | 100-1778           | 3           | Nut                      |
| 60          | 98-7769            | 4           | Stud                     |
| 70          | 99-8343            | 1           | Gasket-Muffler           |
| 80          | 98-7534            | 4           | Nut                      |
| 90          | 105-2893           | 4           | Washer-Spring            |

# Attachments and Accessories

## For 04520 Greensmaster 3400 TriFlex Traction Unit

| <b>Product Name</b>  | <b>Model/Part</b> |
|--|-------------------|
| Turf Evaluator .....   | 04399             |
| 8-Blade DPA Reel Mower .....   | 04613             |
| 11-Blade DPA Reel Mower .....  | 04614             |
| 14-Blade DPA Reel Mower .....  | 04615             |
| Three-Wheel Drive Kit .....  | 04714             |
| Hydraulic Oil Leak Detector Kit .....                                  | 04715             |
| Light Kit.....   | 04717             |
| Standard Seat Kit.....   | 04718             |
| Premium Seat Kit.....  | 04719             |
| Premium All Season Hydraulic Fluid (55 Gallon Drum) .....              | 108-1177          |
| Premium All Season Hydraulic Fluid (5 Gallon Pail).....                | 108-1178          |
| Premium Engine Oil, 10w30 (55 Gallon Drum) .....                       | 108-1179          |
| Premium Engine Oil, 10w30 (5 Gallon Pail) .....                        | 108-1180          |
| Bimini Folding Shade Assembly .....                                    | 115-4510          |
| Oil Cooler Kit.....  | 117-9314          |
| Bag Kit.....   | 119-1715          |
| Premium Synthetic Bio-Degradable Hydraulic Fluid (5 Gallon Pail) ..... | 119-2157          |
| Premium Synthetic Bio-Degradable Hydraulic Fluid (55 Gallon Drum)..... | 119-2158          |
| Premium Armrest Kit.....   | 119-7105          |
| Spark Arrester Kit .....   | 120-1951          |
| Weight Kit .....   | 121-6665          |
| 400-hour Filter Maintenance Kit.....                                   | 30043             |
| LH Armrest Asm .....   | 92-7307           |
| Tire-TURFMATE.....   | 99-4506           |



**Notes:**

**Notes:**

**Notes:**



**Count on it.**