



Count on it.

Parts Catalog

Transport Frame

Trans Pro 80 Tow-Behind Trailer

Model No. 04238—Serial No. 410192806 and Up



Ordering Replacement Parts

To order replacement parts, please supply the part number, the quantity, and the description of each part desired.

Understanding Reference Numbers

Each identified part in an illustration has a reference number. The reference number for a part also appears in the parts list, along with other information about the part.

This catalog uses two special reference number formats, one to indicate parts in a service assembly and another to indicate the quantity of a given part in an illustration.

Service Assembly Reference Numbers

Parts in service assemblies have reference numbers in the form a:b. The a represents the reference number of the entire service assembly and the b represents a sequential number unique to each part within the service assembly.

For example, a wheel assembly might be identified by reference number 6, the tire by 6:1, the valve by 6:2, and the wheel by 6:3. When you order the assembly identified by reference number 6, you receive all parts identified by reference numbers 6:1, 6:2, and 6:3. However, you may also order any part individually. Reference numbers of this type appear in illustration and in parts lists.

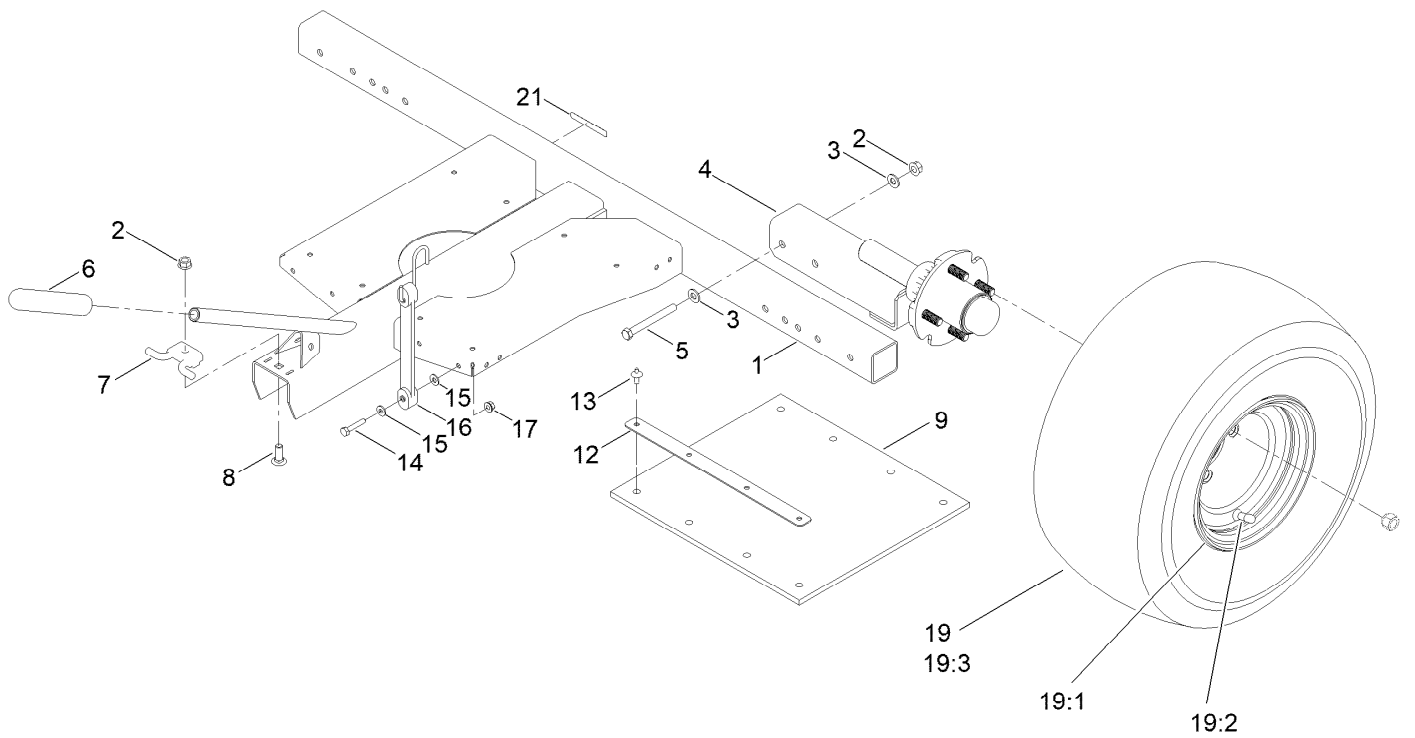
Reference Numbers Indicating Quantity

In an illustration, if a reference number indicates more than one part, the reference number has the form nX y. The n represents the quantity of the part, the X is the multiplication symbol, and the y represents the reference number.

For example, in an illustration, the reference number 2X 37 means that two of the parts identified by reference number 37 are indicated.

Contents

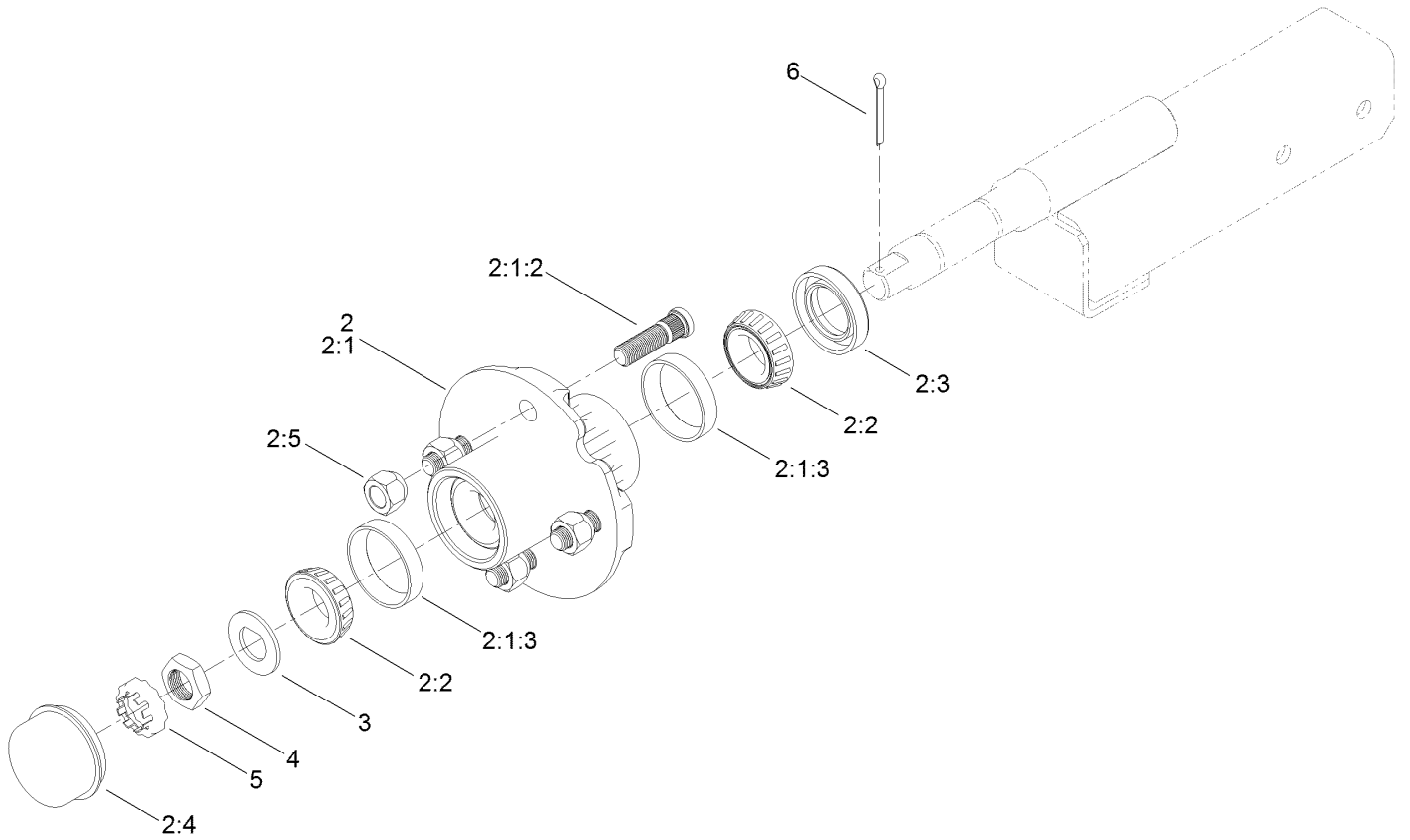
Main Trailer, Hub and Wheel Assembly	4
Hub and Axle Assembly No. 117-1458	5
Tongue Assembly	6
Attachments and Accessories	7



Main Trailer, Hub and Wheel Assembly

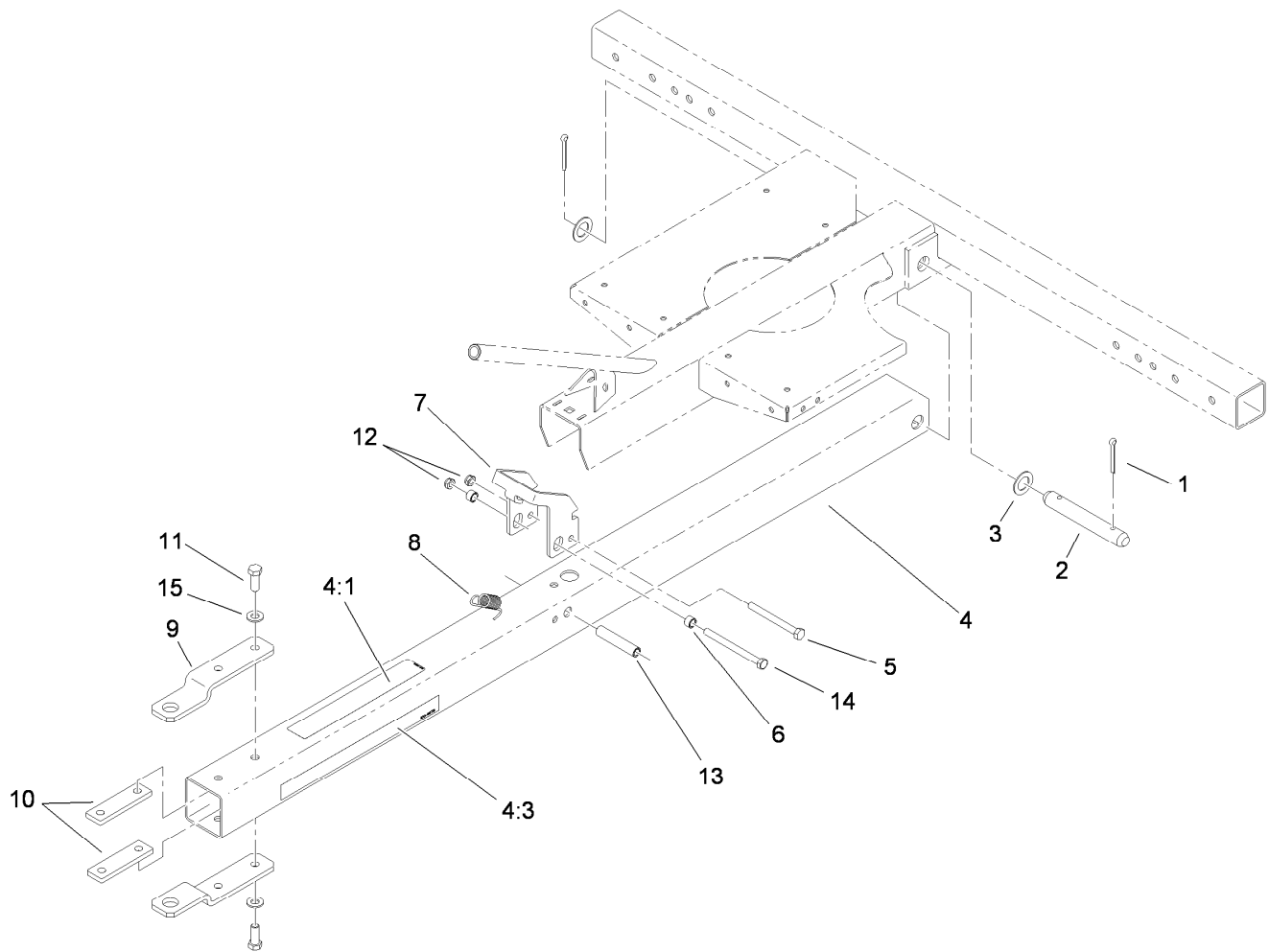
<i>Ref.</i>	<i>Part Number</i>	<i>Qty.</i>	<i>Description</i>	<i>Ref.</i>	<i>Part Number</i>	<i>Qty.</i>	<i>Description</i>
1	106-5366-01	1	Frame ASM	14	321-13	2	Screw-HH
2	32128-21	5	Nut-HF Lock	15	3256-22	4	Washer-Flat
3	3256-24	8	Washer-Flat	16	106-8459	2	Bungee
4	117-1458	2	Hub And Axle ASM	17	32128-32	2	Nut-HHF
5	323-15	4	Screw-HH	19	144-3664	2	Wheel-Assembly
6	105-1904	1	Grip-Handle	19:1	137-2597	1	Rim
7	108-6094	1	Latch	19:2	232-27	1	Stem-Valve
8	3231-22	1	Screw-CARR	19:3	144-3665	1	Tire
9	132-9598	1	Mat-Roller	20	232-37	2	Tube ●
12	106-5384	2	Strip-Pad	21	133-8061	1	Decal-Warning
13	105-9626	8	Rivet-Drive				

● Not illustrated



Hub and Axle Assembly No. 117-1458

<i>Ref.</i>	<i>Part Number</i>	<i>Qty.</i>	<i>Description</i>
2	117-5115	1	Hub And Bearing ASM
2:1	117-8251	1	Hub ASM
2:1:2	114-3918	4	Stud-Wheel
2:1:3	254-72	2	Bearing-Cup, Tapered
2:2	254-94	2	Bearing-Cone, Tapered
2:3	112-1690	1	Seal-Oil
2:4	241-119	1	Cap-Dust
2:5	242-50	4	Nut-Lug
3	117-8259	1	Washer-Spindle
4	117-8260	1	Nut
5	93-0307	1	Nut-Lock, Retainer
6	3272-18	1	Pin-Cotter



Tongue Assembly

<i>Ref.</i>	<i>Part Number</i>	<i>Qty.</i>	<i>Description</i>
1	3272-23	2	Pin-Cotter
2	92-1233	1	Pin-Clevis
3	67-9410	2	Washer
4	106-4675	1	Tongue ASM
4:1	106-4669	1	Decal-Warning, Trailer
4:3	106-4673	2	Decal
5	322-20	1	Screw-HH
6	65-7910	2	Spacer
7	106-8437	1	Strap-Latch
8	105-9926	1	Spring-Extension
9	105-9930-01	2	Hitch
10	117-1523	2	Plate-Lock
11	3235-22	4	Screw-HH, Lock
12	3296-47	2	Nut-Lock,NI
13	105-9912	1	Spacer-Latch
14	322-23	1	Screw-HH
15	3256-24	4	Washer-Flat

Attachments and Accessories

For 04238 Transport Frame Trans Pro 80 Tow-Behind Trailer

Product Name	Model/Part
Flat Ramp	04245
Rail Ramp Kit (Update)	04247
Adjustable Hitch Kit	107-8188



Count on it.