



Count on it.

Parts Catalog

**Greensmaster® 3300 TriFlex®
Traction Unit**

Model No. 04510—Serial No. 406000000 and Up



Ordering Replacement Parts

To order replacement parts, please supply the part number, the quantity, and the description of each part desired.

Understanding Reference Numbers

Each identified part in an illustration has a reference number. The reference number for a part also appears in the parts list, along with other information about the part.

This catalog uses two special reference number formats, one to indicate parts in a service assembly and another to indicate the quantity of a given part in an illustration.

Service Assembly Reference Numbers

Parts in service assemblies have reference numbers in the form a:b. The a represents the reference number of the entire service assembly and the b represents a sequential number unique to each part within the service assembly.

For example, a wheel assembly might be identified by reference number 6, the tire by 6:1, the valve by 6:2, and the wheel by 6:3. When you order the assembly identified by reference number 6, you receive all parts identified by reference numbers 6:1, 6:2, and 6:3. However, you may also order any part individually. Reference numbers of this type appear in illustration and in parts lists.

Reference Numbers Indicating Quantity

In an illustration, if a reference number indicates more than one part, the reference number has the form nX y. The n represents the quantity of the part, the X is the multiplication symbol, and the y represents the reference number.

For example, in an illustration, the reference number 2X 37 means that two of the parts identified by reference number 37 are indicated.

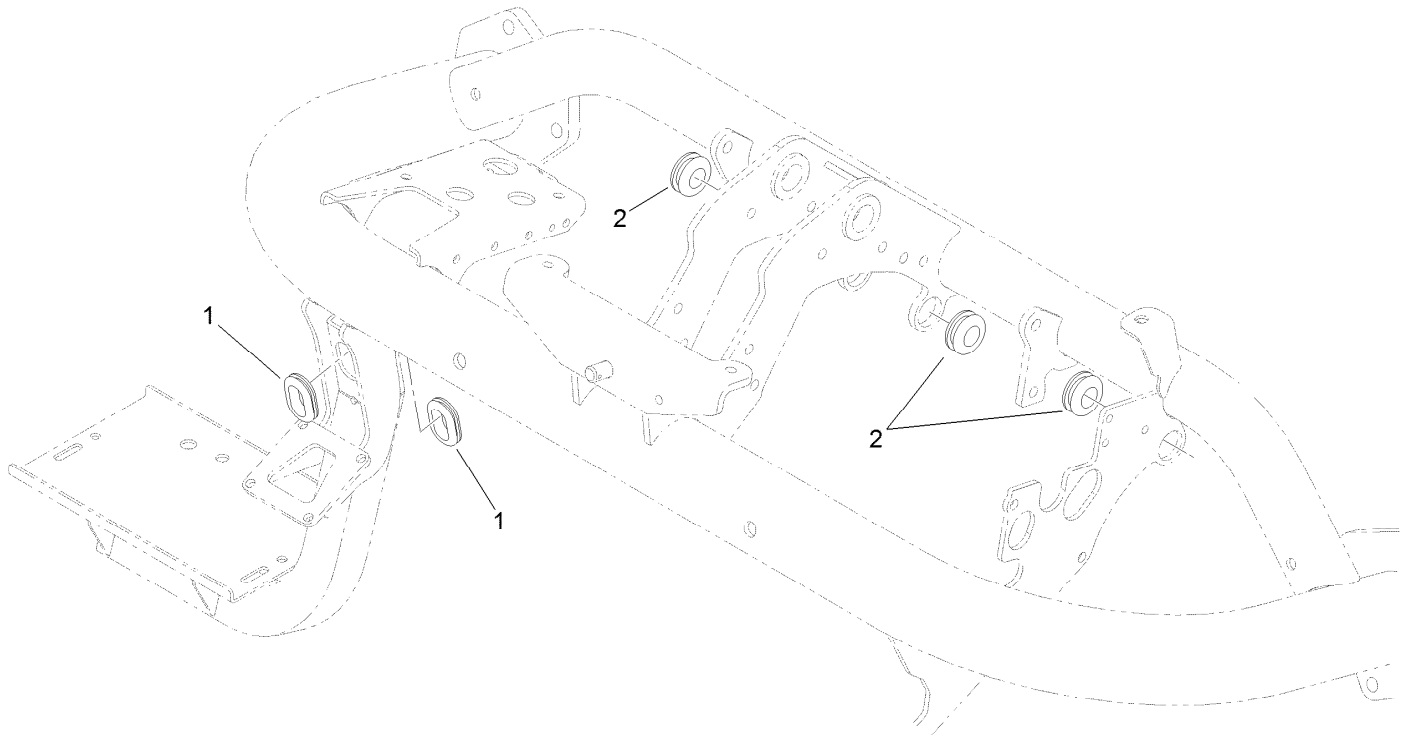
Contents

Roll-Over Protection System Assembly	4
Brake Cable Grommet Assembly	5
Frame Assembly	6
Platform Assembly	7
Right Hand Support Platform Assembly	8
Seatbase Assembly	9
Steering Arm and Adjuster Assembly	10
Brake Cable and Lever Assembly	11
Back Wheel Assembly	12
Hydraulic Cylinder Assembly No. 117-4480	13
Front Wheel Assembly	14
Right Hand Brake Assembly No. 139-2722	15
Left Hand Brake Assembly No. 139-2721	16
Right Hand Wheel Motor Assembly No. 117-4302	17
Left Hand Wheel Motor Assembly No. 117-4303	18
Console and Reel Control Assembly	19
Traction Interface Control Assembly	20
Ignition, Throttle and Choke Control Assembly	21
Console Cable Routing Assembly	22
Engine and Exhaust Assembly	23
Battery Assembly	24
Wire Harness Assembly	25
Pump Coupling Assembly	26
Hydraulic Pump Assembly No. 121-9558	27
Neutral Centering Assembly	29
Traction Drive Hydraulic Line Assembly	30
Traction Drive Hose Routing Assembly	31
Hydraulic Mow Assembly	32
Hydraulic Mow Manifold Assembly	33
Hydraulic Mow Manifold Assembly No. 117-9858	34
Hydraulic Mow Clamp Assembly	35
Hydraulic Mow Hose Routing Assembly	36
Hydraulic Mow Reel Motor Assembly	37
Hydraulic Reel Motor Assembly No. 115-3321	38
Hydraulic Mow Gear Pump Assembly	39
Hydraulic Gear Pump Assembly No. 114-9956	40
Lift Circuit Assembly	41
Steering Valve Assembly No. 114-4672	43
Hydraulic Cylinder Assembly No. 119-8129	44
Hydraulic Cylinder Assembly No. 119-8128	45
Hydraulic Lift Manifold Assembly	46
Hydraulic Lift Manifold Assembly No. 125-5187	47
Steering Circuit Assembly	48
Fuel Line and Carbon Canister Hose Routing Assembly	49
Fuel Tank Assembly	50
Hydraulic Tank and Leak Detector Assembly	51
Suspension and Basket Assembly	53
Basket Assembly No. 132-9599	54
Suspension Pin Position Assembly	55
Suspension A-Arm Assembly	56
Suspension Crossarm Assembly	57
Attachments and Accessories	58



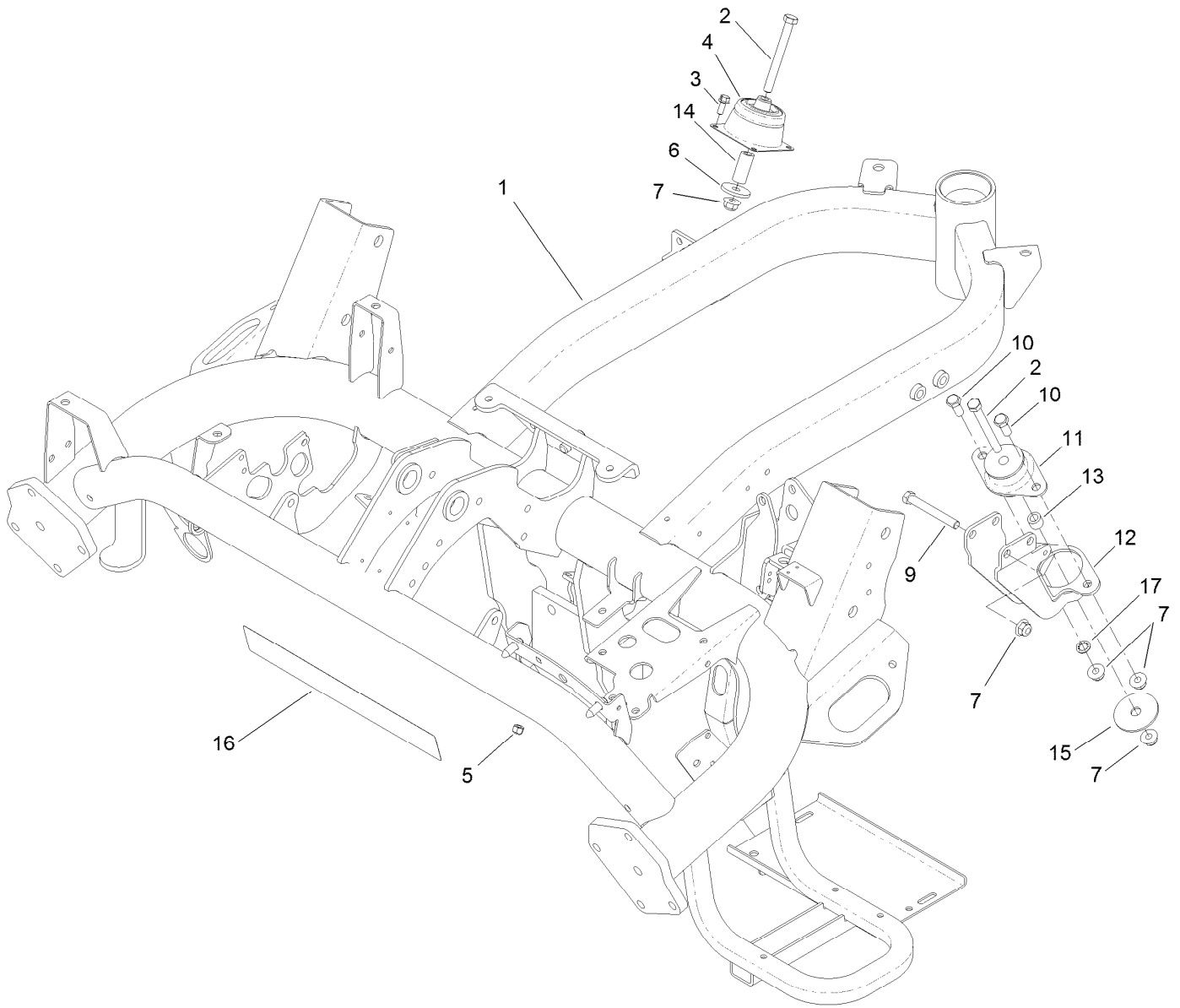
Roll-Over Protection System Assembly

<i>Ref.</i>	<i>Part Number</i>	<i>Qty.</i>	<i>Description</i>	<i>Ref.</i>	<i>Part Number</i>	<i>Qty.</i>	<i>Description</i>
1	115-8206	1	ROPS ASM	7	117-9051-01	1	Step
1:2	115-8199	1	Decal-ROPS	8	119-4468-01	1	Plate-Step
1:3	115-8226	1	Decal-ROPS	9	32104-32	9	Screw-HWH
2	325-35	4	Screw-HH	11	2412-133	2	Clamp-R
3	117-9023	1	Casting-Side, RH	12	104-7050	1	Tube-Manual
3:2	94-9609	2	Bushing-Straight	13	104-7048	1	Cap-Housing
4	99-5107	4	Nut-Lock	14	302-59	1	Plug-EXT Hex Spl
5	117-9035	8	Screw-HHF	17	119-1730	1	Receptacle-Clip, Mini
6	117-9022	1	Casting-Side, LH	18	3269-32	2	Rivet-Pop
6:2	60-0080	2	Bushing	19	121-5865	1	Clip-Cover, Back



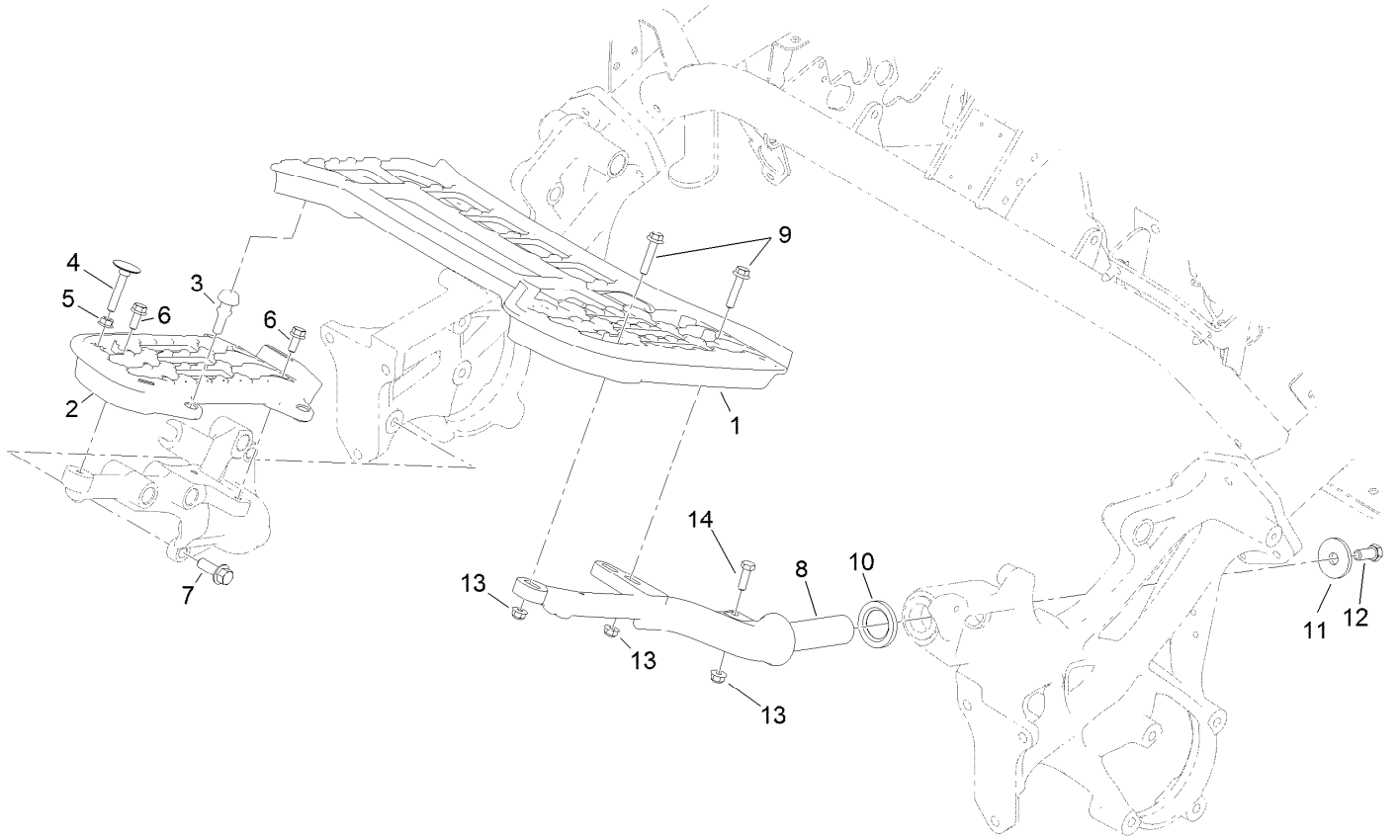
Brake Cable Grommet Assembly

<i>Ref.</i>	<i>Part Number</i>	<i>Qty.</i>	<i>Description</i>
1	240-5	2	Grommet
2	98-8529	3	Grommet



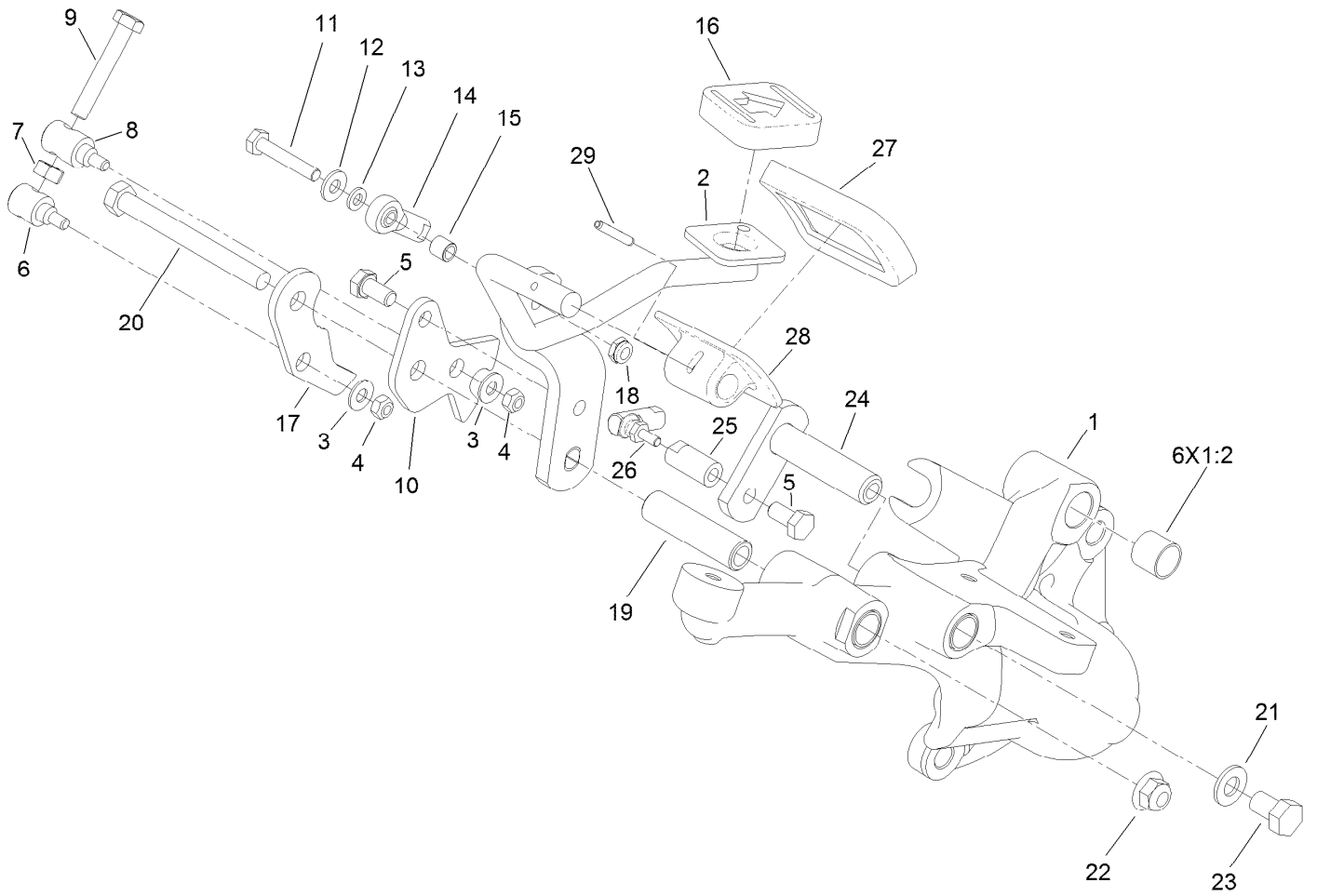
Frame Assembly

<i>Ref.</i>	<i>Part Number</i>	<i>Qty.</i>	<i>Description</i>	<i>Ref.</i>	<i>Part Number</i>	<i>Qty.</i>	<i>Description</i>
1	131-6176-01	1	Frame	10	323-5	2	Screw-HH
2	323-15	3	Screw-HH	11	131-1821	1	Mount-Engine
3	3234-33	8	Screw-HHF	12	117-9256-01	1	Mount-Engine, Rear
4	112-5757	2	Mount-Engine, Rubber	13	52-2480	1	Spacer-Wheel
5	3296-42	8	Nut-Lock, NI	14	104-0151	2	Spacer
6	117-9330	2	Spacer	15	87-5100	1	Washer-Snubbing
7	104-8301	7	Nut-HF, NI	16	119-9348	1	Decal
9	323-14	2	Screw-HH	17	3254-6	1	Washer-Lock, Internal



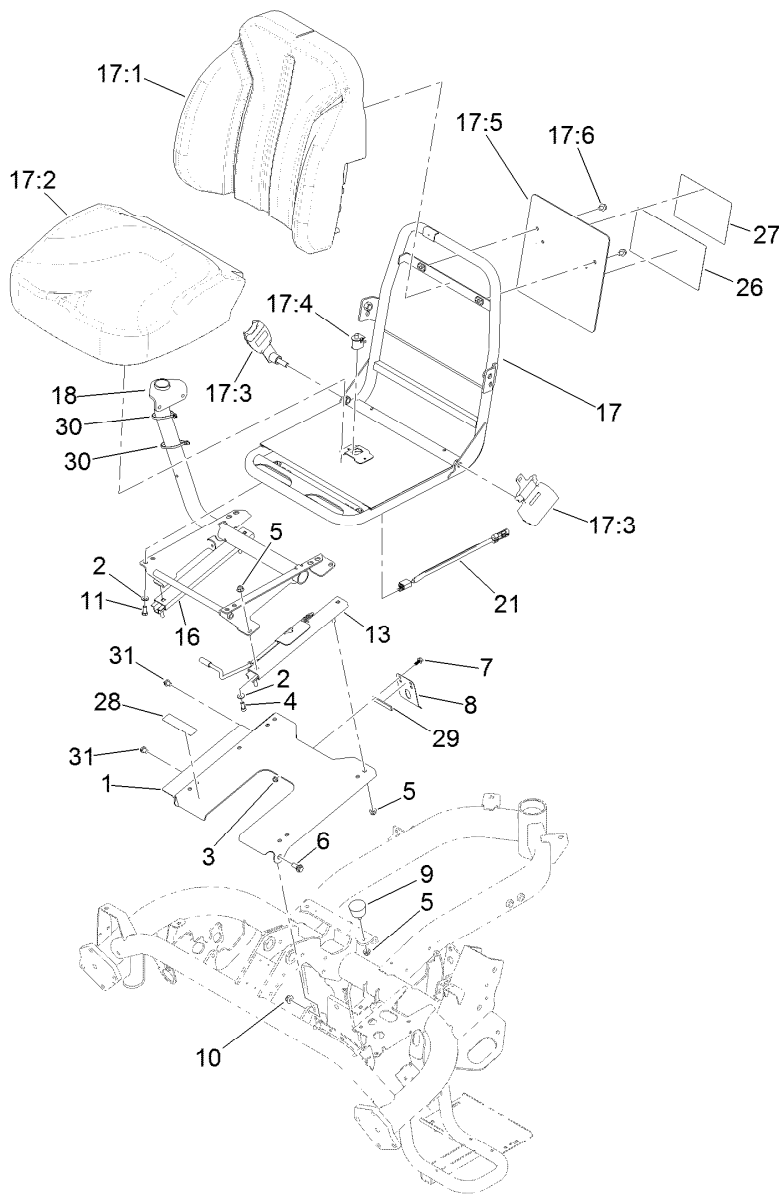
Platform Assembly

<i>Ref.</i>	<i>Part Number</i>	<i>Qty.</i>	<i>Description</i>
1	137-7768	1	Platform-LH
2	117-9008	1	Platform-RH
3	117-9072	2	Bumper-Rubber
4	115-8240	1	Screw-Elevator
5	32128-20	1	Nut-HF
6	3234-47	3	Screw-HHF
7	117-9035	3	Screw-HHF
8	117-9006-01	1	Support-Platform, LH
9	115-1794	3	Screw-HHF
10	94-8946	1	Washer-Thrust
11	84-1560	1	Washer-Thrust
12	324-4	1	Screw-HH
13	104-8300	4	Nut-HF, NI
14	322-5	1	Screw-HH



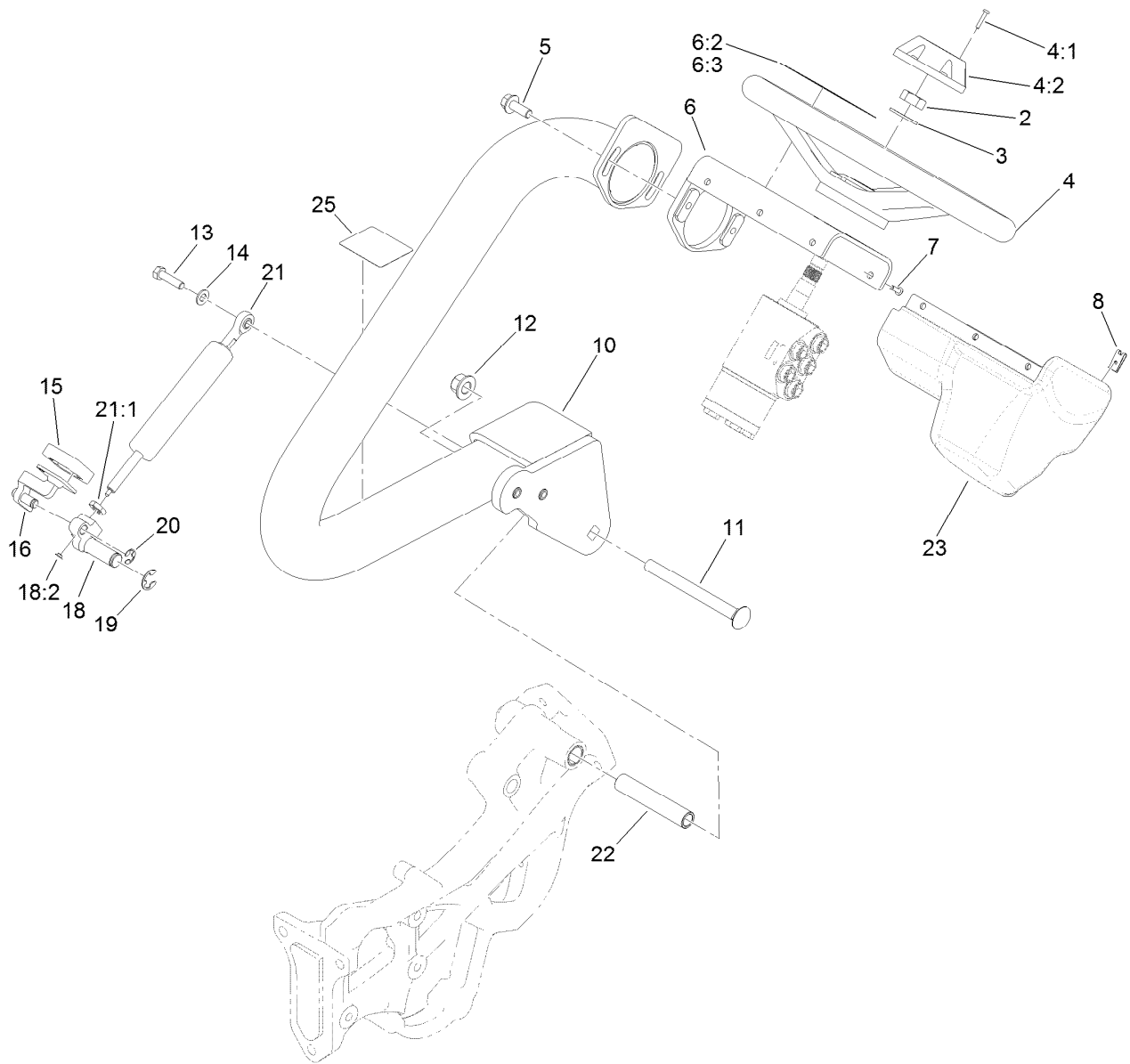
Right Hand Support Platform Assembly

<i>Ref.</i>	<i>Part Number</i>	<i>Qty.</i>	<i>Description</i>	<i>Ref.</i>	<i>Part Number</i>	<i>Qty.</i>	<i>Description</i>
1	133-2313	1	Support-Platform, RH	15	99-3545	1	Spacer
1:2	256-311	6	Bushing-Split	16	74-9110	1	Pad-Pedal, Reverse
2	119-1725-01	1	Rod-Traction	17	125-3011	1	Bracket-Mow
3	3256-1	2	Washer-Flat	18	3296-56	1	Nut-Lock, NI
4	33023-00	2	Nut-Lock	19	94-1371	1	Spacer
5	33114-016	2	Screw-HH	20	323-42	1	Screw-HH
6	94-1374	1	Trunnion-Bracket, Mow	21	3256-24	1	Washer-Flat
7	33014-00	1	Nut-Hex	22	104-8301	1	Nut-HF, NI
8	94-1375	1	Trunnion-Bracket, Lock	23	33115-016	1	Screw-HH
9	94-3489	1	Screw-HH	24	94-1300	1	Lock-Neutral
10	117-9021	1	Bracket-Lock	25	94-1386	1	Shaft-Pedal
11	321-9	1	Screw-HH	26	2411-38	1	Joint-Ball
12	3256-22	1	Washer-Flat	27	74-9100	1	Pad-Pedal, Forward
13	33093-00	1	Washer-Flat	28	117-9507	1	Pedal-Accelerator
14	2411-41	1	Rod End-Ball Joint	29	32121-45	1	Pin-Spring



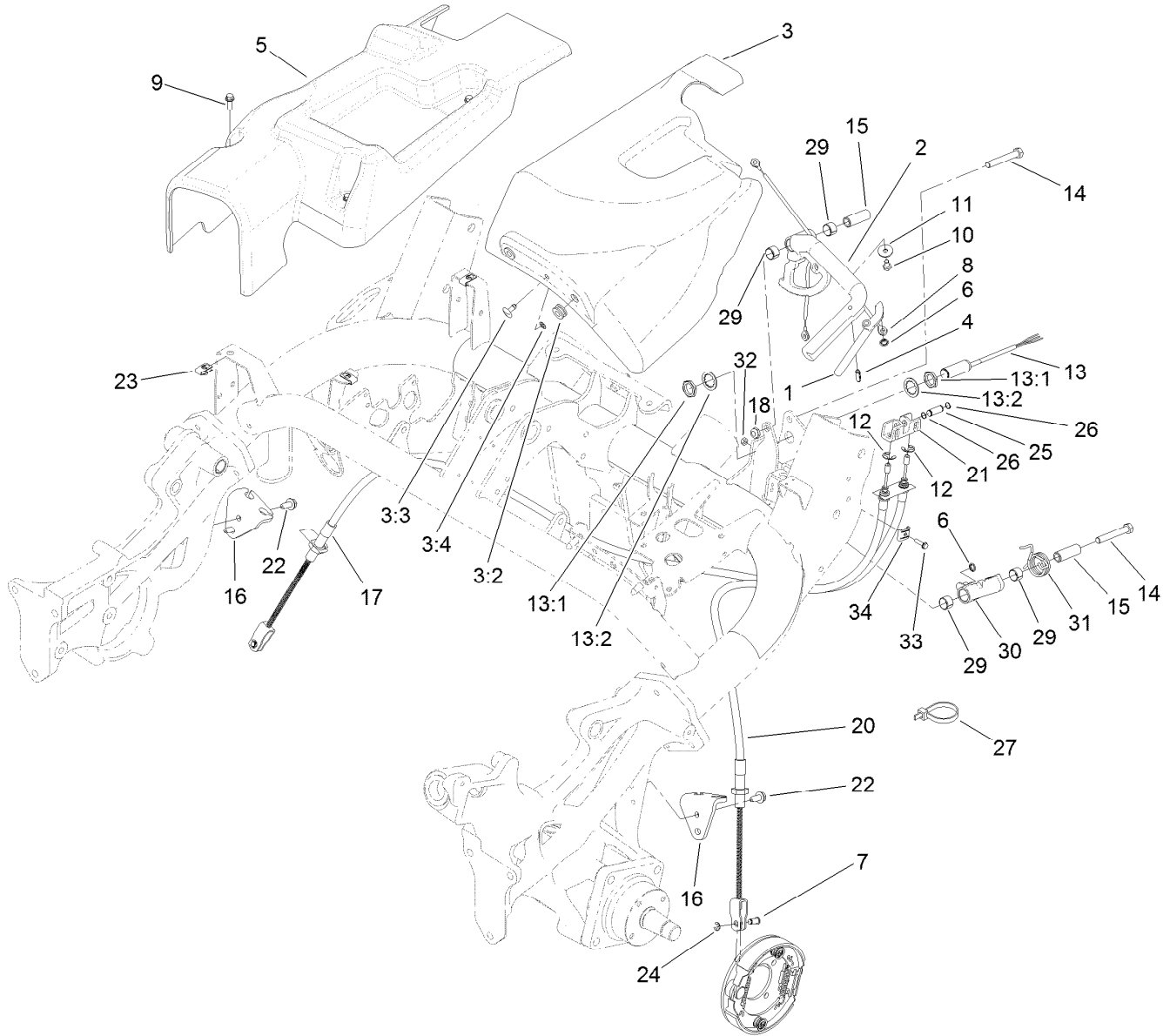
Seatbase Assembly

Ref.	Part Number	Qty.	Description	Ref.	Part Number	Qty.	Description
1	136-8405-03	1	Plate-Seat	18	139-6453-03	1	Console Mount ASM, Welded
2	3256-23	8	Washer-Plain	21	108-8657	1	Harness-Wire, Seat
3	104-7201	2	Nut-HF, NI	26	115-8159	1	Decal-Service, Spanish
4	3274-10	4	Screw-HSH	26	115-8160	1	Decal-Service, French
5	104-8300	10	Nut-HF, NI	26	115-8161	1	Decal-Service, German
6	94-7582	2	Bolt-Shoulder	26	115-8162	1	Decal-Service, Swedish
7	99-6810	2	Screw-HHF	26	115-8163	1	Decal-Service, Italian
8	66-2630	1	Latch-Seat	26	115-8164	1	Decal-Service, Portuguese
9	68-3270	2	Bumper-Rubber	26	115-8165	1	Decal-Service, Norwegian
10	104-8301	2	Nut-HF, NI	26	115-8166	1	Decal-Service, Finnish
11	322-3	4	Screw-HH	26	115-8167	1	Decal-Service, Danish
13	133-8896	1	Seat Adjuster Lever ASM	26	115-8168	1	Decal-Service, Dutch
16	92-8990	1	Adjuster-Seat, Non-Locking	26	115-8169	1	Decal-Service, Japanese
17	139-2680	1	Seat ASM	26	139-2727	1	Decal-Service, GR3300/3320
17:1	139-2705	1	Cover-Seat, Back	27	115-8156	1	Decal-Speed, Clip
17:2	139-2706	1	Cover-Seat, Bottom	28	133-8062	1	Decal-Arrestor, Spark
17:3	139-2707	1	Seat Belt Kit	29	120-5753	1	Strip-Foam
17:4	82-2190	1	Switch-Bail	30	3290-379	2	Tie-Cable
17:5	139-2701	1	Plate-Decal	31	32180-030	2	Clip-Tie
17:6	3234-30	2	Screw-HHF				



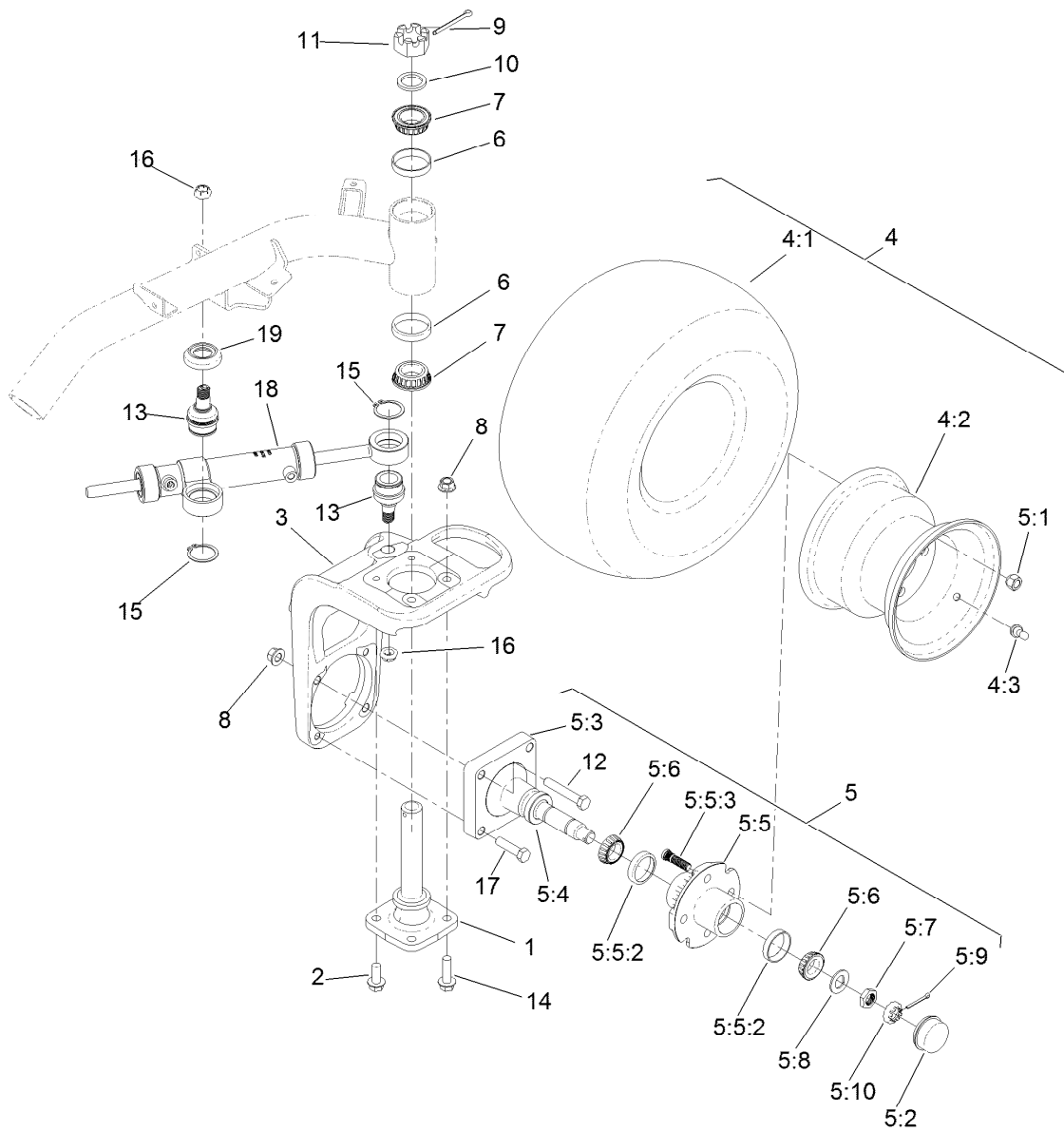
Steering Arm and Adjuster Assembly

<i>Ref.</i>	<i>Part Number</i>	<i>Qty.</i>	<i>Description</i>	<i>Ref.</i>	<i>Part Number</i>	<i>Qty.</i>	<i>Description</i>
2	3296-33	1	Nut-Lock, NI	13	322-5	1	Screw-HH
3	3256-27	1	Washer-Flat	14	3256-23	1	Washer-Plain
4	75-0560	1	Steering Wheel ASM	15	74-9110	1	Pad-Pedal, Reverse
4:1	32144-21	1	Screw	16	132-9848	1	Lever
4:2	68-5140	1	Cap-Wheel, Steering	18	133-9030	1	Pivot Lever ASM
5	3234-42	2	Screw-HHF	18:2	133-8995	1	Bushing
6	136-8571	1	Mount-Steering	19	32120-19	1	E-Ring
6:2	136-8506	1	Decal-Danger	20	105-7004	1	E-Ring
6:3	136-8505	1	Decal-Danger, CE	21	133-9036	1	Cylinder-Gas
7	3274-39	6	Screw-HSBH	21:1	112-8617	1	Nut-Hex
8	3290-277	6	Nut-Speed	22	117-9002	1	Spacer
10	137-7892-01	1	Arm-Steering	23	119-9300	1	Cover-Valve, Steering
11	114-7723	1	Screw-CARR	25	119-9346	1	Decal-Arm, Steering
12	99-5107	1	Nut-Lock				



Brake Cable and Lever Assembly

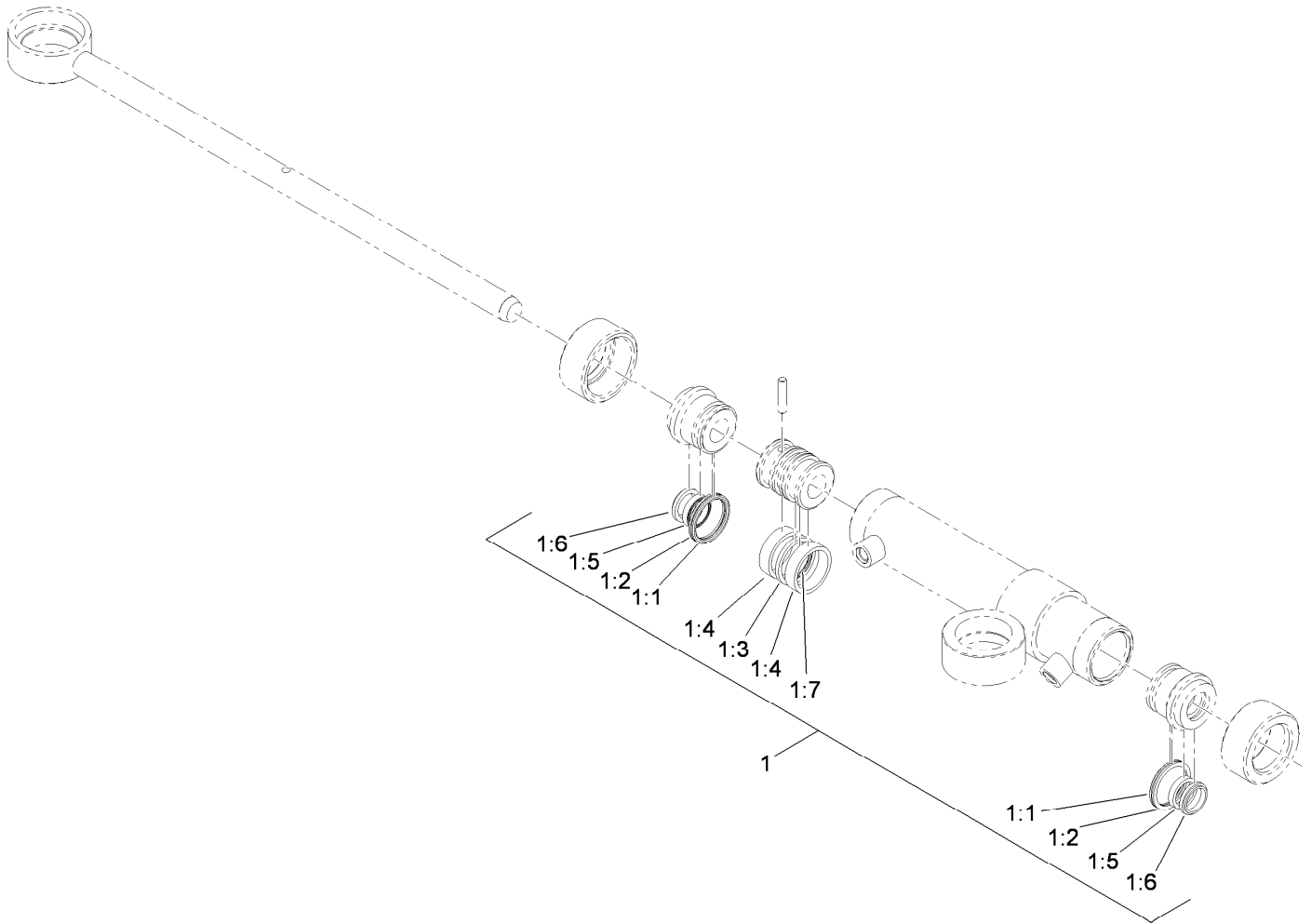
Ref.	Part Number	Qty.	Description	Ref.	Part Number	Qty.	Description
1	131-3003	1	Lever-Release	15	131-3017	2	Spacer
2	131-3024	1	Lever-Brake, Hand	16	133-8901	2	Bracket-Cable, Brake
3	131-3025	1	LH Cover ASM	17	131-1833	1	Cable-Brake, RH
3:2	119-1728	1	Stud-1/4 Turn	18	3296-59	2	Nut-Lock, NI
3:3	119-1729	1	Retainer-Stud	20	131-1834	1	Cable-Brake, LH
3:4	92-5972	2	Grommet-Rubber	21	131-3065	1	Equalizer-Cable
4	32121-24	1	Pin-Spring	22	32104-32	4	Screw-HWH
5	138-5029	1	Cover-Side, RH	23	107069	3	Clip
6	104-8310	2	Ring-Retaining	24	701197	2	E-Ring
7	109-6887	2	Pin-Clevis	25	131-3021	1	Pin
8	131-3004	1	Cable	26	32120-46	2	Ring-Retaining
9	115-5103	3	Screw-HHF	27	3290-379	1	Tie-Cable
10	321-2	1	Screw-HH	29	1-653600	4	Bushing
11	3256-67	1	Washer	30	131-3058	1	Pawl-Brake
12	32120-47	2	Ring-Retaining, External	31	132-3833	1	Spring-Torsion
13	115-5300	1	Proximity Switch ASM	32	3296-2	1	Nut-Lock, NI
13:1	117-3207	2	Nut-Hex	33	3290-126	1	Screw-HWH
13:2	117-3208	2	Washer-Lock, Internal Tooth	34	81-1690	1	Clamp-Cable
14	323-12	2	Screw-HH				



Back Wheel Assembly

Ref.	Part Number	Qty.	Description	Ref.	Part Number	Qty.	Description
1	115-2657	1	Spindle-Steering	5:8	117-8259	1	Washer-Spindle
2	3234-38	2	Screw-HHF	5:9	3272-18	1	Pin-Cotter
3	117-4366-01	1	Base-Fork, Rear	5:10	93-0307	1	Nut-Lock, Retainer
4		1	Wheel And Tire ASM ●	6	115-9471	2	Bearing-Cup
4:1	120-2783	1	Tire	7	115-9472	2	Bearing-Cone And Seal
4:2	217-60	1	Rim	8	99-5107	4	Nut-Lock
4:3	232-27	1	Stem-Valve	9	3272-37	1	Pin-Cotter
5	119-4490	1	Wheel Spindle ASM	10	18-6320	1	Washer-Steering
5:1	242-50	4	Nut-Lug	11	32136-9	1	Nut-Hex, Slotted
5:2	241-119	1	Cap-Dust	12	325-12	2	Screw-HH
5:3	112-7173	1	Spindle	13	121-3605	2	Ball Joint
5:4	112-1690	1	Seal-Oil	14	3234-22	2	Screw-HHF
5:5	117-9093	1	Hub ASM	15	32151-104	2	Ring-Retaining, External
5:5:2	254-72	2	Bearing-Cup, Tapered	16	121-3611	2	Nut-Hex, Flextop
5:5:3	114-3918	4	Stud-Wheel	17	325-8	2	Screw-HH
5:6	254-92	2	Cone-Bearing, Outer	18	117-4480	1	HYD Cylinder ASM
5:7	117-8260	1	Nut	19	120-2026	1	Spacer-Cylinder

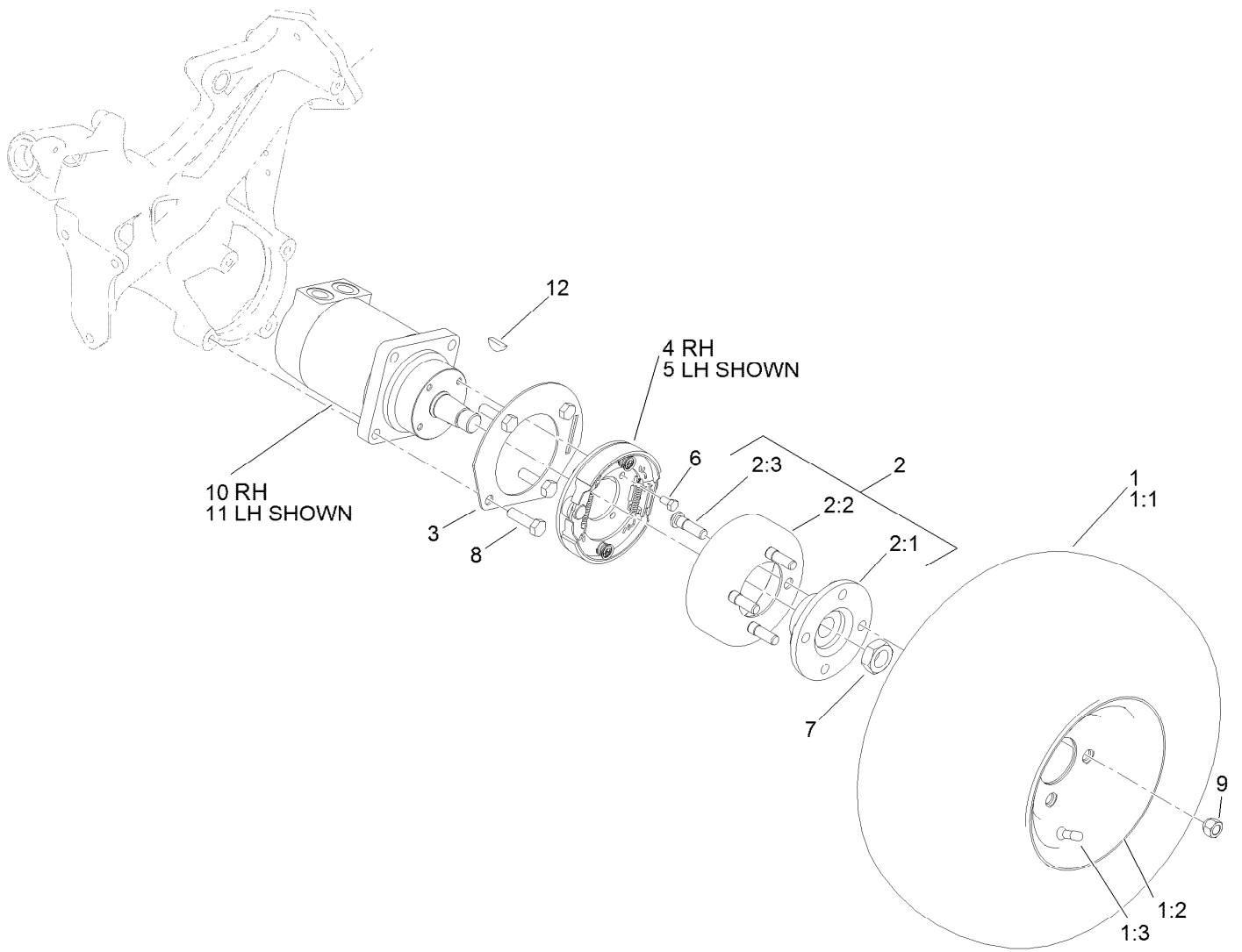
● Not serviced separately



Hydraulic Cylinder Assembly No. 117-4480

<i>Ref.</i>	<i>Part Number</i>	<i>Qty.</i>	<i>Description</i>
1	119-7124	1	Kit-Seal
1:1		2	O-Ring ●
1:2		2	Ring-Backup ●
1:3		1	Seal-Psp ●
1:4		2	Ring-Wear ●
1:5		2	Seal-Bs ●
1:6		2	Seal-Dust ●
1:7		1	O-Ring ●

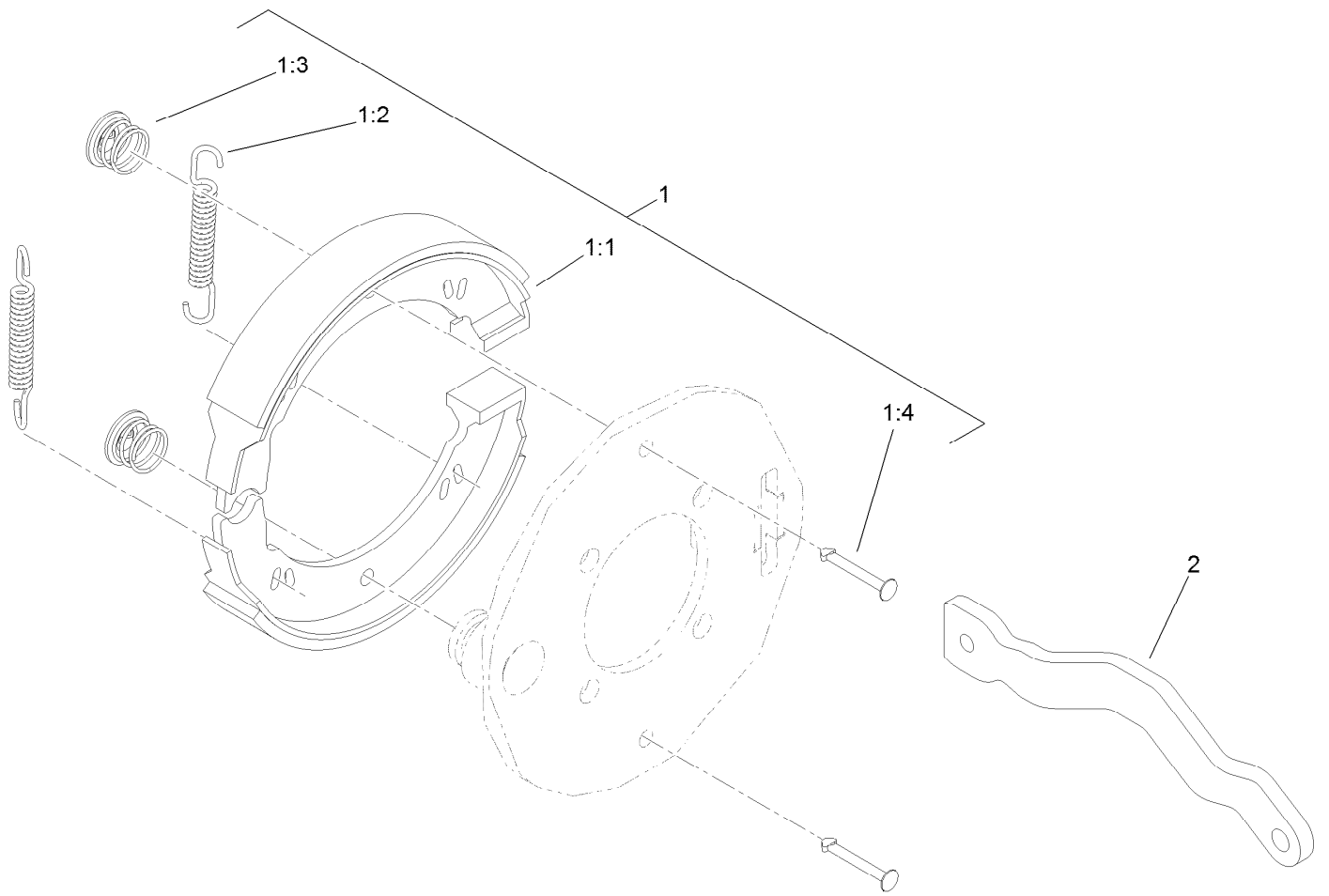
● Not serviced separately



Front Wheel Assembly

Ref.	Part Number	Qty.	Description	Ref.	Part Number	Qty.	Description
1		2	Wheel And Tire ASM ●	4	139-2722	1	RH Brake ASM
1:1	120-2783	1	Tire	5	139-2721	1	LH Brake ASM
1:2	117-9032	1	Rim	6	322-2	8	Screw-HH
1:3	232-27	1	Stem-Valve	7	26-3790	2	Nut-Lock
2	115-2661	2	Brake Drum ASM	8	325-7	8	Screw-HH
2:1	115-2662-0P	1	Hub-Wheel [primed]	9	242-50	8	Nut-Lug
2:2	115-2663	1	Drum-Brake	10	117-4302	1	RH Wheel Motor ASM
2:3	85-6540	4	Stud-Drive	11	117-4303	1	LH Wheel Motor ASM
3	114-9998-03	2	Tab-Lever, Brake	12	3257-42	1	Key-Woodruff

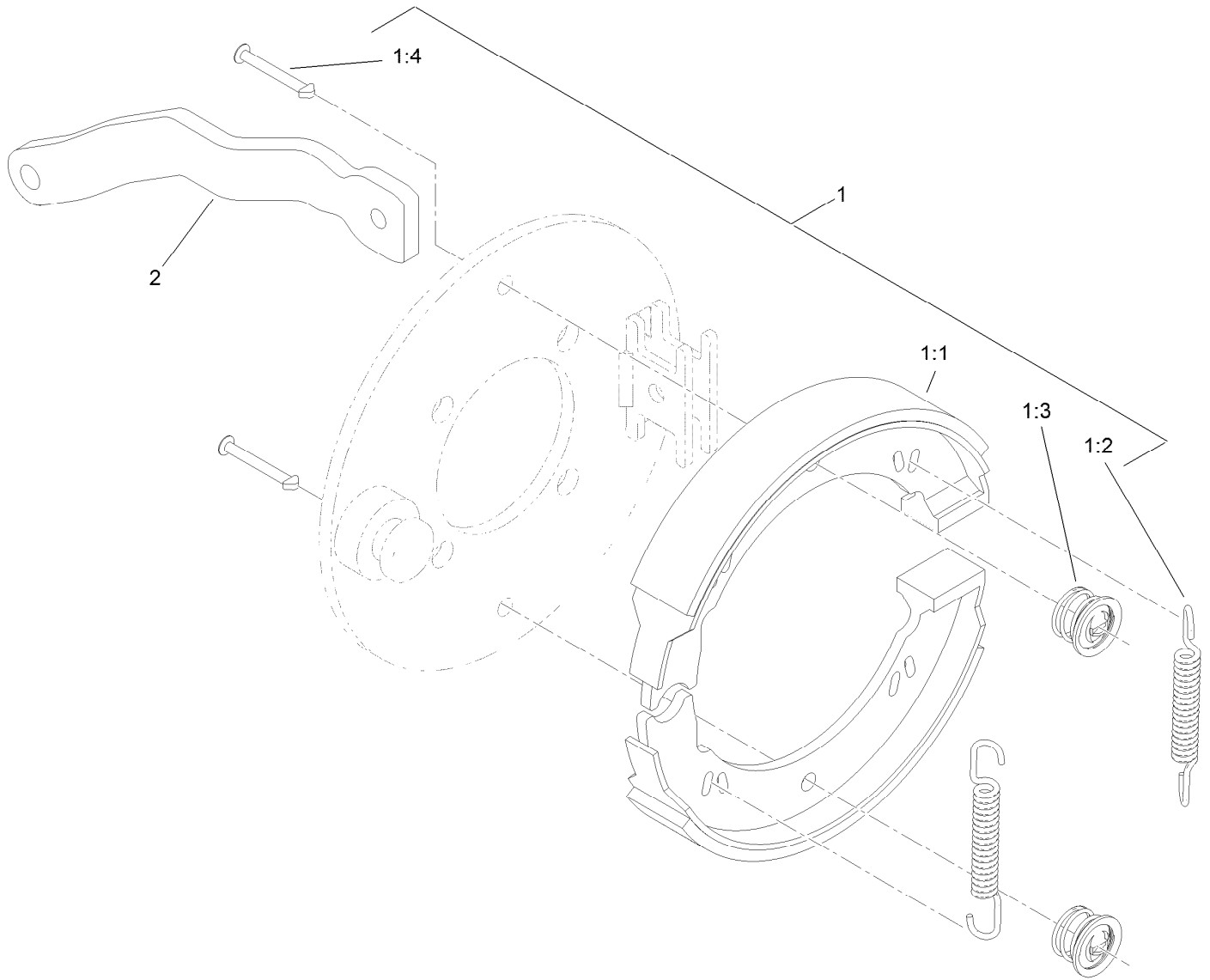
● Not serviced separately



Right Hand Brake Assembly No. 139-2722

Ref.	Part Number	Qty.	Description
1	139-2723	1	Kit-Brake
1:1		2	Shoe-Brake ●
1:2		2	Spring ●
1:3		2	Clip ●
1:4		2	Pin-Retainer ●
2	115-5789	1	Lever-Brake, RH

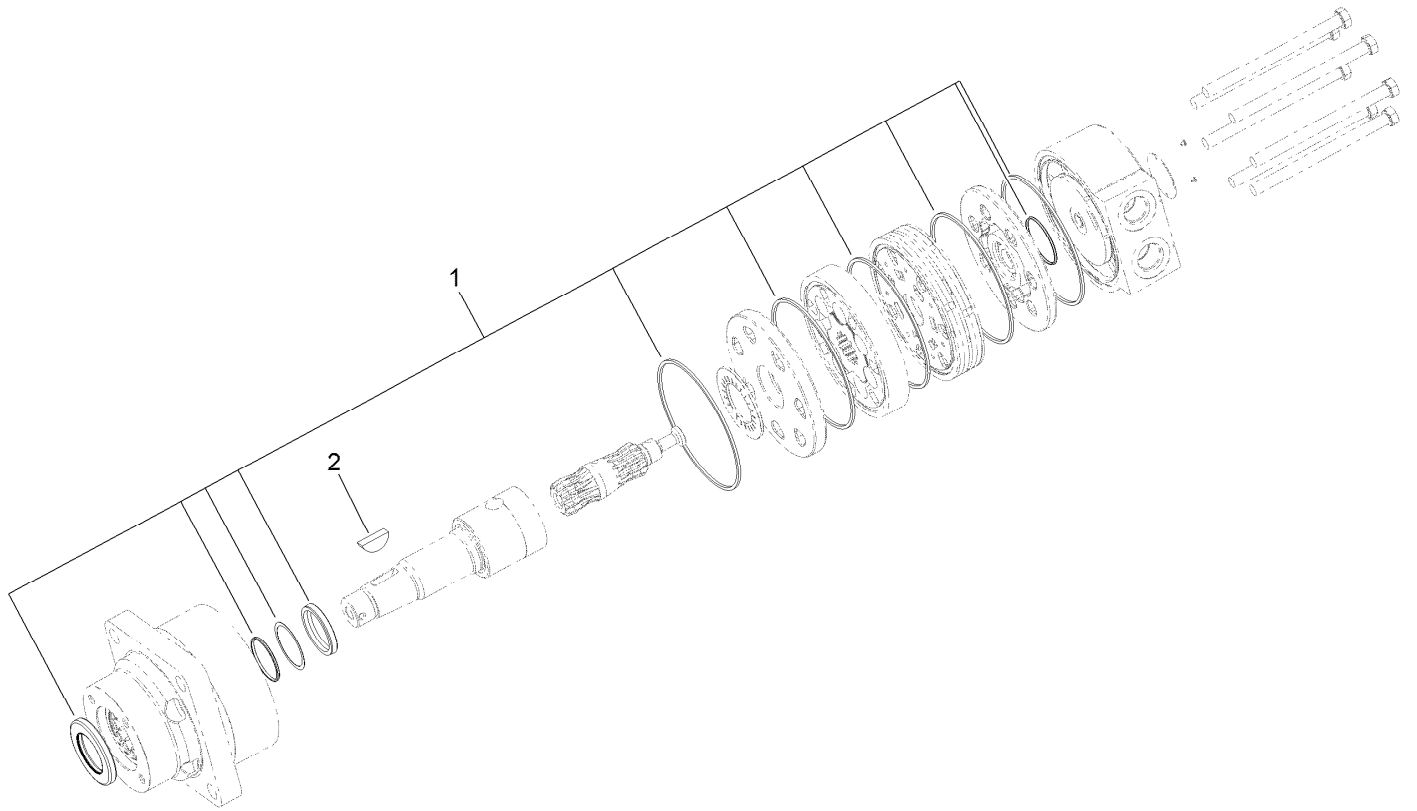
● Not serviced separately



Left Hand Brake Assembly No. 139-2721

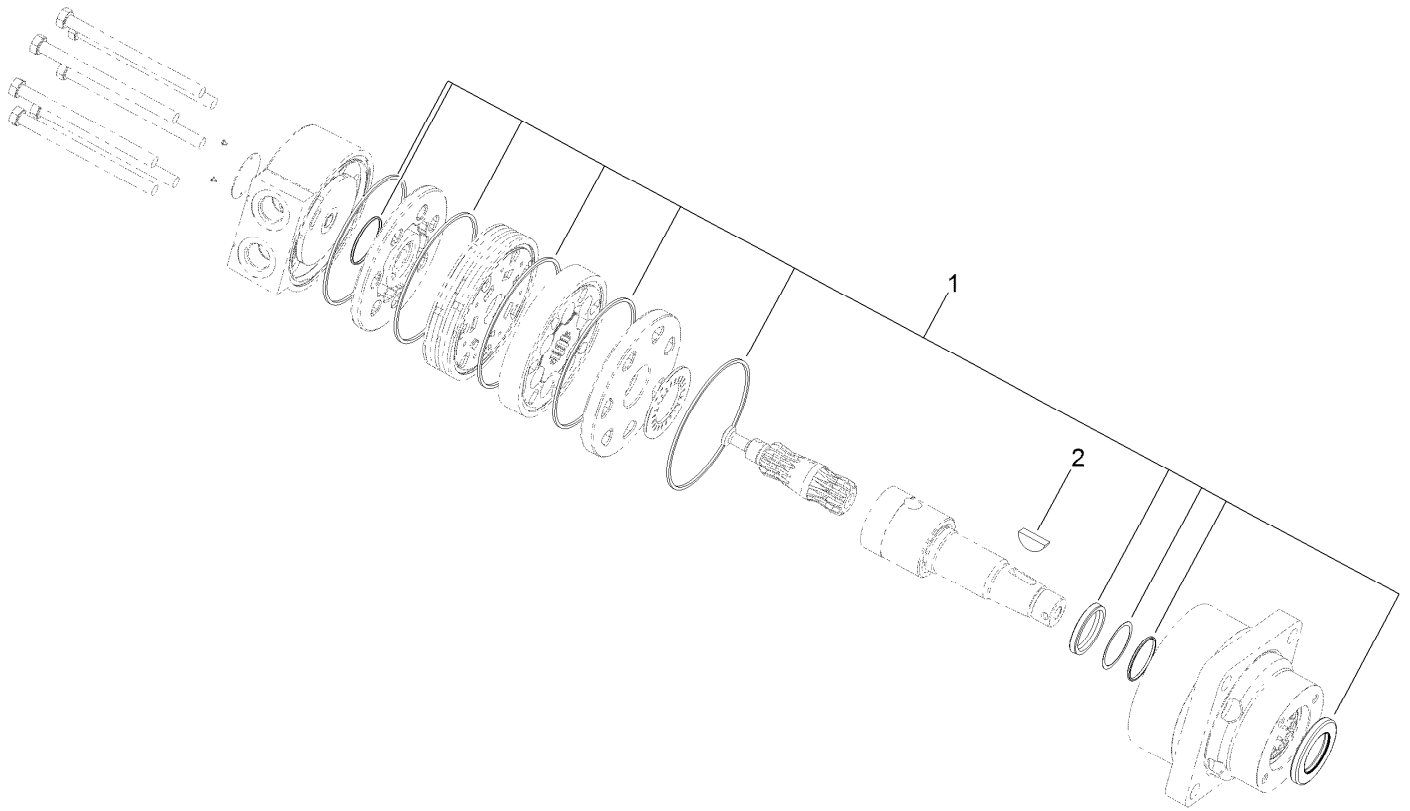
Ref.	Part Number	Qty.	Description
1	139-2723	1	Kit-Brake
1:1		2	Shoe-Brake ●
1:2		2	Spring ●
1:3		2	Clip ●
1:4		2	Pin-Retainer ●
2	115-2664	1	Lever-Brake, LH

● Not serviced separately



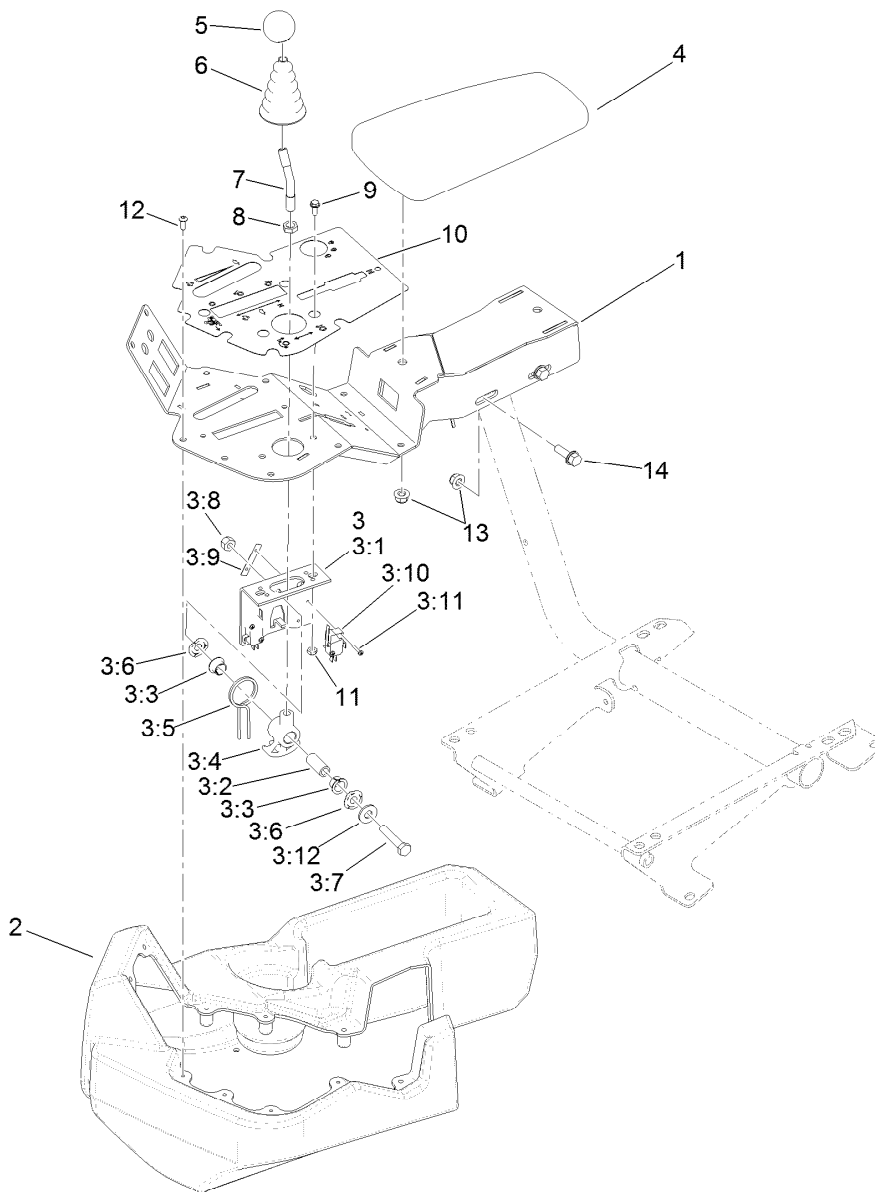
Right Hand Wheel Motor Assembly No. 117-4302

<i>Ref.</i>	<i>Part Number</i>	<i>Qty.</i>	<i>Description</i>
1	94-8178	1	Seal Kit
2	3257-42	1	Key-Woodruff



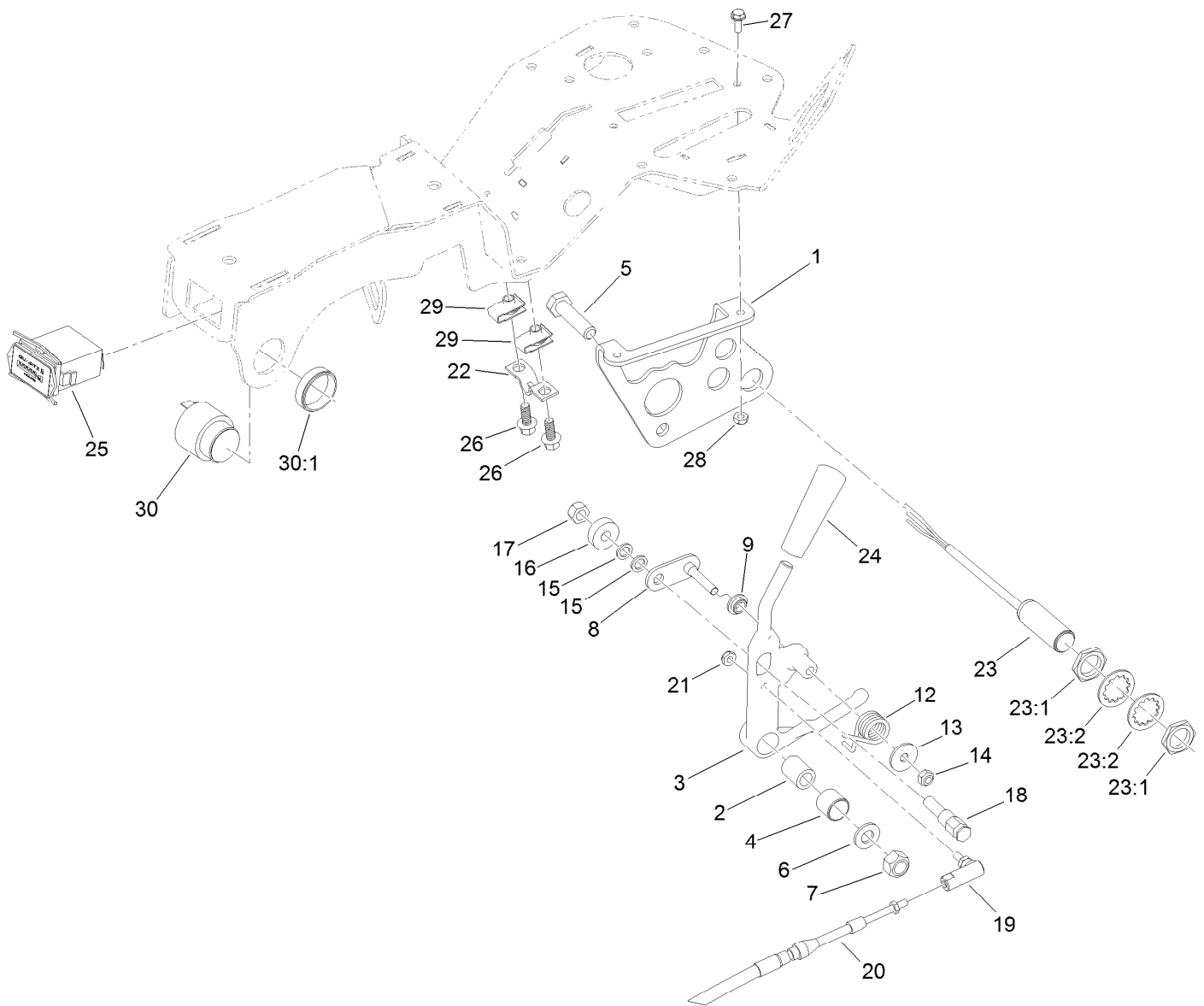
Left Hand Wheel Motor Assembly No. 117-4303

<i>Ref.</i>	<i>Part Number</i>	<i>Qty.</i>	<i>Description</i>
1	94-8178	1	Seal Kit
2	3257-42	1	Key-Woodruff



Console and Reel Control Assembly

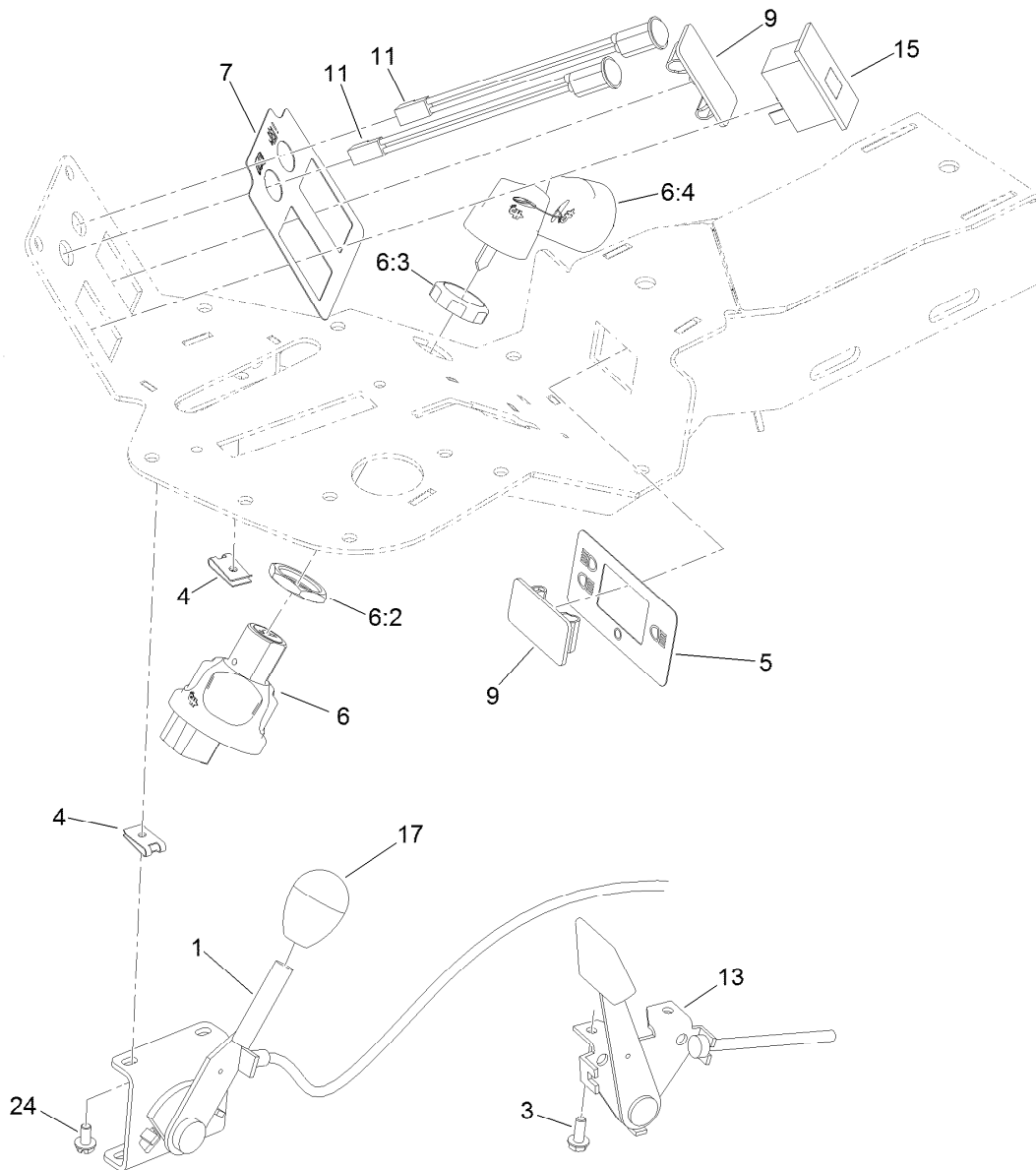
Ref.	Part Number	Qty.	Description	Ref.	Part Number	Qty.	Description
1	139-6489-03	1	Console ASM [black]	3:11	95-3003	4	Screw-PPHTF
2	132-9955	1	Cover-Console	3:12	3256-3	1	Washer-Flat
3	106-4167	1	Joystick Bracket ASM	4	108-7602	1	Rest-Arm
3:1	115-5357-03	1	Bracket-Joystick	5	120-9752	1	Knob-Round, Yellow
3:2	106-4192	1	Spacer	6	93-5961	1	Boot-Lever
3:3	93-5547	2	Bushing-Nylon	7	121-6681	1	Stem-Joystick
3:4	105-7507	1	Hub-Pivot, Joystick	8	3218-3	1	Nut-Jam
3:5	105-8289	1	Spring-Torsion	9	3290-321	2	Screw-HWH
3:6	106-4193	2	Washer-Finger, Spring	10	139-6493	1	Decal-Console
3:7	322-9	1	Screw-HH	11	3296-12	2	Nut-Lock, NI
3:8	3296-29	1	Nut-Lock, NI	12	115-9830	8	Screw-HSBH
3:9	3290-354	2	Nut-Speed	13	104-8300	4	Nut-HF, NI
3:10	108-6496	2	Switch (W/Boot)	14	3234-29	2	Screw-HHF



Traction Interface Control Assembly

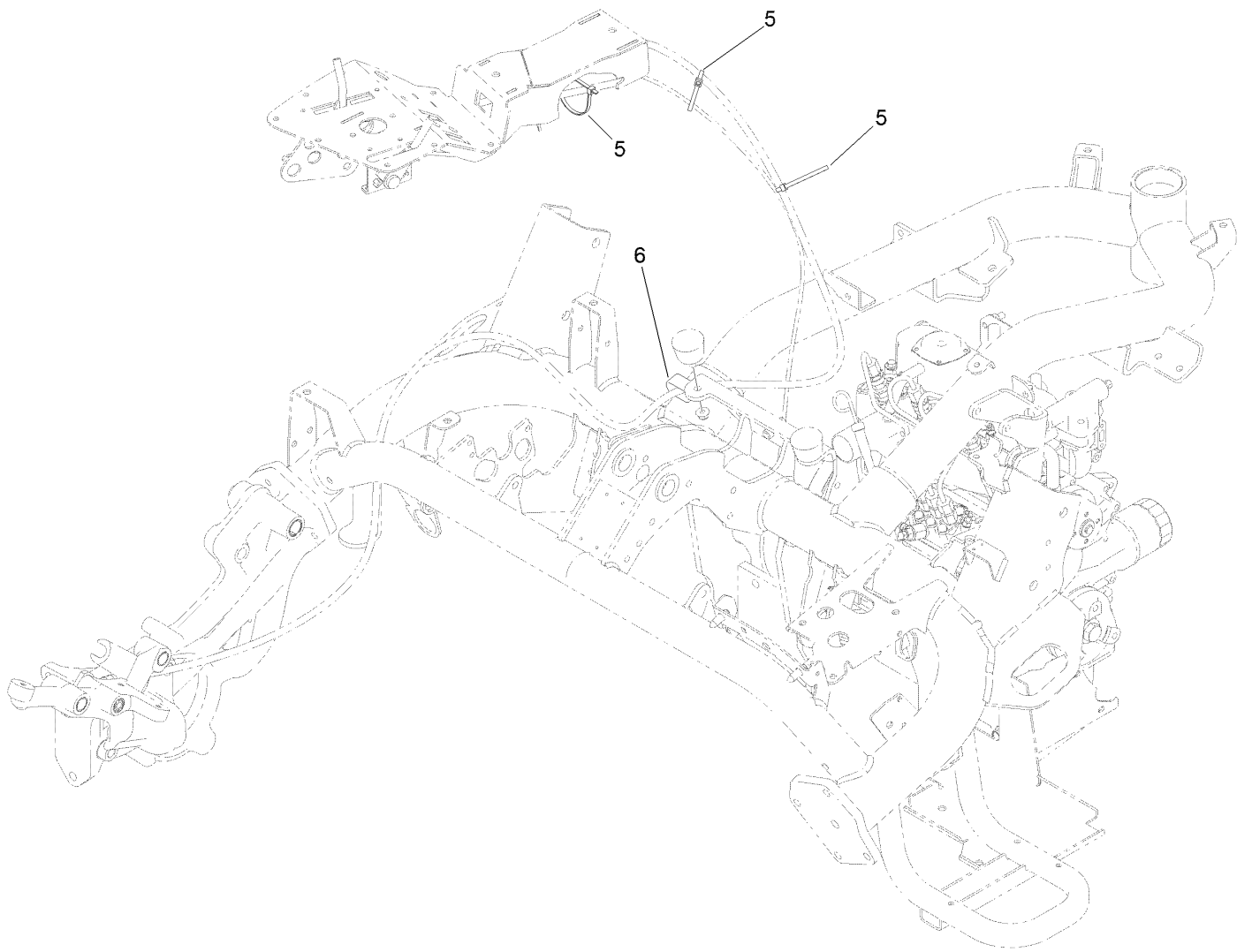
Ref.	Part Number	Qty.	Description	Ref.	Part Number	Qty.	Description
1	132-3822-03	1	Bracket	19	2411-38	1	Joint-Ball
2	94-1378	1	Tube-Pivot, Handle	20	132-6991	1	Cable-Lock, Neutral
3	139-2659	1	Handle	21	3296-27	1	Nut-Lock, NI
4	136-8417	1	Bushing	22	93-2279	1	Clamp-Cable
5	33115-040	1	Screw-HH	23	115-5300	2	Proximity Switch ASM
6	3256-24	1	Washer-Flat	23:1	117-3207	2	Nut-Hex
7	33025-00	1	Nut-Lock, NI	23:2	117-3208	2	Washer-Lock, Internal Tooth
8	120-3198	1	Roller-Pivot	24	233-39	1	Knob-Control
9	94-9619	1	Bushing	25	1-513374	1	Meter-Hour
12	94-9620	1	Spring-Torsion	26	99-6810	2	Screw-HHF
13	3256-67	1	Washer	27	3290-321	2	Screw-HWH
14	33023-00	1	Nut-Lock	28	3296-12	2	Nut-Lock, NI
15	75-5470	2	Spacer-Bearing	29	107069	2	Clip
16	251-259	1	Bearing-Ball	30	80-9330	1	Audio Alarm ASM
17	33024-00	1	Nut-Lock, NI	30:1	104-5107	1	Nut-Plastic, Knurled ●
18	94-9617	1	Pin-Spring				

● Not illustrated



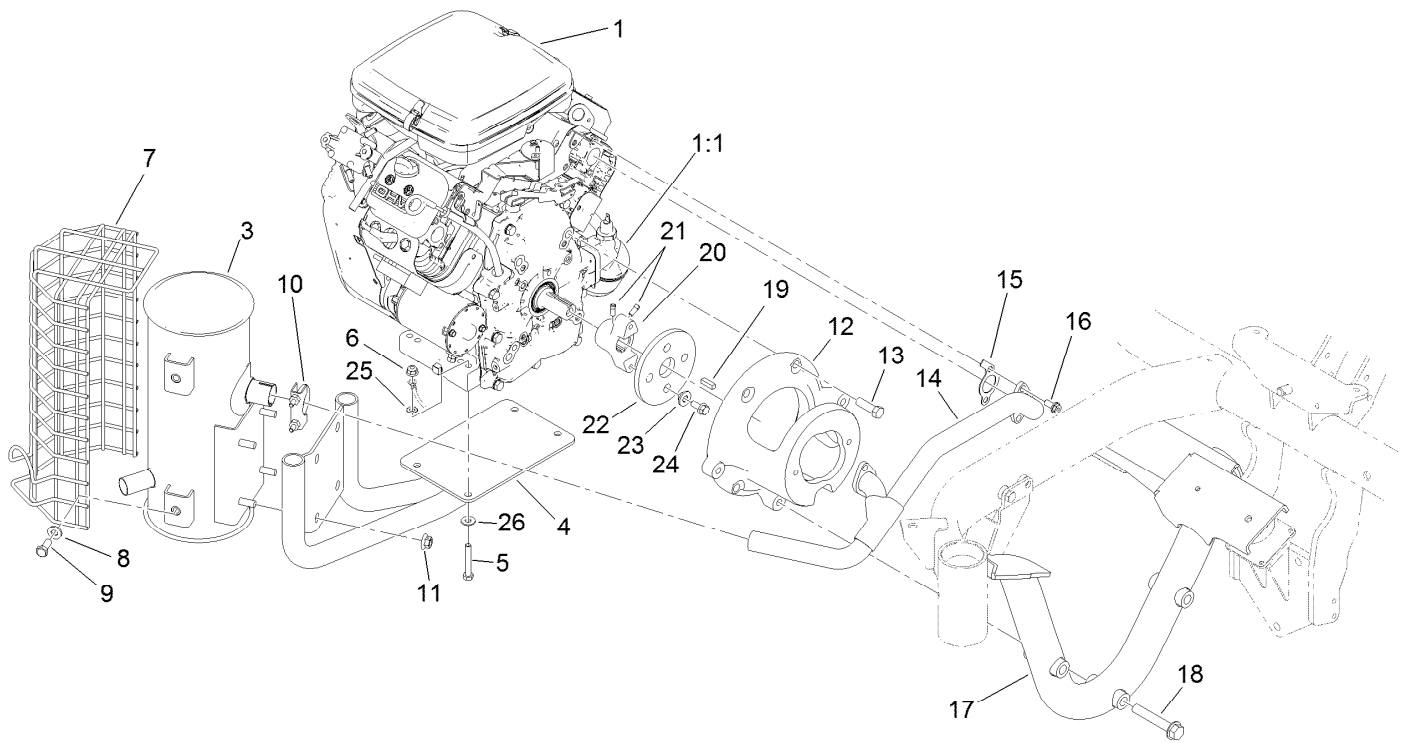
Ignition, Throttle and Choke Control Assembly

<i>Ref.</i>	<i>Part Number</i>	<i>Qty.</i>	<i>Description</i>
1	119-1652	1	Throttle
3	3290-321	2	Screw-HWH
4	3290-277	4	Nut-Speed
5	131-2046	1	Decal-Light, Console
6	121-5159	1	Ignition Switch ASM
6:2	121-5160	1	Nut-Hex
6:3	121-5161	1	Nut-Face
6:4	121-5162	1	Set-Key, Ignition
7	139-6492	1	Decal-Warning Lights
9	99-7420	2	Plug-Hole
11	95-7652	2	Light-Indicator
13	132-9540	1	Lever-Choke
15	99-7410	1	Indicator-Light, Low-Oil Pressure
17	120-9751	1	Knob-Oval, Black
24	3290-144	2	Screw-SHWH



Console Cable Routing Assembly

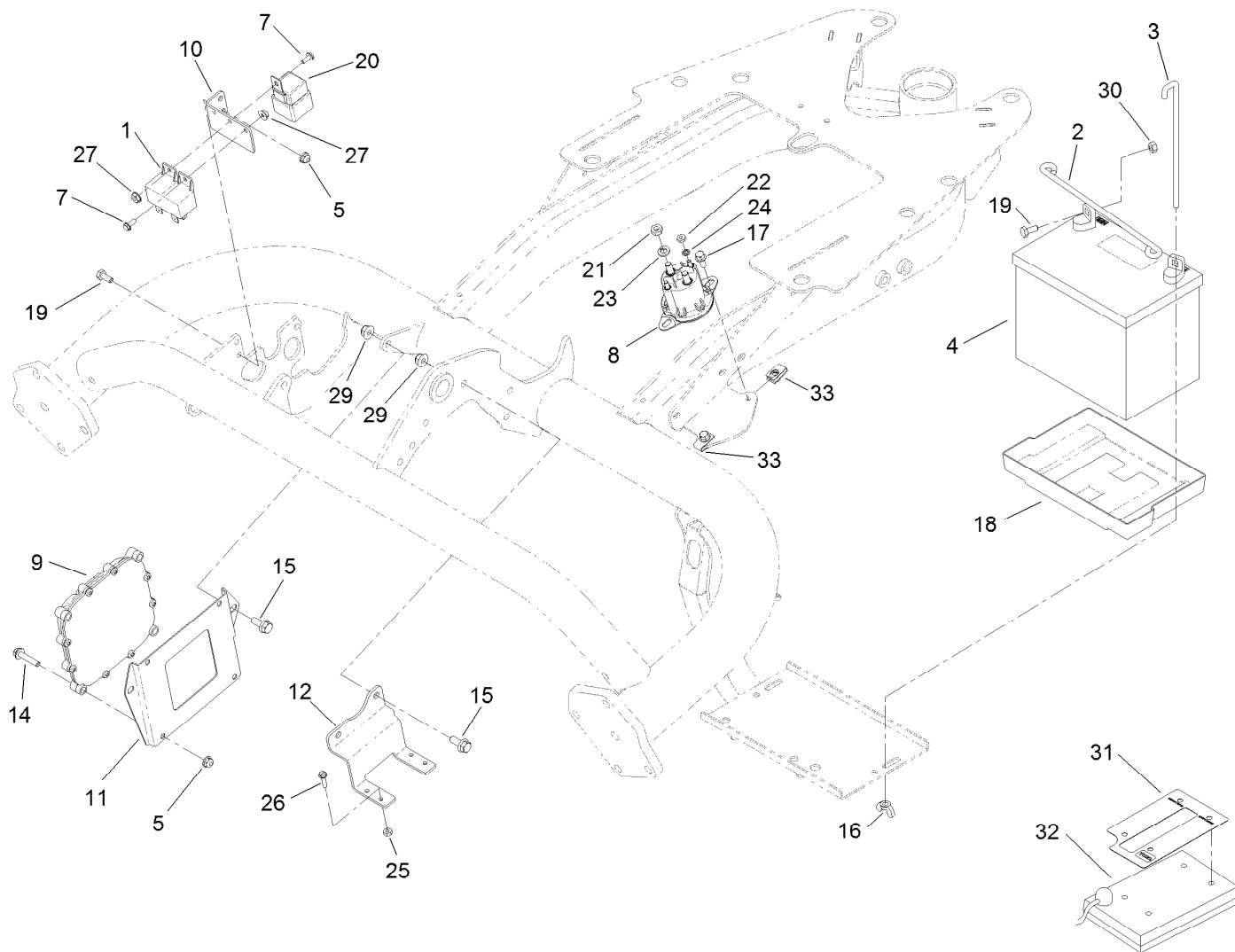
<i>Ref.</i>	<i>Part Number</i>	<i>Qty.</i>	<i>Description</i>
5	3290-379	4	Tie-Cable
6	120-1959	1	Clamp



Engine and Exhaust Assembly

Ref.	Part Number	Qty.	Description	Ref.	Part Number	Qty.	Description
1	121-6662	1	Engine-Briggs & Stratton, 385447-0208-G2 ●	14	117-4379	1	Manifold-Exhaust
1:1	107-7817	1	Filter-Oil, Engine	15	115-8154	2	Gasket-Manifold, Exhaust
3	110-4001	1	Muffler	16	94-5300	4	Screw-HHF
4	117-4364-03	1	Mount-Muffler	17	117-4442-03	1	Frame-Engine
5	322-10	4	Screw-HH	18	3234-40	3	Screw-HF
6	104-8300	4	Nut-HF, NI	19	10-7070	1	Key-Square
7	112-0291	1	Shield-Muffler	20	117-9278	1	Hub-Engine
8	100-4852	4	Washer-Hardened	21	3241-7	2	Screw-SQH
9	323-5	4	Screw-HH	22	115-5129	1	Coupling-Rubber
10	2112-11	1	Clamp-Muffler	23	125-9249	2	Spacer-Coupler, Rubber
11	32128-19	4	Nut-HF Lock, Large Flg	24	98-9940	2	Screw-HHF
12	117-4363-0P	1	Mount-Pump (Machining)	25	3255-8	1	Washer-Lock
13	324-32	4	Screw-HH	26	87-8640	4	Washer-Flat

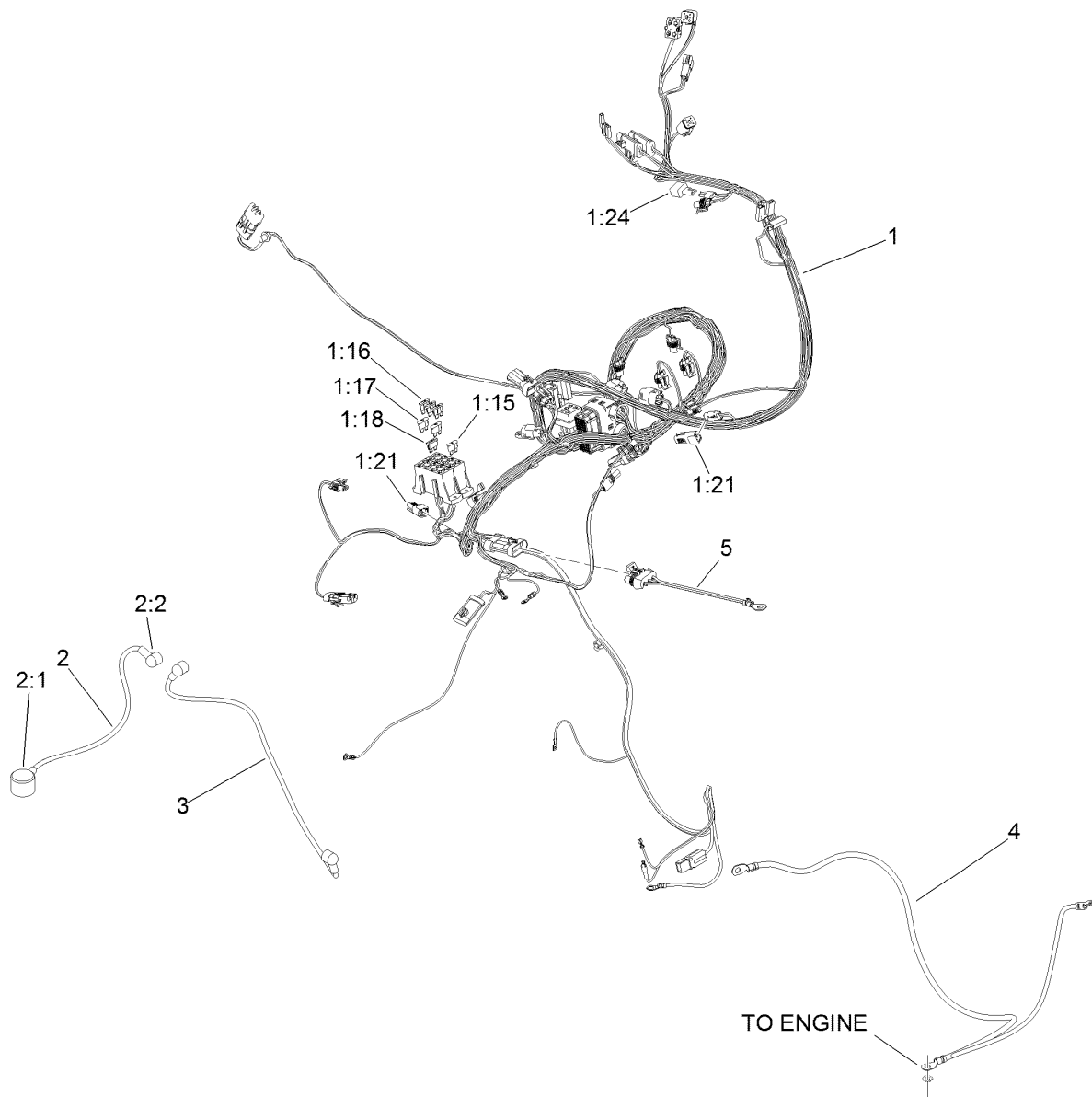
● Obtain parts from www.briggsandstratton.com



Battery Assembly

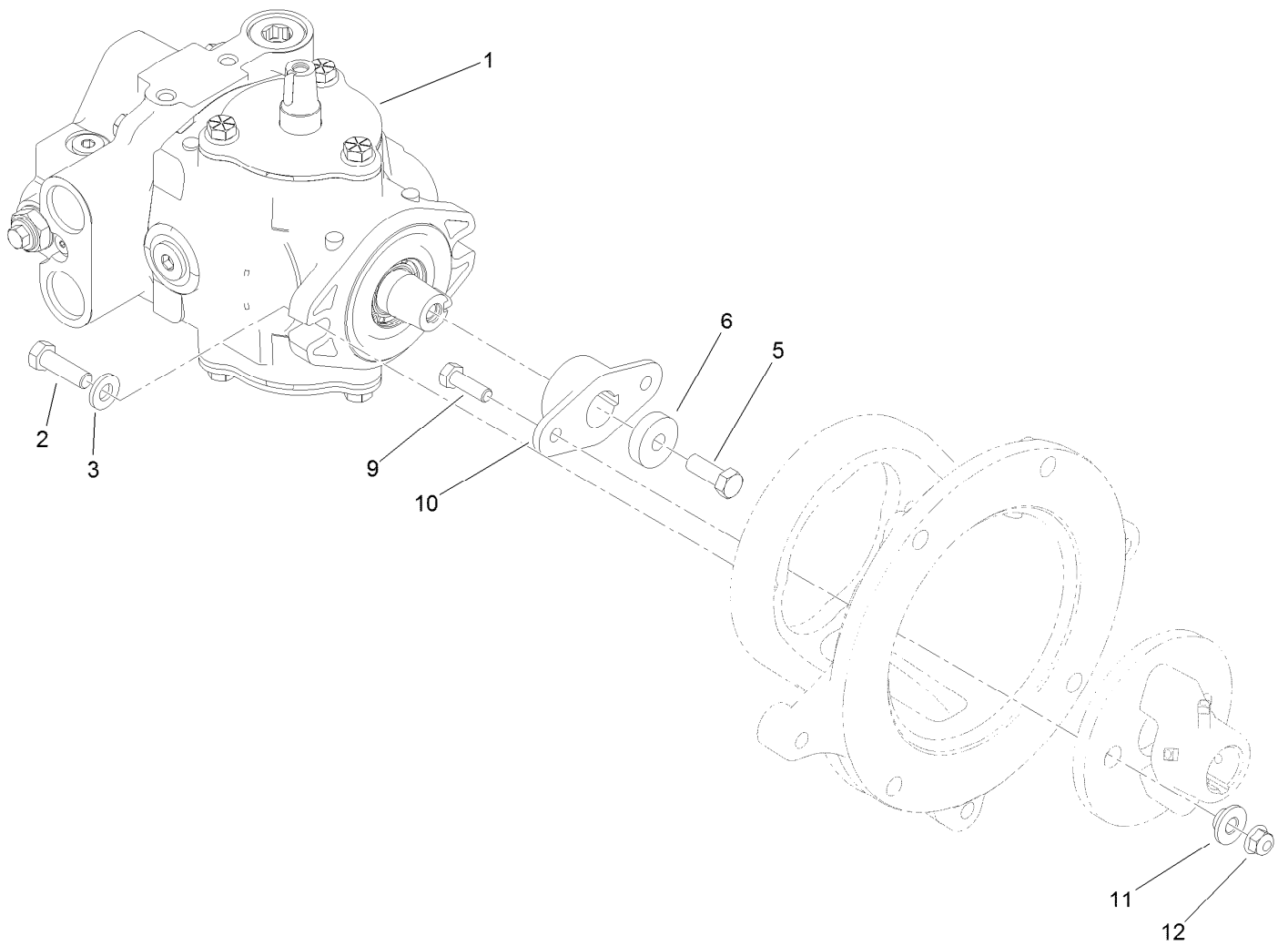
Ref.	Part Number	Qty.	Description
1	99-7435	2	Relay
2	100-6434	1	Rod-Hold Down, Battery
3	100-6435	2	Post-Battery
4	104-8162	1	Battery
5	104-7201	6	Nut-HF, NI
7	112-6349	2	Screw-HWH
8	114-3315	1	Solenoid
9	115-1900	1	Controller
10	119-2097-01	1	Bracket-Relay
11	119-2099-01	1	Plate-Mounting, Controller
12	119-2119-01	1	Bracket-Block, Fuse
14	3234-21	4	Screw-HHF
15	3234-47	4	Screw-HHF
16	32103-22	2	Nut-Wing
17	3234-33	2	Screw-HHF

Ref.	Part Number	Qty.	Description
18	106948	1	Tray-Battery
19	321-3	2	Screw-HH
20	99-7430	1	Relay-Mini
21	3220-2	2	Nut-Jam
22	3219-14	2	Nut-Hex
23	3253-4	2	Washer-Lock
24	3254-1	2	Washer-Lock, Int
25	3296-2	4	Nut-Lock, NI
26	32105-13	4	Screw-HWH
27	32149-8	2	Nut-Keps
29	104-8300	4	Nut-HF, NI
30	3217-5	2	Nut-Hex
31	115-8227	1	Decal-Controller
32	85-4750	1	Box-Display, Diagnostic
33	107069	2	Clip



Wire Harness Assembly

<i>Ref.</i>	<i>Part Number</i>	<i>Qty.</i>	<i>Description</i>
1	122-1736	1	Harness-Wire, Triflex Gas
1:15	94-6710	1	Fuse-2 Amp
1:16	114241	3	Fuse-Blade, 7.5 Amp
1:17	218-578	2	Fuse-Blade, 10 Amp
1:18	109355	1	Fuse-Blade, 15 Amp
1:21	32180-282	2	Resistor-120 Ohm
1:24	104-4022	1	Resistor-75 Ohm
2	109-7653	1	Positive Battery Cable ASM
2:1	109-2407	1	Insulator-Battery
2:2	1-543393	1	Insulator-Solenoid
3	119-1781	1	Cable-Battery, Positive
4	114-9748	1	Cable-Battery, Negative
5	99-3441	1	Harness-Wire, Fusible Link



Pump Coupling Assembly

<i>Ref.</i>	<i>Part Number</i>	<i>Qty.</i>	<i>Description</i>
1	121-9558	1	HYD Pump ASM
2	323-7	2	Screw-HH
3	100-4852	2	Washer-Hardened
5	3211-4	1	Screw-HH
6	138-8594	1	Spacer
9	322-5	2	Screw-HH
10	119-4485	1	Hub-Pump
11	125-9249	2	Spacer-Coupler, Rubber
12	104-8300	2	Nut-HF, NI



Hydraulic Pump Assembly No. 121-9558

Ref.	Part Number	Qty.	Description	Ref.	Part Number	Qty.	Description
1	119-7148	1	Shaft-Drive, Tapered	21	120-1989	1	Relief Valve ASM
2	121-9574	1	Endcover ASM	22	98-4639	2	Bearing-Cone
3	100-3176	1	Housing ASM	23	98-4645	1	Plate-Cover
3:1	94-6363	1	Bearing	24	98-4644	1	Plate-Cover
4	76-6070	1	Rotating Kit	26	76-6150	2	Pin-Dowel
5	104-4888	1	Swashplate	27	76-6160	2	Capscrew
6	33-3720	1	Washer	28	76-6170	2	Capscrew
7	32151-13	1	Ring-Retaining	29	120-5751	1	Key
8	32151-29	2	Ring-Retaining	30	94-3646	1	Key
9	252-66	1	Bearing-Thrust	37	74-9040	1	Coupler
10	252-71	2	Washer-Thrust	39	104-4046	2	Bearing-Cup
11	104-4861	1	Seal-Shaft	40	100-3182	1	Shim Kit
12	33-4930	1	Gasket-Housing	41	100-3179	2	O-Ring
13	98-4635	1	Insert-Plate, Cam	48	100-3180	1	Plate-Valve
14	105-9762	6	Washer	50	74-9280	1	Plug ASM
16	76-6190	1	Seal-Shaft	50:1		1	O-Ring ■
17	98-4640	6	Screw-Cap	51	74-9280	1	Plug ASM
20	120-1989	1	Relief Valve ASM	51:1		1	O-Ring ■

● Not illustrated

■ Not serviced separately



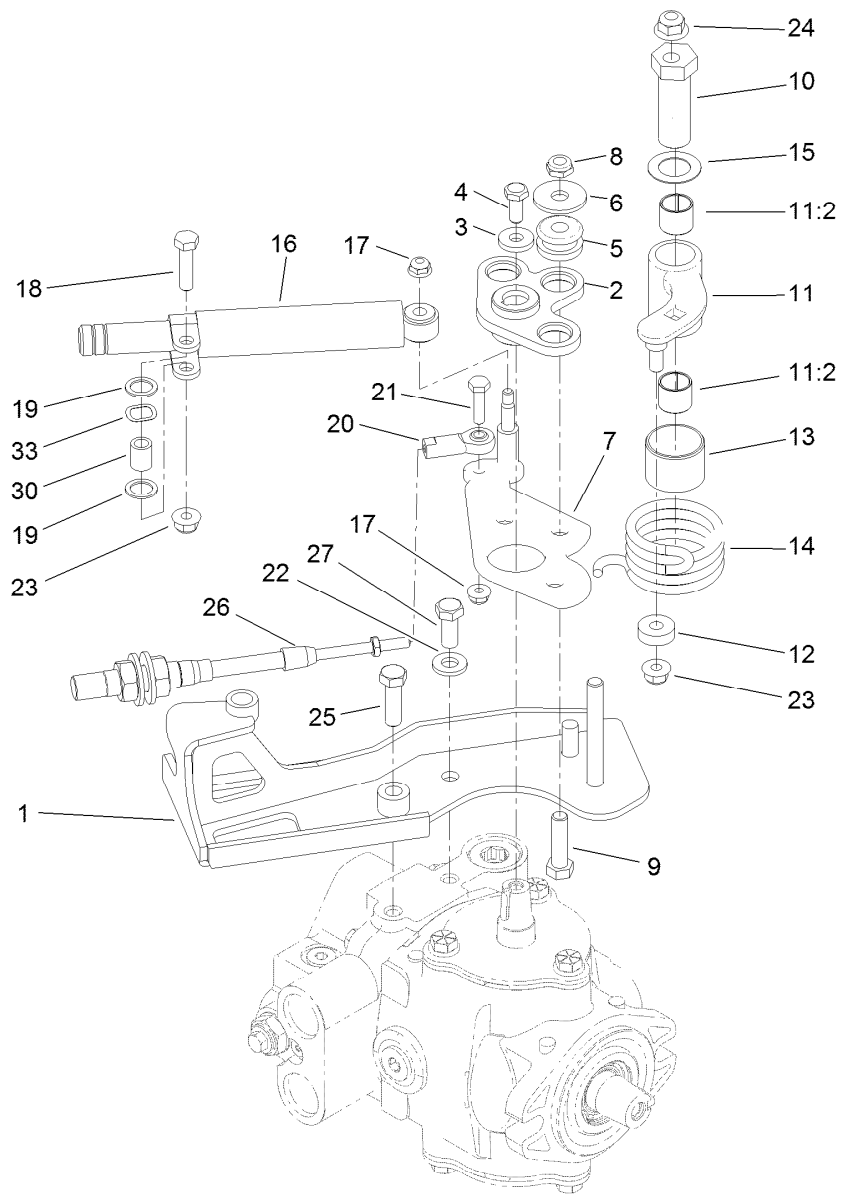
Hydraulic Pump Assembly No. 121-9558 (continued)

Ref.	Part Number	Qty.	Description
55	105-3811	1	Valve-Bypass
99	120-5754	1	Seal Kit
99:1		2	O-Ring ■
99:2		2	O-Ring ■
99:3		1	Seal-Shaft ■
99:4		1	Gasket ■
99:5		1	Ring-Retaining ■
99:6		1	Seal-Shaft ■

Ref.	Part Number	Qty.	Description
99:7		1	O-Ring ■
99:8		5	O-Ring ■
99:9		1	Ring-Retaining ■
99:10		1	O-Ring ●■
99:11		1	O Ring-Molded ●■
99:12		2	Ring-Retaining ■
99:13		1	O-Ring ●■

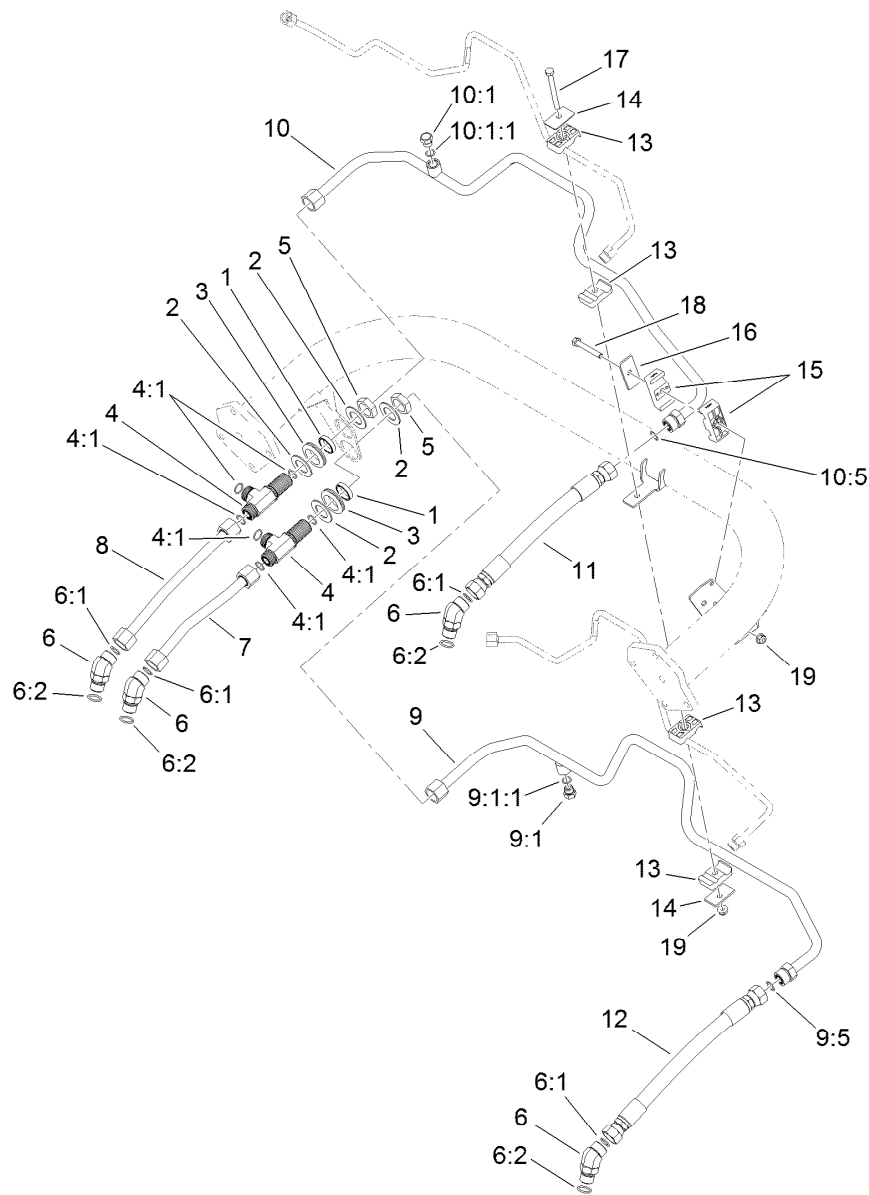
● Not illustrated

■ Not serviced separately



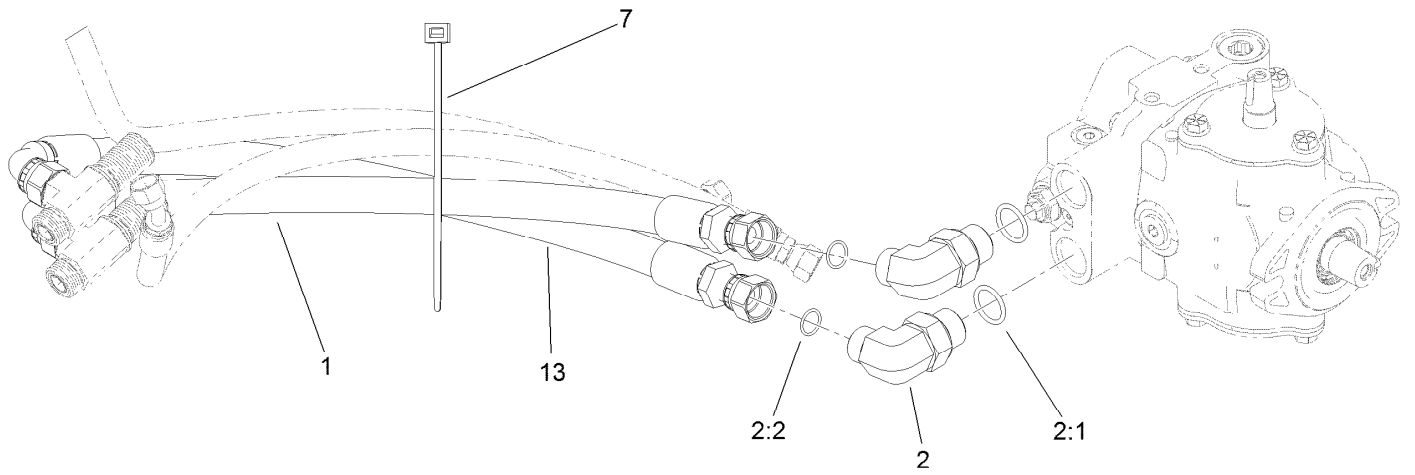
Neutral Centering Assembly

<i>Ref.</i>	<i>Part Number</i>	<i>Qty.</i>	<i>Description</i>	<i>Ref.</i>	<i>Part Number</i>	<i>Qty.</i>	<i>Description</i>
1	120-2017	1	Support-Cable	15	119-8199	1	Washer-Nylon
2	132-9582	1	Plate	16	76-8870	1	Damper-Lever
3	88-7200	1	Washer-Flat	17	104-7201	2	Nut-HF, NI
4	3235-6	1	Screw-HH	18	322-6	1	Screw-HH
5	63-9750	3	Mount	19	94-8196	2	Washer-Nylon
6	93-8806	3	Washer-Hardened	20	2411-41	1	Rod End-Ball Joint
7	125-2091	1	Lever-Pump	21	321-6	1	Screw-HH
8	3296-59	3	Nut-Lock, NI	22	100-4852	1	Washer-Hardened
9	323-29	3	Screw-HH	23	104-8300	2	Nut-HF, NI
10	117-9046	1	Stud-Eccentric	24	104-8301	1	Nut-HF, NI
11	117-9053	1	Neutral Arm ASM	25	323-7	1	Screw-HH
11:2	94-9609	2	Bushing-Straight	26	119-1735	1	Cable-Control, Traction
12	251-259	1	Bearing-Ball	27	323-5	1	Screw-HH
13	136-8418	1	Bushing	30	94-8197	1	Tube-Pivot
14	117-9047	1	Spring-Torsion	33	108473	1	Washer-Wave



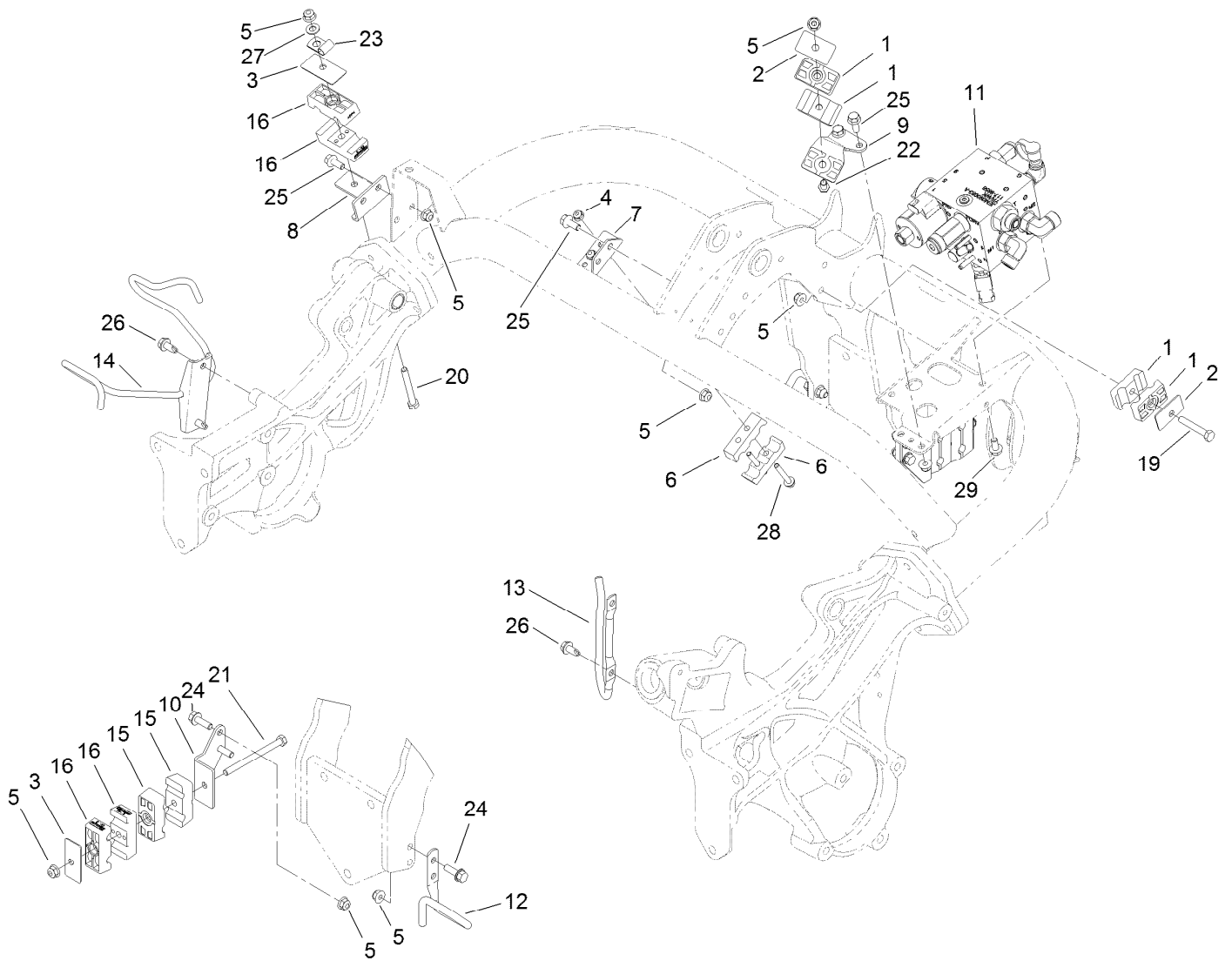
Traction Drive Hydraulic Line Assembly

<i>Ref.</i>	<i>Part Number</i>	<i>Qty.</i>	<i>Description</i>	<i>Ref.</i>	<i>Part Number</i>	<i>Qty.</i>	<i>Description</i>
1	125-1984	2	Spacer	9:5	237-65	1	O-Ring
2	69-9010	4	Washer	10	119-2064	1	HYD Tube ASM
3	240-3	2	Grommet-Rubber	10:1	353-508	1	Plug-HH
4	94-5350	2	Fitting-Tee	10:1:1	237-42	1	O-Ring
4:1	237-65	3	O-Ring	10:5	237-65	1	O-Ring
5	340-74	2	Nut-Lock, Bulkhead	11	115-9484	1	Hose-HYD
6	340-14	4	Fitting-HYD, 45 DEG	12	115-9485	1	Hose-HYD
6:1	237-65	1	O-Ring	13	56-7970	4	Clamp-Tube
6:2	237-80	1	O-Ring	14	69-9760	2	Plate-Cover
7	119-2057	1	Tube-HYD	15	138-5045	2	Clamp-Tube
8	119-2058	1	Tube-HYD	16	69-9761	1	Plate-Cover
9	119-2063	1	Tube-HYD	17	322-20	1	Screw-HH
9:1	353-508	1	Plug-HH	18	322-12	1	Screw-HH
9:1:1	237-42	1	O-Ring	19	104-8300	2	Nut-HF, NI



Traction Drive Hose Routing Assembly

<i>Ref.</i>	<i>Part Number</i>	<i>Qty.</i>	<i>Description</i>
1	119-2060	1	Hose-HYD
2	340-139	2	Fitting-Elbow 90
2:1	237-81	1	O-Ring
2:2	237-65	1	O-Ring
7	3290-378	1	Tie-Cable
13	120-1988	1	Hose-HYD



Hydraulic Mow Assembly

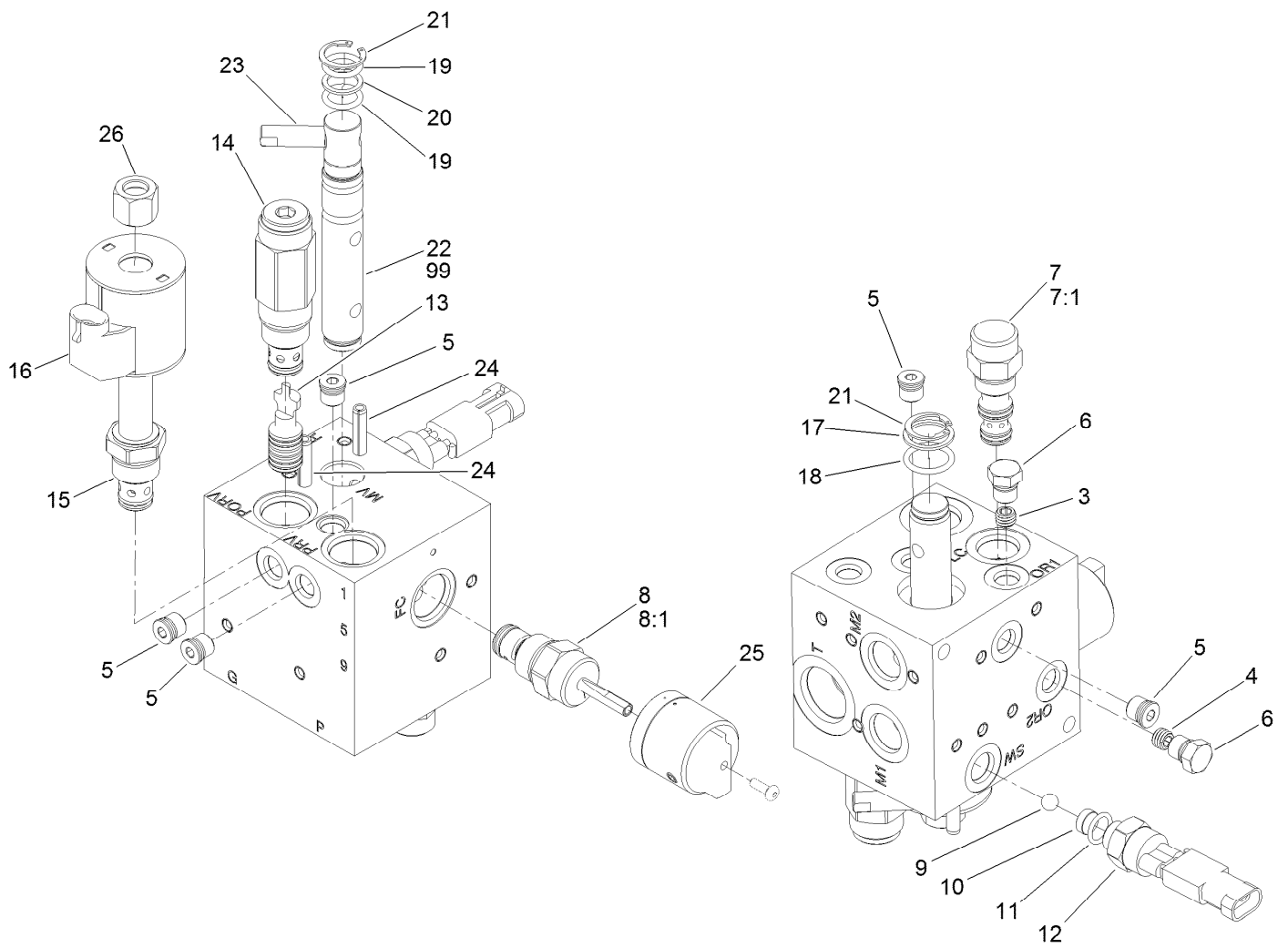
Ref.	Part Number	Qty.	Description	Ref.	Part Number	Qty.	Description
1	56-7972	4	Clamp-Tube	15	119-8156	2	Clamp-Tube
2	69-9760	2	Plate-Cover	16	138-5044	4	Clamp-Tube
3	69-9761	2	Plate-Cover	19	322-10	1	Screw-HH
4	104-7201	2	Nut-HF, NI	20	322-12	1	Screw-HH
5	104-8300	14	Nut-HF, NI	21	322-19	1	Screw-HH
6	119-2082	2	Clamp-Tube	22	322-21	1	Screw-HH
7	119-2091	1	Bracket-Tube	23	2412-113	1	Clamp-R
8	119-2095	1	Bracket-Tube	24	3234-29	4	Screw-HHF
9	119-2106	1	Bracket-Clamp	25	3234-47	6	Screw-HHF
10	119-4493	1	Bracket-Support, Tube	26	32104-32	4	Screw-HWH
11		1	Mow Manifold ASM ●	27	3256-23	1	Washer-Plain
12	121-6671	1	Wireform Hose Support	28	32105-18	2	Screw-HHF
13	121-6667	1	Wireform-Hose, HYD	29	3234-7	2	Screw-HHF
14	119-8109-03	1	Bracket-Hose				

● Not serviced separately



Hydraulic Mow Manifold Assembly

Ref.	Part Number	Qty.	Description
1	117-9858	1	Manifold-HYD, Mow (Backlap)
2	340-89	1	Fitting-HYD, 45 DEG
2:1	237-30	1	O-Ring
2:2	237-80	1	O-Ring
3	100-4240	1	Fitting-STR
3:1	237-30	1	O-Ring
3:2	237-81	1	O-Ring
4	340-98	2	Fitting-Elbow, 90 DEG
4:1	237-79	1	O-Ring
4:2	237-30	1	O-Ring
5	115-9147	1	Fitting-Elbow, 90 DEG
5:1	237-78	1	O-Ring
6	354-79	1	Cap-Dust



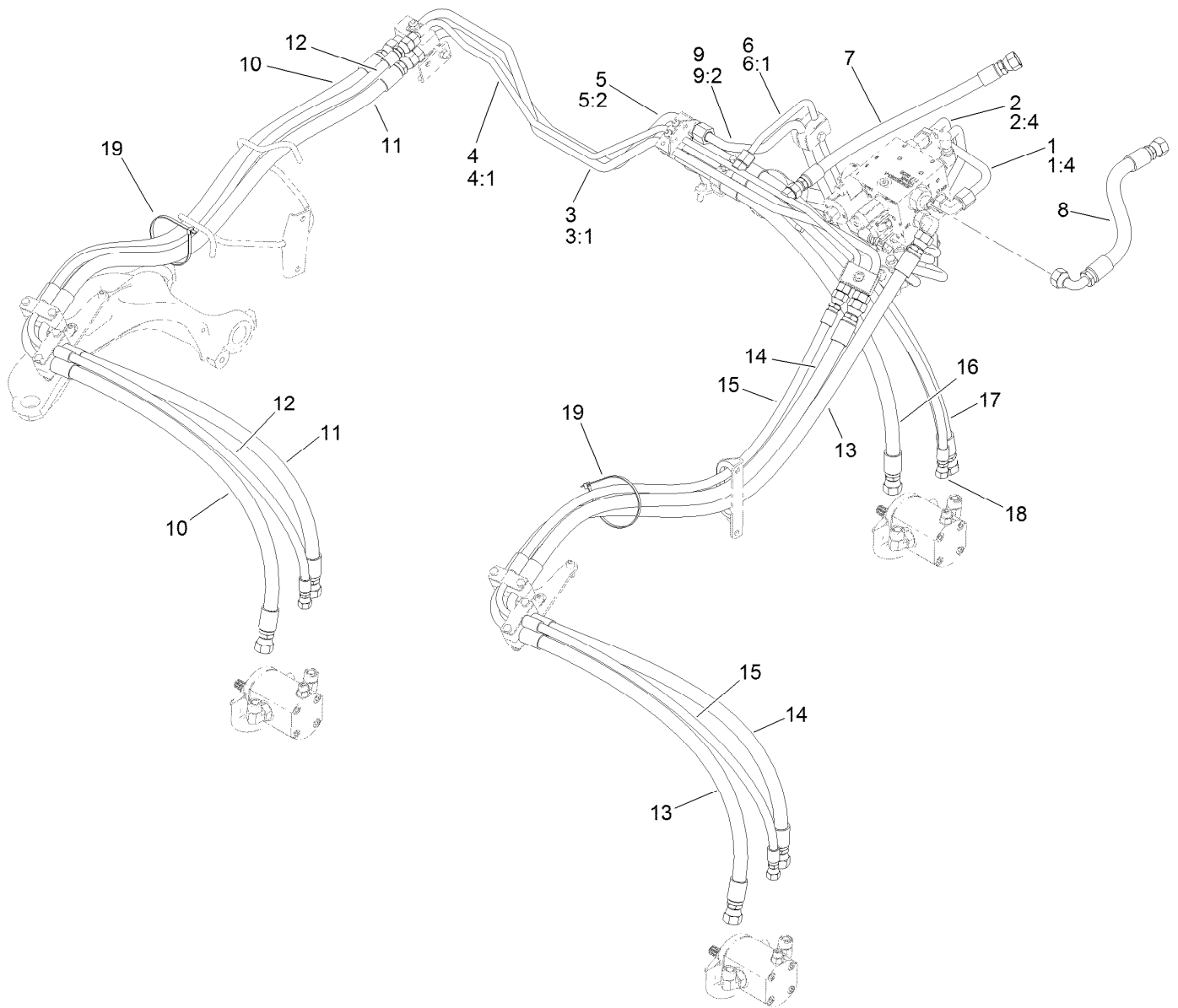
Hydraulic Mow Manifold Assembly No. 117-9858

Ref.	Part Number	Qty.	Description	Ref.	Part Number	Qty.	Description
3	120-5761	1	Orifice (.020)	15	110-8799	1	Valve-Relief, Proportional
4	112-9202	1	Orifice-Flow, Control (.060)	16	110-6344	1	Coil-12V, DC
5	106-1025	3	Plug-HYD	17	106-8139	1	Ring-Back Up
6	117-0115	2	Plug	18	117-4607	1	O-Ring
7	120-5762	1	Element-Logic	19	117-4606	2	O-Ring
7:1	110-8773	1	Seal Kit	20	112-6534	1	Ring-Back Up
8	139-2665	1	Valve-Control, Manual Flow	21	112-6532	2	Ring-Retaining
8:1	132-6231	1	Seal Kit	22	119-7141	1	Spool
9	117-4605	1	Ball-SS	23	110-8758	1	Handle-Spool
10	119-7145	1	Shim-SS	24	112-6531	2	Pin-Spring
11	110-8757	1	O-Ring	25	119-7140	1	Knob
12	72-4320	1	Switch-Ball	26	130-8180	1	Nut-Coil (9/16-24 Unef-2B)
13	119-7146	1	Piston-Pilot (With Seals)	99	119-7142	1	Kit-Seal, Spool
14	119-7147	1	Valve-Relief				



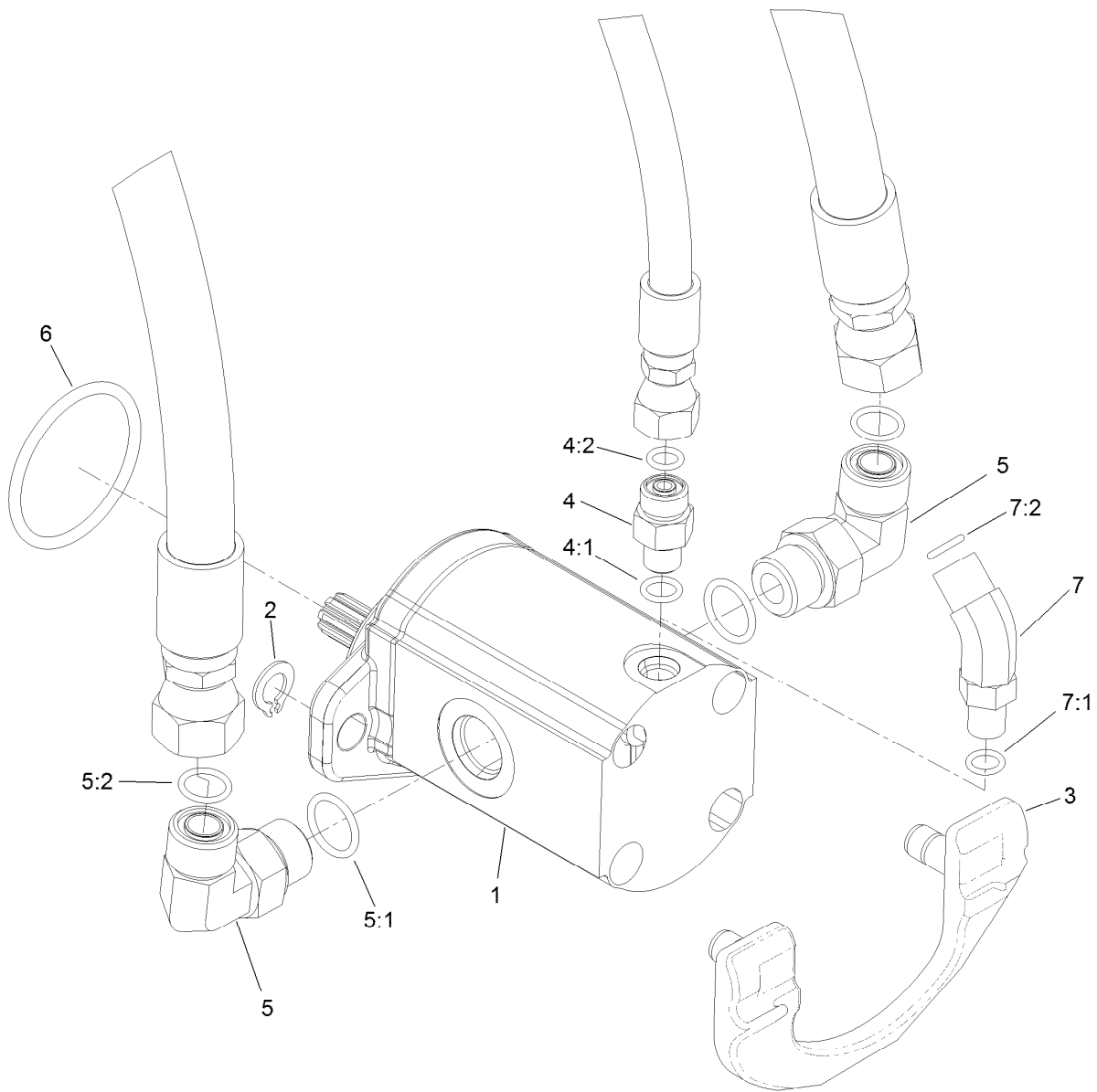
Hydraulic Mow Clamp Assembly

<i>Ref.</i>	<i>Part Number</i>	<i>Qty.</i>	<i>Description</i>
1	120-2011	8	Screw-HSBH
2	119-8142	4	Strap
3	119-8141	8	Clamp-Tube
4	119-8143-03	2	Bracket-Clamp, Hose
5	104-7201	12	Nut-HF, NI
6	100-2401	6	Screw-HSH
7	321-4	1	Screw-HH
8	2412-73	2	Clamp-R
9	321-3	1	Screw-HH
10	2412-89	1	Clamp-R
11	119-8172-03	1	Bracket-Hose
12	119-2082	2	Clamp-Tube
13	32105-18	2	Screw-HHF



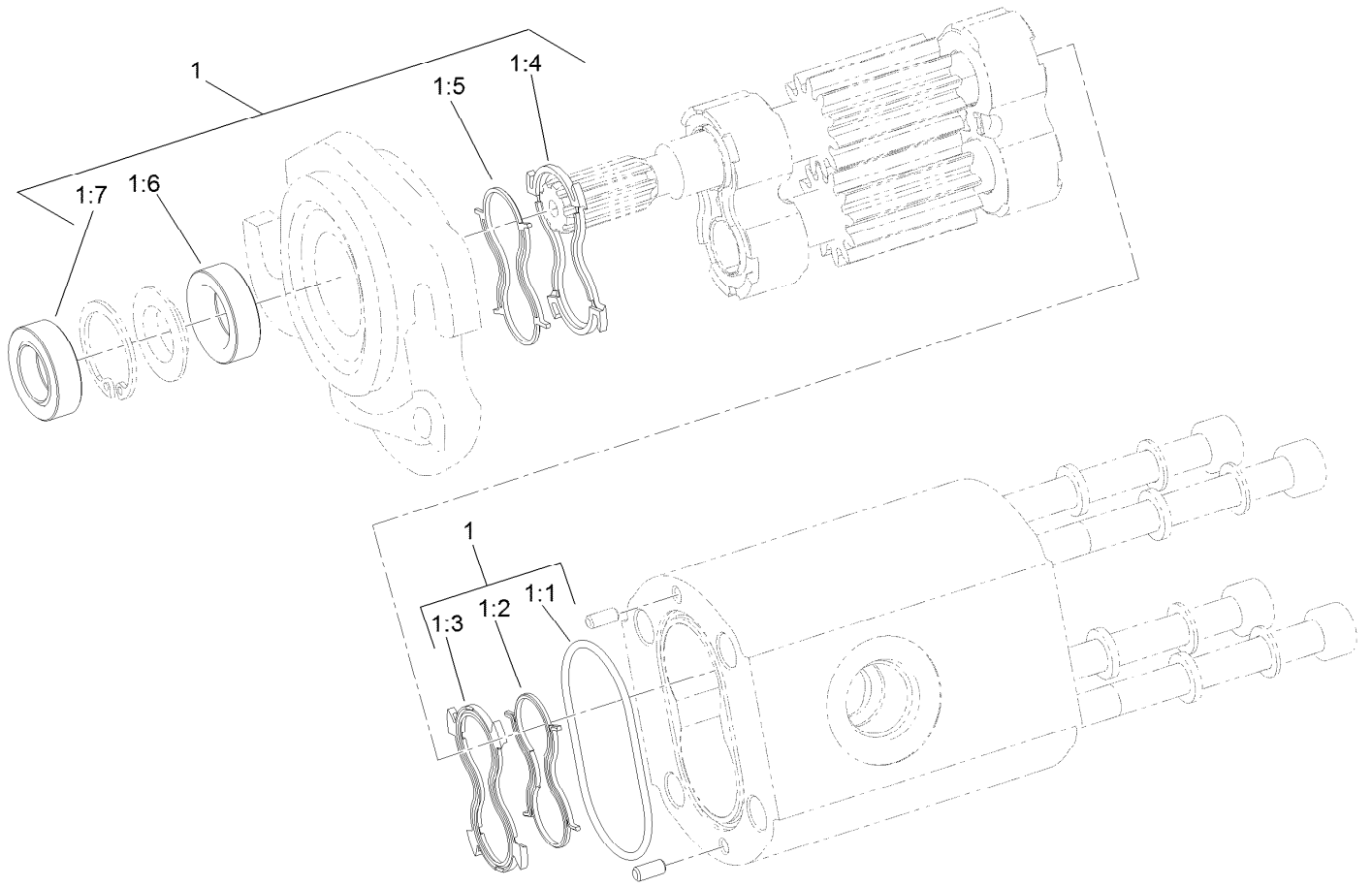
Hydraulic Mow Hose Routing Assembly

<i>Ref.</i>	<i>Part Number</i>	<i>Qty.</i>	<i>Description</i>	<i>Ref.</i>	<i>Part Number</i>	<i>Qty.</i>	<i>Description</i>
1	117-9347	1	HYD Tube ASM	10	139-6494	1	HYD Hose ASM (Pressure No. 3)
1:4	237-30	1	O-Ring	11	139-6495	1	HYD Hose ASM (Return No. 3)
2	119-2073	1	HYD Tube ASM	12	139-6536	1	Hose ASM Case 3
2:4	237-30	1	O-Ring	13	139-6496	1	HYD Hose ASM (Pressure No. 2)
3	119-2078	1	HYD Tube ASM	14	139-6497	1	HYD Hose ASM (Return No. 2)
3:1	237-30	2	O-Ring	15	139-6535	1	Hose ASM Case 2
4	119-2079	1	HYD Tube ASM	16	139-6498	1	HYD Hose ASM (Pressure No. 1)
4:1	237-22	4	O-Ring	17	139-6499	1	HYD Hose ASM (Return No. 1)
5	119-2084	1	HYD Tube ASM	18	139-6534	1	Hose ASM Case 1
5:2	237-30	2	O-Ring	19	3290-379	2	Tie-Cable
6	119-2085	1	HYD Tube ASM				
6:1	237-22	1	O-Ring				
7	119-2089	1	Hose-HYD (Case To Tank)				
8	119-8106	1	Hose-HYD (Mow Block/Tank)				
9	119-8122	1	HYD Tube ASM				
9:2	237-30	1	O-Ring				



Hydraulic Mow Reel Motor Assembly

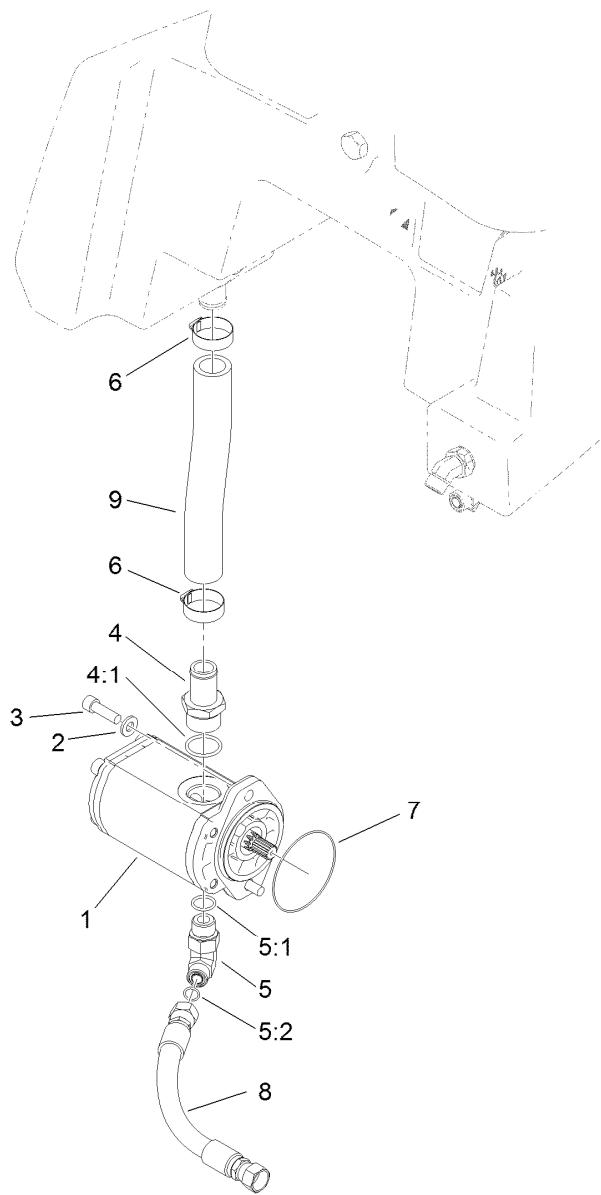
Ref.	Part Number	Qty.	Description
1	115-3321	3	HYD Reel Motor ASM
2	133-8926	6	Ring-Retaining (Metric)
3	115-5389	3	Cam-Mount, Motor
4	340-92	2	Fitting-Straight
4:1	237-78	1	O-Ring
4:2	237-21	1	O-Ring
5	340-98	6	Fitting-Elbow, 90 DEG
5:1	237-79	1	O-Ring
5:2	237-30	1	O-Ring
6	115-3298	3	O-Ring
7	340-103	1	Fitting-HYD, 45 DEG
7:1	237-78	1	O-Ring
7:2	237-21	1	O-Ring



Hydraulic Reel Motor Assembly No. 115-3321

<i>Ref.</i>	<i>Part Number</i>	<i>Qty.</i>	<i>Description</i>
1	119-7113	1	Seal Kit
1:1		1	O-Ring Housing ●
1:2		1	Seal-Anti Extrusion ●
1:3		1	Seal-Plate, Balancing ●
1:4		1	Seal-Plate, Balancing ●
1:5		1	Seal-Anti Extrusion ●
1:6		1	Seal-Shaft (Inboard) ●
1:7		1	Seal-Shaft (Outboard) ●

● Not serviced separately



Hydraulic Mow Gear Pump Assembly

<i>Ref.</i>	<i>Part Number</i>	<i>Qty.</i>	<i>Description</i>
1	114-9956	1	HYD Gear Pump ASM
2	100-4852	2	Washer-Hardened
3	3274-1	2	Screw-HSH
4	354-78	1	Fitting-STR
4:1	237-146	1	O-Ring
5	340-105	1	Fitting-Elbow, 90 DEG
5:1	237-80	1	O-Ring
5:2	237-30	1	O-Ring
6	2412-34	2	Clamp-Hose
7	353-949	1	O-Ring
8	119-2074	1	Hose-HYD
9	119-2069	1	Hose-Suction



Hydraulic Gear Pump Assembly No. 114-9956

<i>Ref.</i>	<i>Part Number</i>	<i>Qty.</i>	<i>Description</i>
1	353-949	1	O-Ring
2	119-7134	1	Kit-Seal
2:1		1	O-Ring ●
2:2		2	Seal-Extrusion, Anti ●
2:3		2	Seal-Backup ●
2:4		1	O-Ring ●
2:5		2	Seal-Extrusion, Anti ●
2:6		2	Seal-Backup ●

● Not serviced separately



Lift Circuit Assembly

Ref.	Part Number	Qty.	Description	Ref.	Part Number	Qty.	Description
1	114-4672	1	Steering Valve ASM	10	119-8128	1	No. 1 HYD Cylinder ASM
2	340-1	2	Fitting-Straight	11	119-2052	1	Hose-HYD
2:1	237-21	1	O-Ring	12	119-2053	1	Hose-HYD
2:2	237-42	1	O-Ring	13	99-5107	2	Nut-Lock
3	340-2	3	Fitting-Straight	14	119-2051	1	Hose-HYD
3:1	237-22	1	O-Ring	15	119-2050	1	Hose-HYD
3:2	237-42	1	O-Ring	16	115-1794	1	Screw-HHF
4	112-5709	2	Pin-Tapered	17	119-8126	1	HYD Tube ASM
5	119-8129	2	No. 2 And 3 HYD Cylinder ASM	17:1	237-22	1	O-Ring
6	340-92	3	Fitting-Straight	18	119-8127	1	HYD Tube ASM
6:1	237-78	1	O-Ring	18:1	237-22	1	O-Ring
6:2	237-21	1	O-Ring	19	120-3200	2	Clamp-Tube
7	340-132	2	Fitting-Elbow, 90 DEG	20	69-9761	1	Plate-Cover
7:1	237-78	1	O-Ring	21	322-12	1	Screw-HH
7:2	237-21	1	O-Ring	22	104-8300	3	Nut-HF, NI
8	3234-47	1	Screw-HHF	23	119-2066	1	Hose-HYD
9	119-8104	1	Pin	24	119-2065	1	Hose-HYD
				25	56-7973	2	Clamp-Tube

● Not serviced separately



Lift Circuit Assembly (continued)

Ref.	Part Number	Qty.	Description	Ref.	Part Number	Qty.	Description
26		1	Hydraulic Lift Manifold ASM	27:2	237-21	1	O-Ring
27	340-103	1	Fitting-HYD, 45 DEG	28	3234-7	2	Screw-HHF
27:1	237-78	1	O-Ring	29	33103-016	4	Screw-HHF

● Not serviced separately



Steering Valve Assembly No. 114-4672

<i>Ref.</i>	<i>Part Number</i>	<i>Qty.</i>	<i>Description</i>
1	106-6716	1	Seal Kit



Hydraulic Cylinder Assembly No. 119-8129

<i>Ref.</i>	<i>Part Number</i>	<i>Qty.</i>	<i>Description</i>
1	115-3410	1	Seal Kit
1:1		1	O-Ring ●
1:2		1	Backup ●
1:3		1	Bp Seal ●
1:4		1	Bs Seal ●
1:5		1	Seal-Dust ●
1:6		1	O-Ring ●
1:7		1	Ring-Wear ●

● Not serviced separately



Hydraulic Cylinder Assembly No. 119-8128

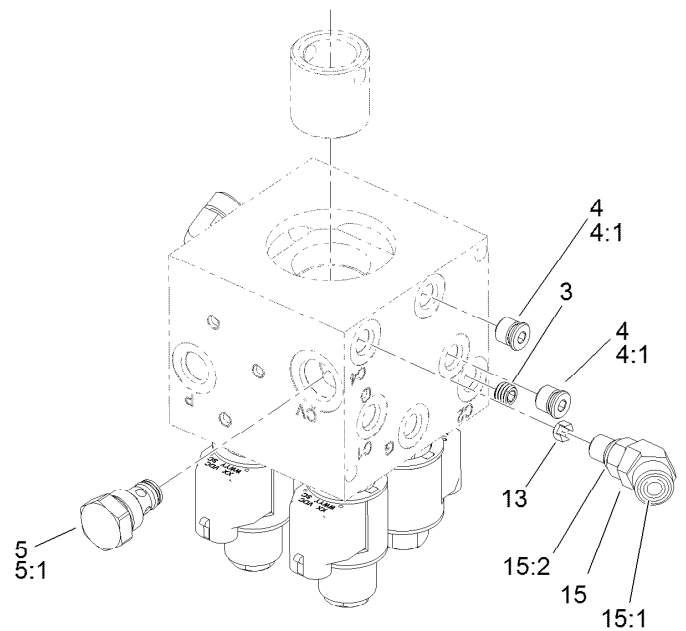
<i>Ref.</i>	<i>Part Number</i>	<i>Qty.</i>	<i>Description</i>
1	115-3410	1	Seal Kit
1:1		1	O-Ring ●
1:2		1	Backup ●
1:3		1	Bp Seal ●
1:4		1	Bs Seal ●
1:5		1	Seal-Dust ●
1:6		1	O-Ring ●
1:7		1	Ring-Wear ●

● Not serviced separately



Hydraulic Lift Manifold Assembly

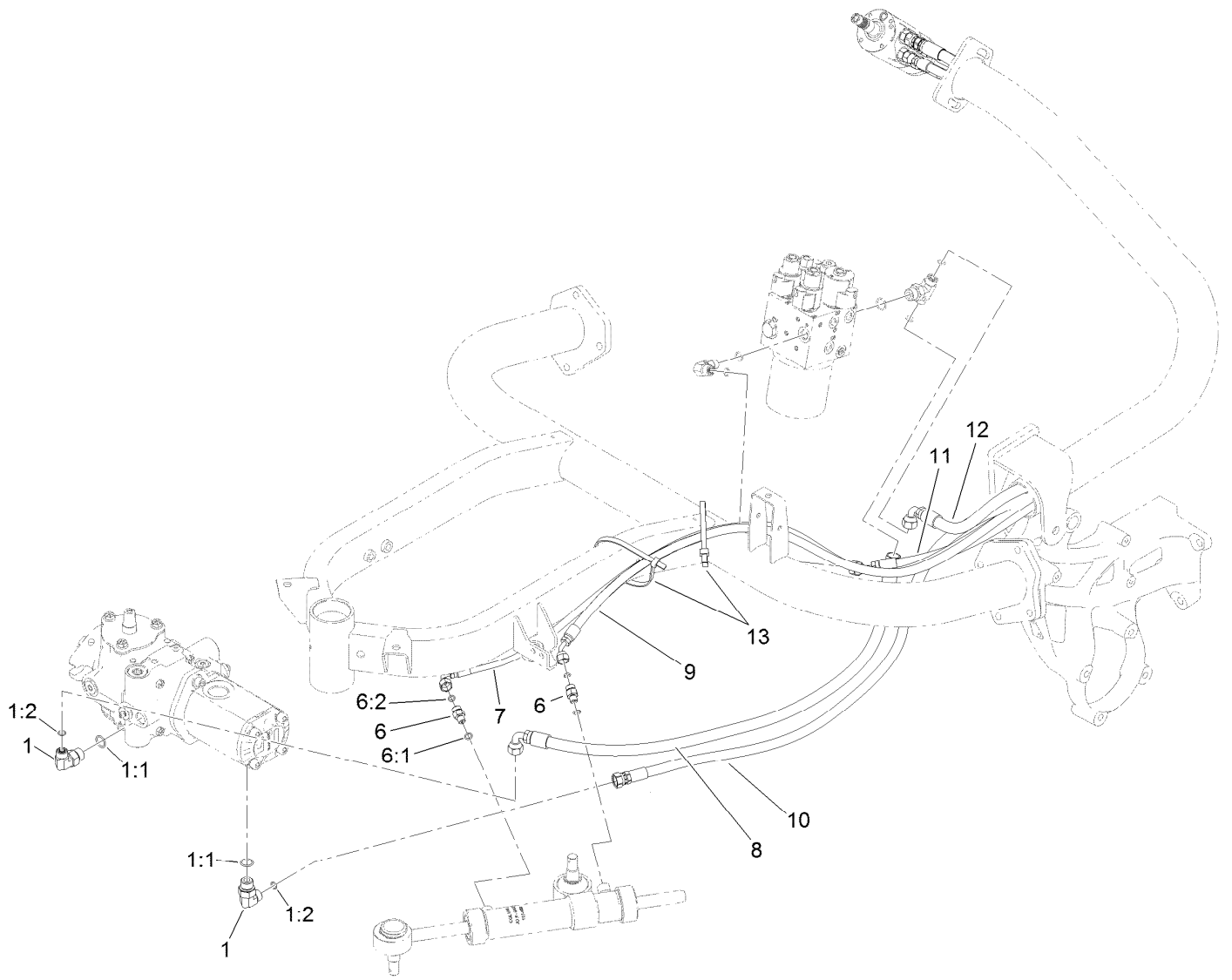
Ref.	Part Number	Qty.	Description	Ref.	Part Number	Qty.	Description
1	125-5187	1	Manifold-Lift, HYD	5:2	237-22	2	O-Ring
2	108-5194	1	Filter-Oil, HYD	6	340-103	1	Fitting-HYD, 45 DEG
3	340-77	1	Fitting-Elbow, 90 DEG	6:1	237-78	1	O-Ring
3:1	237-22	1	O-Ring	6:2	237-21	1	O-Ring
3:2	237-42	1	O-Ring	7	340-97	1	Fitting-Elbow, 90 DEG
4	340-132	2	Fitting-Elbow, 90 DEG	7:1	237-22	1	O-Ring
4:1	237-78	1	O-Ring	7:2	237-78	1	O-Ring
4:2	237-21	1	O-Ring	8	115-9147	1	Fitting-Elbow, 90 DEG
5	92-4799	1	Fitting-Tee, HYD	8:1	237-78	1	O-Ring
5:1	237-79	1	O-Ring	9	354-79	1	Cap-Dust



Hydraulic Lift Manifold Assembly No. 125-5187

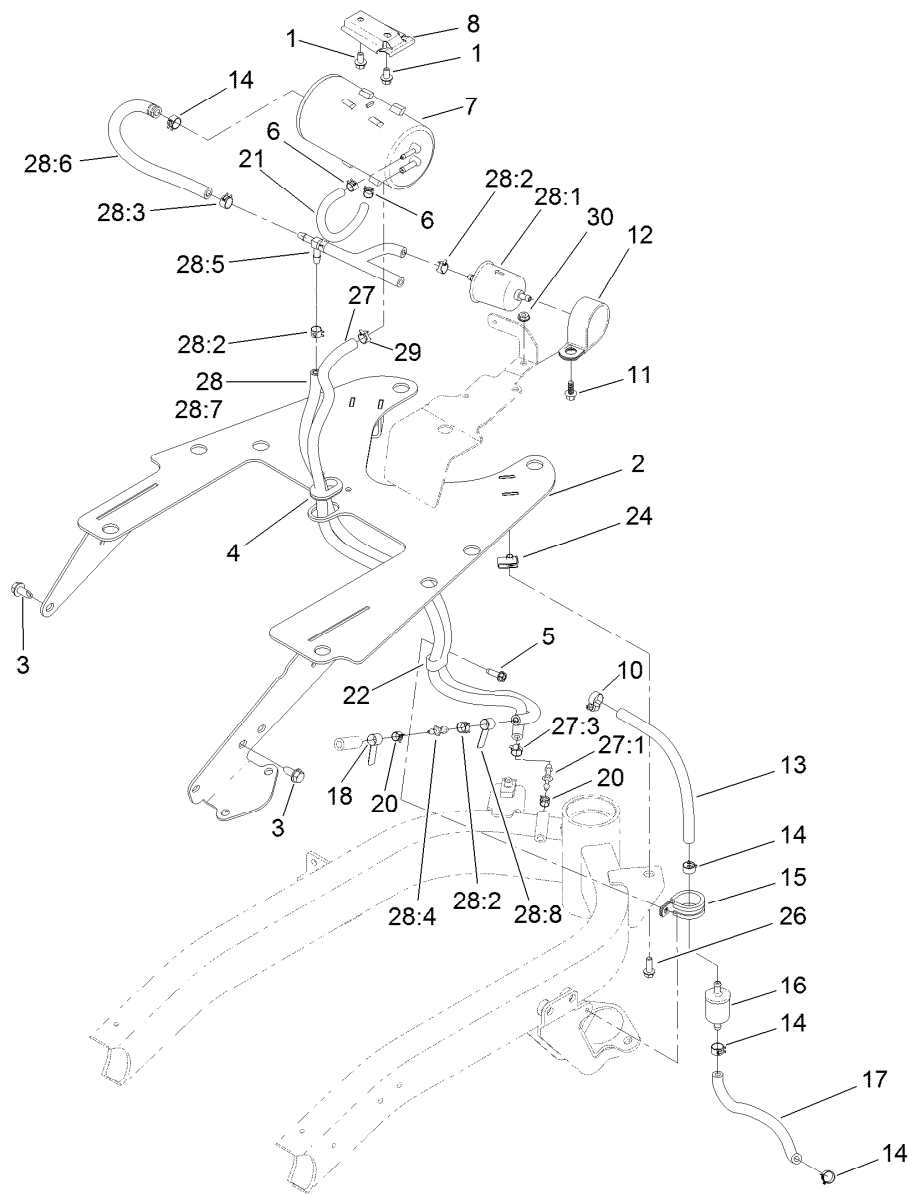
Ref.	Part Number	Qty.	Description
3	119-7144	1	Orifice (.037 Inch)
4	353-990	5	Plug ASM
4:1	237-78	1	O-Ring
5	107-7524	1	Check Valve ASM
5:1	105-9156	1	Seal Kit
6	112-9207	1	Valve-Relief
6:1	105-9156	1	Seal Kit
7	107-7517	1	Valve-Solenoid
7:1	105-9156	1	Seal Kit
7:2	107-7812	1	Nut-Solenoid
8	110-8898	2	Valve-Solenoid
8:1	107-7527	1	Seal Kit
8:2	110-2634	1	Nut-Coil

Ref.	Part Number	Qty.	Description
8:3	110-8909	1	Spacer-Coil
9	110-8906	1	Valve-Solenoid
9:1	110-8908	1	Spool Valve Seal Kit
9:2	110-2634	1	Nut-Coil
10	110-0497	3	Coil-Solenoid
11	110-6344	1	Coil-12V, DC
13	125-5211	2	Orifice-Control, Flow (0.030)
14	340-132	1	Fitting-Elbow, 90 DEG
14:1	237-78	1	O-Ring
14:2	237-21	1	O-Ring
15	340-54	1	Elbow-45 DEG
15:1	237-22	1	O-Ring
15:2	237-78	1	O-Ring



Steering Circuit Assembly

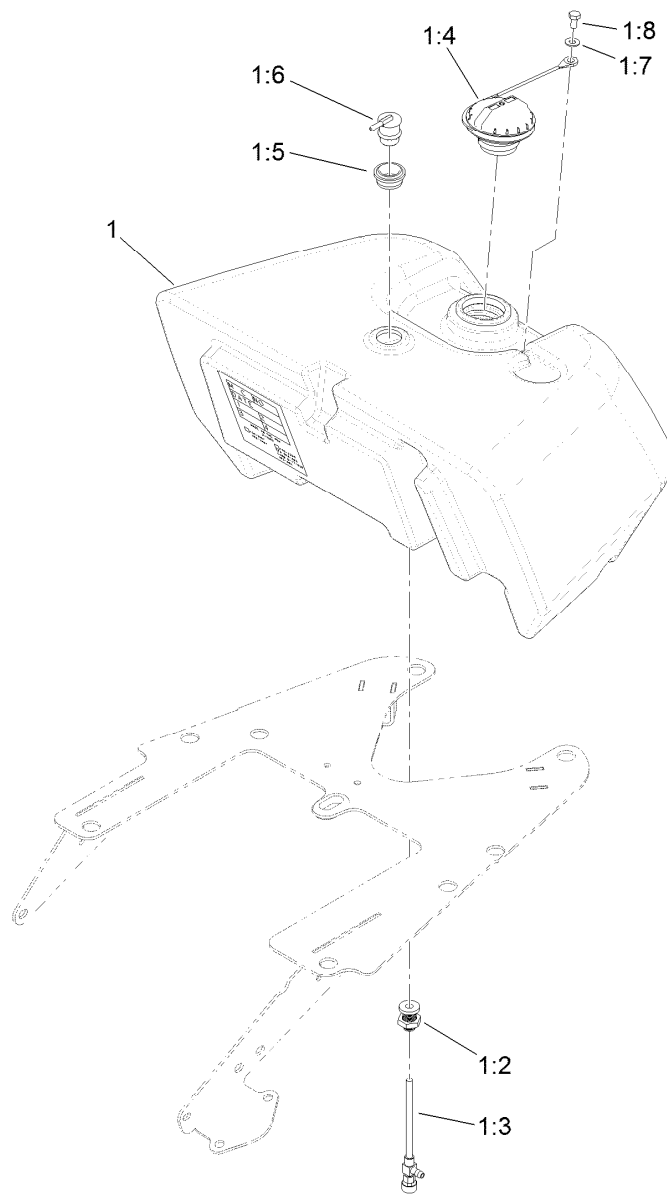
<i>Ref.</i>	<i>Part Number</i>	<i>Qty.</i>	<i>Description</i>
1	340-18	2	Fitting-HYD, 90 DEG
1:1	237-79	1	O-Ring
1:2	237-22	1	O-Ring
6	340-92	2	Fitting-Straight
6:1	237-78	1	O-Ring
6:2	237-21	1	O-Ring
7	119-8124	1	Hose-HYD
8	125-5168	1	Hose-HYD
9	119-8123	1	Hose-HYD
10	125-5167	1	Hose-HYD
11	117-3683	1	Hose-HYD
12	125-5166	1	Hose-HYD
13	3334-945	2	Tie-Cable



Fuel Line and Carbon Canister Hose Routing Assembly

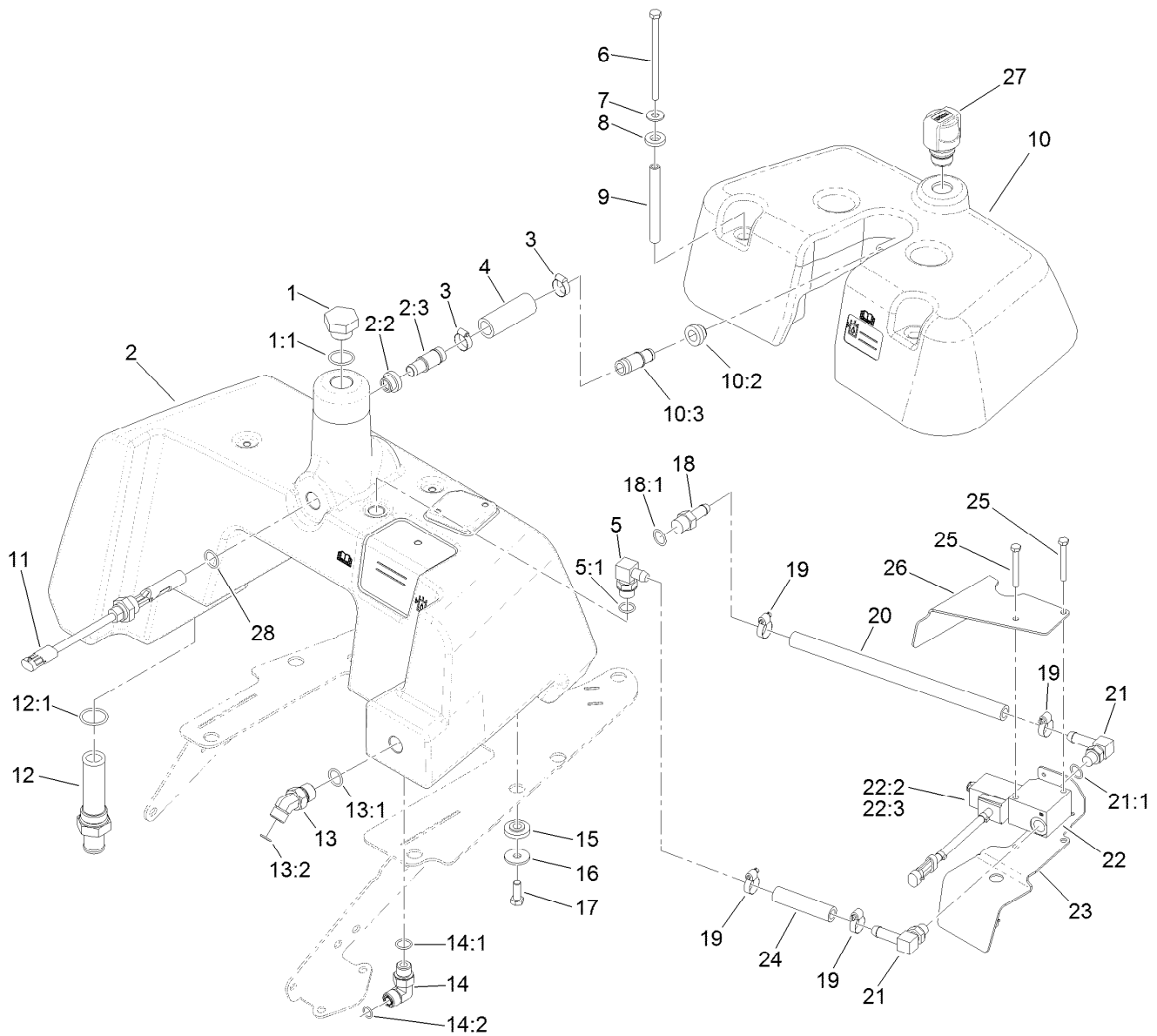
Ref.	Part Number	Qty.	Description	Ref.	Part Number	Qty.	Description
1	3234-13	2	Screw-HHF	21	119-8523	1	Hose-Fuel
2	132-9597-03	1	Plate Wa [black]	22	119-8153	1	Clamp-R, Double Tube
3	32104-32	2	Screw-HWH	24	107069	2	Clip
4	240-5	2	Grommet	26	115-5103	2	Screw-HHF
5	49-2040	1	Screw-HWHTF	27	121-5181	1	Purge Hose ASM
6	2412-146	3	Clamp-Hose	27:1	121-2573	1	Fitting-Straight
7	127-8685	1	Canister-Carbon	27:3	2412-98	2	Clamp-Hose
8	114-0292	1	Bracket-Canister, Carbon	28		1	Tee Hose ASM ●
10	2412-108	1	Clamp-Worm	28:1	121-2583	1	Filter-Fuel, Inline
11	99-6810	1	Screw-HHF	28:2	2412-98	3	Clamp-Hose
12	100-1424	1	Clamp-R	28:3	92-2379	2	Clamp-Hose
13	109-0282	1	Hose-Fuel	28:4	121-2573	1	Fitting-Straight
14	92-2379	3	Clamp-Hose	28:5	121-6663	1	Check Valve Hose ASM
15	120-2037	1	R-Clamp	28:6	110-4105	1	Hose-Fuel
16	94-2690	1	Filter-Fuel	28:7	109-3491	1	Hose-Fuel
17	109-0293	1	Hose-Fuel	28:8	121-6664	1	Decal-Cleaner, Air
18	121-6664	1	Decal-Cleaner, Air	29	2412-98	1	Clamp-Hose
20	2412-80	2	Clamp-Hose	30	32149-2	1	Nut-Keps

● Not serviced separately



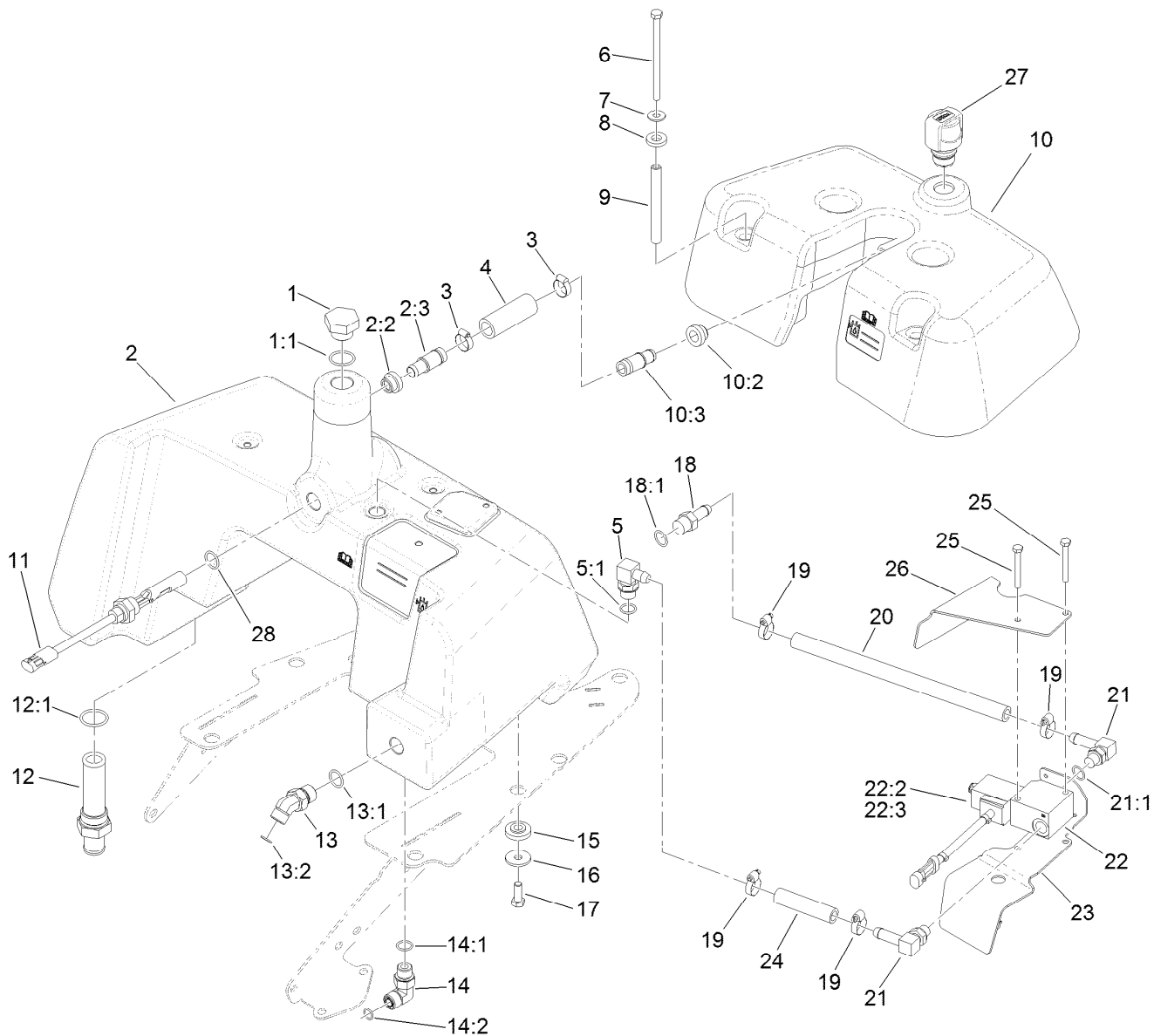
Fuel Tank Assembly

<i>Ref.</i>	<i>Part Number</i>	<i>Qty.</i>	<i>Description</i>
1	139-2664	1	Fuel Tank ASM, Gas
1:2	114-4677	1	Bulkhead ASM
1:3	114-4679	1	Fitting-Shut Off, Fuel
1:4	117-1722	1	Cap-Fuel
1:5	114-0284	1	Grommet
1:6	119-3547	1	Valve-Vent, Fuel
1:7	3256-1	1	Washer-Flat
1:8	321-2	1	Screw-HH



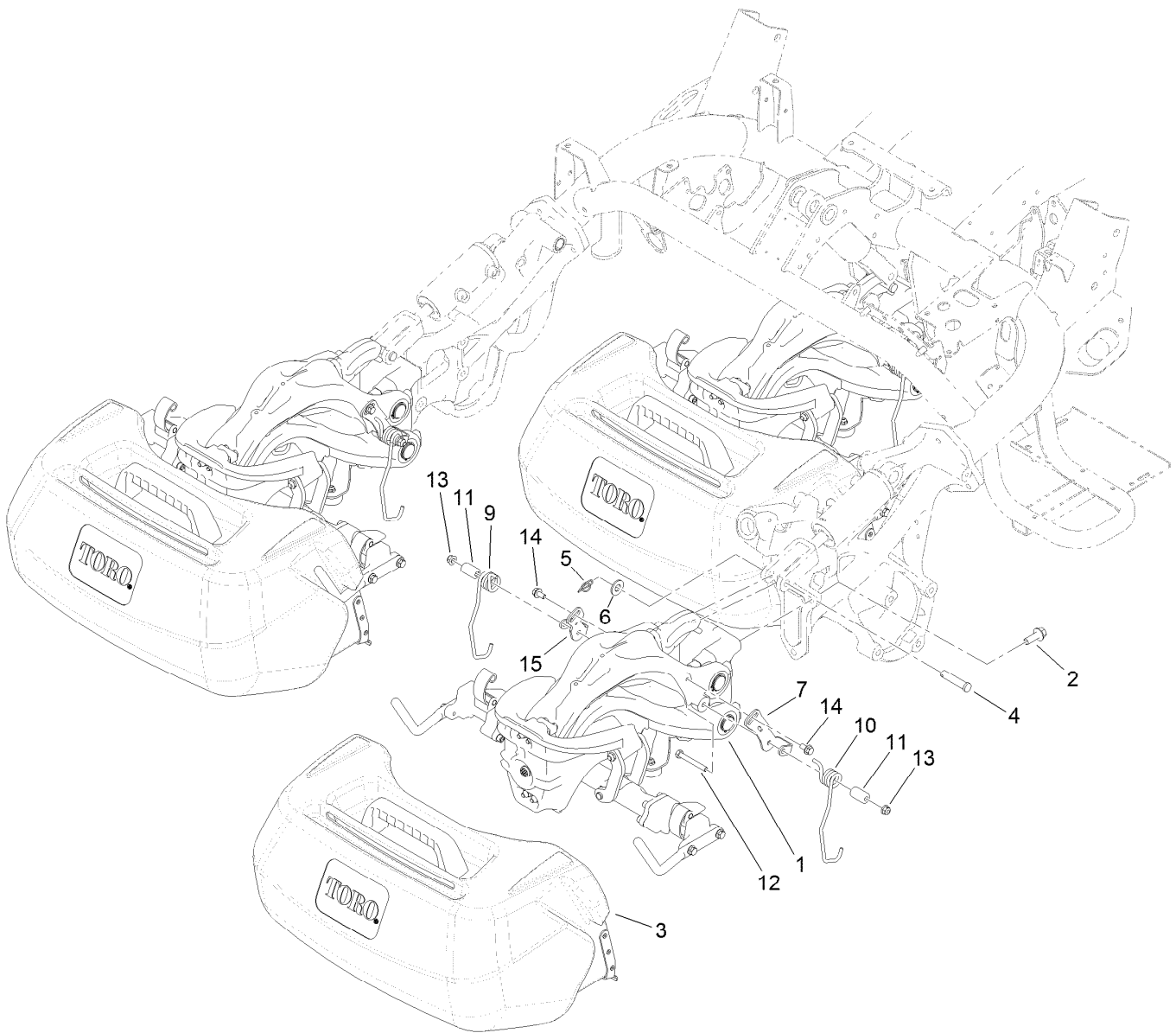
Hydraulic Tank and Leak Detector Assembly

Ref.	Part Number	Qty.	Description	Ref.	Part Number	Qty.	Description
1	354-74	1	Plug-HH	13:2	237-80	1	O-Ring
1:1	237-81	1	O-Ring	14	340-98	1	Fitting-Elbow, 90 DEG
2	136-8529	1	HYD Tank ASM	14:1	237-79	1	O-Ring
2:2	136-8531	1	Grommet	14:2	237-30	1	O-Ring
2:3	136-8532	1	Spout	15	240-11	8	Bushing-Flange
3	2412-141	2	Clamp-Drive, Worm	16	63-8410	8	Washer
4	139-2716	1	Hose-Formed	17	323-6	8	Screw-HH
5	119-9331	1	Fitting-HYD 90 Spcl	18	354-121	1	Fitting-STR
5:1	237-79	1	O-Ring	18:1	237-79	1	O-Ring
6	322-29	4	Screw-HH	19	2412-36	4	Clamp-Hose
7	3256-71	4	Washer-Flat	20	83-2070	1	Hose-Valve
8	83-1470	4	Washer-Neoprene	21	354-120	2	Fitting-Elbow, 90
9	115-9825	4	Spacer-Tube, Long	21:1	237-79	1	O-Ring
10	136-8535	1	Leak Detector Tank ASM	22	83-1460	1	Solenoid Valve ASM
10:2	136-8531	1	Grommet	22:2	83-2000	1	Spool-Valve
10:3	136-8532	1	Spout	22:3	83-2010	1	Coil ASM
11	83-1450	1	Sensor-Level, Oil	23	121-5175-03	1	Cover-Level, Oil
12	112-0211	1	Strainer Fitting ASM	24	83-2080	1	Hose-Valve, Tank
12:1	237-146	1	O-Ring	25	321-18	2	Screw-HH
13	340-89	1	Fitting-HYD, 45 DEG	26	120-2027-03	1	Bracket-Shield
13:1	237-30	1	O-Ring				



Hydraulic Tank and Leak Detector Assembly (continued)

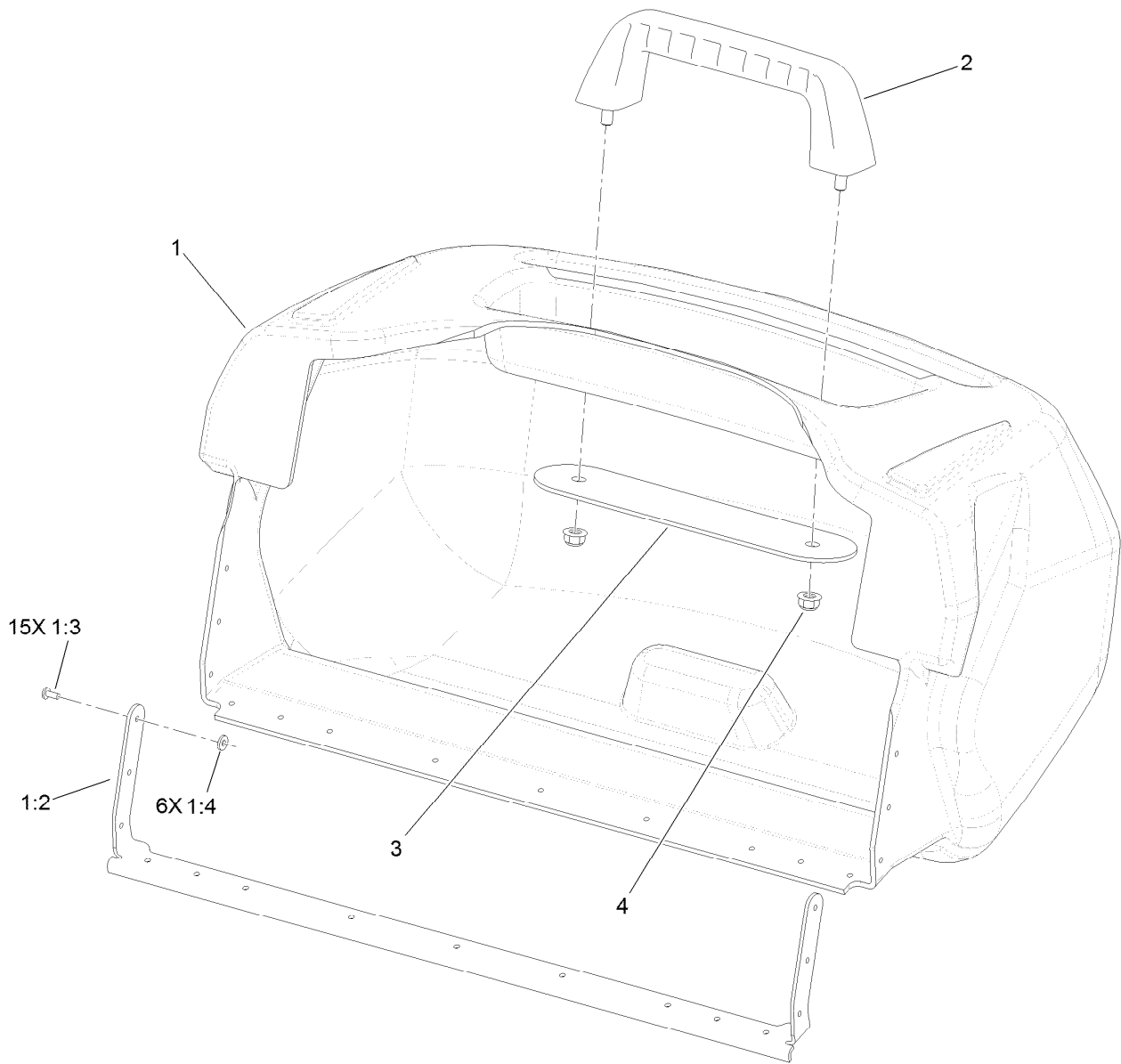
Ref.	Part Number	Qty.	Description
27	136-8559	1	Dipstick-Breather
28	237-80	1	O-Ring



Suspension and Basket Assembly

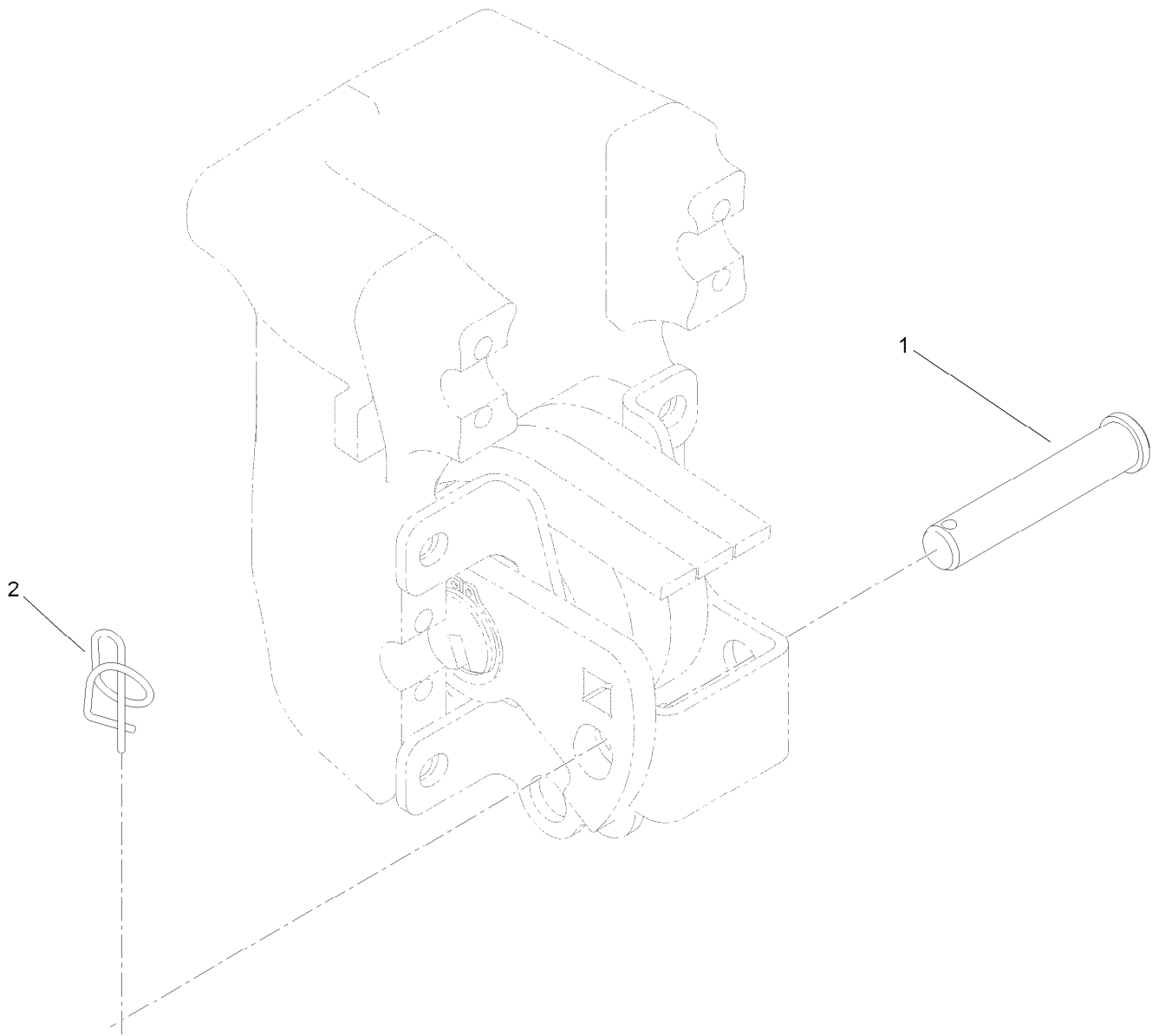
Ref.	Part Number	Qty.	Description
1		3	Suspension ASM ●
2	117-9035	9	Screw-HHF
3	132-9599	3	Basket ASM
4	92-2739	3	Pin-Clevis
5	112-1491	3	Pin-Cotter
6	29-8910	3	Washer
7	133-8998	3	Retainer-Spring, LH
9	117-6826	3	Spring-Stabilizer, RH
10	117-6827	3	Spring-Stabilizer, LH
11	117-6825	6	Spacer
12	322-12	6	Screw-HH
13	104-8300	6	Nut-HF, NI
14	114-7728	6	Screw-HF
15	133-8997	3	Retainer-Spring-RH

● Not serviced separately



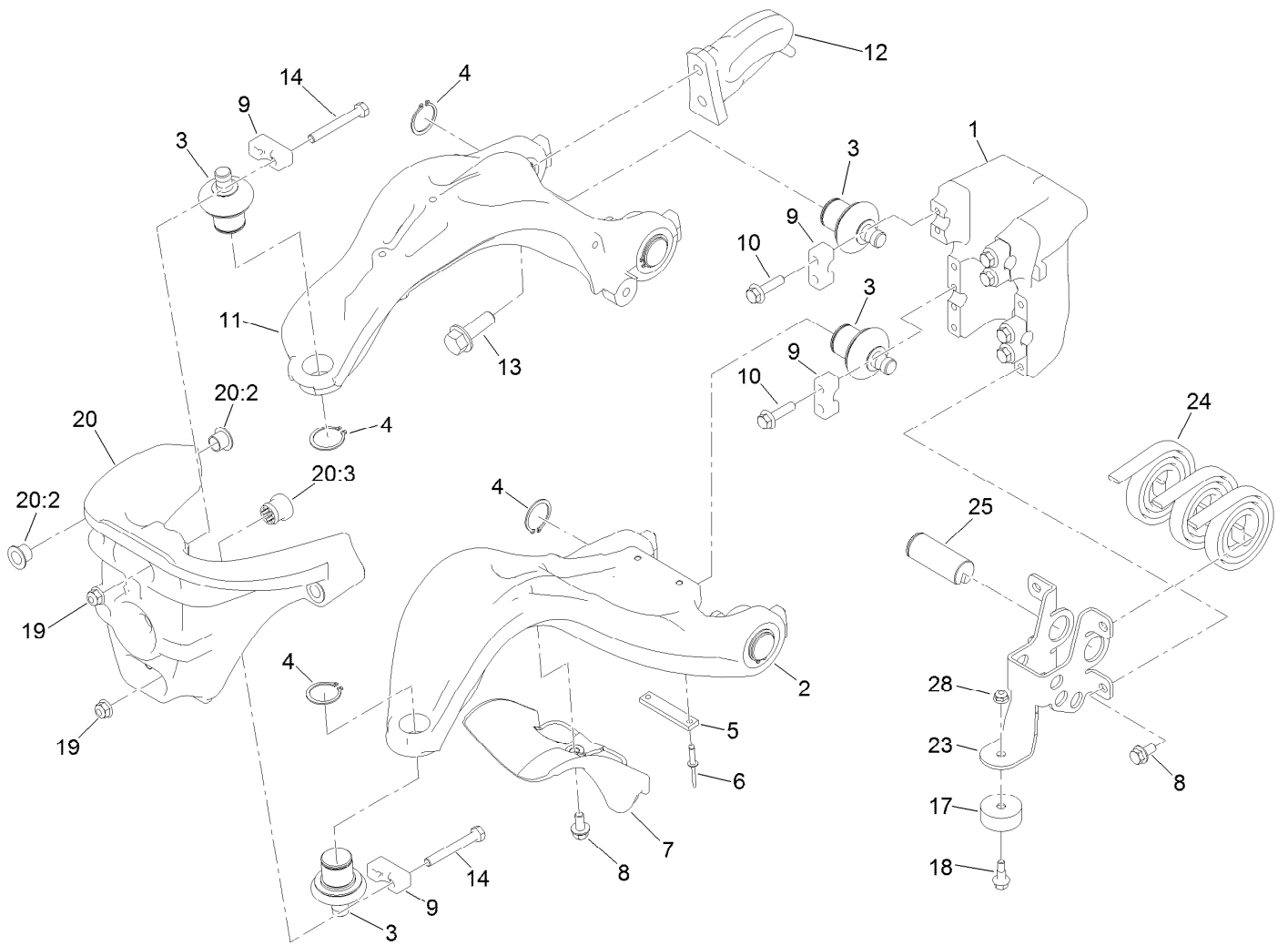
Basket Assembly No. 132-9599

<i>Ref.</i>	<i>Part Number</i>	<i>Qty.</i>	<i>Description</i>
1	132-9510	1	Basket Assembly
1:2	132-3806	1	Support-Basket
1:3	3269-25	15	Rivet-Pop
1:4	3256-75	6	Washer-Flat
2	117-8088	1	Handle-Grab
3	117-8092-03	1	Plate-Mounting
4	104-8300	2	Nut-HF, NI



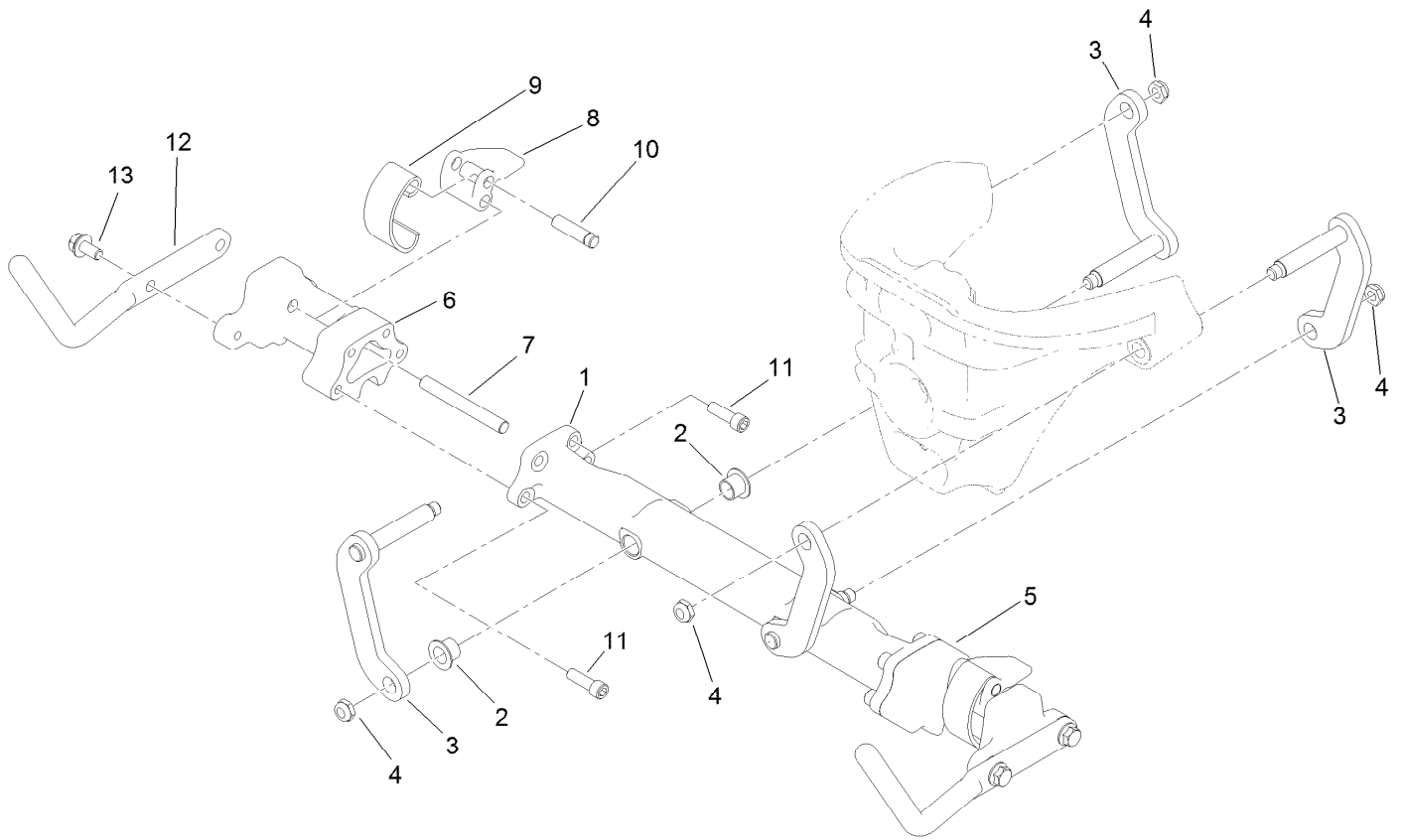
Suspension Pin Position Assembly

<i>Ref.</i>	<i>Part Number</i>	<i>Qty.</i>	<i>Description</i>
1	100-6541	3	Pin-Clevis
2	112-1491	3	Pin-Cotter



Suspension A-Arm Assembly

Ref.	Part Number	Qty.	Description	Ref.	Part Number	Qty.	Description
1	117-9480	1	Mount-Pivot, A-Arms	13	100-6116	2	Screw-HHF
2	117-6656	1	A-Arm, Lower	14	132-3838	4	Screw-HH
3	132-6959	6	Balljoint	17	133-0308	1	Bumper-Rubber
4	120-3225	6	Ring-Retaining, EXT	18	133-0315	1	Screw-Shoulder, HF
5	117-6674	1	Plate-Striker	19	104-8300	4	Nut-HF, NI
6	3269-28	2	Rivet-Pop	20	120-3216	1	Steering Head ASM
7	117-6755	1	Stop-Steering	20:2	125-5239	4	Bushing-Flange
8	114-7728	5	Screw-HF	20:3	131-1836	1	Grommet
9	112-5647	6	Clamp	23	133-8999	1	C-Balance Mount
10	132-3837	8	Screw-HHF	24	114-9306	3	Spring
11	139-6452	1	A-Arm, Upper	25	131-4402	1	Tensioner
12	117-6650	1	Plate-Lift	28	104-7201	1	Nut-HF, NI



Suspension Crossarm Assembly

<i>Ref.</i>	<i>Part Number</i>	<i>Qty.</i>	<i>Description</i>
1	120-3217	1	Crossarm
2	125-5239	4	Bushing-Flange
3	117-6654	4	Link
4	3296-59	4	Nut-Lock, NI
5	117-9482	1	Mount-Cross Arm, LH
6	117-9492	1	Mount-Cross Arm, RH
7	114-8051	2	Pin-Pivot
8	114-8047	2	Lever
9	114-8048	2	Spring
10	114-8049	2	Pin-Pivot
11	120-3227	8	Screw-HSH
12	120-2784-01	2	Horn-Basket
13	114-7728	4	Screw-HF

Attachments and Accessories

For 04510 Greensmaster 3300 TriFlex Traction Unit

Product Name	Model/Part
Turf Evaluator	04399
Standard Greensmower Seat Kit	04508
Light Kit.....	04554
8-Blade DPA Reel Mower	04651
11-Blade DPA Reel Mower	04653
14-Blade DPA Reel Mower	04655
Three-Wheel Drive Kit	04714
Anti-Bobbing Kit.....	04716
Dethatching Unit	04720
Tri-Roller	04722
Spiker	04723
Premium Seat.....	04729
Hydraulic Oil Leak Detector Kit	04730
Spark Arrestor Screen	104-6540
Wireless Hourmeter	115-4754
Oil Cooler Kit.....	119-1691
Premium Synthetic Bio-Degradable Hydraulic Fluid (5 Gallon Pail)	119-2157
Premium Synthetic Bio-Degradable Hydraulic Fluid (55 Gallon Drum).....	119-2158
Premium Armrest Kit.....	119-7105
Weight Kit	119-7129
Three-Wheel Drive Weight Kit	120-5750
Armrest Kit.....	121-3660
Premium Engine Oil 10w30 (55 Gallon Drum)	121-6392
Premium Engine Oil 10w30 (5 Gallon Pail)	121-6393
Hi-Back Seat Cover	133-1308
PX Hydraulic Fluid (5 Gal)	133-8086
PX Hydraulic Fluid (55 Gal).....	133-8087
Bag Kit.....	137-8130
Bimini Shade Kit	138-8579
TriFlex Hydraulic Hose Rebuild MVP Kit.....	140-5233
Axle Tube Gasket 1/32 Thick	44969
Height-of-Cut Bar.....	94-9010
Tire-TURFMATE	99-4506

Notes:



Count on it.