



**Count on it.**

**Parts Catalog**

**Pro Force®  
Debris Blower**

Model No. 44552—Serial No. 410299970 and Up



# Ordering Replacement Parts

To order replacement parts, please supply the part number, the quantity, and the description of each part desired.

## **Understanding Reference Numbers**

Each identified part in an illustration has a reference number. The reference number for a part also appears in the parts list, along with other information about the part.

This catalog uses two special reference number formats, one to indicate parts in a service assembly and another to indicate the quantity of a given part in an illustration.

## **Service Assembly Reference Numbers**

Parts in service assemblies have reference numbers in the form a:b. The a represents the reference number of the entire service assembly and the b represents a sequential number unique to each part within the service assembly.

For example, a wheel assembly might be identified by reference number 6, the tire by 6:1, the valve by 6:2, and the wheel by 6:3. When you order the assembly identified by reference number 6, you receive all parts identified by reference numbers 6:1, 6:2, and 6:3. However, you may also order any part individually. Reference numbers of this type appear in illustration and in parts lists.

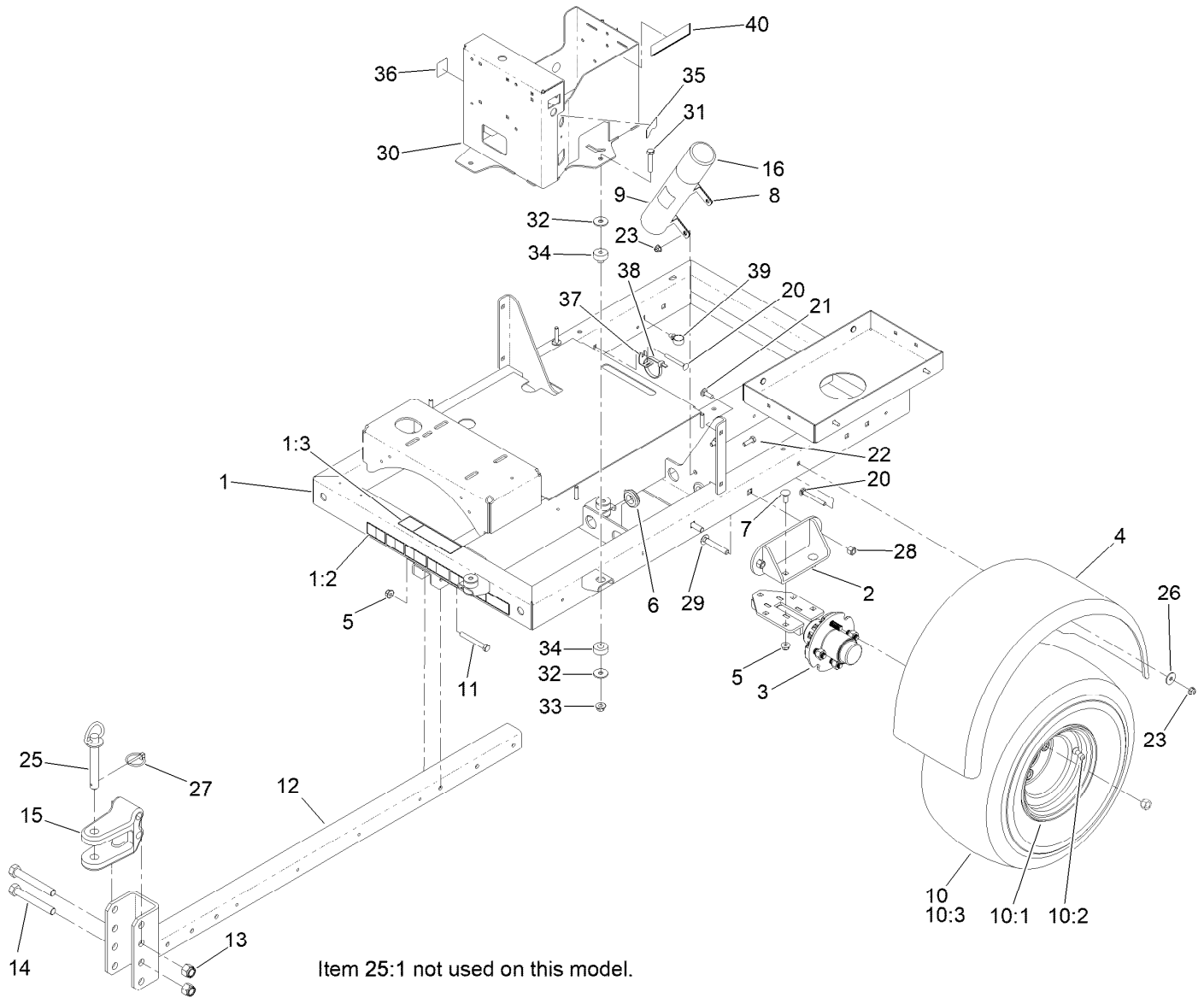
## **Reference Numbers Indicating Quantity**

In an illustration, if a reference number indicates more than one part, the reference number has the form nX y. The n represents the quantity of the part, the X is the multiplication symbol, and the y represents the reference number.

For example, in an illustration, the reference number 2X 37 means that two of the parts identified by reference number 37 are indicated.

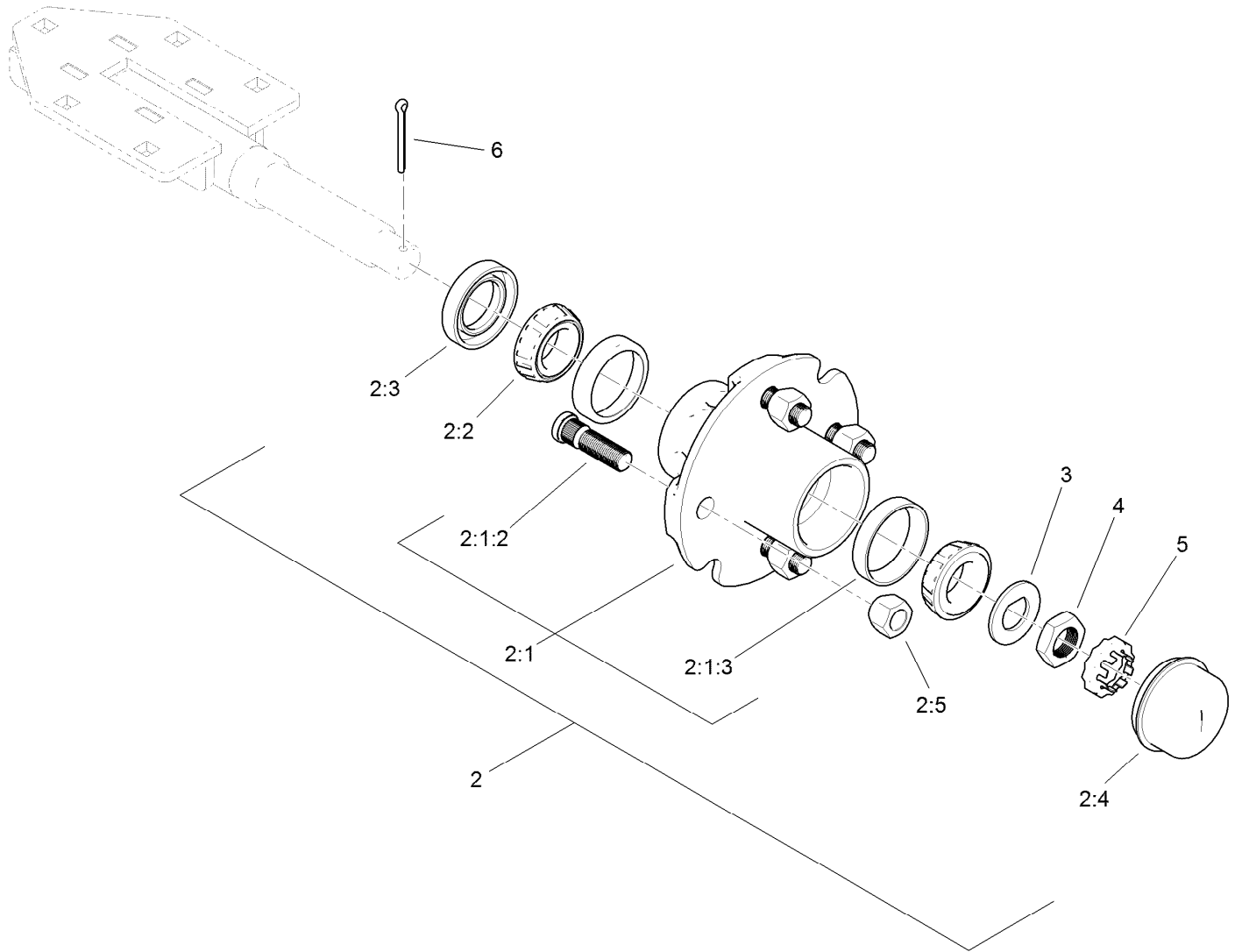
# Contents

Frame, Wheel, Axle and Hitch Assembly .....	4
Hub and Axle Assembly No. 117-8255 .....	5
Turbine Mounting Assembly .....	6
Turbine Assembly No. 144-3241SP .....	7
Nozzle Drive Assembly .....	8
Battery and Drive Shaft Assembly .....	9
Engine, Muffler and Fuel Tank Assembly .....	10
Fuel Tank Assembly No. 115-9048 .....	11
Fuel Delivery Assembly .....	12
Electrical System Assembly .....	13
Wire Harness Assembly No. 122-1747 .....	14
Attachments and Accessories .....	15



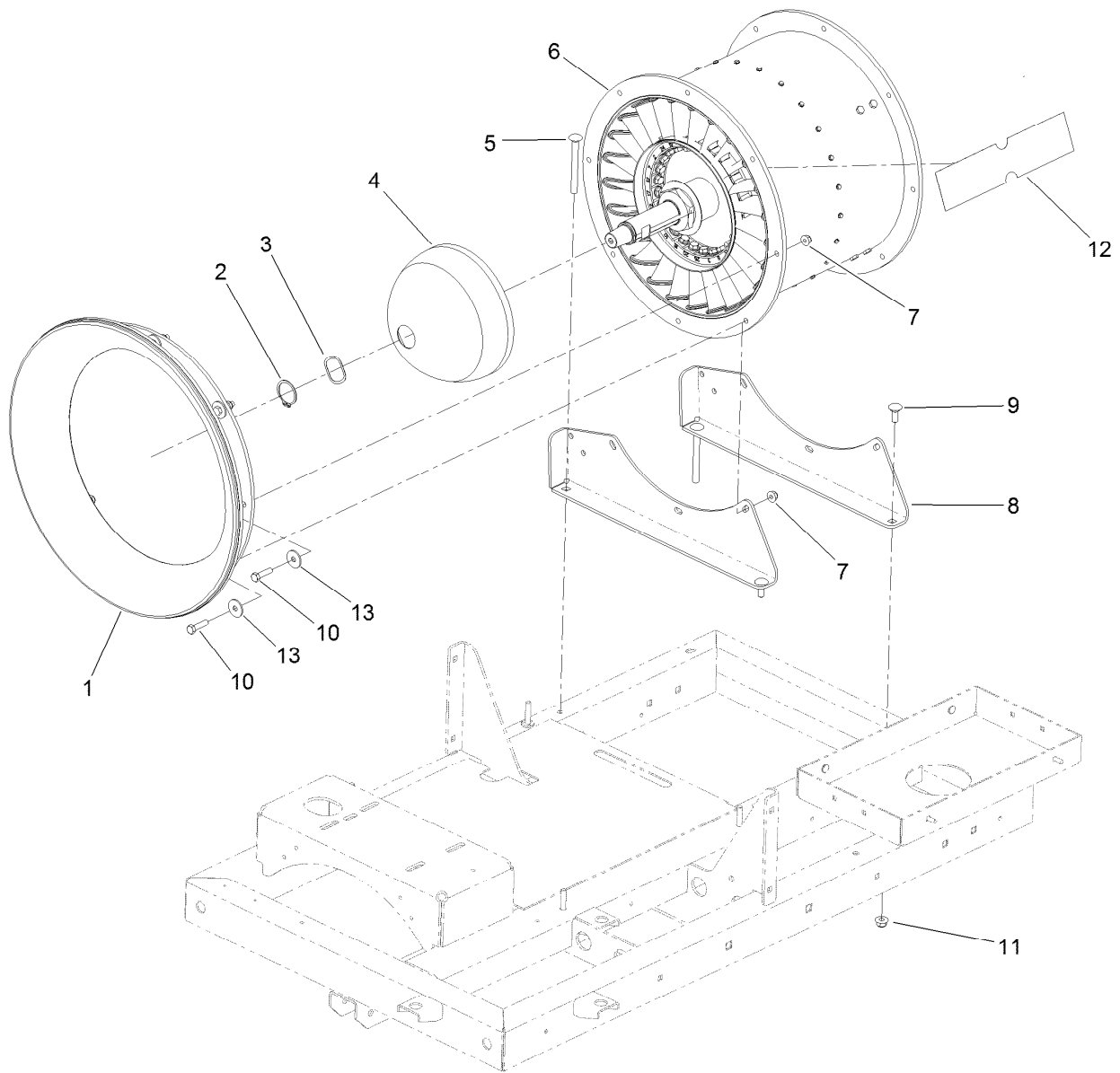
## Frame, Wheel, Axle and Hitch Assembly

Ref.	Part Number	Qty.	Description	Ref.	Part Number	Qty.	Description
1	140-6881	1	Frame ASM, Service	20	3230-9	4	Screw-CARR
1:2	140-6767	1	Decal-Warning,Db	21	3230-2	4	Bolt-CARR
1:3	115-5113	1	Decal-Protection, Eye And Ear	22	322-5	2	Screw-HH
2	119-2958-01	2	Mount-Axle	23	104-8300	10	Nut-HF, NI
3	117-8255	2	Hub And Axle ASM	25	13-6200	1	Pin-Hitch, Pointed
4	112-6852	2	Fender	25:1	3290-343	1	Pin-Hair
5	104-8301	8	Nut-HF, NI	26	3256-82	8	Washer-Flat
6	1-543286	2	Grommet	27	92-1298	1	Pin-Lynch
7	3231-2	6	Bolt-CARR	28	3296-48	4	Nut-Hex
8	2412-133	2	Clamp-R	29	3232-17	4	Screw-CARR
9	104-7050	1	Tube-Manual	30	125-6055-01	1	Tower-Control, Wa
10	144-3664	2	Wheel-Assembly	31	323-10	3	Screw-HH
10:1	137-2597	1	Rim	32	93-8806	6	Washer-Hardened
10:2	232-27	1	Stem-Valve	33	32128-19	3	Nut-HF Lock, Large Flg
10:3	144-3665	1	Tire	34	121-2870	3	Mount-2 Piece
11	323-14	2	Screw-HH	35	119-6165	1	Decal-Ignition
12	112-6942-01	1	Hitch	36	131-6766	1	Decal-Fuses
13	3296-53	2	Nut-Lock, NI	37	131-6703	1	Bracket-Hold Down, Electrical
14	327-23	2	Screw-HH	38	3334-945	1	Tie-Cable
15	131-4381-01	1	Hitch-Clevis	39	32180-030	1	Clip-Tie
16	104-7048	1	Cap-Housing	40	133-8062	1	Decal-Arrestor, Spark



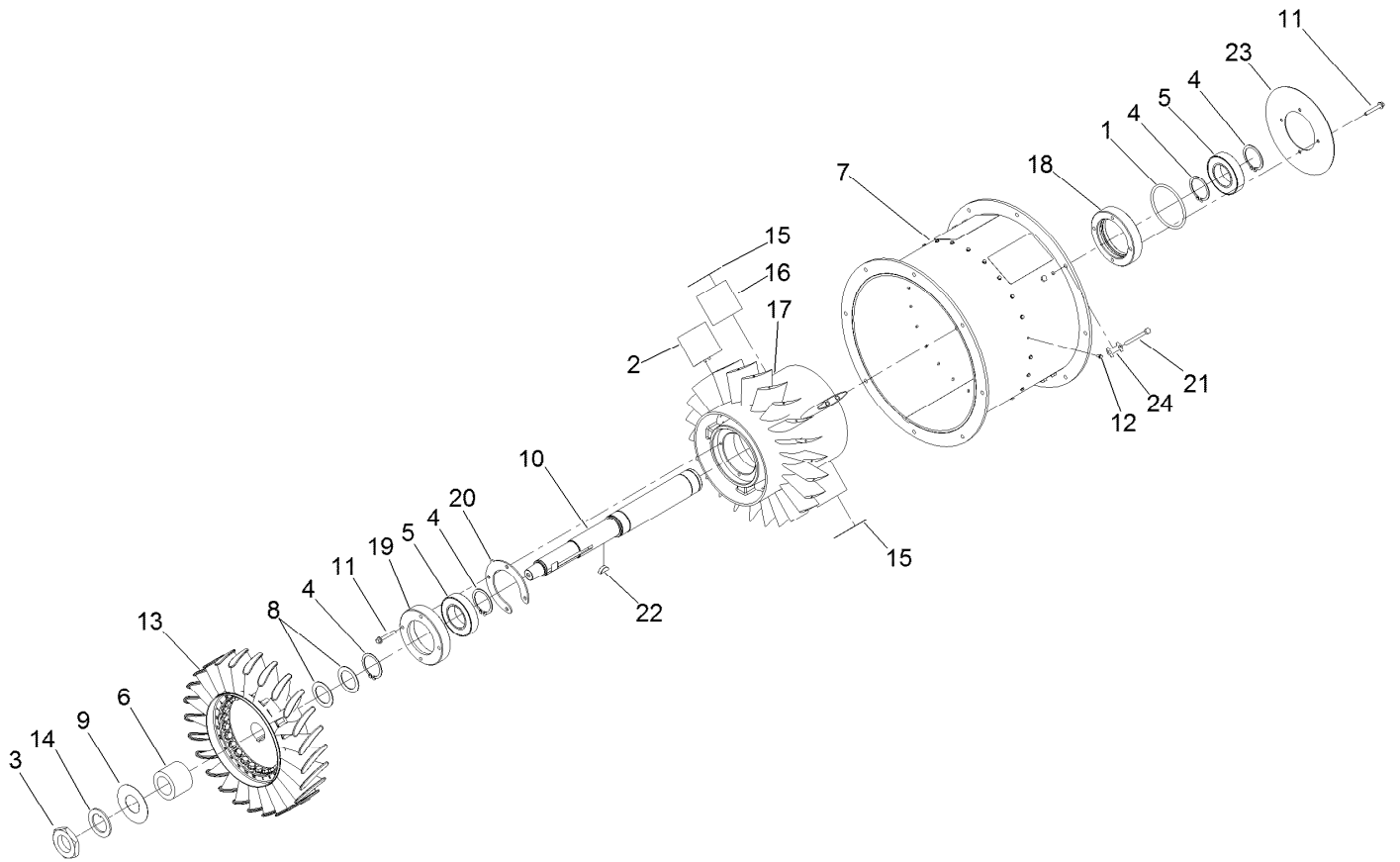
## Hub and Axle Assembly No. 117-8255

<i>Ref.</i>	<i>Part Number</i>	<i>Qty.</i>	<i>Description</i>
2	117-5115	2	Hub And Bearing ASM
2:1	117-8251	1	Hub ASM
2:1:2	114-3918	4	Stud-Wheel
2:1:3	254-72	2	Bearing-Cup, Tapered
2:2	254-94	2	Bearing-Cone, Tapered
2:3	112-1690	1	Seal-Oil
2:4	241-119	1	Cap-Dust
2:5	242-50	4	Nut-Lug
3	117-8259	1	Washer-Spindle
4	117-8260	1	Nut
5	93-0307	1	Nut-Lock, Retainer
6	3272-18	1	Pin-Cotter



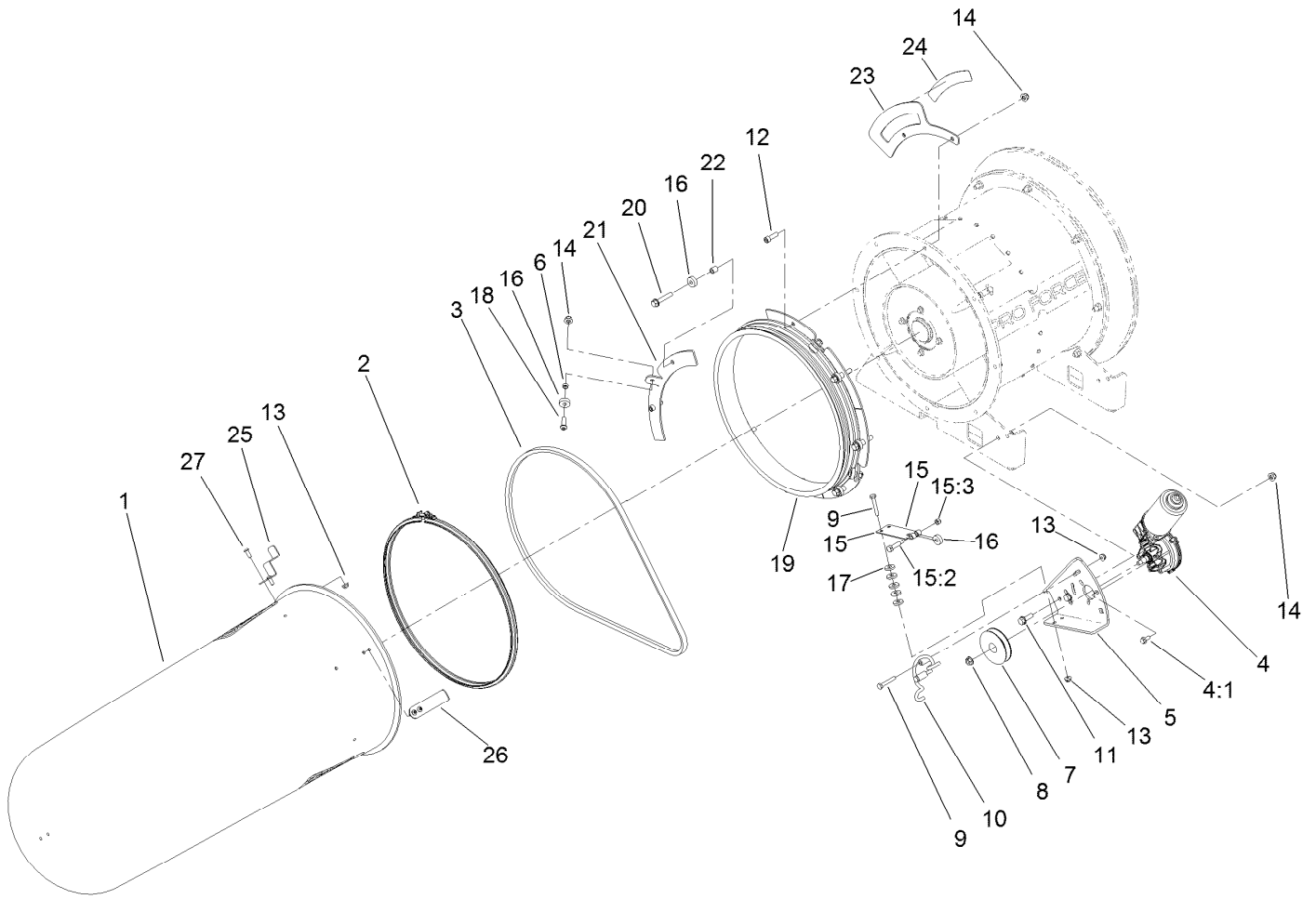
## Turbine Mounting Assembly

<b>Ref.</b>	<b>Part Number</b>	<b>Qty.</b>	<b>Description</b>
1	117-8329	1	Bell-Inlet
2	112-1952	1	Ring-Snap, EXT
3	93-4632	1	Washer-Wavey
4	131-9440	1	Cap-Front
5	3231-24	2	Screw-CARR
6	144-3241SP	1	Turbine ASM
7	104-8300	8	Nut-HF, NI
8	112-6851-01	2	Mount-Fan
9	3231-22	2	Screw-CARR
10	322-6	8	Screw-HH
11	104-8301	4	Nut-HF, NI
12	115-5102	2	Decal
13	115-7109	8	Washer-Flat



## Turbine Assembly No. 144-3241SP

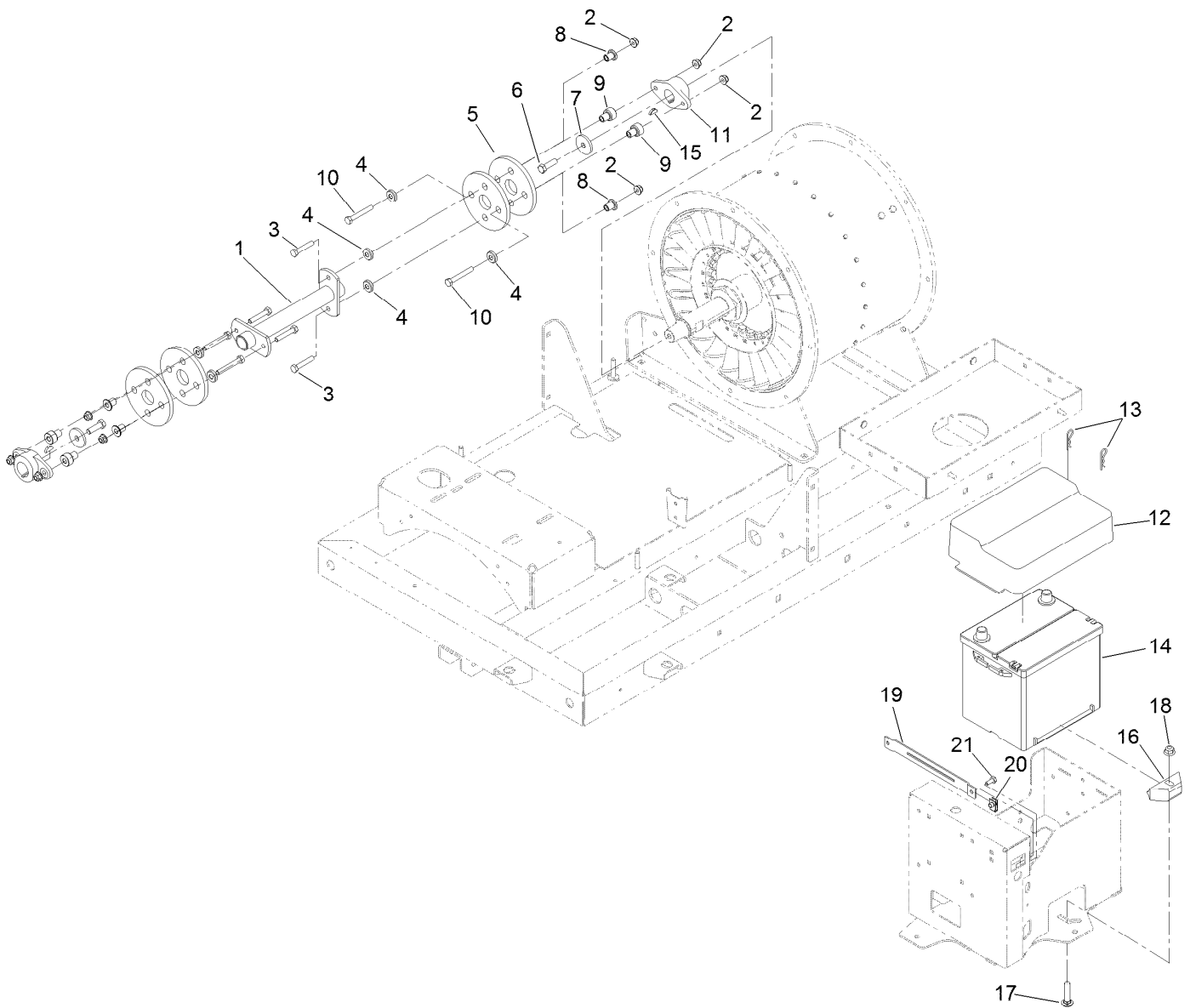
<i>Ref.</i>	<i>Part Number</i>	<i>Qty.</i>	<i>Description</i>	<i>Ref.</i>	<i>Part Number</i>	<i>Qty.</i>	<i>Description</i>
1	92-9533	1	O-Ring	13	117-8356	1	Rotor
2	112-1871	24	Vane-Stator	14	119-6202	1	Washer-Tab
3	112-1899	1	Nut	15	119-6207	2	Spacer-Fin
4	112-1951	4	Ring-Snap, EXT	16	119-6444	4	Mount-Fin
5	112-6764	2	Bearing-Ball	17	120-5920	1	Inner Housing
6	114-2164	1	Spacer	18	120-6042	1	End-Oring
7	140-6530SP	1	Housing	19	120-6061	1	Bearing-Cap
8	115-5131	2	Washer	20	120-6063	1	End-Cap
9	115-9005	1	Washer-Tab	21	321-19	8	Screw-HH
10	115-9075	1	Shaft-Fan	22	3257-42	1	Key-Woodruff
11	125-4287	8	Screw-HHF	23	130-0871-03	1	Plate-Center
12	117-8303	24	Screw-HWH	24	140-6815	4	Tab-Locking



## Nozzle Drive Assembly

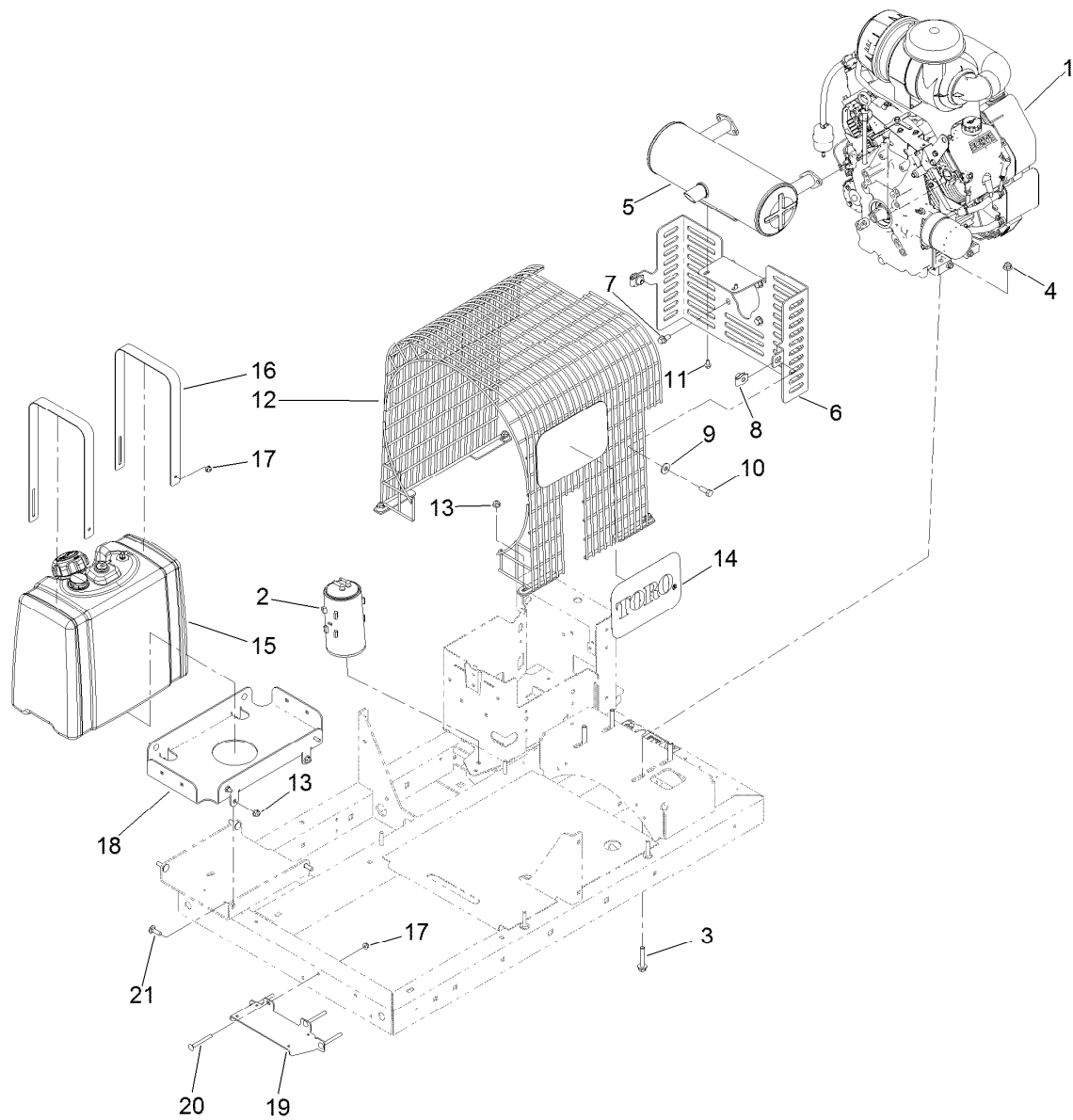
<i>Ref.</i>	<i>Part Number</i>	<i>Qty.</i>	<i>Description</i>	<i>Ref.</i>	<i>Part Number</i>	<i>Qty.</i>	<i>Description</i>
1	119-6287	1	Nozzle	15	110-9650	1	Leaf Spring ASM
2	112-6899	1	Clamp-Nozzle	15:2	36-2250	1	Bolt-Shoulder
3	112-1853	1	Belt-V	15:3	3296-42	1	Nut-Lock, NI
4	130-8551	1	Motor-Reversible	16	251-259	10	Bearing-Ball
4:1	114-8414	3	Screw-HHF	17	88-7200	10	Washer-Flat
5	115-5149-01	1	Bracket-Motor	18	3274-104	4	Screw-HSBH
6	140-6847	4	Spacer	19	140-4427	1	Pulley-Nozzle
7	115-5147	1	Pulley	20	94-5780	5	Screw-HWH
8	98-0668	1	Nut	21	140-4428	4	Bracket-Mount, Bearing
9	321-37	4	Screw-HH	22	93-6859	5	Spacer
10	112-6924	1	Guard-Belt, Drive	23	140-6814-03	1	Gauge-Rotation
11	3234-29	2	Screw-HHF	24	140-2247	1	Decal-Position, Chute
12	3274-22	3	Screw-HSH	25	140-6685-07	1	Indicator
13	104-7201	8	Nut-HF, NI	26	140-2220-01	1	Indicator
14	104-8300	14	Nut-HF, NI	27	119-6906	4	Screw-HSBH





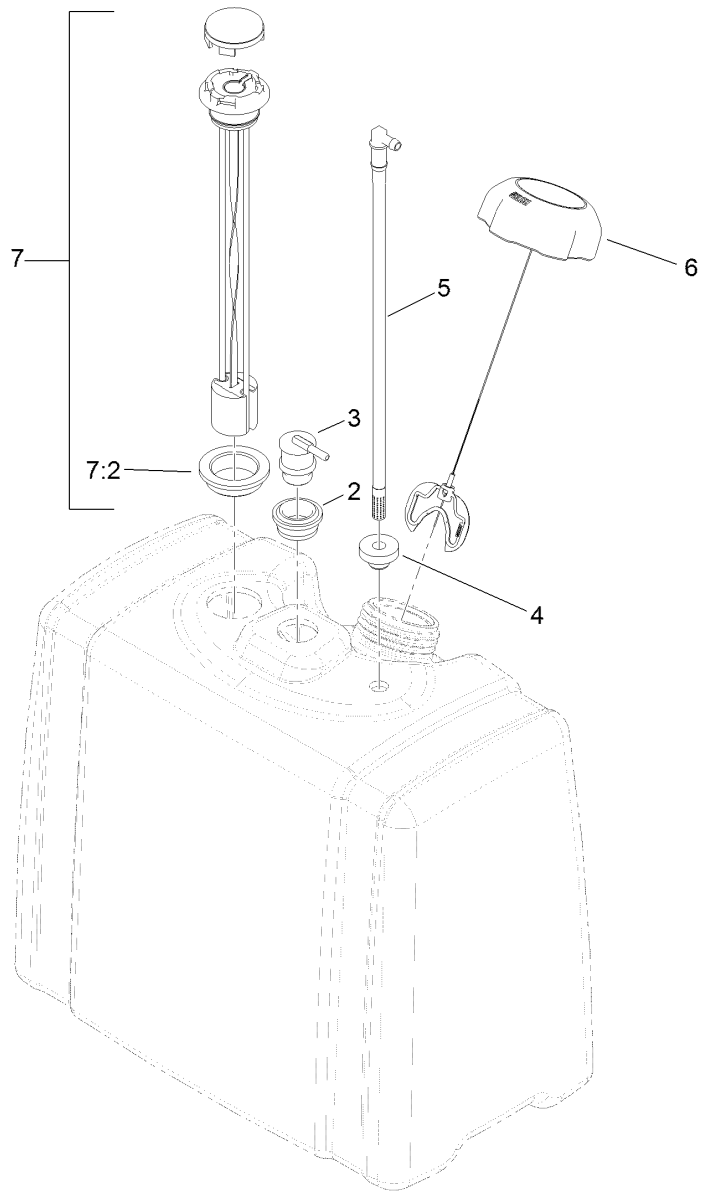
## Battery and Drive Shaft Assembly

<i>Ref.</i>	<i>Part Number</i>	<i>Qty.</i>	<i>Description</i>	<i>Ref.</i>	<i>Part Number</i>	<i>Qty.</i>	<i>Description</i>
1	115-5124-03	1	Shaft-Drive	12	130-8569	1	Cover-Battery
2	104-8300	8	Nut-HF, NI	13	3290-467	2	Pin-Hair
3	322-39	4	Screw-HH	14	106-5187	1	Battery, 525 CCA W/O Electrolyte
4	131-6761	8	Washer	15	3257-5	2	Key-Woodruff
5	115-5129	4	Coupling-Rubber	16	138-6335	1	Retainer-Battery
6	323-7	2	Screw-HH	17	3231-5	1	Screw-CARR
7	114-2120	2	Washer	18	104-8301	1	Nut-HF, NI
8	131-6763	4	Spacer-Coupling, Rubber	19	130-0932-01	1	Bracket-Cover
9	131-6762	4	Spacer-Coupling, Rubber	20	107069	2	Clip
10	322-32	4	Screw-HH	21	321-4	2	Screw-HH
11	114-2122	2	Hub-Engine				



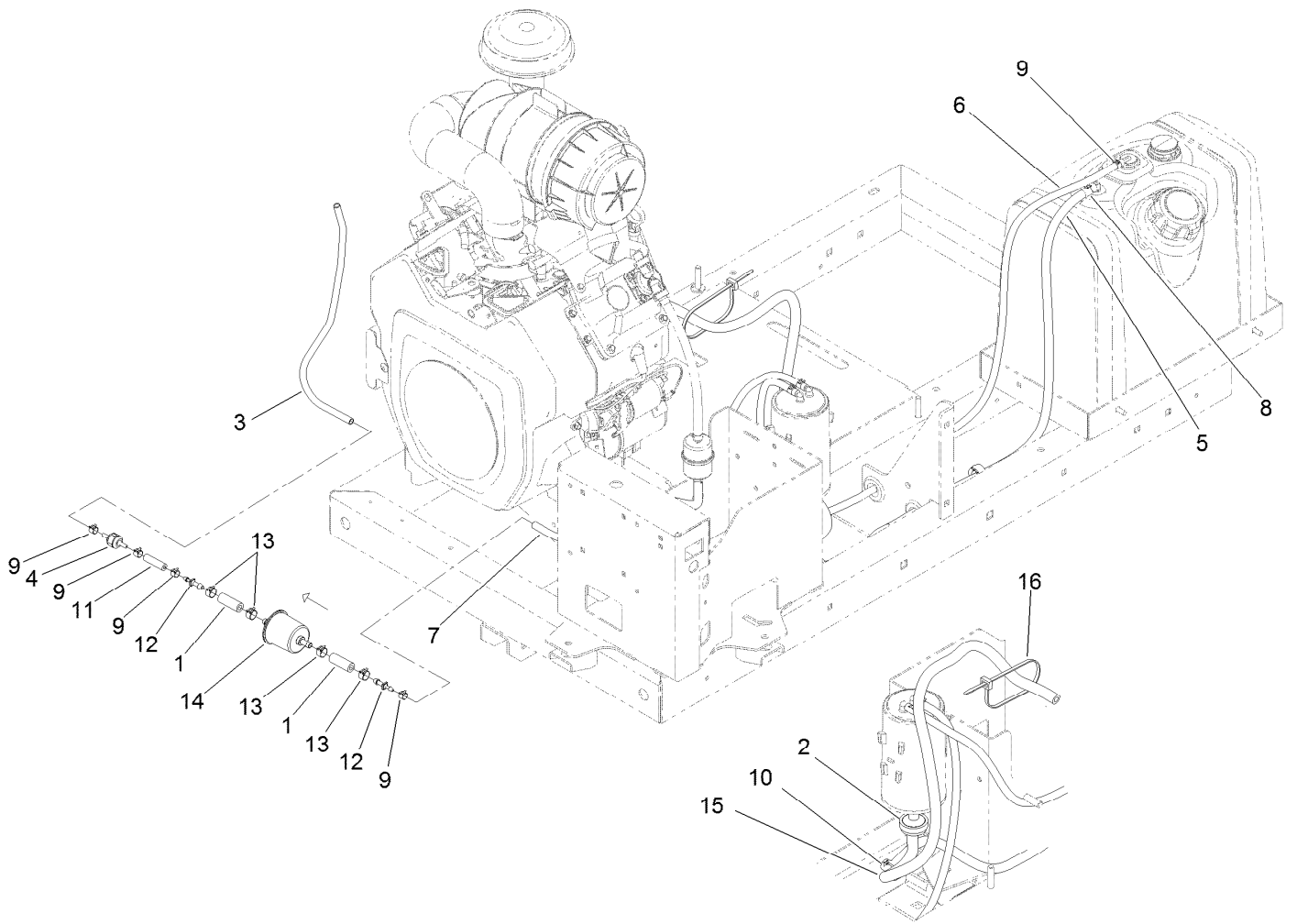
## Engine, Muffler and Fuel Tank Assembly

Ref.	Part Number	Qty.	Description	Ref.	Part Number	Qty.	Description
1	144-3302	1	Engine-Kohler	12	112-6876	1	Grill-Top
2	127-8685	1	Canister-Carbon	13	104-8300	8	Nut-HF, NI
3	66-9302	4	Screw-HHF Lock	14	92-1242	2	Decal
4	104-8301	4	Nut-HF, NI	15	115-9048	1	Fuel Tank ASM
5	112-6862	1	Muffler	16	119-6285	2	Strap-Hold Down, Tank
6	119-6171-03	1	Mount-Muffler	17	104-7201	8	Nut-HF, NI
7	110-1718	4	Screw-HHF	18	140-6876-01	1	Mount-Tank, 5GA [red]
8	105-4886	2	Nut-Tinnerman	19	140-6766-01	1	Plate-Mount
9	80-6990	2	Washer-Hardened	20	3229-8	4	Screw-CARR
10	323-6	2	Screw-HH	21	3230-2	4	Bolt-CARR
11	33103-012	2	Screw-HHF				



## Fuel Tank Assembly No. 115-9048

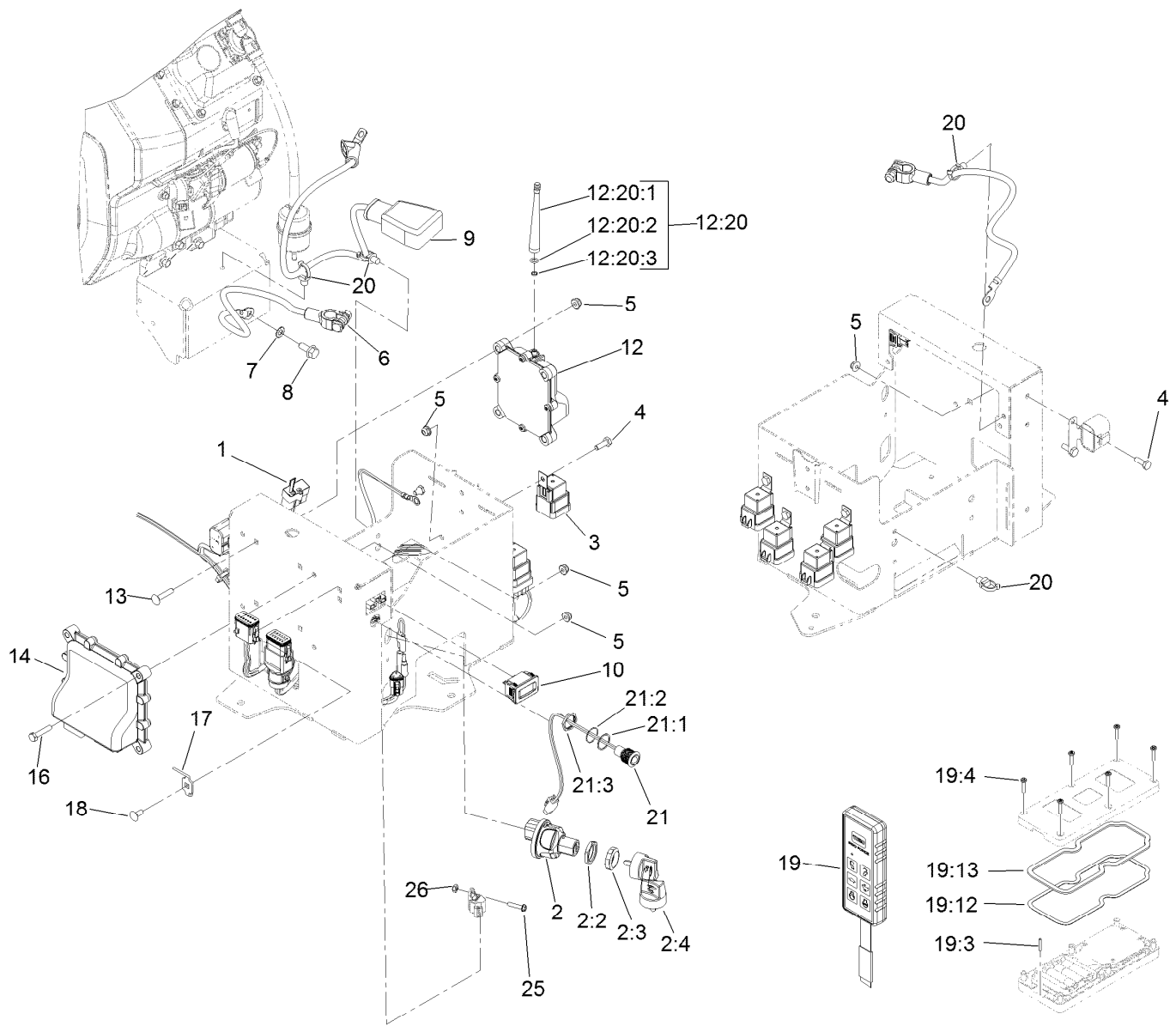
<i>Ref.</i>	<i>Part Number</i>	<i>Qty.</i>	<i>Description</i>
2	114-0284	1	Grommet
3	114-0285	1	Valve-Rollover
4	46-6560	1	Bushing
5	115-9044	1	Pipe-Stand
6	137-4127	1	Cap-Fuel
7	119-0509	1	Gauge ASM
7:2	119-0508	1	Seal



## Fuel Delivery Assembly

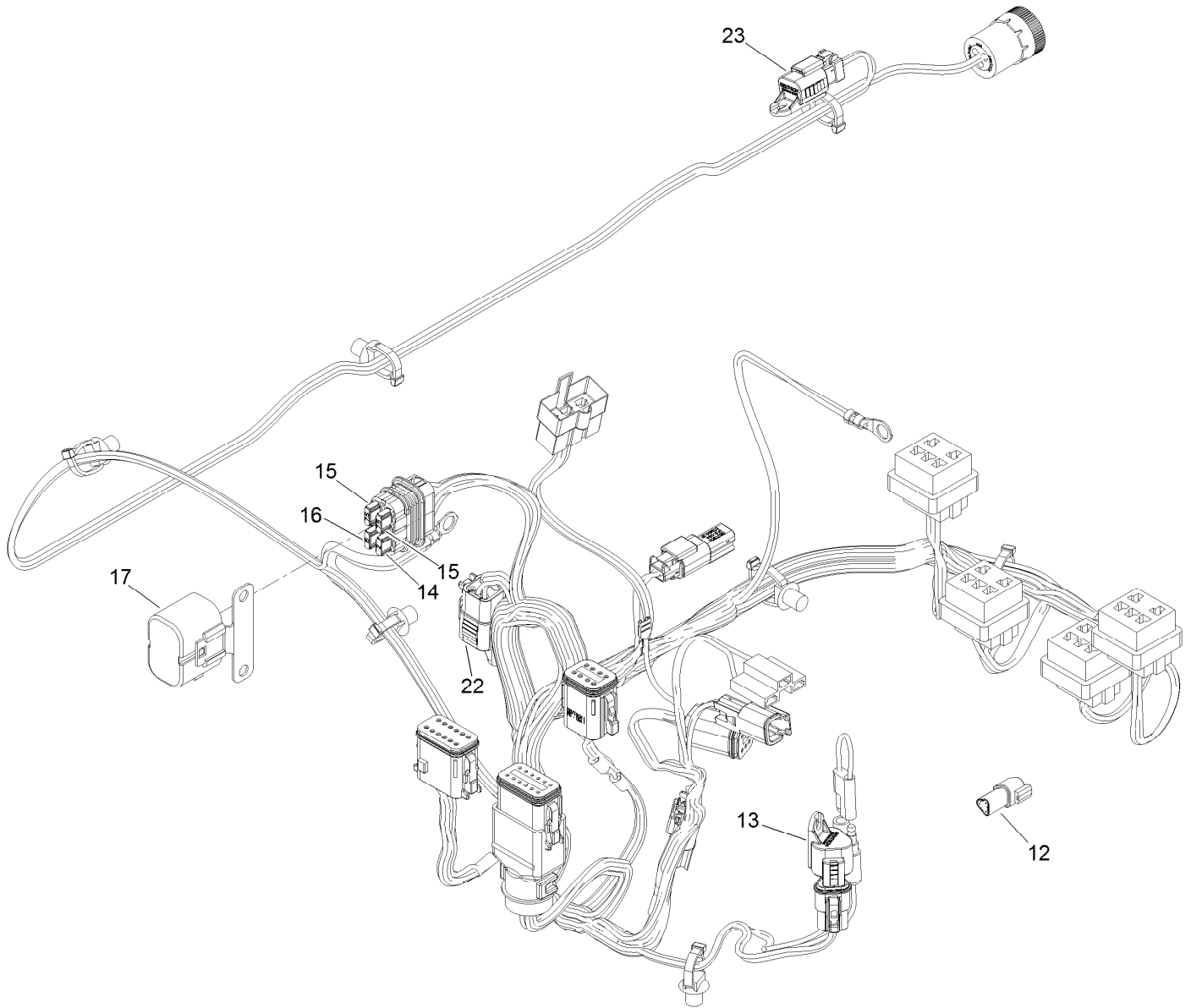
Ref.	Part Number	Qty.	Description
1	106-5317	3	Hose-Fuel
2	115-7854	1	Filter-Fuel, Inline
3	119-8150	1	Hose-Fuel
4	133-8499	1	Valve-Check, Vacuum
5	107-9298	1	Hose-Fuel
6	119-6073	1	Hose-Fuel
7	110-3254	1	Hose-Fuel
8	2412-98	2	Clamp-Hose

Ref.	Part Number	Qty.	Description
9	2412-80	5	Clamp-Hose
10	32180-030	6	Clip-Tie
11	119-8561	1	Hose-Fuel
12	106-8150	2	Fitting-Straight
13	92-2379	4	Clamp-Hose
14	120-2235	1	Filter-Fuel
15	110-4109	1	Hose-Fuel
16	3290-378	1	Tie-Cable



## Electrical System Assembly

Ref.	Part Number	Qty.	Description	Ref.	Part Number	Qty.	Description
1	122-1747	1	Harness-Wire, Proforce Blower Rf2Can	13	3229-3	4	Screw-CARR
2	121-5159	1	Ignition Switch ASM	14	125-1360	1	Controller
2:2	121-5160	1	Nut-Hex	16	321-8	4	Screw-HH
2:3	121-5161	1	Nut-Face	17	121-2761	1	Mount-Transmitter
2:4	121-5162	1	Set-Key, Ignition	18	3229-11	1	Screw-CARR
3	99-7430	4	Relay-Mini	19	125-1270	1	Remote ASM
4	321-4	6	Screw-HH	19:3	121-2906	1	Pin-Lanyard
5	104-7201	15	Nut-HF, NI	19:4	121-2908	6	Screw-PPH
6	125-5966	1	Cable-Battery, Negative	19:12	125-1294	1	Backer-Gasket
7	3255-8	1	Washer-Lock	19:13	125-1295	1	Gasket (HH-Small)
8	33104-020	1	Screw-HHF	20	32180-030	3	Clip-Tie
9	122-0629	1	Cable-Battery, Positive	21	122-0630	1	Red LED Indicator Lamp ASM
10	120-2244	1	Hourmeter	21:1	122-0634	1	Gasket-LED
12	132-9600	1	Controller	21:2	122-0633	1	Washer-Locking
12:20	140-6605	1	Antenna Service Kit	21:3	122-0632	1	Nut-Fixing
12:20:1	125-1567	1	Antenna	25	106-9169	1	Screw-HWH
12:20:2	127-2323	1	O-Ring	26	3296-12	1	Nut-Lock, NI
12:20:3	127-2506	1	Spacer				



## Wire Harness Assembly No. 122-1747

<i>Ref.</i>	<i>Part Number</i>	<i>Qty.</i>	<i>Description</i>
12	32180-043	2	Resistor-120 Ohm
13	32180-089	1	Cap-Plug, 3 Way
14	121-8861	1	Fuse-Mini Blade, 2 Amp
15	121-8865	2	Fuse-Mini Blade, 7.5 Amp
16	121-8867	1	Fuse-Mini Blade, 15 Amp
17	32180-179	1	Cover-Bussman
22	32180-156	1	Cap-Plug, 6 Way
23	32180-091	1	Cap-Dust, 2 Way

# Attachments and Accessories

## For 44552 Pro Force Debris Blower

<b>Product Name</b>	<b>Model/Part</b>
Tapered Nozzle Kit.....	119-6280
Rectangular Nozzle Kit .....	119-6281
10 Gallon Kit, Pro Force Debris Blower.....	130-4371
Alignment Tool Asm .....	137-6616
Safety Chain Kit.....	139-3179
Chute Position Indicator Kit.....	140-2257
Spark Arrestor Screen .....	94-8157



**Count on it.**