



# Charge Port Cover Kit

Greensmaster® eTriFlex 3360 or eTriFlex 3370 Traction Unit

Model No. 145-4587

## Installation Instructions

# Installation

## Loose Parts

Use the chart below to verify that all parts have been shipped.

Procedure	Description	Qty.	Use
<b>1</b>	No parts required	–	Prepare the machine.
<b>2</b>	No parts required	–	Remove the left side cover.
<b>3</b>	Charge port cover Screw Nut Pivot bar Washer Spacer	1 2 2 2 4 2	Install the charge port cover.
<b>4</b>	No parts required	–	Install the left side cover.

# 1

## Preparing the Machine

### No Parts Required

### Procedure

1. Park the machine on a level surface.
2. Lower the cutting units.
3. Engage the parking brake.
4. Shut off the machine and remove the key.
5. Disconnect the main-power connectors; refer to your machine *Operator's Manual*.



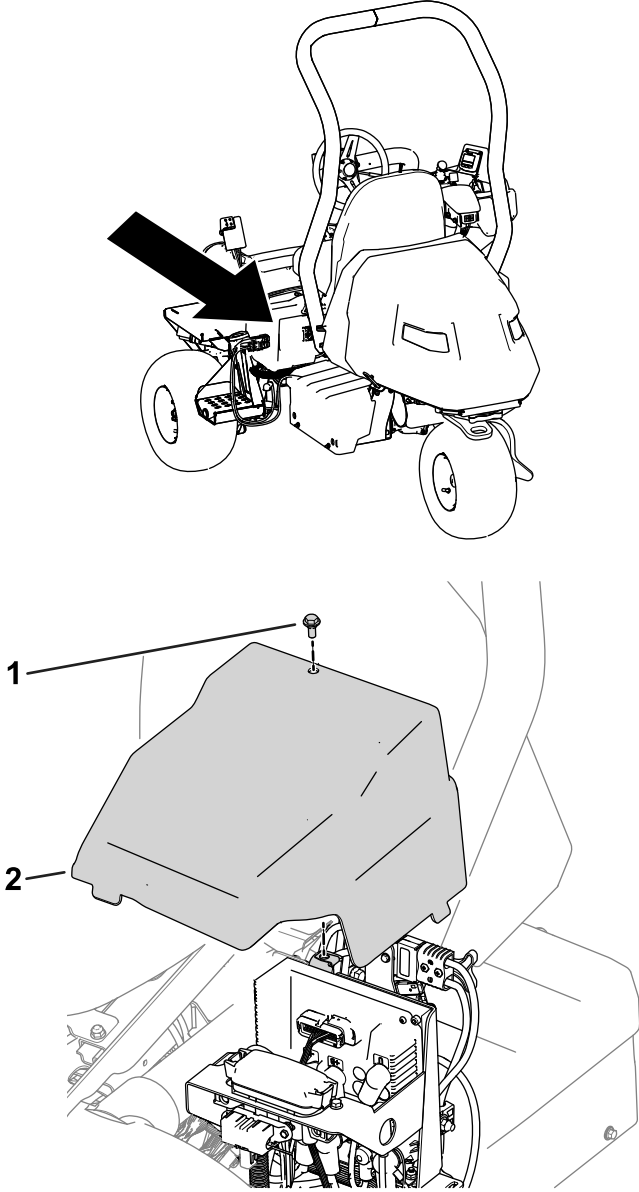
# 2

## Removing the Left Side Cover

No Parts Required

### Procedure

Remove the left side cover from the machine (Figure 1).



g381770

g382143

Figure 1

1. Screw

2. Left side cover

# 3

## Installing the Charge Port Cover

### Parts needed for this procedure:

1	Charge port cover
2	Screw
2	Nut
2	Pivot bar
4	Washer
2	Spacer

### Procedure

1. Drill 2 holes in the left side cover; refer to the dimensions shown in [Figure 2](#).

**Note:** The charge port cover can also be used as a template for the 2 drill holes.

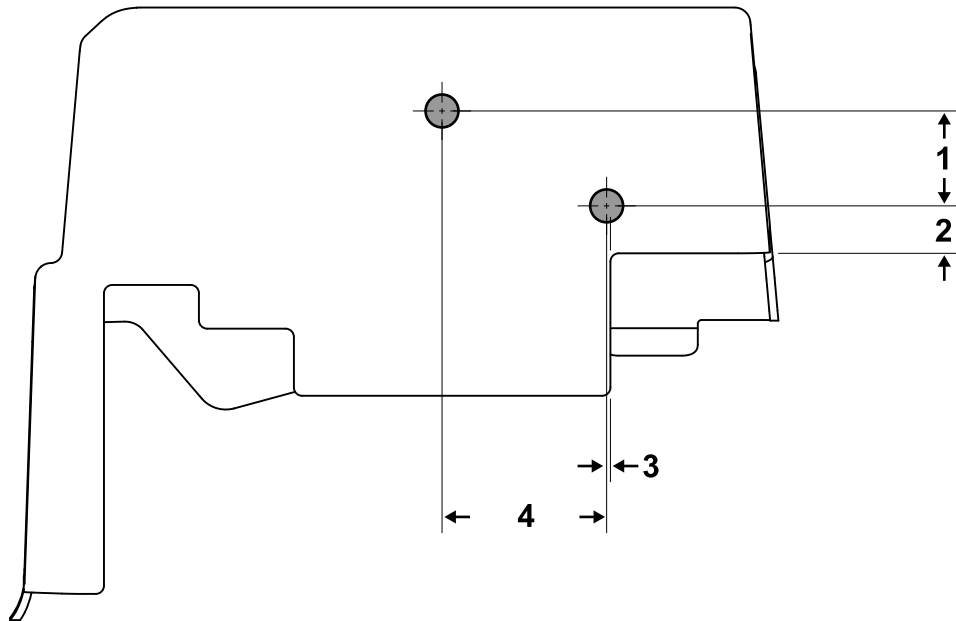


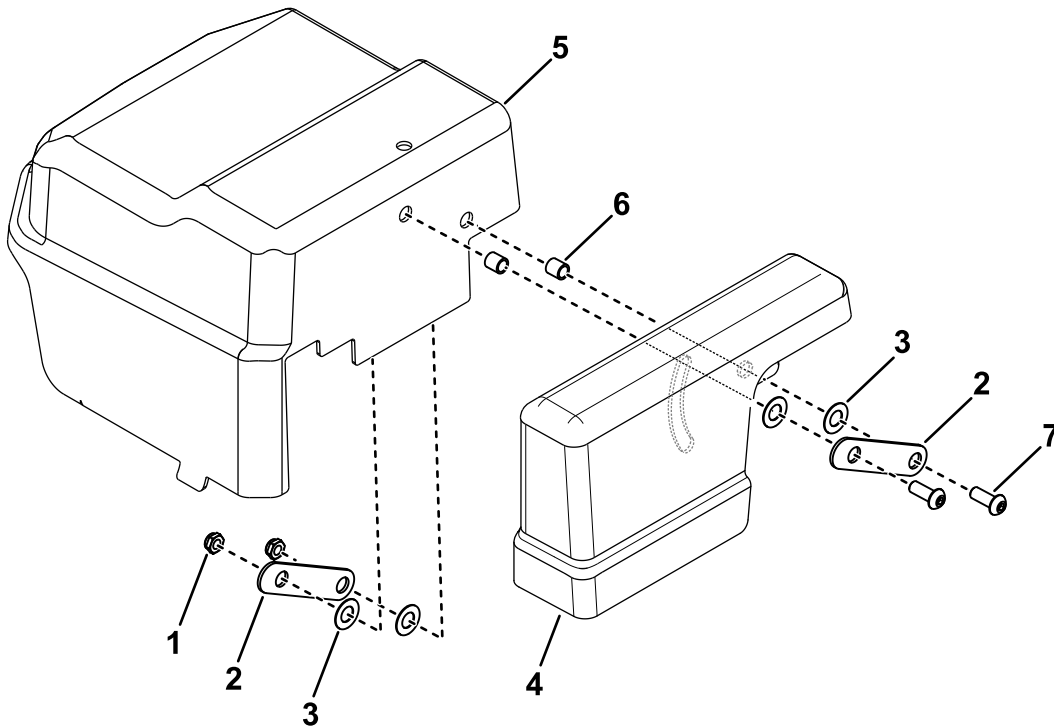
Figure 2

g381769

1. 3.8 cm (1-1/2 in)
2. 1.9 cm (3/4 in)

3. 1.5 mm (1/16 in)
4. 6.6 cm (2 5/8 in)

- Use 2 screws, 2 nuts, 2 pivot bars, 4 washers, and 2 spacers to secure the charge port cover to the left side cover ([Figure 3](#)).



**Figure 3**

g380170

- Nut
- Pivot bar
- Washer
- Charge port cover

- Left side cover
- Spacer
- Screw

# 4

## Installing the Left Side Cover

No Parts Required

### Procedure

Install the left side cover; refer to [Figure 1](#).