



Count on it.

Parts Catalog

**Groundsmaster® 3500-G
Rotary Mower**

Model No. 30809—Serial No. 402700001 and Up



Ordering Replacement Parts

To order replacement parts, please supply the part number, the quantity, and the description of each part desired.

Understanding Reference Numbers

Each identified part in an illustration has a reference number. The reference number for a part also appears in the parts list, along with other information about the part.

This catalog uses two special reference number formats, one to indicate parts in a service assembly and another to indicate the quantity of a given part in an illustration.

Service Assembly Reference Numbers

Parts in service assemblies have reference numbers in the form a:b. The a represents the reference number of the entire service assembly and the b represents a sequential number unique to each part within the service assembly.

For example, a wheel assembly might be identified by reference number 6, the tire by 6:1, the valve by 6:2, and the wheel by 6:3. When you order the assembly identified by reference number 6, you receive all parts identified by reference numbers 6:1, 6:2, and 6:3. However, you may also order any part individually. Reference numbers of this type appear in illustration and in parts lists.

Reference Numbers Indicating Quantity

In an illustration, if a reference number indicates more than one part, the reference number has the form nX y. The n represents the quantity of the part, the X is the multiplication symbol, and the y represents the reference number.

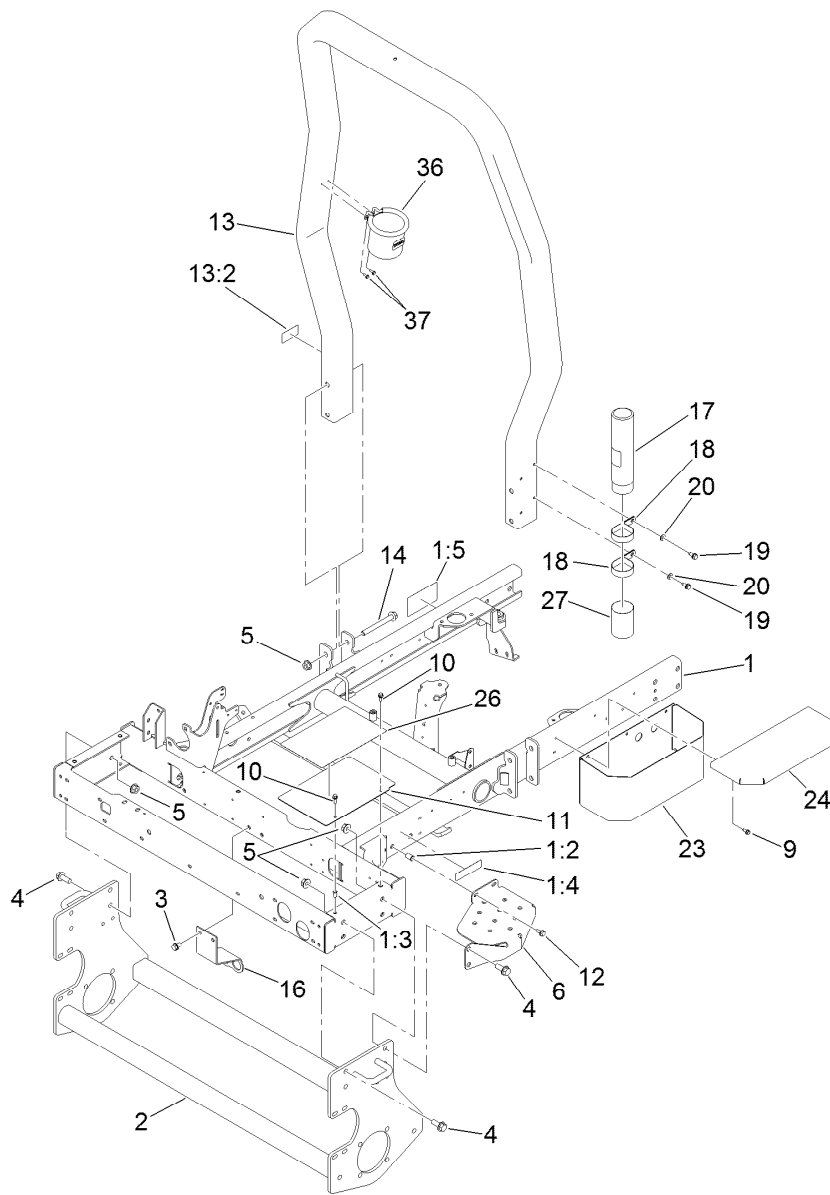
For example, in an illustration, the reference number 2X 37 means that two of the parts identified by reference number 37 are indicated.

Contents

| | |
|--|----|
| Frame and Roll-Over Protection System Assembly | 5 |
| Engine Installation Assembly | 6 |
| Air Cleaner and Exhaust Assembly | 7 |
| Air Cleaner Assembly No. 93-2190 | 8 |
| Radiator and Oil Cooler Assembly | 9 |
| Rear Lift Arm and Carrier Frame Assembly | 10 |
| Hydraulic Cylinder Assembly No. 112-9916 | 11 |
| Sidewinder Carrier Assembly | 12 |
| Scissor Frame and Link Assembly | 14 |
| Hydraulic Motor and Cutting Unit Assembly | 15 |
| Gear Motor Assembly No. 117-5141 | 16 |
| Hydraulic Tank and Filter Assembly | 17 |
| Battery Assembly | 18 |
| Fuel Tank Assembly | 19 |
| Seat Assembly | 20 |
| Seat and Track Assembly No. 139-2679 | 21 |
| Seat Assembly No. 139-2700 | 22 |
| Control Panel Assembly | 23 |
| Wire Harness Assembly No. 122-1524 | 24 |
| Parking Brake and Dash Cover Assembly | 25 |
| 2-Spool Control Valve Assembly | 26 |
| 2-Spool Control Valve Assembly No. 95-8581 | 27 |
| Hydraulic Manifold Assembly No. 121-3570 | 28 |
| Steering Arm Assembly | 29 |
| Steering Valve Assembly No. 121-7856 | 30 |
| Floorplate Assembly | 31 |
| Traction Pedal Assembly | 32 |
| Hood Assembly | 33 |
| Hood Assembly No. 121-3632 | 34 |
| Wheel Motor and Brake Assembly | 35 |
| Hydraulic Motor Assembly No. 110-8786 | 36 |
| Hydraulic Motor Assembly No. 110-8785 | 37 |
| Brake Assembly No. 104-7705 | 38 |
| Rear Fork and Wheel Assembly | 39 |
| Hydraulic Cylinder Assembly No. 121-3653 | 40 |
| Hydraulic Motor Assembly No. 95-8694 | 41 |
| Neutral Arm Assembly | 42 |
| Gear Pump and Piston Pump Assembly | 43 |
| Hydraulic Pump Assembly No. 104-4890 | 44 |
| Hydraulic Gear Pump Assembly No. 108-9036 | 46 |
| Traction Hydraulic Assembly | 47 |
| Lift Hydraulic Assembly | 48 |
| Steering Hydraulic Assembly | 49 |
| Sidewinder Hydraulic Assembly | 50 |
| Mow Hydraulic Assembly | 51 |
| Roller and Carrier Frame Assembly | 52 |
| Roller Assembly No. 112-5265 | 53 |
| Height-of-Cut Bracket Assembly | 54 |
| Chamber, Blade and Spindle Assembly | 55 |
| Spindle Assembly No. 138-6932 | 56 |
| Crankcase Assembly | 57 |
| Oil Pan Assembly | 58 |
| Cylinder Head Assembly | 59 |
| Gear Case and Oil Filter Cartridge Assembly | 60 |

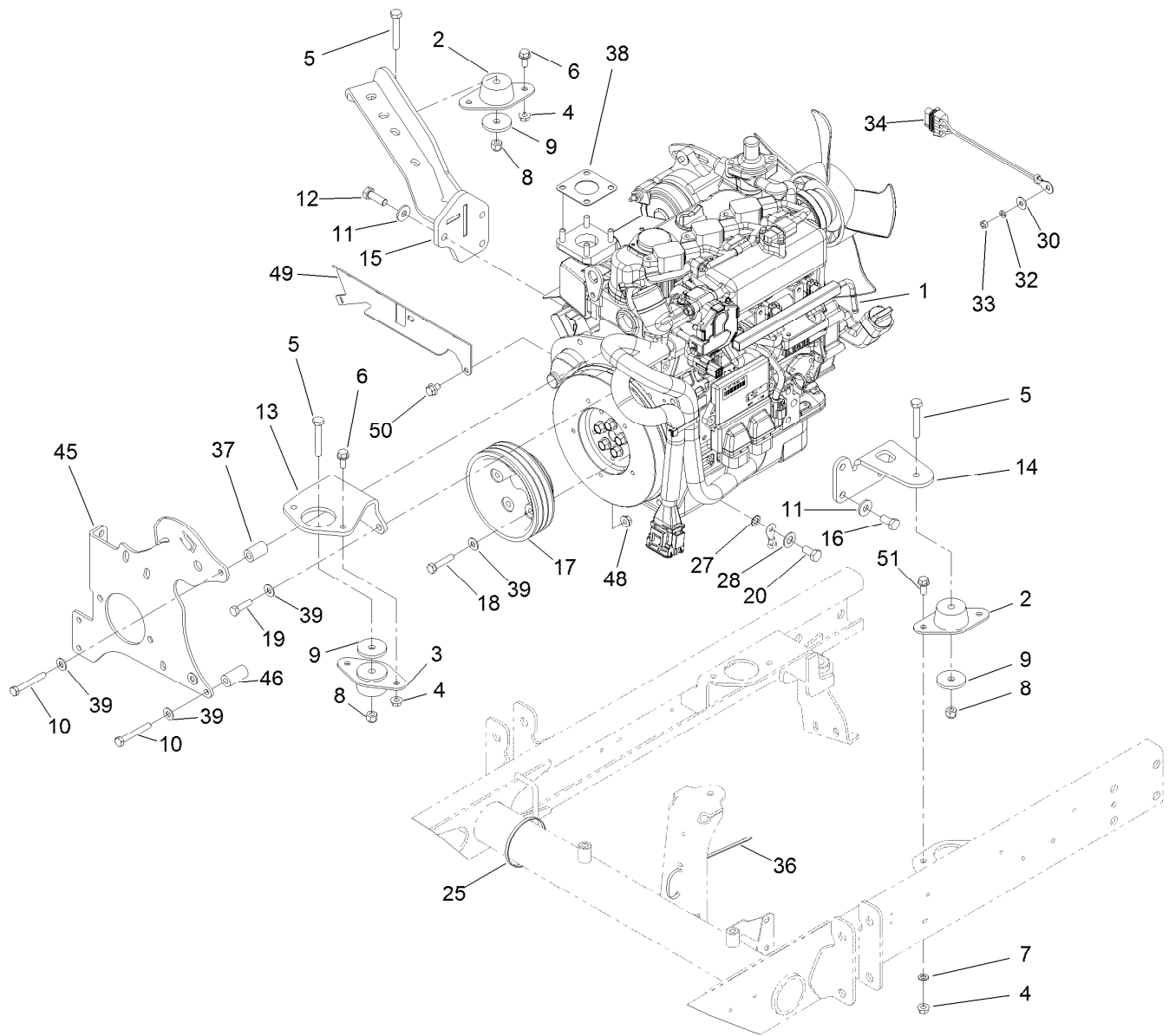
Contents (continued)

| | |
|--|----|
| Cylinder Head Cover Assembly | 61 |
| Oil Pump, Dipstick and Guide Assembly | 62 |
| Main Bearing Case Assembly | 63 |
| Cam Shaft and Idle Gear Shaft Assembly | 64 |
| Piston and Crankshaft Assembly | 65 |
| Flywheel and Sensor Switch Assembly | 66 |
| Injection and Fuel Pump Covers Assembly | 67 |
| Alternator and Pulley Assembly | 68 |
| Alternator Components Assembly | 69 |
| Starter Installation Assembly | 70 |
| Starter Components Assembly | 71 |
| Water Flange and Thermostat Assembly | 72 |
| Water Pump and Cooler Fan Assembly | 73 |
| Valve and Rocker Arm Assembly | 74 |
| Inlet Manifold Assembly | 75 |
| Exhaust Manifold Assembly | 76 |
| Wire Harness Assembly | 77 |
| Electronic Control Unit Assembly | 78 |
| Operator Manual and Miscellaneous Engine Parts | 79 |
| Upper Engine Gasket Kit | 80 |
| Lower Engine Gasket Kit | 81 |
| Attachments and Accessories | 82 |



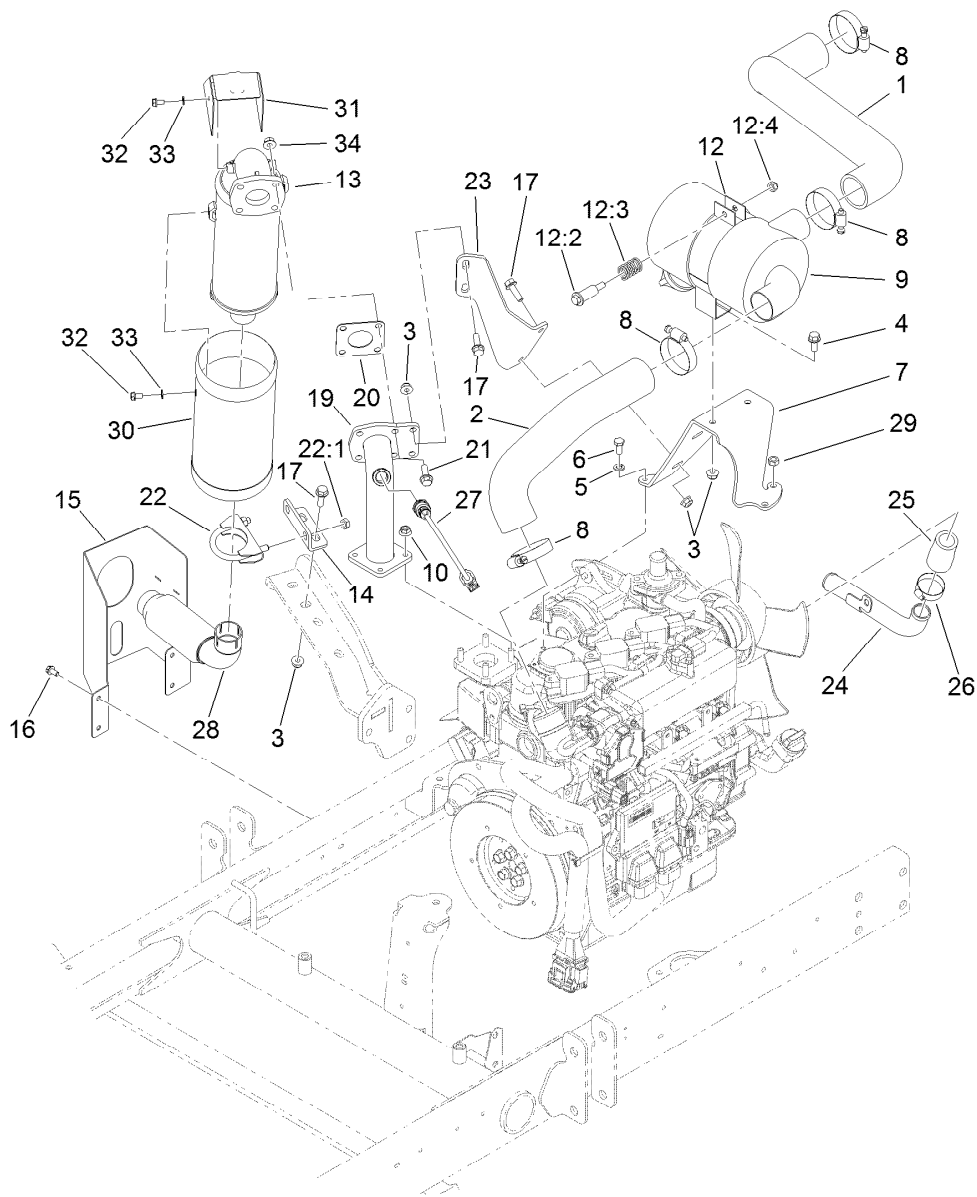
Frame and Roll-Over Protection System Assembly

| <i>Ref.</i> | <i>Part Number</i> | <i>Qty.</i> | <i>Description</i> | <i>Ref.</i> | <i>Part Number</i> | <i>Qty.</i> | <i>Description</i> |
|-------------|--------------------|-------------|-----------------------|-------------|--------------------|-------------|---------------------------|
| 1 | 121-3635 | 1 | Frame | 13 | 127-8493 | 1 | ROPS ASM |
| 1:2 | 32148-8 | 2 | Nut-Clinch | 13:2 | 127-8596 | 1 | Decal-ROPS |
| 1:3 | 32148-6 | 4 | Nut-Clinch | 14 | 117-3176 | 4 | Screw-HHF |
| 1:4 | 133-8062 | 1 | Decal-Arrestor, Spark | 16 | 115-3417-03 | 1 | Bracket-Bulkhead, Scissor |
| 1:5 | 117-3270 | 1 | Decal-Danger | 17 | 104-7050 | 1 | Tube-Manual |
| 2 | 95-8568-03 | 1 | Frame-Lower | 18 | 2412-133 | 2 | Clamp-R |
| 3 | 32144-15 | 2 | Screw-HHFTF | 19 | 32144-70 | 2 | Screw-HWHTF |
| 4 | 3234-38 | 8 | Screw-HHF | 20 | 3256-23 | 2 | Washer-Plain |
| 5 | 32128-49 | 12 | Nut-HHF | 23 | 104-4634-03 | 1 | Toolbox |
| 6 | 99-3375-03 | 1 | Step | 24 | 104-4633-03 | 1 | Cover-Toolbox |
| 9 | 32144-10 | 3 | Screw-HWH | 26 | 121-3623 | 1 | Decal-Danger |
| 10 | 3234-4 | 2 | Screw-HHF | 27 | 104-7048 | 1 | Cap-Housing |
| 11 | 104-0468-01 | 1 | Cover-Frame | 36 | 117-2378 | 1 | Holder-Bag |
| 12 | 3234-5 | 2 | Screw-HHF | 37 | 32144-1 | 2 | Screw-Taptite |



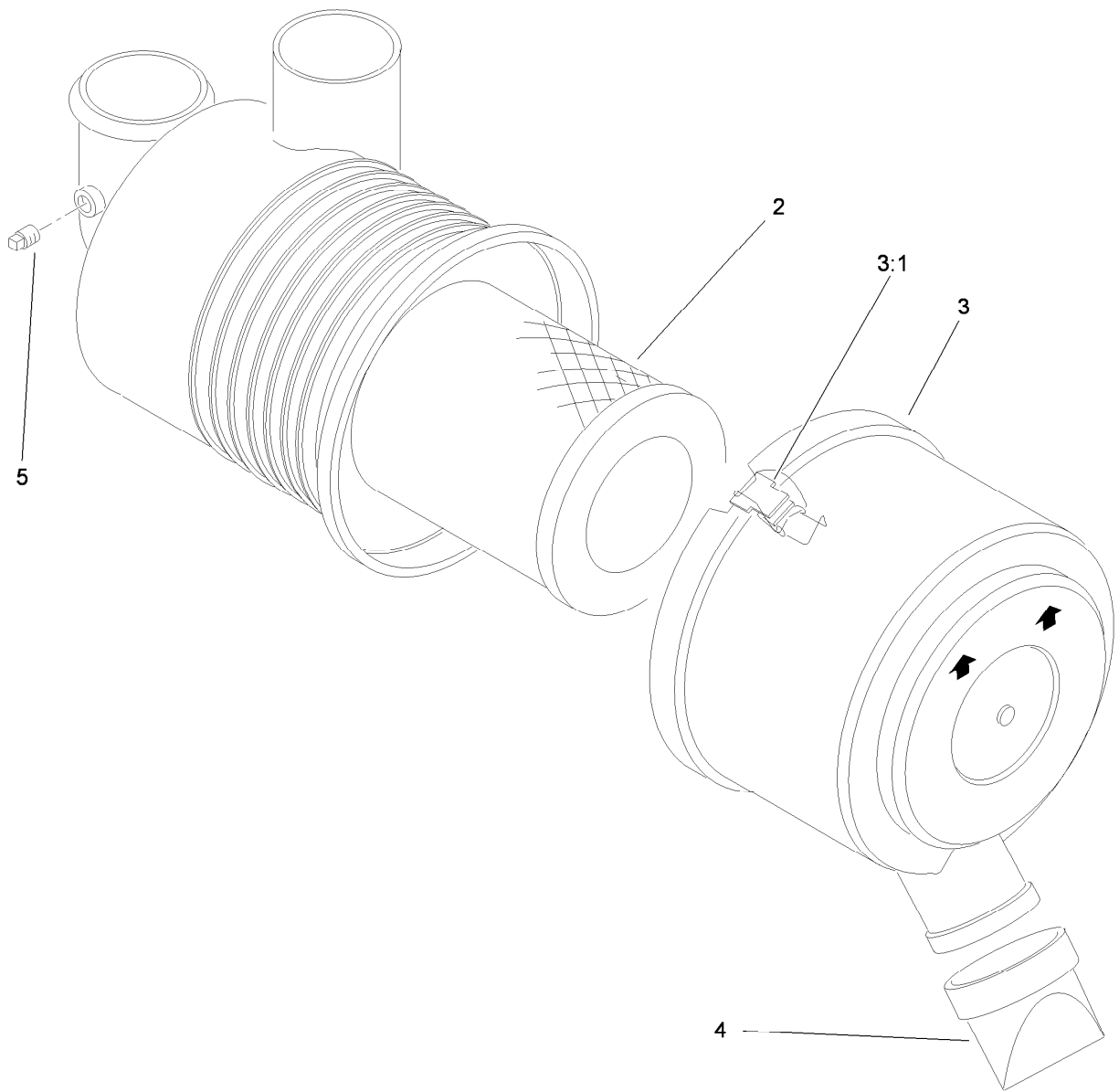
Engine Installation Assembly

| Ref. | Part Number | Qty. | Description | Ref. | Part Number | Qty. | Description |
|------|-------------|------|---------------------|------|-------------|------|----------------------------|
| 1 | 120-3397 | 1 | Engine-Kubota | 20 | 63-7790 | 1 | Screw-Cap |
| 2 | 121-9076 | 2 | Mount-Engine | 25 | 3290-379 | 2 | Tie-Cable |
| 3 | 93-5265 | 1 | Mount-Engine | 27 | 3255-9 | 1 | Washer-Lock |
| 4 | 32128-20 | 6 | Nut-HF | 28 | 3256-25 | 1 | Washer-Flat |
| 5 | 323-11 | 3 | Screw-HH | 30 | 3256-78 | 1 | Washer-Flat |
| 6 | 3234-5 | 5 | Screw-HHF | 32 | 43-5930 | 1 | Washer-Lock, Spring |
| 7 | 3255-8 | 1 | Washer-Lock | 33 | 48-7890 | 1 | Nut-Hex |
| 8 | 3296-39 | 3 | Nut-Lock, NI | 34 | 99-3441 | 1 | Harness-Wire, Fusible Link |
| 9 | 80-8560 | 3 | Washer-Hardened | 36 | 3290-378 | 14 | Tie-Cable |
| 10 | 33114-060 | 3 | Screw-HH | 37 | 120-3386 | 1 | Spacer |
| 11 | 80-6990 | 6 | Washer-Hardened | 38 | 125-9108 | 1 | Gasket-Muffler |
| 12 | 95-8812 | 3 | Screw-HH | 39 | 87-8640 | 9 | Washer-Flat |
| 13 | 120-3384-03 | 1 | Mount-Engine, Front | 45 | 120-3367-03 | 1 | Plate-Mount, Pump |
| 14 | 120-3383-03 | 1 | Mount-Engine, LH | 46 | 120-3387 | 2 | Spacer |
| 15 | 120-3379-03 | 1 | Mount-Engine, RH | 48 | 98-0668 | 2 | Nut |
| 16 | 43-0090 | 3 | Screw-HH | 49 | 121-3529-03 | 1 | Bracket-Wire Harness |
| 17 | 120-3359-03 | 1 | Pulley-Machined | 50 | 68-9410 | 2 | Screw-HHF |
| 18 | 33114-040 | 5 | Screw-HH | 51 | 3234-17 | 1 | Screw-HHF |
| 19 | 33114-025 | 1 | Screw-HH | | | | |



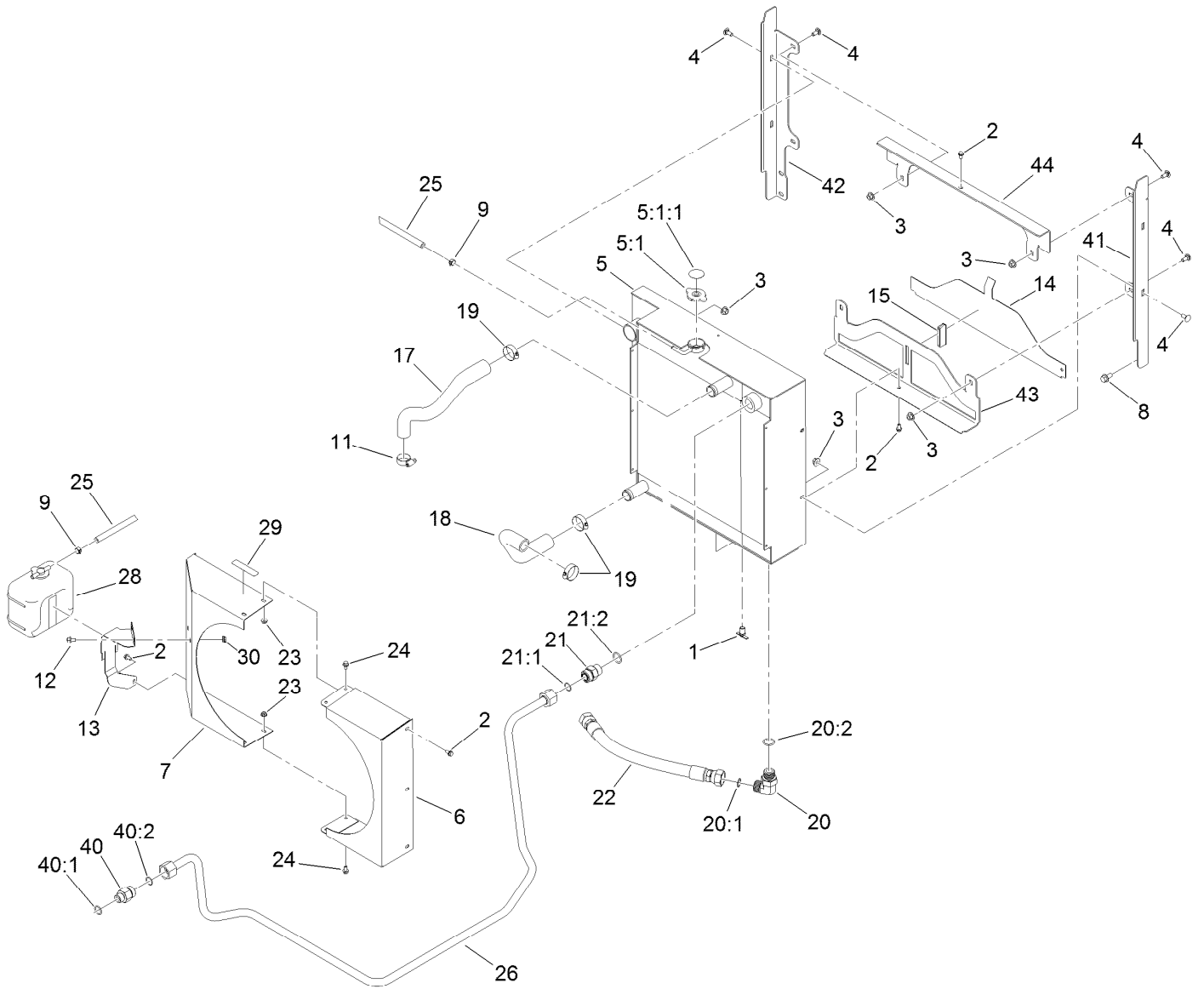
Air Cleaner and Exhaust Assembly

| <i>Ref.</i> | <i>Part Number</i> | <i>Qty.</i> | <i>Description</i> | <i>Ref.</i> | <i>Part Number</i> | <i>Qty.</i> | <i>Description</i> |
|-------------|--------------------|-------------|----------------------------------|-------------|--------------------|-------------|-----------------------|
| 1 | 120-3501 | 1 | Hose-Air Intake, Upper | 17 | 3234-17 | 6 | Screw-HHF |
| 2 | 120-3390 | 1 | Hose-Intake, Lower | 19 | 120-3365 | 1 | Tube-Muffler Mount |
| 3 | 104-8300 | 8 | Nut-HF, NI | 20 | 125-9108 | 1 | Gasket-Muffler |
| 4 | 3234-5 | 2 | Screw-HHF | 21 | 93-7773 | 4 | Screw-HHF |
| 5 | 3253-4 | 1 | Washer-Lock | 22 | 2112-6 | 1 | Clamp-Muffler |
| 6 | 121-4604 | 1 | Screw-HH | 22:1 | 3218-2 | 2 | Nut-Hex Jam |
| 7 | 120-3525-03 | 1 | Bracket-Mount, Air Cleaner | 23 | 121-3527-03 | 1 | Bracket-Muffler |
| 8 | 2412-92 | 4 | Clamp-Hose | 24 | 120-3504 | 1 | Tube-Inlet, Water |
| 9 | 93-2190 | 1 | Air Cleaner ASM | 25 | 120-3537 | 1 | Hose-Radiator, Union |
| 10 | 125-9095 | 4 | Nut | 26 | 2412-34 | 2 | Clamp-Hose |
| 12 | 93-2191 | 1 | Air Cleaner Mounting Band ASM | 27 | 121-3511 | 1 | Sensor-O2 F/W |
| 12:2 | 94-3653 | 1 | Bolt | 28 | 120-3369 | 1 | Tube-Exhaust |
| 12:3 | 94-3654 | 1 | Spring | 29 | 33014-00 | 2 | Nut-Hex |
| 12:4 | 48-9510 | 1 | Nut | 30 | 121-3545 | 1 | Cover-Muffler |
| 13 | 120-3547 | 1 | Muffler | 31 | 121-3546 | 1 | Cover-Flange, Muffler |
| 14 | 120-3385-03 | 1 | Bracket-Muffler | 32 | 98-9350 | 6 | Bolt |
| 15 | 125-4635-03 | 1 | Guard-Exhaust | 33 | 100-1781 | 6 | Washer-Plain |
| 16 | 32144-4 | 4 | Screw-HWH | 34 | 68-9400 | 4 | Nut-Flange |



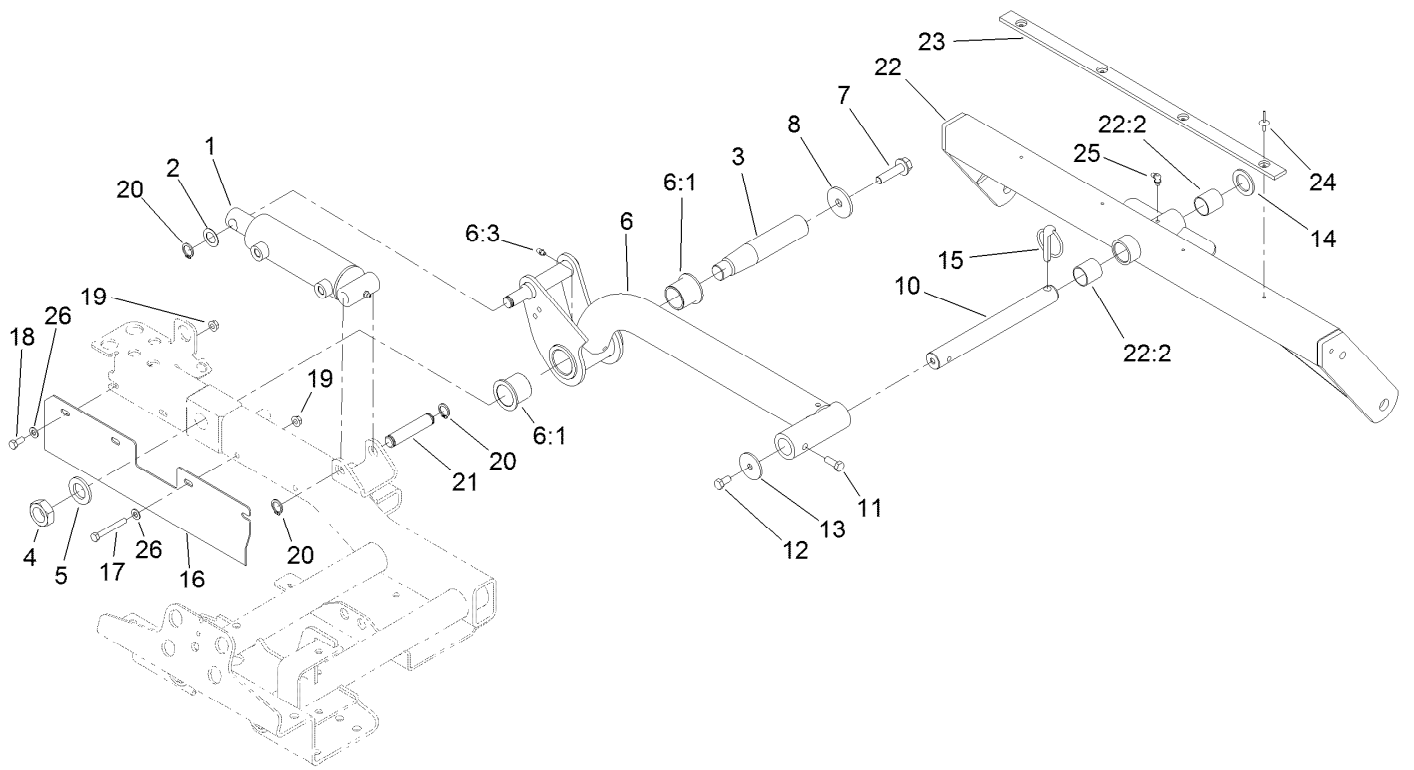
Air Cleaner Assembly No. 93-2190

| <i>Ref.</i> | <i>Part Number</i> | <i>Qty.</i> | <i>Description</i> |
|-------------|--------------------|-------------|--------------------|
| 2 | 108-3811 | 1 | Filter-Air |
| 3 | 94-3652 | 1 | Cover ASM |
| 3:1 | 1-643283 | 2 | Latch-Cleaner, Air |
| 4 | 87-9400 | 1 | Valve-Vacuator |
| 5 | 285-17 | 1 | Plug-Pipe |



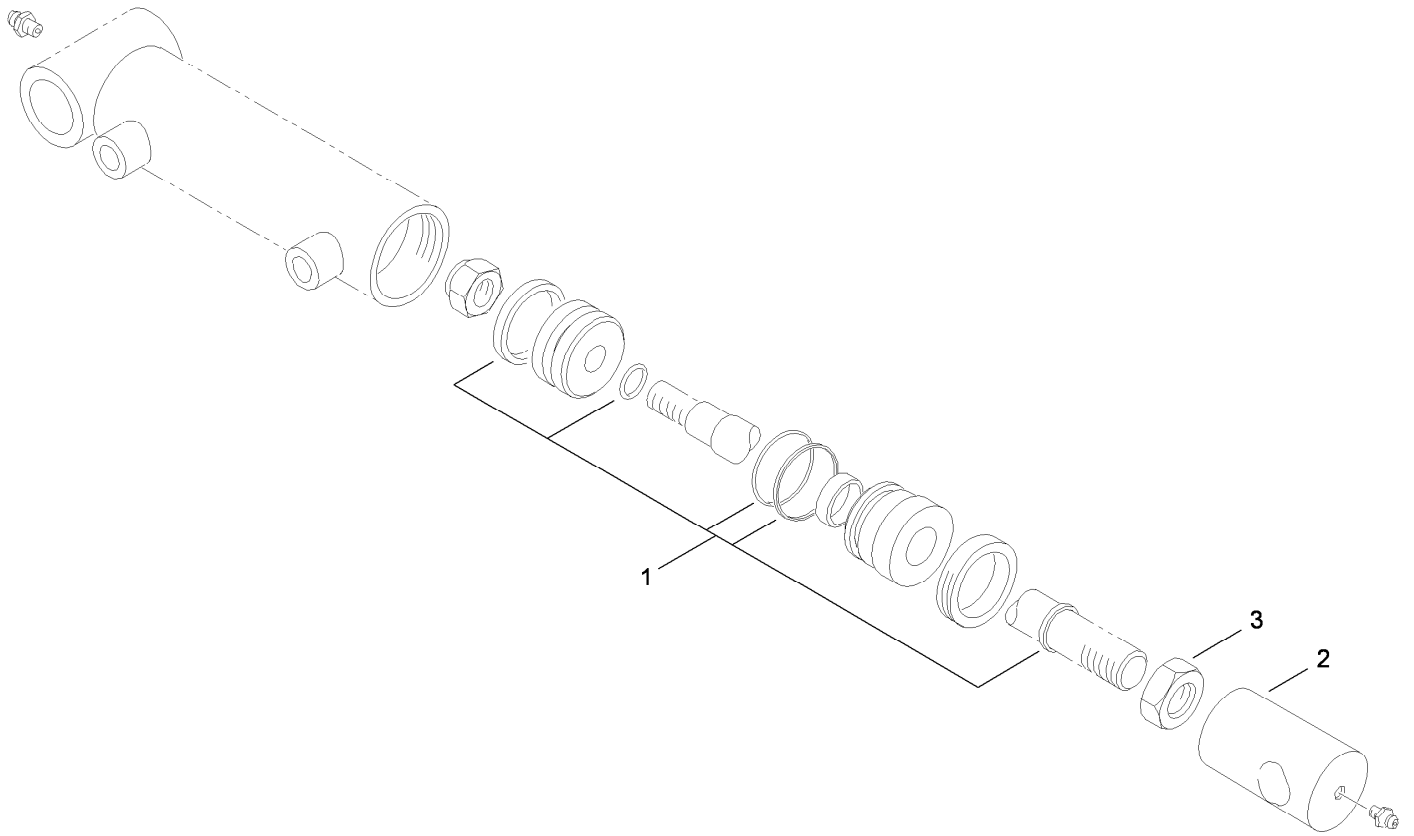
Radiator and Oil Cooler Assembly

| Ref. | Part Number | Qty. | Description | Ref. | Part Number | Qty. | Description |
|-------|-------------|------|-----------------------------|------|-------------|------|--------------------------|
| 1 | 304-46 | 1 | Draincock | 20:1 | 237-58 | 1 | O-Ring |
| 2 | 32104-116 | 8 | Screw-HWHTF | 20:2 | 237-81 | 1 | O-Ring |
| 3 | 32128-44 | 8 | Nut | 21 | 340-9 | 1 | Fitting-STR |
| 4 | 3230-1 | 8 | Bolt-CARR | 21:1 | 237-58 | 1 | O-Ring |
| 5 | 119-2028 | 1 | Radiator And Oil Cooler ASM | 21:2 | 237-81 | 1 | O-Ring |
| 5:1 | 115-7766 | 1 | Cap-Radiator | 22 | 92-7536 | 1 | Hose-HYD |
| 5:1:1 | 106-6755 | 1 | Decal-Cap, Radiator | 23 | 32128-33 | 4 | Nut-HF |
| 6 | 120-3517-03 | 1 | Shroud-Fan, LH | 24 | 3234-13 | 4 | Screw-HHF |
| 7 | 120-3516-03 | 1 | Shroud-Fan, RH | 25 | 109-0274 | 1 | Hose-Fuel |
| 8 | 3234-1 | 4 | Screw-HHF | 26 | 121-3609 | 1 | Tube-HYD |
| 9 | 92-2379 | 2 | Clamp-Hose | 28 | 104-9318 | 1 | Bottle-Overflow |
| 11 | 2412-129 | 1 | Clamp-Hose | 29 | 93-6681 | 1 | Decal-Warning, Fan |
| 12 | 3234-30 | 2 | Screw-HHF | 30 | 32128-20 | 2 | Nut-HF |
| 13 | 120-3548-03 | 1 | Bracket-Mount, Overflow | 40 | 340-66 | 1 | Fitting-Straight |
| 14 | 95-8702-03 | 1 | Shield-Radiator, Lower | 40:1 | 237-80 | 1 | O-Ring |
| 15 | 99-3497 | 1 | Magnet | 40:2 | 237-58 | 1 | O-Ring |
| 17 | 120-3506 | 1 | Hose-Radiator, Upper | 41 | 120-3531-03 | 1 | Bracket-Radiator, LH |
| 18 | 120-3399 | 1 | Hose-Radiator, Lower | 42 | 120-3532-03 | 1 | Bracket-Radiator, RH |
| 19 | 2412-34 | 3 | Clamp-Hose | 43 | 120-3530-03 | 1 | Bracket-Radiator, Bottom |
| 20 | 340-142 | 1 | Fitting-Elbow, 90 DEG | 44 | 120-3529-03 | 1 | Bracket-Radiator, Top |



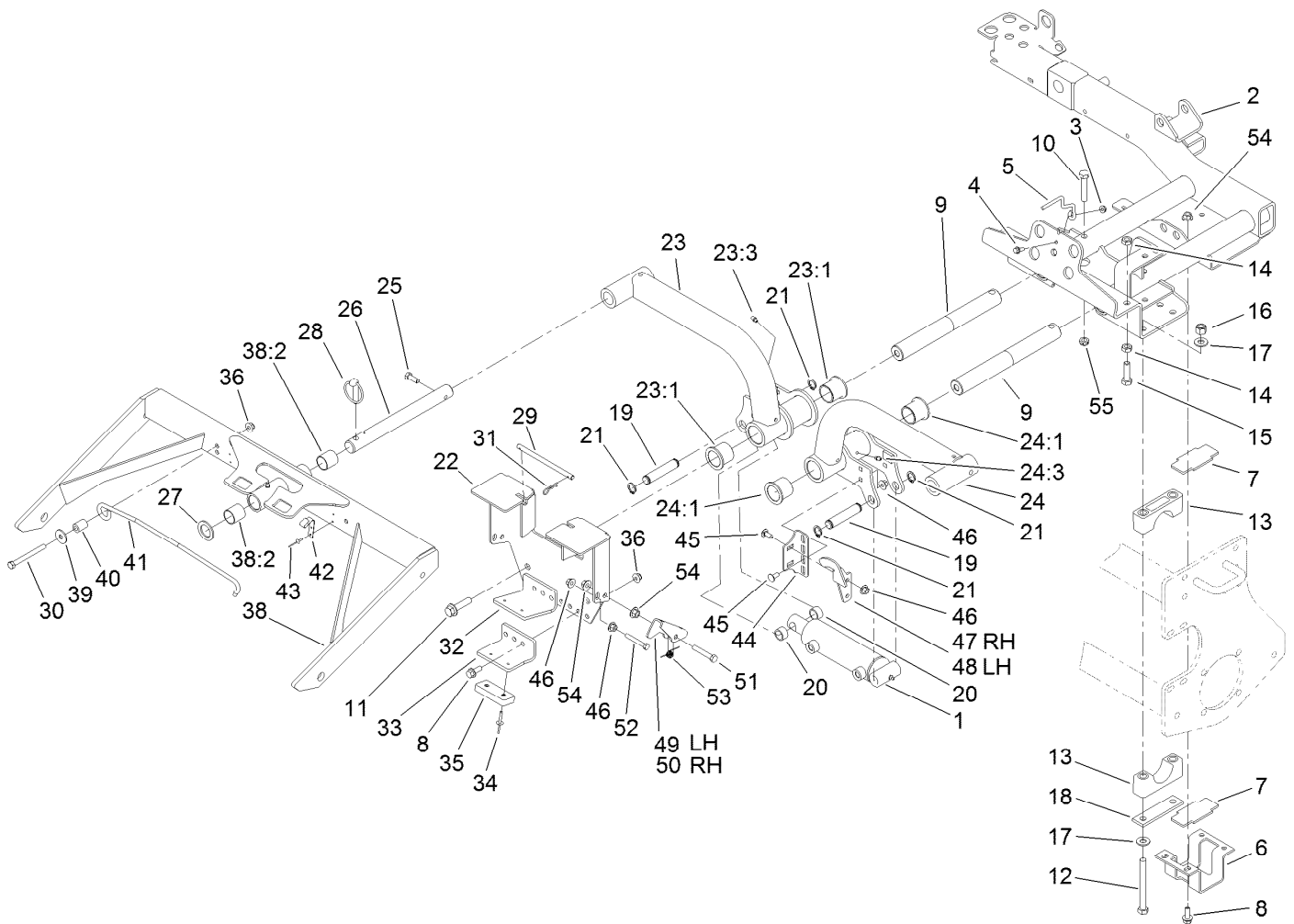
Rear Lift Arm and Carrier Frame Assembly

| <i>Ref.</i> | <i>Part Number</i> | <i>Qty.</i> | <i>Description</i> | <i>Ref.</i> | <i>Part Number</i> | <i>Qty.</i> | <i>Description</i> |
|-------------|--------------------|-------------|---------------------------|-------------|--------------------|-------------|------------------------|
| 1 | 112-9916 | 1 | HYD Cylinder ASM | 14 | 3-6781 | 1 | Washer-Thrust |
| 2 | 3-6498 | 1 | Washer-Thrust | 15 | 283-71 | 1 | Pin-Lynch |
| 3 | 95-8990 | 1 | Shaft-Pivot, Rear | 16 | 121-3616-03 | 1 | Guard |
| 4 | 3220-9 | 1 | Nut-Jam | 17 | 322-12 | 2 | Screw-HH |
| 5 | 86-1480 | 1 | Washer | 18 | 322-3 | 2 | Screw-HH |
| 6 | 115-3473 | 1 | Rear Liftarm ASM | 19 | 32128-20 | 4 | Nut-HF |
| 6:1 | 69-6470 | 2 | Bushing-Caster | 20 | 32120-93 | 3 | Ring-Retaining |
| 6:3 | 302-5 | 1 | Fitting-Grease | 21 | 95-8575 | 1 | Pin-Clevis |
| 7 | 3234-27 | 1 | Screw-HHF | 22 | 104-4229 | 1 | Rear Carrier Frame ASM |
| 8 | 75-7730 | 1 | Washer-Thrust | 22:2 | 108-4000 | 2 | Bushing |
| 10 | 100-4944 | 1 | Shaft-Pivot, Cutting Unit | 23 | 95-8936 | 1 | Strip-Wear |
| 11 | 323-6 | 1 | Screw-HH | 24 | 3269-18 | 4 | Rivet-Blind |
| 12 | 323-4 | 1 | Screw-HH | 25 | 302-60 | 1 | Fitting-Grease |
| 13 | 63-7400 | 1 | Washer-Rebound | 26 | 3256-23 | 4 | Washer-Plain |



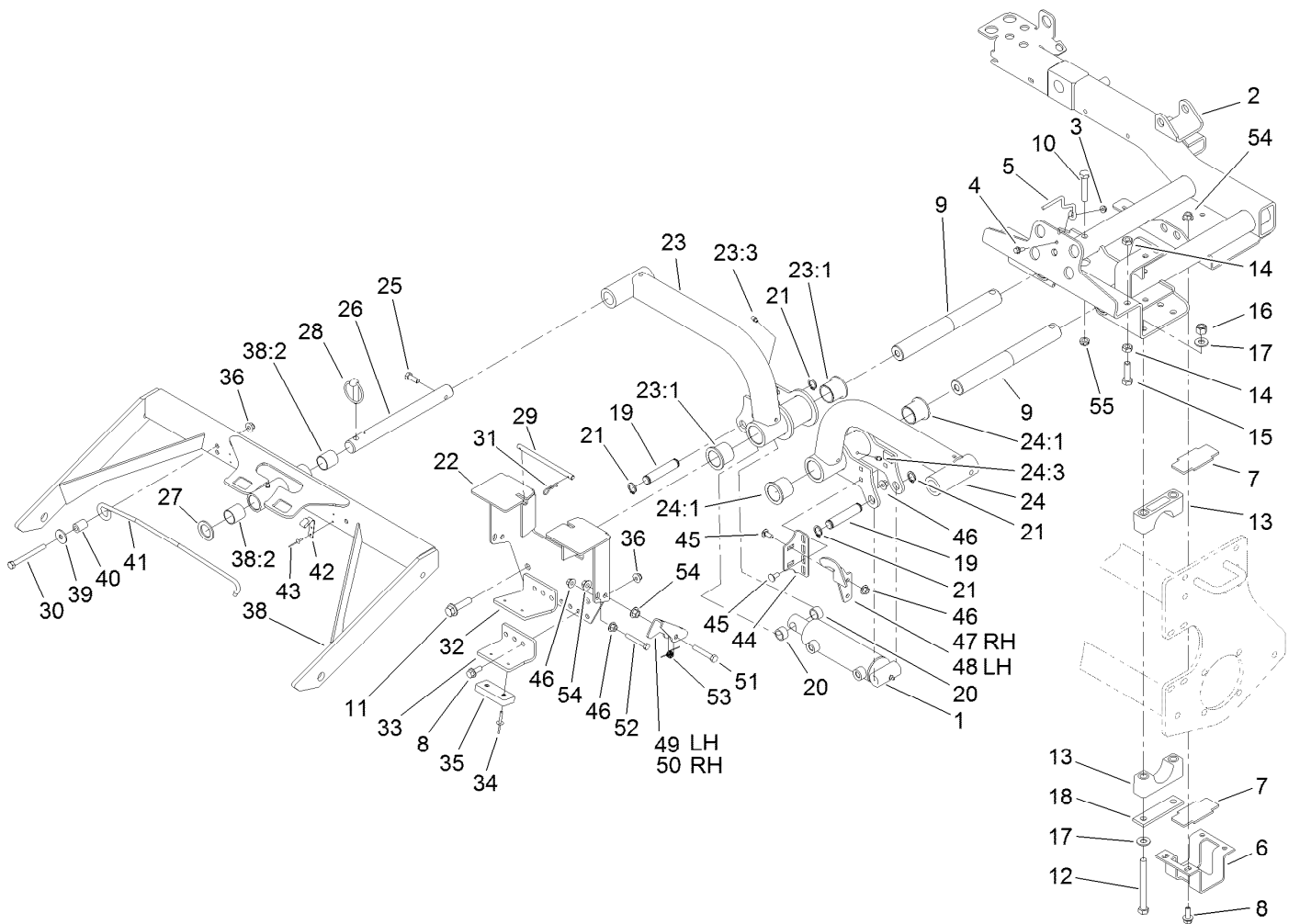
Hydraulic Cylinder Assembly No. 112-9916

| <i>Ref.</i> | <i>Part Number</i> | <i>Qty.</i> | <i>Description</i> |
|-------------|--------------------|-------------|--------------------|
| 1 | 115-3410 | 1 | Seal Kit |
| 2 | 108-9035 | 1 | Clevis |
| 3 | 3220-7 | 1 | Nut-Jam |



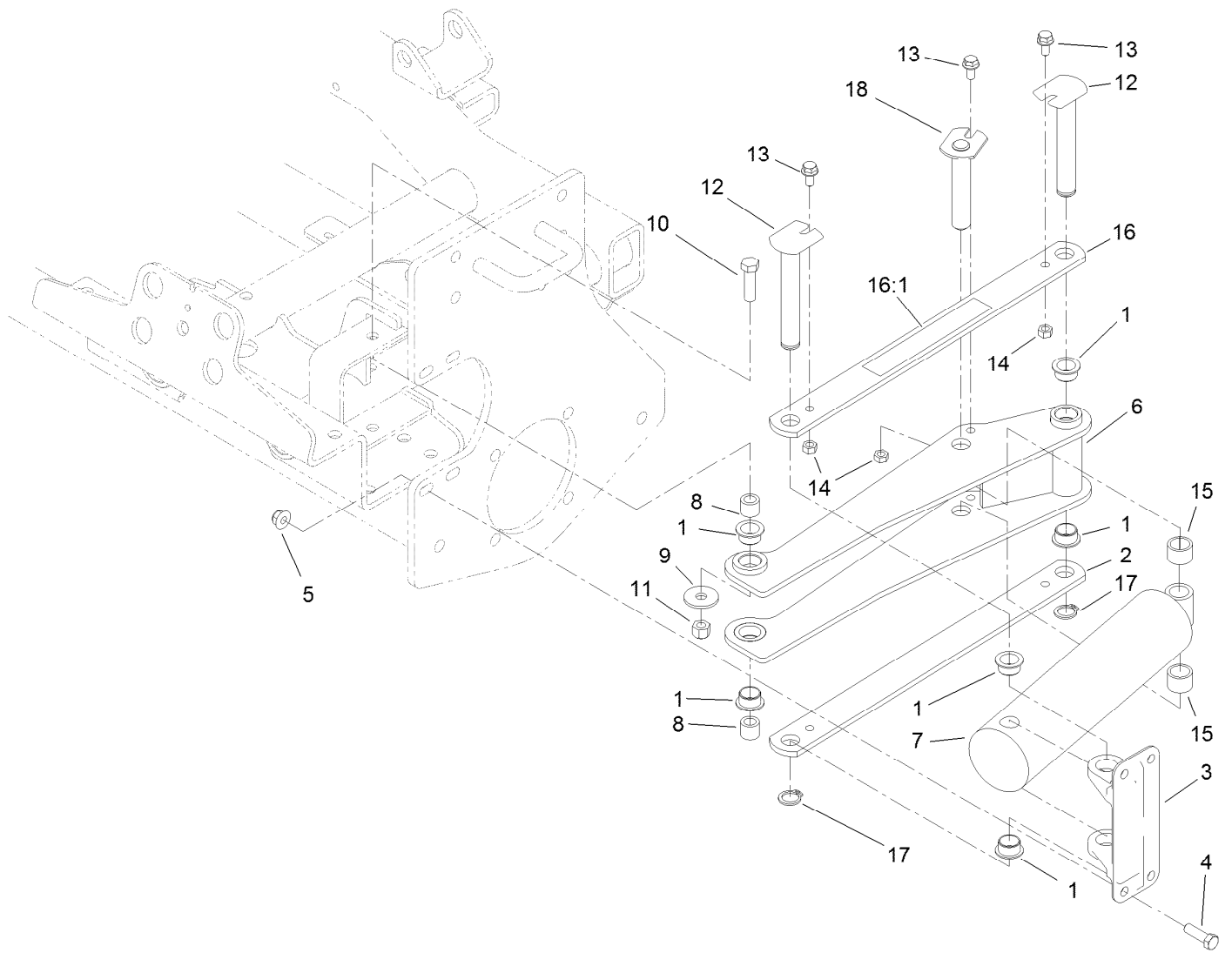
Sidewinder Carrier Assembly

| Ref. | Part Number | Qty. | Description | Ref. | Part Number | Qty. | Description |
|------|-------------|------|----------------------|------|-------------|------|-------------------------|
| 1 | 112-9916 | 1 | HYD Cylinder ASM | 22 | 104-4820-03 | 1 | Bracket-Stop, Carrier |
| 2 | 100-4939-03 | 1 | Carrier-Sidewinder | 23 | 115-3462 | 1 | RH Liftarm ASM |
| 3 | 32128-33 | 1 | Nut-HF | 23:1 | 69-6470 | 2 | Bushing-Caster |
| 4 | 3234-4 | 1 | Screw-HHF | 23:3 | 302-5 | 1 | Fitting-Grease |
| 5 | 99-3433 | 1 | Wire-Center | 24 | 115-3461 | 1 | LH Liftarm ASM |
| 6 | 104-0416-03 | 1 | Bracket-Slide | 24:1 | 69-6470 | 2 | Bushing-Caster |
| 7 | 104-0417 | 2 | Slide-Plastic | 24:3 | 302-5 | 1 | Fitting-Grease |
| 8 | 3234-11 | 8 | Screw-HHF | 25 | 323-6 | 2 | Screw-HH |
| 9 | 95-8531 | 2 | Shaft-Pivot, Liftarm | 26 | 105-7560 | 2 | Shaft-Cu Pivot |
| 10 | 325-10 | 2 | Screw-HH | 27 | 3-6781 | 2 | Washer-Thrust |
| 11 | 3234-27 | 2 | Screw-HHF | 28 | 283-71 | 2 | Pin-Lynch |
| 12 | 325-19 | 8 | Screw-HH | 29 | 104-0472 | 1 | Rod |
| 13 | 104-4865 | 8 | Cap-Bearing | 30 | 323-42 | 2 | Screw-HH |
| 14 | 3218-5 | 4 | Nut-Jam | 31 | 3290-467 | 2 | Pin-Hair |
| 15 | 325-7 | 2 | Screw-HH | 32 | 110-8793-03 | 1 | Stop-Deck, RH |
| 16 | 3296-23 | 8 | Nut-Lock, NI | 33 | 110-8794-03 | 1 | Stop-Deck, LH |
| 17 | 87-7270 | 16 | Washer-Thrust | 34 | 3269-11 | 4 | Rivet-Pop |
| 18 | 99-3373 | 4 | Bar-Support, Slide | 35 | 86-5350 | 2 | Bumper-Rubber |
| 19 | 95-8575 | 2 | Pin-Clevis | 36 | 104-8301 | 6 | Nut-HF, NI |
| 20 | 75-9590 | 2 | Spacer-Cylinder | 38 | 110-8787 | 2 | Front Carrier Frame ASM |
| 21 | 32120-93 | 4 | Ring-Retaining | 38:2 | 108-4000 | 2 | Bushing |



Sidewinder Carrier Assembly (continued)

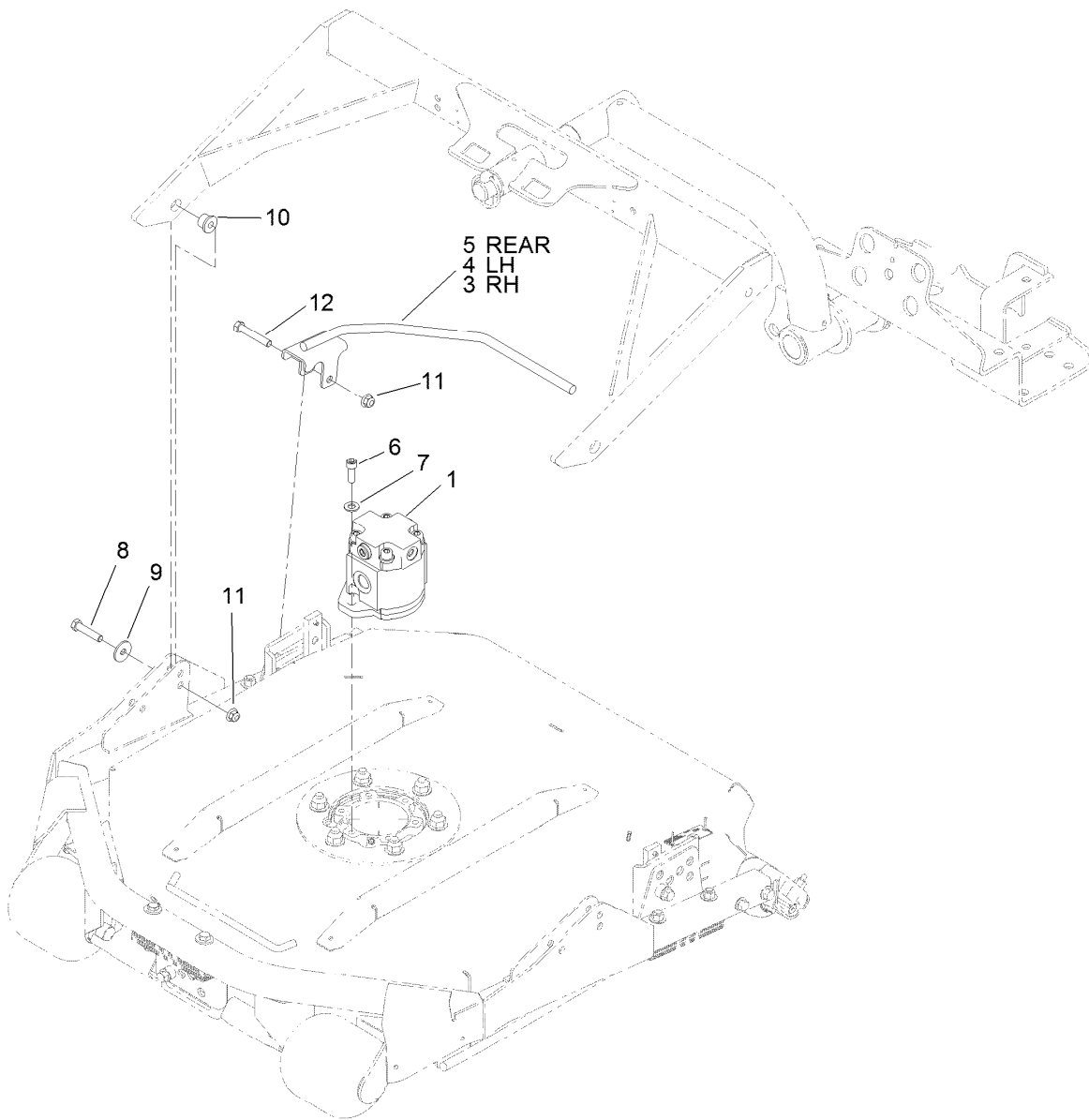
| <i>Ref.</i> | <i>Part Number</i> | <i>Qty.</i> | <i>Description</i> | <i>Ref.</i> | <i>Part Number</i> | <i>Qty.</i> | <i>Description</i> |
|-------------|--------------------|-------------|--------------------|-------------|--------------------|-------------|--------------------|
| 39 | 93-8806 | 2 | Washer-Hardened | 48 | 104-4827-03 | 1 | Actuator-LH |
| 40 | 104-4613 | 2 | Tube-Latch | 49 | 104-4819-03 | 1 | Bracket-Pivot, LH |
| 41 | 104-4612 | 2 | Rod-Latch | 50 | 104-4825-03 | 1 | Bracket-Pivot, RH |
| 42 | 104-4237 | 2 | Clip-Rod | 51 | 323-11 | 2 | Screw-HH |
| 43 | 3290-271 | 4 | Rivet-Pop | 52 | 322-11 | 2 | Screw-HH |
| 44 | 104-4828-03 | 2 | Bracket-Actuator | 53 | 104-4821 | 2 | Spring-Torsion |
| 45 | 3230-23 | 8 | Bolt-CARR | 54 | 32128-43 | 8 | Nut-Flange |
| 46 | 32128-44 | 12 | Nut | 55 | 3296-45 | 2 | Nut-Hex |
| 47 | 104-4826-03 | 1 | Actuator-RH | | | | |



Scissor Frame and Link Assembly

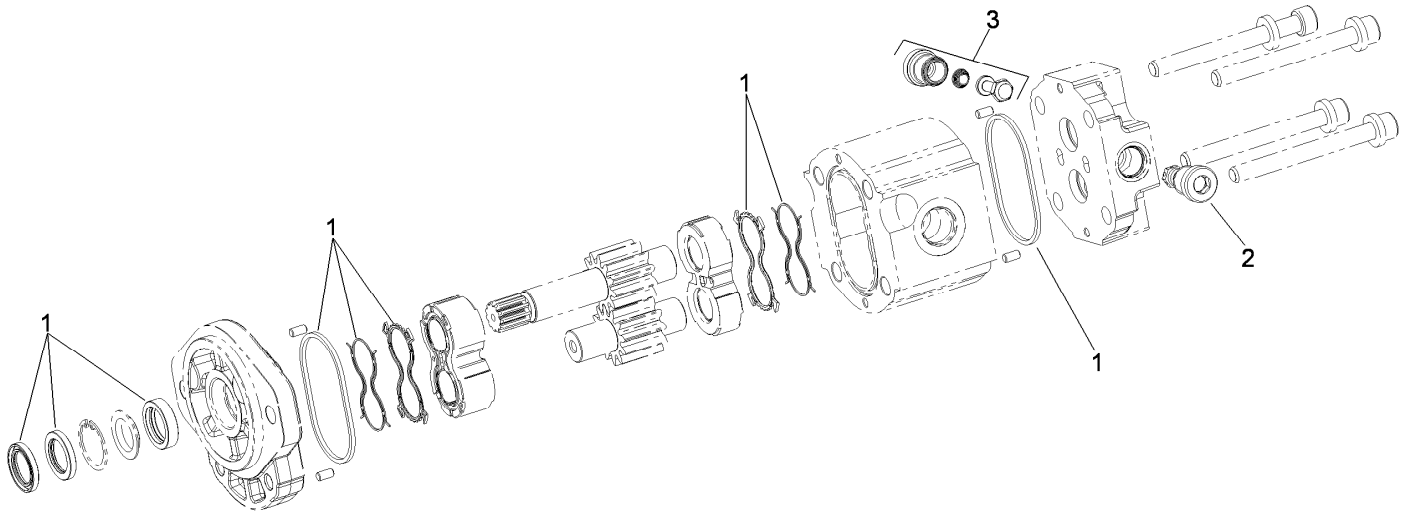
| Ref. | Part Number | Qty. | Description |
|------|-------------|------|-----------------|
| 1 | 95-8526 | 6 | Bushing-Plastic |
| 2 | 95-8527-03 | 1 | Link-Scissor |
| 3 | 95-8883 | 1 | Mount-Scissor |
| 4 | 323-7 | 4 | Screw-HH |
| 5 | 104-8301 | 4 | Nut-HF, NI |
| 6 | 95-8521-03 | 1 | Frame-Scissor |
| 7 | 121-3654 | 1 | Cylinder-HYD |
| 8 | 95-8603 | 2 | Spacer |
| 9 | 87-5330 | 2 | Washer |
| 10 | 324-6 | 2 | Screw-HH |

| Ref. | Part Number | Qty. | Description |
|------|-------------|------|--------------------|
| 11 | 3296-48 | 2 | Nut-Hex |
| 12 | 125-1914 | 2 | Pin-Pivot |
| 13 | 3234-14 | 3 | Screw-HHF |
| 14 | 32152-1 | 3 | Nut-Lock, Cone |
| 15 | 46-6350 | 2 | Spacer |
| 16 | 99-3505 | 1 | Scissors Link ASM |
| 16:1 | 94-3353 | 1 | Decal-Point, Pinch |
| 17 | 32120-93 | 2 | Ring-Retaining |
| 18 | 120-3199 | 1 | Pin-Pivot |



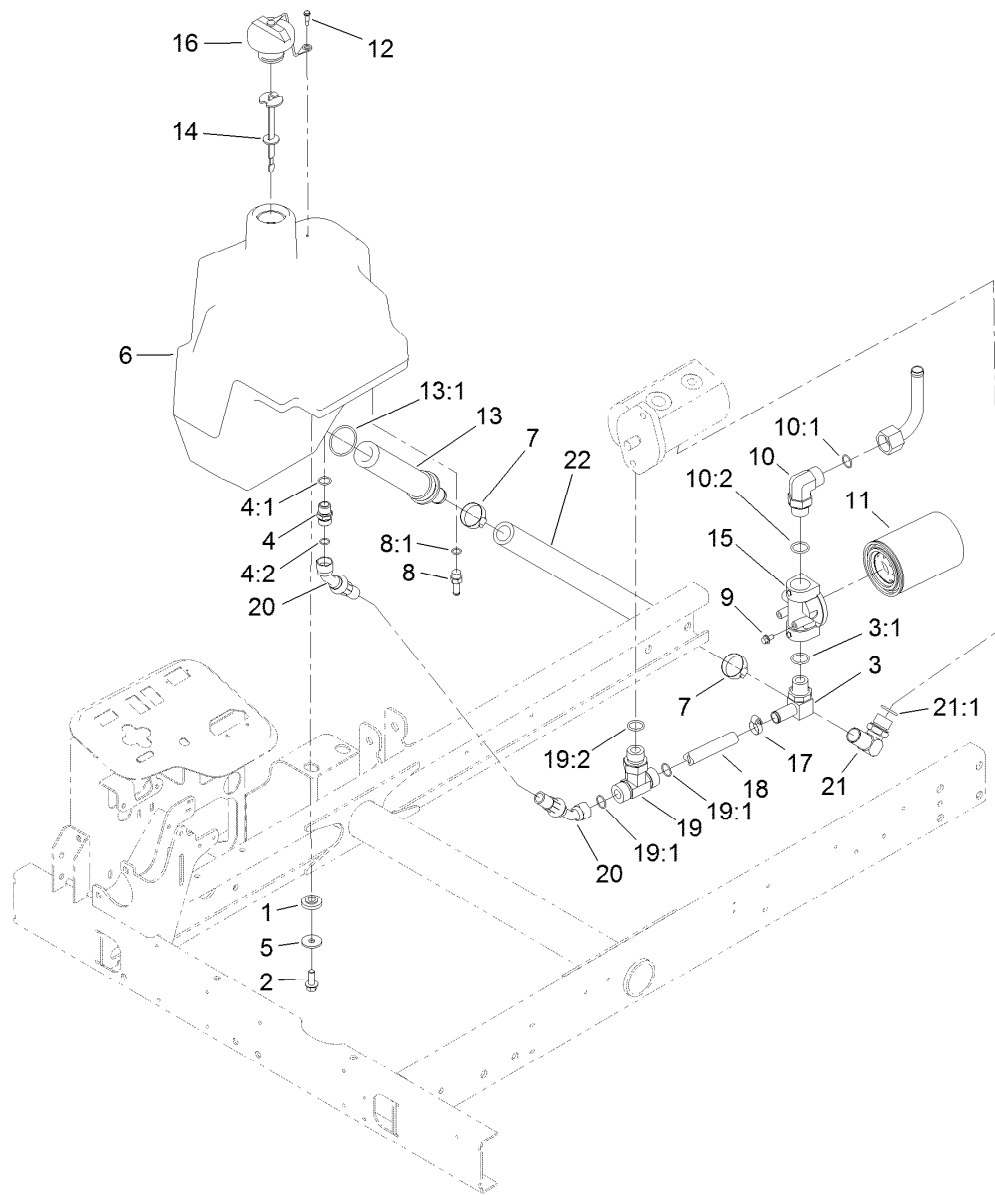
Hydraulic Motor and Cutting Unit Assembly

| <i>Ref.</i> | <i>Part Number</i> | <i>Qty.</i> | <i>Description</i> |
|-------------|--------------------|-------------|--------------------|
| 1 | 117-5141 | 3 | HYD Motor ASM |
| 3 | 112-9901-03 | 1 | Guard-Foot, RH |
| 4 | 112-9902-03 | 1 | Guard-Foot, LH |
| 5 | 112-9900-03 | 1 | Guard-Foot |
| 6 | 3274-7 | 6 | Screw-HSH |
| 7 | 3256-24 | 6 | Washer-Flat |
| 8 | 323-52 | 6 | Screw-HH |
| 9 | 93-8806 | 6 | Washer-Hardened |
| 10 | 95-8803 | 6 | Bushing-Flange |
| 11 | 104-8301 | 10 | Nut-HF, NI |
| 12 | 323-11 | 4 | Screw-HH |



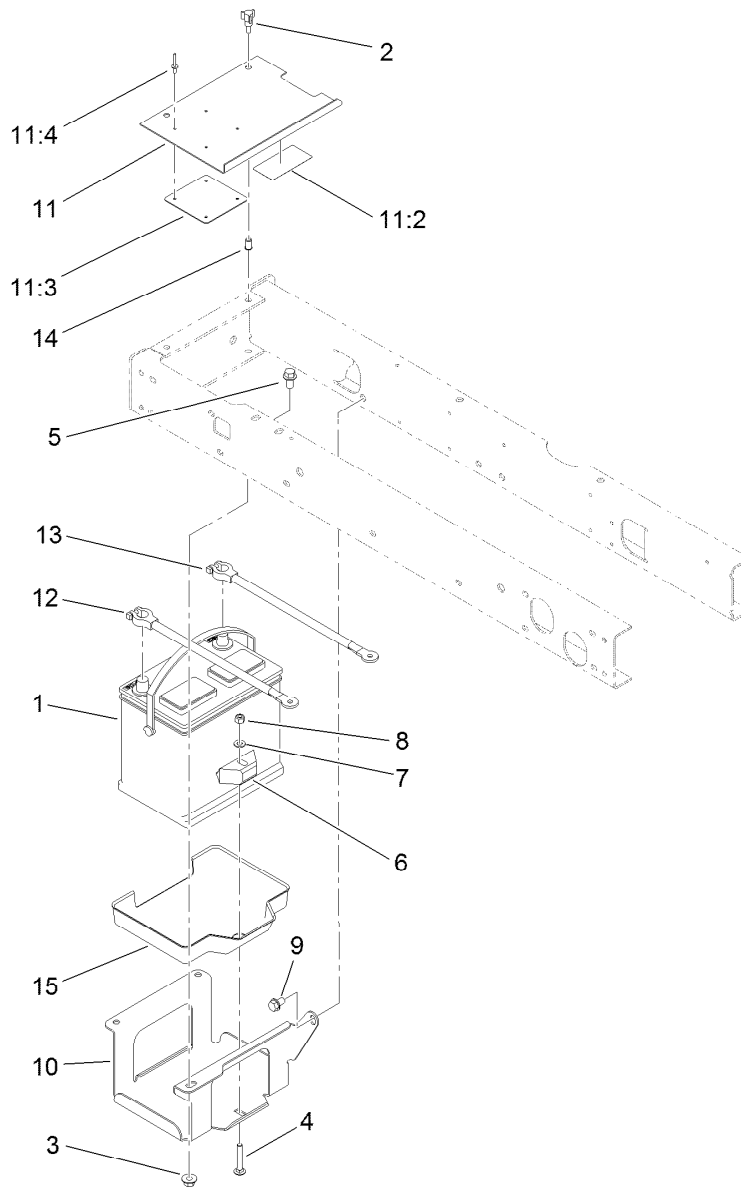
Gear Motor Assembly No. 117-5141

| <i>Ref.</i> | <i>Part Number</i> | <i>Qty.</i> | <i>Description</i> |
|-------------|--------------------|-------------|----------------------|
| 1 | 117-0235 | 1 | Seal Kit |
| 2 | 107-7820 | 1 | Valve-Relief |
| 3 | 107-7821 | 1 | Valve-Anticavitation |



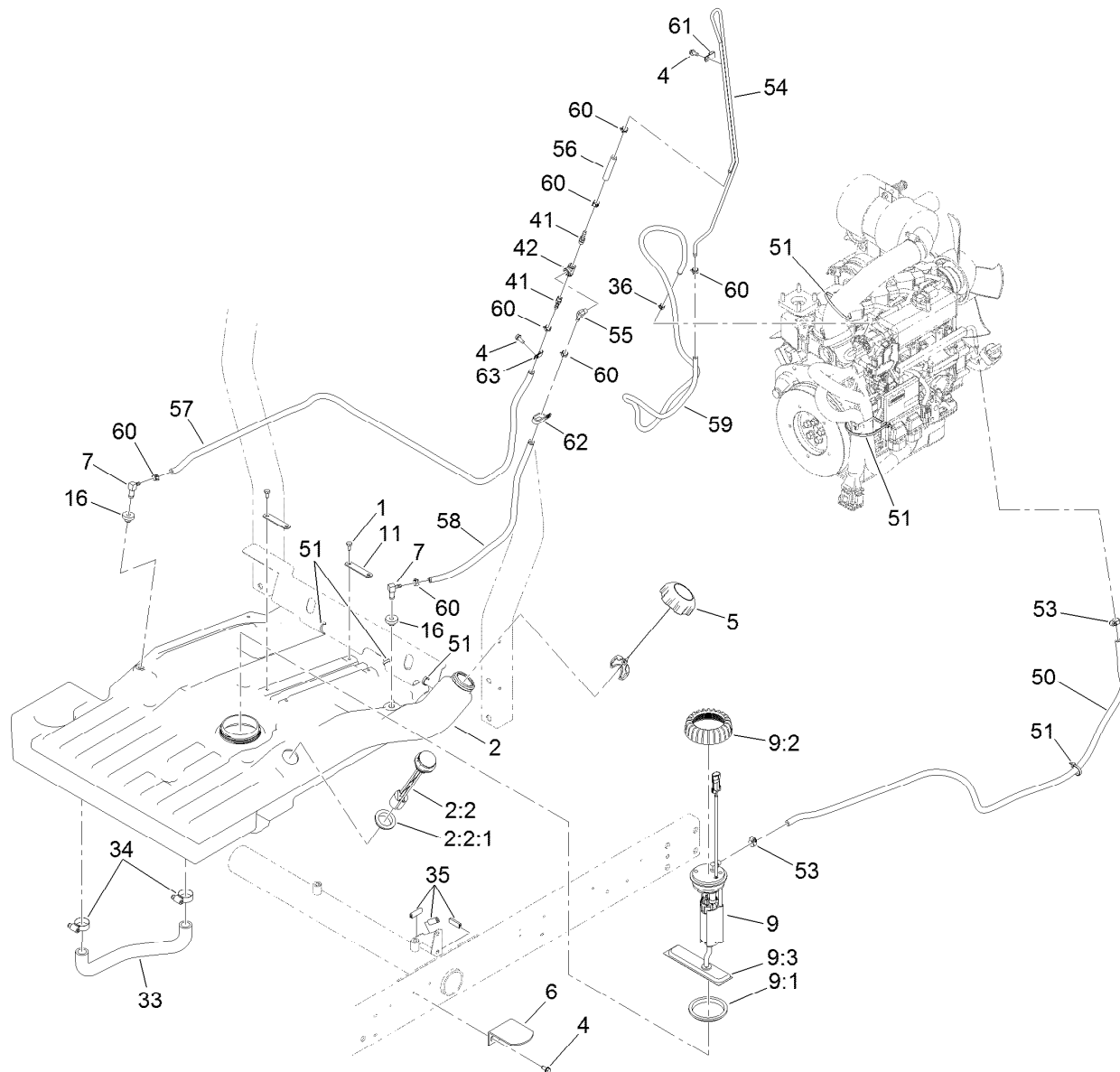
Hydraulic Tank and Filter Assembly

| Ref. | Part Number | Qty. | Description | Ref. | Part Number | Qty. | Description |
|------|-------------|------|-----------------------|------|-------------|------|-------------------|
| 1 | 240-11 | 4 | Bushing-Flange | 11 | 86-3010 | 1 | Filter-Oil |
| 2 | 3234-11 | 4 | Screw-HHF | 12 | 57-5420 | 1 | Screw-Shoulder |
| 3 | 353-987 | 1 | Fitting-Elbow, 90 | 13 | 104-7546 | 1 | Tank Strainer ASM |
| 3:1 | 237-81 | 1 | O-Ring | 13:1 | 340-136 | 1 | O-Ring |
| 4 | 100-4890 | 1 | Fitting-Check | 14 | 119-6968 | 1 | Dipstick-Oil |
| 4:1 | 237-79 | 1 | O-Ring | 15 | 92-5821 | 1 | Head-Filter |
| 4:2 | 237-30 | 1 | O-Ring | 16 | 93-7160 | 1 | Cap-Oil, HYD |
| 5 | 63-8410 | 4 | Washer | 17 | 2412-36 | 2 | Clamp-Hose |
| 6 | 104-4840 | 1 | Tank-HYD | 18 | 104-0486 | 1 | Hose-HYD |
| 7 | 2412-34 | 2 | Clamp-Hose | 19 | 104-4836 | 1 | Fitting-Tee |
| 8 | 353-979 | 1 | Fitting-STR | 19:1 | 237-58 | 2 | O-Ring |
| 8:1 | 237-42 | 1 | O-Ring | 19:2 | 237-81 | 1 | O-Ring |
| 9 | 3234-13 | 2 | Screw-HHF | 20 | 120-3541 | 1 | Hose-HYD |
| 10 | 340-142 | 1 | Fitting-Elbow, 90 DEG | 21 | 95-3502 | 1 | Fitting-Elbow 90 |
| 10:1 | 237-58 | 1 | O-Ring | 21:1 | 237-81 | 1 | O-Ring |
| 10:2 | 237-81 | 1 | O-Ring | 22 | 117-3200 | 1 | Hose-Suction |



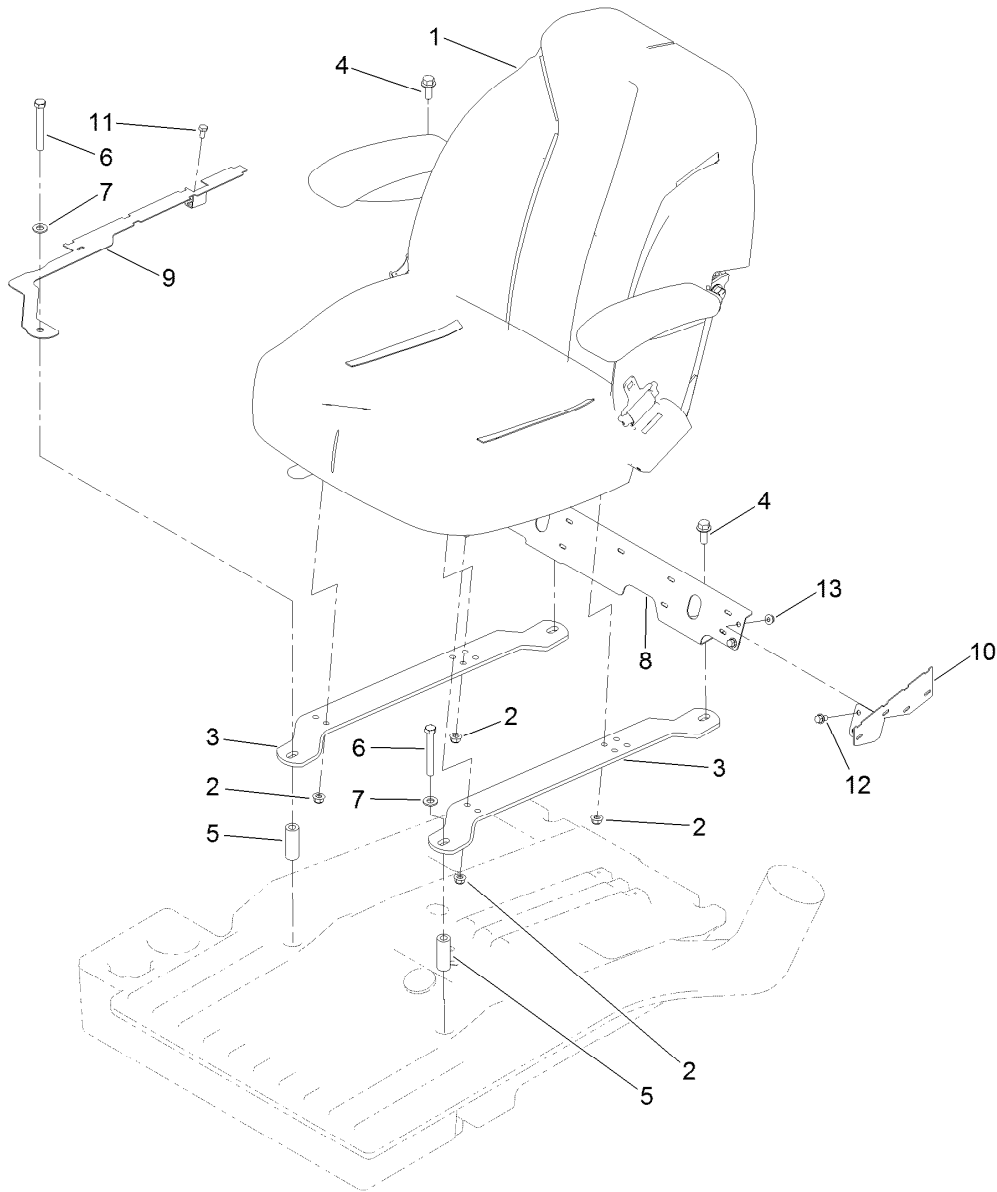
Battery Assembly

| <i>Ref.</i> | <i>Part Number</i> | <i>Qty.</i> | <i>Description</i> | <i>Ref.</i> | <i>Part Number</i> | <i>Qty.</i> | <i>Description</i> |
|-------------|--------------------|-------------|---------------------|-------------|--------------------|-------------|--------------------------|
| 1 | 132-8621 | 1 | Battery - Corrosive | 10 | 95-8796-03 | 1 | Support-Battery |
| 2 | 233-70 | 2 | Knob-Star, Three | 11 | 99-3602 | 1 | Battery Cover ASM |
| 3 | 32128-43 | 3 | Nut-Flange | 11:2 | 93-7276 | 1 | Decal-Danger |
| 4 | 3230-6 | 1 | Bolt-CARR | 11:3 | 87-7620 | 1 | Shield-Terminal, Battery |
| 5 | 3234-1 | 3 | Screw-HHF | 11:4 | 3269-27 | 4 | Rivet-Snap |
| 6 | 3256-23 | 1 | Washer-Plain | 12 | 95-8853 | 1 | Cable-Battery, Positive |
| 7 | 3296-29 | 1 | Nut-Lock, NI | 13 | 95-8854 | 1 | Cable-Battery, Negative |
| 8 | 66-2490 | 1 | Retainer-Battery | 14 | 32148-6 | 2 | Nut-Clinch |
| 9 | 32144-15 | 1 | Screw-HHFTF | 15 | 99-3513 | 1 | Tray-Battery |



Fuel Tank Assembly

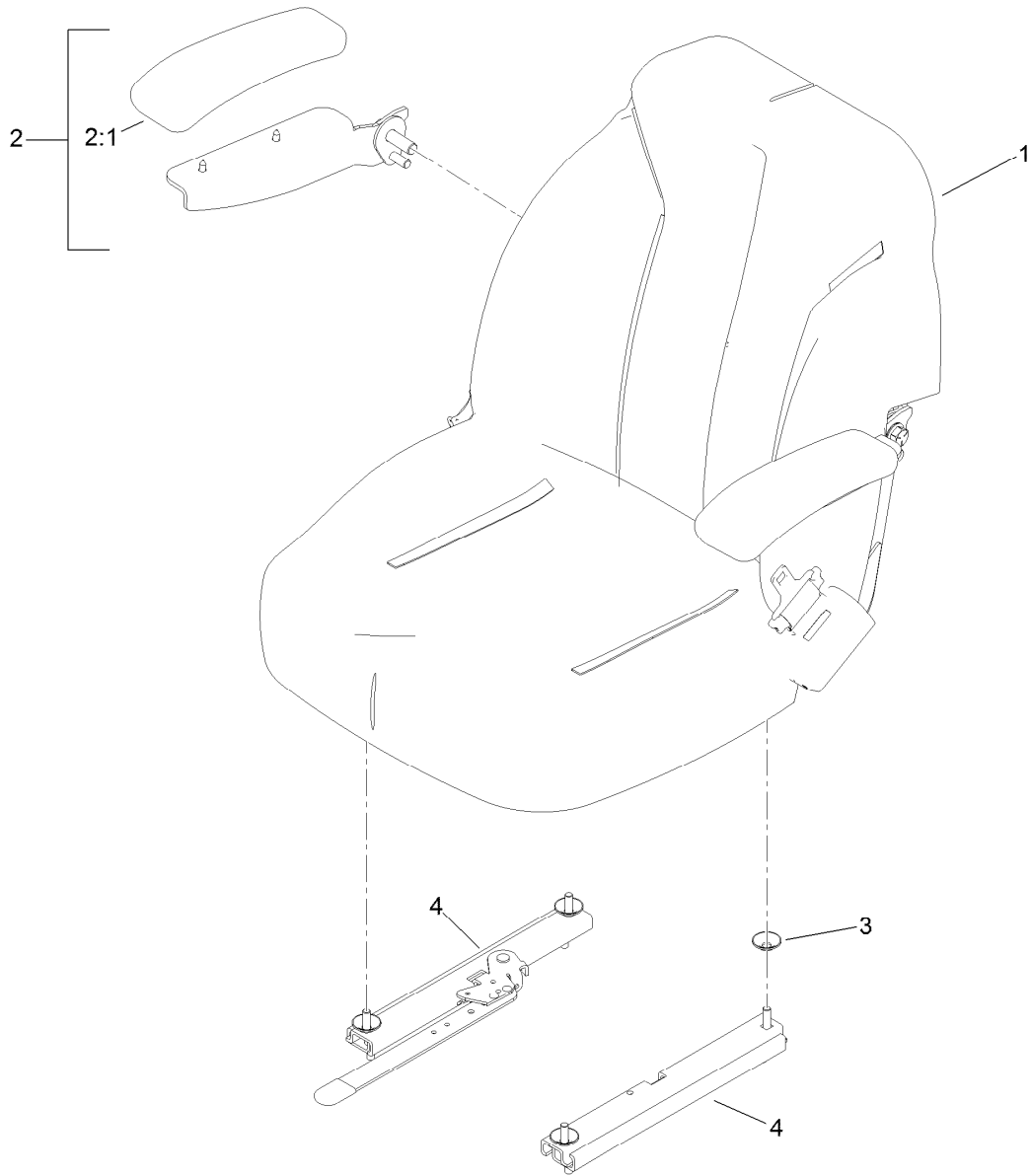
| Ref. | Part Number | Qty. | Description | Ref. | Part Number | Qty. | Description |
|-------|-------------|------|-----------------------|------|-------------|------|------------------------|
| 1 | 321-2 | 4 | Screw-HH | 36 | 2412-80 | 1 | Clamp-Hose |
| 2 | 121-3564 | 1 | Fuel Tank ASM | 41 | 304-73 | 2 | Fitting-Straight |
| 2:2 | 120-3535 | 1 | Fuel Gauge ASM | 42 | 354-20 | 1 | Fitting-Tee |
| 2:2:1 | 119-0508 | 1 | Seal | 50 | 109-0290 | 1 | Hose-Fuel |
| 4 | 32144-10 | 4 | Screw-HWH | 51 | 3290-379 | 14 | Tie-Cable |
| 5 | 115-7788 | 1 | Cap-Fuel | 53 | 2412-108 | 2 | Clamp-Worm |
| 6 | 95-8968-03 | 1 | Support-Tank, Fuel | 54 | 121-3515 | 1 | Tube-Vent, Fuel |
| 7 | 104-5228 | 2 | Fitting-Elbow, 90 DEG | 55 | 116-1153 | 1 | Elbow-90 DEG, Barbed |
| 9 | 121-3502 | 1 | Fuel Pump ASM | 56 | 114-3765 | 1 | Hose-Fuel |
| 9:1 | 115-2163 | 1 | Gasket-Pump, Fuel | 57 | 121-3648 | 1 | Hose-Fuel |
| 9:2 | 115-2162 | 1 | Cap-Pump, Fuel | 58 | 109-0298 | 1 | Line-Fuel |
| 9:3 | 121-3625 | 1 | Filter-Pump, Fuel | 59 | 119-6073 | 1 | Hose-Fuel |
| 11 | 121-3514 | 2 | Strap-Line, Fuel | 60 | 2412-98 | 7 | Clamp-Hose |
| 16 | 46-6560 | 2 | Bushing | 61 | 121-3516 | 1 | Clamp-R |
| 33 | 105-4094 | 1 | Hose-Formed | 62 | 119-8153 | 1 | Clamp-R, Double Tube |
| 34 | 2412-129 | 2 | Clamp-Hose | 63 | 2412-72 | 1 | Clip-Closed, Insulated |
| 35 | 110-8754 | 3 | Trim | | | | |



Seat Assembly

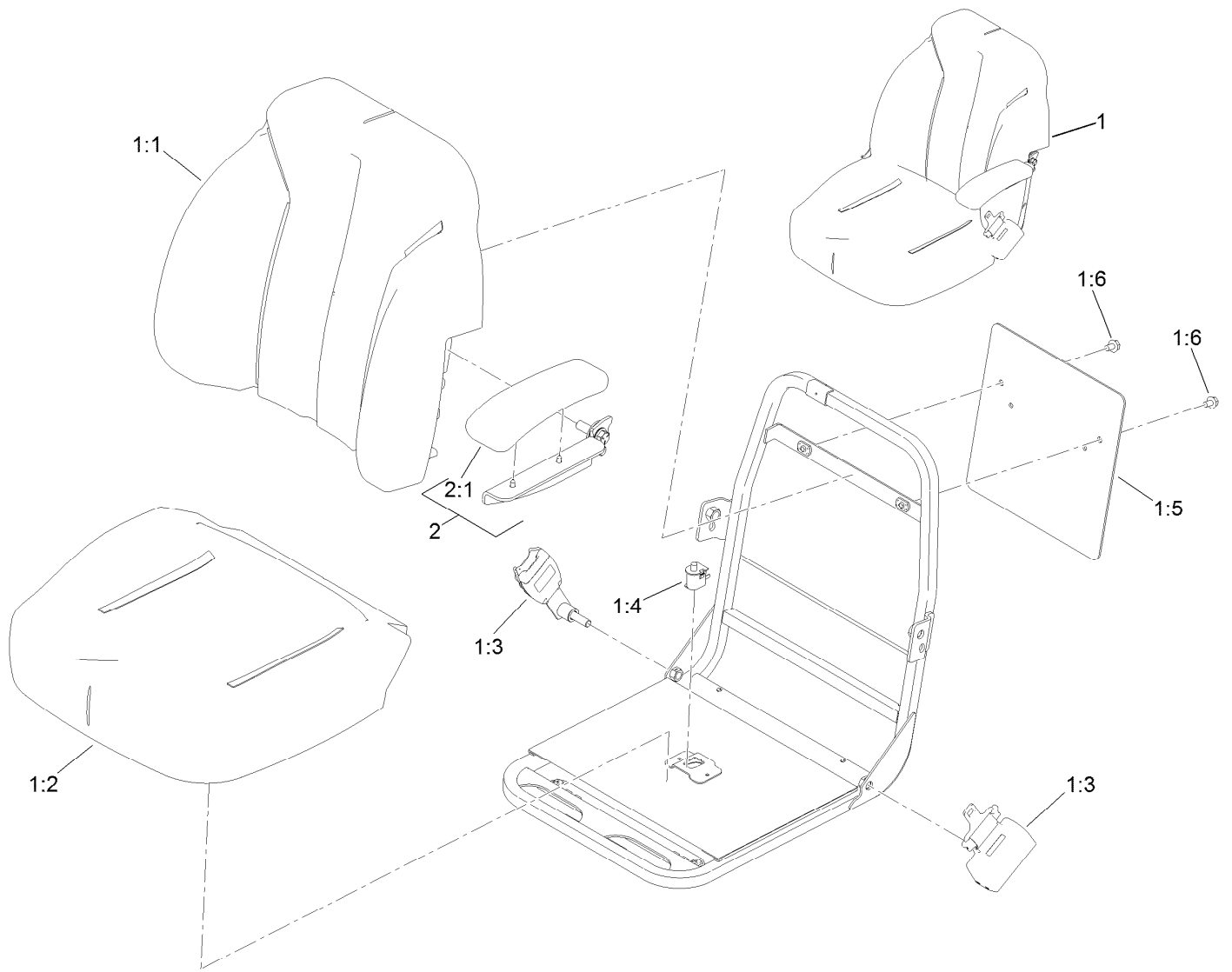
| <i>Ref.</i> | <i>Part Number</i> | <i>Qty.</i> | <i>Description</i> |
|-------------|--------------------|-------------|---------------------|
| 1 | 139-2679 | 1 | Seat And Track ASM |
| 2 | 104-8300 | 4 | Nut-HF, NI |
| 3 | 121-3655-03 | 2 | Strap-Support, Seat |
| 4 | 3234-11 | 2 | Screw-HHF |
| 5 | 104-0466 | 2 | Spacer |
| 6 | 323-14 | 2 | Screw-HH |
| 7 | 3256-24 | 2 | Washer-Flat |
| 8 | 121-3644-03 | 1 | Shield-Heat |
| 9 | 121-3646-03 | 1 | Bracket-Line, Fuel |
| 10 | 121-3645-03 | 1 | Bracket-Line, Fuel |
| 11 | 321-2 | 1 | Screw-HH |
| 12 | 3234-13 | 2 | Screw-HHF |
| 13 | 104-7201 | 2 | Nut-HF, NI |
| 99 | 3290-378 | 1 | Tie-Cable ● |

● Not illustrated



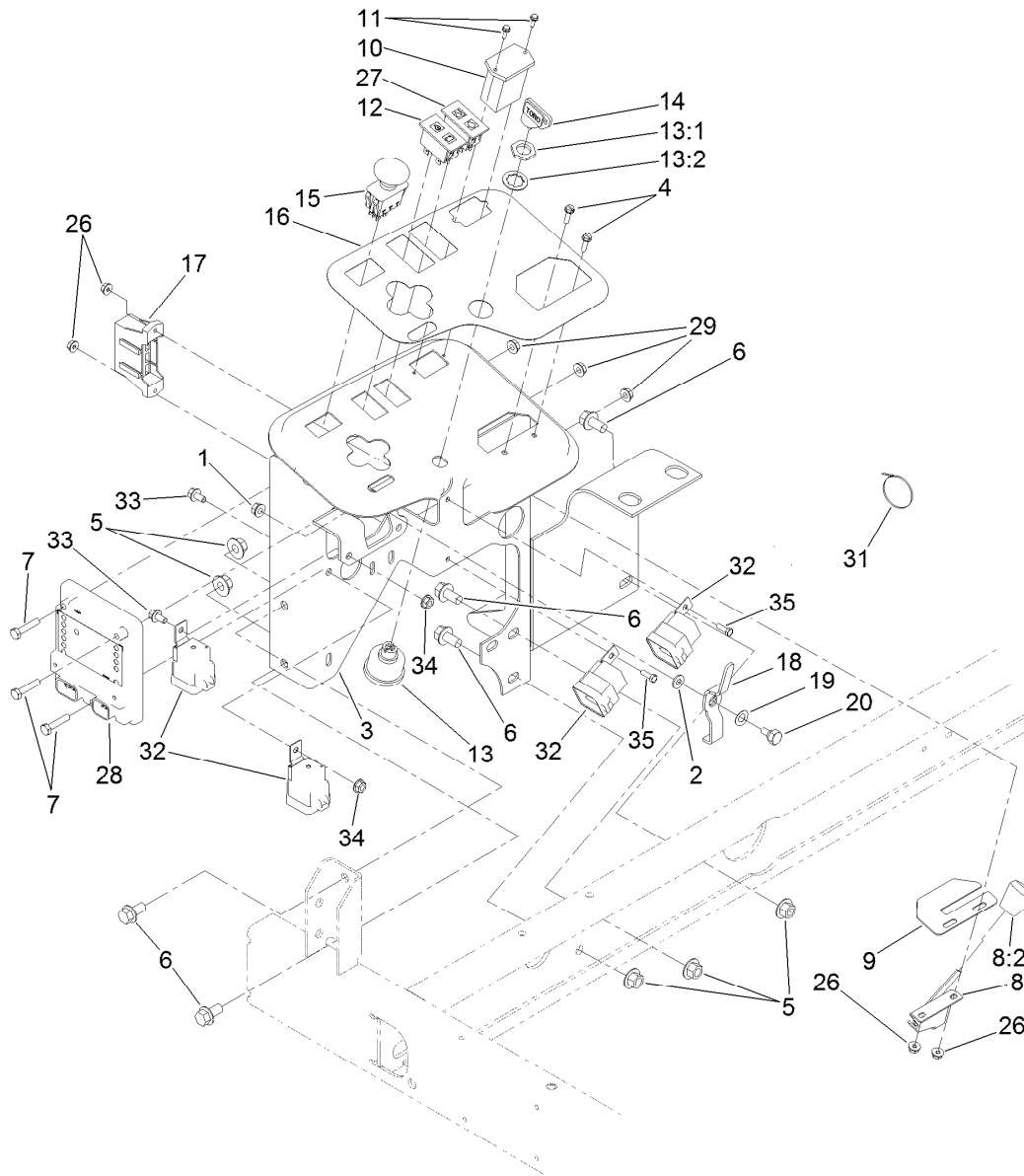
Seat and Track Assembly No. 139-2679

| <i>Ref.</i> | <i>Part Number</i> | <i>Qty.</i> | <i>Description</i> |
|-------------|--------------------|-------------|--------------------|
| 1 | 139-2700 | 1 | Seat ASM |
| 2 | 121-3658 | 1 | RH Arm Rest Kit |
| 2:1 | 110-4163 | 1 | Cushion-Rest, Arm |
| 3 | 136-9002 | 4 | Spacer-Mounting |
| 4 | 126-2177 | 1 | Track-Seat |



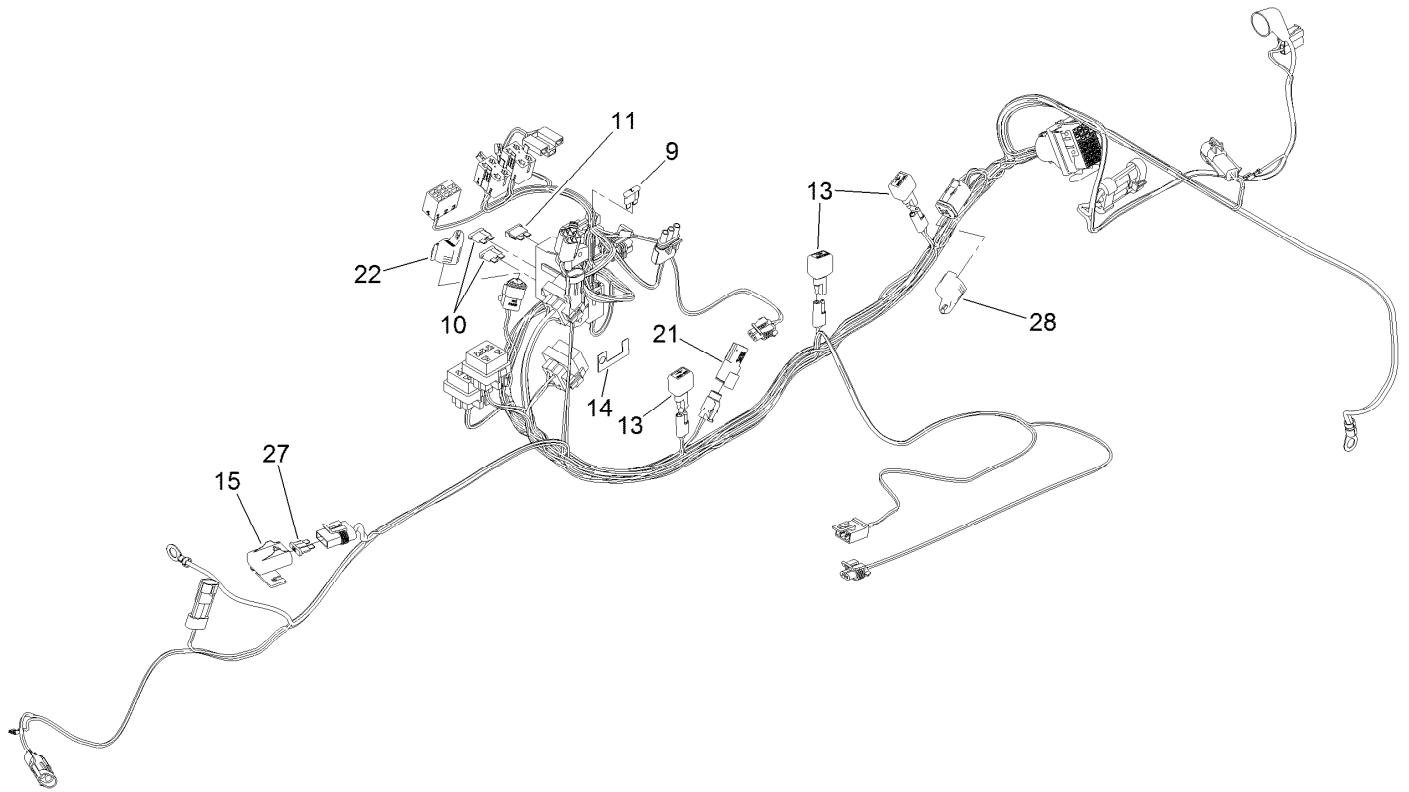
Seat Assembly No. 139-2700

| Ref. | Part Number | Qty. | Description |
|------|-------------|------|--------------------|
| 1 | 139-2680 | 1 | Seat ASM |
| 1:1 | 139-2705 | 1 | Cover-Seat, Back |
| 1:2 | 139-2706 | 1 | Cover-Seat, Bottom |
| 1:3 | 139-2707 | 1 | Seat Belt Kit |
| 1:4 | 82-2190 | 1 | Switch-Bail |
| 1:5 | 139-2701 | 1 | Plate-Decal |
| 1:6 | 3234-30 | 2 | Screw-HHF |
| 2 | 121-3660 | 1 | LH Arm Rest Kit |
| 2:1 | 110-4163 | 1 | Cushion-Rest, Arm |



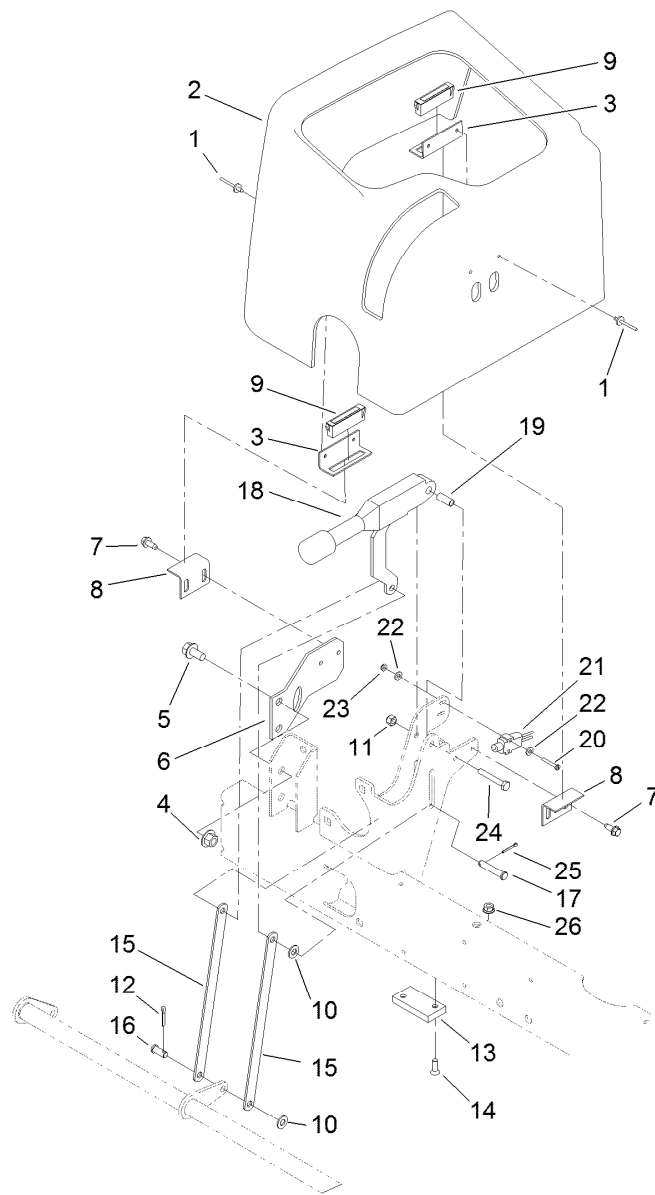
Control Panel Assembly

| Ref. | Part Number | Qty. | Description | Ref. | Part Number | Qty. | Description |
|------|-------------|------|----------------------|------|-------------|------|--------------------------|
| 1 | 32128-32 | 1 | Nut-HHF | 14 | 63-8360 | 1 | Key-Ignition |
| 2 | 3256-22 | 1 | Washer-Flat | 15 | 93-9999 | 1 | Switch-PTO |
| 3 | 115-3496-03 | 1 | Panel-Control | 16 | 121-3620 | 1 | Decal-Console |
| 4 | 32105-13 | 2 | Screw-HWH | 17 | 122-1524 | 1 | Harness-Wire |
| 5 | 32128-43 | 5 | Nut-Flange | 18 | 99-3401 | 1 | Lever-Lock |
| 6 | 3234-1 | 5 | Screw-HHF | 19 | 3290-477 | 1 | Washer-Curved |
| 7 | 321-8 | 3 | Screw-HH | 20 | 63-3410 | 1 | Screw-Shoulder |
| 8 | 122-0056 | 1 | Throttle-Electronic | 26 | 3290-148 | 4 | Nut-HF |
| 8:2 | 66-0120 | 1 | Knob | 27 | 121-3508 | 1 | Light Cluster |
| 9 | 104-0421 | 1 | Plate-Stop, Throttle | 28 | 106-9277 | 1 | Module-Control, Standard |
| 10 | 75-6820 | 1 | Hourmeter | 29 | 32128-33 | 3 | Nut-HF |
| 11 | 32144-18 | 2 | Screw-HWH | 31 | 3290-379 | 1 | Tie-Cable |
| 12 | 100-8070 | 1 | Lamp-Warning | 32 | 99-7430 | 4 | Relay-Mini |
| 13 | 104-2541 | 1 | Ignition Switch ASM | 33 | 3234-13 | 2 | Screw-HHF |
| 13:1 | 218-461 | 1 | Nut-HH | 34 | 32128-33 | 2 | Nut-HF |
| 13:2 | 3254-5 | 1 | Washer-Lock | 35 | 3290-134 | 2 | Screw |



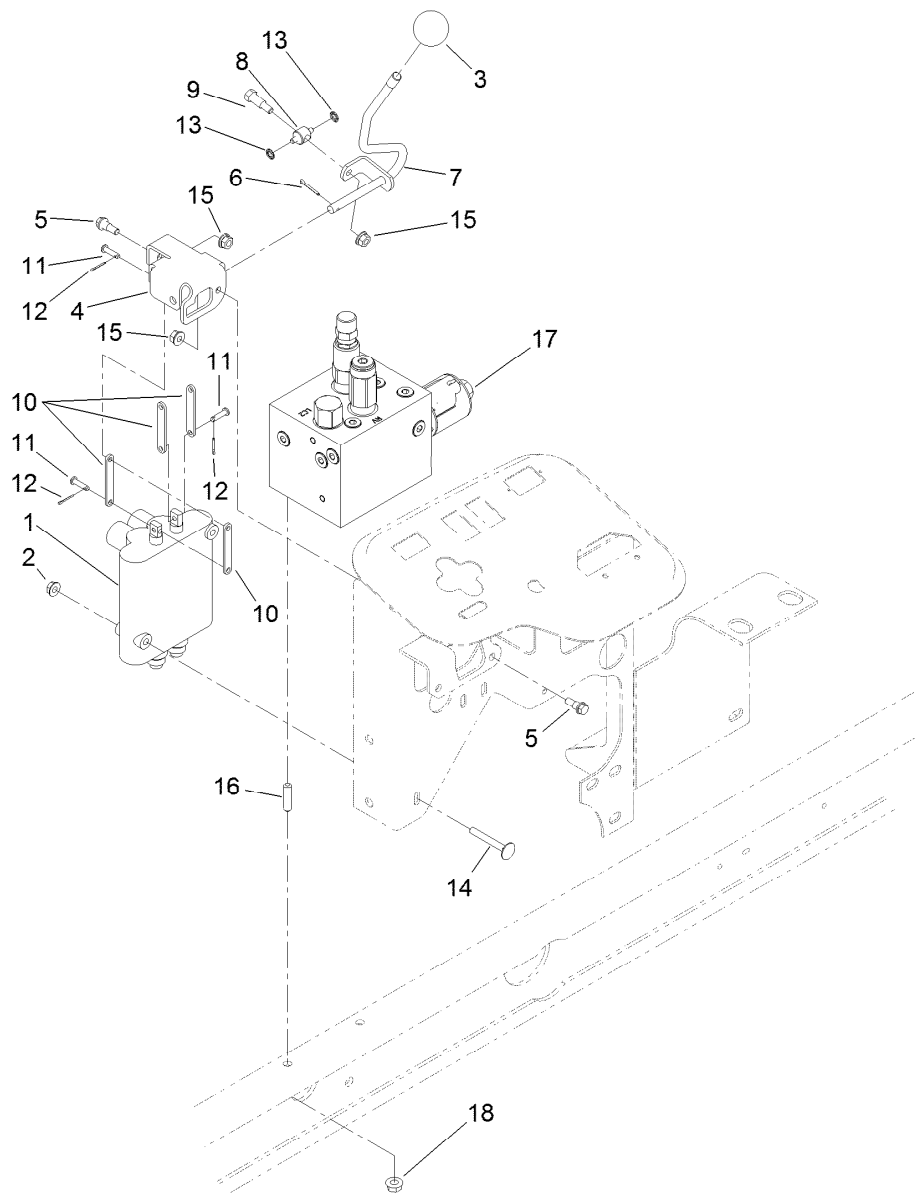
Wire Harness Assembly No. 122-1524

| <i>Ref.</i> | <i>Part Number</i> | <i>Qty.</i> | <i>Description</i> |
|-------------|--------------------|-------------|--------------------|
| 9 | 94-6710 | 1 | Fuse-2 Amp |
| 10 | 218-578 | 2 | Fuse-Blade, 10 Amp |
| 11 | 109355 | 1 | Fuse-Blade, 15 Amp |
| 13 | 100-4918 | 3 | Diode |
| 14 | 32180-020 | 1 | Clip-Connector |
| 15 | 32180-019 | 1 | Cover-Fuse, Single |
| 21 | 32180-282 | 1 | Resistor-120 Ohm |
| 22 | 32180-089 | 1 | Cap-Plug, 3 Way |
| 27 | 109103 | 1 | Fuse-Blade, 30 Amp |
| 28 | 32180-156 | 1 | Cap-Plug, 6 Way |



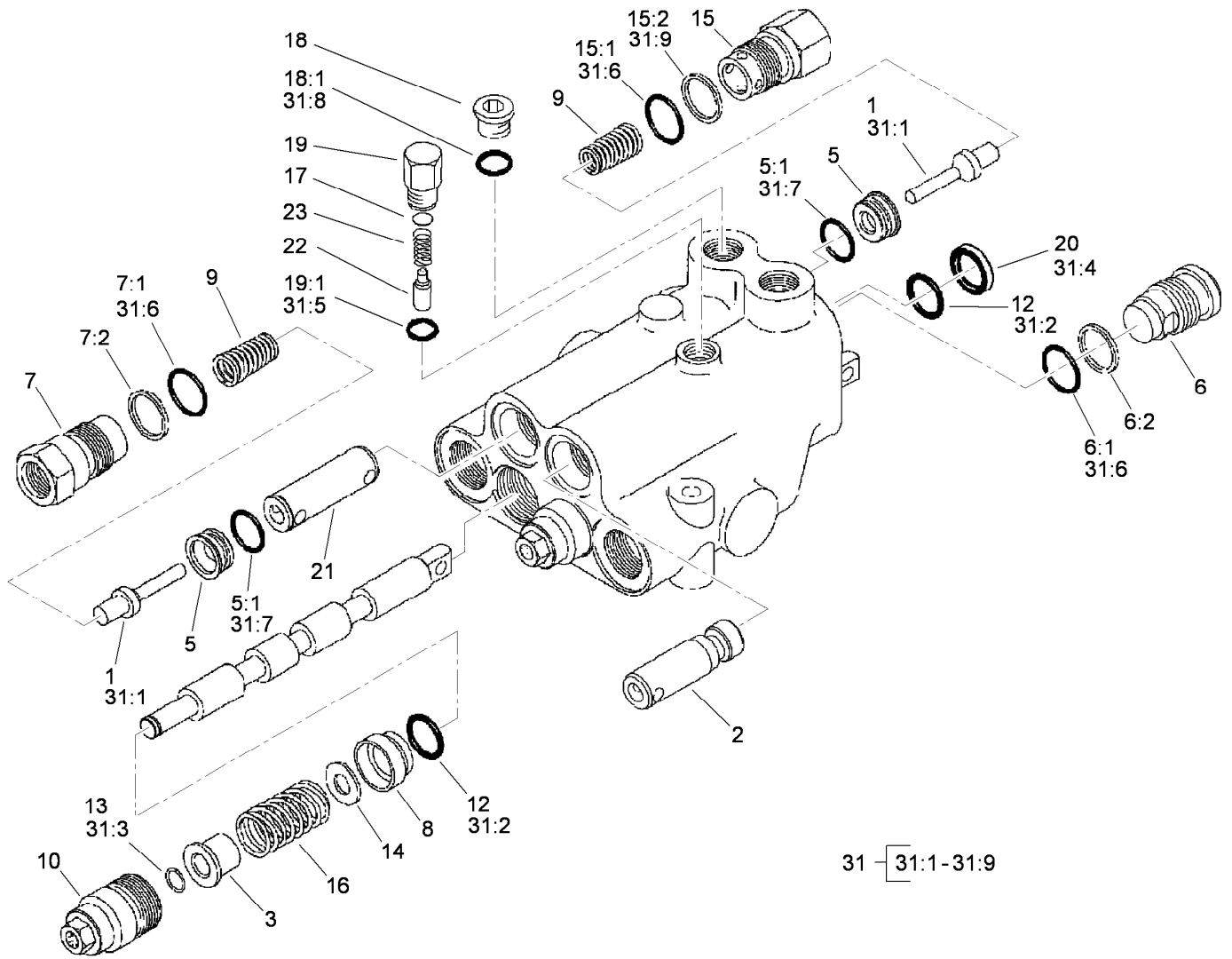
Parking Brake and Dash Cover Assembly

| <i>Ref.</i> | <i>Part Number</i> | <i>Qty.</i> | <i>Description</i> | <i>Ref.</i> | <i>Part Number</i> | <i>Qty.</i> | <i>Description</i> |
|-------------|--------------------|-------------|--------------------------|-------------|--------------------|-------------|-----------------------|
| 1 | 3269-5 | 4 | Rivet-Pop | 14 | 3289-4 | 2 | Screw-FH |
| 2 | 95-8707 | 1 | Cover-Dash | 15 | 104-4628 | 2 | Link-Brake, Parking |
| 3 | 95-8763 | 2 | Bracket-Hold Down, Cover | 16 | 283-62 | 1 | Pin-Clevis |
| 4 | 32128-43 | 2 | Nut-Flange | 17 | 94-3829 | 1 | Pin-Clevis |
| 5 | 3234-1 | 2 | Screw-HHF | 18 | 104-4817 | 1 | Lever-Brake |
| 6 | 95-8764-03 | 1 | Support-Magnet | 19 | 87-4710 | 1 | Spacer-Brake, Parking |
| 7 | 32144-10 | 4 | Screw-HWH | 20 | 32105-9 | 2 | Screw |
| 8 | 95-8765 | 2 | Bracket-Strike, Magnet | 21 | 95-8900 | 1 | Switch |
| 9 | 58-4250 | 2 | Catch-Magnetic | 22 | 3256-21 | 4 | Washer-Flat |
| 10 | 3256-23 | 2 | Washer-Plain | 23 | 3296-9 | 2 | Nut-Hex |
| 11 | 3296-42 | 1 | Nut-Lock, NI | 24 | 321-10 | 1 | Screw-HH |
| 12 | 3272-10 | 1 | Pin-Cotter | 25 | 3272-6 | 1 | Pin-Cotter |
| 13 | 95-8684 | 1 | Pad-Bumper | 26 | 104-7201 | 2 | Nut-HF, NI |



2-Spool Control Valve Assembly

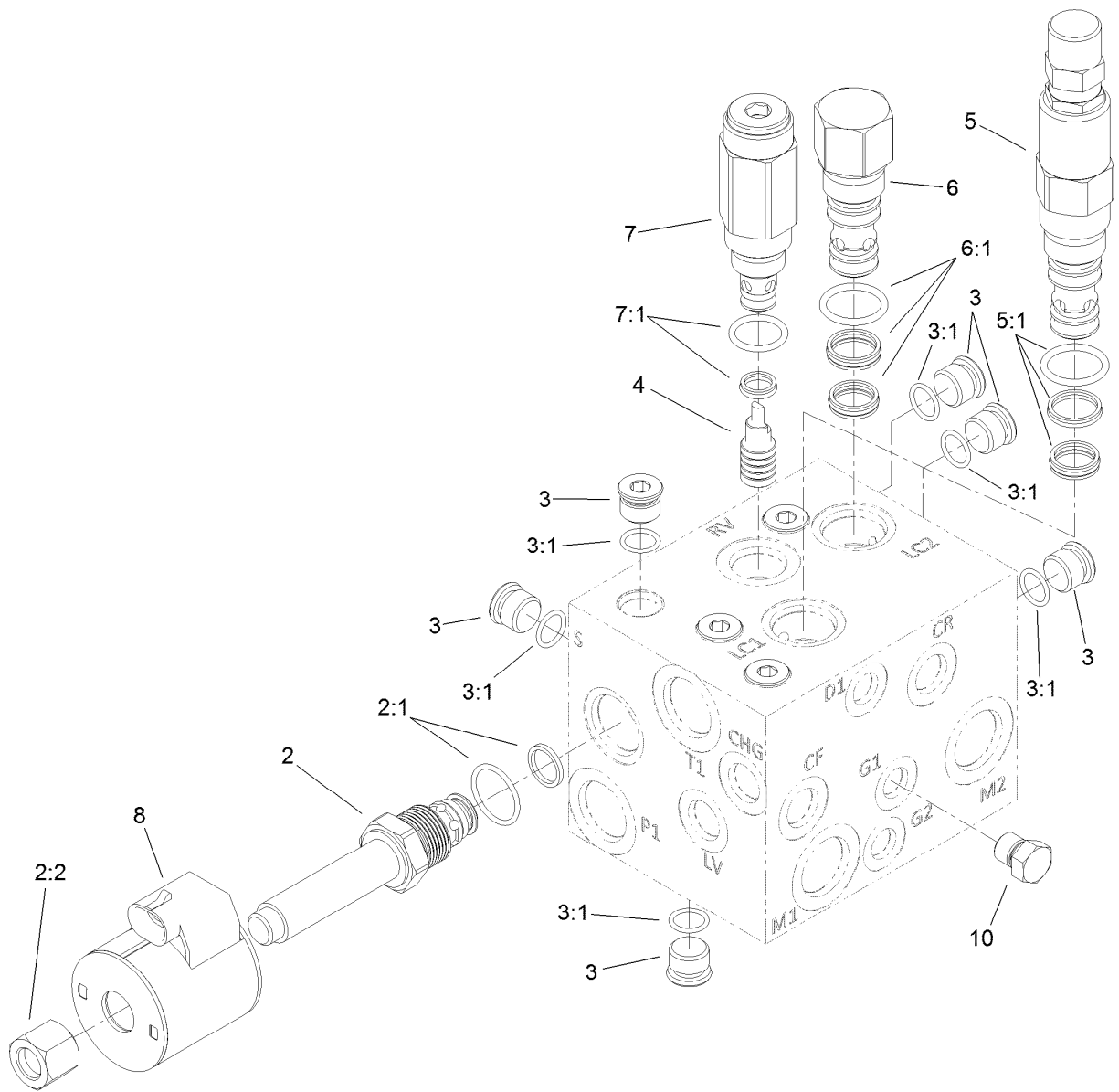
| <i>Ref.</i> | <i>Part Number</i> | <i>Qty.</i> | <i>Description</i> | <i>Ref.</i> | <i>Part Number</i> | <i>Qty.</i> | <i>Description</i> |
|-------------|--------------------|-------------|---------------------------|-------------|--------------------|-------------|--------------------|
| 1 | 95-8581 | 1 | 2-Spool Control Valve ASM | 10 | 95-8634 | 4 | Link |
| 2 | 32128-33 | 2 | Nut-HF | 11 | 283-16 | 3 | Pin-Clevis |
| 3 | 233-42 | 1 | Knob | 12 | 3272-1 | 3 | Pin-Cotter |
| 4 | 95-8633 | 1 | Bracket-Valve, Actuator | 13 | 32151-106 | 2 | Ring-Retaining |
| 5 | 42-3560 | 2 | Bolt-Shoulder | 14 | 3230-33 | 2 | Screw-CARR |
| 6 | 3272-6 | 1 | Pin-Cotter | 15 | 32128-32 | 3 | Nut-HHF |
| 7 | 95-8635 | 1 | Lever-Valve | 16 | 104-0430 | 2 | Stud |
| 8 | 95-8638 | 1 | Trunnion-Valve, Actuator | 17 | 121-3570 | 1 | Manifold ASM |
| 9 | 92-8916 | 1 | Bolt-Shoulder | 18 | 104-8300 | 2 | Nut-HF, NI |



2-Spool Control Valve Assembly No. 95-8581

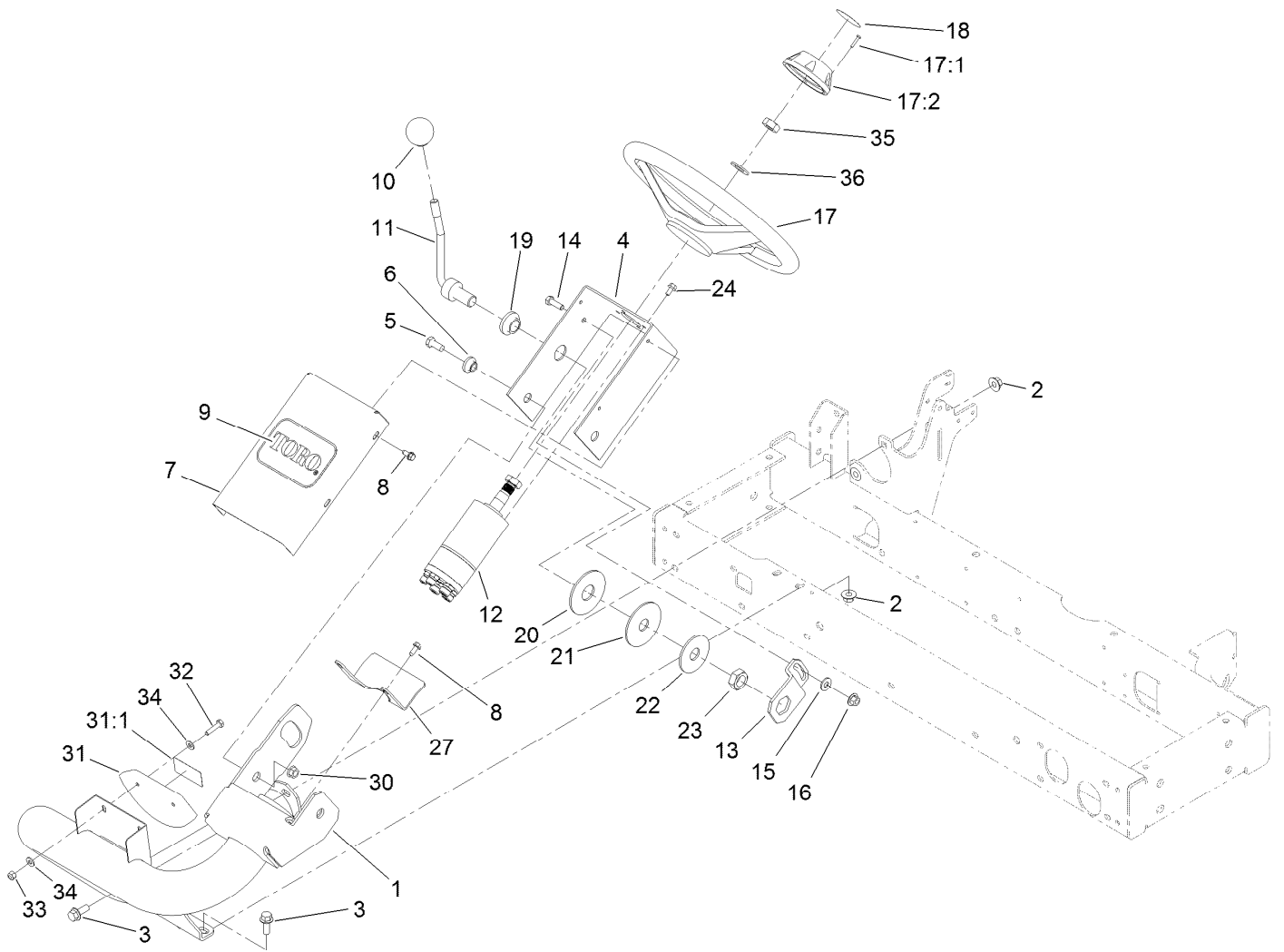
| Ref. | Part Number | Qty. | Description |
|------|-------------|------|----------------|
| 1 | 58-6290 | 3 | Poppet |
| 2 | 69-1840 | 1 | Plunger |
| 3 | 58-6310 | 2 | Spacer |
| 5 | 58-6330 | 3 | Seat |
| 5:1 | 58-6340 | 1 | O-Ring |
| 6 | 58-6350 | 1 | Plug |
| 6:1 | 60-5720 | 1 | O-Ring |
| 6:2 | 58-6370 | 1 | Washer |
| 7 | 69-1800 | 2 | Plug ASM |
| 7:1 | 60-5720 | 1 | O-Ring |
| 7:2 | 58-6370 | 1 | Washer |
| 8 | 58-6400 | 2 | Bushing |
| 9 | 69-1810 | 3 | Spring |
| 10 | 58-6420 | 2 | Cap |
| 12 | 58-6450 | 4 | O-Ring |
| 13 | 58-6460 | 2 | Ring-Retaining |
| 14 | 65-2770 | 2 | Washer |
| 15 | 99-3526 | 1 | Plug ASM |
| 15:1 | 60-5720 | 1 | O-Ring |
| 15:2 | 59-7730 | 1 | Washer-Backup |

| Ref. | Part Number | Qty. | Description |
|------|-------------|------|------------------|
| 16 | 99-3531 | 2 | Spring |
| 17 | 60-6450 | 1 | Disc |
| 18 | 353-989 | 1 | Plug-Hex, Hollow |
| 18:1 | 237-42 | 1 | O-Ring |
| 19 | 58-6780 | 1 | Plug |
| 19:1 | 58-6790 | 1 | O-Ring |
| 20 | 58-6320 | 2 | Wiper |
| 21 | 99-3528 | 1 | Plunger |
| 22 | 58-6770 | 1 | Plunger |
| 23 | 58-6760 | 1 | Spring |
| 31 | 99-3530 | 1 | Seal Kit |
| 31:1 | 58-6290 | 3 | Poppet |
| 31:2 | 58-6450 | 4 | O-Ring |
| 31:3 | 58-6460 | 2 | Ring-Retaining |
| 31:4 | 58-6320 | 2 | Wiper |
| 31:5 | 58-6790 | 1 | O-Ring |
| 31:6 | 60-5720 | 4 | O-Ring |
| 31:7 | 58-6340 | 2 | O-Ring |
| 31:8 | 237-42 | 1 | O-Ring |
| 31:9 | 59-7730 | 2 | Washer-Backup |



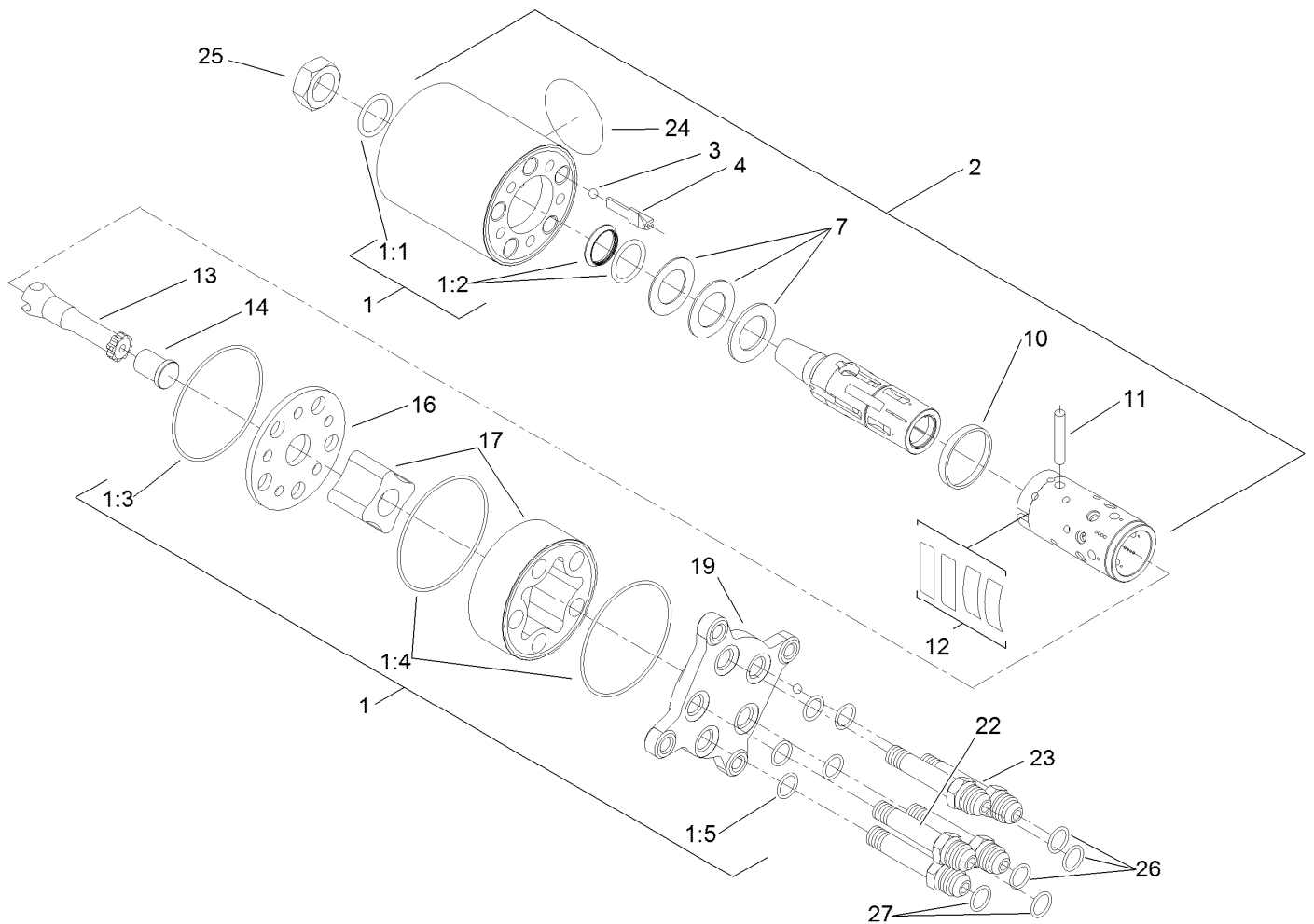
Hydraulic Manifold Assembly No. 121-3570

| <i>Ref.</i> | <i>Part Number</i> | <i>Qty.</i> | <i>Description</i> |
|-------------|--------------------|-------------|-----------------------------------|
| 2 | 110-8768 | 1 | Valve-Relief, Solenoid (3000 PSI) |
| 2:1 | 110-6316 | 1 | Seal Kit |
| 2:2 | 130-8180 | 1 | Nut-Coil (9/16-24 Unef-2B) |
| 3 | 353-512 | 9 | Plug |
| 3:1 | 237-78 | 1 | O-Ring |
| 4 | 105-9157 | 1 | Piston-Pilot |
| 5 | 119-2011 | 1 | Valve-Logic, Adjustable |
| 5:1 | 119-2159 | 1 | Seal Kit |
| 6 | 105-9153 | 1 | Element-Logic, Vented |
| 6:1 | 119-2159 | 1 | Seal Kit |
| 7 | 112-5259 | 1 | Valve-Relief |
| 7:1 | 105-9156 | 1 | Seal Kit |
| 8 | 110-6344 | 1 | Coil-12V, DC |
| 10 | 117-0115 | 1 | Plug |



Steering Arm Assembly

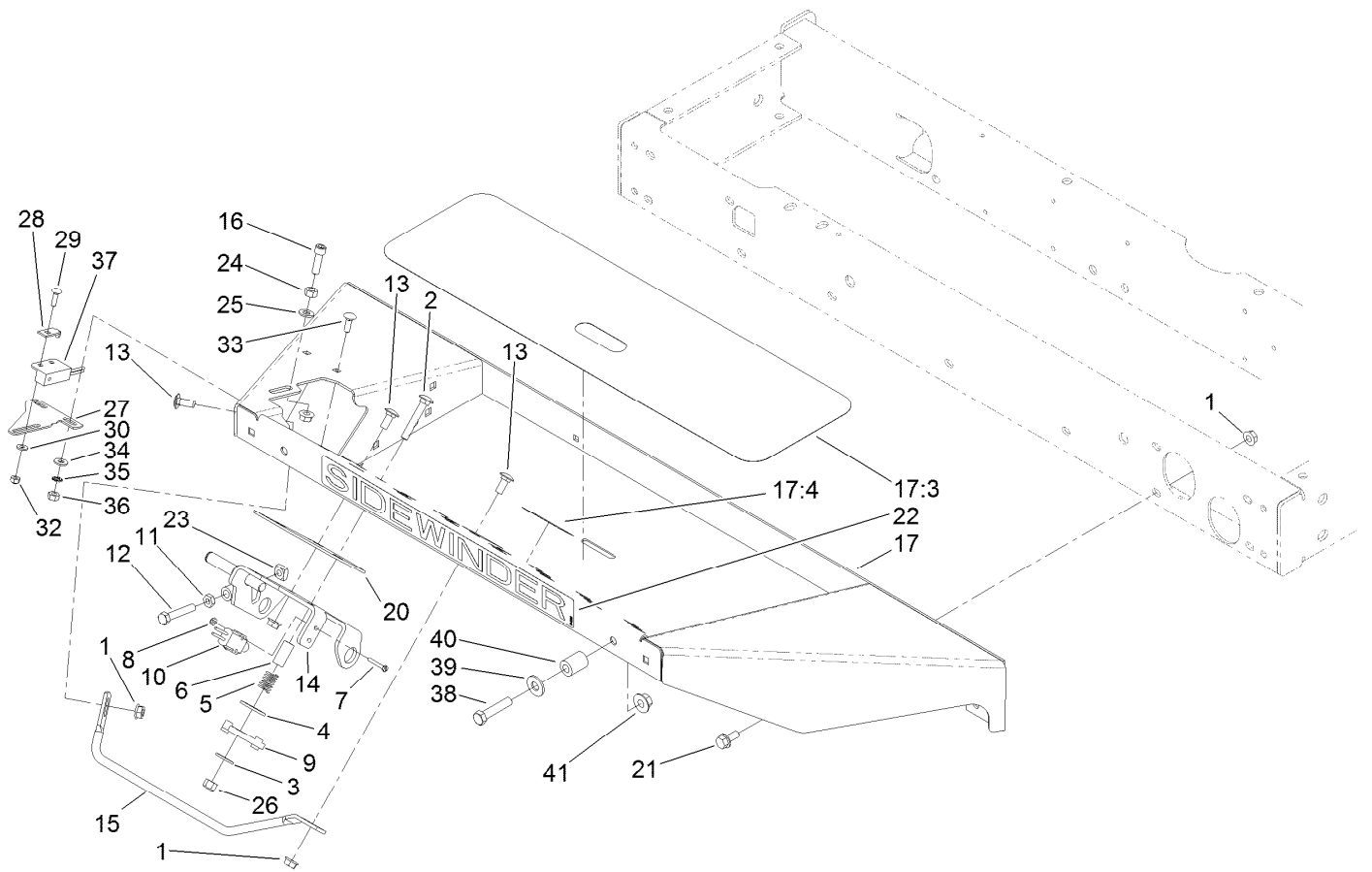
| Ref. | Part Number | Qty. | Description | Ref. | Part Number | Qty. | Description |
|------|-------------|------|-------------------------|------|-------------|------|-------------------------|
| 1 | 105-8536-01 | 1 | Arm-Steering | 17:2 | 68-5140 | 1 | Cap-Wheel, Steering |
| 2 | 32128-43 | 4 | Nut-Flange | 18 | 68-5370 | 1 | Decal |
| 3 | 3234-11 | 4 | Screw-HHF | 19 | 99-3502 | 1 | Boss |
| 4 | 104-5185-01 | 1 | Bracket-Valve, Steering | 20 | 31-0390 | 1 | Disc-Friction |
| 5 | 323-5 | 2 | Screw-HH | 21 | 82-9010 | 1 | Disc-Friction |
| 6 | 93-5988 | 2 | Hub-Pivot | 22 | 80-2930 | 1 | Washer-Flat |
| 7 | 95-8794-01 | 1 | Cover-Valve, Steering | 23 | 3218-7 | 1 | Nut-Jam |
| 8 | 32144-10 | 5 | Screw-HWH | 24 | 33103-012 | 4 | Screw-HHF |
| 9 | 67-1300 | 1 | Decal | 27 | 99-3405-01 | 1 | Shield-Steering |
| 10 | 233-48 | 1 | Knob | 30 | 32128-21 | 2 | Nut-HF Lock |
| 11 | 95-8798-03 | 1 | Lever-Steering | 31 | 100-4929 | 1 | Slope Indicator ASM |
| 12 | 121-7856 | 1 | Steering Valve ASM | 31:1 | 121-3628 | 1 | Decal-Angle |
| 13 | 80-2880 | 1 | Bracket-Tilt | 31:1 | 121-3598 | 1 | Decal-Danger, 17 Degree |
| 14 | 322-5 | 1 | Screw-HH | 32 | 321-7 | 2 | Screw-HH |
| 15 | 3256-3 | 1 | Washer-Flat | 33 | 3296-42 | 2 | Nut-Lock, NI |
| 16 | 32128-44 | 1 | Nut | 34 | 3256-22 | 4 | Washer-Flat |
| 17 | 75-0560 | 1 | Steering Wheel ASM | 35 | 3296-33 | 1 | Nut-Lock, NI |
| 17:1 | 32144-21 | 1 | Screw | 36 | 3256-27 | 1 | Washer-Flat |



Steering Valve Assembly No. 121-7856

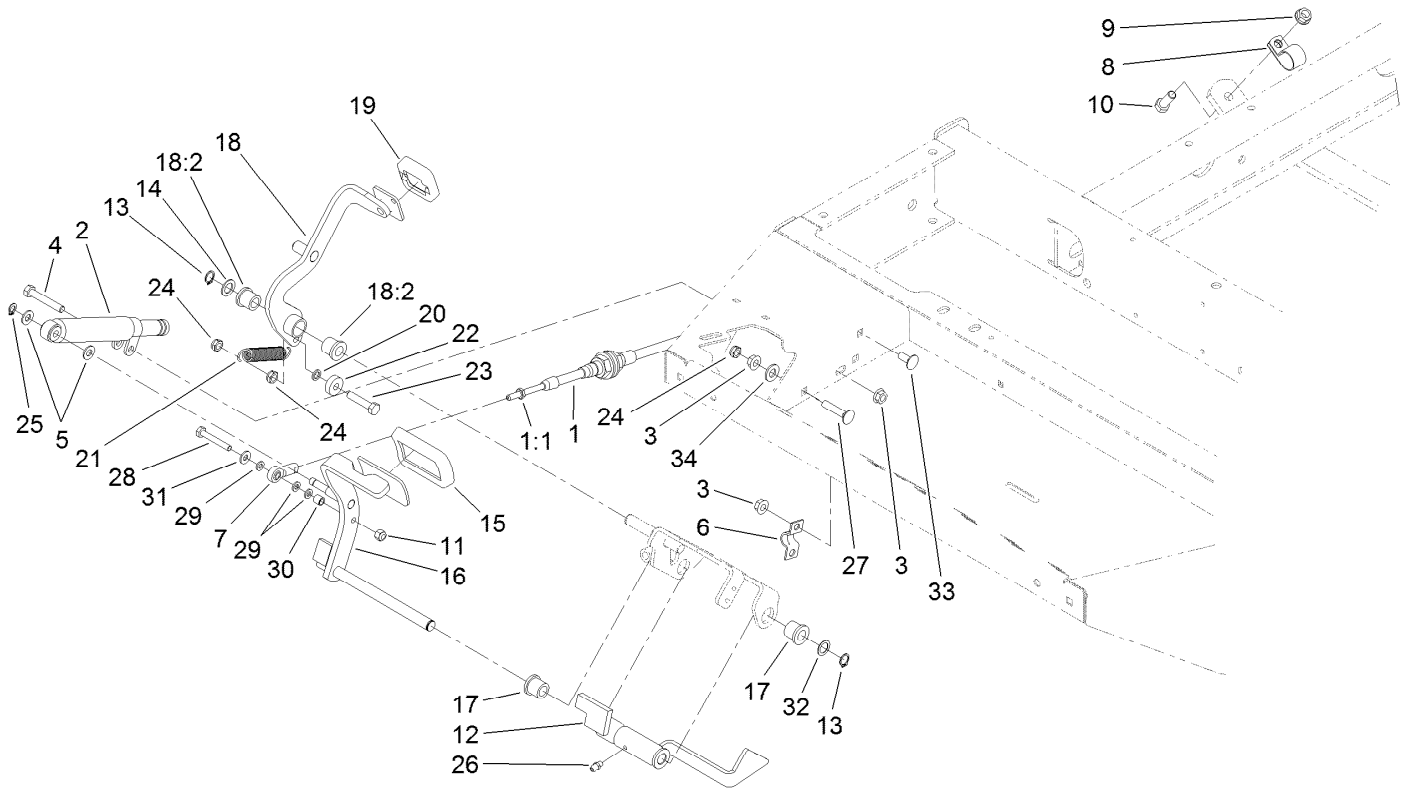
| Ref. | Part Number | Qty. | Description | Ref. | Part Number | Qty. | Description |
|------|-------------|------|-------------------|------|-------------|------|---------------------|
| 1 | 106-6716 | 1 | Seal Kit | 12 | | 1 | Springs ● |
| 1:1 | | 1 | Ring-Seal, Dust ● | 13 | | 1 | Shaft ● |
| 1:2 | | 1 | Seal-Shaft ● | 14 | | 1 | Spacer ● |
| 1:3 | | 1 | O-Ring ● | 16 | | 1 | Plate-Distributor ● |
| 1:4 | | 2 | O-Ring ● | 17 | | 1 | Gearwheel Set ● |
| 1:5 | | 5 | O-Ring ● | 19 | | 1 | Cover-End ● |
| 2 | | 1 | Housing ● | 22 | | 1 | Screw-Special ● |
| 3 | | 1 | Ball ● | 23 | | 4 | Screw-Special ● |
| 4 | | 1 | Stop-Ball ● | 24 | | 1 | Plate-Name ● |
| 7 | | 1 | Bearing ASM ● | 25 | 3296-33 | 1 | Nut-Lock, NI |
| 10 | | 1 | Ring ● | 26 | 237-22 | 3 | O-Ring |
| 11 | | 1 | Pin-Cross ● | 27 | 237-21 | 2 | O-Ring |

● Not serviced separately



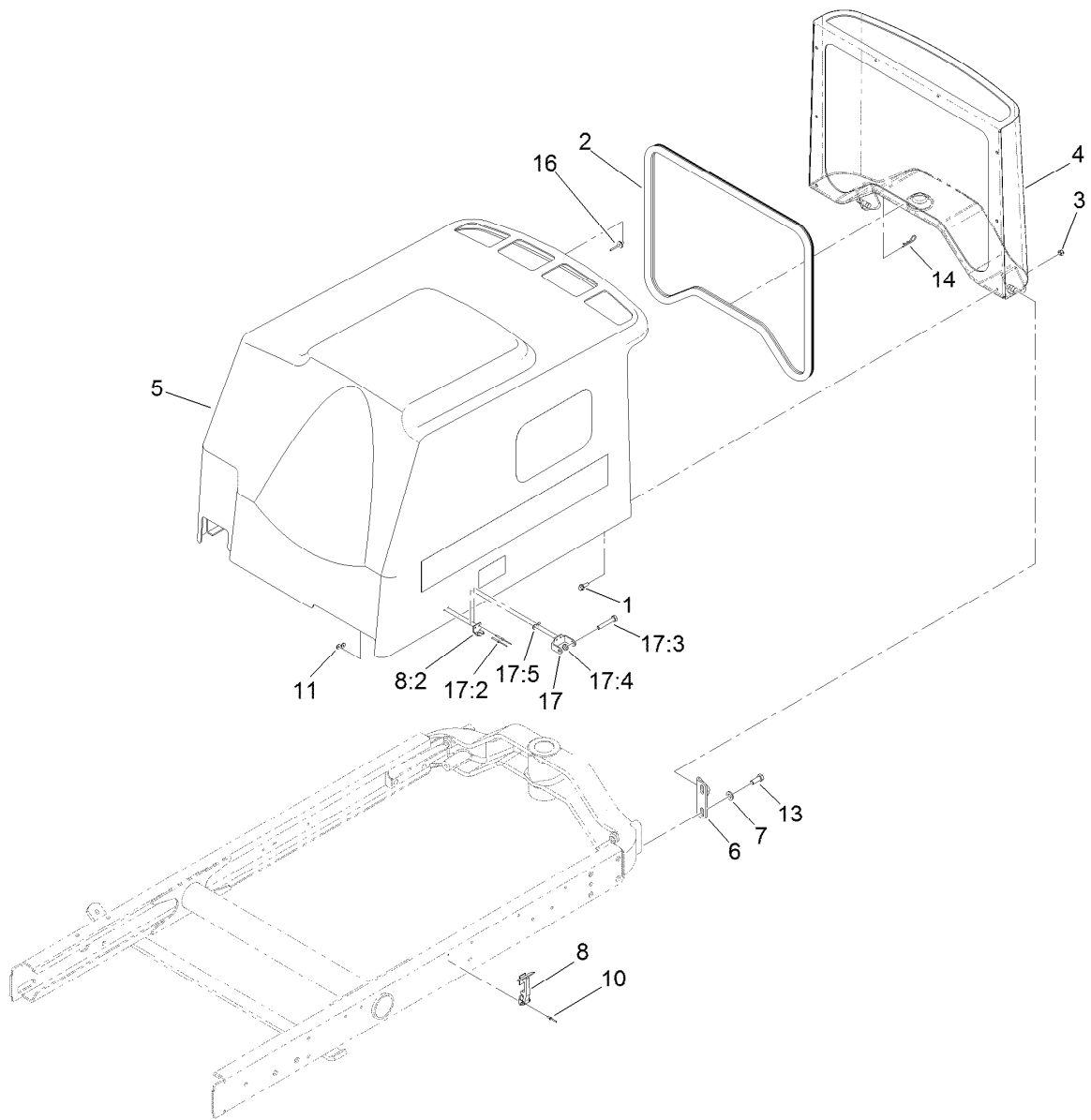
Floorplate Assembly

| Ref. | Part Number | Qty. | Description | Ref. | Part Number | Qty. | Description |
|------|-------------|------|-------------------------|------|-------------|------|-------------------------|
| 1 | 32128-20 | 15 | Nut-HF | 21 | 3234-5 | 10 | Screw-HHF |
| 2 | 3230-6 | 1 | Bolt-CARR | 22 | 99-3388 | 1 | Decal |
| 3 | 3256-3 | 1 | Washer-Flat | 23 | 99-3565 | 1 | Nut-Square |
| 4 | 3256-40 | 1 | Washer-Flat | 24 | 3217-6 | 1 | Nut-Hex |
| 5 | 65-9940 | 1 | Spring | 25 | 3256-23 | 1 | Washer-Plain |
| 6 | 95-8866 | 1 | Tube-Arm, Rocker | 26 | 3296-29 | 1 | Nut-Lock, NI |
| 7 | 32105-9 | 2 | Screw | 27 | 100-4871 | 1 | Bracket-Switch, Neutral |
| 8 | 3296-9 | 2 | Nut-Hex | 28 | 100-4872 | 1 | Plate-Switch, Neutral |
| 9 | 99-3593 | 1 | Arm-Rocker | 29 | 3229-20 | 1 | Screw-CARR |
| 10 | 95-8900 | 1 | Switch | 30 | 3256-14 | 1 | Washer-Flat |
| 11 | 3218-2 | 1 | Nut-Hex Jam | 32 | 3296-2 | 1 | Nut-Lock, NI |
| 12 | 322-41 | 1 | Bolt-Hex,TAP | 33 | 3229-1 | 2 | Screw-CARR |
| 13 | 3230-23 | 4 | Bolt-CARR | 34 | 3256-22 | 2 | Washer-Flat |
| 14 | 95-8869-03 | 1 | Bracket-Pedal, Traction | 35 | 3255-7 | 2 | Washer-Lock/EXT |
| 15 | 95-8893 | 1 | Bar-Deflector | 36 | 3217-5 | 2 | Nut-Hex |
| 16 | 3274-22 | 1 | Screw-HSH | 37 | 100-1270 | 1 | Switch-Proximity |
| 17 | 106-4154 | 1 | Floorplate ASM | 38 | 323-9 | 2 | Screw-HH |
| 17:3 | 99-3478 | 1 | Tread-Foot | 39 | 3256-4 | 2 | Washer-Flat |
| 17:4 | 99-3444 | 1 | Decal-Mow / Transport | 40 | 104-4613 | 2 | Tube-Latch |
| 20 | 106-2661-01 | 1 | Plate-Support | 41 | 32128-43 | 2 | Nut-Flange |



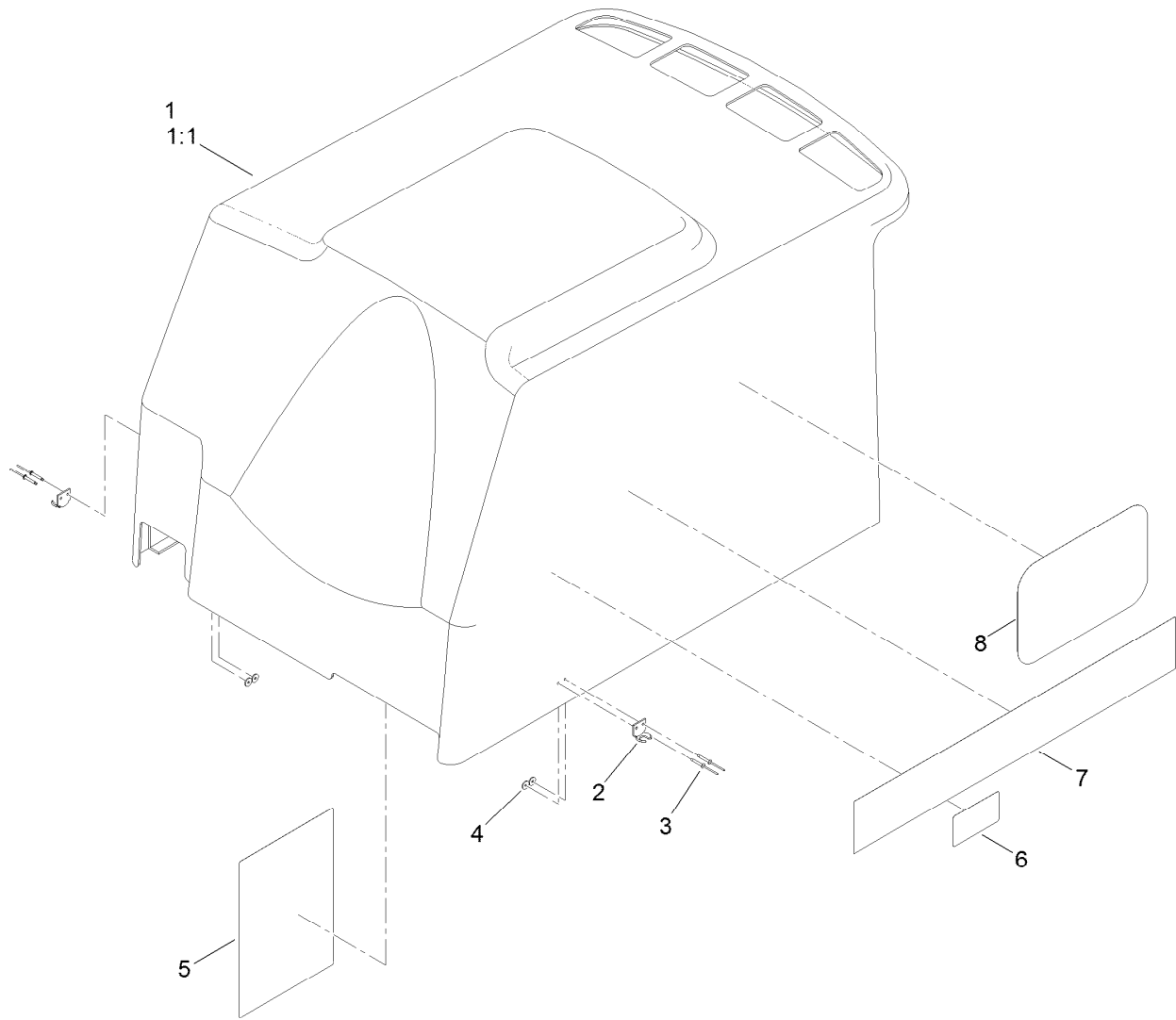
Traction Pedal Assembly

| <i>Ref.</i> | <i>Part Number</i> | <i>Qty.</i> | <i>Description</i> | <i>Ref.</i> | <i>Part Number</i> | <i>Qty.</i> | <i>Description</i> |
|-------------|--------------------|-------------|-------------------------|-------------|--------------------|-------------|--------------------|
| 1 | 100-4815 | 1 | Cable-Control, Traction | 18 | 99-3379 | 1 | Pedal-Reverse ASM |
| 1:1 | 3220-1 | 2 | Nut-Jam | 18:2 | 256-243 | 2 | Bearing-Flange |
| 2 | 76-8870 | 1 | Damper-Lever | 19 | 74-9110 | 1 | Pad-Pedal, Reverse |
| 3 | 32128-20 | 5 | Nut-HF | 20 | 75-5470 | 1 | Spacer-Bearing |
| 4 | 322-10 | 1 | Screw-HH | 21 | 99-3476 | 1 | Spring-Extension |
| 5 | 3256-23 | 2 | Washer-Plain | 22 | 251-259 | 1 | Bearing-Ball |
| 6 | 93-2092 | 1 | Clamp-Cable | 23 | 322-7 | 1 | Screw-HH |
| 7 | 2411-41 | 1 | Rod End-Ball Joint | 24 | 3296-47 | 3 | Nut-Lock,NI |
| 8 | 2412-41 | 1 | Clamp-R | 25 | 32151-3 | 1 | Ring-Grip |
| 9 | 3290-357 | 1 | Nut-HSF | 26 | 302-5 | 1 | Fitting-Grease |
| 10 | 323-6 | 1 | Screw-HH | 27 | 3230-27 | 1 | Screw-CARR |
| 11 | 3296-42 | 1 | Nut-Lock, NI | 28 | 321-10 | 1 | Screw-HH |
| 12 | 95-8861 | 1 | Slide | 29 | 33093-00 | 3 | Washer-Flat |
| 13 | 32151-84 | 2 | Ring-Shaft, EXT | 30 | 99-3545 | 1 | Spacer |
| 14 | 41-8440 | 1 | Washer | 31 | 3256-22 | 1 | Washer-Flat |
| 15 | 74-9100 | 1 | Pad-Pedal, Forward | 32 | 73-0040 | 4 | Washer-Thrust |
| 16 | 104-4852-03 | 1 | Pedal-Traction | 33 | 3230-23 | 2 | Bolt-CARR |
| 17 | 256-243 | 2 | Bearing-Flange | 34 | 3256-24 | 1 | Washer-Flat |



Hood Assembly

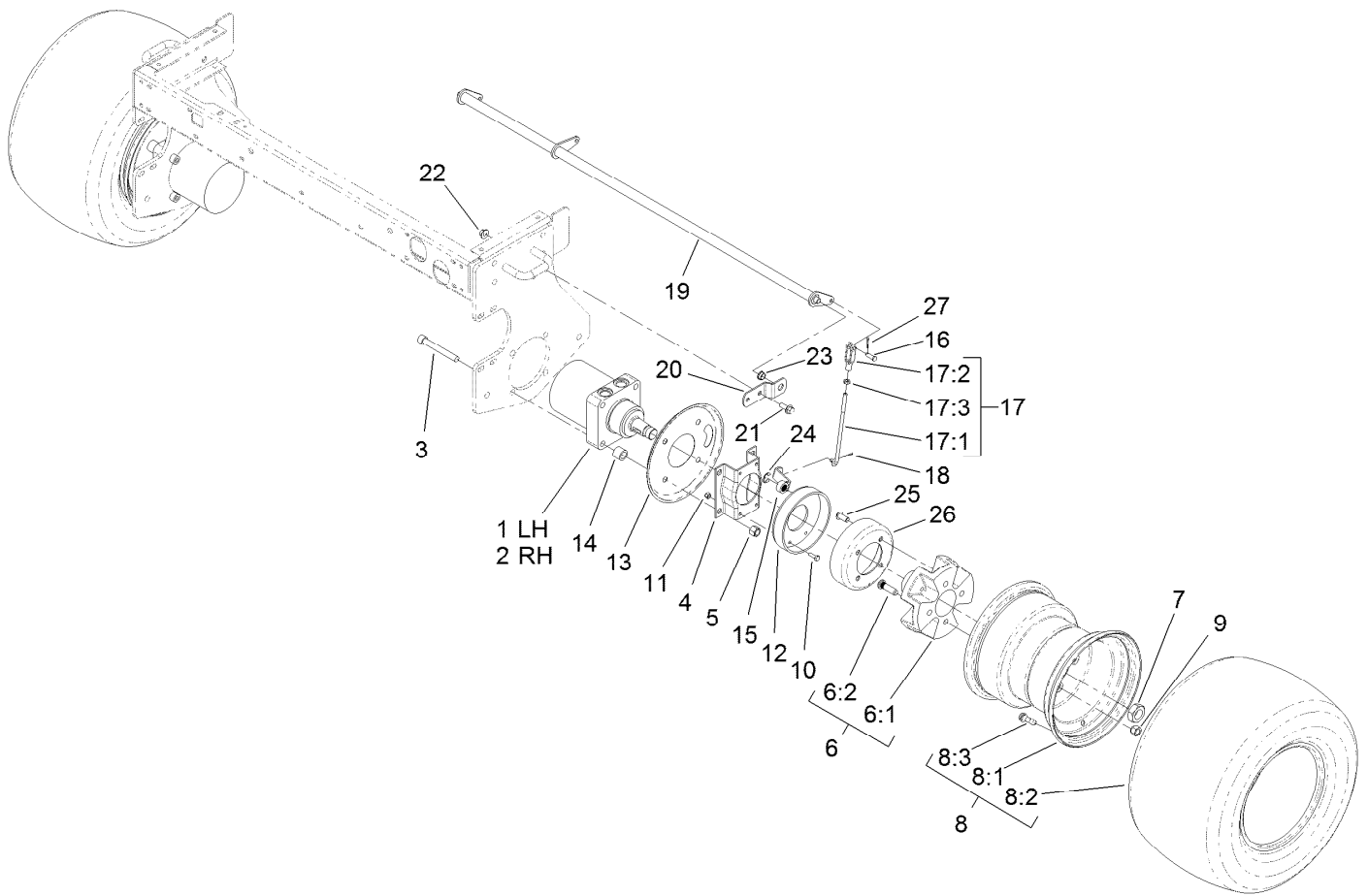
| <i>Ref.</i> | <i>Part Number</i> | <i>Qty.</i> | <i>Description</i> | <i>Ref.</i> | <i>Part Number</i> | <i>Qty.</i> | <i>Description</i> |
|-------------|--------------------|-------------|---------------------|-------------|--------------------|-------------|--------------------|
| 1 | 3234-4 | 6 | Screw-HHF | 11 | 3269-10 | 4 | Washer-Back |
| 2 | 100-4932 | 1 | Trim-Seal | 13 | 323-6 | 4 | Screw-HH |
| 3 | 3296-42 | 6 | Nut-Lock, NI | 14 | 3290-467 | 1 | Pin-Hair |
| 4 | 104-4853-03 | 1 | Screen-Hood | 16 | 3269-21 | 2 | Rivet-Pop |
| 5 | 121-3632 | 1 | Hood ASM | 17 | 119-2004 | 1 | CE Latch Kit |
| 6 | 95-8728 | 2 | Bracket-Pivot, Hood | 17:2 | 107-0333 | 2 | Rivet-Pop |
| 7 | 3256-24 | 4 | Washer-Flat | 17:3 | 322-10 | 1 | Screw-HH |
| 8 | 59-9740 | 2 | Flex Draw Latch ASM | 17:4 | 3296-47 | 1 | Nut-Lock,NI |
| 8:2 | 249-40 | 1 | Keeper | 17:5 | 3269-10 | 2 | Washer-Back |
| 10 | 3290-55 | 4 | Rivet-Pop | | | | |



Hood Assembly No. 121-3632

| Ref. | Part Number | Qty. | Description |
|------|-------------|------|------------------------|
| 1 | 121-3507 | 1 | Hood ASM |
| 1:1 | 106-8115 | 1 | Heat Tape Repair Kit ● |
| 2 | 249-40 | 2 | Keeper |
| 3 | 107-0333 | 4 | Rivet-Pop |
| 4 | 3269-10 | 4 | Washer-Back |
| 5 | 138-6977 | 1 | Decal-Service, Gm3500 |
| 6 | 117-3270 | 1 | Decal-Danger |
| 7 | 121-3541 | 2 | Decal-Hood |
| 8 | 66-6140 | 2 | Decal |

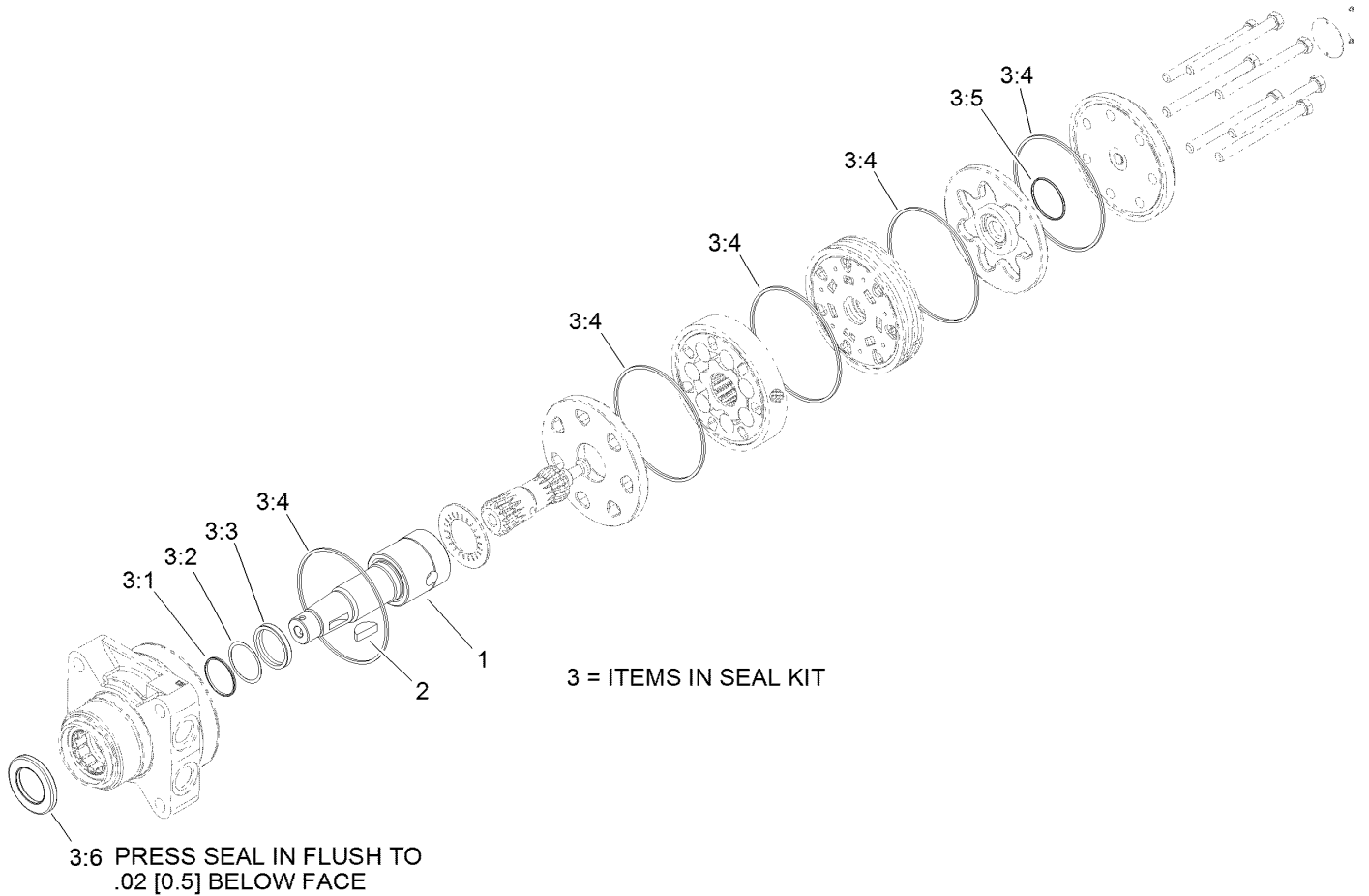
● Not illustrated



Wheel Motor and Brake Assembly

| Ref. | Part Number | Qty. | Description | Ref. | Part Number | Qty. | Description |
|------|-------------|------|----------------------|------|-------------|------|----------------------|
| 1 | 110-8785 | 1 | HYD Motor ASM (CCW) | 14 | 119-8238 | 8 | Spacer-Deck Pulley |
| 2 | 110-8786 | 1 | HYD Motor ASM (CW) | 15 | 114-2726 | 2 | Lever-Brake |
| 3 | 3274-99 | 8 | Screw-HSH | 16 | 283-1 | 2 | Pin-Clevis |
| 4 | 84-2000-03 | 2 | Bracket-Brake | 17 | 115-6672 | 2 | Brake Lever ASM |
| 5 | 3296-23 | 8 | Nut-Lock, NI | 17:1 | 104-4627 | 1 | Rod-Adjusting |
| 6 | | 2 | Wheel Hub/Stud ASM ● | 17:2 | 1-303105 | 1 | Yoke-Adjustable |
| 6:1 | 104-0462 | 1 | Hub-Wheel, Spacer | 17:3 | 3220-2 | 1 | Nut-Jam |
| 6:2 | 10-6830 | 4 | Stud-Type, Drive | 18 | 3272-6 | 2 | Pin-Cotter |
| 7 | 26-3790 | 2 | Nut-Lock | 19 | 104-4625-03 | 1 | Shaft-Pivot, Brake |
| 8 | | 2 | Tire And Rim ASM ● | 20 | 95-8683 | 2 | Bracket-Pivot, Brake |
| 8:1 | 121-3548 | 1 | Rim | 21 | 3234-11 | 4 | Screw-HHF |
| 8:2 | 117-5125 | 1 | Tire | 22 | 32128-43 | 4 | Nut-Flange |
| 8:3 | 232-27 | 1 | Stem-Valve | 23 | 256-156 | 2 | Bushing-Flange |
| 9 | 242-50 | 8 | Nut-Lug | 24 | 104-7706 | 2 | E-Ring, Bowed |
| 10 | 321-5 | 8 | Screw-HH | 25 | 3274-105 | 8 | Screw-HSBH |
| 11 | 3296-42 | 8 | Nut-Lock, NI | 26 | 104-4809 | 2 | Drum-Brake |
| 12 | 104-7705 | 2 | Brake ASM | 27 | 3272-10 | 2 | Pin-Cotter |
| 13 | 104-0485-03 | 2 | Shield-Wheel | | | | |

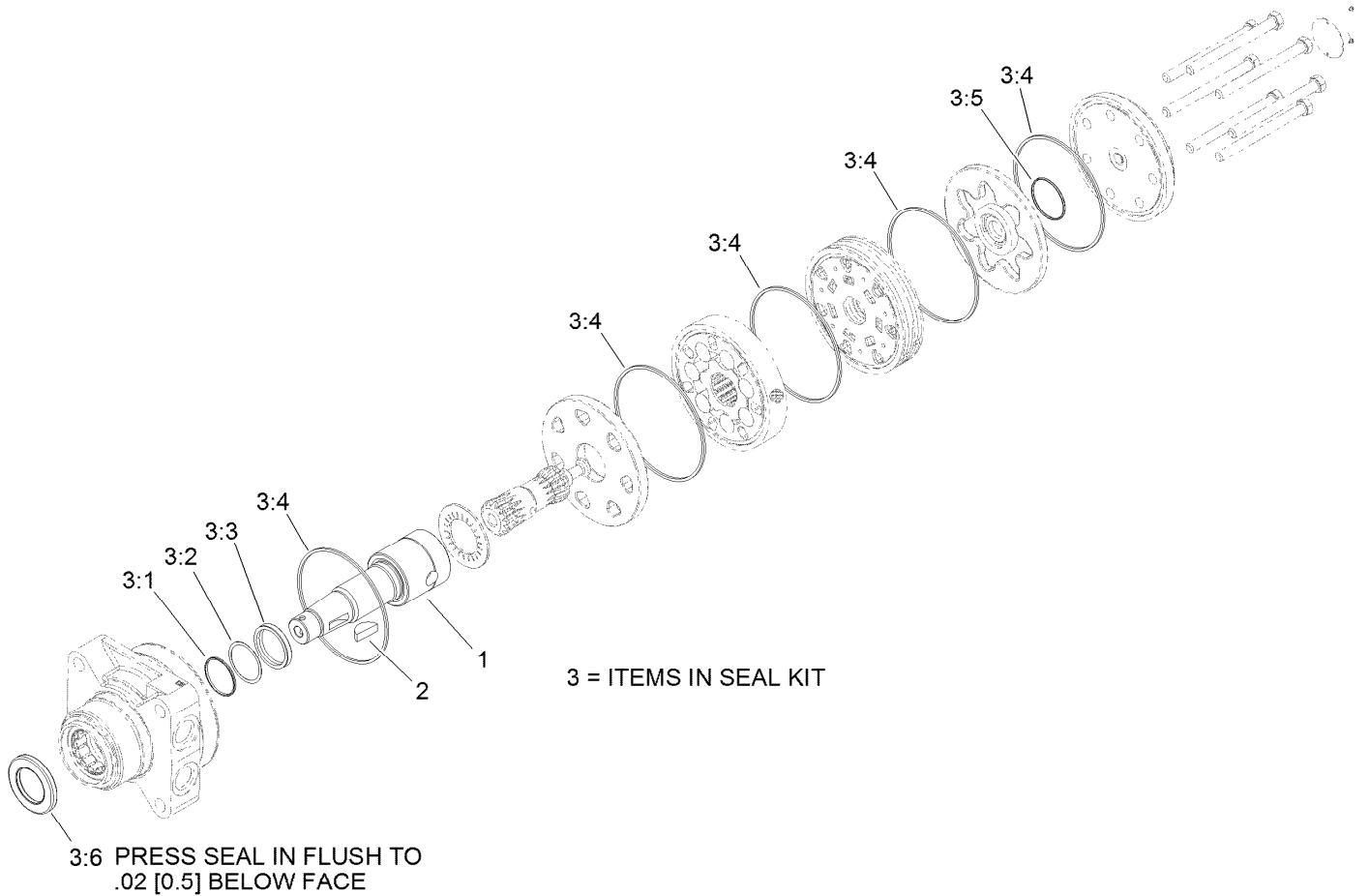
● Not serviced separately



Hydraulic Motor Assembly No. 110-8786

| Ref. | Part Number | Qty. | Description |
|------|-------------|------|-----------------------|
| 1 | 3257-42 | 1 | Key-Woodruff |
| 2 | 99-3090 | 1 | Shaft-Coupling |
| 3 | 100-6131 | 1 | Seal Kit |
| 3:1 | | 1 | Ring-Back Up ● |
| 3:2 | | 1 | Washer-Back Up ● |
| 3:3 | | 1 | Seal-Shaft ● |
| 3:4 | | 5 | Seal-Ring ● |
| 3:5 | | 1 | Seal-Commutator ● |
| 3:6 | | 1 | Seal-Dirt And Water ● |

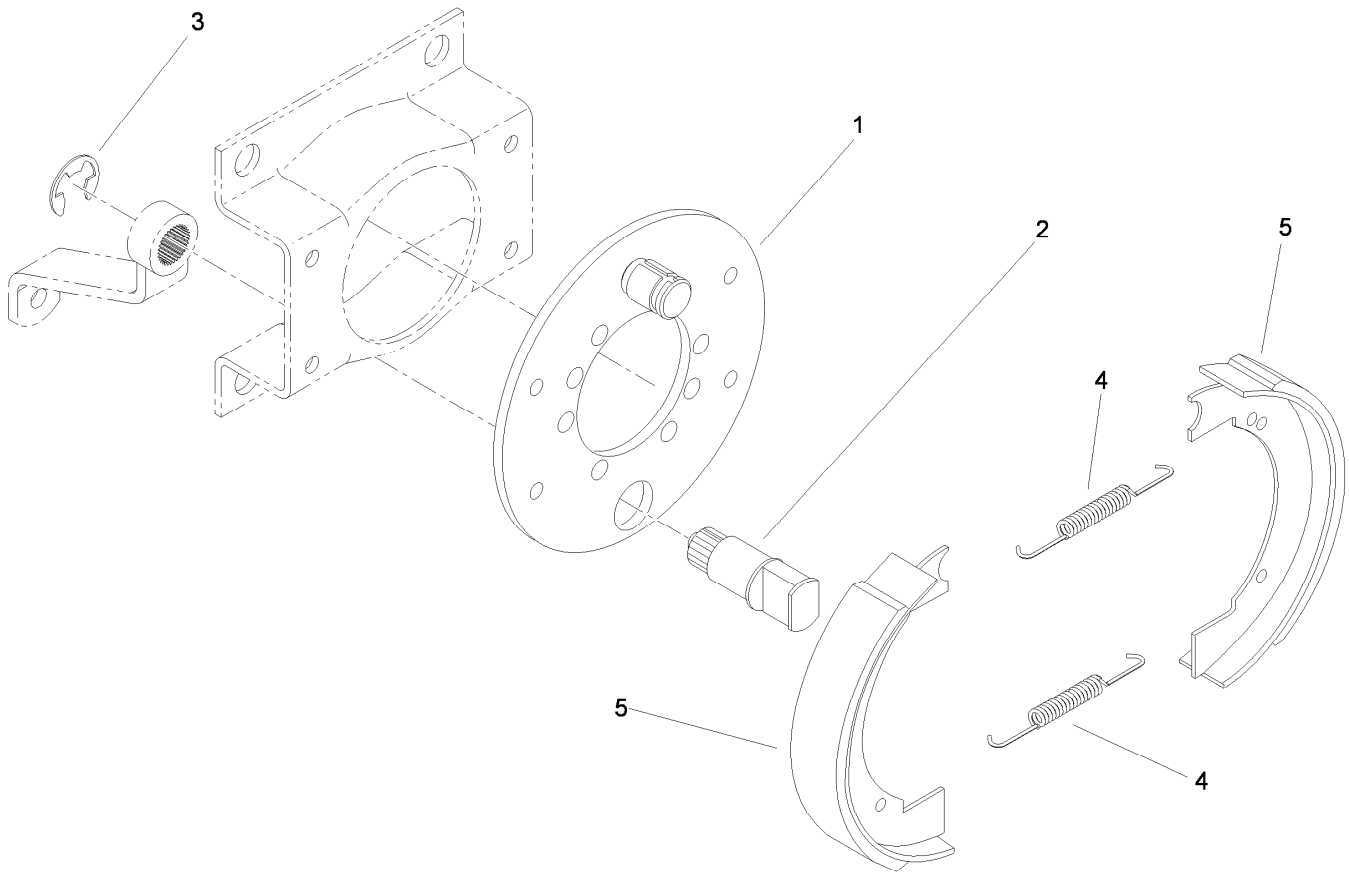
● Not serviced separately



Hydraulic Motor Assembly No. 110-8785

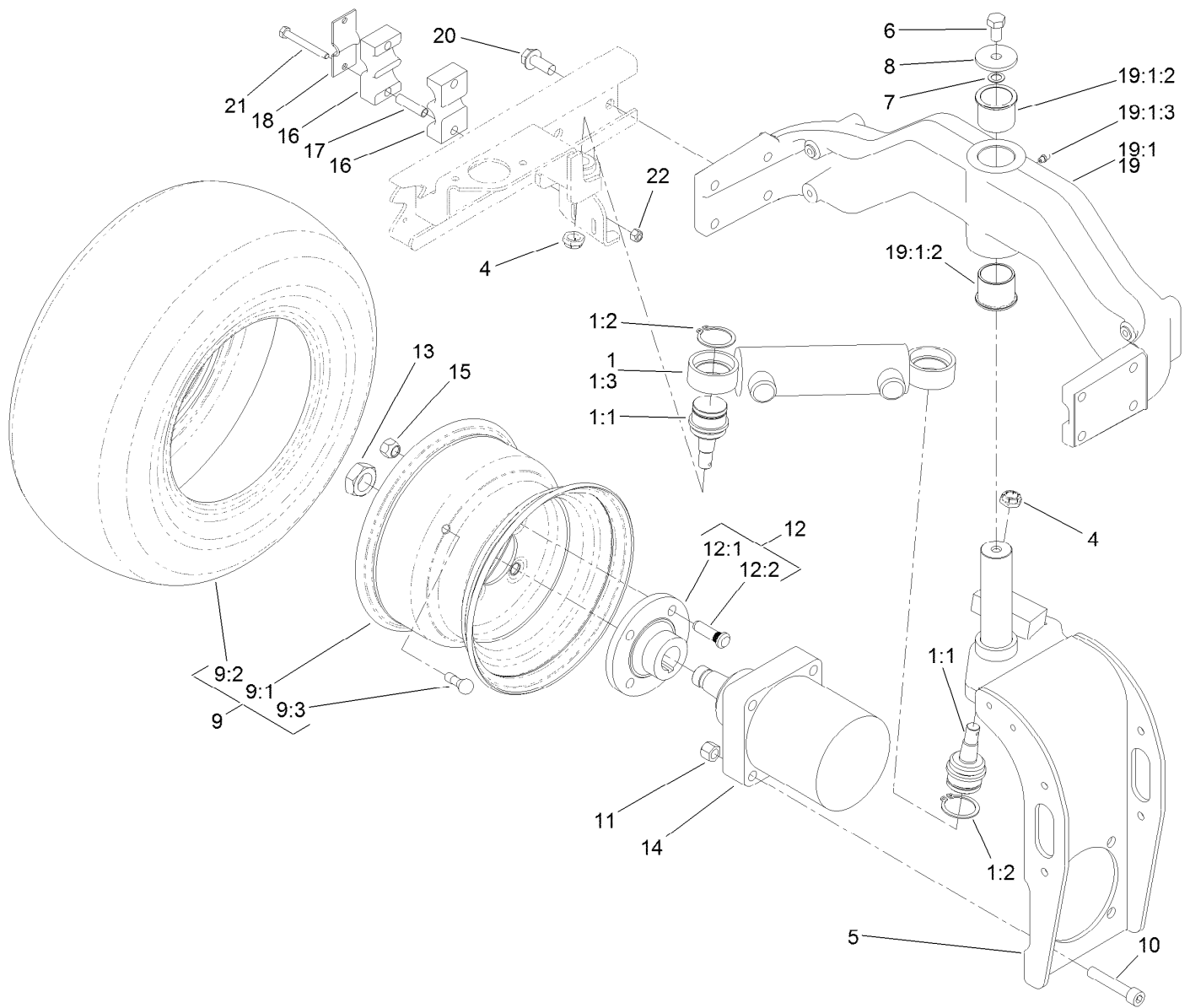
| Ref. | Part Number | Qty. | Description |
|------|-------------|------|-----------------------|
| 1 | 3257-42 | 1 | Key-Woodruff |
| 2 | 99-3090 | 1 | Shaft-Coupling |
| 3 | 100-6131 | 1 | Seal Kit |
| 3:1 | | 1 | Ring-Back Up ● |
| 3:2 | | 1 | Washer-Back Up ● |
| 3:3 | | 1 | Seal-Shaft ● |
| 3:4 | | 5 | Seal-Ring ● |
| 3:5 | | 1 | Seal-Commutator ● |
| 3:6 | | 1 | Seal-Dirt And Water ● |

● Not serviced separately



Brake Assembly No. 104-7705

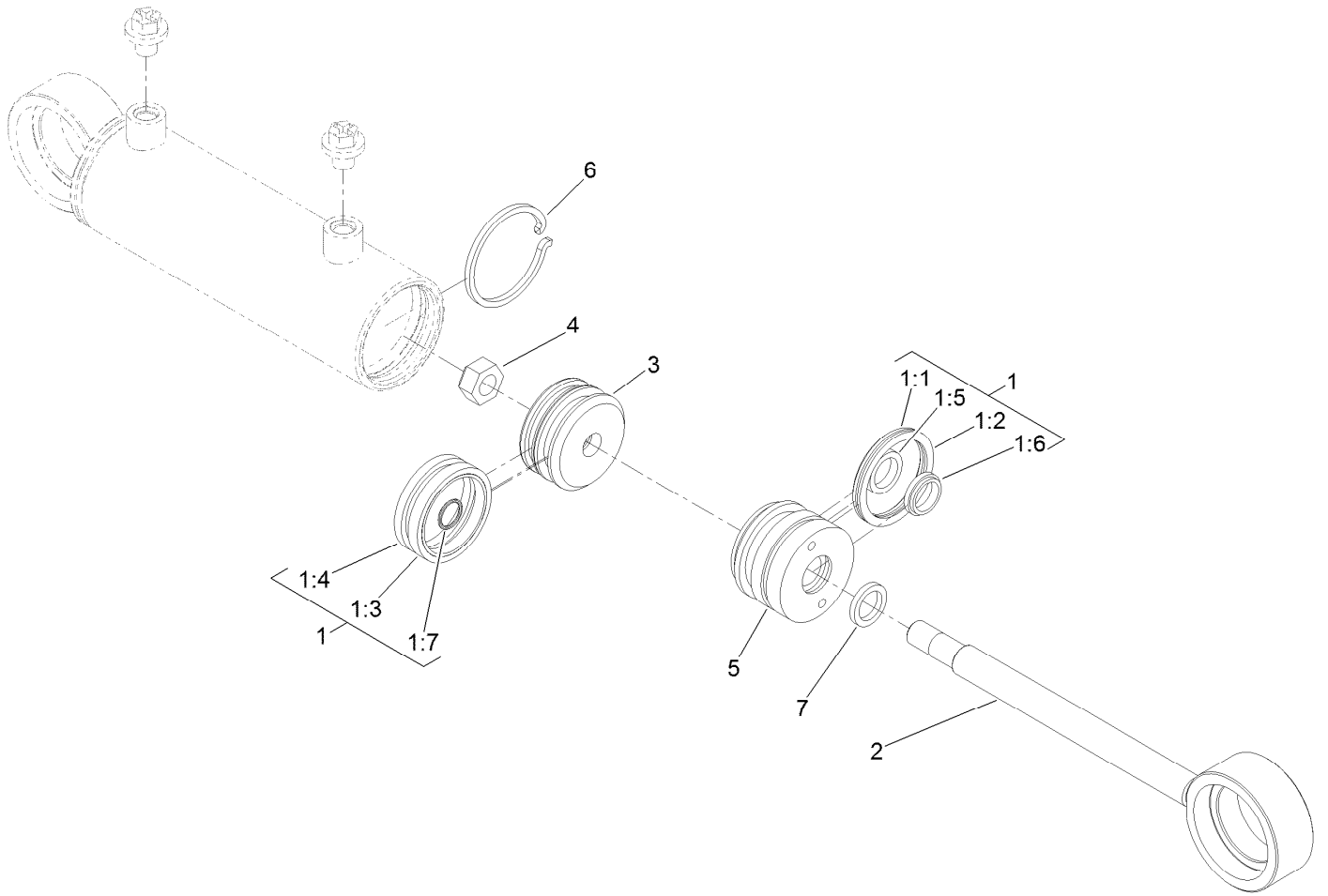
| <i>Ref.</i> | <i>Part Number</i> | <i>Qty.</i> | <i>Description</i> |
|-------------|--------------------|-------------|--------------------|
| 1 | 70-9870 | 1 | Plate-Backing |
| 2 | 104-7707 | 1 | Shaft-Cam, Brake |
| 3 | 104-7706 | 1 | E-Ring, Bowed |
| 4 | 70-9880 | 2 | Spring-Return |
| 5 | 70-9840 | 2 | Shoe-Brake |



Rear Fork and Wheel Assembly

| Ref. | Part Number | Qty. | Description | Ref. | Part Number | Qty. | Description |
|------|-------------|------|--------------------------|--------|-------------|------|--------------------|
| 1 | | 1 | Steering Cylinder ASM ● | 12:1 | 10-6870-03 | 1 | Hub-Wheel |
| 1:1 | 121-3605 | 2 | Ball Joint | 12:2 | 10-6830 | 4 | Stud-Type, Drive |
| 1:2 | 32151-104 | 2 | Ring-Retaining, External | 13 | 26-3790 | 1 | Nut-Lock |
| 1:3 | 121-3653 | 1 | Cylinder-HYD | 14 | 95-8694 | 1 | HYD Motor ASM |
| 4 | 121-3611 | 2 | Nut-Hex, Flextop | 15 | 242-50 | 4 | Nut-Lug |
| 5 | 95-8905-01 | 1 | Fork-Rear | 16 | 82-8170 | 2 | Clamp |
| 6 | 325-3 | 1 | Screw-HH | 17 | 93-7960 | 2 | Spacer |
| 7 | 3255-2 | 1 | Washer-Lock, EXT | 18 | 93-7961 | 1 | Clamp-Drain, Case |
| 8 | 75-7730 | 1 | Washer-Thrust | 19 | 107-7828-03 | 1 | Casting-Rear |
| 9 | | 1 | Wheel And Tire ASM ● | 19:1 | | 1 | Rear Casting ASM ● |
| 9:1 | 117-5129 | 1 | Rim | 19:1:2 | 95-8805 | 2 | Bushing |
| 9:2 | 115-1572 | 1 | Tire | 19:1:3 | 302-5 | 1 | Fitting-Grease |
| 9:3 | 232-27 | 1 | Stem-Valve | 20 | 3234-38 | 8 | Screw-HHF |
| 10 | 3274-93 | 4 | Screw-HSH | 21 | 322-13 | 2 | Screw-HH |
| 11 | 3296-23 | 4 | Nut-Lock, NI | 22 | 3296-29 | 2 | Nut-Lock, NI |
| 12 | | 1 | Wheel Hub/Stud ASM ● | | | | |

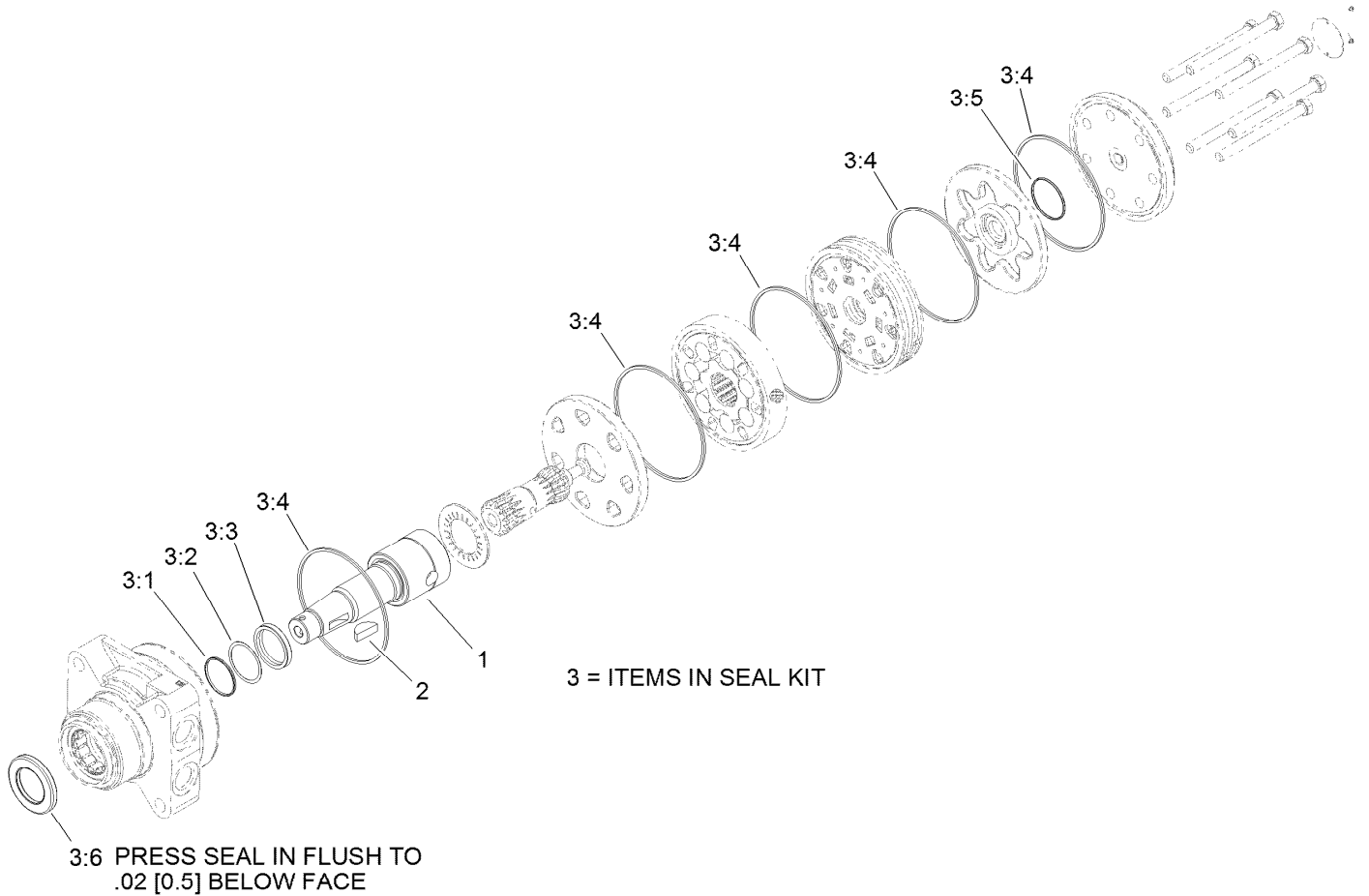
● Not serviced separately



Hydraulic Cylinder Assembly No. 121-3653

| Ref. | Part Number | Qty. | Description |
|------|-------------|------|------------------|
| 1 | 136-3278 | 1 | Seal Kit |
| 1:1 | | 1 | O-Ring ● |
| 1:2 | | 1 | Backup ● |
| 1:3 | | 1 | Psp Seal ● |
| 1:4 | | 1 | Wear Ring ● |
| 1:5 | | 1 | Bt Seal ● |
| 1:6 | | 1 | Dust Seal ● |
| 1:7 | | 1 | O-Ring ● |
| 2 | | 1 | Rod ● |
| 3 | | 1 | Piston ● |
| 4 | | 1 | Head ● |
| 5 | | 1 | Lock Nut ● |
| 6 | | 1 | Retaining Ring ● |
| 7 | | 1 | Square O-Ring ● |

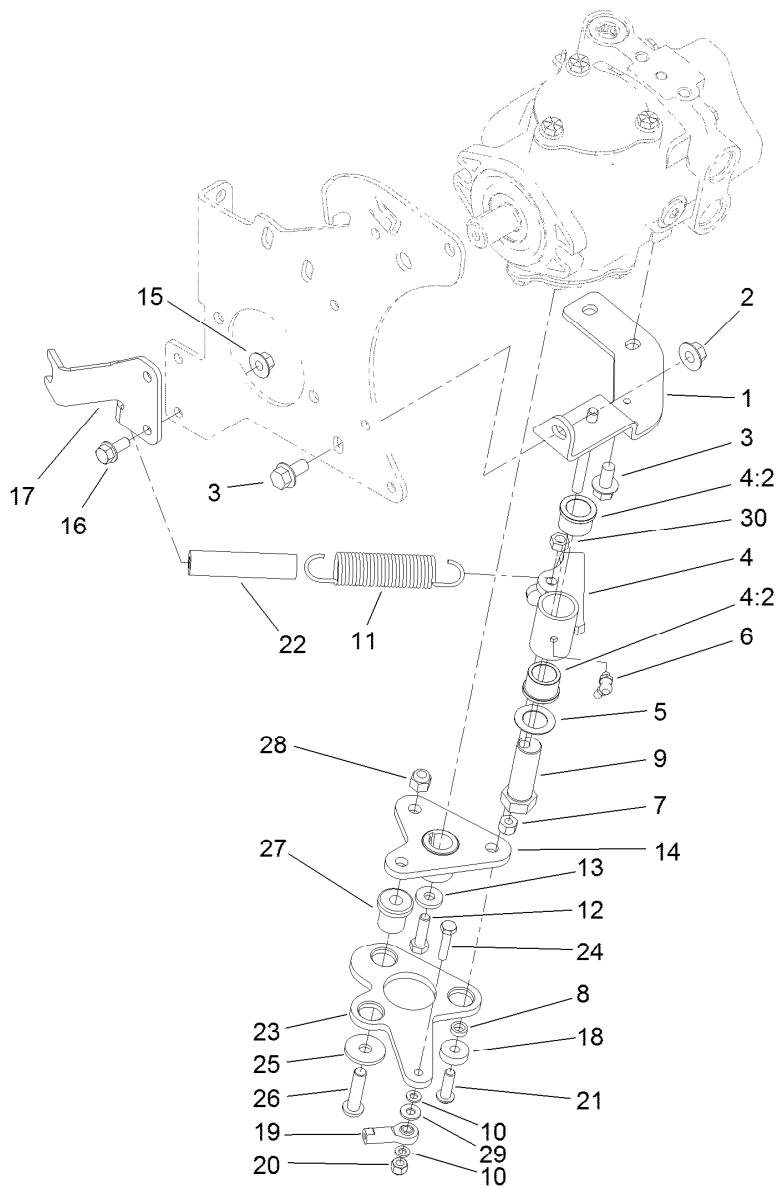
● Not serviced separately



Hydraulic Motor Assembly No. 95-8694

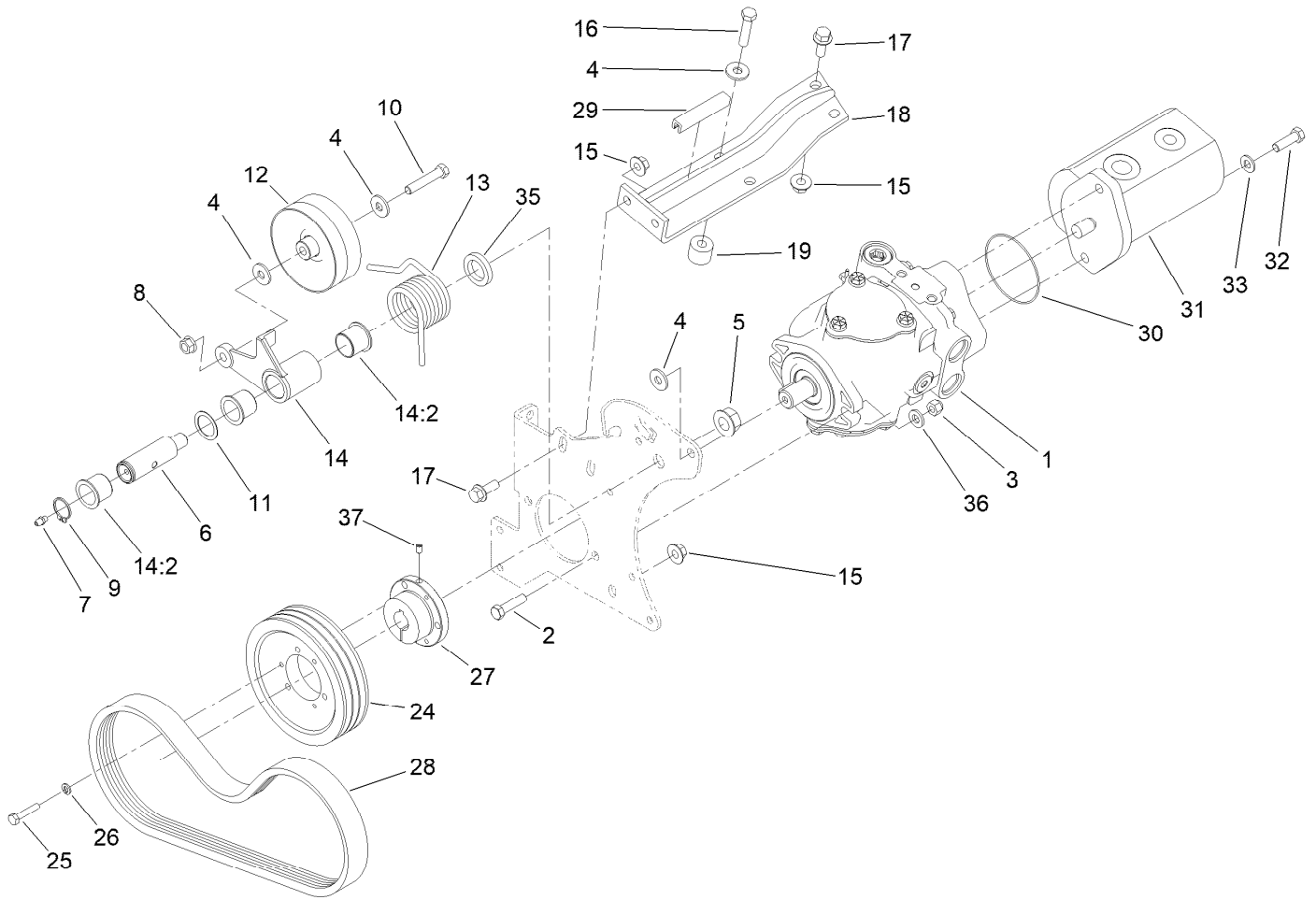
| Ref. | Part Number | Qty. | Description |
|------|-------------|------|-----------------------|
| 1 | 99-3090 | 1 | Shaft-Coupling |
| 2 | 3257-42 | 1 | Key-Woodruff |
| 3 | 100-6131 | 1 | Seal Kit |
| 3:1 | | 1 | Ring-Back Up ● |
| 3:2 | | 1 | Washer-Back Up ● |
| 3:3 | | 1 | Seal-Shaft ● |
| 3:4 | | 5 | Seal-Ring ● |
| 3:5 | | 1 | Seal-Commutator ● |
| 3:6 | | 1 | Seal-Dirt And Water ● |

● Not serviced separately



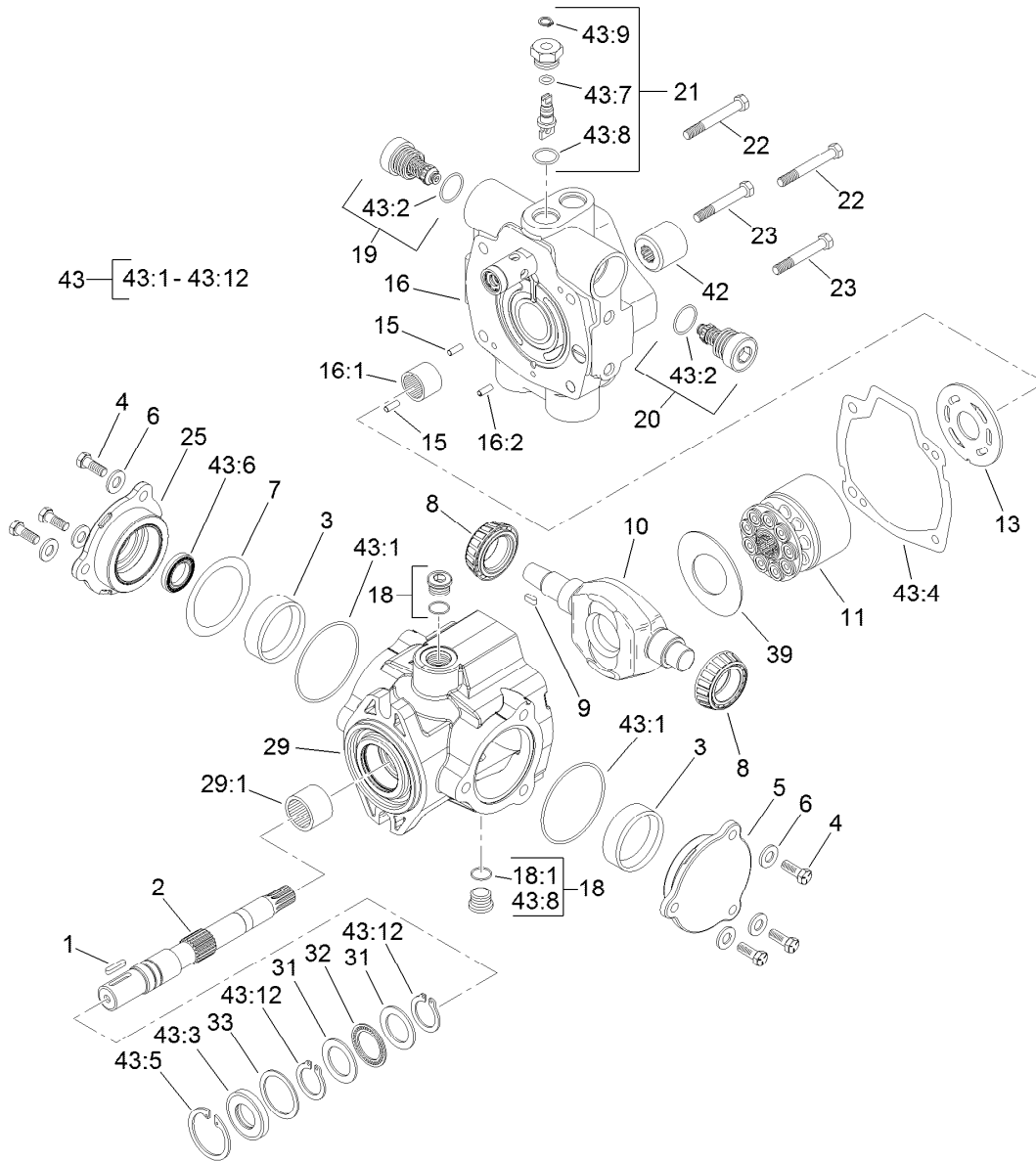
Neutral Arm Assembly

| Ref. | Part Number | Qty. | Description | Ref. | Part Number | Qty. | Description |
|------|-------------|------|------------------|------|-------------|------|------------------------|
| 1 | 95-8960-03 | 1 | Bracket-Neutral | 16 | 3234-5 | 2 | Screw-HHF |
| 2 | 32128-43 | 1 | Nut-Flange | 17 | 120-3534-03 | 1 | Bracket-Support, Cable |
| 3 | 3234-1 | 3 | Screw-HHF | 18 | 251-259 | 1 | Bearing-Ball |
| 4 | 104-0422 | 1 | Neutral Arm ASM | 19 | 2411-41 | 1 | Rod End-Ball Joint |
| 4:2 | 256-113 | 2 | Bushing-Flange | 20 | 3296-42 | 1 | Nut-Lock, NI |
| 5 | 3-6498 | 1 | Washer-Thrust | 21 | 3274-104 | 1 | Screw-HSBH |
| 6 | 302-60 | 1 | Fitting-Grease | 22 | 99-3556 | 1 | Hose |
| 7 | 3296-29 | 1 | Nut-Lock, NI | 23 | 120-3533-03 | 1 | Lever-Pump |
| 8 | 100-4817 | 1 | Spacer | 24 | 321-8 | 1 | Screw-HH |
| 9 | 76-8640 | 1 | Stud-Traction | 25 | 2844 | 3 | Washer |
| 10 | 33093-00 | 2 | Washer-Flat | 26 | 95-3857 | 3 | Screw-HSBH |
| 11 | 94-1369 | 1 | Spring-Extension | 27 | 63-9750 | 3 | Mount |
| 12 | 3210-6 | 1 | Screw-HH | 28 | 3296-39 | 3 | Nut-Lock, NI |
| 13 | 88-7200 | 1 | Washer-Flat | 29 | 3256-22 | 1 | Washer-Flat |
| 14 | 120-5566 | 1 | Hub | 30 | 32153-3 | 1 | Nut-Hex, Side Deform |
| 15 | 32128-44 | 2 | Nut | | | | |



Gear Pump and Piston Pump Assembly

| <i>Ref.</i> | <i>Part Number</i> | <i>Qty.</i> | <i>Description</i> | <i>Ref.</i> | <i>Part Number</i> | <i>Qty.</i> | <i>Description</i> |
|-------------|--------------------|-------------|--------------------|-------------|--------------------|-------------|---------------------|
| 1 | 104-4890 | 1 | Piston Pump ASM | 17 | 3234-11 | 4 | Screw-HHF |
| 2 | 323-8 | 2 | Screw-HH | 18 | 99-3436-03 | 1 | Support-Pump |
| 3 | 3296-39 | 2 | Nut-Lock, NI | 19 | 99-3440 | 2 | Spacer |
| 4 | 80-6990 | 4 | Washer-Hardened | 24 | 120-3350 | 1 | Pulley-3V |
| 5 | 32128-54 | 1 | Nut-HF | 25 | 321-13 | 3 | Screw-HH |
| 6 | 99-3624 | 1 | Shaft-Pivot, Idler | 26 | 3253-3 | 3 | Washer-Lock |
| 7 | 302-5 | 1 | Fitting-Grease | 27 | 100-4813 | 1 | Bushing-Lock, Taper |
| 8 | 32128-21 | 1 | Nut-HF Lock | 28 | 120-3351 | 1 | Belt-3V |
| 9 | 32151-36 | 1 | Ring-Retaining | 29 | 70-2041 | 1 | Trim |
| 10 | 323-10 | 1 | Screw-HH | 30 | 353-949 | 1 | O-Ring |
| 11 | 74-1810 | 1 | Washer | 31 | 108-9036 | 1 | HYD Gear Pump ASM |
| 12 | 107-7834 | 1 | Pulley-Idler | 32 | 323-7 | 2 | Screw-HH |
| 13 | 115-3488 | 1 | Spring-Torsion | 33 | 3256-24 | 2 | Washer-Flat |
| 14 | 137-1653 | 1 | Idler Arm ASM | 35 | 99-3625 | 1 | Spacer-Arm, Idler |
| 14:2 | 126-1963 | 2 | Bushing-Pivot | 36 | 100-4852 | 2 | Washer-Hardened |
| 15 | 32128-43 | 4 | Nut-Flange | 37 | 3245-7 | 1 | Screw-Set |
| 16 | 323-19 | 2 | Screw-HH | | | | |

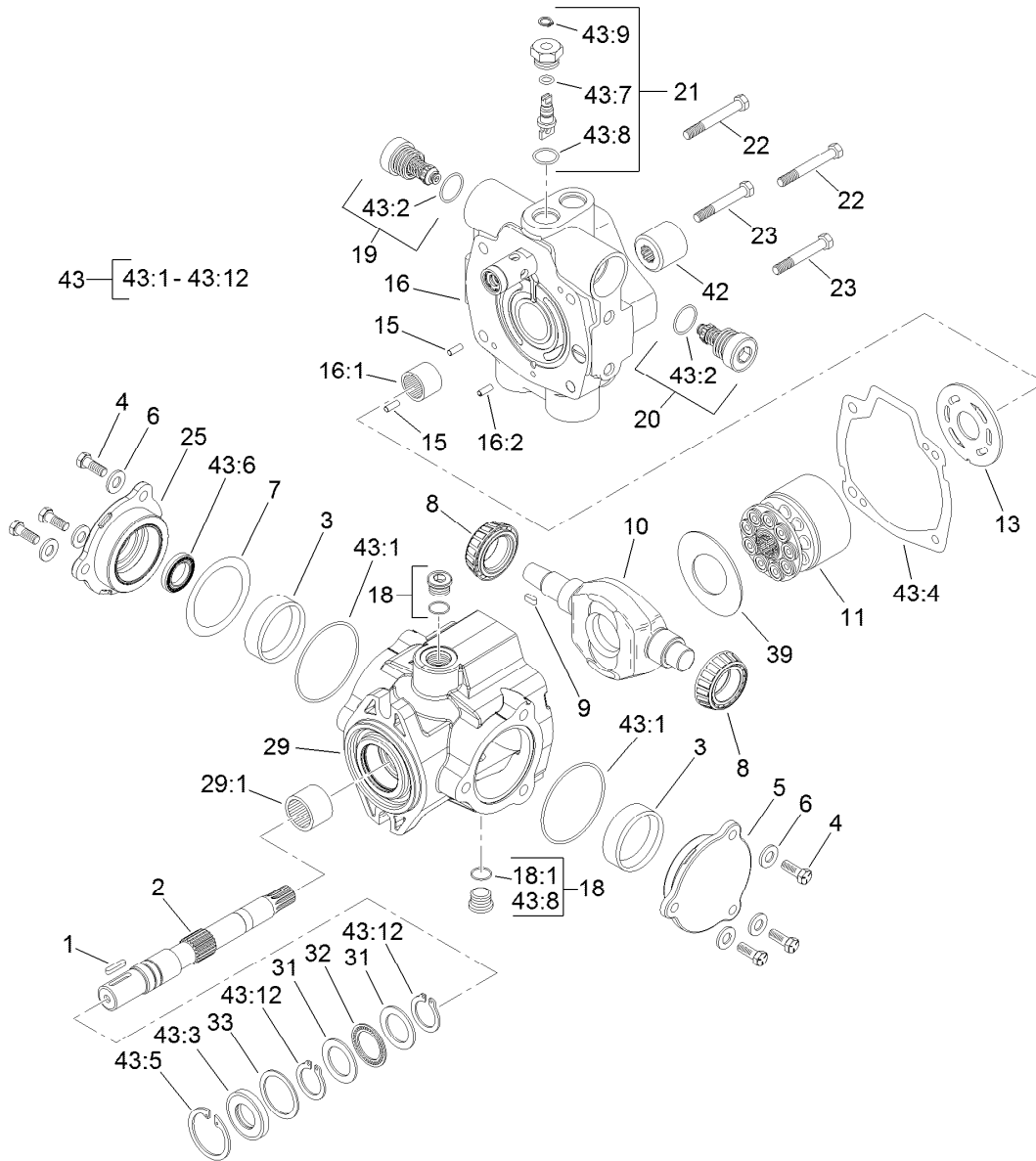


Hydraulic Pump Assembly No. 104-4890

| Ref. | Part Number | Qty. | Description | Ref. | Part Number | Qty. | Description |
|------|-------------|------|------------------|------|-------------|------|-------------------|
| 1 | 94-3645 | 1 | Key | 19 | 104-4889 | 1 | Relief Valve ASM |
| 2 | 94-6359 | 1 | Shaft-Drive | 20 | 105-3812 | 1 | Valve-Check |
| 3 | 104-4046 | 2 | Bearing-Cup | 21 | 105-3811 | 1 | Valve-Bypass |
| 4 | 98-4640 | 6 | Screw-Cap | 22 | 76-6170 | 2 | Capscrew |
| 5 | 98-4644 | 1 | Plate-Cover | 23 | 76-6160 | 2 | Capscrew |
| 6 | 105-9762 | 6 | Washer | 25 | 98-4645 | 1 | Plate-Cover |
| 7 | 100-3182 | 2 | Shim Kit | 29 | 100-3176 | 1 | Housing ASM |
| 8 | 98-4639 | 2 | Bearing-Cone | 29:1 | 94-6363 | 1 | Bearing |
| 9 | 94-3646 | 1 | Key | 31 | 252-71 | 2 | Washer-Thrust |
| 10 | 104-4888 | 1 | Swashplate | 32 | 252-66 | 1 | Bearing-Thrust |
| 11 | 76-6070 | 1 | Rotating Kit | 33 | 33-3720 | 1 | Washer |
| 13 | 104-0429 | 1 | Plate-Valve | 39 | 98-4635 | 1 | Insert-Plate, Cam |
| 15 | 76-6150 | 2 | Pin-Dowel | 42 | 74-9040 | 1 | Coupler |
| 16 | 105-3813 | 1 | Endcover Sub ASM | 43 | 120-5754 | 1 | Seal Kit |
| 16:1 | 94-6368 | 1 | Bearing | 43:1 | | 2 | O-Ring ■ |
| 16:2 | | 1 | Pin-Roll ■ | 43:2 | | 2 | O-Ring ■ |
| 18 | 74-9280 | 2 | Plug ASM | 43:3 | | 1 | Seal-Shaft ■ |
| 18:1 | | 1 | O-Ring ■ | 43:4 | | 1 | Gasket ■ |

● Not illustrated

■ Not serviced separately



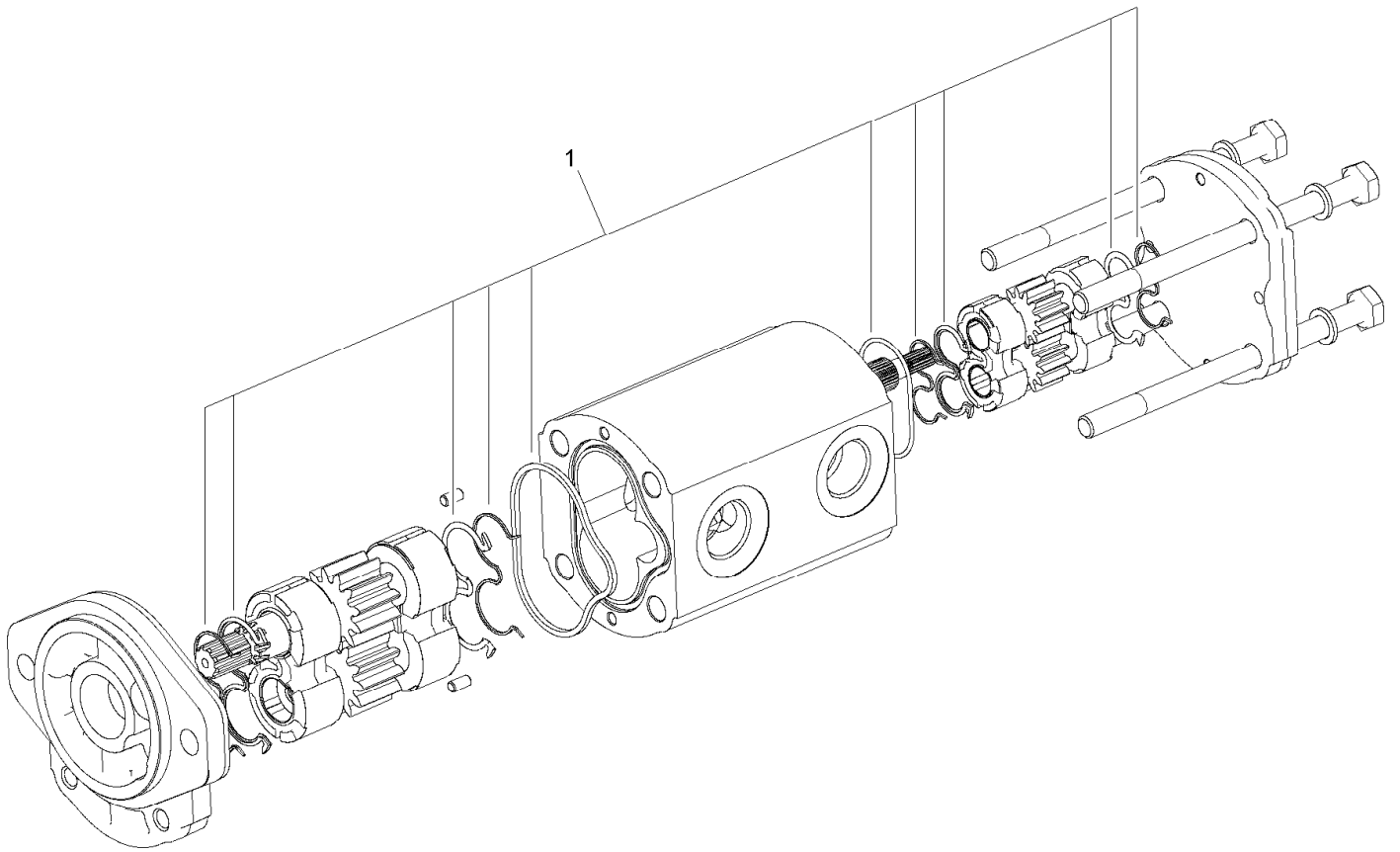
Hydraulic Pump Assembly No. 104-4890 (continued)

| Ref. | Part Number | Qty. | Description |
|------|-------------|------|------------------|
| 43:5 | | 1 | Ring-Retaining ■ |
| 43:6 | | 1 | Seal-Shaft ■ |
| 43:7 | | 1 | O-Ring ■ |
| 43:8 | | 5 | O-Ring ■ |
| 43:9 | | 1 | Ring-Retaining ■ |

| Ref. | Part Number | Qty. | Description |
|-------|-------------|------|------------------|
| 43:10 | | 1 | O-Ring ●■ |
| 43:11 | | 1 | O Ring-Molded ●■ |
| 43:12 | | 2 | Ring-Retaining ■ |
| 43:13 | | 1 | O-Ring ■● |

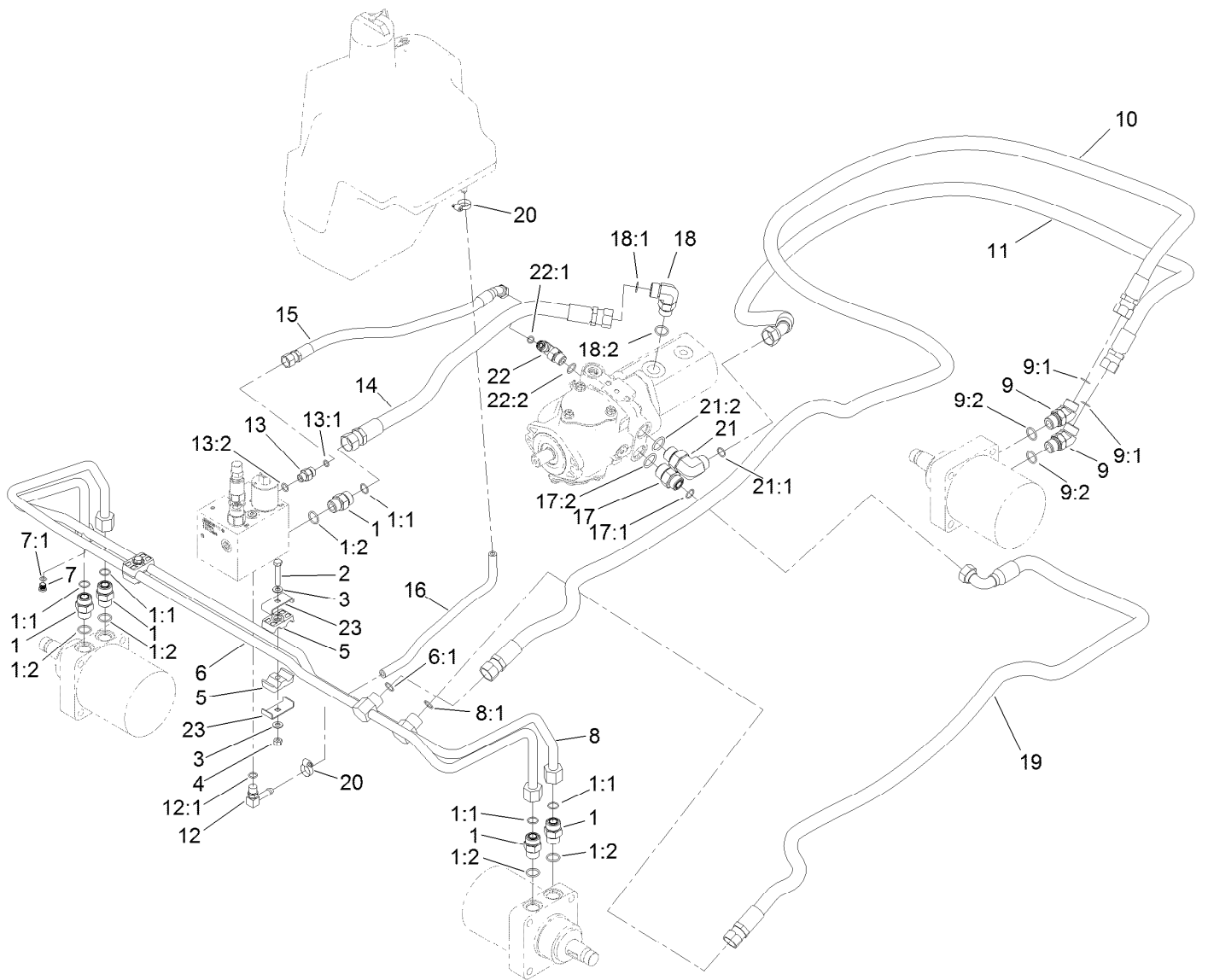
● Not illustrated

■ Not serviced separately



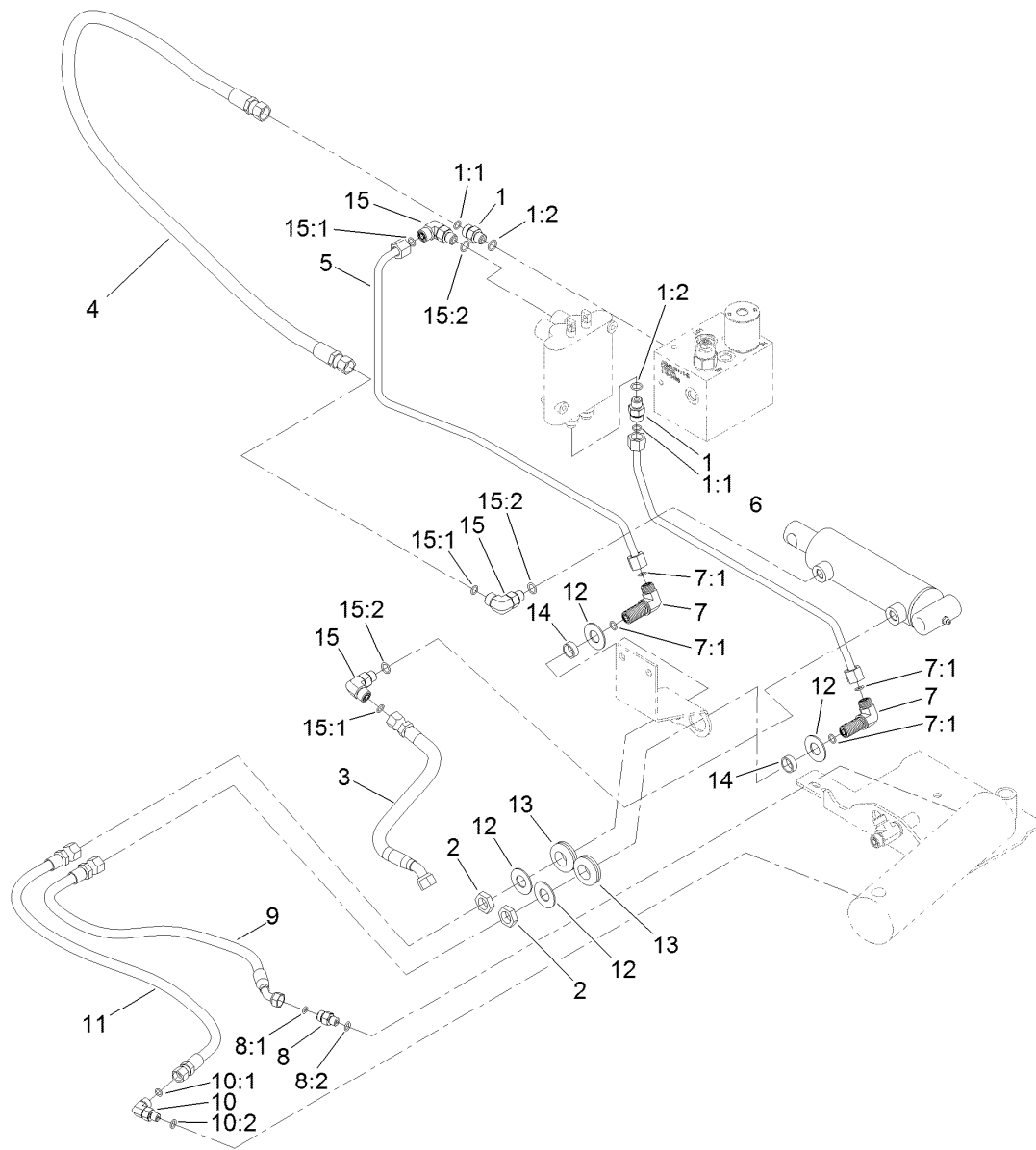
Hydraulic Gear Pump Assembly No. 108-9036

| <i>Ref.</i> | <i>Part Number</i> | <i>Qty.</i> | <i>Description</i> |
|-------------|--------------------|-------------|--------------------|
| 1 | 110-8755 | 1 | Seal Kit |



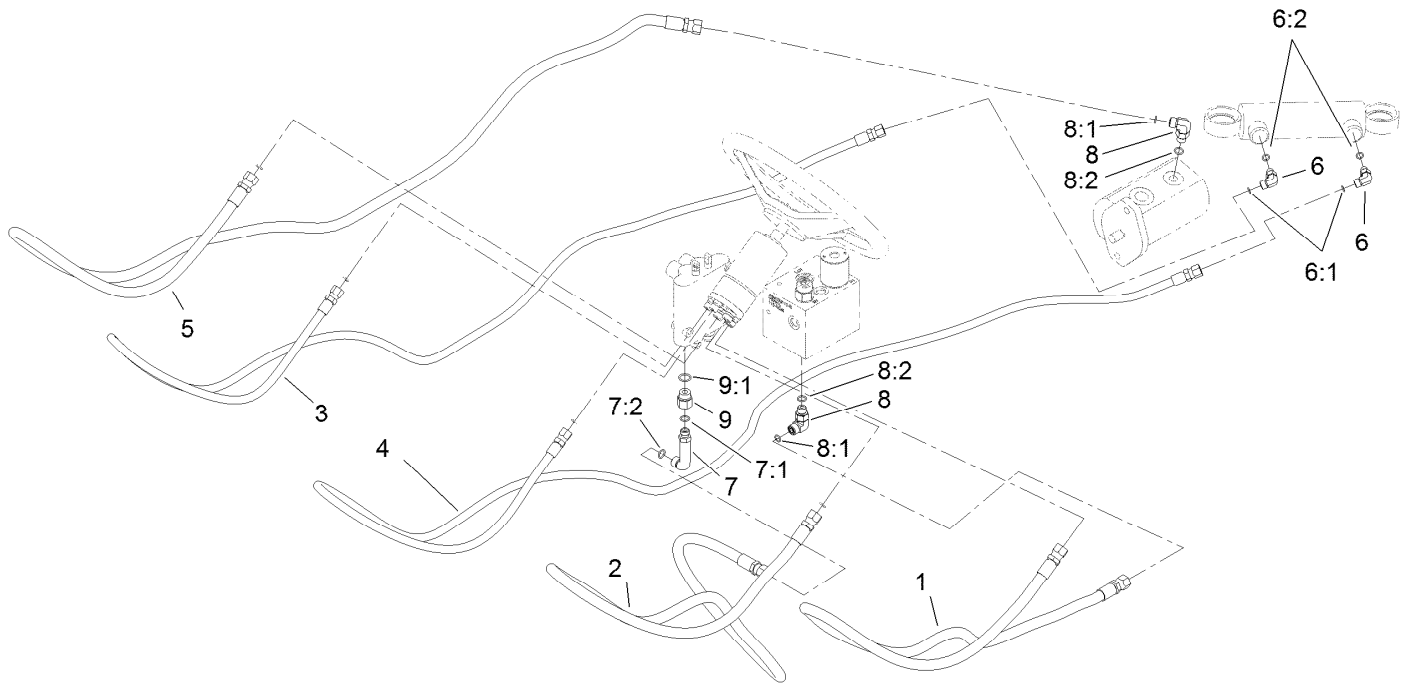
Traction Hydraulic Assembly

| Ref. | Part Number | Qty. | Description | Ref. | Part Number | Qty. | Description |
|------|-------------|------|---------------------|------|-------------|------|-----------------------|
| 1 | 340-7 | 5 | Fitting-Straight | 13:1 | 237-22 | 1 | O-Ring |
| 1:1 | 237-65 | 1 | O-Ring | 13:2 | 237-42 | 1 | O-Ring |
| 1:2 | 237-80 | 1 | O-Ring | 14 | 120-3538 | 1 | Hose-HYD |
| 2 | 322-9 | 2 | Screw-HH | 15 | 120-3539 | 1 | Hose-HYD |
| 3 | 3256-23 | 4 | Washer-Plain | 16 | 80-7342 | 1 | Hose-HYD |
| 4 | 3296-29 | 2 | Nut-Lock, NI | 17 | 340-8 | 1 | Fitting-Straight |
| 5 | 56-7971 | 4 | Clamp-Tube | 17:1 | 237-65 | 1 | O-Ring |
| 6 | 95-8783 | 1 | Tube ASM | 17:2 | 237-81 | 1 | O-Ring |
| 6:1 | 237-65 | 1 | O-Ring | 18 | 340-17 | 1 | Fitting-Elbow, 90 DEG |
| 7 | 353-990 | 1 | Plug ASM | 18:1 | 237-65 | 1 | O-Ring |
| 7:1 | 237-78 | 1 | O-Ring | 18:2 | 237-80 | 1 | O-Ring |
| 8 | 95-8784 | 1 | Tube ASM | 19 | 105-1214 | 1 | Hose-HYD |
| 8:1 | 237-65 | 1 | O-Ring | 20 | 2412-36 | 1 | Clamp-Hose |
| 9 | 340-14 | 2 | Fitting-HYD, 45 DEG | 21 | 340-139 | 1 | Fitting-Elbow 90 |
| 9:1 | 237-65 | 1 | O-Ring | 21:1 | 237-81 | 1 | O-Ring |
| 9:2 | 237-80 | 1 | O-Ring | 21:2 | 237-65 | 1 | O-Ring |
| 10 | 105-1213 | 1 | Hose-HYD | 22 | 340-18 | 1 | Fitting-HYD, 90 DEG |
| 11 | 105-1212 | 1 | Hose-HYD | 22:1 | 237-79 | 1 | O-Ring |
| 12 | 100-4887 | 1 | Fitting-Elbow, 90 | 22:2 | 237-22 | 1 | O-Ring |
| 12:1 | 237-42 | 1 | O-Ring | 23 | 119-1419 | 4 | Plate-Clamp |
| 13 | 340-2 | 1 | Fitting-Straight | | | | |



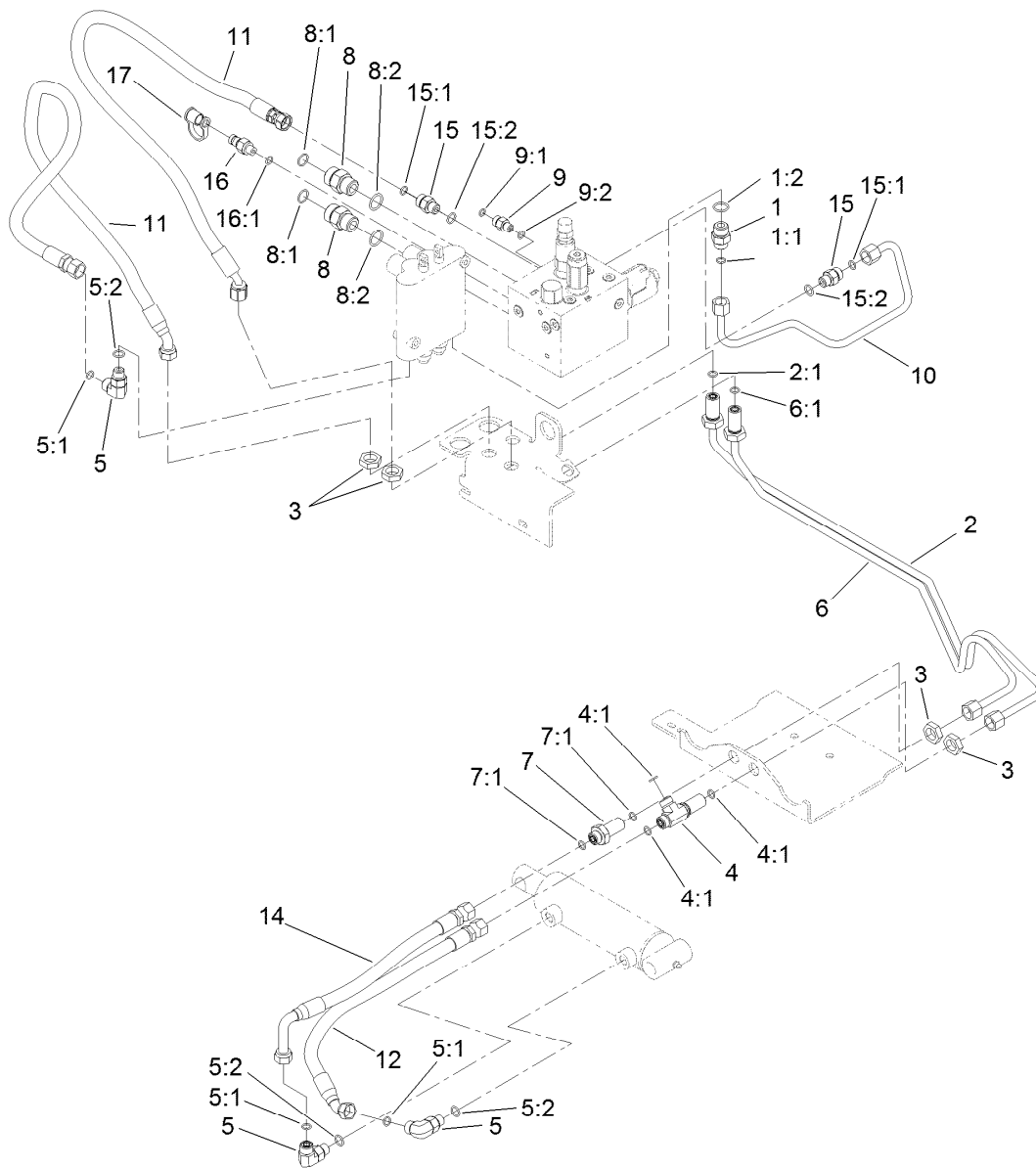
Lift Hydraulic Assembly

| <i>Ref.</i> | <i>Part Number</i> | <i>Qty.</i> | <i>Description</i> | <i>Ref.</i> | <i>Part Number</i> | <i>Qty.</i> | <i>Description</i> |
|-------------|--------------------|-------------|----------------------|-------------|--------------------|-------------|-----------------------|
| 1 | 340-2 | 2 | Fitting-Straight | 8:2 | 237-21 | 1 | O-Ring |
| 1:1 | 237-22 | 1 | O-Ring | 9 | 95-8838 | 1 | Hose-HYD |
| 1:2 | 237-42 | 1 | O-Ring | 10 | 340-132 | 1 | Fitting-Elbow, 90 DEG |
| 2 | 340-70 | 2 | Nut-Lock | 10:1 | 237-78 | 1 | O-Ring |
| 3 | 104-0407 | 1 | Hose-HYD | 10:2 | 237-21 | 1 | O-Ring |
| 4 | 100-4891 | 1 | Hose-HYD | 11 | 95-8839 | 1 | Hose-HYD |
| 5 | 95-8790 | 1 | Tube-HYD | 12 | 69-8940 | 4 | Washer |
| 6 | 95-8791 | 1 | Tube-HYD | 13 | 240-4 | 2 | Grommet-Rubber |
| 7 | 340-154 | 2 | Union-Bulkhead | 14 | 69-8970 | 2 | Spacer |
| 7:1 | 237-22 | 2 | O-Ring | 15 | 340-77 | 3 | Fitting-Elbow, 90 DEG |
| 8 | 85-9720 | 1 | Fitting-STR, Orifice | 15:1 | 237-22 | 1 | O-Ring |
| 8:1 | 237-78 | 1 | O-Ring | 15:2 | 237-42 | 1 | O-Ring |



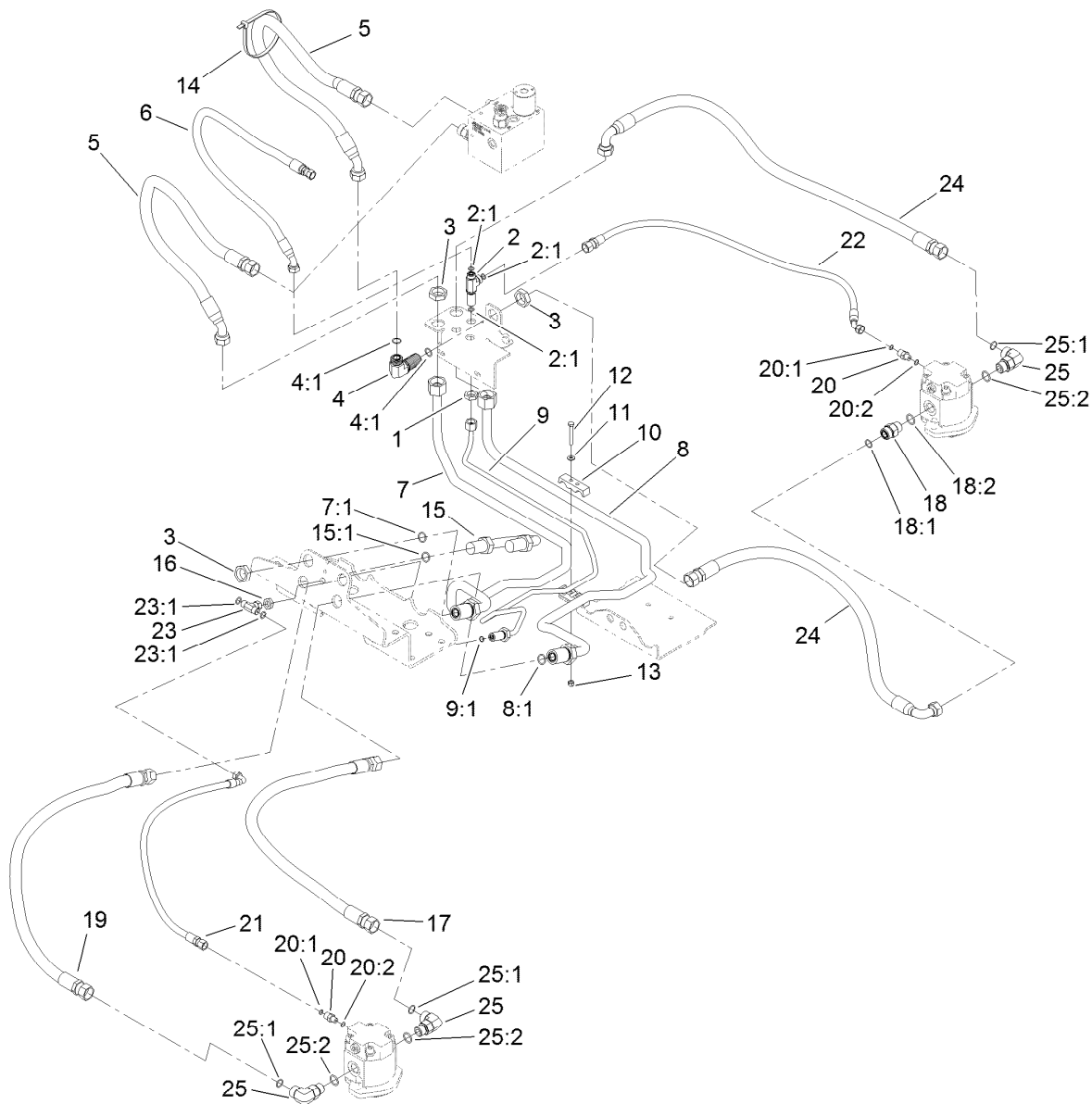
Steering Hydraulic Assembly

| <i>Ref.</i> | <i>Part Number</i> | <i>Qty.</i> | <i>Description</i> | <i>Ref.</i> | <i>Part Number</i> | <i>Qty.</i> | <i>Description</i> |
|-------------|--------------------|-------------|-----------------------|-------------|--------------------|-------------|-----------------------|
| 1 | 95-8842 | 1 | Hose-HYD | 7 | 69-4320 | 1 | Fitting-HYD, 90 DEG |
| 2 | 95-8843 | 1 | Hose-HYD | 7:1 | 237-22 | 1 | O-Ring |
| 3 | 100-4892 | 1 | Hose-HYD | 7:2 | 237-42 | 1 | O-Ring |
| 4 | 100-4893 | 1 | Hose-HYD | 8 | 340-77 | 2 | Fitting-Elbow, 90 DEG |
| 5 | 120-3542 | 1 | Hose-ASM | 8:1 | 237-22 | 1 | O-Ring |
| 6 | 340-132 | 2 | Fitting-Elbow, 90 DEG | 8:2 | 237-42 | 1 | O-Ring |
| 6:1 | 237-78 | 1 | O-Ring | 9 | 353-397 | 1 | Reducer-Adaptor |
| 6:2 | 237-21 | 1 | O-Ring | 9:1 | 237-79 | 1 | O-Ring |



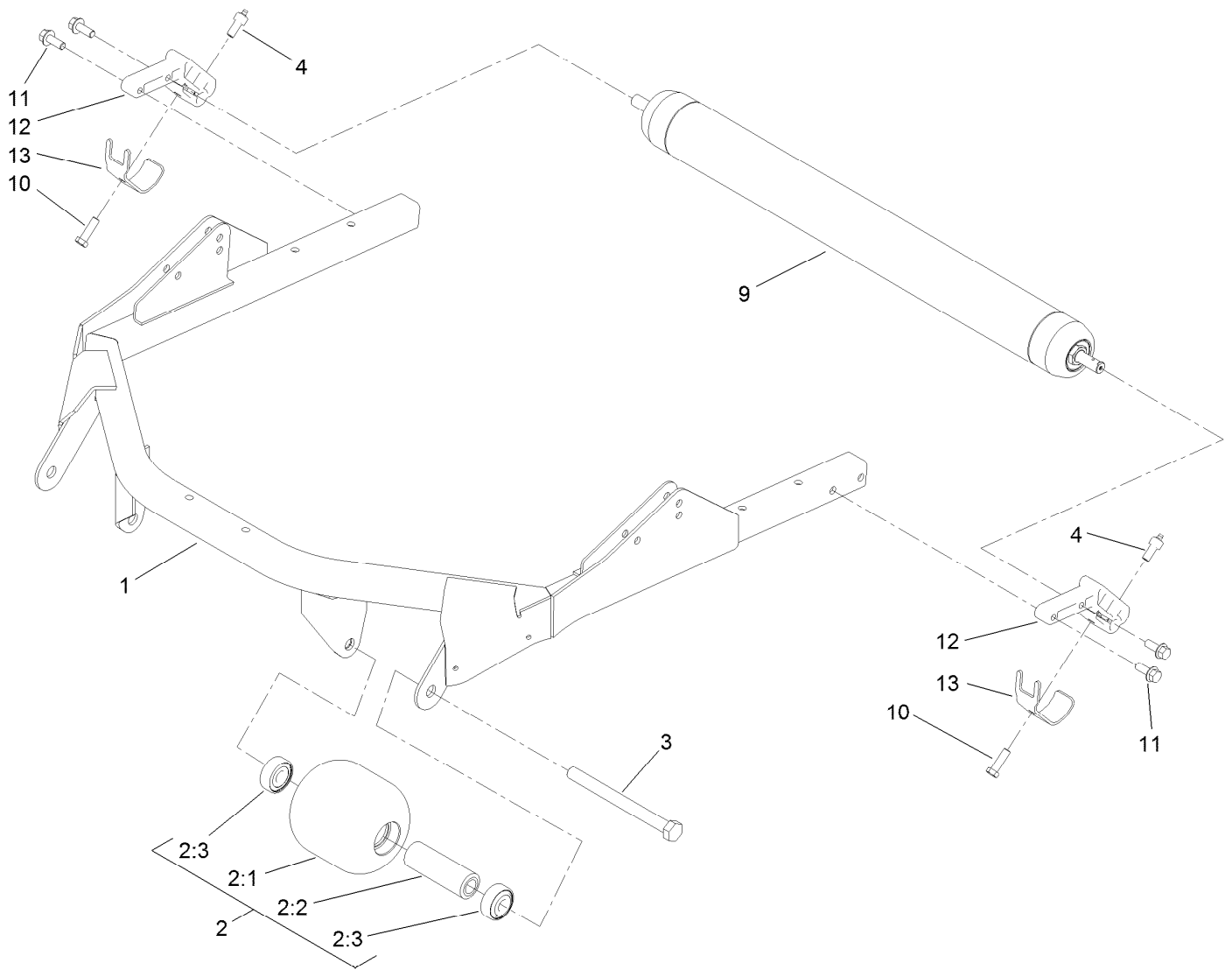
Sidewinder Hydraulic Assembly

| Ref. | Part Number | Qty. | Description | Ref. | Part Number | Qty. | Description |
|------|-------------|------|----------------------------|------|-------------|------|------------------|
| 1 | 340-3 | 1 | Fitting-Straight | 8:1 | 237-65 | 1 | O-Ring |
| 1:1 | 237-22 | 1 | O-Ring | 8:2 | 237-80 | 1 | O-Ring |
| 1:2 | 237-79 | 1 | O-Ring | 9 | 340-92 | 1 | Fitting-Straight |
| 2 | 104-0402 | 1 | Tube-HYD | 9:1 | 237-78 | 1 | O-Ring |
| 2:1 | 237-22 | 1 | O-Ring | 9:2 | 237-21 | 1 | O-Ring |
| 3 | 340-70 | 4 | Nut-Lock | 10 | 100-4827 | 1 | Tube-HYD |
| 4 | 340-68 | 1 | Fitting-Tee, Bulkhead | 11 | 95-8822 | 2 | Hose-HYD |
| 4:1 | 237-22 | 3 | O-Ring | 12 | 104-0405 | 1 | Hose-HYD |
| 5 | 340-77 | 3 | Fitting-Elbow, 90 DEG | 14 | 104-0406 | 1 | Hose-HYD |
| 5:1 | 237-22 | 1 | O-Ring | 15 | 340-2 | 2 | Fitting-Straight |
| 5:2 | 237-42 | 1 | O-Ring | 15:1 | 237-22 | 1 | O-Ring |
| 6 | 104-0403 | 1 | Tube ASM | 15:2 | 237-42 | 1 | O-Ring |
| 6:1 | 237-22 | 1 | O-Ring | 16 | 354-77 | 1 | Fitting-Quick |
| 7 | 340-71 | 1 | Fitting-Straight, Bulkhead | 16:1 | 237-78 | 1 | O-Ring |
| 7:1 | 237-22 | 2 | O-Ring | 17 | 354-79 | 1 | Cap-Dust |
| 8 | 340-7 | 2 | Fitting-Straight | | | | |



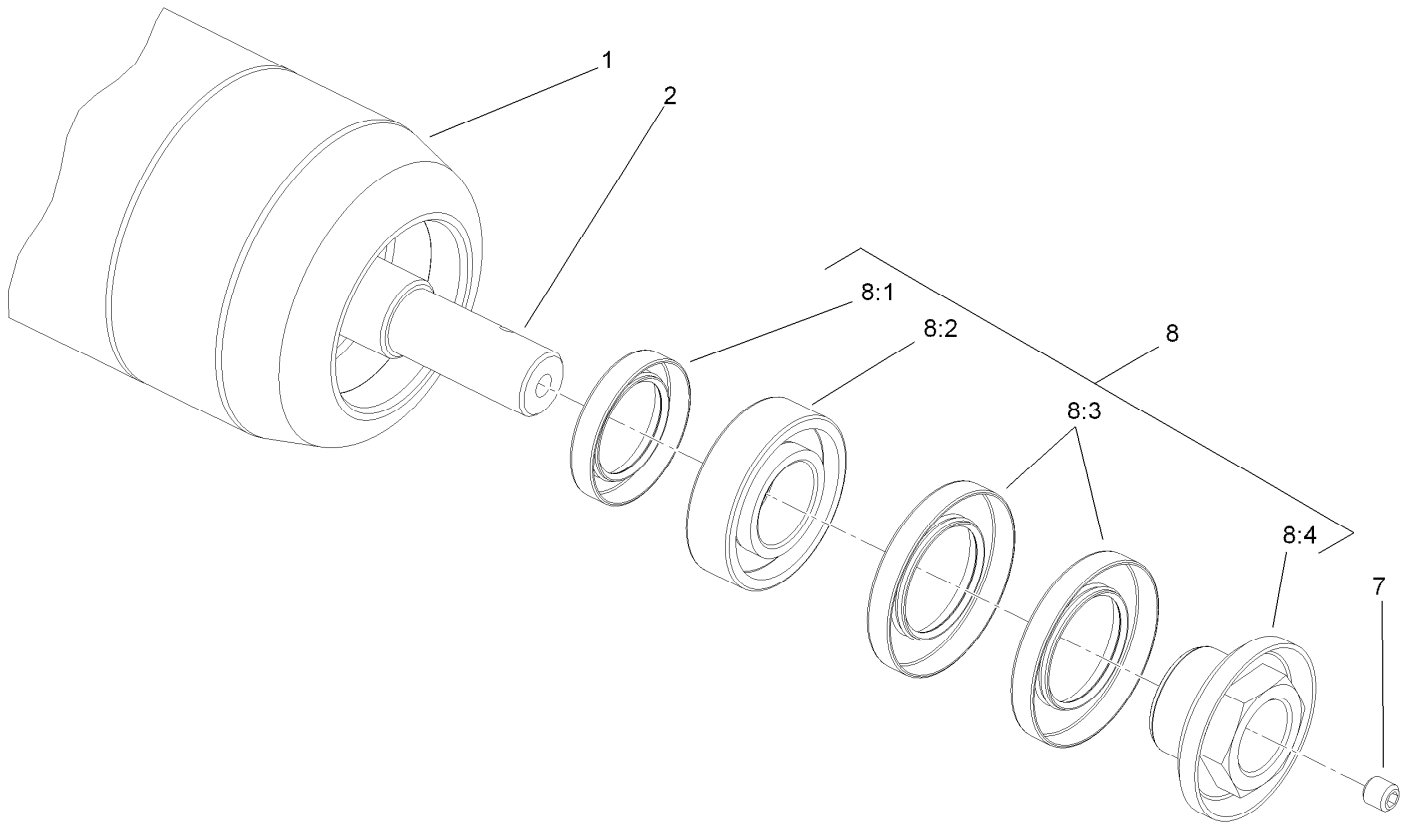
Mow Hydraulic Assembly

| Ref. | Part Number | Qty. | Description | Ref. | Part Number | Qty. | Description |
|------|-------------|------|--------------------------|------|-------------|------|-----------------------|
| 1 | 340-70 | 1 | Nut-Lock | 15 | 99-3640 | 1 | Tube ASM |
| 2 | 340-68 | 1 | Fitting-Tee, Bulkhead | 15:1 | 237-65 | 2 | O-Ring |
| 2:1 | 237-22 | 3 | O-Ring | 16 | 340-78 | 1 | Nut-Lock |
| 3 | 340-74 | 7 | Nut-Lock, Bulkhead | 17 | 105-1216 | 2 | Hose-HYD |
| 4 | 340-72 | 1 | Fitting-Bulkhead, 90 DEG | 18 | 340-7 | 1 | Fitting-Straight |
| 4:1 | 237-65 | 2 | O-Ring | 18:1 | 237-65 | 1 | O-Ring |
| 5 | 100-4879 | 2 | Hose-HYD | 18:2 | 237-80 | 1 | O-Ring |
| 6 | 115-3411 | 1 | Hose-HYD | 19 | 105-1215 | 2 | Hose-HYD |
| 7 | 104-0401 | 1 | Tube ASM | 20 | 340-92 | 3 | Fitting-Straight |
| 7:1 | 237-65 | 2 | O-Ring | 20:1 | 237-78 | 1 | O-Ring |
| 8 | 104-0400 | 1 | Tube ASM | 20:2 | 237-21 | 1 | O-Ring |
| 8:1 | 237-65 | 2 | O-Ring | 21 | 104-1080 | 2 | Hose-HYD |
| 9 | 104-0404 | 1 | Tube ASM | 22 | 100-4876 | 1 | Hose-HYD |
| 9:1 | 237-21 | 1 | O-Ring | 23 | 99-3477 | 1 | Fitting-Tee |
| 10 | 99-3641 | 2 | Clamp-Tube | 23:1 | 237-21 | 2 | O-Ring |
| 11 | 3256-22 | 4 | Washer-Flat | 24 | 100-4880 | 2 | Hose-HYD |
| 12 | 321-11 | 2 | Screw-HH | 25 | 340-17 | 5 | Fitting-Elbow, 90 DEG |
| 13 | 3296-42 | 2 | Nut-Lock, NI | 25:1 | 237-65 | 1 | O-Ring |
| 14 | 3334-945 | 2 | Tie-Cable | 25:2 | 237-80 | 1 | O-Ring |



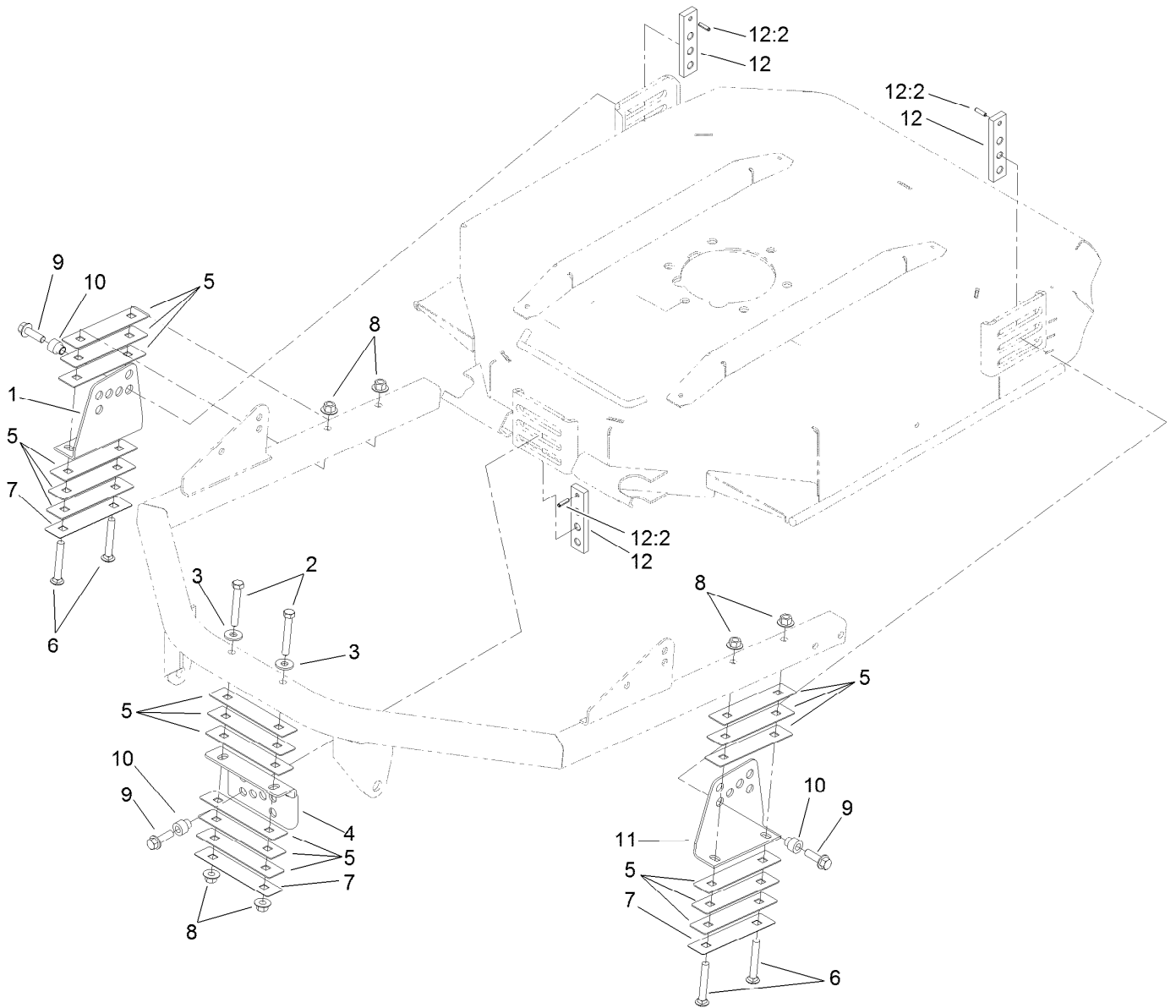
Roller and Carrier Frame Assembly

| Ref. | Part Number | Qty. | Description |
|------|-------------|------|----------------------|
| 1 | 100-5780-03 | 1 | Frame-Deck |
| 2 | 136-2908 | 2 | Roller ASM |
| 2:1 | 104-1093 | 1 | Roller |
| 2:2 | 100-5762 | 1 | Spacer-Bearing |
| 2:3 | 120-3366 | 2 | Bearing |
| 3 | 136-2924 | 2 | Screw-HH |
| 4 | 127-6422 | 2 | Screw-Grease, Roller |
| 9 | 112-5265 | 1 | Roller ASM |
| 10 | 323-7 | 2 | Screw-HH |
| 11 | 3234-11 | 4 | Screw-HHF |
| 12 | 112-5268 | 2 | Mount-Roller |
| 13 | 107-7816 | 2 | Bracket-Skid |



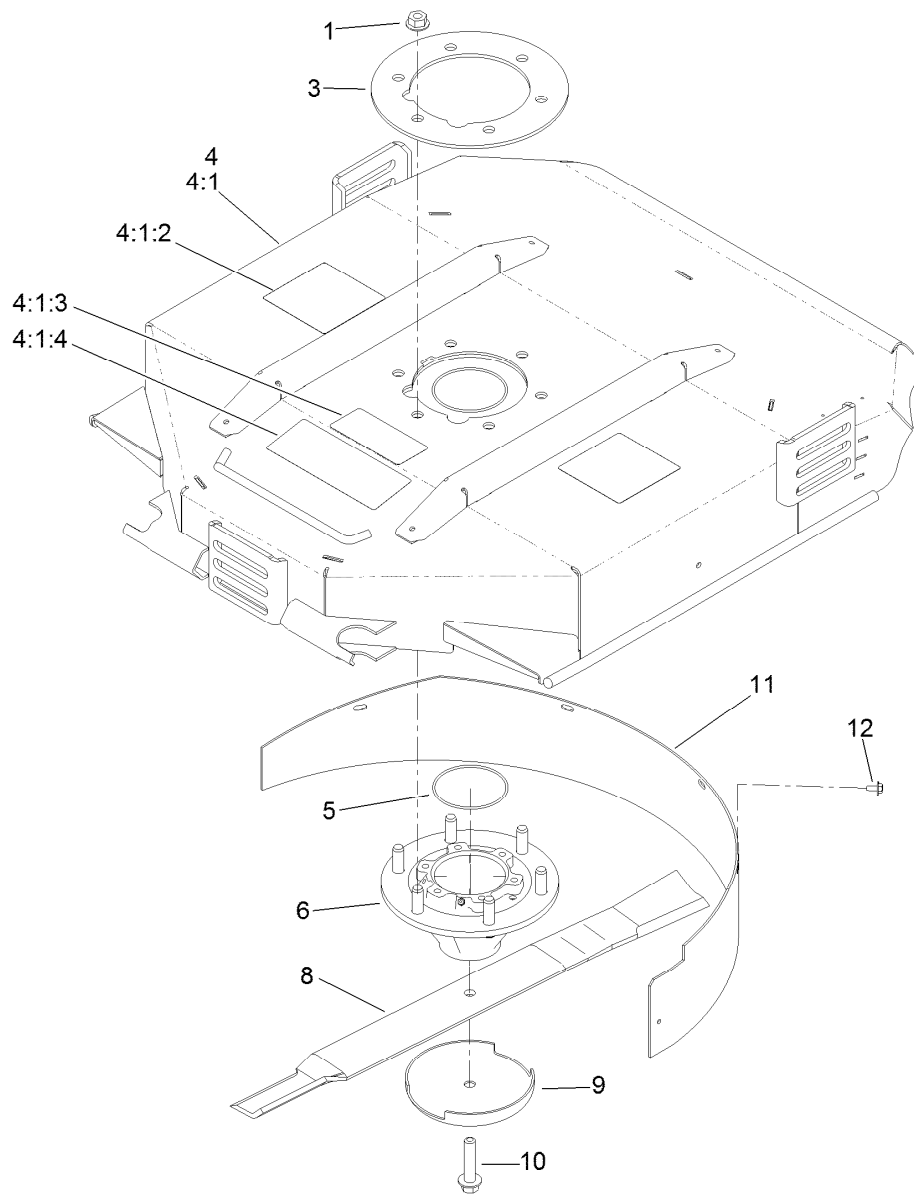
Roller Assembly No. 112-5265

| <i>Ref.</i> | <i>Part Number</i> | <i>Qty.</i> | <i>Description</i> |
|-------------|--------------------|-------------|--------------------------|
| 1 | 112-5274-03 | 1 | Tube ASM |
| 2 | 117-5100 | 1 | Shaft-Roller, Rear |
| 7 | 108-0989 | 2 | Screw-Set |
| 8 | 114-5430 | 1 | Roller Rebuild Kit |
| 8:1 | 114-3717 | 2 | Seal-Oil |
| 8:2 | 112-5290 | 2 | Bearing-Steel, Stainless |
| 8:3 | 112-7494 | 4 | Seal |
| 8:4 | 114-3745 | 2 | Nut-Lock, Bearing |



Height-of-Cut Bracket Assembly

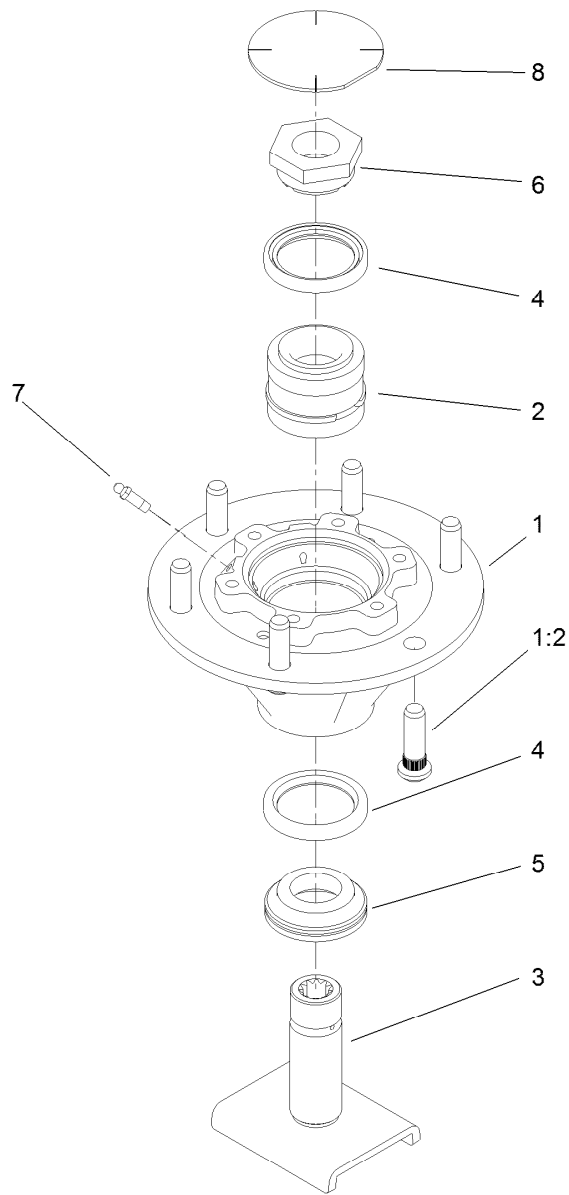
| Ref. | Part Number | Qty. | Description |
|------|-------------|------|---------------------|
| 1 | 100-5797-03 | 1 | Bracket-HOC, RH |
| 2 | 323-12 | 2 | Screw-HH |
| 3 | 80-6990 | 2 | Washer-Hardened |
| 4 | 104-1052-03 | 1 | Bracket-HOC, Front |
| 5 | 100-5799 | 18 | Shim-HOC, .060 Inch |
| 6 | 3231-9 | 4 | Screw-CARR |
| 7 | 104-4641 | 3 | Shim-HOC, .030 Inch |
| 8 | 32128-43 | 6 | Nut-Flange |
| 9 | 3234-24 | 3 | Screw-HHF |
| 10 | 121-3575 | 3 | Spacer-HOC |
| 11 | 104-4624-03 | 1 | Bracket-HOC, LH |
| 12 | 136-2921 | 3 | HOC Plate ASM |
| 12:2 | 32121-5 | 1 | Pin-Spring |



Chamber, Blade and Spindle Assembly

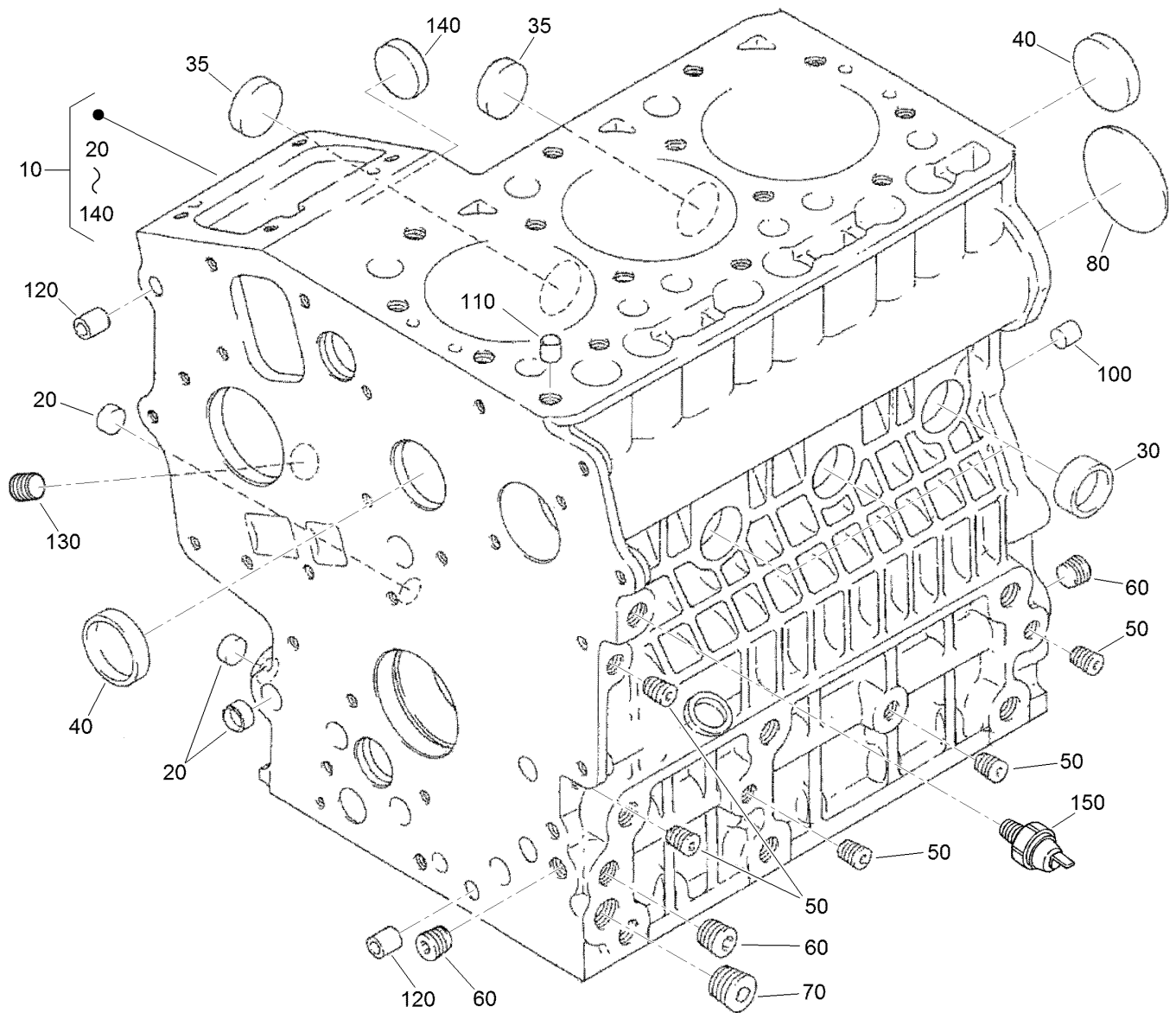
| Ref. | Part Number | Qty. | Description |
|-------|-------------|------|--------------------------|
| 1 | 32128-39 | 6 | Nut-HHF |
| 3 | 104-1051-03 | 1 | Plate-Spindle |
| 4 | 127-6389 | 1 | Deck Chamber Service ASM |
| 4:1 | | 1 | Chamber ASM ● |
| 4:1:2 | 117-4764 | 2 | Decal-Danger |
| 4:1:3 | 93-7818 | 1 | Decal-Torque, Blade Bolt |
| 4:1:4 | 121-3627 | 1 | Decal-Height Of Cut |
| 5 | 237-161 | 1 | O-Ring |
| 6 | 138-6932 | 1 | Spindle ASM |
| 8 | 107-0235-03 | 1 | Blade-Atomic |
| 8 | 108-9026-03 | 1 | Blade-Combo |
| 9 | 72-9361 | 1 | Cup-Scalp, Anti |
| 10 | 92-5816 | 1 | Bolt-Blade |
| 11 | 108-9025-01 | 1 | Baffle-Mulching |
| 12 | 46-8560 | 5 | Screw-HHFTF |

● Not serviced separately



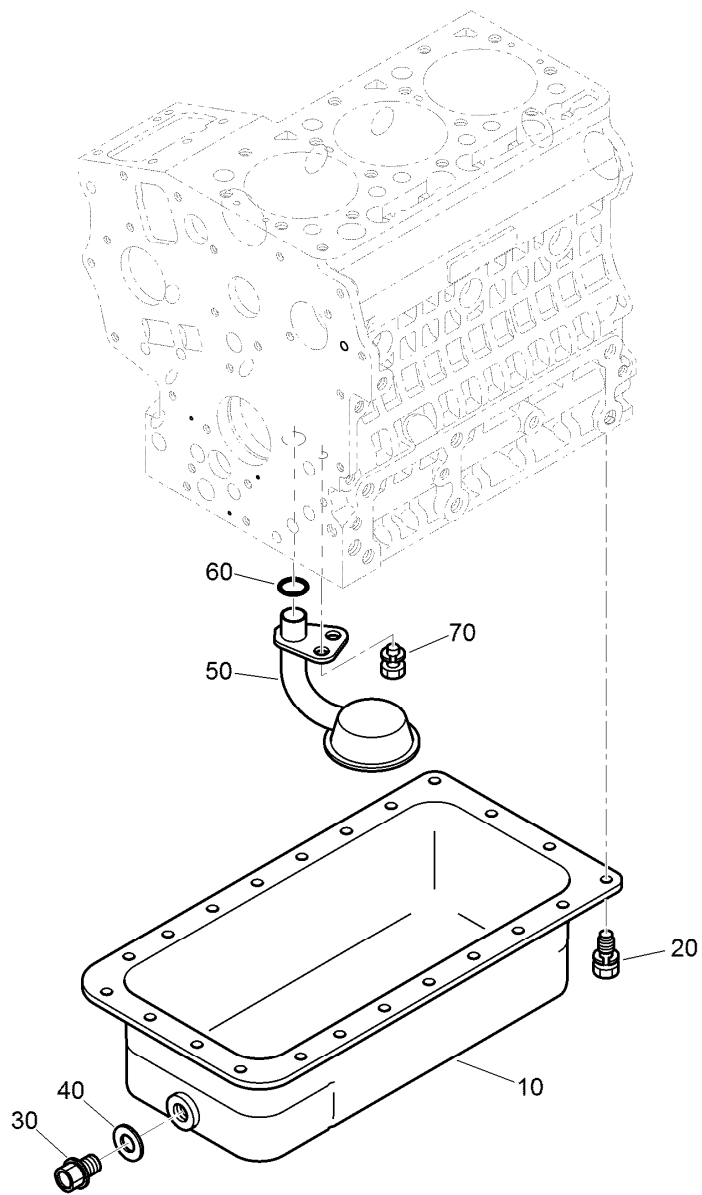
Spindle Assembly No. 138-6932

| <i>Ref.</i> | <i>Part Number</i> | <i>Qty.</i> | <i>Description</i> |
|-------------|--------------------|-------------|------------------------|
| 1 | 115-3434 | 1 | Spindle |
| 1:2 | 10-6830 | 6 | Stud-Type, Drive |
| 2 | 100-5703 | 1 | Spacer And Bearing ASM |
| 3 | 138-6931 | 1 | Spindle Shaft ASM |
| 4 | 253-154 | 2 | Seal-Oil |
| 5 | 69-6950 | 1 | Spacer-Shaft, Spindle |
| 6 | 100-5709 | 1 | Nut-Spindle, Spcl |
| 7 | 302-62 | 2 | Fitting-Grease |
| 8 | 94-2703 | 1 | Plug |



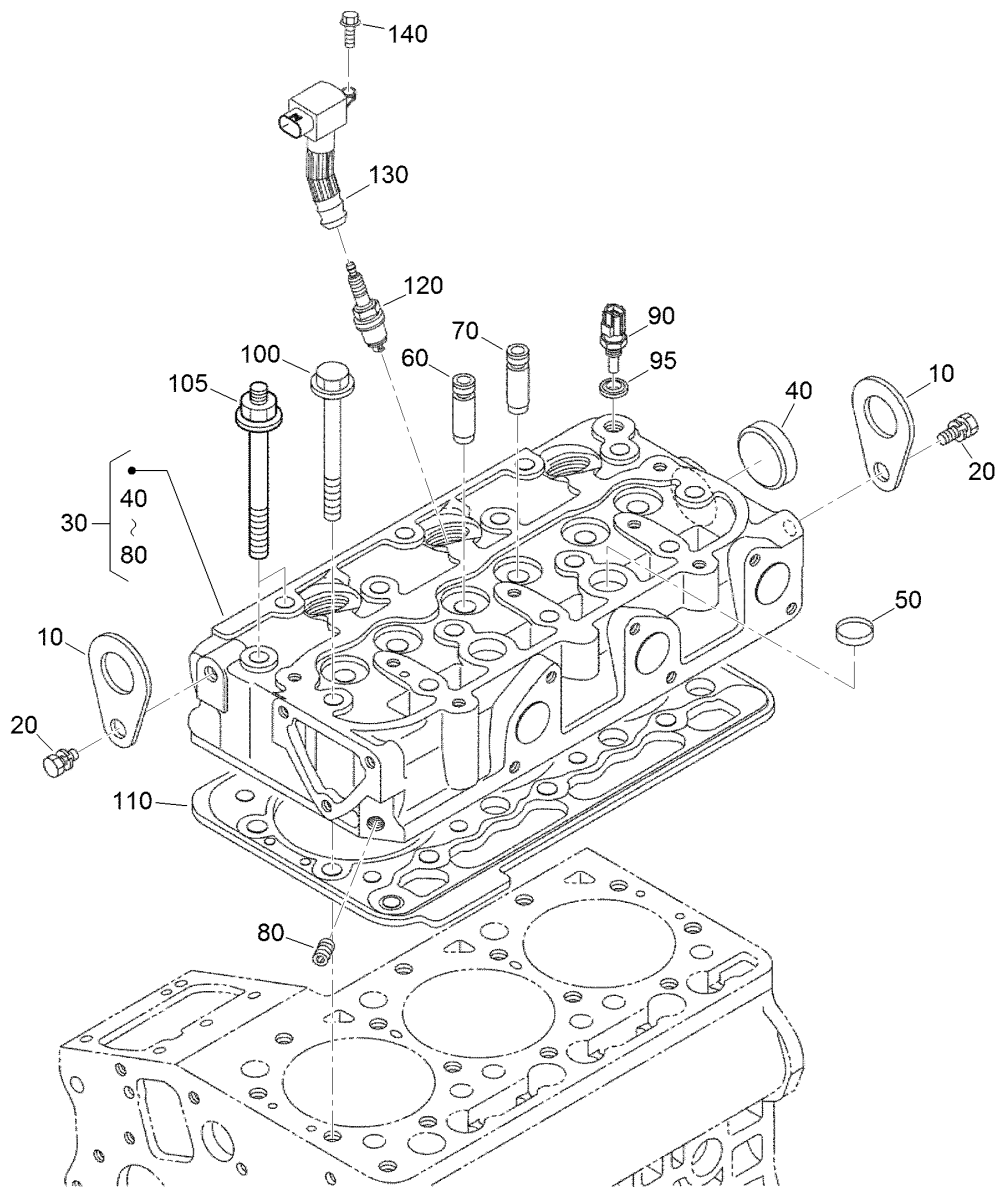
Crankcase Assembly

| Ref. | Part Number | Qty. | Description |
|-------------|--------------------|-------------|----------------------|
| 10 | 125-9061 | 1 | Crankcase ASM |
| 20 | 100-2019 | 3 | Cap-Sealing |
| 30 | 100-2020 | 3 | Cap-Sealing |
| 35 | 110-3702 | 2 | Cap-Sealing |
| 40 | 98-9398 | 2 | Cap-Sealing |
| 50 | 98-9687 | 5 | Plug |
| 60 | 98-7487 | 3 | Plug |
| 70 | 98-7488 | 1 | Plug |
| 80 | 100-1851 | 1 | Plug-Expansion |
| 100 | 98-9377 | 2 | Pin-Straight |
| 110 | 98-7506 | 1 | Pin-Pipe |
| 120 | 100-2051 | 2 | Pin-Pipe |
| 130 | 98-7488 | 1 | Plug |
| 140 | 100-1991 | 1 | Cover-Fuel, Camshaft |
| 150 | 98-9416 | 1 | Switch-Oil |



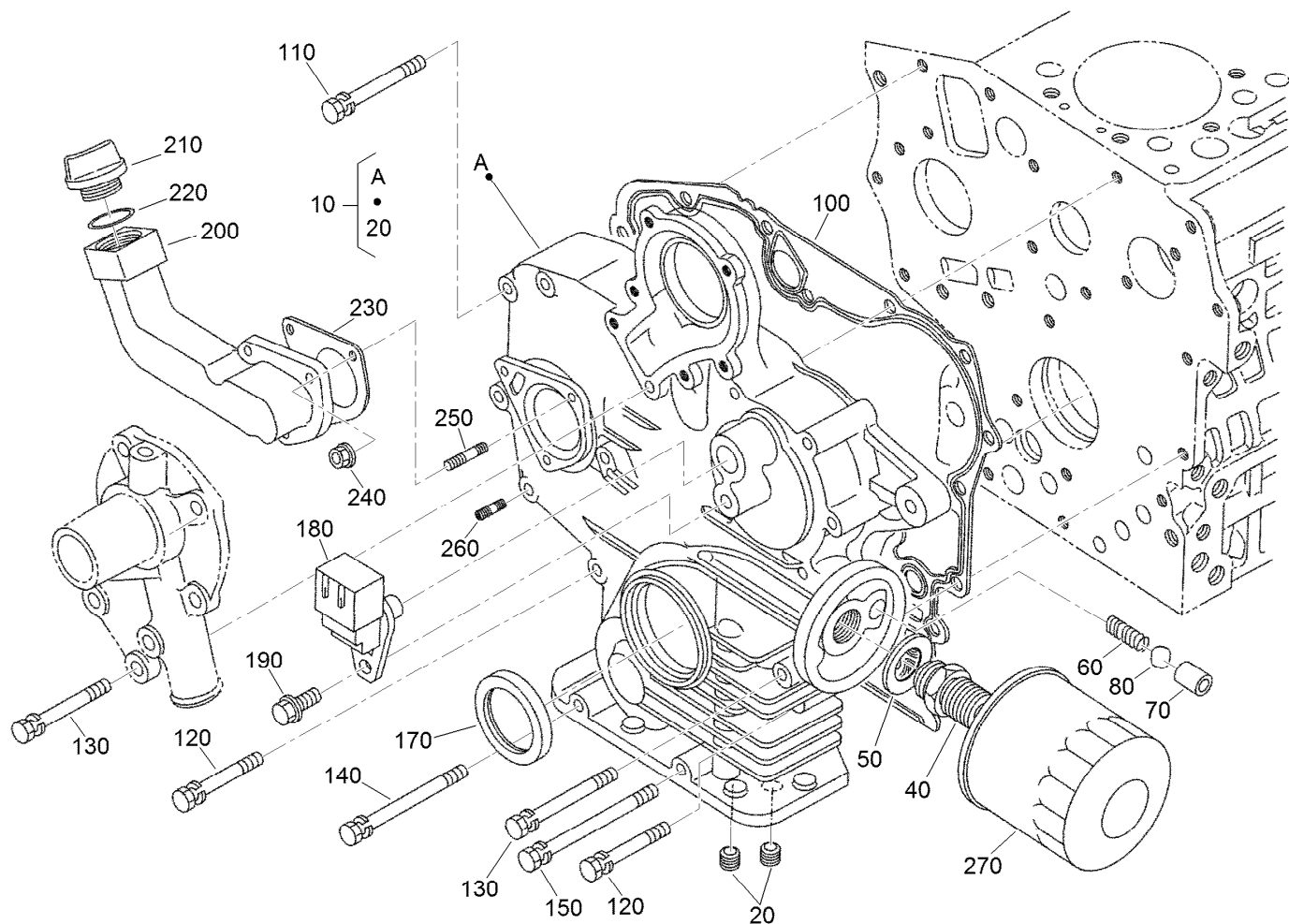
Oil Pan Assembly

| <i>Ref.</i> | <i>Part Number</i> | <i>Qty.</i> | <i>Description</i> |
|-------------|--------------------|-------------|--------------------|
| 10 | 125-9056 | 1 | Oil Pan ASM |
| 20 | 98-9350 | 22 | Bolt |
| 30 | 114-8151 | 1 | Plug-Drain |
| 40 | 98-7524 | 1 | Gasket |
| 50 | 125-9052 | 1 | Tube-Pick Up, Oil |
| 60 | 105-3776 | 1 | O-Ring |
| 70 | 100-9195 | 1 | Bolt |



Cylinder Head Assembly

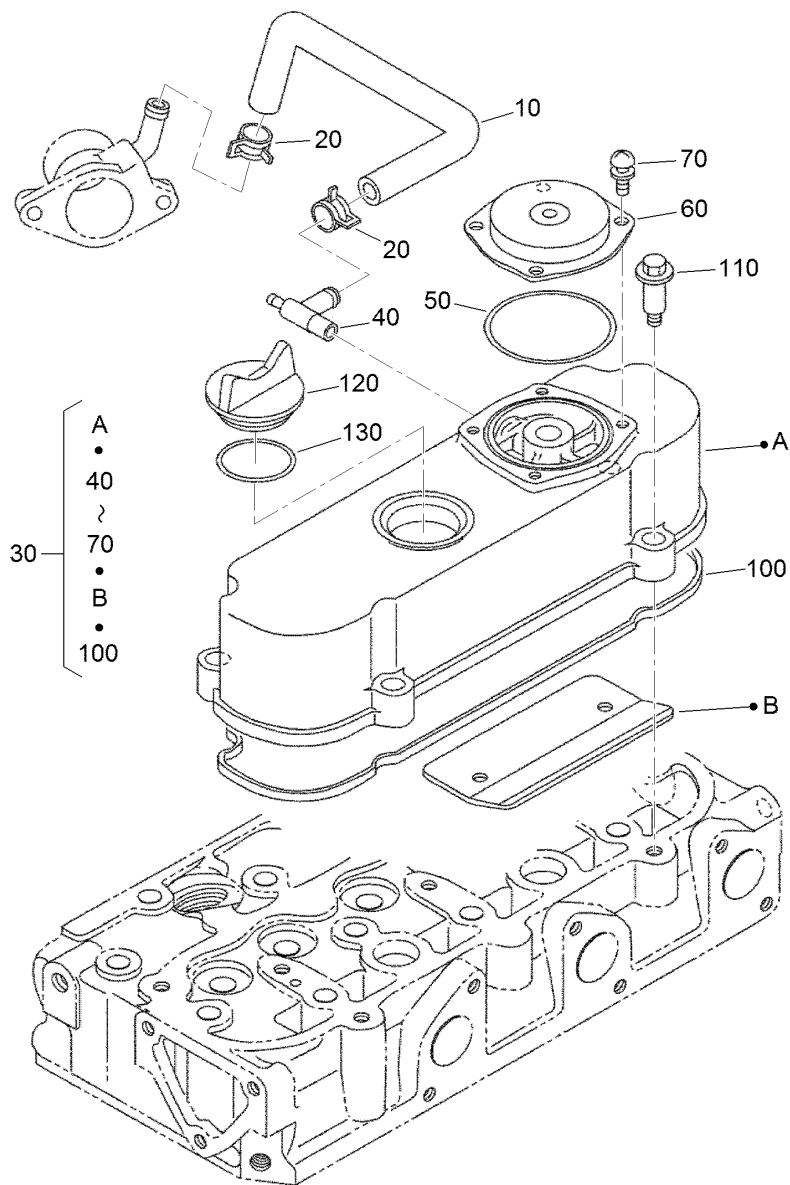
| <i>Ref.</i> | <i>Part Number</i> | <i>Qty.</i> | <i>Description</i> | <i>Ref.</i> | <i>Part Number</i> | <i>Qty.</i> | <i>Description</i> |
|-------------|--------------------|-------------|----------------------|-------------|--------------------|-------------|---------------------------|
| 10 | 98-7531 | 2 | Hook-Engine | 90 | 125-9102 | 1 | Sensor-Temperature, Water |
| 20 | 98-7526 | 2 | Bolt | 95 | 125-9096 | 1 | Gasket |
| 30 | 125-9119 | 1 | Cylinder Head ASM | 100 | 100-1820 | 12 | Bolt-Head, Cylinder |
| 40 | 105-3705 | 1 | Cap-Sealing | 105 | 127-1600 | 2 | Bolt-Head, Cylinder |
| 50 | 98-9389 | 2 | Cap-Sealing | 110 | 125-9113 | 1 | Gasket-Head |
| 60 | 100-1882 | 3 | Guide-Valve, Inlet | 120 | 125-9139 | 3 | Spark Plug |
| 70 | 100-1883 | 3 | Guide-Valve, Exhaust | 130 | 125-9145 | 3 | Coil-Ignition |
| 80 | 98-7540 | 1 | Plug | 140 | 99-8363 | 3 | Bolt-Flange |



Gear Case and Oil Filter Cartridge Assembly

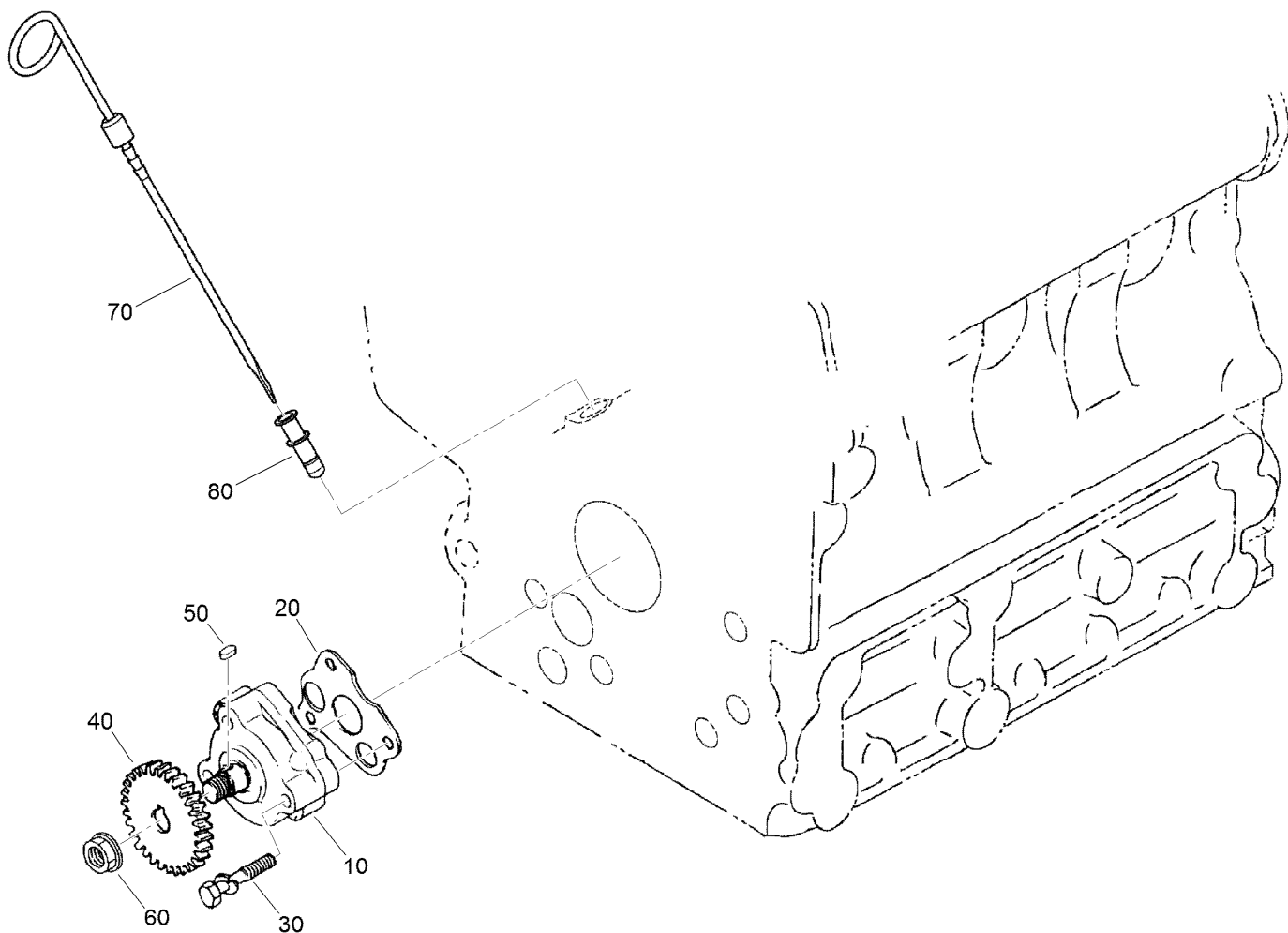
| <i>Ref.</i> | <i>Part Number</i> | <i>Qty.</i> | <i>Description</i> |
|-------------|--------------------|-------------|--------------------|
| 10 | 125-9151 | 1 | Gear Case ASM |
| 20 | 98-7488 | 1 | Plug |
| 40 | 98-9388 | 1 | Joint-Pipe |
| 50 | 100-1926 | 1 | Washer-Plain |
| 60 | 100-2004 | 1 | Spring |
| 70 | 100-1894 | 1 | Seat-Valve |
| 80 | 100-1792 | 1 | Ball |
| 100 | 117-0327 | 1 | Gasket-Case, Gear |
| 110 | 99-8320 | 1 | Bolt |
| 120 | 98-9356 | 9 | Bolt |
| 130 | 100-1922 | 3 | Bolt |
| 140 | 98-9357 | 1 | Bolt |

| <i>Ref.</i> | <i>Part Number</i> | <i>Qty.</i> | <i>Description</i> |
|-------------|--------------------|-------------|--------------------|
| 150 | 110-3710 | 1 | Bolt |
| 170 | 120-7852 | 1 | Seal-Oil |
| 180 | 125-9142 | 1 | Sensor |
| 190 | 99-8363 | 1 | Bolt-Flange |
| 200 | 127-1601 | 1 | Flange-Filler, Oil |
| 210 | 127-1602 | 1 | Plug-Filler, Oil |
| 220 | 127-1603 | 1 | O-Ring |
| 230 | 100-2062 | 1 | Gasket |
| 240 | 100-2203 | 3 | Nut-Flange |
| 250 | 100-1924 | 1 | Stud |
| 260 | 98-7571 | 3 | Stud |
| 270 | 115-8189 | 1 | Filter-Oil, Engine |



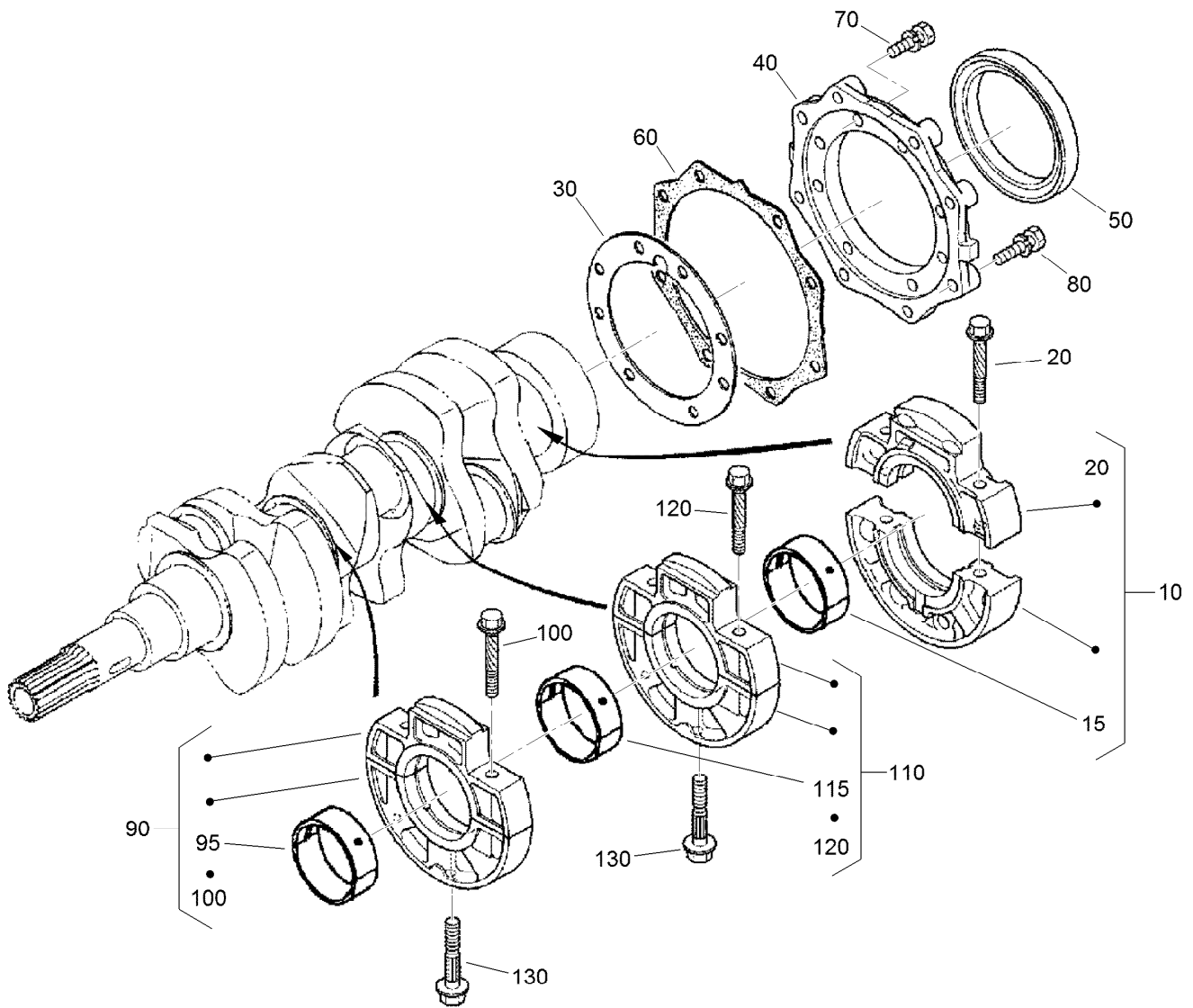
Cylinder Head Cover Assembly

| <i>Ref.</i> | <i>Part Number</i> | <i>Qty.</i> | <i>Description</i> |
|-------------|--------------------|-------------|-------------------------|
| 10 | 125-9120 | 1 | Tube-Breather |
| 20 | 98-9579 | 2 | Band-Pipe |
| 30 | 125-9129 | 1 | Cylinder Head Cover ASM |
| 40 | 125-9117 | 1 | Pipe-Breather |
| 50 | 110-3846 | 1 | O Ring-Breather |
| 60 | 108-7060 | 1 | Cover-Breather |
| 70 | 98-9364 | 4 | Screw (With Washer) |
| 100 | 125-9130 | 1 | Gasket-Cover, Head |
| 110 | 108-7063 | 4 | Bolt |
| 120 | 107-9075 | 1 | Plug-Filler, Oil |
| 130 | 99-3446 | 1 | O-Ring |



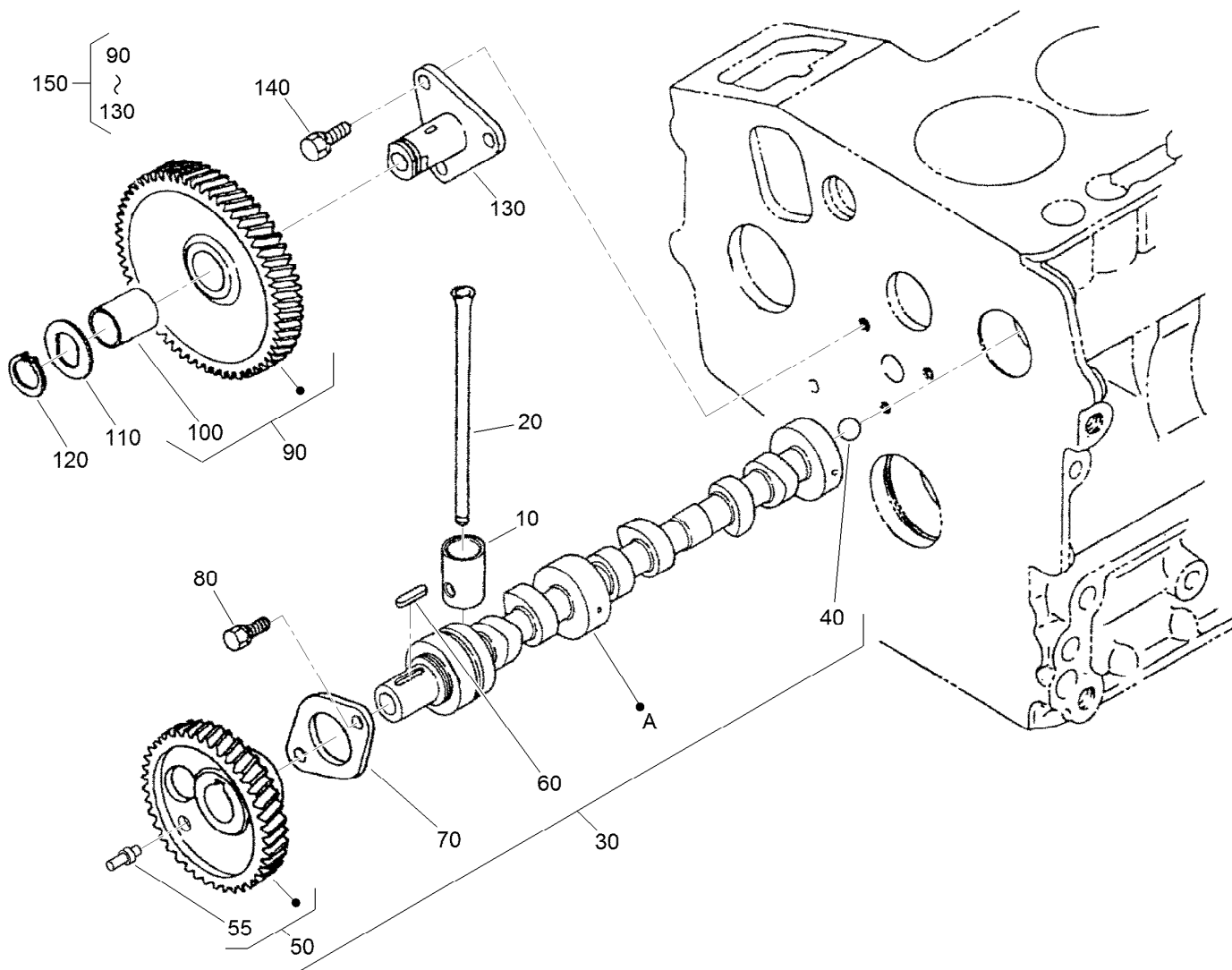
Oil Pump, Dipstick and Guide Assembly

| <i>Ref.</i> | <i>Part Number</i> | <i>Qty.</i> | <i>Description</i> |
|-------------|--------------------|-------------|----------------------|
| 10 | 100-2002 | 1 | Oil Pump ASM |
| 20 | 100-2003 | 1 | Gasket-Pump, Oil |
| 30 | 100-1923 | 3 | Bolt |
| 40 | 100-1893 | 1 | Gear-Drive, Oil Pump |
| 50 | 98-7658 | 1 | Key-Feather |
| 60 | 100-1779 | 1 | Nut-Flange |
| 70 | 110-3719 | 1 | Gauge-Oil |
| 80 | 105-4580 | 1 | Guide-Gauge, Oil |



Main Bearing Case Assembly

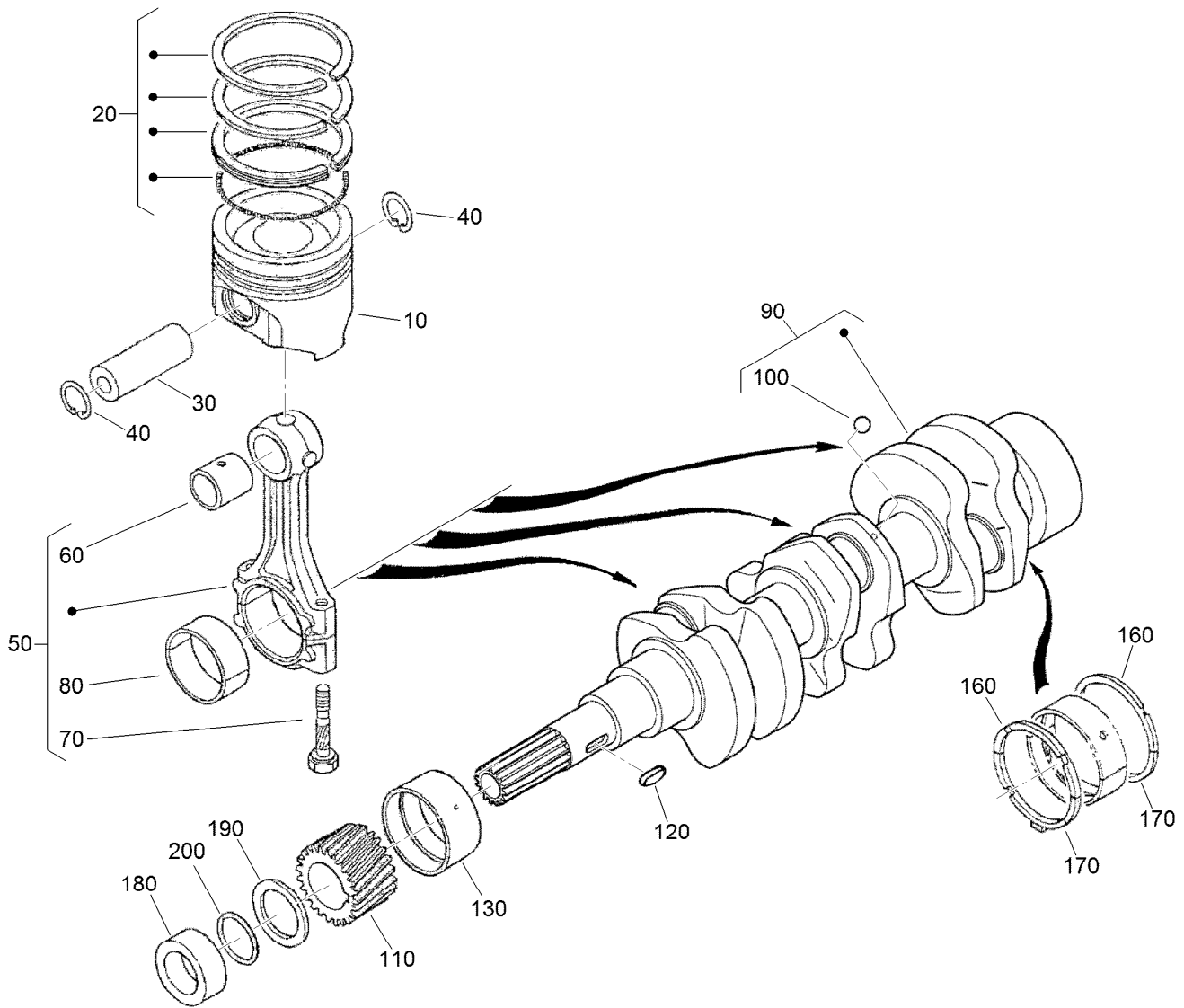
| Ref. | Part Number | Qty. | Description | Ref. | Part Number | Qty. | Description |
|------|-------------|------|--------------------------------|------|-------------|------|--------------------------------|
| 10 | 121-2426 | 1 | Bearing Case Wheel ASM | 95 | 125-9083 | 1 | Crankshaft Metal ASM (-0.20Mm) |
| 15 | 110-3744 | 1 | Crankshaft Metal ASM (STD) | 95 | 110-3743 | 1 | Crankshaft Metal ASM (-0.40Mm) |
| 15 | 110-3745 | 1 | Crankshaft Metal ASM (-0.20MM) | 100 | 110-3723 | 2 | Bolt-Case, Bearing |
| 15 | 110-3746 | 1 | Crankshaft Metal ASM (-0.40MM) | 110 | 110-3725 | 1 | Main Bearing Case ASM |
| 20 | 110-3723 | 2 | Bolt-Case, Bearing | 115 | 110-3741 | 1 | Crankshaft Metal ASM (STD) |
| 30 | 100-1873 | 1 | Gasket-Case, Bearing | 115 | 125-9083 | 1 | Crankshaft Metal ASM (-0.20Mm) |
| 40 | 112-8334 | 1 | Cover-Case, Bearing | 115 | 110-3743 | 1 | Crankshaft Metal ASM (-0.40Mm) |
| 50 | 110-3724 | 1 | Seal-Oil | 120 | 110-3723 | 2 | Bolt-Case, Bearing |
| 60 | 100-1876 | 1 | Gasket-Cover, Case | 130 | 100-1874 | 2 | Bolt-Case, Bearing |
| 70 | 98-7568 | 8 | Bolt | | | | |
| 80 | 100-1750 | 8 | Bolt | | | | |
| 90 | 110-3725 | 1 | Main Bearing Case ASM | | | | |
| 95 | 110-3741 | 1 | Crankshaft Metal ASM (STD) | | | | |



Cam Shaft and Idle Gear Shaft Assembly

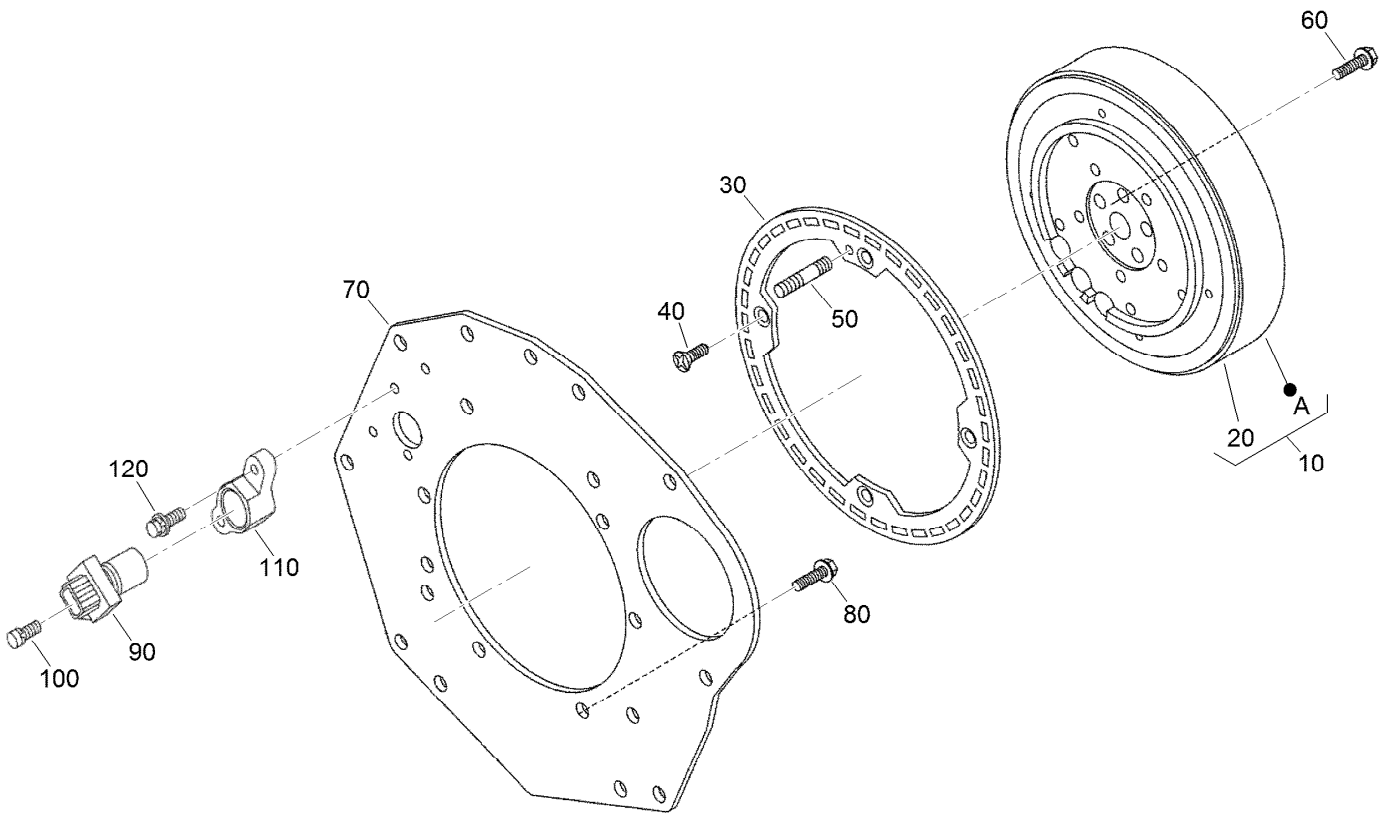
| Ref. | Part Number | Qty. | Description |
|------|-------------|------|------------------|
| 10 | 110-3727 | 6 | Tappet |
| 20 | 100-1989 | 6 | Rod-Push |
| 30 | 125-9131 | 1 | Camshaft ASM |
| 40 | 110-3729 | 1 | Ball |
| 50 | 125-9132 | 1 | Cam Gear ASM |
| 55 | 125-9133 | 2 | Pin-Gear, Cam |
| 60 | 98-9378 | 1 | Key-Feather |
| 70 | 100-1887 | 1 | Stopper-Camshaft |

| Ref. | Part Number | Qty. | Description |
|------|-------------|------|-------------------|
| 80 | 98-9350 | 2 | Bolt |
| 90 | 100-1966 | 1 | Gear-Idle |
| 100 | 121-2422 | 1 | Bushing |
| 110 | 100-1970 | 1 | Collar-Gear, Idle |
| 120 | 100-1969 | 1 | Ring-Snap |
| 130 | 100-1967 | 1 | Shaft-Gear, Idle |
| 140 | 100-1774 | 3 | Bolt-Flange |
| 150 | 100-2240 | 1 | Idle Gear ASM |



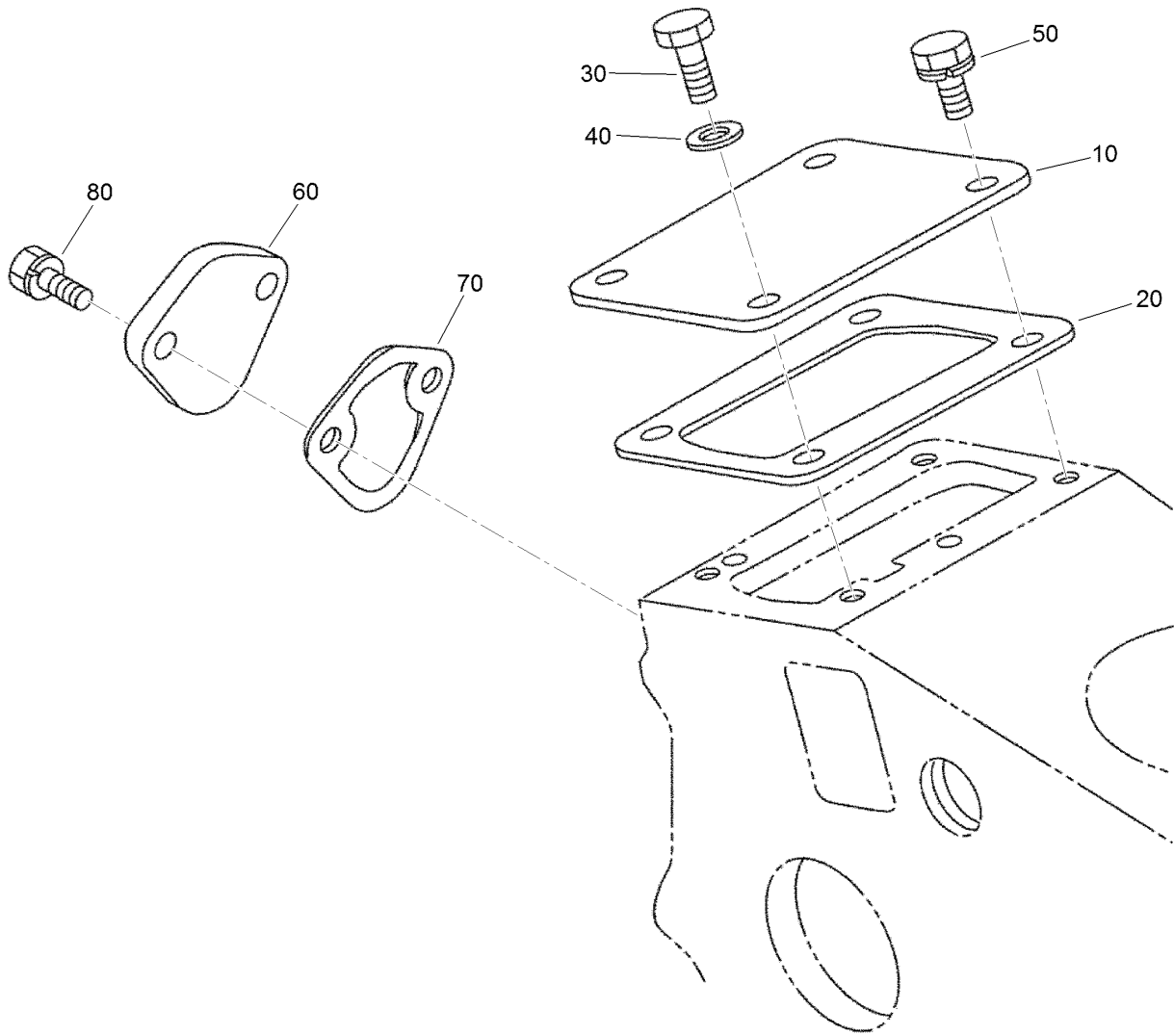
Piston and Crankshaft Assembly

| <i>Ref.</i> | <i>Part Number</i> | <i>Qty.</i> | <i>Description</i> | <i>Ref.</i> | <i>Part Number</i> | <i>Qty.</i> | <i>Description</i> |
|-------------|--------------------|-------------|---------------------------|-------------|--------------------|-------------|-----------------------------|
| 10 | 125-9115 | 3 | Piston (STD) | 120 | 100-1752 | 1 | Key-Feather |
| 10 | 125-9116 | 3 | Piston (+0.50Mm) | 130 | 110-3738 | 1 | Metal-Crankshaft (STD) |
| 20 | 125-9134 | 3 | Piston Ring ASM (STD) | 130 | 110-3739 | 1 | Metal-Crankshaft (-.0.20MM) |
| 20 | 125-9135 | 3 | Piston Ring ASM (+0.50Mm) | 130 | 110-3740 | 1 | Metal-Crankshaft (-0.40MM) |
| 30 | 110-3734 | 3 | Pin-Piston | 160 | 100-1836 | 2 | Metal-Side (STD) |
| 40 | 100-1835 | 6 | Circlip-Internal | 160 | 100-1838 | 2 | Metal-Side (+0.20MM) |
| 50 | 125-9070 | 3 | Connecting Rod ASM | 160 | 100-1839 | 2 | Metal-Side (+0.40MM) |
| 60 | 110-3736 | 3 | Bushing-Pin, Piston | 170 | 117-0309 | 2 | Metal-Side (STD) |
| 70 | 100-1999 | 6 | Bolt-Rod, Connecting | 170 | 100-1840 | 2 | Metal-Side (+0.2MM) |
| 80 | 100-2000 | 3 | Metal-Crankpin (STD) | 170 | 100-1841 | 2 | Metal-Side (+0.4MM) |
| 80 | 100-1942 | 3 | Metal-Crankpin (-0.20Mm) | 180 | 100-1890 | 1 | Collar-Crankshaft |
| 80 | 100-1943 | 3 | Metal-Crankpin (-0.40Mm) | 190 | 100-1974 | 1 | Slinger-Oil |
| 90 | 117-0308 | 1 | Crankshaft | 200 | 100-2209 | 1 | O-Ring |
| 100 | 100-1791 | 3 | Ball | | | | |
| 110 | 100-1891 | 1 | Gear-Crankshaft | | | | |



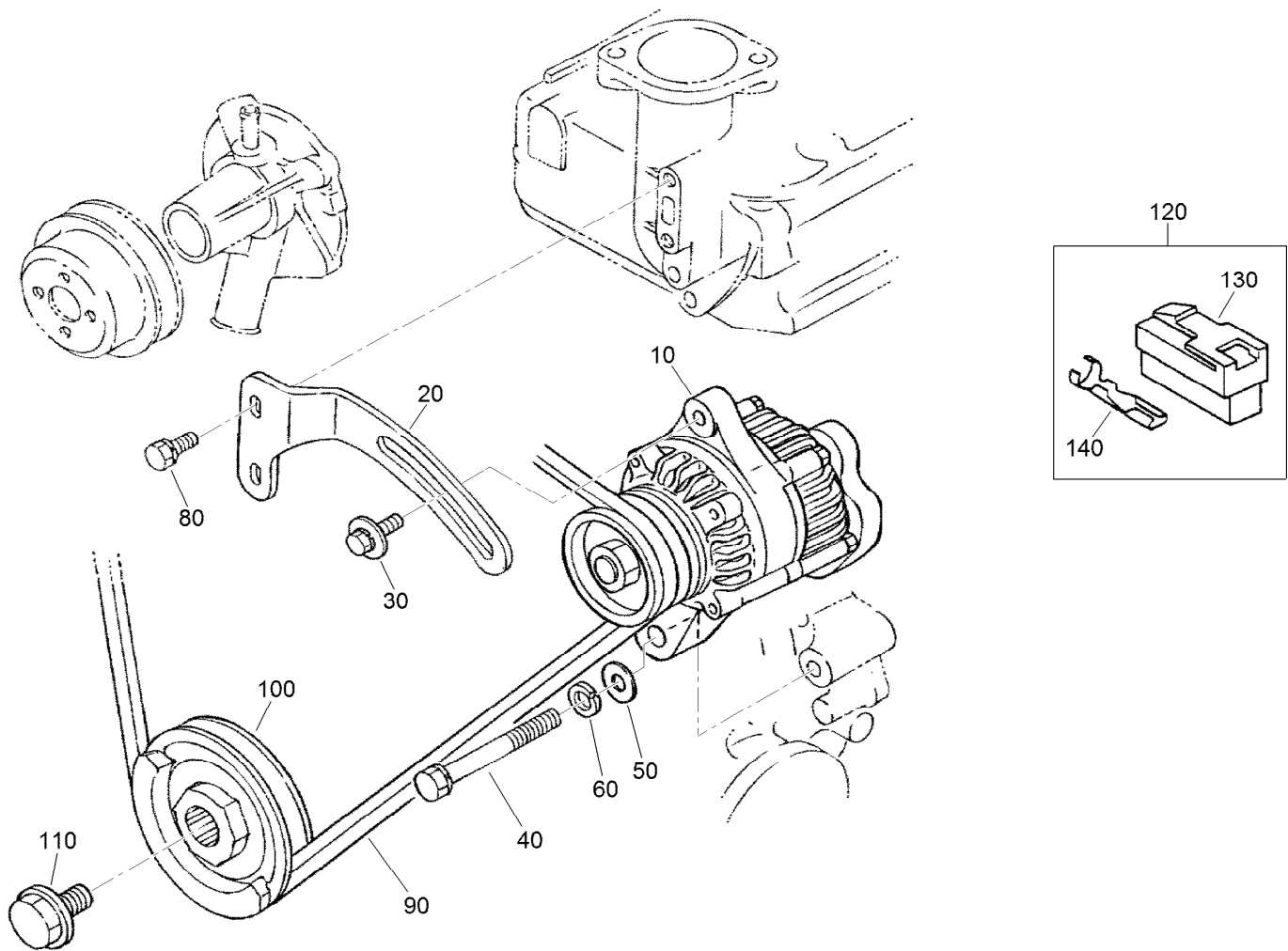
Flywheel and Sensor Switch Assembly

| <i>Ref.</i> | <i>Part Number</i> | <i>Qty.</i> | <i>Description</i> |
|-------------|--------------------|-------------|--------------------|
| 10 | 125-9153 | 1 | Flywheel ASM |
| 20 | 127-1604 | 1 | Gear-Ring |
| 30 | 127-1605 | 1 | Rotor |
| 40 | 127-0407 | 4 | Screw-Head, Flat |
| 50 | 127-0412 | 1 | Pin-Straight |
| 60 | 125-9051 | 5 | Bolt-Flywheel |
| 70 | 125-9152 | 1 | Plate-End, Rear |
| 80 | 110-3754 | 10 | Bolt |
| 90 | 125-9103 | 1 | Sensor Stick ASM |
| 100 | 125-9094 | 1 | Bolt-Flange |
| 110 | 125-9144 | 1 | Holder-Sensor |
| 120 | 108-2873 | 1 | Bolt-Flange |



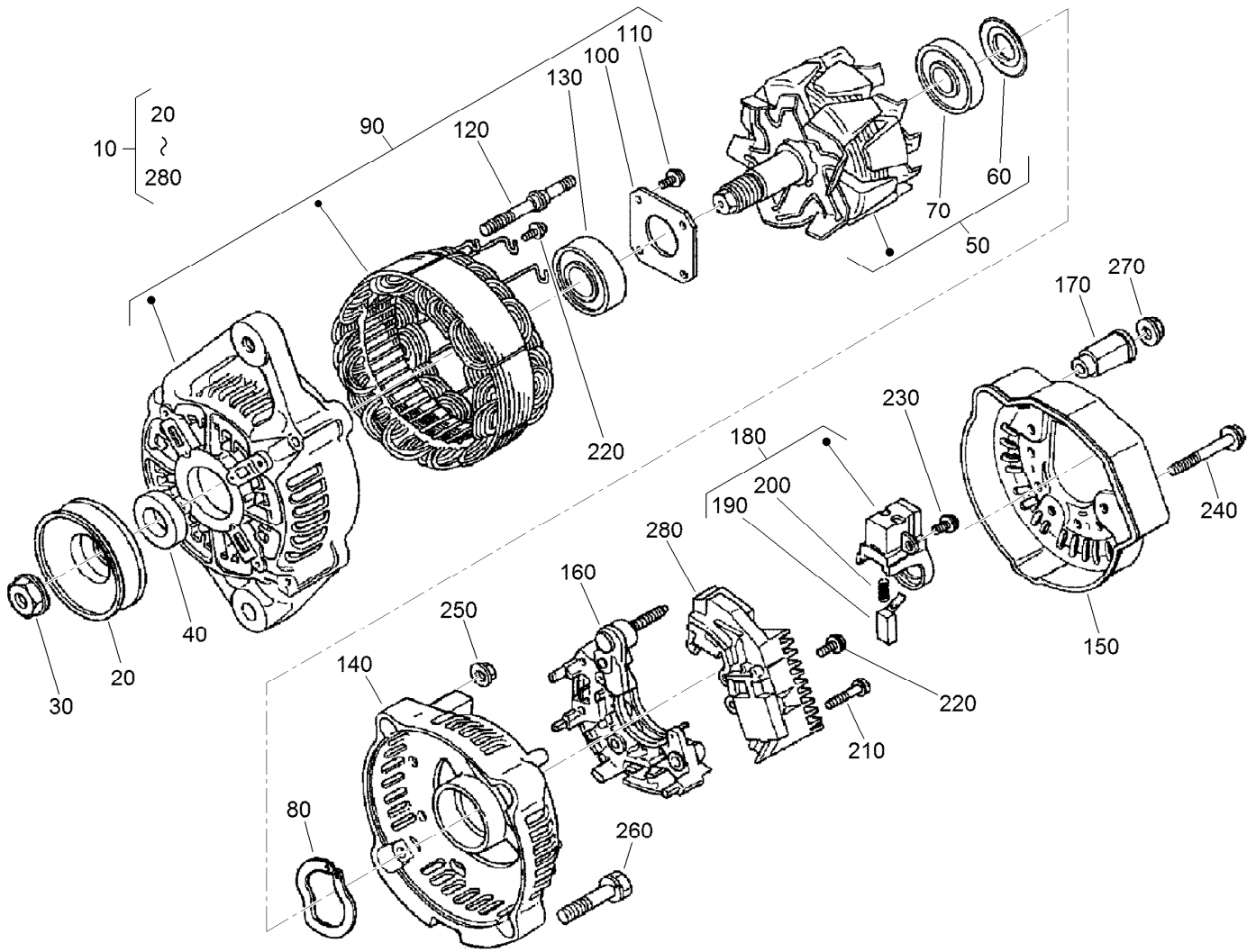
Injection and Fuel Pump Covers Assembly

| <i>Ref.</i> | <i>Part Number</i> | <i>Qty.</i> | <i>Description</i> |
|-------------|--------------------|-------------|--------------------|
| 10 | 125-9098 | 1 | Cover |
| 20 | 125-9105 | 1 | Gasket |
| 30 | 99-8348 | 1 | Bolt |
| 40 | 98-7654 | 1 | Gasket |
| 50 | 98-9350 | 3 | Bolt |
| 60 | 99-3514 | 1 | Cover |
| 70 | 98-9636 | 1 | Gasket-Pump, Fuel |
| 80 | 98-7692 | 2 | Bolt |



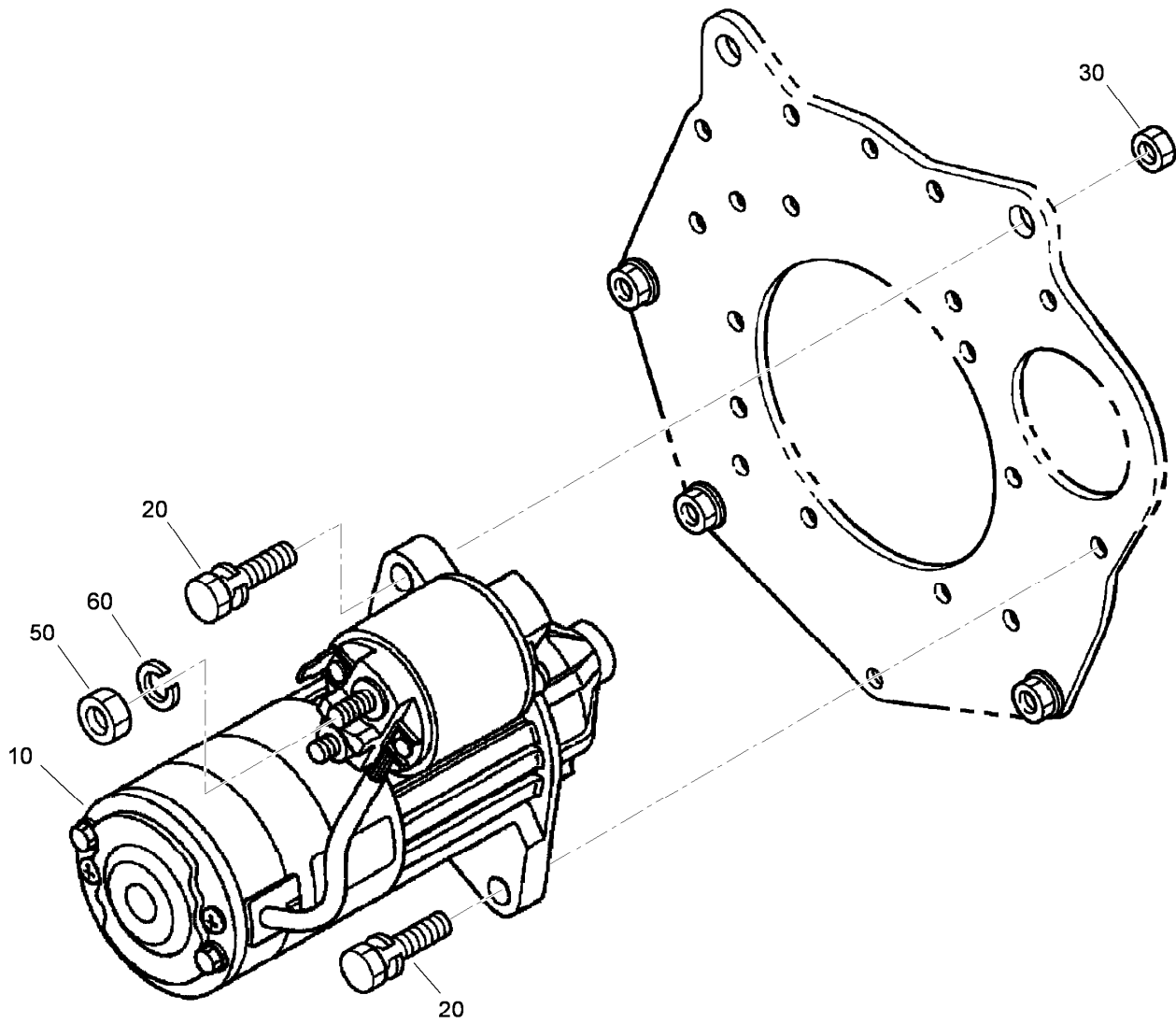
Alternator and Pulley Assembly

| Ref. | Part Number | Qty. | Description |
|------|-------------|------|-------------------|
| 10 | 131-6557 | 1 | Alternator ASM |
| 20 | 117-0314 | 1 | Stay-Alternator |
| 30 | 121-2413 | 1 | Bolt |
| 40 | 125-9091 | 1 | Bolt-Hex |
| 50 | 120-5832 | 1 | Washer-Plain |
| 60 | 105-2893 | 1 | Washer-Spring |
| 80 | 98-7692 | 2 | Bolt |
| 90 | 100-1979 | 1 | V-Belt |
| 100 | 125-9154 | 1 | Pulley-Drive, Fan |
| 110 | 100-1978 | 1 | Bolt |
| 120 | 110-3796 | 1 | Belt-V |
| 130 | 98-9698 | 1 | Connector |
| 140 | 98-9699 | 2 | Terminal |



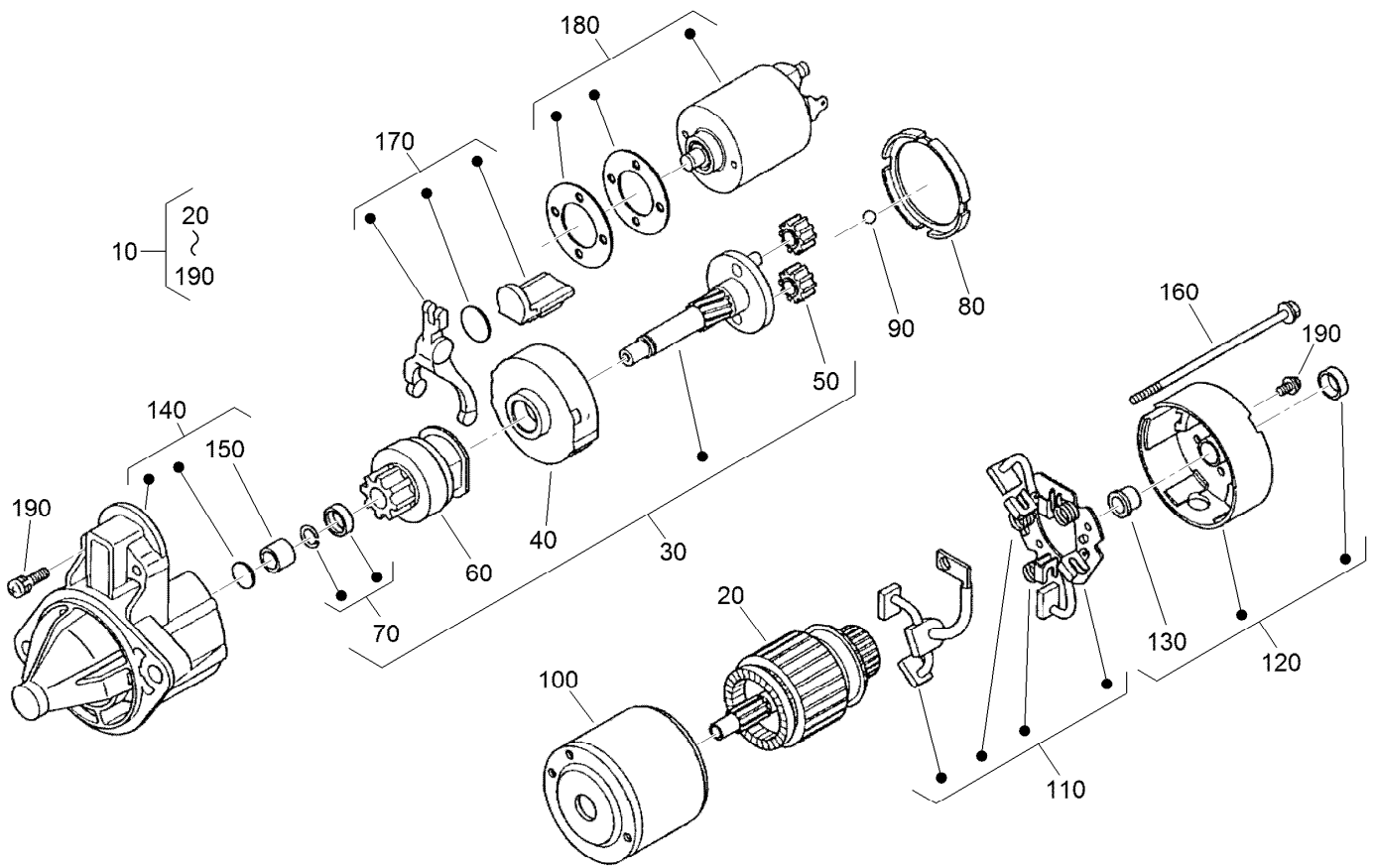
Alternator Components Assembly

| <i>Ref.</i> | <i>Part Number</i> | <i>Qty.</i> | <i>Description</i> | <i>Ref.</i> | <i>Part Number</i> | <i>Qty.</i> | <i>Description</i> |
|-------------|--------------------|-------------|---------------------|-------------|--------------------|-------------|--------------------|
| 10 | 131-6557 | 1 | Alternator ASM | 150 | 107-0140 | 1 | Cover-End |
| 20 | 98-9453 | 1 | Pulley-Dynamo | 160 | 98-7721 | 1 | Rectifier ASM |
| 30 | 98-7708 | 1 | Nut | 170 | 98-7722 | 1 | Bushing-Insulation |
| 40 | 98-7709 | 1 | Collar | 180 | 107-0141 | 1 | Brush Holder ASM |
| 50 | 107-0136 | 1 | Rotor ASM | 190 | 98-7724 | 2 | Brush |
| 60 | 98-7711 | 1 | Cover-Bearing | 200 | 98-7725 | 2 | Spring-Brush |
| 70 | 107-0138 | 1 | Bearing-Ball | 210 | 98-7726 | 2 | Screw-Head, Round |
| 80 | 98-7713 | 1 | Washer-Thrust | 220 | 98-7727 | 6 | Screw-Head, Round |
| 90 | 107-0139 | 1 | Drive End Frame ASM | 230 | 98-7728 | 1 | Screw-Head, Round |
| 100 | 98-7715 | 1 | Plate-Retainer | 240 | 98-7729 | 3 | Bolt |
| 110 | 98-7716 | 4 | Screw-Head, Round | 250 | 98-7730 | 2 | Nut |
| 120 | 98-7717 | 2 | Bolt-Through | 260 | 98-7731 | 2 | Bolt |
| 130 | 107-0137 | 1 | Bearing-Ball | 270 | 98-7732 | 1 | Nut |
| 140 | 107-9087 | 1 | Frame-End | 280 | 110-3799 | 1 | Regulator ASM |



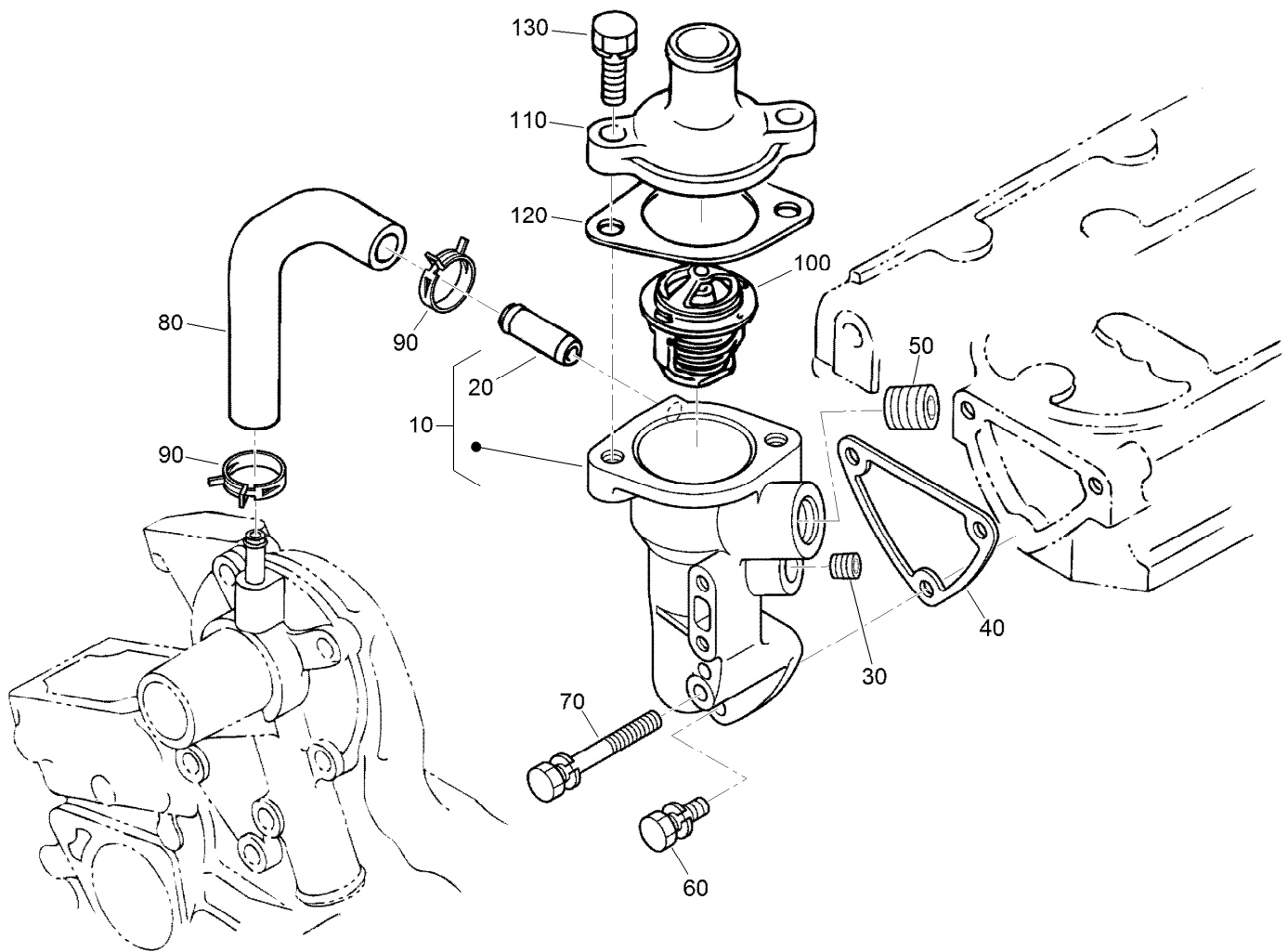
Starter Installation Assembly

| <i>Ref.</i> | <i>Part Number</i> | <i>Qty.</i> | <i>Description</i> |
|-------------|--------------------|-------------|--------------------|
| 10 | 110-3800 | 1 | Starter ASM |
| 20 | 98-7697 | 2 | Bolt |
| 30 | 98-7534 | 2 | Nut |
| 50 | 98-7534 | 1 | Nut |
| 60 | 105-2893 | 1 | Washer-Spring |



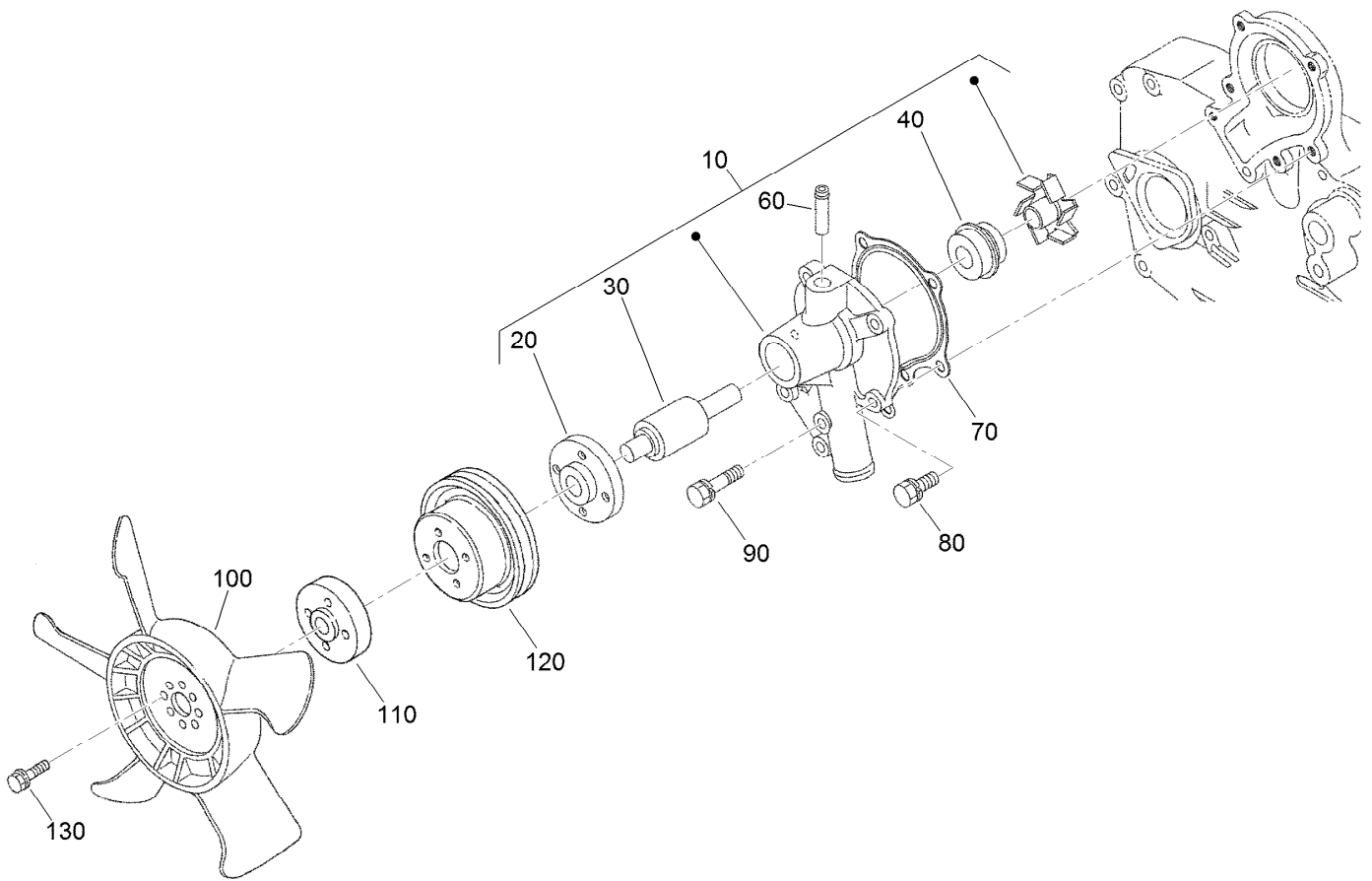
Starter Components Assembly

| <i>Ref.</i> | <i>Part Number</i> | <i>Qty.</i> | <i>Description</i> | <i>Ref.</i> | <i>Part Number</i> | <i>Qty.</i> | <i>Description</i> |
|-------------|--------------------|-------------|----------------------|-------------|--------------------|-------------|--------------------|
| 10 | 110-3800 | 1 | Starter ASM | 110 | 110-3810 | 1 | Brush Holder ASM |
| 20 | 110-3801 | 1 | Armature | 120 | 110-3811 | 1 | Rear Bracket ASM |
| 30 | 110-3802 | 1 | Shaft ASM | 130 | 110-3812 | 1 | Bushing |
| 40 | 120-3142 | 1 | Gear-Internal | 140 | 110-3813 | 1 | Front Bracket ASM |
| 50 | 110-3804 | 3 | Gear-Planetary | 150 | 110-3814 | 1 | Bushing |
| 60 | 110-3805 | 1 | Clutch-Running, Over | 160 | 110-3815 | 2 | Bolt |
| 70 | 110-3806 | 1 | Stopper | 170 | 110-3816 | 1 | Fork Lever ASM |
| 80 | 120-3143 | 1 | Gasket | 180 | 125-9099 | 1 | Switch-Magnetic |
| 90 | 110-3808 | 1 | Ball | 190 | 110-3818 | 1 | Screws (Set Of 4) |
| 100 | 110-3809 | 1 | Yoke | | | | |



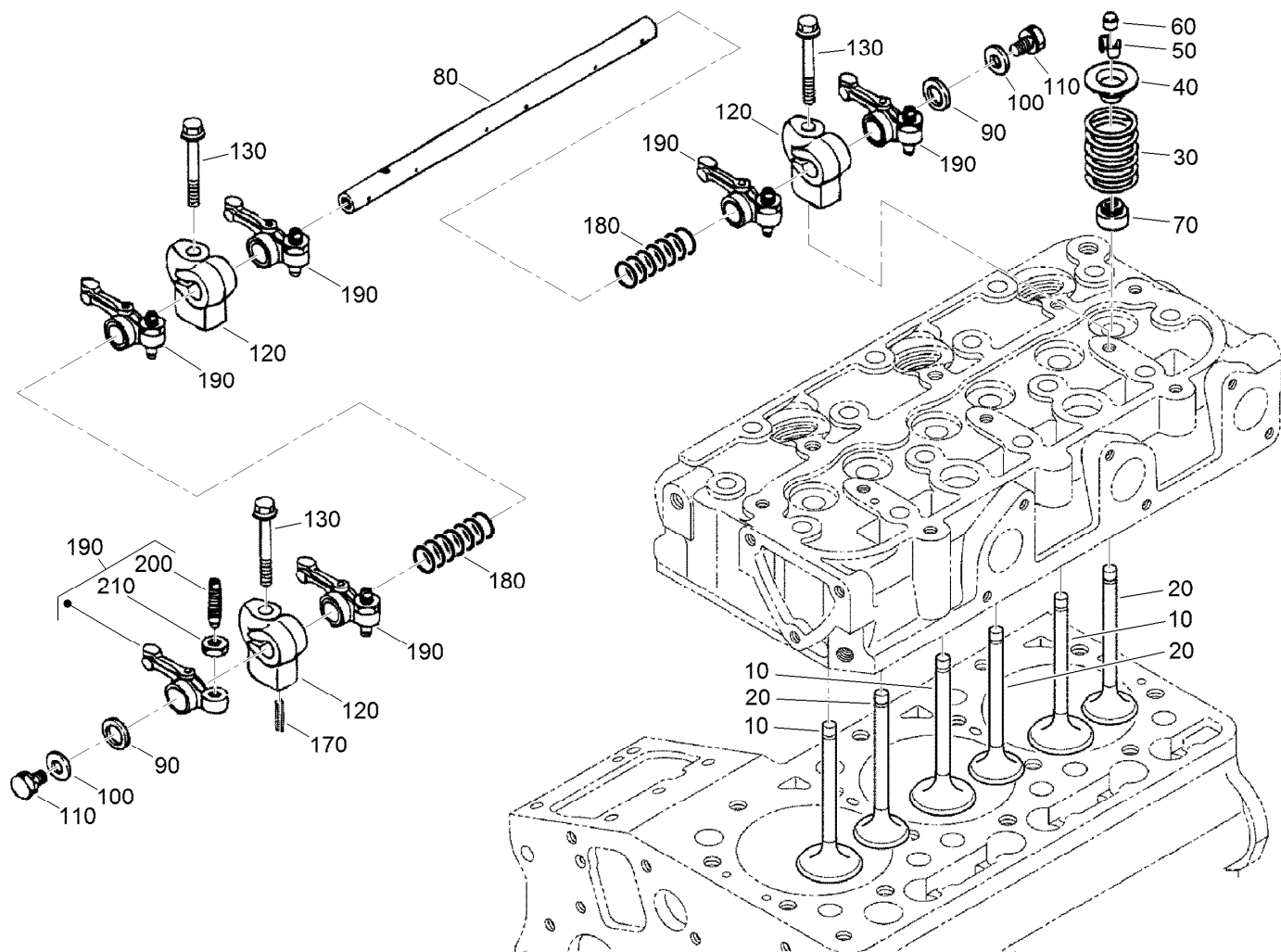
Water Flange and Thermostat Assembly

| <i>Ref.</i> | <i>Part Number</i> | <i>Qty.</i> | <i>Description</i> |
|-------------|--------------------|-------------|----------------------|
| 10 | 121-2414 | 1 | Water Flange ASM |
| 20 | 98-9580 | 1 | Pipe-Return, Water |
| 30 | 98-9444 | 1 | Plug |
| 40 | 110-3820 | 1 | Gasket-Flange, Water |
| 50 | 110-3821 | 1 | Plug |
| 60 | 98-7692 | 2 | Bolt |
| 70 | 105-3797 | 1 | Bolt |
| 80 | 100-2017 | 1 | Pipe-Return, Water |
| 90 | 121-3835 | 2 | Clamp-Hose |
| 100 | 98-7778 | 1 | Thermostat ASM |
| 110 | 121-2415 | 1 | Cover-Thermostat |
| 120 | 105-3748 | 1 | Gasket-Thermostat |
| 130 | 98-7438 | 2 | Bolt |



Water Pump and Cooler Fan Assembly

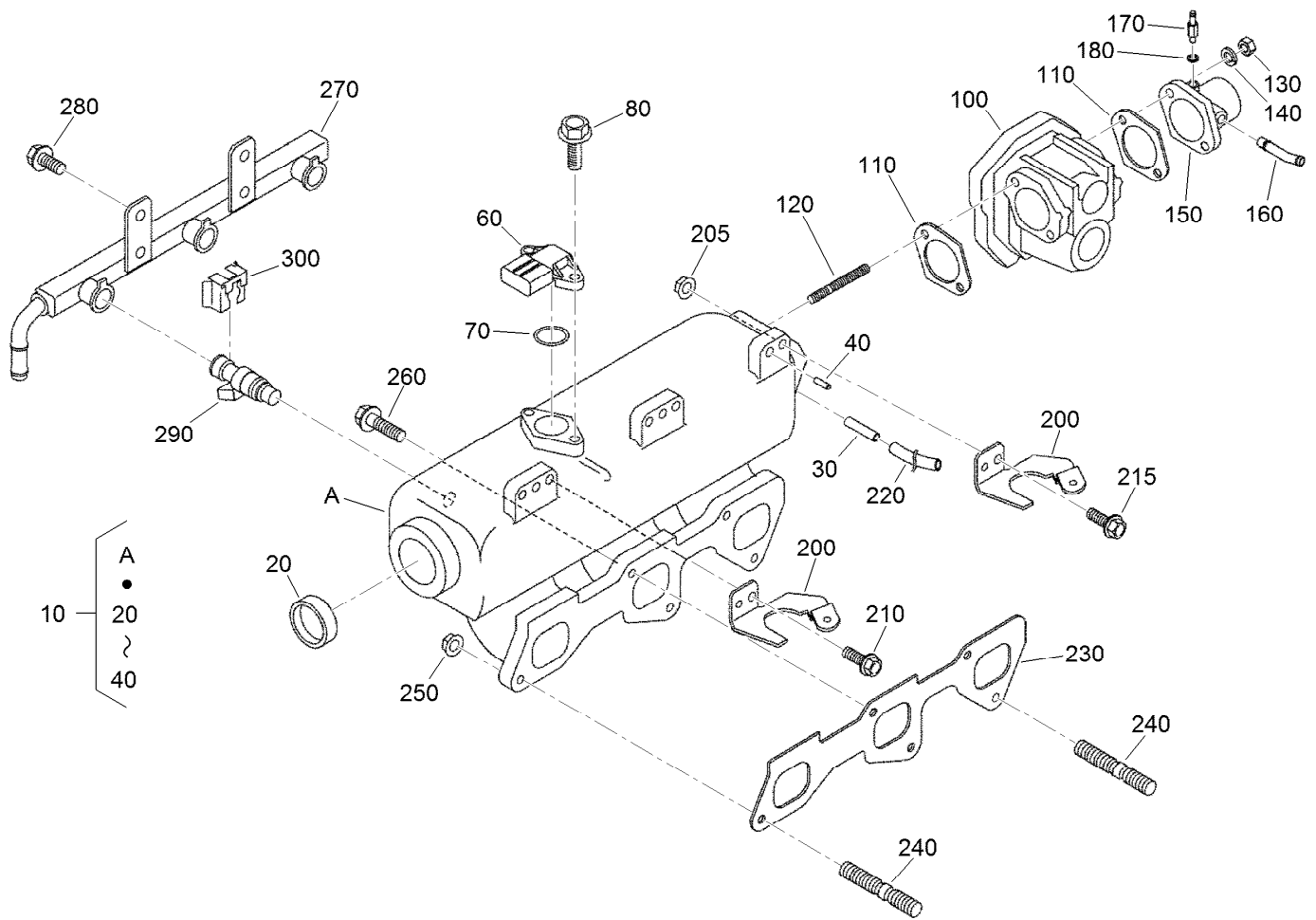
| <i>Ref.</i> | <i>Part Number</i> | <i>Qty.</i> | <i>Description</i> |
|-------------|--------------------|-------------|---------------------|
| 10 | 127-1607 | 1 | Water Pump ASM |
| 20 | 100-1933 | 1 | Flange-Pump, Water |
| 30 | 100-1934 | 1 | Bearing-Ball |
| 40 | 99-3518 | 1 | Water Pump Seal ASM |
| 60 | 100-1932 | 1 | Pipe-Return, Water |
| 70 | 117-0330 | 1 | Gasket-Pump, Water |
| 80 | 100-1750 | 4 | Bolt |
| 90 | 100-1764 | 1 | Bolt |
| 100 | 127-1608 | 1 | Fan |
| 110 | 108-2872 | 1 | Collar-Fan |
| 120 | 100-1921 | 1 | Pulley-Fan |
| 130 | 108-2873 | 2 | Bolt-Flange |



Valve and Rocker Arm Assembly

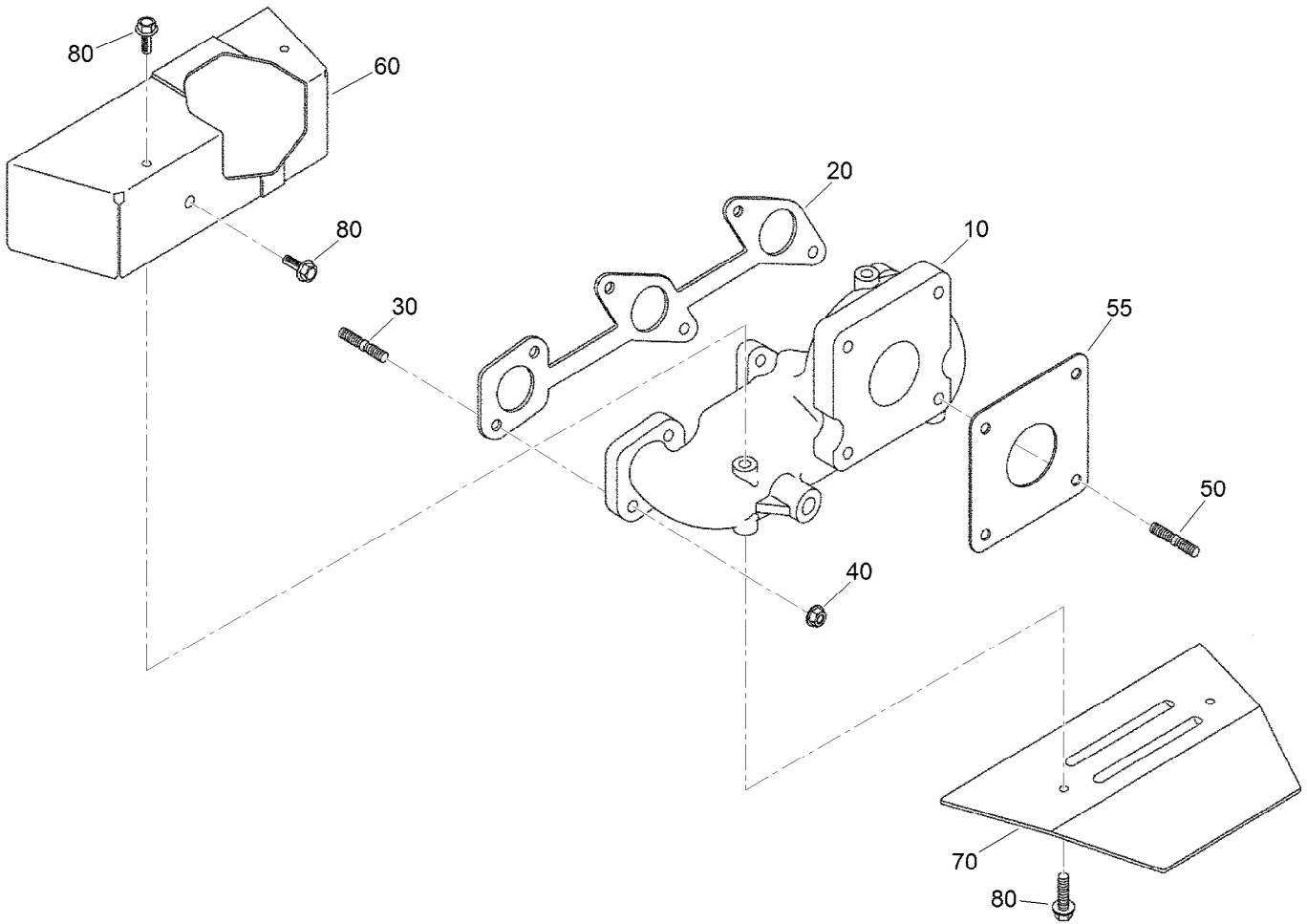
| Ref. | Part Number | Qty. | Description |
|------|-------------|------|------------------------|
| 10 | 125-9106 | 3 | Valve-Inlet |
| 20 | 125-9114 | 3 | Valve-Exhaust |
| 30 | 100-1823 | 6 | Spring-Valve |
| 40 | 100-1825 | 6 | Retainer-Spring, Valve |
| 50 | 120-3136 | 6 | Collet-Spring, Valve |
| 60 | 100-2155 | 6 | Cap-Valve |
| 70 | 125-9128 | 6 | Seal-Stem, Valve |
| 80 | 110-3831 | 1 | Shaft-Arm, Rocker |
| 90 | 100-2044 | 2 | Washer |

| Ref. | Part Number | Qty. | Description |
|------|-------------|------|---------------------|
| 100 | 100-1927 | 2 | Washer-Plain |
| 110 | 100-9265 | 2 | Bolt |
| 120 | 110-3833 | 3 | Bracket-Arm, Rocker |
| 130 | 110-3834 | 3 | Bolt-Flange |
| 170 | 98-7602 | 1 | Pin-Spring |
| 180 | 110-3835 | 2 | Spring |
| 190 | 100-1884 | 6 | Rocker Arm ASM |
| 200 | 100-1885 | 6 | Screw-Adjusting |
| 210 | 100-1827 | 6 | Nut |



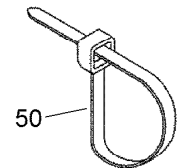
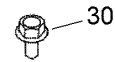
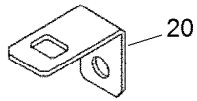
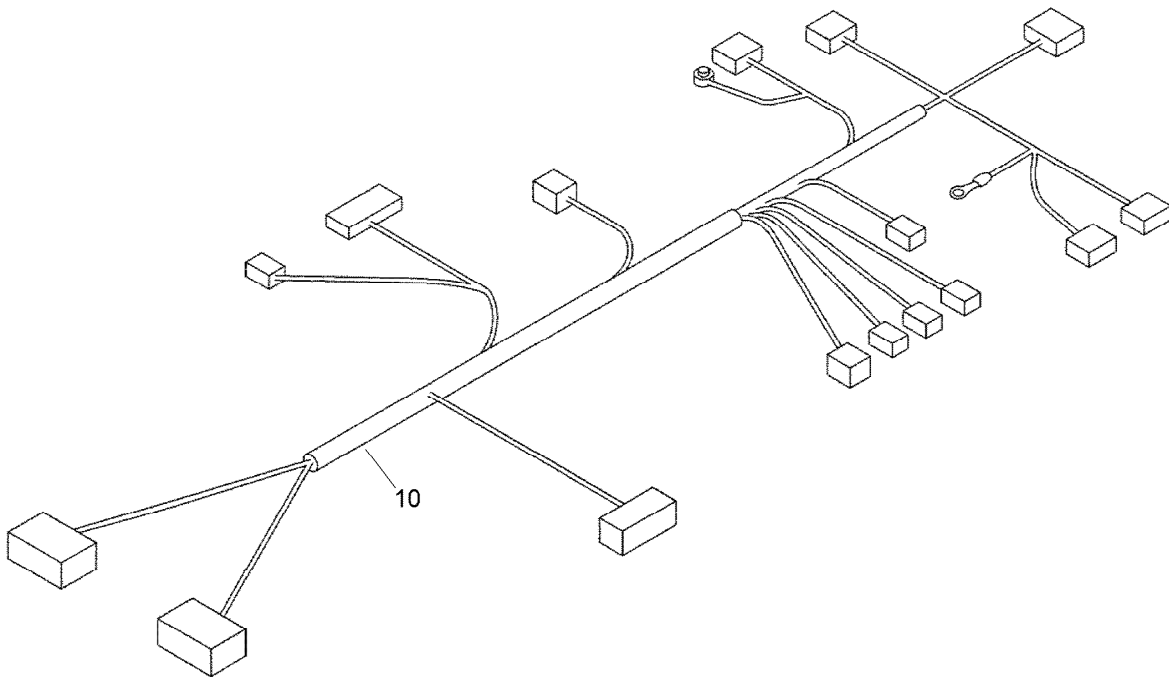
Inlet Manifold Assembly

| <i>Ref.</i> | <i>Part Number</i> | <i>Qty.</i> | <i>Description</i> | <i>Ref.</i> | <i>Part Number</i> | <i>Qty.</i> | <i>Description</i> |
|-------------|--------------------|-------------|---------------------|-------------|--------------------|-------------|-------------------------|
| 10 | 125-9122 | 1 | Intake Manifold ASM | 180 | 98-7654 | 1 | Gasket |
| 20 | 98-7539 | 1 | Cap-Sealing | 200 | 125-9146 | 3 | Stay-Coil, Ignition |
| 30 | 125-9158 | 1 | Pin-Pipe | 205 | 100-2203 | 1 | Nut-Flange |
| 40 | 98-9375 | 3 | Pin-Straight | 210 | 99-8363 | 2 | Bolt-Flange |
| 60 | 125-9110 | 1 | Sensor (Tmap) | 215 | 105-3789 | 1 | Bolt |
| 70 | 125-9112 | 1 | O Ring | 220 | 125-9097 | 1 | Tube-Fuel |
| 80 | 125-9111 | 2 | Bolt-Flange | 230 | 125-9123 | 1 | Gasket-Manifold, Intake |
| 100 | 125-9136 | 1 | Throttle Body ASM | 240 | 125-9092 | 2 | Stud |
| 110 | 125-9104 | 2 | Gasket-Cleaner, Air | 250 | 100-2203 | 2 | Nut-Flange |
| 120 | 125-9093 | 2 | Stud | 260 | 98-9352 | 3 | Bolt |
| 130 | 98-7534 | 2 | Nut | 270 | 125-9137 | 1 | Rail-Ignition, Fuel |
| 140 | 105-2893 | 2 | Washer-Spring | 280 | 98-7692 | 2 | Bolt |
| 150 | 125-9121 | 1 | Flange-Cleaner, Air | 290 | 125-9107 | 3 | Injector |
| 160 | 110-3837 | 1 | Pipe-Breather | 300 | 125-9138 | 3 | Stopper-Injector |
| 170 | 98-9431 | 1 | Screw-Bleeder, Air | | | | |



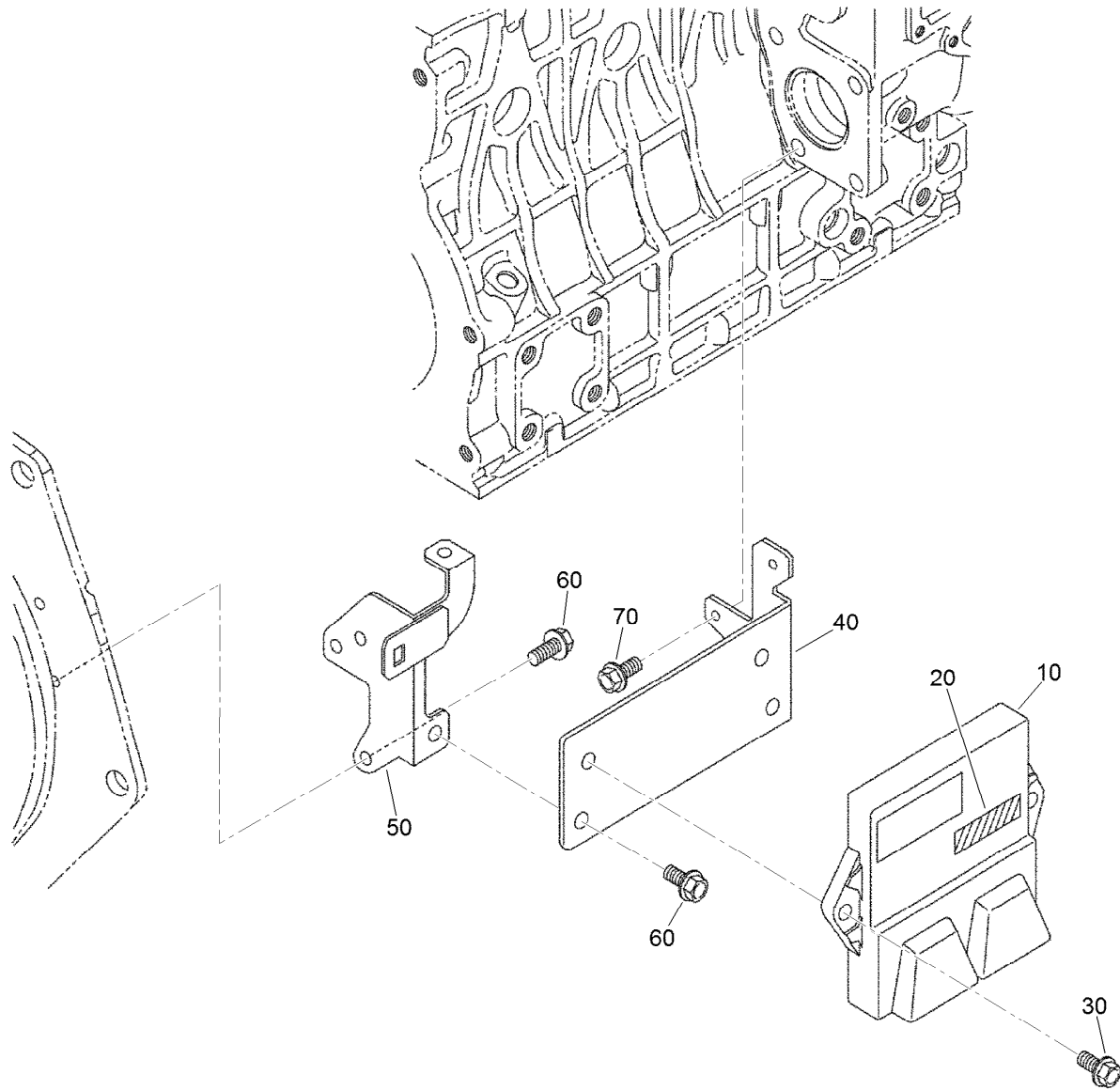
Exhaust Manifold Assembly

| Ref. | Part Number | Qty. | Description |
|------|-------------|------|--------------------------|
| 10 | 127-1609 | 1 | Manifold-Exhaust |
| 20 | 110-3840 | 1 | Gasket-Manifold, Exhaust |
| 30 | 125-9149 | 6 | Bolt-Stud |
| 40 | 100-1778 | 6 | Nut |
| 50 | 125-9100 | 4 | Stud |
| 55 | 125-9108 | 1 | Gasket-Muffler |
| 60 | 125-9126 | 1 | Cover-Upper |
| 70 | 125-9127 | 1 | Cover-Lower |
| 80 | 125-9090 | 5 | Bolt |



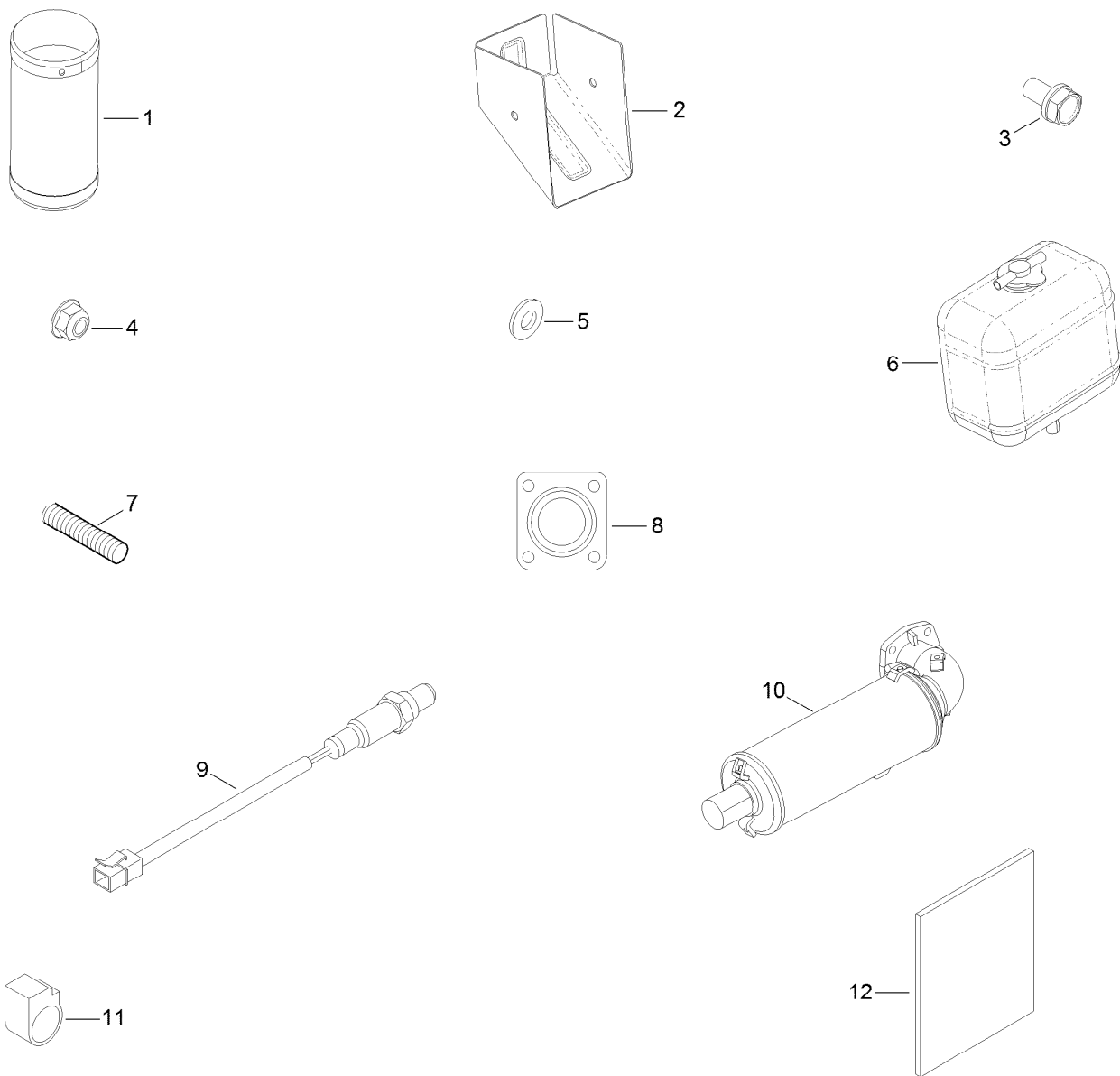
Wire Harness Assembly

| <i>Ref.</i> | <i>Part Number</i> | <i>Qty.</i> | <i>Description</i> |
|-------------|--------------------|-------------|---------------------|
| 10 | 125-9143 | 1 | Harness-Wire, E C U |
| 20 | 125-9157 | 1 | Stay-Boom, Harness |
| 30 | 115-8504 | 1 | Bolt-Flange |
| 50 | 125-9101 | 2 | Band-Cord |



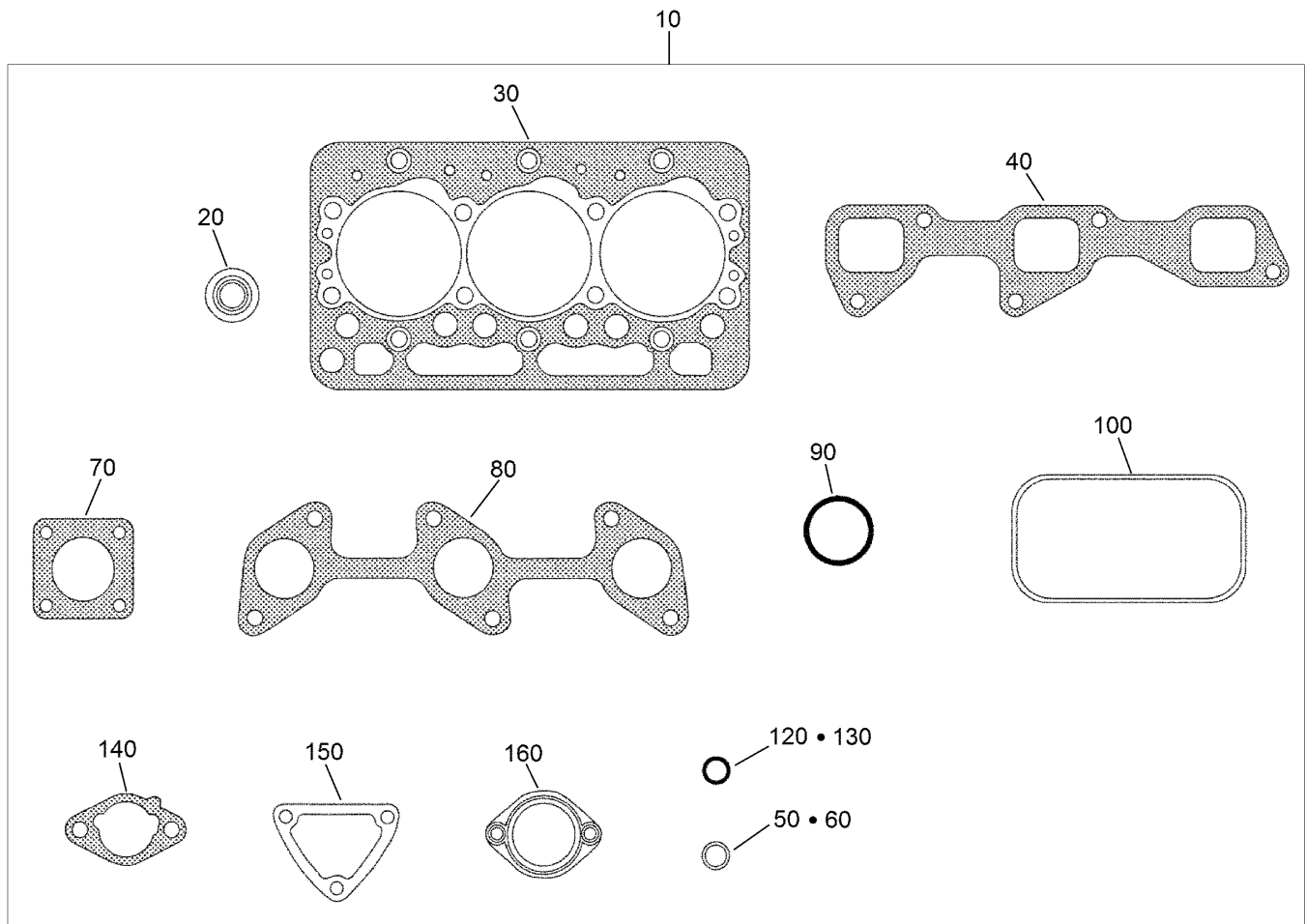
Electronic Control Unit Assembly

| <i>Ref.</i> | <i>Part Number</i> | <i>Qty.</i> | <i>Description</i> |
|-------------|--------------------|-------------|--------------------|
| 10 | 127-1610 | 1 | E C U ASM |
| 20 | 125-9147 | 1 | Label |
| 30 | 108-2873 | 2 | Bolt-Flange |
| 40 | 125-9140 | 1 | Stay-E C U |
| 50 | 125-9141 | 1 | Stay-E C U |
| 60 | 100-1774 | 3 | Bolt-Flange |
| 70 | 115-8504 | 2 | Bolt-Flange |



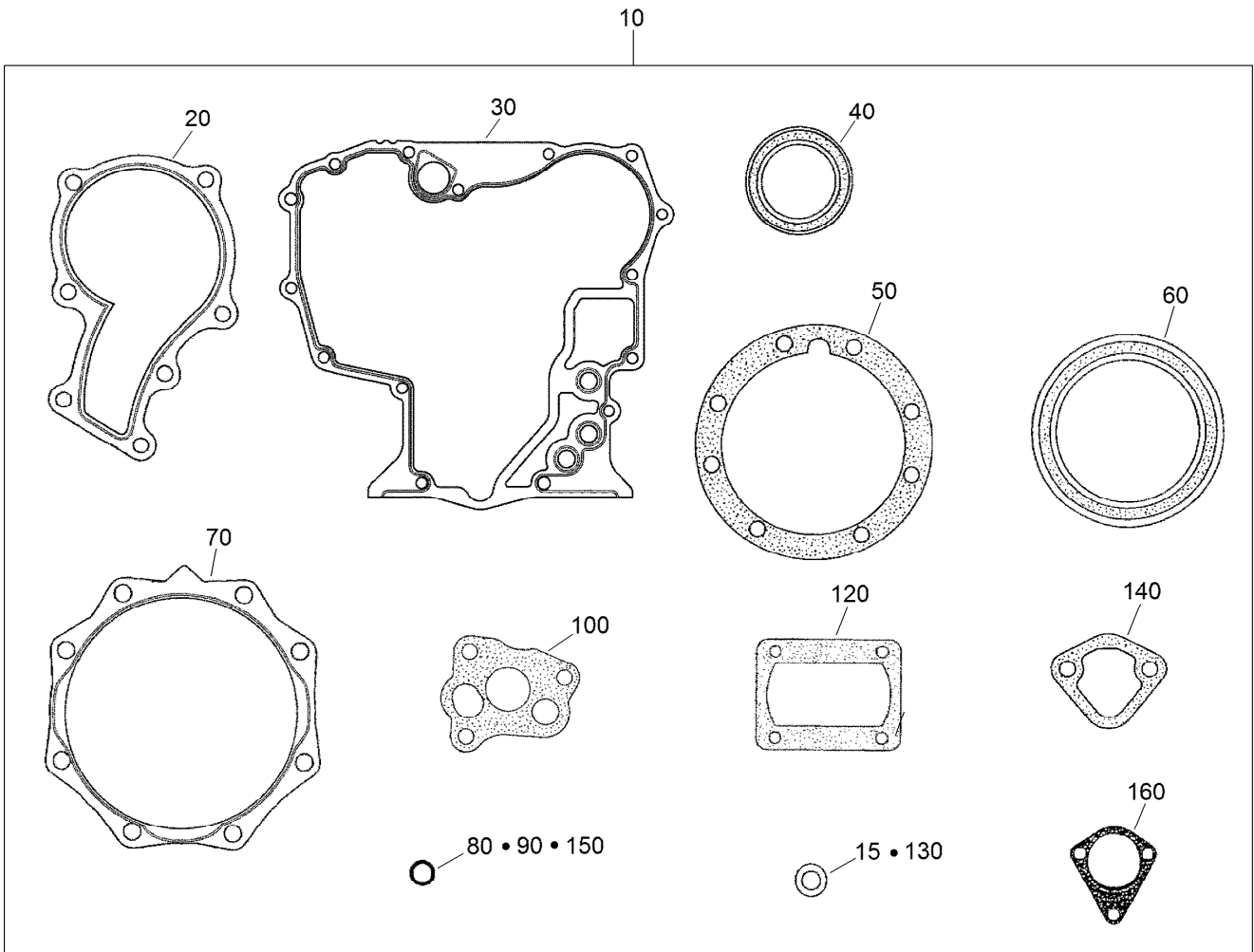
Operator Manual and Miscellaneous Engine Parts

| <i>Ref.</i> | <i>Part Number</i> | <i>Qty.</i> | <i>Description</i> |
|-------------|--------------------|-------------|-----------------------|
| 1 | 121-3545 | 1 | Cover-Muffler |
| 2 | 121-3546 | 1 | Cover-Flange, Muffler |
| 3 | 98-9350 | 6 | Bolt |
| 4 | 125-9095 | 4 | Nut |
| 5 | 100-1781 | 6 | Washer-Plain |
| 6 | 104-9318 | 1 | Bottle-Overflow |
| 7 | 125-9100 | 4 | Stud |
| 8 | 125-9108 | 1 | Gasket-Muffler |
| 9 | 125-9124 | 1 | *obs* Sensor (O2) |
| 10 | 120-3547 | 1 | Muffler |
| 11 | 127-0513 | 1 | Clamp |
| 12 | 125-9148 | 1 | Operator Manual |



Upper Engine Gasket Kit

| Ref. | Part Number | Qty. | Description |
|------|-------------|------|--------------------------|
| 10 | 125-9150 | 1 | Upper Gasket Kit |
| 20 | 125-9128 | 6 | Seal-Stem, Valve |
| 30 | 125-9113 | 1 | Gasket-Head |
| 40 | 125-9123 | 1 | Gasket-Manifold, Intake |
| 50 | 125-9112 | 1 | O Ring |
| 60 | 99-3446 | 1 | O-Ring |
| 70 | 125-9108 | 1 | Gasket-Muffler |
| 80 | 110-3840 | 1 | Gasket-Manifold, Exhaust |
| 90 | 110-3846 | 1 | O Ring-Breather |
| 100 | 125-9130 | 1 | Gasket-Cover, Head |
| 120 | 125-9096 | 1 | Gasket |
| 130 | 98-7654 | 1 | Gasket |
| 140 | 125-9104 | 2 | Gasket-Cleaner, Air |
| 150 | 110-3820 | 1 | Gasket-Flange, Water |
| 160 | 105-3748 | 1 | Gasket-Thermostat |



Lower Engine Gasket Kit

| <i>Ref.</i> | <i>Part Number</i> | <i>Qty.</i> | <i>Description</i> |
|-------------|--------------------|-------------|----------------------|
| 10 | 125-9155 | 1 | Lower Gasket Kit |
| 15 | 98-7524 | 1 | Gasket |
| 20 | 117-8846 | 1 | Gasket-Pump, Water |
| 30 | 117-0327 | 1 | Gasket-Case, Gear |
| 40 | 120-7852 | 1 | Seal-Oil |
| 50 | 100-1873 | 1 | Gasket-Case, Bearing |
| 60 | 110-3724 | 1 | Seal-Oil |
| 70 | 100-1876 | 1 | Gasket-Cover, Case |

| <i>Ref.</i> | <i>Part Number</i> | <i>Qty.</i> | <i>Description</i> |
|-------------|--------------------|-------------|--------------------|
| 80 | 100-2209 | 1 | O-Ring |
| 90 | 105-3776 | 1 | O-Ring |
| 100 | 100-2003 | 1 | Gasket-Pump, Oil |
| 120 | 125-9105 | 1 | Gasket |
| 130 | 98-7654 | 1 | Gasket |
| 140 | 98-9636 | 1 | Gasket-Pump, Fuel |
| 150 | 127-1603 | 1 | O-Ring |
| 160 | 100-2062 | 1 | Gasket |

Attachments and Accessories

For 30809 Groundsmaster 3500-G Rotary Mower

| Product Name | Model/Part |
|---|-------------------|
| Roller Scraper Kit..... | 104-5168 |
| Blade-High Lift..... | 104-5183 |
| Blade-Angle Sail..... | 105-9810-03 |
| Blade-Atomic..... | 107-0235-03 |
| 27in Blade Service Pack (qty 6)..... | 108-1462 |
| Blade-Combo..... | 108-9026-03 |
| LH Short Liffarm Assembly..... | 115-3465 |
| RH Short Liffarm Assembly..... | 115-3466 |
| Wireless Hourmeter..... | 115-4754 |
| External Antenna Kit, Wireless Hourmeter System..... | 115-9524 |
| Base Station Kit, Wireless Hourmeter System..... | 115-9542 |
| Repeater Kit, Wireless Hourmeter System..... | 115-9543 |
| Sectional Roller Assembly..... | 117-5121 |
| Large Seat Cover..... | 120-5179 |
| Roller Asm (UHMW)..... | 131-7800 |
| PX Hydraulic Fluid (5 Gal)..... | 133-8086 |
| PX Hydraulic Fluid (55 Gal)..... | 133-8087 |
| Ballast Kit (27in C/U)..... | 136-2881 |
| Bimini Sunshade for 2-Post Roll-Over Protection System..... | 30358 |
| Premium Seat Kit..... | 30629 |
| 27in Rotary Cutting Unit..... | 30834 |
| Leaf Mulching Kit..... | 30836 |
| Work Light Kit..... | 30841 |
| MVP Kit, 1000 Hour..... | 44965 |

Notes:



Count on it.