



Count on it.

Parts Catalog

**Greensmaster® 3300
2-Wheel Drive Traction Unit**

Model No. 04510—Serial No. 311000001 and Up



Ordering Replacement Parts

To order replacement parts, please supply the part number, the quantity, and the description of each part desired.

Understanding Reference Numbers

Each identified part in an illustration has a reference number. The reference number for a part also appears in the parts list, along with other information about the part.

This catalog uses two special reference number formats, one to indicate parts in a service assembly and another to indicate the quantity of a given part in an illustration.

Service Assembly Reference Numbers

Parts in service assemblies have reference numbers in the form a:b. The a represents the reference number of the entire service assembly and the b represents a sequential number unique to each part within the service assembly.

For example, a wheel assembly might be identified by reference number 6, the tire by 6:1, the valve by 6:2, and the wheel by 6:3. When you order the assembly identified by reference number 6, you receive all parts identified by reference numbers 6:1, 6:2, and 6:3. However, you may also order any part individually. Reference numbers of this type appear in illustration and in parts lists.

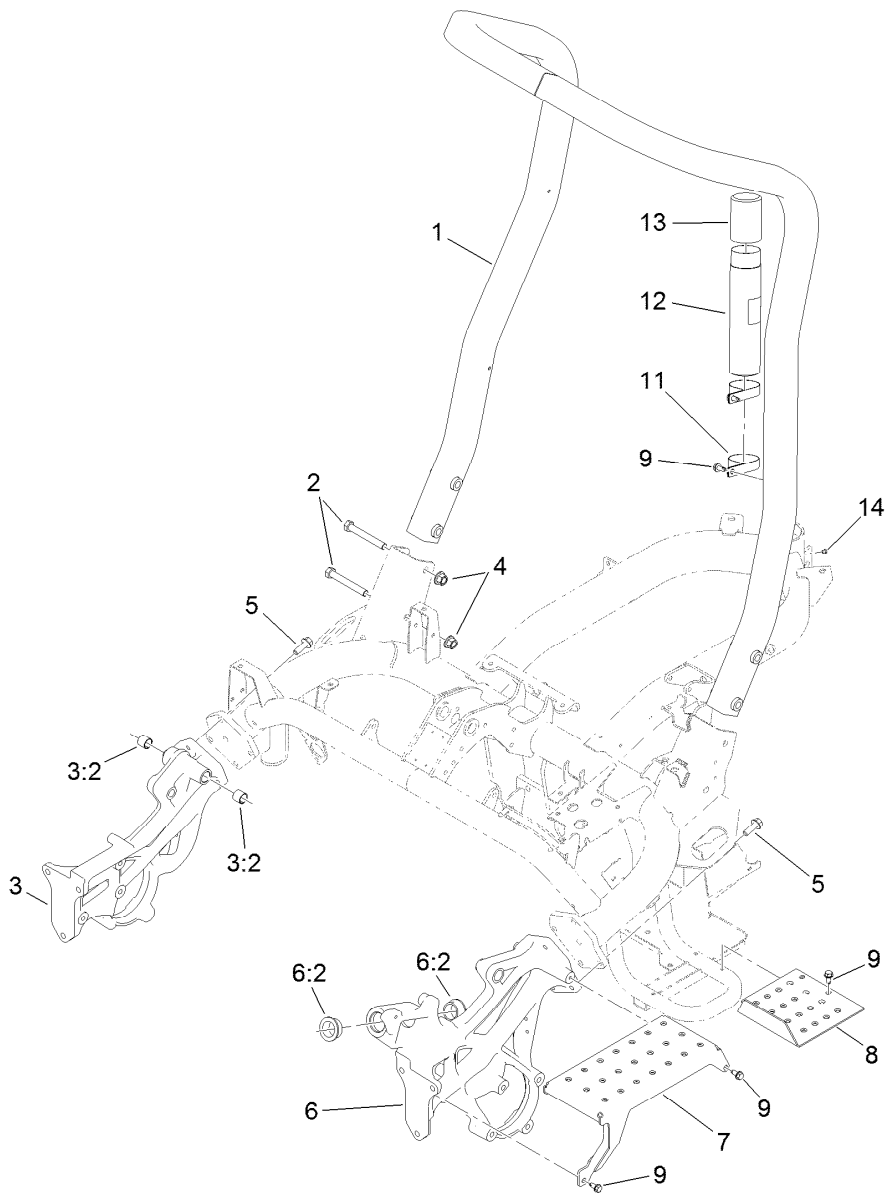
Reference Numbers Indicating Quantity

In an illustration, if a reference number indicates more than one part, the reference number has the form nX y. The n represents the quantity of the part, the X is the multiplication symbol, and the y represents the reference number.

For example, in an illustration, the reference number 2X 37 means that two of the parts identified by reference number 37 are indicated.

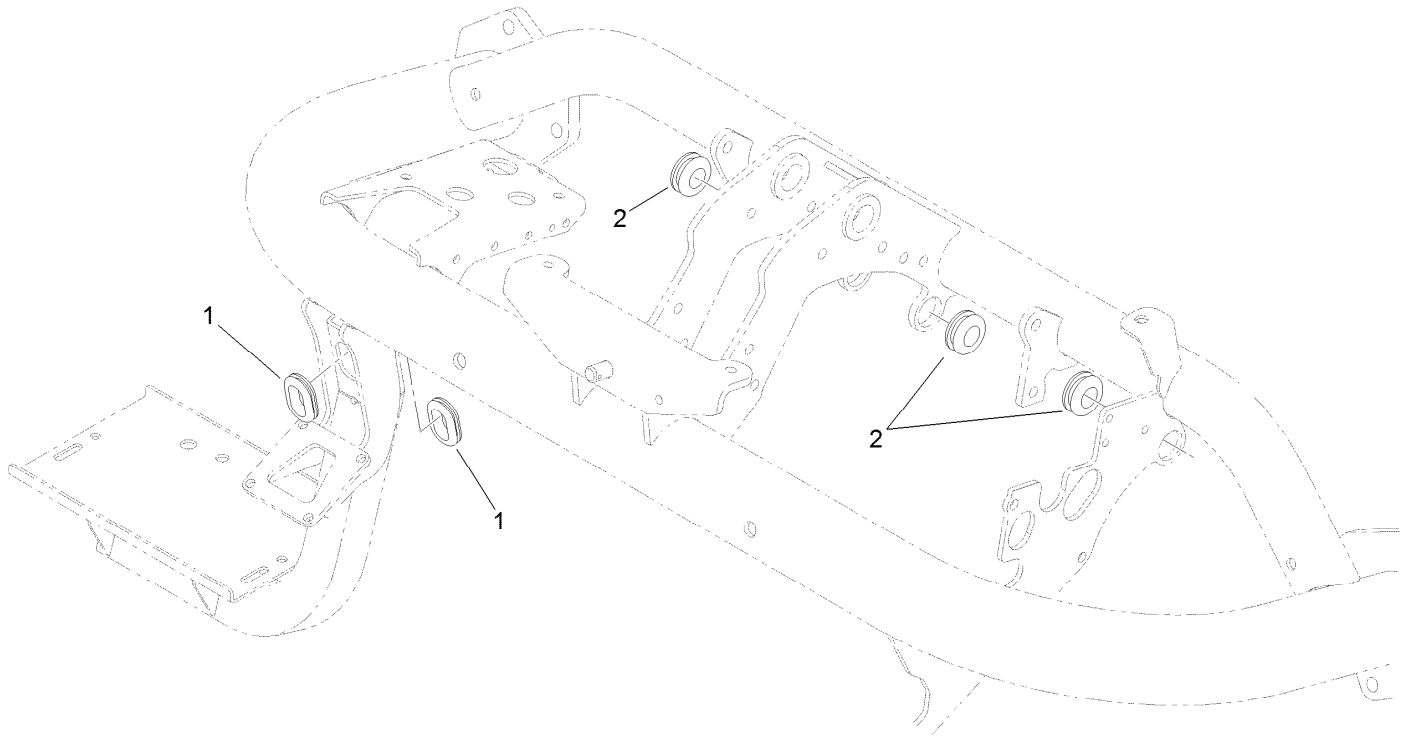
Contents

Roll-Over Protection System Assembly	4
Brake Cable Grommet Assembly	5
Frame Assembly	6
Platform Assembly	7
Right Hand Support Platform Assembly	8
Seatbase Assembly	9
Steering Arm and Adjuster Assembly	10
Brake Cable and Lever Assembly	11
Back Wheel Assembly	12
Hydraulic Cylinder Assembly No. 117-4480	13
Front Wheel Assembly	14
Right Hand Brake Assembly No. 115-9441	15
Left Hand Brake Assembly No. 115-9440	16
Right Hand Wheel Motor Assembly No. 117-4302	17
Left Hand Wheel Motor Assembly No. 117-4303	18
Console and Reel Control Assembly	19
Traction Interface Control Assembly	20
Ignition, Throttle and Choke Control Assembly	21
Console Cable Routing Assembly	22
Engine and Exhaust Assembly	23
Battery Assembly	24
Wire Harness Assembly	25
Pump Coupling Assembly	26
Hydraulic Pump Assembly No. 114-9957	27
Neutral Centering Assembly	29
Traction Drive Hydraulic Line Assembly	30
Traction Drive Hose Routing Assembly	31
Hydraulic Mow Assembly	32
Hydraulic Mow Manifold Assembly No. 119-7126	33
Hydraulic Mow Manifold Assembly No. 117-9858	34
Hydraulic Mow Clamp Assembly	35
Hydraulic Mow Hose Routing Assembly	36
Hydraulic Mow Reel Motor Assembly	37
Hydraulic Reel Motor Assembly No. 115-3321	38
Hydraulic Mow Gear Pump Assembly	39
Hydraulic Gear Pump Assembly No. 114-9956	40
Lift Circuit Assembly	41
Steering Valve Assembly No. 114-4672	42
Hydraulic Cylinder Assembly No. 119-8129	43
Hydraulic Cylinder Assembly No. 119-8128	44
Hydraulic Lift Manifold Assembly No. 119-7118	45
Hydraulic Lift Manifold Assembly No. 117-9856	46
Steering Circuit Assembly	47
Fuel Line and Carbon Canister Hose Routing Assembly	48
Fuel Tank Assembly	49
Hydraulic Tank and Leak Detector Assembly	50
Suspension and Basket Assembly	51
Suspension A-Arm Assembly	52
Suspension Crossarm Assembly	53
Suspension Pin Position Assembly	54
Attachments and Accessories	55



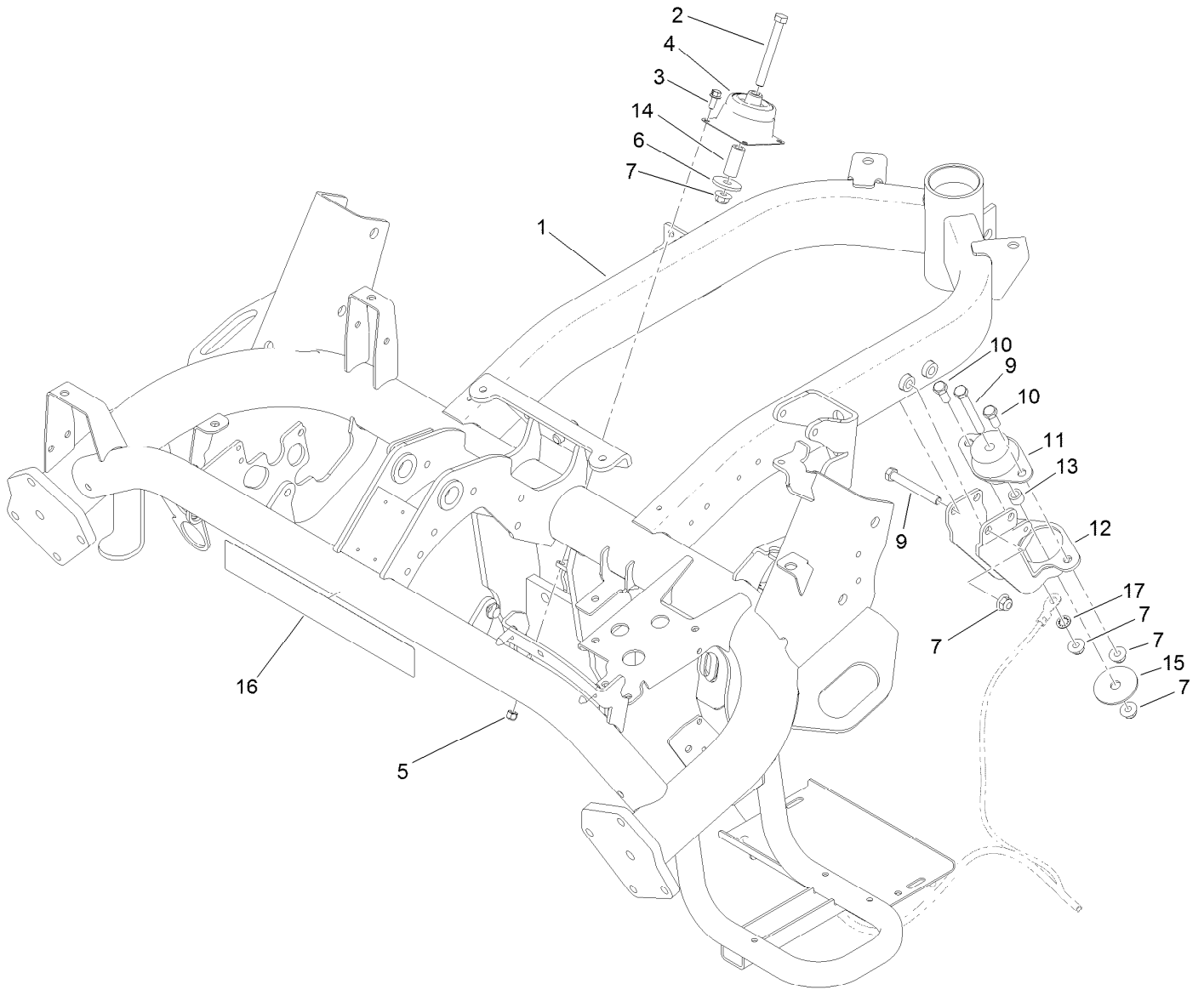
Roll-Over Protection System Assembly

<i>Ref.</i>	<i>Part Number</i>	<i>Qty.</i>	<i>Description</i>
1	115-8206	1	ROPS ASM
2	325-35	4	Screw-HH
3	117-9023	1	Casting-Side, RH
3:2	94-9609	2	Bushing-Straight
4	99-5107	4	Nut-Lock
5	117-9035	8	Screw-HHF
6	117-9022	1	Casting-Side, LH
6:2	60-0080	2	Bushing
7	117-9051-01	1	Step
8	119-4468-01	1	Plate-Step
9	32104-32	9	Screw-HWH
11	2412-133	2	Clamp-R
12	104-7050	1	Tube-Manual
13	104-7048	1	Cap-Housing
14	302-59	1	Plug-EXT Hex Spl



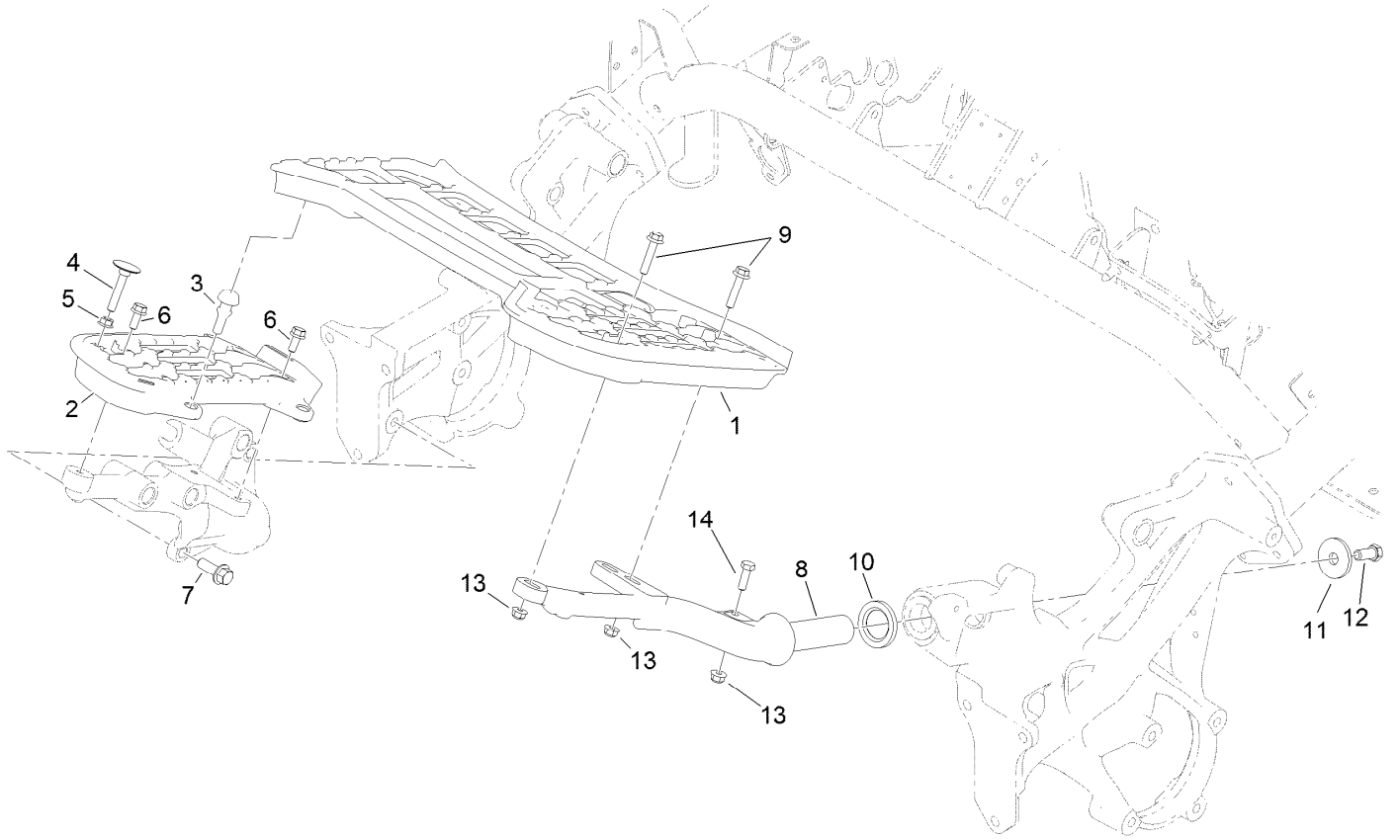
Brake Cable Grommet Assembly

<i>Ref.</i>	<i>Part Number</i>	<i>Qty.</i>	<i>Description</i>
1	240-5	2	Grommet
2	98-8529	3	Grommet



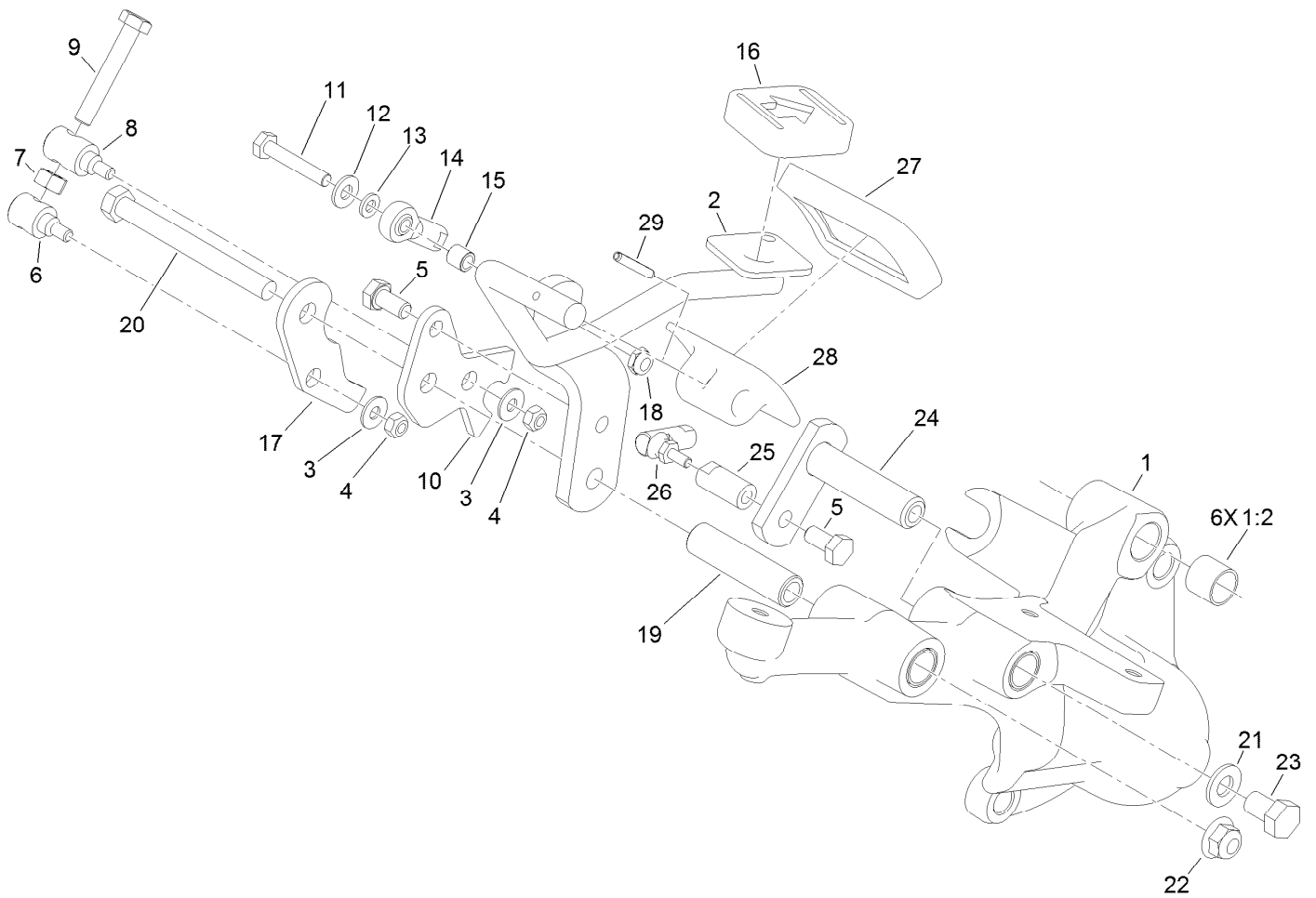
Frame Assembly

<i>Ref.</i>	<i>Part Number</i>	<i>Qty.</i>	<i>Description</i>	<i>Ref.</i>	<i>Part Number</i>	<i>Qty.</i>	<i>Description</i>
1	117-4403-01	1	Gas Frame ASM	10	323-5	2	Screw-HH
2	323-20	2	Screw-HH	11	53-9680	1	Mount-Engine
3	3234-33	8	Screw-HHF	12	117-9256-01	1	Mount-Engine, Rear
4	117-9327	2	Mount-Engine	13	52-2480	1	Spacer-Wheel
5	3296-42	8	Nut-Lock, NI	14	104-0151	2	Spacer
6	117-9330	2	Spacer	15	87-5100	1	Washer-Snubbing
7	104-8301	7	Nut-HF, NI	16	119-9348	1	Decal
9	323-14	3	Screw-HH	17	3254-6	1	Washer-Lock, Internal



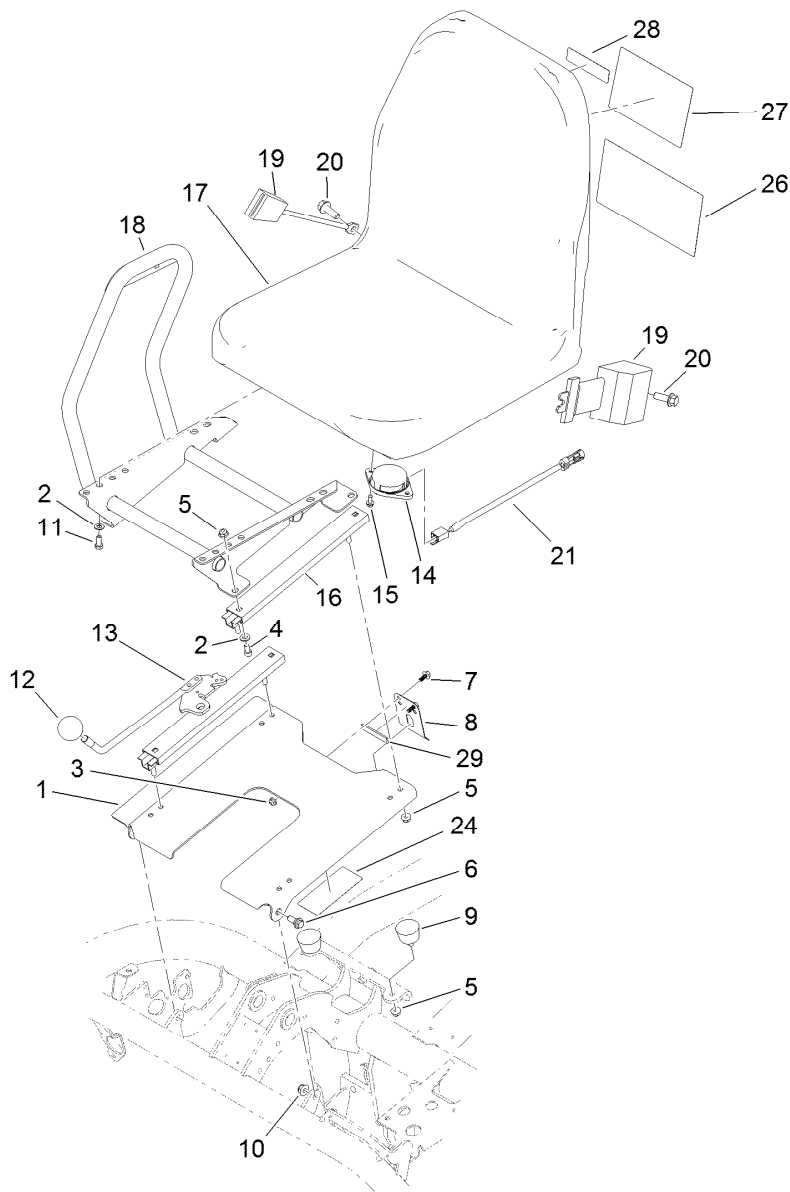
Platform Assembly

<i>Ref.</i>	<i>Part Number</i>	<i>Qty.</i>	<i>Description</i>
1	117-9009	1	Platform-LH
2	117-9008	1	Platform-RH
3	117-9072	2	Bumper-Rubber
4	115-8240	1	Screw-Elevator
5	32128-20	1	Nut-HF
6	3234-47	3	Screw-HHF
7	117-9035	3	Screw-HHF
8	117-9006-01	1	Support-Platform, LH
9	115-1794	3	Screw-HHF
10	94-8946	1	Washer-Thrust
11	84-1560	1	Washer-Thrust
12	324-4	1	Screw-HH
13	104-8300	4	Nut-HF, NI
14	322-5	1	Screw-HH



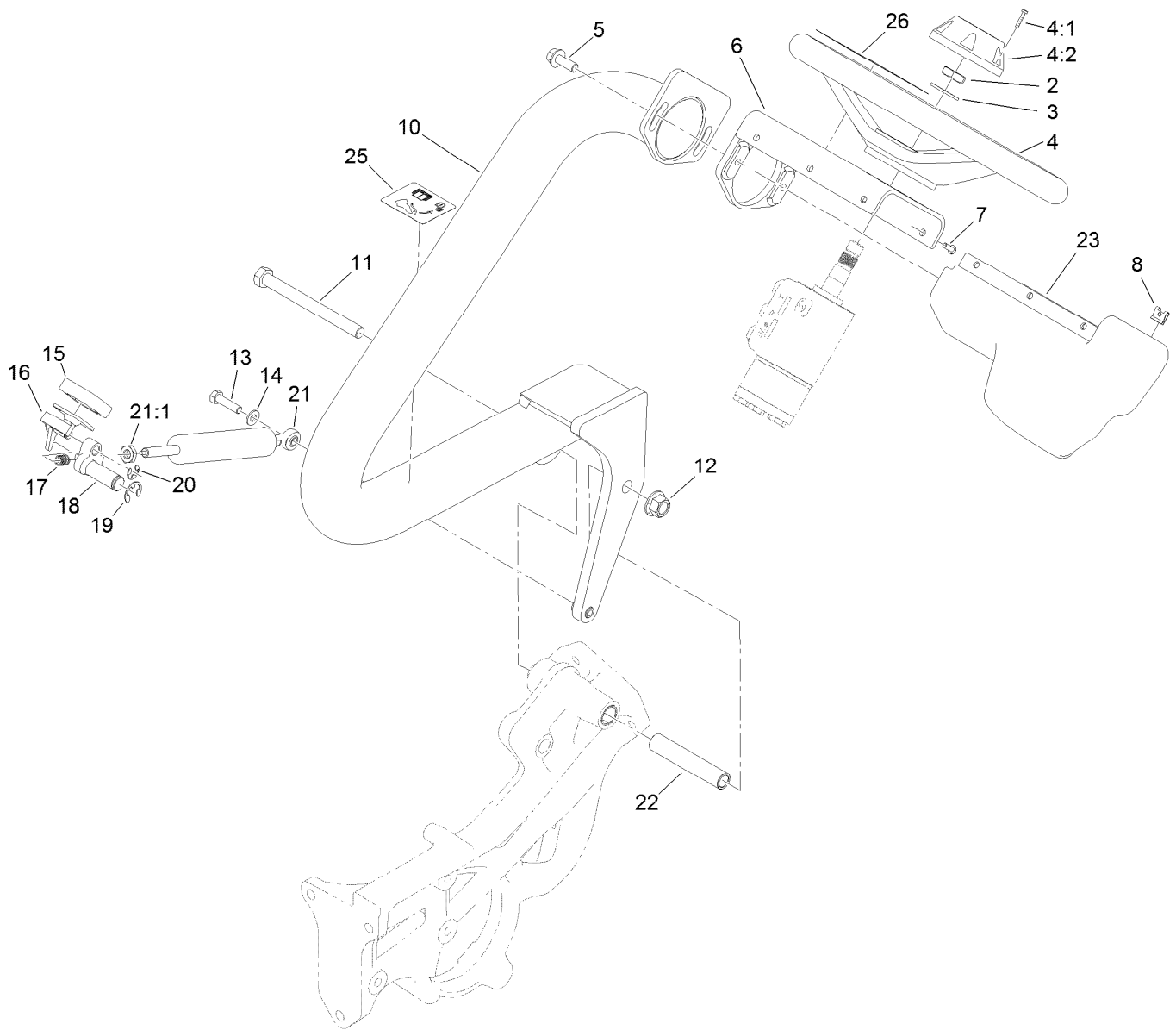
Right Hand Support Platform Assembly

<i>Ref.</i>	<i>Part Number</i>	<i>Qty.</i>	<i>Description</i>	<i>Ref.</i>	<i>Part Number</i>	<i>Qty.</i>	<i>Description</i>
1	117-9019	1	Support-Platform, RH	15	99-3545	1	Spacer
1:2	256-311	6	Bushing-Split	16	74-9110	1	Pad-Pedal, Reverse
2	119-1725-01	1	Rod-Traction	17	119-9315	1	Bracket-Mow
3	3256-1	2	Washer-Flat	18	3296-56	1	Nut-Lock, NI
4	33023-00	2	Nut-Lock	19	94-1371	1	Spacer
5	33114-016	2	Screw-HH	20	323-42	1	Screw-HH
6	94-1374	1	Trunnion-Bracket, Mow	21	3256-24	1	Washer-Flat
7	33014-00	1	Nut-Hex	22	104-8301	1	Nut-HF, NI
8	94-1375	1	Trunnion-Bracket, Lock	23	33115-016	1	Screw-HH
9	94-3489	1	Screw-HH	24	94-1300	1	Lock-Neutral
10	117-9021	1	Bracket-Lock	25	94-1386	1	Shaft-Pedal
11	321-9	1	Screw-HH	26	2411-38	1	Joint-Ball
12	3256-22	1	Washer-Flat	27	74-9100	1	Pad-Pedal, Forward
13	33093-00	1	Washer-Flat	28	117-9507	1	Pedal-Accelerator
14	2411-41	1	Rod End-Ball Joint	29	32121-45	1	Pin-Spring



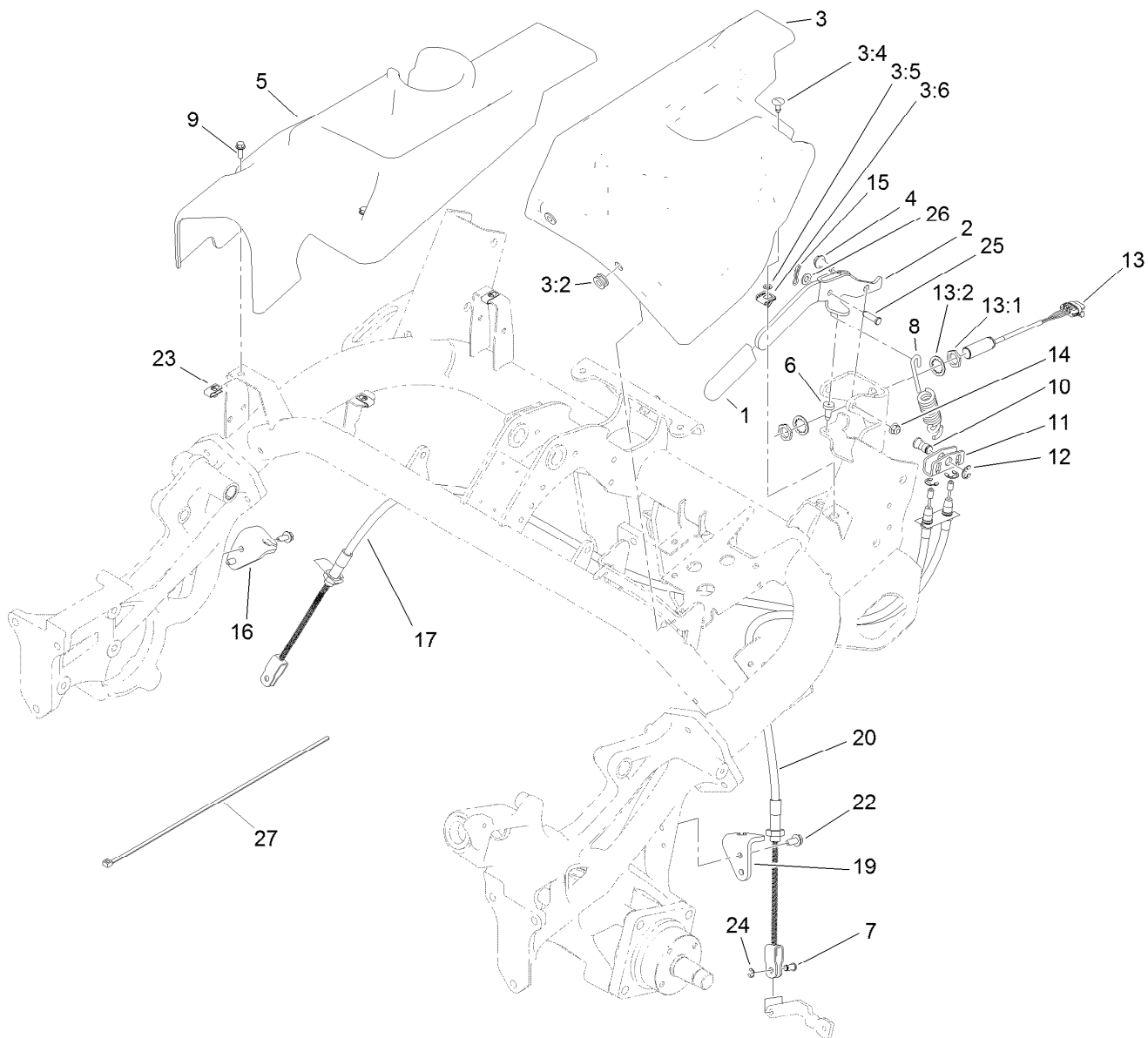
Seatbase Assembly

<i>Ref.</i>	<i>Part Number</i>	<i>Qty.</i>	<i>Description</i>	<i>Ref.</i>	<i>Part Number</i>	<i>Qty.</i>	<i>Description</i>
1	117-4440-03	1	Plate-Seat	14	92-6282	1	Switch-Seat
2	3256-23	8	Washer-Plain	15	32144-10	2	Screw-HWH
3	104-7201	2	Nut-HF, NI	16	92-8990	1	Adjuster-Seat, Non-Locking
4	3274-10	4	Screw-HSH	17	104-4620	1	Seat
5	104-8300	10	Nut-HF, NI	18	119-1721-03	1	Mount-Console
6	94-7582	2	Bolt-Shoulder	19	100-4928	1	Belt-Seat
7	99-6810	2	Screw-HHF	20	117-9035	2	Screw-HHF
8	66-2630	1	Latch-Seat	21	108-8657	1	Harness-Wire, Seat
9	68-3270	2	Bumper-Rubber	24	115-8200	1	Decal-Reference, Fuse
10	104-8301	2	Nut-HF, NI	26	119-9345	1	Decal-Aid, Quick Reference
11	322-3	4	Screw-HH	27	115-8156	1	Decal-Speed, Clip
12	233-48	1	Knob	28	117-2718	1	Decal-Arrester, Spark
13	119-4483	1	Seat Adjuster Lever ASM	29	120-5753	1	Strip-Foam



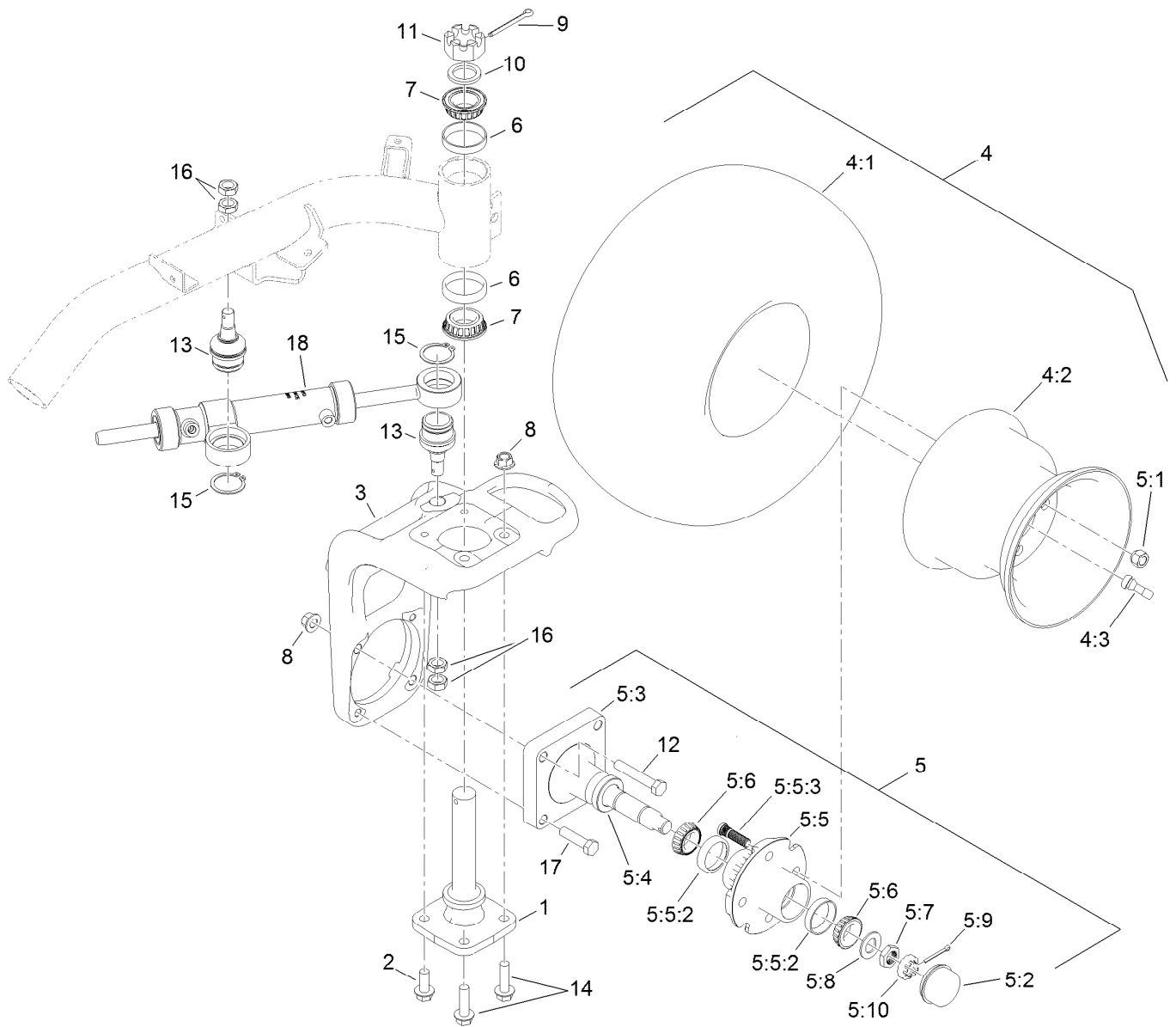
Steering Arm and Adjuster Assembly

<i>Ref.</i>	<i>Part Number</i>	<i>Qty.</i>	<i>Description</i>	<i>Ref.</i>	<i>Part Number</i>	<i>Qty.</i>	<i>Description</i>
2	3296-33	1	Nut-Lock, NI	14	3256-23	1	Washer-Plain
3	3256-27	1	Washer-Flat	15	74-9110	1	Pad-Pedal, Reverse
4	75-0560	1	Steering Wheel ASM	16	117-4457	1	Lever
4:1	32144-21	1	Screw	17	106-9791	1	Spring
4:2	68-5140	1	Cap-Wheel, Steering	18	117-9024	1	Lever-Pivot
5	3234-42	2	Screw-HHF	19	32120-19	1	E-Ring
6	117-9346-03	1	Mount-Steering	20	105-7004	1	E-Ring
7	3274-39	6	Screw-HSBH	21	117-4447	1	Cylinder-Gas
8	3290-277	6	Nut-Speed	21:1	112-8617	1	Nut-Hex
10	117-4444-01	1	Arm-Steering	22	117-9002	1	Spacer
11	325-22	1	Screw-HH	23	119-9300	1	Cover-Valve, Steering
12	99-5107	1	Nut-Lock	25	119-9346	1	Decal-Arm, Steering
13	322-47	1	Screw-HH	26	117-9536	1	Decal-Danger



Brake Cable and Lever Assembly

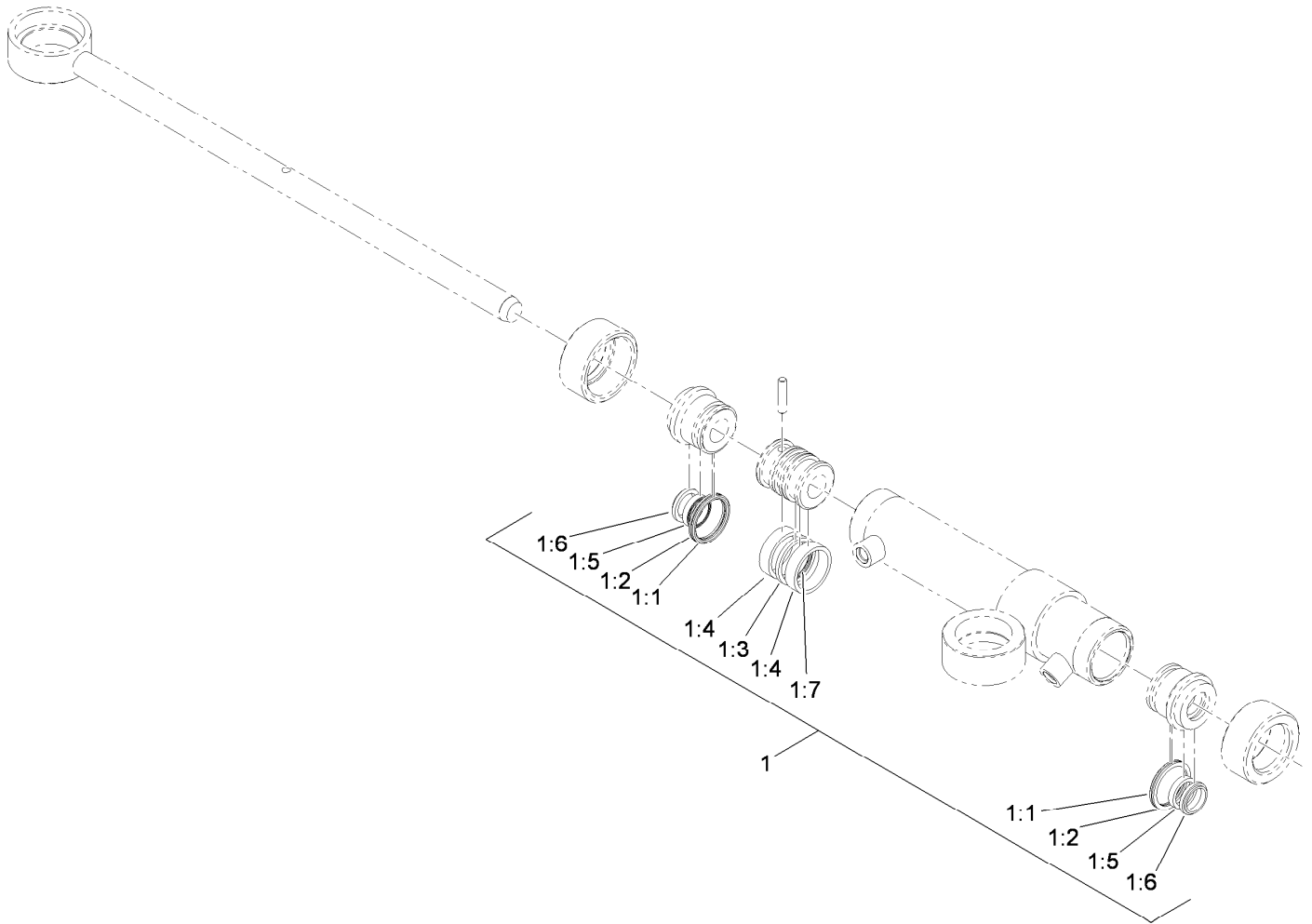
Ref.	Part Number	Qty.	Description	Ref.	Part Number	Qty.	Description
1	21-1880	1	Grip-Handle	13	115-5300	1	Proximity Switch ASM
2	119-2149-03	1	Lever-Brake	13:1	117-3207	2	Nut-Hex
3	119-1731	1	LH Cover ASM	13:2	117-3208	2	Washer-Lock, Internal Tooth
3:2	92-5972	2	Grommet-Rubber	14	104-8300	2	Nut-HF, NI
3:4	119-1728	1	Stud-1/4 Turn	15	119-1415	1	Pin-Cotter, Locking
3:5	119-1729	1	Retainer-Stud	16	115-5787	1	Bracket-Brake Cable, RH
3:6	119-1730	1	Receptacle-Clip, Mini	17	115-9412	1	Cable-Brake, RH
4	116-1297	2	Screw-Shoulder	19	114-9997	1	Bracket-Brake Cable, LH
5	119-1678	1	Cover-Side, RH	20	114-9996	1	Cable-Brake, LH
6	87-8460	1	Bumper-Rubber	22	32104-32	4	Screw-HWH
7	109-6887	2	Pin-Clevis	23	107069	3	Clip
8	119-2144	1	Spring-Extention	24	701197	2	E-Ring
9	115-5103	3	Screw-HHF	25	283-61	1	Pin-Yoke
10	119-2146	1	Pin	26	3256-23	1	Washer-Plain
11	114-9994	1	Bracket-Equalizer, Cable	27	3290-379	1	Tie-Cable
12	32120-47	3	Ring-Retaining, External				



Back Wheel Assembly

Ref.	Part Number	Qty.	Description	Ref.	Part Number	Qty.	Description
1	115-2657	1	Spindle-Steering	5:8	117-8259	1	Washer-Spindle
2	3234-38	2	Screw-HHF	5:9	3272-18	1	Pin-Cotter
3	117-4366-01	1	Base-Fork, Rear	5:10	93-0307	1	Nut-Lock, Retainer
4		1	Wheel And Tire ASM ●	6	115-9471	2	Bearing-Cup
4:1	117-9031	1	Tire	7	115-9472	2	Bearing-Cone And Seal
4:2	217-60	1	Rim	8	99-5107	4	Nut-Lock
4:3	232-27	1	Stem-Valve	9	3272-37	1	Pin-Cotter
5	119-4490	1	Wheel Spindle ASM	10	18-6320	1	Washer-Steering
5:1	242-50	4	Nut-Lug	11	32136-9	1	Nut-Hex, Slotted
5:2	241-119	1	Cap-Dust	12	325-12	2	Screw-HH
5:3	112-7173	1	Spindle	13	117-9875	2	Joint-Ball
5:4	112-1690	1	Seal-Oil	14	3234-22	2	Screw-HHF
5:5	117-9093	1	Hub ASM	15	32151-104	2	Ring-Retaining, External
5:5:2	254-72	2	Bearing-Cup, Tapered	16	3220-6	4	Nut-Jam
5:5:3	114-3918	4	Stud-Wheel	17	325-8	2	Screw-HH
5:6	254-94	2	Bearing-Cone, Tapered	18	117-4480	1	HYD Cylinder ASM
5:7	117-8260	1	Nut				

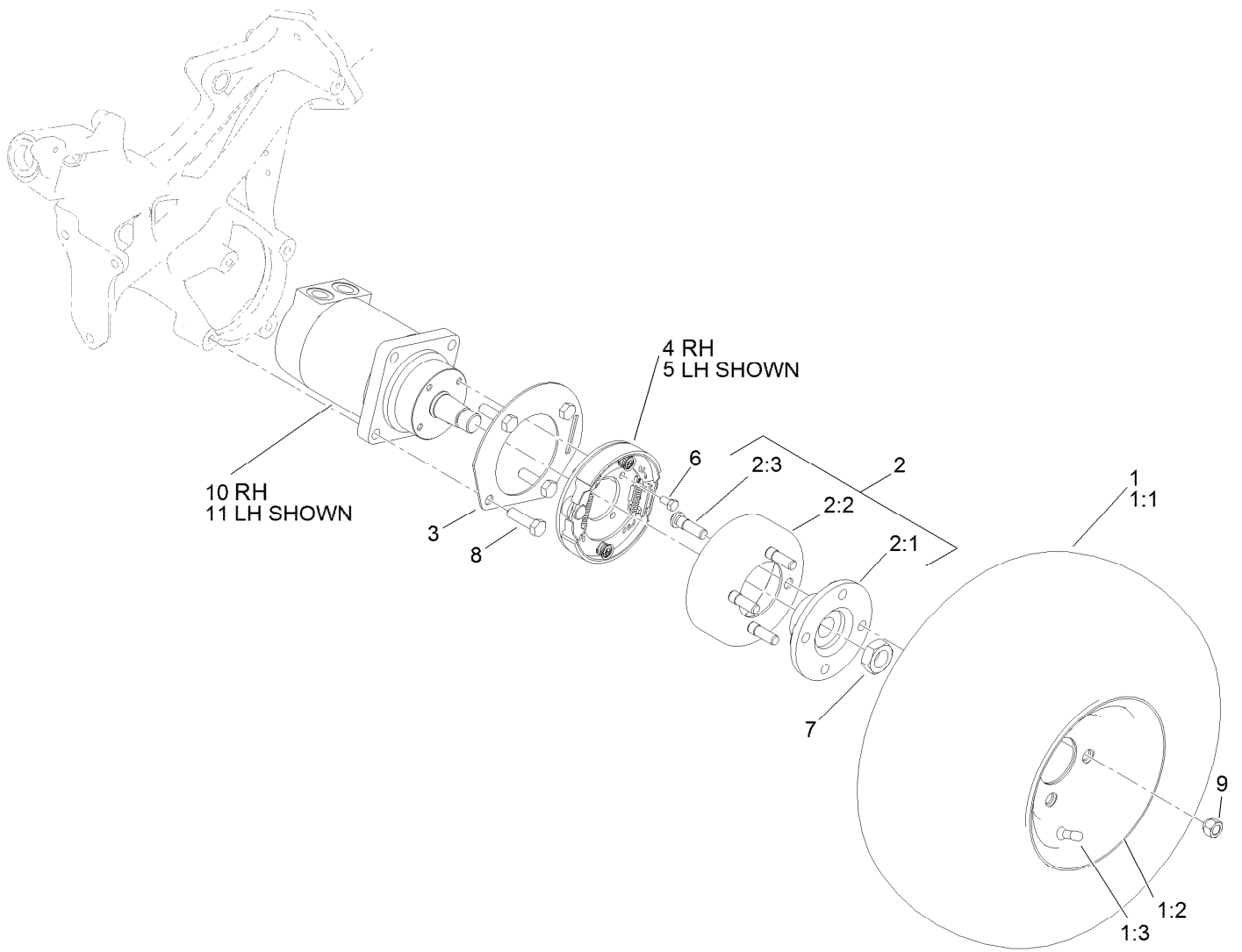
● Not serviced separately



Hydraulic Cylinder Assembly No. 117-4480

<i>Ref.</i>	<i>Part Number</i>	<i>Qty.</i>	<i>Description</i>
1	119-7124	1	Kit-Seal
1:1		2	Ring-Retaining ●
1:2		2	Ring-Backup ●
1:3		1	Seal-Psp ●
1:4		2	Ring-Wear ●
1:5		2	Seal-Bs ●
1:6		2	Seal-Dust ●
1:7		1	Ring-Retaining ●

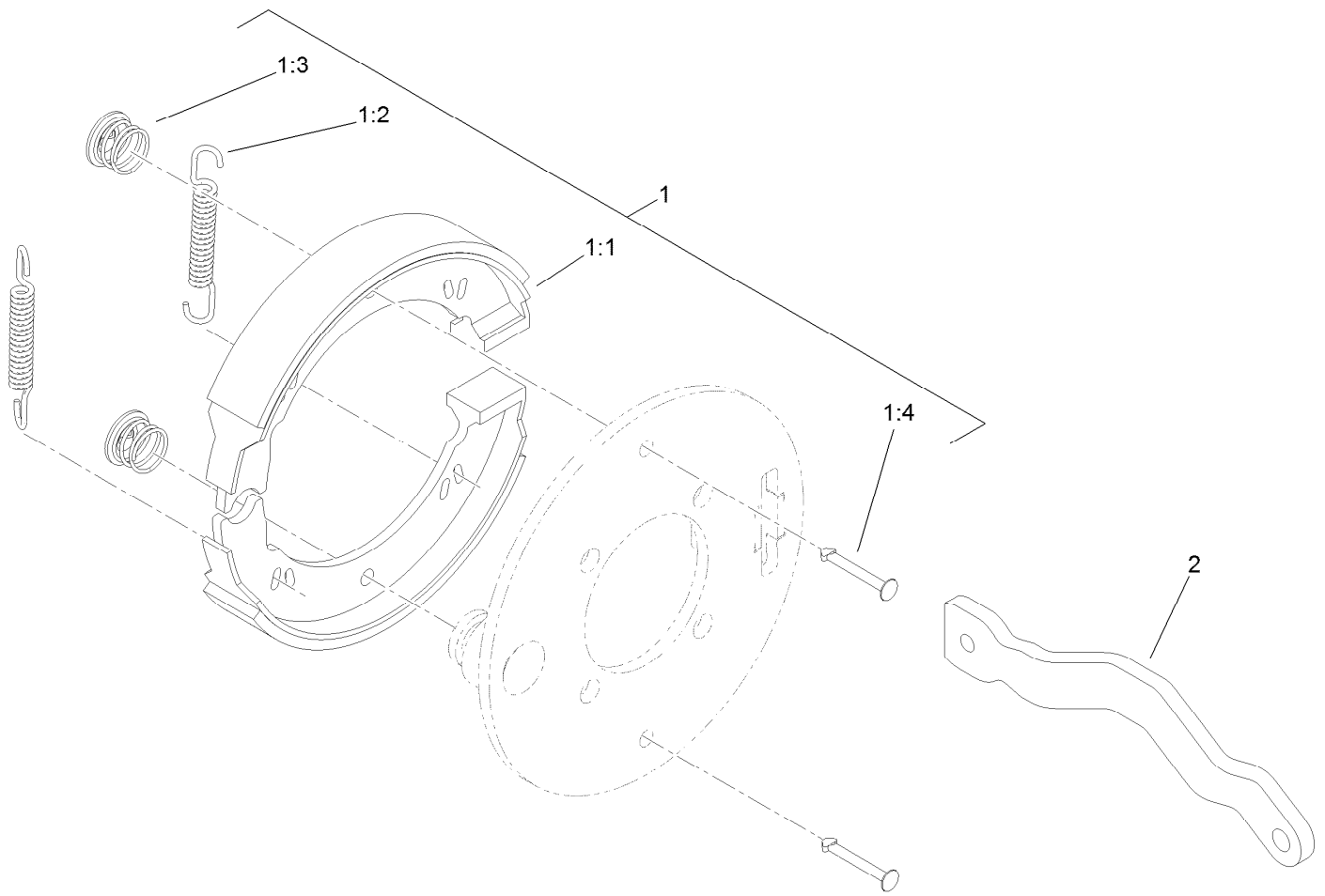
● Not serviced separately



Front Wheel Assembly

Ref.	Part Number	Qty.	Description	Ref.	Part Number	Qty.	Description
1		2	Wheel And Tire ASM ●	4	115-9441	1	RH Brake ASM
1:1	117-9031	1	Tire	5	115-9440	1	LH Brake ASM
1:2	117-9032	1	Rim	6	322-2	8	Screw-HH
1:3	232-27	1	Stem-Valve	7	26-3790	2	Nut-Lock
2	115-2661	2	Brake Drum ASM	8	325-7	8	Screw-HH
2:1	115-2662-03	1	Hub-Wheel	9	242-50	8	Nut-Lug
2:2	115-2663	1	Drum-Brake	10	117-4302	1	RH Wheel Motor ASM
2:3	85-6540	4	Stud-Drive	11	117-4303	1	LH Wheel Motor ASM
3	114-9998-03	2	Tab-Lever, Brake				

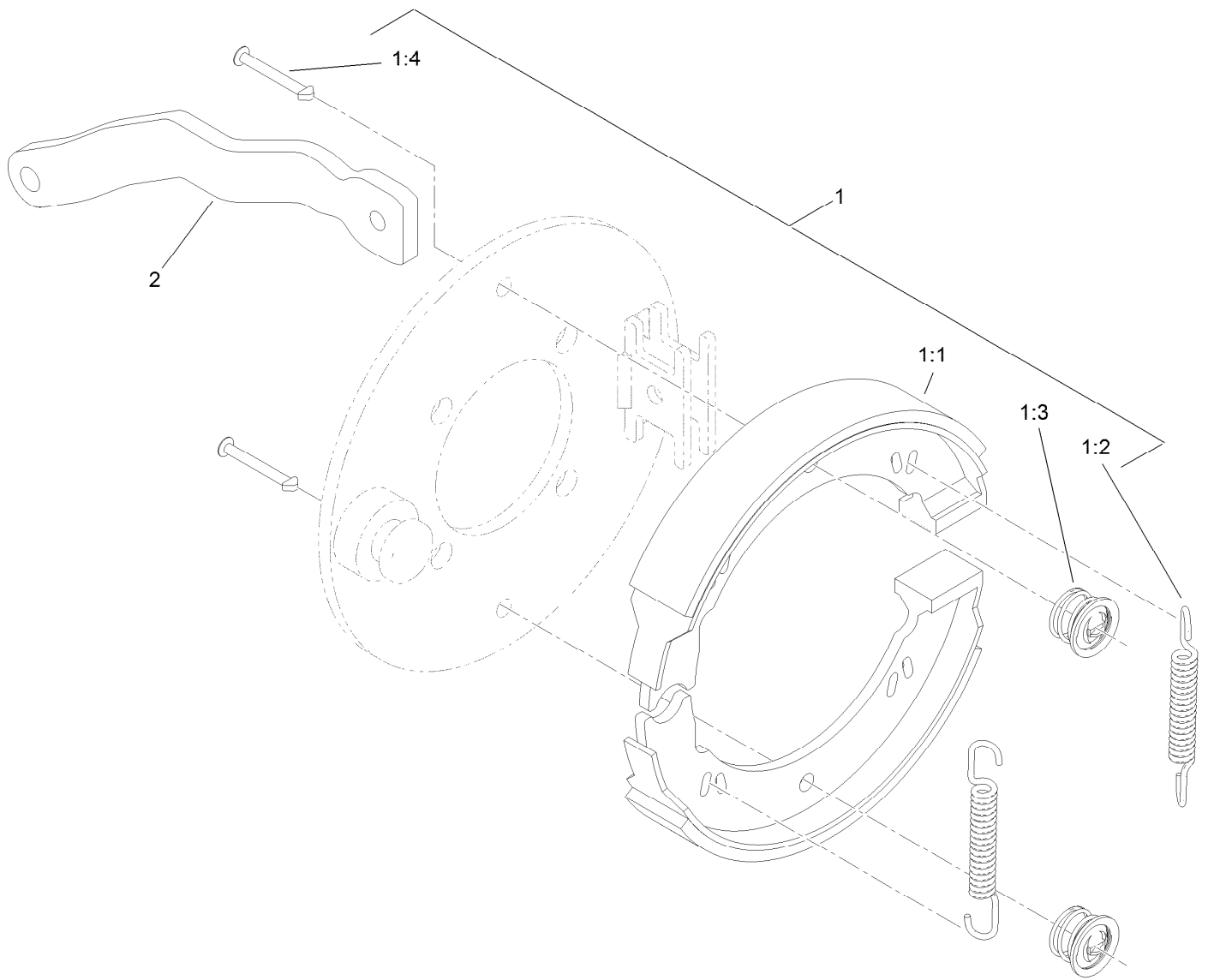
● Not serviced separately



Right Hand Brake Assembly No. 115-9441

Ref.	Part Number	Qty.	Description
1	119-7136	1	Kit-Brake
1:1		2	Shoe-Brake ●
1:2		2	Spring ●
1:3		2	Clip ●
1:4		2	Pin-Retainer ●
2	115-5789	1	Lever-Brake, RH

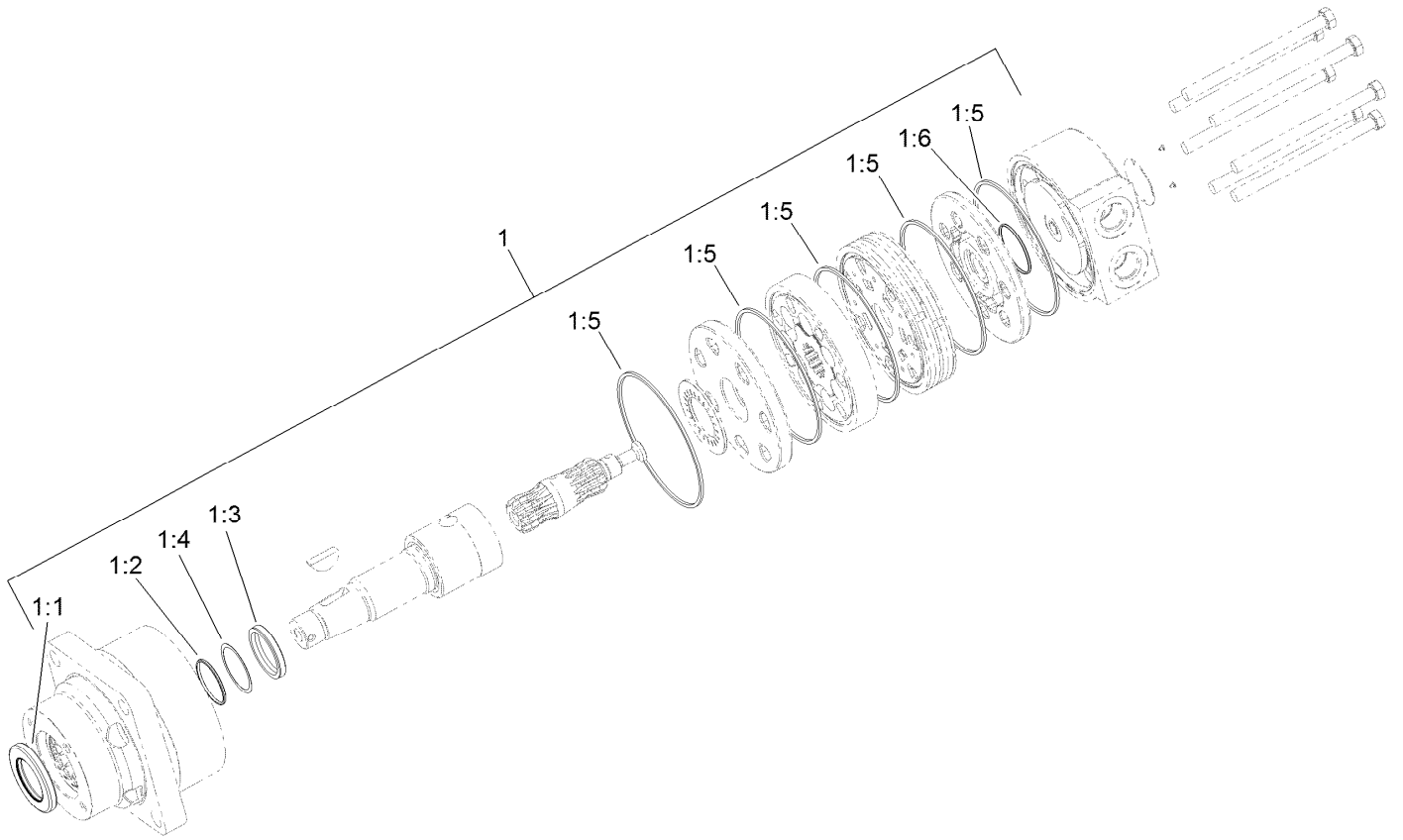
● Not serviced separately



Left Hand Brake Assembly No. 115-9440

Ref.	Part Number	Qty.	Description
1	119-7136	1	Kit-Brake
1:1		2	Shoe-Brake ●
1:2		2	Spring ●
1:3		2	Clip ●
1:4		2	Pin-Retainer ●
2	115-2664	1	Lever-Brake, LH

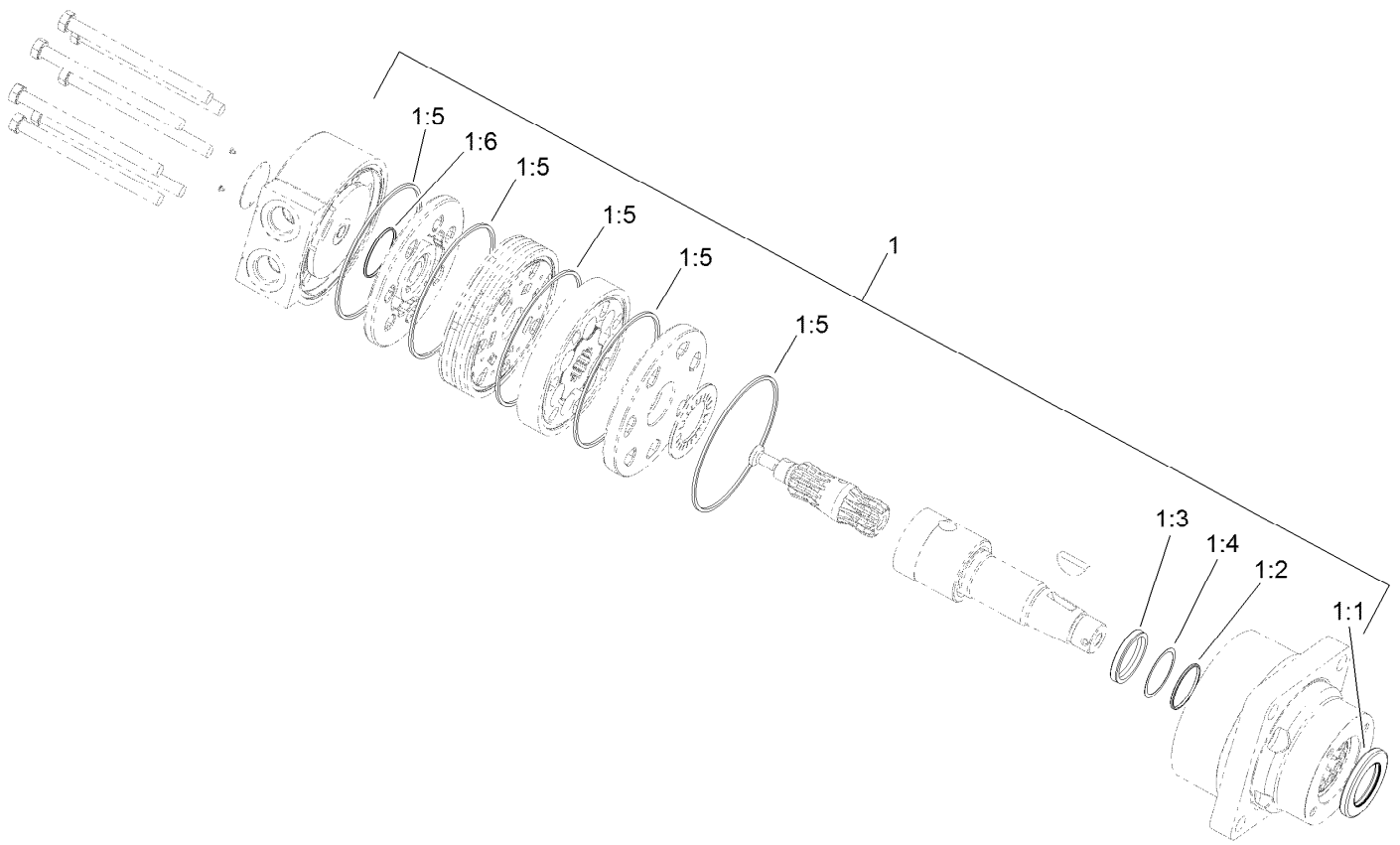
● Not serviced separately



Right Hand Wheel Motor Assembly No. 117-4302

<i>Ref.</i>	<i>Part Number</i>	<i>Qty.</i>	<i>Description</i>
1	94-8178	1	Seal Kit
1:1		1	Seal-Dirt And Water ●
1:2		1	Backup-Ring ●
1:3		1	Seal-Shaft ●
1:4		1	Washer-Backup ●
1:5		5	Seal-Square, Ring (Inner) ●
1:6		1	Seal-Commutator ●

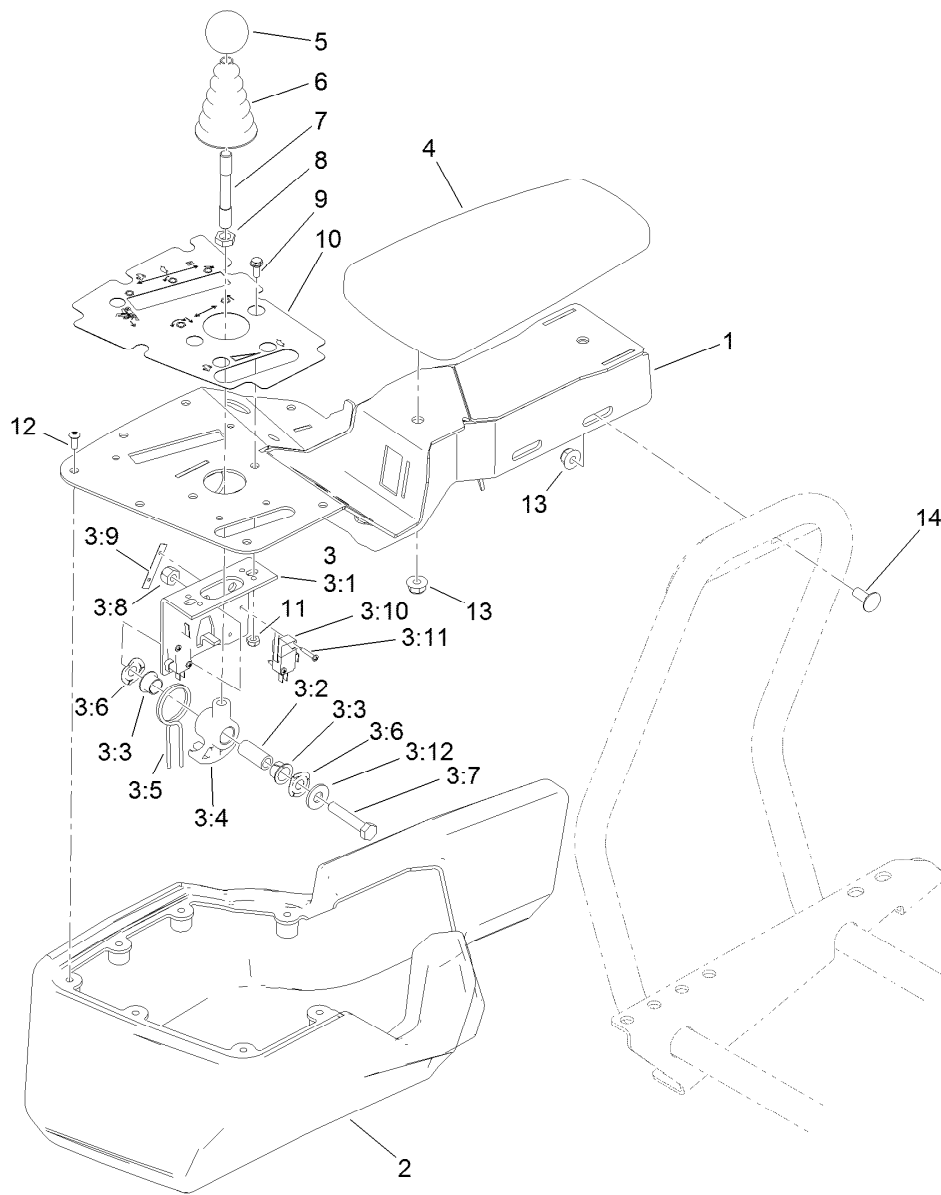
● Not serviced separately



Left Hand Wheel Motor Assembly No. 117-4303

<i>Ref.</i>	<i>Part Number</i>	<i>Qty.</i>	<i>Description</i>
1	94-8178	1	Seal Kit
1:1		1	Seal-Dirt And Water ●
1:2		1	Backup-Ring ●
1:3		1	Seal-Shaft ●
1:4		1	Washer-Backup ●
1:5		5	Seal-Square, Ring (Inner) ●
1:6		1	Seal-Commutator ●

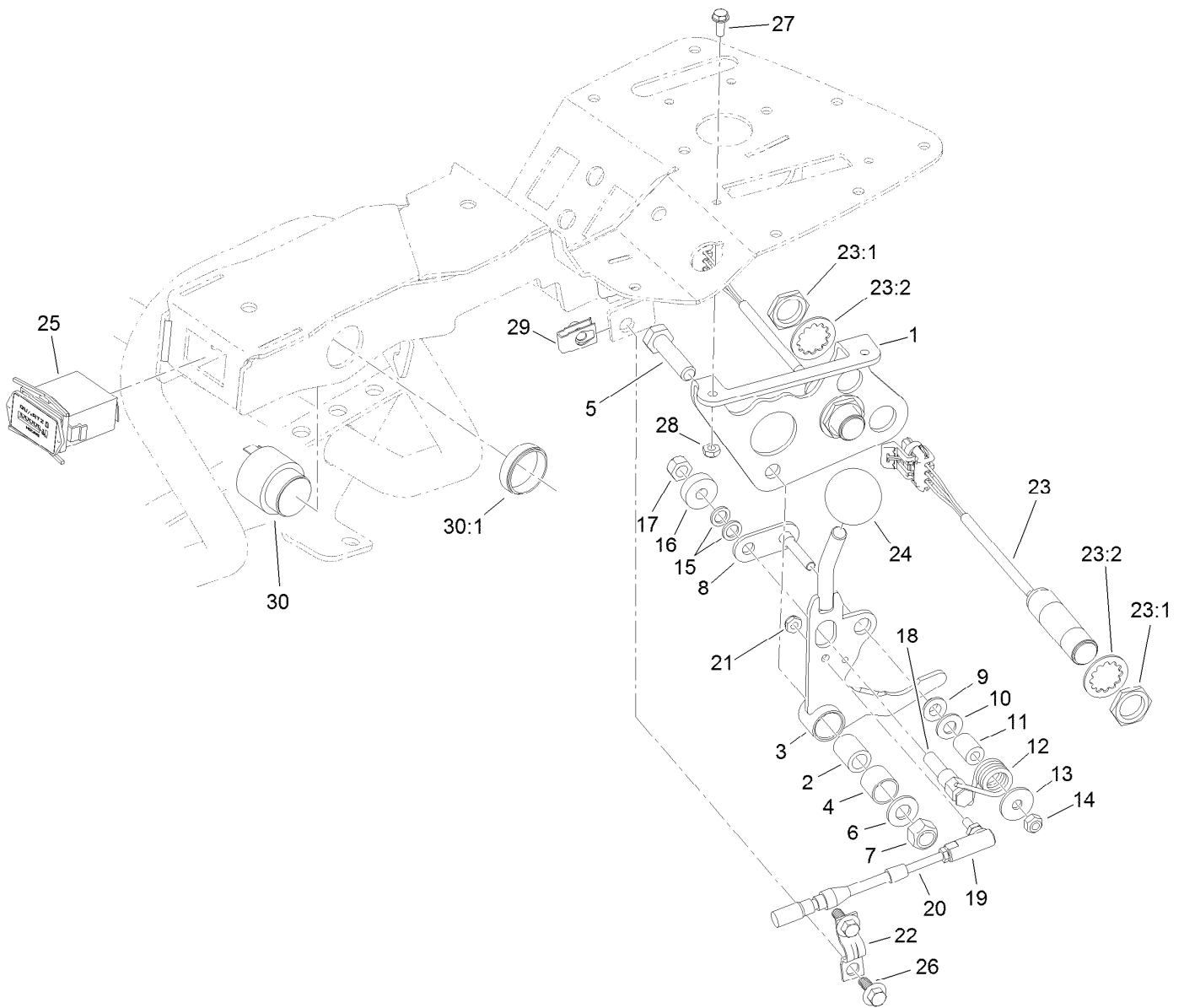
● Not serviced separately



Console and Reel Control Assembly

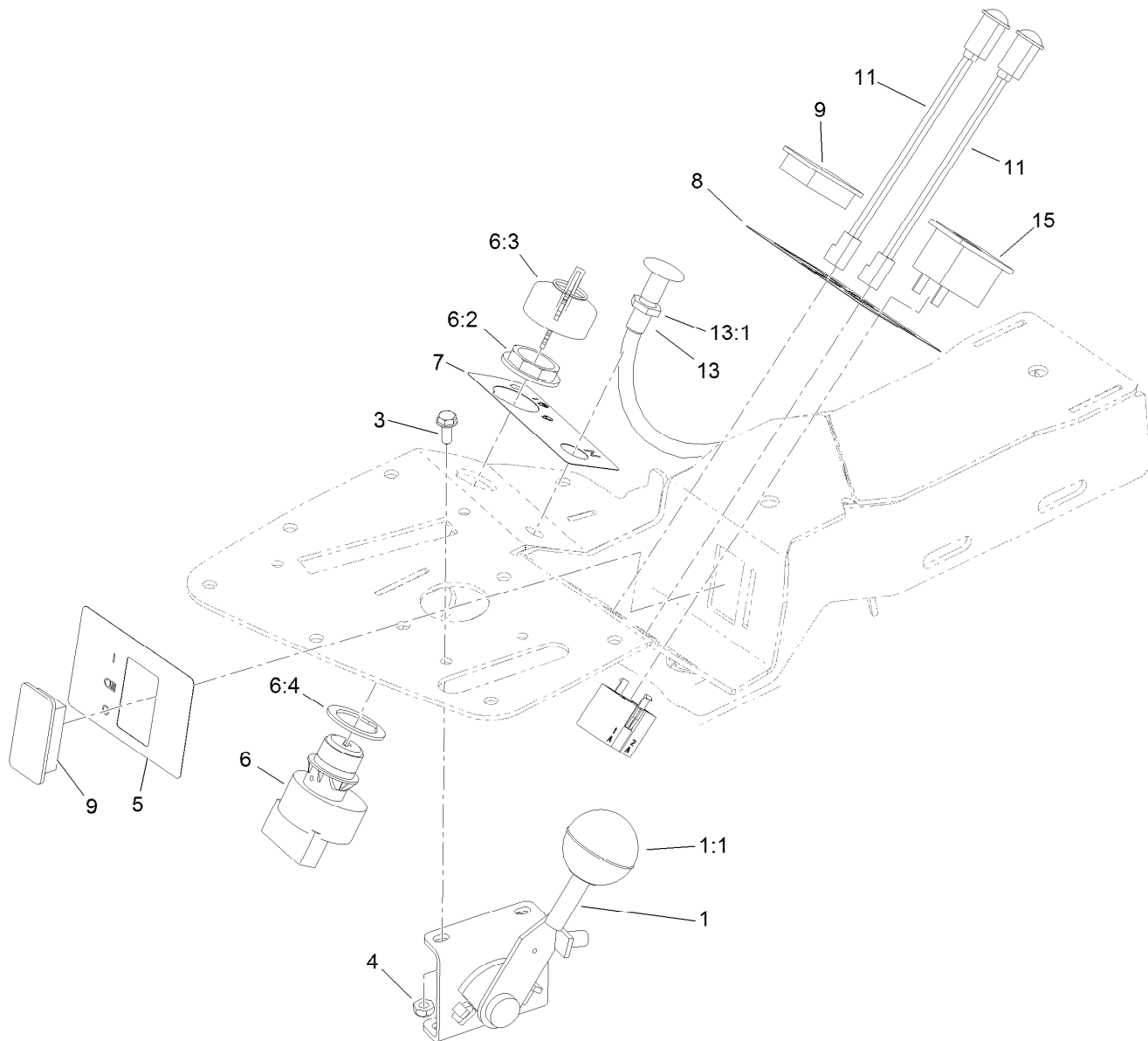
Ref.	Part Number	Qty.	Description
1	115-9804-03	1	Cover
2	115-9798	1	Cover-Console
3	106-4167	1	Joystick Bracket ASM
3:1	115-5357-03	1	Bracket-Joystick
3:2	106-4192	1	Spacer
3:3	93-5547	2	Bushing-Nylon
3:4	105-7507	1	Hub-Pivot, Joystick
3:5	105-8289	1	Spring-Torsion
3:6	106-4193	2	Washer-Finger, Spring
3:7	322-9	1	Screw-HH
3:8	3296-29	1	Nut-Lock, NI
3:9	3290-354	2	Nut-Speed
3:10	108-6496	2	Switch (W/Boot)

Ref.	Part Number	Qty.	Description
3:11	95-3003	4	Screw-PPHTF
3:12	3256-3	1	Washer-Flat
4	108-7602	1	Rest-Arm
5	233-42	1	Knob
6	93-5961	1	Boot-Lever
7	105-8288	1	Rod-Joystick
8	3218-3	1	Nut-Jam
9	3290-321	2	Screw-HWH
10	119-1657	1	Decal-Console
11	3296-12	2	Nut-Lock, NI
12	115-9830	7	Screw-HSBH
13	104-8300	6	Nut-HF, NI
14	3230-23	2	Bolt-CARR



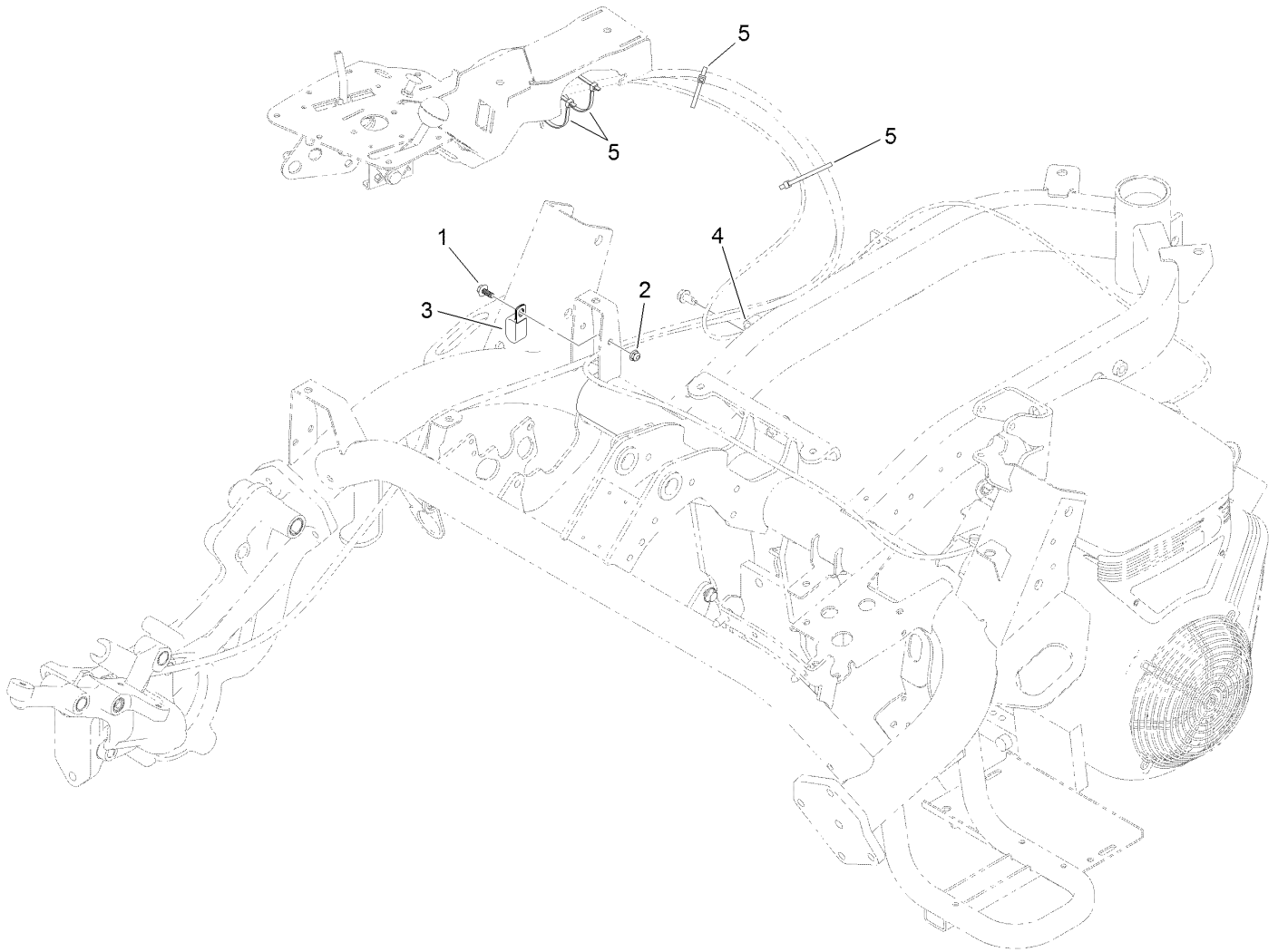
Traction Interface Control Assembly

Ref.	Part Number	Qty.	Description	Ref.	Part Number	Qty.	Description
1	115-9774-03	1	Bracket-Function, Lever	18	94-9617	1	Pin-Spring
2	94-1378	1	Tube-Pivot, Handle	19	2411-38	1	Joint-Ball
3	115-9772	1	Handle ASM	20	119-1653	1	Cable-Lock, Neutral
4	256-311	1	Bushing-Split	21	3296-27	1	Nut-Lock, NI
5	33115-040	1	Screw-HH	22	93-2279	1	Clamp-Cable
6	3256-24	1	Washer-Flat	23	115-5300	2	Proximity Switch ASM
7	33025-00	1	Nut-Lock, NI	23:1	117-3207	2	Nut-Hex
8	94-9614	1	Pivot-Roller	23:2	117-3208	2	Washer-Lock, Internal Tooth
9	94-9619	1	Bushing	24	233-42	1	Knob
10	3256-23	1	Washer-Plain	25	1-513374	1	Meter-Hour
11	94-9618	1	Spacer-Spring	26	99-6810	2	Screw-HHF
12	94-9620	1	Spring-Torsion	27	3290-321	2	Screw-HWH
13	3256-67	1	Washer	28	3296-12	2	Nut-Lock, NI
14	33023-00	1	Nut-Lock	29	107069	2	Clip
15	75-5470	2	Spacer-Bearing	30	80-9330	1	Audio Alarm ASM
16	251-259	1	Bearing-Ball	30:1	104-5107	1	Nut-Plastic, Knurled
17	33024-00	1	Nut-Lock, NI				



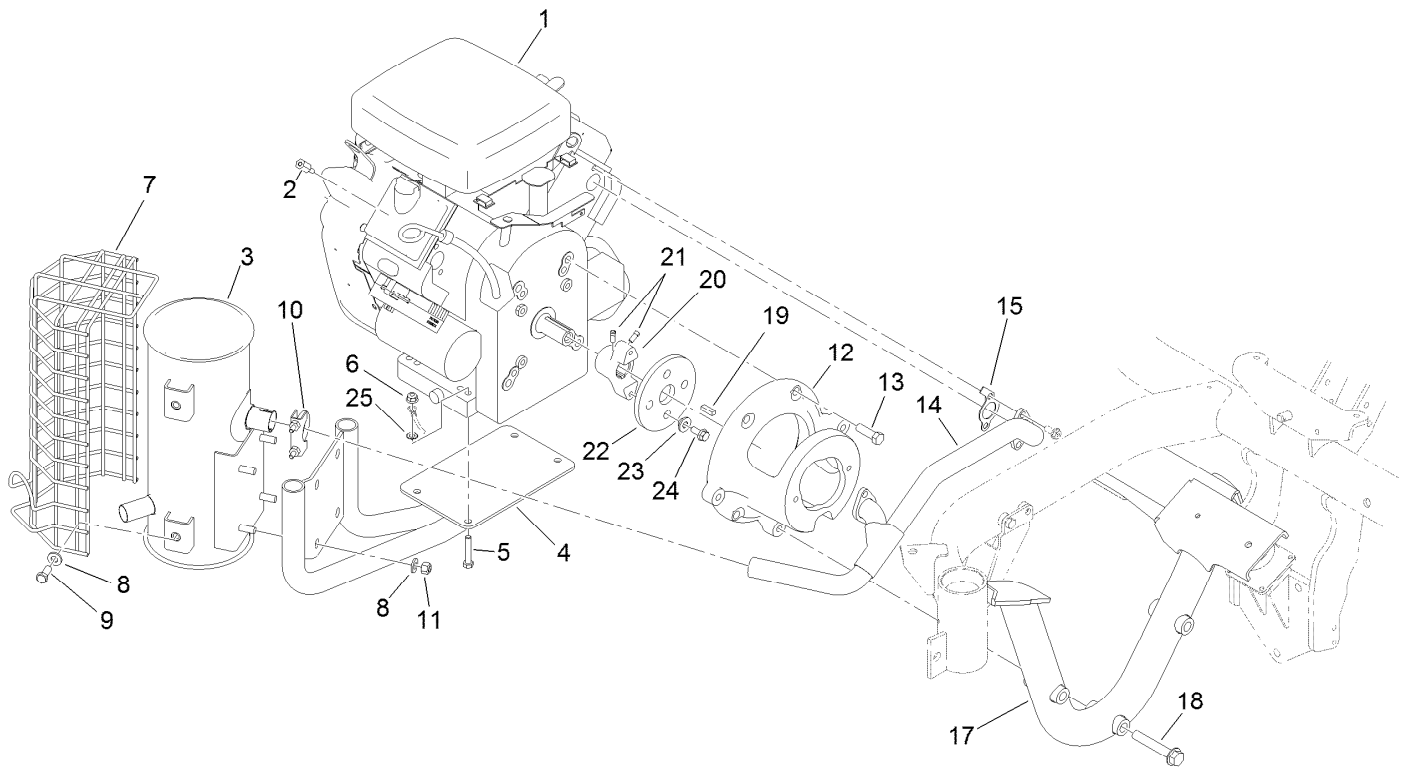
Ignition, Throttle and Choke Control Assembly

<i>Ref.</i>	<i>Part Number</i>	<i>Qty.</i>	<i>Description</i>	<i>Ref.</i>	<i>Part Number</i>	<i>Qty.</i>	<i>Description</i>
1	119-1652	1	Throttle	7	119-1688	1	Decal-Ignition, Console
1:1	115-8217	1	Knob-Ball	8	119-1658	1	Decal-Diagnostic, Console
3	3290-321	2	Screw-HWH	9	99-7420	2	Plug-Hole
4	3296-12	2	Nut-Lock, NI	11	95-7652	2	Light-Indicator
5	119-1687	1	Decal-Lights	13	119-1651	1	Control-Choke
6	106-5269	1	Ignition Switch ASM	13:1	3220-3	1	Nut-HJ
6:2	108-8660	1	Nut-Mounting	15	99-7410	1	Indicator-Light, Low-Oil Pressure
6:3	106-5270	1	Ignition Key Set				
6:4	108-8659	1	Washer-Backup				



Console Cable Routing Assembly

<i>Ref.</i>	<i>Part Number</i>	<i>Qty.</i>	<i>Description</i>
1	99-6810	1	Screw-HHF
2	104-7201	1	Nut-HF, NI
3	119-8153	1	Clamp-R, Double Tube
4	92-6064	1	Clamp-R
5	3290-379	4	Tie-Cable

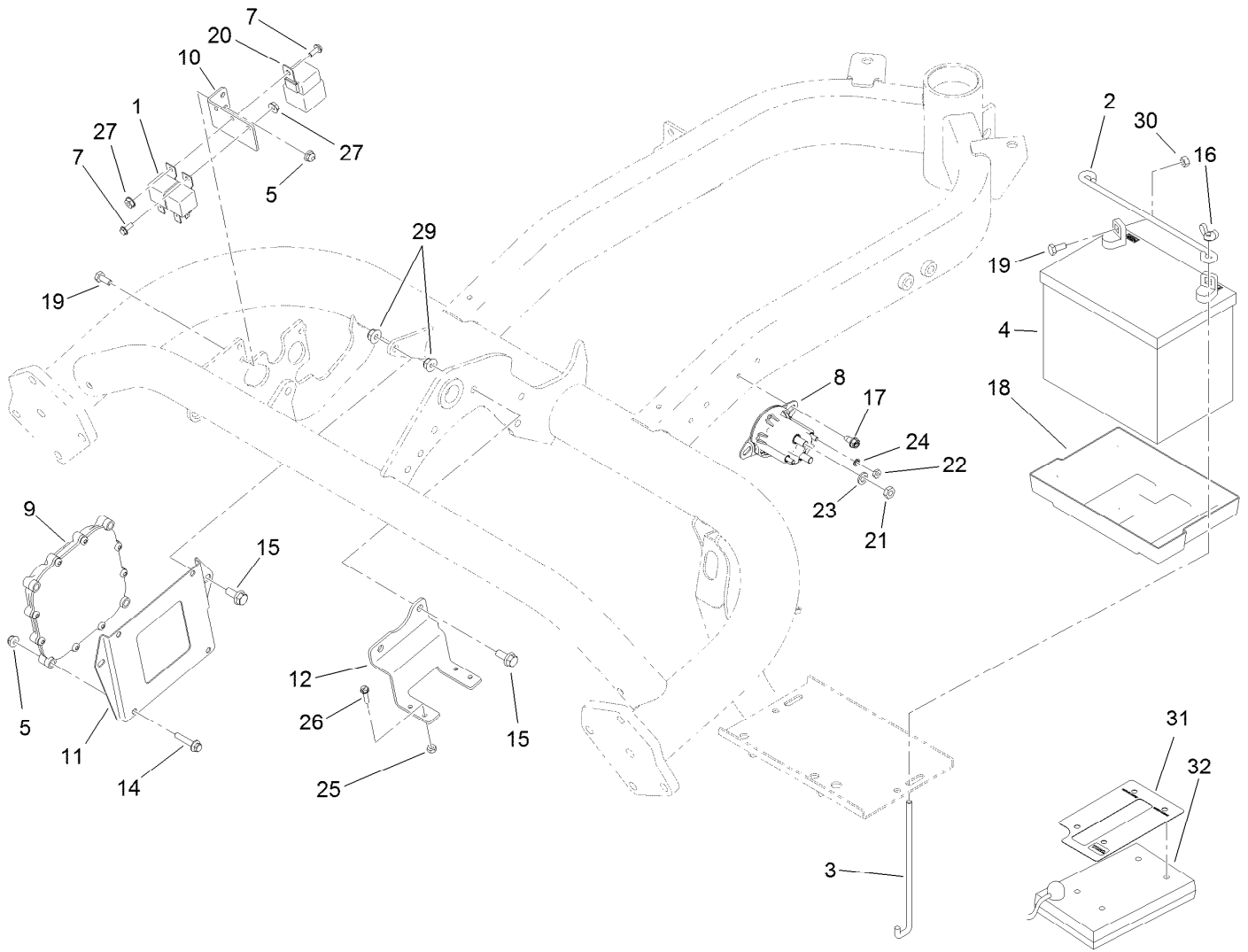


Engine and Exhaust Assembly

Ref.	Part Number	Qty.	Description	Ref.	Part Number	Qty.	Description
1	119-9344	1	Engine-Briggs & Stratton, 385447-0129-G2 ■	12	117-4363-03	1	Mount-Pump
1:1	107-7817	1	Filter-Oil, Engine ●	13	324-32	4	Screw-HH
2	106-4616	1	Screw-Spacer	14	117-4379	1	Manifold-Exhaust
3	110-4001	1	Muffler	15	115-8154	2	Gasket-Manifold, Exhaust
4	117-4364-03	1	Mount-Muffler	17	117-4442-03	1	Frame-Engine
5	322-10	4	Screw-HH	18	3234-40	3	Screw-HF
6	104-8300	4	Nut-HF, NI	19	10-7070	1	Key-Square
7	112-0291	1	Shield-Muffler	20	117-9278	1	Hub-Engine
8	100-4852	8	Washer-Hardened	21	3241-7	2	Screw-SQH
9	323-5	4	Screw-HH	22	115-5129	1	Coupling-Rubber
10	2112-11	1	Clamp-Muffler	23	27-6600	2	Spacer-Coupling
11	32152-2	4	Nut-Lock, Cone	24	3234-47	2	Screw-HHF
				25	3255-8	1	Washer-Lock

● Not illustrated

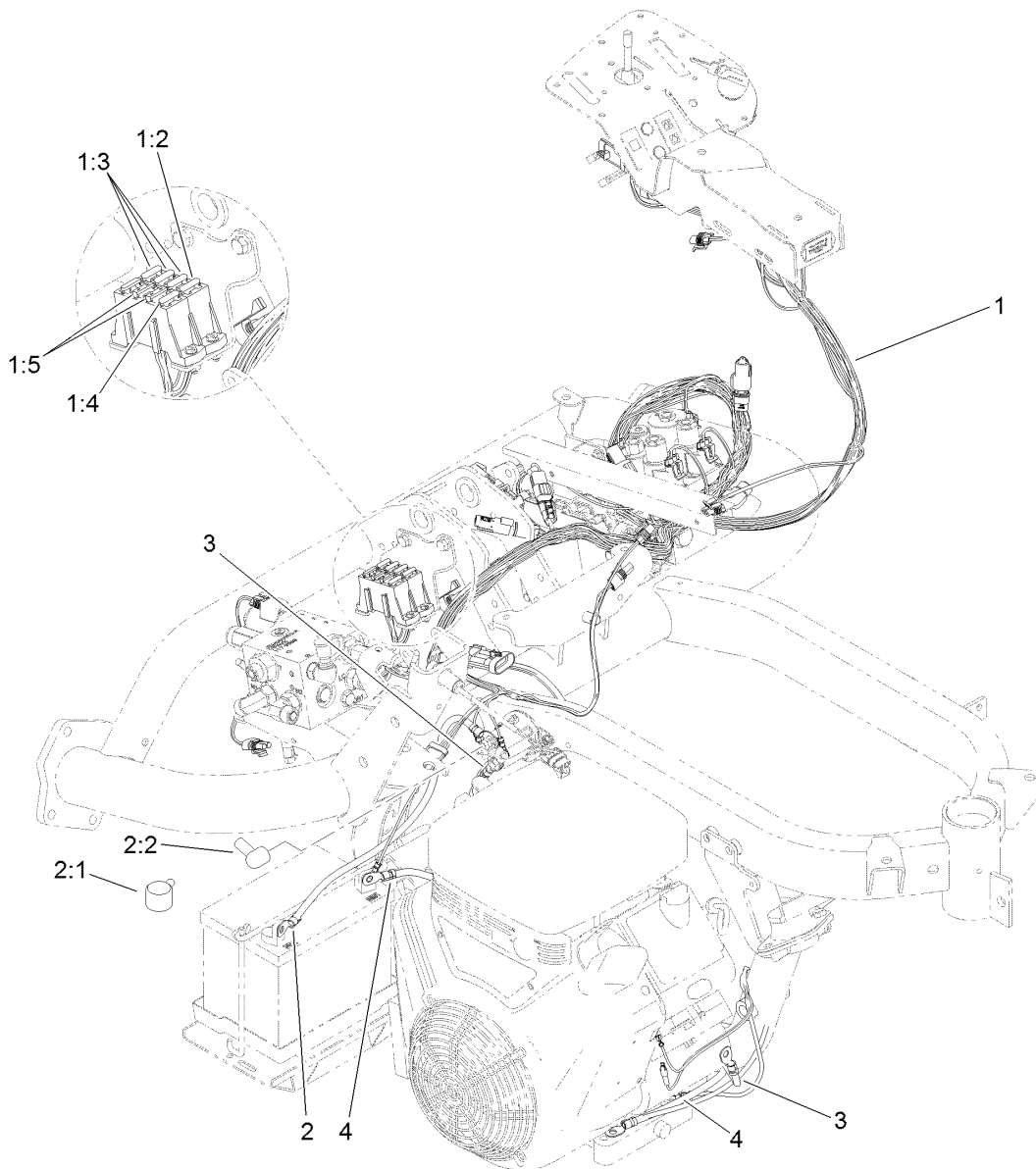
■ Obtain parts from www.briggsandstratton.com



Battery Assembly

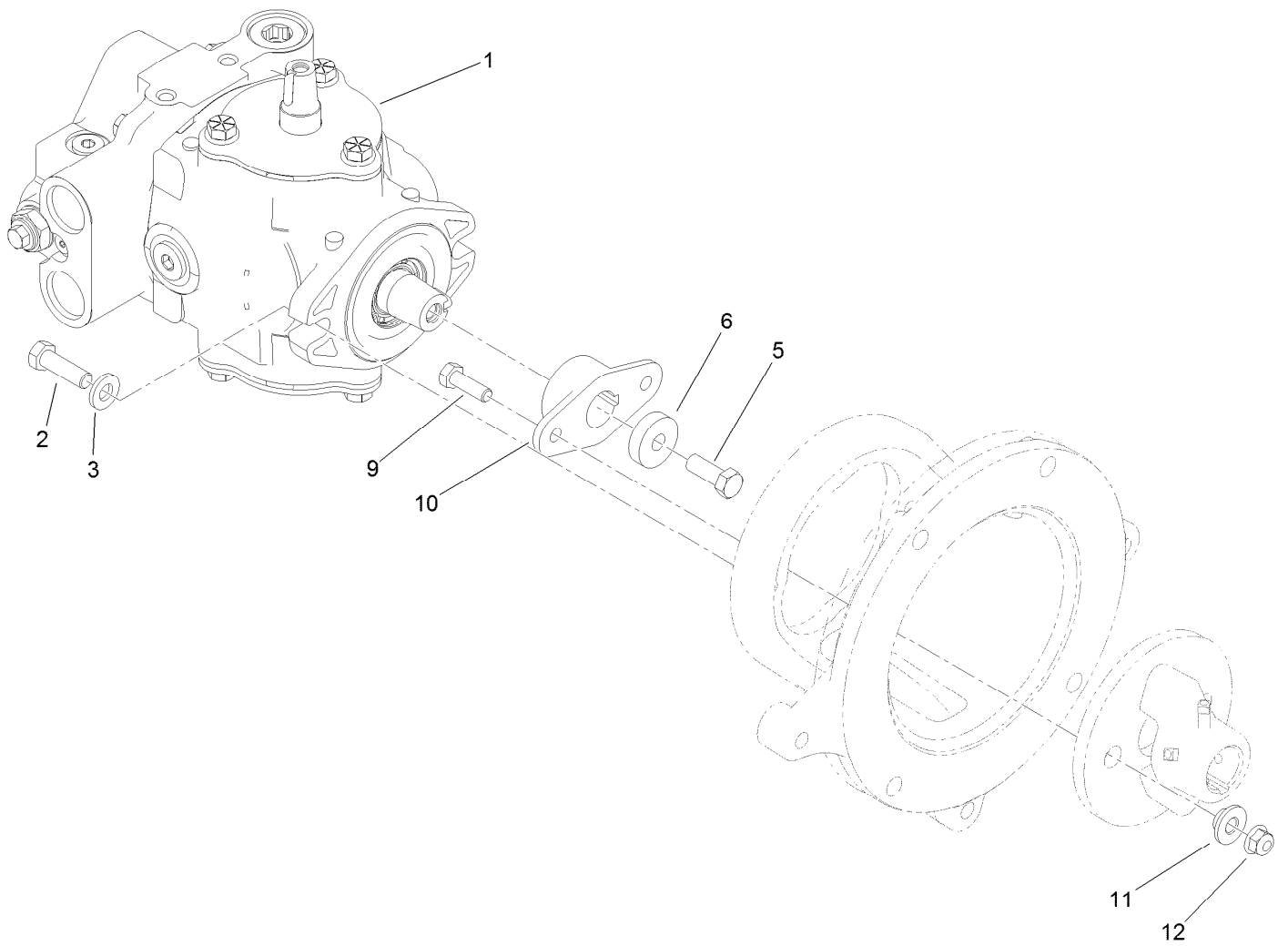
Ref.	Part Number	Qty.	Description
1	99-7435	2	Relay
2	100-6434	1	Rod-Hold Down, Battery
3	100-6435	2	Post-Battery
4	104-8162	1	Battery
5	104-7201	6	Nut-HF, NI
7	112-6349	2	Screw-HWH
8	114-3315	1	Solenoid
9	115-1900	1	Controller
10	119-2097-01	1	Bracket-Relay
11	119-2099-01	1	Plate-Mounting, Controller
12	119-2119-01	1	Bracket-Block, Fuse
14	3234-21	4	Screw-HHF
15	3234-47	4	Screw-HHF
16	32103-22	2	Nut-Wing
17	32104-17	2	Screw-HWH

Ref.	Part Number	Qty.	Description
18	106948	1	Tray-Battery
19	321-3	2	Screw-HH
20	99-7430	1	Relay-Mini
21	3220-2	2	Nut-Jam
22	3219-14	2	Nut-Hex
23	3253-4	2	Washer-Lock
24	3254-1	2	Washer-Lock, Int
25	3296-2	4	Nut-Lock, NI
26	32105-13	4	Screw-HWH
27	32149-8	2	Nut-Keps
29	104-8300	4	Nut-HF, NI
30	3217-5	2	Nut-Hex
31	115-8227	1	Decal-Controller
32	85-4750	1	Box-Display, Diagnostic



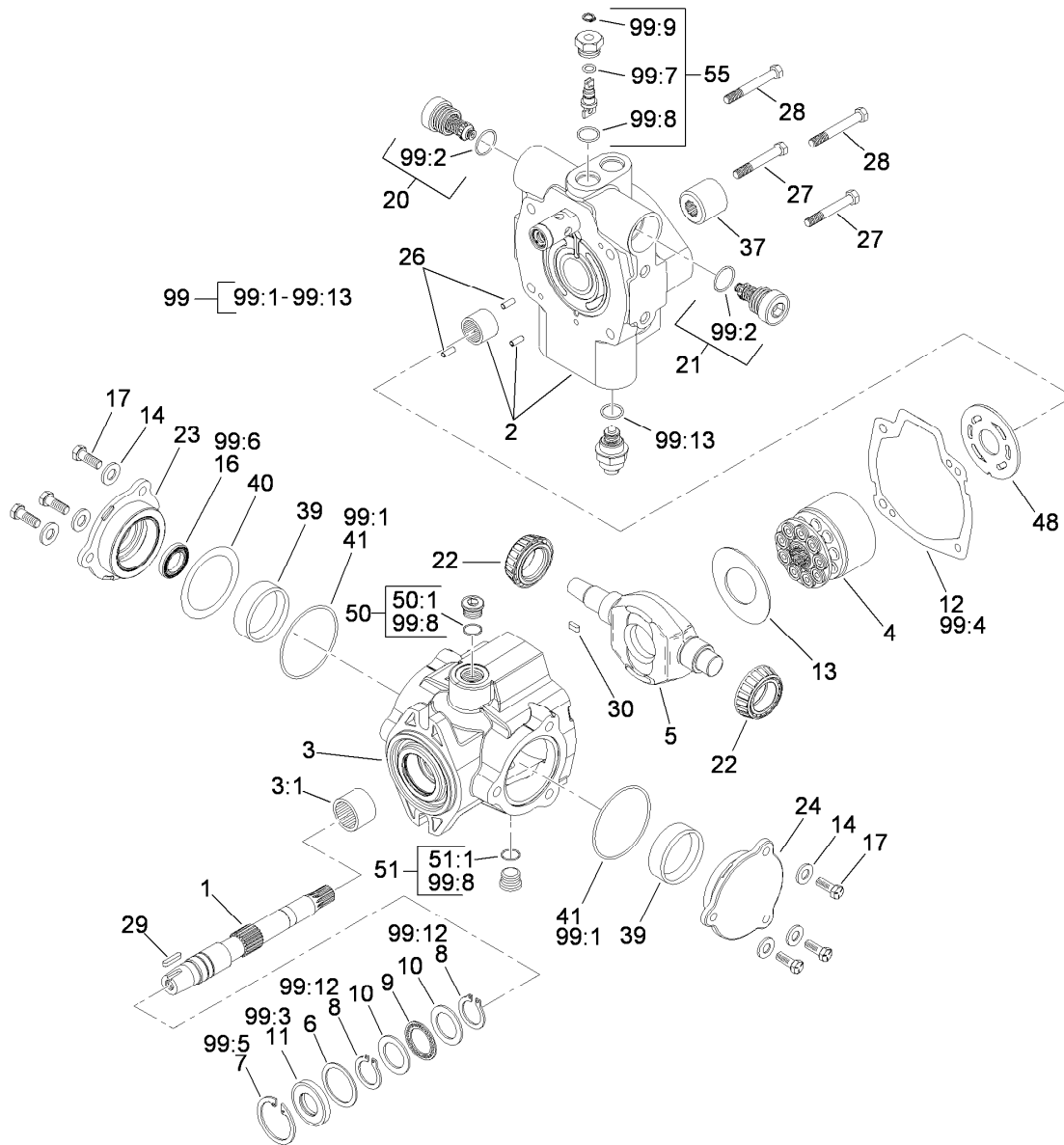
Wire Harness Assembly

<i>Ref.</i>	<i>Part Number</i>	<i>Qty.</i>	<i>Description</i>
1	117-5644	1	Harness-Wire
1:2	94-6710	1	Fuse-2 Amp
1:3	114241	3	Fuse-Blade, 7.5 Amp
1:4	218-578	1	Fuse-Blade, 10 Amp
1:5	109355	2	Fuse-Blade, 15 Amp
2	109-7653	1	Positive Battery Cable ASM
2:1	109-2407	1	Insulator-Battery
2:2	1-543393	1	Insulator-Solenoid
3	119-1781	1	Cable-Battery, Positive
4	114-9748	1	Cable-Battery, Negative



Pump Coupling Assembly

Ref.	Part Number	Qty.	Description
1	114-9957	1	HYD Pump ASM
2	323-7	2	Screw-HH
3	100-4852	2	Washer-Hardened
5	3211-4	1	Screw-HH
6	117-3657	1	Spacer
9	322-5	2	Screw-HH
10	119-4485	1	Hub-Pump
11	27-6600	2	Spacer-Coupling
12	104-8300	2	Nut-HF, NI

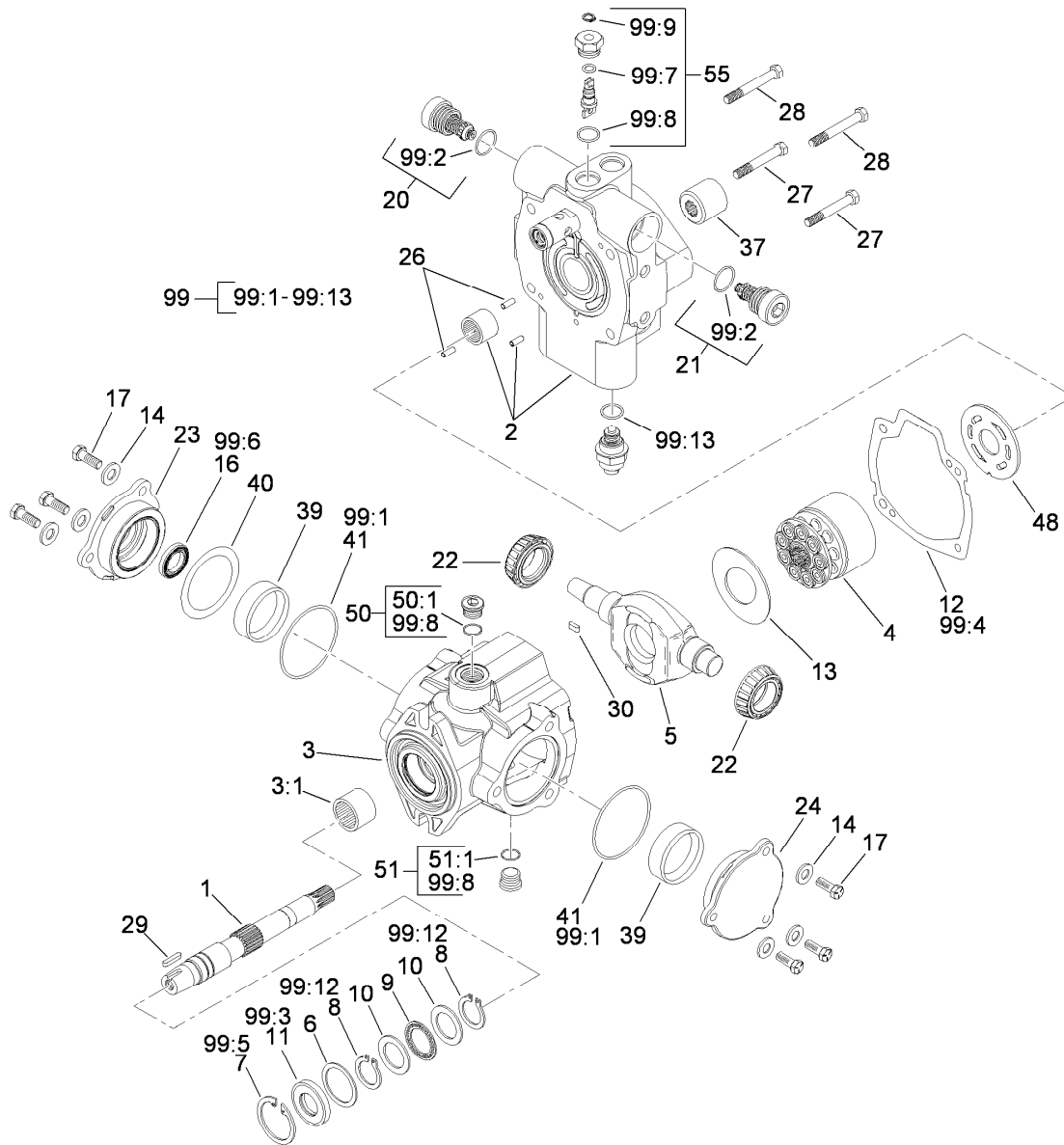


Hydraulic Pump Assembly No. 114-9957

Ref.	Part Number	Qty.	Description	Ref.	Part Number	Qty.	Description
1	119-7148	1	Shaft-Drive, Tapered	21	120-1989	1	Relief Valve ASM
2	119-7149	1	Endcover ASM	22	98-4639	2	Bearing-Cone
3	100-3176	1	Housing ASM	23	98-4645	1	Plate-Cover
3:1	94-6363	1	Bearing	24	98-4644	1	Plate-Cover
4	76-6070	1	Rotating Kit	26	76-6150	2	Pin-Dowel
5	104-4888	1	Swashplate	27	76-6160	2	Capscrew
6	33-3720	1	Washer	28	76-6170	2	Capscrew
7	32151-13	1	Ring-Retaining	29	120-5751	1	Key
8	32151-29	2	Ring-Retaining	30	94-3646	1	Key
9	252-66	1	Bearing-Thrust	37	74-9040	1	Coupler
10	252-71	2	Washer-Thrust	39	104-4046	2	Bearing-Cup
11	104-4861	1	Seal-Shaft	40	100-3182	1	Shim Kit
12	33-4930	1	Gasket-Housing	41	100-3179	2	O-Ring
13	98-4635	1	Insert-Plate, Cam	48	100-3180	1	Plate-Valve
14	105-9762	6	Washer	50	74-9280	1	Plug ASM
16	76-6190	1	Seal-Shaft	50:1		1	Ring-Retaining ■
17	98-4640	6	Screw-Cap	51	74-9280	1	Plug ASM
20	120-1989	1	Relief Valve ASM	51:1		1	Ring-Retaining ■

● Not illustrated

■ Not serviced separately

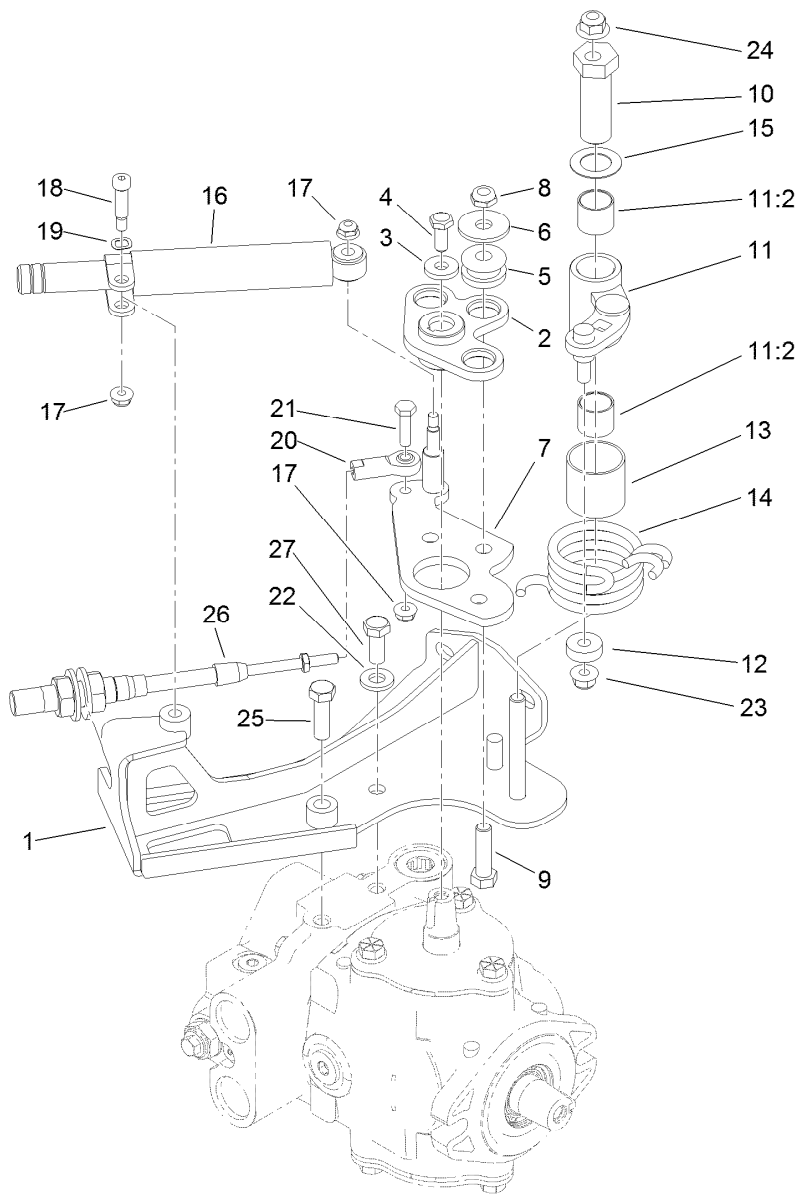


Hydraulic Pump Assembly No. 114-9957 (continued)

Ref.	Part Number	Qty.	Description	Ref.	Part Number	Qty.	Description
55	105-3811	1	Valve-Bypass	99:8		5	Ring-Retaining ■
99	120-5754	1	Seal Kit	99:9		1	Ring-Retaining ■
99:1		2	Ring-Retaining ■	99:10		1	O-Ring (Not Used For This Configuration) ■●
99:2		2	Ring-Retaining ■	99:11		1	O Ring-Molded (Not Used For This Configuration) ■●
99:3		1	Seal-Shaft ■	99:12		2	Ring-Retaining ■
99:4		1	Gasket ■	99:13		1	Ring-Retaining ■
99:5		1	Ring-Retaining ■				
99:6		1	Seal-Shaft ■				
99:7		1	Ring-Retaining ■				

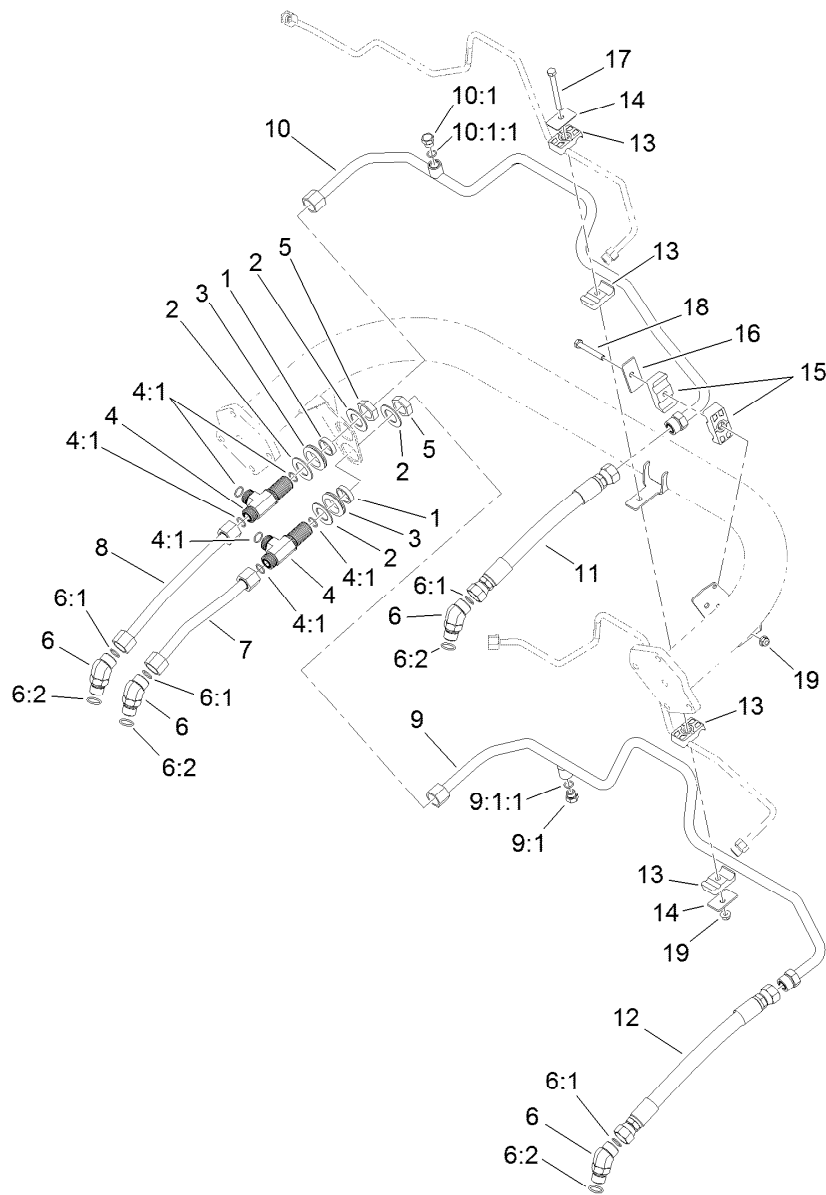
● Not illustrated

■ Not serviced separately



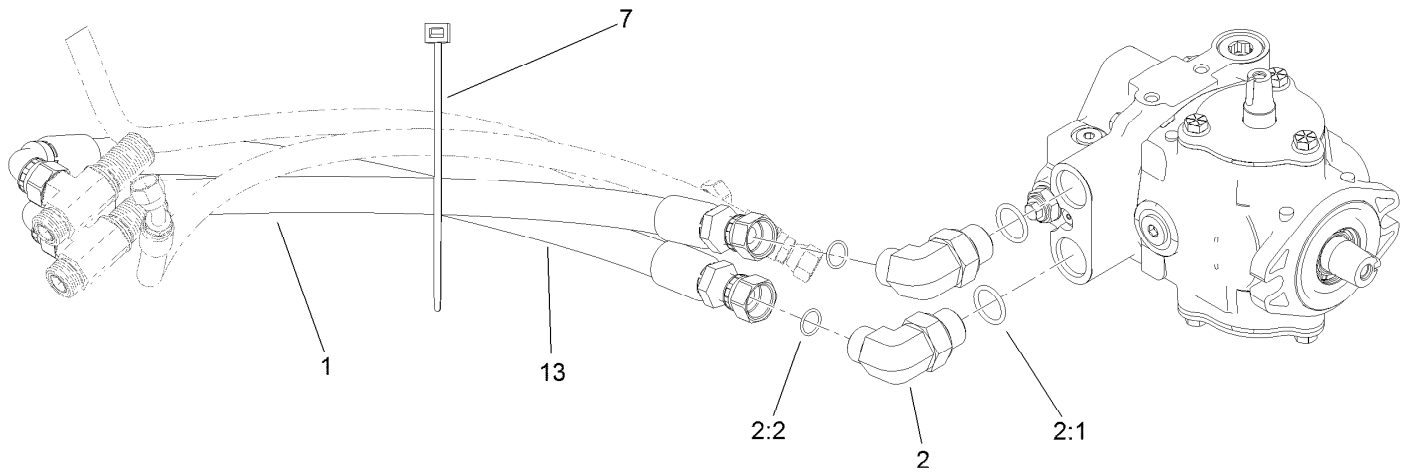
Neutral Centering Assembly

<i>Ref.</i>	<i>Part Number</i>	<i>Qty.</i>	<i>Description</i>	<i>Ref.</i>	<i>Part Number</i>	<i>Qty.</i>	<i>Description</i>
1	119-8188	1	Support-Cable	14	117-9047	1	Spring-Torsion
2	117-4466	1	Plate ASM	15	119-8199	1	Washer-Nylon
3	88-7200	1	Washer-Flat	16	76-8870	1	Damper-Lever
4	3235-6	1	Screw-HH	17	104-7201	3	Nut-HF, NI
5	63-9750	3	Mount	18	117-9043	1	Bolt-Shoulder
6	93-8806	3	Washer-Hardened	19	119-4487	1	Washer-Wave
7	117-9061	1	Lever-Pump	20	2411-41	1	Rod End-Ball Joint
8	3296-59	3	Nut-Lock, NI	21	321-6	1	Screw-HH
9	323-29	3	Screw-HH	22	100-4852	1	Washer-Hardened
10	117-9046	1	Stud-Eccentric	23	104-8300	1	Nut-HF, NI
11	117-9053	1	Neutral Arm ASM	24	104-8301	1	Nut-HF, NI
11:2	94-9609	2	Bushing-Straight	25	323-7	1	Screw-HH
12	251-259	1	Bearing-Ball	26	119-1735	1	Cable-Control, Traction
13	115-8158	1	Spacer-Spring	27	323-5	1	Screw-HH



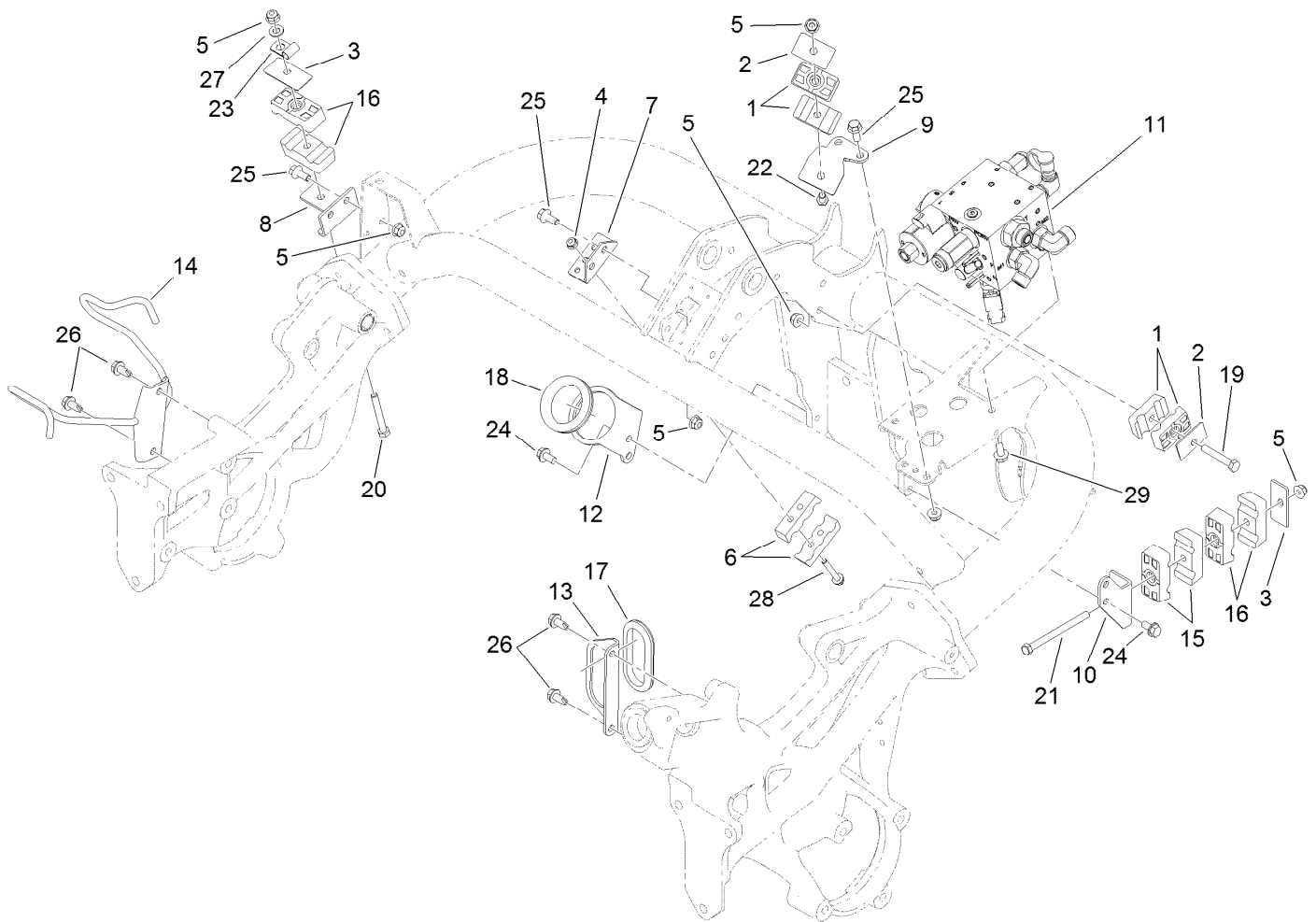
Traction Drive Hydraulic Line Assembly

<i>Ref.</i>	<i>Part Number</i>	<i>Qty.</i>	<i>Description</i>	<i>Ref.</i>	<i>Part Number</i>	<i>Qty.</i>	<i>Description</i>
1	69-9000	2	Spacer	9:1:1	237-42	1	O-Ring
2	69-9010	4	Washer	10	119-2064	1	HYD Tube ASM
3	240-3	2	Grommet-Rubber	10:1	353-508	1	Plug-HH
4	94-5350	2	Fitting-Tee	10:1:1	237-42	1	O-Ring
4:1	237-65	3	O-Ring	11	115-9484	1	Hose-HYD
5	340-74	2	Nut-Lock, Bulkhead	12	115-9485	1	Hose-HYD
6	340-14	4	Fitting-HYD, 45 DEG	13	56-7970	4	Clamp-Tube
6:1	237-65	1	O-Ring	14	69-9760	2	Plate-Cover
6:2	237-80	1	O-Ring	15	119-8173	2	Clamp-Tube
7	119-2057	1	Tube-HYD	16	69-9761	1	Plate-Cover
8	119-2058	1	Tube-HYD	17	322-20	1	Screw-HH
9	119-2063	1	Tube-HYD	18	322-12	1	Screw-HH
9:1	353-508	1	Plug-HH	19	104-8300	2	Nut-HF, NI



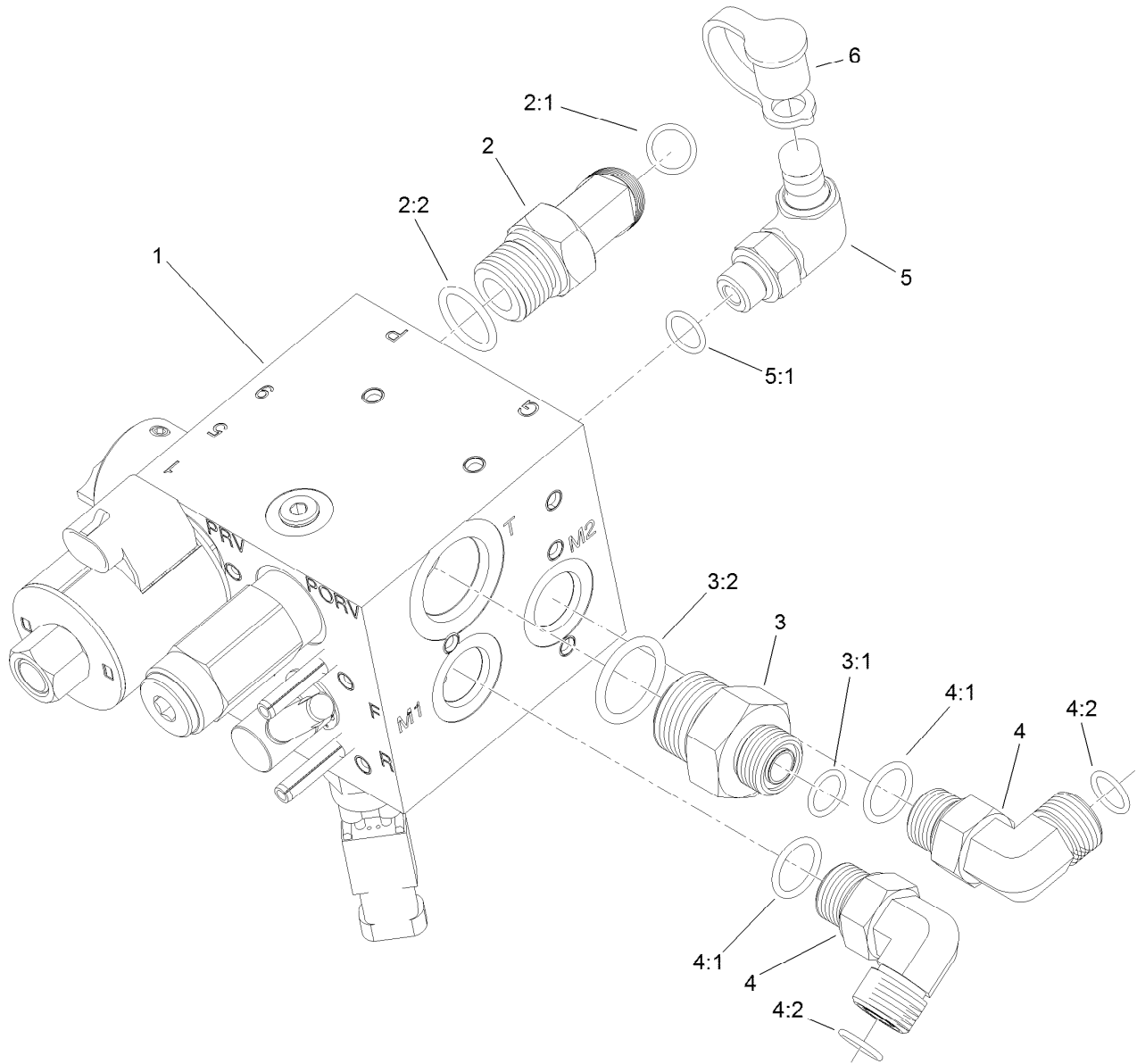
Traction Drive Hose Routing Assembly

<i>Ref.</i>	<i>Part Number</i>	<i>Qty.</i>	<i>Description</i>
1	119-2060	1	Hose-HYD
2	340-139	2	Fitting-Elbow 90
2:1	237-81	1	O-Ring
2:2	237-65	1	O-Ring
7	3290-378	1	Tie-Cable
13	120-1988	1	Hose-HYD



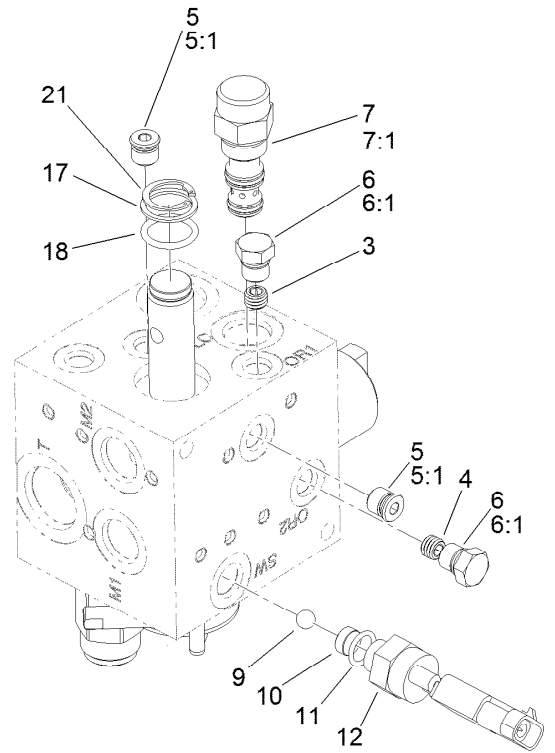
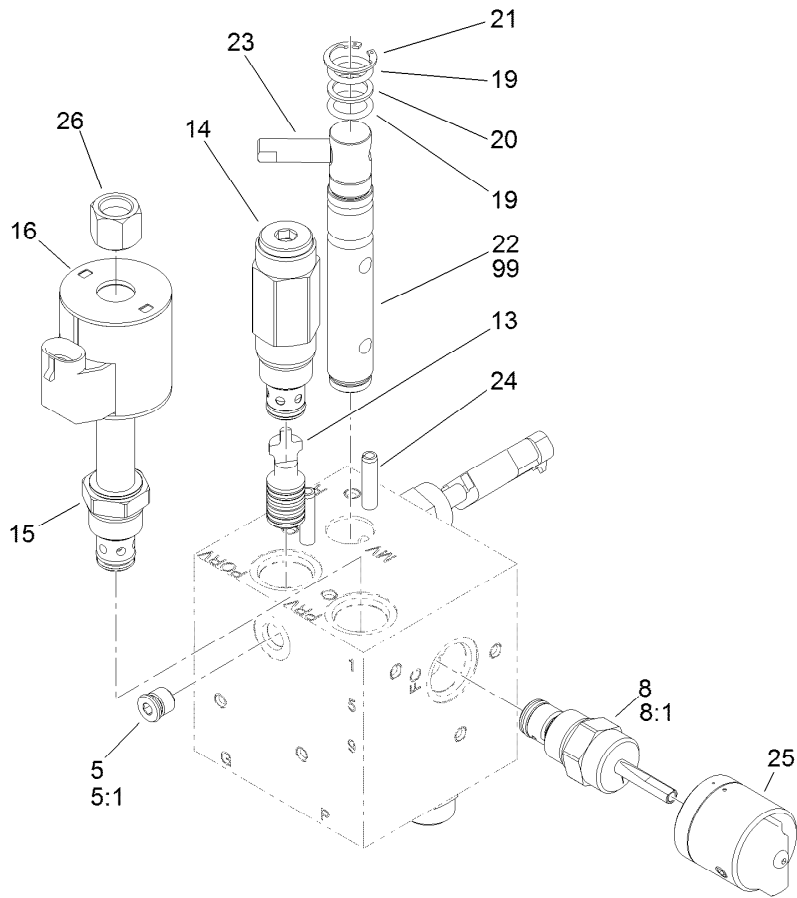
Hydraulic Mow Assembly

<i>Ref.</i>	<i>Part Number</i>	<i>Qty.</i>	<i>Description</i>	<i>Ref.</i>	<i>Part Number</i>	<i>Qty.</i>	<i>Description</i>
1	56-7972	4	Clamp-Tube	16	119-8168	4	Clamp-Tube
2	69-9760	2	Plate-Cover	17	237-164	1	Grommet
3	69-9761	2	Plate-Cover	18	240-12	1	Grommet-Rubber
4	104-7201	6	Nut-HF, NI	19	322-10	1	Screw-HH
5	104-8300	10	Nut-HF, NI	20	322-12	1	Screw-HH
6	119-2082	2	Clamp-Tube	21	322-19	1	Screw-HH
7	119-2091	1	Bracket-Tube	22	322-21	1	Screw-HH
8	119-2095	1	Bracket-Tube	23	2412-113	1	Clamp-R
9	119-2106	1	Bracket-Clamp	24	32144-14	4	Screw-HWHTF
10	119-4493	1	Bracket-Support, Tube	25	3234-47	6	Screw-HHF
11	119-7126	1	Mow Manifold ASM	26	32104-32	4	Screw-HWH
12	119-8100	1	Bracket-Grommet	27	3256-23	1	Washer-Plain
13	119-8101-03	1	Bracket-Grommet	28	32105-18	2	Screw-HHF
14	119-8109-03	1	Bracket-Hose	29	3234-7	2	Screw-HHF
15	119-8156	2	Clamp-Tube				



Hydraulic Mow Manifold Assembly No. 119-7126

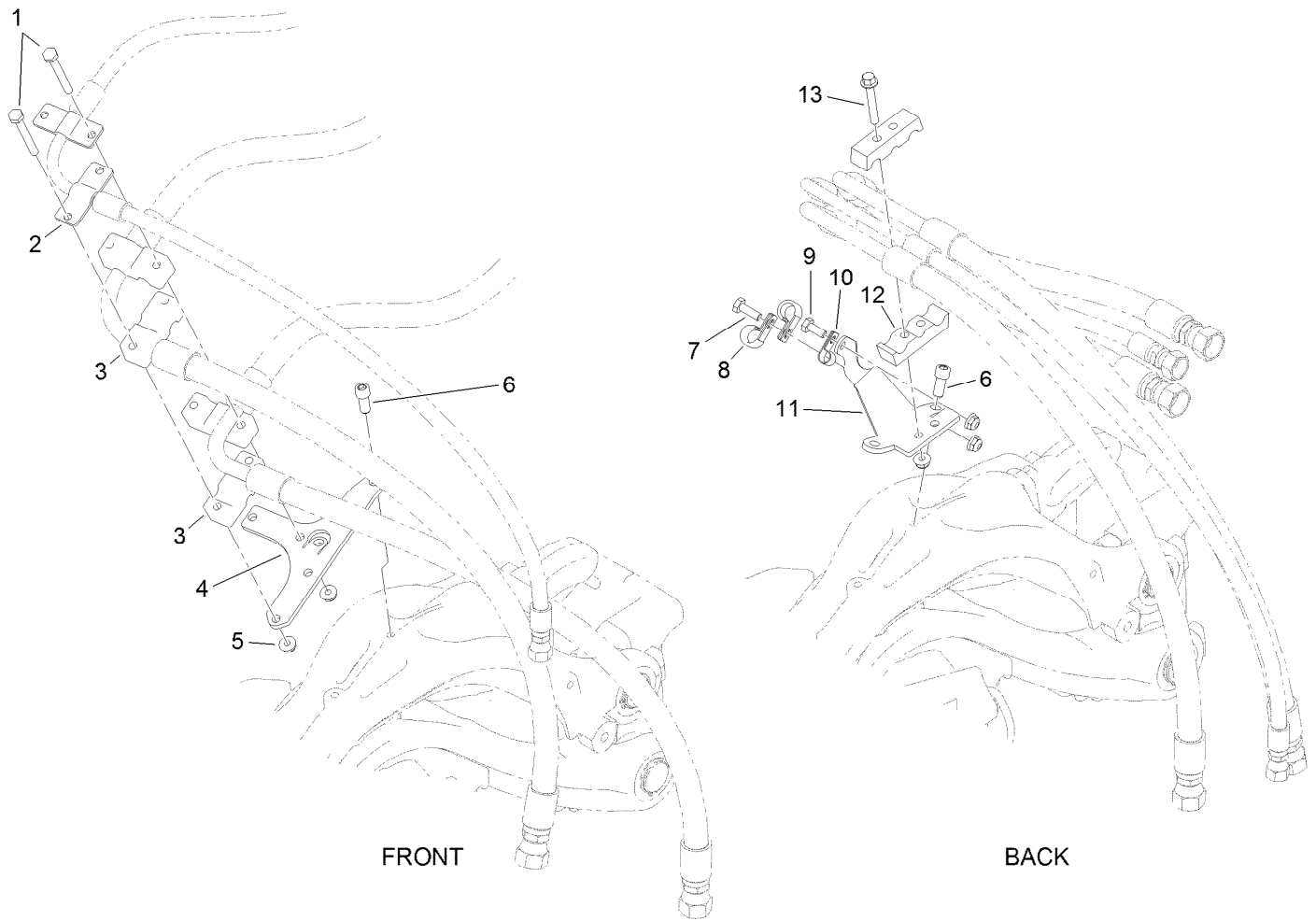
Ref.	Part Number	Qty.	Description
1	117-9858	1	Manifold-HYD, Mow (Backlap)
2	340-89	1	Fitting-HYD, 45 DEG
2:1	237-30	1	O-Ring
2:2	237-80	1	O-Ring
3	100-4240	1	Fitting-STR
3:1	237-30	1	O-Ring
3:2	237-81	1	O-Ring
4	340-98	2	Fitting-Elbow, 90 DEG
4:1	237-79	1	O-Ring
4:2	237-30	1	O-Ring
5	115-9147	1	Fitting-Elbow, 90 DEG
5:1	237-78	1	O-Ring
6	354-79	1	Cap-Dust



Hydraulic Mow Manifold Assembly No. 117-9858

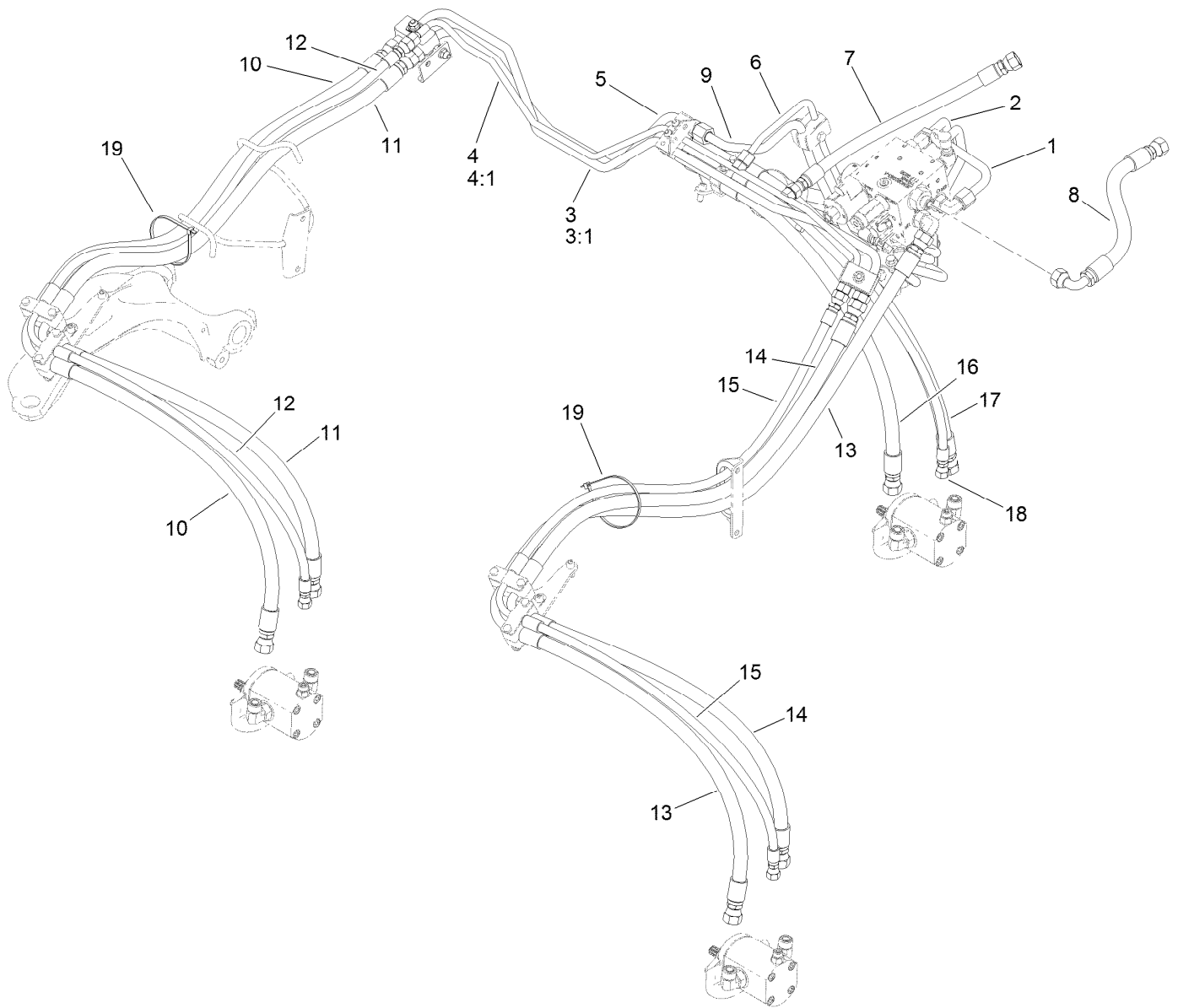
Ref.	Part Number	Qty.	Description
3	112-9203	1	Orifice-Control, Flow (.013)
4	112-9202	1	Orifice-Flow, Control (.060)
5	106-1025	3	Plug-HYD
5:1	237-78	1	O-Ring
6	117-0115	2	Plug
6:1	237-78	1	O-Ring
7	110-8988	1	Element-Logic
7:1	110-8773	1	Seal Kit
8	110-8769	1	Valve-Control, Manual Flow
8:1	110-2633	1	Seal Kit
9	117-4605	1	Ball-SS
10	119-7145	1	Shim-SS
11	110-8757	1	O-Ring
12	72-4320	1	Switch-Ball
13	119-7146	1	Piston-Pilot (With Seals)

Ref.	Part Number	Qty.	Description
14	119-7147	1	Valve-Relief
15	110-8799	1	Valve-Relief, Proportional
16	110-6344	1	Coil-12V, DC
17	106-8139	1	Ring-Back Up
18	117-4607	1	O-Ring
19	117-4606	2	O-Ring
20	112-6534	1	Ring-Back Up
21	112-6532	2	Ring-Retaining
22	119-7141	1	Spool
23	110-8758	1	Handle-Spool
24	112-6531	2	Pin-Spring
25	119-7140	1	Knob
26	130-8180	1	Nut-Coil (9/16-24 Unef-2B)
99	119-7142	1	Kit-Seal, Spool



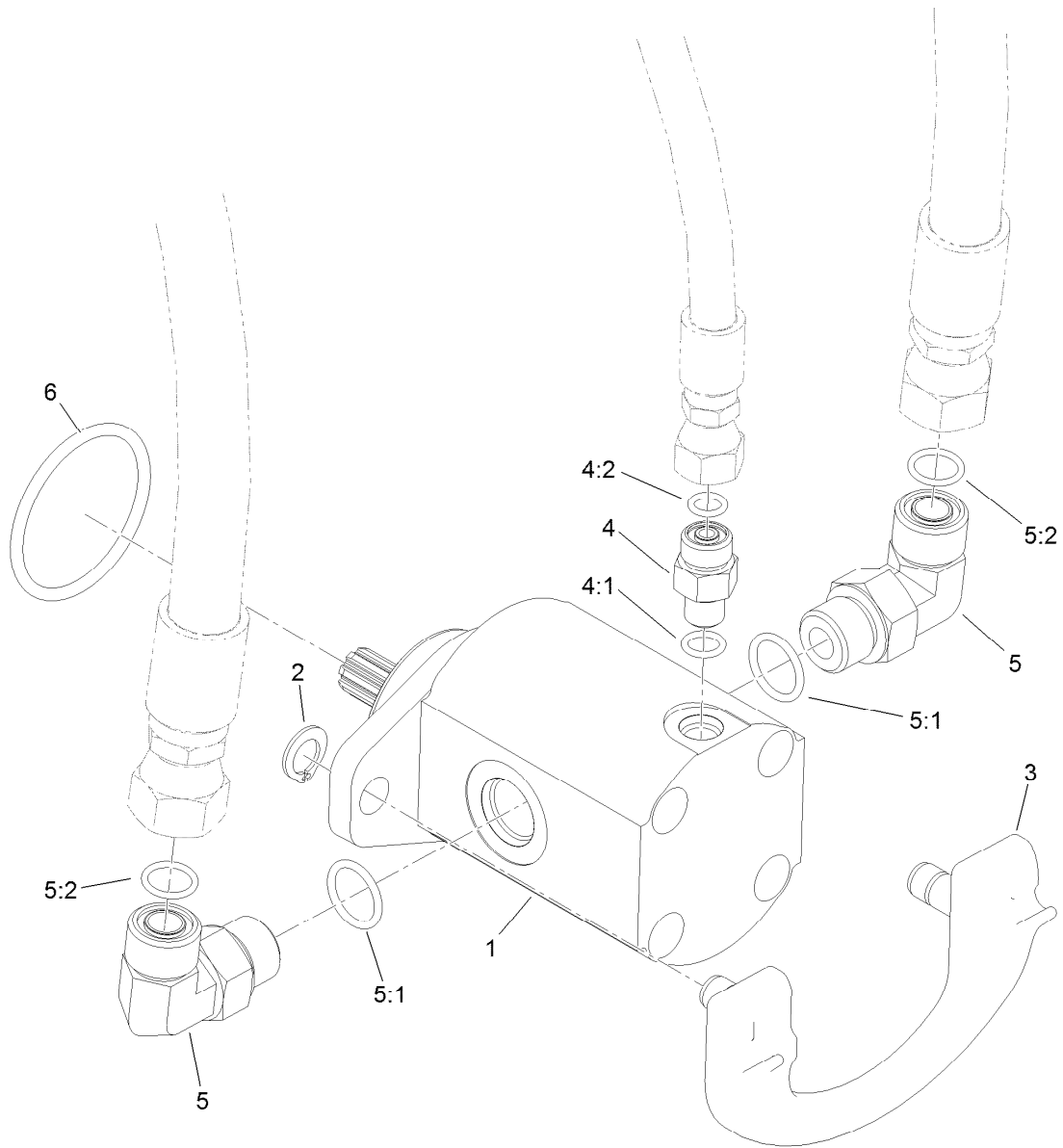
Hydraulic Mow Clamp Assembly

<i>Ref.</i>	<i>Part Number</i>	<i>Qty.</i>	<i>Description</i>
1	321-16	8	Screw-HH
2	119-8142	4	Strap
3	119-8141	8	Clamp-Tube
4	119-8143-03	2	Bracket-Clamp, Hose
5	104-7201	12	Nut-HF, NI
6	100-2401	6	Screw-HSH
7	321-4	1	Screw-HH
8	2412-73	2	Clamp-R
9	321-3	1	Screw-HH
10	2412-89	1	Clamp-R
11	119-8172-03	1	Bracket-Hose
12	119-2082	2	Clamp-Tube
13	32105-18	2	Screw-HHF



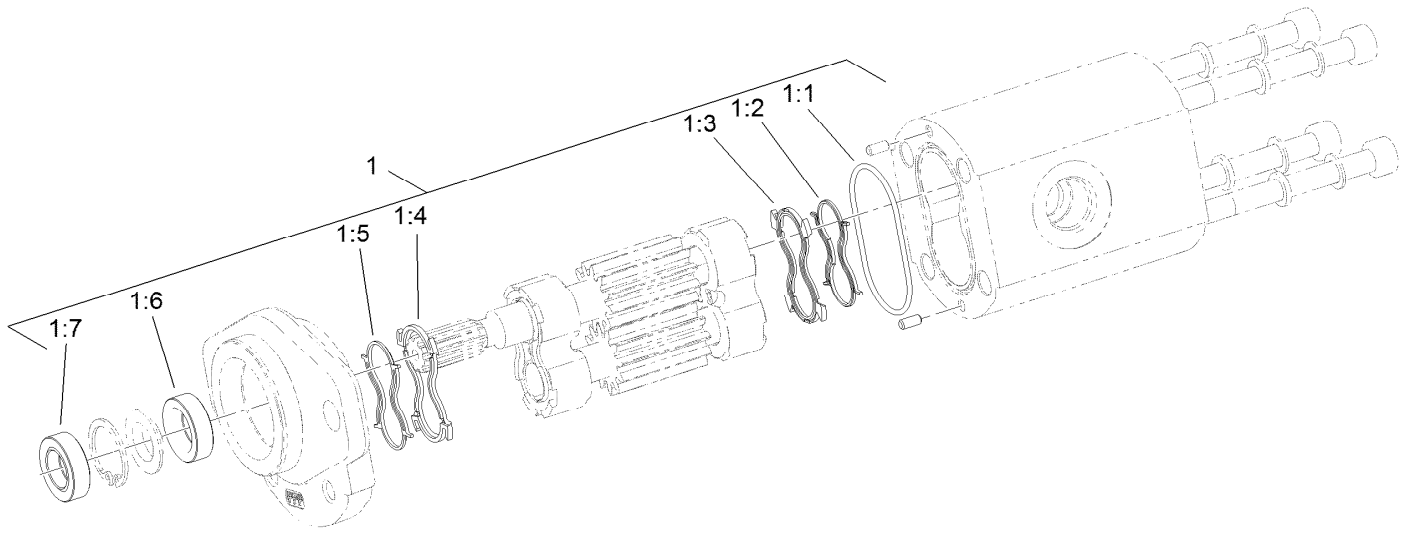
Hydraulic Mow Hose Routing Assembly

<i>Ref.</i>	<i>Part Number</i>	<i>Qty.</i>	<i>Description</i>	<i>Ref.</i>	<i>Part Number</i>	<i>Qty.</i>	<i>Description</i>
1	117-9347	1	HYD Tube ASM	10	119-8145	1	Hose-HYD (Pressure No. 3)
2	119-2073	1	HYD Tube ASM	11	119-8146	1	Hose-HYD (Return No. 3)
3	119-2078	1	HYD Tube ASM	12	119-8147	1	Hose-HYD (Case No. 3)
3:1	237-30	2	O-Ring	13	119-8157	1	Hose-HYD (Pressure No. 2)
4	119-2079	1	HYD Tube ASM	14	119-8158	1	Hose-HYD (Return No. 2)
4:1	237-22	4	O-Ring	15	119-8159	1	HYD Hose ASM (Case No. 2)
5	119-2084	1	HYD Tube ASM	16	119-8160	1	Hose-HYD (Pressure No. 1)
6	119-2085	1	HYD Tube ASM	17	119-8161	1	Hose-HYD (Return No. 1)
7	119-2089	1	Hose-HYD (Case To Tank)	18	119-8162	1	Hose-HYD (Case No. 1)
8	119-8106	1	Hose-HYD (Mow Block/Tank)	19	3290-379	2	Tie-Cable
9	119-8122	1	HYD Tube ASM				



Hydraulic Mow Reel Motor Assembly

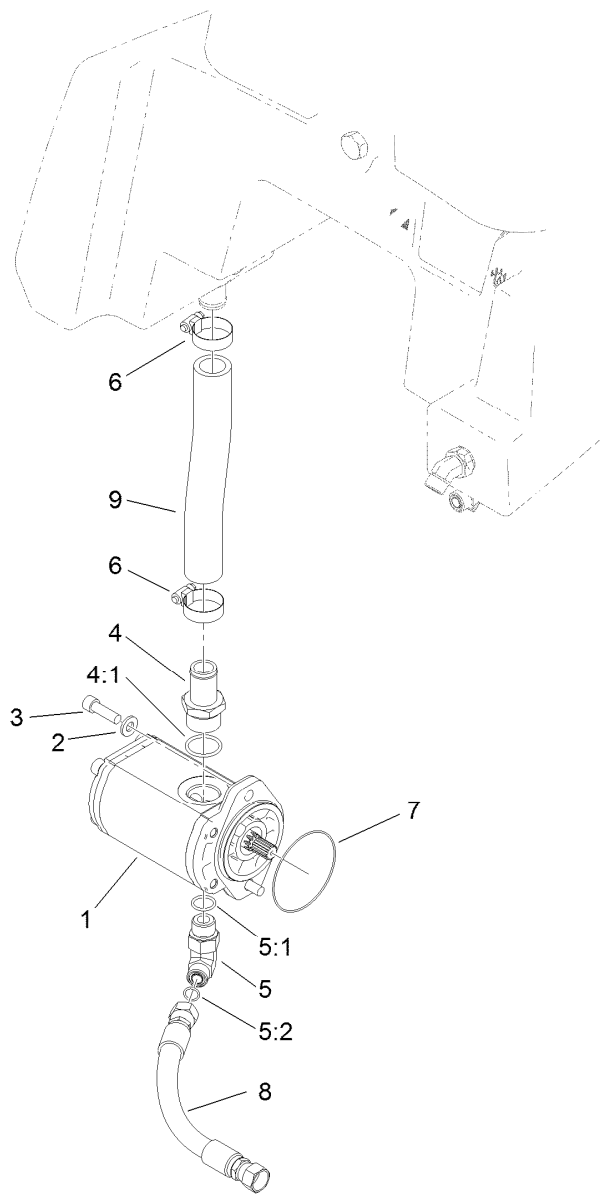
<i>Ref.</i>	<i>Part Number</i>	<i>Qty.</i>	<i>Description</i>
1	115-3321	3	HYD Reel Motor ASM
2	115-5206	6	Ring-Retaining
3	115-5389	3	Cam-Mount, Motor
4	340-92	3	Fitting-Straight
4:1	237-78	1	O-Ring
4:2	237-21	1	O-Ring
5	340-98	6	Fitting-Elbow, 90 DEG
5:1	237-79	1	O-Ring
5:2	237-30	1	O-Ring
6	115-3298	3	O-Ring



Hydraulic Reel Motor Assembly No. 115-3321

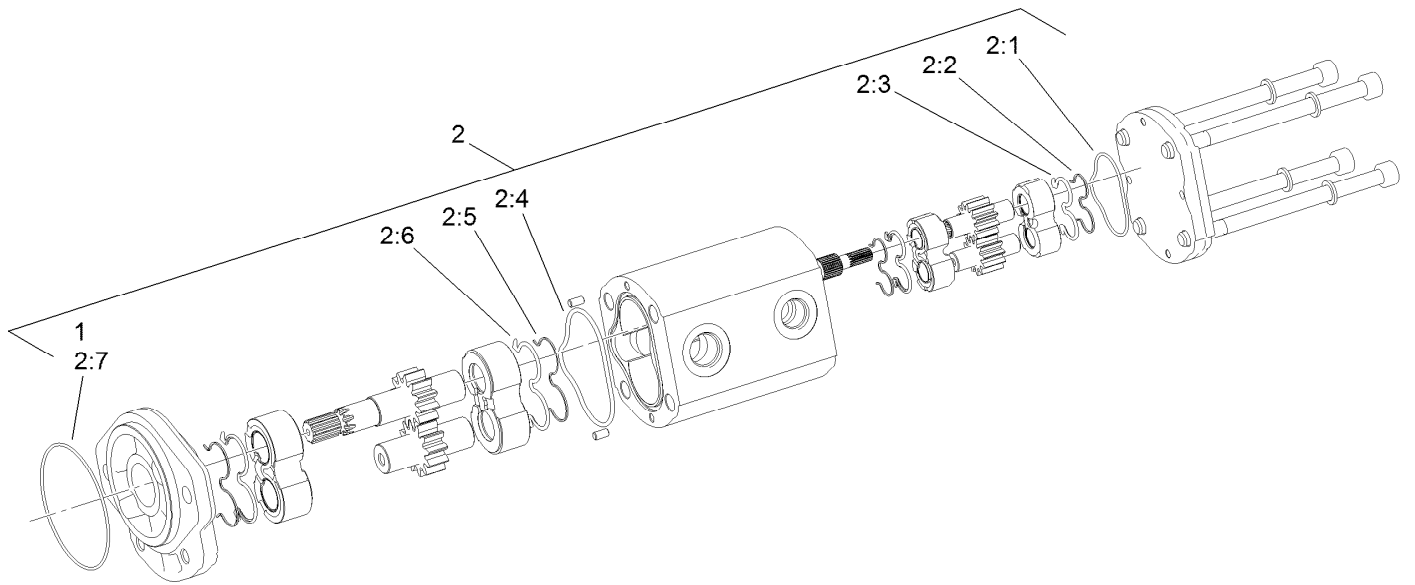
<i>Ref.</i>	<i>Part Number</i>	<i>Qty.</i>	<i>Description</i>
1	119-7113	1	Seal Kit
1:1		1	O-Ring Housing ●
1:2		1	Seal-Anti Extrusion ●
1:3		1	Seal-Plate, Balancing ●
1:4		1	Seal-Plate, Balancing ●
1:5		1	Seal- Anti Extrusion ●
1:6		1	Seal-Shaft (Inboard) ●
1:7		1	Seal-Shaft (Outboard) ●

● Not serviced separately



Hydraulic Mow Gear Pump Assembly

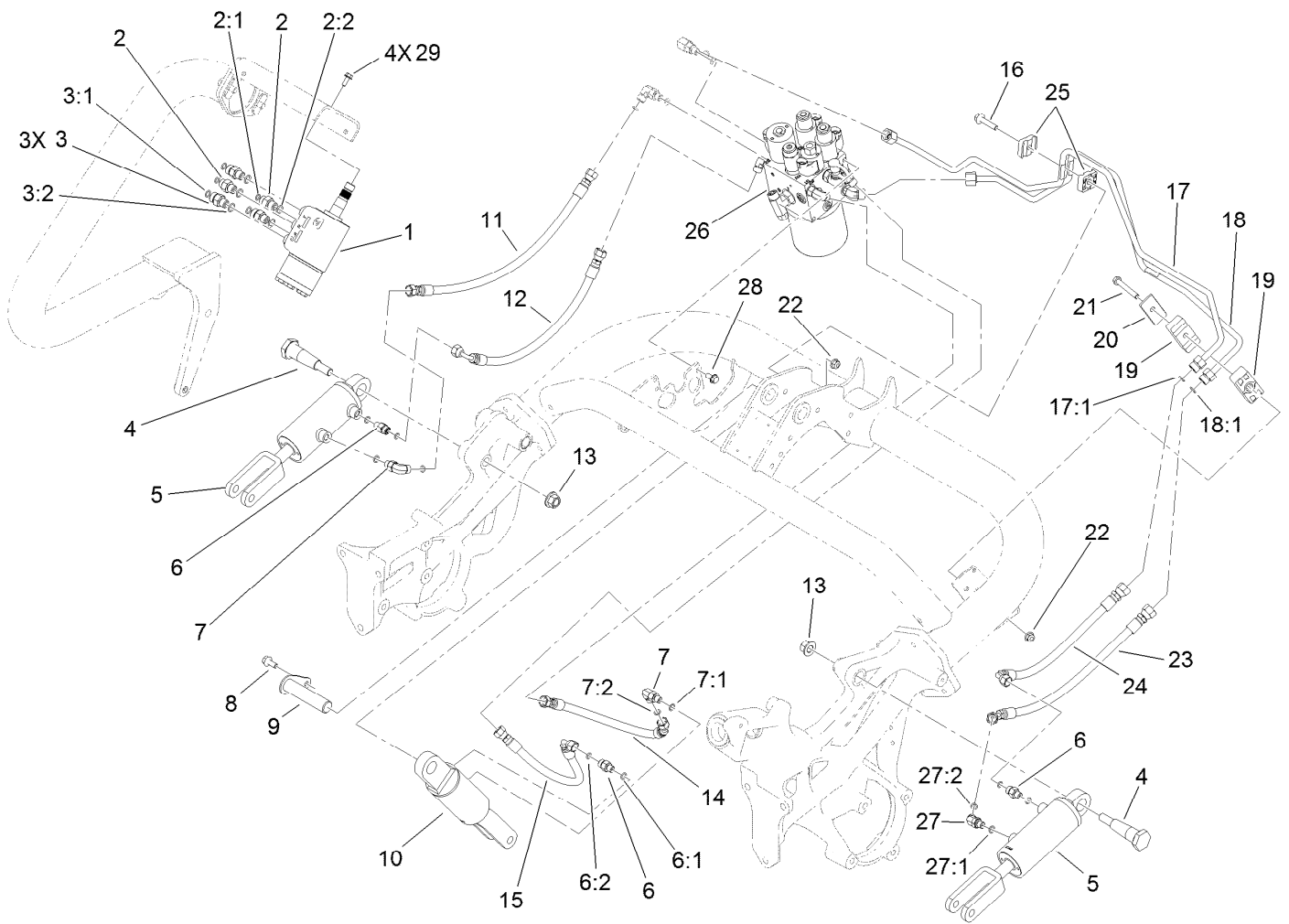
Ref.	Part Number	Qty.	Description
1	114-9956	1	HYD Gear Pump ASM
2	100-4852	2	Washer-Hardened
3	3274-1	2	Screw-HSH
4	354-78	1	Fitting-STR
4:1	237-146	1	O-Ring
5	340-105	1	Fitting-Elbow, 90 DEG
5:1	237-80	1	O-Ring
5:2	237-30	1	O-Ring
6	1-633989	2	Clamp-Hose
7	60-3520	1	O-Ring
8	119-2074	1	Hose-HYD
9	119-2069	1	Hose-Suction



Hydraulic Gear Pump Assembly No. 114-9956

<i>Ref.</i>	<i>Part Number</i>	<i>Qty.</i>	<i>Description</i>
1	60-3520	1	O-Ring
2	119-7134	1	Kit-Seal
2:1		1	Ring-Retaining ●
2:2		2	Seal-Extrusion, Anti ●
2:3		2	Seal-Backup ●
2:4		1	Ring-Retaining ●
2:5		2	Seal-Extrusion, Anti ●
2:6		2	Seal-Backup ●
2:7		1	Ring-Retaining ●

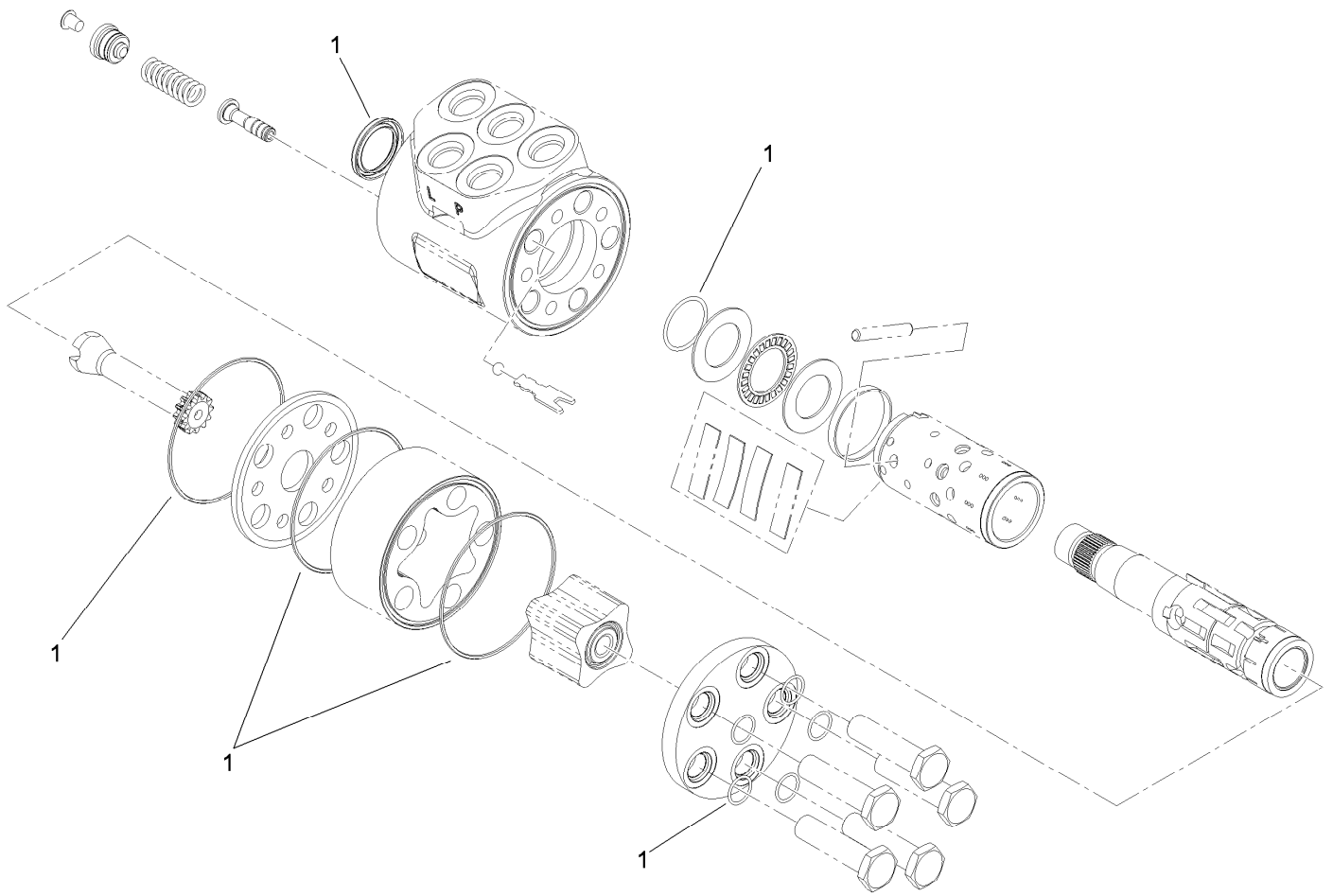
● Not serviced separately



Lift Circuit Assembly

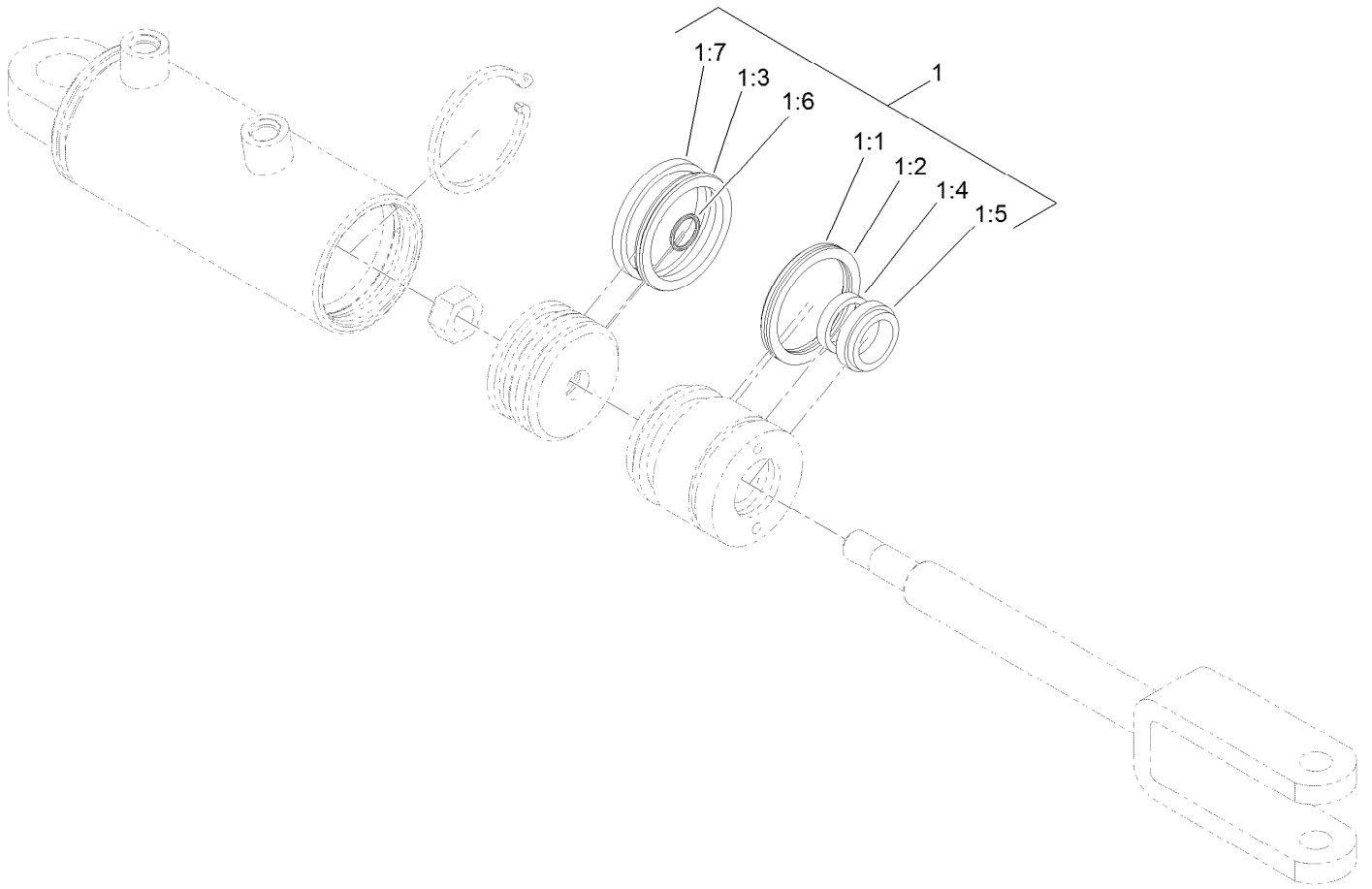
Ref.	Part Number	Qty.	Description
1	114-4672	1	Steering Valve ASM
2	340-1	2	Fitting-Straight
2:1	237-21	1	O-Ring
2:2	237-42	1	O-Ring
3	340-2	3	Fitting-Straight
3:1	237-22	1	O-Ring
3:2	237-42	1	O-Ring
4	112-5709	2	Pin-Tapered
5	119-8129	2	No. 2 And 3 HYD Cylinder ASM
6	340-92	3	Fitting-Straight
6:1	237-78	1	O-Ring
6:2	237-21	1	O-Ring
7	340-132	2	Fitting-Elbow, 90 DEG
7:1	237-78	1	O-Ring
7:2	237-21	1	O-Ring
8	3234-47	1	Screw-HHF
9	119-8104	1	Pin
10	119-8128	1	No. 1 HYD Cylinder ASM
11	119-2052	1	Hose-HYD
12	119-2053	1	Hose-HYD

Ref.	Part Number	Qty.	Description
13	99-5107	2	Nut-Lock
14	119-2051	1	Hose-HYD
15	119-2050	1	Hose-HYD
16	115-1794	1	Screw-HHF
17	119-8126	1	HYD Tube ASM
17:1	237-22	1	O-Ring
18	119-8127	1	HYD Tube ASM
18:1	237-22	1	O-Ring
19	120-3200	2	Clamp-Tube
20	69-9761	1	Plate-Cover
21	322-12	1	Screw-HH
22	104-8300	3	Nut-HF, NI
23	119-2066	1	Hose-HYD
24	119-2065	1	Hose-HYD
25	56-7973	2	Clamp-Tube
26	119-7118	1	Hydraulic Lift Manifold ASM
27	340-103	1	Fitting-HYD, 45 DEG
27:1	237-78	1	O-Ring
27:2	237-21	1	O-Ring
28	3234-7	2	Screw-HHF
29	33103-016	4	Screw-HHF



Steering Valve Assembly No. 114-4672

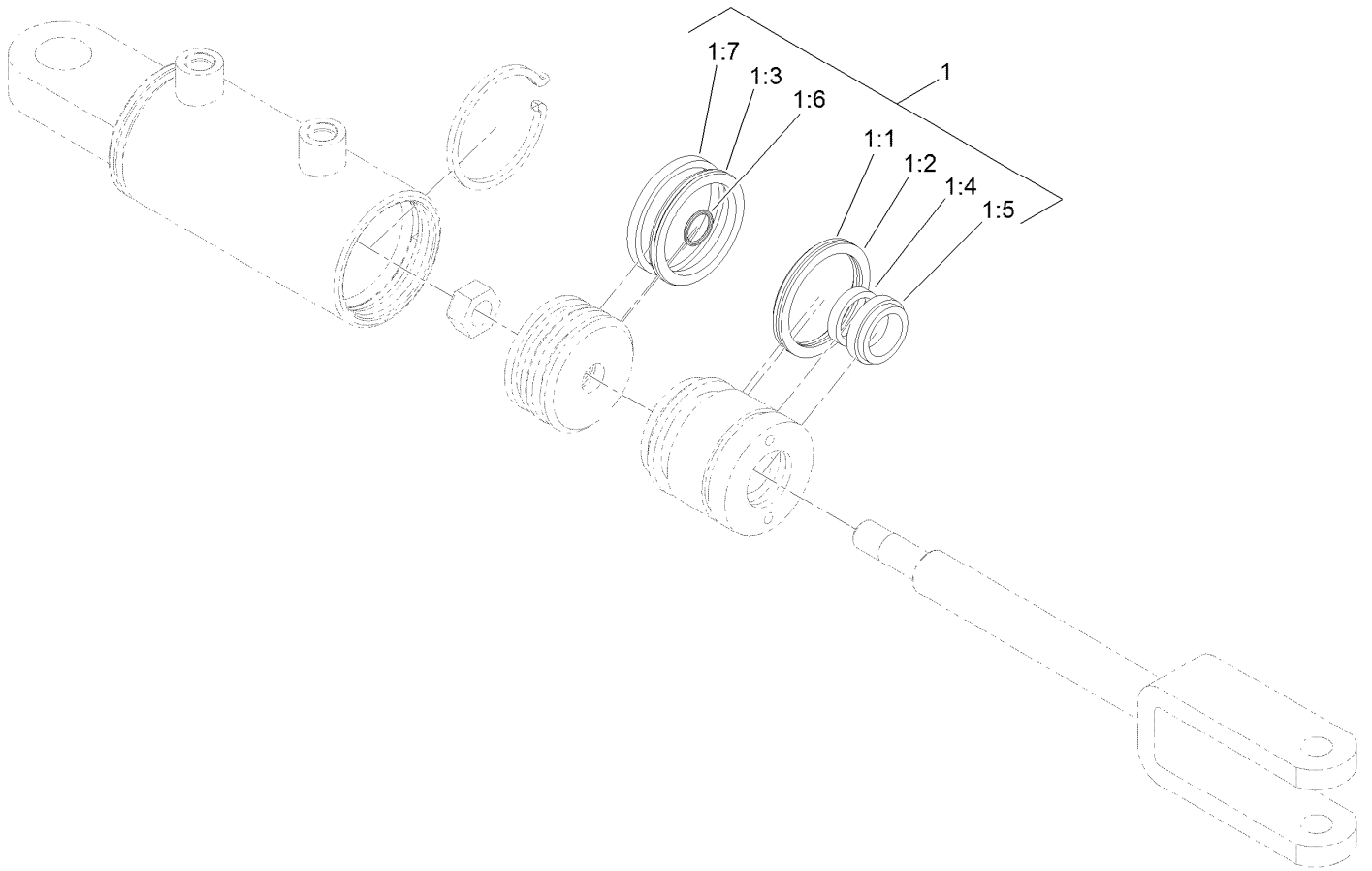
<i>Ref.</i>	<i>Part Number</i>	<i>Qty.</i>	<i>Description</i>
1	106-6716	1	Seal Kit



Hydraulic Cylinder Assembly No. 119-8129

<i>Ref.</i>	<i>Part Number</i>	<i>Qty.</i>	<i>Description</i>
1	115-3410	1	Seal Kit
1:1		1	Ring-Retaining ●
1:2		1	Backup ●
1:3		1	Bp Seal ●
1:4		1	Bs Seal ●
1:5		1	Seal-Dust ●
1:6		1	Ring-Retaining ●
1:7		1	Ring-Wear ●

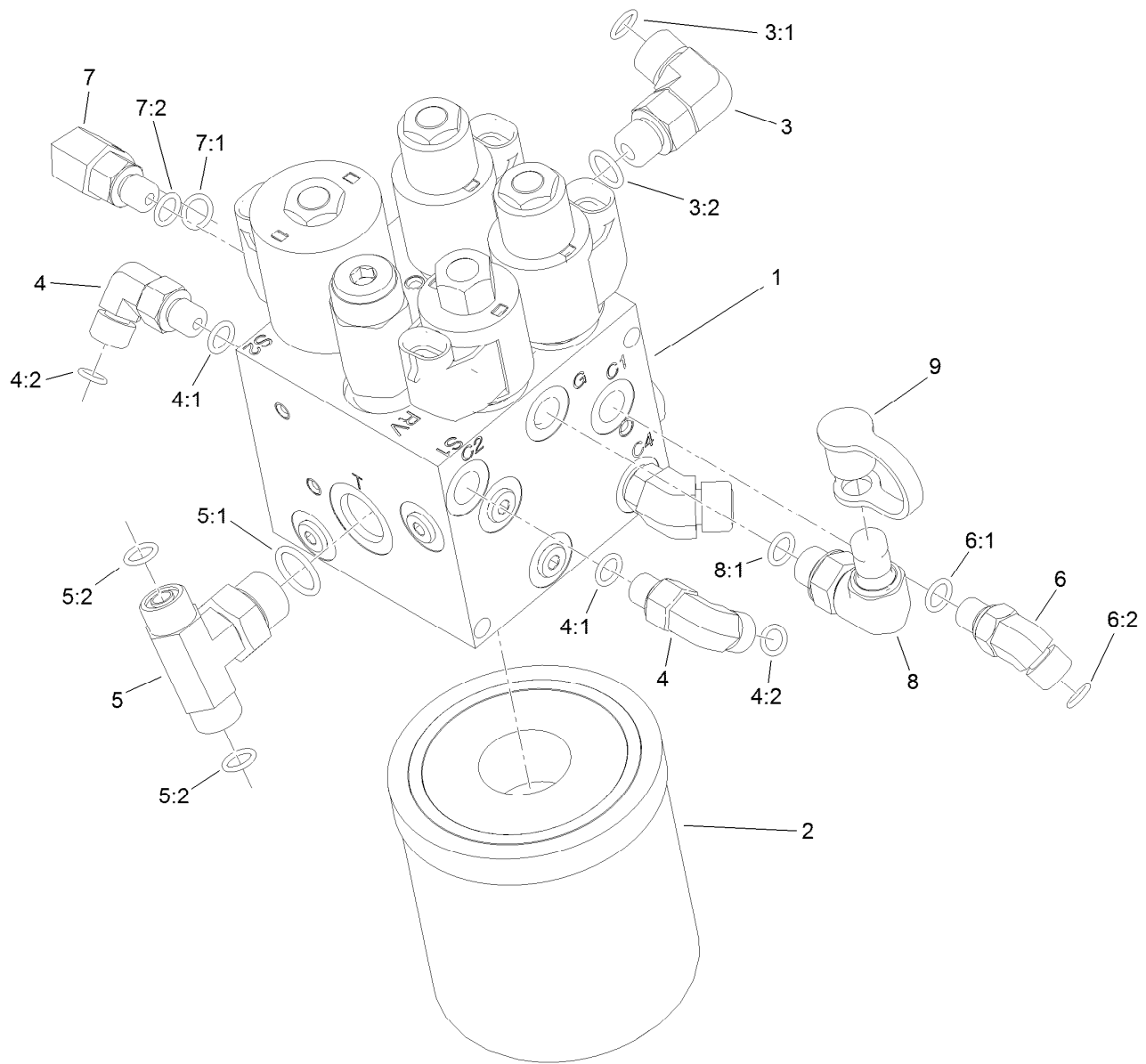
● Not serviced separately



Hydraulic Cylinder Assembly No. 119-8128

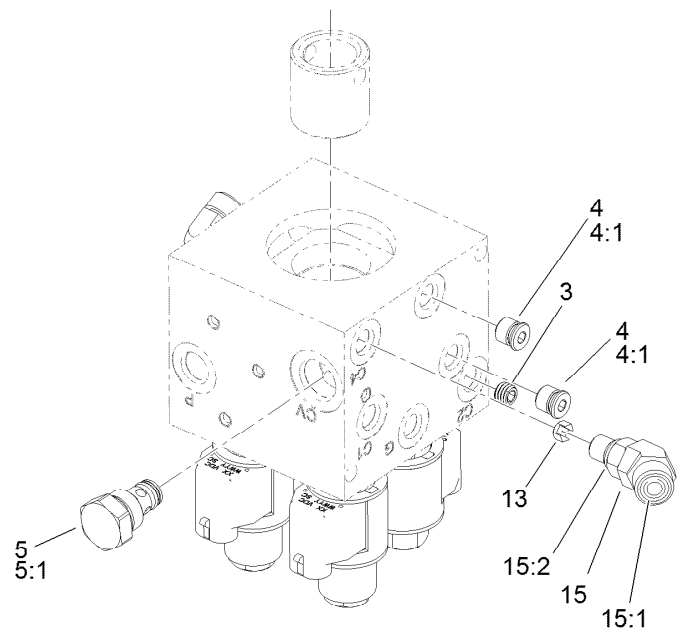
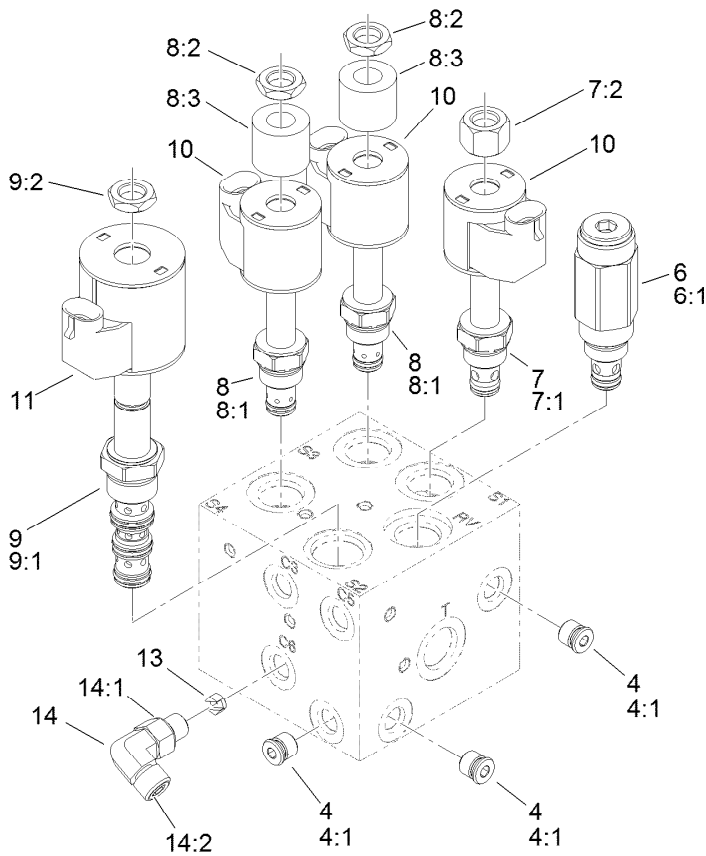
<i>Ref.</i>	<i>Part Number</i>	<i>Qty.</i>	<i>Description</i>
1	115-3410	1	Seal Kit
1:1		1	Ring-Retaining ●
1:2		1	Backup ●
1:3		1	Bp Seal ●
1:4		1	Bs Seal ●
1:5		1	Seal-Dust ●
1:6		1	Ring-Retaining ●
1:7		1	Ring-Wear ●

● Not serviced separately



Hydraulic Lift Manifold Assembly No. 119-7118

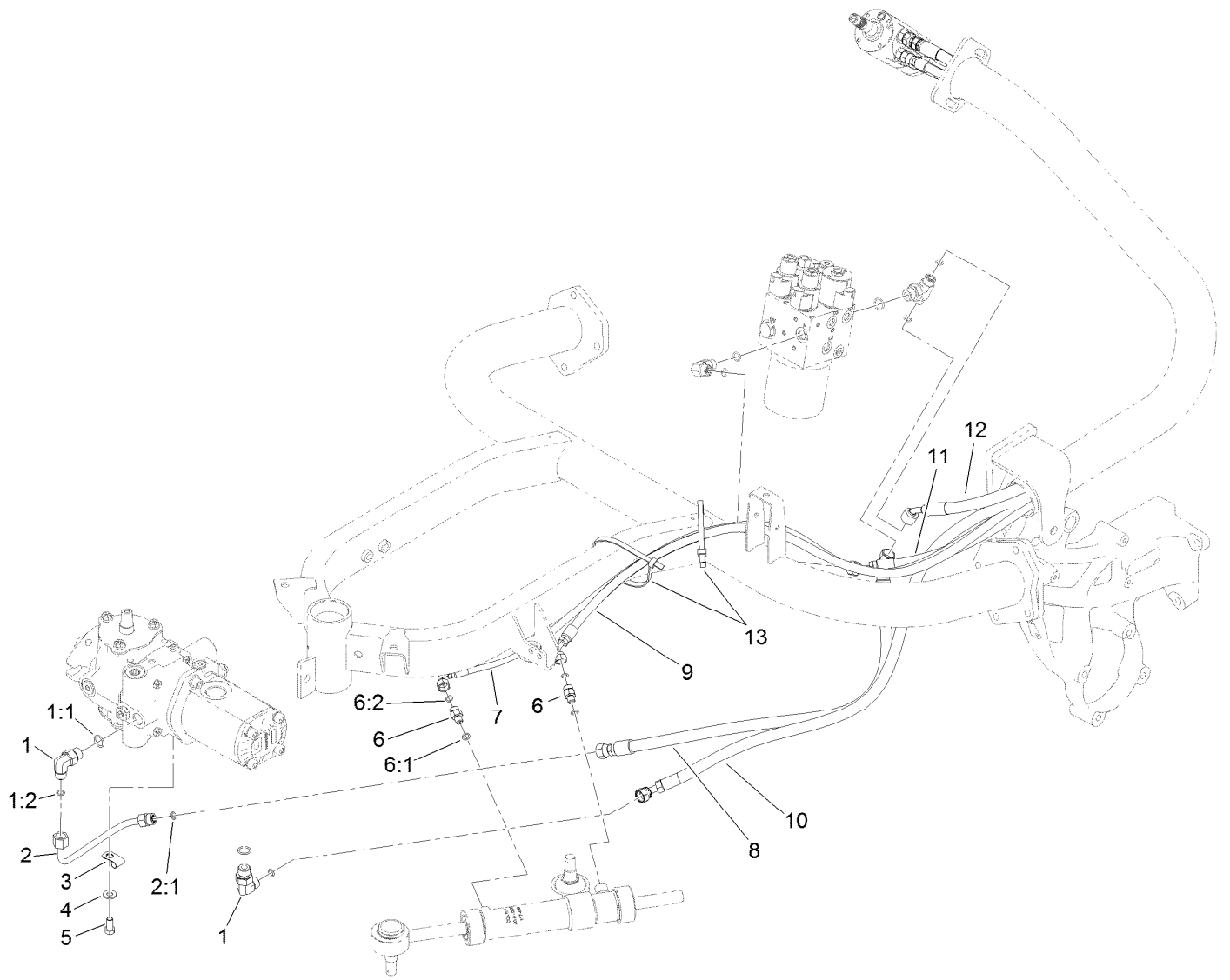
<i>Ref.</i>	<i>Part Number</i>	<i>Qty.</i>	<i>Description</i>	<i>Ref.</i>	<i>Part Number</i>	<i>Qty.</i>	<i>Description</i>
1	117-9856	1	Manifold-Lift, HYD	5:2	237-22	2	O-Ring
2	108-5194	1	Filter-Oil, HYD	6	340-103	1	Fitting-HYD, 45 DEG
3	340-77	1	Fitting-Elbow, 90 DEG	6:1	237-78	1	O-Ring
3:1	237-22	1	O-Ring	6:2	237-21	1	O-Ring
3:2	237-42	1	O-Ring	7	340-97	1	Fitting-Elbow, 90 DEG
4	340-132	2	Fitting-Elbow, 90 DEG	7:1	237-22	1	O-Ring
4:1	237-78	1	O-Ring	7:2	237-78	1	O-Ring
4:2	237-21	1	O-Ring	8	115-9147	1	Fitting-Elbow, 90 DEG
5	92-4799	1	Fitting-Tee, HYD	8:1	237-78	1	O-Ring
5:1	237-79	1	O-Ring	9	354-79	1	Cap-Dust



Hydraulic Lift Manifold Assembly No. 117-9856

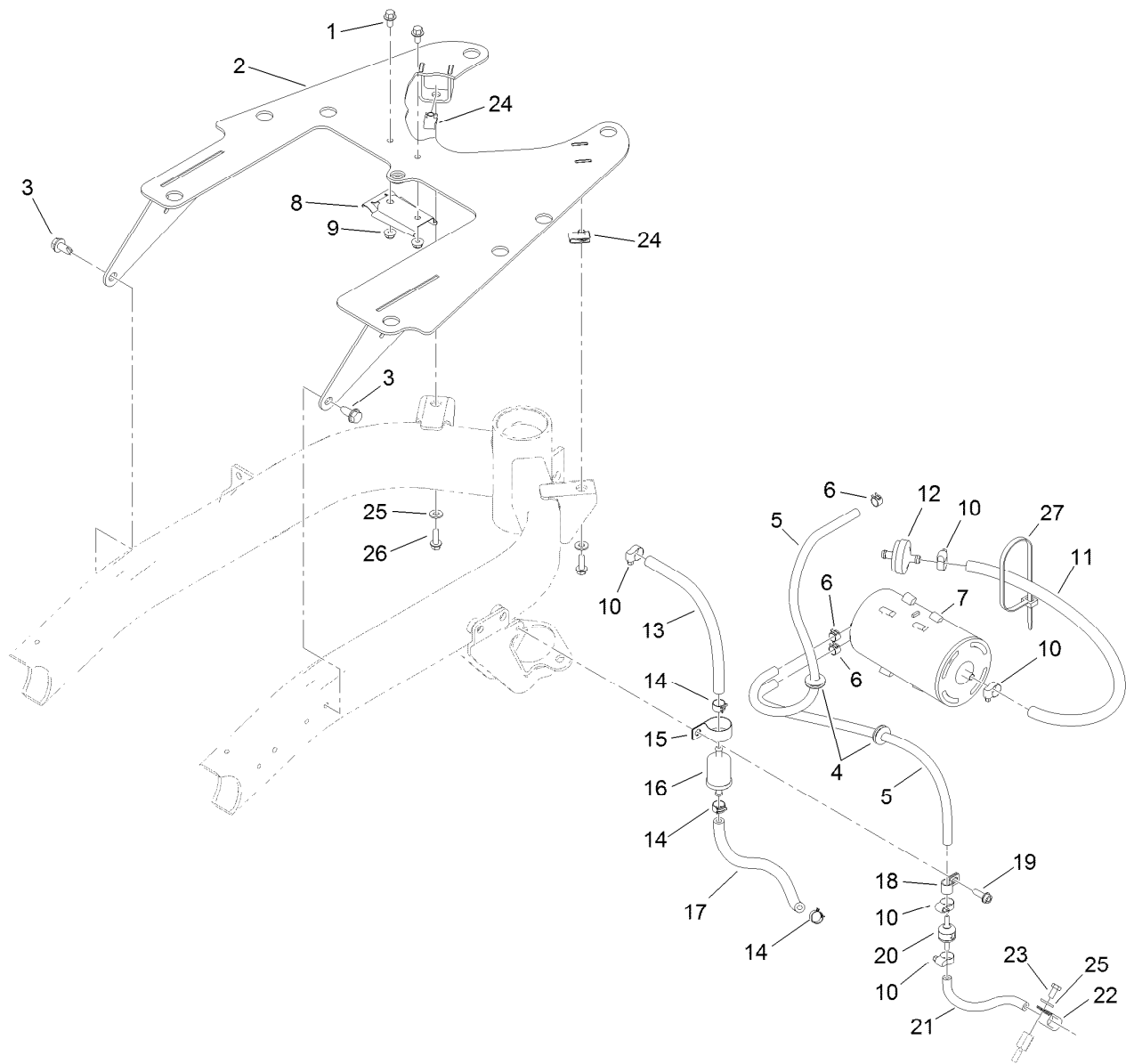
Ref.	Part Number	Qty.	Description
3	119-7144	1	Orifice (.037 Inch)
4	353-990	5	Plug ASM
4:1	237-78	1	O-Ring
5	107-7524	1	Check Valve ASM
5:1	105-9156	1	Seal Kit
6	112-9207	1	Valve-Relief
6:1	105-9156	1	Seal Kit
7	107-7517	1	Valve-Solenoid
7:1	105-9156	1	Seal Kit
7:2	107-7812	1	Nut-Solenoid
8	110-8898	2	Valve-Solenoid
8:1	107-7527	1	Seal Kit
8:2	110-2634	1	Nut-Coil

Ref.	Part Number	Qty.	Description
8:3	110-8909	1	Spacer-Coil
9	110-8906	1	Valve-Solenoid
9:1	110-8908	1	Spool Valve Seal Kit
9:2	110-2634	1	Nut-Coil
10	110-0497	3	Coil-Solenoid
11	110-6344	1	Coil-12V, DC
13	110-8904	2	Orifice-Control, Flow (0.028)
14	340-132	1	Fitting-Elbow, 90 DEG
14:1	237-78	1	O-Ring
14:2	237-21	1	O-Ring
15	340-54	1	Elbow-45 DEG
15:1	237-22	1	O-Ring
15:2	237-78	1	O-Ring



Steering Circuit Assembly

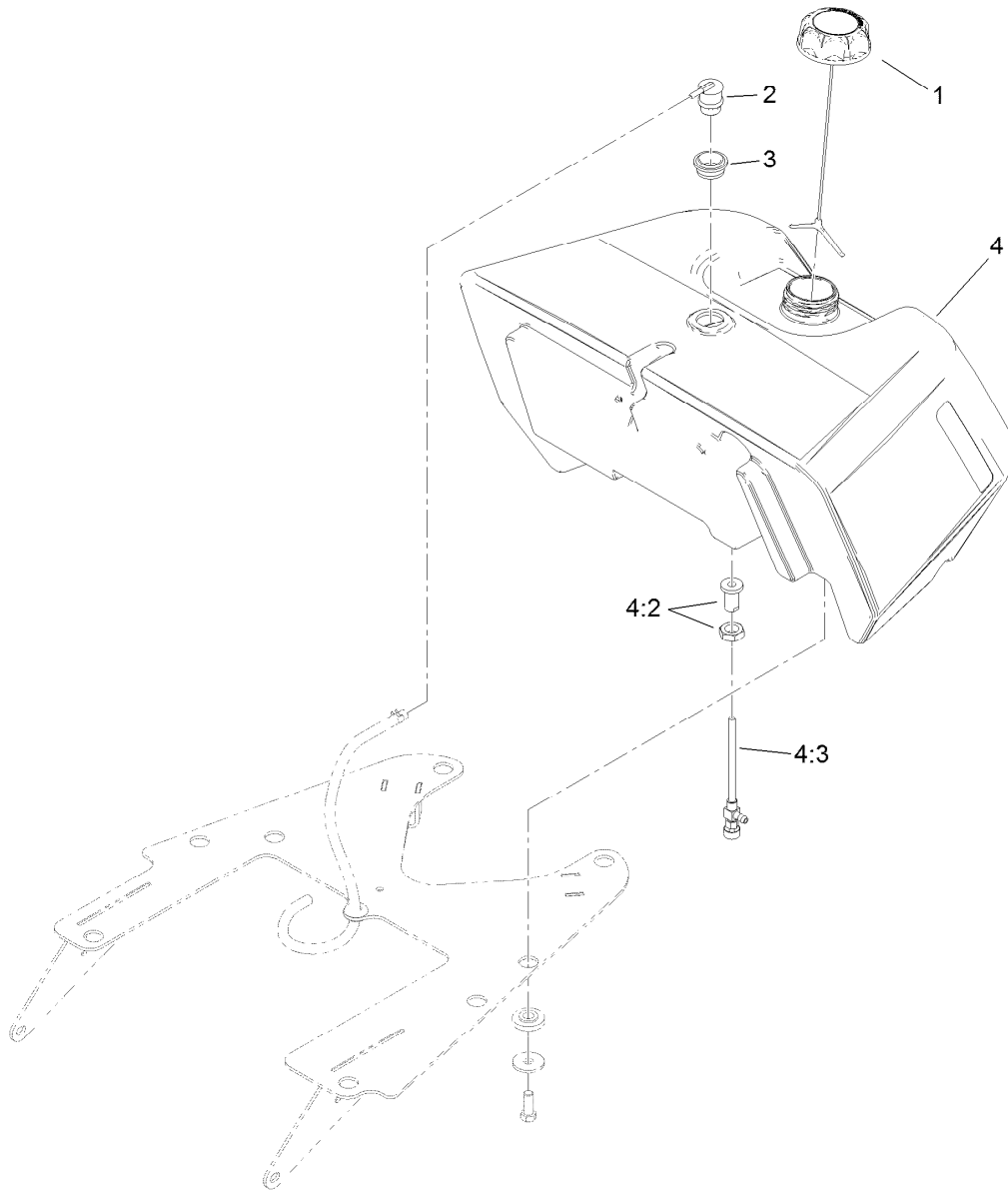
<i>Ref.</i>	<i>Part Number</i>	<i>Qty.</i>	<i>Description</i>	<i>Ref.</i>	<i>Part Number</i>	<i>Qty.</i>	<i>Description</i>
1	340-18	2	Fitting-HYD, 90 DEG	6:2	237-21	1	O-Ring
1:1	237-79	1	O-Ring	7	119-8124	1	Hose-HYD
1:2	237-22	1	O-Ring	8	119-2062	1	HYD Hose ASM
2	120-1958	1	HYD Tube ASM	9	119-8123	1	Hose-HYD
2:1	237-22	1	O-Ring	10	119-2070	1	HYD Hose ASM
3	2412-113	1	Clamp-R	11	117-3683	1	Hose-HYD
4	3256-24	1	Washer-Flat	12	117-3684	1	HYD Hose ASM (Steering Tank)
5	323-4	1	Screw-HH	13	3334-945	2	Tie-Cable
6	340-92	2	Fitting-Straight				
6:1	237-78	1	O-Ring				



Fuel Line and Carbon Canister Hose Routing Assembly

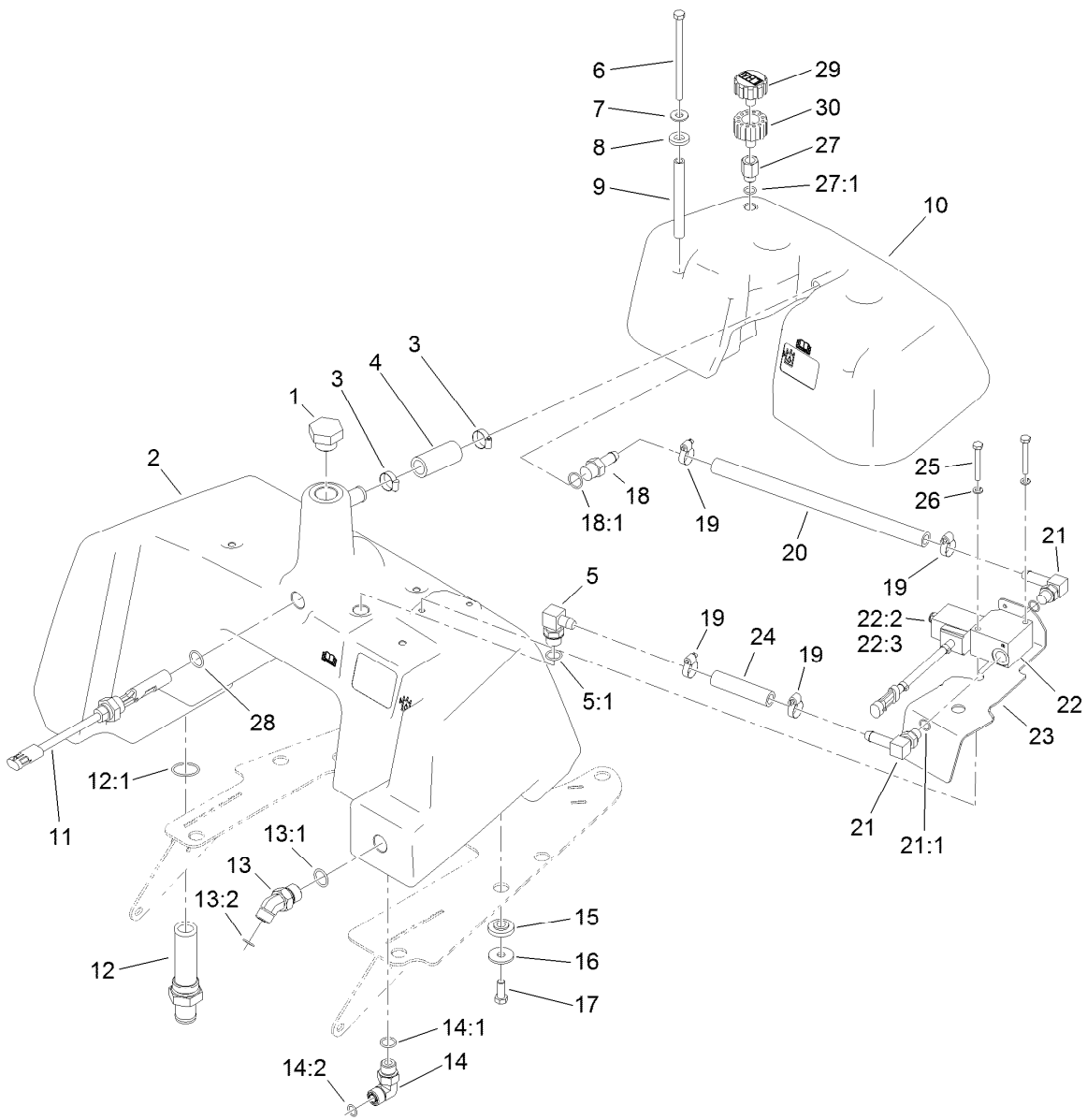
Ref.	Part Number	Qty.	Description
1	3234-13	2	Screw-HHF
2	115-9842-03	1	Plate-Mount, Tank
3	32104-32	2	Screw-HWH
4	1-633630	2	Grommet
5	119-8149	2	Hose-Fuel
6	2412-146	3	Clamp-Hose
7	115-2251	1	Canister-Carbon
8	114-0292	1	Bracket-Canister, Carbon
9	104-7201	2	Nut-HF, NI
10	2412-108	5	Clamp-Worm
11	110-4110	1	Hose-LP
12	115-7854	1	Filter-Fuel, Inline
13	109-0282	1	Hose-Fuel
14	92-2379	3	Clamp-Hose

Ref.	Part Number	Qty.	Description
15	2412-104	1	Clamp-R
16	94-2690	1	Filter-Fuel
17	109-0293	1	Hose-Fuel
18	2412-94	1	Clamp
19	49-2040	1	Screw-HWHTF
20	115-7868	1	Valve-Check, Vacuum
21	51-3210	1	Hose-Fuel
22	119-8153	1	Clamp-R, Double Tube
23	33113-012	1	Screw-HH
24	107069	2	Clip
25	3256-22	3	Washer-Flat
26	115-5103	2	Screw-HHF
27	3290-379	1	Tie-Cable



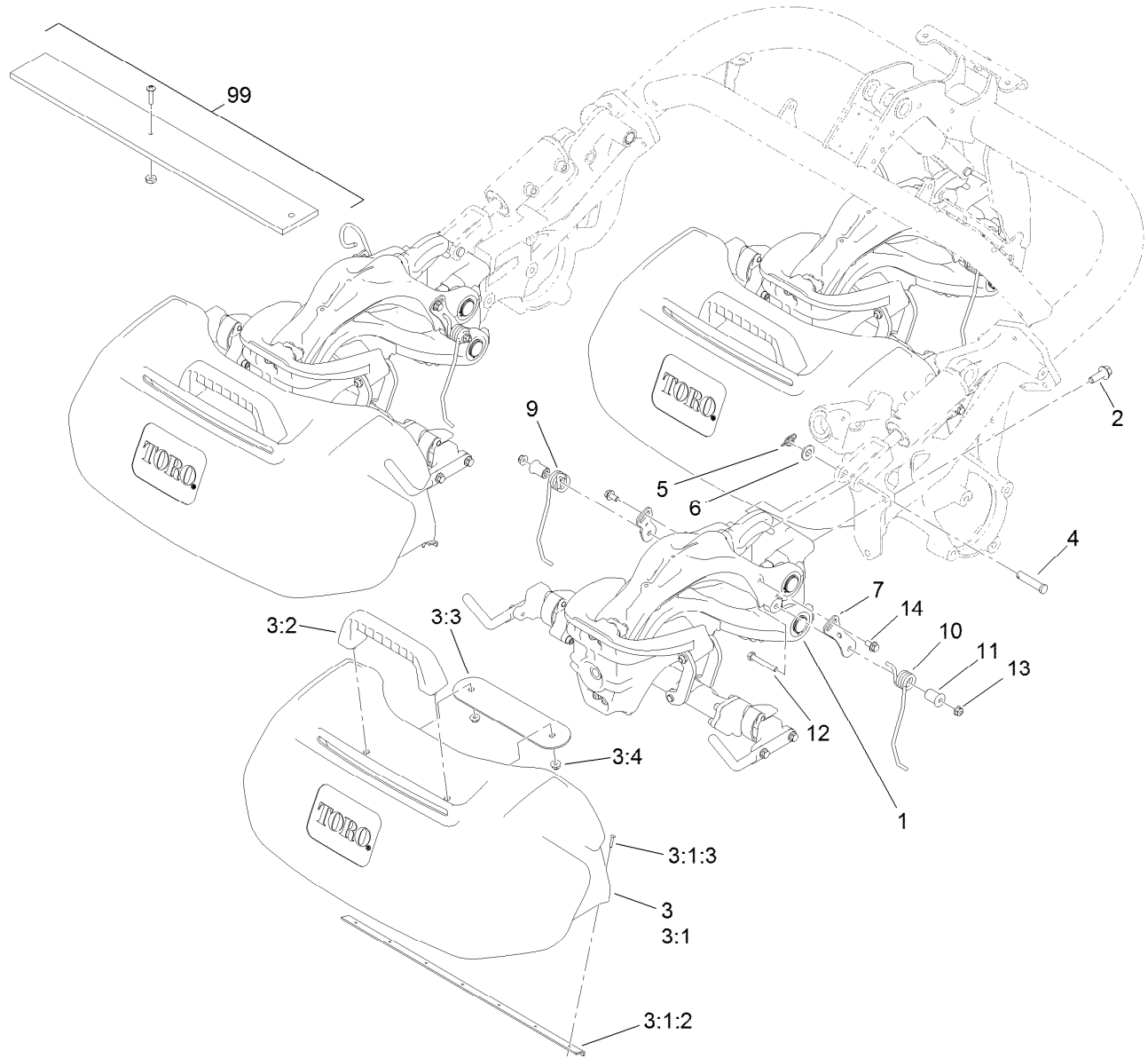
Fuel Tank Assembly

Ref.	Part Number	Qty.	Description
1	116-1704	1	Cap-Fuel, Ratcheting
2	119-3547	1	Valve-Vent, Fuel
3	114-0284	1	Grommet
4	119-9334	1	Fuel Tank ASM
4:2	114-4677	1	Bulkhead ASM
4:3	114-4679	1	Fitting-Shut Off, Fuel



Hydraulic Tank and Leak Detector Assembly

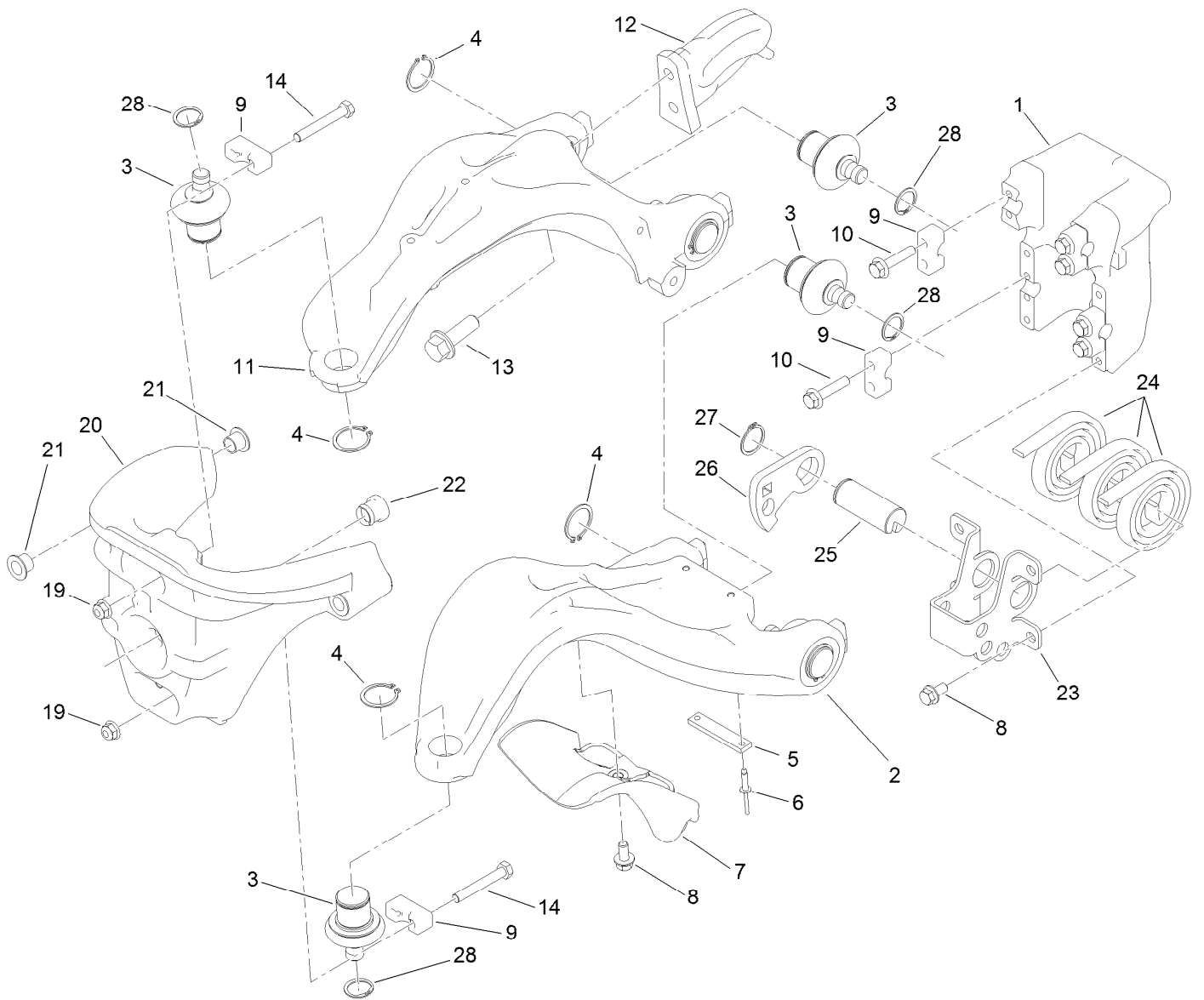
Ref.	Part Number	Qty.	Description	Ref.	Part Number	Qty.	Description
1	354-74	1	Plug-HH	16	63-8410	8	Washer
2	115-9822	1	Tank-Hydraulic	17	323-6	8	Screw-HH
3	2412-141	2	Clamp-Drive, Worm	18	354-121	1	Fitting-STR
4	110-3998	1	Hose-Overflow	18:1	237-79	1	O-Ring
5	119-9331	1	Fitting-HYD 90 Spcl	19	2412-36	4	Clamp-Hose
5:1	237-79	1	O-Ring	20	83-2070	1	Hose-Valve
6	322-29	4	Screw-HH	21	354-120	2	Fitting-Elbow, 90
7	3256-71	4	Washer-Flat	21:1	237-79	1	O-Ring
8	83-1470	4	Washer-Neoprene	22	83-1460	1	Solenoid Valve ASM
9	115-9825	4	Spacer-Tube, Long	22:2	83-2000	1	Spool-Valve
10	115-9824	1	Tank-Detector, Leak	22:3	83-2010	1	Coil ASM
11	83-1450	1	Sensor-Level, Oil	23	115-9844-03	1	Cover-Level, Oil (Gas)
12	112-0211	1	Strainer Fitting ASM	24	83-2080	1	Hose-Valve, Tank
12:1	237-146	1	O-Ring	25	321-11	2	Screw-HH
13	340-89	1	Fitting-HYD, 45 DEG	26	3253-3	2	Washer-Lock
13:1	237-30	1	O-Ring	27	01-201-0490	1	Fitting-Adapter, HYD
13:2	237-80	1	O-Ring	27:1	237-42	1	O-Ring
14	340-98	1	Fitting-Elbow, 90 DEG	28	237-80	1	O-Ring
14:1	237-79	1	O-Ring	29	68-6150	1	Breather
14:2	237-30	1	O-Ring	30	92-8020	1	Adapter-Breather
15	240-11	8	Bushing-Flange				



Suspension and Basket Assembly

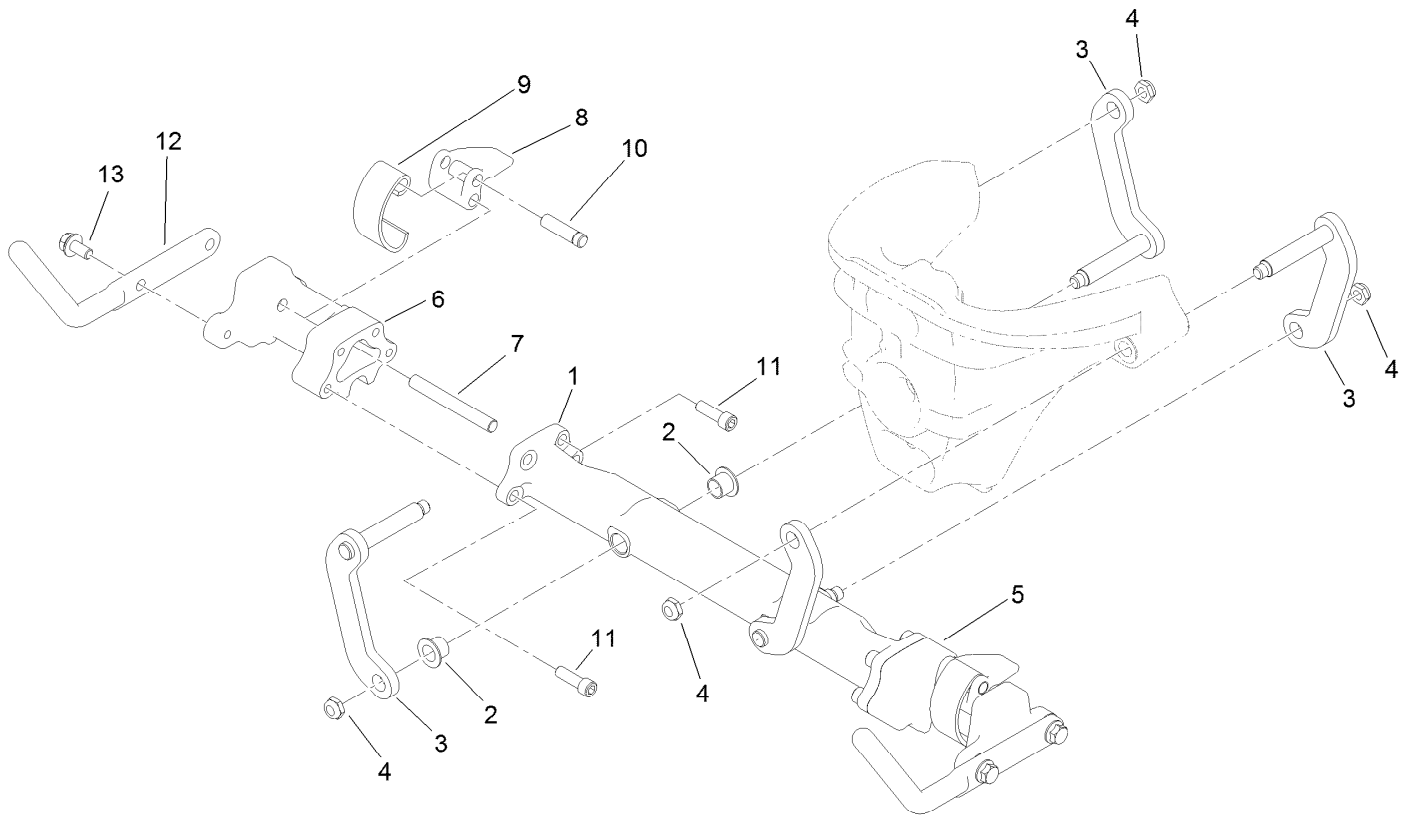
Ref.	Part Number	Qty.	Description	Ref.	Part Number	Qty.	Description
1		3	Suspension ASM ●	6	29-8910	3	Washer
2	117-9035	9	Screw-HHF	7	117-6758	6	Retainer-Spring
3	117-8096	3	Basket ASM	9	117-6660	3	Spring-Stabilizer, RH
3:1	117-8094	1	Grass Basket ASM	10	117-6661	3	Spring-Stabilizer, LH
3:1:2	115-5274	1	Support-Basket	11	117-6737	6	*obs* Spacer
3:1:3	3290-382	7	Rivet-Pop	12	322-11	6	Screw-HH
3:2	117-8088	1	Handle-Grab	13	104-8300	6	Nut-HF, NI
3:3	117-8092-03	1	Plate-Mounting	14	114-7728	6	Screw-HF
3:4	104-8300	2	Nut-HF, NI	99	32122-22	1	Screw-PTH
4	92-2739	3	Pin-Clevis	99	3219-14	1	Nut-Hex
5	112-1491	3	Pin-Cotter	99	65-8320	1	Bar-Gauge

● Not serviced separately



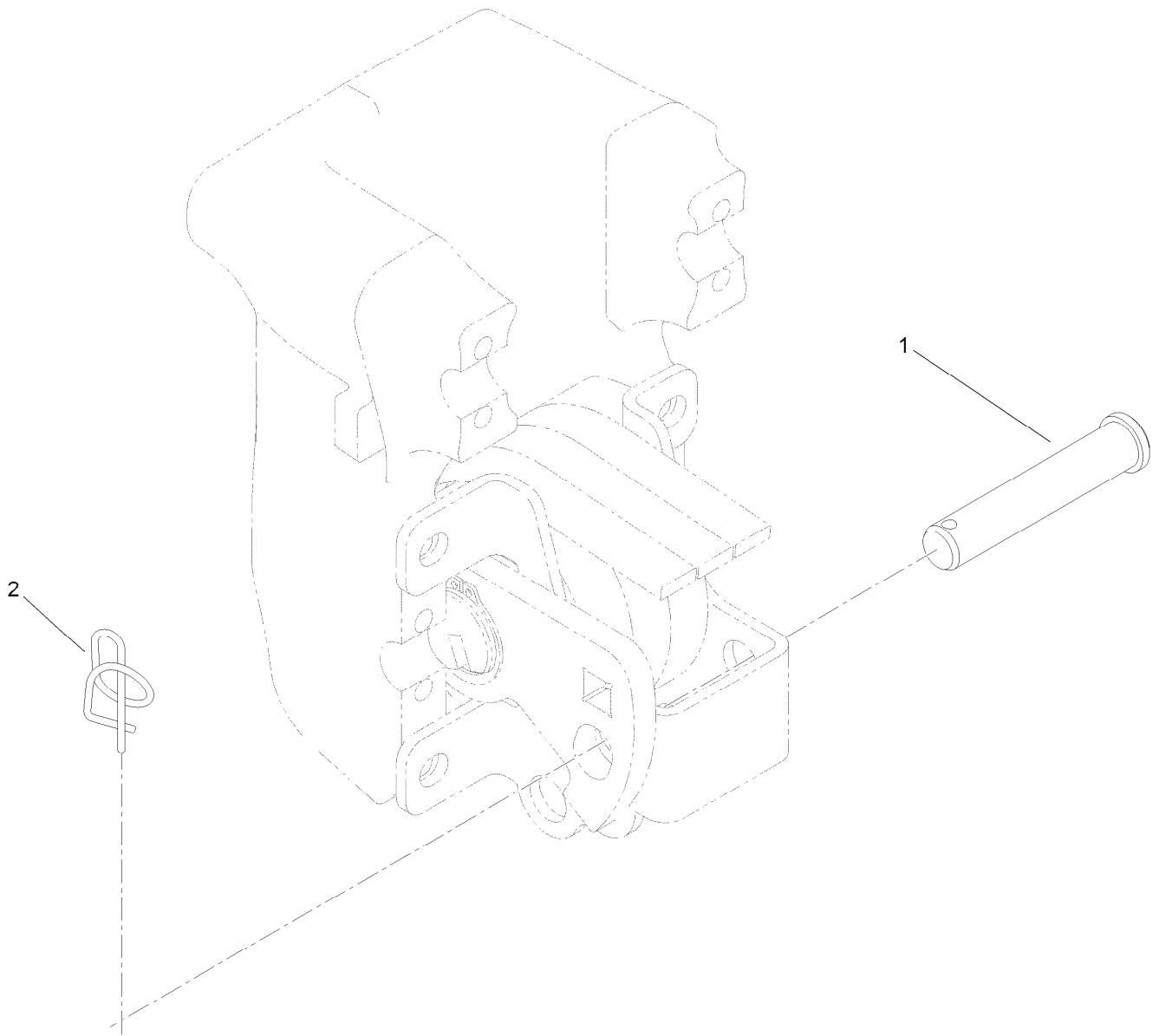
Suspension A-Arm Assembly

<i>Ref.</i>	<i>Part Number</i>	<i>Qty.</i>	<i>Description</i>	<i>Ref.</i>	<i>Part Number</i>	<i>Qty.</i>	<i>Description</i>
1	117-9480	1	Mount-Pivot, A-Arms	13	100-6116	2	Screw-HHF
2	117-6656	1	A-Arm, Lower	14	132-3838	4	Screw-HH
3	117-6658	6	Balljoint	19	104-8300	4	Nut-HF, NI
4	120-3225	6	Ring-Retaining, EXT	20	120-3216	1	Steering Head ASM
5	117-6674	1	Plate-Striker	21	93-2561	4	Bushing-Flange
6	3269-28	2	Rivet-Pop	22	117-6819	1	Grommet
7	117-6755	1	Stop-Steering	23	117-6730	1	Mount-Counterbalance
8	114-7728	5	Screw-HF	24	114-9306	3	Spring
9	112-5647	6	Clamp	25	117-6608	1	Pin
10	132-3837	8	Screw-HHF	26	117-6738	1	Arm-Tensioner
11	117-6648	1	A-Arm, Upper	27	32151-29	1	Ring-Retaining
12	117-6650	1	Plate-Lift	28	120-3226	6	Ring-Retaining, EXT (Clip)



Suspension Crossarm Assembly

Ref.	Part Number	Qty.	Description
1	120-3217	1	Crossarm
2	93-2561	4	Bushing-Flange
3	117-6654	4	Link
4	3296-59	4	Nut-Lock, NI
5	117-9482	1	Mount-Cross Arm, LH
6	117-9492	1	Mount-Cross Arm, RH
7	114-8051	2	Pin-Pivot
8	114-8047	2	Lever
9	114-8048	2	Spring
10	114-8049	2	Pin-Pivot
11	120-3227	8	Screw-HSH
12	117-8091-03	2	Horn-Basket
13	114-7728	4	Screw-HF



Suspension Pin Position Assembly

<i>Ref.</i>	<i>Part Number</i>	<i>Qty.</i>	<i>Description</i>
1	100-6541	3	Pin-Clevis
2	112-1491	3	Pin-Cotter

Attachments and Accessories

For 04510 Greensmaster 3300 2-Wheel Drive Traction Unit

Product Name	Model/Part
Turf Evaluator	04399
8-Blade DPA Reel Mower	04613
11-Blade DPA Reel Mower	04614
14-Blade DPA Reel Mower	04615
Three-Wheel Drive Kit	04714
Light Kit.....	04717
Standard Seat Kit.....	04718
Premium Seat Kit.....	04719
Spark Arrestor Screen	104-6540
Premium All Season Hydraulic Fluid (55 Gallon Drum)	108-1177
Premium All Season Hydraulic Fluid (5 Gallon Pail).....	108-1178
Premium Engine Oil, 10w30 (55 Gallon Drum)	108-1179
Premium Engine Oil, 10w30 (5 Gallon Pail)	108-1180
Bimini Folding Shade Assembly	115-4510
Bag Kit	119-1715
Premium Synthetic Bio-Degradable Hydraulic Fluid (5 Gallon Pail)	119-2157
Premium Synthetic Bio-Degradable Hydraulic Fluid (55 Gallon Drum).....	119-2158
Premium Armrest Kit.....	119-7105
400-hour Filter Maintenance Kit.....	30042
LH Armrest Asm	92-7307
Tire-TURFMATE	99-4506



Count on it.