



Count on it.

Parts Catalog

21in Walk-Behind Aerator

Model No. 23515—Serial No. 315000001 and Up

Model No. 33515—Serial No. 315000001 and Up



Ordering Replacement Parts

To order replacement parts, please supply the part number, the quantity, and the description of each part desired.

Understanding Reference Numbers

Each identified part in an illustration has a reference number. The reference number for a part also appears in the parts list, along with other information about the part.

This catalog uses two special reference number formats, one to indicate parts in a service assembly and another to indicate the quantity of a given part in an illustration.

Service Assembly Reference Numbers

Parts in service assemblies have reference numbers in the form a:b. The a represents the reference number of the entire service assembly and the b represents a sequential number unique to each part within the service assembly.

For example, a wheel assembly might be identified by reference number 6, the tire by 6:1, the valve by 6:2, and the wheel by 6:3. When you order the assembly identified by reference number 6, you receive all parts identified by reference numbers 6:1, 6:2, and 6:3. However, you may also order any part individually. Reference numbers of this type appear in illustration and in parts lists.

Reference Numbers Indicating Quantity

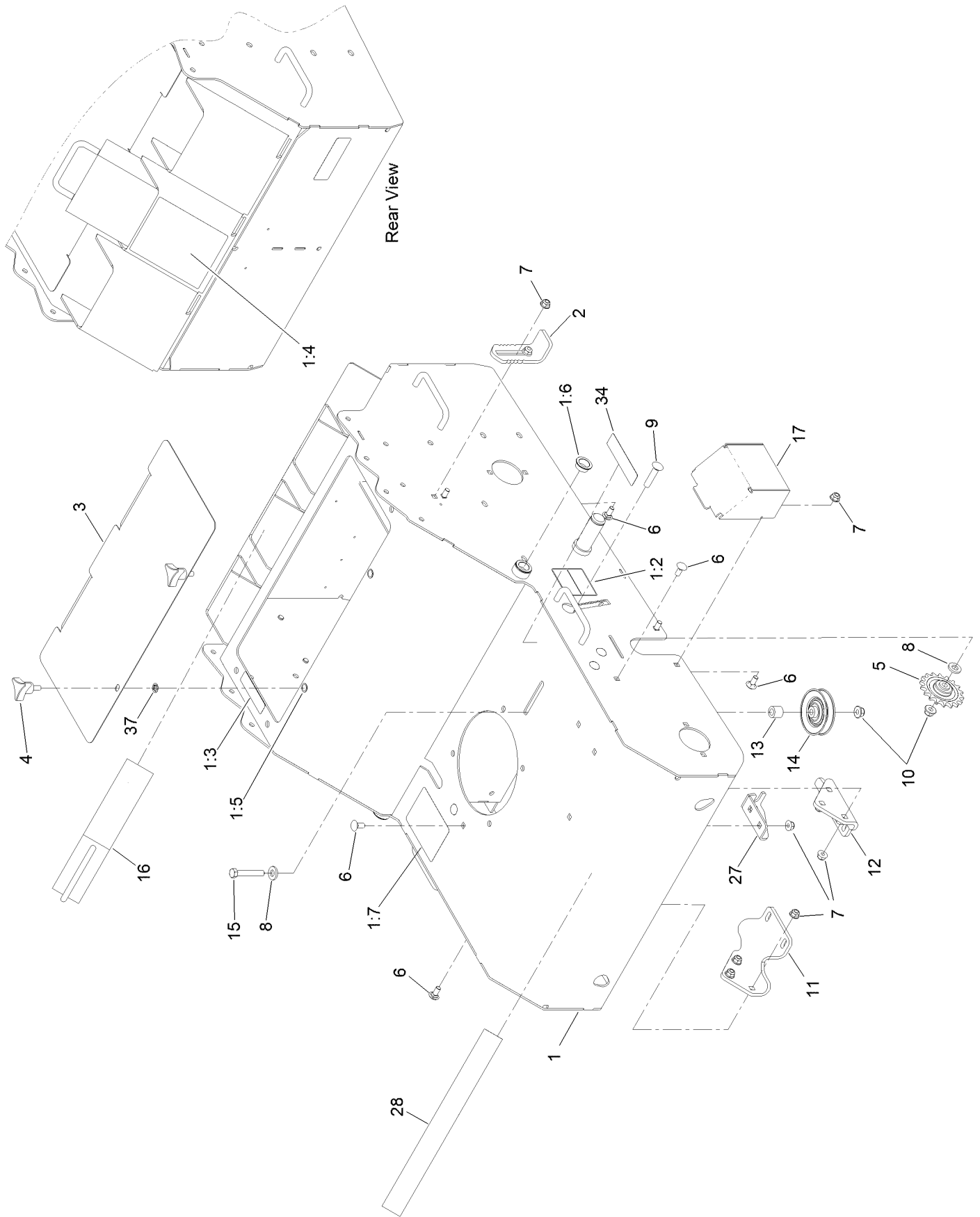
In an illustration, if a reference number indicates more than one part, the reference number has the form nX y. The n represents the quantity of the part, the X is the multiplication symbol, and the y represents the reference number.

For example, in an illustration, the reference number 2X 37 means that two of the parts identified by reference number 37 are indicated.

Contents

- Engine Frame Assembly 4
- Engine and Fuel Tank Mounting Assembly 6
- Transaxle Drive Assembly 8
- Handle Assembly 10
- Height Adjustment Assembly 12
- Tine Wheel Drive Assembly 14

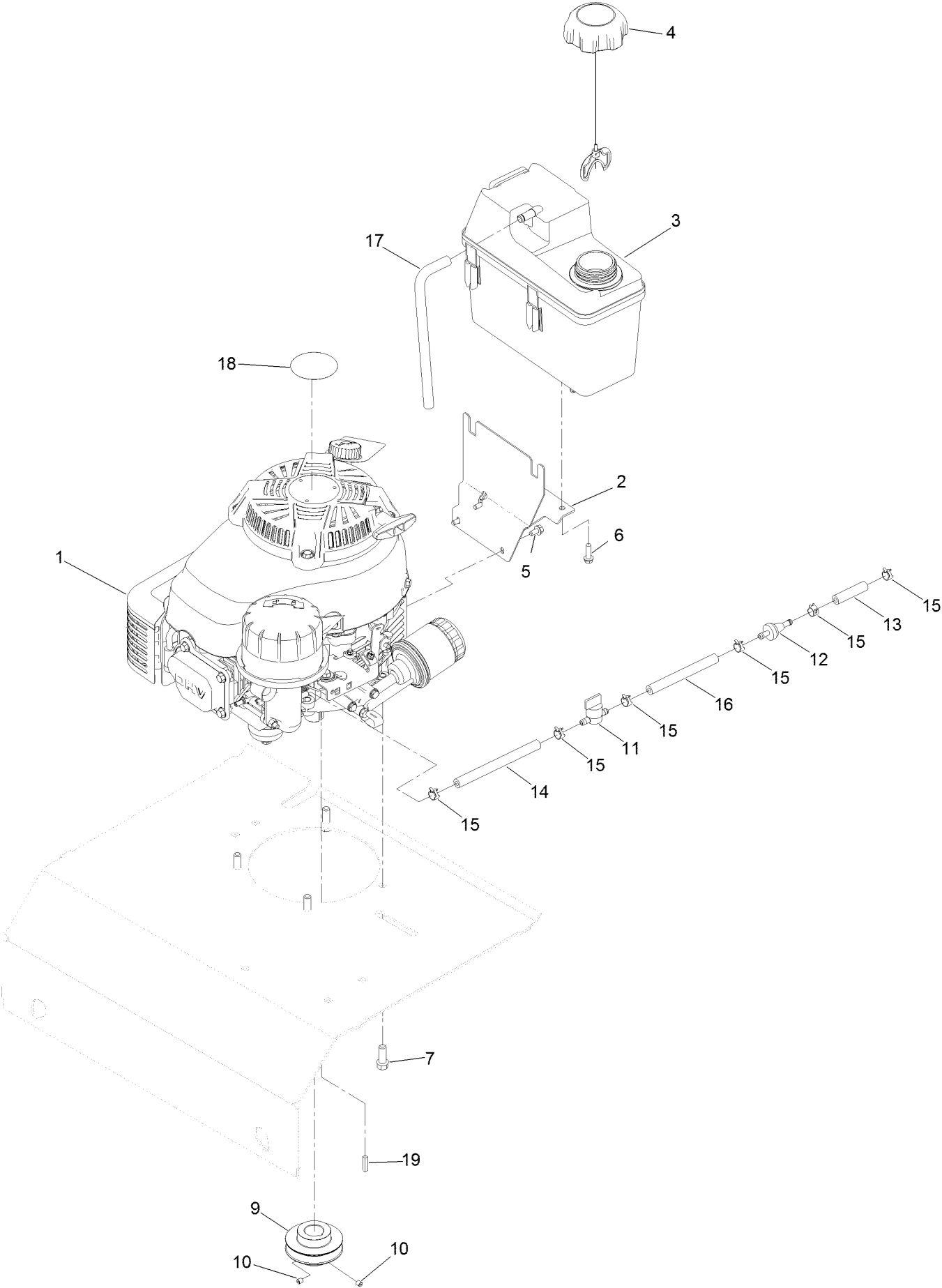
Engine Frame Assembly



Engine Frame Assembly (continued)

<i>Ref.</i>	<i>Part Number</i>	<i>Qty.</i>	<i>Description</i>	<i>Ref.</i>	<i>Part Number</i>	<i>Qty.</i>	<i>Description</i>
1	126-5102	1	Frame ASM	9	3231-29	2	Screw-CARR
1:2	121-6150	2	Decal-Warning	10	104-8301	3	Nut-HF, NI
1:3	119-0217	1	Decal-Danger	11	121-4948-03	1	Bracket-Mount Axle, RH
1:4	126-0651	1	Decal-Warning	12	121-4949-03	1	Bracket-Mount Axle, LH
1:5	32148-7	2	Nut-Clinch	13	121-6087	1	Bushing-Idler
1:6	108519	2	Bushing-Bronze	14	62-4530	1	Pulley
1:7	126-1209	1	Decal-Service Aid	15	323-11	1	Screw-HH
2	116-9886	2	Stop-Depth	16	121-6080	1	Weight-Aerator
3	126-0974-01	1	Cover-Access	17	121-1981-01	2	Cover-Transaxle
4	109-3351	2	Knob	27	121-6056	1	Bracket-Mounting, Cable
5	121-4915	2	Sprocket-Idler	28	121-6176	1	Decal
6	3230-1	16	Bolt-CARR	34	117-2718	1	Decal-Arrester, Spark
7	104-8300	16	Nut-HF, NI	37	117-2749	2	Nut-Push
8	87-7480	3	Washer				

Engine and Fuel Tank Mounting Assembly



Engine and Fuel Tank Mounting Assembly (continued)

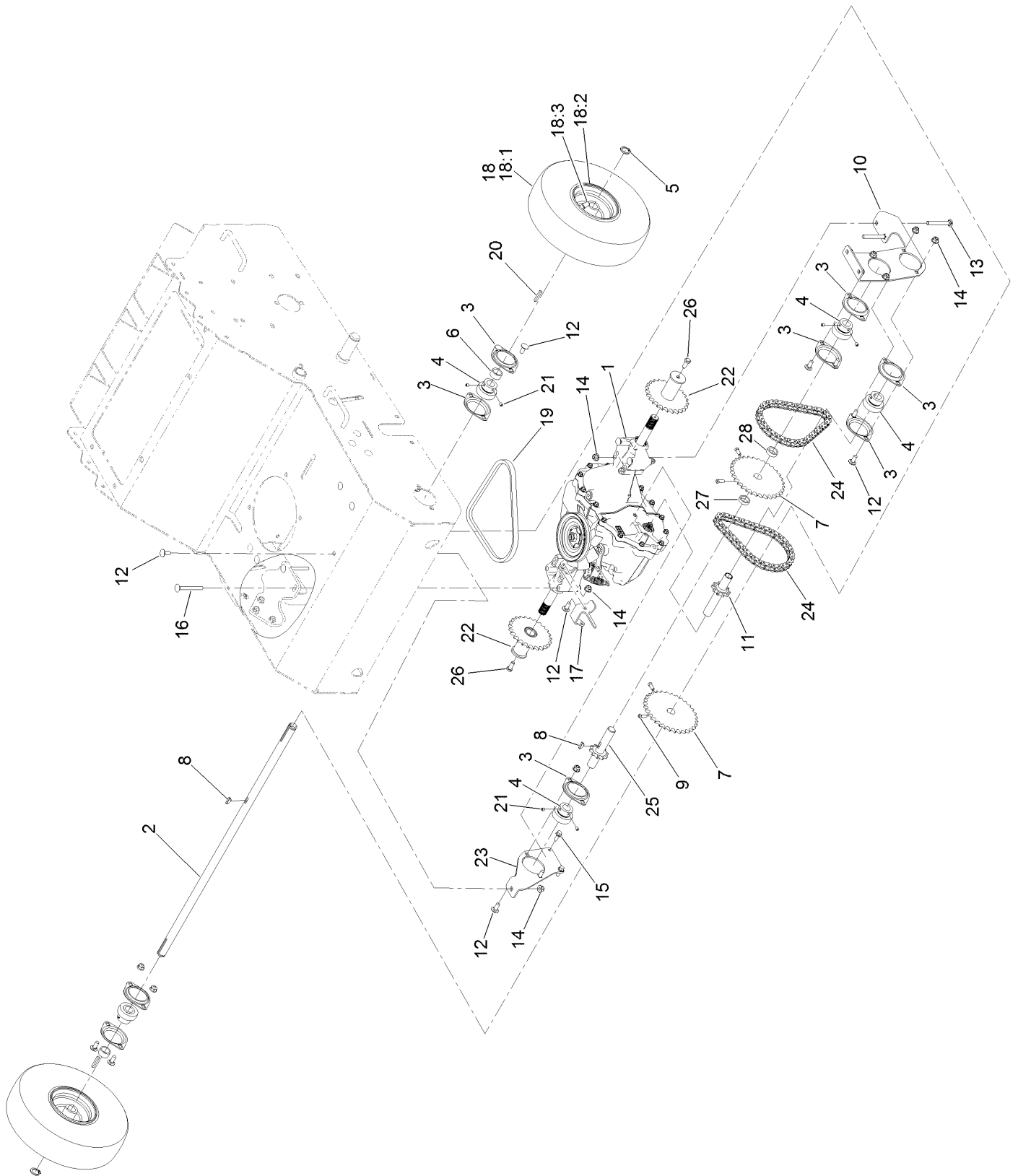
<i>Ref.</i>	<i>Part Number</i>	<i>Qty.</i>	<i>Description</i>	<i>Ref.</i>	<i>Part Number</i>	<i>Qty.</i>	<i>Description</i>
1		1	Engine-Kawasaki ●■	11	1-603770	1	Valve-Fuel
2	115-0954-03	1	Mount-Tank	12	71-9280	1	Filter-Fuel
3	125-5066	1	Tank-Fuel	13	99-9415	1	Hose-Fuel
4	115-7788	1	Cap-Fuel	14	109-0300	1	Hose-Fuel
5	104-2628	3	Screw	15	2412-98	6	Clamp-Hose
6	46-8091	2	Screw-HWH	16	109-0650	1	Hose-Fuel
7	95-1726	4	Screw-Taptite	17	115-0962	1	Hose-Vent, Canister
9	126-0839	1	Pulley-Driver	18	110-0520	1	Decal
10	3245-35	2	Screw-Set, HSH ▲	19	6366	1	Key

● Not serviced separately

▲ Use Pro-Lock, Nut Type (P/N 1-840022, .5ml tube) on threads.

■ Obtain parts from www.kawpower.com

Transaxle Drive Assembly

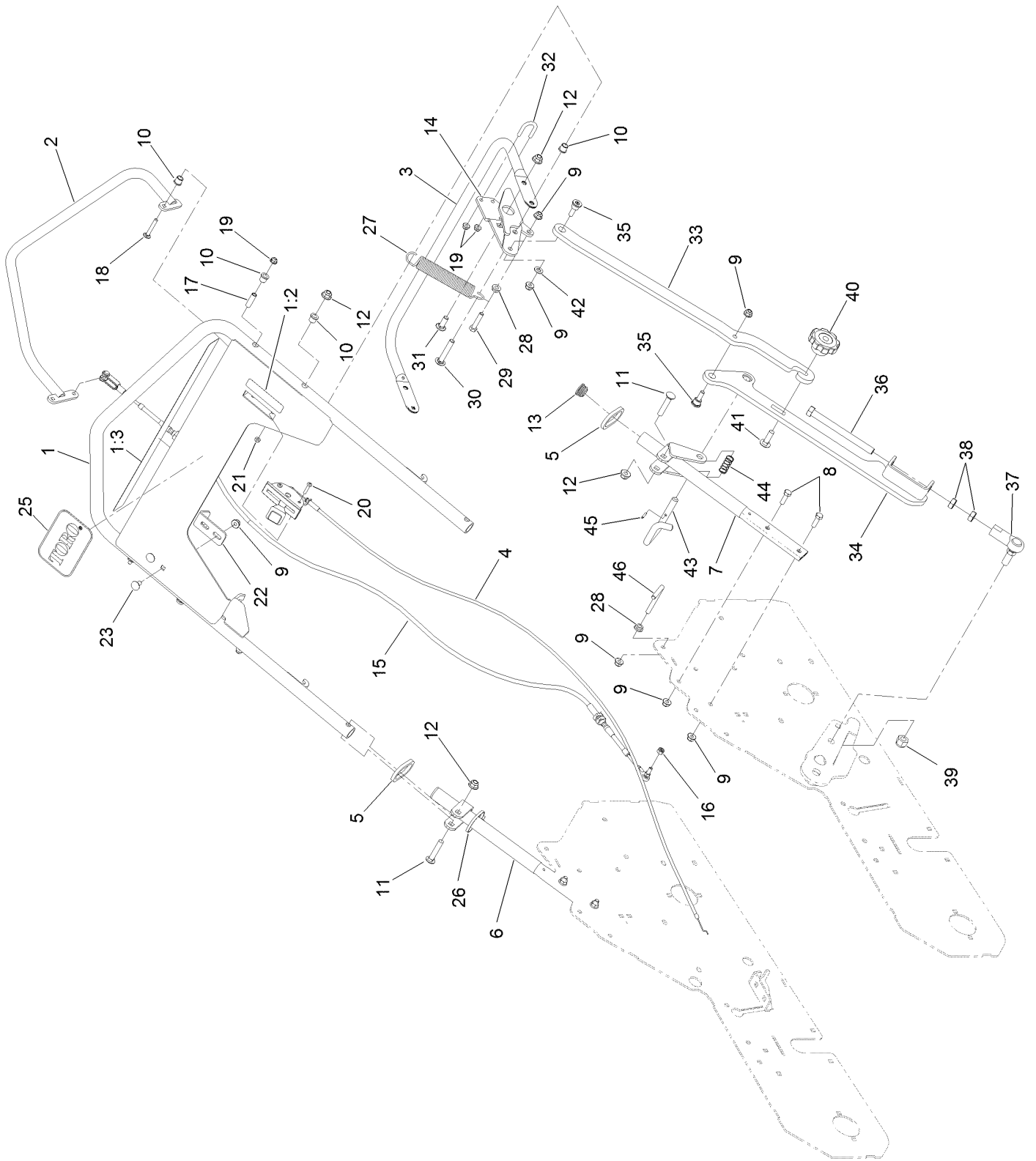


Transaxle Drive Assembly (continued)

<i>Ref.</i>	<i>Part Number</i>	<i>Qty.</i>	<i>Description</i>	<i>Ref.</i>	<i>Part Number</i>	<i>Qty.</i>	<i>Description</i>
1	121-4899	1	Transaxle ASM	17	121-6067	1	Angle-Control
2	121-4927	1	Shaft-Wheel	18	126-4264	2	Wheel And Tire ASM
3	105-9714	10	Flange-Bearing	18:1	121-6081	1	Tire
4	120-9350	5	Bearing-Lock, Collar	18:2	126-4263	1	Rim-Gray
5	32120-93	2	Ring-Retaining	18:3	5108	1	Valve
6	121-4931	2	Spacer-Wheel	19	121-1999	1	Belt-Drive
7	121-4934	2	Sprocket	20	92-0049	2	Key-Square
8	3257-5	2	Key-Woodruff	21	3245-35	10	Screw-Set, HSH ●
9	3241-5	4	Screw-Set ●	22	116-9860	2	Sprocket
10	121-4936-03	1	Plate-Bearing	23	121-4932-03	1	Bracket-Support, Shaft
11	121-4937	1	Shaft-Output	24	121-6105	2	Chain-Drive Wheel
12	3230-23	14	Bolt-CARR	25	121-6108	1	Shaft-Jack
13	3230-8	2	Screw-CARR	26	3235-6	2	Screw-HH ●
14	104-8300	20	Nut-HF, NI	27	105-3828	1	Spacer
15	3234-4	2	Screw-HHF	28	94-9524	1	Spacer-Control
16	3230-9	4	Screw-CARR				

● Use Pro-Lock, Nut Type (P/N 1-840022, .5ml tube) on threads.

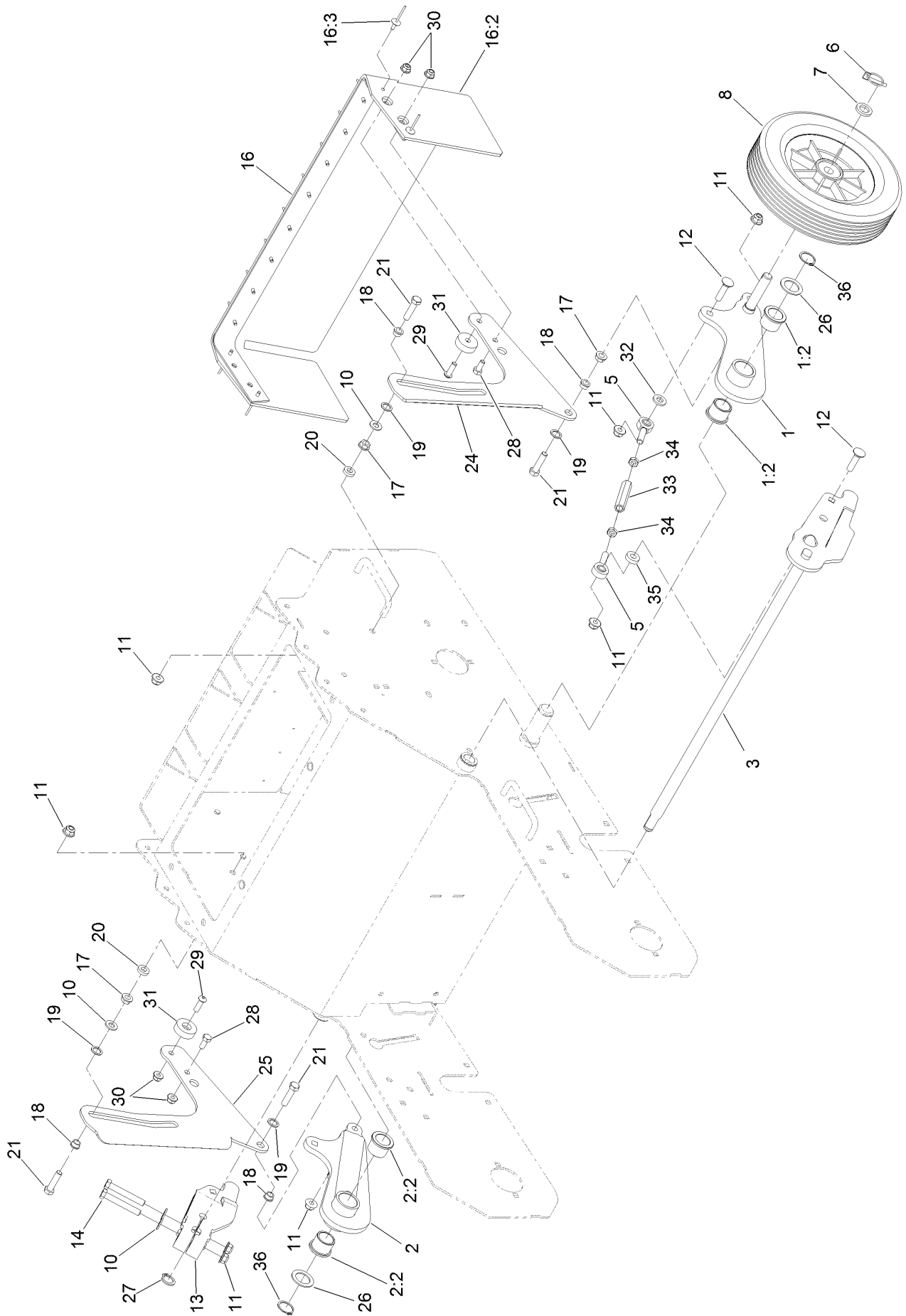
Handle Assembly



Handle Assembly (continued)

<i>Ref.</i>	<i>Part Number</i>	<i>Qty.</i>	<i>Description</i>	<i>Ref.</i>	<i>Part Number</i>	<i>Qty.</i>	<i>Description</i>
1	126-0639	1	Handle ASM	23	3230-18	2	Screw-CARR
1:2	121-6151	1	Decal-Throttle, Choke	25	67-1300	1	Decal
1:3	116-8699	1	Decal-Aerator Control Panel	26	3290-378	1	Tie-Cable
2	121-6053-03	1	Tube-Control	27	106-2177	1	Spring-Extension
3	116-9873-03	1	Tube-Handle Lift	28	32128-20	2	Nut-HF
4	116-9898	1	Control-Throttle	29	322-7	1	Screw-HH
5	121-6202	2	Ring-Handle Lock	30	3231-40	1	Bolt-CARR
6	121-1893-03	1	Handle-Lower	31	3231-22	1	Screw-CARR
7	116-9883-03	1	Handle-Lower, LH	32	01-170-0040	1	U-Bolt
8	322-5	4	Screw-HH	33	126-5472-03	1	Arm-Upper
9	104-8300	10	Nut-HF, NI	34	126-5470-03	1	Arm-Lower
10	103-9928	8	Bearing	35	119-4073	2	Bolt-Shoulder, Groomer
11	3231-6	2	Screw-CARR	36	126-5473	1	Screw, HH
12	104-8301	4	Nut-HF, NI	37	86-1550	1	End-Rod, RH Thread
13	121-4870	2	Plug	38	3220-5	2	Nut-Jam
14	126-5715-03	1	Arm-Upper	39	3296-19	1	Nut-Hex
15	121-6068	1	Cable	40	109-1092	1	Knob
16	3296-3	1	Nut-Lock	41	3231-25	1	Bolt-CARR
17	121-6060	3	Bushing-Pivot	42	3256-23	1	Washer-Plain
18	3229-5	3	Screw-CARR	43	126-5150	1	Pin-Latch, Transport
19	104-7201	5	Nut-HF, NI	44	126-5151	1	Spring-Compression
20	3250-27	2	Screw-PPH	45	32121-50	1	Pin-Spring
21	3296-2	2	Nut-Lock, NI	46	126-5659	1	Keeper
22	121-6057	1	Angle-Stop				

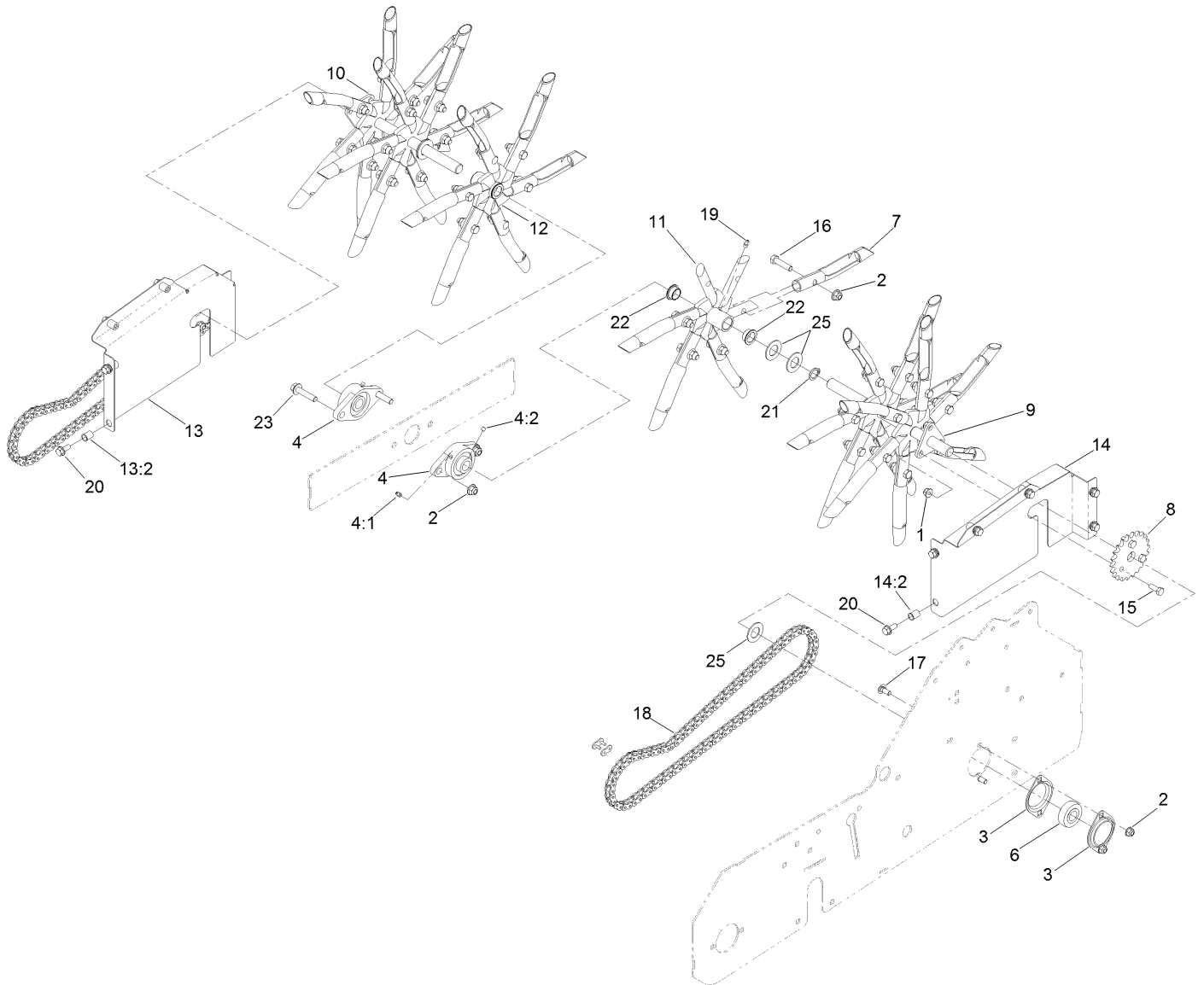
Height Adjustment Assembly



Height Adjustment Assembly (continued)

<i>Ref.</i>	<i>Part Number</i>	<i>Qty.</i>	<i>Description</i>	<i>Ref.</i>	<i>Part Number</i>	<i>Qty.</i>	<i>Description</i>
1	126-5098	1	LH Wheel Arm ASM	18	1-603735	4	Bushing-Flanged
1:2	94-8949	2	Bushing-Flange	19	94-8196	4	Washer-Nylon
2	126-5099	1	RH Wheel Arm ASM	20	80-7730	2	Spacer
2:2	94-8949	2	Bushing-Flange	21	323-8	4	Screw-HH
3	126-5160	1	Shaft-Pivot	24	126-0824-01	1	Guard-Arm, LH
5	1-613204	4	Balljoint	25	126-0825-01	1	Guard-Arm, RH
6	3290-495	2	Pin-Klik	26	1-523157	2	Washer-Spacer
7	63-9710	2	Spacer-Bearing	27	32120-93	1	Ring-Retaining
8	120-3560	2	Wheel-10 Inch	28	322-3	2	Screw-HH
10	3256-24	4	Washer-Flat	29	109-4872	2	Screw-HSH
11	104-8301	10	Nut-HF, NI	30	104-8300	4	Nut-HF, NI
12	3231-4	4	Screw-CARR	31	116-8331	2	Guide-Arm, Trail
13	126-1345-03	1	Arm-Lift, RH	32	87-7480	2	Washer
14	323-12	2	Screw-HH	33	116-9855	2	Rod-Lift Link
16	126-0564	1	Guard-Foot	34	3220-3	4	Nut-HJ
16:2	116-9884	1	Foot-Shield	35	5-0652	2	Spacer
16:3	3269-20	12	Rivet-Pop	36	32151-29	2	Ring-Retaining
17	3290-357	4	Nut-HHF, Whiz				

Tine Wheel Drive Assembly



Tine Wheel Drive Assembly (continued)

<i>Ref.</i>	<i>Part Number</i>	<i>Qty.</i>	<i>Description</i>	<i>Ref.</i>	<i>Part Number</i>	<i>Qty.</i>	<i>Description</i>
1	104-8300	10	Nut-HF, NI	13:2	32148-7	6	Nut-Clinch
2	104-8301	38	Nut-HF, NI	14	126-1206	1	LH Chain Guard ASM
3	105-9714	4	Flange-Bearing	14:2	32148-7	6	Nut-Clinch
4	106-7126	2	Bearing-Flange	15	322-4	6	Screw-HH
4:1	302-58	1	Fitting-Straight	16	323-8	36	Screw-HH
4:2	3245-35	2	Screw-Set, HSH	17	3230-1	4	Bolt-CARR
6	120-9350	2	Bearing-Lock, Collar	18	121-6107	2	Chain-Drive
7	126-2143	36	Tine-Coring (3/4 Inch)	19	302-19	2	Fitting-Grease
8	116-9896	2	Sprocket-#40 22T	20	3234-47	12	Screw-HHF
9	121-4930	1	Wheel-Tine, LH	21	32120-93	2	Ring-Retaining
10	121-6072	1	Wheel-Tine, RH	22	108519	4	Bushing-Bronze
11	121-6099	1	Tine-Spyder	23	3234-19	2	Screw-HHF
12	121-6096	1	Tine-Spyder	25	69-8930	6	Washer
13	126-1204	1	RH Chain Guard ASM				



Count on it.