

Hood Intake Screen

Kit No. 142-4167 and 142-4189

Installation Instructions

Safety Alert Symbol

This Safety Alert Symbol (Figure 1) is used both in this instruction sheet and on the machine to identify important safety messages which must be followed to avoid accidents

This symbol means: **ATTENTION! BECOME ALERT! YOUR SAFETY IS INVOLVED!**



g000502

Figure 1
Safety Alert Symbol

The safety alert symbol appears above information which alerts you to unsafe actions or situations and will be followed by the word **DANGER**, **WARNING**, or **CAUTION**.

DANGER: Indicates an imminently hazardous situation which, if not avoided, **Will** result in death or serious injury.

WARNING: Indicates a potentially hazardous situation which, if not avoided, **Could** result in death or serious injury.

CAUTION: Indicates a potentially hazardous situation which, if not avoided, **May** result in minor or moderate injury.

This manual uses two other words to highlight information. **Important** calls attention to special mechanical information and **Note** emphasizes general information worthy of special attention.

⚠ WARNING

While maintenance or adjustments are being made, someone could start the engine. Accidental starting of the engine could seriously injure you or other bystanders.

Remove the key from the ignition switch and engage parking brake before you do any maintenance.

Note: Determine the left and right sides of the machine from the normal operating position.



Loose Parts

Use the chart below to verify that all parts have been shipped.

Item	Part No.	Description	Qty
1	142-4487	Hood-Intake	1
	142-4488	Hood-Intake	1
2	142-3516-03	Screen-Intake [Front]	1
3	142-4090-03	Screen-Intake [Middle Top]	1
4	142-4091-03	Screen-Intake [Middle Bottom]	1
5	142-4092-03	Screen-Intake [Side Top]	2
6	142-4093-03	Screen-Intake [Side Bottom]	2
7	117-2382	Plug-Plastic	140*
8	142-3969	Prop-Hood	1
9	3256-4	Washer-Flat	4

Item	Part No.	Description	Qty
10	3290-255	Pin-Cotter, Hair	2
11	142-6024-03	Stop-ROPS [Weld LH]	1
12	142-6025-03	Stop-ROPS [Weld RH]	1
13	325-35	Screw-HH 1/2-13 x 3 3/4 Gr 8	2
14	109-9505	Washer-Spring	2
15	99-5107	Nut-Lock 1/2-13	2
16	142-3970-03	Plate-Back	1
17	142-3971-03	Bracket-Mounting [LH]	1
18	142-3972-03	Bracket-Mounting [RH]	1
19	142-3973-03	Bracket-Mounting [Front]	1

*Extra plugs are included if needed for assembly/installation.

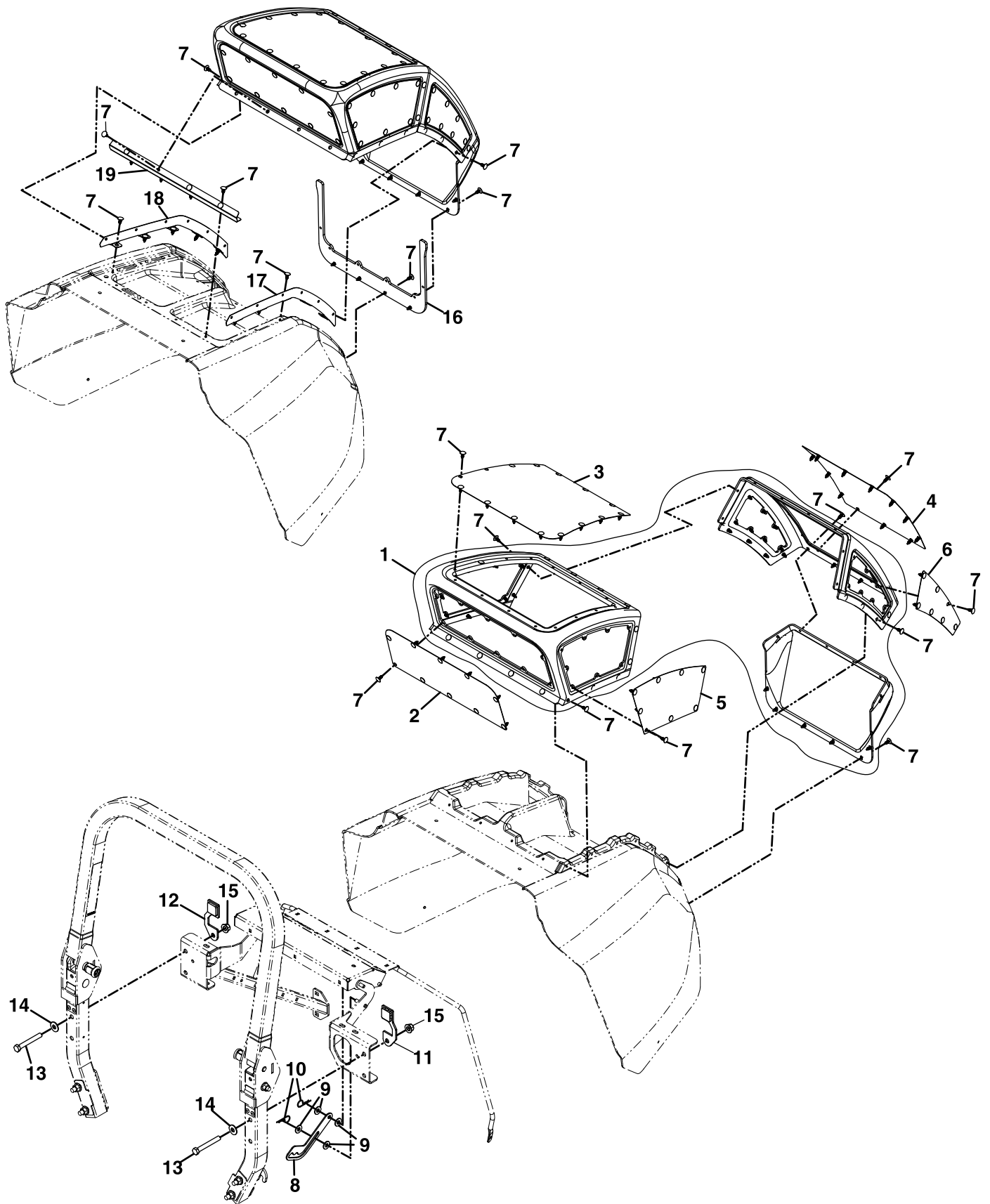


Figure 2

g318722

Installation Instructions

1. Remove and discard the current screen and plastic plugs.
2. Identify the style of hood installed on the machine.

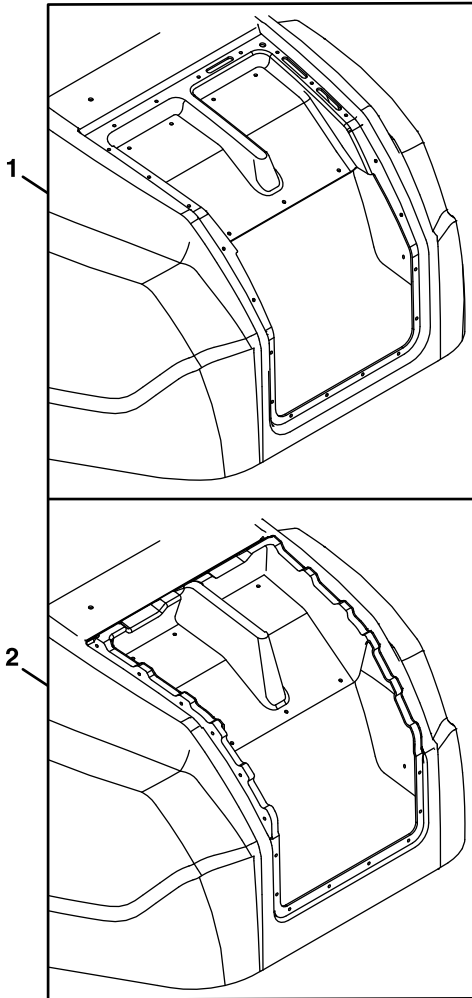


Figure 3
Hood Style

g319227

- | | |
|--|---|
| <ol style="list-style-type: none"> 1. Older style—Models with serial number 406,342,956 and Lower | <ol style="list-style-type: none"> 2. Newer style—Models with serial number 406,342,957 and Higher |
|--|---|

3. An older style hood requires the installation of the left, right, and front mounting brackets and the back plate. Use the plastic plugs as shown in [Figure 4](#) to assemble the brackets to the hood. Using a 1/4 inch drill bit, drill two holes through the existing hood as shown in [Figure 4](#); install the plastic plugs.

A newer style hood has built-in mounting features and the brackets and plate are not needed.

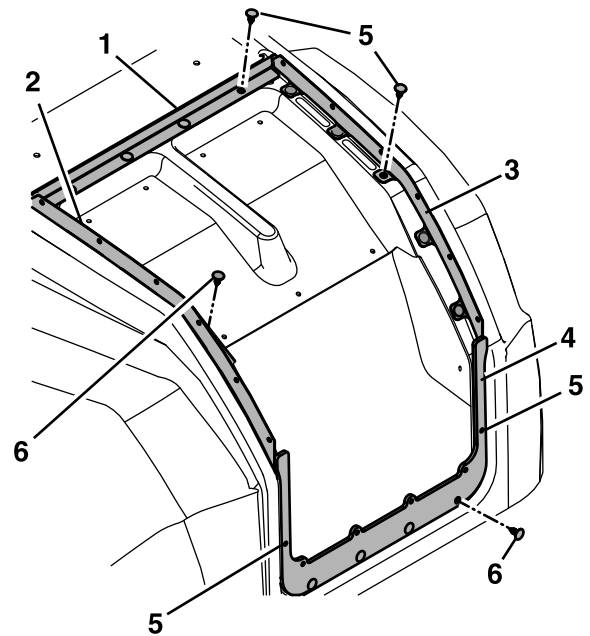


Figure 4

g318899

- | | |
|---------------------------|-----------------|
| 1. Front mounting bracket | 4. Back plate |
| 2. LH mounting bracket | 5. Drill holes |
| 3. RH mounting bracket | 6. Plastic plug |

4. Assemble the top, middle, and lower intake hood frame pieces together using the plastic plugs.

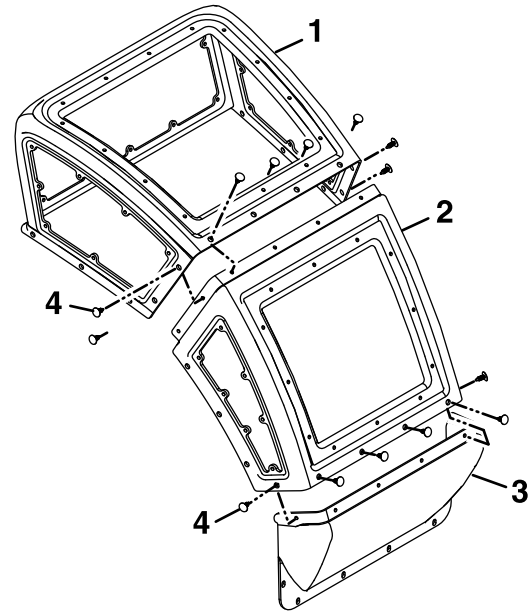


Figure 5

g319043

- | |
|-----------------------------|
| 1. Top intake hood frame |
| 2. Middle intake hood frame |
| 3. Bottom intake hood frame |
| 4. Plastic plug |

5. Install the intake hood frame assembly to the hood and secure using the plastic plugs.

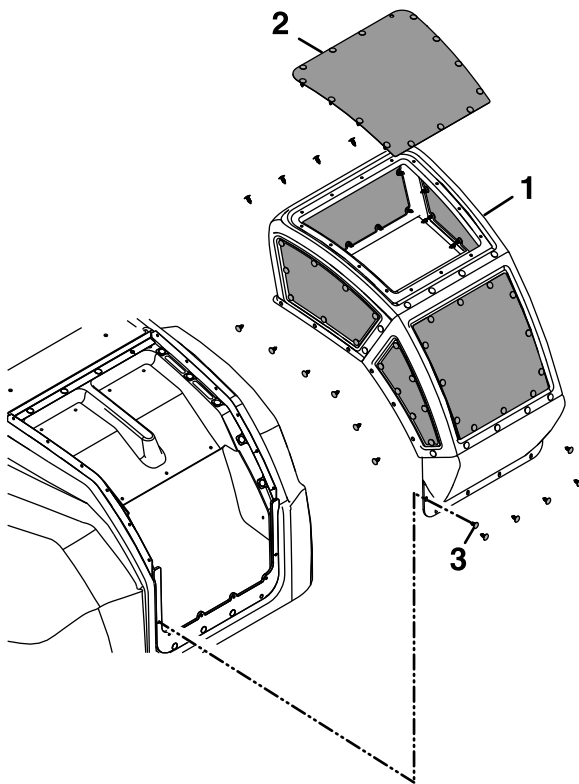


Figure 6

g319055

1. Hood intake frame assembly
2. Intake screen
3. Plastic plug

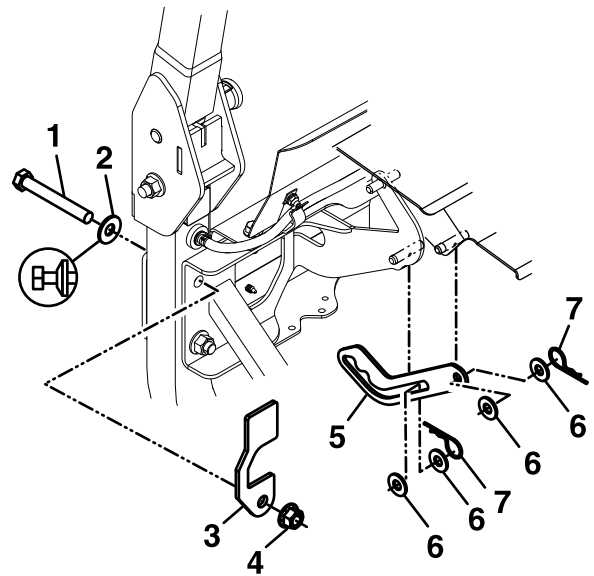


Figure 7

g319134

- | | |
|--|---------------|
| 1. 1/2-13 x 3 3/4 inch Grade 8 hex screw | 5. Hood prop |
| 2. Spring disc washer | 6. Washer |
| 3. ROPS stop | 7. Cotter pin |
| 4. 1/2-13 inch lock nut | |

8. Raise the hood and remove the old hood prop and its mounting hardware. Install the new hood prop using four washers and two cotter pins (see [Figure 7](#)).

6. Assemble the intake screens onto the hood intake frames using the plastic plugs as shown in [Figure 6](#).
7. Remove and discard the top bolt, washer, and nut on the LH lower ROPS leg. Install the LH ROPS stop using 1/2-13 x 3 3/4 inch Grade 8 hex screw, spring disc washer, and 1/2-13 inch lock nut as shown in [Figure 7](#). Repeat this step for the RH ROPS stop. Torque the ROPS hardware to 100-110 ft-lb (136-149 N-m).