



Count on it.

Parts Catalog

Reelmaster® 3550

Traction Unit

Model No. 03910—Serial No. 316000501 and Up



Ordering Replacement Parts

To order replacement parts, please supply the part number, the quantity, and the description of each part desired.

Understanding Reference Numbers

Each identified part in an illustration has a reference number. The reference number for a part also appears in the parts list, along with other information about the part.

This catalog uses two special reference number formats, one to indicate parts in a service assembly and another to indicate the quantity of a given part in an illustration.

Service Assembly Reference Numbers

Parts in service assemblies have reference numbers in the form a:b. The a represents the reference number of the entire service assembly and the b represents a sequential number unique to each part within the service assembly.

For example, a wheel assembly might be identified by reference number 6, the tire by 6:1, the valve by 6:2, and the wheel by 6:3. When you order the assembly identified by reference number 6, you receive all parts identified by reference numbers 6:1, 6:2, and 6:3. However, you may also order any part individually. Reference numbers of this type appear in illustration and in parts lists.

Reference Numbers Indicating Quantity

In an illustration, if a reference number indicates more than one part, the reference number has the form nX y. The n represents the quantity of the part, the X is the multiplication symbol, and the y represents the reference number.

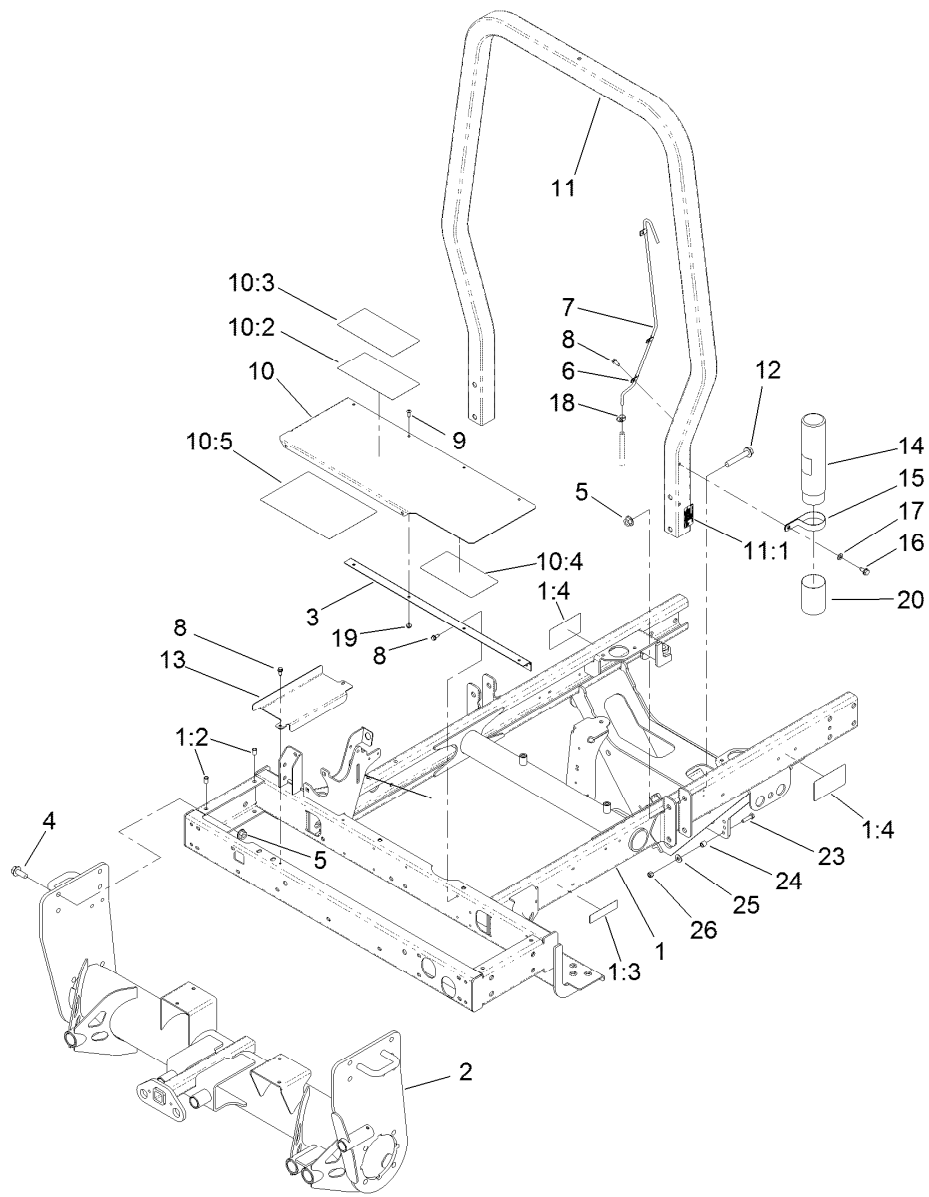
For example, in an illustration, the reference number 2X 37 means that two of the parts identified by reference number 37 are indicated.

Contents

Frame Assembly	5
Engine Mount Assembly	6
Engine Muffler and Air Cleaner Assembly	7
Air Cleaner Assembly No. 93-2190	8
Radiator and Oil Cooler Assembly	9
No. 1, No. 4 and No. 5 Lift Arm Assembly	10
Hydraulic Cylinder Assembly No. 119-6988	11
Hydraulic Cylinder Assembly No. 120-9980	12
No. 2 and No. 3 Lift Arm Assembly	13
Fuel Tank and Filter Assembly	14
Hydraulic Tank and Filter Assembly	15
Battery Assembly	16
Seat and Heat-Shield Assembly	17
Seat Assembly No. 116-3998	18
Control Panel Assembly	19
Joystick Bracket Assembly No. 120-5280	20
Parking Brake Assembly	21
Main Wire Harness Assembly	22
Steering Arm Assembly	23
Steering Valve Assembly No. 121-7856	24
Front Shroud and Floorplate Assembly	25
Lamp Assembly No. 94-9024	26
Traction Control Assembly	27
Wheel and Brake Assembly	28
Hydraulic Motor Assembly No. 110-8785	29
Hydraulic Motor Assembly No. 110-8786	30
Brake Assembly No. 104-7705	31
Rear Fork and Casting Assembly	32
Steering Cylinder Assembly No. 121-7835	33
Hydraulic Motor Assembly No. 95-8694	34
Neutral Arm Assembly	35
Piston Pump and Gear Pump Assembly	36
Hydraulic Pump Assembly No. 104-4890	37
Hydraulic Gear Pump Assembly No. 121-7841	39
Traction Hydraulic Assembly	40
Front Mow Hydraulic Circuit Assembly	42
Lift Manifold and Steering Circuit Assembly	44
Lift Manifold Assembly No. 121-7932	46
Hood and Screen Assembly	47
Mow Manifold Assembly No. 120-2058	48
Hydraulic Reel Motor Assembly No. 120-2072	49
Rear Hydraulic Mow Circuit Assembly	50
Crankcase Assembly	52
Oil Pan and Dipstick Assembly	53
Cylinder Head Assembly	54
Gear Case and Oil Filter Cartridge Assembly	55
Cylinder Head Cover Assembly	56
Main Bearing Case Assembly	57
Camshaft and Idle Gear Shaft Assembly	58
Piston and Crankshaft Assembly	59
Fuel Camshaft and Governor Shaft Assembly	60
Idle Apparatus and Stop Solenoid Assembly	61
Injection Pump Assembly	62
Governor Assembly	63

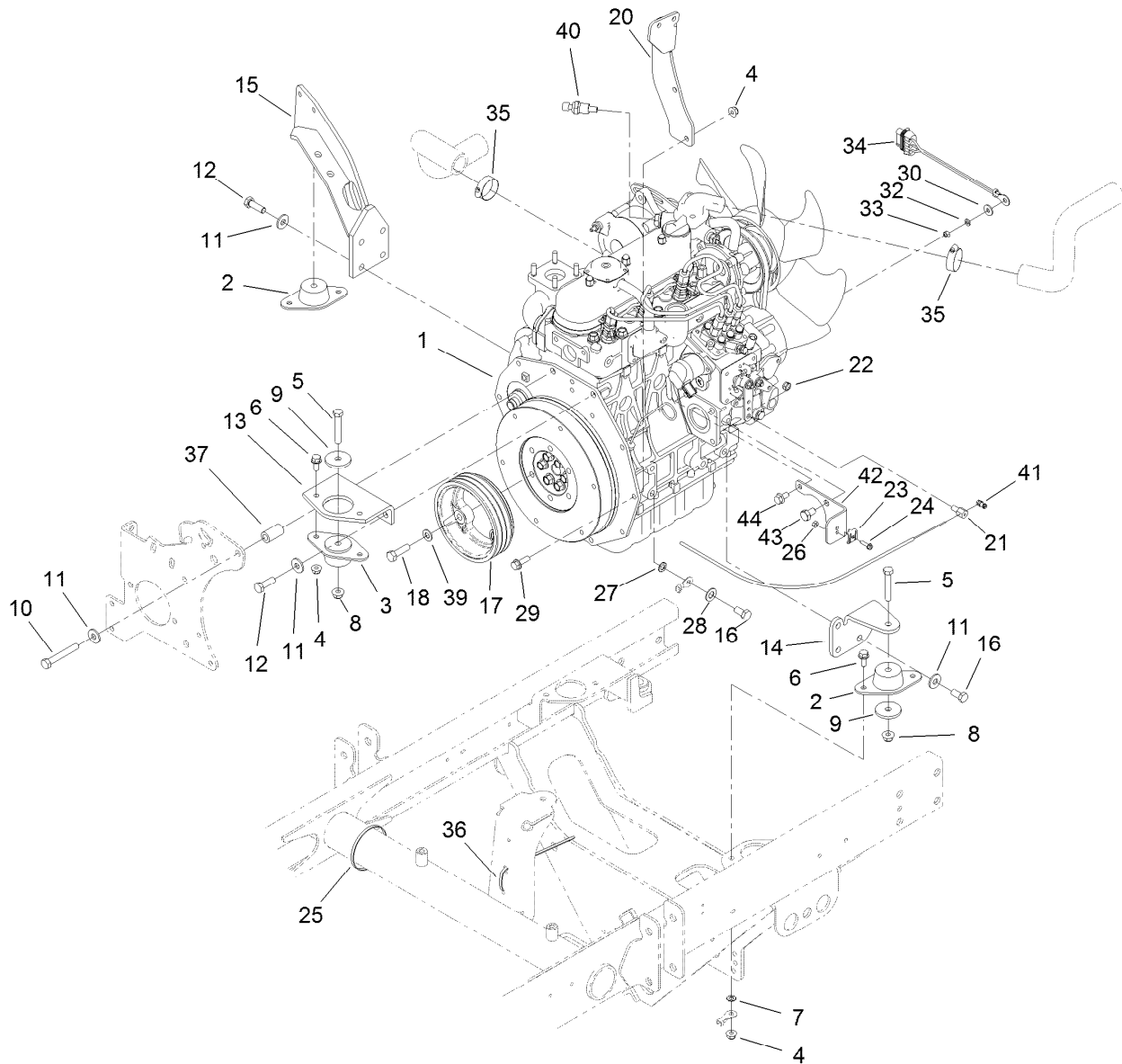
Contents (continued)

Speed Control Plate Assembly	64
Nozzle Holder and Glow Plug Assembly	65
Nozzle Holder Assembly	66
Alternator, Pulley and Fan Assembly	67
Alternator Components Assembly	68
Starter and Flywheel Assembly	69
Starter Component Assembly	70
Water Flange and Thermostat Assembly	71
Water Pump Assembly	72
Valve and Rocker Arm Assembly	73
Inlet and Exhaust Manifold Assembly	74
Miscellaneous Engine Parts	75
Attachments and Accessories	76



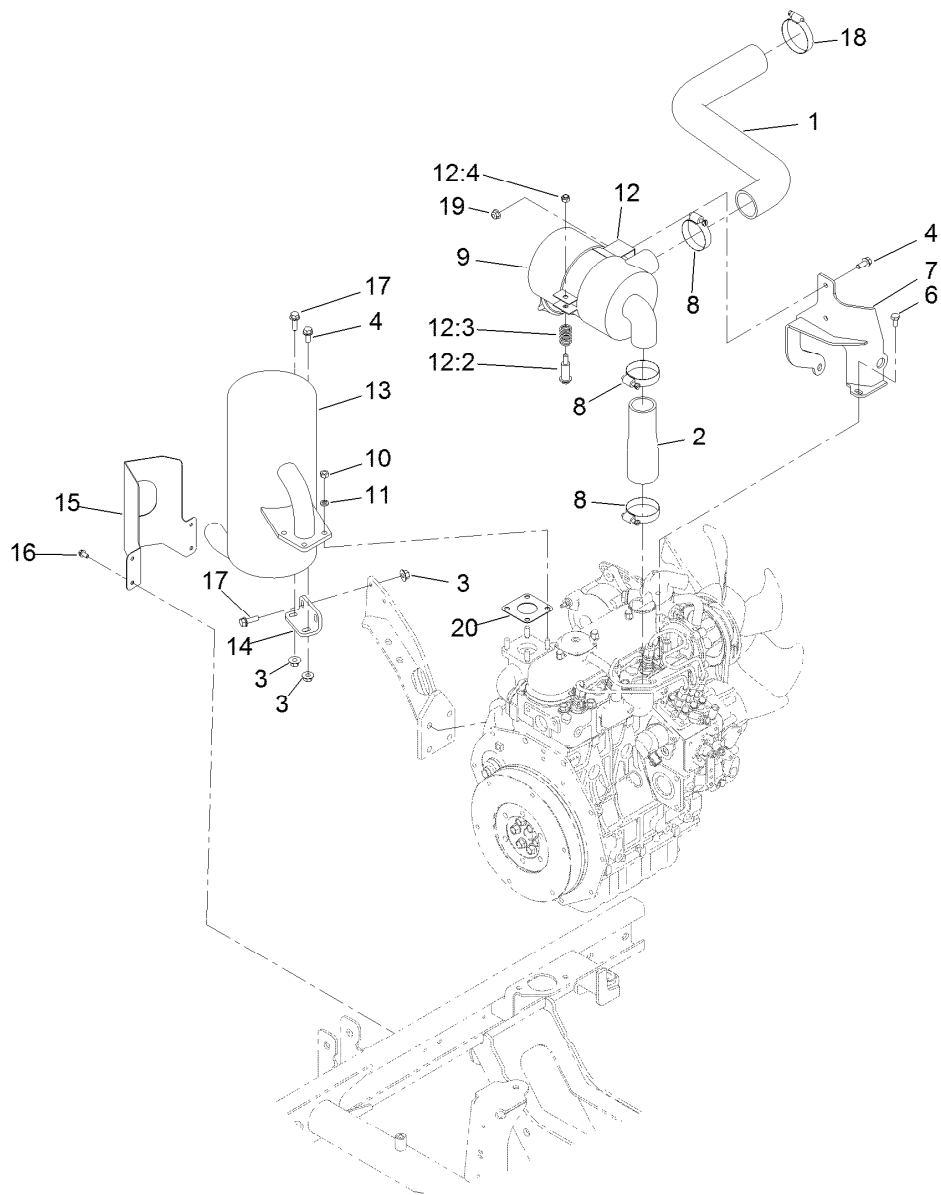
Frame Assembly

Ref.	Part Number	Qty.	Description	Ref.	Part Number	Qty.	Description
1	121-7931	1	Frame Service ASM	10:5	120-2102	1	Decal-Service
1:2	32148-6	2	Nut-Clinch	11	107-7833	1	ROPS ASM
1:3	117-2718	1	Decal-Arrester, Spark	11:1	107-7831	1	Decal-ROPS
1:4	117-3270	2	Decal-Danger	12	3234-40	4	Screw-HF
2	121-7870-03	1	Axle-Front	13	121-7837-01	1	Cover-Battery, Inner
3	121-7921	1	Hinge	14	104-7050	1	Tube-Manual
4	3234-38	8	Screw-HHF	15	2412-133	2	Clamp-R
5	32128-49	12	Nut-HHF	16	32144-70	2	Screw-HWHTF
6	2412-72	3	Clip-Closed, Insulated	17	3256-23	2	Washer-Plain
7	95-8615	1	Tube-Breather	18	2412-108	1	Clamp-Worm
8	32144-10	8	Screw-HWH	19	104-7201	4	Nut-HF, NI
9	119-6906	4	Screw-HSBH	20	104-7048	1	Cap-Housing
10	121-7846	1	Toolbox Cover ASM	23	322-6	2	Screw-HH
10:2	120-1683	1	Decal-Danger	24	1-603903	2	Spacer
10:3	121-7928	1	Decal-Danger, CE	25	3256-3	2	Washer-Flat
10:4	121-7884	1	Decal-Reel Speed	26	3296-29	2	Nut-Lock, NI



Engine Mount Assembly

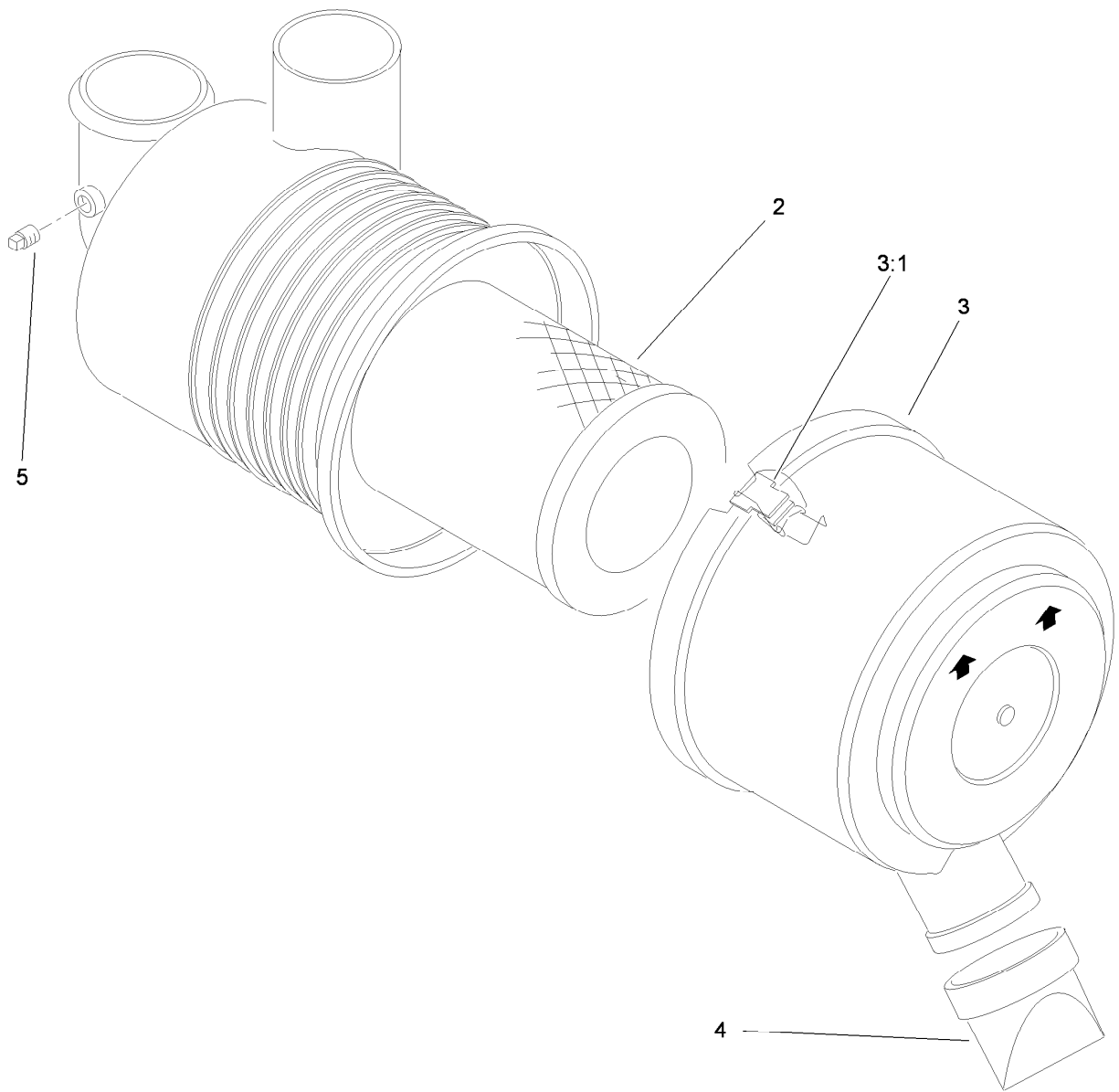
Ref.	Part Number	Qty.	Description	Ref.	Part Number	Qty.	Description
1	127-9662	1	Engine-Kubota, D1105	23	81-1690	1	Clamp-Cable
2	121-9076	2	Mount-Engine	24	32105-13	1	Screw-HWH
3	93-5265	1	Mount-Engine	25	3290-379	2	Tie-Cable
4	104-8300	8	Nut-HF, NI	26	3296-2	1	Nut-Lock, NI
5	323-11	3	Screw-HH	27	3255-9	1	Washer-Lock
6	3234-5	6	Screw-HHF	28	3256-25	1	Washer-Flat
7	3255-8	1	Washer-Lock	29	3234-17	2	Screw-HHF
8	104-8301	3	Nut-HF, NI	30	3256-78	1	Washer-Flat
9	80-8560	3	Washer-Hardened	32	43-5930	1	Washer-Lock, Spring
10	42-9370	1	Screw-HH	33	48-7890	1	Nut-Hex
11	80-6990	9	Washer-Hardened	34	99-3441	1	Harness-Wire, Fusible Link
12	95-8812	5	Screw-HH	35	2412-34	2	Clamp-Hose
13	99-3618-03	1	Mount-Engine, Front	36	3290-378	14	Tie-Cable
14	95-8937-03	1	Mount-Engine, LH	37	95-8736	1	Spacer
15	100-4838-03	1	Mount-Engine	39	3256-24	3	Washer-Flat
16	63-7790	4	Screw-Cap	40	119-4478	1	Sender-Temperature
17	99-3626	1	Pulley-3V	41	112-9919	1	Stop-Cable, Throttle
18	56-2140	3	Screw-HH	42	110-9009-03	1	Bracket-Cable, Throttle
20	115-3487-03	1	Bracket-Mount, Fuel Filter	43	63-7790	1	Screw-Cap
21	98-9311	1	Swivel-Throttle	44	33104-016	1	Screw-HHF
22	3296-20	1	Nut-Lock, NI				



Engine Muffler and Air Cleaner Assembly

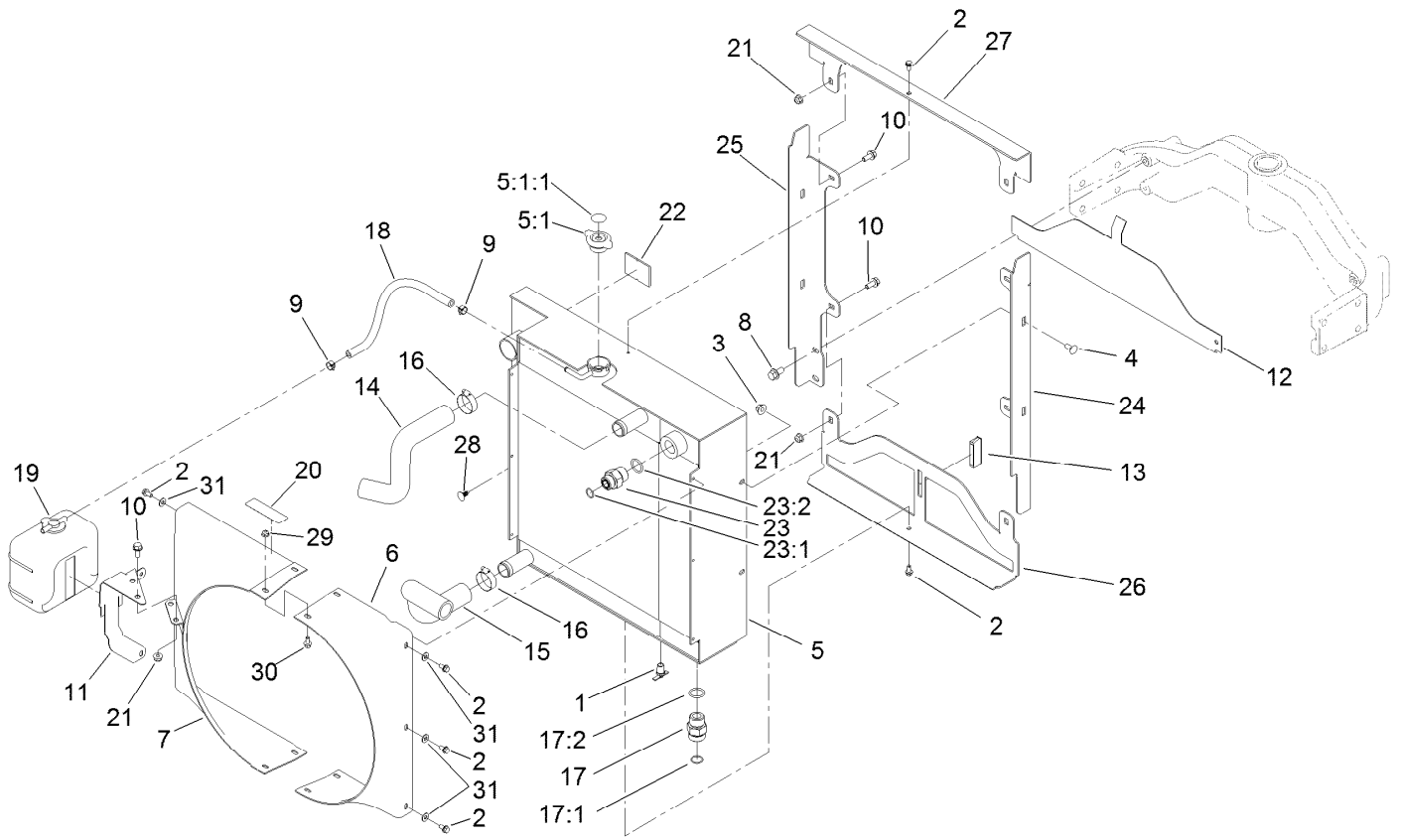
<i>Ref.</i>	<i>Part Number</i>	<i>Qty.</i>	<i>Description</i>
1	121-7834	1	Hose-Air Intake, Upper
2	95-8947	1	Hose-Air Inlet, Lower
3	32128-44	4	Nut
4	3234-5	3	Screw-HHF
6	33104-016	2	Screw-HHF
7	99-3355-03	1	Bracket-Filter, Air
8	2412-92	3	Clamp-Hose
9	93-2190	1	Air Cleaner ASM
10	33014-00	4	Nut-Hex
11	3253-4	4	Washer-Lock
12	93-2191	1	Air Cleaner Mounting Band ASM

<i>Ref.</i>	<i>Part Number</i>	<i>Qty.</i>	<i>Description</i>
12:2	94-3653	1	Bolt
12:3	94-3654	1	Spring
12:4	48-9510	1	Nut
13	104-4834	1	Muffler
14	95-8943-03	1	Bracket-Muffler
15	99-3425-03	1	Guard-Exhaust
16	32144-4	4	Screw-HWH
17	3234-17	3	Screw-HHF
18	2412-130	1	Clamp-Hose
19	104-8300	2	Nut-HF, NI
20	98-9611	1	Gasket



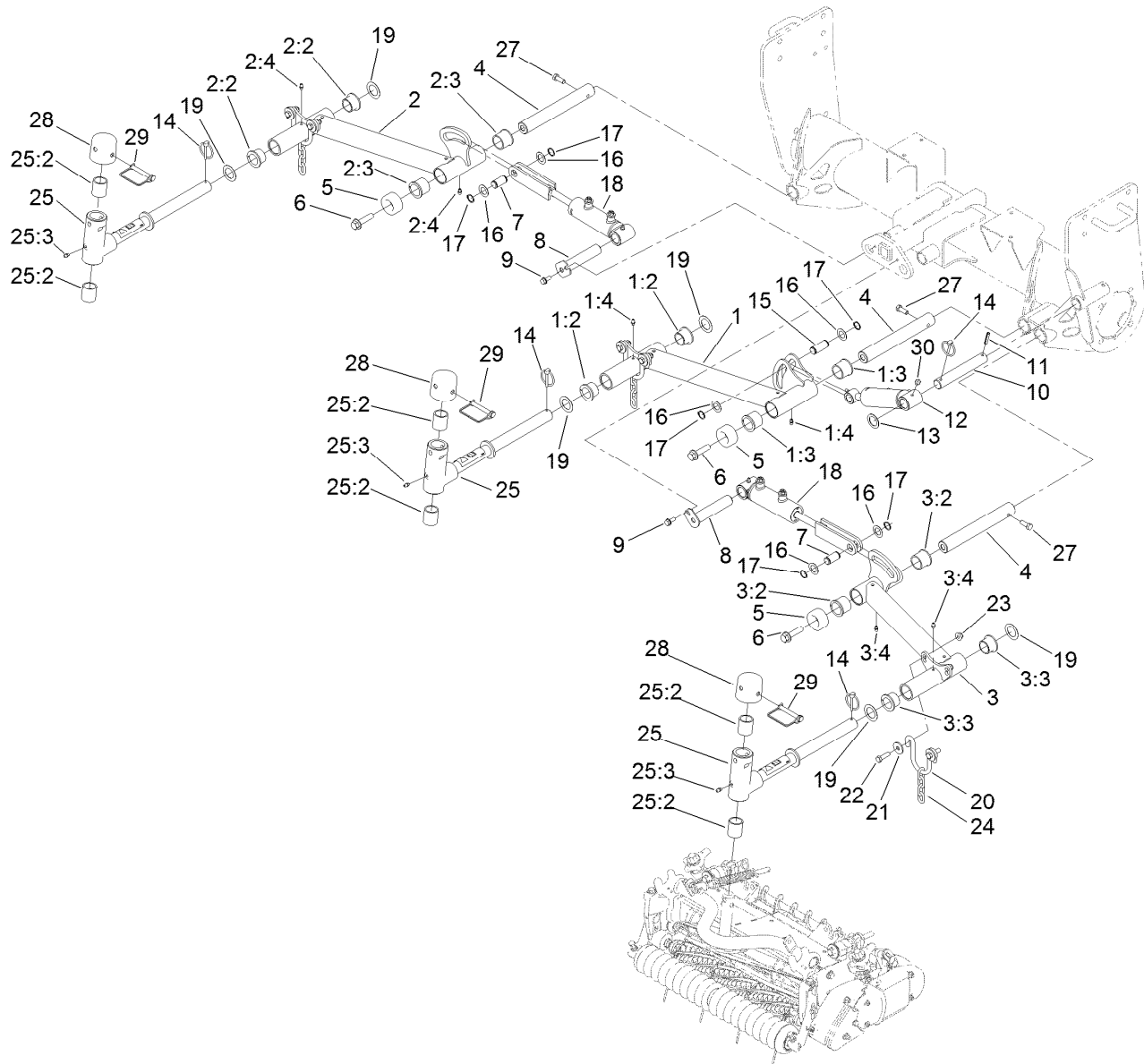
Air Cleaner Assembly No. 93-2190

<i>Ref.</i>	<i>Part Number</i>	<i>Qty.</i>	<i>Description</i>
2	108-3811	1	Filter-Air
3	94-3652	1	Cover ASM
3:1	1-643283	2	Latch-Cleaner, Air
4	87-9400	1	Valve-Vacuator
5	285-17	1	Plug-Pipe



Radiator and Oil Cooler Assembly

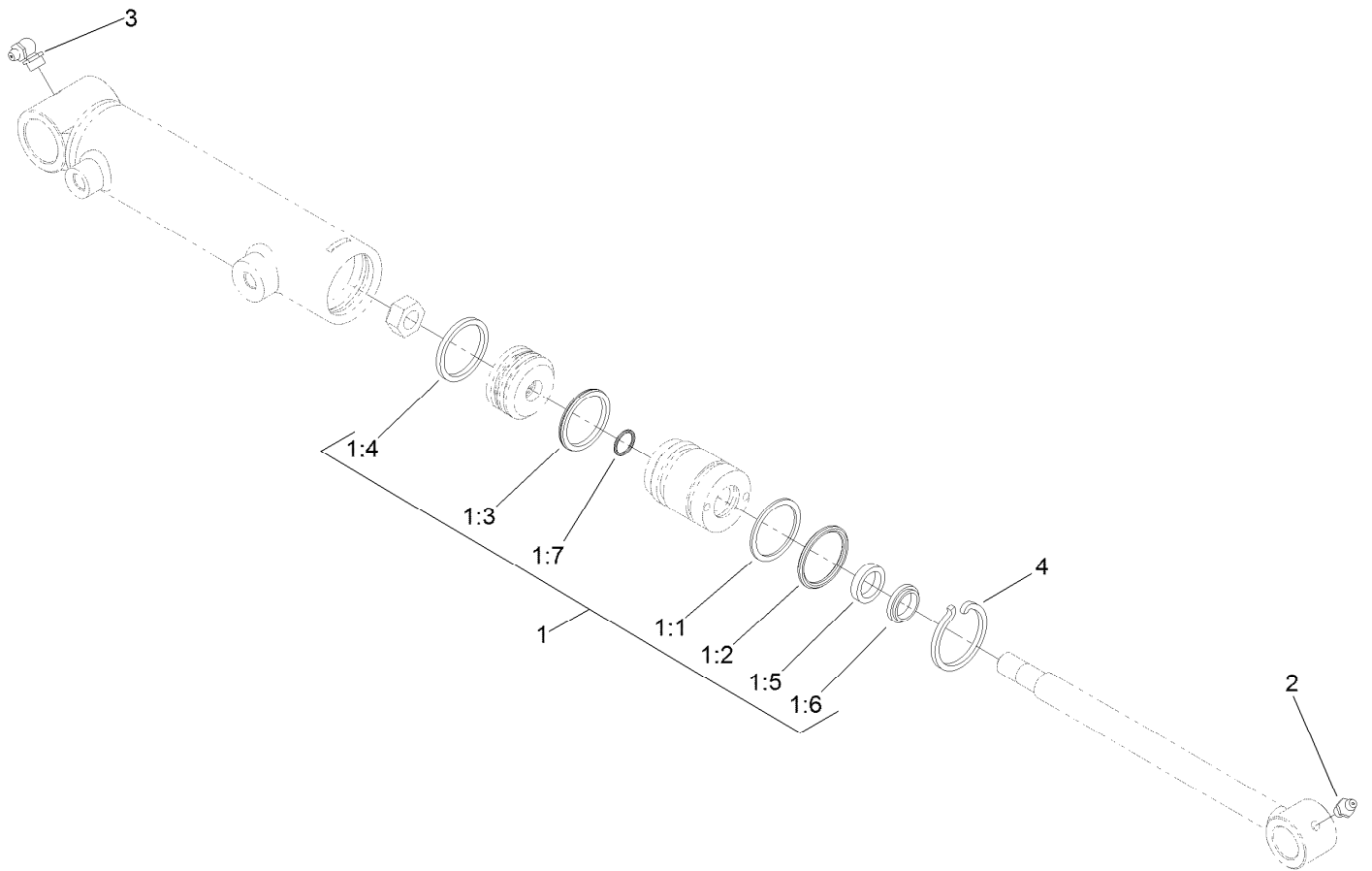
Ref.	Part Number	Qty.	Description	Ref.	Part Number	Qty.	Description
1	304-46	1	Draincock	17	340-9	1	Fitting-STR
2	32104-116	8	Screw-HWHTF	17:1	237-58	1	O-Ring
3	32128-44	8	Nut	17:2	237-81	1	O-Ring
4	3230-1	8	Bolt-CARR	18	109-0274	1	Hose-Fuel
5	119-2028	1	Radiator And Oil Cooler ASM	19	104-9318	1	Bottle-Overflow
5:1	115-7766	1	Cap-Radiator	20	120-0627	1	Decal-Warning
5:1:1	106-6755	1	Decal-Cap, Radiator	21	104-8300	2	Nut-HF, NI
6	121-7853	1	Shroud-LH	22	104-9459	2	Seal-Foam
7	121-7857	1	Shroud-RH	23	340-8	1	Fitting-Straight
8	3234-1	4	Screw-HHF	23:1	237-65	1	O-Ring
9	92-2379	2	Clamp-Hose	23:2	237-81	1	O-Ring
10	3234-5	2	Screw-HHF	24	120-3531-03	1	Bracket-Radiator, LH
11	121-7859-03	1	Bracket-Overflow Bottle	25	120-3532-03	1	Bracket-Radiator, RH
12	95-8702-03	1	Shield-Radiator, Lower	26	120-3530-03	1	Bracket-Radiator, Bottom
13	99-3497	1	Magnet	27	120-3529-03	1	Bracket-Radiator, Top
14	120-2193	1	Hose-Radiator, Upper	28	117-2382	2	Plug-Plastic
15	120-3353	1	Hose-Radiator, Lower	29	104-7201	4	Nut-HF, NI
16	2412-34	2	Clamp-Hose	30	3234-13	4	Screw-HHF
				31	3256-22	4	Washer-Flat



No. 1, No. 4 and No. 5 Lift Arm Assembly

Ref.	Part Number	Qty.	Description
1	120-2159	1	No. 1 Lift Arm ASM
1:2	121-7863	2	Bushing-Special
1:3	104-0015	2	Bushing-Flange
1:4	302-5	2	Fitting-Grease
2	120-2162	1	No. 5 Lift Arm ASM
2:2	121-7863	2	Bushing-Special
2:3	104-0015	2	Bushing-Flange
2:4	302-5	2	Fitting-Grease
3	120-2163	1	No. 4 Lift Arm ASM
3:2	104-0015	2	Bushing-Flange
3:3	121-7863	2	Bushing-Special
3:4	302-5	2	Fitting-Grease
4	120-2084	3	Pin-Liftarm
5	121-7855	3	Bumper-Recessed
6	3234-27	3	Screw-HHF
7	120-9219	2	Pin-Cylinder
8	10-6090	2	Pin-Pivot
9	32144-11	2	Screw-HWH
10	120-2158	1	Pin
11	32121-15	1	Pin-Roll

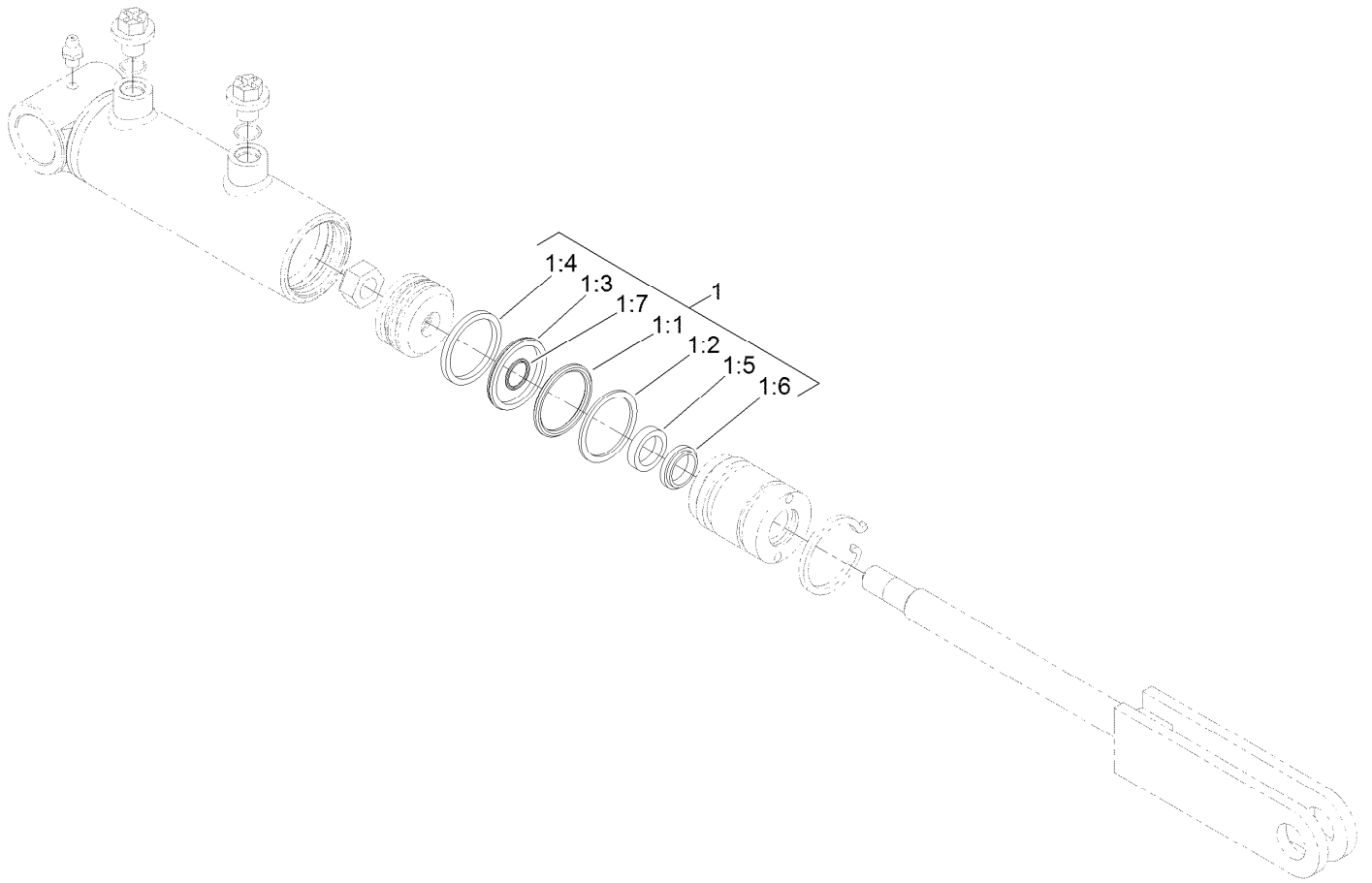
Ref.	Part Number	Qty.	Description
12	119-6988	1	HYD Cylinder ASM
13	10-8110	1	Washer-Thrust
14	92-1298	4	Pin-Lynch
15	94-3452	1	Pin
16	3-6498	6	Washer-Thrust
17	32120-72	6	Ring-Snap
18	120-9980	2	HYD Cylinder ASM
19	120-2183	6	Washer-Thrust
20	120-9962	3	Hoop-Chain
21	63-8410	6	Washer
22	323-7	6	Screw-HH
23	104-8301	6	Nut-HF, NI
24	84-2450	3	Chain-Straight, 4-Link
25	120-1605	3	Pivot Yoke ASM
25:2	121-3187	2	Bushing
25:3	302-5	1	Fitting-Grease
27	323-6	3	Screw-HH
28	107-4027	3	Cap
29	107-7400	3	Pin-Lynch
30	302-2	1	Fitting-Grease



Hydraulic Cylinder Assembly No. 119-6988

<i>Ref.</i>	<i>Part Number</i>	<i>Qty.</i>	<i>Description</i>
1	119-6992	1	Seal Kit
1:1		1	O-Ring ●
1:2		1	Backup ●
1:3		1	Bp Seal ●
1:4		1	Wear Ring-Ht ●
1:5		1	Bs Seal ●
1:6		1	Dust Seal-Dt ●
1:7		1	O-Ring ●
2	302-5	1	Fitting-Grease
3	302-33	1	Fitting-Grease
4	84-1680	1	Ring-Retaining

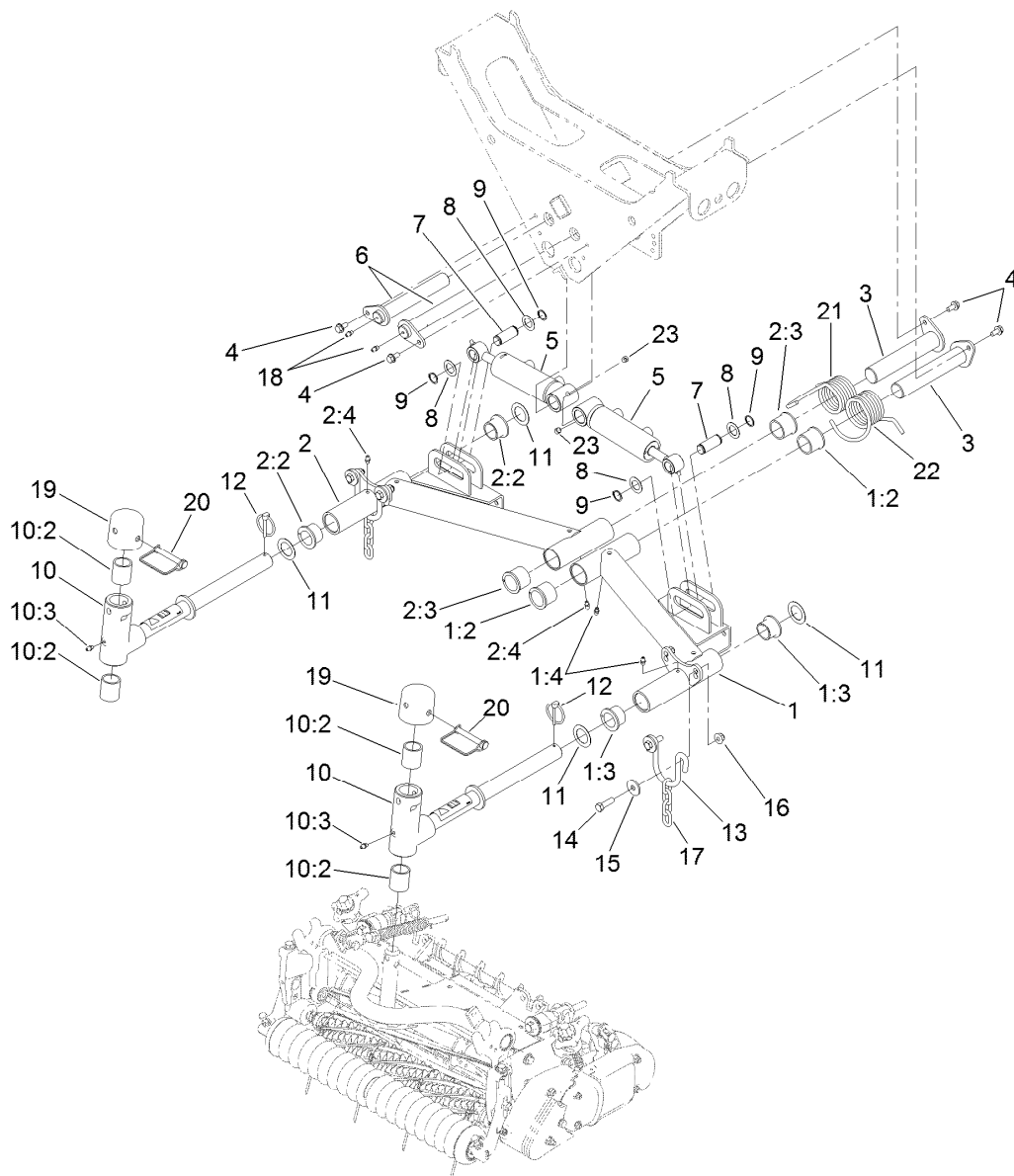
● Not serviced separately



Hydraulic Cylinder Assembly No. 120-9980

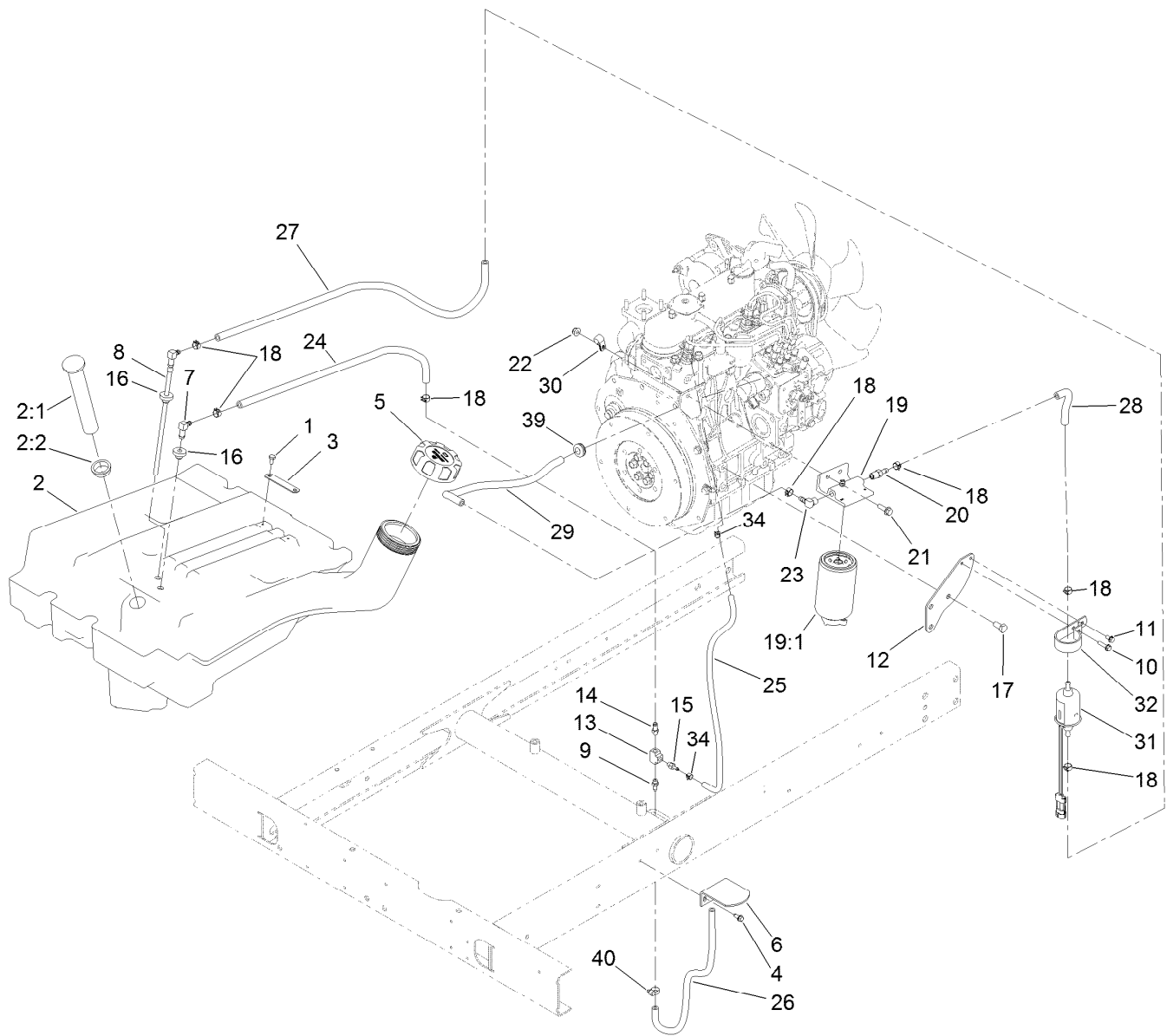
<i>Ref.</i>	<i>Part Number</i>	<i>Qty.</i>	<i>Description</i>
1	119-6992	1	Seal Kit
1:1		1	O-Ring ●
1:2		1	Backup ●
1:3		1	Bp Seal ●
1:4		1	Wear Ring-Ht ●
1:5		1	Bs Seal ●
1:6		1	Dust Seal-Dt ●
1:7		1	O-Ring ●

● Not serviced separately



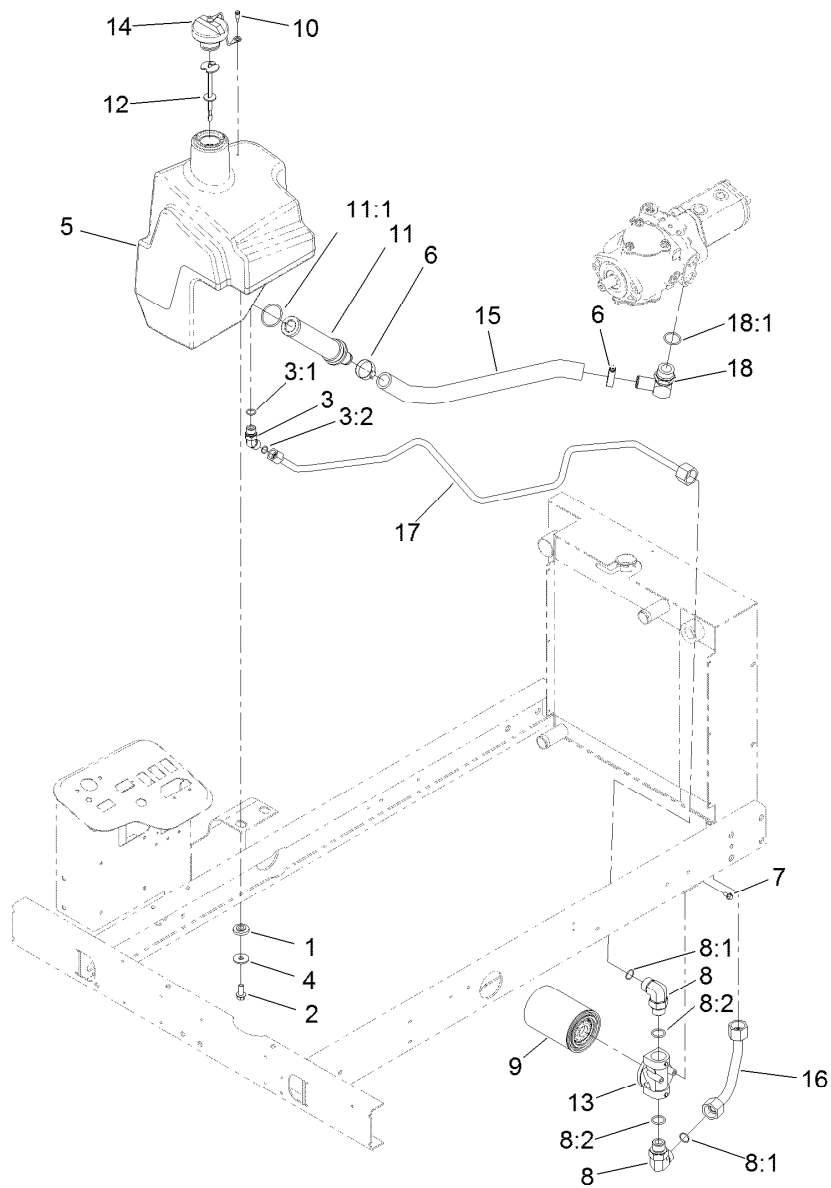
No. 2 and No. 3 Lift Arm Assembly

Ref.	Part Number	Qty.	Description	Ref.	Part Number	Qty.	Description
1	120-2147	1	No. 2 Lift Arm ASM	10:2	121-3187	2	Bushing
1:2	104-0015	2	Bushing-Flange	10:3	302-5	1	Fitting-Grease
1:3	121-7863	2	Bushing-Special	11	120-2183	4	Washer-Thrust
1:4	302-5	2	Fitting-Grease	12	92-1298	2	Pin-Lynch
2	120-2148	1	No. 3 Lift Arm ASM	13	120-9962	2	Hoop-Chain
2:2	121-7863	2	Bushing-Special	14	323-7	4	Screw-HH
2:3	104-0015	2	Bushing-Flange	15	63-8410	4	Washer
2:4	302-5	2	Fitting-Grease	16	104-8301	4	Nut-HF, NI
3	120-2127	2	Pin ASM	17	84-2450	2	Chain-Straight, 4-Link
4	32144-14	4	Screw-HWHTF	18	302-5	2	Fitting-Grease
5	119-6988	2	HYD Cylinder ASM	19	107-4027	2	Cap
6	120-2129	2	Pin ASM	20	107-7400	2	Pin-Lynch
7	94-3452	2	Pin	21	120-2614	1	Spring-Torsion, RH
8	3-6498	4	Washer-Thrust	22	120-2615	1	Spring-Torsion, LH
9	32120-72	4	Ring-Snap	23	285-17	2	Plug-Pipe
10	120-1605	2	Pivot Yoke ASM				



Fuel Tank and Filter Assembly

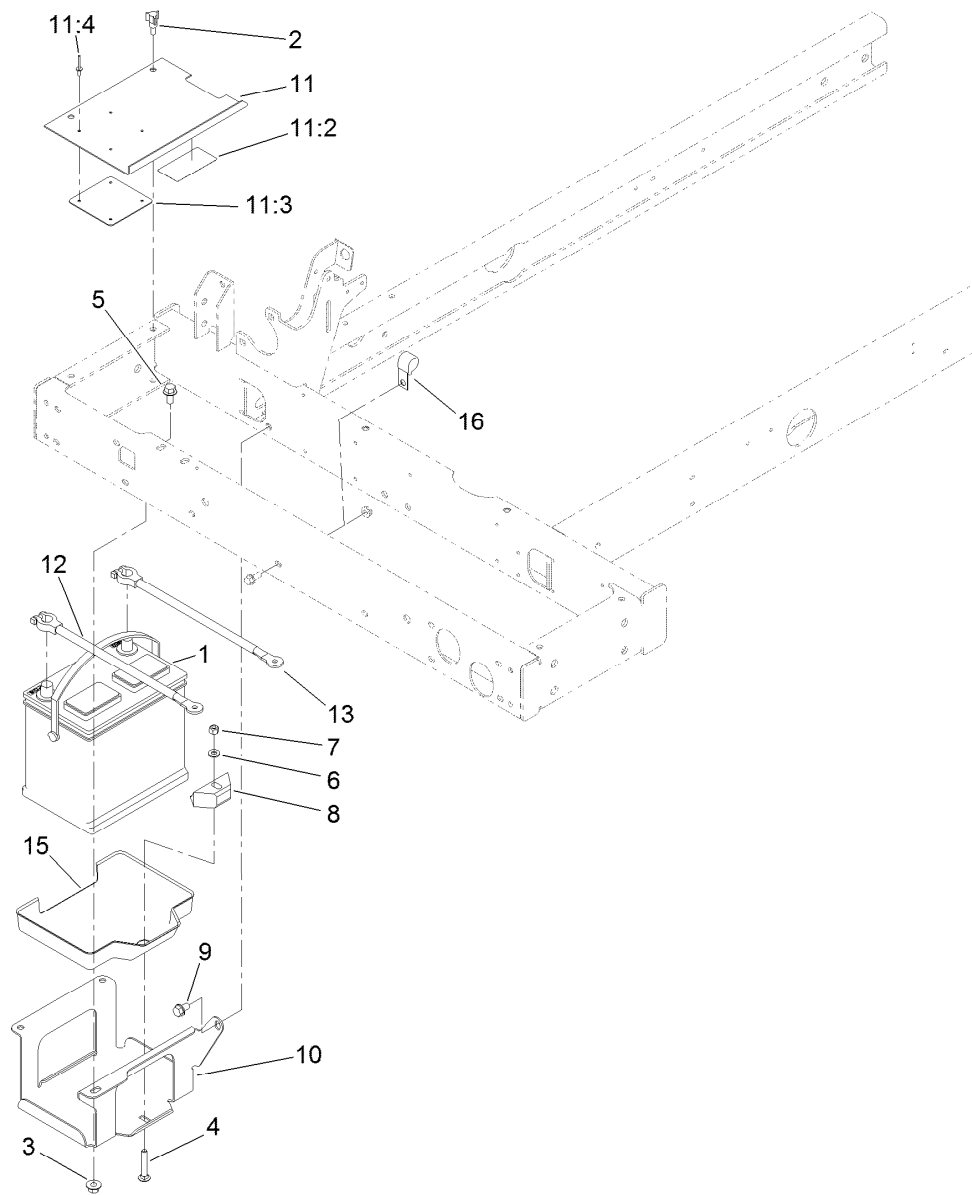
Ref.	Part Number	Qty.	Description	Ref.	Part Number	Qty.	Description
1	321-2	2	Screw-HH	18	92-2379	7	Clamp-Hose
2	95-8620	1	Tank-Fuel	19	110-9044	1	Separator-Filter
2:1	95-8971	1	Gauge-Fuel	19:1	110-9049	1	Filter-Spin On, Fuel/Water
2:2	95-8972	1	Grommet	20	353-783	1	Fitting-STR
3	95-8881	1	Strap-Line, Fuel	21	3234-17	2	Screw-HHF
4	32144-10	2	Screw-HWH	22	104-8300	2	Nut-HF, NI
5	114-5064	1	Cap-Diesel	23	353-781	1	Fitting-HYD, 90
6	95-8968-03	1	Support-Tank, Fuel	24	110-6187	1	Hose-Fuel
7	46-6550	1	Fitting-Elbow, 90 DEG	25	110-8751	1	Hose-Fuel
8	110-9689	1	Pipe-Stand	26	110-5701	1	Hose-Fuel
9	304-73	1	Fitting-Straight	27	121-7914	1	Hose-Fuel
10	32144-86	1	Screw-HWHTF	28	117-4026	1	Hose-Fuel
11	32144-4	1	Screw-HWH	29	121-7852	1	Hose-Fuel
12	120-2182-03	1	Plate-Mount, Fuel Pump	30	2412-10	1	Clamp-R
13	354-20	1	Fitting-Tee	31	110-8806	1	Pump-Fuel
14	354-21	1	Fitting-Barbed	32	110-8817	1	Bracket-Pump, Fuel
15	354-22	1	Fitting-Barbed	34	2412-80	2	Clamp-Hose
16	46-6560	2	Bushing	39	1-543296	1	Grommet
17	63-7790	3	Screw-Cap	40	2412-108	2	Clamp-Worm



Hydraulic Tank and Filter Assembly

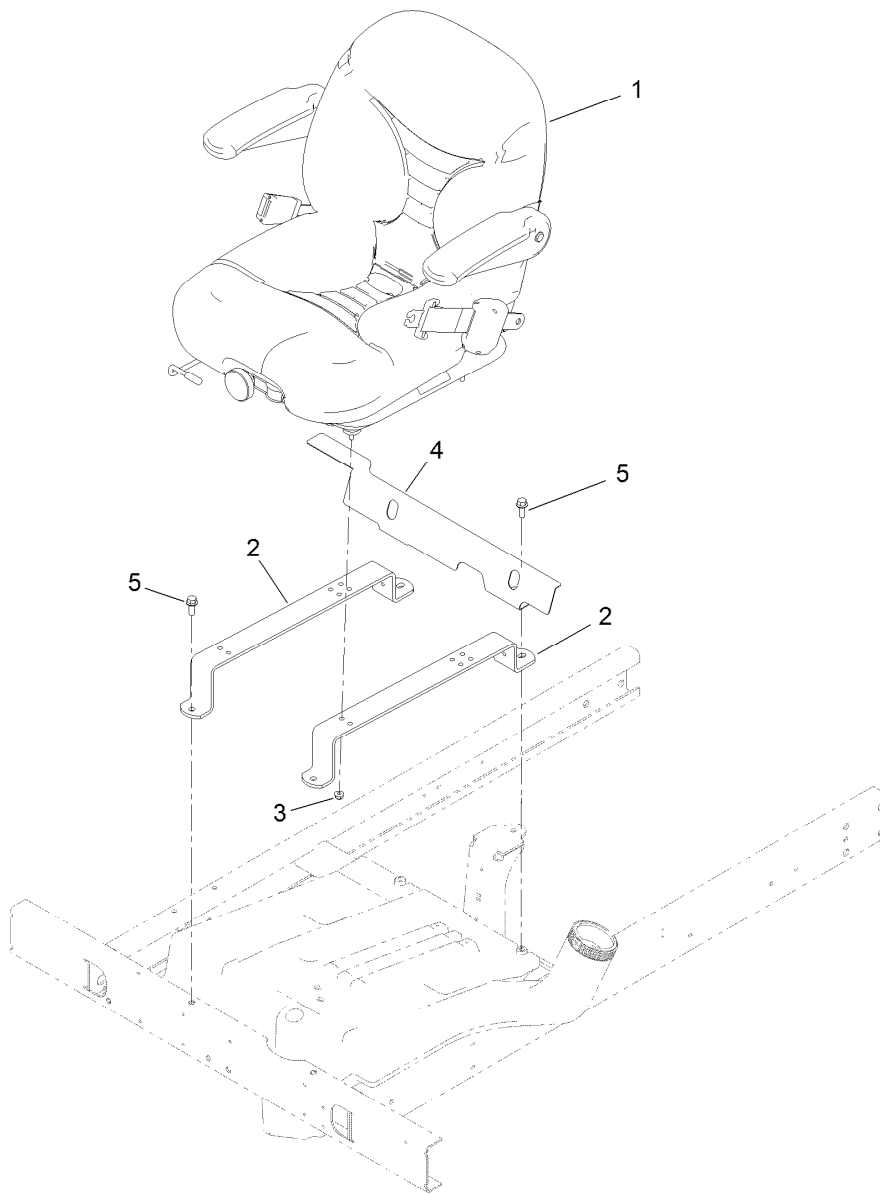
Ref.	Part Number	Qty.	Description
1	240-11	4	Bushing-Flange
2	3234-11	4	Screw-HHF
3	340-101	1	Fitting-HYD, 45 DEG
3:1	237-30	1	O-Ring
3:2	237-79	1	O-Ring
4	63-8410	4	Washer
5	104-4840	1	Tank-HYD
6	2412-34	2	Clamp-Hose
7	3234-13	2	Screw-HHF
8	340-142	2	Fitting-Elbow, 90 DEG
8:1	237-58	1	O-Ring
8:2	237-81	1	O-Ring

Ref.	Part Number	Qty.	Description
9	86-3010	1	Filter-Oil
10	57-5420	1	Screw-Shoulder
11	104-7546	1	Tank Strainer ASM
11:1	340-136	1	O-Ring
12	119-6968	1	Dipstick-Oil
13	92-5821	1	Head-Filter
14	93-7160	1	Cap-Oil, HYD
15	121-7803	1	Hose-Suction
16	120-2184	1	Tube-HYD
17	121-7842	1	Tube-HYD
18	23-8910	1	Stem-Barb-90
18:1	237-146	1	O-Ring



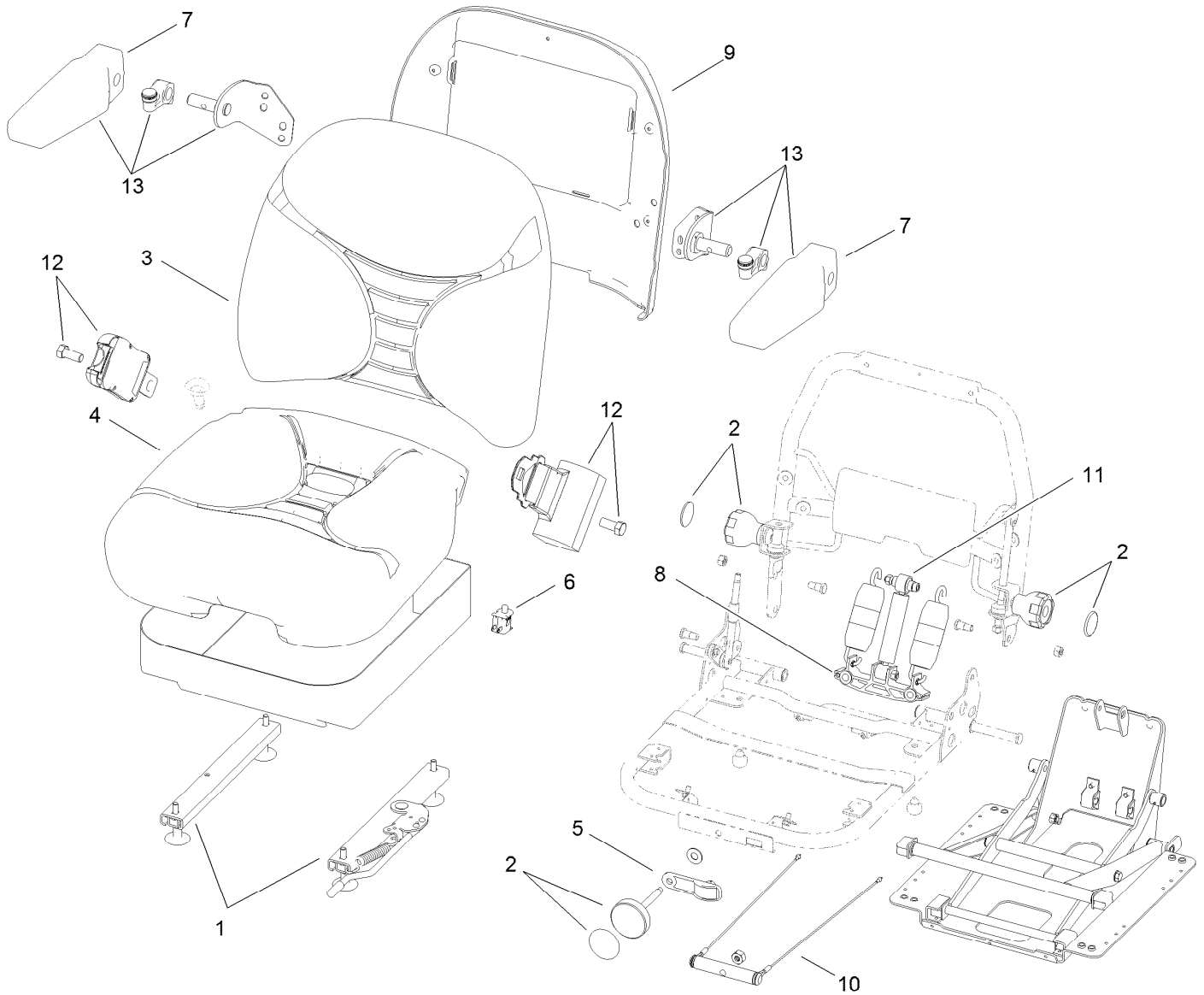
Battery Assembly

<i>Ref.</i>	<i>Part Number</i>	<i>Qty.</i>	<i>Description</i>	<i>Ref.</i>	<i>Part Number</i>	<i>Qty.</i>	<i>Description</i>
1	104-9979	1	Battery	10	95-8796-03	1	Support-Battery
2	233-70	2	Knob-Star, Three	11	99-3602	1	Battery Cover ASM
3	32128-43	3	Nut-Flange	11:2	93-7276	1	Decal-Danger
4	3230-6	1	Bolt-CARR	11:3	87-7620	1	Shield-Terminal, Battery
5	3234-1	3	Screw-HHF	11:4	3269-27	4	Rivet-Snap
6	3256-23	1	Washer-Plain	12	95-8853	1	Cable-Battery, Positive
7	3296-29	1	Nut-Lock, NI	13	95-8854	1	Cable-Battery, Negative
8	66-2490	1	Retainer-Battery	15	99-3513	1	Tray-Battery
9	32144-15	1	Screw-HHFTF	16	94-9580	1	Clamp-J



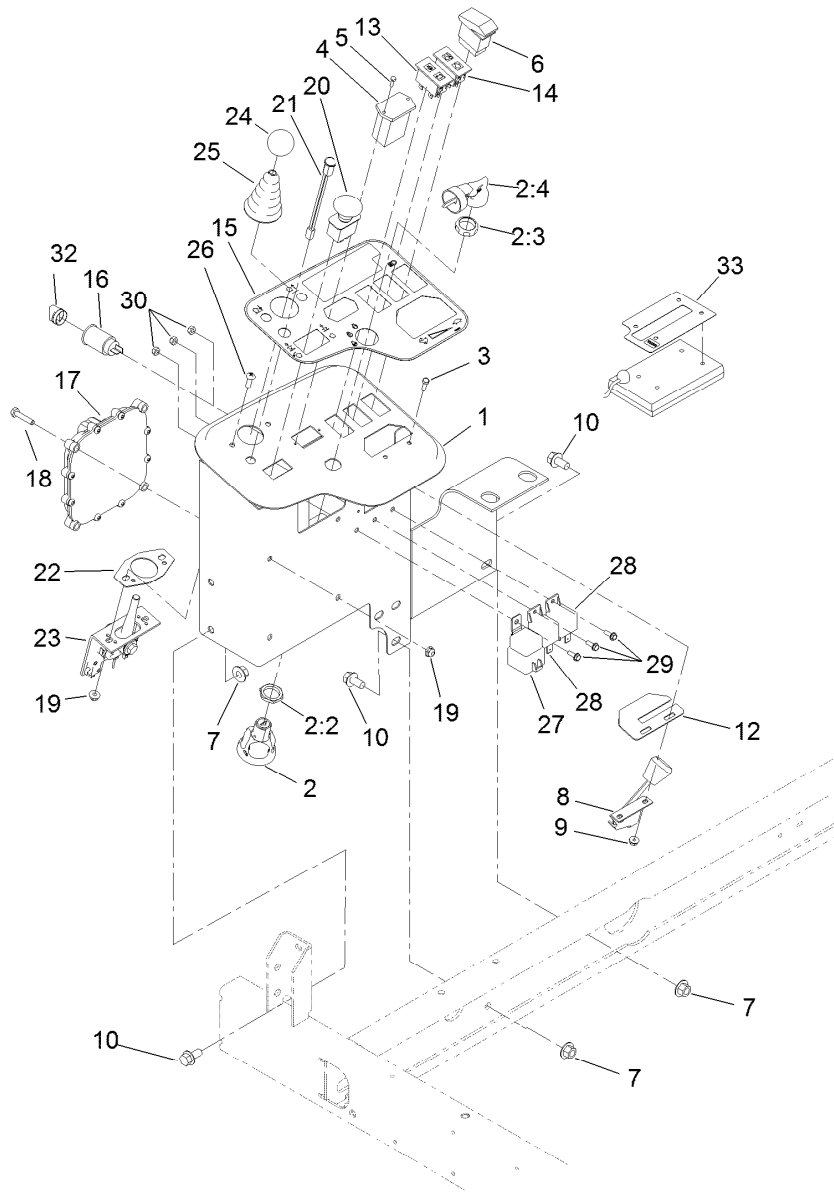
Seat and Heat-Shield Assembly

<i>Ref.</i>	<i>Part Number</i>	<i>Qty.</i>	<i>Description</i>
1	116-3998	1	Suspension Seat ASM
2	120-2120-03	2	Strap-Support, Seat
3	104-8300	4	Nut-HF, NI
4	104-4833-03	1	Shield-Heat
5	3234-11	4	Screw-HHF



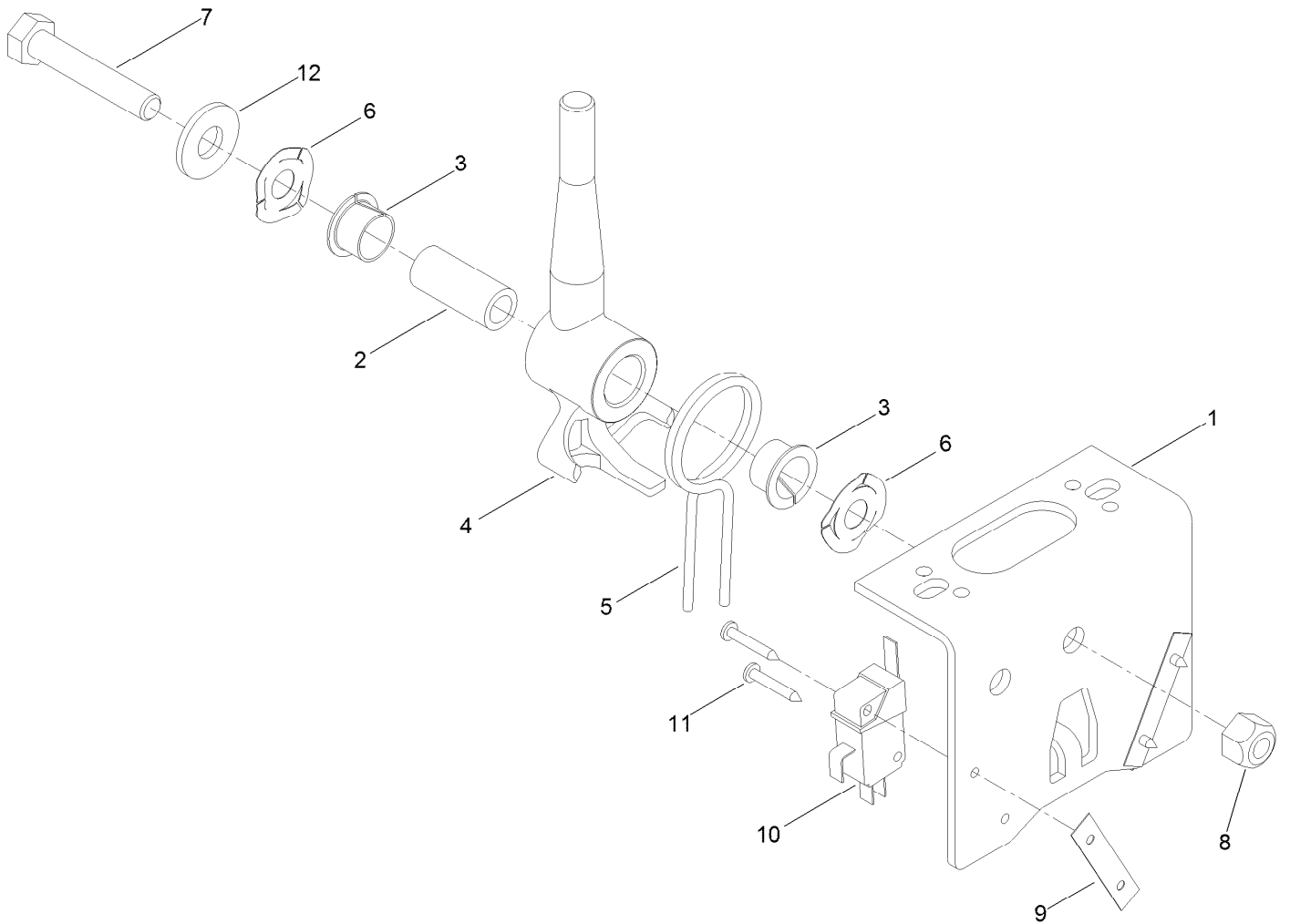
Seat Assembly No. 116-3998

Ref.	Part Number	Qty.	Description
1	116-0333	1	Seat Track Kit
2	107-1881	1	Knob Kit
3	107-1882	1	Back Cushion Kit
4	107-1883	1	Bottom Cushion Kit
5	107-1885	1	Weight Indicator Kit
6	82-2190	1	Switch-Bail
7	107-1887	1	Pad-Armrest
8	109-3343	1	Spring And Saddle Kit
9	109-3344	1	Back Panel Kit
10	109-3345	1	Weight Adjust Kit
11	116-0998	1	Shock Absorber Kit
12	110-0413	1	Seatbelt-Retractable
13	121-9415	1	Armrest Kit



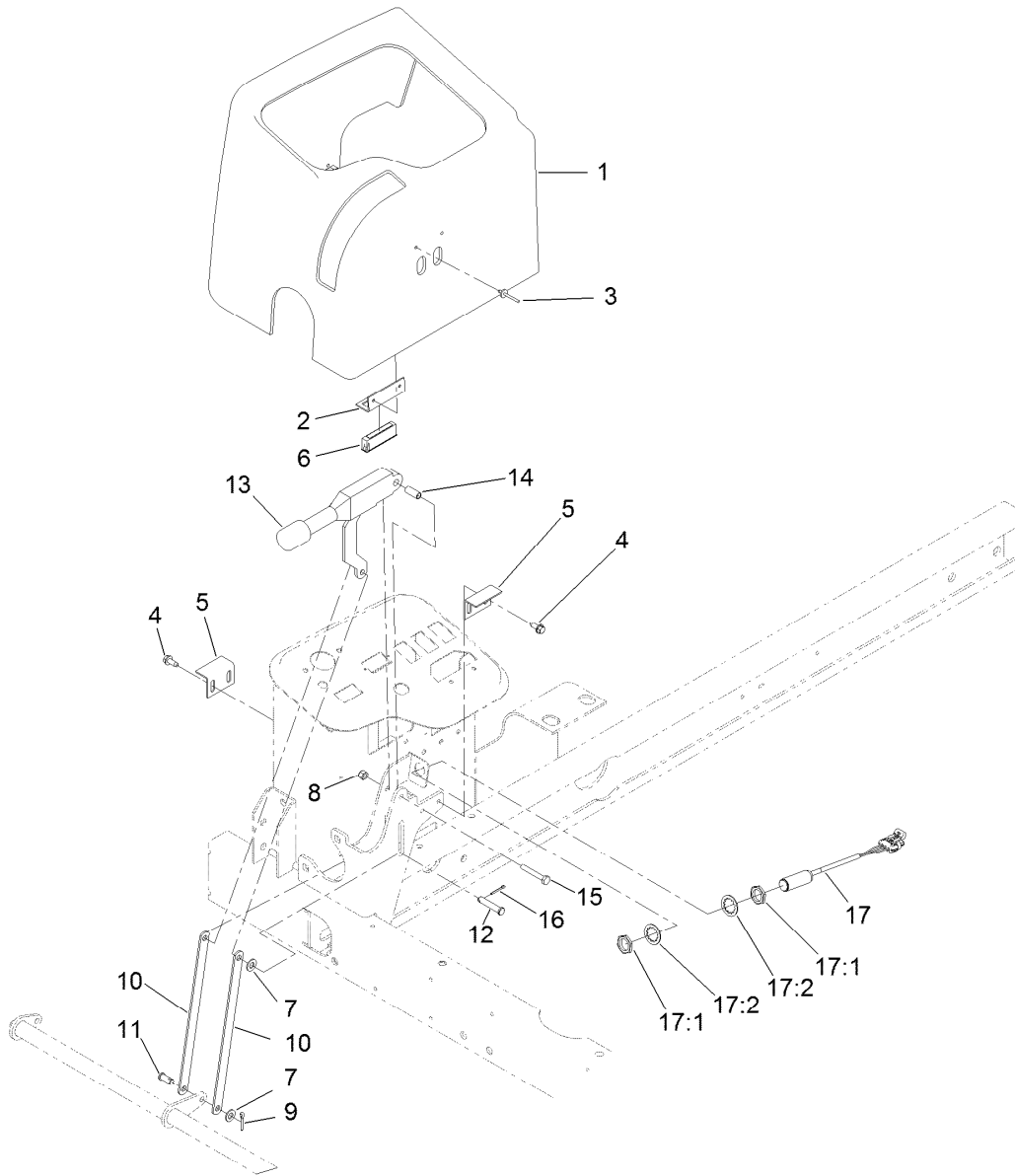
Control Panel Assembly

<i>Ref.</i>	<i>Part Number</i>	<i>Qty.</i>	<i>Description</i>	<i>Ref.</i>	<i>Part Number</i>	<i>Qty.</i>	<i>Description</i>
1	120-2051-03	1	Panel-Control	16	99-7411	1	Point-Power
2	121-5159	1	Ignition Switch ASM	17	115-1900	1	Controller
2:2	121-5160	1	Nut-Hex	18	321-8	4	Screw-HH
2:3	121-5161	1	Nut-Face	19	104-7201	6	Nut-HF, NI
2:4	121-5162	1	Set-Key, Ignition	20	93-9999	1	Switch-PTO
3	3290-134	2	Screw	21	95-7652	1	Light-Indicator
4	75-6820	1	Hourmeter	22	112-9181	1	Plate-Boot
5	32144-18	2	Screw-HWH	23	120-5280	1	Bracket-Joystick
6	95-8999	1	Switch	24	233-42	1	Knob
7	32128-43	5	Nut-Flange	25	93-5961	1	Boot-Lever
8	110-8795	1	Cable-Throttle	26	3258-166	2	Screw-PRH
9	3290-148	2	Nut-HF	27	99-7430	1	Relay-Mini
10	3234-1	5	Screw-HHF	28	99-7435	2	Relay
12	104-0421	1	Plate-Stop, Throttle	29	32105-23	3	Screw
13	100-8070	1	Lamp-Warning	30	3290-148	3	Nut-HF
14	100-8071	1	Lamp-Warning	32	99-7416	1	Cap
15	120-2105	1	Decal-Console	33	121-7886	1	Decal-Diagnostic Controller



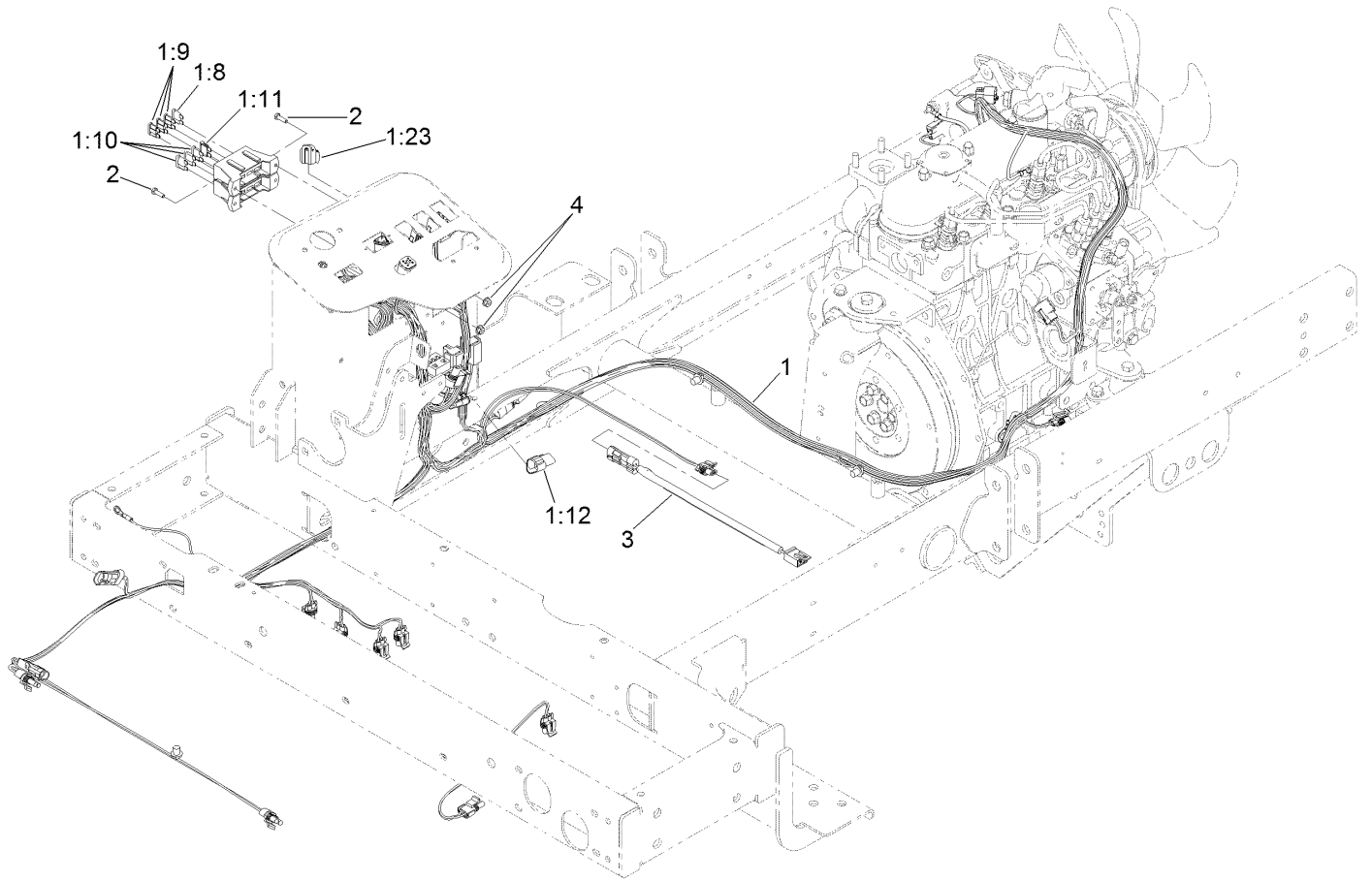
Joystick Bracket Assembly No. 120-5280

<i>Ref.</i>	<i>Part Number</i>	<i>Qty.</i>	<i>Description</i>
1	115-5357-03	1	Bracket-Joystick
2	106-4192	1	Spacer
3	93-5547	2	Bushing-Nylon
4	119-3540	1	Hub-Pivot, Joystick
5	105-8289	1	Spring-Torsion
6	106-4193	2	Washer-Finger, Spring
7	322-9	1	Screw-HH
8	3296-29	1	Nut-Lock, NI
9	3290-354	2	Nut-Speed
10	108-6496	2	Switch (W/Boot)
11	95-3003	4	Screw-PPHTF
12	3256-3	1	Washer-Flat



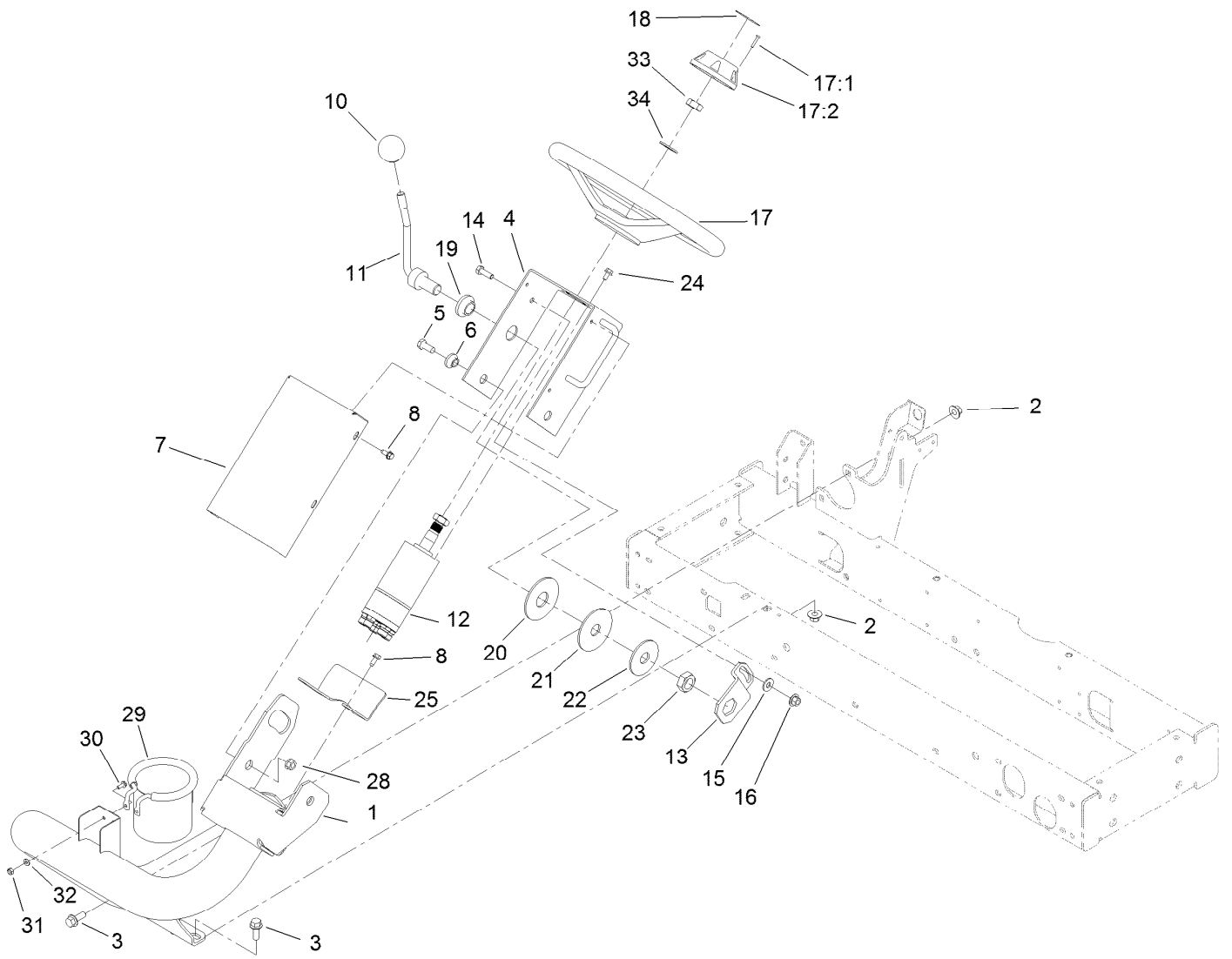
Parking Brake Assembly

<i>Ref.</i>	<i>Part Number</i>	<i>Qty.</i>	<i>Description</i>	<i>Ref.</i>	<i>Part Number</i>	<i>Qty.</i>	<i>Description</i>
1	120-2054	1	Cover-Plastic	11	283-62	1	Pin-Clevis
2	95-8763	2	Bracket-Hold Down, Cover	12	94-3829	1	Pin-Clevis
3	3269-5	4	Rivet-Pop	13	104-4817	1	Lever-Brake
4	32144-10	4	Screw-HWH	14	87-4710	1	Spacer-Brake, Parking
5	95-8765	2	Bracket-Strike, Magnet	15	321-10	1	Screw-HH
6	58-4250	2	Catch-Magnetic	16	3272-6	1	Pin-Cotter
7	3256-23	2	Washer-Plain	17	115-0282	1	Proximity Sensor ASM
8	3296-42	1	Nut-Lock, NI	17:1	117-3207	2	Nut-Hex
9	3272-10	1	Pin-Cotter	17:2	117-3208	2	Washer-Lock, Internal Tooth
10	104-4628-03	2	Link-Brake, Parking				



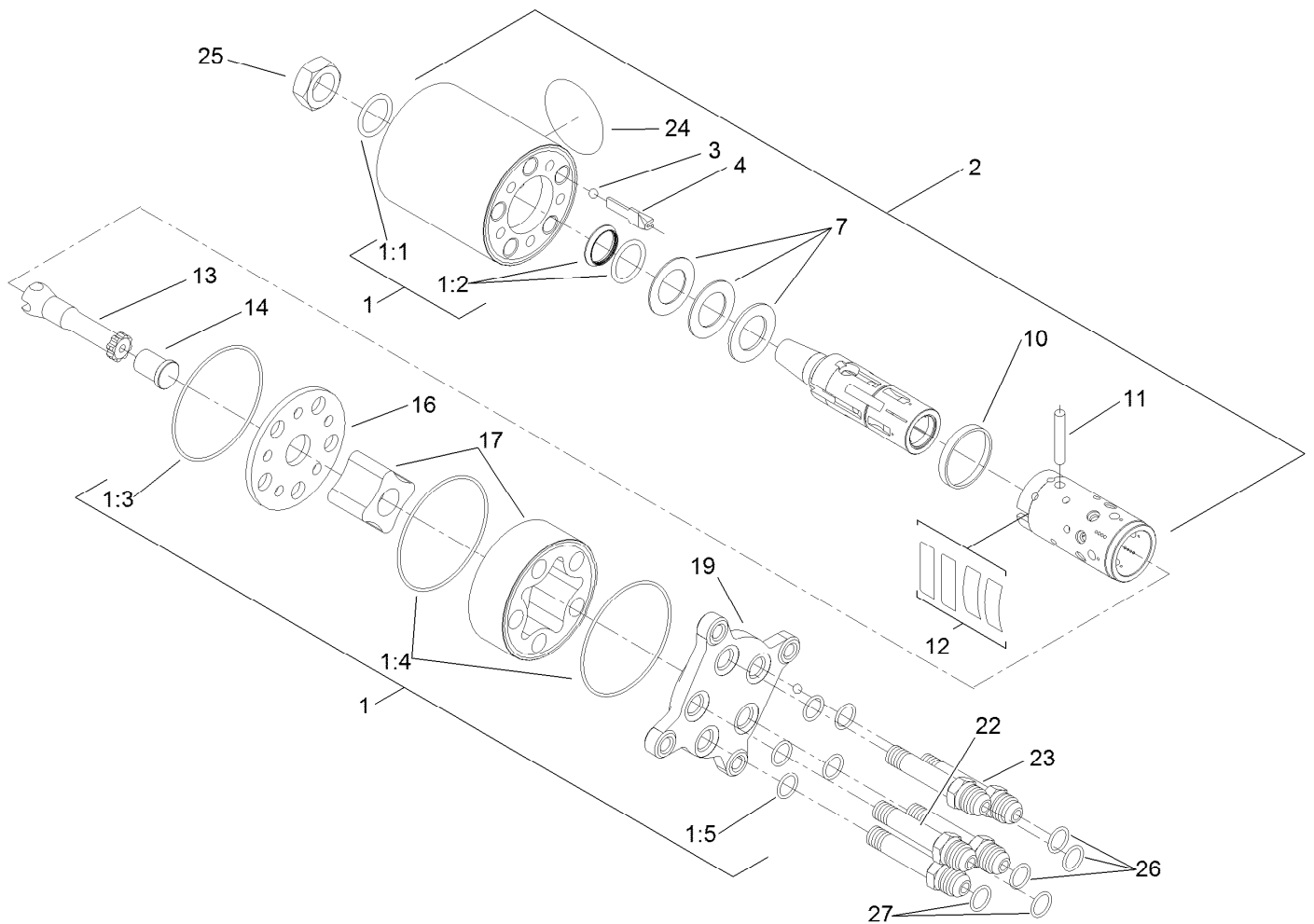
Main Wire Harness Assembly

<i>Ref.</i>	<i>Part Number</i>	<i>Qty.</i>	<i>Description</i>
1	122-0416	1	Harness-Wire, Main
1:8	94-6710	1	Fuse-2 Amp
1:9	114241	3	Fuse-Blade, 7.5 Amp
1:10	218-578	3	Fuse-Blade, 10 Amp
1:11	109355	1	Fuse-Blade, 15 Amp
1:12	32180-043	2	Resistor-120 Ohm
1:23	32180-089	1	Cap-Plug, 3 Way
2	3290-134	2	Screw
3	108-8657	1	Harness-Wire, Seat
4	3290-148	2	Nut-HF



Steering Arm Assembly

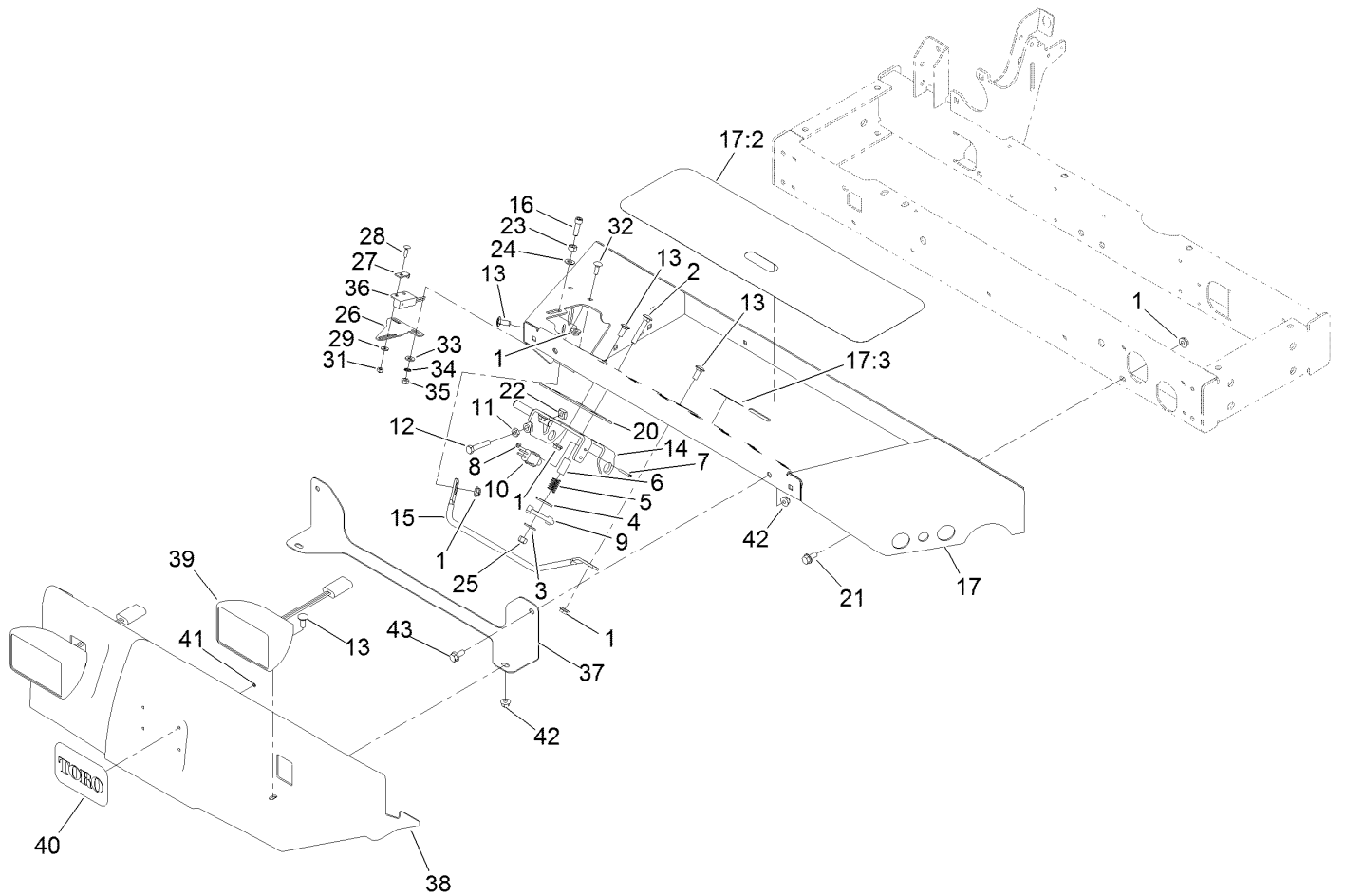
Ref.	Part Number	Qty.	Description	Ref.	Part Number	Qty.	Description
1	120-2063-01	1	Arm-Steering	17:2	68-5140	1	Cap-Wheel, Steering
2	32128-43	4	Nut-Flange	18	68-5370	1	Decal
3	3234-1	4	Screw-HHF	19	99-3502	1	Boss
4	120-2190-01	1	Bracket-Valve	20	31-0390	1	Disc-Friction
5	323-5	2	Screw-HH	21	82-9010	1	Disc-Friction
6	93-5988	2	Hub-Pivot	22	80-2930	1	Washer-Flat
7	95-8794-01	1	Cover-Valve, Steering	23	3218-7	1	Nut-Jam
8	32144-10	5	Screw-HWH	24	33103-012	4	Screw-HHF
10	233-48	1	Knob	25	99-3405-01	1	Shield-Steering
11	95-8798-03	1	Lever-Steering	28	32128-21	2	Nut-HF Lock
12	121-7856	1	Steering Valve ASM	29	117-2378	1	Holder-Bag
13	80-2880	1	Bracket-Tilt	30	3290-321	2	Screw-HWH
14	322-5	1	Screw-HH	31	3296-2	2	Nut-Lock, NI
15	3256-3	1	Washer-Flat	32	3256-14	2	Washer-Flat
16	32128-44	1	Nut	33	3296-33	1	Nut-Lock, NI
17	75-0560	1	Steering Wheel ASM	34	3256-27	1	Washer-Flat
17:1	32144-21	1	Screw				



Steering Valve Assembly No. 121-7856

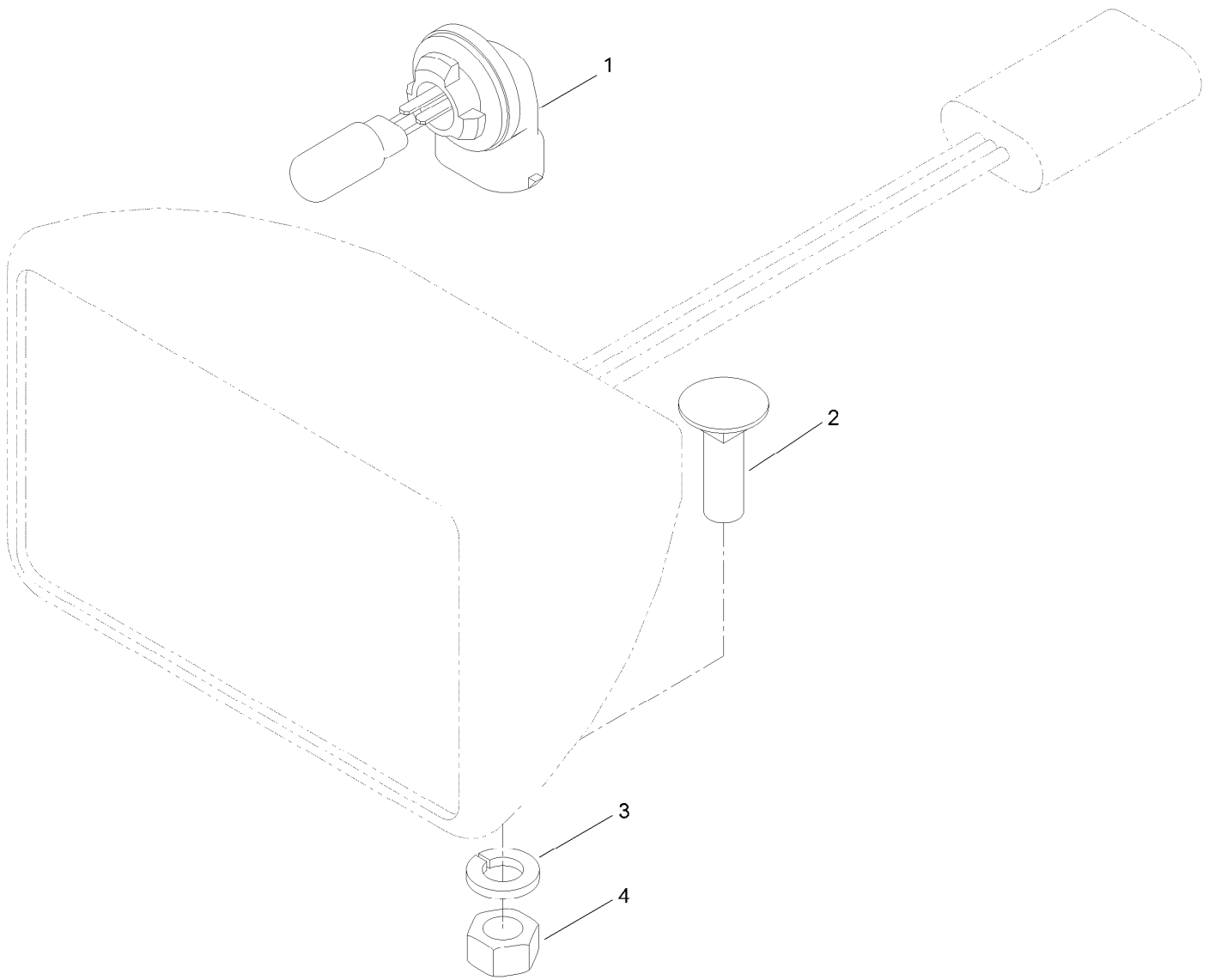
Ref.	Part Number	Qty.	Description	Ref.	Part Number	Qty.	Description
1	106-6716	1	Seal Kit	12		1	Springs ●
1:1		1	Ring-Seal, Dust ●	13		1	Shaft ●
1:2		1	Seal-Shaft ●	14		1	Spacer ●
1:3		1	O-Ring ●	16		1	Plate-Distributor ●
1:4		2	O-Ring ●	17		1	Gearwheel Set ●
1:5		5	O-Ring ●	19		1	Cover-End ●
2		1	Housing ●	22		1	Screw-Special ●
3		1	Ball ●	23		4	Screw-Special ●
4		1	Stop-Ball ●	24		1	Plate-Name ●
7		1	Bearing ASM ●	25	3296-33	1	Nut-Lock, NI
10		1	Ring ●	26	237-22	3	O-Ring
11		1	Pin-Cross ●	27	237-21	2	O-Ring

● Not serviced separately



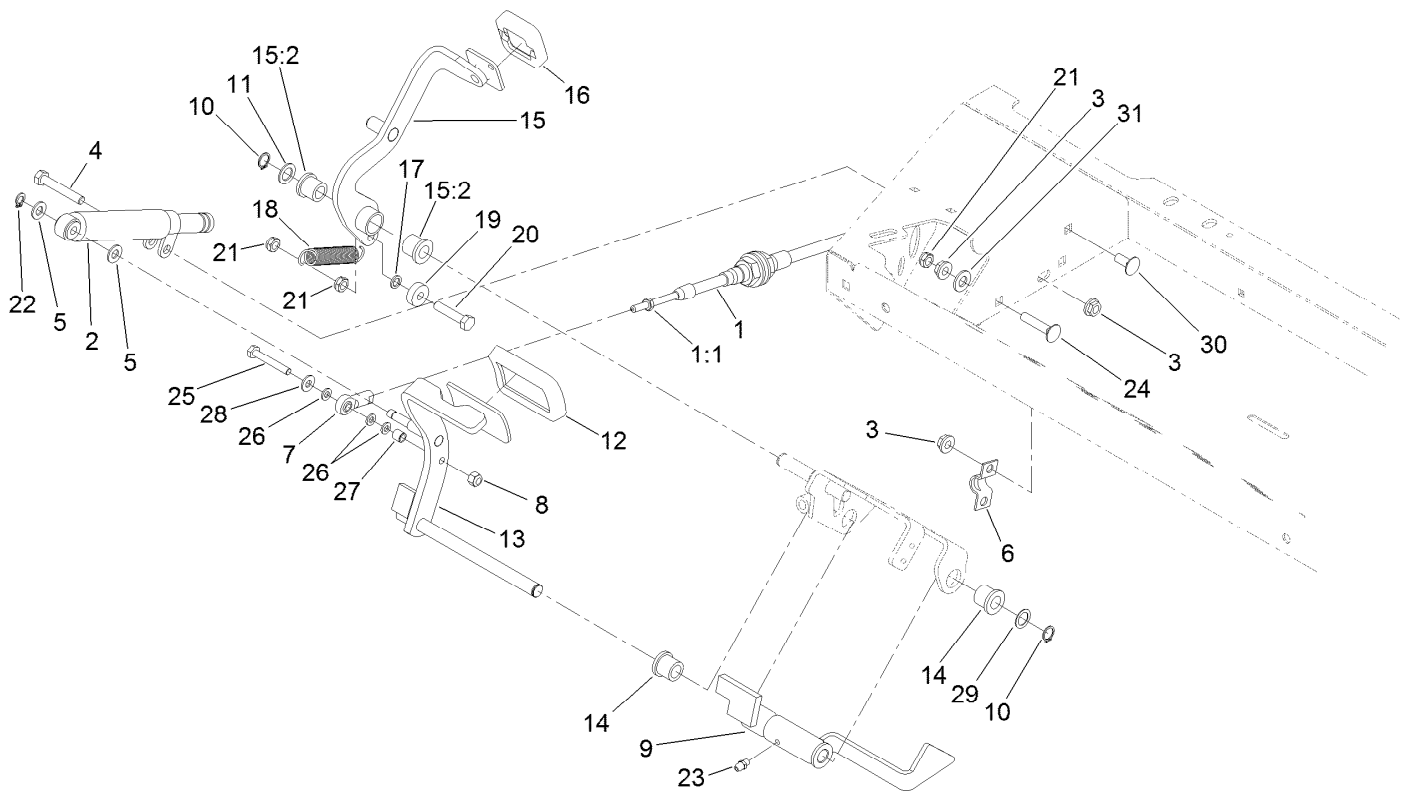
Front Shroud and Floorplate Assembly

<i>Ref.</i>	<i>Part Number</i>	<i>Qty.</i>	<i>Description</i>	<i>Ref.</i>	<i>Part Number</i>	<i>Qty.</i>	<i>Description</i>
1	32128-20	15	Nut-HF	22	99-3565	1	Nut-Square
2	3230-6	1	Bolt-CARR	23	3217-6	1	Nut-Hex
3	3256-3	1	Washer-Flat	24	3256-23	1	Washer-Plain
4	3256-40	1	Washer-Flat	25	3296-29	1	Nut-Lock, NI
5	65-9940	1	Spring	26	100-4871	1	Bracket-Switch, Neutral
6	95-8866	1	Tube-Arm, Rocker	27	100-4872	1	Plate-Switch, Neutral
7	32105-9	2	Screw	28	3229-20	1	Screw-CARR
8	3296-9	2	Nut-Hex	29	3256-14	1	Washer-Flat
9	99-3593	1	Arm-Rocker	31	3296-2	1	Nut-Lock, NI
10	95-8900	1	Switch	32	3229-1	2	Screw-CARR
11	3218-2	1	Nut-Hex Jam	33	3256-22	2	Washer-Flat
12	322-41	1	Bolt-Hex, TAP	34	3255-7	2	Washer-Lock/EXT
13	3230-23	6	Bolt-CARR	35	3217-5	2	Nut-Hex
14	95-8869-03	1	Bracket-Pedal, Traction	36	100-1270	1	Switch-Proximity
15	95-8893	1	Bar-Deflector	37	121-7822-03	1	Bracket-Head Light
16	3274-22	1	Screw-HSH	38	121-7823	1	Shroud-Front
17	120-2189	1	Floorplate ASM	39	94-9024	2	Lamp ASM
17:2	99-3478	1	Tread-Foot	40	93-6028	1	Plate-Logo
17:3	99-3444	1	Decal-Mow / Transport	41	3254-9	4	Washer-Lock, Internal
20	106-2661-01	1	Plate-Support	42	104-8300	4	Nut-HF, NI
21	3234-5	10	Screw-HHF	43	3234-47	2	Screw-HHF



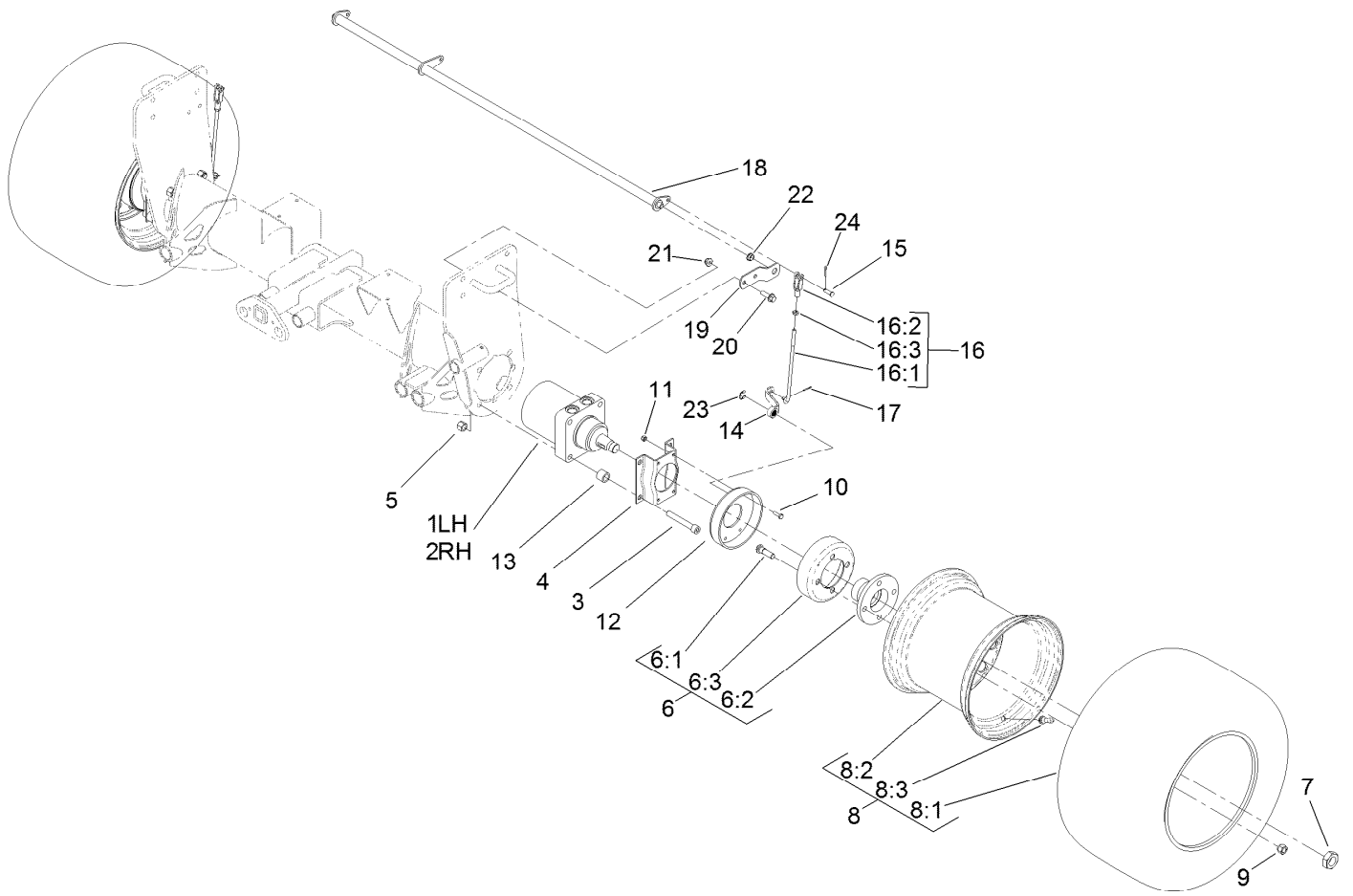
Lamp Assembly No. 94-9024

<i>Ref.</i>	<i>Part Number</i>	<i>Qty.</i>	<i>Description</i>
1	95-0909	1	Lamp-12 Volt
2	3230-28	1	Screw-CARR
3	3253-33	1	Washer-Lock
4	3217-6	1	Nut-Hex



Traction Control Assembly

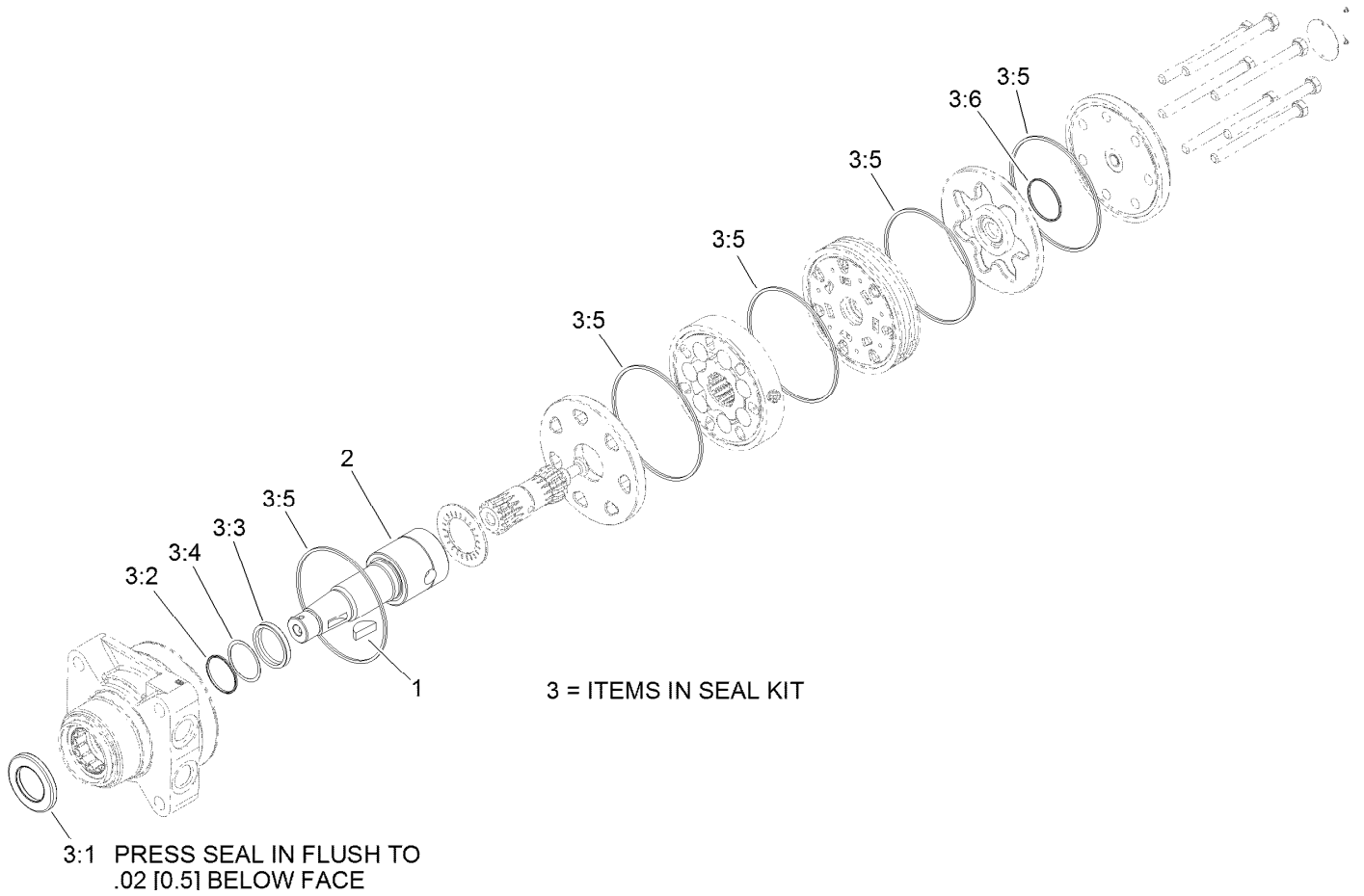
<i>Ref.</i>	<i>Part Number</i>	<i>Qty.</i>	<i>Description</i>	<i>Ref.</i>	<i>Part Number</i>	<i>Qty.</i>	<i>Description</i>
1	100-4815	1	Cable-Control, Traction	16	74-9110	1	Pad-Pedal, Reverse
1:1	3220-1	2	Nut-Jam	17	75-5470	1	Spacer-Bearing
2	76-8870	1	Damper-Lever	18	99-3476	1	Spring-Extension
3	32128-20	4	Nut-HF	19	251-259	1	Bearing-Ball
4	322-10	1	Screw-HH	20	322-7	1	Screw-HH
5	3256-23	2	Washer-Plain	21	3296-47	3	Nut-Lock,NI
6	93-2092	1	Clamp-Cable	22	32151-3	1	Ring-Grip
7	2411-41	1	Rod End-Ball Joint	23	302-5	1	Fitting-Grease
8	3296-42	1	Nut-Lock, NI	24	3230-27	1	Screw-CARR
9	95-8861	1	Slide	25	321-10	1	Screw-HH
10	32151-84	2	Ring-Shaft, EXT	26	33093-00	3	Washer-Flat
11	41-8440	1	Washer	27	99-3545	1	Spacer
12	74-9100	1	Pad-Pedal, Forward	28	3256-22	1	Washer-Flat
13	104-4852-03	1	Pedal-Traction	29	73-0040	4	Washer-Thrust
14	256-243	2	Bearing-Flange	30	3230-23	2	Bolt-CARR
15	99-3379	1	Pedal-Reverse ASM	31	3256-24	1	Washer-Flat
15:2	256-243	2	Bearing-Flange				



Wheel and Brake Assembly

Ref.	Part Number	Qty.	Description	Ref.	Part Number	Qty.	Description
1	110-8785	1	HYD Motor ASM (CCW)	12	104-7705	2	Brake ASM
2	110-8786	1	HYD Motor ASM (CW)	13	119-8238	8	Spacer-Deck Pulley
3	3274-100	8	Screw-HSH	14	114-2726	2	Lever-Brake
4	84-2000-03	2	Bracket-Brake	15	283-1	2	Pin-Clevis
5	3296-23	8	Nut-Lock, NI	16	120-2068	2	Brake Lever ASM
6	17-8149	2	Wheel Hub ASM	16:1	120-2067	1	Rod-Brake
6:1	85-6540	4	Stud-Drive	16:2	1-303105	1	Yoke-Adjustable
6:2	93-6838-03	1	Hub-Wheel	16:3	3220-2	1	Nut-Jam
6:3	10-6850	1	Drum-Brake	17	3272-6	2	Pin-Cotter
7	26-3790	2	Nut-Lock	18	104-4625-03	1	Shaft-Pivot, Brake
8		2	Tire ASM ●	19	95-8683	2	Bracket-Pivot, Brake
8:1	120-2114	1	Tire-Smooth	20	3234-11	4	Screw-HHF
8:2	120-2115	1	Wheel-12 Inch	21	104-8301	4	Nut-HF, NI
8:3	232-27	1	Stem-Valve	22	256-156	2	Bushing-Flange
9	242-50	8	Nut-Lug	23	104-7706	2	E-Ring, Bowed
10	321-5	8	Screw-HH	24	3272-10	2	Pin-Cotter
11	3296-42	8	Nut-Lock, NI				

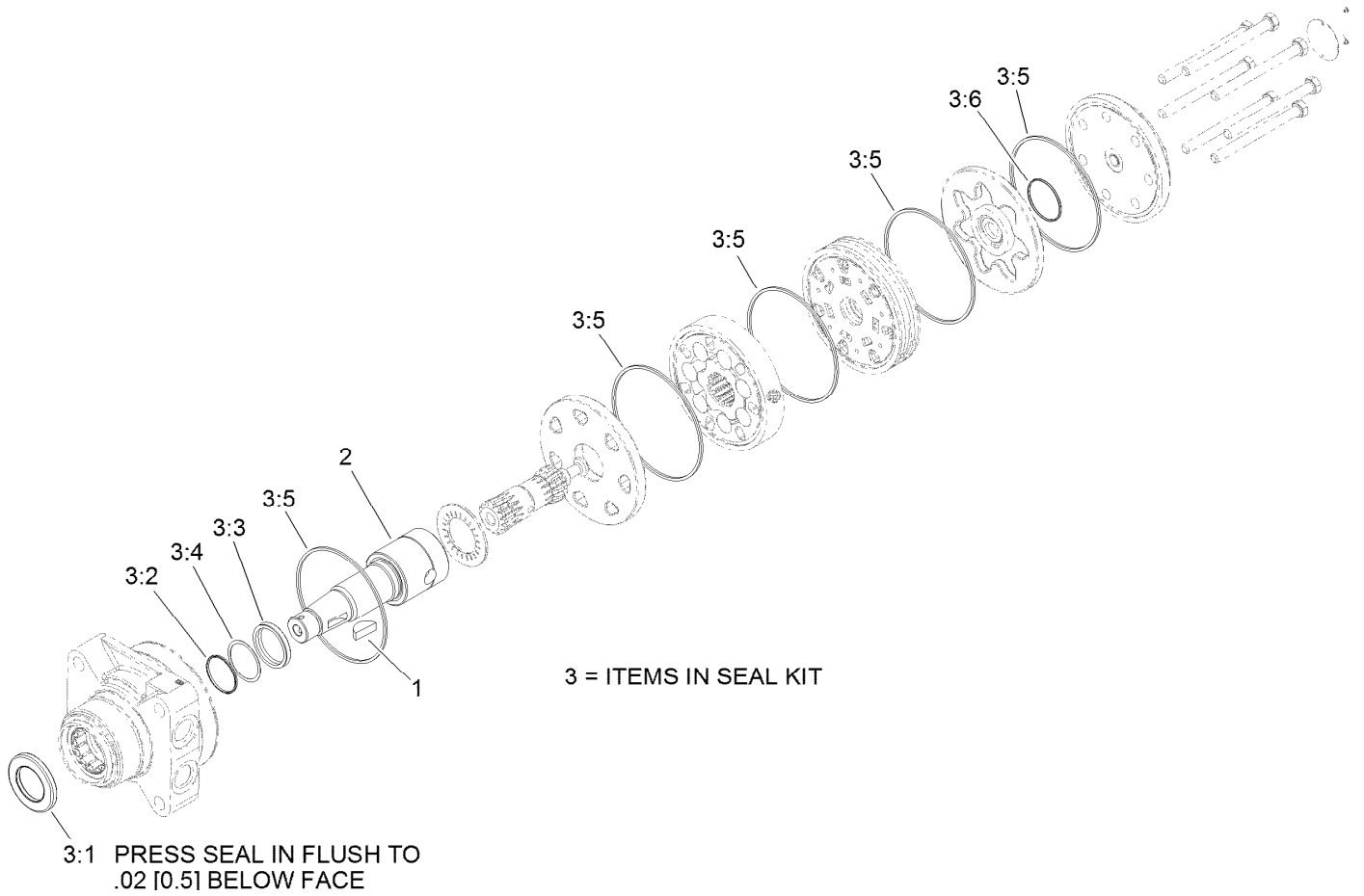
● Not serviced separately



Hydraulic Motor Assembly No. 110-8785

Ref.	Part Number	Qty.	Description
1	3257-42	1	Key-Woodruff
2	99-3090	1	Shaft-Coupling
3	94-8178	1	Seal Kit
3:1		1	Seal-Dirt And Water ●
3:2		1	Backup-Ring ●
3:3		1	Seal-Shaft ●
3:4		1	Washer-Backup ●
3:5		5	Seal-Square, Ring (Inner) ●
3:6		1	Seal-Commutator ●

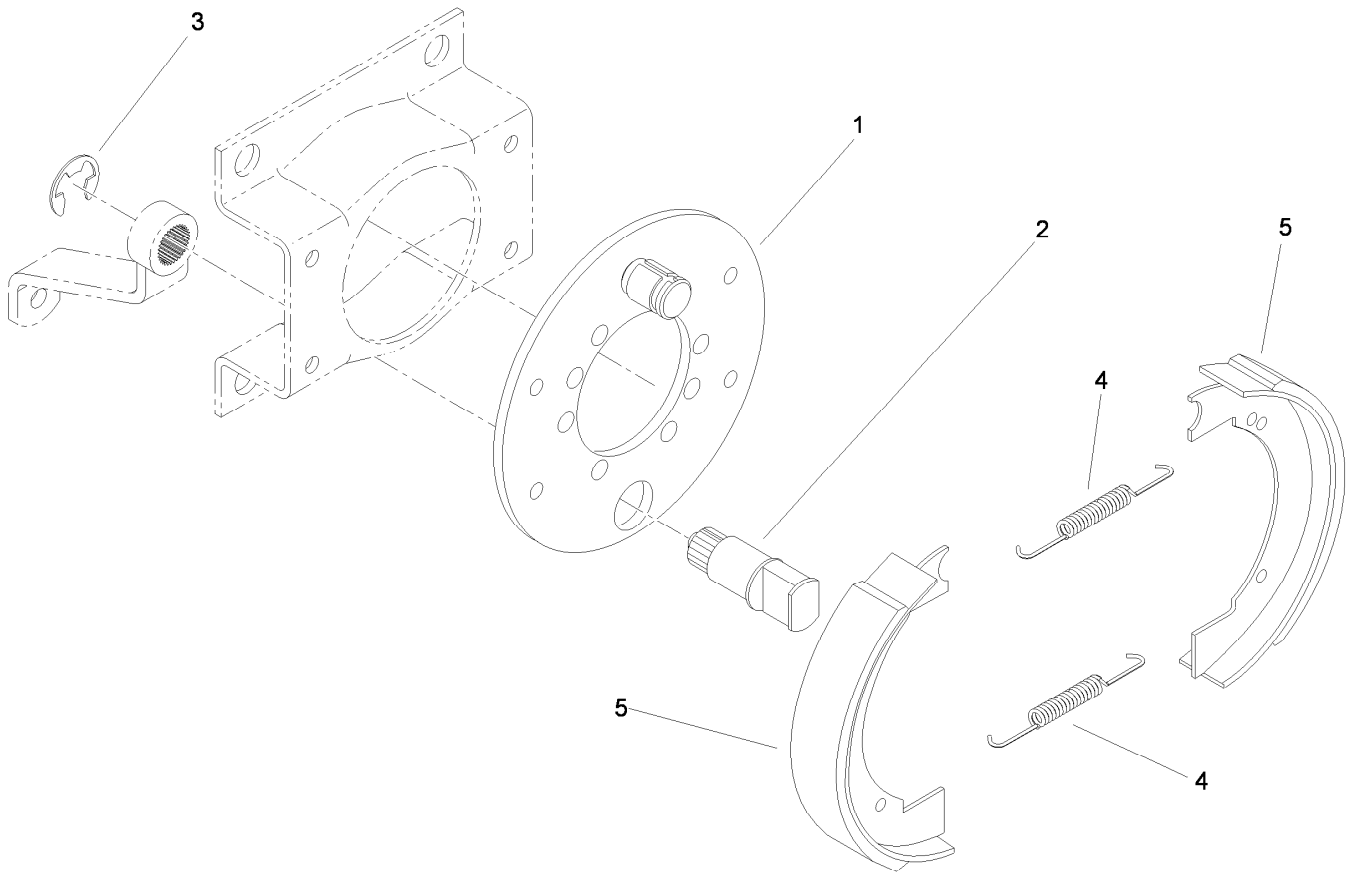
● Not serviced separately



Hydraulic Motor Assembly No. 110-8786

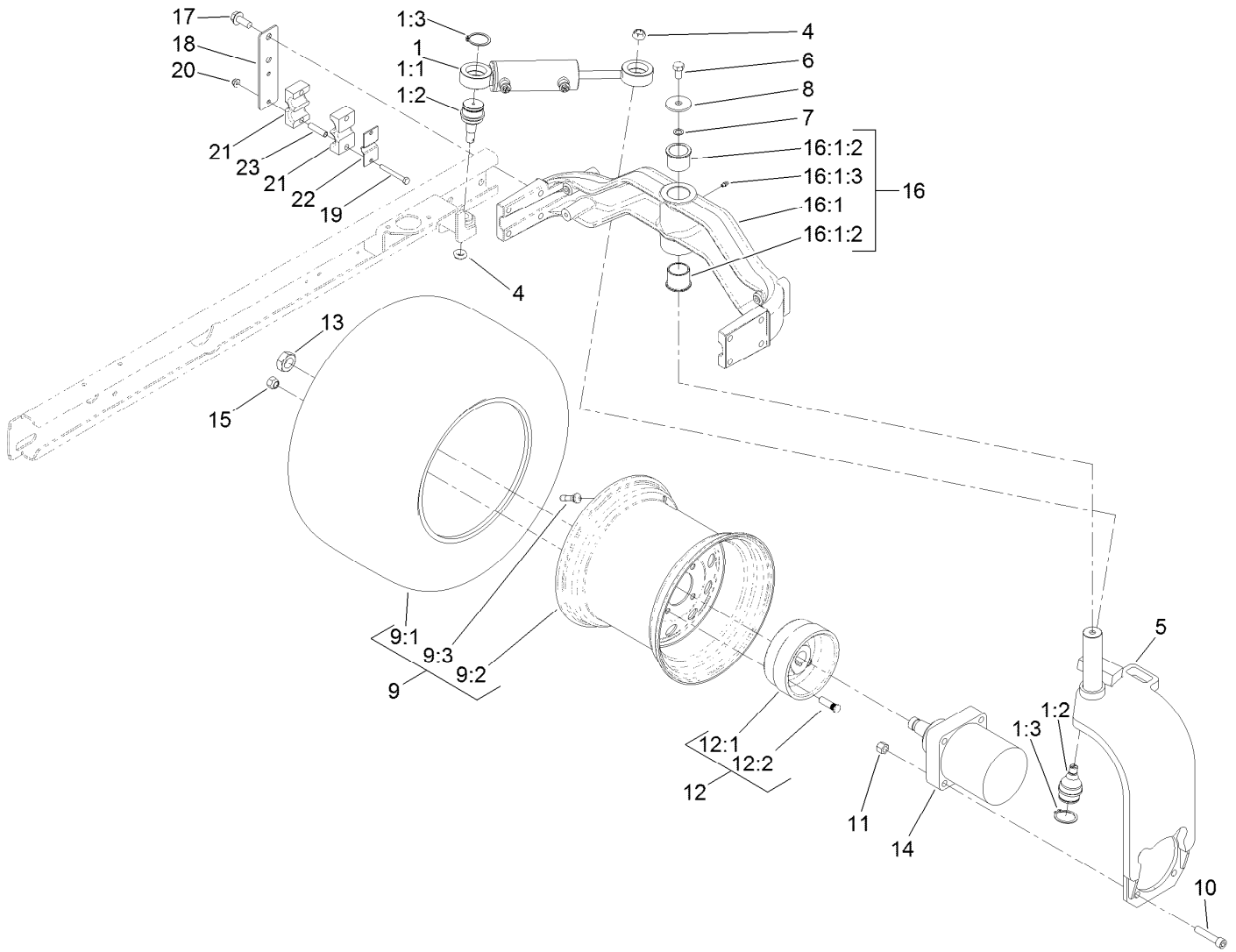
Ref.	Part Number	Qty.	Description
1	3257-42	1	Key-Woodruff
2	99-3090	1	Shaft-Coupling
3	94-8178	1	Seal Kit
3:1		1	Seal-Dirt And Water ●
3:2		1	Backup-Ring ●
3:3		1	Seal-Shaft ●
3:4		1	Washer-Backup ●
3:5		5	Seal-Square, Ring (Inner) ●
3:6		1	Seal-Commutator ●

● Not serviced separately



Brake Assembly No. 104-7705

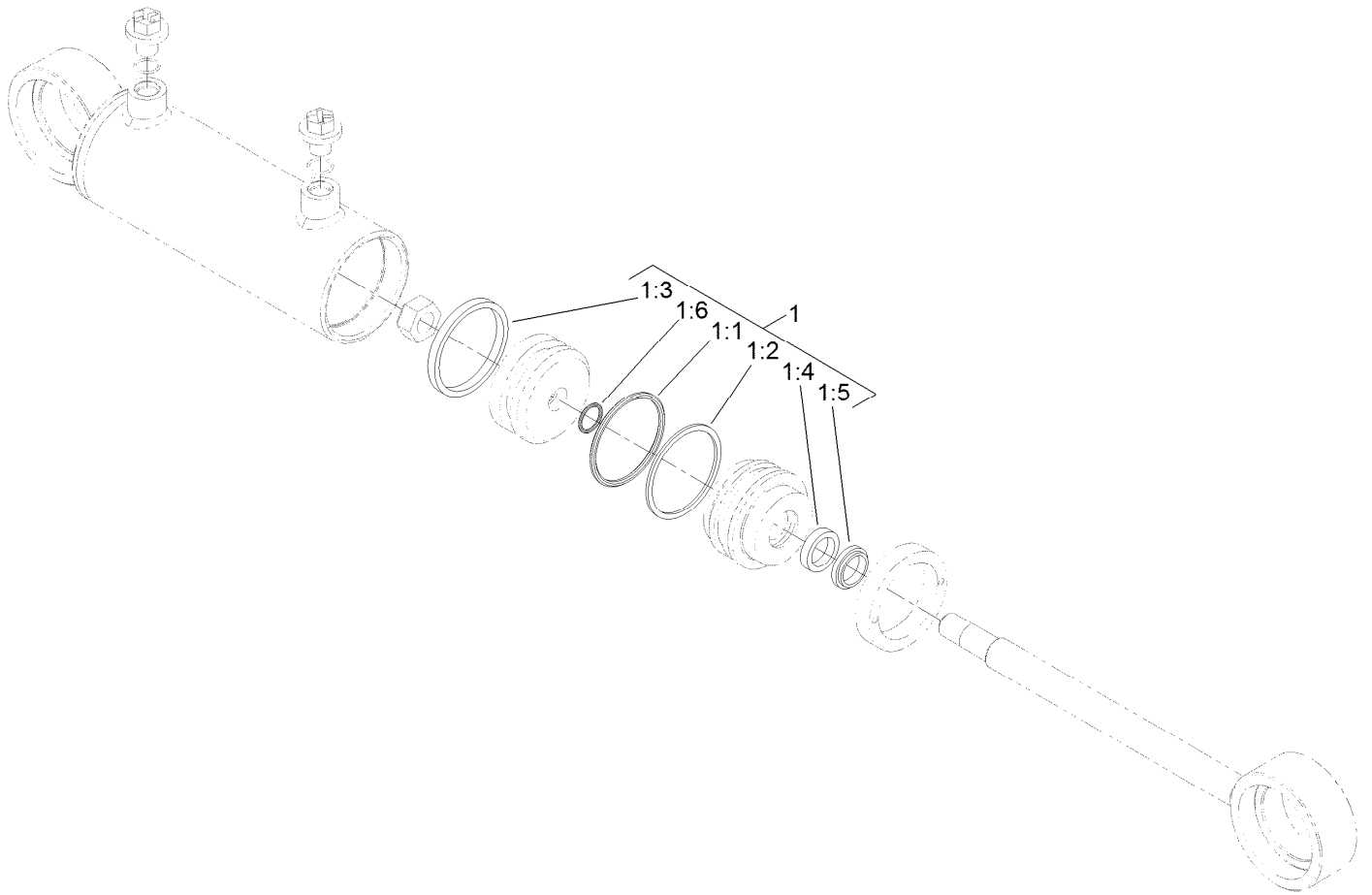
<i>Ref.</i>	<i>Part Number</i>	<i>Qty.</i>	<i>Description</i>
1	70-9870	1	Plate-Backing
2	104-7707	1	Shaft-Cam, Brake
3	104-7706	1	E-Ring, Bowed
4	70-9880	2	Spring-Return
5	70-9840	2	Shoe-Brake



Rear Fork and Casting Assembly

Ref.	Part Number	Qty.	Description	Ref.	Part Number	Qty.	Description
1	133-4912	1	Steering Cylinder ASM	12:1	103-0589	1	Hub-Wheel
1:1	121-7835	1	Steering Cylinder ASM	12:2	1-633926	4	Stud-Wheel
1:2	121-3605	2	Ball Joint	13	26-3790	1	Nut-Lock
1:3	32151-104	2	Ring-Retaining, External	14	95-8694	1	HYD Motor ASM
4	121-3611	2	Nut-Hex, Flextop	15	242-50	4	Nut-Lug
5	120-2144-01	1	Fork-Rear	16	107-7828-03	1	Casting-Rear
6	325-3	1	Screw-HH	16:1		1	Rear Casting ASM ●
7	3255-2	1	Washer-Lock, EXT	16:1:2	95-8805	2	Bushing
8	75-7730	1	Washer-Thrust	16:1:3	302-5	1	Fitting-Grease
9		1	Tire ASM ●	17	3234-38	8	Screw-HHF
9:1	120-2114	1	Tire-Smooth	18	121-7805-03	1	Bracket-Clamp, Hose
9:2	120-2115	1	Wheel-12 Inch	19	322-13	2	Screw-HH
9:3	232-27	1	Stem-Valve	20	104-8300	2	Nut-HF, NI
10	3274-71	4	Screw-HSH	21	82-8170	2	Clamp
11	3296-23	4	Nut-Lock, NI	22	93-7961	1	Clamp-Drain, Case
12		1	Wheel Hub ASM ●	23	93-7960	2	Spacer

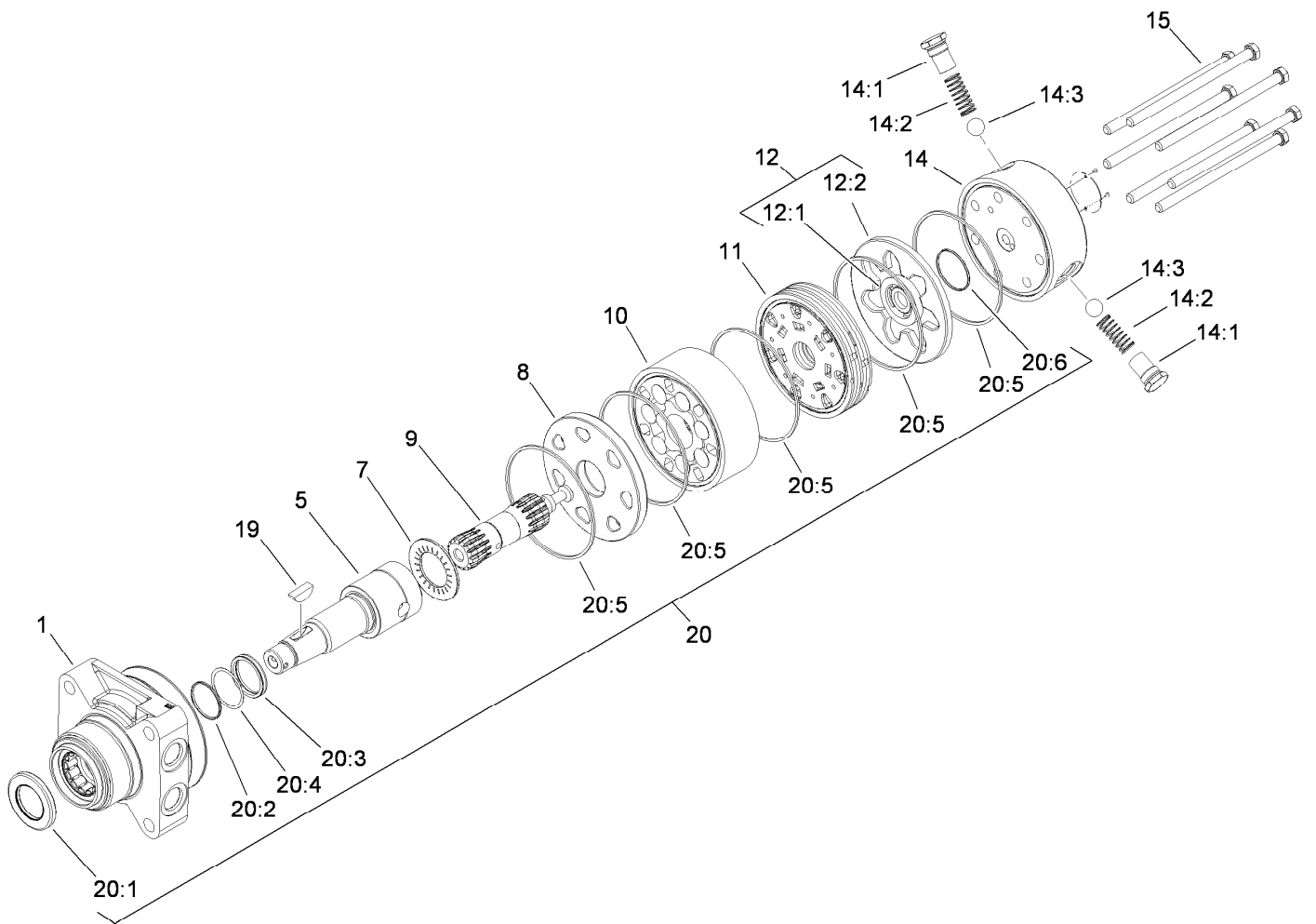
● Not serviced separately



Steering Cylinder Assembly No. 121-7835

<i>Ref.</i>	<i>Part Number</i>	<i>Qty.</i>	<i>Description</i>
1	121-7844	1	Kit-Seal
1:1		1	O-Ring ●
1:2		1	Backup ●
1:3		1	Psp Seal ●
1:4		1	Bs Seal ●
1:5		1	Dust Seal-Dt ●
1:6		1	O-Ring ●

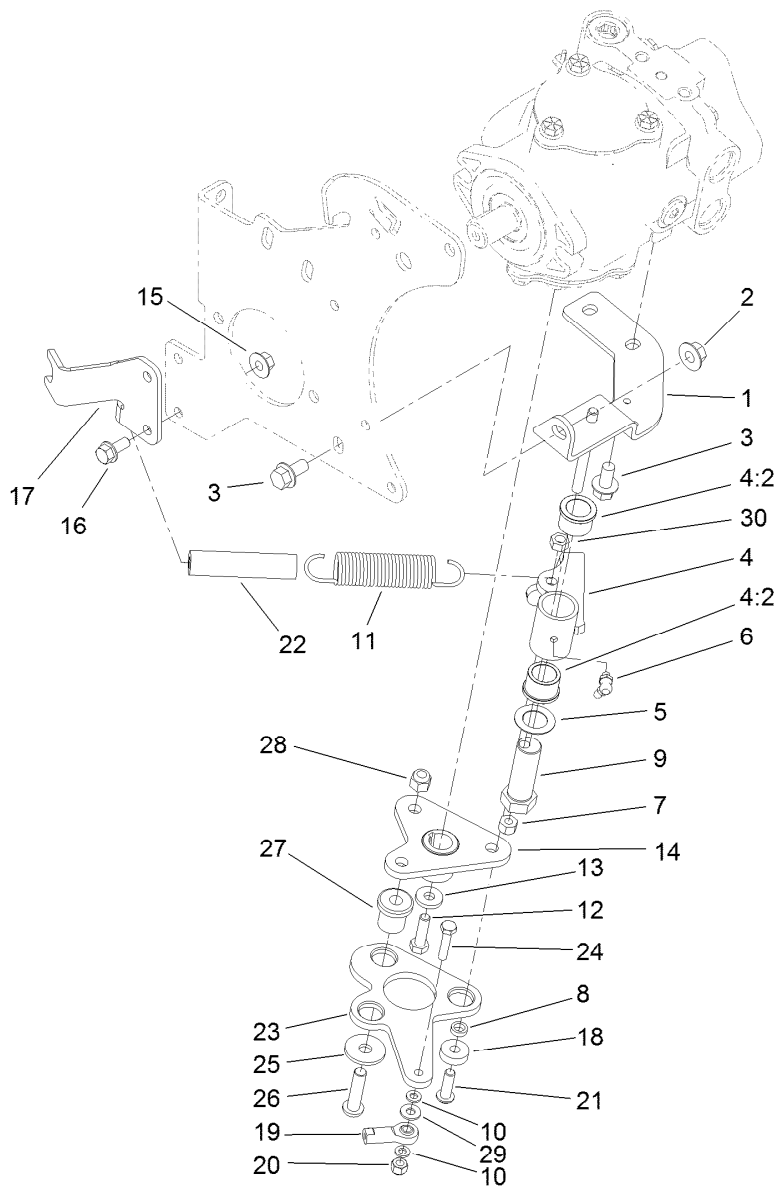
● Not serviced separately



Hydraulic Motor Assembly No. 95-8694

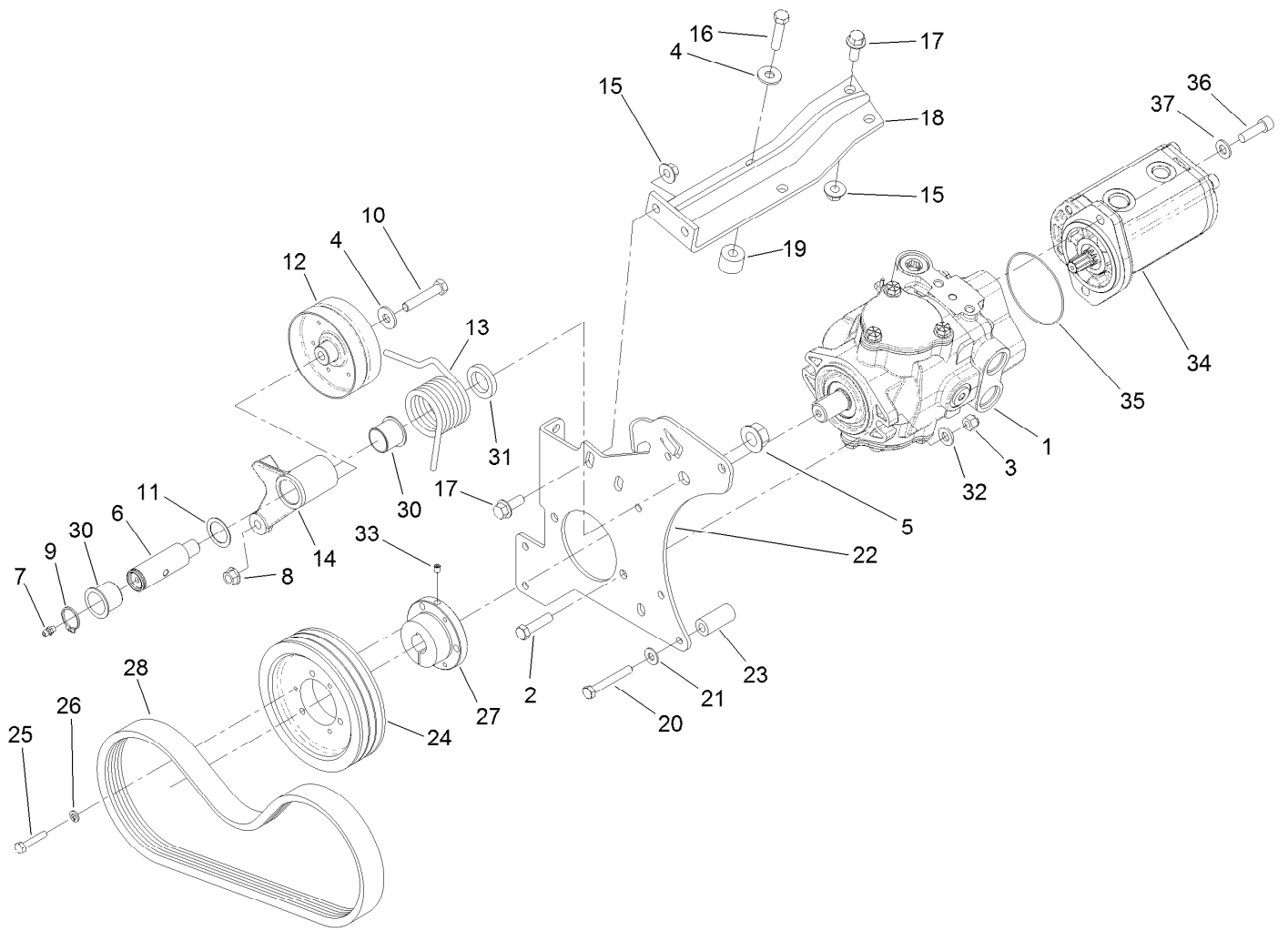
Ref.	Part Number	Qty.	Description	Ref.	Part Number	Qty.	Description
1	76-0810	1	Housing ASM	14:2	99-3541	1	Spring
5	99-3090	1	Shaft-Coupling	14:3	99-3540	1	Ball
7	76-0850	1	Bearing-Thrust	15	99-3536	7	Screw-HH
8	76-0870	1	Plate-Wear	19	3257-42	1	Key-Woodruff
9	99-3537	1	Link-Drive	20	94-8178	1	Seal Kit
10	99-3539	1	Set-Rotor	20:1		1	Seal-Dirt And Water ●
11	99-3535	1	Manifold	20:2		1	Backup-Ring ●
12	76-0880	1	Commutator ASM	20:3		1	Seal-Shaft ●
12:1		1	Commutator ●	20:4		1	Washer-Backup ●
12:2		1	Ring-Commutator ●	20:5		5	Seal-Square, Ring (Inner) ●
14	99-3538	1	End Cover ASM	20:6		1	Seal-Commutator ●
14:1		1	Spring Cap And O-Ring ASM ●				

● Not serviced separately



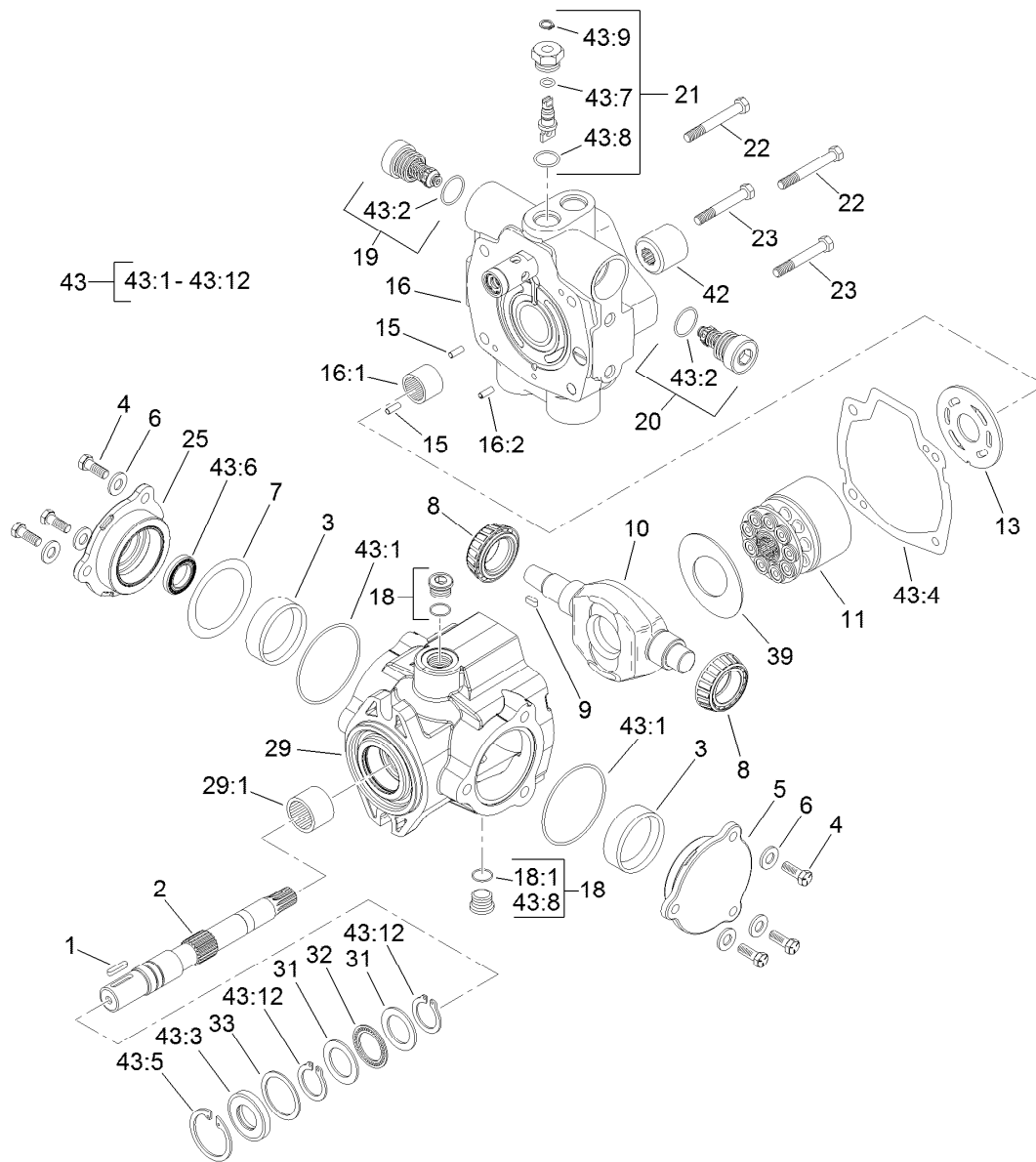
Neutral Arm Assembly

Ref.	Part Number	Qty.	Description	Ref.	Part Number	Qty.	Description
1	95-8960-03	1	Bracket-Neutral	16	3234-5	2	Screw-HHF
2	32128-43	1	Nut-Flange	17	104-0464-03	1	Bracket-Support, Cable
3	3234-1	3	Screw-HHF	18	251-259	1	Bearing-Ball
4	104-0422	1	Neutral Arm ASM	19	2411-41	1	Rod End-Ball Joint
4:2	256-113	2	Bushing-Flange	20	3296-42	1	Nut-Lock, NI
5	3-6498	1	Washer-Thrust	21	3274-104	1	Screw-HSBH
6	302-60	1	Fitting-Grease	22	99-3556	1	Hose
7	3296-29	1	Nut-Lock, NI	23	99-3594-03	1	Lever-Pump
8	100-4817	1	Spacer	24	321-8	1	Screw-HH
9	76-8640	1	Stud-Traction	25	2844	3	Washer
10	33093-00	2	Washer-Flat	26	95-3857	3	Screw-HSBH
11	94-1369	1	Spring-Extension	27	63-9750	3	Mount
12	3210-6	1	Screw-HH	28	3296-39	3	Nut-Lock, NI
13	88-7200	1	Washer-Flat	29	3256-22	1	Washer-Flat
14	120-5566	1	Hub	30	32153-3	1	Nut-Hex, Side Deform
15	32128-44	2	Nut				



Piston Pump and Gear Pump Assembly

<i>Ref.</i>	<i>Part Number</i>	<i>Qty.</i>	<i>Description</i>	<i>Ref.</i>	<i>Part Number</i>	<i>Qty.</i>	<i>Description</i>
1	104-4890	1	Piston Pump ASM	19	99-3440	2	Spacer
2	323-8	2	Screw-HH	20	33114-060	4	Screw-HH
3	3296-39	2	Nut-Lock, NI	21	87-8640	3	Washer-Flat
4	80-6990	2	Washer-Hardened	22	95-8933-03	1	Plate-Mount, Pump
5	32128-54	1	Nut-HF	23	95-8941	4	Spacer-Mount, Pump
6	99-3624	1	Shaft-Pivot, Idler	24	99-3620	1	Pulley-3V, Pump
7	302-5	1	Fitting-Grease	25	321-13	3	Screw-HH
8	32128-21	1	Nut-HF Lock	26	3253-3	3	Washer-Lock
9	32151-36	1	Ring-Retaining	27	100-4813	1	Bushing-Lock, Taper
10	323-10	1	Screw-HH	28	99-3619	1	Belt-3V
11	74-1810	1	Washer	30	99-3631	2	Bushing-Flange
12	107-7834	1	Pulley-Idler	31	99-3625	1	Spacer-Arm, Idler
13	115-3488	1	Spring-Torsion	32	100-4852	2	Washer-Hardened
14	99-3623-03	1	Arm-Idler	33	3245-7	1	Screw-Set
15	32128-43	4	Nut-Flange	34	121-7841	1	HYD Gear Pump ASM
16	323-19	2	Screw-HH	35	60-3520	1	O-Ring
17	3234-11	4	Screw-HHF	36	323-7	2	Screw-HH
18	99-3436-03	1	Support-Pump	37	3256-24	4	Washer-Flat

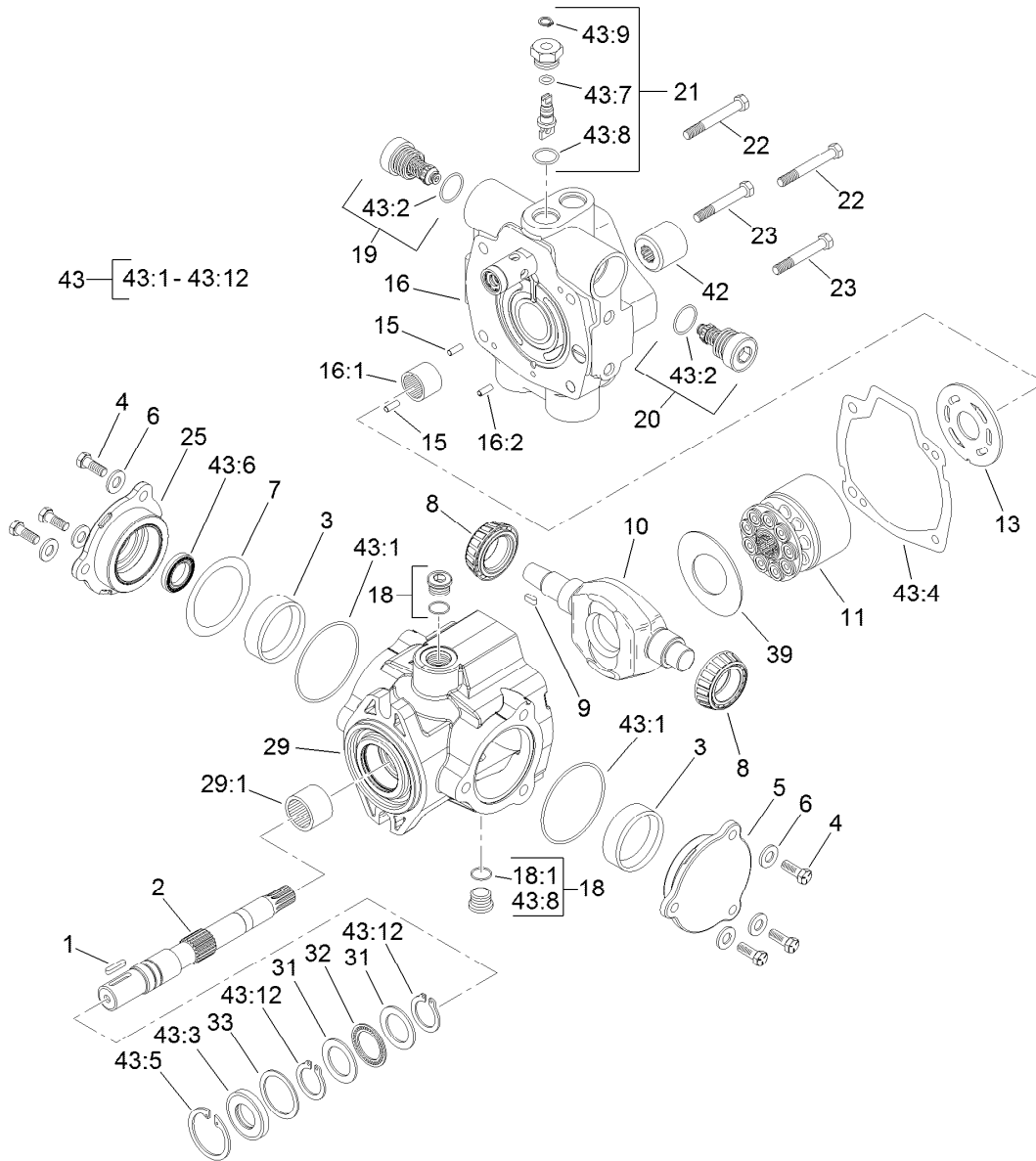


Hydraulic Pump Assembly No. 104-4890

Ref.	Part Number	Qty.	Description	Ref.	Part Number	Qty.	Description
1	94-3645	1	Key	19	104-4889	1	Relief Valve ASM
2	94-6359	1	Shaft-Drive	20	105-3812	1	Valve-Check
3	104-4046	2	Bearing-Cup	21	105-3811	1	Valve-Bypass
4	98-4640	6	Screw-Cap	22	76-6170	2	Capscrew
5	98-4644	1	Plate-Cover	23	76-6160	2	Capscrew
6	105-9762	6	Washer	25	98-4645	1	Plate-Cover
7	100-3182	2	Shim Kit	29	100-3176	1	Housing ASM
8	98-4639	2	Bearing-Cone	29:1	94-6363	1	Bearing
9	94-3646	1	Key	31	252-71	2	Washer-Thrust
10	104-4888	1	Swashplate	32	252-66	1	Bearing-Thrust
11	76-6070	1	Rotating Kit	33	33-3720	1	Washer
13	104-0429	1	Plate-Valve	39	98-4635	1	Insert-Plate, Cam
15	76-6150	2	Pin-Dowel	42	74-9040	1	Coupler
16	105-3813	1	Endcover Sub ASM	43	120-5754	1	Seal Kit
16:1	94-6368	1	Bearing	43:1		2	O-Ring ■
16:2		1	Pin-Roll ■	43:2		2	O-Ring ■
18	74-9280	2	Plug ASM	43:3		1	Seal-Shaft ■
18:1		1	O-Ring ■	43:4		1	Gasket ■

● Not illustrated

■ Not serviced separately



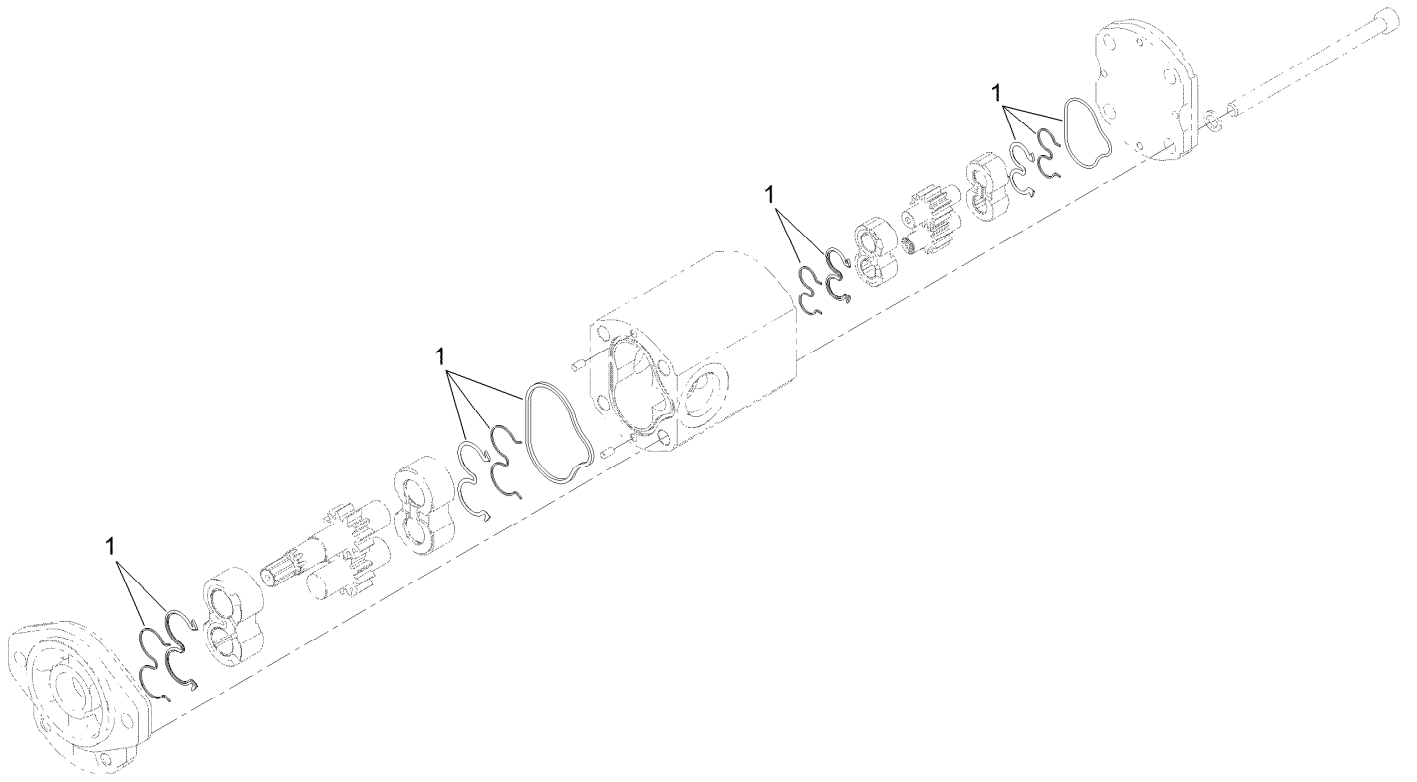
Hydraulic Pump Assembly No. 104-4890 (continued)

Ref.	Part Number	Qty.	Description
43:5		1	Ring-Retaining ■
43:6		1	Seal-Shaft ■
43:7		1	O-Ring ■
43:8		5	O-Ring ■
43:9		1	Ring-Retaining ■

Ref.	Part Number	Qty.	Description
43:10		1	O-Ring ●■
43:11		1	O Ring-Molded ●■
43:12		2	Ring-Retaining ■
43:13		1	O-Ring ■●

● Not illustrated

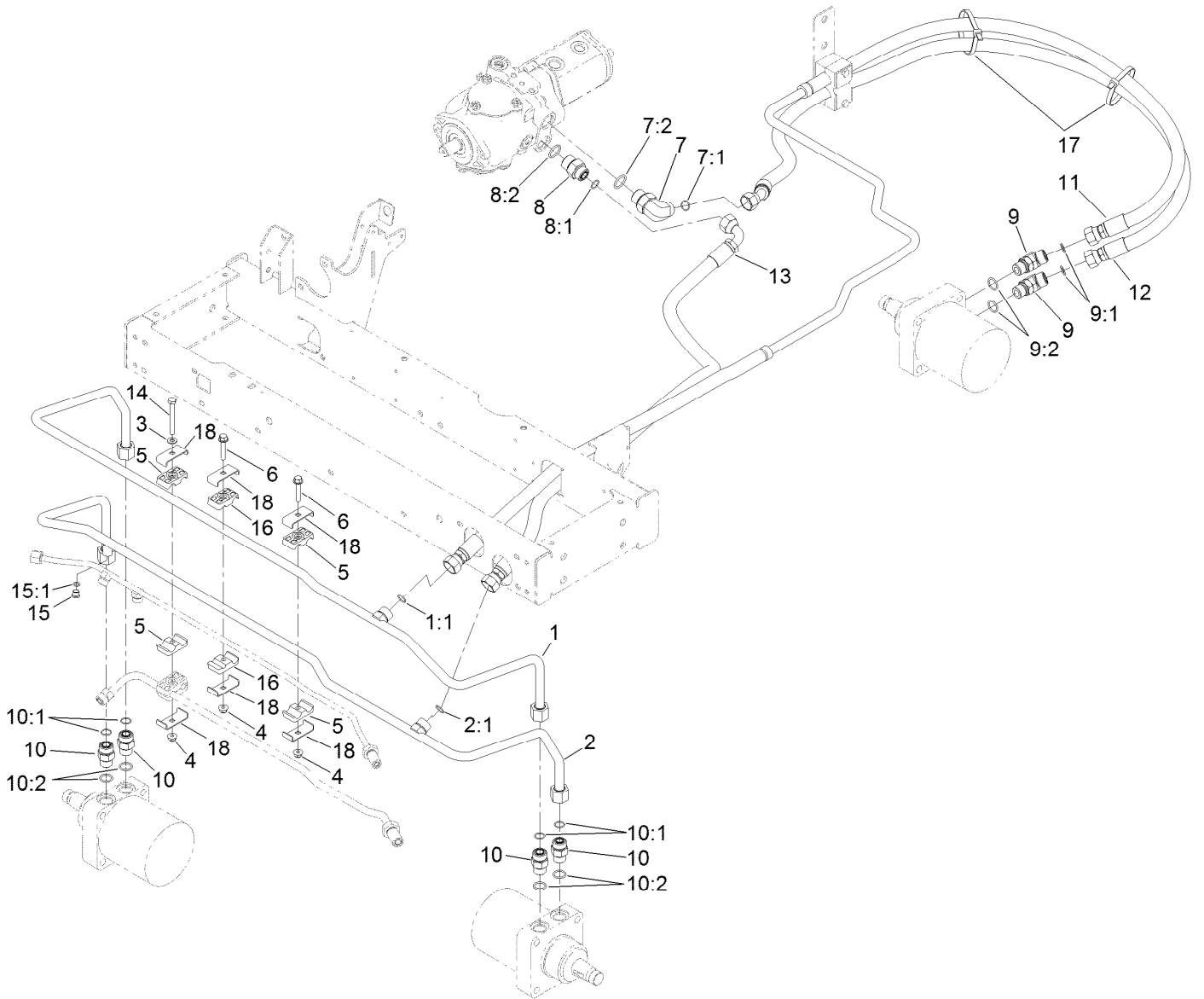
■ Not serviced separately



Hydraulic Gear Pump Assembly No. 121-7841

<i>Ref.</i>	<i>Part Number</i>	<i>Qty.</i>	<i>Description</i>
1	119-7134	1	Kit-Seal

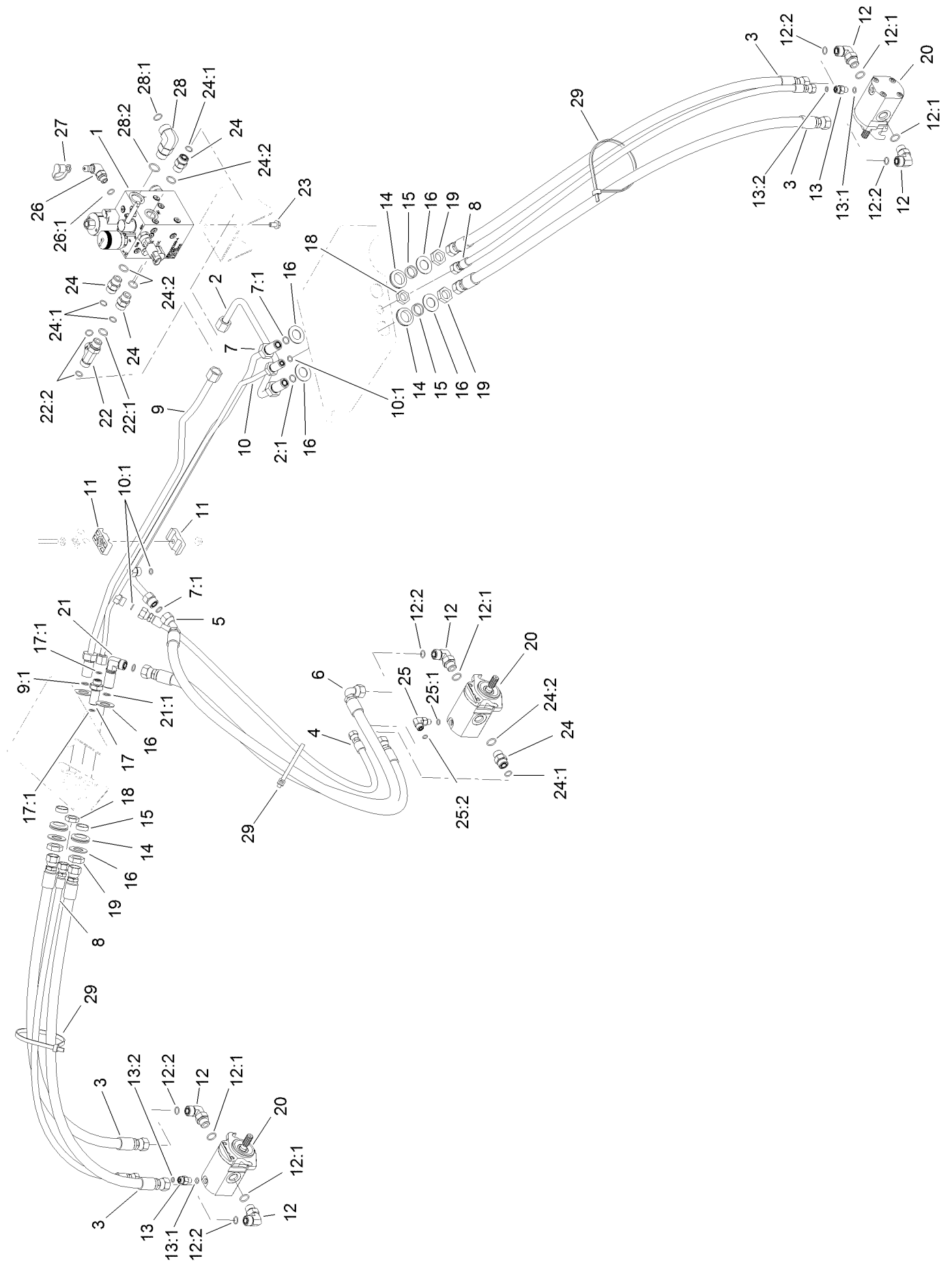
Traction Hydraulic Assembly



Traction Hydraulic Assembly (continued)

<i>Ref.</i>	<i>Part Number</i>	<i>Qty.</i>	<i>Description</i>	<i>Ref.</i>	<i>Part Number</i>	<i>Qty.</i>	<i>Description</i>
1	120-2085	1	Tube-HYD	9:1	237-65	1	O-Ring
1:1	237-65	1	O-Ring	9:2	237-80	1	O-Ring
2	120-2086	1	Tube-HYD	10	340-7	4	Fitting-Straight
2:1	237-65	1	O-Ring	10:1	237-65	1	O-Ring
3	3256-23	1	Washer-Plain	10:2	237-80	1	O-Ring
4	104-8300	3	Nut-HF, NI	11	121-7848	1	HYD Tube ASM
5	56-7971	4	Clamp-Tube	12	105-1212	1	Hose-HYD
6	94-5780	2	Screw-HWH	13	121-7839	1	Hose ASM
7	340-139	1	Fitting-Elbow 90	14	322-13	1	Screw-HH
7:1	237-81	1	O-Ring	15	353-990	1	Plug ASM
7:2	237-65	1	O-Ring	15:1	237-78	1	O-Ring
8	340-8	1	Fitting-Straight	16	56-7970	2	Clamp-Tube
8:1	237-65	1	O-Ring	17	3334-945	2	Tie-Cable
8:2	237-81	1	O-Ring	18	119-1419	6	Plate-Clamp
9	340-14	2	Fitting-HYD, 45 DEG				

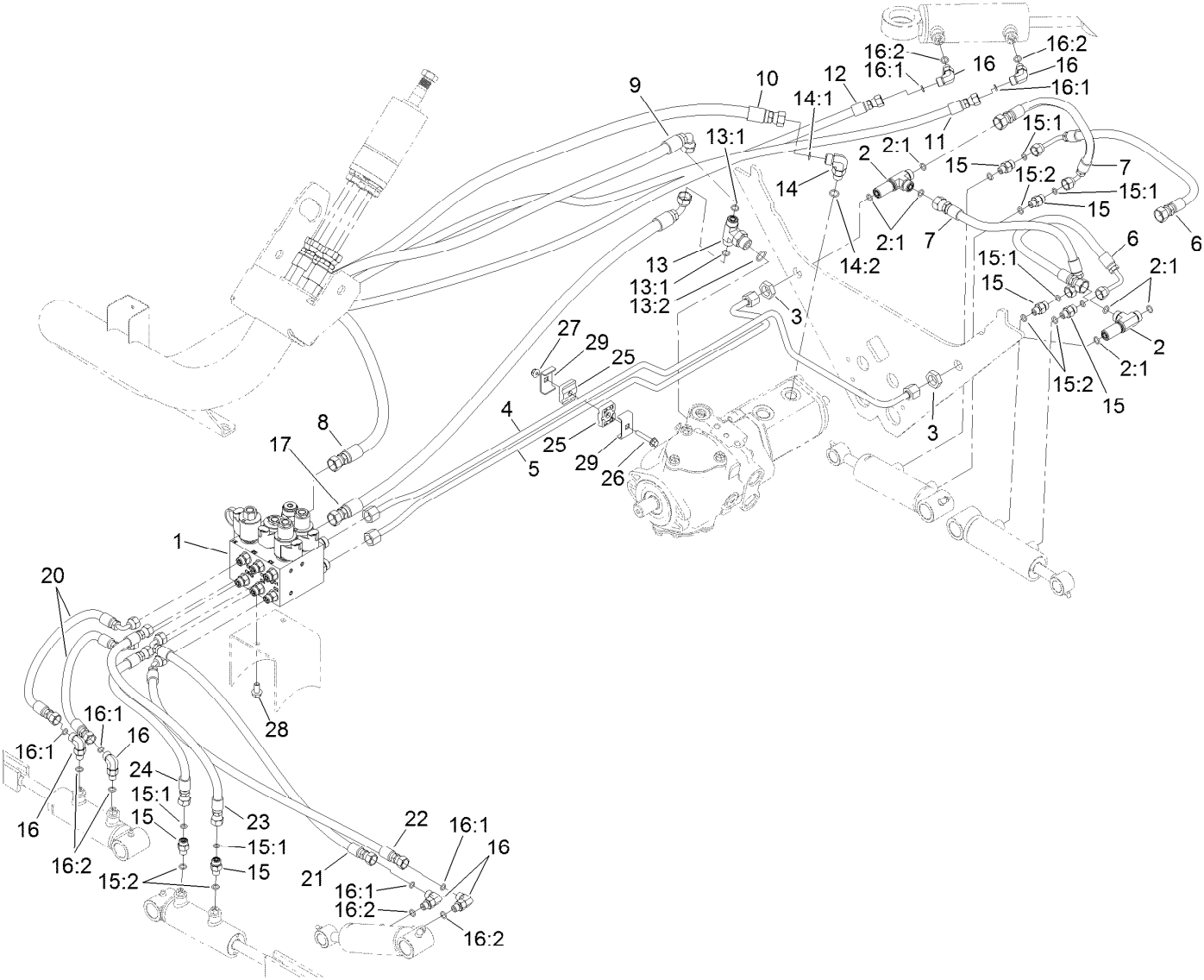
Front Mow Hydraulic Circuit Assembly



Front Mow Hydraulic Circuit Assembly (continued)

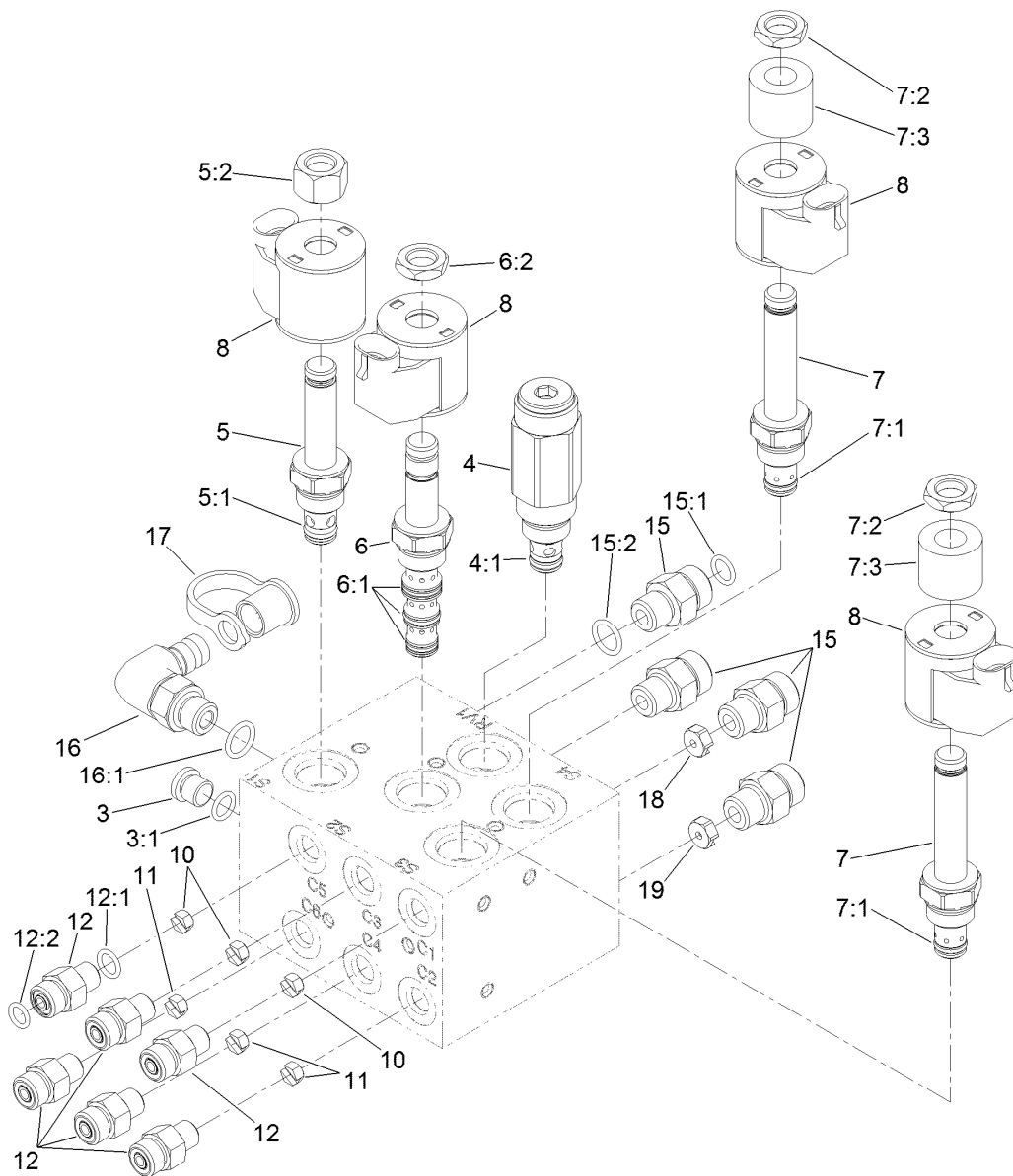
<i>Ref.</i>	<i>Part Number</i>	<i>Qty.</i>	<i>Description</i>	<i>Ref.</i>	<i>Part Number</i>	<i>Qty.</i>	<i>Description</i>
1	120-2058	1	HYD Mow Manifold ASM	17:1	237-22	2	O-Ring
2	120-2088	1	Tube-HYD	18	340-70	2	Nut-Lock
2:1	237-30	1	O-Ring	19	340-127	4	Nut-Bulkhead
3	120-2097	4	Hose-HYD	20	120-2072	3	HYD Motor ASM
4	121-7917	1	Hose-HYD	21	93-9151	1	Fitting-HYD
5	121-7861	1	Hose-HYD	21:1	237-30	2	O-Ring
6	121-7862	1	Hose-HYD	22	340-109	1	Fitting-Tee
7	120-2089	1	Tube-HYD	22:1	237-79	1	O-Ring
7:1	237-30	2	O-Ring	22:2	237-30	2	O-Ring
8	120-2106	2	Hose-HYD	23	3234-7	2	Screw-HHF
9	120-2091	1	Tube-HYD	24	340-4	4	Fitting-Straight
9:1	237-30	1	O-Ring	24:1	237-30	1	O-Ring
10	120-2104	1	Tube-HYD	24:2	237-79	1	O-Ring
10:1	237-22	3	O-Ring	25	340-132	1	Fitting-Elbow, 90 DEG
11	56-7976	2	Clamp-Tube	25:1	237-78	1	O-Ring
12	340-98	5	Fitting-Elbow, 90 DEG	25:2	237-21	1	O-Ring
12:1	237-79	1	O-Ring	26	115-9148	1	Fitting-Elbow-90
12:2	237-30	1	O-Ring	26:1	237-42	1	O-Ring
13	340-92	2	Fitting-Straight	27	354-79	1	Cap-Dust
13:1	237-78	1	O-Ring	28	340-17	1	Fitting-Elbow, 90 DEG
13:2	237-21	1	O-Ring	28:1	237-65	1	O-Ring
14	240-5	4	Grommet	28:2	237-80	1	O-Ring
15	69-8960	4	Spacer	29	3334-945	3	Tie-Cable
16	69-8930	8	Washer				
17	340-71	1	Fitting-Straight, Bulkhead				

Lift Manifold and Steering Circuit Assembly



Lift Manifold and Steering Circuit Assembly (continued)

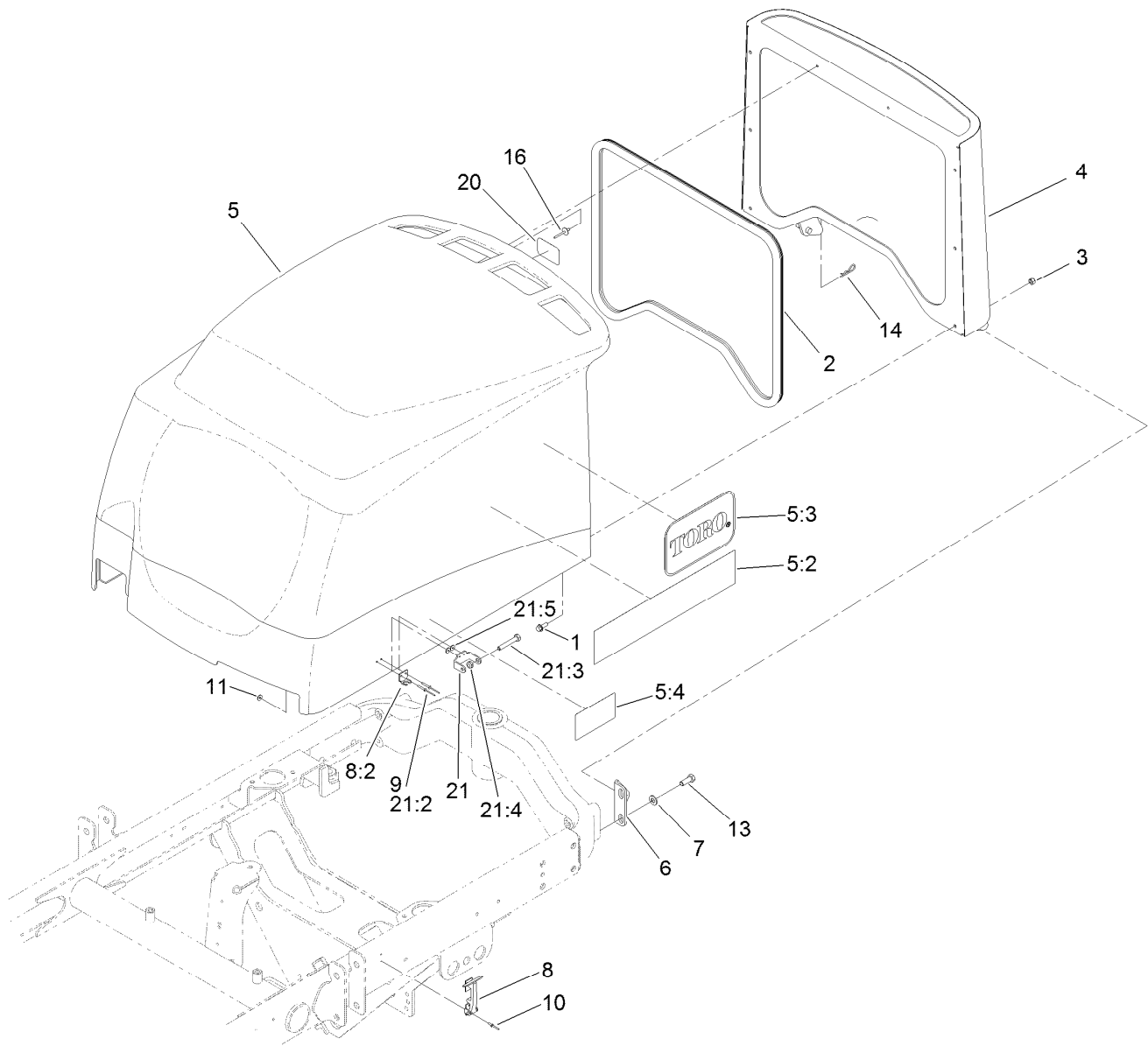
<i>Ref.</i>	<i>Part Number</i>	<i>Qty.</i>	<i>Description</i>	<i>Ref.</i>	<i>Part Number</i>	<i>Qty.</i>	<i>Description</i>
1	121-7932	1	Lift Manifold ASM	14:2	237-22	1	O-Ring
2	340-68	2	Fitting-Tee, Bulkhead	15	340-92	6	Fitting-Straight
2:1	237-22	3	O-Ring	15:1	237-78	1	O-Ring
3	340-70	2	Nut-Lock	15:2	237-21	1	O-Ring
4	121-7806	1	Tube-HYD	16	340-132	6	Fitting-Elbow, 90 DEG
5	121-7807	1	Tube-HYD	16:1	237-78	1	O-Ring
6	121-7813	2	Hose-HYD	16:2	237-21	1	O-Ring
7	119-2065	2	Hose-HYD	17	93-5386	1	Hose ASM
8	120-2060	1	Hose-HYD	20	119-4594	2	Hose-HYD
9	120-2061	1	Hose-HYD	21	105-4347	1	Hose-HYD
10	119-2067	1	Hose-HYD	22	106-7974	1	Hose-HYD
11	121-7836	1	Hose-HYD	23	121-7847	1	Hose-HYD
12	108-5673	1	Hose-HYD	24	112-9193	1	Hose-HYD
13	92-4799	1	Fitting-Tee, HYD	25	56-7973	2	Clamp-Tube
13:1	237-79	1	O-Ring	26	94-5781	1	Screw-HHF
13:2	237-22	2	O-Ring	27	104-7201	1	Nut-HF, NI
14	340-18	1	Fitting-HYD, 90 DEG	28	3234-7	2	Screw-HHF
14:1	237-79	1	O-Ring	29	119-1418	2	Plate-Clamp, Short



Lift Manifold Assembly No. 121-7932

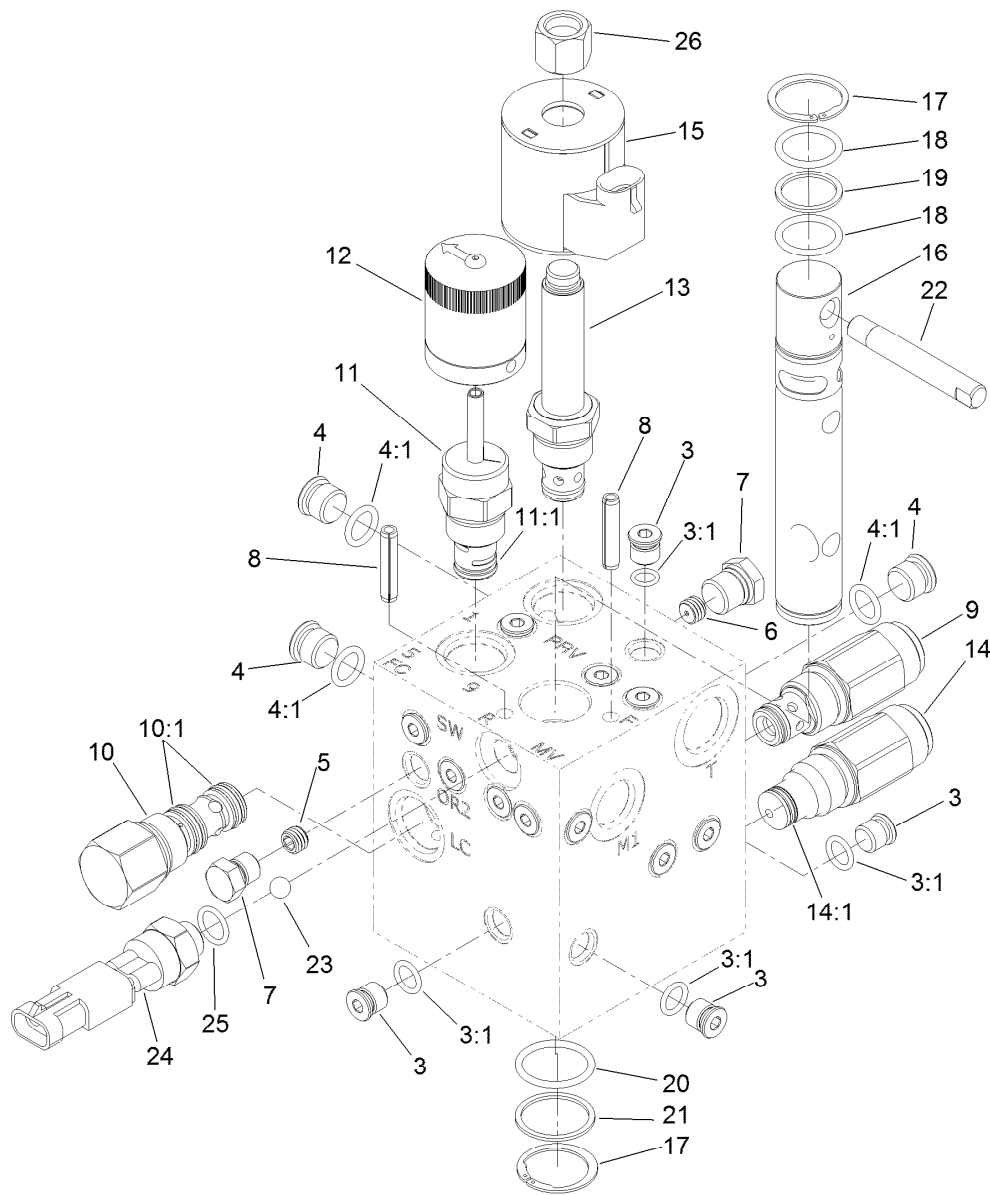
Ref.	Part Number	Qty.	Description
3	353-990	2	Plug ASM
3:1	237-78	1	O-Ring
4	120-1663	1	Valve-Relief, 500 PSI
4:1	105-9156	1	Seal Kit
5	107-7517	1	Valve-Solenoid
5:1	105-9156	1	Seal Kit
5:2	107-7812	1	Nut-Solenoid
6	120-1665	1	Valve-Solenoid
6:1	112-6520	1	Seal Kit
6:2	110-2634	1	Nut-Coil
7	110-8898	2	Valve-Solenoid
7:1	107-7527	1	Seal Kit
7:2	110-2634	1	Nut-Coil
7:3	110-8909	1	Spacer-Coil
8	110-0497	4	Coil-Solenoid

Ref.	Part Number	Qty.	Description
10	121-7879	3	Orifice-Control, Flow (0.040)
11	110-8902	3	Orifice-Control, Flow (0.046)
12	340-92	6	Fitting-Straight
12:1	237-78	1	O-Ring
12:2	237-21	1	O-Ring
15	340-2	4	Fitting-Straight
15:1	237-22	1	O-Ring
15:2	237-42	1	O-Ring
16	115-9148	1	Fitting-Elbow-90
16:1	237-42	1	O-Ring
17	354-79	1	Cap-Dust
18	119-5342	1	Orifice-Control, Flow (.035)
19	119-2010	1	Orifice-Control, Flow (0.055)



Hood and Screen Assembly

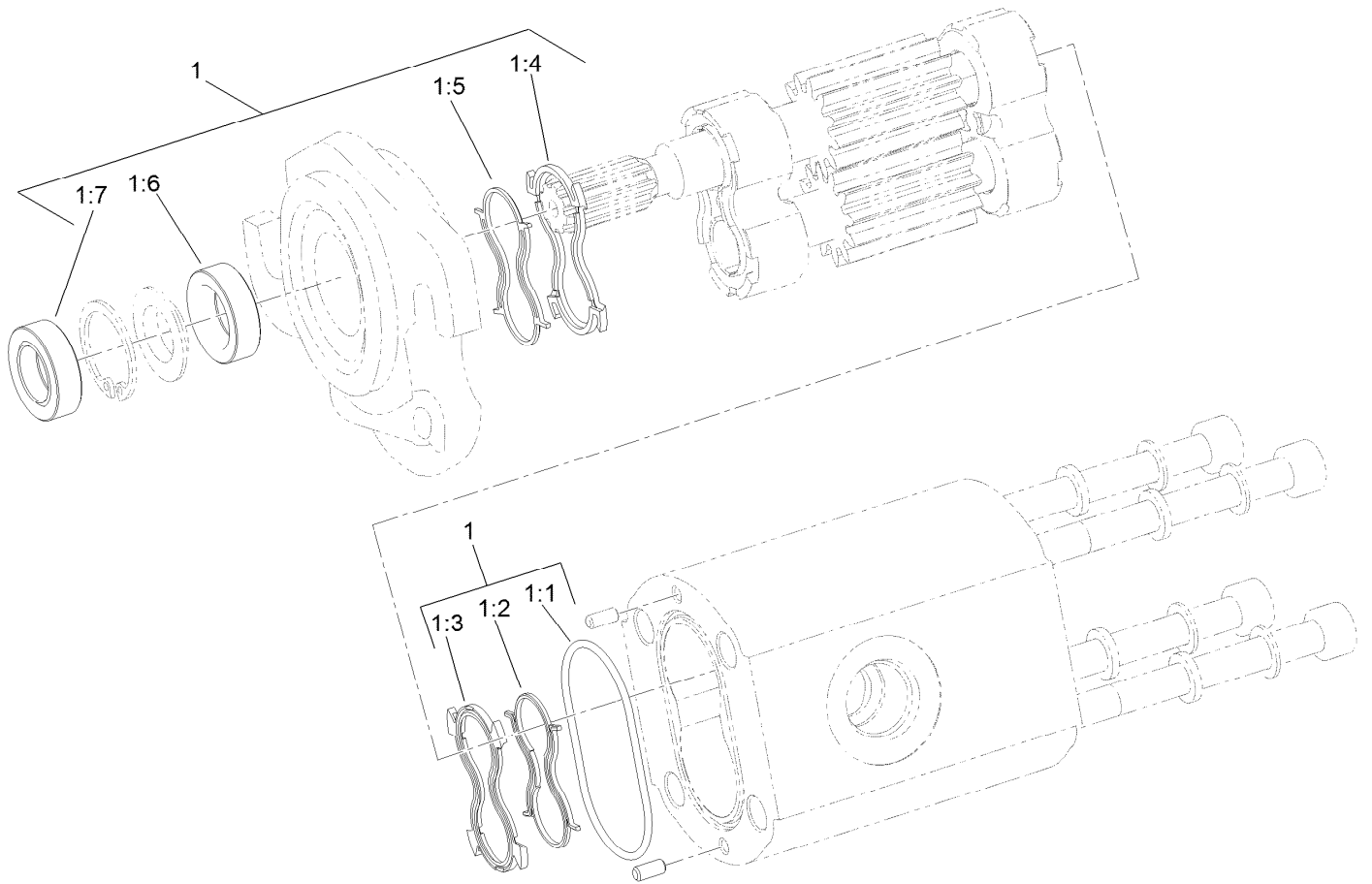
<i>Ref.</i>	<i>Part Number</i>	<i>Qty.</i>	<i>Description</i>	<i>Ref.</i>	<i>Part Number</i>	<i>Qty.</i>	<i>Description</i>
1	3234-4	6	Screw-HHF	9	107-0333	4	Rivet-Pop
2	100-4932	1	Trim-Seal	10	3290-55	4	Rivet-Pop
3	3296-42	6	Nut-Lock, NI	11	3269-10	4	Washer-Back
4	104-4853-03	1	Screen-Hood	13	323-6	4	Screw-HH
5	121-7858	1	Hood ASM	14	3290-467	1	Pin-Hair
5:2	120-2103	2	Decal-Hood	16	3269-21	2	Rivet-Pop
5:3	62-7400	2	Decal-Toro Logo	20	110-7135	1	Decal-Toro
5:4	117-3270	1	Decal-Danger	21	119-2004	1	CE Latch Kit
6	95-8728	2	Bracket-Pivot, Hood	21:2	107-0333	2	Rivet-Pop
7	3256-24	8	Washer-Flat	21:3	322-10	1	Screw-HH
8	59-9740	2	Flex Draw Latch ASM	21:4	3296-47	1	Nut-Lock, NI
8:2	249-40	1	Keeper	21:5	3269-10	2	Washer-Back



Mow Manifold Assembly No. 120-2058

<i>Ref.</i>	<i>Part Number</i>	<i>Qty.</i>	<i>Description</i>	<i>Ref.</i>	<i>Part Number</i>	<i>Qty.</i>	<i>Description</i>
3	353-990	17	Plug ASM	14	121-7883	1	Valve-Relief, 2000 PSI
3:1	237-78	1	O-Ring	14:1	110-6316	1	Seal Kit ●
4	353-989	4	Plug-Hex, Hollow	15	110-6344	1	Coil-12V, DC
4:1	237-42	1	O-Ring	16	120-1652	1	Spool-Backlap
5	110-8889	1	Plug-Orifice (0.020)	17	120-1653	2	Ring-Retaining, External
6	110-0495	1	Plug-Orifice (0.050 Inch)	18	120-1657	2	O-Ring
7	117-0115	1	Plug	19	120-1656	1	Ring-Backup
8	112-6531	2	Pin-Spring	20	120-1655	1	O-Ring
9	132-4912	1	Valve-Check	21	120-1654	1	Ring-Backup
10	121-7880	1	Spool-Logic	22	120-1651	1	Handle-Spool
10:1	119-2159	1	Seal Kit ●	23	117-4605	1	Ball-SS
11	110-8769	1	Valve-Control, Manual Flow	24	72-4320	1	Switch-Ball
11:1	110-2633	1	Seal Kit ●	25	110-8757	1	O-Ring
12	110-8767	1	Rotary Handle ASM	26	130-8180	1	Nut-Coil (9/16-24 Unef-2B)
13	110-8799	1	Valve-Relief, Proportional				

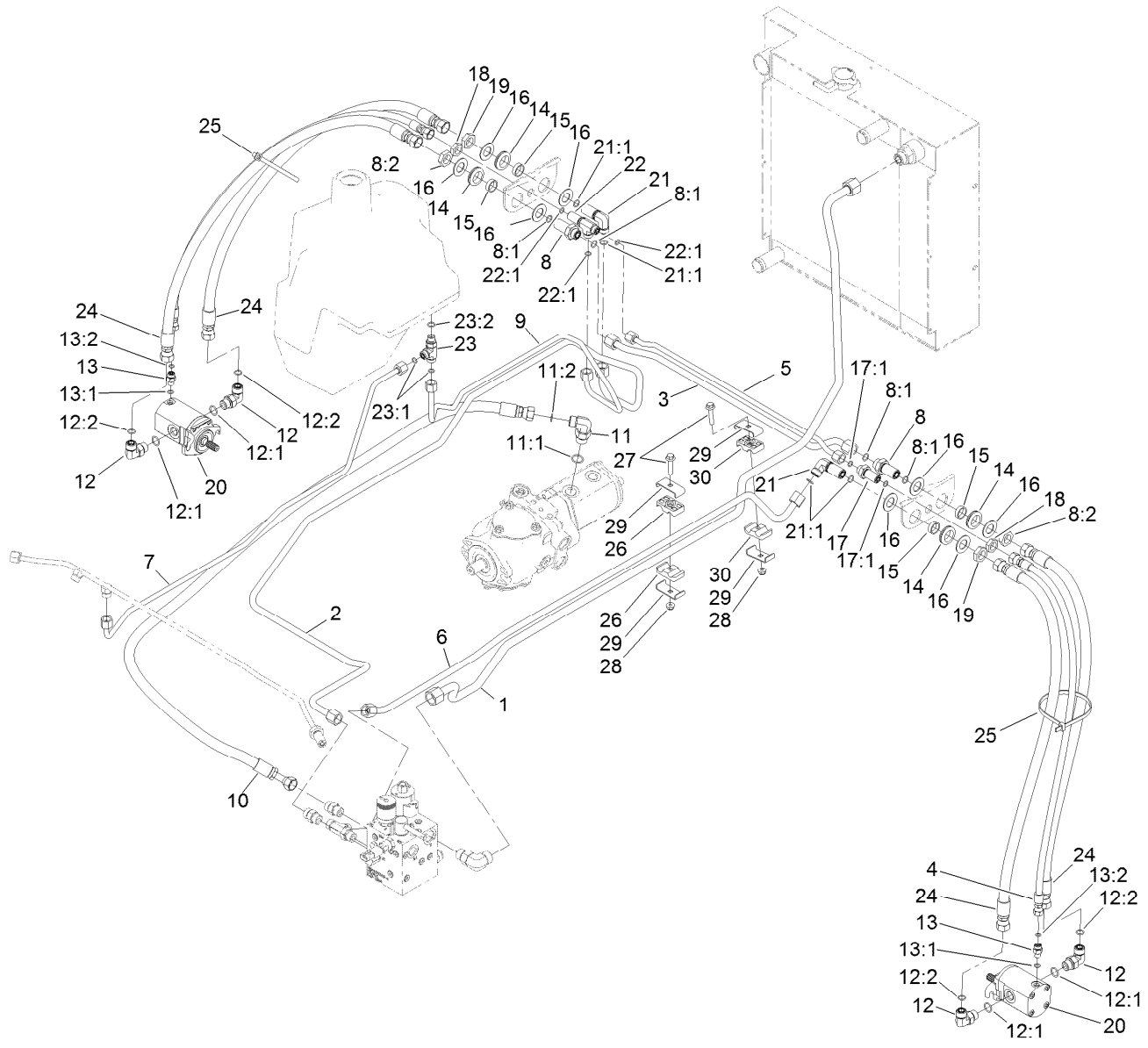
● Not illustrated



Hydraulic Reel Motor Assembly No. 120-2072

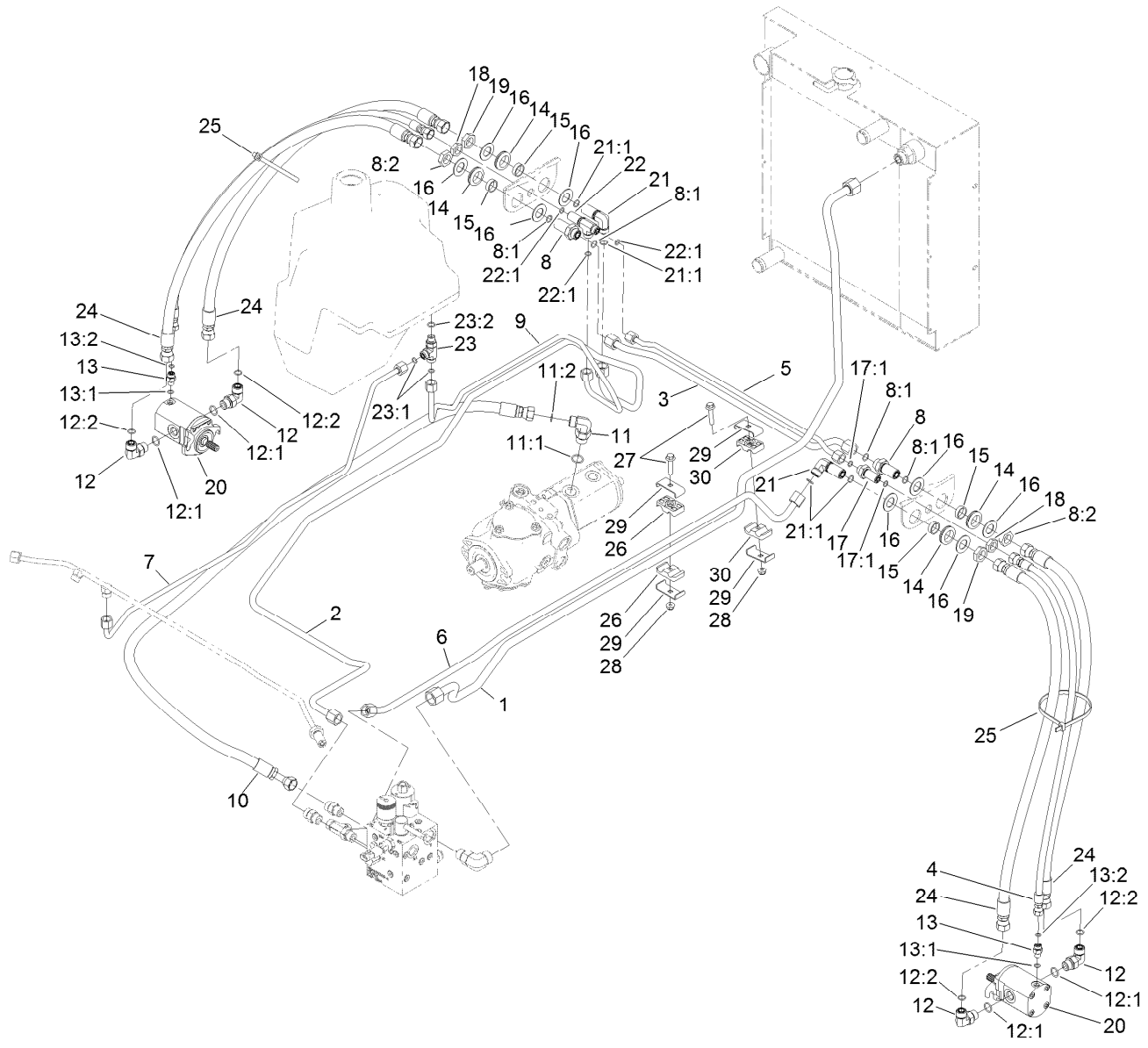
<i>Ref.</i>	<i>Part Number</i>	<i>Qty.</i>	<i>Description</i>
1	119-7113	1	Seal Kit
1:1		1	O-Ring Housing ●
1:2		1	Seal-Anti Extrusion ●
1:3		1	Seal-Plate, Balancing ●
1:4		1	Seal-Plate, Balancing ●
1:5		1	Seal-Anti Extrusion ●
1:6		1	Seal-Shaft (Inboard) ●
1:7		1	Seal-Shaft (Outboard) ●

● Not serviced separately



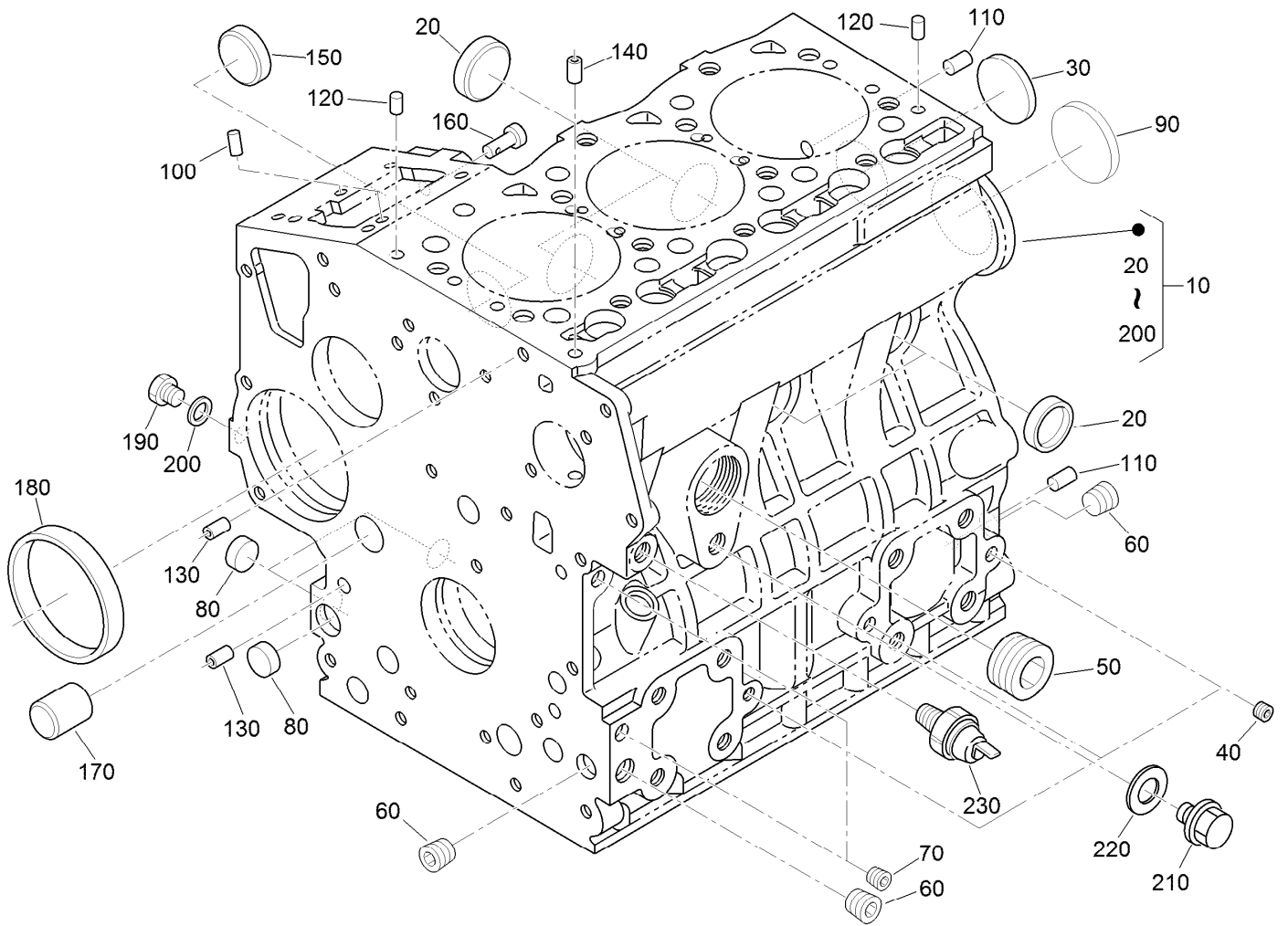
Rear Hydraulic Mow Circuit Assembly

Ref.	Part Number	Qty.	Description	Ref.	Part Number	Qty.	Description
1	120-2095	1	Tube-HYD	14	240-5	4	Grommet
2	120-2172	1	Tube-HYD	15	69-8960	4	Spacer
3	120-2173	1	Tube-HYD	16	69-8930	8	Washer
4	121-7845	2	Hose-HYD	17	340-71	1	Fitting-Straight, Bulkhead
5	120-2174	1	Tube-HYD	17:1	237-22	2	O-Ring
6	120-2171	1	Tube-HYD	18	340-70	2	Nut-Lock
7	121-7843	1	Tube-HYD	19	340-127	2	Nut-Bulkhead
8	340-161	2	Fitting-Bulkhead	20	120-2072	2	HYD Motor ASM
8:1	237-30	2	O-Ring	21	93-9151	2	Fitting-HYD
8:2	340-127	1	Nut-Bulkhead	21:1	237-30	2	O-Ring
9	120-2180	1	Tube-HYD	22	340-68	1	Fitting-Tee, Bulkhead
10	121-7812	1	Hose-HYD	22:1	237-22	3	O-Ring
11	340-105	1	Fitting-Elbow, 90 DEG	23	340-86	1	Fitting-Tee
11:1	237-80	1	O-Ring	23:1	237-22	2	O-Ring
11:2	237-30	1	O-Ring	23:2	237-42	1	O-Ring
12	340-98	4	Fitting-Elbow, 90 DEG	24	120-2101	4	Hose-HYD
12:1	237-79	1	O-Ring	25	3334-945	2	Tie-Cable
12:2	237-30	1	O-Ring	26	56-7977	2	Clamp-Tube
13	340-92	2	Fitting-Straight	27	115-1794	2	Screw-HHF
13:1	237-78	1	O-Ring	28	104-8300	2	Nut-HF, NI
13:2	237-21	1	O-Ring				



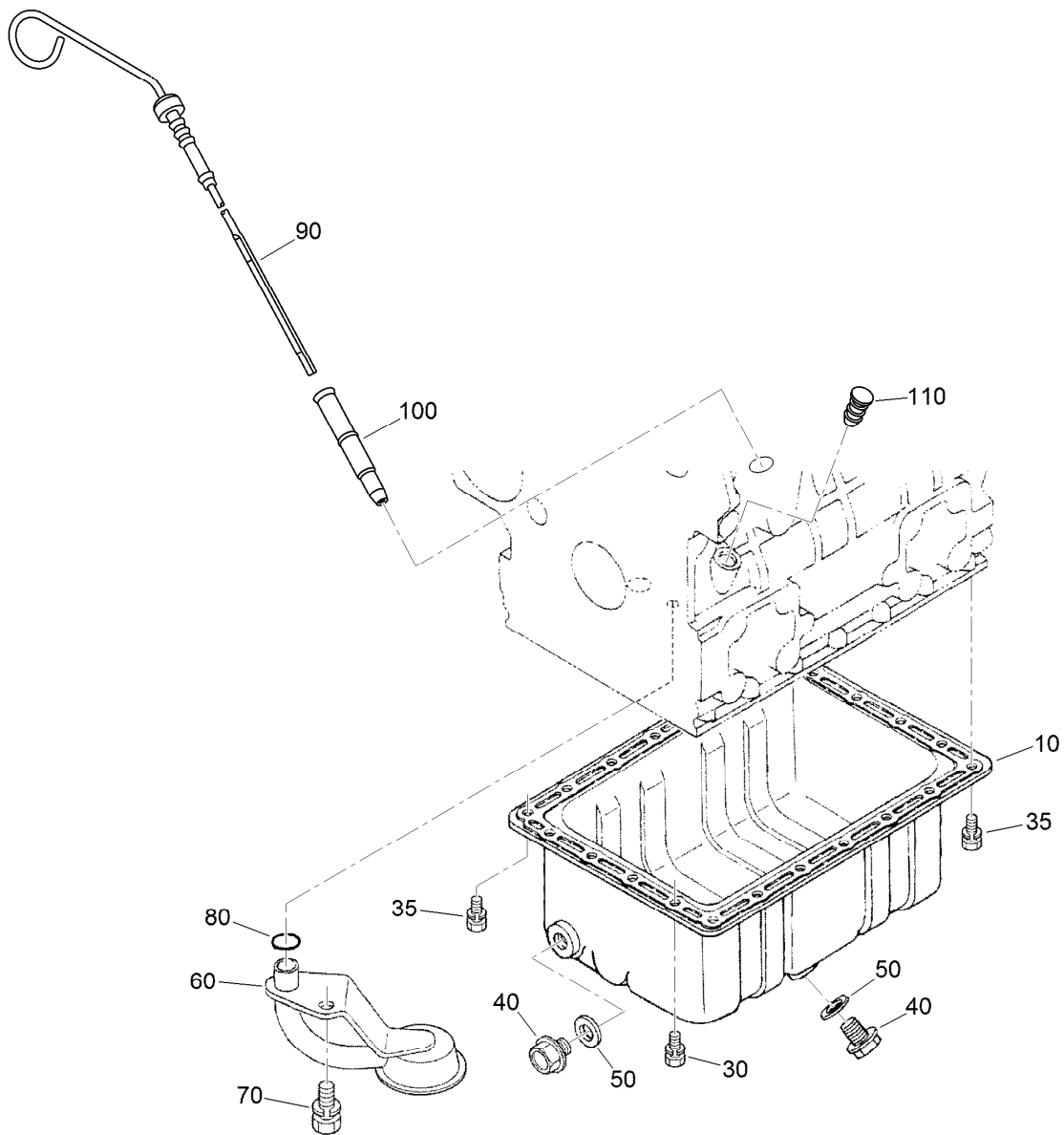
Rear Hydraulic Mow Circuit Assembly (continued)

<i>Ref.</i>	<i>Part Number</i>	<i>Qty.</i>	<i>Description</i>
29	119-1419	4	Plate-Clamp
30	56-7971	2	Clamp-Tube



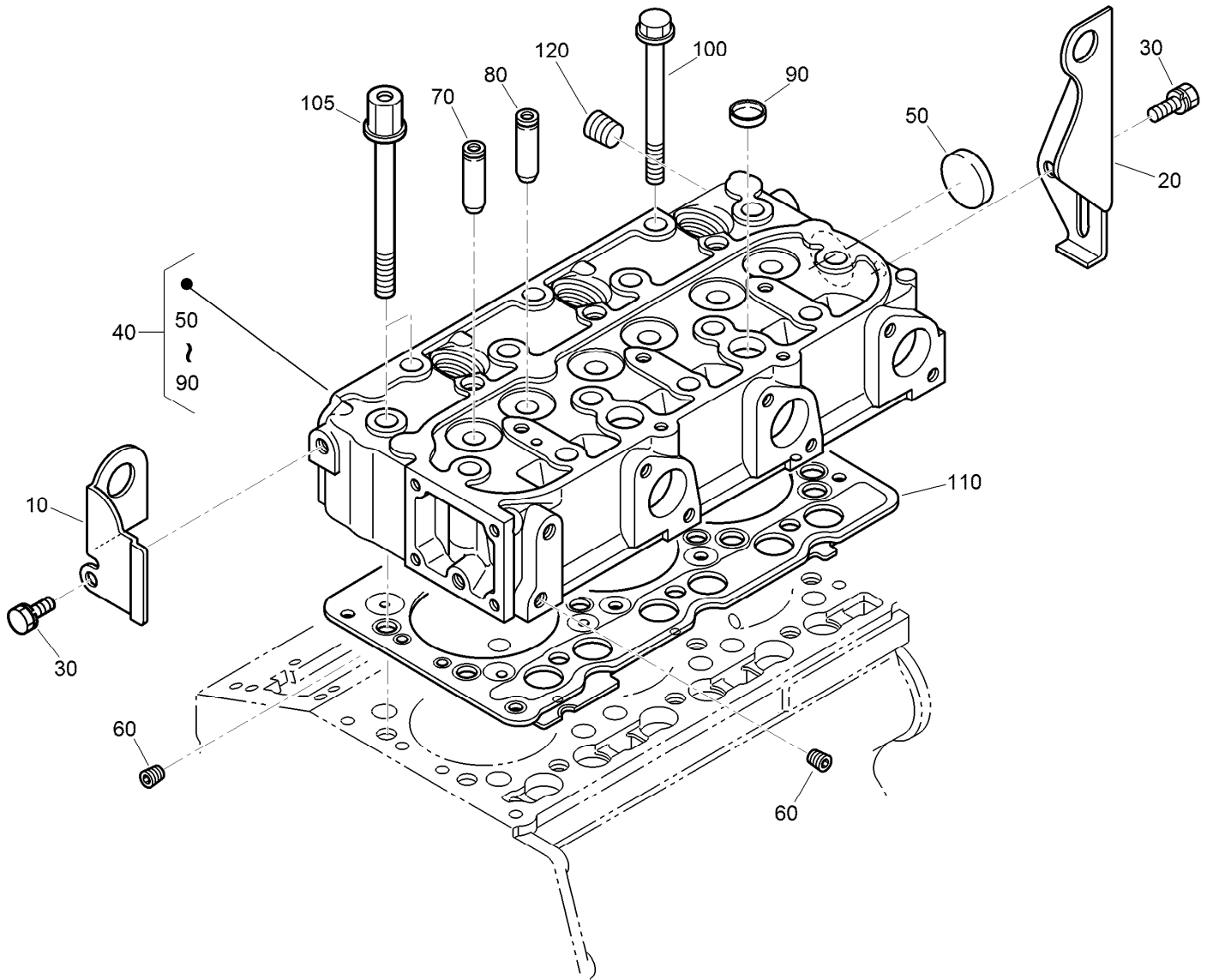
Crankcase Assembly

<i>Ref.</i>	<i>Part Number</i>	<i>Qty.</i>	<i>Description</i>	<i>Ref.</i>	<i>Part Number</i>	<i>Qty.</i>	<i>Description</i>
10	115-3443	1	Crankcase ASM	130	98-9387	2	Pin-Pipe
20	98-9398	4	Cap-Sealing	140	98-9539	1	Pin-Pipe
30	98-7539	1	Cap-Sealing	150	98-9599	1	Plug
40	98-9687	3	Plug	160	98-9630	1	Pin-Spring, Start
50	105-3779	1	Plug	170	98-9675	1	Plug
60	98-9597	3	Plug	180	98-9656	1	Bushing-Governor, Gear
70	98-7487	2	Plug	190	120-2559	1	Plug
80	98-9379	3	Plug-Expansion	200	98-7428	1	Gasket
90	98-9668	1	Plug-Expansion	210	99-3447	1	Plug
100	98-9375	2	Pin-Straight	220	106-7056	1	Gasket
110	98-9377	2	Pin-Straight	230	98-9416	1	Switch-Oil
120	98-9376	2	Pin-Straight				



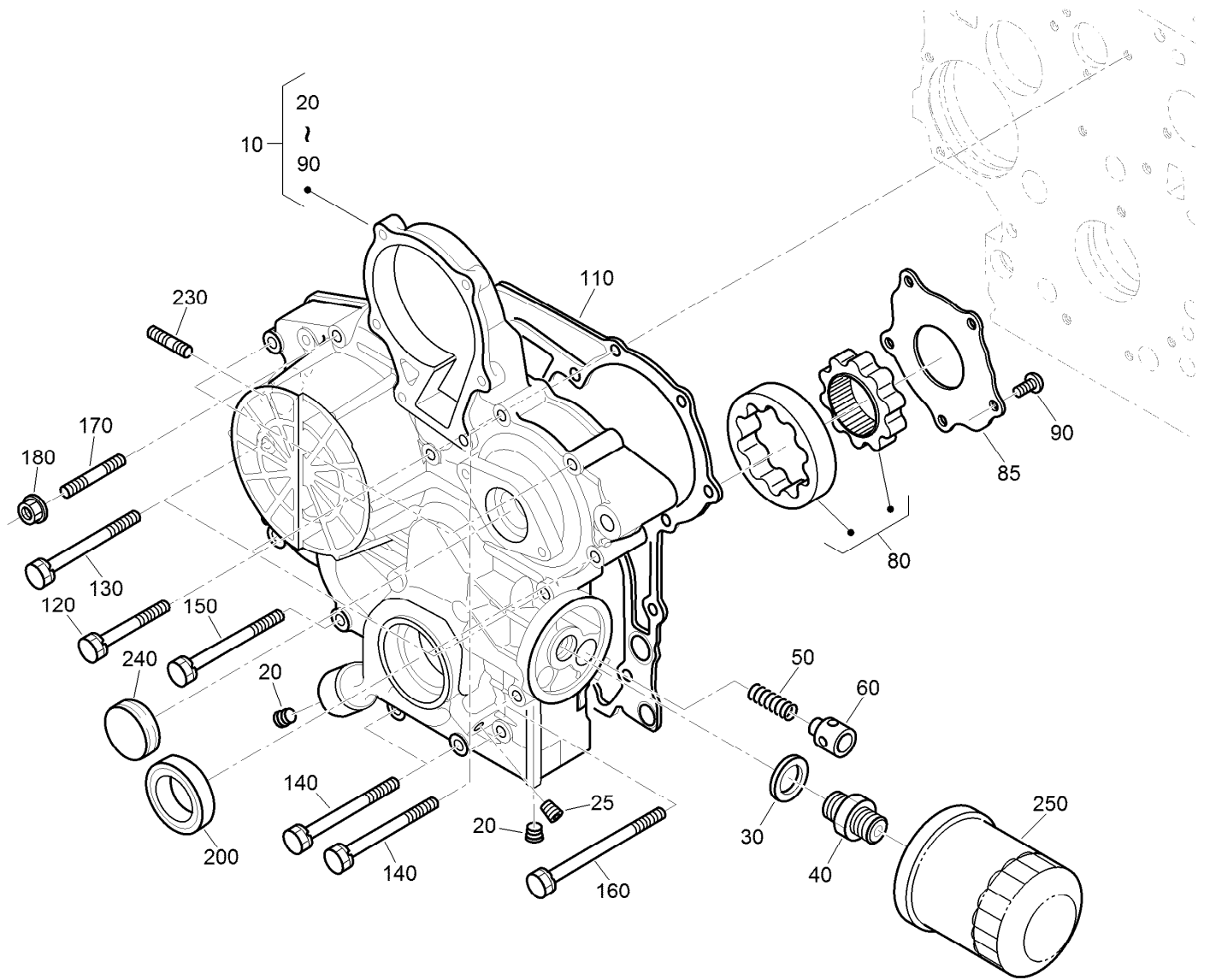
Oil Pan and Dipstick Assembly

<i>Ref.</i>	<i>Part Number</i>	<i>Qty.</i>	<i>Description</i>
10	98-9685	1	Pan-Oil
30	98-9351	20	Bolt
35	98-9351	2	Bolt
40	114-8151	2	Plug-Drain
50	98-7524	2	Gasket
60	108-1401	1	Base-Filter
70	98-7526	1	Bolt
80	105-3776	1	O-Ring
90	104-9348	1	Gauge-Oil
100	105-4580	1	Guide-Gauge, Oil
110	110-3720	1	Plug-Gauge, Oil



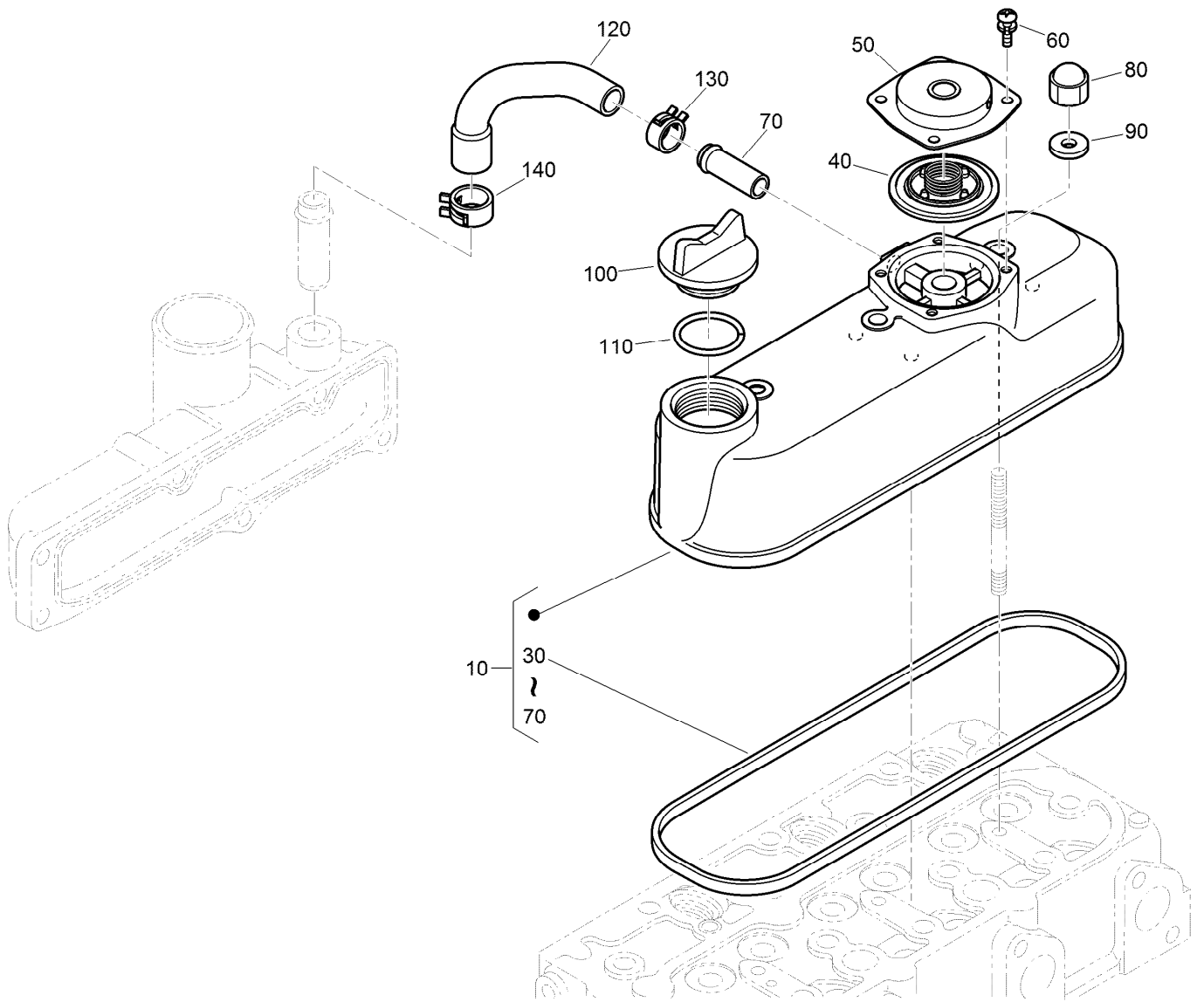
Cylinder Head Assembly

Ref.	Part Number	Qty.	Description
10	130-1231	1	Hook-Engine
20	98-9478	1	Hook-Engine
30	100-9195	2	Bolt
40	130-1544	1	Cylinder Head ASM
50	105-3705	1	Cap-Sealing
60	98-9687	2	Plug
70	107-9066	3	Guide-Valve, Inlet
80	107-9067	3	Guide-Valve, Exhaust
90	98-9389	2	Cap-Sealing
100	98-9479	12	Bolt-Head, Cylinder
105	98-9647	2	Bolt-Head, Cylinder
110	108-6573	1	Gasket-Head, Cylinder
120	98-9444	1	Plug



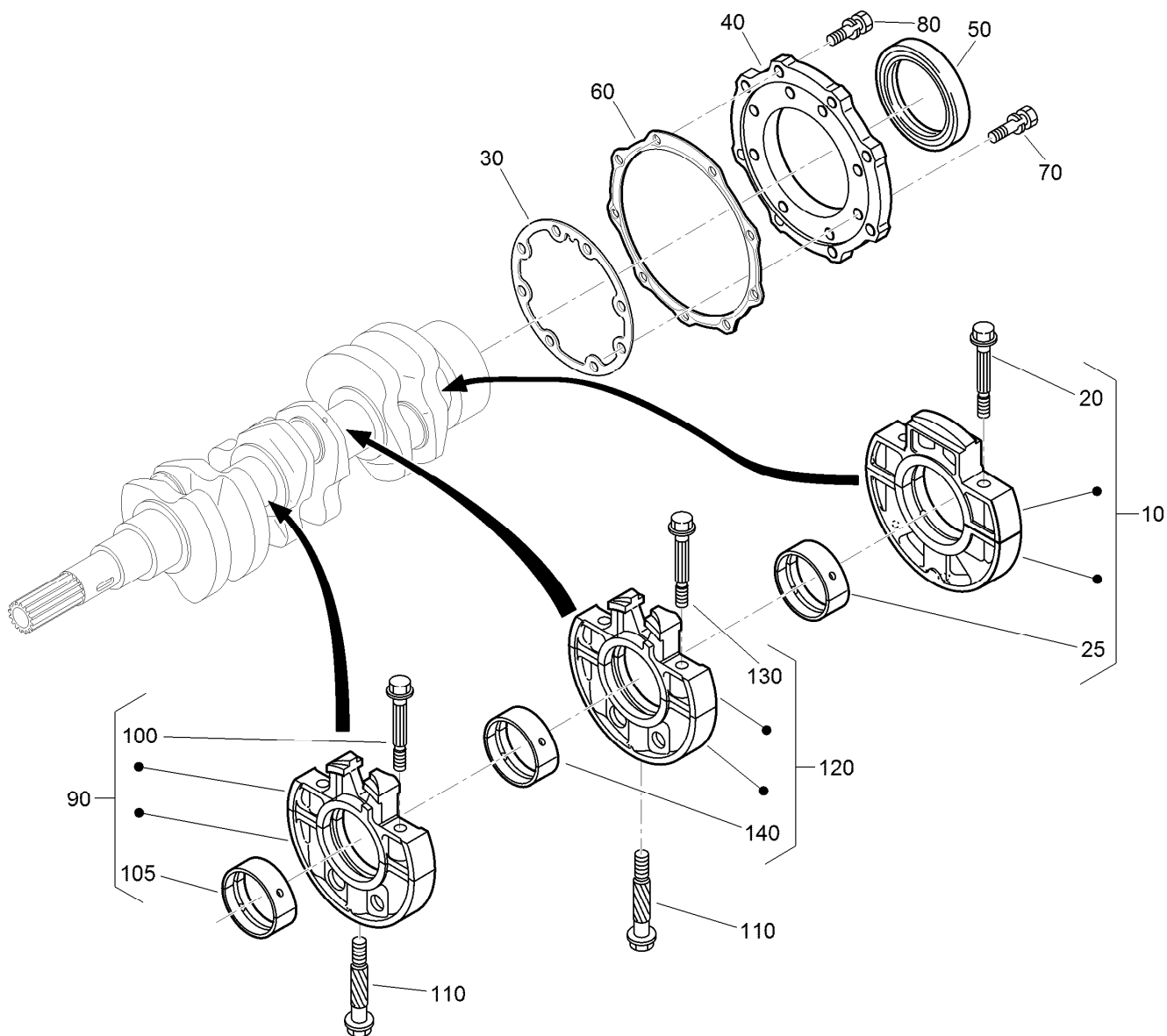
Gear Case and Oil Filter Cartridge Assembly

Ref.	Part Number	Qty.	Description	Ref.	Part Number	Qty.	Description
10	130-1243	1	*obs* Gear Case ASM	120	100-1765	3	Bolt
20	98-9598	2	Plug	130	125-9063	4	Bolt-Sems
25	98-7487	1	Plug	140	98-9356	4	Bolt
30	98-7562	1	Washer-Plain	150	107-9074	1	Bolt
40	98-9388	1	Joint-Pipe	160	98-9586	1	Bolt
50	130-1511	1	Spring	170	105-3709	1	Stud
60	130-1510	1	Valve-Relief	180	100-2203	1	Nut-Flange
80	130-1508	1	Rotor ASM	200	119-8038	1	Seal-Oil
85	130-1509	1	Cover-Pump, Oil	230	105-3710	2	Stud
90	130-1164	5	Screw-Binding	240	98-9641	1	Cover-Case, Gear
110	98-9633	1	Gasket-Case, Gear	250	108-3841	1	Filter-Oil



Cylinder Head Cover Assembly

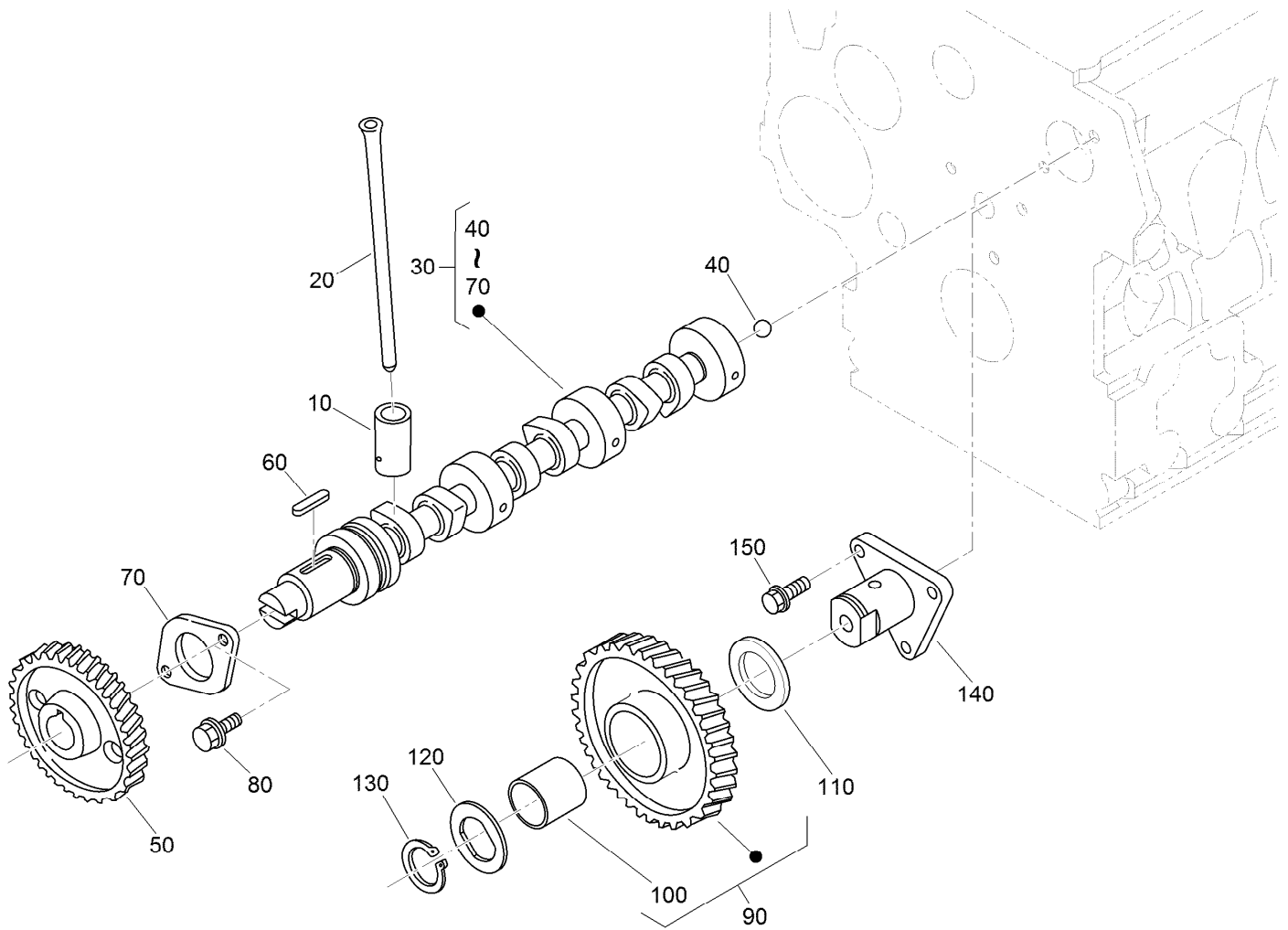
<i>Ref.</i>	<i>Part Number</i>	<i>Qty.</i>	<i>Description</i>
10	130-1372	1	Cylinder Head Cover ASM
30	130-1249	1	Gasket-Head Cover
40	110-3715	1	Valve-Breather
50	110-3714	1	Cover-Breather
60	98-9364	4	Screw (With Washer)
70	98-7766	1	Pipe-Return, Water
80	98-9455	3	Nut-Cap
90	98-9454	3	Gasket
100	107-9075	1	Plug-Filler, Oil
110	99-3446	1	O-Ring
120	107-7836	1	Tube-Breather
130	108-2859	1	Clamp-Hose
140	108-2860	1	Clamp-Hose



Main Bearing Case Assembly

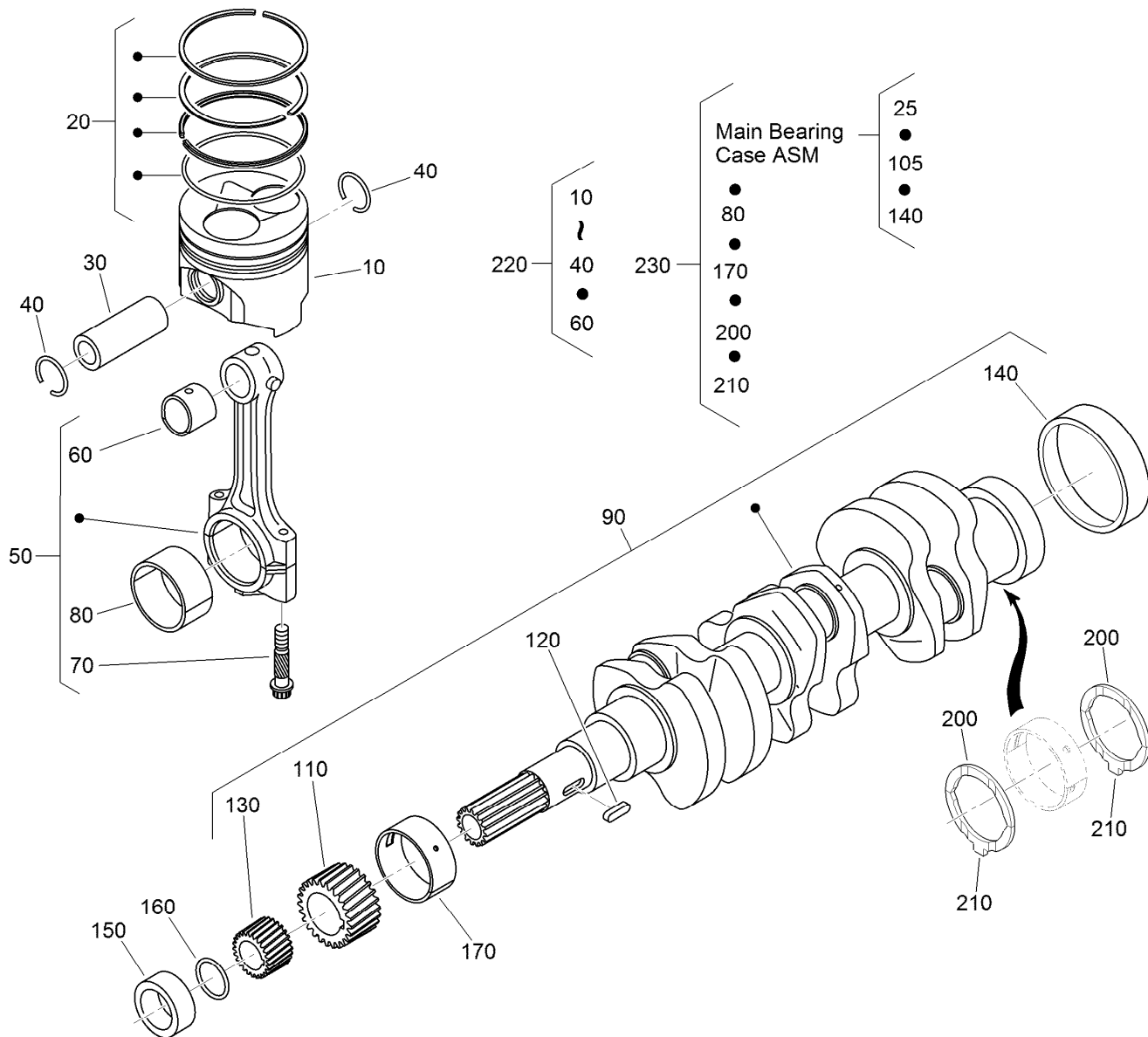
Ref.	Part Number	Qty.	Description
10	112-7026	1	Wheel Bearing Case ASM
20	98-9484	2	Bolt-Case, Bearing
25	115-4121	1	Metal-Crankshaft (STD)
25	112-7039	1	Metal-Crankshaft (0.2Mm)
25	112-7040	1	Metal-Crankshaft (-0.4Mm)
30	127-0440	1	Gasket-Case, Bearing
40	112-7046	1	Cover-Case, Bearing
50	112-0180	1	Seal-Oil
60	112-7037	1	Gasket-Cover, Case
70	127-0441	8	Bolt
80	127-0442	9	Bolt

Ref.	Part Number	Qty.	Description
90	115-4106	1	Main Bearing Case ASM
100	98-9484	2	Bolt-Case, Bearing
105	98-9524	1	Metal-Crankshaft (STD Set)
105	127-0433	1	Metal-Crankshaft (-0.2MM)
105	98-9531	1	Bearing-Main (0.4MM)
110	98-9485	2	Bolt-Case, Bearing
120	115-4107	1	Main Bearing Case ASM
130	98-9484	2	Bolt-Case, Bearing
140	98-9524	1	Metal-Crankshaft (STD Set)
140	127-0433	1	Metal-Crankshaft (-0.2MM)
140	98-9531	1	Bearing-Main (0.4MM)



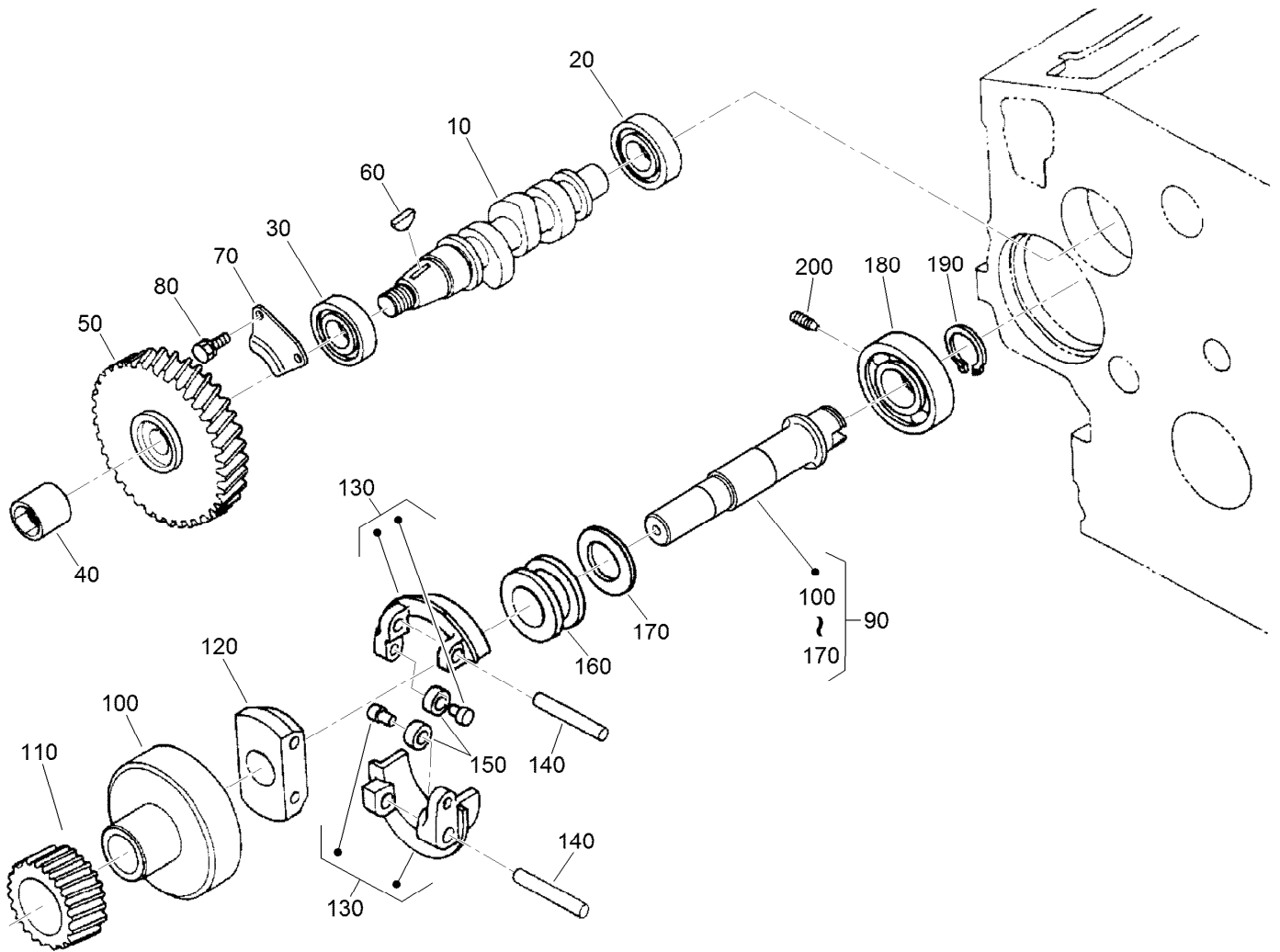
Camshaft and Idle Gear Shaft Assembly

Ref.	Part Number	Qty.	Description
10	112-0185	6	Tappet
20	127-0421	6	Rod-Push
30	130-1545	1	Camshaft ASM
40	110-3729	1	Ball
50	98-9512	1	Gear-Cam
60	98-9378	1	Key-Feather
70	98-9510	1	Stopper-Camshaft
80	98-7692	2	Bolt
90	117-7584	1	Idler Gear ASM
100	117-7585	1	Bushing-Gear, Idle
110	98-9535	1	Collar-Gear, Idle
120	98-9536	1	Collar-Gear, Idle
130	98-9534	1	Circlip-Gear, Idle
140	98-9533	1	Shaft-Gear, Idle
150	98-7692	3	Bolt



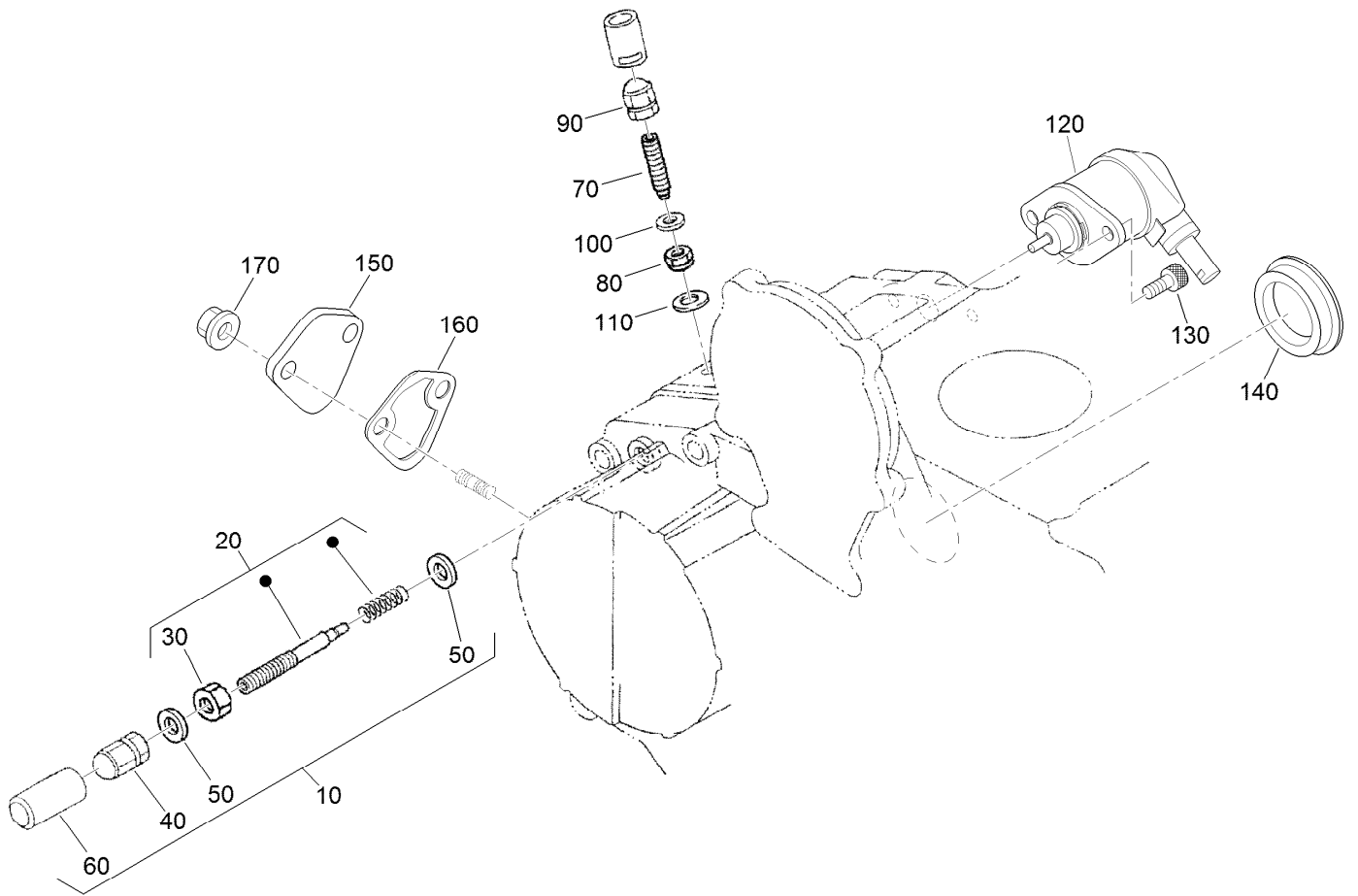
Piston and Crankshaft Assembly

Ref.	Part Number	Qty.	Description	Ref.	Part Number	Qty.	Description
10	130-1546	3	Piston (STD)	160	105-3783	1	O-Ring
10	130-1549	3	Piston (+0.50MM)	170	112-7005	1	Bearing-Main (STD)
20	130-1506	3	Piston Ring ASM (STD)	170	98-9528	1	Bearing-Main (-0.2MM)
20	130-1507	3	Piston Ring ASM (+0.50MM)	170	130-1274	1	Metal-Crankshaft (-0.40Mm)
30	98-9513	3	Pin-Piston	200	98-9413	2	Bearing-Thrust (STD)
40	98-9514	6	Circlip-Pin, Piston	200	127-0416	2	Metal-Side (+0.2Mm)
50	117-7586	3	Connecting Rod ASM	200	127-0417	2	Metal-Side (+0.40Mm)
60	115-3014	3	Bushing-Pin, Piston	210	98-9688	2	Bearing-Thrust (STD)
70	98-9517	6	Bolt-Rod, Connecting	210	127-0437	2	Metal-Side (+0.2MM)
80	98-9553	3	Bearing-Rod (STD)	210	127-0438	2	Metal-Side (+0.40MM)
80	117-7587	3	Metal-Crankpin (-0.2MM)	220	130-1547	3	Piston Kit
80	117-7588	3	Metal-Crankpin (-0.4MM)	220	130-1548	3	Piston Kit
90	130-1375	1	Crankshaft ASM	230	130-1501	1	Engine Metal Kit (STD)
110	117-7561	1	Gear-Crankshaft	230	130-1498	1	Engine Metal Kit (-0.20Mm/+0.20Mm)
120	98-9666	1	Key	230	130-1499	1	Engine Metal Kit (-0.40Mm/+0.40Mm)
130	127-0445	1	Gear-Drive, Oil Pump				
140	98-9522	1	Sleeve-Crankshaft				
150	127-0444	1	Collar-Crankshaft				



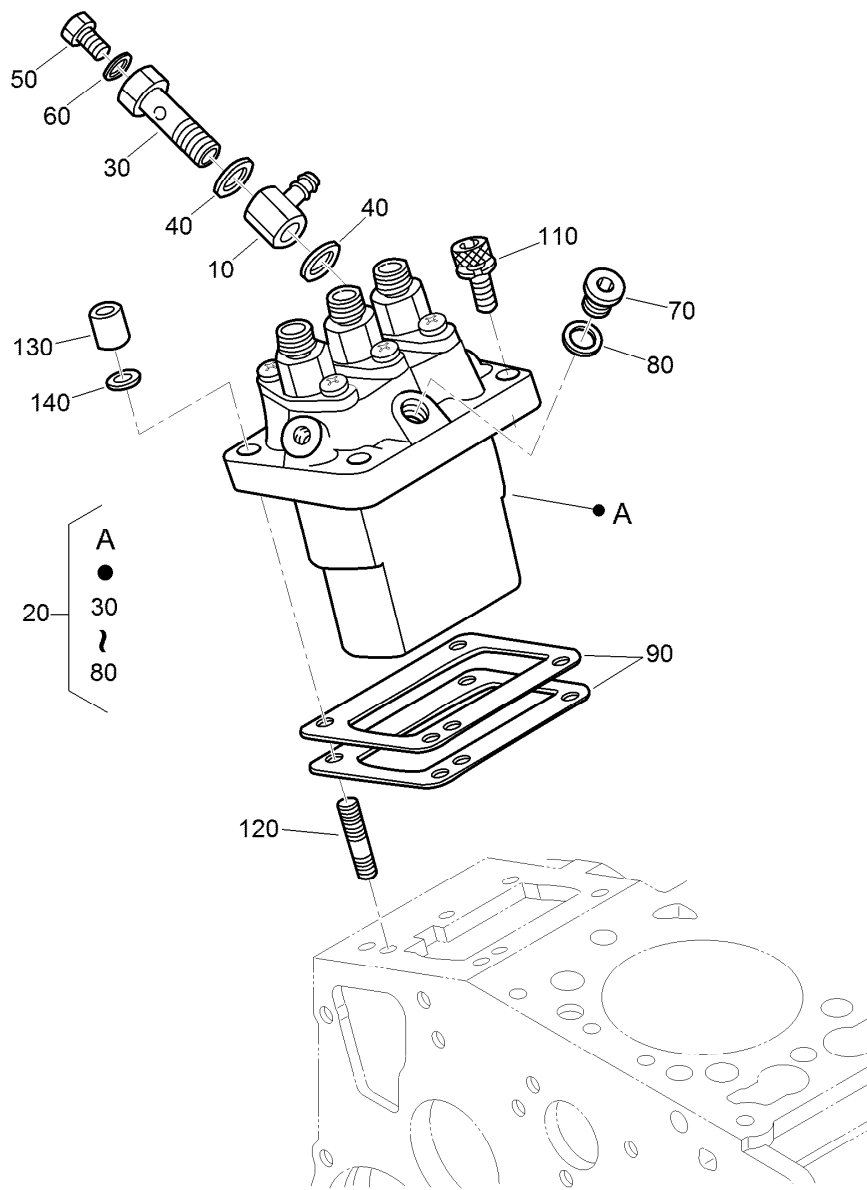
Fuel Camshaft and Governor Shaft Assembly

<i>Ref.</i>	<i>Part Number</i>	<i>Qty.</i>	<i>Description</i>	<i>Ref.</i>	<i>Part Number</i>	<i>Qty.</i>	<i>Description</i>
10	98-9459	1	Camshaft-Fuel	110	98-9673	1	Gear-Governor
20	107-9077	1	Bearing-Ball	120	98-9561	1	Holder-Weight, Governor
30	107-9078	1	Bearing-Ball	130	130-1240	2	Governor Weight ASM
40	130-1512	1	Nut	140	98-9560	2	Shaft-Weight, Governor
50	120-2562	1	Gear-Pump, Injection	150	98-9692	2	Roller
60	98-9595	1	Key-Woodruff	160	98-9563	1	Sleeve-Governor
70	98-9511	1	Stopper-Fuel, Camshaft	170	98-9564	1	Washer-Thrust
80	98-7692	2	Bolt	180	107-9079	1	Bearing-Ball
90	130-1255	1	Governor Shaft ASM	190	98-9657	1	Circlip-Shaft, Governor
100	98-9562	1	Holder-Gear, Governor	200	98-9565	1	Screw-Set



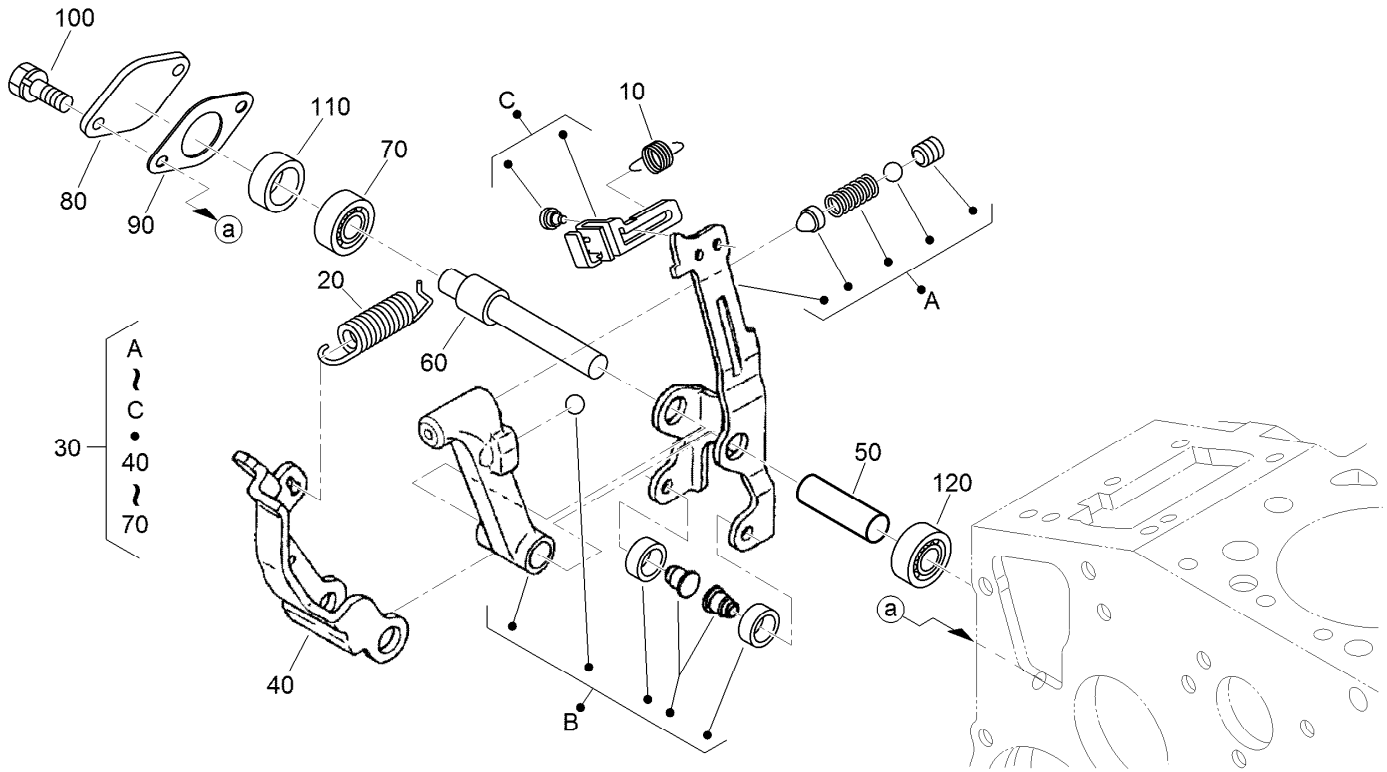
Idle Apparatus and Stop Solenoid Assembly

<i>Ref.</i>	<i>Part Number</i>	<i>Qty.</i>	<i>Description</i>	<i>Ref.</i>	<i>Part Number</i>	<i>Qty.</i>	<i>Description</i>
10	98-9678	1	Idle Apparatus ASM	100	98-7654	1	Gasket
20	112-7014	1	Adjusting Bolt ASM	110	107-9081	1	Gasket
30	98-9439	1	Nut	120	104-5155	1	Solenoid-Stop
40	112-0181	1	Nut	130	130-1155	2	Screw-HSH
50	98-7654	2	Gasket	140	112-7016	1	Cover-Pump
60	98-7656	1	Cap	150	99-3514	1	Cover
70	112-7015	1	Bolt-Adjusting	160	117-7562	1	Gasket-Pump, Fuel
80	100-2175	1	Nut-Lock	170	100-2203	2	Nut-Flange
90	112-0181	1	Nut				



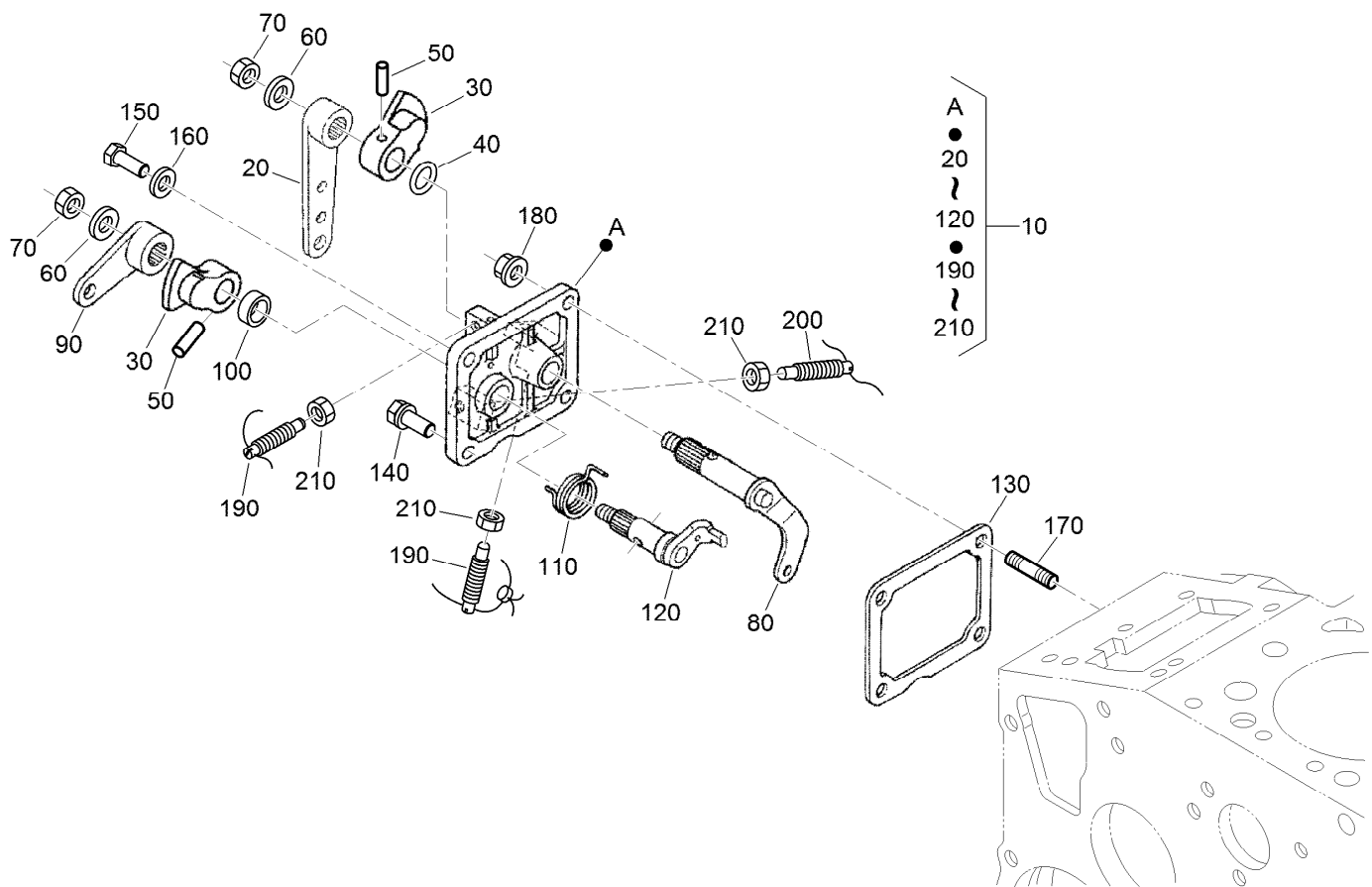
Injection Pump Assembly

<i>Ref.</i>	<i>Part Number</i>	<i>Qty.</i>	<i>Description</i>	<i>Ref.</i>	<i>Part Number</i>	<i>Qty.</i>	<i>Description</i>
10	98-9596	1	Joint-Eye	90	98-9457	1	Shim-Injection (0.25MM)
20	98-9643	1	Injection Pump ASM	90	98-9458	1	Shim-Injection (0.30MM)
30	98-9464	1	Bolt-Joint	90	115-3046	1	Shim-Injection (0.35MM)
40	98-9445	2	Gasket	90	115-3045	1	Shim-Injection (0.175MM)
50	98-9430	1	Screw	110	117-7564	2	Bolt-Hex Soc HD
60	98-9446	1	Gasket	120	98-9438	2	Stud
70	98-9466	1	Plug	130	98-9440	2	Nut-Cap
80	98-9451	1	Gasket	140	98-7699	2	Washer-Spring
90	98-9456	1	Shim-Injection (0.20MM)				



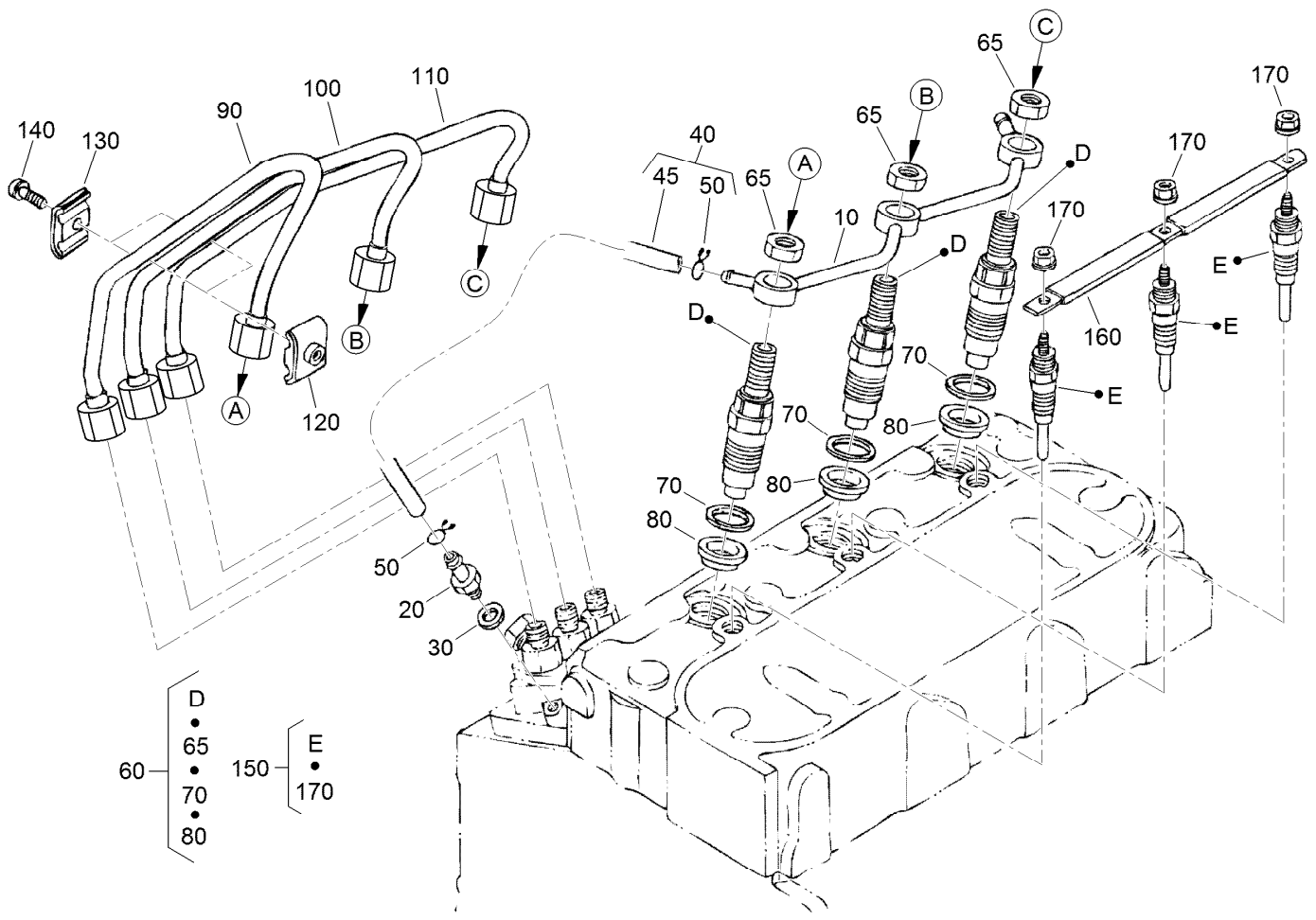
Governor Assembly

Ref.	Part Number	Qty.	Description
10	105-3786	1	Spring-Start
20	98-9681	1	Spring-Governor
30	115-4502	1	Fork Lever ASM
40	107-9084	1	Lever-Fork
50	107-9085	1	Shaft-Lever, Fork
60	107-9086	1	Shaft-Lever, Fork
70	98-9570	1	Bearing-Miniaturize
80	115-4122	1	Cover-Shaft, Fork Lever
90	98-9682	1	Gasket
100	98-9350	2	Bolt
110	98-9567	1	Collar
120	98-9571	1	Bearing-Miniaturize



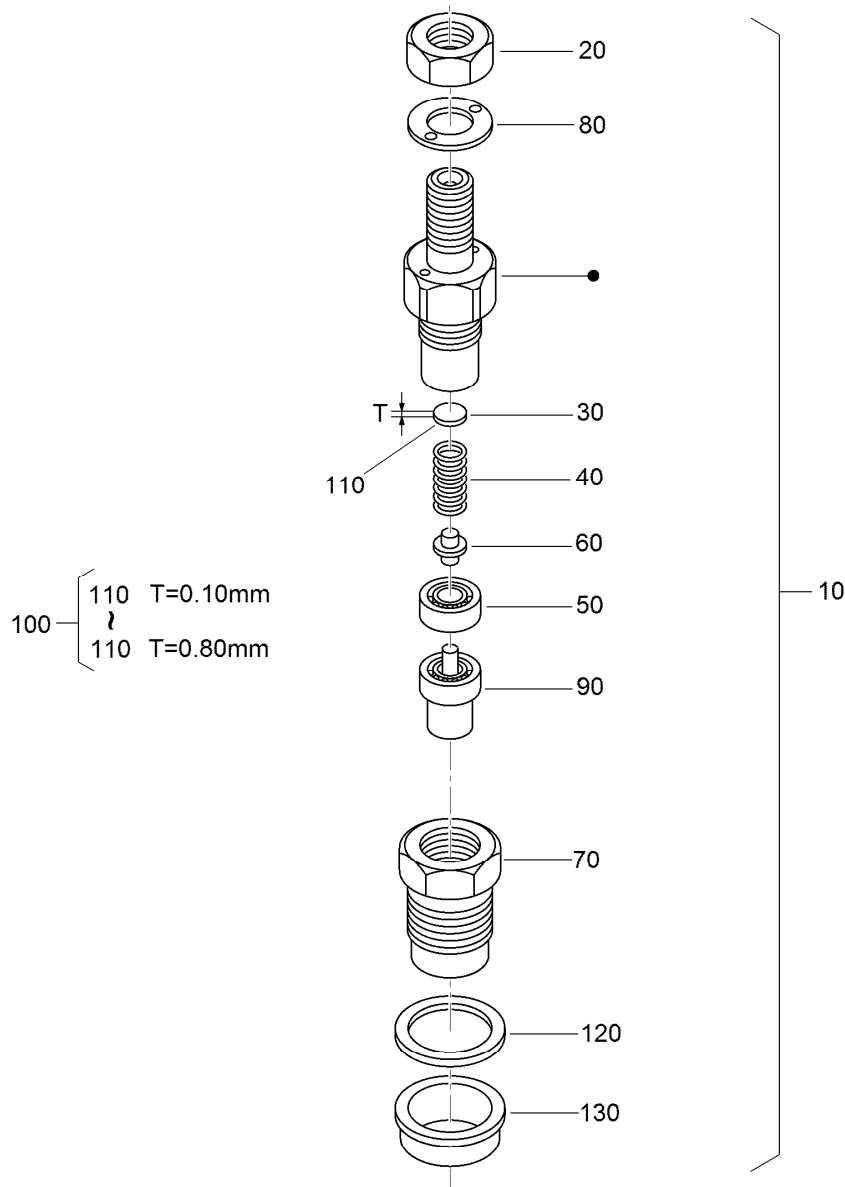
Speed Control Plate Assembly

<i>Ref.</i>	<i>Part Number</i>	<i>Qty.</i>	<i>Description</i>	<i>Ref.</i>	<i>Part Number</i>	<i>Qty.</i>	<i>Description</i>
10	105-3735	1	Control Plate ASM	120	98-9664	1	Shaft-Lever, Stop
20	98-9662	1	Lever-Control, Speed	130	98-9637	1	Gasket
30	98-9572	2	Lever-Control, Speed	140	98-7692	1	Bolt
40	105-3788	1	O-Ring	150	127-0401	1	Bolt-Hex
50	98-7602	2	Pin-Spring	160	98-7654	1	Gasket
60	98-9594	2	Washer-Plain	170	105-3710	2	Stud
70	98-9589	2	Nut	180	100-2203	2	Nut-Flange
80	98-9658	1	Governor Lever ASM	190	117-7565	2	Bolt-Adjusting
90	98-9663	1	Lever-Stop, Engine	200	117-7566	1	Bolt-Adjusting
100	98-7601	1	Seal-Oil	210	98-7572	3	Nut
110	98-9472	1	Spring-Return				



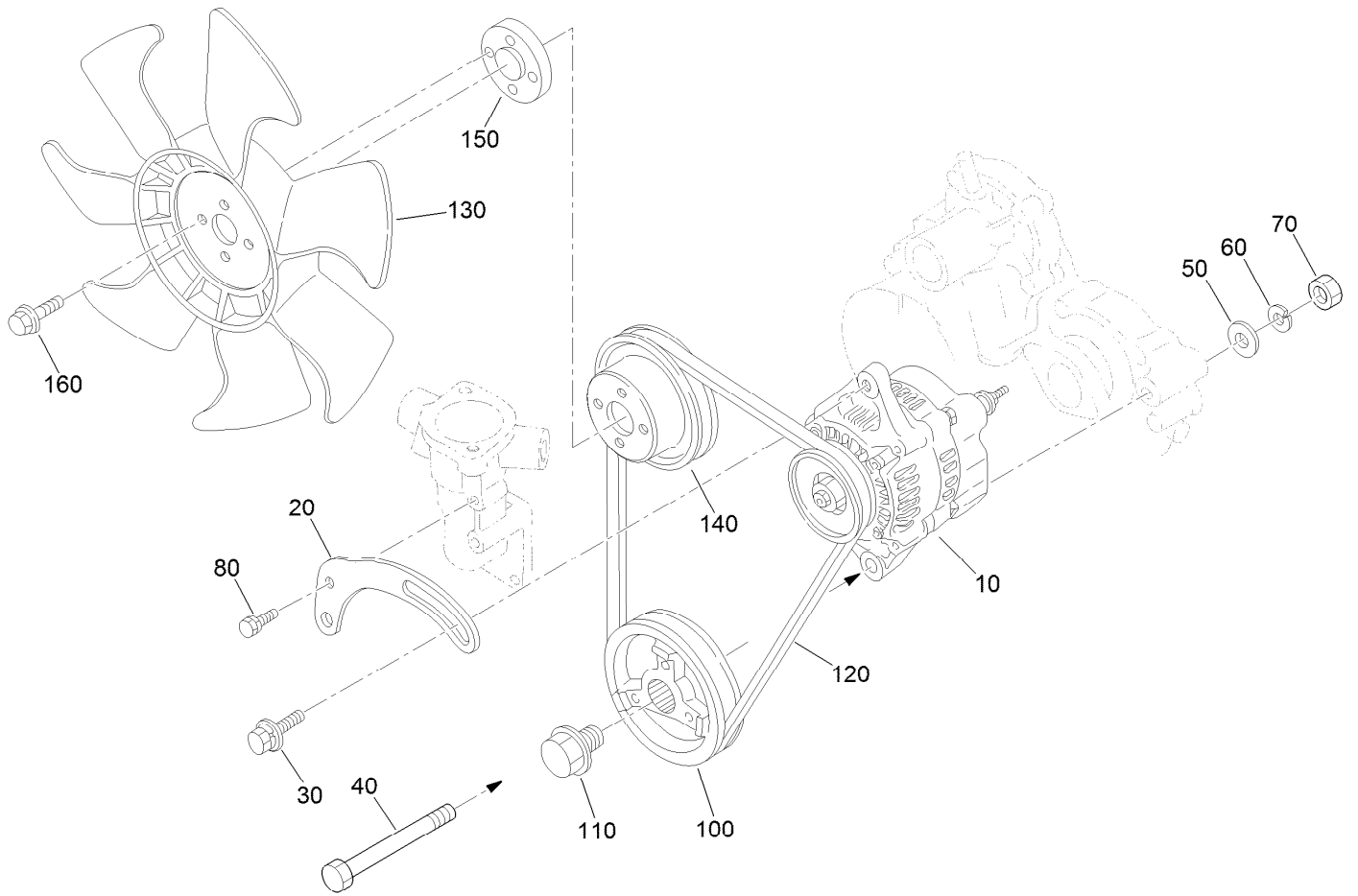
Nozzle Holder and Glow Plug Assembly

<i>Ref.</i>	<i>Part Number</i>	<i>Qty.</i>	<i>Description</i>	<i>Ref.</i>	<i>Part Number</i>	<i>Qty.</i>	<i>Description</i>
10	98-9620	1	Overflow Pipe ASM	90	98-9622	1	Pipe-Injection
20	98-9431	1	Screw-Bleeder, Air	100	98-9654	1	Pipe-Injection
30	98-7654	1	Gasket	110	98-9655	1	Pipe-Injection
40	98-9420	1	Overflow Pipe ASM	120	98-7682	2	Clamp-Pipe
45	112-0182	1	Pipe-Overflow	130	98-7683	2	Clamp-Pipe
50	98-7671	2	Clip-Pipe	140	98-7684	2	Screw (W/Washer)
60	130-1410	3	Nozzle Holder Kit	150	130-1411	3	Plug-Glow
65	121-2411	3	Nut	160	98-9631	1	Cord-Plug, Glow
70	98-7676	3	Gasket	170	99-8377	3	Nut-Flange
80	98-7677	3	Seal-Heat				



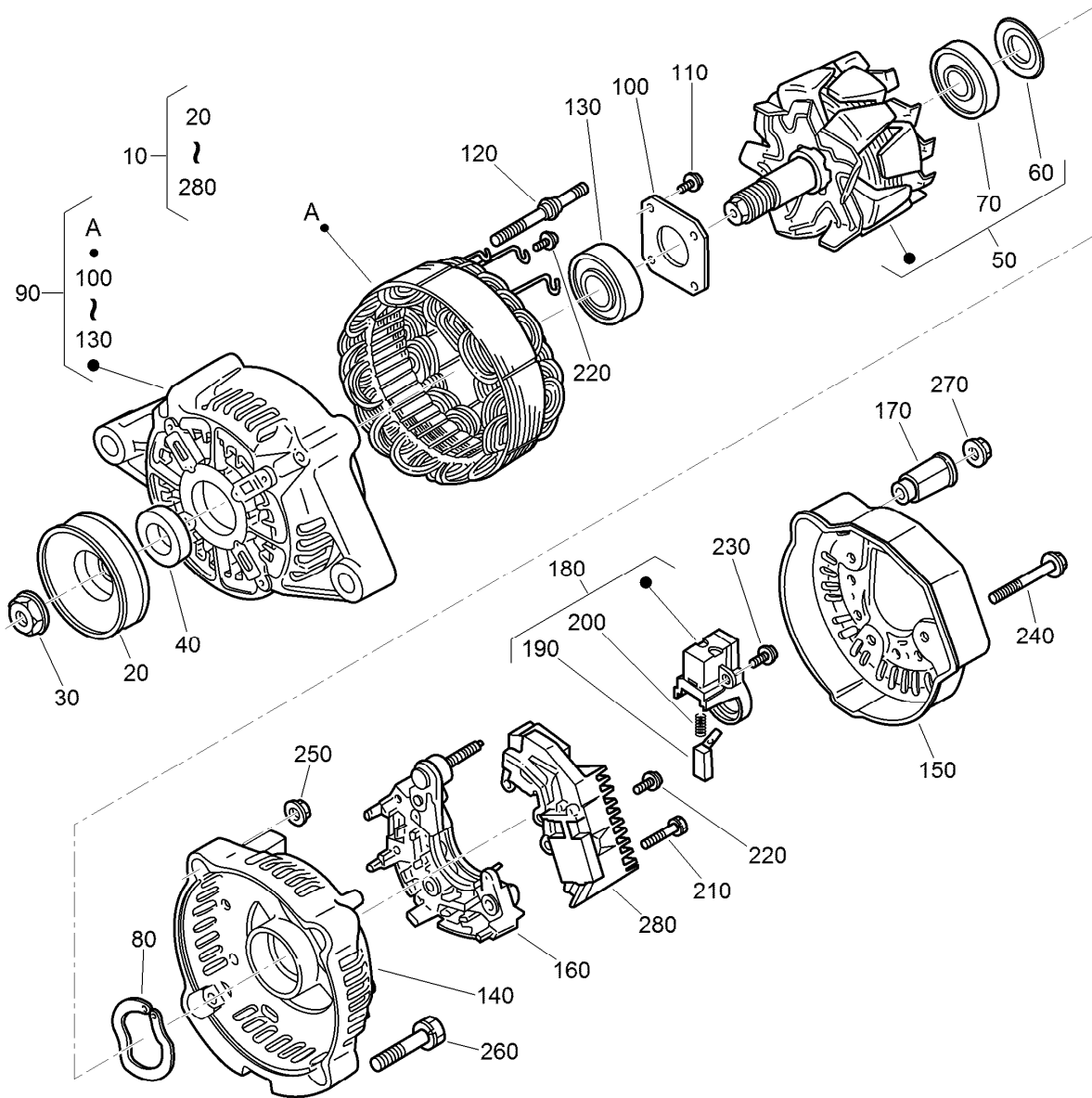
Nozzle Holder Assembly

Ref.	Part Number	Qty.	Description	Ref.	Part Number	Qty.	Description
10	130-1410	3	Nozzle Holder Kit	110	99-8311	3	Washer-Adjust (0.20MM)
20	121-2411	3	Nut	110	99-8312	3	Washer-Adjust (0.30MM)
30	99-8302	3	Washer-Adjusting	110	99-8313	3	Washer-Adjust (0.40MM)
40	99-8303	3	Spring-Nozzle	110	99-8314	3	Washer-Adjust (0.50MM)
50	99-8304	3	Spacer-Distance	110	99-8315	3	Washer-Adjust (0.52MM)
60	99-8305	3	Rod-Push	110	99-8316	3	Washer-Adjust (0.54MM)
70	99-8306	3	Nut-Nozzle	110	99-8317	3	Washer-Adjust (0.56MM)
80	99-8307	3	Washer-Plain	110	99-8318	3	Washer-Adjust (0.58MM)
90	115-3020	3	Piece-Nozzle	110	99-8319	3	Washer-Adjust (0.80MM)
100	99-8309	3	Adjusting Washer ASM	120	98-7676	3	Gasket
110	99-8310	3	Washer-Adjust (0.10MM)	130	98-7677	3	Seal-Heat



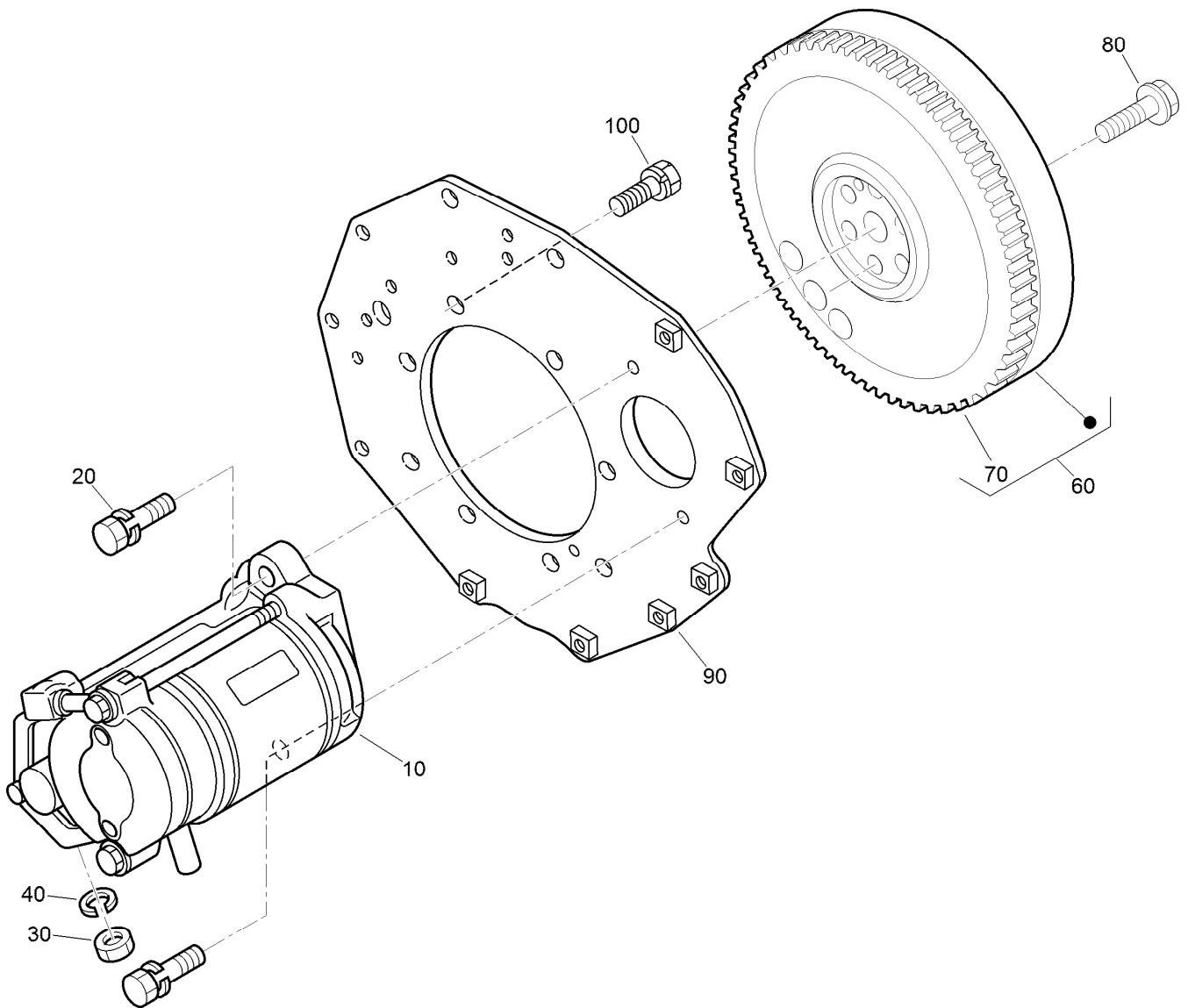
Alternator, Pulley and Fan Assembly

<i>Ref.</i>	<i>Part Number</i>	<i>Qty.</i>	<i>Description</i>
10	98-9474	1	Alternator ASM
20	112-7047	1	Stay-Dynamo
30	108-7088	1	Bolt
40	98-9360	1	Bolt
50	98-9366	1	Washer-Plain
60	98-7738	1	Washer-Spring
70	98-7737	1	Nut
80	98-7692	1	Bolt
100	98-9473	1	Pulley-Drive, Fan
110	98-9585	1	Bolt
120	104-3494	1	Belt-V
130	104-4246	1	Fan-Engine
140	130-1567	1	Pulley-Fan
150	108-2872	1	Collar-Fan
160	108-2873	4	Bolt-Flange



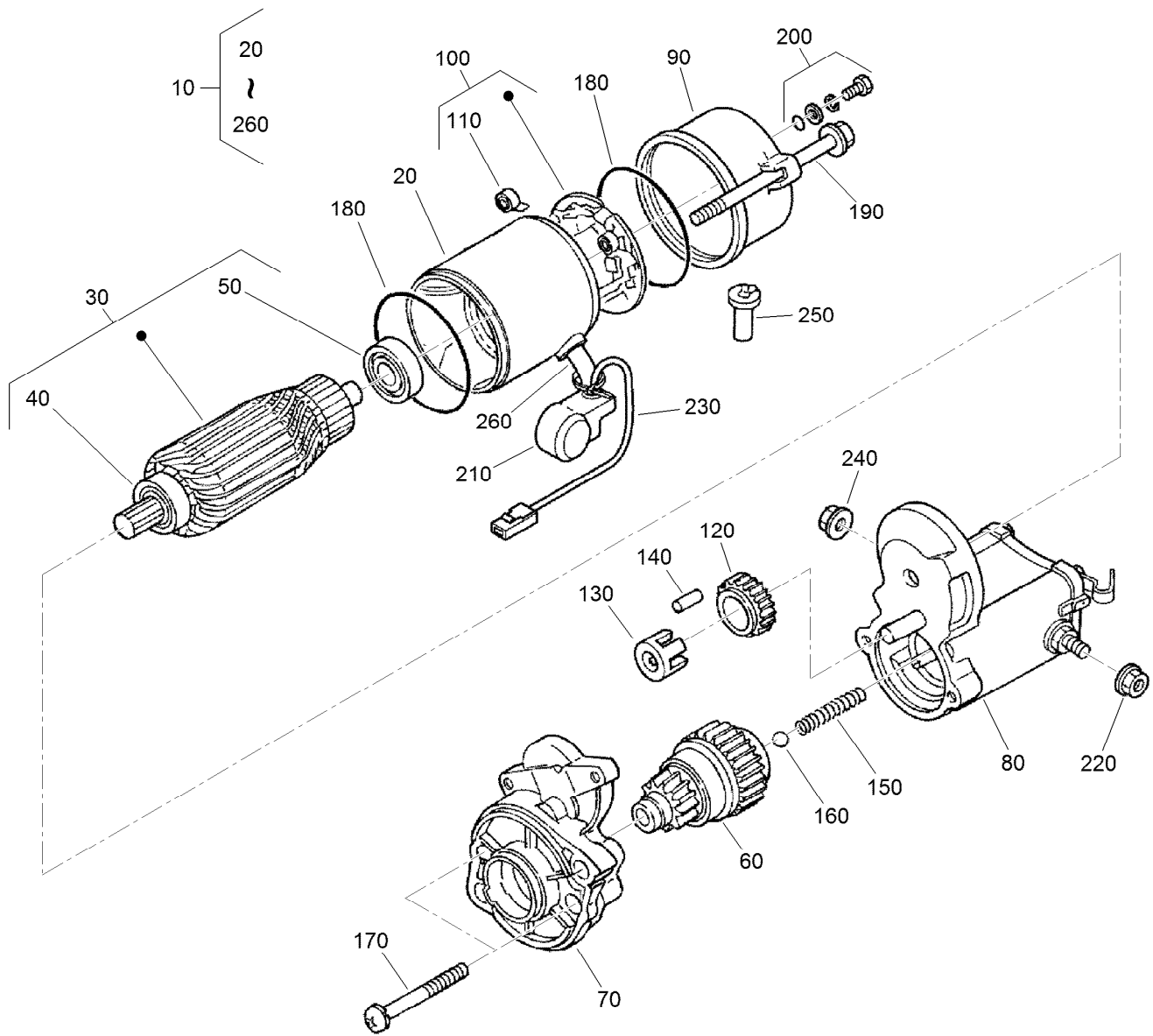
Alternator Components Assembly

Ref.	Part Number	Qty.	Description	Ref.	Part Number	Qty.	Description
10	98-9474	1	Alternator ASM	150	107-0140	1	Cover-End
20	98-9453	1	Pulley-Dynamo	160	127-1612	1	Rectifier ASM
30	98-7708	1	Nut	170	98-7722	1	Bushing-Insulation
40	98-7709	1	Collar	180	107-0141	1	Brush Holder ASM
50	107-0136	1	Rotor ASM	190	98-7724	2	Brush
60	98-7711	1	Cover-Bearing	200	98-7725	2	Spring-Brush
70	107-0138	1	Bearing-Ball	210	98-7726	2	Screw-Head, Round
80	98-7713	1	Washer-Thrust	220	98-7727	6	Screw-Head, Round
90	107-0139	1	Drive End Frame ASM	230	98-7728	1	Screw-Head, Round
100	98-7715	1	Plate-Retainer	240	98-7729	3	Bolt
110	98-7716	4	Screw-Head, Round	250	98-7730	2	Nut
120	98-7717	2	Bolt-Through	260	98-7731	2	Bolt
130	107-0137	1	Bearing-Ball	270	98-7732	1	Nut
140	107-9087	1	Frame-End	280	110-3799	1	Regulator ASM



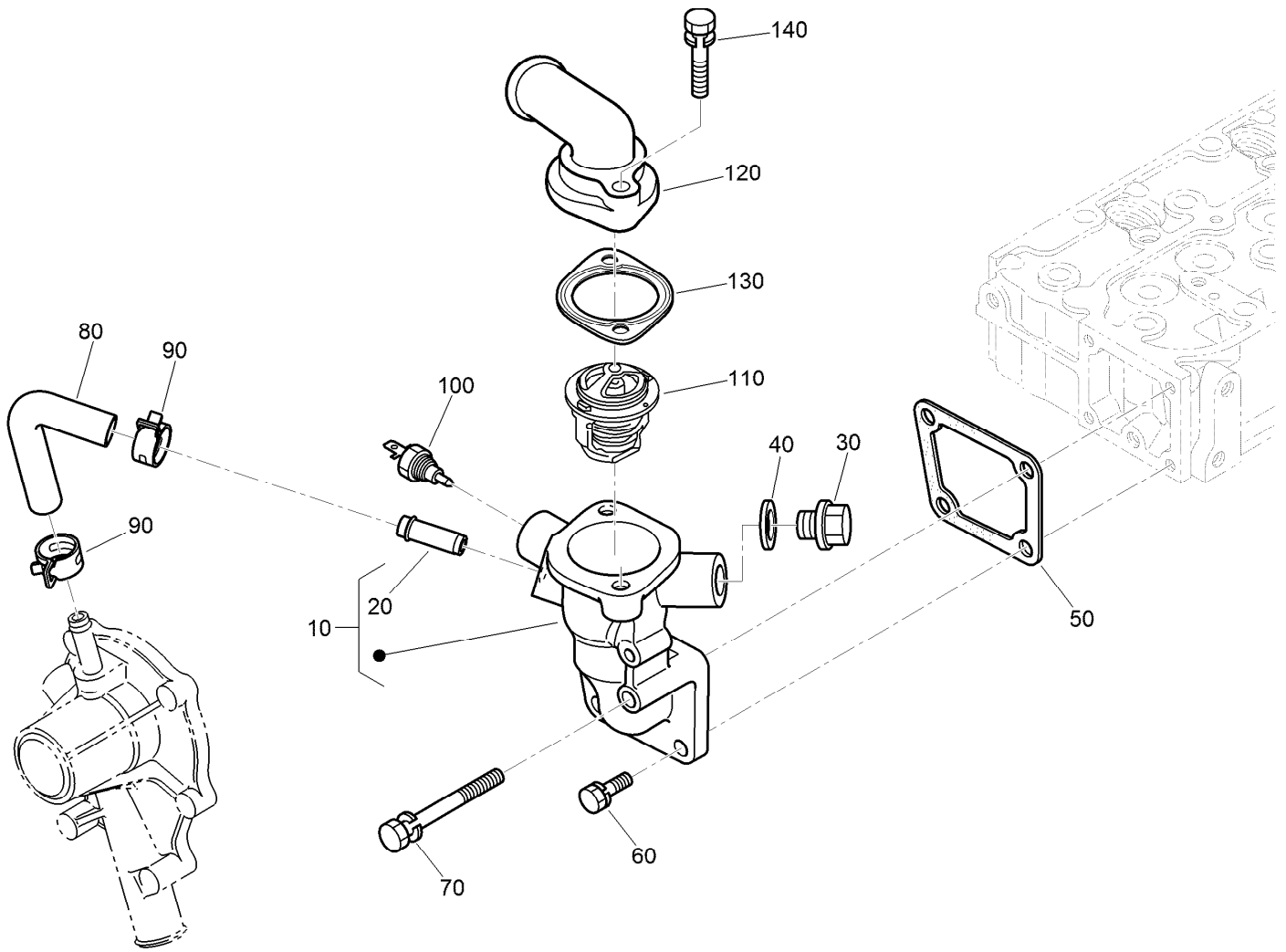
Starter and Flywheel Assembly

Ref.	Part Number	Qty.	Description
10	98-9705	1	Starter ASM
20	98-7697	2	Bolt
30	98-7739	1	Nut
40	105-2893	1	Washer-Spring
60	105-3784	1	Flywheel ASM
70	115-3015	1	Gear-Ring
80	98-9537	6	Bolt-Flywheel
90	98-9486	1	Plate-End, Rear
100	98-9392	8	Bolt



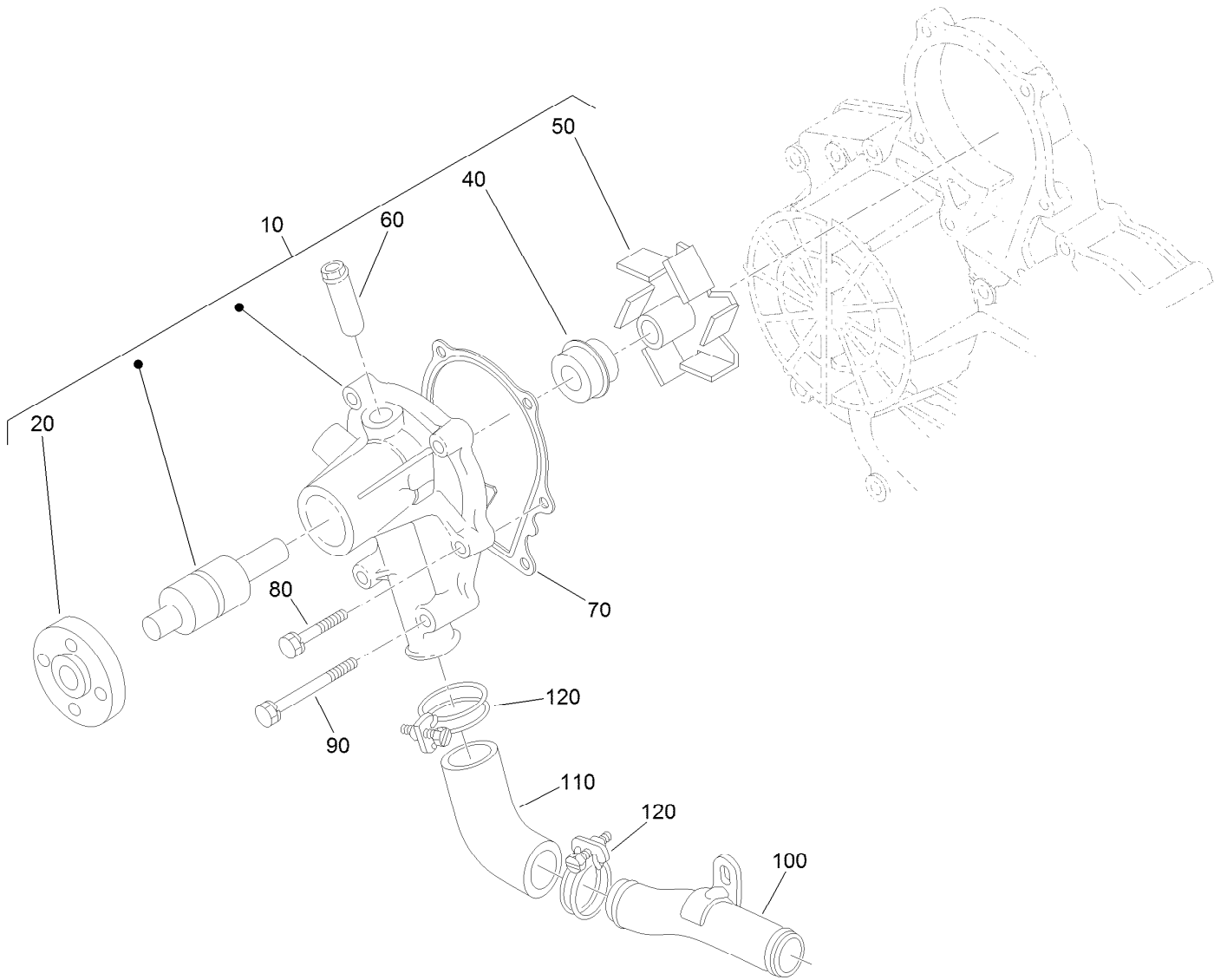
Starter Component Assembly

<i>Ref.</i>	<i>Part Number</i>	<i>Qty.</i>	<i>Description</i>	<i>Ref.</i>	<i>Part Number</i>	<i>Qty.</i>	<i>Description</i>
10	98-9705	1	Starter ASM	140	98-7753	5	Roller
20	104-8608	1	Yoke ASM	150	98-7754	1	Spring
30	98-7742	1	Armature ASM	160	98-7755	1	Ball
40	98-7744	1	Bearing	170	98-7756	2	Bolt
50	98-7743	1	Bearing	180	98-7757	2	O-Ring
60	99-8373	1	Clutch-Running, Over	190	100-9240	2	Bolt
70	99-8374	1	Frame-End, Drive	200	98-7758	2	Bolt ASM
80	105-3746	1	Magnetic Switch ASM	210	99-8375	1	Cover
90	98-7748	1	Frame-End	220	99-8371	1	Nut-Hex
100	98-7749	1	Brush Holder ASM	230	98-9711	1	Cord-Solenoid, Stop
110	98-7750	4	Spring-Brush	240	99-8376	1	Nut-Hex
120	98-7751	1	Gear	250	98-7759	1	Pipe-Drain
130	98-7752	1	Retainer	260	98-9712	1	Band-Cover



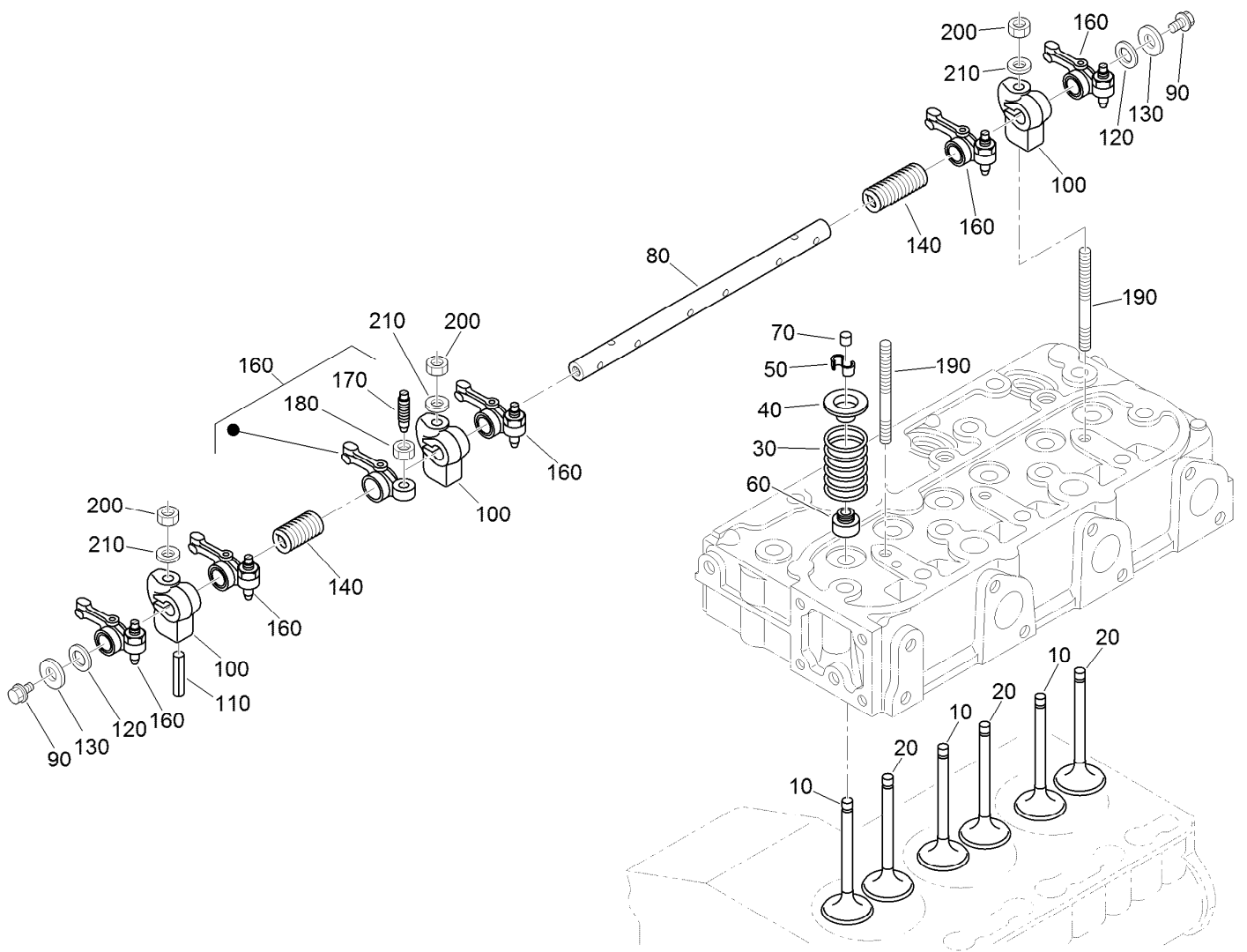
Water Flange and Thermostat Assembly

<i>Ref.</i>	<i>Part Number</i>	<i>Qty.</i>	<i>Description</i>
10	98-9713	1	Water Flange ASM
20	98-9580	1	Pipe-Return, Water
30	105-3747	1	Plug
40	99-3583	1	Gasket
50	98-9638	1	Gasket-Flange, Water
60	98-7692	3	Bolt
70	98-9356	1	Bolt
80	98-9578	1	Pipe-Return, Water
90	125-9078	2	Clamp-Hose
100	98-9719	1	Thermoswitch
110	98-7778	1	Thermostat ASM
120	104-4804	1	Outlet-Water
130	105-3748	1	Gasket-Thermostat
140	98-7777	2	Bolt



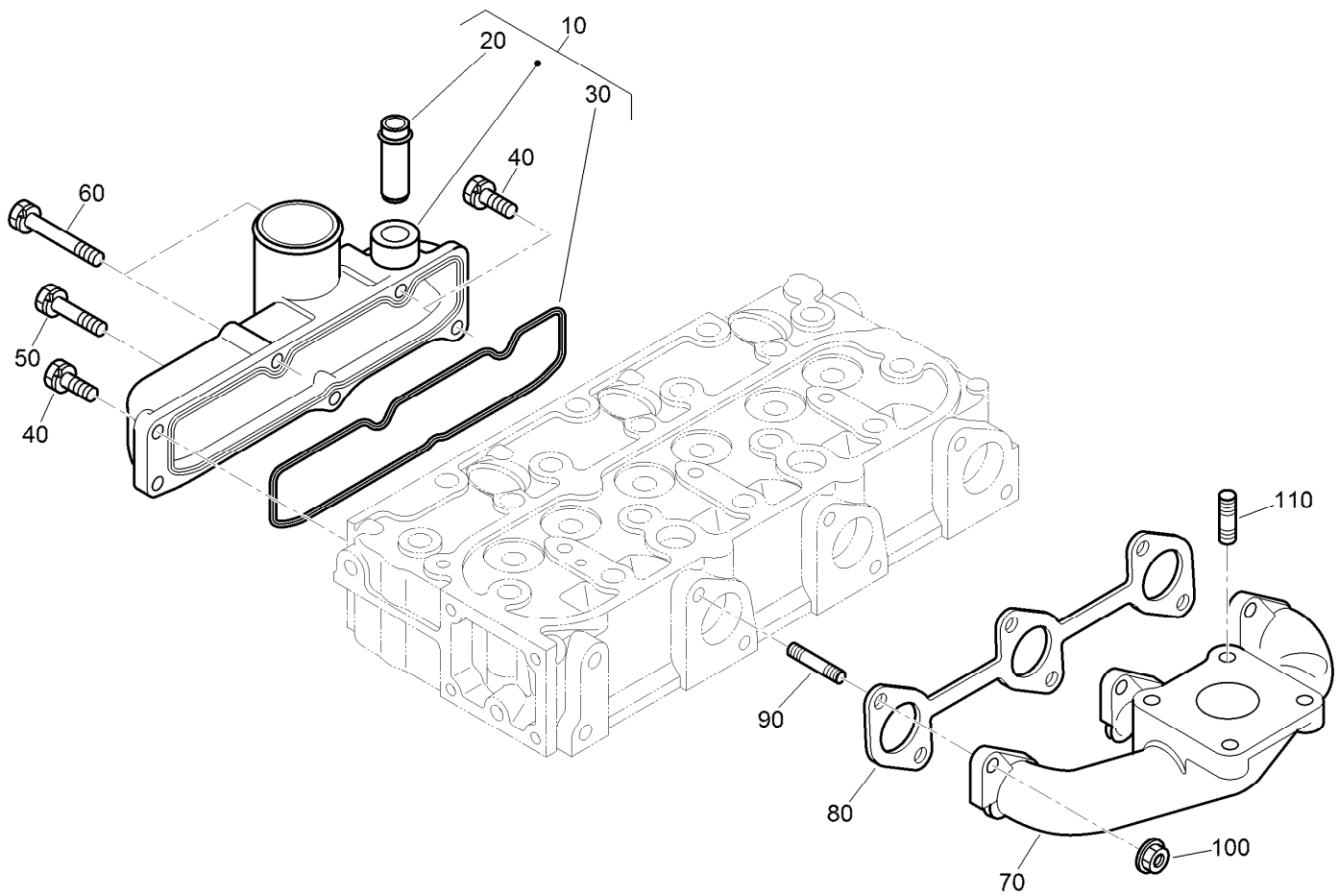
Water Pump Assembly

Ref.	Part Number	Qty.	Description
10	107-9089	1	Water Pump ASM
20	99-3516	1	Flange-Pump, Water
40	105-3750	1	Mechanical Seal ASM
50	112-7017	1	Impeller-Pump, Water
60	100-1932	1	Pipe-Return, Water
70	99-3454	1	Gasket-Pump, Water
80	98-9353	4	Bolt
90	107-9090	2	Bolt
100	98-9716	1	Pipe-Water
110	107-9091	1	Pipe-Water
120	127-0439	2	Clamp-Hose



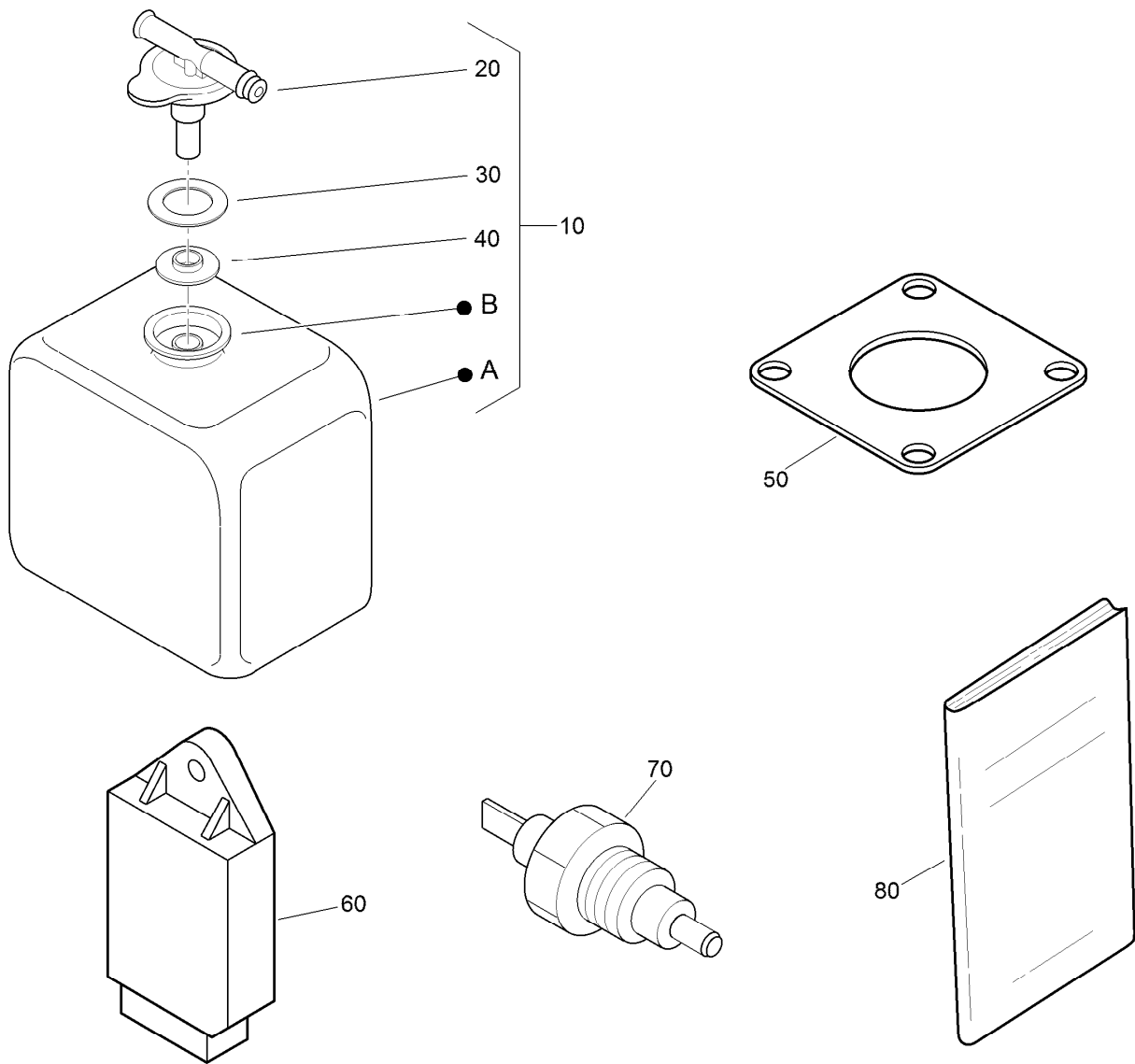
Valve and Rocker Arm Assembly

<i>Ref.</i>	<i>Part Number</i>	<i>Qty.</i>	<i>Description</i>	<i>Ref.</i>	<i>Part Number</i>	<i>Qty.</i>	<i>Description</i>
10	112-7018	3	Valve-Inlet	110	105-3758	1	Pin-Spring
20	120-2564	3	Valve-Exhaust	120	98-9507	2	Washer-Shaft, Rocker Arm
30	98-9648	6	Spring-Valve	130	110-3832	2	Washer-Plain
40	107-9092	6	Retainer-Spring	140	98-9504	2	Spring-Arm, Rocker
50	117-7572	6	Collet-Spring, Valve	160	112-7020	6	Rocker Arm ASM
60	99-8385	6	Seal-Stem, Valve	170	98-9502	6	Screw-Adjusting
70	98-9497	6	Cap-Valve	180	98-9503	6	Nut
80	130-1248	1	Shaft-Arm, Rocker	190	98-9506	3	Stud
90	99-8363	2	Bolt-Flange	200	98-9393	3	Nut
100	98-9505	3	Bracket-Arm, Rocker	210	98-9385	3	Washer-Flat



Inlet and Exhaust Manifold Assembly

<i>Ref.</i>	<i>Part Number</i>	<i>Qty.</i>	<i>Description</i>
10	107-7843	1	Manifold Inlet ASM
20	98-9492	1	Joint-Pipe, Breather
30	98-9609	1	Gasket-Manifold, Inlet
40	127-0403	3	Bolt-Flange
50	98-9353	1	Bolt
60	125-9063	2	Bolt-Sems
70	107-9093	1	Manifold-Exhaust
80	99-8327	1	Gasket-Manifold, Exhaust
90	98-9588	6	Stud
100	98-9665	6	Nut
110	98-7769	4	Stud



Miscellaneous Engine Parts

<i>Ref.</i>	<i>Part Number</i>	<i>Qty.</i>	<i>Description</i>
10	104-9318	1	Bottle-Overflow
20	115-4132	1	Cap
30	105-3755	1	Gasket
40	105-3756	1	Plate
50	99-8343	1	Gasket-Muffler
60	98-7611	1	Controller-Glow
70	106-7772	1	Thermoswitch
80	130-1543	1	Manual-Operator

Attachments and Accessories

For 03910 Reelmaster 3550 Traction Unit

Product Name	Model/Part
18in, 8-Blade DPA Cutting Unit	03480
18in, 11-Blade DPA Cutting Unit	03481
22in, 8-Blade DPA Cutting Unit	03482
22in, 11-Blade DPA Cutting Unit	03483
Premium All Season Hydraulic Fluid (55 Gallon Drum)	108-1177
Premium All Season Hydraulic Fluid (5 Gallon Pail)	108-1178
Premium All Purpose Grease (Tube)	108-1190
Gauge Bar Assembly	108-6715
Operator Fan Kit - US Sales Only, 3in ROPS Post	110-8804
Premium Synthetic Bio-Degradable Hydraulic Fluid (5 Gallon Pail)	119-2157
Premium Synthetic Bio-Degradable Hydraulic Fluid (55 Gallon Drum)	119-2158
Treaded 22-12x12 Tire Asm	121-7924
Brush and Handle Kit	29-9100
400-hour Filter Maintenance MVP Kit	30090
Bimini Sunshade for 2-Post Roll-Over Protection System	30358
Diagnostic Display Box	85-4750

Notes:

Notes:

Notes:



Count on it.