



Count on it.

Parts Catalog

Reelmaster® 3550

Traction Unit

Model No. 03910—Serial No. 316000001 and Up



Ordering Replacement Parts

To order replacement parts, please supply the part number, the quantity, and the description of each part desired.

Understanding Reference Numbers

Each identified part in an illustration has a reference number. The reference number for a part also appears in the parts list, along with other information about the part.

This catalog uses two special reference number formats, one to indicate parts in a service assembly and another to indicate the quantity of a given part in an illustration.

Service Assembly Reference Numbers

Parts in service assemblies have reference numbers in the form a:b. The a represents the reference number of the entire service assembly and the b represents a sequential number unique to each part within the service assembly.

For example, a wheel assembly might be identified by reference number 6, the tire by 6:1, the valve by 6:2, and the wheel by 6:3. When you order the assembly identified by reference number 6, you receive all parts identified by reference numbers 6:1, 6:2, and 6:3. However, you may also order any part individually. Reference numbers of this type appear in illustration and in parts lists.

Reference Numbers Indicating Quantity

In an illustration, if a reference number indicates more than one part, the reference number has the form nX y. The n represents the quantity of the part, the X is the multiplication symbol, and the y represents the reference number.

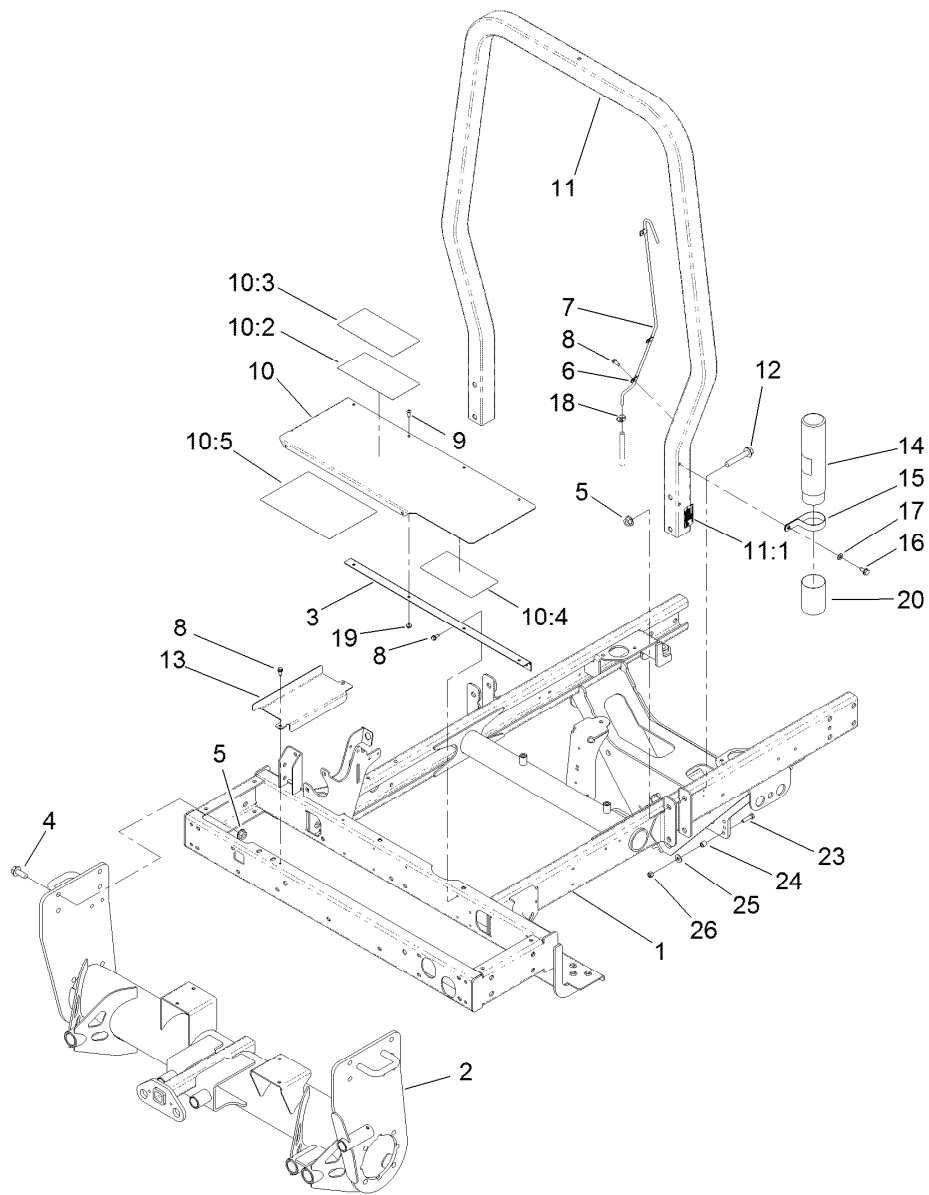
For example, in an illustration, the reference number 2X 37 means that two of the parts identified by reference number 37 are indicated.

Contents

| | |
|---|----|
| Frame Assembly | 5 |
| Engine Mount Assembly | 6 |
| Engine Muffler and Air Cleaner Assembly | 7 |
| Air Cleaner Assembly No. 93-2190 | 8 |
| Radiator and Oil Cooler Assembly | 9 |
| No. 1, No. 4 and No. 5 Lift Arm Assembly | 10 |
| Hydraulic Cylinder Assembly No. 119-6988 | 11 |
| Hydraulic Cylinder Assembly No. 120-9980 | 12 |
| No. 2 and No. 3 Lift Arm Assembly | 13 |
| Fuel Tank and Filter Assembly | 14 |
| Hydraulic Tank and Filter Assembly | 15 |
| Battery Assembly | 16 |
| Seat and Heat-Shield Assembly | 17 |
| Seat Assembly No. 116-3998 | 18 |
| Control Panel Assembly | 19 |
| Joystick Bracket Assembly No. 120-5280 | 20 |
| Parking Brake Assembly | 21 |
| Main Wire Harness Assembly | 22 |
| Steering Arm Assembly | 23 |
| Steering Valve Assembly No. 121-7856 | 24 |
| Front Shroud and Floorplate Assembly | 25 |
| Lamp Assembly No. 94-9024 | 26 |
| Traction Control Assembly | 27 |
| Hood and Screen Assembly | 28 |
| Wheel and Brake Assembly | 29 |
| Hydraulic Motor Assembly No. 110-8785 | 30 |
| Hydraulic Motor Assembly No. 110-8786 | 31 |
| Brake Assembly No. 104-7705 | 32 |
| Rear Fork and Casting Assembly | 33 |
| Steering Cylinder Assembly No. 121-7835 | 34 |
| Hydraulic Motor Assembly No. 95-8694 | 35 |
| Neutral Arm Assembly | 36 |
| Piston Pump and Gear Pump Assembly | 37 |
| Hydraulic Pump Assembly No. 104-4890 | 38 |
| Hydraulic Gear Pump Assembly No. 121-7841 | 40 |
| Traction Hydraulic Assembly | 41 |
| Lift Manifold and Steering Circuit Assembly | 42 |
| Lift Manifold Assembly No. 120-2057 | 44 |
| Front Mow Hydraulic Circuit Assembly | 46 |
| Mow Manifold Assembly No. 120-2058 | 48 |
| Hydraulic Reel Motor Assembly No. 120-2072 | 49 |
| Rear Hydraulic Mow Circuit Assembly | 50 |
| Crankcase Assembly | 52 |
| Oil Pan and Dipstick Assembly | 53 |
| Cylinder Head Assembly | 54 |
| Gear Case and Oil Filter Cartridge Assembly | 55 |
| Cylinder Head Cover Assembly | 56 |
| Main Bearing Case Assembly | 57 |
| Camshaft and Idle Gear Shaft Assembly | 58 |
| Piston and Crankshaft Assembly | 59 |
| Fuel Camshaft and Governor Shaft Assembly | 60 |
| Idle Apparatus and Stop Solenoid Assembly | 61 |
| Injection Pump Assembly | 62 |
| Governor Assembly | 63 |

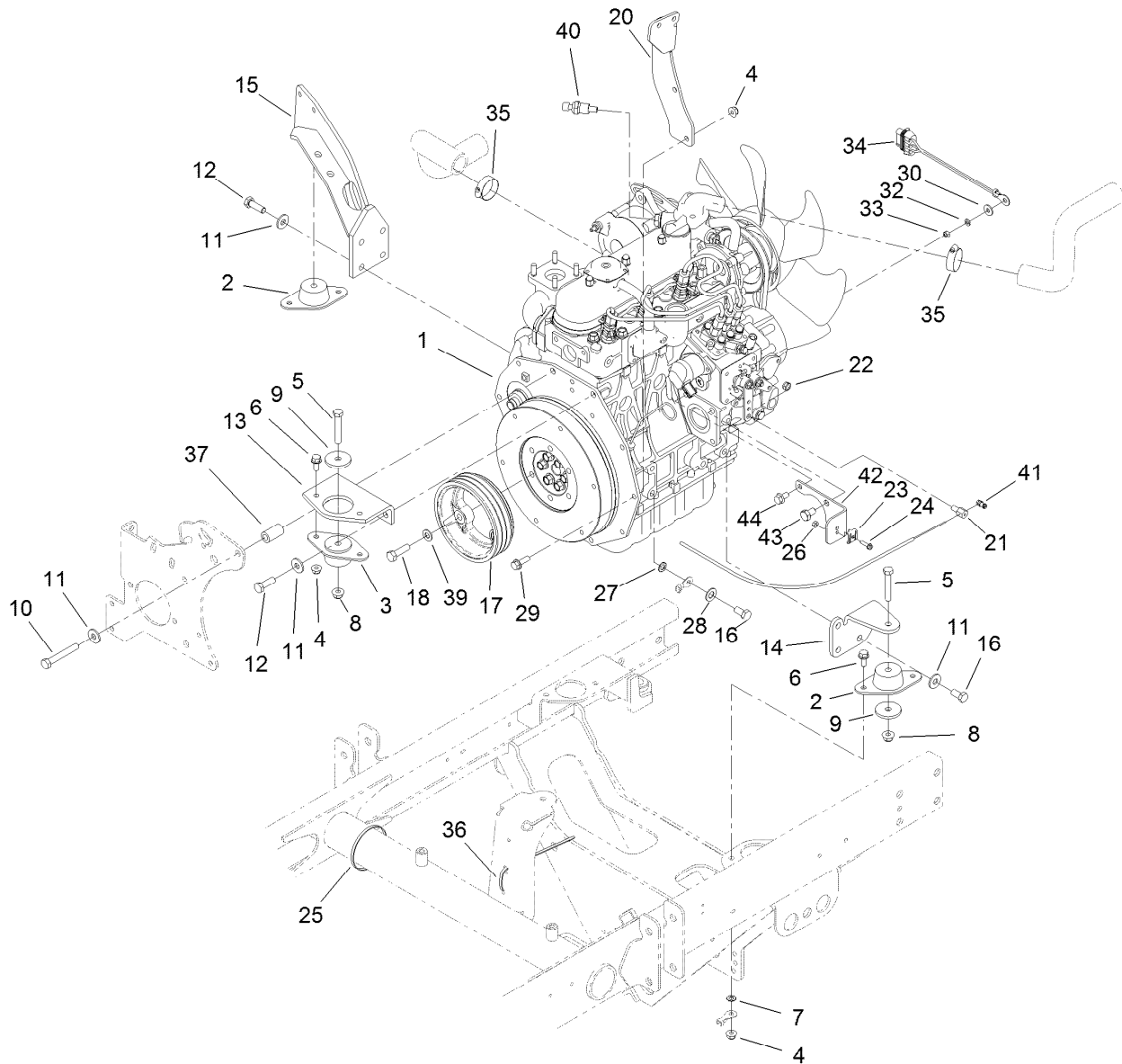
Contents (continued)

| | |
|--|----|
| Speed Control Plate Assembly | 64 |
| Nozzle Holder and Glow Plug Assembly | 65 |
| Nozzle Holder Assembly | 66 |
| Alternator, Pulley and Fan Assembly | 67 |
| Alternator Components Assembly | 68 |
| Starter and Flywheel Assembly | 69 |
| Starter Component Assembly | 70 |
| Water Flange and Thermostat Assembly | 71 |
| Water Pump Assembly | 72 |
| Valve and Rocker Arm Assembly | 73 |
| Inlet and Exhaust Manifold Assembly | 74 |
| Miscellaneous Engine Parts | 75 |
| Attachments and Accessories | 76 |



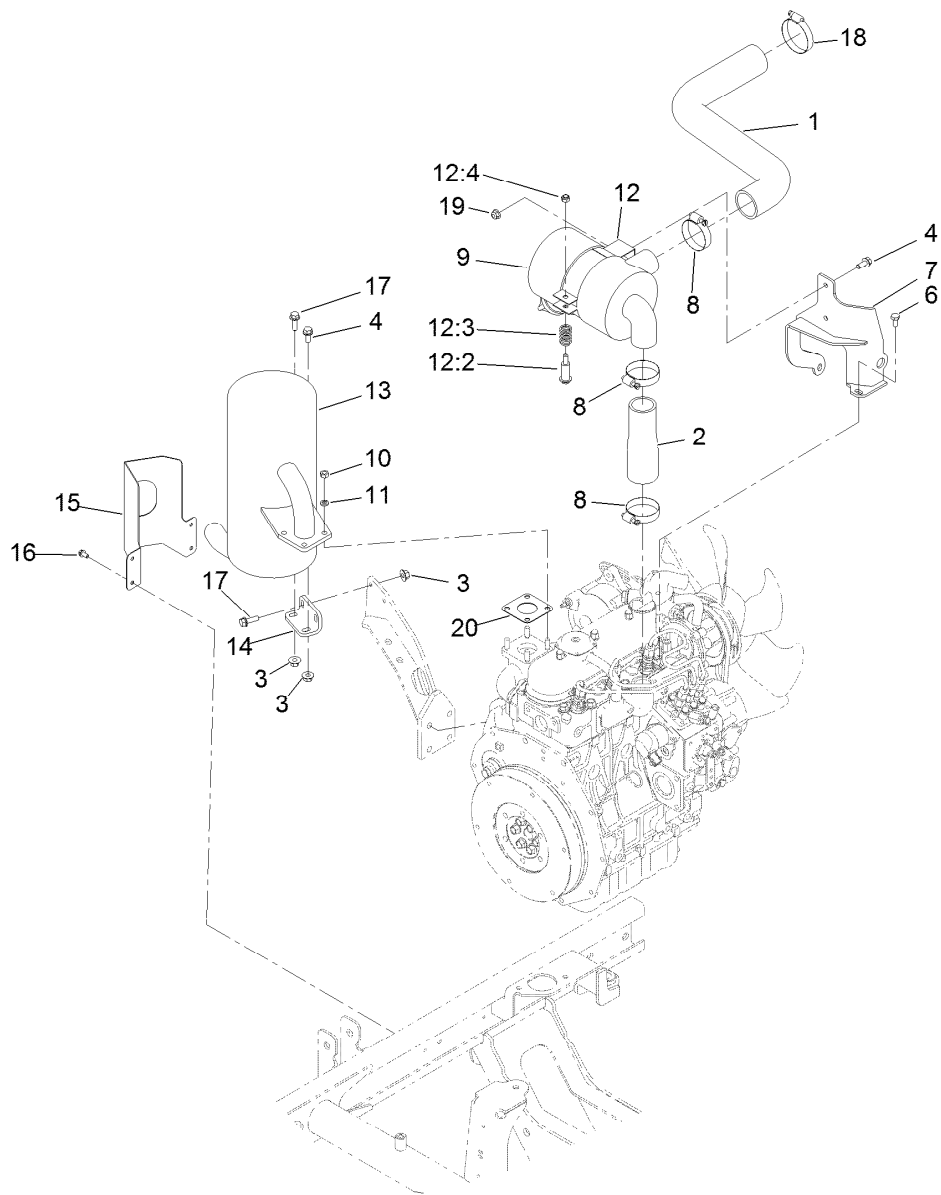
Frame Assembly

| <i>Ref.</i> | <i>Part Number</i> | <i>Qty.</i> | <i>Description</i> | <i>Ref.</i> | <i>Part Number</i> | <i>Qty.</i> | <i>Description</i> |
|-------------|--------------------|-------------|------------------------|-------------|--------------------|-------------|----------------------|
| 1 | 120-2142-03 | 1 | Frame | 11:1 | 107-7831 | 1 | Decal-ROPS |
| 2 | 121-7870-03 | 1 | Axle-Front | 12 | 3234-40 | 4 | Screw-HF |
| 3 | 121-7921 | 1 | Hinge | 13 | 121-7837-01 | 1 | Cover-Battery, Inner |
| 4 | 3234-38 | 8 | Screw-HHF | 14 | 104-7050 | 1 | Tube-Manual |
| 5 | 32128-49 | 12 | Nut-HHF | 15 | 2412-133 | 2 | Clamp-R |
| 6 | 2412-72 | 3 | Clip-Closed, Insulated | 16 | 32144-70 | 2 | Screw-HWHTF |
| 7 | 95-8615 | 1 | Tube-Breather | 17 | 3256-23 | 2 | Washer-Plain |
| 8 | 32144-10 | 8 | Screw-HWH | 18 | 2412-108 | 1 | Clamp-Worm |
| 9 | 119-6906 | 4 | Screw-HSBH | 19 | 104-7201 | 4 | Nut-HF, NI |
| 10 | 121-7846 | 1 | Toolbox Cover ASM | 20 | 104-7048 | 1 | Cap-Housing |
| 10:2 | 120-1683 | 1 | Decal-Danger | 23 | 322-6 | 2 | Screw-HH |
| 10:3 | 121-7928 | 1 | Decal-Danger, CE | 24 | 1-603903 | 2 | Spacer |
| 10:4 | 121-7884 | 1 | Decal-Reel Speed | 25 | 3256-3 | 2 | Washer-Flat |
| 10:5 | 120-2102 | 1 | Decal-Service | 26 | 3296-29 | 2 | Nut-Lock, NI |
| 11 | 107-7833 | 1 | ROPS ASM | | | | |



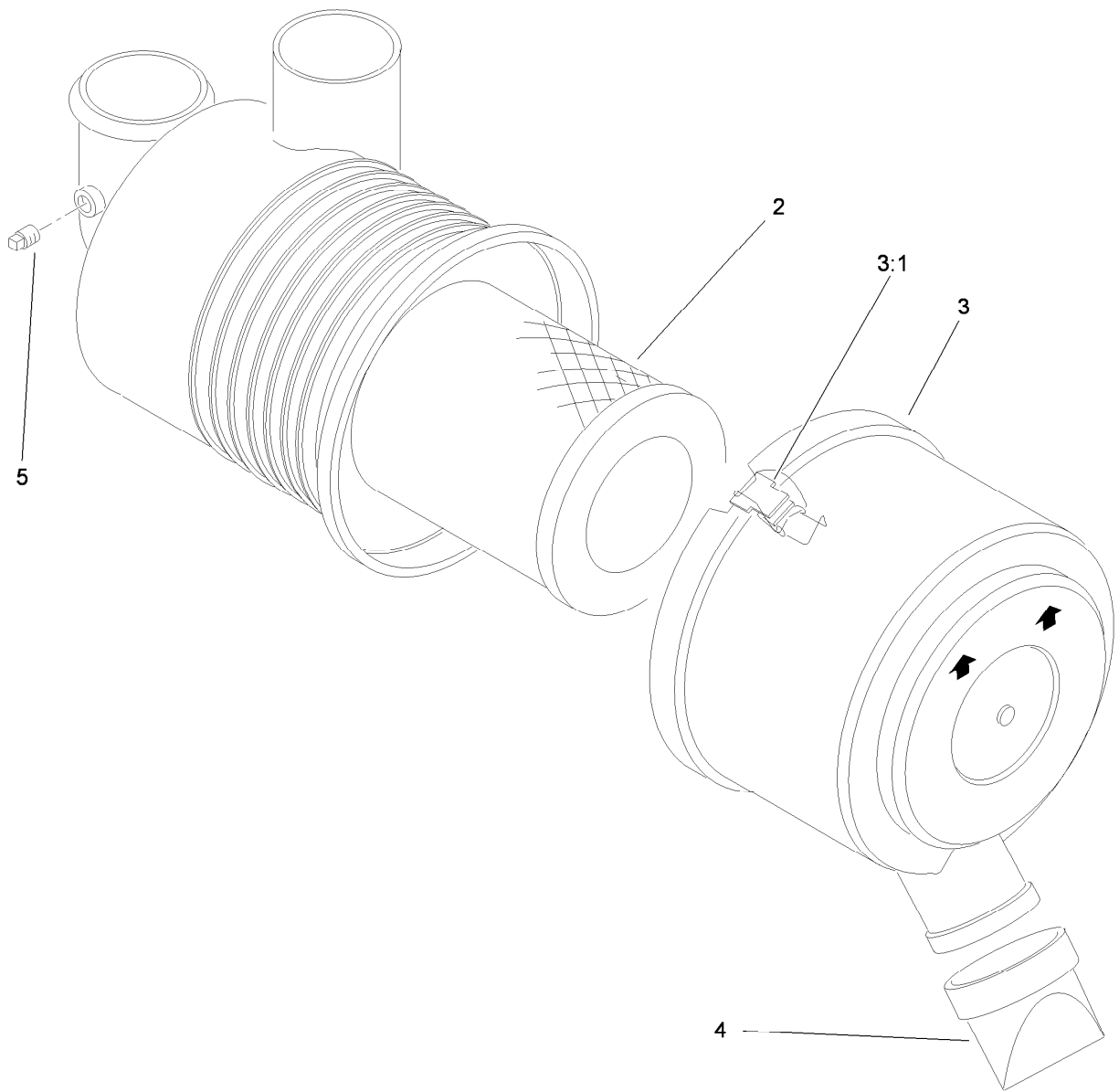
Engine Mount Assembly

| Ref. | Part Number | Qty. | Description | Ref. | Part Number | Qty. | Description |
|------|-------------|------|----------------------------|------|-------------|------|----------------------------|
| 1 | 127-9662 | 1 | Engine-Kubota, D1105 | 23 | 81-1690 | 1 | Clamp-Cable |
| 2 | 83-1030 | 2 | Mount-Engine | 24 | 32105-13 | 1 | Screw-HWH |
| 3 | 93-5265 | 1 | Mount-Engine | 25 | 3290-379 | 2 | Tie-Cable |
| 4 | 104-8300 | 8 | Nut-HF, NI | 26 | 3296-2 | 1 | Nut-Lock, NI |
| 5 | 323-11 | 3 | Screw-HH | 27 | 3255-9 | 1 | Washer-Lock |
| 6 | 3234-5 | 6 | Screw-HHF | 28 | 3256-25 | 1 | Washer-Flat |
| 7 | 3255-8 | 1 | Washer-Lock | 29 | 3234-17 | 2 | Screw-HHF |
| 8 | 104-8301 | 3 | Nut-HF, NI | 30 | 3256-78 | 1 | Washer-Flat |
| 9 | 80-8560 | 3 | Washer-Hardened | 32 | 43-5930 | 1 | Washer-Lock, Spring |
| 10 | 42-9370 | 1 | Screw-HH | 33 | 48-7890 | 1 | Nut-Hex |
| 11 | 80-6990 | 9 | Washer-Hardened | 34 | 99-3441 | 1 | Harness-Wire, Fusible Link |
| 12 | 95-8812 | 5 | Screw-HH | 35 | 2412-34 | 2 | Clamp-Hose |
| 13 | 99-3618-03 | 1 | Mount-Engine, Front | 36 | 3290-378 | 14 | Tie-Cable |
| 14 | 95-8937-03 | 1 | Mount-Engine, LH | 37 | 95-8736 | 1 | Spacer |
| 15 | 100-4838-03 | 1 | Mount-Engine | 39 | 3256-24 | 3 | Washer-Flat |
| 16 | 63-7790 | 4 | Screw-Cap | 40 | 119-4478 | 1 | Sender-Temperature |
| 17 | 99-3626 | 1 | Pulley-3V | 41 | 112-9919 | 1 | Stop-Cable, Throttle |
| 18 | 56-2140 | 3 | Screw-HH | 42 | 110-9009-03 | 1 | Bracket-Cable, Throttle |
| 20 | 115-3487-03 | 1 | Bracket-Mount, Fuel Filter | 43 | 63-7790 | 1 | Screw-Cap |
| 21 | 98-9311 | 1 | Swivel-Throttle | 44 | 33104-016 | 1 | Screw-HHF |
| 22 | 3296-20 | 1 | Nut-Lock, NI | | | | |



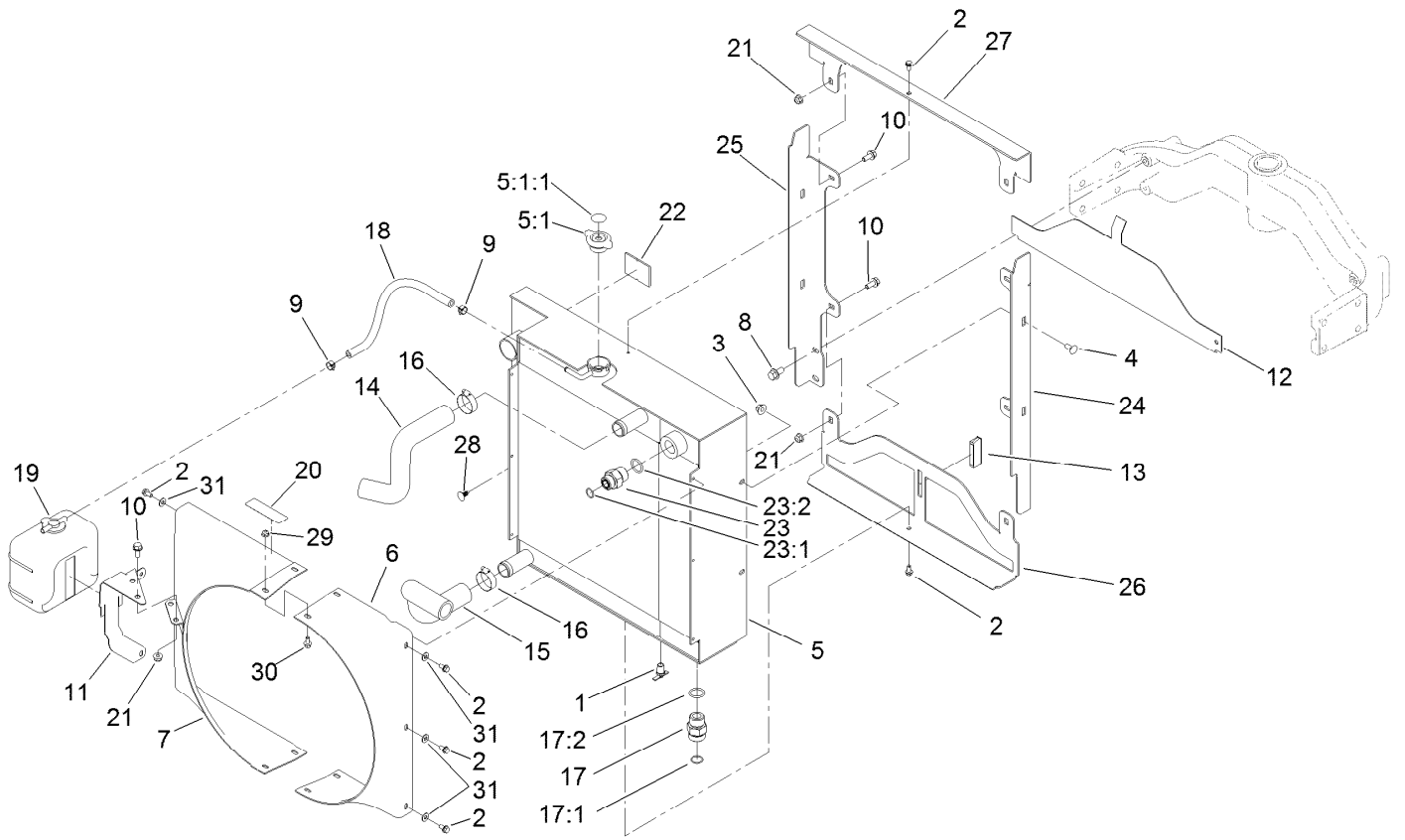
Engine Muffler and Air Cleaner Assembly

| <i>Ref.</i> | <i>Part Number</i> | <i>Qty.</i> | <i>Description</i> | <i>Ref.</i> | <i>Part Number</i> | <i>Qty.</i> | <i>Description</i> |
|-------------|--------------------|-------------|----------------------------------|-------------|--------------------|-------------|--------------------|
| 1 | 121-7834 | 1 | Hose-Air Intake, Upper | 12:2 | 94-3653 | 1 | Bolt |
| 2 | 95-8947 | 1 | Hose-Air Inlet, Lower | 12:3 | 94-3654 | 1 | Spring |
| 3 | 32128-44 | 4 | Nut | 12:4 | 48-9510 | 1 | Nut |
| 4 | 3234-5 | 3 | Screw-HHF | 13 | 104-4834 | 1 | Muffler |
| 6 | 33104-016 | 2 | Screw-HHF | 14 | 95-8943-03 | 1 | Bracket-Muffler |
| 7 | 99-3355-03 | 1 | Bracket-Filter, Air | 15 | 99-3425-03 | 1 | Guard-Exhaust |
| 8 | 2412-92 | 3 | Clamp-Hose | 16 | 32144-4 | 4 | Screw-HWH |
| 9 | 93-2190 | 1 | Air Cleaner ASM | 17 | 3234-17 | 3 | Screw-HHF |
| 10 | 33014-00 | 4 | Nut-Hex | 18 | 2412-130 | 1 | Clamp-Hose |
| 11 | 3253-4 | 4 | Washer-Lock | 19 | 104-8300 | 2 | Nut-HF, NI |
| 12 | 93-2191 | 1 | Air Cleaner Mounting Band ASM | 20 | 98-9611 | 1 | Gasket |



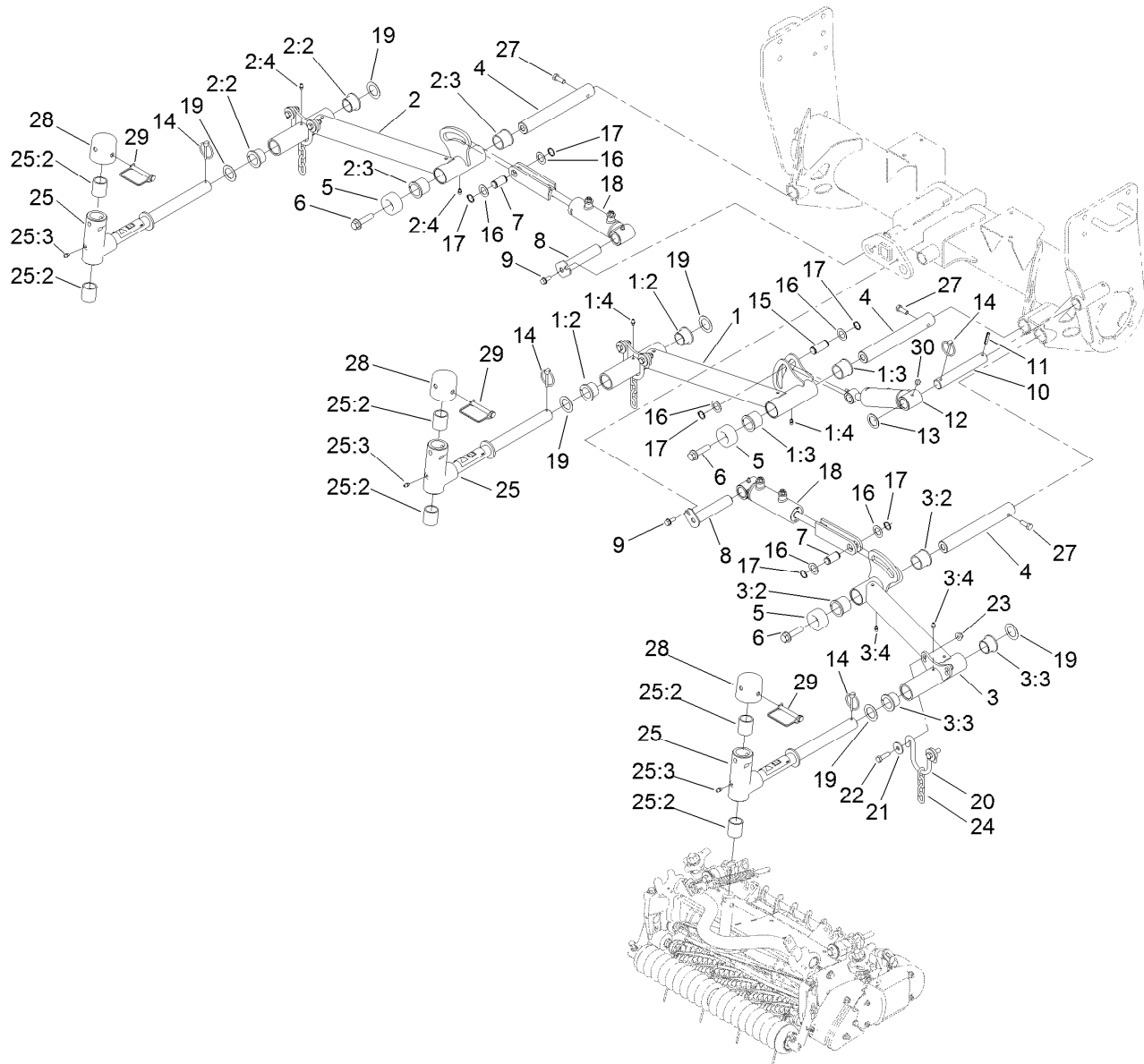
Air Cleaner Assembly No. 93-2190

| <i>Ref.</i> | <i>Part Number</i> | <i>Qty.</i> | <i>Description</i> |
|-------------|--------------------|-------------|--------------------|
| 2 | 108-3811 | 1 | Filter-Air |
| 3 | 94-3652 | 1 | Cover ASM |
| 3:1 | 1-643283 | 2 | Latch-Cleaner, Air |
| 4 | 87-9400 | 1 | Valve-Vacuator |
| 5 | 285-17 | 1 | Plug-Pipe |



Radiator and Oil Cooler Assembly

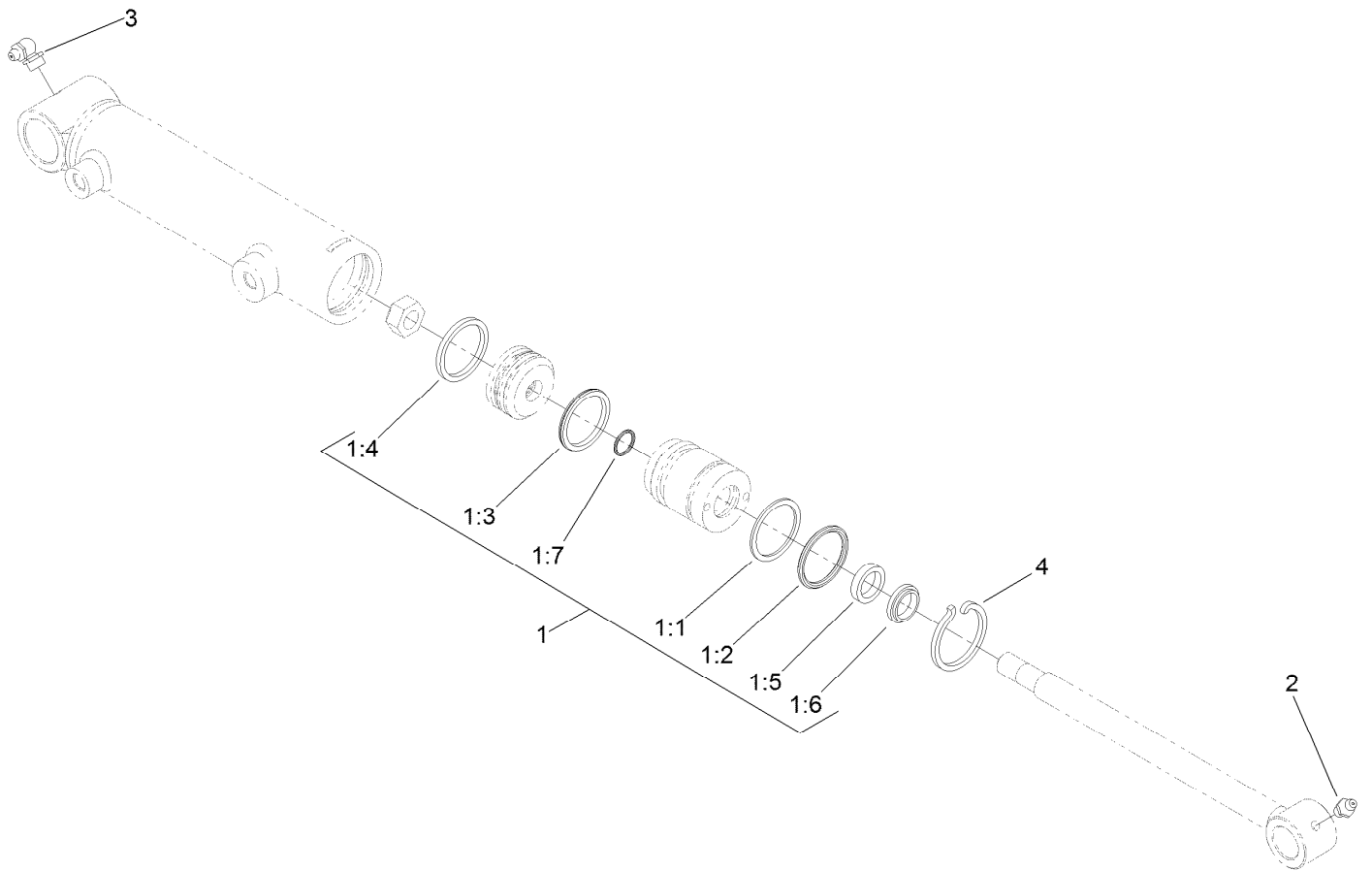
| Ref. | Part Number | Qty. | Description | Ref. | Part Number | Qty. | Description |
|-------|-------------|------|--------------------------------|------|-------------|------|--------------------------|
| 1 | 304-46 | 1 | Draincock | 17 | 340-9 | 1 | Fitting-STR |
| 2 | 32104-116 | 8 | Screw-HWHTF | 17:1 | 237-58 | 1 | O-Ring |
| 3 | 32128-44 | 4 | Nut | 17:2 | 237-81 | 1 | O-Ring |
| 4 | 3230-1 | 4 | Bolt-CARR | 18 | 109-0274 | 1 | Hose-Fuel |
| 5 | 119-2028 | 1 | Radiator And Oil Cooler ASM | 19 | 104-9318 | 1 | Bottle-Overflow |
| 5:1 | 115-7766 | 1 | Cap-Radiator | 20 | 120-0627 | 1 | Decal-Warning |
| 5:1:1 | 106-6755 | 1 | Decal-Cap, Radiator | 21 | 104-8300 | 6 | Nut-HF, NI |
| 6 | 121-7853 | 1 | Shroud-LH | 22 | 104-9459 | 2 | Seal-Foam |
| 7 | 121-7857 | 1 | Shroud-RH | 23 | 340-8 | 1 | Fitting-Straight |
| 8 | 3234-1 | 4 | Screw-HHF | 23:1 | 237-65 | 1 | O-Ring |
| 9 | 92-2379 | 2 | Clamp-Hose | 23:2 | 237-81 | 1 | O-Ring |
| 10 | 3234-5 | 6 | Screw-HHF | 24 | 120-3531-03 | 1 | Bracket-Radiator, LH |
| 11 | 121-7859-03 | 1 | Bracket-Overflow Bottle | 25 | 120-3532-03 | 1 | Bracket-Radiator, RH |
| 12 | 95-8702-03 | 1 | Shield-Radiator, Lower | 26 | 120-3530-03 | 1 | Bracket-Radiator, Bottom |
| 13 | 99-3497 | 1 | Magnet | 27 | 120-3529-03 | 1 | Bracket-Radiator, Top |
| 14 | 120-2193 | 1 | Hose-Radiator, Upper | 28 | 117-2382 | 2 | Plug-Plastic |
| 15 | 120-3353 | 1 | Hose-Radiator, Lower | 29 | 104-7201 | 4 | Nut-HF, NI |
| 16 | 2412-34 | 2 | Clamp-Hose | 30 | 3234-13 | 4 | Screw-HHF |
| | | | | 31 | 3256-22 | 4 | Washer-Flat |



No. 1, No. 4 and No. 5 Lift Arm Assembly

| Ref. | Part Number | Qty. | Description |
|------|-------------|------|--------------------|
| 1 | 120-2159 | 1 | No. 1 Lift Arm ASM |
| 1:2 | 121-7863 | 2 | Bushing-Special |
| 1:3 | 104-0015 | 2 | Bushing-Flange |
| 1:4 | 302-5 | 2 | Fitting-Grease |
| 2 | 120-2162 | 1 | No. 5 Lift Arm ASM |
| 2:2 | 121-7863 | 2 | Bushing-Special |
| 2:3 | 104-0015 | 2 | Bushing-Flange |
| 2:4 | 302-5 | 2 | Fitting-Grease |
| 3 | 120-2163 | 1 | No. 4 Lift Arm ASM |
| 3:2 | 104-0015 | 2 | Bushing-Flange |
| 3:3 | 121-7863 | 2 | Bushing-Special |
| 3:4 | 302-5 | 2 | Fitting-Grease |
| 4 | 120-2084 | 3 | Pin-Liftarm |
| 5 | 121-7855 | 3 | Bumper-Recessed |
| 6 | 3234-27 | 3 | Screw-HHF |
| 7 | 120-9219 | 2 | Pin-Cylinder |
| 8 | 10-6090 | 2 | Pin-Pivot |
| 9 | 32144-11 | 2 | Screw-HWH |
| 10 | 120-2158 | 1 | Pin |
| 11 | 32121-15 | 1 | Pin-Roll |

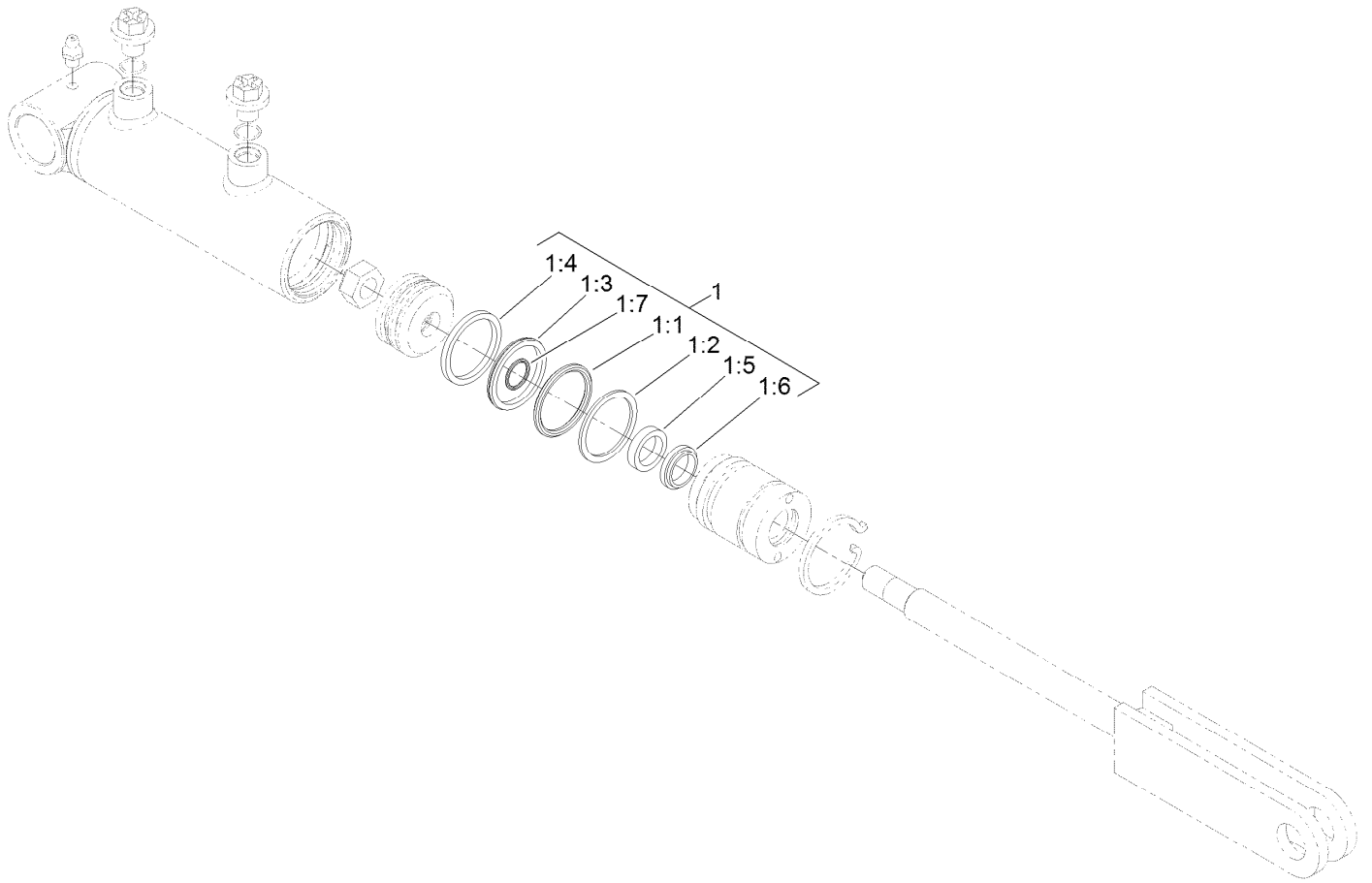
| Ref. | Part Number | Qty. | Description |
|------|-------------|------|------------------------|
| 12 | 119-6988 | 1 | HYD Cylinder ASM |
| 13 | 10-8110 | 1 | Washer-Thrust |
| 14 | 92-1298 | 4 | Pin-Lynch |
| 15 | 94-3452 | 1 | Pin |
| 16 | 3-6498 | 6 | Washer-Thrust |
| 17 | 32120-72 | 6 | Ring-Snap |
| 18 | 120-9980 | 2 | HYD Cylinder ASM |
| 19 | 120-2183 | 6 | Washer-Thrust |
| 20 | 120-9962 | 3 | Hoop-Chain |
| 21 | 63-8410 | 6 | Washer |
| 22 | 323-7 | 6 | Screw-HH |
| 23 | 104-8301 | 6 | Nut-HF, NI |
| 24 | 84-2450 | 3 | Chain-Straight, 4-Link |
| 25 | 120-1605 | 3 | Pivot Yoke ASM |
| 25:2 | 121-3187 | 2 | Bushing |
| 25:3 | 302-5 | 1 | Fitting-Grease |
| 27 | 323-6 | 3 | Screw-HH |
| 28 | 107-4027 | 3 | Cap |
| 29 | 107-7400 | 3 | Pin-Lynch |
| 30 | 302-2 | 1 | Fitting-Grease |



Hydraulic Cylinder Assembly No. 119-6988

| Ref. | Part Number | Qty. | Description |
|------|-------------|------|----------------|
| 1 | 119-6992 | 1 | Seal Kit |
| 1:1 | | 1 | O-Ring ● |
| 1:2 | | 1 | Backup ● |
| 1:3 | | 1 | Bp Seal ● |
| 1:4 | | 1 | Wear Ring-Ht ● |
| 1:5 | | 1 | Bs Seal ● |
| 1:6 | | 1 | Dust Seal-Dt ● |
| 1:7 | | 1 | O-Ring ● |
| 2 | 302-5 | 1 | Fitting-Grease |
| 3 | 302-33 | 1 | Fitting-Grease |
| 4 | 84-1680 | 1 | Ring-Retaining |

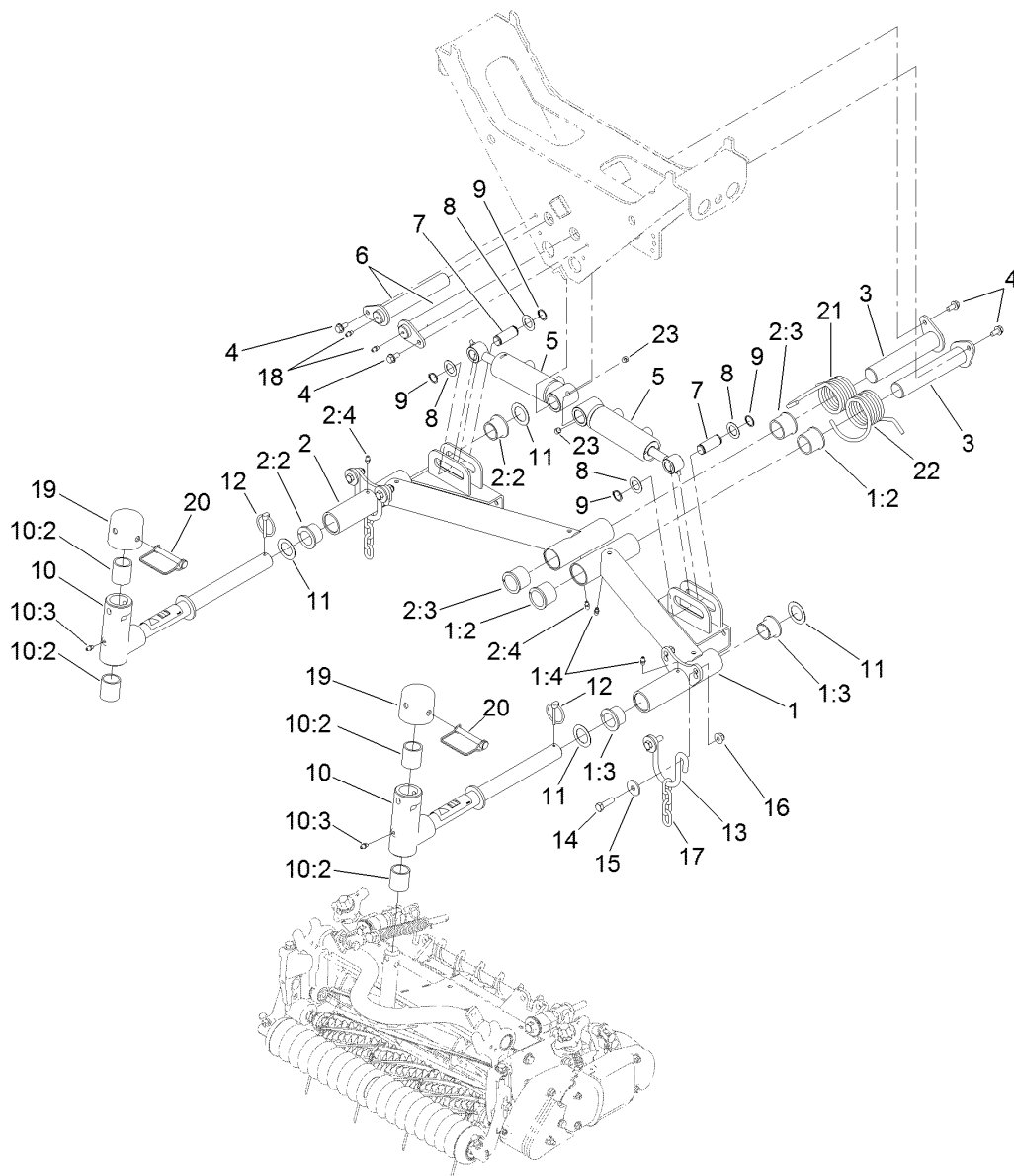
● Not serviced separately



Hydraulic Cylinder Assembly No. 120-9980

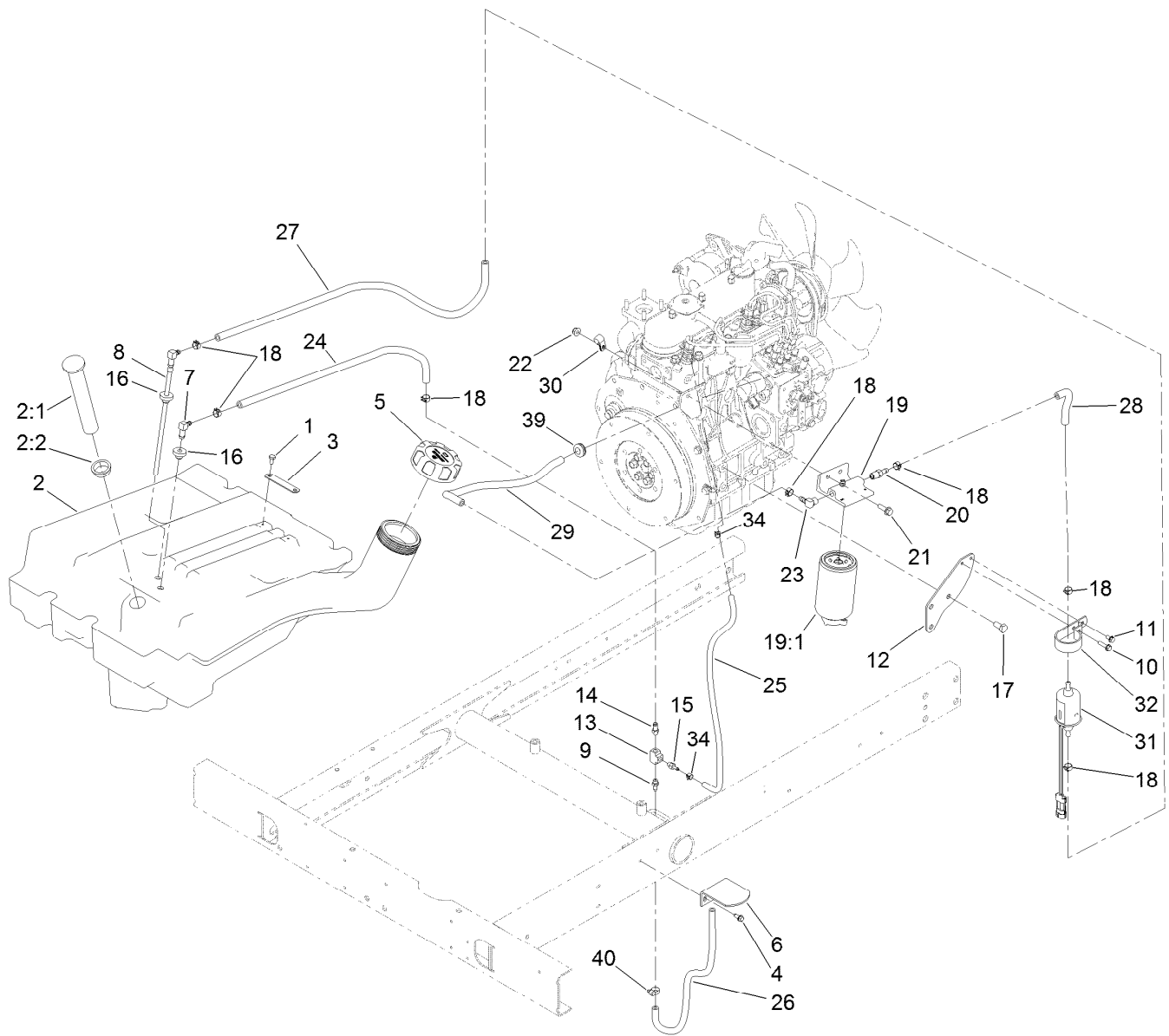
| <i>Ref.</i> | <i>Part Number</i> | <i>Qty.</i> | <i>Description</i> |
|-------------|--------------------|-------------|--------------------|
| 1 | 119-6992 | 1 | Seal Kit |
| 1:1 | | 1 | O-Ring ● |
| 1:2 | | 1 | Backup ● |
| 1:3 | | 1 | Bp Seal ● |
| 1:4 | | 1 | Wear Ring-Ht ● |
| 1:5 | | 1 | Bs Seal ● |
| 1:6 | | 1 | Dust Seal-Dt ● |
| 1:7 | | 1 | O-Ring ● |

● Not serviced separately



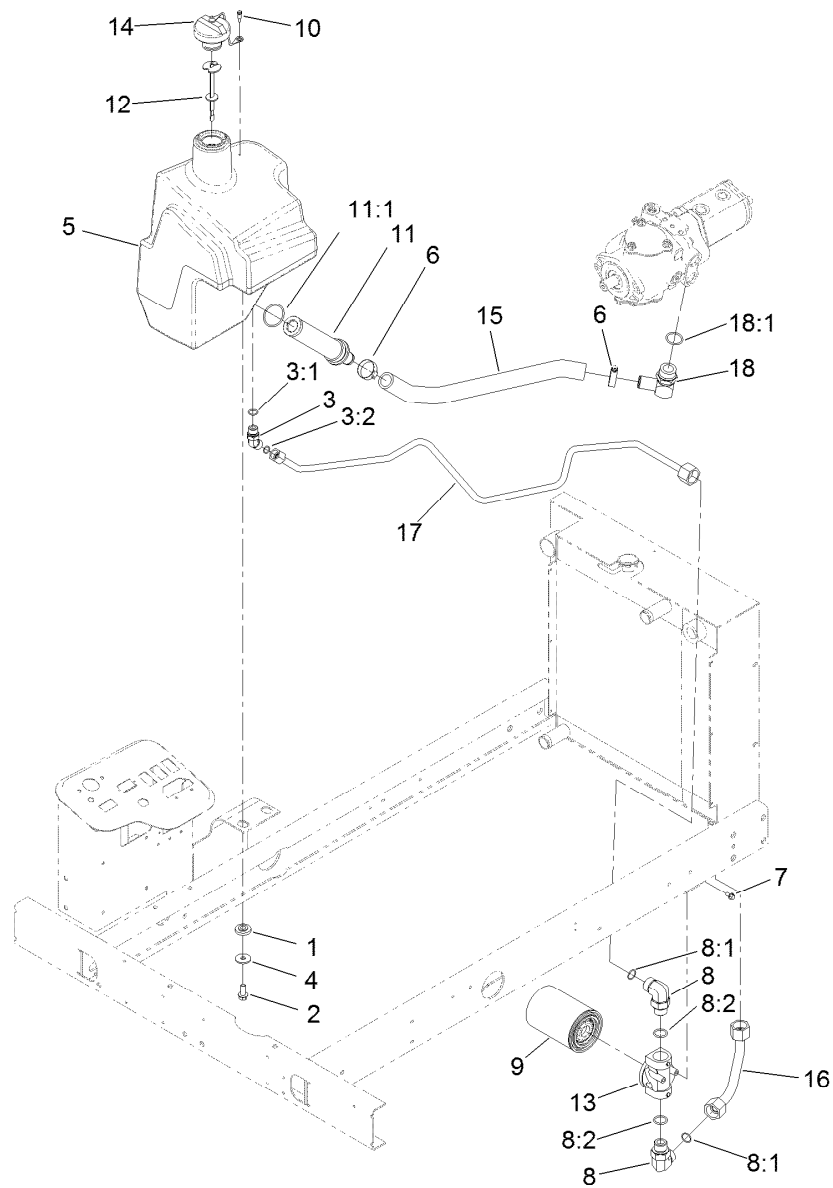
No. 2 and No. 3 Lift Arm Assembly

| Ref. | Part Number | Qty. | Description | Ref. | Part Number | Qty. | Description |
|------|-------------|------|--------------------|------|-------------|------|------------------------|
| 1 | 120-2147 | 1 | No. 2 Lift Arm ASM | 10:2 | 121-3187 | 2 | Bushing |
| 1:2 | 104-0015 | 2 | Bushing-Flange | 10:3 | 302-5 | 1 | Fitting-Grease |
| 1:3 | 121-7863 | 2 | Bushing-Special | 11 | 120-2183 | 4 | Washer-Thrust |
| 1:4 | 302-5 | 2 | Fitting-Grease | 12 | 92-1298 | 2 | Pin-Lynch |
| 2 | 120-2148 | 1 | No. 3 Lift Arm ASM | 13 | 120-9962 | 2 | Hoop-Chain |
| 2:2 | 121-7863 | 2 | Bushing-Special | 14 | 323-7 | 4 | Screw-HH |
| 2:3 | 104-0015 | 2 | Bushing-Flange | 15 | 63-8410 | 4 | Washer |
| 2:4 | 302-5 | 2 | Fitting-Grease | 16 | 104-8301 | 4 | Nut-HF, NI |
| 3 | 120-2127 | 2 | Pin ASM | 17 | 84-2450 | 2 | Chain-Straight, 4-Link |
| 4 | 32144-14 | 4 | Screw-HWHTF | 18 | 302-5 | 2 | Fitting-Grease |
| 5 | 119-6988 | 2 | HYD Cylinder ASM | 19 | 107-4027 | 2 | Cap |
| 6 | 120-2129 | 2 | Pin ASM | 20 | 107-7400 | 2 | Pin-Lynch |
| 7 | 94-3452 | 2 | Pin | 21 | 120-2614 | 1 | Spring-Torsion, RH |
| 8 | 3-6498 | 4 | Washer-Thrust | 22 | 120-2615 | 1 | Spring-Torsion, LH |
| 9 | 32120-72 | 4 | Ring-Snap | 23 | 285-17 | 2 | Plug-Pipe |
| 10 | 120-1605 | 2 | Pivot Yoke ASM | | | | |



Fuel Tank and Filter Assembly

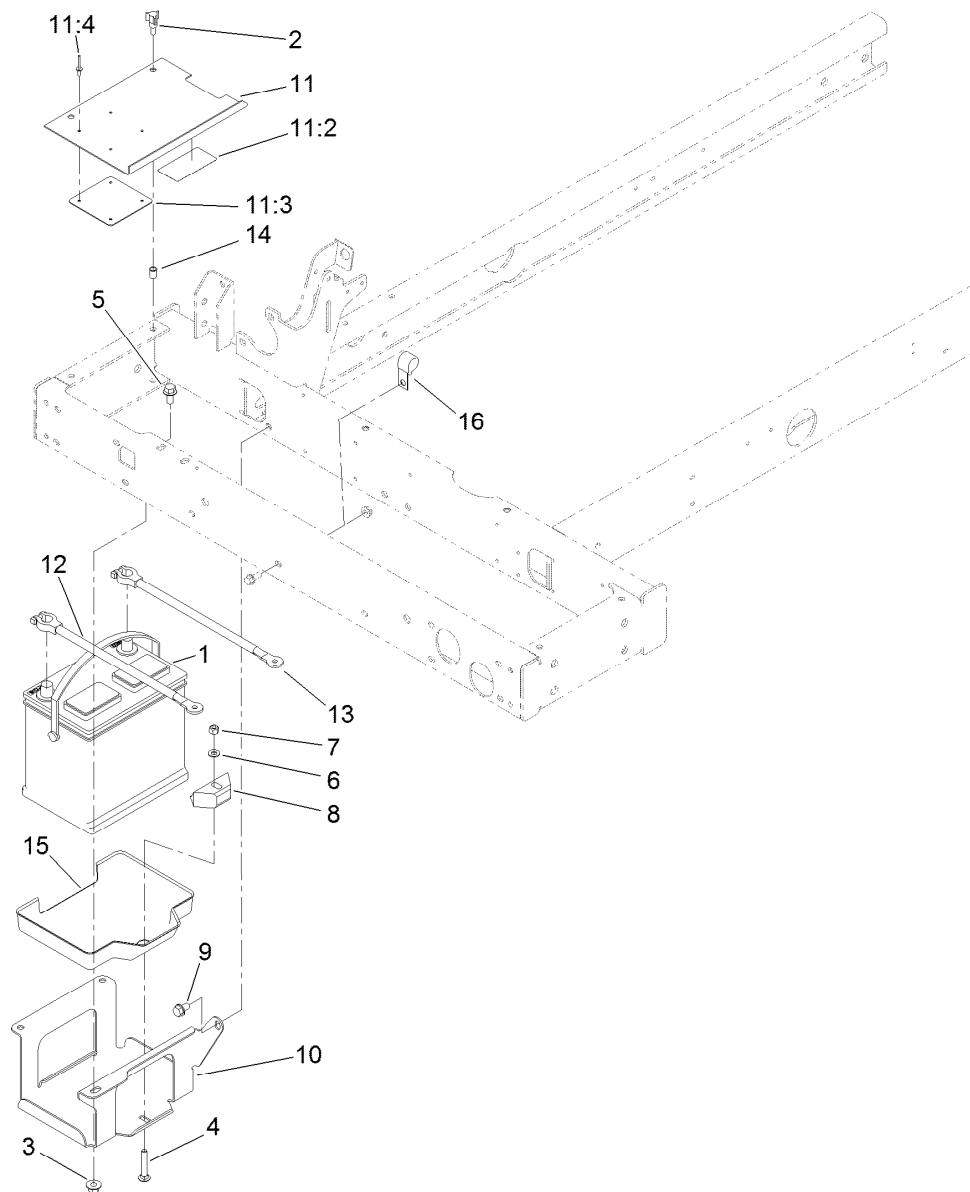
| Ref. | Part Number | Qty. | Description | Ref. | Part Number | Qty. | Description |
|------|-------------|------|------------------------|------|-------------|------|----------------------------|
| 1 | 321-2 | 2 | Screw-HH | 18 | 92-2379 | 7 | Clamp-Hose |
| 2 | 95-8620 | 1 | Tank-Fuel | 19 | 110-9044 | 1 | Separator-Filter |
| 2:1 | 95-8971 | 1 | Gauge-Fuel | 19:1 | 110-9049 | 1 | Filter-Spin On, Fuel/Water |
| 2:2 | 95-8972 | 1 | Grommet | 20 | 353-783 | 1 | Fitting-STR |
| 3 | 95-8881 | 1 | Strap-Line, Fuel | 21 | 3234-17 | 2 | Screw-HHF |
| 4 | 32144-10 | 2 | Screw-HWH | 22 | 104-8300 | 2 | Nut-HF, NI |
| 5 | 114-5064 | 1 | Cap-Diesel | 23 | 353-781 | 1 | Fitting-HYD, 90 |
| 6 | 95-8968-03 | 1 | Support-Tank, Fuel | 24 | 110-6187 | 1 | Hose-Fuel |
| 7 | 46-6550 | 1 | Fitting-Elbow, 90 DEG | 25 | 110-8751 | 1 | Hose-Fuel |
| 8 | 110-9689 | 1 | Pipe-Stand | 26 | 110-5701 | 1 | Hose-Fuel |
| 9 | 304-73 | 1 | Fitting-Straight | 27 | 121-7914 | 1 | Hose-Fuel |
| 10 | 32144-86 | 1 | Screw-HWHTF | 28 | 117-4026 | 1 | Hose-Fuel |
| 11 | 32144-4 | 1 | Screw-HWH | 29 | 121-7852 | 1 | Hose-Fuel |
| 12 | 120-2182-03 | 1 | Plate-Mount, Fuel Pump | 30 | 2412-10 | 1 | Clamp-R |
| 13 | 354-20 | 1 | Fitting-Tee | 31 | 110-8806 | 1 | Pump-Fuel |
| 14 | 354-21 | 1 | Fitting-Barbed | 32 | 110-8817 | 1 | Bracket-Pump, Fuel |
| 15 | 354-22 | 1 | Fitting-Barbed | 34 | 2412-80 | 2 | Clamp-Hose |
| 16 | 46-6560 | 2 | Bushing | 39 | 1-543296 | 1 | Grommet |
| 17 | 63-7790 | 3 | Screw-Cap | 40 | 2412-108 | 2 | Clamp-Worm |



Hydraulic Tank and Filter Assembly

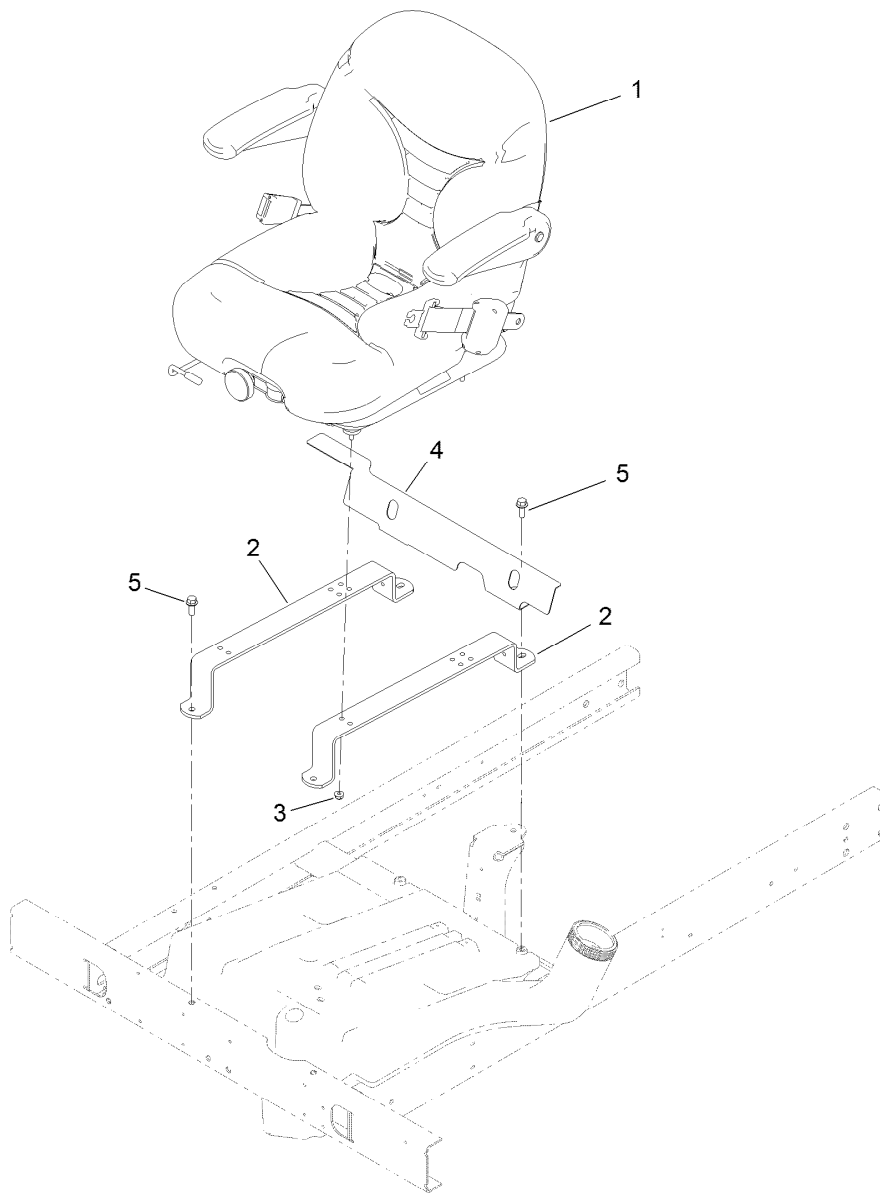
| Ref. | Part Number | Qty. | Description |
|------|-------------|------|-----------------------|
| 1 | 240-11 | 4 | Bushing-Flange |
| 2 | 3234-11 | 4 | Screw-HHF |
| 3 | 340-101 | 1 | Fitting-HYD, 45 DEG |
| 3:1 | 237-30 | 1 | O-Ring |
| 3:2 | 237-79 | 1 | O-Ring |
| 4 | 63-8410 | 4 | Washer |
| 5 | 104-4840 | 1 | Tank-HYD |
| 6 | 2412-34 | 2 | Clamp-Hose |
| 7 | 3234-13 | 2 | Screw-HHF |
| 8 | 340-142 | 2 | Fitting-Elbow, 90 DEG |
| 8:1 | 237-58 | 1 | O-Ring |
| 8:2 | 237-81 | 1 | O-Ring |

| Ref. | Part Number | Qty. | Description |
|------|-------------|------|-------------------|
| 9 | 86-3010 | 1 | Filter-Oil |
| 10 | 57-5420 | 1 | Screw-Shoulder |
| 11 | 104-7546 | 1 | Tank Strainer ASM |
| 11:1 | 340-136 | 1 | O-Ring |
| 12 | 119-6968 | 1 | Dipstick-Oil |
| 13 | 92-5821 | 1 | Head-Filter |
| 14 | 93-7160 | 1 | Cap-Oil, HYD |
| 15 | 121-7803 | 1 | Hose-Suction |
| 16 | 120-2184 | 1 | Tube-HYD |
| 17 | 121-7842 | 1 | Tube-HYD |
| 18 | 23-8910 | 1 | Stem-Barb-90 |
| 18:1 | 237-146 | 1 | O-Ring |



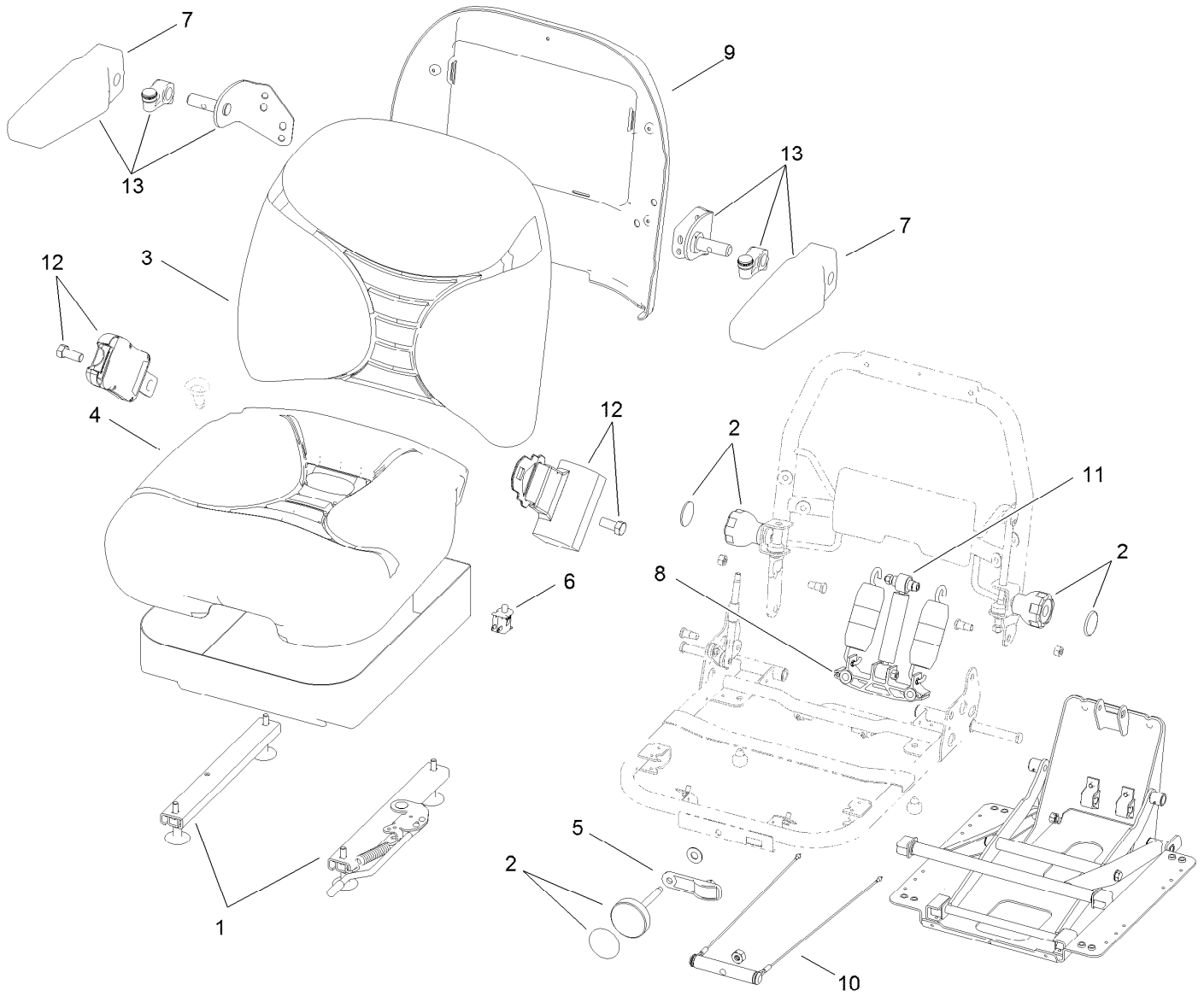
Battery Assembly

| <i>Ref.</i> | <i>Part Number</i> | <i>Qty.</i> | <i>Description</i> | <i>Ref.</i> | <i>Part Number</i> | <i>Qty.</i> | <i>Description</i> |
|-------------|--------------------|-------------|--------------------|-------------|--------------------|-------------|--------------------------|
| 1 | 104-9979 | 1 | Battery | 11 | 99-3602 | 1 | Battery Cover ASM |
| 2 | 233-70 | 2 | Knob-Star, Three | 11:2 | 93-7276 | 1 | Decal-Danger |
| 3 | 32128-43 | 3 | Nut-Flange | 11:3 | 87-7620 | 1 | Shield-Terminal, Battery |
| 4 | 3230-6 | 1 | Bolt-CARR | 11:4 | 3269-27 | 4 | Rivet-Snap |
| 5 | 3234-1 | 3 | Screw-HHF | 12 | 95-8853 | 1 | Cable-Battery, Positive |
| 6 | 3256-23 | 1 | Washer-Plain | 13 | 95-8854 | 1 | Cable-Battery, Negative |
| 7 | 3296-29 | 1 | Nut-Lock, NI | 14 | 32148-6 | 2 | Nut-Clinch |
| 8 | 66-2490 | 1 | Retainer-Battery | 15 | 99-3513 | 1 | Tray-Battery |
| 9 | 32144-15 | 1 | Screw-HHFTF | 16 | 94-9580 | 1 | Clamp-J |
| 10 | 95-8796-03 | 1 | Support-Battery | | | | |



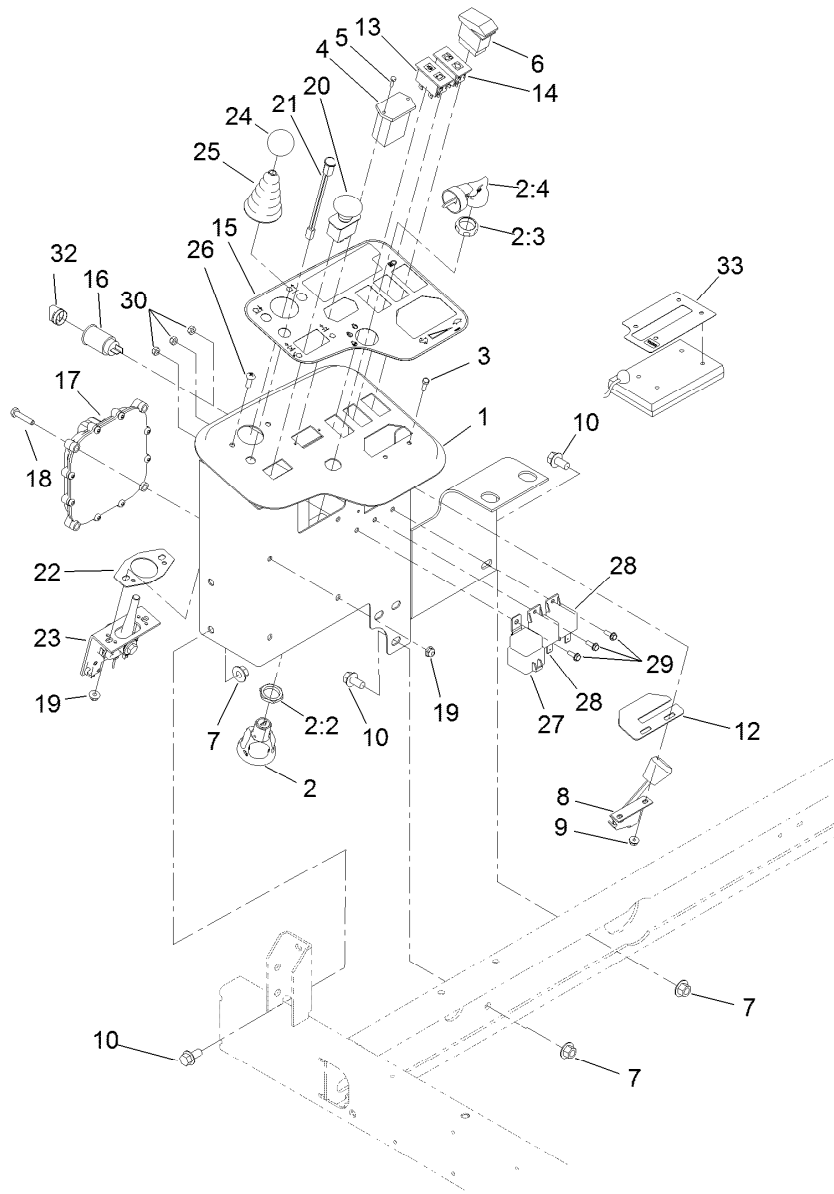
Seat and Heat-Shield Assembly

| <i>Ref.</i> | <i>Part Number</i> | <i>Qty.</i> | <i>Description</i> |
|-------------|--------------------|-------------|---------------------|
| 1 | 116-3998 | 1 | Suspension Seat ASM |
| 2 | 120-2120-03 | 2 | Strap-Support, Seat |
| 3 | 104-8300 | 4 | Nut-HF, NI |
| 4 | 104-4833-03 | 1 | Shield-Heat |
| 5 | 3234-11 | 4 | Screw-HHF |



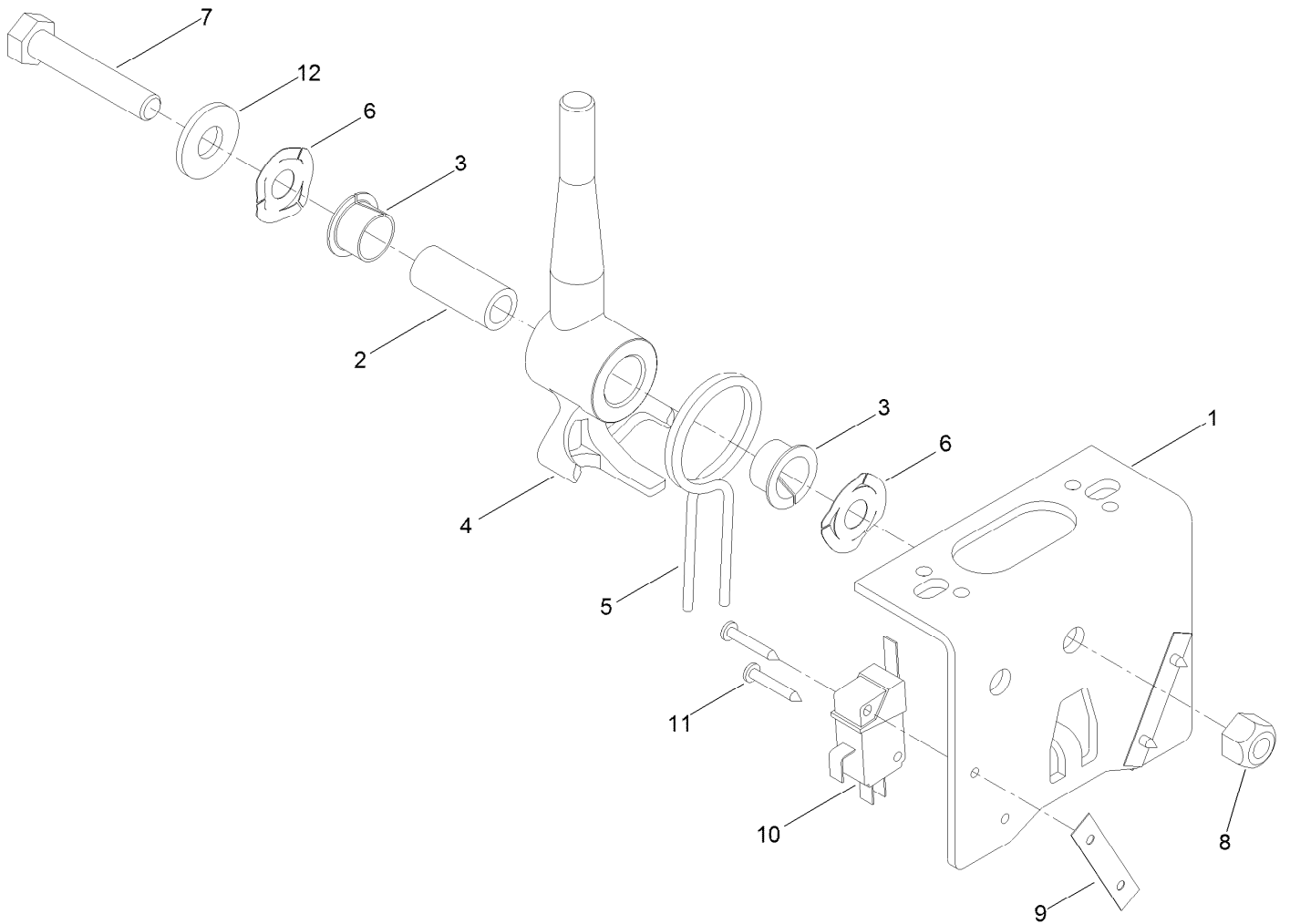
Seat Assembly No. 116-3998

| <i>Ref.</i> | <i>Part Number</i> | <i>Qty.</i> | <i>Description</i> |
|-------------|--------------------|-------------|-----------------------|
| 1 | 116-0333 | 1 | Seat Track Kit |
| 2 | 107-1881 | 1 | Knob Kit |
| 3 | 107-1882 | 1 | Back Cushion Kit |
| 4 | 107-1883 | 1 | Bottom Cushion Kit |
| 5 | 107-1885 | 1 | Weight Indicator Kit |
| 6 | 82-2190 | 1 | Switch-Bail |
| 7 | 107-1887 | 1 | Pad-Armrest |
| 8 | 109-3343 | 1 | Spring And Saddle Kit |
| 9 | 109-3344 | 1 | Back Panel Kit |
| 10 | 109-3345 | 1 | Weight Adjust Kit |
| 11 | 116-0998 | 1 | Shock Absorber Kit |
| 12 | 110-0413 | 1 | Seatbelt-Retractable |
| 13 | 121-9415 | 1 | Armrest Kit |



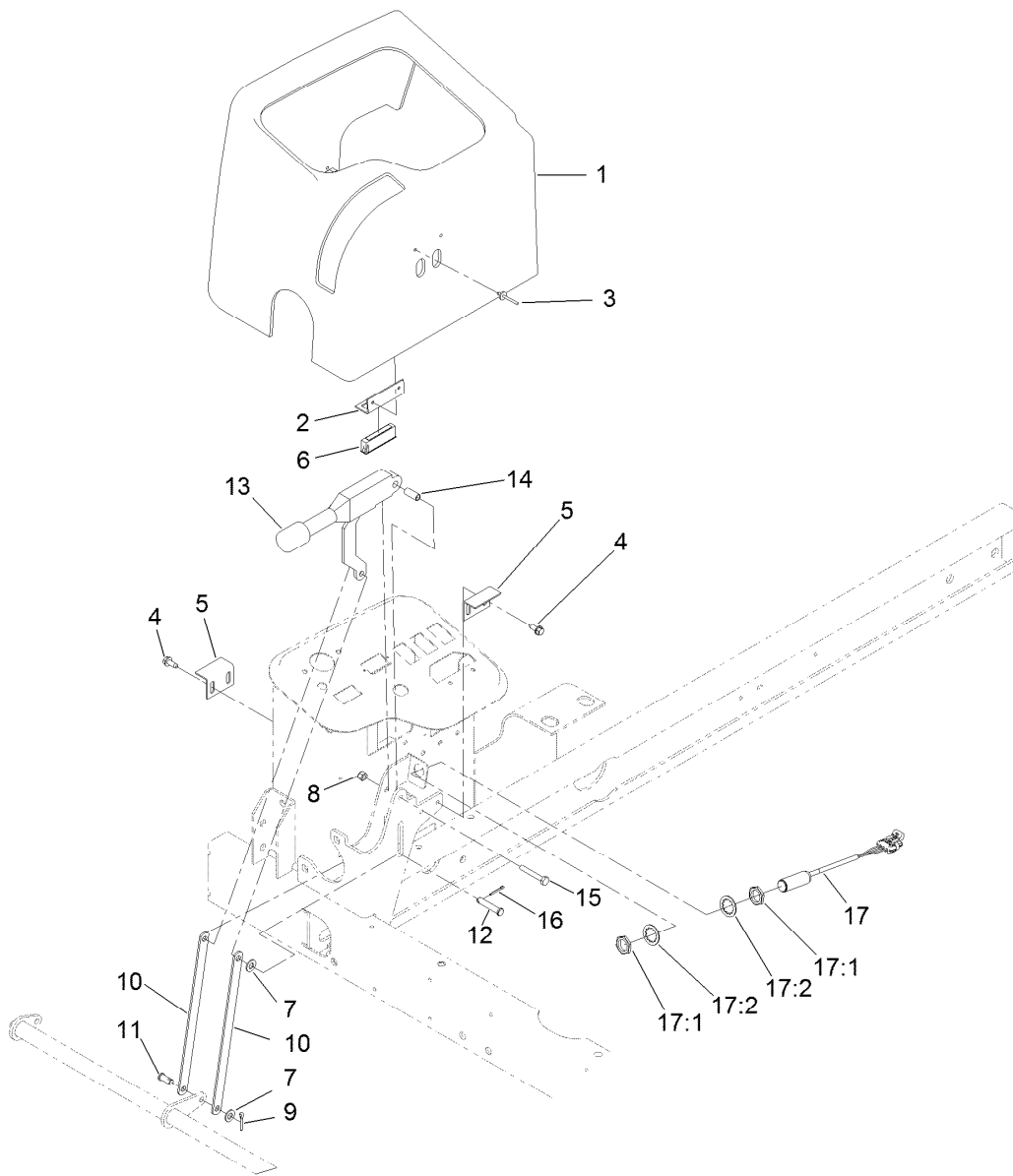
Control Panel Assembly

| <i>Ref.</i> | <i>Part Number</i> | <i>Qty.</i> | <i>Description</i> | <i>Ref.</i> | <i>Part Number</i> | <i>Qty.</i> | <i>Description</i> |
|-------------|--------------------|-------------|----------------------|-------------|--------------------|-------------|-----------------------------|
| 1 | 120-2051-03 | 1 | Panel-Control | 16 | 99-7411 | 1 | Point-Power |
| 2 | 121-5159 | 1 | Ignition Switch ASM | 17 | 115-1900 | 1 | Controller |
| 2:2 | 121-5160 | 1 | Nut-Hex | 18 | 321-8 | 4 | Screw-HH |
| 2:3 | 121-5161 | 1 | Nut-Face | 19 | 104-7201 | 6 | Nut-HF, NI |
| 2:4 | 121-5162 | 1 | Set-Key, Ignition | 20 | 93-9999 | 1 | Switch-PTO |
| 3 | 3290-134 | 2 | Screw | 21 | 95-7652 | 1 | Light-Indicator |
| 4 | 75-6820 | 1 | Hourmeter | 22 | 112-9181 | 1 | Plate-Boot |
| 5 | 32144-18 | 2 | Screw-HWH | 23 | 120-5280 | 1 | Bracket-Joystick |
| 6 | 95-8999 | 1 | Switch | 24 | 233-42 | 1 | Knob |
| 7 | 32128-43 | 5 | Nut-Flange | 25 | 93-5961 | 1 | Boot-Lever |
| 8 | 110-8795 | 1 | Cable-Throttle | 26 | 3258-166 | 2 | Screw-PRH |
| 9 | 3290-148 | 2 | Nut-HF | 27 | 99-7430 | 1 | Relay-Mini |
| 10 | 3234-1 | 5 | Screw-HHF | 28 | 99-7435 | 2 | Relay |
| 12 | 104-0421 | 1 | Plate-Stop, Throttle | 29 | 32105-23 | 3 | Screw |
| 13 | 100-8070 | 1 | Lamp-Warning | 30 | 3290-148 | 3 | Nut-HF |
| 14 | 100-8071 | 1 | Lamp-Warning | 32 | 99-7416 | 1 | Cap |
| 15 | 120-2105 | 1 | Decal-Console | 33 | 121-7886 | 1 | Decal-Diagnostic Controller |



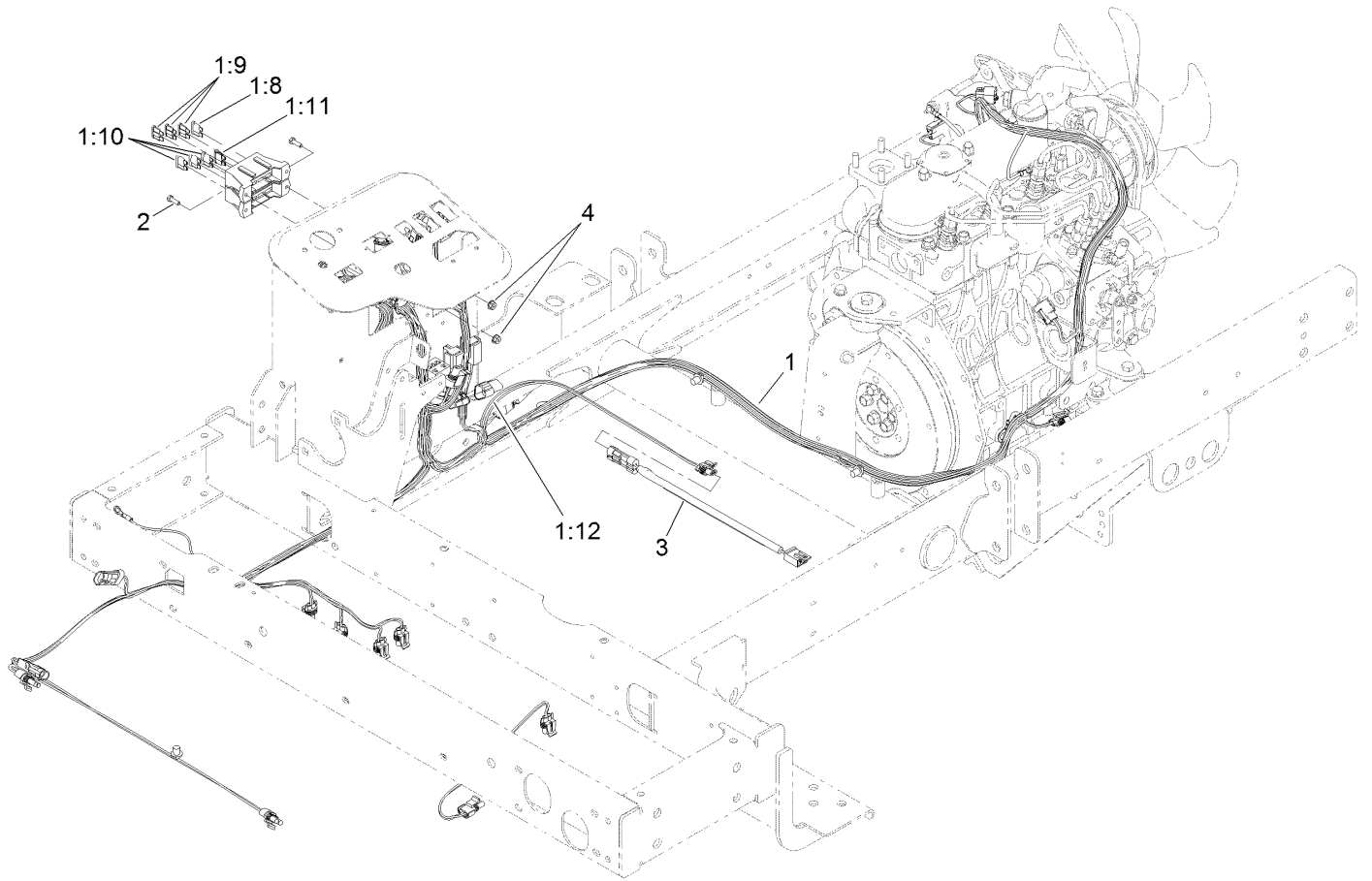
Joystick Bracket Assembly No. 120-5280

| <i>Ref.</i> | <i>Part Number</i> | <i>Qty.</i> | <i>Description</i> |
|-------------|--------------------|-------------|-----------------------|
| 1 | 115-5357-03 | 1 | Bracket-Joystick |
| 2 | 106-4192 | 1 | Spacer |
| 3 | 93-5547 | 2 | Bushing-Nylon |
| 4 | 119-3540 | 1 | Hub-Pivot, Joystick |
| 5 | 105-8289 | 1 | Spring-Torsion |
| 6 | 106-4193 | 2 | Washer-Finger, Spring |
| 7 | 322-9 | 1 | Screw-HH |
| 8 | 3296-29 | 1 | Nut-Lock, NI |
| 9 | 3290-354 | 2 | Nut-Speed |
| 10 | 108-6496 | 2 | Switch (W/Boot) |
| 11 | 95-3003 | 4 | Screw-PPHTF |
| 12 | 3256-3 | 1 | Washer-Flat |



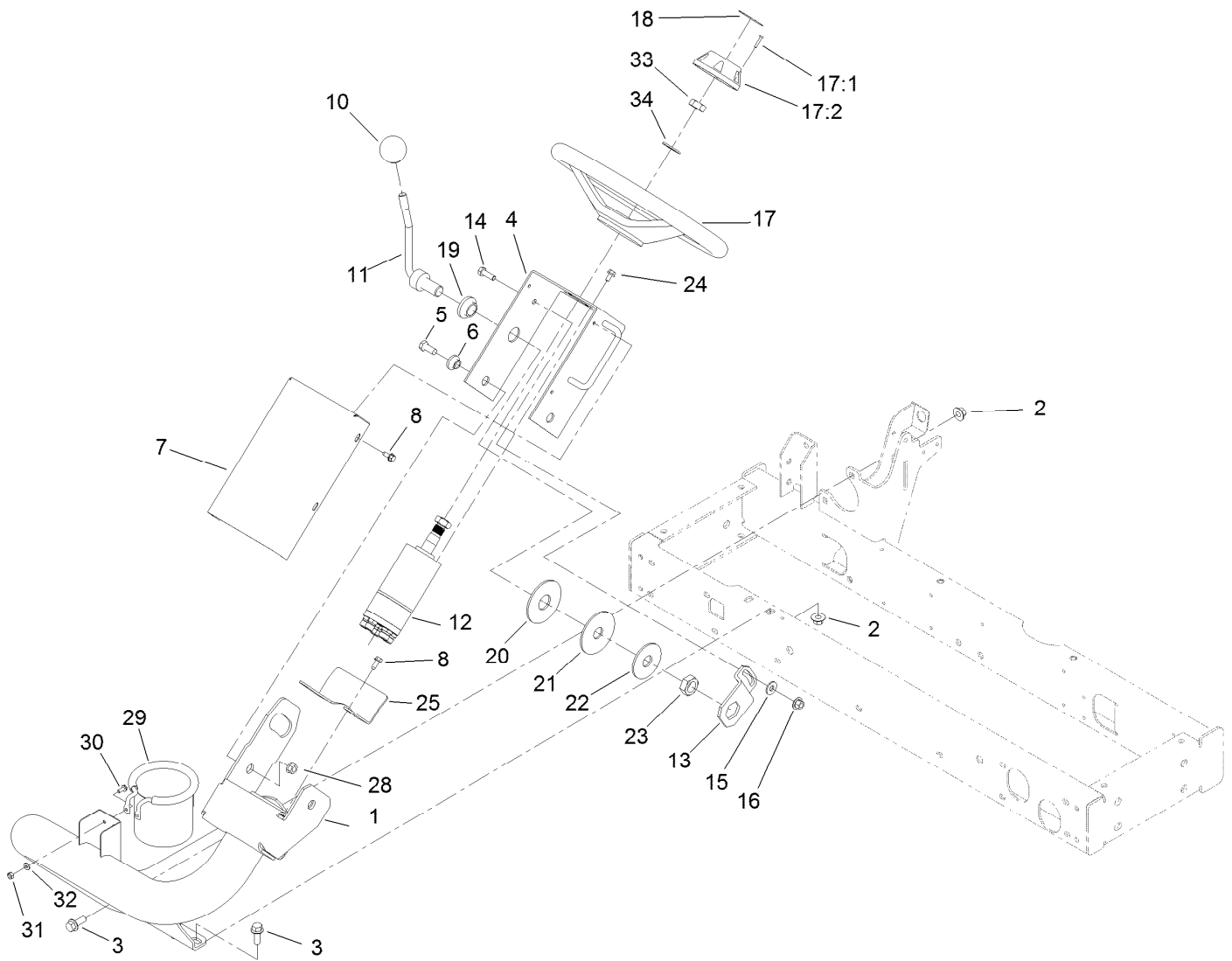
Parking Brake Assembly

| <i>Ref.</i> | <i>Part Number</i> | <i>Qty.</i> | <i>Description</i> | <i>Ref.</i> | <i>Part Number</i> | <i>Qty.</i> | <i>Description</i> |
|-------------|--------------------|-------------|--------------------------|-------------|--------------------|-------------|-----------------------------|
| 1 | 120-2054 | 1 | Cover-Plastic | 11 | 283-62 | 1 | Pin-Clevis |
| 2 | 95-8763 | 2 | Bracket-Hold Down, Cover | 12 | 94-3829 | 1 | Pin-Clevis |
| 3 | 3269-5 | 4 | Rivet-Pop | 13 | 104-4817 | 1 | Lever-Brake |
| 4 | 32144-10 | 4 | Screw-HWH | 14 | 87-4710 | 1 | Spacer-Brake, Parking |
| 5 | 95-8765 | 2 | Bracket-Strike, Magnet | 15 | 321-10 | 1 | Screw-HH |
| 6 | 58-4250 | 2 | Catch-Magnetic | 16 | 3272-6 | 1 | Pin-Cotter |
| 7 | 3256-23 | 2 | Washer-Plain | 17 | 115-0282 | 1 | Proximity Sensor ASM |
| 8 | 3296-42 | 1 | Nut-Lock, NI | 17:1 | 117-3207 | 2 | Nut-Hex |
| 9 | 3272-10 | 1 | Pin-Cotter | 17:2 | 117-3208 | 2 | Washer-Lock, Internal Tooth |
| 10 | 104-4628-03 | 2 | Link-Brake, Parking | | | | |



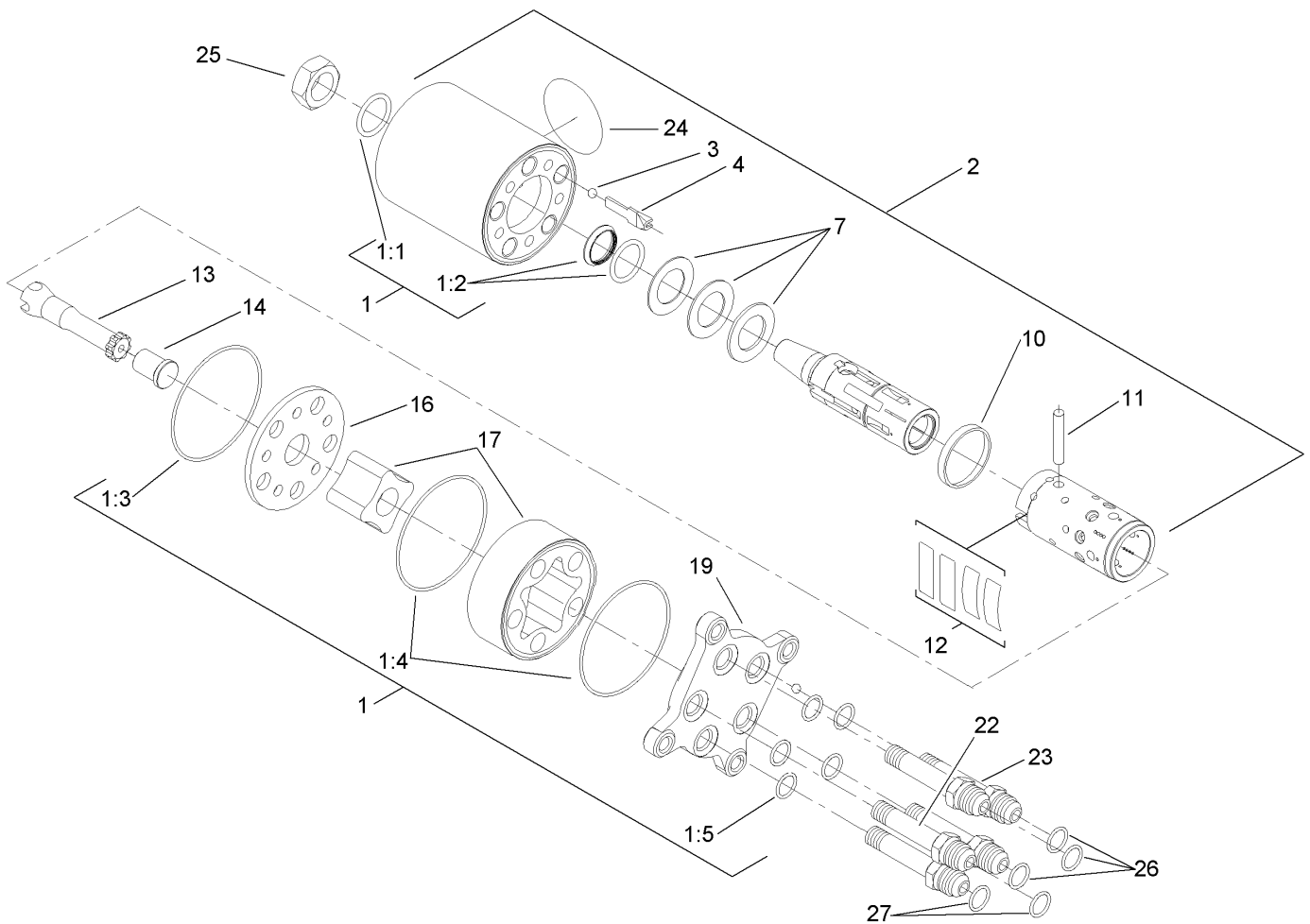
Main Wire Harness Assembly

| <i>Ref.</i> | <i>Part Number</i> | <i>Qty.</i> | <i>Description</i> |
|-------------|--------------------|-------------|---------------------|
| 1 | 120-3959 | 1 | Harness-Wire, Main |
| 1:8 | 94-6710 | 1 | Fuse-2 Amp |
| 1:9 | 114241 | 3 | Fuse-Blade, 7.5 Amp |
| 1:10 | 218-578 | 3 | Fuse-Blade, 10 Amp |
| 1:11 | 109355 | 1 | Fuse-Blade, 15 Amp |
| 1:12 | 32180-043 | 2 | Resistor-120 Ohm |
| 2 | 3290-134 | 2 | Screw |
| 3 | 108-8657 | 1 | Harness-Wire, Seat |
| 4 | 3290-148 | 2 | Nut-HF |



Steering Arm Assembly

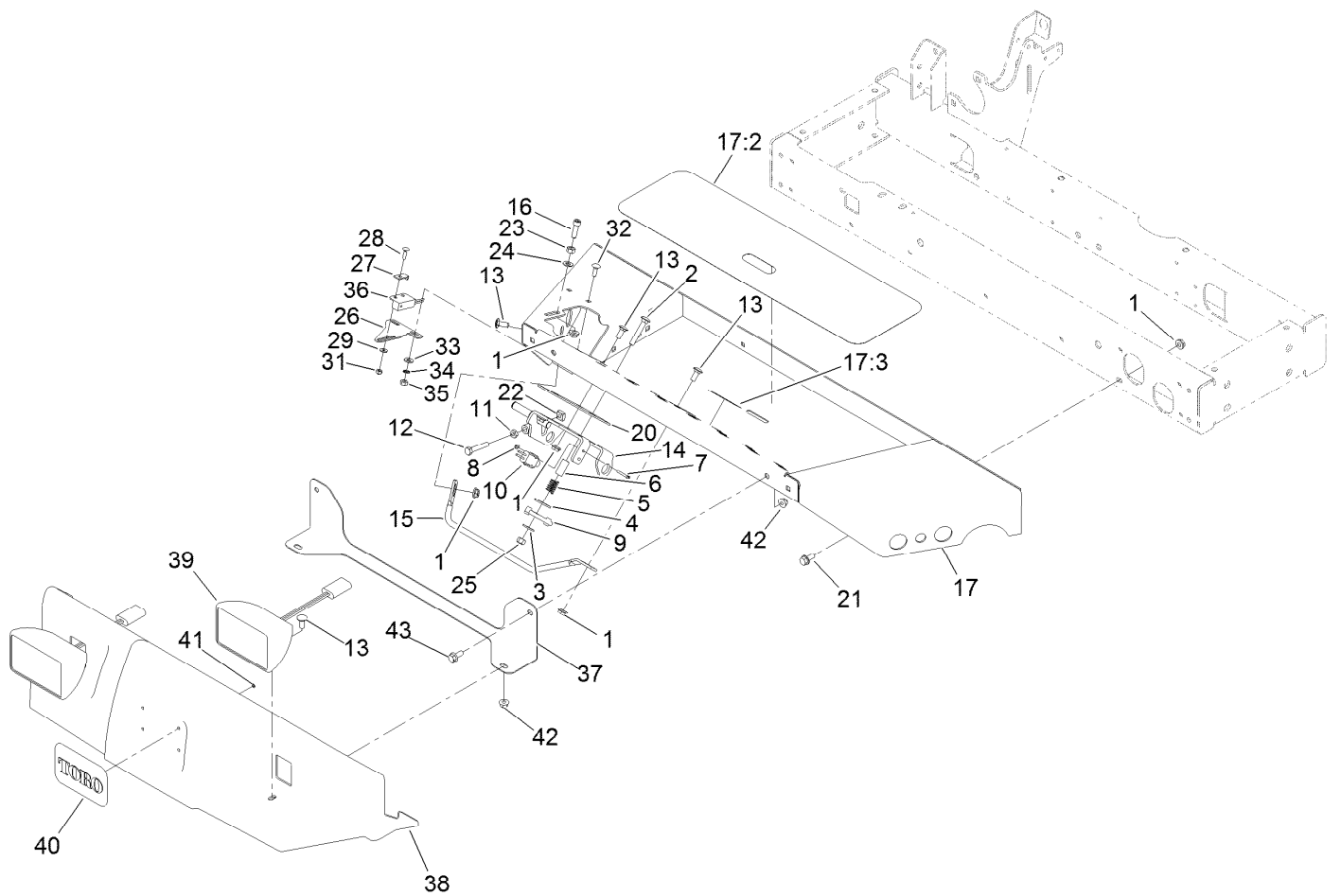
| Ref. | Part Number | Qty. | Description | Ref. | Part Number | Qty. | Description |
|------|-------------|------|-----------------------|------|-------------|------|---------------------|
| 1 | 120-2063-01 | 1 | Arm-Steering | 17:2 | 68-5140 | 1 | Cap-Wheel, Steering |
| 2 | 32128-43 | 4 | Nut-Flange | 18 | 68-5370 | 1 | Decal |
| 3 | 3234-1 | 4 | Screw-HHF | 19 | 99-3502 | 1 | Boss |
| 4 | 120-2190-01 | 1 | Bracket-Valve | 20 | 31-0390 | 1 | Disc-Friction |
| 5 | 323-5 | 2 | Screw-HH | 21 | 82-9010 | 1 | Disc-Friction |
| 6 | 93-5988 | 2 | Hub-Pivot | 22 | 80-2930 | 1 | Washer-Flat |
| 7 | 95-8794-01 | 1 | Cover-Valve, Steering | 23 | 3218-7 | 1 | Nut-Jam |
| 8 | 32144-10 | 5 | Screw-HWH | 24 | 33103-012 | 4 | Screw-HHF |
| 10 | 233-48 | 1 | Knob | 25 | 99-3405-01 | 1 | Shield-Steering |
| 11 | 95-8798-03 | 1 | Lever-Steering | 28 | 32128-21 | 2 | Nut-HF Lock |
| 12 | 121-7856 | 1 | Steering Valve ASM | 29 | 117-2378 | 1 | Holder-Bag |
| 13 | 80-2880 | 1 | Bracket-Tilt | 30 | 3290-321 | 2 | Screw-HWH |
| 14 | 322-5 | 1 | Screw-HH | 31 | 3296-2 | 2 | Nut-Lock, NI |
| 15 | 3256-3 | 1 | Washer-Flat | 32 | 3256-14 | 2 | Washer-Flat |
| 16 | 32128-44 | 1 | Nut | 33 | 3296-33 | 1 | Nut-Lock, NI |
| 17 | 75-0560 | 1 | Steering Wheel ASM | 34 | 3256-27 | 1 | Washer-Flat |
| 17:1 | 32144-21 | 1 | Screw | | | | |



Steering Valve Assembly No. 121-7856

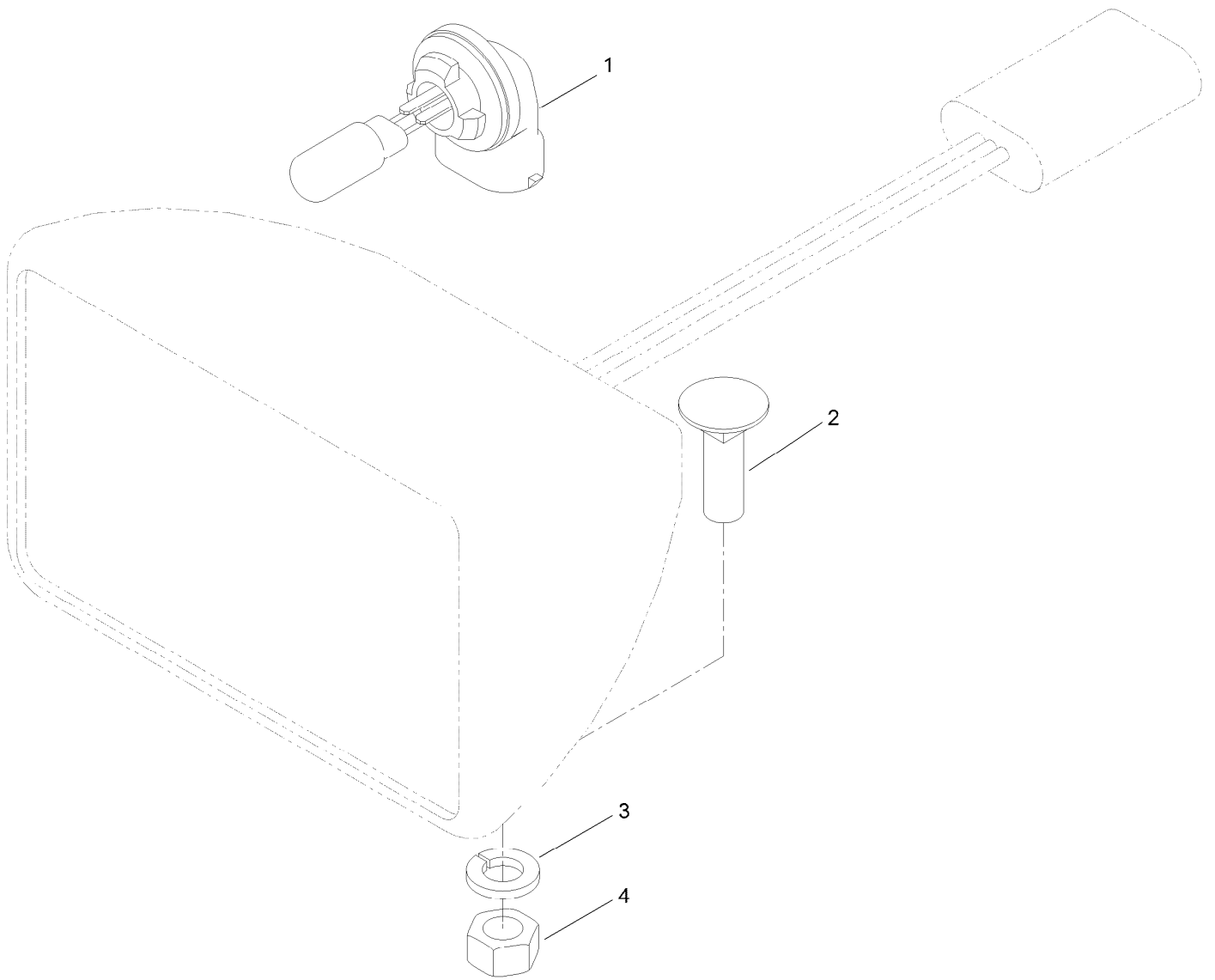
| Ref. | Part Number | Qty. | Description |
|------|-------------|------|---------------------|
| 1 | 106-6716 | 1 | Seal Kit |
| 1:1 | | 1 | Ring-Seal, Dust ● |
| 1:2 | | 1 | Seal-Shaft ● |
| 1:3 | | 1 | O-Ring ● |
| 1:4 | | 2 | O-Ring ● |
| 1:5 | | 5 | O-Ring ● |
| 2 | | 1 | Housing ● |
| 3 | | 1 | Ball ● |
| 4 | | 1 | Stop-Ball ● |
| 7 | | 1 | Bearing ASM ● |
| 10 | | 1 | Ring ● |
| 11 | | 1 | Pin-Cross ● |
| 12 | | 1 | Springs ● |
| 13 | | 1 | Shaft ● |
| 14 | | 1 | Spacer ● |
| 16 | | 1 | Plate-Distributor ● |
| 17 | | 1 | Gearwheel Set ● |
| 19 | | 1 | Cover-End ● |
| 22 | | 1 | Screw-Special ● |
| 23 | | 4 | Screw-Special ● |
| 24 | | 1 | Plate-Name ● |
| 25 | 3296-33 | 1 | Nut-Lock, NI |
| 26 | 237-22 | 3 | O-Ring |
| 27 | 237-21 | 2 | O-Ring |

● Not serviced separately



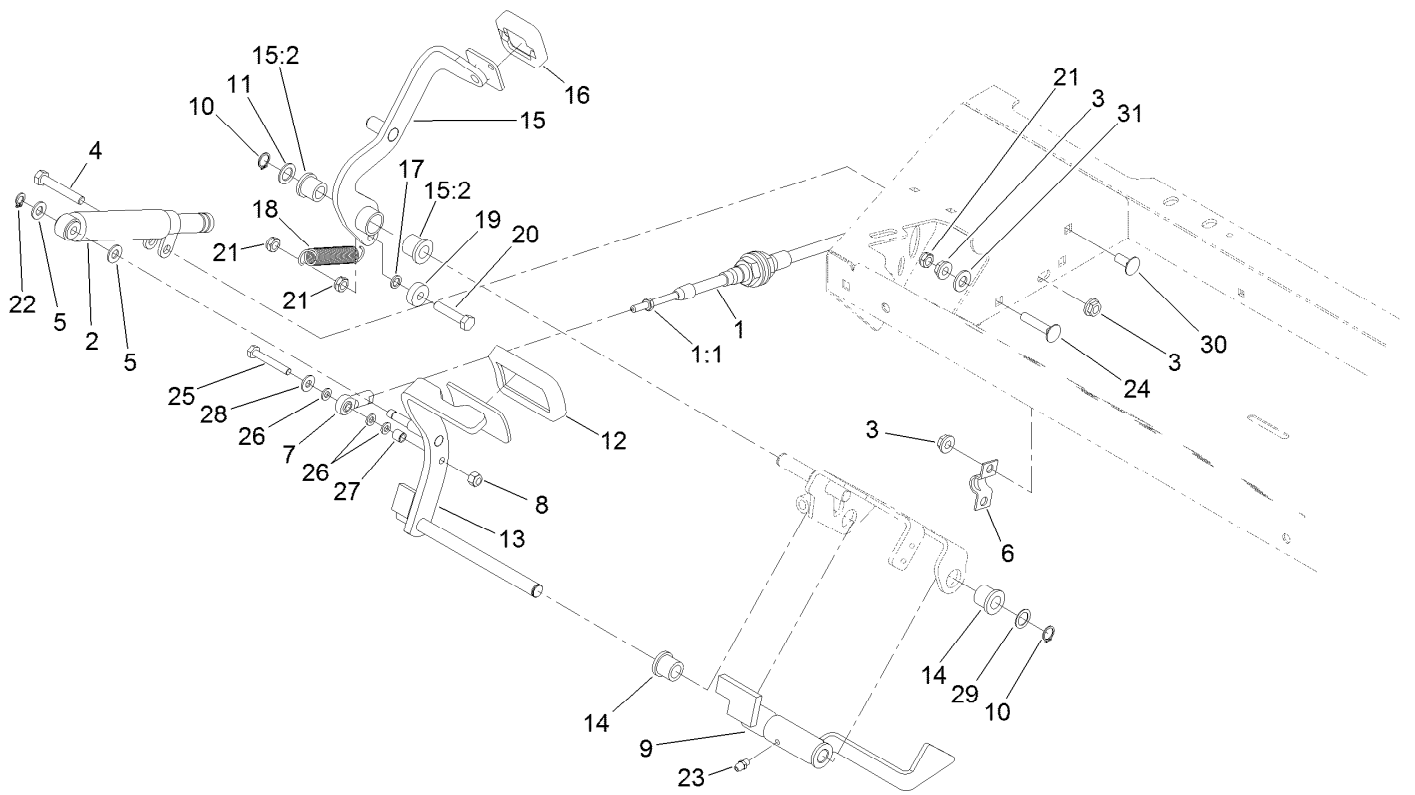
Front Shroud and Floorplate Assembly

| <i>Ref.</i> | <i>Part Number</i> | <i>Qty.</i> | <i>Description</i> | <i>Ref.</i> | <i>Part Number</i> | <i>Qty.</i> | <i>Description</i> |
|-------------|--------------------|-------------|-------------------------|-------------|--------------------|-------------|-------------------------|
| 1 | 32128-20 | 15 | Nut-HF | 22 | 99-3565 | 1 | Nut-Square |
| 2 | 3230-6 | 1 | Bolt-CARR | 23 | 3217-6 | 1 | Nut-Hex |
| 3 | 3256-3 | 1 | Washer-Flat | 24 | 3256-23 | 1 | Washer-Plain |
| 4 | 3256-40 | 1 | Washer-Flat | 25 | 3296-29 | 1 | Nut-Lock, NI |
| 5 | 65-9940 | 1 | Spring | 26 | 100-4871 | 1 | Bracket-Switch, Neutral |
| 6 | 95-8866 | 1 | Tube-Arm, Rocker | 27 | 100-4872 | 1 | Plate-Switch, Neutral |
| 7 | 32105-9 | 2 | Screw | 28 | 3229-20 | 1 | Screw-CARR |
| 8 | 3296-9 | 2 | Nut-Hex | 29 | 3256-14 | 1 | Washer-Flat |
| 9 | 99-3593 | 1 | Arm-Rocker | 31 | 3296-2 | 1 | Nut-Lock, NI |
| 10 | 95-8900 | 1 | Switch | 32 | 3229-1 | 2 | Screw-CARR |
| 11 | 3218-2 | 1 | Nut-Hex Jam | 33 | 3256-22 | 2 | Washer-Flat |
| 12 | 322-41 | 1 | Bolt-Hex, TAP | 34 | 3255-7 | 2 | Washer-Lock/EXT |
| 13 | 3230-23 | 6 | Bolt-CARR | 35 | 3217-5 | 2 | Nut-Hex |
| 14 | 95-8869-03 | 1 | Bracket-Pedal, Traction | 36 | 100-1270 | 1 | Switch-Proximity |
| 15 | 95-8893 | 1 | Bar-Deflector | 37 | 121-7822-03 | 1 | Bracket-Head Light |
| 16 | 3274-22 | 1 | Screw-HSH | 38 | 121-7823 | 1 | Shroud-Front |
| 17 | 120-2189 | 1 | Floorplate ASM | 39 | 94-9024 | 2 | Lamp ASM |
| 17:2 | 99-3478 | 1 | Tread-Foot | 40 | 93-6028 | 1 | Plate-Logo |
| 17:3 | 99-3444 | 1 | Decal-Mow / Transport | 41 | 3254-9 | 4 | Washer-Lock, Internal |
| 20 | 106-2661-01 | 1 | Plate-Support | 42 | 104-8300 | 4 | Nut-HF, NI |
| 21 | 3234-5 | 10 | Screw-HHF | 43 | 3234-47 | 2 | Screw-HHF |



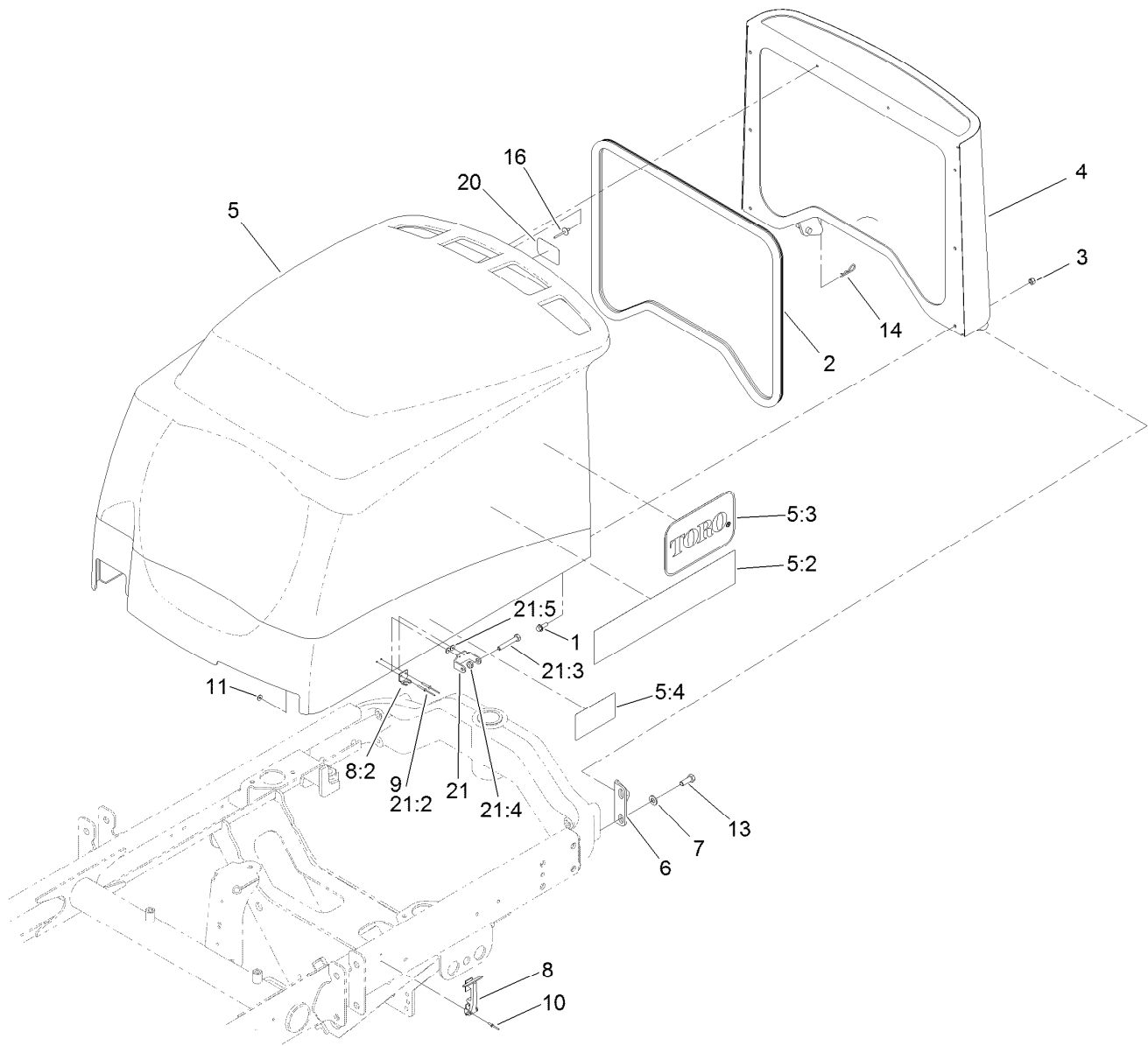
Lamp Assembly No. 94-9024

| <i>Ref.</i> | <i>Part Number</i> | <i>Qty.</i> | <i>Description</i> |
|-------------|--------------------|-------------|--------------------|
| 1 | 95-0909 | 1 | Lamp-12 Volt |
| 2 | 3230-28 | 1 | Screw-CARR |
| 3 | 3253-33 | 1 | Washer-Lock |
| 4 | 3217-6 | 1 | Nut-Hex |



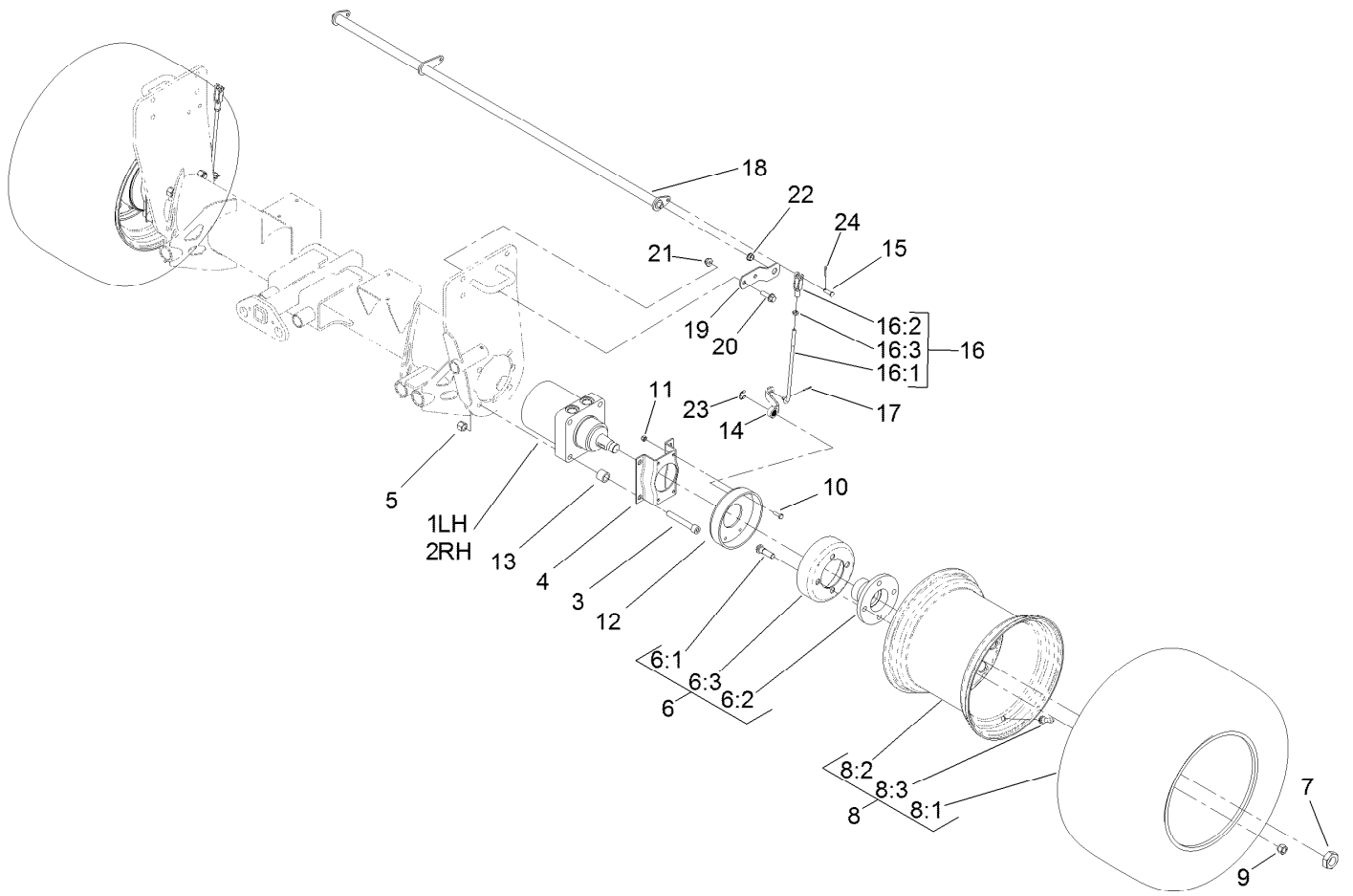
Traction Control Assembly

| <i>Ref.</i> | <i>Part Number</i> | <i>Qty.</i> | <i>Description</i> | <i>Ref.</i> | <i>Part Number</i> | <i>Qty.</i> | <i>Description</i> |
|-------------|--------------------|-------------|-------------------------|-------------|--------------------|-------------|--------------------|
| 1 | 100-4815 | 1 | Cable-Control, Traction | 16 | 74-9110 | 1 | Pad-Pedal, Reverse |
| 1:1 | 3220-1 | 2 | Nut-Jam | 17 | 75-5470 | 1 | Spacer-Bearing |
| 2 | 76-8870 | 1 | Damper-Lever | 18 | 99-3476 | 1 | Spring-Extension |
| 3 | 32128-20 | 4 | Nut-HF | 19 | 251-259 | 1 | Bearing-Ball |
| 4 | 322-10 | 1 | Screw-HH | 20 | 322-7 | 1 | Screw-HH |
| 5 | 3256-23 | 2 | Washer-Plain | 21 | 3296-47 | 3 | Nut-Lock,NI |
| 6 | 93-2092 | 1 | Clamp-Cable | 22 | 32151-3 | 1 | Ring-Grip |
| 7 | 2411-41 | 1 | Rod End-Ball Joint | 23 | 302-5 | 1 | Fitting-Grease |
| 8 | 3296-42 | 1 | Nut-Lock, NI | 24 | 3230-27 | 1 | Screw-CARR |
| 9 | 95-8861 | 1 | Slide | 25 | 321-10 | 1 | Screw-HH |
| 10 | 32151-84 | 2 | Ring-Shaft, EXT | 26 | 33093-00 | 3 | Washer-Flat |
| 11 | 41-8440 | 1 | Washer | 27 | 99-3545 | 1 | Spacer |
| 12 | 74-9100 | 1 | Pad-Pedal, Forward | 28 | 3256-22 | 1 | Washer-Flat |
| 13 | 104-4852-03 | 1 | Pedal-Traction | 29 | 73-0040 | 4 | Washer-Thrust |
| 14 | 256-243 | 2 | Bearing-Flange | 30 | 3230-23 | 2 | Bolt-CARR |
| 15 | 99-3379 | 1 | Pedal-Reverse ASM | 31 | 3256-24 | 1 | Washer-Flat |
| 15:2 | 256-243 | 2 | Bearing-Flange | | | | |



Hood and Screen Assembly

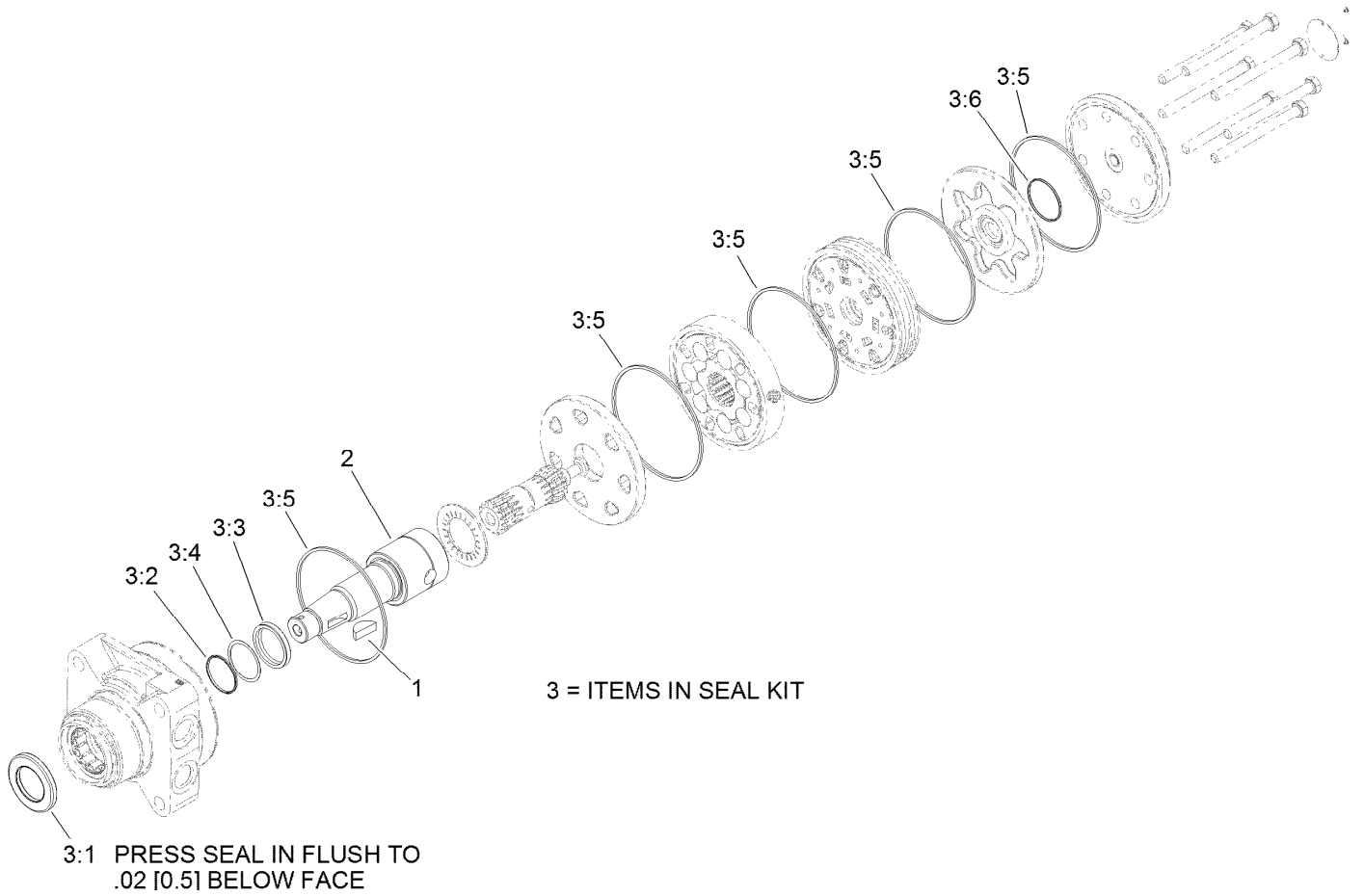
| <i>Ref.</i> | <i>Part Number</i> | <i>Qty.</i> | <i>Description</i> | <i>Ref.</i> | <i>Part Number</i> | <i>Qty.</i> | <i>Description</i> |
|-------------|--------------------|-------------|---------------------|-------------|--------------------|-------------|--------------------|
| 1 | 3234-4 | 6 | Screw-HHF | 9 | 107-0333 | 4 | Rivet-Pop |
| 2 | 100-4932 | 1 | Trim-Seal | 10 | 3290-55 | 4 | Rivet-Pop |
| 3 | 3296-42 | 6 | Nut-Lock, NI | 11 | 3269-10 | 4 | Washer-Back |
| 4 | 104-4853-03 | 1 | Screen-Hood | 13 | 323-6 | 4 | Screw-HH |
| 5 | 121-7858 | 1 | Hood ASM | 14 | 3290-467 | 1 | Pin-Hair |
| 5:2 | 120-2103 | 2 | Decal-Hood | 16 | 3269-21 | 2 | Rivet-Pop |
| 5:3 | 62-7400 | 2 | Decal-Toro Logo | 20 | 110-7135 | 1 | Decal-Toro |
| 5:4 | 117-3270 | 1 | Decal-Danger | 21 | 119-2004 | 1 | CE Latch Kit |
| 6 | 95-8728 | 2 | Bracket-Pivot, Hood | 21:2 | 107-0333 | 2 | Rivet-Pop |
| 7 | 3256-24 | 8 | Washer-Flat | 21:3 | 322-10 | 1 | Screw-HH |
| 8 | 59-9740 | 2 | Flex Draw Latch ASM | 21:4 | 3296-47 | 1 | Nut-Lock, NI |
| 8:2 | 249-40 | 1 | Keeper | 21:5 | 3269-10 | 2 | Washer-Back |



Wheel and Brake Assembly

| Ref. | Part Number | Qty. | Description | Ref. | Part Number | Qty. | Description |
|------|-------------|------|---------------------|------|-------------|------|----------------------|
| 1 | 110-8785 | 1 | HYD Motor ASM (CCW) | 12 | 104-7705 | 2 | Brake ASM |
| 2 | 110-8786 | 1 | HYD Motor ASM (CW) | 13 | 119-8238 | 8 | Spacer-Deck Pulley |
| 3 | 3274-100 | 8 | Screw-HSH | 14 | 114-2726 | 2 | Lever-Brake |
| 4 | 84-2000-03 | 2 | Bracket-Brake | 15 | 283-1 | 2 | Pin-Clevis |
| 5 | 3296-23 | 8 | Nut-Lock, NI | 16 | 120-2068 | 2 | Brake Lever ASM |
| 6 | 17-8149 | 2 | Wheel Hub ASM | 16:1 | 120-2067 | 1 | Rod-Brake |
| 6:1 | 85-6540 | 4 | Stud-Drive | 16:2 | 1-303105 | 1 | Yoke-Adjustable |
| 6:2 | 93-6838-03 | 1 | Hub-Wheel | 16:3 | 3220-2 | 1 | Nut-Jam |
| 6:3 | 10-6850 | 1 | Drum-Brake | 17 | 3272-6 | 2 | Pin-Cotter |
| 7 | 26-3790 | 2 | Nut-Lock | 18 | 104-4625-03 | 1 | Shaft-Pivot, Brake |
| 8 | | 2 | Tire ASM ● | 19 | 95-8683 | 2 | Bracket-Pivot, Brake |
| 8:1 | 120-2114 | 1 | Tire-Smooth | 20 | 3234-11 | 4 | Screw-HHF |
| 8:2 | 120-2115 | 1 | Wheel-12 Inch | 21 | 104-8301 | 4 | Nut-HF, NI |
| 8:3 | 232-27 | 1 | Stem-Valve | 22 | 256-156 | 2 | Bushing-Flange |
| 9 | 242-50 | 8 | Nut-Lug | 23 | 104-7706 | 2 | E-Ring, Bowed |
| 10 | 321-5 | 8 | Screw-HH | 24 | 3272-10 | 2 | Pin-Cotter |
| 11 | 3296-42 | 8 | Nut-Lock, NI | | | | |

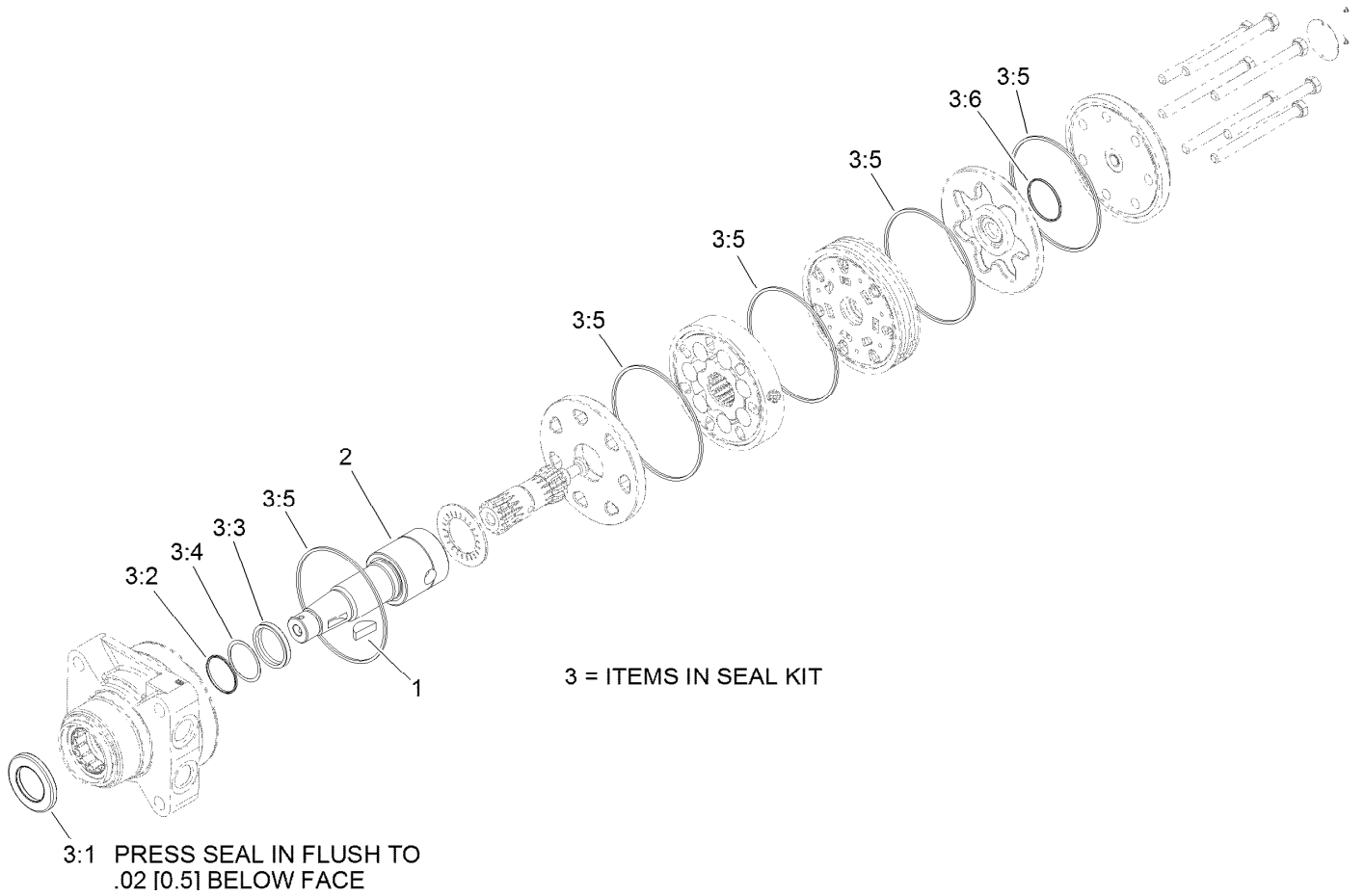
● Not serviced separately



Hydraulic Motor Assembly No. 110-8785

| Ref. | Part Number | Qty. | Description |
|------|-------------|------|-----------------------------|
| 1 | 3257-42 | 1 | Key-Woodruff |
| 2 | 99-3090 | 1 | Shaft-Coupling |
| 3 | 94-8178 | 1 | Seal Kit |
| 3:1 | | 1 | Seal-Dirt And Water ● |
| 3:2 | | 1 | Backup-Ring ● |
| 3:3 | | 1 | Seal-Shaft ● |
| 3:4 | | 1 | Washer-Backup ● |
| 3:5 | | 5 | Seal-Square, Ring (Inner) ● |
| 3:6 | | 1 | Seal-Commutator ● |

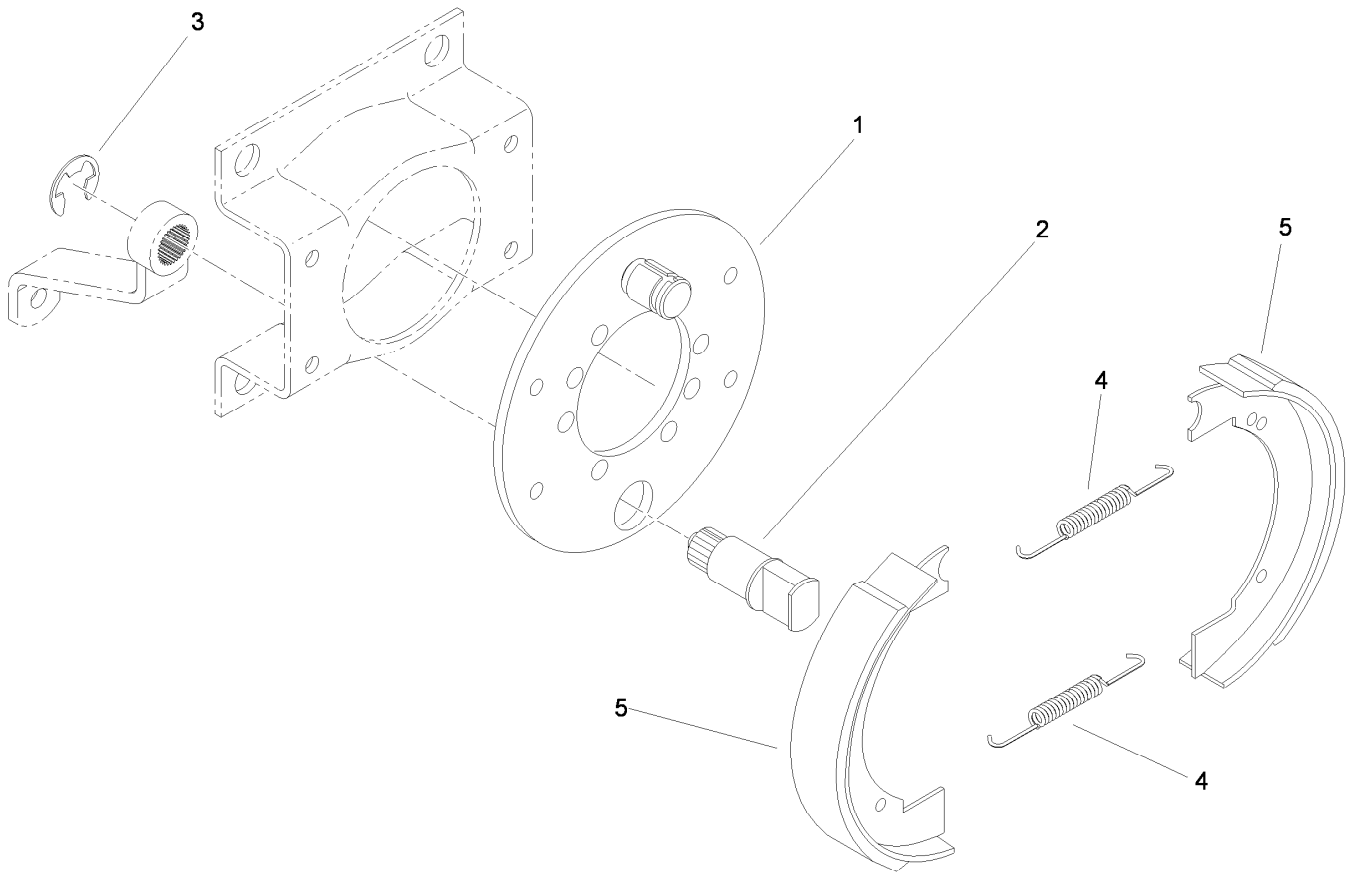
● Not serviced separately



Hydraulic Motor Assembly No. 110-8786

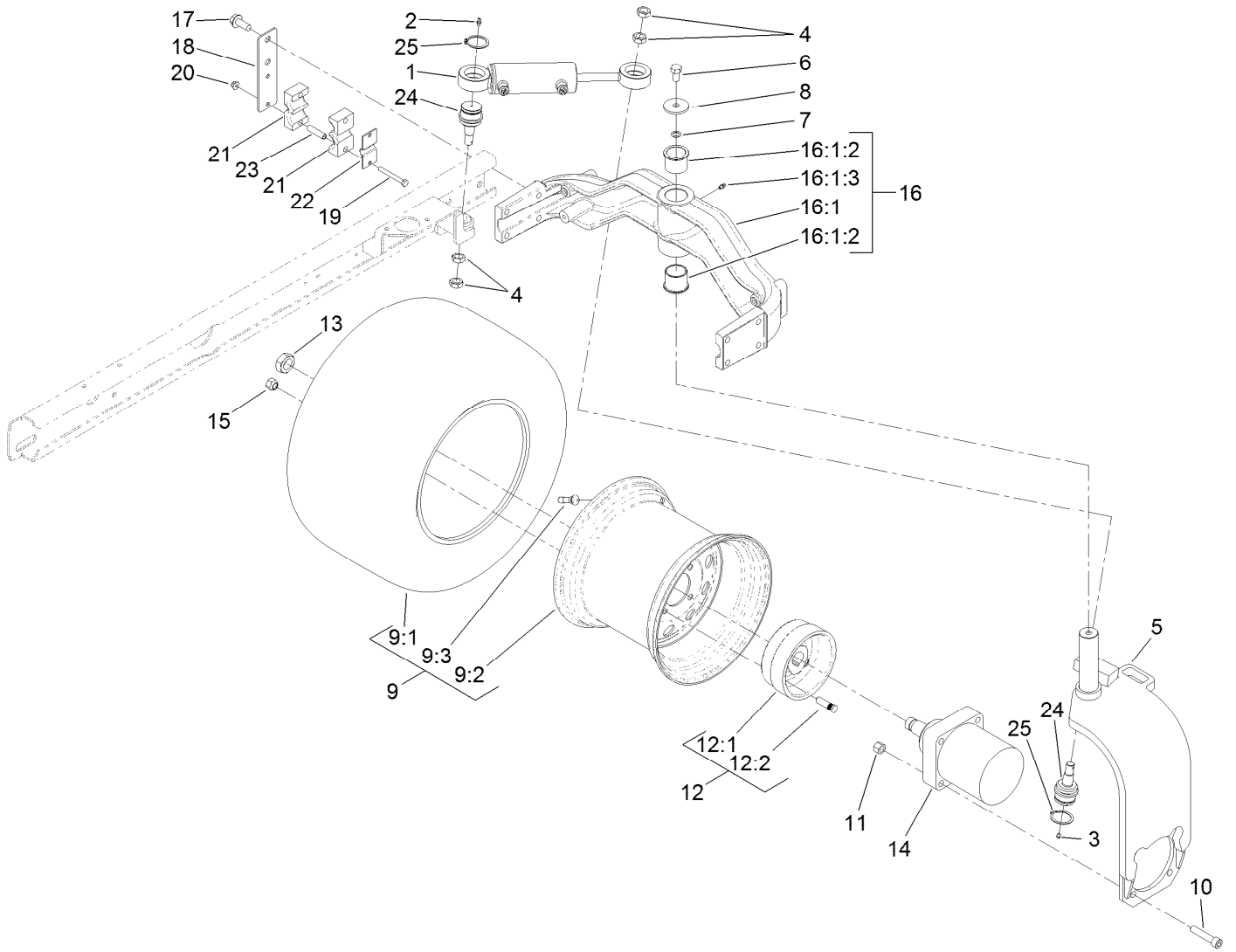
| Ref. | Part Number | Qty. | Description |
|------|-------------|------|-----------------------------|
| 1 | 3257-42 | 1 | Key-Woodruff |
| 2 | 99-3090 | 1 | Shaft-Coupling |
| 3 | 94-8178 | 1 | Seal Kit |
| 3:1 | | 1 | Seal-Dirt And Water ● |
| 3:2 | | 1 | Backup-Ring ● |
| 3:3 | | 1 | Seal-Shaft ● |
| 3:4 | | 1 | Washer-Backup ● |
| 3:5 | | 5 | Seal-Square, Ring (Inner) ● |
| 3:6 | | 1 | Seal-Commutator ● |

● Not serviced separately



Brake Assembly No. 104-7705

| <i>Ref.</i> | <i>Part Number</i> | <i>Qty.</i> | <i>Description</i> |
|-------------|--------------------|-------------|--------------------|
| 1 | 70-9870 | 1 | Plate-Backing |
| 2 | 104-7707 | 1 | Shaft-Cam, Brake |
| 3 | 104-7706 | 1 | E-Ring, Bowed |
| 4 | 70-9880 | 2 | Spring-Return |
| 5 | 70-9840 | 2 | Shoe-Brake |

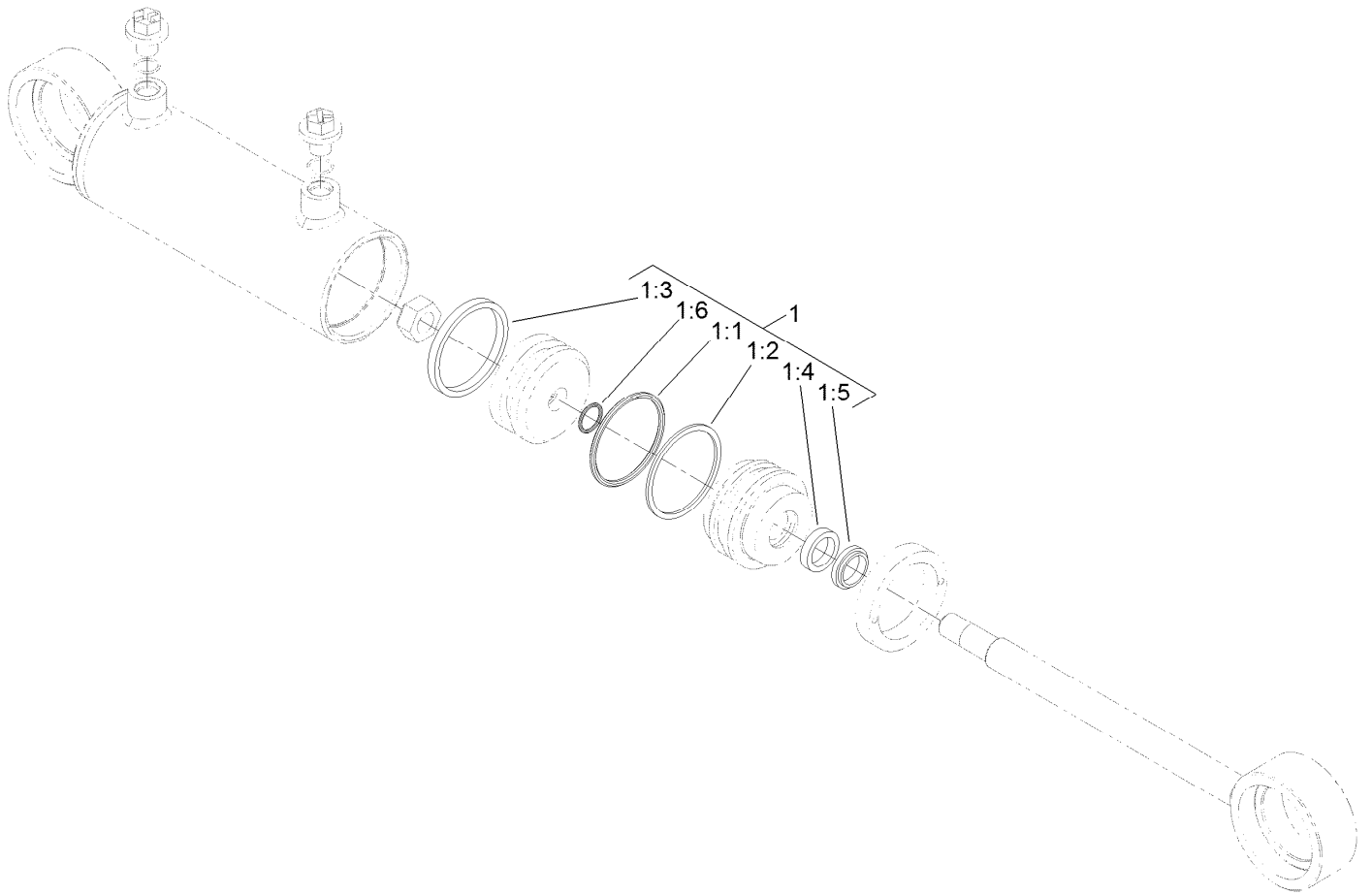


Rear Fork and Casting Assembly

| Ref. | Part Number | Qty. | Description |
|------|-------------|------|-----------------------|
| 1 | 121-7835 | 1 | Steering Cylinder ASM |
| 2 | 302-5 | 1 | Fitting-Grease |
| 3 | 302-59 | 1 | Plug-EXT Hex Spl |
| 4 | 3220-6 | 4 | Nut-Jam |
| 5 | 120-2144-01 | 1 | Fork-Rear |
| 6 | 325-3 | 1 | Screw-HH |
| 7 | 3255-2 | 1 | Washer-Lock, EXT |
| 8 | 75-7730 | 1 | Washer-Thrust |
| 9 | | 1 | Tire ASM ● |
| 9:1 | 120-2114 | 1 | Tire-Smooth |
| 9:2 | 120-2115 | 1 | Wheel-12 Inch |
| 9:3 | 232-27 | 1 | Stem-Valve |
| 10 | 3274-71 | 4 | Screw-HSH |
| 11 | 3296-23 | 4 | Nut-Lock, NI |
| 12 | | 1 | Hub And Wheel ASM ● |
| 12:1 | 103-0589 | 1 | Hub-Wheel |
| 12:2 | 1-633926 | 4 | Stud-Wheel |

| Ref. | Part Number | Qty. | Description |
|--------|-------------|------|--------------------------|
| 13 | 26-3790 | 1 | Nut-Lock |
| 14 | 95-8694 | 1 | HYD Motor ASM |
| 15 | 242-50 | 4 | Nut-Lug |
| 16 | 107-7828-03 | 1 | Casting-Rear |
| 16:1 | | 1 | Rear Casting ASM ● |
| 16:1:2 | 95-8805 | 2 | Bushing |
| 16:1:3 | 302-5 | 1 | Fitting-Grease |
| 17 | 3234-38 | 8 | Screw-HHF |
| 18 | 121-7805-03 | 1 | Bracket-Clamp, Hose |
| 19 | 322-13 | 2 | Screw-HH |
| 20 | 104-8300 | 2 | Nut-HF, NI |
| 21 | 82-8170 | 2 | Clamp |
| 22 | 93-7961 | 1 | Clamp-Drain, Case |
| 23 | 93-7960 | 2 | Spacer |
| 24 | 106-6774 | 2 | Joint-Ball |
| 25 | 32151-104 | 2 | Ring-Retaining, External |

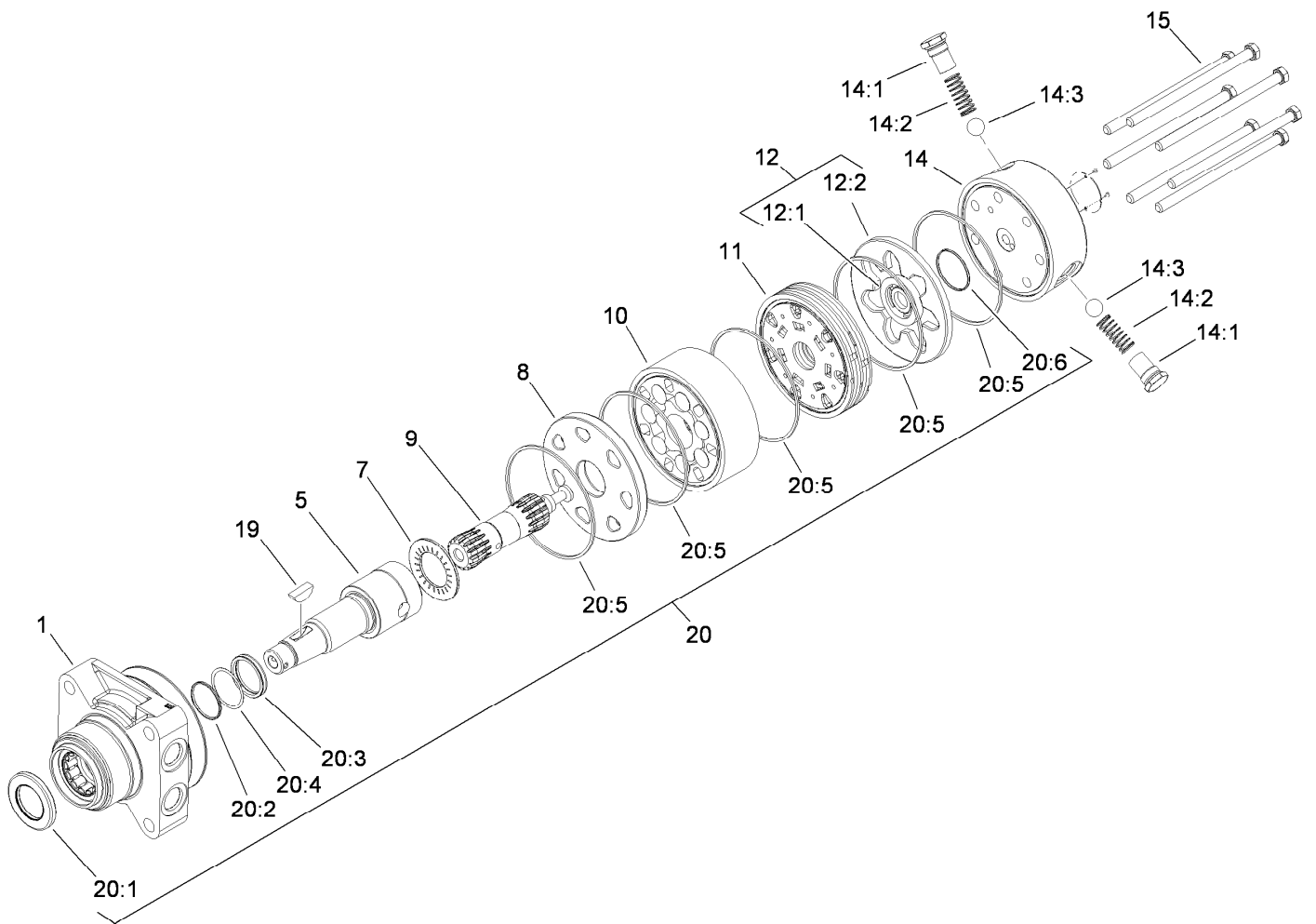
● Not serviced separately



Steering Cylinder Assembly No. 121-7835

| <i>Ref.</i> | <i>Part Number</i> | <i>Qty.</i> | <i>Description</i> |
|-------------|--------------------|-------------|--------------------|
| 1 | 121-7844 | 1 | Kit-Seal |
| 1:1 | | 1 | O-Ring ● |
| 1:2 | | 1 | Backup ● |
| 1:3 | | 1 | Psp Seal ● |
| 1:4 | | 1 | Bs Seal ● |
| 1:5 | | 1 | Dust Seal-Dt ● |
| 1:6 | | 1 | O-Ring ● |

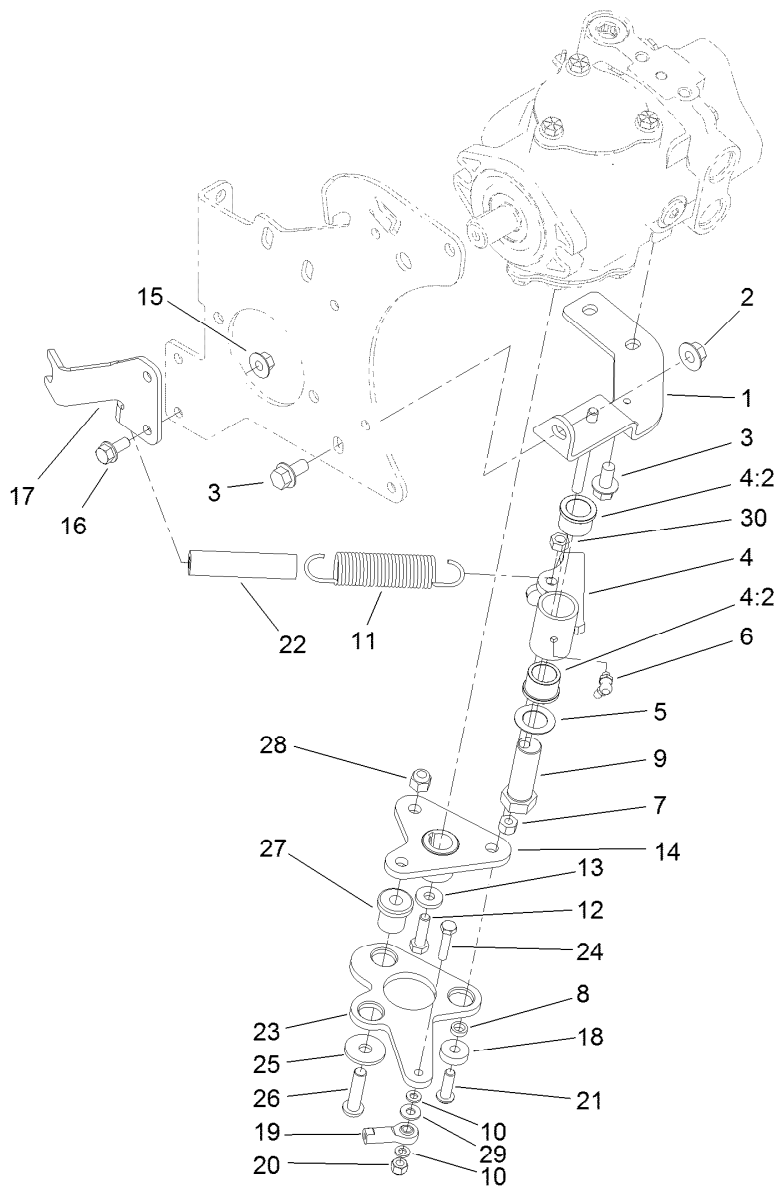
● Not serviced separately



Hydraulic Motor Assembly No. 95-8694

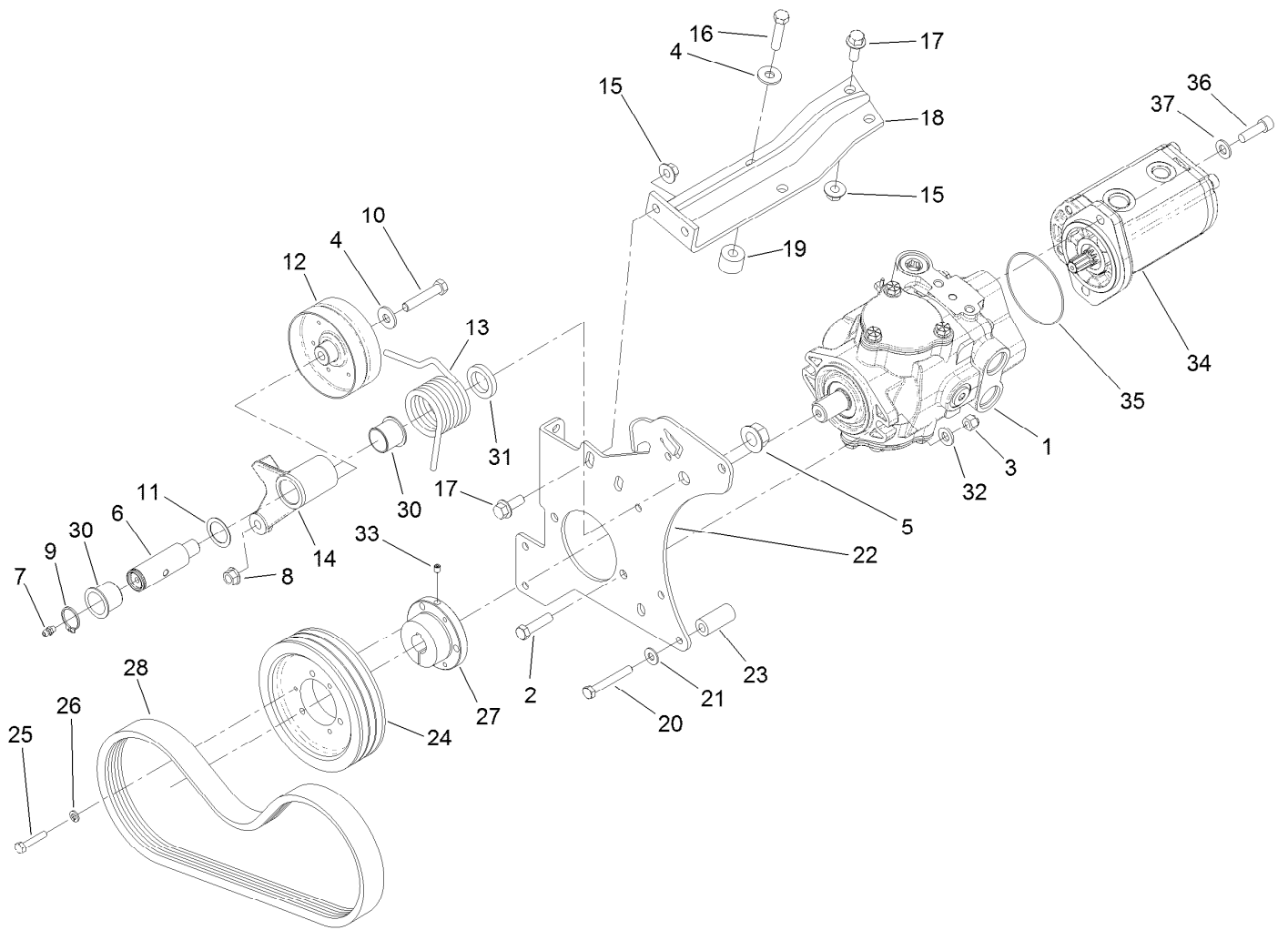
| Ref. | Part Number | Qty. | Description | Ref. | Part Number | Qty. | Description |
|------|-------------|------|-----------------------------|------|-------------|------|-----------------------------|
| 1 | 76-0810 | 1 | Housing ASM | 14:2 | 99-3541 | 1 | Spring |
| 5 | 99-3090 | 1 | Shaft-Coupling | 14:3 | 99-3540 | 1 | Ball |
| 7 | 76-0850 | 1 | Bearing-Thrust | 15 | 99-3536 | 7 | Screw-HH |
| 8 | 76-0870 | 1 | Plate-Wear | 19 | 3257-42 | 1 | Key-Woodruff |
| 9 | 99-3537 | 1 | Link-Drive | 20 | 94-8178 | 1 | Seal Kit |
| 10 | 99-3539 | 1 | Set-Rotor | 20:1 | | 1 | Seal-Dirt And Water ● |
| 11 | 99-3535 | 1 | Manifold | 20:2 | | 1 | Backup-Ring ● |
| 12 | 76-0880 | 1 | Commutator ASM | 20:3 | | 1 | Seal-Shaft ● |
| 12:1 | | 1 | Commutator ● | 20:4 | | 1 | Washer-Backup ● |
| 12:2 | | 1 | Ring-Commutator ● | 20:5 | | 5 | Seal-Square, Ring (Inner) ● |
| 14 | 99-3538 | 1 | End Cover ASM | 20:6 | | 1 | Seal-Commutator ● |
| 14:1 | | 1 | Spring Cap And O-Ring ASM ● | | | | |

● Not serviced separately



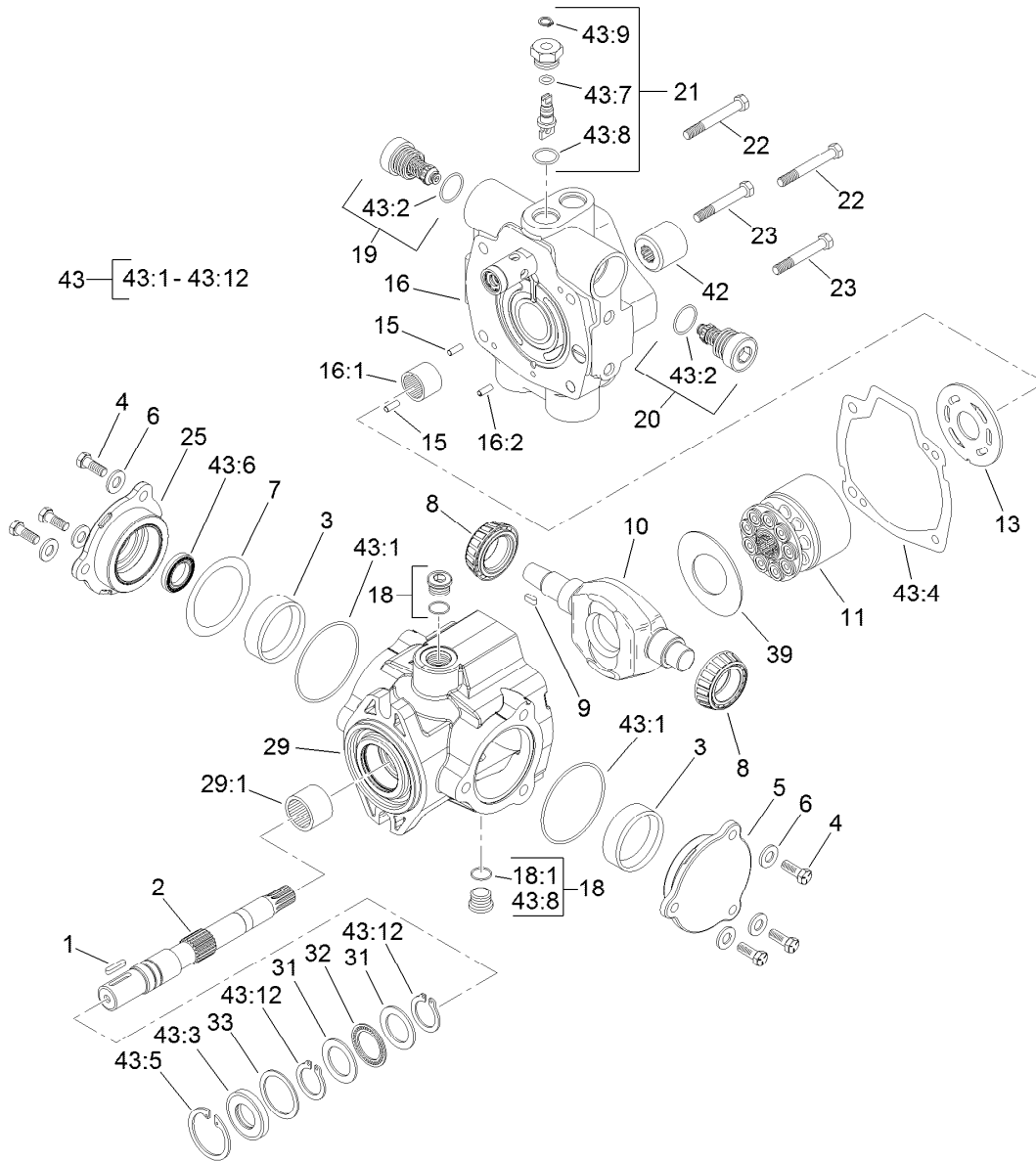
Neutral Arm Assembly

| Ref. | Part Number | Qty. | Description | Ref. | Part Number | Qty. | Description |
|------|-------------|------|------------------|------|-------------|------|------------------------|
| 1 | 95-8960-03 | 1 | Bracket-Neutral | 16 | 3234-5 | 2 | Screw-HHF |
| 2 | 32128-43 | 1 | Nut-Flange | 17 | 104-0464-03 | 1 | Bracket-Support, Cable |
| 3 | 3234-1 | 3 | Screw-HHF | 18 | 251-259 | 1 | Bearing-Ball |
| 4 | 104-0422 | 1 | Neutral Arm ASM | 19 | 2411-41 | 1 | Rod End-Ball Joint |
| 4:2 | 256-113 | 2 | Bushing-Flange | 20 | 3296-42 | 1 | Nut-Lock, NI |
| 5 | 3-6498 | 1 | Washer-Thrust | 21 | 3274-104 | 1 | Screw-HSBH |
| 6 | 302-60 | 1 | Fitting-Grease | 22 | 99-3556 | 1 | Hose |
| 7 | 3296-29 | 1 | Nut-Lock, NI | 23 | 99-3594-03 | 1 | Lever-Pump |
| 8 | 100-4817 | 1 | Spacer | 24 | 321-8 | 1 | Screw-HH |
| 9 | 76-8640 | 1 | Stud-Traction | 25 | 2844 | 3 | Washer |
| 10 | 33093-00 | 2 | Washer-Flat | 26 | 95-3857 | 3 | Screw-HSBH |
| 11 | 94-1369 | 1 | Spring-Extension | 27 | 63-9750 | 3 | Mount |
| 12 | 3210-6 | 1 | Screw-HH | 28 | 3296-39 | 3 | Nut-Lock, NI |
| 13 | 88-7200 | 1 | Washer-Flat | 29 | 3256-22 | 1 | Washer-Flat |
| 14 | 120-5566 | 1 | Hub | 30 | 32153-3 | 1 | Nut-Hex, Side Deform |
| 15 | 32128-44 | 2 | Nut | | | | |



Piston Pump and Gear Pump Assembly

| <i>Ref.</i> | <i>Part Number</i> | <i>Qty.</i> | <i>Description</i> | <i>Ref.</i> | <i>Part Number</i> | <i>Qty.</i> | <i>Description</i> |
|-------------|--------------------|-------------|--------------------|-------------|--------------------|-------------|---------------------|
| 1 | 104-4890 | 1 | Piston Pump ASM | 19 | 99-3440 | 2 | Spacer |
| 2 | 323-8 | 2 | Screw-HH | 20 | 33114-060 | 4 | Screw-HH |
| 3 | 3296-39 | 2 | Nut-Lock, NI | 21 | 87-8640 | 3 | Washer-Flat |
| 4 | 80-6990 | 2 | Washer-Hardened | 22 | 95-8933-03 | 1 | Plate-Mount, Pump |
| 5 | 32128-54 | 1 | Nut-HF | 23 | 95-8941 | 4 | Spacer-Mount, Pump |
| 6 | 99-3624 | 1 | Shaft-Pivot, Idler | 24 | 99-3620 | 1 | Pulley-3V, Pump |
| 7 | 302-5 | 1 | Fitting-Grease | 25 | 321-13 | 3 | Screw-HH |
| 8 | 32128-21 | 1 | Nut-HF Lock | 26 | 3253-3 | 3 | Washer-Lock |
| 9 | 32151-36 | 1 | Ring-Retaining | 27 | 100-4813 | 1 | Bushing-Lock, Taper |
| 10 | 323-10 | 1 | Screw-HH | 28 | 99-3619 | 1 | Belt-3V |
| 11 | 74-1810 | 1 | Washer | 30 | 99-3631 | 2 | Bushing-Flange |
| 12 | 107-7834 | 1 | Pulley-Idler | 31 | 99-3625 | 1 | Spacer-Arm, Idler |
| 13 | 115-3488 | 1 | Spring-Torsion | 32 | 100-4852 | 2 | Washer-Hardened |
| 14 | 99-3623-03 | 1 | Arm-Idler | 33 | 3245-7 | 1 | Screw-Set |
| 15 | 32128-43 | 4 | Nut-Flange | 34 | 121-7841 | 1 | HYD Gear Pump ASM |
| 16 | 323-19 | 2 | Screw-HH | 35 | 60-3520 | 1 | O-Ring |
| 17 | 3234-11 | 4 | Screw-HHF | 36 | 323-7 | 2 | Screw-HH |
| 18 | 99-3436-03 | 1 | Support-Pump | 37 | 3256-24 | 4 | Washer-Flat |

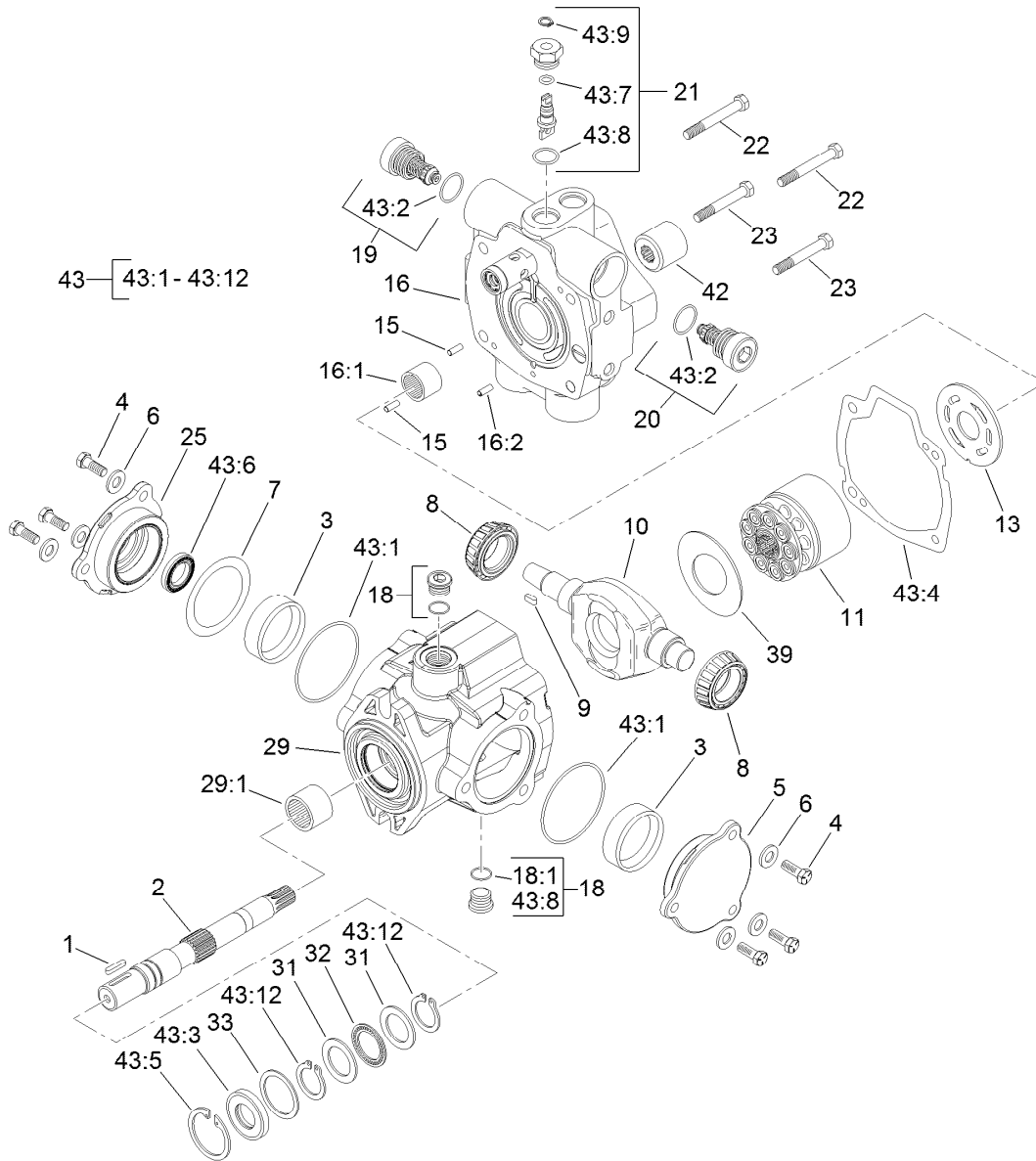


Hydraulic Pump Assembly No. 104-4890

| Ref. | Part Number | Qty. | Description | Ref. | Part Number | Qty. | Description |
|------|-------------|------|------------------|------|-------------|------|-------------------|
| 1 | 94-3645 | 1 | Key | 19 | 104-4889 | 1 | Relief Valve ASM |
| 2 | 94-6359 | 1 | Shaft-Drive | 20 | 105-3812 | 1 | Valve-Check |
| 3 | 104-4046 | 2 | Bearing-Cup | 21 | 105-3811 | 1 | Valve-Bypass |
| 4 | 98-4640 | 6 | Screw-Cap | 22 | 76-6170 | 2 | Capscrew |
| 5 | 98-4644 | 1 | Plate-Cover | 23 | 76-6160 | 2 | Capscrew |
| 6 | 105-9762 | 6 | Washer | 25 | 98-4645 | 1 | Plate-Cover |
| 7 | 100-3182 | 2 | Shim Kit | 29 | 100-3176 | 1 | Housing ASM |
| 8 | 98-4639 | 2 | Bearing-Cone | 29:1 | 94-6363 | 1 | Bearing |
| 9 | 94-3646 | 1 | Key | 31 | 252-71 | 2 | Washer-Thrust |
| 10 | 104-4888 | 1 | Swashplate | 32 | 252-66 | 1 | Bearing-Thrust |
| 11 | 76-6070 | 1 | Rotating Kit | 33 | 33-3720 | 1 | Washer |
| 13 | 104-0429 | 1 | Plate-Valve | 39 | 98-4635 | 1 | Insert-Plate, Cam |
| 15 | 76-6150 | 2 | Pin-Dowel | 42 | 74-9040 | 1 | Coupler |
| 16 | 105-3813 | 1 | Endcover Sub ASM | 43 | 120-5754 | 1 | Seal Kit |
| 16:1 | 94-6368 | 1 | Bearing | 43:1 | | 2 | O-Ring ■ |
| 16:2 | | 1 | Pin-Roll ■ | 43:2 | | 2 | O-Ring ■ |
| 18 | 74-9280 | 2 | Plug ASM | 43:3 | | 1 | Seal-Shaft ■ |
| 18:1 | | 1 | O-Ring ■ | 43:4 | | 1 | Gasket ■ |

● Not illustrated

■ Not serviced separately



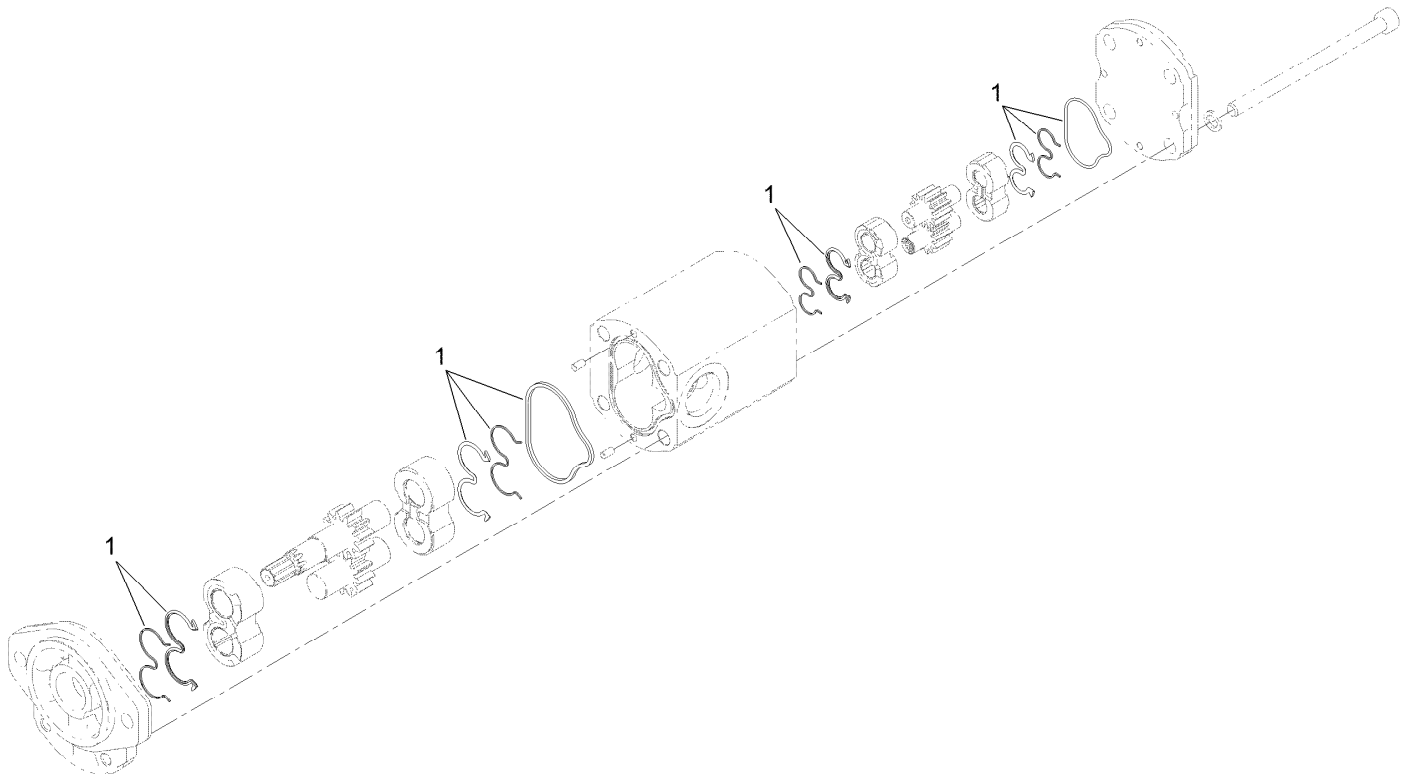
Hydraulic Pump Assembly No. 104-4890 (continued)

| Ref. | Part Number | Qty. | Description |
|------|-------------|------|------------------|
| 43:5 | | 1 | Ring-Retaining ■ |
| 43:6 | | 1 | Seal-Shaft ■ |
| 43:7 | | 1 | O-Ring ■ |
| 43:8 | | 5 | O-Ring ■ |
| 43:9 | | 1 | Ring-Retaining ■ |

| Ref. | Part Number | Qty. | Description |
|-------|-------------|------|------------------|
| 43:10 | | 1 | O-Ring ●■ |
| 43:11 | | 1 | O Ring-Molded ●■ |
| 43:12 | | 2 | Ring-Retaining ■ |
| 43:13 | | 1 | O-Ring ■ |

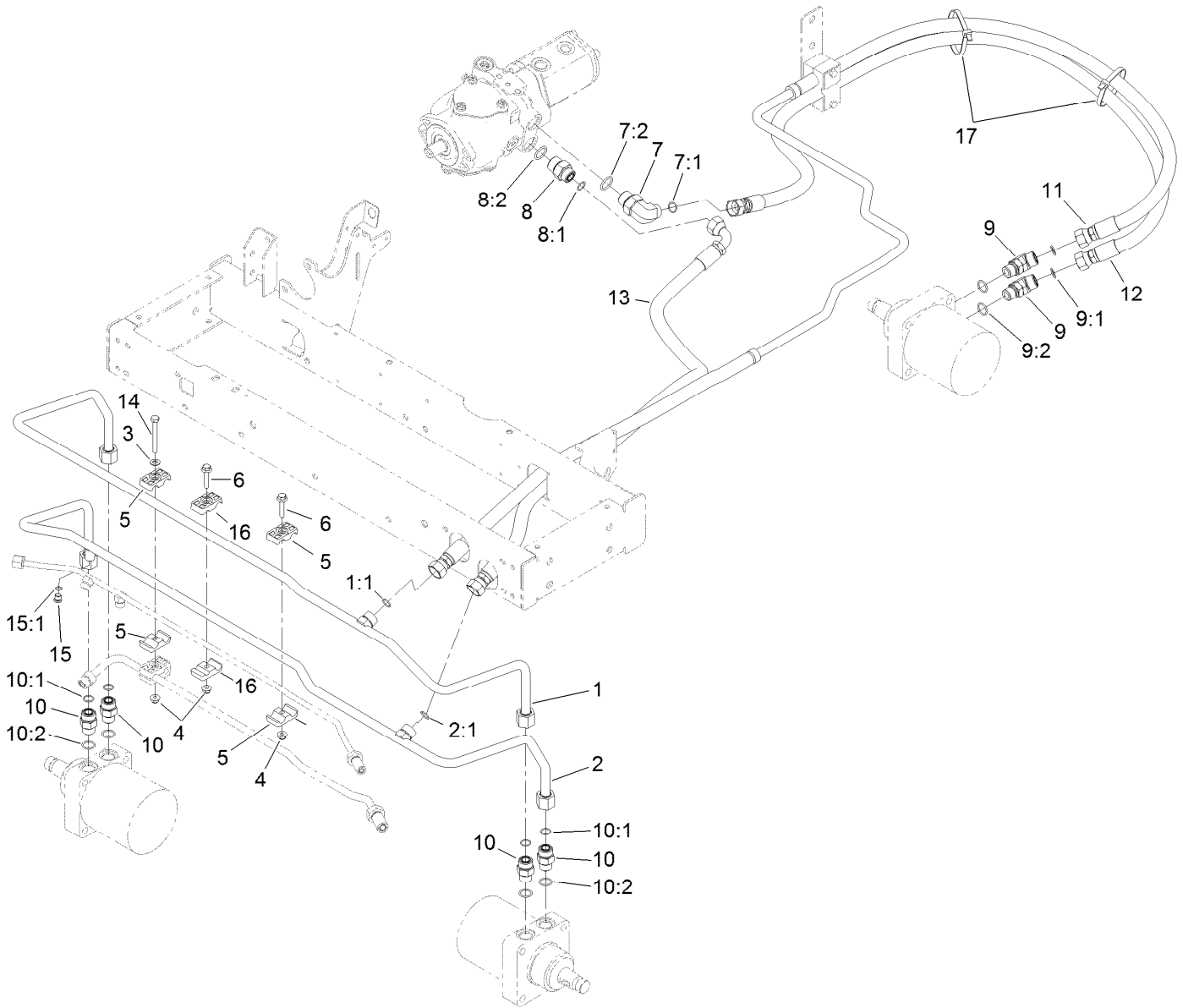
● Not illustrated

■ Not serviced separately



Hydraulic Gear Pump Assembly No. 121-7841

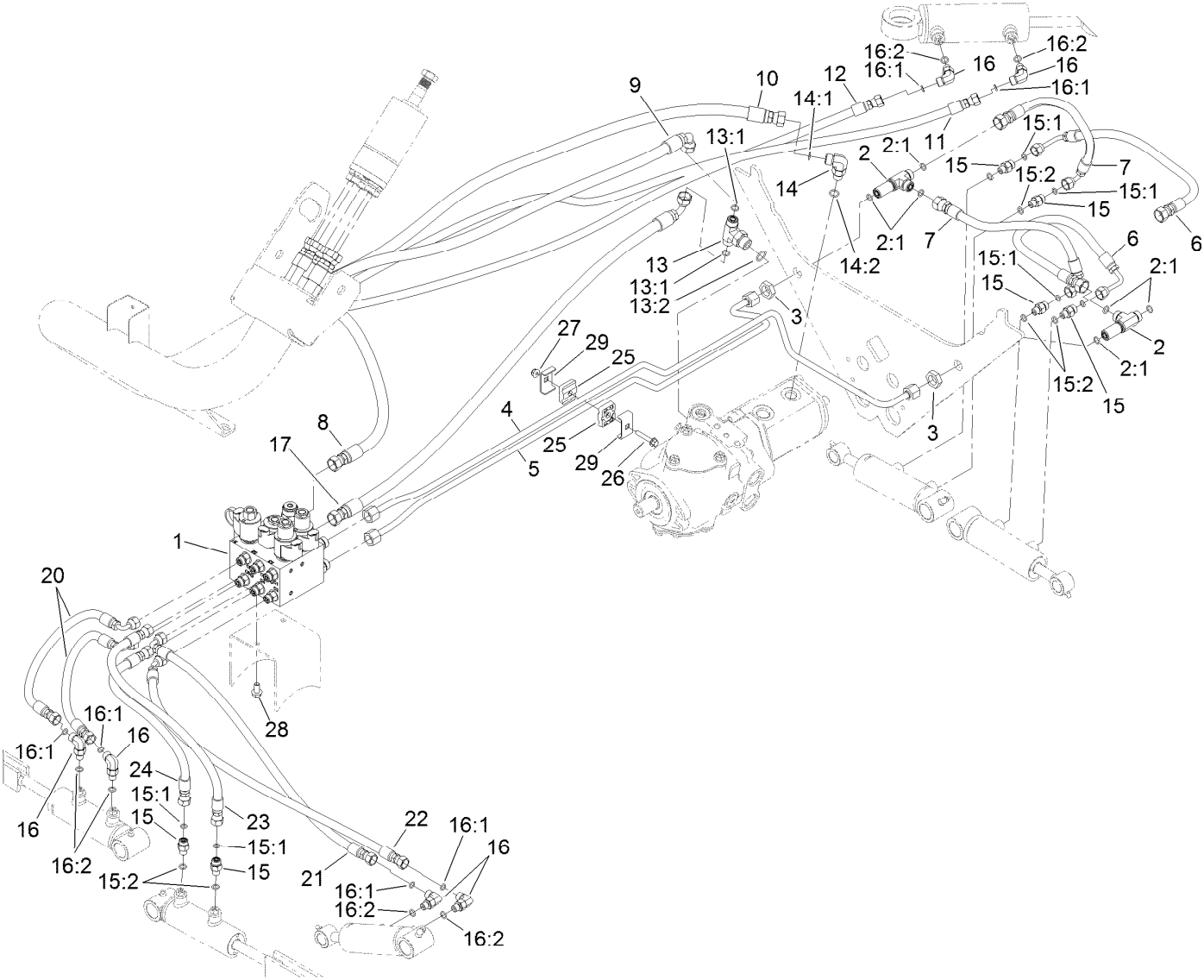
| <i>Ref.</i> | <i>Part Number</i> | <i>Qty.</i> | <i>Description</i> |
|-------------|--------------------|-------------|--------------------|
| 1 | 119-7134 | 1 | Kit-Seal |



Traction Hydraulic Assembly

| Ref. | Part Number | Qty. | Description | Ref. | Part Number | Qty. | Description |
|------|-------------|------|------------------|------|-------------|------|---------------------|
| 1 | 120-2085 | 1 | Tube-HYD | 9 | 340-14 | 2 | Fitting-HYD, 45 DEG |
| 1:1 | 237-65 | 1 | O-Ring | 9:1 | 237-65 | 1 | O-Ring |
| 2 | 120-2086 | 1 | Tube-HYD | 9:2 | 237-80 | 1 | O-Ring |
| 2:1 | 237-65 | 1 | O-Ring | 10 | 340-7 | 4 | Fitting-Straight |
| 3 | 3256-23 | 1 | Washer-Plain | 10:1 | 237-65 | 1 | O-Ring |
| 4 | 104-8300 | 3 | Nut-HF, NI | 10:2 | 237-80 | 1 | O-Ring |
| 5 | 56-7971 | 4 | Clamp-Tube | 11 | 121-7848 | 1 | HYD Tube ASM |
| 6 | 115-1794 | 2 | Screw-HHF | 12 | 105-1212 | 1 | Hose-HYD |
| 7 | 340-139 | 1 | Fitting-Elbow 90 | 13 | 121-7839 | 1 | Hose ASM |
| 7:1 | 237-81 | 1 | O-Ring | 14 | 322-13 | 1 | Screw-HH |
| 7:2 | 237-65 | 1 | O-Ring | 15 | 353-990 | 1 | Plug ASM |
| 8 | 340-8 | 1 | Fitting-Straight | 15:1 | 237-78 | 1 | O-Ring |
| 8:1 | 237-65 | 1 | O-Ring | 16 | 56-7970 | 2 | Clamp-Tube |
| 8:2 | 237-81 | 1 | O-Ring | 17 | 3334-945 | 2 | Tie-Cable |

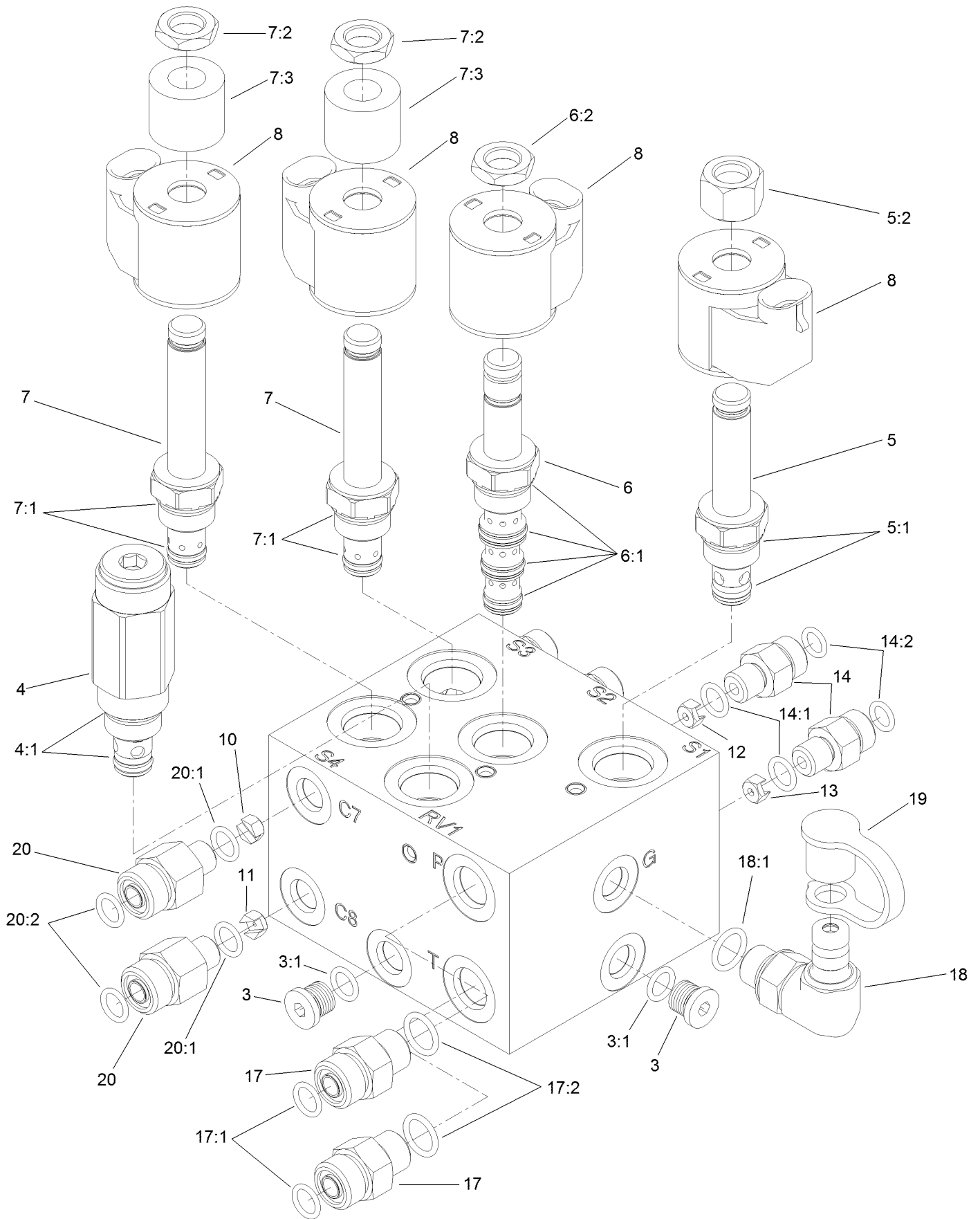
Lift Manifold and Steering Circuit Assembly



Lift Manifold and Steering Circuit Assembly (continued)

| <i>Ref.</i> | <i>Part Number</i> | <i>Qty.</i> | <i>Description</i> | <i>Ref.</i> | <i>Part Number</i> | <i>Qty.</i> | <i>Description</i> |
|-------------|--------------------|-------------|-----------------------|-------------|--------------------|-------------|-----------------------|
| 1 | 120-2057 | 1 | Lift Manifold ASM | 14:2 | 237-22 | 1 | O-Ring |
| 2 | 340-68 | 2 | Fitting-Tee, Bulkhead | 15 | 340-92 | 6 | Fitting-Straight |
| 2:1 | 237-22 | 3 | O-Ring | 15:1 | 237-78 | 1 | O-Ring |
| 3 | 340-70 | 2 | Nut-Lock | 15:2 | 237-21 | 1 | O-Ring |
| 4 | 121-7806 | 1 | Tube-HYD | 16 | 340-132 | 6 | Fitting-Elbow, 90 DEG |
| 5 | 121-7807 | 1 | Tube-HYD | 16:1 | 237-78 | 1 | O-Ring |
| 6 | 121-7813 | 2 | Hose-HYD | 16:2 | 237-21 | 1 | O-Ring |
| 7 | 119-2065 | 2 | Hose-HYD | 17 | 93-5386 | 1 | Hose ASM |
| 8 | 120-2060 | 1 | Hose-HYD | 20 | 119-4594 | 2 | Hose-HYD |
| 9 | 120-2061 | 1 | Hose-HYD | 21 | 105-4347 | 1 | Hose-HYD |
| 10 | 119-2067 | 1 | Hose-HYD | 22 | 106-7974 | 1 | Hose-HYD |
| 11 | 121-7836 | 1 | Hose-HYD | 23 | 121-7847 | 1 | Hose-HYD |
| 12 | 108-5673 | 1 | Hose-HYD | 24 | 112-9193 | 1 | Hose-HYD |
| 13 | 92-4799 | 1 | Fitting-Tee, HYD | 25 | 56-7973 | 2 | Clamp-Tube |
| 13:1 | 237-79 | 1 | O-Ring | 26 | 94-5781 | 1 | Screw-HHF |
| 13:2 | 237-22 | 2 | O-Ring | 27 | 104-7201 | 1 | Nut-HF, NI |
| 14 | 340-18 | 1 | Fitting-HYD, 90 DEG | 28 | 3234-7 | 2 | Screw-HHF |
| 14:1 | 237-79 | 1 | O-Ring | 29 | 119-1418 | 2 | Plate-Clamp, Short |

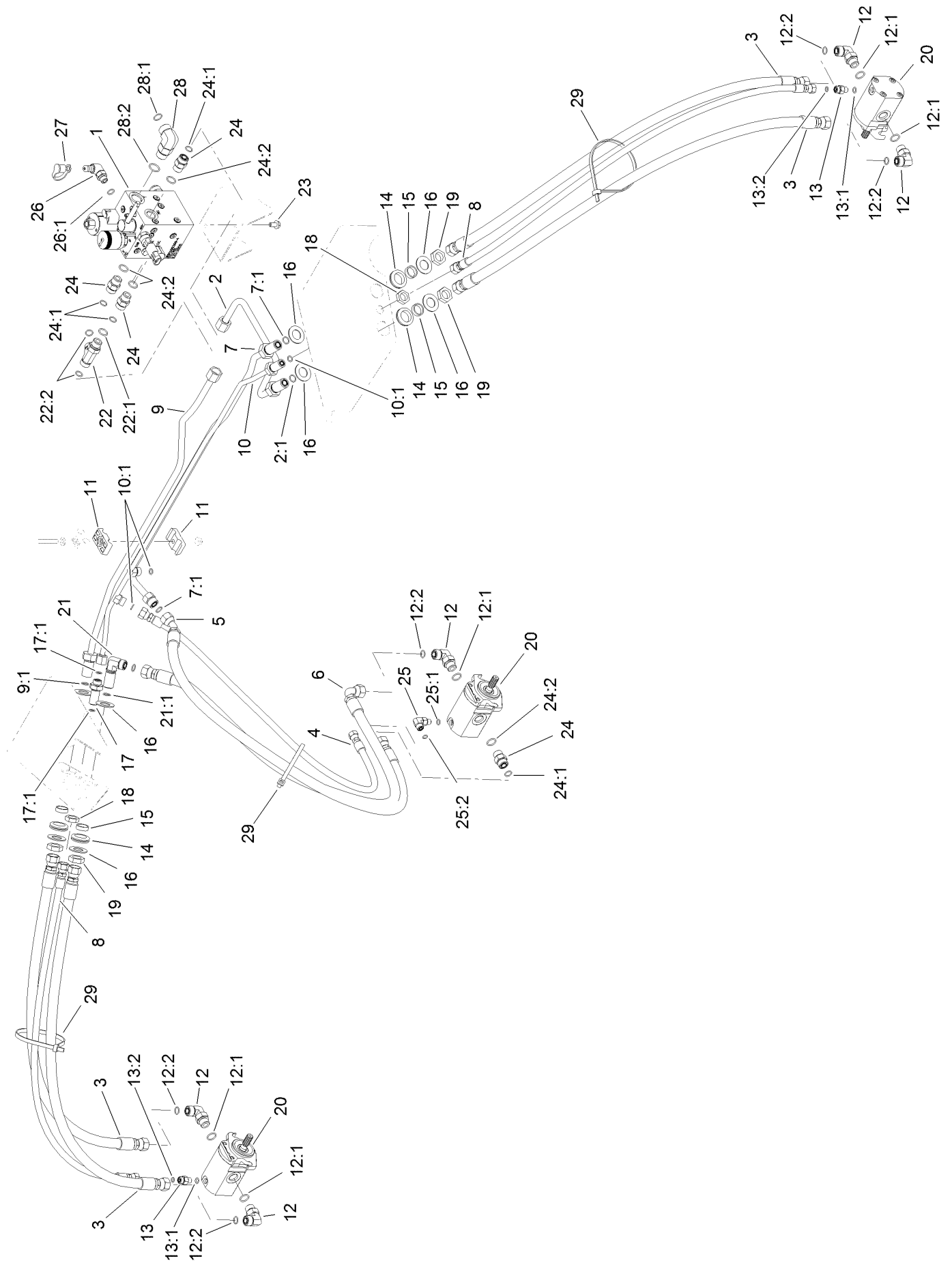
Lift Manifold Assembly No. 120-2057



Lift Manifold Assembly No. 120-2057 (continued)

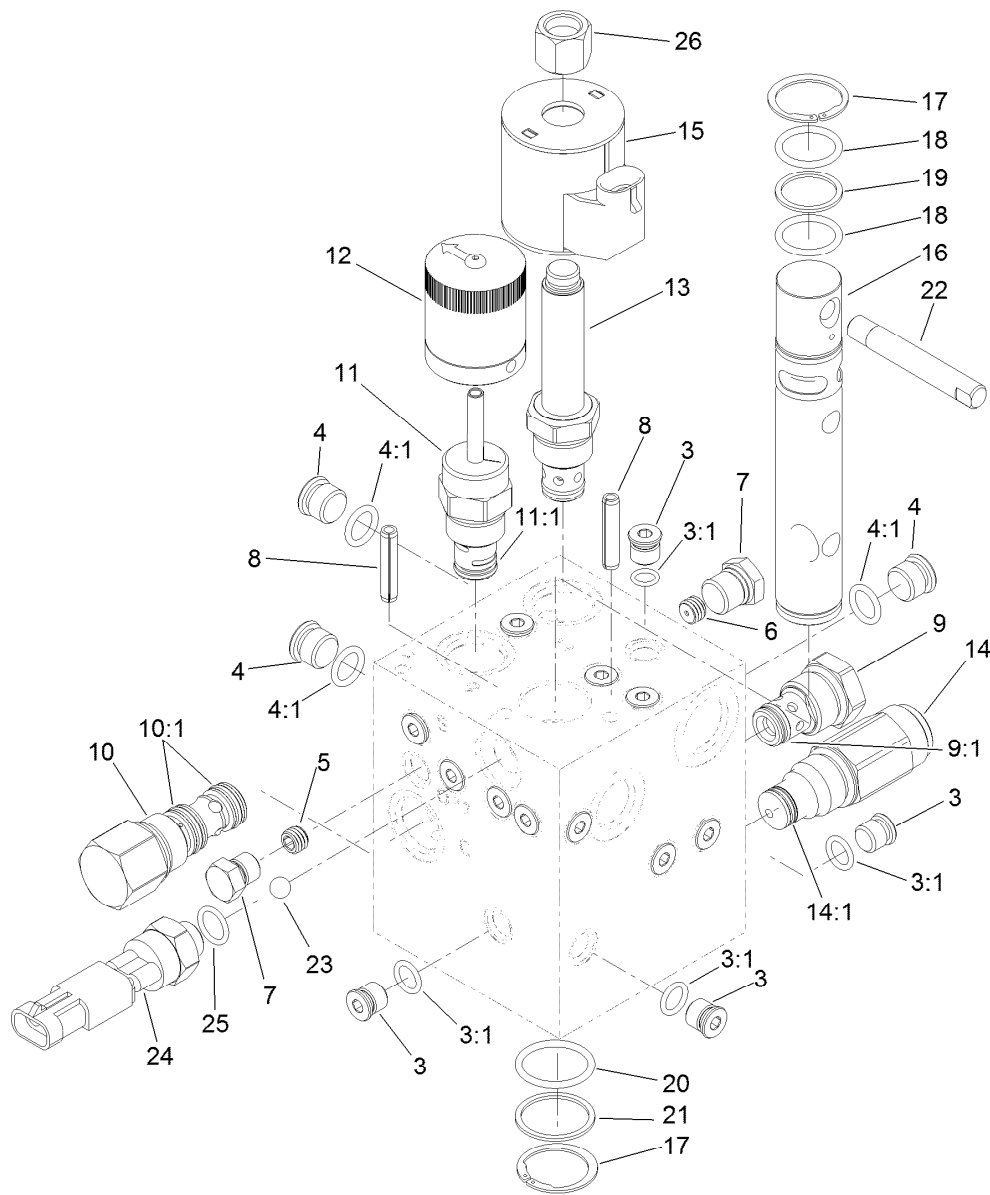
| <i>Ref.</i> | <i>Part Number</i> | <i>Qty.</i> | <i>Description</i> | <i>Ref.</i> | <i>Part Number</i> | <i>Qty.</i> | <i>Description</i> |
|-------------|--------------------|-------------|-----------------------|-------------|--------------------|-------------|-------------------------------|
| 3 | 353-990 | 2 | Plug ASM | 11 | 110-8903 | 1 | Orifice-Control, Flow (0.055) |
| 3:1 | 237-78 | 1 | O-Ring | 12 | 121-7879 | 3 | Orifice-Control, Flow (0.040) |
| 4 | 120-1663 | 1 | Valve-Relief, 500 PSI | 13 | 110-8902 | 3 | Orifice-Control, Flow (0.046) |
| 4:1 | 105-9156 | 1 | Seal Kit | 14 | 340-92 | 6 | Fitting-Straight |
| 5 | 107-7517 | 1 | Valve-Solenoid | 14:1 | 237-78 | 1 | O-Ring |
| 5:1 | 105-9156 | 1 | Seal Kit | 14:2 | 237-21 | 1 | O-Ring |
| 5:2 | 107-7812 | 1 | Nut-Solenoid | 17 | 340-2 | 2 | Fitting-Straight |
| 6 | 120-1665 | 1 | Valve-Solenoid | 17:1 | 237-22 | 1 | O-Ring |
| 6:1 | 112-6520 | 1 | Seal Kit | 17:2 | 237-42 | 1 | O-Ring |
| 6:2 | 110-2634 | 1 | Nut-Coil | 18 | 115-9148 | 1 | Fitting-Elbow-90 |
| 7 | 110-8898 | 2 | Valve-Solenoid | 18:1 | 237-42 | 1 | O-Ring |
| 7:1 | 107-7527 | 1 | Seal Kit | 19 | 354-79 | 1 | Cap-Dust |
| 7:2 | 110-2634 | 1 | Nut-Coil | 20 | 340-88 | 2 | Fitting-Straight |
| 7:3 | 110-8909 | 1 | Spacer-Coil | 20:1 | 237-22 | 1 | O-Ring |
| 8 | 110-0497 | 4 | Coil-Solenoid | 20:2 | 237-78 | 1 | O-Ring |
| 10 | 120-2585 | 1 | Orifice, .035 | | | | |

Front Mow Hydraulic Circuit Assembly



Front Mow Hydraulic Circuit Assembly (continued)

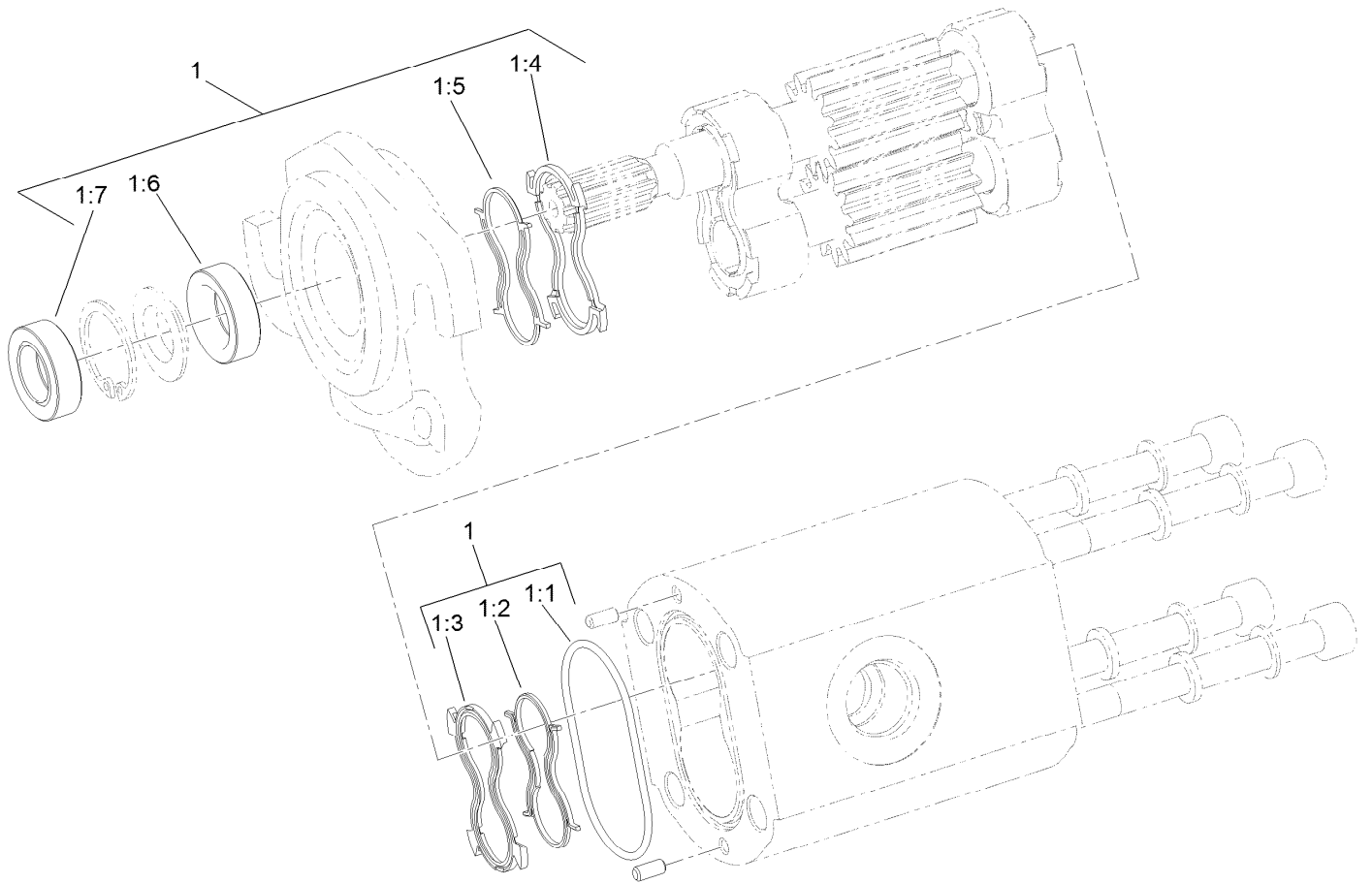
| <i>Ref.</i> | <i>Part Number</i> | <i>Qty.</i> | <i>Description</i> | <i>Ref.</i> | <i>Part Number</i> | <i>Qty.</i> | <i>Description</i> |
|-------------|--------------------|-------------|----------------------------|-------------|--------------------|-------------|-----------------------|
| 1 | 120-2058 | 1 | HYD Mow Manifold ASM | 17:1 | 237-22 | 2 | O-Ring |
| 2 | 120-2088 | 1 | Tube-HYD | 18 | 340-70 | 2 | Nut-Lock |
| 2:1 | 237-30 | 1 | O-Ring | 19 | 340-127 | 4 | Nut-Bulkhead |
| 3 | 120-2097 | 4 | Hose-HYD | 20 | 120-2072 | 3 | HYD Motor ASM |
| 4 | 121-7917 | 1 | Hose-HYD | 21 | 93-9151 | 1 | Fitting-HYD |
| 5 | 121-7861 | 1 | Hose-HYD | 21:1 | 237-30 | 2 | O-Ring |
| 6 | 121-7862 | 1 | Hose-HYD | 22 | 340-109 | 1 | Fitting-Tee |
| 7 | 120-2089 | 1 | Tube-HYD | 22:1 | 237-79 | 1 | O-Ring |
| 7:1 | 237-30 | 2 | O-Ring | 22:2 | 237-30 | 2 | O-Ring |
| 8 | 120-2106 | 2 | Hose-HYD | 23 | 3234-7 | 2 | Screw-HHF |
| 9 | 120-2091 | 1 | Tube-HYD | 24 | 340-4 | 4 | Fitting-Straight |
| 9:1 | 237-30 | 1 | O-Ring | 24:1 | 237-30 | 1 | O-Ring |
| 10 | 120-2104 | 1 | Tube-HYD | 24:2 | 237-79 | 1 | O-Ring |
| 10:1 | 237-22 | 3 | O-Ring | 25 | 340-132 | 1 | Fitting-Elbow, 90 DEG |
| 11 | 56-7976 | 2 | Clamp-Tube | 25:1 | 237-78 | 1 | O-Ring |
| 12 | 340-98 | 5 | Fitting-Elbow, 90 DEG | 25:2 | 237-21 | 1 | O-Ring |
| 12:1 | 237-79 | 1 | O-Ring | 26 | 115-9148 | 1 | Fitting-Elbow-90 |
| 12:2 | 237-30 | 1 | O-Ring | 26:1 | 237-42 | 1 | O-Ring |
| 13 | 340-92 | 2 | Fitting-Straight | 27 | 354-79 | 1 | Cap-Dust |
| 13:1 | 237-78 | 1 | O-Ring | 28 | 340-17 | 1 | Fitting-Elbow, 90 DEG |
| 13:2 | 237-21 | 1 | O-Ring | 28:1 | 237-65 | 1 | O-Ring |
| 14 | 240-5 | 4 | Grommet | 28:2 | 237-80 | 1 | O-Ring |
| 15 | 69-8960 | 4 | Spacer | 29 | 3334-945 | 3 | Tie-Cable |
| 16 | 69-8930 | 8 | Washer | | | | |
| 17 | 340-71 | 1 | Fitting-Straight, Bulkhead | | | | |



Mow Manifold Assembly No. 120-2058

| <i>Ref.</i> | <i>Part Number</i> | <i>Qty.</i> | <i>Description</i> | <i>Ref.</i> | <i>Part Number</i> | <i>Qty.</i> | <i>Description</i> |
|-------------|--------------------|-------------|----------------------------|-------------|--------------------|-------------|----------------------------|
| 3 | 353-990 | 17 | Plug ASM | 13 | 110-8799 | 1 | Valve-Relief, Proportional |
| 3:1 | 237-78 | 1 | O-Ring | 14 | 121-7883 | 1 | Valve-Relief, 2000 PSI |
| 4 | 353-989 | 4 | Plug-Hex, Hollow | 14:1 | 110-6316 | 1 | Seal Kit ● |
| 4:1 | 237-42 | 1 | O-Ring | 15 | 110-6344 | 1 | Coil-12V, DC |
| 5 | 110-8889 | 1 | Plug-Orifice (0.020) | 16 | 120-1652 | 1 | Spool-Backlap |
| 6 | 110-0495 | 1 | Plug-Orifice (0.050 Inch) | 17 | 120-1653 | 2 | Ring-Retaining, External |
| 7 | 117-0115 | 1 | Plug | 18 | 120-1657 | 2 | O-Ring |
| 8 | 112-6531 | 2 | Pin-Spring | 19 | 120-1656 | 1 | Ring-Backup |
| 9 | 110-8759 | 1 | Valve-Check | 20 | 120-1655 | 1 | O-Ring |
| 9:1 | 110-8772 | 1 | Seal Kit ● | 21 | 120-1654 | 1 | Ring-Backup |
| 10 | 121-7880 | 1 | Spool-Logic | 22 | 120-1651 | 1 | Handle-Spool |
| 10:1 | 119-2159 | 1 | Seal Kit ● | 23 | 117-4605 | 1 | Ball-SS |
| 11 | 110-8769 | 1 | Valve-Control, Manual Flow | 24 | 72-4320 | 1 | Switch-Ball |
| 11:1 | 110-2633 | 1 | Seal Kit ● | 25 | 110-8757 | 1 | O-Ring |
| 12 | 110-8767 | 1 | Rotary Handle ASM | 26 | 130-8180 | 1 | Nut-Coil (9/16-24 Unef-2B) |

● Not illustrated

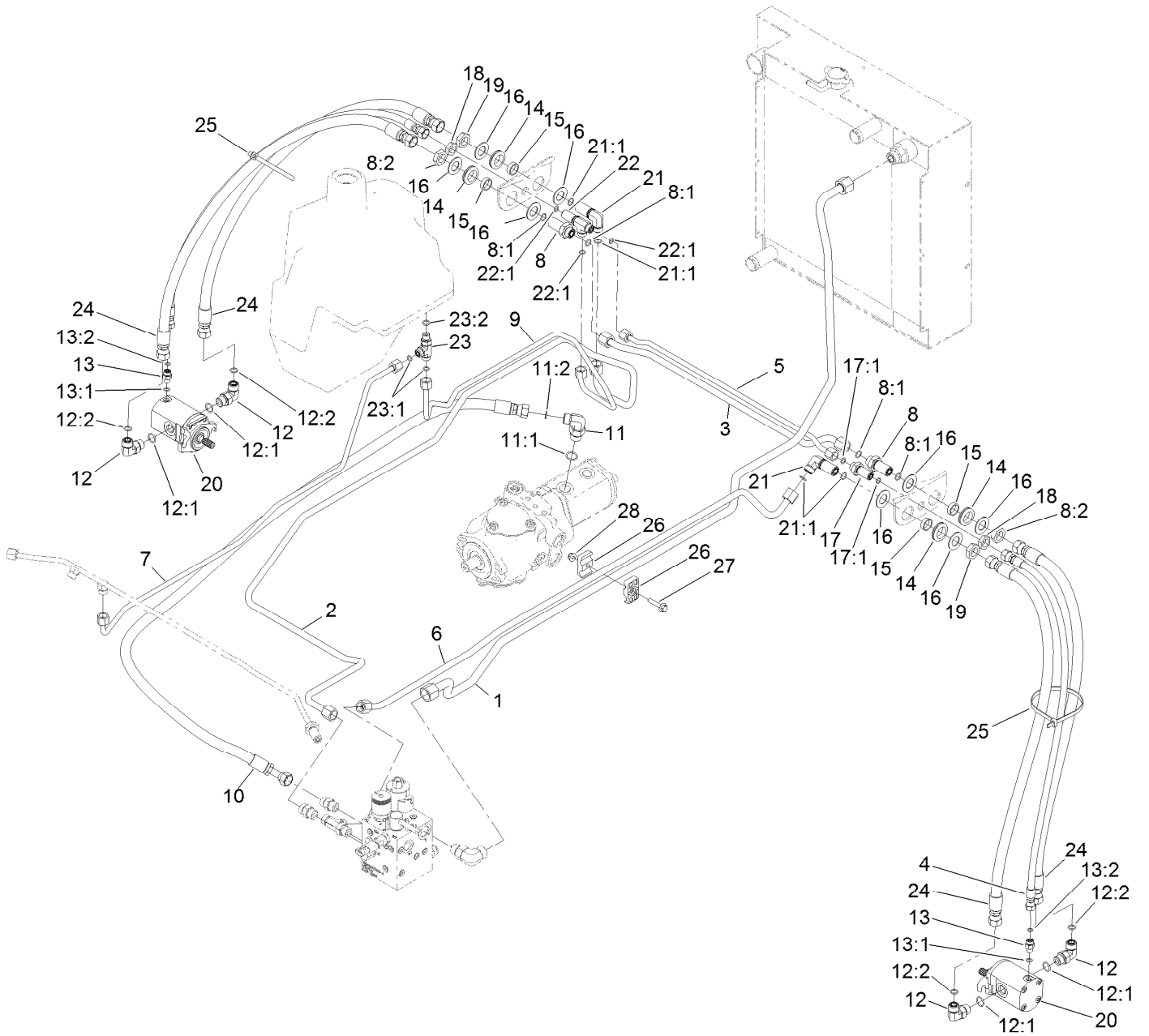


Hydraulic Reel Motor Assembly No. 120-2072

| <i>Ref.</i> | <i>Part Number</i> | <i>Qty.</i> | <i>Description</i> |
|-------------|--------------------|-------------|-------------------------|
| 1 | 119-7113 | 1 | Seal Kit |
| 1:1 | | 1 | O-Ring Housing ● |
| 1:2 | | 1 | Seal-Anti Extrusion ● |
| 1:3 | | 1 | Seal-Plate, Balancing ● |
| 1:4 | | 1 | Seal-Plate, Balancing ● |
| 1:5 | | 1 | Seal-Anti Extrusion ● |
| 1:6 | | 1 | Seal-Shaft (Inboard) ● |
| 1:7 | | 1 | Seal-Shaft (Outboard) ● |

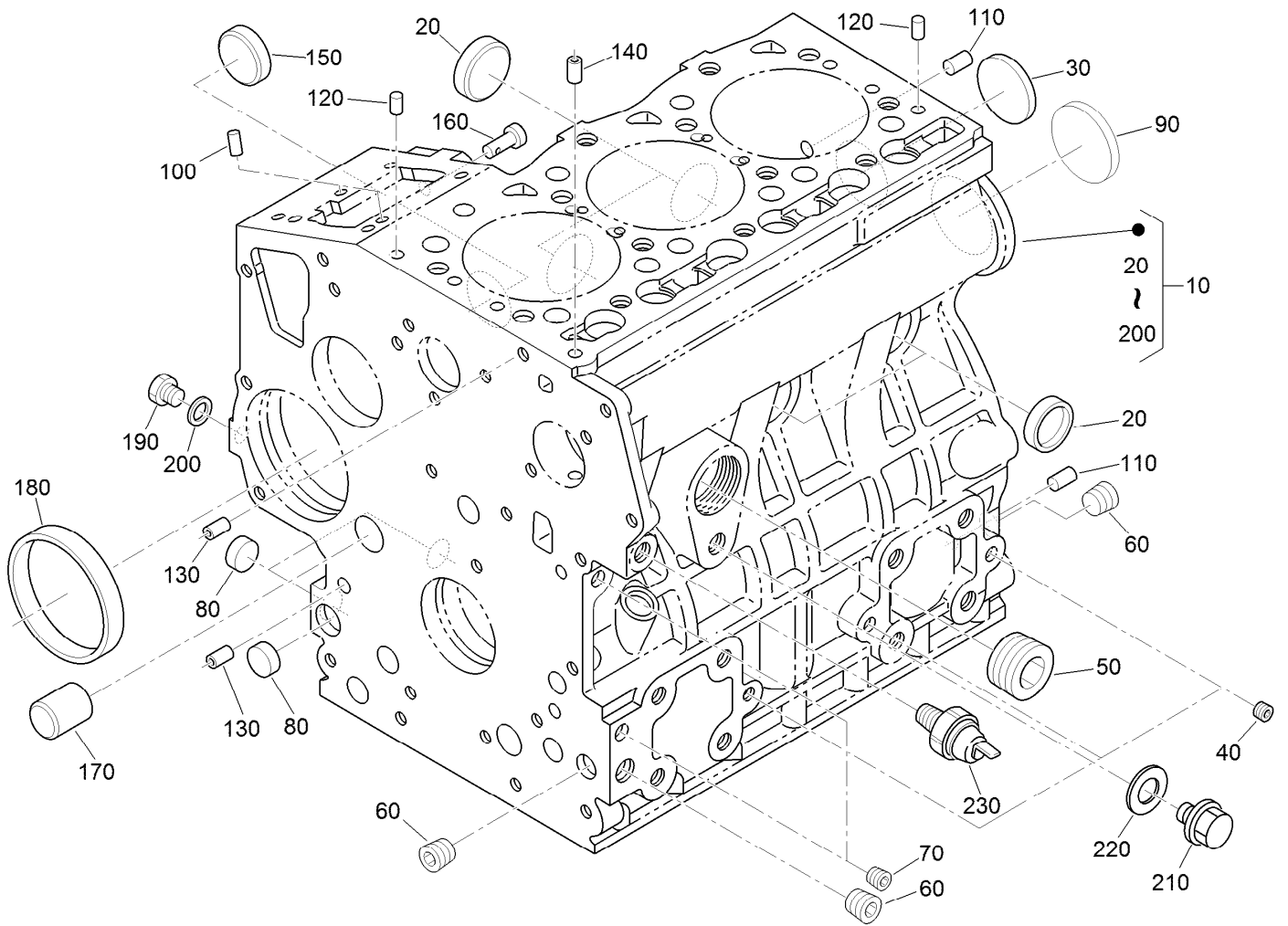
● Not serviced separately

Rear Hydraulic Mow Circuit Assembly



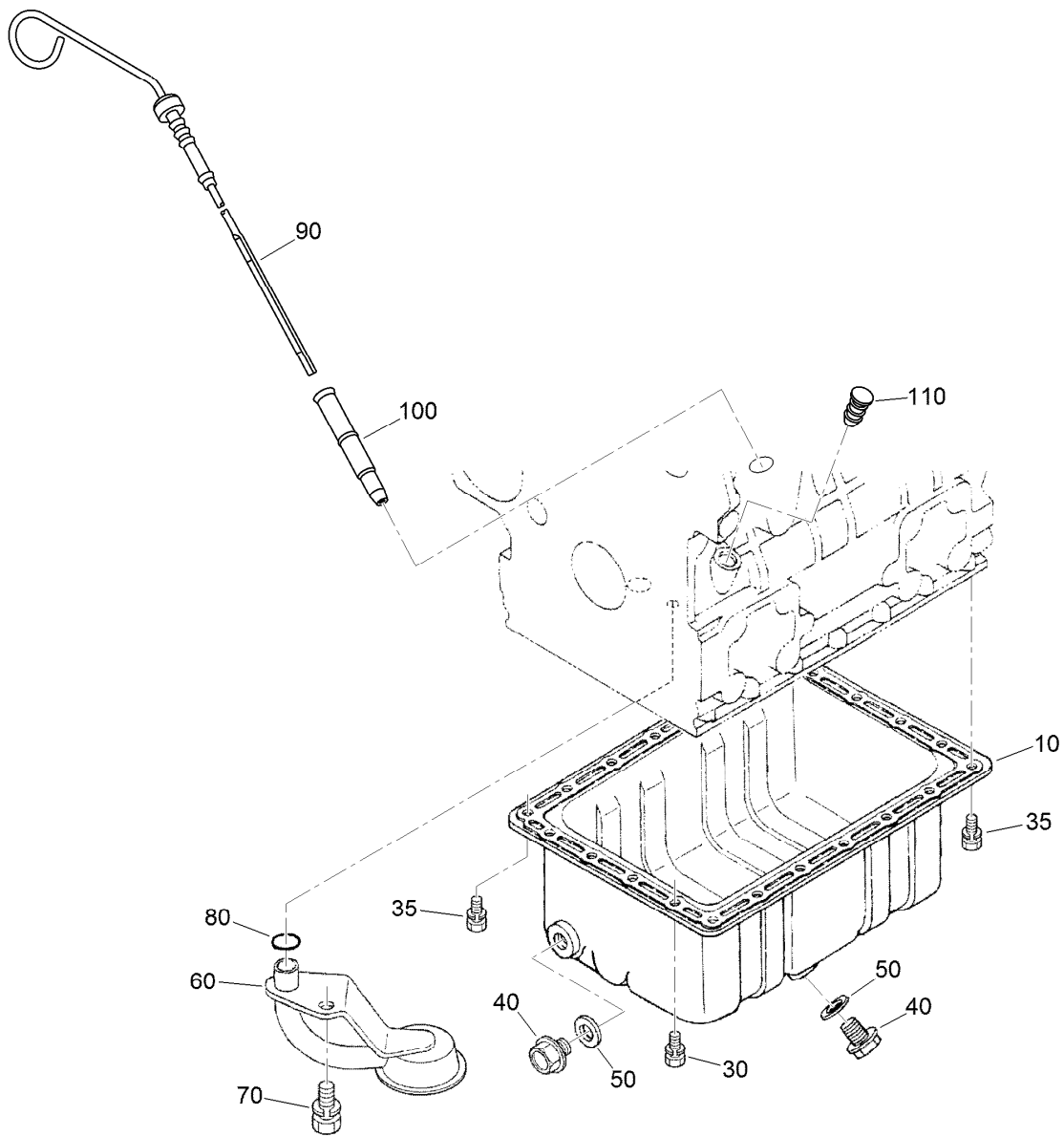
Rear Hydraulic Mow Circuit Assembly (continued)

| <i>Ref.</i> | <i>Part Number</i> | <i>Qty.</i> | <i>Description</i> | <i>Ref.</i> | <i>Part Number</i> | <i>Qty.</i> | <i>Description</i> |
|-------------|--------------------|-------------|-----------------------|-------------|--------------------|-------------|----------------------------|
| 1 | 120-2095 | 1 | Tube-HYD | 14 | 240-5 | 4 | Grommet |
| 2 | 120-2172 | 1 | Tube-HYD | 15 | 69-8960 | 4 | Spacer |
| 3 | 120-2173 | 1 | Tube-HYD | 16 | 69-8930 | 8 | Washer |
| 4 | 121-7845 | 2 | Hose-HYD | 17 | 340-71 | 1 | Fitting-Straight, Bulkhead |
| 5 | 120-2174 | 1 | Tube-HYD | 17:1 | 237-22 | 2 | O-Ring |
| 6 | 120-2171 | 1 | Tube-HYD | 18 | 340-70 | 2 | Nut-Lock |
| 7 | 121-7843 | 1 | Tube-HYD | 19 | 340-127 | 2 | Nut-Bulkhead |
| 8 | 340-161 | 2 | Fitting-Bulkhead | 20 | 120-2072 | 2 | HYD Motor ASM |
| 8:1 | 237-30 | 2 | O-Ring | 21 | 93-9151 | 2 | Fitting-HYD |
| 8:2 | 340-127 | 1 | Nut-Bulkhead | 21:1 | 237-30 | 2 | O-Ring |
| 9 | 120-2180 | 1 | Tube-HYD | 22 | 340-68 | 1 | Fitting-Tee, Bulkhead |
| 10 | 121-7812 | 1 | Hose-HYD | 22:1 | 237-22 | 3 | O-Ring |
| 11 | 340-105 | 1 | Fitting-Elbow, 90 DEG | 23 | 340-86 | 1 | Fitting-Tee |
| 11:1 | 237-80 | 1 | O-Ring | 23:1 | 237-22 | 2 | O-Ring |
| 11:2 | 237-30 | 1 | O-Ring | 23:2 | 237-42 | 1 | O-Ring |
| 12 | 340-98 | 4 | Fitting-Elbow, 90 DEG | 24 | 120-2101 | 4 | Hose-HYD |
| 12:1 | 237-79 | 1 | O-Ring | 25 | 3334-945 | 2 | Tie-Cable |
| 12:2 | 237-30 | 1 | O-Ring | 26 | 56-7977 | 2 | Clamp-Tube |
| 13 | 340-92 | 2 | Fitting-Straight | 27 | 115-1794 | 1 | Screw-HHF |
| 13:1 | 237-78 | 1 | O-Ring | 28 | 104-8300 | 1 | Nut-HF, NI |
| 13:2 | 237-21 | 1 | O-Ring | | | | |



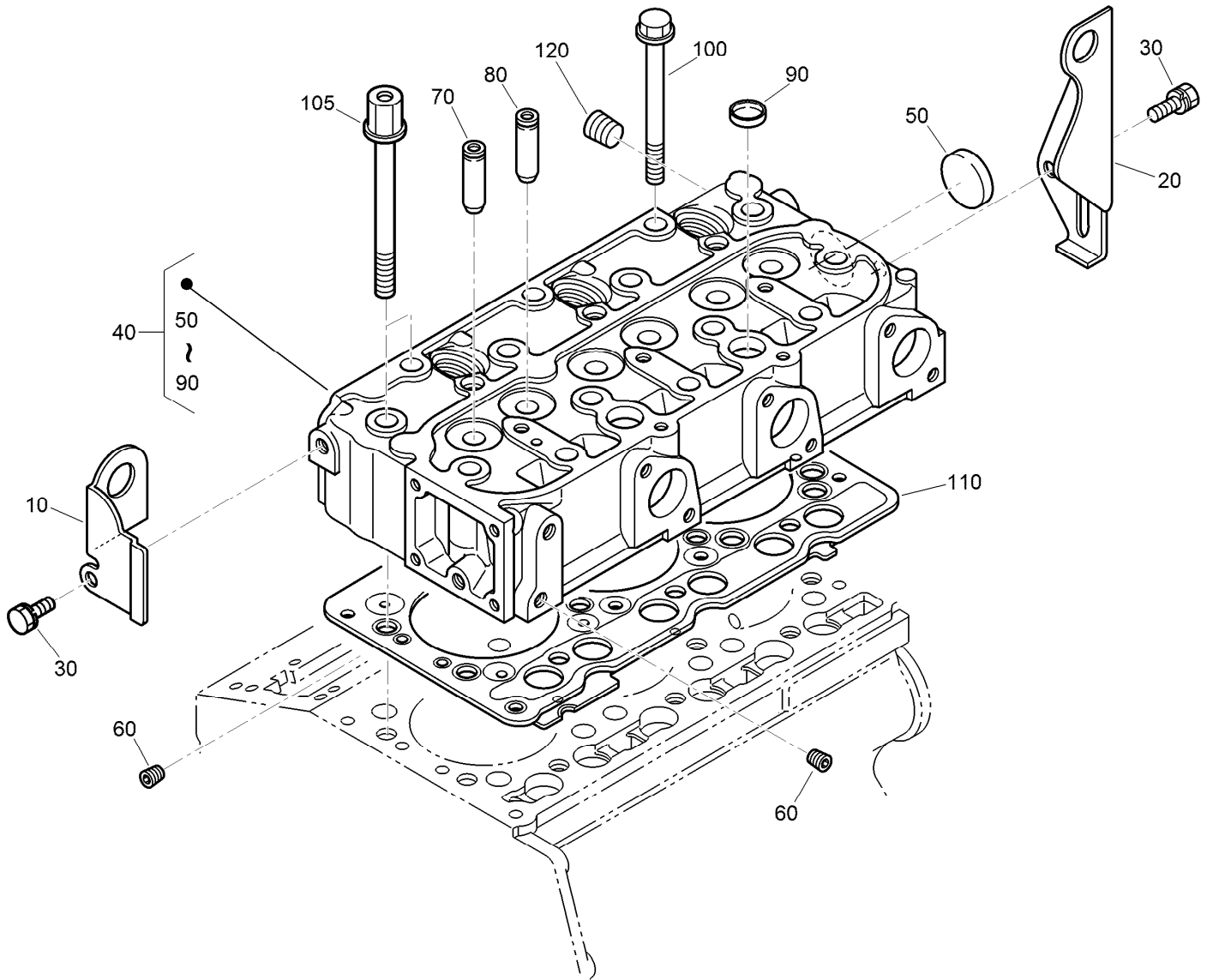
Crankcase Assembly

| <i>Ref.</i> | <i>Part Number</i> | <i>Qty.</i> | <i>Description</i> | <i>Ref.</i> | <i>Part Number</i> | <i>Qty.</i> | <i>Description</i> |
|-------------|--------------------|-------------|--------------------|-------------|--------------------|-------------|------------------------|
| 10 | 115-3443 | 1 | Crankcase ASM | 130 | 98-9387 | 2 | Pin-Pipe |
| 20 | 98-9398 | 4 | Cap-Sealing | 140 | 98-9539 | 1 | Pin-Pipe |
| 30 | 98-7539 | 1 | Cap-Sealing | 150 | 98-9599 | 1 | Plug |
| 40 | 98-9687 | 3 | Plug | 160 | 98-9630 | 1 | Pin-Spring, Start |
| 50 | 105-3779 | 1 | Plug | 170 | 98-9675 | 1 | Plug |
| 60 | 98-9597 | 3 | Plug | 180 | 98-9656 | 1 | Bushing-Governor, Gear |
| 70 | 98-7487 | 2 | Plug | 190 | 120-2559 | 1 | Plug |
| 80 | 98-9379 | 3 | Plug-Expansion | 200 | 98-7428 | 1 | Gasket |
| 90 | 98-9668 | 1 | Plug-Expansion | 210 | 99-3447 | 1 | Plug |
| 100 | 98-9375 | 2 | Pin-Straight | 220 | 106-7056 | 1 | Gasket |
| 110 | 98-9377 | 2 | Pin-Straight | 230 | 98-9416 | 1 | Switch-Oil |
| 120 | 98-9376 | 2 | Pin-Straight | | | | |



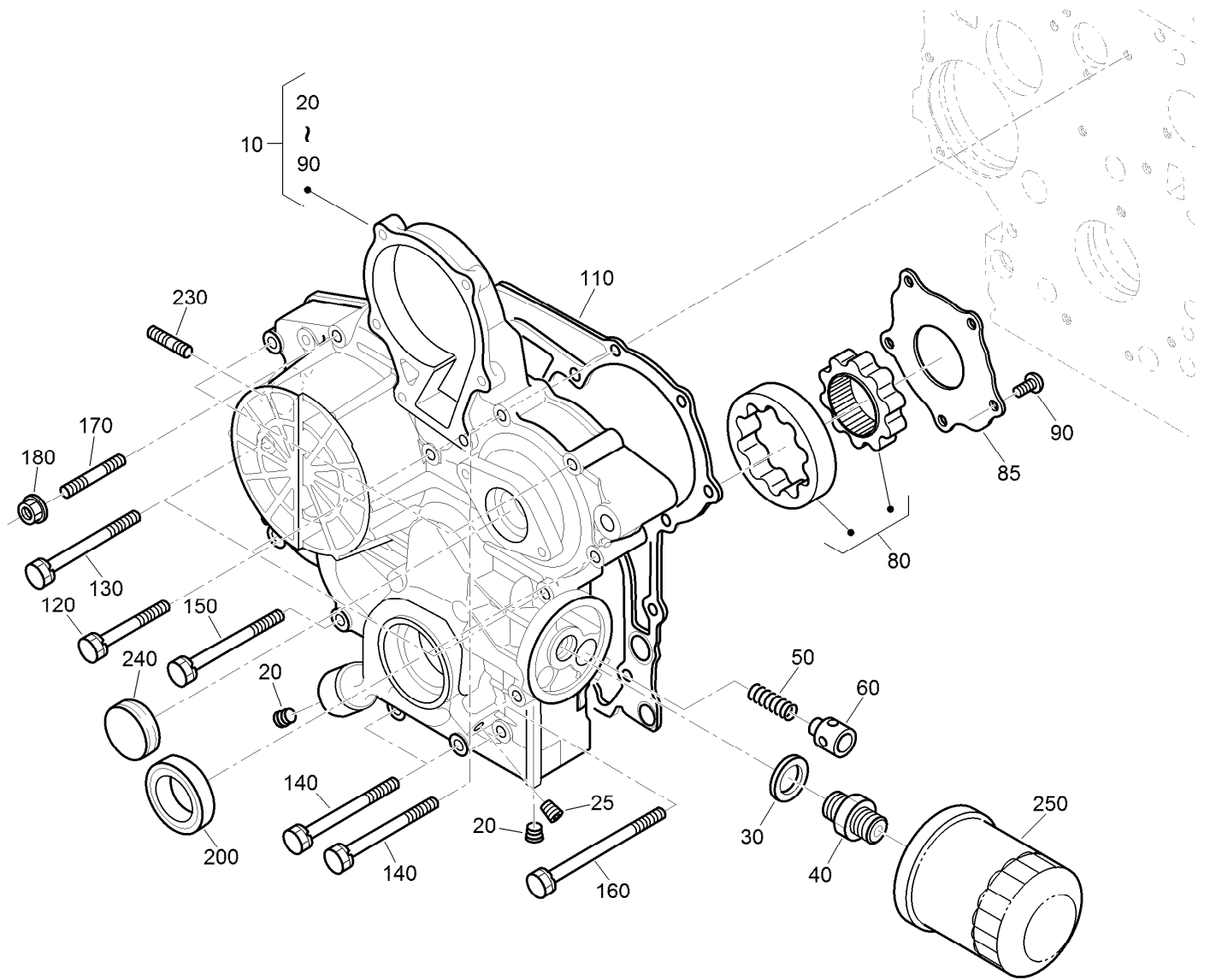
Oil Pan and Dipstick Assembly

| <i>Ref.</i> | <i>Part Number</i> | <i>Qty.</i> | <i>Description</i> |
|-------------|--------------------|-------------|--------------------|
| 10 | 98-9685 | 1 | Pan-Oil |
| 30 | 98-9351 | 20 | Bolt |
| 35 | 98-9351 | 2 | Bolt |
| 40 | 114-8151 | 2 | Plug-Drain |
| 50 | 98-7524 | 2 | Gasket |
| 60 | 108-1401 | 1 | Base-Filter |
| 70 | 98-7526 | 1 | Bolt |
| 80 | 105-3776 | 1 | O-Ring |
| 90 | 104-9348 | 1 | Gauge-Oil |
| 100 | 105-4580 | 1 | Guide-Gauge, Oil |
| 110 | 110-3720 | 1 | Plug-Gauge, Oil |



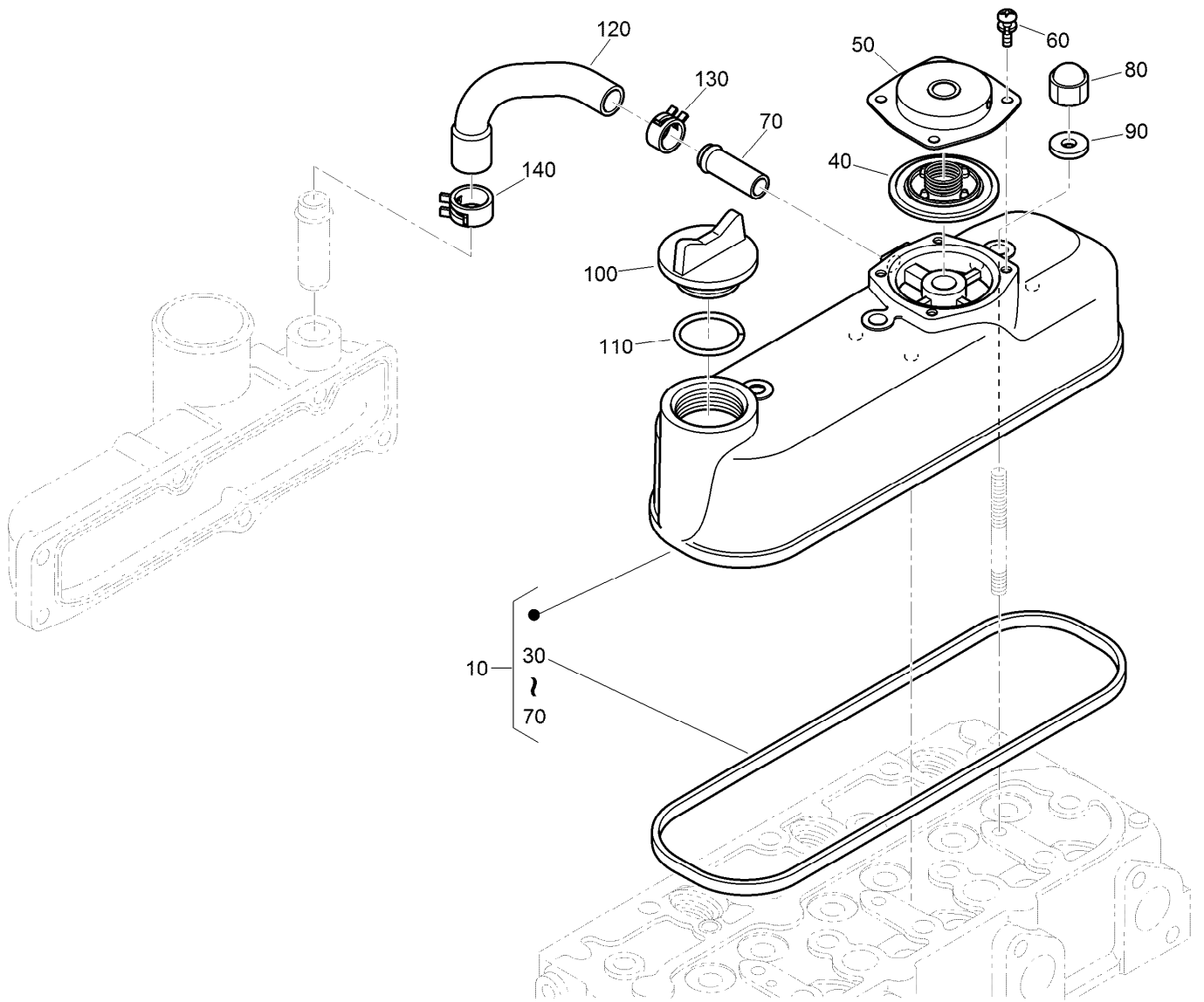
Cylinder Head Assembly

| Ref. | Part Number | Qty. | Description |
|------|-------------|------|-----------------------|
| 10 | 130-1231 | 1 | Hook-Engine |
| 20 | 98-9478 | 1 | Hook-Engine |
| 30 | 100-9195 | 2 | Bolt |
| 40 | 130-1544 | 1 | Cylinder Head ASM |
| 50 | 105-3705 | 1 | Cap-Sealing |
| 60 | 98-9687 | 2 | Plug |
| 70 | 107-9066 | 3 | Guide-Valve, Inlet |
| 80 | 107-9067 | 3 | Guide-Valve, Exhaust |
| 90 | 98-9389 | 2 | Cap-Sealing |
| 100 | 98-9479 | 12 | Bolt-Head, Cylinder |
| 105 | 98-9647 | 2 | Bolt-Head, Cylinder |
| 110 | 108-6573 | 1 | Gasket-Head, Cylinder |
| 120 | 98-9444 | 1 | Plug |



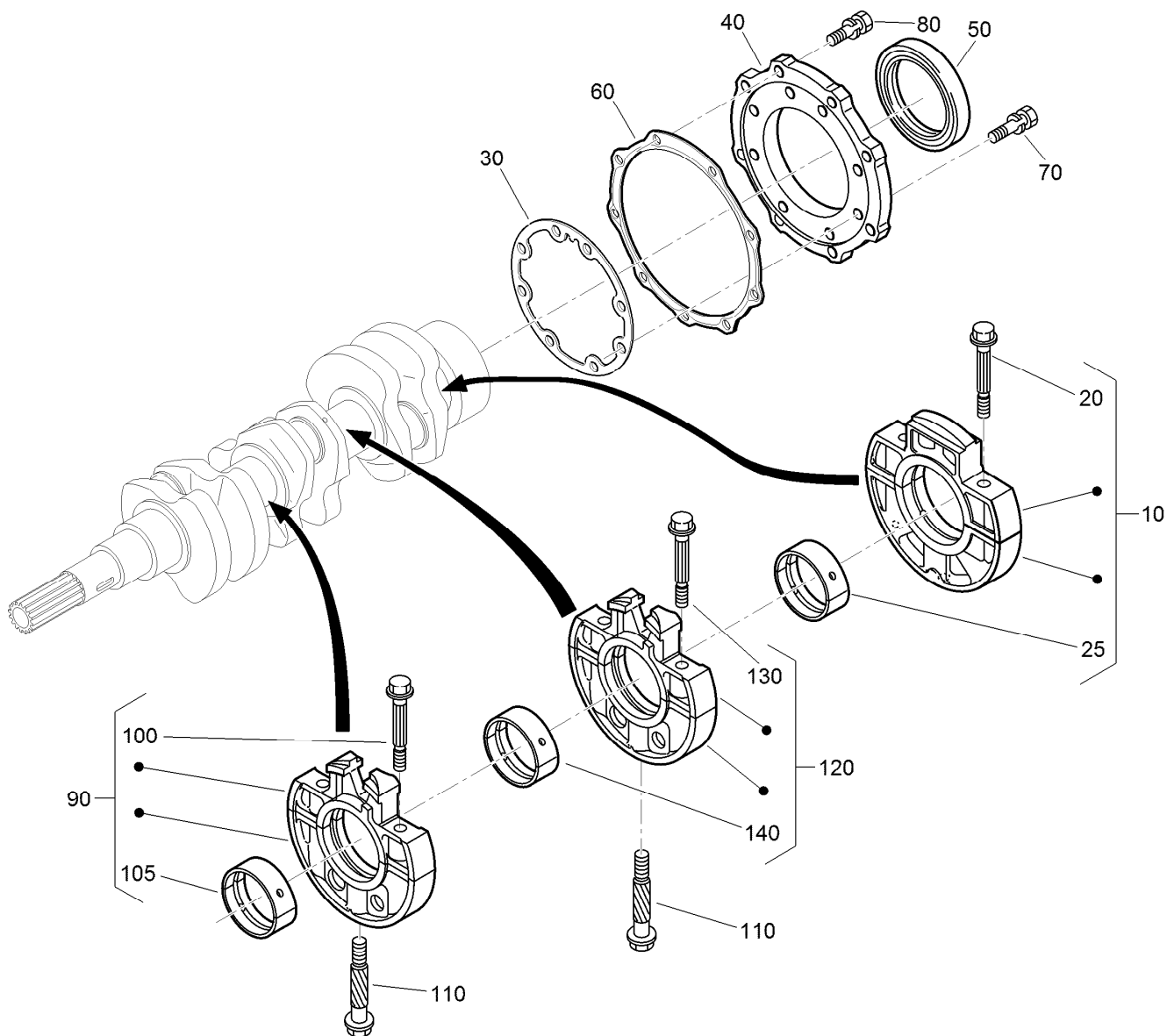
Gear Case and Oil Filter Cartridge Assembly

| <i>Ref.</i> | <i>Part Number</i> | <i>Qty.</i> | <i>Description</i> | <i>Ref.</i> | <i>Part Number</i> | <i>Qty.</i> | <i>Description</i> |
|-------------|--------------------|-------------|---------------------|-------------|--------------------|-------------|-----------------------|
| 10 | 130-1243 | 1 | *obs* Gear Case ASM | 120 | 100-1765 | 3 | Bolt |
| 20 | 98-9598 | 2 | Plug | 130 | 125-9063 | 4 | Bolt-Sems |
| 25 | 98-7487 | 1 | Plug | 140 | 98-9356 | 4 | Bolt |
| 30 | 98-7562 | 1 | Washer-Plain | 150 | 107-9074 | 1 | Bolt |
| 40 | 98-9388 | 1 | Joint-Pipe | 160 | 98-9586 | 1 | Bolt |
| 50 | 130-1511 | 1 | Spring | 170 | 105-3709 | 1 | Stud |
| 60 | 130-1510 | 1 | Valve-Relief | 180 | 100-2203 | 1 | Nut-Flange |
| 80 | 130-1508 | 1 | Rotor ASM | 200 | 119-8038 | 1 | Seal-Oil |
| 85 | 130-1509 | 1 | Cover-Pump, Oil | 230 | 105-3710 | 2 | Stud |
| 90 | 130-1164 | 5 | Screw-Binding | 240 | 98-9641 | 1 | Cover-Case, Gear |
| 110 | 98-9633 | 1 | Gasket-Case, Gear | 250 | 130-1569 | 1 | Cartridge-Filter, Oil |



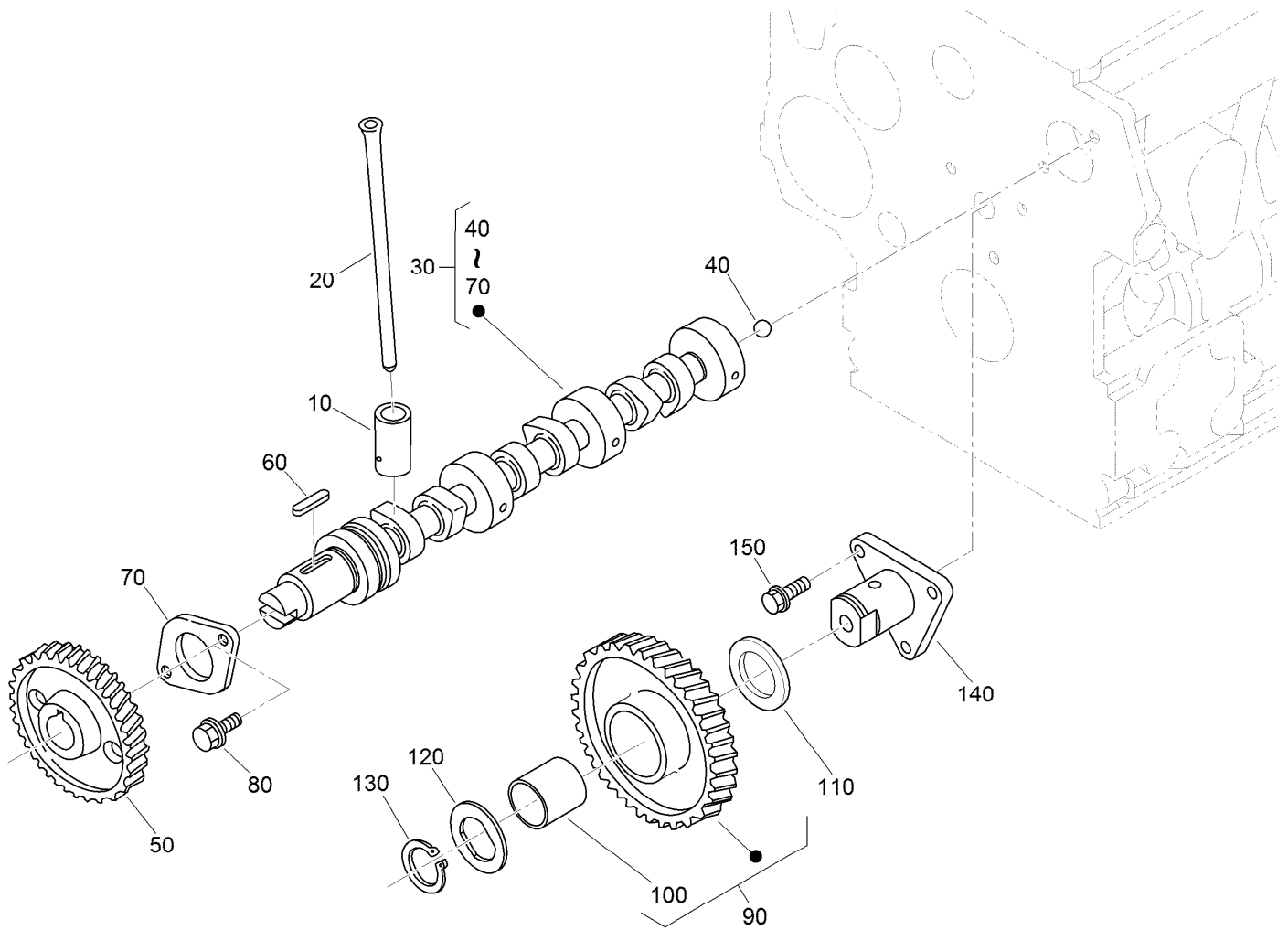
Cylinder Head Cover Assembly

| <i>Ref.</i> | <i>Part Number</i> | <i>Qty.</i> | <i>Description</i> |
|-------------|--------------------|-------------|-------------------------|
| 10 | 130-1372 | 1 | Cylinder Head Cover ASM |
| 30 | 130-1249 | 1 | Gasket-Head Cover |
| 40 | 110-3715 | 1 | Valve-Breather |
| 50 | 110-3714 | 1 | Cover-Breather |
| 60 | 98-9364 | 4 | Screw (With Washer) |
| 70 | 98-7766 | 1 | Pipe-Return, Water |
| 80 | 98-9455 | 3 | Nut-Cap |
| 90 | 98-9454 | 3 | Gasket |
| 100 | 107-9075 | 1 | Plug-Filler, Oil |
| 110 | 99-3446 | 1 | O-Ring |
| 120 | 107-7836 | 1 | Tube-Breather |
| 130 | 108-2859 | 1 | Clamp-Hose |
| 140 | 108-2860 | 1 | Clamp-Hose |



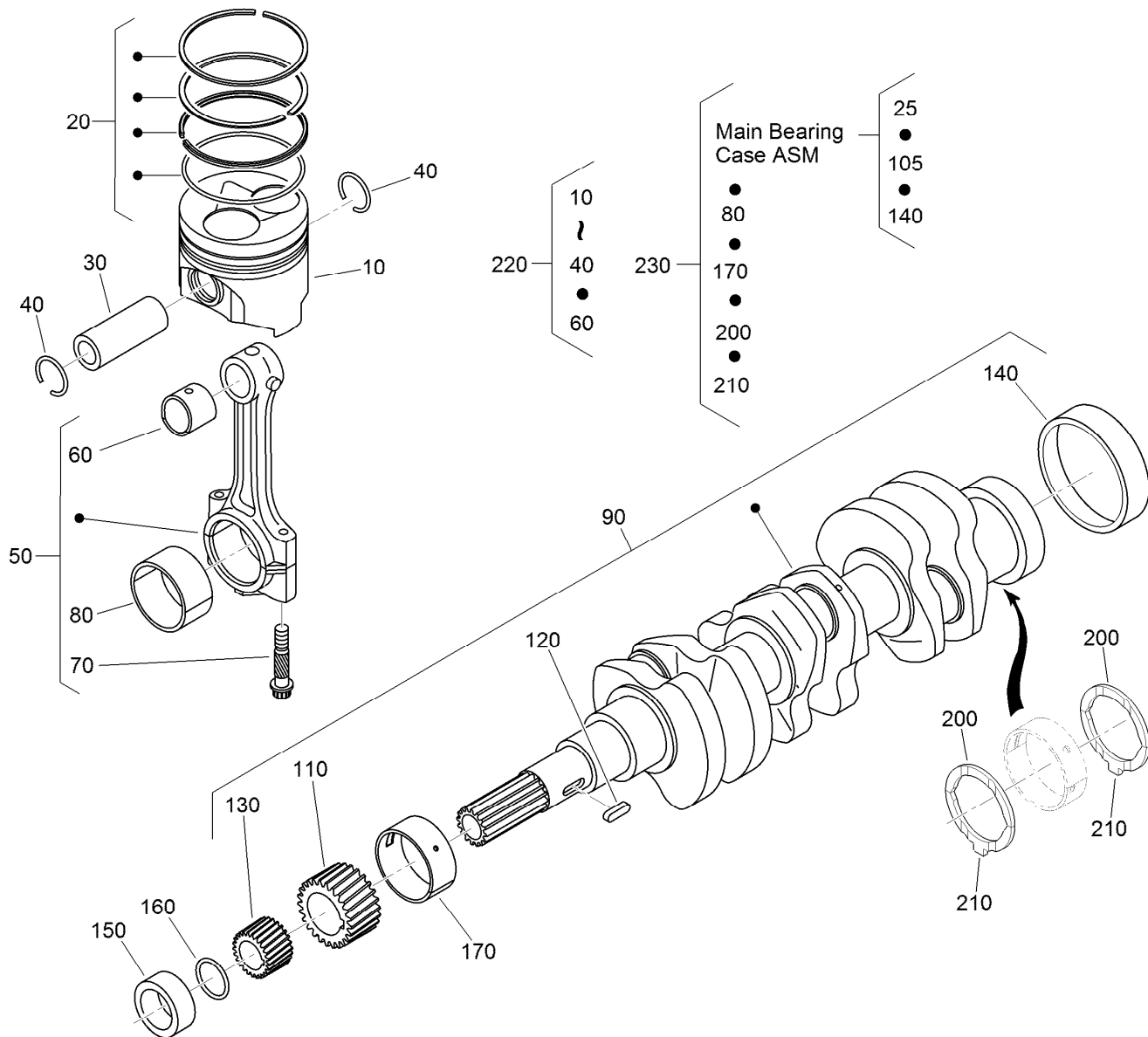
Main Bearing Case Assembly

| Ref. | Part Number | Qty. | Description | Ref. | Part Number | Qty. | Description |
|------|-------------|------|---------------------------|------|-------------|------|----------------------------|
| 10 | 112-7026 | 1 | Wheel Bearing Case ASM | 90 | 115-4106 | 1 | Main Bearing Case ASM |
| 20 | 98-9484 | 2 | Bolt-Case, Bearing | 100 | 98-9484 | 2 | Bolt-Case, Bearing |
| 25 | 115-4121 | 1 | Metal-Crankshaft (STD) | 105 | 98-9524 | 1 | Metal-Crankshaft (STD Set) |
| 25 | 112-7039 | 1 | Metal-Crankshaft (0.2Mm) | 105 | 127-0433 | 1 | Metal-Crankshaft (-0.2MM) |
| 25 | 112-7040 | 1 | Metal-Crankshaft (-0.4Mm) | 105 | 98-9531 | 1 | Bearing-Main (0.4MM) |
| 30 | 127-0440 | 1 | Gasket-Case, Bearing | 110 | 98-9485 | 2 | Bolt-Case, Bearing |
| 40 | 112-7046 | 1 | Cover-Case, Bearing | 120 | 115-4107 | 1 | Main Bearing Case ASM |
| 50 | 112-0180 | 1 | Seal-Oil | 130 | 98-9484 | 2 | Bolt-Case, Bearing |
| 60 | 112-7037 | 1 | Gasket-Cover, Case | 140 | 98-9524 | 1 | Metal-Crankshaft (STD Set) |
| 70 | 127-0441 | 8 | Bolt | 140 | 127-0433 | 1 | Metal-Crankshaft (-0.2MM) |
| 80 | 127-0442 | 9 | Bolt | 140 | 98-9531 | 1 | Bearing-Main (0.4MM) |



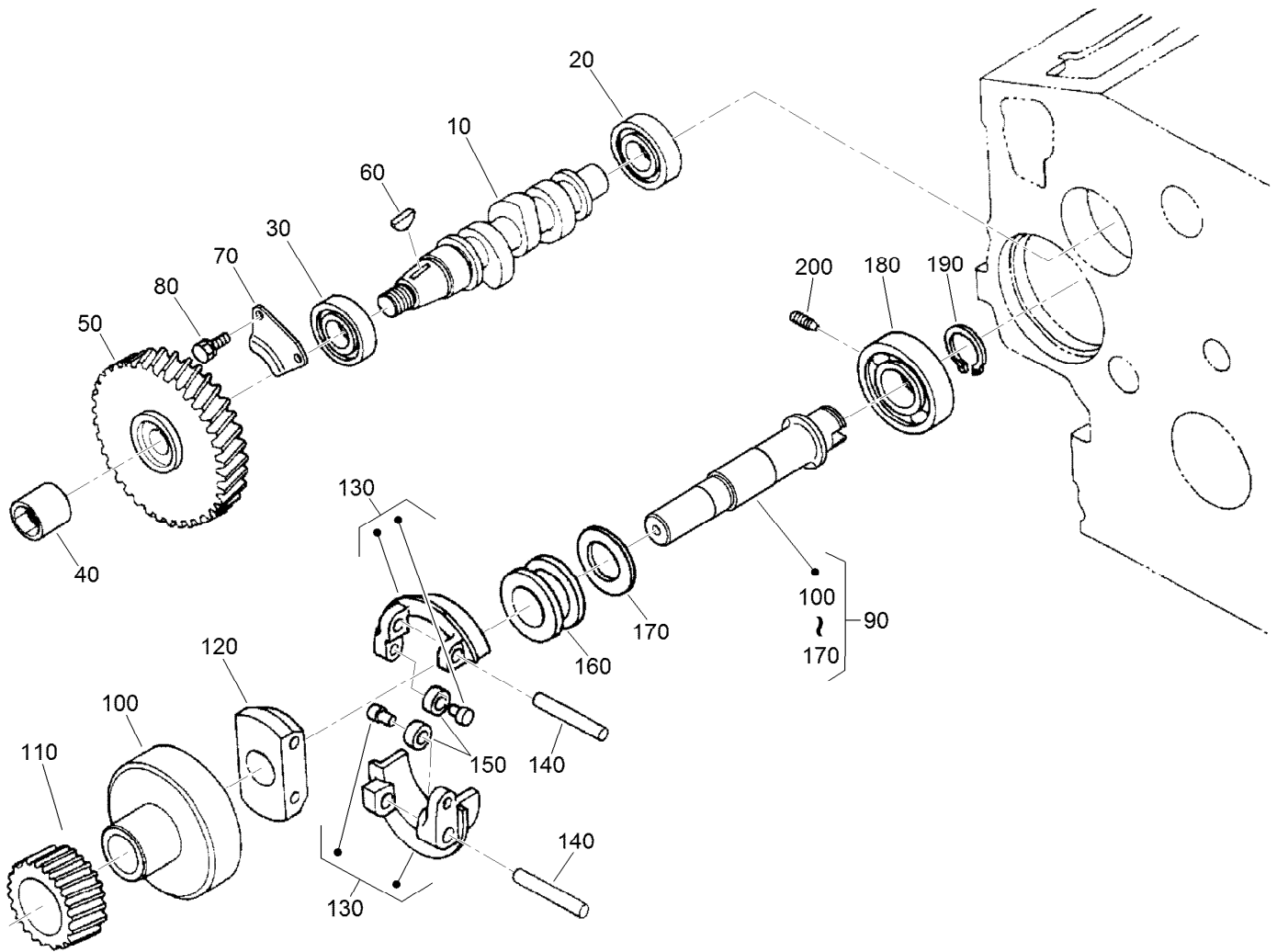
Camshaft and Idle Gear Shaft Assembly

| Ref. | Part Number | Qty. | Description |
|------|-------------|------|--------------------|
| 10 | 112-0185 | 6 | Tappet |
| 20 | 127-0421 | 6 | Rod-Push |
| 30 | 130-1545 | 1 | Camshaft ASM |
| 40 | 110-3729 | 1 | Ball |
| 50 | 98-9512 | 1 | Gear-Cam |
| 60 | 98-9378 | 1 | Key-Feather |
| 70 | 98-9510 | 1 | Stopper-Camshaft |
| 80 | 98-7692 | 2 | Bolt |
| 90 | 117-7584 | 1 | Idler Gear ASM |
| 100 | 117-7585 | 1 | Bushing-Gear, Idle |
| 110 | 98-9535 | 1 | Collar-Gear, Idle |
| 120 | 98-9536 | 1 | Collar-Gear, Idle |
| 130 | 98-9534 | 1 | Circlip-Gear, Idle |
| 140 | 98-9533 | 1 | Shaft-Gear, Idle |
| 150 | 98-7692 | 3 | Bolt |



Piston and Crankshaft Assembly

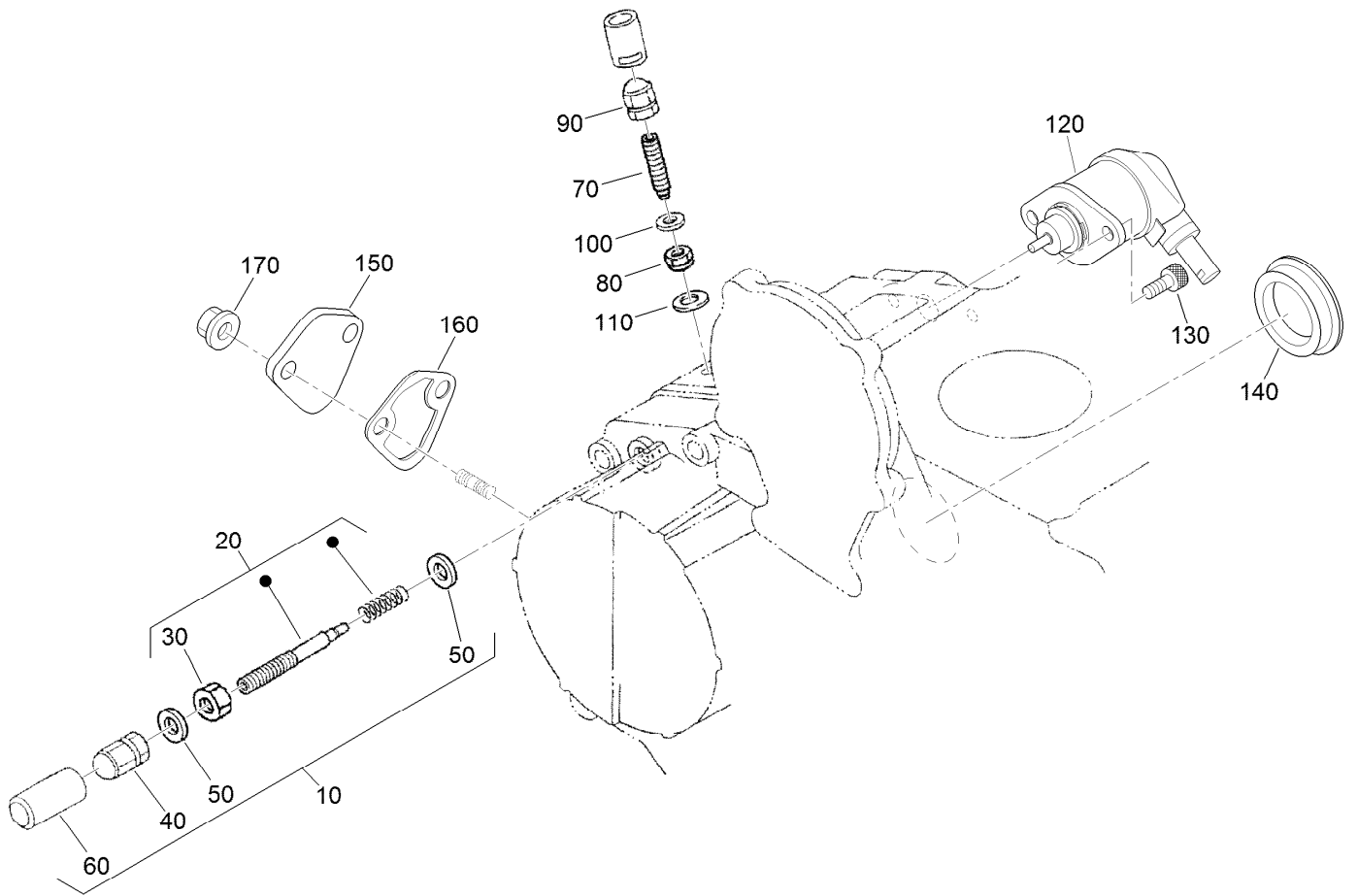
| Ref. | Part Number | Qty. | Description | Ref. | Part Number | Qty. | Description |
|------|-------------|------|---------------------------|------|-------------|------|------------------------------------|
| 10 | 130-1546 | 3 | Piston (STD) | 160 | 105-3783 | 1 | O-Ring |
| 10 | 130-1549 | 3 | Piston (+0.50MM) | 170 | 112-7005 | 1 | Bearing-Main (STD) |
| 20 | 130-1506 | 3 | Piston Ring ASM (STD) | 170 | 98-9528 | 1 | Bearing-Main (-0.2MM) |
| 20 | 130-1507 | 3 | Piston Ring ASM (+0.50MM) | 170 | 130-1274 | 1 | Metal-Crankshaft (-0.40Mm) |
| 30 | 98-9513 | 3 | Pin-Piston | 200 | 98-9413 | 2 | Bearing-Thrust (STD) |
| 40 | 98-9514 | 6 | Circlip-Pin, Piston | 200 | 127-0416 | 2 | Metal-Side (+0.2Mm) |
| 50 | 117-7586 | 3 | Connecting Rod ASM | 200 | 127-0417 | 2 | Metal-Side (+0.40Mm) |
| 60 | 115-3014 | 3 | Bushing-Pin, Piston | 210 | 98-9688 | 2 | Bearing-Thrust (STD) |
| 70 | 98-9517 | 6 | Bolt-Rod, Connecting | 210 | 127-0437 | 2 | Metal-Side (+0.2MM) |
| 80 | 98-9553 | 3 | Bearing-Rod (STD) | 210 | 127-0438 | 2 | Metal-Side (+0.40MM) |
| 80 | 117-7587 | 3 | Metal-Crankpin (-0.2MM) | 220 | 130-1547 | 3 | Piston Kit |
| 80 | 117-7588 | 3 | Metal-Crankpin (-0.4MM) | 220 | 130-1548 | 3 | Piston Kit |
| 90 | 130-1375 | 1 | Crankshaft ASM | 230 | 130-1501 | 1 | Engine Metal Kit (STD) |
| 110 | 117-7561 | 1 | Gear-Crankshaft | 230 | 130-1498 | 1 | Engine Metal Kit (-0.20Mm/+0.20Mm) |
| 120 | 98-9666 | 1 | Key | 230 | 130-1499 | 1 | Engine Metal Kit (-0.40Mm/+0.40Mm) |
| 130 | 127-0445 | 1 | Gear-Drive, Oil Pump | | | | |
| 140 | 98-9522 | 1 | Sleeve-Crankshaft | | | | |
| 150 | 127-0444 | 1 | Collar-Crankshaft | | | | |



Fuel Camshaft and Governor Shaft Assembly

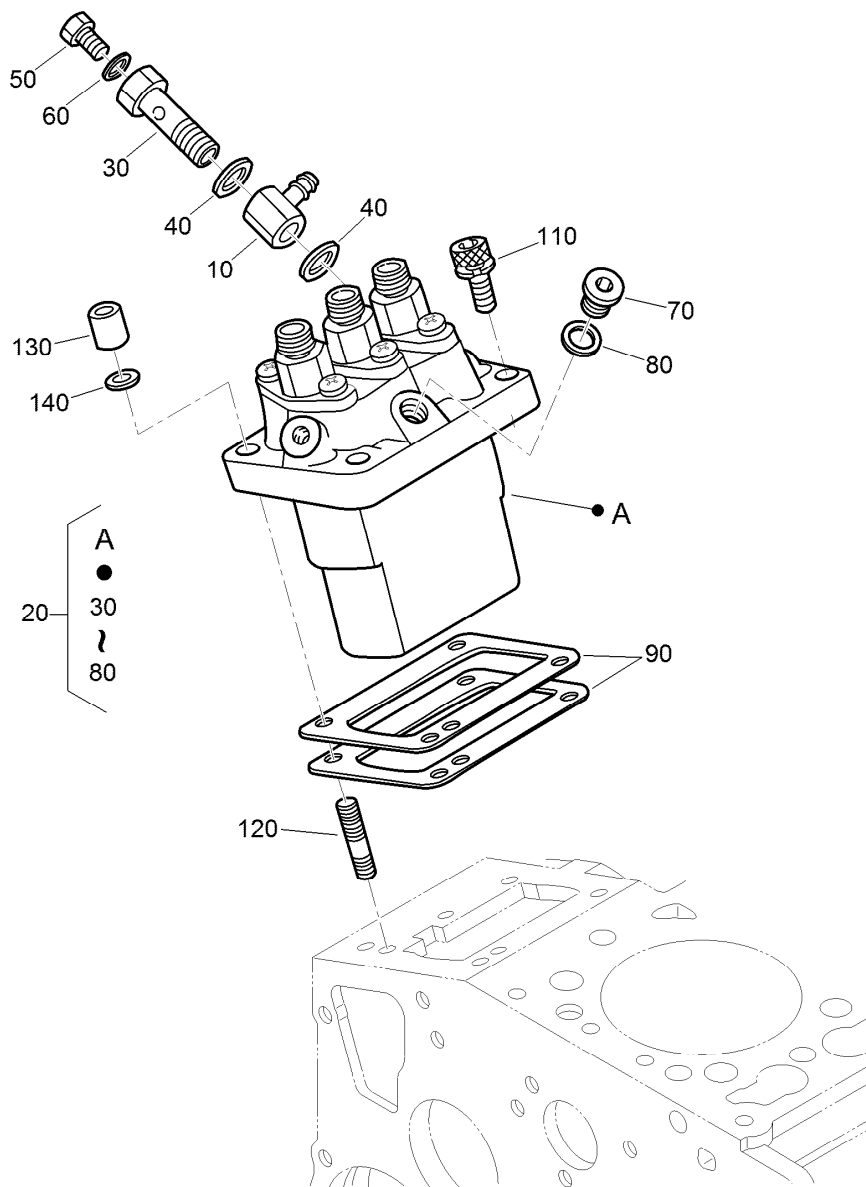
| Ref. | Part Number | Qty. | Description |
|------|-------------|------|------------------------|
| 10 | 98-9459 | 1 | Camshaft-Fuel |
| 20 | 107-9077 | 1 | Bearing-Ball |
| 30 | 107-9078 | 1 | Bearing-Ball |
| 40 | 130-1512 | 1 | Nut |
| 50 | 120-2562 | 1 | Gear-Pump, Injection |
| 60 | 98-9595 | 1 | Key-Woodruff |
| 70 | 98-9511 | 1 | Stopper-Fuel, Camshaft |
| 80 | 98-7692 | 2 | Bolt |
| 90 | 130-1255 | 1 | Governor Shaft ASM |
| 100 | 98-9562 | 1 | Holder-Gear, Governor |

| Ref. | Part Number | Qty. | Description |
|------|-------------|------|-------------------------|
| 110 | 98-9673 | 1 | Gear-Governor |
| 120 | 98-9561 | 1 | Holder-Weight, Governor |
| 130 | 130-1240 | 2 | Governor Weight ASM |
| 140 | 98-9560 | 2 | Shaft-Weight, Governor |
| 150 | 98-9692 | 2 | Roller |
| 160 | 98-9563 | 1 | Sleeve-Governor |
| 170 | 98-9564 | 1 | Washer-Thrust |
| 180 | 107-9079 | 1 | Bearing-Ball |
| 190 | 98-9657 | 1 | Circlip-Shaft, Governor |
| 200 | 98-9565 | 1 | Screw-Set |



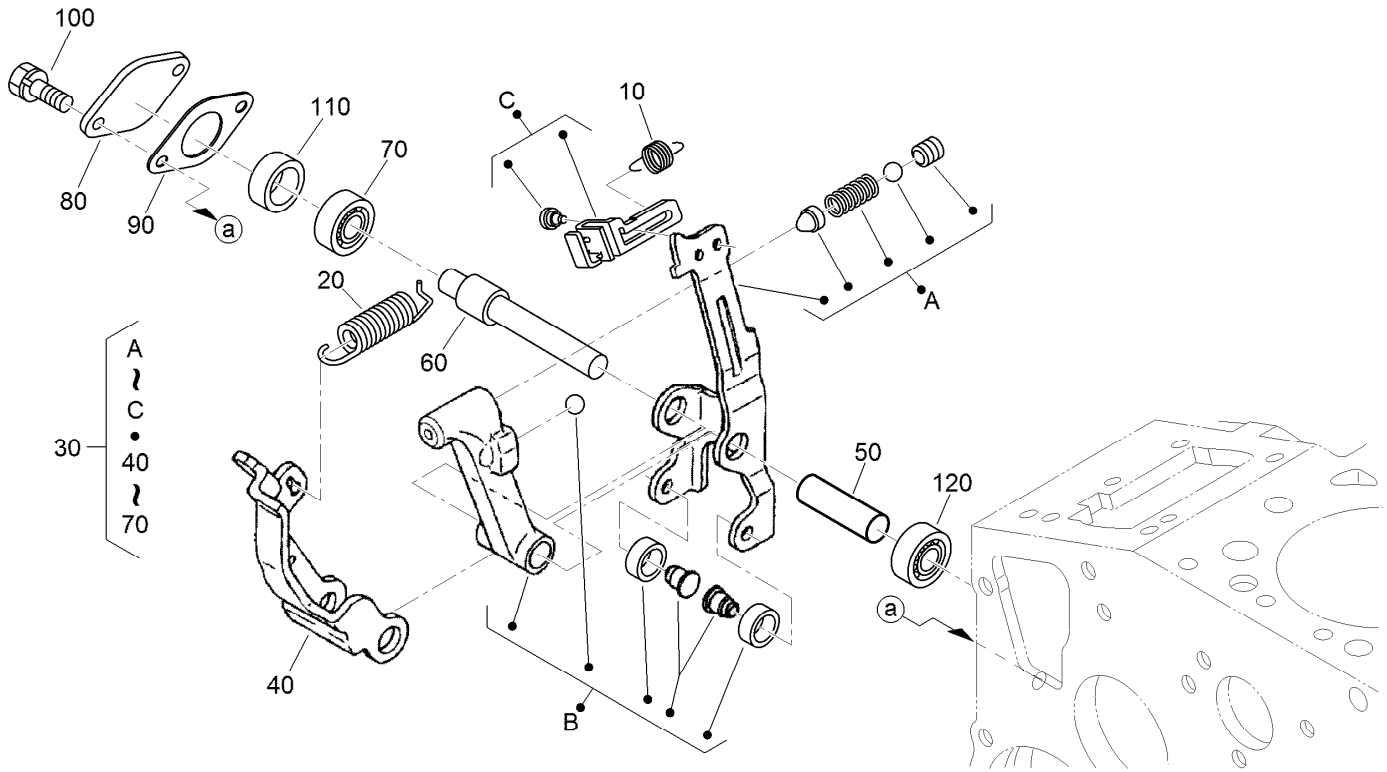
Idle Apparatus and Stop Solenoid Assembly

| <i>Ref.</i> | <i>Part Number</i> | <i>Qty.</i> | <i>Description</i> | <i>Ref.</i> | <i>Part Number</i> | <i>Qty.</i> | <i>Description</i> |
|-------------|--------------------|-------------|--------------------|-------------|--------------------|-------------|--------------------|
| 10 | 98-9678 | 1 | Idle Apparatus ASM | 100 | 98-7654 | 1 | Gasket |
| 20 | 112-7014 | 1 | Adjusting Bolt ASM | 110 | 107-9081 | 1 | Gasket |
| 30 | 98-9439 | 1 | Nut | 120 | 104-5155 | 1 | Solenoid-Stop |
| 40 | 112-0181 | 1 | Nut | 130 | 130-1155 | 2 | Screw-HSH |
| 50 | 98-7654 | 2 | Gasket | 140 | 112-7016 | 1 | Cover-Pump |
| 60 | 98-7656 | 1 | Cap | 150 | 99-3514 | 1 | Cover |
| 70 | 112-7015 | 1 | Bolt-Adjusting | 160 | 117-7562 | 1 | Gasket-Pump, Fuel |
| 80 | 100-2175 | 1 | Nut-Lock | 170 | 100-2203 | 2 | Nut-Flange |
| 90 | 112-0181 | 1 | Nut | | | | |



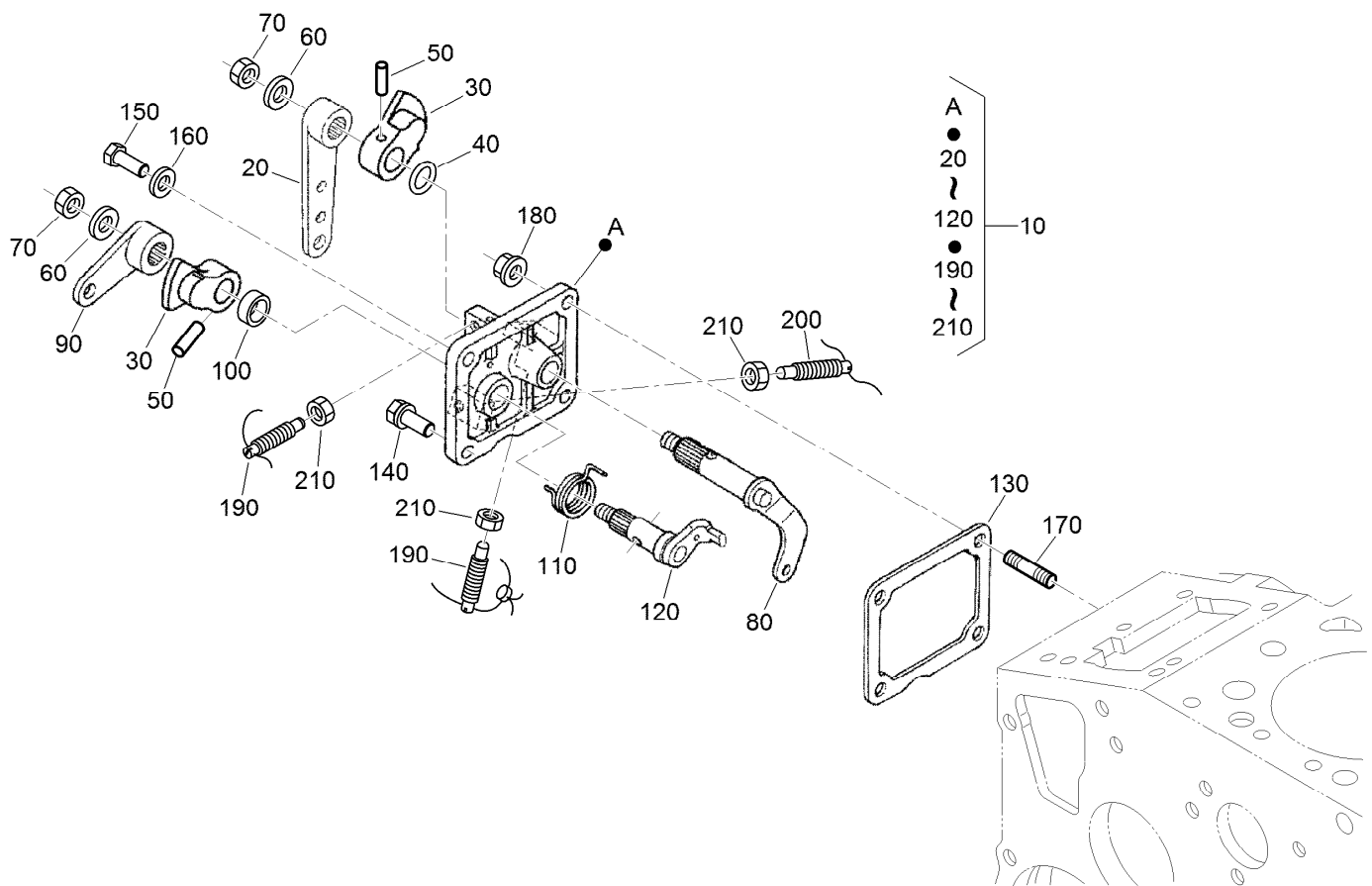
Injection Pump Assembly

| <i>Ref.</i> | <i>Part Number</i> | <i>Qty.</i> | <i>Description</i> | <i>Ref.</i> | <i>Part Number</i> | <i>Qty.</i> | <i>Description</i> |
|-------------|--------------------|-------------|-------------------------|-------------|--------------------|-------------|--------------------------|
| 10 | 98-9596 | 1 | Joint-Eye | 90 | 98-9457 | 1 | Shim-Injection (0.25MM) |
| 20 | 98-9643 | 1 | Injection Pump ASM | 90 | 98-9458 | 1 | Shim-Injection (0.30MM) |
| 30 | 98-9464 | 1 | Bolt-Joint | 90 | 115-3046 | 1 | Shim-Injection (0.35MM) |
| 40 | 98-9445 | 2 | Gasket | 90 | 115-3045 | 1 | Shim-Injection (0.175MM) |
| 50 | 98-9430 | 1 | Screw | 110 | 117-7564 | 2 | Bolt-Hex Soc HD |
| 60 | 98-9446 | 1 | Gasket | 120 | 98-9438 | 2 | Stud |
| 70 | 98-9466 | 1 | Plug | 130 | 98-9440 | 2 | Nut-Cap |
| 80 | 98-9451 | 1 | Gasket | 140 | 98-7699 | 2 | Washer-Spring |
| 90 | 98-9456 | 1 | Shim-Injection (0.20MM) | | | | |



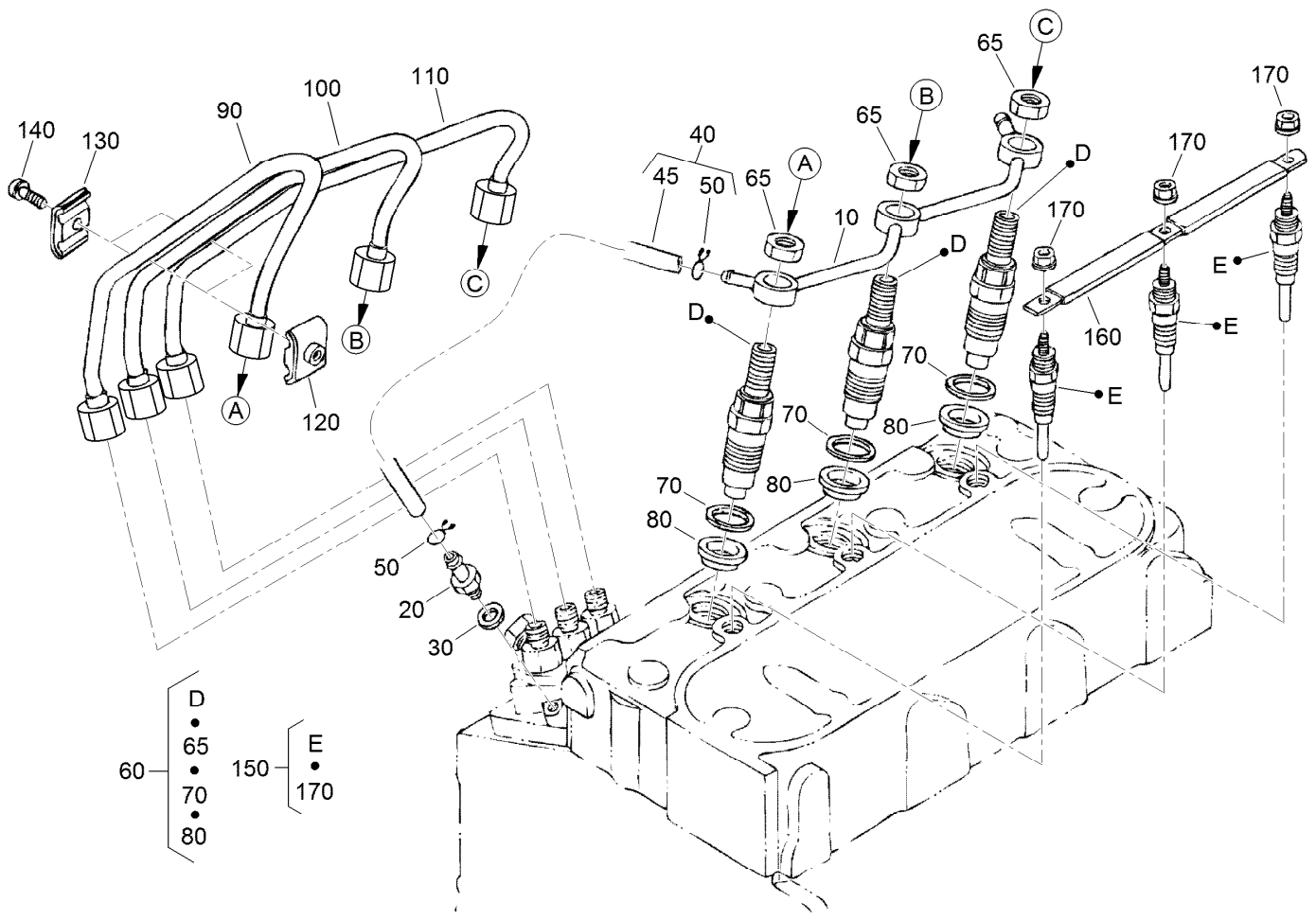
Governor Assembly

| <i>Ref.</i> | <i>Part Number</i> | <i>Qty.</i> | <i>Description</i> |
|-------------|--------------------|-------------|-------------------------|
| 10 | 105-3786 | 1 | Spring-Start |
| 20 | 98-9681 | 1 | Spring-Governor |
| 30 | 115-4502 | 1 | Fork Lever ASM |
| 40 | 107-9084 | 1 | Lever-Fork |
| 50 | 107-9085 | 1 | Shaft-Lever, Fork |
| 60 | 107-9086 | 1 | Shaft-Lever, Fork |
| 70 | 98-9570 | 1 | Bearing-Miniaturize |
| 80 | 115-4122 | 1 | Cover-Shaft, Fork Lever |
| 90 | 98-9682 | 1 | Gasket |
| 100 | 98-9350 | 2 | Bolt |
| 110 | 98-9567 | 1 | Collar |
| 120 | 98-9571 | 1 | Bearing-Miniaturize |



Speed Control Plate Assembly

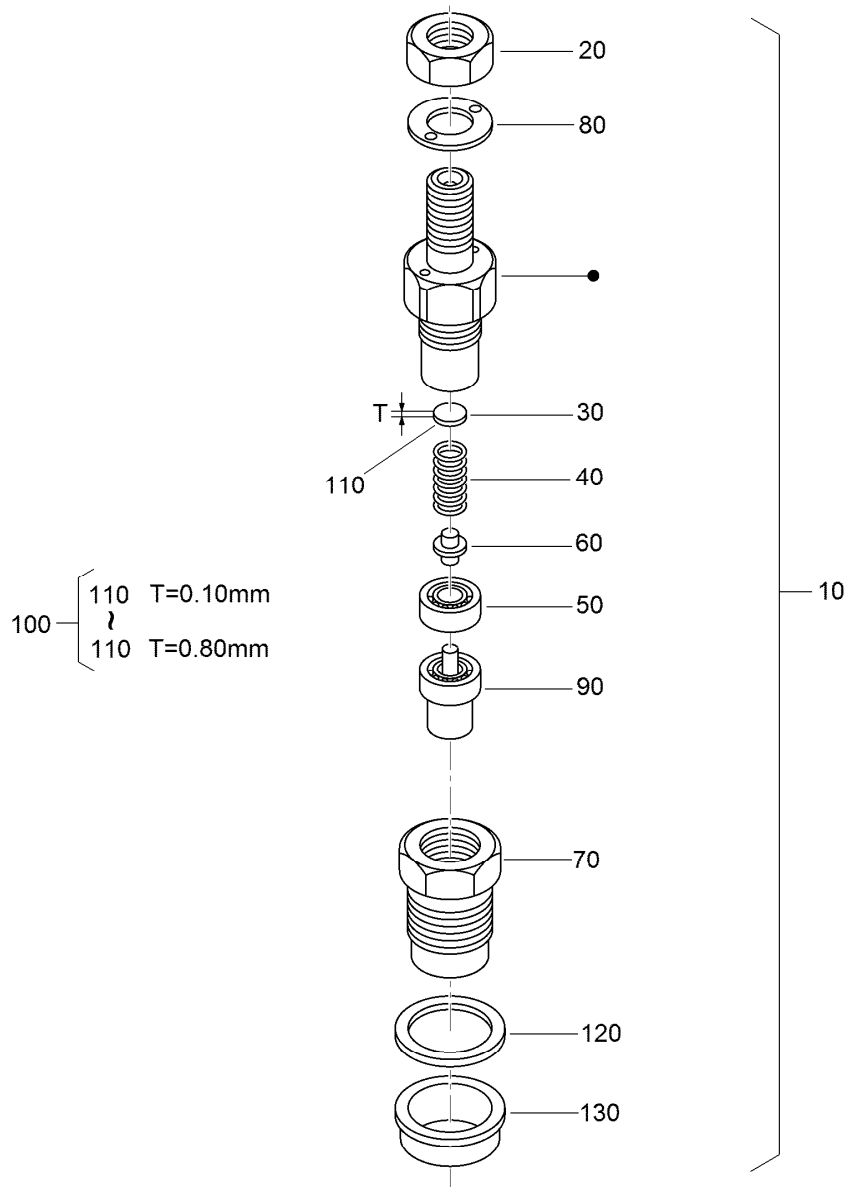
| Ref. | Part Number | Qty. | Description | Ref. | Part Number | Qty. | Description |
|------|-------------|------|----------------------|------|-------------|------|-------------------|
| 10 | 105-3735 | 1 | Control Plate ASM | 120 | 98-9664 | 1 | Shaft-Lever, Stop |
| 20 | 98-9662 | 1 | Lever-Control, Speed | 130 | 98-9637 | 1 | Gasket |
| 30 | 98-9572 | 2 | Lever-Control, Speed | 140 | 98-7692 | 1 | Bolt |
| 40 | 105-3788 | 1 | O-Ring | 150 | 127-0401 | 1 | Bolt-Hex |
| 50 | 98-7602 | 2 | Pin-Spring | 160 | 98-7654 | 1 | Gasket |
| 60 | 98-9594 | 2 | Washer-Plain | 170 | 105-3710 | 2 | Stud |
| 70 | 98-9589 | 2 | Nut | 180 | 100-2203 | 2 | Nut-Flange |
| 80 | 98-9658 | 1 | Governor Lever ASM | 190 | 117-7565 | 2 | Bolt-Adjusting |
| 90 | 98-9663 | 1 | Lever-Stop, Engine | 200 | 117-7566 | 1 | Bolt-Adjusting |
| 100 | 98-7601 | 1 | Seal-Oil | 210 | 98-7572 | 3 | Nut |
| 110 | 98-9472 | 1 | Spring-Return | | | | |



Nozzle Holder and Glow Plug Assembly

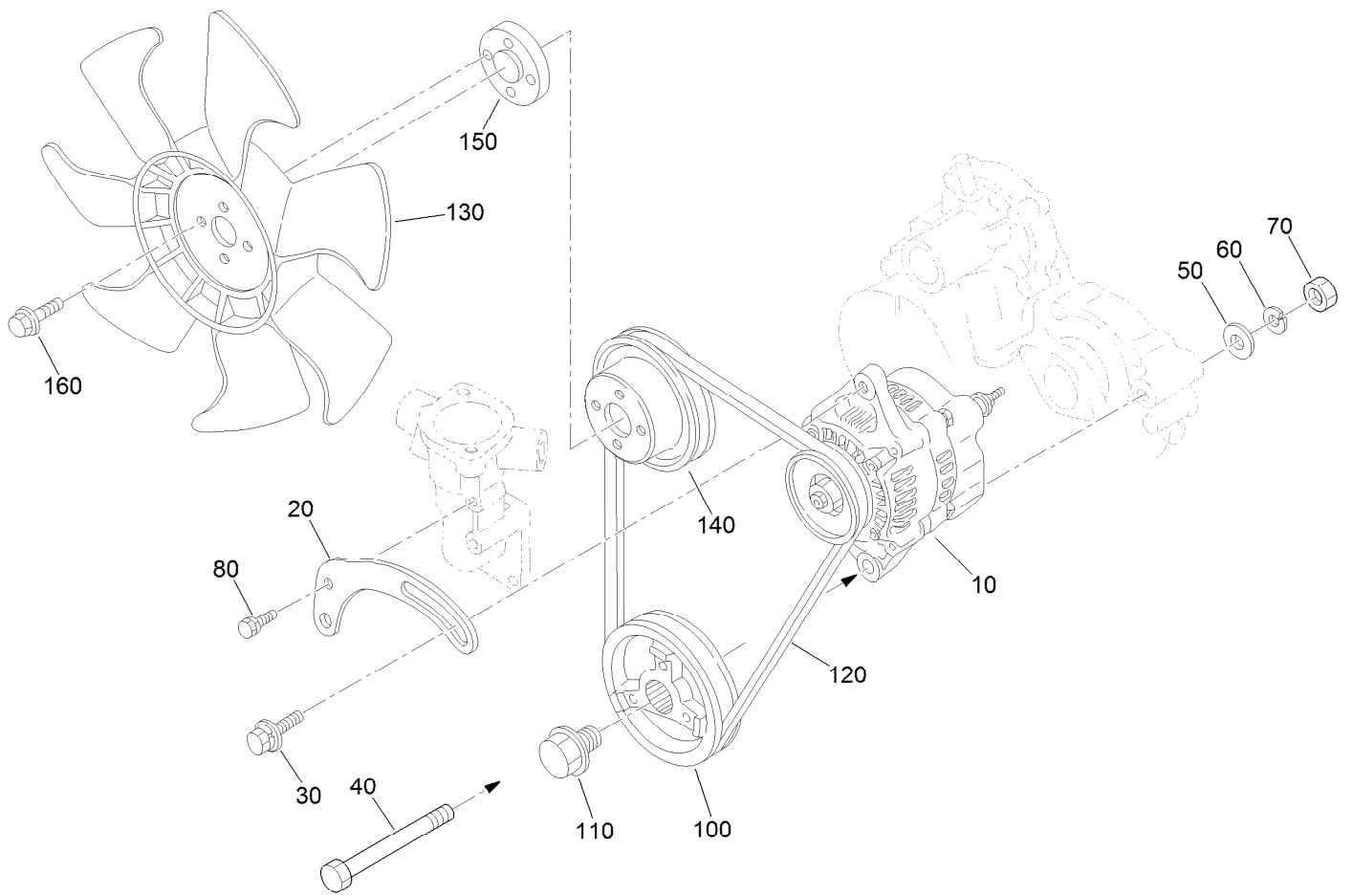
| <i>Ref.</i> | <i>Part Number</i> | <i>Qty.</i> | <i>Description</i> |
|-------------|--------------------|-------------|--------------------|
| 10 | 98-9620 | 1 | Overflow Pipe ASM |
| 20 | 98-9431 | 1 | Screw-Bleeder, Air |
| 30 | 98-7654 | 1 | Gasket |
| 40 | 98-9420 | 1 | Overflow Pipe ASM |
| 45 | 112-0182 | 1 | Pipe-Overflow |
| 50 | 98-7671 | 2 | Clip-Pipe |
| 60 | 130-1410 | 3 | Nozzle Holder Kit |
| 65 | 121-2411 | 3 | Nut |
| 70 | 98-7676 | 3 | Gasket |
| 80 | 98-7677 | 3 | Seal-Heat |

| <i>Ref.</i> | <i>Part Number</i> | <i>Qty.</i> | <i>Description</i> |
|-------------|--------------------|-------------|--------------------|
| 90 | 98-9622 | 1 | Pipe-Injection |
| 100 | 98-9654 | 1 | Pipe-Injection |
| 110 | 98-9655 | 1 | Pipe-Injection |
| 120 | 98-7682 | 2 | Clamp-Pipe |
| 130 | 98-7683 | 2 | Clamp-Pipe |
| 140 | 98-7684 | 2 | Screw (W/Washer) |
| 150 | 130-1411 | 3 | Plug-Glow |
| 160 | 98-9631 | 1 | Cord-Plug, Glow |
| 170 | 99-8377 | 3 | Nut-Flange |



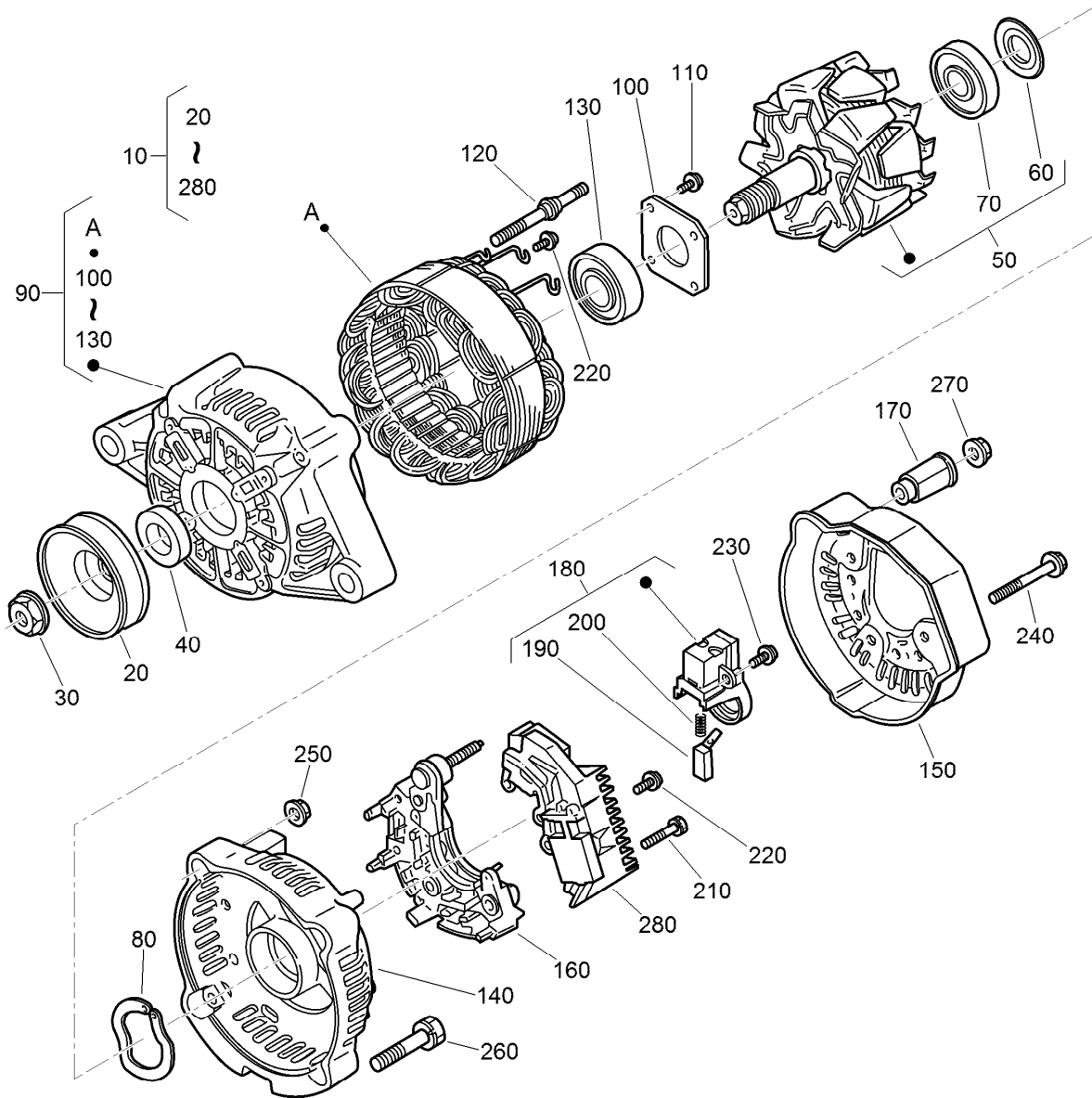
Nozzle Holder Assembly

| Ref. | Part Number | Qty. | Description | Ref. | Part Number | Qty. | Description |
|------|-------------|------|------------------------|------|-------------|------|------------------------|
| 10 | 130-1410 | 3 | Nozzle Holder Kit | 110 | 99-8311 | 3 | Washer-Adjust (0.20MM) |
| 20 | 121-2411 | 3 | Nut | 110 | 99-8312 | 3 | Washer-Adjust (0.30MM) |
| 30 | 99-8302 | 3 | Washer-Adjusting | 110 | 99-8313 | 3 | Washer-Adjust (0.40MM) |
| 40 | 99-8303 | 3 | Spring-Nozzle | 110 | 99-8314 | 3 | Washer-Adjust (0.50MM) |
| 50 | 99-8304 | 3 | Spacer-Distance | 110 | 99-8315 | 3 | Washer-Adjust (0.52MM) |
| 60 | 99-8305 | 3 | Rod-Push | 110 | 99-8316 | 3 | Washer-Adjust (0.54MM) |
| 70 | 99-8306 | 3 | Nut-Nozzle | 110 | 99-8317 | 3 | Washer-Adjust (0.56MM) |
| 80 | 99-8307 | 3 | Washer-Plain | 110 | 99-8318 | 3 | Washer-Adjust (0.58MM) |
| 90 | 115-3020 | 3 | Piece-Nozzle | 110 | 99-8319 | 3 | Washer-Adjust (0.80MM) |
| 100 | 99-8309 | 3 | Adjusting Washer ASM | 120 | 98-7676 | 3 | Gasket |
| 110 | 99-8310 | 3 | Washer-Adjust (0.10MM) | 130 | 98-7677 | 3 | Seal-Heat |



Alternator, Pulley and Fan Assembly

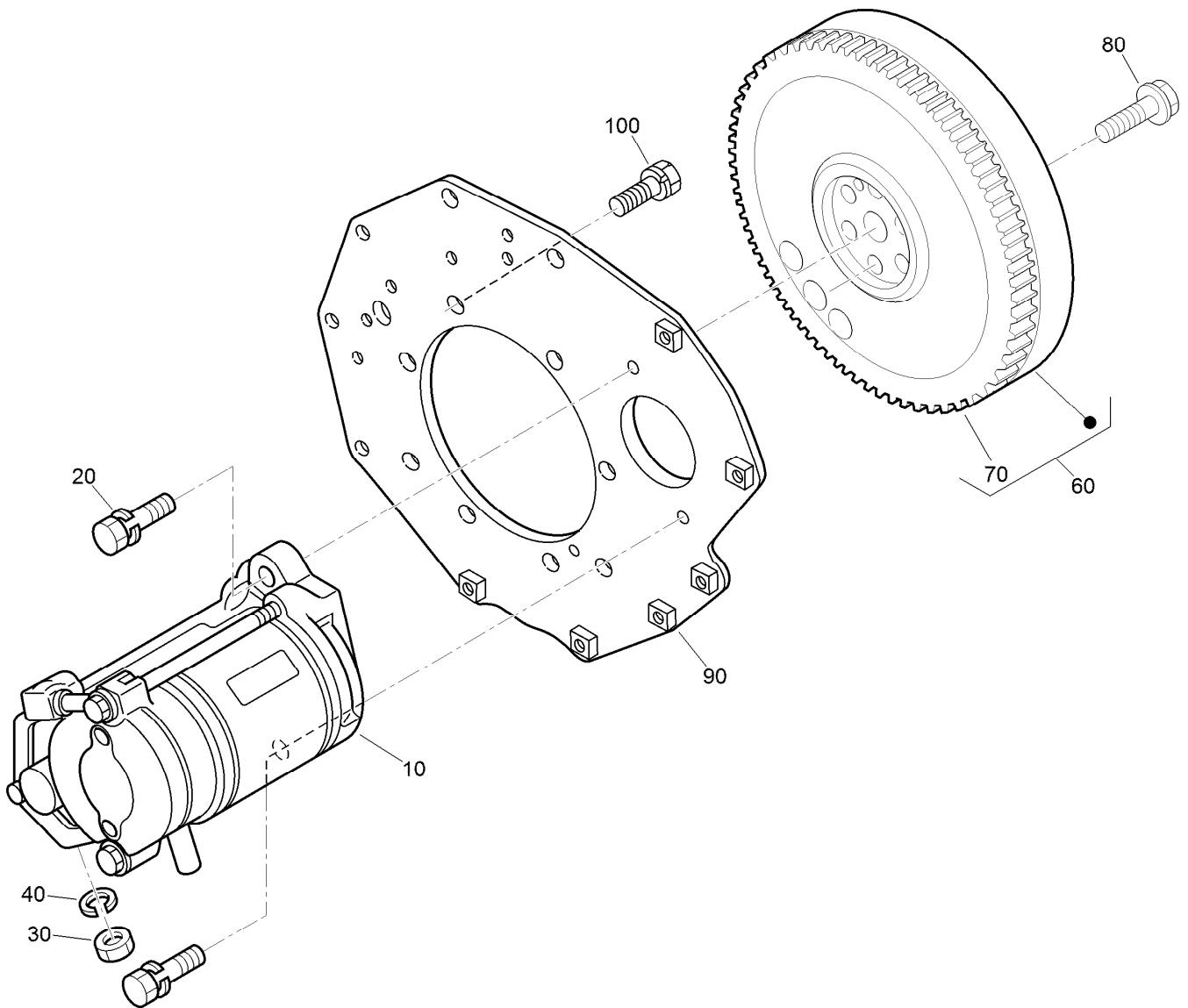
| <i>Ref.</i> | <i>Part Number</i> | <i>Qty.</i> | <i>Description</i> |
|-------------|--------------------|-------------|--------------------|
| 10 | 98-9474 | 1 | Alternator ASM |
| 20 | 112-7047 | 1 | Stay-Dynamo |
| 30 | 108-7088 | 1 | Bolt |
| 40 | 98-9360 | 1 | Bolt |
| 50 | 98-9366 | 1 | Washer-Plain |
| 60 | 98-7738 | 1 | Washer-Spring |
| 70 | 98-7737 | 1 | Nut |
| 80 | 98-7692 | 1 | Bolt |
| 100 | 98-9473 | 1 | Pulley-Drive, Fan |
| 110 | 98-9585 | 1 | Bolt |
| 120 | 104-3494 | 1 | Belt-V |
| 130 | 104-4246 | 1 | Fan-Engine |
| 140 | 130-1567 | 1 | Pulley-Fan |
| 150 | 108-2872 | 1 | Collar-Fan |
| 160 | 108-2873 | 4 | Bolt-Flange |



Alternator Components Assembly

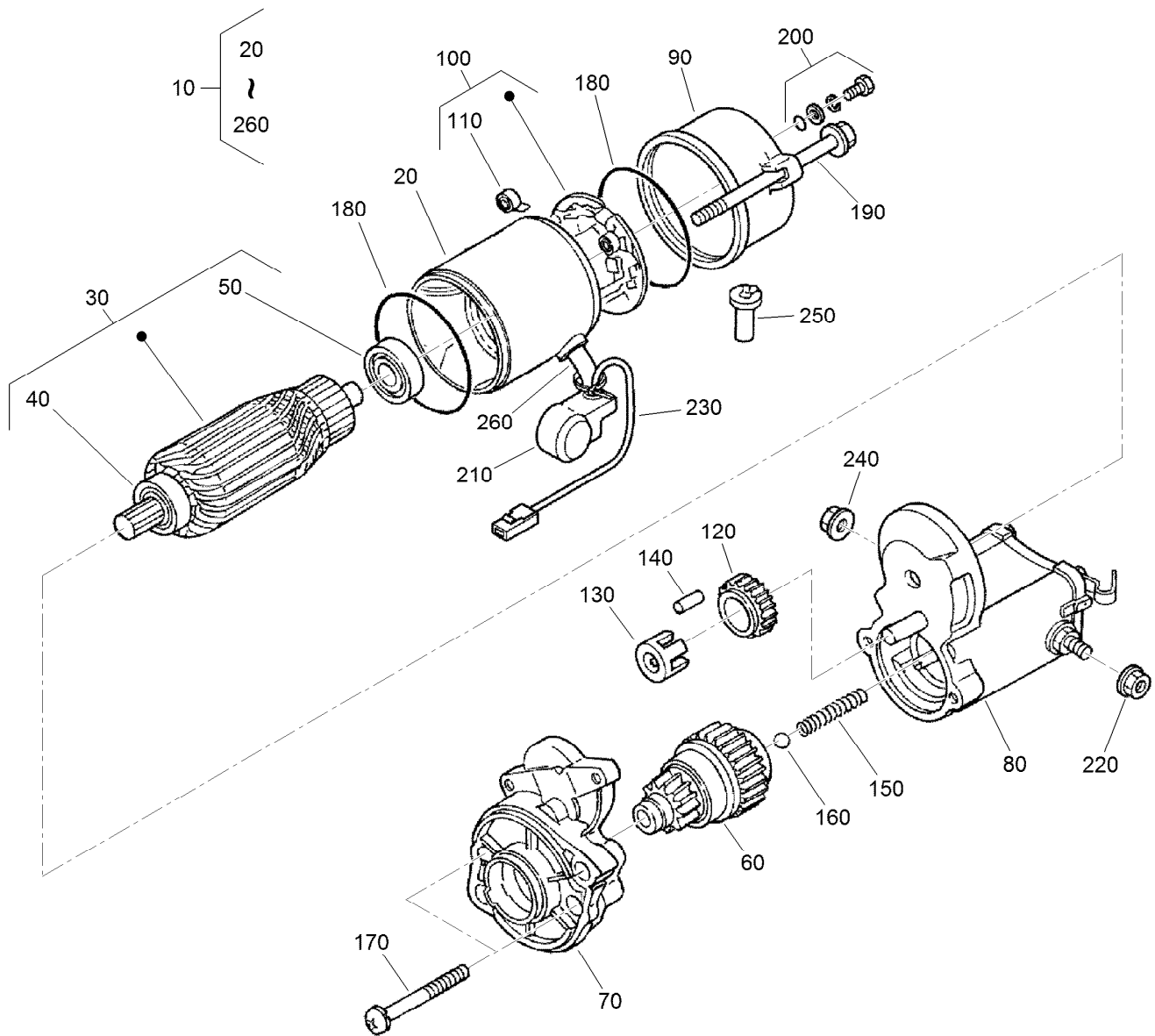
| Ref. | Part Number | Qty. | Description |
|------|-------------|------|---------------------|
| 10 | 98-9474 | 1 | Alternator ASM |
| 20 | 98-9453 | 1 | Pulley-Dynamo |
| 30 | 98-7708 | 1 | Nut |
| 40 | 98-7709 | 1 | Collar |
| 50 | 107-0136 | 1 | Rotor ASM |
| 60 | 98-7711 | 1 | Cover-Bearing |
| 70 | 107-0138 | 1 | Bearing-Ball |
| 80 | 98-7713 | 1 | Washer-Thrust |
| 90 | 107-0139 | 1 | Drive End Frame ASM |
| 100 | 98-7715 | 1 | Plate-Retainer |
| 110 | 98-7716 | 4 | Screw-Head, Round |
| 120 | 98-7717 | 2 | Bolt-Through |
| 130 | 107-0137 | 1 | Bearing-Ball |
| 140 | 107-9087 | 1 | Frame-End |

| Ref. | Part Number | Qty. | Description |
|------|-------------|------|--------------------|
| 150 | 107-0140 | 1 | Cover-End |
| 160 | 127-1612 | 1 | Rectifier ASM |
| 170 | 98-7722 | 1 | Bushing-Insulation |
| 180 | 107-0141 | 1 | Brush Holder ASM |
| 190 | 98-7724 | 2 | Brush |
| 200 | 98-7725 | 2 | Spring-Brush |
| 210 | 98-7726 | 2 | Screw-Head, Round |
| 220 | 98-7727 | 6 | Screw-Head, Round |
| 230 | 98-7728 | 1 | Screw-Head, Round |
| 240 | 98-7729 | 3 | Bolt |
| 250 | 98-7730 | 2 | Nut |
| 260 | 98-7731 | 2 | Bolt |
| 270 | 98-7732 | 1 | Nut |
| 280 | 110-3799 | 1 | Regulator ASM |



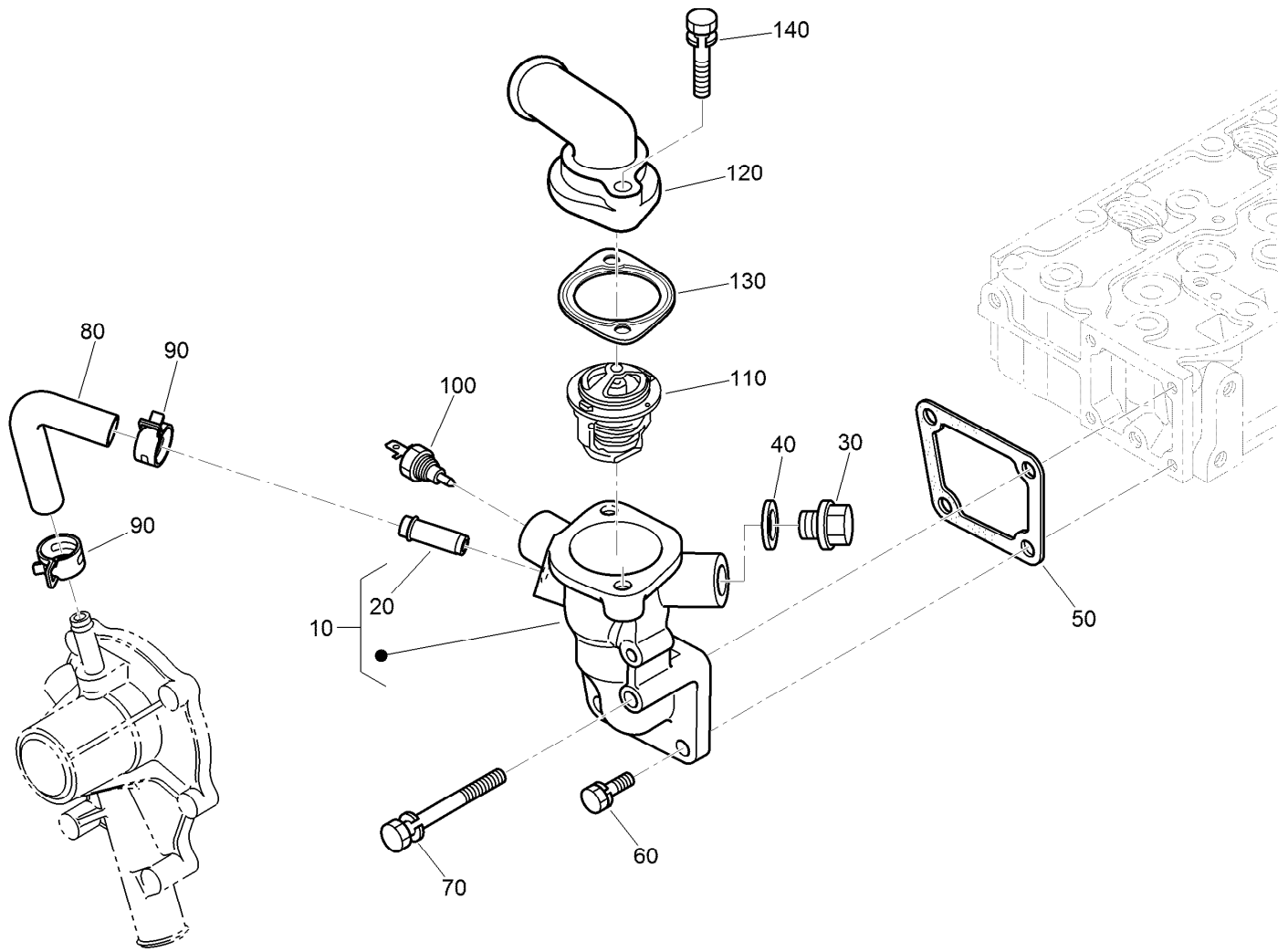
Starter and Flywheel Assembly

| Ref. | Part Number | Qty. | Description |
|------|-------------|------|-----------------|
| 10 | 98-9705 | 1 | Starter ASM |
| 20 | 98-7697 | 2 | Bolt |
| 30 | 98-7739 | 1 | Nut |
| 40 | 105-2893 | 1 | Washer-Spring |
| 60 | 105-3784 | 1 | Flywheel ASM |
| 70 | 115-3015 | 1 | Gear-Ring |
| 80 | 98-9537 | 6 | Bolt-Flywheel |
| 90 | 98-9486 | 1 | Plate-End, Rear |
| 100 | 98-9392 | 8 | Bolt |



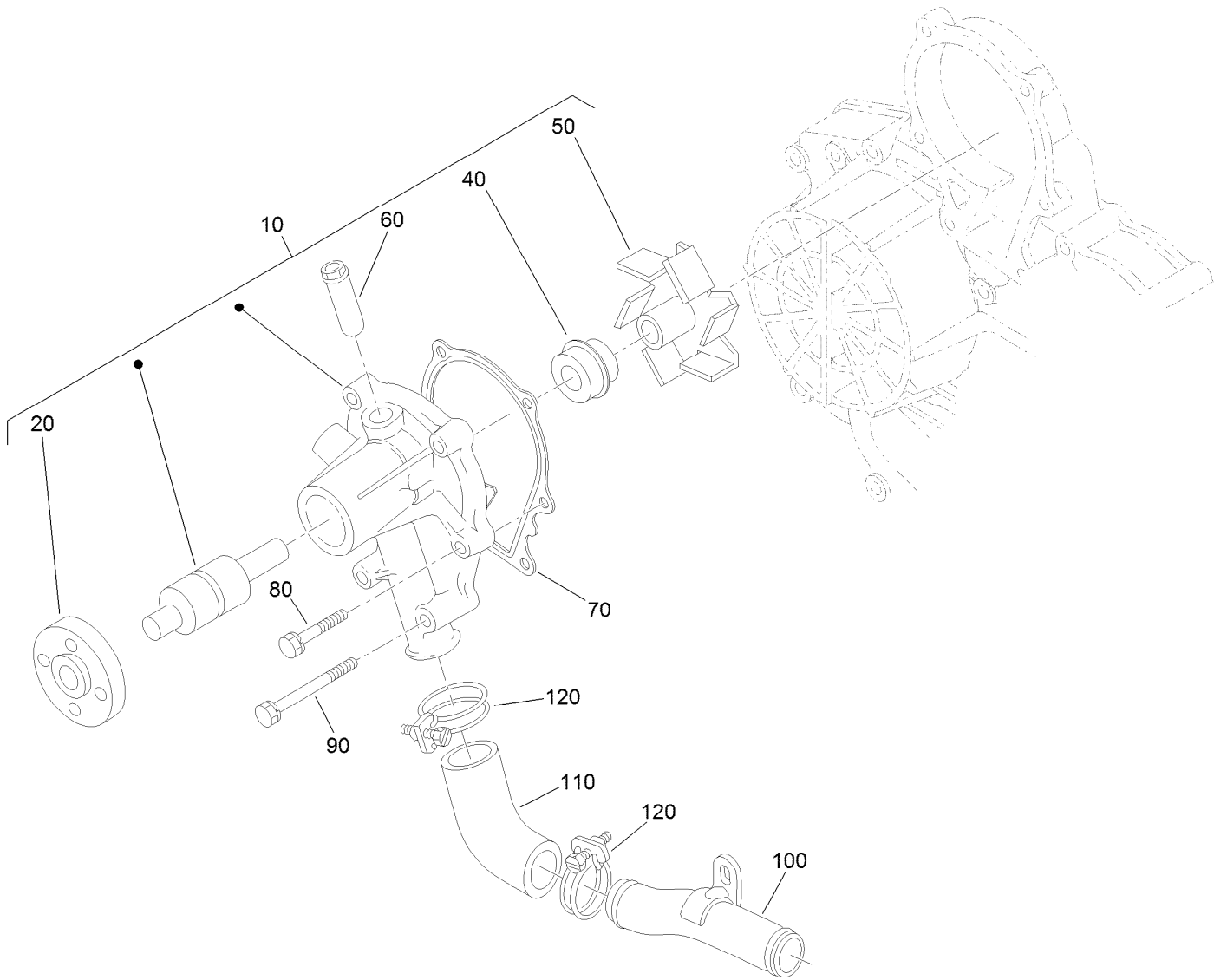
Starter Component Assembly

| <i>Ref.</i> | <i>Part Number</i> | <i>Qty.</i> | <i>Description</i> | <i>Ref.</i> | <i>Part Number</i> | <i>Qty.</i> | <i>Description</i> |
|-------------|--------------------|-------------|----------------------|-------------|--------------------|-------------|---------------------|
| 10 | 98-9705 | 1 | Starter ASM | 140 | 98-7753 | 5 | Roller |
| 20 | 104-8608 | 1 | Yoke ASM | 150 | 98-7754 | 1 | Spring |
| 30 | 98-7742 | 1 | Armature ASM | 160 | 98-7755 | 1 | Ball |
| 40 | 98-7744 | 1 | Bearing | 170 | 98-7756 | 2 | Bolt |
| 50 | 98-7743 | 1 | Bearing | 180 | 98-7757 | 2 | O-Ring |
| 60 | 99-8373 | 1 | Clutch-Running, Over | 190 | 100-9240 | 2 | Bolt |
| 70 | 99-8374 | 1 | Frame-End, Drive | 200 | 98-7758 | 2 | Bolt ASM |
| 80 | 105-3746 | 1 | Magnetic Switch ASM | 210 | 99-8375 | 1 | Cover |
| 90 | 98-7748 | 1 | Frame-End | 220 | 99-8371 | 1 | Nut-Hex |
| 100 | 98-7749 | 1 | Brush Holder ASM | 230 | 98-9711 | 1 | Cord-Solenoid, Stop |
| 110 | 98-7750 | 4 | Spring-Brush | 240 | 99-8376 | 1 | Nut-Hex |
| 120 | 98-7751 | 1 | Gear | 250 | 98-7759 | 1 | Pipe-Drain |
| 130 | 98-7752 | 1 | Retainer | 260 | 98-9712 | 1 | Band-Cover |



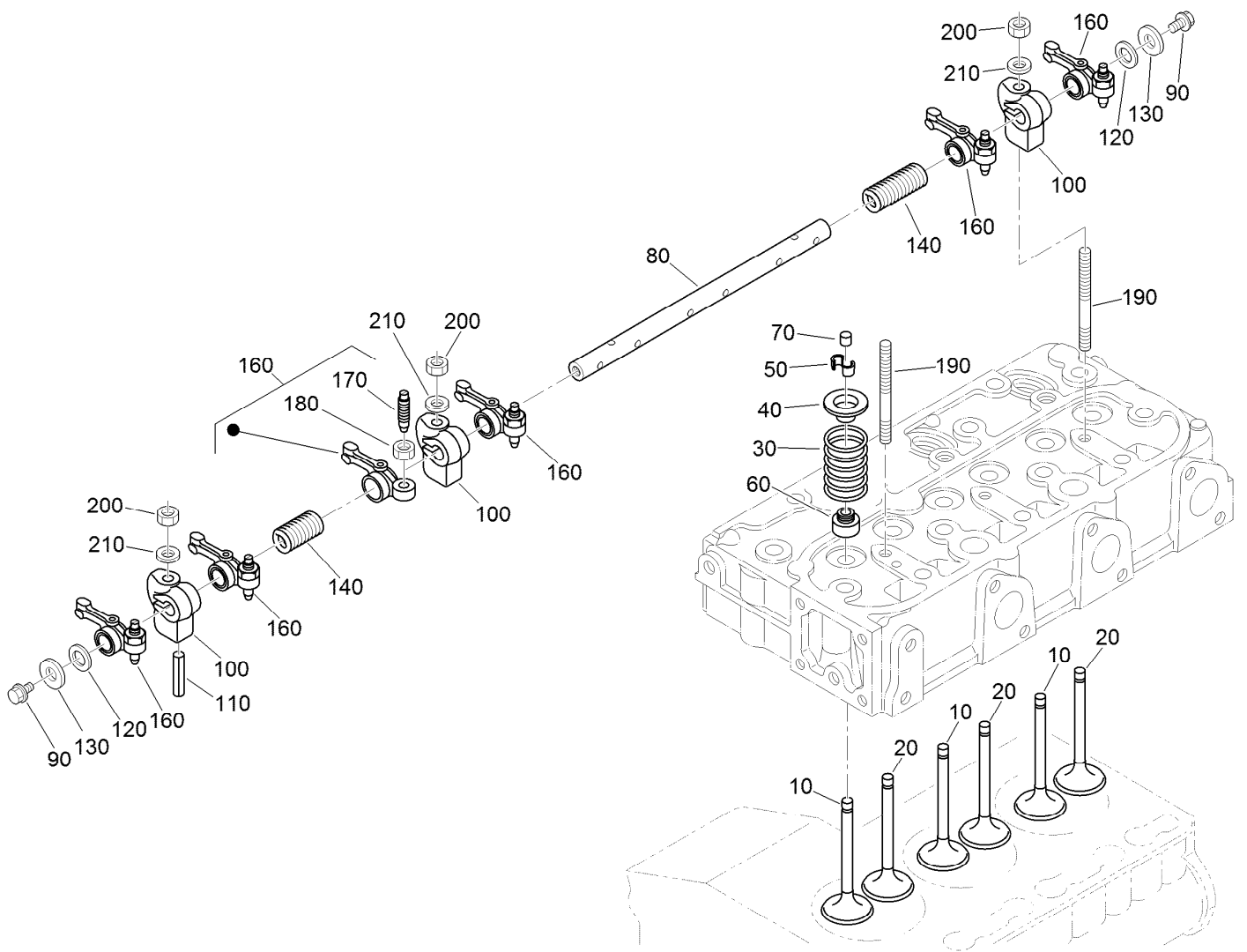
Water Flange and Thermostat Assembly

| <i>Ref.</i> | <i>Part Number</i> | <i>Qty.</i> | <i>Description</i> |
|-------------|--------------------|-------------|----------------------|
| 10 | 98-9713 | 1 | Water Flange ASM |
| 20 | 98-9580 | 1 | Pipe-Return, Water |
| 30 | 105-3747 | 1 | Plug |
| 40 | 99-3583 | 1 | Gasket |
| 50 | 98-9638 | 1 | Gasket-Flange, Water |
| 60 | 98-7692 | 3 | Bolt |
| 70 | 98-9356 | 1 | Bolt |
| 80 | 98-9578 | 1 | Pipe-Return, Water |
| 90 | 125-9078 | 2 | Clamp-Hose |
| 100 | 98-9719 | 1 | Thermoswitch |
| 110 | 98-7778 | 1 | Thermostat ASM |
| 120 | 104-4804 | 1 | Outlet-Water |
| 130 | 105-3748 | 1 | Gasket-Thermostat |
| 140 | 98-7777 | 2 | Bolt |



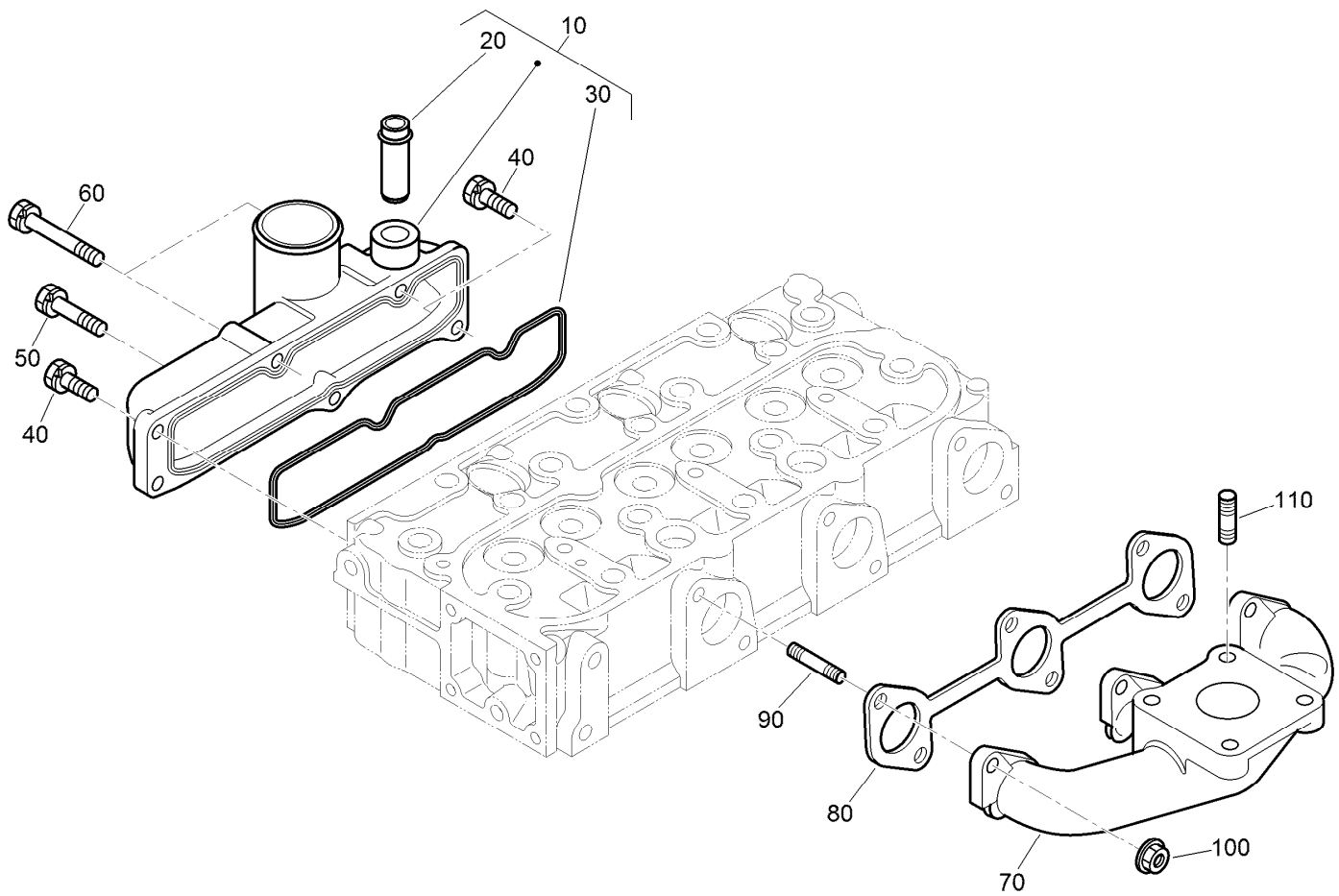
Water Pump Assembly

| Ref. | Part Number | Qty. | Description |
|-------------|--------------------|-------------|----------------------|
| 10 | 107-9089 | 1 | Water Pump ASM |
| 20 | 99-3516 | 1 | Flange-Pump, Water |
| 40 | 105-3750 | 1 | Mechanical Seal ASM |
| 50 | 112-7017 | 1 | Impeller-Pump, Water |
| 60 | 100-1932 | 1 | Pipe-Return, Water |
| 70 | 99-3454 | 1 | Gasket-Pump, Water |
| 80 | 98-9353 | 4 | Bolt |
| 90 | 107-9090 | 2 | Bolt |
| 100 | 98-9716 | 1 | Pipe-Water |
| 110 | 107-9091 | 1 | Pipe-Water |
| 120 | 127-0439 | 2 | Clamp-Hose |



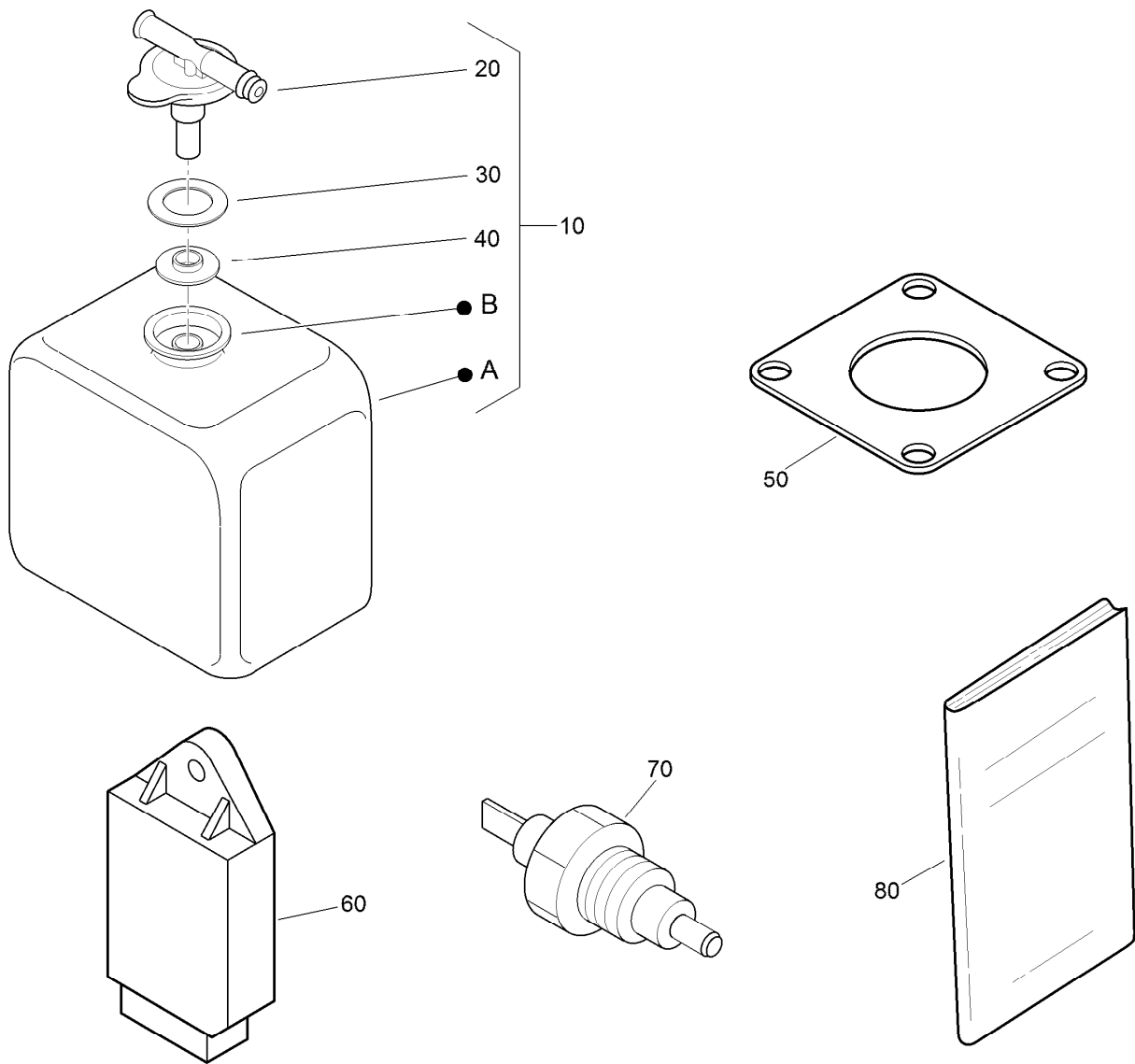
Valve and Rocker Arm Assembly

| <i>Ref.</i> | <i>Part Number</i> | <i>Qty.</i> | <i>Description</i> |
|-------------|--------------------|-------------|--------------------------|
| 10 | 112-7018 | 3 | Valve-Inlet |
| 20 | 120-2564 | 3 | Valve-Exhaust |
| 30 | 98-9648 | 6 | Spring-Valve |
| 40 | 107-9092 | 6 | Retainer-Spring |
| 50 | 117-7572 | 6 | Collet-Spring, Valve |
| 60 | 99-8385 | 6 | Seal-Stem, Valve |
| 70 | 98-9497 | 6 | Cap-Valve |
| 80 | 130-1248 | 1 | Shaft-Arm, Rocker |
| 90 | 99-8363 | 2 | Bolt-Flange |
| 100 | 98-9505 | 3 | Bracket-Arm, Rocker |
| 110 | 105-3758 | 1 | Pin-Spring |
| 120 | 98-9507 | 2 | Washer-Shaft, Rocker Arm |
| 130 | 110-3832 | 2 | Washer-Plain |
| 140 | 98-9504 | 2 | Spring-Arm, Rocker |
| 160 | 112-7020 | 6 | Rocker Arm ASM |
| 170 | 98-9502 | 6 | Screw-Adjusting |
| 180 | 98-9503 | 6 | Nut |
| 190 | 98-9506 | 3 | Stud |
| 200 | 98-9393 | 3 | Nut |
| 210 | 98-9385 | 3 | Washer-Flat |



Inlet and Exhaust Manifold Assembly

| <i>Ref.</i> | <i>Part Number</i> | <i>Qty.</i> | <i>Description</i> |
|-------------|--------------------|-------------|--------------------------|
| 10 | 107-7843 | 1 | Manifold Inlet ASM |
| 20 | 98-9492 | 1 | Joint-Pipe, Breather |
| 30 | 98-9609 | 1 | Gasket-Manifold, Inlet |
| 40 | 127-0403 | 3 | Bolt-Flange |
| 50 | 98-9353 | 1 | Bolt |
| 60 | 125-9063 | 2 | Bolt-Sems |
| 70 | 107-9093 | 1 | Manifold-Exhaust |
| 80 | 99-8327 | 1 | Gasket-Manifold, Exhaust |
| 90 | 98-9588 | 6 | Stud |
| 100 | 98-9665 | 6 | Nut |
| 110 | 98-7769 | 4 | Stud |



Miscellaneous Engine Parts

| <i>Ref.</i> | <i>Part Number</i> | <i>Qty.</i> | <i>Description</i> |
|-------------|--------------------|-------------|--------------------|
| 10 | 104-9318 | 1 | Bottle-Overflow |
| 20 | 115-4132 | 1 | Cap |
| 30 | 105-3755 | 1 | Gasket |
| 40 | 105-3756 | 1 | Plate |
| 50 | 99-8343 | 1 | Gasket-Muffler |
| 60 | 98-7611 | 1 | Controller-Glow |
| 70 | 106-7772 | 1 | Thermoswitch |
| 80 | 130-1543 | 1 | Manual-Operator |

Attachments and Accessories

For 03910 Reelmaster 3550 Traction Unit

| Product Name | Model/Part |
|---|-------------------|
| 18in, 8-Blade DPA Cutting Unit | 03480 |
| 18in, 11-Blade DPA Cutting Unit | 03481 |
| 22in, 8-Blade DPA Cutting Unit | 03482 |
| 22in, 11-Blade DPA Cutting Unit | 03483 |
| Premium All Season Hydraulic Fluid (55 Gallon Drum) | 108-1177 |
| Premium All Season Hydraulic Fluid (5 Gallon Pail) | 108-1178 |
| Premium All Purpose Grease (Tube) | 108-1190 |
| Gauge Bar Assembly | 108-6715 |
| Operator Fan Kit - US Sales Only, 3in ROPS Post | 110-8804 |
| Premium Synthetic Bio-Degradable Hydraulic Fluid (5 Gallon Pail) | 119-2157 |
| Premium Synthetic Bio-Degradable Hydraulic Fluid (55 Gallon Drum) | 119-2158 |
| Treaded 22-12x12 Tire Asm | 121-7924 |
| Brush and Handle Kit | 29-9100 |
| 400-hour Filter Maintenance MVP Kit | 30090 |
| Bimini Sunshade for 2-Post Roll-Over Protection System | 30358 |
| Diagnostic Display Box | 85-4750 |

Notes:

Notes:

Notes:



Count on it.