



Count on it.

Parts Catalog

**Greensmaster® 3360 eTriFlex
Traction Unit**

Model No. 04580—Serial No. 405700000 and Up



Ordering Replacement Parts

To order replacement parts, please supply the part number, the quantity, and the description of each part desired.

Understanding Reference Numbers

Each identified part in an illustration has a reference number. The reference number for a part also appears in the parts list, along with other information about the part.

This catalog uses two special reference number formats, one to indicate parts in a service assembly and another to indicate the quantity of a given part in an illustration.

Service Assembly Reference Numbers

Parts in service assemblies have reference numbers in the form a:b. The a represents the reference number of the entire service assembly and the b represents a sequential number unique to each part within the service assembly.

For example, a wheel assembly might be identified by reference number 6, the tire by 6:1, the valve by 6:2, and the wheel by 6:3. When you order the assembly identified by reference number 6, you receive all parts identified by reference numbers 6:1, 6:2, and 6:3. However, you may also order any part individually. Reference numbers of this type appear in illustration and in parts lists.

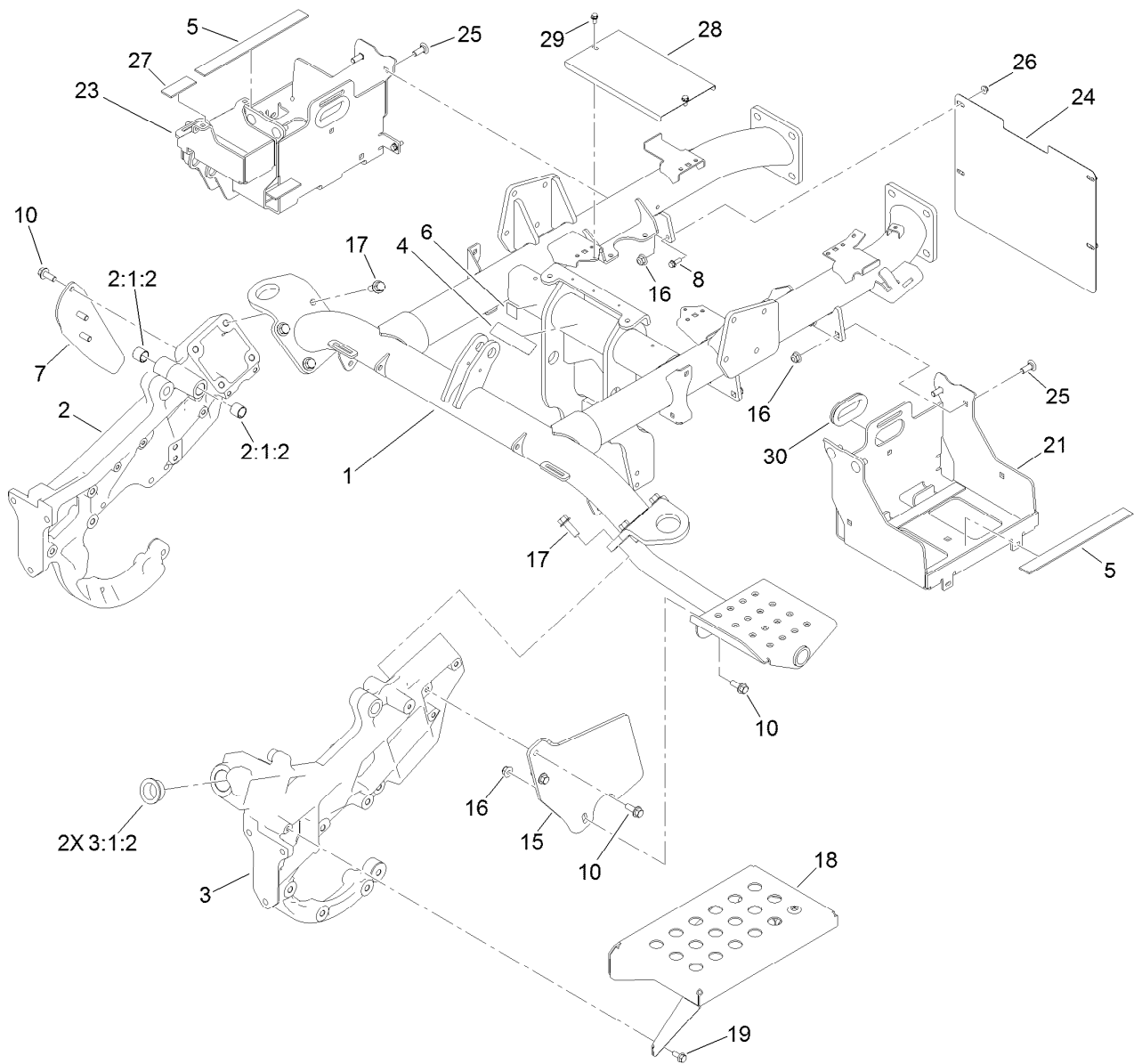
Reference Numbers Indicating Quantity

In an illustration, if a reference number indicates more than one part, the reference number has the form nX y. The n represents the quantity of the part, the X is the multiplication symbol, and the y represents the reference number.

For example, in an illustration, the reference number 2X 37 means that two of the parts identified by reference number 37 are indicated.

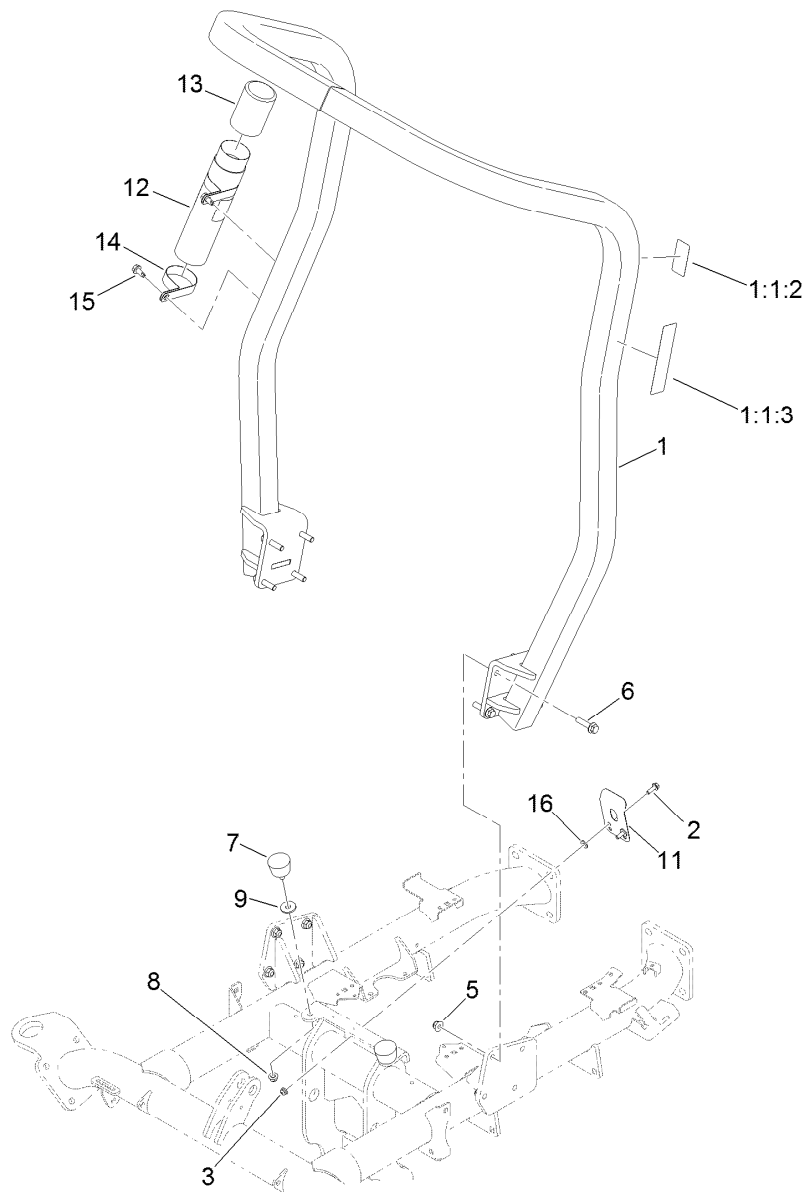
Contents

Frame Assembly.....	4
ROPS Assembly.....	5
Platform Assembly.....	6
Traction Pedal Assembly.....	7
Brake Pedal Assembly.....	8
Brake Actuator Assembly.....	9
Brake Rod Assembly No. 137-2185.....	10
Steering Assembly.....	11
Wheel and Tire Assembly.....	12
Wheel Spindle Assembly No. 119-4490.....	13
Console Assembly.....	14
Joystick Bracket Assembly No. 106-4167.....	15
Seat Plate Assembly.....	16
Engine Assembly.....	17
Generator/Controller Assembly No. 127-2580.....	19
Generator Assembly No. 127-2579.....	20
Generator Service Assembly No. 127-2578.....	21
Traction Assembly.....	22
RH Wheel Motor Assembly No. 127-1525.....	23
Gearbox Assembly No. 127-1529.....	24
LH Wheel Motor Assembly No. 127-1527.....	25
Lift Assembly.....	26
Suspension, Reel Motor and Basket Assembly.....	27
Electric Reel Motor Assembly No. 138-8905.....	28
Electric Motor Assembly.....	29
Basket Assembly No. 132-9599.....	30
Suspension Pin Position Assembly.....	31
Fuel Tank and Hood Assembly.....	32
Hood Assembly No. 139-8316.....	33
Electrical Assembly.....	34
Wire Harness Assembly No. 122-1619.....	36
Controller Assembly.....	37
Battery Assembly.....	38
Suspension A-Arm Assembly.....	39
Suspension Crossarm Assembly.....	40
Attachments and Accessories.....	41



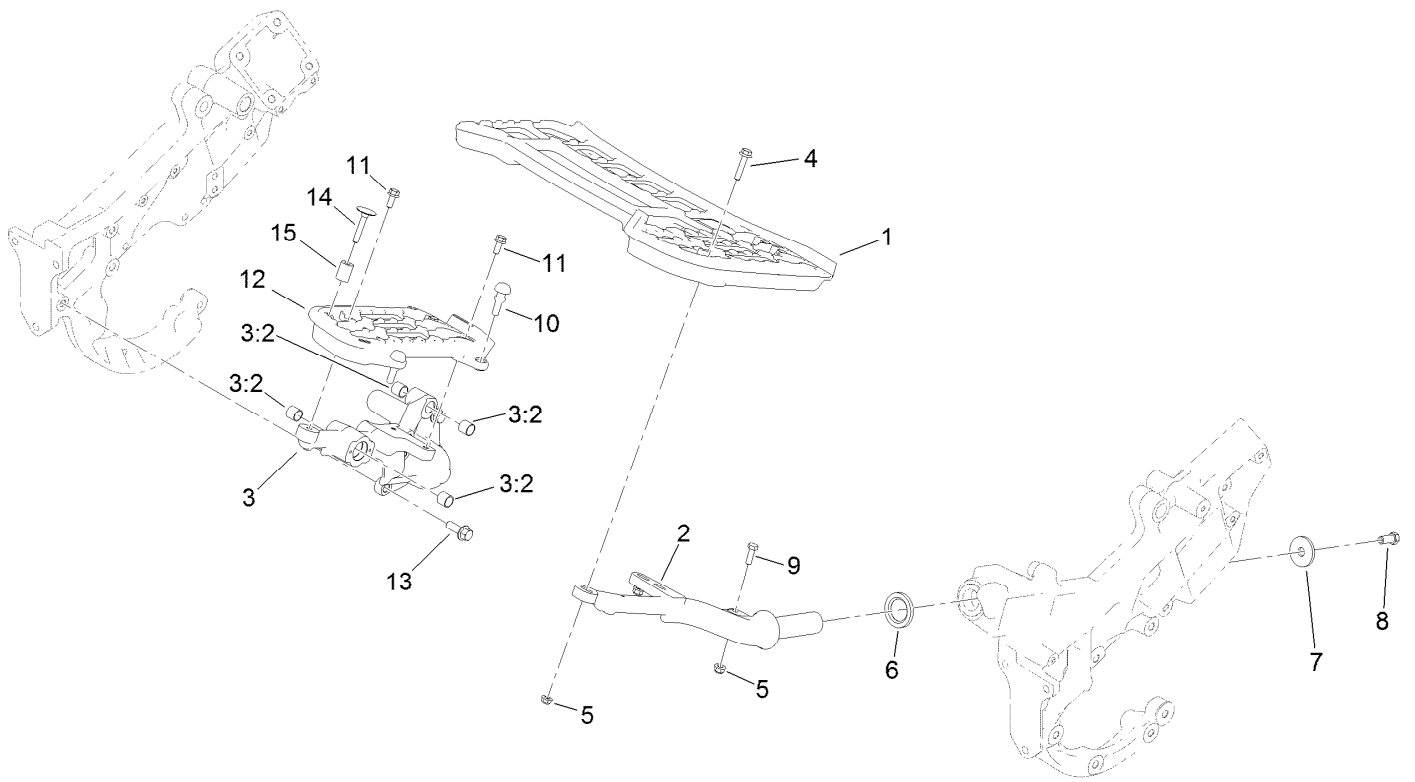
Frame Assembly

<i>Ref.</i>	<i>Part Number</i>	<i>Qty.</i>	<i>Description</i>	<i>Ref.</i>	<i>Part Number</i>	<i>Qty.</i>	<i>Description</i>
1	137-8045-SP	1	Frame	17	117-9035	8	Screw-HHF
2	139-8318	1	Side Casting, RH	18	132-9994-01	1	Step
2:1:2	94-9609	2	Bushing-Straight	19	3234-47	4	Screw-HHF
3	139-8319	1	Side Casting, LH	21	137-7972-01	1	Tray-Battery
3:1:2	60-0080	2	Bushing	23	137-7797-01	1	Tray-Battery, RH
4	133-8062	1	Decal-Arrestor, Spark	24	137-7799-01	1	Shield-Heat
5	133-5782	4	Strip-Foam	25	3231-22	8	Screw-CARR
6	133-8095	1	Decal-CE	26	104-7201	4	Nut-HF, NI
7	133-0062-01	1	Bracket-Jack	27	133-0081	2	Strip-Foam
8	115-5103	4	Screw-HHF	28	137-7881-03	1	Cover-Pulley
10	3234-42	6	Screw-HHF	29	32144-4	2	Screw-HWH
15	133-0004-01	1	Bracket-Step	30	240-12	2	Grommet-Rubber
16	104-8301	9	Nut-HF, NI				



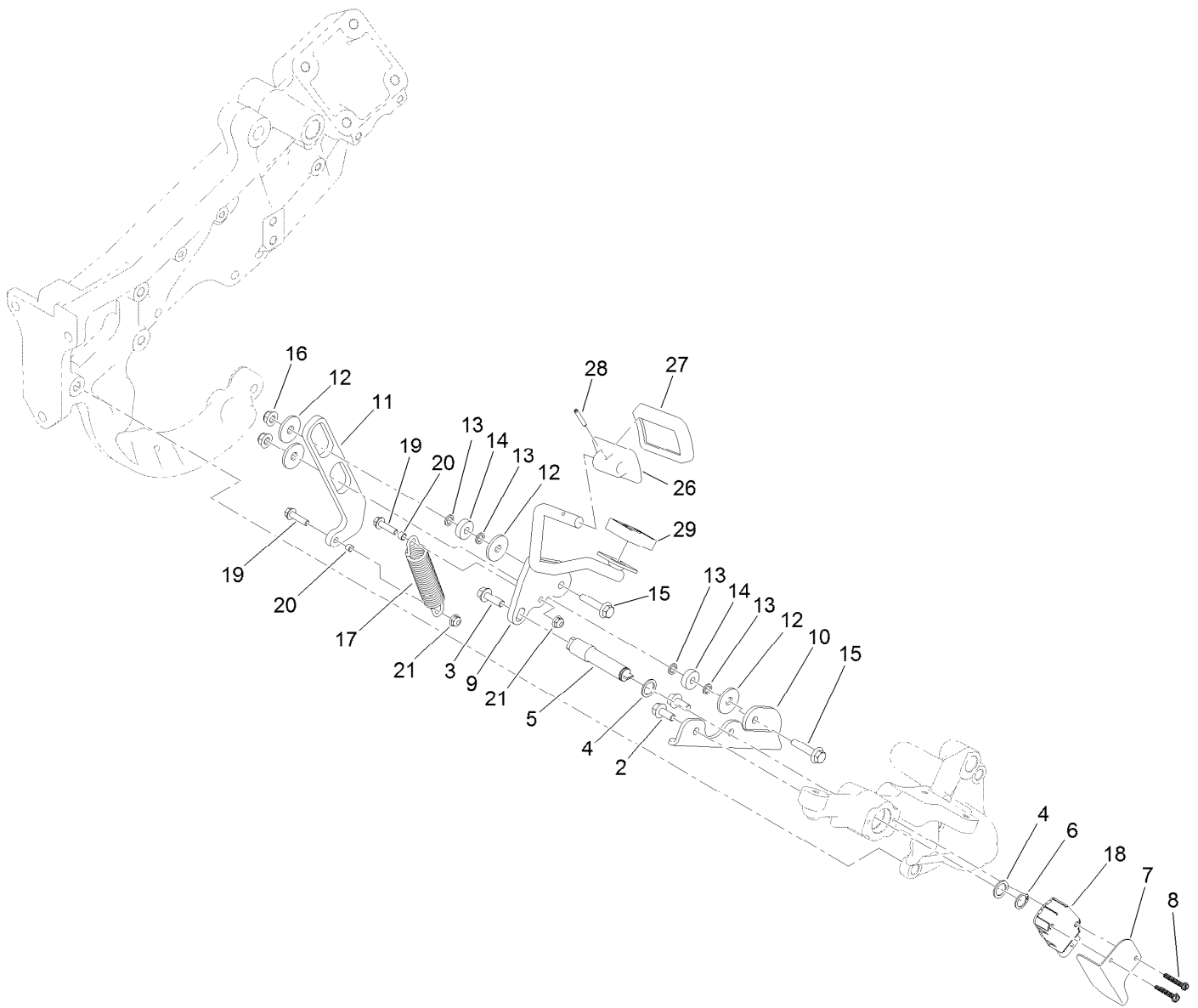
ROPS Assembly

<i>Ref.</i>	<i>Part Number</i>	<i>Qty.</i>	<i>Description</i>	<i>Ref.</i>	<i>Part Number</i>	<i>Qty.</i>	<i>Description</i>
1	139-8311	1	ROPS ASM	8	104-8300	2	Nut-HF, NI
1:1:2	115-8199	1	Decal-ROPS	9	52-2861	2	Washer
1:1:3	115-8226	1	Decal-ROPS	11	66-2630	1	Latch-Seat
2	115-5103	2	Screw-HHF	12	104-7050	1	Tube-Manual
3	104-7201	2	Nut-HF, NI	13	104-7048	1	Cap-Housing
5	104-8301	8	Nut-HF, NI	14	2412-133	2	Clamp-R
6	137-7951	8	Screw-HHF	15	32104-32	2	Screw-HWH
7	68-3270	2	Bumper-Rubber	16	3256-22	2	Washer-Flat



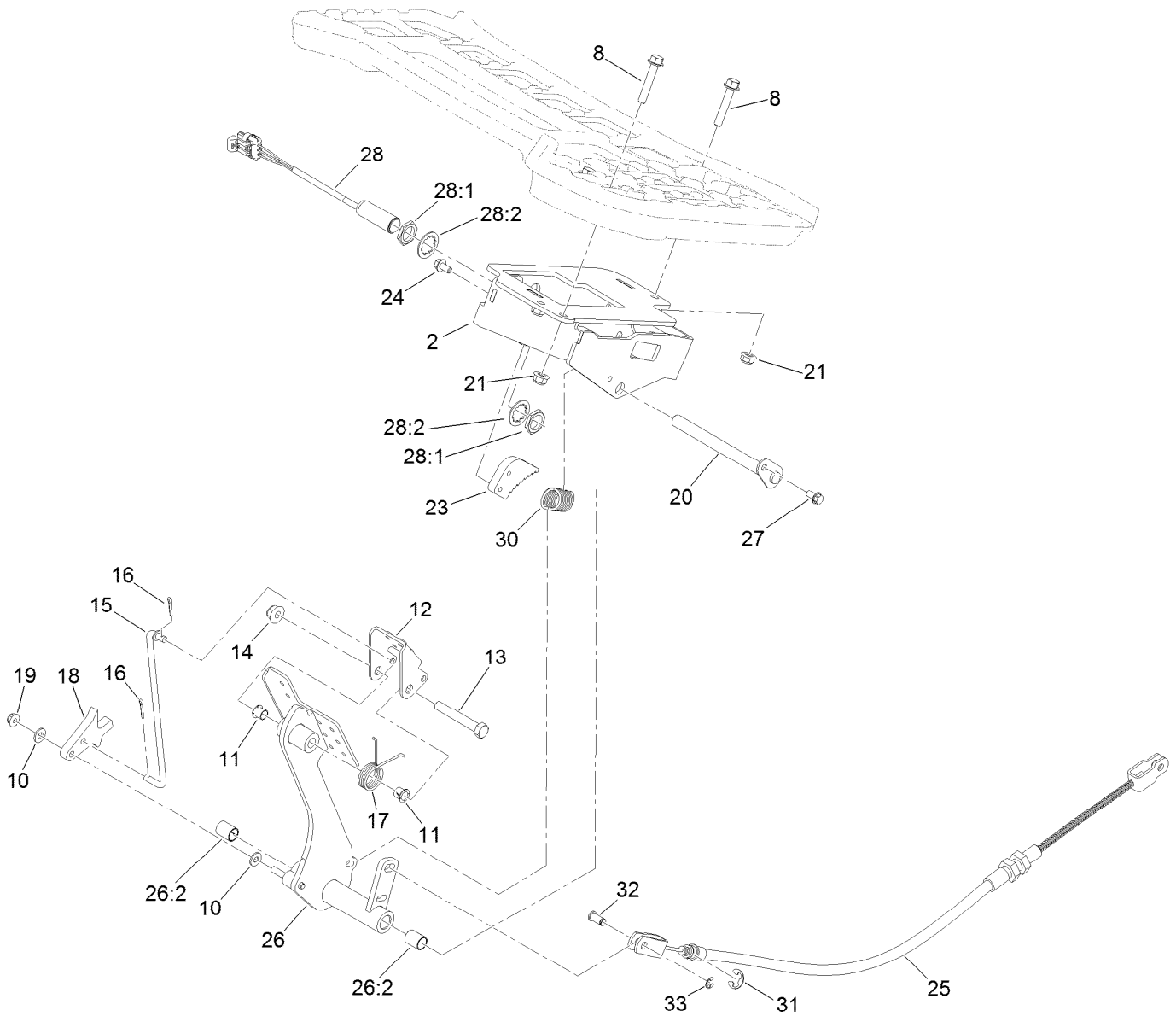
Platform Assembly

<i>Ref.</i>	<i>Part Number</i>	<i>Qty.</i>	<i>Description</i>	<i>Ref.</i>	<i>Part Number</i>	<i>Qty.</i>	<i>Description</i>
1	137-7768	1	Platform-LH	8	324-4	1	Screw-HH
2	117-9006-01	1	Support-Platform, LH	9	322-5	1	Screw-HH
3	132-9895	1	Support-Platform, RH	10	117-9072	2	Bumper-Rubber
3:2	256-311	4	Bushing-Split	11	3234-47	3	Screw-HHF
4	115-1794	3	Screw-HHF	12	117-9008	1	Platform-RH
5	104-8300	4	Nut-HF, NI	13	117-9035	3	Screw-HHF
6	94-8946	1	Washer-Thrust	14	115-8240	1	Screw-Elevator
7	84-1560	1	Washer-Thrust	15	119-0718	1	Spacer



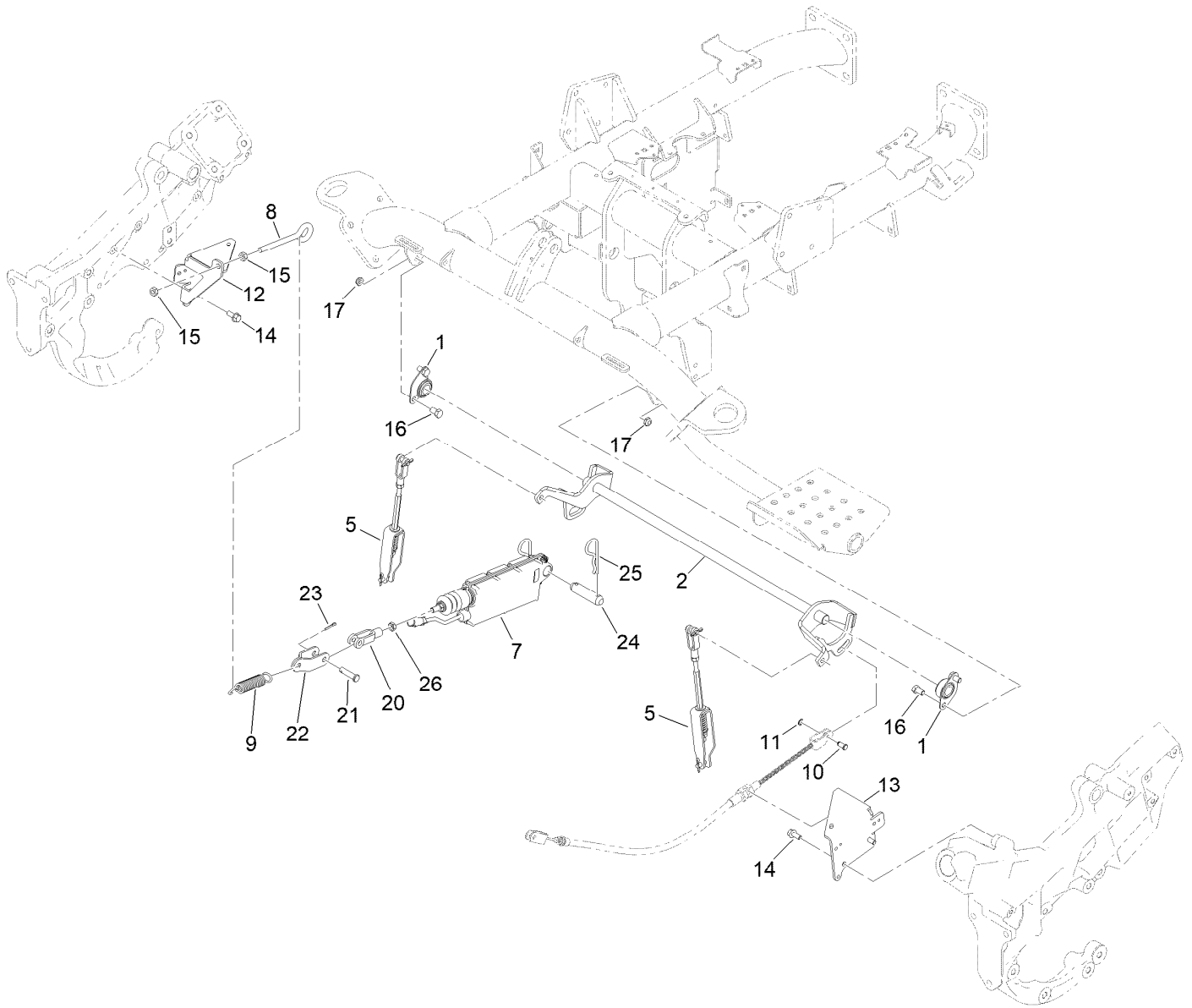
Traction Pedal Assembly

Ref.	Part Number	Qty.	Description	Ref.	Part Number	Qty.	Description
2	98-9940	2	Screw-HHF	14	251-259	2	Bearing-Ball
3	115-5142	1	Screw-HHF	15	115-1794	2	Screw-HHF
4	7-3590	2	Washer	16	104-8300	2	Nut-HF, NI
5	132-9852	1	Shaft-Pedal	17	137-7944	1	Spring-Extension
6	32151-62	1	Ring-Retaining	18	122-0917	1	Sensor-Position
7	121-7035	1	Shield-Sensor	19	120-4654	2	Screw-HHF
8	692501	2	Screw-SHWH	20	121-2015	2	Spacer
9	137-7814-01	1	Rod-Traction	21	104-7201	2	Nut-HF, NI
10	137-7811-01	1	Bracket-Control, Motion	26	117-9507	1	Pedal-Accelerator
11	139-8405	1	Link-Connecting	27	74-9100	1	Pad-Pedal, Forward
12	107675	4	Washer	28	32121-45	1	Pin-Spring
13	75-5470	4	Spacer-Bearing	29	74-9110	1	Pad-Pedal, Reverse



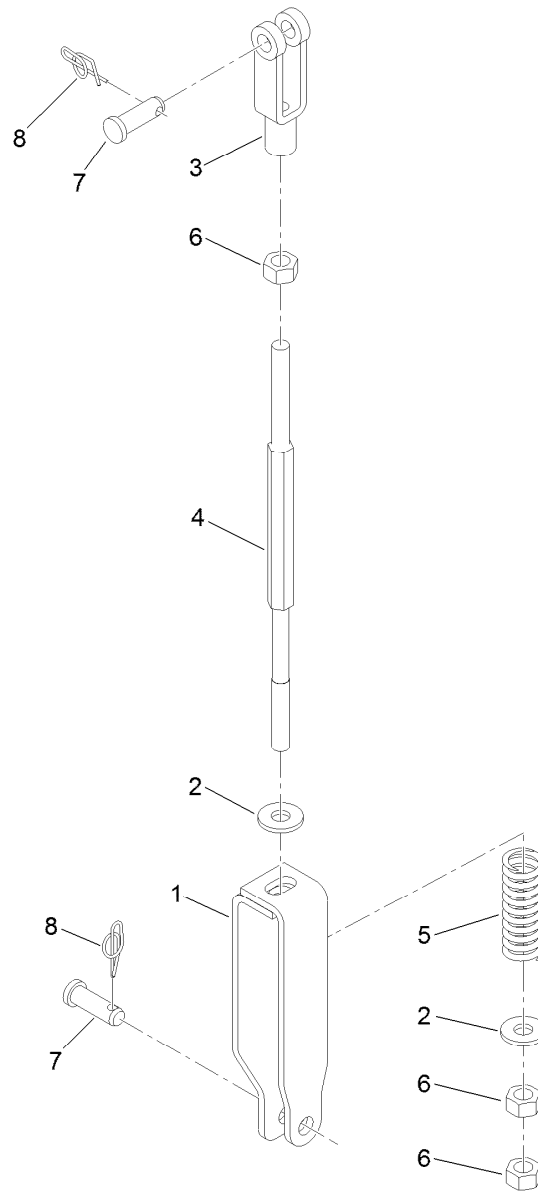
Brake Pedal Assembly

Ref.	Part Number	Qty.	Description	Ref.	Part Number	Qty.	Description
2	132-9890-03	1	Support-Pedal	23	99-7214	1	Pawl-Brake
8	94-5780	3	Screw-HWH	24	119-1065	2	Screw-HWH
10	3256-22	2	Washer-Flat	25	137-7770	1	Cable-Brake
11	52-2891	2	Bushing-Flanged, Nylon	26	137-8109	1	Brake Pedal ASM
12	99-7963-03	1	Pedal-Park	26:2	133-0090	2	Bushing-Split
13	323-12	1	Screw-HH	27	32144-4	1	Screw-HWH
14	104-8301	1	Nut-HF, NI	28	115-5300	1	Proximity Switch ASM
15	115-0129	1	Rod-Pawl, Brake	28:1	117-3207	2	Nut-Hex
16	3272-6	2	Pin-Cotter	28:2	117-3208	2	Washer-Lock, Internal Tooth
17	99-7140	1	Spring-Torsion	30	136-7316	1	Spring-Extension
18	117-0238	1	Detent	31	32120-47	1	Ring-Retaining, External
19	104-7201	1	Nut-HF, NI	32	109-6887	1	Pin-Clevis
20	133-0089	1	Pivot-Pedals	33	701197	1	E-Ring
21	104-8300	3	Nut-HF, NI				



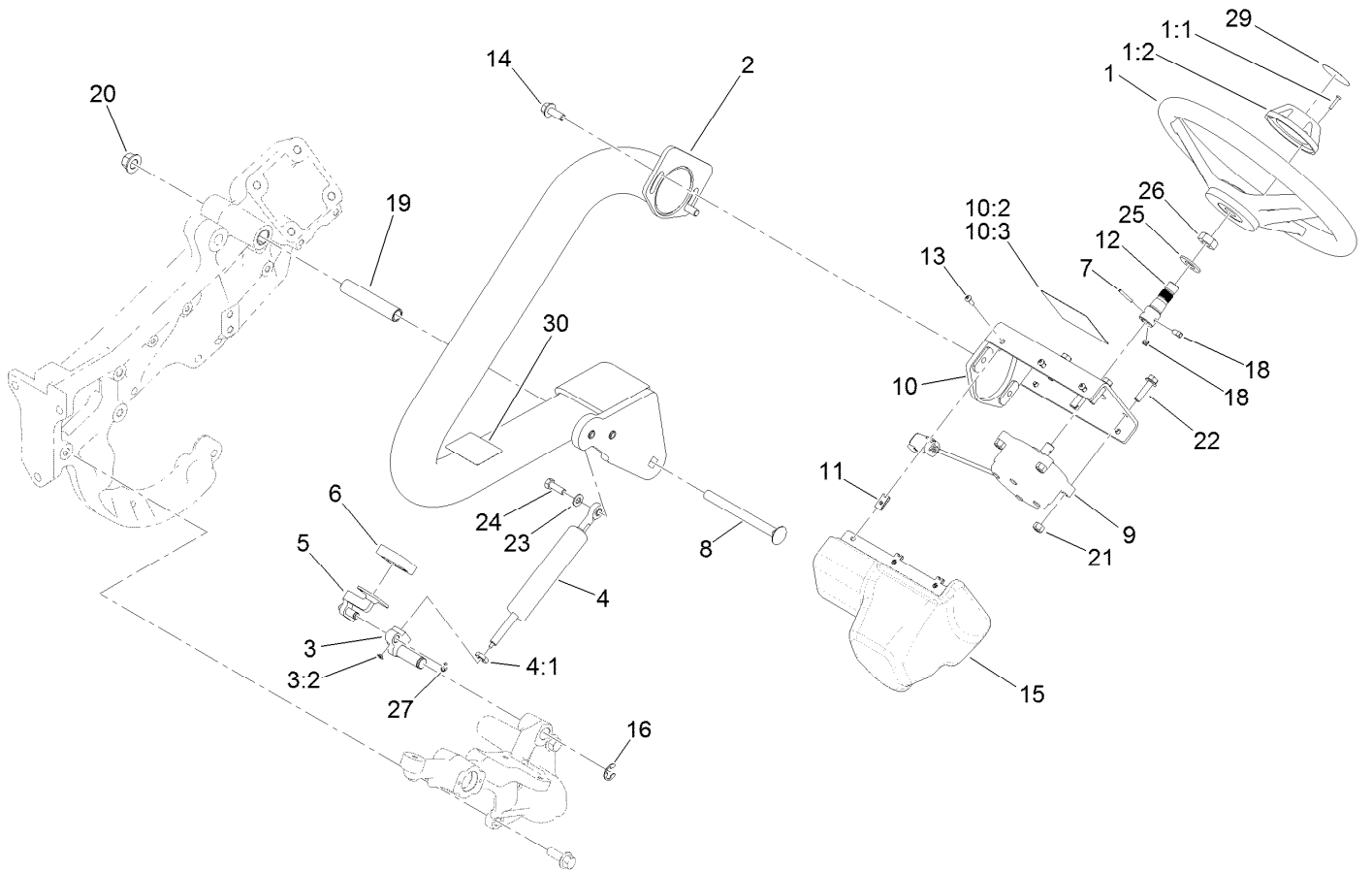
Brake Actuator Assembly

Ref.	Part Number	Qty.	Description	Ref.	Part Number	Qty.	Description
1	1-633102	2	Bearing-Flange, Side	15	3217-7	2	Nut-Hex
2	145-0060-03	1	Cross Shaft-Brake	16	323-34	4	Screw-HH
5	137-2185	2	Brake Rod ASM	17	3296-59	4	Nut-Lock, NI
7	137-2160	1	Actuator-Brake	20	1-633131	1	Yoke-Linkage, Brake
8	137-8026	1	Bolt-Eye	21	283-10	1	Pin-Clevis
9	93-5985	1	Spring-Extension	22	137-7838	1	Link ASM
10	109-6887	1	Pin-Clevis	23	3272-10	1	Pin-Cotter
11	701197	1	E-Ring	24	27-4240	1	Pin-Cylinder
12	137-7790-03	1	Bracket-Spring	25	3290-256	2	Pin-Hair
13	137-7769-03	1	Bracket-Cable	26	3220-3	1	Nut-HJ
14	98-9940	4	Screw-HHF				



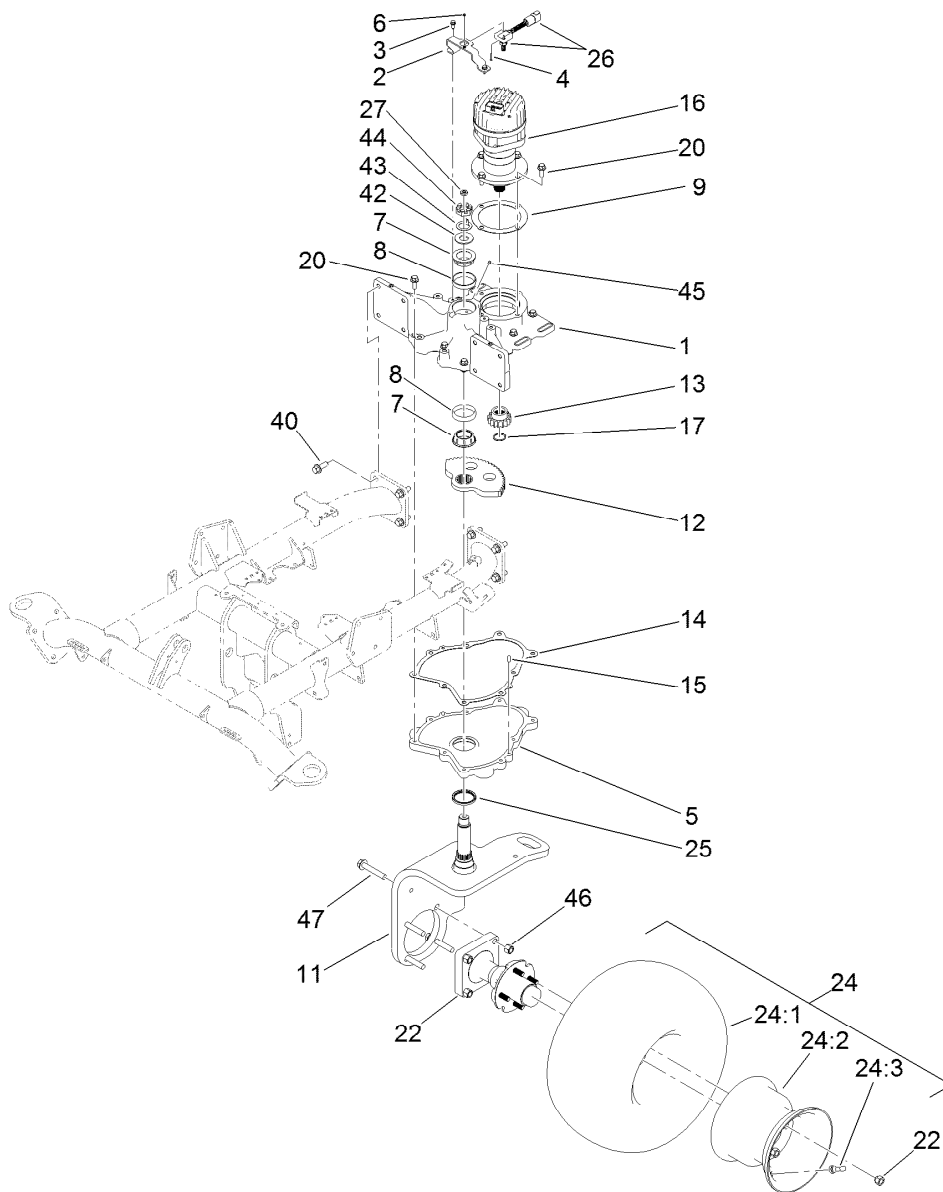
Brake Rod Assembly No. 137-2185

<i>Ref.</i>	<i>Part Number</i>	<i>Qty.</i>	<i>Description</i>
1	137-2180	1	Brake Clevis ASM
2	120-9646	2	Washer-Flat
3	282-2	1	Yoke
4	137-8056	1	Rod-Brake
5	137-8085	1	Spring-Seat, Compression
6	3219-2	3	Nut-Hex
7	283-1	2	Pin-Clevis
8	116-6639	2	Pin-Cotter, Locking



Steering Assembly

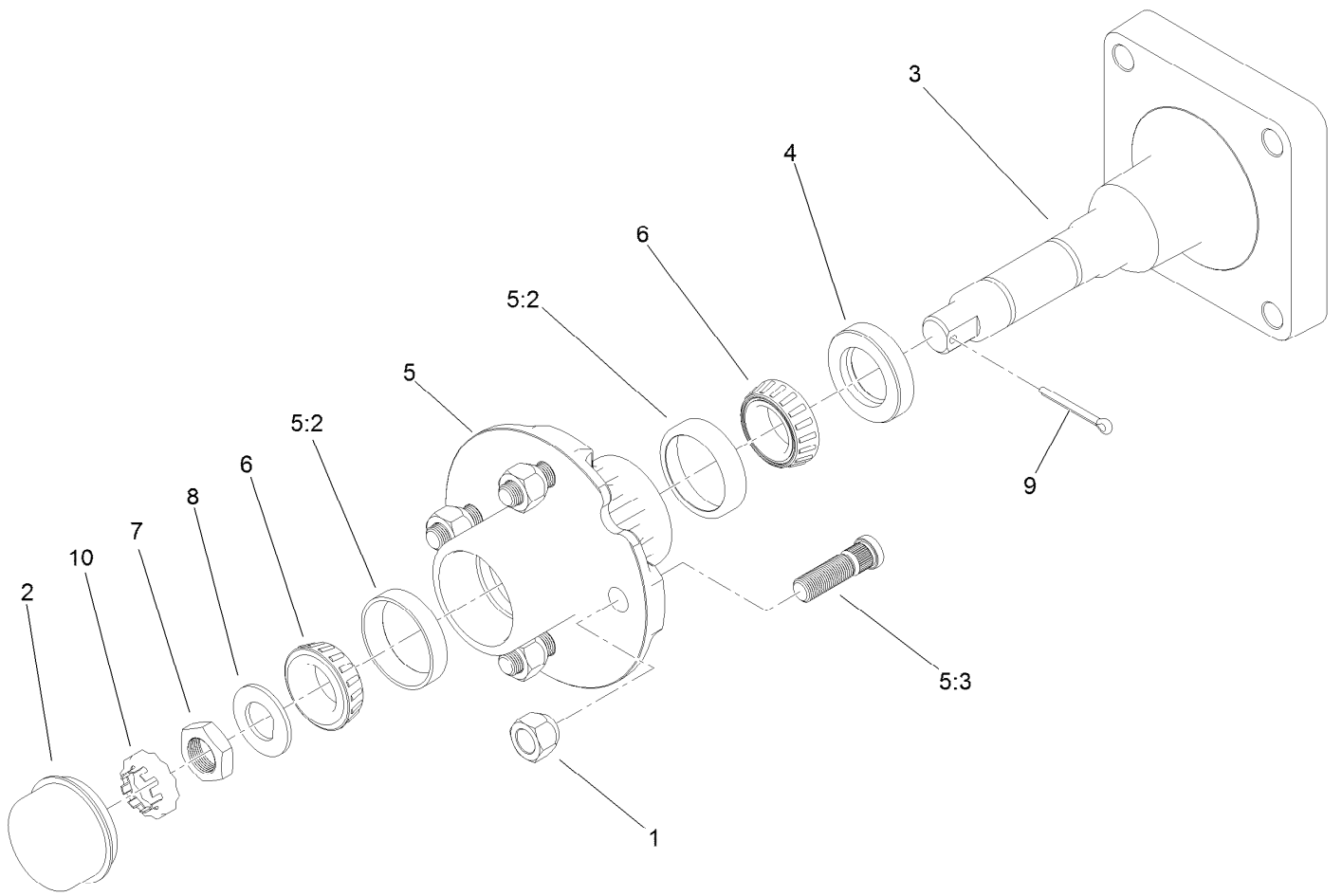
Ref.	Part Number	Qty.	Description	Ref.	Part Number	Qty.	Description
1	75-0560	1	Steering Wheel ASM	12	136-4262	1	Shaft-Adapter, Steering
1:1	32144-21	1	Screw	13	3274-39	6	Screw-HSBH
1:2	68-5140	1	Cap-Wheel, Steering	14	3234-42	2	Screw-HHF
2	137-7892-01	1	Arm-Steering	15	119-9300	1	Cover-Valve, Steering
3	133-9030	1	Pivot Lever ASM	16	32120-19	1	E-Ring
3:2	133-8995	1	Bushing	18	126-3824	2	Screw-Set, SQH
4	133-9036	1	Cylinder-Gas	19	117-9002	1	Spacer
4:1	112-8617	1	Nut-Hex	20	99-5107	1	Nut-Lock
5	132-9848	1	Lever	21	3296-29	4	Nut-Lock, NI
6	74-9110	1	Pad-Pedal, Reverse	22	119-4036	4	Screw-HHF
7	933156	1	Pin-Roll	23	3256-23	1	Washer-Plain
8	114-7723	1	Screw-CARR	24	322-5	1	Screw-HH
9	132-9935	1	Steering Unit	25	3256-27	1	Washer-Flat
10	137-8092	1	Steering Mount ASM	26	3296-33	1	Nut-Lock, NI
10:2	139-8320	1	Decal-Danger	27	701197	1	E-Ring
10:3	139-8321	1	Decal-Danger, CE	29	68-5370	1	Decal
11	3290-277	6	Nut-Speed	30	119-9346	1	Decal-Arm, Steering



Wheel and Tire Assembly

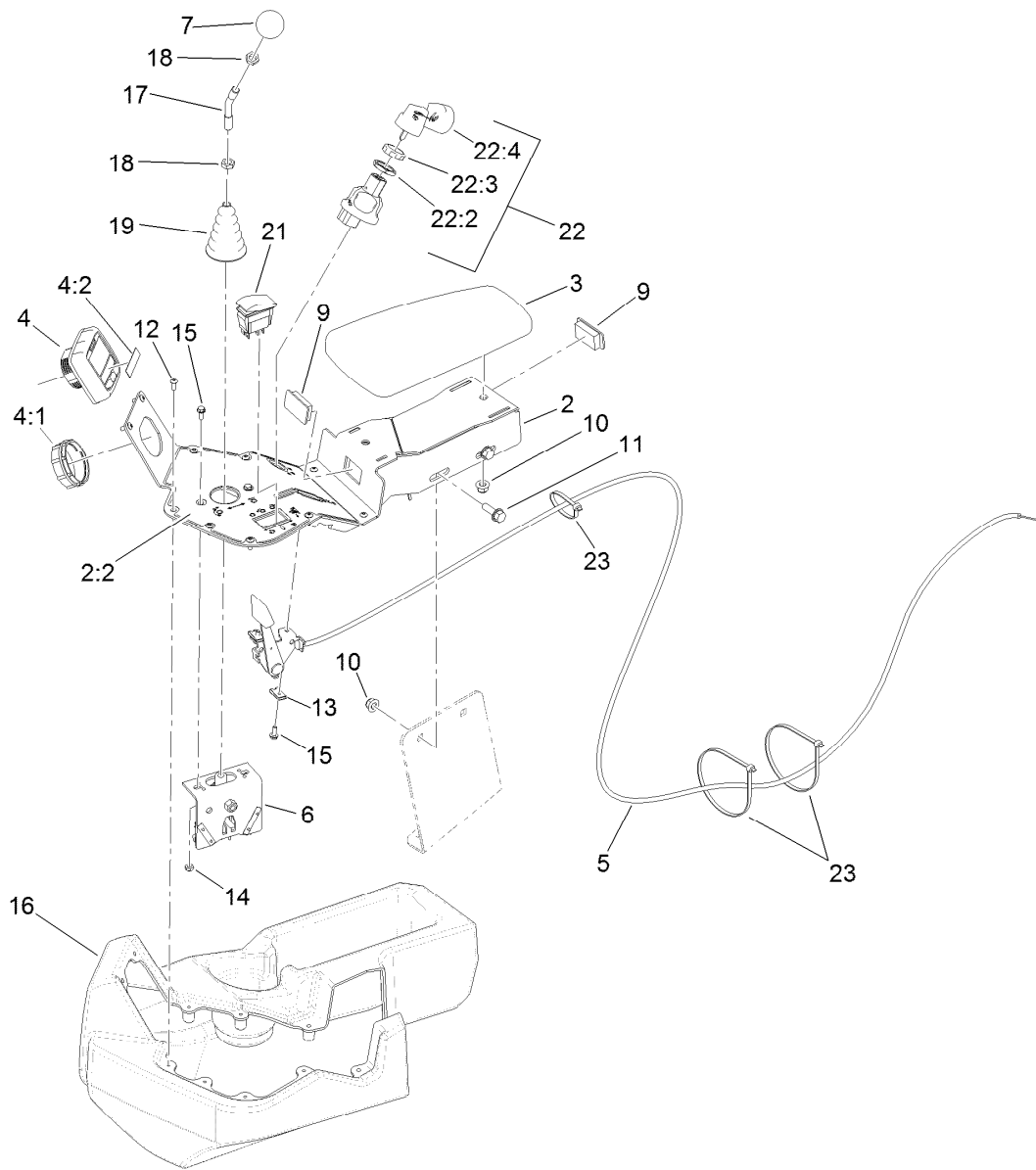
Ref.	Part Number	Qty.	Description	Ref.	Part Number	Qty.	Description
1	139-8314	1	Housing-Steering	22	119-4490	1	Wheel Spindle ASM
2	137-7868-03	1	Bracket-Sensor, Steering	24		1	Wheel And Tire ASM ●
3	32144-10	2	Screw-HWH	24:1	120-2783	1	Tire
4	3290-313	2	Screw-SPH	24:2	217-60	1	Rim
5	137-8166-03	1	Housing	24:3	232-27	1	Stem-Valve
6	3296-52	2	Nut-Lock, NI	25	108-7019	1	Seal-Shaft
7	107-7589	2	Cone-Bearing (W/ Seal)	26	122-0914	1	Sensor-Rotary, Body/Magnet Matched Set
8	107-7590	2	Cup-Bearing	27	112-8617	1	Nut-Hex
9	133-0347	1	Gasket	40	117-9035	8	Screw-HHF
11	139-8313	1	Fork-Caster	42	137-8171	1	Washer
12	137-8170	1	Gear-Spur, 64T	43	137-7943	1	Washer-Tang
13	133-0346	1	Pinion-16T	44	137-7942	1	Nut-Castle
14	133-0348	1	Gasket	45	302-59	1	Plug-EXT Hex Spl
15	136-2667	2	Pin-Dowel	46	3296-23	4	Nut-Lock, NI
16	133-0349	1	Steering Unit ASM	47	3234-40	4	Screw-HF
17	32120-2	1	Ring-Retaining				
20	3234-42	13	Screw-HHF				

● Not serviced separately



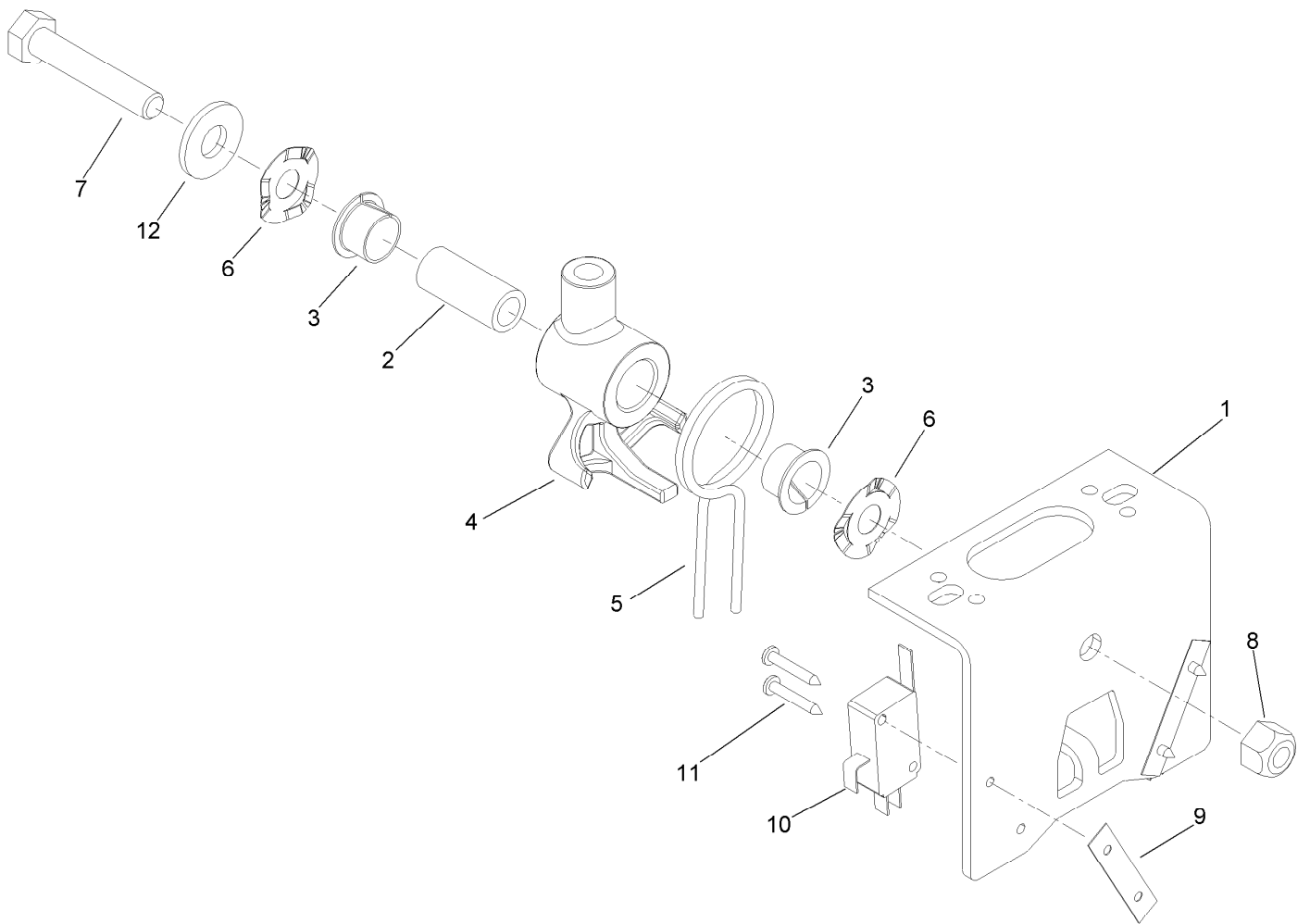
Wheel Spindle Assembly No. 119-4490

<i>Ref.</i>	<i>Part Number</i>	<i>Qty.</i>	<i>Description</i>
1	242-50	4	Nut-Lug
2	241-119	1	Cap-Dust
3	112-7173	1	Spindle
4	112-1690	1	Seal-Oil
5	117-9093	1	Hub ASM
5:2	254-72	2	Bearing-Cup, Tapered
5:3	114-3918	4	Stud-Wheel
6	254-92	2	Cone-Bearing, Outer
7	117-8260	1	Nut
8	117-8259	1	Washer-Spindle
9	3272-18	1	Pin-Cotter
10	93-0307	1	Nut-Lock, Retainer



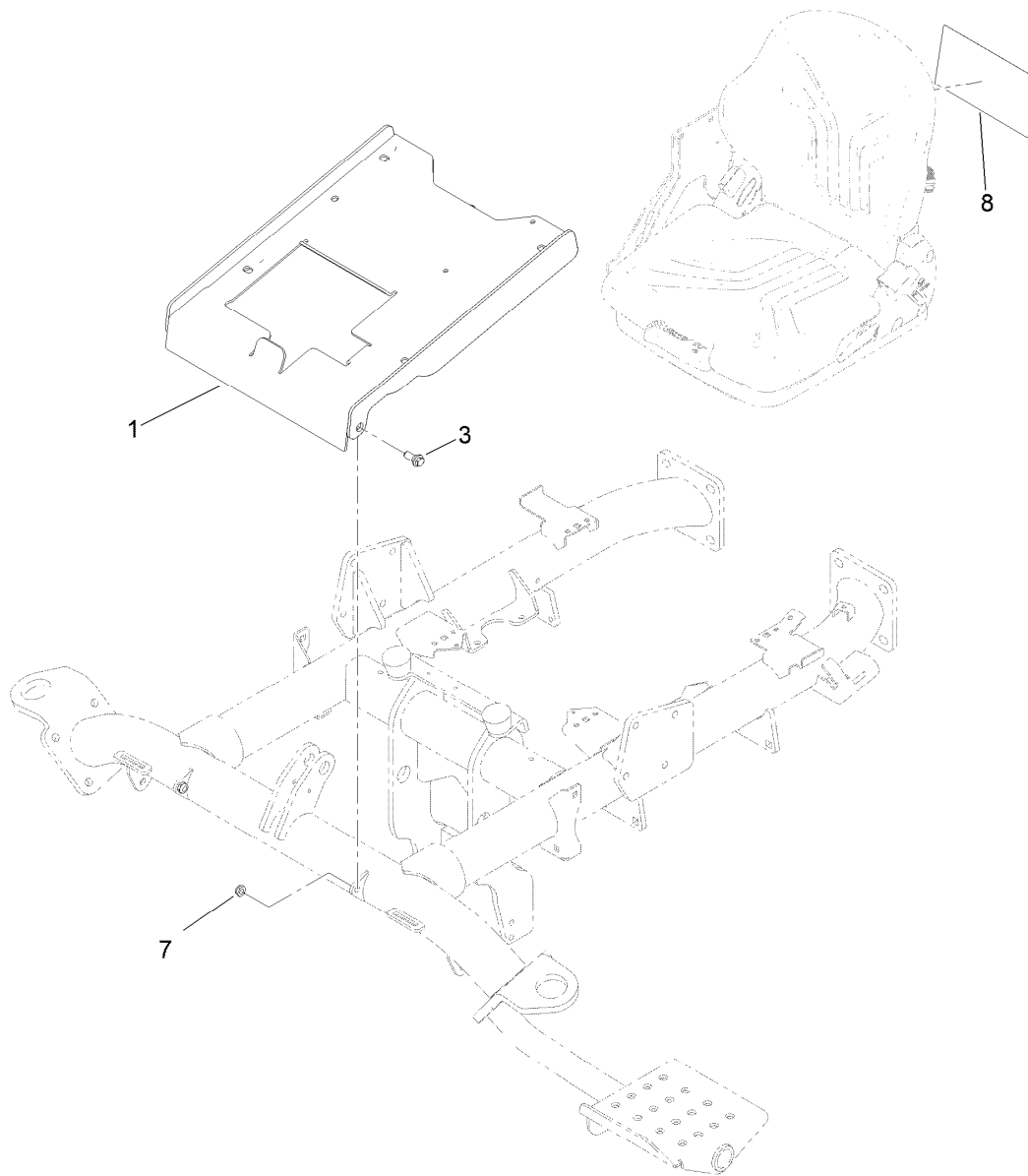
Console Assembly

<i>Ref.</i>	<i>Part Number</i>	<i>Qty.</i>	<i>Description</i>	<i>Ref.</i>	<i>Part Number</i>	<i>Qty.</i>	<i>Description</i>
2	137-8093	1	Console ASM	13	3290-277	2	Nut-Speed
2:2	133-0098	1	Decal-Console	14	3296-12	2	Nut-Lock, NI
3	108-7602	1	Rest-Arm	15	3290-321	4	Screw-HWH
4	120-6310	1	LCD Display ASM	16	132-9955	1	Cover-Console
4:1	120-4630	1	Nut-Display	17	121-6681	1	Stem-Joystick
4:2	120-6311	1	Decal-Display	18	3218-3	2	Nut-Jam
5	139-8424	1	Lever-Choke	19	93-5961	1	Boot-Lever
6	106-4167	1	Joystick Bracket ASM	21	112-3530	1	Switch-Rocker, On-On-On
7	120-9752	1	Knob-Round, Yellow	22	121-5159	1	Ignition Switch ASM
9	99-7420	2	Plug-Hole	22:2	121-5160	1	Nut-Hex
10	104-8300	4	Nut-HF, NI	22:3	121-5161	1	Nut-Face
11	3234-29	2	Screw-HHF	22:4	121-5162	1	Set-Key, Ignition
12	115-9830	10	Screw-HSBH	23	3290-379	3	Tie-Cable



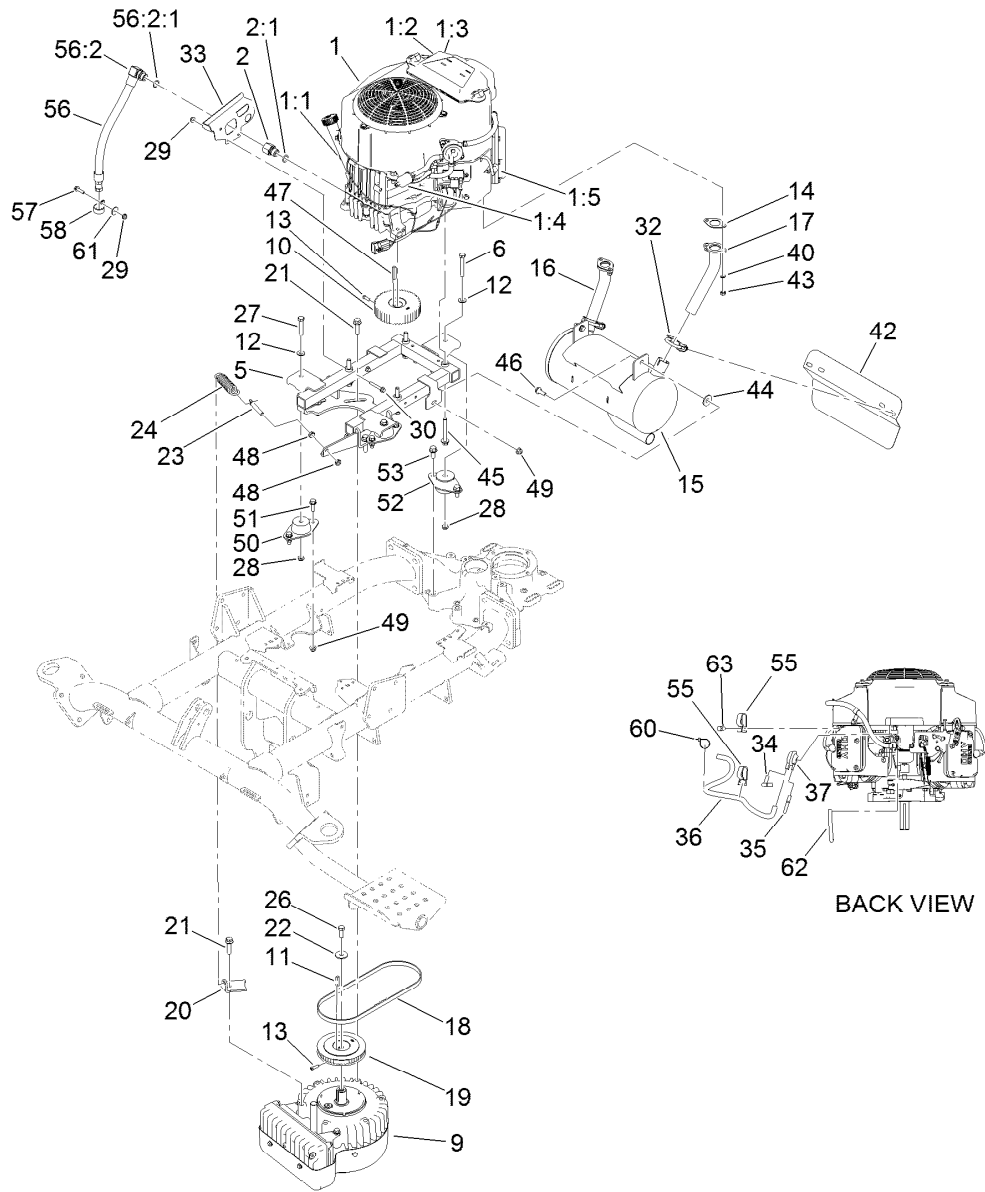
Joystick Bracket Assembly No. 106-4167

<i>Ref.</i>	<i>Part Number</i>	<i>Qty.</i>	<i>Description</i>
1	115-5357-03	1	Bracket-Joystick
2	106-4192	1	Spacer
3	93-5547	2	Bushing-Nylon
4	105-7507	1	Hub-Pivot, Joystick
5	105-8289	1	Spring-Torsion
6	106-4193	2	Washer-Finger, Spring
7	322-9	1	Screw-HH
8	3296-29	1	Nut-Lock, NI
9	3290-354	2	Nut-Speed
10	108-6496	2	Switch (W/Boot)
11	95-3003	4	Screw-PPHTF
12	3256-3	1	Washer-Flat



Seat Plate Assembly

<i>Ref.</i>	<i>Part Number</i>	<i>Qty.</i>	<i>Description</i>
1	137-8199-03	1	Seat Plate ASM
3	94-7582	2	Bolt-Shoulder
7	3296-59	2	Nut-Lock, NI
8	137-8132	1	Decal-Service

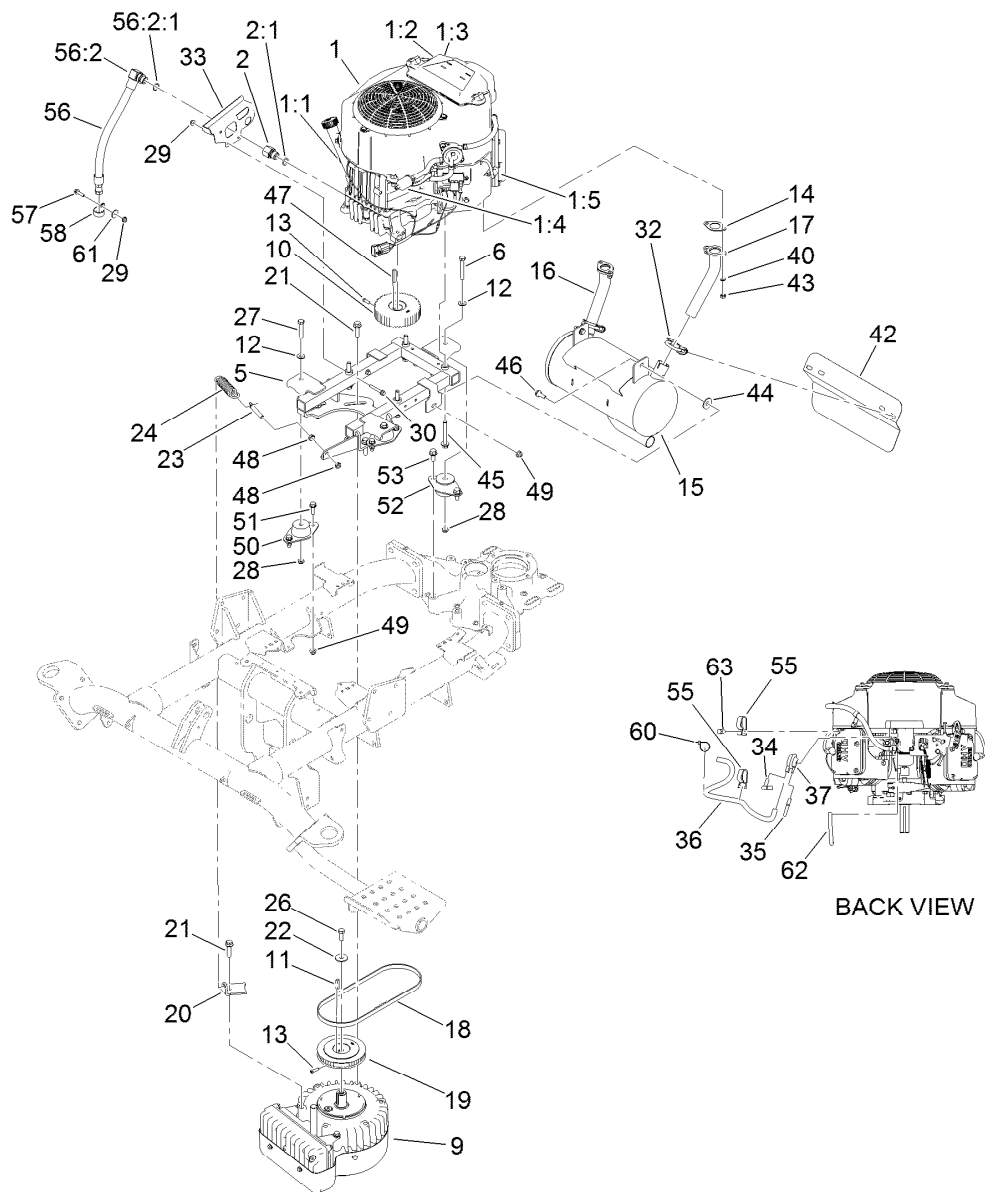


Engine Assembly

Ref.	Part Number	Qty.	Description	Ref.	Part Number	Qty.	Description
1		1	Engine-Kawasaki, Fs481V-S34 ●■	16	133-5750	1	Pipe-Exhaust, LH
1:1	119-5852	1	Filter-Oil	17	133-5751	1	Pipe-Exhaust, RH
1:2	120-7447	1	Filter-Air, Foam	18	137-7828	1	Belt-Timing
1:3	120-7448	1	Filter-Air, Paper	19	137-8131	1	Pulley ASM
1:4	121-4570	1	Filter-Fuel	20	133-5737	1	Bracket-Spring
1:5	92-2153	1	Plug-Spark	21	114-4681	5	Screw-HHF
2	139-8416	1	Fitting-Straight	22	63-8410	1	Washer
2:1	237-69	1	O-Ring	23	133-0332	1	Pin-Adjustment, Generator
5	133-5797-03	1	Frame-Engine	24	133-5738	1	Spring-Extension
6	323-12	1	Screw-HH	26	3211-4	1	Screw-HH
9	127-2580	1	Generator/Controller ASM	27	323-10	2	Screw-HH
10	137-8128	1	Pulley-Belt	28	3296-59	3	Nut-Lock, NI
11	5-0698	1	Key	29	104-7201	3	Nut-HF, NI
12	3256-24	3	Washer-Flat	30	32105-18	2	Screw-HHF
13	3241-6	4	Screw-SQH	32	104-4090	2	Clamp-Muffler
14	1-653313	2	Gasket-Exhaust	33	132-9908	1	Shield-Drip
15	133-5745	1	Muffler	34	119-8502	1	Hose-Vent, Formed
				35	119-8501	1	Hose-Vent, Formed

● Not serviced separately

■ Obtain parts from www.kawpower.com

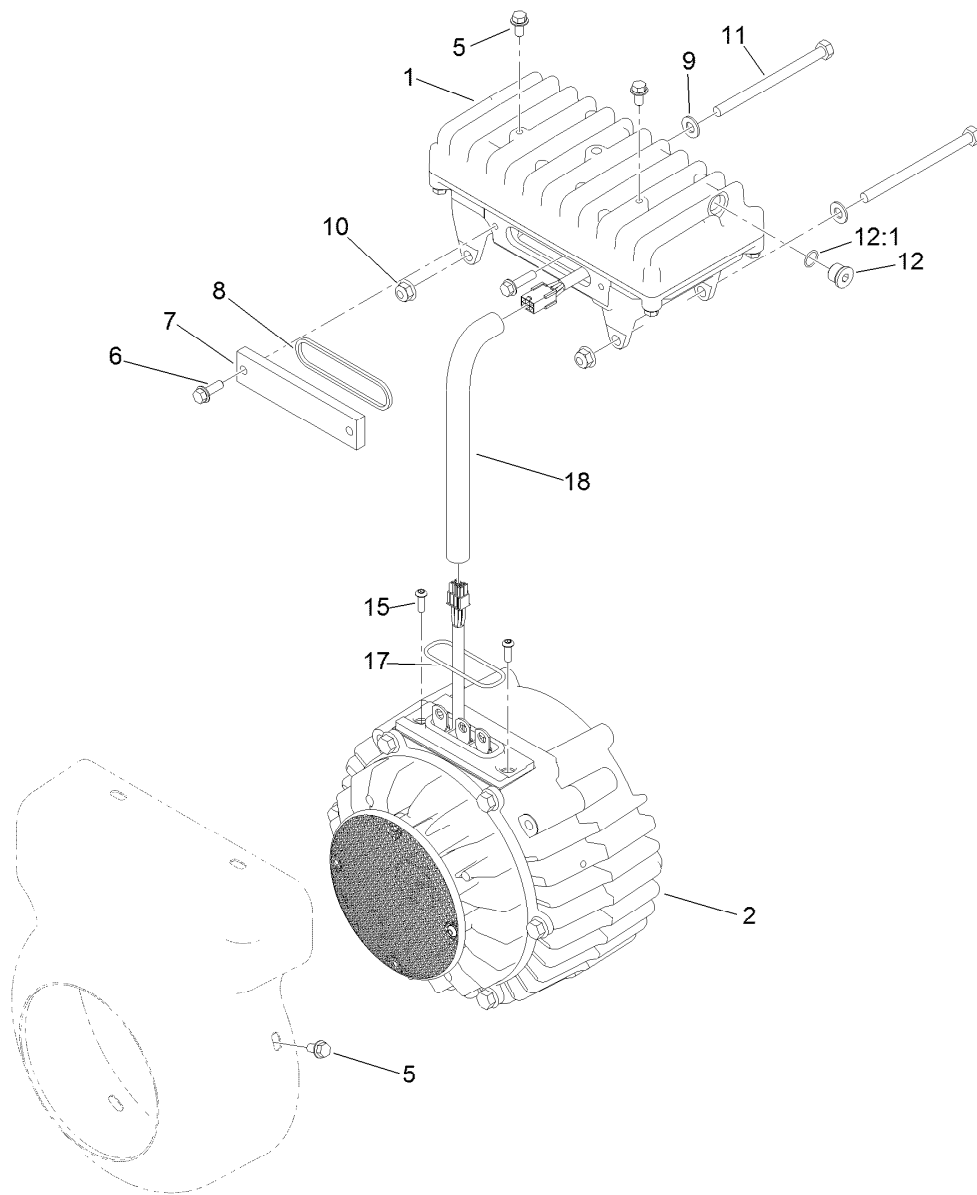


Engine Assembly (continued)

Ref.	Part Number	Qty.	Description	Ref.	Part Number	Qty.	Description
36	110-5701	1	Hose-Fuel	52	131-1821	1	Mount-Engine
37	116-2232	1	Valve-Control, Vacuum	53	3234-25	2	Screw-HHF
40	114-3550	4	Washer-Lock	55	92-5753	2	Clamp-Hose
42	132-9915-03	1	Shield-Exhaust, Rear	56	137-7864	1	Drain Hose ASM
43	114-3549	4	Nut	56:2		1	Plug-HH ●
44	3290-465	2	Washer-Belleville	56:2:1	237-42	1	O-Ring
45	132-9947	4	Screw-Hfh	57	120-4654	1	Screw-HHF
46	27-0410	2	Screw-Shoulder	58	2412-106	1	Clamp-R
47	67-7490	1	Key-Square	60	3290-379	1	Tie-Cable
48	3220-3	2	Nut-HJ	61	3256-67	1	Washer
49	104-8300	6	Nut-HF, NI	62	139-8415	1	Tubing-Convolved, Slit
50	121-9076	2	Mount-Engine	63	33114-016	1	Screw-HH
51	3234-29	4	Screw-HHF				

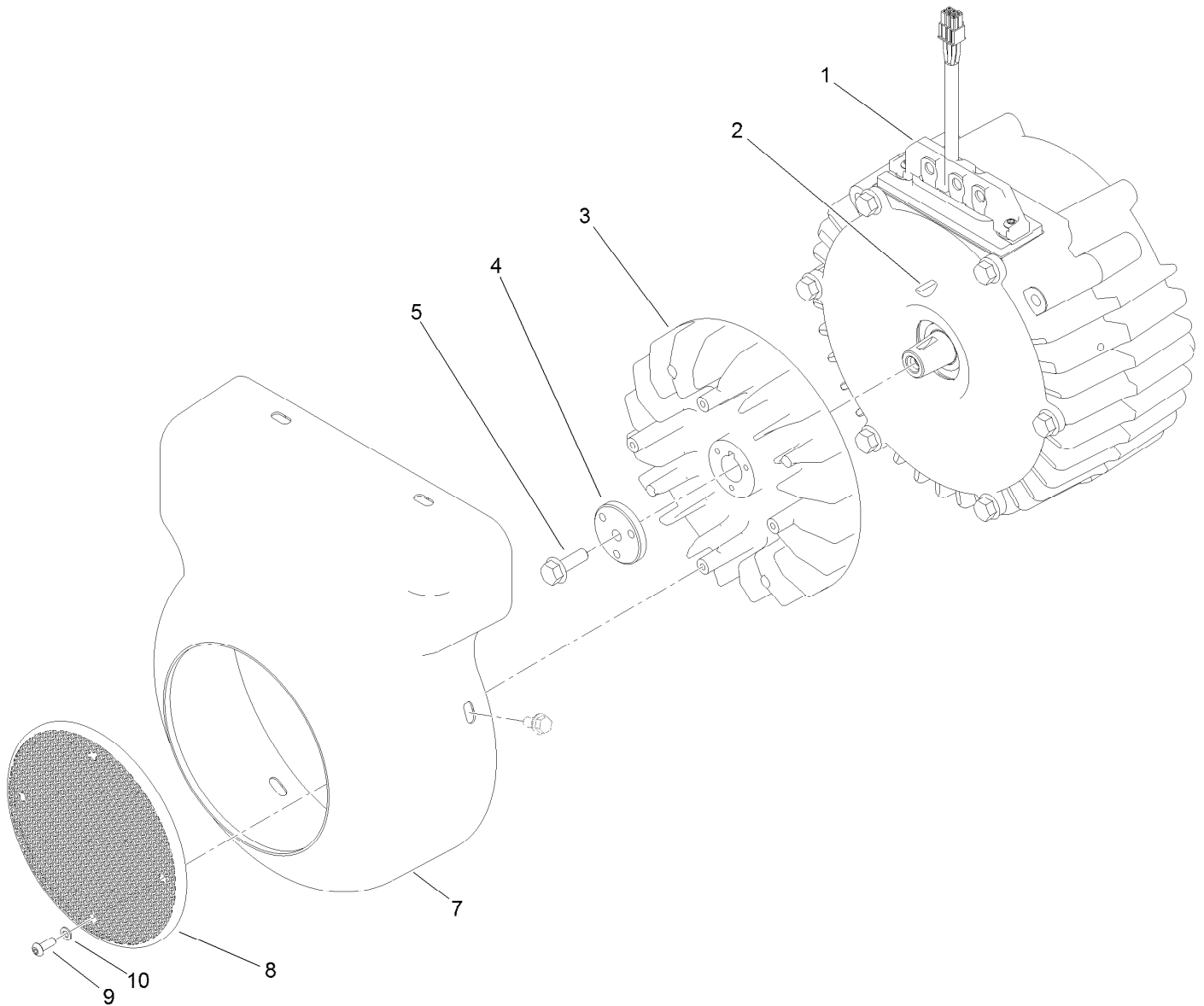
● Not serviced separately

■ Obtain parts from www.kawpower.com



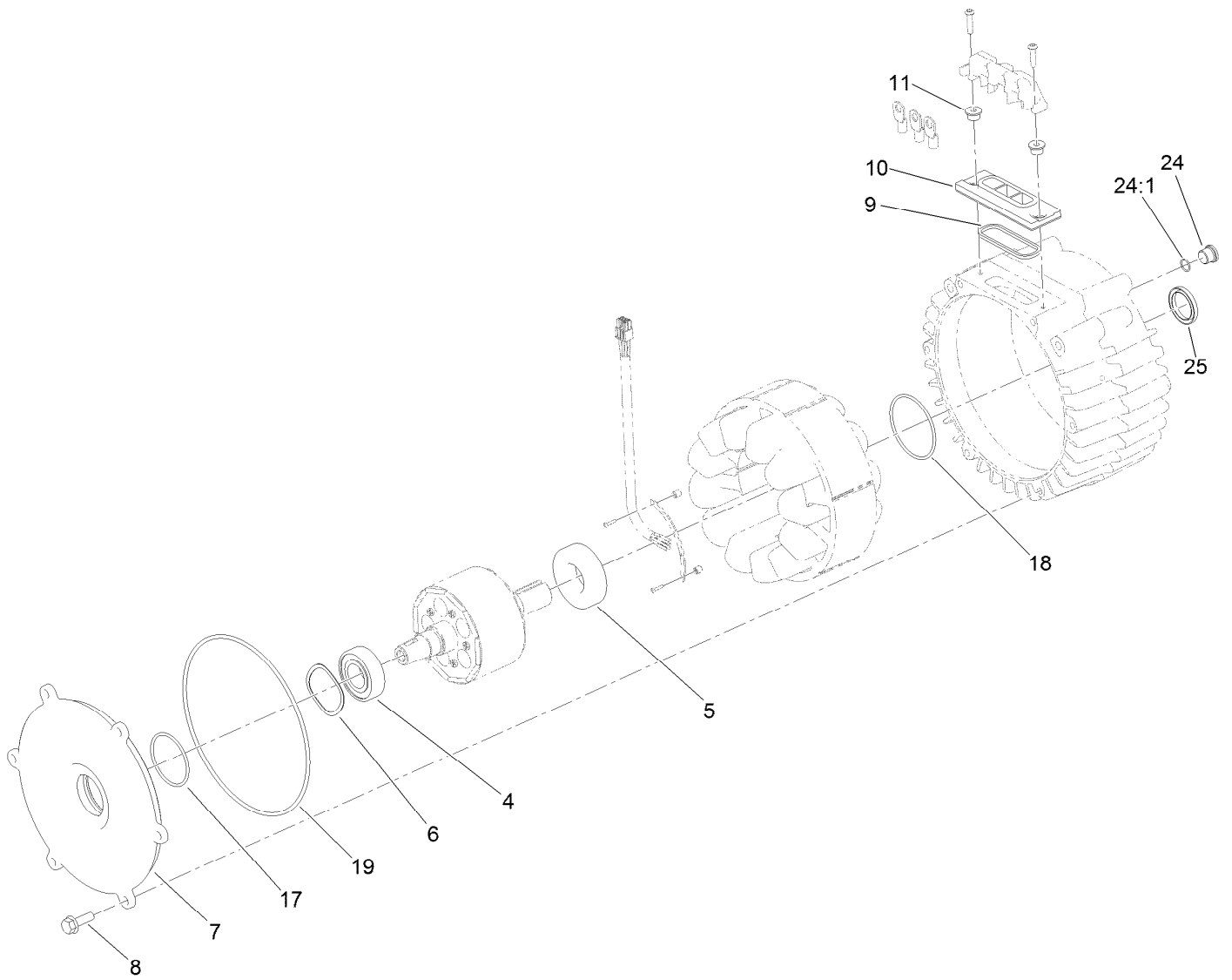
Generator/Controller Assembly No. 127-2580

<i>Ref.</i>	<i>Part Number</i>	<i>Qty.</i>	<i>Description</i>
1	117-8181	1	Controller ASM
2	127-2579	1	Generator ASM
5	119-1065	6	Screw-HWH
6	119-1138	2	Screw-HWH
7	120-4511	1	Cover-Access
8	120-4513	1	Gasket-Cover, Access
9	3256-23	2	Washer-Plain
10	104-8300	2	Nut-HF, NI
11	322-38	2	Screw-HH
12	353-989	1	Plug-Hex, Hollow
12:1	237-42	1	O-Ring
15	119-7568	2	Screw-HSBH
17	117-8176	1	O-Ring
18	127-2747	1	Sleeve-Harness, Expandable



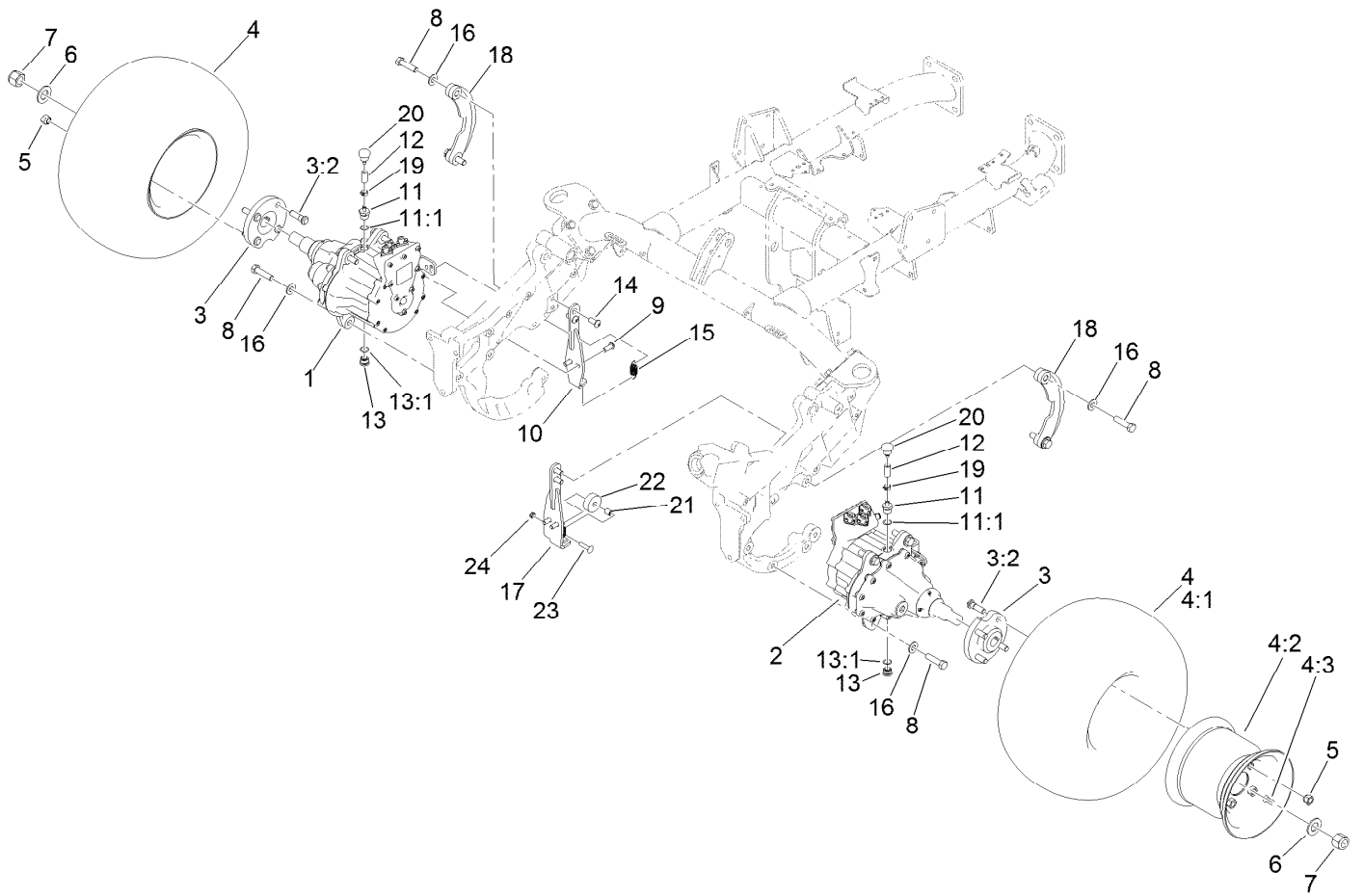
Generator Assembly No. 127-2579

<i>Ref.</i>	<i>Part Number</i>	<i>Qty.</i>	<i>Description</i>
1	127-2578	1	Generator Service ASM
2	112-5193	1	Key-Woodruff
3	117-8184	1	Fan-Generator
4	112-9604	1	Collar
5	33104-025	1	Screw-HHF
7	121-7082	1	Cover-Generator
8	120-4582	1	Screen-Fan
9	120-4564	4	Screw-BHCS
10	120-4563	4	Washer-Flat



Generator Service Assembly No. 127-2578

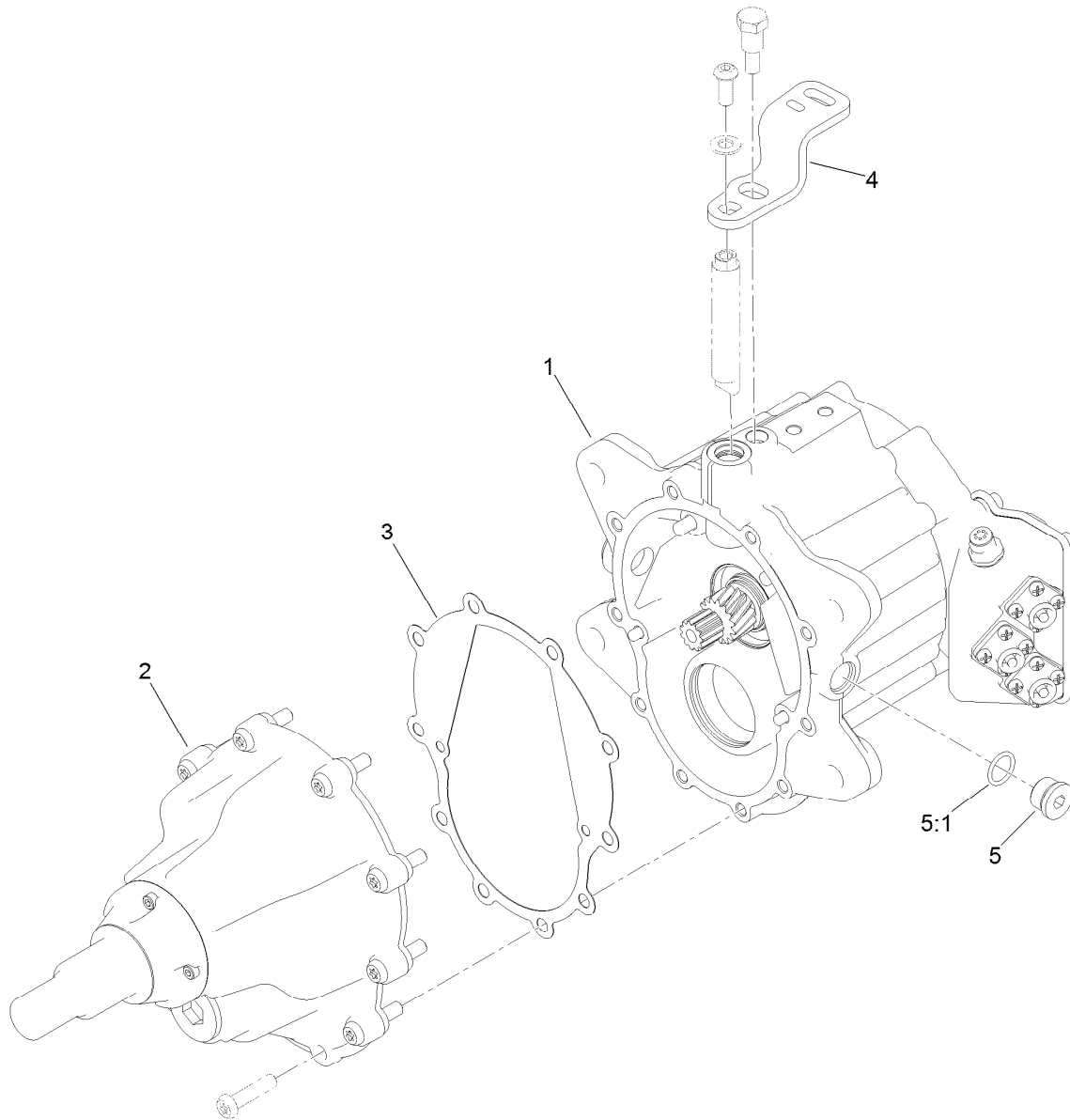
<i>Ref.</i>	<i>Part Number</i>	<i>Qty.</i>	<i>Description</i>
4	120-4621	1	Bearing
5	120-4622	1	Bearing
6	117-8148	1	Washer-Wave
7	117-4514	1	Cover-Generator
8	33104-025	6	Screw-HHF
9	120-4518	1	Gasket-Isolator
10	112-5155	1	Isolator-Thermal
11	117-4501	2	Spacer-Shoulder
17	107-3244	1	O-Ring
18	117-8177	1	O-Ring
19	112-5199	1	O-Ring
24	353-989	1	Plug-Hex, Hollow
24:1	237-42	1	O-Ring
25	125-1509	1	Seal



Traction Assembly

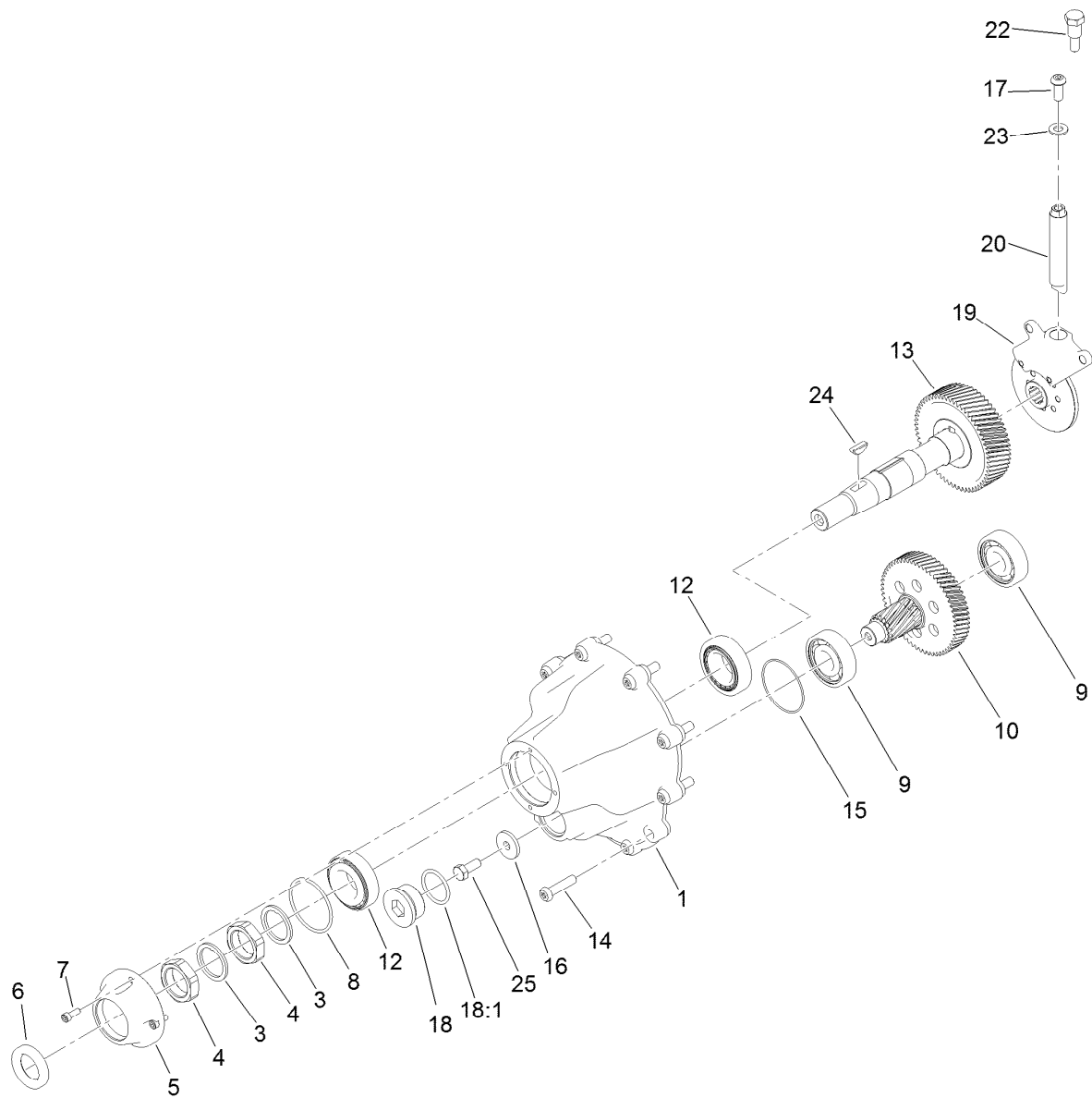
Ref.	Part Number	Qty.	Description	Ref.	Part Number	Qty.	Description
1	127-1525	1	RH Wheel Motor ASM	11:1	237-79	1	O-Ring
2	127-1527	1	LH Wheel Motor ASM	12	139-8326	2	Hose-Fuel
3	121-9264	2	Wheel Hub ASM	13	133-7659	2	Plug ASM
3:2	85-6540	4	Stud-Drive	13:1	237-79	1	O-Ring
4		2	Wheel And Tire ASM ●	14	3274-105	4	Screw-HSBH
4:1	120-2783	1	Tire	15	136-7153	2	Spring-Extension
4:2	117-9032	1	Rim	16	87-7270	12	Washer-Thrust
4:3	232-27	1	Stem-Valve	17	139-8348-01	1	Gusset-LH
5	242-50	8	Nut-Lug	18	132-9996-01	2	Link-Support
6	AU496-11094	2	Washer-Flat	19	92-2379	2	Clamp-Hose
7	137-7973	2	Nut-Hex	20	139-8332	2	Vent-Barb
8	325-8	12	Screw-HH	21	88-7450	1	Spacer-Lever, Control
9	3274-94	4	Screw-HSBH	22	139-8346	1	Roller
10	137-7727-01	1	Gusset-Motor, RH	23	112-6950	1	Screw-CARR
11	139-8331	2	Fitting-Straight	24	3296-47	1	Nut-Lock,NI

● Not serviced separately



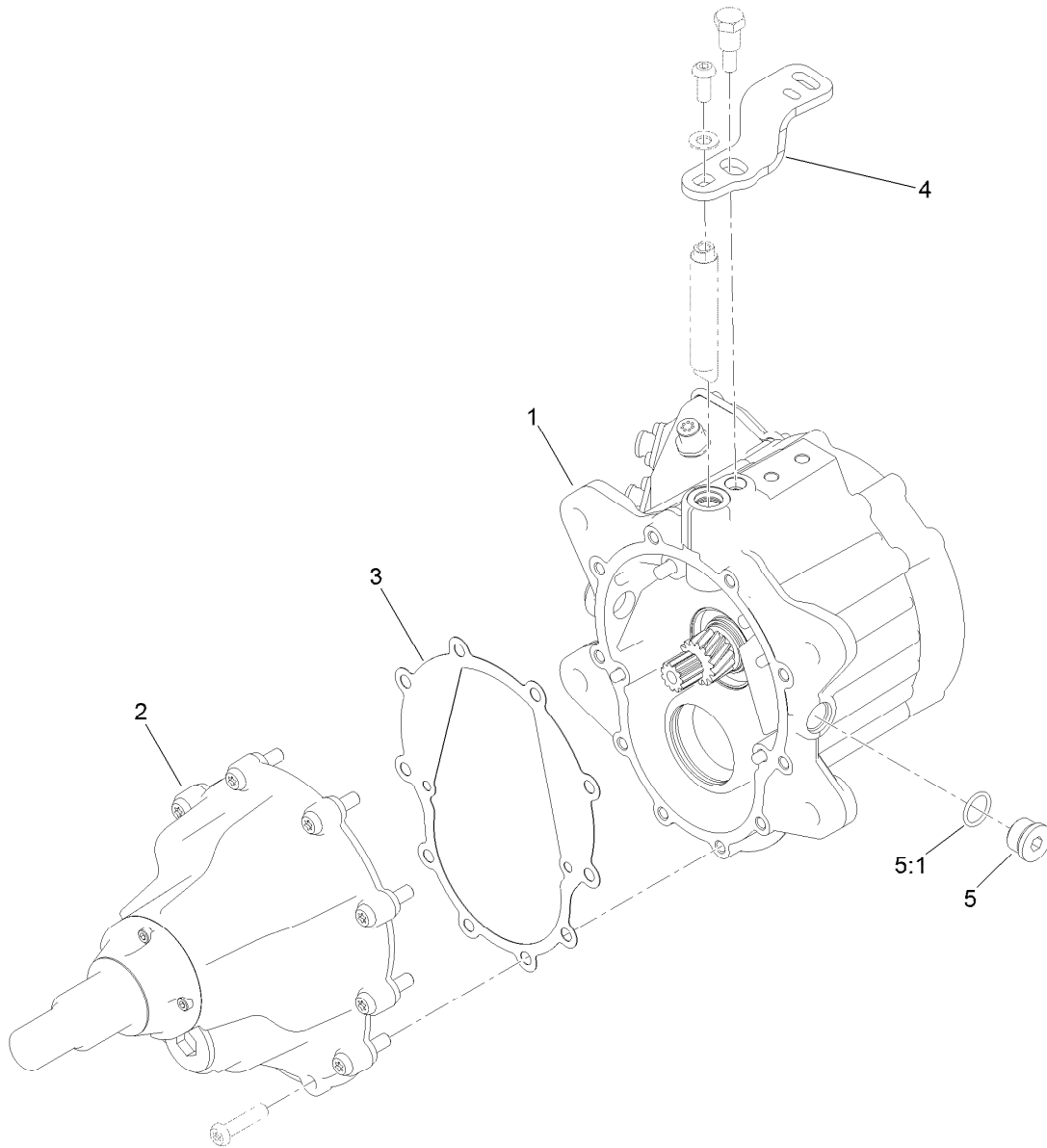
RH Wheel Motor Assembly No. 127-1525

<i>Ref.</i>	<i>Part Number</i>	<i>Qty.</i>	<i>Description</i>
1	127-1526	1	RH Motor ASM
2	127-1529	1	Gear Box ASM
3	121-9254	1	Gasket-Gearbox
4	132-9873	1	Lever-Brake, RH
5	353-988	2	Plug-Hex
5:1	237-79	1	O-Ring



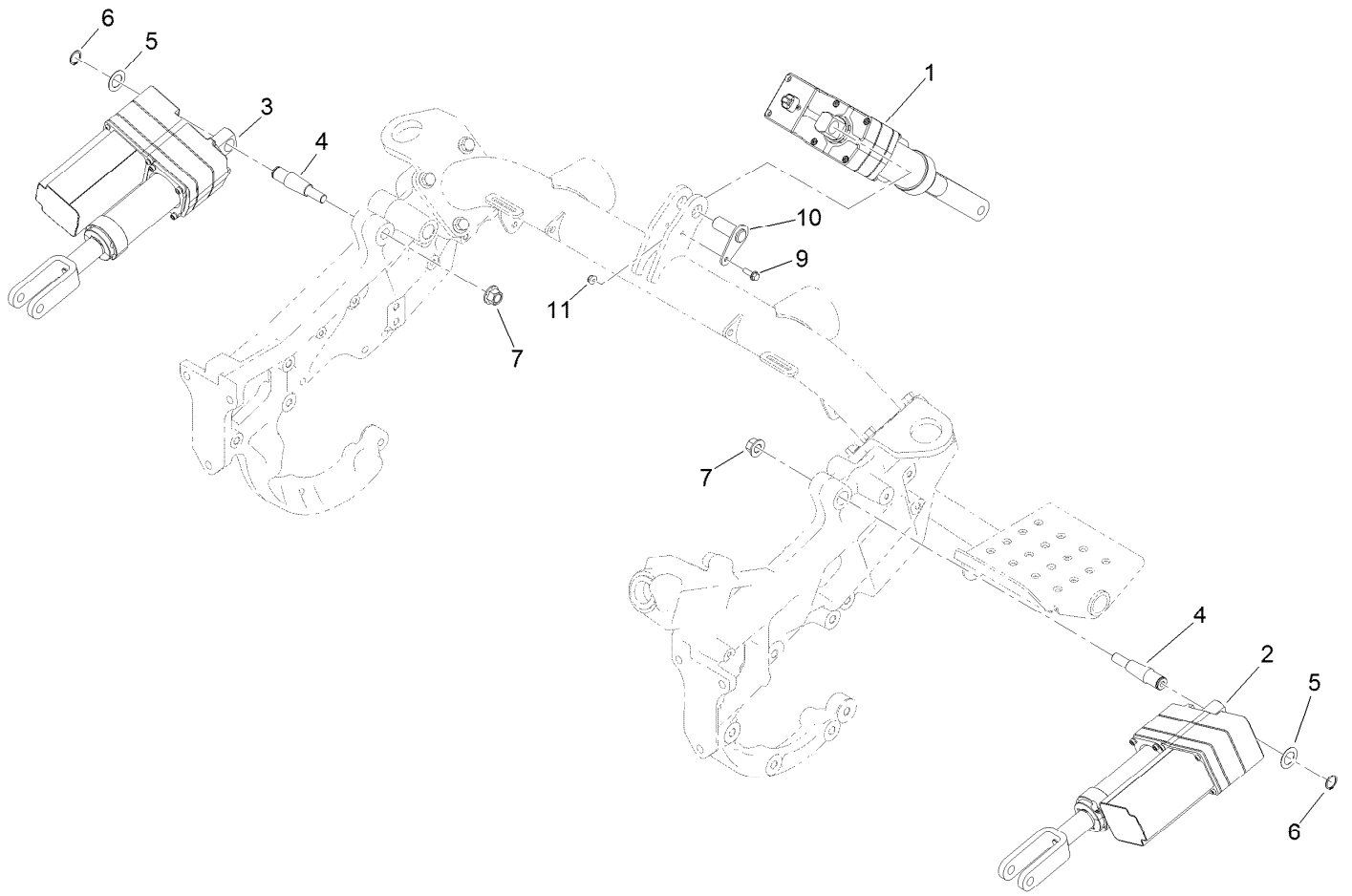
Gearbox Assembly No. 127-1529

<i>Ref.</i>	<i>Part Number</i>	<i>Qty.</i>	<i>Description</i>	<i>Ref.</i>	<i>Part Number</i>	<i>Qty.</i>	<i>Description</i>
1	127-1559	1	Cover-Motor, Axle	15	121-9273	1	O-Ring
3	121-5235	2	Washer-Special	16	132-9927	1	Washer-Flat
4	121-9263	2	Nut-Jam	17	3274-96	1	Screw-HSBH
5	127-1561	1	Cover-Nose, Axle	18	105-3921	1	Fitting-Plug
6	137-7857	1	Seal-Shaft	18:1	237-146	1	O-Ring
7	112-5181	4	Screw -HSH	19	132-9974	1	Brake ASM
8	108-9919	1	O-Ring	20	121-9247	1	Shaft-Brake
9	121-9266	2	Bearing-Ball	22	121-9250	1	Pin-Lever, Stop
10	132-9978	1	Countershaft Gear ASM	23	120-9683	1	Washer-Plain
12	121-9256	2	Bearing-Taper	24	132-9904	1	Key-Woodruff #91
13	132-9841	1	Shaft ASM	25	137-7767	1	Screw-HH
14	127-1519	10	Screw-BHCS				



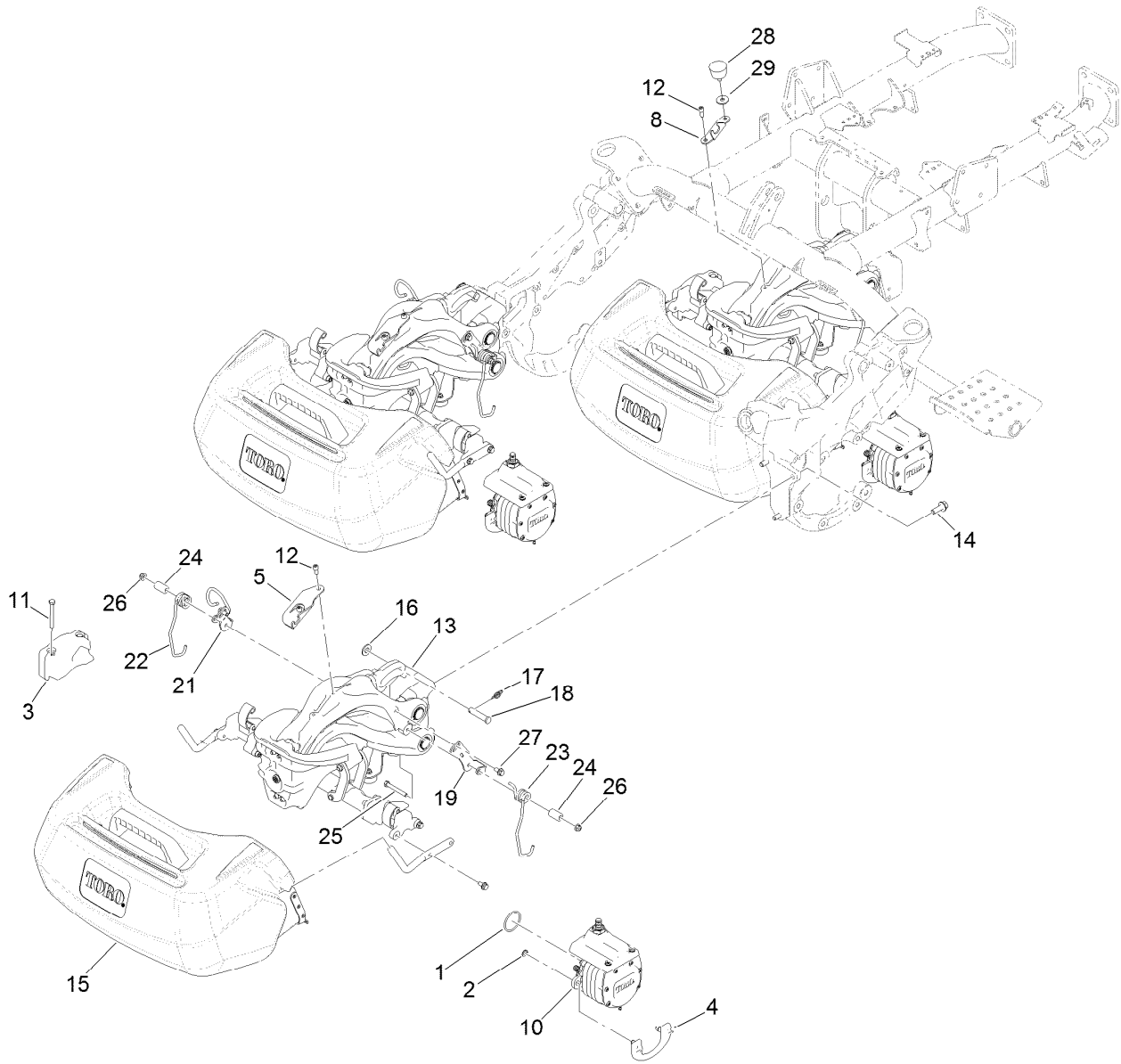
LH Wheel Motor Assembly No. 127-1527

<i>Ref.</i>	<i>Part Number</i>	<i>Qty.</i>	<i>Description</i>
1	127-1528	1	LH Motor ASM
2	127-1529	1	Gear Box ASM
3	121-9254	1	Gasket-Gearbox
4	132-9874	1	Lever-Brake, LH
5	353-988	2	Plug-Hex
5:1	237-79	1	O-Ring



Lift Assembly

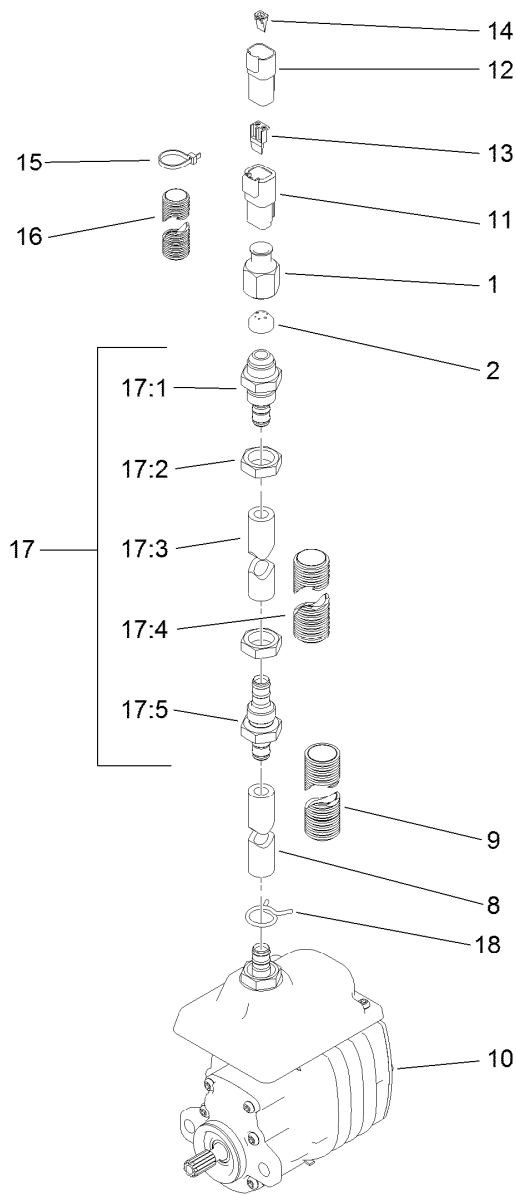
Ref.	Part Number	Qty.	Description
1	137-7933	1	Actuator-1 Crown
2	137-7934	1	Actuator-2 Crown
3	137-7935	1	Actuator-3 Crown
4	136-2691	2	Pin-Tapered
5	9202574	2	Washer-Flat
6	32120-72	2	Ring-Snap
7	99-5107	2	Nut-Lock
9	115-5103	1	Screw-HHF
10	137-7766	1	Pin ASM
11	104-7201	1	Nut-HF, NI



Suspension, Reel Motor and Basket Assembly

Ref.	Part Number	Qty.	Description	Ref.	Part Number	Qty.	Description
1	115-3298	3	O-Ring	17	112-1491	3	Pin-Cotter
2	133-8926	6	Ring-Retaining (Metric)	18	92-2739	3	Pin-Clevis
3	117-6774-03	3	Weight-Electric	19	133-8998	3	Retainer-Spring, LH
4	115-5389	3	Cam-Mount, Motor	21	133-9025	3	Bracket ASM
5	119-7487	2	Bracket-Clamp, Hose	22	117-6826	3	Spring-Stabilizer, RH
8	119-7540	1	Bracket-Hose, Rear	23	117-6827	3	Spring-Stabilizer, LH
10	138-8905	3	Electric Motor ASM	24	117-6825	6	Spacer
11	322-13	6	Screw-HH	25	322-12	6	Screw-HH
12	100-2401	5	Screw-HSH	26	104-8300	6	Nut-HF, NI
13		3	Suspension ASM ●	27	114-7728	6	Screw-HF
14	117-9035	9	Screw-HHF	28	68-3270	1	Bumper-Rubber
15	132-9599	3	Basket ASM	29	52-2861	1	Washer
16	29-8910	3	Washer				

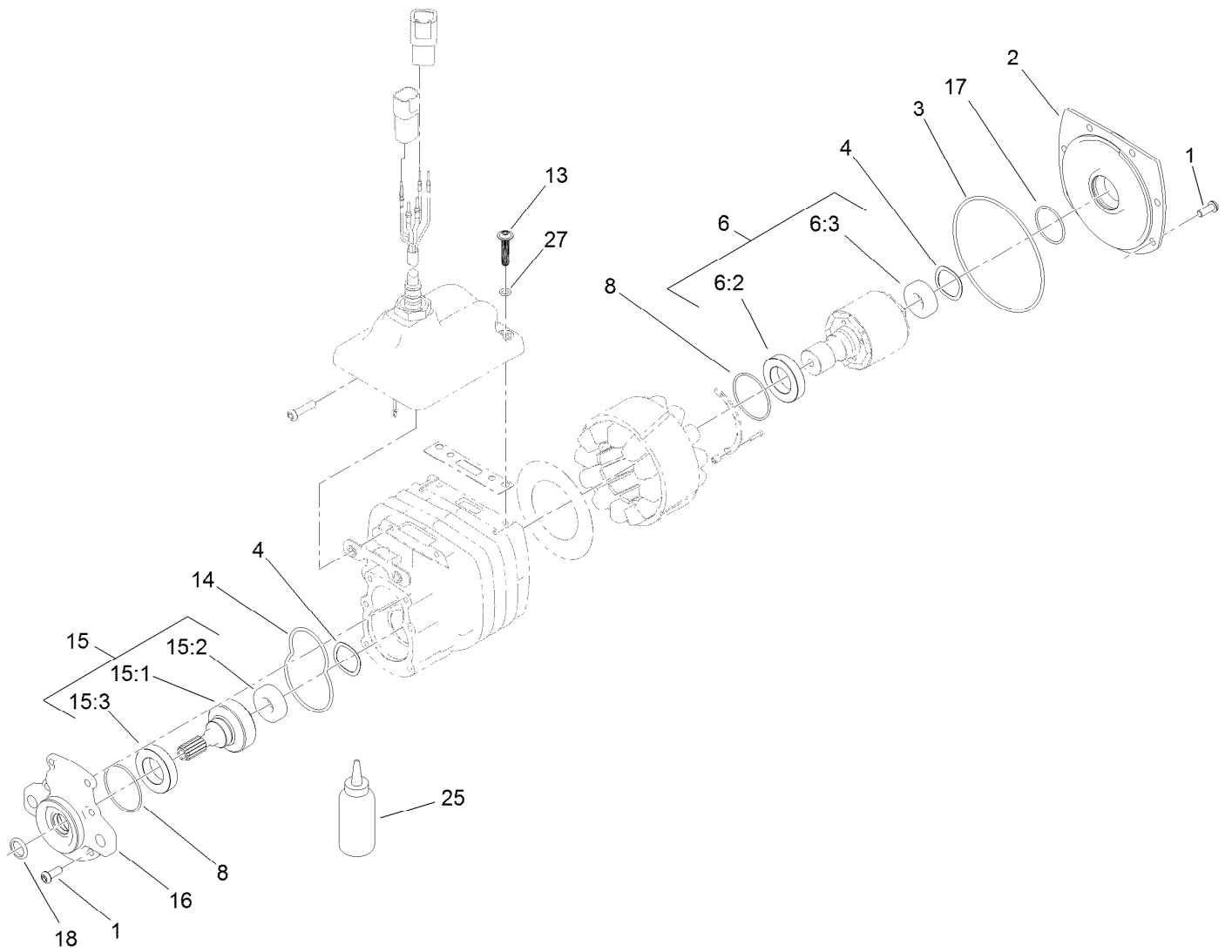
● Not serviced separately



Electric Reel Motor Assembly No. 138-8905

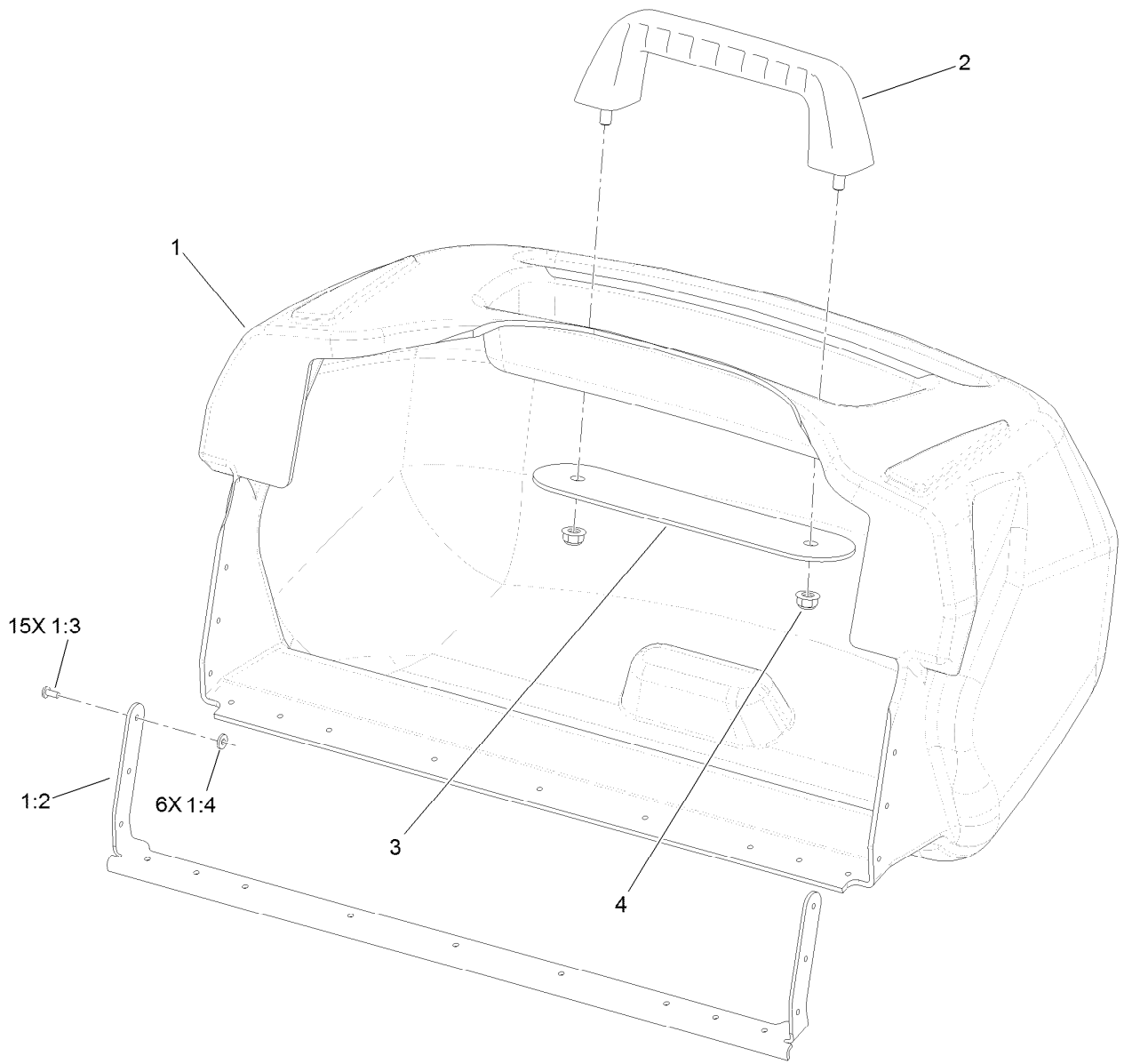
<i>Ref.</i>	<i>Part Number</i>	<i>Qty.</i>	<i>Description</i>	<i>Ref.</i>	<i>Part Number</i>	<i>Qty.</i>	<i>Description</i>
1	119-7481	1	Nut-Ferrule	15	3290-378	4	Tie-Cable
2	119-7480	1	Ferrule	16	120-3223	1	Tubing-Convoluted, Slit
8	119-7476	1	Hose	17	120-4532	1	Hose ASM
9	119-7558	1	Tubing-Convoluted, Slit	17:1	119-7545	1	Fitting-Bulkhead
10		1	Motor-Electric ●	17:2	119-7457	2	Nut
11	32160-245	1	Connector	17:3	119-7524	1	Hose
12	32160-315	1	Connector	17:4	119-7559	1	Tubing-Convoluted, Slit
13	32180-083	1	Wedge	17:5	119-7544	1	Fitting-Bulkhead
14	32180-084	1	Wedge	18	138-8924	1	Clamp-Hose

● Not serviced separately



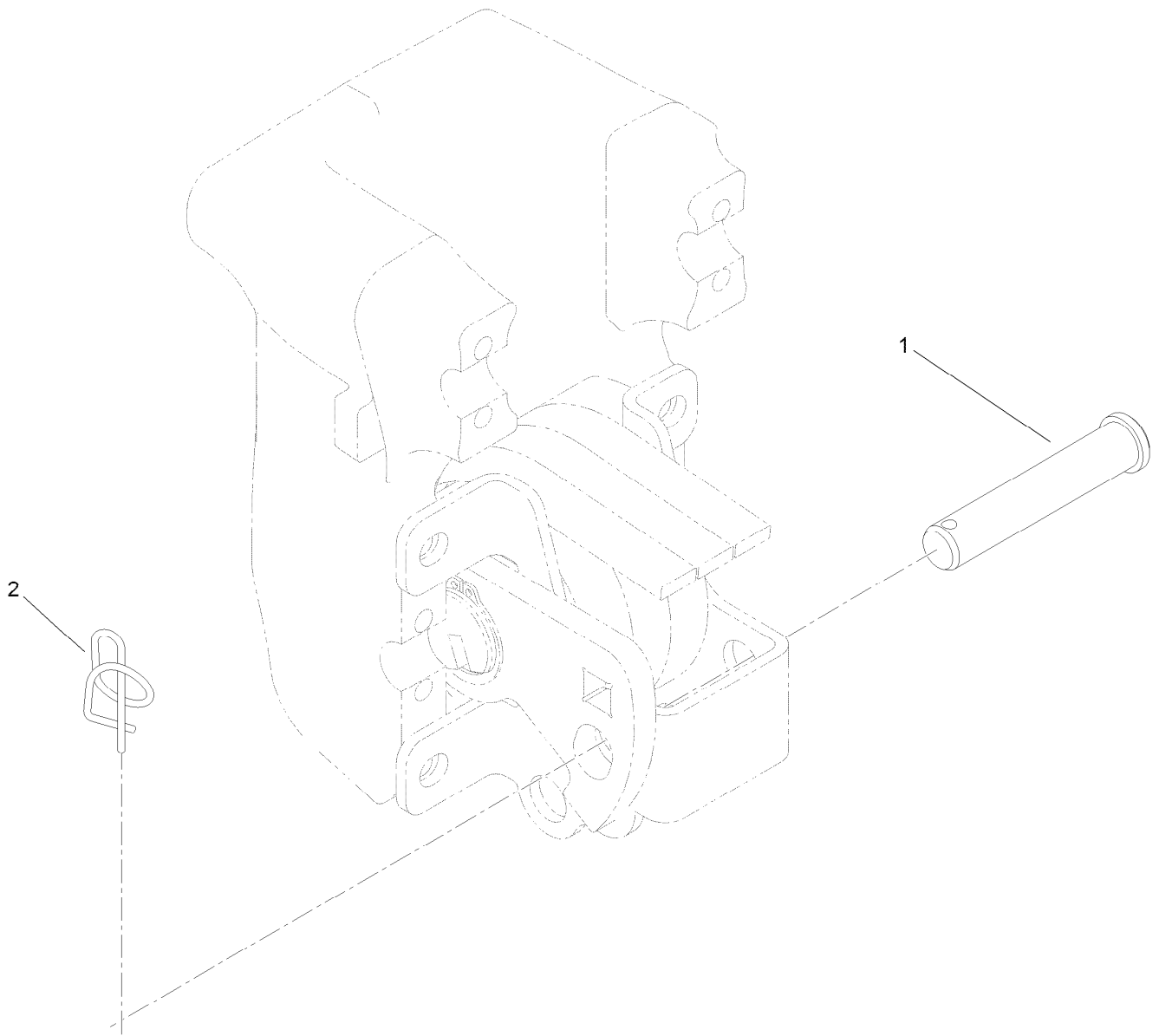
Electric Motor Assembly

<i>Ref.</i>	<i>Part Number</i>	<i>Qty.</i>	<i>Description</i>	<i>Ref.</i>	<i>Part Number</i>	<i>Qty.</i>	<i>Description</i>
1	120-4559	12	Screw-BHCS	15	115-4782	1	Output Gear ASM
2	115-4779	1	Cover-Motor	15:1	112-5153	1	Gear-Output
3	112-9609	1	O-Ring	15:2	120-4557	1	Bearing
4	112-5163	2	Washer-Wave	15:3	112-5158	1	Bearing-Ball
6	119-7450	1	Rotor ASM	16	115-4777	1	Cover-Gearbox
6:2	112-5158	1	Bearing-Ball	17	119-1156	1	O-Ring
6:3	120-4557	1	Bearing	18	119-7451	1	Seal-Oil
8	112-9616	2	O-Ring	25	136-8595	1	Grease-Synthetic
13	138-8918	2	Screw-Fbhcs	27	138-8916	2	O-Ring
14	112-9611	1	O-Ring				



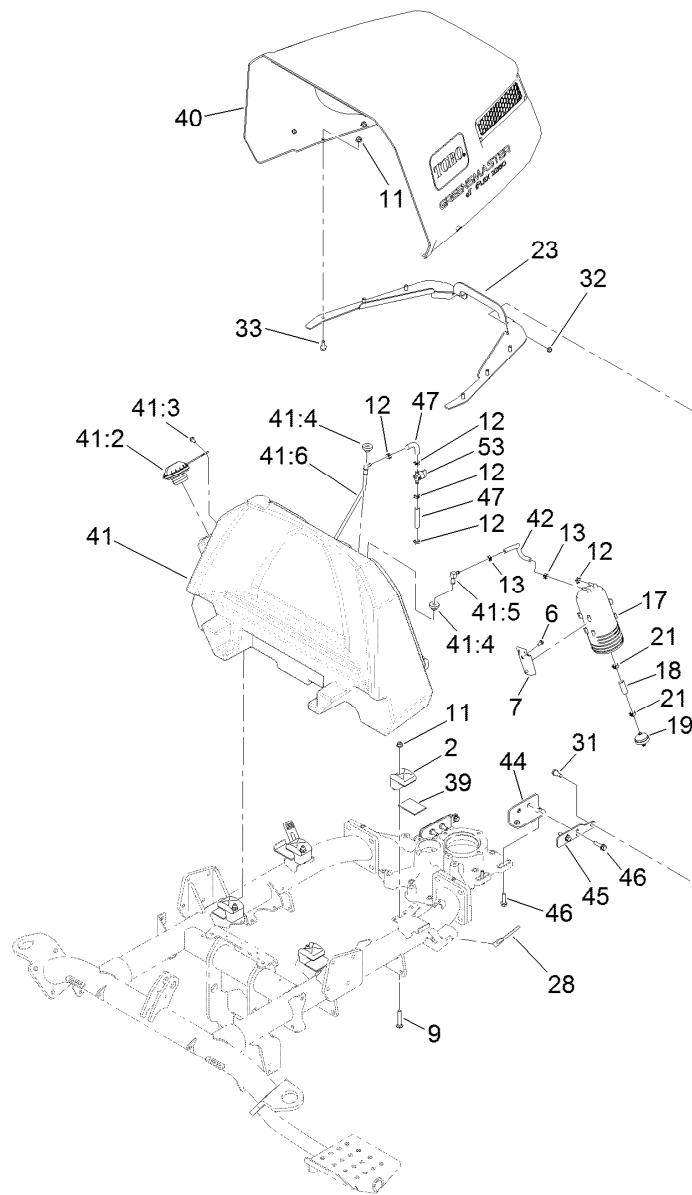
Basket Assembly No. 132-9599

<i>Ref.</i>	<i>Part Number</i>	<i>Qty.</i>	<i>Description</i>
1	132-9510	1	Basket Assembly
1:2	132-3806	1	Support-Basket
1:3	3269-25	15	Rivet-Pop
1:4	3256-75	6	Washer-Flat
2	117-8088	1	Handle-Grab
3	117-8092-03	1	Plate-Mounting
4	104-8300	2	Nut-HF, NI



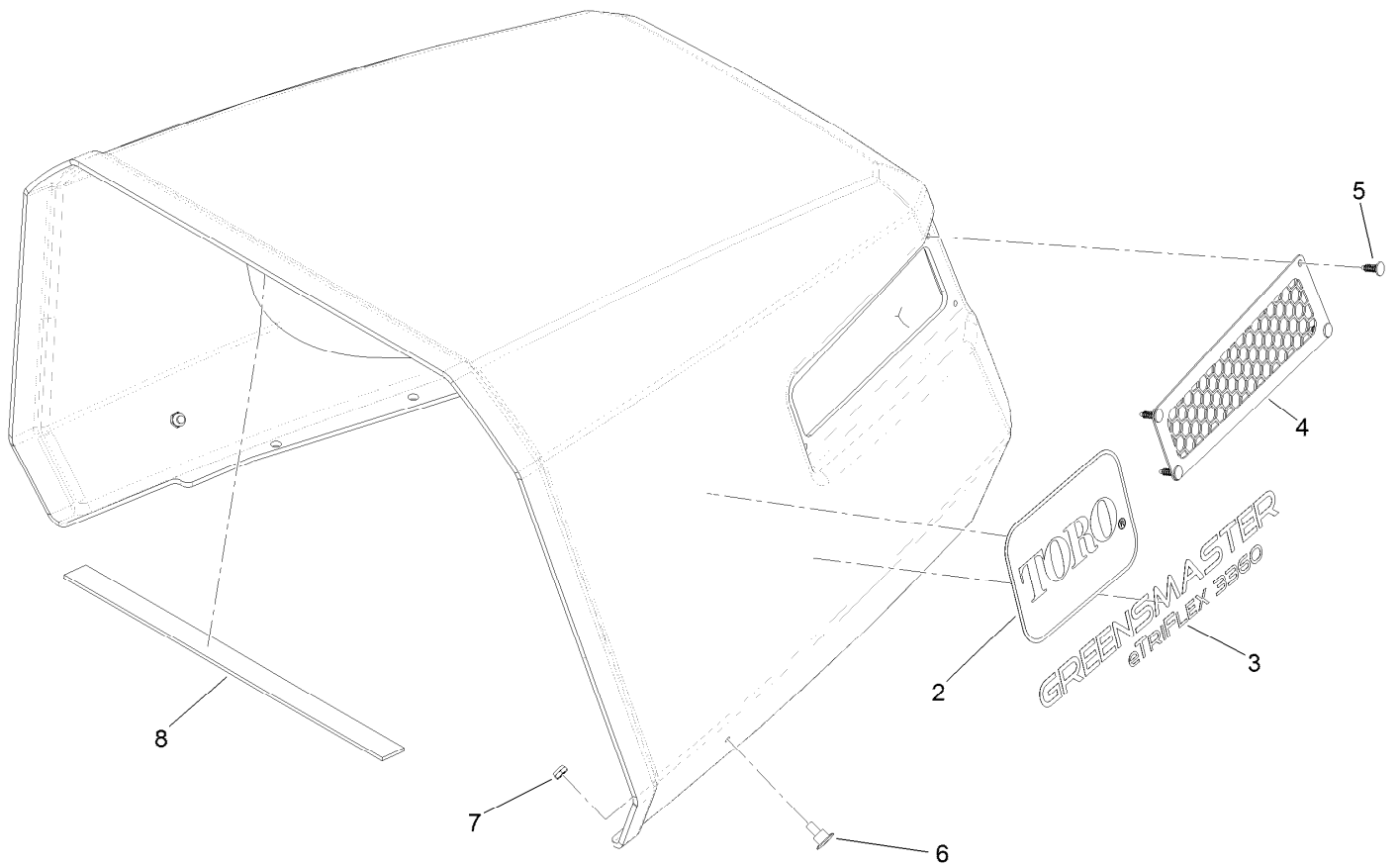
Suspension Pin Position Assembly

<i>Ref.</i>	<i>Part Number</i>	<i>Qty.</i>	<i>Description</i>
1	100-6541	3	Pin-Clevis
2	112-1491	3	Pin-Cotter



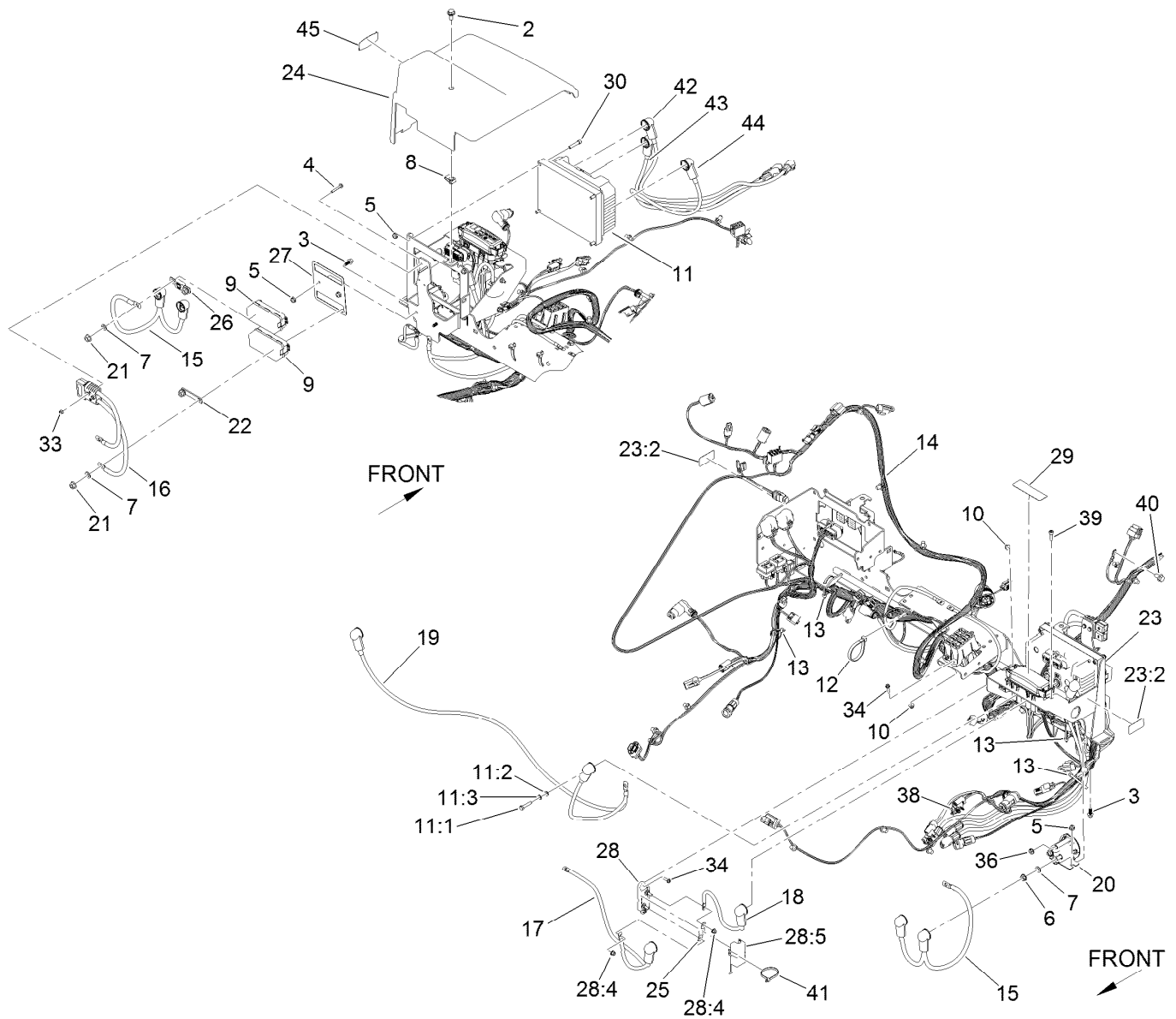
Fuel Tank and Hood Assembly

Ref.	Part Number	Qty.	Description	Ref.	Part Number	Qty.	Description
2	107-4543	4	Clamp	33	3234-47	6	Screw-HHF
6	32144-4	2	Screw-HWH	39	136-4259	4	Foam-Strip, Tank
7	114-0292	1	Bracket-Canister, Carbon	40	139-8316	1	Engine Hood ASM
9	3230-6	4	Bolt-CARR	41	137-8108	1	Fuel Tank ASM
11	104-8300	10	Nut-HF, NI	41:2	117-1722	1	Cap-Fuel
12	2412-98	5	Clamp-Hose	41:3	32144-4	1	Screw-HWH
13	2412-146	2	Clamp-Hose	41:4	46-6560	2	Bushing
17	117-1221	1	Canister-Carbon, 800Cc	41:5	116-2288	1	Fitting-Elbow, 90 DEG
18	106-5317	1	Hose-Fuel	41:6	132-9905	1	Pipe-Stand
19	115-7854	1	Filter-Fuel, Inline	42	51-3210	1	Hose-Fuel
21	92-2379	2	Clamp-Hose	44	137-2242-03	2	Bracket-Hood
23	137-2193-03	1	Bracket-Hinge, Shroud	45	137-7914	2	Bracket-Hood
28	131-8402	2	Strap-Down, Hold	46	119-4036	8	Screw-HHF
31	115-1958	2	Bolt-Shoulder	47	109-0304	2	Hose-Fuel
32	99-6007	2	Nut-Lock, NI	53	1-603770	1	Valve-Fuel



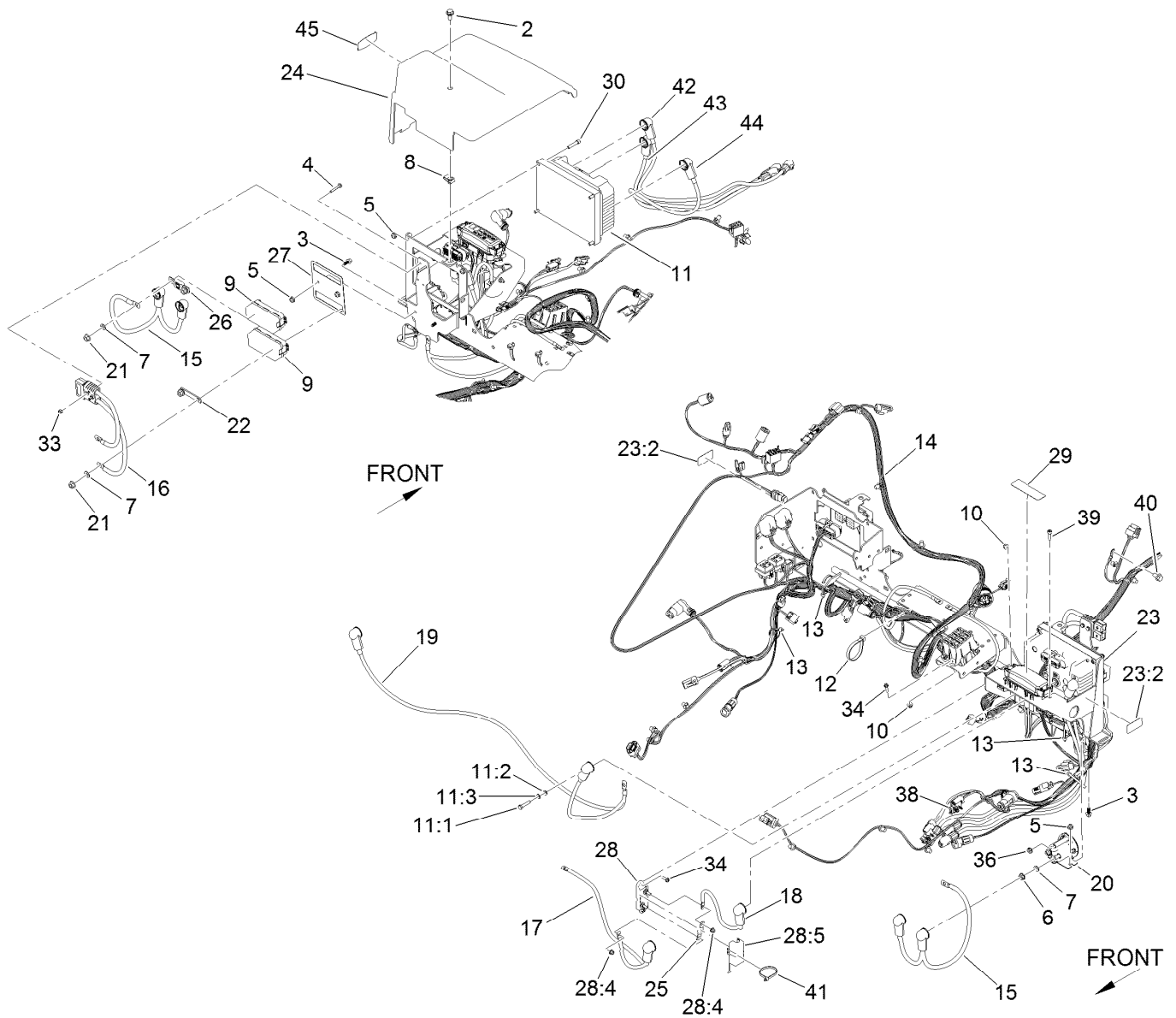
Hood Assembly No. 139-8316

Ref.	Part Number	Qty.	Description
2	62-5550	2	Decal
3	137-7827	2	Decal
4	137-7911-03	2	Screen
5	120-6737	8	Plug-Plastic
6	125-1122	2	Screw
7	3296-56	2	Nut-Lock, NI
8	137-8082	1	Strip-Foam



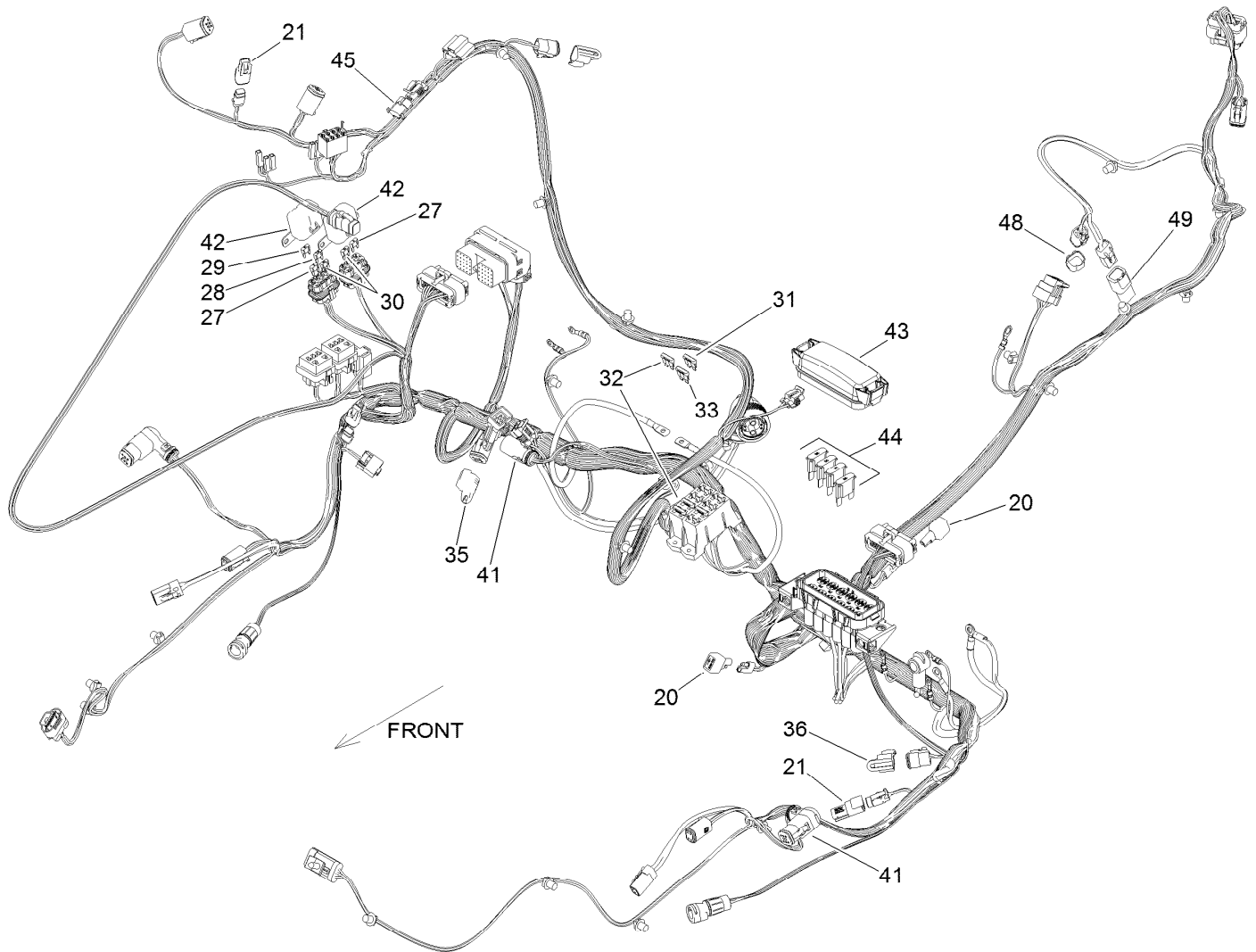
Electrical Assembly

Ref.	Part Number	Qty.	Description	Ref.	Part Number	Qty.	Description
2	19-1470	1	Screw-Shoulder	20	122-1274	2	Contactor-DC, 48V
3	99-6810	6	Screw-HHF	21	127-2371	4	Nut-HF
4	100-4352	2	Screw-HWH	22	132-9815	1	Strap-Jumper
5	104-7201	10	Nut-HF, NI	23	137-8196	1	Bracket-Components
6	107-0380	4	Nut-HHF	23:2	137-8127	2	Decal-No Spray
7	107-0394	8	Washer-Flat	24	133-0094	1	Cover-LH
8	112-3306	1	Nut	25	137-7707	1	Fuse-60 Amp
9	114-3318	2	Holder-Fuse, Mega	26	137-7722	1	Fuse-150 Amp
10	120-4578	6	Nut-HF	27	137-7835	1	Bracket-Fuses
11	120-4780	1	Controller-Motor, Traction	28	137-7861	1	Fuse Block ASM
11:1	33113-030	5	Screw-HH	28:4	120-4580	2	Nut-HF
11:2	33093-00	5	Washer-Flat	28:5	137-7863	1	Cover-Fuse
11:3	43-5930	5	Washer-Lock, Spring	29	137-8037	1	Decal-Fuses, Cutting Unit
12	3334-945	3	Tie-Cable	30	3274-51	4	Screw-HSH
13	3290-379	4	Tie-Cable	33	3296-2	2	Nut-Lock, NI
14	122-1619	1	Harness-Wire	34	32105-13	6	Screw-HWH
15	122-1695	1	Cable-Battery, Positive	36	32149-8	4	Nut-Keps
16	122-1698	1	Cable-Battery, Pos And Neg	38	32180-103	2	Clip-Connector
17	122-1108	1	Cable-Battery, Positive	39	52-6290	2	Screw-HSH
18	122-1112	1	Cable-Battery, Positive	40	33104-016	1	Screw-HHF
19	122-1115	1	Cable-Battery, Negative	41	3290-378	1	Tie-Cable



Electrical Assembly (continued)

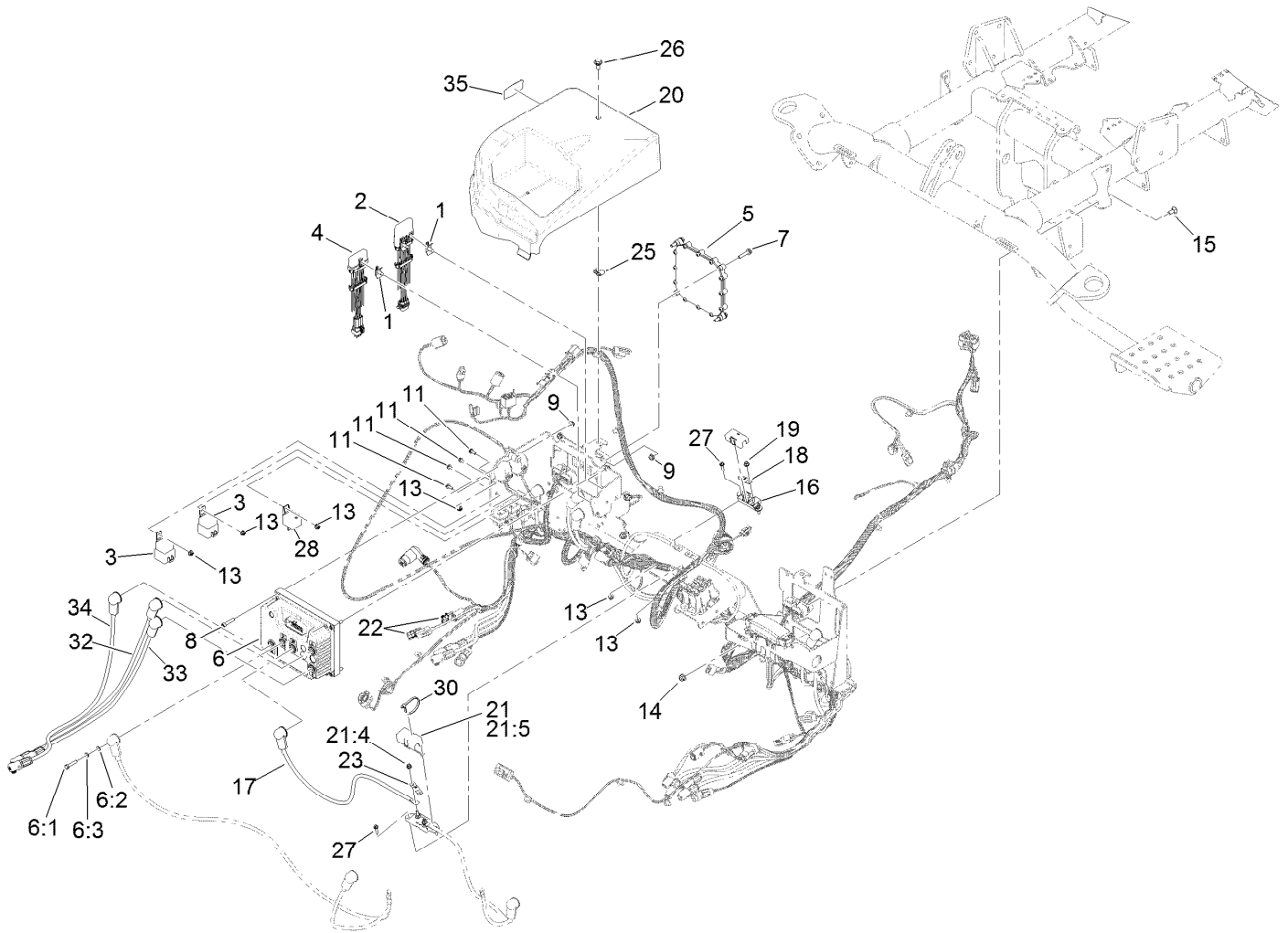
<i>Ref.</i>	<i>Part Number</i>	<i>Qty.</i>	<i>Description</i>	<i>Ref.</i>	<i>Part Number</i>	<i>Qty.</i>	<i>Description</i>
42	122-1611	1	Cable-Battery, Positive	44	122-1613	1	Cable-Battery, Positive
43	122-1612	1	Cable-Battery, Positive	45	119-7580	1	Decal-Smart, Energy



Wire Harness Assembly No. 122-1619

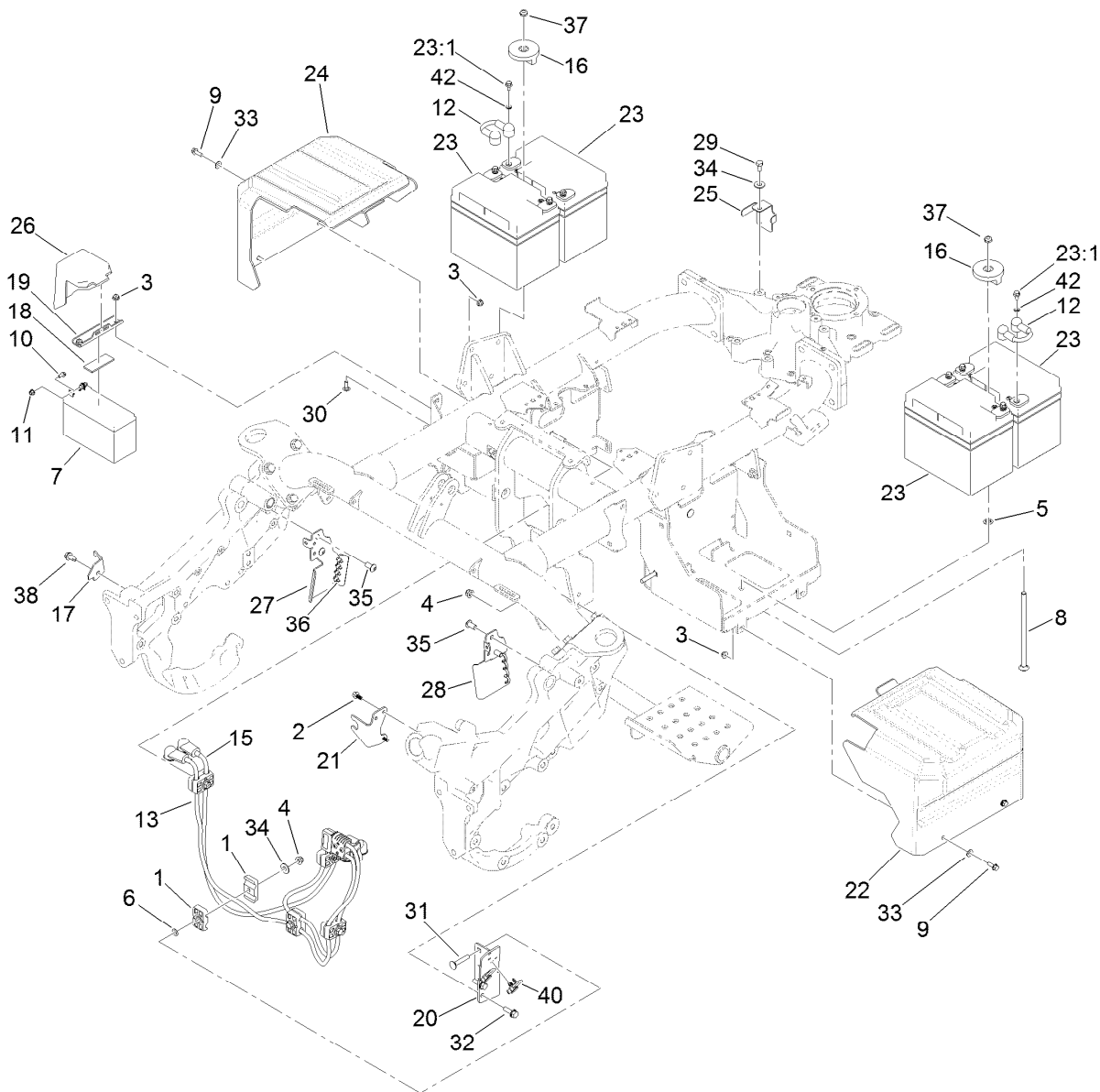
Ref.	Part Number	Qty.	Description
20	100-4918	2	Diode
21	32180-282	4	Resistor-120 Ohm
27	121-8861	2	Fuse-Mini Blade, 2 Amp
28	121-8865	1	Fuse-Mini Blade, 7.5 Amp
29	121-8866	1	Fuse-Mini Blade, 10 Amp
30	121-8867	2	Fuse-Mini Blade, 15 Amp
31	117-4722	1	Fuse-Blade, 5A
32	117-4724	4	Fuse-Blade, 10A
33	117-4728	1	Fuse-Blade, 30A
35	32180-156	1	Cap-Plug, 6 Way

Ref.	Part Number	Qty.	Description
36	32180-089	2	Cap-Plug, 3 Way
41	32180-090	3	Backshell-Deutsch, Dt06-06S 90 DEG
42	32180-179	2	Cover-Bussman
43	32180-146	1	Cover-Fuse
44	122-0255	3	Fuse-Maxi, 35 Amp-58V
45	32180-056	1	Cap
48	32180-260	1	Cap-Deutsch, Dust, 4 Way
49	32160-245	1	Connector



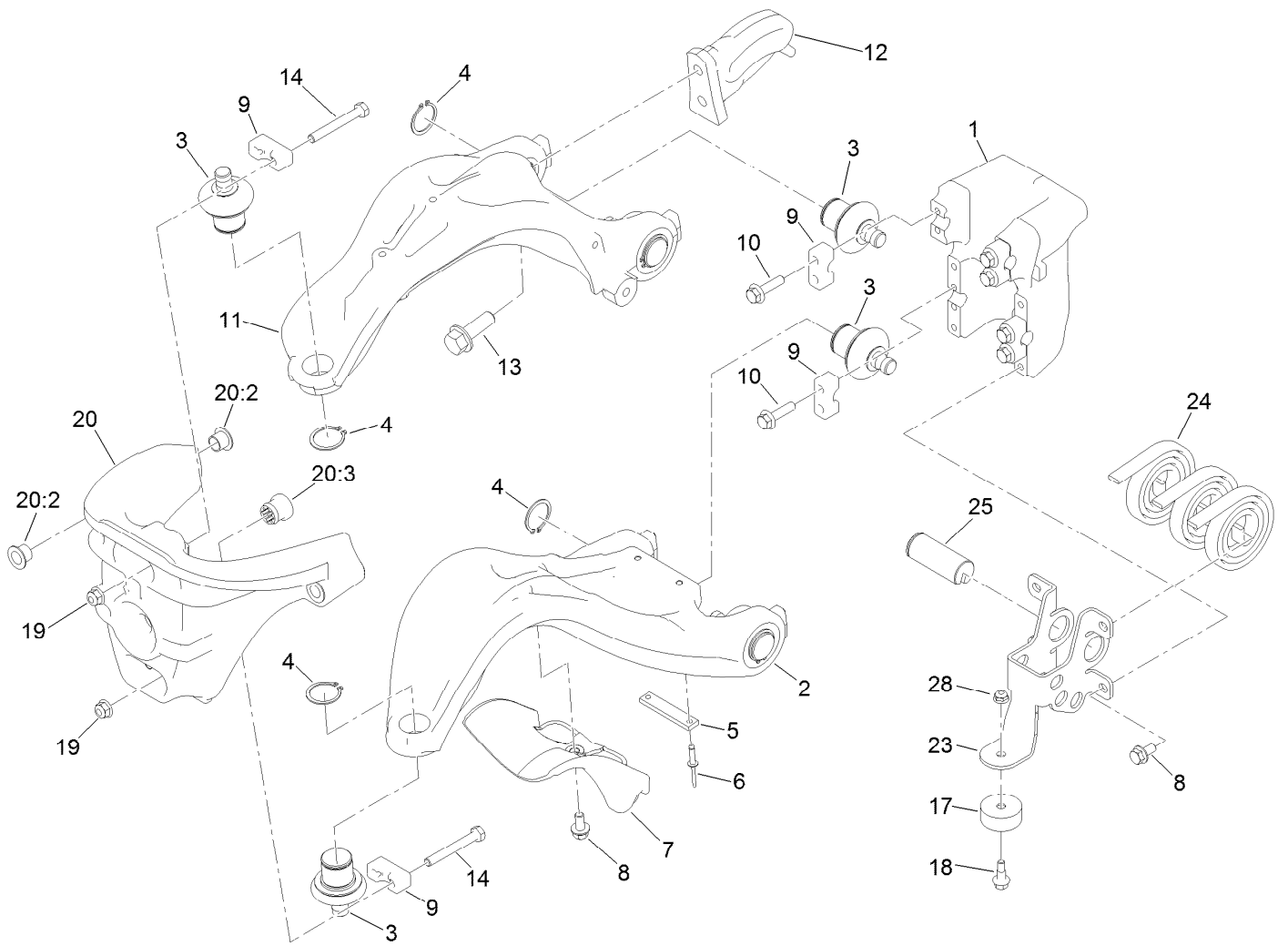
Controller Assembly

<i>Ref.</i>	<i>Part Number</i>	<i>Qty.</i>	<i>Description</i>	<i>Ref.</i>	<i>Part Number</i>	<i>Qty.</i>	<i>Description</i>
1	32180-011	3	Clip-Connector	18	137-7708	1	Fuse-100 Amp
2	119-4330	1	Isolated Can Module ASM	19	120-4580	2	Nut-HF
3	99-7430	2	Relay-Mini	20	133-0095	1	Cover-RH
4	112-9630	1	Module-Reel, I.D.	21	137-7861	1	Fuse Block ASM
5	127-2770	1	Controller	21:4	120-4580	2	Nut-HF
6	120-4780	1	Controller-Motor, Traction	21:5	137-7863	1	Cover-Fuse
6:1	33113-030	5	Screw-HH	22	32180-103	2	Clip-Connector
6:2	33093-00	5	Washer-Flat	23	137-7707	1	Fuse-60 Amp
6:3	43-5930	5	Washer-Lock, Spring	25	112-3306	1	Nut
7	127-8639	4	Screw-HHF	26	19-1470	1	Screw-Shoulder
8	3274-51	4	Screw-HSH	27	32105-13	4	Screw-HWH
9	104-7201	8	Nut-HF, NI	28	122-1487	1	Relay
11	32105-23	7	Screw	30	3290-378	5	Tie-Cable
13	120-4578	11	Nut-HF	32	122-1614	1	Cable-Battery, Positive ASM
14	104-8300	4	Nut-HF, NI	33	122-1615	1	Cable-Battery, Positive ASM
15	3230-1	4	Bolt-CARR	34	122-1616	1	Cable-Battery, Positive ASM
16	132-9796	1	Fuse-Holder, Midi Fuse	35	119-7580	1	Decal-Smart, Energy
17	122-1110	1	Cable-Battery, Positive				



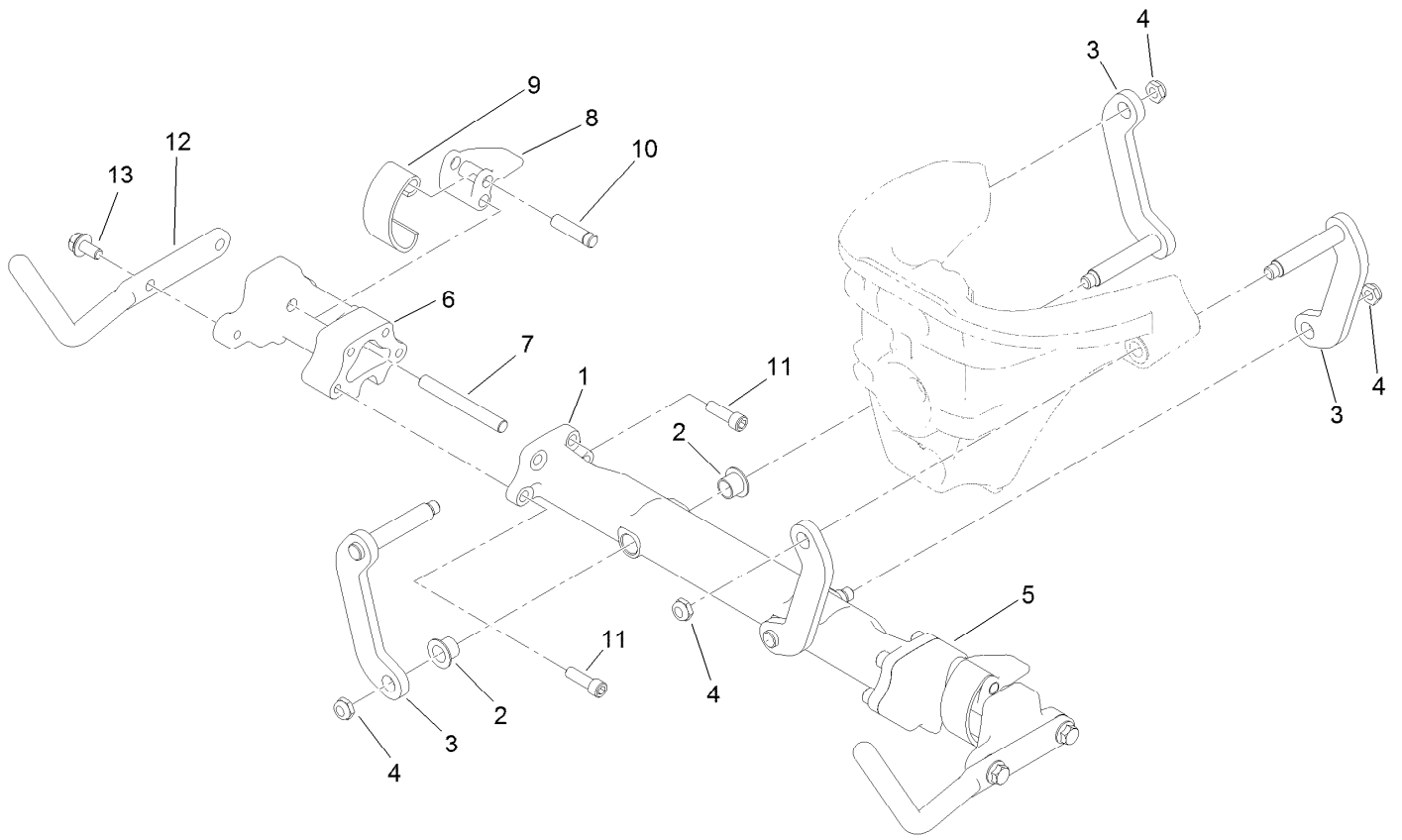
Battery Assembly

Ref.	Part Number	Qty.	Description	Ref.	Part Number	Qty.	Description
1	56-7976	10	Clamp-Tube	22	137-7711	1	Cover-Battery
2	99-6810	2	Screw-HHF	23	137-7734	4	Battery-12V (33 Ah)
3	104-7201	6	Nut-HF, NI	23:1	33113-012	2	Screw-HH
4	104-8300	7	Nut-HF, NI	24	137-7849	1	Cover-Battery, RH
5	107-3154	2	Nut-Push	25	137-7859	1	Bracket-Harness
6	109-5667	5	Nut-Push	26	137-7867	1	Cover-Battery
7	112-9621	1	Battery-Nonspillable	27	137-7905-01	1	Bracket-Harness, RH
8	117-1399	2	Bolt-Carriage	28	137-7906-01	1	Bracket-Harness, LH
9	32105-15	4	Screw-HWH	29	3210-2	1	Screw-HH
10	120-4579	2	Screw-HHF	30	3229-1	2	Screw-CARR
11	120-4580	2	Nut-HF	31	3230-5	5	Bolt-CARR
12	122-1105	2	Positive Battery Cable ASM	32	3234-29	2	Screw-HHF
13	122-1113	1	Positive And Negative Battery Cable ASM	33	3256-1	4	Washer-Flat
15	122-1381	1	Positive Battery Cable ASM	34	3256-3	6	Washer-Flat
16	127-2393	2	Hold Down-Battery	35	3274-80	4	Screw-HH
17	139-8409	1	Brkt-Hose	36	3290-378	8	Tie-Cable
18	133-0081	1	Strip-Foam	37	3296-59	2	Nut-Lock, NI
19	133-0082	1	Channel-Clamp, Battery	38	32104-32	1	Screw-HWH
20	133-0083-03	1	Bracket-Hose, Rear	40	32180-103	2	Clip-Connector
21	136-2697	1	Bracket-Hose	42	43-5930	8	Washer-Lock, Spring



Suspension A-Arm Assembly

Ref.	Part Number	Qty.	Description	Ref.	Part Number	Qty.	Description
1	117-9480	1	Mount-Pivot, A-Arms	13	100-6116	2	Screw-HHF
2	117-6656	1	A-Arm, Lower	14	132-3838	4	Screw-HH
3	132-6959	6	Balljoint	17	133-0308	1	Bumper-Rubber
4	120-3225	6	Ring-Retaining, EXT	18	133-0315	1	Screw-Shoulder, HF
5	117-6674	1	Plate-Striker	19	104-8300	4	Nut-HF, NI
6	3269-28	2	Rivet-Pop	20	120-3216	1	Steering Head ASM
7	117-6755	1	Stop-Steering	20:2	125-5239	4	Bushing-Flange
8	114-7728	5	Screw-HF	20:3	131-1836	1	Grommet
9	112-5647	6	Clamp	23	133-8999	1	C-Balance Mount
10	132-3837	8	Screw-HHF	24	114-9306	3	Spring
11	139-6452	1	A-Arm, Upper	25	131-4402	1	Tensioner
12	117-6650	1	Plate-Lift	28	104-7201	1	Nut-HF, NI



Suspension Crossarm Assembly

<i>Ref.</i>	<i>Part Number</i>	<i>Qty.</i>	<i>Description</i>
1	120-3217	1	Crossarm
2	125-5239	4	Bushing-Flange
3	117-6654	4	Link
4	3296-59	4	Nut-Lock, NI
5	117-9482	1	Mount-Cross Arm, LH
6	117-9492	1	Mount-Cross Arm, RH
7	114-8051	2	Pin-Pivot
8	114-8047	2	Lever
9	114-8048	2	Spring
10	114-8049	2	Pin-Pivot
11	120-3227	8	Screw-HSH
12	120-2784-01	2	Horn-Basket
13	114-7728	4	Screw-HF

Attachments and Accessories

For 04580 Greensmaster 3360 eTriFlex Traction Unit

Product Name	Model/Part
Turf Evaluator	04399
Light Kit.....	04500
Standard Greensmower Seat Kit.....	04508
8-Blade DPA Reel Mower	04651
11-Blade DPA Reel Mower	04653
14-Blade DPA Reel Mower	04655
Anti-Bobbing Kit.....	04716
Dethatching Unit.....	04720
Tri-Roller.....	04722
Spiker	04723
Premium Seat.....	04729
Wireless Hourmeter.....	115-4754
Premium Armrest Kit.....	119-7105
Weight Kit	119-7129
Armrest Kit.....	121-3660
Rear Light Kit.....	137-7945
Front Light Mount Kit	137-7947
Spark Arrestor, 1.25 I.D.	137-8098
Bag Kit.....	137-8130
Bimini Shade Kit	138-8579
400 Hour MVP Kit.....	44971
Height-of-Cut Bar.....	94-9010
Tire-TURFMATE.....	99-4506

Notes:

Notes:



Count on it.