



Count on it.

Parts Catalog

**Reelmaster® 6500-D
2-Wheel Drive Traction Unit**

Model No. 03806—Serial No. 313000001 and Up



Ordering Replacement Parts

To order replacement parts, please supply the part number, the quantity, and the description of each part desired.

Understanding Reference Numbers

Each identified part in an illustration has a reference number. The reference number for a part also appears in the parts list, along with other information about the part.

This catalog uses two special reference number formats, one to indicate parts in a service assembly and another to indicate the quantity of a given part in an illustration.

Service Assembly Reference Numbers

Parts in service assemblies have reference numbers in the form a:b. The a represents the reference number of the entire service assembly and the b represents a sequential number unique to each part within the service assembly.

For example, a wheel assembly might be identified by reference number 6, the tire by 6:1, the valve by 6:2, and the wheel by 6:3. When you order the assembly identified by reference number 6, you receive all parts identified by reference numbers 6:1, 6:2, and 6:3. However, you may also order any part individually. Reference numbers of this type appear in illustration and in parts lists.

Reference Numbers Indicating Quantity

In an illustration, if a reference number indicates more than one part, the reference number has the form nX y. The n represents the quantity of the part, the X is the multiplication symbol, and the y represents the reference number.

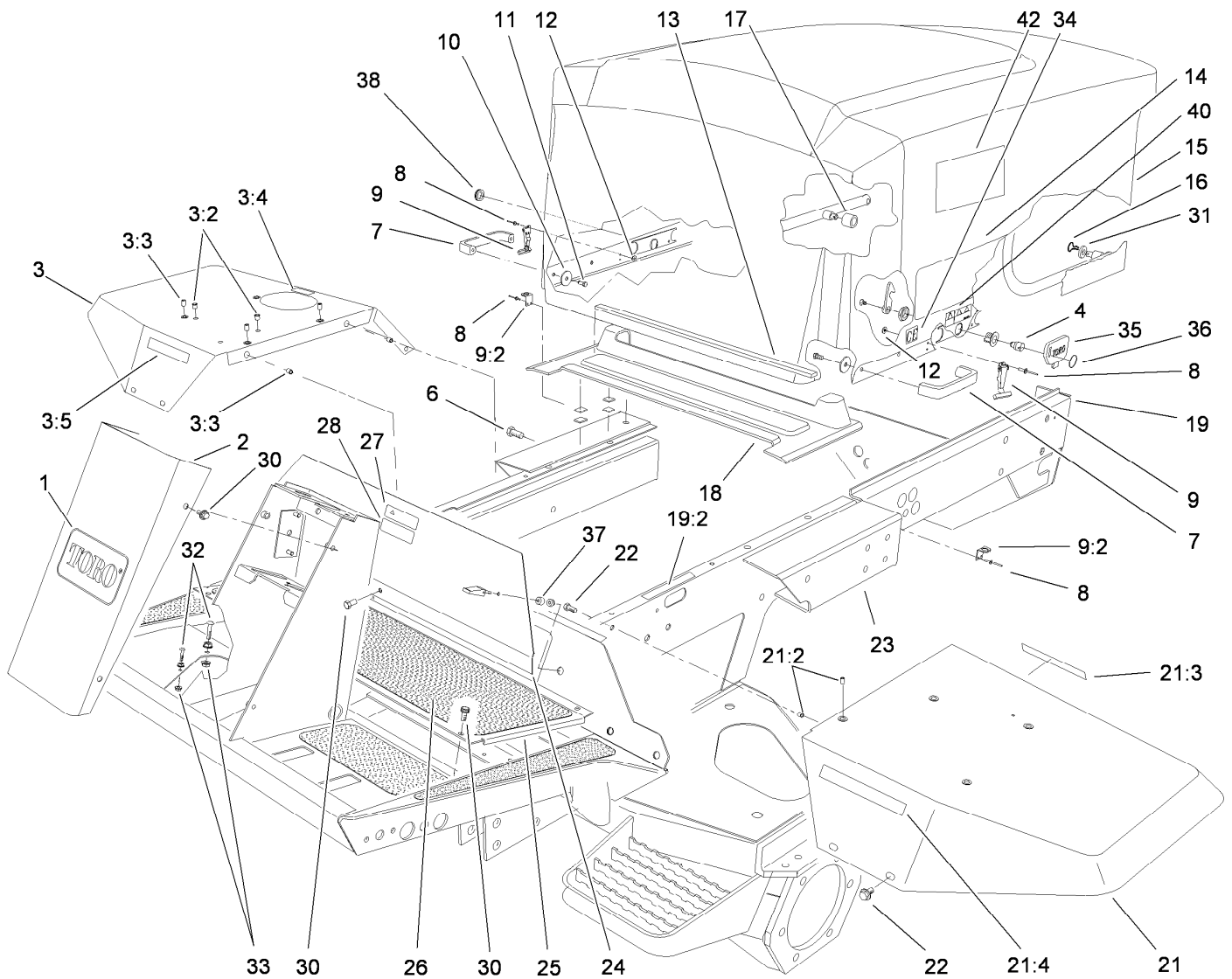
For example, in an illustration, the reference number 2X 37 means that two of the parts identified by reference number 37 are indicated.

Contents

| | |
|---------------------------------------------------------|----|
| Frame and Body Assembly | 5 |
| Front Frame Assembly No. 108-4407 | 7 |
| Tool Box Assembly | 8 |
| Control Console Assembly | 9 |
| Control Console and Battery Assembly | 10 |
| Hydraulic Filter and Reservoir Assembly | 12 |
| Fuel Tank Assembly | 13 |
| Traction Pedal Assembly | 14 |
| Brake Pedal Assembly | 15 |
| Seat and Suspension Assembly | 16 |
| Seat Suspension Assembly No. 110-9730 | 17 |
| Seat Frame and Throttle Assembly | 18 |
| Steering Wheel Assembly | 19 |
| Steering Valve Assembly No. 114-5073 | 20 |
| Steering Tower Assembly | 21 |
| Front Hydraulic Drive Assembly | 23 |
| Front Axle and Brake Assembly | 24 |
| Planetary Assembly No. 105-4500-03 | 25 |
| Brake Assembly No. 100-3070-03 | 26 |
| Hydraulic Motor Assembly No. 92-7385 | 27 |
| Brake Assembly No. 100-3069-03 | 28 |
| Hydraulic Motor Assembly No. 93-7476 | 29 |
| Hydraulic Pump Installation | 30 |
| Gear Pump Assembly No. 115-8031 | 31 |
| Piston Pump Assembly No. 110-0006 | 32 |
| Control Assembly No. 108-1503 | 33 |
| Radiator Support and Shroud Assembly | 34 |
| Radiator and Screen Assembly | 35 |
| Engine Installation Assembly | 36 |
| Oil/Water/Fuel Filter, Muffler and Air Cleaner Assembly | 38 |
| Air Filter Assembly No. 100-2597 | 39 |
| Rear Hydraulic Assembly | 40 |
| 2-Wheel Drive Axle Assembly | 41 |
| Hydraulic Cylinder No. 94-8142 | 42 |
| Wheel and Spindle Assembly | 43 |
| Rear Hydraulic Control Block Assembly | 44 |
| Hydraulic Manifold Assembly No. 112-6510 | 46 |
| Front Hydraulic Control Block and Hose Assembly | 47 |
| Lift Manifold Assembly No. 112-6512 | 48 |
| Front No. 1 Lift Arm Assembly | 49 |
| Lift Cylinder Assembly No. 108-4437 | 50 |
| Front No. 4 and No. 5 Lift Arm Assembly | 51 |
| Hydraulic Cylinder Assembly No. 110-9709 | 53 |
| Rear No. 2 and No. 3 Lift Arm Assembly | 54 |
| Hydraulic Cylinder Assembly No. 108-4438 | 56 |
| Reel Motor Assembly | 57 |
| Hydraulic Motor Assembly No. 120-6272 | 58 |
| Crankcase Assembly | 59 |
| Oil Pan Assembly | 60 |
| Cylinder Head Assembly | 61 |
| Gear Case Assembly | 62 |
| Cylinder Head Cover Assembly | 63 |
| Dipstick and Guide Assembly | 64 |
| Main Bearing Case Assembly | 65 |

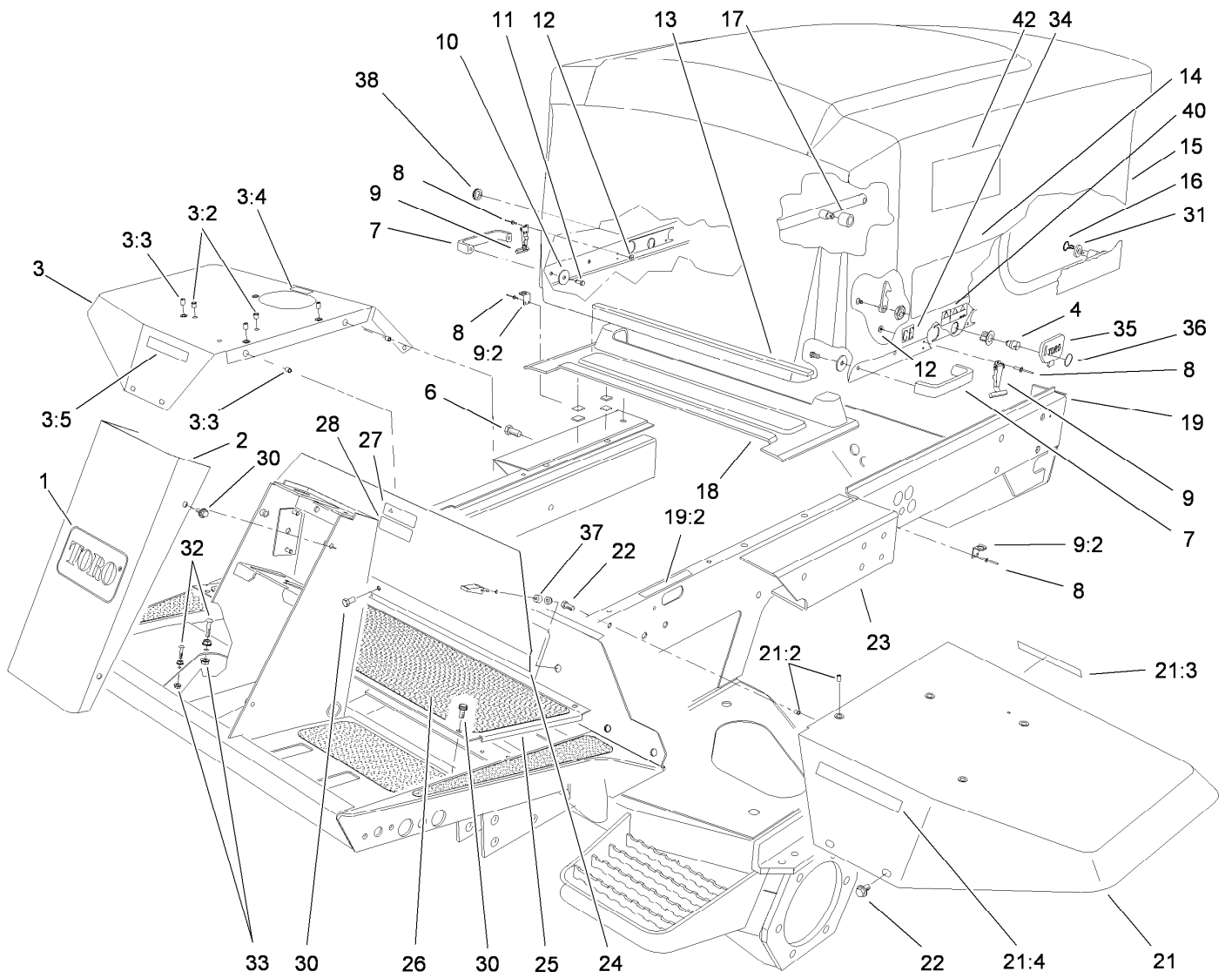
Contents (continued)

| | |
|-------------------------------------------------|----|
| Cam Shaft and Idle Gear Shaft Assembly | 66 |
| Piston and Crankshaft Assembly | 67 |
| Flywheel Assembly | 68 |
| Fuel Camshaft and Governor Shaft Assembly | 69 |
| Idle Apparatus Assembly | 70 |
| Injection Pump Assembly | 71 |
| Speed Control Plate Assembly | 72 |
| Nozzle Holder and Glow Plug Assembly | 73 |
| Nozzle Holder Component Assembly | 74 |
| Governor Assembly | 75 |
| Alternator and Pulley Assembly | 76 |
| Alternator Component Assembly | 77 |
| Starter Assembly | 78 |
| Water Flange and Thermostat Assembly | 79 |
| Water Pump Assembly | 80 |
| Overflow Bottle Assembly | 81 |
| Valve and Rocker Arm Assembly | 82 |
| Inlet and Exhaust Manifold Assembly | 83 |
| Turbo Charger Assembly | 84 |
| Oil Pipe Assembly | 85 |
| Oil Cooler Assembly | 86 |
| Attachments and Accessories | 87 |



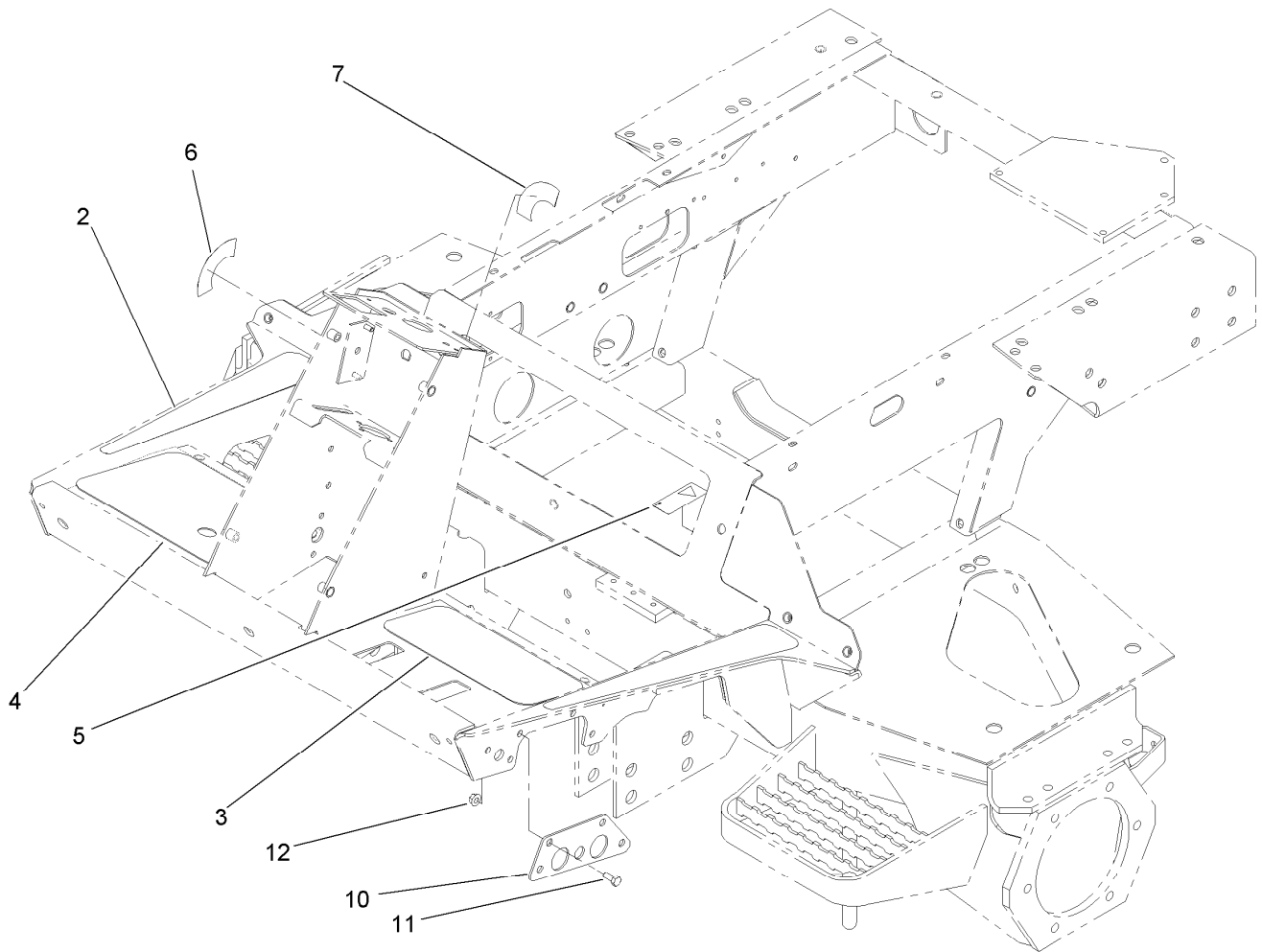
Frame and Body Assembly

| Ref. | Part Number | Qty. | Description | Ref. | Part Number | Qty. | Description |
|------|-------------|------|---------------------|------|-------------|------|-----------------------|
| 1 | 62-5550 | 1 | Decal | 18 | 94-2617 | 1 | Pump Cover ASM |
| 2 | 93-7996-01 | 1 | Cover-Tower | 19 | 115-8040 | 1 | Rear Frame ASM |
| 3 | 106-5950 | 1 | RH Fender ASM | 19:2 | 115-2047 | 1 | Decal-Surface, Hot |
| 3:2 | 32148-6 | 2 | Nut-Clinch | 21 | 106-5951 | 1 | LH Fender ASM |
| 3:3 | 32148-7 | 5 | Nut-Clinch | 21:2 | 32148-7 | 6 | Nut-Clinch |
| 3:4 | 93-6686 | 1 | Decal-Oil, HYD | 21:3 | 93-6680 | 1 | Decal-Diesel |
| 3:5 | 93-6689 | 1 | Decal-No Riders | 21:4 | 93-6689 | 1 | Decal-No Riders |
| 4 | 105-3301 | 1 | Latch ASM | 22 | 3234-5 | 10 | Screw-HHF |
| 6 | 3234-38 | 12 | Screw-HHF | 23 | 108-4407 | 1 | Front Frame ASM |
| 7 | 65-5100 | 2 | Handle-Door | 24 | 75-1390-01 | 1 | Cover-Access, Front |
| 8 | 3269-8 | 8 | Rivet-Blind | 25 | 75-1410-01 | 1 | Plate-Access, Floor |
| 9 | 59-9740 | 2 | Flex Draw Latch ASM | 26 | 75-0630 | 1 | Tread-Foot, Center |
| 9:2 | 249-40 | 1 | Keeper | 27 | 93-9425 | 1 | Decal-Danger |
| 10 | 3256-78 | 4 | Washer-Flat | 28 | 117-2718 | 1 | Decal-Arrester, Spark |
| 11 | 46-8091 | 4 | Screw-HWH | 30 | 3234-7 | 9 | Screw-HHF |
| 12 | 3269-10 | 4 | Washer-Back | 31 | 66-6480 | 4 | Washer |
| 13 | 92-7633 | 1 | Bumper-Hood | 32 | 3274-83 | 2 | Screw-HSH |
| 14 | 106-7064 | 2 | Decal | 33 | 32128-20 | 4 | Nut-HF |
| 15 | 105-0130 | 1 | Hood | 34 | 93-7252 | 1 | Decal |
| 16 | 3290-467 | 2 | Pin-Hair | 35 | 99-8970 | 1 | Key-Latch, Hood |
| 17 | 93-7582 | 1 | Hose | 36 | 98-9321 | 1 | Ring-Key |



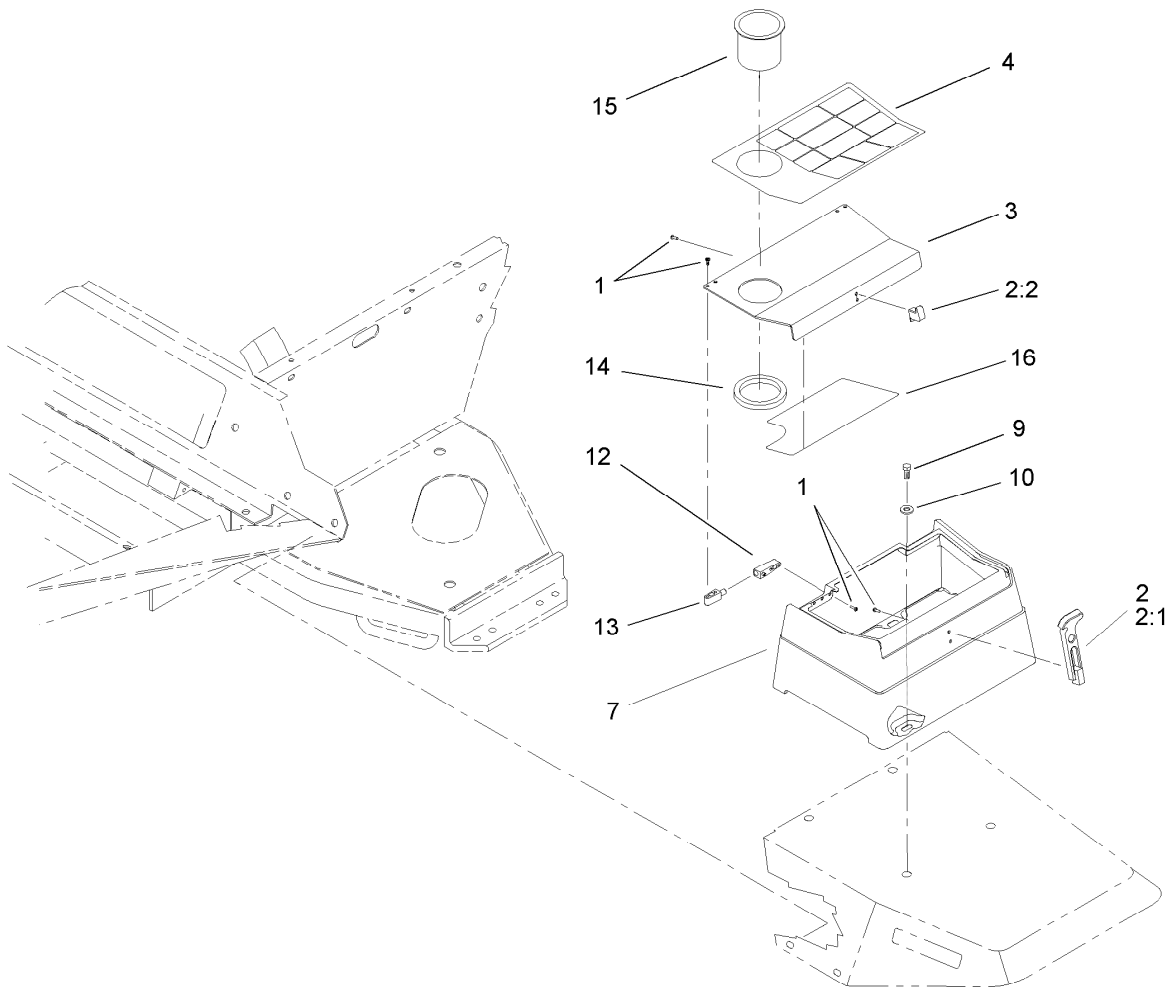
Frame and Body Assembly (continued)

| <i>Ref.</i> | <i>Part Number</i> | <i>Qty.</i> | <i>Description</i> | <i>Ref.</i> | <i>Part Number</i> | <i>Qty.</i> | <i>Description</i> |
|-------------|--------------------|-------------|--------------------|-------------|--------------------|-------------|--------------------|
| 37 | 74-5950 | 2 | Latch-Swell | 40 | 106-6754 | 1 | Decal-Danger |
| 38 | 104-1453 | 1 | Grommet | 42 | 66-6140 | 2 | Decal |



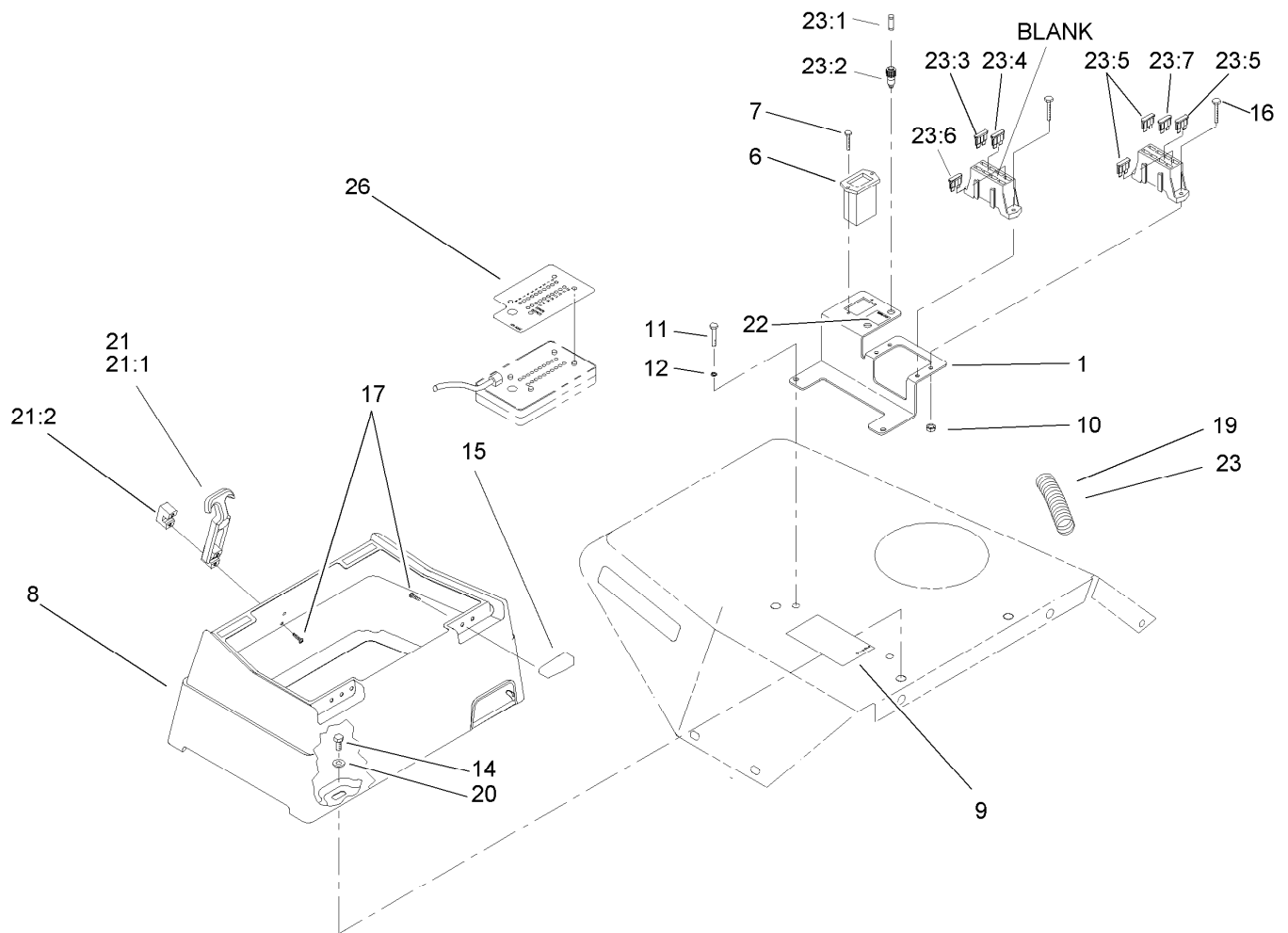
Front Frame Assembly No. 108-4407

| <i>Ref.</i> | <i>Part Number</i> | <i>Qty.</i> | <i>Description</i> |
|-------------|--------------------|-------------|--------------------|
| 2 | 93-7592 | 2 | Tread-Rest, Foot |
| 3 | 75-0620 | 1 | Tread-Foot, LH |
| 4 | 104-5223 | 1 | Tread-Foot, RH |
| 5 | 93-6693 | 1 | Decal-Plate, Floor |
| 6 | 93-6699 | 1 | Decal-Fast / Slow |
| 7 | 105-7506 | 1 | Decal-Switch, Key |
| 10 | 106-7793-01 | 2 | Plate-Mount, Tube |
| 11 | 322-3 | 7 | Screw-HH |
| 12 | 32128-20 | 7 | Nut-HF |



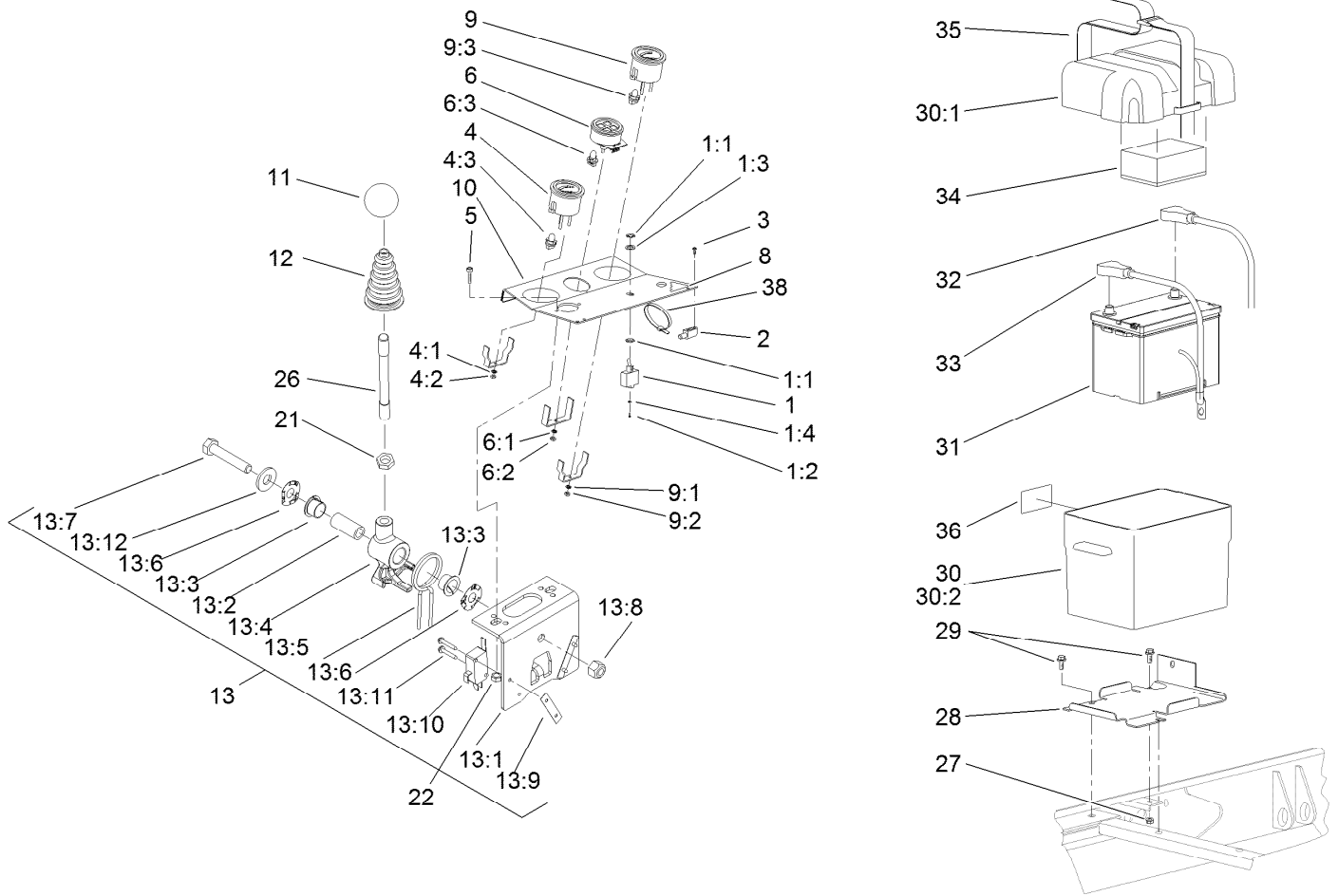
Tool Box Assembly

| <i>Ref.</i> | <i>Part Number</i> | <i>Qty.</i> | <i>Description</i> |
|-------------|--------------------|-------------|-------------------------|
| 1 | 32144-1 | 12 | Screw-Taptite |
| 2 | 94-5626 | 1 | Flexible Draw Latch ASM |
| 2:1 | 103-4080 | 1 | Latch-Rubber |
| 2:2 | 103-4081 | 1 | Latch-Keeper |
| 3 | 104-1489-03 | 1 | Cover-Toolbox |
| 4 | 115-2046 | 1 | Decal-Warning, CE |
| 4 | 115-2045 | 1 | Decal-Warning, Ansi |
| 7 | 104-0026 | 1 | Toolbox |
| 9 | 322-4 | 4 | Screw-HH |
| 10 | 3256-3 | 4 | Washer-Flat |
| 12 | 104-1496 | 2 | Hinge-Pin |
| 13 | 104-1497 | 2 | Hinge-Receiver |
| 14 | 104-1476 | 1 | Ring-Rubber |
| 15 | 94-1410 | 1 | Holder-Can, Beverage |
| 16 | 115-2048 | 1 | Decal-Quick Reference |



Control Console Assembly

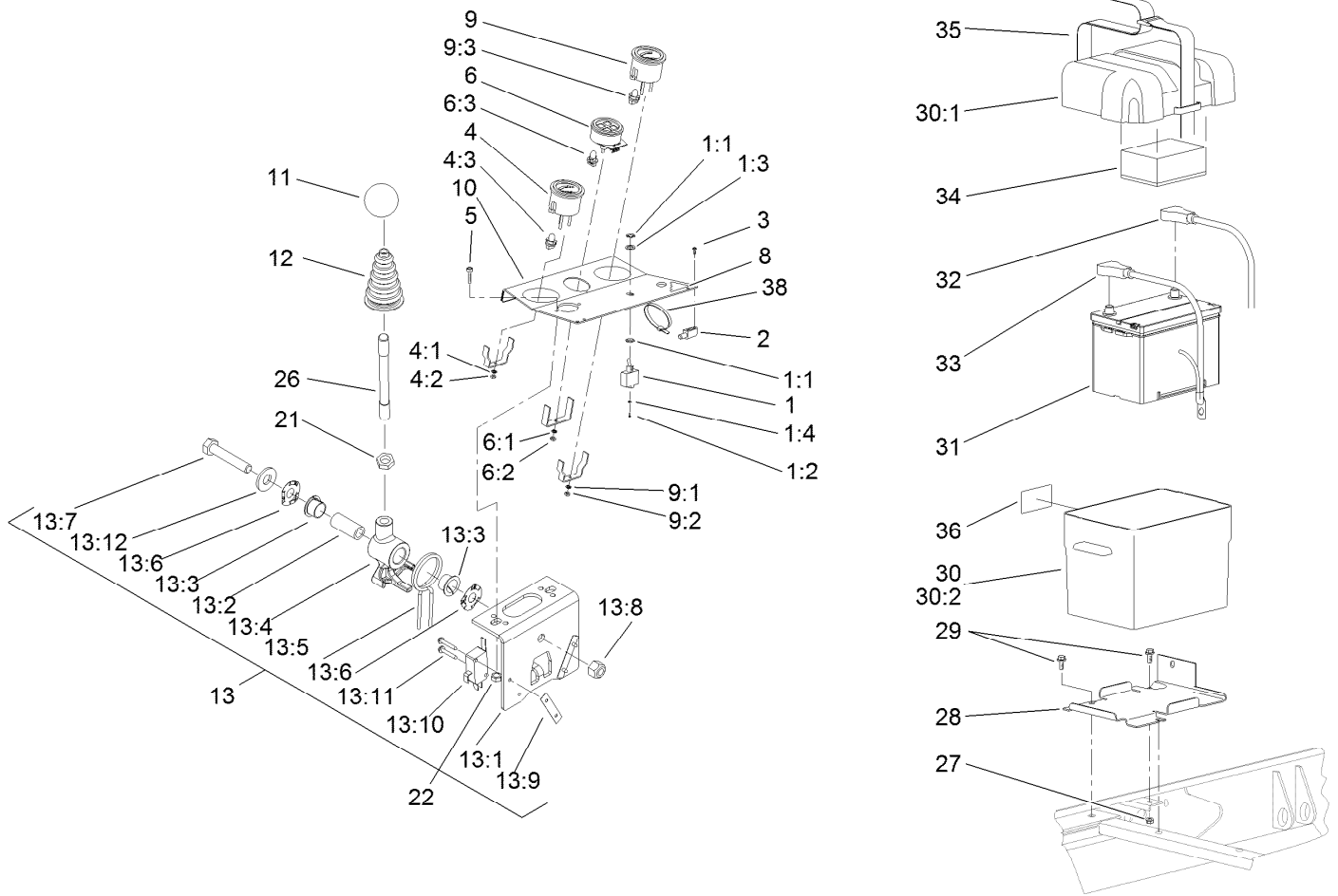
| <i>Ref.</i> | <i>Part Number</i> | <i>Qty.</i> | <i>Description</i> | <i>Ref.</i> | <i>Part Number</i> | <i>Qty.</i> | <i>Description</i> |
|-------------|--------------------|-------------|----------------------------|-------------|--------------------|-------------|---------------------------------|
| 1 | 105-0137-03 | 1 | Bracket-Block, Fuse | 21 | 94-5626 | 1 | Flexible Draw Latch ASM |
| 6 | 75-6820 | 1 | Hourmeter | 21:1 | 103-4080 | 1 | Latch-Rubber |
| 7 | 32144-18 | 2 | Screw-HWH | 21:2 | 103-4081 | 1 | Latch-Keeper |
| 8 | 104-0027 | 1 | Box-Control | 22 | 104-9298 | 1 | Decal-Controller |
| 9 | 104-5229 | 1 | Decal-Fuses, CE | 23 | 105-0119 | 1 | Harness-Wire, Console |
| 10 | 3296-2 | 4 | Nut-Lock, NI | 23:1 | 219-19 | 1 | Lamp-Green |
| 11 | 321-4 | 2 | Screw-HH | 23:2 | 85-4491 | 1 | Light-Indicator (Includes Lamp) |
| 12 | 3253-3 | 2 | Washer-Lock | 23:3 | 94-9157 | 1 | Fuse-Blade, 4 Amp |
| 14 | 322-4 | 3 | Screw-HH | 23:4 | 114241 | 1 | Fuse-Blade, 7.5 Amp |
| 15 | 104-1497 | 2 | Hinge-Receiver | 23:5 | 218-578 | 3 | Fuse-Blade, 10 Amp |
| 16 | 32105-13 | 4 | Screw-HWH | 23:6 | 109355 | 1 | Fuse-Blade, 15 Amp |
| 17 | 32144-1 | 6 | Screw-Taptite | 23:7 | 109101 | 1 | Fuse-Blade, 20 Amp |
| 19 | 94-6343 | 1 | Decal-Identification, Wire | 26 | 119-6985 | 1 | Decal-Overlay, Diagnostic |
| 20 | 3256-3 | 3 | Washer-Flat | | | | |



Control Console and Battery Assembly

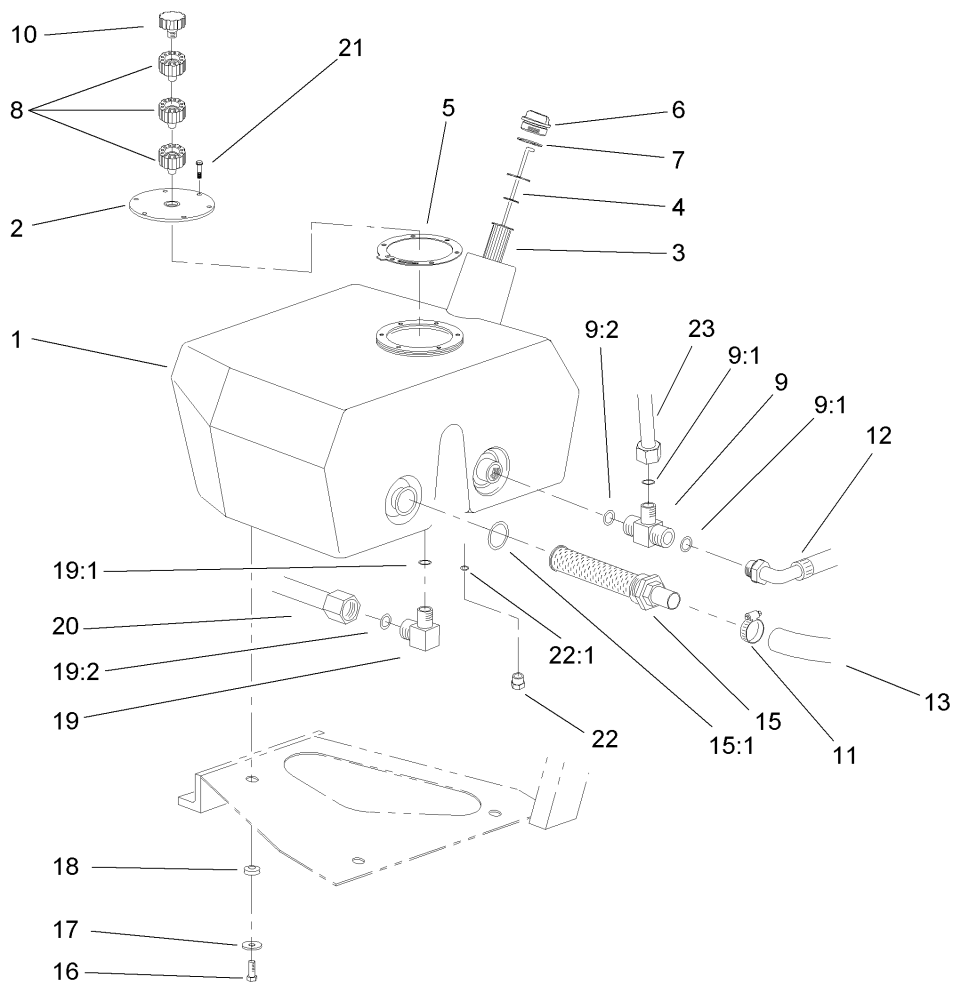
| Ref. | Part Number | Qty. | Description |
|------|-------------|------|------------------------|
| 1 | 99-8352 | 1 | Switch-Backlap, Master |
| 1:1 | 218-498 | 2 | Nut-Lock |
| 1:2 | 218-588 | 3 | Screw |
| 1:3 | 218-589 | 1 | Washer |
| 1:4 | 3253-19 | 3 | Washer-Lock |
| 2 | 104-1496 | 2 | Hinge-Pin |
| 3 | 32144-1 | 4 | Screw-Taptite |
| 4 | 98-9339 | 1 | Gauge-Fuel |
| 4:1 | 3254-1 | 3 | Washer-Lock, Int |
| 4:2 | 3217-27 | 3 | Nut-Hex |
| 4:3 | 105-9265 | 1 | Bulb And Lamp ASM |
| 5 | 3258-166 | 2 | Screw-PRH |
| 6 | 112-6561 | 1 | Warning Light ASM |
| 6:1 | 3254-1 | 1 | Washer-Lock, Int |
| 6:2 | 3217-27 | 1 | Nut-Hex |
| 6:3 | 105-9264 | 4 | Bulb And Lamp ASM |
| 8 | 104-9296 | 1 | Decal-Control |
| 9 | 98-9308 | 1 | Gauge-Temperature |
| 9:1 | 3254-1 | 3 | Washer-Lock, Int |
| 9:2 | 3217-27 | 3 | Nut-Hex |
| 9:3 | 105-9265 | 1 | Bulb And Lamp ASM |

| Ref. | Part Number | Qty. | Description |
|-------|-------------|------|-----------------------|
| 10 | 104-9251-03 | 1 | Plate-Instrument |
| 11 | 233-42 | 1 | Knob |
| 12 | 93-5961 | 1 | Boot-Lever |
| 13 | 106-4167 | 1 | Joystick Bracket ASM |
| 13:1 | 115-5357-03 | 1 | Bracket-Joystick |
| 13:2 | 106-4192 | 1 | Spacer |
| 13:3 | 93-5547 | 2 | Bushing-Nylon |
| 13:4 | 105-7507 | 1 | Hub-Pivot, Joystick |
| 13:5 | 105-8289 | 1 | Spring-Torsion |
| 13:6 | 106-4193 | 2 | Washer-Finger, Spring |
| 13:7 | 322-9 | 1 | Screw-HH |
| 13:8 | 3296-29 | 1 | Nut-Lock, NI |
| 13:9 | 3290-354 | 2 | Nut-Speed |
| 13:10 | 108-6496 | 2 | Switch (W/Boot) |
| 13:11 | 95-3003 | 4 | Screw-PPHTF |
| 13:12 | 3256-3 | 1 | Washer-Flat |
| 21 | 3218-3 | 1 | Nut-Jam |
| 22 | 32128-33 | 2 | Nut-HF |
| 26 | 105-7508 | 1 | Lever-Joystick |
| 27 | 3296-29 | 1 | Nut-Lock, NI |
| 28 | 93-7974-03 | 1 | Plate-Box, Battery |



Control Console and Battery Assembly (continued)

| <i>Ref.</i> | <i>Part Number</i> | <i>Qty.</i> | <i>Description</i> | <i>Ref.</i> | <i>Part Number</i> | <i>Qty.</i> | <i>Description</i> |
|-------------|--------------------|-------------|----------------------------------|-------------|--------------------|-------------|-------------------------|
| 29 | 3234-5 | 3 | Screw-HHF | 32 | 105-0114 | 1 | Cable-Battery, Positive |
| 30 | 93-7595 | 1 | Battery Box ASM | 33 | 105-0115 | 1 | Cable-Battery, Negative |
| 30:1 | 105-2914 | 1 | Top-Battery Box | 34 | 93-7968 | 1 | Pad-Foam |
| 30:2 | 105-2915 | 1 | Bottom-Battery Box | 35 | 3339-175 | 1 | Strapping-Web |
| 31 | 106-5190 | 1 | Battery, 660 CCA W/O Electrolyte | 36 | 93-6668 | 1 | Decal-Battery |
| | | | | 38 | 3290-378 | 2 | Tie-Cable |

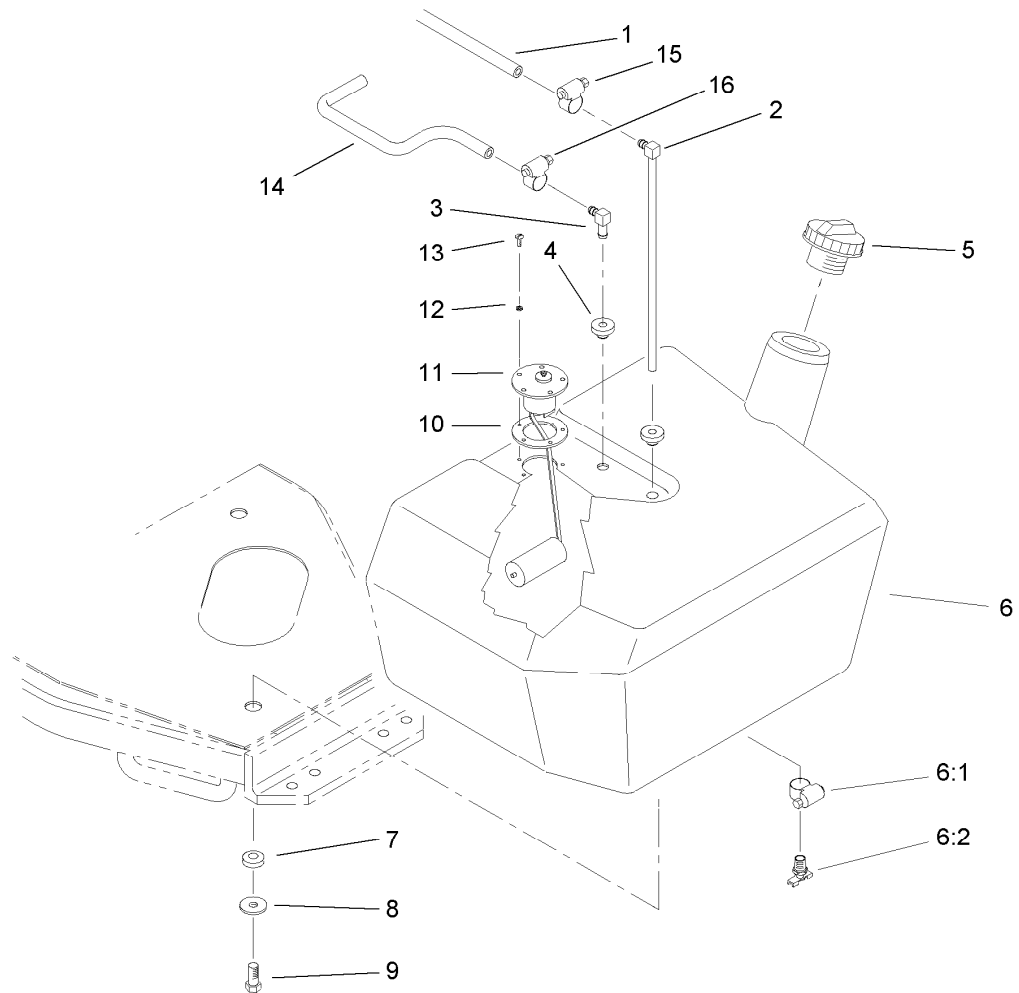


Hydraulic Filter and Reservoir Assembly

| Ref. | Part Number | Qty. | Description |
|------|-------------|------|----------------------|
| 1 | 117-8982 | 1 | Tank-Hydraulic |
| 2 | 99-2580 | 1 | Cover-Tank |
| 3 | 61-2790 | 1 | Filter-Screen |
| 4 | 119-6968 | 1 | Dipstick-Oil |
| 5 | 93-7499 | 1 | Gasket |
| 6 | 93-7498 | 1 | Plug-Plastic |
| 7 | 94-8166 | 1 | O-Ring |
| 8 | 92-8020 | 3 | Adapter-Breather |
| 9 | 104-3795 | 1 | Fitting-Tee |
| 9:1 | 340-65 | 2 | O-Ring |
| 9:2 | 237-146 | 1 | O-Ring |
| 10 | 68-6150 | 1 | Breather |
| 11 | 2412-111 | 1 | Clamp-Hose, W/Liner |
| 12 | 104-3790 | 1 | Pump Return Hose ASM |
| 13 | 104-3792 | 1 | Hose-Suction |

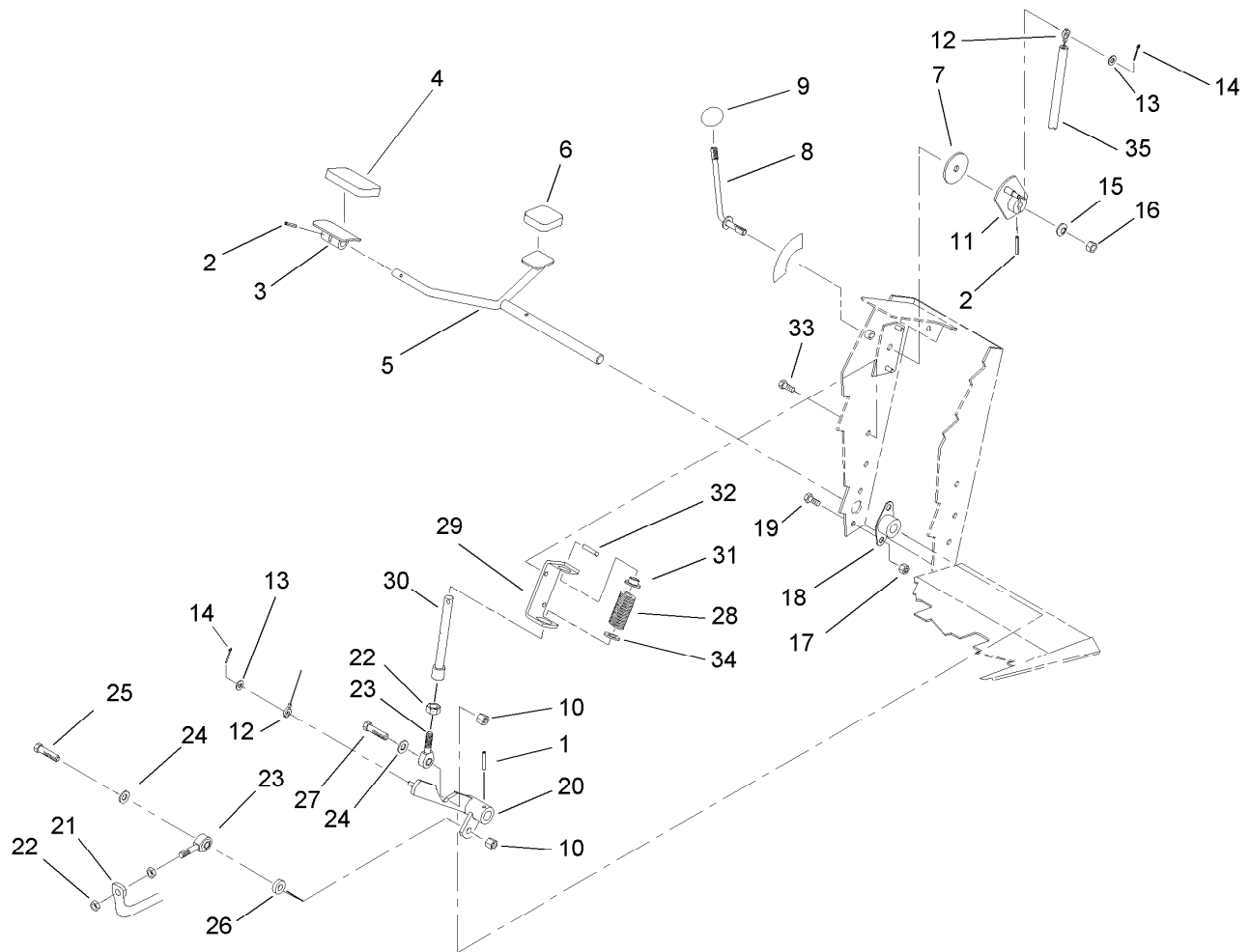
| Ref. | Part Number | Qty. | Description |
|------|-------------|------|-----------------------|
| 15 | 105-0131 | 1 | Strainer-Tank, Oil |
| 15:1 | 340-136 | 1 | O-Ring |
| 16 | 33105-025 | 3 | Screw-HHF |
| 17 | 63-8410 | 3 | Washer |
| 18 | 240-11 | 3 | Bushing-Flange |
| 19 | 340-98 | 1 | Fitting-Elbow, 90 DEG |
| 19:1 | 237-79 | 1 | O-Ring |
| 19:2 | 237-30 | 1 | O-Ring |
| 20 | 92-7478 | 1 | RH Motor Tube ASM |
| 21 | 33104-020 | 6 | Screw-HHF |
| 22 | 353-508 | 1 | Plug-HH |
| 22:1 | 237-42 | 1 | O-Ring |
| 23 | 104-3748 | 1 | HYD Tank Tube ASM |
| 23:1 | 340-65 | 1 | O-Ring ● |

● Not illustrated



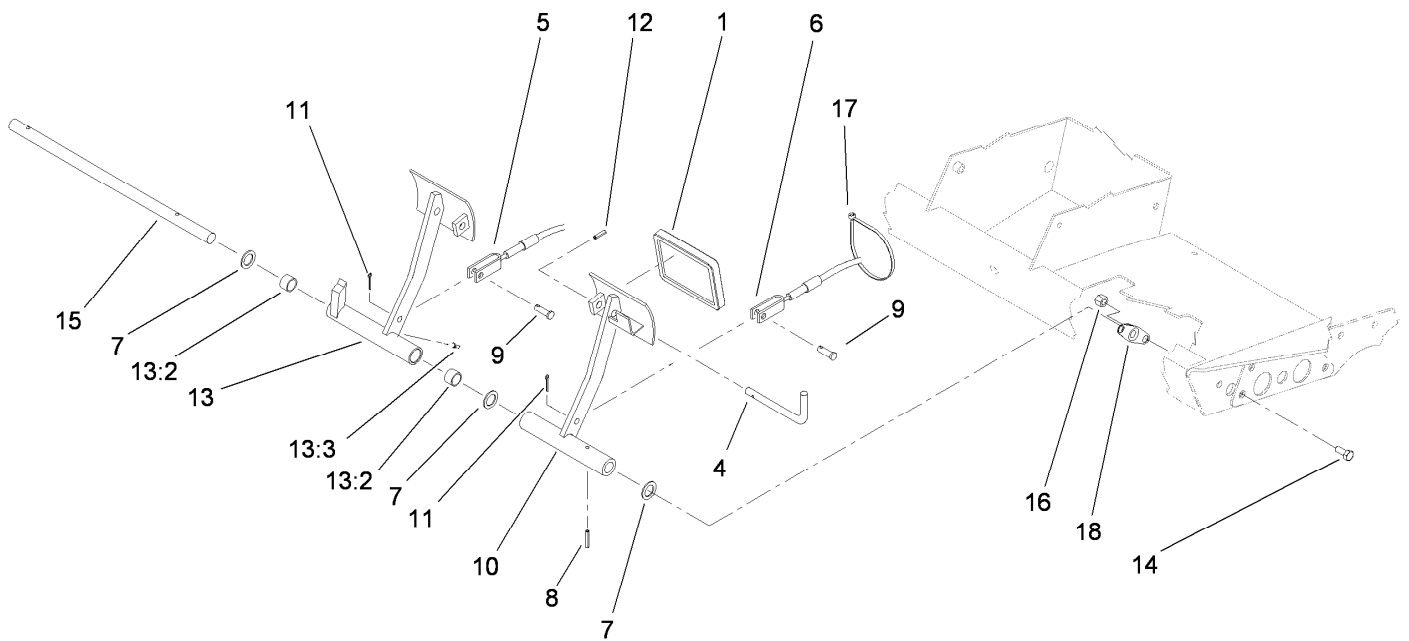
Fuel Tank Assembly

| <i>Ref.</i> | <i>Part Number</i> | <i>Qty.</i> | <i>Description</i> |
|-------------|--------------------|-------------|-----------------------|
| 1 | 115-2038 | 1 | Hose-Fuel |
| 2 | 110-9689 | 1 | Pipe-Stand |
| 3 | 104-5228 | 1 | Fitting-Elbow, 90 DEG |
| 4 | 46-6560 | 2 | Bushing |
| 5 | 115-5305 | 1 | Cap-Fuel |
| 6 | 105-7949 | 1 | Tank-Fuel |
| 6:1 | 2412-36 | 1 | Clamp-Hose |
| 6:2 | 304-46 | 1 | Draincock |
| 7 | 240-11 | 3 | Bushing-Flange |
| 8 | 63-8410 | 3 | Washer |
| 9 | 33105-025 | 3 | Screw-HHF |
| 10 | 62-7650 | 1 | Gasket |
| 11 | 63-7640 | 1 | Sender-Fuel |
| 12 | 3253-15 | 5 | Washer-Lock |
| 13 | 32122-24 | 5 | Screw-PTH |
| 14 | 110-4102 | 1 | Hose-Fuel |
| 15 | 92-2379 | 1 | Clamp-Hose |
| 16 | 2412-80 | 1 | Clamp-Hose |



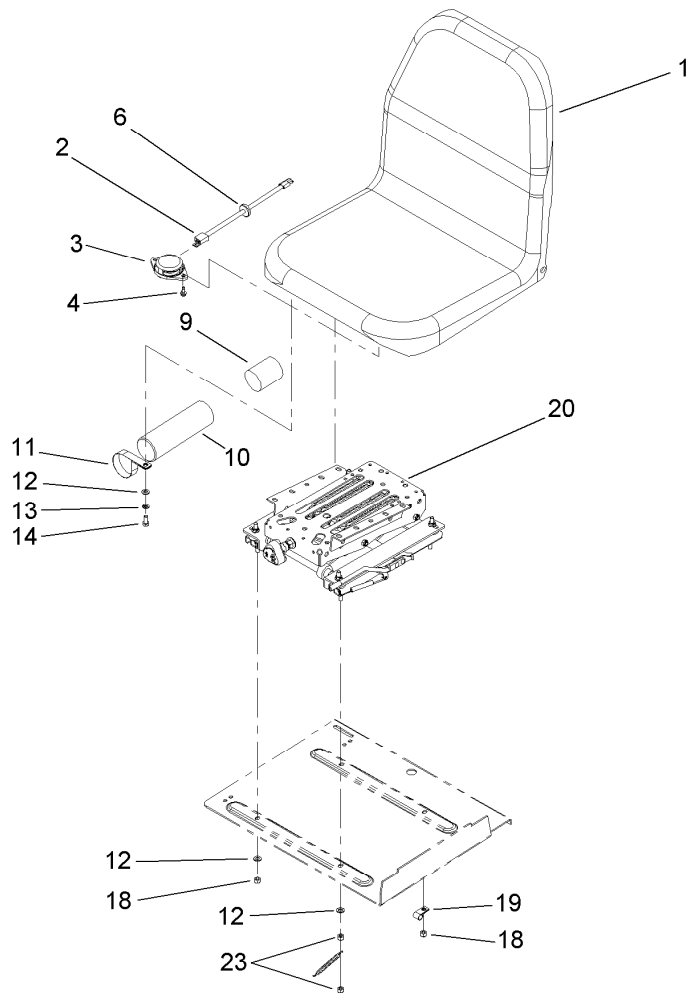
Traction Pedal Assembly

| <i>Ref.</i> | <i>Part Number</i> | <i>Qty.</i> | <i>Description</i> | <i>Ref.</i> | <i>Part Number</i> | <i>Qty.</i> | <i>Description</i> |
|-------------|--------------------|-------------|-----------------------|-------------|--------------------|-------------|---------------------|
| 1 | 32121-6 | 1 | Pin-Roll, Slotted | 19 | 322-3 | 4 | Screw-HH |
| 2 | 32121-45 | 2 | Pin-Spring | 20 | 75-3270-03 | 1 | Hub-Pivot, Traction |
| 3 | 117-9507 | 1 | Pedal-Accelerator | 21 | 100-3893-03 | 1 | Tube-Control, Pump |
| 4 | 74-9100 | 1 | Pad-Pedal, Forward | 22 | 3220-3 | 3 | Nut-HJ |
| 5 | 75-2970 | 1 | Pedal-Traction | 23 | 2411-36 | 2 | Bearing-End, Rod |
| 6 | 74-9110 | 1 | Pad-Pedal, Reverse | 24 | 3256-24 | 2 | Washer-Flat |
| 7 | 75-6550 | 1 | Disc-Friction | 25 | 323-8 | 1 | Screw-HH |
| 8 | 75-6490 | 1 | Lever ASM | 26 | 5-0652 | 1 | Spacer |
| 9 | 233-42 | 1 | Knob | 27 | 323-29 | 1 | Screw-HH |
| 10 | 3296-59 | 2 | Nut-Lock, NI | 28 | 60-5700 | 1 | Spring |
| 11 | 112-5084 | 1 | Bracket-Lever | 29 | 92-7608-03 | 1 | Bracket-Spring |
| 12 | 75-6580 | 1 | Cable-Pedal | 30 | 92-7609 | 1 | Shaft-Spring |
| 13 | 3256-22 | 2 | Washer-Flat | 31 | 92-7610 | 1 | Retainer-Spring |
| 14 | 3272-2 | 2 | Pin-Cotter | 32 | 32121-11 | 1 | Pin-Roll |
| 15 | 3290-461 | 1 | Washer-Spring | 33 | 32144-14 | 2 | Screw-HWHTF |
| 16 | 3296-59 | 1 | Nut-Lock, NI | 34 | 3256-5 | 1 | Washer-Flat |
| 17 | 32128-20 | 4 | Nut-HF | 35 | 95-7151 | 1 | Tube-Convolute |
| 18 | 256-236 | 2 | Bearing-Mount, Flange | | | | |



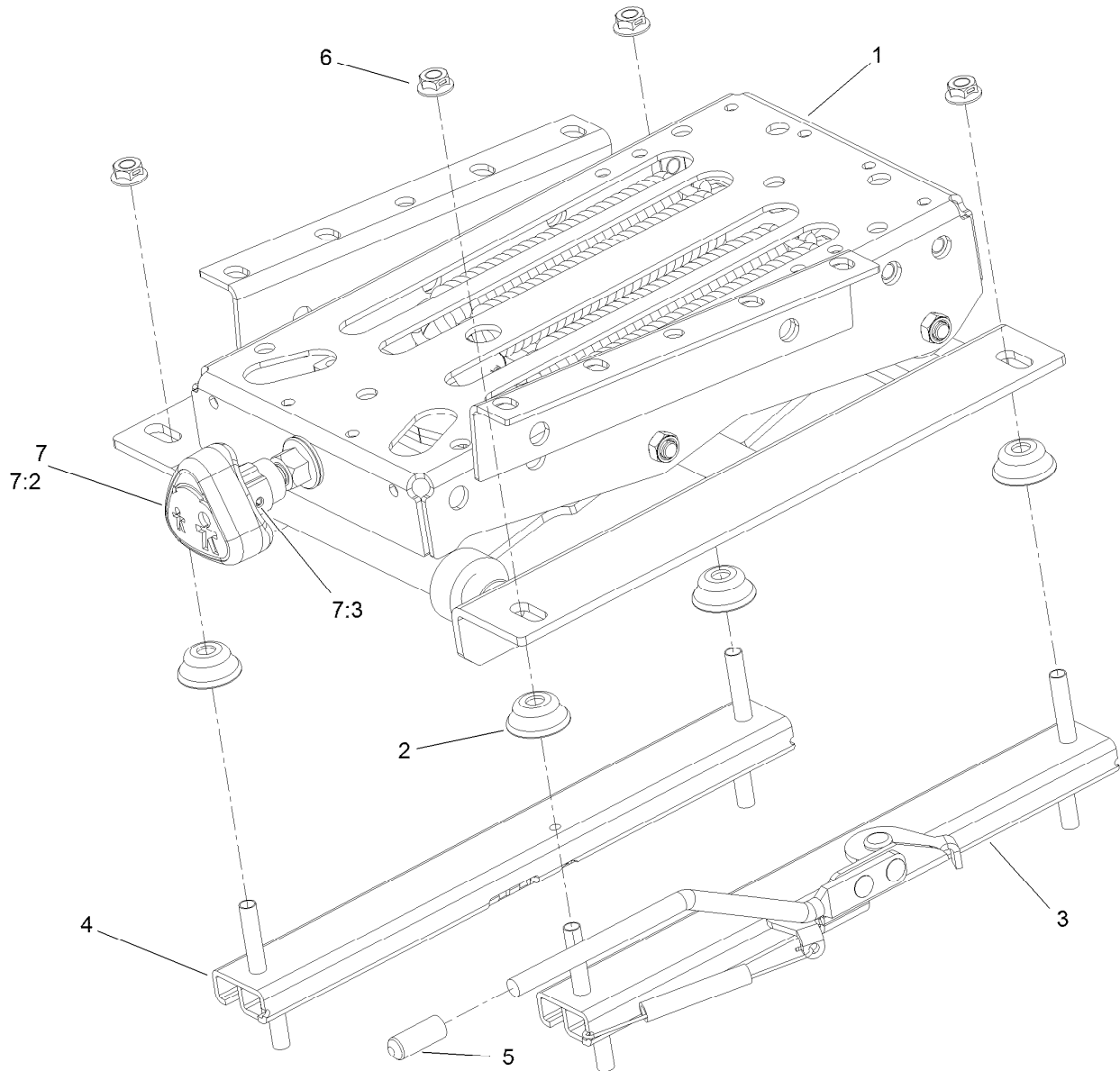
Brake Pedal Assembly

| <i>Ref.</i> | <i>Part Number</i> | <i>Qty.</i> | <i>Description</i> |
|-------------|--------------------|-------------|-----------------------|
| 1 | 93-8742 | 2 | Footpad-Brake |
| 4 | 63-7880 | 1 | Pin-Latch, Brake |
| 5 | 92-7530 | 1 | Cable-Brake, LH |
| 6 | 92-7529 | 1 | Cable-Brake, RH |
| 7 | 3256-69 | 3 | Washer-Flat |
| 8 | 32121-16 | 1 | Pin-Spring |
| 9 | 283-58 | 2 | Pin-Clevis |
| 10 | 75-1440-03 | 1 | Pedal-Brake, LH |
| 11 | 3272-10 | 2 | Pin-Cotter |
| 12 | 32121-50 | 1 | Pin-Spring |
| 13 | 75-1430 | 1 | RH Brake Pedal ASM |
| 13:2 | 256-42 | 2 | Bushing |
| 13:3 | 302-5 | 1 | Fitting-Grease |
| 14 | 322-3 | 4 | Screw-HH |
| 15 | 75-1470 | 1 | Pin-Pivot, Brake |
| 16 | 32128-20 | 4 | Nut-HF |
| 17 | 3290-378 | 1 | Tie-Cable |
| 18 | 256-236 | 2 | Bearing-Mount, Flange |



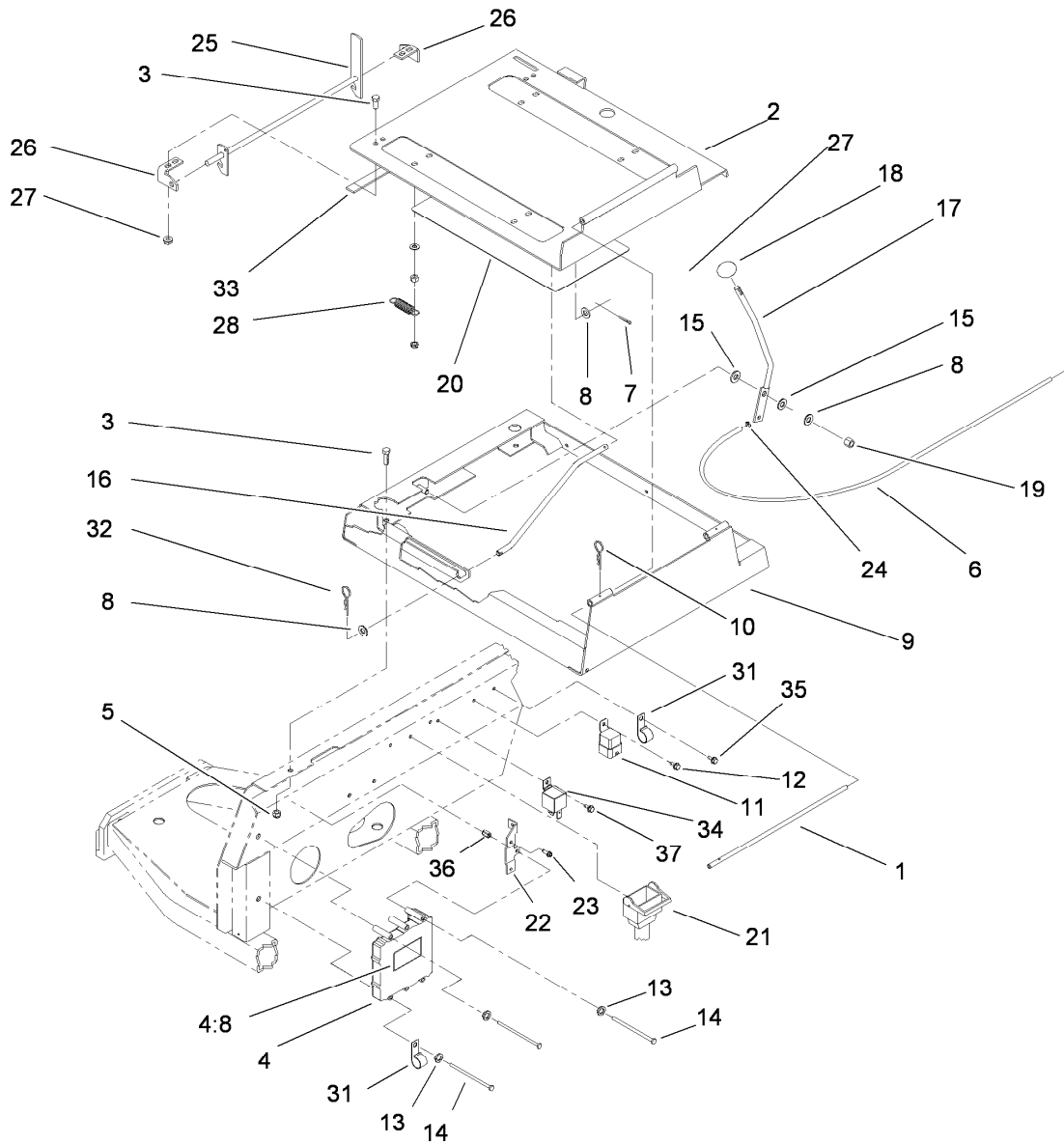
Seat and Suspension Assembly

| <i>Ref.</i> | <i>Part Number</i> | <i>Qty.</i> | <i>Description</i> |
|-------------|--------------------|-------------|---------------------------|
| 1 | 104-4620 | 1 | Seat |
| 2 | 106-7090 | 1 | Harness-Wire, Seat Switch |
| 3 | 112-6566 | 1 | Switch-Seat |
| 4 | 32144-10 | 2 | Screw-HWH |
| 6 | 240-5 | 1 | Grommet |
| 9 | 104-7048 | 1 | Cap-Housing |
| 10 | 104-7050 | 1 | Tube-Manual |
| 11 | 2412-133 | 2 | Clamp-R |
| 12 | 3256-23 | 8 | Washer-Plain |
| 13 | 3253-4 | 4 | Washer-Lock |
| 14 | 322-3 | 4 | Screw-HH |
| 18 | 3296-29 | 3 | Nut-Lock, NI |
| 19 | 2412-93 | 1 | Clamp-R |
| 20 | 110-9730 | 1 | Seat Suspension ASM |
| 23 | 3296-47 | 3 | Nut-Lock,NI |



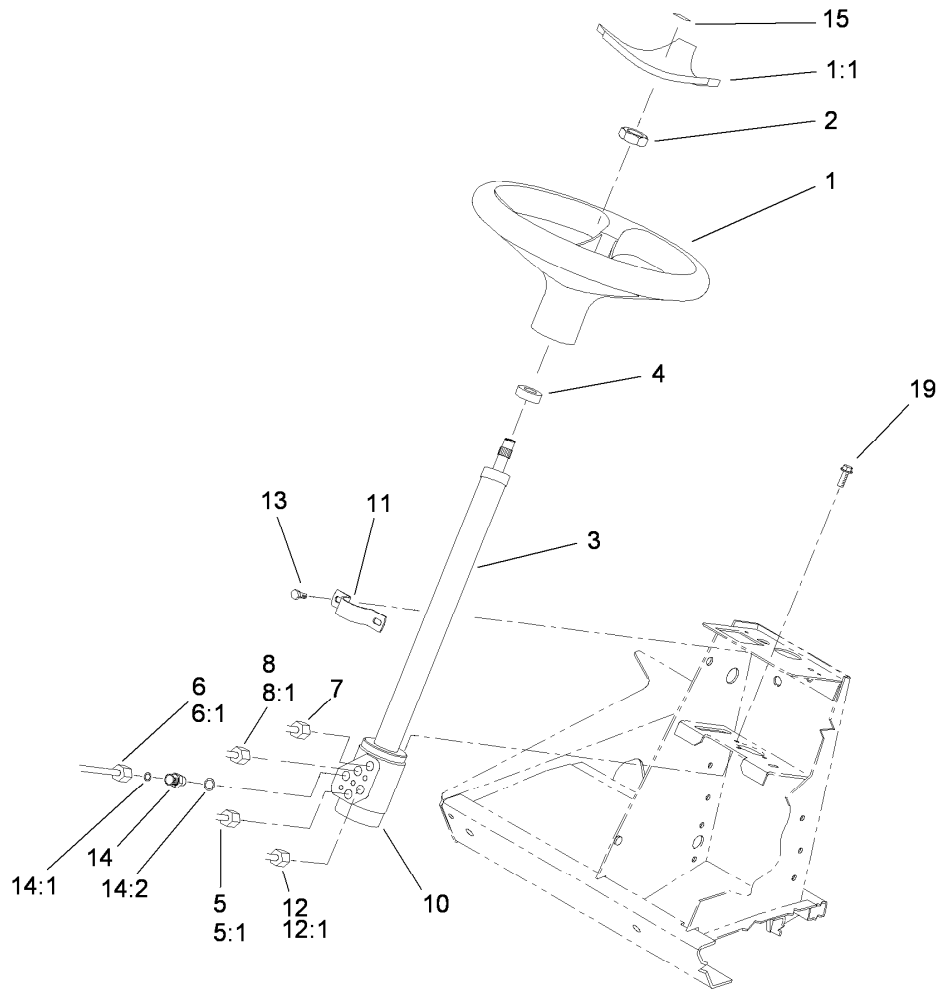
Seat Suspension Assembly No. 110-9730

| Ref. | Part Number | Qty. | Description |
|------|-------------|------|---------------------------|
| 1 | 110-9737 | 1 | Suspension-Seat |
| 2 | 108-6704 | 4 | Spacer-Suspension |
| 3 | 108-6702 | 1 | Adjuster-Seat, W/Handle |
| 4 | 108-6703 | 1 | Adjuster-Seat |
| 5 | 75-3570 | 1 | Tip-Vinyl |
| 6 | 32128-25 | 4 | Nut-HF |
| 7 | 106-1031 | 1 | Tension Adjuster Knob ASM |
| 7:2 | 106-8093 | 1 | Knob-Adjust, Tension |
| 7:3 | 32121-45 | 1 | Pin-Spring |



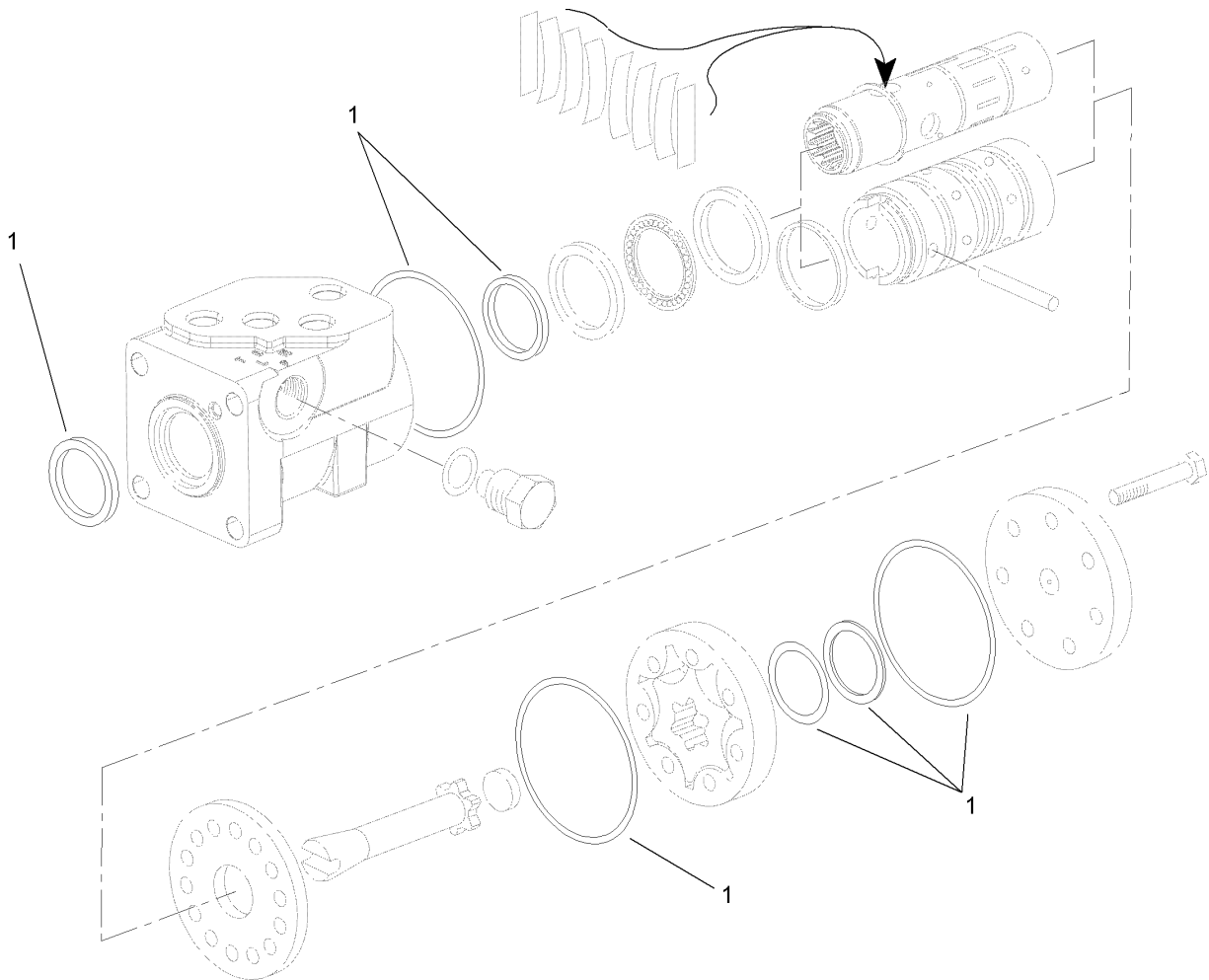
Seat Frame and Throttle Assembly

| Ref. | Part Number | Qty. | Description | Ref. | Part Number | Qty. | Description |
|------|-------------|------|-------------------|------|-------------|------|--------------------------------|
| 1 | 75-3400 | 1 | Shaft-Pivot, Seat | 19 | 3296-39 | 1 | Nut-Lock, NI |
| 2 | 110-0453-03 | 1 | Seat Plate ASM | 20 | 115-2049 | 1 | Decal-Solenoid Information, CE |
| 3 | 3234-5 | 8 | Screw-HHF | 21 | 114-3976 | 1 | Harness-Wire |
| 4 | 92-5720 | 1 | Controller | 22 | 106-7789-03 | 1 | Bracket-Controller |
| 4:8 | 93-8053 | 1 | Decal | 23 | 49-2040 | 2 | Screw-HWHTF |
| 5 | 104-8300 | 4 | Nut-HF, NI | 24 | 52-5910 | 1 | Ring-Retaining |
| 6 | 105-0102 | 1 | Cable-Throttle | 25 | 98-2354-03 | 1 | Latch-Seat |
| 7 | 3272-10 | 1 | Pin-Cotter | 26 | 98-2353 | 2 | Bracket-Latch, Seat |
| 8 | 3256-24 | 3 | Washer-Flat | 27 | 32128-25 | 4 | Nut-HF |
| 9 | 98-2352-03 | 1 | Frame-Seat | 28 | 66-4190 | 1 | Spring-Idler, Clutch |
| 10 | 3290-467 | 1 | Pin-Hair | 31 | 2412-150 | 2 | Clip-J |
| 11 | 70-1480 | 1 | Relay | 32 | 3290-307 | 1 | Pin-Cotter |
| 12 | 32144-10 | 1 | Screw-HWH | 33 | 94-8146 | 1 | Strip-Foam |
| 13 | 3253-3 | 3 | Washer-Lock | 34 | 99-7435 | 1 | Relay |
| 14 | 321-14 | 3 | Screw-HH | 35 | 32144-11 | 1 | Screw-HWH |
| 15 | 66-2920 | 2 | Washer-Friction | 36 | 32148-6 | 1 | Nut-Clinch |
| 16 | 75-3690 | 1 | Rod-Frame, Seat | 37 | 32144-1 | 1 | Screw-Taptite |
| 17 | 93-7598 | 1 | Lever-Throttle | | | | |
| 18 | 233-42 | 1 | Knob | | | | |



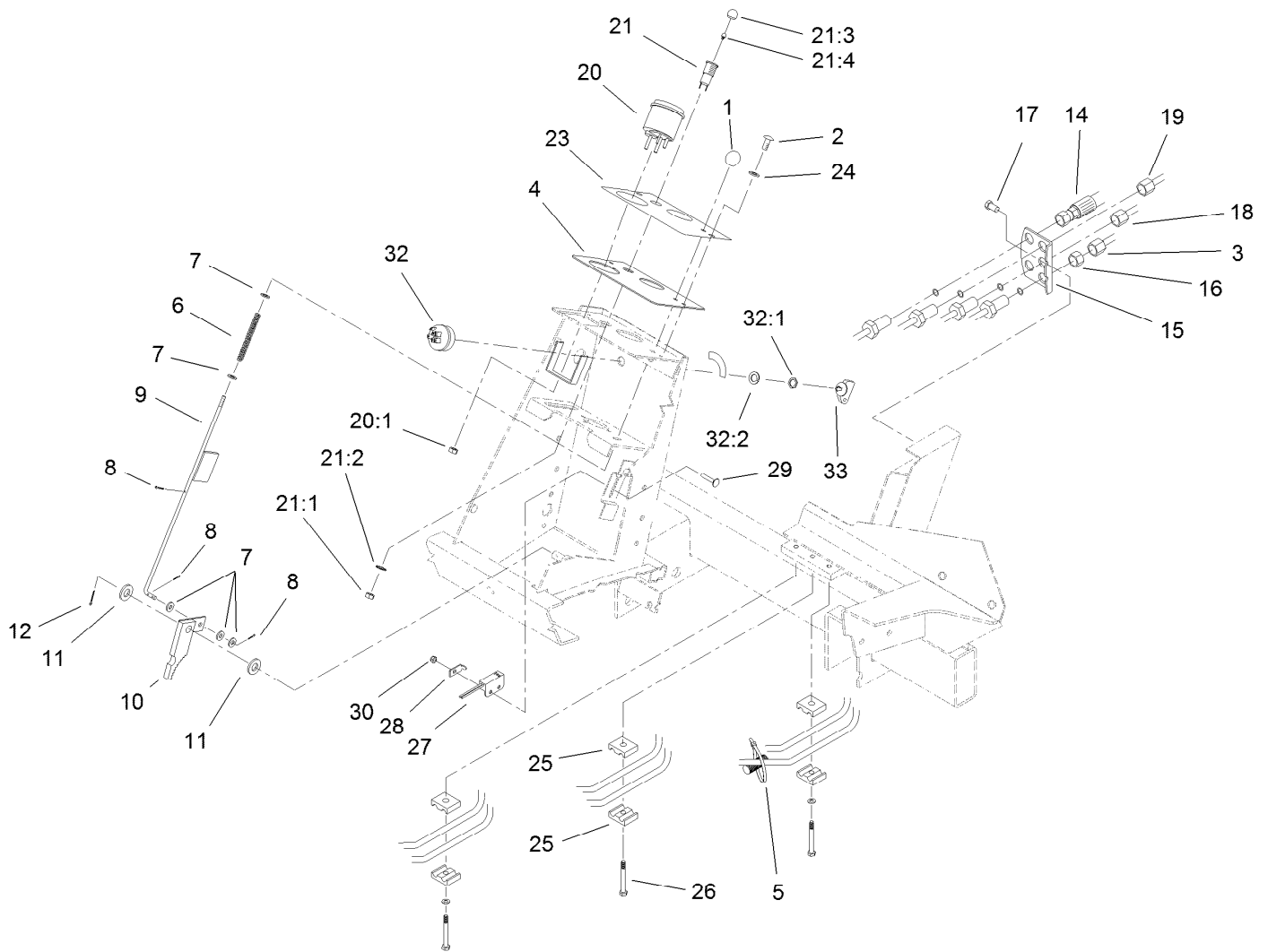
Steering Wheel Assembly

| Ref. | Part Number | Qty. | Description |
|------|-------------|------|-----------------------------|
| 1 | 98-1471 | 1 | Wheel-Steering |
| 1:1 | 98-1468 | 1 | Cover-Wheel, Steering |
| 2 | 107-2562 | 1 | Nut-Hex |
| 3 | 94-9951 | 1 | Column-Steering |
| 4 | 21-9260 | 1 | Cover-Dust |
| 5 | 94-3059 | 1 | HYD Tube ASM |
| 5:1 | 237-22 | 1 | O-Ring |
| 6 | 104-3733 | 1 | Front In Straight Tube ASM |
| 6:1 | 237-22 | 1 | O-Ring |
| 7 | 104-3737 | 1 | Front Out Straight Tube ASM |
| 8 | 94-3060 | 1 | HYD Tube ASM |
| 8:1 | 237-22 | 1 | O-Ring |
| 10 | 114-5073 | 1 | Steering Control ASM |
| 11 | 75-2810 | 1 | Bracket-Column, Steering |
| 12 | 94-3071 | 1 | HYD Tube ASM |
| 12:1 | 237-22 | 1 | O-Ring |
| 13 | 3234-7 | 2 | Screw-HHF |
| 14 | 340-2 | 5 | Fitting-Straight |
| 14:1 | 237-22 | 1 | O-Ring |
| 14:2 | 237-42 | 1 | O-Ring |
| 15 | 98-1459 | 1 | Decal |
| 19 | 33103-020 | 3 | Screw-HHF |



Steering Valve Assembly No. 114-5073

| <i>Ref.</i> | <i>Part Number</i> | <i>Qty.</i> | <i>Description</i> |
|-------------|--------------------|-------------|--------------------|
| 1 | 108-1519 | 1 | Seal Kit |

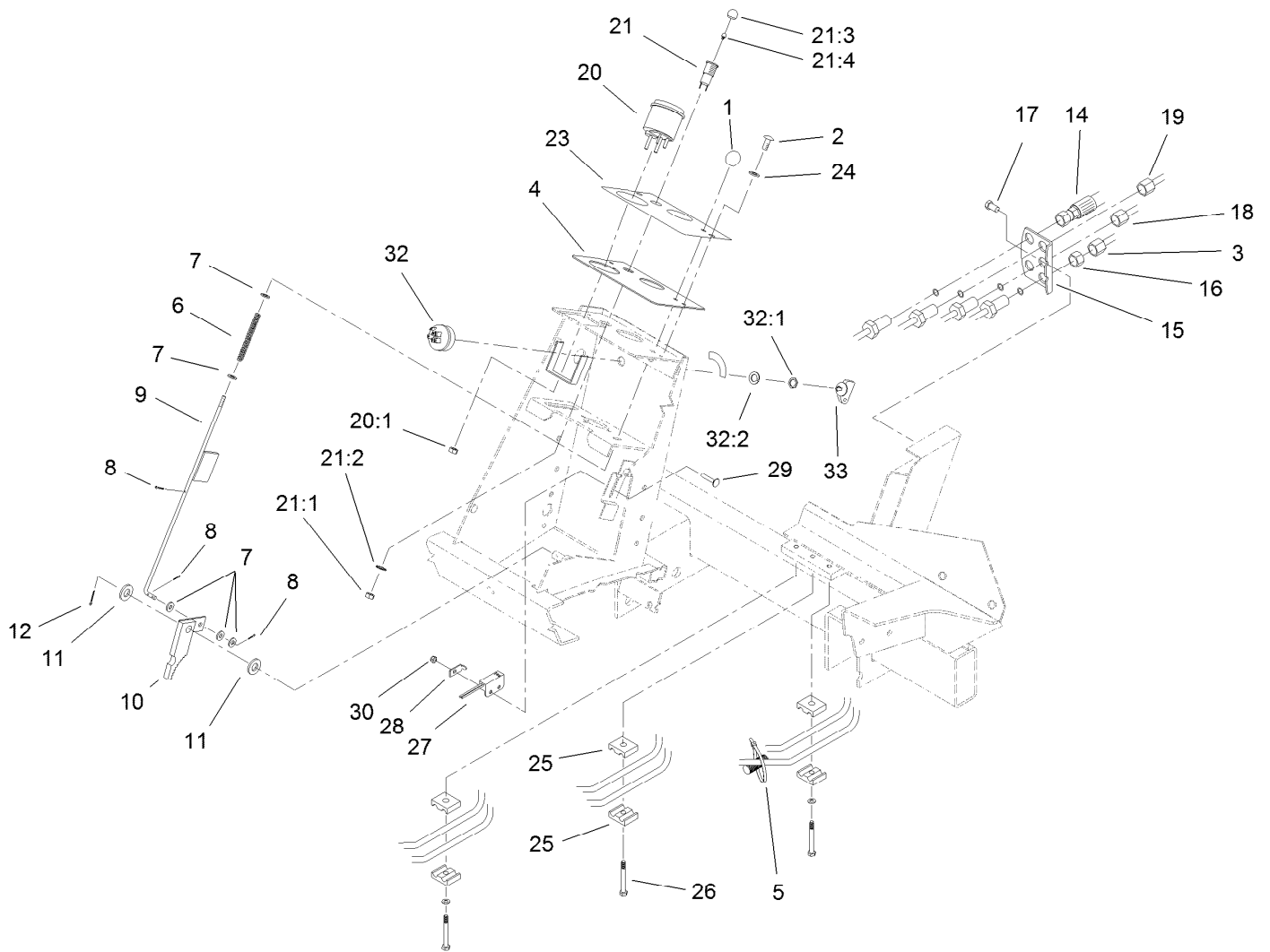


Steering Tower Assembly

| Ref. | Part Number | Qty. | Description | Ref. | Part Number | Qty. | Description |
|------|-------------|------|---------------------------|------|-------------|------|---------------------------|
| 1 | 233-17 | 1 | Knob | 18:1 | 237-22 | 1 | O-Ring ● |
| 2 | 87-6620 | 2 | Screw-Tph Thd Form | 19 | 104-3746 | 1 | Rear In Straight Tube ASM |
| 3 | 104-3738 | 1 | HYD Tube ASM | 19:1 | 237-22 | 1 | O-Ring ● |
| 3:1 | 237-22 | 2 | O-Ring ● | 20 | 105-3304 | 1 | Speedometer |
| 4 | 93-7998-03 | 1 | Plate-Instrument | 20:1 | 3296-1 | 4 | Nut-Lock |
| 5 | 3290-379 | 1 | Tie-Cable | 21 | 44-2210 | 1 | Light-Indicator, Red |
| 6 | 95-1821-03 | 1 | Spring-Compression | 21:1 | 218-535 | 1 | Nut-Hex |
| 7 | 3256-22 | 5 | Washer-Flat | 21:2 | 218-536 | 1 | Washer-Lock |
| 8 | 3272-5 | 3 | Pin-Cotter | 21:3 | 218-533 | 1 | Lens |
| 9 | 104-1492 | 1 | Rod ASM | 21:4 | | 1 | Bulb ■ |
| 10 | 63-7900-03 | 1 | Rack | 23 | 93-1263 | 1 | Decal-Tower |
| 11 | 3256-26 | 2 | Washer-Flat | 24 | 3256-1 | 2 | Washer-Flat |
| 12 | 3272-10 | 1 | Pin-Cotter | 25 | 56-7973 | 6 | Clamp-Tube |
| 14 | 105-7926 | 1 | Steering Hose ASM | 26 | 115-1794 | 3 | Screw-HHF |
| 15 | 92-7606-03 | 1 | Bracket-Bulkhead | 27 | 100-1270 | 1 | Switch-Proximity |
| 16 | 340-70 | 4 | Nut-Lock | 28 | 100-4872 | 1 | Plate-Switch, Neutral |
| 17 | 32144-14 | 2 | Screw-HWHTF | 29 | 3229-34 | 1 | Screw-CARR |
| 18 | 104-3745 | 1 | RH Rear Straight Tube ASM | 30 | 3296-2 | 1 | Nut-Lock, NI |

● Not illustrated

■ Not serviced separately

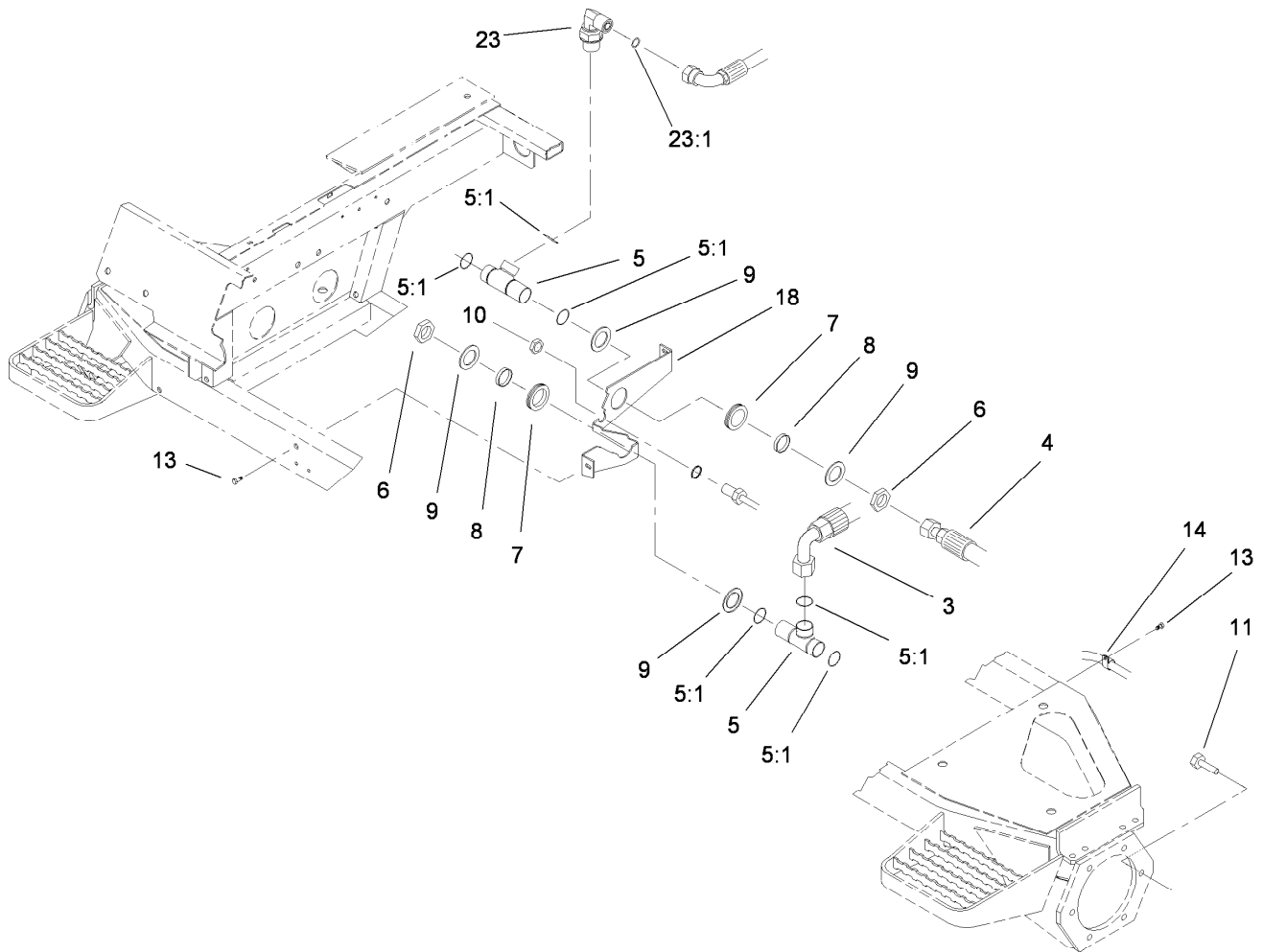


Steering Tower Assembly (continued)

| <i>Ref.</i> | <i>Part Number</i> | <i>Qty.</i> | <i>Description</i> | <i>Ref.</i> | <i>Part Number</i> | <i>Qty.</i> | <i>Description</i> |
|-------------|--------------------|-------------|---------------------|-------------|--------------------|-------------|--------------------|
| 32 | 104-2541 | 1 | Ignition Switch ASM | 32:2 | 3254-5 | 1 | Washer-Lock |
| 32:1 | 218-461 | 1 | Nut-HH | 33 | 63-8360 | 2 | Key-Ignition |

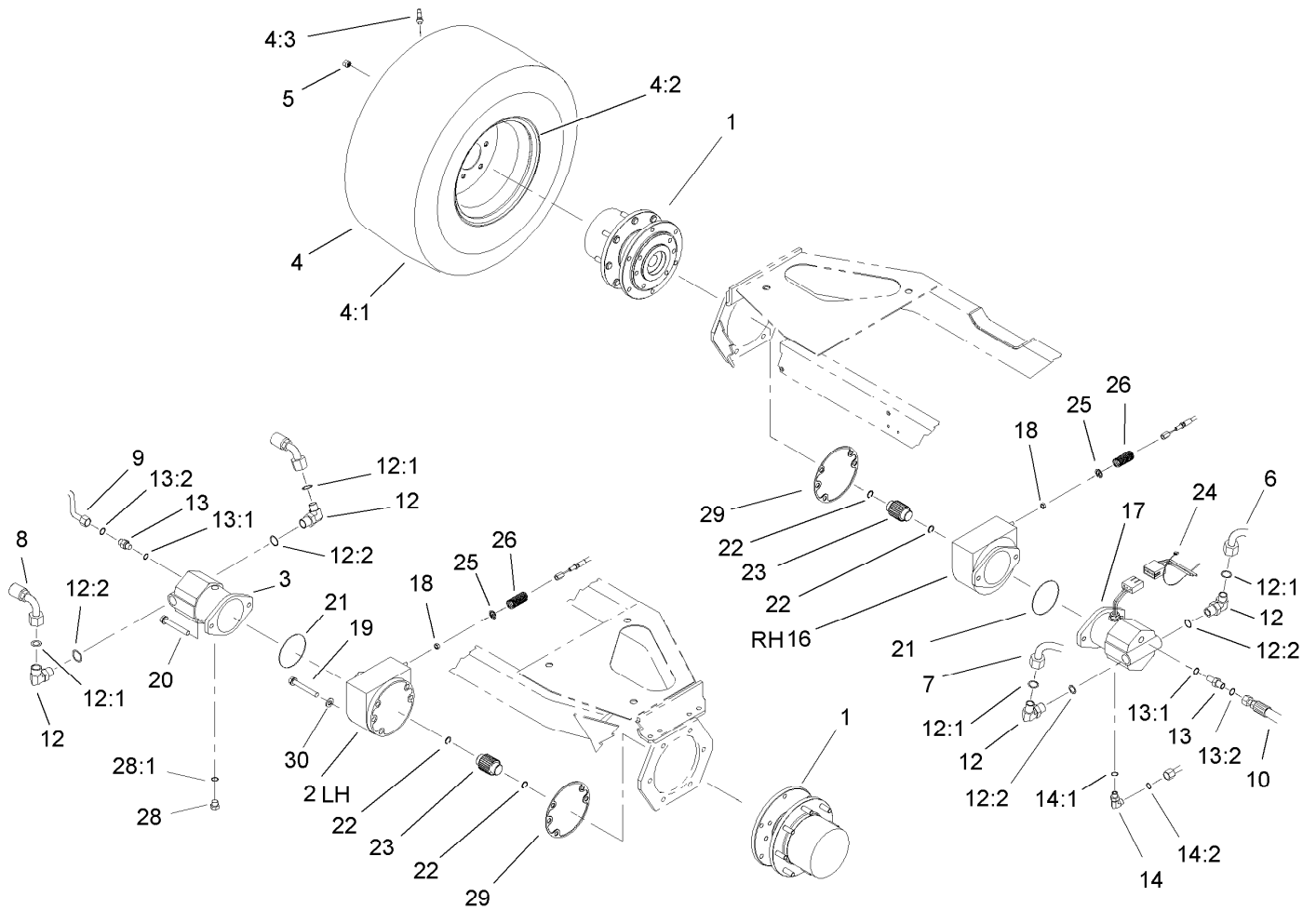
● Not illustrated

■ Not serviced separately



Front Hydraulic Drive Assembly

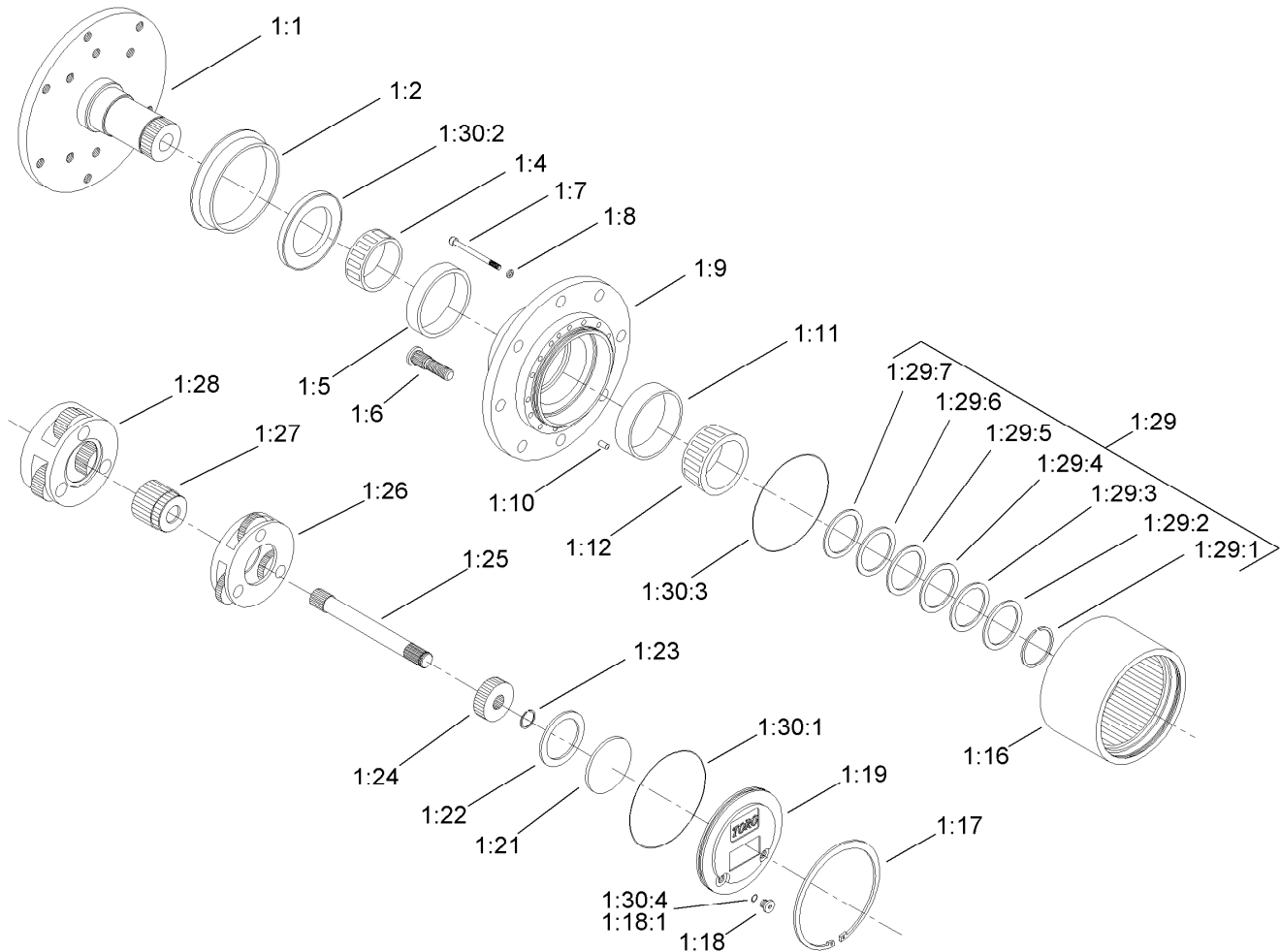
| <i>Ref.</i> | <i>Part Number</i> | <i>Qty.</i> | <i>Description</i> |
|-------------|--------------------|-------------|------------------------|
| 3 | 105-7922 | 1 | Hyd Hose ASM |
| 4 | 92-7486 | 1 | HYD Hose ASM |
| 5 | 92-7550 | 2 | Fitting-Tee, Bulkhead |
| 5:1 | 340-65 | 3 | O-Ring |
| 6 | 340-128 | 2 | Nut-Bulkhead |
| 7 | 240-2 | 2 | Grommet-Rubber |
| 8 | 69-8950 | 2 | Spacer |
| 9 | 69-8920 | 4 | Washer |
| 10 | 340-127 | 1 | Nut-Bulkhead |
| 11 | 33106-030 | 12 | Screw-HHF |
| 13 | 32144-14 | 5 | Screw-HWHTF |
| 14 | 2412-93 | 2 | Clamp-R |
| 18 | 92-7455-03 | 1 | Plate-Bulkhead |
| 23 | 92-7645 | 1 | Fitting-Swivel, 90 DEG |
| 23:1 | 340-65 | 1 | O-Ring |



Front Axle and Brake Assembly

| Ref. | Part Number | Qty. | Description | Ref. | Part Number | Qty. | Description |
|------|-------------|------|-----------------------|------|-------------|------|--------------------------|
| 1 | 105-4500-03 | 2 | Planetary ASM | 14 | 340-98 | 1 | Fitting-Elbow, 90 DEG |
| 2 | 100-3070-03 | 1 | Brake ASM | 14:1 | 237-79 | 1 | O-Ring |
| 3 | 92-7385 | 1 | HYD Motor ASM | 14:2 | 237-30 | 1 | O-Ring |
| 4 | | 2 | Wheel And Tire ASM ● | 16 | 100-3069-03 | 1 | Brake ASM |
| 4:1 | 95-3465 | 1 | Tire | 17 | 93-7476 | 1 | HYD Motor ASM |
| 4:2 | 115-8037 | 1 | Wheel | 18 | 3218-4 | 2 | Nut-Jam |
| 4:3 | 232-24 | 1 | Stem-Valve | 19 | 33106-090 | 8 | Screw-HHF |
| 5 | 92-7483 | 16 | Nut-Lug | 20 | 33116-120 | 4 | Screw-HH |
| 6 | 92-7475 | 1 | Traction Tube ASM | 21 | 237-166 | 2 | O-Ring |
| 7 | 92-7476 | 1 | Traction Tube ASM | 22 | 93-7972 | 4 | Ring-Retaining, Internal |
| 8 | 92-7487 | 1 | HYD Hose ASM | 23 | 100-3046 | 2 | Shaft-Brake, Splined |
| 9 | 92-7477 | 1 | Motor Drain Tube ASM | 24 | 3290-378 | 2 | Tie-Cable |
| 10 | 92-7488 | 1 | HYD Hose ASM | 25 | 94-3050 | 2 | Plate-Spring |
| 12 | 340-142 | 4 | Fitting-Elbow, 90 DEG | 26 | 94-3088 | 2 | Spring-Compression |
| 12:1 | 237-58 | 1 | O-Ring | 28 | 353-550 | 1 | Plug-HYD, HH |
| 12:2 | 237-81 | 1 | O-Ring | 28:1 | 237-79 | 1 | O-Ring |
| 13 | 340-5 | 2 | Fitting-Straight | 29 | 93-7984 | 2 | Gasket |
| 13:1 | 237-42 | 1 | O-Ring | 30 | 3256-26 | 4 | Washer-Flat |
| 13:2 | 237-30 | 1 | O-Ring | | | | |

● Not serviced separately

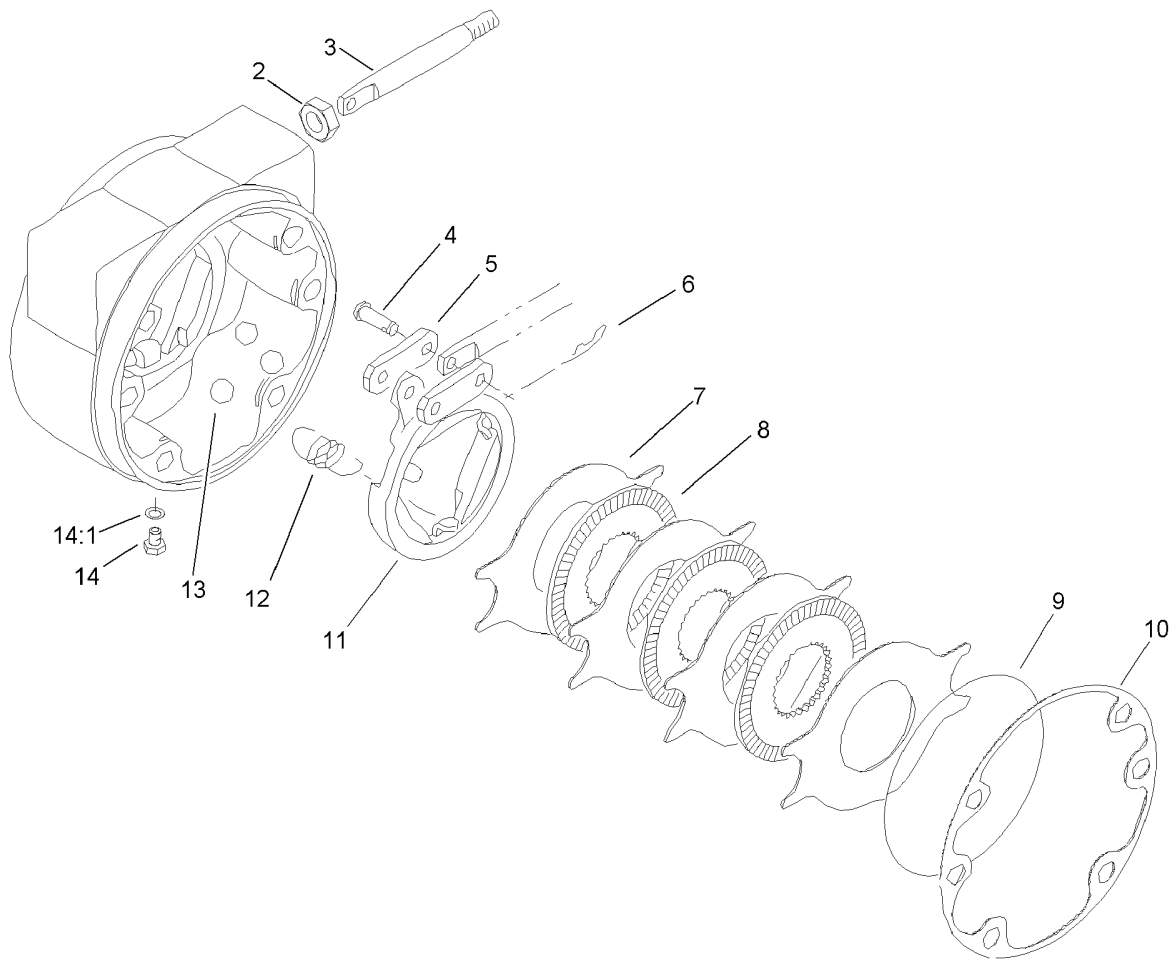


Planetary Assembly No. 105-4500-03

| Ref. | Part Number | Qty. | Description | Ref. | Part Number | Qty. | Description |
|--------|-------------|------|-------------------|--------|-------------|------|-----------------------|
| 1:1 | | 1 | Spindle ■ | 1:24 | 105-8114 | 1 | Gear-Primary |
| 1:2 | 105-8122 | 1 | Seal-Boot | 1:25 | 105-8115 | 1 | Shaft-Drive |
| 1:4 | 105-8120 | 1 | Bearing-Cone | 1:26 | 105-8129 | 1 | Carrier-Primary |
| 1:5 | 105-8119 | 1 | Bearing-Cup | 1:27 | 105-8139 | 1 | Gear-Secondary |
| 1:6 | 105-8124 | 8 | Stud-Wheel | 1:28 | 105-8130 | 1 | Carrier-Secondary |
| 1:7 | 105-8125 | 16 | Bolt-Head, Socket | 1:29 | 105-8136 | 1 | Shim Kit |
| 1:8 | 3253-18 | 16 | Washer-Lock | 1:29:1 | | 1 | Ring-Snap ■ |
| 1:9 | | 1 | Housing ■ | 1:29:2 | | 1 | Shim-Bearing, 2.9Mm ■ |
| 1:10 | 105-8121 | 1 | Pin-Dowel | 1:29:3 | | 1 | Shim-Bearing, 2.8Mm ■ |
| 1:11 | 105-8117 | 1 | Bearing-Cup | 1:29:4 | | 1 | Shim-Bearing, 2.7Mm ■ |
| 1:12 | 105-8118 | 1 | Bearing-Cone | 1:29:5 | | 1 | Shim-Bearing, 2.6Mm ■ |
| 1:16 | 105-8113 | 1 | Gear-Ring | 1:29:6 | | 1 | Shim-Bearing, 2.5Mm ■ |
| 1:17 | 105-8132 | 1 | Ring-Retaining | 1:29:7 | | 1 | Shim-Bearing, 2.4Mm ■ |
| 1:18 | 353-990 | 2 | Plug ASM | 1:30 | 105-8137 | 1 | Seal Kit ● |
| 1:18:1 | 237-78 | 1 | O-Ring | 1:30:1 | | 1 | O Ring-Flange Cap ■ |
| 1:19 | 105-8138 | 1 | Cap-End | 1:30:2 | | 1 | Seal-Oil ■ |
| 1:21 | 105-8133 | 1 | Plug-Thrust | 1:30:3 | | 2 | O Ring-End Cap ■ |
| 1:22 | 105-8123 | 1 | Washer-Thrust | 1:30:4 | 237-78 | 2 | O-Ring |
| 1:23 | 105-8131 | 1 | Ring-Retaining | | | | |

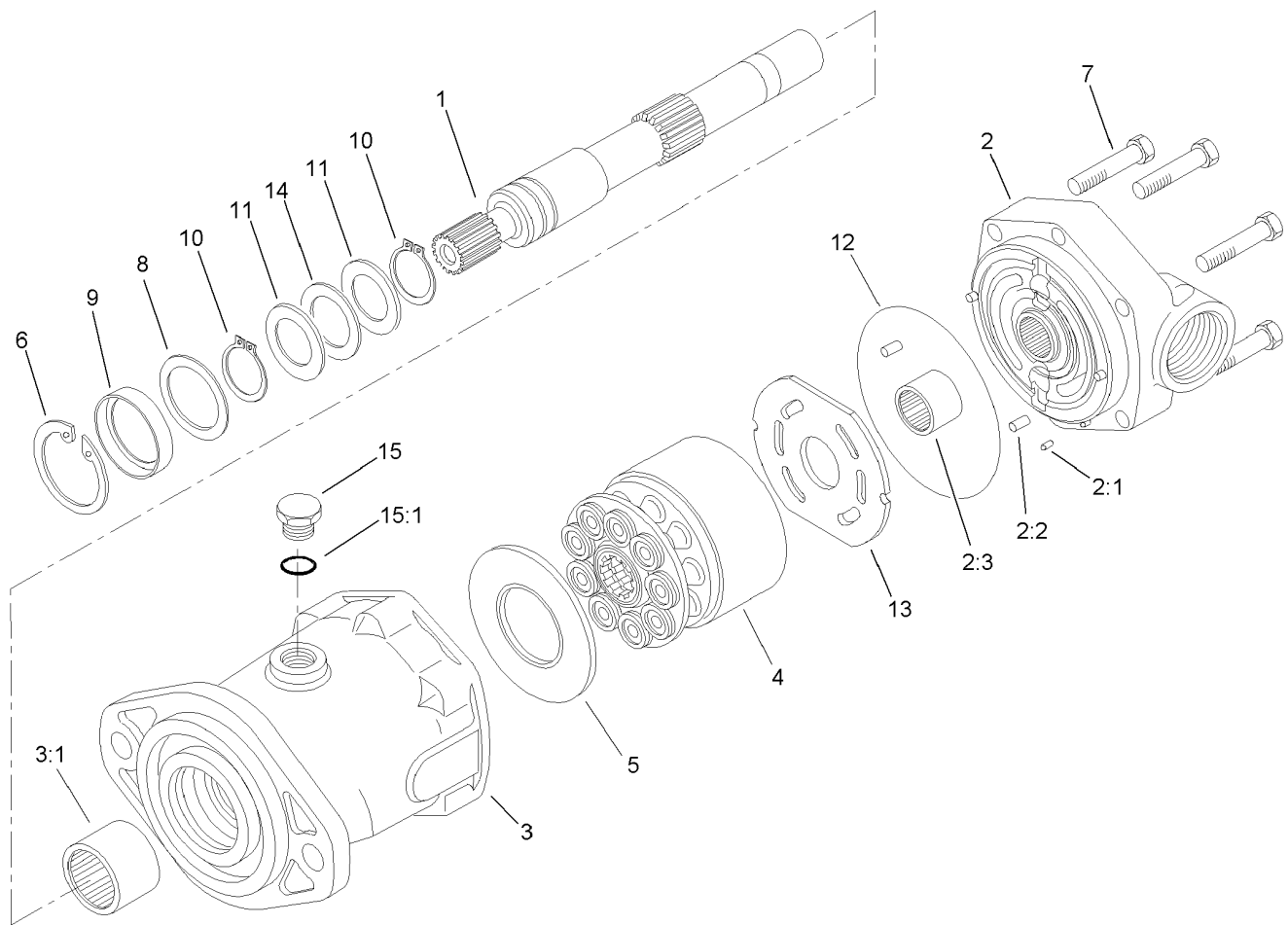
● Not illustrated

■ Not serviced separately



Brake Assembly No. 100-3070-03

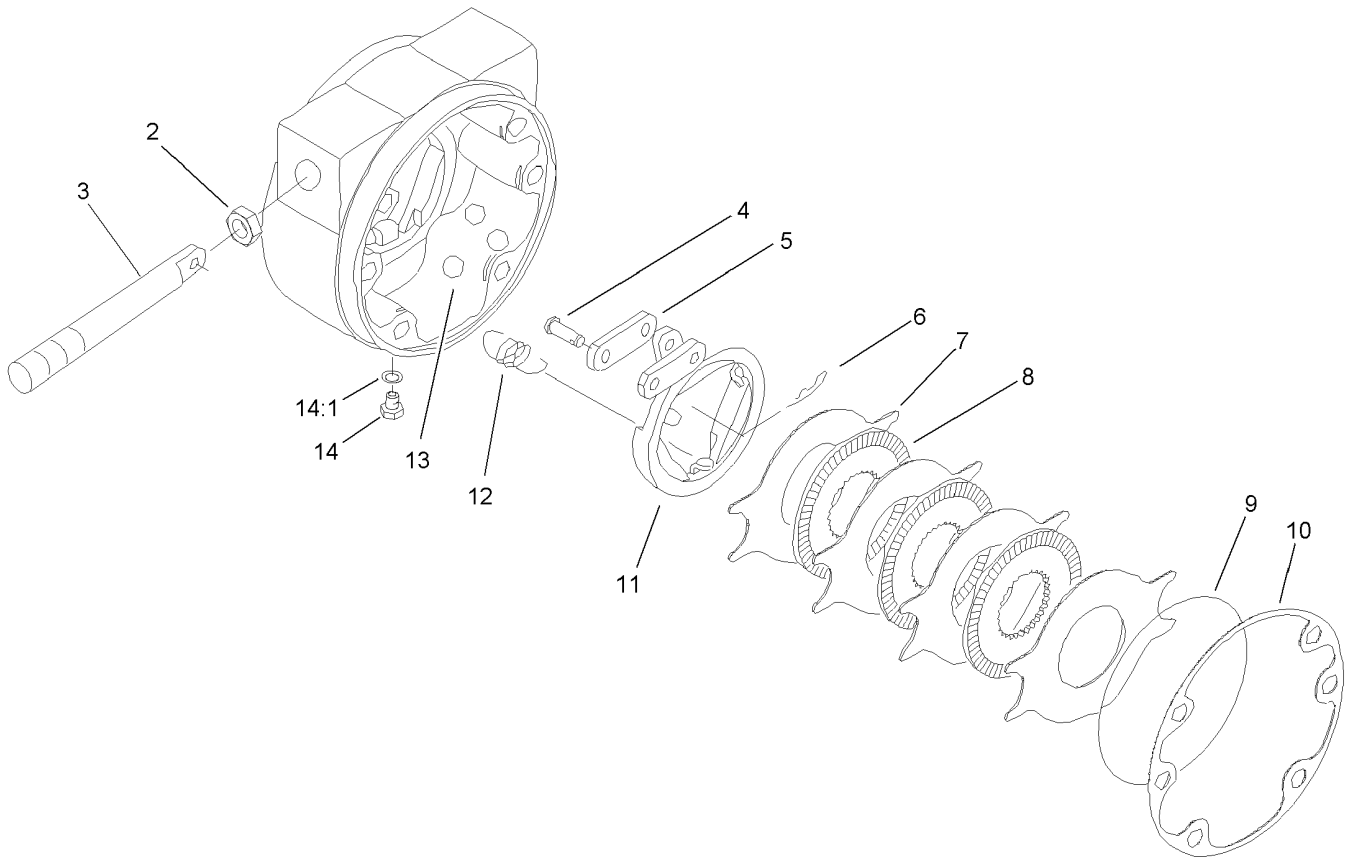
| <i>Ref.</i> | <i>Part Number</i> | <i>Qty.</i> | <i>Description</i> |
|-------------|--------------------|-------------|--------------------|
| 2 | 93-7977 | 1 | Seal |
| 3 | 93-7978 | 1 | Rod-Pull |
| 4 | 93-7983 | 2 | Pin-Clevis |
| 5 | 93-7980 | 2 | Link |
| 6 | 93-7979 | 2 | Pin-Hitch |
| 7 | 93-7986 | 4 | Disc-Stationary |
| 8 | 104-4278 | 3 | Disc-Rotating |
| 9 | 93-7976 | 1 | Ring-Retaining |
| 10 | 93-7984 | 1 | Gasket |
| 11 | 104-4279 | 1 | Actuator-Rotating |
| 12 | 93-7987 | 3 | Spring-Extension |
| 13 | 93-7985 | 3 | Ball |
| 14 | 353-990 | 2 | Plug ASM |
| 14:1 | 237-78 | 1 | O-Ring |



Hydraulic Motor Assembly No. 92-7385

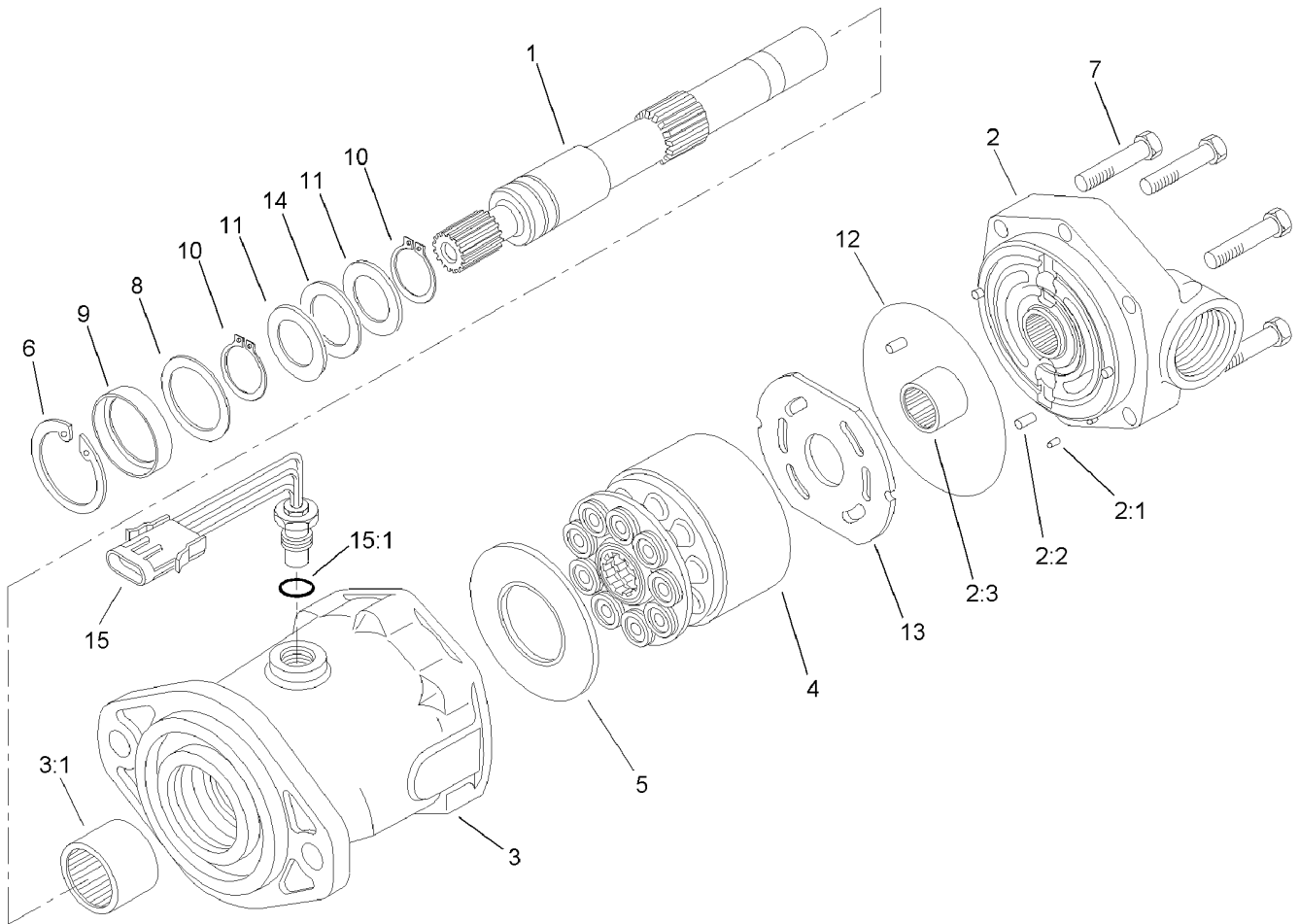
| Ref. | Part Number | Qty. | Description |
|------|-------------|------|----------------------|
| 1 | 94-3004 | 1 | Shaft-Drive, Splined |
| 2 | 94-3005 | 1 | Backplate ASM |
| 2:1 | | 1 | Pin-Dowel ● |
| 2:2 | | 3 | Pin-Dowel ● |
| 2:3 | | 1 | Bearing-Needle ● |
| 3 | 94-3006 | 1 | Housing ASM |
| 3:1 | | 1 | Bearing-Needle ● |
| 4 | 76-6910 | 1 | Rotating Kit |
| 5 | 76-6970 | 1 | Insert-Plate, Cam |
| 6 | 76-7010 | 1 | Ring-Retaining |
| 7 | 94-3002 | 6 | Screw-Cap |
| 8 | 60-6240 | 1 | Washer |
| 9 | 105-3331 | 1 | Seal-Shaft |
| 10 | 76-7000 | 2 | Ring-Retaining |
| 11 | 76-6950 | 2 | Race-Thrust |
| 12 | 76-6980 | 1 | O-Ring |
| 13 | 94-3003 | 1 | Plate-Valve |
| 14 | 76-6960 | 1 | Bearing-Thrust |
| 15 | 94-3009 | 1 | Plug |
| 15:1 | | 1 | O-Ring ● |

● Not serviced separately



Brake Assembly No. 100-3069-03

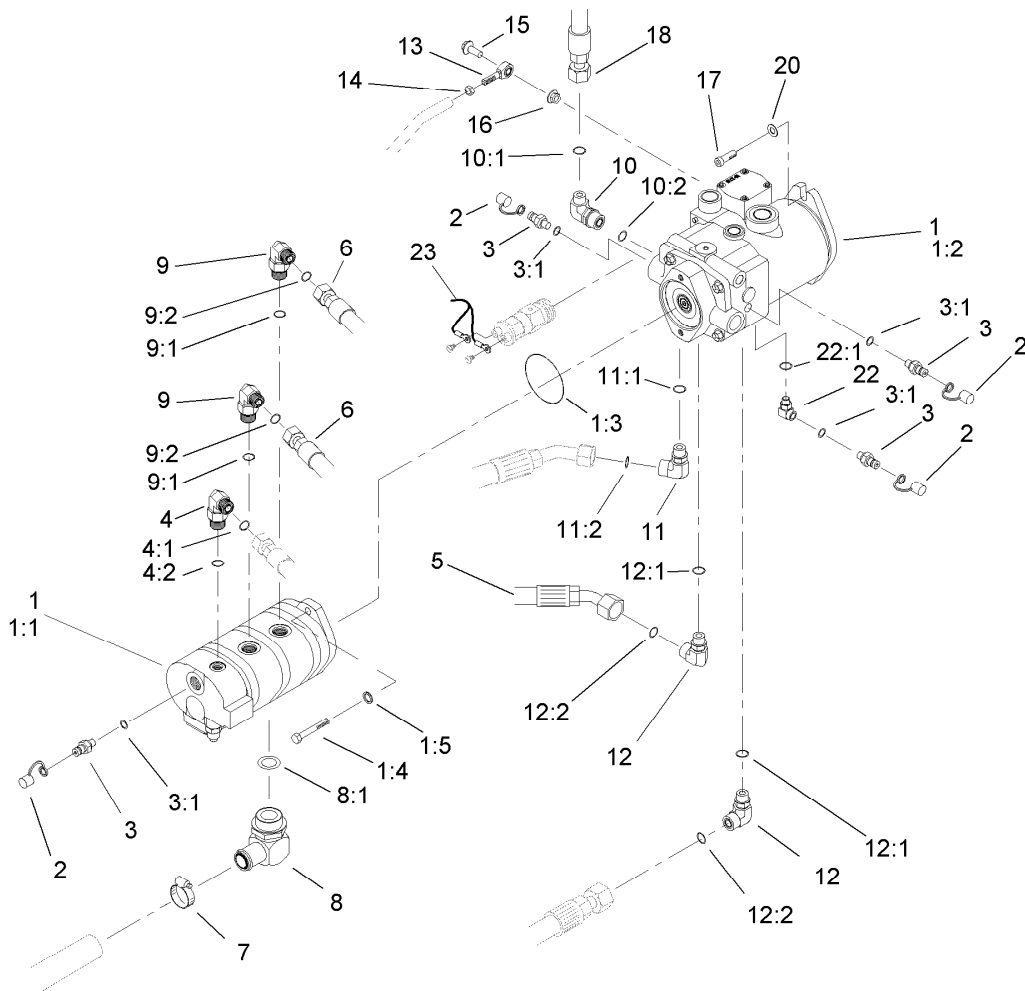
| <i>Ref.</i> | <i>Part Number</i> | <i>Qty.</i> | <i>Description</i> |
|-------------|--------------------|-------------|--------------------|
| 2 | 93-7977 | 1 | Seal |
| 3 | 93-7978 | 1 | Rod-Pull |
| 4 | 93-7983 | 2 | Pin-Clevis |
| 5 | 93-7980 | 2 | Link |
| 6 | 93-7979 | 2 | Pin-Hitch |
| 7 | 93-7986 | 4 | Disc-Stationary |
| 8 | 104-4278 | 3 | Disc-Rotating |
| 9 | 93-7976 | 1 | Ring-Retaining |
| 10 | 93-7984 | 1 | Gasket |
| 11 | 104-4280 | 1 | Actuator-Rotating |
| 12 | 93-7987 | 3 | Spring-Extension |
| 13 | 93-7985 | 3 | Ball |
| 14 | 353-990 | 2 | Plug ASM |
| 14:1 | 237-78 | 1 | O-Ring |



Hydraulic Motor Assembly No. 93-7476

| Ref. | Part Number | Qty. | Description |
|------|-------------|------|----------------------|
| 1 | 94-3004 | 1 | Shaft-Drive, Splined |
| 2 | 94-3005 | 1 | Backplate ASM |
| 2:1 | | 1 | Pin-Dowel ● |
| 2:2 | | 3 | Pin-Dowel ● |
| 2:3 | | 1 | Bearing-Needle ● |
| 3 | 94-3006 | 1 | Housing ASM |
| 3:1 | | 1 | Bearing-Needle ● |
| 4 | 76-6910 | 1 | Rotating Kit |
| 5 | 76-6970 | 1 | Insert-Plate, Cam |
| 6 | 76-7010 | 1 | Ring-Retaining |
| 7 | 94-3002 | 6 | Screw-Cap |
| 8 | 60-6240 | 1 | Washer |
| 9 | 105-3331 | 1 | Seal-Shaft |
| 10 | 76-7000 | 2 | Ring-Retaining |
| 11 | 76-6950 | 2 | Race-Thrust |
| 12 | 76-6980 | 1 | O-Ring |
| 13 | 94-3003 | 1 | Plate-Valve |
| 14 | 76-6960 | 1 | Bearing-Thrust |
| 15 | 94-3010 | 1 | Sensor-Speed, Pickup |
| 15:1 | | 1 | O-Ring ● |

● Not serviced separately

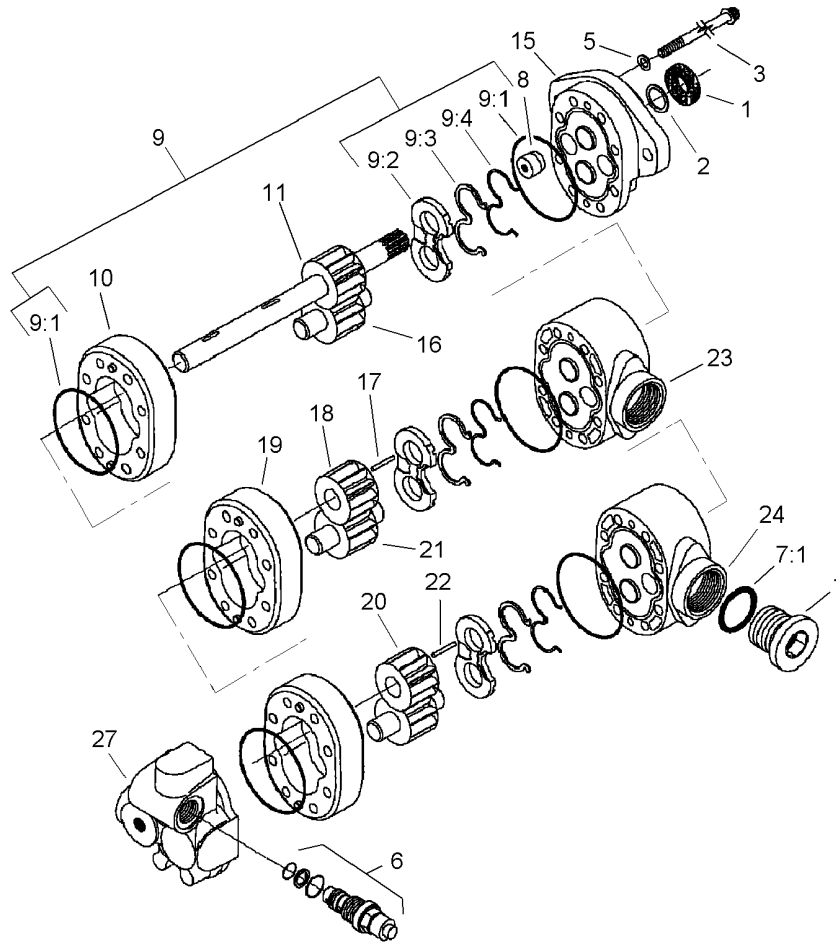


Hydraulic Pump Installation

| Ref. | Part Number | Qty. | Description |
|------|-------------|------|-----------------------|
| 1 | | 1 | Tandem Pump ASM ● |
| 1:1 | 115-8031 | 1 | Pump-Gear |
| 1:2 | 110-0006 | 1 | Pump-Piston |
| 1:3 | 60-3520 | 1 | O-Ring |
| 1:4 | 323-7 | 2 | Screw-HH |
| 1:5 | 105-9762 | 2 | Washer |
| 2 | 354-79 | 4 | Cap-Dust |
| 3 | 354-77 | 4 | Fitting-Quick |
| 3:1 | 237-78 | 1 | O-Ring |
| 4 | 340-77 | 1 | Fitting-Elbow, 90 DEG |
| 4:1 | 237-22 | 1 | O-Ring |
| 4:2 | 237-42 | 1 | O-Ring |
| 5 | 105-7921 | 1 | HYD Hose ASM |
| 6 | 105-7927 | 2 | Hose-HYD |
| 7 | 2412-111 | 1 | Clamp-Hose, W/Liner |
| 8 | 92-7526 | 1 | Fitting-HYD 90 Spcl |
| 8:1 | 237-101 | 1 | O-Ring |
| 9 | 340-105 | 2 | Fitting-Elbow, 90 DEG |
| 9:1 | 237-80 | 1 | O-Ring |
| 9:2 | 237-30 | 1 | O-Ring |

| Ref. | Part Number | Qty. | Description |
|------|-------------|------|-----------------------|
| 10 | 340-15 | 1 | Fitting-Elbow 90 |
| 10:1 | 237-58 | 1 | O-Ring |
| 10:2 | 237-146 | 1 | O-Ring |
| 11 | 104-3796 | 1 | Fitting-Elbow 90 |
| 11:1 | 237-81 | 1 | O-Ring |
| 11:2 | 340-65 | 1 | O-Ring |
| 12 | 340-129 | 2 | Fitting-Elbow, 90 DEG |
| 12:1 | 237-146 | 1 | O-Ring |
| 12:2 | 340-65 | 1 | O-Ring |
| 13 | 2411-36 | 1 | Bearing-End, Rod |
| 14 | 3220-3 | 1 | Nut-HJ |
| 15 | 3234-11 | 1 | Screw-HHF |
| 16 | 3296-59 | 1 | Nut-Lock, NI |
| 17 | 325-6 | 2 | Screw-HH |
| 18 | 104-3789 | 1 | Filter Hose ASM |
| 20 | 87-7270 | 2 | Washer-Thrust |
| 22 | 75-6640 | 1 | Fitting-HYD, Special |
| 22:1 | 237-78 | 1 | O-Ring |
| 23 | 105-0122 | 1 | Harness-Wire |

● Not serviced separately

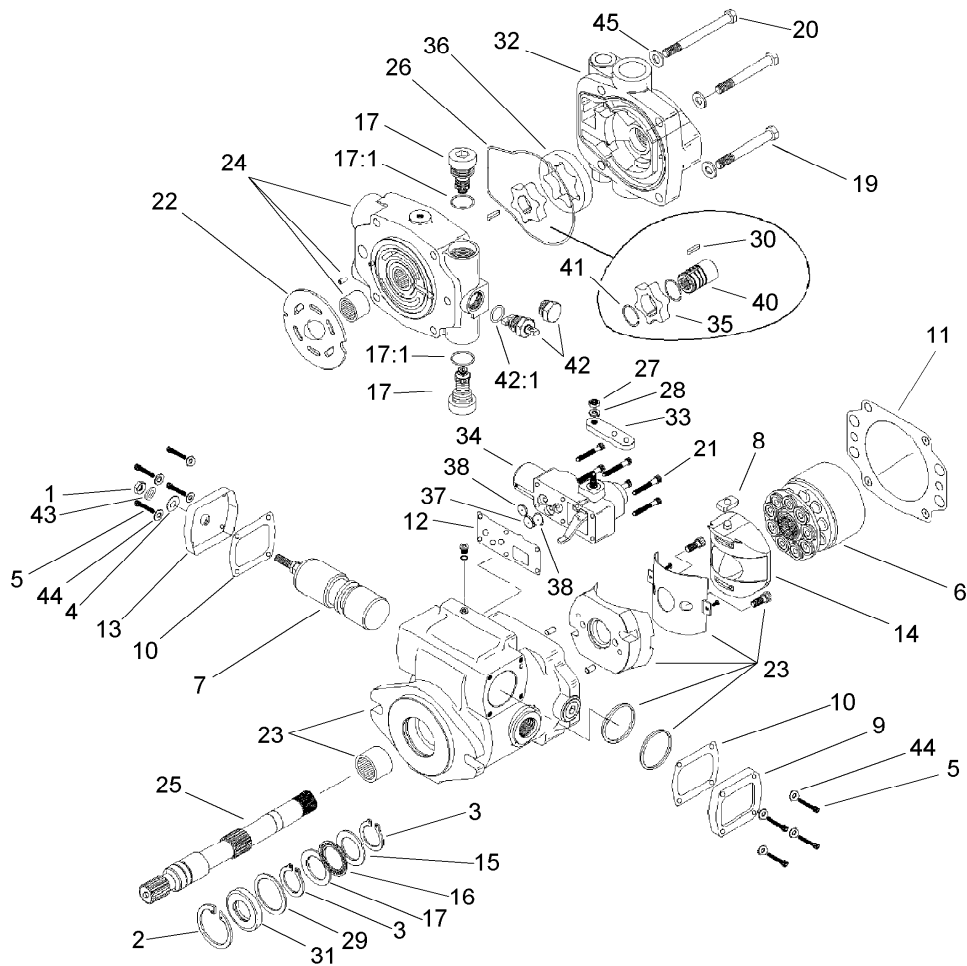


Gear Pump Assembly No. 115-8031

| <i>Ref.</i> | <i>Part Number</i> | <i>Qty.</i> | <i>Description</i> | <i>Ref.</i> | <i>Part Number</i> | <i>Qty.</i> | <i>Description</i> |
|-------------|--------------------|-------------|--------------------|-------------|--------------------|-------------|--------------------|
| 1 | 49-2640 | 1 | Seal-Shaft | 11 | | 1 | Drive Gear ASM ■ |
| 2 | 60-5890 | 1 | Washer | 15 | | 1 | Front Plate ASM ■ |
| 3 | 105-2898 | 8 | Screw-Cap | 16 | | 1 | Gear-Idler ■ |
| 5 | 74-8920 | 4 | Washer-Copper | 17 | | 1 | Key ■ |
| 6 | 115-8032 | 1 | Relief Valve | 18 | | 1 | Gear ■ |
| 7 | 94-3013 | 1 | Plug | 19 | | 1 | Body ■ |
| 7:1 | | 1 | O-Ring ■ | 20 | | 1 | Gear ■ |
| 8 | 94-3011 | 1 | Plug | 21 | | 1 | Gear-Idler ■ |
| 9 | 94-3015 | 1 | Seal Kit | 22 | | 1 | Key ■ |
| 9:1 | | 3 | Gasket-Back Up ■ | 23 | | 1 | Plate-Adaptor ■ |
| 9:2 | | 3 | Seal-Balance ■ | 24 | | 1 | Plate-Adaptor ■ |
| 9:3 | 49-2640 | 1 | Seal-Shaft | 27 | | 1 | Body ■ |
| 9:4 | 60-5890 | 1 | Washer | 99 | 107-4328 | 1 | Front Plate Kit ● |
| 10 | | 1 | Body ■ | | | | |

● Not illustrated

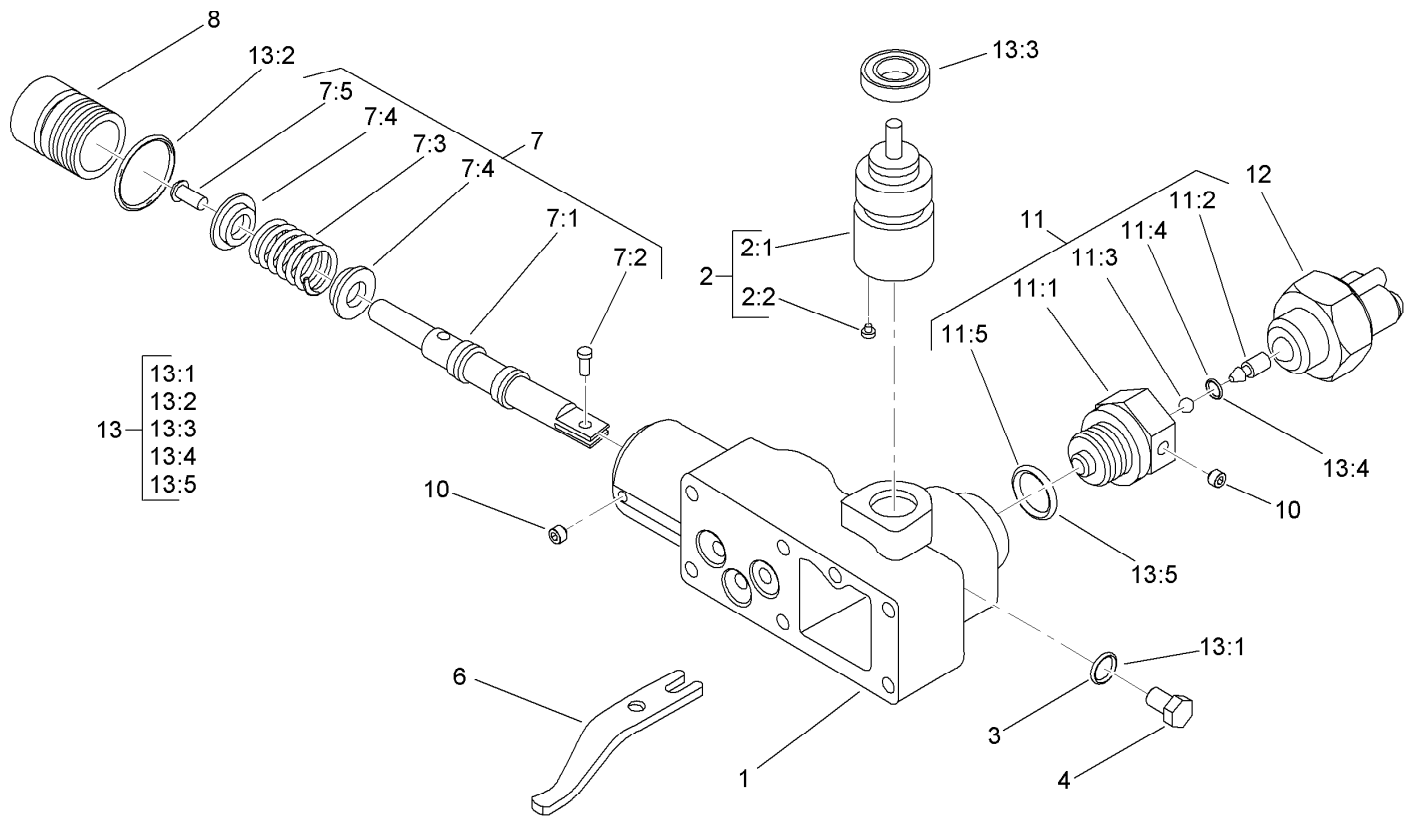
■ Not serviced separately



Piston Pump Assembly No. 110-0006

| Ref. | Part Number | Qty. | Description | Ref. | Part Number | Qty. | Description |
|------|-------------|------|-------------------------|------|-------------|------|---------------------------|
| 1 | 3220-2 | 1 | Nut-Jam | 24 | 105-8149 | 1 | Endcover ASM |
| 2 | 60-6260 | 1 | Ring | 25 | 94-3020 | 1 | Shaft-Drive |
| 3 | 76-7000 | 2 | Ring-Retaining | 26 | 105-2905 | 1 | O-Ring |
| 4 | 94-3027 | 1 | Washer-Seal | 27 | 3217-5 | 1 | Nut-Hex |
| 5 | 93-6337 | 8 | Screw | 28 | 3253-3 | 1 | Washer-Lock |
| 6 | 99-8701 | 1 | Rotating Kit | 29 | 60-6240 | 1 | Washer |
| 7 | 105-4572 | 1 | Servo Piston ASM | 30 | 107-4442 | 1 | Key |
| 8 | 94-3032 | 1 | Follower-Piston | 31 | 105-3331 | 1 | Seal-Shaft |
| 9 | 94-3033 | 1 | Plate-Cover | 32 | 105-2907 | 1 | Charge Pump Adapter ASM |
| 10 | 93-6339 | 2 | Gasket | 33 | 110-0036 | 1 | Arm-Control |
| 11 | 105-2900 | 1 | Gasket-Housing | 34 | 108-1503 | 1 | Manual Servo Control ASM |
| 12 | 105-2901 | 1 | Gasket-Housing, Control | 35 | 107-4443 | 1 | Gerotor, Inner Ring |
| 13 | 105-9853 | 1 | Plate-Cover | 36 | 99-8707 | 1 | Gerotor-Outer |
| 14 | 94-3026 | 1 | Camplate ASM | 37 | 105-2909 | 1 | Orifice-Control, .036 DIA |
| 15 | 76-6950 | 2 | Race-Thrust | 38 | 105-2910 | 2 | Orifice-Valve, Control |
| 16 | 76-6960 | 1 | Bearing-Thrust | 40 | 107-4444 | 1 | Coupler |
| 17 | 105-2858 | 2 | Valve-Relief | 41 | 105-2912 | 2 | Ring-Retaining |
| 17:1 | | 1 | O-Ring ● | 42 | 105-2913 | 1 | Valve-Bypass |
| 19 | 323-15 | 2 | Screw-HH | 42:1 | | 1 | O-Ring ● |
| 20 | 323-16 | 2 | Screw-HH | 43 | 94-3030 | 1 | Washer |
| 21 | 93-6324 | 6 | Screw | 44 | 93-6336 | 8 | Washer |
| 22 | 105-2902 | 1 | Plate-Valve | 45 | 3256-24 | 4 | Washer-Flat |
| 23 | 105-2903 | 1 | Housing | | | | |

● Not serviced separately

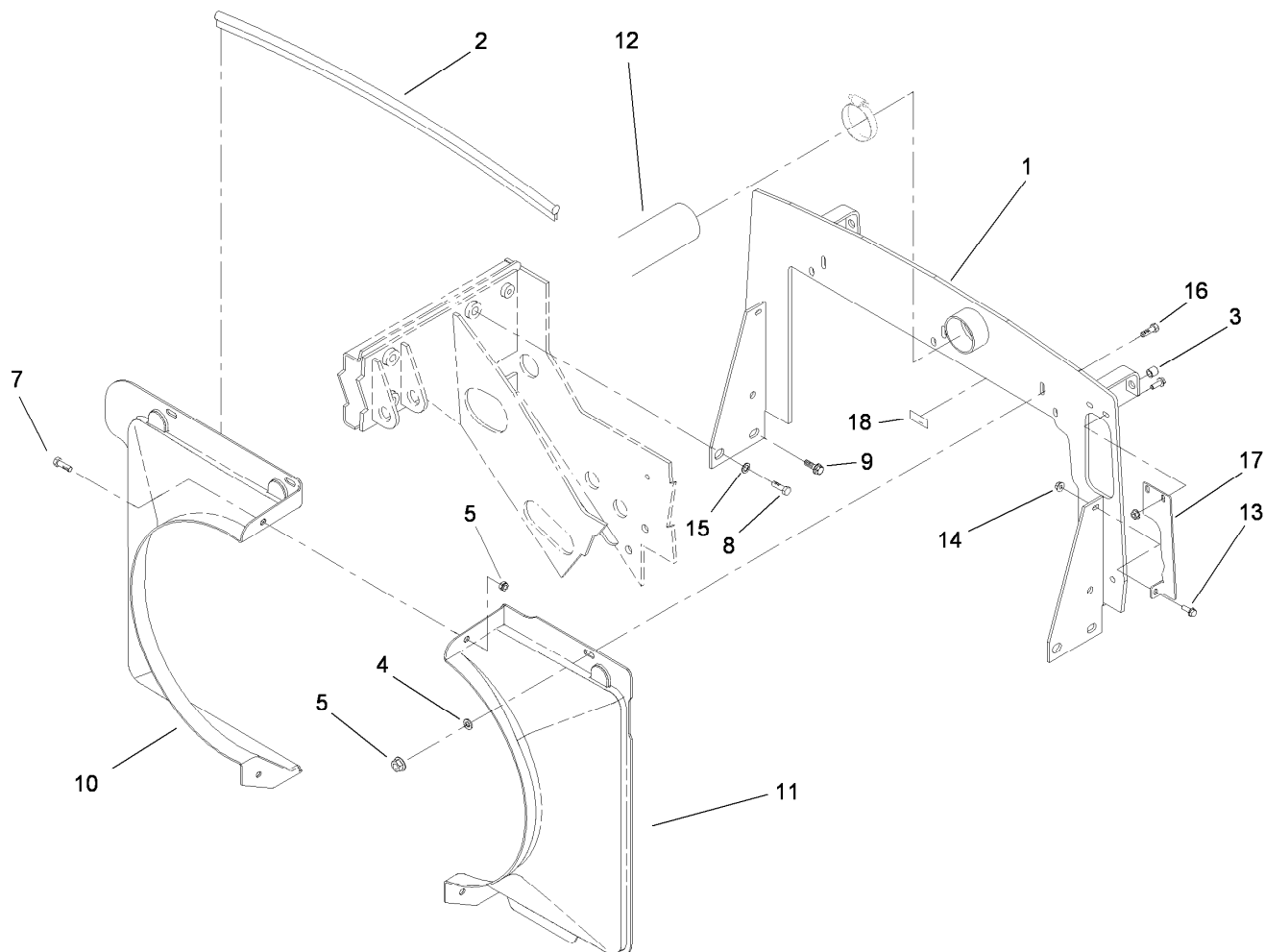


Control Assembly No. 108-1503

| Ref. | Part Number | Qty. | Description |
|------|-------------|------|-------------------------|
| 1 | | 1 | Housing-Control ● |
| 2 | 108-7099 | 1 | Input Control Shaft ASM |
| 2:1 | | 1 | Shaft ● |
| 2:2 | | 1 | Pin ● |
| 3 | | 1 | O-Ring ● |
| 4 | | 1 | Plug ● |
| 6 | | 1 | Link-Feedback ● |
| 7 | 108-7098 | 1 | Valve Spool ASM |
| 7:1 | | 1 | Valve-Spool ● |
| 7:2 | | 1 | Pin-Dowel ● |
| 7:3 | | 1 | Spring ● |
| 7:4 | | 2 | Retainer ● |
| 7:5 | | 1 | Screw ● |
| 8 | | 1 | Plug ● |

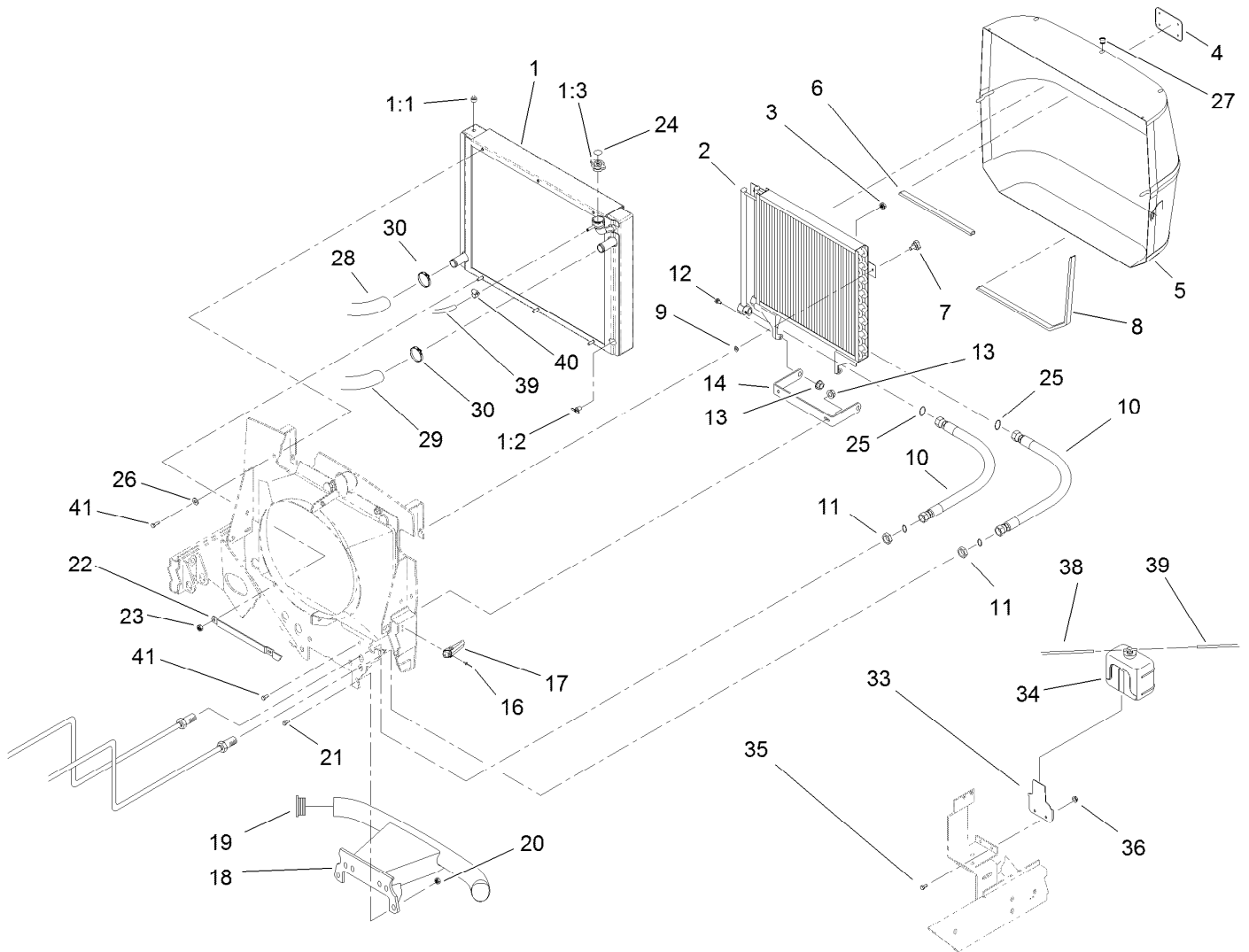
| Ref. | Part Number | Qty. | Description |
|------|-------------|------|----------------------------|
| 10 | | 2 | Screw-Set ● |
| 11 | 108-8003 | 1 | Adaptor ASM |
| 11:1 | | 1 | Adaptor-Lockout, Neutral ● |
| 11:2 | | 1 | Pin ● |
| 11:3 | | 1 | Ball ● |
| 11:4 | | 1 | O-Ring ● |
| 11:5 | | 1 | O-Ring ● |
| 12 | 94-3043 | 1 | Switch-Safety, Neutral |
| 13 | 94-3044 | 1 | Seal Kit |
| 13:1 | 117-8979 | 1 | Seal-Shaft |
| 13:2 | 105-2901 | 1 | Gasket-Housing, Control |
| 13:3 | | 1 | O-Ring ● |
| 13:4 | | 1 | O-Ring ● |
| 13:5 | | 1 | Seal-Wiper ● |

● Not serviced separately



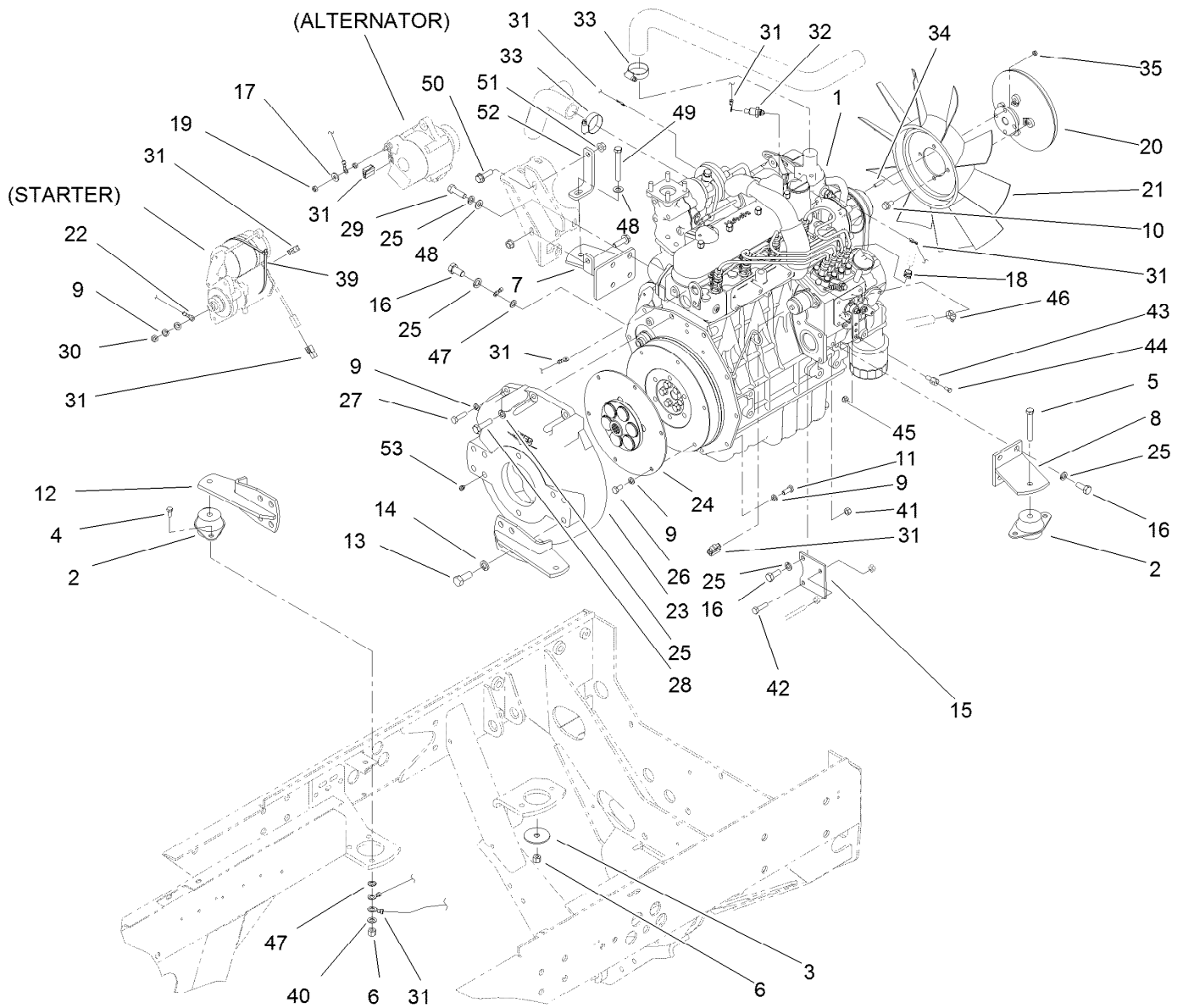
Radiator Support and Shroud Assembly

| <i>Ref.</i> | <i>Part Number</i> | <i>Qty.</i> | <i>Description</i> |
|-------------|--------------------|-------------|----------------------|
| 1 | 114-3965-03 | 1 | Radiator Support ASM |
| 2 | 93-7553 | 1 | Seal-Hood |
| 3 | 32148-10 | 2 | Nut-Clinch |
| 4 | 3256-56 | 3 | Washer-Flat |
| 5 | 32128-20 | 5 | Nut-HF |
| 7 | 3234-5 | 2 | Screw-HHF |
| 8 | 327-2 | 2 | Screw-HH |
| 9 | 3234-1 | 2 | Screw-HHF |
| 10 | 105-0104 | 1 | Shroud-Fan, RH |
| 11 | 105-0103 | 1 | Shroud-Fan, LH |
| 12 | 104-5209 | 1 | Hose-Cleaner, Air |
| 13 | 3234-4 | 3 | Screw-HHF |
| 14 | 32128-33 | 3 | Nut-HF |
| 15 | 3256-27 | 2 | Washer-Flat |
| 16 | 3230-2 | 3 | Bolt-CARR |
| 17 | 114-3951-03 | 1 | Plate-Cover |
| 18 | 93-6681 | 1 | Decal-Warning, Fan |



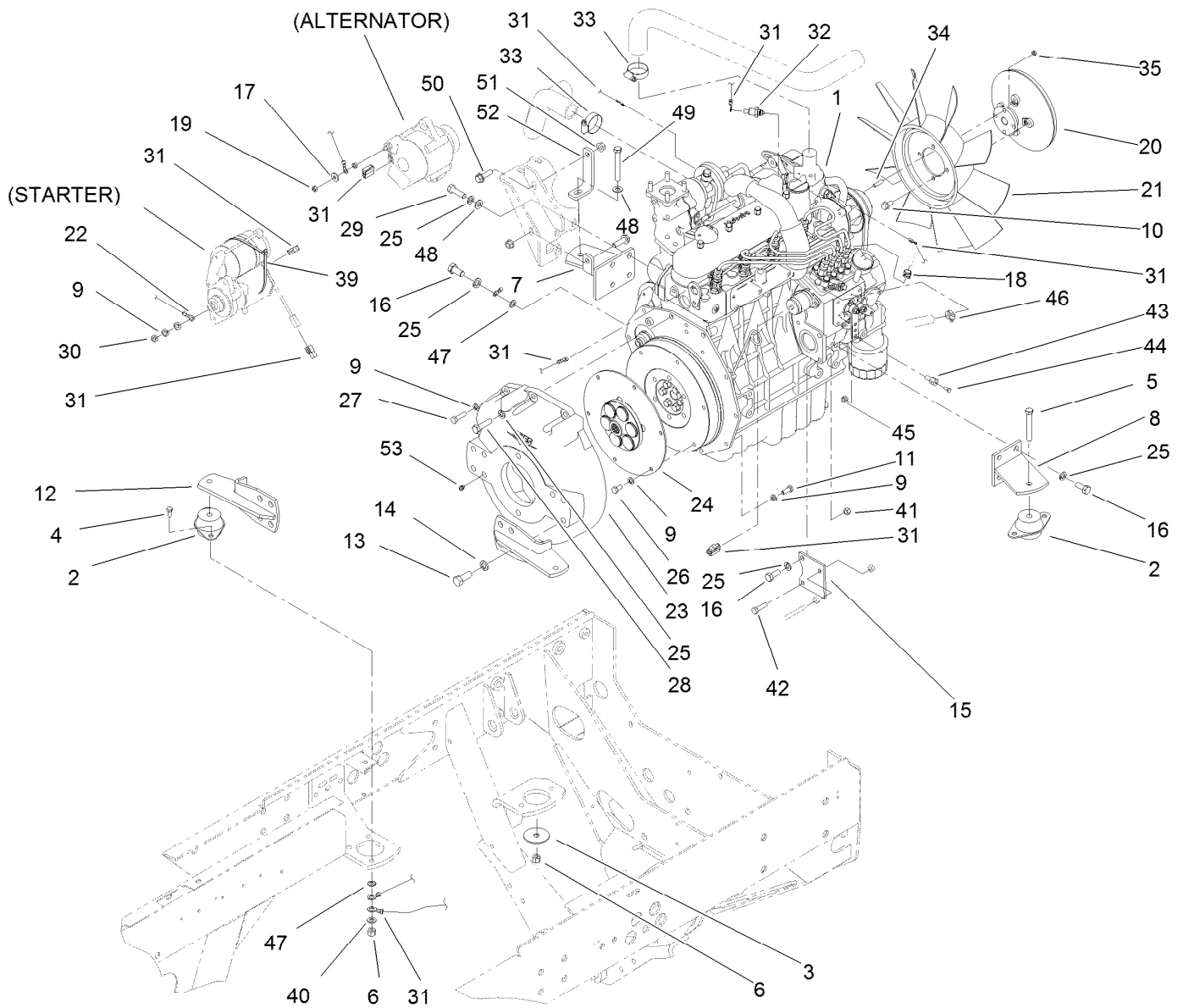
Radiator and Screen Assembly

| Ref. | Part Number | Qty. | Description | Ref. | Part Number | Qty. | Description |
|------|-------------|------|------------------------------|------|-------------|------|--------------------------|
| 1 | 117-8093 | 1 | Radiator ASM | 19 | 2410-42 | 2 | Cap-End |
| 1:1 | 281-13 | 1 | Plug-Pipe | 20 | 3296-23 | 4 | Nut-Lock, NI |
| 1:2 | 304-46 | 1 | Draincock | 21 | 325-6 | 4 | Screw-HH |
| 1:3 | 93-5957 | 1 | Cap-Radiator | 22 | 92-7416-03 | 1 | Strap-Radiator |
| 2 | 114-3995 | 1 | Oil Cooler ASM | 23 | 3296-29 | 3 | Nut-Lock, NI |
| 3 | 94-2638 | 4 | Nut-Flat | 24 | 106-6755 | 1 | Decal-Cap, Radiator |
| 4 | 93-6028 | 1 | Plate-Logo | 25 | 237-65 | 2 | O-Ring |
| 5 | 92-7505-03 | 1 | Screen ASM | 26 | 3256-23 | 3 | Washer-Plain |
| 6 | 92-7631 | 1 | Seal-Screen | 27 | 2410-64 | 3 | Plug-Button |
| 7 | 77-3620 | 2 | Knob-Retainer | 28 | 104-3781 | 1 | Hose-Radiator, Lower |
| 8 | 93-4208 | 1 | Seal-Screen, Strip | 29 | 104-3782 | 1 | Hose-Radiator, Upper |
| 9 | 32151-72 | 2 | Ring-Retaining | 30 | 2412-34 | 2 | Clamp-Hose |
| 10 | 92-7535 | 2 | Hose ASM | 33 | 98-4576-03 | 1 | Bracket-Reservoir, Water |
| 11 | 340-74 | 2 | Nut-Lock, Bulkhead | 34 | 104-9318 | 1 | Bottle-Overflow |
| 12 | 37-8771 | 2 | Bolt-Shoulder, HF | 35 | 321-4 | 2 | Screw-HH |
| 13 | 32128-20 | 4 | Nut-HF | 36 | 3296-42 | 2 | Nut-Lock, NI |
| 14 | 92-7516-03 | 1 | Bracket-Support, Cooler Base | 38 | 98-7895 | 1 | Tube |
| 16 | 3269-4 | 4 | Rivet-Pop | 39 | 110-4110 | 1 | Hose-LP |
| 17 | 105-9296 | 2 | Latch-Draw | 40 | 92-2379 | 2 | Clamp-Hose |
| 18 | 110-0044-03 | 1 | Bumper-Short | 41 | 3234-5 | 5 | Screw-HHF |



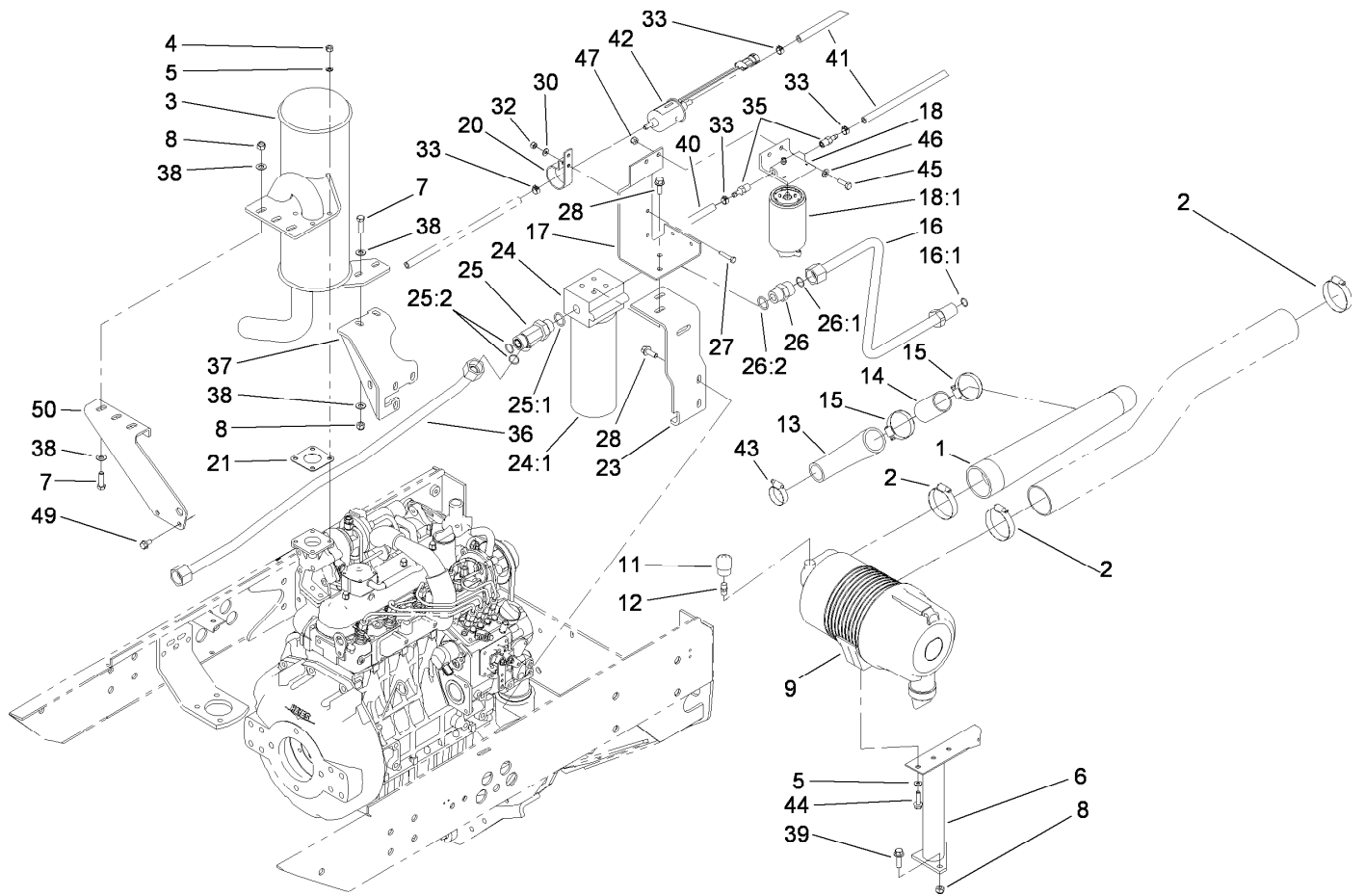
Engine Installation Assembly

| Ref. | Part Number | Qty. | Description | Ref. | Part Number | Qty. | Description |
|------|-------------|------|----------------------------|------|-------------|------|----------------------------|
| 1 | 125-2180 | 1 | Engine-Kubota, V1505T Dsl | 22 | 99-3441 | 1 | Harness-Wire, Fusible Link |
| 2 | 53-9680 | 4 | Mount-Engine | 23 | 105-0100 | 1 | Housing-Flywheel |
| 3 | 87-5100 | 4 | Washer-Snubbing | 24 | 110-9729 | 1 | Coupling-Flywheel |
| 4 | 323-7 | 7 | Screw-HH | 25 | 42-9600 | 12 | Washer-Lock |
| 5 | 323-13 | 3 | Screw-HH | 26 | 33114-016 | 6 | Screw-HH |
| 6 | 3296-39 | 11 | Nut-Lock, NI | 27 | 33114-030 | 6 | Screw-HH |
| 7 | 105-7914-03 | 1 | Bracket-Engine | 28 | 87-3700 | 2 | Screw-Cap, HH |
| 8 | 104-3762-03 | 1 | Bracket-Engine, Front (LH) | 29 | 99-6058 | 3 | Screw-Cap |
| 9 | 3253-4 | 15 | Washer-Lock | 30 | 57-6390 | 1 | Nut-Jam |
| 10 | 3234-7 | 4 | Screw-HHF | 31 | 106-5972 | 1 | Harness-Wire |
| 11 | 33114-020 | 2 | Screw-HH | 32 | 98-9346 | 1 | Sender-Temperature |
| 12 | 104-3764-03 | 2 | Rear Engine Plate ASM | 33 | 2412-34 | 2 | Clamp-Hose |
| 13 | 325-5 | 8 | Screw-HH | 34 | 104-5222 | 4 | Stud |
| 14 | 3253-7 | 8 | Washer-Lock | 35 | 98-5845 | 4 | Nut-Hex |
| 15 | 104-3778-03 | 1 | Plate-Throttle | 39 | 3290-379 | 2 | Tie-Cable |
| 16 | 63-7790 | 7 | Screw-Cap | 40 | 3256-3 | 1 | Washer-Flat |
| 17 | 3256-78 | 1 | Washer-Flat | 41 | 33024-00 | 1 | Nut-Lock, NI |
| 18 | 2412-80 | 1 | Clamp-Hose | 42 | 33114-030 | 1 | Screw-HH |
| 19 | 33023-00 | 1 | Nut-Lock | 43 | 98-9311 | 1 | Swivel-Throttle |
| 20 | 117-8972 | 1 | Fan Clutch ASM | 44 | 25-8640 | 1 | Screw-HH |
| 21 | 74-3650 | 1 | Fan | 45 | 3296-20 | 1 | Nut-Lock, NI |



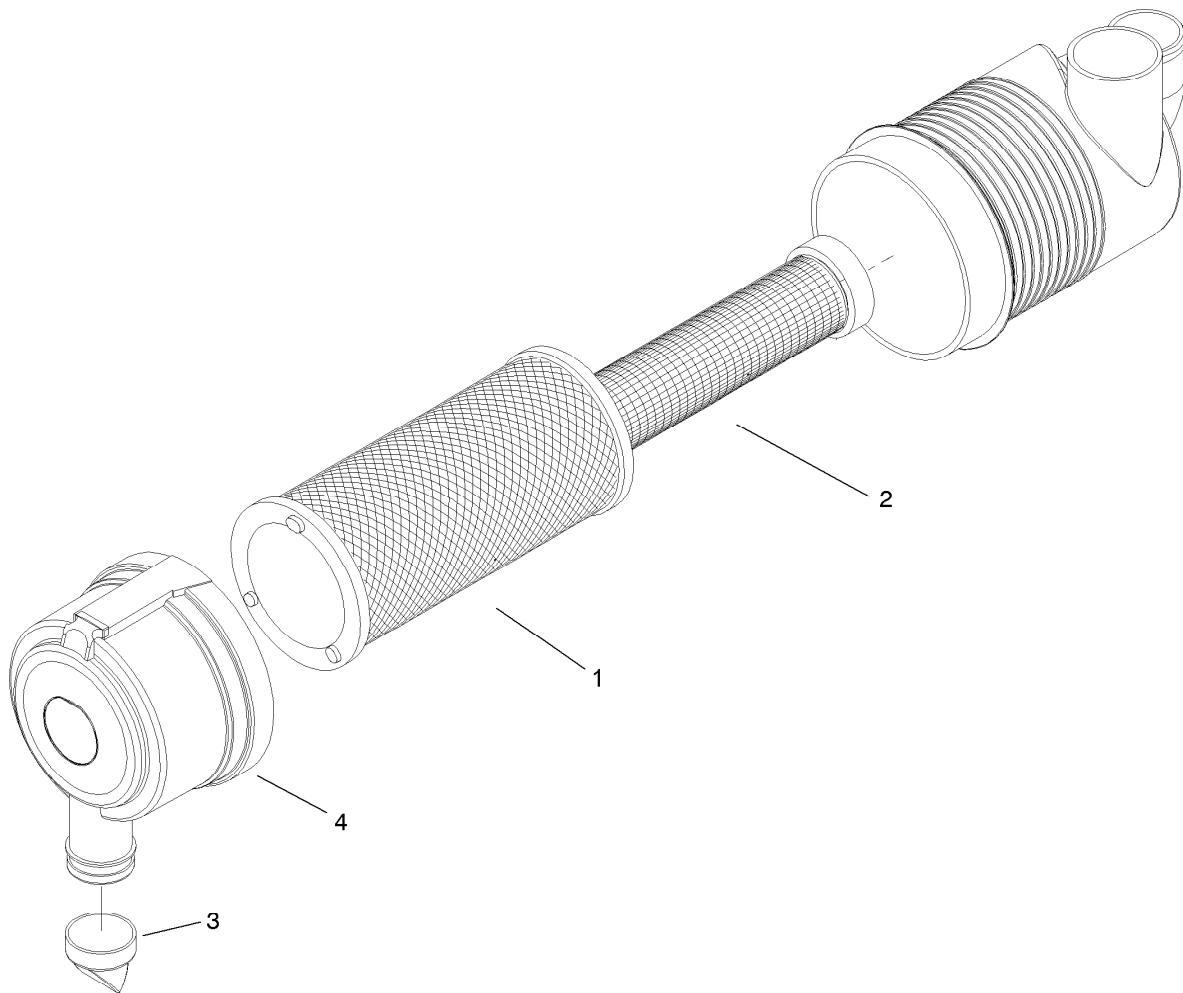
Engine Installation Assembly (continued)

| <i>Ref.</i> | <i>Part Number</i> | <i>Qty.</i> | <i>Description</i> | <i>Ref.</i> | <i>Part Number</i> | <i>Qty.</i> | <i>Description</i> |
|-------------|--------------------|-------------|--------------------|-------------|--------------------|-------------|--------------------|
| 46 | 92-2379 | 1 | Clamp-Hose | 50 | 66-9300 | 2 | Screw-HHF |
| 47 | 3255-9 | 2 | Washer-Lock | 51 | 32128-21 | 2 | Nut-HF Lock |
| 48 | 48-9220 | 4 | Washer-Plain | 52 | 105-7931-03 | 1 | Bracket-Support |
| 49 | 323-14 | 1 | Screw-HH | 53 | 3248-3 | 2 | Screw-Set, HSH |



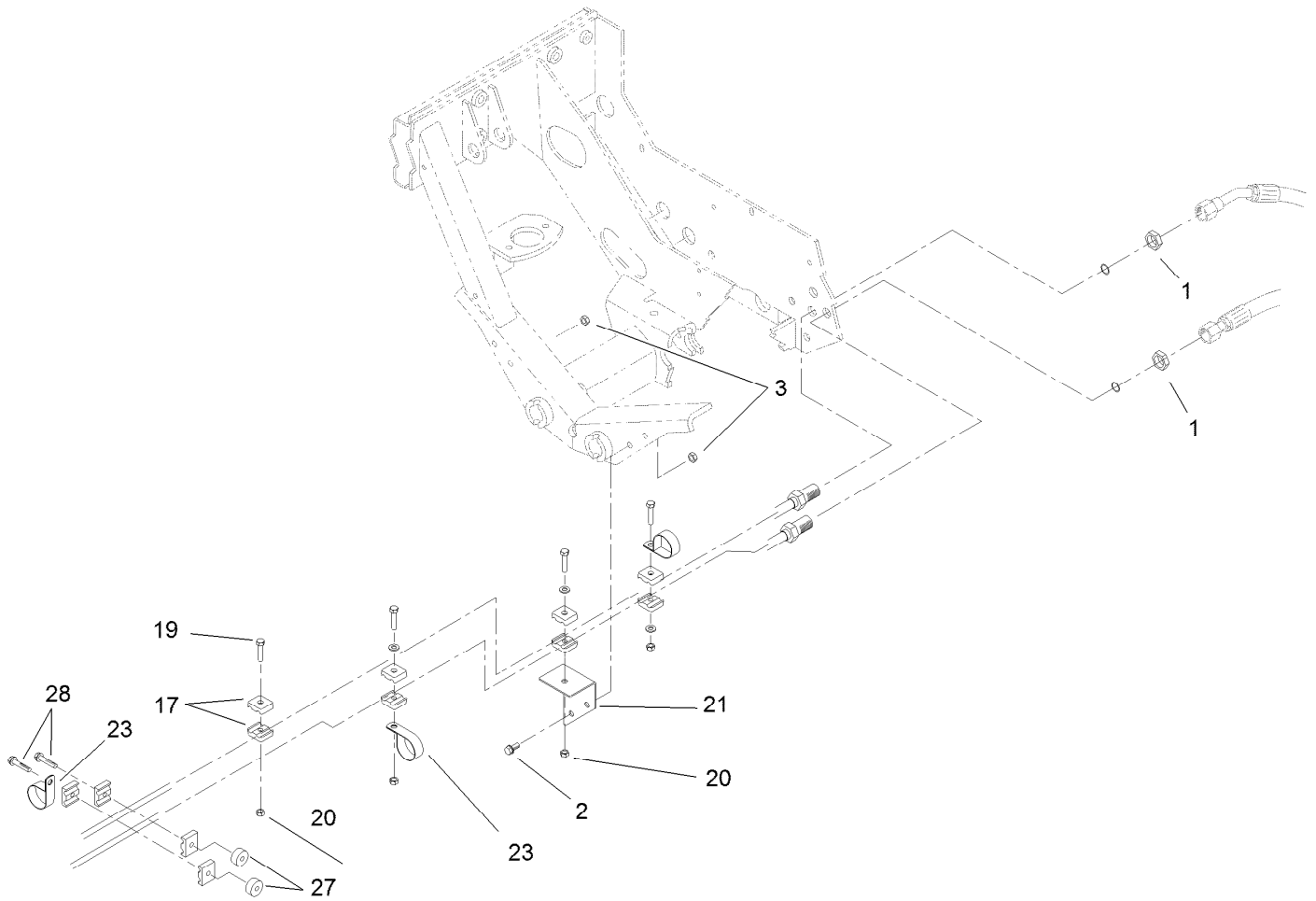
Oil/Water/Fuel Filter, Muffler and Air Cleaner Assembly

| Ref. | Part Number | Qty. | Description | Ref. | Part Number | Qty. | Description |
|------|-------------|------|----------------------------|------|-------------|------|------------------------|
| 1 | 114-3956 | 1 | Hose-Air Cleaner, Turbo | 25:1 | 237-81 | 1 | O-Ring |
| 2 | 2412-125 | 3 | Clamp-Hose | 25:2 | 237-58 | 2 | O-Ring |
| 3 | 105-9260 | 1 | Muffler ASM | 26 | 340-9 | 1 | Fitting-STR |
| 4 | 33014-00 | 4 | Nut-Hex | 26:1 | 237-58 | 1 | O-Ring |
| 5 | 3253-4 | 6 | Washer-Lock | 26:2 | 237-81 | 1 | O-Ring |
| 6 | 106-7792-03 | 1 | Air Filter Support ASM | 27 | 321-13 | 1 | Screw-HH |
| 7 | 323-7 | 5 | Screw-HH | 28 | 3234-11 | 4 | Screw-HHF |
| 8 | 3296-39 | 7 | Nut-Lock, NI | 30 | 3256-1 | 1 | Washer-Flat |
| 9 | 100-2597 | 1 | Air Filter ASM | 32 | 3296-42 | 1 | Nut-Lock, NI |
| 11 | 93-9164 | 1 | Indicator-Mini | 33 | 92-2379 | 4 | Clamp-Hose |
| 12 | 94-1416 | 1 | Adapter-Indicator | 35 | 353-783 | 1 | Fitting-STR |
| 13 | 104-5207 | 1 | Hose-Turbo | 36 | 104-3749 | 1 | HYD Tube ASM |
| 14 | 104-5214 | 1 | Spacer-Tubular | 37 | 105-7910-03 | 1 | Support-Muffler |
| 15 | 2412-92 | 2 | Clamp-Hose | 38 | 3256-56 | 10 | Washer-Flat |
| 16 | 104-3742 | 1 | HYD Filter Tube ASM | 39 | 3234-24 | 2 | Screw-HHF |
| 16:1 | 237-65 | 1 | O-Ring | 40 | 110-4112 | 2 | Hose-Fuel |
| 17 | 104-3776-03 | 1 | Bracket-Separator, Fuel | 41 | 353-781 | 1 | Fitting-HYD, 90 |
| 18 | 110-9044 | 1 | Separator-Filter | 42 | 110-8806 | 1 | Pump-Fuel |
| 18:1 | 110-9049 | 1 | Filter-Spin On, Fuel/Water | 43 | 2412-3 | 1 | Clamp-Hose |
| 20 | 110-8817 | 1 | Bracket-Pump, Fuel | 44 | 33104-030 | 2 | Screw-HHF |
| 21 | 99-8343 | 1 | Gasket-Muffler | 45 | 322-5 | 2 | Screw-HH |
| 23 | 110-4129-03 | 1 | Bracket-Filter, Oil | 46 | 3256-23 | 2 | Washer-Plain |
| 24 | 94-2620 | 1 | Oil Filter ASM | 47 | 3296-29 | 2 | Nut-Lock, NI |
| 24:1 | 94-2621 | 1 | Element-Filter | 49 | 33114-016 | 2 | Screw-HH |
| 25 | 340-148 | 1 | Fitting-Tee | 50 | 105-9258-03 | 1 | Bracket-Muffler, Upper |



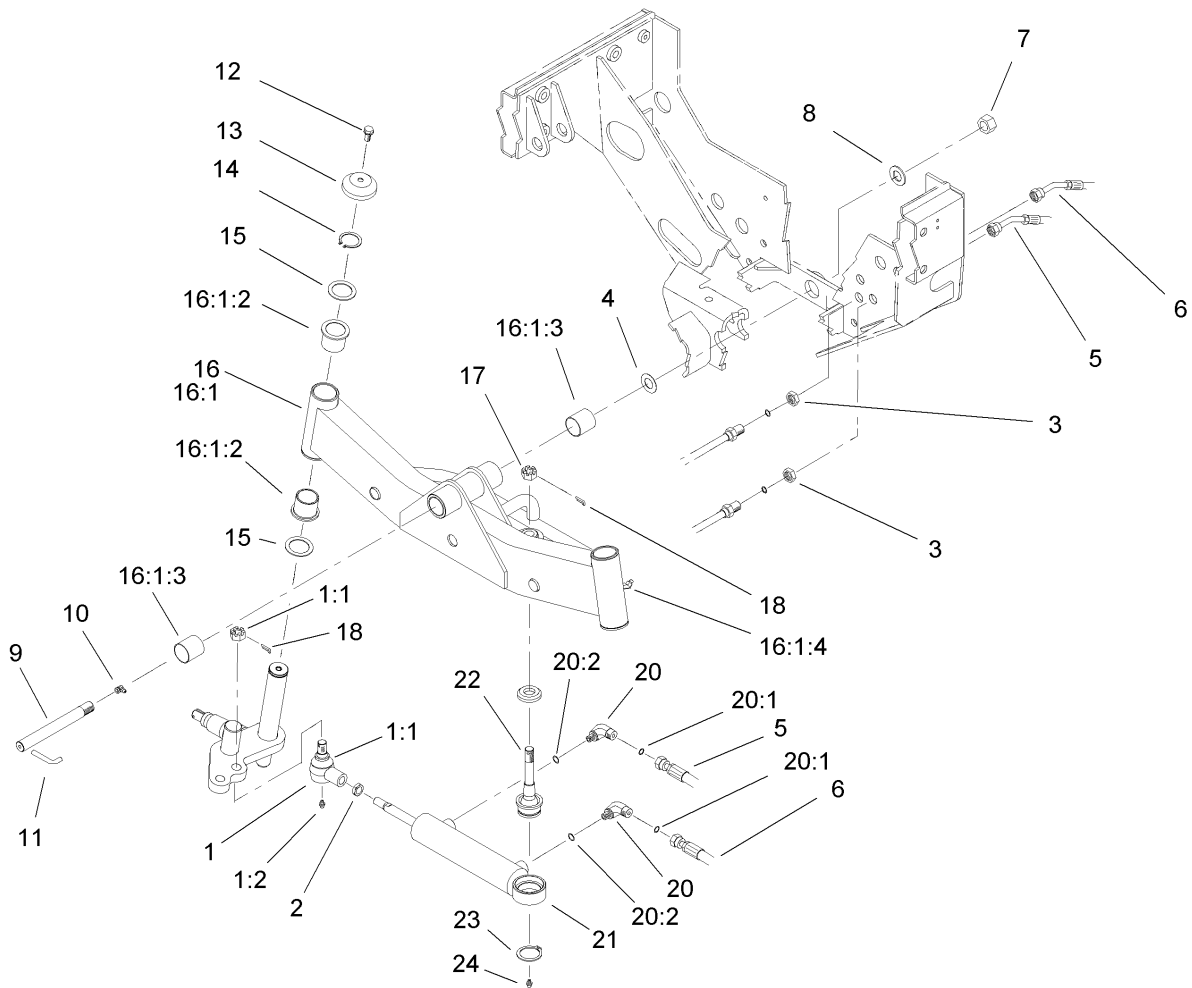
Air Filter Assembly No. 100-2597

| <i>Ref.</i> | <i>Part Number</i> | <i>Qty.</i> | <i>Description</i> |
|-------------|--------------------|-------------|-----------------------------|
| 1 | 108-3812 | 1 | Filter-Air |
| 2 | 108-3813 | 1 | Element-Safety, Air Cleaner |
| 3 | 87-9400 | 1 | Valve-Vacuator |
| 4 | 108-1448 | 1 | Cover ASM |



Rear Hydraulic Assembly

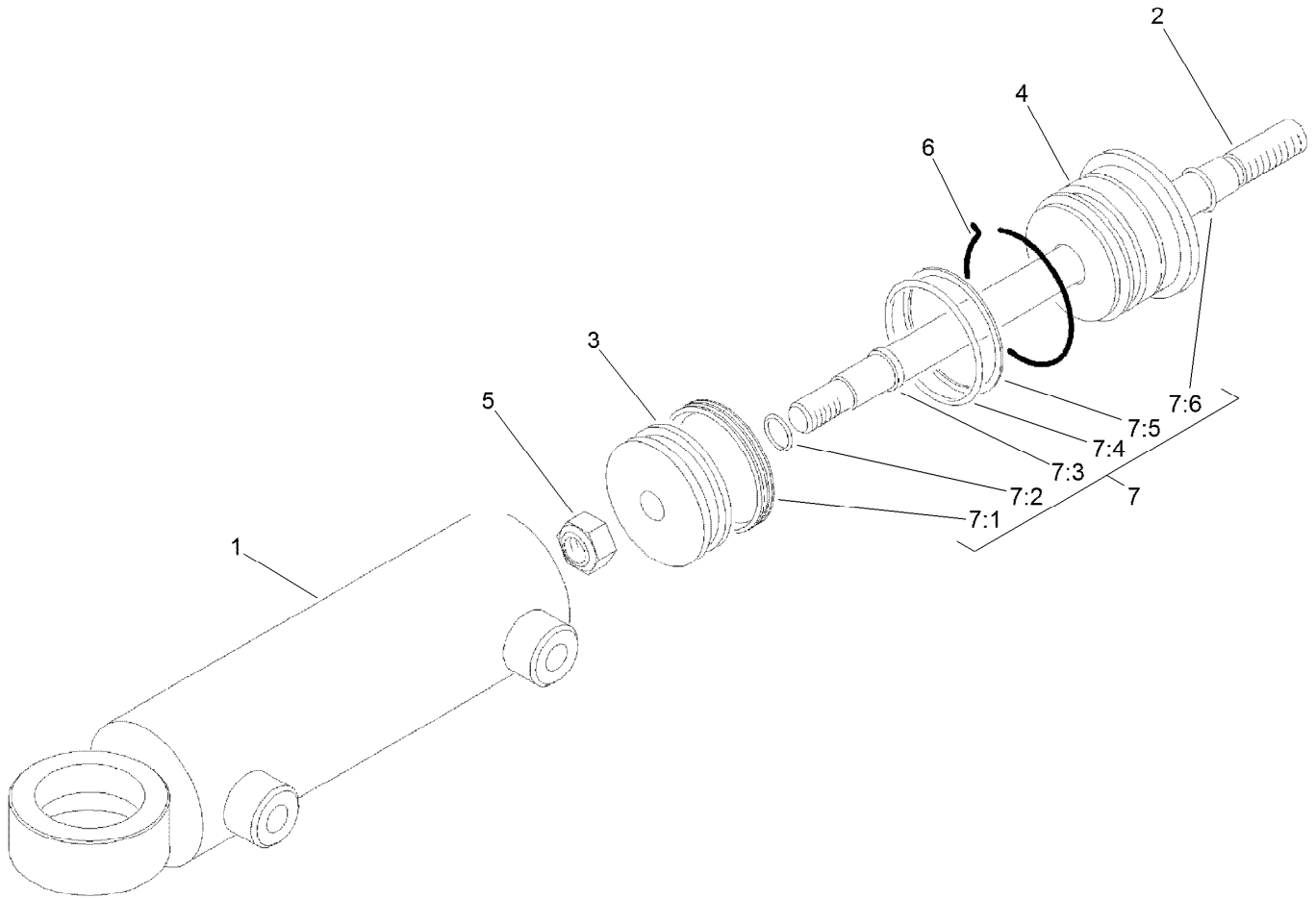
| <i>Ref.</i> | <i>Part Number</i> | <i>Qty.</i> | <i>Description</i> |
|-------------|--------------------|-------------|-----------------------|
| 1 | 340-70 | 2 | Nut-Lock |
| 2 | 323-6 | 2 | Screw-HH |
| 3 | 32128-21 | 2 | Nut-HF Lock |
| 17 | 56-7973 | 10 | Clamp-Tube |
| 19 | 115-1794 | 4 | Screw-HHF |
| 20 | 104-8300 | 4 | Nut-HF, NI |
| 21 | 104-3752-03 | 1 | Bracket-Clamp |
| 23 | 2412-107 | 3 | Clamp-R |
| 27 | 80-8660 | 2 | Spacer-Coupler |
| 28 | 32104-37 | 2 | Screw-HWH, Thread Cut |



2-Wheel Drive Axle Assembly

| Ref. | Part Number | Qty. | Description | Ref. | Part Number | Qty. | Description |
|------|-------------|------|-------------------|--------|-------------|------|--------------------------|
| 1 | 106-6898 | 1 | Joint-Ball | 15 | 62-2170 | 4 | Washer-Thrust |
| 1:1 | 106-6896 | 1 | Seal | 16 | 100-3785-03 | 1 | Rear Axle ASM |
| 1:2 | 302-5 | 1 | Fitting-Grease | 16:1 | | 1 | Axle-Rear ● |
| 2 | 3220-11 | 1 | Nut-Jam | 16:1:2 | 69-6470 | 4 | Bushing-Caster |
| 3 | 32136-14 | 1 | Nut-Hst | 16:1:3 | 99-6964 | 2 | Bushing-Axle |
| 4 | 98-3867 | 2 | Washer-Thrust | 16:1:4 | 302-11 | 2 | Fitting-Lube, 45 DEG |
| 5 | 92-7595 | 1 | Hose-HYD | 17 | 32136-14 | 1 | Nut-Hst |
| 6 | 92-7594 | 1 | Hose ASM | 18 | 3272-12 | 2 | Pin-Cotter |
| 7 | 3296-68 | 1 | Nut-Lock, NI | 20 | 340-97 | 2 | Fitting-Elbow, 90 DEG |
| 8 | 92-1765 | 1 | Washer-Thrust | 20:1 | 237-22 | 1 | O-Ring |
| 9 | 115-9142 | 1 | Pin-Rear Axle | 20:2 | 237-78 | 1 | O-Ring |
| 10 | 302-33 | 1 | Fitting-Grease | 21 | 94-8142 | 1 | HYD Cylinder ASM |
| 11 | 32121-110 | 1 | Pin-Roll, Slotted | 22 | 92-5839 | 1 | Joint-Ball |
| 12 | 3234-1 | 2 | Screw-HHF | 23 | 32151-104 | 1 | Ring-Retaining, External |
| 13 | 69-8890 | 2 | Cap-Spindle | 24 | 302-5 | 1 | Fitting-Grease |
| 14 | 32151-10 | 2 | Ring-Retaining | | | | |

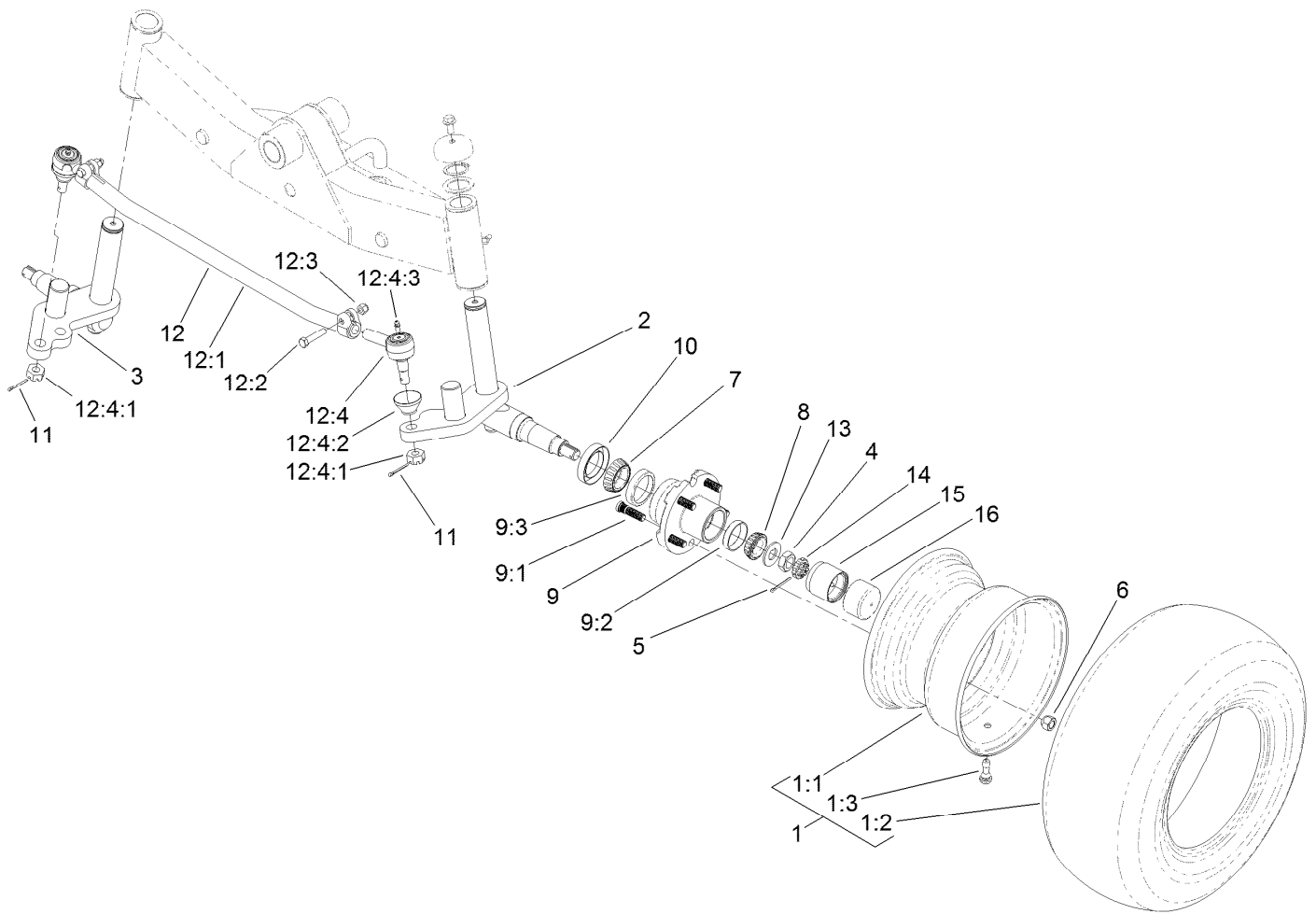
● Not serviced separately



Hydraulic Cylinder No. 94-8142

| Ref. | Part Number | Qty. | Description |
|------|-------------|------|-----------------|
| 1 | | 1 | Barrel ● |
| 2 | | 1 | Piston Rod ● |
| 3 | | 1 | Piston ● |
| 4 | | 1 | Gland ● |
| 5 | | 1 | Locknut ● |
| 6 | 94-9963 | 1 | Ring-Retaining |
| 7 | 94-9964 | 1 | Seal Repair Kit |
| 7:1 | | 1 | Uniring ● |
| 7:2 | | 1 | O-Ring ● |
| 7:3 | | 1 | Seal-Rod ● |
| 7:4 | | 1 | O-Ring ● |
| 7:5 | | 1 | Backup ● |
| 7:6 | | 1 | O-Ring ● |

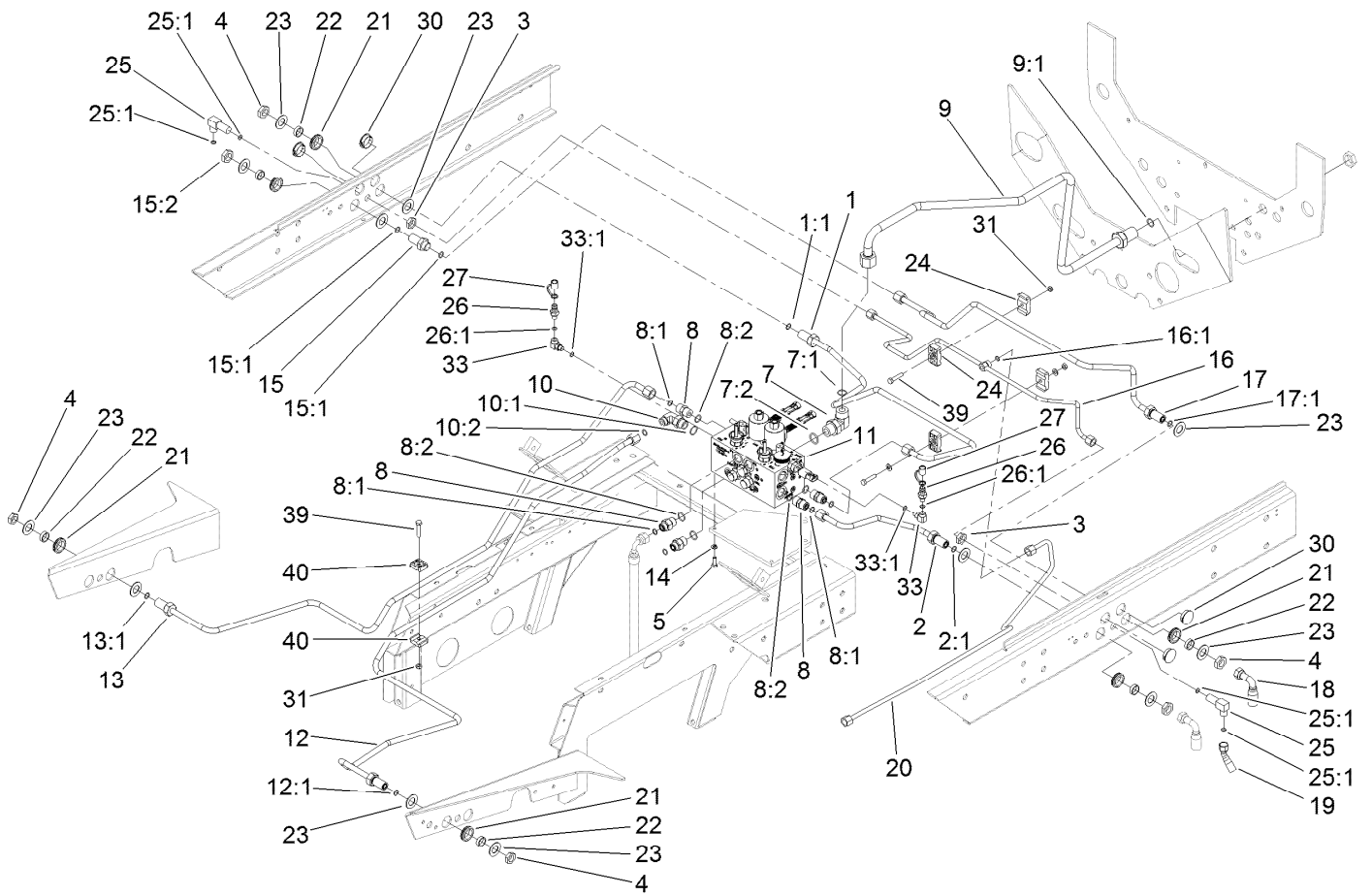
● Not serviced separately



Wheel and Spindle Assembly

| Ref. | Part Number | Qty. | Description | Ref. | Part Number | Qty. | Description |
|------|-------------|------|-----------------------|--------|-------------|------|------------------------|
| 1 | | 2 | Rim And Tire ASM ● | 10 | 69-2980 | 2 | Seal |
| 1:1 | 117-5137 | 1 | *obs* Rim | 11 | 3272-12 | 2 | Pin-Cotter |
| 1:2 | 115-1572 | 1 | Tire | 12 | 98-8839 | 1 | Tie Rod ASM |
| 1:3 | 232-27 | 1 | Stem-Valve | 12:1 | 98-8840 | 1 | Tube And Clamp ASM |
| 2 | 92-9725-03 | 1 | LH Spindle ASM | 12:2 | 323-9 | 2 | Screw-HH |
| 3 | 92-9724-03 | 1 | RH Spindle ASM | 12:3 | 3296-39 | 2 | Nut-Lock, NI |
| 4 | 3220-7 | 2 | Nut-Jam | 12:4 | 71-4740 | 2 | End-Rod, Tie (RH) |
| 5 | 3272-13 | 2 | Pin-Cotter | 12:4:1 | 105-7941 | 1 | Nut-Hex, Slotted |
| 6 | 242-50 | 10 | Nut-Lug | 12:4:2 | 105-7835 | 1 | Seal |
| 7 | 254-106 | 2 | Cone-Bearing, Tapered | 12:4:3 | 302-5 | 1 | Fitting-Grease |
| 8 | 254-92 | 2 | Cone-Bearing, Outer | 13 | 93-0309 | 2 | Washer-Tab |
| 9 | 114-3908 | 2 | Hub ASM | 14 | 93-0307 | 2 | Nut-Lock, Retainer |
| 9:1 | 114-3918 | 5 | Stud-Wheel | 15 | 100-3769 | 2 | Protector-Bearing |
| 9:2 | 254-72 | 1 | Bearing-Cup, Tapered | 16 | 100-3809 | 2 | Cap-Protector, Bearing |
| 9:3 | 254-107 | 1 | Cup-Bearing, Tapered | | | | |

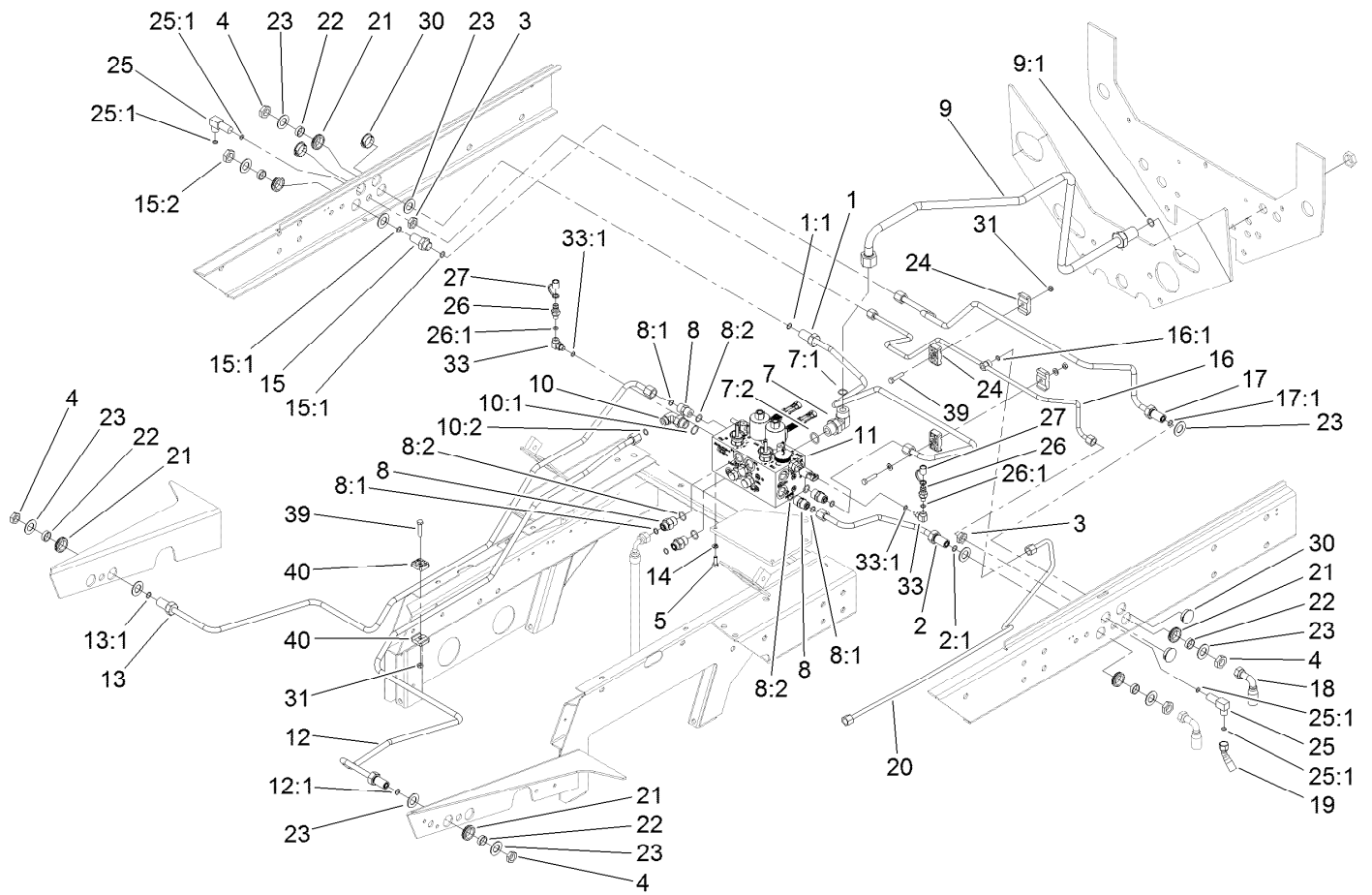
● Not serviced separately



Rear Hydraulic Control Block Assembly

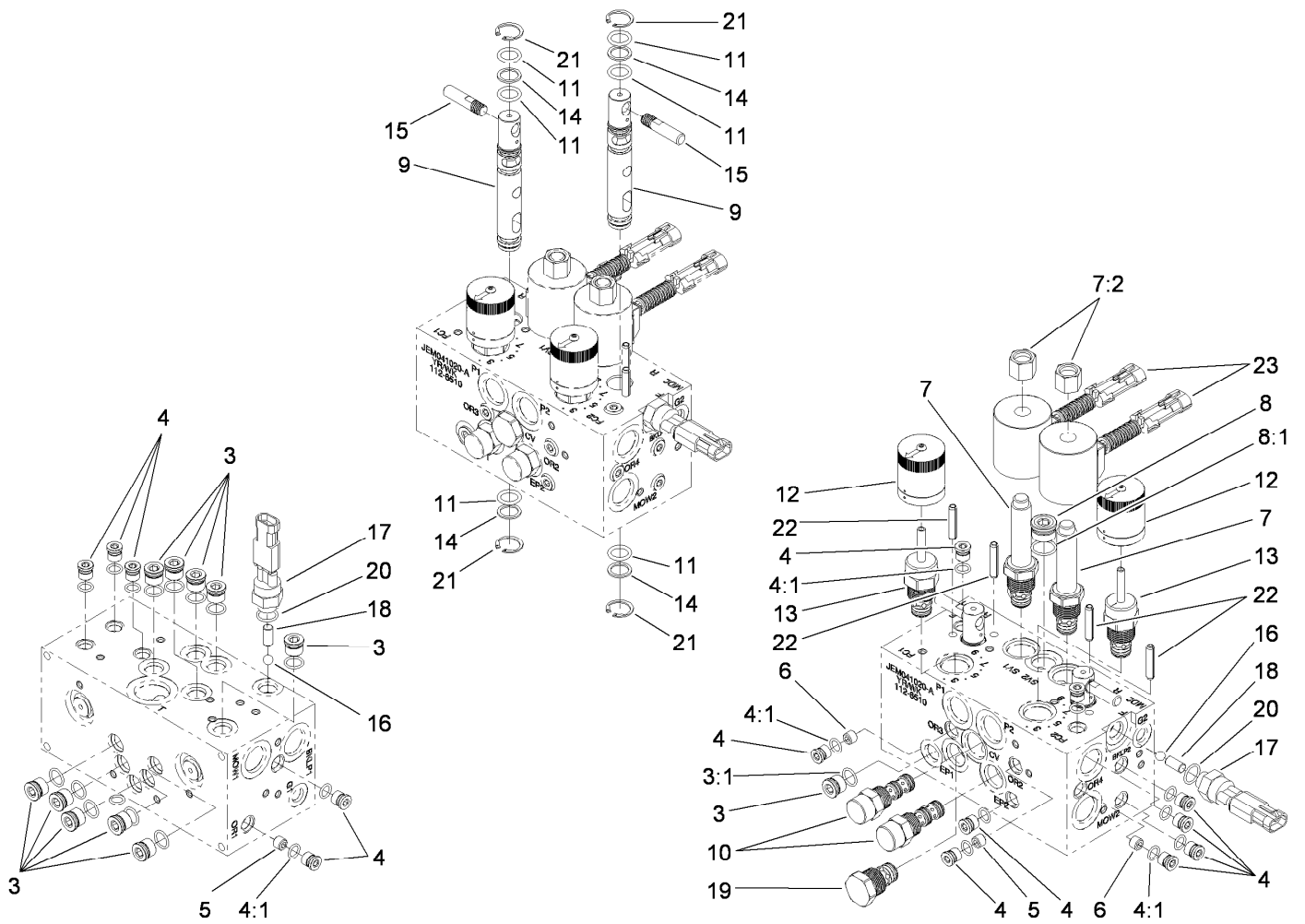
| Ref. | Part Number | Qty. | Description |
|------|-------------|------|------------------------|
| 1 | 104-3728 | 1 | HYD Tube ASM |
| 1:1 | 237-30 | 1 | O-Ring |
| 2 | 104-3731 | 1 | HYD Tube ASM |
| 2:1 | 237-30 | 1 | O-Ring |
| 3 | 340-70 | 2 | Nut-Lock |
| 4 | 340-127 | 4 | Nut-Bulkhead |
| 5 | 322-4 | 2 | Screw-HH |
| 7 | 340-142 | 1 | Fitting-Elbow, 90 DEG |
| 7:1 | 237-58 | 1 | O-Ring |
| 7:2 | 237-81 | 1 | O-Ring |
| 8 | 340-6 | 5 | Fitting-Straight |
| 8:1 | 237-30 | 1 | O-Ring |
| 8:2 | 237-80 | 1 | O-Ring |
| 9 | 104-3734 | 1 | HYD Cooler Tube ASM |
| 9:1 | 237-65 | 1 | O-Ring |
| 10 | 340-105 | 1 | Fitting-Elbow, 90 DEG |
| 10:1 | 237-80 | 1 | O-Ring |
| 10:2 | 237-30 | 1 | O-Ring |
| 11 | 112-6510 | 1 | Mow Block Manifold ASM |
| 12 | 104-3741 | 1 | HYD Tube ASM |
| 12:1 | 237-30 | 1 | O-Ring |

| Ref. | Part Number | Qty. | Description |
|------|-------------|------|-----------------------|
| 13 | 104-3739 | 1 | HYD Tube ASM |
| 13:1 | 237-30 | 1 | O-Ring |
| 14 | 3253-4 | 2 | Washer-Lock |
| 15 | 340-161 | 1 | Fitting-Bulkhead |
| 15:1 | 237-30 | 2 | O-Ring |
| 15:2 | 340-127 | 1 | Nut-Bulkhead |
| 16 | 104-3723 | 1 | HYD Tube ASM |
| 16:1 | 237-22 | 1 | O-Ring |
| 17 | 104-3724 | 1 | HYD Tube ASM |
| 17:1 | 237-30 | 1 | O-Ring |
| 18 | 105-7903 | 4 | HYD Hose ASM |
| 19 | 99-5614 | 2 | HYD Hose ASM |
| 20 | 114-3962 | 1 | Drain Return Tube ASM |
| 21 | 240-5 | 4 | Grommet |
| 22 | 69-8960 | 4 | Spacer |
| 23 | 69-8930 | 8 | Washer |
| 24 | 56-7972 | 4 | Clamp-Tube |
| 25 | 340-154 | 2 | Union-Bulkhead |
| 25:1 | 237-22 | 2 | O-Ring |
| 26 | 354-77 | 2 | Fitting-Quick |
| 26:1 | 237-78 | 1 | O-Ring |



Rear Hydraulic Control Block Assembly (continued)

| <i>Ref.</i> | <i>Part Number</i> | <i>Qty.</i> | <i>Description</i> | <i>Ref.</i> | <i>Part Number</i> | <i>Qty.</i> | <i>Description</i> |
|-------------|--------------------|-------------|----------------------|-------------|--------------------|-------------|--------------------|
| 27 | 354-79 | 2 | Cap-Dust | 33:1 | 237-78 | 1 | O-Ring |
| 30 | 94-1402 | 4 | Plug-Hole | 39 | 115-1794 | 3 | Screw-HHF |
| 31 | 104-8300 | 3 | Nut-HF, NI | 40 | 56-7976 | 2 | Clamp-Tube |
| 33 | 75-6640 | 2 | Fitting-HYD, Special | | | | |

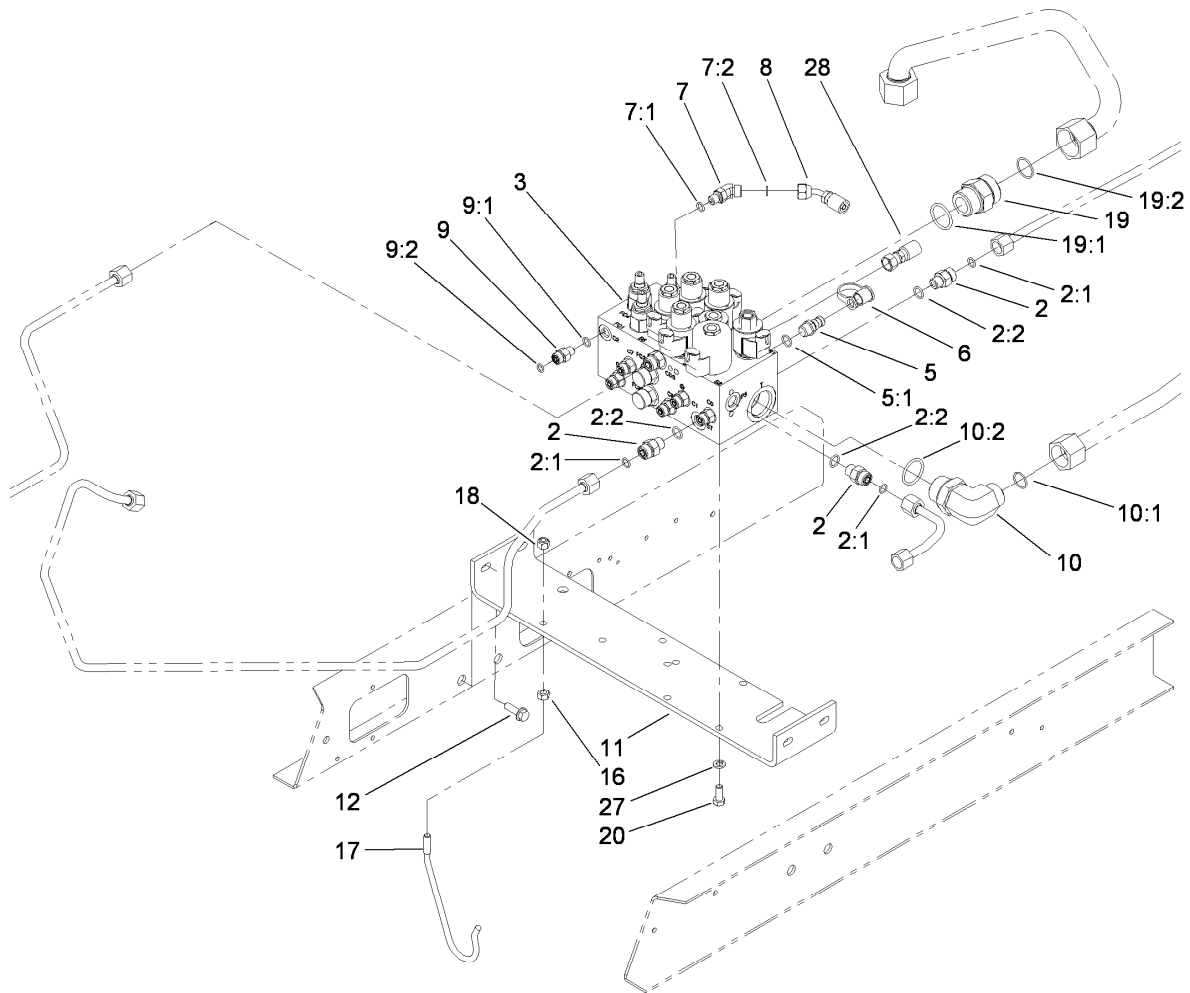


Hydraulic Manifold Assembly No. 112-6510

| Ref. | Part Number | Qty. | Description |
|------|-------------|------|-----------------------------------|
| 3 | 106-1026 | 11 | Plug-HYD |
| 3:1 | 237-42 | 1 | O-Ring |
| 4 | 106-1025 | 14 | Plug-HYD |
| 4:1 | 237-78 | 1 | O-Ring |
| 5 | 112-6538 | 2 | Orifice (.063 Inch) |
| 6 | 112-6537 | 2 | Orifice (3/8-16, DIA .007) |
| 7 | 110-8768 | 2 | Valve-Relief, Solenoid (3000 PSI) |
| 7:1 | 110-6316 | 1 | Seal Kit ● |
| 7:2 | 130-8180 | 1 | Nut-Coil (9/16-24 Unef-2B) |
| 8 | 106-1027 | 1 | Plug |
| 8:1 | 237-79 | 1 | O-Ring |
| 9 | 112-6536 | 2 | Spool |
| 10 | 110-8890 | 2 | Element-Logic |
| 10:1 | 110-8773 | 1 | Seal Kit ● |

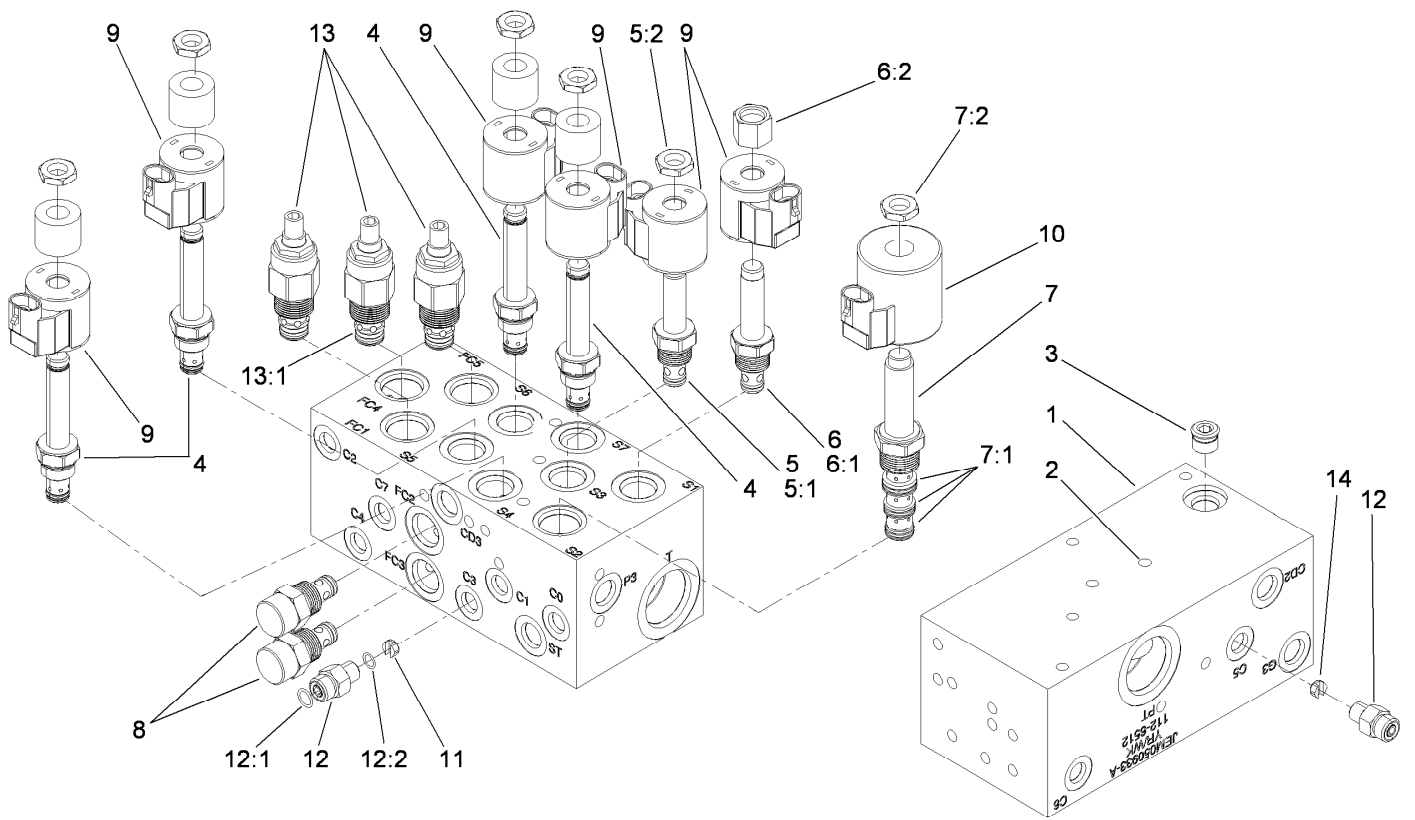
| Ref. | Part Number | Qty. | Description |
|------|-------------|------|----------------------------|
| 11 | 112-6535 | 6 | O-Ring |
| 12 | 110-8767 | 2 | Rotary Handle ASM |
| 13 | 110-8769 | 2 | Valve-Control, Manual Flow |
| 13:1 | 110-2633 | 1 | Seal Kit ● |
| 14 | 112-6534 | 4 | Ring-Back Up |
| 15 | 110-8758 | 2 | Handle-Spool |
| 16 | 110-8762 | 2 | Ball-Chrome |
| 17 | 72-4320 | 2 | Switch-Ball |
| 18 | 112-6533 | 2 | Pin-Dowel |
| 19 | 110-8759 | 1 | Valve-Check |
| 19:1 | 110-8772 | 1 | Seal Kit ● |
| 20 | 110-8757 | 2 | O-Ring |
| 21 | 112-6532 | 4 | Ring-Retaining |
| 22 | 112-6531 | 4 | Pin-Spring |
| 23 | 112-6530 | 2 | Coil ASM |

● Not illustrated



Front Hydraulic Control Block and Hose Assembly

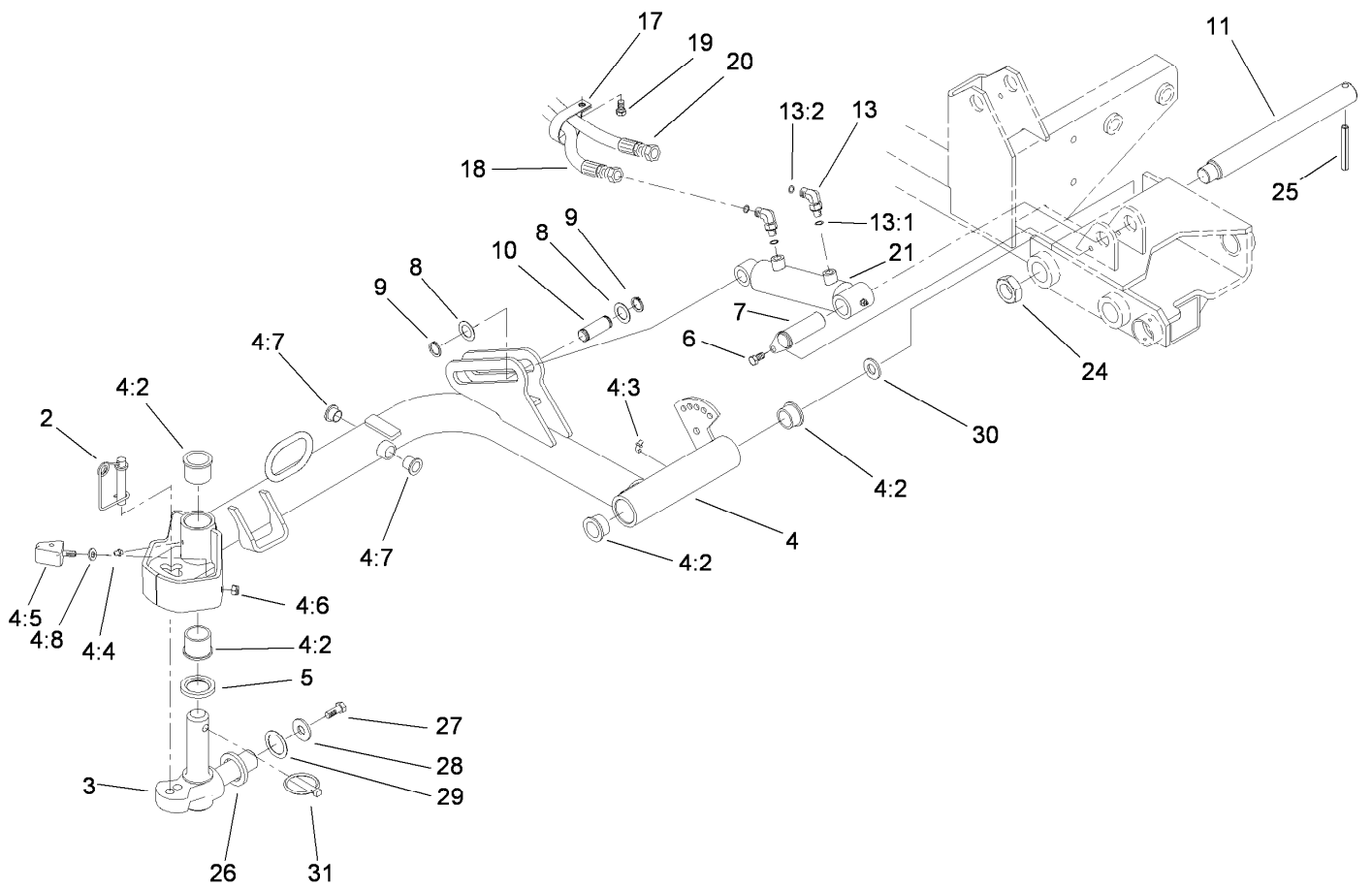
| <i>Ref.</i> | <i>Part Number</i> | <i>Qty.</i> | <i>Description</i> | <i>Ref.</i> | <i>Part Number</i> | <i>Qty.</i> | <i>Description</i> |
|-------------|--------------------|-------------|-------------------------|-------------|--------------------|-------------|------------------------|
| 2 | 340-2 | 4 | Fitting-Straight | 10 | 340-15 | 1 | Fitting-Elbow 90 |
| 2:1 | 237-22 | 1 | O-Ring | 10:1 | 237-58 | 1 | O-Ring |
| 2:2 | 237-42 | 1 | O-Ring | 10:2 | 237-146 | 1 | O-Ring |
| 3 | 112-6512 | 1 | Lift Manifold Block ASM | 11 | 112-6588-01 | 1 | Bracket-Manifold Block |
| 5 | 59-7410 | 1 | Fitting-Diagnostic | 12 | 3234-17 | 4 | Screw-HHF |
| 5:1 | 237-42 | 1 | O-Ring | 16 | 3217-6 | 1 | Nut-Hex |
| 6 | 354-79 | 1 | Cap-Dust | 17 | 115-2009 | 1 | Hanger-Hose |
| 7 | 340-103 | 1 | Fitting-HYD, 45 DEG | 18 | 3296-29 | 1 | Nut-Lock, NI |
| 7:1 | 237-78 | 1 | O-Ring | 19 | 104-3797 | 1 | Fitting-Straight |
| 7:2 | 237-21 | 1 | O-Ring | 19:1 | 237-146 | 1 | O-Ring |
| 8 | 98-4584 | 1 | HYD Hose ASM | 19:2 | 340-65 | 1 | O-Ring |
| 9 | 340-92 | 5 | Fitting-Straight | 20 | 322-3 | 3 | Screw-HH |
| 9:1 | 237-78 | 1 | O-Ring | 27 | 3253-4 | 3 | Washer-Lock |
| 9:2 | 237-21 | 1 | O-Ring | 28 | 104-3716 | 1 | Hose-HYD |



Lift Manifold Assembly No. 112-6512

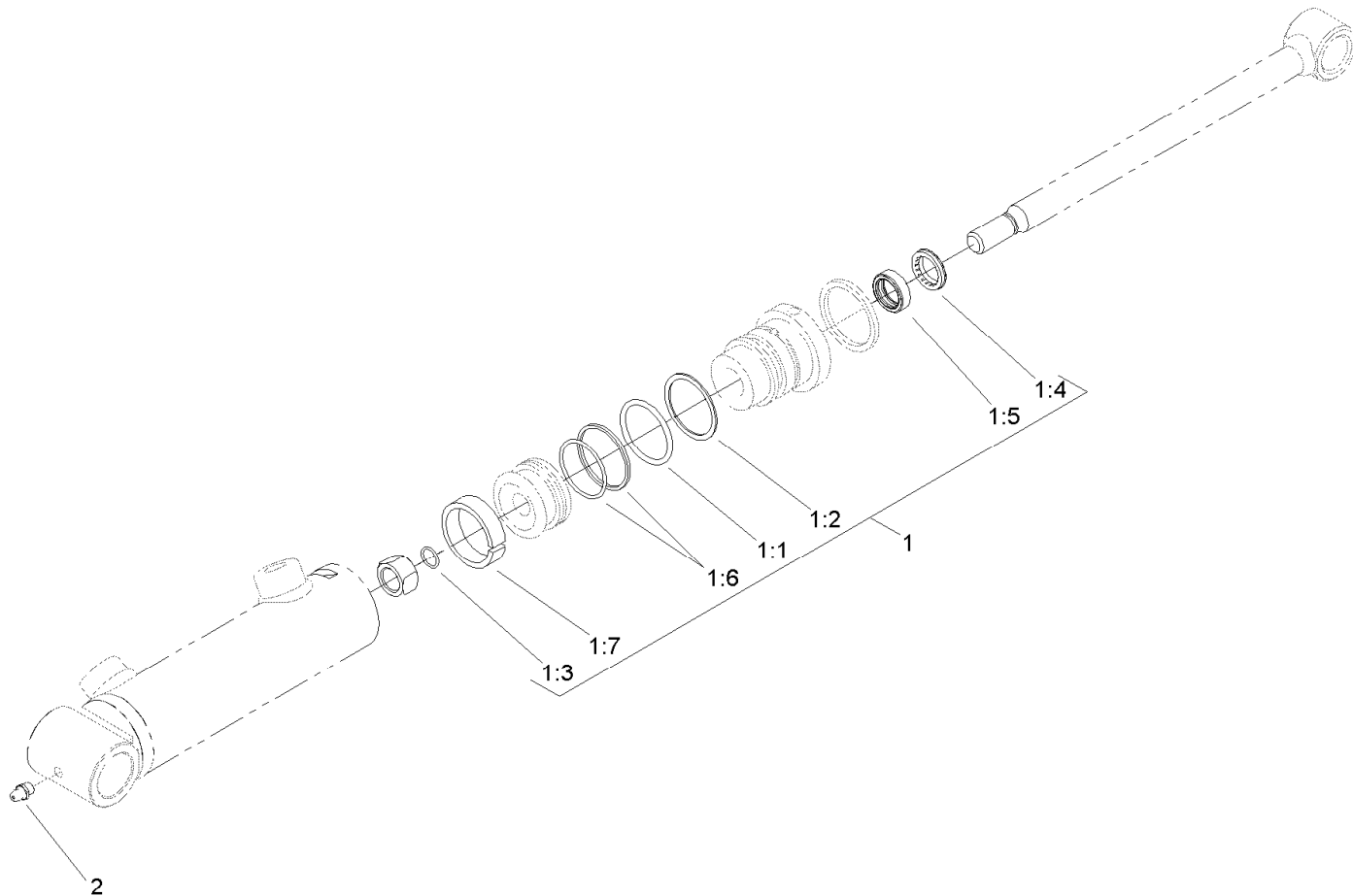
| Ref. | Part Number | Qty. | Description |
|------|-------------|------|------------------------------|
| 1 | | 1 | Manifold Block ● |
| 2 | | 22 | Plug-Expander ● |
| 3 | | 1 | Plug-Zero Leak ● |
| 4 | 115-2041 | 4 | Valve-Solenoid, Blocking |
| 5 | 107-7516 | 1 | Solenoid Valve ASM |
| 5:1 | 105-9156 | 1 | Seal Kit |
| 5:2 | 110-2634 | 1 | Nut-Coil |
| 6 | 107-7517 | 1 | Valve-Solenoid |
| 6:1 | 105-9156 | 1 | Seal Kit |
| 6:2 | 107-7812 | 1 | Nut-Solenoid |
| 7 | 110-8906 | 1 | Valve-Solenoid |
| 7:1 | 110-8908 | 1 | Spool Valve Seal Kit |
| 7:2 | 110-2634 | 1 | Nut-Coil |
| 8 | 110-9748 | 2 | Valve-Control, Flow |
| 9 | 110-0497 | 6 | Coil-Solenoid |
| 10 | 110-6344 | 1 | Coil-12V, DC |
| 11 | 115-2042 | 1 | Orifice-Control, Flow (.063) |
| 12 | 340-92 | 2 | Fitting-Straight |
| 12:1 | 237-78 | 1 | O-Ring |
| 12:2 | 237-21 | 1 | O-Ring |
| 13 | 112-9208 | 3 | Valve-Control, Flow |
| 13:1 | 110-2633 | 1 | Seal Kit |
| 14 | 115-2043 | 1 | Orifice-Control, Flow (.100) |

● Not serviced separately



Front No. 1 Lift Arm Assembly

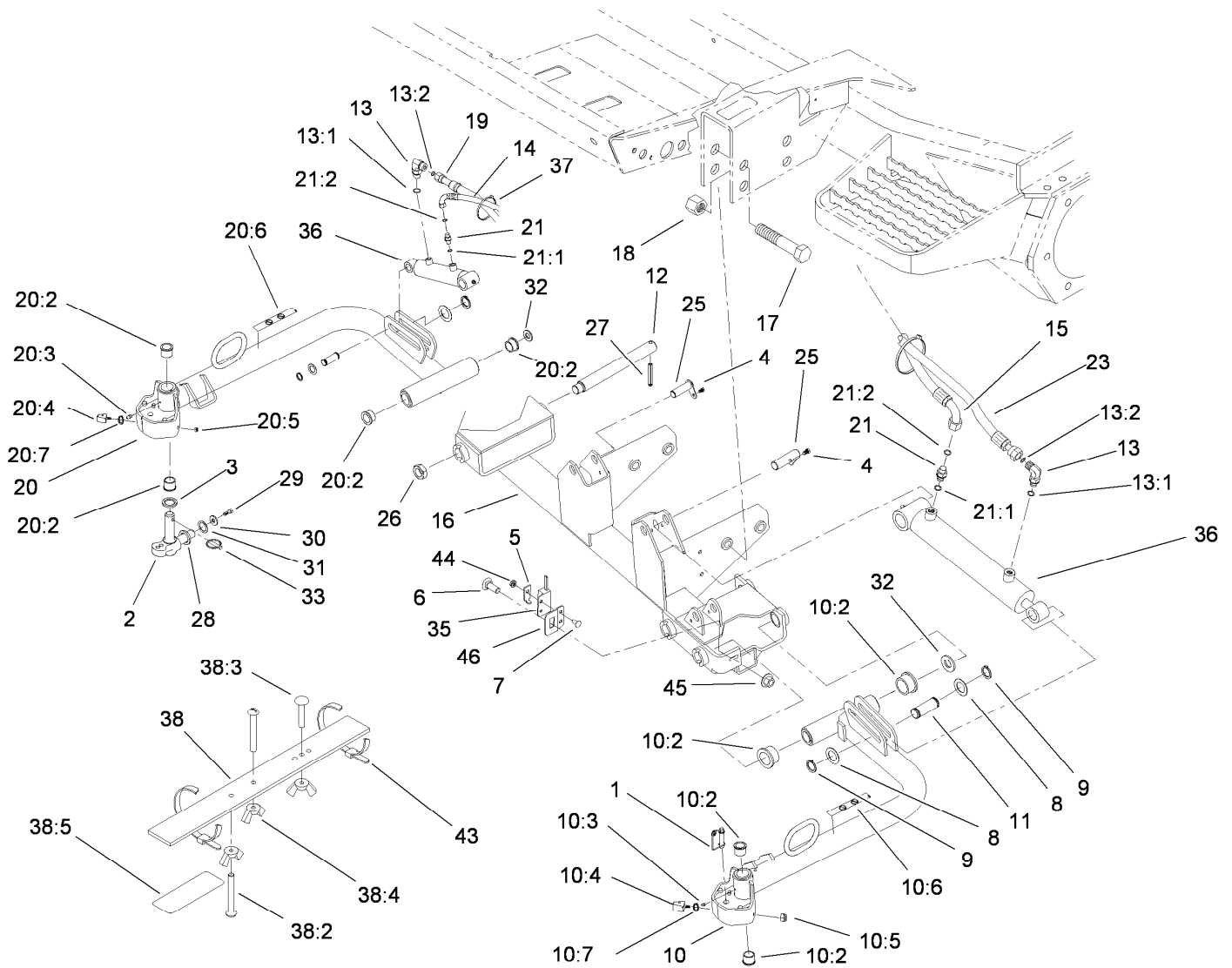
| Ref. | Part Number | Qty. | Description | Ref. | Part Number | Qty. | Description |
|------|-------------|------|------------------------|------|-------------|------|-----------------------|
| 2 | 99-5610 | 1 | Pin | 13 | 340-132 | 2 | Fitting-Elbow, 90 DEG |
| 3 | 98-1880-03 | 1 | Knuckle-Pivot | 13:1 | 237-78 | 1 | O-Ring |
| 4 | 105-3366 | 1 | No. 1 Lift Arm ASM | 13:2 | 237-21 | 1 | O-Ring |
| 4:2 | 104-0015 | 4 | Bushing-Flange | 17 | 2412-96 | 1 | Clamp-R |
| 4:3 | 302-60 | 1 | Fitting-Grease | 18 | 115-2024 | 1 | HYD Hose ASM |
| 4:4 | 302-5 | 1 | Fitting-Grease | 19 | 322-4 | 1 | Screw-HH |
| 4:5 | 106-9004 | 2 | Bumper | 20 | 112-6589 | 1 | HYD Hose ASM |
| 4:6 | 3296-29 | 2 | Nut-Lock, NI | 21 | 108-4437 | 1 | HYD Lift Cylinder ASM |
| 4:7 | 256-287 | 2 | Bushing | 24 | 3296-49 | 1 | Nut-Lock, NI |
| 4:8 | 3255-8 | 2 | Washer-Lock | 25 | 32121-110 | 1 | Pin-Roll, Slotted |
| 5 | 94-8946 | 1 | Washer-Thrust | 26 | 98-7974 | 1 | Washer-Thrust |
| 6 | 32144-14 | 1 | Screw-HWHTF | 27 | 98-7993 | 1 | Screw-HHF |
| 7 | 106-9208 | 1 | Short Cylinder Pin ASM | 28 | 3256-6 | 1 | Washer-Flat |
| 8 | 94-9998 | 2 | Washer-Thrust | 29 | 3-6781 | 1 | Washer-Thrust |
| 9 | 94-9974 | 2 | Ring-Retaining | 30 | 76-2980 | 3 | Washer-Thrust |
| 10 | 75-5350 | 1 | Pin-Slide, Cylinder | 31 | 283-71 | 1 | Pin-Lynch |
| 11 | 95-7158 | 1 | Pin-Pivot | | | | |



Lift Cylinder Assembly No. 108-4437

| <i>Ref.</i> | <i>Part Number</i> | <i>Qty.</i> | <i>Description</i> |
|-------------|--------------------|-------------|--------------------|
| 1 | 110-4132 | 1 | Seal Kit |
| 1:1 | | 1 | O-Ring ● |
| 1:2 | | 1 | Back-Up Ring ● |
| 1:3 | | 1 | O-Ring ● |
| 1:4 | | 1 | Wiper ● |
| 1:5 | | 1 | Seal ● |
| 1:6 | | 1 | Seal W/Loader ● |
| 1:7 | | 1 | Wear Ring ● |
| 2 | 302-5 | 1 | Fitting-Grease |

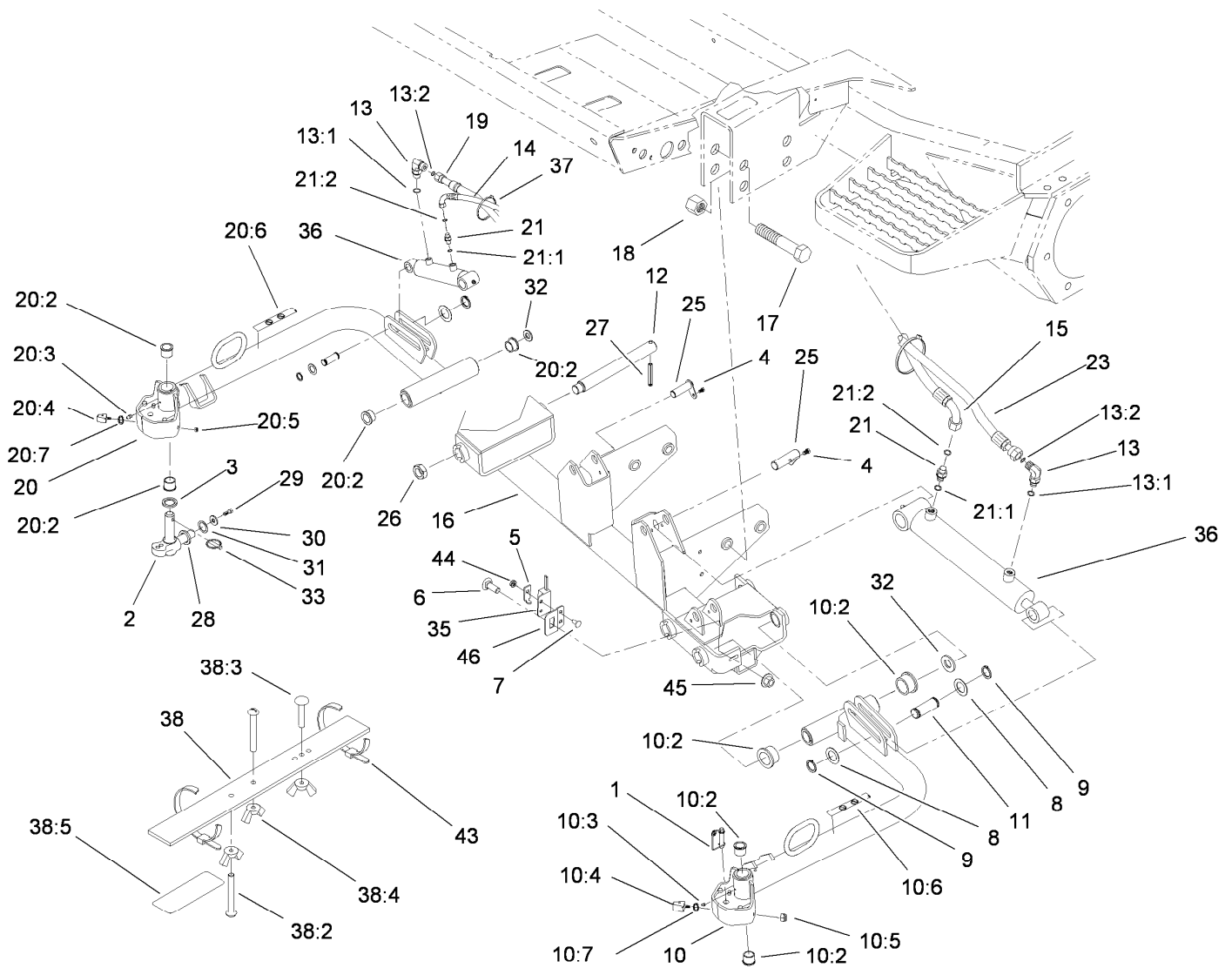
● Not serviced separately



Front No. 4 and No. 5 Lift Arm Assembly

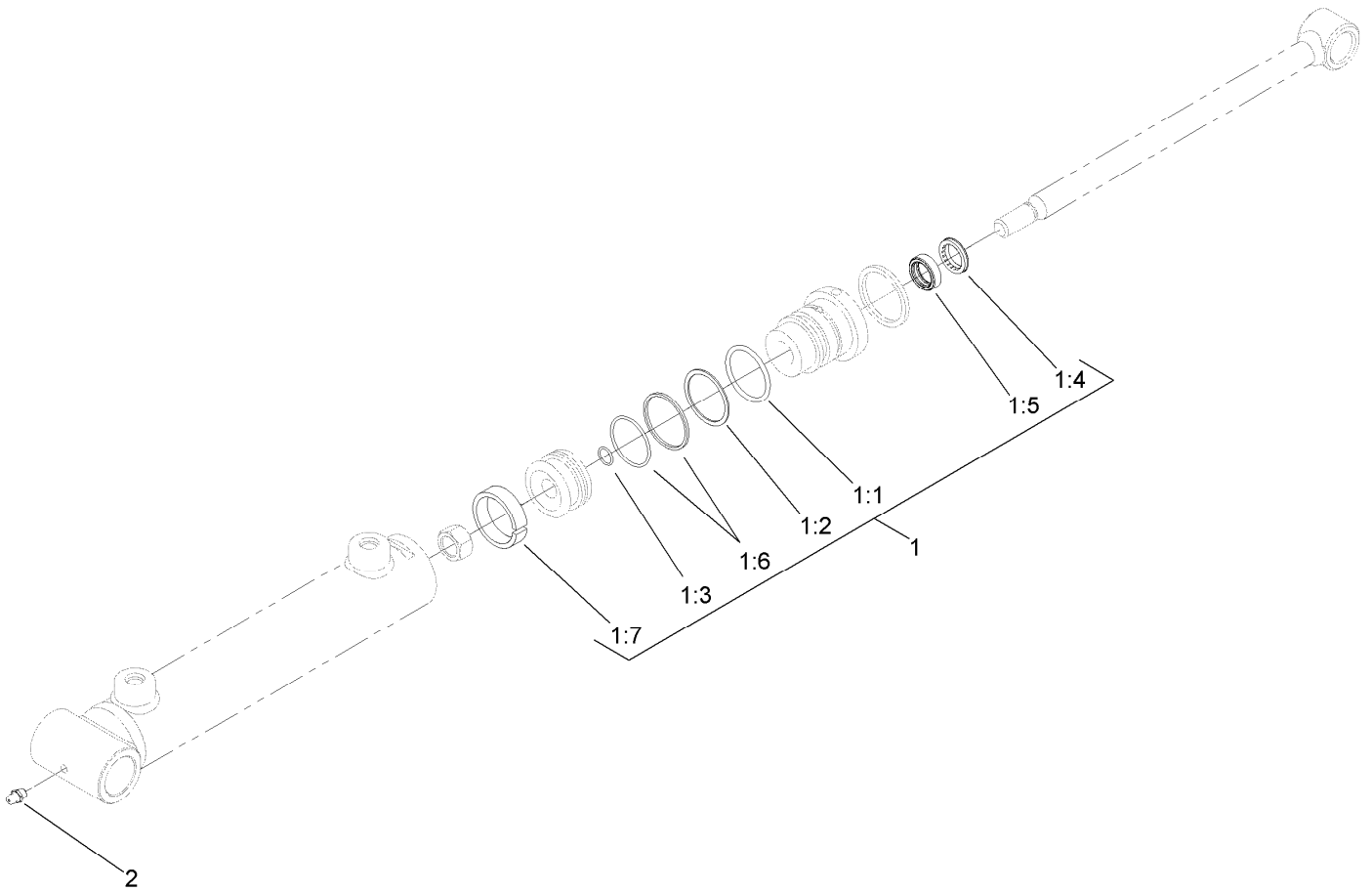
| Ref. | Part Number | Qty. | Description |
|------|-------------|------|-----------------------|
| 1 | 99-5610 | 2 | Pin |
| 2 | 98-1880-03 | 2 | Knuckle-Pivot |
| 3 | 94-8946 | 2 | Washer-Thrust |
| 4 | 32144-14 | 2 | Screw-HWHTF |
| 5 | 100-4872 | 1 | Plate-Switch, Neutral |
| 6 | 3231-22 | 1 | Screw-CARR |
| 7 | 104-1450 | 1 | Bolt-CARR |
| 8 | 94-9998 | 4 | Washer-Thrust |
| 9 | 94-9974 | 4 | Ring-Retaining |
| 10 | 105-3359 | 1 | No. 4 Lift Arm ASM |
| 10:2 | 104-0015 | 4 | Bushing-Flange |
| 10:3 | 302-5 | 2 | Fitting-Grease |
| 10:4 | 106-9004 | 2 | Bumper |
| 10:5 | 3296-29 | 2 | Nut-Lock, NI |
| 10:6 | 93-6687 | 1 | Decal-No Step |
| 10:7 | 3255-8 | 2 | Washer-Lock |
| 11 | 75-5350 | 2 | Pin-Slide, Cylinder |
| 12 | 95-7158 | 2 | Pin-Pivot |
| 13 | 340-132 | 2 | Fitting-Elbow, 90 DEG |
| 13:1 | 237-78 | 1 | O-Ring |
| 13:2 | 237-21 | 1 | O-Ring |

| Ref. | Part Number | Qty. | Description |
|------|-------------|------|----------------------|
| 14 | 105-7948 | 1 | Hyd Hose ASM |
| 15 | 105-7945 | 1 | Hyd Hose ASM |
| 16 | 105-3347-03 | 1 | Frame-Carrier, Front |
| 17 | 328-7 | 4 | Screw-HH |
| 18 | 3296-51 | 4 | Nut-Lock, NI |
| 19 | 115-2026 | 1 | HYD Hose ASM |
| 20 | 105-0110 | 1 | No. 5 Lift Arm ASM |
| 20:2 | 104-0015 | 4 | Bushing-Flange |
| 20:3 | 302-5 | 2 | Fitting-Grease |
| 20:4 | 106-9004 | 2 | Bumper |
| 20:5 | 3296-29 | 2 | Nut-Lock, NI |
| 20:6 | 93-6687 | 1 | Decal-No Step |
| 20:7 | 3255-8 | 2 | Washer-Lock |
| 21 | 340-92 | 2 | Fitting-Straight |
| 21:1 | 237-78 | 1 | O-Ring |
| 21:2 | 237-21 | 1 | O-Ring |
| 23 | 92-1718 | 1 | Hose ASM |
| 25 | 105-9889 | 2 | Pin-Cylinder |
| 26 | 3296-49 | 2 | Nut-Lock, NI |
| 27 | 32121-110 | 2 | Pin-Roll, Slotted |
| 28 | 98-7974 | 2 | Washer-Thrust |



Front No. 4 and No. 5 Lift Arm Assembly (continued)

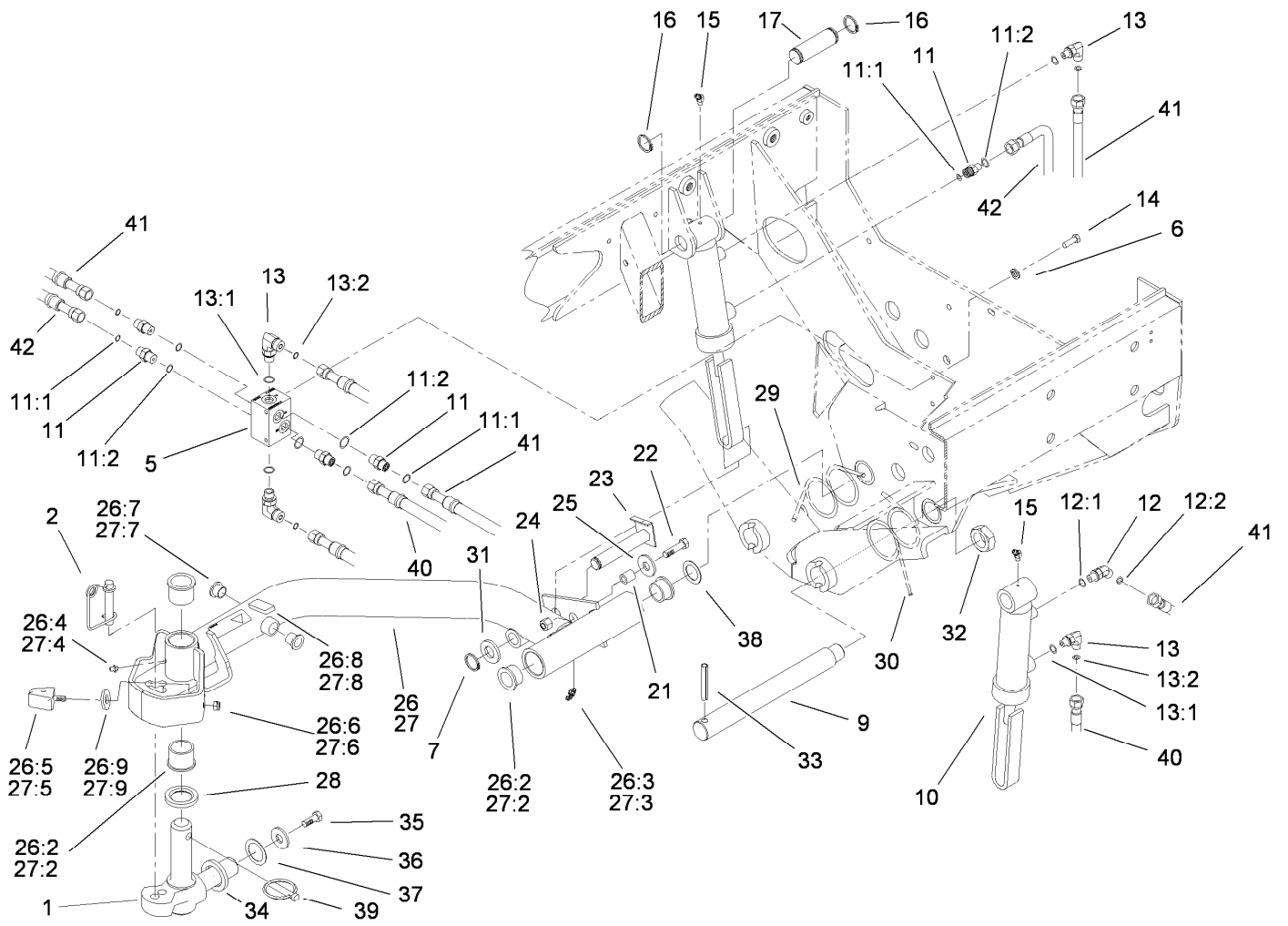
| Ref. | Part Number | Qty. | Description | Ref. | Part Number | Qty. | Description |
|------|-------------|------|------------------|------|-------------|------|-------------------|
| 29 | 98-7993 | 2 | Screw-HHF | 38:2 | 32122-54 | 2 | Screw-Head, Truss |
| 30 | 3256-6 | 2 | Washer-Flat | 38:3 | 108-6714 | 1 | Stud-Weld |
| 31 | 3-6781 | 2 | Washer-Thrust | 38:4 | 32103-3 | 3 | Nut-Wing |
| 32 | 76-2980 | 6 | Washer-Thrust | 38:5 | 108-6712 | 1 | Decal-Gauge, Bar |
| 33 | 283-71 | 2 | Pin-Lynch | 43 | 3334-945 | 2 | Tie-Cable |
| 35 | 100-1270 | 1 | Switch-Proximity | 44 | 32149-7 | 1 | Nut-Keps |
| 36 | 110-9709 | 2 | HYD Cylinder ASM | 45 | 32128-43 | 1 | Nut-Flange |
| 37 | 3290-378 | 2 | Tie-Cable | 46 | 105-3351 | 1 | Bracket-Switch |
| 38 | 108-6715 | 1 | Gauge Bar ASM | | | | |



Hydraulic Cylinder Assembly No. 110-9709

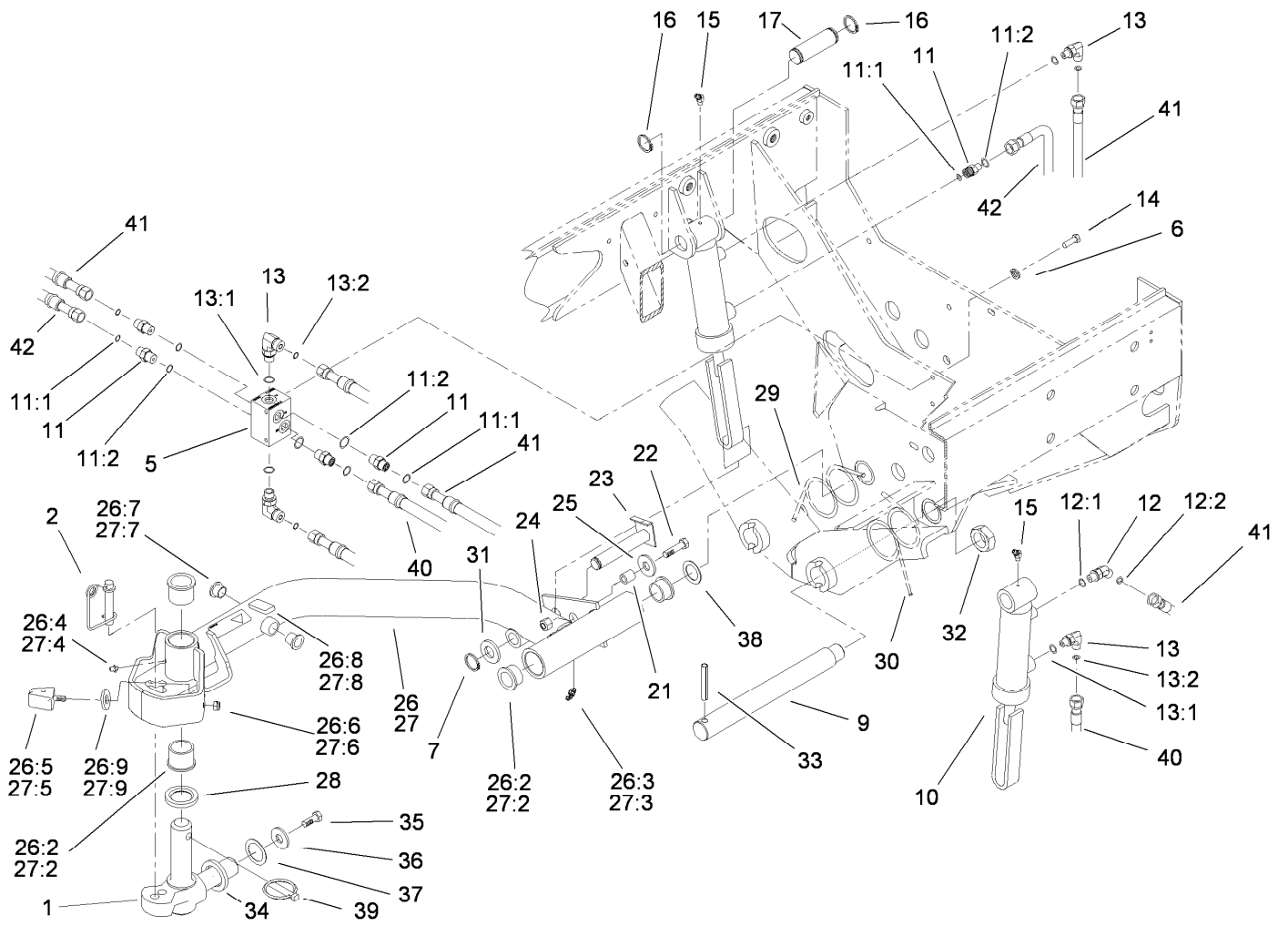
| <i>Ref.</i> | <i>Part Number</i> | <i>Qty.</i> | <i>Description</i> |
|-------------|--------------------|-------------|--------------------|
| 1 | 110-4132 | 1 | Seal Kit |
| 1:1 | | 1 | O-Ring ● |
| 1:2 | | 1 | Back-Up Ring ● |
| 1:3 | | 1 | O-Ring ● |
| 1:4 | | 1 | Wiper ● |
| 1:5 | | 1 | Seal ● |
| 1:6 | | 1 | Seal W/Loader ● |
| 1:7 | | 1 | Wear Ring ● |
| 2 | 302-5 | 1 | Fitting-Grease |

● Not serviced separately



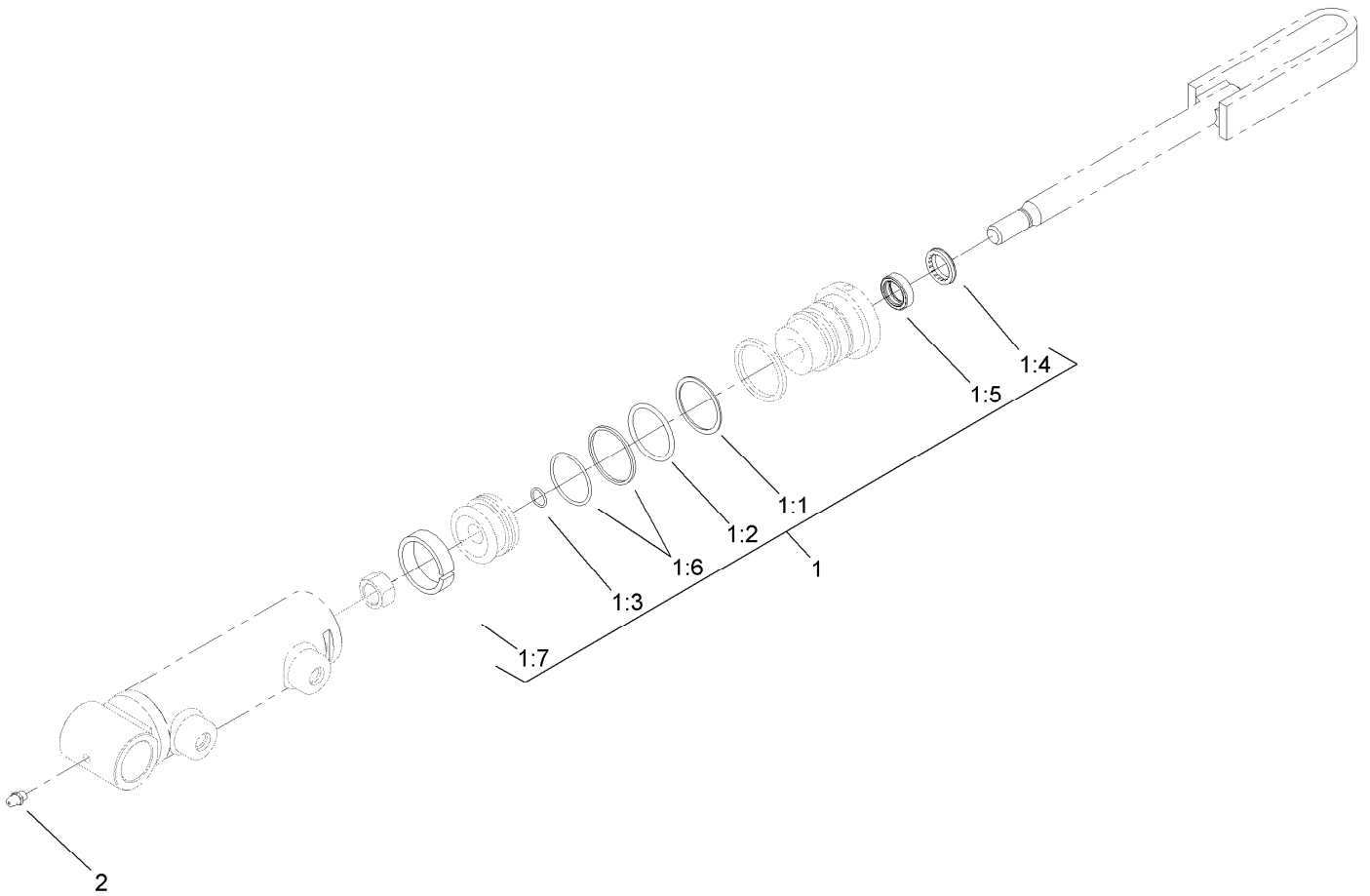
Rear No. 2 and No. 3 Lift Arm Assembly

| Ref. | Part Number | Qty. | Description | Ref. | Part Number | Qty. | Description |
|------|-------------|------|-----------------------|------|-------------|------|----------------------|
| 1 | 98-1880-03 | 2 | Knuckle-Pivot | 22 | 322-7 | 2 | Screw-HH |
| 2 | 99-5610 | 2 | Pin | 23 | 99-2560 | 2 | Pin |
| 5 | 114-3963 | 1 | Manifold-Flow Divider | 24 | 3296-29 | 2 | Nut-Lock, NI |
| 6 | 3253-3 | 2 | Washer-Lock | 25 | 3256-3 | 2 | Washer-Flat |
| 7 | 94-9974 | 2 | Ring-Retaining | 26 | 105-3363 | 1 | No. 3 Lift Arm ASM |
| 9 | 95-7158 | 2 | Pin-Pivot | 26:2 | 104-0015 | 4 | Bushing-Flange |
| 10 | 108-4438 | 2 | HYD Lift Cylinder ASM | 26:3 | 302-11 | 1 | Fitting-Lube, 45 DEG |
| 11 | 340-92 | 5 | Fitting-Straight | 26:4 | 302-5 | 1 | Fitting-Grease |
| 11:1 | 237-78 | 1 | O-Ring | 26:5 | 106-9004 | 2 | Bumper |
| 11:2 | 237-21 | 1 | O-Ring | 26:6 | 3296-29 | 2 | Nut-Lock, NI |
| 12 | 340-103 | 1 | Fitting-HYD, 45 DEG | 26:7 | 256-287 | 2 | Bushing |
| 12:1 | 237-78 | 1 | O-Ring | 26:8 | 93-6696 | 1 | Decal-Warning |
| 12:2 | 237-21 | 1 | O-Ring | 26:9 | 3255-8 | 2 | Washer-Lock |
| 13 | 340-132 | 4 | Fitting-Elbow, 90 DEG | 27 | 105-3362 | 1 | No. 2 Lift Arm ASM |
| 13:1 | 237-78 | 1 | O-Ring | 27:2 | 104-0015 | 4 | Bushing-Flange |
| 13:2 | 237-21 | 1 | O-Ring | 27:3 | 302-11 | 1 | Fitting-Lube, 45 DEG |
| 14 | 321-4 | 2 | Screw-HH | 27:4 | 302-5 | 1 | Fitting-Grease |
| 15 | 302-11 | 2 | Ring-Retaining | 27:5 | 106-9004 | 2 | Bumper |
| 16 | 32151-36 | 4 | Ring-Retaining | 27:6 | 3296-29 | 2 | Nut-Lock, NI |
| 17 | 92-7548 | 2 | Pin-Cylinder | 27:7 | 256-287 | 2 | Bushing |
| 21 | 82-6840 | 2 | Spacer | 27:8 | 93-6696 | 1 | Decal-Warning |



Rear No. 2 and No. 3 Lift Arm Assembly (continued)

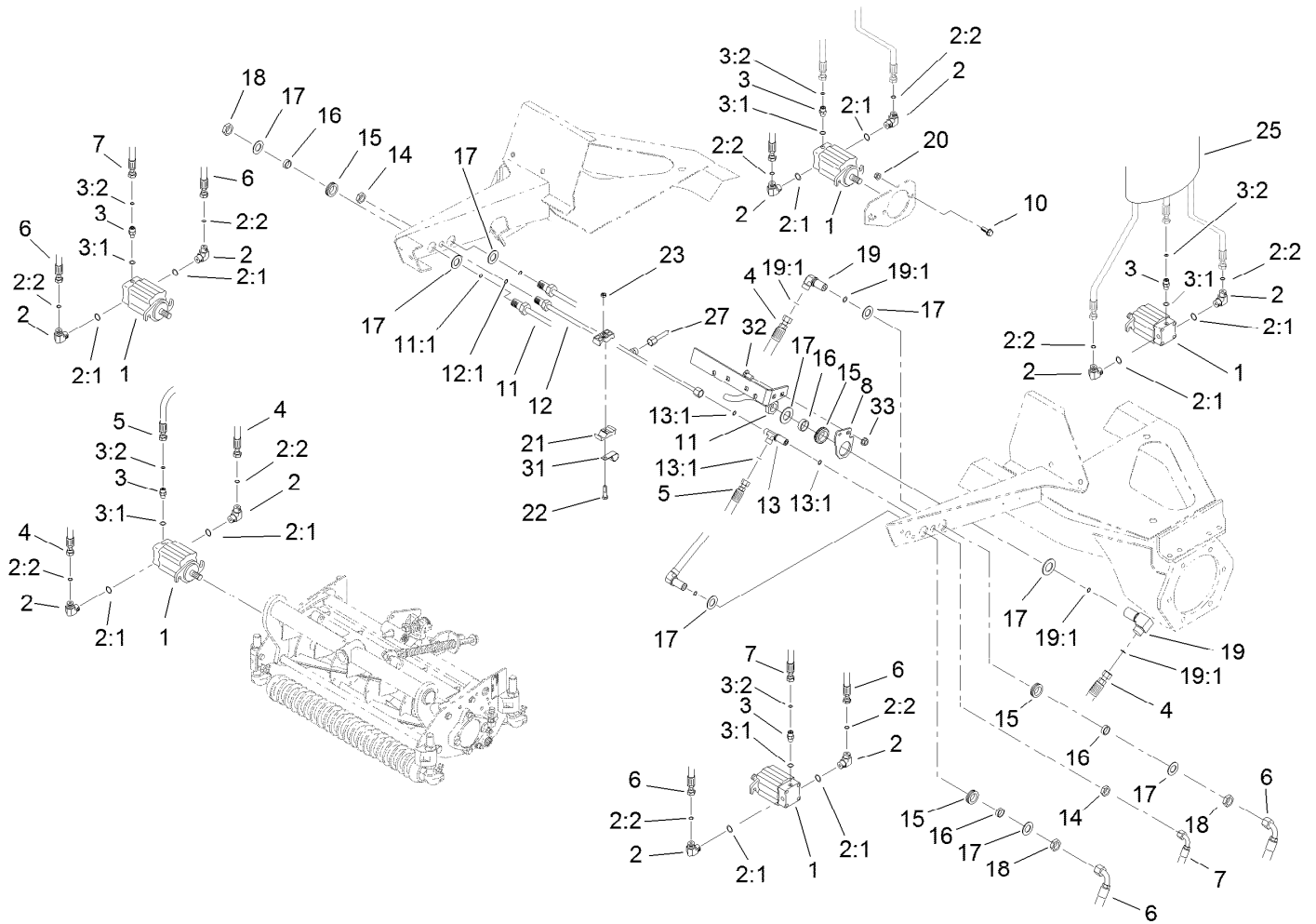
| Ref. | Part Number | Qty. | Description | Ref. | Part Number | Qty. | Description |
|------|-------------|------|--------------------|------|-------------|------|---------------|
| 27:9 | 3255-8 | 2 | Washer-Lock | 35 | 98-7993 | 2 | Screw-HHF |
| 28 | 94-8946 | 2 | Washer-Thrust | 36 | 3256-6 | 2 | Washer-Flat |
| 29 | 99-5608-03 | 1 | Spring-Torsion, RH | 37 | 3-6781 | 2 | Washer-Thrust |
| 30 | 99-5609-03 | 1 | Spring-Torsion, LH | 38 | 76-2980 | 2 | Washer-Thrust |
| 31 | 67-6570 | 2 | Spacer-Wheel | 39 | 283-71 | 2 | Pin-Lynch |
| 32 | 3296-49 | 2 | Nut-Lock, NI | 40 | 105-7919 | 1 | Hyd Hose ASM |
| 33 | 32121-110 | 2 | Pin-Roll, Slotted | 41 | 115-2019 | 2 | HYD Hose ASM |
| 34 | 98-7974 | 2 | Washer-Thrust | 42 | 115-2018 | 1 | HYD Hose ASM |



Hydraulic Cylinder Assembly No. 108-4438

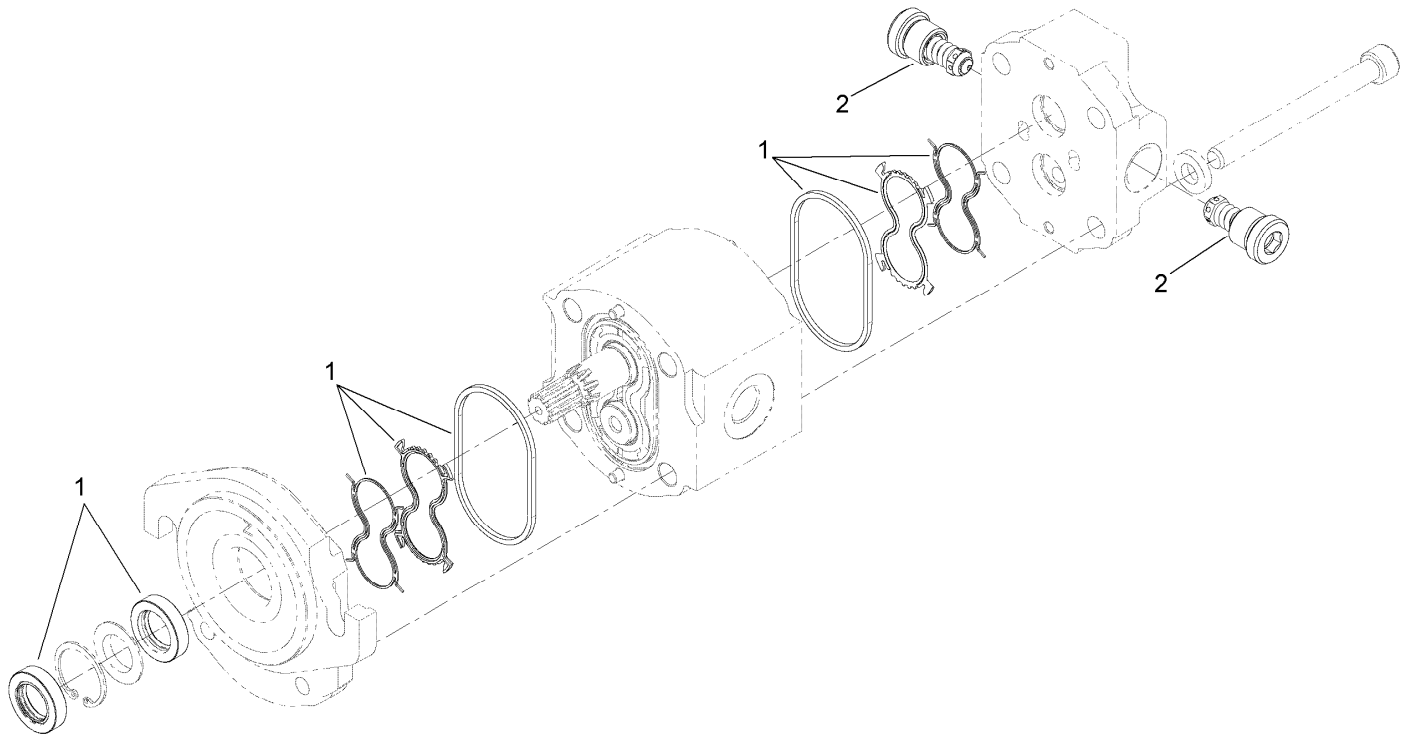
| <i>Ref.</i> | <i>Part Number</i> | <i>Qty.</i> | <i>Description</i> |
|-------------|--------------------|-------------|--------------------|
| 1 | 110-4132 | 1 | Seal Kit |
| 1:1 | | 1 | O-Ring ● |
| 1:2 | | 1 | Back-Up Ring ● |
| 1:3 | | 1 | O-Ring ● |
| 1:4 | | 1 | Wiper ● |
| 1:5 | | 1 | Seal ● |
| 1:6 | | 1 | Seal W/Loader ● |
| 1:7 | | 1 | Wear Ring ● |
| 2 | 302-5 | 1 | Fitting-Grease |

● Not serviced separately



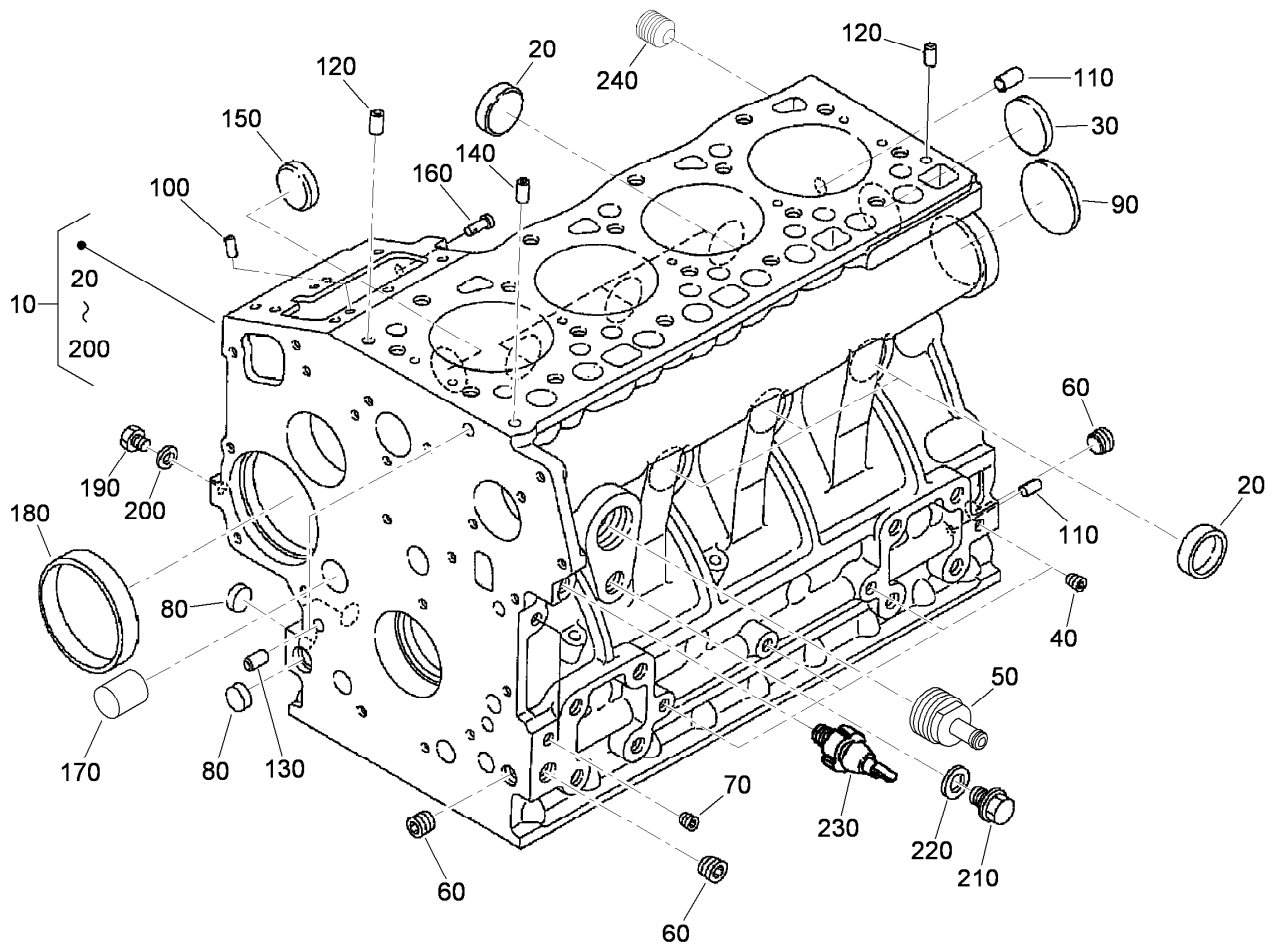
Reel Motor Assembly

| Ref. | Part Number | Qty. | Description | Ref. | Part Number | Qty. | Description |
|------|-------------|------|-----------------------|------|-------------|------|-------------------|
| 1 | 120-6272 | 5 | HYD Motor ASM | 13:1 | 237-22 | 3 | O-Ring |
| 2 | 340-98 | 10 | Fitting-Elbow, 90 DEG | 14 | 340-70 | 2 | Nut-Lock |
| 2:1 | 237-79 | 1 | O-Ring | 15 | 240-5 | 5 | Grommet |
| 2:2 | 237-30 | 1 | O-Ring | 16 | 69-8960 | 5 | Spacer |
| 3 | 340-92 | 5 | Fitting-Straight | 17 | 69-8930 | 10 | Washer |
| 3:1 | 237-78 | 1 | O-Ring | 18 | 340-127 | 5 | Nut-Bulkhead |
| 3:2 | 237-21 | 1 | O-Ring | 19 | 93-9151 | 2 | Fitting-HYD |
| 4 | 105-7902 | 2 | HYD Hose ASM | 19:1 | 237-30 | 2 | O-Ring |
| 5 | 92-7560 | 1 | HYD Hose ASM | 20 | 32128-43 | 10 | Nut-Flange |
| 6 | 105-7901 | 4 | HYD Hose ASM | 21 | 56-7972 | 4 | Clamp-Tube |
| 7 | 92-7559 | 2 | HYD Hose ASM | 22 | 115-1794 | 2 | Screw-HHF |
| 8 | 106-7788-03 | 1 | Mount-Fitting | 23 | 104-8300 | 2 | Nut-HF, NI |
| 10 | 3234-11 | 10 | Screw-HHF | 25 | 99-5617 | 5 | Sleeve-Protective |
| 11 | 93-4219 | 1 | Tube ASM | 27 | 112-6579 | 1 | Drain Tube ASM |
| 11:1 | 237-30 | 1 | O-Ring | 31 | 2412-150 | 1 | Clip-J |
| 12 | 108-6063 | 1 | Front Drain Tube ASM | 32 | 3230-23 | 2 | Bolt-CARR |
| 12:1 | 237-22 | 2 | O-Ring | 33 | 32128-20 | 2 | Nut-HF |
| 13 | 340-68 | 1 | Fitting-Tee, Bulkhead | | | | |



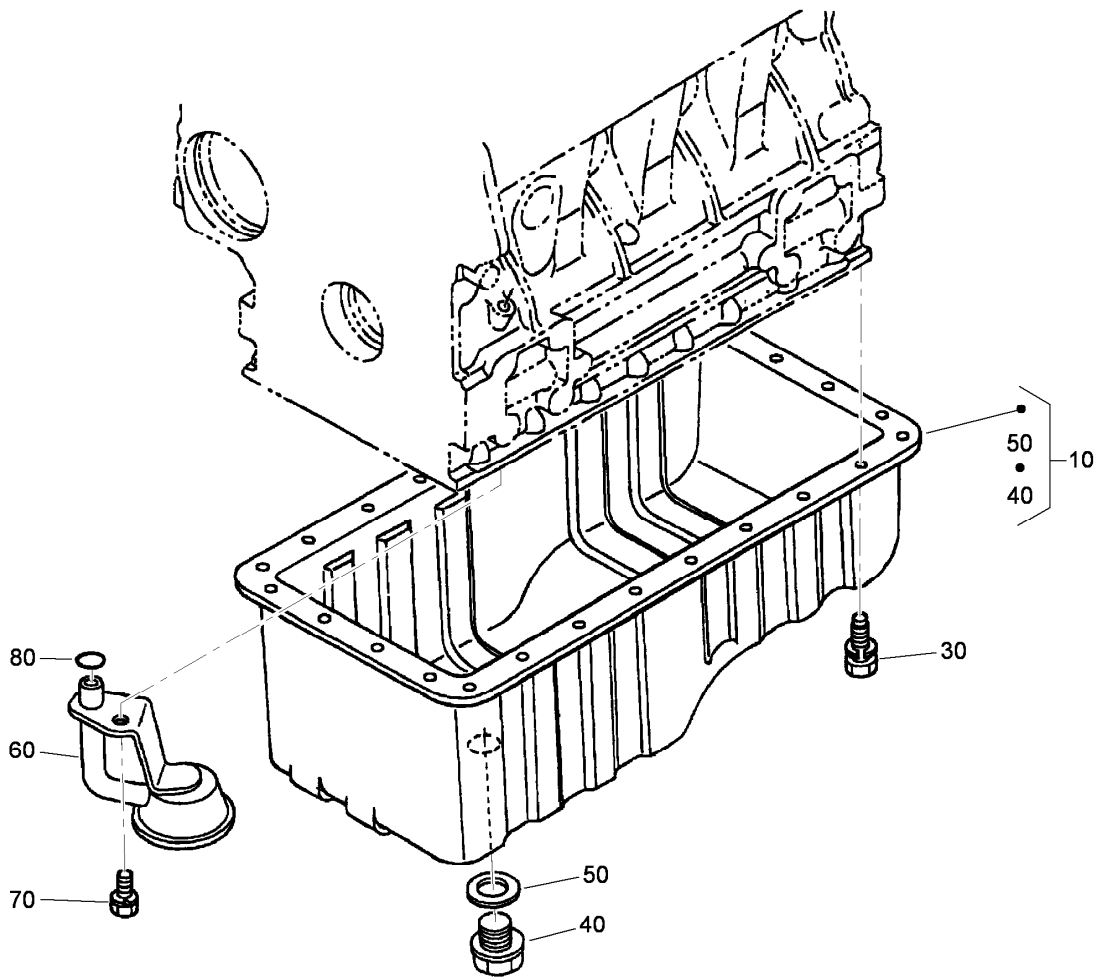
Hydraulic Motor Assembly No. 120-6272

| <i>Ref.</i> | <i>Part Number</i> | <i>Qty.</i> | <i>Description</i> |
|-------------|--------------------|-------------|--------------------|
| 1 | 138-1234 | 1 | Seal Kit |
| 2 | 117-5107 | 1 | Valve-Check |



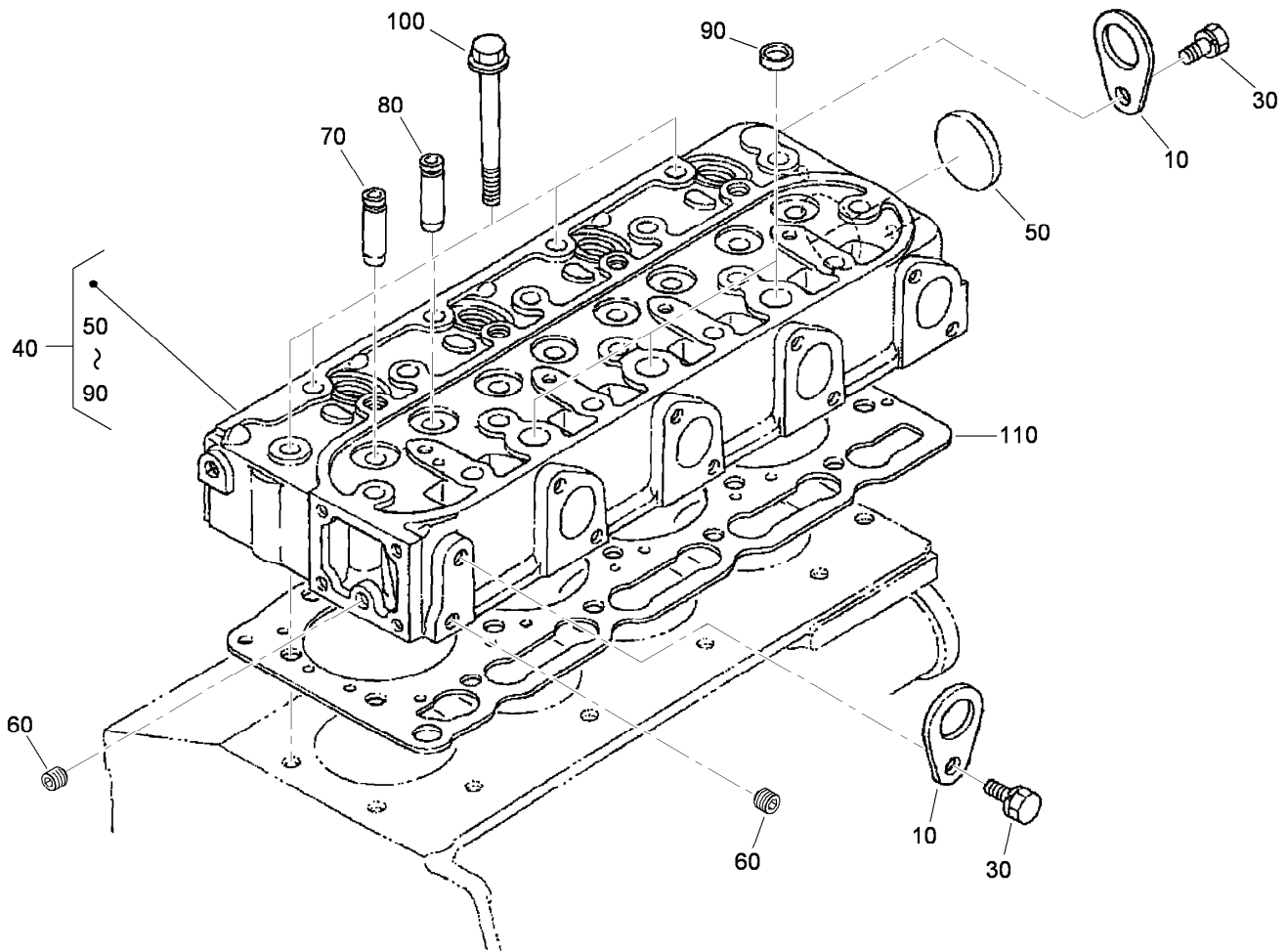
Crankcase Assembly

| <i>Ref.</i> | <i>Part Number</i> | <i>Qty.</i> | <i>Description</i> |
|-------------|--------------------|-------------|------------------------|
| 10 | 115-4115 | 1 | Crankcase ASM |
| 20 | 98-9398 | 6 | Cap-Sealing |
| 30 | 98-7539 | 1 | Cap-Sealing |
| 40 | 98-7540 | 4 | Plug |
| 50 | 99-8347 | 1 | Joint-Pipe, Drain |
| 60 | 98-9597 | 3 | Plug |
| 70 | 98-7487 | 2 | Plug |
| 80 | 98-9379 | 3 | Plug-Expansion |
| 90 | 98-9668 | 1 | Plug-Expansion |
| 100 | 98-9375 | 1 | Pin-Straight |
| 110 | 98-9377 | 1 | Pin-Straight |
| 120 | 98-9376 | 2 | Pin-Straight |
| 130 | 98-9387 | 2 | Pin-Pipe |
| 140 | 98-9539 | 1 | Pin-Pipe |
| 150 | 98-9599 | 1 | Plug |
| 160 | 105-3796 | 1 | Pin-Spring, Start |
| 170 | 98-9675 | 1 | Plug |
| 180 | 98-9656 | 1 | Bushing-Governor, Gear |
| 190 | 98-7507 | 1 | Plug |
| 200 | 98-7428 | 1 | Gasket |
| 210 | 99-3447 | 1 | Plug |
| 220 | 106-7056 | 1 | Gasket |
| 230 | 98-9416 | 1 | Switch-Oil |
| 240 | 98-9444 | 1 | Plug |



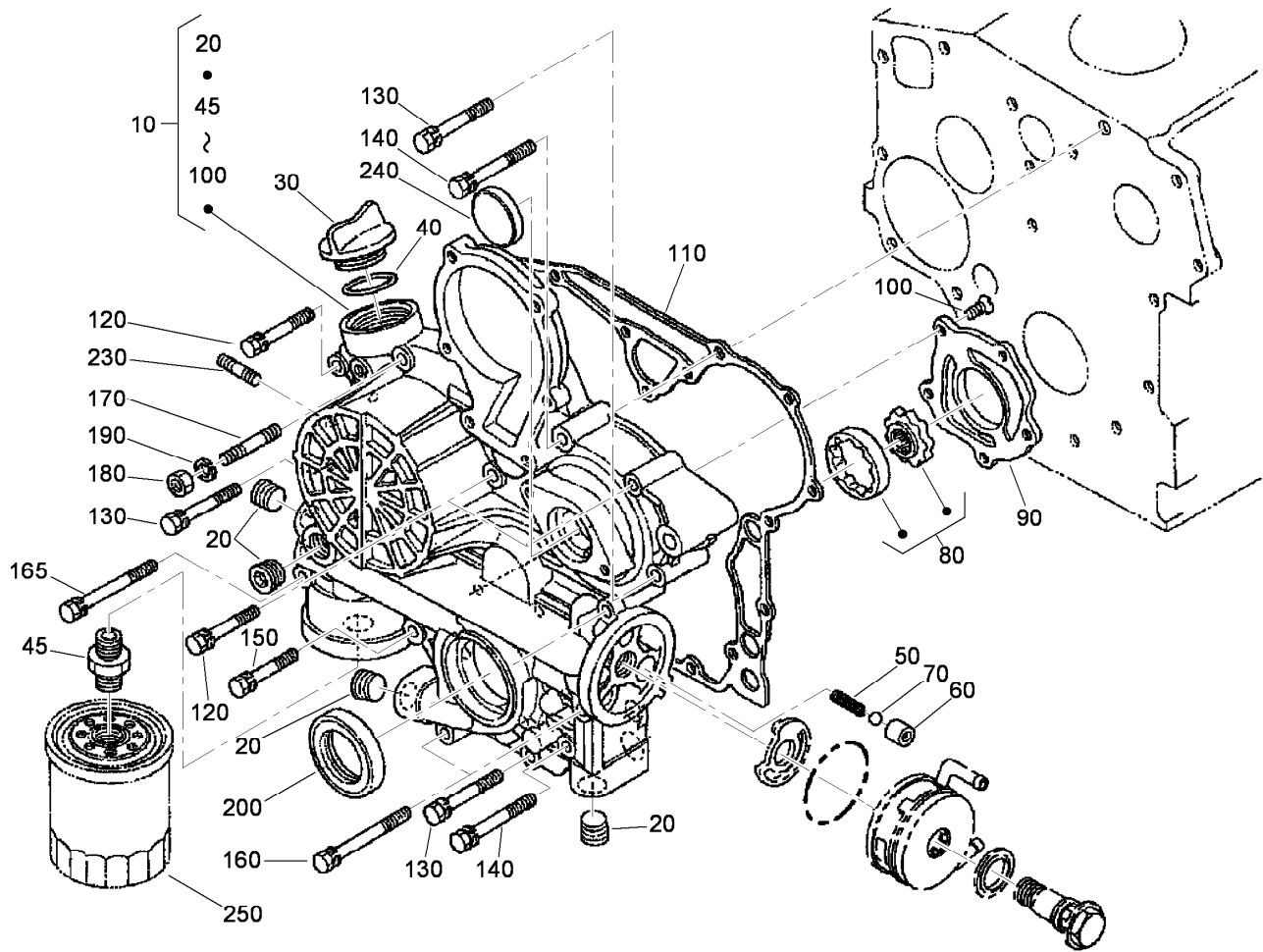
Oil Pan Assembly

| <i>Ref.</i> | <i>Part Number</i> | <i>Qty.</i> | <i>Description</i> |
|-------------|--------------------|-------------|--------------------|
| 10 | 110-9714 | 1 | *obs* Oil Pan |
| 30 | 98-9351 | 26 | Bolt |
| 40 | 105-3703 | 1 | Plug-Drain |
| 50 | 110-9715 | 1 | Gasket-Pan, Oil |
| 60 | 115-4116 | 1 | Filter-Oil |
| 70 | 98-7526 | 1 | Bolt |
| 80 | 105-3776 | 1 | O-Ring |



Cylinder Head Assembly

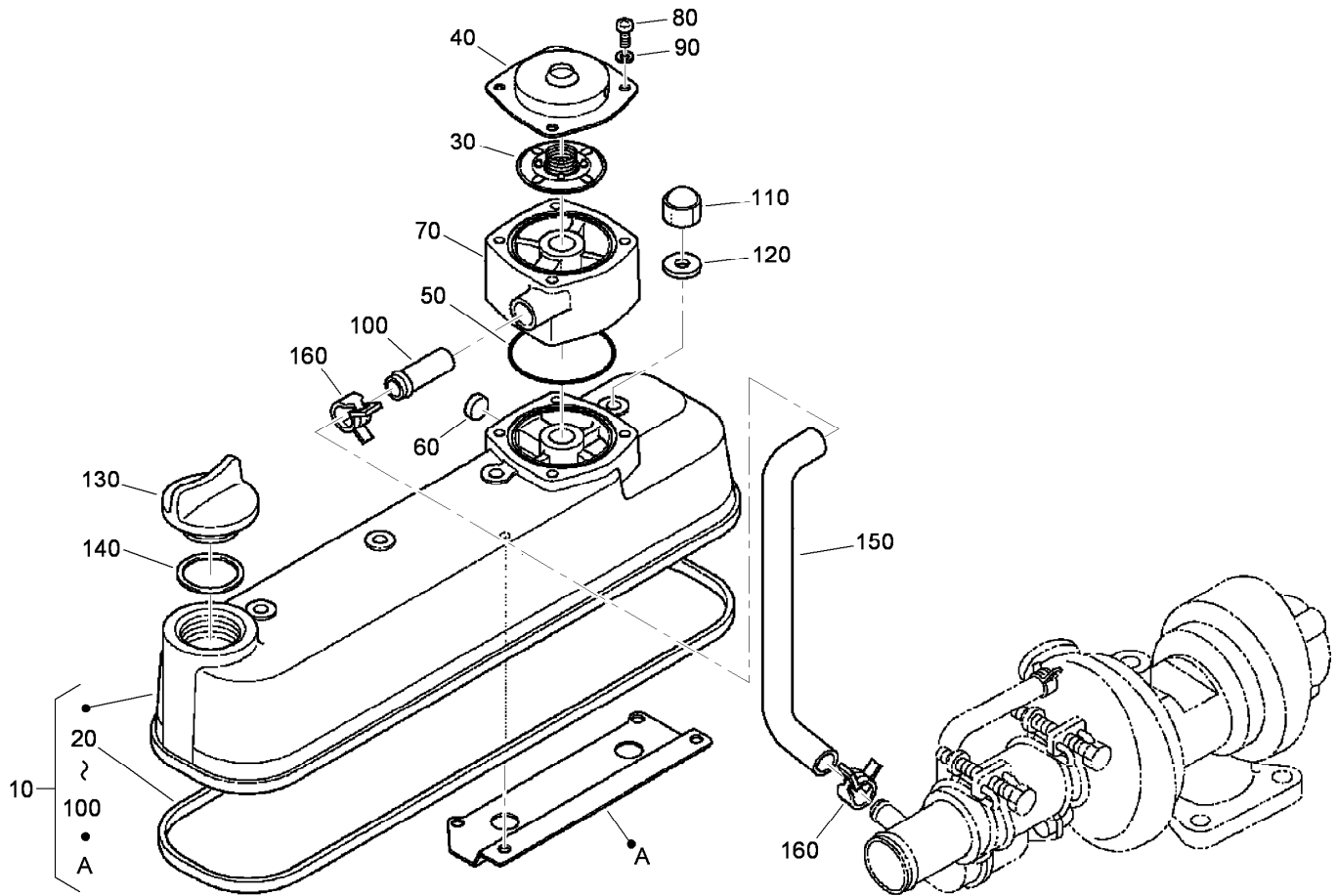
| <i>Ref.</i> | <i>Part Number</i> | <i>Qty.</i> | <i>Description</i> |
|-------------|--------------------|-------------|-----------------------|
| 10 | 98-7531 | 2 | Hook-Engine |
| 30 | 100-9195 | 2 | Bolt |
| 40 | 108-2854 | 1 | Cylinder Head ASM |
| 50 | 105-3705 | 1 | Cap-Sealing |
| 60 | 98-7540 | 2 | Plug |
| 70 | 107-9066 | 4 | Guide-Valve, Inlet |
| 80 | 107-9067 | 4 | Guide-Valve, Exhaust |
| 90 | 98-9389 | 3 | Cap-Sealing |
| 100 | 98-9479 | 18 | Bolt-Head, Cylinder |
| 110 | 108-2855 | 1 | Gasket-Head, Cylinder |



Gear Case Assembly

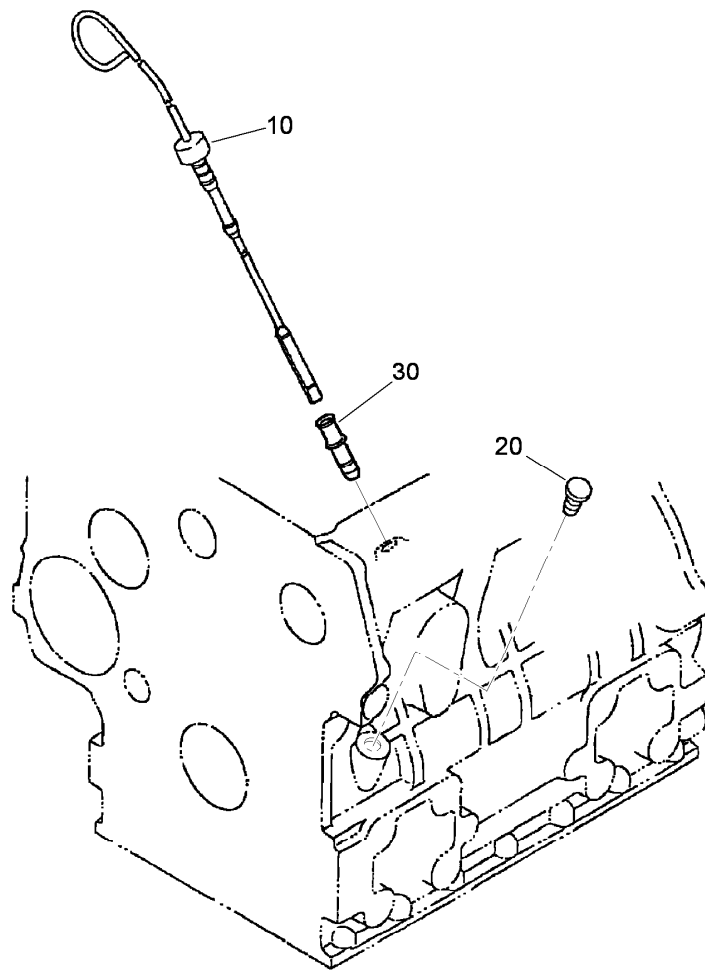
| <i>Ref.</i> | <i>Part Number</i> | <i>Qty.</i> | <i>Description</i> |
|-------------|--------------------|-------------|--------------------|
| 10 | 115-4117 | 1 | Complete Gear Case |
| 20 | 98-9598 | 5 | Plug |
| 30 | 107-9075 | 1 | Plug-Filler, Oil |
| 40 | 99-3446 | 1 | O-Ring |
| 45 | 98-9388 | 1 | Joint-Pipe |
| 50 | 98-9544 | 1 | Spring |
| 60 | 98-9543 | 1 | Seat-Valve |
| 70 | 98-9380 | 1 | Ball |
| 80 | 98-9540 | 1 | Oil Pump Rotor ASM |
| 90 | 105-3708 | 1 | Cover-Pump, Oil |
| 100 | 98-9592 | 5 | Screw |
| 110 | 98-9633 | 1 | Gasket-Case, Gear |
| 120 | 98-7496 | 3 | Bolt |

| <i>Ref.</i> | <i>Part Number</i> | <i>Qty.</i> | <i>Description</i> |
|-------------|--------------------|-------------|--------------------|
| 130 | 105-3797 | 4 | Bolt |
| 140 | 98-9356 | 2 | Bolt |
| 150 | 98-9437 | 1 | Bolt |
| 160 | 98-9586 | 2 | Bolt |
| 165 | 99-3511 | 1 | Bolt |
| 170 | 105-3709 | 1 | Stud |
| 180 | 98-7572 | 1 | Nut |
| 190 | 98-7699 | 1 | Washer-Spring |
| 200 | 98-9482 | 1 | Seal-Oil |
| 230 | 105-3710 | 2 | Stud |
| 240 | 98-9641 | 1 | Cover-Case, Gear |
| 250 | 108-3841 | 1 | Filter-Oil |



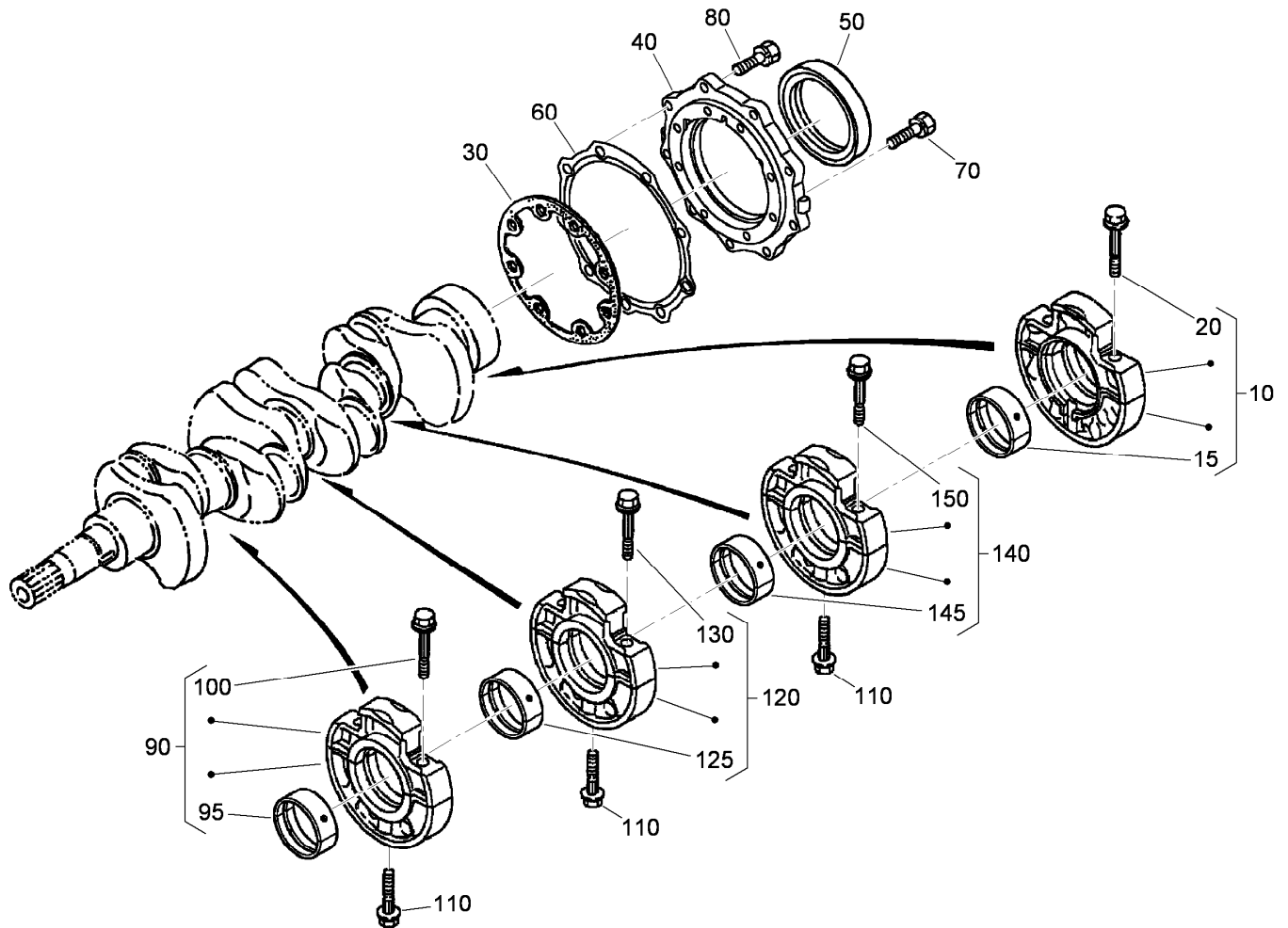
Cylinder Head Cover Assembly

| <i>Ref.</i> | <i>Part Number</i> | <i>Qty.</i> | <i>Description</i> |
|-------------|--------------------|-------------|-------------------------|
| 10 | 115-4118 | 1 | Cylinder Head Cover ASM |
| 20 | 105-3712 | 1 | Gasket-Cover, Head |
| 30 | 110-3715 | 1 | Valve-Breather |
| 40 | 110-3714 | 1 | Cover-Breather |
| 50 | 110-3846 | 1 | O Ring-Breather |
| 60 | 115-3042 | 1 | Cap-Sealing |
| 70 | 115-3043 | 1 | Spacer-Breather |
| 80 | 115-3044 | 4 | Screw-Pan Head |
| 90 | 100-2204 | 4 | Washer-Spring |
| 100 | 98-7766 | 1 | Pipe-Return, Water |
| 110 | 98-9455 | 4 | Nut-Cap |
| 120 | 98-9454 | 4 | Gasket |
| 130 | 107-9075 | 1 | Plug-Filler, Oil |
| 140 | 99-3446 | 1 | O-Ring |
| 150 | 115-4119 | 1 | Tube-Breather, Turbo |
| 160 | 108-2859 | 2 | Clamp-Hose |



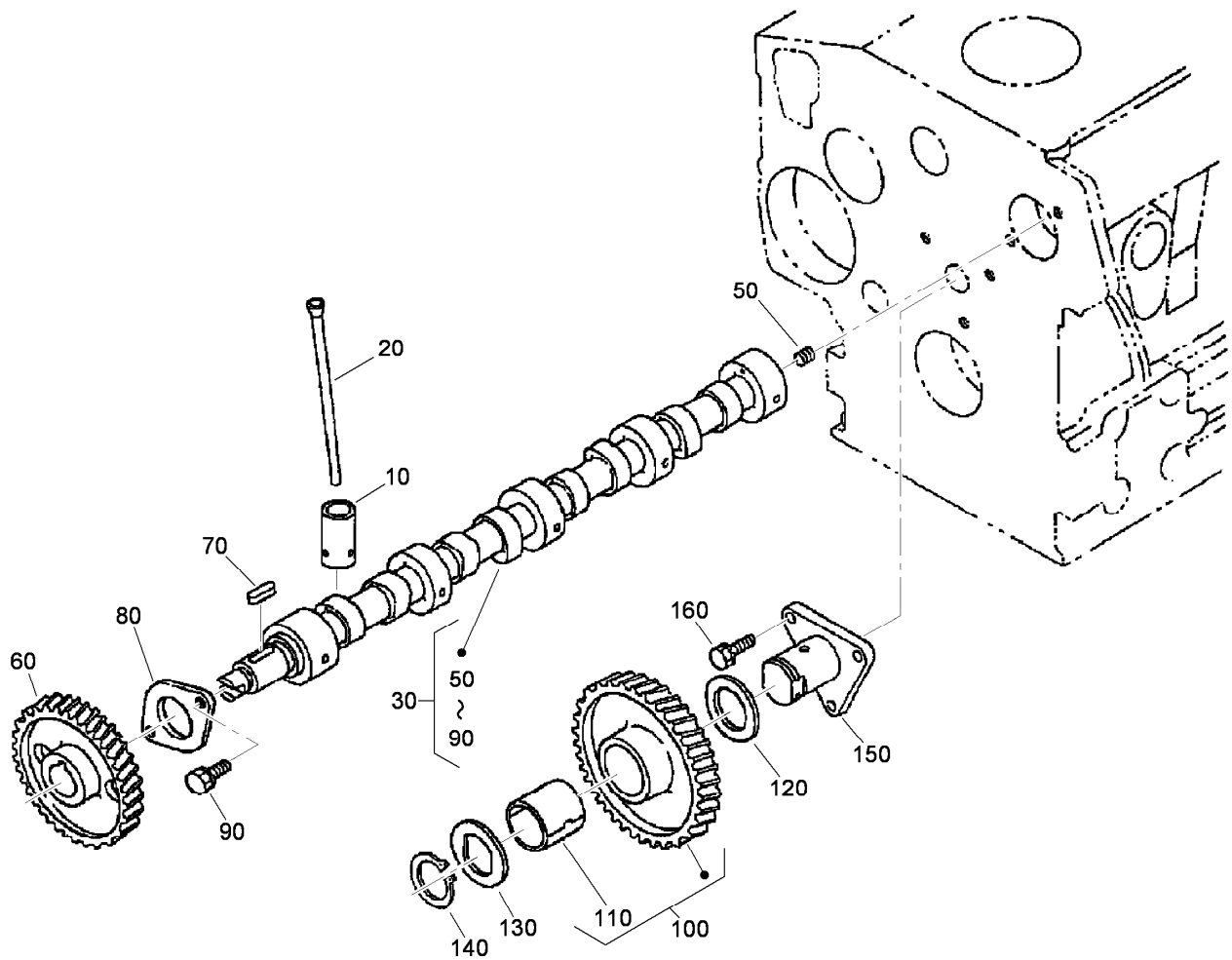
Dipstick and Guide Assembly

| <i>Ref.</i> | <i>Part Number</i> | <i>Qty.</i> | <i>Description</i> |
|-------------|--------------------|-------------|--------------------|
| 10 | 105-3714 | 1 | Gauge-Oil |
| 20 | 110-3720 | 1 | Plug-Gauge, Oil |
| 30 | 105-4580 | 1 | Guide-Gauge, Oil |



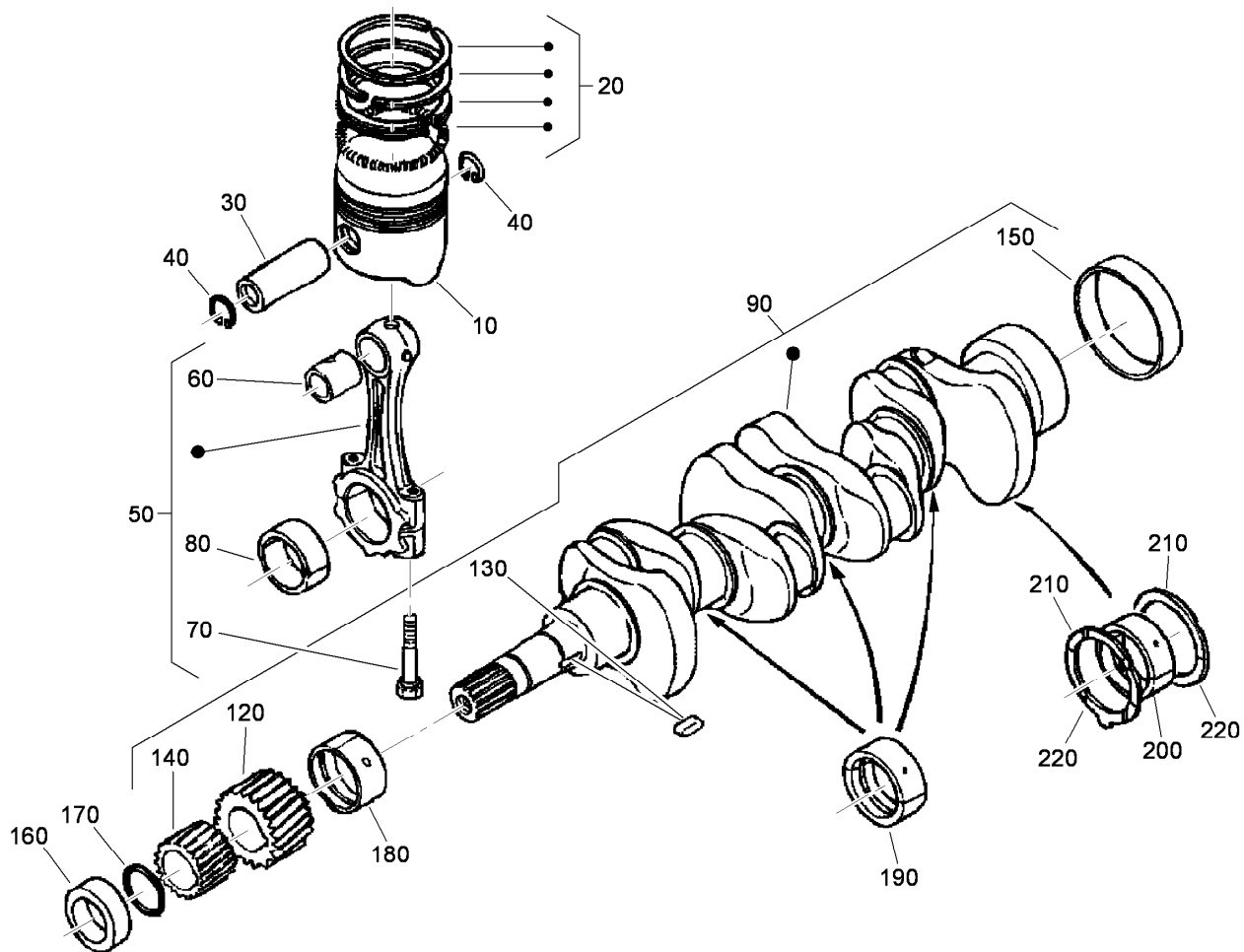
Main Bearing Case Assembly

| <i>Ref.</i> | <i>Part Number</i> | <i>Qty.</i> | <i>Description</i> |
|-------------|--------------------|-------------|------------------------|
| 10 | 112-7026 | 1 | Wheel Bearing Case ASM |
| 15 | 112-7045 | 1 | Metal-Crankshaft |
| 20 | 98-9484 | 2 | Bolt-Case, Bearing |
| 30 | 98-9634 | 1 | Gasket-Case, Bearing |
| 40 | 112-7046 | 1 | Cover-Case, Bearing |
| 50 | 112-0180 | 1 | Seal-Oil |
| 60 | 112-7037 | 1 | Gasket-Cover, Case |
| 70 | 98-9352 | 8 | Bolt |
| 80 | 98-7568 | 9 | Bolt |
| 90 | 112-7028 | 1 | Bearing ASM |
| 95 | 112-7011 | 1 | Bearing-Main (STD) |
| 100 | 98-9484 | 2 | Bolt-Case, Bearing |
| 110 | 98-9485 | 3 | Bolt-Case, Bearing |
| 120 | 112-7027 | 1 | Bearing ASM |
| 125 | 112-7011 | 1 | Bearing-Main (STD) |
| 130 | 98-9484 | 2 | Bolt-Case, Bearing |
| 140 | 115-4120 | 1 | Bearing Case ASM |
| 145 | 112-7011 | 1 | Bearing-Main (STD) |
| 150 | 98-9484 | 2 | Bolt-Case, Bearing |



Cam Shaft and Idle Gear Shaft Assembly

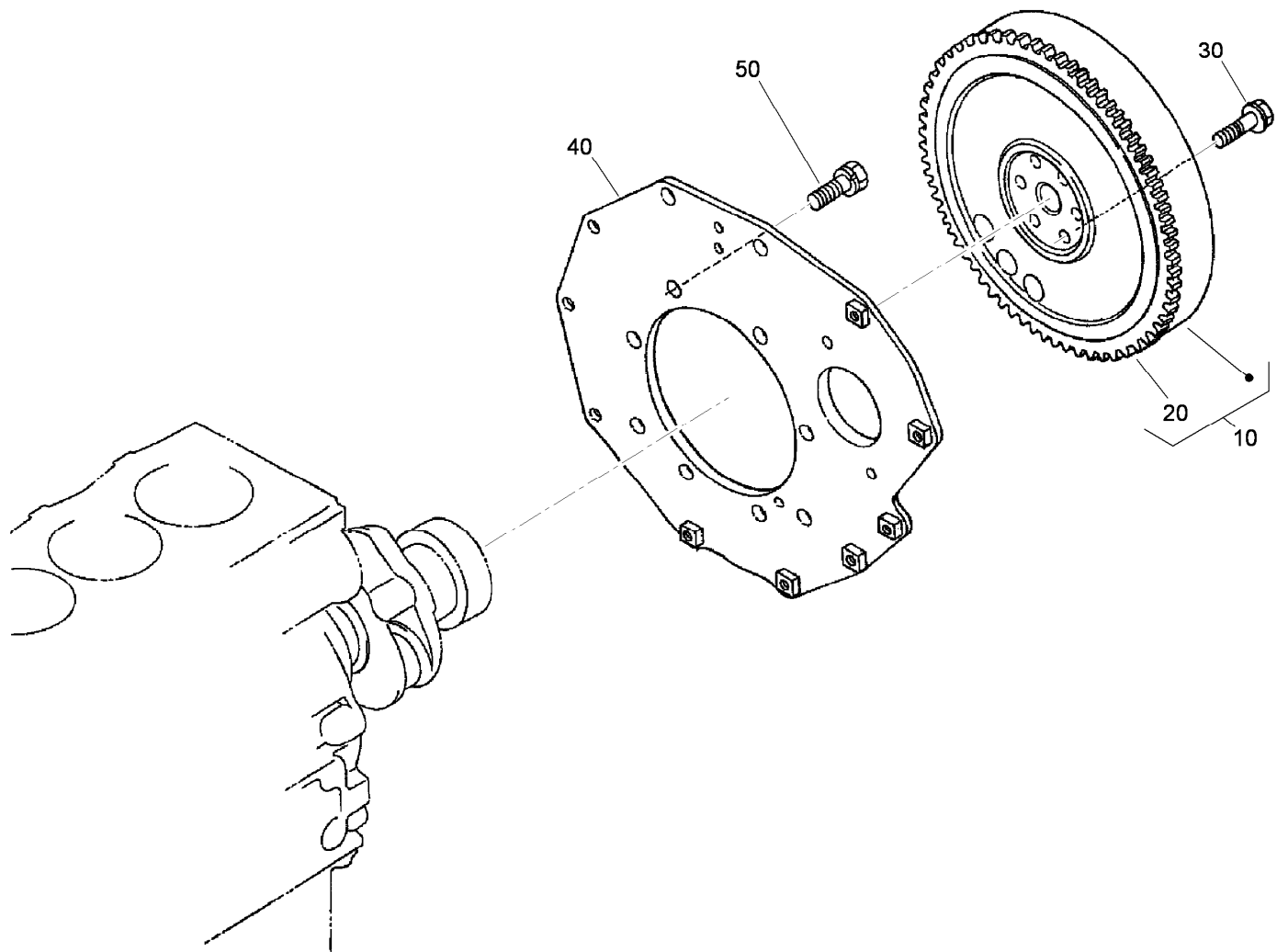
| <i>Ref.</i> | <i>Part Number</i> | <i>Qty.</i> | <i>Description</i> |
|-------------|--------------------|-------------|--------------------|
| 10 | 112-0185 | 8 | Tappet |
| 20 | 98-9509 | 8 | Rod-Push |
| 30 | 112-8402 | 1 | Camshaft ASM |
| 50 | 98-7449 | 1 | Screw-Set |
| 60 | 98-9512 | 1 | Gear-Cam |
| 70 | 98-9378 | 1 | Key-Feather |
| 80 | 98-9510 | 1 | Stopper-Camshaft |
| 90 | 98-7692 | 2 | Bolt |
| 100 | 98-9649 | 1 | Idle Gear ASM |
| 110 | 98-9650 | 1 | Bushing-Gear, Idle |
| 120 | 98-9535 | 1 | Collar-Gear, Idle |
| 130 | 98-9536 | 1 | Collar-Gear, Idle |
| 140 | 98-9534 | 1 | Circlip-Gear, Idle |
| 150 | 98-9533 | 1 | Shaft-Gear, Idle |
| 160 | 98-7692 | 3 | Bolt |



Piston and Crankshaft Assembly

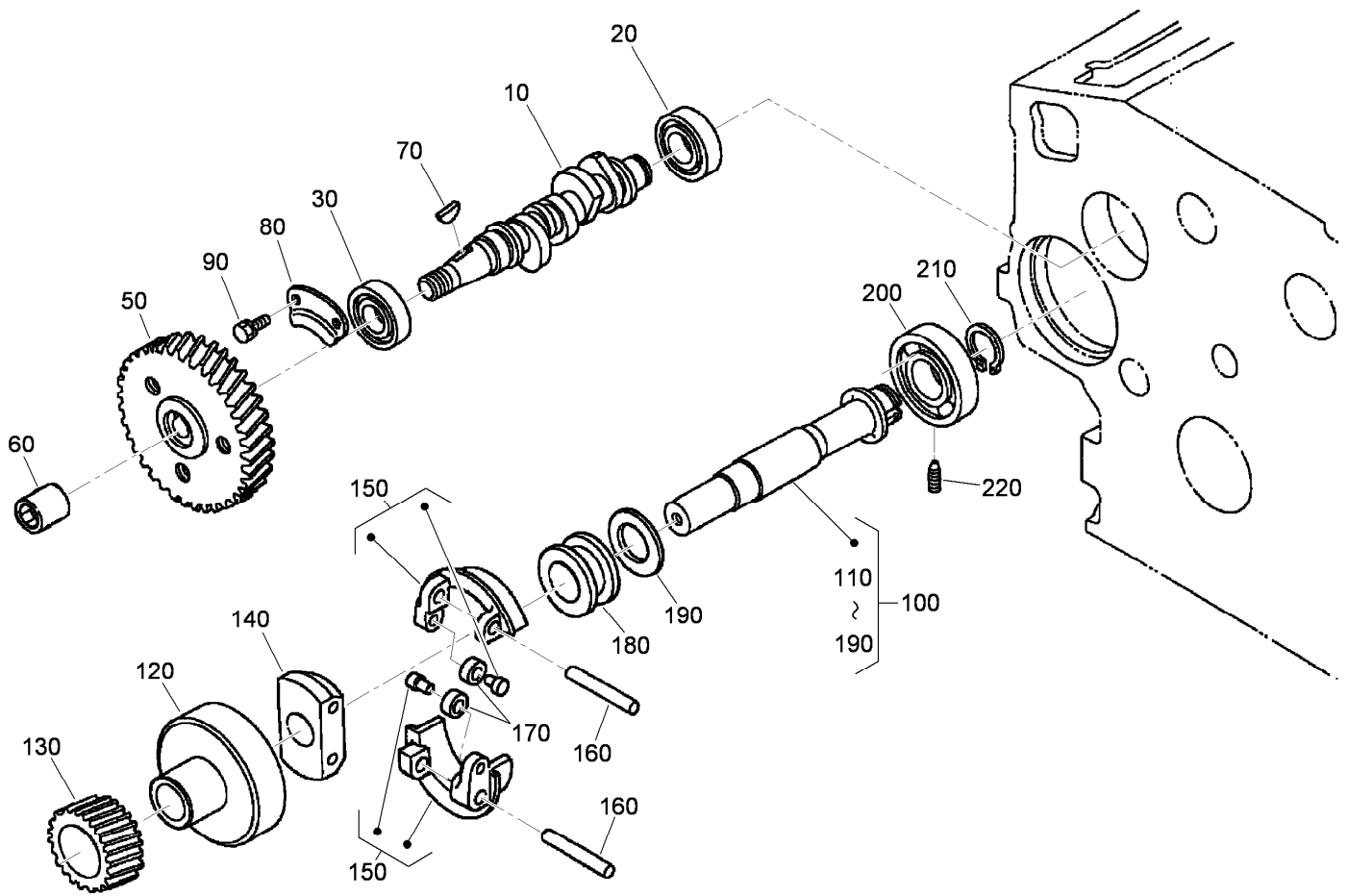
| <i>Ref.</i> | <i>Part Number</i> | <i>Qty.</i> | <i>Description</i> |
|-------------|--------------------|-------------|-------------------------|
| 10 | 98-9550 | 4 | Piston (STD) |
| 10 | 108-1417 | 4 | Piston (+0.5MM) |
| 20 | 98-9551 | 4 | Piston Ring ASM (STD) |
| 20 | 98-9619 | 4 | Piston Ring ASM (0.5MM) |
| 30 | 98-9513 | 4 | Pin-Piston |
| 40 | 98-9514 | 8 | Circlip-Pin, Piston |
| 50 | 98-9552 | 4 | Connecting Rod ASM |
| 60 | 98-9515 | 4 | Bushing-Pin, Piston |
| 70 | 98-9517 | 8 | Bolt-Rod, Connecting |
| 80 | 98-9553 | 4 | Bearing-Rod (STD) |
| 80 | 108-1405 | 4 | Metal-Crankpin (-0.2MM) |
| 80 | 108-1406 | 4 | Metal-Crankpin (-0.4MM) |
| 90 | 105-3718 | 1 | Crankshaft ASM |
| 120 | 98-9532 | 1 | Gear-Crankshaft |
| 130 | 98-9666 | 1 | Key |
| 140 | 98-9542 | 1 | Gear-Drive, Oil Pump |
| 150 | 98-9522 | 1 | Sleeve-Crankshaft |

| <i>Ref.</i> | <i>Part Number</i> | <i>Qty.</i> | <i>Description</i> |
|-------------|--------------------|-------------|---------------------------|
| 160 | 98-9521 | 1 | Collar-Crankshaft |
| 170 | 98-9373 | 1 | O-Ring |
| 180 | 112-7005 | 1 | Bearing-Main (STD) |
| 180 | 112-7009 | 1 | Metal-Crankpin (-0.2MM) |
| 180 | 112-7010 | 1 | Metal-Crankpin (-0.4MM) |
| 190 | 112-7011 | 3 | Bearing-Main (STD) |
| 190 | 112-7012 | 3 | Metal-Crankpin (-0.2MM) |
| 190 | 112-7013 | 3 | Metal-Crankpin (-0.4MM) |
| 200 | 115-4121 | 1 | Metal-Crankshaft (STD) |
| 200 | 112-7039 | 1 | Metal-Crankshaft (0.2Mm) |
| 200 | 112-7040 | 1 | Metal-Crankshaft (-0.4Mm) |
| 210 | 98-9413 | 2 | Bearing-Thrust (STD) |
| 210 | 98-9414 | 2 | Bearing-Thrust (0.2MM) |
| 210 | 98-9415 | 2 | Bearing-Thrust (0.4MM) |
| 220 | 98-9688 | 2 | Bearing-Thrust (STD) |
| 220 | 98-9689 | 2 | Bearing-Thrust (0.2MM) |
| 220 | 98-9690 | 2 | Bearing-Thrust (0.4MM) |



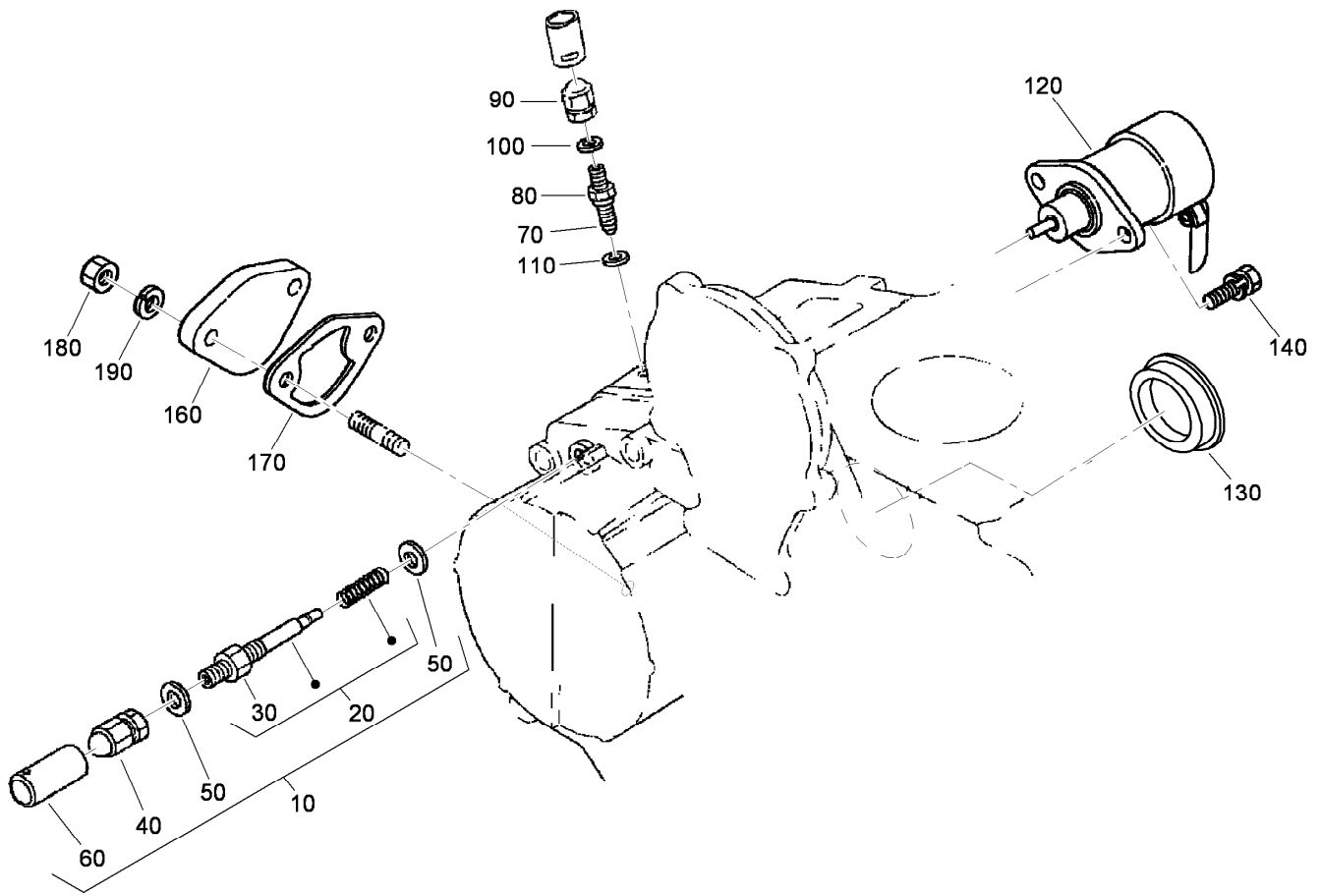
Flywheel Assembly

| <i>Ref.</i> | <i>Part Number</i> | <i>Qty.</i> | <i>Description</i> |
|-------------|--------------------|-------------|--------------------|
| 10 | 105-3721 | 1 | Flywheel ASM |
| 20 | 115-3015 | 1 | Gear-Ring |
| 30 | 98-9537 | 6 | Bolt-Flywheel |
| 40 | 98-9486 | 1 | Plate-End, Rear |
| 50 | 98-9392 | 8 | Bolt |



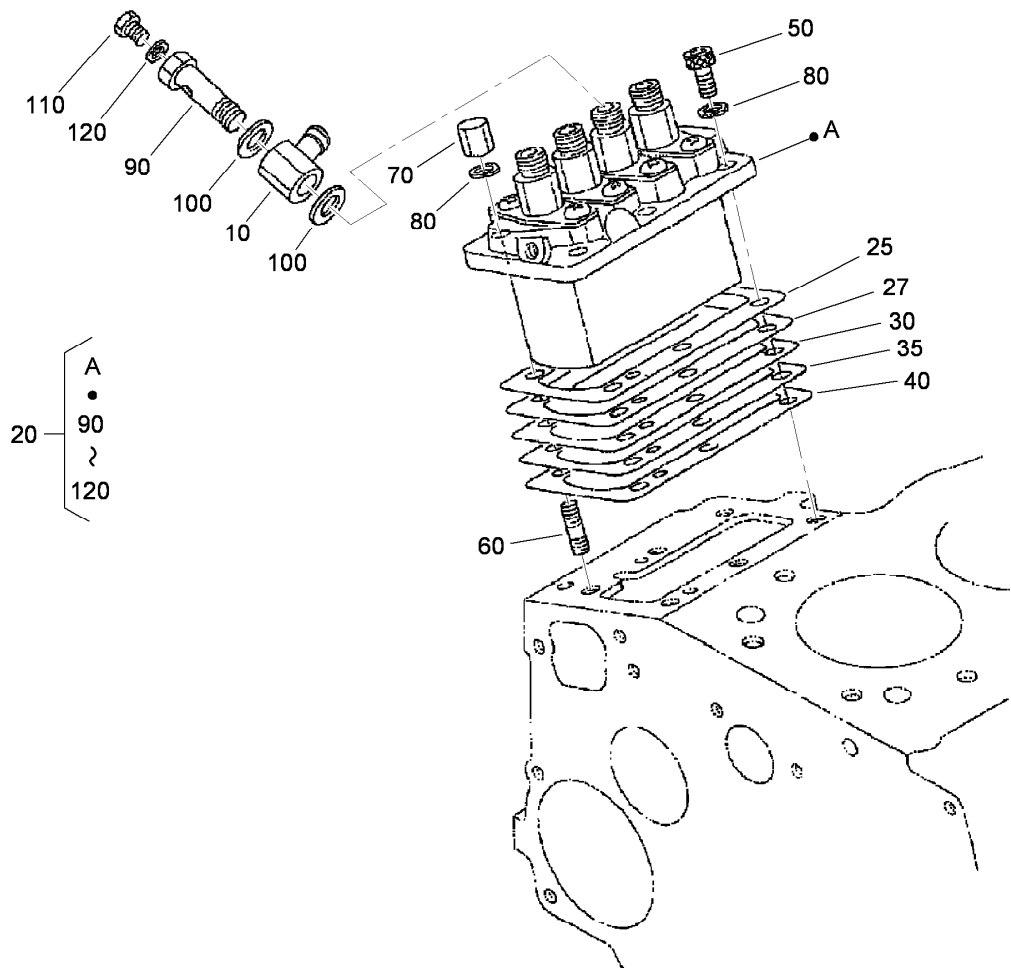
Fuel Camshaft and Governor Shaft Assembly

| <i>Ref.</i> | <i>Part Number</i> | <i>Qty.</i> | <i>Description</i> |
|-------------|--------------------|-------------|-------------------------|
| 10 | 105-3723 | 1 | Camshaft-Fuel |
| 20 | 107-9077 | 1 | Bearing-Ball |
| 30 | 107-9078 | 1 | Bearing-Ball |
| 50 | 98-9669 | 1 | Gear-Pump, Injection |
| 60 | 98-9590 | 1 | Nut-Cap |
| 70 | 98-9595 | 1 | Key-Woodruff |
| 80 | 98-9511 | 1 | Stopper-Fuel, Camshaft |
| 90 | 98-7692 | 2 | Bolt |
| 100 | 105-3724 | 1 | Governor Shaft ASM |
| 110 | 105-3725 | 1 | Shaft-Governor |
| 120 | 98-9562 | 1 | Holder-Gear, Governor |
| 130 | 98-9673 | 1 | Gear-Governor |
| 140 | 98-9561 | 1 | Holder-Weight, Governor |
| 150 | 98-9559 | 2 | Governor Weight ASM |
| 160 | 98-9560 | 2 | Shaft-Weight, Governor |
| 170 | 98-9692 | 2 | Roller |
| 180 | 98-9563 | 1 | Sleeve-Governor |
| 190 | 98-9564 | 1 | Washer-Thrust |
| 200 | 107-9079 | 1 | Bearing-Ball |
| 210 | 98-9657 | 1 | Circlip-Shaft, Governor |
| 220 | 98-9565 | 1 | Screw-Set |



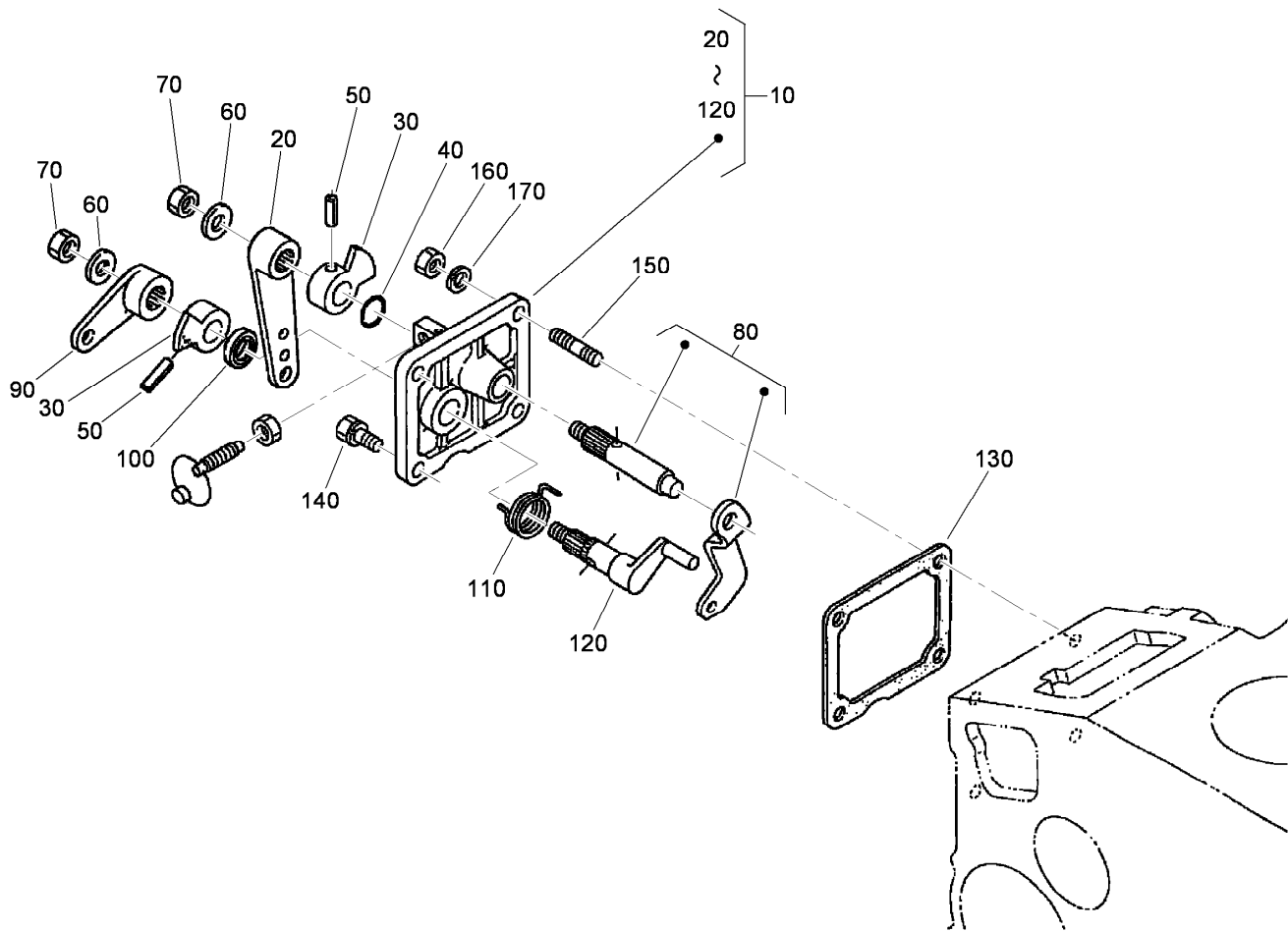
Idle Apparatus Assembly

| Ref. | Part Number | Qty. | Description |
|------|-------------|------|---------------------|
| 10 | 115-4124 | 1 | Apparatus-Idling |
| 20 | 115-4125 | 1 | Adjustment Bolt ASM |
| 30 | 98-9439 | 1 | Nut |
| 40 | 99-8387 | 1 | Nut-Cap |
| 50 | 98-7654 | 2 | Gasket |
| 60 | 98-7656 | 1 | Cap |
| 70 | 112-7015 | 1 | Bolt-Adjusting |
| 80 | 100-2175 | 1 | Nut-Lock |
| 90 | 99-8387 | 1 | Nut-Cap |
| 100 | 98-7654 | 1 | Gasket |
| 110 | 107-9081 | 1 | Gasket |
| 120 | 104-5155 | 1 | Solenoid-Stop |
| 130 | 112-7016 | 1 | Cover-Pump |
| 140 | 115-3039 | 2 | Bolt-HSH |
| 160 | 99-3514 | 1 | Cover |
| 170 | 98-9636 | 1 | Gasket-Pump, Fuel |
| 180 | 98-7572 | 2 | Nut |
| 190 | 98-7699 | 2 | Washer-Spring |



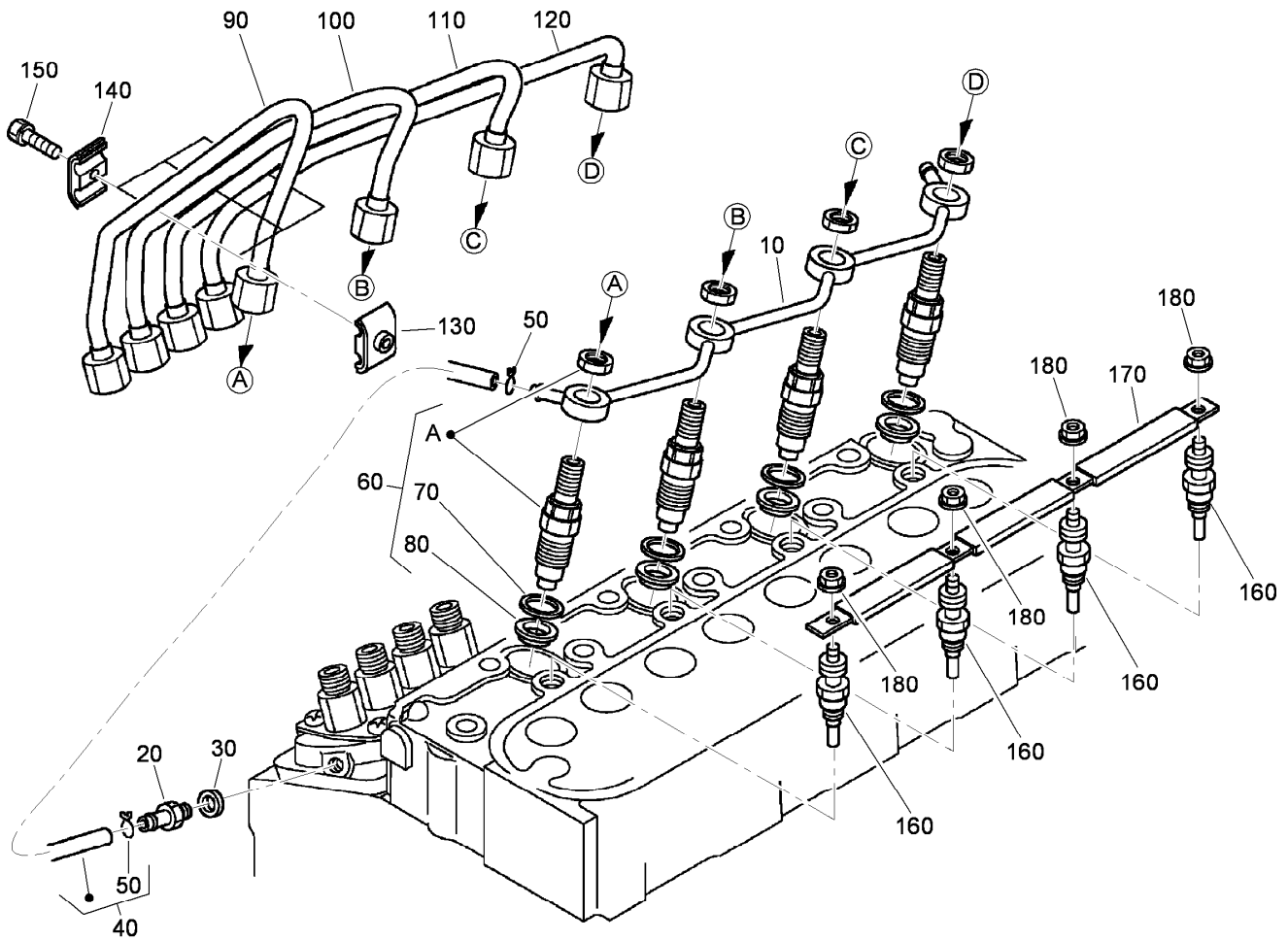
Injection Pump Assembly

| <i>Ref.</i> | <i>Part Number</i> | <i>Qty.</i> | <i>Description</i> |
|-------------|--------------------|-------------|-------------------------------|
| 10 | 98-9596 | 1 | Joint-Eye |
| 20 | 105-3727 | 1 | Injection Pump ASM |
| 25 | 115-3016 | 1 | Shim-Pump, Injection (.350MM) |
| 27 | 115-3017 | 1 | Shim-Pump, Injection (.175MM) |
| 30 | 105-3728 | 1 | Shim-Pump, Injection (.20MM) |
| 35 | 105-3729 | 1 | Shim-Pump, Injection (.25MM) |
| 40 | 105-3730 | 1 | Shim-Pump, Injection (.30MM) |
| 50 | 98-9361 | 3 | Bolt-HSH |
| 60 | 98-9438 | 3 | Stud |
| 70 | 98-9440 | 3 | Nut-Cap |
| 80 | 98-7699 | 6 | Washer-Spring |
| 90 | 98-9464 | 1 | Bolt-Joint |
| 100 | 98-9445 | 2 | Gasket |
| 110 | 98-9430 | 1 | Screw |
| 120 | 98-9446 | 1 | Gasket |



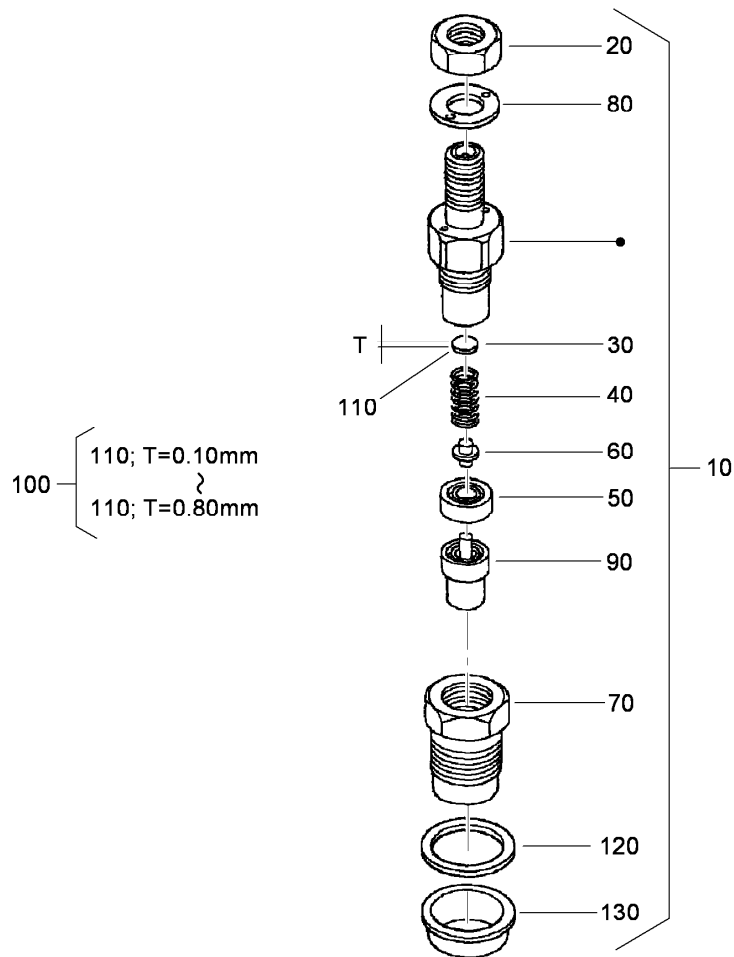
Speed Control Plate Assembly

| <i>Ref.</i> | <i>Part Number</i> | <i>Qty.</i> | <i>Description</i> |
|-------------|--------------------|-------------|----------------------|
| 10 | 105-3735 | 1 | Control Plate ASM |
| 20 | 98-9662 | 1 | Lever-Control, Speed |
| 30 | 98-9572 | 2 | Lever-Control, Speed |
| 40 | 105-3788 | 1 | O-Ring |
| 50 | 98-7602 | 2 | Pin-Spring |
| 60 | 98-9594 | 2 | Washer-Plain |
| 70 | 98-9589 | 2 | Nut |
| 80 | 98-9658 | 1 | Governor Lever ASM |
| 90 | 98-9663 | 1 | Lever-Stop, Engine |
| 100 | 98-7601 | 1 | Seal-Oil |
| 110 | 98-9472 | 1 | Spring-Return |
| 120 | 98-9664 | 1 | Shaft-Lever, Stop |
| 130 | 98-9637 | 1 | Gasket |
| 140 | 98-7692 | 2 | Bolt |
| 150 | 105-3710 | 2 | Stud |
| 160 | 98-7572 | 2 | Nut |
| 170 | 98-7699 | 2 | Washer-Spring |



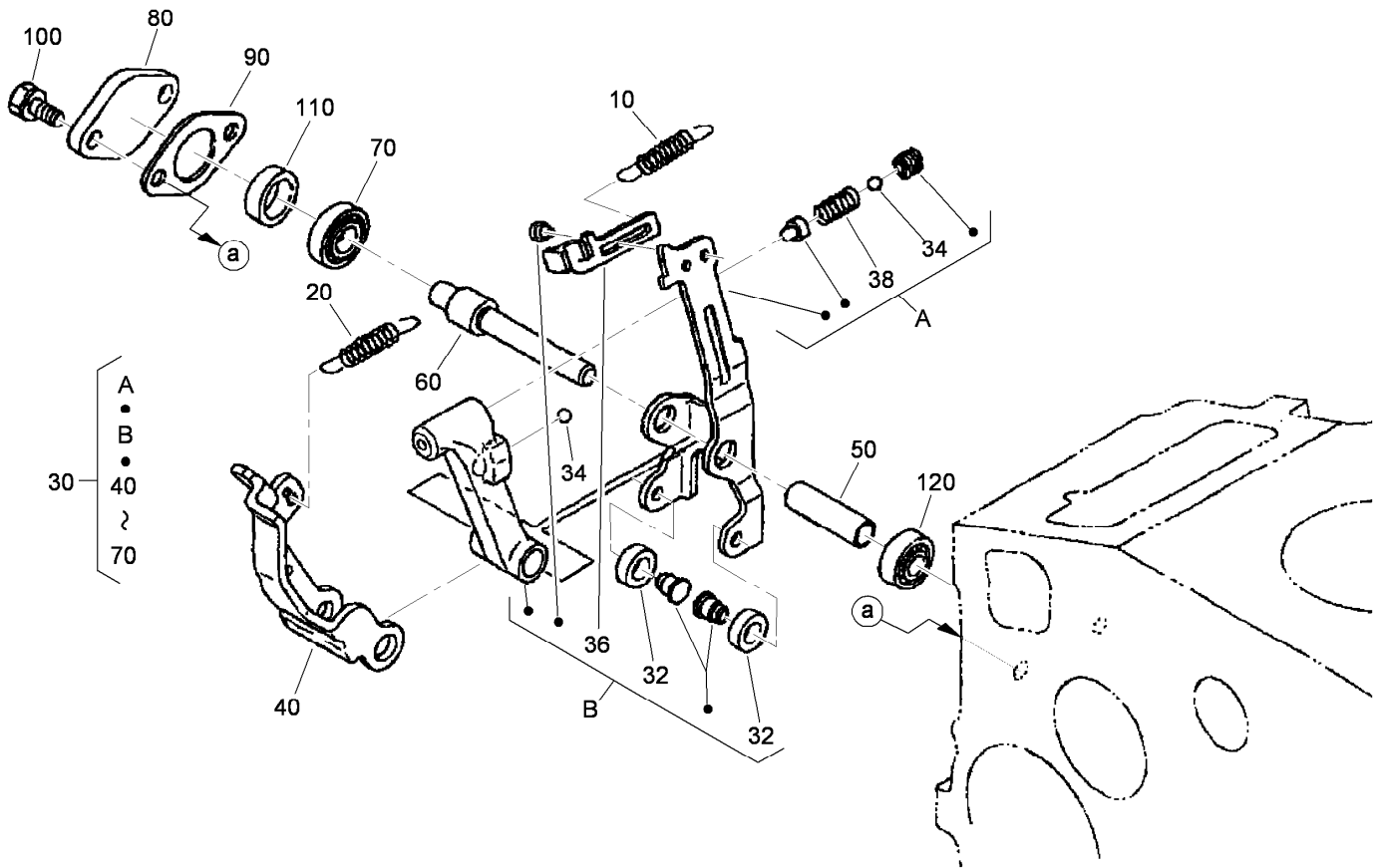
Nozzle Holder and Glow Plug Assembly

| Ref. | Part Number | Qty. | Description |
|------|-------------|------|---------------------|
| 10 | 105-3737 | 1 | Over Flow Pipe ASM |
| 20 | 98-9431 | 1 | Screw-Bleeder, Air |
| 30 | 98-7654 | 1 | Gasket |
| 40 | 98-9420 | 1 | Overflow Pipe ASM |
| 50 | 98-7671 | 2 | Clip-Pipe |
| 60 | 108-2866 | 4 | Nozzle Holder Kit |
| 70 | 98-7676 | 4 | Gasket |
| 80 | 98-7677 | 4 | Seal-Heat |
| 90 | 98-9622 | 1 | Pipe-Injection |
| 100 | 98-9654 | 1 | Pipe-Injection |
| 110 | 98-9655 | 1 | Pipe-Injection |
| 120 | 105-3738 | 1 | Pipe-Injection |
| 130 | 98-7682 | 3 | Clamp-Pipe |
| 140 | 98-7683 | 3 | Clamp-Pipe |
| 150 | 98-9364 | 3 | Screw (With Washer) |
| 160 | 98-9623 | 4 | Plug-Glow |
| 170 | 105-3739 | 1 | Cord-Plug, Glow |
| 180 | 99-8377 | 4 | Nut-Flange |



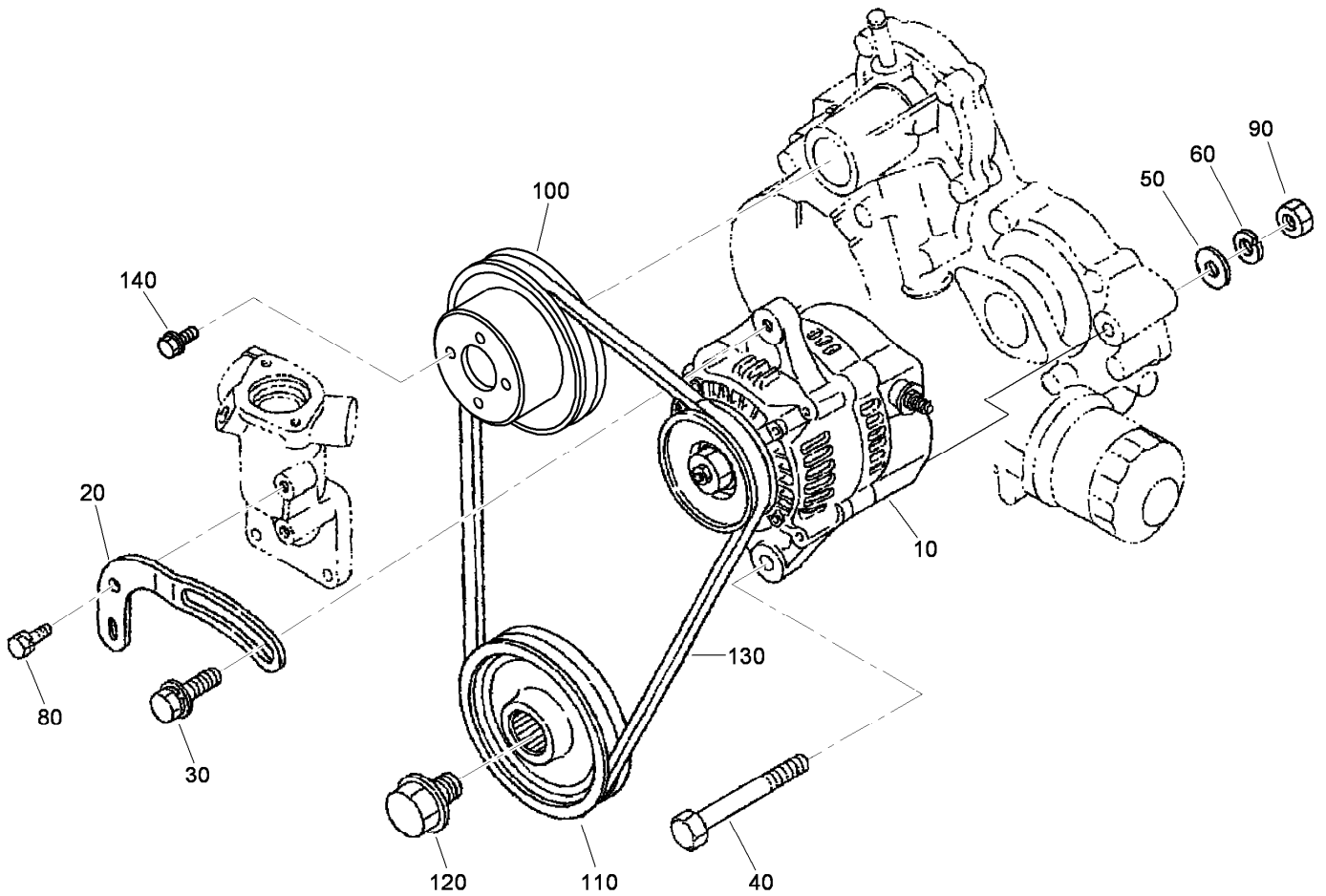
Nozzle Holder Component Assembly

| Ref. | Part Number | Qty. | Description |
|------|-------------|------|------------------------|
| 10 | 108-2866 | 4 | Nozzle Holder Kit |
| 20 | 99-8301 | 4 | Nut |
| 30 | 99-8302 | 4 | Washer-Adjusting |
| 40 | 99-8303 | 4 | Spring-Nozzle |
| 50 | 99-8304 | 4 | Spacer-Distance |
| 60 | 99-8305 | 4 | Rod-Push |
| 70 | 99-8306 | 4 | Nut-Nozzle |
| 80 | 99-8307 | 4 | Washer-Plain |
| 90 | 107-7826 | 4 | Piece-Nozzle |
| 100 | 99-8309 | 4 | Adjusting Washer ASM |
| 110 | 99-8310 | 4 | Washer-Adjust (0.10MM) |
| 110 | 99-8311 | 4 | Washer-Adjust (0.20MM) |
| 110 | 99-8312 | 4 | Washer-Adjust (0.30MM) |
| 110 | 99-8313 | 4 | Washer-Adjust (0.40MM) |
| 110 | 99-8314 | 4 | Washer-Adjust (0.50MM) |
| 110 | 99-8315 | 4 | Washer-Adjust (0.52MM) |
| 110 | 99-8316 | 4 | Washer-Adjust (0.54MM) |
| 110 | 99-8317 | 4 | Washer-Adjust (0.56MM) |
| 110 | 99-8318 | 4 | Washer-Adjust (0.58MM) |
| 110 | 99-8319 | 4 | Washer-Adjust (0.80MM) |
| 120 | 98-7676 | 4 | Gasket |
| 130 | 98-7677 | 4 | Seal-Heat |



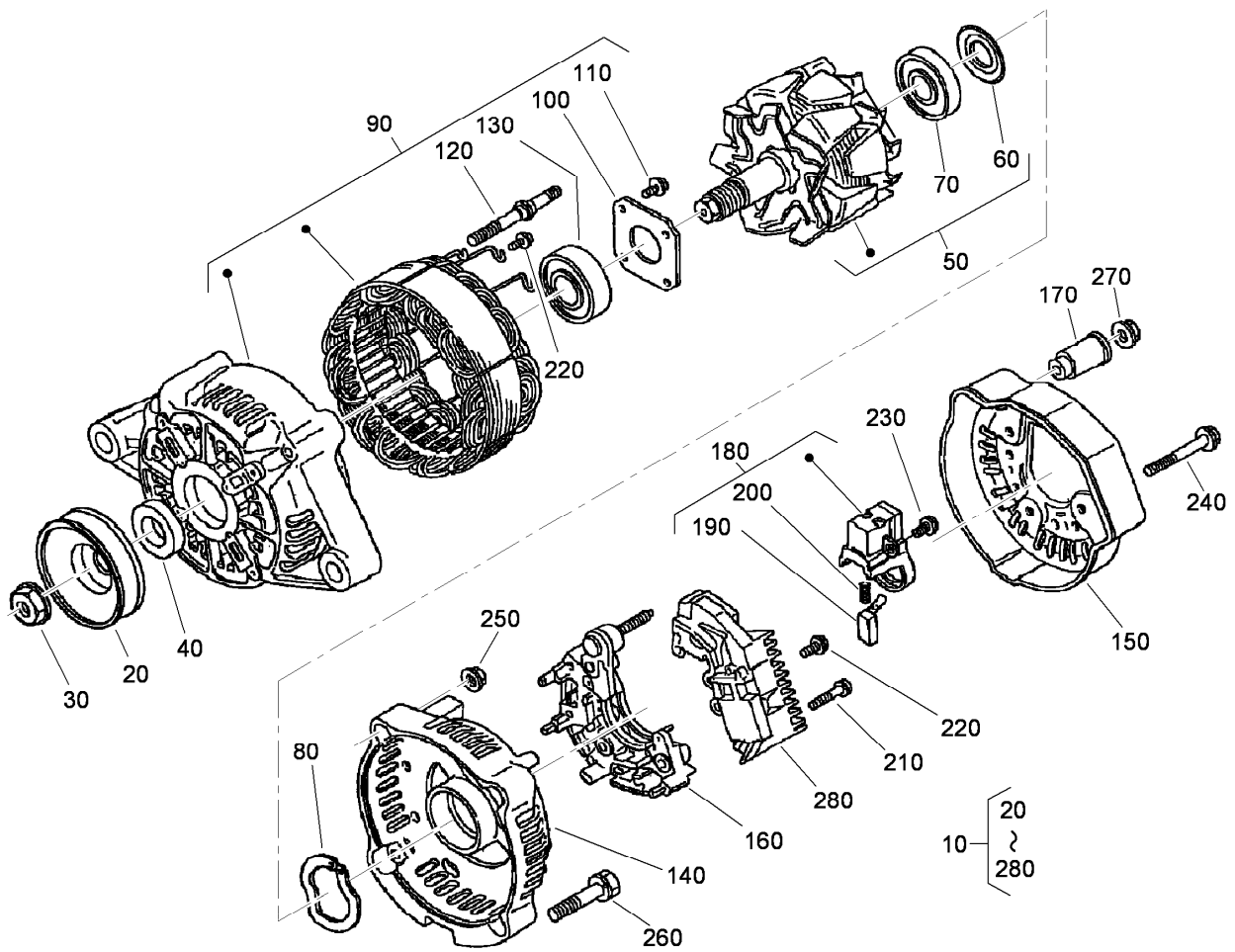
Governor Assembly

| Ref. | Part Number | Qty. | Description |
|------|-------------|------|-------------------------|
| 10 | 105-3741 | 1 | Spring-Start |
| 20 | 98-9681 | 1 | Spring-Governor |
| 30 | 108-4427 | 1 | Fork Lever ASM |
| 32 | 98-9692 | 2 | Roller |
| 34 | 98-7580 | 2 | Ball |
| 36 | 107-9083 | 1 | Lever-Thrust |
| 38 | 108-2867 | 1 | Spring |
| 40 | 107-9084 | 1 | Lever-Fork |
| 50 | 107-9085 | 1 | Shaft-Lever, Fork |
| 60 | 107-9086 | 1 | Shaft-Lever, Fork |
| 70 | 98-9570 | 1 | Bearing-Miniaturize |
| 80 | 115-4122 | 1 | Cover-Shaft, Fork Lever |
| 90 | 98-9682 | 1 | Gasket |
| 100 | 98-9350 | 2 | Bolt |
| 110 | 98-9567 | 1 | Collar |
| 120 | 98-9571 | 1 | Bearing-Miniaturize |



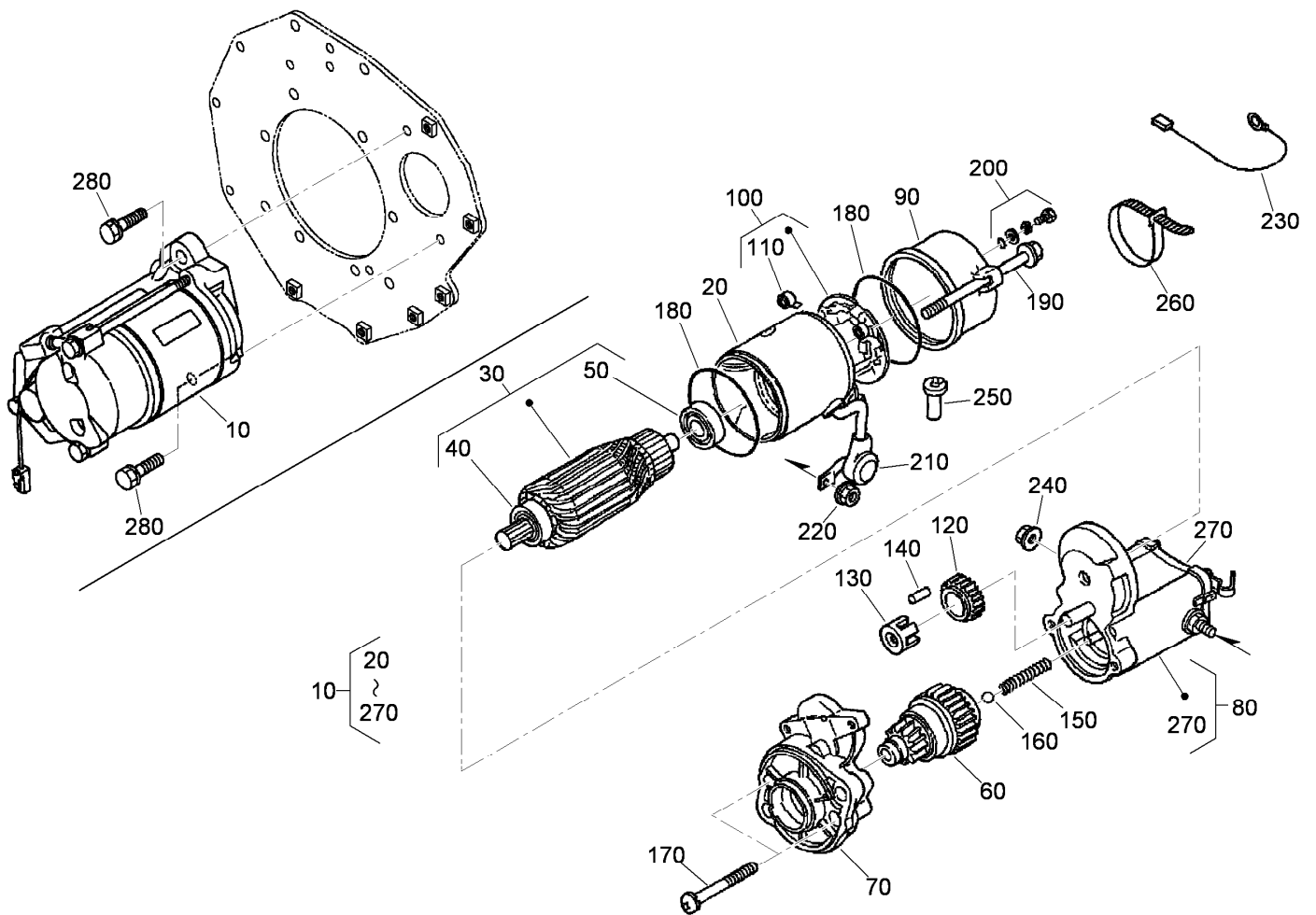
Alternator and Pulley Assembly

| <i>Ref.</i> | <i>Part Number</i> | <i>Qty.</i> | <i>Description</i> |
|-------------|--------------------|-------------|--------------------|
| 10 | 98-9474 | 1 | Alternator ASM |
| 20 | 112-7047 | 1 | Stay-Dynamo |
| 30 | 108-7088 | 1 | Bolt |
| 40 | 98-9360 | 1 | Bolt |
| 50 | 33095-00 | 1 | Washer-Flat |
| 60 | 98-7738 | 1 | Washer-Spring |
| 80 | 98-7692 | 1 | Bolt |
| 90 | 99-7526 | 1 | Nut |
| 100 | 98-9584 | 1 | Pulley-Fan |
| 110 | 105-3745 | 1 | Pulley-Drive, Fan |
| 120 | 98-9585 | 1 | Bolt |
| 130 | 98-9676 | 1 | V-Belt |
| 140 | 99-8363 | 4 | Bolt-Flange |



Alternator Component Assembly

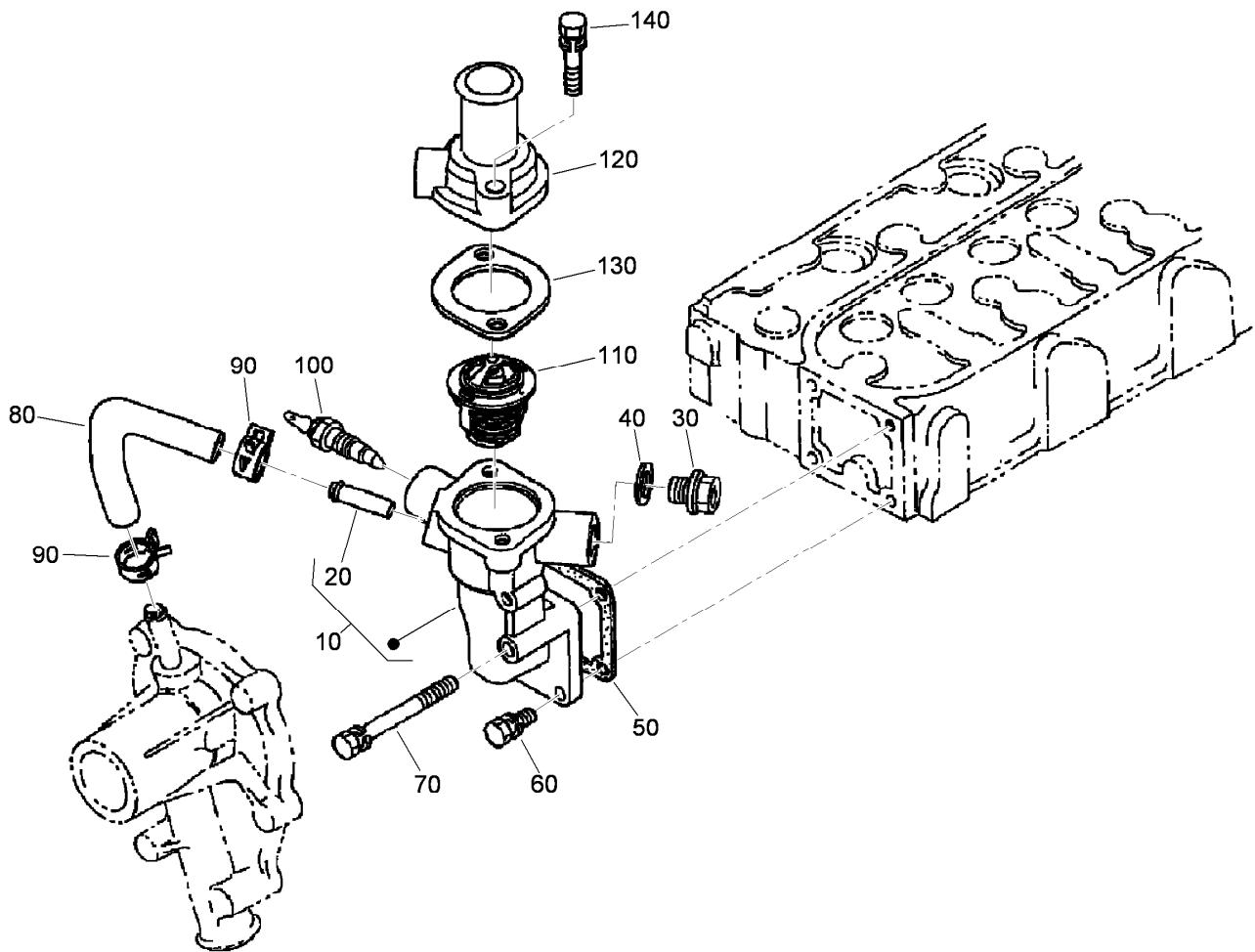
| <i>Ref.</i> | <i>Part Number</i> | <i>Qty.</i> | <i>Description</i> | <i>Ref.</i> | <i>Part Number</i> | <i>Qty.</i> | <i>Description</i> |
|-------------|--------------------|-------------|---------------------|-------------|--------------------|-------------|--------------------|
| 10 | 98-9474 | 1 | Alternator ASM | 150 | 107-0140 | 1 | Cover-End |
| 20 | 98-9453 | 1 | Pulley-Dynamo | 160 | 98-7721 | 1 | Rectifier ASM |
| 30 | 98-7708 | 1 | Nut | 170 | 98-7722 | 1 | Bushing-Insulation |
| 40 | 98-7709 | 1 | Collar | 180 | 107-0141 | 1 | Brush Holder ASM |
| 50 | 107-0136 | 1 | Rotor ASM | 190 | 98-7724 | 2 | Brush |
| 60 | 98-7711 | 1 | Cover-Bearing | 200 | 98-7725 | 2 | Spring-Brush |
| 70 | 98-7712 | 1 | Bearing-Ball | 210 | 98-7726 | 2 | Screw-Head, Round |
| 80 | 98-7713 | 1 | Washer-Thrust | 220 | 98-7727 | 6 | Screw-Head, Round |
| 90 | 107-0139 | 1 | Drive End Frame ASM | 230 | 98-7728 | 1 | Screw-Head, Round |
| 100 | 98-7715 | 1 | Plate-Retainer | 240 | 98-7729 | 3 | Bolt |
| 110 | 98-7716 | 4 | Screw-Head, Round | 250 | 98-7730 | 2 | Nut |
| 120 | 98-7717 | 2 | Bolt-Through | 260 | 98-7731 | 2 | Bolt |
| 130 | 107-0137 | 1 | Bearing-Ball | 270 | 98-7732 | 1 | Nut |
| 140 | 107-9087 | 1 | Frame-End | 280 | 110-3799 | 1 | Regulator ASM |



Starter Assembly

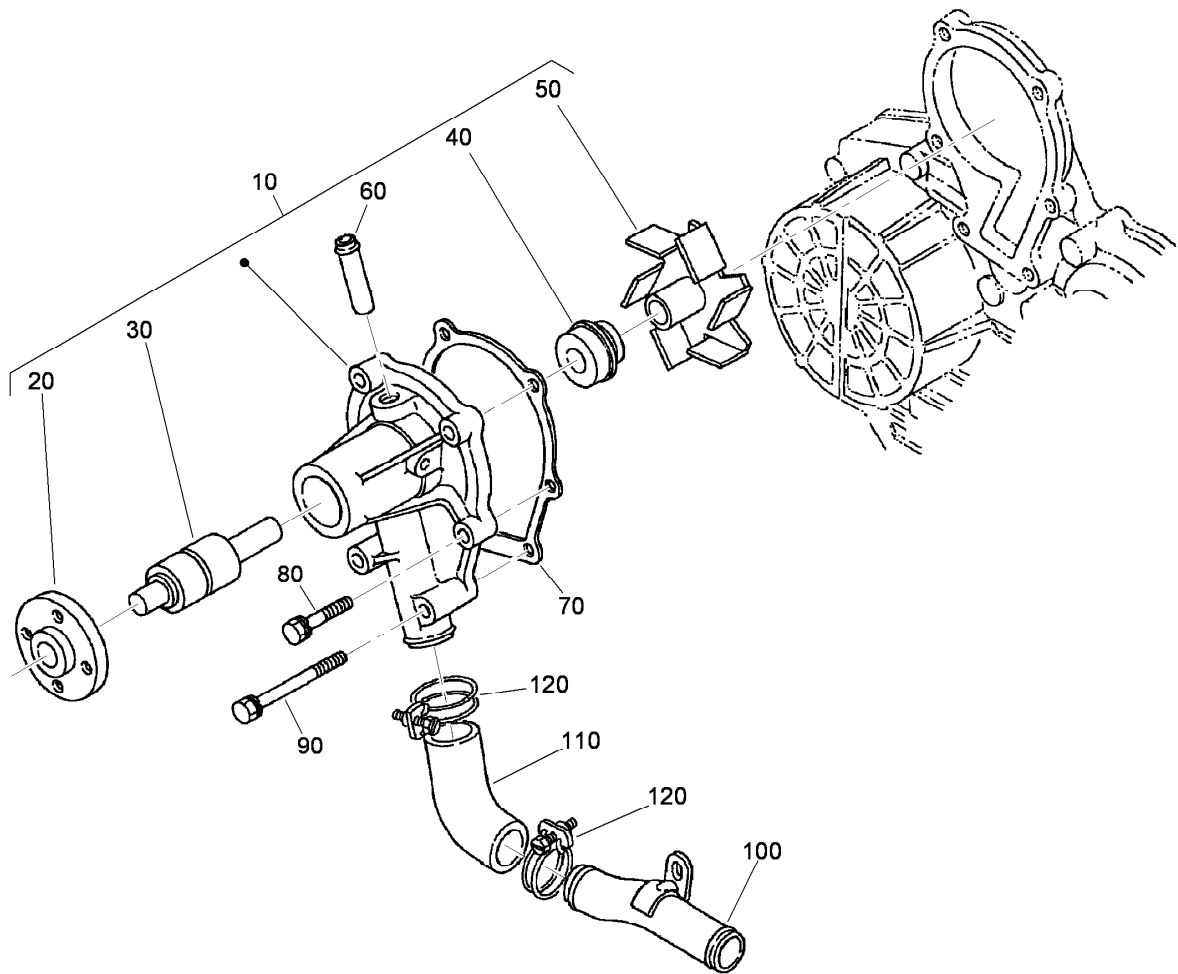
| <i>Ref.</i> | <i>Part Number</i> | <i>Qty.</i> | <i>Description</i> |
|-------------|--------------------|-------------|----------------------|
| 10 | 98-9705 | 1 | Starter ASM |
| 20 | 104-8608 | 1 | Yoke ASM |
| 30 | 98-7742 | 1 | Armature ASM |
| 40 | 98-7744 | 1 | Bearing |
| 50 | 98-7743 | 1 | Bearing |
| 60 | 99-8373 | 1 | Clutch-Running, Over |
| 70 | 99-8374 | 1 | Frame-End, Drive |
| 80 | 105-3746 | 1 | Magnetic Switch ASM |
| 90 | 98-7748 | 1 | Frame-End |
| 100 | 98-7749 | 1 | Brush Holder ASM |
| 110 | 98-7750 | 4 | Spring-Brush |
| 120 | 98-7751 | 1 | Gear |
| 130 | 98-7752 | 1 | Retainer |
| 140 | 98-7753 | 5 | Roller |

| <i>Ref.</i> | <i>Part Number</i> | <i>Qty.</i> | <i>Description</i> |
|-------------|--------------------|-------------|---------------------|
| 150 | 98-7754 | 1 | Spring |
| 160 | 98-7755 | 1 | Ball |
| 170 | 98-7756 | 2 | Bolt |
| 180 | 98-7757 | 2 | O-Ring |
| 190 | 100-9240 | 2 | Bolt |
| 200 | 98-7758 | 2 | Bolt ASM |
| 210 | 99-8375 | 1 | Cover |
| 220 | 99-8371 | 1 | Nut-Hex |
| 230 | 98-9711 | 1 | Cord-Solenoid, Stop |
| 240 | 99-8376 | 1 | Nut-Hex |
| 250 | 98-7759 | 1 | Pipe-Drain |
| 260 | 98-9712 | 1 | Band-Cover |
| 270 | 105-2886 | 1 | Cover ASM |
| 280 | 98-7697 | 2 | Bolt |



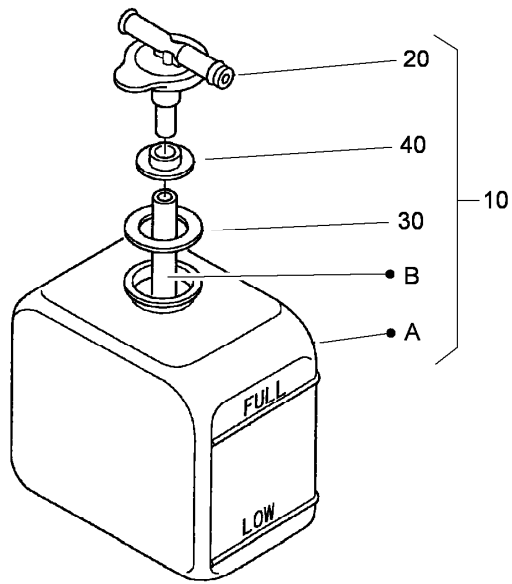
Water Flange and Thermostat Assembly

| <i>Ref.</i> | <i>Part Number</i> | <i>Qty.</i> | <i>Description</i> |
|-------------|--------------------|-------------|----------------------|
| 10 | 98-9713 | 1 | Water Flange ASM |
| 20 | 98-9580 | 1 | Pipe-Return, Water |
| 30 | 105-3747 | 1 | Plug |
| 40 | 99-3583 | 1 | Gasket |
| 50 | 98-9638 | 1 | Gasket-Flange, Water |
| 60 | 98-7692 | 3 | Bolt |
| 70 | 98-9356 | 1 | Bolt |
| 80 | 98-9578 | 1 | Pipe-Return, Water |
| 90 | 98-9579 | 2 | Band-Pipe |
| 100 | 98-9719 | 1 | Thermoswitch |
| 110 | 98-7778 | 1 | Thermostat ASM |
| 120 | 98-9471 | 1 | Cover-Thermostat |
| 130 | 105-3748 | 1 | Gasket-Thermostat |
| 140 | 98-7777 | 2 | Bolt |



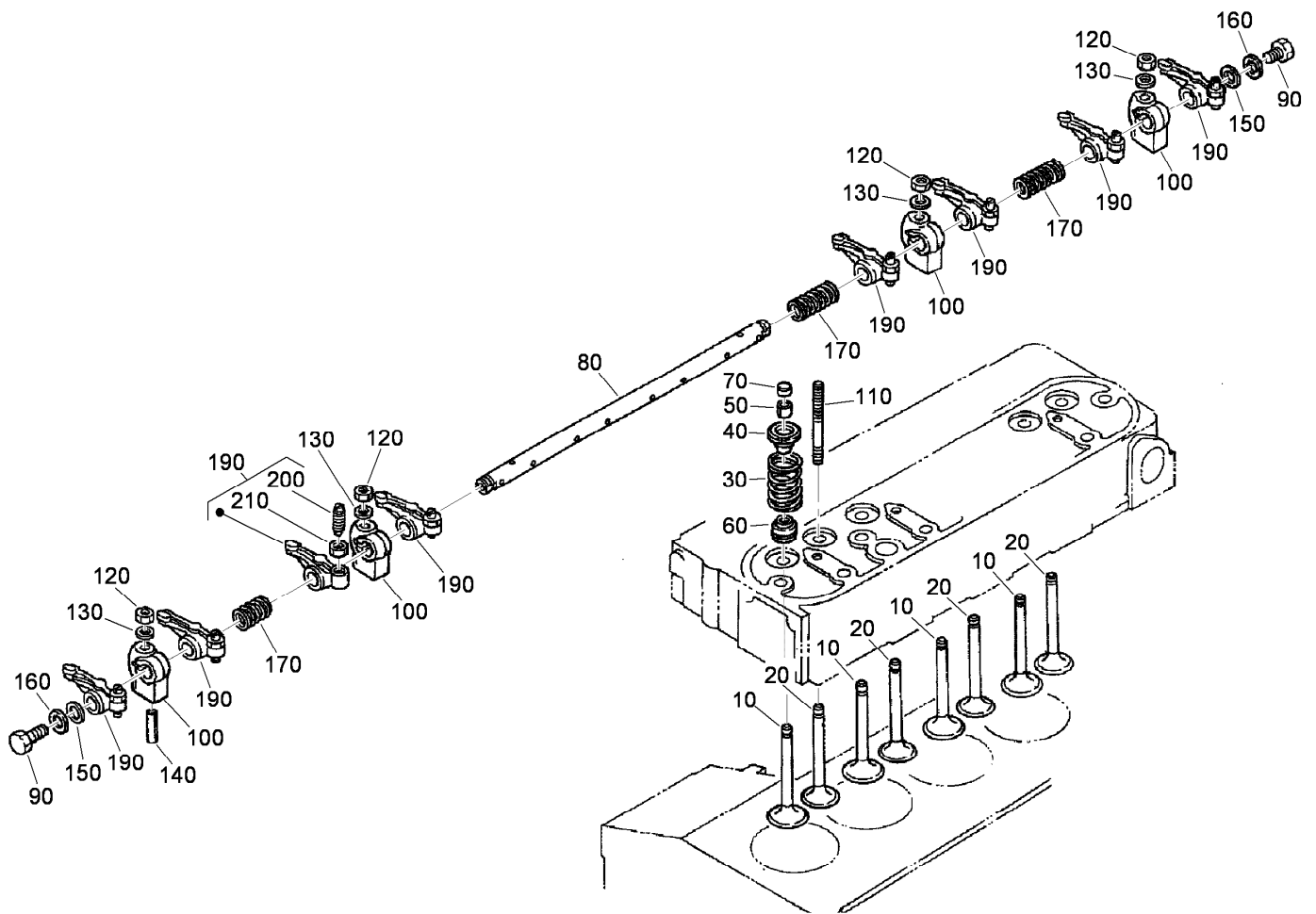
Water Pump Assembly

| <i>Ref.</i> | <i>Part Number</i> | <i>Qty.</i> | <i>Description</i> |
|-------------|--------------------|-------------|----------------------|
| 10 | 107-9089 | 1 | Water Pump ASM |
| 20 | 99-3516 | 1 | Flange-Pump, Water |
| 30 | 99-3517 | 1 | Bearing-Pump, Water |
| 40 | 105-3750 | 1 | Mechanical Seal ASM |
| 50 | 112-7017 | 1 | Impeller-Pump, Water |
| 60 | 100-1932 | 1 | Pipe-Return, Water |
| 70 | 99-3454 | 1 | Gasket-Pump, Water |
| 80 | 98-9353 | 4 | Bolt |
| 90 | 98-9357 | 2 | Bolt |
| 100 | 105-3752 | 1 | Pipe-Water |
| 110 | 107-9091 | 1 | Pipe-Water |
| 120 | 98-9717 | 2 | Clamp |



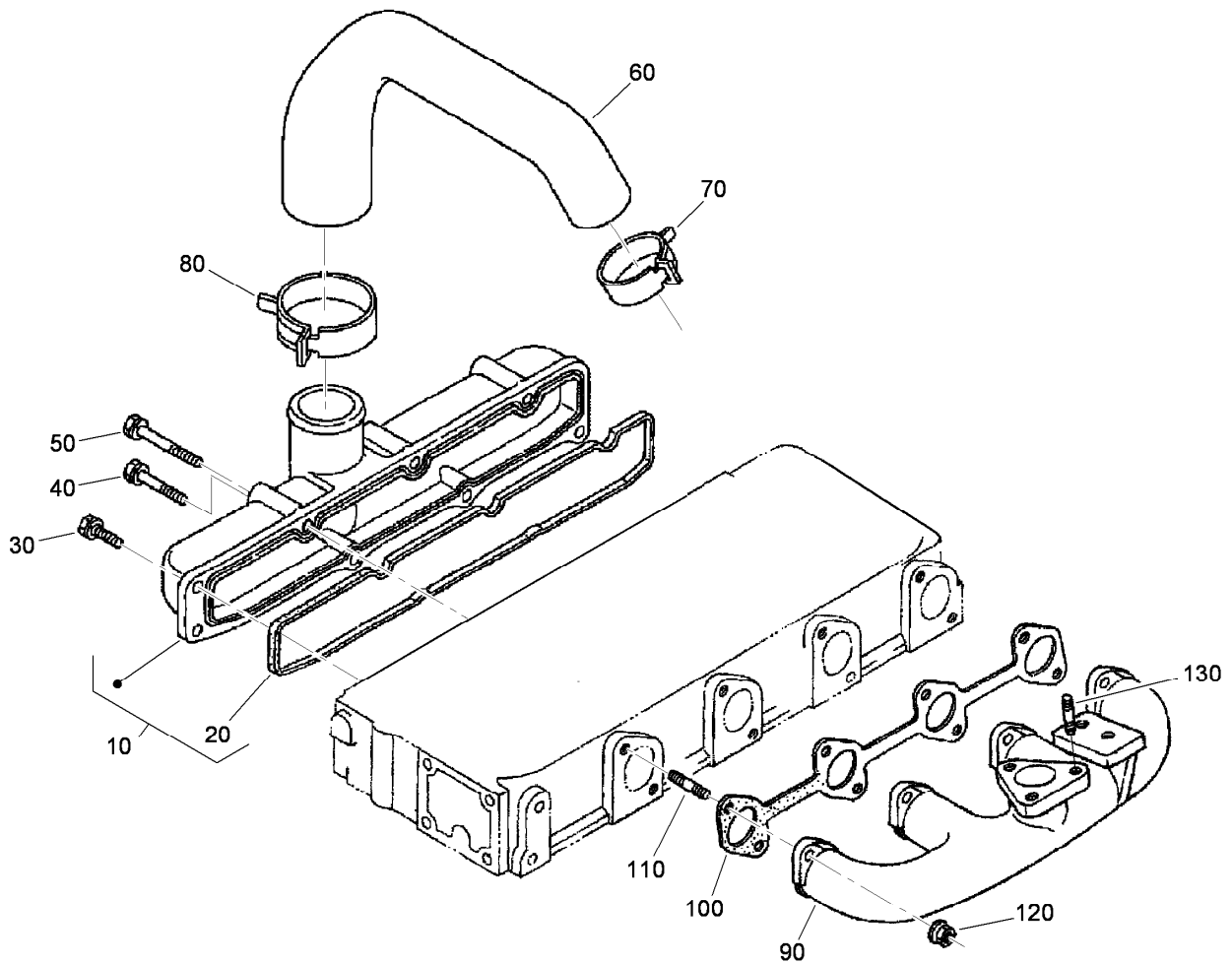
Overflow Bottle Assembly

| <i>Ref.</i> | <i>Part Number</i> | <i>Qty.</i> | <i>Description</i> |
|-------------|--------------------|-------------|--------------------|
| 10 | 104-9318 | 1 | Bottle-Overflow |
| 20 | 105-3754 | 1 | Cap |
| 30 | 105-3755 | 1 | Gasket |
| 40 | 105-3756 | 1 | Plate |



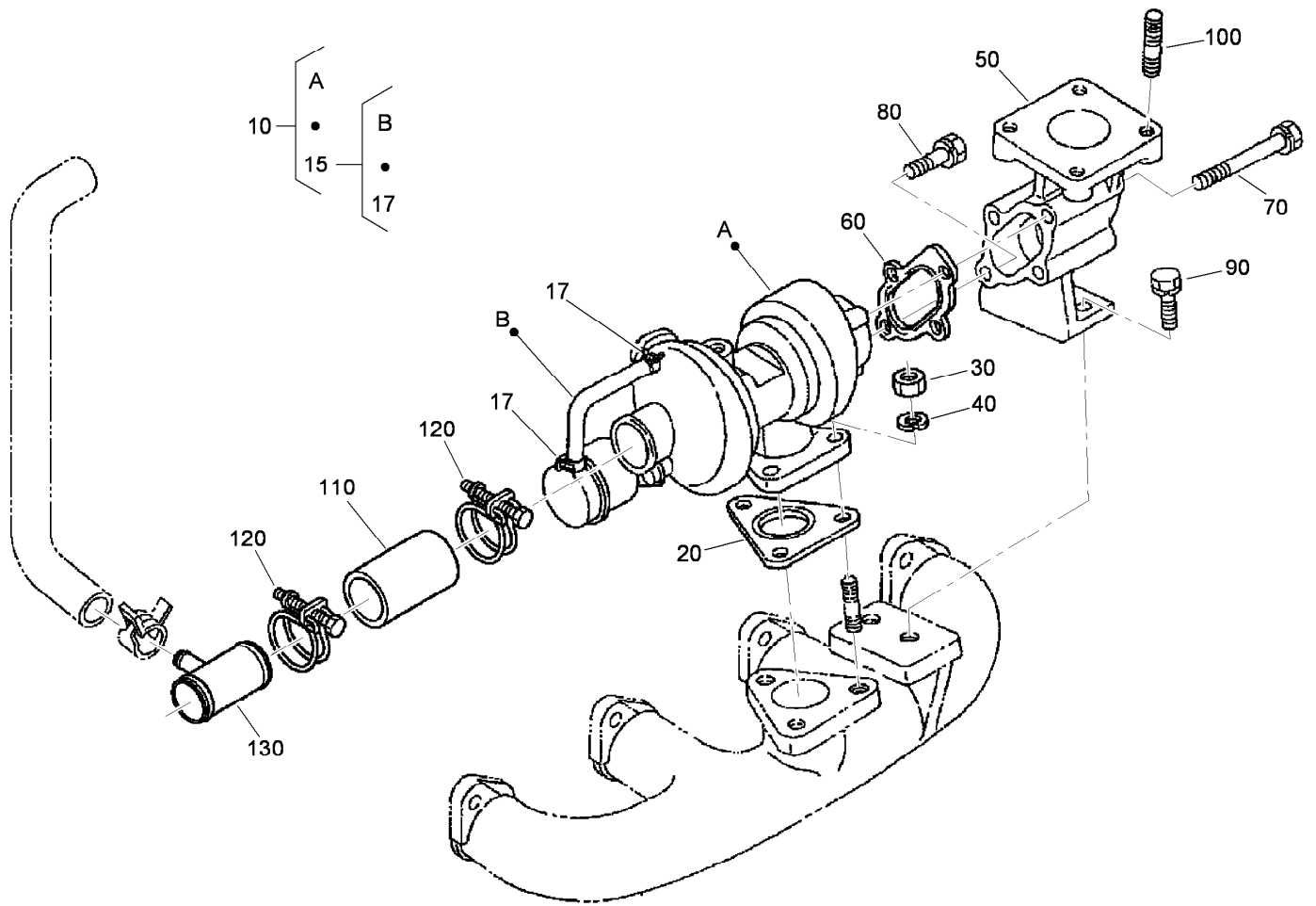
Valve and Rocker Arm Assembly

| Ref. | Part Number | Qty. | Description |
|------|-------------|------|--------------------------|
| 10 | 112-7018 | 4 | Valve-Inlet |
| 20 | 112-7019 | 4 | Valve-Exhaust |
| 30 | 98-9626 | 8 | Spring-Valve |
| 40 | 107-9092 | 8 | Retainer-Spring |
| 50 | 98-9390 | 8 | Collet-Spring, Valve |
| 60 | 99-8385 | 8 | Seal-Stem, Valve |
| 70 | 98-9497 | 8 | Cap-Valve |
| 80 | 105-3757 | 1 | Shaft-Arm, Rocker |
| 90 | 100-9265 | 2 | Bolt |
| 100 | 98-9505 | 4 | Bracket-Arm, Rocker |
| 110 | 98-9506 | 4 | Stud |
| 120 | 98-9393 | 4 | Nut |
| 130 | 98-9385 | 4 | Washer-Flat |
| 140 | 105-3758 | 2 | Pin-Spring |
| 150 | 98-9507 | 2 | Washer-Shaft, Rocker Arm |
| 160 | 3256-1 | 2 | Washer-Flat |
| 170 | 98-9504 | 3 | Spring-Arm, Rocker |
| 190 | 112-7020 | 8 | Rocker Arm ASM |
| 200 | 98-9502 | 8 | Screw-Adjusting |
| 210 | 98-9503 | 8 | Nut |



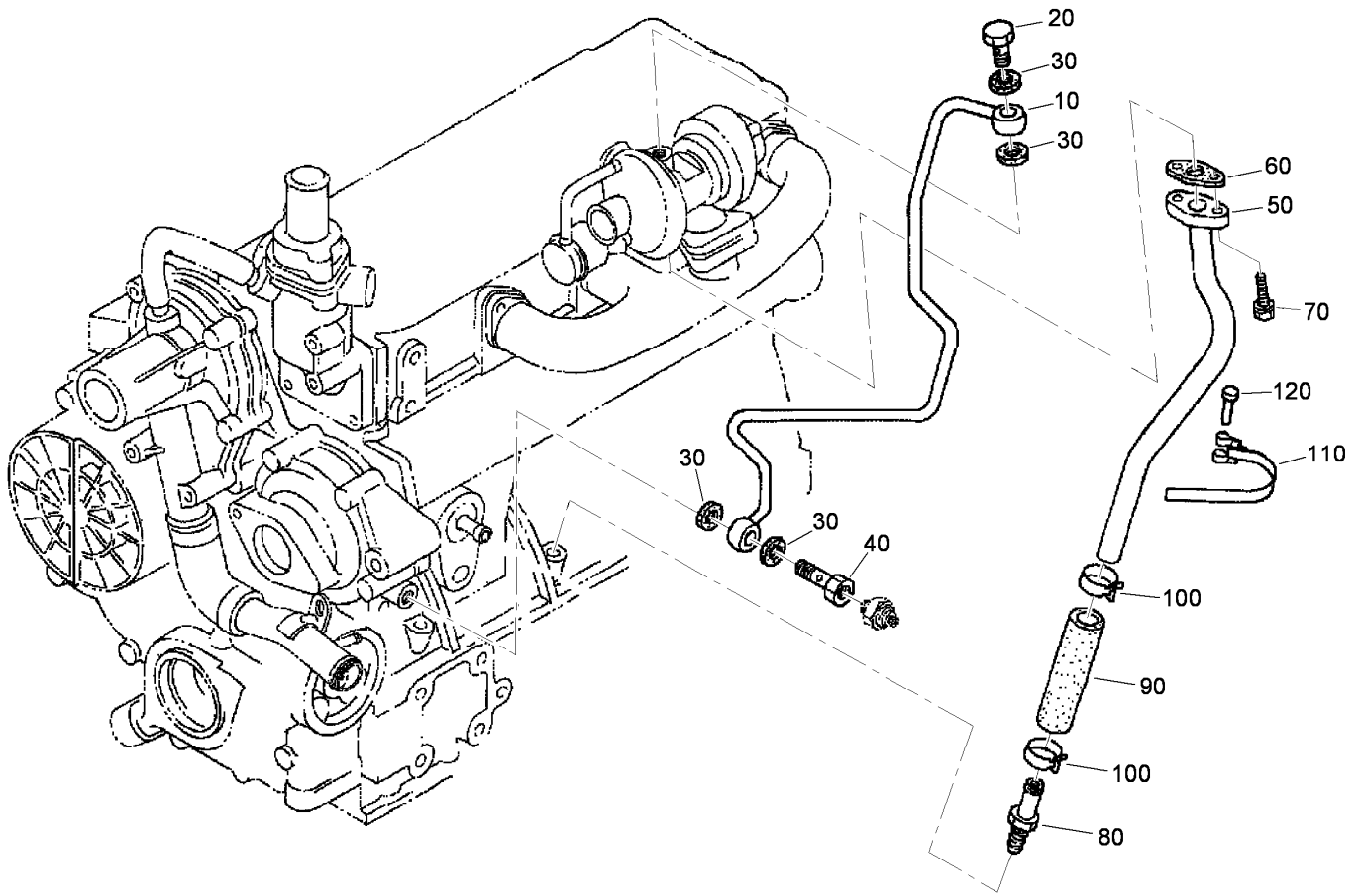
Inlet and Exhaust Manifold Assembly

| <i>Ref.</i> | <i>Part Number</i> | <i>Qty.</i> | <i>Description</i> |
|-------------|--------------------|-------------|--------------------------|
| 10 | 105-3759 | 1 | Inlet Manifold ASM |
| 20 | 105-3760 | 1 | Gasket-Manifold, Intake |
| 30 | 98-7605 | 3 | Bolt |
| 40 | 98-9353 | 2 | Bolt |
| 50 | 105-3797 | 3 | Bolt |
| 60 | 115-4123 | 1 | Hose-Inlet |
| 70 | 115-3048 | 1 | Clamp-Hose |
| 80 | 115-3049 | 1 | Clamp-Hose |
| 90 | 108-4425 | 1 | Manifold-Exhaust |
| 100 | 105-3765 | 1 | Gasket-Manifold, Exhaust |
| 110 | 98-9588 | 8 | Stud |
| 120 | 98-9665 | 8 | Nut |
| 130 | 99-8342 | 3 | Stud |



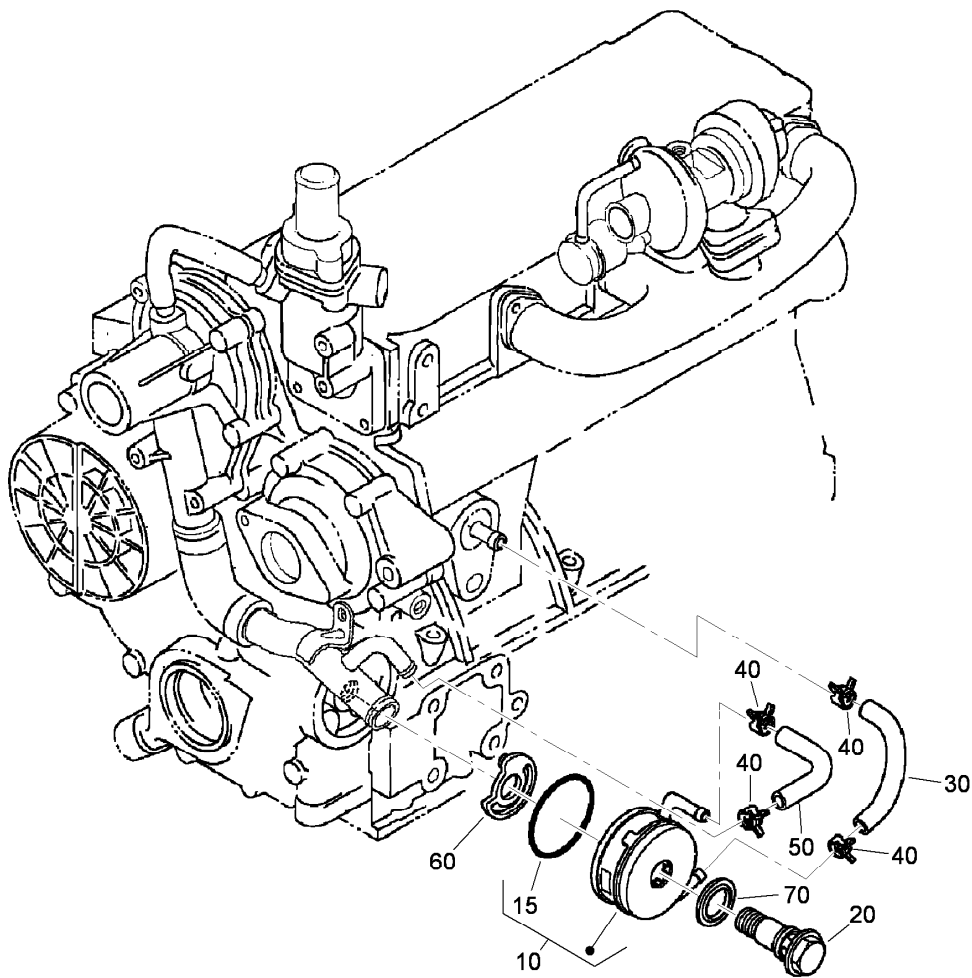
Turbo Charger Assembly

| <i>Ref.</i> | <i>Part Number</i> | <i>Qty.</i> | <i>Description</i> |
|-------------|--------------------|-------------|----------------------|
| 10 | 108-1412 | 1 | Turbo Charger ASM |
| 15 | 108-1413 | 1 | Hose ASM |
| 17 | 108-1414 | 2 | Clamp-Hose |
| 20 | 105-3767 | 1 | Gasket |
| 30 | 98-7534 | 3 | Nut |
| 40 | 105-2893 | 3 | Washer-Spring |
| 50 | 99-8335 | 1 | Flange-Muffler |
| 60 | 105-3768 | 1 | Gasket |
| 70 | 105-2894 | 3 | *obs* Bolt |
| 80 | 105-2895 | 1 | Bolt |
| 90 | 98-7610 | 2 | Bolt |
| 100 | 98-7769 | 4 | Stud |
| 110 | 115-4101 | 1 | Tube-Inlet, Turbo |
| 120 | 115-4102 | 2 | Band |
| 130 | 115-4103 | 1 | Pipe-Inlet, Breather |



Oil Pipe Assembly

| <i>Ref.</i> | <i>Part Number</i> | <i>Qty.</i> | <i>Description</i> |
|-------------|--------------------|-------------|--------------------|
| 10 | 108-4424 | 1 | Oil Pipe ASM |
| 20 | 115-4126 | 1 | Bolt-Joint, Eye |
| 30 | 99-8346 | 4 | Gasket |
| 40 | 115-4126 | 1 | Bolt-Joint, Eye |
| 50 | 108-4423 | 1 | Oil Pipe ASM |
| 60 | 108-4422 | 1 | Gasket |
| 70 | 98-7605 | 2 | Bolt |
| 80 | 105-3771 | 1 | Oil Pipe ASM |
| 90 | 98-9721 | 1 | Pipe-Oil |
| 100 | 98-9714 | 2 | Clamp-Hose |
| 110 | 98-9601 | 1 | Clamp-Pipe |
| 120 | 98-9591 | 1 | Pin-Band |



Oil Cooler Assembly

| <i>Ref.</i> | <i>Part Number</i> | <i>Qty.</i> | <i>Description</i> |
|-------------|--------------------|-------------|--------------------|
| 10 | 108-4448 | 1 | Oil Cooler ASM |
| 15 | 112-7030 | 1 | O-Ring |
| 20 | 106-7054 | 1 | Holder ASM |
| 30 | 98-9724 | 1 | Pipe-Cooler, Oil |
| 40 | 98-9579 | 4 | Band-Pipe |
| 50 | 98-9578 | 1 | Pipe-Return, Water |
| 60 | 105-3774 | 1 | Collar |
| 70 | 108-4449 | 1 | Washer |

Attachments and Accessories

For 03806 Reelmaster 6500-D 2-Wheel Drive Traction Unit

| Product Name | Model/Part |
|-------------------------------------------------------------------------|-------------------|
| Turf Defender Electronic Leak Detector Kit | 03521 |
| 8-Blade DPA Reel Mower (7in) | 03863 |
| 11-Blade DPA Reel Mower (7in) | 03864 |
| Verticutter (7in) | 03877 |
| 8 and 11-Blade Reel Mower Basket Kit | 03883 |
| Wheel Weight Kit | 104-1478 |
| Muffler-Spark Arrestor | 104-5201 |
| Roller Brush ASM | 106-9627 |
| Premium All Season Hydraulic Fluid (55 Gallon Drum) | 108-1177 |
| Premium All Season Hydraulic Fluid (5 Gallon Pail) | 108-1178 |
| Premium Engine Oil, 10w30 (55 Gallon Drum) | 108-1179 |
| Premium Engine Oil, 10w30 (5 Gallon Pail) | 108-1180 |
| Premium Heavy Duty All Season Gear Lube (Pail) | 108-1188 |
| Premium All Purpose Grease (Tube) | 108-1190 |
| Premium Heavy Duty All Season Gear Lube (Quart) | 108-1591 |
| Gauge Bar Assembly | 108-6715 |
| Two-Post Roll-Over Protection System | 112-6505 |
| Reel Tipper Kit | 115-8008 |
| Premium Synthetic Bio-Degradable Hydraulic Fluid (5 Gallon Pail) | 119-2157 |
| Premium Synthetic Bio-Degradable Hydraulic Fluid (55 Gallon Drum) | 119-2158 |
| Brush and Handle Kit | 29-9100 |
| 400-Hour Filter Maintenance Kit | 30057 |
| Arm Rest Kit | 30707 |
| Diagnostic Display Box | 85-4750 |
| Plastic Plug | 93-7498 |



Count on it.