



Count on it.

Parts Catalog

Groundsmaster® 3500-D Rotary Mower

Model No. 30839—Serial No. 314000001 and Up



Ordering Replacement Parts

To order replacement parts, please supply the part number, the quantity, and the description of each part desired.

Understanding Reference Numbers

Each identified part in an illustration has a reference number. The reference number for a part also appears in the parts list, along with other information about the part.

This catalog uses two special reference number formats, one to indicate parts in a service assembly and another to indicate the quantity of a given part in an illustration.

Service Assembly Reference Numbers

Parts in service assemblies have reference numbers in the form a:b. The a represents the reference number of the entire service assembly and the b represents a sequential number unique to each part within the service assembly.

For example, a wheel assembly might be identified by reference number 6, the tire by 6:1, the valve by 6:2, and the wheel by 6:3. When you order the assembly identified by reference number 6, you receive all parts identified by reference numbers 6:1, 6:2, and 6:3. However, you may also order any part individually. Reference numbers of this type appear in illustration and in parts lists.

Reference Numbers Indicating Quantity

In an illustration, if a reference number indicates more than one part, the reference number has the form nX y. The n represents the quantity of the part, the X is the multiplication symbol, and the y represents the reference number.

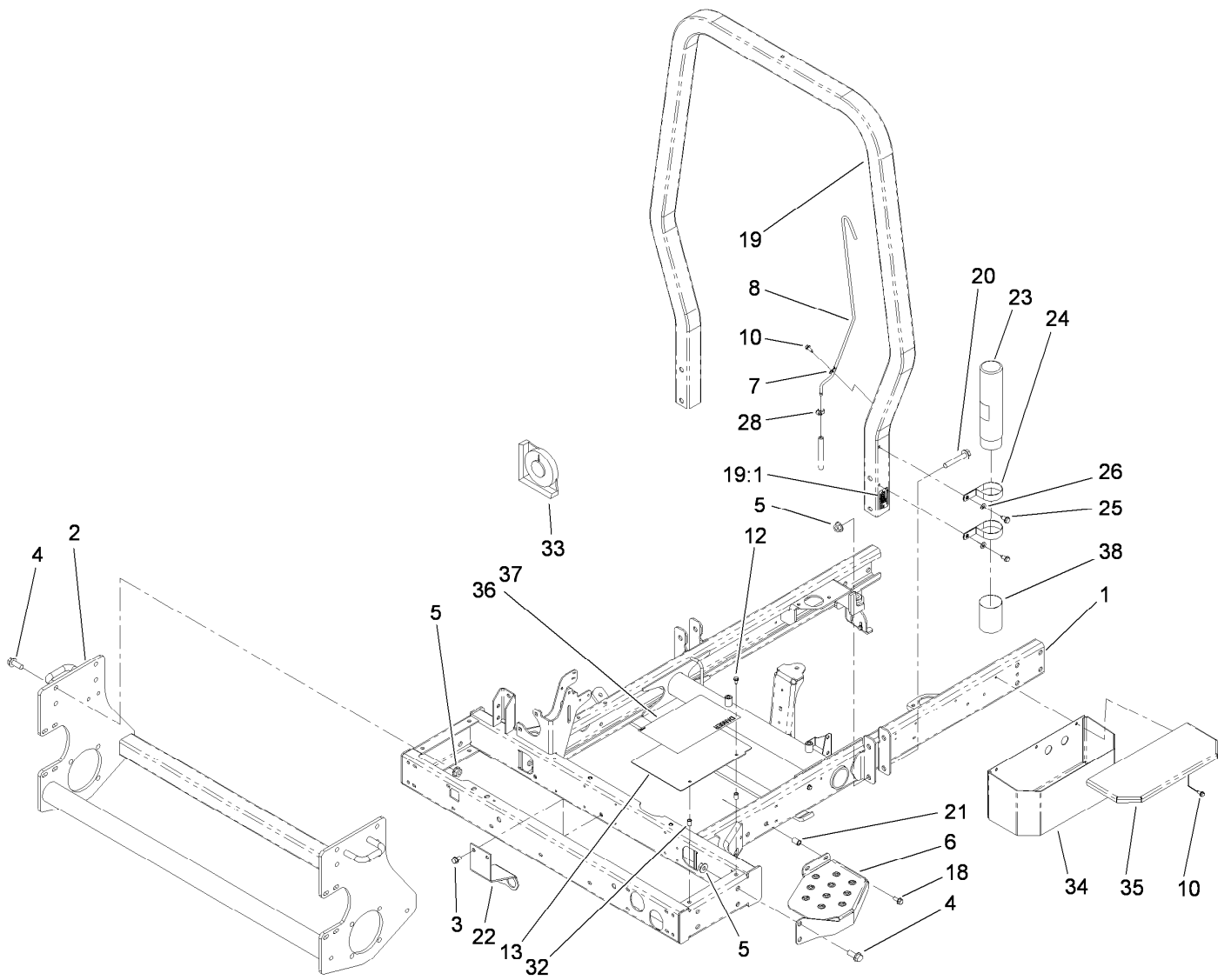
For example, in an illustration, the reference number 2X 37 means that two of the parts identified by reference number 37 are indicated.

Contents

Frame Assembly	5
Front Wheel and Brake Assembly	6
Hydraulic Motor Assembly No. 110-8785	8
Hydraulic Motor Assembly No. 110-8786	9
Brake Assembly No. 104-7705	10
Steering Column Assembly	11
Steering Valve Assembly No. 104-5180	12
Rear Fork and Tire Assembly	13
Hydraulic Cylinder Assembly No. 94-8141	15
Hydraulic Motor Assembly No. 95-8694	16
Control Panel Assembly	17
Front Platform Assembly	18
Traction Pedal Assembly	19
Control Valve Installation Assembly	20
Valve Assembly No. 95-8581	21
Rear Lift Arm Assembly	22
Hydraulic Cylinder Assembly No. 112-9916	24
Neutral Arm Assembly	25
Engine Assembly	26
Air Cleaner and Muffler Assembly	28
Radiator Assembly	29
Hood and Screen Assembly	30
Fuel System Assembly	31
Manifold Block Installation Assembly	33
Hydraulic Manifold Assembly No. 121-3570	34
Hydraulic Tank Assembly	35
Hydrostat Assembly	36
Hydraulic Pump Assembly No. 104-4890	38
Hydraulic Gear Pump Assembly No. 108-9036	40
Carrier Assembly	41
Scissor Assembly	43
Rotary Motor and Cutting Unit Assembly	44
Gear Motor Assembly No. 117-5141	45
Roller and Carrier Frame Assembly	46
Roller Assembly No. 112-5265	47
Height-of-Cut Bracket Assembly	48
Chamber, Blade and Spindle Assembly	49
Spindle Assembly No. 115-3435	50
Battery Assembly	51
Parking Brake Assembly	52
Seat Mounting Assembly	53
Crankcase Assembly	54
Dipstick, Guide and Oil Pan Assembly	55
Cylinder Head Assembly	56
Cylinder Head Cover Assembly	57
Gear Case and Oil Filter Cartridge Assembly	58
Main Bearing Case Assembly	59
Camshaft and Idle Gear Shaft Assembly	60
Piston and Crankshaft Assembly	61
Flywheel Assembly	62
Fuel Camshaft and Governor Shaft Assembly	63
Idle Apparatus Assembly	64
Injection Pump Assembly	65
Governor Assembly	66

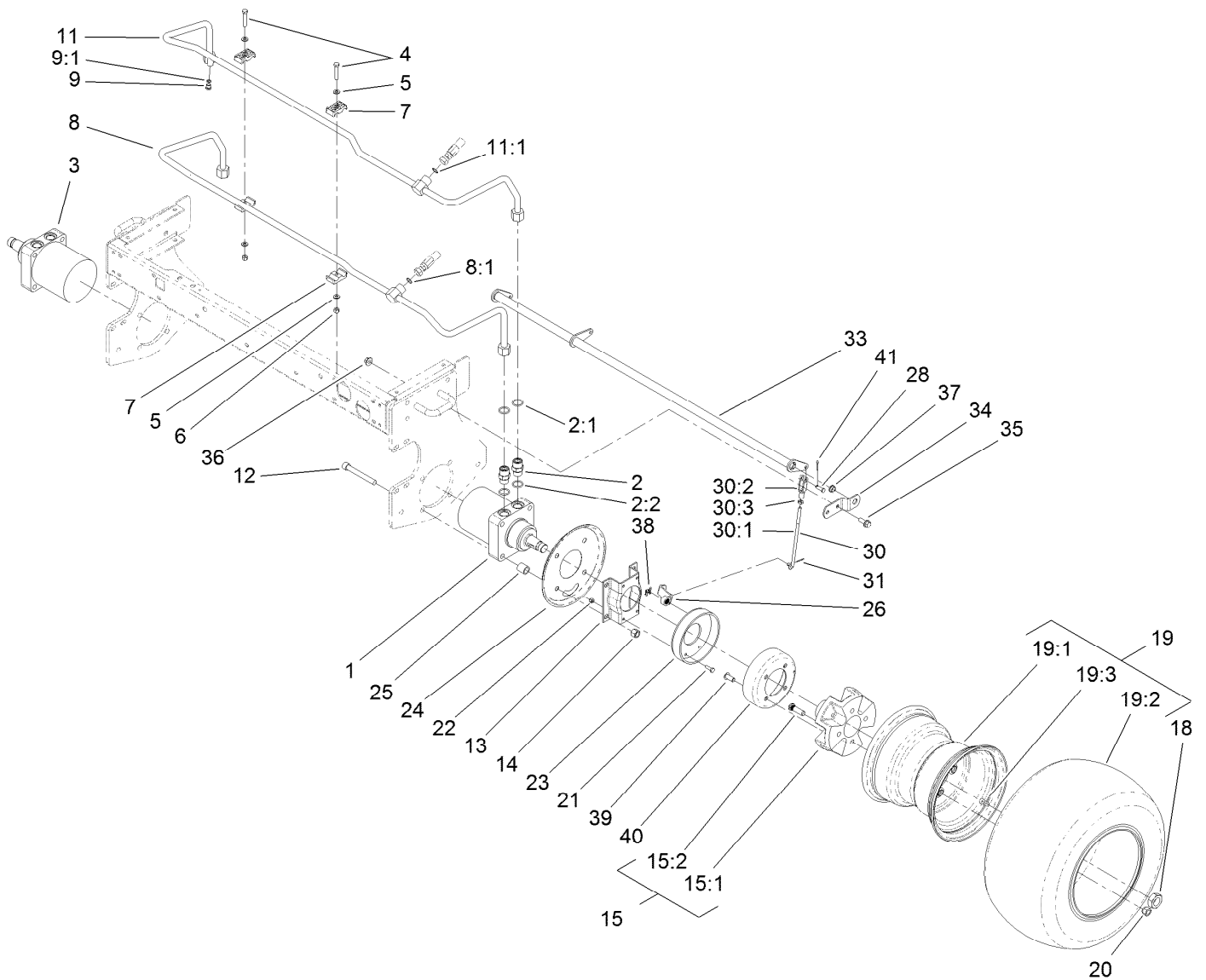
Contents (continued)

Speed Control Plate Assembly	67
Nozzle Holder and Glow Plug Assembly	68
Nozzle Holder Assembly	69
Alternator and Pulley Assembly	70
Alternator Components Assembly	71
Starter (Component Part) Assembly	72
Water Flange and Thermostat Assembly	73
Water Pump and Fuel Pump Cover Assembly	74
Inlet and Exhaust Manifold Assembly	75
Valve and Rocker Arm Assembly	76
Turbo Charger Assembly	77
Oil Pipe (Turbo Charger) Assembly	78
Oil Cooler Assembly	79
Starter, Overflow Bottle and Miscellaneous Engine Parts	80
Upper and Lower Gasket Kits	81
Attachments and Accessories	82



Frame Assembly

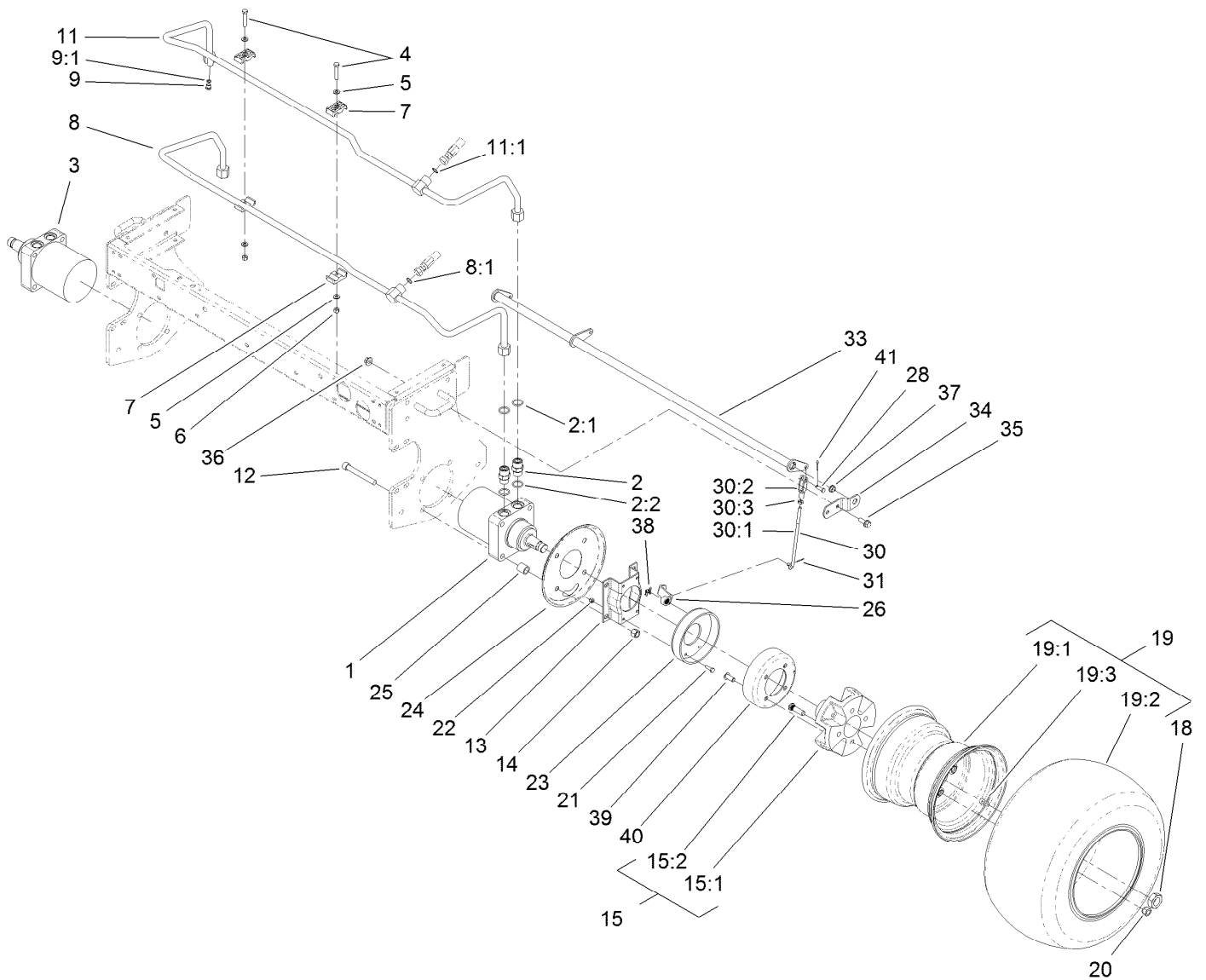
<i>Ref.</i>	<i>Part Number</i>	<i>Qty.</i>	<i>Description</i>	<i>Ref.</i>	<i>Part Number</i>	<i>Qty.</i>	<i>Description</i>
1	120-3549-03	1	Frame	21	32148-8	2	Nut-Clinch
2	95-8568-03	1	Frame-Lower	22	115-3417-03	1	Bracket-Bulkhead, Scissor
3	32144-15	2	Screw-HHFTF	23	104-7050	1	Tube-Manual
4	3234-38	8	Screw-HHF	24	2412-133	2	Clamp-R
5	32128-49	12	Nut-HHF	25	32144-70	2	Screw-HWHTF
6	99-3375-03	1	Step	26	3256-23	2	Washer-Plain
7	2412-72	3	Clip-Closed, Insulated	28	2412-108	1	Clamp-Worm
8	95-8615	1	Tube-Breather	32	32148-6	2	Nut-Clinch
10	32144-10	6	Screw-HWH	33	99-3503	1	Indicator-Angle
12	3234-4	2	Screw-HHF	34	104-4634-03	1	Toolbox
13	104-0468-01	1	Cover-Frame	35	104-4633-03	1	Cover-Toolbox
18	3234-5	2	Screw-HHF	36	104-0484	1	Decal-Danger
19	107-7833	1	ROPS ASM	37	104-5181	1	Decal-Danger, CE
19:1	107-7831	1	Decal-ROPS	38	104-7048	1	Cap-Housing
20	3234-40	4	Screw-HF				



Front Wheel and Brake Assembly

Ref.	Part Number	Qty.	Description	Ref.	Part Number	Qty.	Description
1	110-8785	1	HYD Motor ASM (CCW)	15		2	Wheel Hub/Stud ASM ●
2	340-7	4	Fitting-Straight	15:1	104-0462	1	Hub-Wheel, Spacer
2:1	237-65	1	O-Ring	15:2	10-6830	4	Stud-Type, Drive
2:2	237-80	1	O-Ring	18	26-3790	2	Nut-Lock
3	110-8786	1	HYD Motor ASM (CW)	19		2	Tire And Rim ASM ●
4	322-9	2	Screw-HH	19:1	121-3548	1	Rim
5	3256-23	4	Washer-Plain	19:2	117-5125	1	Tire
6	3296-29	2	Nut-Lock, NI	19:3	232-27	1	Stem-Valve
7	56-7971	4	Clamp-Tube	20	242-50	8	Nut-Lug
8	95-8783	1	Tube ASM	21	321-5	8	Screw-HH
8:1	237-65	1	O-Ring	22	3296-42	8	Nut-Lock, NI
9	353-990	1	Plug ASM	23	104-7705	2	Brake ASM
9:1	237-78	1	O-Ring	24	104-0485-03	2	Shield-Wheel
11	95-8784	1	Tube ASM	25	119-8238	8	Spacer-Deck Pulley
11:1	237-65	1	O-Ring	26	114-2726	2	Lever-Brake
12	3274-99	8	Screw-HSH	28	283-1	2	Pin-Clevis
13	84-2000-03	2	Bracket-Brake	30	115-6672	2	Brake Lever ASM
14	3296-23	8	Nut-Lock, NI	30:1	104-4627	1	Rod-Adjusting

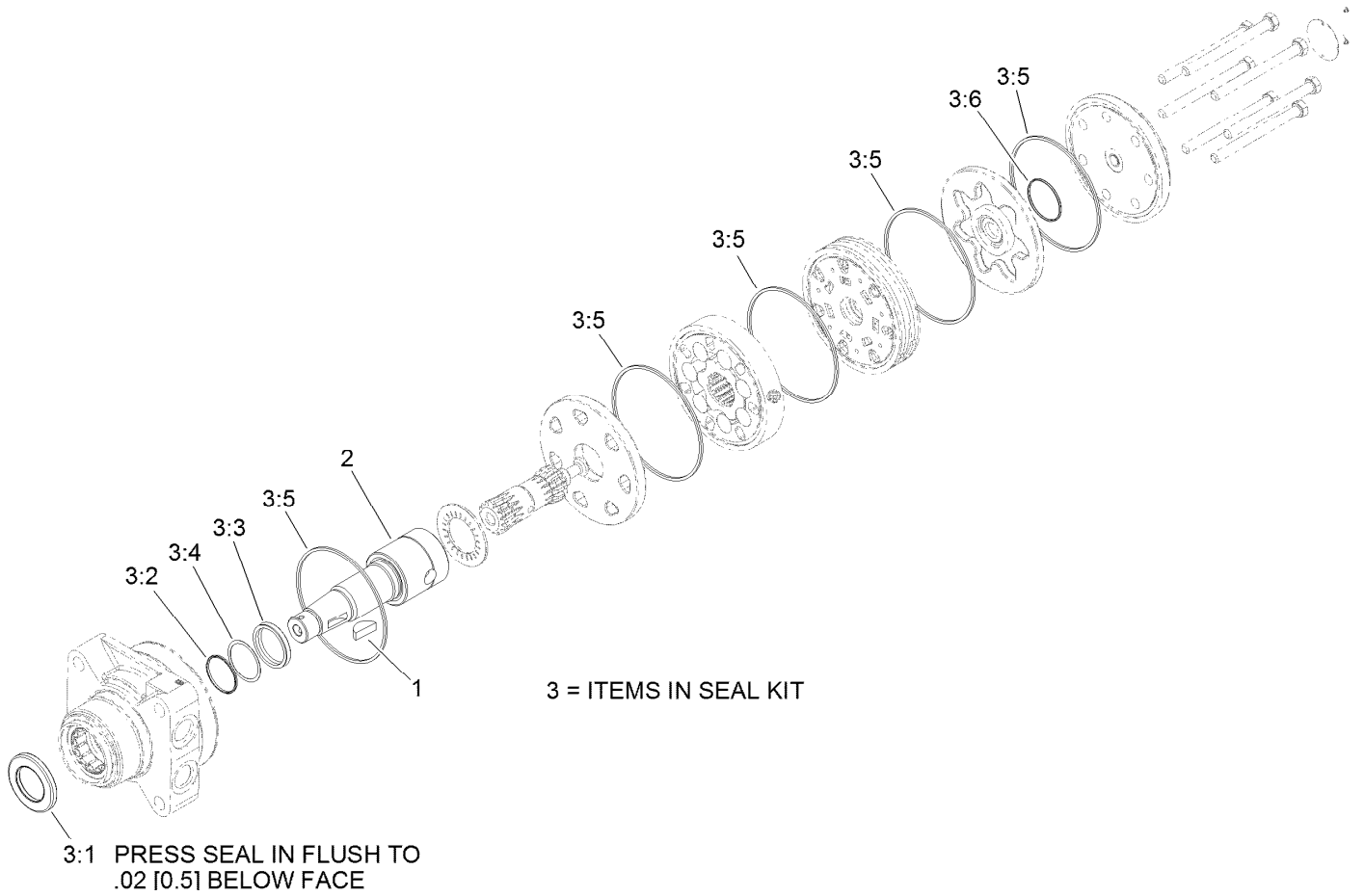
● Not serviced separately



Front Wheel and Brake Assembly (continued)

<i>Ref.</i>	<i>Part Number</i>	<i>Qty.</i>	<i>Description</i>	<i>Ref.</i>	<i>Part Number</i>	<i>Qty.</i>	<i>Description</i>
30:2	1-303105	1	Yoke-Adjustable	36	32128-43	4	Nut-Flange
30:3	3220-2	1	Nut-Jam	37	256-156	2	Bushing-Flange
31	3272-6	2	Pin-Cotter	38	104-7706	2	E-Ring, Bowed
33	104-4625-03	1	Shaft-Pivot, Brake	39	3274-105	8	Screw-HSBH
34	95-8683	2	Bracket-Pivot, Brake	40	104-4809	2	Drum-Brake
35	3234-11	4	Screw-HHF	41	3272-10	2	Pin-Cotter

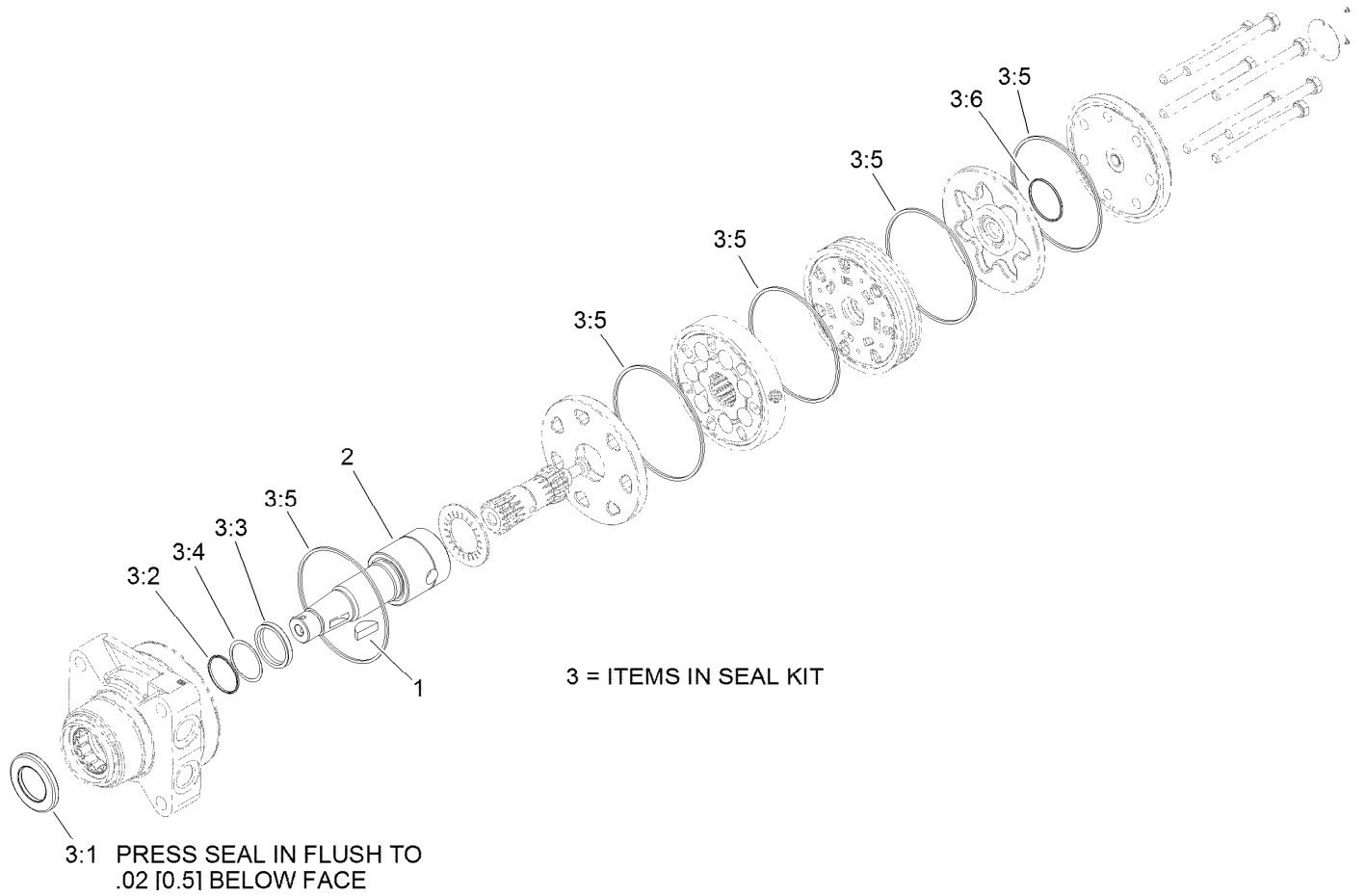
● Not serviced separately



Hydraulic Motor Assembly No. 110-8785

Ref.	Part Number	Qty.	Description
1	3257-42	1	Key-Woodruff
2	99-3090	1	Shaft-Coupling
3	94-8178	1	Seal Kit
3:1		1	Seal-Dirt And Water ●
3:2		1	Backup-Ring ●
3:3		1	Seal-Shaft ●
3:4		1	Washer-Backup ●
3:5		5	Seal-Square, Ring (Inner) ●
3:6		1	Seal-Commutator ●

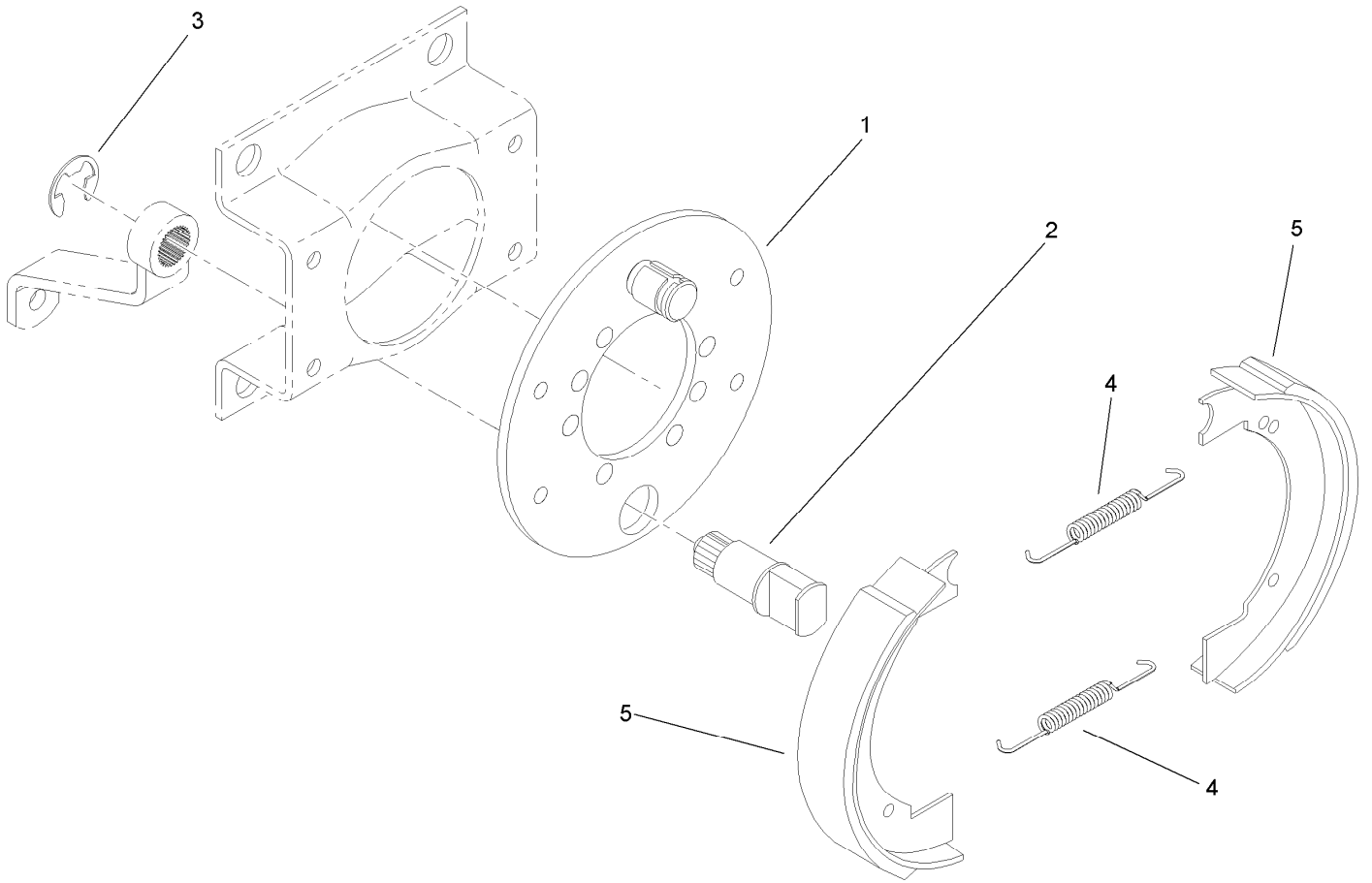
● Not serviced separately



Hydraulic Motor Assembly No. 110-8786

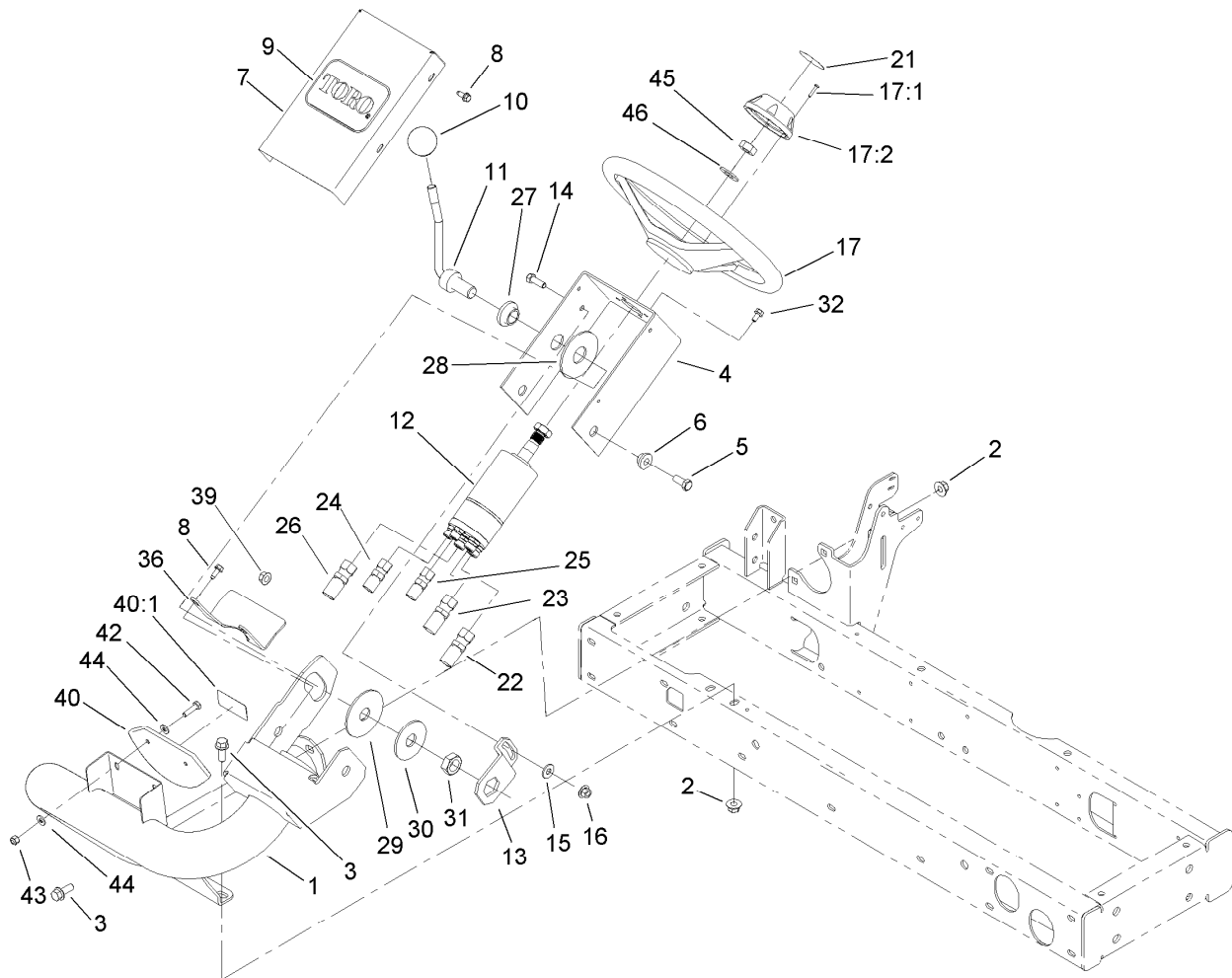
Ref.	Part Number	Qty.	Description
1	3257-42	1	Key-Woodruff
2	99-3090	1	Shaft-Coupling
3	94-8178	1	Seal Kit
3:1		1	Seal-Dirt And Water ●
3:2		1	Backup-Ring ●
3:3		1	Seal-Shaft ●
3:4		1	Washer-Backup ●
3:5		5	Seal-Square, Ring (Inner) ●
3:6		1	Seal-Commutator ●

● Not serviced separately



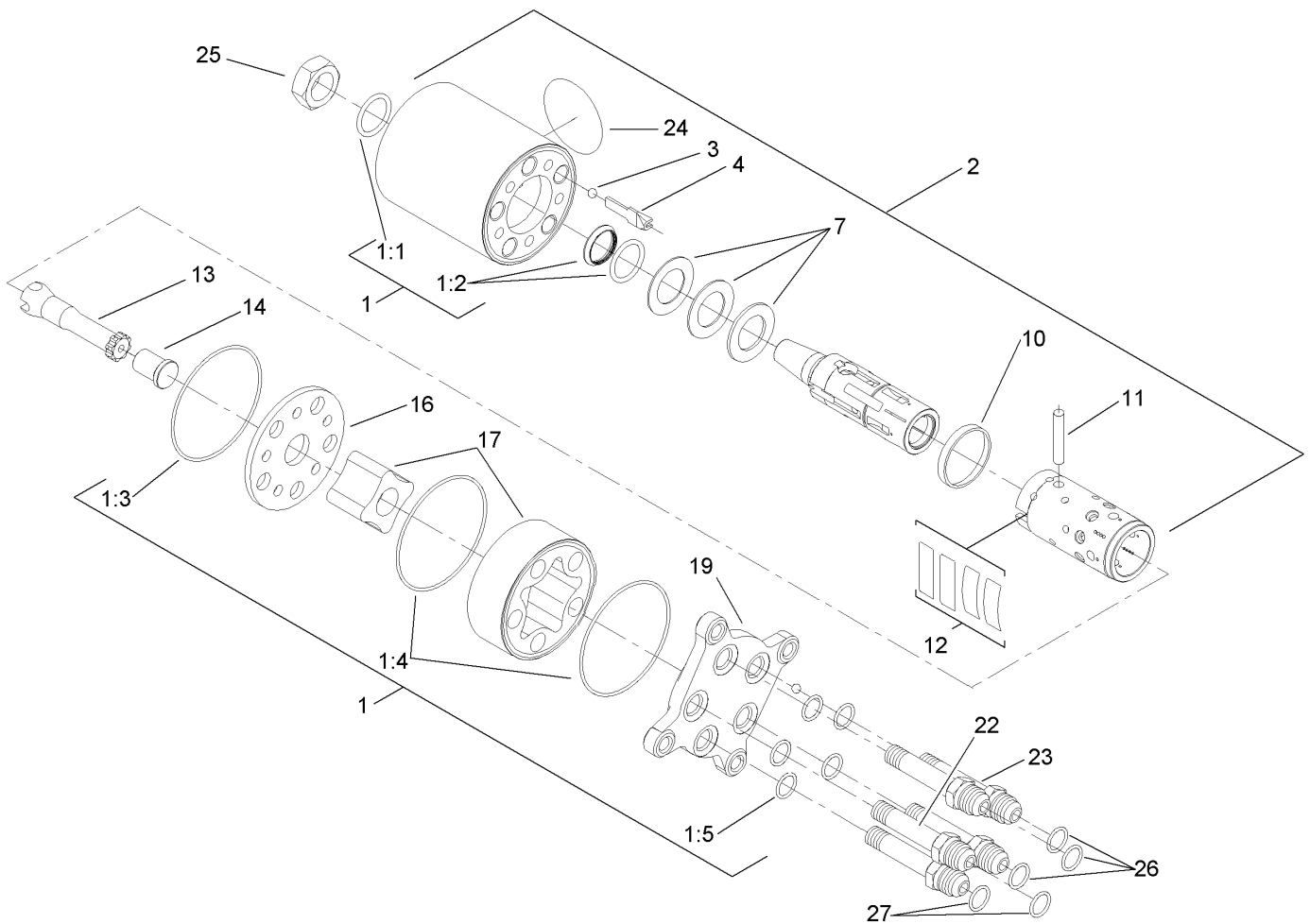
Brake Assembly No. 104-7705

<i>Ref.</i>	<i>Part Number</i>	<i>Qty.</i>	<i>Description</i>
1	70-9870	1	Plate-Backing
2	104-7707	1	Shaft-Cam, Brake
3	104-7706	1	E-Ring, Bowed
4	70-9880	2	Spring-Return
5	70-9840	2	Shoe-Brake



Steering Column Assembly

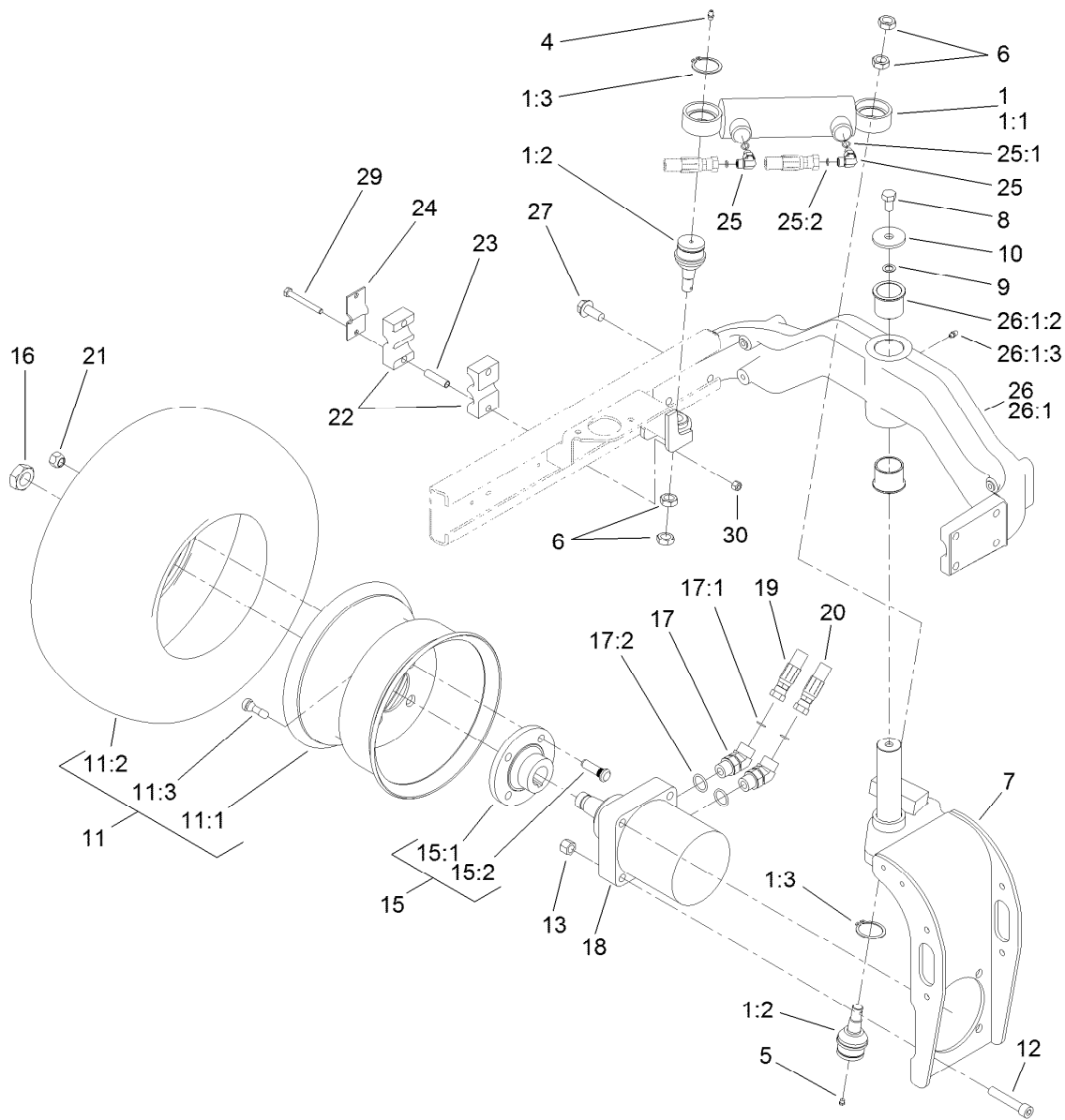
Ref.	Part Number	Qty.	Description	Ref.	Part Number	Qty.	Description
1	105-8536-01	1	Arm-Steering	23	95-8843	1	Hose-HYD
2	32128-43	4	Nut-Flange	24	100-4892	1	Hose-HYD
3	3234-11	4	Screw-HHF	25	100-4893	1	Hose-HYD
4	104-5185-01	1	Bracket-Valve, Steering	26	95-8846	1	Hose-HYD
5	323-5	2	Screw-HH	27	99-3502	1	Boss
6	93-5988	2	Hub-Pivot	28	31-0390	1	Disc-Friction
7	95-8794-01	1	Cover-Valve, Steering	29	82-9010	1	Disc-Friction
8	32144-10	5	Screw-HWH	30	80-2930	1	Washer-Flat
9	67-1300	1	Decal	31	3218-7	1	Nut-Jam
10	233-48	1	Knob	32	33103-012	4	Screw-HHF
11	95-8798-03	1	Lever-Steering	36	99-3405-01	1	Shield-Steering
12	104-5180	1	Steering Valve ASM	39	32128-21	2	Nut-HF Lock
13	80-2880	1	Bracket-Tilt	40	100-4929	1	Slope Indicator ASM
14	322-5	1	Screw-HH	40:1	100-4837	1	Decal-Danger
15	3256-3	1	Washer-Flat	40:1	107-7801	1	Decal-Danger, 15 Degree
16	32128-44	1	Nut	42	321-7	2	Screw-HH
17	75-0560	1	Steering Wheel ASM	43	3296-42	2	Nut-Lock, NI
17:1	32144-21	1	Screw	44	3256-22	4	Washer-Flat
17:2	68-5140	1	Cap-Wheel, Steering	45	3296-33	1	Nut-Lock, NI
21	68-5370	1	Decal	46	3256-27	1	Washer-Flat
22	95-8842	1	Hose-HYD				



Steering Valve Assembly No. 104-5180

Ref.	Part Number	Qty.	Description
1	106-6716	1	Seal Kit
1:1		1	Ring-Seal, Dust ●
1:2		1	Seal-Shaft ●
1:3		1	O-Ring ●
1:4		2	O-Ring ●
1:5		5	O-Ring ●
2		1	Housing ●
3		1	Ball ●
4		1	Stop-Ball ●
7		1	Bearing ASM ●
10		1	Ring ●
11		1	Pin-Cross ●
12		1	Springs ●
13		1	Shaft ●
14		1	Spacer ●
16		1	Plate-Distributor ●
17		1	Gearwheel Set ●
19		1	Cover-End ●
22		1	Screw-Special ●
23		4	Screw-Special ●
24		1	Plate-Name ●
25	3296-33	1	Nut-Lock, NI
26	237-22	3	O-Ring
27	237-21	2	O-Ring

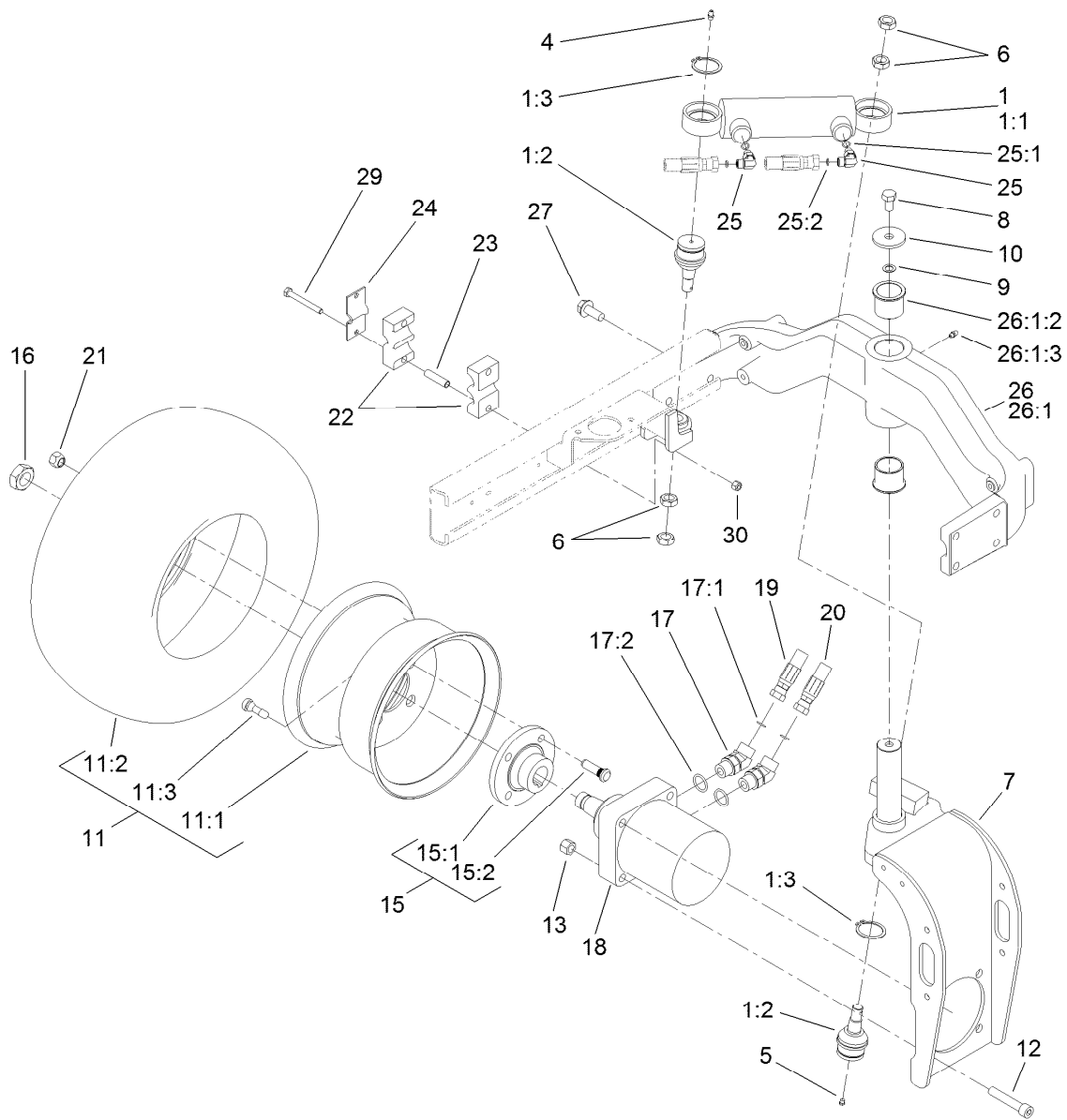
● Not serviced separately



Rear Fork and Tire Assembly

Ref.	Part Number	Qty.	Description	Ref.	Part Number	Qty.	Description
1		1	Steering Cylinder / Balljoint ASM ●	15		1	Wheel Hub/Stud ASM ●
1:1	94-8141	1	HYD Cylinder ASM	15:1	10-6870-03	1	Hub-Wheel
1:2	106-6774	2	Joint-Ball	15:2	10-6830	4	Stud-Type, Drive
1:3	32151-104	2	Ring-Retaining, External	16	26-3790	1	Nut-Lock
4	302-5	1	Fitting-Grease	17	340-14	2	Fitting-HYD, 45 DEG
5	302-59	1	Plug-EXT Hex Spl	17:1	237-65	1	O-Ring
6	3220-6	4	Nut-Jam	17:2	237-80	1	O-Ring
7	95-8905-01	1	Fork-Rear	18	95-8694	1	HYD Motor ASM
8	325-3	1	Screw-HH	19	105-1213	1	Hose-HYD
9	3255-2	1	Washer-Lock, EXT	20	105-1212	1	Hose-HYD
10	75-7730	1	Washer-Thrust	21	242-50	4	Nut-Lug
11		1	Wheel And Tire ASM ●	22	82-8170	2	Clamp
11:1	117-5129	1	Rim	23	93-7960	2	Spacer
11:2	115-1572	1	Tire	24	93-7961	1	Clamp-Drain, Case
11:3	232-27	1	Stem-Valve	25	340-132	2	Fitting-Elbow, 90 DEG
12	3274-93	4	Screw-HSH	25:1	237-78	1	O-Ring
13	3296-23	4	Nut-Lock, NI	25:2	237-21	1	O-Ring
				26	107-7828-03	1	Casting-Rear

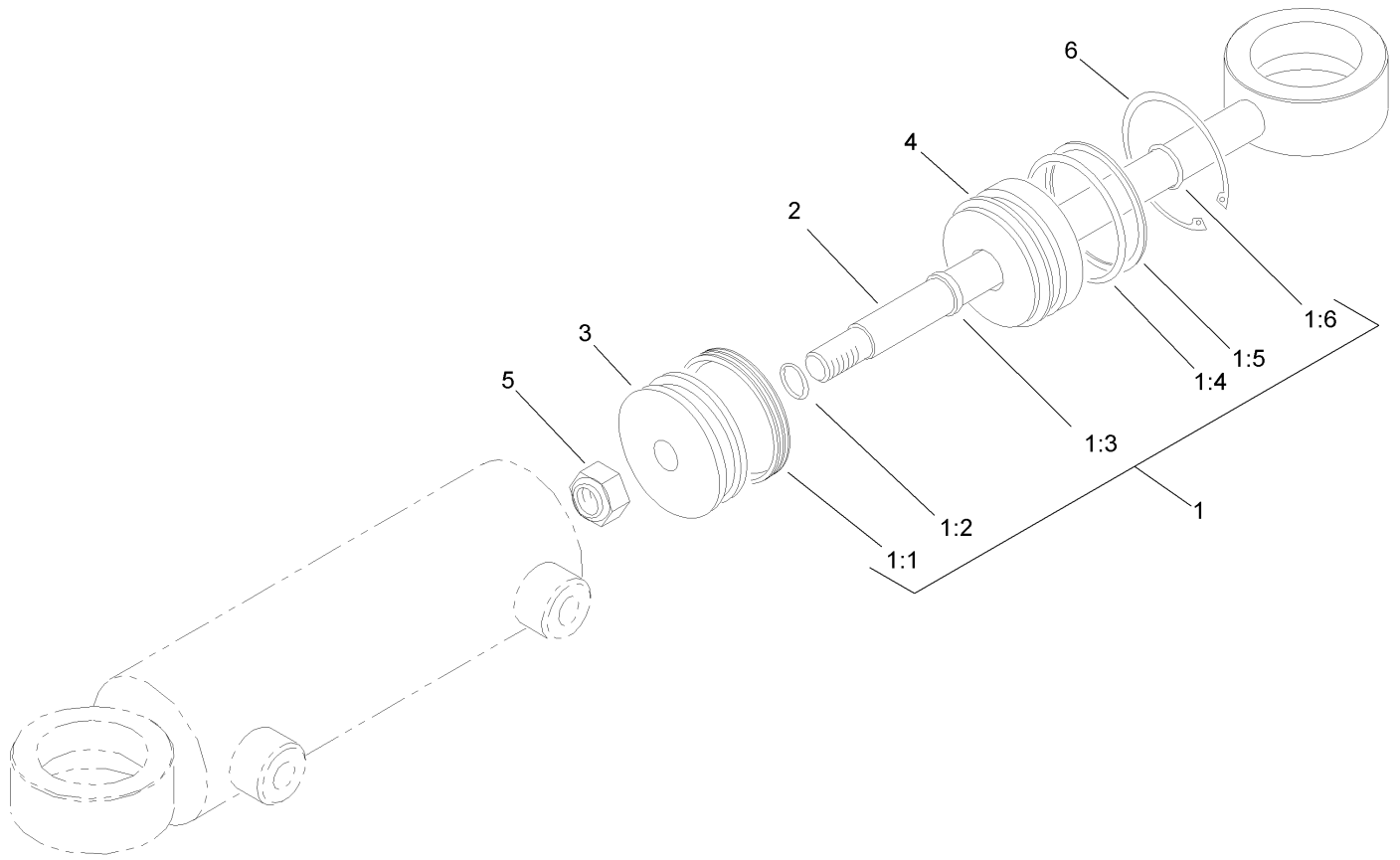
● Not serviced separately



Rear Fork and Tire Assembly (continued)

<i>Ref.</i>	<i>Part Number</i>	<i>Qty.</i>	<i>Description</i>	<i>Ref.</i>	<i>Part Number</i>	<i>Qty.</i>	<i>Description</i>
26:1		1	Rear Casting ASM ●	27	3234-38	8	Screw-HHF
26:1:2	95-8805	2	Bushing	29	322-13	2	Screw-HH
26:1:3	302-5	1	Fitting-Grease	30	3296-29	2	Nut-Lock, NI

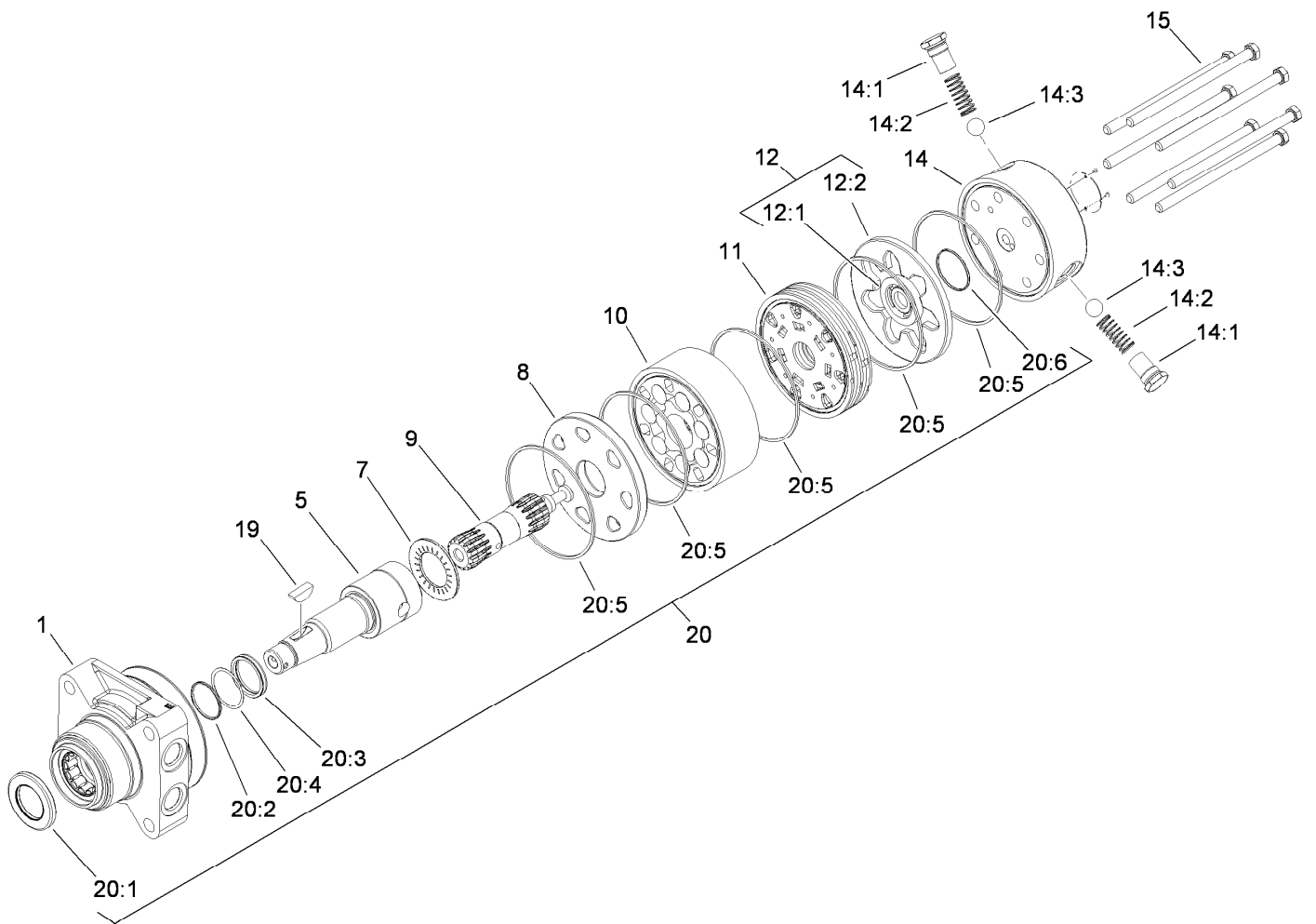
● Not serviced separately



Hydraulic Cylinder Assembly No. 94-8141

<i>Ref.</i>	<i>Part Number</i>	<i>Qty.</i>	<i>Description</i>
1	86-5390	1	Seal Kit
1:1		1	Uniring ●
1:2		1	O-Ring ●
1:3		1	Seal-Rod ●
1:4		1	O-Ring ●
1:5		1	Ring-Backup ●
1:6		1	O-Ring ●
2		1	Rod ●
3		1	Piston ●
4		1	Gland ●
5		1	Nut-Lock ●
6		1	Ring-Retaining ●

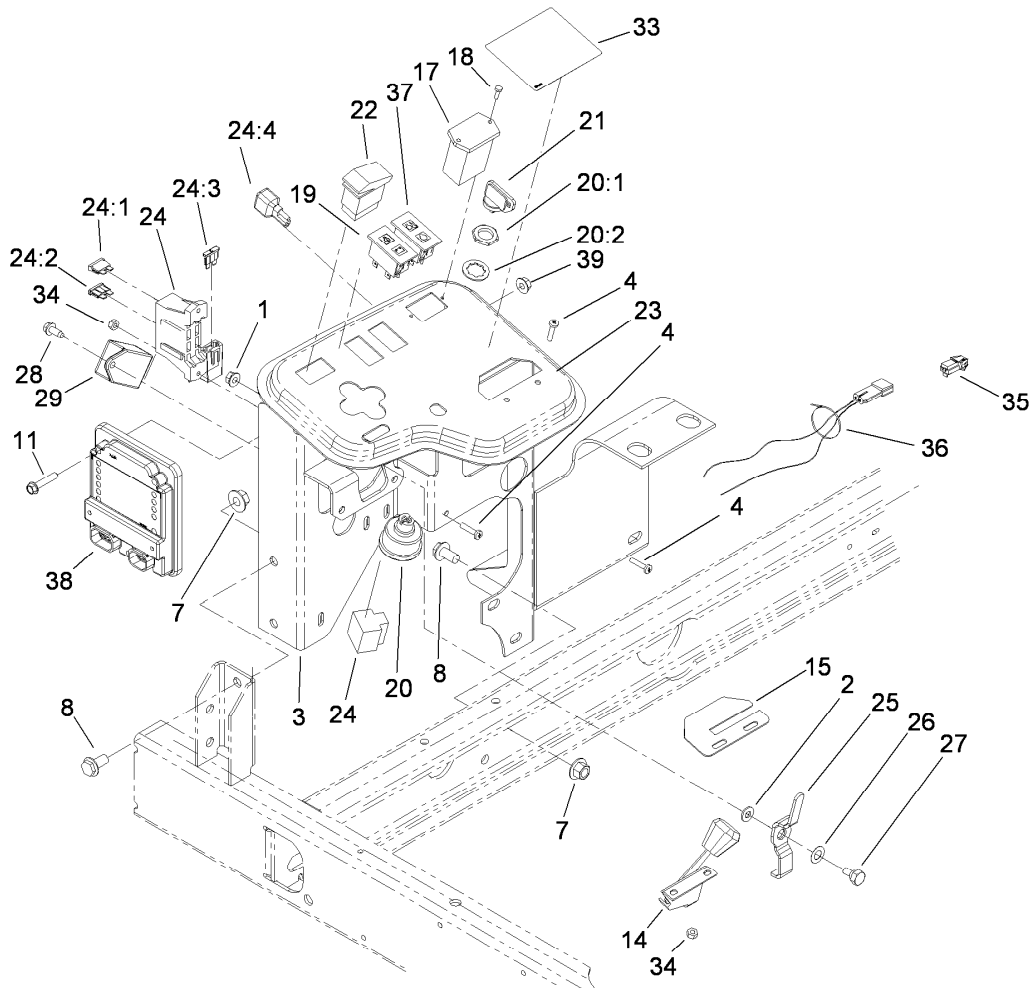
● Not serviced separately



Hydraulic Motor Assembly No. 95-8694

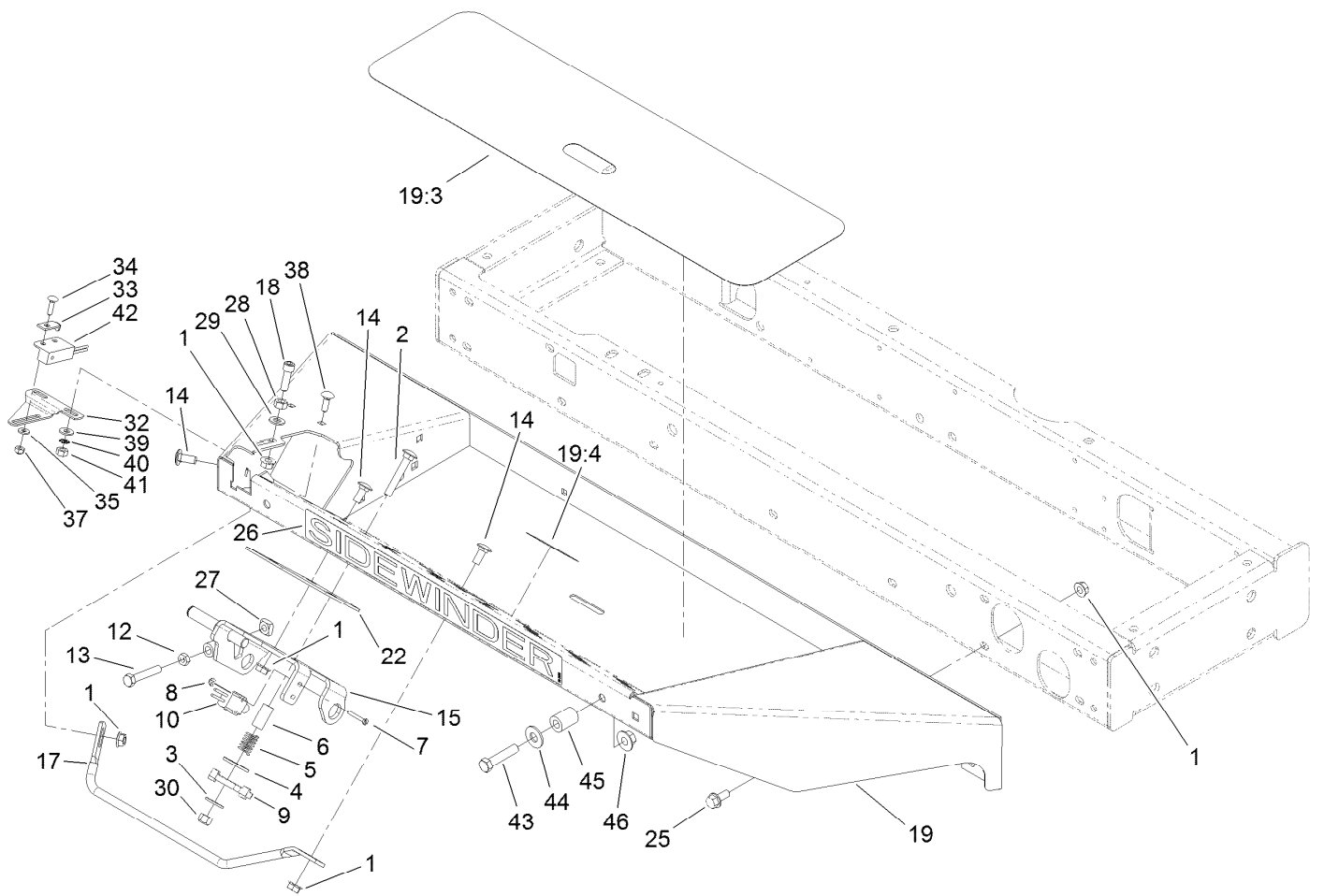
Ref.	Part Number	Qty.	Description	Ref.	Part Number	Qty.	Description
1	76-0810	1	Housing ASM	14:2	99-3541	1	Spring
5	99-3090	1	Shaft-Coupling	14:3	99-3540	1	Ball
7	76-0850	1	Bearing-Thrust	15	99-3536	7	Screw-HH
8	76-0870	1	Plate-Wear	19	3257-42	1	Key-Woodruff
9	99-3537	1	Link-Drive	20	94-8178	1	Seal Kit
10	99-3539	1	Set-Rotor	20:1		1	Seal-Dirt And Water ●
11	99-3535	1	Manifold	20:2		1	Backup-Ring ●
12	76-0880	1	Commutator ASM	20:3		1	Seal-Shaft ●
12:1		1	Commutator ●	20:4		1	Washer-Backup ●
12:2		1	Ring-Commutator ●	20:5		5	Seal-Square, Ring (Inner) ●
14	99-3538	1	End Cover ASM	20:6		1	Seal-Commutator ●
14:1		1	Spring Cap And O-Ring ASM ●				

● Not serviced separately



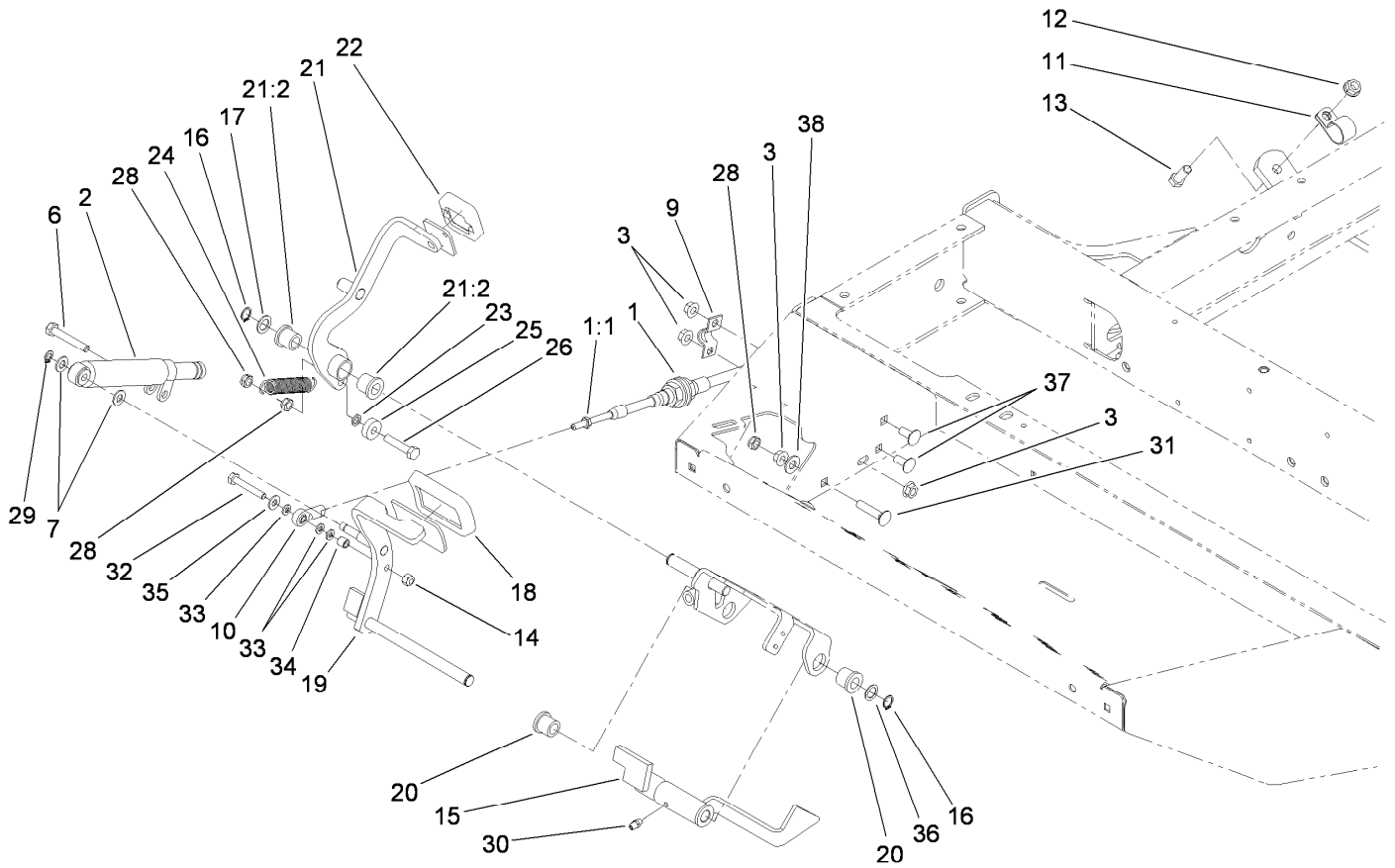
Control Panel Assembly

Ref.	Part Number	Qty.	Description	Ref.	Part Number	Qty.	Description
1	32128-32	1	Nut-HHF	24	122-0258	1	Harness-Wire
2	3256-22	1	Washer-Flat	24:1	218-578	1	Fuse-Blade, 10 Amp
3	115-3496-03	1	Panel-Control	24:2	109355	1	Fuse-Blade, 15 Amp
4	3290-134	4	Screw	24:3	94-6710	1	Fuse-2 Amp
7	32128-43	5	Nut-Flange	24:4	100-4918	1	Diode
8	3234-1	5	Screw-HHF	25	99-3401-03	1	Lever-Valve, Lock
11	321-8	3	Screw-HH	26	3290-477	1	Washer-Curved
14	110-8795	1	Cable-Throttle	27	63-3410	1	Screw-Shoulder
15	104-0421	1	Plate-Stop, Throttle	28	32144-10	1	Screw-HWH
17	75-6820	1	Hourmeter	29	98-7611	1	Controller-Glow
18	32144-18	2	Screw-HWH	33	99-3558	1	Decal-Console, CE
19	100-8070	1	Lamp-Warning	34	3290-148	4	Nut-HF
20	104-2541	1	Ignition Switch ASM	35	104-4875	1	Harness-Wire, Jumper
20:1	218-461	1	Nut-HH	36	3290-379	1	Tie-Cable
20:2	3254-5	1	Washer-Lock	37	100-8071	1	Lamp-Warning
21	63-8360	2	Key-Ignition	38	106-9277	1	Module-Control, Standard
22	93-9999	1	Switch-PTO	39	32128-33	3	Nut-HF
23	121-3580	1	Decal-Console				



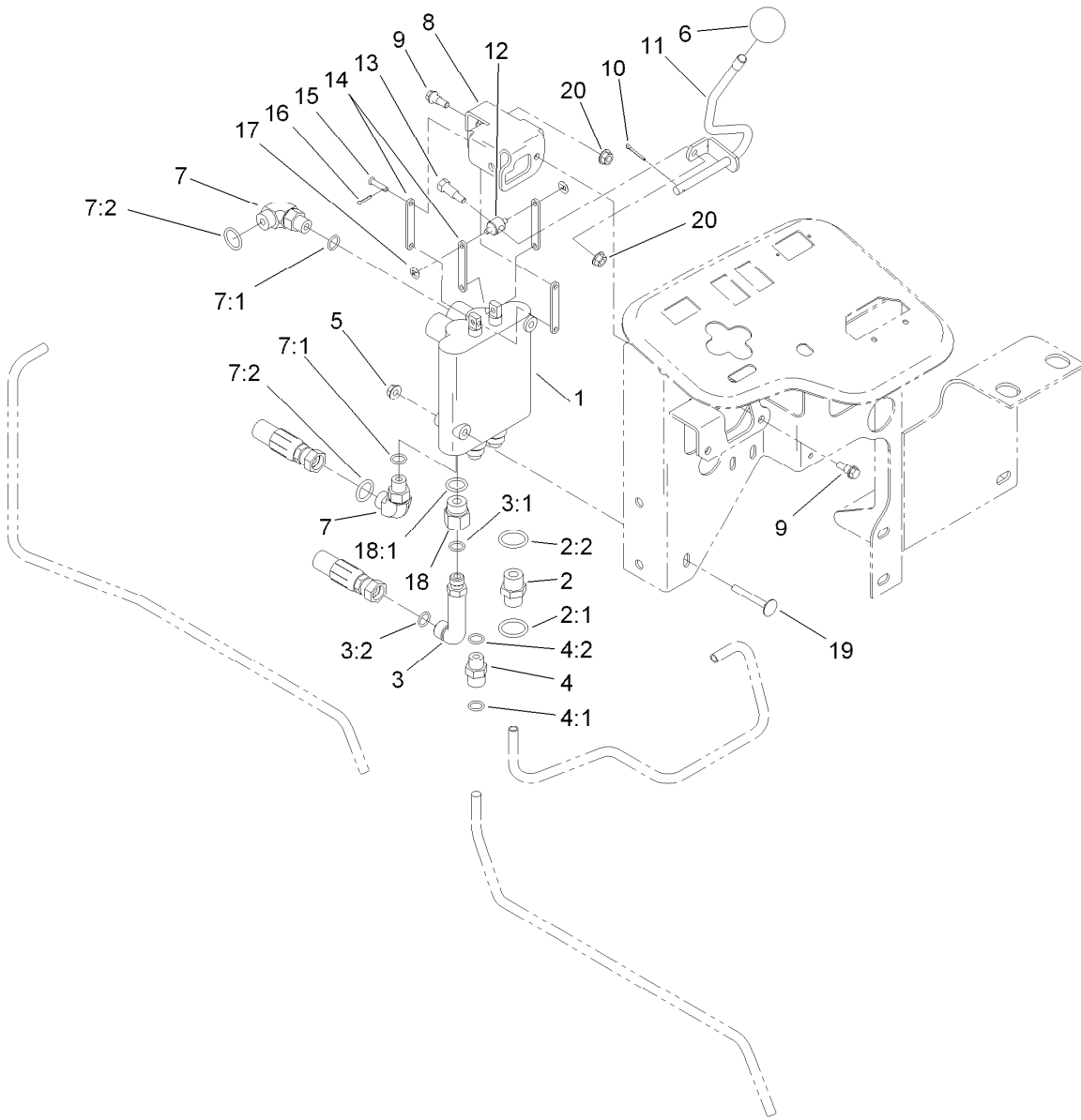
Front Platform Assembly

Ref.	Part Number	Qty.	Description	Ref.	Part Number	Qty.	Description
1	32128-20	17	Nut-HF	25	3234-5	10	Screw-HHF
2	3230-6	1	Bolt-CARR	26	99-3388	1	Decal
3	3256-3	1	Washer-Flat	27	99-3565	1	Nut-Square
4	3256-40	1	Washer-Flat	28	3217-6	1	Nut-Hex
5	65-9940	1	Spring	29	3256-23	1	Washer-Plain
6	95-8866	1	Tube-Arm, Rocker	30	3296-29	1	Nut-Lock, NI
7	32105-9	2	Screw	32	100-4871	1	Bracket-Switch, Neutral
8	3296-9	2	Nut-Hex	33	100-4872	1	Plate-Switch, Neutral
9	99-3593	1	Arm-Rocker	34	3229-20	1	Screw-CARR
10	95-8900	1	Switch	35	3256-14	1	Washer-Flat
12	3218-2	1	Nut-Hex Jam	37	3296-2	1	Nut-Lock, NI
13	322-41	1	Bolt-Hex, TAP	38	3229-1	2	Screw-CARR
14	3230-23	4	Bolt-CARR	39	3256-22	2	Washer-Flat
15	95-8869-03	1	Bracket-Pedal, Traction	40	3255-7	2	Washer-Lock/EXT
17	95-8893	1	Bar-Deflector	41	3217-5	2	Nut-Hex
18	3274-22	1	Screw-HSH	42	100-1270	1	Switch-Proximity
19	106-4154	1	Floorplate ASM	43	323-9	2	Screw-HH
19:3	99-3478	1	Tread-Foot	44	3256-4	2	Washer-Flat
19:4	99-3444	1	Decal-Mow / Transport	45	104-4613	2	Tube-Latch
22	106-2661-01	1	Plate-Support	46	32128-43	2	Nut-Flange



Traction Pedal Assembly

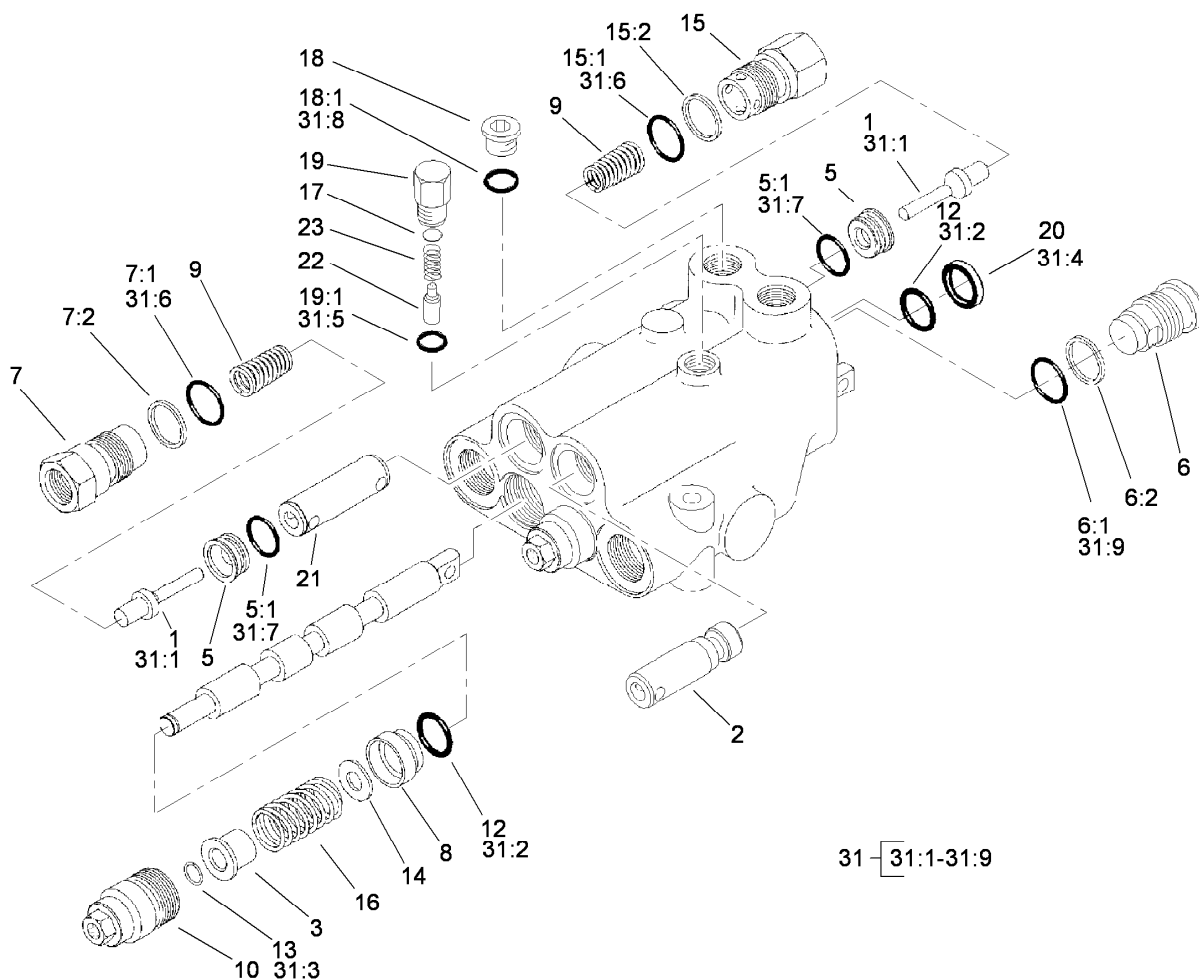
<i>Ref.</i>	<i>Part Number</i>	<i>Qty.</i>	<i>Description</i>	<i>Ref.</i>	<i>Part Number</i>	<i>Qty.</i>	<i>Description</i>
1	100-4815	1	Cable-Control, Traction	21	99-3379	1	Pedal-Reverse ASM
1:1	3220-1	2	Nut-Jam	21:2	256-243	2	Bearing-Flange
2	76-8870	1	Damper-Lever	22	74-9110	1	Pad-Pedal, Reverse
3	32128-20	5	Nut-HF	23	75-5470	1	Spacer-Bearing
6	322-10	1	Screw-HH	24	99-3476	1	Spring-Extension
7	3256-23	2	Washer-Plain	25	251-259	1	Bearing-Ball
9	93-2092	1	Clamp-Cable	26	322-7	1	Screw-HH
10	2411-41	1	Rod End-Ball Joint	28	3296-47	3	Nut-Lock, NI
11	2412-41	1	Clamp-R	29	32151-3	1	Ring-Grip
12	3290-357	1	Nut-HSF	30	302-5	1	Fitting-Grease
13	323-6	1	Screw-HH	31	3230-27	1	Screw-CARR
14	3296-42	1	Nut-Lock, NI	32	321-10	1	Screw-HH
15	95-8861	1	Slide	33	33093-00	3	Washer-Flat
16	32151-84	2	Ring-Shaft, EXT	34	99-3545	1	Spacer
17	41-8440	1	Washer	35	3256-22	1	Washer-Flat
18	74-9100	1	Pad-Pedal, Forward	36	73-0040	4	Washer-Thrust
19	104-4852-03	1	Pedal-Traction	37	3230-23	2	Bolt-CARR
20	256-243	2	Bearing-Flange	38	3256-24	1	Washer-Flat



Control Valve Installation Assembly

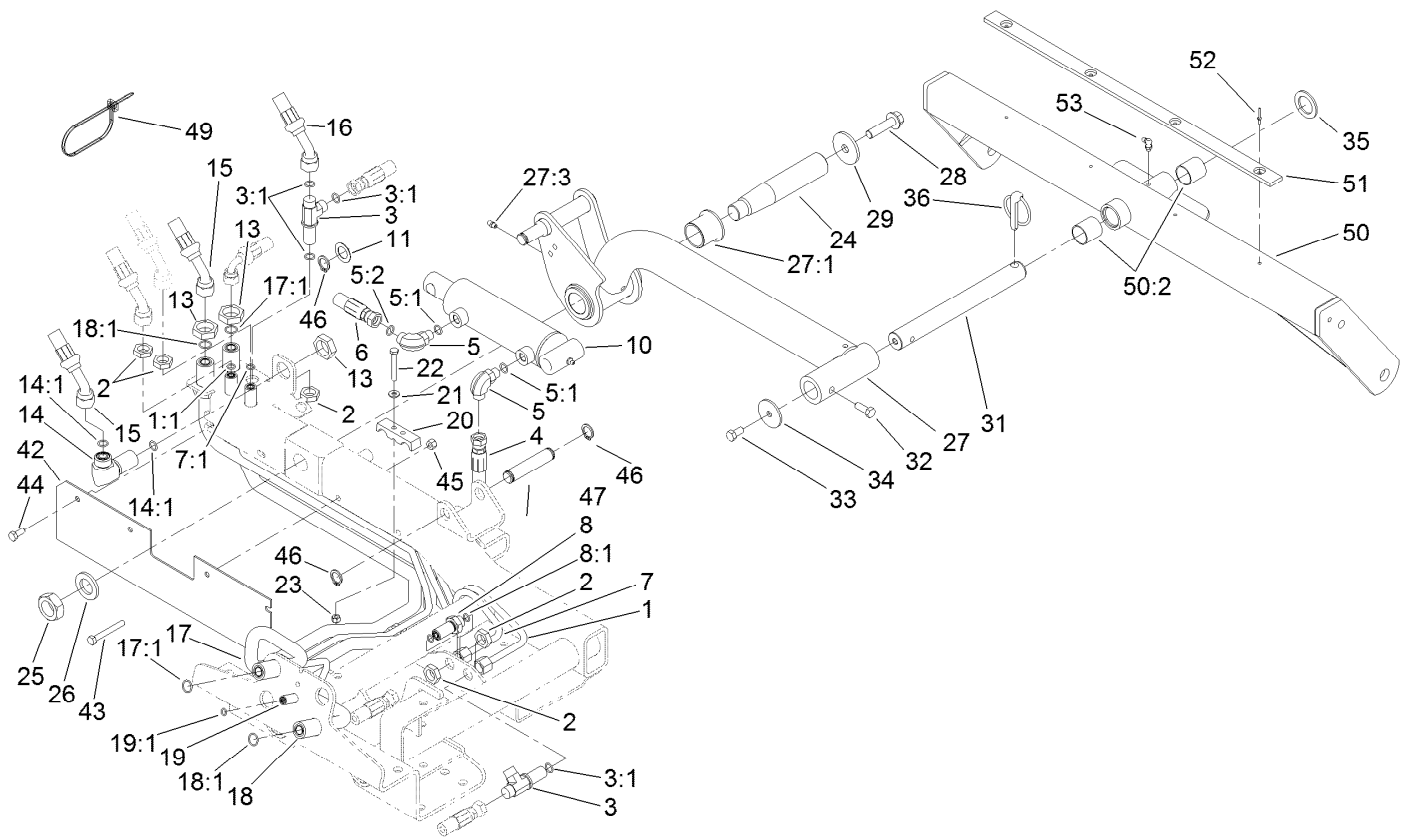
Ref.	Part Number	Qty.	Description
1	95-8581	1	2-Spool Control Valve ASM
2	340-3	1	Fitting-Straight
2:1	237-22	1	O-Ring
2:2	237-79	1	O-Ring
3	69-4320	1	Fitting-HYD, 90 DEG
3:1	237-22	1	O-Ring
3:2	237-42	1	O-Ring
4	340-2	1	Fitting-Straight
4:1	237-22	1	O-Ring
4:2	237-42	1	O-Ring
5	32128-33	2	Nut-HF
6	233-42	1	Knob
7	340-77	2	Fitting-Elbow, 90 DEG
7:1	237-22	1	O-Ring
7:2	237-42	1	O-Ring

Ref.	Part Number	Qty.	Description
8	95-8633	1	Bracket-Valve, Actuator
9	42-3560	2	Bolt-Shoulder
10	3272-6	1	Pin-Cotter
11	95-8635	1	Lever-Valve
12	95-8638	1	Trunnion-Valve, Actuator
13	92-8916	1	Bolt-Shoulder
14	95-8634	4	Link
15	283-16	3	Pin-Clevis
16	3272-1	3	Pin-Cotter
17	32151-106	2	Ring-Retaining
18	353-397	1	Reducer-Adapter
18:1	237-79	1	O-Ring
19	3230-33	2	Screw-CARR
20	32128-32	3	Nut-HHF



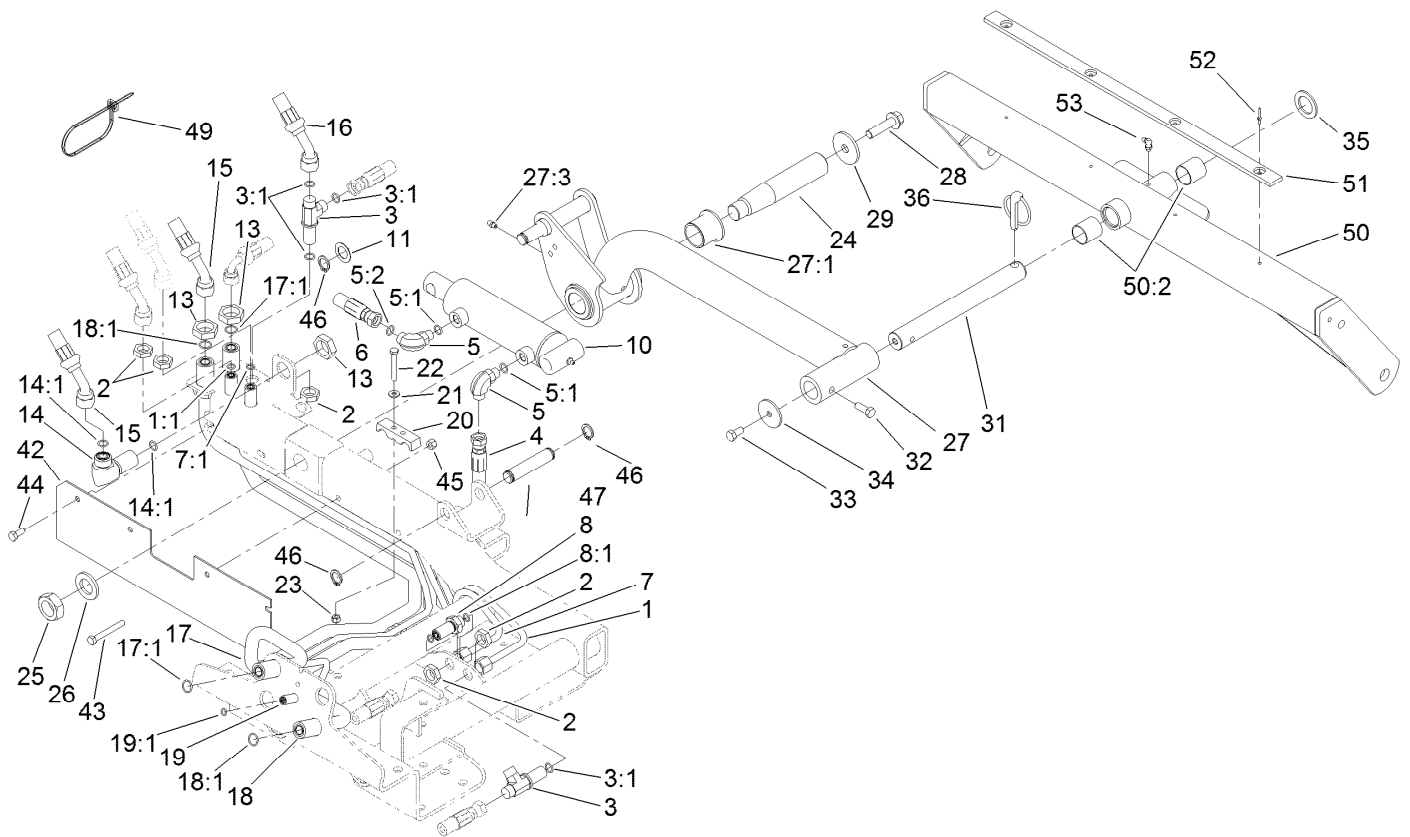
Valve Assembly No. 95-8581

Ref.	Part Number	Qty.	Description	Ref.	Part Number	Qty.	Description
1	58-6290	3	Poppet	16	99-3531	2	Spring
2	69-1840	1	Plunger	17	60-6450	1	Disc
3	58-6310	2	Spacer	18	353-989	1	Plug-Hex, Hollow
5	58-6330	3	Seat	18:1	237-42	1	O-Ring
5:1	58-6340	1	O-Ring	19	58-6780	1	Plug
6	58-6350	1	Plug	19:1	58-6790	1	O-Ring
6:1	60-5720	1	O-Ring	20	58-6320	2	Wiper
6:2	58-6370	1	Washer	21	99-3528	1	Plunger
7	69-1800	2	Plug ASM	22	58-6770	1	Plunger
7:1	60-5720	1	O-Ring	23	58-6760	1	Spring
7:2	58-6370	1	Washer	31	99-3530	1	Seal Kit
8	58-6400	2	Bushing	31:1	58-6290	3	Poppet
9	69-1810	3	Spring	31:2	58-6450	4	O-Ring
10	58-6420	2	Cap	31:3	58-6460	2	Ring-Retaining
12	58-6450	4	O-Ring	31:4	58-6320	2	Wiper
13	58-6460	2	Ring-Retaining	31:5	58-6790	1	O-Ring
14	65-2770	2	Washer	31:6	60-5720	4	O-Ring
15	99-3526	1	Plug ASM	31:7	58-6340	2	O-Ring
15:1	60-5720	1	O-Ring	31:8	237-42	1	O-Ring
15:2	59-7730	1	Washer-Backup	31:9	59-7730	2	Washer-Backup



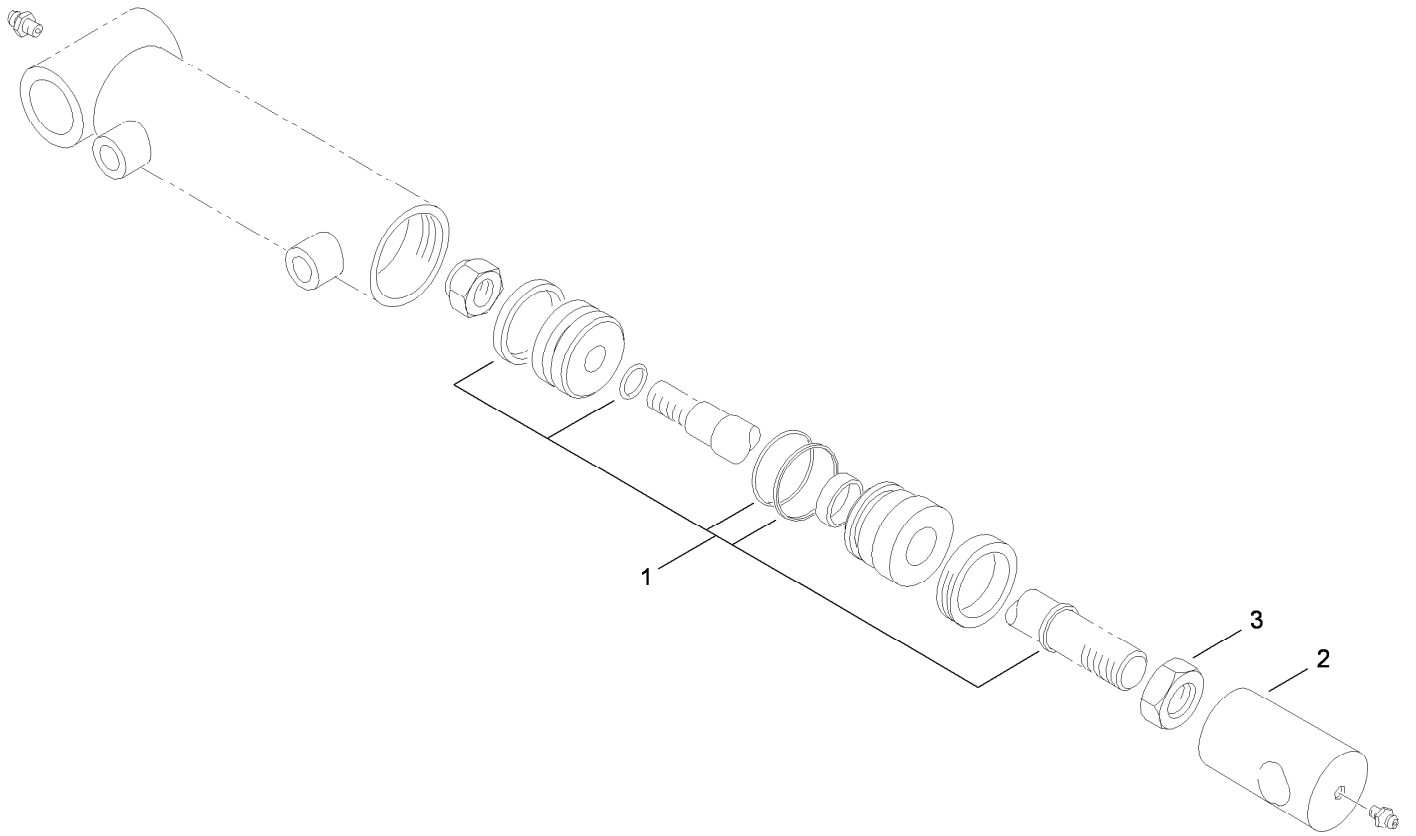
Rear Lift Arm Assembly

Ref.	Part Number	Qty.	Description	Ref.	Part Number	Qty.	Description
1	104-0402	1	Tube-HYD	17	104-0401	1	Tube ASM
1:1	237-22	1	O-Ring	17:1	237-65	2	O-Ring
2	340-70	5	Nut-Lock	18	104-0400	1	Tube ASM
3	340-68	2	Fitting-Tee, Bulkhead	18:1	237-65	2	O-Ring
3:1	237-22	3	O-Ring	19	104-0404	1	Tube ASM
4	104-0407	1	Hose-HYD	19:1	237-21	1	O-Ring
5	340-77	2	Fitting-Elbow, 90 DEG	20	99-3641	2	Clamp-Tube
5:1	237-22	1	O-Ring	21	3256-22	4	Washer-Flat
5:2	237-42	1	O-Ring	22	321-11	2	Screw-HH
6	100-4891	1	Hose-HYD	23	3296-42	2	Nut-Lock, NI
7	104-0403	1	Tube ASM	24	95-8990	1	Shaft-Pivot, Rear
7:1	237-22	1	O-Ring	25	3220-9	1	Nut-Jam
8	340-71	1	Fitting-Straight, Bulkhead	26	86-1480	1	Washer
8:1	237-22	2	O-Ring	27	115-3473	1	Rear Liftarm ASM
10	112-9916	1	HYD Cylinder ASM	27:1	69-6470	2	Bushing-Caster
11	3-6498	1	Washer-Thrust	27:3	302-5	1	Fitting-Grease
13	340-74	3	Nut-Lock, Bulkhead	28	3234-27	1	Screw-HHF
14	340-72	1	Fitting-Bulkhead, 90 DEG	29	75-7730	1	Washer-Thrust
14:1	237-65	2	O-Ring	31	100-4944	1	Shaft-Pivot, Cutting Unit
15	100-4879	2	Hose-HYD	32	323-6	1	Screw-HH
16	115-3411	1	Hose-HYD	33	323-4	1	Screw-HH



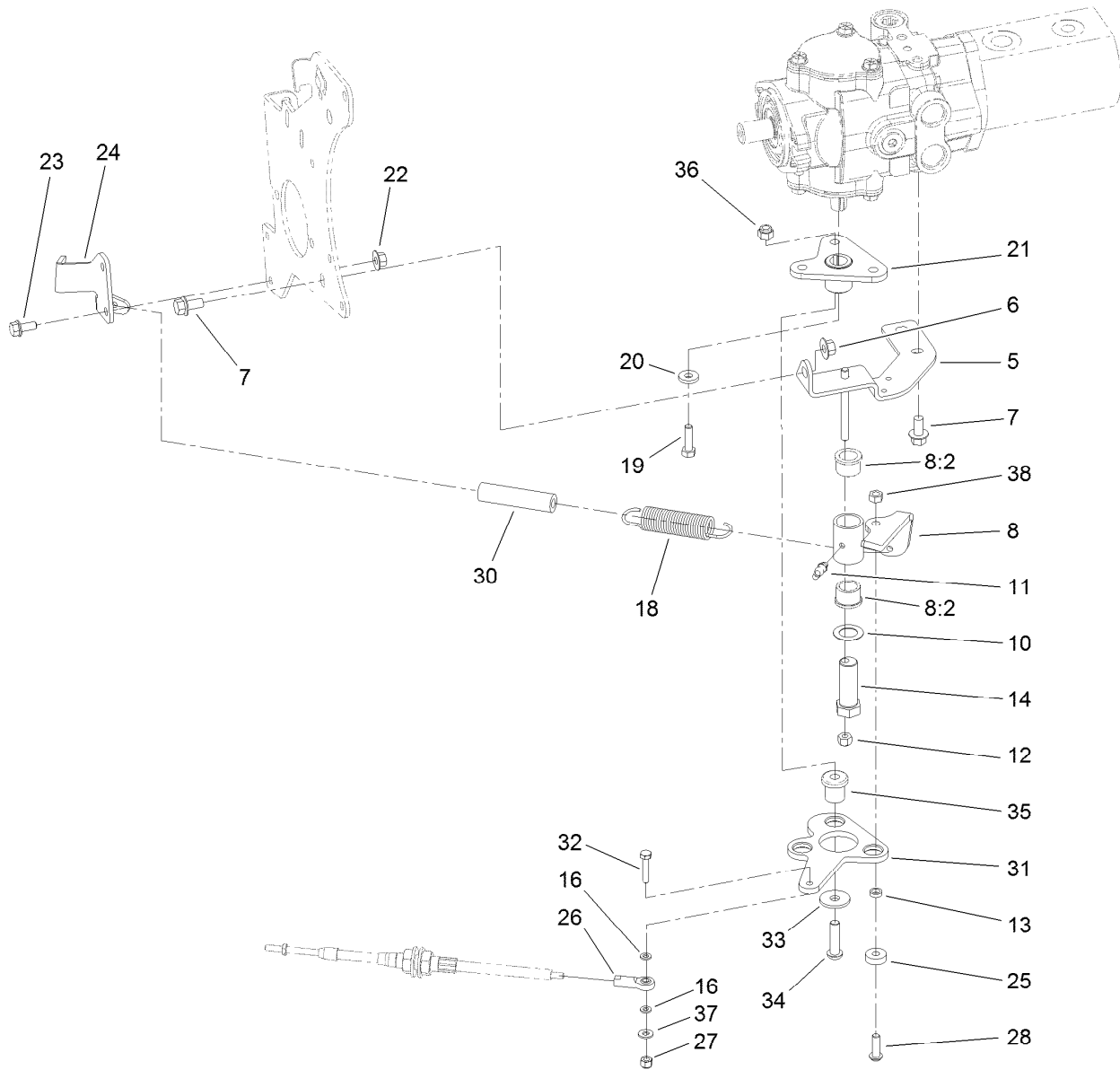
Rear Lift Arm Assembly (continued)

<i>Ref.</i>	<i>Part Number</i>	<i>Qty.</i>	<i>Description</i>	<i>Ref.</i>	<i>Part Number</i>	<i>Qty.</i>	<i>Description</i>
34	63-7400	1	Washer-Rebound	47	95-8575	1	Pin-Clevis
35	3-6781	1	Washer-Thrust	49	3334-945	2	Tie-Cable
36	283-71	1	Pin-Lynch	50	104-4229	1	Rear Carrier Frame ASM
42	104-0453-03	1	Guard	50:2	108-4000	2	Bushing
43	322-12	2	Screw-HH	51	95-8936	1	Strip-Wear
44	322-3	2	Screw-HH	52	3269-18	4	Rivet-Blind
45	32128-20	4	Nut-HF	53	302-60	1	Fitting-Grease
46	32120-93	3	Ring-Retaining				



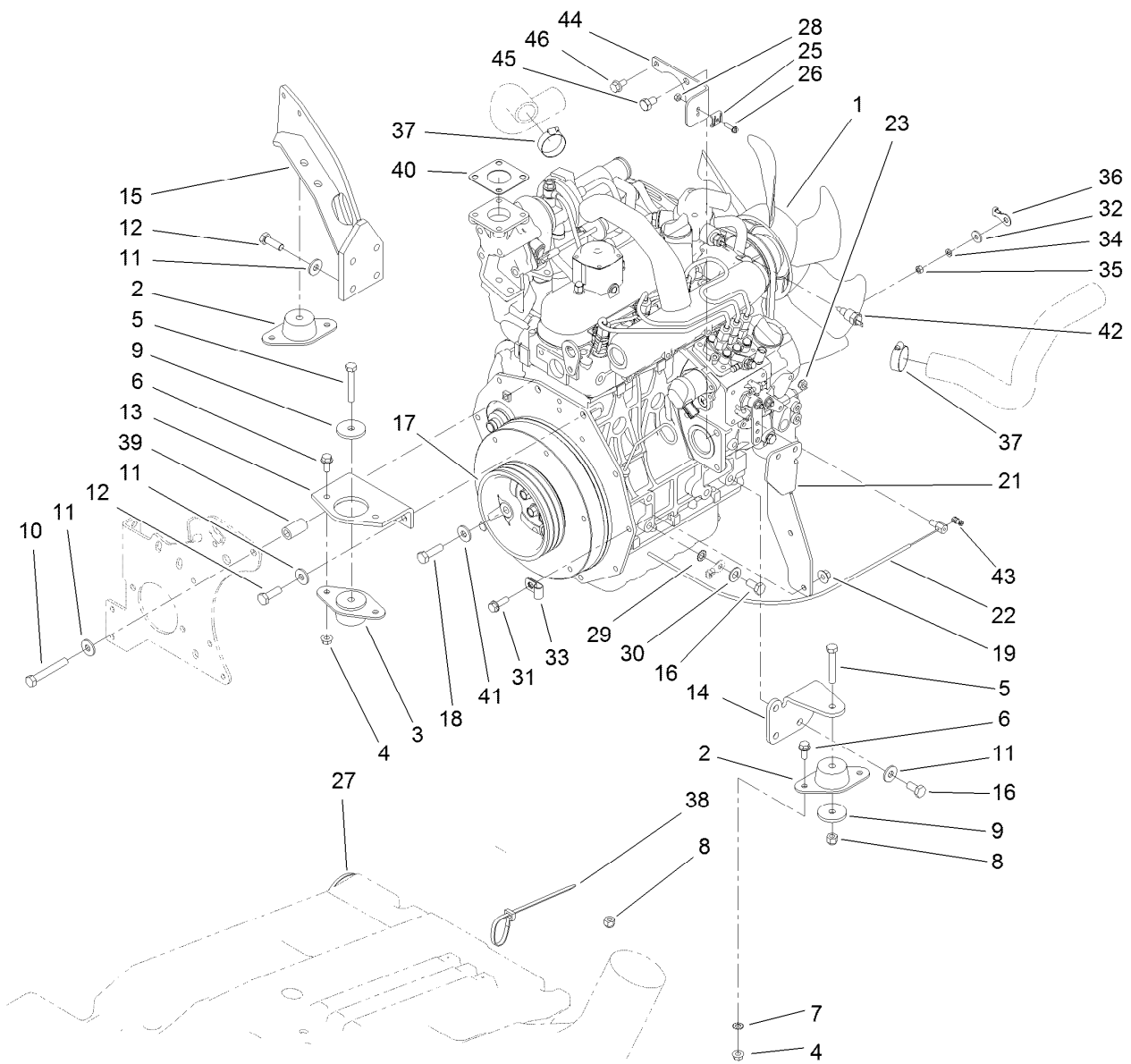
Hydraulic Cylinder Assembly No. 112-9916

<i>Ref.</i>	<i>Part Number</i>	<i>Qty.</i>	<i>Description</i>
1	115-3410	1	Seal Kit
2	108-9035	1	Clevis
3	3220-7	1	Nut-Jam



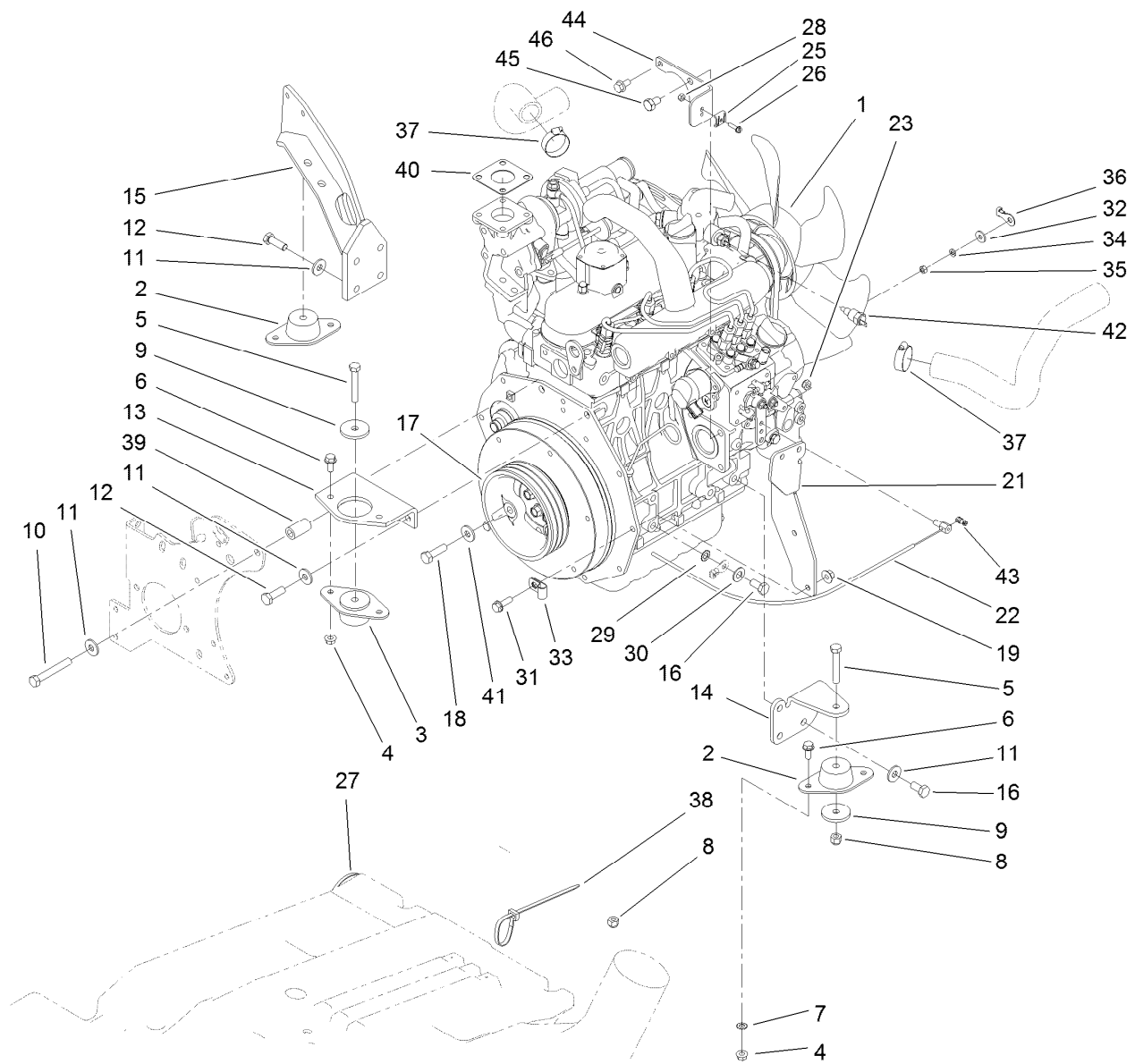
Neutral Arm Assembly

Ref.	Part Number	Qty.	Description	Ref.	Part Number	Qty.	Description
5	95-8960-03	1	Bracket-Neutral	23	3234-5	2	Screw-HHF
6	32128-43	1	Nut-Flange	24	104-0464-03	1	Bracket-Support, Cable
7	3234-1	3	Screw-HHF	25	251-259	1	Bearing-Ball
8	104-0422	1	Neutral Arm ASM	26	2411-41	1	Rod End-Ball Joint
8:2	256-113	2	Bushing-Flange	27	3296-42	1	Nut-Lock, NI
10	3-6498	1	Washer-Thrust	28	3274-104	1	Screw-HSBH
11	302-60	1	Fitting-Grease	30	99-3556	1	Hose
12	3296-29	1	Nut-Lock, NI	31	99-3594-03	1	Lever-Pump
13	100-4817	1	Spacer	32	321-8	1	Screw-HH
14	76-8640	1	Stud-Traction	33	2844	3	Washer
16	33093-00	2	Washer-Flat	34	95-3857	3	Screw-HSBH
18	94-1369	1	Spring-Extension	35	63-9750	3	Mount
19	3210-6	1	Screw-HH	36	3296-39	3	Nut-Lock, NI
20	88-7200	1	Washer-Flat	37	3256-22	1	Washer-Flat
21	120-5566	1	Hub	38	32153-3	1	Nut-Hex, Side Deform
22	32128-44	2	Nut				



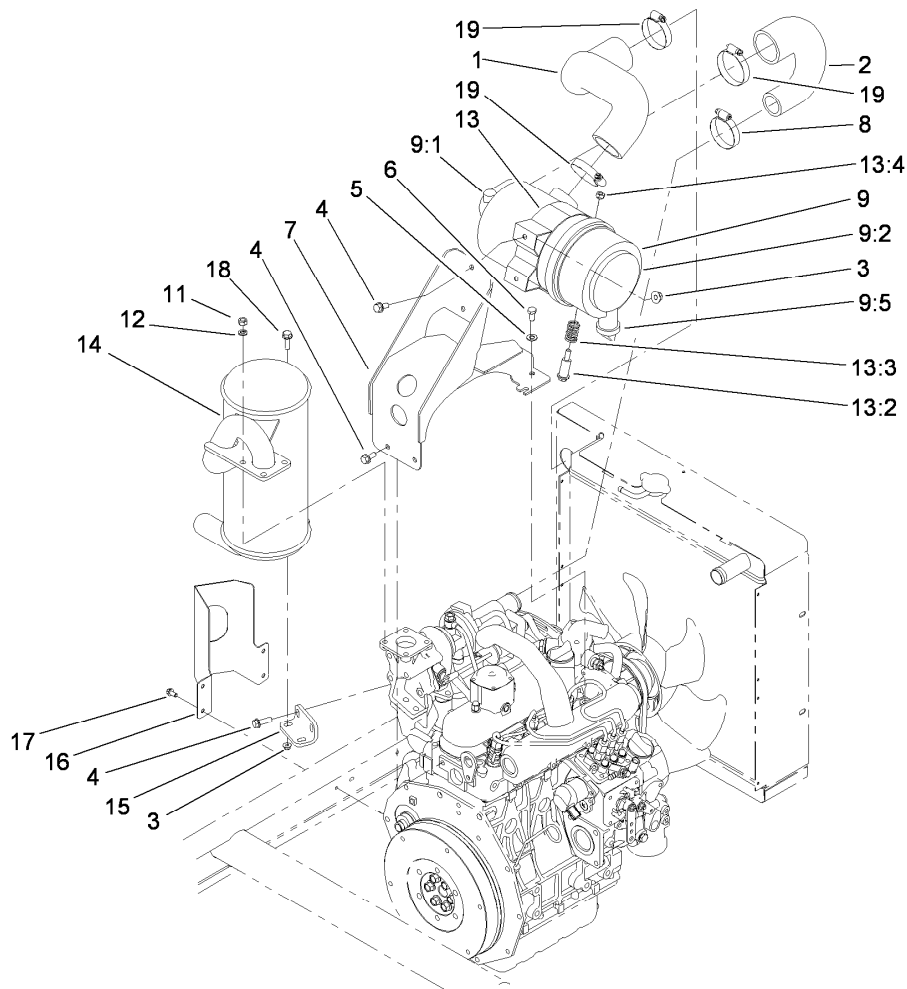
Engine Assembly

Ref.	Part Number	Qty.	Description	Ref.	Part Number	Qty.	Description
1	125-2174	1	Engine-Kubota, D1105T	23	3296-20	1	Nut-Lock, NI
2	121-9076	2	Mount-Engine	25	81-1690	1	Clamp-Cable
3	93-5265	1	Mount-Engine	26	32105-13	1	Screw-HWH
4	32128-20	6	Nut-HF	27	3290-379	2	Tie-Cable
5	323-11	3	Screw-HH	28	3296-2	1	Nut-Lock, NI
6	3234-5	6	Screw-HHF	29	3255-9	1	Washer-Lock
7	3255-8	1	Washer-Lock	30	3256-25	1	Washer-Flat
8	3296-39	3	Nut-Lock, NI	31	3234-17	2	Screw-HHF
9	80-8560	3	Washer-Hardened	32	3256-78	1	Washer-Flat
10	42-9370	1	Screw-HH	33	2412-10	1	Clamp-R
11	80-6990	9	Washer-Hardened	34	43-5930	1	Washer-Lock, Spring
12	95-8812	5	Screw-HH	35	48-7890	1	Nut-Hex
13	99-3618-03	1	Mount-Engine, Front	36	99-3441	1	Harness-Wire, Fusible Link
14	95-8937-03	1	Mount-Engine, LH	37	2412-34	2	Clamp-Hose
15	100-4838-03	1	Mount-Engine	38	3290-378	14	Tie-Cable
16	63-7790	4	Screw-Cap	39	95-8736	1	Spacer
17	99-3626	1	Pulley-3V	40	98-9611	1	Gasket
18	56-2140	3	Screw-HH	41	3256-24	4	Washer-Flat
19	32128-44	2	Nut	42	106-7772	1	Thermoswitch
21	115-3487-03	1	Bracket-Mount, Fuel Filter	43	112-9919	1	Stop-Cable, Throttle
22	98-9311	1	Swivel-Throttle	44	110-9009-03	1	Bracket-Cable, Throttle



Engine Assembly (continued)

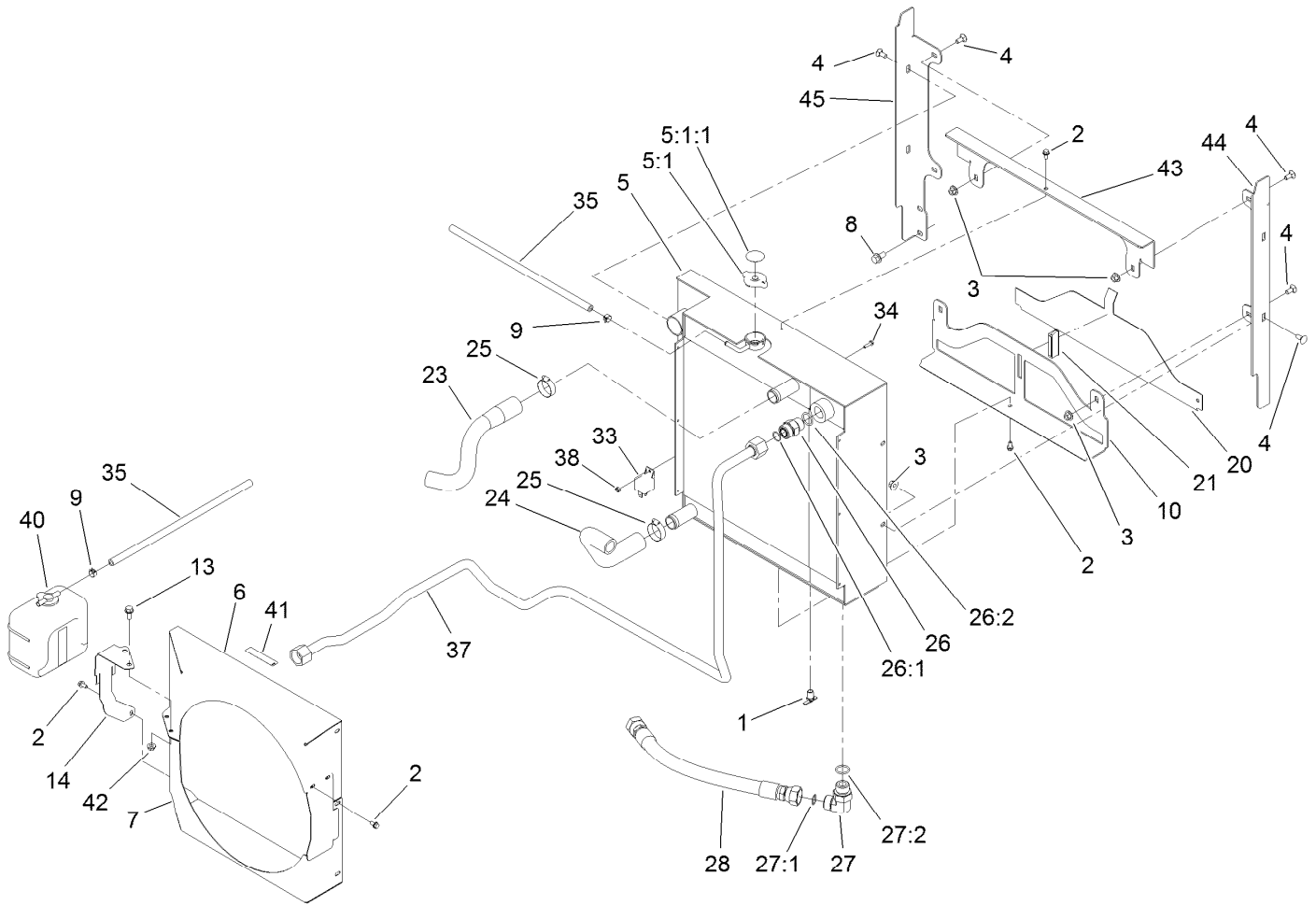
<i>Ref.</i>	<i>Part Number</i>	<i>Qty.</i>	<i>Description</i>
45	70-8470	1	Screw-HH
46	33104-016	1	Screw-HHF



Air Cleaner and Muffler Assembly

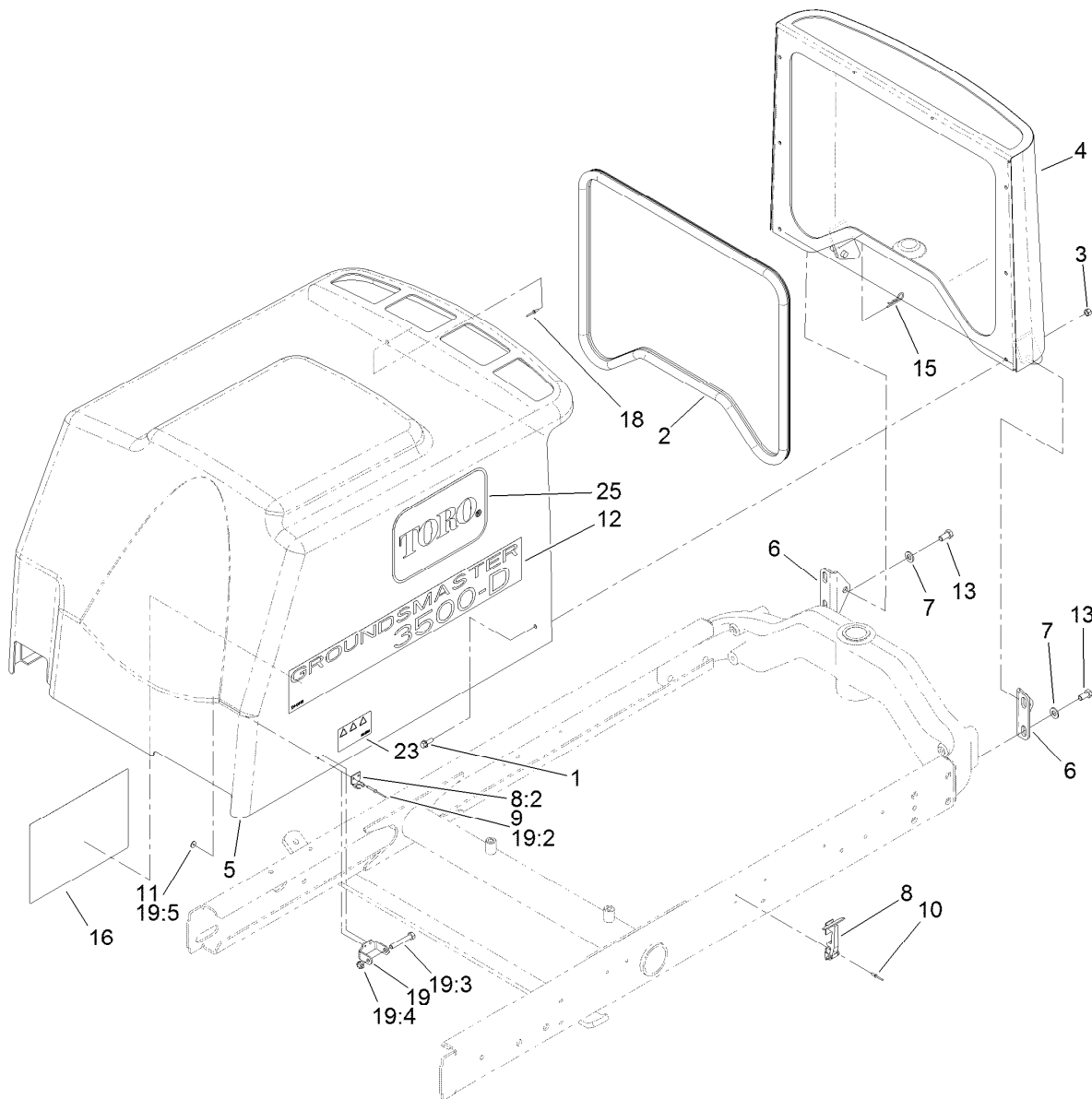
<i>Ref.</i>	<i>Part Number</i>	<i>Qty.</i>	<i>Description</i>	<i>Ref.</i>	<i>Part Number</i>	<i>Qty.</i>	<i>Description</i>
1	104-0420	1	Hose-Air Intake, Upper	9:7	104-4897	1	Gasket ●
2	112-9910	1	Hose-Air Intake, Lower	11	33014-00	4	Nut-Hex
3	32128-44	6	Nut	12	3253-4	4	Washer-Lock
4	3234-5	3	Screw-HHF	13	100-4825	1	Band-Mounting, Air Cleaner
5	3256-23	3	Washer-Plain	13:2	94-3653	1	Bolt
6	33114-016	3	Screw-HH	13:3	94-3654	1	Spring
7	112-9926-03	1	Mount-Air Cleaner	13:4	48-9510	1	Nut
8	2412-92	1	Clamp-Hose	14	100-4810	1	Muffler
9	100-4824	1	Air Cleaner ASM	15	95-8943-03	1	Bracket-Muffler
9:1	285-17	1	Plug-Pipe	16	99-3425-03	1	Guard-Exhaust
9:2	104-0497	1	Cover	17	32144-4	4	Screw-HWH
9:5	104-0498	1	Valve-Vacuator	18	3234-17	3	Screw-HHF
9:6	108-3810	1	Filter-Air ●	19	2412-130	3	Clamp-Hose

● Not illustrated



Radiator Assembly

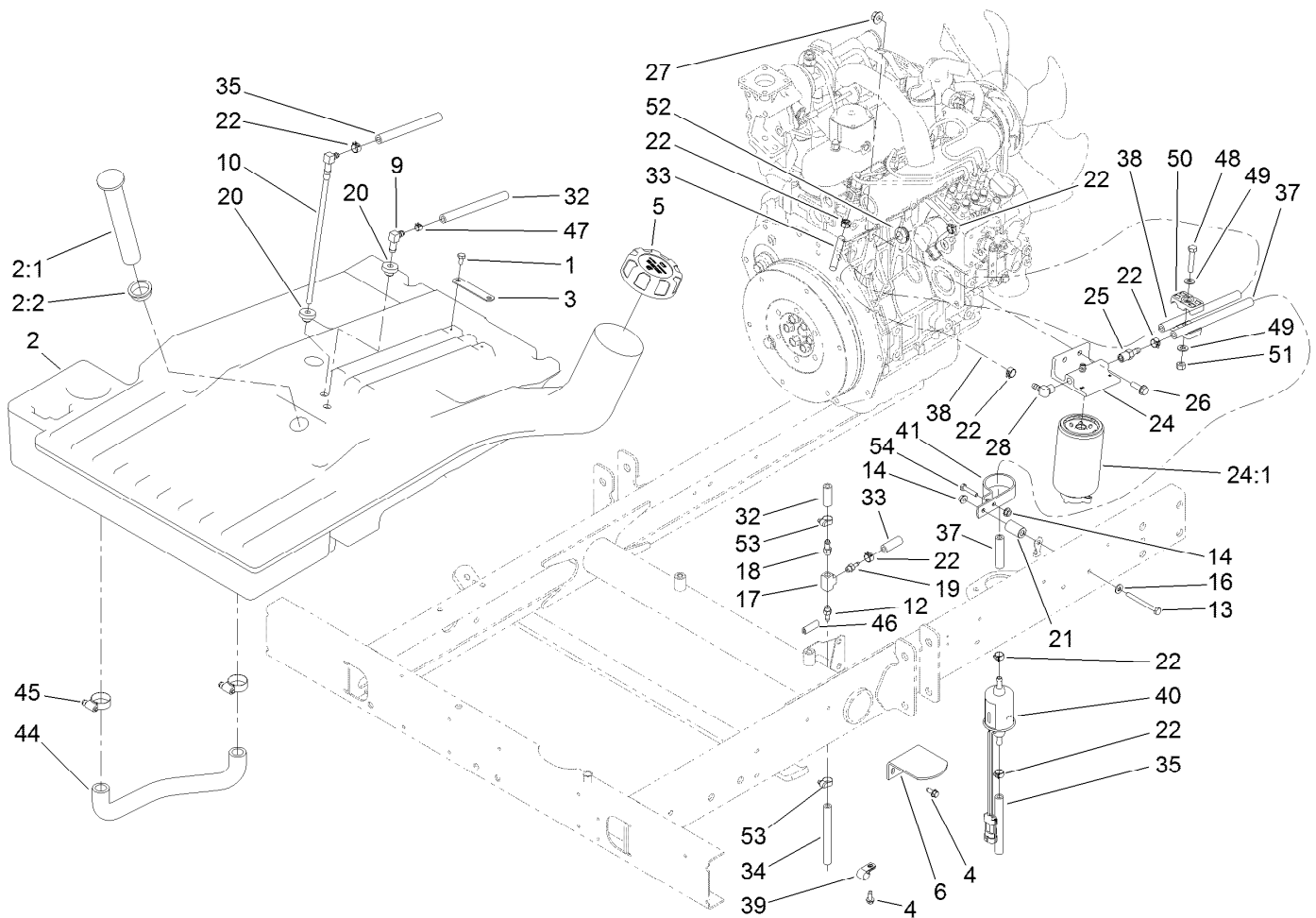
Ref.	Part Number	Qty.	Description	Ref.	Part Number	Qty.	Description
1	304-46	1	Draincock	25	2412-34	2	Clamp-Hose
2	32104-116	10	Screw-HWHTF	26	340-9	1	Fitting-STR
3	32128-44	8	Nut	26:1	237-58	1	O-Ring
4	3230-1	8	Bolt-CARR	26:2	237-81	1	O-Ring
5	119-2028	1	Radiator And Oil Cooler ASM	27	340-142	1	Fitting-Elbow, 90 DEG
5:1	115-7766	1	Cap-Radiator	27:1	237-58	1	O-Ring
5:1:1	106-6755	1	Decal-Cap, Radiator	27:2	237-81	1	O-Ring
6	121-3556-03	1	Shroud-Fan, Upper	28	92-7536	1	Hose-HYD
7	121-3552-03	1	Shroud-Fan, Lower	33	99-7435	1	Relay
8	3234-1	4	Screw-HHF	34	32105-13	1	Screw-HWH
9	92-2379	2	Clamp-Hose	35	109-0274	1	Hose-Fuel
10	120-3530-03	1	Bracket-Radiator, Bottom	37	121-3568	1	Tube-HYD
13	3234-5	2	Screw-HHF	38	3296-2	1	Nut-Lock, NI
14	121-3557-03	1	Bracket-Reservoir	40	104-9318	1	Bottle-Overflow
20	95-8702-03	1	Shield-Radiator, Lower	41	93-6681	1	Decal-Warning, Fan
21	99-3497	1	Magnet	42	32128-20	2	Nut-HF
23	121-3558	1	Hose-Radiator, Upper	43	120-3529-03	1	Bracket-Radiator, Top
24	120-3399	1	Hose-Radiator, Lower	44	120-3531-03	1	Bracket-Radiator, LH
				45	120-3532-03	1	Bracket-Radiator, RH



Hood and Screen Assembly

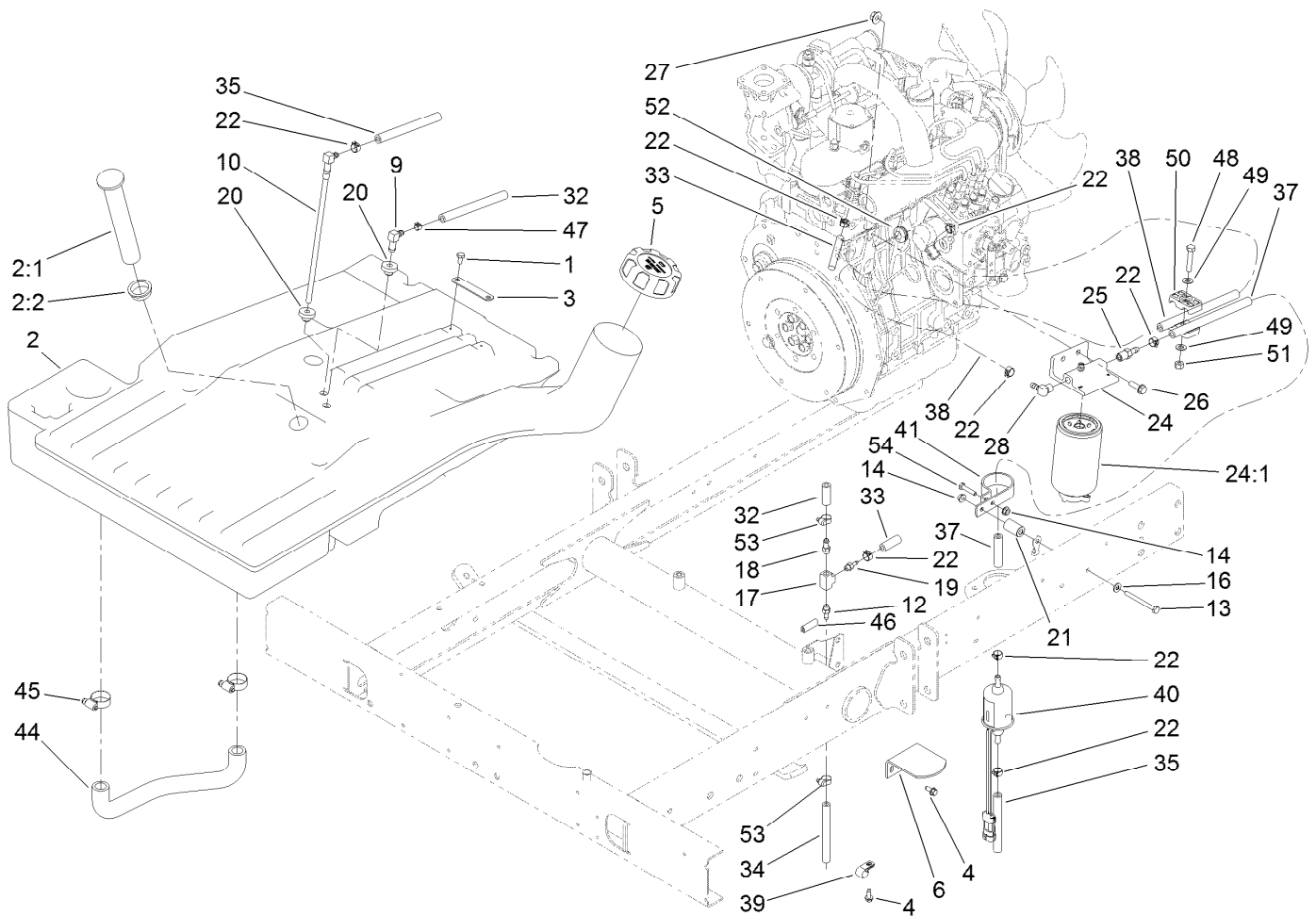
Ref.	Part Number	Qty.	Description	Ref.	Part Number	Qty.	Description
1	3234-4	6	Screw-HHF	12	104-5152	2	Decal-Hood
2	100-4932	1	Trim-Seal	13	323-6	4	Screw-HH
3	3296-42	6	Nut-Lock, NI	15	3290-467	1	Pin-Hair
4	104-4853-03	1	Screen-Hood	16	117-5103	1	Decal-Service
5	100-4855	1	Hood	18	3269-21	2	Rivet-Pop
5:1	106-8115	1	Heat Tape Repair Kit ●	19	119-2004	1	CE Latch Kit
6	95-8728	2	Bracket-Pivot, Hood	19:2	107-0333	2	Rivet-Pop
7	3256-24	8	Washer-Flat	19:3	322-10	1	Screw-HH
8	59-9740	2	Flex Draw Latch ASM	19:4	3296-47	1	Nut-Lock,NI
8:2	249-40	1	Keeper	19:5	3269-10	2	Washer-Back
9	107-0333	4	Rivet-Pop	23	106-6754	1	Decal-Danger
10	3290-55	4	Rivet-Pop	25	66-6140	2	Decal
11	3269-10	4	Washer-Back				

● Not illustrated



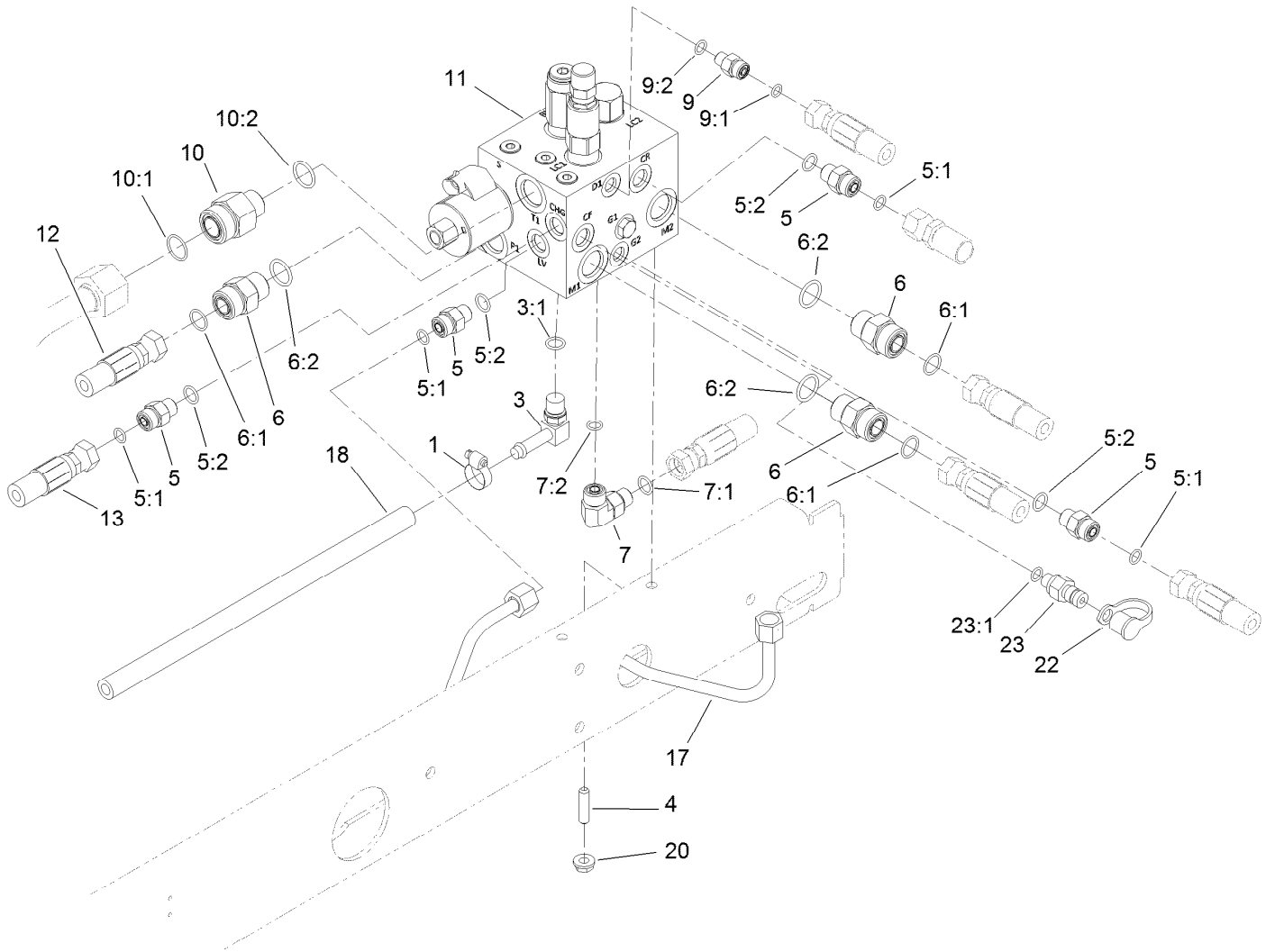
Fuel System Assembly

<i>Ref.</i>	<i>Part Number</i>	<i>Qty.</i>	<i>Description</i>	<i>Ref.</i>	<i>Part Number</i>	<i>Qty.</i>	<i>Description</i>
1	321-2	2	Screw-HH	24:1	110-9049	1	Filter-Spin On, Fuel/Water
2	105-7865	1	Tank-Fuel	25	353-783	1	Fitting-STR
2:1	95-8971	1	Gauge-Fuel	26	3234-17	2	Screw-HHF
2:2	95-8972	1	Grommet	27	32128-44	2	Nut
3	95-8881	1	Strap-Line, Fuel	28	353-781	1	Fitting-HYD, 90
4	32144-10	3	Screw-HWH	32	110-6187	1	Hose-Fuel
5	114-5064	1	Cap-Diesel	33	110-8751	1	Hose-Fuel
6	95-8968-03	1	Support-Tank, Fuel	34	110-5701	1	Hose-Fuel
9	46-6550	1	Fitting-Elbow, 90 DEG	35	110-4100	1	Hose-Fuel
10	110-9689	1	Pipe-Stand	37	110-4109	1	Hose-Fuel
12	304-73	1	Fitting-Straight	38	110-4113	1	Hose-Fuel
13	321-11	1	Screw-HH	39	2412-73	1	Clamp-R
14	32128-33	2	Nut-HF	40	110-8806	1	Pump-Fuel
16	3256-22	1	Washer-Flat	41	110-8817	1	Bracket-Pump, Fuel
17	354-20	1	Fitting-Tee	44	105-4094	1	Hose-Formed
18	354-21	1	Fitting-Barbed	45	2412-129	2	Clamp-Hose
19	354-22	1	Fitting-Barbed	46	110-8754	1	Trim
20	46-6560	2	Bushing	47	2412-80	2	Clamp-Hose
21	77-3180	1	Spacer	48	322-8	1	Screw-HH
22	92-2379	7	Clamp-Hose	49	3256-23	2	Washer-Plain
24	110-9044	1	Separator-Filter	50	56-7971	2	Clamp-Tube



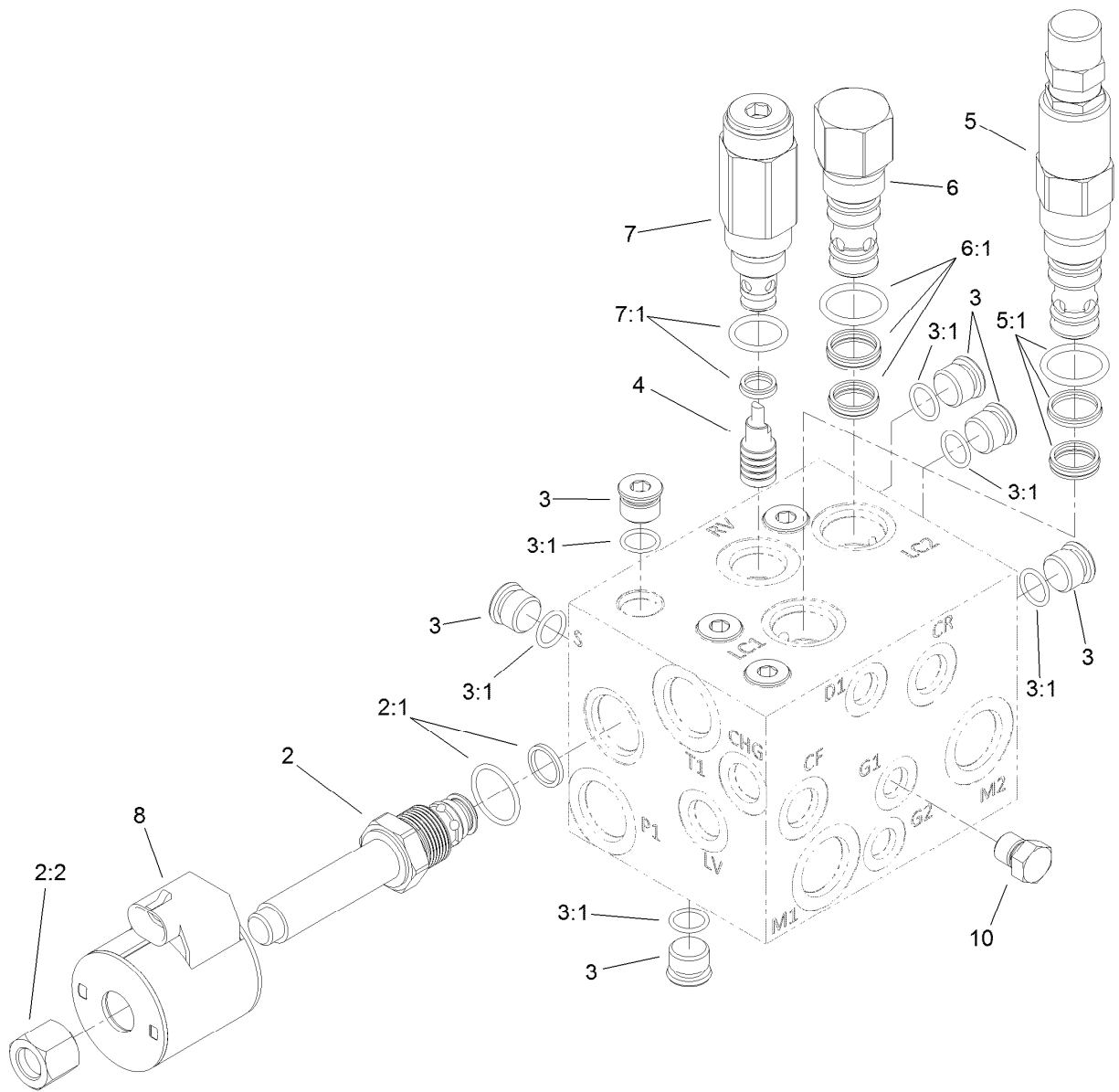
Fuel System Assembly (continued)

<i>Ref.</i>	<i>Part Number</i>	<i>Qty.</i>	<i>Description</i>	<i>Ref.</i>	<i>Part Number</i>	<i>Qty.</i>	<i>Description</i>
51	3296-29	1	Nut-Lock, NI	53	2412-108	2	Clamp-Worm
52	1-543296	1	Grommet	54	321-8	1	Screw-HH



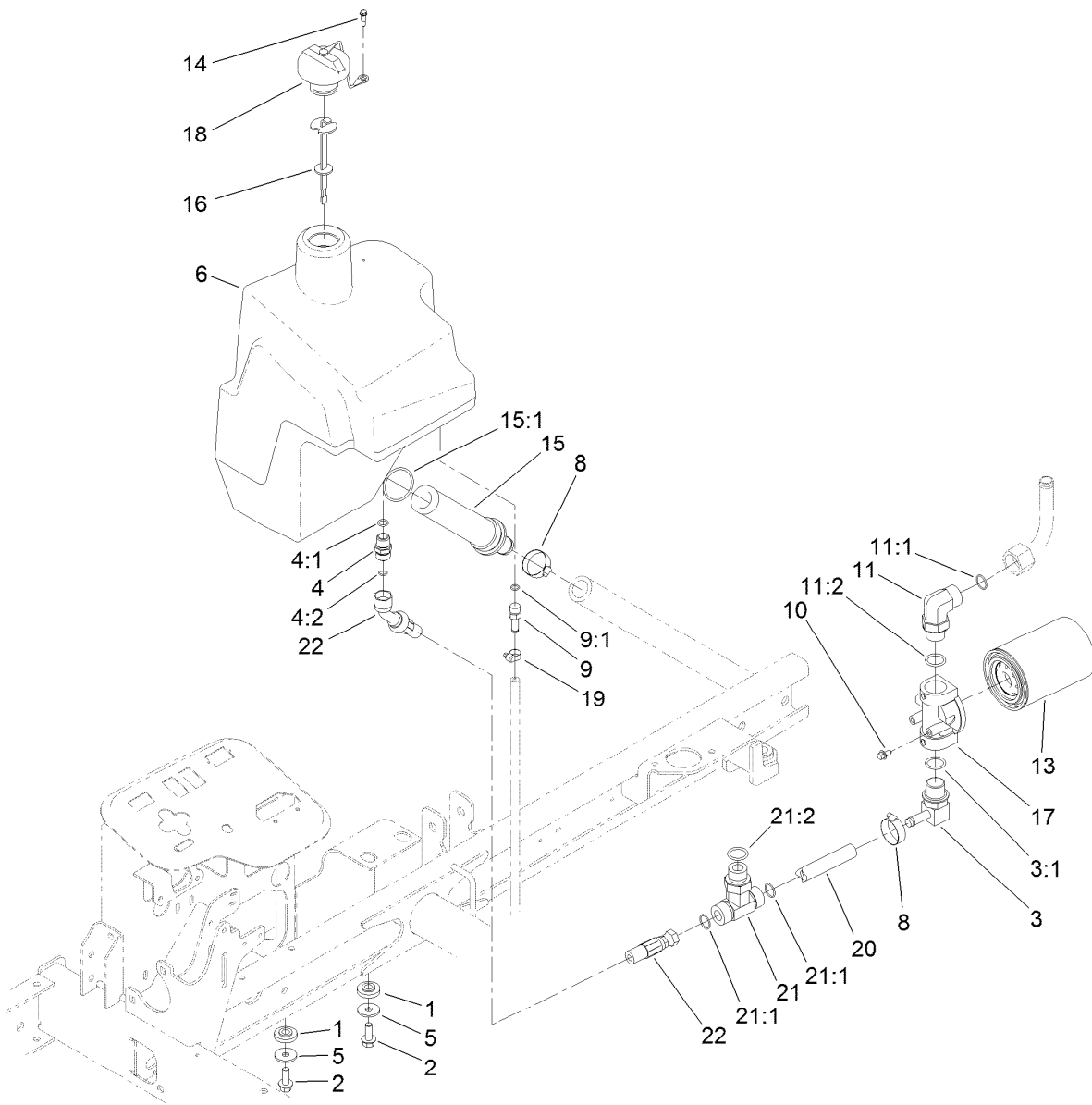
Manifold Block Installation Assembly

Ref.	Part Number	Qty.	Description	Ref.	Part Number	Qty.	Description
1	2412-36	1	Clamp-Hose	9:1	237-78	1	O-Ring
3	100-4887	1	Fitting-Elbow, 90	9:2	237-21	1	O-Ring
3:1	237-42	1	O-Ring	10	340-66	1	Fitting-Straight
4	104-0430	2	Stud	10:1	237-80	1	O-Ring
5	340-2	4	Fitting-Straight	10:2	237-58	1	O-Ring
5:1	237-22	1	O-Ring	11	121-3570	1	Manifold ASM
5:2	237-42	1	O-Ring	12	104-0488	1	Hose-HYD
6	340-7	3	Fitting-Straight	13	92-7595	1	Hose-HYD
6:1	237-65	1	O-Ring	17	100-4827	1	Tube-HYD
6:2	237-80	1	O-Ring	18	80-7342	1	Hose-HYD
7	340-77	1	Fitting-Elbow, 90 DEG	20	32128-20	2	Nut-HF
7:1	237-22	1	O-Ring	22	354-79	1	Cap-Dust
7:2	237-42	1	O-Ring	23	354-77	1	Fitting-Quick
9	340-92	1	Fitting-Straight	23:1	237-78	1	O-Ring



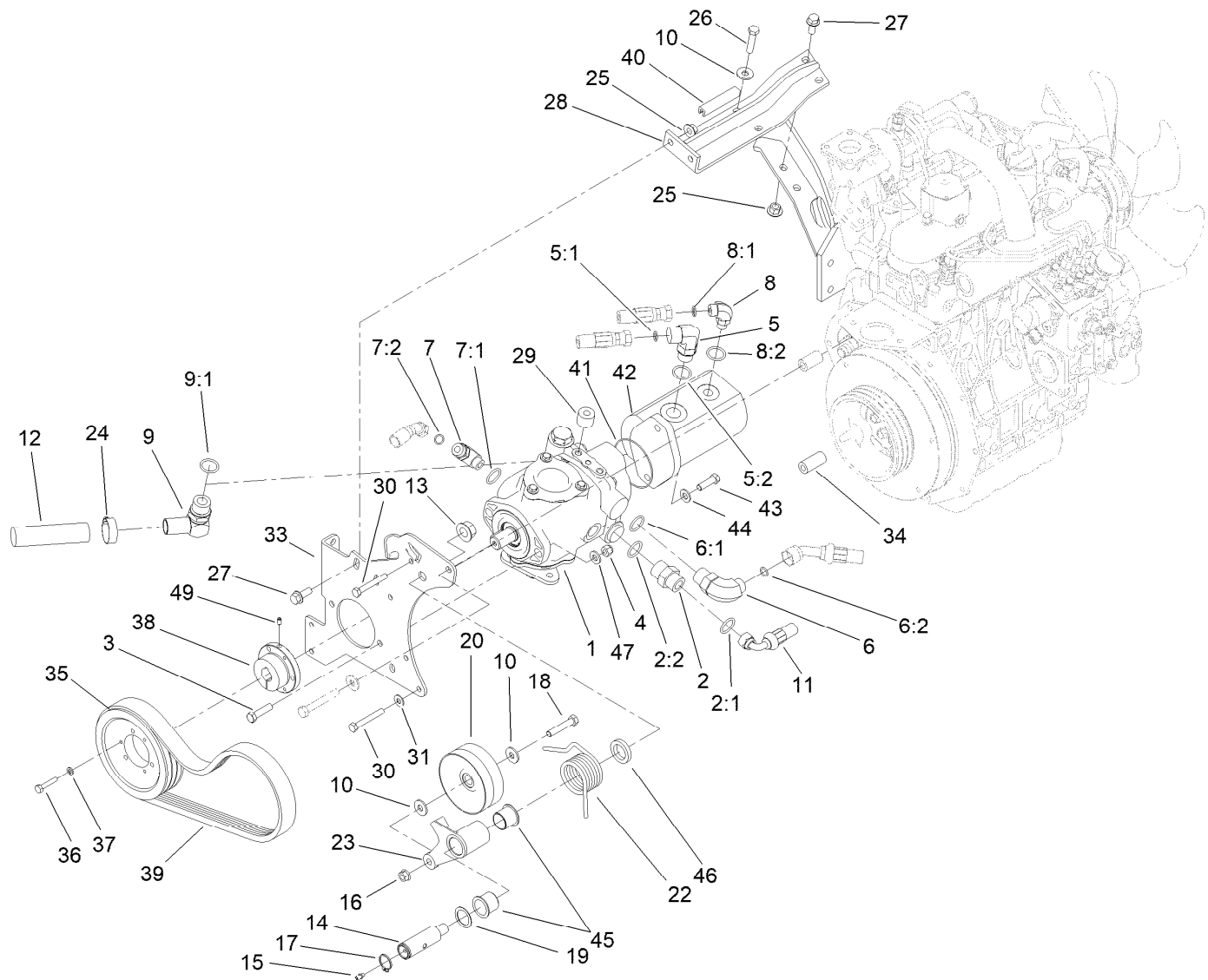
Hydraulic Manifold Assembly No. 121-3570

<i>Ref.</i>	<i>Part Number</i>	<i>Qty.</i>	<i>Description</i>
2	110-8768	1	Valve-Relief, Solenoid (3000 PSI)
2:1	110-6316	1	Seal Kit
2:2	130-8180	1	Nut-Coil
3	353-512	9	Plug
3:1	237-78	1	O-Ring
4	105-9157	1	Piston-Pilot
5	119-2011	1	Valve-Logic, Adjustable
5:1	119-2159	1	Seal Kit
6	105-9153	1	Element-Logic, Vented
6:1	119-2159	1	Seal Kit
7	112-5259	1	Valve-Relief
7:1	105-9156	1	Seal Kit
8	110-6344	1	Coil-12V, DC
10	117-0115	1	Plug



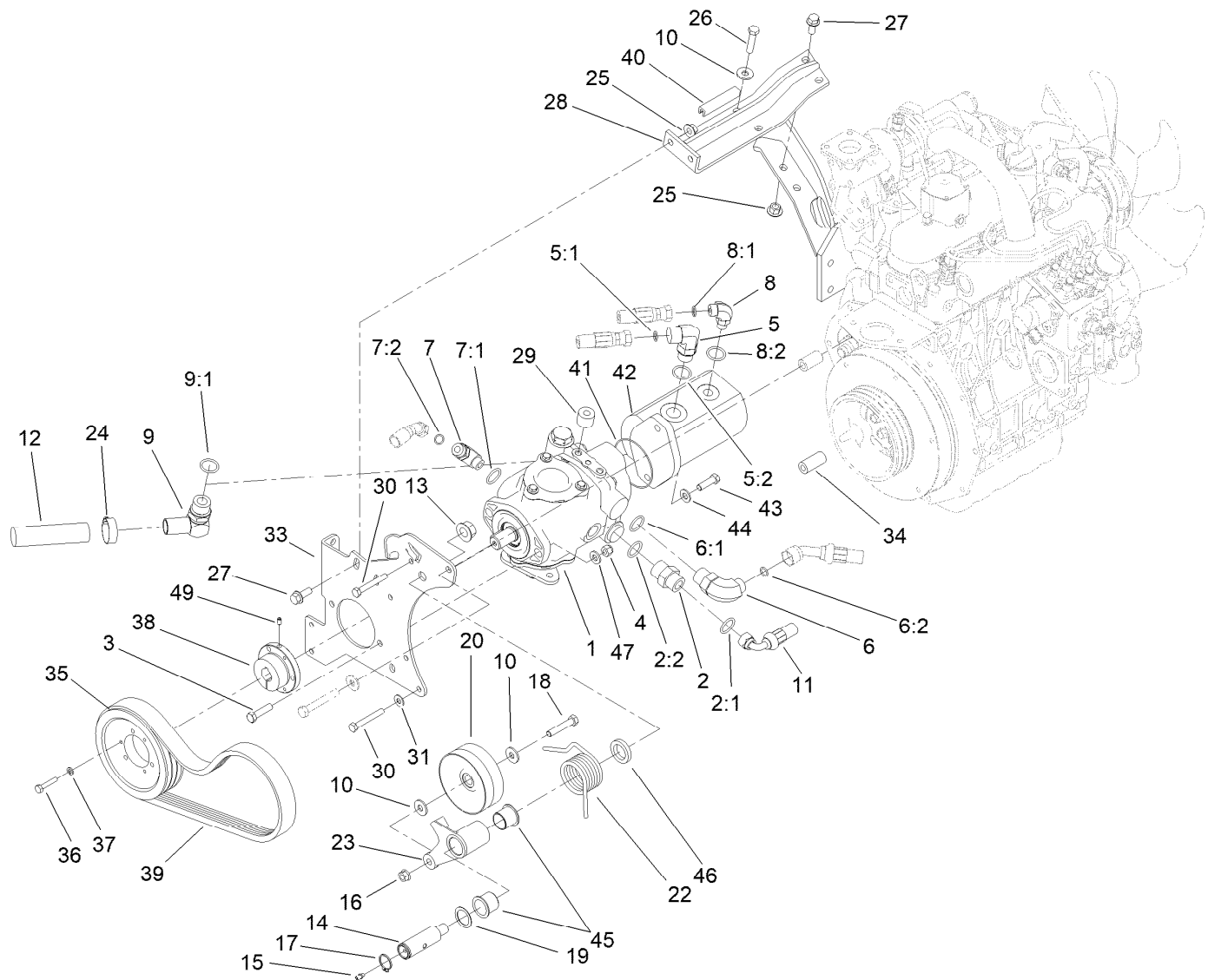
Hydraulic Tank Assembly

Ref.	Part Number	Qty.	Description	Ref.	Part Number	Qty.	Description
1	240-11	4	Bushing-Flange	11:2	237-81	1	O-Ring
2	3234-11	4	Screw-HHF	13	86-3010	1	Filter-Oil
3	353-987	1	Fitting-Elbow, 90	14	57-5420	1	Screw-Shoulder
3:1	237-81	1	O-Ring	15	104-7546	1	Tank Strainer ASM
4	100-4890	1	Fitting-Check	15:1	340-136	1	O-Ring
4:1	237-79	1	O-Ring	16	119-6968	1	Dipstick-Oil
4:2	237-30	1	O-Ring	17	92-5821	1	Head-Filter
5	63-8410	4	Washer	18	93-7160	1	Cap-Oil, HYD
6	104-4840	1	Tank-HYD	19	2412-36	1	Clamp-Hose
8	2412-34	2	Clamp-Hose	20	104-0486	1	Hose-HYD
9	353-979	1	Fitting-STR	21	104-4836	1	Fitting-Tee
9:1	237-42	1	O-Ring	21:1	237-58	2	O-Ring
10	3234-13	2	Screw-HHF	21:2	237-81	1	O-Ring
11	340-142	1	Fitting-Elbow, 90 DEG	22	104-0487	1	Hose-HYD
11:1	237-58	1	O-Ring				



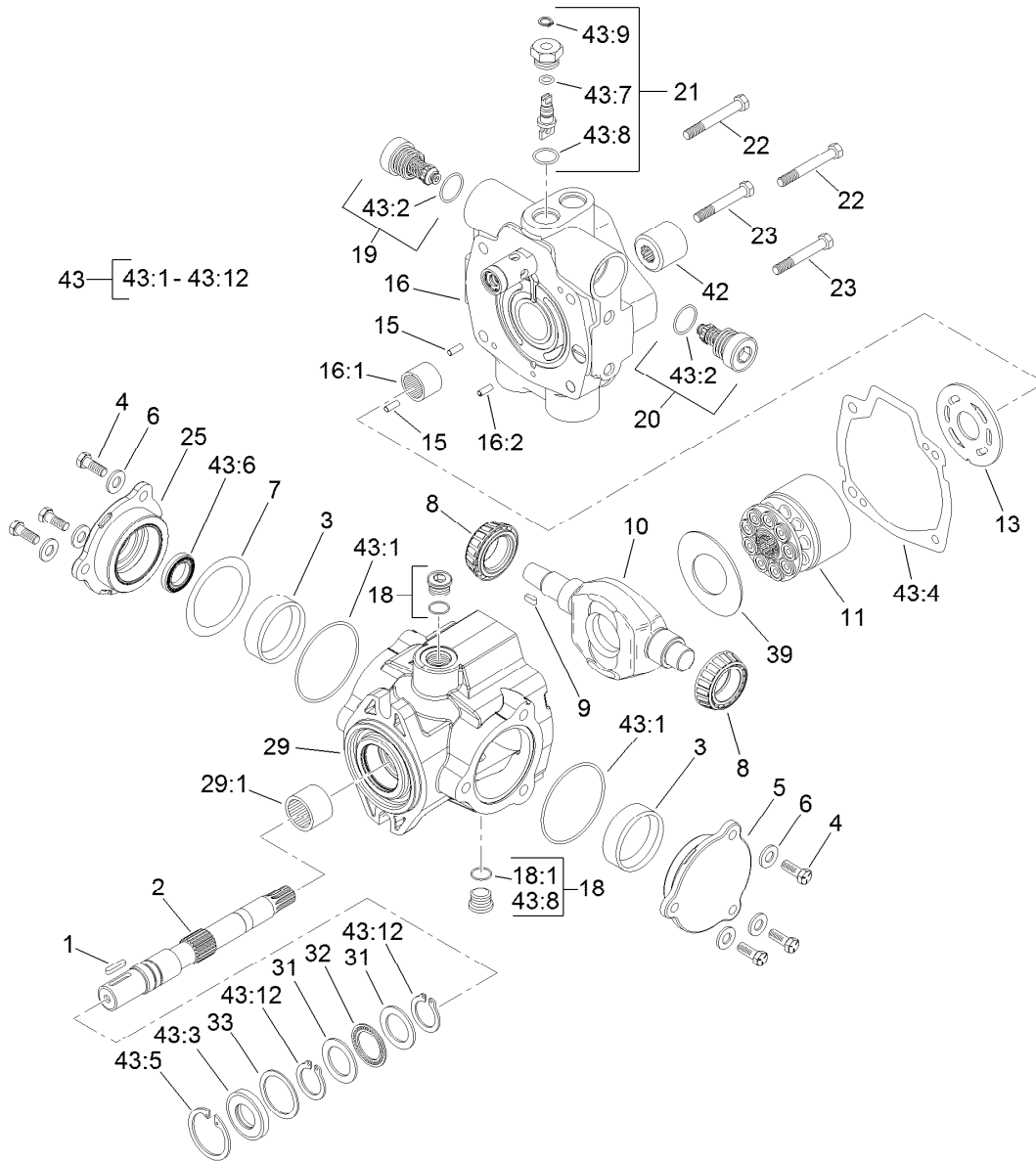
Hydrostat Assembly

Ref.	Part Number	Qty.	Description	Ref.	Part Number	Qty.	Description
1	104-4890	1	Piston Pump ASM	11	105-1214	1	Hose-HYD
2	340-8	1	Fitting-Straight	12	104-5486	1	Hose
2:1	237-65	1	O-Ring	13	32128-54	1	Nut-HF
2:2	237-81	1	O-Ring	14	99-3624	1	Shaft-Pivot, Idler
3	323-8	2	Screw-HH	15	302-5	1	Fitting-Grease
4	3296-39	2	Nut-Lock, NI	16	32128-21	1	Nut-HF Lock
5	340-17	1	Fitting-Elbow, 90 DEG	17	32151-36	1	Ring-Retaining
5:1	237-65	1	O-Ring	18	323-10	1	Screw-HH
5:2	237-80	1	O-Ring	19	74-1810	1	Washer
6	340-139	1	Fitting-Elbow 90	20	107-7834	1	Pulley-Idler
6:1	237-81	1	O-Ring	22	115-3488	1	Spring-Torsion
6:2	237-65	1	O-Ring	23	99-3623-03	1	Arm-Idler
7	340-18	1	Fitting-HYD, 90 DEG	24	2412-34	1	Clamp-Hose
7:1	237-79	1	O-Ring	25	32128-43	4	Nut-Flange
7:2	237-22	1	O-Ring	26	323-19	2	Screw-HH
8	340-77	1	Fitting-Elbow, 90 DEG	27	3234-11	4	Screw-HHF
8:1	237-22	1	O-Ring	28	99-3436-03	1	Support-Pump
8:2	237-42	1	O-Ring	29	99-3440	2	Spacer
9	95-3502	1	Fitting-Elbow 90	30	33114-060	4	Screw-HH
9:1	237-81	1	O-Ring	31	87-8640	3	Washer-Flat
10	80-6990	3	Washer-Hardened	33	95-8933-03	1	Plate-Mount, Pump



Hydrostat Assembly (continued)

Ref.	Part Number	Qty.	Description	Ref.	Part Number	Qty.	Description
34	95-8941	4	Spacer-Mount, Pump	42	108-9036	1	HYD Gear Pump ASM
35	99-3620	1	Pulley-3V, Pump	43	323-7	2	Screw-HH
36	321-13	3	Screw-HH	44	3256-24	2	Washer-Flat
37	3253-3	3	Washer-Lock	45	99-3631	2	Bushing-Flange
38	100-4813	1	Bushing-Lock, Taper	46	99-3625	1	Spacer-Arm, Idler
39	99-3619	1	Belt-3V	47	100-4852	2	Washer-Hardened
40	70-2041	1	Trim	49	3245-7	1	Screw-Set
41	353-949	1	O-Ring				

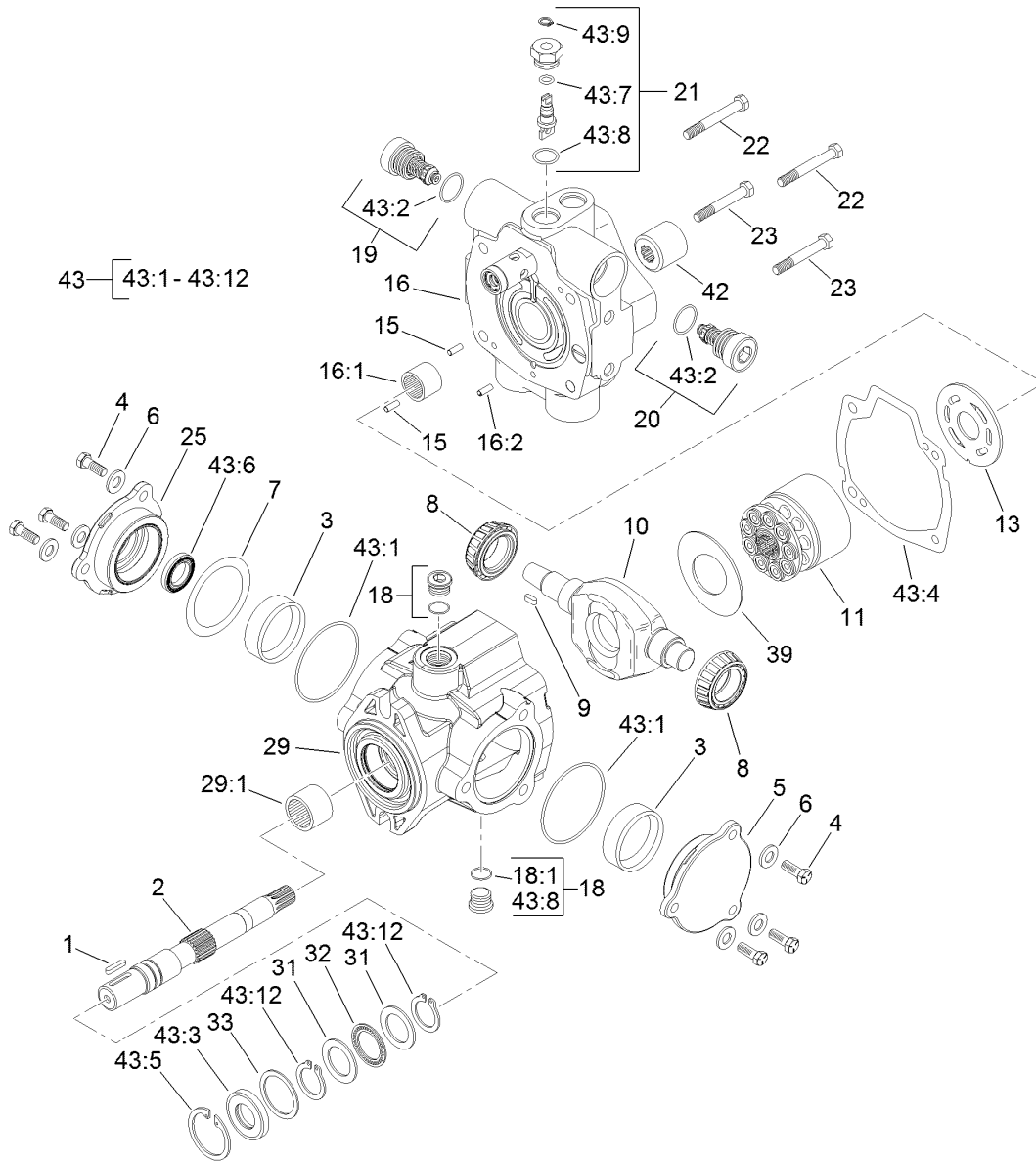


Hydraulic Pump Assembly No. 104-4890

Ref.	Part Number	Qty.	Description	Ref.	Part Number	Qty.	Description
1	94-3645	1	Key	19	104-4889	1	Relief Valve ASM
2	94-6359	1	Shaft-Drive	20	105-3812	1	Valve-Check
3	104-4046	2	Bearing-Cup	21	105-3811	1	Valve-Bypass
4	98-4640	6	Screw-Cap	22	76-6170	2	Capscrew
5	98-4644	1	Plate-Cover	23	76-6160	2	Capscrew
6	105-9762	6	Washer	25	98-4645	1	Plate-Cover
7	100-3182	2	Shim Kit	29	100-3176	1	Housing ASM
8	98-4639	2	Bearing-Cone	29:1	94-6363	1	Bearing
9	94-3646	1	Key	31	252-71	2	Washer-Thrust
10	104-4888	1	Swashplate	32	252-66	1	Bearing-Thrust
11	76-6070	1	Rotating Kit	33	33-3720	1	Washer
13	104-0429	1	Plate-Valve	39	98-4635	1	Insert-Plate, Cam
15	76-6150	2	Pin-Dowel	42	74-9040	1	Coupler
16	105-3813	1	Endcover Sub ASM	43	120-5754	1	Seal Kit
16:1	94-6368	1	Bearing	43:1		2	O-Ring ■
16:2		1	Pin-Roll ■	43:2		2	O-Ring ■
18	74-9280	2	Plug ASM	43:3		1	Seal-Shaft ■
18:1		1	O-Ring ■	43:4		1	Gasket ■

● Not illustrated

■ Not serviced separately



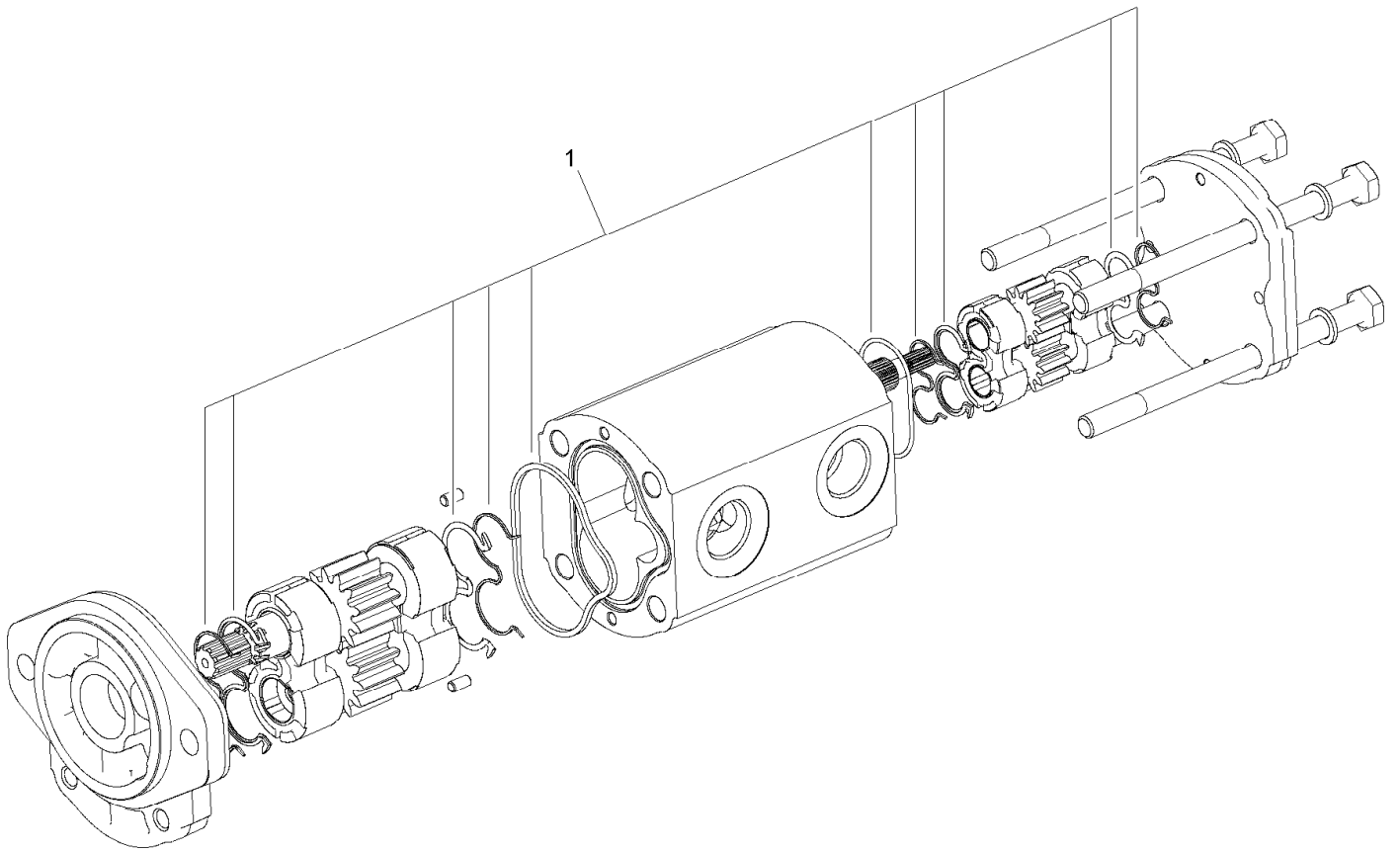
Hydraulic Pump Assembly No. 104-4890 (continued)

Ref.	Part Number	Qty.	Description
43:5		1	Ring-Retaining ■
43:6		1	Seal-Shaft ■
43:7		1	O-Ring ■
43:8		5	O-Ring ■
43:9		1	Ring-Retaining ■

Ref.	Part Number	Qty.	Description
43:10		1	O-Ring ●■
43:11		1	O Ring-Molded ●■
43:12		2	Ring-Retaining ■
43:13		1	O-Ring ■

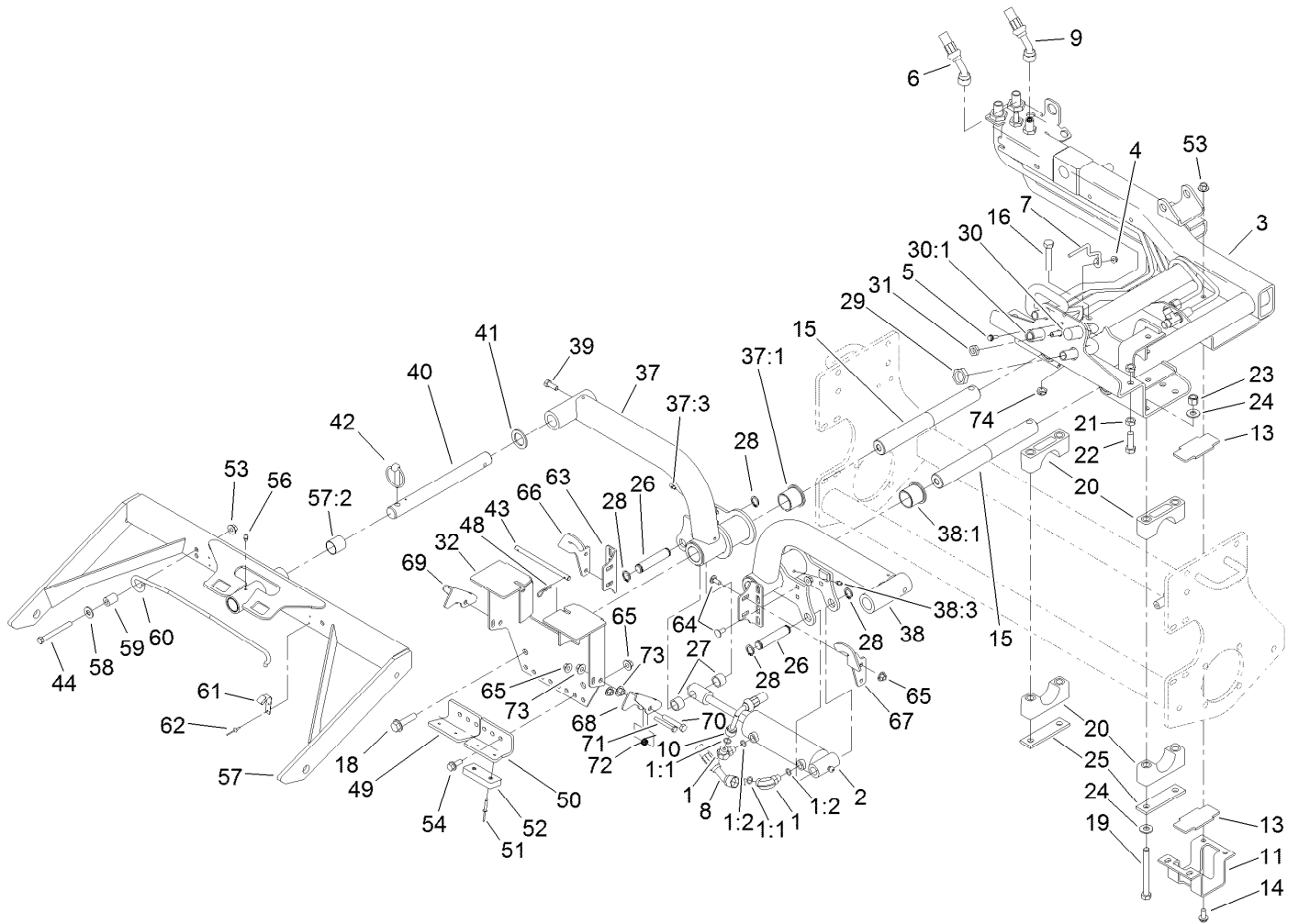
● Not illustrated

■ Not serviced separately



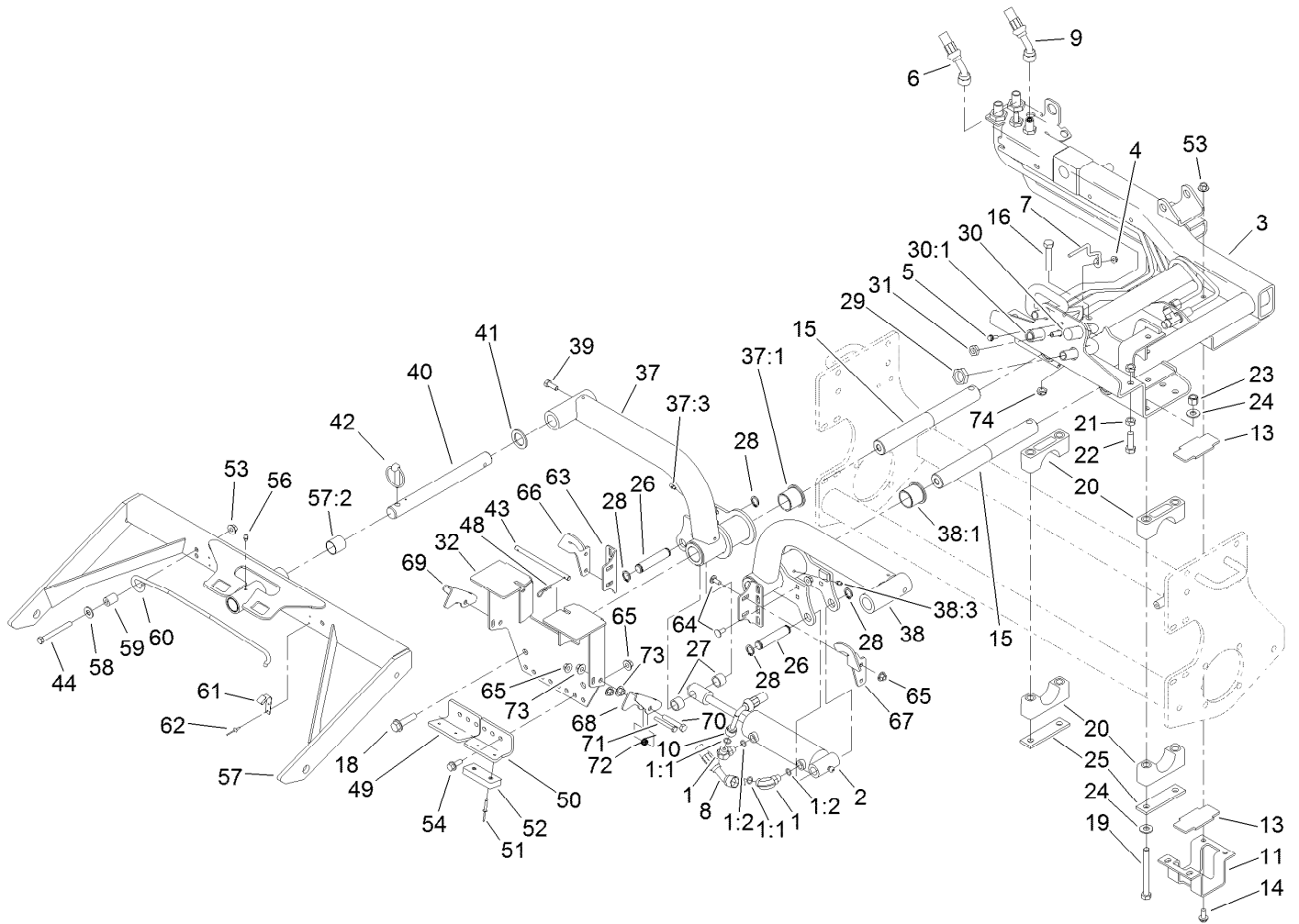
Hydraulic Gear Pump Assembly No. 108-9036

<i>Ref.</i>	<i>Part Number</i>	<i>Qty.</i>	<i>Description</i>
1	110-8755	1	Seal Kit



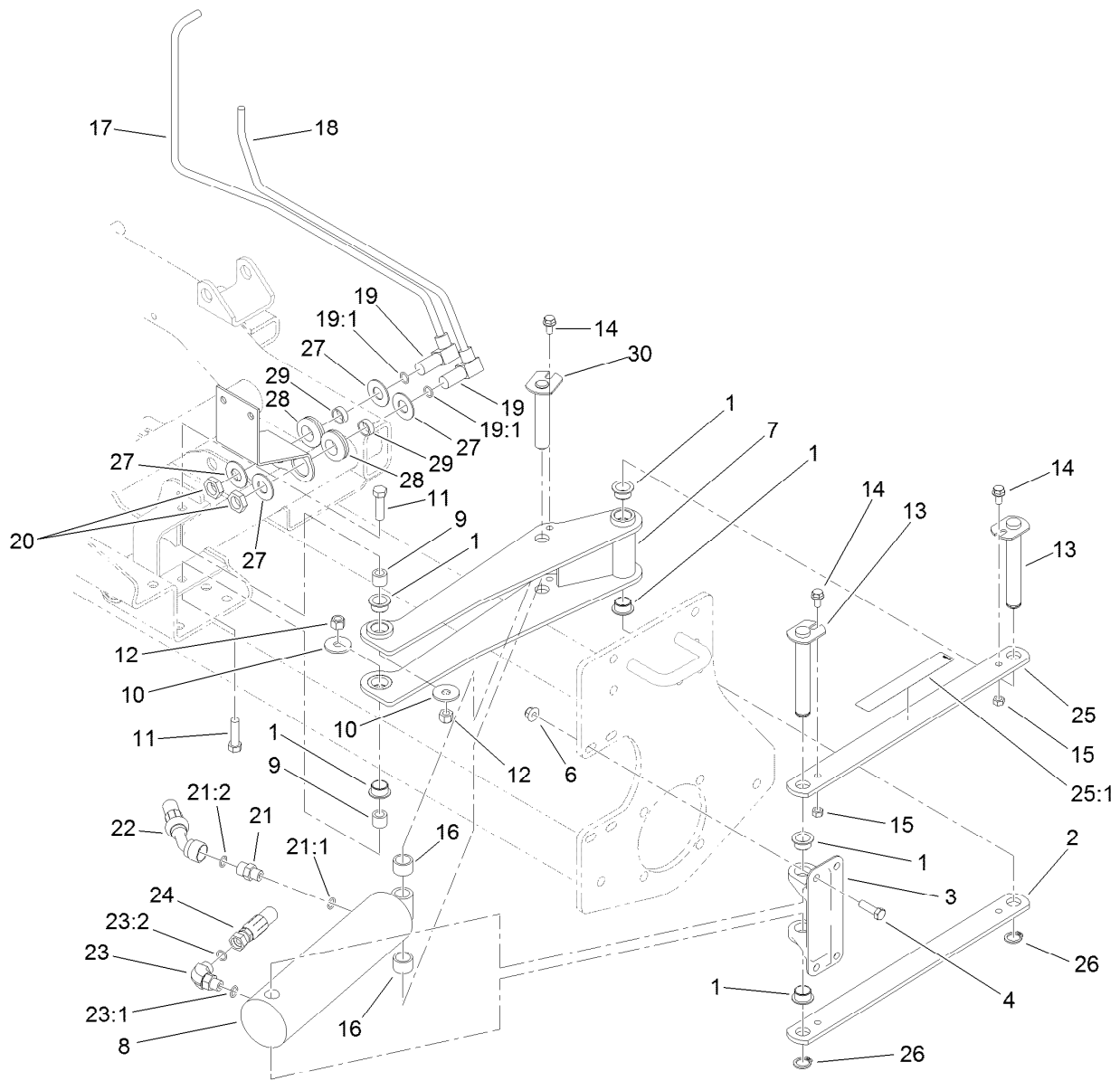
Carrier Assembly

<i>Ref.</i>	<i>Part Number</i>	<i>Qty.</i>	<i>Description</i>	<i>Ref.</i>	<i>Part Number</i>	<i>Qty.</i>	<i>Description</i>
1	340-77	2	Fitting-Elbow, 90 DEG	22	325-7	2	Screw-HH
1:1	237-22	1	O-Ring	23	3296-23	8	Nut-Lock, NI
1:2	237-42	1	O-Ring	24	87-7270	16	Washer-Thrust
2	112-9916	1	HYD Cylinder ASM	25	99-3373	4	Bar-Support, Slide
3	100-4939-03	1	Carrier-Sidewinder	26	95-8575	2	Pin-Clevis
4	32128-33	1	Nut-HF	27	75-9590	2	Spacer-Cylinder
5	3234-4	1	Screw-HHF	28	32120-93	4	Ring-Retaining
6	95-8822	1	Hose-HYD	29	340-74	4	Nut-Lock, Bulkhead
7	99-3433	1	Wire-Center	30	99-3640	1	Tube ASM
8	104-0405	1	Hose-HYD	30:1	237-65	2	O-Ring
9	95-8821	1	Hose-HYD	31	340-78	1	Nut-Lock
10	104-0406	1	Hose-HYD	32	104-4820-03	1	Bracket-Stop, Carrier
11	104-0416-03	1	Bracket-Slide	37	115-3462	1	RH Liftarm ASM
13	104-0417	2	Slide-Plastic	37:1	69-6470	2	Bushing-Caster
14	3234-11	4	Screw-HHF	37:3	302-5	1	Fitting-Grease
15	95-8531	2	Shaft-Pivot, Liftarm	38	115-3461	1	LH Liftarm ASM
16	325-10	2	Screw-HH	38:1	69-6470	2	Bushing-Caster
18	3234-27	2	Screw-HHF	38:3	302-5	1	Fitting-Grease
19	325-19	8	Screw-HH	39	323-6	2	Screw-HH
20	104-4865	8	Cap-Bearing	40	95-8979	2	Shaft
21	3218-5	4	Nut-Jam	41	3-6781	2	Washer-Thrust



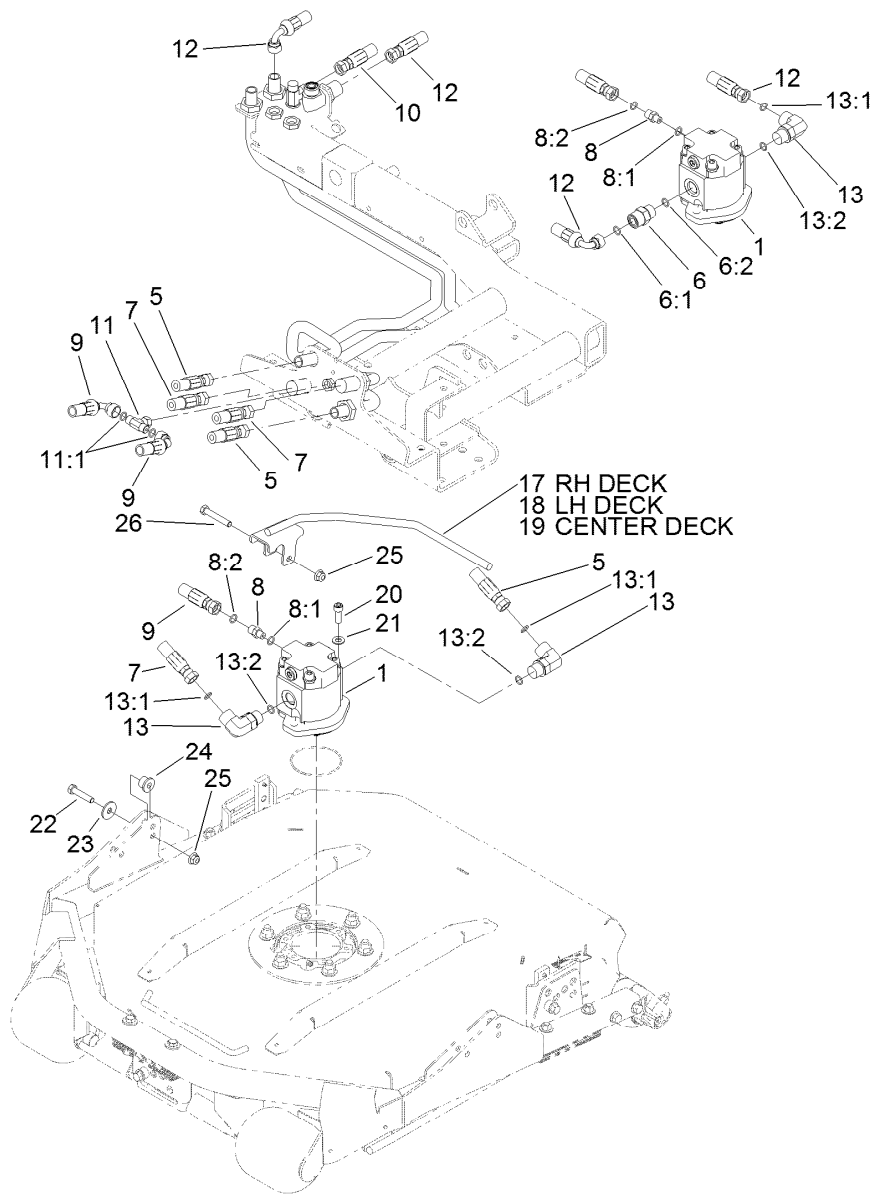
Carrier Assembly (continued)

<i>Ref.</i>	<i>Part Number</i>	<i>Qty.</i>	<i>Description</i>	<i>Ref.</i>	<i>Part Number</i>	<i>Qty.</i>	<i>Description</i>
42	283-71	2	Pin-Lynch	60	104-4612	2	Rod-Latch
43	104-0472	1	Rod	61	104-4237	2	Clip-Rod
44	323-42	2	Screw-HH	62	3290-271	4	Rivet-Pop
48	3290-467	2	Pin-Hair	63	104-4828-03	2	Bracket-Actuator
49	110-8793-03	1	Stop-Deck, RH	64	3230-23	8	Bolt-CARR
50	110-8794-03	1	Stop-Deck, LH	65	32128-44	12	Nut
51	3269-11	4	Rivet-Pop	66	104-4826-03	1	Actuator-RH
52	86-5350	2	Bumper-Rubber	67	104-4827-03	1	Actuator-LH
53	104-8301	6	Nut-HF, NI	68	104-4819-03	1	Bracket-Pivot, LH
54	3234-11	4	Screw-HHF	69	104-4825-03	1	Bracket-Pivot, RH
56	302-5	2	Fitting-Grease	70	323-11	2	Screw-HH
57	110-8787	2	Front Carrier Frame ASM	71	322-11	2	Screw-HH
57:2	108-4000	2	Bushing	72	104-4821	2	Spring-Torsion
58	93-8806	2	Washer-Hardened	73	32128-43	8	Nut-Flange
59	104-4613	2	Tube-Latch	74	3296-45	2	Nut-Hex



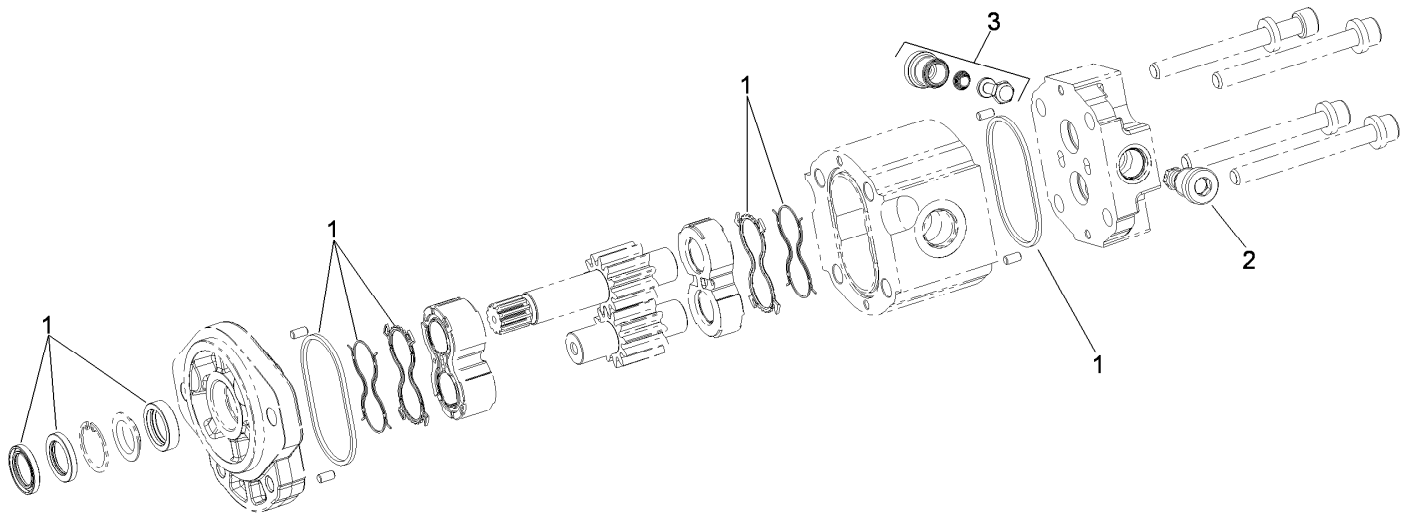
Scissor Assembly

Ref.	Part Number	Qty.	Description	Ref.	Part Number	Qty.	Description
1	95-8526	6	Bushing-Plastic	19:1	237-22	2	O-Ring
2	95-8527-03	1	Link-Scissor	20	340-70	2	Nut-Lock
3	95-8883	1	Mount-Scissor	21	85-9720	1	Fitting-STR, Orifice
4	323-7	4	Screw-HH	21:1	237-78	1	O-Ring
6	104-8301	4	Nut-HF, NI	21:2	237-21	1	O-Ring
7	95-8521-03	1	Frame-Scissor	22	95-8838	1	Hose-HYD
8	95-8512	1	Cylinder-HYD	23	340-132	1	Fitting-Elbow, 90 DEG
9	95-8603	2	Spacer	23:1	237-78	1	O-Ring
10	87-5330	2	Washer	23:2	237-21	1	O-Ring
11	324-6	2	Screw-HH	24	95-8839	1	Hose-HYD
12	3296-48	2	Nut-Hex	25	99-3505	1	Scissors Link ASM
13	95-8529	2	Pin	25:1	94-3353	1	Decal-Point, Pinch
14	3234-14	3	Screw-HHF	26	32120-93	2	Ring-Retaining
15	32152-1	3	Nut-Lock, Cone	27	69-8940	4	Washer
16	46-6350	2	Spacer	28	240-4	2	Grommet-Rubber
17	95-8790	1	Tube-HYD	29	69-8970	2	Spacer
18	95-8791	1	Tube-HYD	30	120-3199	1	Pin-Pivot
19	340-154	2	Union-Bulkhead				



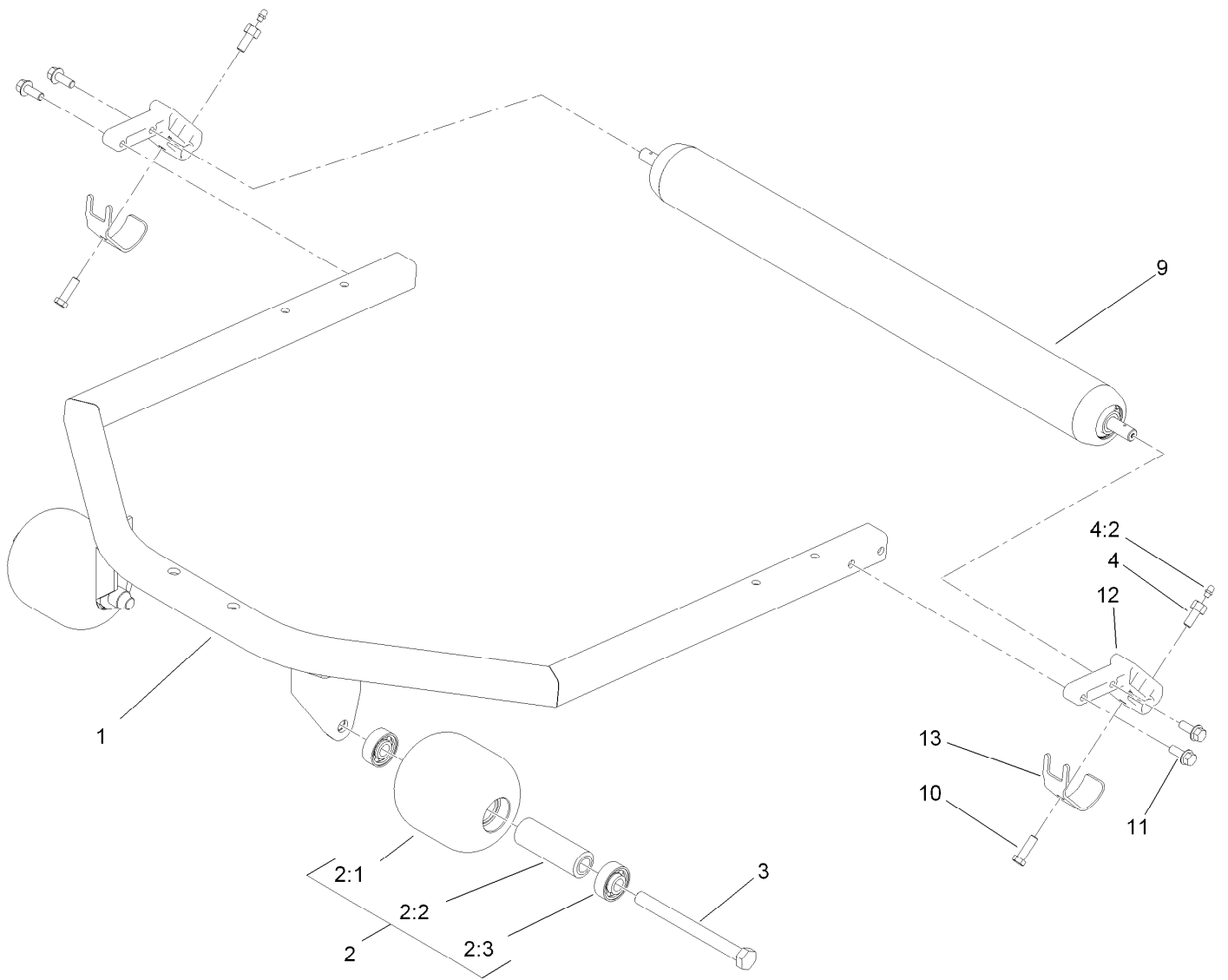
Rotary Motor and Cutting Unit Assembly

<i>Ref.</i>	<i>Part Number</i>	<i>Qty.</i>	<i>Description</i>	<i>Ref.</i>	<i>Part Number</i>	<i>Qty.</i>	<i>Description</i>
1	117-5141	3	HYD Motor ASM	13	340-17	5	Fitting-Elbow, 90 DEG
5	105-1216	2	Hose-HYD	13:1	237-65	1	O-Ring
6	340-7	1	Fitting-Straight	13:2	237-80	1	O-Ring
6:1	237-65	1	O-Ring	17	112-9901-03	1	Guard-Foot, RH
6:2	237-80	1	O-Ring	18	112-9902-03	1	Guard-Foot, LH
7	105-1215	2	Hose-HYD	19	112-9900-03	1	Guard-Foot
8	340-92	3	Fitting-Straight	20	3274-7	6	Screw-HSH
8:1	237-78	1	O-Ring	21	3256-24	6	Washer-Flat
8:2	237-21	1	O-Ring	22	323-52	6	Screw-HH
9	104-1080	2	Hose-HYD	23	93-8806	6	Washer-Hardened
10	100-4876	1	Hose-HYD	24	95-8803	6	Bushing-Flange
11	99-3477	1	Fitting-Tee	25	104-8301	10	Nut-HF, NI
11:1	237-42	2	O-Ring	26	323-11	4	Screw-HH
12	100-4880	2	Hose-HYD				



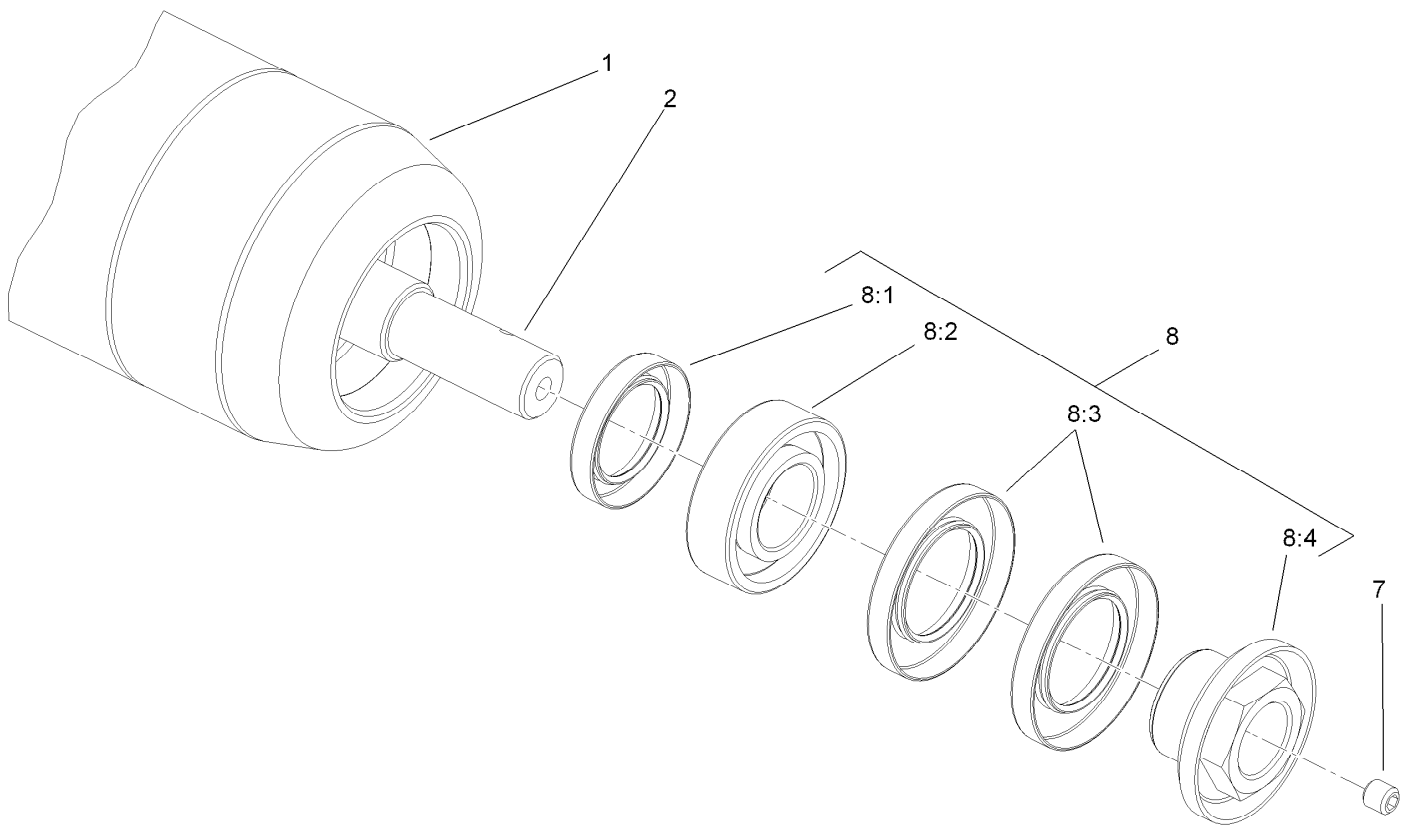
Gear Motor Assembly No. 117-5141

<i>Ref.</i>	<i>Part Number</i>	<i>Qty.</i>	<i>Description</i>
1	117-0235	1	Seal Kit
2	107-7820	1	Valve-Relief
3	107-7821	1	Valve-Anticavitation



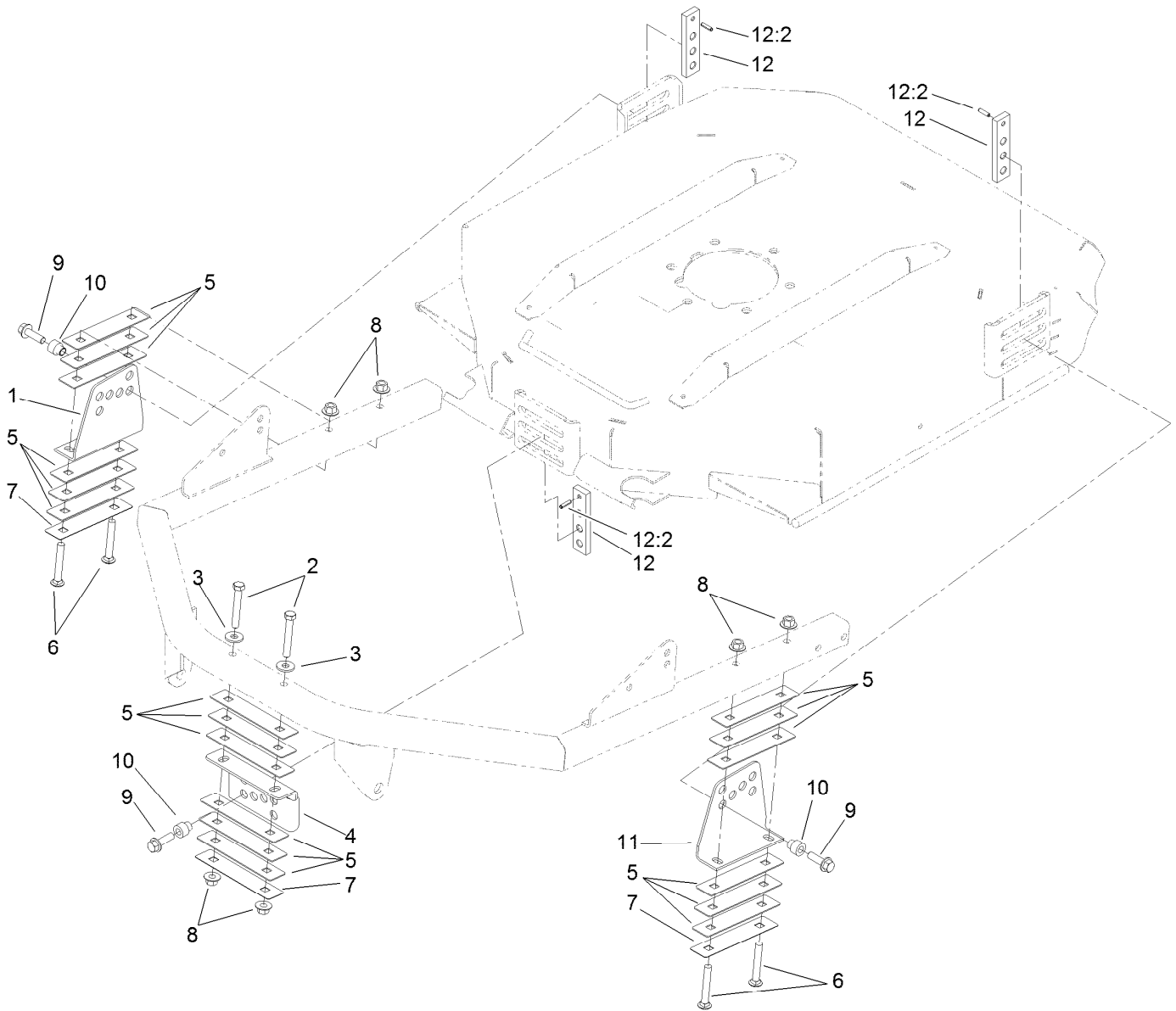
Roller and Carrier Frame Assembly

Ref.	Part Number	Qty.	Description
1	100-5780-03	1	Frame-Deck
2	115-3418	2	Roller ASM
2:1	104-1093	1	Roller
2:2	100-5762	1	Spacer-Bearing
2:3	120-3366	2	Bearing
3	327-15	2	Screw-HH
4	112-5270	2	Roller Shaft Screw ASM
4:2	302-5	1	Fitting-Grease
9	112-5265	1	Roller ASM
10	323-7	2	Screw-HH
11	3234-11	4	Screw-HHF
12	112-5268	2	Mount-Roller
13	107-7816	2	Bracket-Skid



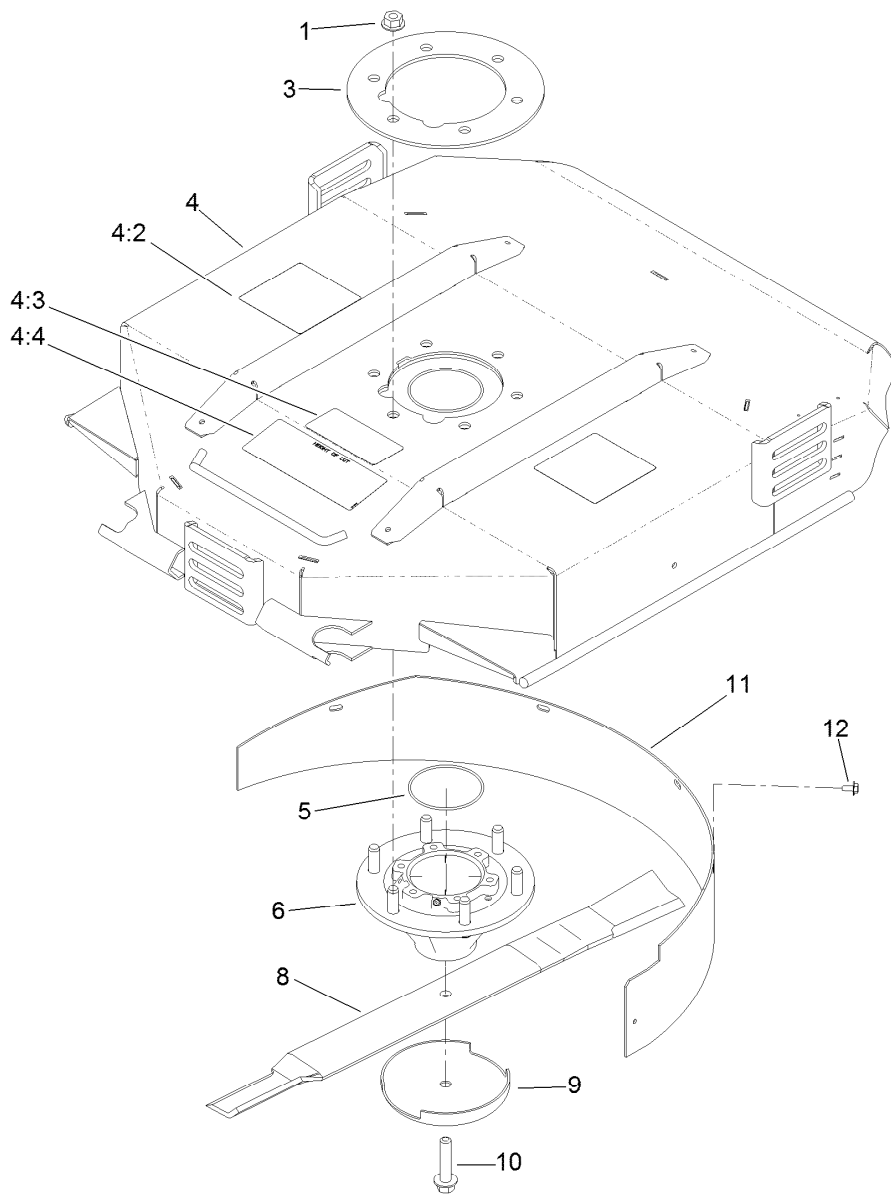
Roller Assembly No. 112-5265

<i>Ref.</i>	<i>Part Number</i>	<i>Qty.</i>	<i>Description</i>
1	112-5274-03	1	Tube ASM
2	117-5100	1	Shaft-Roller, Rear
7	108-0989	2	Screw-Set
8	114-5430	1	Roller Rebuild Kit
8:1	114-3717	2	Seal-Oil
8:2	112-5290	2	Bearing-Steel, Stainless
8:3	112-7494	4	Seal
8:4	114-5411	2	Nut-Lock, Bearing



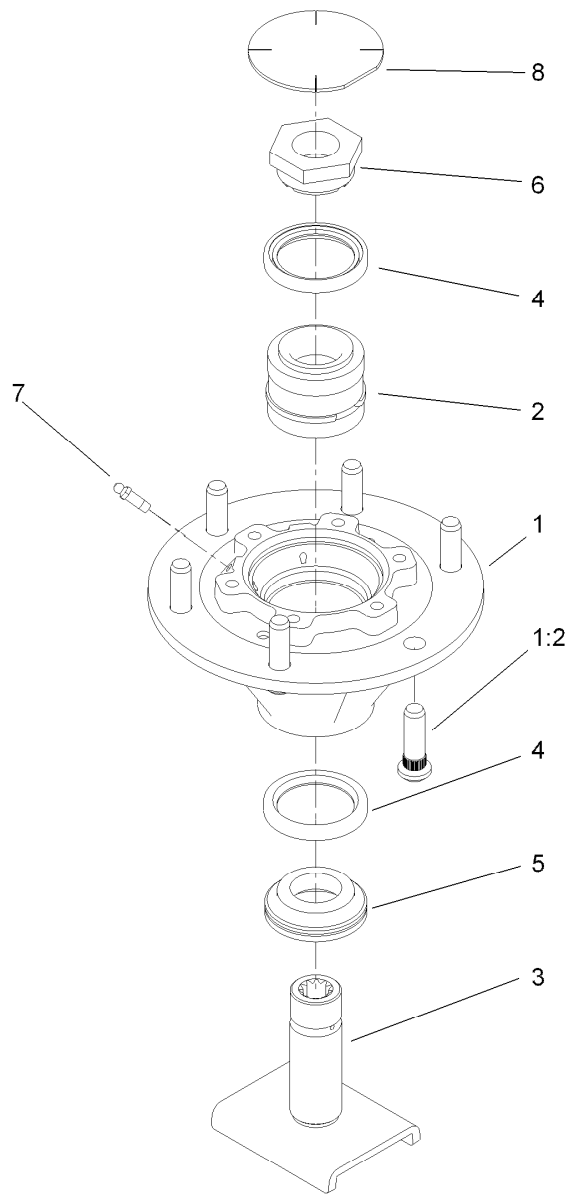
Height-of-Cut Bracket Assembly

Ref.	Part Number	Qty.	Description
1	100-5797-03	1	Bracket-HOC, RH
2	323-12	2	Screw-HH
3	80-6990	2	Washer-Hardened
4	104-1052-03	1	Bracket-HOC, Front
5	100-5799	18	Shim-HOC, .060 Inch
6	3231-9	4	Screw-CARR
7	104-4641	3	Shim-HOC, .030 Inch
8	32128-43	6	Nut-Flange
9	3234-24	3	Screw-HHF
10	121-3575	3	Spacer-HOC
11	104-4624-03	1	Bracket-HOC, LH
12	105-9225	3	HOC Plate ASM
12:2	32121-3	1	Pin-Spring



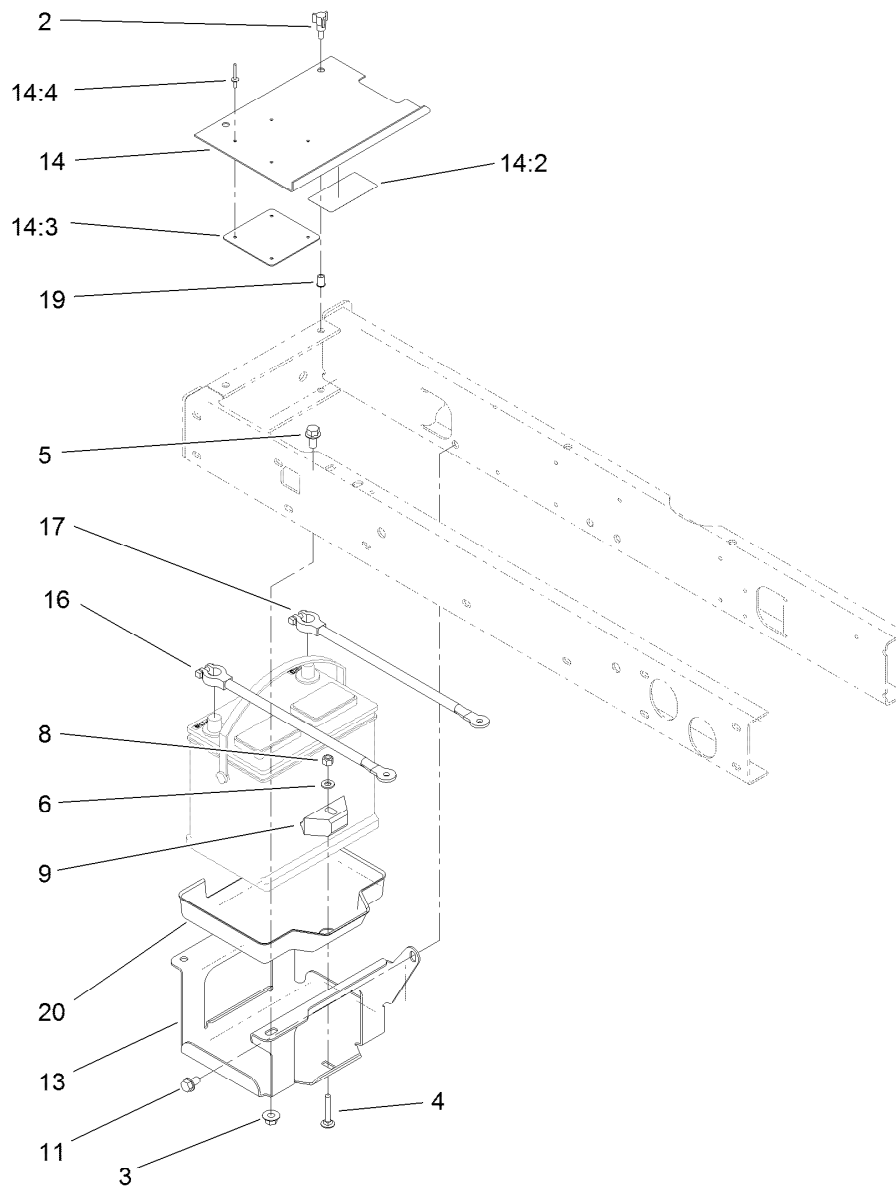
Chamber, Blade and Spindle Assembly

Ref.	Part Number	Qty.	Description
1	32128-39	6	Nut-HHF
3	104-1051-03	1	Plate-Spindle
4	115-3479	1	Chamber ASM
4:2	117-4764	2	Decal-Danger
4:3	93-7818	1	Decal-Torque, Blade Bolt
4:4	104-1086	1	Decal-HOC
5	237-161	1	O-Ring
6	115-3435	1	Spindle ASM
8	107-0235-03	1	Blade-Atomic
8	108-9026-03	1	Blade-Combo
9	72-9361	1	Cup-Scalp, Anti
10	92-5816	1	Bolt-Blade
11	108-9025-01	1	Baffle-Mulching
12	46-8560	5	Screw-HHFTF



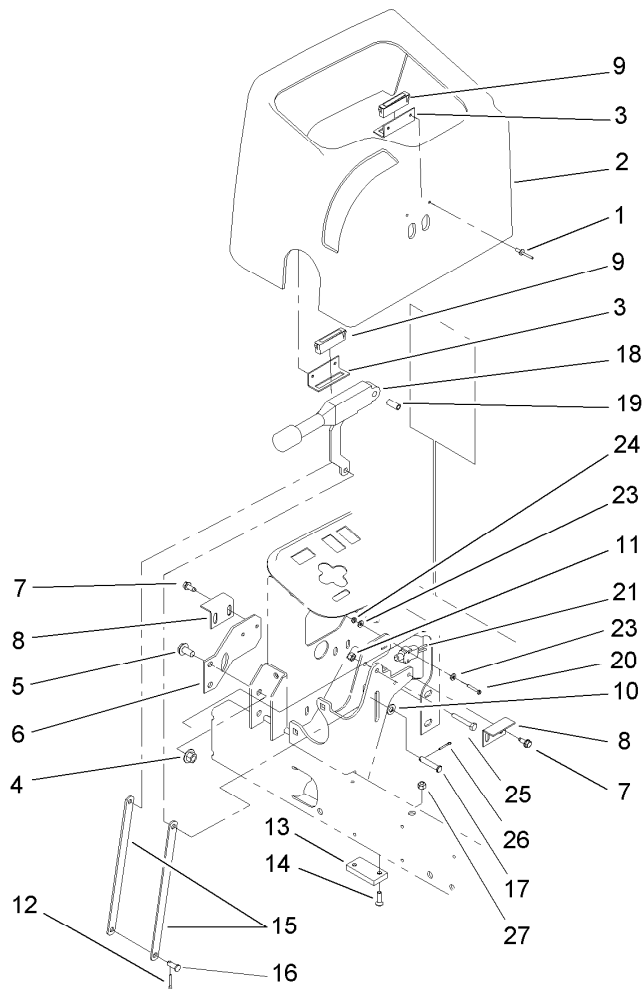
Spindle Assembly No. 115-3435

<i>Ref.</i>	<i>Part Number</i>	<i>Qty.</i>	<i>Description</i>
1	115-3434	1	Spindle
1:2	10-6830	6	Stud-Type, Drive
2	100-5703	1	Spacer And Bearing ASM
3	100-5705	1	Spindle Shaft ASM
4	253-154	2	Seal-Oil
5	69-6950	1	Spacer-Shaft, Spindle
6	100-5709	1	Nut-Spindle, Spcl
7	302-62	2	Fitting-Grease
8	94-2703	1	Plug



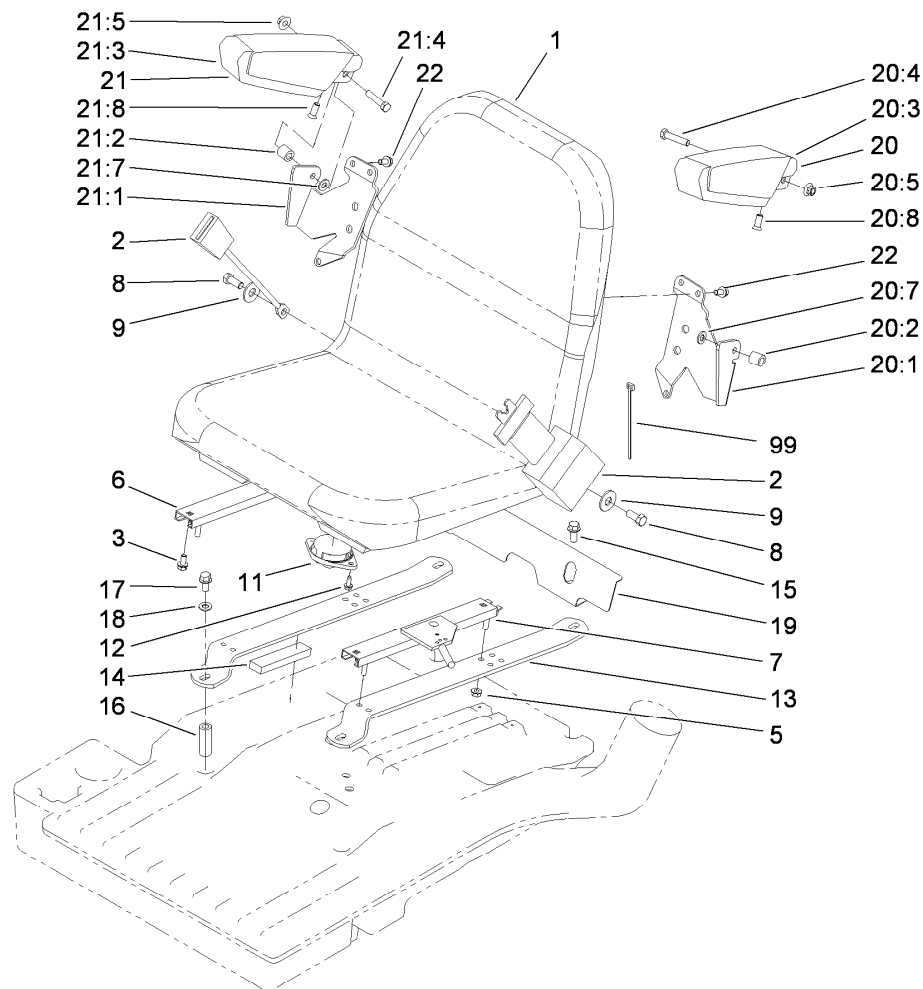
Battery Assembly

<i>Ref.</i>	<i>Part Number</i>	<i>Qty.</i>	<i>Description</i>	<i>Ref.</i>	<i>Part Number</i>	<i>Qty.</i>	<i>Description</i>
2	233-70	2	Knob-Star, Three	14	99-3602	1	Battery Cover ASM
3	32128-43	3	Nut-Flange	14:2	93-7276	1	Decal-Danger
4	3230-6	1	Bolt-CARR	14:3	87-7620	1	Shield-Terminal, Battery
5	3234-1	3	Screw-HHF	14:4	3269-27	4	Rivet-Snap
6	3256-23	1	Washer-Plain	16	95-8853	1	Cable-Battery, Positive
8	3296-29	1	Nut-Lock, NI	17	95-8854	1	Cable-Battery, Negative
9	66-2490	1	Retainer-Battery	19	32148-6	2	Nut-Clinch
11	32144-15	1	Screw-HHFTF	20	99-3513	1	Tray-Battery
13	95-8796-03	1	Support-Battery				



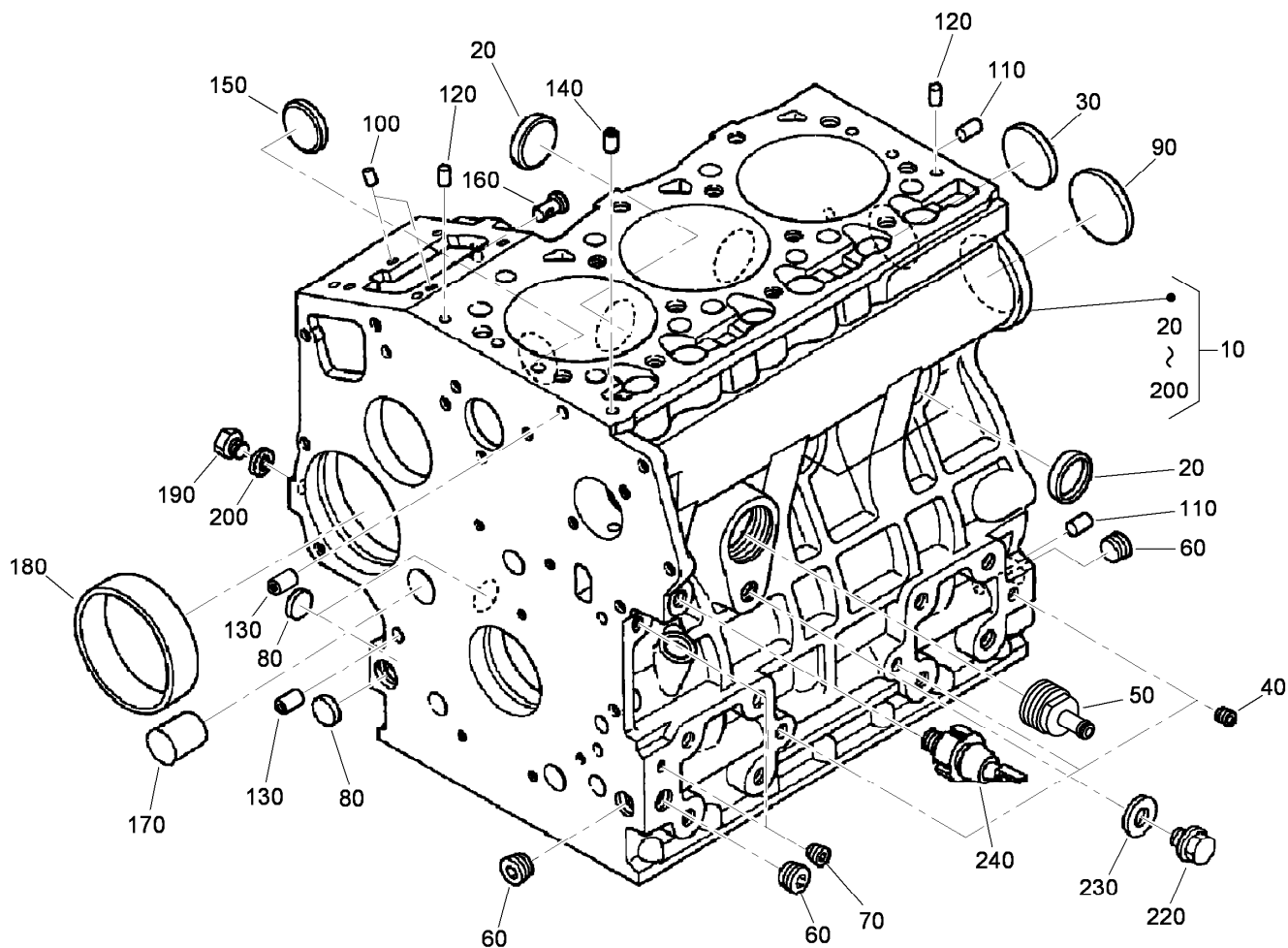
Parking Brake Assembly

<i>Ref.</i>	<i>Part Number</i>	<i>Qty.</i>	<i>Description</i>	<i>Ref.</i>	<i>Part Number</i>	<i>Qty.</i>	<i>Description</i>
1	3269-5	4	Rivet-Pop	14	3289-4	2	Screw-FH
2	95-8707	1	Cover-Dash	15	104-4628-03	2	Link-Brake, Parking
3	95-8763	2	Bracket-Hold Down, Cover	16	283-62	1	Pin-Clevis
4	32128-43	2	Nut-Flange	17	94-3829	1	Pin-Clevis
5	3234-1	2	Screw-HHF	18	104-4817	1	Lever-Brake
6	95-8764-03	1	Support-Magnet	19	87-4710	1	Spacer-Brake, Parking
7	32144-10	4	Screw-HWH	20	32105-9	2	Screw
8	95-8765	2	Bracket-Strike, Magnet	21	95-8900	1	Switch
9	58-4250	2	Catch-Magnetic	23	3256-21	4	Washer-Flat
10	3256-23	3	Washer-Plain	24	3296-9	2	Nut-Hex
11	3296-42	1	Nut-Lock, NI	25	321-10	1	Screw-HH
12	3272-10	1	Pin-Cotter	26	3272-6	1	Pin-Cotter
13	95-8684	1	Pad-Bumper	27	32128-32	2	Nut-HHF



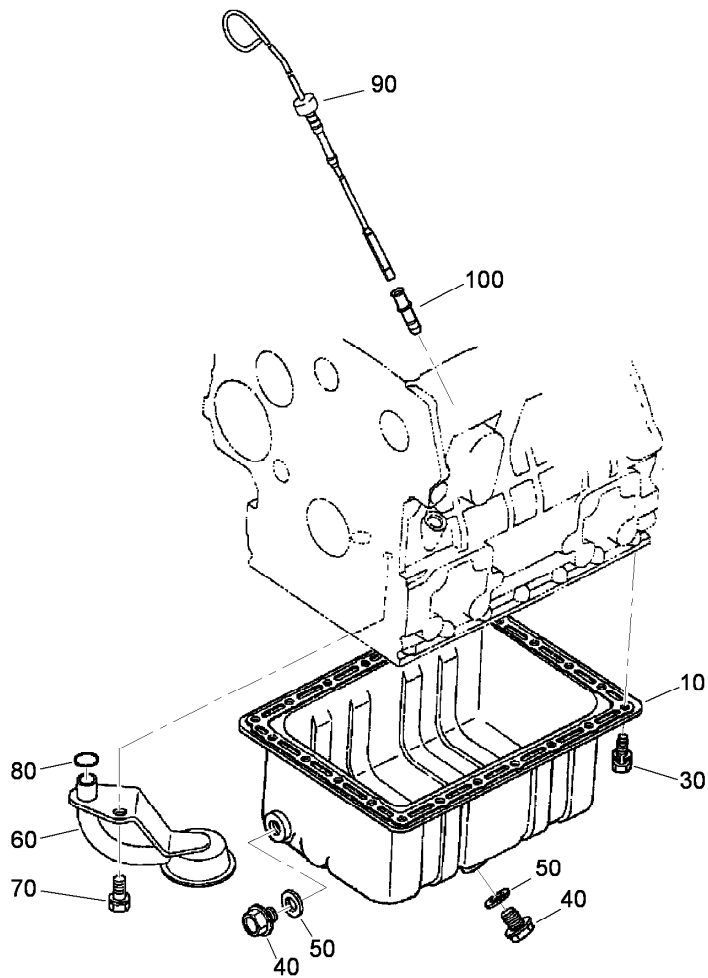
Seat Mounting Assembly

<i>Ref.</i>	<i>Part Number</i>	<i>Qty.</i>	<i>Description</i>	<i>Ref.</i>	<i>Part Number</i>	<i>Qty.</i>	<i>Description</i>
1	104-4620	1	Seat	20:1	69-0760	1	Bracket-Arm, LH
2	100-4928	1	Belt-Seat	20:2	92-7301	1	Spacer
3	3234-14	4	Screw-HHF	20:3	69-1180	1	Armrest
5	104-8300	4	Nut-HF, NI	20:4	323-9	1	Screw-HH
6	92-8990	1	Adjuster-Seat, Non-Locking	20:5	32128-19	1	Nut-HF Lock, Large Flg
7	92-8991	1	Adjuster (W/Latch)	20:7	3256-24	1	Washer-Flat
8	3212-4	2	Screw-HH	20:8	92-7318	1	Screw
9	3253-6	2	Washer-Lock	21	92-7306	1	RH Armrest ASM
11	92-6282	1	Switch-Seat	21:1	69-0770	1	Bracket-Arm, RH
12	32144-10	2	Screw-HWH	21:2	92-7301	1	Spacer
13	104-0467-03	2	Strap-Support, Seat	21:3	69-1180	1	Armrest
14	95-8896	2	Foam	21:4	323-9	1	Screw-HH
15	3234-11	2	Screw-HHF	21:5	32128-19	1	Nut-HF Lock, Large Flg
16	104-0466	2	Spacer	21:7	3256-24	1	Washer-Flat
17	323-14	2	Screw-HH	21:8	92-7318	1	Screw
18	3256-24	2	Washer-Flat	22	3234-14	6	Screw-HHF
19	104-4833-03	1	Shield-Heat	99	3290-378	1	Tie-Cable
20	92-7307	1	LH Armrest ASM				



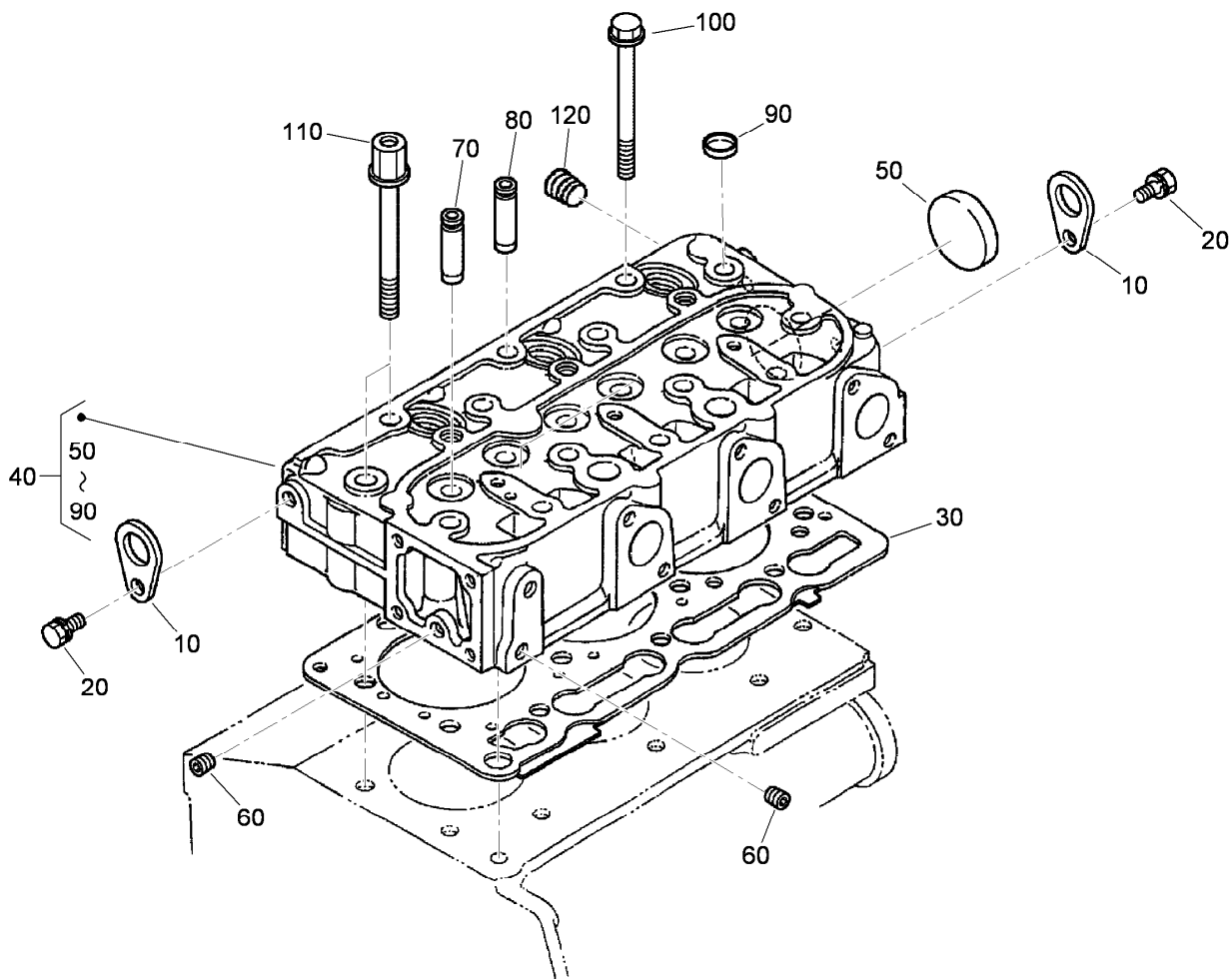
Crankcase Assembly

<i>Ref.</i>	<i>Part Number</i>	<i>Qty.</i>	<i>Description</i>
10	112-7043	1	Crankcase ASM
20	98-9398	4	Cap-Sealing
30	98-7539	1	Cap-Sealing
40	98-7540	3	Plug
50	99-8347	1	Joint-Pipe, Drain
60	98-9597	3	Plug
70	98-7487	2	Plug
80	98-9379	3	Plug-Expansion
90	98-9668	1	Plug-Expansion
100	98-9375	2	Pin-Straight
110	98-9377	2	Pin-Straight
120	98-9376	2	Pin-Straight
130	98-9387	2	Pin-Pipe
140	98-9539	1	Pin-Pipe
150	98-9599	1	Plug
160	98-9630	1	Pin-Spring, Start
170	98-9675	1	Plug
180	98-9656	1	Bushing-Governor, Gear
190	98-7507	1	Plug
200	98-7428	1	Gasket
220	99-3447	1	Plug
230	106-7056	1	Gasket
240	98-9416	1	Switch-Oil



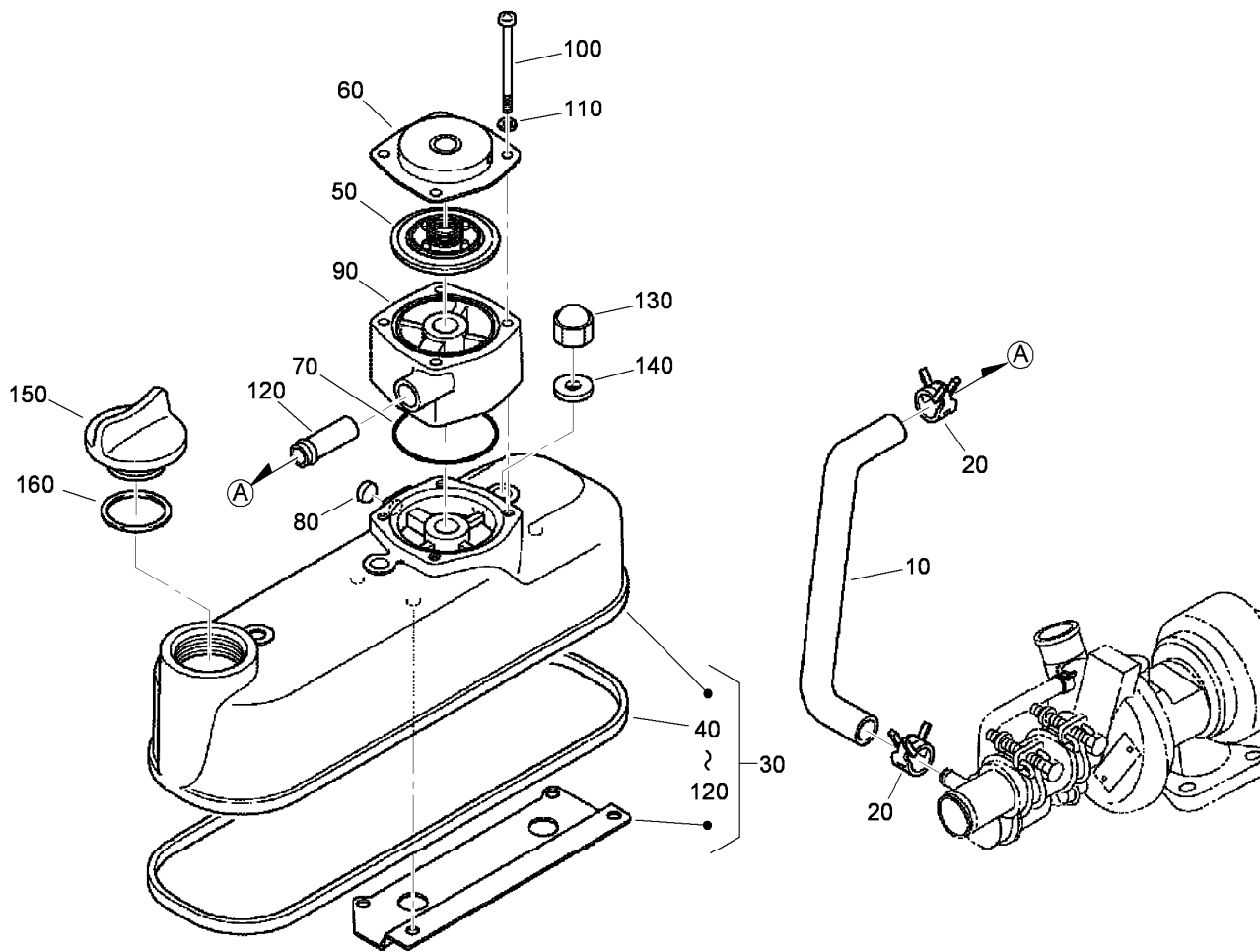
Dipstick, Guide and Oil Pan Assembly

<i>Ref.</i>	<i>Part Number</i>	<i>Qty.</i>	<i>Description</i>
10	98-9685	1	Pan-Oil
30	98-9351	22	Bolt
40	114-8151	2	Plug-Drain
50	98-7524	2	Gasket
60	112-7044	1	Head-Filter
70	98-7526	1	Bolt
80	105-3776	1	O-Ring
90	107-9076	1	Gauge-Oil
100	105-4580	1	Guide-Gauge, Oil



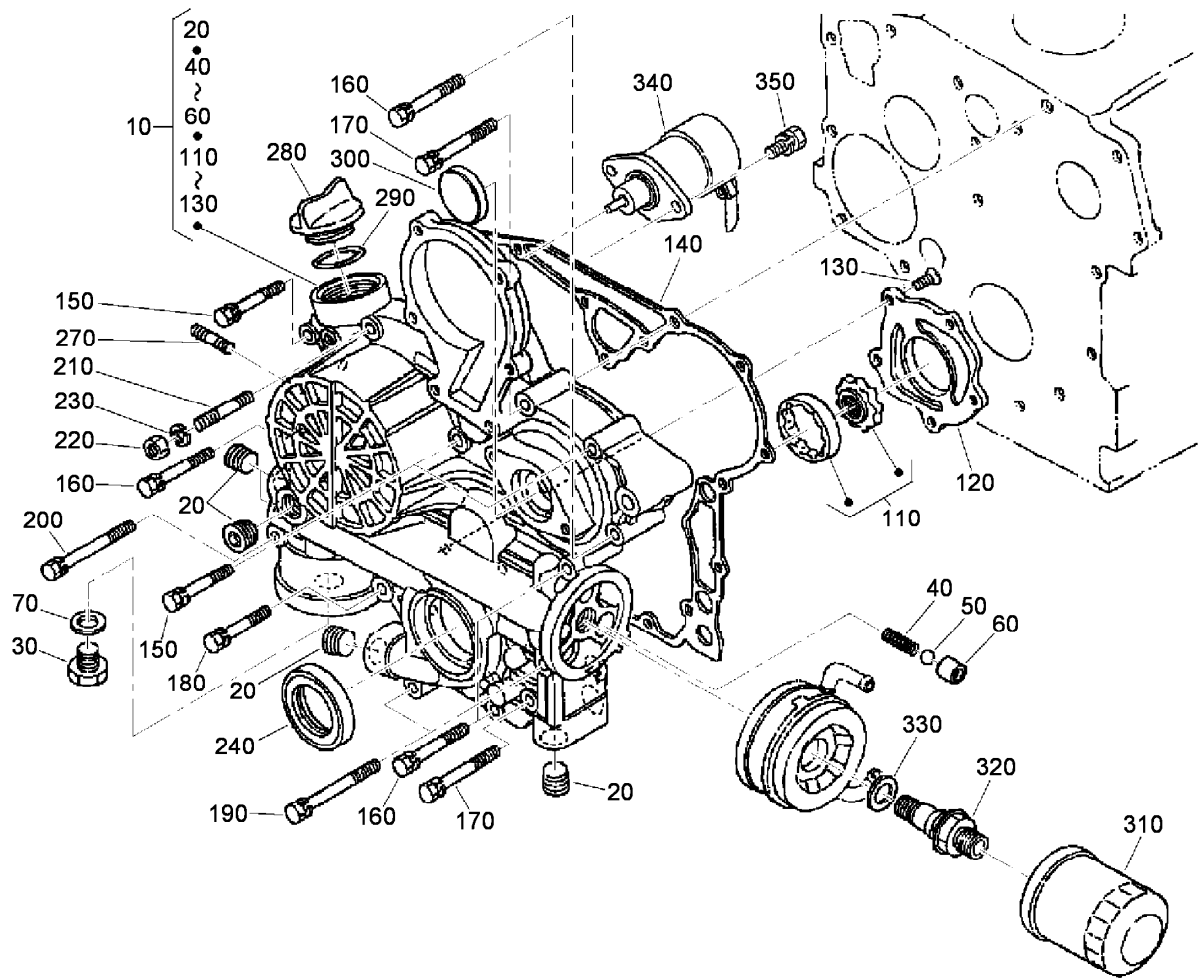
Cylinder Head Assembly

<i>Ref.</i>	<i>Part Number</i>	<i>Qty.</i>	<i>Description</i>
10	98-7531	2	Hook-Engine
20	100-9195	2	Bolt
30	108-6573	1	Gasket-Head, Cylinder
40	107-7823	1	Cylinder Head ASM
50	105-3705	1	Cap-Sealing
60	98-7540	2	Plug
70	107-9066	3	Guide-Valve, Inlet
80	107-9067	3	Guide-Valve, Exhaust
90	98-9389	2	Cap-Sealing
100	98-9479	12	Bolt-Head, Cylinder
110	98-9647	2	Bolt-Head, Cylinder
120	98-9444	1	Plug



Cylinder Head Cover Assembly

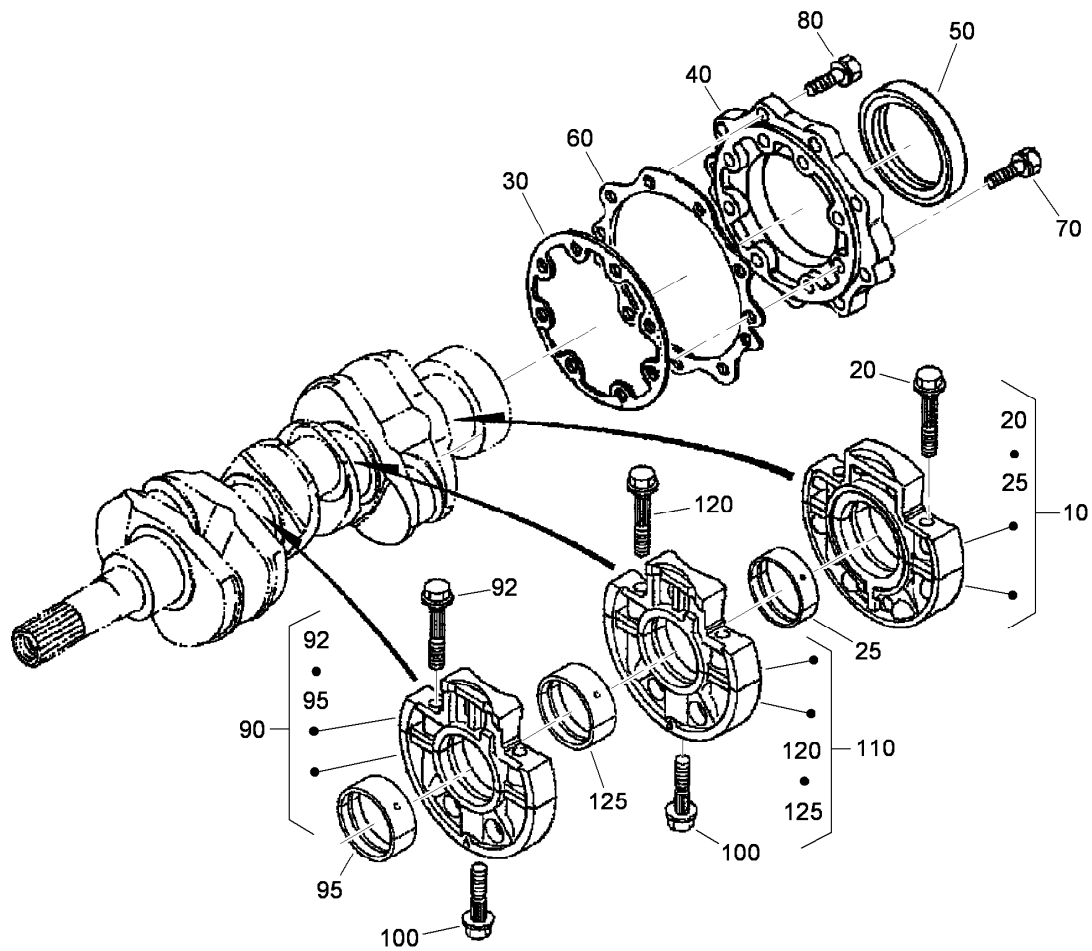
<i>Ref.</i>	<i>Part Number</i>	<i>Qty.</i>	<i>Description</i>
10	115-3040	1	Tube-Breather
20	108-2859	2	Clamp-Hose
30	115-3041	1	Cylinder Head Cover ASM
40	98-9615	1	Gasket-Cover, Head
50	110-3715	1	Valve-Breather
60	110-3714	1	Cover-Breather
70	110-3846	1	O Ring-Breather
80	115-3042	1	Cap-Sealing
90	115-3043	1	Spacer-Breather
100	115-3044	4	Screw-Pan Head
110	100-2204	4	Washer-Spring
120	98-7766	1	Pipe-Return, Water
130	98-9455	3	Nut-Cap
140	98-9454	3	Gasket
150	107-9075	1	Plug-Filler, Oil
160	99-3446	1	O-Ring



Gear Case and Oil Filter Cartridge Assembly

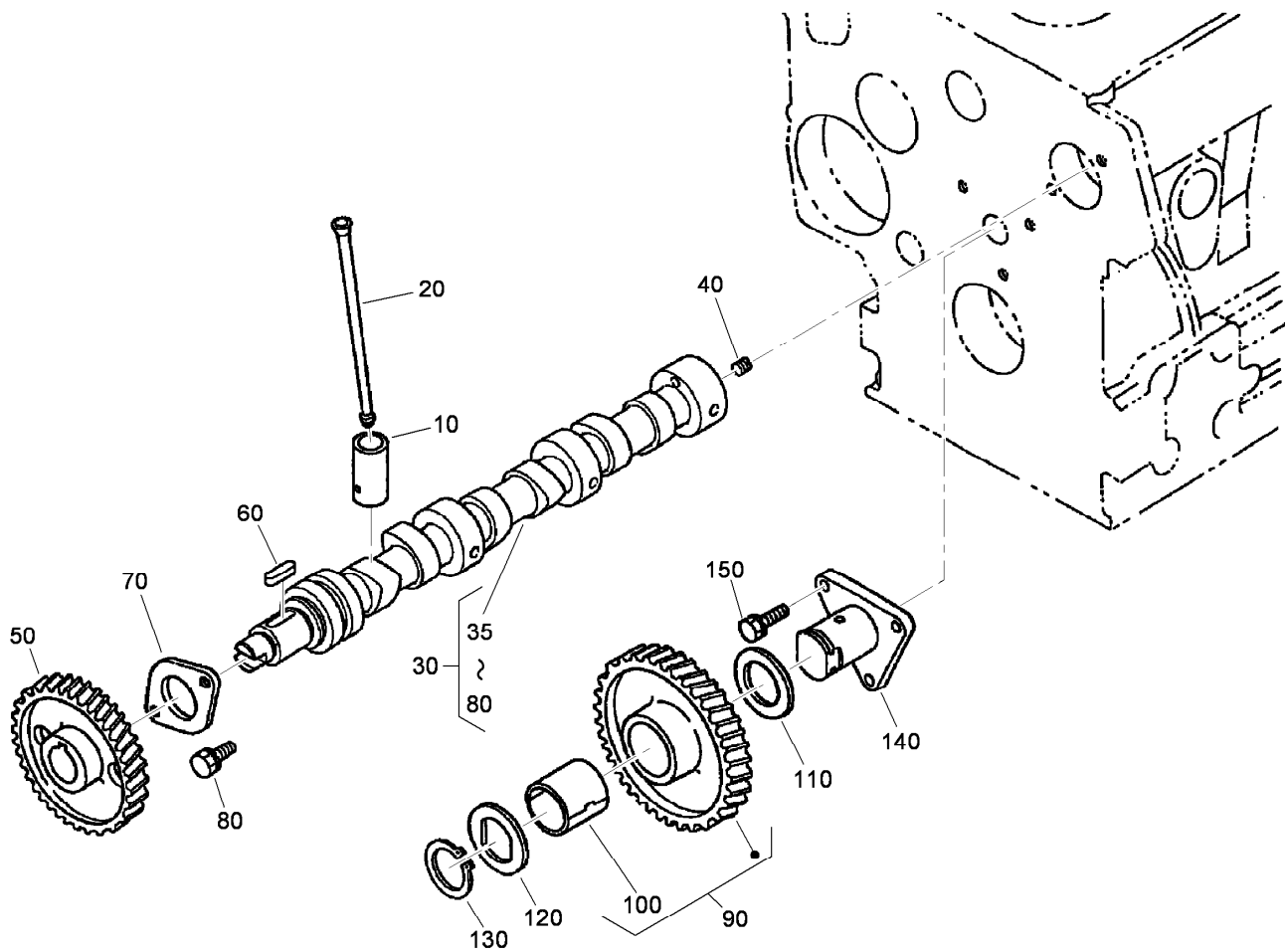
<i>Ref.</i>	<i>Part Number</i>	<i>Qty.</i>	<i>Description</i>
10	107-7825	1	Gear Case ASM
20	98-9598	5	Plug
30	99-3450	1	Plug
40	98-9544	1	Spring
50	98-9543	1	Seat-Valve
60	98-9380	1	Ball
70	99-3451	1	Plug-Packing
110	98-9540	1	Oil Pump Rotor ASM
120	105-3708	1	Cover-Pump, Oil
130	98-9592	5	Screw
140	98-9633	1	Gasket-Case, Gear
150	100-1765	3	Bolt
160	105-3797	4	Bolt
170	98-9356	2	Bolt
180	98-9437	1	Bolt

<i>Ref.</i>	<i>Part Number</i>	<i>Qty.</i>	<i>Description</i>
190	98-9586	2	Bolt
200	99-3511	1	Bolt
210	105-3709	1	Stud
220	98-7572	1	Nut
230	98-7699	1	Washer-Spring
240	98-9482	1	Seal-Oil
270	105-3710	2	Stud
280	107-9075	1	Plug-Filler, Oil
290	99-3446	1	O-Ring
300	98-9641	1	Cover-Case, Gear
310	99-8384	1	Filter-Oil
320	104-5159	1	Holder ASM
330	98-9727	1	Collar
340	104-5155	1	Solenoid-Stop
350	115-3039	2	Bolt-HSH



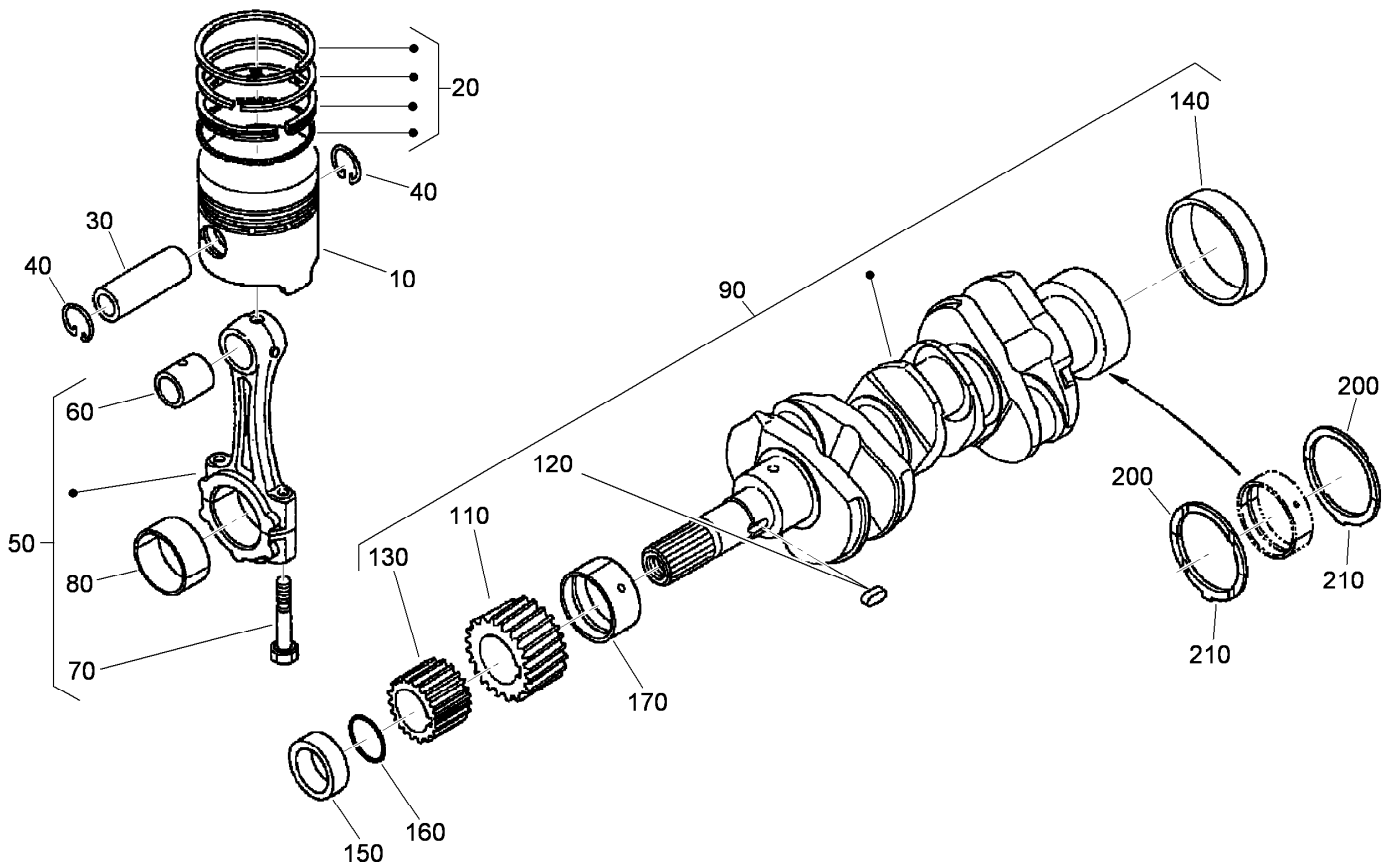
Main Bearing Case Assembly

<i>Ref.</i>	<i>Part Number</i>	<i>Qty.</i>	<i>Description</i>
10	112-7026	1	Wheel Bearing Case ASM
20	98-9484	2	Bolt-Case, Bearing
25	112-7045	1	Metal-Crankshaft
25	112-7039	1	Metal-Crankshaft (0.2Mm)
25	112-7040	1	Metal-Crankshaft (-0.4Mm)
30	98-9634	1	Gasket-Case, Bearing
40	112-7046	1	Cover-Case, Bearing
50	112-0180	1	Seal-Oil
60	112-7037	1	Gasket-Cover, Case
70	98-9352	8	Bolt
80	98-7568	9	Bolt
90	112-7028	1	Bearing ASM
92	98-9484	2	Bolt-Case, Bearing
95	112-7011	1	Bearing-Main (STD)
95	112-7012	1	Metal-Crankpin (-0.2MM)
95	112-7013	1	Metal-Crankpin (-0.4MM)
100	98-9485	2	Bolt-Case, Bearing
110	112-7027	1	Bearing ASM
120	98-9484	2	Bolt-Case, Bearing
125	112-7011	1	Bearing-Main (STD)
125	112-7012	1	Metal-Crankpin (-0.2MM)
125	112-7013	1	Metal-Crankpin (-0.4MM)



Camshaft and Idle Gear Shaft Assembly

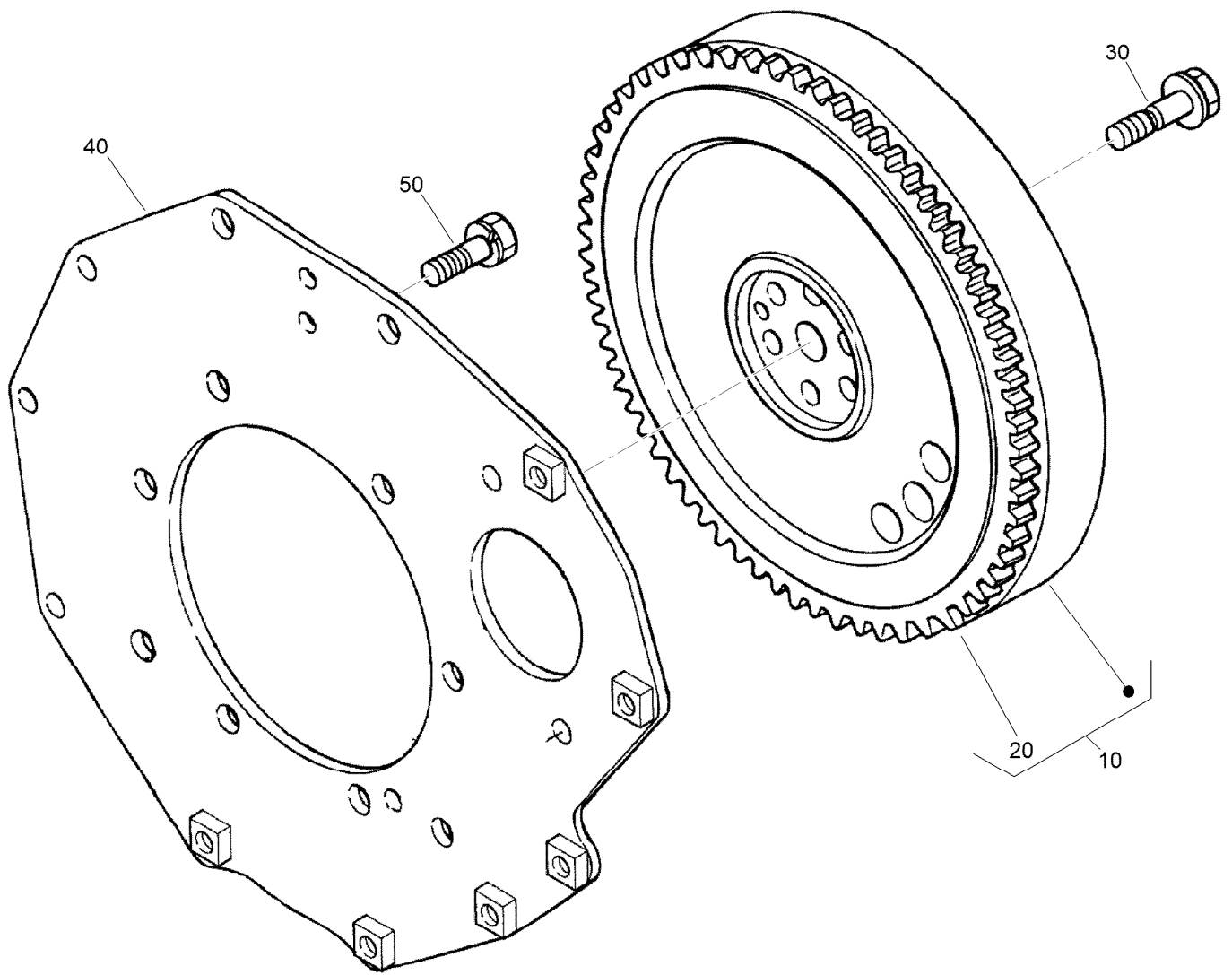
Ref.	Part Number	Qty.	Description
10	112-0185	6	Tappet
20	98-9509	6	Rod-Push
30	112-7029	1	Camshaft ASM
35	108-1403	1	Camshaft
40	98-7449	1	Screw-Set
50	98-9512	1	Gear-Cam
60	98-9378	1	Key-Feather
70	98-9510	1	Stopper-Camshaft
80	98-7692	2	Bolt
90	98-9649	1	Idle Gear ASM
100	98-9650	1	Bushing-Gear, Idle
110	98-9535	1	Collar-Gear, Idle
120	98-9536	1	Collar-Gear, Idle
130	98-9534	1	Circlip-Gear, Idle
140	98-9533	1	Shaft-Gear, Idle
150	98-7692	3	Bolt



Piston and Crankshaft Assembly

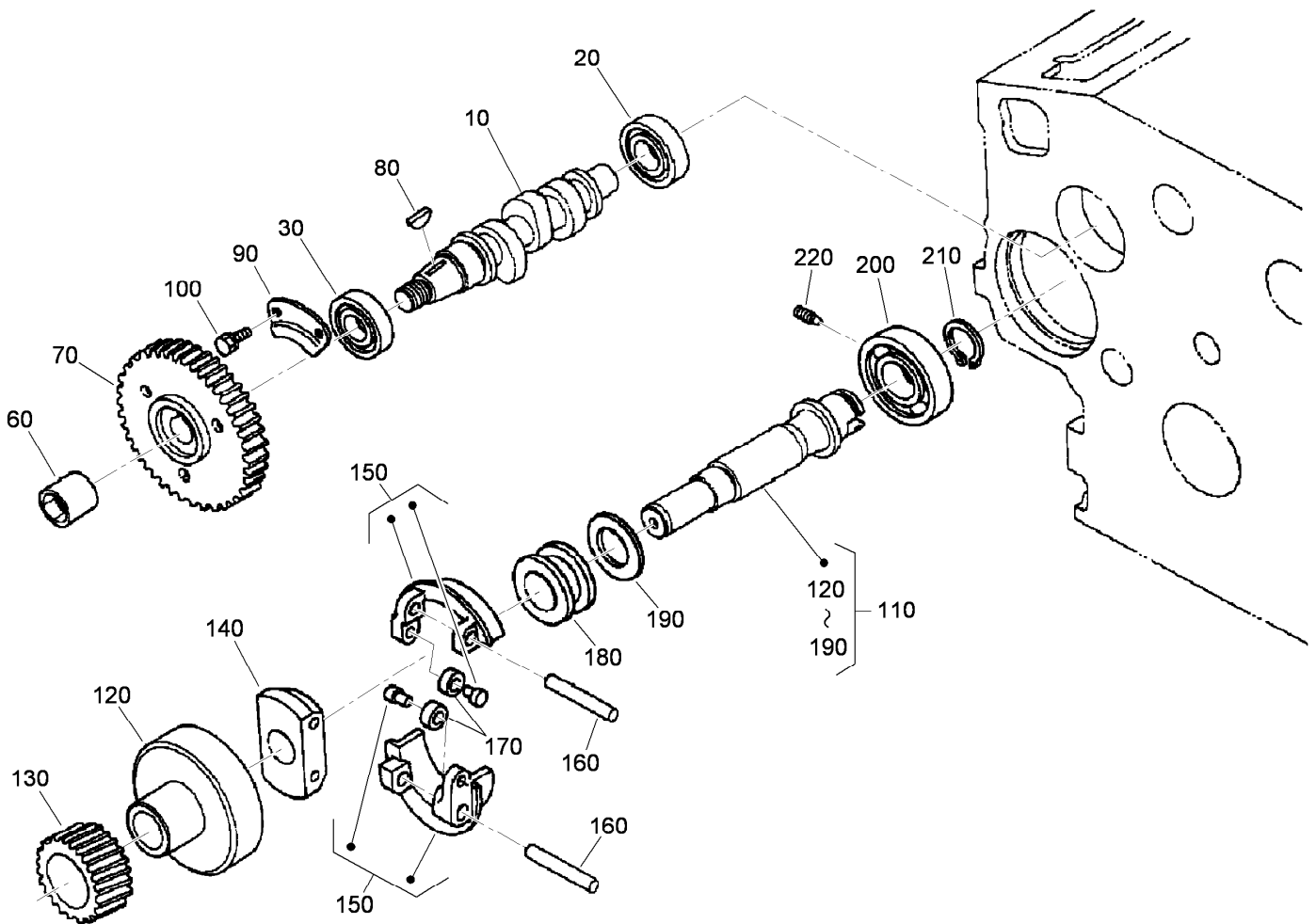
<i>Ref.</i>	<i>Part Number</i>	<i>Qty.</i>	<i>Description</i>
10	98-9550	3	Piston (STD)
10	108-1417	3	Piston (+0.5MM)
20	98-9551	3	Piston Ring ASM (STD)
20	108-1404	3	Piston Ring ASM (+0.5MM)
30	98-9513	3	Pin-Piston
40	98-9514	6	Circlip-Pin, Piston
50	98-9552	3	Connecting Rod ASM
60	115-3014	3	Bushing-Pin, Piston
70	98-9517	6	Bolt-Rod, Connecting
80	98-9553	3	Bearing-Rod (STD)
80	108-1405	3	Metal-Crankpin (-0.2MM)
80	108-1406	3	Metal-Crankpin (-0.4MM)
90	98-9642	1	Crankshaft ASM
110	98-9532	1	Gear-Crankshaft

<i>Ref.</i>	<i>Part Number</i>	<i>Qty.</i>	<i>Description</i>
120	98-9666	1	Key
130	98-9542	1	Gear-Drive, Oil Pump
140	98-9522	1	Sleeve-Crankshaft
150	98-9521	1	Collar-Crankshaft
160	105-3783	1	O-Ring
170	112-7005	1	Bearing-Main (STD)
170	112-7009	1	Metal-Crankpin (-0.2MM)
170	112-7010	1	Metal-Crankpin (-0.4MM)
200	98-9413	2	Bearing-Thrust (STD)
200	98-9414	2	Bearing-Thrust (0.2MM)
200	98-9415	2	Bearing-Thrust (0.4MM)
210	98-9688	2	Bearing-Thrust (STD)
210	98-9689	2	Bearing-Thrust (0.2MM)
210	98-9690	2	Bearing-Thrust (0.4MM)



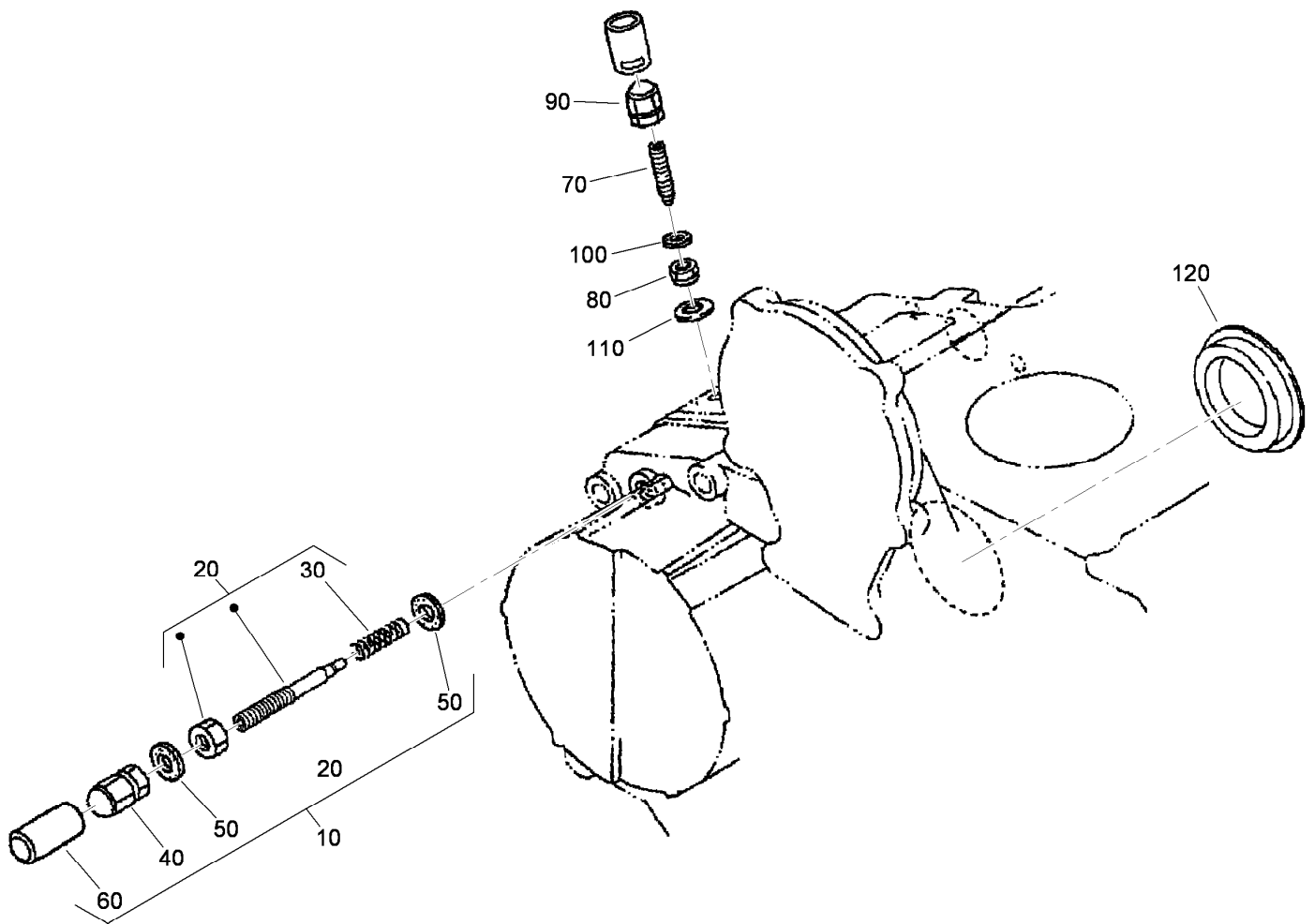
Flywheel Assembly

<i>Ref.</i>	<i>Part Number</i>	<i>Qty.</i>	<i>Description</i>
10	105-3784	1	Flywheel ASM
20	115-3015	1	Gear-Ring
30	98-9537	6	Bolt-Flywheel
40	98-9486	1	Plate-End, Rear
50	98-9392	8	Bolt



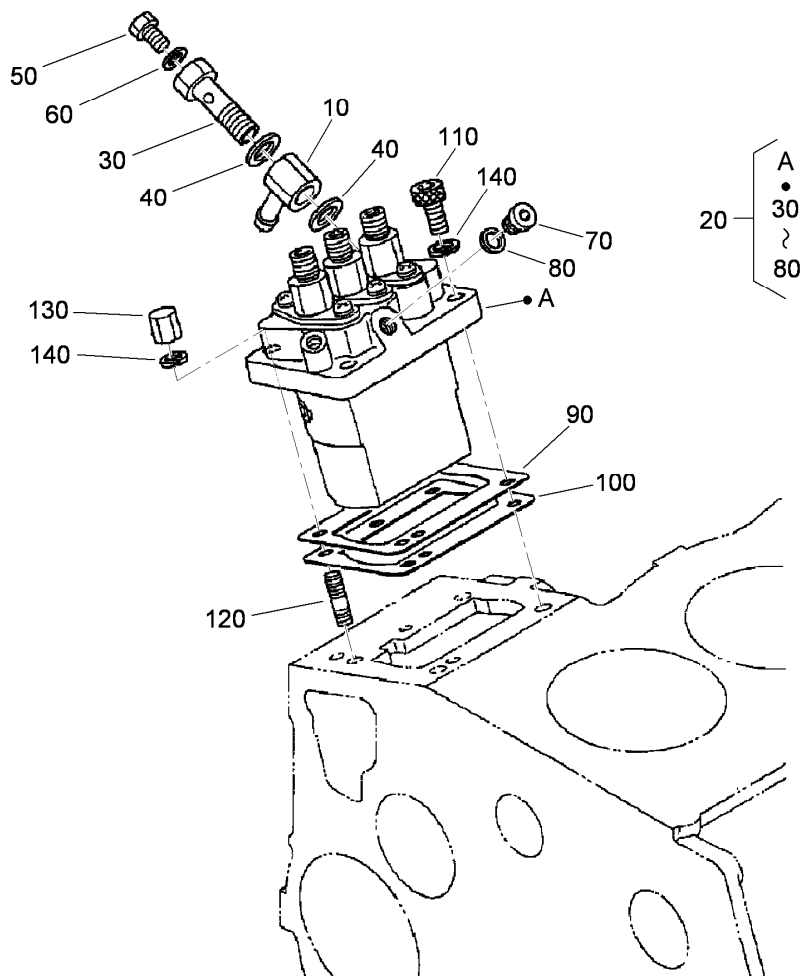
Fuel Camshaft and Governor Shaft Assembly

<i>Ref.</i>	<i>Part Number</i>	<i>Qty.</i>	<i>Description</i>
10	98-9459	1	Camshaft-Fuel
20	107-9077	1	Bearing-Ball
30	107-9078	1	Bearing-Ball
60	98-9590	1	Nut-Cap
70	98-9669	1	Gear-Pump, Injection
80	98-9595	1	Key-Woodruff
90	98-9511	1	Stopper-Fuel, Camshaft
100	98-7692	2	Bolt
110	98-9644	1	Governor Shaft ASM
120	98-9562	1	Holder-Gear, Governor
130	98-9673	1	Gear-Governor
140	98-9561	1	Holder-Weight, Governor
150	98-9559	2	Governor Weight ASM
160	98-9560	2	Shaft-Weight, Governor
170	98-9692	2	Roller
180	98-9563	1	Sleeve-Governor
190	98-9564	1	Washer-Thrust
200	107-9079	1	Bearing-Ball
210	98-9657	1	Circlip-Shaft, Governor
220	98-9565	1	Screw-Set



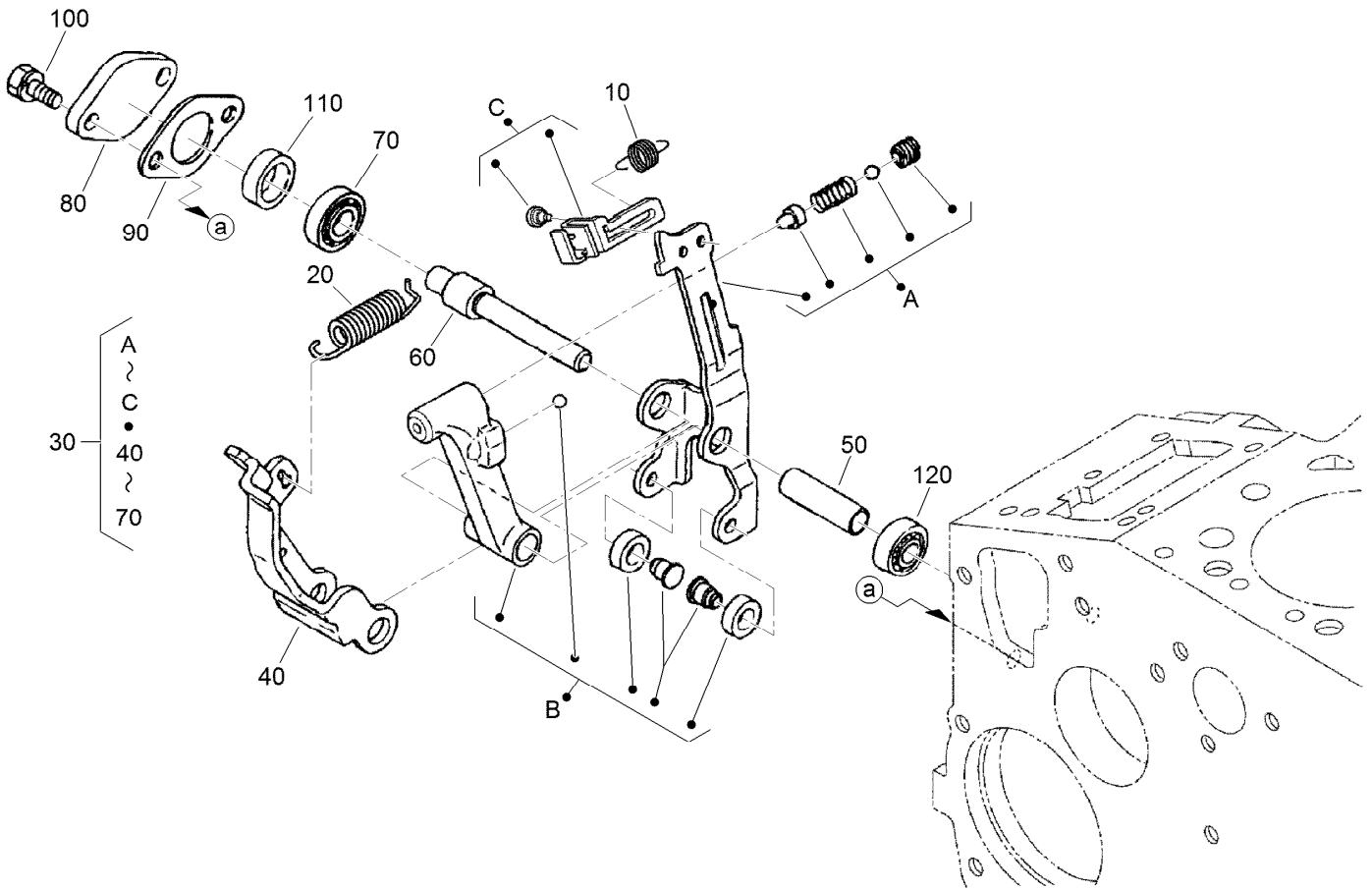
Idle Apparatus Assembly

<i>Ref.</i>	<i>Part Number</i>	<i>Qty.</i>	<i>Description</i>
10	115-4124	1	Apparatus-Idling
20	115-4125	1	Adjustment Bolt ASM
30	98-9439	1	Nut
40	112-0181	1	Nut
50	98-7654	2	Gasket
60	98-7656	1	Cap
70	112-7015	1	Bolt-Adjusting
80	100-2175	1	Nut-Lock
90	112-0181	1	Nut
100	98-7654	1	Gasket
110	107-9081	1	Gasket
120	112-7016	1	Cover-Pump



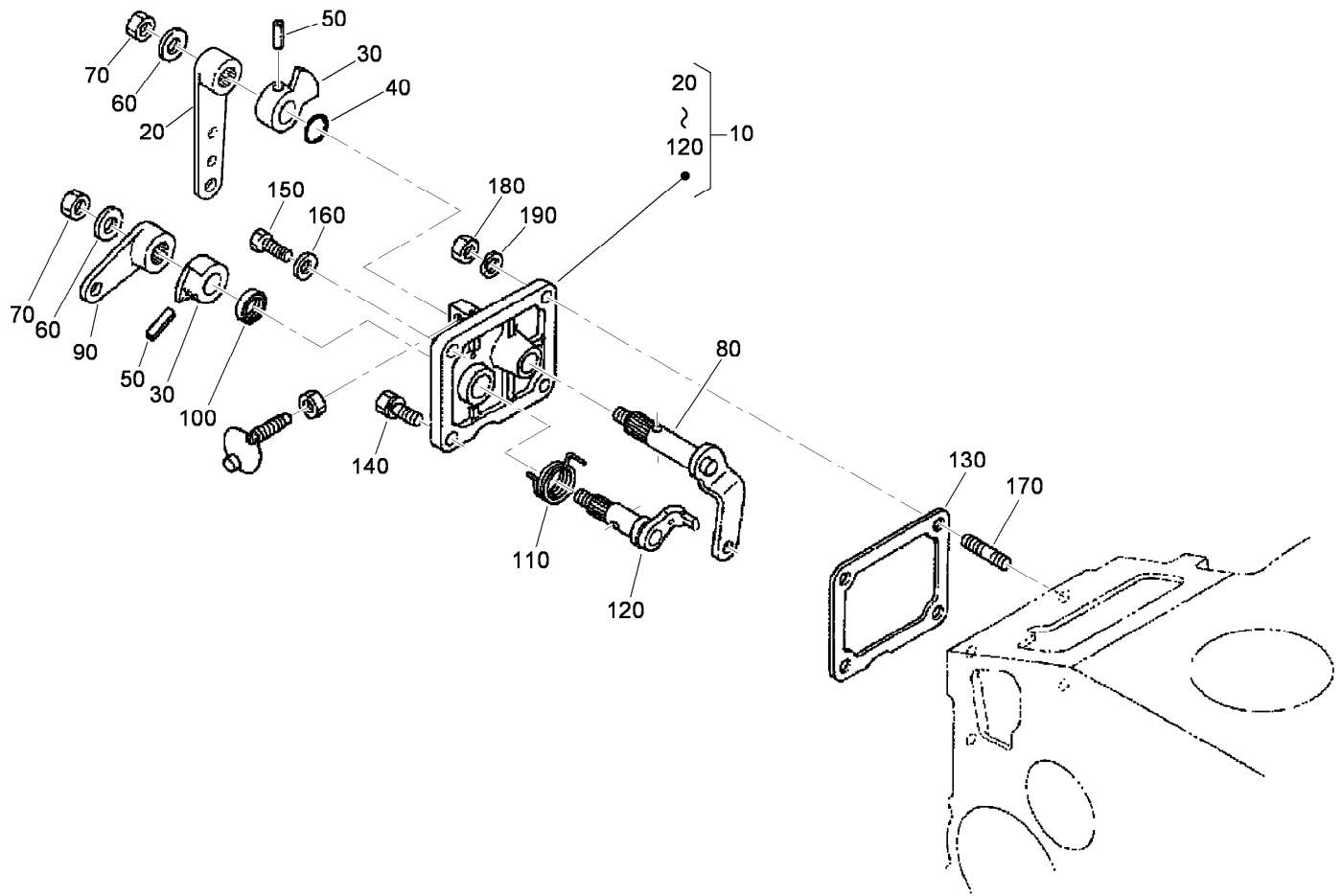
Injection Pump Assembly

<i>Ref.</i>	<i>Part Number</i>	<i>Qty.</i>	<i>Description</i>
10	98-9596	1	Joint-Eye
20	98-9643	1	Injection Pump ASM
30	98-9464	1	Bolt-Joint
40	98-9445	2	Gasket
50	98-9430	1	Screw
60	98-9446	1	Gasket
70	98-9466	1	Plug
80	98-9451	1	Gasket
90	98-9456	1	Shim-Injection (0.20MM)
90	98-9457	1	Shim-Injection (0.25MM)
90	115-3045	1	Shim-Injection (0.175MM)
100	98-9458	1	Shim-Injection (0.30MM)
100	115-3046	1	Shim-Injection (0.35MM)
110	98-9361	2	Bolt-HSH
120	98-9438	2	Stud
130	98-9440	2	Nut-Cap
140	98-7699	4	Washer-Spring



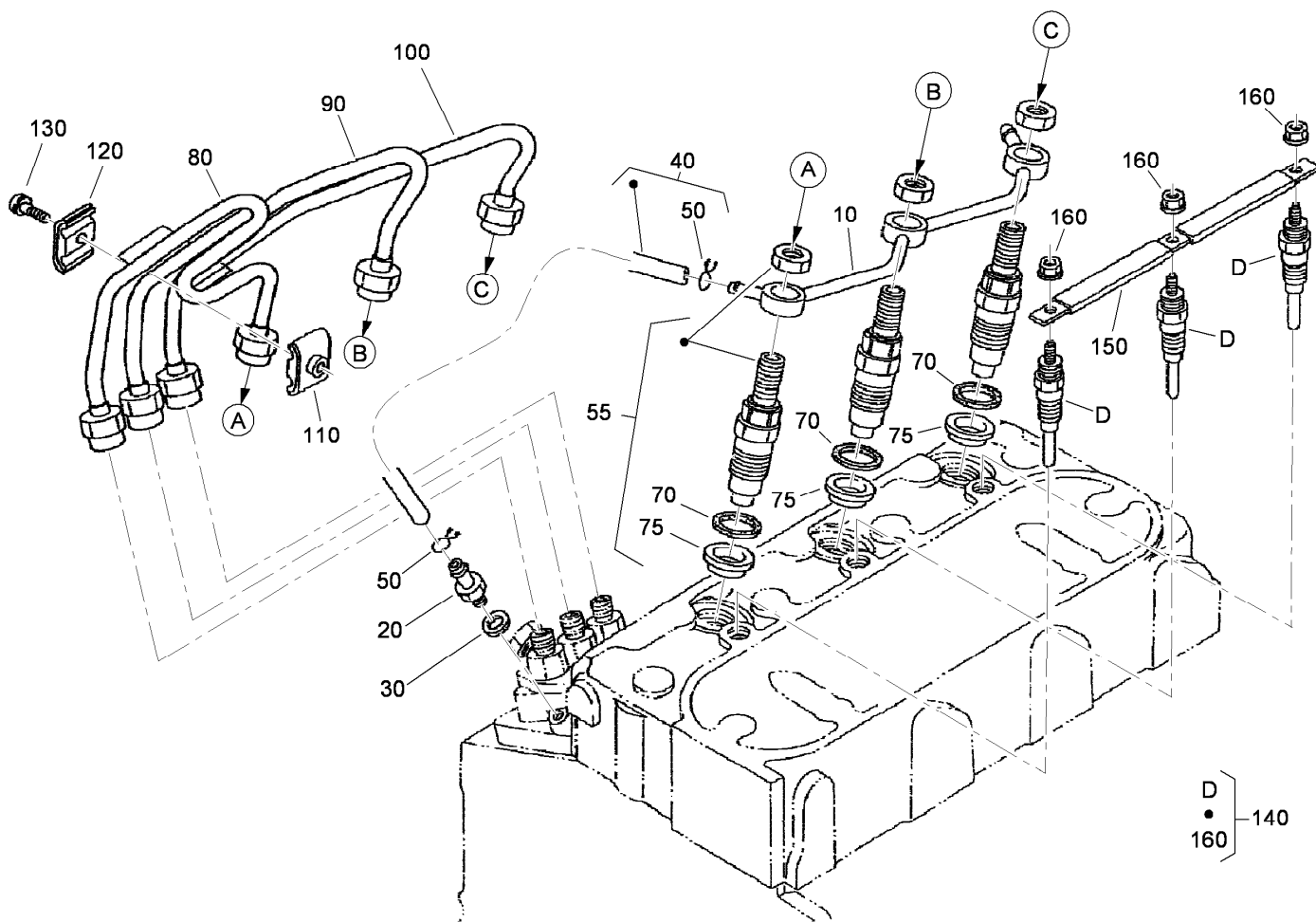
Governor Assembly

Ref.	Part Number	Qty.	Description
10	105-3786	1	Spring-Start
20	98-9681	1	Spring-Governor
30	115-4502	1	Fork Lever ASM
40	107-9084	1	Lever-Fork
50	107-9085	1	Shaft-Lever, Fork
60	107-9086	1	Shaft-Lever, Fork
70	98-9570	1	Bearing-Miniaturize
80	115-4122	1	Cover-Shaft, Fork Lever
90	98-9682	1	Gasket
100	98-9350	2	Bolt
110	98-9567	1	Collar
120	98-9571	1	Bearing-Miniaturize



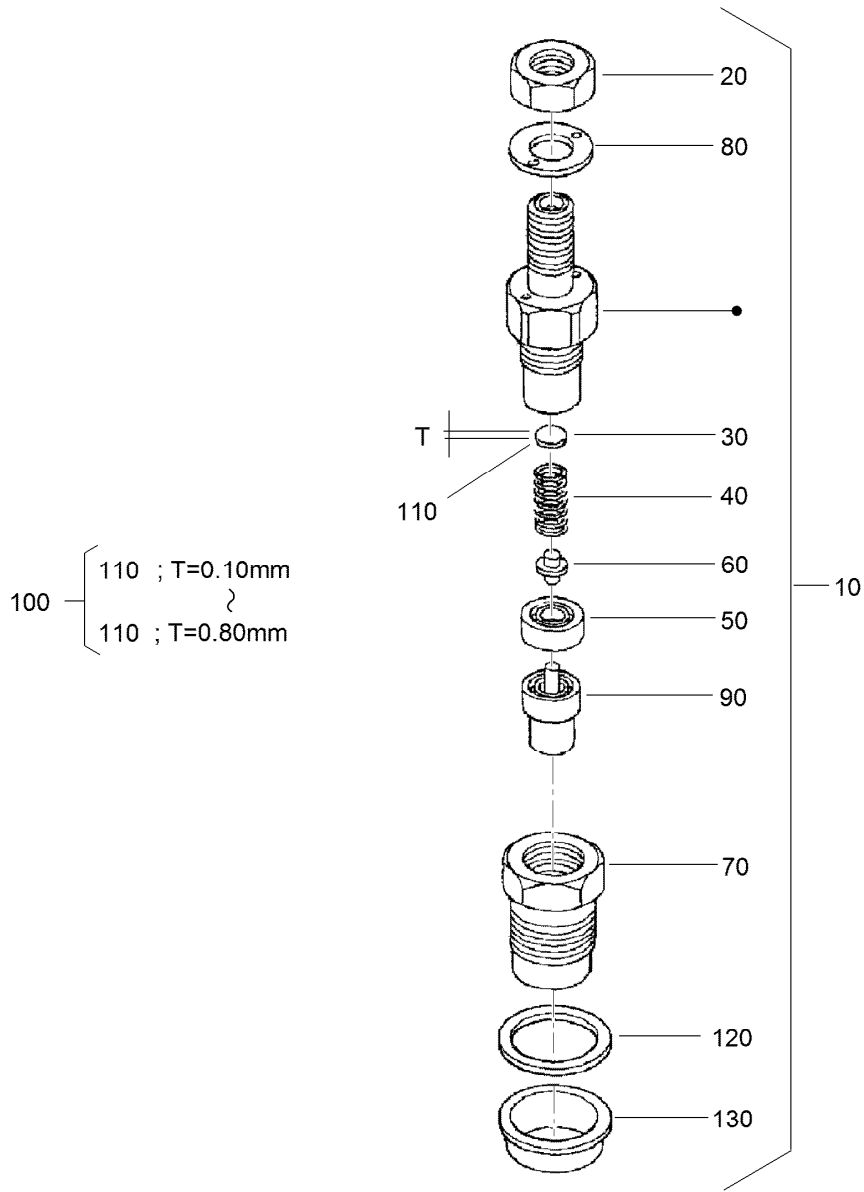
Speed Control Plate Assembly

<i>Ref.</i>	<i>Part Number</i>	<i>Qty.</i>	<i>Description</i>
10	105-3735	1	Control Plate ASM
20	98-9662	1	Lever-Control, Speed
30	98-9572	2	Lever-Control, Speed
40	105-3788	1	O-Ring
50	98-7602	2	Pin-Spring
60	98-9594	2	Washer-Plain
70	98-9589	2	Nut
80	98-9658	1	Governor Lever ASM
90	98-9663	1	Lever-Stop, Engine
100	98-7601	1	Seal-Oil
110	98-9472	1	Spring-Return
120	98-9664	1	Shaft-Lever, Stop
130	98-9637	1	Gasket
140	98-7692	1	Bolt
150	99-8348	1	Bolt
160	98-7654	1	Gasket
170	105-3710	2	Stud
180	98-7572	2	Nut
190	98-7699	2	Washer-Spring



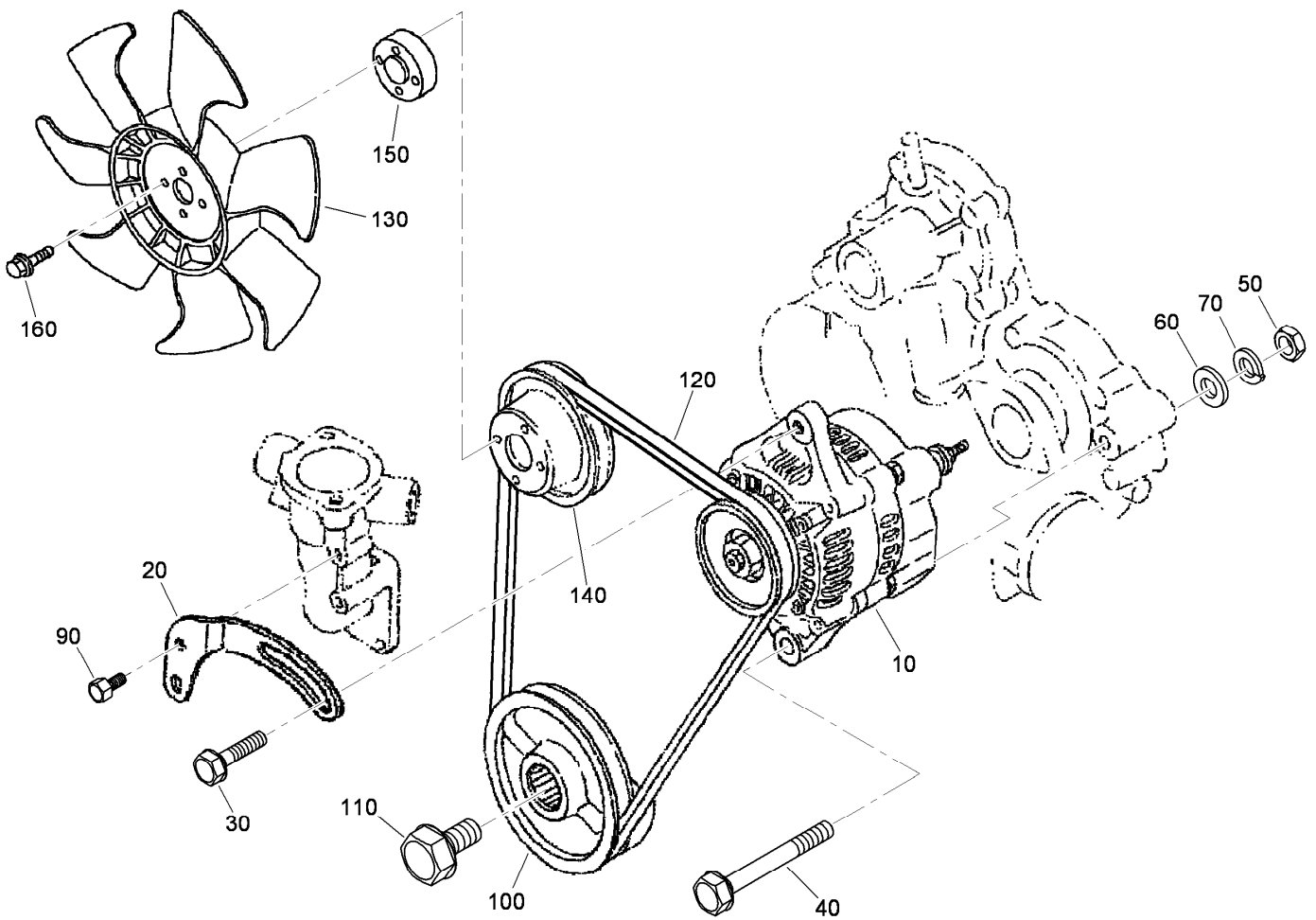
Nozzle Holder and Glow Plug Assembly

Ref.	Part Number	Qty.	Description
10	98-9621	1	Overflow Pipe ASM
20	98-9431	1	Screw-Bleeder, Air
30	98-7654	1	Gasket
40	98-9624	1	Overflow Pipe ASM
50	98-7671	2	Clip-Pipe
55	108-2866	3	Nozzle Holder Kit
70	98-7676	3	Gasket
75	98-7677	3	Seal-Heat
80	98-9622	1	Pipe-Injection
90	98-9654	1	Pipe-Injection
100	98-9655	1	Pipe-Injection
110	98-7682	2	Clamp-Pipe
120	98-7683	2	Clamp-Pipe
130	98-7684	2	Screw (W/Washer)
140	98-9623	3	Plug-Glow
150	98-9631	1	Cord-Plug, Glow
160	99-8377	3	Nut-Flange



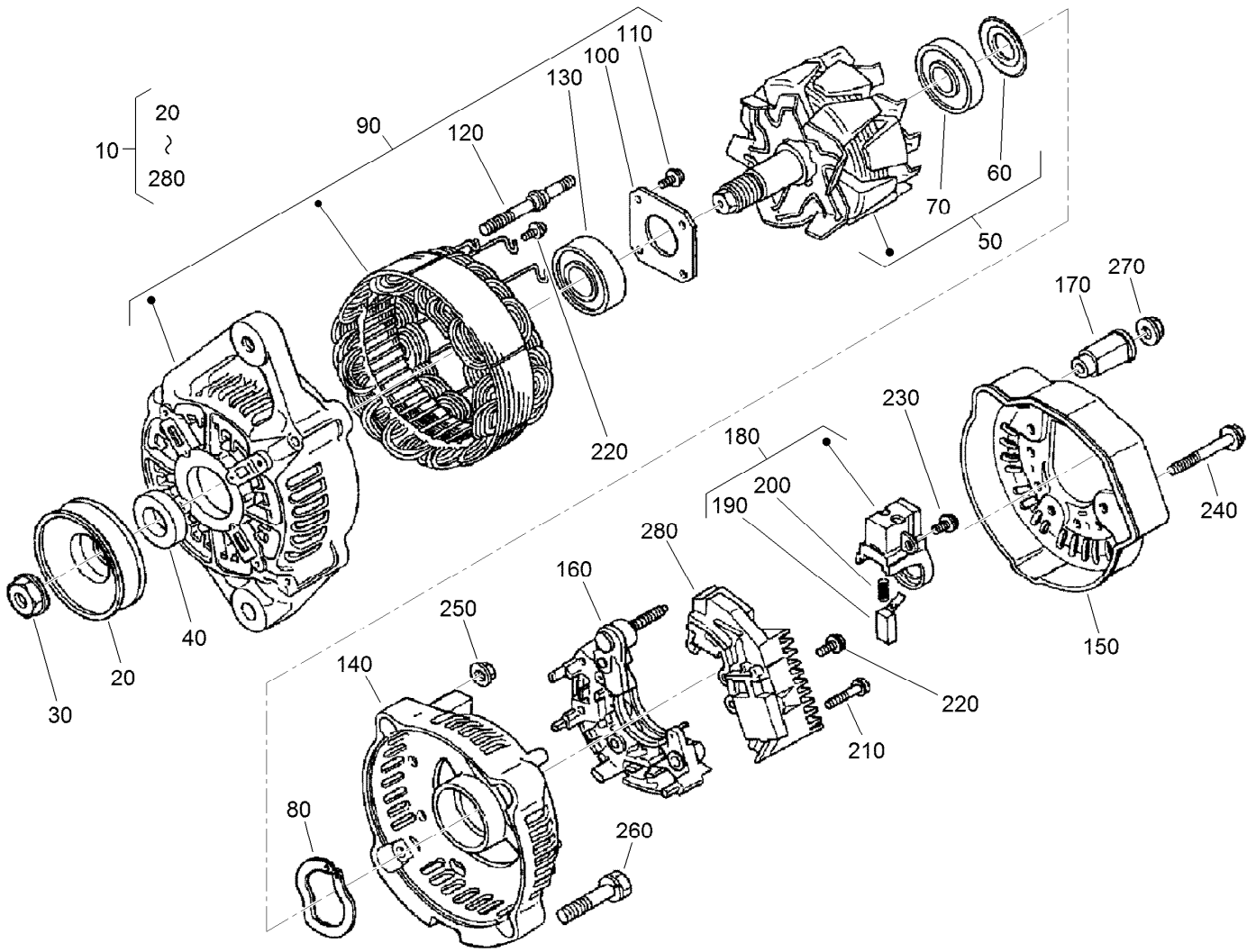
Nozzle Holder Assembly

Ref.	Part Number	Qty.	Description	Ref.	Part Number	Qty.	Description
10	108-2866	3	Nozzle Holder Kit	110	99-8311	3	Washer-Adjust (0.20MM)
20	99-8301	3	Nut	110	99-8312	3	Washer-Adjust (0.30MM)
30	99-8302	3	Washer-Adjusting	110	99-8313	3	Washer-Adjust (0.40MM)
40	99-8303	3	Spring-Nozzle	110	99-8314	3	Washer-Adjust (0.50MM)
50	99-8304	3	Spacer-Distance	110	99-8315	3	Washer-Adjust (0.52MM)
60	99-8305	3	Rod-Push	110	99-8316	3	Washer-Adjust (0.54MM)
70	99-8306	3	Nut-Nozzle	110	99-8317	3	Washer-Adjust (0.56MM)
80	99-8307	3	Washer-Plain	110	99-8318	3	Washer-Adjust (0.58MM)
90	107-7826	3	Piece-Nozzle	110	99-8319	3	Washer-Adjust (0.80MM)
100	99-8309	3	Adjusting Washer ASM	120	98-7676	3	Gasket
110	99-8310	3	Washer-Adjust (0.10MM)	130	98-7677	3	Seal-Heat



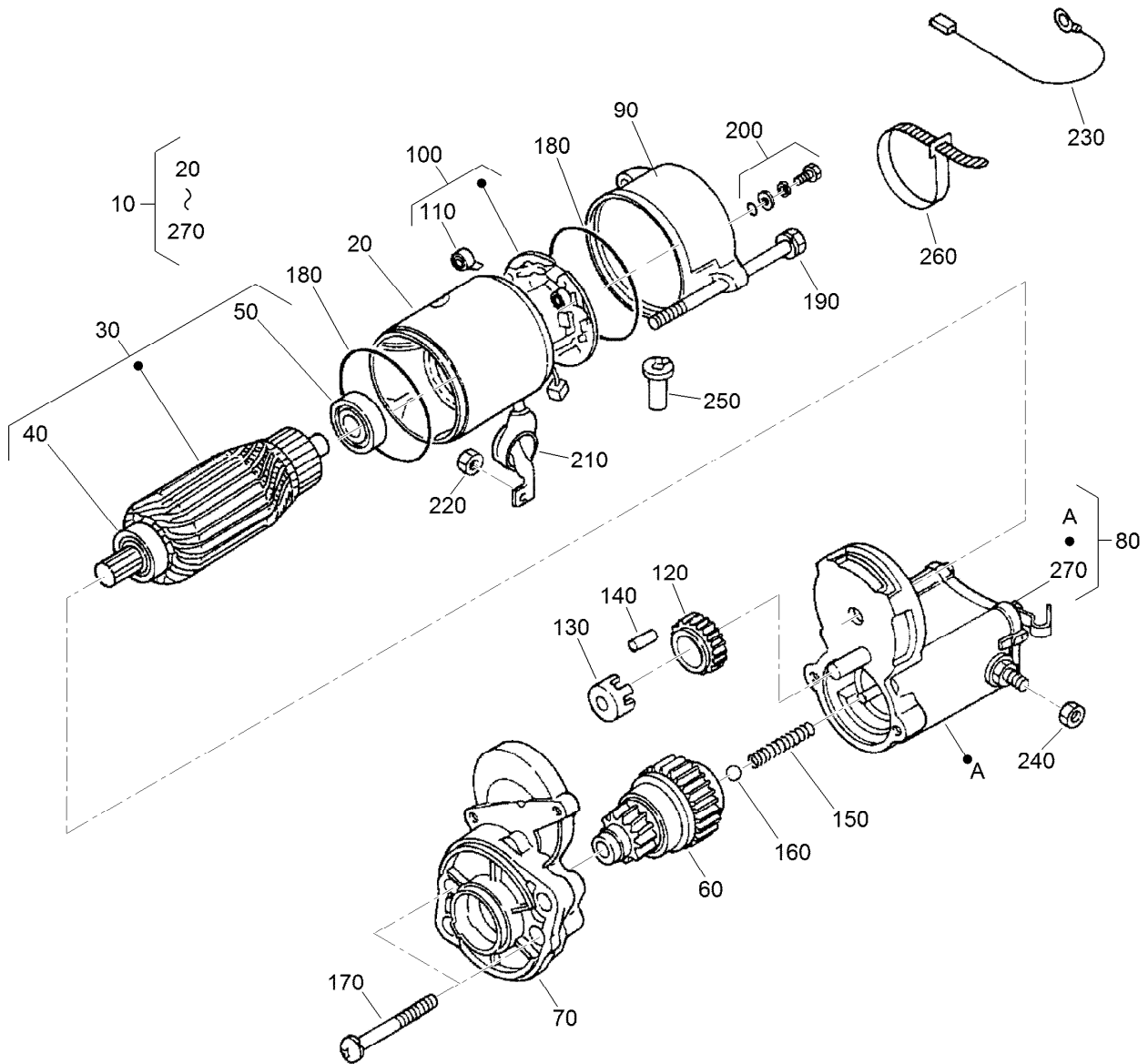
Alternator and Pulley Assembly

<i>Ref.</i>	<i>Part Number</i>	<i>Qty.</i>	<i>Description</i>
10	98-9474	1	Alternator ASM
20	112-7047	1	Stay-Dynamo
30	108-7088	1	Bolt
40	98-9360	1	Bolt
50	98-7737	1	Nut
60	98-9366	1	Washer-Plain
70	98-7738	1	Washer-Spring
90	98-7692	1	Bolt
100	99-3456	1	Pulley-Drive, Fan
110	98-9585	1	Bolt
120	98-9676	1	V-Belt
130	104-4246	1	Fan-Engine
140	98-9584	1	Pulley-Fan
150	108-2872	1	Collar-Fan
160	108-2873	4	Bolt-Flange



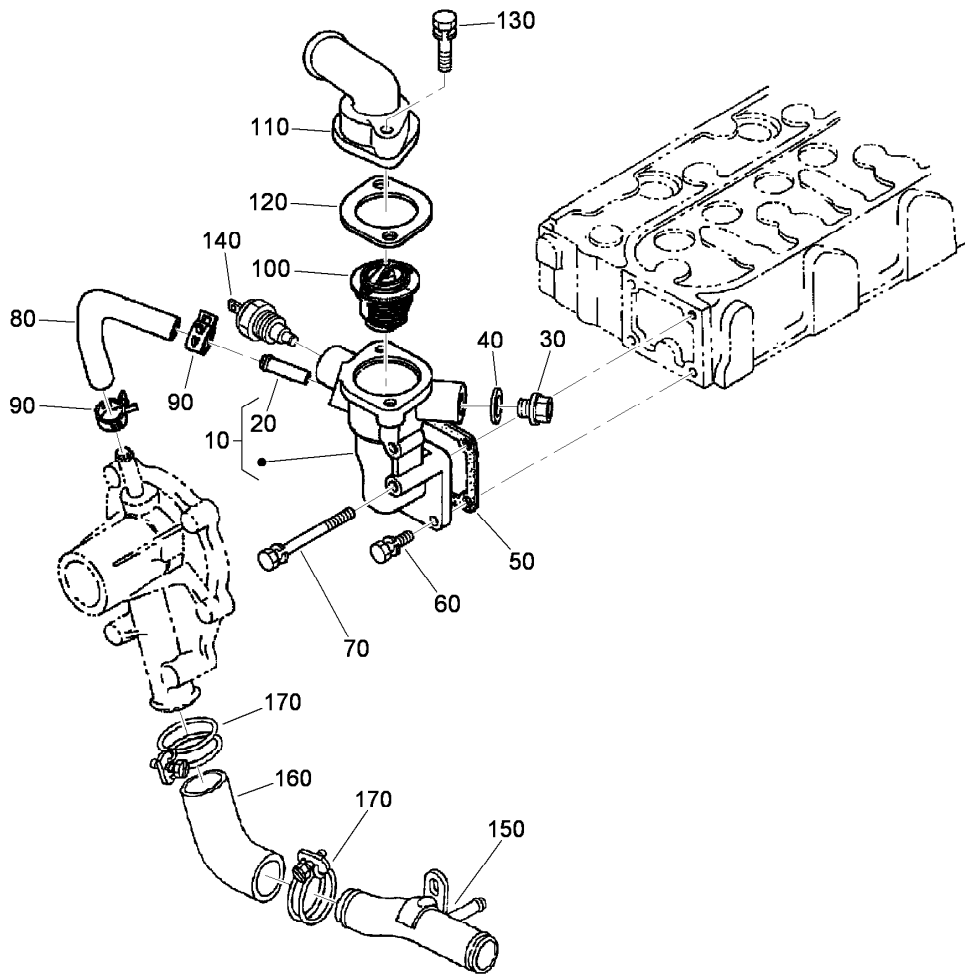
Alternator Components Assembly

<i>Ref.</i>	<i>Part Number</i>	<i>Qty.</i>	<i>Description</i>	<i>Ref.</i>	<i>Part Number</i>	<i>Qty.</i>	<i>Description</i>
10	98-9474	1	Alternator ASM	150	107-0140	1	Cover-End
20	98-9453	1	Pulley-Dynamo	160	98-7721	1	Rectifier ASM
30	98-7708	1	Nut	170	98-7722	1	Bushing-Insulation
40	98-7709	1	Collar	180	107-0141	1	Brush Holder ASM
50	107-0136	1	Rotor ASM	190	98-7724	2	Brush
60	98-7711	1	Cover-Bearing	200	98-7725	2	Spring-Brush
70	107-0138	1	Bearing-Ball	210	98-7726	2	Screw-Head, Round
80	98-7713	1	Washer-Thrust	220	98-7727	6	Screw-Head, Round
90	107-0139	1	Drive End Frame ASM	230	98-7728	1	Screw-Head, Round
100	98-7715	1	Plate-Retainer	240	98-7729	3	Bolt
110	98-7716	4	Screw-Head, Round	250	98-7730	2	Nut
120	98-7717	2	Bolt-Through	260	98-7731	2	Bolt
130	107-0137	1	Bearing-Ball	270	98-7732	1	Nut
140	107-9087	1	Frame-End	280	110-3799	1	Regulator ASM



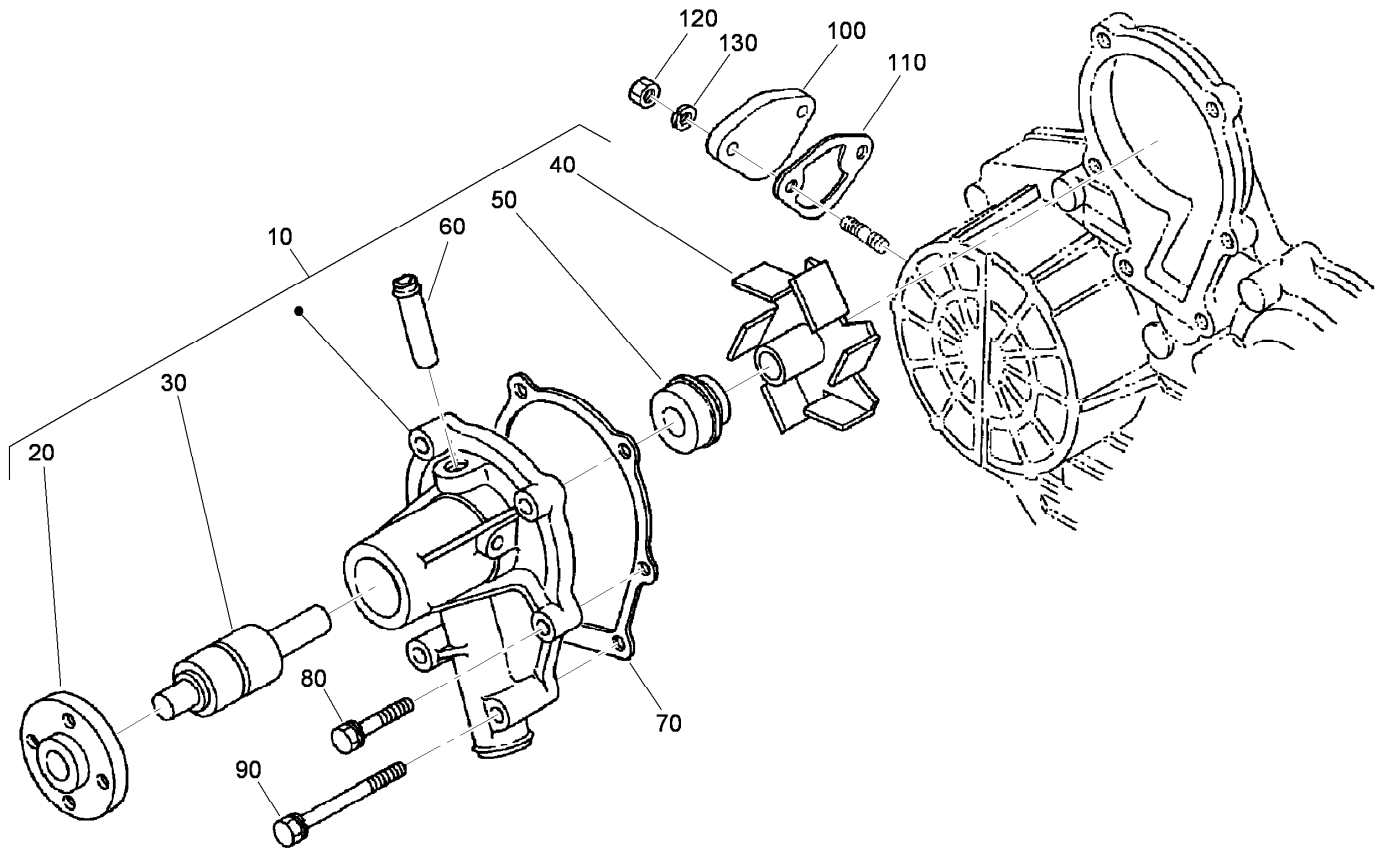
Starter (Component Part) Assembly

Ref.	Part Number	Qty.	Description	Ref.	Part Number	Qty.	Description
10	98-9705	1	Starter ASM	150	98-7754	1	Spring
20	104-8608	1	Yoke ASM	160	98-7755	1	Ball
30	98-7742	1	Armature ASM	170	98-7756	2	Bolt
40	98-7744	1	Bearing	180	98-7757	2	O-Ring
50	98-7743	1	Bearing	190	100-9240	2	Bolt
60	99-8373	1	Clutch-Running, Over	200	98-7758	2	Bolt ASM
70	99-8374	1	Frame-End, Drive	210	99-8375	1	Cover
80	105-3746	1	Magnetic Switch ASM	220	99-8371	1	Nut-Hex
90	98-7748	1	Frame-End	230	98-9711	1	Cord-Solenoid, Stop
100	98-7749	1	Brush Holder ASM	240	99-8376	1	Nut-Hex
110	98-7750	4	Spring-Brush	250	98-7759	1	Pipe-Drain
120	98-7751	1	Gear	260	98-9712	1	Band-Cover
130	98-7752	1	Retainer	270	105-2886	1	Cover ASM
140	98-7753	5	Roller				



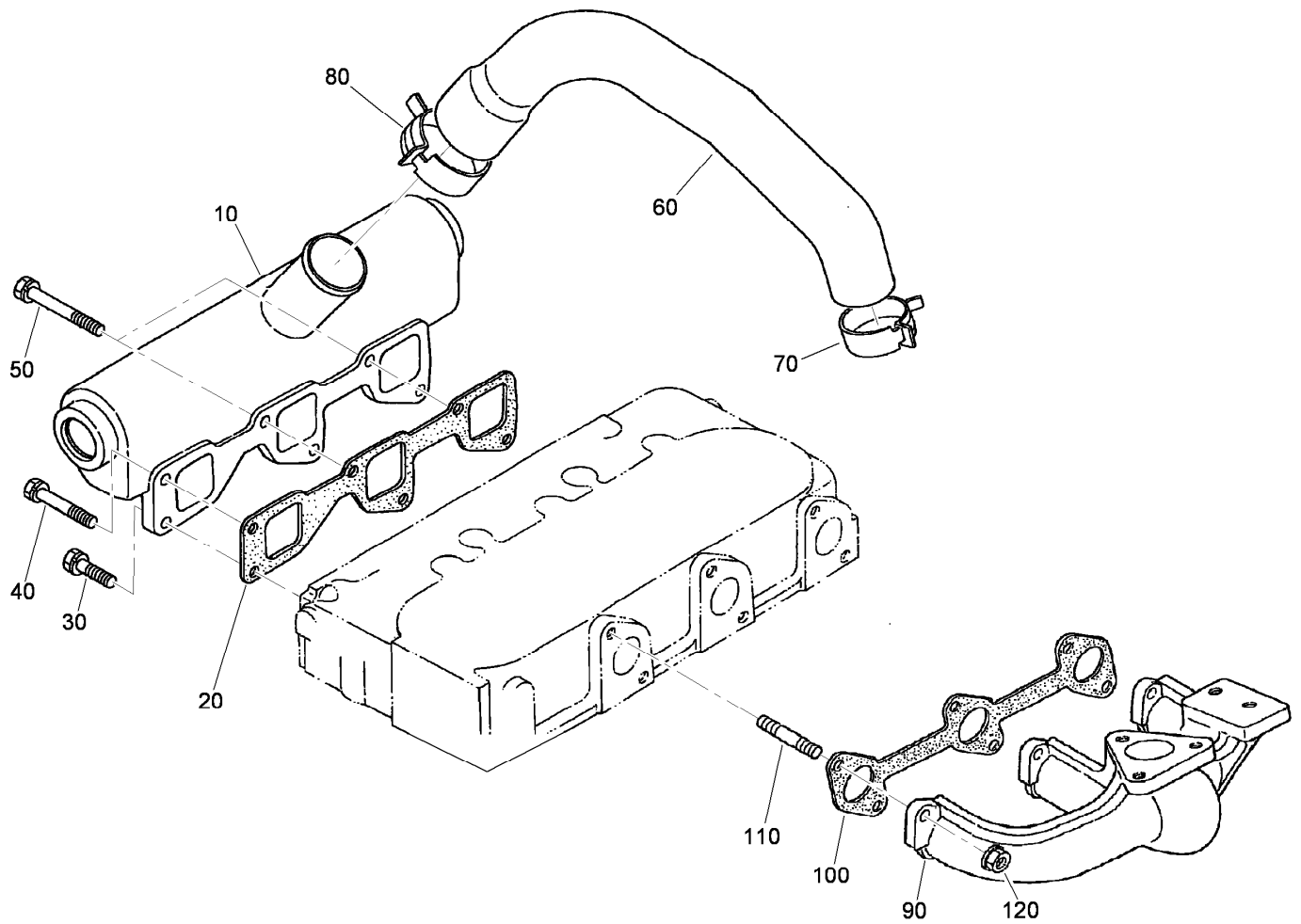
Water Flange and Thermostat Assembly

<i>Ref.</i>	<i>Part Number</i>	<i>Qty.</i>	<i>Description</i>
10	98-9713	1	Water Flange ASM
20	98-9580	1	Pipe-Return, Water
30	105-3747	1	Plug
40	99-3583	1	Gasket
50	98-9638	1	Gasket-Flange, Water
60	98-7692	3	Bolt
70	98-9356	1	Bolt
80	98-9578	1	Pipe-Return, Water
90	98-9579	2	Band-Pipe
100	98-7778	1	Thermostat ASM
110	104-4804	1	Outlet-Water
120	105-3748	1	Gasket-Thermostat
130	98-7777	2	Bolt
140	98-9719	1	Thermoswitch
150	99-8379	1	Pipe-Water
160	107-9091	1	Pipe-Water
170	98-9717	2	Clamp



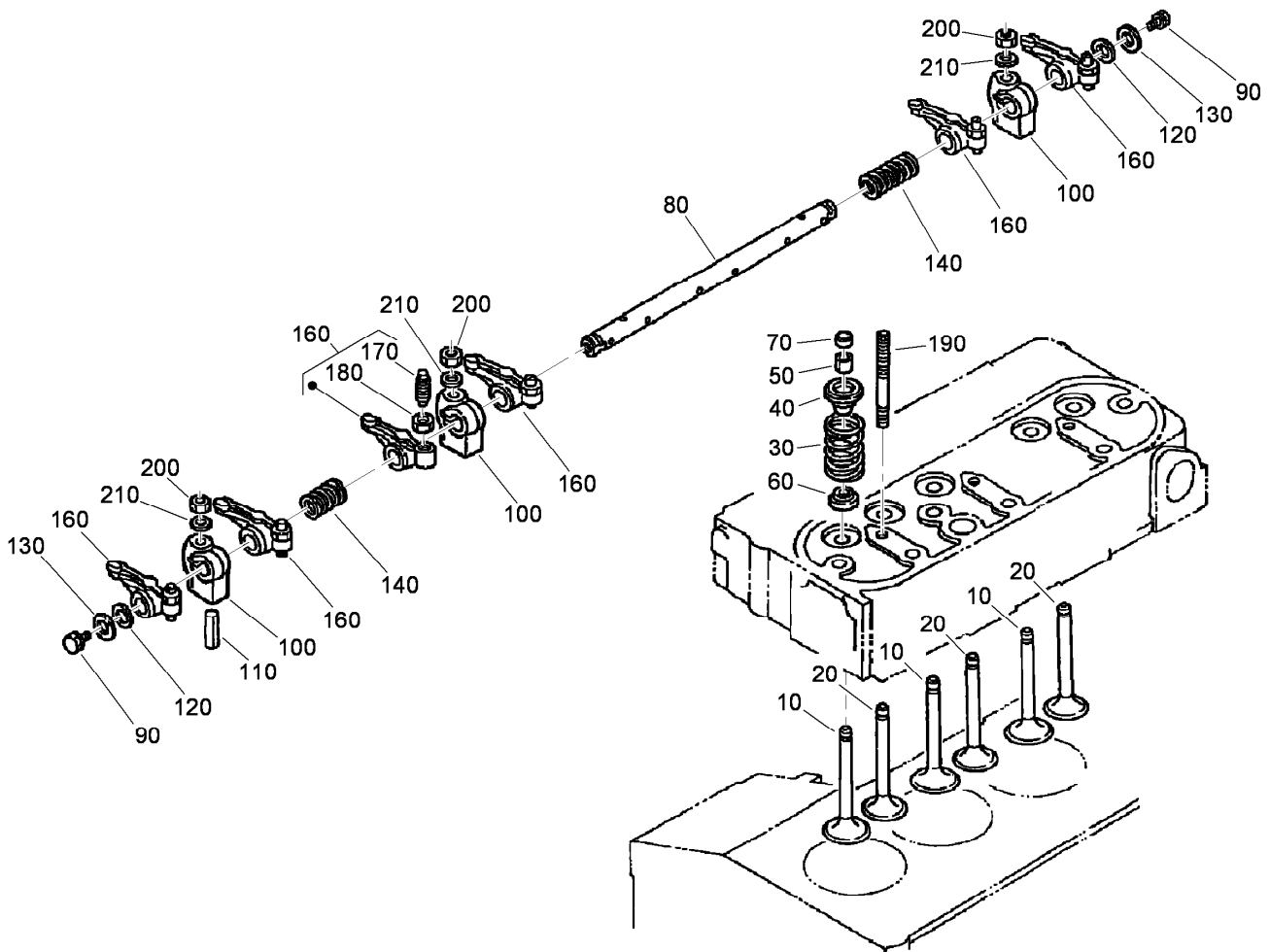
Water Pump and Fuel Pump Cover Assembly

<i>Ref.</i>	<i>Part Number</i>	<i>Qty.</i>	<i>Description</i>
10	107-9089	1	Water Pump ASM
20	99-3516	1	Flange-Pump, Water
30	99-3517	1	Bearing-Pump, Water
40	105-3750	1	Mechanical Seal ASM
50	112-7017	1	Impeller-Pump, Water
60	100-1932	1	Pipe-Return, Water
70	99-3454	1	Gasket-Pump, Water
80	98-9353	4	Bolt
90	98-9357	2	Bolt
100	99-3514	1	Cover
110	98-9636	1	Gasket-Pump, Fuel
120	98-7572	2	Nut
130	98-7699	2	Washer-Spring



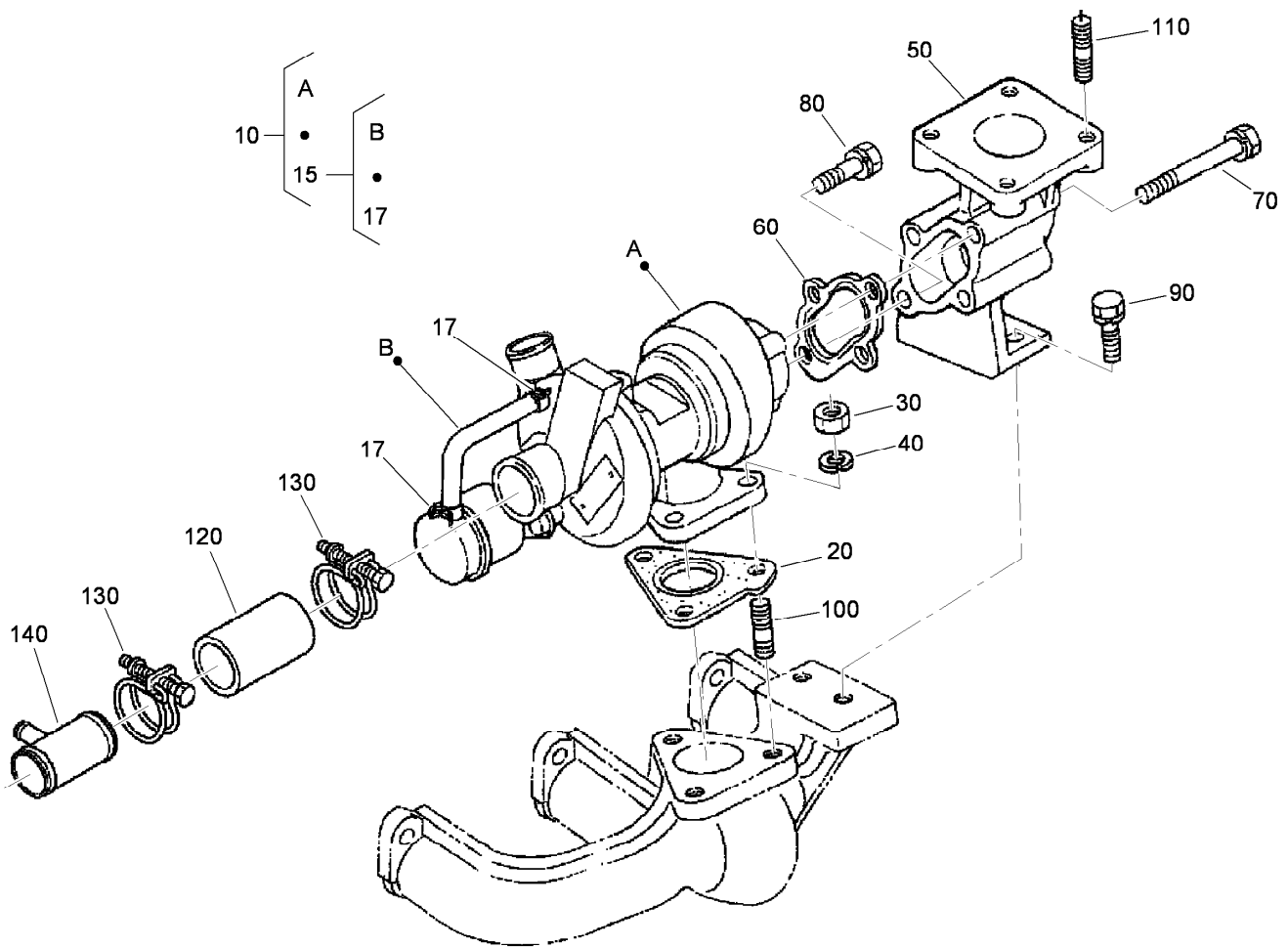
Inlet and Exhaust Manifold Assembly

<i>Ref.</i>	<i>Part Number</i>	<i>Qty.</i>	<i>Description</i>
10	99-8321	1	Manifold-Inlet
20	99-8329	1	Gasket-Manifold, Intake
30	98-7568	3	Bolt
40	107-9073	1	Bolt
50	99-8320	2	Bolt
60	115-3047	1	Hose-Inlet
70	115-3048	1	Clamp-Hose
80	115-3049	1	Clamp-Hose
90	108-1411	1	Manifold-Exhaust
100	99-8327	1	Gasket-Manifold, Exhaust
110	98-9588	6	Stud
120	98-9665	6	Nut



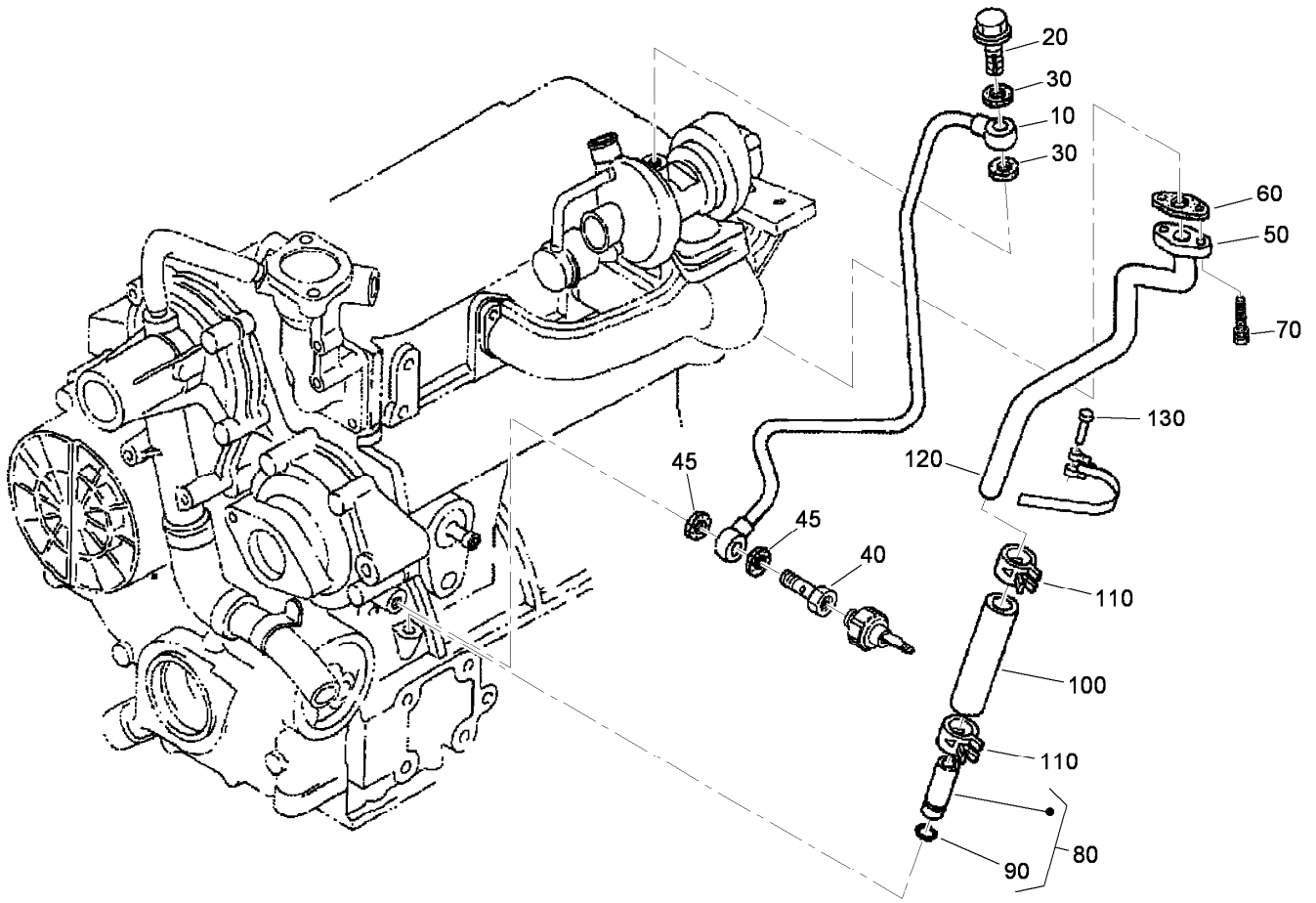
Valve and Rocker Arm Assembly

<i>Ref.</i>	<i>Part Number</i>	<i>Qty.</i>	<i>Description</i>
10	112-7018	3	Valve-Inlet
20	112-7019	3	Valve-Exhaust
30	98-9626	6	Spring-Valve
40	107-9092	6	Retainer-Spring
50	98-9390	6	Collet-Spring, Valve
60	99-8385	6	Seal-Stem, Valve
70	98-9497	6	Cap-Valve
80	105-3790	1	R-Arm Shaft ASM
90	100-9265	2	Bolt
100	98-9505	3	Bracket-Arm, Rocker
110	105-3758	1	Pin-Spring
120	98-9507	2	Washer-Shaft, Rocker Arm
130	110-3832	2	Washer-Plain
140	98-9504	2	Spring-Arm, Rocker
160	112-7020	6	Rocker Arm ASM
170	98-9502	6	Screw-Adjusting
180	98-9503	6	Nut
190	98-9506	3	Stud
200	98-9393	3	Nut
210	98-9385	3	Washer-Flat



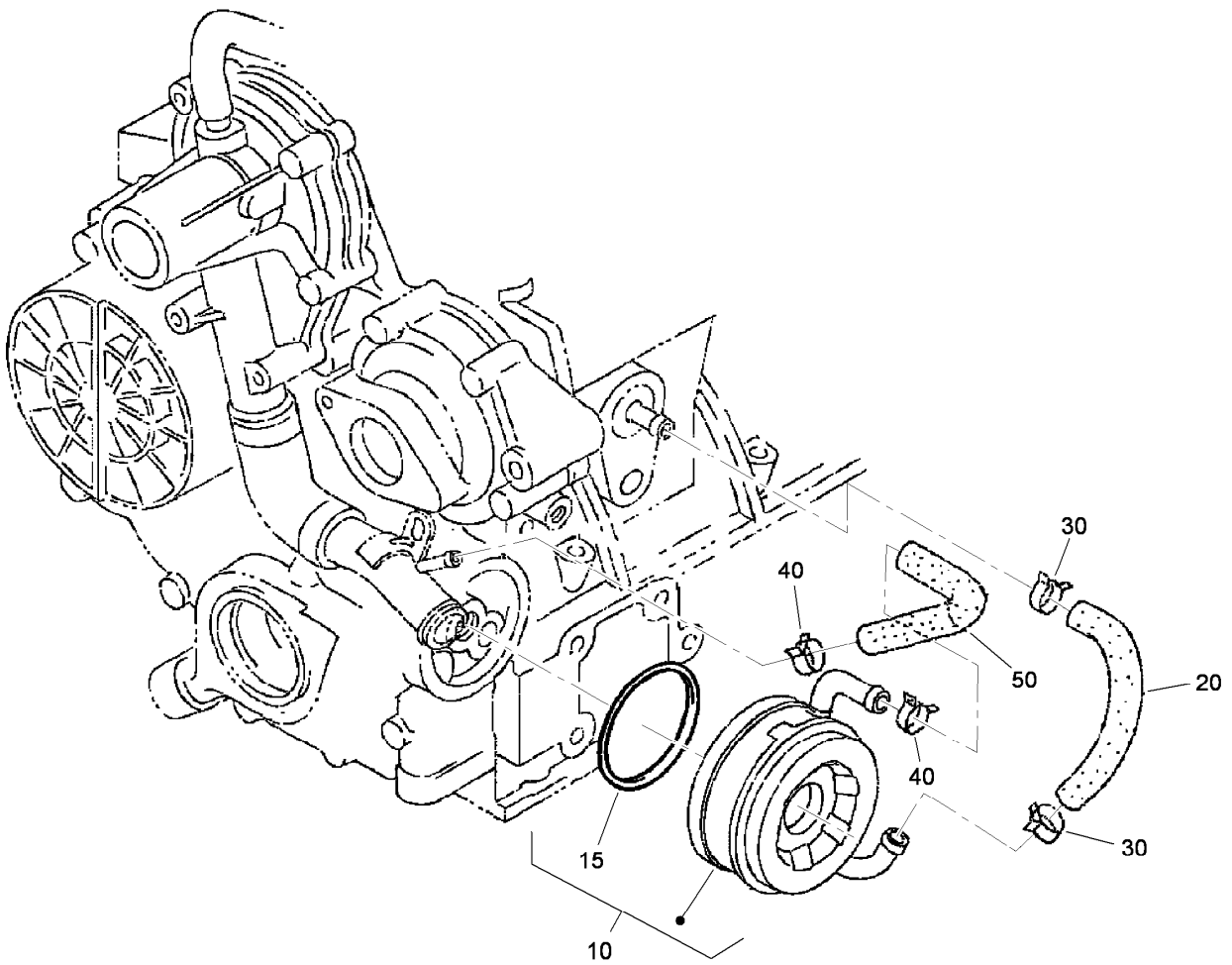
Turbo Charger Assembly

<i>Ref.</i>	<i>Part Number</i>	<i>Qty.</i>	<i>Description</i>
10	108-1412	1	Turbo Charger ASM
15	108-1413	1	Hose ASM
17	108-1414	2	Clamp-Hose
20	105-3767	1	Gasket
30	98-7534	3	Nut
40	105-2893	3	Washer-Spring
50	99-8335	1	Flange-Muffler
60	105-3768	1	Gasket
70	115-4100	3	Bolt
80	105-2895	1	Bolt
90	98-7610	2	Bolt
100	99-8342	3	Stud
110	98-7769	4	Stud
120	115-4101	1	Tube-Inlet, Turbo
130	115-4102	2	Band
140	115-4103	1	Pipe-Inlet, Breather



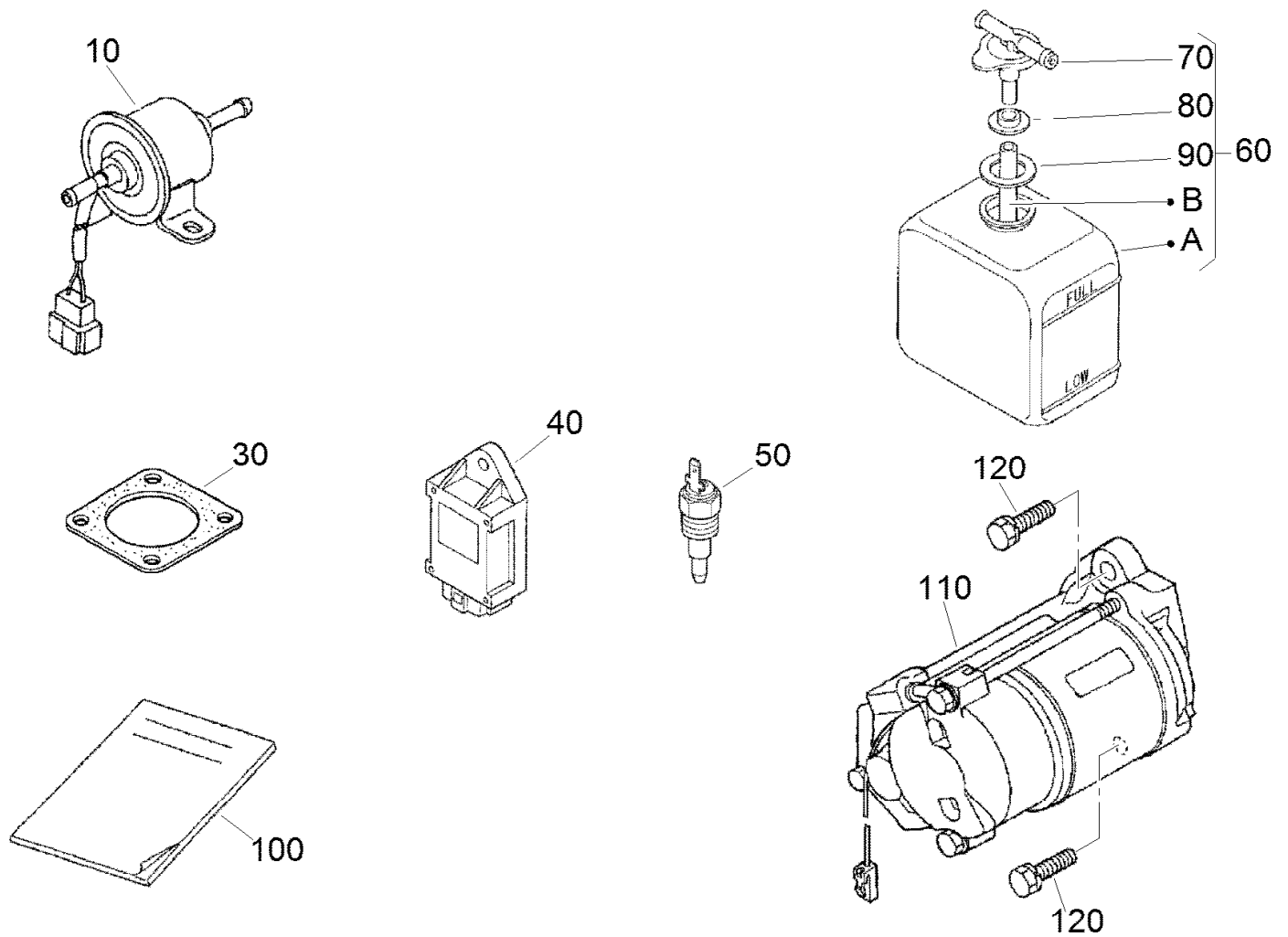
Oil Pipe (Turbo Charger) Assembly

<i>Ref.</i>	<i>Part Number</i>	<i>Qty.</i>	<i>Description</i>
10	98-9419	1	Oil Pipe ASM
20	115-4126	1	Bolt-Joint, Eye
30	99-8346	2	Gasket
40	98-9417	1	Bolt-Joint, Eye
45	99-8346	2	Gasket
50	98-9461	1	Pipe Line ASM
60	108-4422	1	Gasket
70	98-7605	2	Bolt
80	99-8383	1	Oil Pipe ASM
90	98-9722	1	O-Ring
100	98-9721	1	Pipe-Oil
110	98-9714	2	Clamp-Hose
120	98-9601	1	Clamp-Pipe
130	98-9591	1	Pin-Band



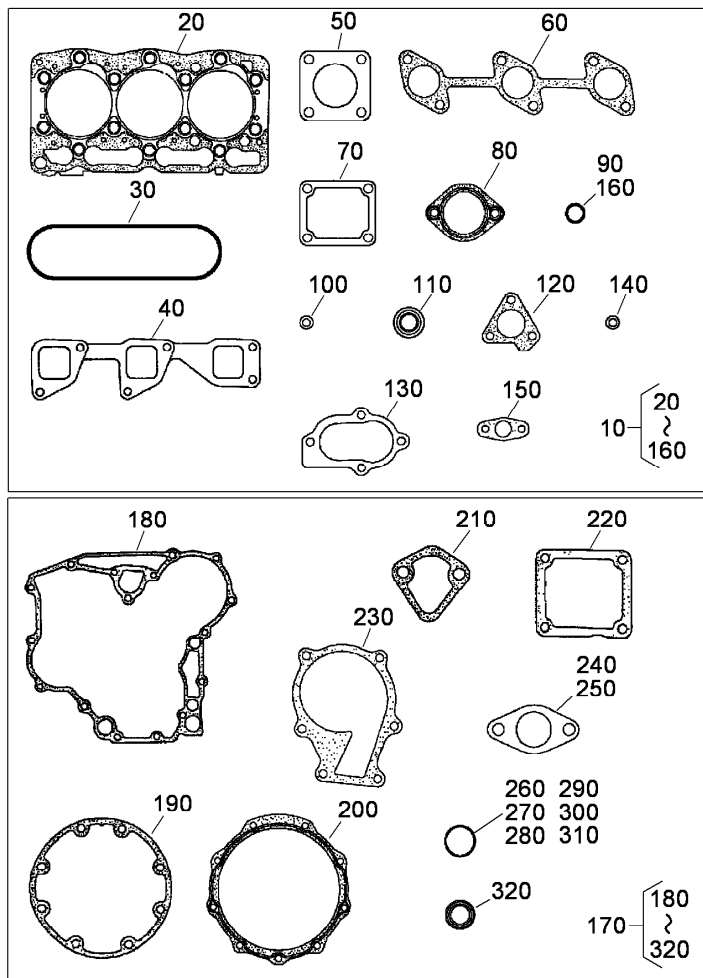
Oil Cooler Assembly

<i>Ref.</i>	<i>Part Number</i>	<i>Qty.</i>	<i>Description</i>
10	104-5158	1	Oil Cooler ASM
15	112-7030	1	O-Ring
20	98-9724	1	Pipe-Cooler, Oil
30	98-9579	2	Band-Pipe
40	98-9579	2	Band-Pipe
50	98-9578	1	Pipe-Return, Water



Starter, Overflow Bottle and Miscellaneous Engine Parts

Ref.	Part Number	Qty.	Description
10	107-0122	1	Pump-Fuel, Electric
30	98-9611	1	Gasket
40	98-7611	1	Controller-Glow
50	106-7772	1	Thermoswitch
60	104-9318	1	Bottle-Overflow
70	115-4132	1	Cap
80	105-3755	1	Gasket
90	105-3756	1	Plate
100	115-4104	1	Operator Manual
110	98-9705	1	Starter ASM
120	98-7697	2	Bolt



Upper and Lower Gasket Kits

Ref.	Part Number	Qty.	Description	Ref.	Part Number	Qty.	Description
10	108-1415	1	Upper Gasket Kit	170	112-7041	1	Lower Gasket Kit
20	108-6573	1	Gasket-Head, Cylinder ●	180	98-9633	1	Gasket-Case, Gear ●
30	98-9615	1	Gasket-Cover, Head ●	190	98-9634	1	Gasket-Case, Bearing ●
40	99-8329	1	Gasket-Manifold, Intake ●	200	112-7037	1	Gasket-Cover, Case ●
50	99-8343	1	Gasket-Muffler ●	210	98-9636	1	Gasket-Pump, Fuel ●
60	99-8327	1	Gasket-Manifold, Exhaust ●	220	98-9637	1	Gasket ●
70	98-9638	1	Gasket-Flange, Water ●	230	98-9632	1	Gasket-Pump, Water ●
80	105-3748	1	Gasket-Thermostat ●	240	98-9683	1	Gasket-Cover, Solenoid ●
90	99-3446	1	O-Ring ●	250	98-9682	1	Gasket ●
100	98-9454	3	Gasket ●	260	105-3781	2	O-Ring ●
110	99-8385	6	Seal-Stem, Valve ●	270	105-3777	2	O-Ring ●
120	105-3767	1	Gasket ●	280	105-3783	1	O-Ring ●
130	105-3768	1	Gasket ●	290	105-3776	1	O-Ring ●
140	99-8346	4	Gasket ●	300	98-9729	1	O-Ring ●
150	108-4422	1	Gasket ●	310	105-3788	1	O-Ring ●
160	98-9722	1	O-Ring ●	320	98-7601	1	Seal-Oil ●

● Not illustrated

Attachments and Accessories

For 30839 Groundsmaster 3500-D Rotary Mower

Product Name	Model/Part
Blade-High Lift	104-5183
Blade-Angle Sail	105-9810-03
Blade-Atomic	107-0235-03
27in Blade Service Pack (qty 6)	108-1462
Blade-Combo.....	108-9026-03
400-hour Filter Maintenance MVP Kit	30058
Premium Seat Kit.....	30629
27in Rotary Cutting Unit.....	30834
Leaf Mulching Kit	30836
Work Light Kit	30841

Notes:



Count on it.