



Count on it.

Parts Catalog

**Groundsmaster® 3505-D Rotary
Mower**

Model No. 30849—Serial No. 400000000 and Up



Ordering Replacement Parts

To order replacement parts, please supply the part number, the quantity, and the description of each part desired.

Understanding Reference Numbers

Each identified part in an illustration has a reference number. The reference number for a part also appears in the parts list, along with other information about the part.

This catalog uses two special reference number formats, one to indicate parts in a service assembly and another to indicate the quantity of a given part in an illustration.

Service Assembly Reference Numbers

Parts in service assemblies have reference numbers in the form a:b. The a represents the reference number of the entire service assembly and the b represents a sequential number unique to each part within the service assembly.

For example, a wheel assembly might be identified by reference number 6, the tire by 6:1, the valve by 6:2, and the wheel by 6:3. When you order the assembly identified by reference number 6, you receive all parts identified by reference numbers 6:1, 6:2, and 6:3. However, you may also order any part individually. Reference numbers of this type appear in illustration and in parts lists.

Reference Numbers Indicating Quantity

In an illustration, if a reference number indicates more than one part, the reference number has the form nX y. The n represents the quantity of the part, the X is the multiplication symbol, and the y represents the reference number.

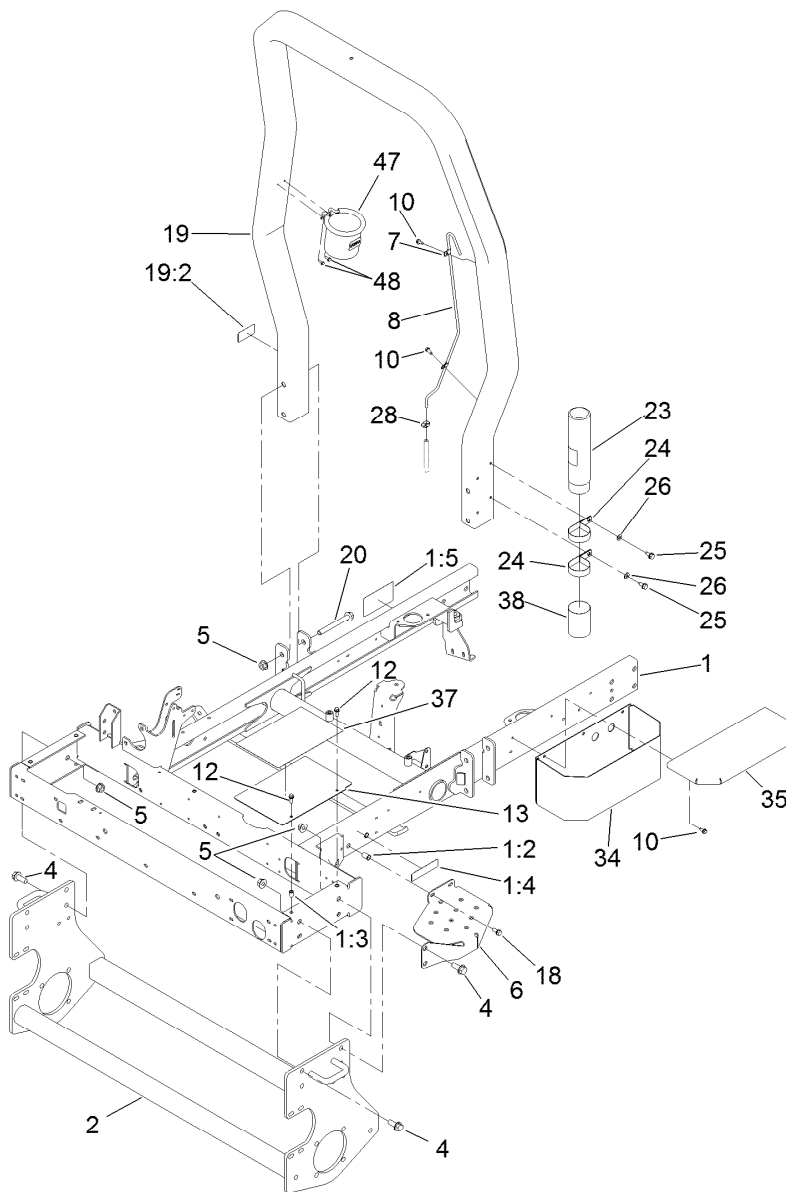
For example, in an illustration, the reference number 2X 37 means that two of the parts identified by reference number 37 are indicated.

Contents

Frame and Roll-Over Protection System Assembly	5
Front Wheel and Brake Assembly	6
Hydraulic Motor Assembly No. 110-8785	8
Hydraulic Motor Assembly No. 110-8786	9
Brake Assembly No. 104-7705	10
Steering Column Assembly	11
Steering Valve Assembly No. 121-7856	12
Rear Fork and Tire Assembly	13
Hydraulic Cylinder Assembly No. 94-8141	14
Control Panel Assembly	15
Front Platform Assembly	16
Traction Pedal Assembly	17
Control Valve Assembly	18
Single Spool Control Valve Assembly No. 95-8689	19
Rear Lift Arm Assembly	20
Hydraulic Cylinder Assembly No. 112-9916	22
Neutral Arm Assembly	23
Engine Assembly	24
Air Cleaner and Muffler Assembly	26
Air Cleaner Assembly No. 93-2190	27
Radiator Assembly	28
Hood Assembly	29
Fuel System Assembly	30
Manifold Block Installation Assembly	31
Hydraulic Manifold Assembly No. 121-3570	32
Hydraulic Tank Assembly	33
Hydrostat Assembly	34
Hydraulic Pump Assembly No. 104-4890	36
Hydraulic Gear Pump Assembly No. 108-9036	38
Carrier Assembly	39
Seat Mounting Assembly	41
Rotary Motor Assembly	42
Gear Motor Assembly No. 117-5141	43
Roller and Carrier Frame Assembly	44
Roller Assembly No. 112-5265	45
Height-of-Cut Bracket Assembly	46
Chamber, Blade and Spindle Assembly	47
Spindle Assembly No. 115-3435	48
Battery Assembly	49
Parking Brake Assembly	50
Crankcase Assembly	51
Oil Pan and Dipstick Assembly	52
Cylinder Head Assembly	53
Gear Case and Oil Filter Cartridge Assembly	54
Cylinder Head Cover Assembly	55
Main Bearing Case Assembly	56
Camshaft and Idle Gear Shaft Assembly	57
Piston and Crankshaft Assembly	58
Fuel Camshaft and Governor Shaft Assembly	59
Idle Apparatus and Stop Solenoid Assembly	60
Injection Pump Assembly	61
Governor Assembly	62
Speed Control Plate Assembly	63
Nozzle Holder and Glow Plug Assembly	64

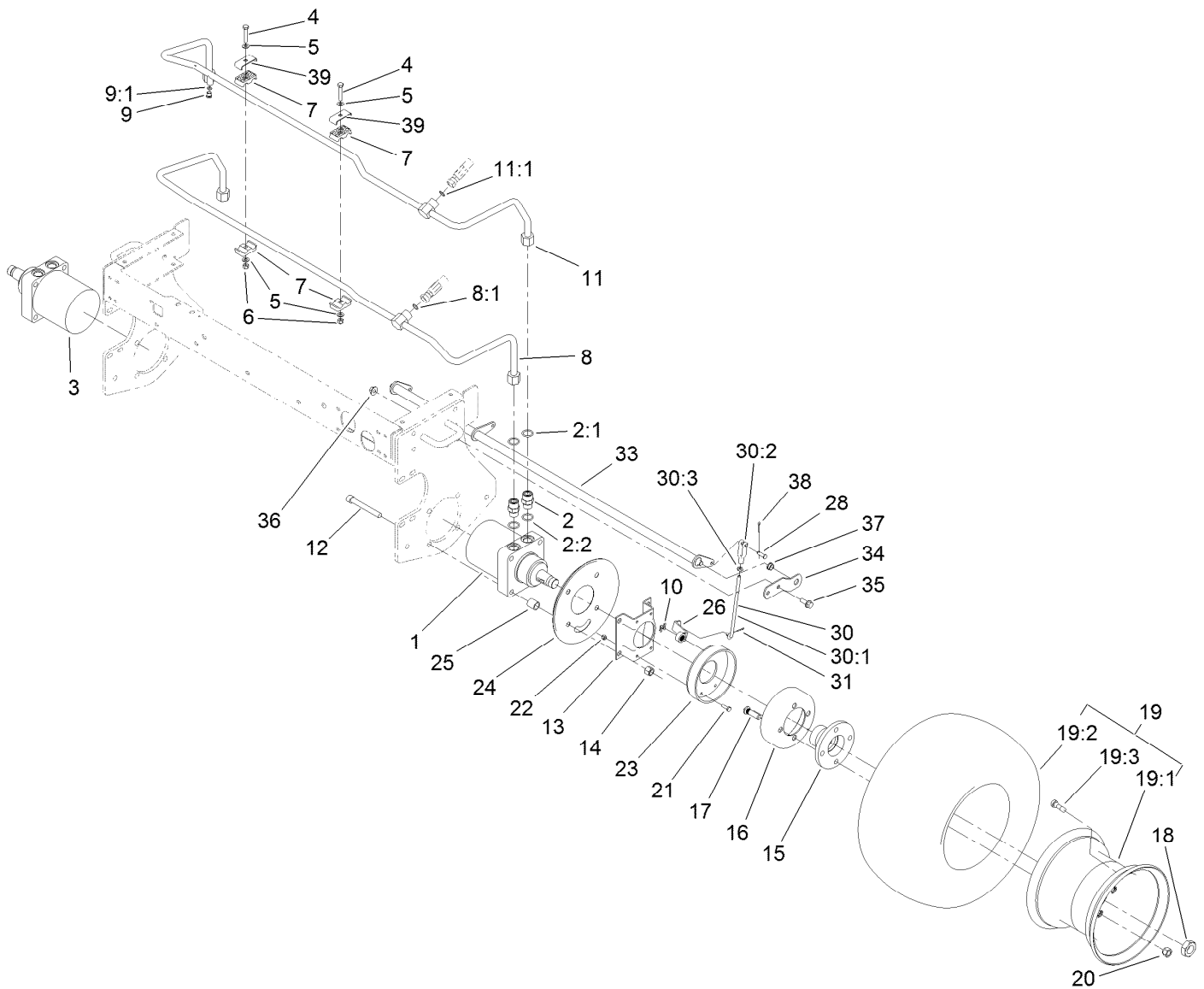
Contents (continued)

Nozzle Holder Assembly	65
Alternator, Pulley and Fan Assembly	66
Alternator Components Assembly	67
Starter and Flywheel Assembly	68
Starter Component Assembly	69
Water Flange and Thermostat Assembly	70
Water Pump Assembly	71
Valve and Rocker Arm Assembly	72
Inlet and Exhaust Manifold Assembly	73
Miscellaneous Engine Parts	74
Attachments and Accessories	75



Frame and Roll-Over Protection System Assembly

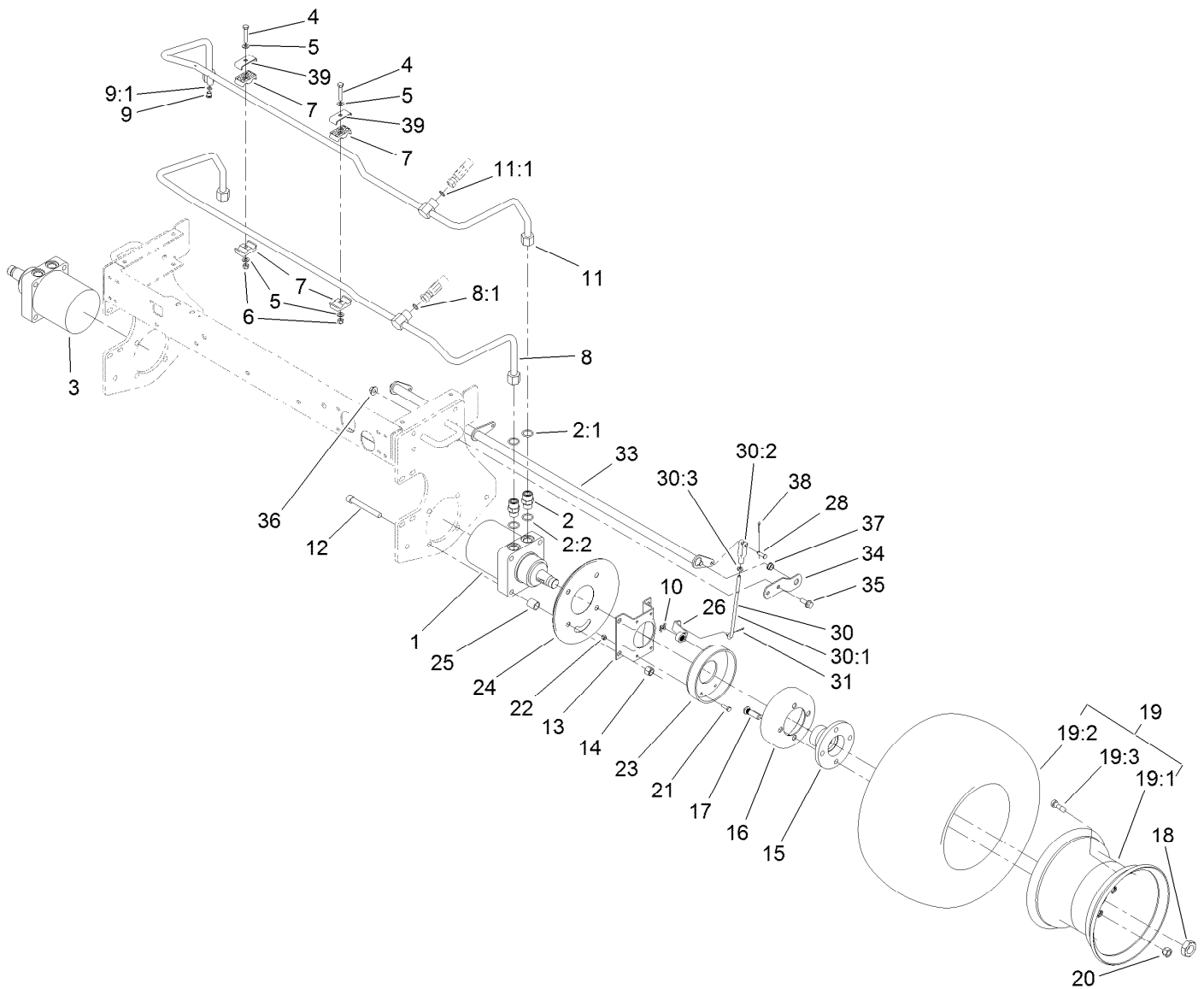
<i>Ref.</i>	<i>Part Number</i>	<i>Qty.</i>	<i>Description</i>	<i>Ref.</i>	<i>Part Number</i>	<i>Qty.</i>	<i>Description</i>
1	121-3635	1	Frame	19	127-8493	1	ROPS ASM
1:2	32148-8	2	Nut-Clinch	19:2	127-8596	1	Decal-ROPS
1:3	32148-6	4	Nut-Clinch	20	117-3176	4	Screw-HHF
1:4	117-2718	1	Decal-Arrester, Spark	23	104-7050	1	Tube-Manual
1:5	117-3270	1	Decal-Danger	24	2412-133	2	Clamp-R
2	95-8568-03	1	Frame-Lower	25	32144-70	2	Screw-HWHTF
4	3234-38	8	Screw-HHF	26	3256-23	2	Washer-Plain
5	32128-49	12	Nut-HHF	28	2412-108	1	Clamp-Worm
6	99-3375-03	1	Step	34	104-4634-03	1	Toolbox
7	2412-72	2	Clip-Closed, Insulated	35	104-4633-03	1	Cover-Toolbox
8	95-8615	1	Tube-Breather	37	121-3623	1	Decal-Danger
10	32144-10	5	Screw-HWH	38	104-7048	1	Cap-Housing
12	3234-4	2	Screw-HHF	47	117-2378	1	Holder-Bag
13	104-0468-01	1	Cover-Frame	48	32144-1	2	Screw-Taptite
18	3234-5	2	Screw-HHF				



Front Wheel and Brake Assembly

Ref.	Part Number	Qty.	Description	Ref.	Part Number	Qty.	Description
1	110-8785	1	HYD Motor ASM (CCW)	14	3296-23	8	Nut-Lock, NI
2	340-7	4	Fitting-Straight	15	93-6838	2	Hub-Wheel
2:1	237-65	1	O-Ring	16	10-6850	2	Drum-Brake
2:2	237-80	1	O-Ring	17	85-6540	8	Stud-Drive
3	110-8786	1	HYD Motor ASM (CW)	18	26-3790	2	Nut-Lock
4	322-9	2	Screw-HH	19		2	Tire And Rim ASM ●
5	3256-23	4	Washer-Plain	19:1	121-3550	1	Rim
6	3296-29	2	Nut-Lock, NI	19:2	115-1572	1	Tire
7	56-7971	4	Clamp-Tube	19:3	232-27	1	Stem-Valve
8	95-8783	1	Tube ASM	20	242-50	8	Nut-Lug
8:1	237-65	1	O-Ring	21	321-5	8	Screw-HH
9	353-990	1	Plug ASM	22	3296-42	8	Nut-Lock, NI
9:1	237-78	1	O-Ring	23	104-7705	2	Brake ASM
10	104-7706	2	E-Ring, Bowed	24	104-0485-03	2	Shield-Wheel
11	95-8784	1	Tube ASM	25	119-8238	8	Spacer-Deck Pulley
11:1	237-65	1	O-Ring	26	114-2726	2	Lever-Brake
12	3274-99	8	Screw-HSH	28	283-1	2	Pin-Clevis
13	84-2000-03	2	Bracket-Brake	30	115-6672	2	Brake Lever ASM

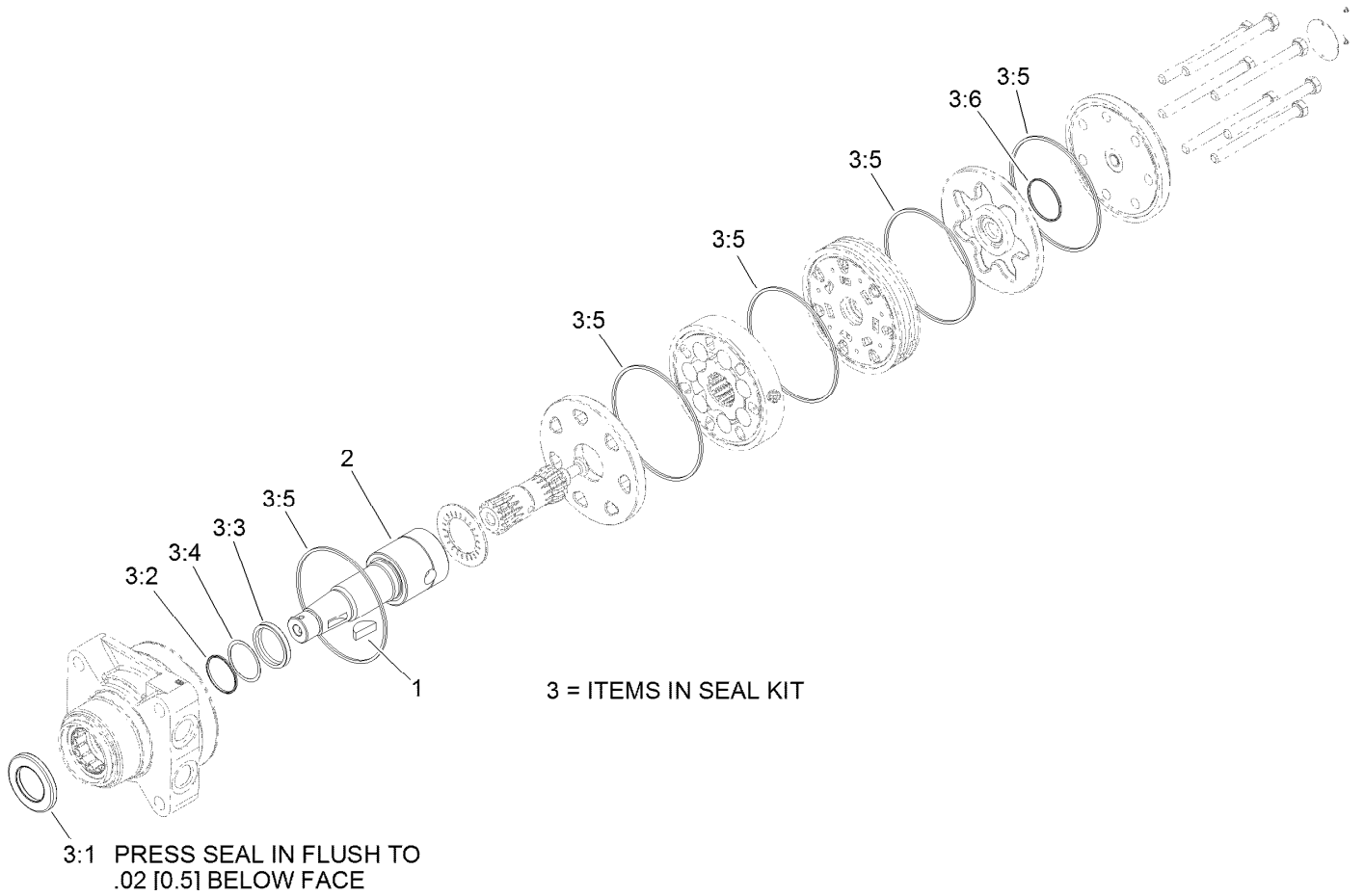
● Not serviced separately



Front Wheel and Brake Assembly (continued)

Ref.	Part Number	Qty.	Description	Ref.	Part Number	Qty.	Description
30:1	104-4627	1	Rod-Adjusting	35	3234-11	4	Screw-HHF
30:2	1-303105	1	Yoke-Adjustable	36	32128-43	4	Nut-Flange
30:3	3220-2	1	Nut-Jam	37	256-156	2	Bushing-Flange
31	3272-6	2	Pin-Cotter	38	3272-10	2	Pin-Cotter
33	104-4625-03	1	Shaft-Pivot, Brake	39	119-1419	4	Plate-Clamp
34	95-8683	2	Bracket-Pivot, Brake				

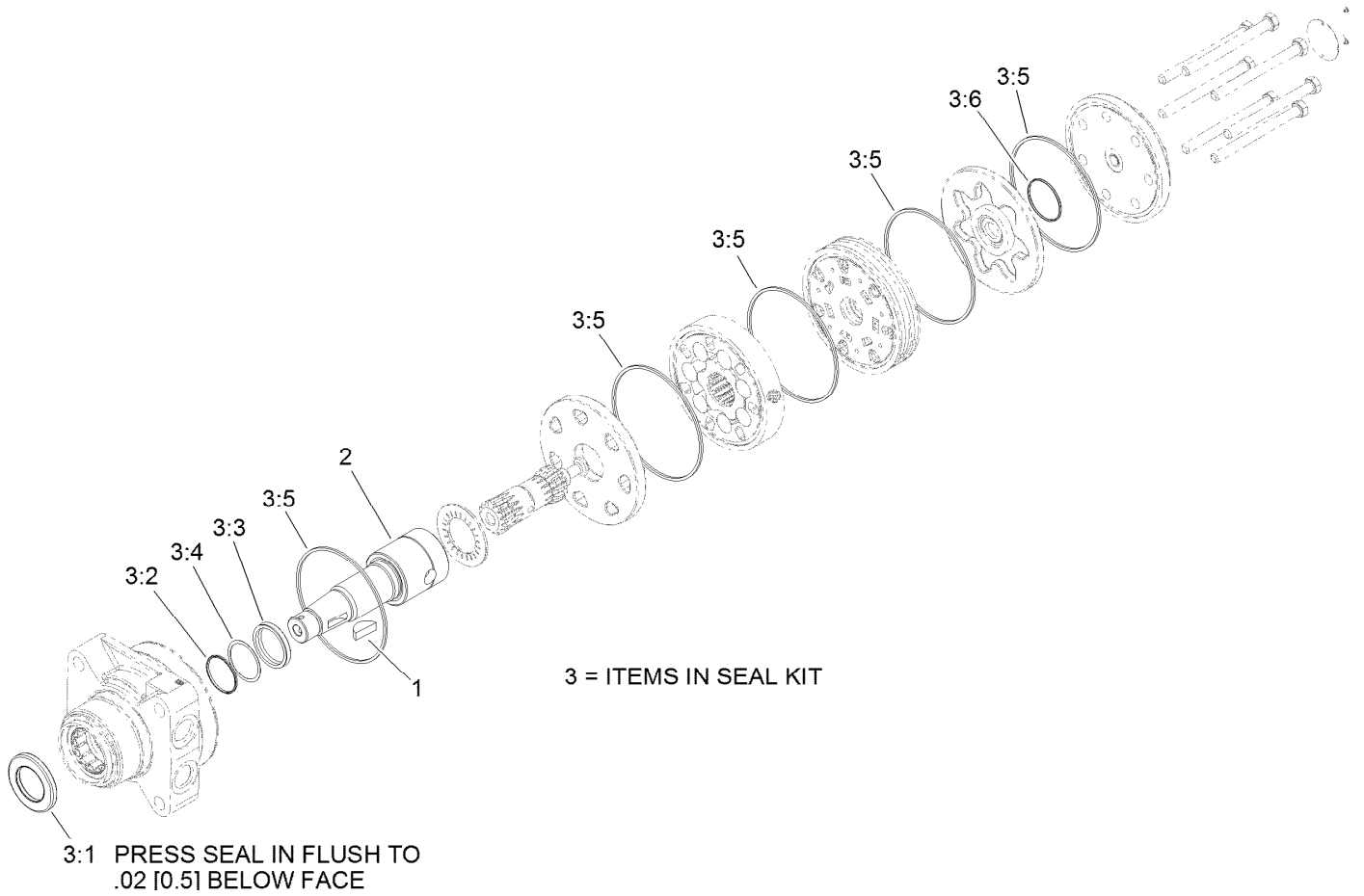
● Not serviced separately



Hydraulic Motor Assembly No. 110-8785

Ref.	Part Number	Qty.	Description
1	3257-42	1	Key-Woodruff
2	99-3090	1	Shaft-Coupling
3	94-8178	1	Seal Kit
3:1		1	Seal-Dirt And Water ●
3:2		1	Backup-Ring ●
3:3		1	Seal-Shaft ●
3:4		1	Washer-Backup ●
3:5		5	Seal-Square, Ring (Inner) ●
3:6		1	Seal-Commutator ●

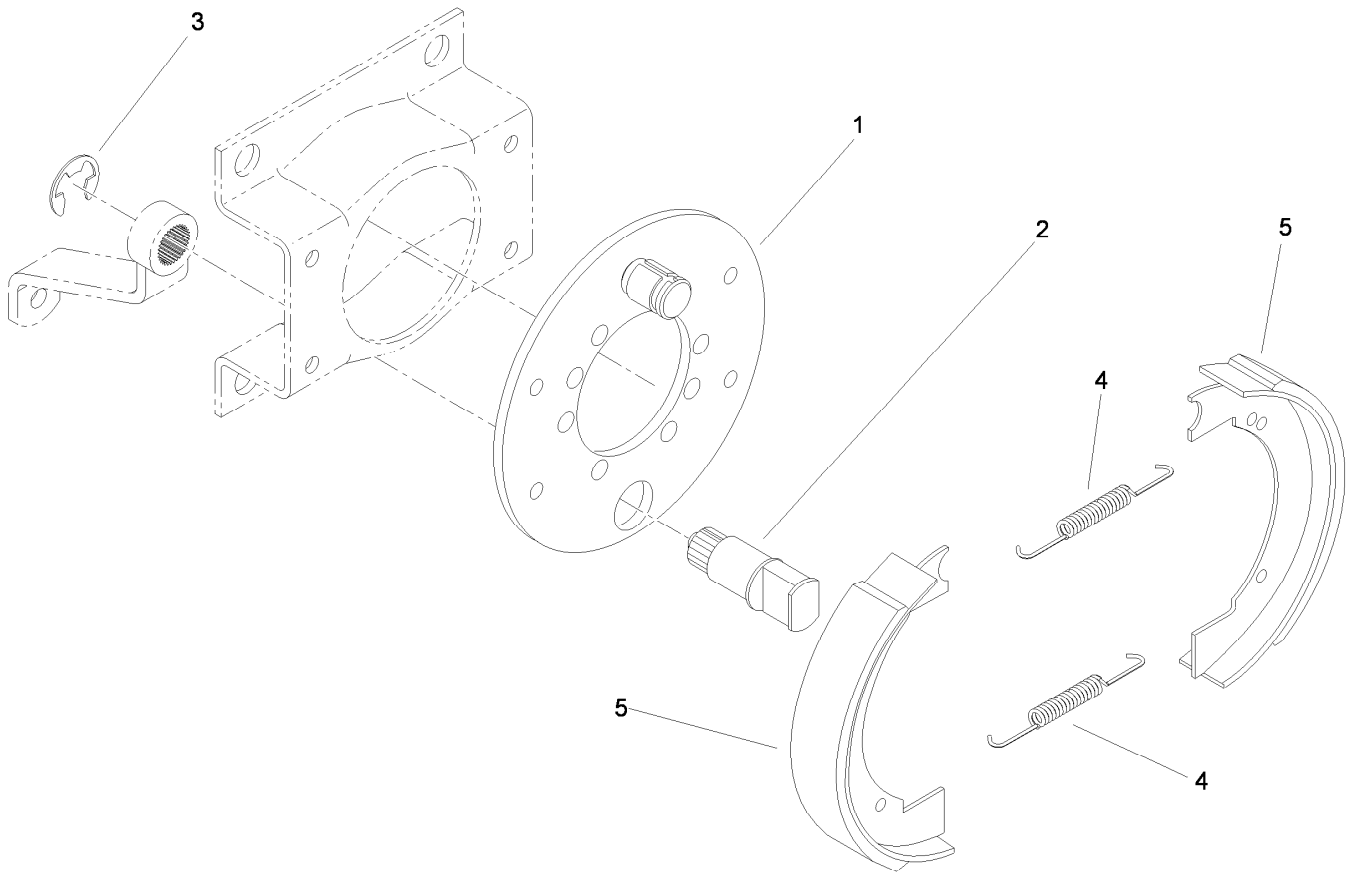
● Not serviced separately



Hydraulic Motor Assembly No. 110-8786

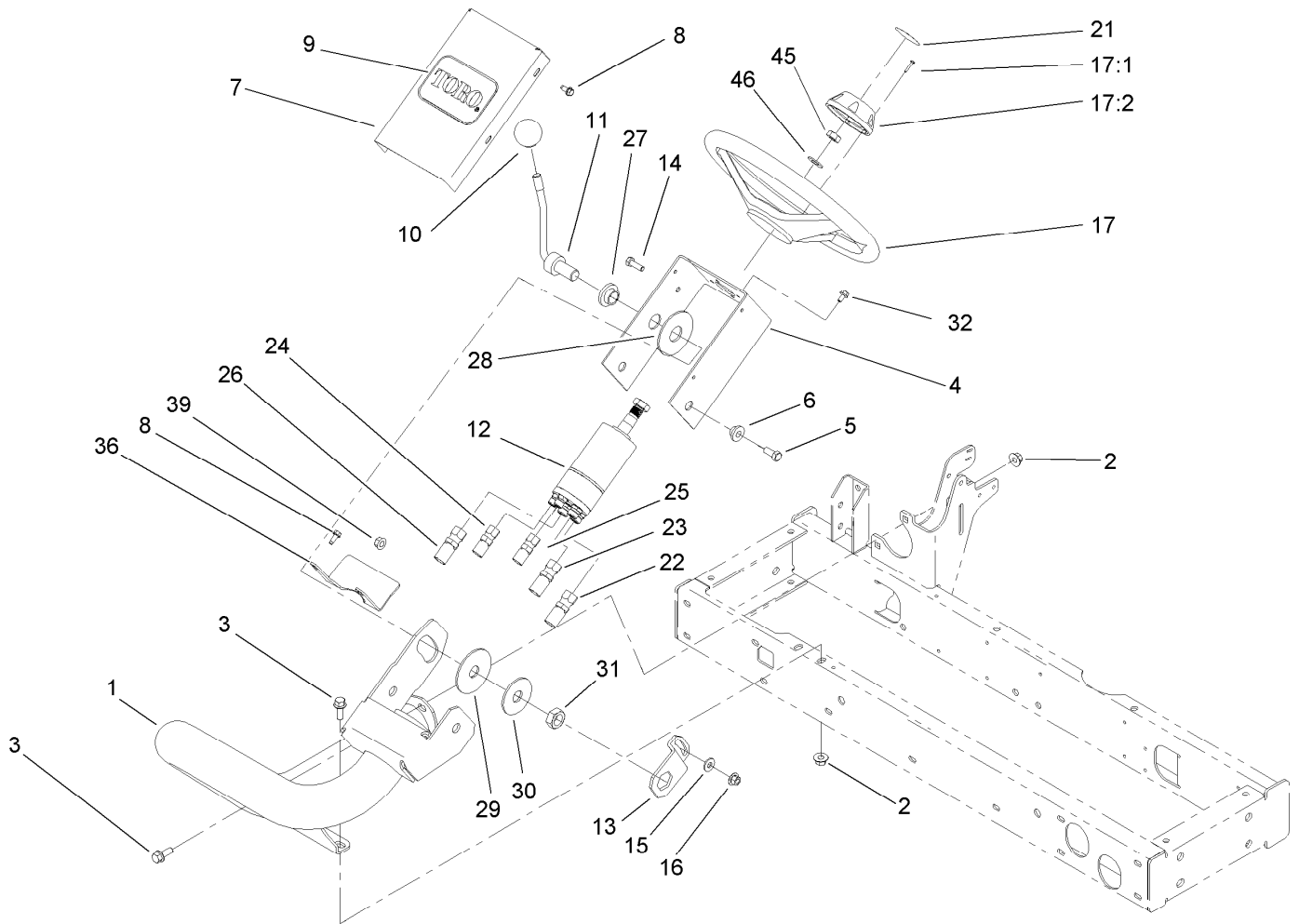
Ref.	Part Number	Qty.	Description
1	3257-42	1	Key-Woodruff
2	99-3090	1	Shaft-Coupling
3	94-8178	1	Seal Kit
3:1		1	Seal-Dirt And Water ●
3:2		1	Backup-Ring ●
3:3		1	Seal-Shaft ●
3:4		1	Washer-Backup ●
3:5		5	Seal-Square, Ring (Inner) ●
3:6		1	Seal-Commutator ●

● Not serviced separately



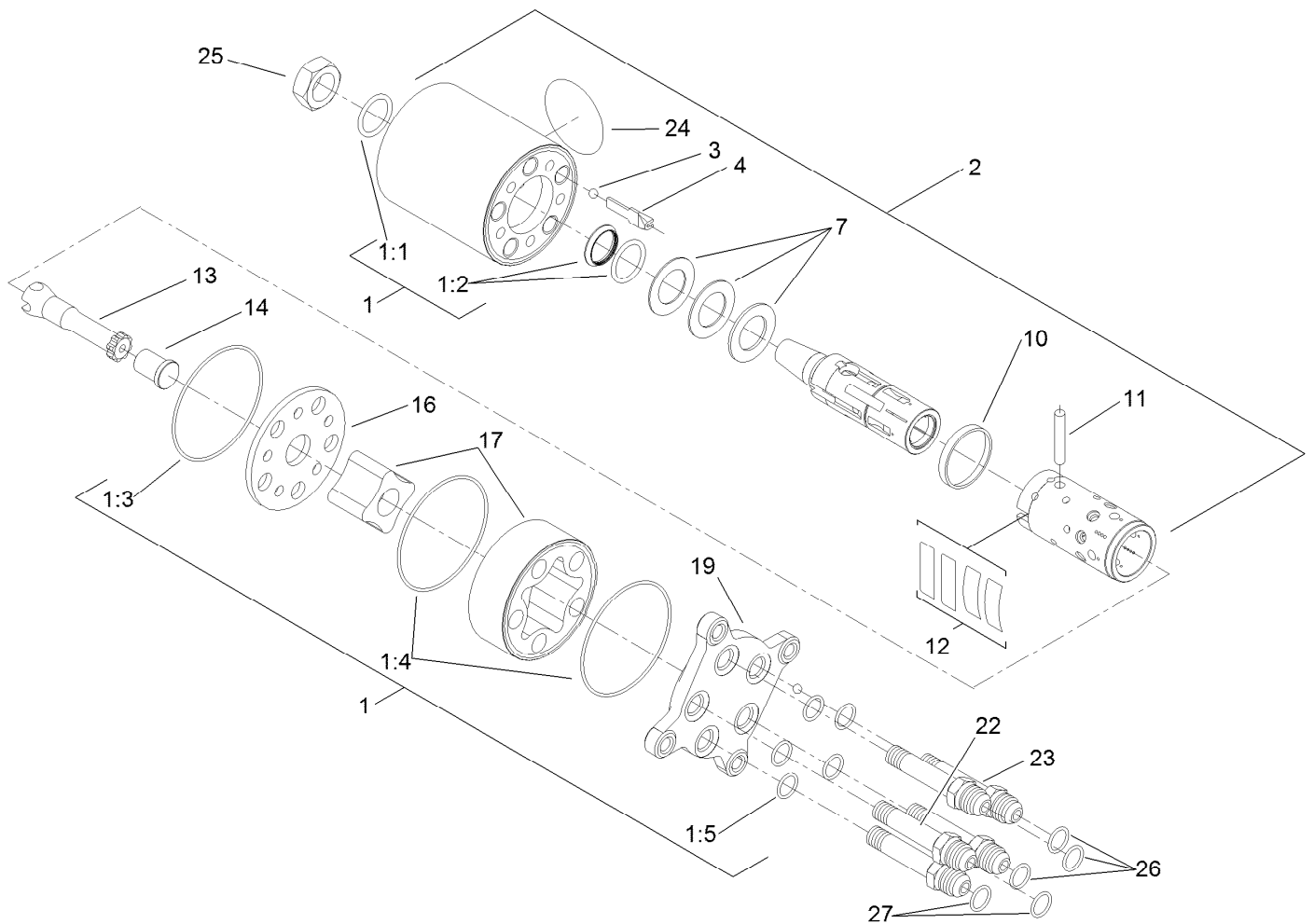
Brake Assembly No. 104-7705

<i>Ref.</i>	<i>Part Number</i>	<i>Qty.</i>	<i>Description</i>
1	70-9870	1	Plate-Backing
2	104-7707	1	Shaft-Cam, Brake
3	104-7706	1	E-Ring, Bowed
4	70-9880	2	Spring-Return
5	70-9840	2	Shoe-Brake



Steering Column Assembly

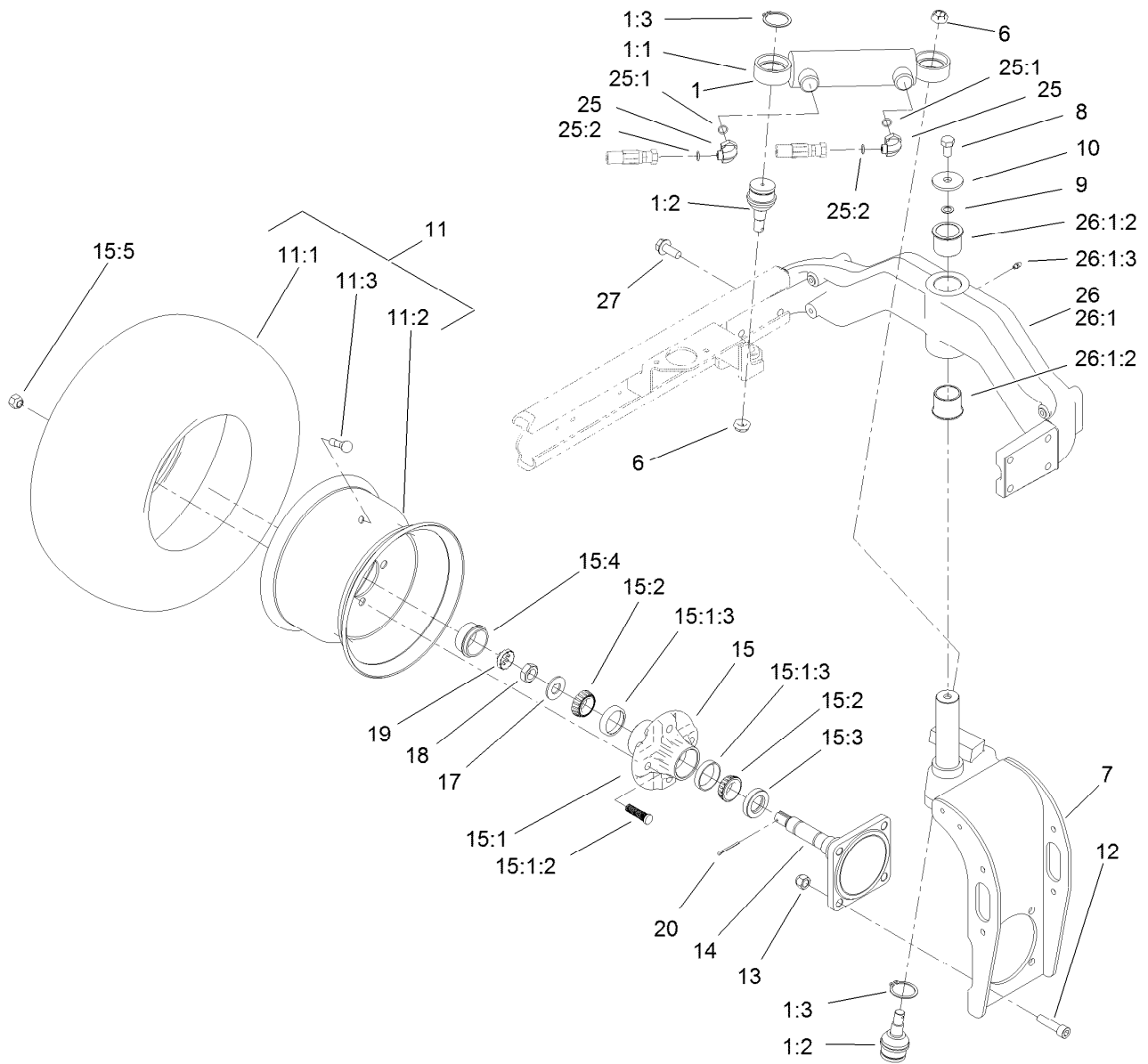
<i>Ref.</i>	<i>Part Number</i>	<i>Qty.</i>	<i>Description</i>	<i>Ref.</i>	<i>Part Number</i>	<i>Qty.</i>	<i>Description</i>
1	108-9003-01	1	Arm-Steering	17:2	68-5140	1	Cap-Wheel, Steering
2	32128-43	4	Nut-Flange	21	68-5370	1	Decal
3	3234-11	4	Screw-HHF	22	95-8842	1	Hose-HYD
4	104-5185-01	1	Bracket-Valve, Steering	23	95-8843	1	Hose-HYD
5	323-5	2	Screw-HH	24	100-4892	1	Hose-HYD
6	93-5988	2	Hub-Pivot	25	100-4893	1	Hose-HYD
7	95-8794-01	1	Cover-Valve, Steering	26	95-8846	1	Hose-HYD
8	32144-10	5	Screw-HWH	27	99-3502	1	Boss
9	67-1300	1	Decal	28	31-0390	1	Disc-Friction
10	233-48	1	Knob	29	82-9010	1	Disc-Friction
11	95-8798-03	1	Lever-Steering	30	80-2930	1	Washer-Flat
12	121-7856	1	Steering Valve ASM	31	3218-7	1	Nut-Jam
13	80-2880	1	Bracket-Tilt	32	33103-012	4	Screw-HHF
14	322-5	1	Screw-HH	36	99-3405-01	1	Shield-Steering
15	3256-3	1	Washer-Flat	39	32128-21	2	Nut-HF Lock
16	32128-44	1	Nut	45	3296-33	1	Nut-Lock, NI
17	75-0560	1	Steering Wheel ASM	46	3256-27	1	Washer-Flat
17:1	32144-21	1	Screw				



Steering Valve Assembly No. 121-7856

Ref.	Part Number	Qty.	Description	Ref.	Part Number	Qty.	Description
1	106-6716	1	Seal Kit	12		1	Springs ●
1:1		1	Ring-Seal, Dust ●	13		1	Shaft ●
1:2		1	Seal-Shaft ●	14		1	Spacer ●
1:3		1	O-Ring ●	16		1	Plate-Distributor ●
1:4		2	O-Ring ●	17		1	Gearwheel Set ●
1:5		5	O-Ring ●	19		1	Cover-End ●
2		1	Housing ●	22		1	Screw-Special ●
3		1	Ball ●	23		4	Screw-Special ●
4		1	Stop-Ball ●	24		1	Plate-Name ●
7		1	Bearing ASM ●	25	3296-33	1	Nut-Lock, NI
10		1	Ring ●	26	237-22	3	O-Ring
11		1	Pin-Cross ●	27	237-21	2	O-Ring

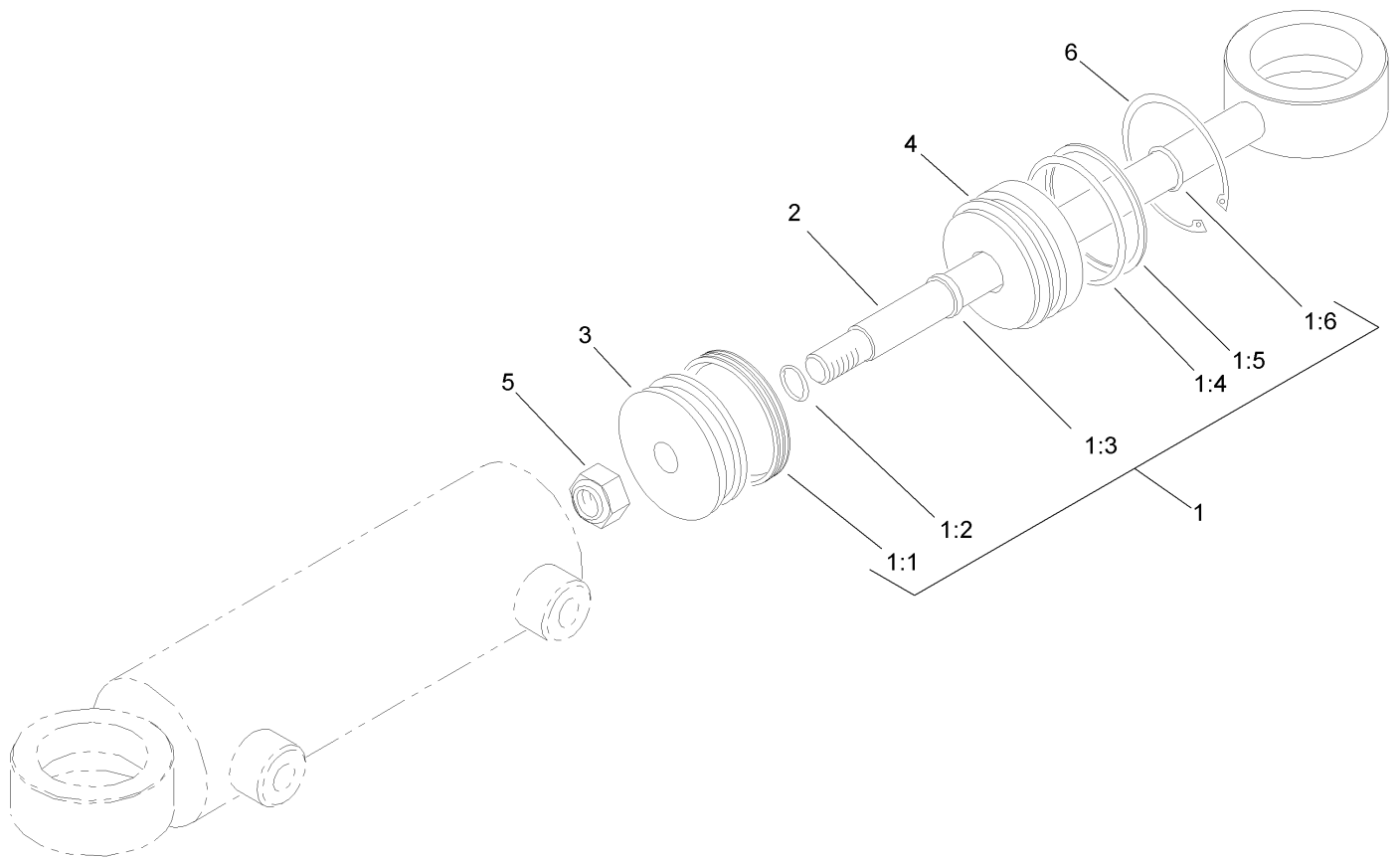
● Not serviced separately



Rear Fork and Tire Assembly

Ref.	Part Number	Qty.	Description	Ref.	Part Number	Qty.	Description
1		1	Steering Cylinder ASM ●	15:1:2	114-3918	4	Stud-Wheel
1:1	94-8141	1	HYD Cylinder ASM	15:1:3	254-72	2	Bearing-Cup, Tapered
1:2	121-3605	2	Ball Joint	15:2	254-94	2	Bearing-Cone, Tapered
1:3	32151-104	2	Ring-Retaining, External	15:3	112-1690	1	Seal-Oil
6	121-3611	2	Nut-Hex, Flextop	15:4	241-119	1	Cap-Dust
7	95-8905-01	1	Fork-Rear	15:5	242-50	4	Nut-Lug
8	325-3	1	Screw-HH	17	93-0309	1	Washer-Tab
9	3255-2	1	Washer-Lock, EXT	18	3220-7	1	Nut-Jam
10	75-7730	1	Washer-Thrust	19	93-0307	1	Nut-Lock, Retainer
11		1	Wheel And Tire ASM ●	20	3272-13	1	Pin-Cotter
11:1	117-5129	1	Rim	25	340-132	2	Fitting-Elbow, 90 DEG
11:2	115-1572	1	Tire	25:1	237-78	1	O-Ring
11:3	232-27	1	Stem-Valve	25:2	237-21	1	O-Ring
12	3274-5	4	Screw-HSH	26	107-7828-03	1	Casting-Rear
13	3296-23	4	Nut-Lock, NI	26:1		1	Rear Casting ASM ●
14	115-6655-03	1	Spindle	26:1:2	95-8805	2	Bushing
15	117-5115	1	Hub And Bearing ASM	26:1:3	302-5	1	Fitting-Grease
15:1	117-8251	1	Hub ASM	27	3234-38	8	Screw-HHF

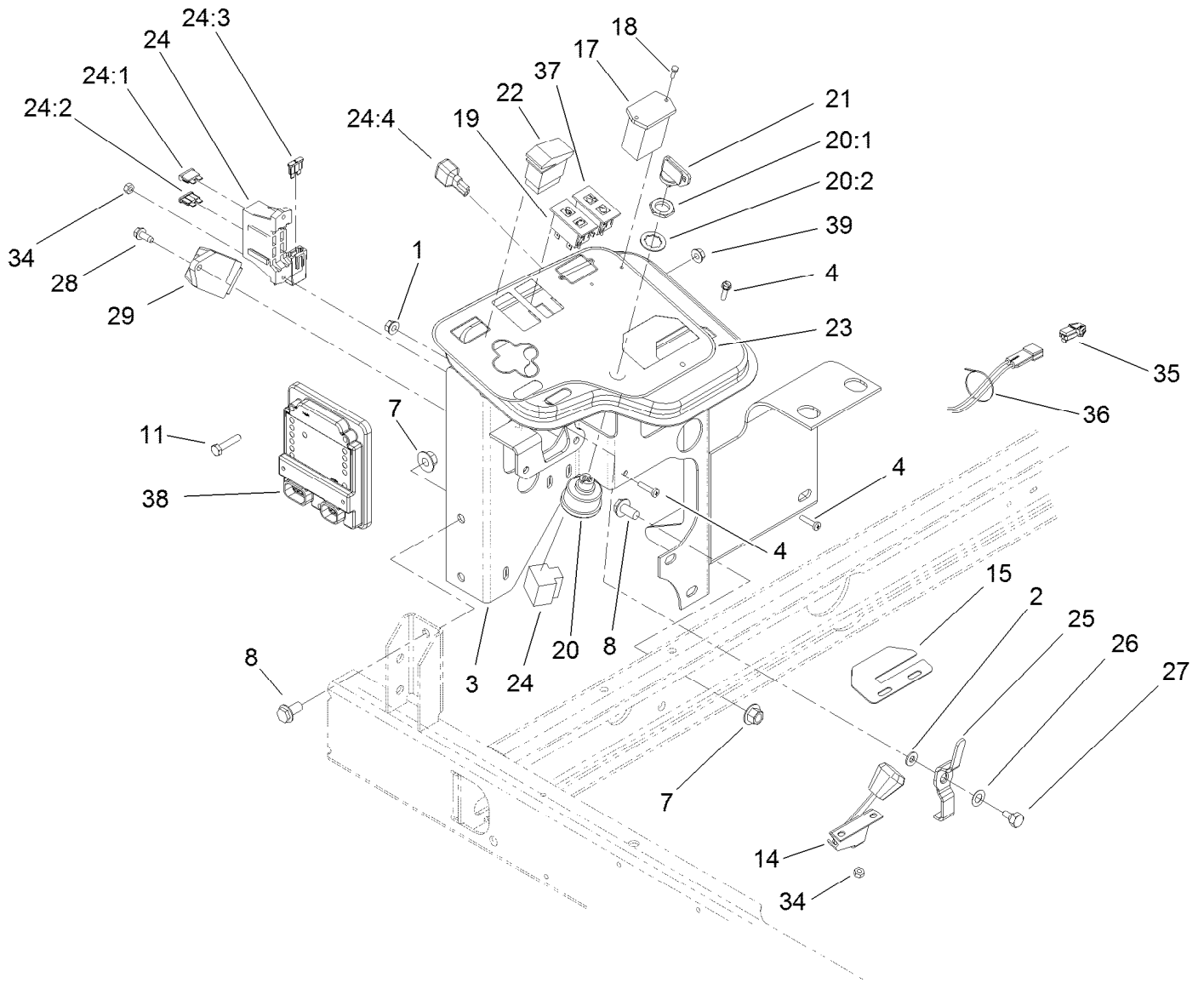
● Not serviced separately



Hydraulic Cylinder Assembly No. 94-8141

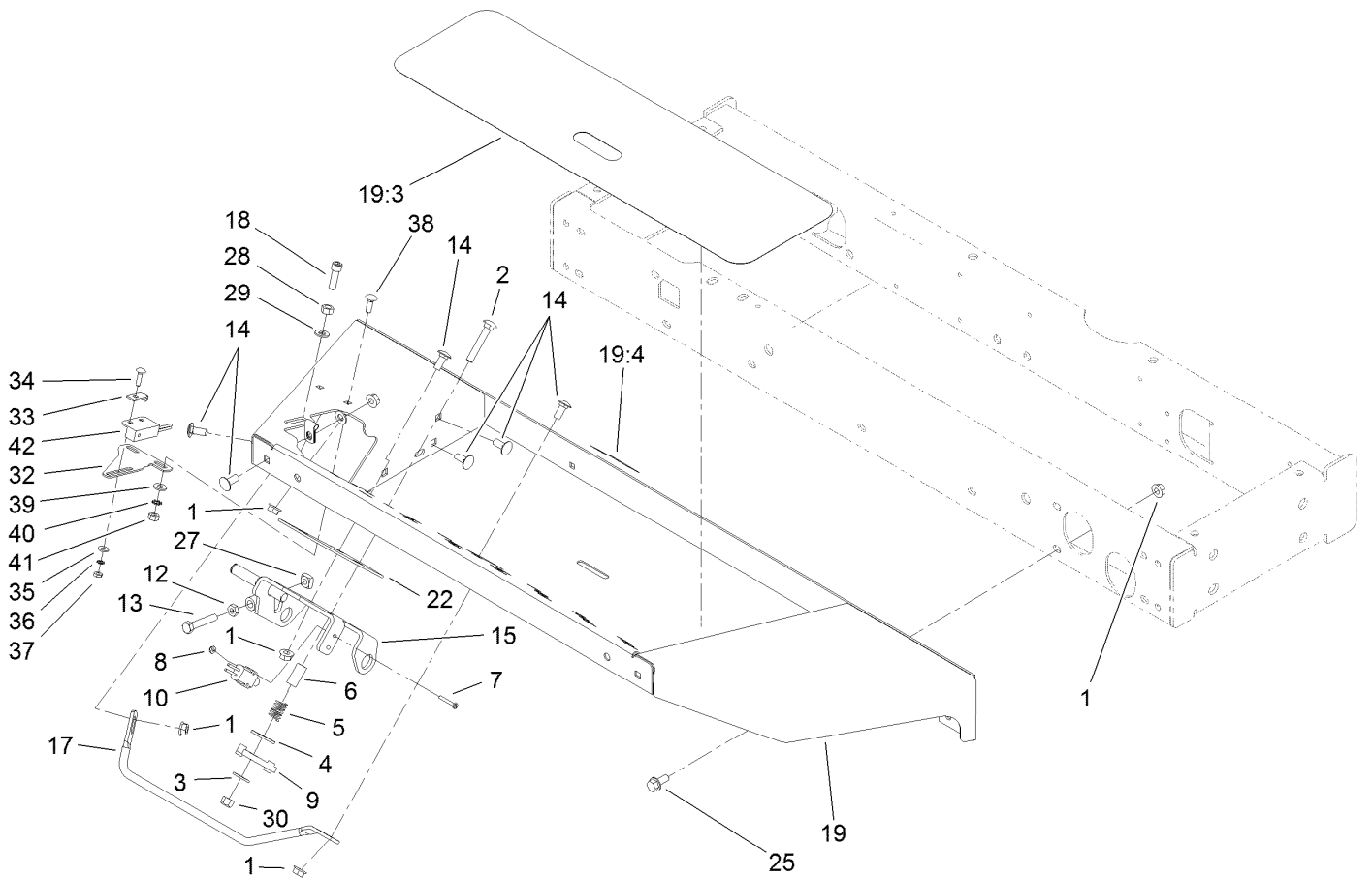
<i>Ref.</i>	<i>Part Number</i>	<i>Qty.</i>	<i>Description</i>
1	86-5390	1	Seal Kit
1:1		1	Uniring ●
1:2		1	O-Ring ●
1:3		1	Seal-Rod ●
1:4		1	O-Ring ●
1:5		1	Ring-Backup ●
1:6		1	O-Ring ●
2		1	Rod ●
3		1	Piston ●
4		1	Gland ●
5		1	Nut-Lock ●
6		1	Ring-Retaining ●

● Not serviced separately



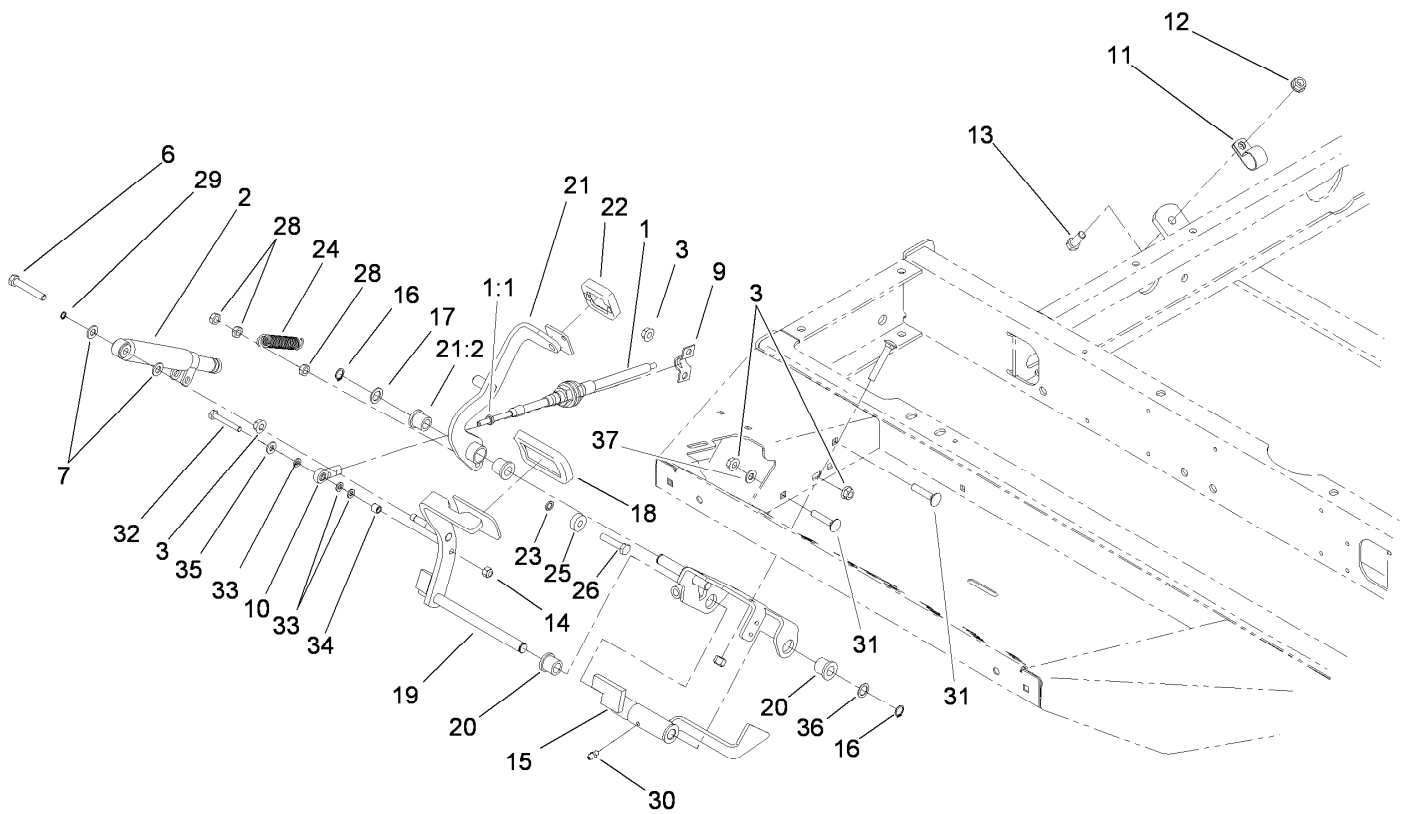
Control Panel Assembly

Ref.	Part Number	Qty.	Description	Ref.	Part Number	Qty.	Description
1	32128-32	1	Nut-HHF	23	121-3619	1	Decal-Console
2	3256-22	1	Washer-Flat	24	122-0258	1	Harness-Wire
3	115-3496-03	1	Panel-Control	24:1	218-578	1	Fuse-Blade, 10 Amp
4	3290-134	4	Screw	24:2	109355	1	Fuse-Blade, 15 Amp
7	32128-43	5	Nut-Flange	24:3	94-6710	1	Fuse-2 Amp
8	3234-1	5	Screw-HHF	24:4	100-4918	1	Diode
11	321-8	3	Screw-HH	25	99-3401-03	1	Lever-Valve, Lock
14	110-8795	1	Cable-Throttle	26	3290-477	1	Washer-Curved
15	104-0421	1	Plate-Stop, Throttle	27	63-3410	1	Screw-Shoulder
17	75-6820	1	Hourmeter	28	32144-10	1	Screw-HWH
18	32144-18	2	Screw-HWH	29	98-7611	1	Controller-Glow
19	100-8070	1	Lamp-Warning	34	3290-148	4	Nut-HF
20	104-2541	1	Ignition Switch ASM	35	104-4875	1	Harness-Wire, Jumper
20:1	218-461	1	Nut-HH	36	3290-379	1	Tie-Cable
20:2	3254-5	1	Washer-Lock	37	100-8071	1	Lamp-Warning
21	63-8360	1	Key-Ignition	38	106-9277	1	Module-Control, Standard
22	93-9999	1	Switch-PTO	39	32128-33	3	Nut-HF



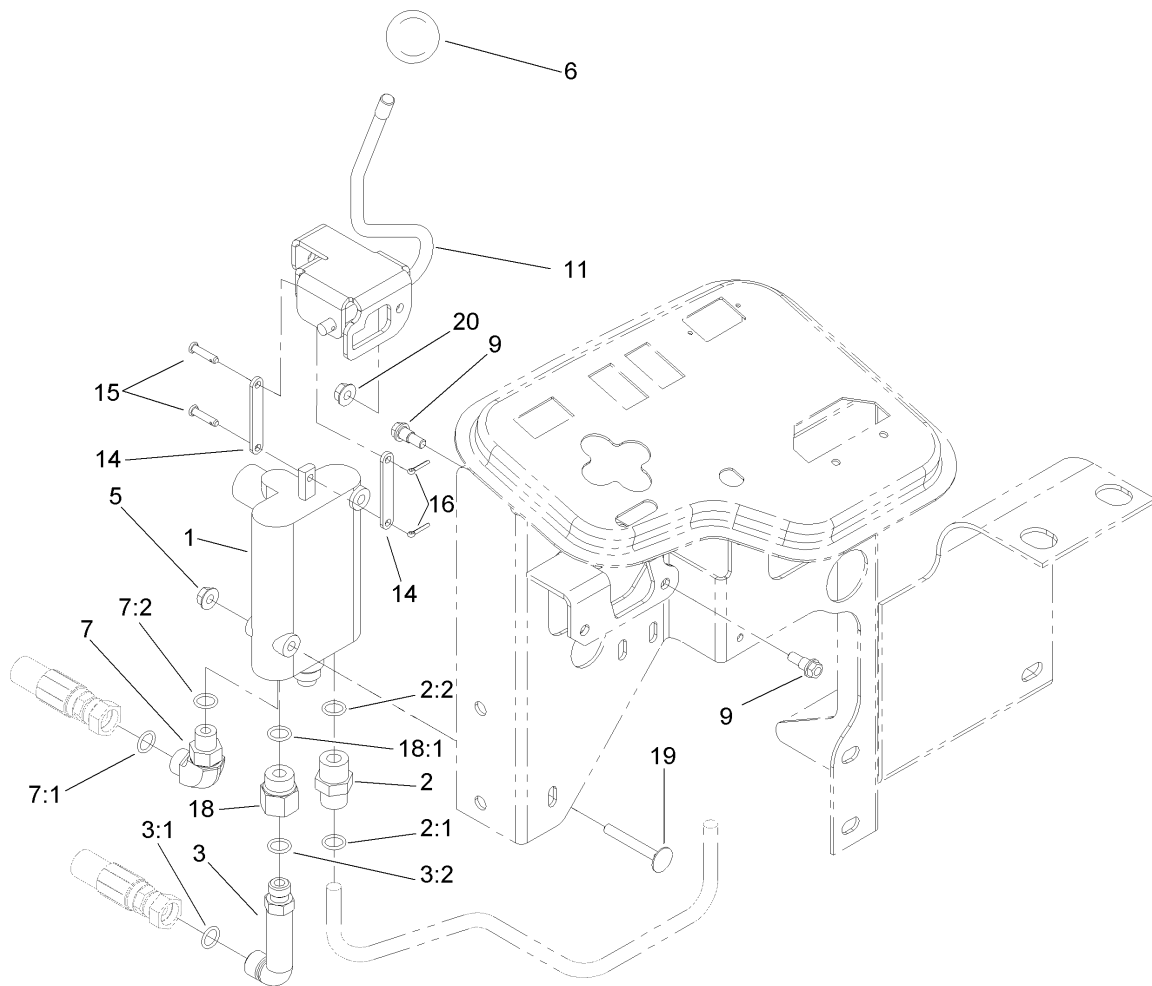
Front Platform Assembly

Ref.	Part Number	Qty.	Description	Ref.	Part Number	Qty.	Description
1	32128-20	17	Nut-HF	19:4	99-3444	1	Decal-Mow / Transport
2	3230-6	1	Bolt-CARR	22	106-2661-01	1	Plate-Support
3	3256-3	1	Washer-Flat	25	3234-5	10	Screw-HHF
4	3256-40	1	Washer-Flat	27	99-3565	1	Nut-Square
5	65-9940	1	Spring	28	3217-6	1	Nut-Hex
6	95-8866	1	Tube-Arm, Rocker	29	3256-23	1	Washer-Plain
7	32105-9	2	Screw	30	3296-29	1	Nut-Lock, NI
8	3296-9	2	Nut-Hex	32	100-4871	1	Bracket-Switch, Neutral
9	99-3593	1	Arm-Rocker	33	100-4872	1	Plate-Switch, Neutral
10	95-8900	1	Switch	34	3229-20	1	Screw-CARR
12	3218-2	1	Nut-Hex Jam	35	3256-14	1	Washer-Flat
13	322-41	1	Bolt-Hex, TAP	36	3255-17	1	Washer-Lock, EXT
14	3230-23	6	Bolt-CARR	37	3296-2	1	Nut-Lock, NI
15	95-8869-03	1	Bracket-Pedal, Traction	38	3229-1	2	Screw-CARR
17	95-8893	1	Bar-Deflector	39	3256-22	2	Washer-Flat
18	3274-22	1	Screw-HSH	40	3255-7	2	Washer-Lock/EXT
19	106-4154	1	Floorplate ASM	41	3217-5	2	Nut-Hex
19:3	99-3478	1	Tread-Foot	42	100-1270	1	Switch-Proximity



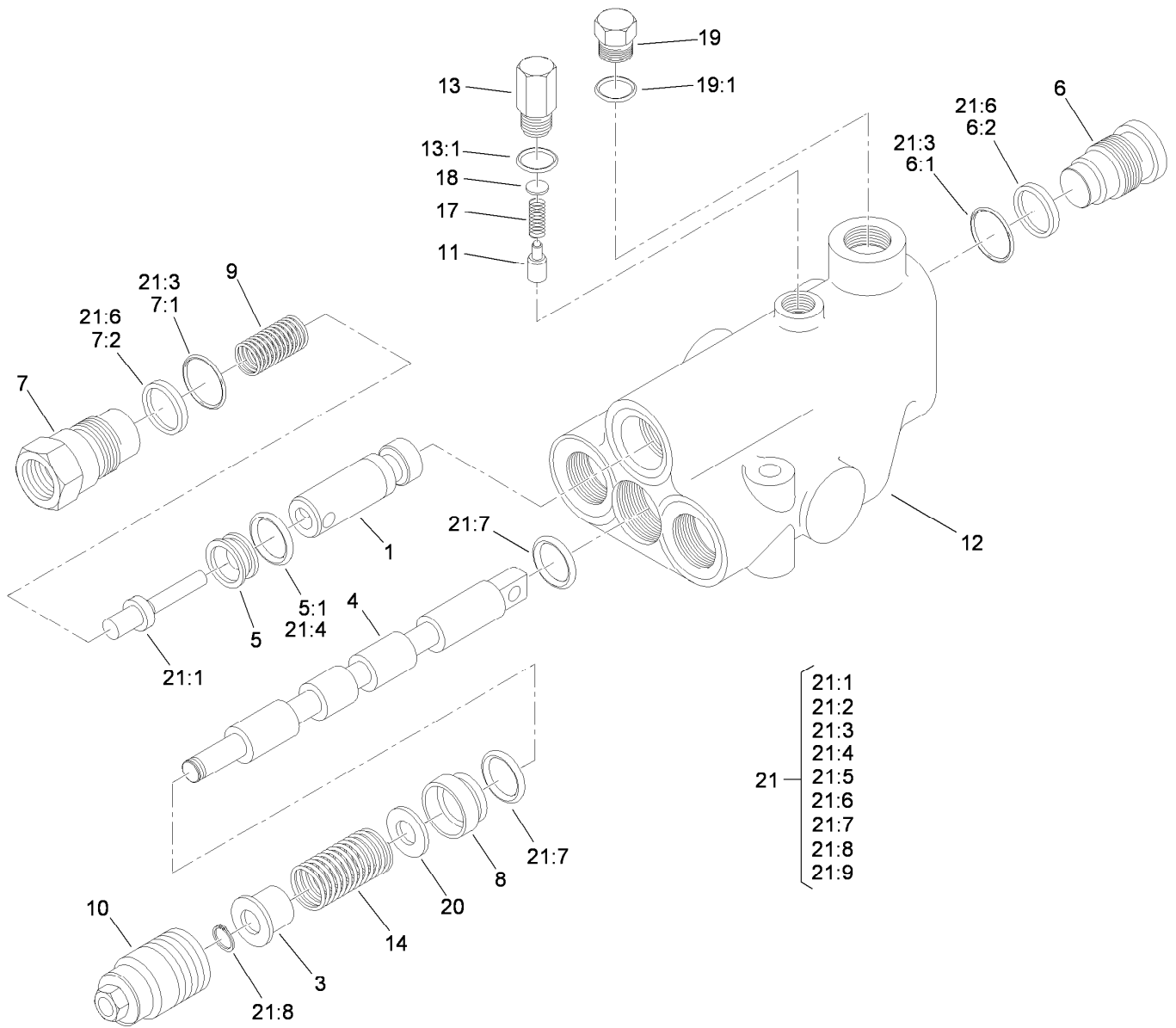
Traction Pedal Assembly

<i>Ref.</i>	<i>Part Number</i>	<i>Qty.</i>	<i>Description</i>	<i>Ref.</i>	<i>Part Number</i>	<i>Qty.</i>	<i>Description</i>
1	100-4815	1	Cable-Control, Traction	21	99-3379	1	Pedal-Reverse ASM
1:1	3220-1	2	Nut-Jam	21:2	256-243	2	Bearing-Flange
2	76-8870	1	Damper-Lever	22	74-9110	1	Pad-Pedal, Reverse
3	32128-20	5	Nut-HF	23	75-5470	1	Spacer-Bearing
6	322-10	1	Screw-HH	24	99-3476	1	Spring-Extension
7	3256-23	2	Washer-Plain	25	251-259	1	Bearing-Ball
9	93-2092	1	Clamp-Cable	26	322-7	1	Screw-HH
10	2411-41	1	Rod End-Ball Joint	28	3296-47	3	Nut-Lock,NI
11	2412-41	1	Clamp-R	29	32151-3	1	Ring-Grip
12	3290-357	1	Nut-HHF, Whiz	30	302-5	1	Fitting-Grease
13	323-6	1	Screw-HH	31	3230-27	1	Screw-CARR
14	3296-42	1	Nut-Lock, NI	32	321-10	1	Screw-HH
15	95-8861	1	Slide	33	33093-00	3	Washer-Flat
16	32151-84	2	Ring-Shaft, EXT	34	99-3545	1	Spacer
17	41-8440	1	Washer	35	3256-22	1	Washer-Flat
18	74-9100	1	Pad-Pedal, Forward	36	73-0040	4	Washer-Thrust
19	104-4852-03	1	Pedal-Traction	37	3256-24	1	Washer-Flat
20	256-243	2	Bearing-Flange				



Control Valve Assembly

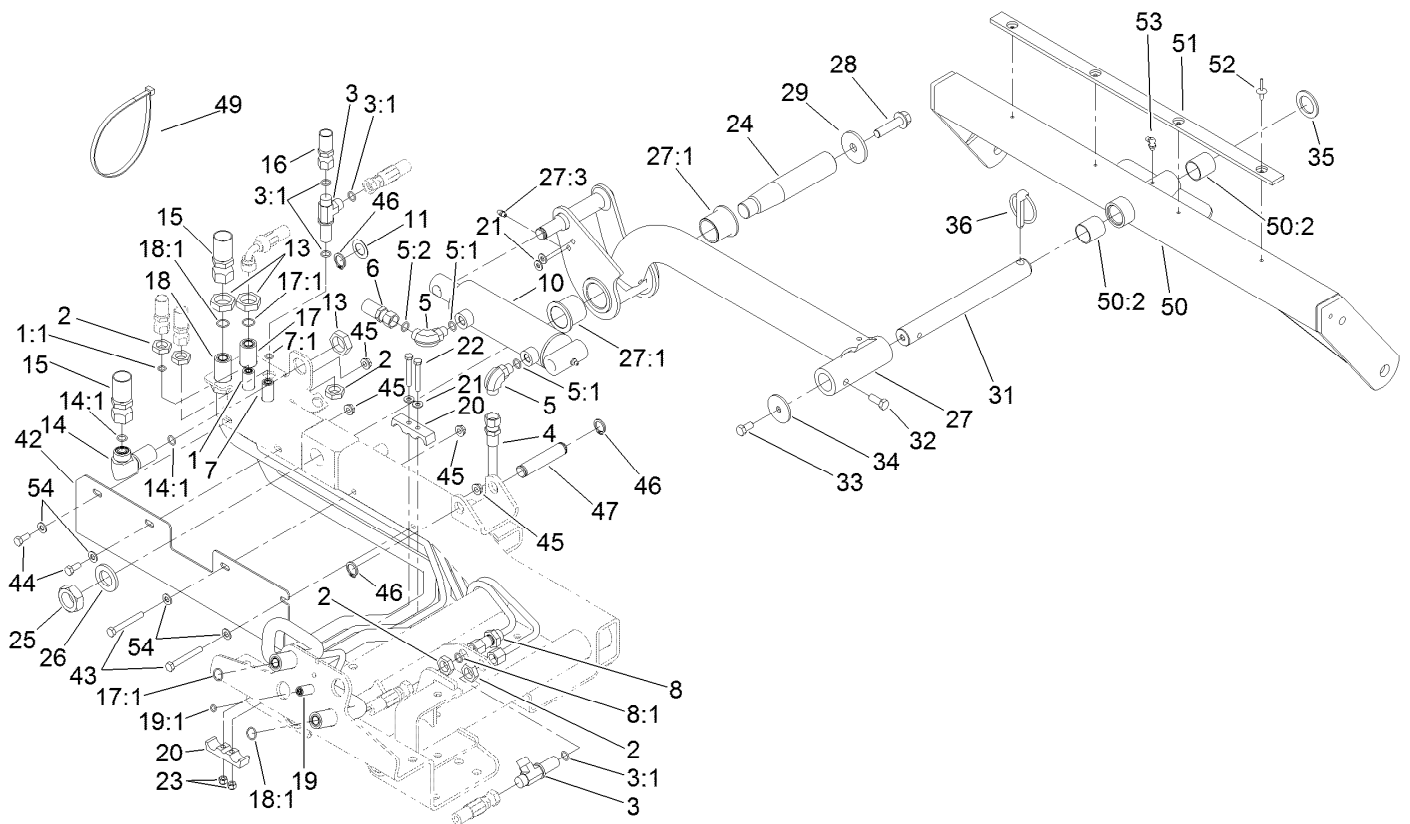
Ref.	Part Number	Qty.	Description
1	95-8689	1	Single Spool Control Valve ASM
2	340-3	1	Fitting-Straight
2:1	237-22	1	O-Ring
2:2	237-79	1	O-Ring
3	69-4320	1	Fitting-HYD, 90 DEG
3:1	237-22	1	O-Ring
3:2	237-42	1	O-Ring
5	32128-33	2	Nut-HF
6	233-42	1	Knob
7	340-77	1	Fitting-Elbow, 90 DEG
7:1	237-22	1	O-Ring
7:2	237-42	1	O-Ring
9	42-3560	2	Bolt-Shoulder
11	95-8692	1	Lever ASM
14	95-8634	2	Link
15	283-16	2	Pin-Clevis
16	3272-1	2	Pin-Cotter
18	353-397	1	Reducer-Adapter
18:1	237-79	1	O-Ring
19	3230-33	2	Screw-CARR
20	32128-32	2	Nut-HHF



Single Spool Control Valve Assembly No. 95-8689

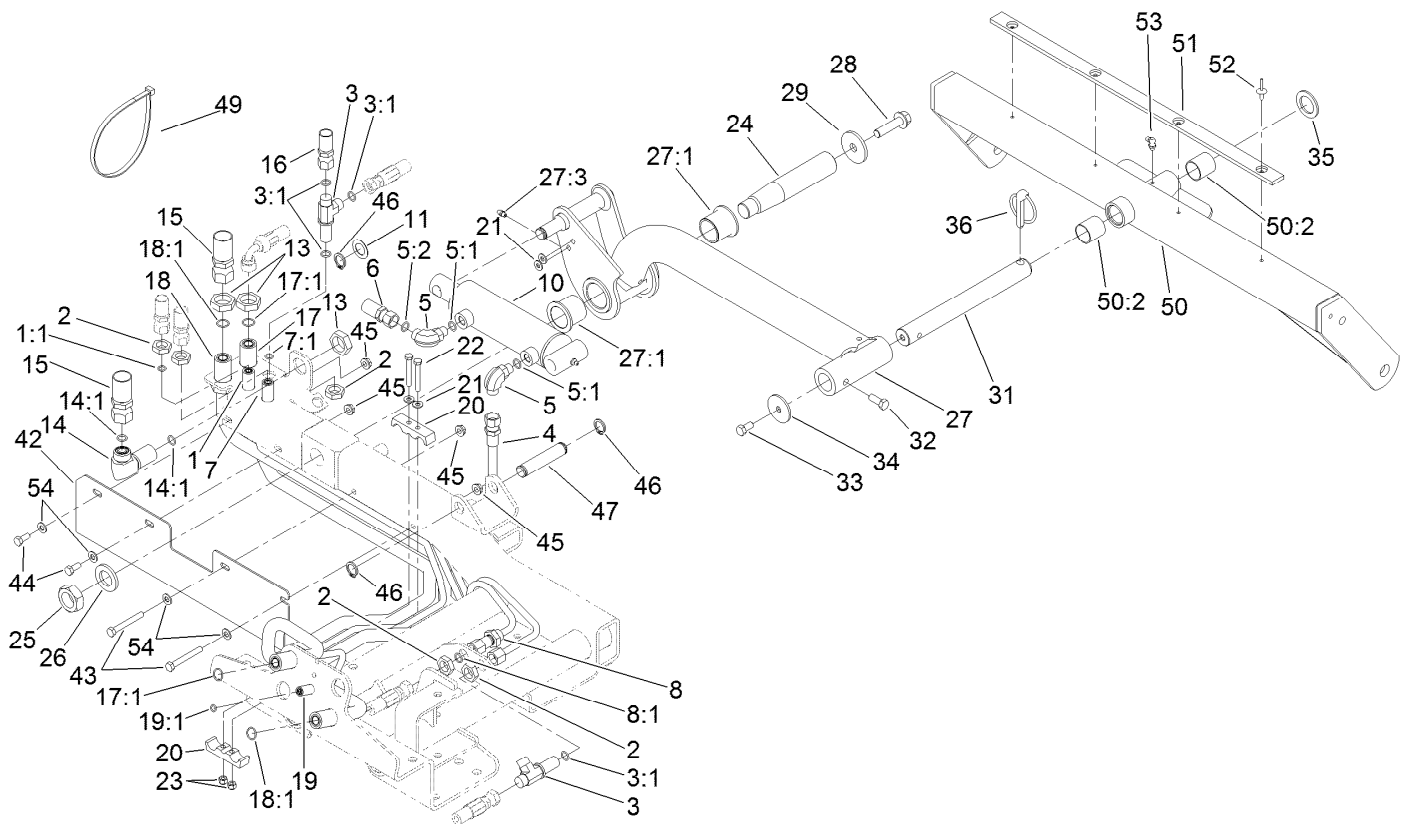
Ref.	Part Number	Qty.	Description	Ref.	Part Number	Qty.	Description
1	99-3586	1	Plunger	13:1	60-6410	1	O-Ring
3	58-6310	1	Spacer	14	99-3531	1	Spring
4		1	Spool ●	17	99-3587	1	Spring
5	58-6330	1	Seat	18	60-6450	1	Disc
5:1	58-6340	1	O-Ring	19	353-989	1	Plug-Hex, Hollow
6	58-6350	1	Plug	20	65-2770	1	Washer
6:1	60-5720	1	O-Ring	21	99-3589	1	Seal Kit
6:2	58-6370	1	Washer	21:1	58-6290	2	Poppet
7	69-1800	1	Plug ASM	21:2	58-6320	1	Wiper
7:1	60-5720	1	O-Ring	21:3	60-5720	2	O-Ring
7:2	58-6370	1	Washer	21:4	58-6340	2	O-Ring
8	58-6400	1	Bushing	21:5	93-6314	1	O-Ring
9	69-1810	1	Spring	21:6	58-6370	2	Washer
10	58-6420	1	Cap	21:7	58-6450	2	O-Ring
11	99-3585	1	Detent-Plunger	21:8	58-6460	1	Ring-Retaining
12		1	Body ●	21:9		1	O-Ring ●
13	99-3588	1	Plug ASM				

● Not serviced separately



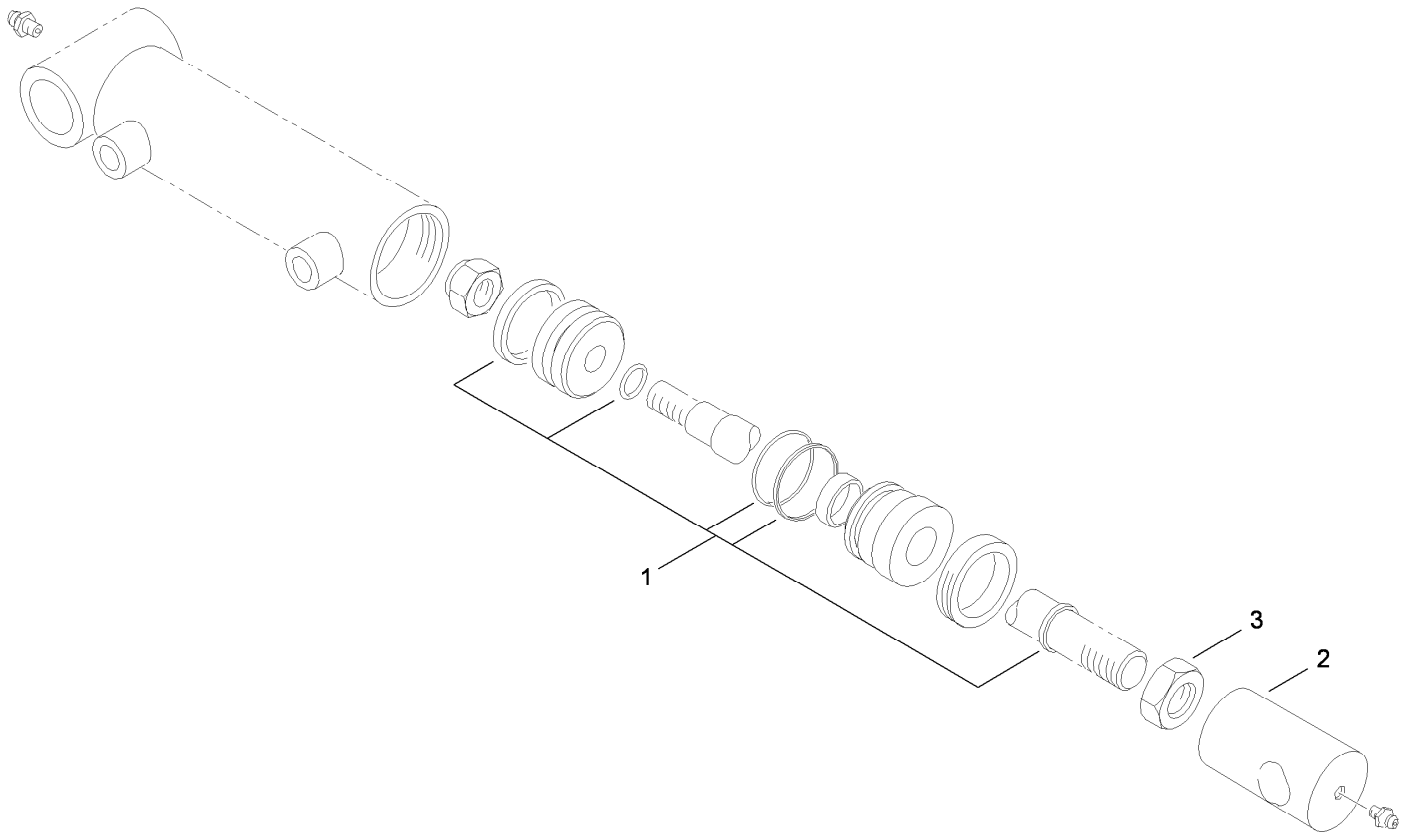
Rear Lift Arm Assembly

<i>Ref.</i>	<i>Part Number</i>	<i>Qty.</i>	<i>Description</i>	<i>Ref.</i>	<i>Part Number</i>	<i>Qty.</i>	<i>Description</i>
1	104-0402	1	Tube-HYD	17	104-0401	1	Tube ASM
1:1	237-22	1	O-Ring	17:1	237-65	2	O-Ring
2	340-70	5	Nut-Lock	18	104-0400	1	Tube ASM
3	340-68	2	Fitting-Tee, Bulkhead	18:1	237-65	2	O-Ring
3:1	237-22	3	O-Ring	19	104-0404	1	Tube ASM
4	104-0407	1	Hose-HYD	19:1	237-21	1	O-Ring
5	340-77	2	Fitting-Elbow, 90 DEG	20	99-3641	2	Clamp-Tube
5:1	237-22	1	O-Ring	21	3256-22	4	Washer-Flat
5:2	237-42	1	O-Ring	22	321-11	2	Screw-HH
6	99-3579	1	Hose-HYD	23	3296-42	2	Nut-Lock, NI
7	104-0403	1	Tube ASM	24	95-8990	1	Shaft-Pivot, Rear
7:1	237-22	1	O-Ring	25	3220-9	1	Nut-Jam
8	340-71	1	Fitting-Straight, Bulkhead	26	86-1480	1	Washer
8:1	237-22	2	O-Ring	27	115-3473	1	Rear Liftarm ASM
10	112-9916	1	HYD Cylinder ASM	27:1	69-6470	2	Bushing-Caster
11	3-6498	1	Washer-Thrust	27:3	302-5	1	Fitting-Grease
13	340-74	3	Nut-Lock, Bulkhead	28	3234-27	1	Screw-HHF
14	340-72	1	Fitting-Bulkhead, 90 DEG	29	75-7730	1	Washer-Thrust
14:1	237-65	2	O-Ring	31	100-4944	1	Shaft-Pivot, Cutting Unit
15	108-9004	2	Hose ASM	32	323-6	1	Screw-HH
16	115-3412	1	Hose-HYD	33	323-4	1	Screw-HH



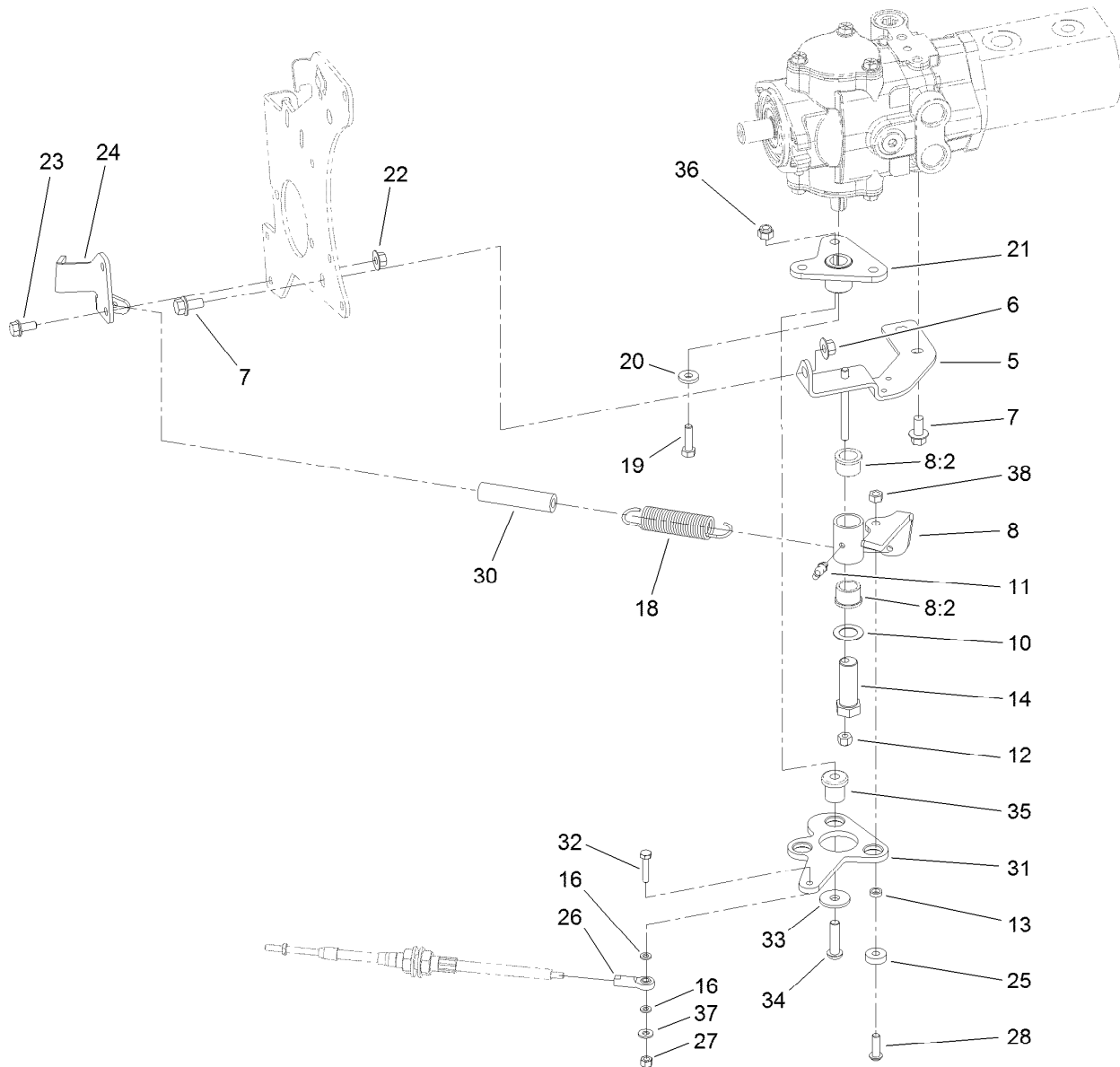
Rear Lift Arm Assembly (continued)

<i>Ref.</i>	<i>Part Number</i>	<i>Qty.</i>	<i>Description</i>	<i>Ref.</i>	<i>Part Number</i>	<i>Qty.</i>	<i>Description</i>
34	63-7400	1	Washer-Rebound	47	95-8575	1	Pin-Clevis
35	3-6781	1	Washer-Thrust	49	3334-945	2	Tie-Cable
36	283-71	1	Pin-Lynch	50	104-4229	1	Rear Carrier Frame ASM
42	121-3616-03	1	Guard	50:2	108-4000	2	Bushing
43	322-12	2	Screw-HH	51	95-8936	1	Strip-Wear
44	322-3	2	Screw-HH	52	3269-18	4	Rivet-Blind
45	32128-20	4	Nut-HF	53	302-60	1	Fitting-Grease
46	32120-93	3	Ring-Retaining	54	3256-23	4	Washer-Plain



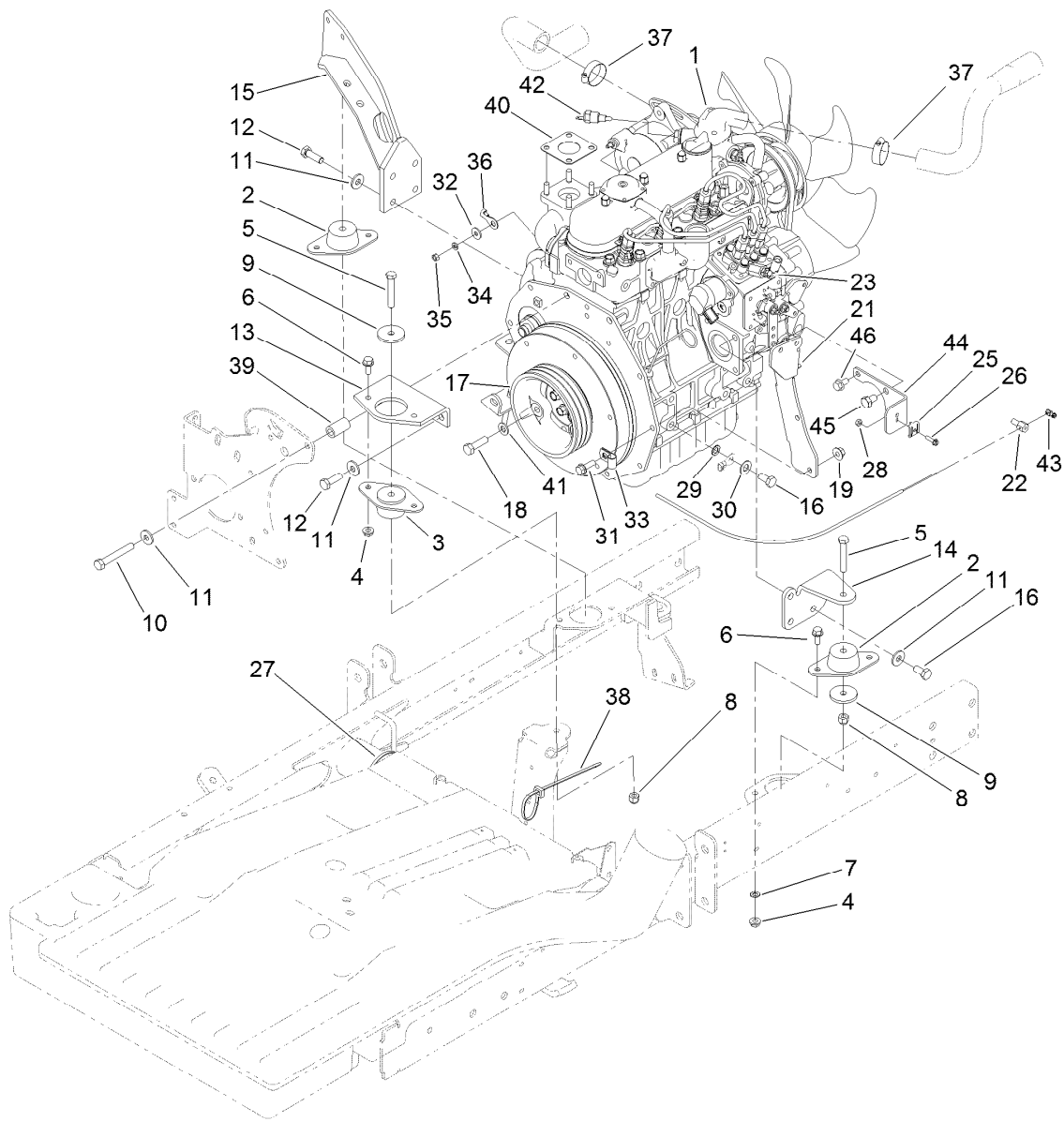
Hydraulic Cylinder Assembly No. 112-9916

<i>Ref.</i>	<i>Part Number</i>	<i>Qty.</i>	<i>Description</i>
1	115-3410	1	Seal Kit
2	108-9035	1	Clevis
3	3220-7	1	Nut-Jam



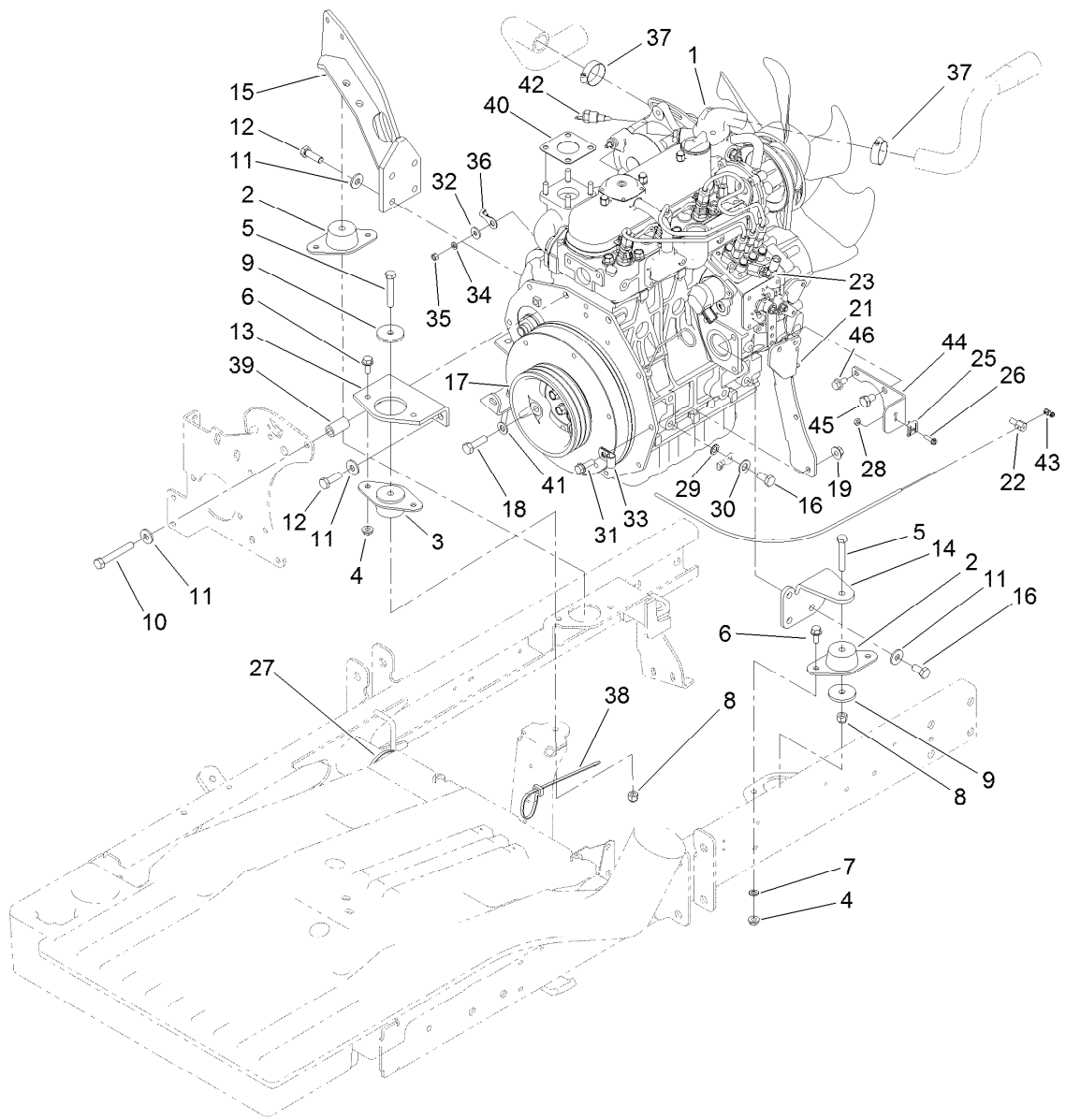
Neutral Arm Assembly

Ref.	Part Number	Qty.	Description	Ref.	Part Number	Qty.	Description
5	95-8960-03	1	Bracket-Neutral	23	3234-5	2	Screw-HHF
6	32128-43	1	Nut-Flange	24	104-0464-03	1	Bracket-Support, Cable
7	3234-1	3	Screw-HHF	25	251-259	1	Bearing-Ball
8	104-0422	1	Neutral Arm ASM	26	2411-41	1	Rod End-Ball Joint
8:2	256-113	2	Bushing-Flange	27	3296-42	1	Nut-Lock, NI
10	3-6498	1	Washer-Thrust	28	3274-104	1	Screw-HSBH
11	302-60	1	Fitting-Grease	30	99-3556	1	Hose
12	3296-29	1	Nut-Lock, NI	31	99-3594-03	1	Lever-Pump
13	100-4817	1	Spacer	32	321-8	1	Screw-HH
14	76-8640	1	Stud-Traction	33	2844	3	Washer
16	33093-00	2	Washer-Flat	34	95-3857	3	Screw-HSBH
18	94-1369	1	Spring-Extension	35	63-9750	3	Mount
19	3210-6	1	Screw-HH	36	3296-39	3	Nut-Lock, NI
20	88-7200	1	Washer-Flat	37	3256-22	1	Washer-Flat
21	120-5566	1	Hub	38	32153-3	1	Nut-Hex, Side Deform
22	32128-44	2	Nut				



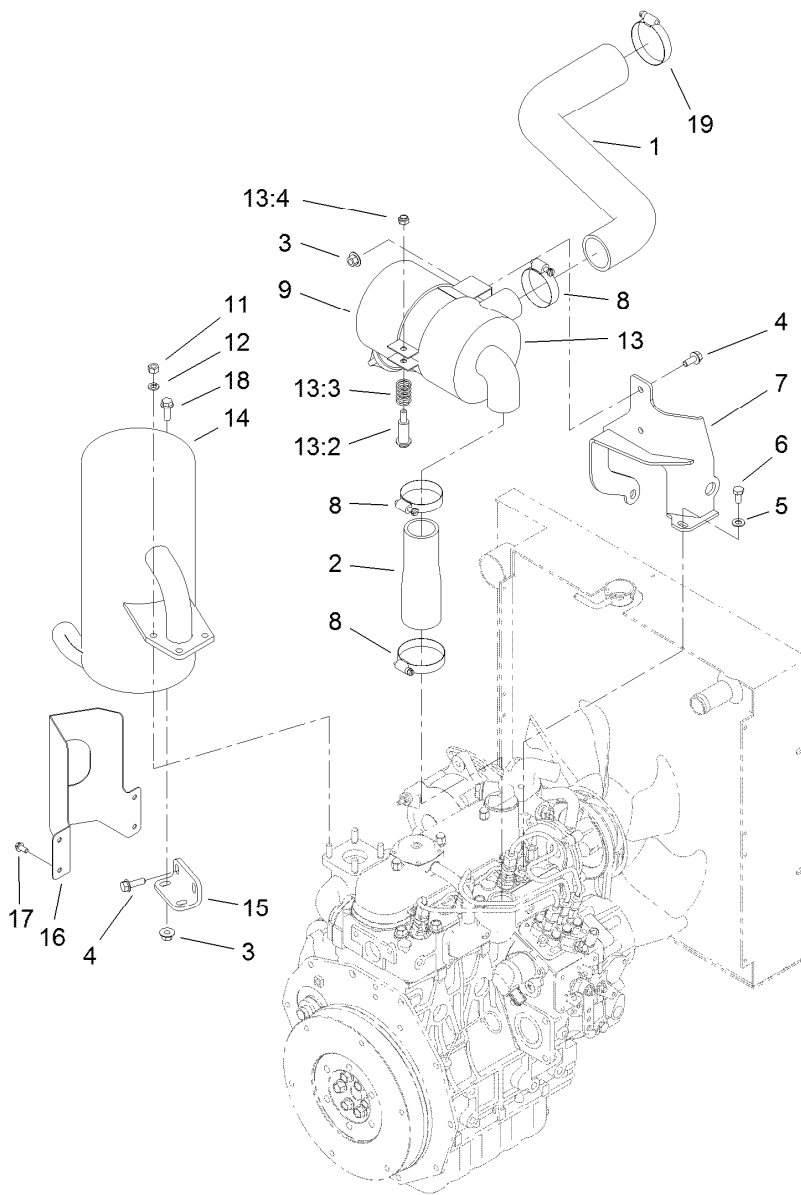
Engine Assembly

Ref.	Part Number	Qty.	Description	Ref.	Part Number	Qty.	Description
1	127-9662	1	Engine-Kubota, D1105	23	3296-20	1	Nut-Lock, NI
2	121-9076	2	Mount-Engine	25	81-1690	1	Clamp-Cable
3	93-5265	1	Mount-Engine	26	32105-13	1	Screw-HWH
4	32128-20	6	Nut-HF	27	3290-379	2	Tie-Cable
5	323-11	3	Screw-HH	28	3296-2	1	Nut-Lock, NI
6	3234-5	6	Screw-HHF	29	3255-9	1	Washer-Lock
7	3255-8	1	Washer-Lock	30	3256-25	1	Washer-Flat
8	3296-39	3	Nut-Lock, NI	31	3234-17	2	Screw-HHF
9	80-8560	3	Washer-Hardened	32	3256-78	1	Washer-Flat
10	42-9370	1	Screw-HH	33	2412-10	1	Clamp-R
11	80-6990	9	Washer-Hardened	34	43-5930	1	Washer-Lock, Spring
12	95-8812	5	Screw-HH	35	48-7890	1	Nut-Hex
13	99-3618-03	1	Mount-Engine, Front	36	99-3441	1	Harness-Wire, Fusible Link
14	95-8937-03	1	Mount-Engine, LH	37	2412-34	2	Clamp-Hose
15	100-4838-03	1	Mount-Engine	38	3290-378	14	Tie-Cable
16	63-7790	4	Screw-Cap	39	95-8736	1	Spacer
17	99-3626	1	Pulley-3V	40	98-9611	1	Gasket
18	56-2140	3	Screw-HH	41	3256-24	3	Washer-Flat
19	32128-44	2	Nut	42	106-7772	1	Thermoswitch
21	115-3487-03	1	Bracket-Mount, Fuel Filter	43	112-9919	1	Stop-Cable, Throttle
22	98-9311	1	Swivel-Throttle	44	110-9009-03	1	Bracket-Cable, Throttle



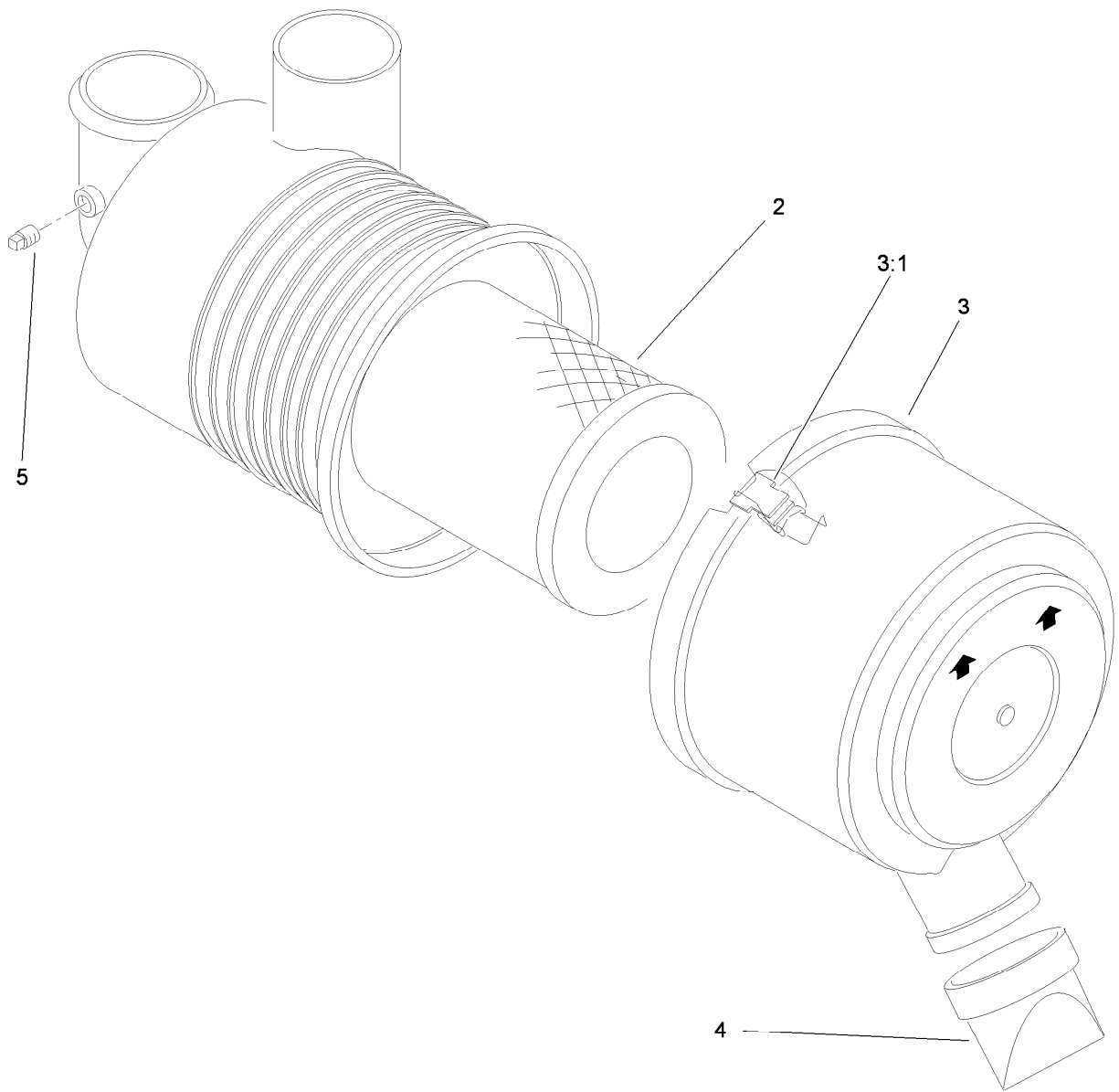
Engine Assembly (continued)

<i>Ref.</i>	<i>Part Number</i>	<i>Qty.</i>	<i>Description</i>
45	70-8470	1	Screw-HH
46	33104-016	1	Screw-HHF



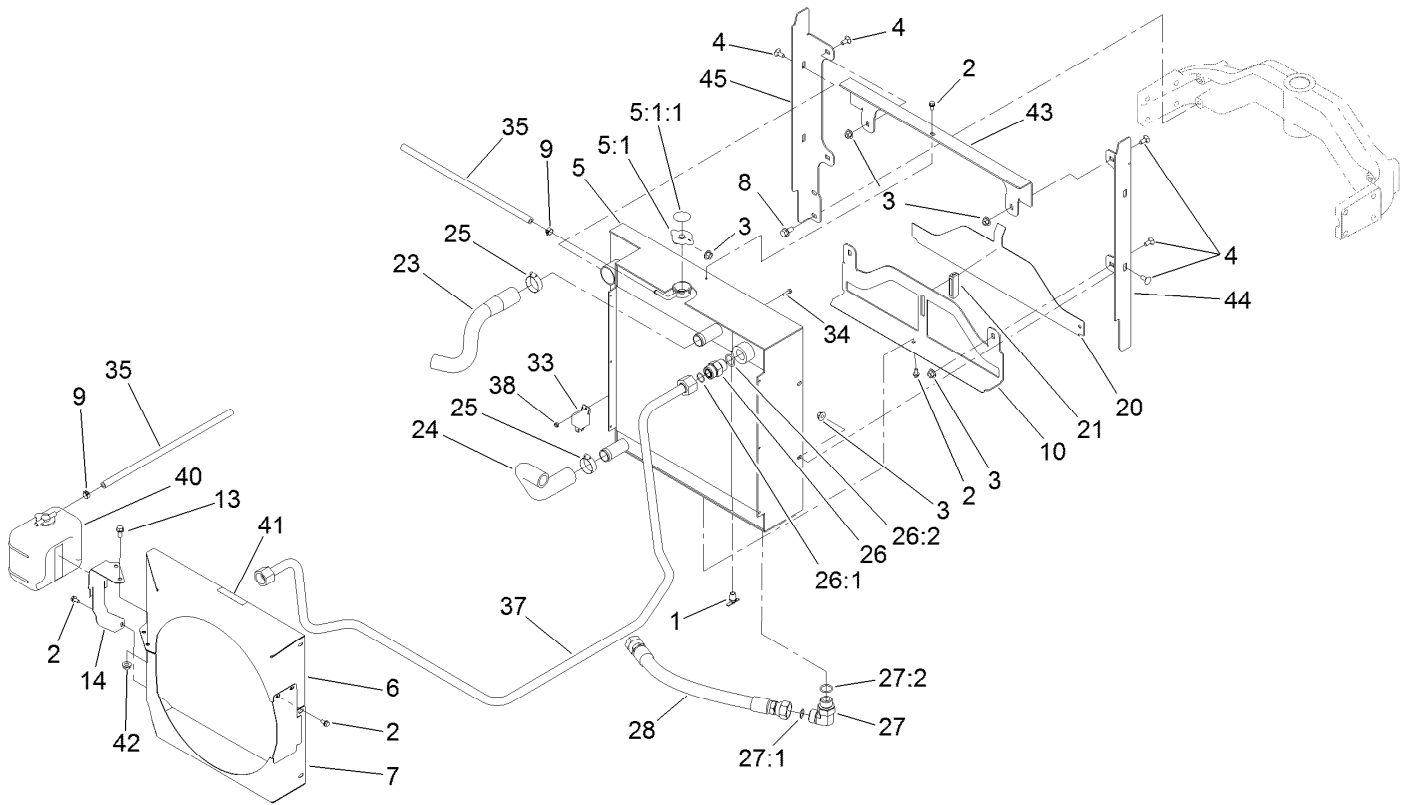
Air Cleaner and Muffler Assembly

<i>Ref.</i>	<i>Part Number</i>	<i>Qty.</i>	<i>Description</i>	<i>Ref.</i>	<i>Part Number</i>	<i>Qty.</i>	<i>Description</i>
1	120-3354	1	Hose-Air Inlet, Upper	13	93-2191	1	Air Cleaner Mounting Band ASM
2	95-8947	1	Hose-Air Inlet, Lower	13:2	94-3653	1	Bolt
3	32128-44	6	Nut	13:3	94-3654	1	Spring
4	3234-5	3	Screw-HHF	13:4	48-9510	1	Nut
5	3256-23	2	Washer-Plain	14	104-4834	1	Muffler
6	33114-016	2	Screw-HH	15	95-8943-03	1	Bracket-Muffler
7	99-3355-03	1	Bracket-Filter, Air	16	99-3425-03	1	Guard-Exhaust
8	2412-92	3	Clamp-Hose	17	32144-4	4	Screw-HWH
9	93-2190	1	Air Cleaner ASM	18	3234-17	3	Screw-HHF
11	33014-00	4	Nut-Hex	19	2412-130	1	Clamp-Hose
12	3253-4	4	Washer-Lock				



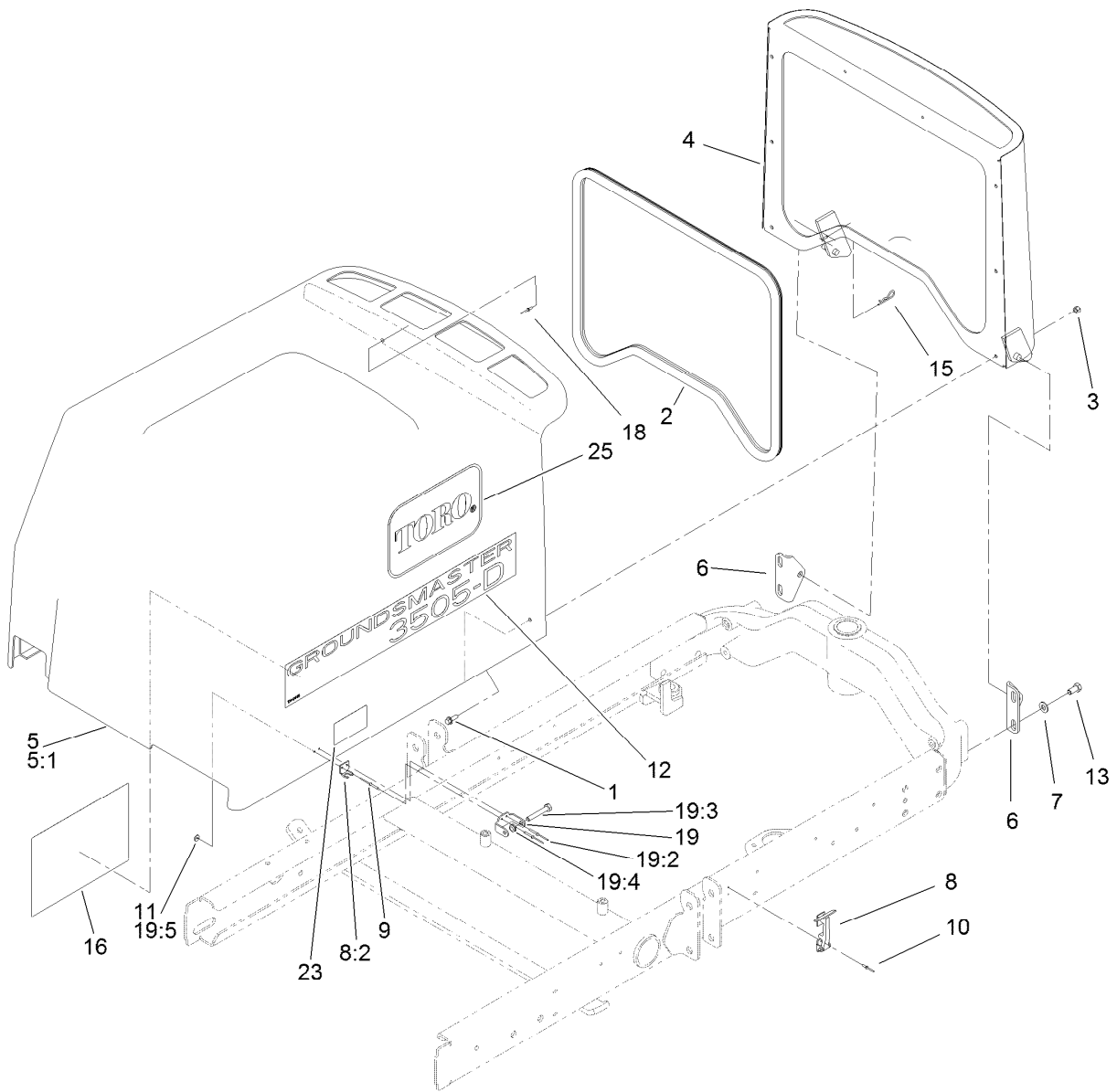
Air Cleaner Assembly No. 93-2190

<i>Ref.</i>	<i>Part Number</i>	<i>Qty.</i>	<i>Description</i>
2	108-3811	1	Filter-Air
3	94-3652	1	Cover ASM
3:1	1-643283	2	Latch-Cleaner, Air
4	87-9400	1	Valve-Vacuator
5	285-17	1	Plug-Pipe



Radiator Assembly

<i>Ref.</i>	<i>Part Number</i>	<i>Qty.</i>	<i>Description</i>	<i>Ref.</i>	<i>Part Number</i>	<i>Qty.</i>	<i>Description</i>
1	304-46	1	Draincock	25	2412-34	2	Clamp-Hose
2	32104-116	10	Screw-HWHTF	26	340-9	1	Fitting-STR
3	32128-44	8	Nut	26:1	237-58	1	O-Ring
4	3230-1	8	Bolt-CARR	26:2	237-81	1	O-Ring
5	119-2028	1	Radiator And Oil Cooler ASM	27	340-142	1	Fitting-Elbow, 90 DEG
5:1	115-7766	1	Cap-Radiator	27:1	237-58	1	O-Ring
5:1:1	106-6755	1	Decal-Cap, Radiator	27:2	237-81	1	O-Ring
6	121-3556-03	1	Shroud-Fan, Upper	28	92-7536	1	Hose-HYD
7	121-3552-03	1	Shroud-Fan, Lower	33	99-7435	1	Relay
8	3234-1	4	Screw-HHF	34	32105-13	1	Screw-HWH
9	92-2379	2	Clamp-Hose	35	109-0274	1	Hose-Fuel
10	120-3530-03	1	Bracket-Radiator, Bottom	37	121-3609	1	Tube-HYD
13	3234-5	2	Screw-HHF	38	3296-2	1	Nut-Lock, NI
14	121-3557-03	1	Bracket-Reservoir	40	104-9318	1	Bottle-Overflow
20	95-8702-03	1	Shield-Radiator, Lower	41	93-6681	1	Decal-Warning, Fan
21	99-3497	1	Magnet	42	32128-20	2	Nut-HF
23	121-3558	1	Hose-Radiator, Upper	43	120-3529-03	1	Bracket-Radiator, Top
24	120-3399	1	Hose-Radiator, Lower	44	120-3531-03	1	Bracket-Radiator, LH
				45	120-3532-03	1	Bracket-Radiator, RH

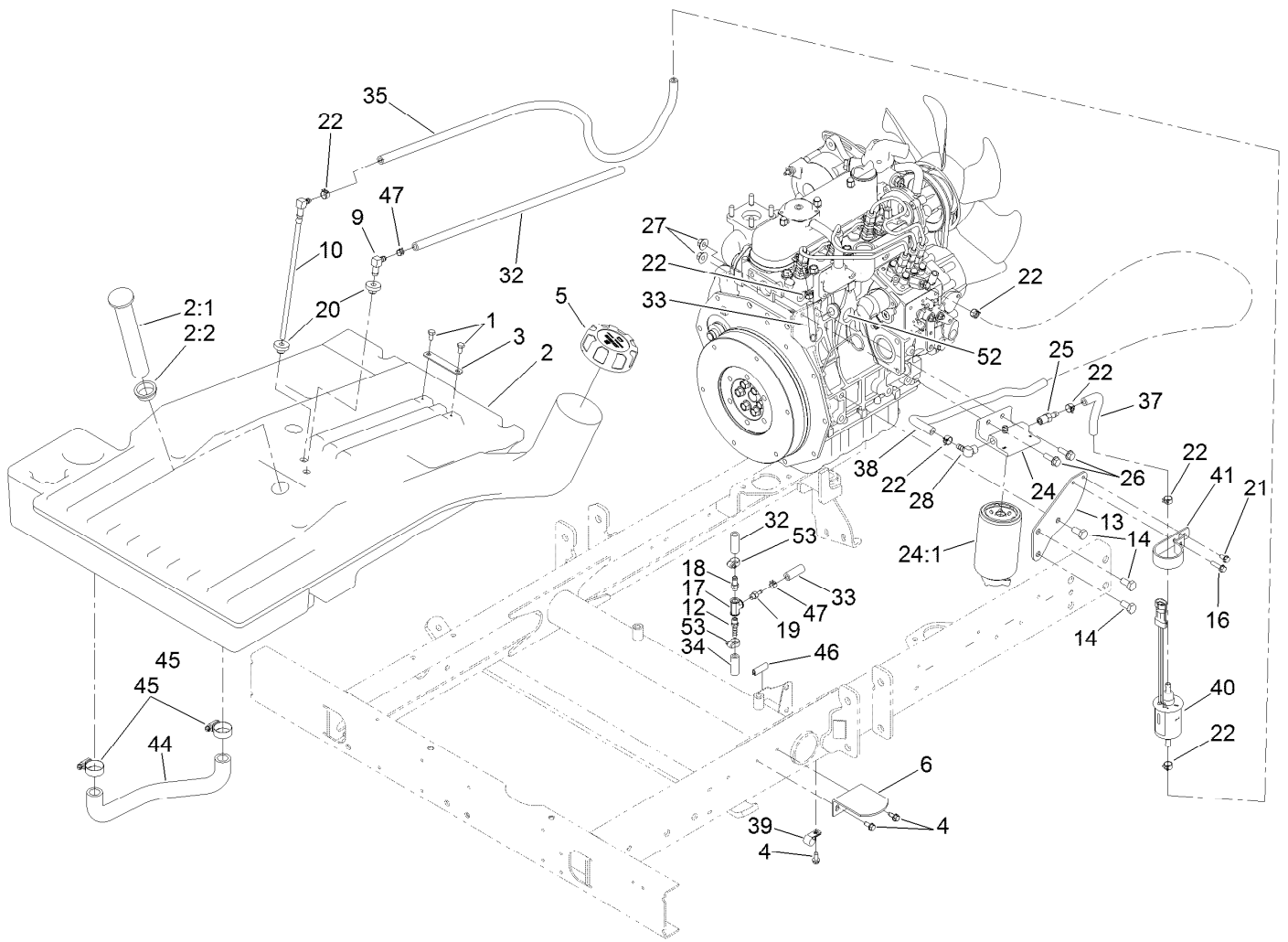


Hood Assembly

Ref.	Part Number	Qty.	Description	Ref.	Part Number	Qty.	Description
1	3234-4	6	Screw-HHF	11	3269-10	4	Washer-Back
2	100-4932	1	Trim-Seal	12	108-9007	2	Decal-Hood
3	3296-42	6	Nut-Lock, NI	13	323-6	4	Screw-HH
4	104-4853-03	1	Screen-Hood	15	3290-467	1	Pin-Hair
5	121-3631	1	Hood ASM	16	117-5103	1	Decal-Service
5:1		1	Hood ■	18	3269-21	2	Rivet-Pop
5:1:1	106-8115	1	Heat Tape Repair Kit ●	19	119-2004	1	CE Latch Kit
6	95-8728	2	Bracket-Pivot, Hood	19:2	107-0333	2	Rivet-Pop
7	3256-24	4	Washer-Flat	19:3	322-10	1	Screw-HH
8	59-9740	2	Flex Draw Latch ASM	19:4	3296-47	1	Nut-Lock, NI
8:2	249-40	1	Keeper	19:5	3269-10	2	Washer-Back
9	107-0333	4	Rivet-Pop	23	117-3270	1	Decal-Danger
10	3290-55	4	Rivet-Pop	25	66-6140	2	Decal

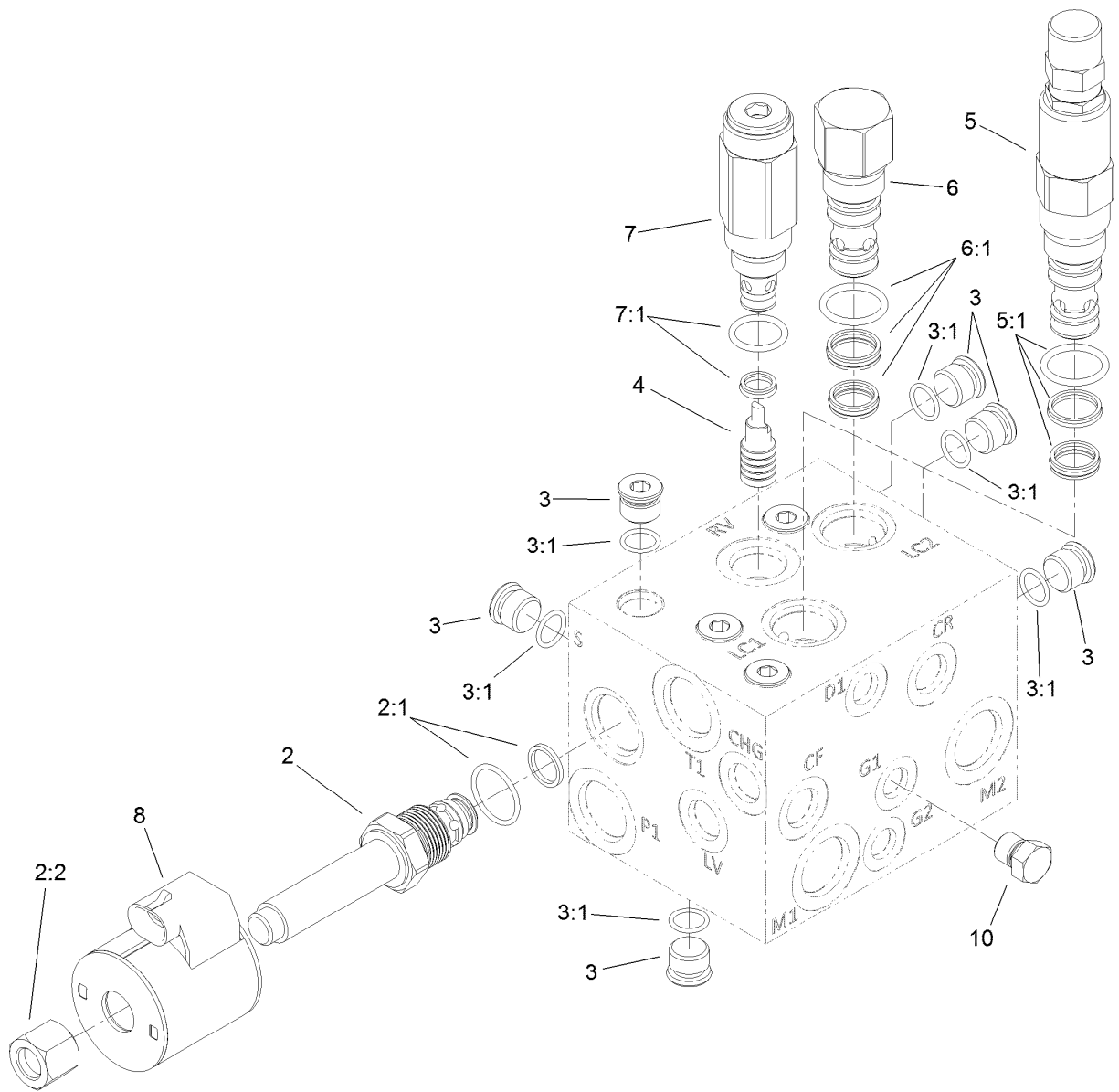
● Not illustrated

■ Not serviced separately



Fuel System Assembly

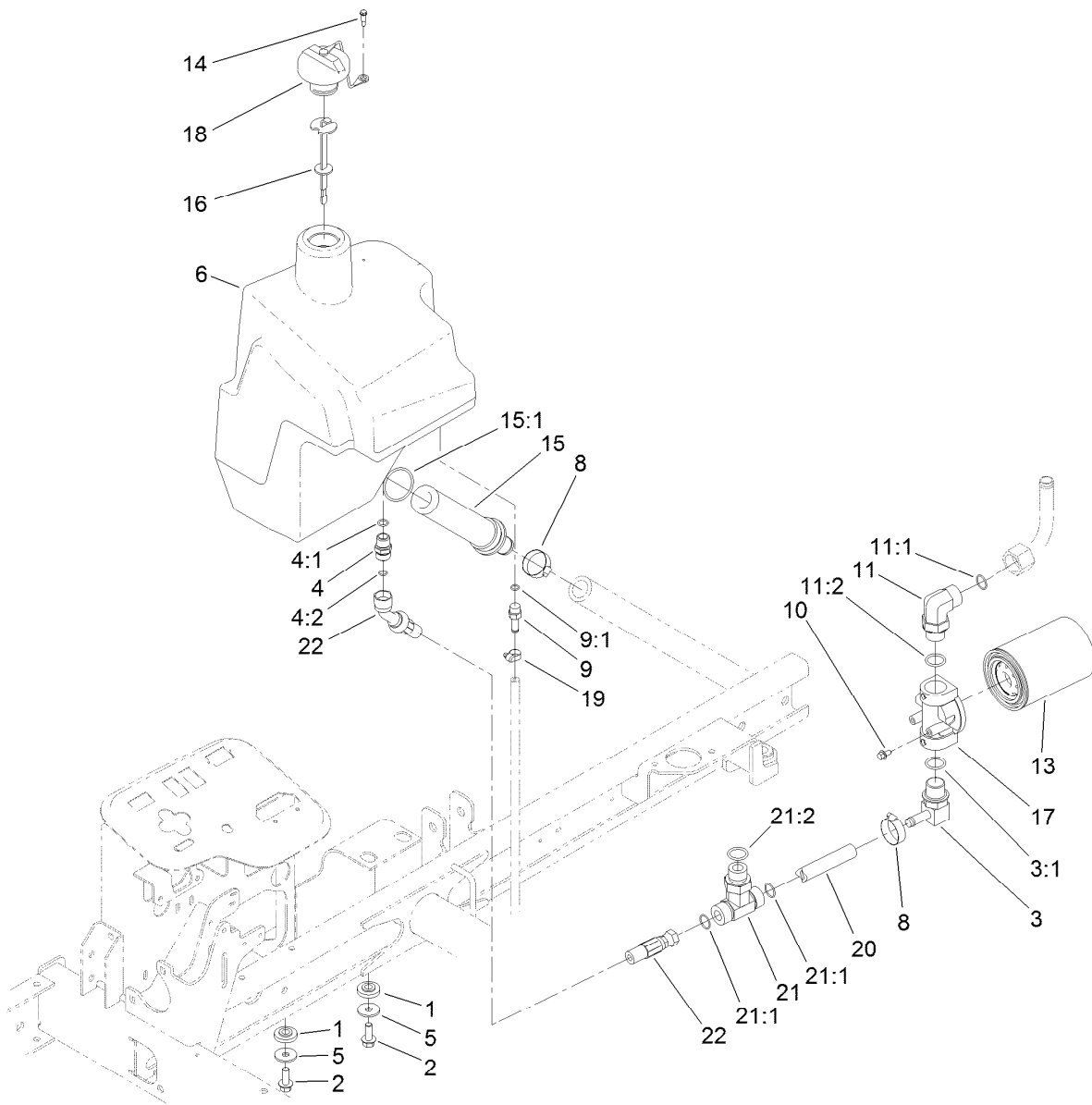
<i>Ref.</i>	<i>Part Number</i>	<i>Qty.</i>	<i>Description</i>	<i>Ref.</i>	<i>Part Number</i>	<i>Qty.</i>	<i>Description</i>
1	321-2	2	Screw-HH	24:1	110-9049	1	Filter-Spin On, Fuel/Water
2	105-7865	1	Tank-Fuel	25	353-783	1	Fitting-STR
2:1	95-8971	1	Gauge-Fuel	26	3234-17	2	Screw-HHF
2:2	95-8972	1	Grommet	27	32128-44	2	Nut
3	95-8881	1	Strap-Line, Fuel	28	353-781	1	Fitting-HYD, 90
4	32144-10	3	Screw-HWH	32	110-6187	1	Hose-Fuel
5	114-5064	1	Cap-Diesel	33	110-8751	1	Hose-Fuel
6	95-8968-03	1	Support-Tank, Fuel	34	110-5701	1	Hose-Fuel
9	46-6550	1	Fitting-Elbow, 90 DEG	35	121-7914	1	Hose-Fuel
10	110-9689	1	Pipe-Stand	37	117-4026	1	Hose-Fuel
12	304-73	1	Fitting-Straight	38	110-4113	1	Hose-Fuel
13	120-2182-03	1	Plate-Mount, Fuel Pump	39	2412-73	1	Clamp-R
14	63-7790	3	Screw-Cap	40	110-8806	1	Pump-Fuel
16	32144-86	1	Screw-HWHTF	41	110-8817	1	Bracket-Pump, Fuel
17	354-20	1	Fitting-Tee	44	105-4094	1	Hose-Formed
18	354-21	1	Fitting-Barbed	45	2412-129	2	Clamp-Hose
19	354-22	1	Fitting-Barbed	46	110-8754	1	Trim
20	46-6560	2	Bushing	47	2412-80	2	Clamp-Hose
21	32144-4	1	Screw-HWH	52	1-543296	1	Grommet
22	92-2379	7	Clamp-Hose	53	2412-108	2	Clamp-Worm
24	110-9044	1	Separator-Filter				



Hydraulic Manifold Assembly No. 121-3570

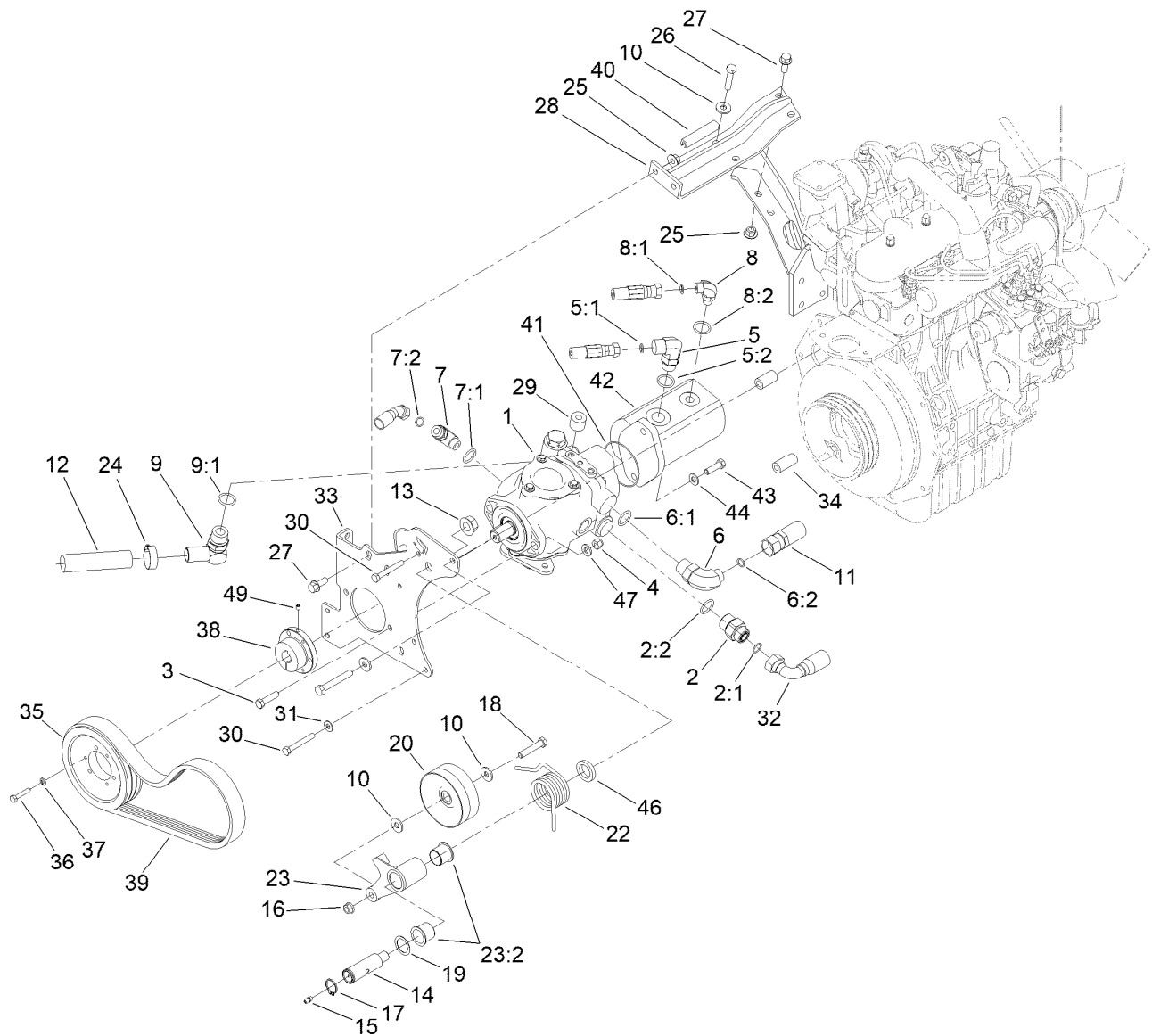
Ref.	Part Number	Qty.	Description
2	110-8768	1	Valve-Relief, Solenoid (3000 PSI)
2:1	110-6316	1	Seal Kit ●
2:2	130-8180	1	Nut-Coil
3	353-512	9	Plug
3:1	237-78	1	O-Ring
4	105-9157	1	Piston-Pilot
5	119-2011	1	Valve-Logic, Adjustable
5:1	119-2159	1	Seal Kit
6	105-9153	1	Element-Logic, Vented
6:1	119-2159	1	Seal Kit
7	112-5259	1	Valve-Relief
7:1	105-9156	1	Seal Kit
8	110-6344	1	Coil-12V, DC
10	117-0115	1	Plug

● Not illustrated



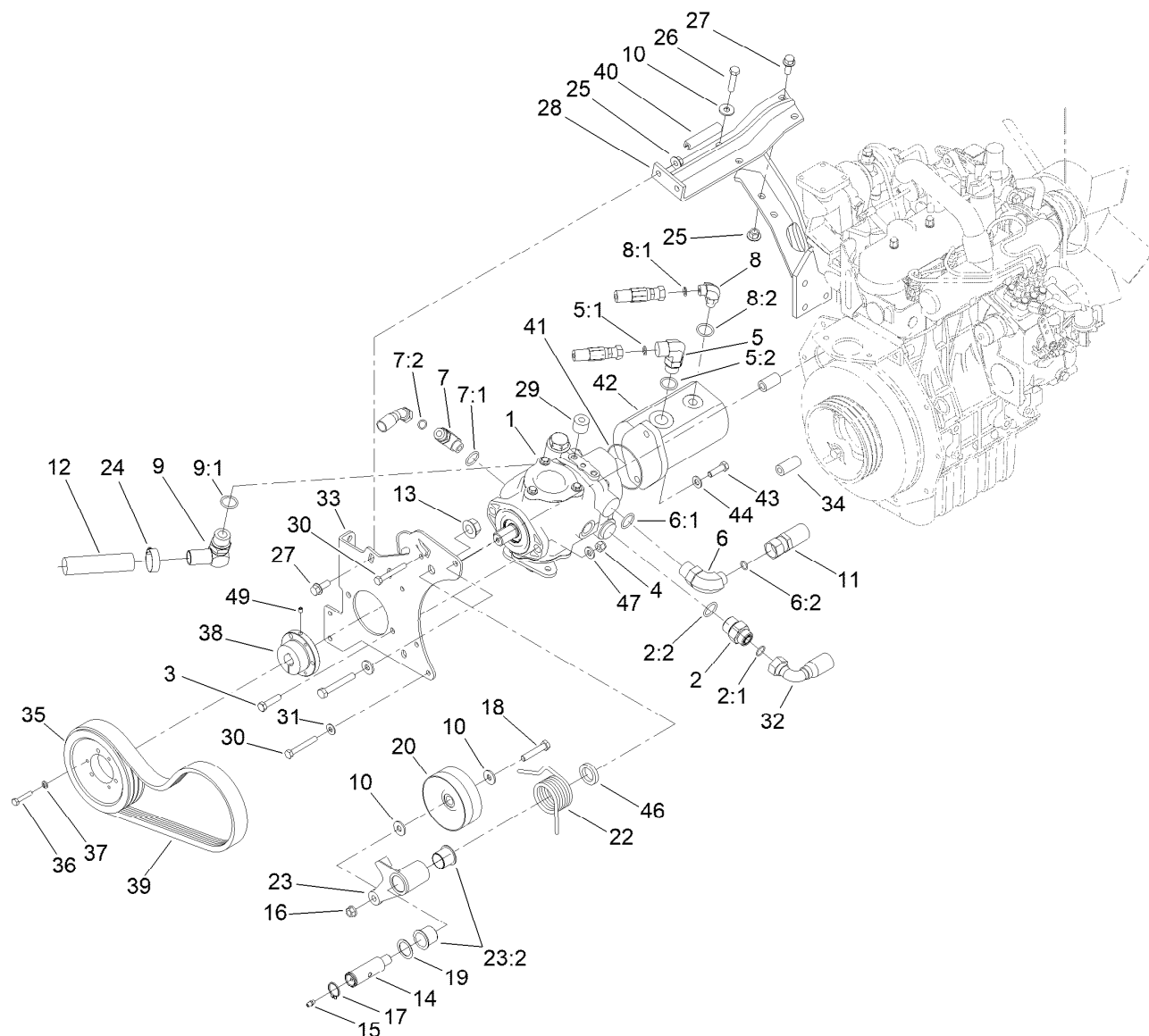
Hydraulic Tank Assembly

Ref.	Part Number	Qty.	Description	Ref.	Part Number	Qty.	Description
1	240-11	4	Bushing-Flange	11:2	237-81	1	O-Ring
2	3234-11	4	Screw-HHF	13	86-3010	1	Filter-Oil
3	353-987	1	Fitting-Elbow, 90	14	57-5420	1	Screw-Shoulder
3:1	237-81	1	O-Ring	15	104-7546	1	Tank Strainer ASM
4	100-4890	1	Fitting-Check	15:1	340-136	1	O-Ring
4:1	237-79	1	O-Ring	16	119-6968	1	Dipstick-Oil
4:2	237-30	1	O-Ring	17	92-5821	1	Head-Filter
5	63-8410	4	Washer	18	93-7160	1	Cap-Oil, HYD
6	104-4840	1	Tank-HYD	19	2412-36	1	Clamp-Hose
8	2412-34	2	Clamp-Hose	20	104-0486	1	Hose-HYD
9	353-979	1	Fitting-STR	21	104-4836	1	Fitting-Tee
9:1	237-42	1	O-Ring	21:1	237-58	2	O-Ring
10	3234-13	2	Screw-HHF	21:2	237-81	1	O-Ring
11	340-142	1	Fitting-Elbow, 90 DEG	22	104-0487	1	Hose-HYD
11:1	237-58	1	O-Ring				



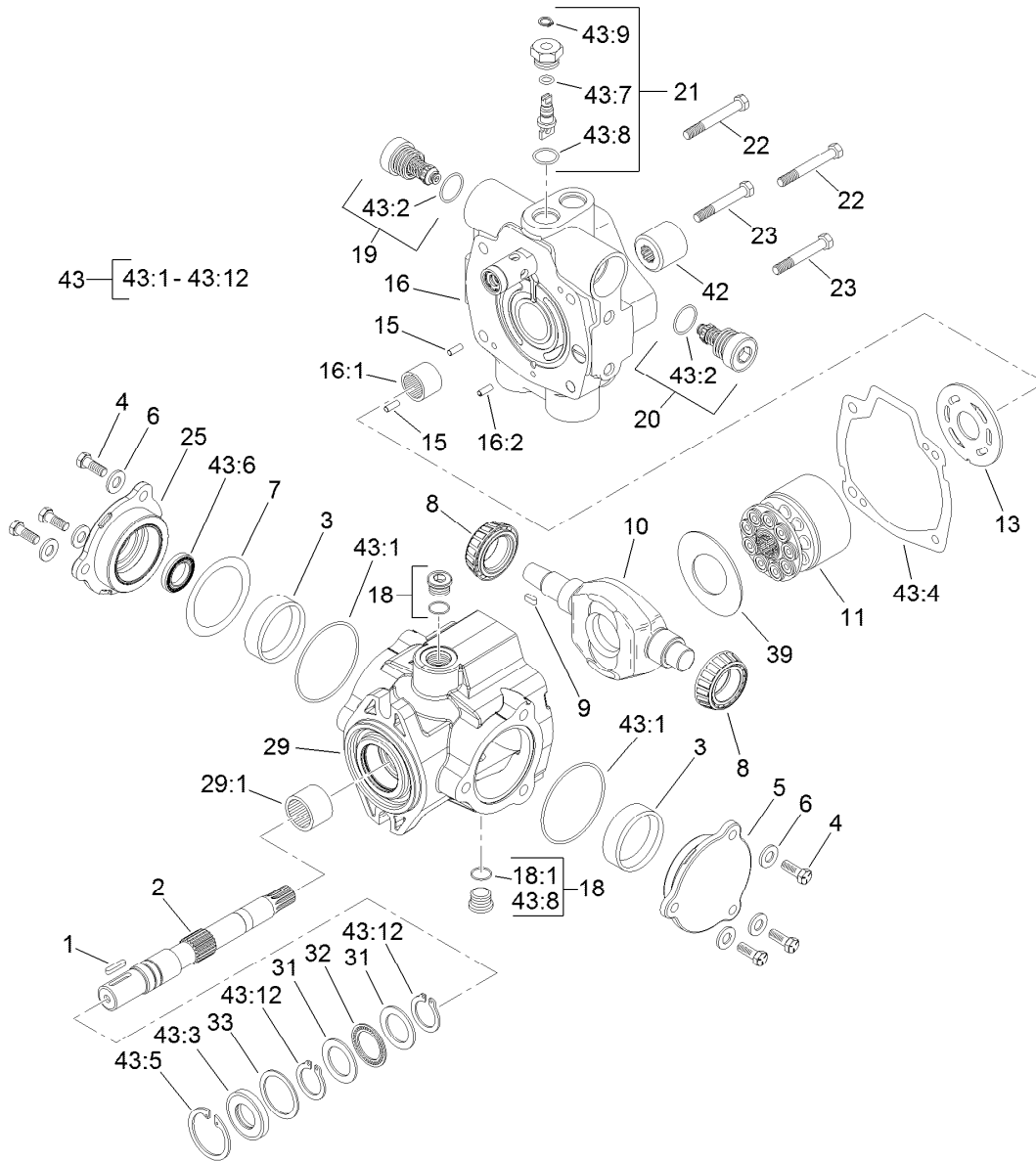
Hydrostat Assembly

Ref.	Part Number	Qty.	Description	Ref.	Part Number	Qty.	Description
1	104-4890	1	Piston Pump ASM	11	108-9008	1	Hose ASM
2	340-8	1	Fitting-Straight	12	104-5486	1	Hose
2:1	237-65	1	O-Ring	13	32128-54	1	Nut-HF
2:2	237-81	1	O-Ring	14	99-3624	1	Shaft-Pivot, Idler
3	323-8	2	Screw-HH	15	302-5	1	Fitting-Grease
4	3296-39	2	Nut-Lock, NI	16	32128-21	1	Nut-HF Lock
5	340-17	1	Fitting-Elbow, 90 DEG	17	32151-36	1	Ring-Retaining
5:1	237-65	1	O-Ring	18	323-10	1	Screw-HH
5:2	237-80	1	O-Ring	19	74-1810	1	Washer
6	340-139	1	Fitting-Elbow 90	20	139-6031	1	Pulley-Idler
6:1	237-81	1	O-Ring	22	115-3488	1	Spring-Torsion
6:2	237-65	1	O-Ring	23	137-1653	1	Idler Arm ASM
7	340-18	1	Fitting-HYD, 90 DEG	23:2	126-1963	2	Bushing-Pivot
7:1	237-79	1	O-Ring	24	2412-34	1	Clamp-Hose
7:2	237-22	1	O-Ring	25	32128-43	4	Nut-Flange
8	340-77	1	Fitting-Elbow, 90 DEG	26	323-19	2	Screw-HH
8:1	237-22	1	O-Ring	27	3234-11	4	Screw-HHF
8:2	237-42	1	O-Ring	28	99-3436-0P	1	Support-Pump
9	95-3502	1	Fitting-Elbow 90	29	99-3440	2	Spacer
9:1	237-81	1	O-Ring	30	33114-060	4	Screw-HH
10	80-6990	4	Washer-Hardened	31	87-8640	3	Washer-Flat



Hydrostat Assembly (continued)

<i>Ref.</i>	<i>Part Number</i>	<i>Qty.</i>	<i>Description</i>	<i>Ref.</i>	<i>Part Number</i>	<i>Qty.</i>	<i>Description</i>
32	105-1214	1	Hose-HYD	40	70-2041	1	Trim
33	120-3375-0P	1	Plate-Mount, Pump	41	353-949	1	O-Ring
34	95-8941	4	Spacer-Mount, Pump	42	108-9036	1	HYD Gear Pump ASM
35	120-3350	1	Pulley-3V	43	323-7	2	Screw-HH
36	321-13	3	Screw-HH	44	3256-24	2	Washer-Flat
37	3253-3	3	Washer-Lock	46	99-3625	1	Spacer-Arm, Idler
38	100-4813	1	Bushing-Lock, Taper	47	100-4852	2	Washer-Hardened
39	120-3351	1	Belt-3V	49	3245-7	1	Screw-Set

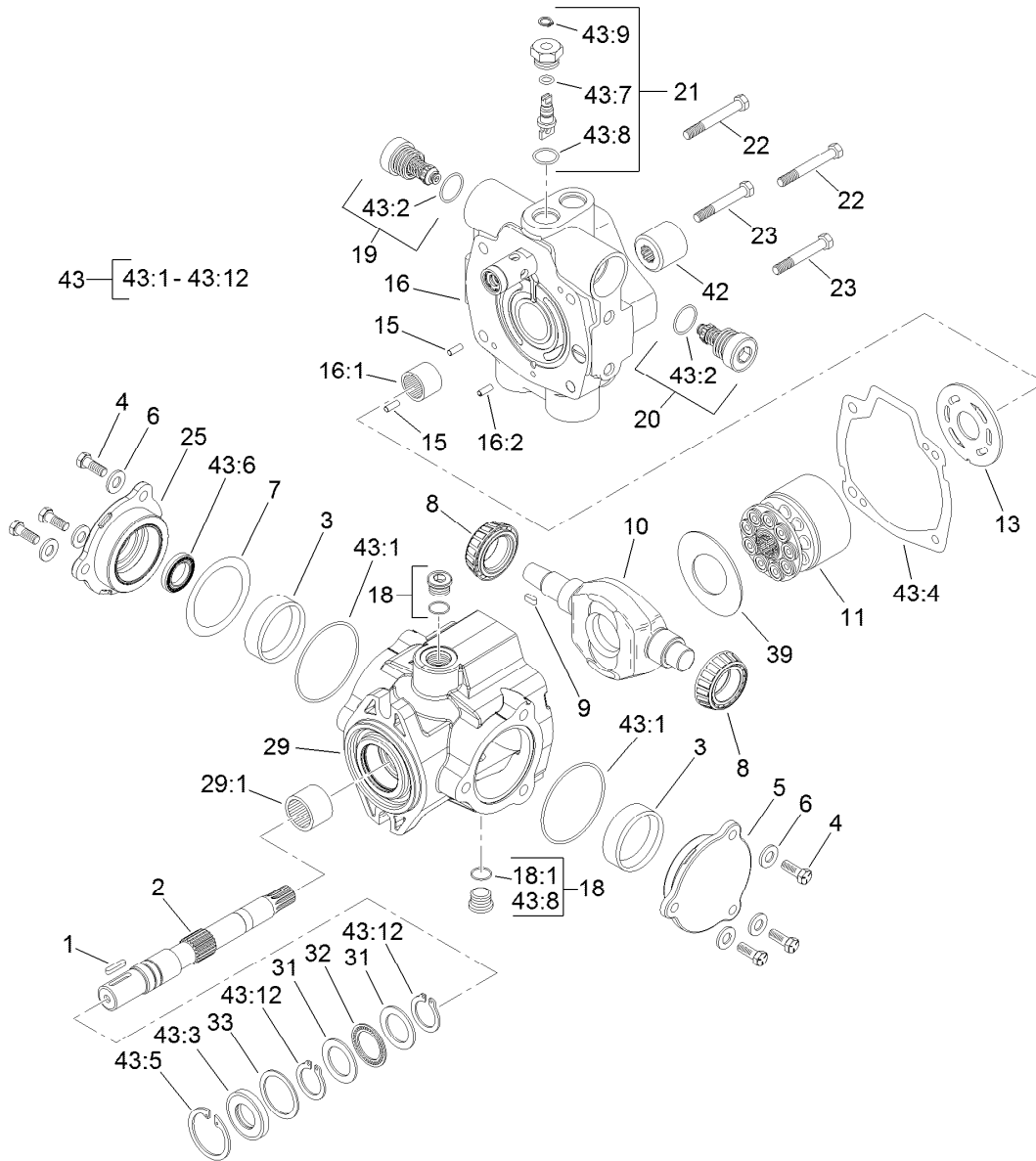


Hydraulic Pump Assembly No. 104-4890

Ref.	Part Number	Qty.	Description	Ref.	Part Number	Qty.	Description
1	94-3645	1	Key	19	104-4889	1	Relief Valve ASM
2	94-6359	1	Shaft-Drive	20	105-3812	1	Valve-Check
3	104-4046	2	Bearing-Cup	21	105-3811	1	Valve-Bypass
4	98-4640	6	Screw-Cap	22	76-6170	2	Capscrew
5	98-4644	1	Plate-Cover	23	76-6160	2	Capscrew
6	105-9762	6	Washer	25	98-4645	1	Plate-Cover
7	100-3182	2	Shim Kit	29	100-3176	1	Housing ASM
8	98-4639	2	Bearing-Cone	29:1	94-6363	1	Bearing
9	94-3646	1	Key	31	252-71	2	Washer-Thrust
10	104-4888	1	Swashplate	32	252-66	1	Bearing-Thrust
11	76-6070	1	Rotating Kit	33	33-3720	1	Washer
13	104-0429	1	Plate-Valve	39	98-4635	1	Insert-Plate, Cam
15	76-6150	2	Pin-Dowel	42	74-9040	1	Coupler
16	105-3813	1	Endcover Sub ASM	43	120-5754	1	Seal Kit
16:1	94-6368	1	Bearing	43:1		2	O-Ring ■
16:2		1	Pin-Roll ■	43:2		2	O-Ring ■
18	74-9280	2	Plug ASM	43:3		1	Seal-Shaft ■
18:1		1	O-Ring ■	43:4		1	Gasket ■

● Not illustrated

■ Not serviced separately



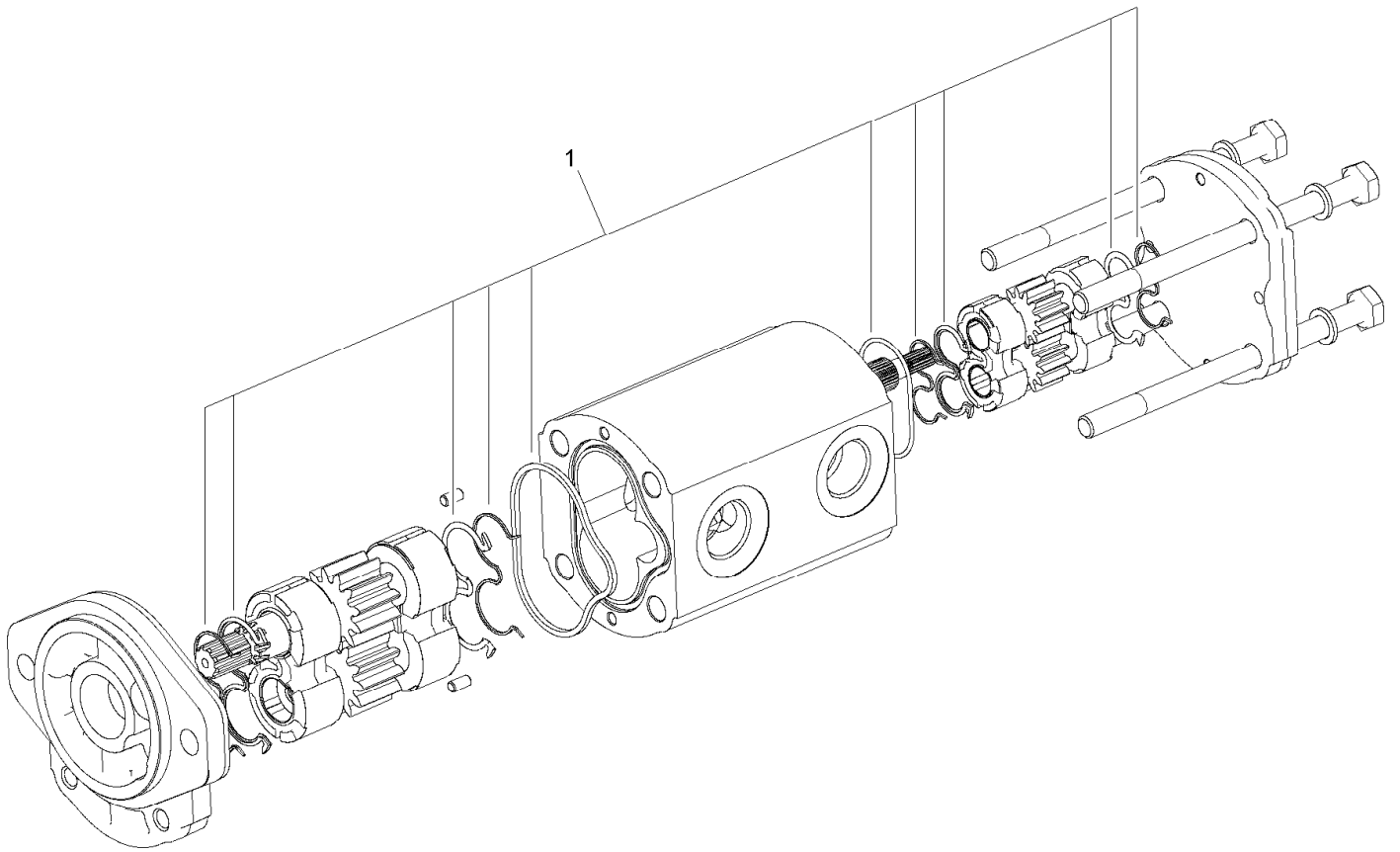
Hydraulic Pump Assembly No. 104-4890 (continued)

Ref.	Part Number	Qty.	Description
43:5		1	Ring-Retaining ■
43:6		1	Seal-Shaft ■
43:7		1	O-Ring ■
43:8		5	O-Ring ■
43:9		1	Ring-Retaining ■

Ref.	Part Number	Qty.	Description
43:10		1	O-Ring ●■
43:11		1	O Ring-Molded ●■
43:12		2	Ring-Retaining ■
43:13		1	O-Ring ■●

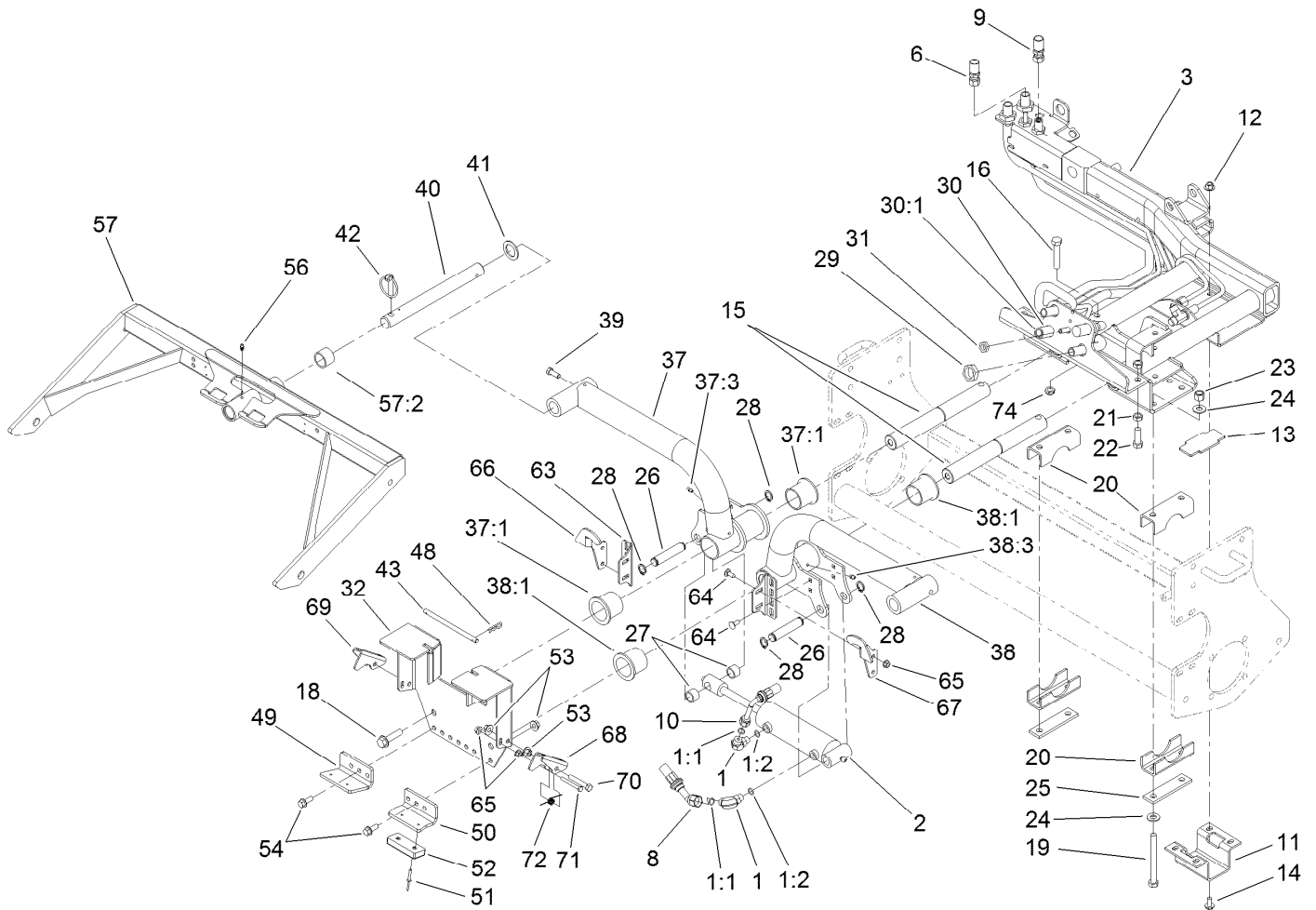
● Not illustrated

■ Not serviced separately



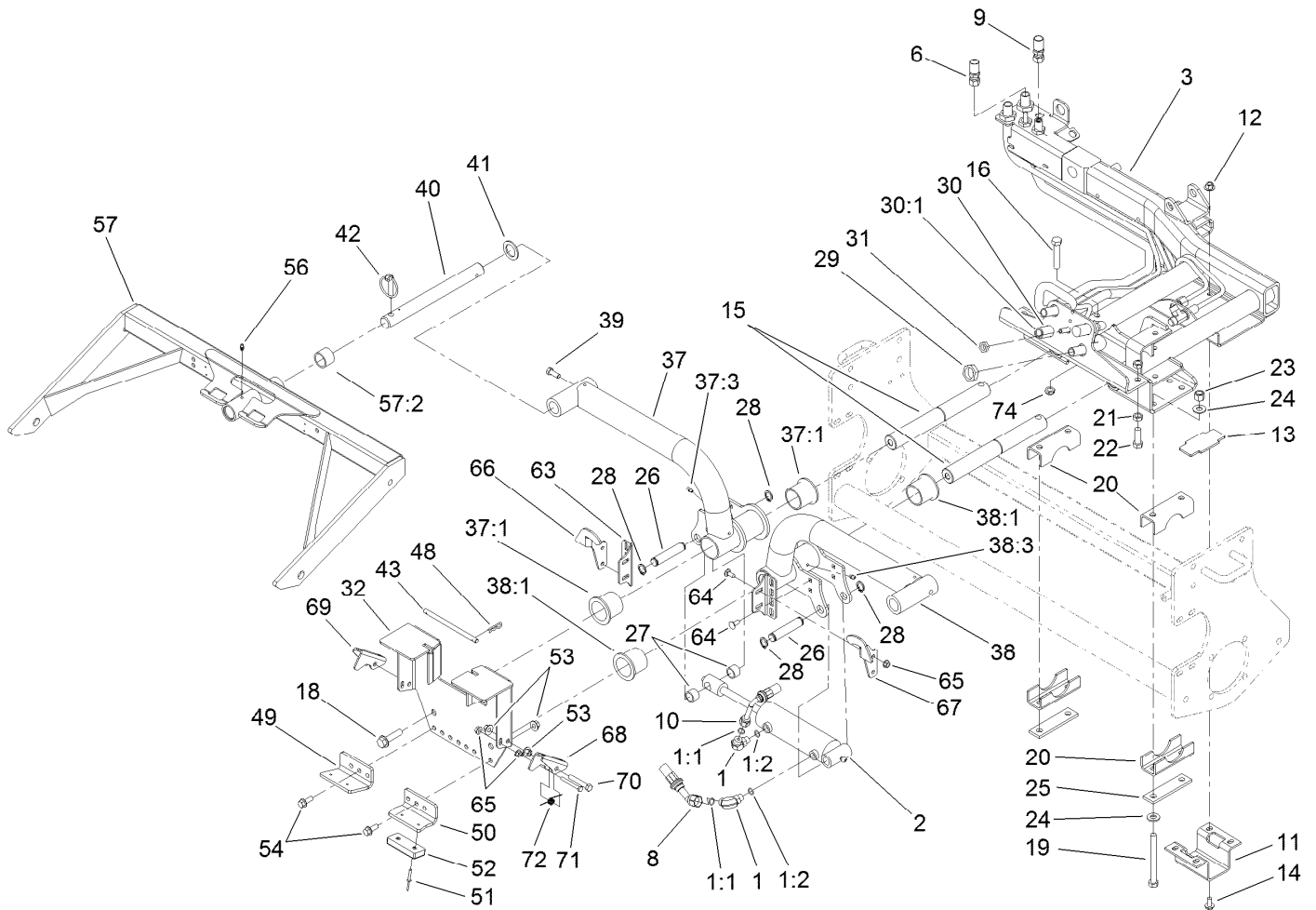
Hydraulic Gear Pump Assembly No. 108-9036

<i>Ref.</i>	<i>Part Number</i>	<i>Qty.</i>	<i>Description</i>
1	110-8755	1	Seal Kit



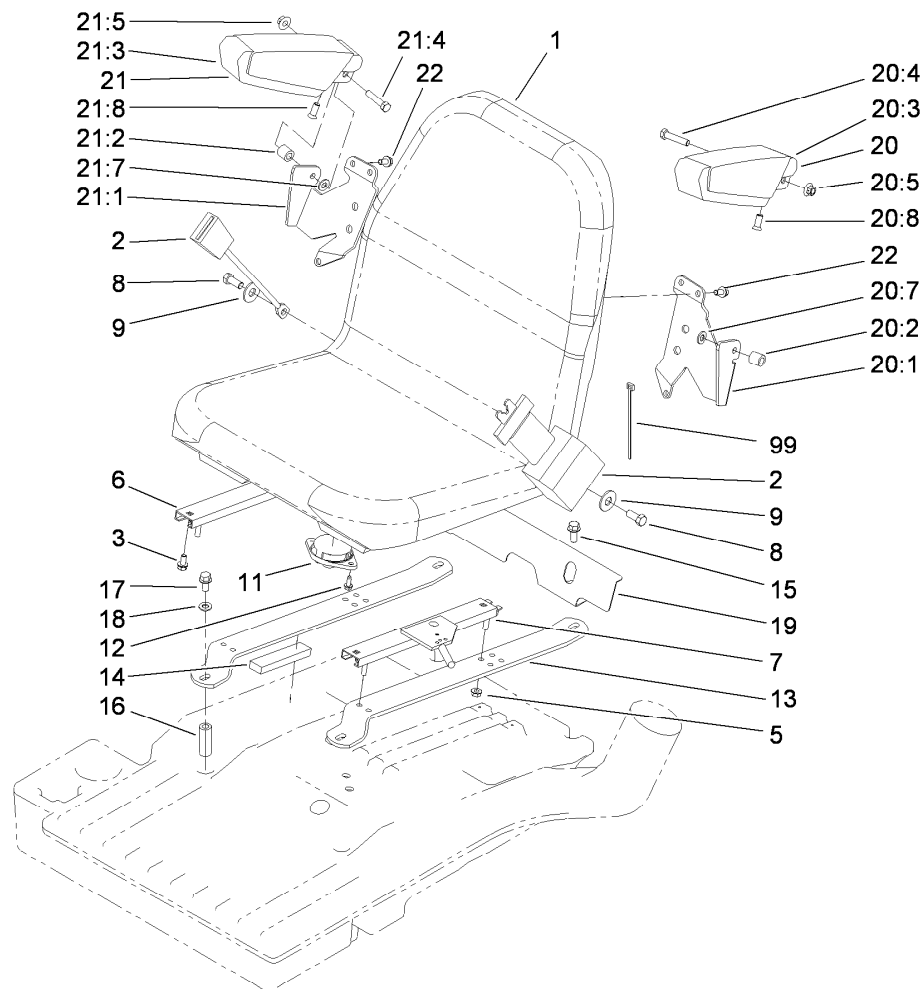
Carrier Assembly

Ref.	Part Number	Qty.	Description	Ref.	Part Number	Qty.	Description
1	340-77	2	Fitting-Elbow, 90 DEG	24	87-7270	8	Washer-Thrust
1:1	237-22	1	O-Ring	25	99-3373	2	Bar-Support, Slide
1:2	237-42	1	O-Ring	26	95-8575	2	Pin-Clevis
2	112-9916	1	HYD Cylinder ASM	27	75-9590	2	Spacer-Cylinder
3	100-4939-03	1	Carrier-Sidewinder	28	32120-93	4	Ring-Retaining
6	99-3575	1	Hose-HYD	29	340-74	4	Nut-Lock, Bulkhead
8	104-0405	1	Hose-HYD	30	99-3640	1	Tube ASM
9	108-9013	1	Hose ASM	30:1	237-65	2	O-Ring
10	104-0406	1	Hose-HYD	31	340-78	1	Nut-Lock
11	95-8904-03	1	Bracket-Clamp	32	104-4820-03	1	Bracket-Stop, Carrier
12	32128-43	4	Nut-Flange	37	115-3466	1	RH Short Liftarm ASM
13	95-8538	1	Slide-Plastic	37:1	69-6470	2	Bushing-Caster
14	3234-11	4	Screw-HHF	37:3	302-5	1	Fitting-Grease
15	95-8531	2	Shaft-Pivot, Liftarm	38	115-3465	1	LH Short Liftarm ASM
16	325-10	2	Screw-HH	38:1	69-6470	2	Bushing-Caster
18	3234-27	2	Screw-HHF	38:3	302-5	1	Fitting-Grease
19	325-19	4	Screw-HH	39	323-6	2	Screw-HH
20	95-8884	4	Clamp	40	105-7560	2	Shaft-Cu Pivot
21	3218-5	4	Nut-Jam	41	3-6781	2	Washer-Thrust
22	325-7	2	Screw-HH	42	283-71	2	Pin-Lynch
23	3296-23	4	Nut-Lock, NI	43	104-0472	1	Rod



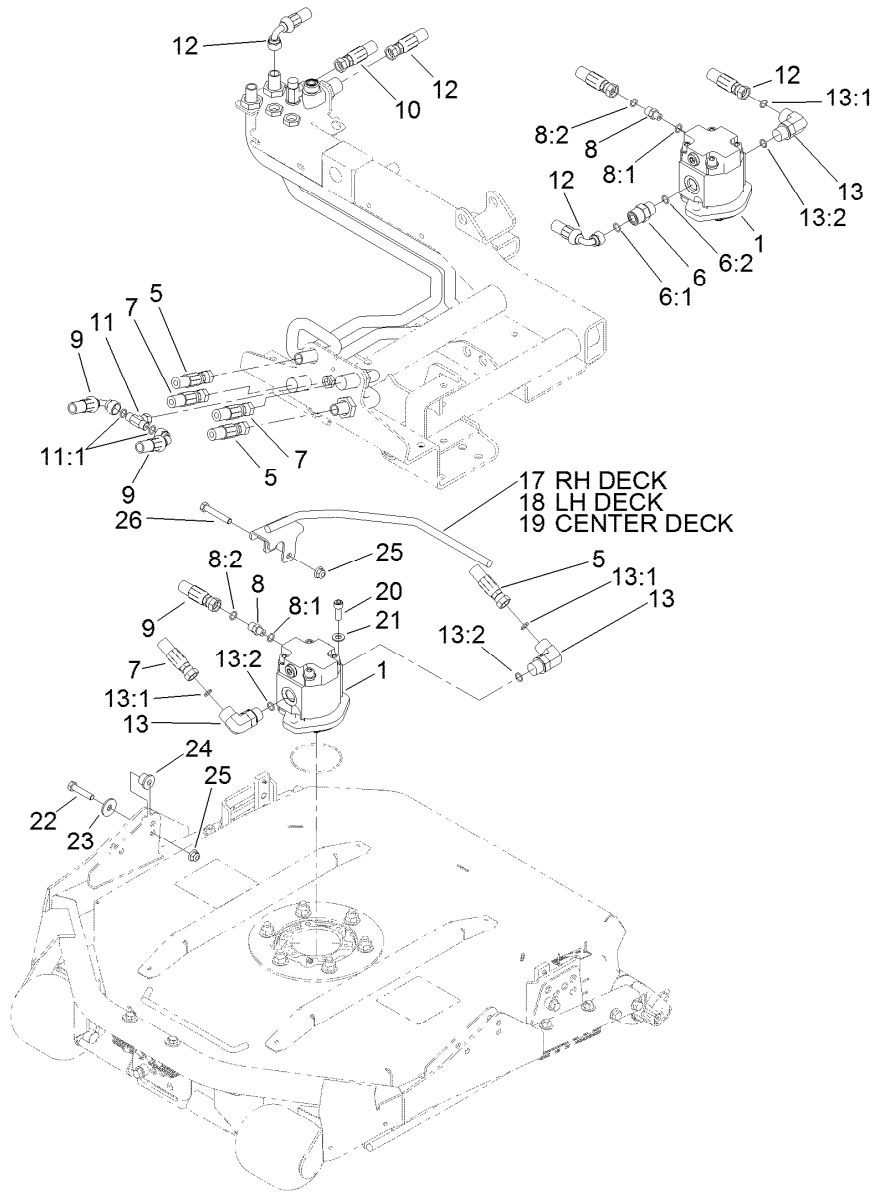
Carrier Assembly (continued)

<i>Ref.</i>	<i>Part Number</i>	<i>Qty.</i>	<i>Description</i>	<i>Ref.</i>	<i>Part Number</i>	<i>Qty.</i>	<i>Description</i>
48	3290-467	2	Pin-Hair	64	3230-23	8	Bolt-CARR
49	110-8793-03	1	Stop-Deck, RH	65	32128-44	12	Nut
50	110-8794-03	1	Stop-Deck, LH	66	104-4826-03	1	Actuator-RH
51	3269-11	4	Rivet-Pop	67	104-4827-03	1	Actuator-LH
52	86-5350	2	Bumper-Rubber	68	104-4819-03	1	Bracket-Pivot, LH
53	32128-43	4	Nut-Flange	69	104-4825-03	1	Bracket-Pivot, RH
54	3234-11	4	Screw-HHF	70	323-11	2	Screw-HH
56	302-5	2	Fitting-Grease	71	322-11	2	Screw-HH
57	110-8787	2	Front Carrier Frame ASM	72	104-4821	2	Spring-Torsion
57:2	108-4000	2	Bushing	74	3296-45	2	Nut-Hex
63	104-4828-03	2	Bracket-Actuator				



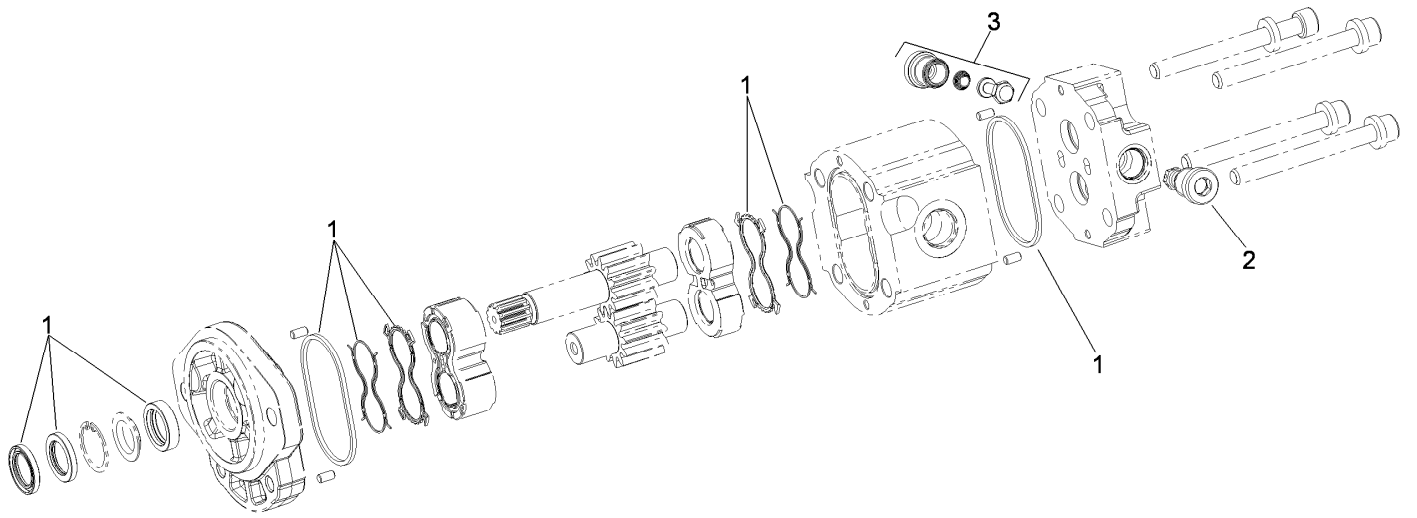
Seat Mounting Assembly

<i>Ref.</i>	<i>Part Number</i>	<i>Qty.</i>	<i>Description</i>	<i>Ref.</i>	<i>Part Number</i>	<i>Qty.</i>	<i>Description</i>
1	104-4620	1	Seat	20:1	69-0760	1	Bracket-Arm, LH
2	100-4928	1	Belt-Seat	20:2	92-7301	1	Spacer
3	3234-14	4	Screw-HHF	20:3	69-1180	1	Armrest
5	104-8300	4	Nut-HF, NI	20:4	323-9	1	Screw-HH
6	92-8990	1	Adjuster-Seat, Non-Locking	20:5	32128-19	1	Nut-HF Lock, Large Flg
7	92-8991	1	Adjuster (W/Latch)	20:7	3256-24	1	Washer-Flat
8	3212-4	2	Screw-HH	20:8	92-7318	1	Screw
9	3253-6	2	Washer-Lock	21	92-7306	1	RH Armrest ASM
11	92-6282	1	Switch-Seat	21:1	69-0770	1	Bracket-Arm, RH
12	32144-10	2	Screw-HWH	21:2	92-7301	1	Spacer
13	104-0467-03	2	Strap-Support, Seat	21:3	69-1180	1	Armrest
14	95-8896	2	Foam	21:4	323-9	1	Screw-HH
15	3234-11	2	Screw-HHF	21:5	32128-19	1	Nut-HF Lock, Large Flg
16	104-0466	2	Spacer	21:7	3256-24	1	Washer-Flat
17	323-14	2	Screw-HH	21:8	92-7318	1	Screw
18	3256-24	2	Washer-Flat	22	3234-14	6	Screw-HHF
19	104-4833-03	1	Shield-Heat	99	3290-378	1	Tie-Cable
20	92-7307	1	LH Armrest ASM				



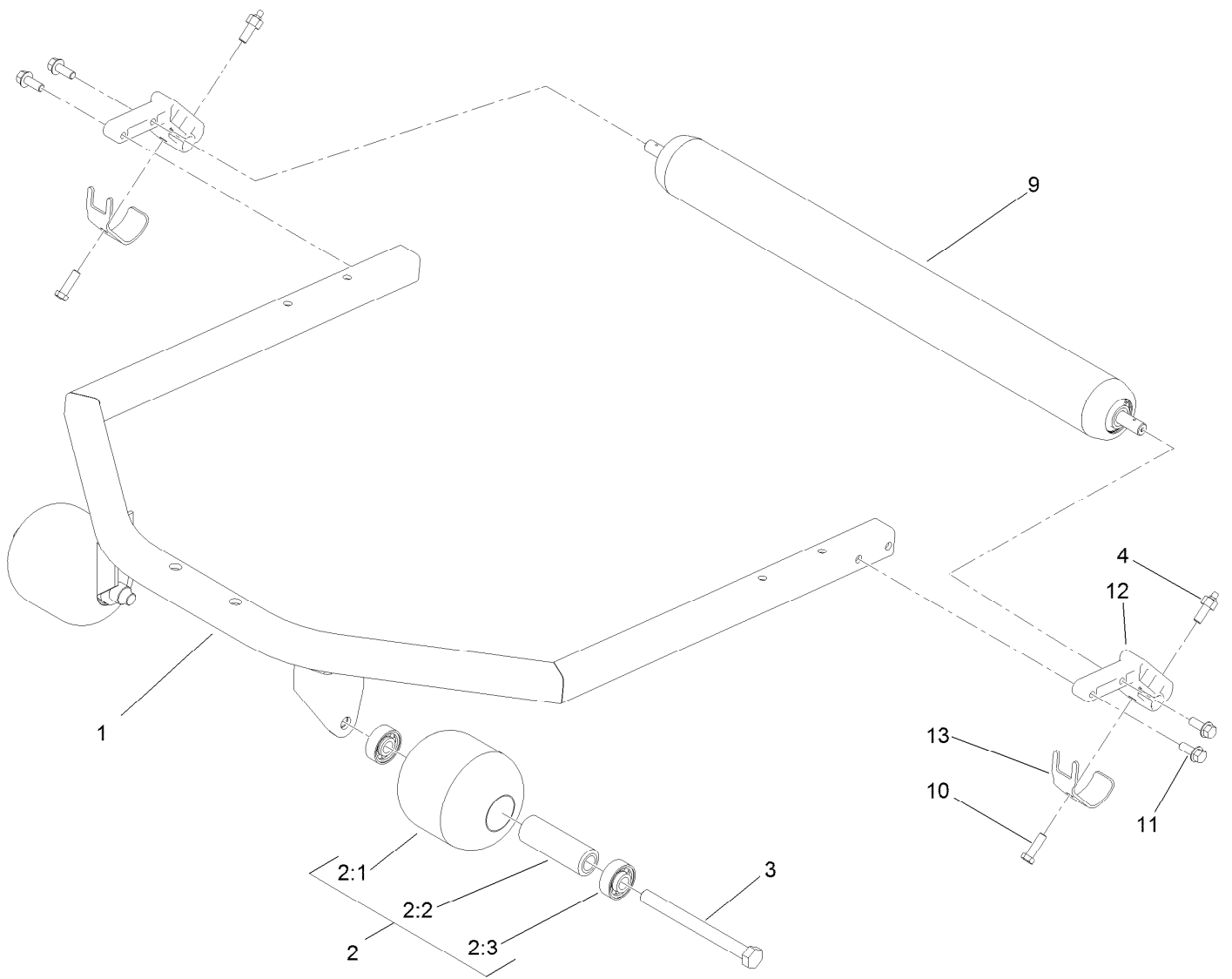
Rotary Motor Assembly

Ref.	Part Number	Qty.	Description	Ref.	Part Number	Qty.	Description
1	117-5141	3	HYD Motor ASM	13	340-17	5	Fitting-Elbow, 90 DEG
5	105-1216	2	Hose-HYD	13:1	237-65	1	O-Ring
6	340-7	1	Fitting-Straight	13:2	237-80	1	O-Ring
6:1	237-65	1	O-Ring	17	112-9901-03	1	Guard-Foot, RH
6:2	237-80	1	O-Ring	18	112-9902-03	1	Guard-Foot, LH
7	105-1215	2	Hose-HYD	19	112-9900-03	1	Guard-Foot
8	340-92	3	Fitting-Straight	20	3274-7	6	Screw-HSH
8:1	237-78	1	O-Ring	21	3256-24	6	Washer-Flat
8:2	237-21	1	O-Ring	22	323-52	6	Screw-HH
9	104-1080	2	Hose-HYD	23	93-8806	6	Washer-Hardened
10	100-4876	1	Hose-HYD	24	95-8803	6	Bushing-Flange
11	99-3477	1	Fitting-Tee	25	104-8301	10	Nut-HF, NI
11:1	237-42	2	O-Ring	26	323-11	4	Screw-HH
12	100-4880	2	Hose-HYD				



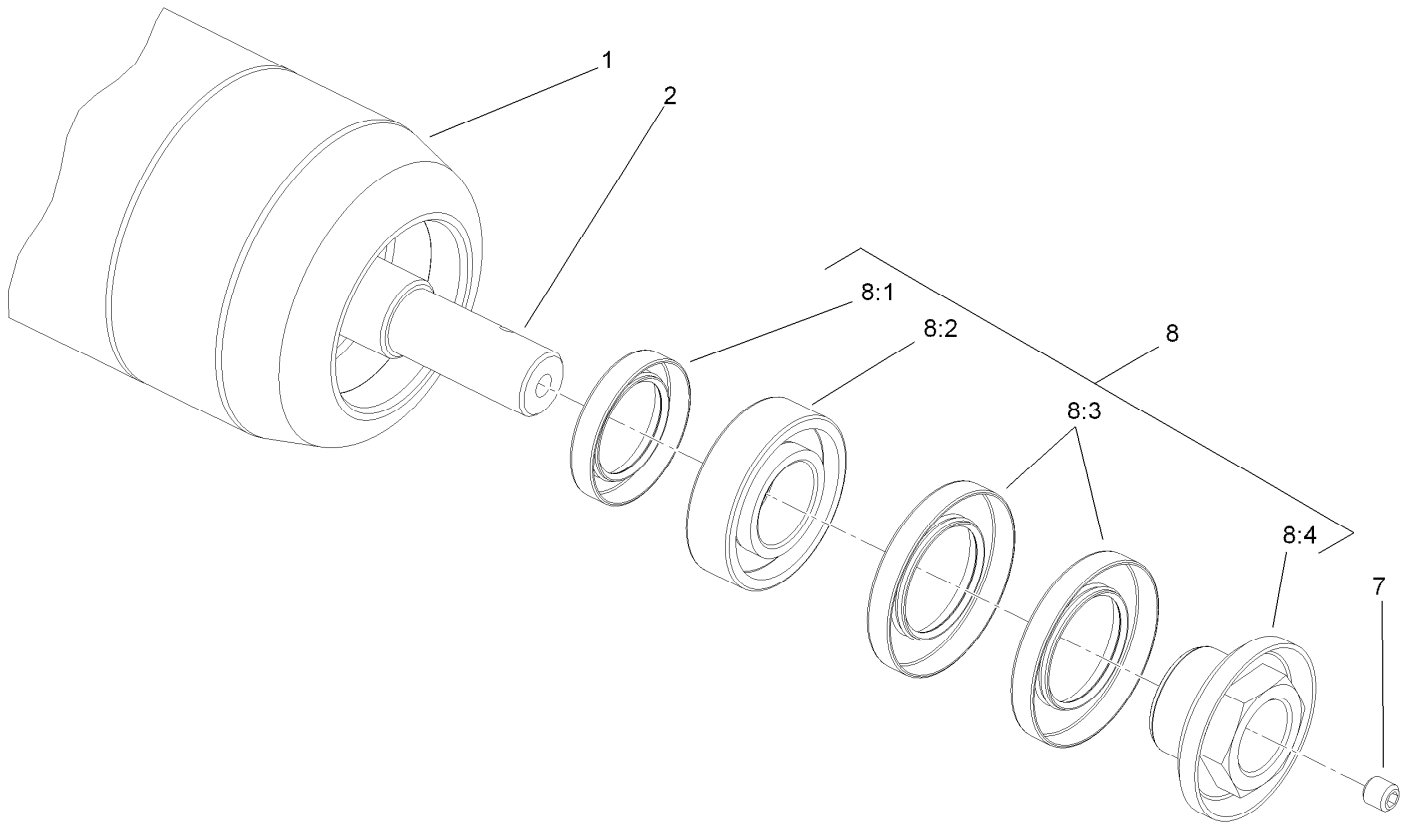
Gear Motor Assembly No. 117-5141

<i>Ref.</i>	<i>Part Number</i>	<i>Qty.</i>	<i>Description</i>
1	117-0235	1	Seal Kit
2	107-7820	1	Valve-Relief
3	107-7821	1	Valve-Anticavitation



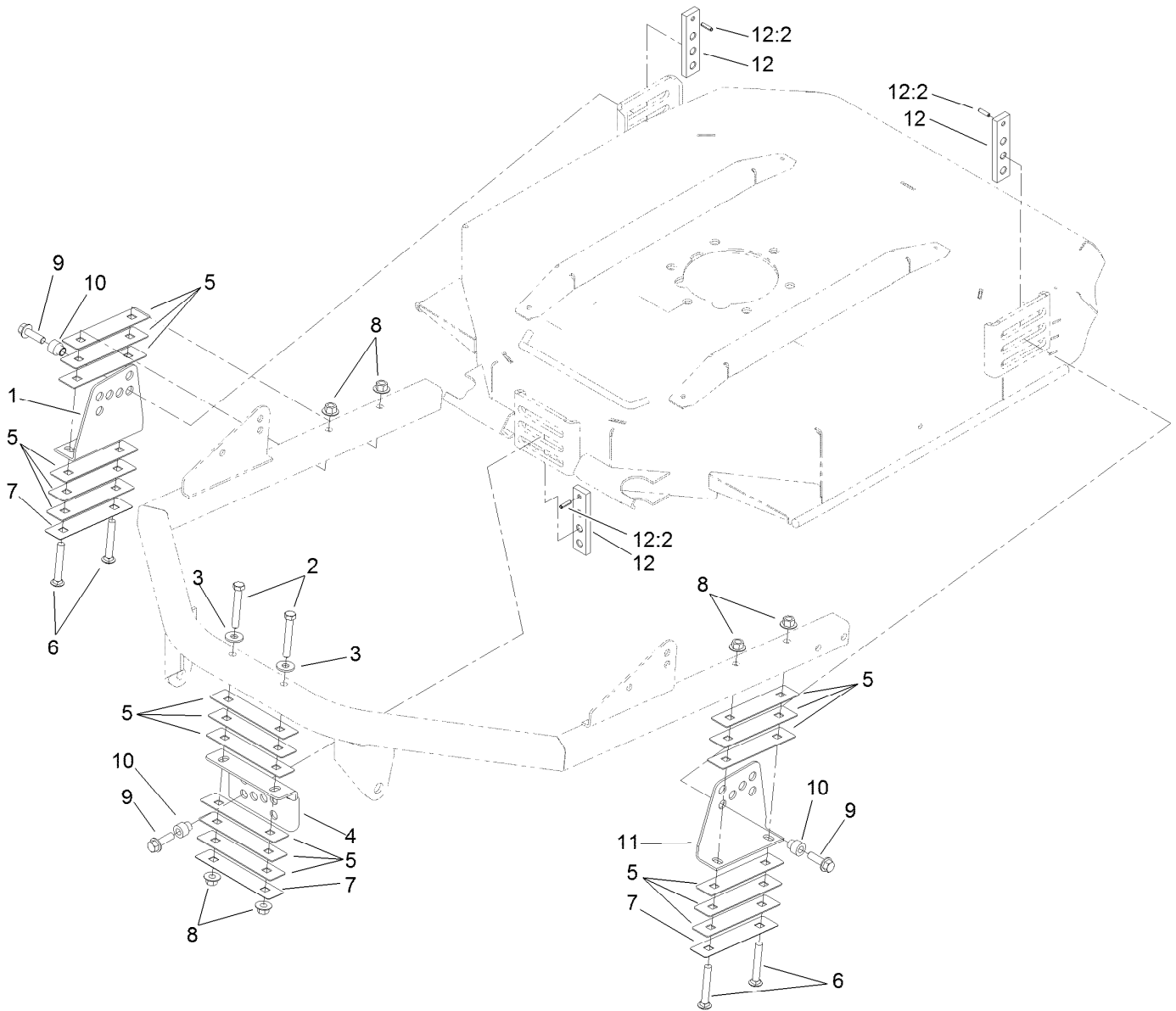
Roller and Carrier Frame Assembly

Ref.	Part Number	Qty.	Description
1	100-5780-03	1	Frame-Deck
2	115-3418	2	Roller ASM
2:1	104-1093	1	Roller
2:2	100-5762	1	Spacer-Bearing
2:3	120-3366	2	Bearing
3	327-15	2	Screw-HH
4	127-6422	2	Screw-Grease, Roller
9	112-5265	1	Roller ASM
10	323-7	2	Screw-HH
11	3234-11	4	Screw-HHF
12	112-5268	2	Mount-Roller
13	107-7816	2	Bracket-Skid



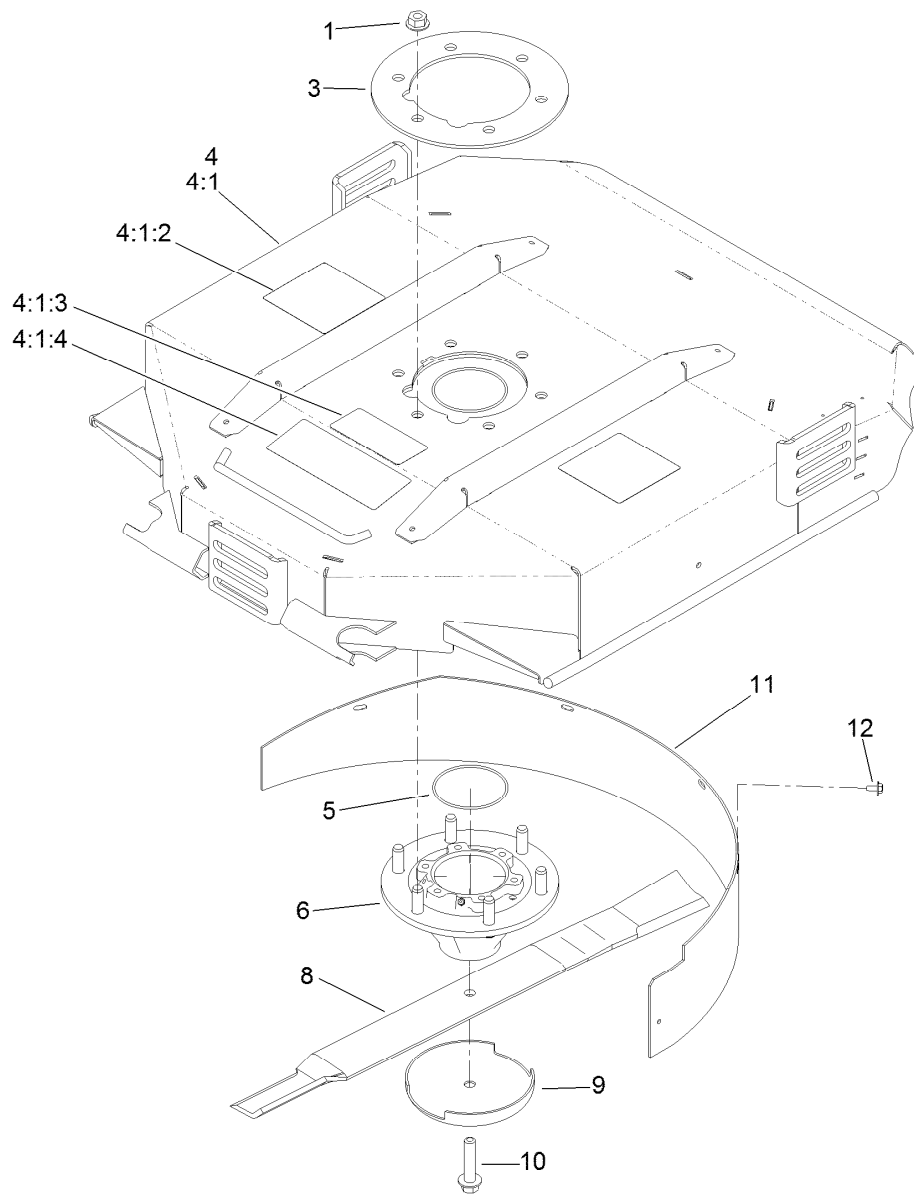
Roller Assembly No. 112-5265

<i>Ref.</i>	<i>Part Number</i>	<i>Qty.</i>	<i>Description</i>
1	112-5274-03	1	Tube ASM
2	117-5100	1	Shaft-Roller, Rear
7	108-0989	2	Screw-Set
8	114-5430	1	Roller Rebuild Kit
8:1	114-3717	2	Seal-Oil
8:2	112-5290	2	Bearing-Steel, Stainless
8:3	112-7494	4	Seal
8:4	114-5411	2	Nut-Lock, Bearing



Height-of-Cut Bracket Assembly

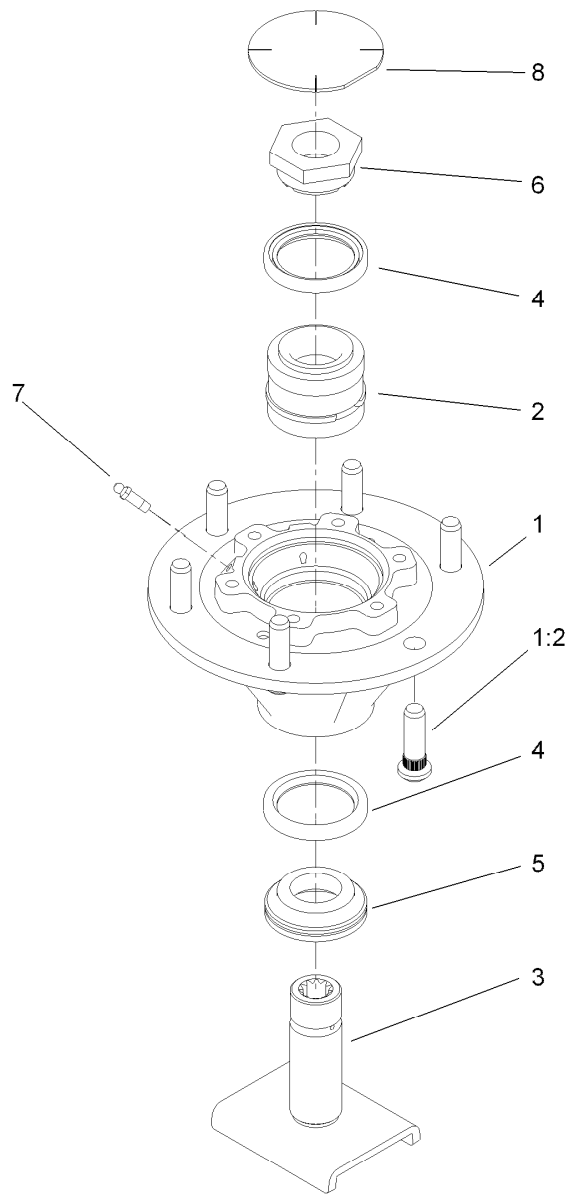
Ref.	Part Number	Qty.	Description
1	100-5797-03	1	Bracket-HOC, RH
2	323-12	2	Screw-HH
3	80-6990	2	Washer-Hardened
4	104-1052-03	1	Bracket-HOC, Front
5	100-5799	18	Shim-HOC, .060 Inch
6	3231-9	4	Screw-CARR
7	104-4641	3	Shim-HOC, .030 Inch
8	32128-43	6	Nut-Flange
9	3234-24	3	Screw-HHF
10	121-3575	3	Spacer-HOC
11	104-4624-03	1	Bracket-HOC, LH
12	105-9225	3	HOC Plate ASM
12:2	32121-3	1	Pin-Spring



Chamber, Blade and Spindle Assembly

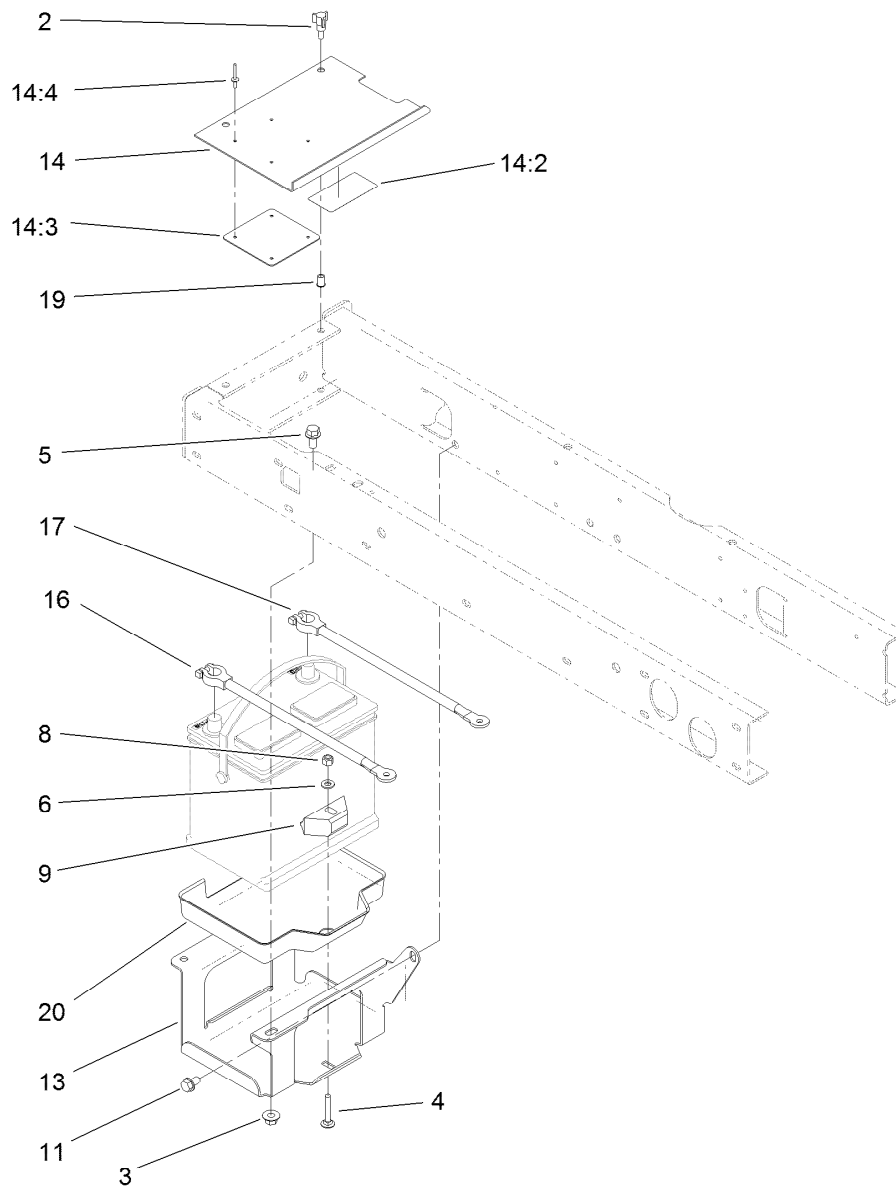
Ref.	Part Number	Qty.	Description
1	32128-39	6	Nut-HHF
3	104-1051-03	1	Plate-Spindle
4	127-6389	1	Deck Chamber Service ASM
4:1		1	Chamber ASM ●
4:1:2	117-4764	2	Decal-Danger
4:1:3	93-7818	1	Decal-Torque, Blade Bolt
4:1:4	121-3627	1	Decal-Height Of Cut
5	237-161	1	O-Ring
6	115-3435	1	Spindle ASM
8	107-0235-03	1	Blade-Atomic
8	108-9026-03	1	Blade-Combo
9	72-9361	1	Cup-Scalp, Anti
10	92-5816	1	Bolt-Blade
11	108-9025-01	1	Baffle-Mulching
12	46-8560	5	Screw-HHFTF

● Not serviced separately



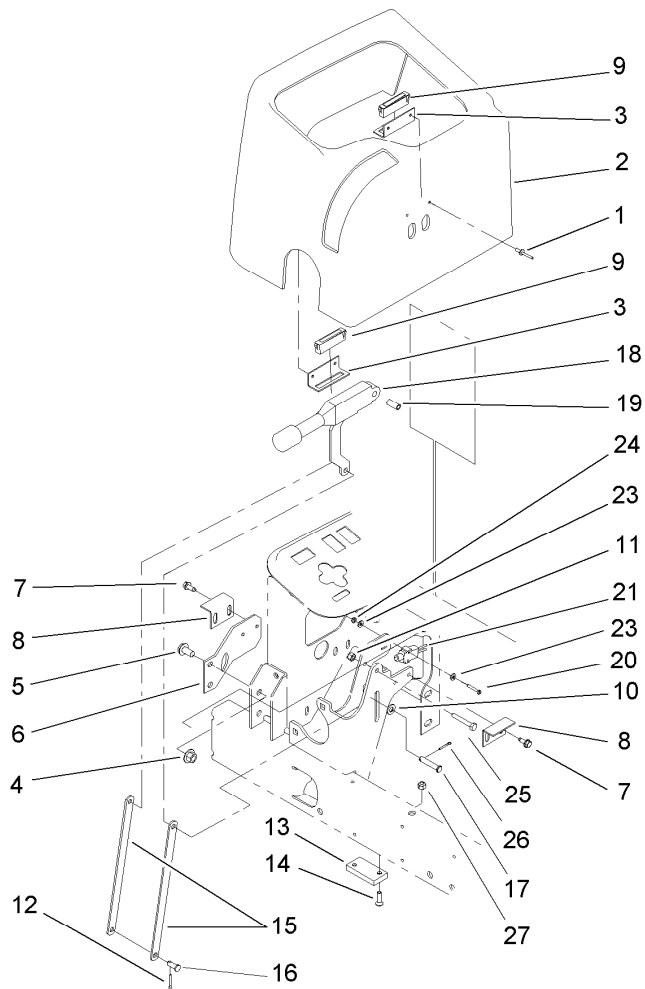
Spindle Assembly No. 115-3435

<i>Ref.</i>	<i>Part Number</i>	<i>Qty.</i>	<i>Description</i>
1	115-3434	1	Spindle
1:2	10-6830	6	Stud-Type, Drive
2	100-5703	1	Spacer And Bearing ASM
3	100-5705	1	Spindle Shaft ASM
4	253-154	2	Seal-Oil
5	69-6950	1	Spacer-Shaft, Spindle
6	100-5709	1	Nut-Spindle, Spcl
7	302-62	2	Fitting-Grease
8	94-2703	1	Plug



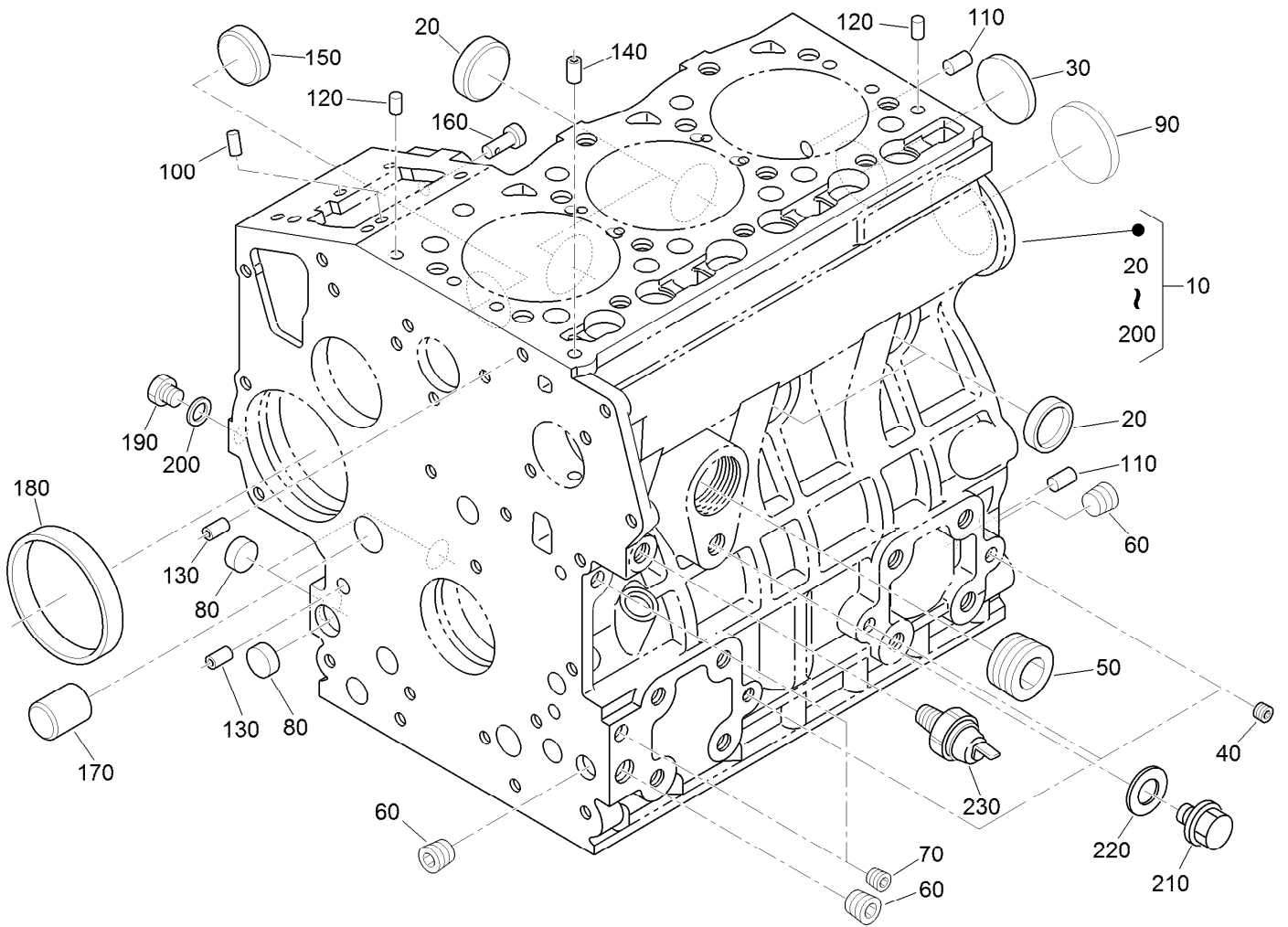
Battery Assembly

<i>Ref.</i>	<i>Part Number</i>	<i>Qty.</i>	<i>Description</i>	<i>Ref.</i>	<i>Part Number</i>	<i>Qty.</i>	<i>Description</i>
2	233-70	2	Knob-Star, Three	14	99-3602	1	Battery Cover ASM
3	32128-43	3	Nut-Flange	14:2	93-7276	1	Decal-Danger
4	3230-6	1	Bolt-CARR	14:3	87-7620	1	Shield-Terminal, Battery
5	3234-1	3	Screw-HHF	14:4	3269-27	4	Rivet-Snap
6	3256-23	1	Washer-Plain	16	95-8853	1	Cable-Battery, Positive
8	3296-29	1	Nut-Lock, NI	17	95-8854	1	Cable-Battery, Negative
9	66-2490	1	Retainer-Battery	19	32148-6	2	Nut-Clinch
11	32144-15	1	Screw-HHFTF	20	99-3513	1	Tray-Battery
13	95-8796-03	1	Support-Battery				



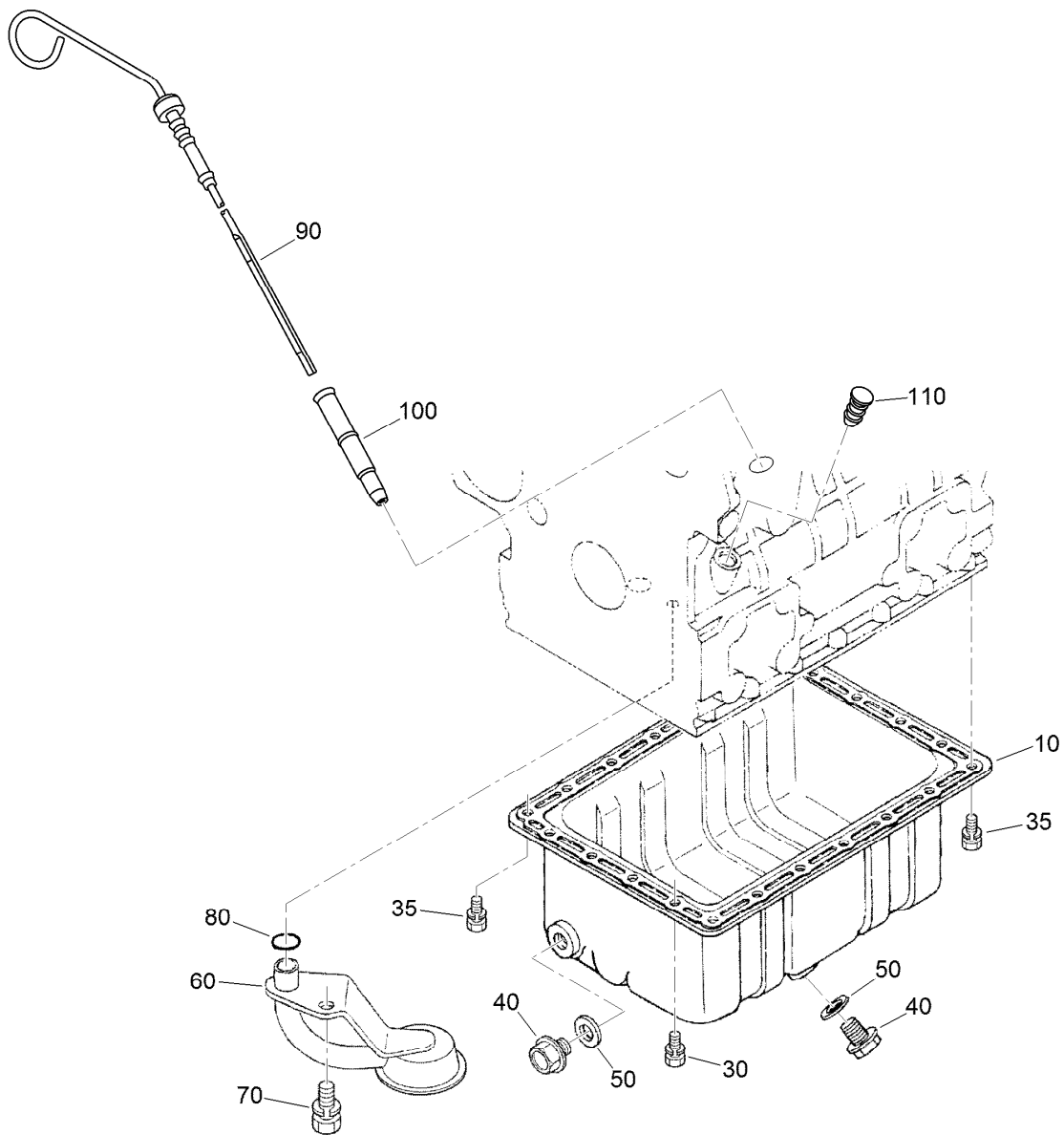
Parking Brake Assembly

<i>Ref.</i>	<i>Part Number</i>	<i>Qty.</i>	<i>Description</i>	<i>Ref.</i>	<i>Part Number</i>	<i>Qty.</i>	<i>Description</i>
1	3269-5	4	Rivet-Pop	14	3289-4	2	Screw-FH
2	95-8707	1	Cover-Dash	15	104-4628-03	2	Link-Brake, Parking
3	95-8763	2	Bracket-Hold Down, Cover	16	283-62	1	Pin-Clevis
4	32128-43	2	Nut-Flange	17	94-3829	1	Pin-Clevis
5	3234-1	2	Screw-HHF	18	104-4817	1	Lever-Brake
6	95-8764-03	1	Support-Magnet	19	87-4710	1	Spacer-Brake, Parking
7	32144-10	4	Screw-HWH	20	32105-9	2	Screw
8	95-8765	2	Bracket-Strike, Magnet	21	95-8900	1	Switch
9	58-4250	2	Catch-Magnetic	23	3256-21	4	Washer-Flat
10	3256-23	3	Washer-Plain	24	3296-9	2	Nut-Hex
11	3296-42	1	Nut-Lock, NI	25	321-10	1	Screw-HH
12	3272-10	1	Pin-Cotter	26	3272-6	1	Pin-Cotter
13	95-8684	1	Pad-Bumper	27	104-7201	2	Nut-HF, NI



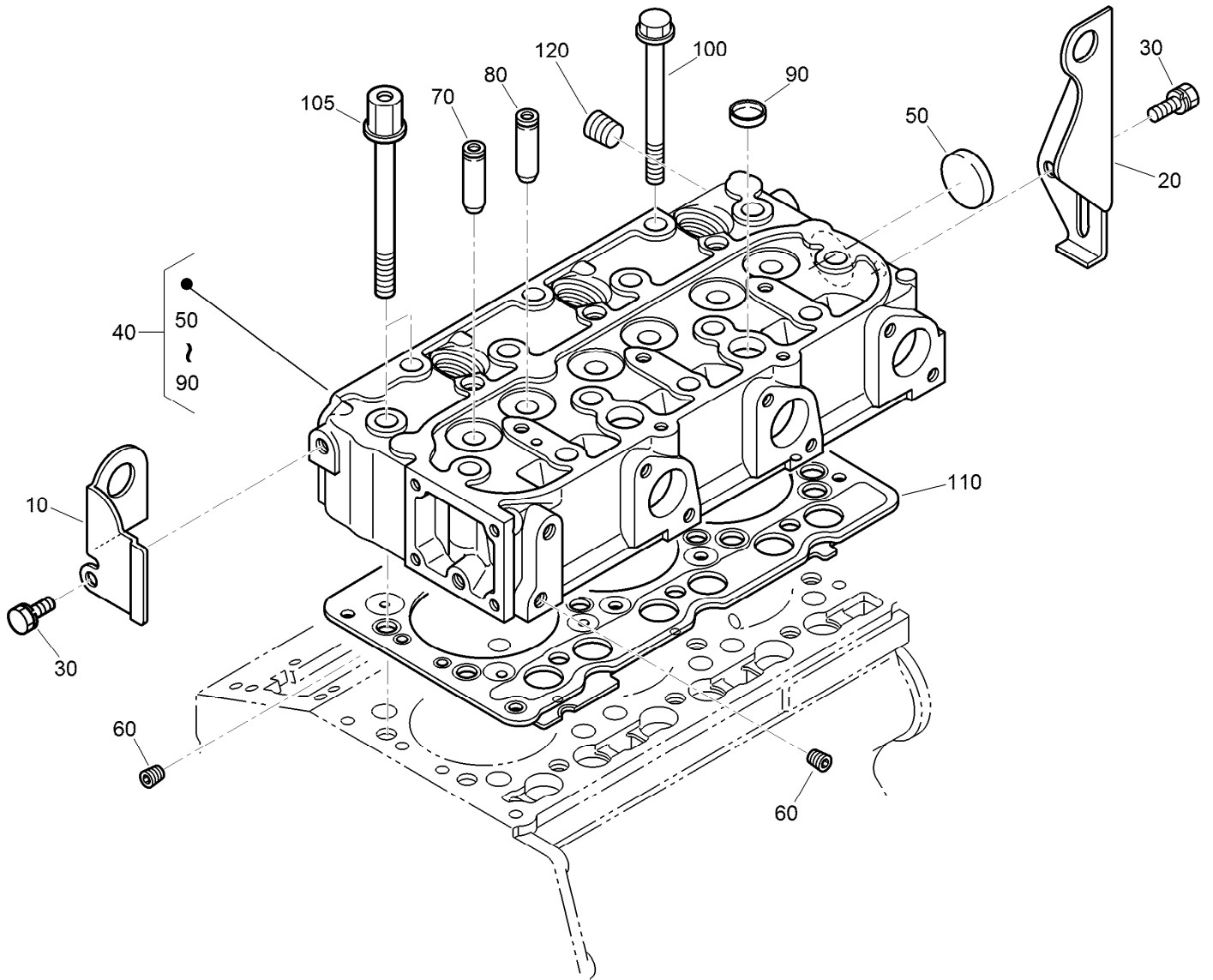
Crankcase Assembly

<i>Ref.</i>	<i>Part Number</i>	<i>Qty.</i>	<i>Description</i>	<i>Ref.</i>	<i>Part Number</i>	<i>Qty.</i>	<i>Description</i>
10	115-3443	1	Crankcase ASM	130	98-9387	2	Pin-Pipe
20	98-9398	4	Cap-Sealing	140	98-9539	1	Pin-Pipe
30	98-7539	1	Cap-Sealing	150	98-9599	1	Plug
40	98-9687	3	Plug	160	98-9630	1	Pin-Spring, Start
50	105-3779	1	Plug	170	98-9675	1	Plug
60	98-9597	3	Plug	180	98-9656	1	Bushing-Governor, Gear
70	98-7487	2	Plug	190	120-2559	1	Plug
80	98-9379	3	Plug-Expansion	200	98-7428	1	Gasket
90	98-9668	1	Plug-Expansion	210	99-3447	1	Plug
100	98-9375	2	Pin-Straight	220	106-7056	1	Gasket
110	98-9377	2	Pin-Straight	230	98-9416	1	Switch-Oil
120	98-9376	2	Pin-Straight				



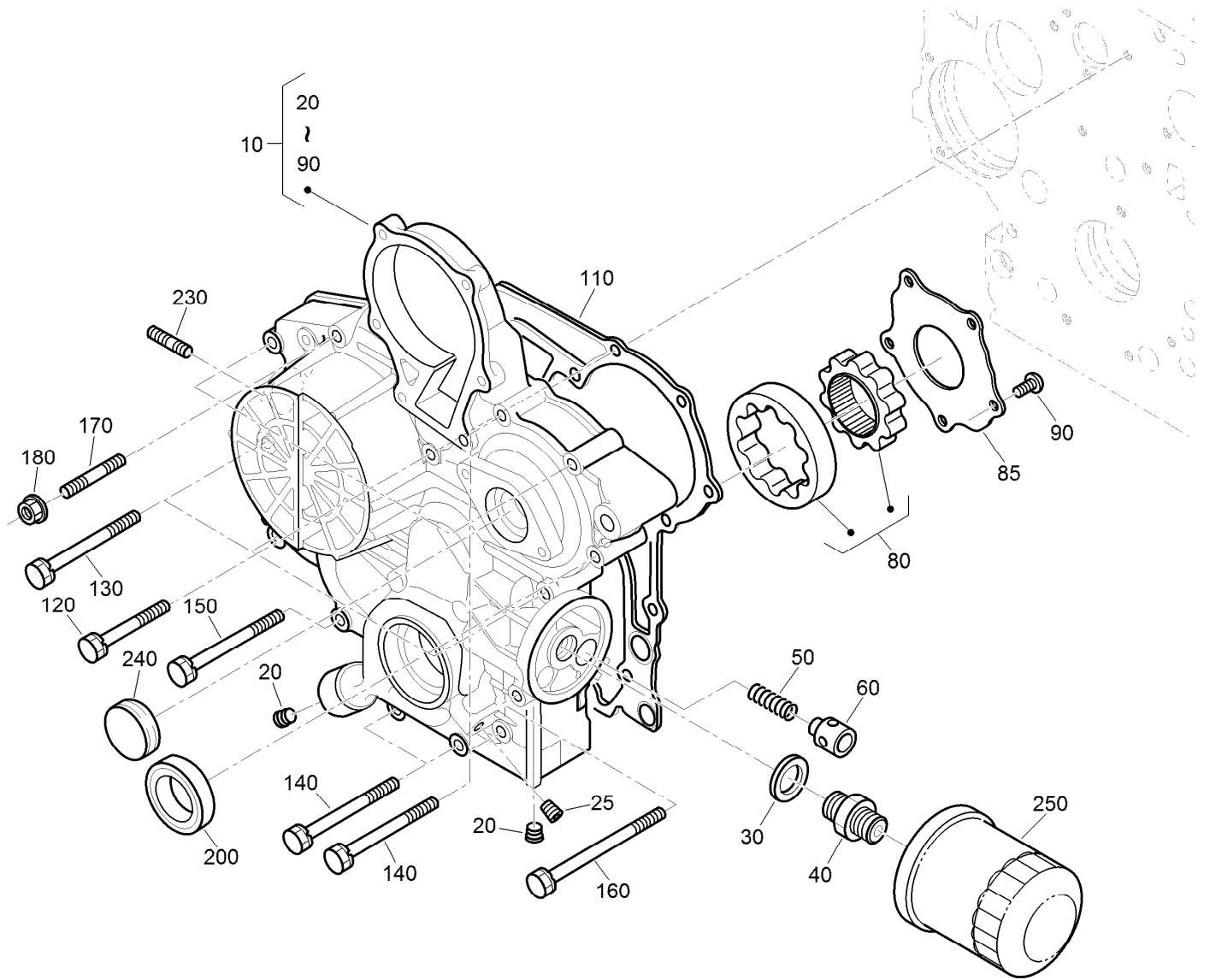
Oil Pan and Dipstick Assembly

<i>Ref.</i>	<i>Part Number</i>	<i>Qty.</i>	<i>Description</i>
10	98-9685	1	Pan-Oil
30	98-9351	20	Bolt
35	98-9351	2	Bolt
40	114-8151	2	Plug-Drain
50	98-7524	2	Gasket
60	108-1401	1	Base-Filter
70	98-7526	1	Bolt
80	105-3776	1	O-Ring
90	104-9348	1	Gauge-Oil
100	105-4580	1	Guide-Gauge, Oil
110	110-3720	1	Plug-Gauge, Oil



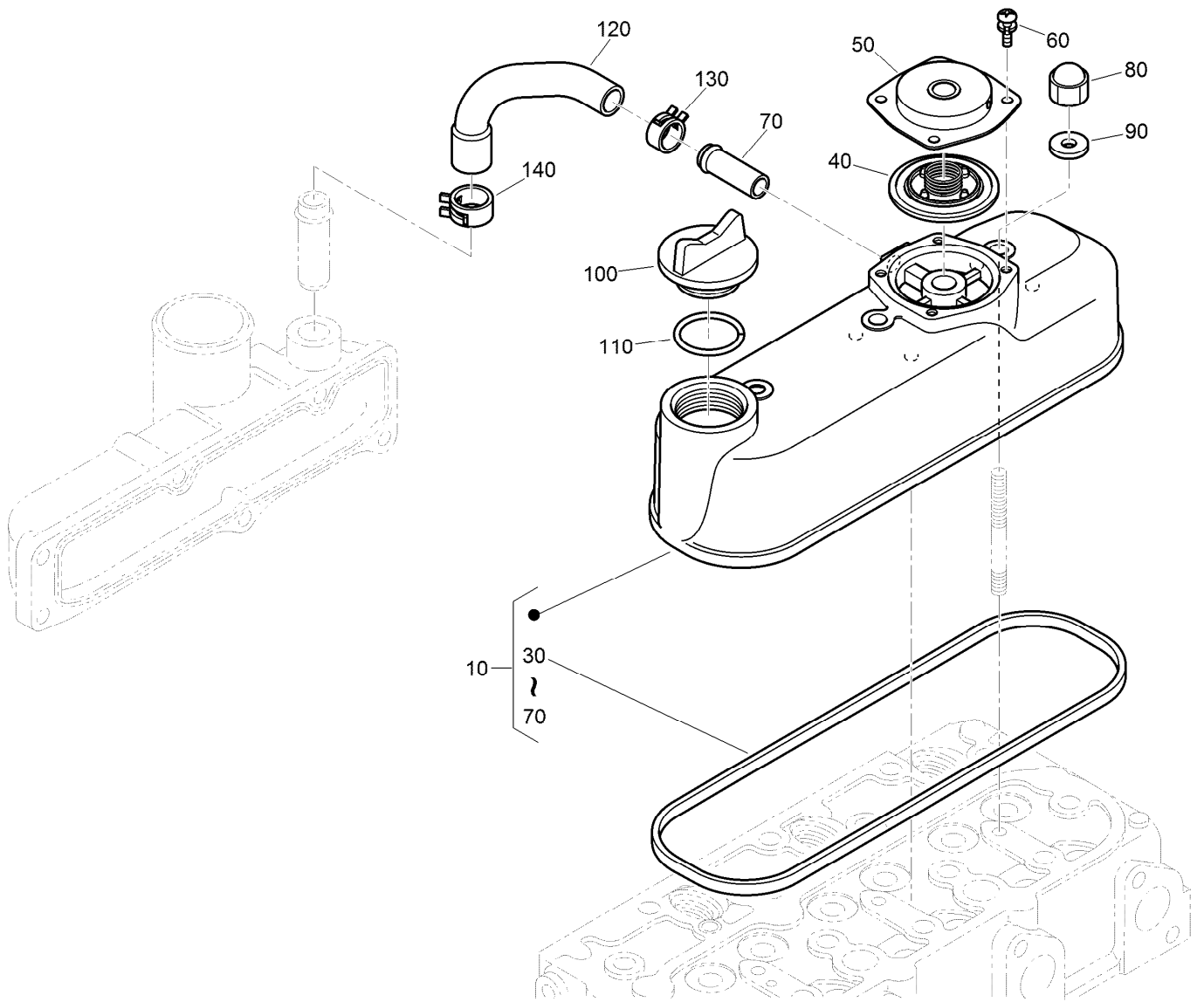
Cylinder Head Assembly

Ref.	Part Number	Qty.	Description
10	130-1231	1	Hook-Engine
20	98-9478	1	Hook-Engine
30	100-9195	2	Bolt
40	130-1544	1	Cylinder Head ASM
50	105-3705	1	Cap-Sealing
60	98-9687	2	Plug
70	107-9066	3	Guide-Valve, Inlet
80	107-9067	3	Guide-Valve, Exhaust
90	98-9389	2	Cap-Sealing
100	98-9479	12	Bolt-Head, Cylinder
105	98-9647	2	Bolt-Head, Cylinder
110	108-6573	1	Gasket-Head, Cylinder
120	98-9444	1	Plug



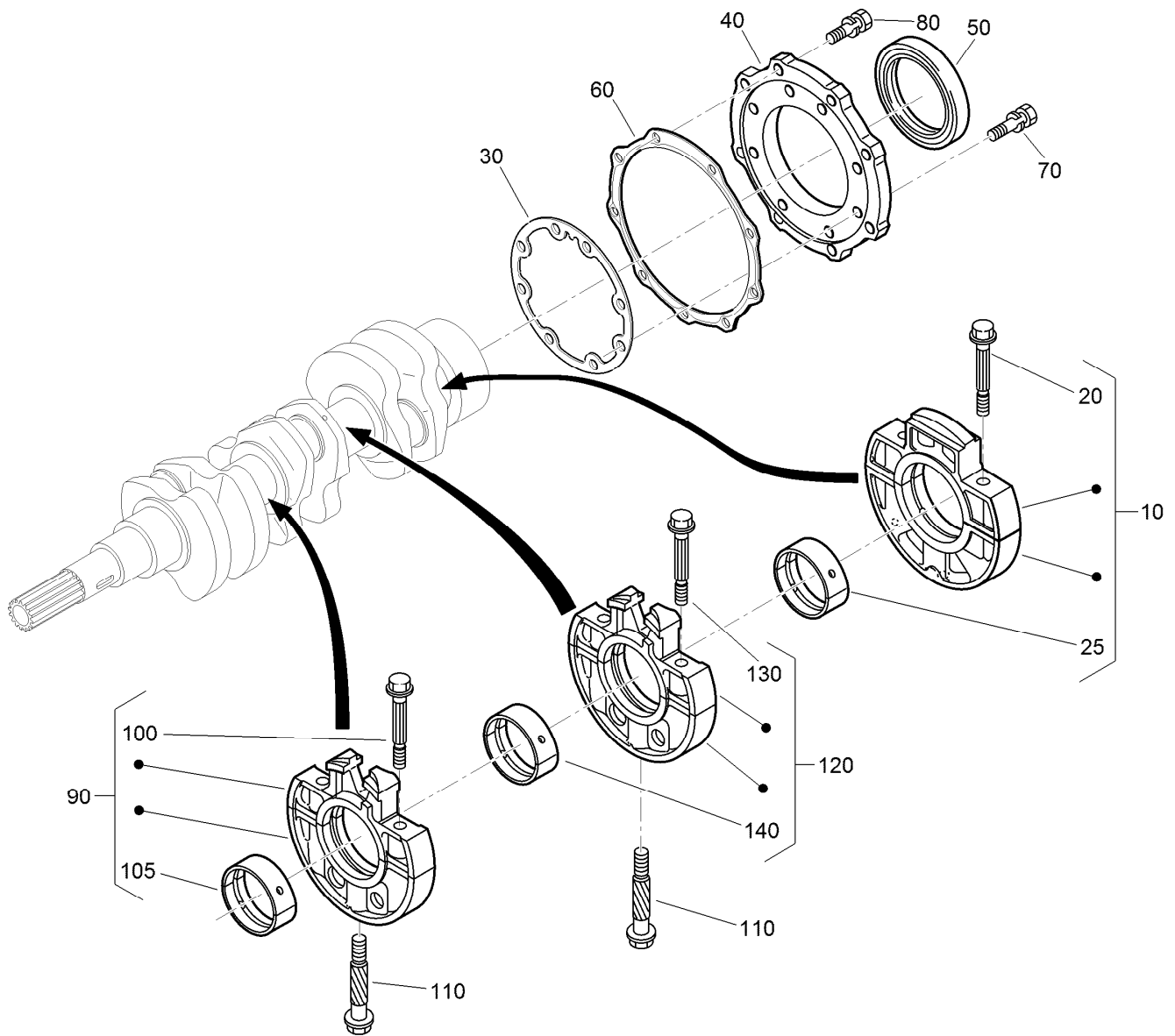
Gear Case and Oil Filter Cartridge Assembly

Ref.	Part Number	Qty.	Description	Ref.	Part Number	Qty.	Description
10	115-4105	1	Gear Case ASM	120	100-1765	3	Bolt
20	127-0425	2	Plug	130	125-9063	4	Bolt-Sems
25	98-7487	1	Plug	140	98-9356	4	Bolt
30	98-7562	1	Washer-Plain	150	107-9074	1	Bolt
40	98-9388	1	Joint-Pipe	160	98-9586	1	Bolt
50	130-1511	1	Spring	170	105-3709	1	Stud
60	130-1510	1	Valve-Relief	180	100-2203	1	Nut-Flange
80	130-1508	1	Rotor ASM	200	119-8038	1	Seal-Oil
85	130-1509	1	Cover-Pump, Oil	230	105-3710	2	Stud
90	130-1164	5	Screw-Binding	240	99-3515	1	Plug-Gearcase
110	98-9633	1	Gasket-Case, Gear	250	108-3841	1	Filter-Oil



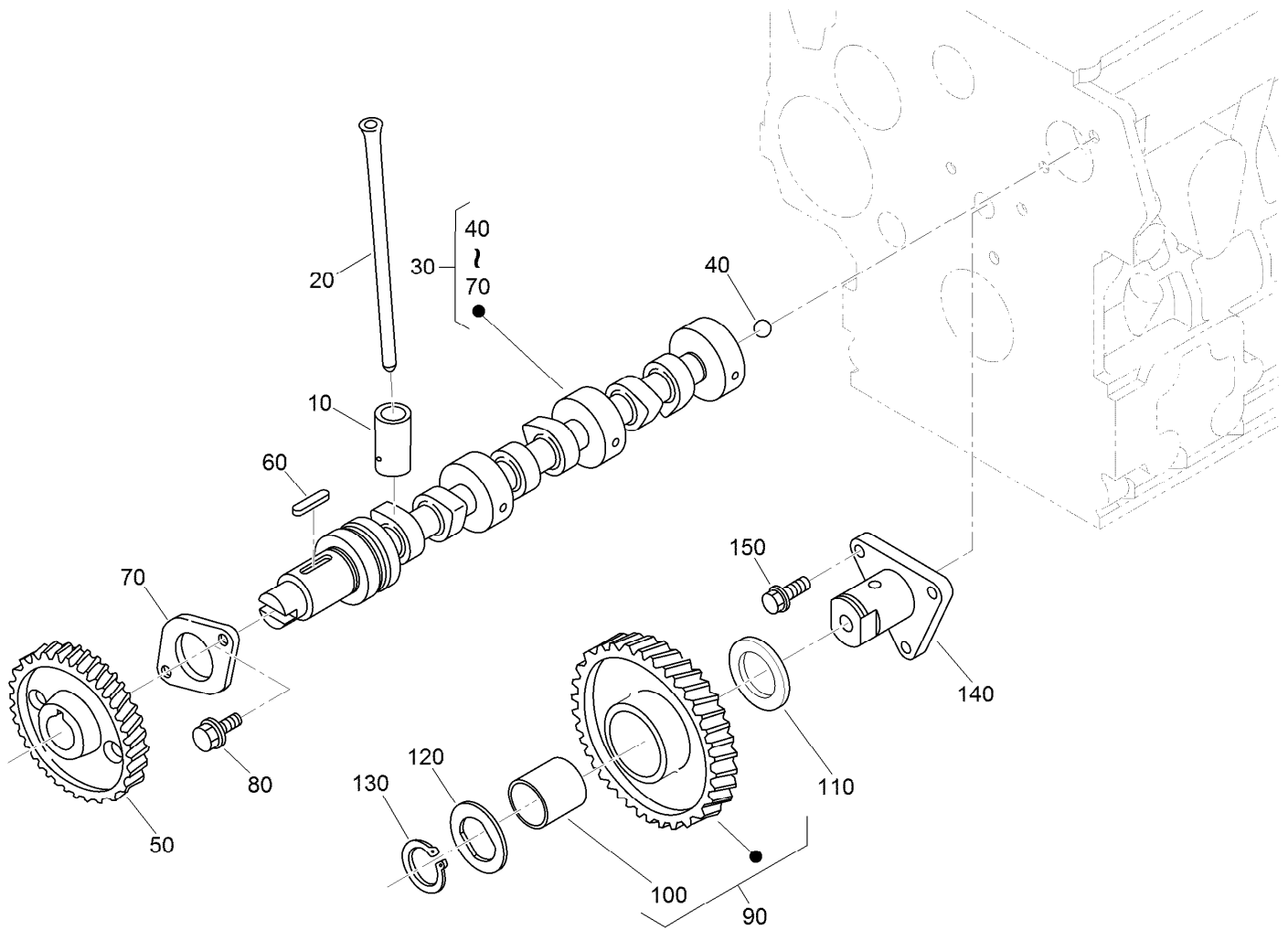
Cylinder Head Cover Assembly

<i>Ref.</i>	<i>Part Number</i>	<i>Qty.</i>	<i>Description</i>
10	130-1372	1	Cylinder Head Cover ASM
30	98-9615	1	Gasket-Cover, Head
40	110-3715	1	Valve-Breather
50	110-3714	1	Cover-Breather
60	98-9364	4	Screw (With Washer)
70	98-7766	1	Pipe-Return, Water
80	98-9455	3	Nut-Cap
90	98-9454	3	Gasket
100	107-9075	1	Plug-Filler, Oil
110	99-3446	1	O-Ring
120	107-7836	1	Tube-Breather
130	108-2859	1	Clamp-Hose
140	108-2860	1	Clamp-Hose



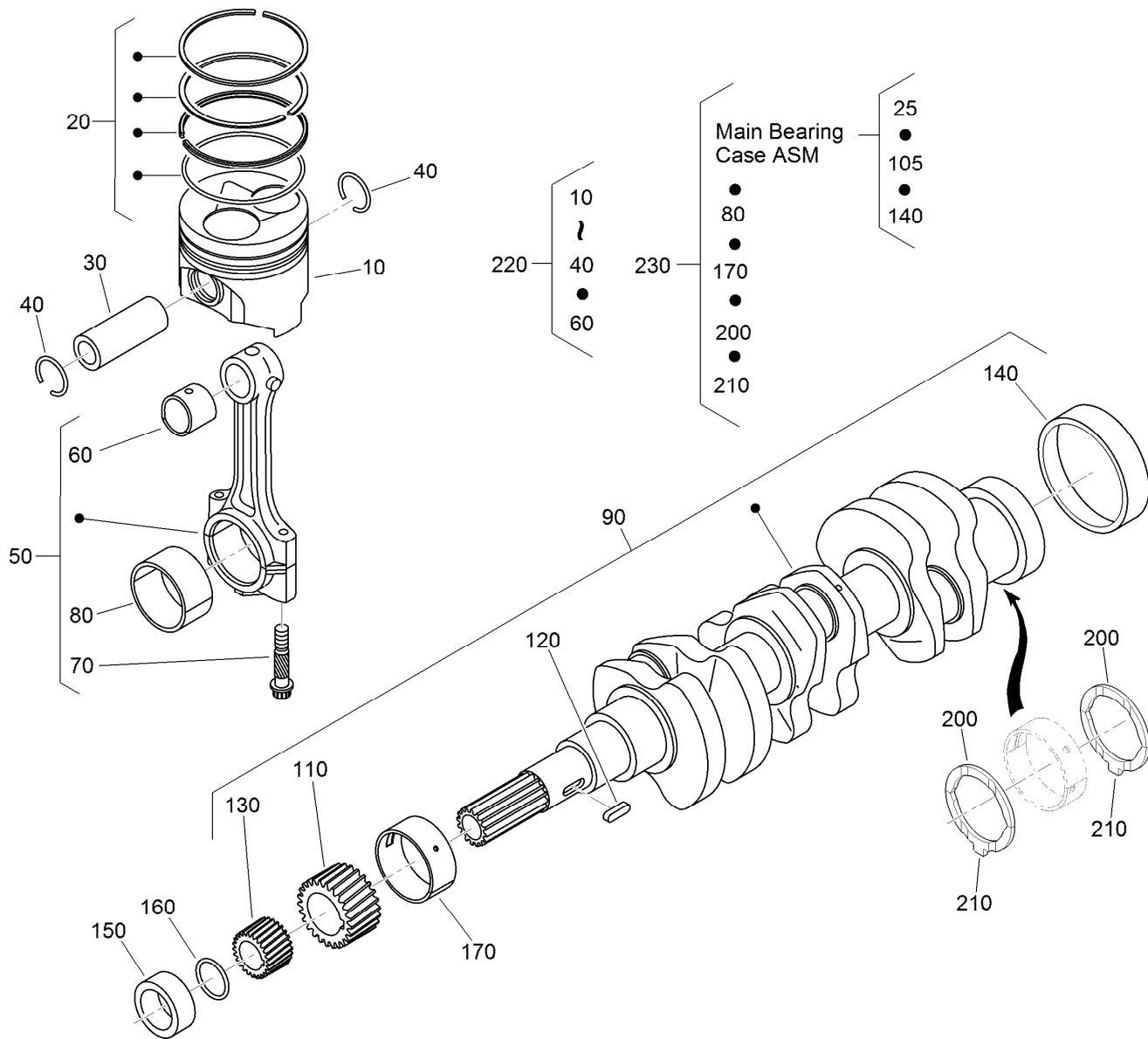
Main Bearing Case Assembly

<i>Ref.</i>	<i>Part Number</i>	<i>Qty.</i>	<i>Description</i>	<i>Ref.</i>	<i>Part Number</i>	<i>Qty.</i>	<i>Description</i>
10	112-7026	1	Wheel Bearing Case ASM	90	115-4106	1	Main Bearing Case ASM
20	98-9484	2	Bolt-Case, Bearing	100	98-9484	2	Bolt-Case, Bearing
25	115-4121	1	Metal-Crankshaft (STD)	105	98-9524	1	Metal-Crankshaft (STD Set)
25	112-7039	1	Metal-Crankshaft (0.2Mm)	105	127-0433	1	Metal-Crankshaft (-0.2MM)
25	112-7040	1	Metal-Crankshaft (-0.4Mm)	105	98-9531	1	Bearing-Main (0.4MM)
30	127-0440	1	Gasket-Case, Bearing	110	98-9485	2	Bolt-Case, Bearing
40	112-7046	1	Cover-Case, Bearing	120	115-4107	1	Main Bearing Case ASM
50	112-0180	1	Seal-Oil	130	98-9484	2	Bolt-Case, Bearing
60	112-7037	1	Gasket-Cover, Case	140	98-9524	1	Metal-Crankshaft (STD Set)
70	127-0441	8	Bolt	140	127-0433	1	Metal-Crankshaft (-0.2MM)
80	127-0442	9	Bolt	140	98-9531	1	Bearing-Main (0.4MM)



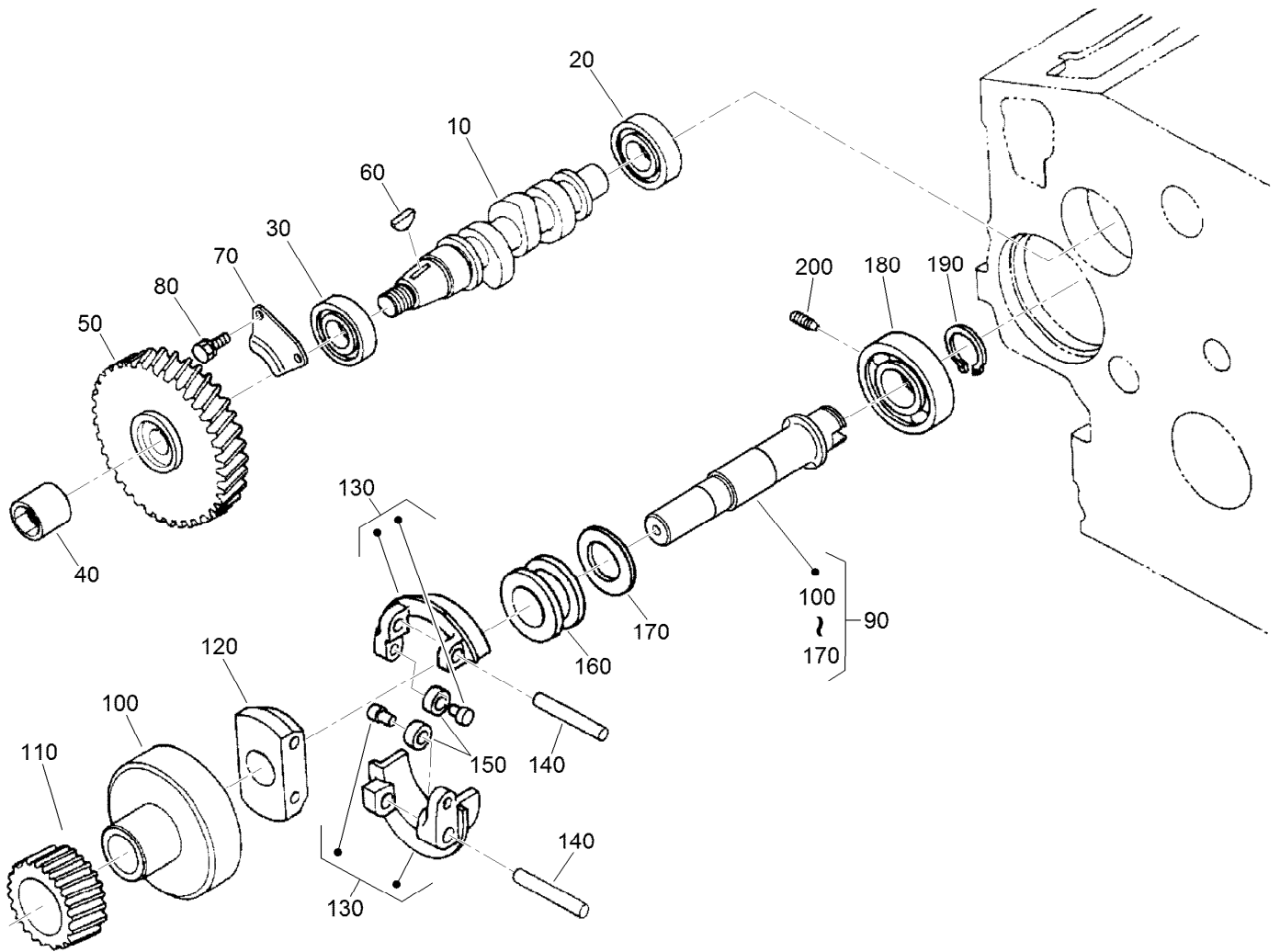
Camshaft and Idle Gear Shaft Assembly

Ref.	Part Number	Qty.	Description
10	112-0185	6	Tappet
20	127-0421	6	Rod-Push
30	130-1545	1	Camshaft ASM
40	110-3729	1	Ball
50	98-9512	1	Gear-Cam
60	98-9378	1	Key-Feather
70	98-9510	1	Stopper-Camshaft
80	98-7692	2	Bolt
90	117-7584	1	Idler Gear ASM
100	117-7585	1	Bushing-Gear, Idle
110	98-9535	1	Collar-Gear, Idle
120	98-9536	1	Collar-Gear, Idle
130	98-9534	1	Circlip-Gear, Idle
140	98-9533	1	Shaft-Gear, Idle
150	98-7692	3	Bolt



Piston and Crankshaft Assembly

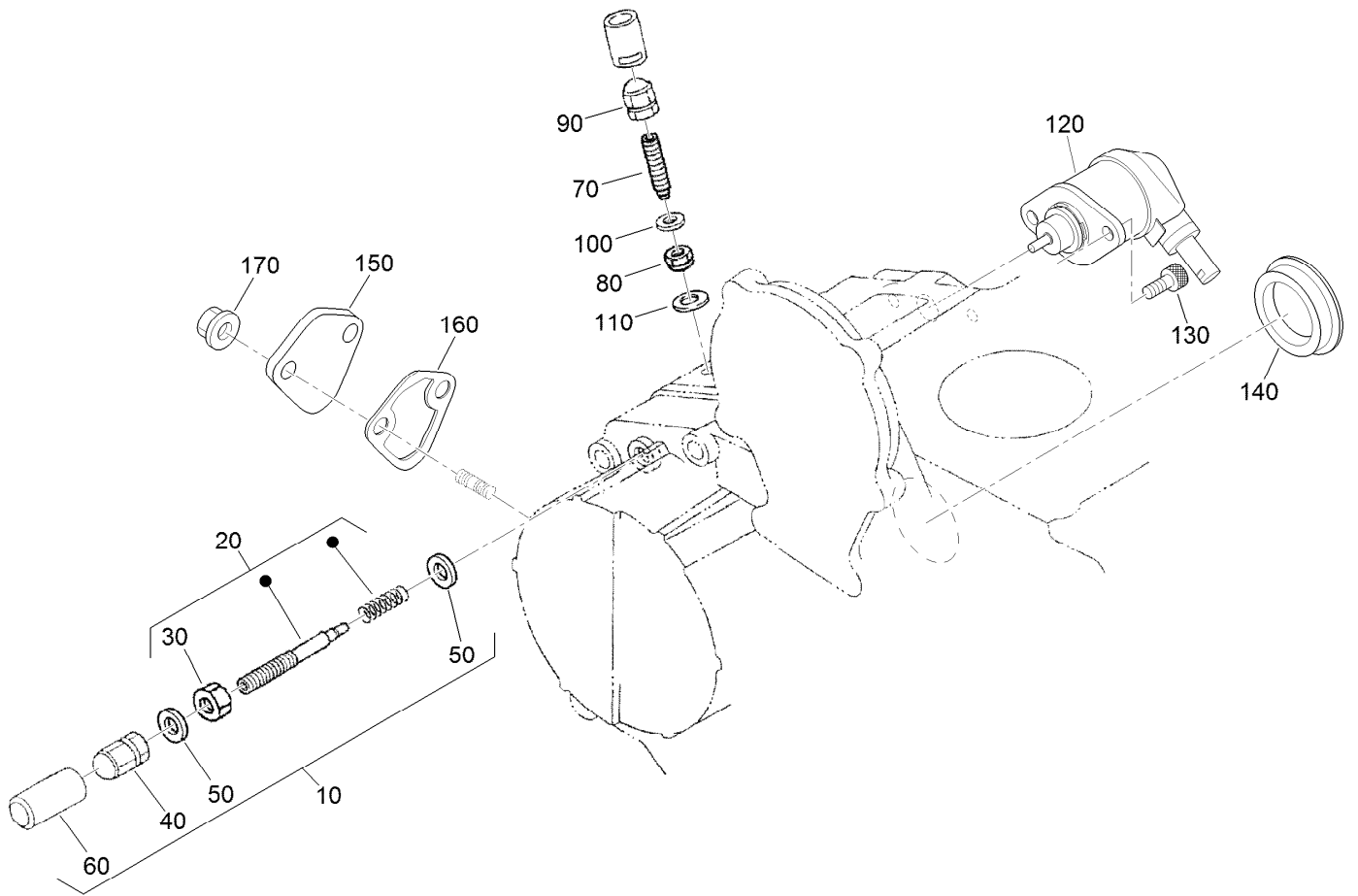
Ref.	Part Number	Qty.	Description	Ref.	Part Number	Qty.	Description
10	130-1546	3	Piston (STD)	160	105-3783	1	O-Ring
10	130-1549	3	Piston (+0.50MM)	170	112-7005	1	Bearing-Main (STD)
20	130-1506	3	Piston Ring ASM (STD)	170	98-9528	1	Bearing-Main (-0.2MM)
20	130-1507	3	Piston Ring ASM (+0.50MM)	170	130-1274	1	Metal-Crankshaft (-0.40Mm)
30	98-9513	3	Pin-Piston	200	98-9413	2	Bearing-Thrust (STD)
40	98-9514	6	Circlip-Pin, Piston	200	127-0416	2	Metal-Side (+0.2Mm)
50	117-7586	3	Connecting Rod ASM	200	127-0417	2	Metal-Side (+0.40Mm)
60	115-3014	3	Bushing-Pin, Piston	210	98-9688	2	Bearing-Thrust (STD)
70	98-9517	6	Bolt-Rod, Connecting	210	127-0437	2	Metal-Side (+0.2MM)
80	98-9553	3	Bearing-Rod (STD)	210	127-0438	2	Metal-Side (+0.40MM)
80	98-9519	3	Bearing-Rod (-0.2MM)	220	130-1547	3	Piston Kit
80	117-7588	3	Metal-Crankpin (-0.4MM)	220	130-1548	3	Piston Kit
90	130-1375	1	Crankshaft ASM	230	130-1501	1	Engine Metal Kit (STD)
110	117-7561	1	Gear-Crankshaft	230	130-1498	1	Engine Metal Kit (-0.20Mm/+0.20Mm)
120	98-9666	1	Key	230	130-1499	1	Engine Metal Kit (-0.40Mm/+0.40Mm)
130	127-0445	1	Gear-Drive, Oil Pump				
140	98-9522	1	Sleeve-Crankshaft				
150	127-0444	1	Collar-Crankshaft				



Fuel Camshaft and Governor Shaft Assembly

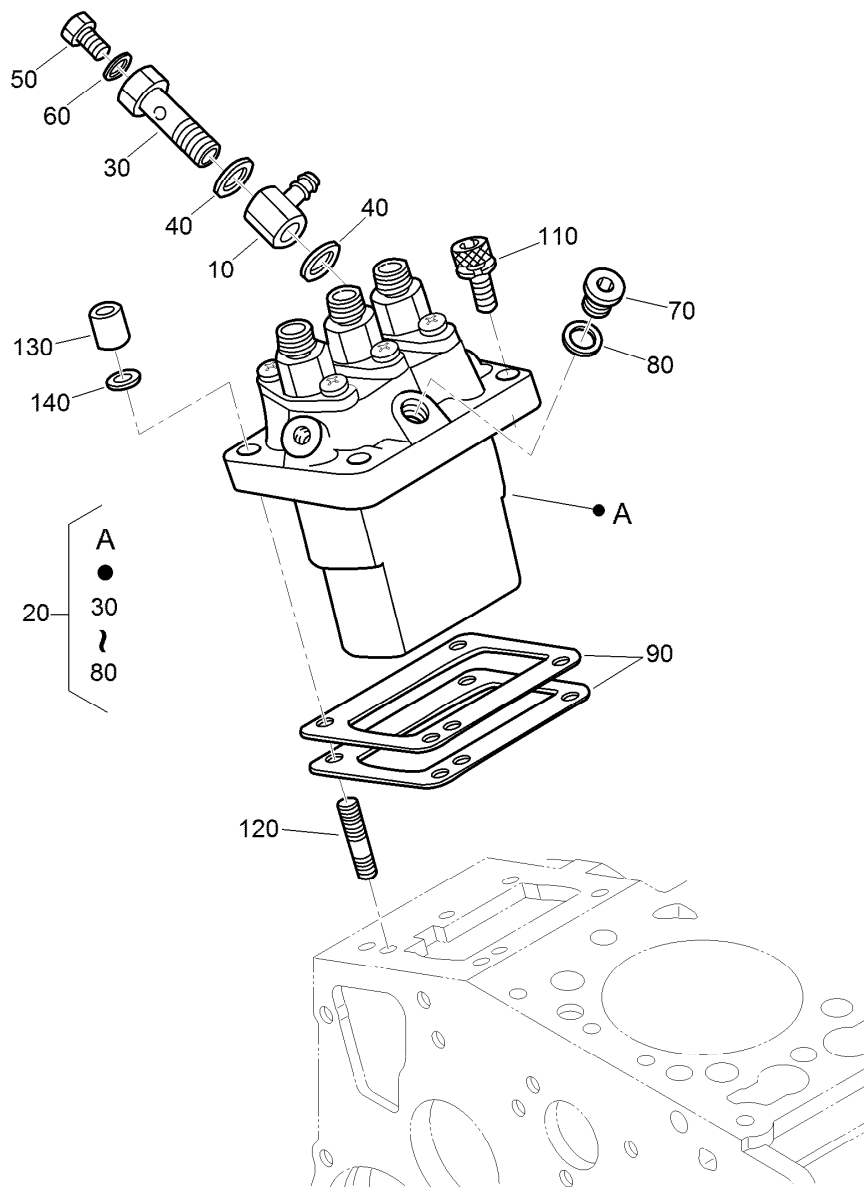
Ref.	Part Number	Qty.	Description
10	98-9459	1	Camshaft-Fuel
20	107-9077	1	Bearing-Ball
30	107-9078	1	Bearing-Ball
40	130-1512	1	Nut
50	120-2562	1	Gear-Pump, Injection
60	98-9595	1	Key-Woodruff
70	98-9511	1	Stopper-Fuel, Camshaft
80	98-7692	2	Bolt
90	130-1255	1	Governor Shaft ASM
100	98-9562	1	Holder-Gear, Governor

Ref.	Part Number	Qty.	Description
110	98-9673	1	Gear-Governor
120	98-9561	1	Holder-Weight, Governor
130	130-1240	2	Governor Weight ASM
140	98-9560	2	Shaft-Weight, Governor
150	98-9692	2	Roller
160	98-9563	1	Sleeve-Governor
170	98-9564	1	Washer-Thrust
180	107-9079	1	Bearing-Ball
190	98-9657	1	Circlip-Shaft, Governor
200	98-9565	1	Screw-Set



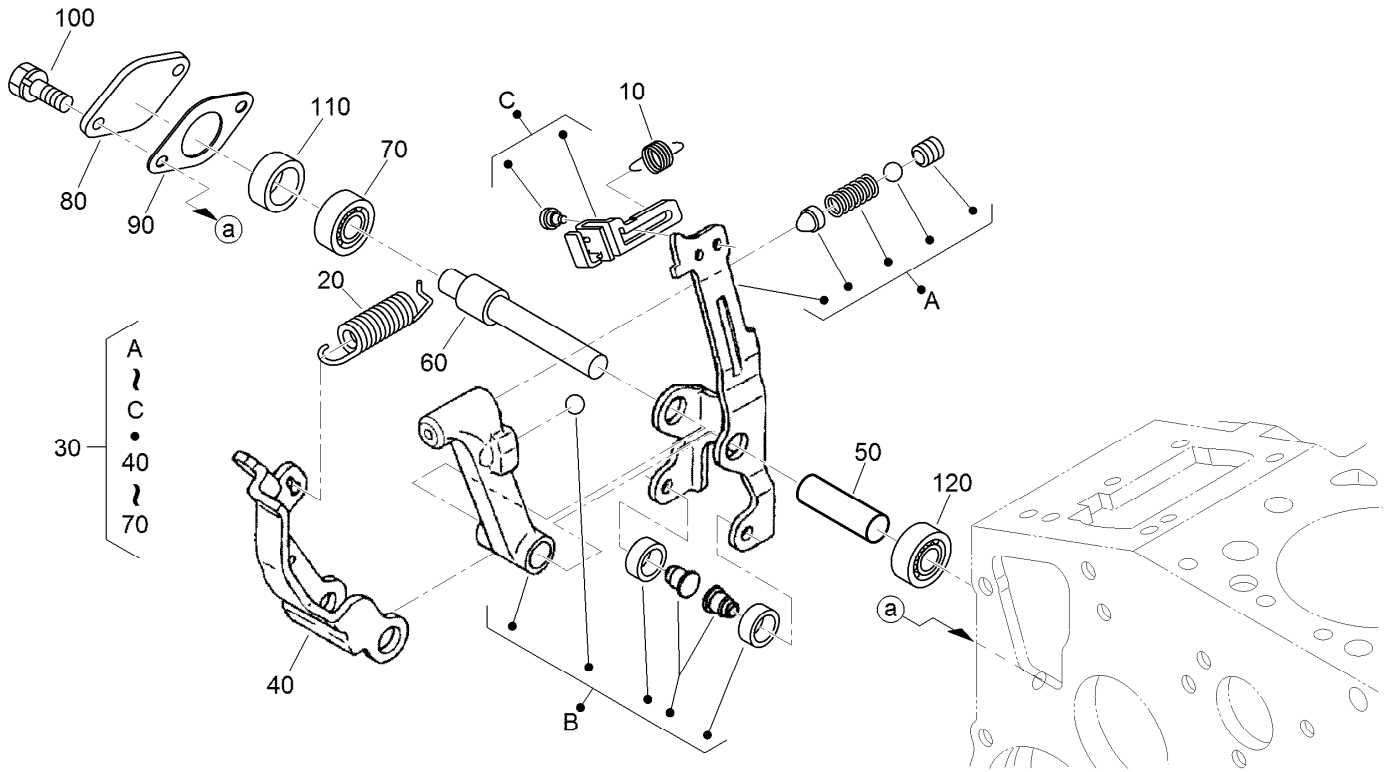
Idle Apparatus and Stop Solenoid Assembly

<i>Ref.</i>	<i>Part Number</i>	<i>Qty.</i>	<i>Description</i>	<i>Ref.</i>	<i>Part Number</i>	<i>Qty.</i>	<i>Description</i>
10	98-9678	1	Idle Apparatus ASM	100	98-7654	1	Gasket
20	112-7014	1	Adjusting Bolt ASM	110	107-9081	1	Gasket
30	98-9439	1	Nut	120	104-5155	1	Solenoid-Stop
40	112-0181	1	Nut	130	130-1155	2	Screw-HSH
50	98-7654	2	Gasket	140	112-7016	1	Cover-Pump
60	98-7656	1	Cap	150	99-3514	1	Cover
70	112-7015	1	Bolt-Adjusting	160	117-7562	1	Gasket-Pump, Fuel
80	100-2175	1	Nut-Lock	170	100-2203	2	Nut-Flange
90	112-0181	1	Nut				



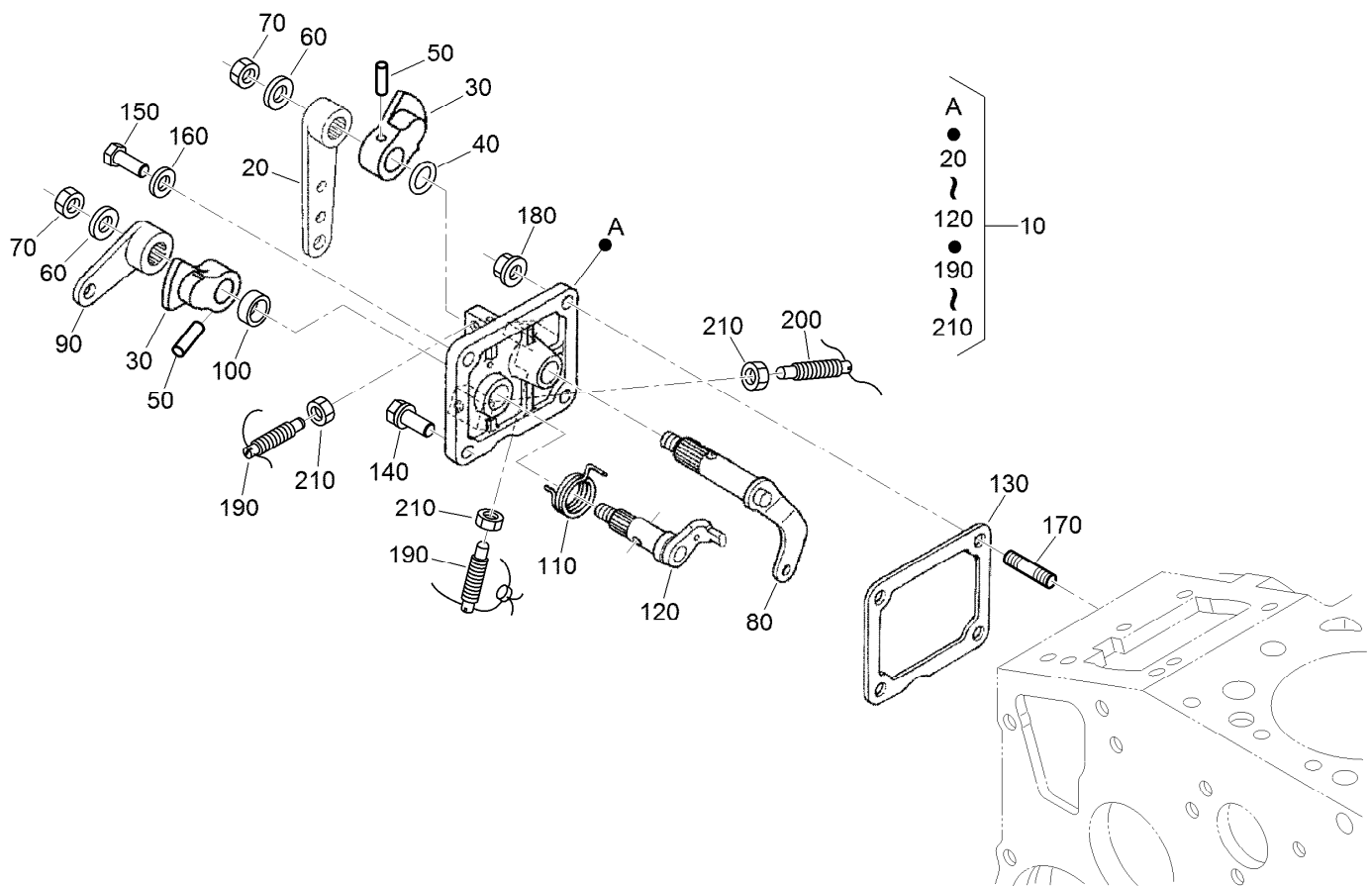
Injection Pump Assembly

<i>Ref.</i>	<i>Part Number</i>	<i>Qty.</i>	<i>Description</i>	<i>Ref.</i>	<i>Part Number</i>	<i>Qty.</i>	<i>Description</i>
10	98-9596	1	Joint-Eye	90	98-9457	1	Shim-Injection (0.25MM)
20	98-9643	1	Injection Pump ASM	90	98-9458	1	Shim-Injection (0.30MM)
30	98-9464	1	Bolt-Joint	90	115-3046	1	Shim-Injection (0.35MM)
40	98-9445	2	Gasket	90	115-3045	1	Shim-Injection (0.175MM)
50	98-9430	1	Screw	110	117-7564	2	Bolt-Hex Soc HD
60	98-9446	1	Gasket	120	98-9438	2	Stud
70	98-9466	1	Plug	130	98-9440	2	Nut-Cap
80	98-9451	1	Gasket	140	98-7699	2	Washer-Spring
90	98-9456	1	Shim-Injection (0.20MM)				



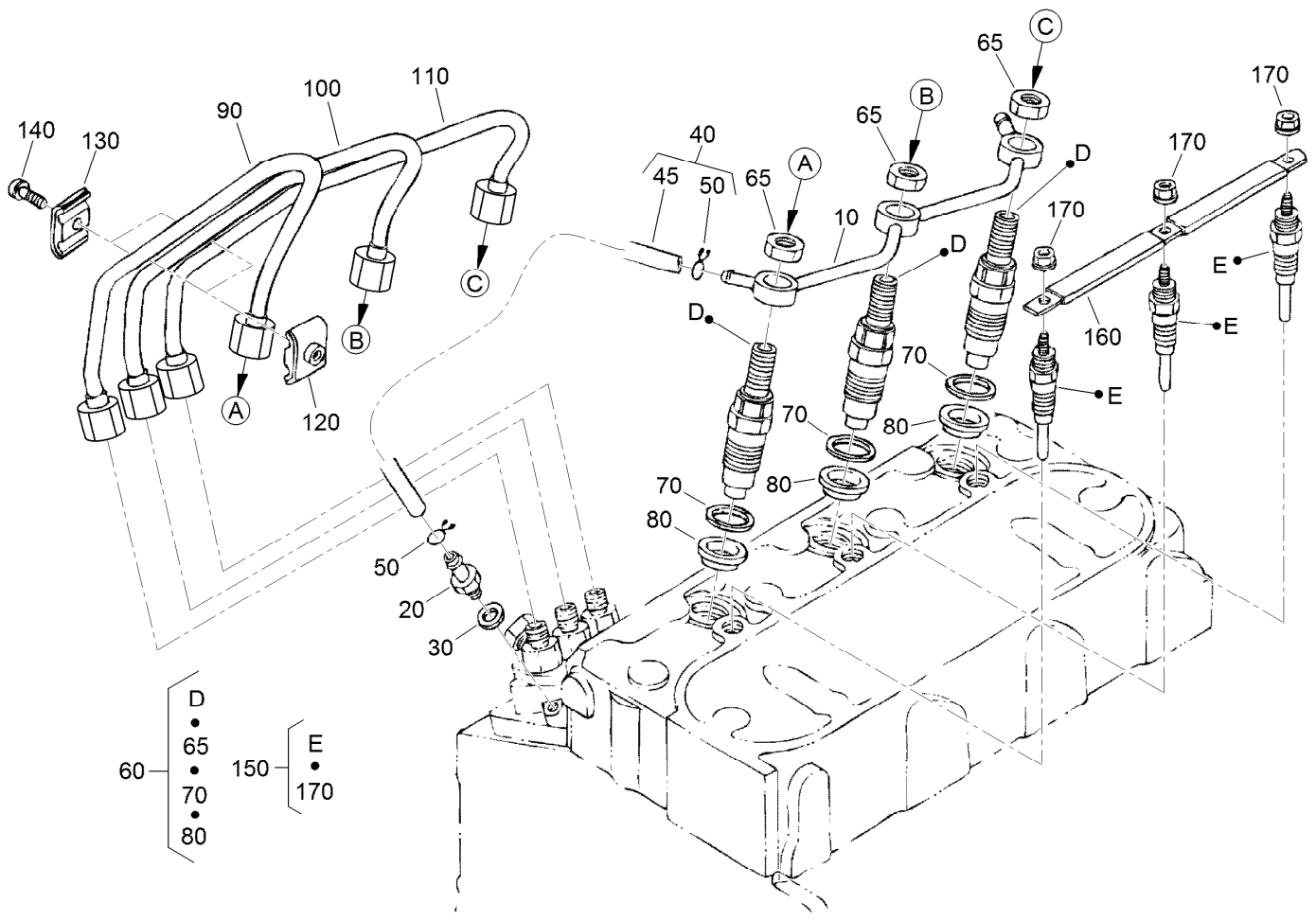
Governor Assembly

Ref.	Part Number	Qty.	Description
10	105-3786	1	Spring-Start
20	98-9681	1	Spring-Governor
30	115-4502	1	Fork Lever ASM
40	107-9084	1	Lever-Fork
50	107-9085	1	Shaft-Lever, Fork
60	107-9086	1	Shaft-Lever, Fork
70	98-9570	1	Bearing-Miniaturize
80	115-4122	1	Cover-Shaft, Fork Lever
90	98-9682	1	Gasket
100	98-9350	2	Bolt
110	98-9567	1	Collar
120	98-9571	1	Bearing-Miniaturize



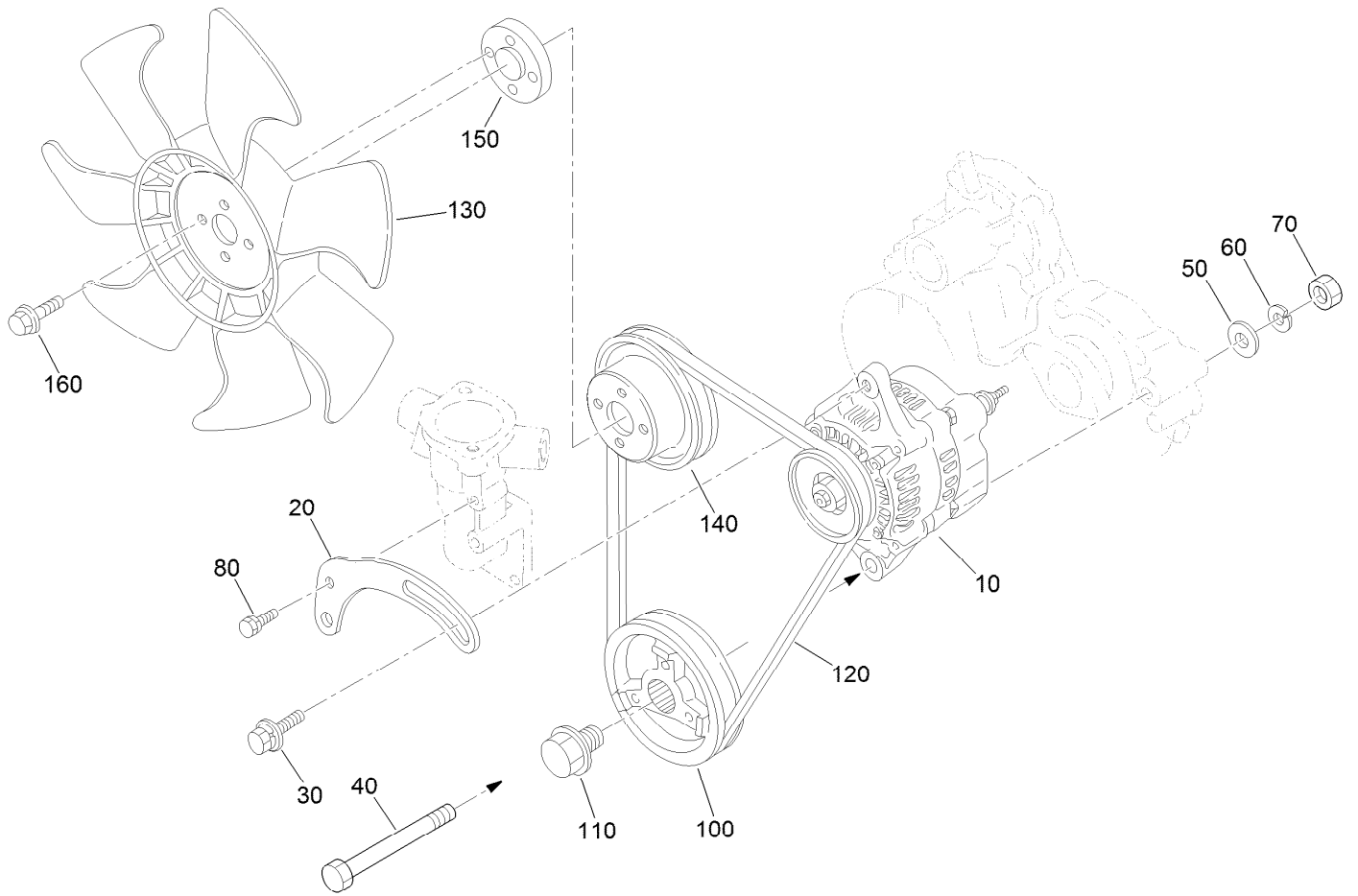
Speed Control Plate Assembly

<i>Ref.</i>	<i>Part Number</i>	<i>Qty.</i>	<i>Description</i>	<i>Ref.</i>	<i>Part Number</i>	<i>Qty.</i>	<i>Description</i>
10	105-3735	1	Control Plate ASM	120	98-9664	1	Shaft-Lever, Stop
20	98-9662	1	Lever-Control, Speed	130	98-9637	1	Gasket
30	98-9572	2	Lever-Control, Speed	140	98-7692	1	Bolt
40	105-3788	1	O-Ring	150	127-0401	1	Bolt-Hex
50	98-7602	2	Pin-Spring	160	98-7654	1	Gasket
60	98-9594	2	Washer-Plain	170	105-3710	2	Stud
70	98-9589	2	Nut	180	100-2203	2	Nut-Flange
80	98-9658	1	Governor Lever ASM	190	117-7565	2	Bolt-Adjusting
90	98-9663	1	Lever-Stop, Engine	200	117-7566	1	Bolt-Adjusting
100	98-7601	1	Seal-Oil	210	98-7572	3	Nut
110	98-9472	1	Spring-Return				



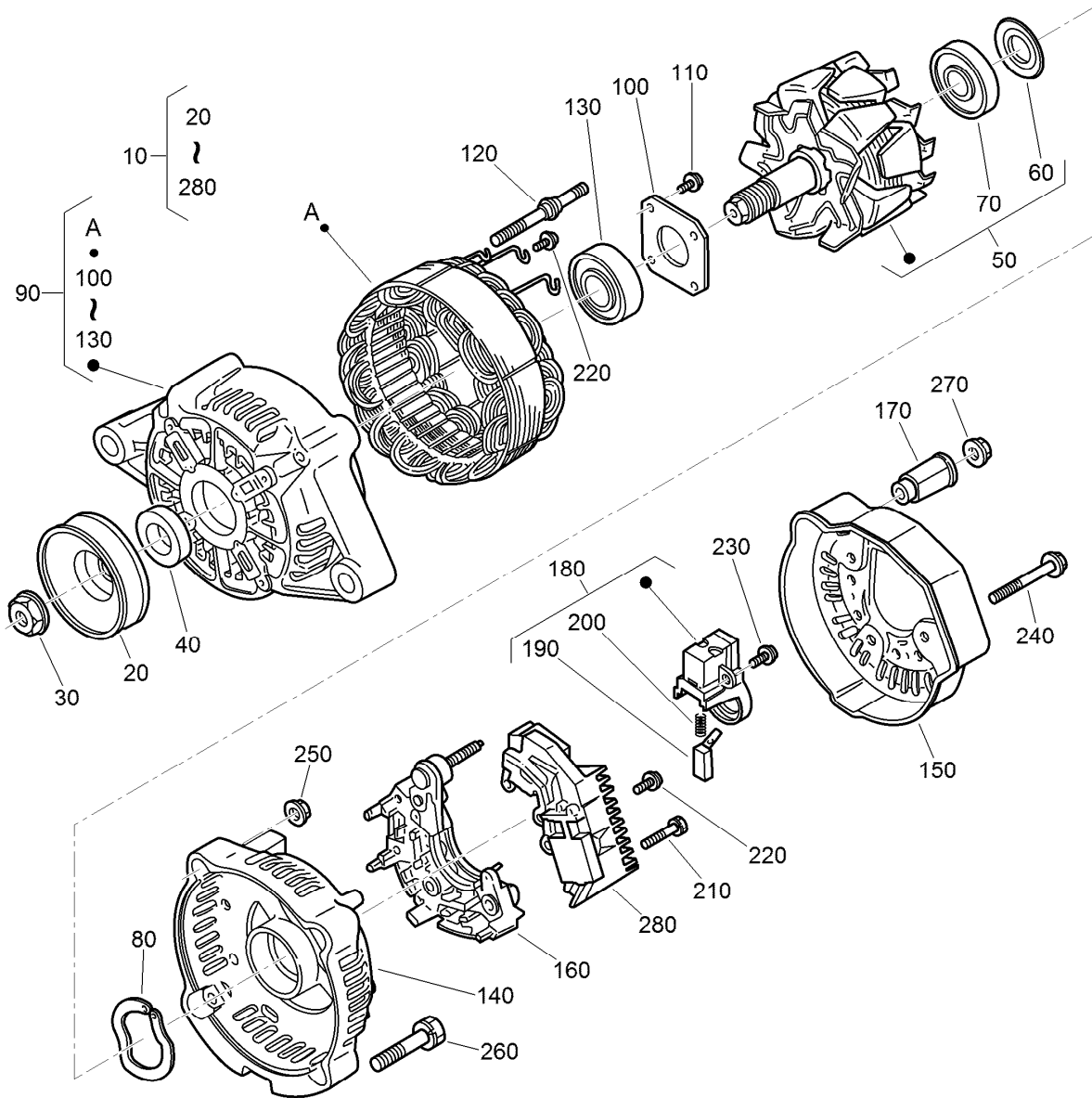
Nozzle Holder and Glow Plug Assembly

Ref.	Part Number	Qty.	Description	Ref.	Part Number	Qty.	Description
10	98-9620	1	Overflow Pipe ASM	90	98-9622	1	Pipe-Injection
20	98-9431	1	Screw-Bleeder, Air	100	98-9654	1	Pipe-Injection
30	98-7654	1	Gasket	110	98-9655	1	Pipe-Injection
40	98-9420	1	Overflow Pipe ASM	120	98-7682	2	Clamp-Pipe
45	112-0182	1	Pipe-Overflow	130	98-7683	2	Clamp-Pipe
50	98-7671	2	Clip-Pipe	140	98-7684	2	Screw (W/Washer)
60	115-3018	3	Nozzle Holder Kit	150	130-1411	3	Plug-Glow
65	121-2411	3	Nut	160	98-9631	1	Cord-Plug, Glow
70	98-7676	3	Gasket	170	99-8377	3	Nut-Flange
80	98-7677	3	Seal-Heat				



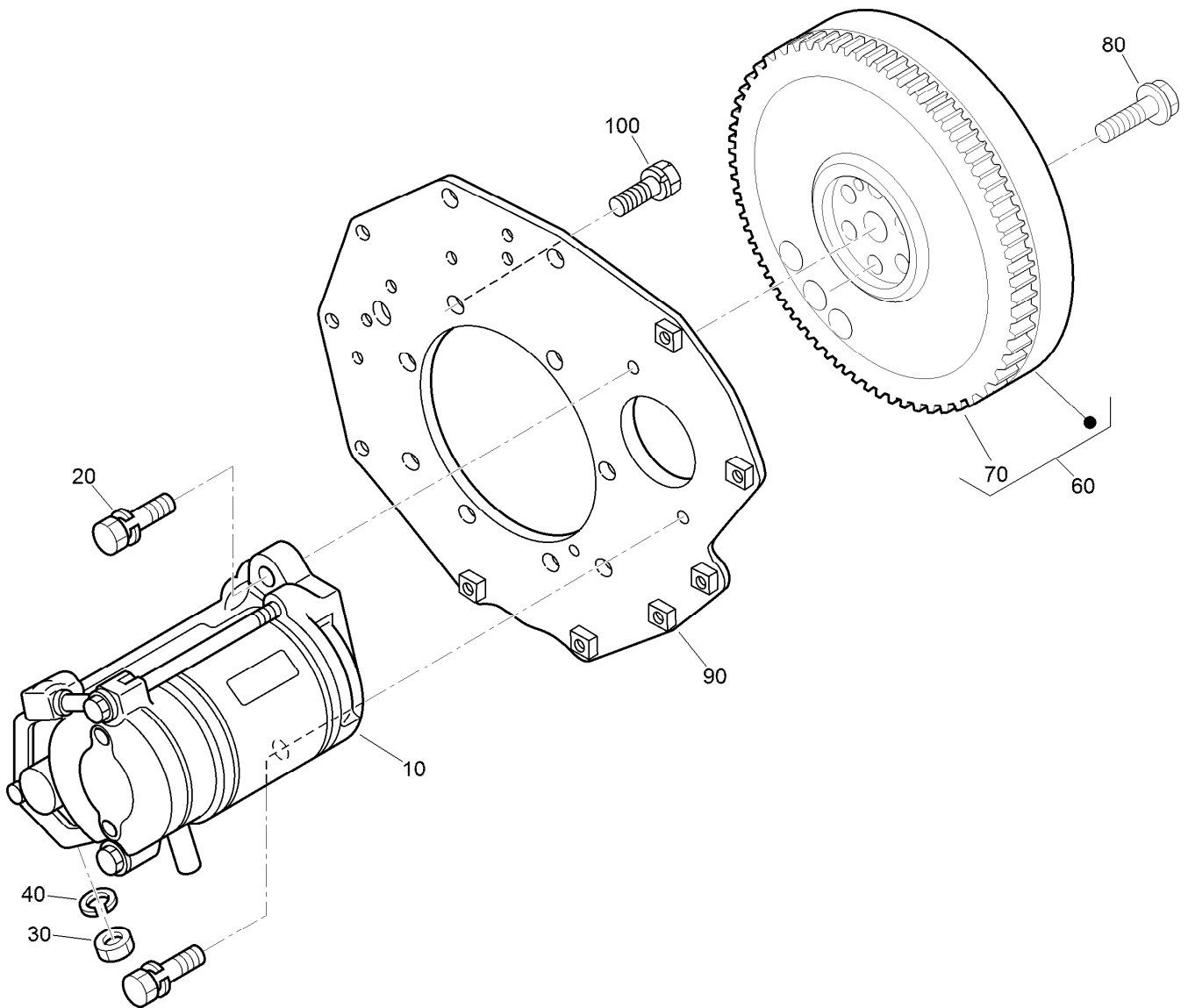
Alternator, Pulley and Fan Assembly

Ref.	Part Number	Qty.	Description
10	98-9474	1	Alternator ASM
20	112-7047	1	Stay-Dynamo
30	108-7088	1	Bolt
40	98-9360	1	Bolt
50	98-9366	1	Washer-Plain
60	98-7738	1	Washer-Spring
70	98-7737	1	Nut
80	98-7692	1	Bolt
100	98-9473	1	Pulley-Drive, Fan
110	98-9585	1	Bolt
120	104-3494	1	Belt-V
130	104-4246	1	Fan-Engine
140	130-1567	1	Pulley-Fan
150	108-2872	1	Collar-Fan
160	108-2873	4	Bolt-Flange



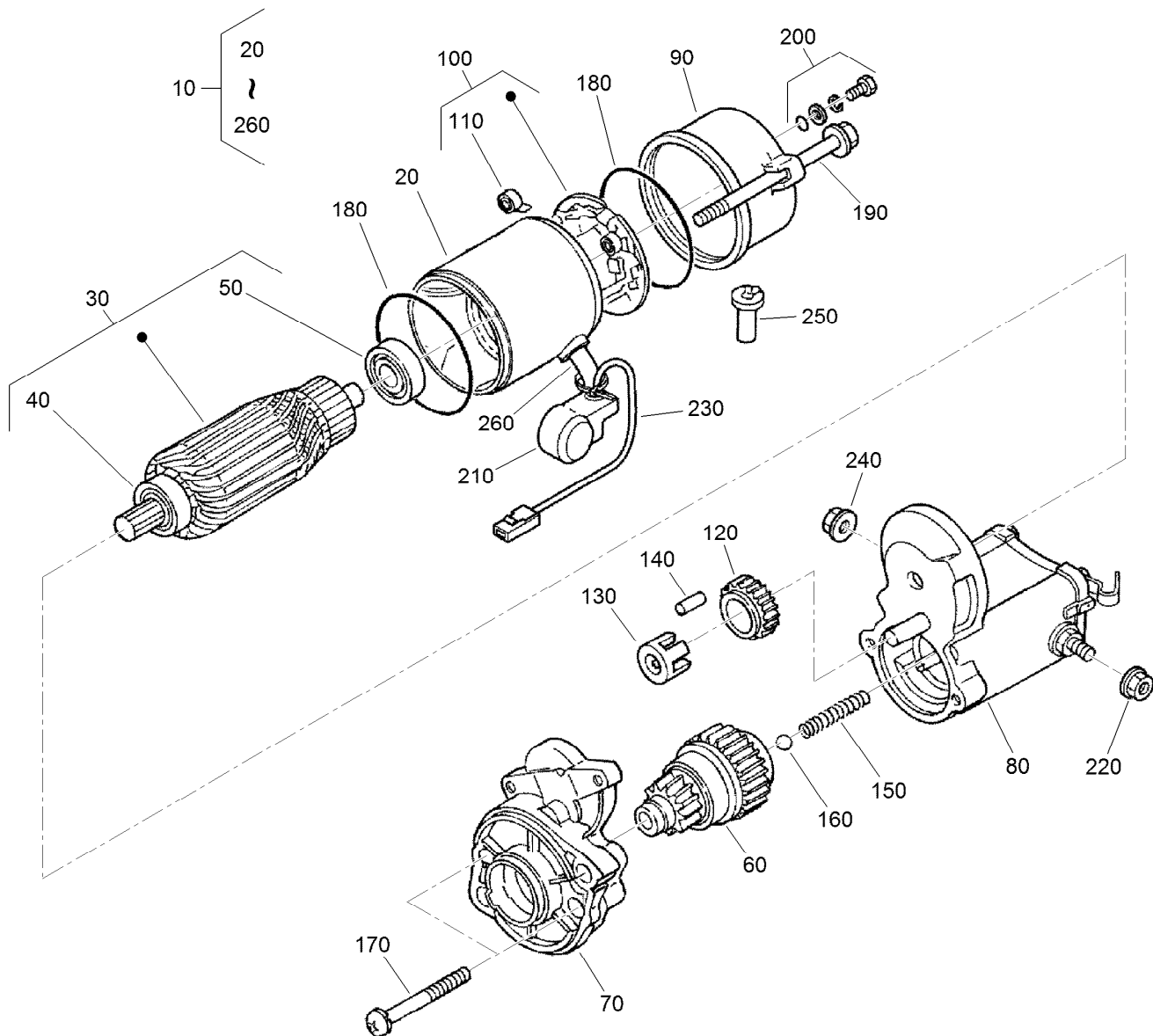
Alternator Components Assembly

Ref.	Part Number	Qty.	Description	Ref.	Part Number	Qty.	Description
10	98-9474	1	Alternator ASM	150	107-0140	1	Cover-End
20	98-9453	1	Pulley-Dynamo	160	127-1612	1	Rectifier ASM
30	98-7708	1	Nut	170	98-7722	1	Bushing-Insulation
40	98-7709	1	Collar	180	107-0141	1	Brush Holder ASM
50	107-0136	1	Rotor ASM	190	98-7724	2	Brush
60	98-7711	1	Cover-Bearing	200	98-7725	2	Spring-Brush
70	107-0138	1	Bearing-Ball	210	98-7726	2	Screw-Head, Round
80	98-7713	1	Washer-Thrust	220	98-7727	6	Screw-Head, Round
90	107-0139	1	Drive End Frame ASM	230	98-7728	1	Screw-Head, Round
100	98-7715	1	Plate-Retainer	240	98-7729	3	Bolt
110	98-7716	4	Screw-Head, Round	250	98-7730	2	Nut
120	98-7717	2	Bolt-Through	260	98-7731	2	Bolt
130	107-0137	1	Bearing-Ball	270	98-7732	1	Nut
140	107-9087	1	Frame-End	280	110-3799	1	Regulator ASM



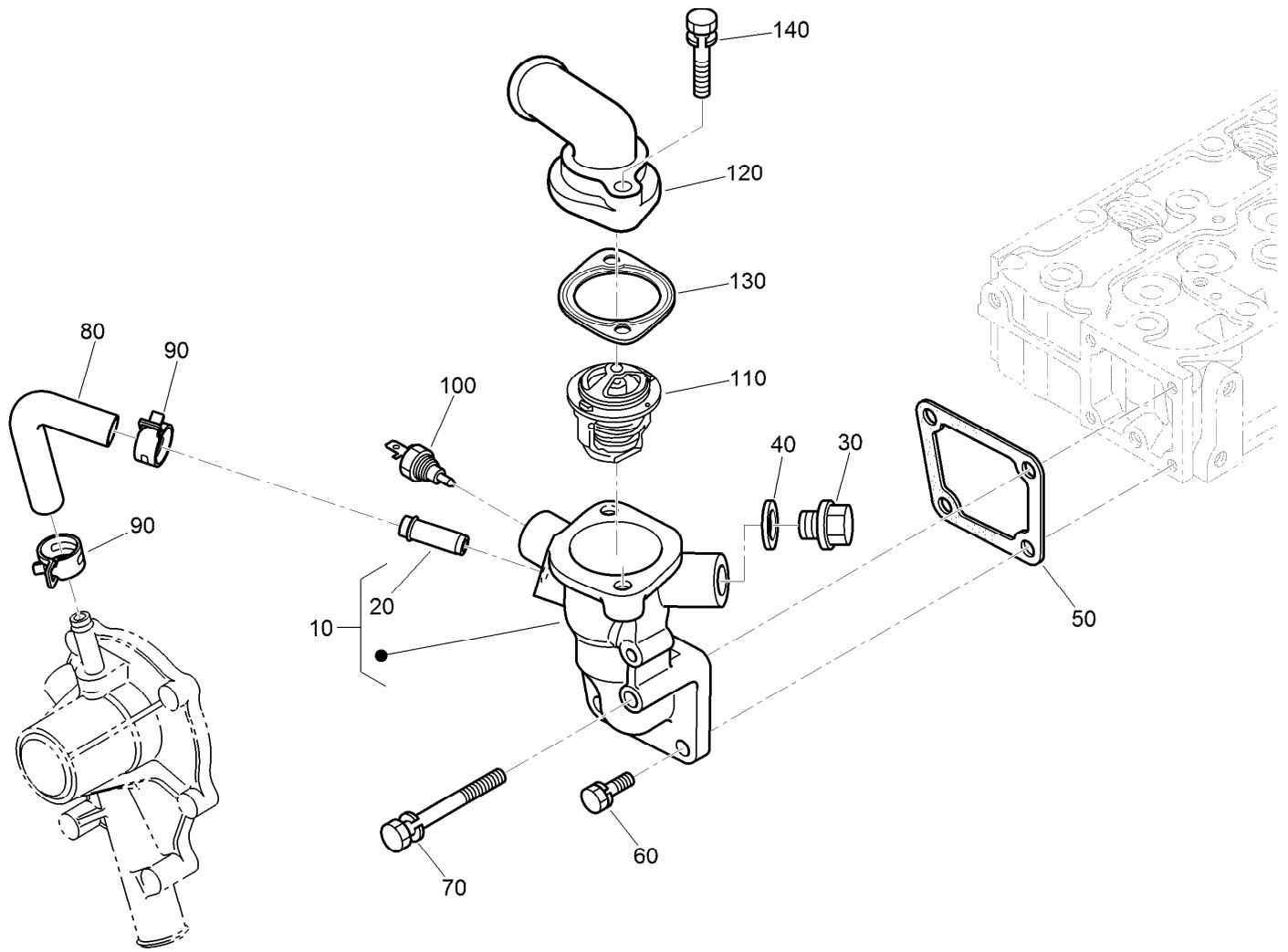
Starter and Flywheel Assembly

Ref.	Part Number	Qty.	Description
10	98-9705	1	Starter ASM
20	98-7697	2	Bolt
30	98-7739	1	Nut
40	105-2893	1	Washer-Spring
60	105-3784	1	Flywheel ASM
70	115-3015	1	Gear-Ring
80	98-9537	6	Bolt-Flywheel
90	98-9486	1	Plate-End, Rear
100	98-9392	8	Bolt



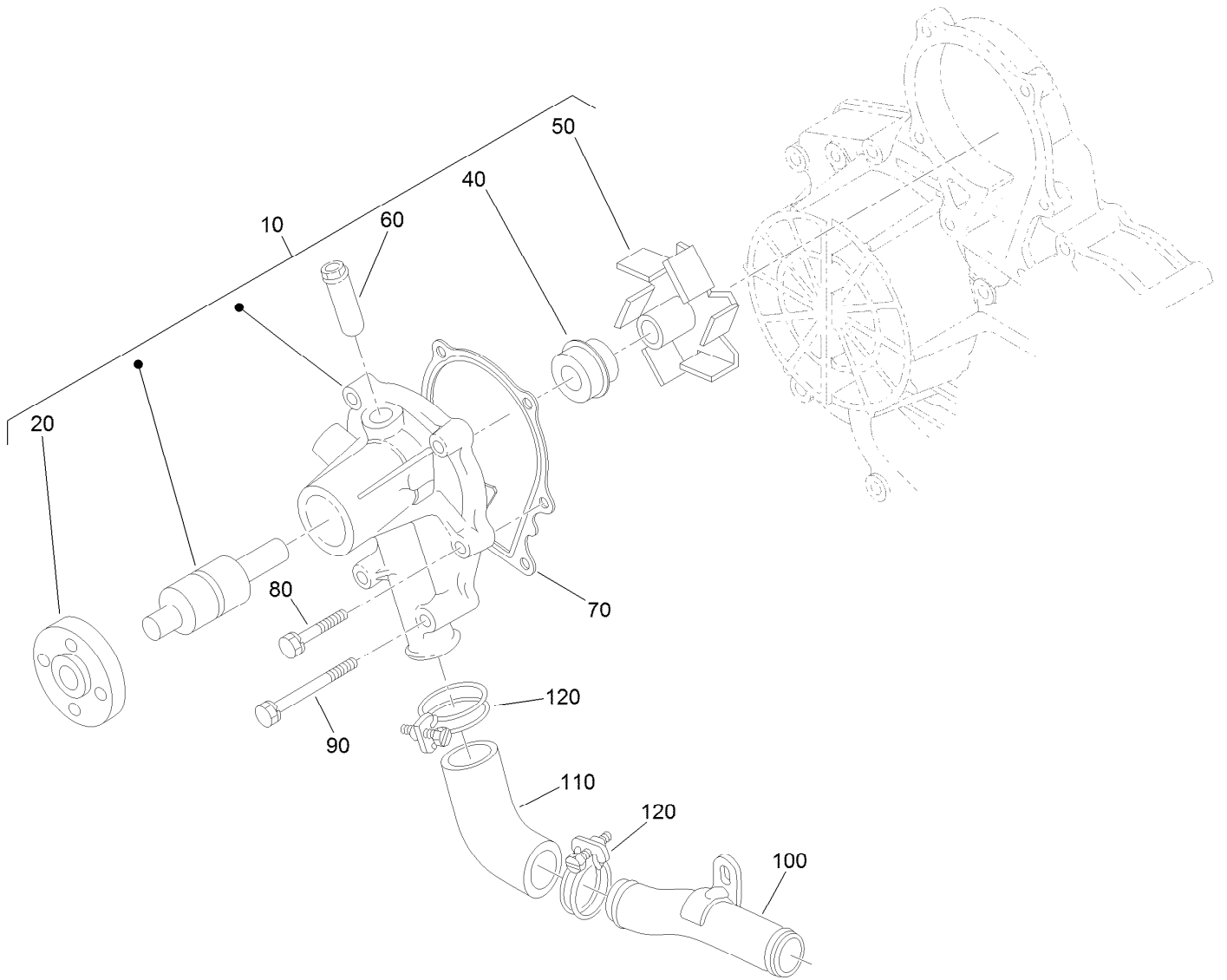
Starter Component Assembly

<i>Ref.</i>	<i>Part Number</i>	<i>Qty.</i>	<i>Description</i>	<i>Ref.</i>	<i>Part Number</i>	<i>Qty.</i>	<i>Description</i>
10	98-9705	1	Starter ASM	140	98-7753	5	Roller
20	104-8608	1	Yoke ASM	150	98-7754	1	Spring
30	98-7742	1	Armature ASM	160	98-7755	1	Ball
40	98-7744	1	Bearing	170	98-7756	2	Bolt
50	98-7743	1	Bearing	180	98-7757	2	O-Ring
60	99-8373	1	Clutch-Running, Over	190	100-9240	2	Bolt
70	99-8374	1	Frame-End, Drive	200	98-7758	2	Bolt ASM
80	105-3746	1	Magnetic Switch ASM	210	99-8375	1	Cover
90	98-7748	1	Frame-End	220	99-8371	1	Nut-Hex
100	98-7749	1	Brush Holder ASM	230	98-9711	1	Cord-Solenoid, Stop
110	98-7750	4	Spring-Brush	240	99-8376	1	Nut-Hex
120	98-7751	1	Gear	250	98-7759	1	Pipe-Drain
130	98-7752	1	Retainer	260	98-9712	1	Band-Cover



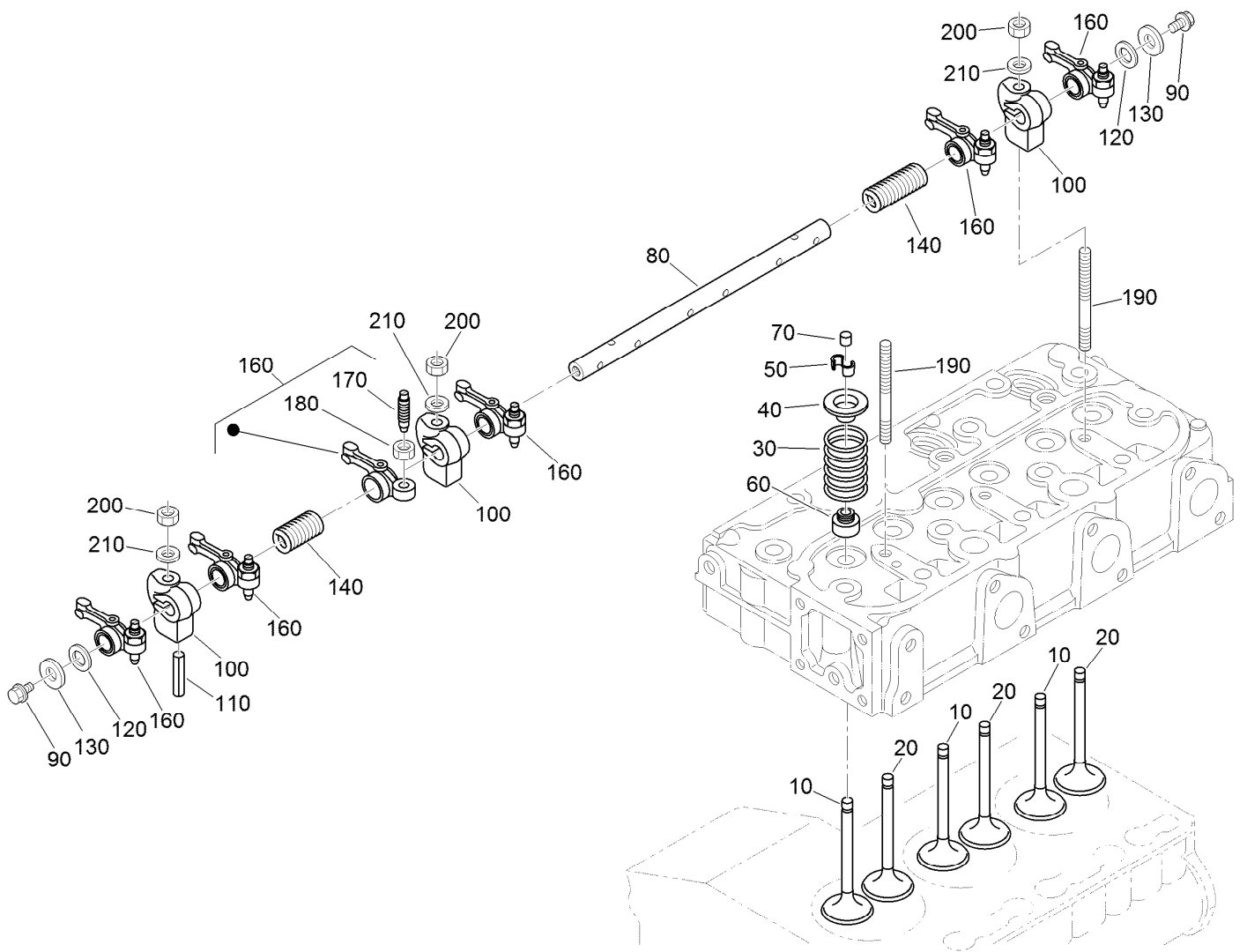
Water Flange and Thermostat Assembly

<i>Ref.</i>	<i>Part Number</i>	<i>Qty.</i>	<i>Description</i>
10	98-9713	1	Water Flange ASM
20	98-9580	1	Pipe-Return, Water
30	105-3747	1	Plug
40	99-3583	1	Gasket
50	98-9638	1	Gasket-Flange, Water
60	98-7692	3	Bolt
70	98-9356	1	Bolt
80	98-9578	1	Pipe-Return, Water
90	125-9078	2	Clamp-Hose
100	98-9719	1	Thermoswitch
110	98-7778	1	Thermostat ASM
120	104-4804	1	Outlet-Water
130	105-3748	1	Gasket-Thermostat
140	98-7777	2	Bolt



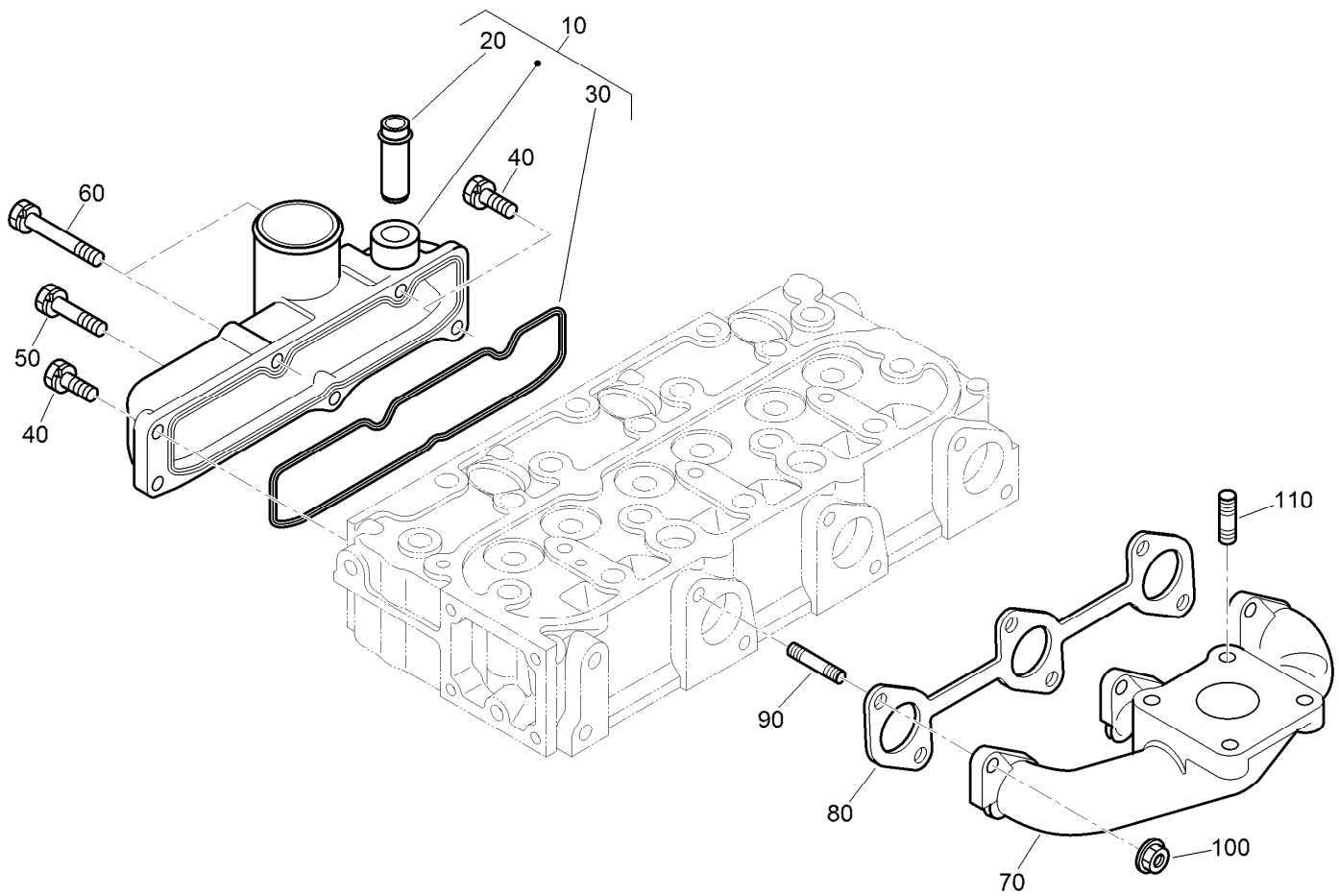
Water Pump Assembly

Ref.	Part Number	Qty.	Description
10	107-9089	1	Water Pump ASM
20	99-3516	1	Flange-Pump, Water
40	105-3750	1	Mechanical Seal ASM
50	112-7017	1	Impeller-Pump, Water
60	100-1932	1	Pipe-Return, Water
70	99-3454	1	Gasket-Pump, Water
80	98-9353	4	Bolt
90	107-9090	2	Bolt
100	98-9716	1	Pipe-Water
110	107-9091	1	Pipe-Water
120	127-0439	2	Clamp-Hose



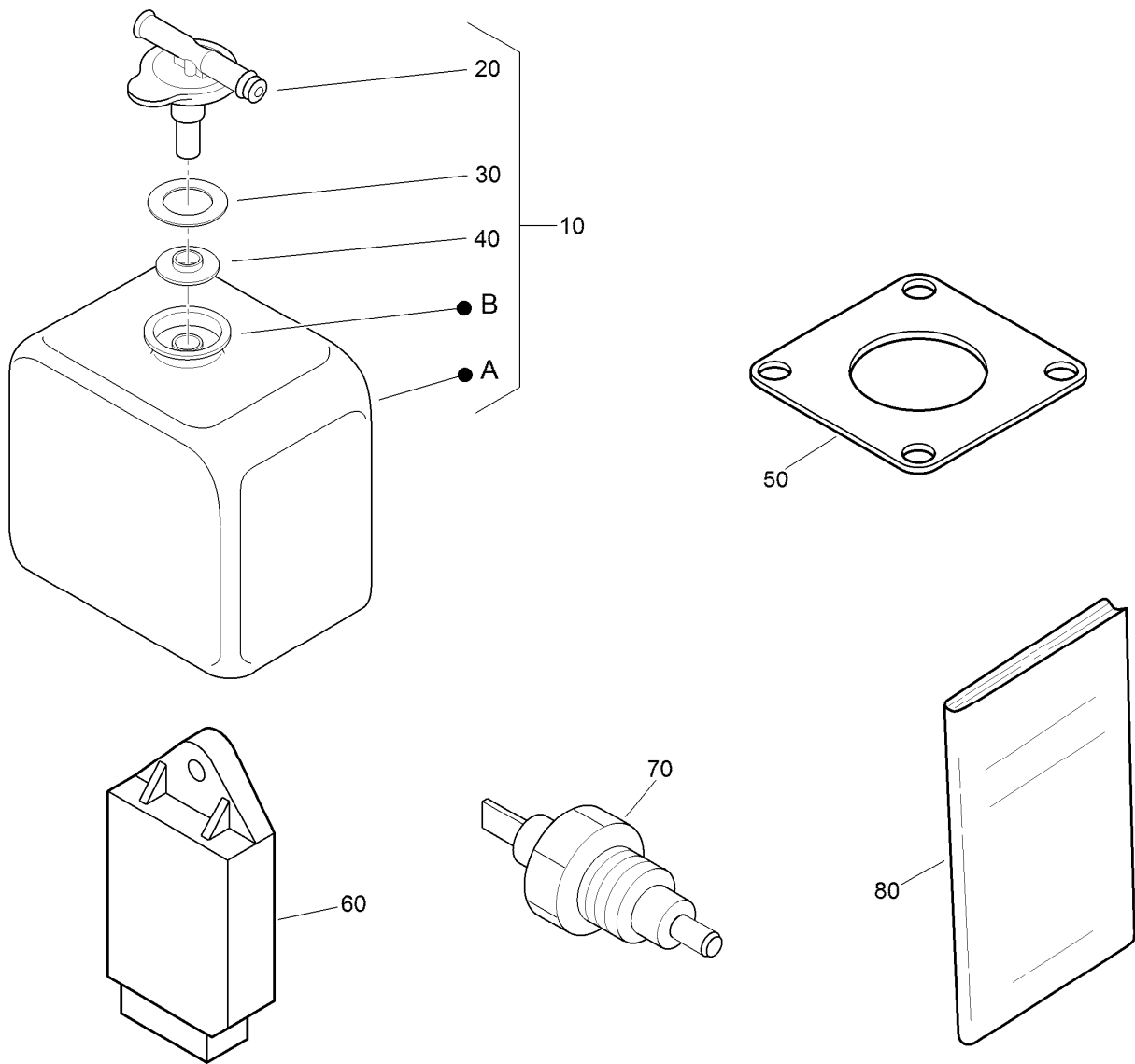
Valve and Rocker Arm Assembly

<i>Ref.</i>	<i>Part Number</i>	<i>Qty.</i>	<i>Description</i>	<i>Ref.</i>	<i>Part Number</i>	<i>Qty.</i>	<i>Description</i>
10	112-7018	3	Valve-Inlet	110	105-3758	1	Pin-Spring
20	120-2564	3	Valve-Exhaust	120	98-9507	2	Washer-Shaft, Rocker Arm
30	98-9648	6	Spring-Valve	130	110-3832	2	Washer-Plain
40	107-9092	6	Retainer-Spring	140	98-9504	2	Spring-Arm, Rocker
50	117-7572	6	Collet-Spring, Valve	160	112-7020	6	Rocker Arm ASM
60	99-8385	6	Seal-Stem, Valve	170	98-9502	6	Screw-Adjusting
70	98-9497	6	Cap-Valve	180	98-9503	6	Nut
80	130-1248	1	Shaft-Arm, Rocker	190	98-9506	3	Stud
90	99-8363	2	Bolt-Flange	200	98-9393	3	Nut
100	98-9505	3	Bracket-Arm, Rocker	210	98-9385	3	Washer-Flat



Inlet and Exhaust Manifold Assembly

<i>Ref.</i>	<i>Part Number</i>	<i>Qty.</i>	<i>Description</i>
10	107-7843	1	Manifold Inlet ASM
20	98-9492	1	Joint-Pipe, Breather
30	98-9609	1	Gasket-Manifold, Inlet
40	127-0403	3	Bolt-Flange
50	98-9353	1	Bolt
60	125-9063	2	Bolt-Sems
70	107-9093	1	Manifold-Exhaust
80	99-8327	1	Gasket-Manifold, Exhaust
90	98-9588	6	Stud
100	98-9665	6	Nut
110	98-7769	4	Stud



Miscellaneous Engine Parts

<i>Ref.</i>	<i>Part Number</i>	<i>Qty.</i>	<i>Description</i>
10	104-9318	1	Bottle-Overflow
20	115-4132	1	Cap
30	105-3755	1	Gasket
40	105-3756	1	Plate
50	99-8343	1	Gasket-Muffler
60	98-7611	1	Controller-Glow
70	106-7772	1	Thermoswitch
80	130-1543	1	Manual-Operator

Attachments and Accessories

For 30849 Groundsmaster 3505-D Rotary Mower

Product Name	Model/Part
Blade-High Lift	104-5183
Blade-Angle Sail	105-9810-03
Blade-Atomic	107-0235-03
27in Blade Service Pack (qty 6)	108-1462
Blade-Combo.....	108-9026-03
Sectional Roller Assembly	117-5121
400-hour Filter Maintenance MVP Kit	30058
400-hour Filter Maintenance MVP Kit	30090
Premium Seat Kit.....	30629
27in Rotary Cutting Unit.....	30834
Leaf Mulching Kit	30836
Work Light Kit	30841



Count on it.