



Count on it.

Parts Catalog

22in Recycler®

Lawn Mower

Model No. 21442—Serial No. 40000000 and Up



Ordering Replacement Parts

To order replacement parts, please supply the part number, the quantity, and the description of each part desired.

Understanding Reference Numbers

Each identified part in an illustration has a reference number. The reference number for a part also appears in the parts list, along with other information about the part.

This catalog uses two special reference number formats, one to indicate parts in a service assembly and another to indicate the quantity of a given part in an illustration.

Service Assembly Reference Numbers

Parts in service assemblies have reference numbers in the form a:b. The a represents the reference number of the entire service assembly and the b represents a sequential number unique to each part within the service assembly.

For example, a wheel assembly might be identified by reference number 6, the tire by 6:1, the valve by 6:2, and the wheel by 6:3. When you order the assembly identified by reference number 6, you receive all parts identified by reference numbers 6:1, 6:2, and 6:3. However, you may also order any part individually. Reference numbers of this type appear in illustration and in parts lists.

Reference Numbers Indicating Quantity

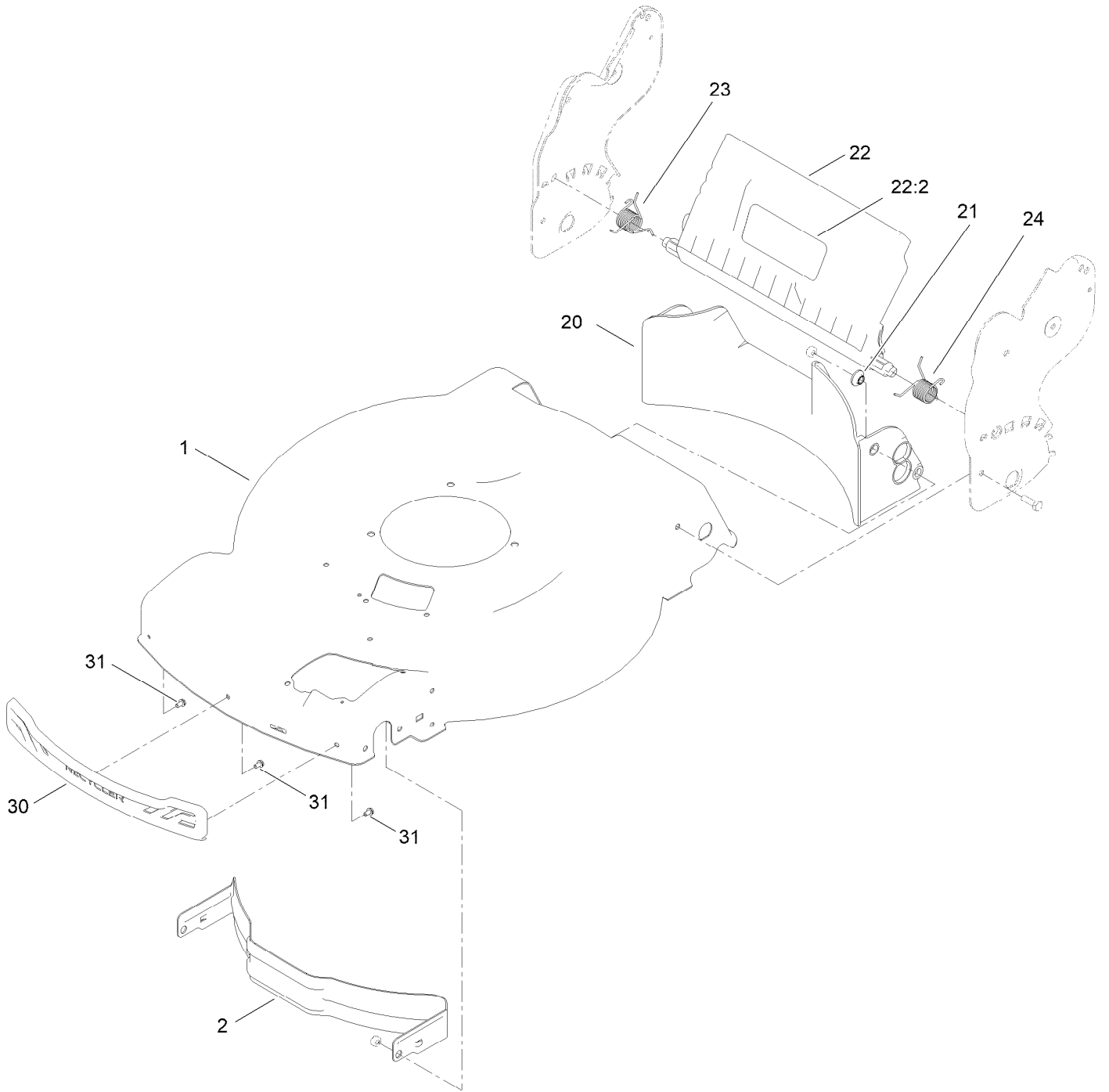
In an illustration, if a reference number indicates more than one part, the reference number has the form nX y. The n represents the quantity of the part, the X is the multiplication symbol, and the y represents the reference number.

For example, in an illustration, the reference number 2X 37 means that two of the parts identified by reference number 37 are indicated.

Contents

Housing Assembly	4
Rear Bag Assembly	6
Decal Assembly	8
Engine and Blade Assembly	10
Front Wheel and Height-of-Cut Assembly	12
Rear Wheel and Height-of-Cut Assembly	14
Handle Assembly	16
Attachments and Accessories	18

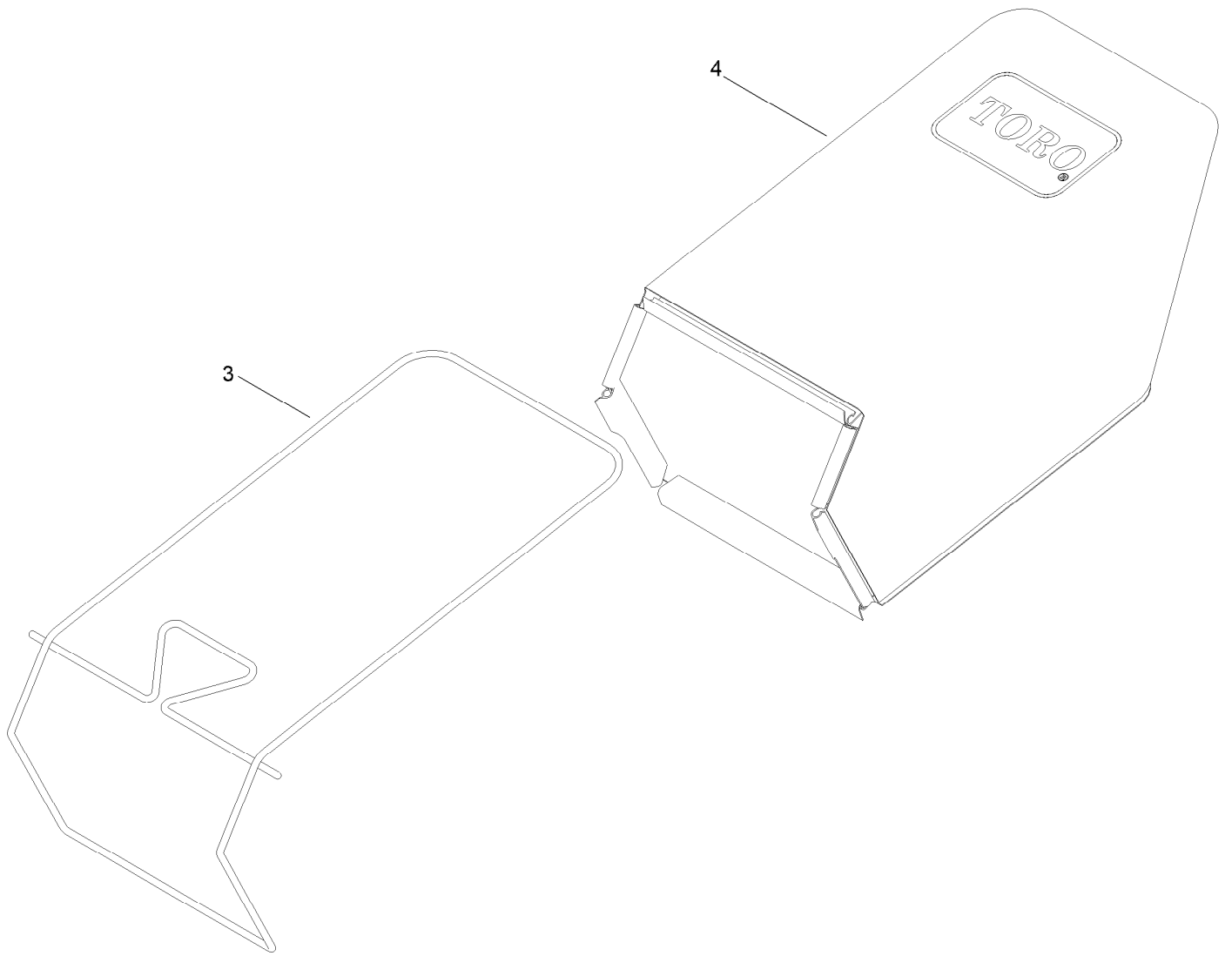
Housing Assembly



Housing Assembly (continued)

<i>Ref.</i>	<i>Part Number</i>	<i>Qty.</i>	<i>Description</i>	<i>Ref.</i>	<i>Part Number</i>	<i>Qty.</i>	<i>Description</i>
1	144-3191	1	Housing ASM	22:2	131-4514	1	Decal-Warning
2	114-7963-01	1	Baffle-Front	23	140-4197	1	Spring-Torsion
20	140-3906	1	Baffle-Rear, Fwd	24	140-4198	1	Spring-Torsion
21	117-5991	2	Washer-Stepped, Baffle	30	139-5457	1	Bumper-Front
22	136-7003	1	Rear Deflector ASM	31	139-5467	3	Screw-Plastic, HWH

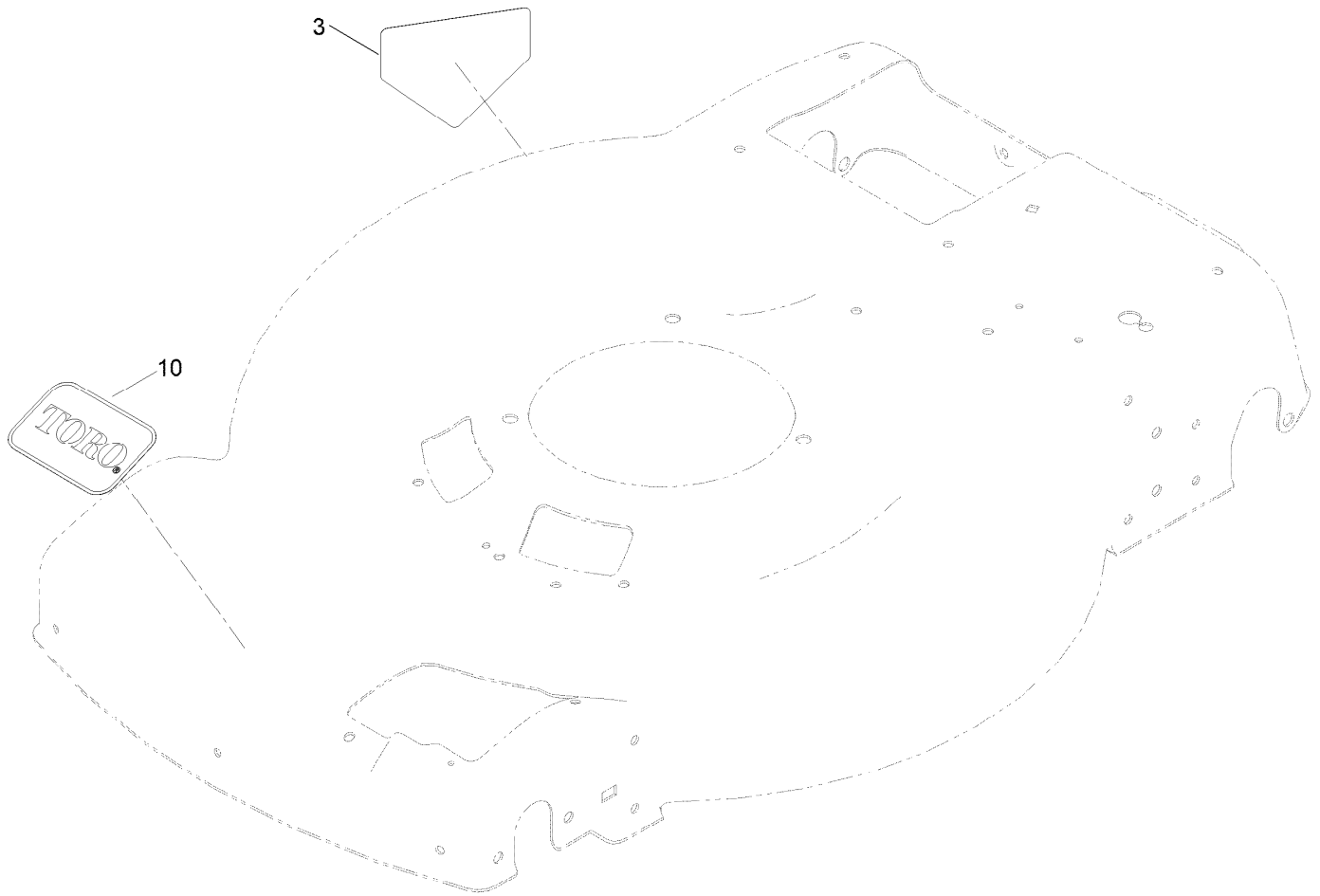
Rear Bag Assembly



Rear Bag Assembly (continued)

<i>Ref.</i>	<i>Part Number</i>	<i>Qty.</i>	<i>Description</i>
3	140-3931-03	1	Bag Frame ASM (Welded)
4	140-3933	1	Grass Bag ASM

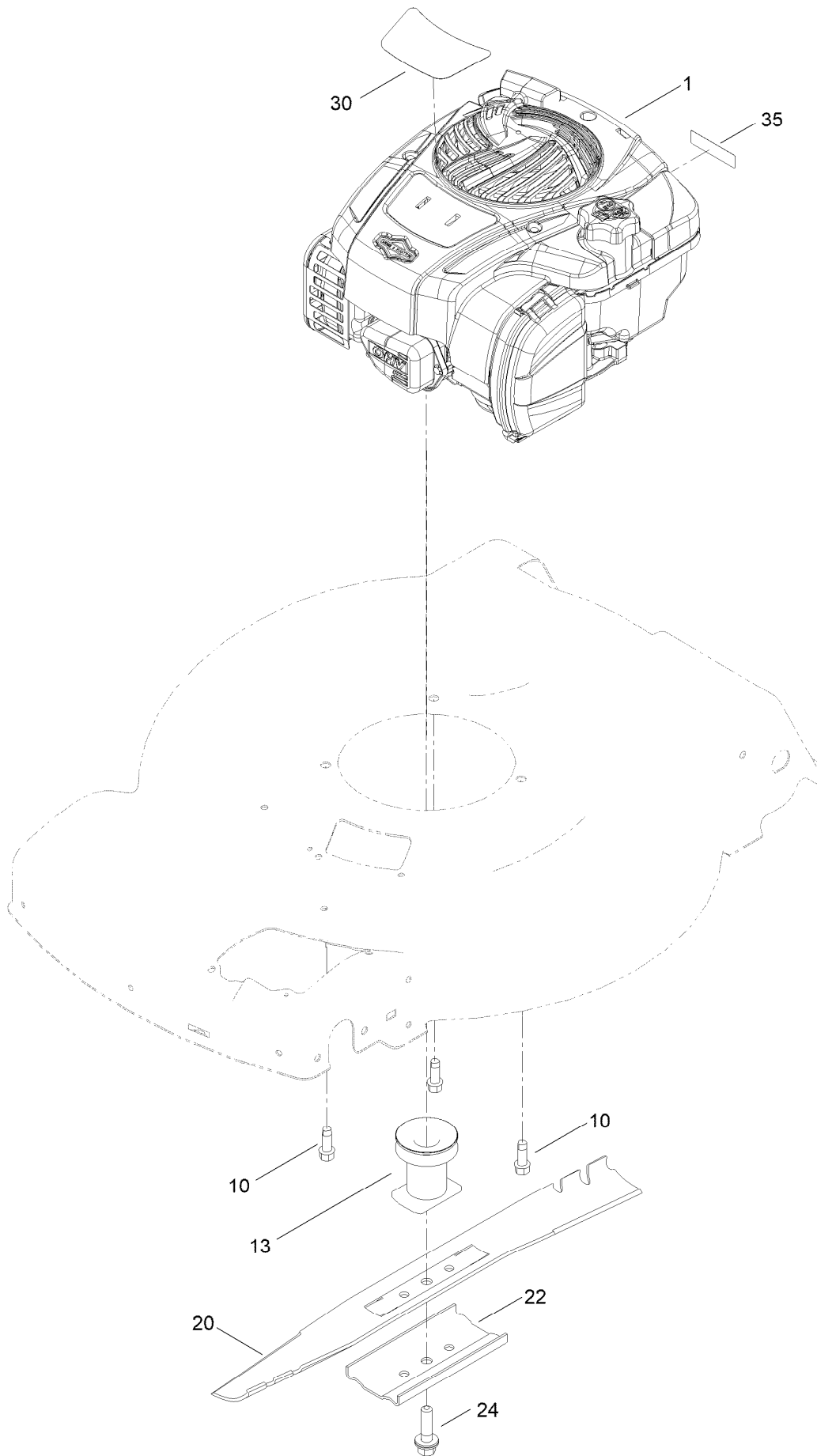
Decal Assembly



Decal Assembly (continued)

<i>Ref.</i>	<i>Part Number</i>	<i>Qty.</i>	<i>Description</i>
3	94-8072	1	Decal-Danger
10	140-4183	1	Decal

Engine and Blade Assembly



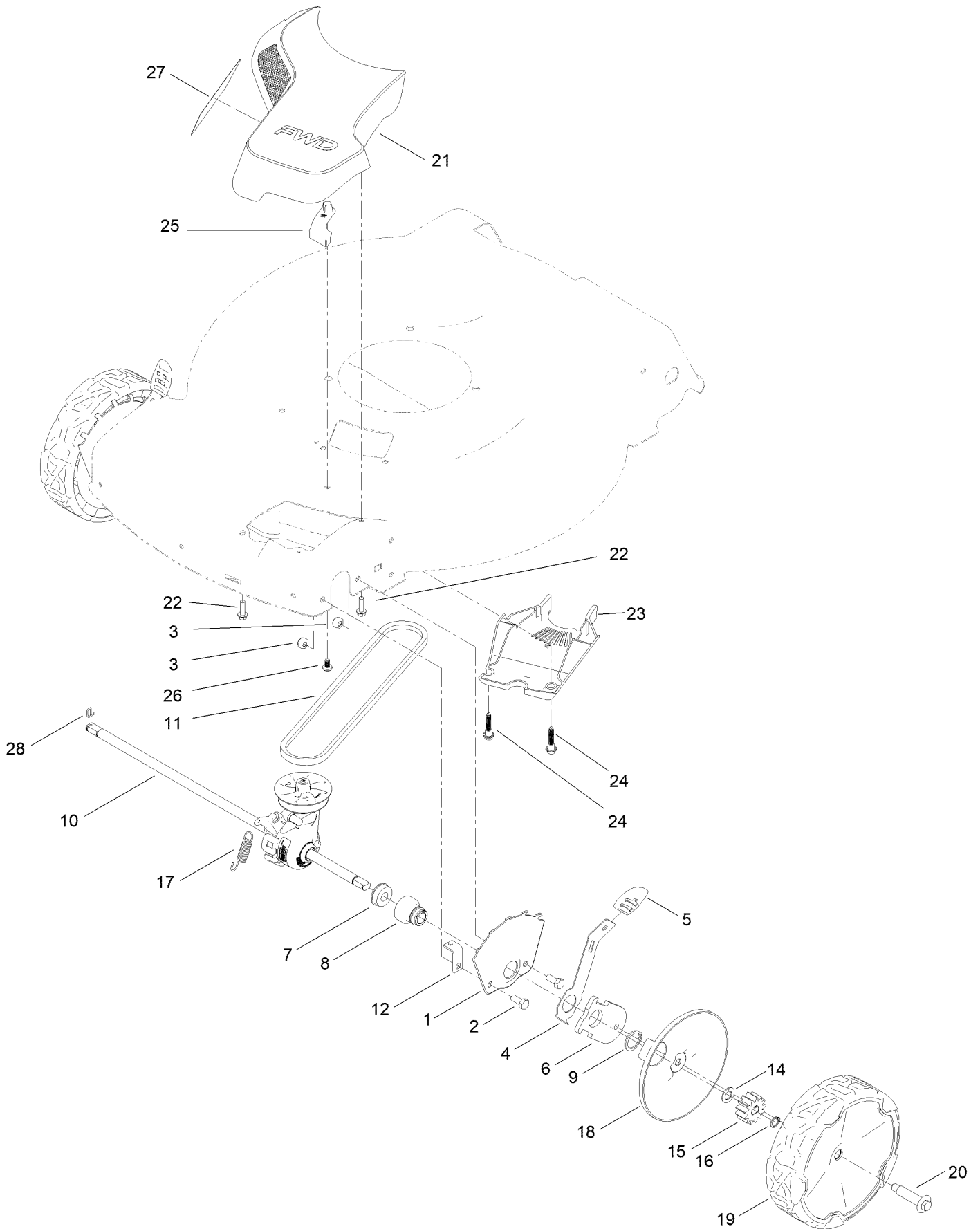
Engine and Blade Assembly (continued)

<i>Ref.</i>	<i>Part Number</i>	<i>Qty.</i>	<i>Description</i>	<i>Ref.</i>	<i>Part Number</i>	<i>Qty.</i>	<i>Description</i>
1		1	Engine-Briggs, 625 Exi Zs ●■	22	108-3766-03	1	Support-Blade
10	95-1726	3	Screw-Taptite	24	125-2466	1	Bolt-Blade
13	140-3975	1	Driver-Blade	30	144-6439	1	Decal-Briggs 625 Ex
20	131-4547-03	1	Blade-22 Inch	35	133-8062	1	Decal-Arrestor, Spark

● Not serviced separately

■ Obtain parts from www.briggsandstratton.com

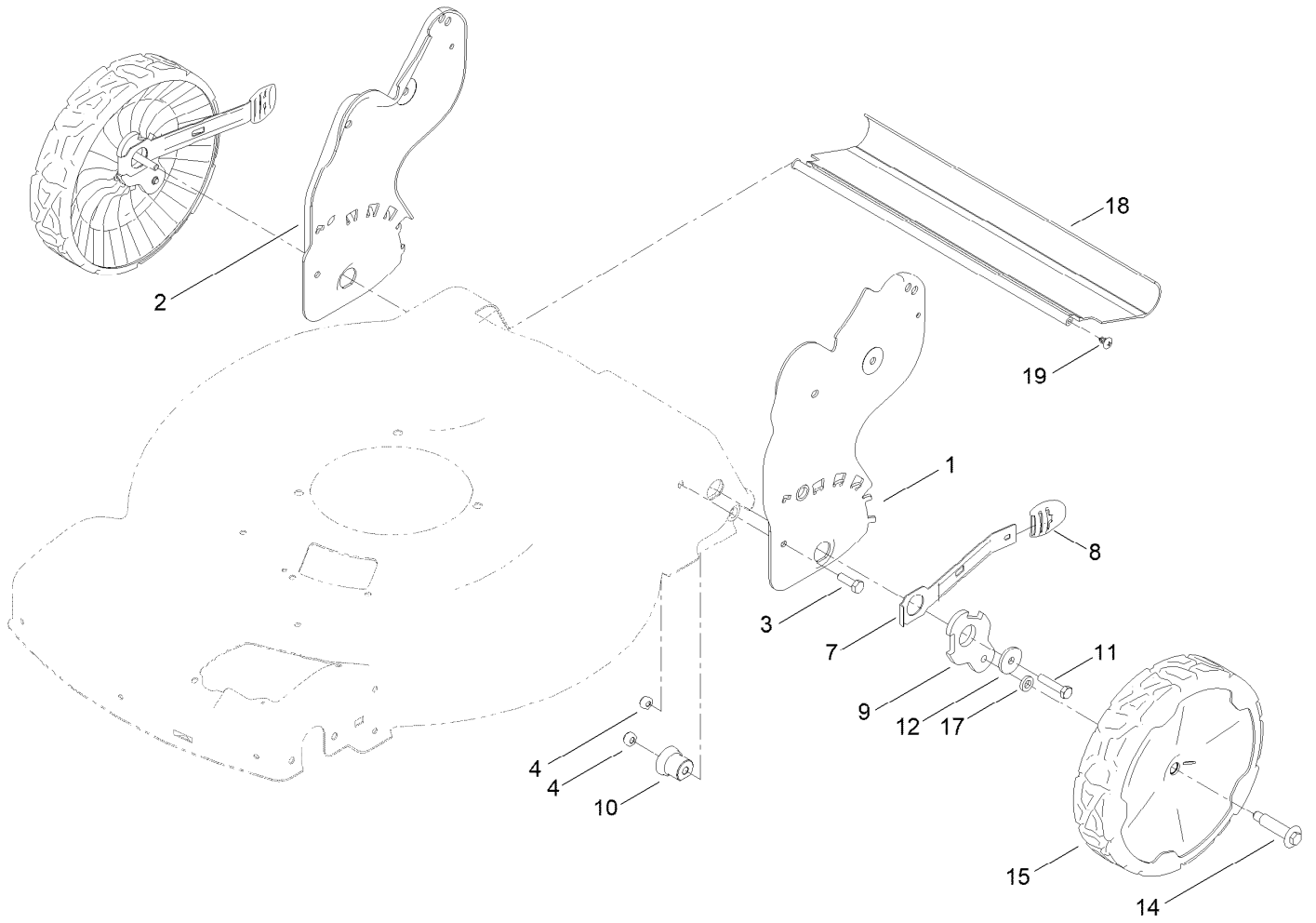
Front Wheel and Height-of-Cut Assembly



Front Wheel and Height-of-Cut Assembly (continued)

<i>Ref.</i>	<i>Part Number</i>	<i>Qty.</i>	<i>Description</i>	<i>Ref.</i>	<i>Part Number</i>	<i>Qty.</i>	<i>Description</i>
1	115-1956-05	2	Plate-HOC,Front Fsvq Wednesday	16	32151-61	1	Ring-Retaining
2	322-3	4	Screw-HH	17	144-6389	1	Spring-Extension
3	3296-29	4	Nut-Lock, NI	18	140-2364	2	ASM-Cover, Wheel (Dk Gray)
4	105-1809	2	Arm-Spring	19	140-2358	2	ASM-8" Wheel, Fwd (Bushings)
5	105-3042	2	Knob-Lever, HOC	20	139-1789	2	Wheel Bolt
6	137-9128	2	Arm-Pivot, Front	21	144-0215	1	ASM-Intake, Fwd
7	104-8699	2	Bearing-Ball	22	46-8091	3	Screw-HWH
8	131-0836	2	Retainer-Bearing, HOC	23	140-2388	1	Cover-Belt, Lower (Fwd)
9	32151-36	2	Ring-Retaining	24	131-0837	2	Screw-Shoulder, HHF
10	139-6562	1	Transmission-Fwd	25	144-6371	1	Pad-Stop
11	117-1018	1	V-Belt	26	139-1679	1	Screw-Plastic,PH
12	144-6392	1	Tab-Mount, Cable	27	140-4186	1	Decal
14	110-7191	2	Washer-Thrust	28	130-2369	1	Pin-Snap
15	131-0896	2	Gear-Pinion, 13T				

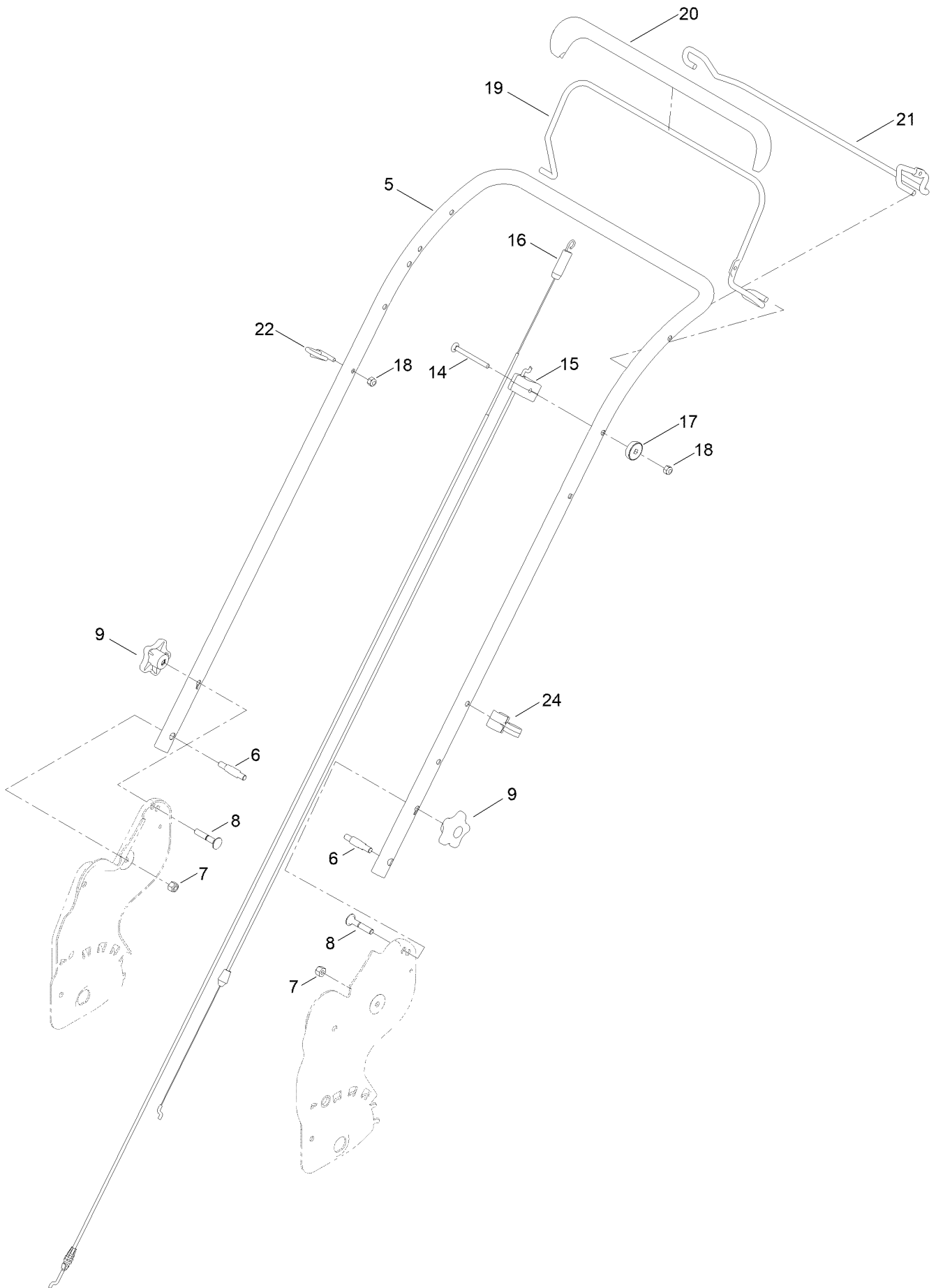
Rear Wheel and Height-of-Cut Assembly



Rear Wheel and Height-of-Cut Assembly (continued)

<i>Ref.</i>	<i>Part Number</i>	<i>Qty.</i>	<i>Description</i>	<i>Ref.</i>	<i>Part Number</i>	<i>Qty.</i>	<i>Description</i>
1	140-3912-05	1	Plate-HOC, Fwd LH	11	322-7	2	Screw-HH
2	140-3913-05	1	Plate-HOC, Fwd RH	12	105-3048	2	Washer-Flat
3	322-5	2	Screw-HH	14	139-1789	2	Wheel Bolt
4	3296-29	4	Nut-Lock, NI	15	140-2351	2	ASM-9.65" Wheel, Bushings
7	115-2899	2	Arm-Spring, Rear	17	139-5449	2	Washer-Wheel Bolt
8	105-3042	2	Knob-Lever, HOC	18	144-6431	1	Shield-Trailing
9	140-3878	2	Arm-Pivot, Rear	19	117-1092	2	Screw-PTH
10	131-0895	2	Bushing-Mount, HOC				

Handle Assembly



Handle Assembly (continued)

<i>Ref.</i>	<i>Part Number</i>	<i>Qty.</i>	<i>Description</i>	<i>Ref.</i>	<i>Part Number</i>	<i>Qty.</i>	<i>Description</i>
5	139-5458-05	1	Handle-Curved	17	136-9075	1	Washer-Curved
6	139-6599	2	Bolt-Shoulder, Handle	18	3296-73	2	Nut-Lock, NI
7	3296-29	2	Nut-Lock, NI	19	140-3918-03	1	Bail-Brake
8	131-9663	2	Screw-CARR	20	140-3879	1	Cover-Bail
9	117-5976	2	Knob-Handle	21	140-4024-03	1	Bail-Traction
14	144-0221	1	Screw-CARR	22	86-9671	1	Guide-Rope
15	140-3948	1	Cable-Brake, Fwd	24	114-7988	1	Guide-Cable
16	140-3947	1	Cable-Traction, Fwd				

Attachments and Accessories

For 21442 22in Recycler Lawn Mower

Product Name	Model/Part
Fuel Stabilizer .05 oz	130-2393
Briggs Maint Kit.....	130-8148
4-Cycle Fuel, Snow And Lawn 32oz Can	131-3823
Toro Premium Fuel Treatment 12 Oz Bottle	131-6572
Oil-30/10W-30 Synthetic (Quart).....	138-6053
SD Chute ASM	145-1538
Lawn Striping Kit with 22in Roller	20601
Toro 4-Cycle SAE 30 Oil (32oz Bottle)	38903
Summer Oil-Case of 24 (20oz Bottles).....	38916
Smart Stow Walk Power Mower Cover	490-2012
Bag-Walk Behind (Toro).....	490-7318
Lawnmower Cover	490-7462
22 Inch Atomic Blade	59534P

Notes:



Count on it.