



Count on it.

Parts Catalog

**Groundsmaster® 3500-D
Rotary Mower**

Model No. 30807—Serial No. 313000901 and Up



Ordering Replacement Parts

To order replacement parts, please supply the part number, the quantity, and the description of each part desired.

Understanding Reference Numbers

Each identified part in an illustration has a reference number. The reference number for a part also appears in the parts list, along with other information about the part.

This catalog uses two special reference number formats, one to indicate parts in a service assembly and another to indicate the quantity of a given part in an illustration.

Service Assembly Reference Numbers

Parts in service assemblies have reference numbers in the form a:b. The a represents the reference number of the entire service assembly and the b represents a sequential number unique to each part within the service assembly.

For example, a wheel assembly might be identified by reference number 6, the tire by 6:1, the valve by 6:2, and the wheel by 6:3. When you order the assembly identified by reference number 6, you receive all parts identified by reference numbers 6:1, 6:2, and 6:3. However, you may also order any part individually. Reference numbers of this type appear in illustration and in parts lists.

Reference Numbers Indicating Quantity

In an illustration, if a reference number indicates more than one part, the reference number has the form nX y. The n represents the quantity of the part, the X is the multiplication symbol, and the y represents the reference number.

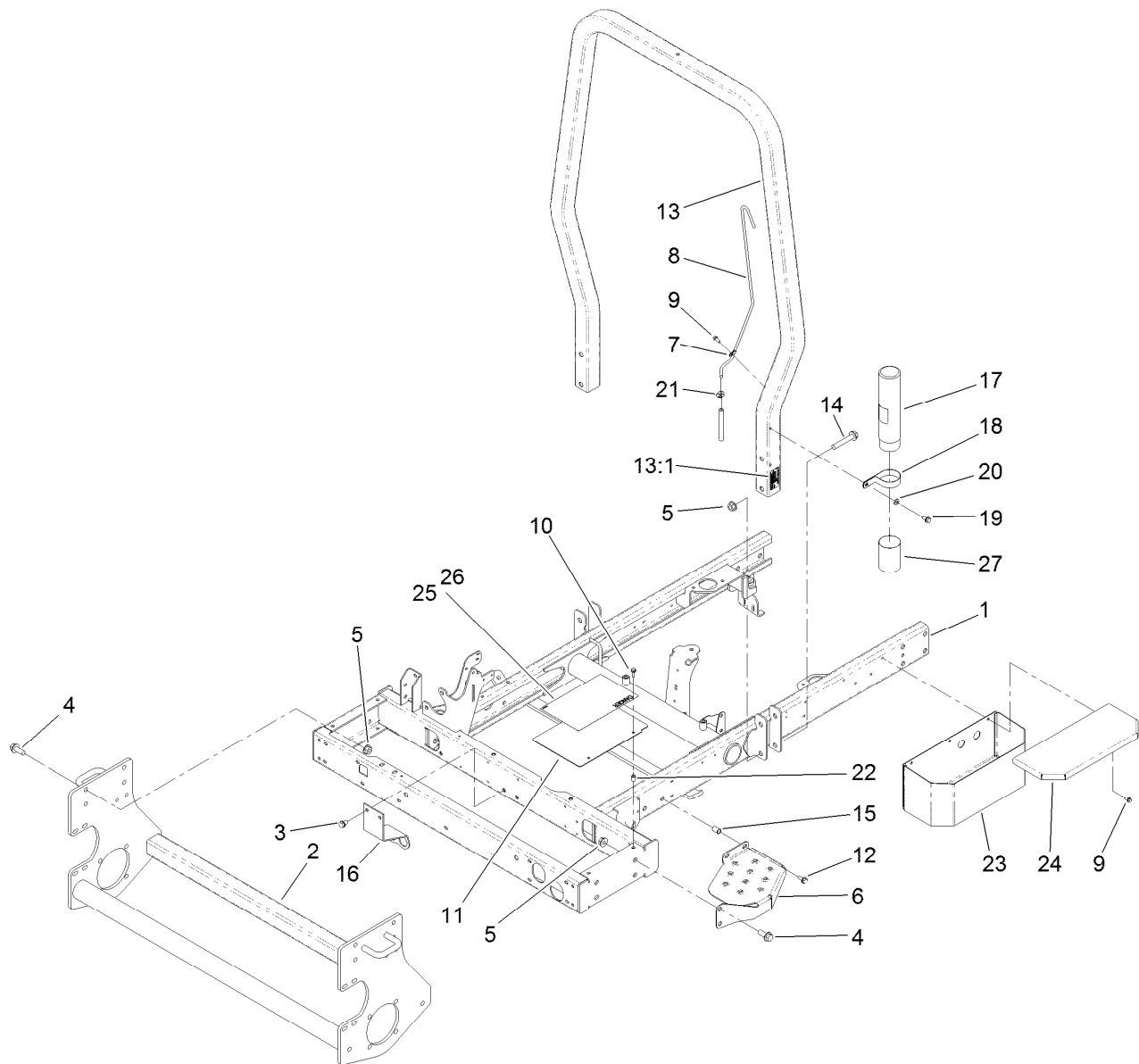
For example, in an illustration, the reference number 2X 37 means that two of the parts identified by reference number 37 are indicated.

Contents

Frame and Roll-Over Protection System Assembly	5
Engine Installation Assembly	6
Air Cleaner and Exhaust Assembly	8
Air Cleaner Assembly No. 93-2190	9
Radiator Assembly	10
Rear Lift Arm and Carrier Frame Assembly	11
Hydraulic Cylinder Assembly No. 112-9916	12
Sidewinder Carrier Assembly	13
Scissor Frame and Link Assembly	15
Hydraulic Motor and Cutting Unit Assembly	16
Gear Motor Assembly No. 117-5141	17
Roller and Carrier Frame Assembly	18
Roller Assembly No. 112-5265	19
Height-of-Cut Bracket Assembly	20
Chamber, Blade and Spindle Assembly	21
Spindle Assembly No. 115-3435	22
Fuel Tank Assembly	23
Hydraulic Tank and Filter Assembly	25
Battery Assembly	26
Seat Assembly	27
Control Panel Assembly	28
Parking Brake and Dash Cover Assembly	29
2-Spool Control Valve Assembly	30
2-Spool Control Valve Assembly No. 95-8581	31
Manifold Block Assembly No. 115-3486	32
Steering Arm Assembly	33
Steering Valve Assembly No. 104-5180	34
Floorplate Assembly	35
Traction Pedal Assembly	36
Hood Assembly	37
Wheel Motor and Brake Assembly	38
Brake Assembly No. 104-7705	39
Rear Fork and Wheel Assembly	40
Hydraulic Cylinder Assembly No. 94-8141	41
Hydraulic Motor Assembly No. 95-8694	42
Neutral Arm Assembly	43
Gear Pump and Piston Pump Assembly	44
Hydraulic Pump Assembly No. 104-4890	45
Hydraulic Gear Pump Assembly No. 108-9036	47
Traction Hydraulic Assembly	48
Lift Hydraulic Assembly	49
Steering Hydraulic Assembly	50
Sidewinder Hydraulic Assembly	51
Mow Hydraulic Assembly	52
Crankcase Assembly	53
Oil Pan Assembly	54
Cylinder Head Assembly	55
Gear Case and Oil Filter Cartridge Assembly	56
Cylinder Head Cover Assembly	57
Dipstick and Guide Assembly	58
Main Bearing Case Assembly	59
Camshaft and Idle Gear Shaft Assembly	60
Piston and Crankshaft Assembly	61
Flywheel Assembly	62

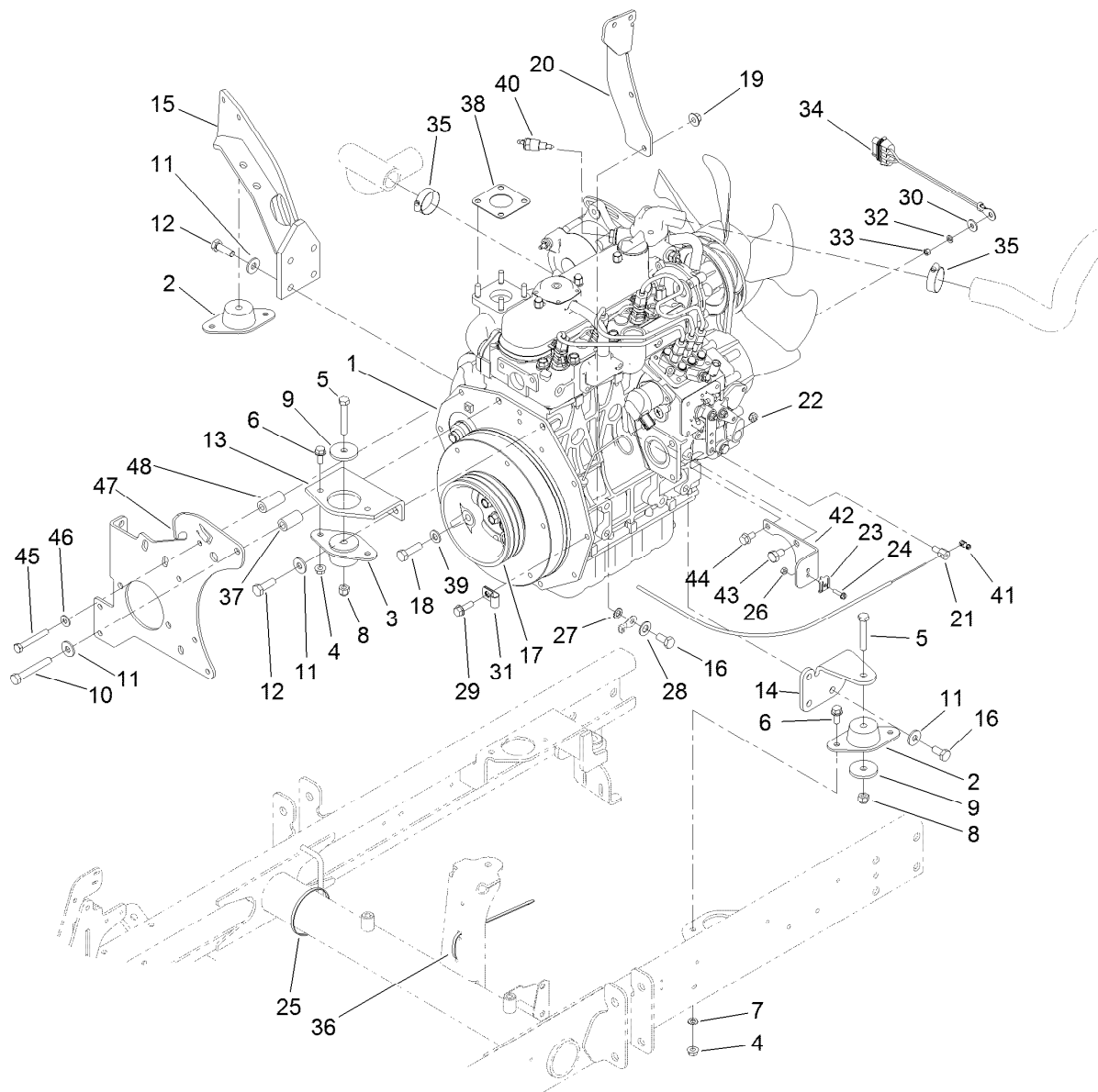
Contents (continued)

Fuel Camshaft and Governor Shaft Assembly	63
Idle Apparatus and Stop Solenoid Assembly	64
Injection Pump Assembly	65
Governor Assembly	66
Speed Control Plate Assembly	67
Nozzle Holder and Glow Plug Assembly	68
Nozzle Holder Assembly	69
Alternator and Pulley Assembly	70
Alternator Components Assembly	71
Starter Assembly	72
Starter Component Assembly	73
Water Flange and Thermostat Assembly	74
Water Pump Assembly	75
Valve and Rocker Arm Assembly	76
Inlet and Exhaust Manifold Assembly	77
Miscellaneous Engine Parts	78
Upper and Lower Gasket Kits	79
Attachments and Accessories	80



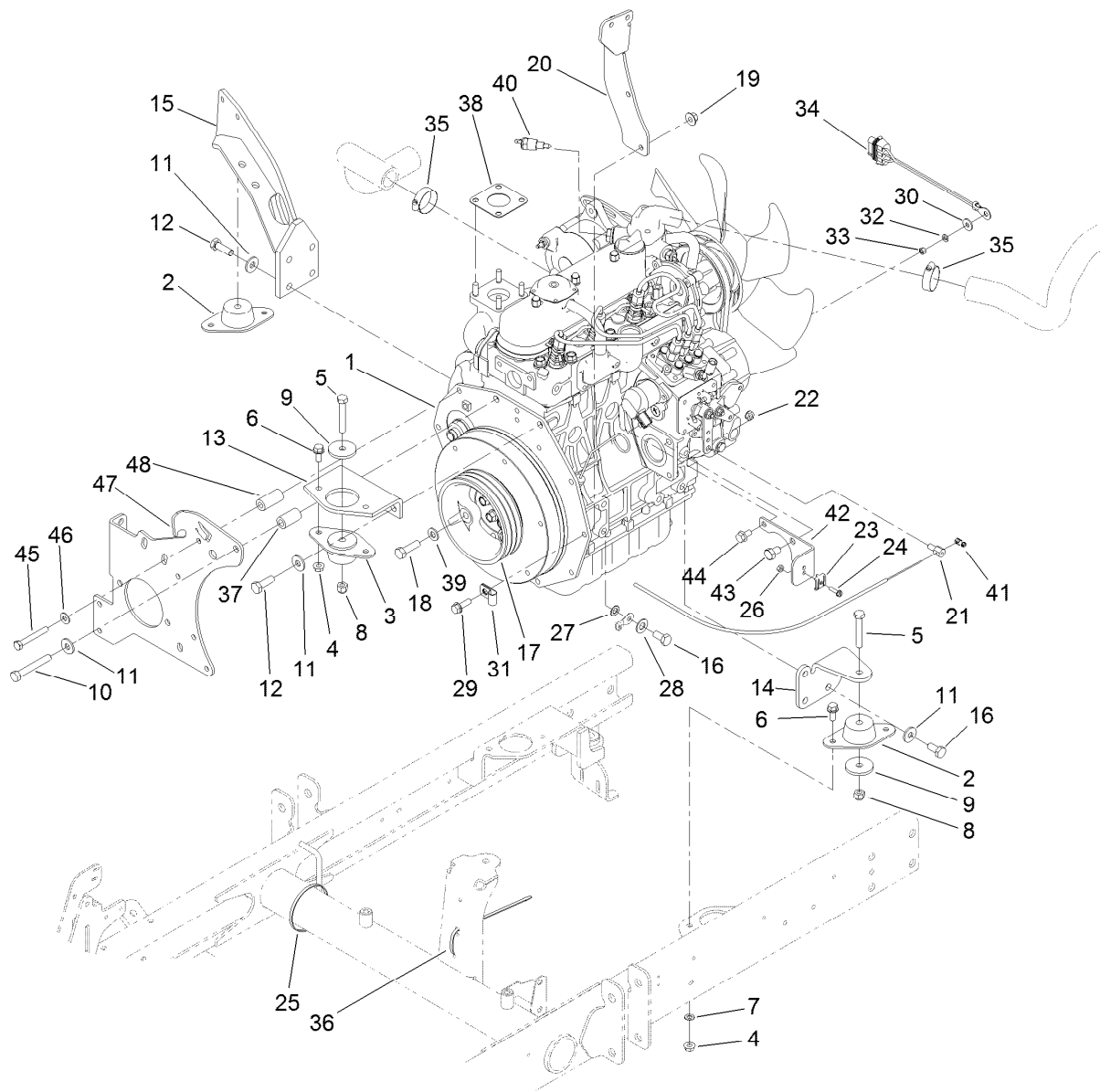
Frame and Roll-Over Protection System Assembly

<i>Ref.</i>	<i>Part Number</i>	<i>Qty.</i>	<i>Description</i>	<i>Ref.</i>	<i>Part Number</i>	<i>Qty.</i>	<i>Description</i>
1	120-3549-03	1	Frame	14	3234-40	4	Screw-HF
2	95-8568-03	1	Frame-Lower	15	32148-8	2	Nut-Clinch
3	32144-15	2	Screw-HHFTF	16	115-3417-03	1	Bracket-Bulkhead, Scissor
4	3234-38	8	Screw-HHF	17	104-7050	1	Tube-Manual
5	32128-49	12	Nut-HHF	18	2412-133	2	Clamp-R
6	99-3375-03	1	Step	19	32144-70	2	Screw-HWHTF
7	2412-72	3	Clip-Closed, Insulated	20	3256-23	2	Washer-Plain
8	95-8615	1	Tube-Breather	21	2412-108	1	Clamp-Worm
9	32144-10	6	Screw-HWH	22	32148-6	2	Nut-Clinch
10	3234-4	2	Screw-HHF	23	104-4634-03	1	Toolbox
11	104-0468-01	1	Cover-Frame	24	104-4633-03	1	Cover-Toolbox
12	3234-5	2	Screw-HHF	25	104-0484	1	Decal-Danger
13	107-7833	1	ROPS ASM	26	104-5181	1	Decal-Danger, CE
13:1	107-7831	1	Decal-ROPS	27	104-7048	1	Cap-Housing



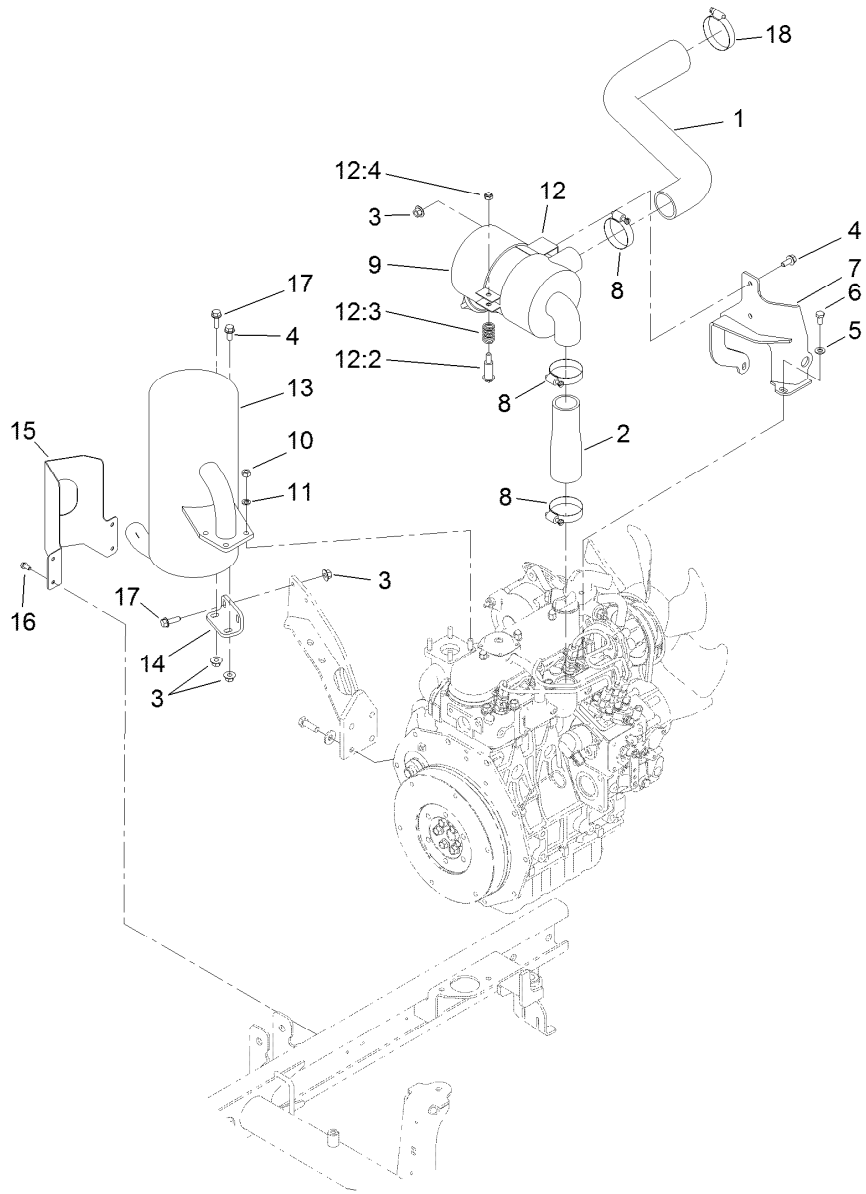
Engine Installation Assembly

Ref.	Part Number	Qty.	Description	Ref.	Part Number	Qty.	Description
1	125-4314	1	Engine-Kubota, D1105	22	3296-20	1	Nut-Lock, NI
2	83-1030	2	Mount-Engine	23	81-1690	1	Clamp-Cable
3	93-5265	1	Mount-Engine	24	32105-13	1	Screw-HWH
4	32128-20	6	Nut-HF	25	3290-379	2	Tie-Cable
5	323-11	3	Screw-HH	26	3296-2	1	Nut-Lock, NI
6	3234-5	6	Screw-HHF	27	3255-9	1	Washer-Lock
7	3255-8	1	Washer-Lock	28	3256-25	1	Washer-Flat
8	3296-39	3	Nut-Lock, NI	29	3234-17	2	Screw-HHF
9	80-8560	3	Washer-Hardened	30	3256-78	1	Washer-Flat
10	42-9370	1	Screw-HH	31	2412-10	1	Clamp-R
11	80-6990	9	Washer-Hardened	32	43-5930	1	Washer-Lock, Spring
12	95-8812	5	Screw-HH	33	48-7890	1	Nut-Hex
13	99-3618-03	1	Mount-Engine, Front	34	99-3441	1	Harness-Wire, Fusible Link
14	95-8937-03	1	Mount-Engine, LH	35	2412-34	2	Clamp-Hose
15	100-4838-03	1	Mount-Engine	36	3290-378	14	Tie-Cable
16	63-7790	4	Screw-Cap	37	95-8736	1	Spacer
17	99-3626-03	1	Pulley	38	98-9611	1	Gasket
18	56-2140	3	Screw-HH	39	3256-24	3	Washer-Flat
19	32128-44	2	Nut	40	106-7772	1	Thermoswitch
20	115-3487-03	1	Bracket-Mount, Fuel Filter	41	112-9919	1	Stop-Cable, Throttle
21	98-9311	1	Swivel-Throttle	42	110-9009-03	1	Bracket-Cable, Throttle



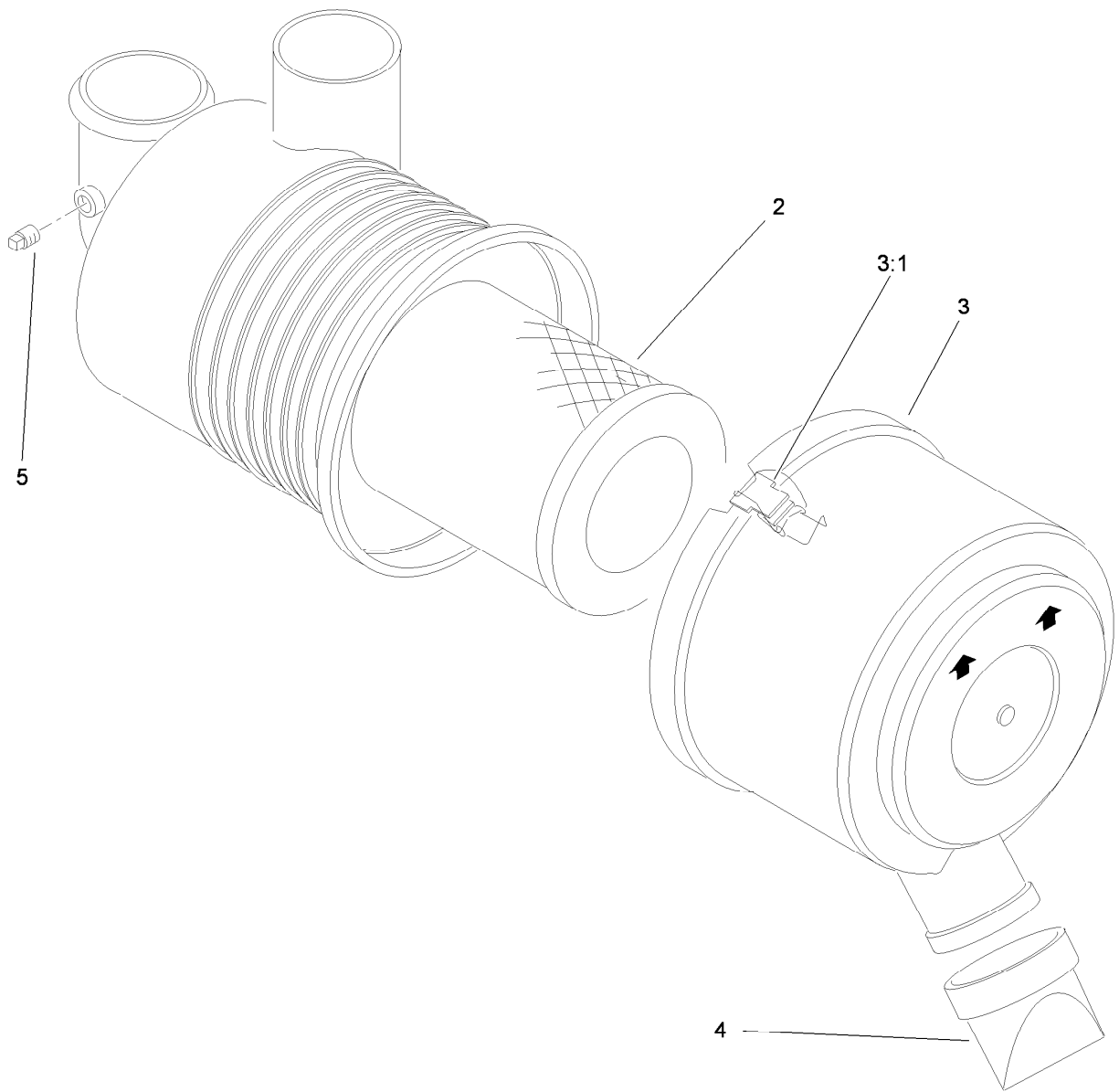
Engine Installation Assembly (continued)

<i>Ref.</i>	<i>Part Number</i>	<i>Qty.</i>	<i>Description</i>	<i>Ref.</i>	<i>Part Number</i>	<i>Qty.</i>	<i>Description</i>
43	70-8470	1	Screw-HH	46	87-8640	3	Washer-Flat
44	33104-016	1	Screw-HHF	47	120-3375-03	1	Plate-Mount, Pump
45	33114-060	3	Screw-HH	48	95-8941	3	Spacer-Mount, Pump



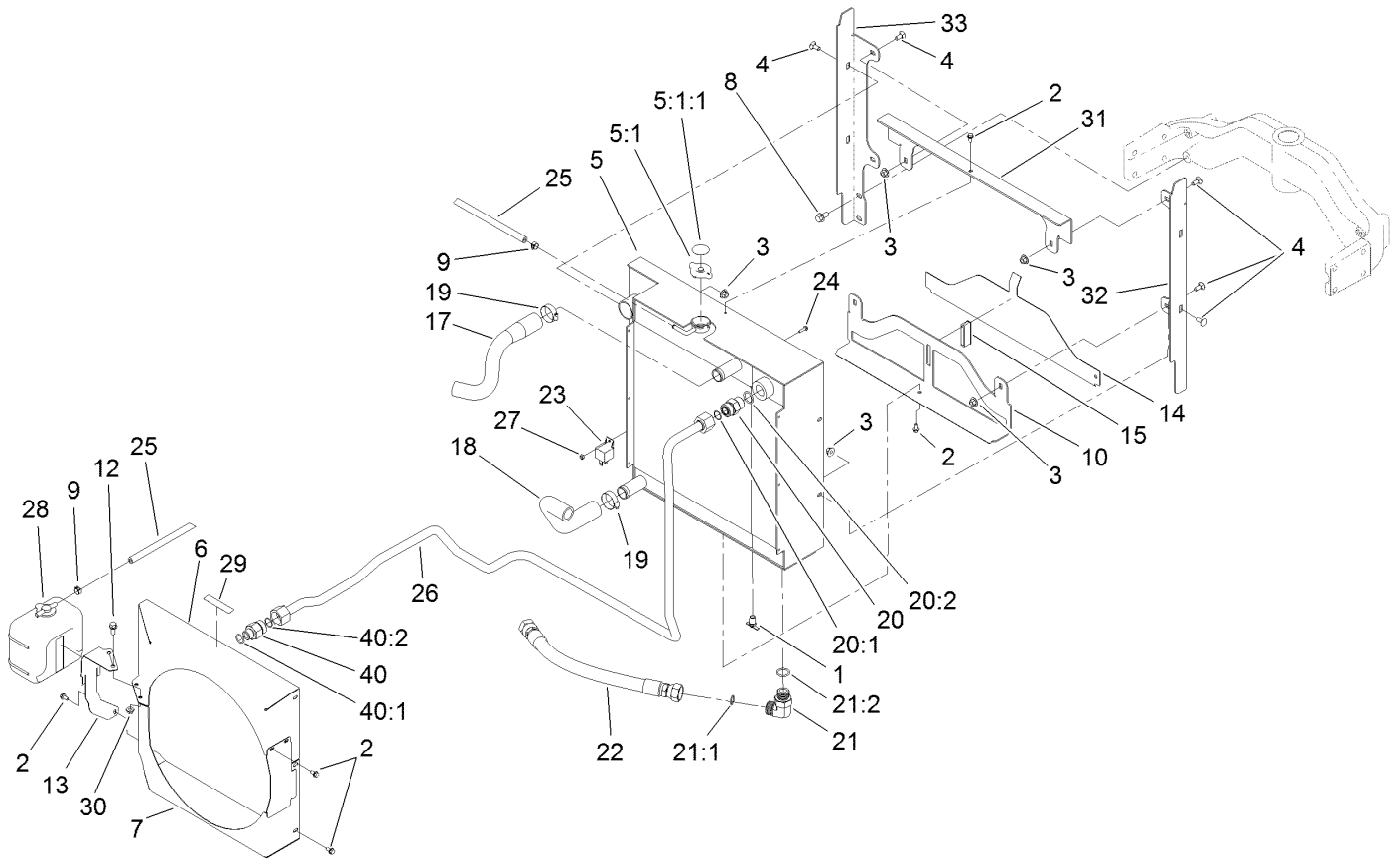
Air Cleaner and Exhaust Assembly

<i>Ref.</i>	<i>Part Number</i>	<i>Qty.</i>	<i>Description</i>	<i>Ref.</i>	<i>Part Number</i>	<i>Qty.</i>	<i>Description</i>
1	120-3354	1	Hose-Air Inlet, Upper	12	93-2191	1	Air Cleaner Mounting Band ASM
2	95-8947	1	Hose-Air Inlet, Lower	12:2	94-3653	1	Bolt
3	32128-44	6	Nut	12:3	94-3654	1	Spring
4	3234-5	3	Screw-HHF	12:4	48-9510	1	Nut
5	3256-23	2	Washer-Plain	13	104-4834	1	Muffler
6	33114-016	2	Screw-HH	14	95-8943-03	1	Bracket-Muffler
7	99-3355-03	1	Bracket-Filter, Air	15	99-3425-03	1	Guard-Exhaust
8	2412-92	3	Clamp-Hose	16	32144-4	4	Screw-HWH
9	93-2190	1	Air Cleaner ASM	17	3234-17	3	Screw-HHF
10	33014-00	4	Nut-Hex	18	2412-130	1	Clamp-Hose
11	3253-4	4	Washer-Lock				



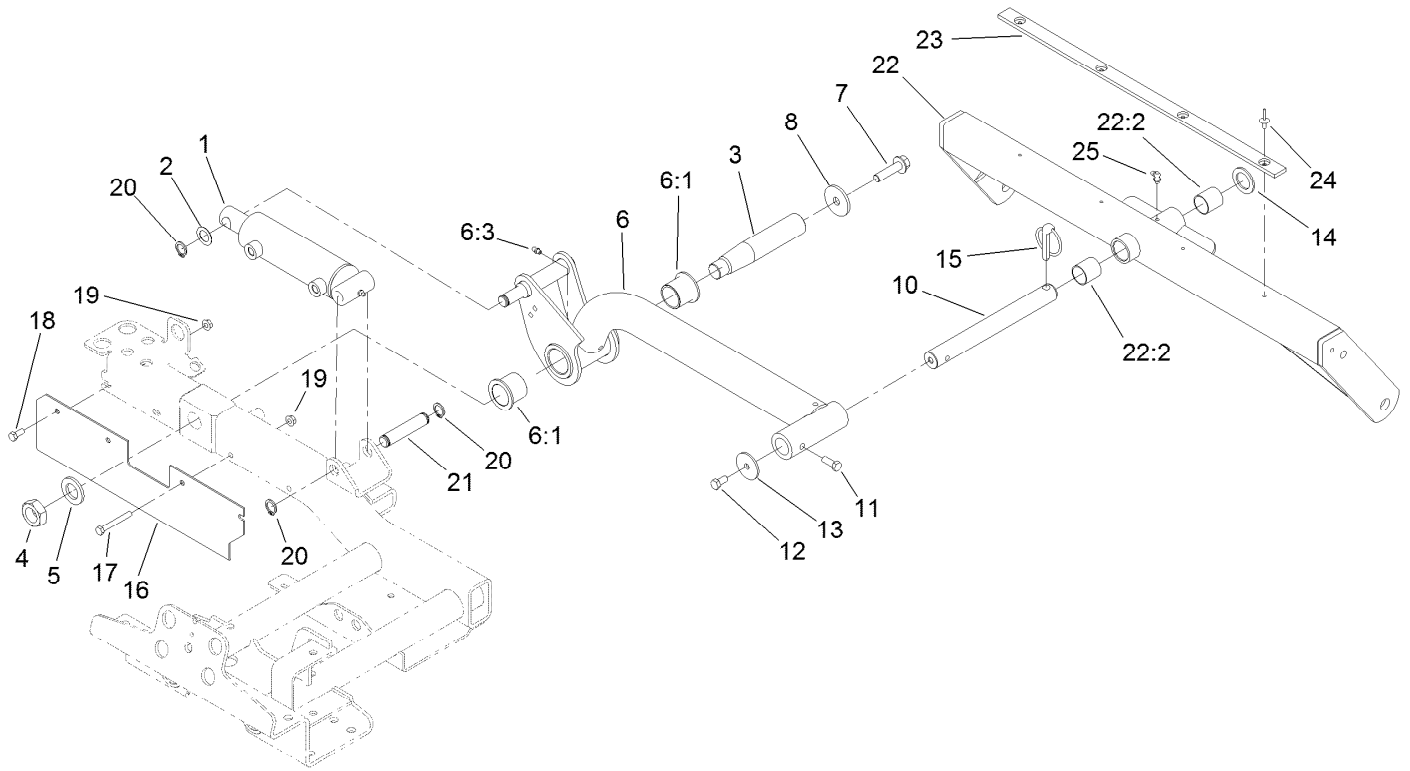
Air Cleaner Assembly No. 93-2190

<i>Ref.</i>	<i>Part Number</i>	<i>Qty.</i>	<i>Description</i>
2	108-3811	1	Filter-Air
3	94-3652	1	Cover ASM
3:1	1-643283	2	Latch-Cleaner, Air
4	87-9400	1	Valve-Vacuator
5	285-17	1	Plug-Pipe



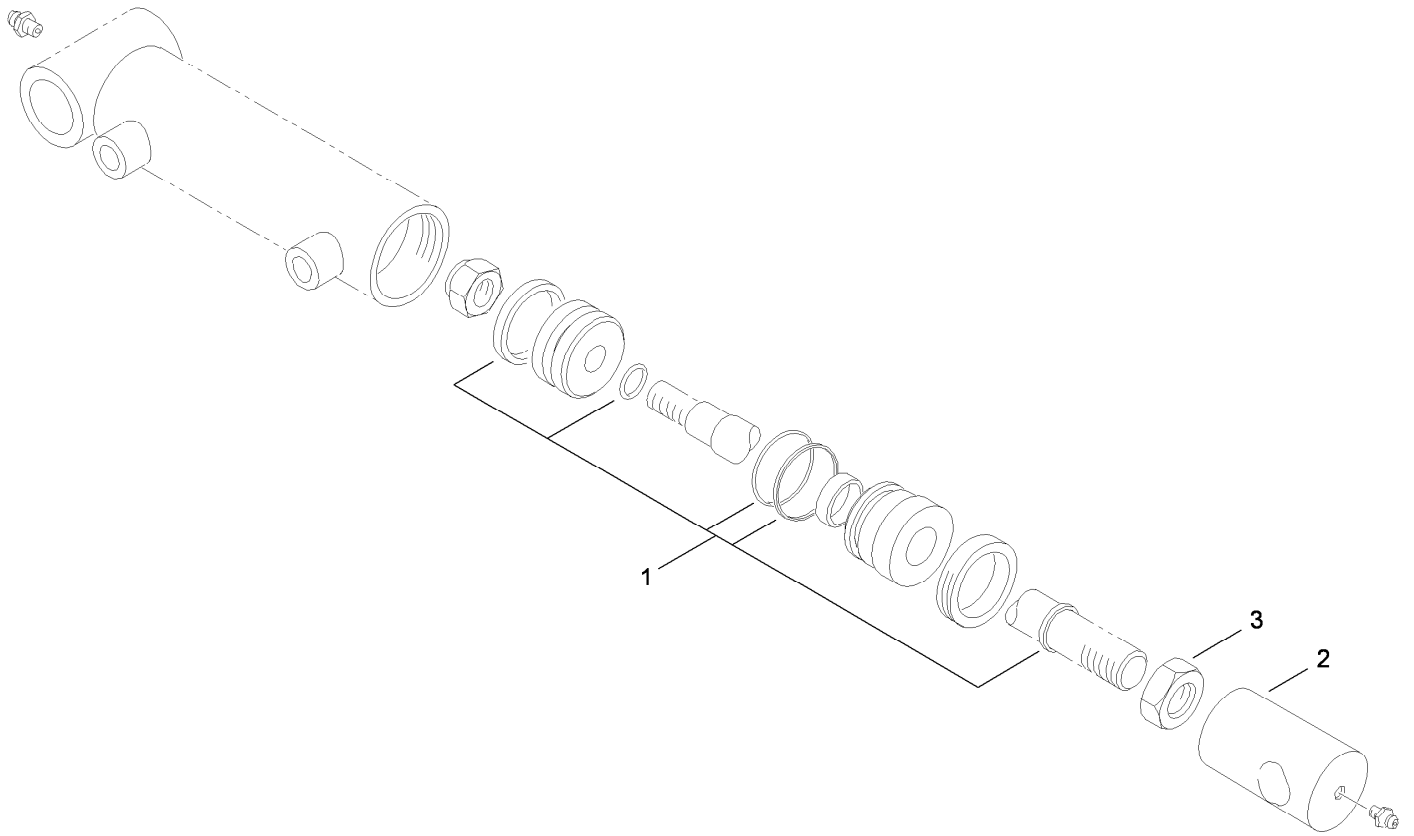
Radiator Assembly

<i>Ref.</i>	<i>Part Number</i>	<i>Qty.</i>	<i>Description</i>	<i>Ref.</i>	<i>Part Number</i>	<i>Qty.</i>	<i>Description</i>
1	304-46	1	Draincock	20:1	237-58	1	O-Ring
2	32104-116	10	Screw-HWHTF	20:2	237-81	1	O-Ring
3	32128-44	8	Nut	21	340-142	1	Fitting-Elbow, 90 DEG
4	3230-1	8	Bolt-CARR	21:1	237-58	1	O-Ring
5	119-2028	1	Radiator And Oil Cooler ASM	21:2	237-81	1	O-Ring
5:1	115-7766	1	Cap-Radiator	22	92-7536	1	Hose-HYD
5:1:1	106-6755	1	Decal-Cap, Radiator	23	99-7435	1	Relay
6	121-3556-03	1	Shroud-Fan, Upper	24	32105-13	1	Screw-HWH
7	121-3552-03	1	Shroud-Fan, Lower	25	109-0274	1	Hose-Fuel
8	3234-1	4	Screw-HHF	26	120-3361	1	Tube-HYD
9	92-2379	2	Clamp-Hose	27	3296-2	1	Nut-Lock, NI
10	120-3530-03	1	Bracket-Radiator, Bottom	28	104-9318	1	Bottle-Overflow
12	3234-5	2	Screw-HHF	29	93-6681	1	Decal-Warning, Fan
13	121-3557-03	1	Bracket-Reservoir	30	32128-20	2	Nut-HF
14	95-8702-03	1	Shield-Radiator, Lower	31	120-3529-03	1	Bracket-Radiator, Top
15	99-3497	1	Magnet	32	120-3531-03	1	Bracket-Radiator, LH
17	121-3558	1	Hose-Radiator, Upper	33	120-3532-03	1	Bracket-Radiator, RH
18	120-3399	1	Hose-Radiator, Lower	40	340-66	1	Fitting-Straight
19	2412-34	2	Clamp-Hose	40:1	237-80	1	O-Ring
20	340-9	1	Fitting-STR	40:2	237-58	1	O-Ring



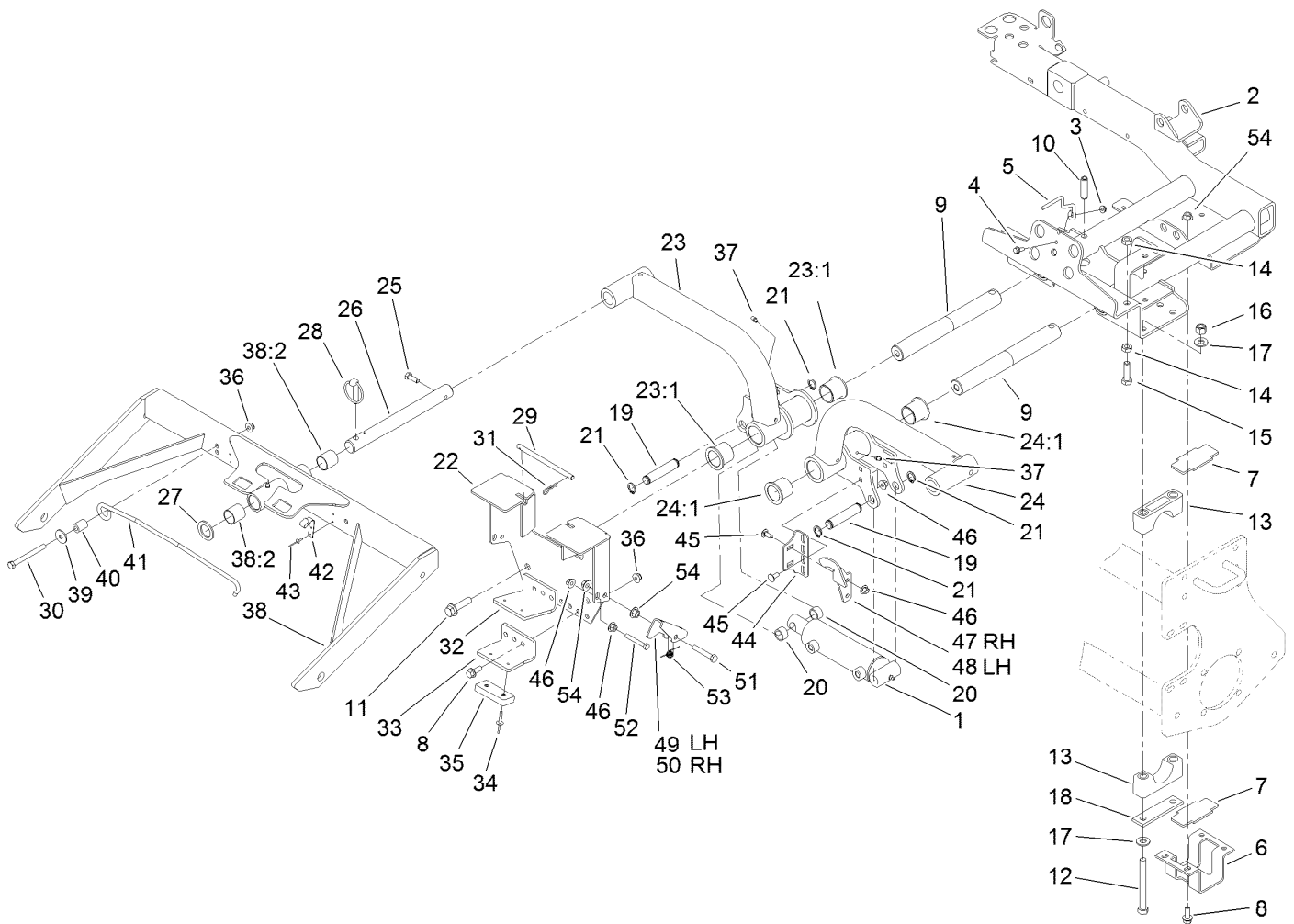
Rear Lift Arm and Carrier Frame Assembly

<i>Ref.</i>	<i>Part Number</i>	<i>Qty.</i>	<i>Description</i>	<i>Ref.</i>	<i>Part Number</i>	<i>Qty.</i>	<i>Description</i>
1	112-9916	1	HYD Cylinder ASM	14	3-6781	1	Washer-Thrust
2	3-6498	1	Washer-Thrust	15	283-71	1	Pin-Lynch
3	95-8990	1	Shaft-Pivot, Rear	16	104-0453-03	1	Guard
4	3220-9	1	Nut-Jam	17	322-12	2	Screw-HH
5	86-1480	1	Washer	18	322-3	2	Screw-HH
6	115-3473	1	Rear Liftarm ASM	19	32128-20	4	Nut-HF
6:1	69-6470	2	Bushing-Caster	20	32120-93	3	Ring-Retaining
6:3	302-5	1	Fitting-Grease	21	95-8575	1	Pin-Clevis
7	3234-27	1	Screw-HHF	22	104-4229	1	Rear Carrier Frame ASM
8	75-7730	1	Washer-Thrust	22:2	108-4000	2	Bushing
10	100-4944	1	Shaft-Pivot, Cutting Unit	23	95-8936	1	Strip-Wear
11	323-6	1	Screw-HH	24	3269-18	4	Rivet-Blind
12	323-4	1	Screw-HH	25	302-60	1	Fitting-Grease
13	63-7400	1	Washer-Rebound				



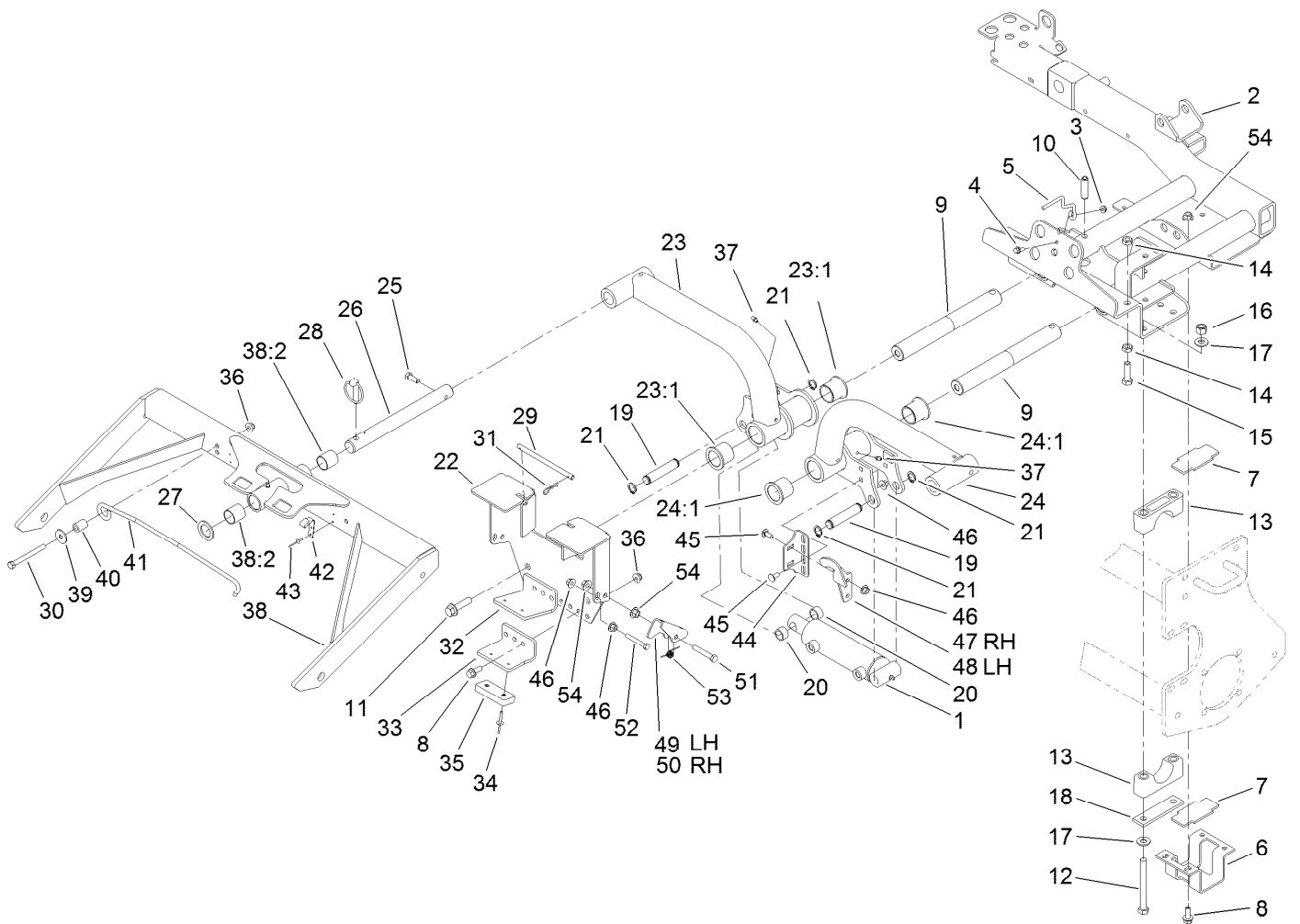
Hydraulic Cylinder Assembly No. 112-9916

<i>Ref.</i>	<i>Part Number</i>	<i>Qty.</i>	<i>Description</i>
1	115-3410	1	Seal Kit
2	108-9035	1	Clevis
3	3220-7	1	Nut-Jam



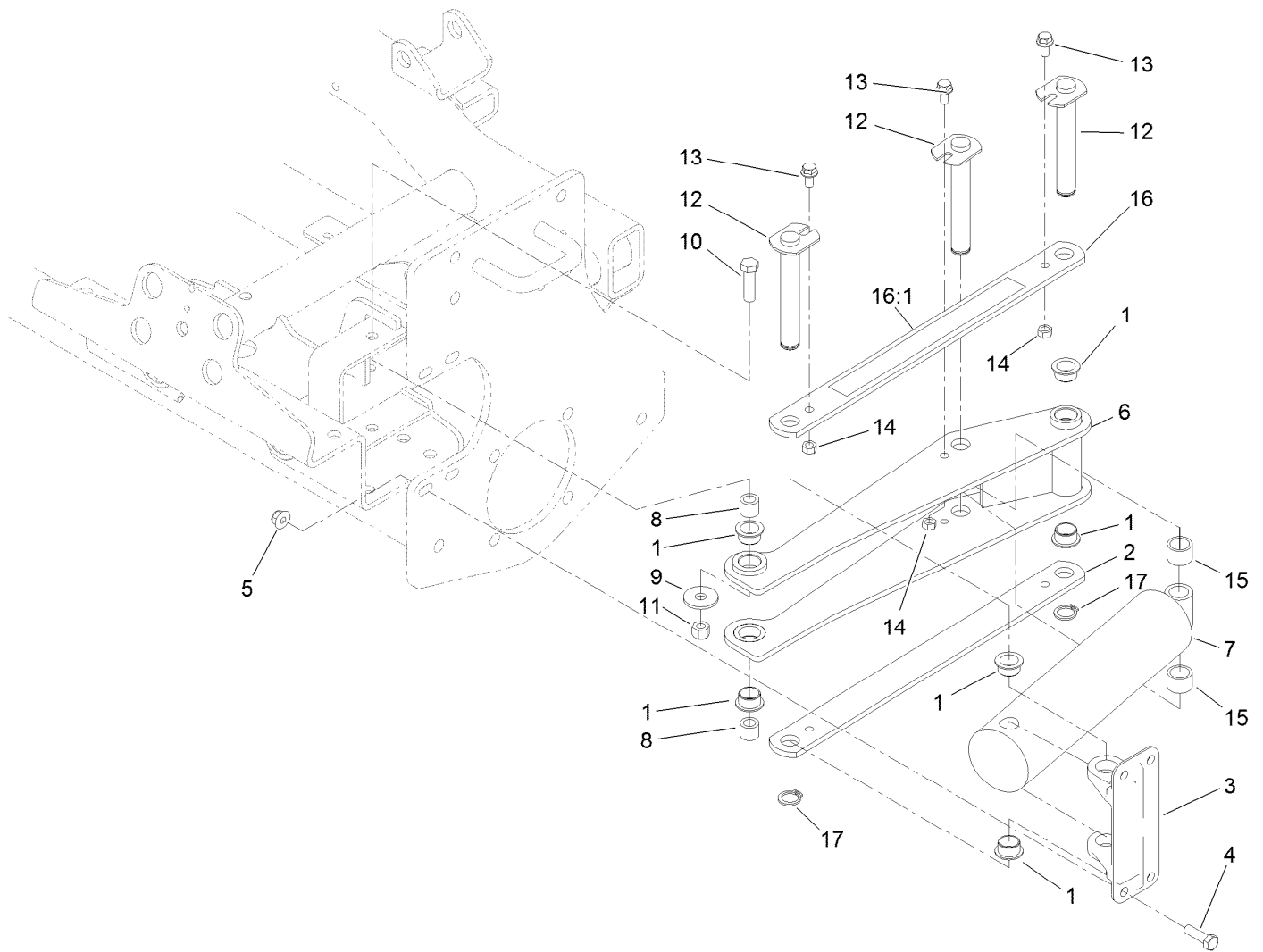
Sidewinder Carrier Assembly

Ref.	Part Number	Qty.	Description	Ref.	Part Number	Qty.	Description
1	112-9916	1	HYD Cylinder ASM	22	104-4820-03	1	Bracket-Stop, Carrier
2	100-4939-03	1	Carrier-Sidewinder	23	115-3462	1	RH Liftarm ASM
3	32128-33	1	Nut-HF	23:1	69-6470	2	Bushing-Caster
4	3234-4	1	Screw-HHF	24	115-3461	1	LH Liftarm ASM
5	99-3433	1	Wire-Center	24:1	69-6470	2	Bushing-Caster
6	104-0416-03	1	Bracket-Slide	25	323-6	2	Screw-HH
7	104-0417	2	Slide-Plastic	26	95-8979	2	Shaft
8	3234-11	8	Screw-HHF	27	3-6781	2	Washer-Thrust
9	95-8531	2	Shaft-Pivot, Liftarm	28	283-71	2	Pin-Lynch
10	32121-122	2	Pin-Roll	29	104-0472	1	Rod
11	3234-27	2	Screw-HHF	30	323-42	2	Screw-HH
12	325-19	8	Screw-HH	31	3290-467	2	Pin-Hair
13	104-4865	8	Cap-Bearing	32	110-8793-03	1	Stop-Deck, RH
14	3218-5	4	Nut-Jam	33	110-8794-03	1	Stop-Deck, LH
15	325-7	2	Screw-HH	34	3269-11	4	Rivet-Pop
16	3296-23	8	Nut-Lock, NI	35	86-5350	2	Bumper-Rubber
17	87-7270	16	Washer-Thrust	36	104-8301	6	Nut-HF, NI
18	99-3373	4	Bar-Support, Slide	37	302-5	2	Fitting-Grease
19	95-8575	2	Pin-Clevis	38	110-8787	2	Front Carrier Frame ASM
20	75-9590	2	Spacer-Cylinder	38:2	108-4000	2	Bushing
21	32120-93	4	Ring-Retaining	39	93-8806	2	Washer-Hardened



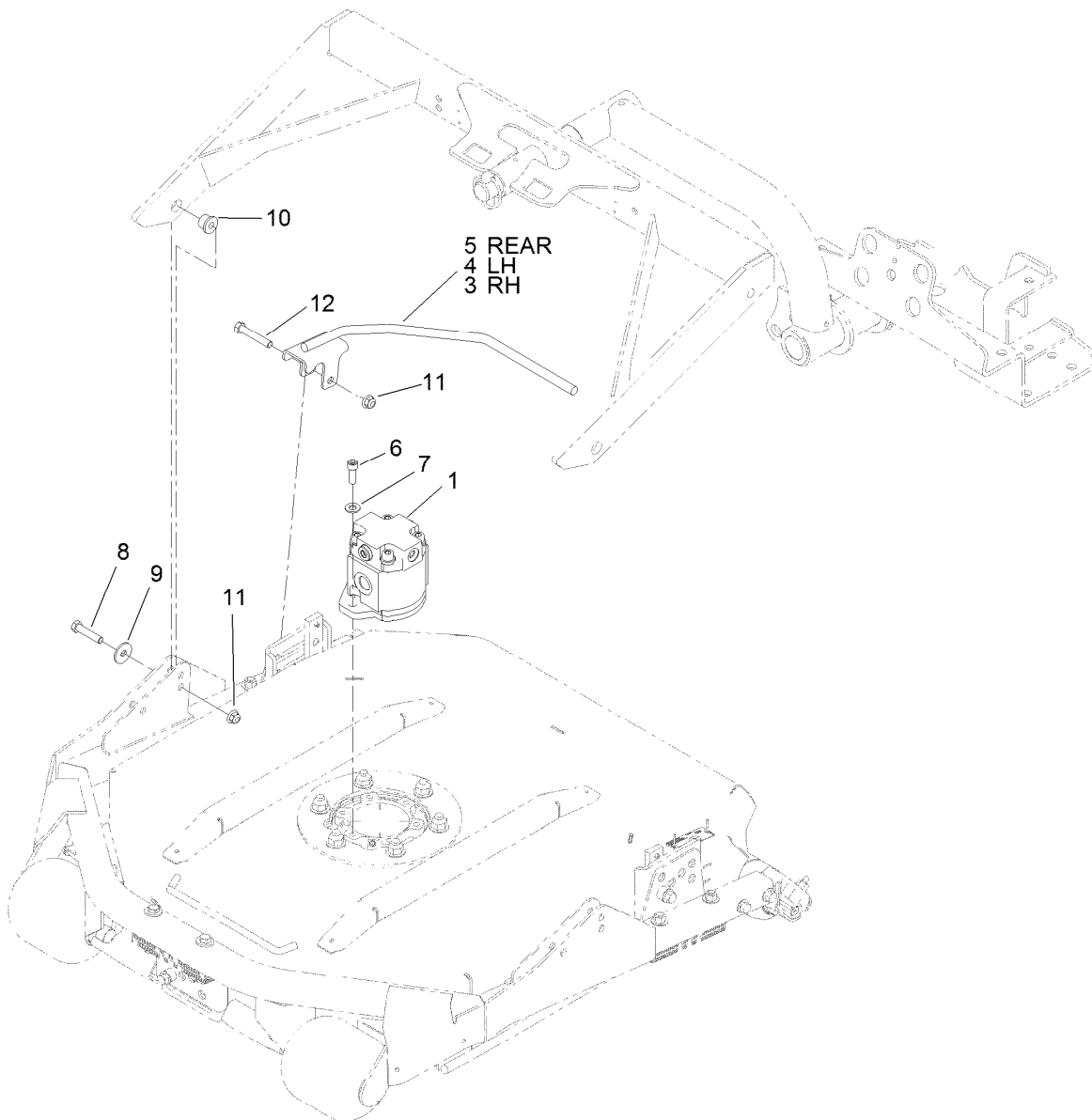
Sidewinder Carrier Assembly (continued)

<i>Ref.</i>	<i>Part Number</i>	<i>Qty.</i>	<i>Description</i>	<i>Ref.</i>	<i>Part Number</i>	<i>Qty.</i>	<i>Description</i>
40	104-4613	2	Tube-Latch	48	104-4827-03	1	Actuator-LH
41	104-4612	2	Rod-Latch	49	104-4819-03	1	Bracket-Pivot, LH
42	104-4237	2	Clip-Rod	50	104-4825-03	1	Bracket-Pivot, RH
43	3290-271	4	Rivet-Pop	51	323-11	2	Screw-HH
44	104-4828-03	2	Bracket-Actuator	52	322-11	2	Screw-HH
45	3230-23	8	Bolt-CARR	53	104-4821	2	Spring-Torsion
46	32128-44	12	Nut	54	32128-43	8	Nut-Flange
47	104-4826-03	1	Actuator-RH				



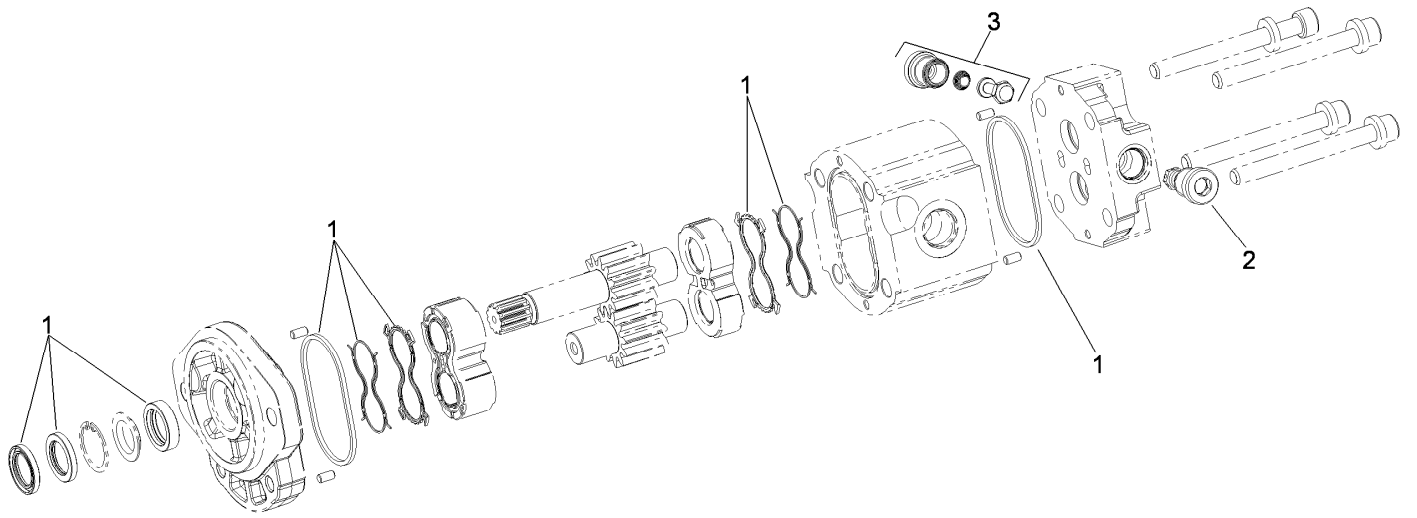
Scissor Frame and Link Assembly

Ref.	Part Number	Qty.	Description	Ref.	Part Number	Qty.	Description
1	95-8526	6	Bushing-Plastic	10	324-6	2	Screw-HH
2	95-8527-03	1	Link-Scissor	11	3296-48	2	Nut-Hex
3	95-8883	1	Mount-Scissor	12	95-8529	3	Pin
4	323-7	4	Screw-HH	13	3234-14	3	Screw-HHF
5	104-8301	4	Nut-HF, NI	14	32152-1	3	Nut-Lock, Cone
6	95-8521-03	1	Frame-Scissor	15	46-6350	2	Spacer
7	95-8512	1	Cylinder-HYD	16	99-3505	1	Scissors Link ASM
8	95-8603	2	Spacer	16:1	94-3353	1	Decal-Point, Pinch
9	87-5330	2	Washer	17	32120-93	2	Ring-Retaining



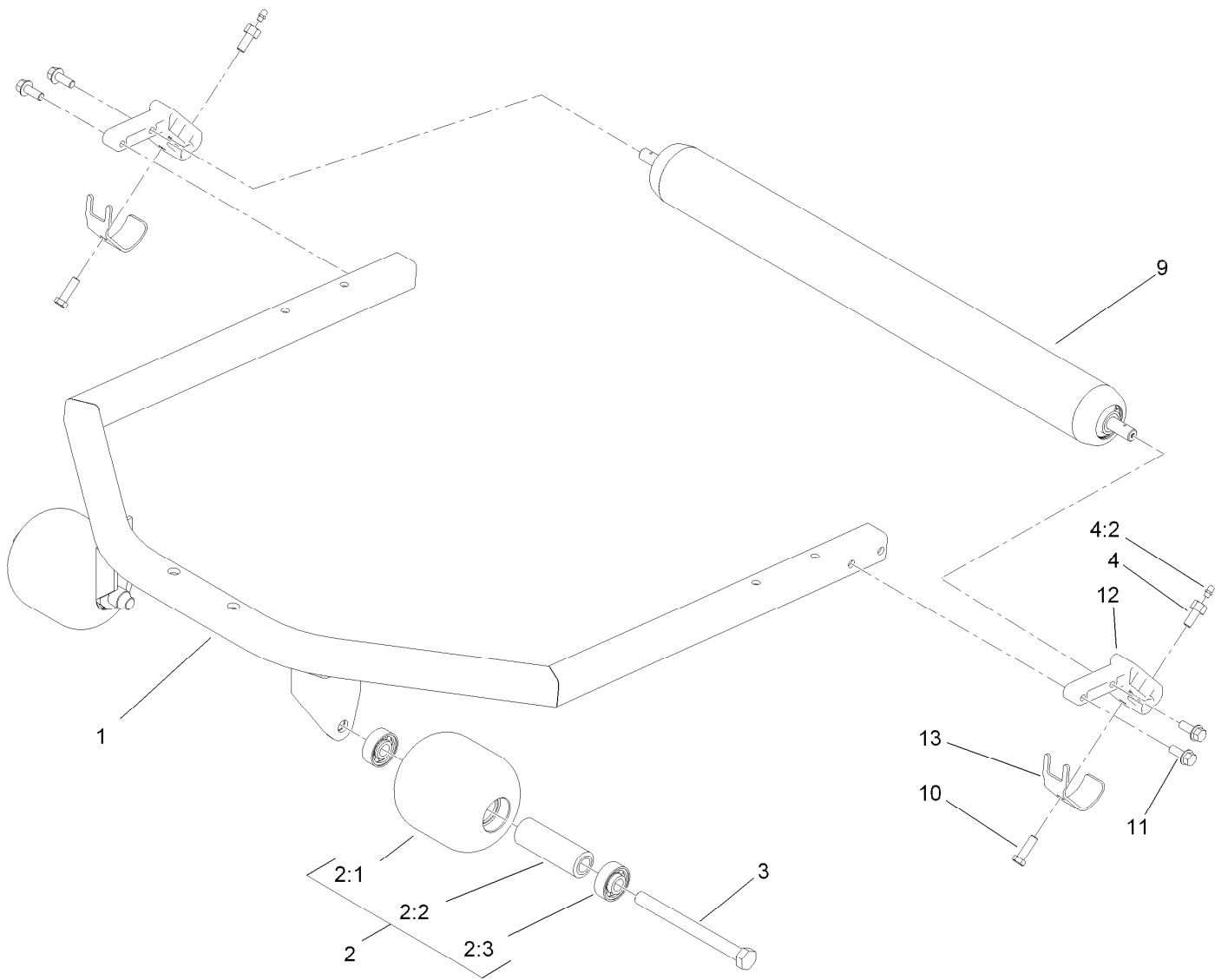
Hydraulic Motor and Cutting Unit Assembly

<i>Ref.</i>	<i>Part Number</i>	<i>Qty.</i>	<i>Description</i>
1	117-5141	3	HYD Motor ASM
3	112-9901-03	1	Guard-Foot, RH
4	112-9902-03	1	Guard-Foot, LH
5	112-9900-03	1	Guard-Foot
6	3274-7	6	Screw-HSH
7	3256-24	6	Washer-Flat
8	323-52	6	Screw-HH
9	93-8806	6	Washer-Hardened
10	95-8803	6	Bushing-Flange
11	104-8301	10	Nut-HF, NI
12	323-11	4	Screw-HH



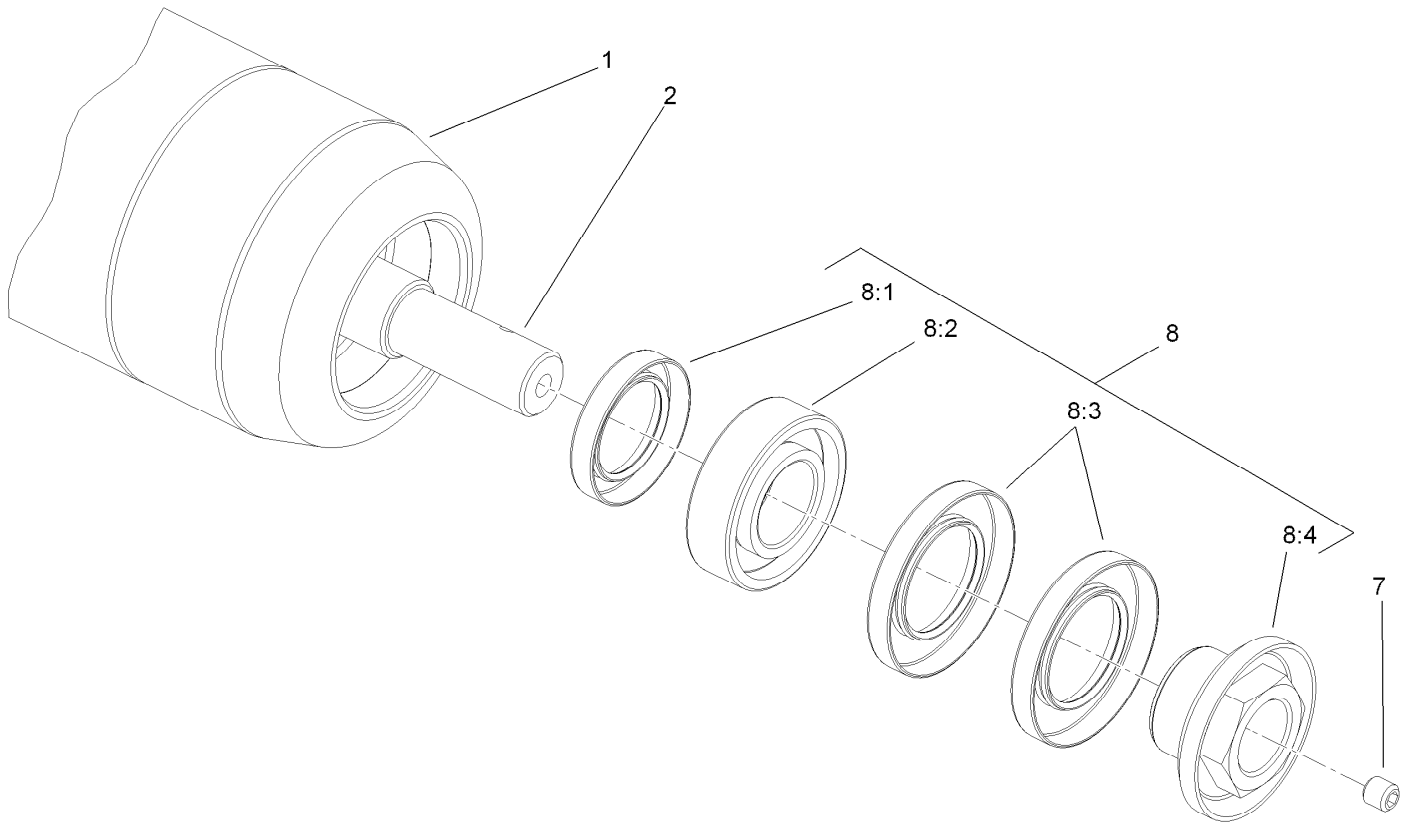
Gear Motor Assembly No. 117-5141

<i>Ref.</i>	<i>Part Number</i>	<i>Qty.</i>	<i>Description</i>
1	117-0235	1	Seal Kit
2	107-7820	1	Valve-Relief
3	107-7821	1	Valve-Anticavitation



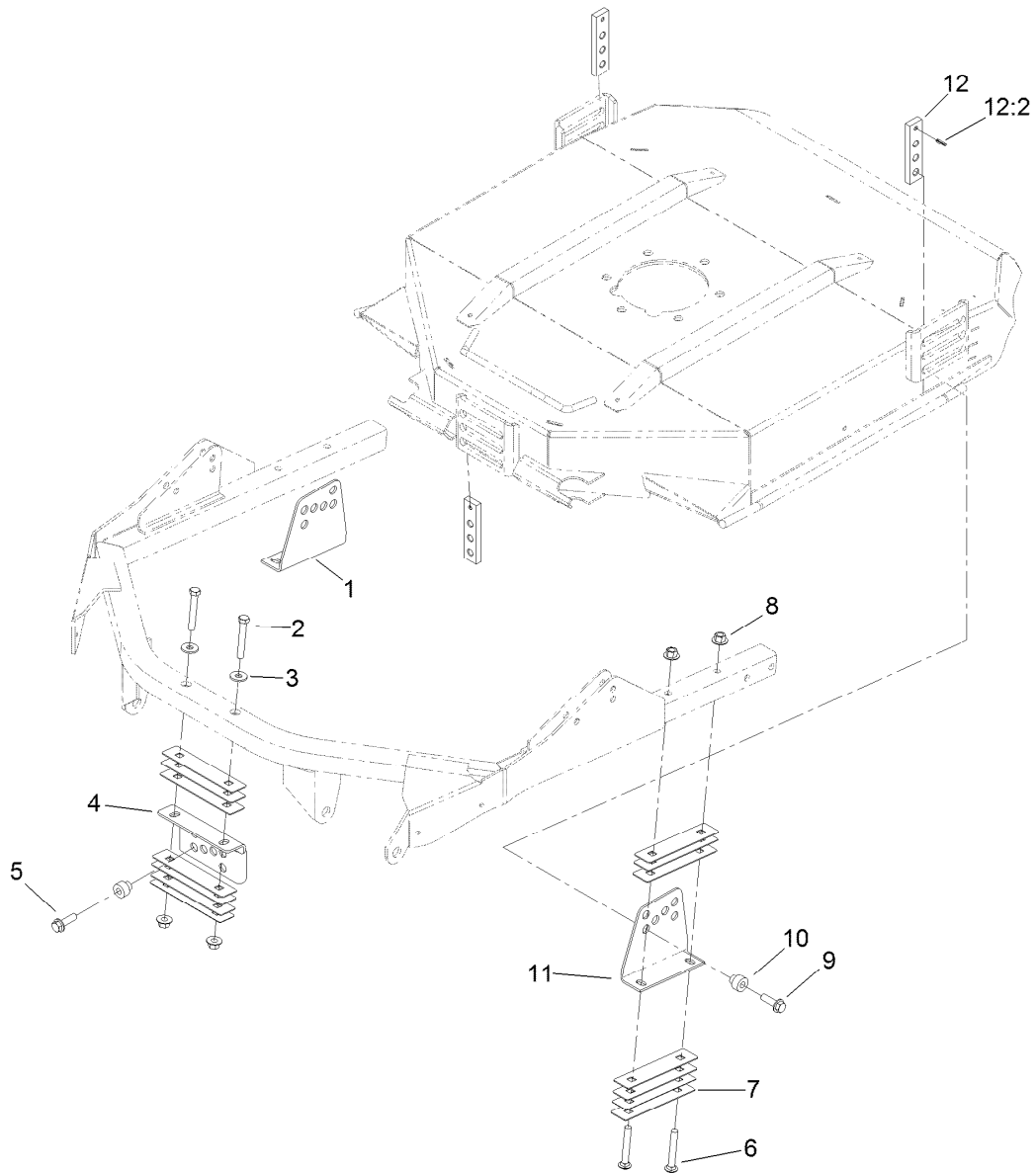
Roller and Carrier Frame Assembly

<i>Ref.</i>	<i>Part Number</i>	<i>Qty.</i>	<i>Description</i>
1	100-5780-03	1	Frame-Deck
2	115-3418	2	Roller ASM
2:1	104-1093	1	Roller
2:2	100-5762	1	Spacer-Bearing
2:3	120-3366	2	Bearing
3	327-15	2	Screw-HH
4	112-5270	2	Roller Shaft Screw ASM
4:2	302-5	1	Fitting-Grease
9	112-5265	1	Roller ASM
10	323-7	2	Screw-HH
11	3234-11	4	Screw-HHF
12	112-5268	2	Mount-Roller
13	107-7816	2	Bracket-Skid



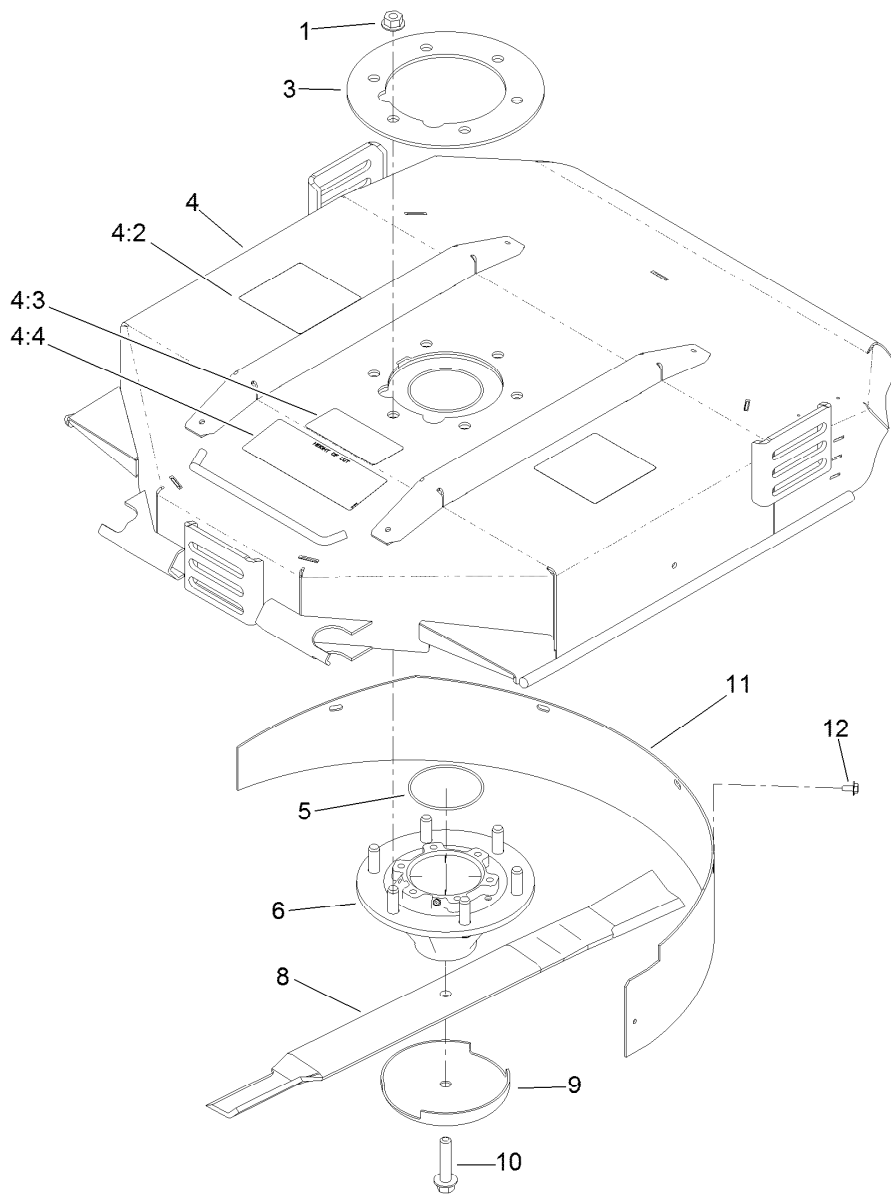
Roller Assembly No. 112-5265

<i>Ref.</i>	<i>Part Number</i>	<i>Qty.</i>	<i>Description</i>
1	112-5274-03	1	Tube ASM
2	117-5100	1	Shaft-Roller, Rear
7	108-0989	2	Screw-Set
8	114-5430	1	Roller Rebuild Kit
8:1	114-3717	2	Seal-Oil
8:2	112-5290	2	Bearing-Steel, Stainless
8:3	112-7494	4	Seal
8:4	114-5411	2	Nut-Lock, Bearing



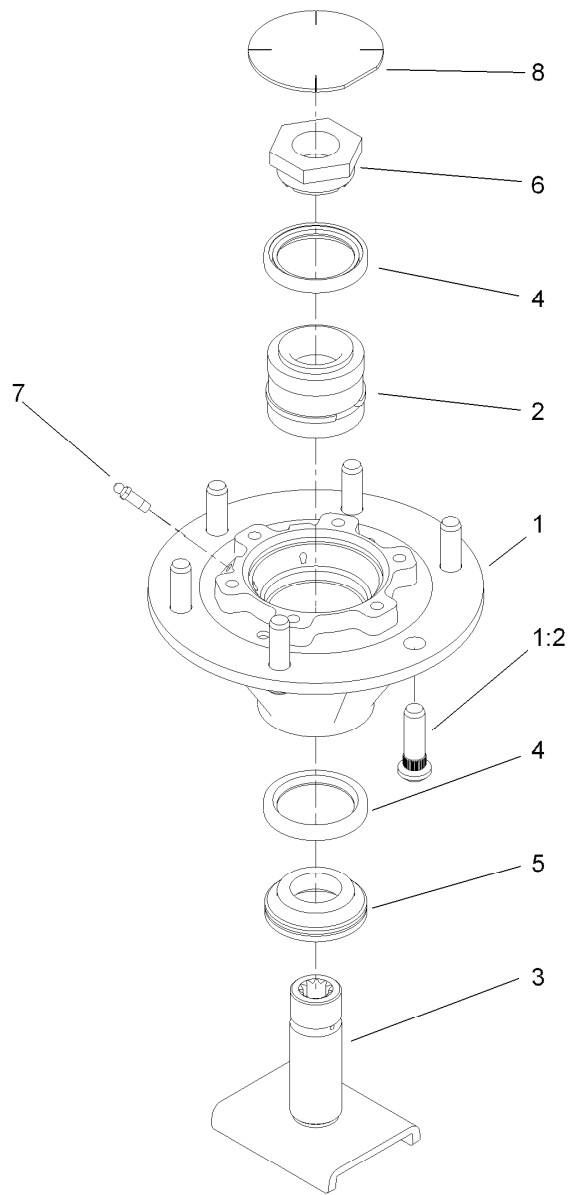
Height-of-Cut Bracket Assembly

Ref.	Part Number	Qty.	Description
1	100-5797-03	1	Bracket-HOC, RH
2	323-12	2	Screw-HH
3	80-6990	2	Washer-Hardened
4	104-1052-03	1	Bracket-HOC, Front
5	100-5799	18	Shim-HOC, .060 Inch
6	3231-9	4	Screw-CARR
7	104-4641	3	Shim-HOC, .030 Inch
8	32128-43	6	Nut-Flange
9	3234-24	3	Screw-HHF
10	105-9226	3	Spacer-HOC
11	104-4624-03	1	Bracket-HOC, LH
12	105-9225	3	HOC Plate ASM
12:2	32121-3	1	Pin-Spring



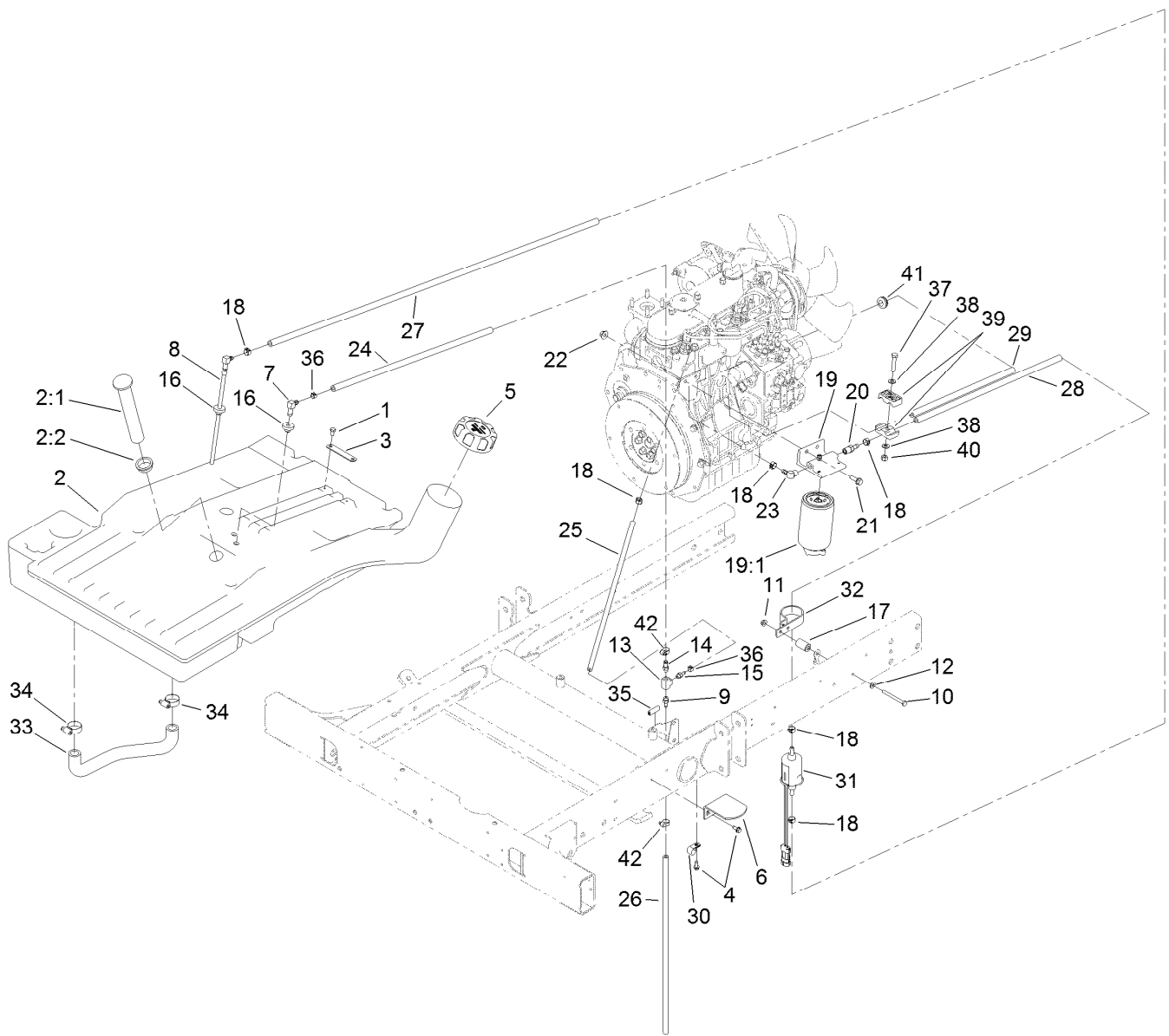
Chamber, Blade and Spindle Assembly

Ref.	Part Number	Qty.	Description
1	32128-39	6	Nut-HHF
3	104-1051-03	1	Plate-Spindle
4	115-3479	1	Chamber ASM
4:2	117-4764	2	Decal-Danger
4:3	93-7818	1	Decal-Torque, Blade Bolt
4:4	104-1086	1	Decal-HOC
5	237-161	1	O-Ring
6	115-3435	1	Spindle ASM
8	107-0235-03	1	Blade-Atomic
8	108-9026-03	1	Blade-Combo
9	72-9361	1	Cup-Scalp, Anti
10	92-5816	1	Bolt-Blade
11	108-9025-01	1	Baffle-Mulching
12	46-8560	5	Screw-HHFTF



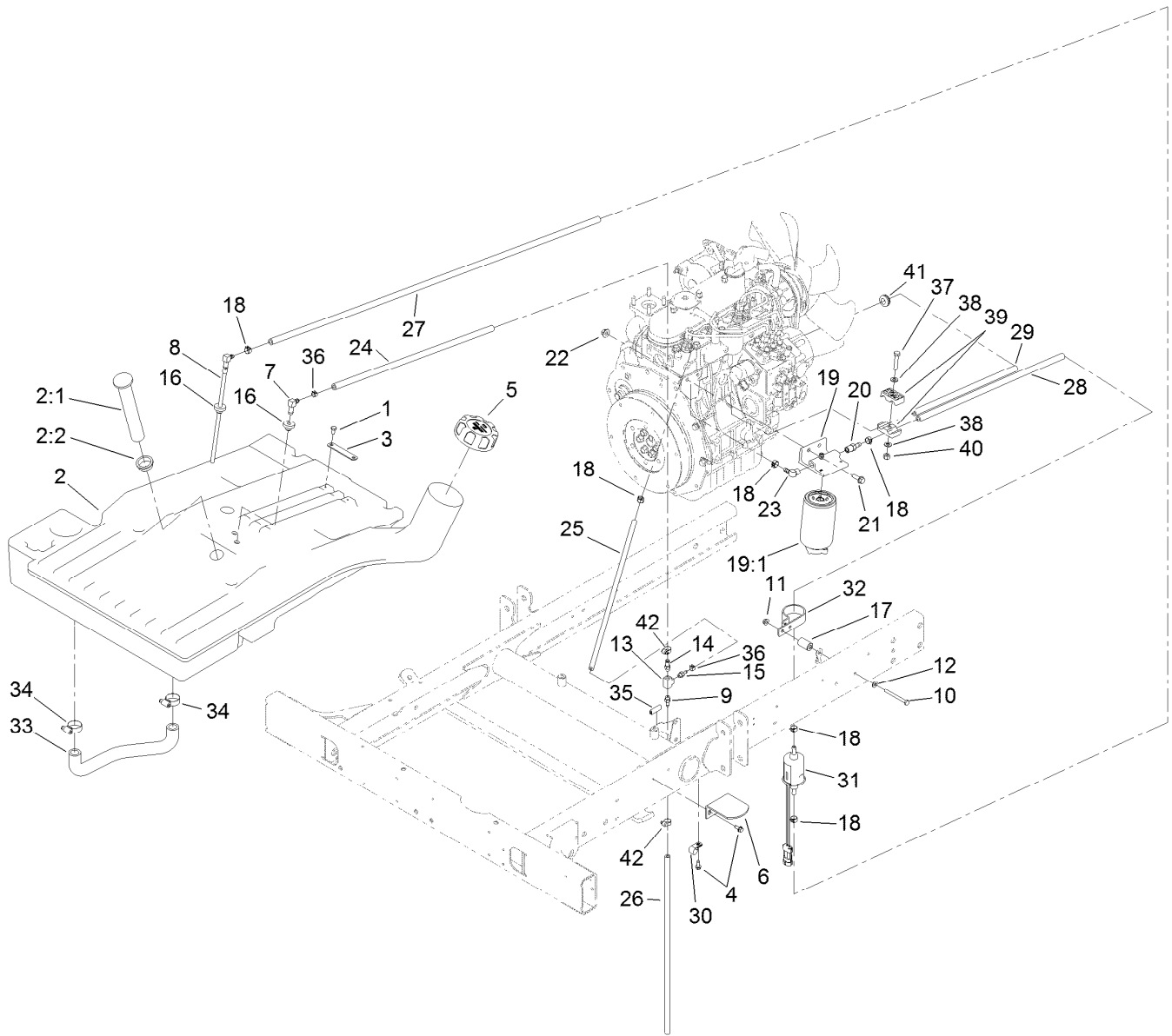
Spindle Assembly No. 115-3435

<i>Ref.</i>	<i>Part Number</i>	<i>Qty.</i>	<i>Description</i>
1	115-3434	1	Spindle
1:2	10-6830	6	Stud-Type, Drive
2	100-5703	1	Spacer And Bearing ASM
3	100-5705	1	Spindle Shaft ASM
4	253-154	2	Seal-Oil
5	69-6950	1	Spacer-Shaft, Spindle
6	100-5709	1	Nut-Spindle, Spcl
7	302-62	2	Fitting-Grease
8	94-2703	1	Plug



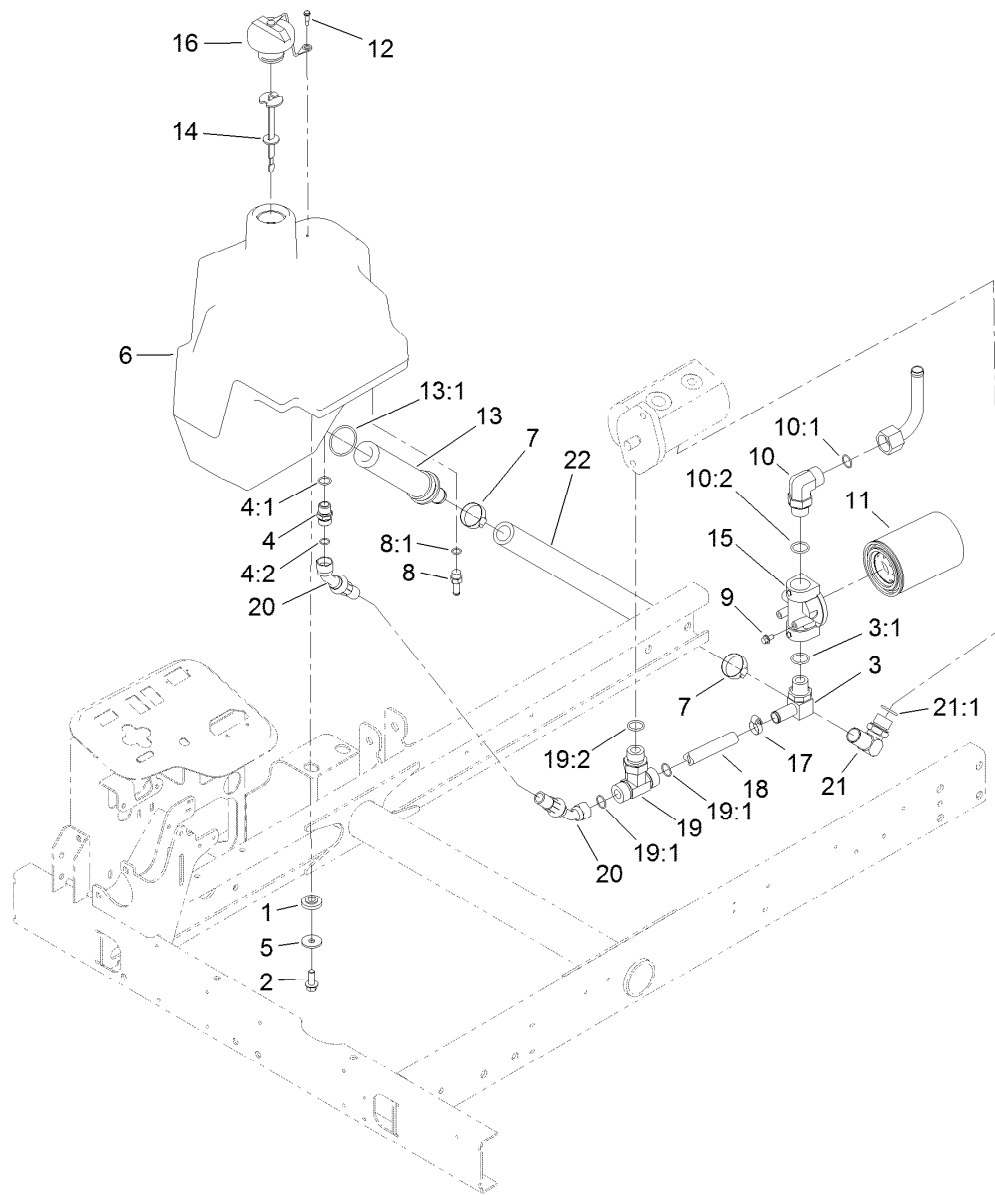
Fuel Tank Assembly

Ref.	Part Number	Qty.	Description	Ref.	Part Number	Qty.	Description
1	321-2	2	Screw-HH	19:1	110-9049	1	Filter-Spin On, Fuel/Water
2	105-7865	1	Tank-Fuel	20	353-783	1	Fitting-STR
2:1	95-8971	1	Gauge-Fuel	21	3234-17	2	Screw-HHF
2:2	95-8972	1	Grommet	22	32128-44	2	Nut
3	95-8881	1	Strap-Line, Fuel	23	353-781	1	Fitting-HYD, 90
4	32144-10	3	Screw-HWH	24	110-6187	1	Hose-Fuel
5	114-5064	1	Cap-Diesel	25	110-8751	1	Hose-Fuel
6	95-8968-03	1	Support-Tank, Fuel	26	110-5701	1	Hose-Fuel
7	46-6550	1	Fitting-Elbow, 90 DEG	27	110-4100	1	Hose-Fuel
8	110-9689	1	Pipe-Stand	28	110-4109	1	Hose-Fuel
9	304-73	1	Fitting-Straight	29	110-4113	1	Hose-Fuel
10	321-14	1	Screw-HH	30	2412-73	1	Clamp-R
11	32128-33	1	Nut-HF	31	110-8806	1	Pump-Fuel
12	3256-22	1	Washer-Flat	32	110-8817	1	Bracket-Pump, Fuel
13	354-20	1	Fitting-Tee	33	105-4094	1	Hose-Formed
14	354-21	1	Fitting-Barbed	34	2412-129	2	Clamp-Hose
15	354-22	1	Fitting-Barbed	35	110-8754	1	Trim
16	46-6560	2	Bushing	36	2412-80	2	Clamp-Hose
17	77-3180	1	Spacer	37	322-8	1	Screw-HH
18	92-2379	7	Clamp-Hose	38	3256-23	2	Washer-Plain
19	110-9044	1	Separator-Filter	39	56-7971	2	Clamp-Tube



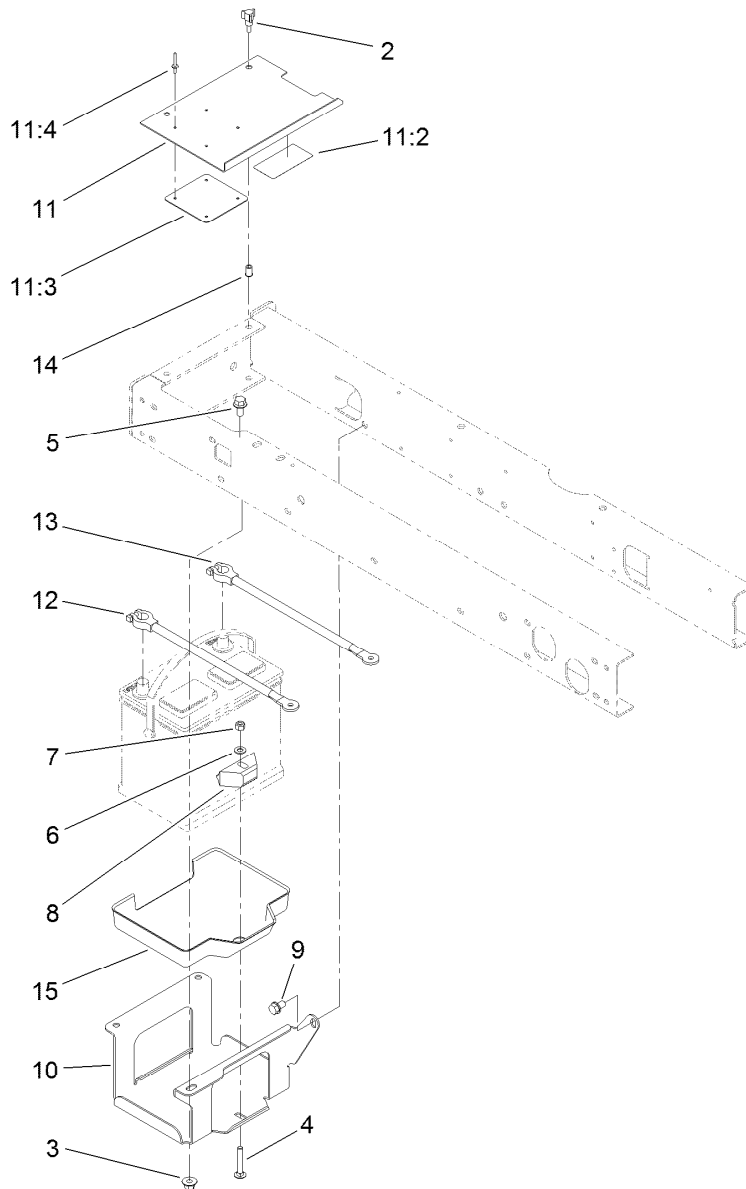
Fuel Tank Assembly (continued)

<i>Ref.</i>	<i>Part Number</i>	<i>Qty.</i>	<i>Description</i>	<i>Ref.</i>	<i>Part Number</i>	<i>Qty.</i>	<i>Description</i>
40	3296-29	1	Nut-Lock, NI	41	1-543296	1	Grommet
				42	2412-108	2	Clamp-Worm



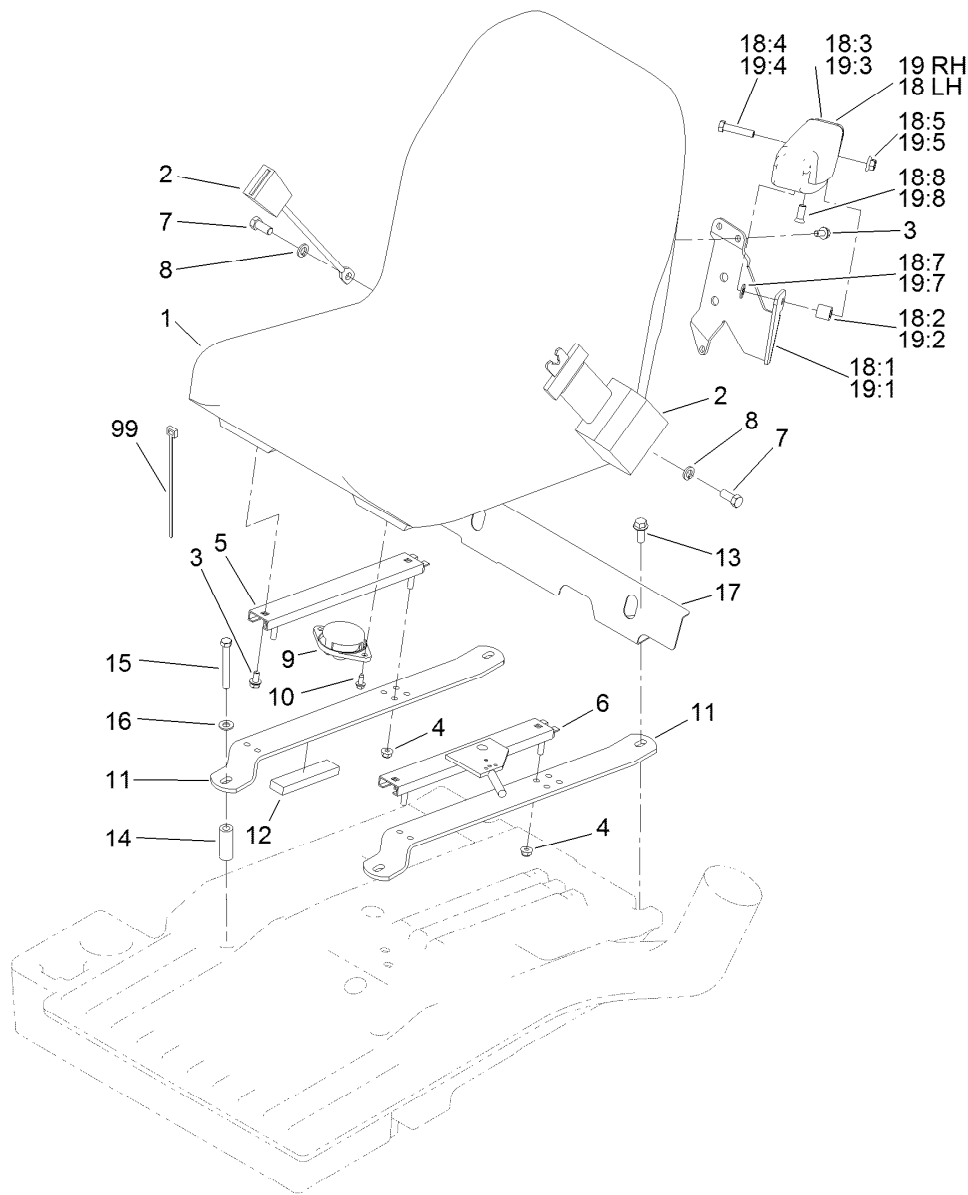
Hydraulic Tank and Filter Assembly

Ref.	Part Number	Qty.	Description	Ref.	Part Number	Qty.	Description
1	240-11	4	Bushing-Flange	11	86-3010	1	Filter-Oil
2	3234-11	4	Screw-HHF	12	57-5420	1	Screw-Shoulder
3	353-987	1	Fitting-Elbow, 90	13	104-7546	1	Tank Strainer ASM
3:1	237-81	1	O-Ring	13:1	340-136	1	O-Ring
4	100-4890	1	Fitting-Check	14	119-6968	1	Dipstick-Oil
4:1	237-79	1	O-Ring	15	92-5821	1	Head-Filter
4:2	237-30	1	O-Ring	16	93-7160	1	Cap-Oil, HYD
5	63-8410	4	Washer	17	2412-36	1	Clamp-Hose
6	104-4840	1	Tank-HYD	18	104-0486	1	Hose-HYD
7	2412-34	2	Clamp-Hose	19	104-4836	1	Fitting-Tee
8	353-979	1	Fitting-STR	19:1	237-58	2	O-Ring
8:1	237-42	1	O-Ring	19:2	237-81	1	O-Ring
9	3234-13	2	Screw-HHF	20	104-0487	1	Hose-HYD
10	340-142	1	Fitting-Elbow, 90 DEG	21	95-3502	1	Fitting-Elbow 90
10:1	237-58	1	O-Ring	21:1	237-81	1	O-Ring
10:2	237-81	1	O-Ring	22	104-5486	1	Hose



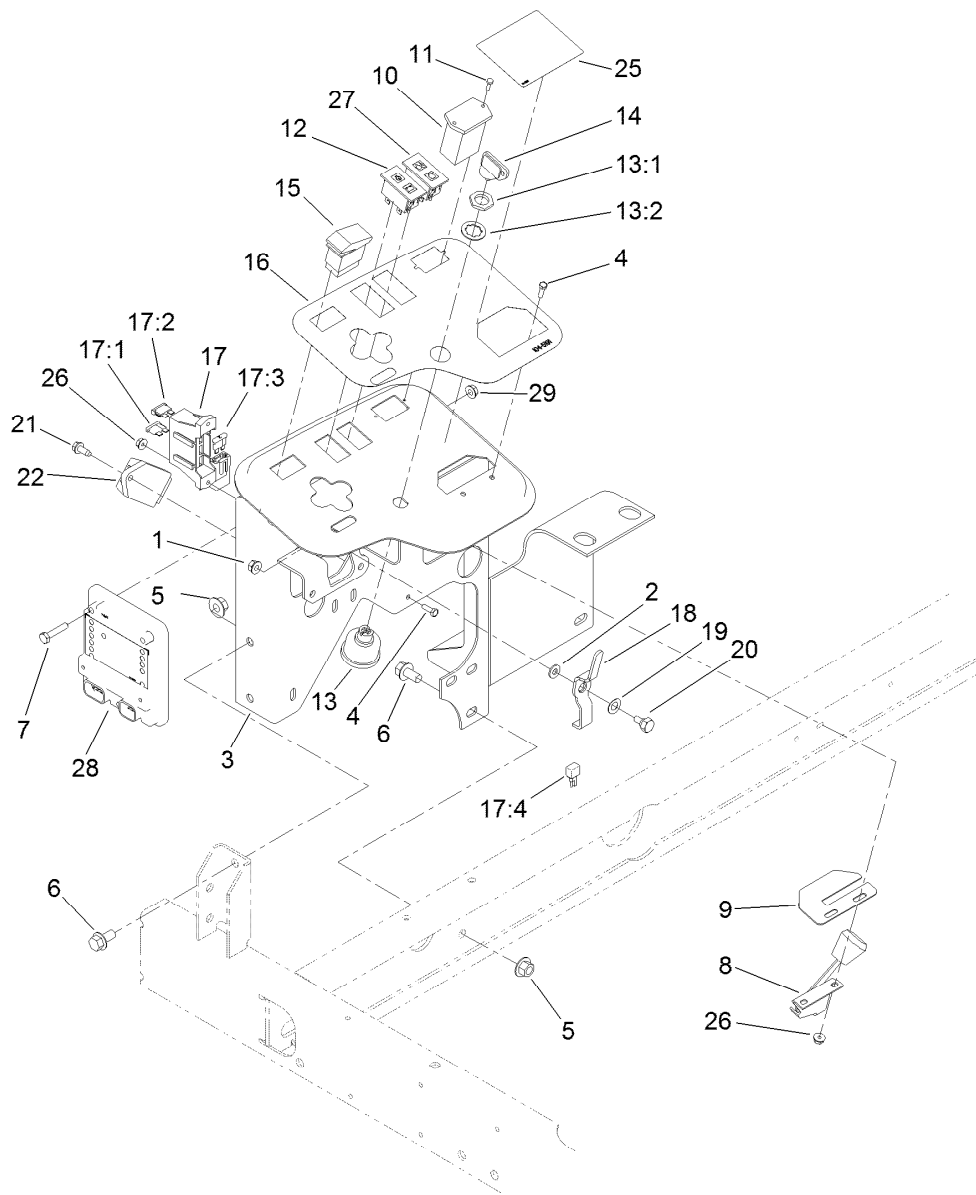
Battery Assembly

<i>Ref.</i>	<i>Part Number</i>	<i>Qty.</i>	<i>Description</i>	<i>Ref.</i>	<i>Part Number</i>	<i>Qty.</i>	<i>Description</i>
2	233-70	2	Knob-Star, Three	11	99-3602	1	Battery Cover ASM
3	32128-43	3	Nut-Flange	11:2	93-7276	1	Decal-Danger
4	3230-6	1	Bolt-CARR	11:3	87-7620	1	Shield-Terminal, Battery
5	3234-1	3	Screw-HHF	11:4	3269-27	4	Rivet-Snap
6	3256-23	1	Washer-Plain	12	95-8853	1	Cable-Battery, Positive
7	3296-29	1	Nut-Lock, NI	13	95-8854	1	Cable-Battery, Negative
8	66-2490	1	Retainer-Battery	14	32148-6	2	Nut-Clinch
9	32144-15	1	Screw-HHFTF	15	99-3513	1	Tray-Battery
10	95-8796-03	1	Support-Battery				



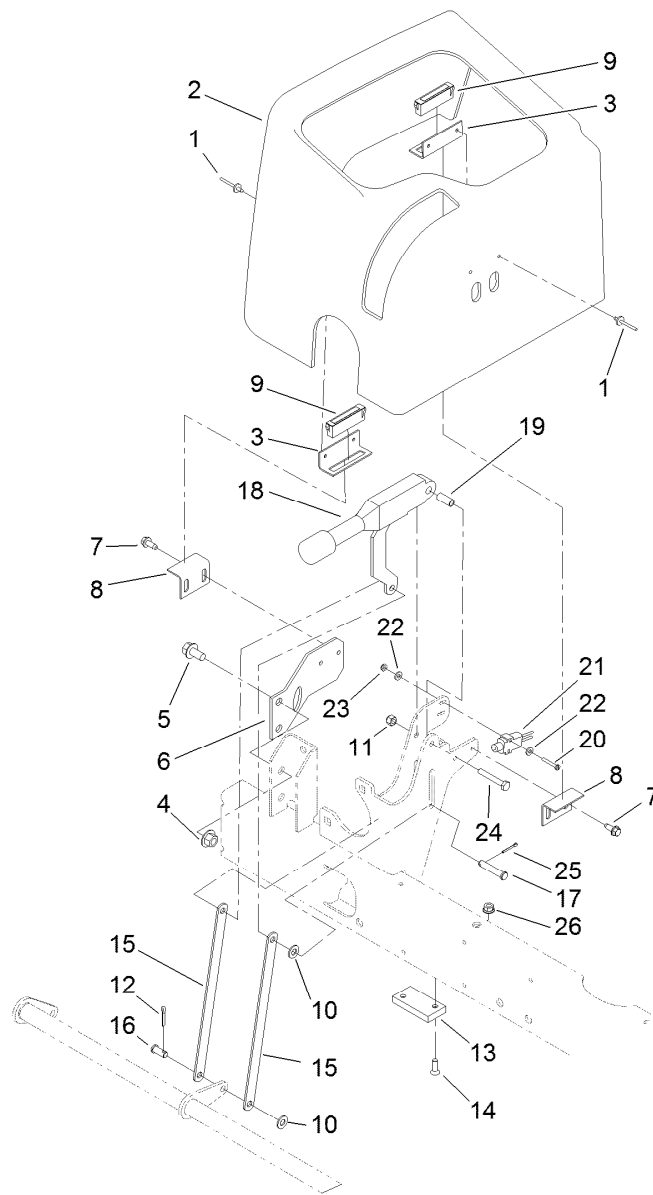
Seat Assembly

<i>Ref.</i>	<i>Part Number</i>	<i>Qty.</i>	<i>Description</i>	<i>Ref.</i>	<i>Part Number</i>	<i>Qty.</i>	<i>Description</i>
1	104-4620	1	Seat	18	92-7307	1	LH Armrest ASM
2	100-4928	1	Belt-Seat	18:1	69-0760	1	Bracket-Arm, LH
3	3234-14	6	Screw-HHF	18:2	92-7301	1	Spacer
4	104-8300	4	Nut-HF, NI	18:3	69-1180	1	Armrest
5	92-8990	1	Adjuster-Seat, Non-Locking	18:4	323-9	1	Screw-HH
6	92-8991	1	Adjuster (W/Latch)	18:5	32128-19	1	Nut-HF Lock, Large Flg
7	3212-4	2	Screw-HH	18:7	3256-24	1	Washer-Flat
8	3253-6	2	Washer-Lock	18:8	92-7318	1	Screw
9	92-6282	1	Switch-Seat	19	92-7306	1	RH Armrest ASM
10	32144-10	2	Screw-HWH	19:1	69-0770	1	Bracket-Arm, RH
11	104-0467-03	2	Strap-Support, Seat	19:2	92-7301	1	Spacer
12	95-8896	2	Foam	19:3	69-1180	1	Armrest
13	3234-11	2	Screw-HHF	19:4	323-9	1	Screw-HH
14	104-0466	2	Spacer	19:5	32128-19	1	Nut-HF Lock, Large Flg
15	323-14	2	Screw-HH	19:7	3256-24	1	Washer-Flat
16	3256-24	2	Washer-Flat	19:8	92-7318	1	Screw
17	104-4833-03	1	Shield-Heat	99	3290-378	1	Tie-Cable



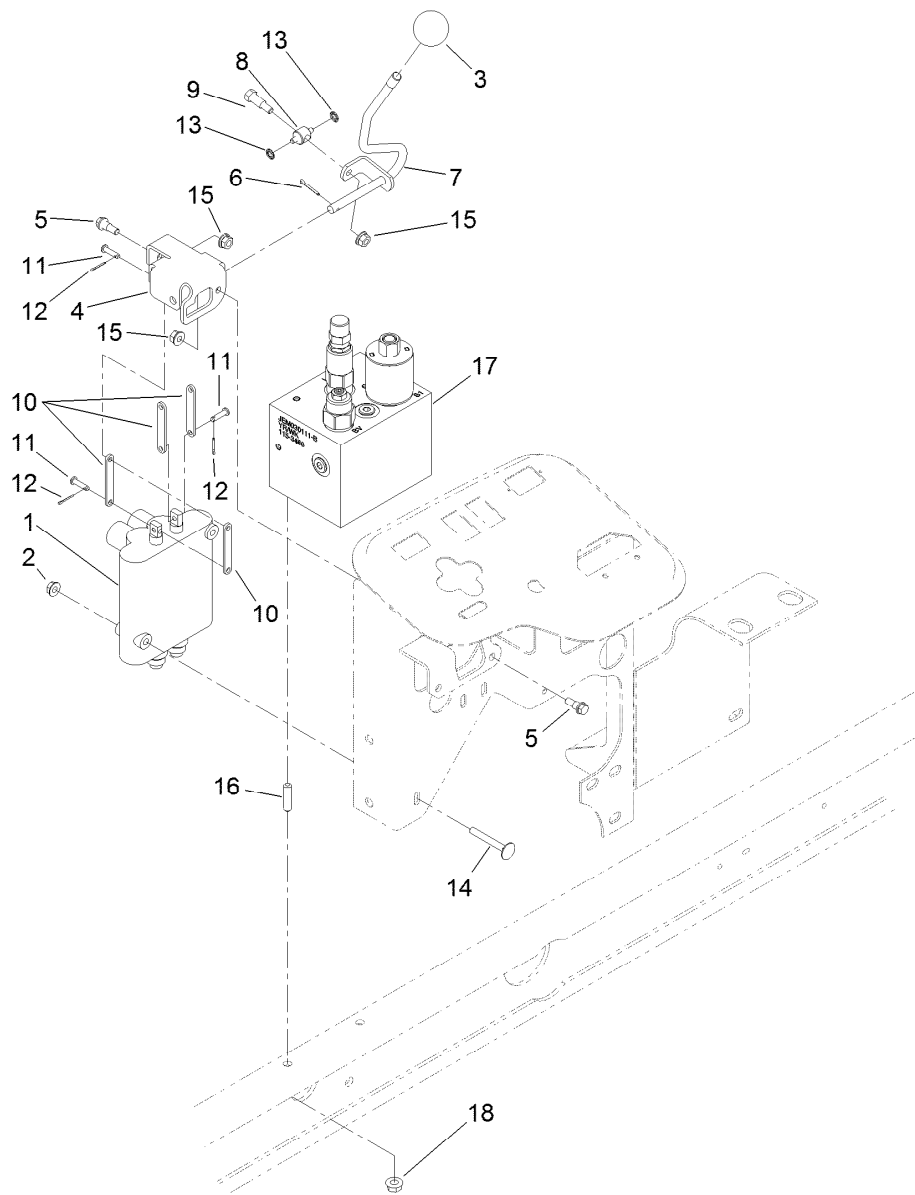
Control Panel Assembly

Ref.	Part Number	Qty.	Description	Ref.	Part Number	Qty.	Description
1	32128-32	1	Nut-HHF	16	104-5191	1	Decal-Console
2	3256-22	1	Washer-Flat	17	112-9911	1	Harness-Wire
3	115-3496-03	1	Panel-Control	17:1	218-578	2	Fuse-Blade, 10 Amp
4	3290-134	4	Screw	17:2	109355	1	Fuse-Blade, 15 Amp
5	32128-43	5	Nut-Flange	17:3	94-6710	1	Fuse-2 Amp
6	3234-1	5	Screw-HHF	17:4	100-4918	1	Diode
7	321-8	3	Screw-HH	18	99-3401-03	1	Lever-Valve, Lock
8	110-8795	1	Cable-Throttle	19	3290-477	1	Washer-Curved
9	104-0421	1	Plate-Stop, Throttle	20	63-3410	1	Screw-Shoulder
10	75-6820	1	Hourmeter	21	32144-10	1	Screw-HWH
11	32144-18	2	Screw-HWH	22	98-7611	1	Controller-Glow
12	100-8070	1	Lamp-Warning	25	99-3558	1	Decal-Console, CE
13	104-2541	1	Ignition Switch ASM	26	3290-148	4	Nut-HF
13:1	218-461	1	Nut-HH	27	100-8071	1	Lamp-Warning
13:2	3254-5	1	Washer-Lock	28	106-9277	1	Module-Control, Standard
14	63-8360	2	Key-Ignition	29	32128-33	3	Nut-HF
15	95-8999	1	Switch				



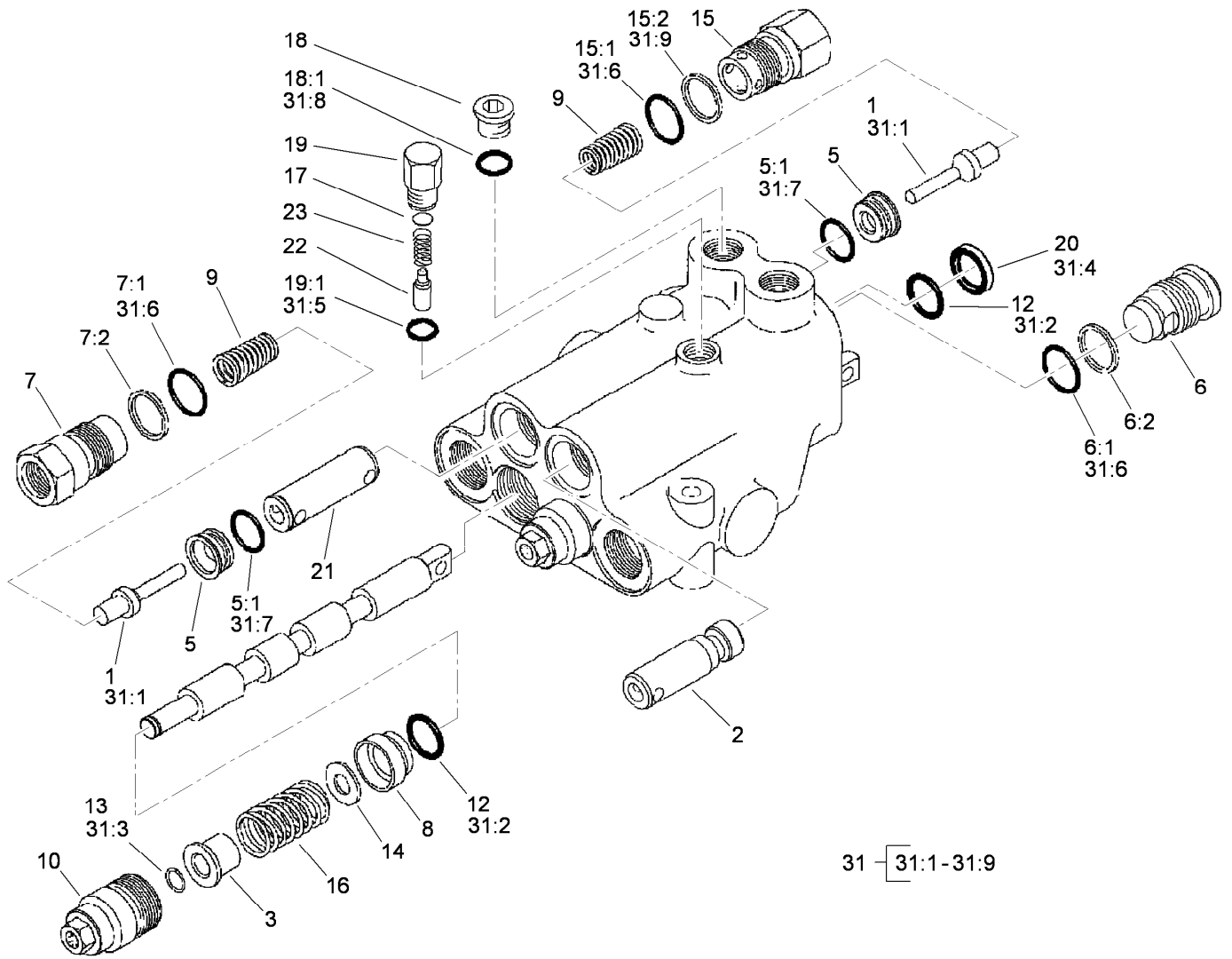
Parking Brake and Dash Cover Assembly

<i>Ref.</i>	<i>Part Number</i>	<i>Qty.</i>	<i>Description</i>	<i>Ref.</i>	<i>Part Number</i>	<i>Qty.</i>	<i>Description</i>
1	3269-5	4	Rivet-Pop	14	3289-4	2	Screw-FH
2	95-8707	1	Cover-Dash	15	104-4628-03	2	Link-Brake, Parking
3	95-8763	2	Bracket-Hold Down, Cover	16	283-62	1	Pin-Clevis
4	32128-43	2	Nut-Flange	17	94-3829	1	Pin-Clevis
5	3234-1	2	Screw-HHF	18	104-4817	1	Lever-Brake
6	95-8764-03	1	Support-Magnet	19	87-4710	1	Spacer-Brake, Parking
7	32144-10	4	Screw-HWH	20	32105-9	2	Screw
8	95-8765	2	Bracket-Strike, Magnet	21	95-8900	1	Switch
9	58-4250	2	Catch-Magnetic	22	3256-21	4	Washer-Flat
10	3256-23	3	Washer-Plain	23	3296-9	2	Nut-Hex
11	3296-42	1	Nut-Lock, NI	24	321-10	1	Screw-HH
12	3272-10	1	Pin-Cotter	25	3272-6	1	Pin-Cotter
13	95-8684	1	Pad-Bumper	26	32128-32	2	Nut-HHF



2-Spool Control Valve Assembly

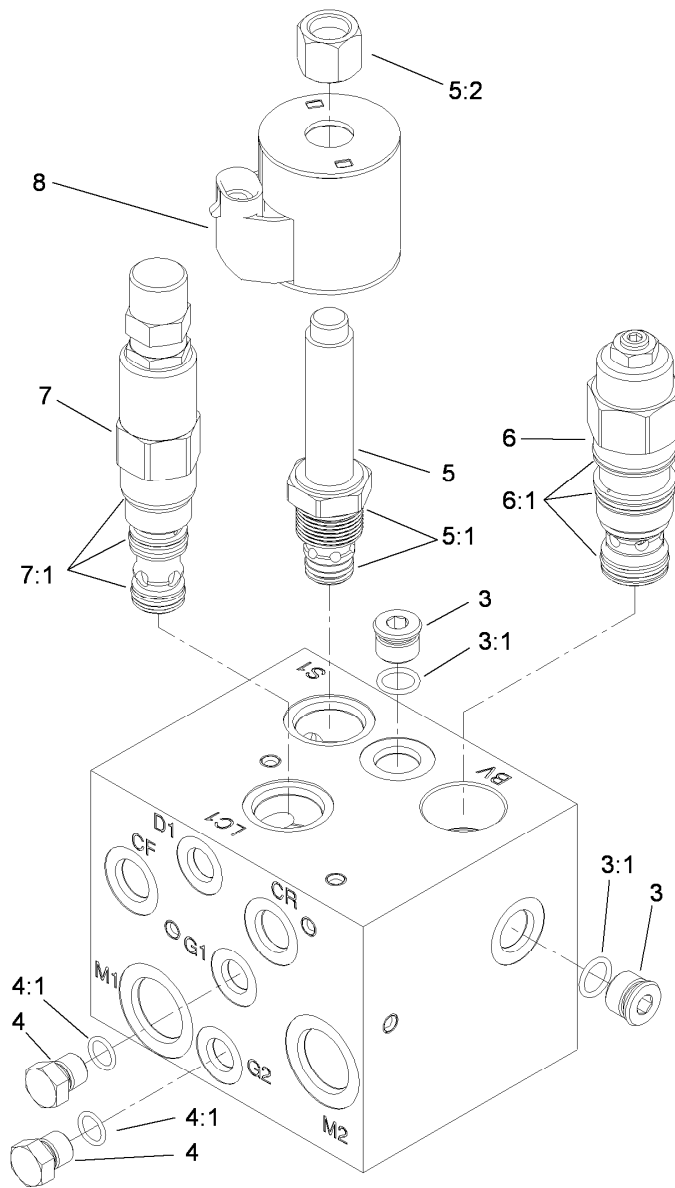
<i>Ref.</i>	<i>Part Number</i>	<i>Qty.</i>	<i>Description</i>	<i>Ref.</i>	<i>Part Number</i>	<i>Qty.</i>	<i>Description</i>
1	95-8581	1	2-Spool Control Valve ASM	10	95-8634	4	Link
2	32128-33	2	Nut-HF	11	283-16	3	Pin-Clevis
3	233-42	1	Knob	12	3272-1	3	Pin-Cotter
4	95-8633	1	Bracket-Valve, Actuator	13	32151-106	2	Ring-Retaining
5	42-3560	2	Bolt-Shoulder	14	3230-33	2	Screw-CARR
6	3272-6	1	Pin-Cotter	15	32128-32	3	Nut-HHF
7	95-8635	1	Lever-Valve	16	104-0430	2	Stud
8	95-8638	1	Trunnion-Valve, Actuator	17	115-3486	1	Manifold Block ASM
9	92-8916	1	Bolt-Shoulder	18	32128-20	2	Nut-HF



2-Spool Control Valve Assembly No. 95-8581

Ref.	Part Number	Qty.	Description
1	58-6290	3	Poppet
2	69-1840	1	Plunger
3	58-6310	2	Spacer
5	58-6330	3	Seat
5:1	58-6340	1	O-Ring
6	58-6350	1	Plug
6:1	60-5720	1	O-Ring
6:2	58-6370	1	Washer
7	69-1800	2	Plug ASM
7:1	60-5720	1	O-Ring
7:2	58-6370	1	Washer
8	58-6400	2	Bushing
9	69-1810	3	Spring
10	58-6420	2	Cap
12	58-6450	4	O-Ring
13	58-6460	2	Ring-Retaining
14	65-2770	2	Washer
15	99-3526	1	Plug ASM
15:1	60-5720	1	O-Ring
15:2	59-7730	1	Washer-Backup

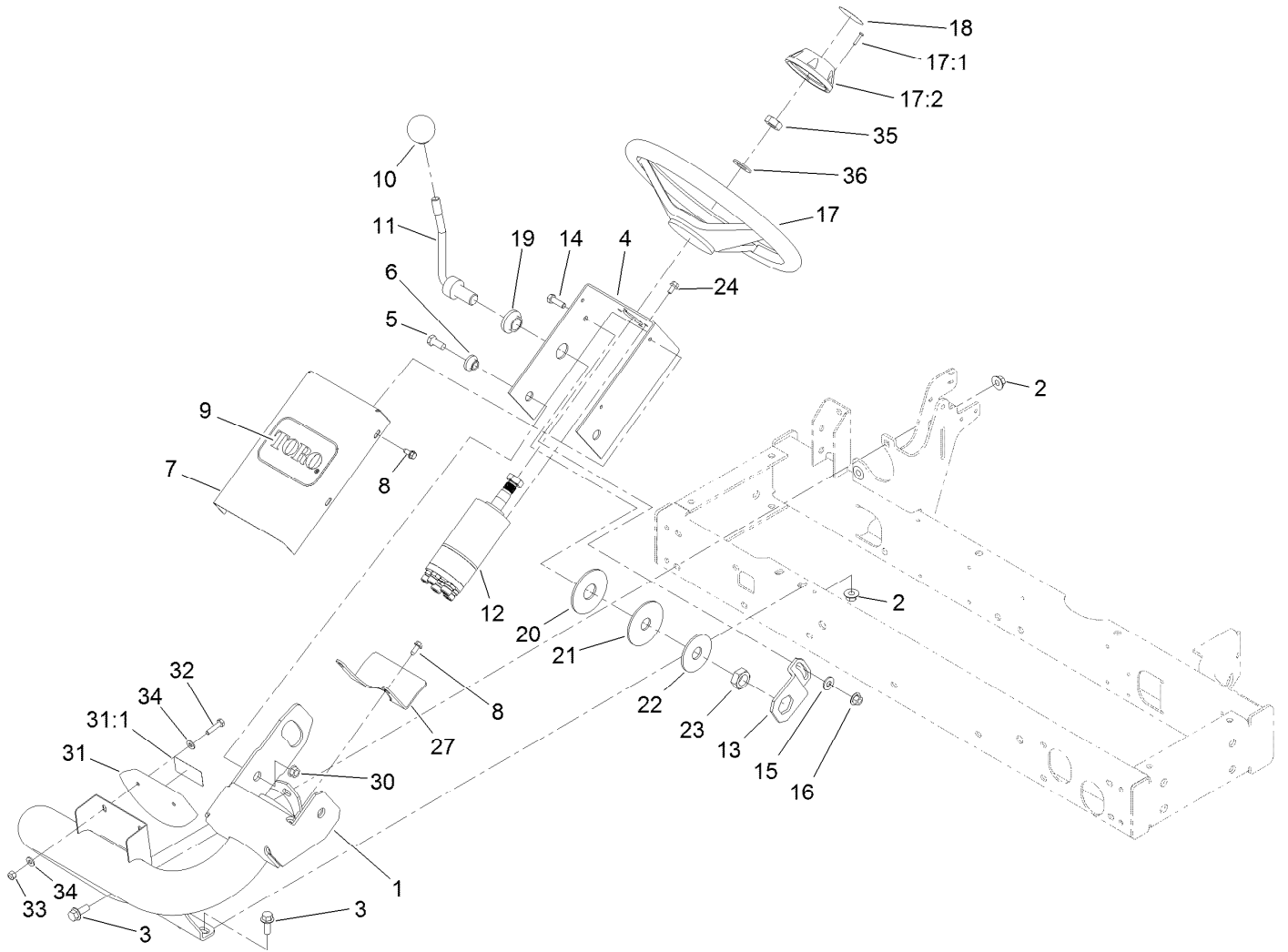
Ref.	Part Number	Qty.	Description
16	99-3531	2	Spring
17	60-6450	1	Disc
18	353-989	1	Plug-Hex, Hollow
18:1	237-42	1	O-Ring
19	58-6780	1	Plug
19:1	58-6790	1	O-Ring
20	58-6320	2	Wiper
21	99-3528	1	Plunger
22	58-6770	1	Plunger
23	58-6760	1	Spring
31	99-3530	1	Seal Kit
31:1	58-6290	3	Poppet
31:2	58-6450	4	O-Ring
31:3	58-6460	2	Ring-Retaining
31:4	58-6320	2	Wiper
31:5	58-6790	1	O-Ring
31:6	60-5720	4	O-Ring
31:7	58-6340	2	O-Ring
31:8	237-42	1	O-Ring
31:9	59-7730	2	Washer-Backup



Manifold Block Assembly No. 115-3486

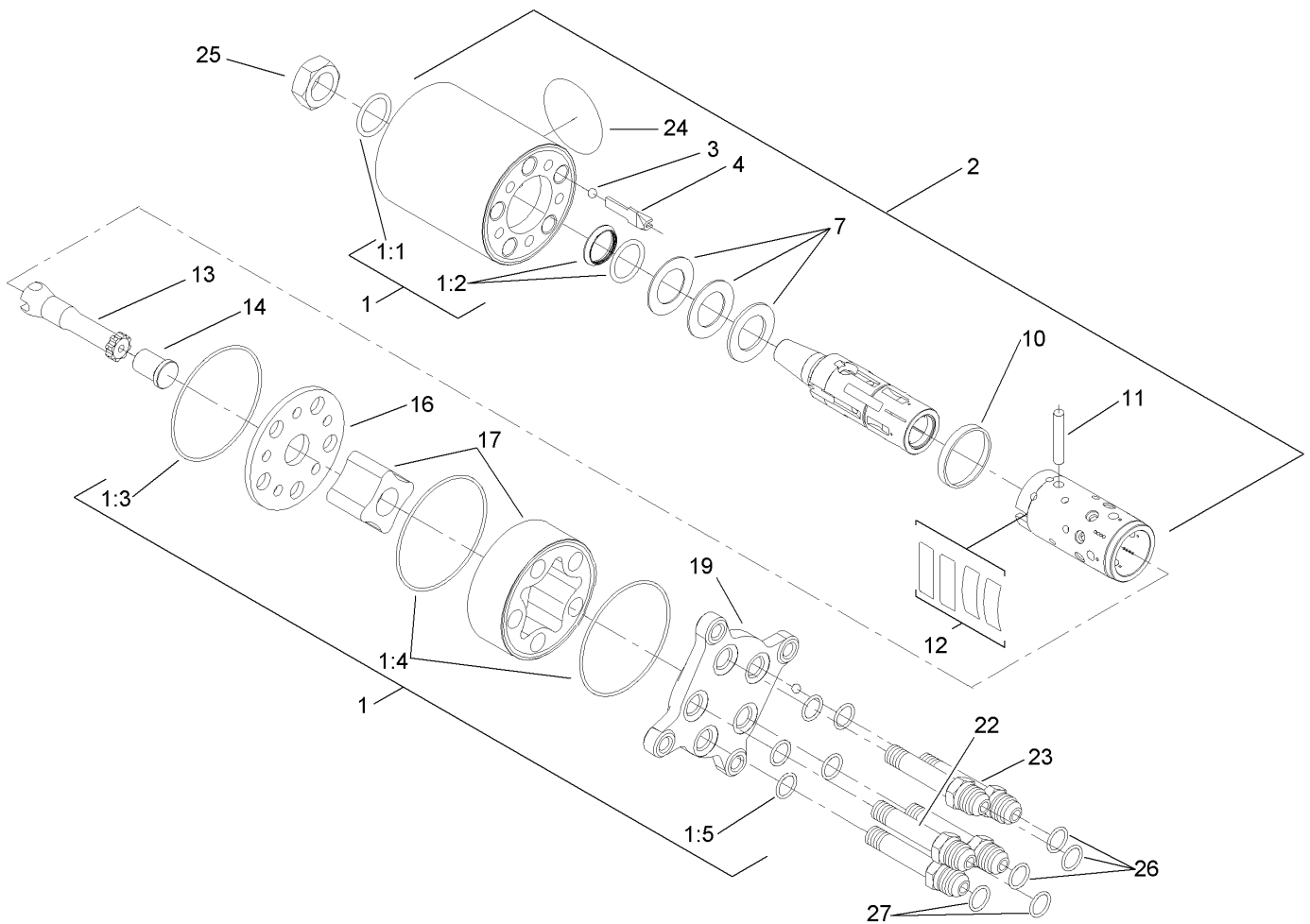
Ref.	Part Number	Qty.	Description
3	106-1026	2	Plug-HYD
3:1	237-42	1	O-Ring
4	117-0115	1	Plug
4:1	237-78	1	O-Ring
5	110-8768	1	Valve-Relief, Solenoid (3000 PSI)
5:1	110-6316	1	Seal Kit ●
5:2	130-8180	1	Nut-Coil
6	117-5110	1	Valve-Counterbalance
6:1	117-5111	1	Seal Kit
7	119-2011	1	Valve-Logic, Adjustable
7:1	119-2159	1	Seal Kit
8	110-6344	1	Coil-12V, DC

● Not illustrated



Steering Arm Assembly

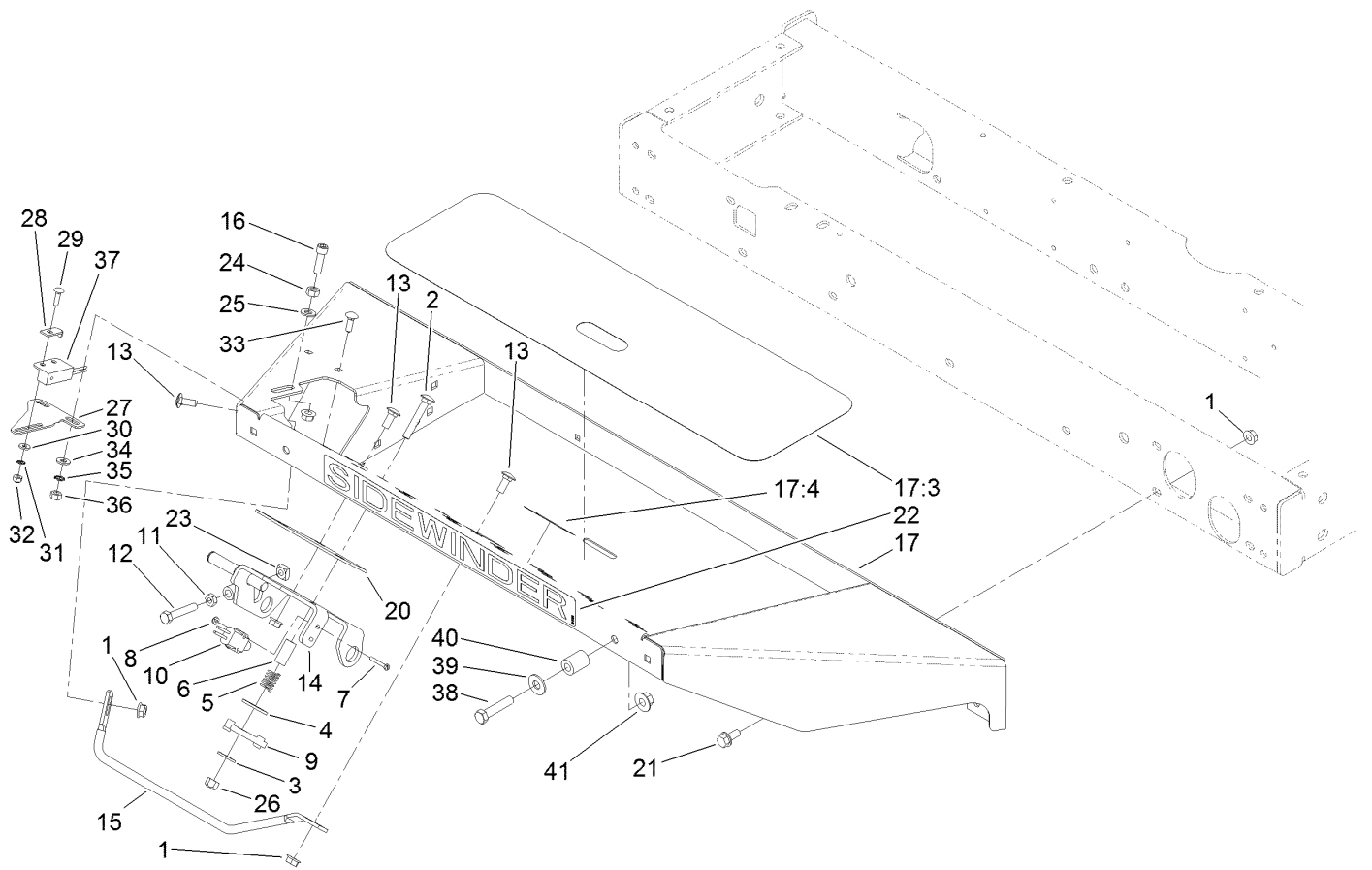
Ref.	Part Number	Qty.	Description	Ref.	Part Number	Qty.	Description
1	105-8536-01	1	Arm-Steering	17:2	68-5140	1	Cap-Wheel, Steering
2	32128-43	4	Nut-Flange	18	68-5370	1	Decal
3	3234-11	4	Screw-HHF	19	99-3502	1	Boss
4	104-5185-01	1	Bracket-Valve, Steering	20	31-0390	1	Disc-Friction
5	323-5	2	Screw-HH	21	82-9010	1	Disc-Friction
6	93-5988	2	Hub-Pivot	22	80-2930	1	Washer-Flat
7	95-8794-01	1	Cover-Valve, Steering	23	3218-7	1	Nut-Jam
8	32144-10	5	Screw-HWH	24	33103-012	4	Screw-HHF
9	67-1300	1	Decal	27	99-3405-01	1	Shield-Steering
10	233-48	1	Knob	30	32128-21	2	Nut-HF Lock
11	95-8798-03	1	Lever-Steering	31	100-4929	1	Slope Indicator ASM
12	104-5180	1	Steering Valve ASM	31:1	100-4837	1	Decal-Danger
13	80-2880	1	Bracket-Tilt	31:1	107-7801	1	Decal-Danger, 15 Degree
14	322-5	1	Screw-HH	32	321-7	2	Screw-HH
15	3256-3	1	Washer-Flat	33	3296-42	2	Nut-Lock, NI
16	32128-44	1	Nut	34	3256-22	4	Washer-Flat
17	75-0560	1	Steering Wheel ASM	35	3296-33	1	Nut-Lock, NI
17:1	32144-21	1	Screw	36	3256-27	1	Washer-Flat



Steering Valve Assembly No. 104-5180

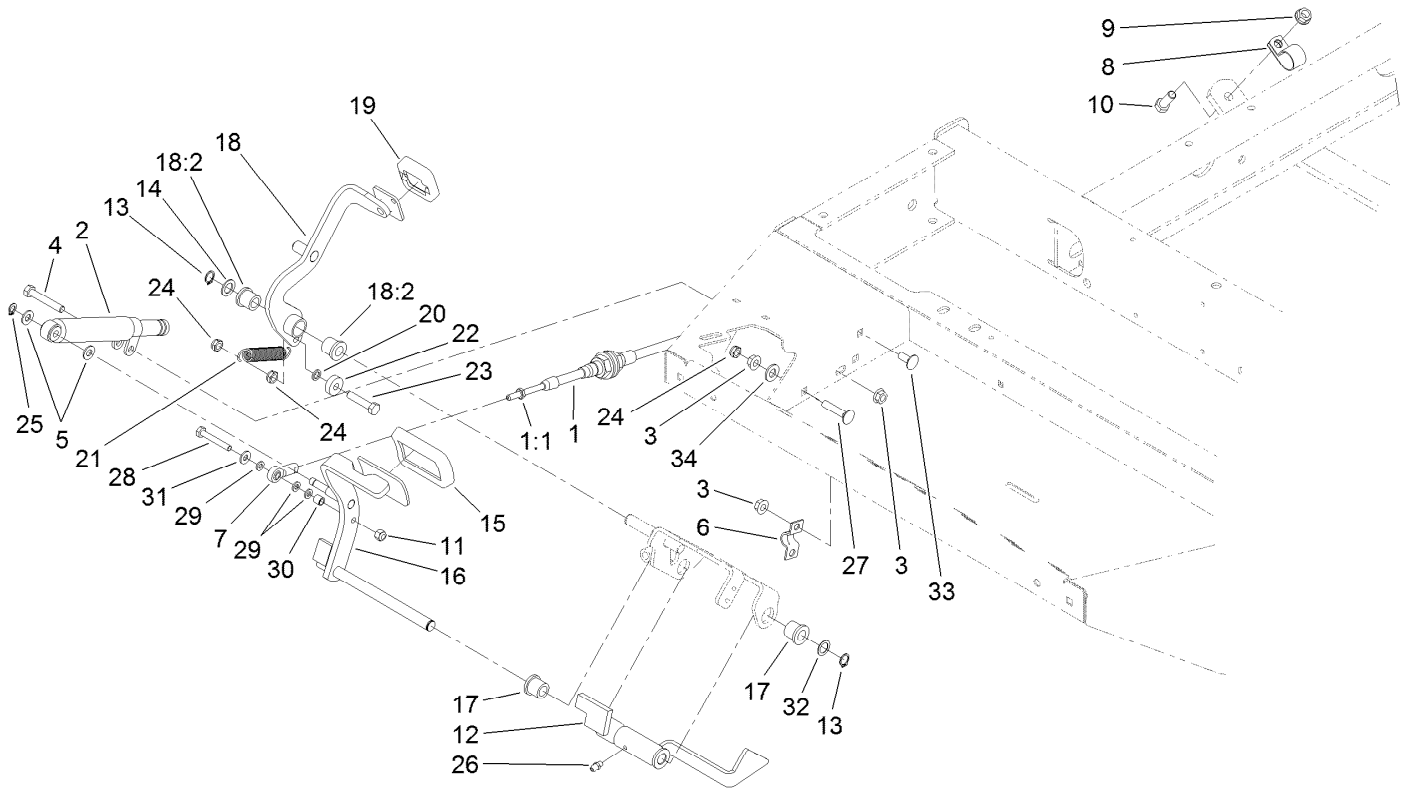
Ref.	Part Number	Qty.	Description
1	106-6716	1	Seal Kit
1:1		1	Ring-Seal, Dust ●
1:2		1	Seal-Shaft ●
1:3		1	O-Ring ●
1:4		2	O-Ring ●
1:5		5	O-Ring ●
2		1	Housing ●
3		1	Ball ●
4		1	Stop-Ball ●
7		1	Bearing ASM ●
10		1	Ring ●
11		1	Pin-Cross ●
12		1	Springs ●
13		1	Shaft ●
14		1	Spacer ●
16		1	Plate-Distributor ●
17		1	Gearwheel Set ●
19		1	Cover-End ●
22		1	Screw-Special ●
23		4	Screw-Special ●
24		1	Plate-Name ●
25	3296-33	1	Nut-Lock, NI
26	237-22	3	O-Ring
27	237-21	2	O-Ring

● Not serviced separately



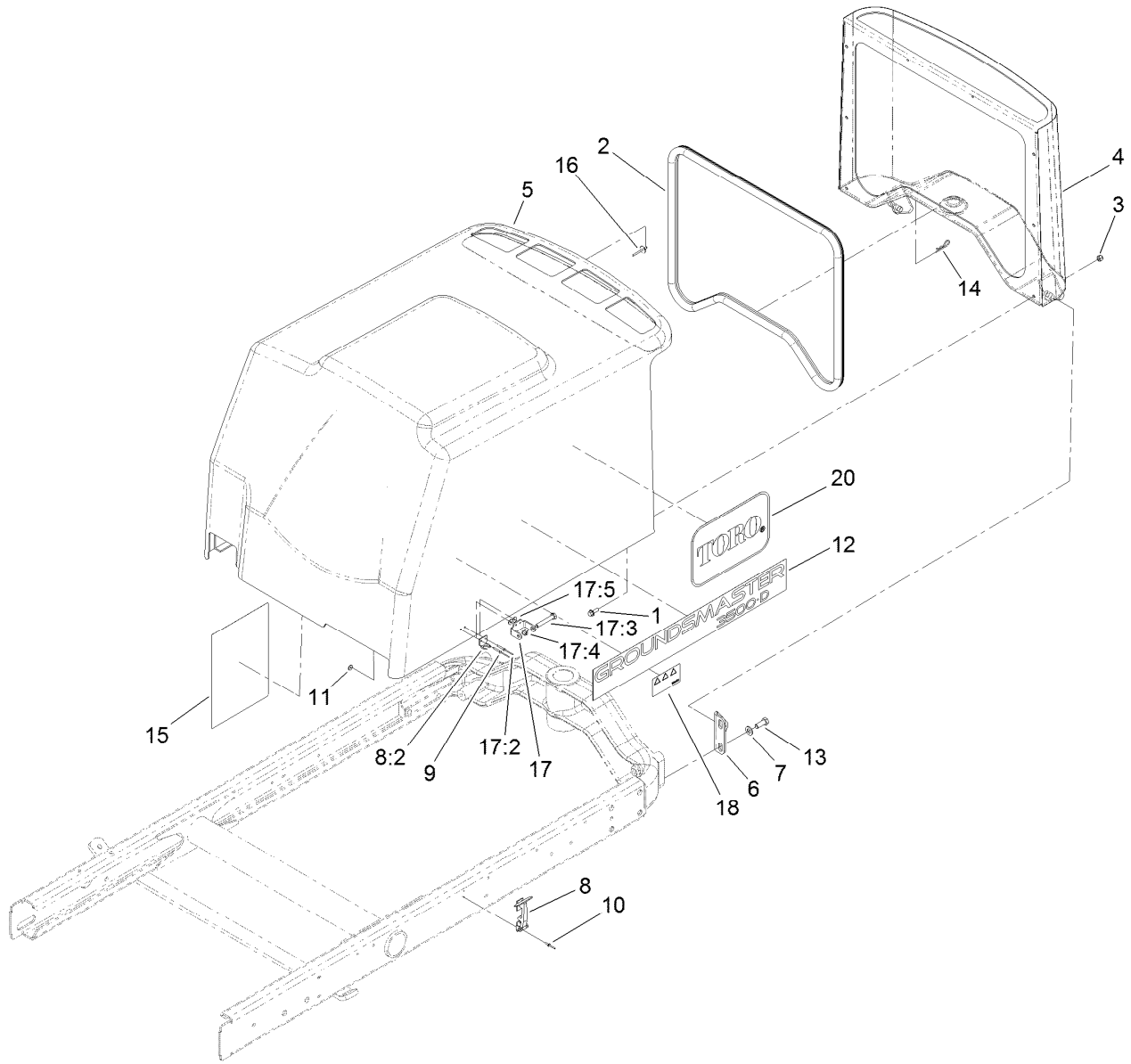
Floorplate Assembly

Ref.	Part Number	Qty.	Description	Ref.	Part Number	Qty.	Description
1	32128-20	17	Nut-HF	22	99-3388	1	Decal
2	3230-6	1	Bolt-CARR	23	99-3565	1	Nut-Square
3	3256-3	1	Washer-Flat	24	3217-6	1	Nut-Hex
4	3256-40	1	Washer-Flat	25	3256-23	1	Washer-Plain
5	65-9940	1	Spring	26	3296-29	1	Nut-Lock, NI
6	95-8866	1	Tube-Arm, Rocker	27	100-4871	1	Bracket-Switch, Neutral
7	32105-9	2	Screw	28	100-4872	1	Plate-Switch, Neutral
8	3296-9	2	Nut-Hex	29	3229-20	1	Screw-CARR
9	99-3593	1	Arm-Rocker	30	3256-14	1	Washer-Flat
10	95-8900	1	Switch	31	3255-17	1	Washer-Lock, EXT
11	3218-2	1	Nut-Hex Jam	32	3296-2	1	Nut-Lock, NI
12	322-41	1	Bolt-Hex,TAP	33	3229-1	2	Screw-CARR
13	3230-23	4	Bolt-CARR	34	3256-22	2	Washer-Flat
14	95-8869-03	1	Bracket-Pedal, Traction	35	3255-7	2	Washer-Lock/EXT
15	95-8893	1	Bar-Deflector	36	3217-5	2	Nut-Hex
16	3274-22	1	Screw-HSH	37	100-1270	1	Switch-Proximity
17	106-4154	1	Floorplate ASM	38	323-9	2	Screw-HH
17:3	99-3478	1	Tread-Foot	39	3256-4	2	Washer-Flat
17:4	99-3444	1	Decal-Mow / Transport	40	104-4613	2	Tube-Latch
20	106-2661-01	1	Plate-Support	41	32128-43	2	Nut-Flange
21	3234-5	10	Screw-HHF				



Traction Pedal Assembly

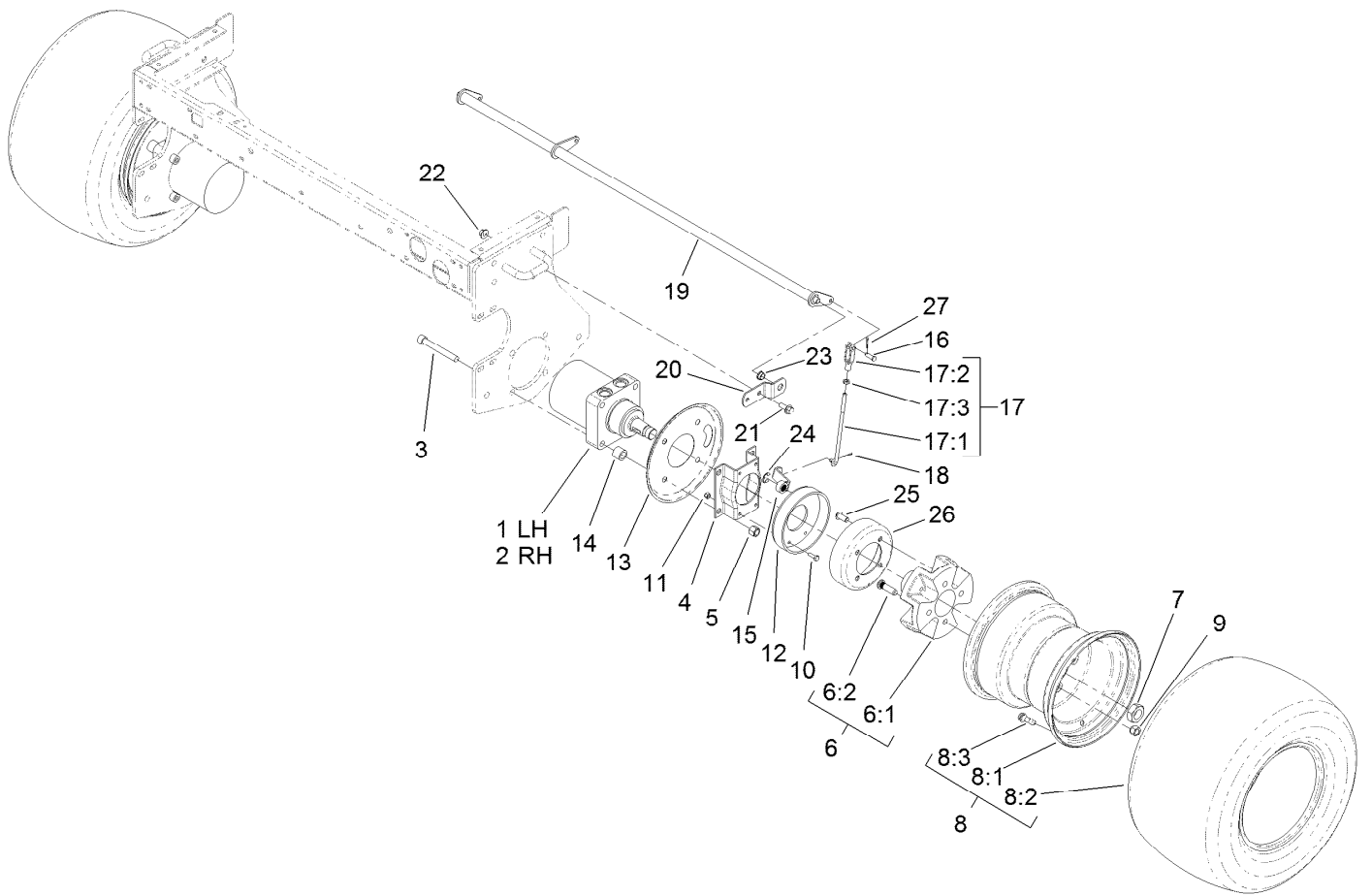
<i>Ref.</i>	<i>Part Number</i>	<i>Qty.</i>	<i>Description</i>	<i>Ref.</i>	<i>Part Number</i>	<i>Qty.</i>	<i>Description</i>
1	100-4815	1	Cable-Control, Traction	18	99-3379	1	Pedal-Reverse ASM
1:1	3220-1	2	Nut-Jam	18:2	256-243	2	Bearing-Flange
2	76-8870	1	Damper-Lever	19	74-9110	1	Pad-Pedal, Reverse
3	32128-20	5	Nut-HF	20	75-5470	1	Spacer-Bearing
4	322-10	1	Screw-HH	21	99-3476	1	Spring-Extension
5	3256-23	2	Washer-Plain	22	251-259	1	Bearing-Ball
6	93-2092	1	Clamp-Cable	23	322-7	1	Screw-HH
7	2411-41	1	Rod End-Ball Joint	24	3296-47	3	Nut-Lock,NI
8	2412-41	1	Clamp-R	25	32151-3	1	Ring-Grip
9	3290-357	1	Nut-HHF, Whiz	26	302-5	1	Fitting-Grease
10	323-6	1	Screw-HH	27	3230-27	1	Screw-CARR
11	3296-42	1	Nut-Lock, NI	28	321-10	1	Screw-HH
12	95-8861	1	Slide	29	33093-00	3	Washer-Flat
13	32151-84	2	Ring-Shaft, EXT	30	99-3545	1	Spacer
14	41-8440	1	Washer	31	3256-22	1	Washer-Flat
15	74-9100	1	Pad-Pedal, Forward	32	73-0040	4	Washer-Thrust
16	104-4852-03	1	Pedal-Traction	33	3230-23	2	Bolt-CARR
17	256-243	2	Bearing-Flange	34	3256-24	1	Washer-Flat



Hood Assembly

Ref.	Part Number	Qty.	Description	Ref.	Part Number	Qty.	Description
1	3234-4	6	Screw-HHF	12	104-5152	2	Decal-Hood
2	100-4932	1	Trim-Seal	13	323-6	4	Screw-HH
3	3296-42	6	Nut-Lock, NI	14	3290-467	1	Pin-Hair
4	104-4853-03	1	Screen-Hood	15	117-5103	1	Decal-Service
5	100-4855	1	Hood	16	3269-21	2	Rivet-Pop
5:1	106-8115	1	Heat Tape Repair Kit ●	17	119-2004	1	CE Latch Kit
6	95-8728	2	Bracket-Pivot, Hood	17:2	107-0333	2	Rivet-Pop
7	3256-24	8	Washer-Flat	17:3	322-10	1	Screw-HH
8	59-9740	2	Flex Draw Latch ASM	17:4	3296-47	1	Nut-Lock, NI
8:2	249-40	1	Keeper	17:5	3269-10	2	Washer-Back
9	107-0333	4	Rivet-Pop	18	106-6754	1	Decal-Danger
10	3290-55	4	Rivet-Pop	20	66-6140	2	Decal
11	3269-10	4	Washer-Back				

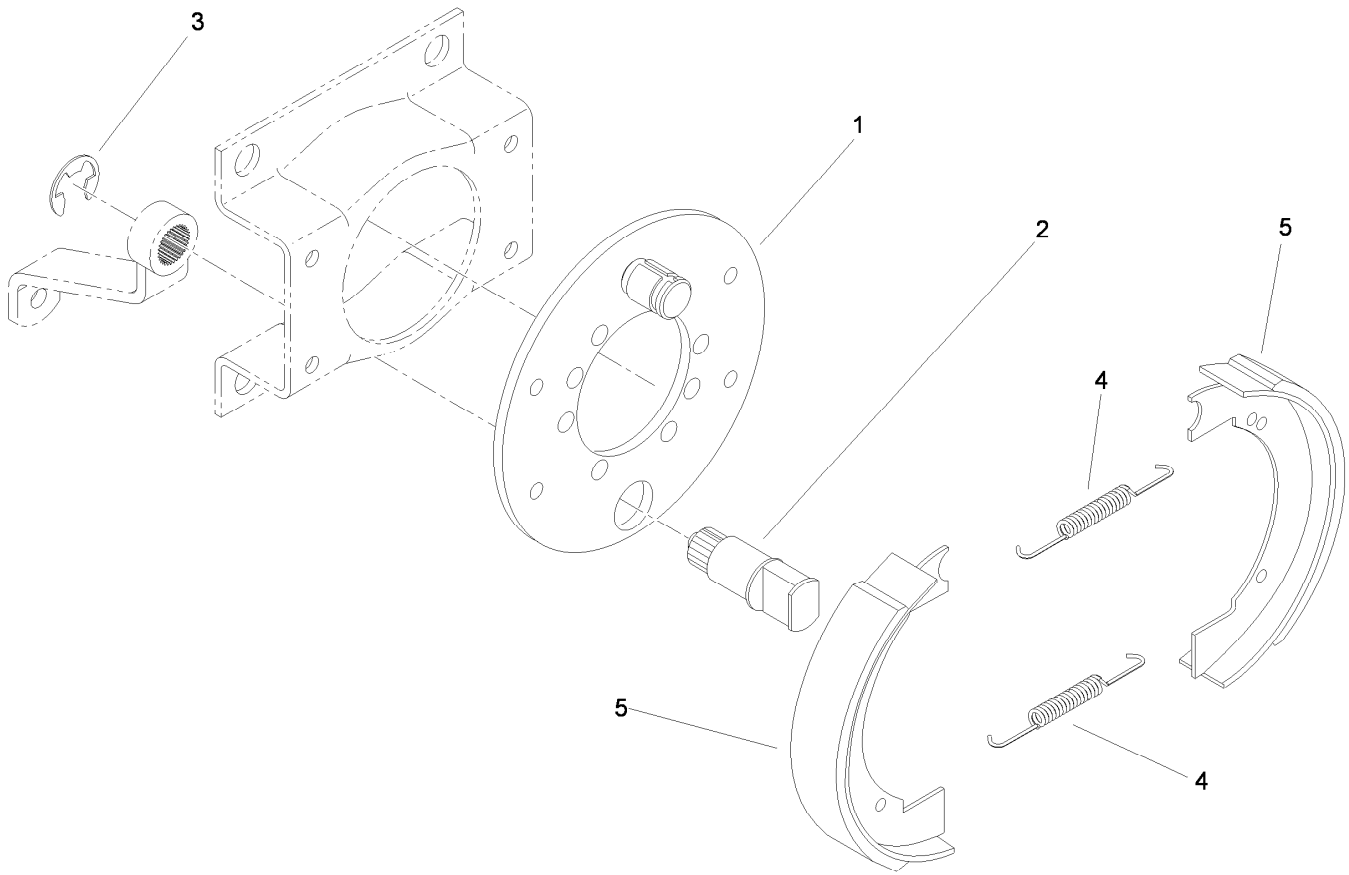
● Not illustrated



Wheel Motor and Brake Assembly

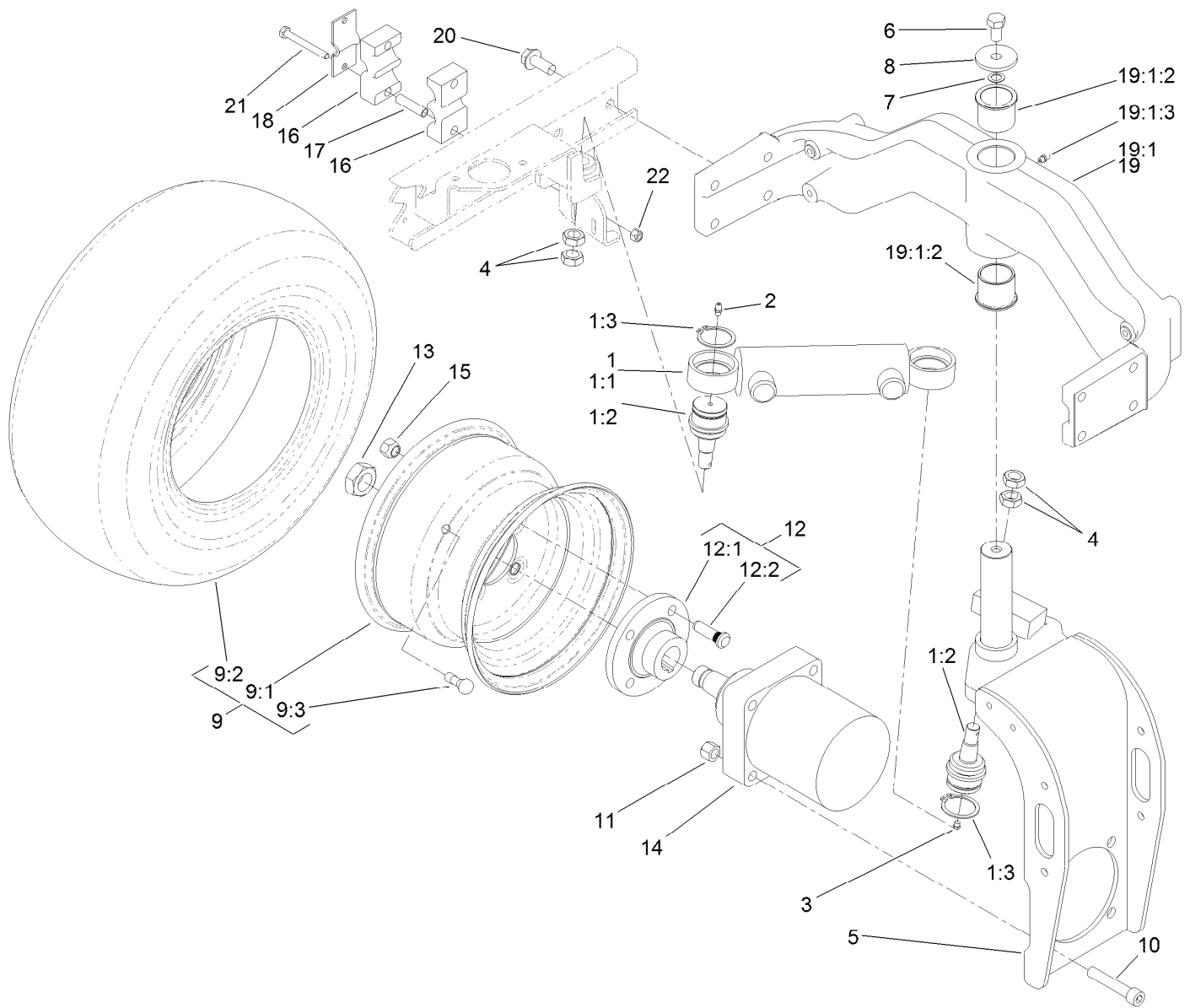
Ref.	Part Number	Qty.	Description	Ref.	Part Number	Qty.	Description
1	110-8785	1	HYD Motor ASM (CCW)	14	119-8238	8	Spacer-Deck Pulley
2	110-8786	1	HYD Motor ASM (CW)	15	114-2726	2	Lever-Brake
3	3274-99	8	Screw-HSH	16	283-1	2	Pin-Clevis
4	84-2000-03	2	Bracket-Brake	17	115-6672	2	Brake Lever ASM
5	3296-23	8	Nut-Lock, NI	17:1	104-4627	1	Rod-Adjusting
6		2	Wheel Hub/Stud ASM ●	17:2	1-303105	1	Yoke-Adjustable
6:1	104-0462	1	Hub-Wheel, Spacer	17:3	3220-2	1	Nut-Jam
6:2	10-6830	4	Stud-Type, Drive	18	3272-6	2	Pin-Cotter
7	26-3790	2	Nut-Lock	19	104-4625-03	1	Shaft-Pivot, Brake
8		2	Wheel And Tire ASM ●	20	95-8683	2	Bracket-Pivot, Brake
8:1	117-5126	1	Rim	21	3234-11	4	Screw-HHF
8:2	117-5125	1	Tire	22	32128-43	4	Nut-Flange
8:3	232-27	1	Stem-Valve	23	256-156	2	Bushing-Flange
9	242-50	8	Nut-Lug	24	104-7706	2	E-Ring, Bowed
10	321-5	8	Screw-HH	25	3274-105	8	Screw-HSBH
11	3296-42	8	Nut-Lock, NI	26	104-4809	2	Drum-Brake
12	104-7705	2	Brake ASM	27	3272-10	2	Pin-Cotter
13	104-0485-03	2	Shield-Wheel				

● Not serviced separately



Brake Assembly No. 104-7705

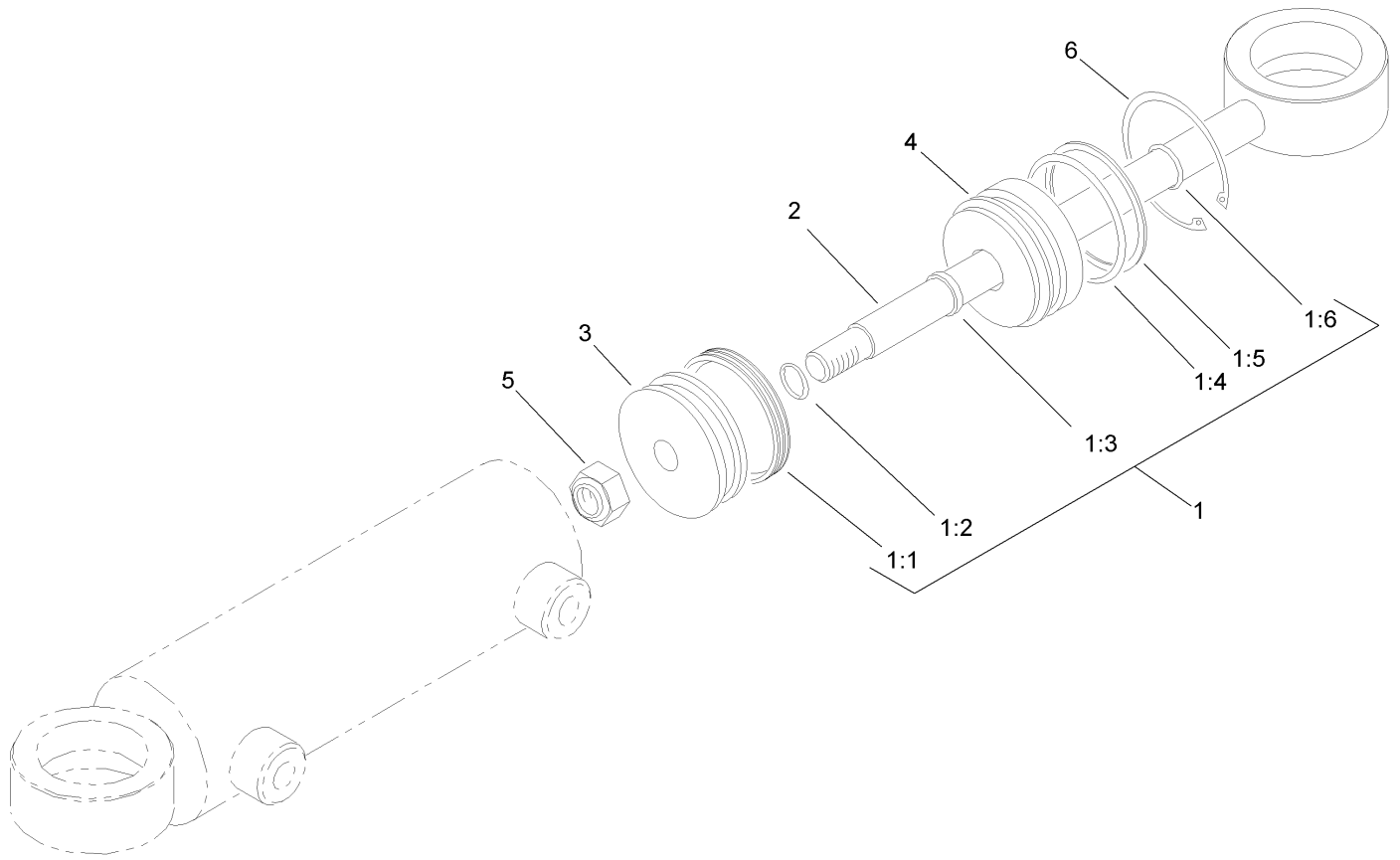
<i>Ref.</i>	<i>Part Number</i>	<i>Qty.</i>	<i>Description</i>
1	70-9870	1	Plate-Backing
2	104-7707	1	Shaft-Cam, Brake
3	104-7706	1	E-Ring, Bowed
4	70-9880	2	Spring-Return
5	70-9840	2	Shoe-Brake



Rear Fork and Wheel Assembly

Ref.	Part Number	Qty.	Description	Ref.	Part Number	Qty.	Description
1		1	Steering Cylinder / Balljoint ASM ●	11	3296-23	4	Nut-Lock, NI
1:1	94-8141	1	HYD Cylinder ASM	12		1	Wheel Hub/Stud ASM ●
1:2	106-6774	2	Joint-Ball	12:1	10-6870-03	1	Hub-Wheel
1:3	32151-104	2	Ring-Retaining, External	12:2	10-6830	4	Stud-Type, Drive
2	302-5	1	Fitting-Grease	13	26-3790	1	Nut-Lock
3	302-59	1	Plug-EXT Hex Spl	14	95-8694	1	HYD Motor ASM
4	3220-6	4	Nut-Jam	15	242-50	4	Nut-Lug
5	95-8905-01	1	Fork-Rear	16	82-8170	2	Clamp
6	325-3	1	Screw-HH	17	93-7960	2	Spacer
7	3255-2	1	Washer-Lock, EXT	18	93-7961	1	Clamp-Drain, Case
8	75-7730	1	Washer-Thrust	19	107-7828-03	1	Casting-Rear
9		1	Wheel And Tire ASM ●	19:1		1	Rear Casting ASM ●
9:1	117-5129	1	Rim	19:1:2	95-8805	2	Bushing
9:2	115-1572	1	Tire	19:1:3	302-5	1	Fitting-Grease
9:3	232-27	1	Stem-Valve	20	3234-38	8	Screw-HHF
10	3274-93	4	Screw-HSH	21	322-13	2	Screw-HH
				22	3296-29	2	Nut-Lock, NI

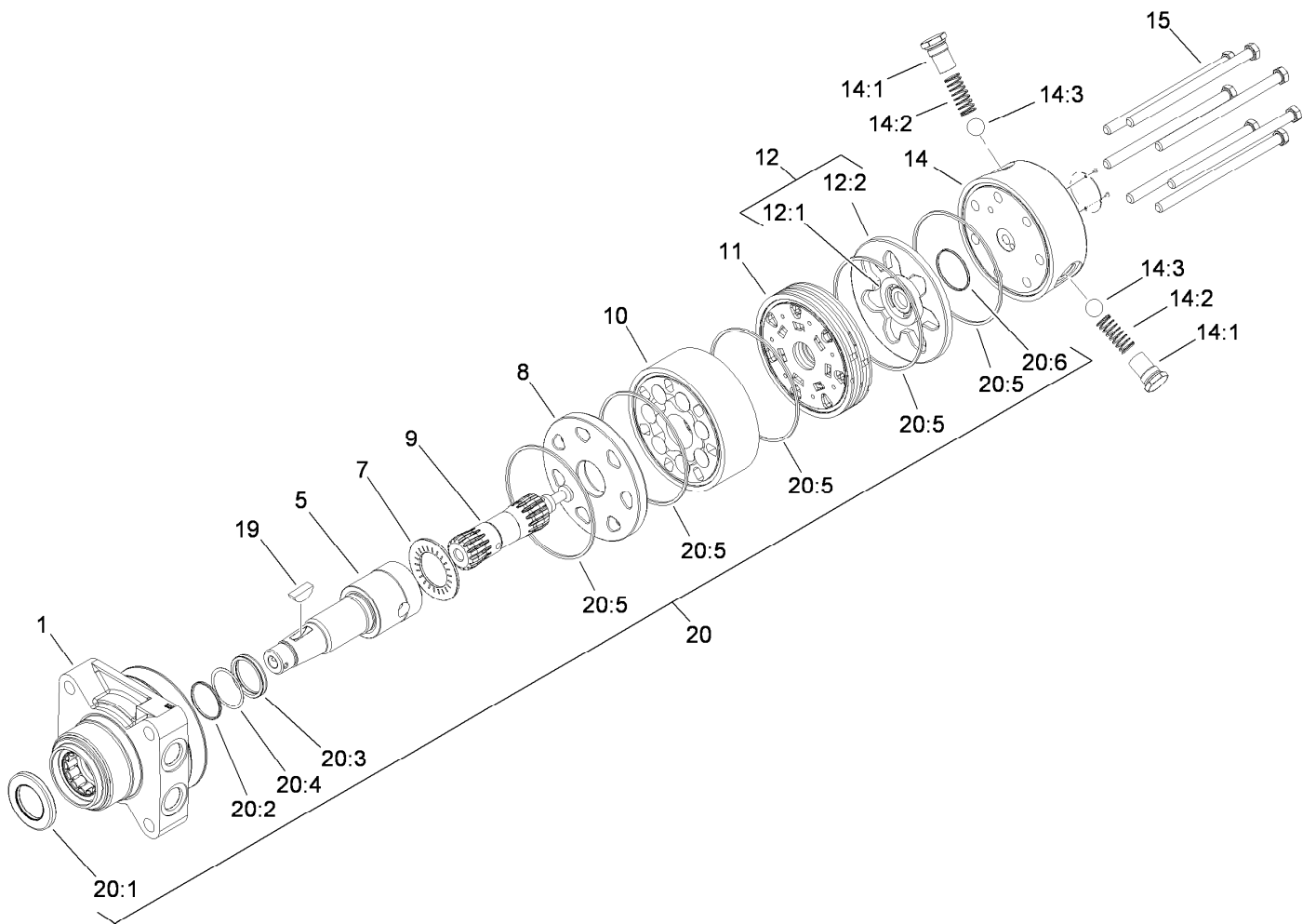
● Not serviced separately



Hydraulic Cylinder Assembly No. 94-8141

<i>Ref.</i>	<i>Part Number</i>	<i>Qty.</i>	<i>Description</i>
1	86-5390	1	Seal Kit
1:1		1	Uniring ●
1:2		1	O-Ring ●
1:3		1	Seal-Rod ●
1:4		1	O-Ring ●
1:5		1	Ring-Backup ●
1:6		1	O-Ring ●
2		1	Rod ●
3		1	Piston ●
4		1	Gland ●
5		1	Nut-Lock ●
6		1	Ring-Retaining ●

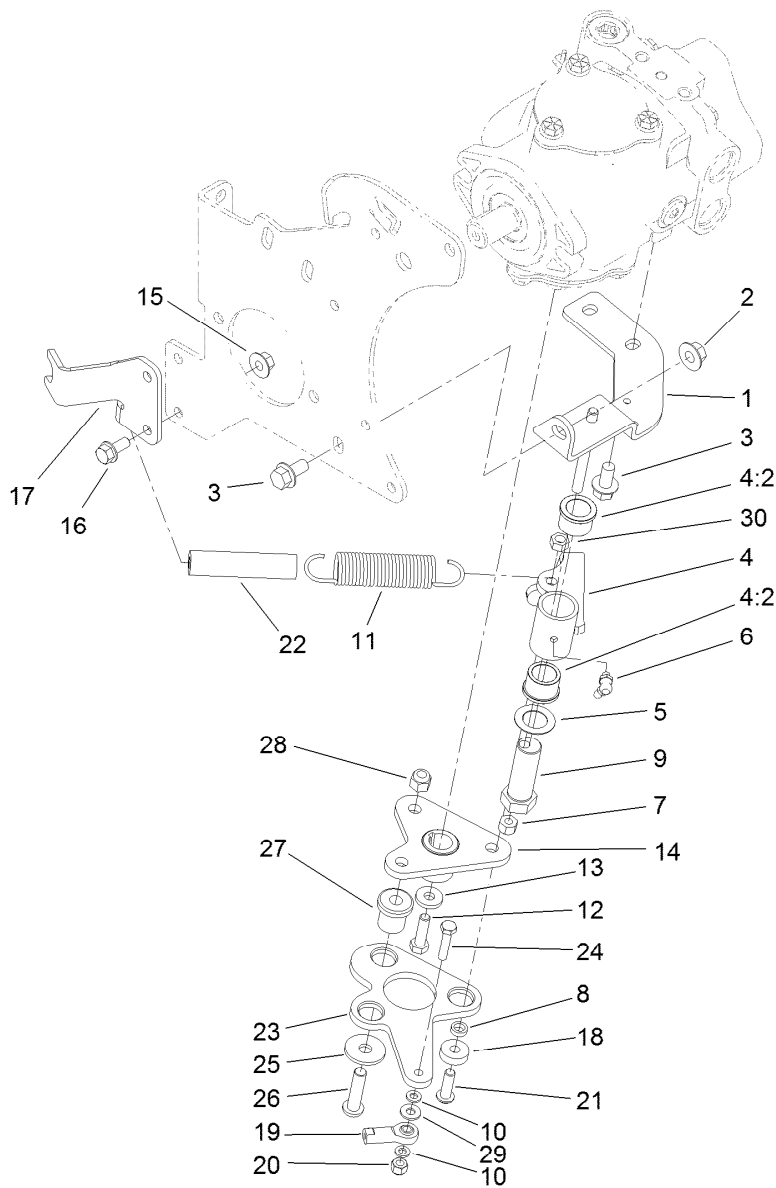
● Not serviced separately



Hydraulic Motor Assembly No. 95-8694

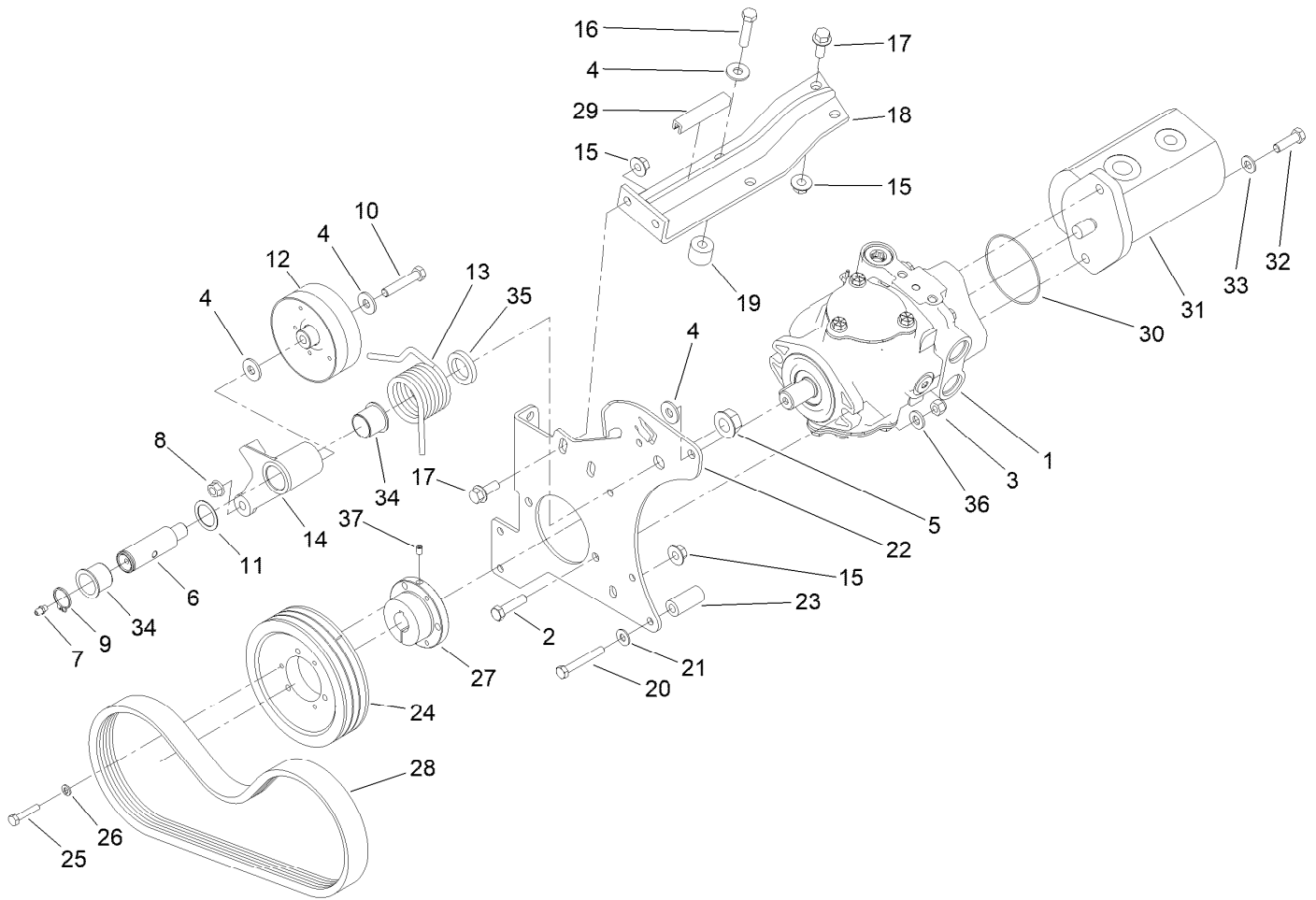
Ref.	Part Number	Qty.	Description	Ref.	Part Number	Qty.	Description
1	76-0810	1	Housing ASM	14:2	99-3541	1	Spring
5	99-3090	1	Shaft-Coupling	14:3	99-3540	1	Ball
7	76-0850	1	Bearing-Thrust	15	99-3536	7	Screw-HH
8	76-0870	1	Plate-Wear	19	3257-42	1	Key-Woodruff
9	99-3537	1	Link-Drive	20	94-8178	1	Seal Kit
10	99-3539	1	Set-Rotor	20:1		1	Seal-Dirt And Water ●
11	99-3535	1	Manifold	20:2		1	Backup-Ring ●
12	76-0880	1	Commutator ASM	20:3		1	Seal-Shaft ●
12:1		1	Commutator ●	20:4		1	Washer-Backup ●
12:2		1	Ring-Commutator ●	20:5		5	Seal-Square, Ring (Inner) ●
14	99-3538	1	End Cover ASM	20:6		1	Seal-Commutator ●
14:1		1	Spring Cap And O-Ring ASM ●				

● Not serviced separately



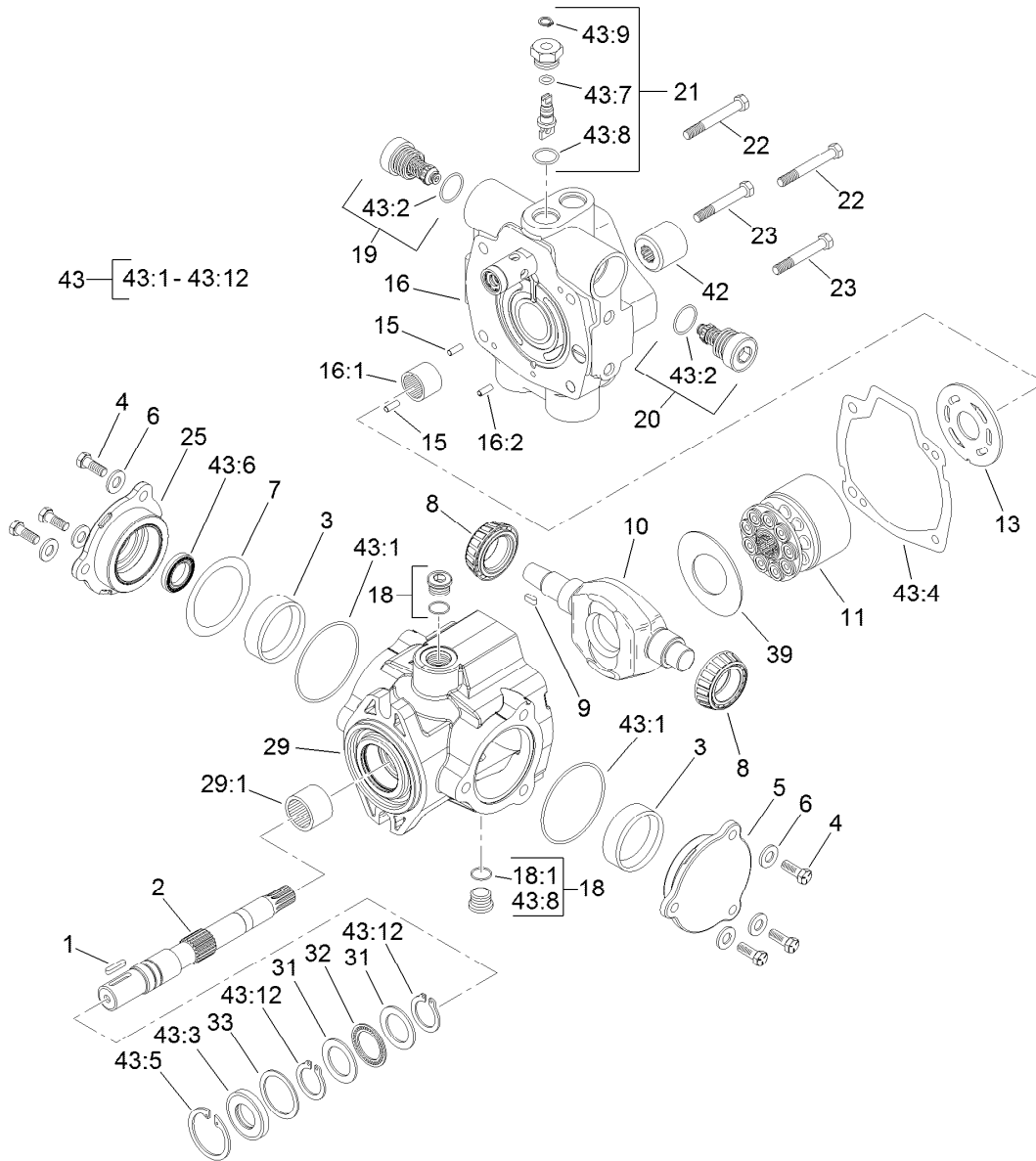
Neutral Arm Assembly

Ref.	Part Number	Qty.	Description	Ref.	Part Number	Qty.	Description
1	95-8960-03	1	Bracket-Neutral	16	3234-17	2	Screw-HHF
2	32128-43	1	Nut-Flange	17	104-0464-03	1	Bracket-Support, Cable
3	3234-11	3	Screw-HHF	18	251-259	1	Bearing-Ball
4	104-0422	1	Neutral Arm ASM	19	2411-41	1	Rod End-Ball Joint
4:2	256-113	2	Bushing-Flange	20	3296-42	1	Nut-Lock, NI
5	3-6498	1	Washer-Thrust	21	3274-104	1	Screw-HSBH
6	302-60	1	Fitting-Grease	22	99-3556	1	Hose
7	3296-29	1	Nut-Lock, NI	23	99-3594-03	1	Lever-Pump
8	100-4817	1	Spacer	24	321-8	1	Screw-HH
9	76-8640	1	Stud-Traction	25	2844	3	Washer
10	33093-00	2	Washer-Flat	26	95-3857	3	Screw-HSBH
11	94-1369	1	Spring-Extension	27	63-9750	3	Mount
12	3210-6	1	Screw-HH	28	3296-39	3	Nut-Lock, NI
13	88-7200	1	Washer-Flat	29	3256-22	1	Washer-Flat
14	99-3598-03	1	Hub	30	32153-3	1	Nut-Hex, Side Deform
15	32128-44	2	Nut				



Gear Pump and Piston Pump Assembly

Ref.	Part Number	Qty.	Description	Ref.	Part Number	Qty.	Description
1	104-4890	1	Piston Pump ASM	20	33114-060	4	Screw-HH
2	323-8	2	Screw-HH	21	87-8640	3	Washer-Flat
3	3296-39	2	Nut-Lock, NI	22	120-3375-03	1	Plate-Mount, Pump
4	80-6990	3	Washer-Hardened	23	95-8941	4	Spacer-Mount, Pump
5	32128-54	1	Nut-HF	24	120-3350	1	Pulley-3V
6	99-3624	1	Shaft-Pivot, Idler	25	321-13	3	Screw-HH
7	302-5	1	Fitting-Grease	26	3253-3	3	Washer-Lock
8	32128-21	1	Nut-HF Lock	27	100-4813	1	Bushing-Lock, Taper
9	32151-36	1	Ring-Retaining	28	120-3351	1	Belt-3V
10	323-10	1	Screw-HH	29	70-2041	1	Trim
11	74-1810	1	Washer	30	353-949	1	O-Ring
12	107-7834	1	Pulley-Idler	31	108-9036	1	HYD Gear Pump ASM
13	115-3488	1	Spring-Torsion	32	323-7	2	Screw-HH
14	99-3623-03	1	Arm-Idler	33	3256-24	2	Washer-Flat
15	32128-43	4	Nut-Flange	34	99-3631	2	Bushing-Flange
16	323-19	2	Screw-HH	35	99-3625	1	Spacer-Arm, Idler
17	3234-11	4	Screw-HHF	36	100-4852	2	Washer-Hardened
18	99-3436-03	1	Support-Pump	37	3245-7	1	Screw-Set
19	99-3440	2	Spacer				

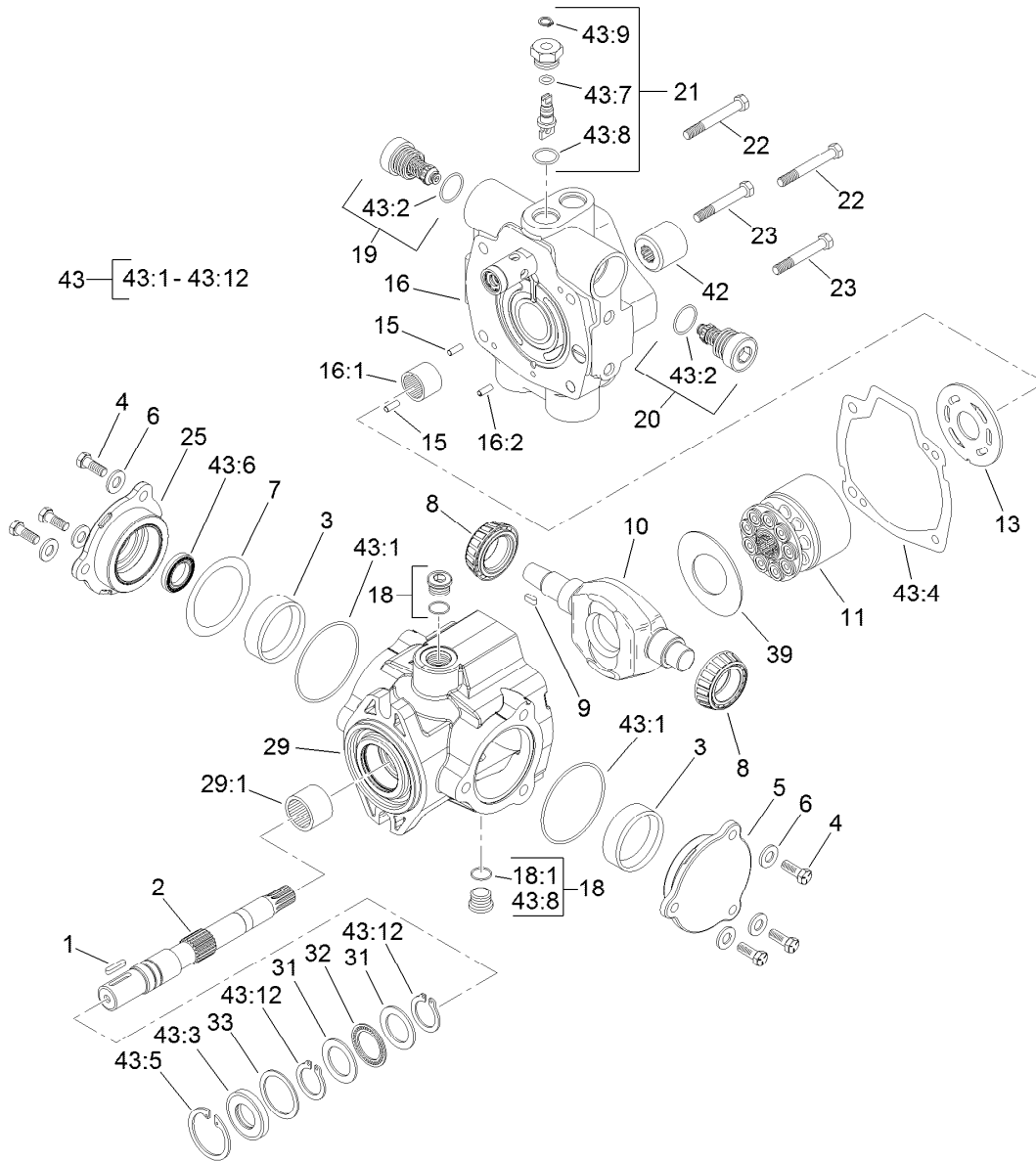


Hydraulic Pump Assembly No. 104-4890

Ref.	Part Number	Qty.	Description	Ref.	Part Number	Qty.	Description
1	94-3645	1	Key	19	104-4889	1	Relief Valve ASM
2	94-6359	1	Shaft-Drive	20	105-3812	1	Valve-Check
3	104-4046	2	Bearing-Cup	21	105-3811	1	Valve-Bypass
4	98-4640	6	Screw-Cap	22	76-6170	2	Capscrew
5	98-4644	1	Plate-Cover	23	76-6160	2	Capscrew
6	105-9762	6	Washer	25	98-4645	1	Plate-Cover
7	100-3182	2	Shim Kit	29	100-3176	1	Housing ASM
8	98-4639	2	Bearing-Cone	29:1	94-6363	1	Bearing
9	94-3646	1	Key	31	252-71	2	Washer-Thrust
10	104-4888	1	Swashplate	32	252-66	1	Bearing-Thrust
11	76-6070	1	Rotating Kit	33	33-3720	1	Washer
13	104-0429	1	Plate-Valve	39	98-4635	1	Insert-Plate, Cam
15	76-6150	2	Pin-Dowel	42	74-9040	1	Coupler
16	105-3813	1	Endcover Sub ASM	43	120-5754	1	Seal Kit
16:1	94-6368	1	Bearing	43:1		2	Ring-Retaining ■
16:2		1	Pin-Roll ■	43:2		2	Ring-Retaining ■
18	74-9280	2	Plug ASM	43:3		1	Seal-Shaft ■
18:1		1	Ring-Retaining ■	43:4		1	Gasket ■

● Not illustrated

■ Not serviced separately



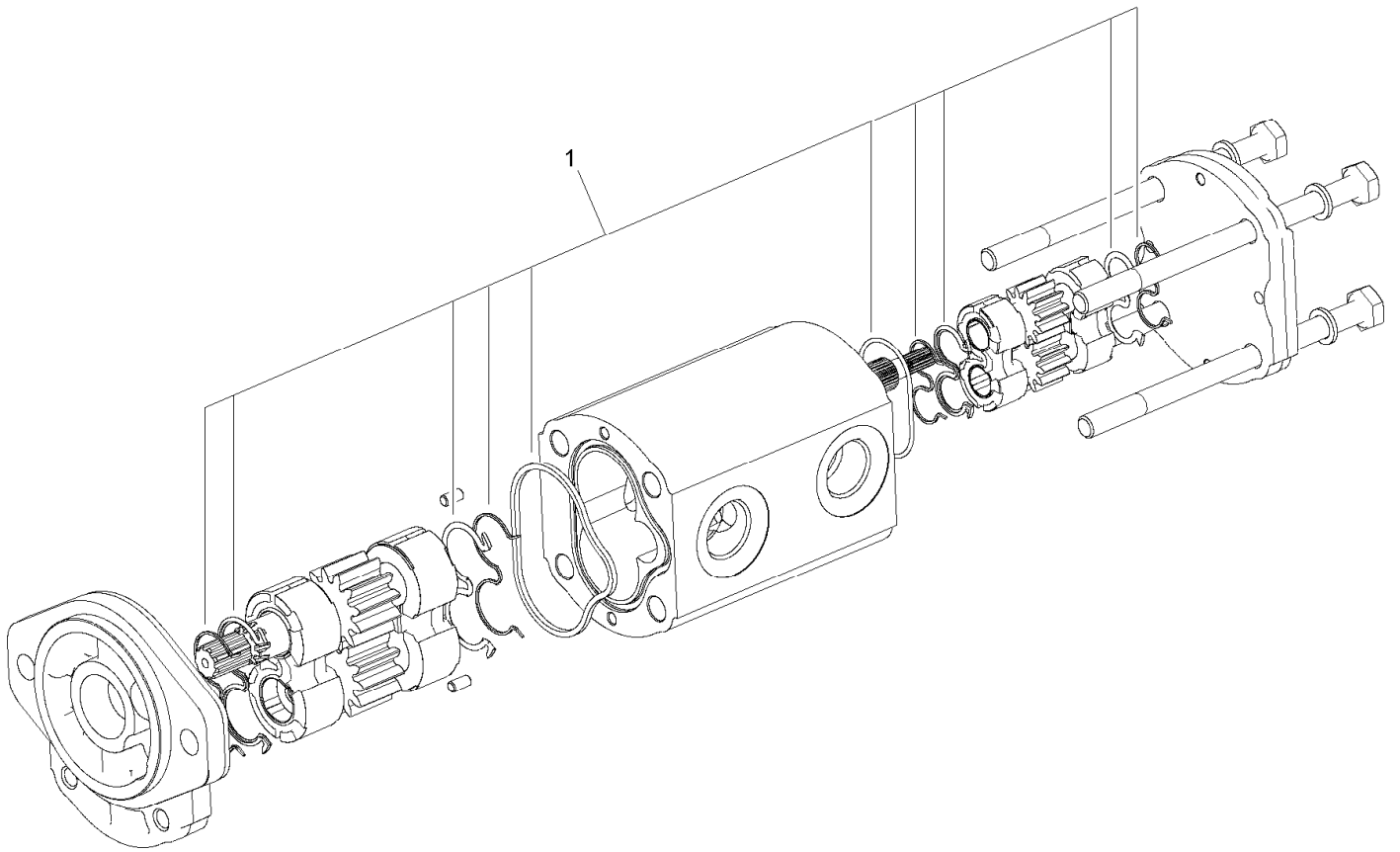
Hydraulic Pump Assembly No. 104-4890 (continued)

Ref.	Part Number	Qty.	Description
43:5		1	Ring-Retaining ■
43:6		1	Seal-Shaft ■
43:7		1	Ring-Retaining ■
43:8		5	Ring-Retaining ■
43:9		1	Ring-Retaining ■
43:10		1	O-Ring (Not Used For This Configuration) ■●

Ref.	Part Number	Qty.	Description
43:11		1	O Ring-Molded (Not Used For This Configuration) ■●
43:12		2	Ring-Retaining ■
43:13		1	O-Ring (Not Used For This Configuration) ■●

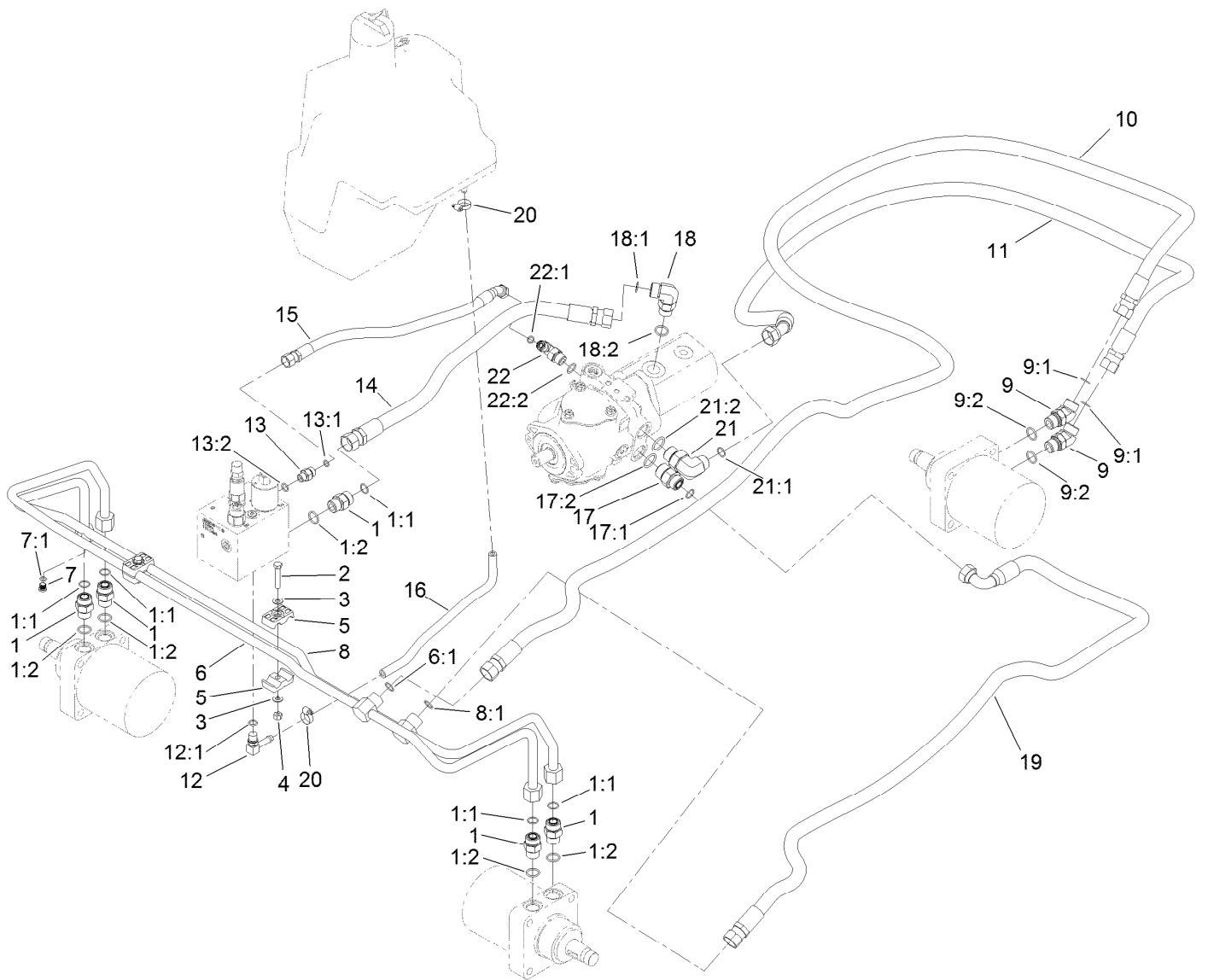
● Not illustrated

■ Not serviced separately



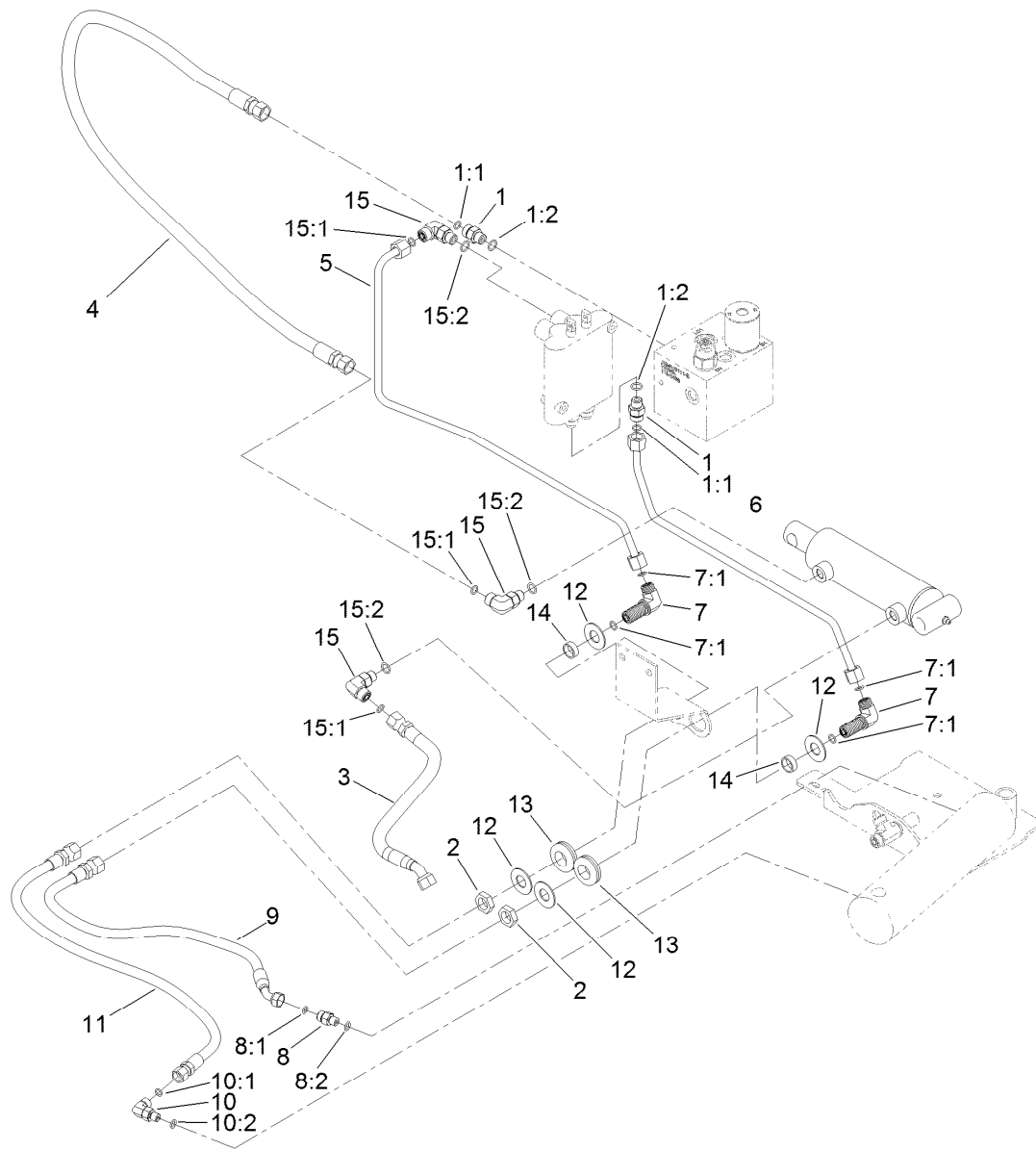
Hydraulic Gear Pump Assembly No. 108-9036

<i>Ref.</i>	<i>Part Number</i>	<i>Qty.</i>	<i>Description</i>
1	110-8755	1	Seal Kit



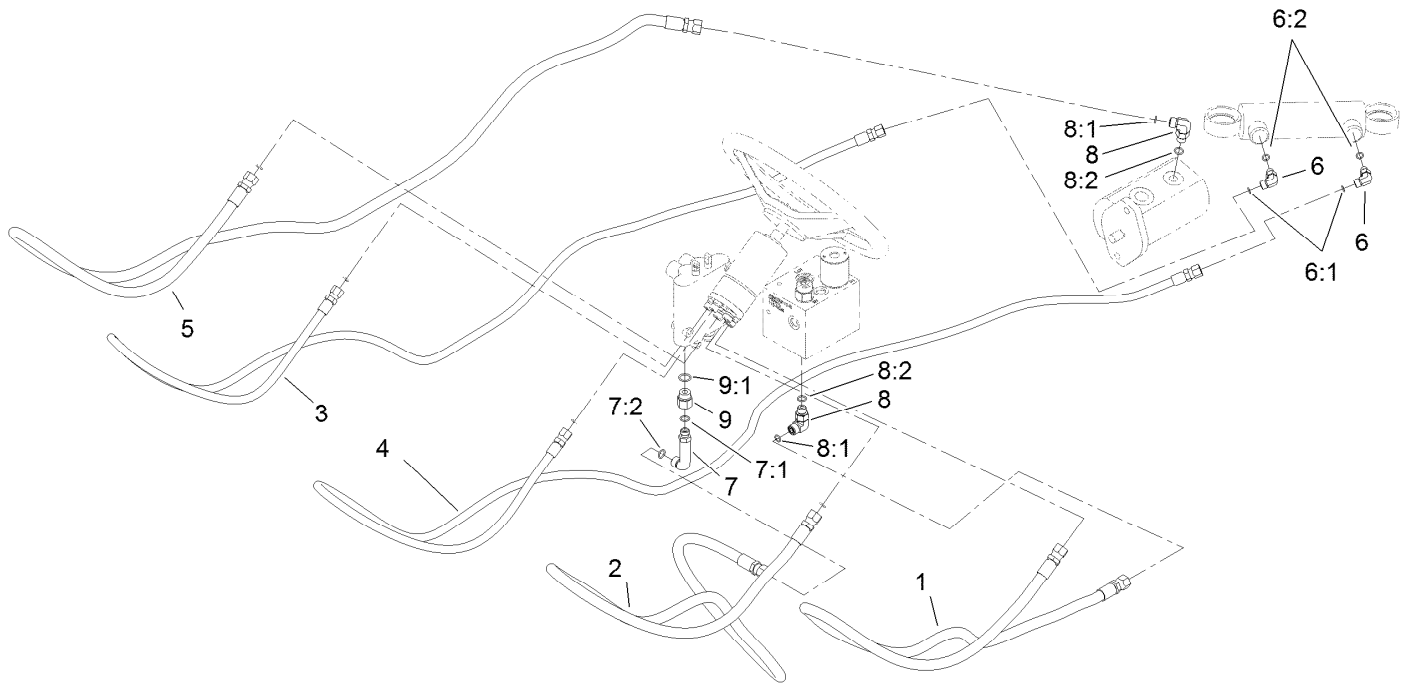
Traction Hydraulic Assembly

Ref.	Part Number	Qty.	Description	Ref.	Part Number	Qty.	Description
1	340-7	5	Fitting-Straight	13	340-2	1	Fitting-Straight
1:1	237-65	1	O-Ring	13:1	237-22	1	O-Ring
1:2	237-80	1	O-Ring	13:2	237-42	1	O-Ring
2	322-9	2	Screw-HH	14	104-0488	1	Hose-HYD
3	3256-23	4	Washer-Plain	15	92-7595	1	Hose-HYD
4	3296-29	1	Nut-Lock, NI	16	80-7342	1	Hose-HYD
5	56-7971	4	Clamp-Tube	17	340-8	1	Fitting-Straight
6	95-8783	1	Tube ASM	17:1	237-65	1	O-Ring
6:1	237-65	1	O-Ring	17:2	237-81	1	O-Ring
7	353-990	1	Plug ASM	18	340-17	1	Fitting-Elbow, 90 DEG
7:1	237-78	1	O-Ring	18:1	237-65	1	O-Ring
8	95-8784	1	Tube ASM	18:2	237-80	1	O-Ring
8:1	237-65	1	O-Ring	19	105-1214	1	Hose-HYD
9	340-14	2	Fitting-HYD, 45 DEG	20	2412-36	1	Clamp-Hose
9:1	237-65	1	O-Ring	21	340-139	1	Fitting-Elbow 90
9:2	237-80	1	O-Ring	21:1	237-81	1	O-Ring
10	105-1213	1	Hose-HYD	21:2	237-65	1	O-Ring
11	105-1212	1	Hose-HYD	22	340-18	1	Fitting-HYD, 90 DEG
12	100-4887	1	Fitting-Elbow, 90	22:1	237-79	1	O-Ring
12:1	237-42	1	O-Ring	22:2	237-22	1	O-Ring



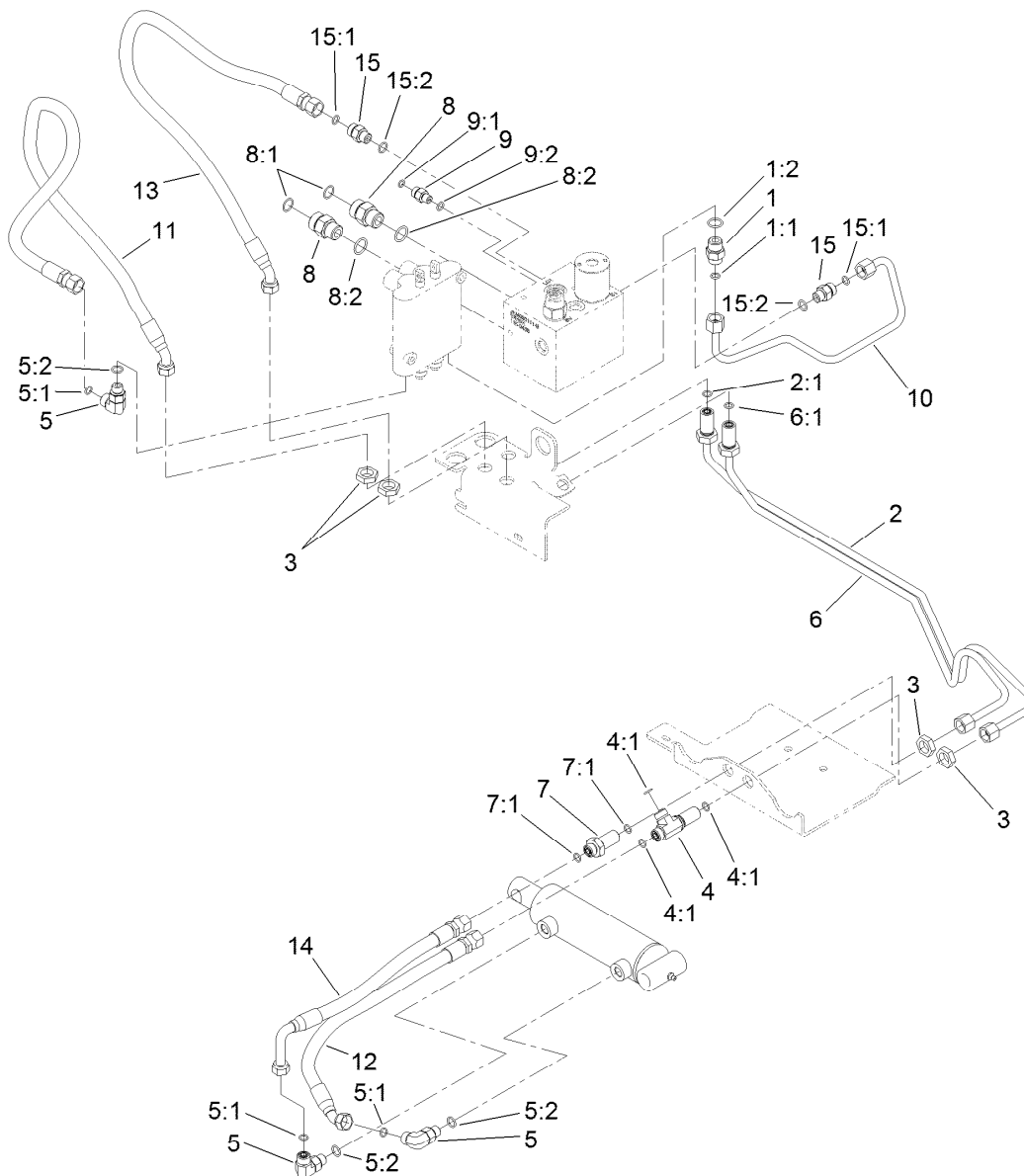
Lift Hydraulic Assembly

<i>Ref.</i>	<i>Part Number</i>	<i>Qty.</i>	<i>Description</i>	<i>Ref.</i>	<i>Part Number</i>	<i>Qty.</i>	<i>Description</i>
1	340-2	2	Fitting-Straight	8:2	237-21	1	O-Ring
1:1	237-22	1	O-Ring	9	95-8838	1	Hose-HYD
1:2	237-42	1	O-Ring	10	340-132	1	Fitting-Elbow, 90 DEG
2	340-70	2	Nut-Lock	10:1	237-78	1	O-Ring
3	104-0407	1	Hose-HYD	10:2	237-21	1	O-Ring
4	100-4891	1	Hose-HYD	11	95-8839	1	Hose-HYD
5	95-8790	1	Tube-HYD	12	69-8940	4	Washer
6	95-8791	1	Tube-HYD	13	240-4	2	Grommet-Rubber
7	340-154	2	Union-Bulkhead	14	69-8970	2	Spacer
7:1	237-22	2	O-Ring	15	340-77	3	Fitting-Elbow, 90 DEG
8	85-9720	1	Fitting-STR, Orifice	15:1	237-22	1	O-Ring
8:1	237-78	1	O-Ring	15:2	237-42	1	O-Ring



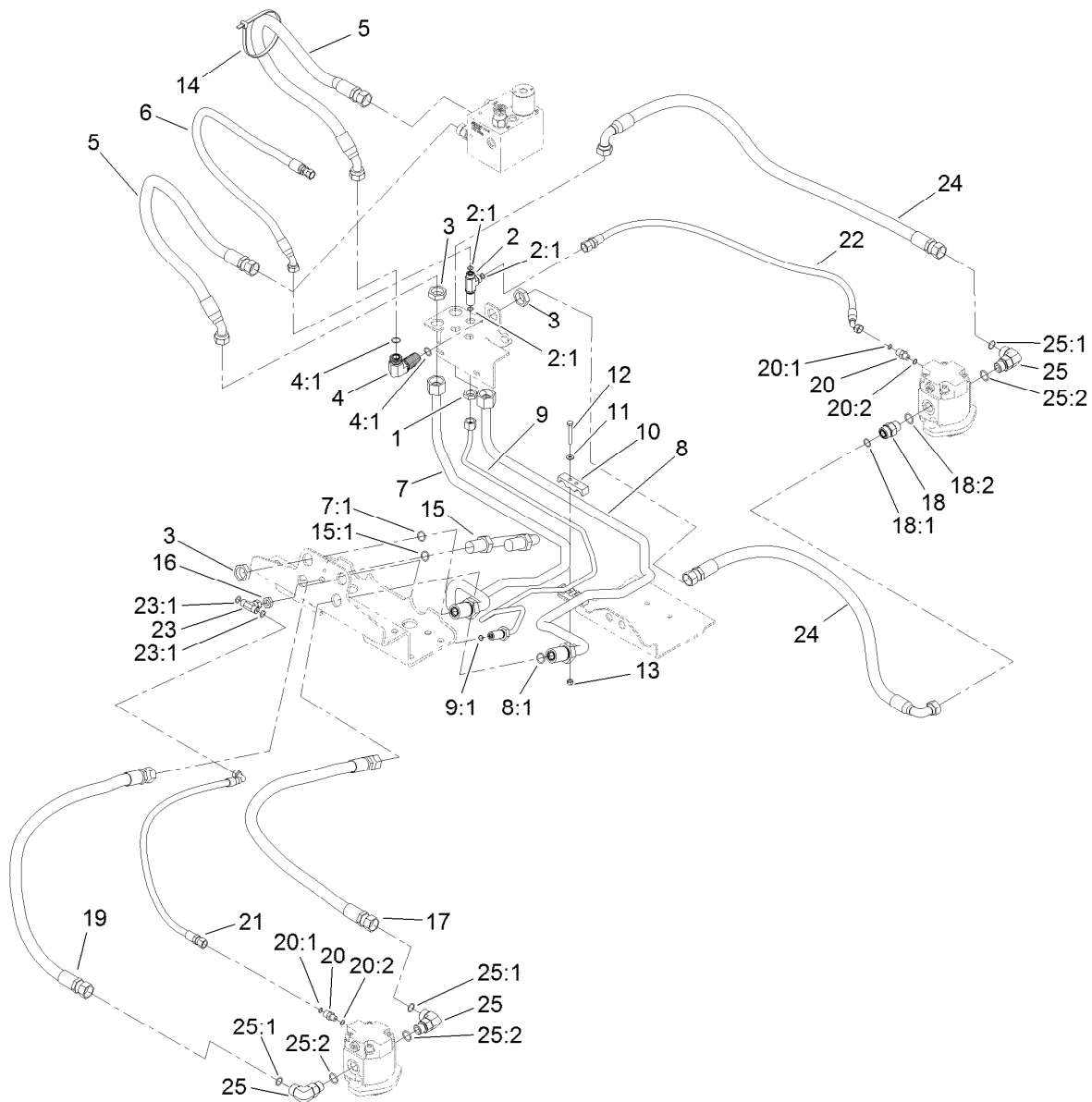
Steering Hydraulic Assembly

<i>Ref.</i>	<i>Part Number</i>	<i>Qty.</i>	<i>Description</i>	<i>Ref.</i>	<i>Part Number</i>	<i>Qty.</i>	<i>Description</i>
1	95-8842	1	Hose-HYD	7	69-4320	1	Fitting-HYD, 90 DEG
2	95-8843	1	Hose-HYD	7:1	237-22	1	O-Ring
3	100-4892	1	Hose-HYD	7:2	237-42	1	O-Ring
4	100-4893	1	Hose-HYD	8	340-77	2	Fitting-Elbow, 90 DEG
5	95-8846	1	Hose-HYD	8:1	237-22	1	O-Ring
6	340-132	2	Fitting-Elbow, 90 DEG	8:2	237-42	1	O-Ring
6:1	237-78	1	O-Ring	9	353-397	1	Reducer-Adaptor
6:2	237-21	1	O-Ring	9:1	237-79	1	O-Ring



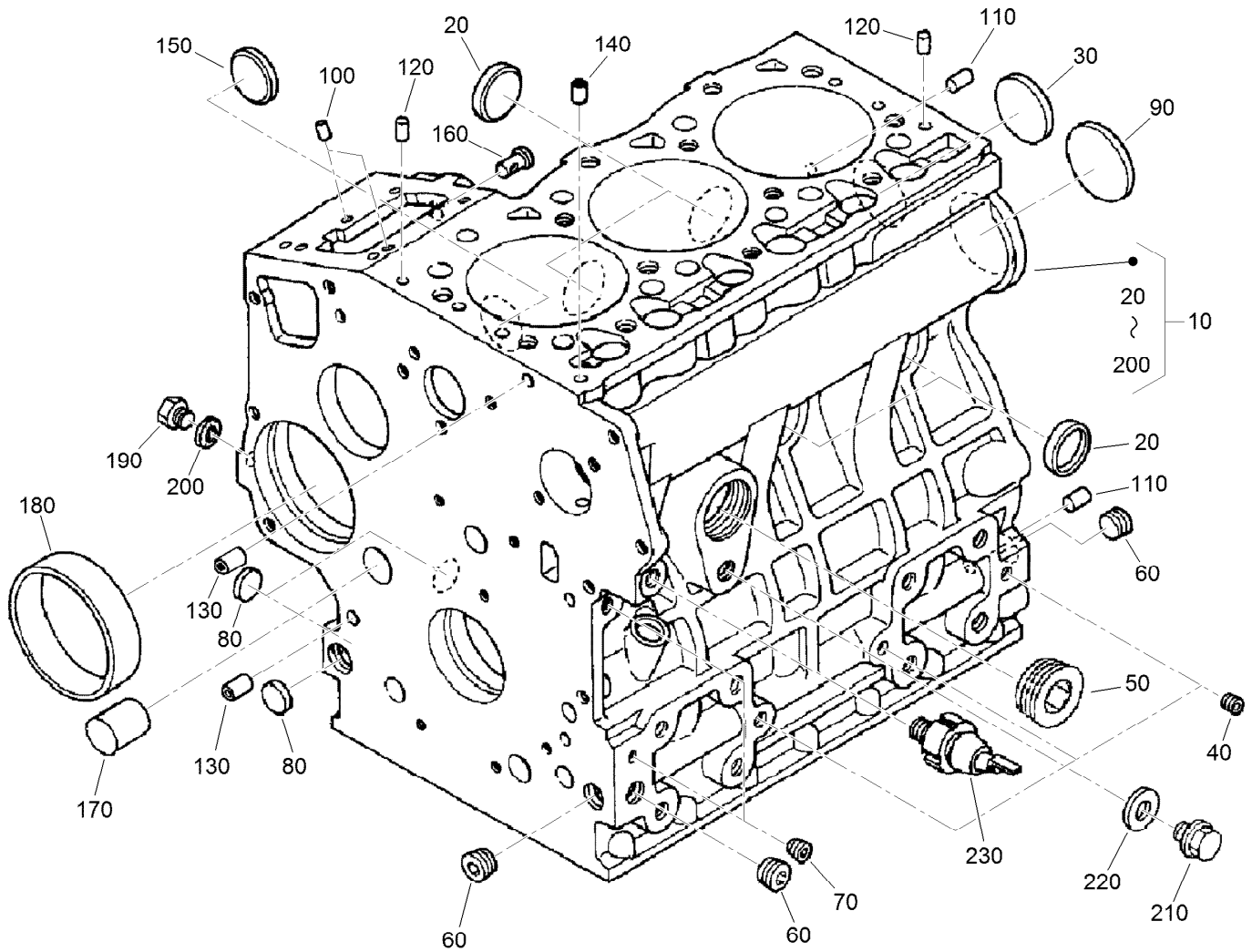
Sidewinder Hydraulic Assembly

<i>Ref.</i>	<i>Part Number</i>	<i>Qty.</i>	<i>Description</i>	<i>Ref.</i>	<i>Part Number</i>	<i>Qty.</i>	<i>Description</i>
1	340-3	1	Fitting-Straight	8	340-7	2	Fitting-Straight
1:1	237-22	1	O-Ring	8:1	237-65	1	O-Ring
1:2	237-79	1	O-Ring	8:2	237-80	1	O-Ring
2	104-0402	1	Tube-HYD	9	340-92	1	Fitting-Straight
2:1	237-22	1	O-Ring	9:1	237-78	1	O-Ring
3	340-70	4	Nut-Lock	9:2	237-21	1	O-Ring
4	340-68	1	Fitting-Tee, Bulkhead	10	100-4827	1	Tube-HYD
4:1	237-22	3	O-Ring	11	95-8822	1	Hose-HYD
5	340-77	3	Fitting-Elbow, 90 DEG	12	104-0405	1	Hose-HYD
5:1	237-22	1	O-Ring	13	95-8821	1	Hose-HYD
5:2	237-42	1	O-Ring	14	104-0406	1	Hose-HYD
6	104-0403	1	Tube ASM	15	340-2	2	Fitting-Straight
6:1	237-22	1	O-Ring	15:1	237-22	1	O-Ring
7	340-71	1	Fitting-Straight, Bulkhead	15:2	237-42	1	O-Ring
7:1	237-22	2	O-Ring				



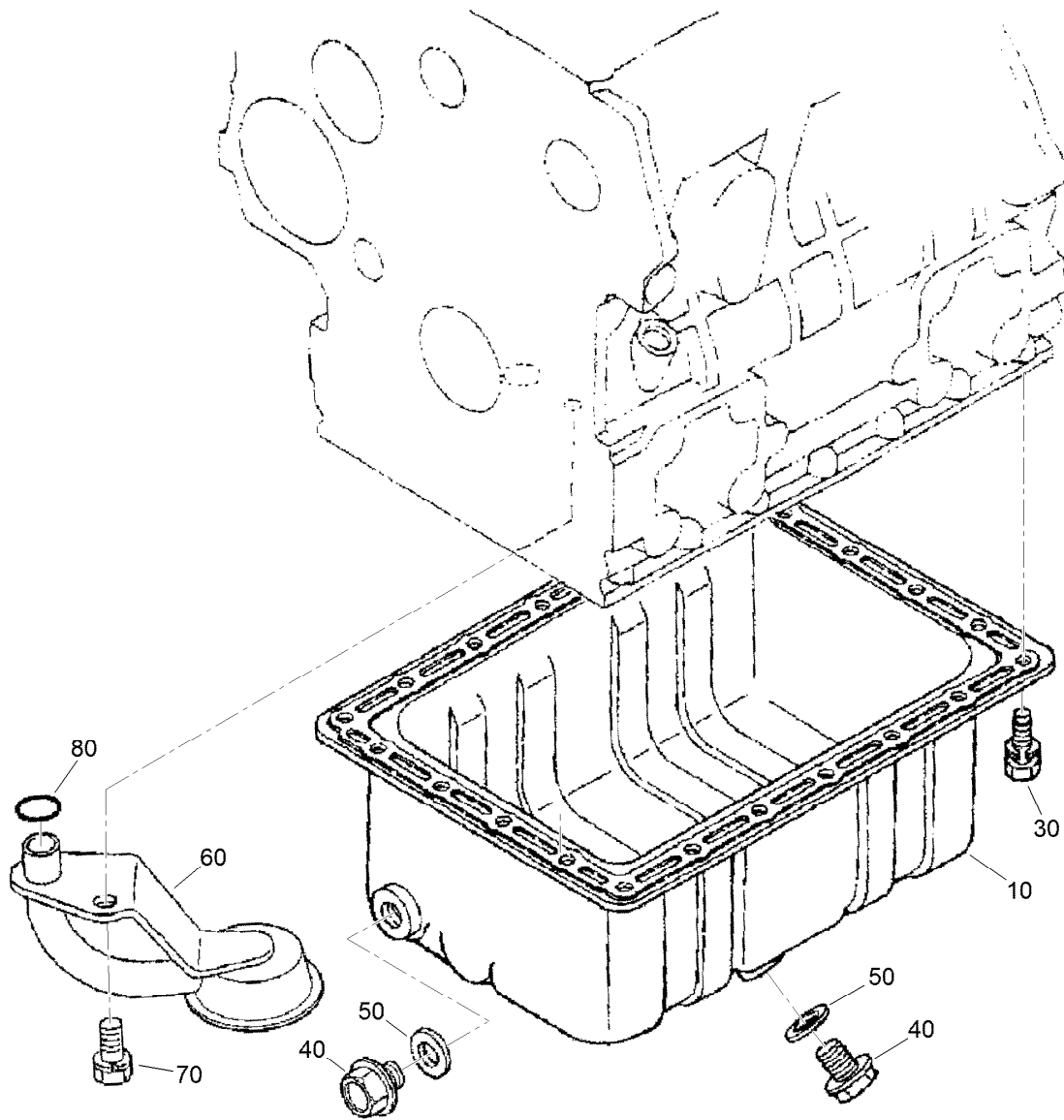
Mow Hydraulic Assembly

Ref.	Part Number	Qty.	Description	Ref.	Part Number	Qty.	Description
1	340-70	1	Nut-Lock	15	99-3640	1	Tube ASM
2	340-68	1	Fitting-Tee, Bulkhead	15:1	237-58	1	O-Ring
2:1	237-22	3	O-Ring	16	340-78	1	Nut-Lock
3	340-74	7	Nut-Lock, Bulkhead	17	105-1216	2	Hose-HYD
4	340-72	1	Fitting-Bulkhead, 90 DEG	18	340-7	1	Fitting-Straight
4:1	237-65	2	O-Ring	18:1	237-65	1	O-Ring
5	100-4879	2	Hose-HYD	18:2	237-80	1	O-Ring
6	115-3411	1	Hose-HYD	19	105-1215	2	Hose-HYD
7	104-0401	1	Tube ASM	20	340-92	3	Fitting-Straight
7:1	237-58	1	O-Ring	20:1	237-78	1	O-Ring
8	104-0400	1	Tube ASM	20:2	237-21	1	O-Ring
8:1	237-58	1	O-Ring	21	104-1080	2	Hose-HYD
9	104-0404	1	Tube ASM	22	100-4876	1	Hose-HYD
9:1	237-22	1	O-Ring	23	99-3477	1	Fitting-Tee
10	99-3641	2	Clamp-Tube	23:1	237-42	2	O-Ring
11	3256-22	4	Washer-Flat	24	100-4880	2	Hose-HYD
12	321-11	2	Screw-HH	25	340-17	5	Fitting-Elbow, 90 DEG
13	3296-42	2	Nut-Lock, NI	25:1	237-65	1	O-Ring
14	3334-945	2	Tie-Cable	25:2	237-80	1	O-Ring



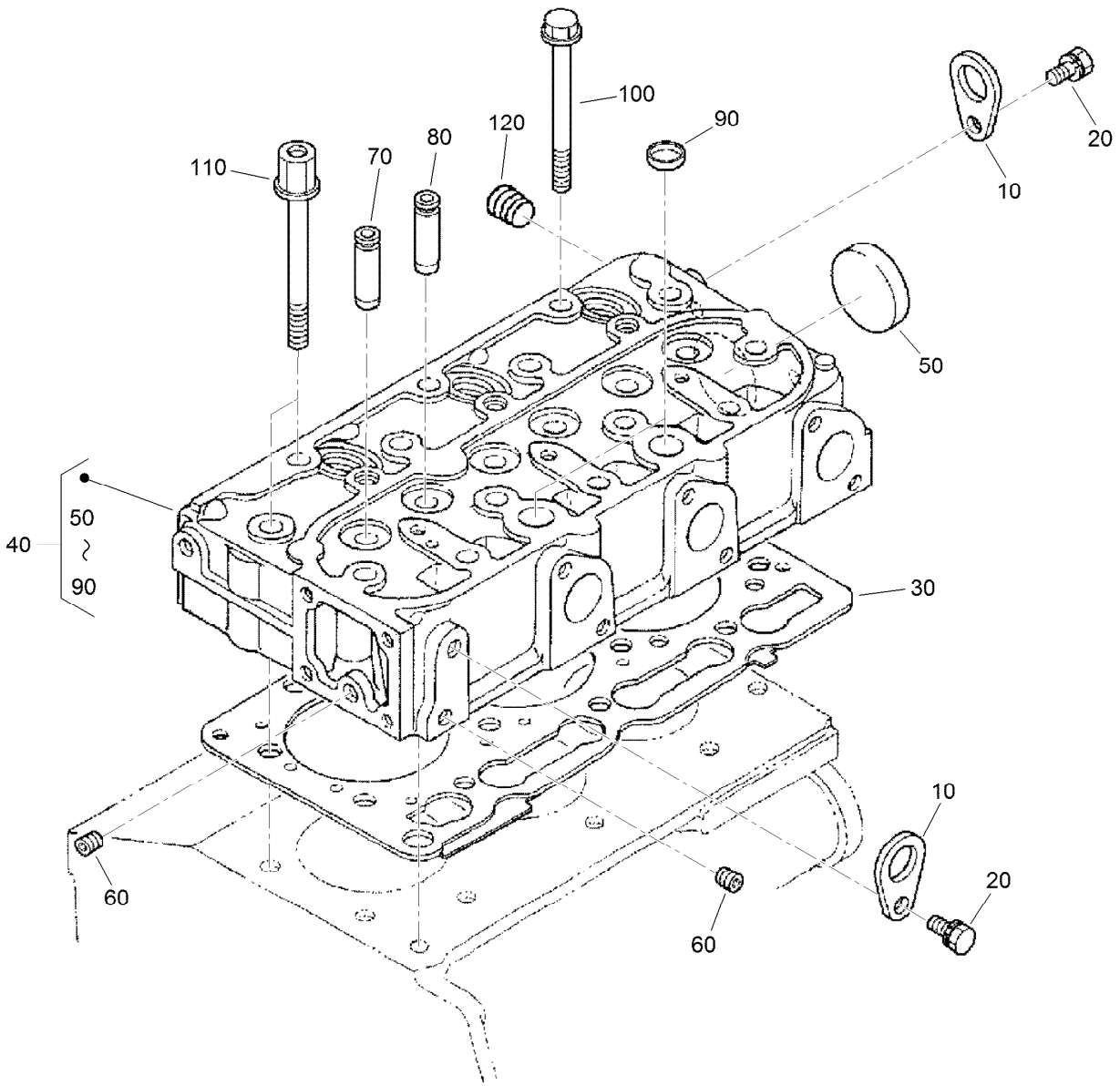
Crankcase Assembly

<i>Ref.</i>	<i>Part Number</i>	<i>Qty.</i>	<i>Description</i>	<i>Ref.</i>	<i>Part Number</i>	<i>Qty.</i>	<i>Description</i>
10	115-3443	1	Crankcase ASM	130	98-9387	2	Pin-Pipe
20	98-9398	4	Cap-Sealing	140	98-9539	1	Pin-Pipe
30	98-7539	1	Cap-Sealing	150	98-9599	1	Plug
40	98-7540	3	Plug	160	98-9630	1	Pin-Spring, Start
50	105-3779	1	Plug	170	98-9675	1	Plug
60	98-9597	3	Plug	180	98-9656	1	Bushing-Governor, Gear
70	98-7487	2	Plug	190	120-2559	1	Plug
80	98-9379	3	Plug-Expansion	200	98-7428	1	Gasket
90	98-9668	1	Plug-Expansion	210	99-3447	1	Plug
100	98-9375	2	Pin-Straight	220	106-7056	1	Gasket
110	98-9377	2	Pin-Straight	230	98-9416	1	Switch-Oil
120	98-9376	2	Pin-Straight				



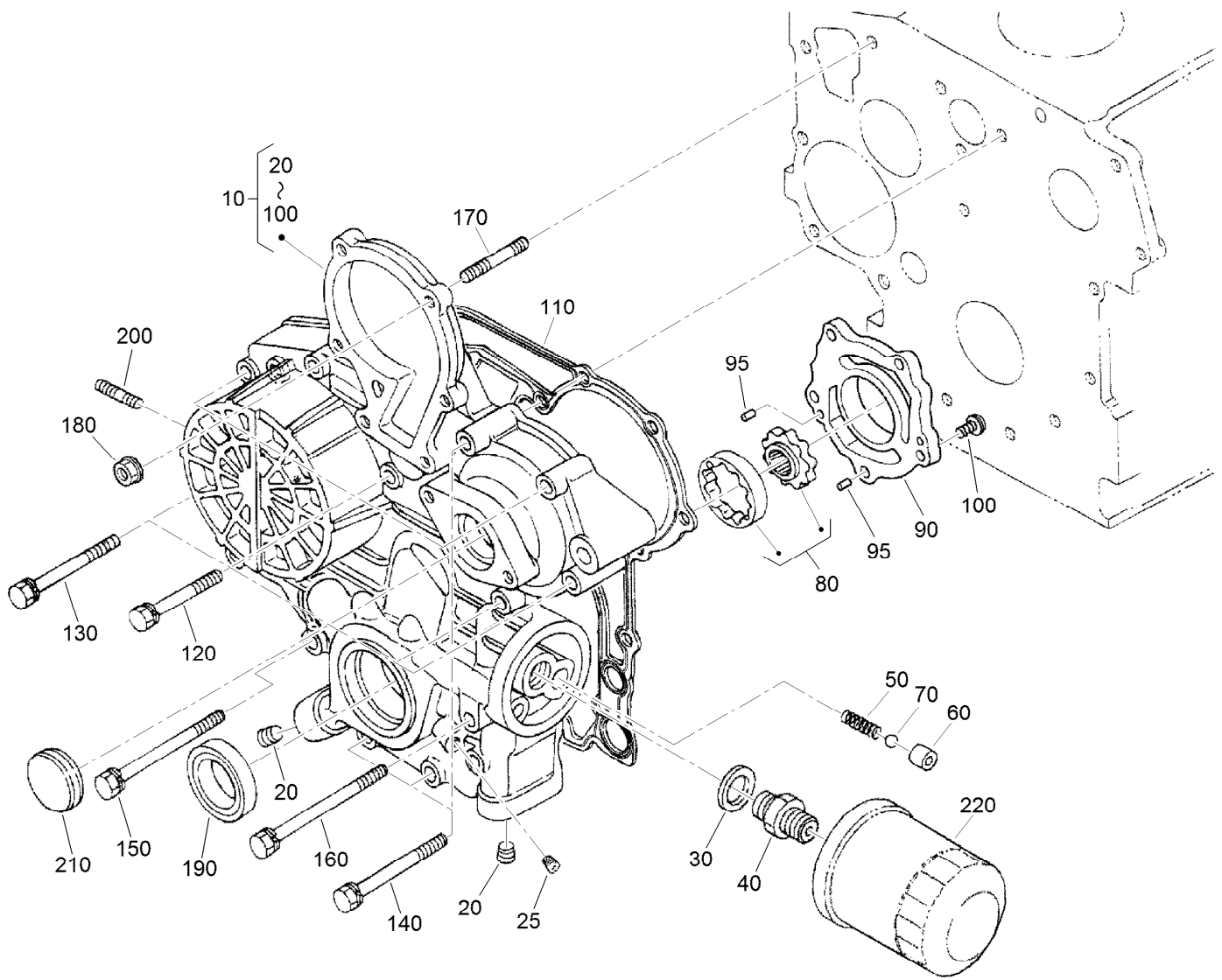
Oil Pan Assembly

<i>Ref.</i>	<i>Part Number</i>	<i>Qty.</i>	<i>Description</i>
10	98-9685	1	Pan-Oil
30	98-9351	22	Bolt
40	114-8151	2	Plug-Drain
50	98-7524	2	Gasket
60	112-7044	1	Head-Filter
70	98-7526	1	Bolt
80	105-3776	1	O-Ring



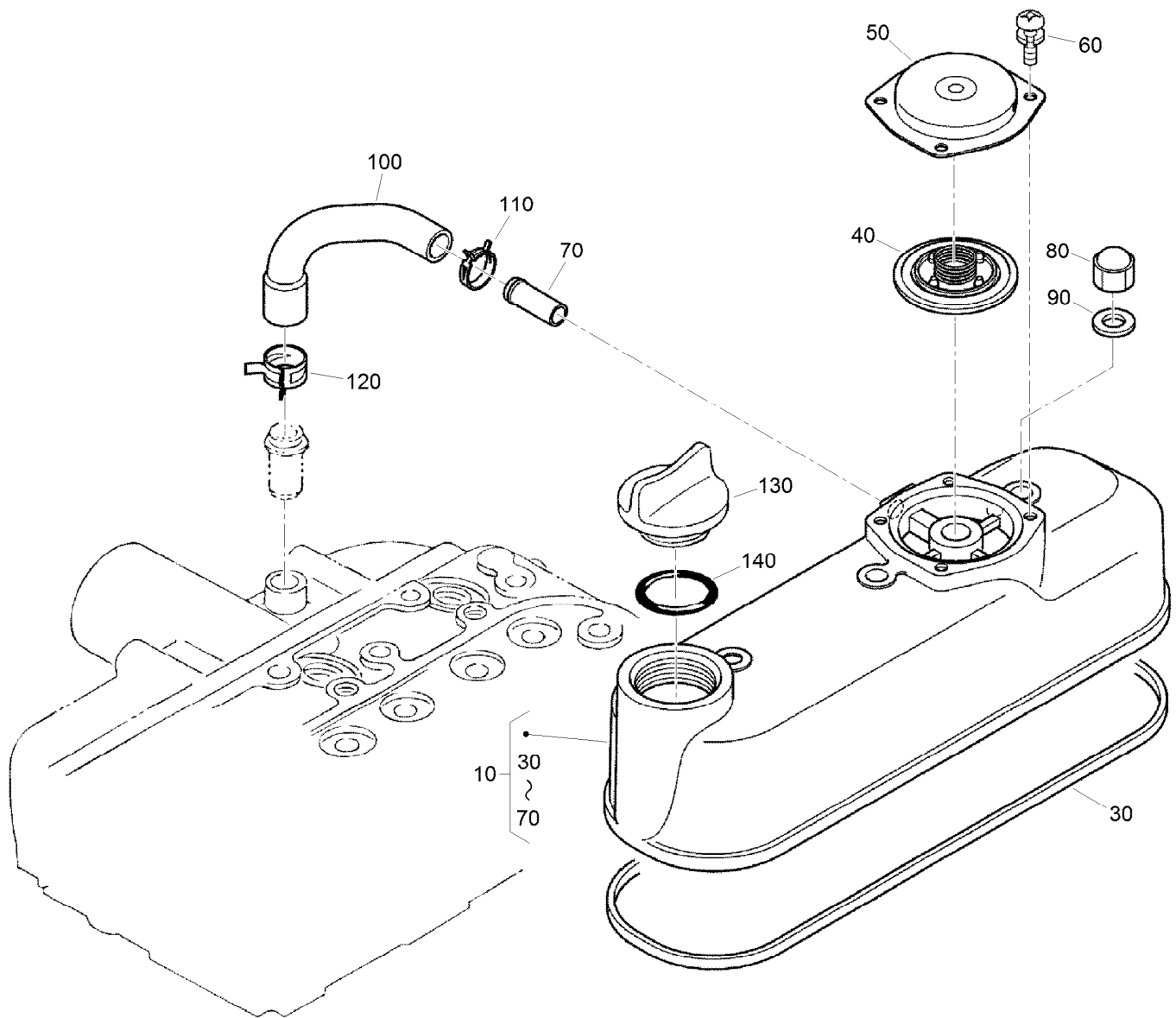
Cylinder Head Assembly

Ref.	Part Number	Qty.	Description
10	98-7531	2	Hook-Engine
20	100-9195	2	Bolt
30	108-6573	1	Gasket-Head, Cylinder
40	115-3445	1	Cylinder Head ASM
50	105-3705	1	Cap-Sealing
60	98-7540	2	Plug
70	107-9066	3	Guide-Valve, Inlet
80	107-9067	3	Guide-Valve, Exhaust
90	98-9389	2	Cap-Sealing
100	98-9479	12	Bolt-Head, Cylinder
110	98-9647	2	Bolt-Head, Cylinder
120	98-9444	1	Plug



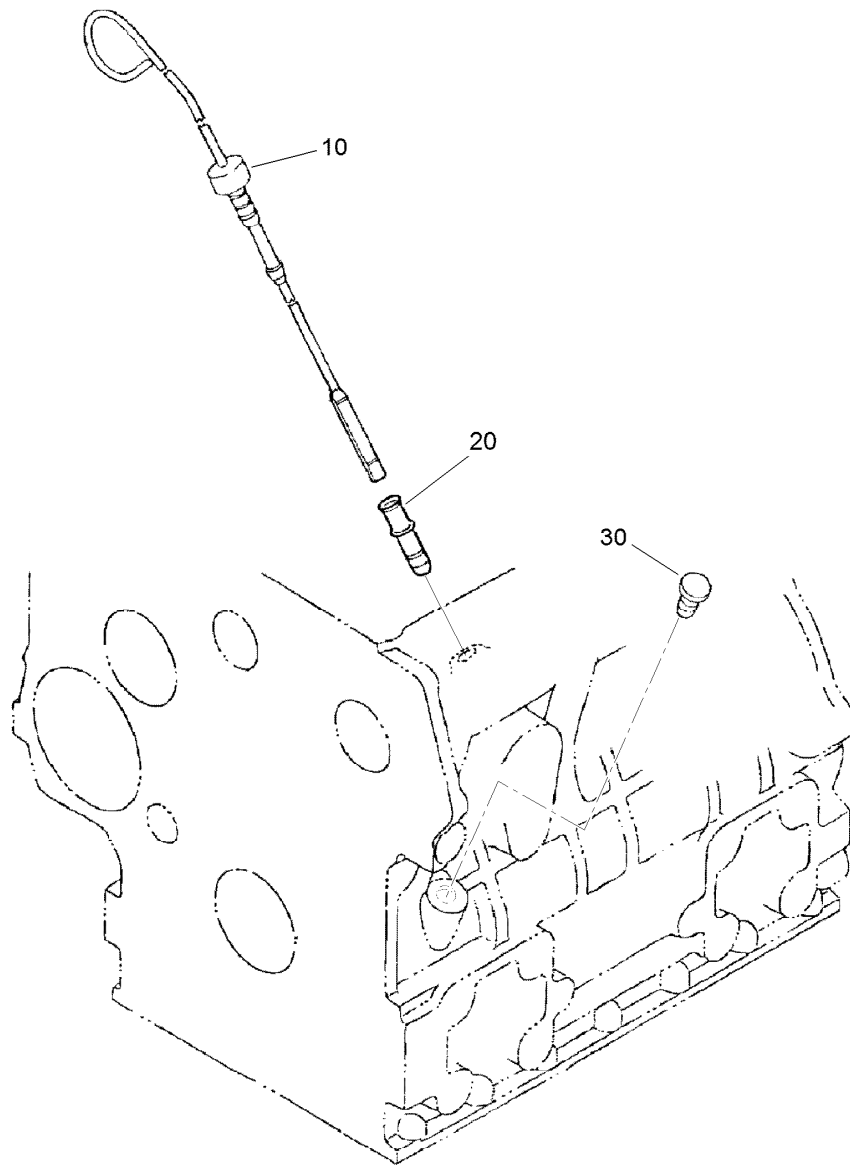
Gear Case and Oil Filter Cartridge Assembly

Ref.	Part Number	Qty.	Description	Ref.	Part Number	Qty.	Description
10	115-4105	1	Gear Case ASM	110	98-9633	1	Gasket-Case, Gear
20	98-9598	2	Plug	120	107-9073	3	Bolt
25	98-7487	1	Plug	130	105-3797	4	Bolt
30	98-7562	1	Washer-Plain	140	98-9356	4	Bolt
40	98-9388	1	Joint-Pipe	150	107-9074	1	Bolt
50	98-9544	1	Spring	160	98-9586	1	Bolt
60	98-9543	1	Seat-Valve	170	105-3709	1	Stud
70	98-9380	1	Ball	180	100-2203	1	Nut-Flange
80	98-9540	1	Oil Pump Rotor ASM	190	119-8038	1	Seal-Oil
90	107-9069	1	Cover-Pump, Oil	200	105-3710	2	Stud
95	107-9072	2	Pin-Straight	210	98-9641	1	Cover-Case, Gear
100	107-9071	5	Screw	220	108-3841	1	Filter-Oil



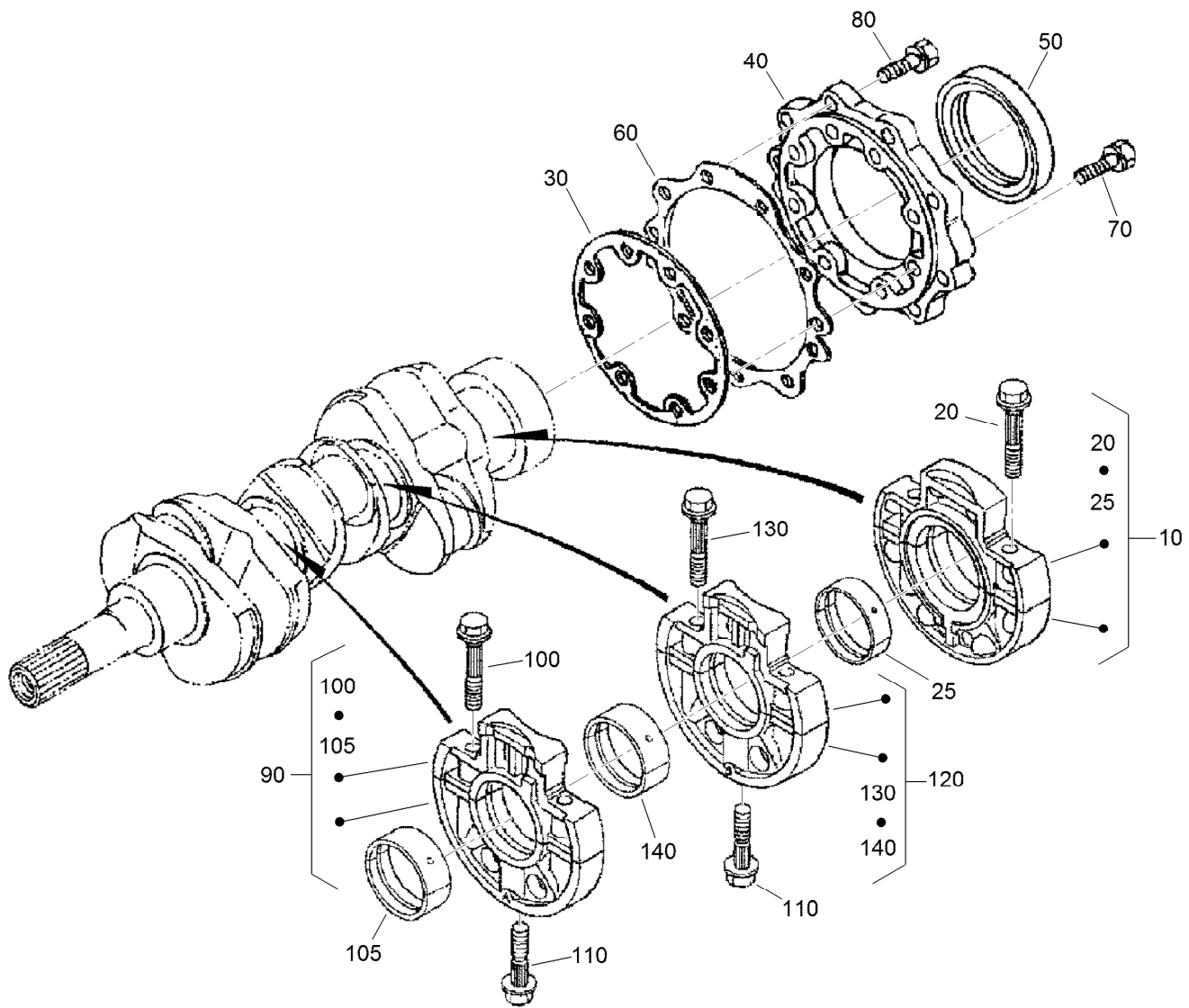
Cylinder Head Cover Assembly

Ref.	Part Number	Qty.	Description
10	115-3446	1	Cylinder Head Cover ASM
30	98-9615	1	Gasket-Cover, Head
40	110-3715	1	Valve-Breather
50	110-3714	1	Cover-Breather
60	98-9364	4	Screw (With Washer)
70	98-7766	1	Pipe-Return, Water
80	98-9455	3	Nut-Cap
90	98-9454	3	Gasket
100	107-7836	1	Tube-Breather
110	108-2859	1	Clamp-Hose
120	108-2860	1	Clamp-Hose
130	107-9075	1	Plug-Filler, Oil
140	99-3446	1	O-Ring



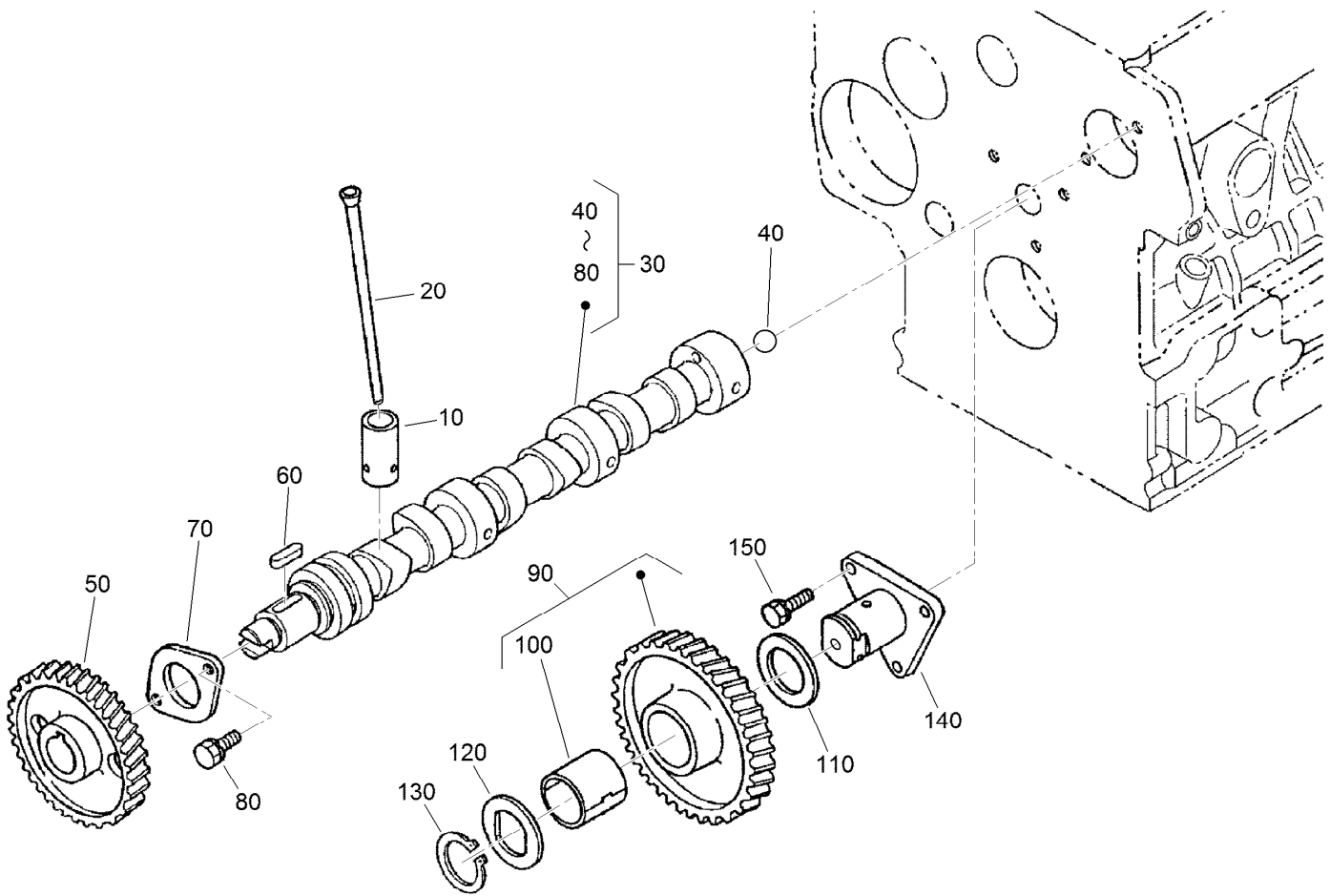
Dipstick and Guide Assembly

<i>Ref.</i>	<i>Part Number</i>	<i>Qty.</i>	<i>Description</i>
10	107-9076	1	Gauge-Oil
20	105-4580	1	Guide-Gauge, Oil
30	110-3720	1	Plug-Gauge, Oil



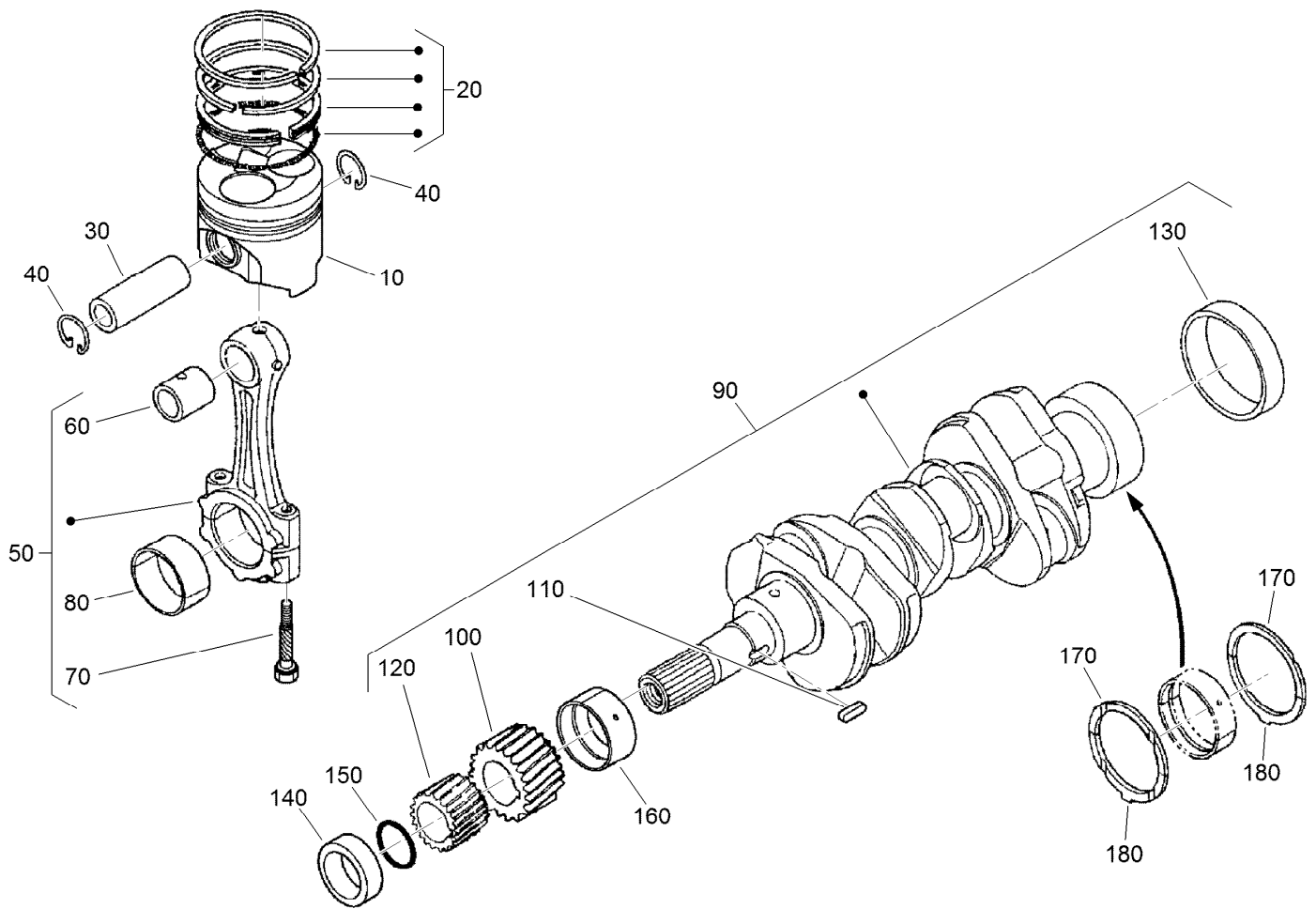
Main Bearing Case Assembly

<i>Ref.</i>	<i>Part Number</i>	<i>Qty.</i>	<i>Description</i>	<i>Ref.</i>	<i>Part Number</i>	<i>Qty.</i>	<i>Description</i>
10	112-7026	1	Wheel Bearing Case ASM	90	115-4106	1	Main Bearing Case ASM
20	98-9484	2	Bolt-Case, Bearing	100	98-9484	2	Bolt-Case, Bearing
25	115-4121	1	Metal-Crankshaft (STD)	105	112-7011	1	Bearing-Main (STD)
25	112-7039	1	Metal-Crankshaft (0.2Mm)	105	112-7012	1	Metal-Crankpin (-0.2MM)
25	112-7040	1	Metal-Crankshaft (-0.4Mm)	105	112-7013	1	Metal-Crankpin (-0.4MM)
30	98-9634	1	Gasket-Case, Bearing	110	98-9485	2	Bolt-Case, Bearing
40	112-7046	1	Cover-Case, Bearing	120	115-4107	1	Main Bearing Case ASM
50	112-0180	1	Seal-Oil	130	98-9484	2	Bolt-Case, Bearing
60	112-7037	1	Gasket-Cover, Case	140	112-7011	1	Bearing-Main (STD)
70	98-9352	8	Bolt	140	112-7012	1	Metal-Crankpin (-0.2MM)
80	98-7568	9	Bolt	140	112-7013	1	Metal-Crankpin (-0.4MM)



Camshaft and Idle Gear Shaft Assembly

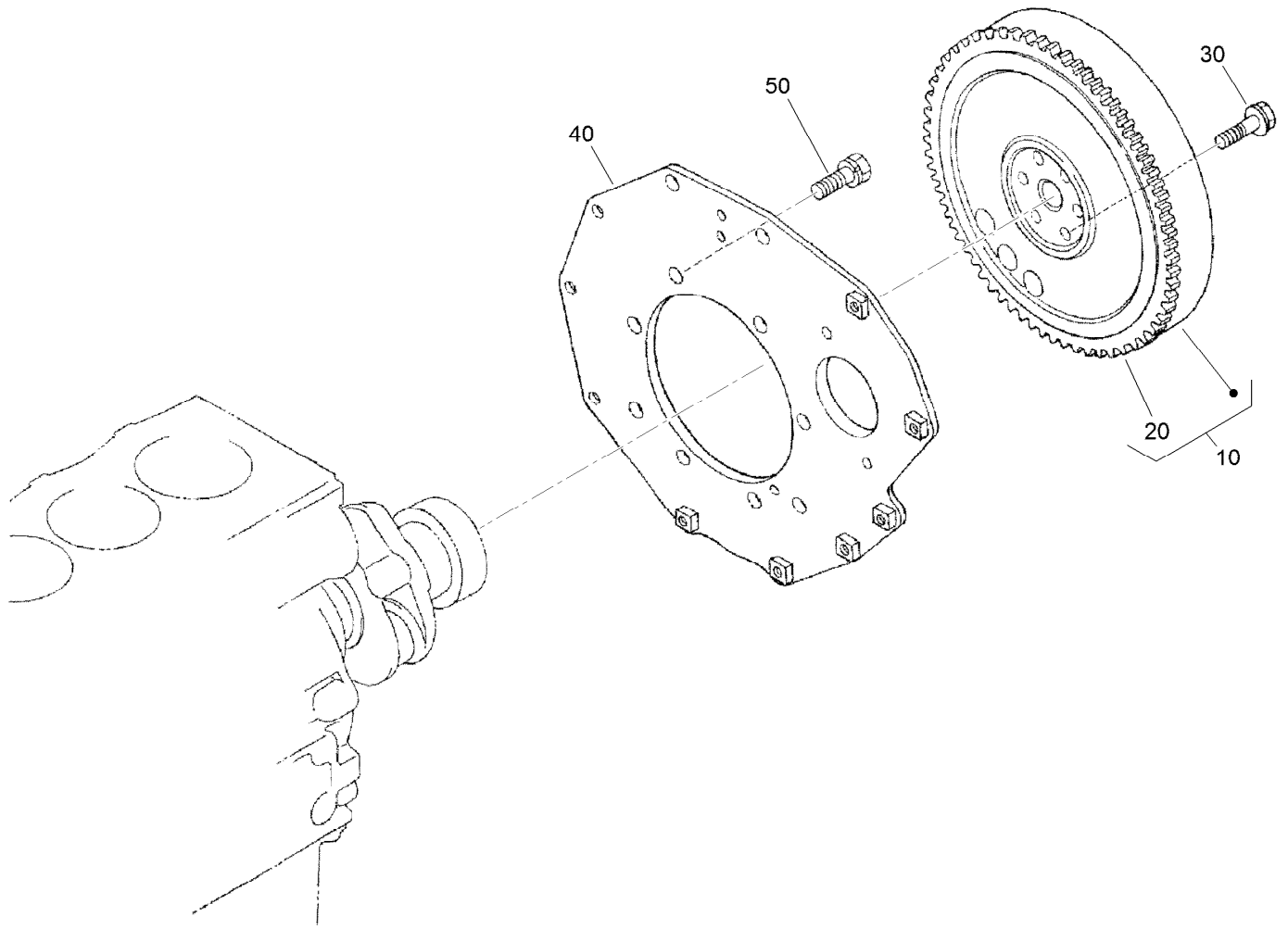
<i>Ref.</i>	<i>Part Number</i>	<i>Qty.</i>	<i>Description</i>
10	112-0185	6	Tappet
20	98-9509	6	Rod-Push
30	108-6576	1	Camshaft ASM
40	110-3729	1	Ball
50	98-9512	1	Gear-Cam
60	98-9378	1	Key-Feather
70	98-9510	1	Stopper-Camshaft
80	98-7692	2	Bolt
90	98-9649	1	Idle Gear ASM
100	98-9650	1	Bushing-Gear, Idle
110	98-9535	1	Collar-Gear, Idle
120	98-9536	1	Collar-Gear, Idle
130	98-9534	1	Circlip-Gear, Idle
140	98-9533	1	Shaft-Gear, Idle
150	98-7692	3	Bolt



Piston and Crankshaft Assembly

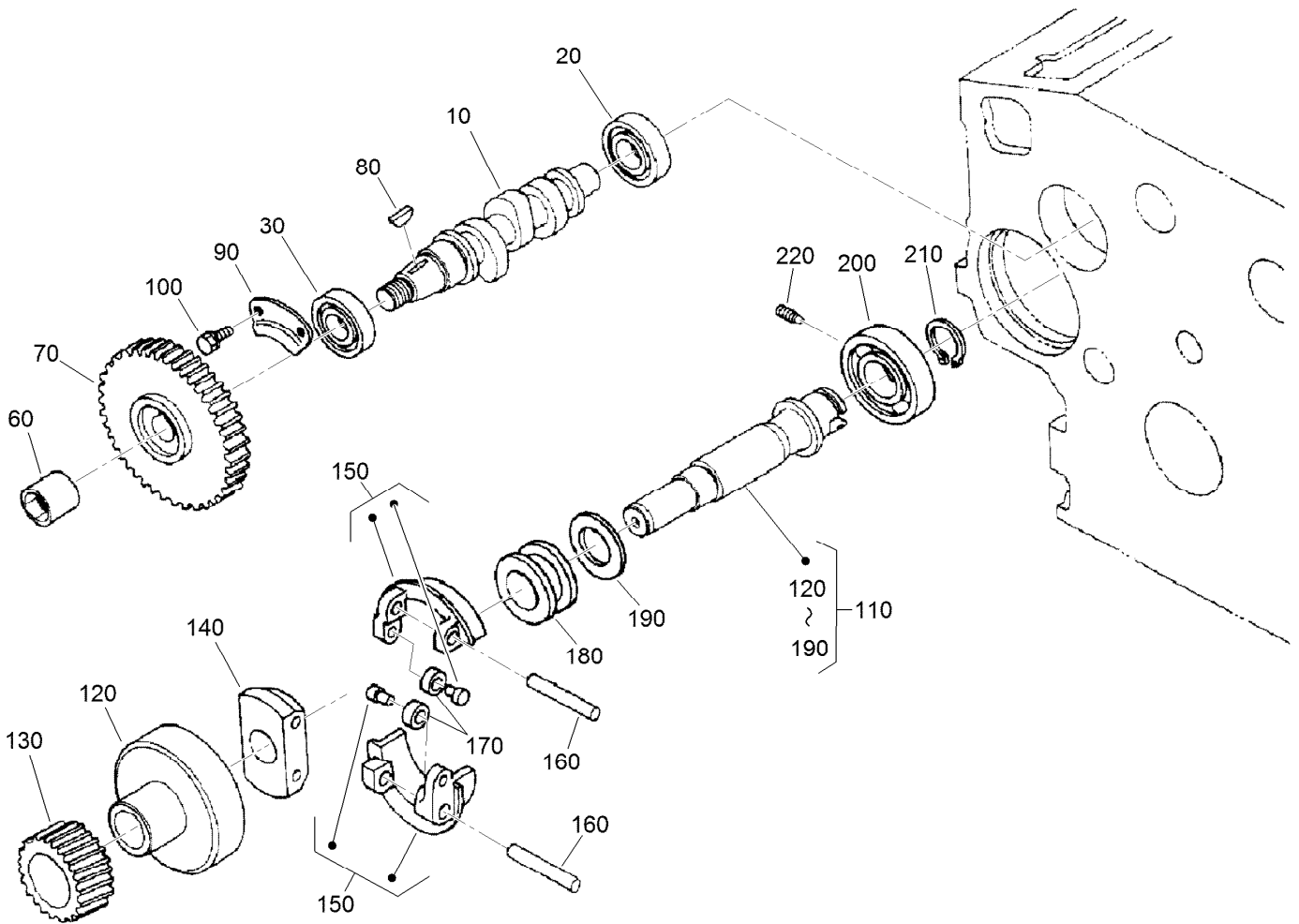
Ref.	Part Number	Qty.	Description
10	112-8404	3	Piston (STD)
10	112-8414	3	Piston (+0.5Mm)
20	98-9551	3	Piston Ring ASM (STD)
20	108-1404	3	Piston Ring ASM (+0.5MM)
30	98-9513	3	Pin-Piston
40	98-9514	6	Circlip-Pin, Piston
50	117-7586	3	Connecting Rod ASM
60	115-3014	3	Bushing-Pin, Piston
70	98-9517	6	Bolt-Rod, Connecting
80	98-9553	3	Bearing-Rod (STD)
80	117-7587	3	Metal-Crankpin (-0.2MM)
80	117-7588	3	Metal-Crankpin (-0.4MM)
90	98-9642	1	Crankshaft ASM
100	117-7561	1	Gear-Crankshaft

Ref.	Part Number	Qty.	Description
110	98-9666	1	Key
120	98-9542	1	Gear-Drive, Oil Pump
130	98-9522	1	Sleeve-Crankshaft
140	98-9521	1	Collar-Crankshaft
150	105-3783	1	O-Ring
160	112-7005	1	Bearing-Main (STD)
160	112-7009	1	Metal-Crankpin (-0.2MM)
160	112-7010	1	Metal-Crankpin (-0.4MM)
170	98-9413	2	Bearing-Thrust (STD)
170	98-9414	2	Bearing-Thrust (0.2MM)
170	98-9415	2	Bearing-Thrust (0.4MM)
180	98-9688	2	Bearing-Thrust (STD)
180	98-9689	2	Bearing-Thrust (0.2MM)
180	98-9690	2	Bearing-Thrust (0.4MM)



Flywheel Assembly

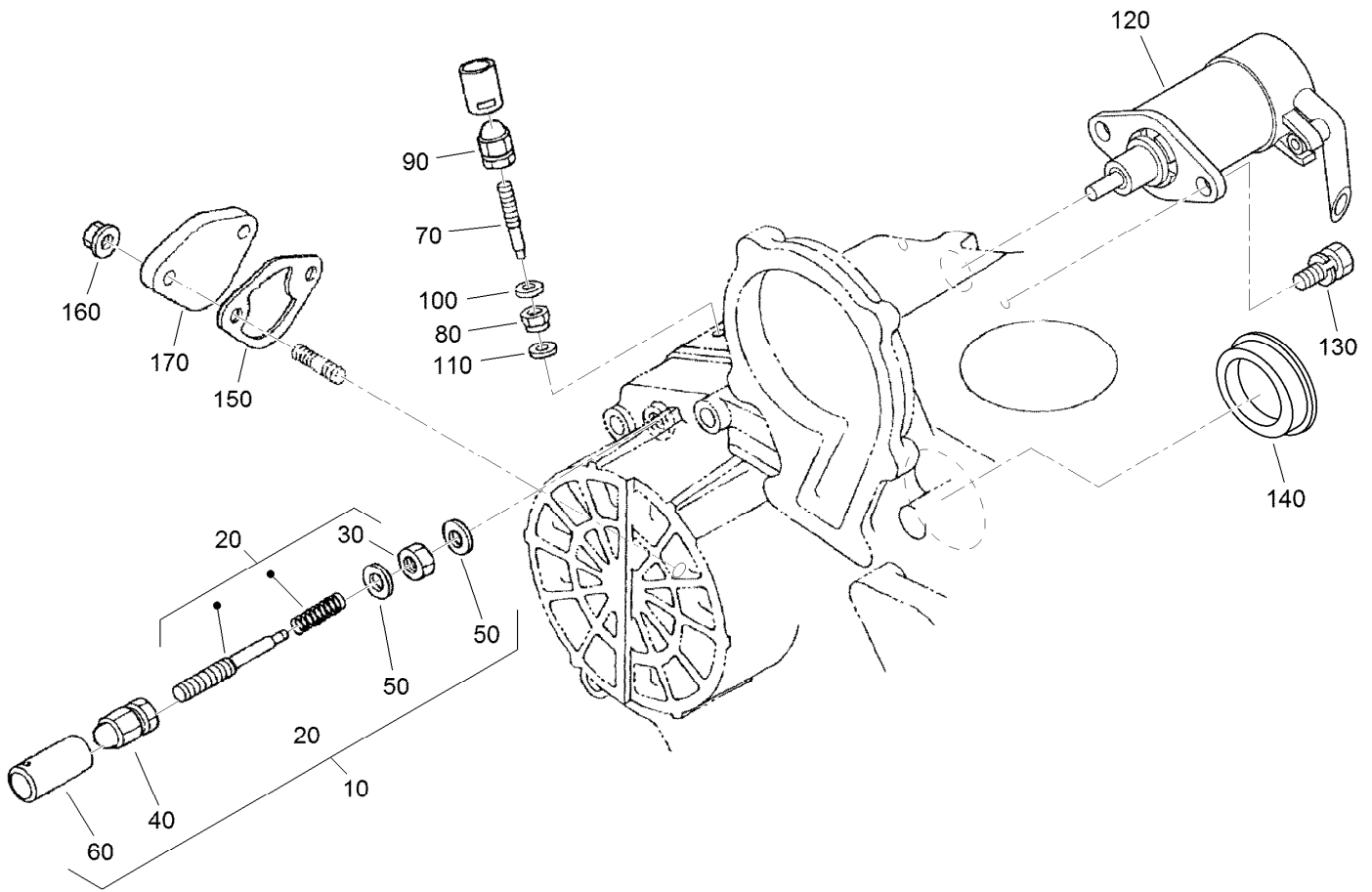
<i>Ref.</i>	<i>Part Number</i>	<i>Qty.</i>	<i>Description</i>
10	105-3784	1	Flywheel ASM
20	115-3015	1	Gear-Ring
30	98-9537	6	Bolt-Flywheel
40	98-9486	1	Plate-End, Rear
50	98-9392	8	Bolt



Fuel Camshaft and Governor Shaft Assembly

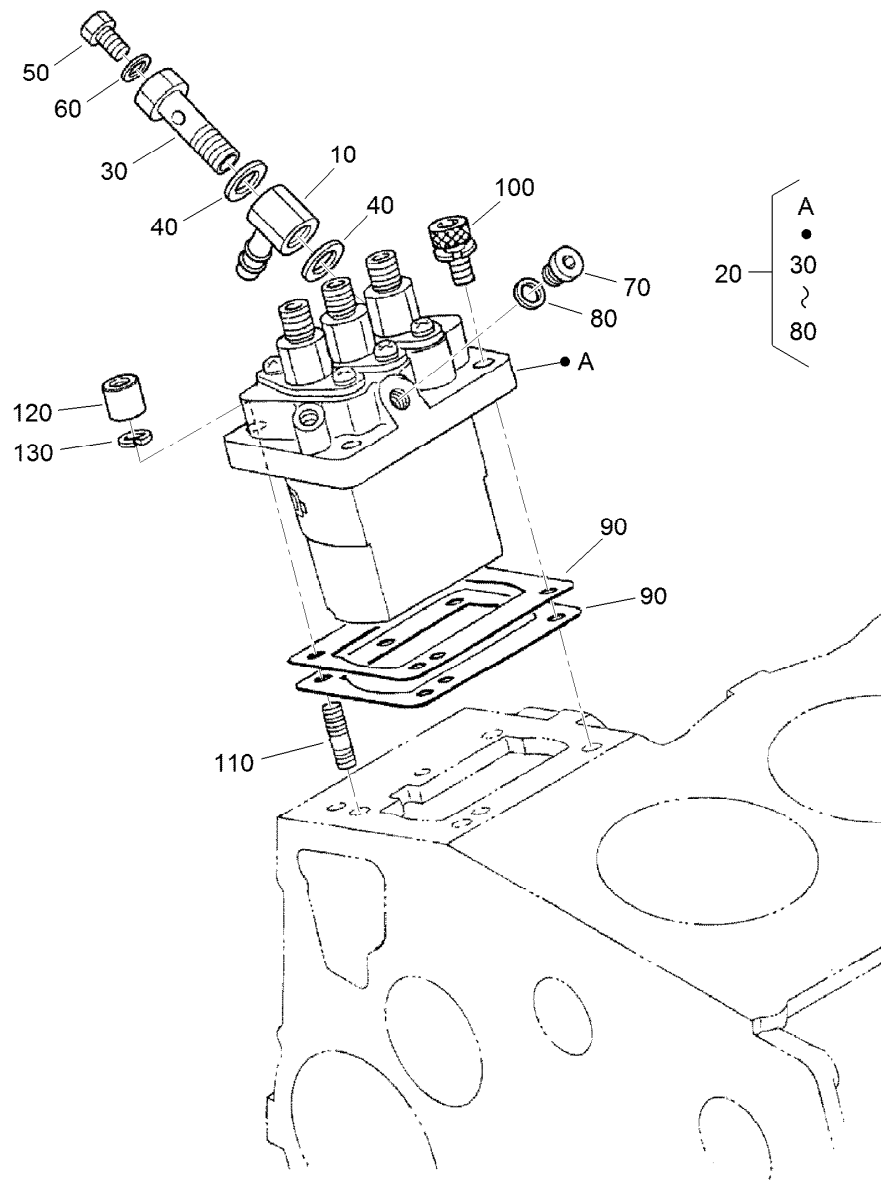
Ref.	Part Number	Qty.	Description
10	98-9459	1	Camshaft-Fuel
20	107-9077	1	Bearing-Ball
30	107-9078	1	Bearing-Ball
60	98-9590	1	Nut-Cap
70	120-2562	1	Gear-Pump, Injection
80	98-9595	1	Key-Woodruff
90	98-9511	1	Stopper-Fuel, Camshaft
100	98-7692	2	Bolt
110	98-9644	1	Governor Shaft ASM
120	98-9562	1	Holder-Gear, Governor

Ref.	Part Number	Qty.	Description
130	98-9673	1	Gear-Governor
140	98-9561	1	Holder-Weight, Governor
150	98-9559	2	Governor Weight ASM
160	98-9560	2	Shaft-Weight, Governor
170	98-9692	2	Roller
180	98-9563	1	Sleeve-Governor
190	98-9564	1	Washer-Thrust
200	107-9079	1	Bearing-Ball
210	98-9657	1	Circlip-Shaft, Governor
220	98-9565	1	Screw-Set



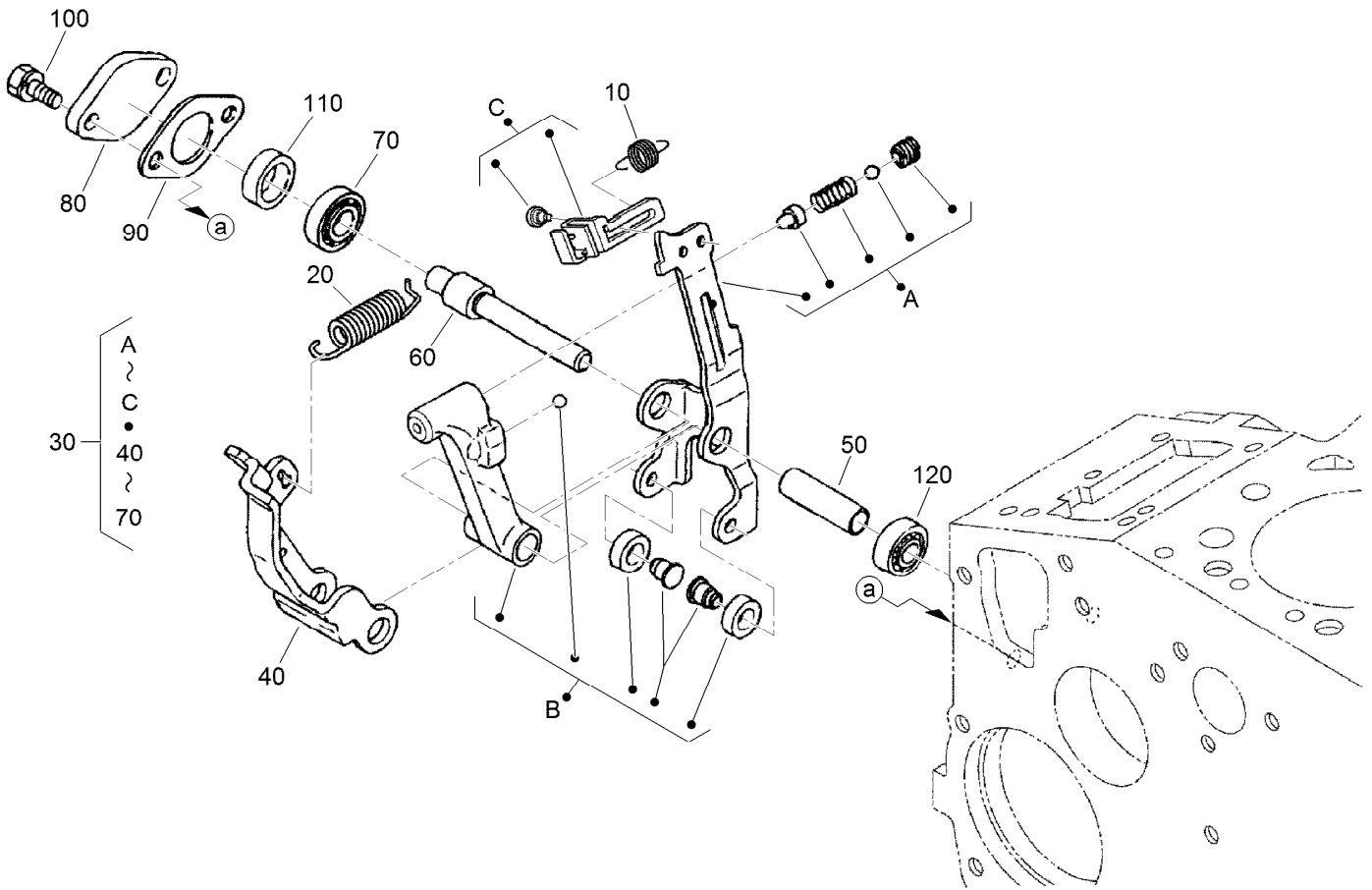
Idle Apparatus and Stop Solenoid Assembly

<i>Ref.</i>	<i>Part Number</i>	<i>Qty.</i>	<i>Description</i>	<i>Ref.</i>	<i>Part Number</i>	<i>Qty.</i>	<i>Description</i>
10	98-9678	1	Idle Apparatus ASM	100	98-7654	1	Gasket
20	112-7014	1	Adjusting Bolt ASM	110	107-9081	1	Gasket
30	98-9439	1	Nut	120	104-5155	1	Solenoid-Stop
40	112-0181	1	Nut	130	115-3039	2	Bolt-HSH
50	98-7654	2	Gasket	140	99-3514	1	Cover
60	98-7656	1	Cap	150	117-7562	1	Gasket-Pump, Fuel
70	112-7015	1	Bolt-Adjusting	160	100-2203	2	Nut-Flange
80	100-2175	1	Nut-Lock	170	112-7016	1	Cover-Pump
90	112-0181	1	Nut				



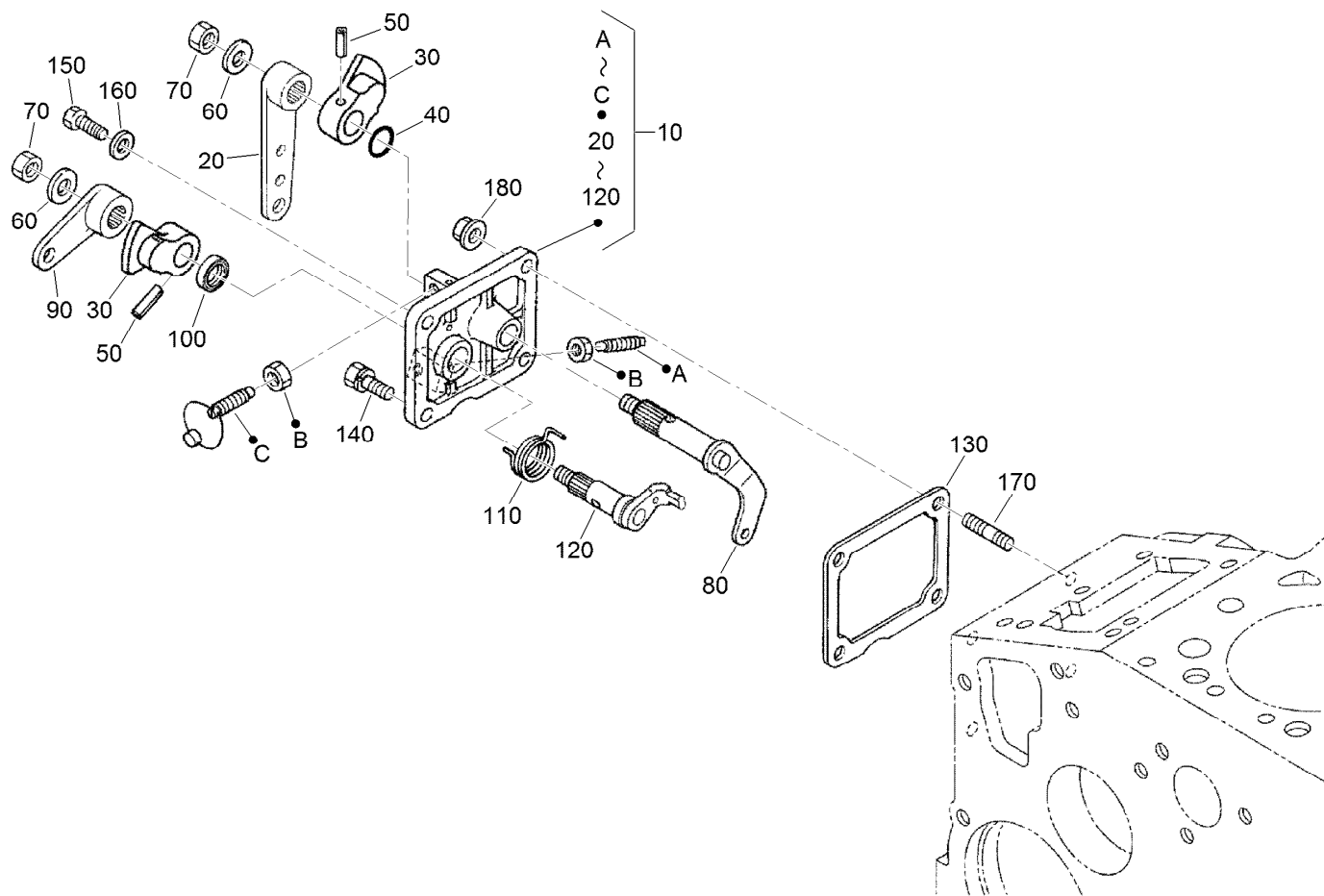
Injection Pump Assembly

Ref.	Part Number	Qty.	Description	Ref.	Part Number	Qty.	Description
10	98-9596	1	Joint-Eye	90	98-9456	1	Shim-Injection (0.20MM)
20	98-9643	1	Injection Pump ASM	90	98-9457	1	Shim-Injection (0.25MM)
30	98-9464	1	Bolt-Joint	90	98-9458	1	Shim-Injection (0.30MM)
40	98-9445	2	Gasket	90	115-3046	1	Shim-Injection (0.35MM)
50	98-9430	1	Screw	100	117-7564	2	Bolt-Hex Soc HD
60	98-9446	1	Gasket	110	98-9438	2	Stud
70	98-9466	1	Plug	120	98-9440	2	Nut-Cap
80	98-9451	1	Gasket	130	98-7699	4	Washer-Spring
90	115-3045	1	Shim-Injection (0.175MM)				



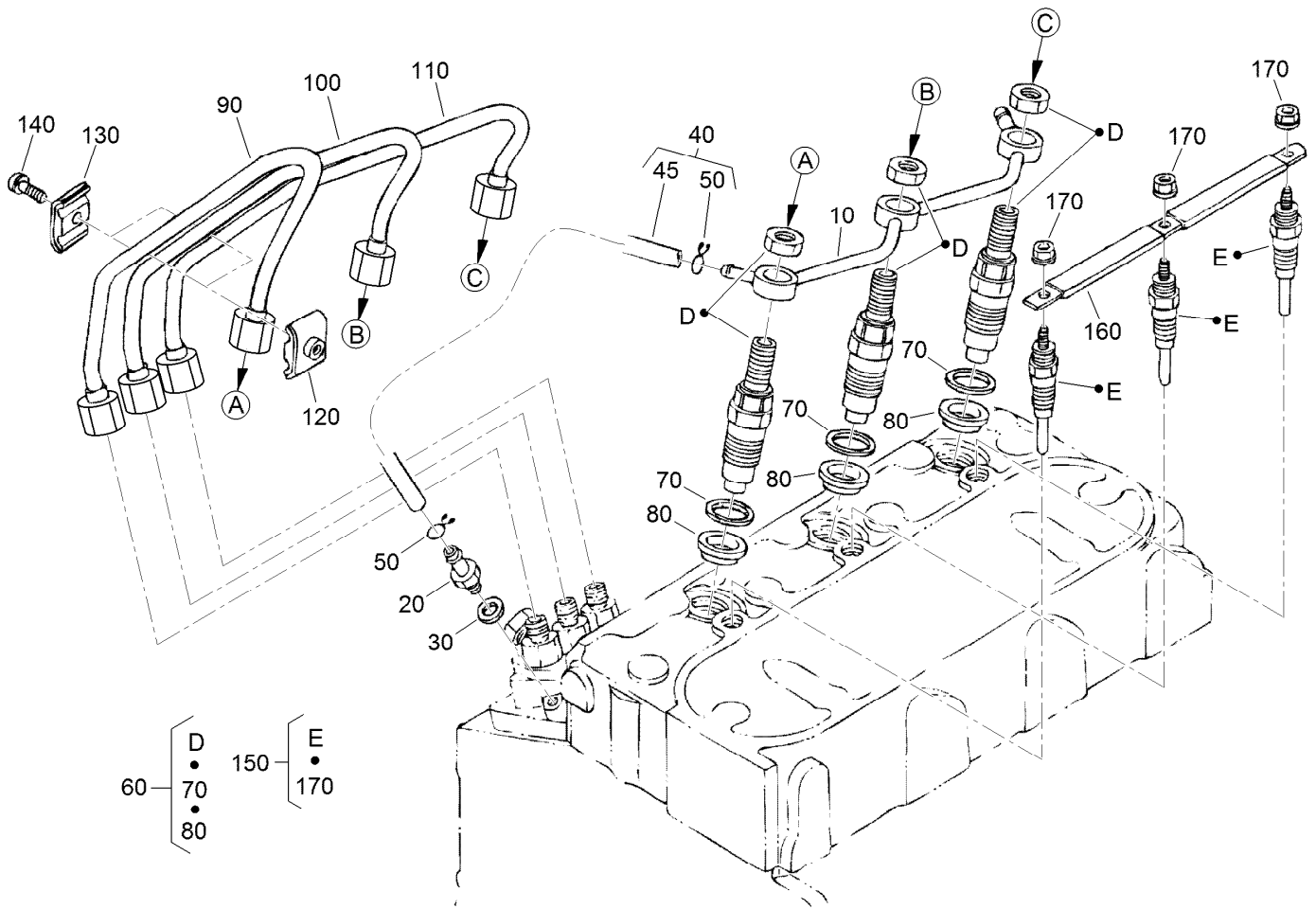
Governor Assembly

Ref.	Part Number	Qty.	Description
10	105-3786	1	Spring-Start
20	98-9681	1	Spring-Governor
30	115-4502	1	Fork Lever ASM
40	107-9084	1	Lever-Fork
50	107-9085	1	Shaft-Lever, Fork
60	107-9086	1	Shaft-Lever, Fork
70	98-9570	1	Bearing-Miniaturize
80	115-4122	1	Cover-Shaft, Fork Lever
90	98-9682	1	Gasket
100	98-9350	2	Bolt
110	98-9567	1	Collar
120	98-9571	1	Bearing-Miniaturize



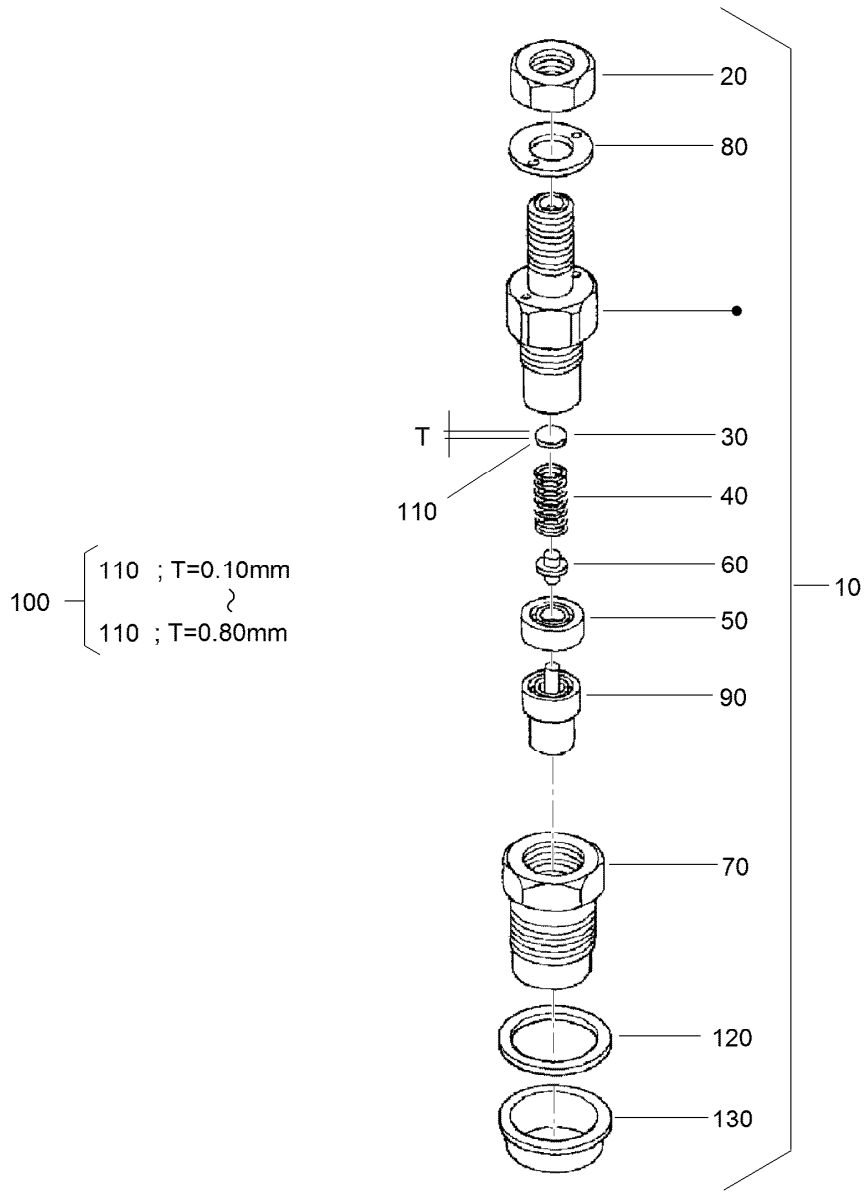
Speed Control Plate Assembly

<i>Ref.</i>	<i>Part Number</i>	<i>Qty.</i>	<i>Description</i>	<i>Ref.</i>	<i>Part Number</i>	<i>Qty.</i>	<i>Description</i>
10	105-3735	1	Control Plate ASM	100	98-7601	1	Seal-Oil
20	98-9662	1	Lever-Control, Speed	110	98-9472	1	Spring-Return
30	98-9572	2	Lever-Control, Speed	120	98-9664	1	Shaft-Lever, Stop
40	105-3788	1	O-Ring	130	98-9637	1	Gasket
50	98-7602	2	Pin-Spring	140	98-7692	1	Bolt
60	98-9594	2	Washer-Plain	150	99-8348	1	Bolt
70	98-9589	2	Nut	160	98-7654	1	Gasket
80	98-9658	1	Governor Lever ASM	170	105-3710	2	Stud
90	98-9663	1	Lever-Stop, Engine	180	100-2203	2	Nut-Flange



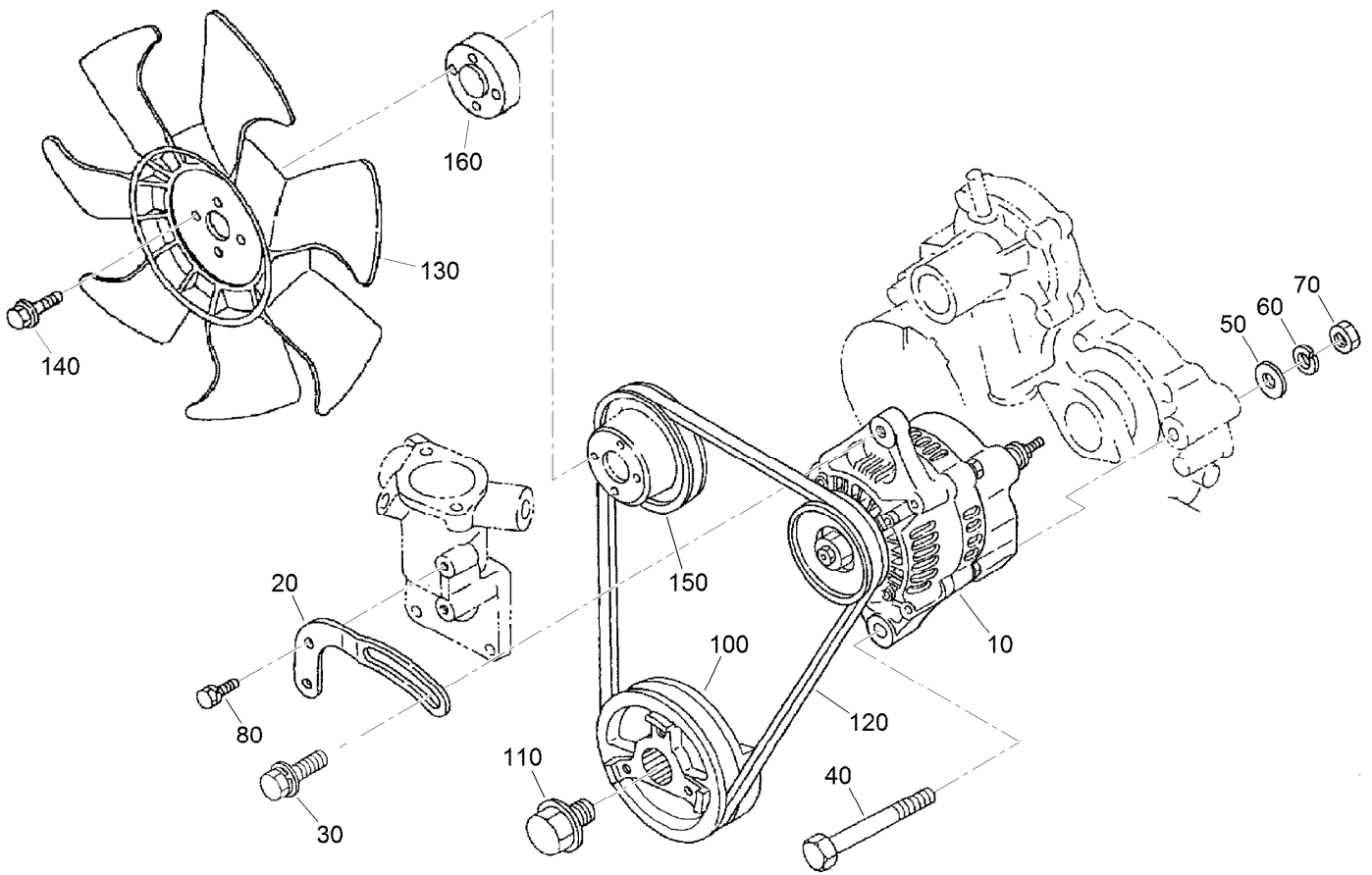
Nozzle Holder and Glow Plug Assembly

<i>Ref.</i>	<i>Part Number</i>	<i>Qty.</i>	<i>Description</i>	<i>Ref.</i>	<i>Part Number</i>	<i>Qty.</i>	<i>Description</i>
10	98-9620	1	Overflow Pipe ASM	90	98-9622	1	Pipe-Injection
20	98-9431	1	Screw-Bleeder, Air	100	98-9654	1	Pipe-Injection
30	98-7654	1	Gasket	110	98-9655	1	Pipe-Injection
40	98-9420	1	Overflow Pipe ASM	120	98-7682	2	Clamp-Pipe
45	112-0182	1	Pipe-Overflow	130	98-7683	2	Clamp-Pipe
50	98-7671	2	Clip-Pipe	140	98-7684	2	Screw (W/Washer)
60	108-2866	3	Nozzle Holder Kit	150	115-3019	3	Plug-Glow
70	98-7676	3	Gasket	160	98-9631	3	Cord-Plug, Glow
80	98-7677	3	Seal-Heat	170	99-8377	1	Nut-Flange



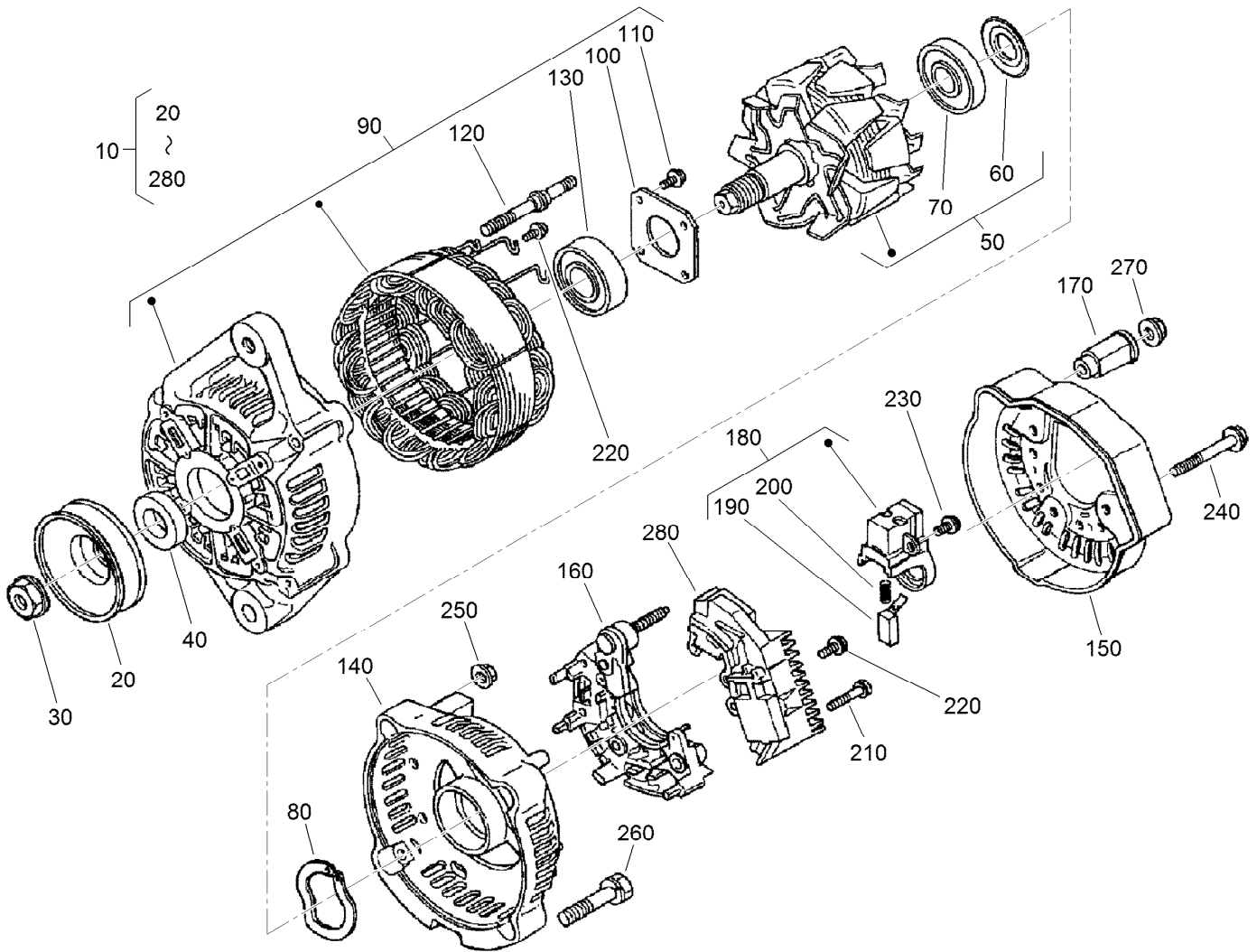
Nozzle Holder Assembly

<i>Ref.</i>	<i>Part Number</i>	<i>Qty.</i>	<i>Description</i>	<i>Ref.</i>	<i>Part Number</i>	<i>Qty.</i>	<i>Description</i>
10	108-2866	3	Nozzle Holder Kit	110	99-8311	3	Washer-Adjust (0.20MM)
20	99-8301	3	Nut	110	99-8312	3	Washer-Adjust (0.30MM)
30	99-8302	3	Washer-Adjusting	110	99-8313	3	Washer-Adjust (0.40MM)
40	99-8303	3	Spring-Nozzle	110	99-8314	3	Washer-Adjust (0.50MM)
50	99-8304	3	Spacer-Distance	110	99-8315	3	Washer-Adjust (0.52MM)
60	99-8305	3	Rod-Push	110	99-8316	3	Washer-Adjust (0.54MM)
70	99-8306	3	Nut-Nozzle	110	99-8317	3	Washer-Adjust (0.56MM)
80	99-8307	3	Washer-Plain	110	99-8318	3	Washer-Adjust (0.58MM)
90	107-7826	3	Piece-Nozzle	110	99-8319	3	Washer-Adjust (0.80MM)
100	99-8309	3	Adjusting Washer ASM	120	98-7676	3	Gasket
110	99-8310	3	Washer-Adjust (0.10MM)	130	98-7677	3	Seal-Heat



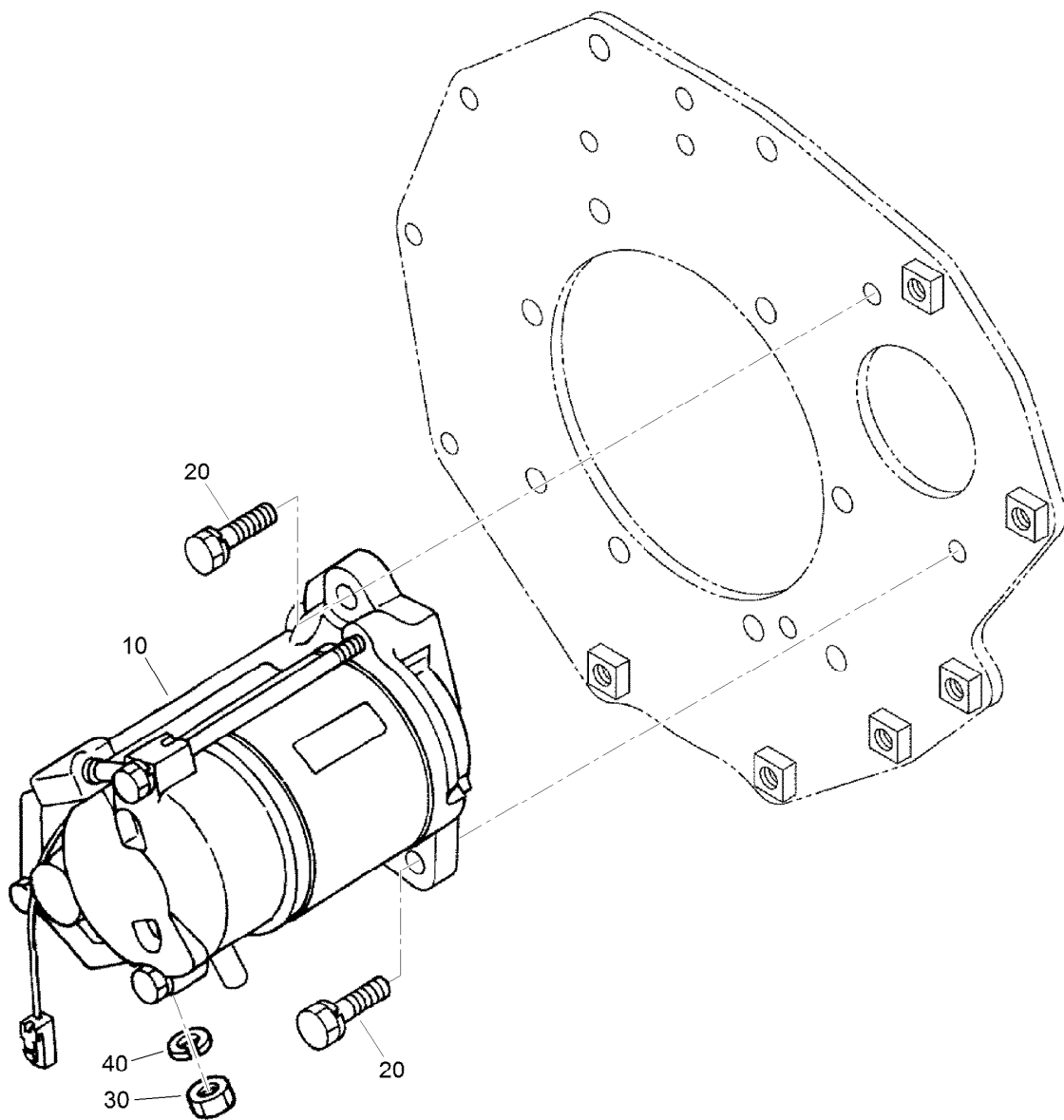
Alternator and Pulley Assembly

Ref.	Part Number	Qty.	Description
10	98-9474	1	Alternator ASM
20	112-7047	1	Stay-Dynamo
30	108-7088	1	Bolt
40	98-9360	1	Bolt
50	98-9366	1	Washer-Plain
60	98-7738	1	Washer-Spring
70	98-7737	1	Nut
80	98-7692	1	Bolt
100	98-9473	1	Pulley-Drive, Fan
110	98-9585	1	Bolt
120	104-3494	1	Belt-V
130	107-9096	1	Fan-Cooling
140	108-2873	4	Bolt-Flange
150	104-3497	1	Pulley-Fan
160	108-2872	1	Collar-Fan



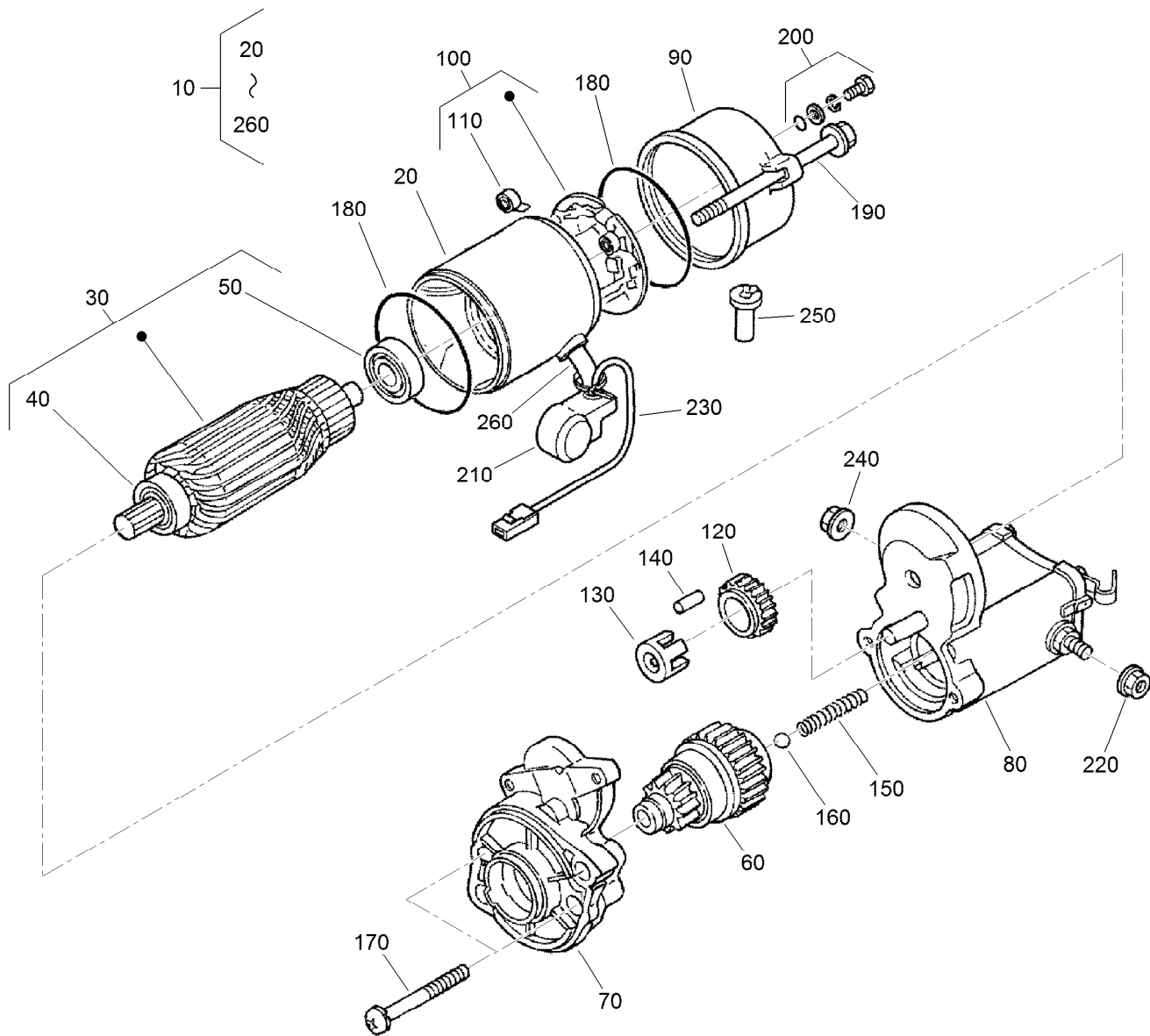
Alternator Components Assembly

<i>Ref.</i>	<i>Part Number</i>	<i>Qty.</i>	<i>Description</i>	<i>Ref.</i>	<i>Part Number</i>	<i>Qty.</i>	<i>Description</i>
10	98-9474	1	Alternator ASM	150	107-0140	1	Cover-End
20	98-9453	1	Pulley-Dynamo	160	98-7721	1	Rectifier ASM
30	98-7708	1	Nut	170	98-7722	1	Bushing-Insulation
40	98-7709	1	Collar	180	107-0141	1	Brush Holder ASM
50	107-0136	1	Rotor ASM	190	98-7724	2	Brush
60	98-7711	1	Cover-Bearing	200	98-7725	2	Spring-Brush
70	107-0138	1	Bearing-Ball	210	98-7726	2	Screw-Head, Round
80	98-7713	1	Washer-Thrust	220	98-7727	6	Screw-Head, Round
90	107-0139	1	Drive End Frame ASM	230	98-7728	1	Screw-Head, Round
100	98-7715	1	Plate-Retainer	240	98-7729	3	Bolt
110	98-7716	4	Screw-Head, Round	250	98-7730	2	Nut
120	98-7717	2	Bolt-Through	260	98-7731	2	Bolt
130	107-0137	1	Bearing-Ball	270	98-7732	1	Nut
140	107-9087	1	Frame-End	280	110-3799	1	Regulator ASM



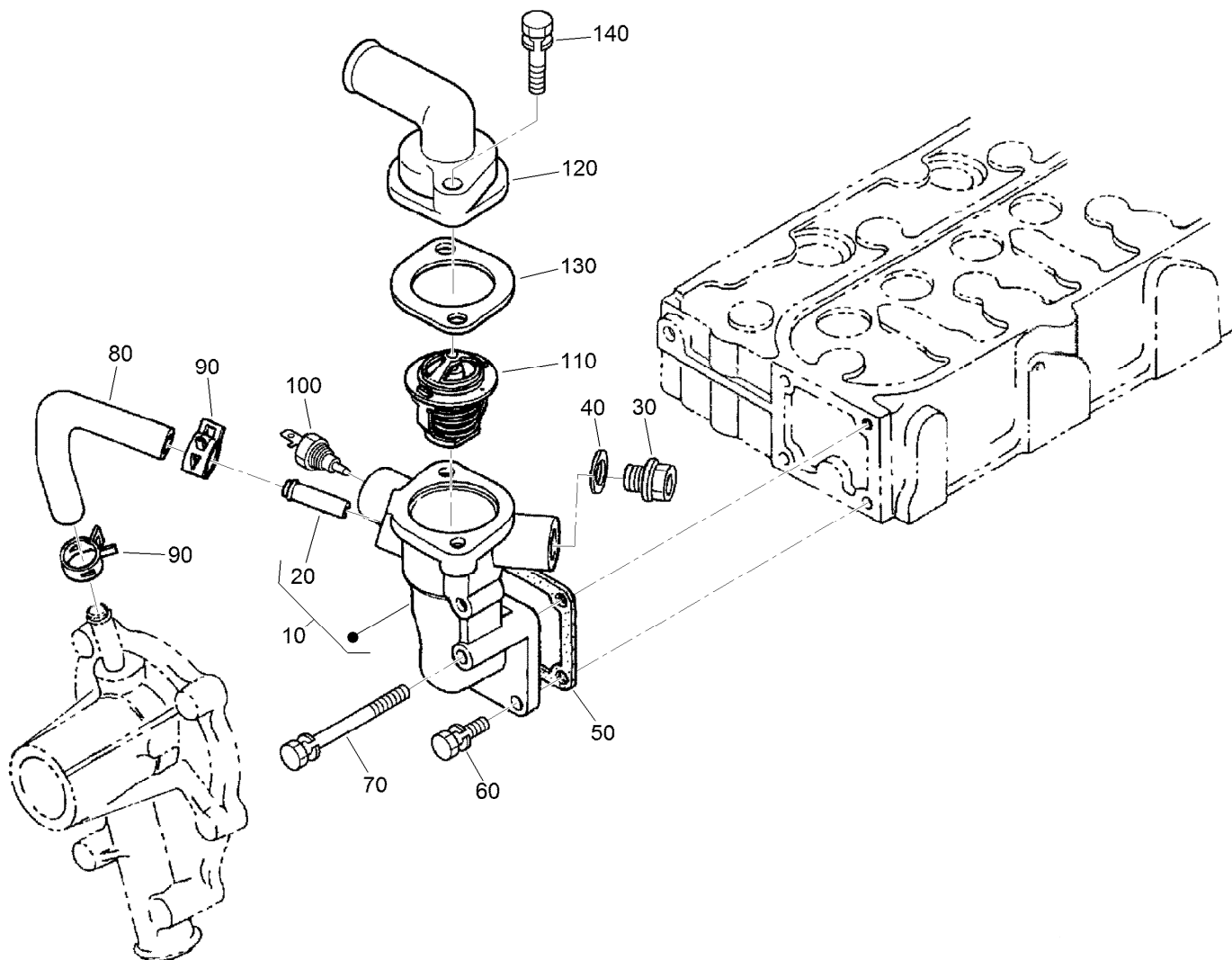
Starter Assembly

<i>Ref.</i>	<i>Part Number</i>	<i>Qty.</i>	<i>Description</i>
10	98-9705	1	Starter ASM
20	98-7697	2	Bolt
30	98-7739	1	Nut
40	105-2893	1	Washer-Spring



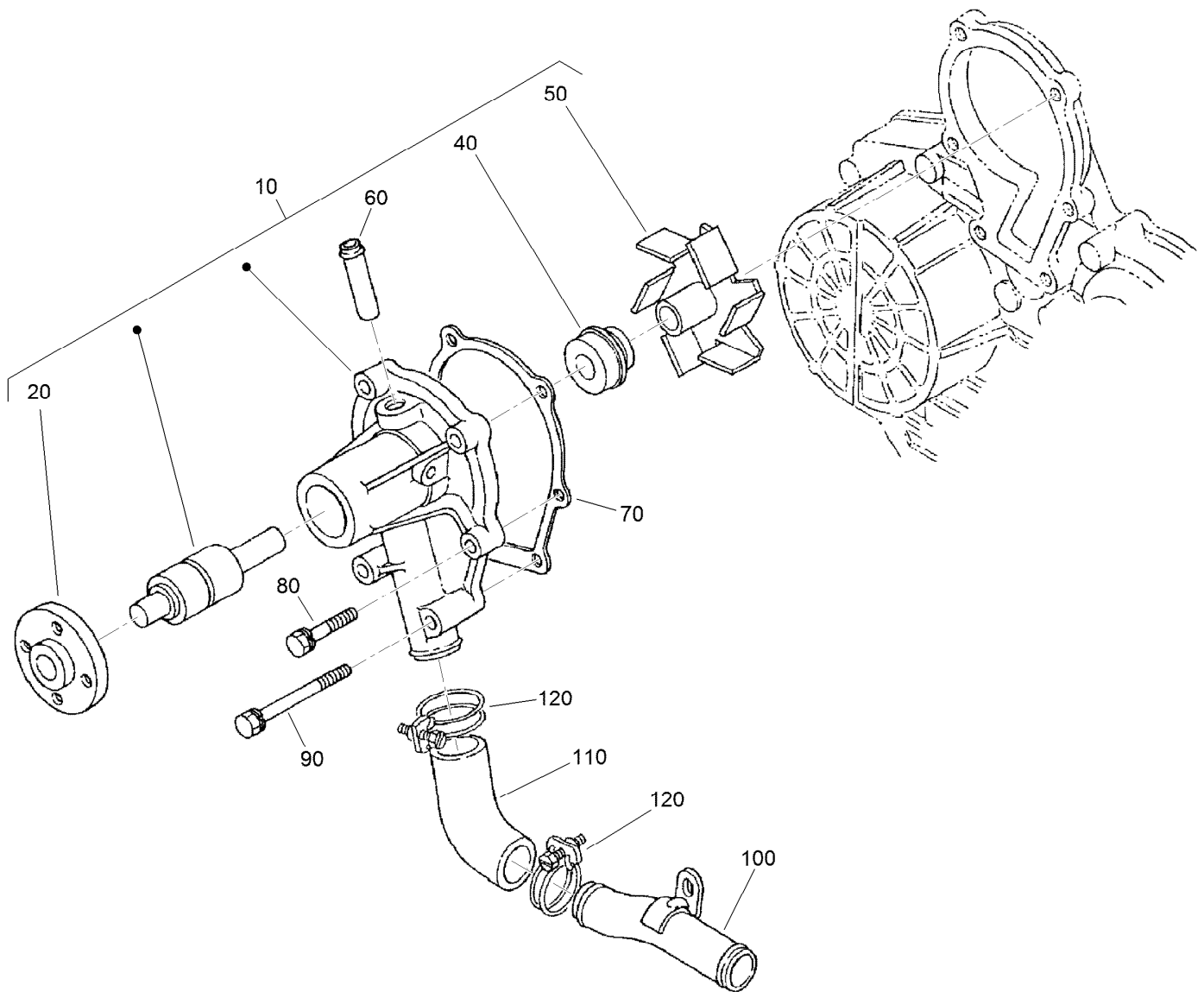
Starter Component Assembly

<i>Ref.</i>	<i>Part Number</i>	<i>Qty.</i>	<i>Description</i>	<i>Ref.</i>	<i>Part Number</i>	<i>Qty.</i>	<i>Description</i>
10	98-9705	1	Starter ASM	140	98-7753	5	Roller
20	104-8608	1	Yoke ASM	150	98-7754	1	Spring
30	98-7742	1	Armature ASM	160	98-7755	1	Ball
40	98-7744	1	Bearing	170	98-7756	2	Bolt
50	98-7743	1	Bearing	180	98-7757	2	O-Ring
60	99-8373	1	Clutch-Running, Over	190	100-9240	2	Bolt
70	99-8374	1	Frame-End, Drive	200	98-7758	2	Bolt ASM
80	105-3746	1	Magnetic Switch ASM	210	99-8375	1	Cover
90	98-7748	1	Frame-End	220	99-8371	1	Nut-Hex
100	98-7749	1	Brush Holder ASM	230	98-9711	1	Cord-Solenoid, Stop
110	98-7750	4	Spring-Brush	240	99-8376	1	Nut-Hex
120	98-7751	1	Gear	250	98-7759	1	Pipe-Drain
130	98-7752	1	Retainer	260	98-9712	1	Band-Cover



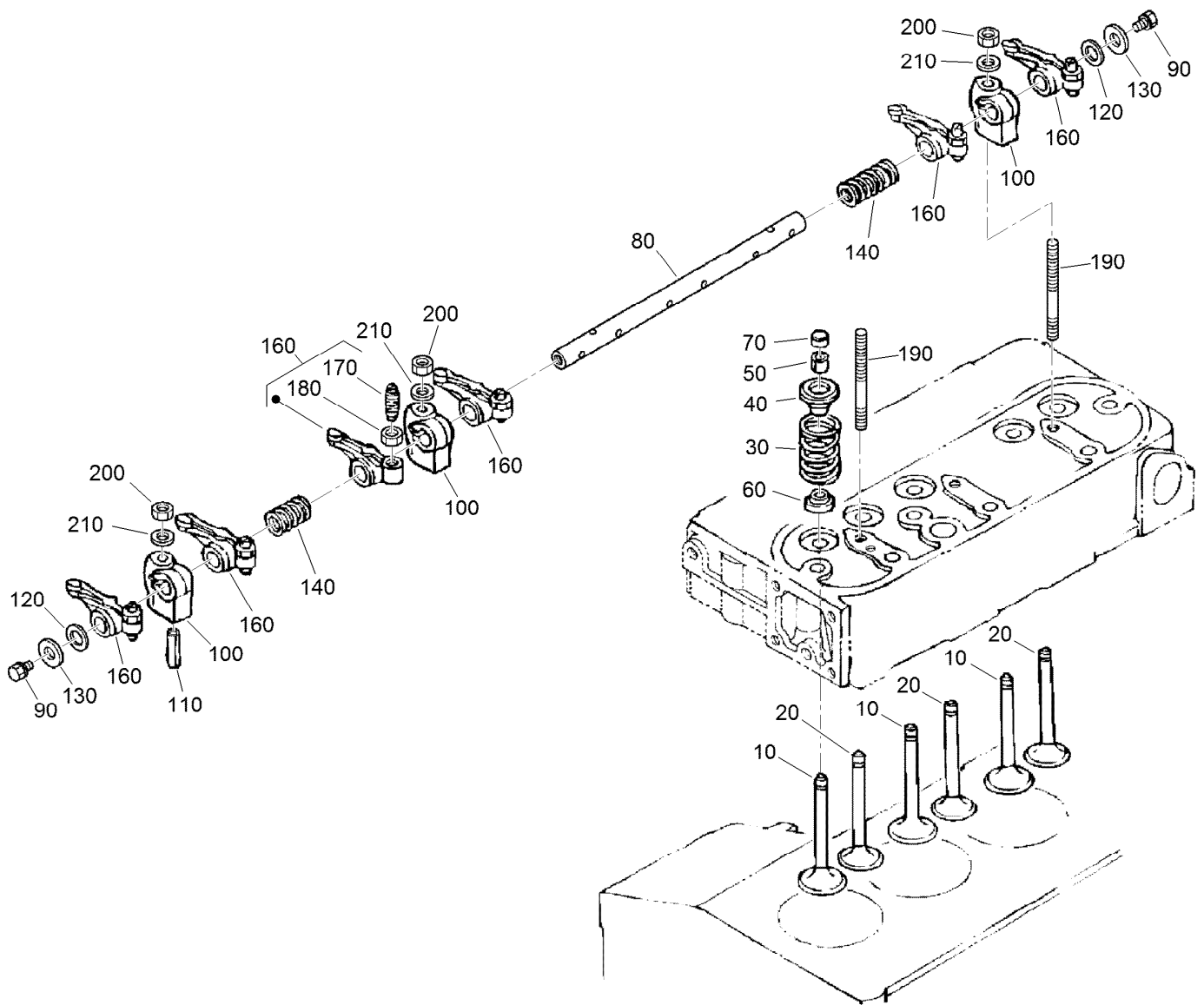
Water Flange and Thermostat Assembly

Ref.	Part Number	Qty.	Description
10	98-9713	1	Water Flange ASM
20	98-9580	1	Pipe-Return, Water
30	105-3747	1	Plug
40	99-3583	1	Gasket
50	98-9638	1	Gasket-Flange, Water
60	98-7692	3	Bolt
70	98-9356	1	Bolt
80	98-9578	1	Pipe-Return, Water
90	98-9579	2	Band-Pipe
100	98-9719	1	Thermoswitch
110	98-7778	1	Thermostat ASM
120	104-4804	1	Outlet-Water
130	105-3748	1	Gasket-Thermostat
140	98-7777	2	Bolt



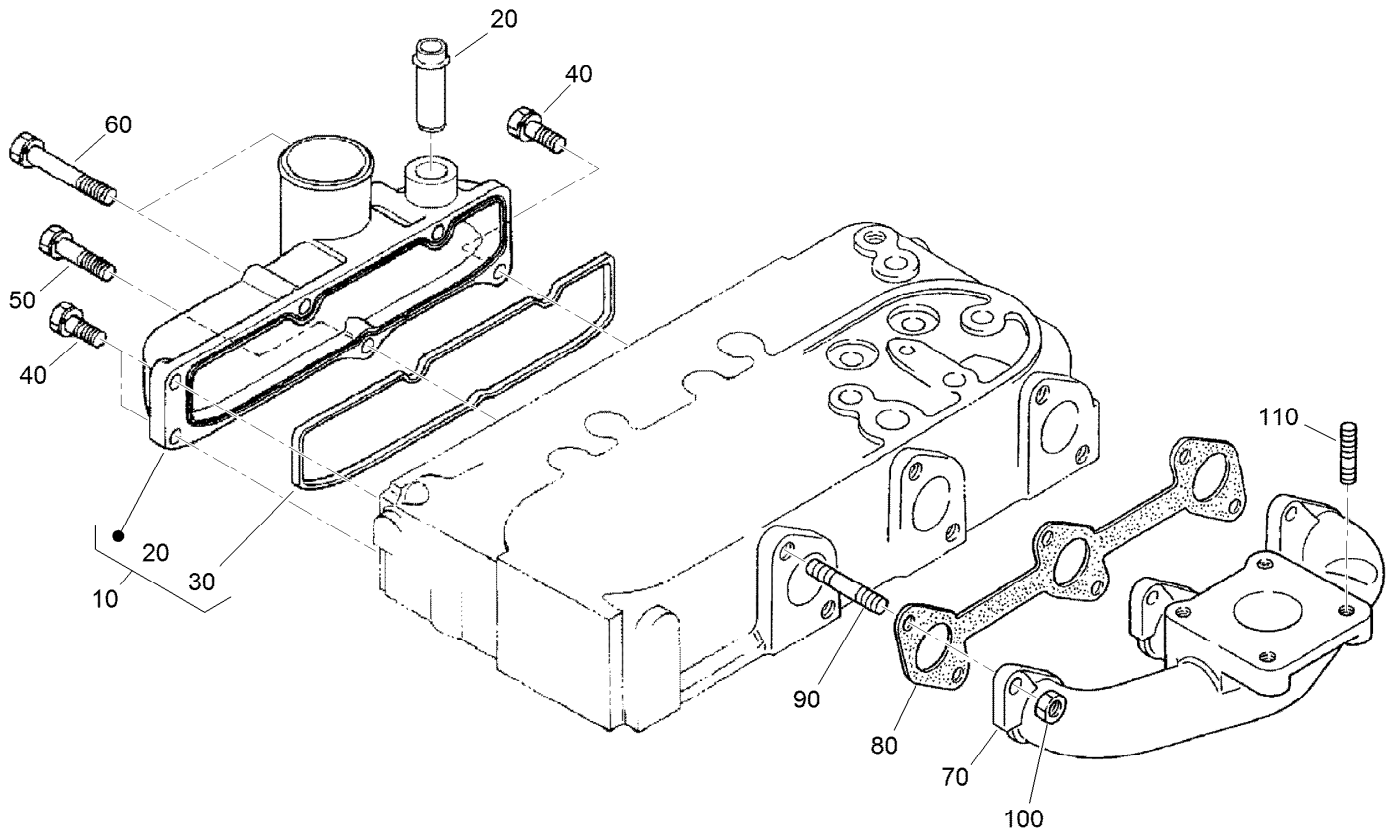
Water Pump Assembly

<i>Ref.</i>	<i>Part Number</i>	<i>Qty.</i>	<i>Description</i>
10	107-9089	1	Water Pump ASM
20	99-3516	1	Flange-Pump, Water
40	105-3750	1	Mechanical Seal ASM
50	112-7017	1	Impeller-Pump, Water
60	100-1932	1	Pipe-Return, Water
70	99-3454	1	Gasket-Pump, Water
80	98-9353	4	Bolt
90	98-9357	2	Bolt
100	98-9716	1	Pipe-Water
110	107-9091	1	Pipe-Water
120	98-9717	2	Clamp



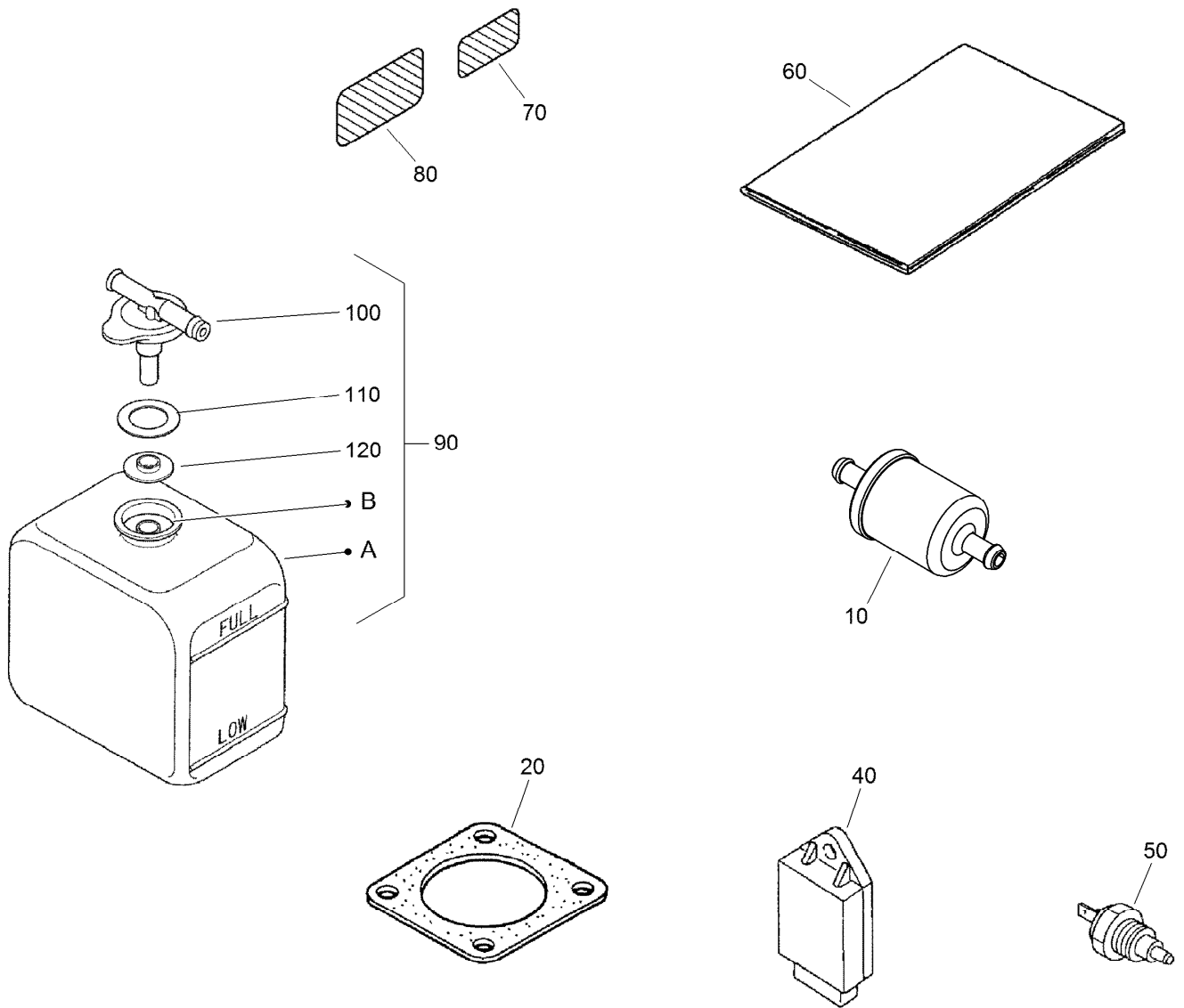
Valve and Rocker Arm Assembly

<i>Ref.</i>	<i>Part Number</i>	<i>Qty.</i>	<i>Description</i>
10	120-2563	3	Valve-Inlet
20	120-2564	3	Valve-Exhaust
30	98-9648	6	Spring-Valve
40	107-9092	6	Retainer-Spring
50	117-7572	6	Collet-Spring, Valve
60	99-8385	6	Seal-Stem, Valve
70	98-9497	6	Cap-Valve
80	105-3790	1	R-Arm Shaft ASM
90	100-9265	2	Bolt
100	98-9505	3	Bracket-Arm, Rocker
110	105-3758	1	Pin-Spring
120	98-9507	2	Washer-Shaft, Rocker Arm
130	110-3832	2	Washer-Plain
140	98-9504	2	Spring-Arm, Rocker
160	112-7020	6	Rocker Arm ASM
170	98-9502	6	Screw-Adjusting
180	98-9503	6	Nut
190	98-9506	3	Stud
200	98-9393	3	Nut
210	98-9385	3	Washer-Flat



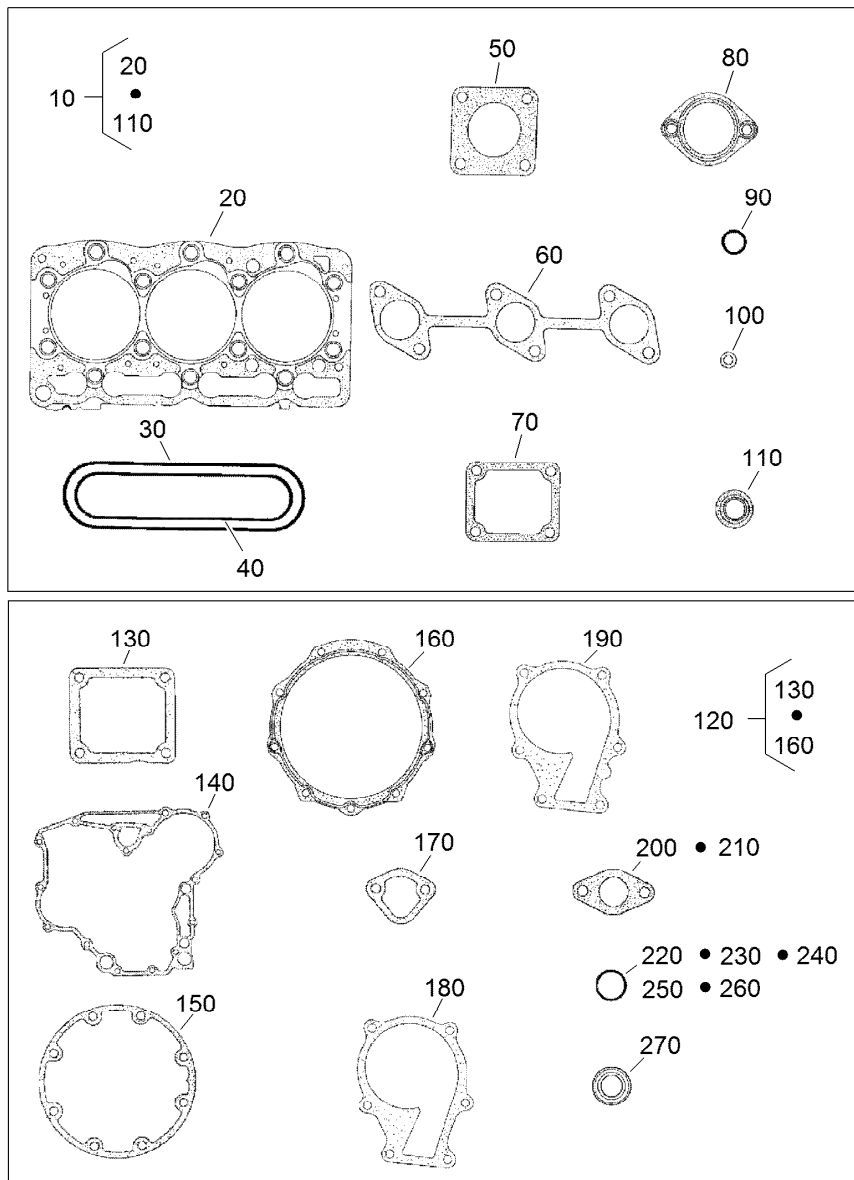
Inlet and Exhaust Manifold Assembly

<i>Ref.</i>	<i>Part Number</i>	<i>Qty.</i>	<i>Description</i>
10	107-7843	1	Manifold Inlet ASM
20	98-9492	1	Joint-Pipe, Breather
30	98-9609	1	Gasket-Manifold, Inlet
40	98-7605	3	Bolt
50	98-9353	1	Bolt
60	105-3797	2	Bolt
70	107-9093	1	Manifold-Exhaust
80	99-8327	1	Gasket-Manifold, Exhaust
90	98-9588	6	Stud
100	98-9665	6	Nut
110	98-7769	4	Stud



Miscellaneous Engine Parts

<i>Ref.</i>	<i>Part Number</i>	<i>Qty.</i>	<i>Description</i>
10	98-7612	1	Filter-Fuel
20	99-8343	1	Gasket-Muffler
40	98-7611	1	Controller-Glow
50	106-7772	1	Thermoswitch
60	117-8836	1	Manual-Operator, Kubota
70	110-0806	1	Decal-Caution
80	110-3843	1	Label-Instruction
90	104-9318	1	Bottle-Overflow
100	115-4132	1	Cap
110	105-3755	1	Gasket
120	105-3756	1	Plate



Upper and Lower Gasket Kits

Ref.	Part Number	Qty.	Description	Ref.	Part Number	Qty.	Description
10	107-7848	1	Upper Gasket Kit	150	98-9634	1	Gasket-Case, Bearing
20	108-6573	1	Gasket-Head, Cylinder	160	112-7037	1	Gasket-Cover, Case
30	98-9615	1	Gasket-Cover, Head	170	98-9636	1	Gasket-Pump, Fuel
40	98-9609	1	Gasket-Manifold, Inlet	180	98-9632	1	Gasket-Pump, Water
50	99-8343	1	Gasket-Muffler	190	99-3454	1	Gasket-Pump, Water
60	99-8327	1	Gasket-Manifold, Exhaust	200	98-9682	1	Gasket
70	98-9638	1	Gasket-Flange, Water	210	98-9683	1	Gasket-Cover, Solenoid
80	105-3748	1	Gasket-Thermostat	220	105-3781	2	O-Ring
90	99-3446	2	O-Ring	230	105-3777	2	O-Ring
100	98-9454	3	Gasket	240	105-3783	1	O-Ring
110	99-8385	6	Seal-Stem, Valve	250	105-3776	1	O-Ring
120	107-9095	1	Lower Gasket Kit	260	105-3788	1	O-Ring
130	98-9637	1	Gasket	270	98-7601	1	Seal-Oil
140	98-9633	1	Gasket-Case, Gear				

Attachments and Accessories

For 30807 Groundsmaster 3500-D Rotary Mower

Product Name	Model/Part
Blade-High Lift	104-5183
Blade-Angle Sail	105-9810-03
Blade-Atomic	107-0235-03
27in Blade Service Pack (qty 6)	108-1462
Blade-Combo.....	108-9026-03
Sectional Roller Assembly	117-5121
400-hour Filter Maintenance MVP Kit	30090
Premium Seat Kit.....	30629
27in Rotary Cutting Unit.....	30834
Leaf Mulching Kit	30836
Work Light Kit	30841

Notes:

Notes:

Notes:



Count on it.