



**Count on it.**

**Parts Catalog**

**22in Recycler<sup>®</sup>**

**Lawn Mower**

Model No. 21472—Serial No. 410239154 and Up



# Ordering Replacement Parts

To order replacement parts, please supply the part number, the quantity, and the description of each part desired.

## Understanding Reference Numbers

Each identified part in an illustration has a reference number. The reference number for a part also appears in the parts list, along with other information about the part.

This catalog uses two special reference number formats, one to indicate parts in a service assembly and another to indicate the quantity of a given part in an illustration.

## Service Assembly Reference Numbers

Parts in service assemblies have reference numbers in the form a:b. The a represents the reference number of the entire service assembly and the b represents a sequential number unique to each part within the service assembly.

For example, a wheel assembly might be identified by reference number 6, the tire by 6:1, the valve by 6:2, and the wheel by 6:3. When you order the assembly identified by reference number 6, you receive all parts identified by reference numbers 6:1, 6:2, and 6:3. However, you may also order any part individually. Reference numbers of this type appear in illustration and in parts lists.

## Reference Numbers Indicating Quantity

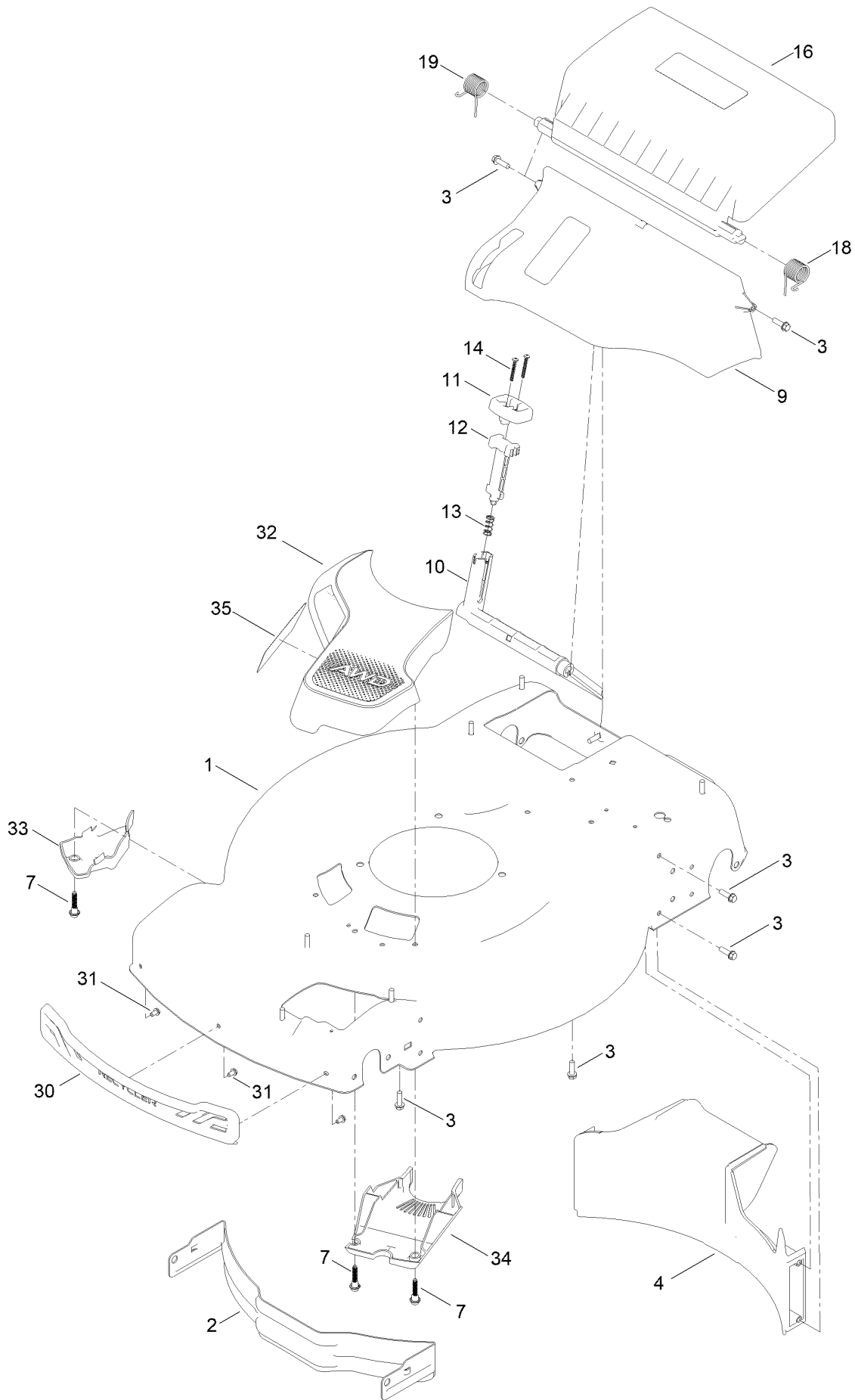
In an illustration, if a reference number indicates more than one part, the reference number has the form nX y. The n represents the quantity of the part, the X is the multiplication symbol, and the y represents the reference number.

For example, in an illustration, the reference number 2X 37 means that two of the parts identified by reference number 37 are indicated.

# Contents

Housing Assembly .....	4
Rear Bag Assembly .....	6
Decal Assembly .....	8
Engine and Blade Assembly .....	10
Front Wheel and Height-of-Cut Assembly .....	12
Rear Wheel and Height-of-Cut Assembly .....	14
Handle Assembly .....	16
Attachments and Accessories .....	18

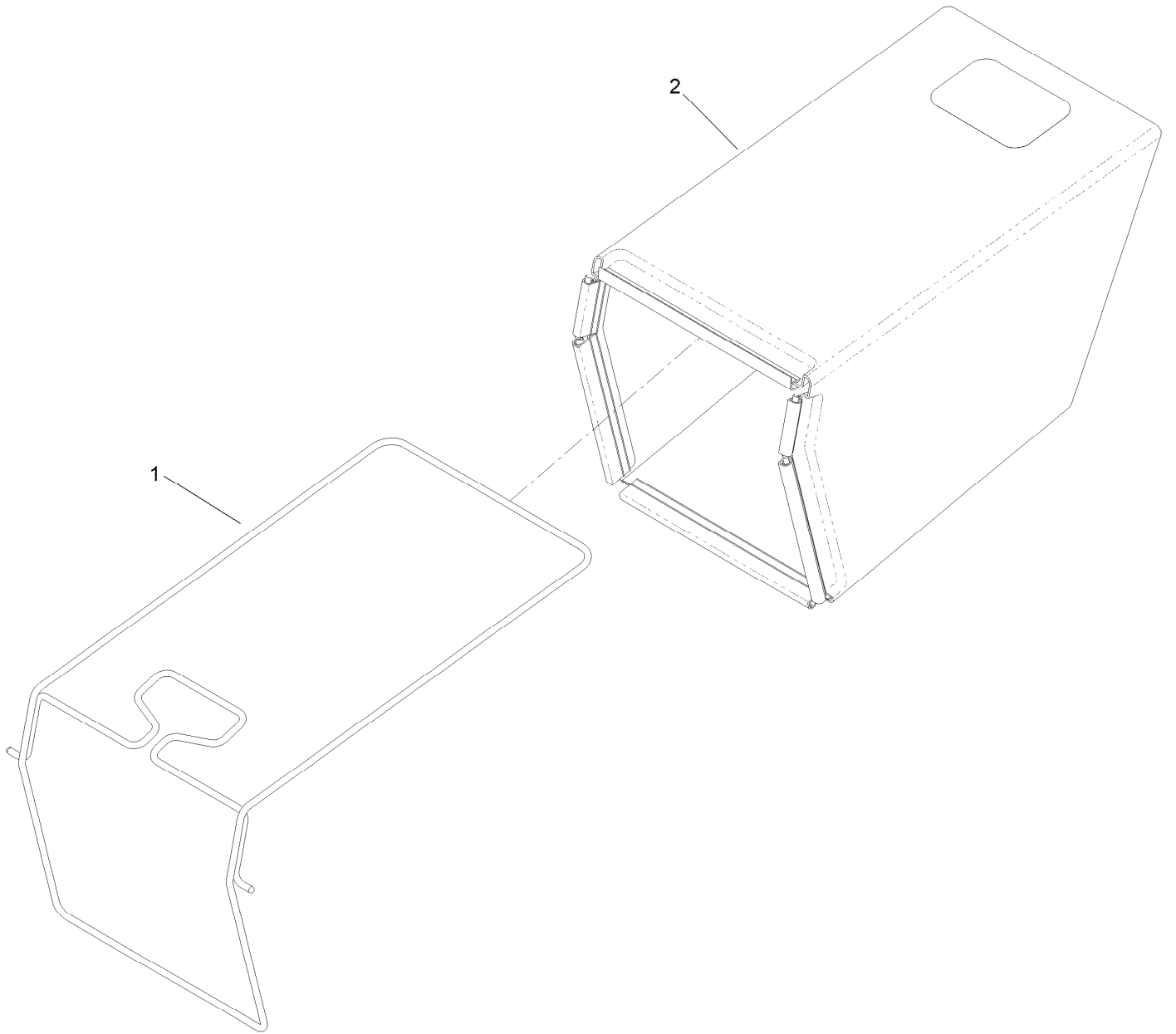
# Housing Assembly



## Housing Assembly (continued)

<i>Ref.</i>	<i>Part Number</i>	<i>Qty.</i>	<i>Description</i>	<i>Ref.</i>	<i>Part Number</i>	<i>Qty.</i>	<i>Description</i>
1	144-3193	1	Housing ASM	14	32104-120	2	Screw-PPH
2	114-7963-01	1	Baffle-Front	16	139-5476	1	ASM-Rear Door, In Mold
3	46-8091	13	Screw-HWH	18	139-5478	1	Spring-Torsion, LH
4	139-5440	1	Baffle-Rear, Rwd	19	139-5479	1	Spring-Torsion, RH
7	131-0837	3	Screw-Shoulder, HHF	30	139-5457	1	Bumper-Front
9	140-2368	1	ASM-Chute, In Mold	31	139-5467	3	Screw-Plastic, HWH
10	139-5443	1	Deflector-Recycle	32	144-0211	1	ASM-Intake, Awd
11	139-5444	1	Knob-Recycle	33	140-2384	1	Cover-Intake, Bottom
12	139-5445	1	Latch-Recycle	34	140-2389	1	Cover-Belt, Lower (Awd)
13	140-4192	1	Spring-Compression	35	140-4186	1	Decal

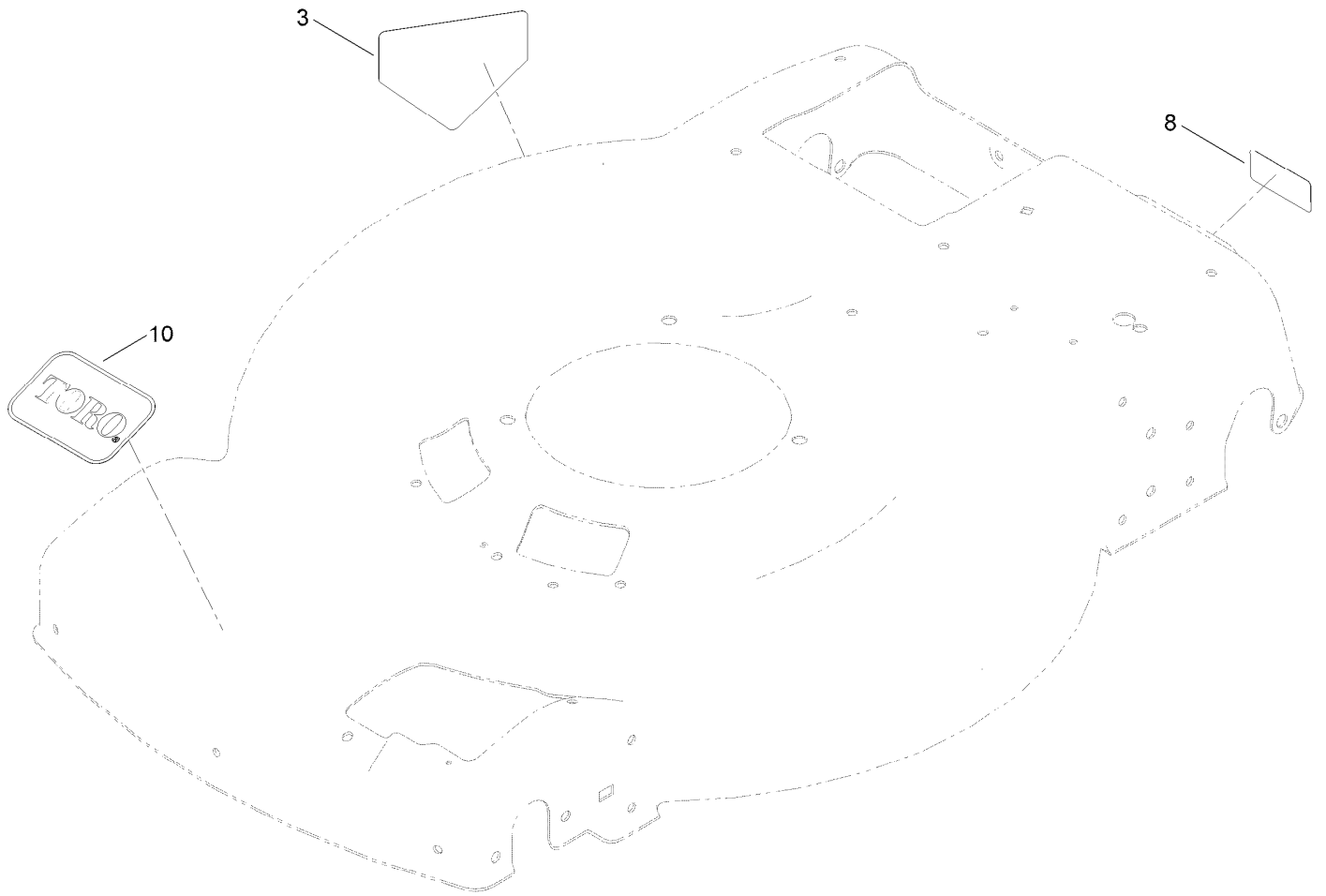
# Rear Bag Assembly



## Rear Bag Assembly (continued)

<i>Ref.</i>	<i>Part Number</i>	<i>Qty.</i>	<i>Description</i>
1	139-5470-03	1	ASM-Frame, Bag
2	139-5471	1	ASM-Bag, Grass

# Decal Assembly

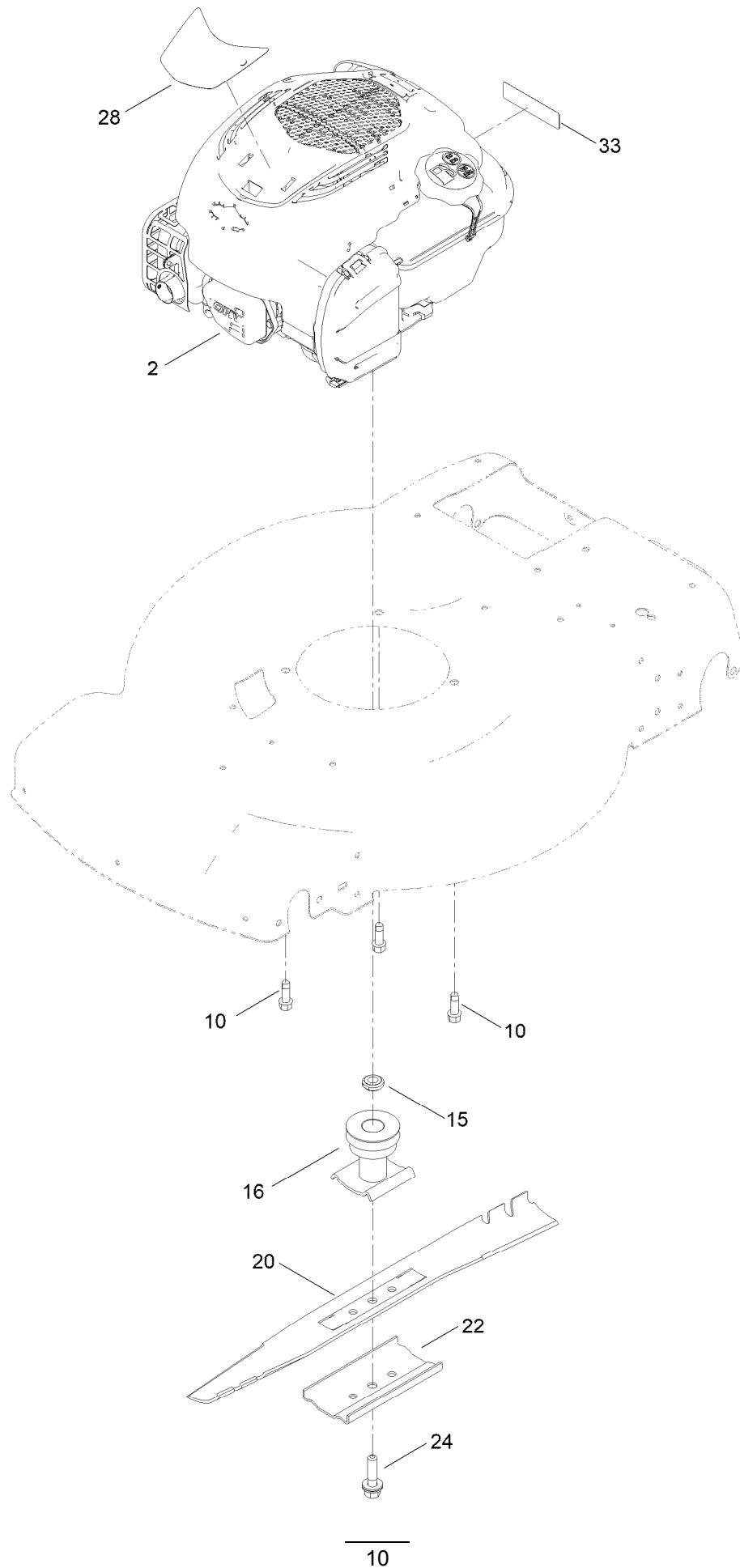




## Decal Assembly (continued)

<i>Ref.</i>	<i>Part Number</i>	<i>Qty.</i>	<i>Description</i>
3	94-8072	1	Decal-Danger
8	121-5684	1	Decal-Location, Service Dealer
10	140-4183	1	Decal

# Engine and Blade Assembly



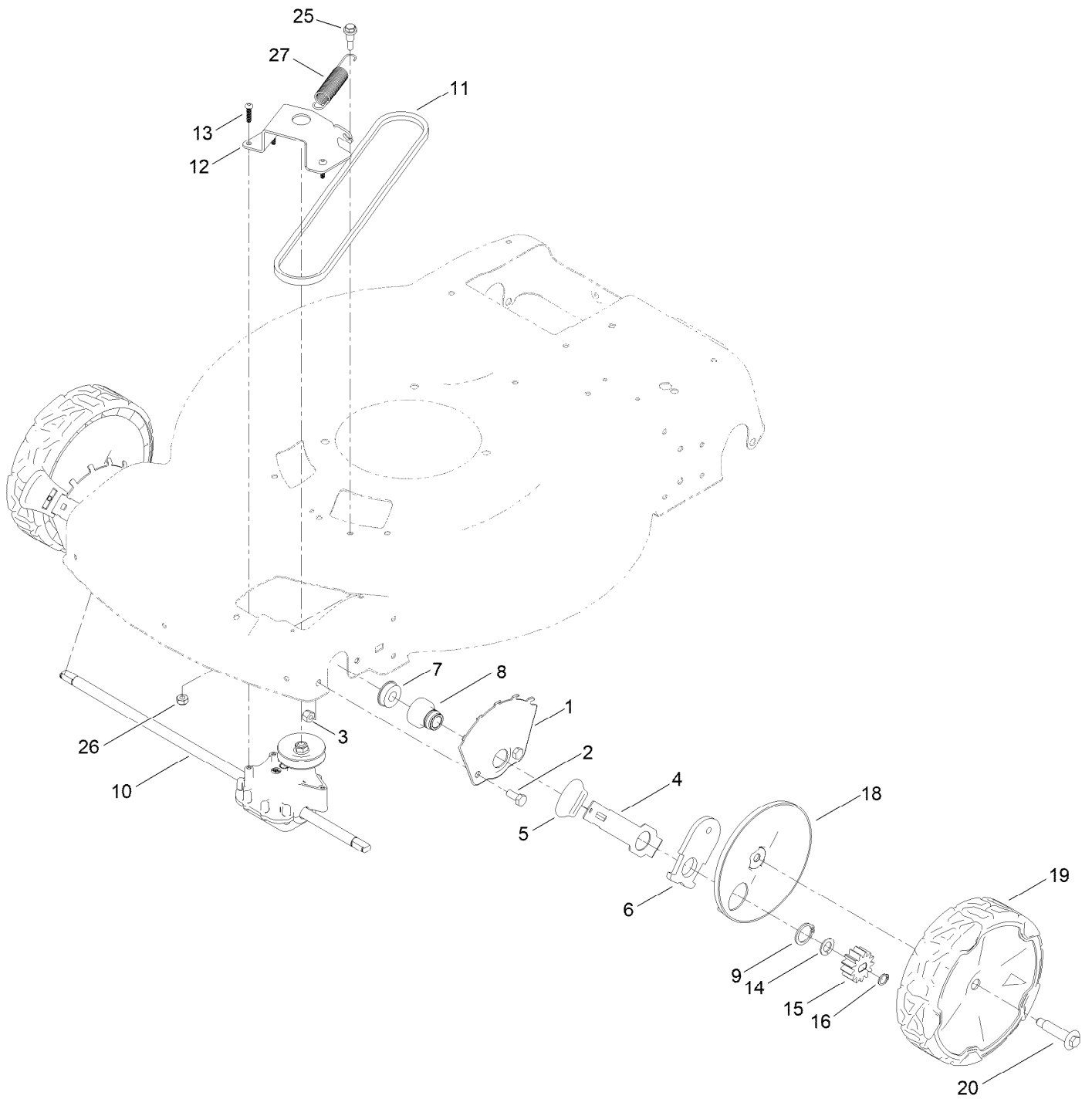
## Engine and Blade Assembly (continued)

<i>Ref.</i>	<i>Part Number</i>	<i>Qty.</i>	<i>Description</i>	<i>Ref.</i>	<i>Part Number</i>	<i>Qty.</i>	<i>Description</i>
2		1	Engine-Briggs, 104M020010F1 ●■	20	131-4547-03	1	Blade-22 Inch
10	121-5844	3	Screw-Thd Form, HWH	22	108-3766-03	1	Support-Blade
15	106-3999	1	Spacer-Driver	24	125-2466	1	Bolt-Blade
16	130-6705	1	Driver-Blade	28	140-4248	1	Decal - Briggs 725 Ex
				33	133-8062	1	Decal-Arrestor, Spark

● Not serviced separately

■ Obtain parts from [www.briggsandstratton.com](http://www.briggsandstratton.com)

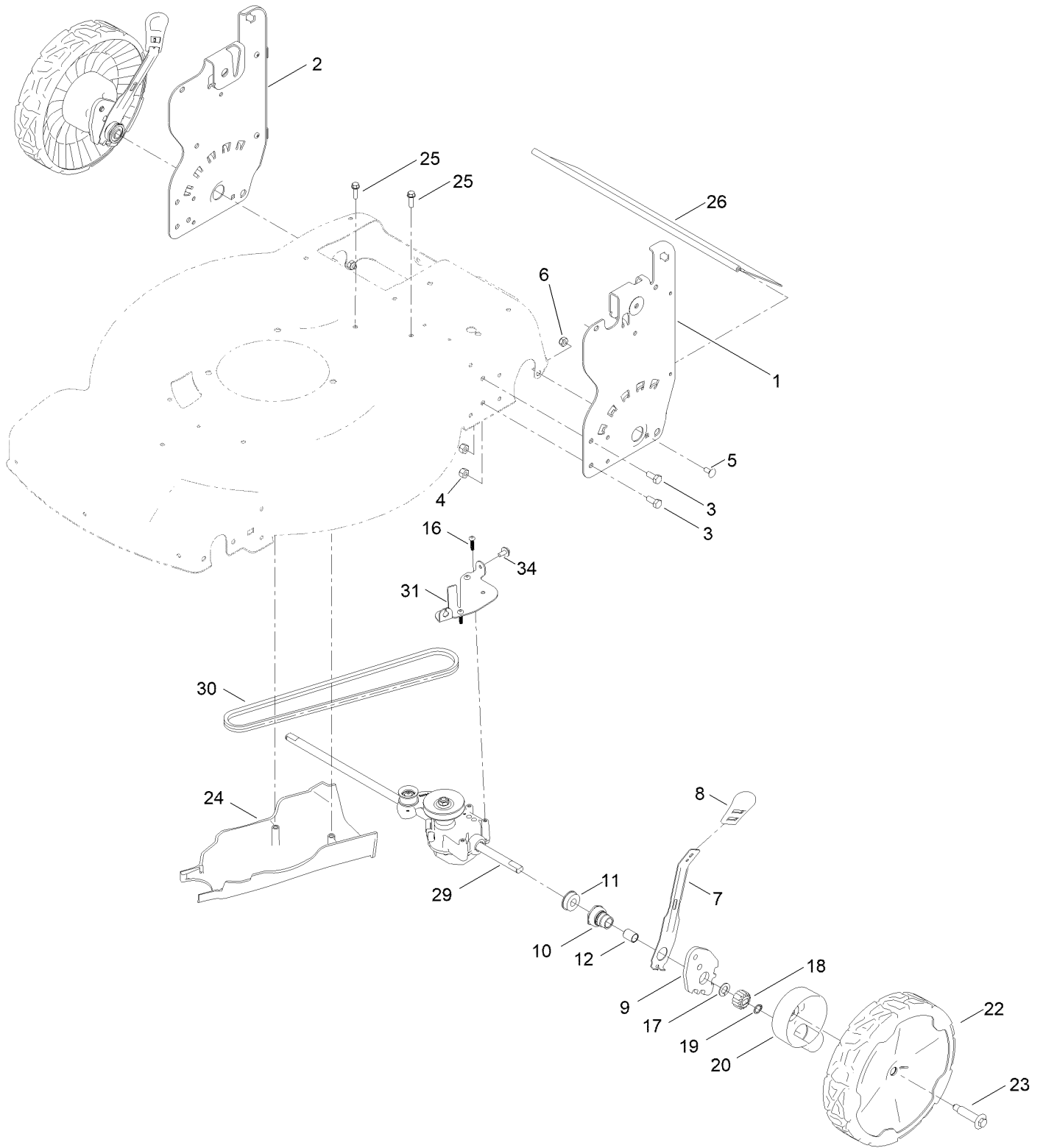
# Front Wheel and Height-of-Cut Assembly



## Front Wheel and Height-of-Cut Assembly (continued)

<i>Ref.</i>	<i>Part Number</i>	<i>Qty.</i>	<i>Description</i>	<i>Ref.</i>	<i>Part Number</i>	<i>Qty.</i>	<i>Description</i>
1	115-1956-05	2	Plate-HOC,Front Fsvq Wednesday	13	108-7476	3	Screw-Plastite
2	322-3	4	Screw-HH	14	110-7191	2	Washer-Thrust
3	3296-29	4	Nut-Lock, NI	15	131-0896	2	Gear-Pinion, 13T
4	105-1809	2	Arm-Spring	16	32151-61	2	Ring-Retaining
5	110-0549	2	Knob-HOC	18	140-2364	2	ASM-Cover, Wheel (Dk Gray)
6	137-9128	2	Arm-Pivot, Front	19	140-2358	2	ASM-8" Wheel, Fwd (Bushings)
7	104-8699	2	Bearing-Ball	20	139-1789	2	Wheel Bolt
8	131-0836	2	Retainer-Bearing, HOC	25	104-0858	1	Bolt-Shoulder
9	32151-36	2	Ring-Retaining	26	3296-16	1	Nut-Lock, NI
10	137-4823	1	Transmission	27	140-4193	1	Spring-Extension
11	71-9450	1	V-Belt				
12	114-7978-03	1	Bracket-Transmission				

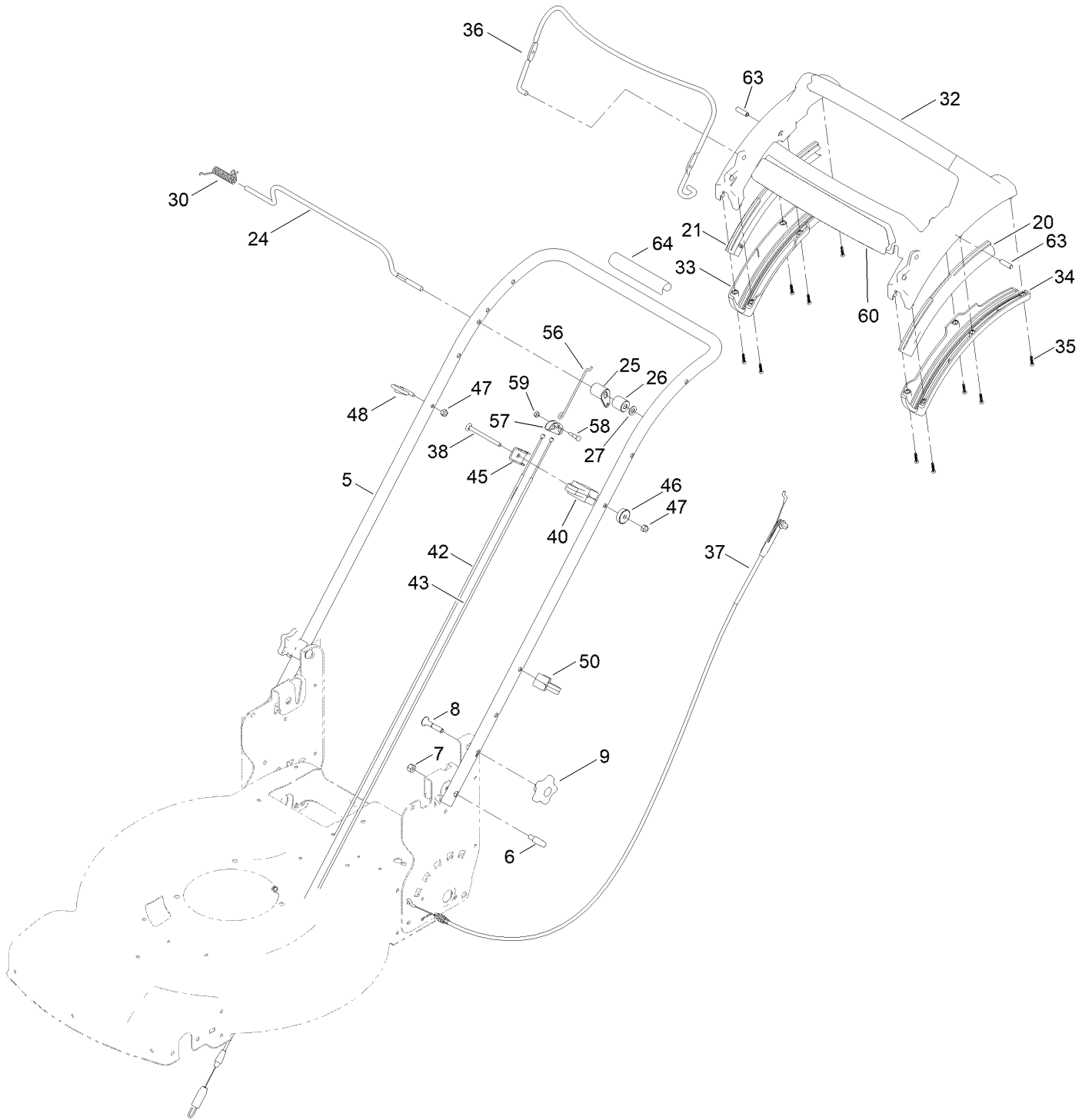
# Rear Wheel and Height-of-Cut Assembly



## Rear Wheel and Height-of-Cut Assembly (continued)

<i>Ref.</i>	<i>Part Number</i>	<i>Qty.</i>	<i>Description</i>	<i>Ref.</i>	<i>Part Number</i>	<i>Qty.</i>	<i>Description</i>
1	139-6591-05	1	Plate-HOC, LH (ISO)	17	110-7191	2	Washer-Thrust
2	139-6590-05	1	Plate-HOC, RH (ISO)	18	131-5399	2	Gear-Pinion, 15T
3	322-3	4	Screw-HH	19	32151-61	2	Ring-Retaining
4	3296-29	4	Nut-Lock, NI	20	140-2362	2	ASM-Cover, Gear (Dk Gray)
5	3229-11	2	Screw-CARR	22	140-2350	2	ASM-9.65" Wheel, Geared
6	3296-16	2	Nut-Lock, NI	23	139-1789	2	Wheel Bolt
7	132-4486	2	Arm-Spring	24	130-6709	1	Cover-Belt, Rear
8	110-0549	2	Knob-HOC	25	46-8091	2	Screw-HWH
9	139-5451	2	Arm-Pivot, Rear	26	139-6597	1	Shield-Trailing
10	108-9779	2	Retainer-Bushing, HOC	29	140-2370	1	Transmission-Awd
11	104-8699	2	Bearing-Ball	30	140-2380	1	Belt-Awd, 34.50
12	108-9782	2	Bushing-Sleeve	31	140-2371-03	1	Guide-Belt, Awd
16	108-7476	3	Screw-Plastite	34	46-8560	1	Screw-HHFTF

# Handle Assembly





## Handle Assembly (continued)

<i>Ref.</i>	<i>Part Number</i>	<i>Qty.</i>	<i>Description</i>	<i>Ref.</i>	<i>Part Number</i>	<i>Qty.</i>	<i>Description</i>
5	144-0227-05	1	Handle-Curved, Awd	37	139-6594	1	Cable-Brake, Pp B&s
6	139-6599	2	Bolt-Shoulder, Handle	38	144-0222	1	Screw-CARR
7	3296-29	2	Nut-Lock, NI	40	139-6582	1	Anchor-Cable, Awd
8	131-9663	2	Screw-CARR	42	140-2391	1	Cable-Traction, Front (Awd)
9	117-5976	2	Knob-Handle	43	140-2392	1	Cable-Traction, Rear (Awd)
20	140-2367	1	Guide-Curved, LH (Rwd)	45	136-5922	1	Clamp-Cable
21	140-2366	1	Guide-Curved, RH (Rwd)	46	136-9075	1	Washer-Curved
24	139-5464	1	Rod-Control, Traction	47	3296-73	2	Nut-Lock, NI
25	140-2378	1	Lever-Traction, Awd	48	86-9671	1	Guide-Rope
26	144-0219	1	Spacer-Lever, Traction	50	114-7988	1	Guide-Cable
27	3256-23	1	Washer-Plain	56	140-2379	1	Linkage-Equalizer
30	140-4194	1	Spring-Torsion	57	144-0213	1	Yoke-Cable
32	139-6569	1	Handle-Personal Pace, Curved	58	144-0212	1	Bolt-Equalizer
33	139-6567	1	Bottom-Handle, RH	59	3296-2	1	Nut-Lock, NI
34	139-6568	1	Bottom-Handle, LH	60	140-4187	1	Decal
35	94-4496	10	Screw-PPH	63	139-6577	2	Pin-Handle, Pp
36	140-4023-03	1	Bail-Brake	64	131-4551	1	Cover-Handle

# Attachments and Accessories

## For 21472 22in Recycler Lawn Mower

<b>Product Name</b>	<b>Model/Part</b>
Fuel Stabilizer .05 oz .....	130-2393
Briggs Maint Kit.....	130-8148
4-Cycle Fuel, Snow And Lawn 32oz Can .....	131-3823
Toro Premium Fuel Treatment 12 Oz Bottle .....	131-6572
Oil-30/10W-30 Synthetic (Quart).....	138-6053
Chute ASM .....	139-6556
Traction Assist Handle Kit.....	144-6377
Lawn Striping Kit with 22in Roller.....	20601
Toro 4-Cycle SAE 30 Oil (32oz Bottle) .....	38903
Summer Oil-Case of 24 (20oz Bottles).....	38916
Bag-Walk Behind (Toro).....	490-7318
Lawnmower Cover.....	490-7462
22 Inch Atomic Blade .....	59534P

**Notes:**



**Count on it.**