



Count on it.

Parts Catalog

**91cm (36in) Mid-Size
Rear-Discharge Deck**

Model No. 02711—Serial No. 410000000 and Up



Ordering Replacement Parts

To order replacement parts, please supply the part number, the quantity, and the description of each part desired.

Understanding Reference Numbers

Each identified part in an illustration has a reference number. The reference number for a part also appears in the parts list, along with other information about the part.

This catalog uses two special reference number formats, one to indicate parts in a service assembly and another to indicate the quantity of a given part in an illustration.

Service Assembly Reference Numbers

Parts in service assemblies have reference numbers in the form a:b. The a represents the reference number of the entire service assembly and the b represents a sequential number unique to each part within the service assembly.

For example, a wheel assembly might be identified by reference number 6, the tire by 6:1, the valve by 6:2, and the wheel by 6:3. When you order the assembly identified by reference number 6, you receive all parts identified by reference numbers 6:1, 6:2, and 6:3. However, you may also order any part individually. Reference numbers of this type appear in illustration and in parts lists.

Reference Numbers Indicating Quantity

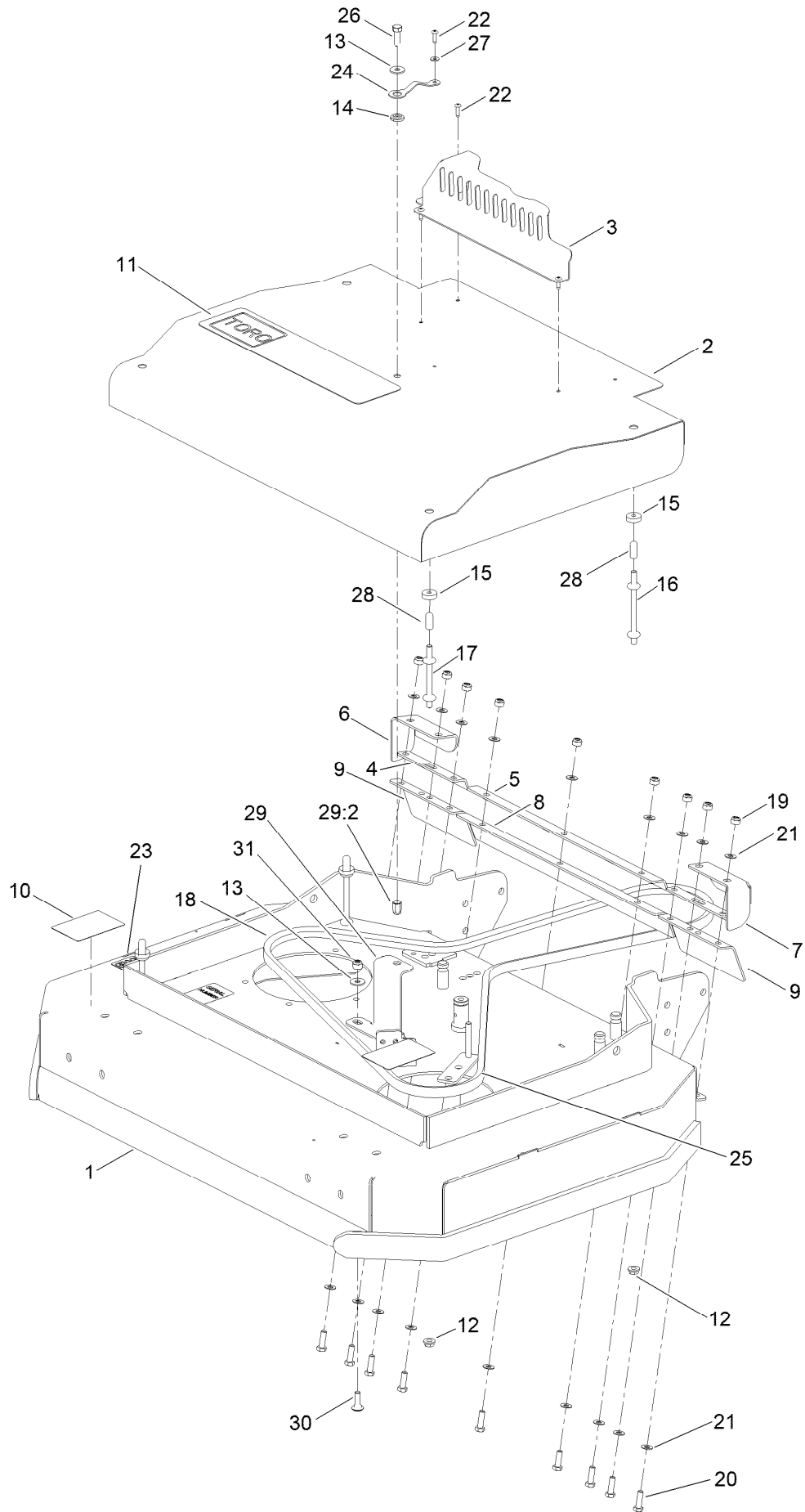
In an illustration, if a reference number indicates more than one part, the reference number has the form nX y. The n represents the quantity of the part, the X is the multiplication symbol, and the y represents the reference number.

For example, in an illustration, the reference number 2X 37 means that two of the parts identified by reference number 37 are indicated.

Contents

Cover and Guard Assembly	4
Sheave, Spindle and Blade Assembly	6
Idler and Brake Assembly	8
Caster Assembly	10
Guard and Drag Shield Assembly	12

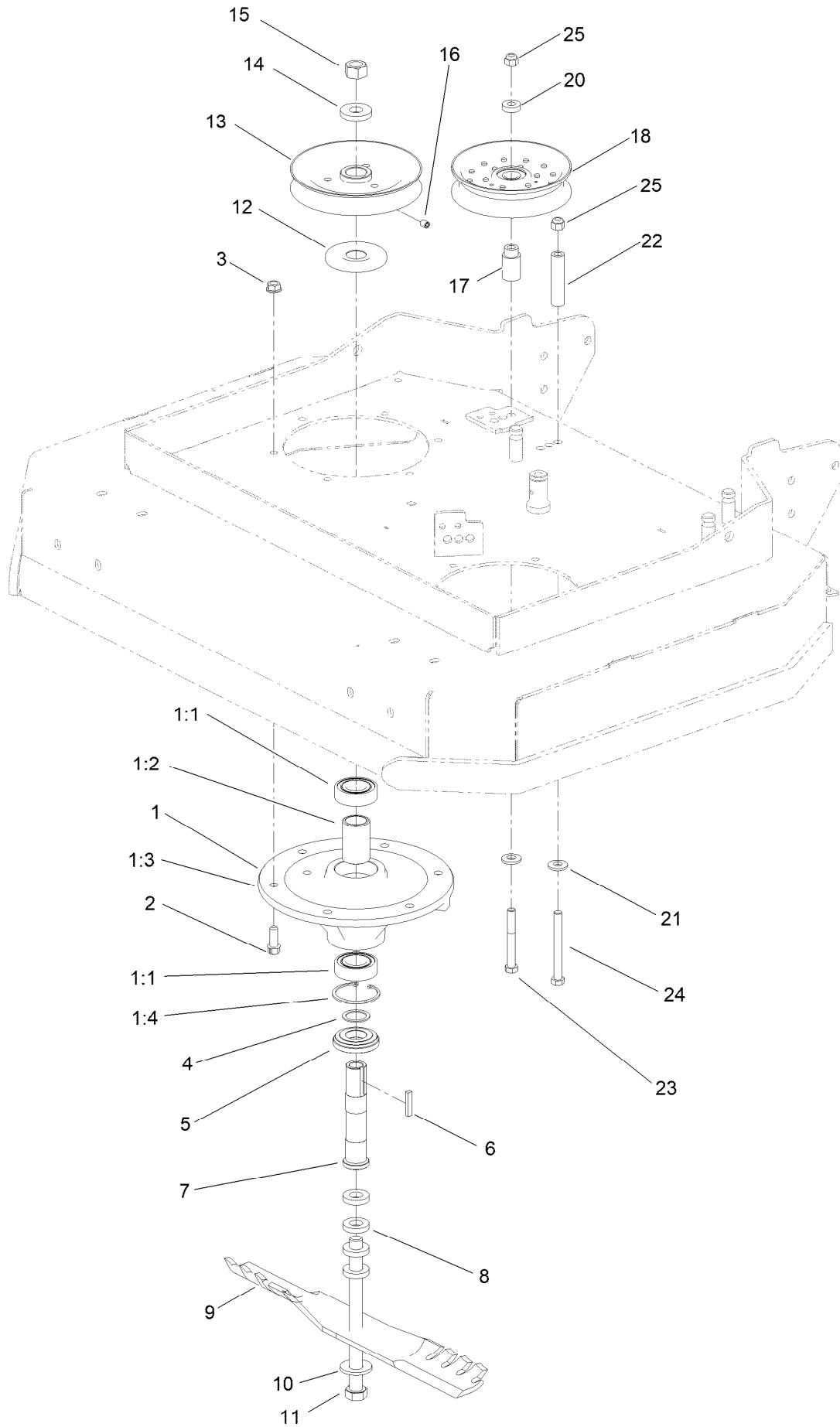
Cover and Guard Assembly



Cover and Guard Assembly (continued)

<i>Ref.</i>	<i>Part Number</i>	<i>Qty.</i>	<i>Description</i>	<i>Ref.</i>	<i>Part Number</i>	<i>Qty.</i>	<i>Description</i>
1	111-1330-01	1	36 Inch Deck ASM	17	1-303537	2	Stud-Shield, Belt (Short)
2	111-3923-01	1	Cover-Deck	18	111-2478	1	Belt-V
3	111-4929-01	1	Guard-Pipe, Exhaust	19	ZNN3E000U	9	Nut-Nyloc
4	111-1645-01	2	Bracket-Deflector, Side	20	ZDH3E016U	9	Screw-HH
5	111-1545-01	1	Bracket-Deflector, Center	21	09475	18	Washer
6	111-1643-01	1	Guard-Discharge, RH	22	09320	4	Rivet
7	111-1644-01	1	Guard-Discharge, LH	23	111-1979	1	Decal-Noise
8	111-1547	1	Deflector-Centre, Rubber	24	117-8339	1	Lanyard-3 Inch
9	111-1646	2	Deflector-Side, Rubber	25	111-2470-03	1	Guide-Belt
10	139-5557	2	Decal-Danger, CE	26	03162	1	Screw-HH
11	111-1765	1	Decal-Toro	27	09257	1	Washer
12	32128-20	4	Nut-HF	28	111-3882	4	Cap-End, Rubber
13	09267	3	Washer-Plain	29	111-3887	1	Bracket-Guard
14	111-3697	1	Nut-Retainer	29:2	111-7683	1	Nut-Rivet
15	1-323417	4	Washer	30	09373	2	Bolt-Coach
16	1-303536	2	Stud-Shield, Belt (Long)	31	09442	2	Nut

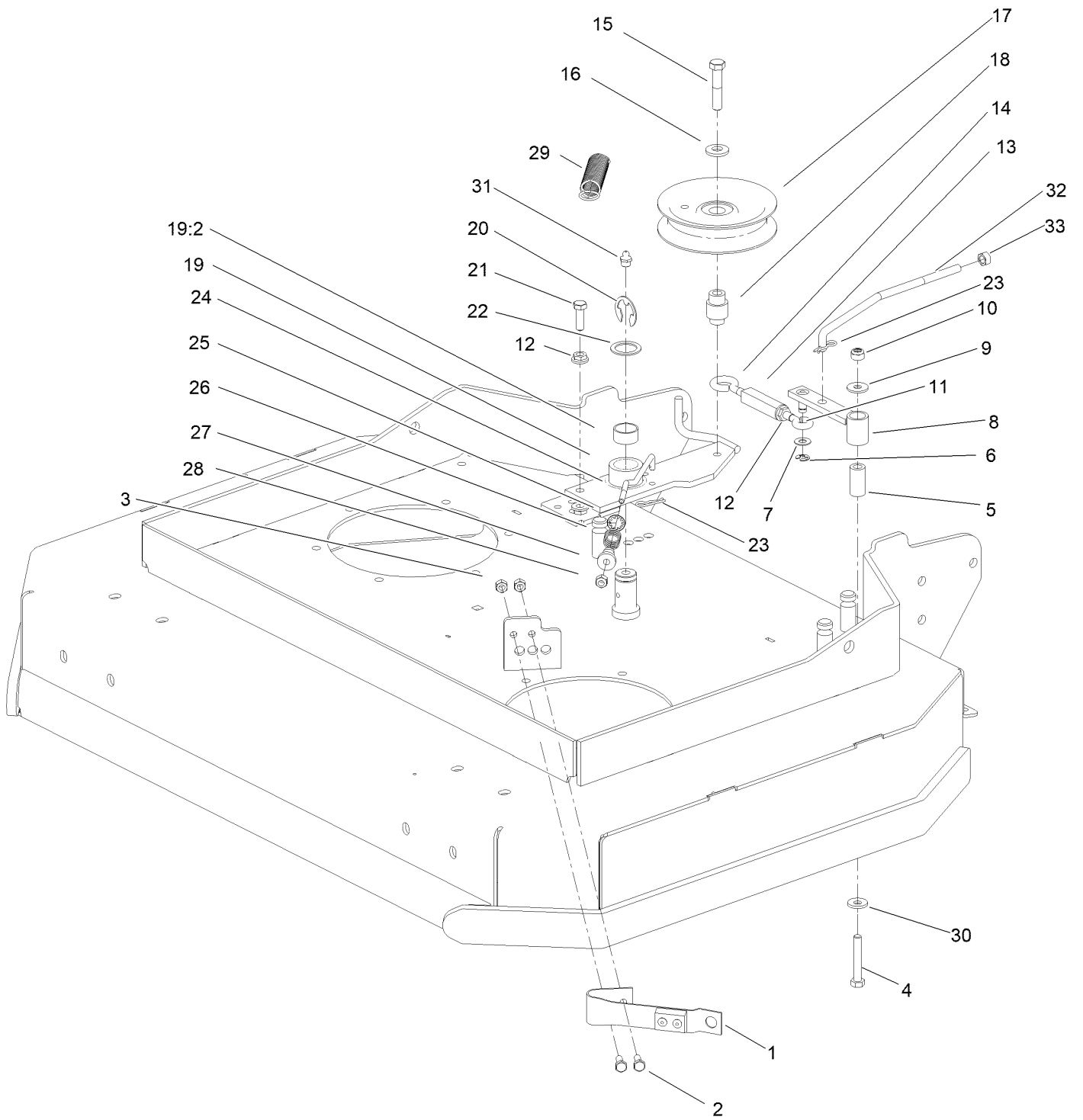
Sheave, Spindle and Blade Assembly



Sheave, Spindle and Blade Assembly (continued)

<i>Ref.</i>	<i>Part Number</i>	<i>Qty.</i>	<i>Description</i>	<i>Ref.</i>	<i>Part Number</i>	<i>Qty.</i>	<i>Description</i>
1	108-6697	2	Spindle Housing ASM	11	1-800861	2	Screw-Cap, HH
1:1	119-7857	2	Bearing-Ball, 1 Inch	12	103-1330	2	Guard-Bearing, Top
1:2	110-2116	1	Spacer-Bearing	13	1-403183	2	Sheave
1:3	108-6694	1	Housing-Spindle	14	1-323339	2	Washer-Retainer, Sheave
1:4	32120-8	1	Ring-Snap	15	3219-6	2	Nut-Hex
2	95-1726	12	Screw-Taptite	16	1-803310	2	Screw-Set
3	3290-357	12	Nut-HSF	17	1-413113	1	Bushing-Idler
4	110-4888	2	Washer-Spacer	18	136-5405	1	Pulley-Idler, Flat
5	103-2535	2	Spacer-Guard, Bottom	20	5-0652	1	Spacer
6	1-807267	2	Key	21	98-5975	2	Washer-Belleville
7	1-323529	2	Tube-Spindle, Short	22	1-403188	1	Spacer
8	1-323539	8	Spacer	23	09353	1	Screw-HH
9	105-7796-03	2	Blade-Atomic	24	323-15	1	Screw-HH
10	1-513208	2	Washer-Spring	25	3296-39	2	Nut-Lock, NI

Idler and Brake Assembly

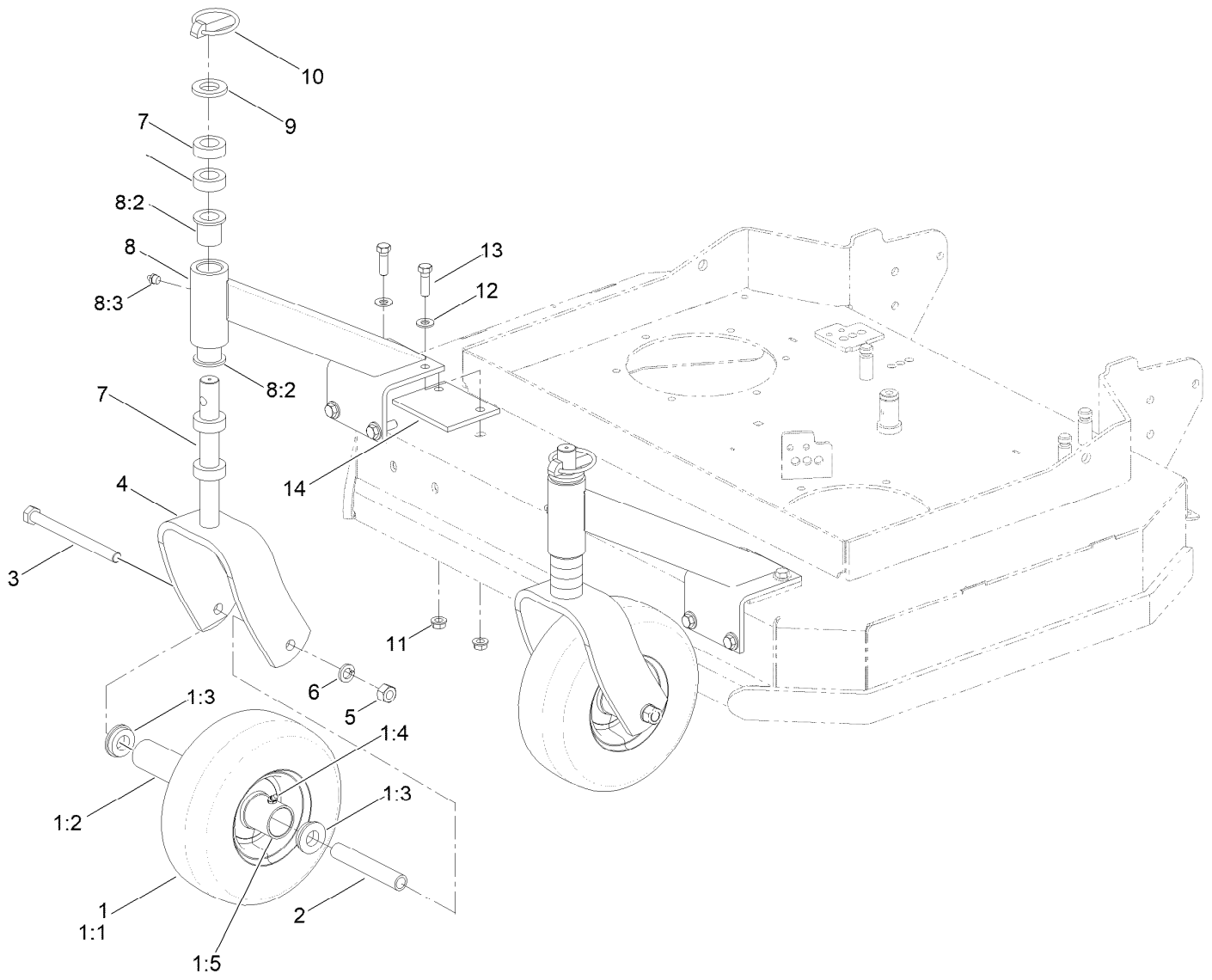


Idler and Brake Assembly (continued)

<i>Ref.</i>	<i>Part Number</i>	<i>Qty.</i>	<i>Description</i>	<i>Ref.</i>	<i>Part Number</i>	<i>Qty.</i>	<i>Description</i>
1	1-324372	1	Pad And Spring ASM	17	132-4718	1	Pulley-Idler, Flat
1:1	1-323709	1	Pad-Brake ●	18	1-303434	1	Bushing-Engagement
1:2	1-323710	1	Spring ●	19	103-3600	1	Idler Arm ASM
1:3	103-0138	2	Rivet-Pop ●	19:2	1-323729	2	Sleeve-Bearing
2	09821	2	Screw-HH	20	32151-103	1	Ring-Retaining, EXT
3	3296-42	2	Nut-Lock, NI	21	ZDH3E016U	1	Screw-HH
4	322-10	1	Screw-HH	22	1-303352	1	Washer-Spindle
5	1-403179	1	Tube-Pivot	23	1-806003	2	Pin-Cotter
6	32120-35	1	Ring-Retaining, EXT	24	1-323715	1	Rod-Brake
7	09475	1	Washer	25	1-323748	1	Ring-Push On
8	1-322235	1	Arm-Assist, 32/36	26	1-323747	1	Spring-Compression
9	09267	1	Washer-Plain	27	1-323746	1	Spacer-Flanged
10	ZNN3E000U	1	Nut-Nyloc	28	3296-42	1	Nut-Lock, NI
11	1-303238	1	Eyebolt-Thread, RH	29	1-323071	1	Spring-Extension
12	32128-20	3	Nut-HF	30	1-303334	1	Washer-Spring
13	1-303236	1	Body-Turnbuckle	31	10-11-017	1	Fitting-Straight
14	1-303348	1	Eyebolt-Thread, LH	32	111-1629	1	Rod-Linkage, Drive
15	702809	1	Screw-HH	33	09207	1	Nut
16	98-5975	1	Washer-Belleville				

● Not illustrated

Caster Assembly

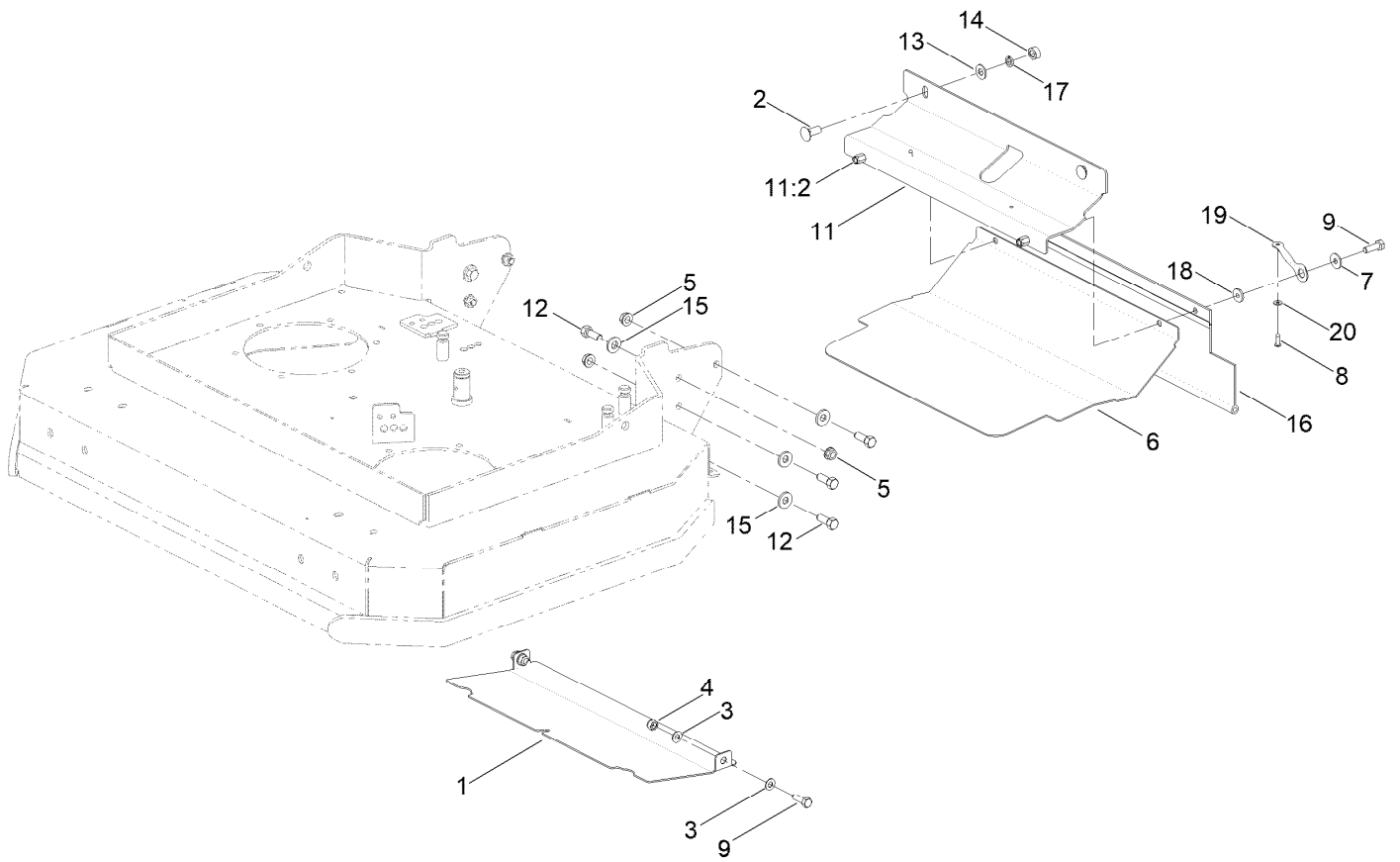


Caster Assembly (continued)

<i>Ref.</i>	<i>Part Number</i>	<i>Qty.</i>	<i>Description</i>	<i>Ref.</i>	<i>Part Number</i>	<i>Qty.</i>	<i>Description</i>
1	110-5023	2	Wheel And Tire ASM	7	1-303314	8	Spacer-Caster
1:1		1	Tire ●	8	110-2130	2	Support ASM
1:2	1-513809	1	Bearing	8:2	1-303514	2	Bearing-Flanged
1:3	1-513810	2	Bushing	8:3	302-52	1	Fitting-Grease
1:4	302-61	1	Fitting-Grease	9	1-513338	2	Washer-Flat
1:5		1	Wheel ●	10	1-809020	2	Pin
2	1-513547	2	Spacer	11	3290-357	8	Nut-HSF
3	325-20	2	Screw-HH	12	ZWQ1J000U	8	Washer-Plain
4	116-7942-01	2	Fork-Caster	13	323-7	8	Screw-HH
5	3217-9	2	Nut-HH	14	111-1900-01	2	Spacer-Caster
6	3253-7	2	Washer-Lock				

● Not serviced separately

Guard and Drag Shield Assembly



Guard and Drag Shield Assembly (continued)

<i>Ref.</i>	<i>Part Number</i>	<i>Qty.</i>	<i>Description</i>	<i>Ref.</i>	<i>Part Number</i>	<i>Qty.</i>	<i>Description</i>
1	111-1408-01	1	Guard-Discharge, Center	11:2	111-7683	2	Nut-Rivet
2	15-11-003	2	Bolt-CARR	12	HY103653	8	Screw-HH
3	09475	4	Washer	13	ZWQ1J000U	2	Washer-Plain
4	09441	2	Nut-Hex, NI	14	09449	2	Nut
5	3290-357	8	Nut-HSF	15	98-5975	8	Washer-Belleville
6	111-1655-01	1	Guard-Underside	16	103-2056	1	Shield-Drag
7	09267	2	Washer-Plain	17	09480	2	Washer-Lock
8	09320	2	Rivet	18	111-3697	2	Nut-Retainer
9	03162	4	Screw-HH	19	117-8339	2	Lanyard-3 Inch
11	111-1986	1	Guard-Drive	20	09257	2	Washer

Notes:

Notes:



Count on it.