



Count on it.

Parts Catalog

**Groundsmaster® 1200 Series
Pull Behind Rotary Mower**

Model No. 31905—Serial No. 410400000 and Up



Ordering Replacement Parts

To order replacement parts, please supply the part number, the quantity, and the description of each part desired.

Understanding Reference Numbers

Each identified part in an illustration has a reference number. The reference number for a part also appears in the parts list, along with other information about the part.

This catalog uses two special reference number formats, one to indicate parts in a service assembly and another to indicate the quantity of a given part in an illustration.

Service Assembly Reference Numbers

Parts in service assemblies have reference numbers in the form a:b. The a represents the reference number of the entire service assembly and the b represents a sequential number unique to each part within the service assembly.

For example, a wheel assembly might be identified by reference number 6, the tire by 6:1, the valve by 6:2, and the wheel by 6:3. When you order the assembly identified by reference number 6, you receive all parts identified by reference numbers 6:1, 6:2, and 6:3. However, you may also order any part individually. Reference numbers of this type appear in illustration and in parts lists.

Reference Numbers Indicating Quantity

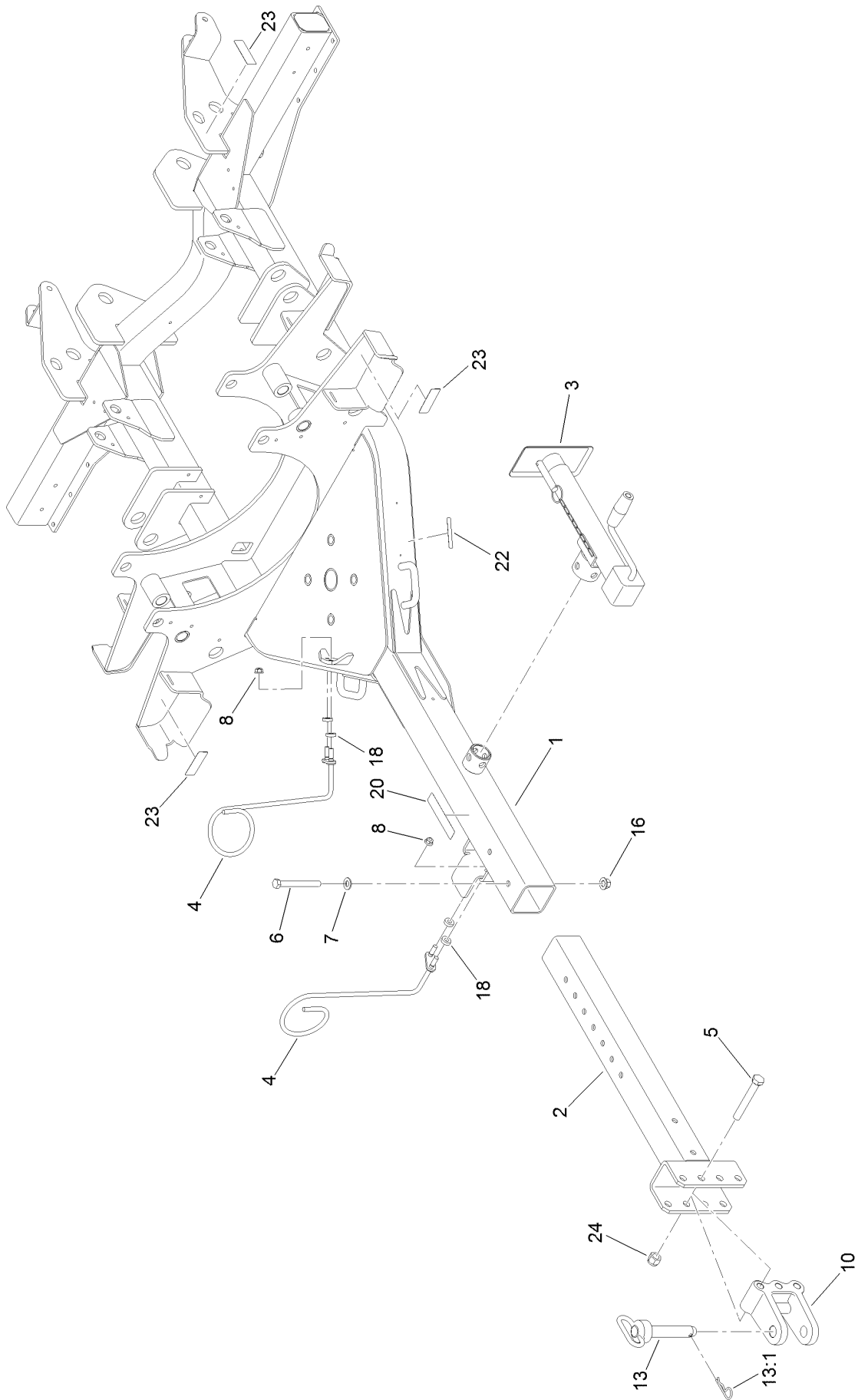
In an illustration, if a reference number indicates more than one part, the reference number has the form nX y. The n represents the quantity of the part, the X is the multiplication symbol, and the y represents the reference number.

For example, in an illustration, the reference number 2X 37 means that two of the parts identified by reference number 37 are indicated.

Contents

Frame Assembly.....	4
Lift Arm Assembly No. 2.....	6
Impact Damper Assembly No. 138-5299.....	8
Lift Arm Assembly No. 3.....	10
Lift Arm Assembly No. 1.....	12
Tire and Axle Assembly.....	14
LH Torsion Axle Assembly No. 137-3572.....	16
RH Torsion Axle Assembly No. 137-3573.....	18
Gearbox and Driveshaft Assembly.....	20
Main Driveshaft Assembly No. 139-9039.....	22
Rear Driveshaft Assembly No. 138-9040.....	24
Side Driveshaft Assembly No. 138-9041.....	26
Deck Mount and Deck Cover Assembly.....	28
Hydraulic Assembly.....	30
Blade, Pulley and Spindle Assembly.....	32
Deck Assembly No. 138-9026.....	34
Double Spindle Assembly No. 139-3175.....	36
High Spindle Assembly No. 139-3176.....	38
Low Spindle Assembly No. 139-3177.....	40
Deck Mount and Deck Cover Assembly.....	42
Attachments and Accessories.....	44

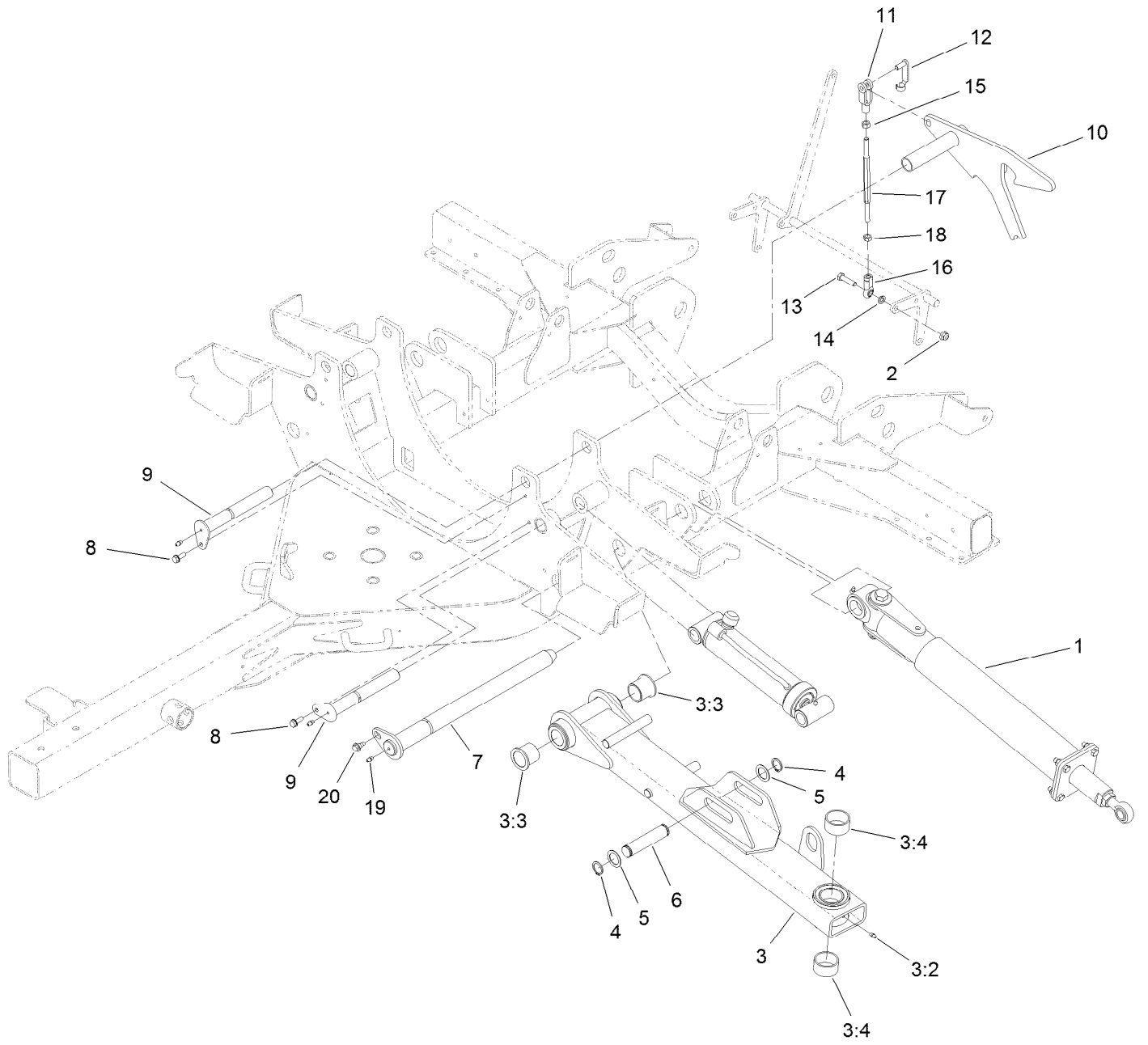
Frame Assembly



Frame Assembly (continued)

<i>Ref.</i>	<i>Part Number</i>	<i>Qty.</i>	<i>Description</i>	<i>Ref.</i>	<i>Part Number</i>	<i>Qty.</i>	<i>Description</i>
1	137-3501-01	1	Frame	13	140-7025	1	Pin-Hitch
2	140-7008-01	1	Hitch	13:1	3290-343	1	Pin-Hair
3	T0000-3423	1	Jack-Sidewind	16	99-5107	2	Nut-Lock
4	139-5995	2	Guide-Hose, RH	18	5-0652	4	Spacer
5	AU426-1072	2	Bolt	20	110-4668	1	Decal-Warning, PTO
6	325-18	2	Screw-HH	22	133-8061	1	Decal-Warning
7	3256-26	2	Washer-Flat	23	120-0625	4	Decal-Warning
8	104-8301	4	Nut-HF, NI	24	3296-53	2	Nut-Lock, NI
10	140-7011SP	1	Clevis-Hitch				

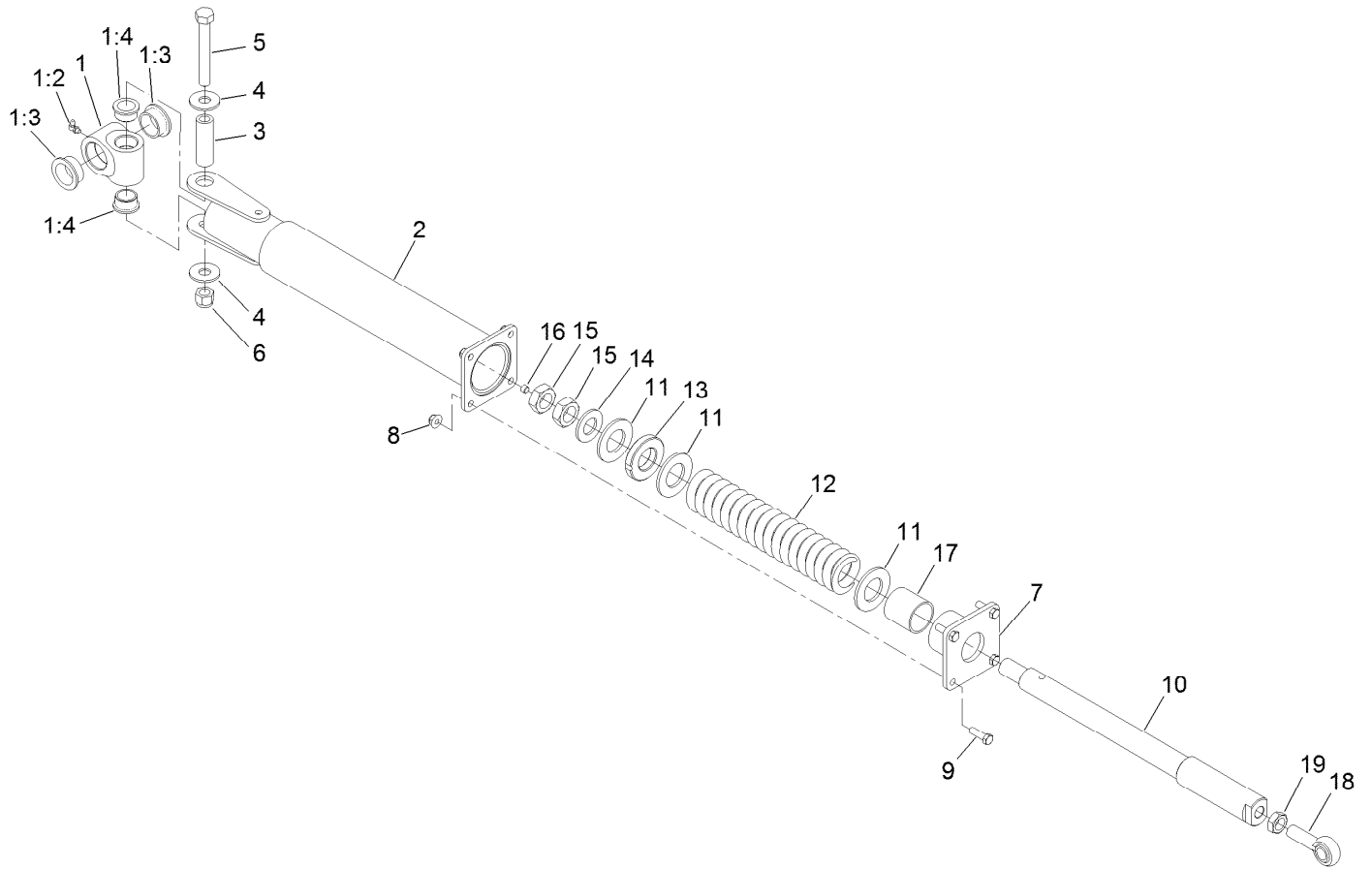
Lift Arm Assembly No. 2



Lift Arm Assembly No. 2 (continued)

<i>Ref.</i>	<i>Part Number</i>	<i>Qty.</i>	<i>Description</i>	<i>Ref.</i>	<i>Part Number</i>	<i>Qty.</i>	<i>Description</i>
1	138-5299	1	Damper-Impact	10	140-0041	1	Latch-Wing, LH
2	104-8301	1	Nut-HF, NI	11	1-633131	1	Yoke-Linkage, Brake
3	137-3562	1	No. 2 Lift Arm ASM	12	103-2399	1	Pin-Spring, Clevis
3:2	302-5	1	Fitting-Grease	13	323-8	1	Screw-HH
3:3	69-6470	2	Bushing-Caster	14	3253-21	1	Washer-Lock
3:4	114-5596	2	Bushing-Straight	15	3219-3	1	Nut-Hex
4	32151-36	2	Ring-Retaining	16	103-1167	1	Joint-Ball End, LH
5	10-8110	2	Washer-Thrust	17	137-3692	1	Rod-Adjuster, Wing
6	138-5272	1	Pin-Cylinder	18	3219-20	1	Nut-Hex, LH
7	137-3604	1	Pin-Arm, Lift	19	302-5	1	Fitting-Grease
8	32144-41	2	Screw-Taptite	20	99-5105	1	Screw-Shoulder
9	138-6330	2	Cylinder Pin ASM				

Impact Damper Assembly No. 138-5299

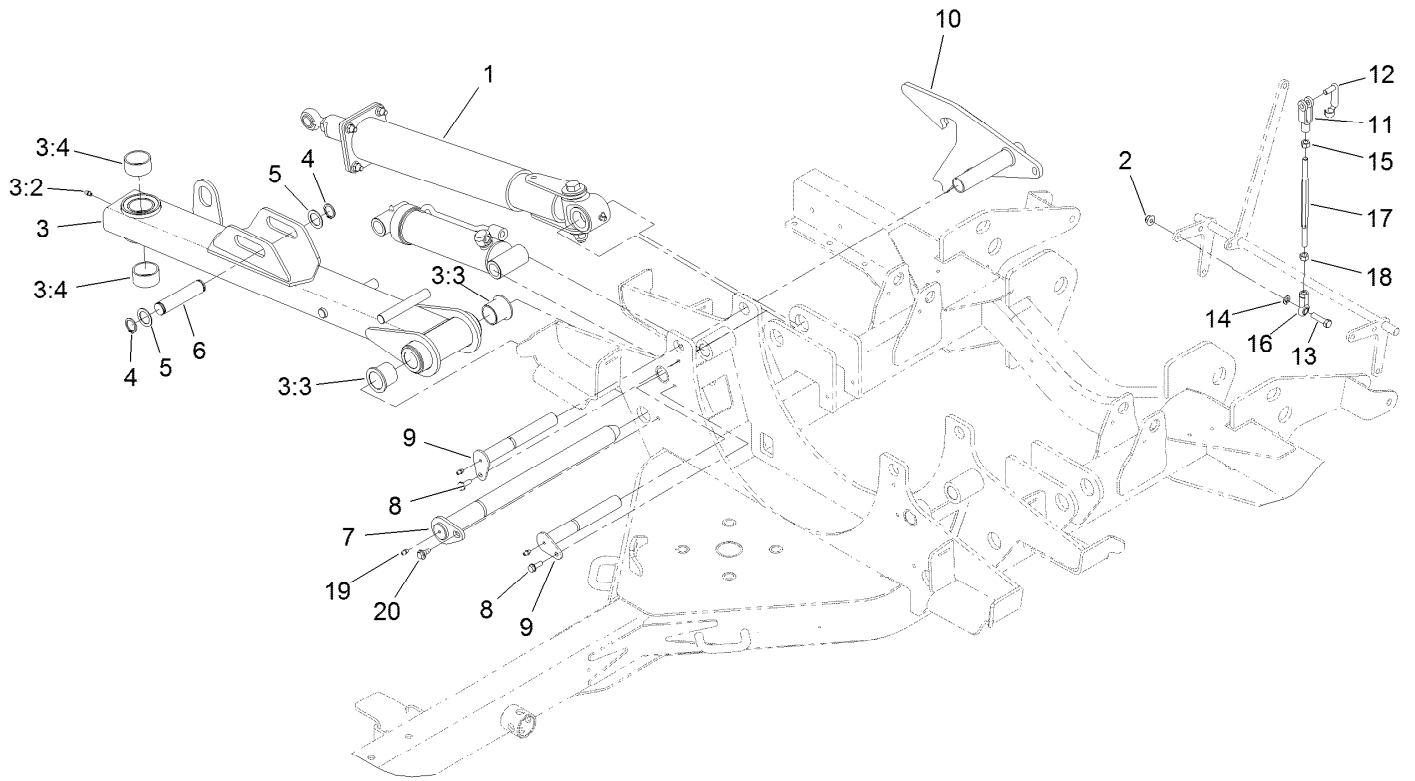


Impact Damper Assembly No. 138-5299 (continued)

<i>Ref.</i>	<i>Part Number</i>	<i>Qty.</i>	<i>Description</i>	<i>Ref.</i>	<i>Part Number</i>	<i>Qty.</i>	<i>Description</i>
1		1	Pivot Hub ASM ●	9	323-7	4	Screw-HH
1:2	302-60	1	Fitting-Grease	10	138-5266	1	Shaft-Spring
1:3	115-5469	2	Bushing-Flange	11	114-5986	3	Washer-Plain
1:4	114-5680	2	Bushing-Flange	12	114-5993	1	Spring-Compression
2	138-5257	1	Arm-Impact, Rear	13	114-5992	1	Bearing-Plastic
3	94-6604	1	Tube-Spacer	14	3256-62	1	Washer-Flat
4	3256-7	2	Washer-Flat	15	3220-9	2	Nut-Jam
5	327-23	1	Screw-HH	16	285-17	1	Plug-Pipe
6	3296-53	1	Nut-Lock, NI	17	114-5989	1	Bushing-Plain
7	138-5250	1	Housing ASM	18	105-2806	1	End-Rod
8	104-8301	4	Nut-HF, NI	19	3220-7	1	Nut-Jam

● Not serviced separately

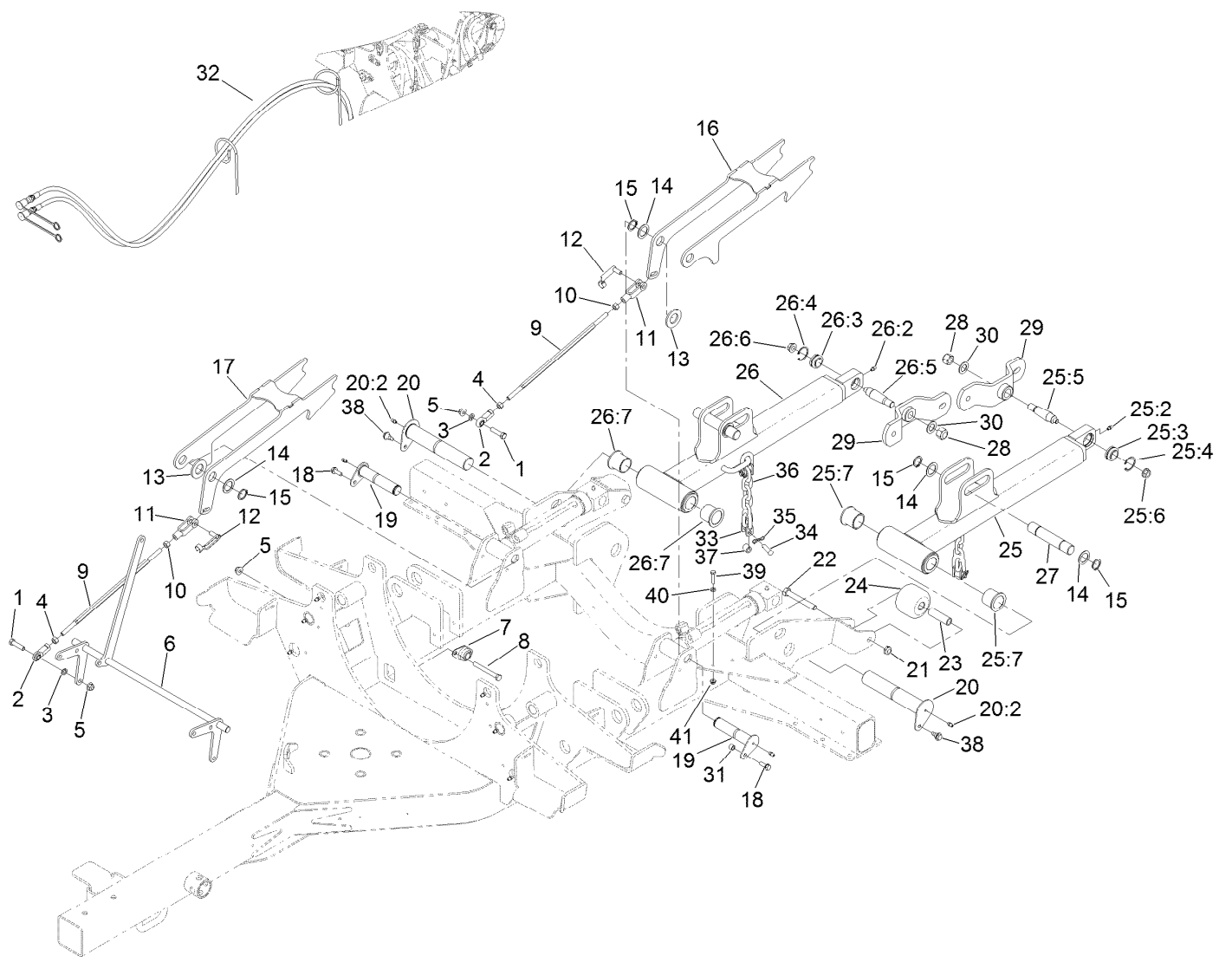
Lift Arm Assembly No. 3



Lift Arm Assembly No. 3 (continued)

<i>Ref.</i>	<i>Part Number</i>	<i>Qty.</i>	<i>Description</i>	<i>Ref.</i>	<i>Part Number</i>	<i>Qty.</i>	<i>Description</i>
1	138-5299	1	Damper-Impact	10	140-0042	1	Latch-Wing, RH
2	104-8301	1	Nut-HF, NI	11	1-633131	1	Yoke-Linkage, Brake
3	137-3563	1	No. 3 Lift Arm ASM	12	103-2399	1	Pin-Spring, Clevis
3:2	302-5	1	Fitting-Grease	13	323-8	1	Screw-HH
3:3	69-6470	2	Bushing-Caster	14	3253-21	1	Washer-Lock
3:4	114-5596	2	Bushing-Straight	15	3219-3	1	Nut-Hex
4	32151-36	2	Ring-Retaining	16	103-1167	1	Joint-Ball End, LH
5	10-8110	2	Washer-Thrust	17	137-3692	1	Rod-Adjuster, Wing
6	138-5272	1	Pin-Cylinder	18	3219-20	1	Nut-Hex, LH
7	137-3604	1	Pin-Arm, Lift	19	302-5	1	Fitting-Grease
8	32144-41	2	Screw-Taptite	20	99-5105	1	Screw-Shoulder
9	138-6330	2	Cylinder Pin ASM				

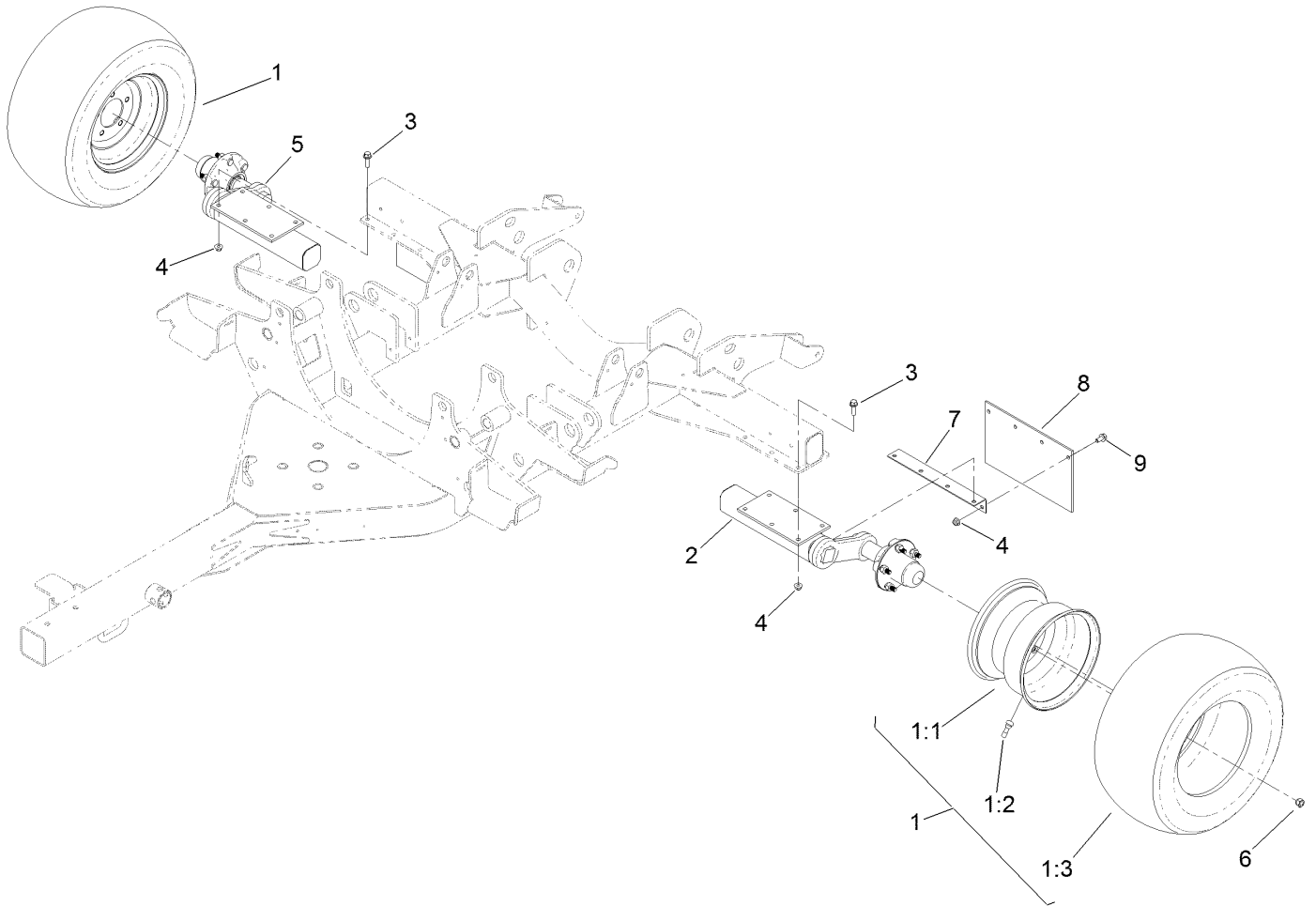
Lift Arm Assembly No. 1



Lift Arm Assembly No. 1 (continued)

<i>Ref.</i>	<i>Part Number</i>	<i>Qty.</i>	<i>Description</i>	<i>Ref.</i>	<i>Part Number</i>	<i>Qty.</i>	<i>Description</i>
1	323-8	2	Screw-HH	25:3	105-7441	1	Bearing-Spherical
2	103-1167	2	Joint-Ball End, LH	25:4	32151-34	1	Ring-Retaining
3	3253-21	2	Washer-Lock	25:5	105-7468	1	Stud-Tapered
4	3219-20	2	Nut-Hex, LH	25:6	32128-42	1	Nut-HF
5	104-8301	6	Nut-HF, NI	25:7	69-6470	2	Bushing-Caster
6	137-3688-03	1	Latch Shaft ASM	26	137-3584	1	No. 1 Lift Arm RH ASM
7	256-236	2	Bearing-Mount, Flange	26:2	302-5	1	Fitting-Grease
8	323-20	4	Screw-HH	26:3	105-7441	1	Bearing-Spherical
9	137-3691	2	Rod-Adjuster, Rear	26:4	32151-34	1	Ring-Retaining
10	3219-3	2	Nut-Hex	26:5	105-7468	1	Stud-Tapered
11	1-633131	2	Yoke-Linkage, Brake	26:6	32128-42	1	Nut-HF
12	103-2399	2	Pin-Spring, Clevis	26:7	69-6470	2	Bushing-Caster
13	3256-62	2	Washer-Flat	27	137-3617	2	Pin-Cylinder
14	10-8110	6	Washer-Thrust	28	3296-41	2	Nut-Lock NI
15	32151-36	6	Ring-Retaining	29	137-3581-01	2	Hub Support ASM
16	140-0007	1	LH Rear Latch ASM	30	86-1440	2	Washer-Flat
17	140-0008	1	RH Rear Latch ASM	31	105-5723	2	Spacer-Tube
18	701243	2	Screw-Thd Roll, HWH	32	20-9580	1	Rope-Latch
19	138-6331	2	Lift Arm Pin ASM	33	5-2942	4	Shackle
20	138-6332	2	Lift Arm Pin ASM	34	283-42	4	Pin-Clevis
20:2	302-5	1	Fitting-Grease	35	119-1415	4	Pin-Cotter, Locking
21	3296-45	2	Nut-Hex	36	138-5274	2	Chain-6 Link
22	325-15	2	Screw-HH	37	75-5270	2	Spacer-Knob, Seat
23	115-2144	2	Tube-Spacer	38	99-5105	2	Screw-Shoulder
24	115-3366	2	Roller	39	114-0282	2	Screw-HH
25	137-3561	1	No. 1 Lift Arm LH ASM	40	3218-1	2	Nut-Jam
25:2	302-5	1	Fitting-Grease	41	104-7201	2	Nut-HF, NI

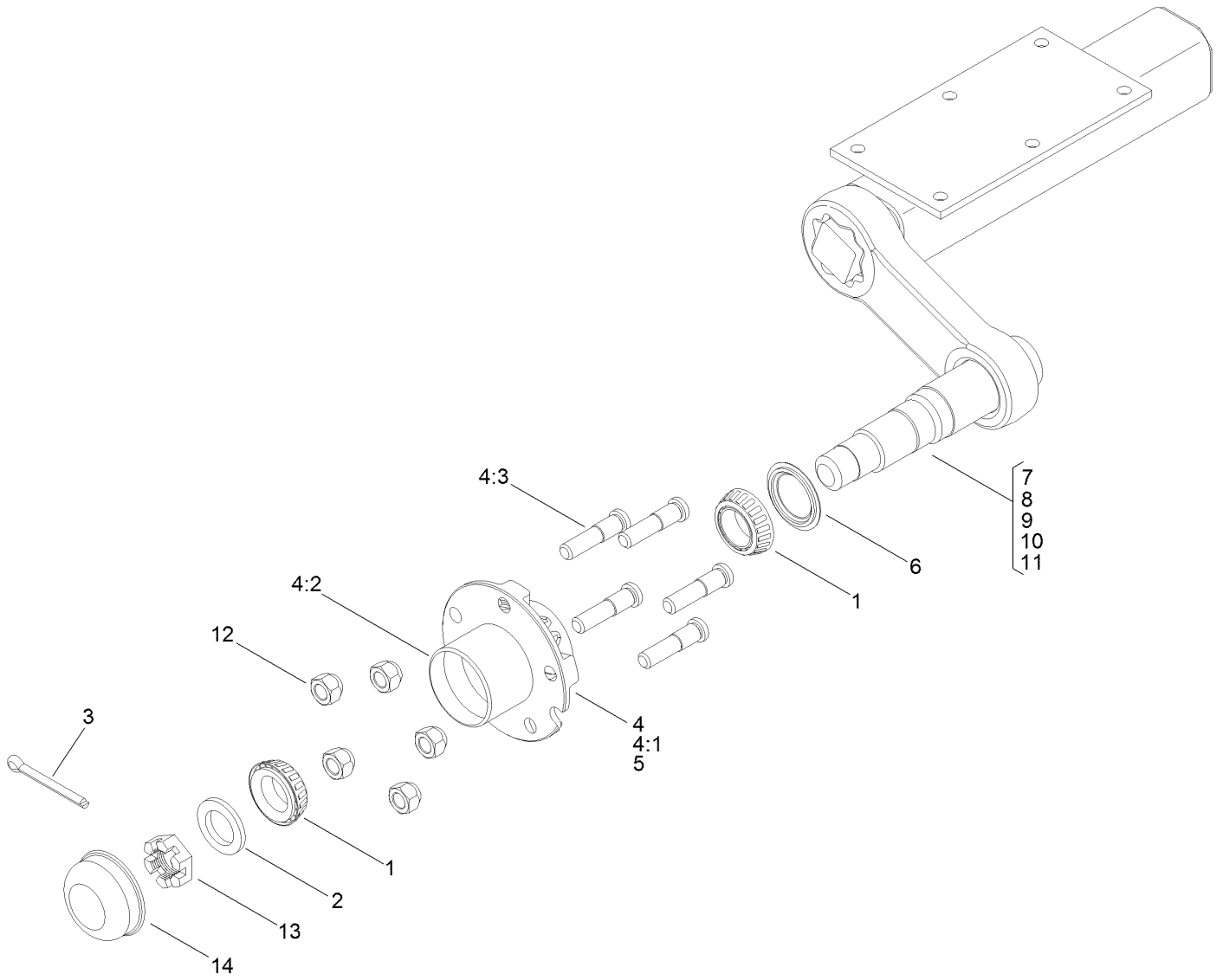
Tire and Axle Assembly



Tire and Axle Assembly (continued)

<i>Ref.</i>	<i>Part Number</i>	<i>Qty.</i>	<i>Description</i>	<i>Ref.</i>	<i>Part Number</i>	<i>Qty.</i>	<i>Description</i>
1	137-3571	2	Tire ASM	4	104-8301	20	Nut-HF, NI
1:1	115-1573	1	Rim	5	137-3573	1	RH Torsion Axle ASM
1:2	232-27	1	Stem-Valve	6	242-35	10	Nut-Wheel
1:3	120-8910	1	Tire-Off Road	7	138-9006-03	2	Bracket-Flap
2	137-3572	1	LH Torsion Axle ASM	8	138-9007	2	Flap-Rubber
3	3234-24	12	Screw-HHF	9	3234-1	8	Screw-HHF

LH Torsion Axle Assembly No. 137-3572

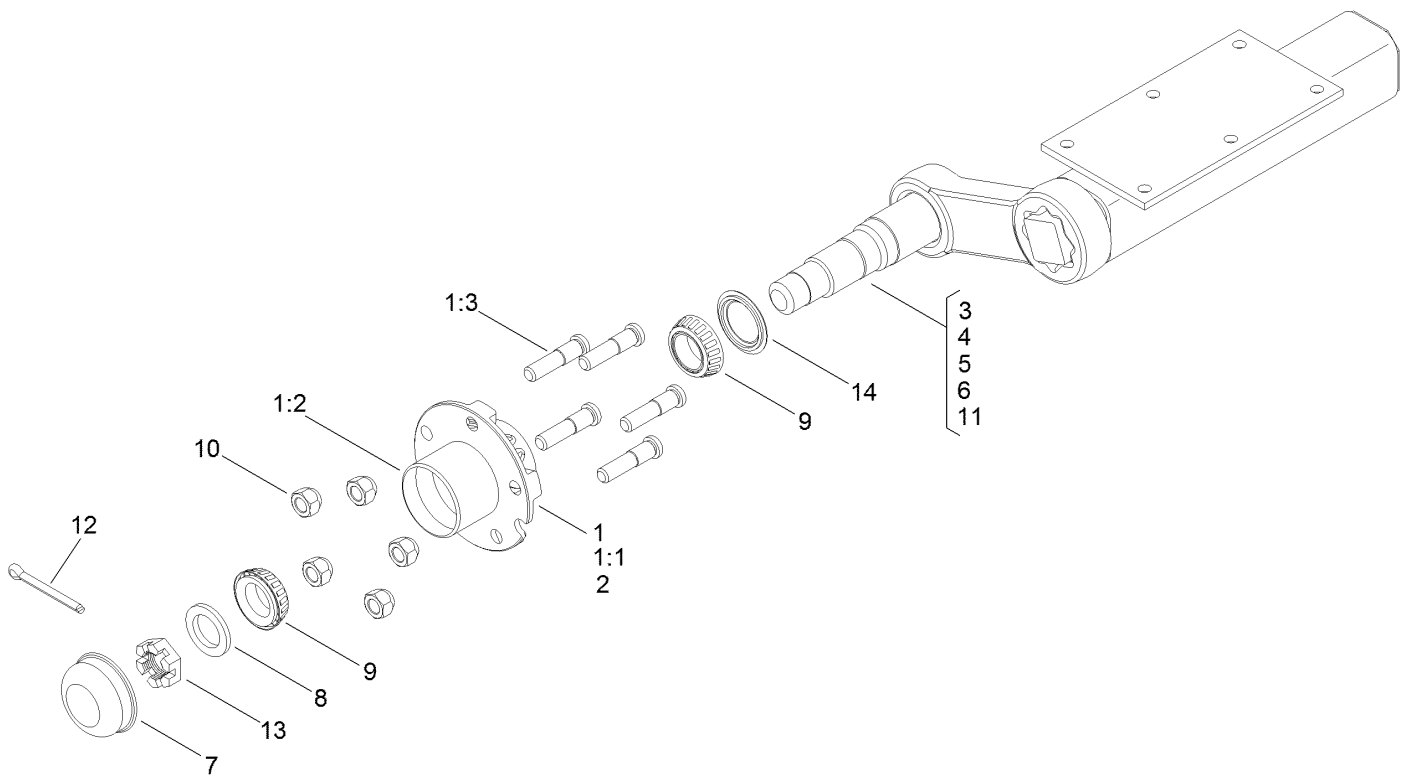


LH Torsion Axle Assembly No. 137-3572 (continued)

<i>Ref.</i>	<i>Part Number</i>	<i>Qty.</i>	<i>Description</i>	<i>Ref.</i>	<i>Part Number</i>	<i>Qty.</i>	<i>Description</i>
1	254-62	2	Bearing-Roller, Cone	7		1	Tube And Bracket ASM ●
2	137-3596	1	Washer-Spindle	8		4	Cord-Rubber ●
3	3272-18	1	Pin-Cotter	9		1	Sticker-Rubber, Torsion ●
4	119-6001	1	Hub ASM	10		1	Sticker-Axle, Serial Tag ●
4:1		1	Hub ●	11		1	Idler ●
4:2	115-9471	2	Bearing-Cup	12	242-35	5	Nut-Wheel
4:3	69-2990	5	Stud-Wheel	13	119-6005	1	Nut-Slotted, Hex
5		1	Grease ●	14	119-6004	1	Cap-Dust
6	137-3595	1	Seal				

● Not serviced separately

RH Torsion Axle Assembly No. 137-3573

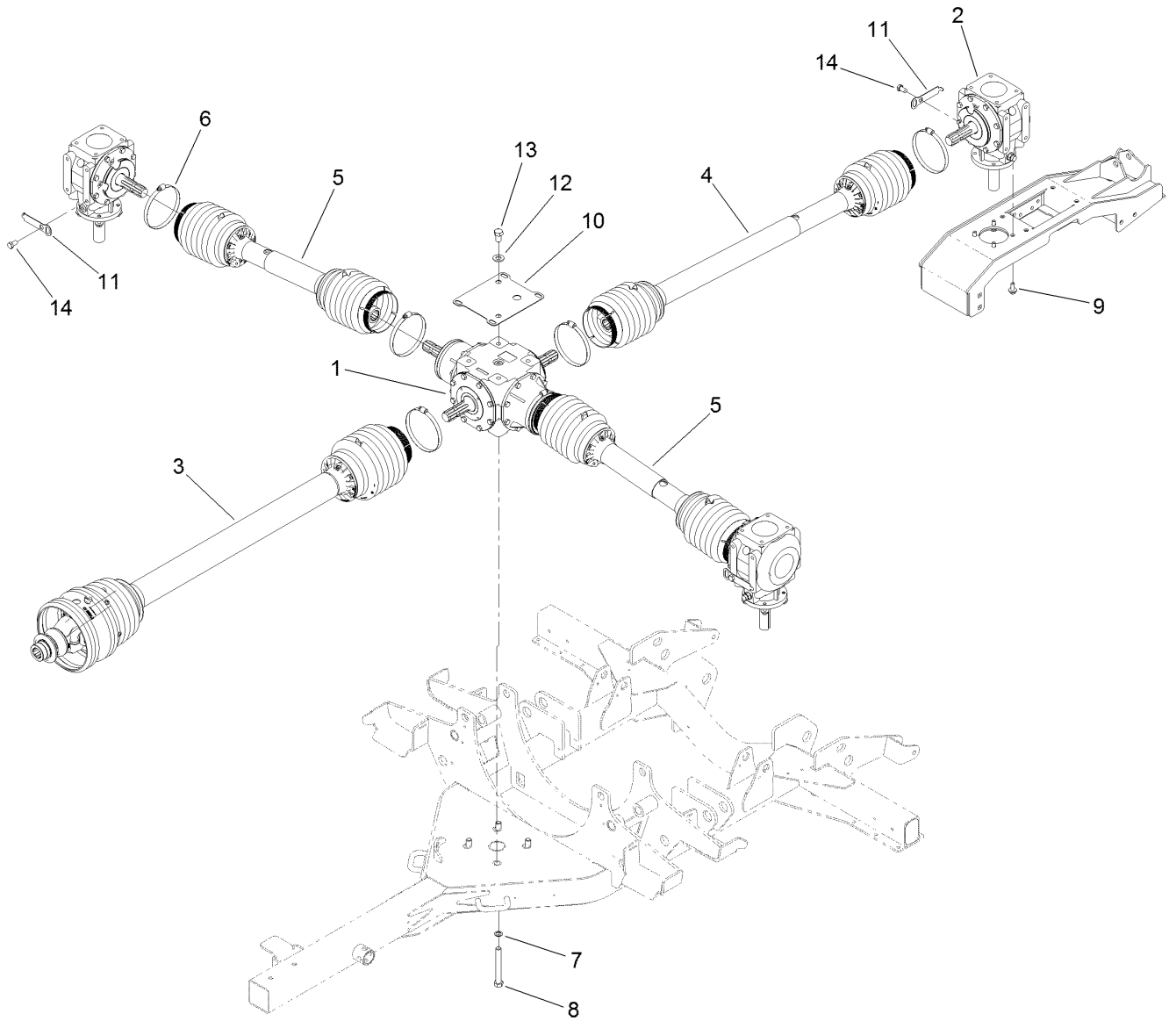


RH Torsion Axle Assembly No. 137-3573 (continued)

<i>Ref.</i>	<i>Part Number</i>	<i>Qty.</i>	<i>Description</i>	<i>Ref.</i>	<i>Part Number</i>	<i>Qty.</i>	<i>Description</i>
1	119-6001	1	Hub ASM	7	119-6004	1	Cap-Dust
1:1		1	Hub ●	8	137-3596	1	Washer-Spindle
1:2	115-9471	2	Bearing-Cup	9	254-62	2	Bearing-Roller, Cone
1:3	69-2990	5	Stud-Wheel	10	242-35	5	Nut-Wheel
2		1	Grease ●	11		1	Idler ●
3		1	Sticker-Axle, Serial Tag ●	12	3272-18	1	Pin-Cotter
4		1	Tube And Bracket ASM ●	13	119-6005	1	Nut-Slotted, Hex
5		4	Cord-Rubber ●	14	137-3595	1	Seal
6		1	Sticker-Rubber, Torsion ●				

● Not serviced separately

Gearbox and Driveshaft Assembly

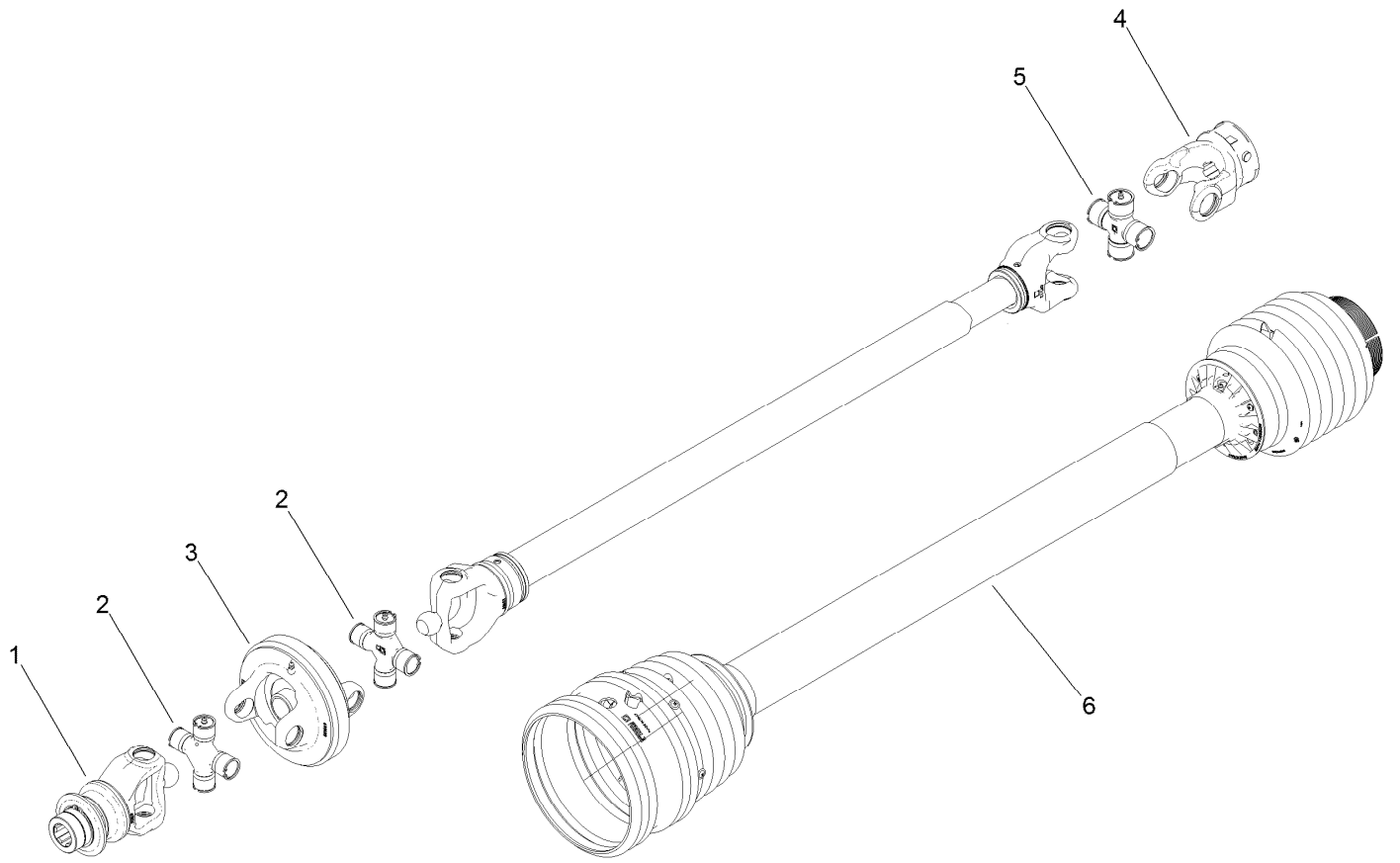


Gearbox and Driveshaft Assembly (continued)

<i>Ref.</i>	<i>Part Number</i>	<i>Qty.</i>	<i>Description</i>	<i>Ref.</i>	<i>Part Number</i>	<i>Qty.</i>	<i>Description</i>
1	139-3154	1	Gearbox-Center	9	33106-025	12	Screw-HHF
2	139-3153	3	Gearbox-Deck	10	138-9011-03	1	Tab-Anti Rotation
3	138-9039	1	Driveshaft-Main	11	139-3172-03	3	Plate-Chain
4	138-9040	1	Driveshaft-Rear	12	AUH426809	2	Washer-Flat
5	138-9041	1	Driveshaft-Side	13	327-2	2	Screw-HH
6	138-9005	7	Clamp-Hose	14	33116-020	3	Screw-HH
7	3256-69	4	Washer-Flat	99	138-9038	4	Decal-Danger, Entanglement ●
8	327-11	4	Screw-HH				

● Not illustrated

Main Driveshaft Assembly No. 139-9039

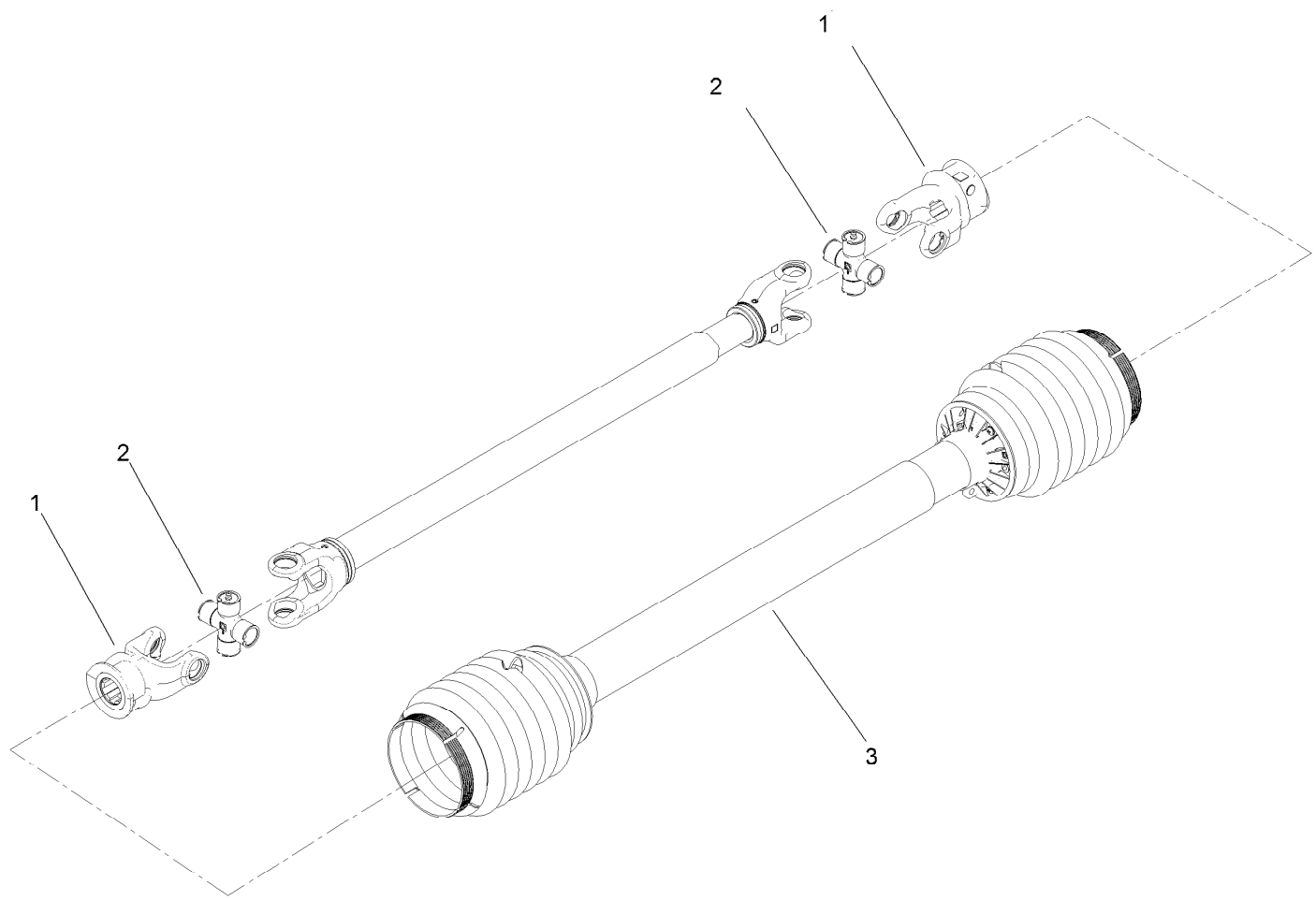


Main Driveshaft Assembly No. 139-9039 (continued)

<i>Ref.</i>	<i>Part Number</i>	<i>Qty.</i>	<i>Description</i>	<i>Ref.</i>	<i>Part Number</i>	<i>Qty.</i>	<i>Description</i>
1	138-9045	1	Yoke-Cv	5	138-9044	1	Cross Kit
2	138-9043	2	Cv Cross Kit	6	138-9042	1	Shield-Shaft, Main
3	138-9046	1	Body-Cv	99	119-3113	2	Chain-Safety ●
4	138-9047	1	Yoke				

● Not illustrated

Rear Driveshaft Assembly No. 138-9040



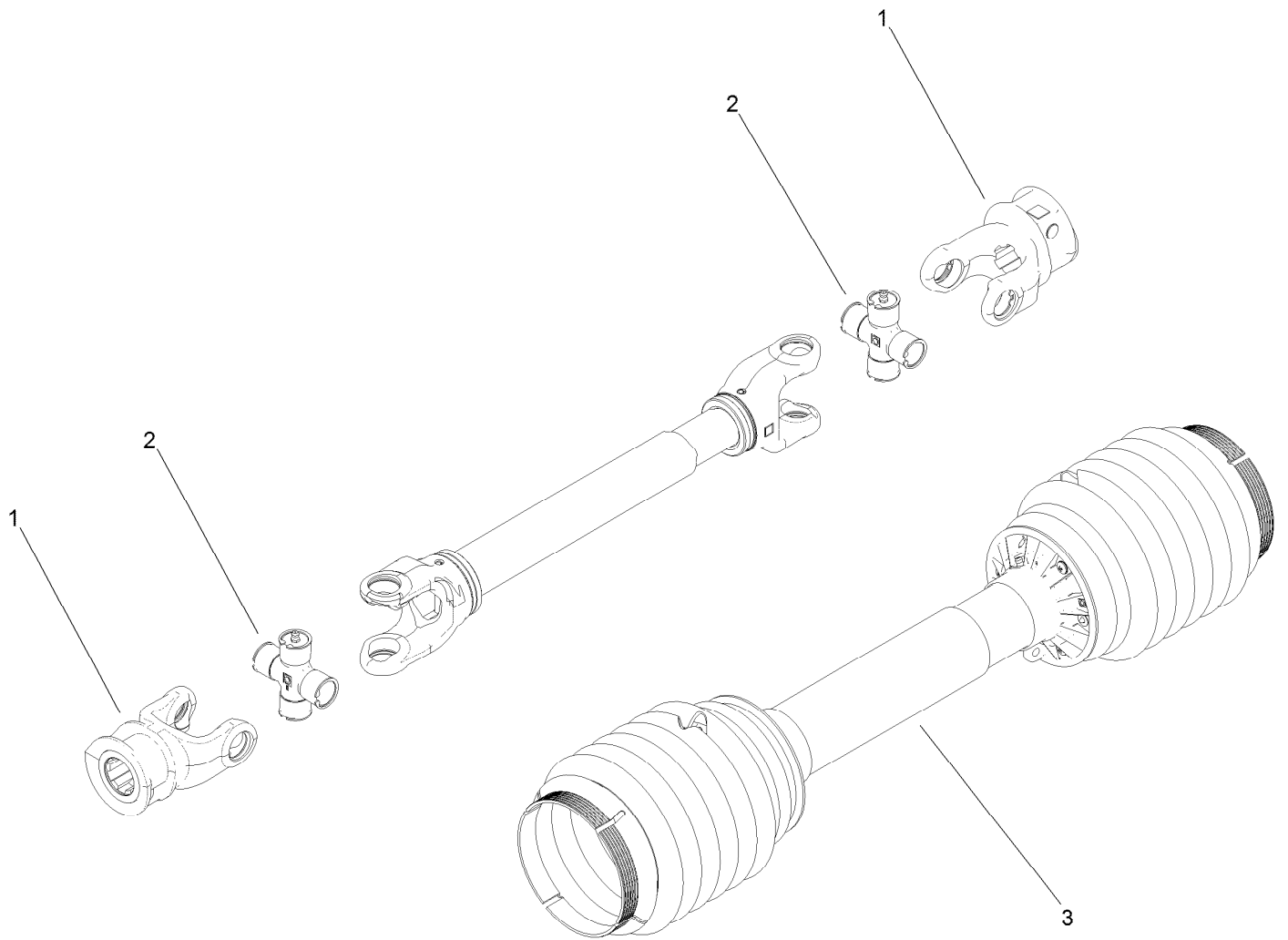
Rear Driveshaft Assembly No. 138-9040 (continued)

<i>Ref.</i>	<i>Part Number</i>	<i>Qty.</i>	<i>Description</i>
1	139-3150	2	Yoke
2	138-9049	2	Cross Kit

<i>Ref.</i>	<i>Part Number</i>	<i>Qty.</i>	<i>Description</i>
3	139-3151	1	Shield-Shaft, Rear
99	119-3113	2	Chain-Safety ●

● Not illustrated

Side Driveshaft Assembly No. 138-9041

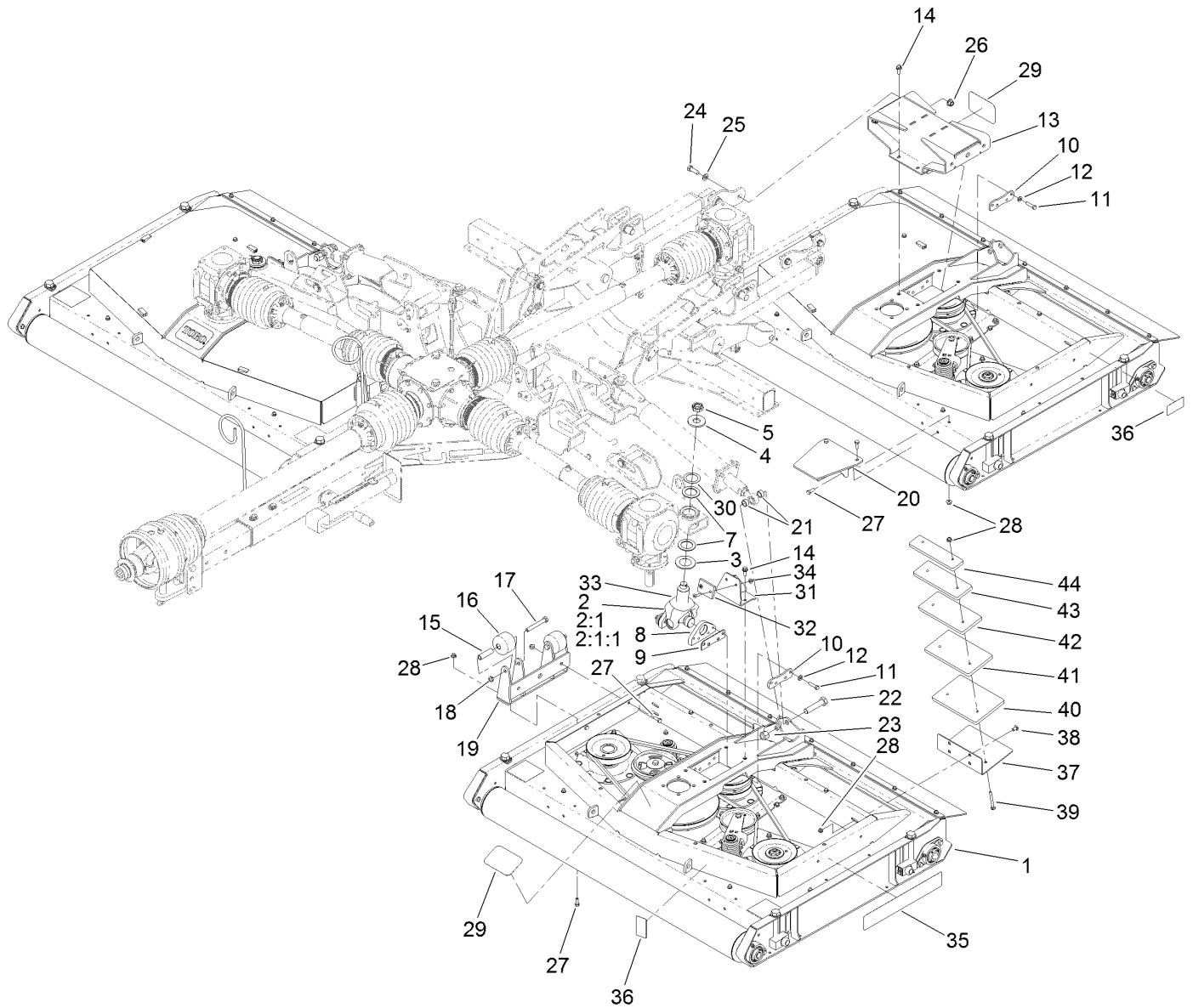


Side Driveshaft Assembly No. 138-9041 (continued)

<i>Ref.</i>	<i>Part Number</i>	<i>Qty.</i>	<i>Description</i>	<i>Ref.</i>	<i>Part Number</i>	<i>Qty.</i>	<i>Description</i>
1	139-3150	2	Yoke	3	139-3152	1	Shield-Shaft, Side
2	138-9049	2	Cross Kit	99	119-3113	2	Chain-Safety ●

● Not illustrated

Deck Mount and Deck Cover Assembly

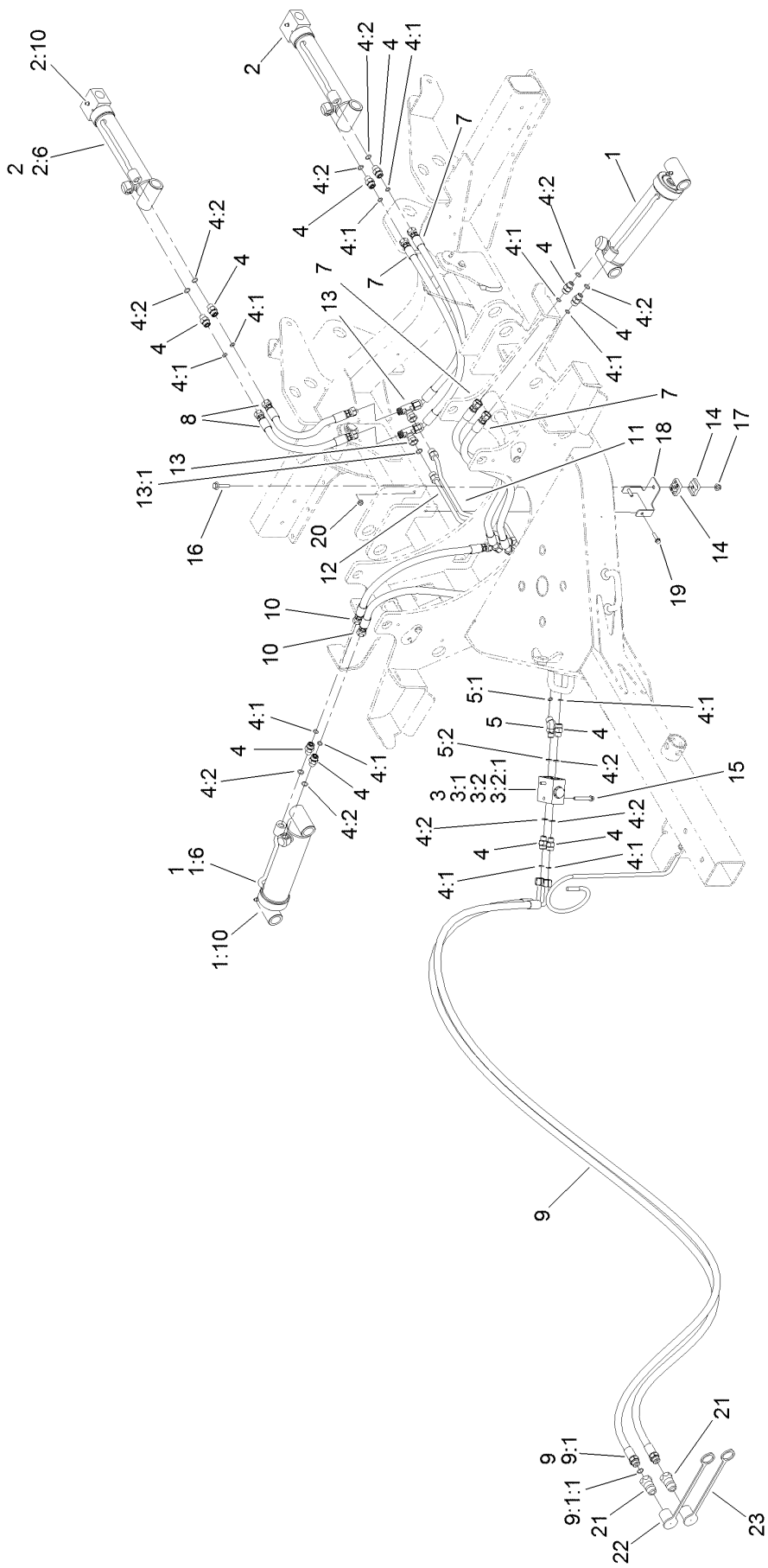


Deck Mount and Deck Cover Assembly (continued)

<i>Ref.</i>	<i>Part Number</i>	<i>Qty.</i>	<i>Description</i>	<i>Ref.</i>	<i>Part Number</i>	<i>Qty.</i>	<i>Description</i>
1		3	Deck ASM ●	23	3296-51	2	Nut-Lock, NI
2	114-5640-03	2	Joint Yoke ASM	24	325-6	4	Screw-HH
2:1		1	Yoke-Joint ●	25	3256-26	4	Washer-Flat
2:1:1	104-4299	1	Cross And Bearing Kit	26	99-5107	4	Nut-Lock
3	104-0720	2	Spacer	27	323-6	16	Screw-HH
4	104-0719	2	Washer-Hardened	28	104-8301	24	Nut-HF, NI
5	116-1399	2	Locknut	29	127-1653	3	Decal
7	104-0721	4	Washer-Thrust	30	114-5641	2	Washer-Thrust
8	140-0020-03	4	Mount-Base	31	138-9000-03	2	Stop-Deck
9	104-0731	4	Shim	32	69-9290	2	Pad-Bumper
10	139-3161	6	Plate-Spacer	33	32108-103	4	Screw-FH
11	323-43	20	Screw-HH	34	104-8300	4	Nut-HF, NI
12	100-4852	20	Washer-Hardened	35	138-3085	2	Decal
13	137-3675-03	1	Mount-Deck	36	125-6110	4	Decal-Danger
14	3234-42	8	Screw-HHF	37	140-0021-0P	2	Bracket-Weight
15	115-2144	4	Tube-Spacer	38	3231-21	4	Screw-CARR
16	115-3366	4	Roller	39	3230-13	4	Screw-CARR
17	325-15	4	Screw-HH	40	140-0022-0P	2	Weight-8.00 Lbs
18	3296-45	4	Nut-Hex	41	140-0023-0P	2	Weight-6.75 Lbs
19	140-0009-01	2	Roller-Kicker	42	140-0024-0P	2	Weight-5.50 Lbs
20	137-3696-01	2	Plate-Kicker	43	140-0025-0P	2	Weight-4.25 Lbs
21	74-3730	4	Spacer-Spindle, Rear	44	140-0026-0P	2	Weight-3.00 Lbs
22	328-5	2	Screw-HH				

● Not serviced separately

Hydraulic Assembly



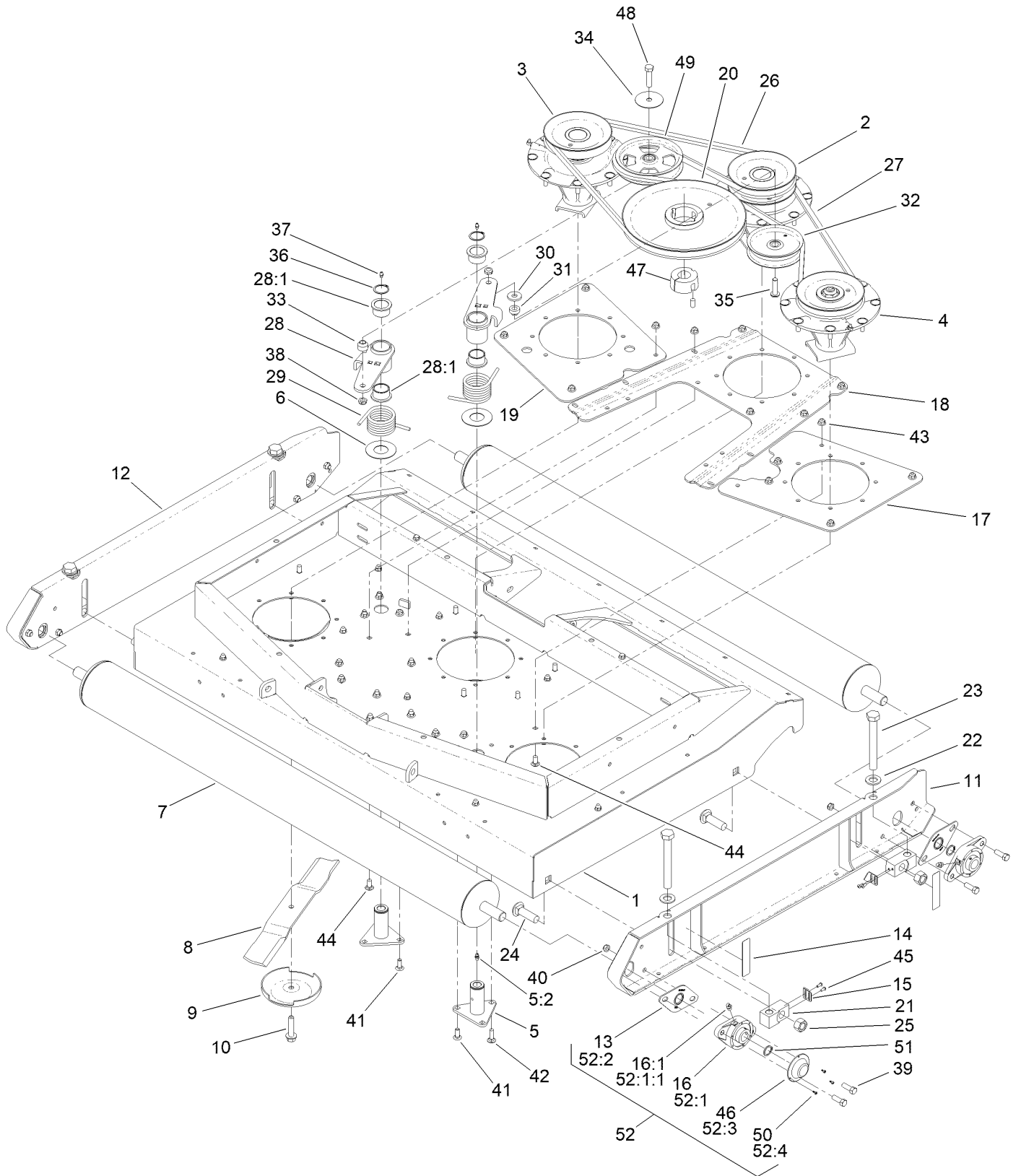
Hydraulic Assembly (continued)

<i>Ref.</i>	<i>Part Number</i>	<i>Qty.</i>	<i>Description</i>	<i>Ref.</i>	<i>Part Number</i>	<i>Qty.</i>	<i>Description</i>
1	137-3570	2	Cylinder ASM	9	138-5296	2	Hose ASM
1:6	137-3608	1	Kit-Seal	9:1		1	Fitting-Straight, Rgd ■
1:10	302-5	1	Fitting-Grease	9:1:1	237-79	1	O-Ring
2	137-3598	2	Cylinder ASM	10	138-5297	2	Hose ASM
2:6	137-3609	1	Kit-Seal	11	138-3064	1	Tube ASM
2:10	302-5	1	Fitting-Grease	12	138-3065	1	Tube ASM
3	138-3094	1	Manifold	13	340-166	2	Fitting-Tee
3:1		1	Manifold Block ■	13:1	237-22	2	O-Ring
3:2	110-8881	1	Valve-Check	14	56-7973	2	Clamp-Tube
3:2:1	105-9159	1	Seal Kit ●	15	3234-34	2	Screw-HHF
4	340-2	11	Fitting-Straight	16	115-1794	1	Screw-HHF
4:1	237-22	1	O-Ring	17	104-8300	1	Nut-HF, NI
4:2	237-42	1	O-Ring	18	138-3096-01	1	Bracket-Hardline
5	340-87	1	Fitting-Elbow, 45 DEG	19	120-4654	2	Screw-HHF
5:1	237-22	1	O-Ring	20	104-7201	2	Nut-HF, NI
5:2	237-42	1	O-Ring	21	112-4413	2	Coupler-Quick
7	105-9817	4	Hose-HYD	22	138-3066	1	Cap-Dust, Red
8	99-3576	2	Hose-HYD	23	T56152152	1	Cap-Connect, Quick

● Not illustrated

■ Not serviced separately

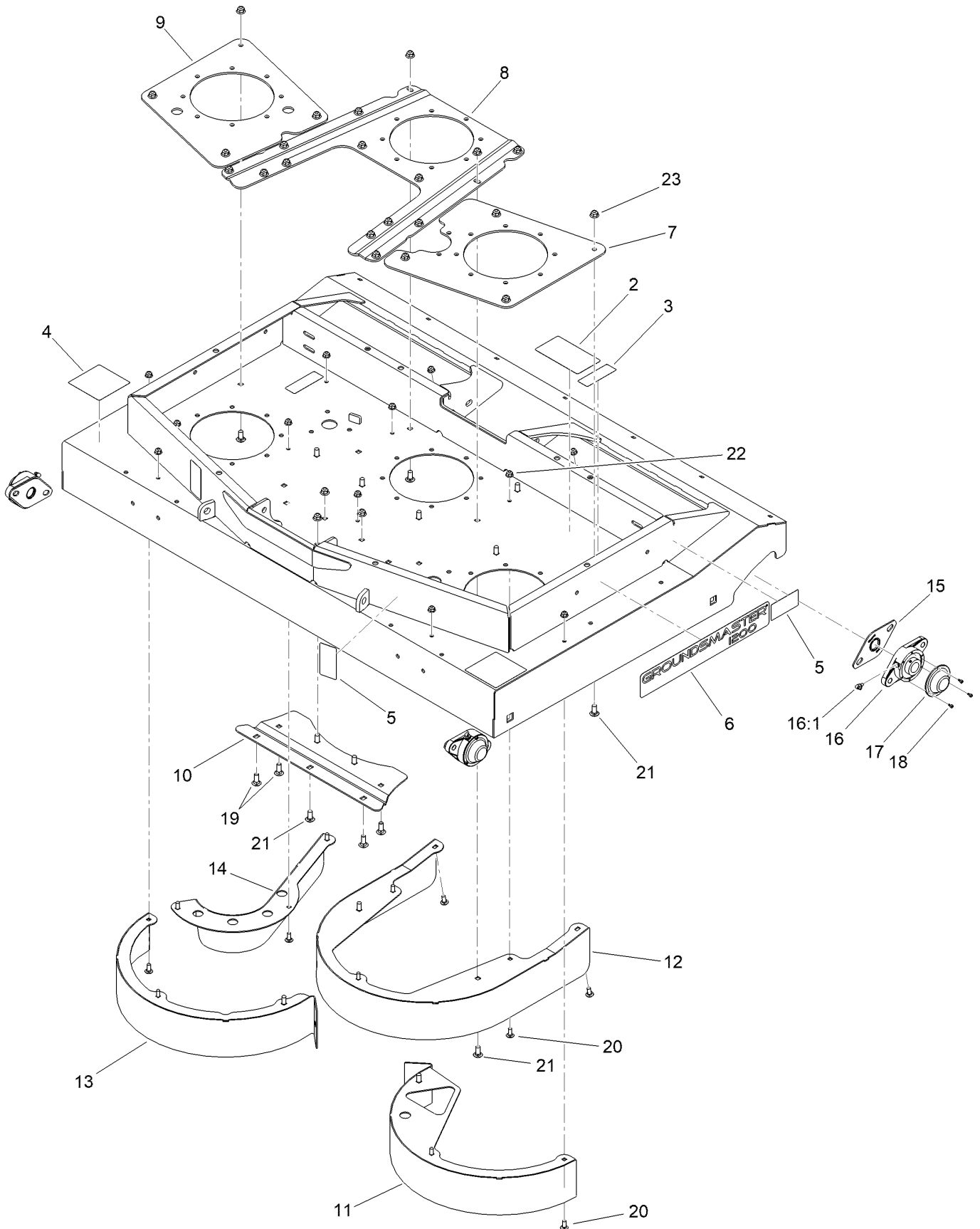
Blade, Pulley and Spindle Assembly



Blade, Pulley and Spindle Assembly (continued)

<i>Ref.</i>	<i>Part Number</i>	<i>Qty.</i>	<i>Description</i>	<i>Ref.</i>	<i>Part Number</i>	<i>Qty.</i>	<i>Description</i>
1	138-9026	1	Deck Shell ASM	28:1	93-4510	2	Bushing-Caster
2	139-3175	1	Double Spindle ASM	29	112-7395	2	Spring-Torsion
3	139-3176	1	High Spindle ASM	30	92-2651	1	Washer
4	139-3177	1	Low Spindle ASM	31	121-5274	1	Spacer-Idler
5	137-5640	2	Idler Pivot ASM	32	1-613098	1	Pulley-Idler
5:2	302-5	1	Fitting-Grease	33	69-6970	1	Spacer-Idler, Flat
6	108-1926	2	Washer	34	100-3102	1	Washer-Flat
7	140-0048SP	2	Roller ASM	35	108-1993	1	Screw-HSBH
8	137-3659-03	3	Blade-Lift, Medium	36	32120-84	2	Ring-Snap, External
9	72-9361	3	Cup-Scalp, Anti	37	302-5	2	Fitting-Grease
10	104-2444	3	Bolt-Blade, LH Thread	38	3296-45	2	Nut-Hex
11	138-3083-01	1	Skid-LH	39	324-5	8	Screw-HH
12	138-3084-01	1	Skid-RH	40	126-9780	8	Nut-Lock
13	140-7024	4	Plate-Seal, Bearing	41	3231-22	4	Screw-CARR
14	140-7090	4	Decal-HOC	42	3231-25	2	Bolt-CARR
15	138-3098	4	Indicator-HOC	43	104-8301	43	Nut-HF, NI
16	140-7023	4	Bearing-Flange, 2 Bolt	44	3231-27	13	Screw-CARR
16:1	302-33	1	Fitting-Grease	45	115-9830	8	Screw-HSBH
17	139-3181-01	1	Plate-Doubler, LH	46	140-7004	4	Cover-Bearing
18	139-3182-01	1	Plate-Doubler, Center	47	137-3660	1	Bushing-Taperlock
19	139-3183-01	1	Plate-Doubler, RH	48	325-8	1	Screw-HH
20	138-5283	1	Pulley-Drive	49	132-9421	1	Pulley-Idler, Flat
21	140-7038	4	Block-HOC	50	140-7030	12	Screw-Cover
22	3256-28	4	Washer-Flat	51	32151-36	4	Ring-Retaining
23	137-3648	4	Screw-HHCS	52	140-7027	1	Bearing Service Kit (Qty 4)
24	HDW17555	4	Bolt-Carriage	52:1	140-7023	4	Bearing-Flange, 2 Bolt
25	138-3092	4	Nut-Hex	52:1:1	302-33	1	Fitting-Grease
26	137-3644	1	Belt-V	52:2	140-7024	4	Plate-Seal, Bearing
27	137-3645	1	Belt-V	52:3	140-7004	4	Cover-Bearing
28	140-6180	2	Idler Arm ASM	52:4	140-7030	12	Screw-Cover

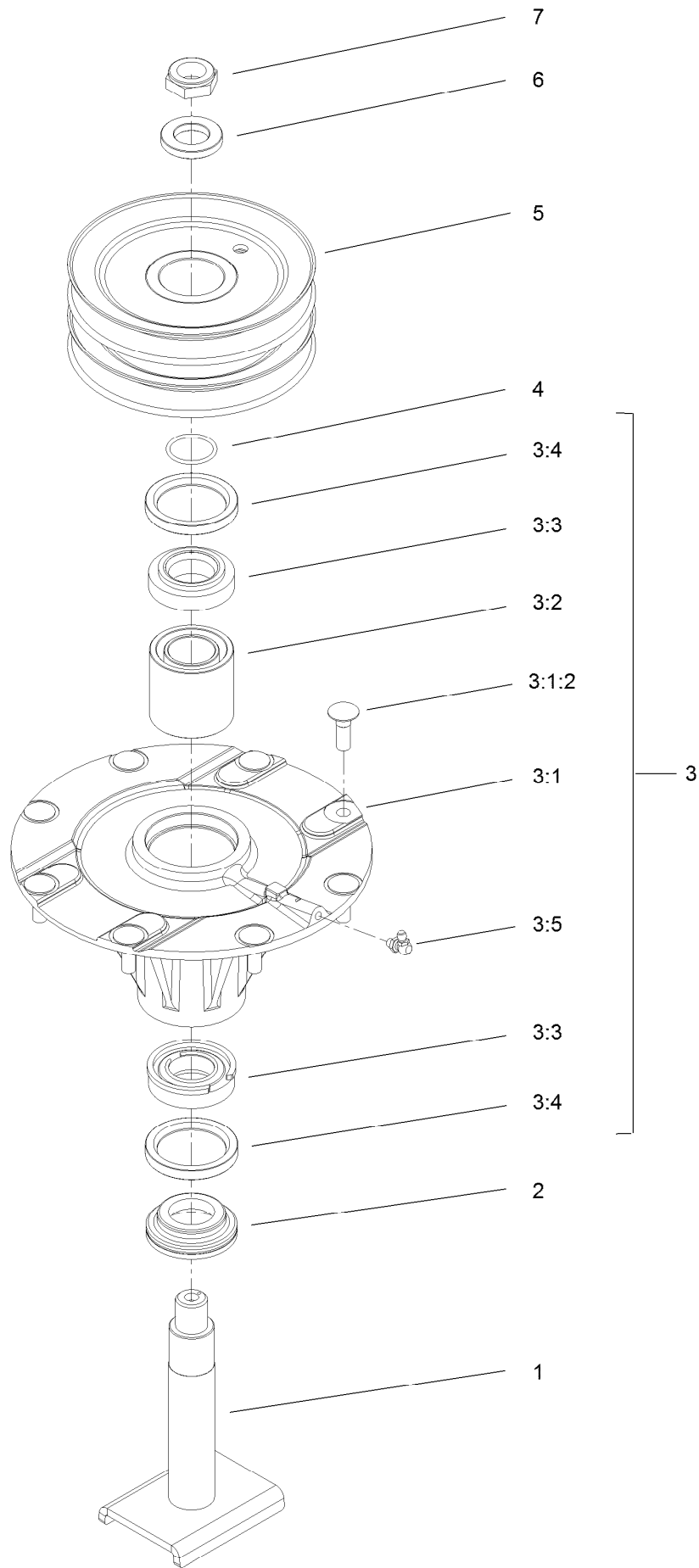
Deck Assembly No. 138-9026



Deck Assembly No. 138-9026 (continued)

<i>Ref.</i>	<i>Part Number</i>	<i>Qty.</i>	<i>Description</i>	<i>Ref.</i>	<i>Part Number</i>	<i>Qty.</i>	<i>Description</i>
2	138-3078	1	Decal-Routing, Belt	14	137-3665-0P	1	Baffle-Inner
3	117-4979	2	Decal-Warning	15	140-7024	4	Plate-Seal, Bearing
4	120-6604	2	Decal-Danger	16	140-7023	4	Bearing-Flange, 2 Bolt
5	125-6110	4	Decal-Danger	16:1	302-33	1	Fitting-Grease
6	138-3085	2	Decal	17	140-7004	4	Cover-Bearing
7	139-3181-01	1	Plate-Doubler, LH	18	140-7030	12	Screw-Cover
8	139-3182-01	1	Plate-Doubler, Center	19	3231-2	4	Bolt-CARR
9	139-3183-01	1	Plate-Doubler, RH	20	3230-23	12	Bolt-CARR
10	140-0030-0P	1	Stiffener-Deck	21	3231-27	21	Screw-CARR
11	139-3188-0P	1	Chamber-LH	22	104-8300	12	Nut-HF, NI
12	139-3189-0P	1	Chamber-Center	23	104-8301	25	Nut-HF, NI
13	139-3190-0P	1	Chamber-RH				

Double Spindle Assembly No. 139-3175

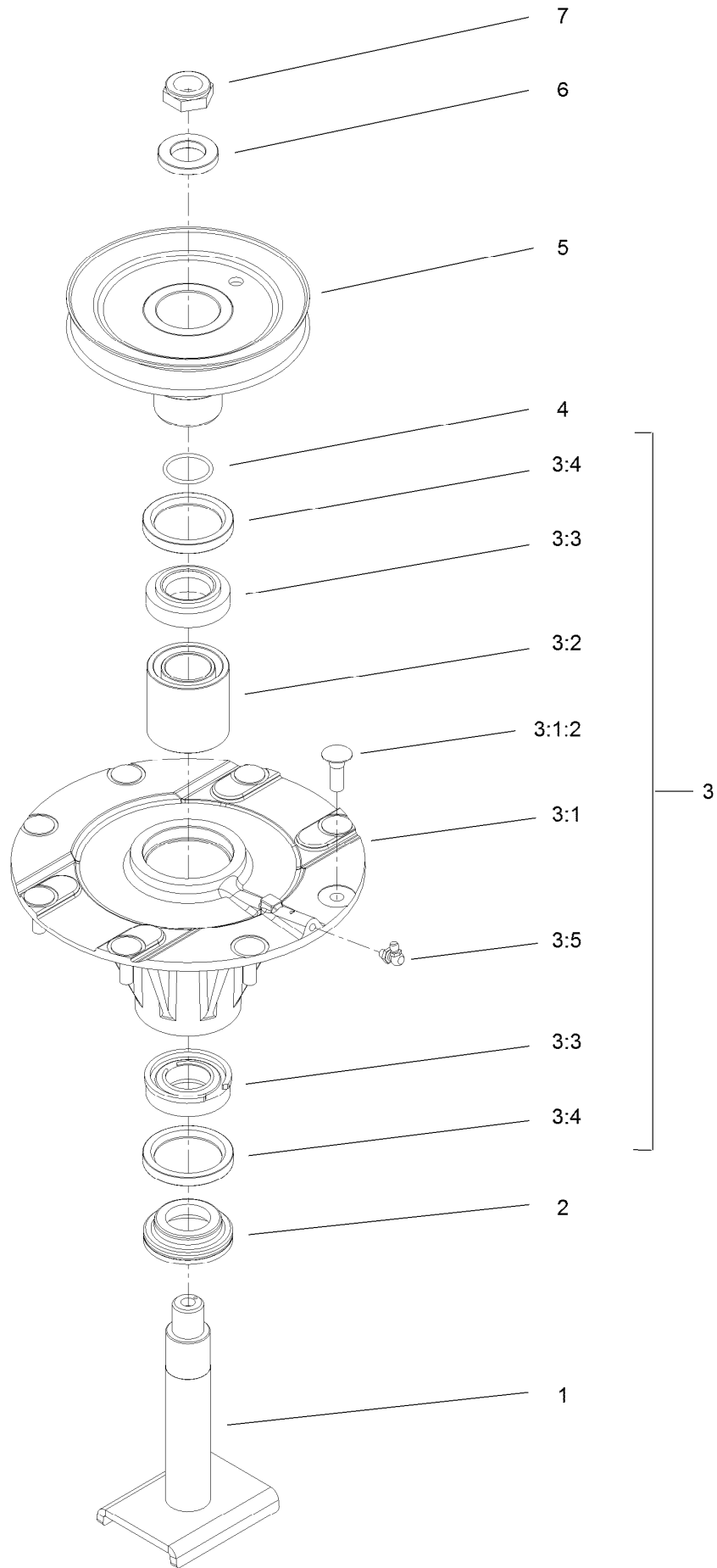


Double Spindle Assembly No. 139-3175 (continued)

<i>Ref.</i>	<i>Part Number</i>	<i>Qty.</i>	<i>Description</i>	<i>Ref.</i>	<i>Part Number</i>	<i>Qty.</i>	<i>Description</i>
1	139-3171	1	Spindle Shaft ASM	3:4	253-154	2	Seal-Oil
2	138-6416	1	Spacer-Spindle, Shaft	3:5	302-60	1	Fitting-Grease
3	119-4777	1	Spindle ASM	4	106-7159	1	O-Ring
3:1		1	Spindle ASM ●	5	140-0032	1	Double Pulley ASM
3:1:2	114-8195	8	Bolt-Neck, Ribbed	6	120-5576	1	Washer-Hardened
3:2	108-1954	1	Bearing Spacer Set	7	3296-60	1	Nut-Lock, NI
3:3	110-8297	1	Bearing ASM				

● Not serviced separately

High Spindle Assembly No. 139-3176

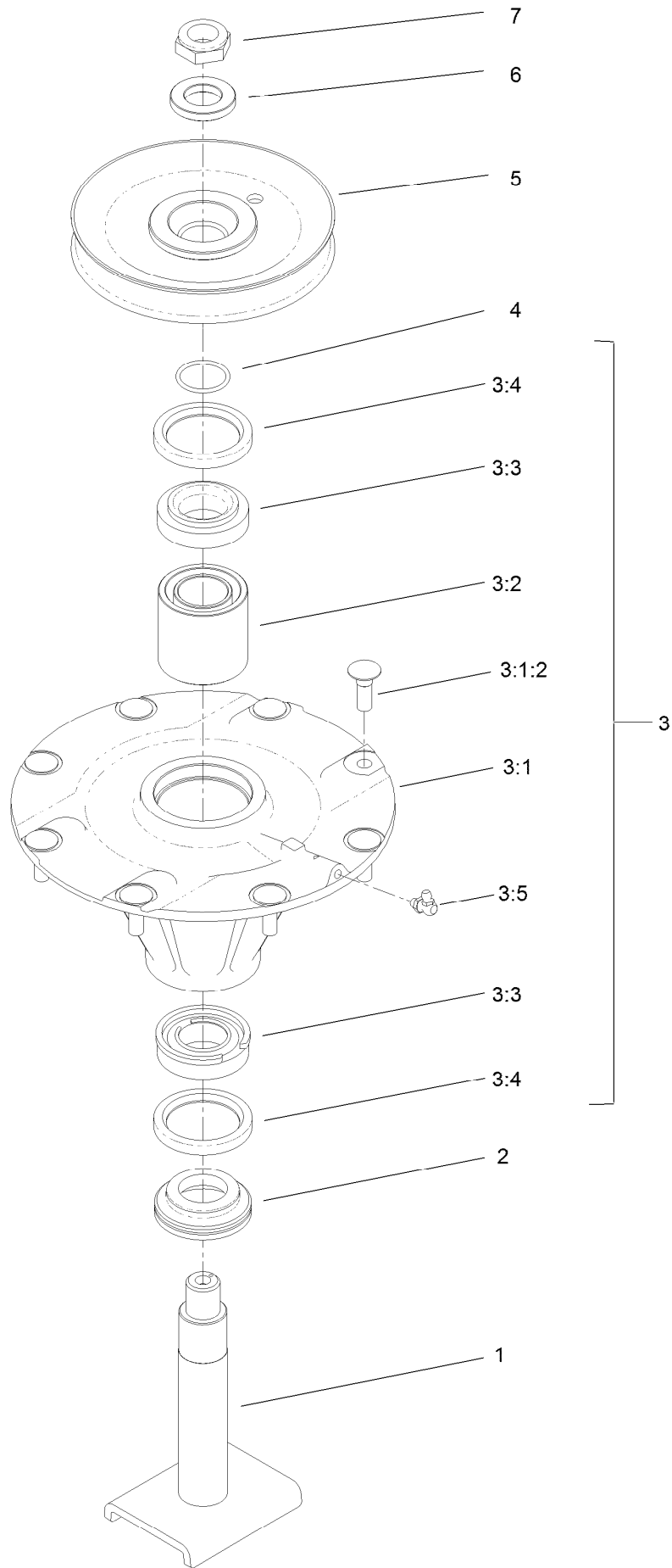


High Spindle Assembly No. 139-3176 (continued)

<i>Ref.</i>	<i>Part Number</i>	<i>Qty.</i>	<i>Description</i>	<i>Ref.</i>	<i>Part Number</i>	<i>Qty.</i>	<i>Description</i>
1	139-3171	1	Spindle Shaft ASM	3:4	253-154	2	Seal-Oil
2	138-6416	1	Spacer-Spindle, Shaft	3:5	302-60	1	Fitting-Grease
3	119-4777	1	Spindle ASM	4	106-7159	1	O-Ring
3:1		1	Spindle ASM ●	5	140-0033	1	Single Pulley ASM
3:1:2	114-8195	8	Bolt-Neck, Ribbed	6	120-5576	1	Washer-Hardened
3:2	108-1954	1	Bearing Spacer Set	7	3296-60	1	Nut-Lock, NI
3:3	110-8297	1	Bearing ASM				

● Not serviced separately

Low Spindle Assembly No. 139-3177

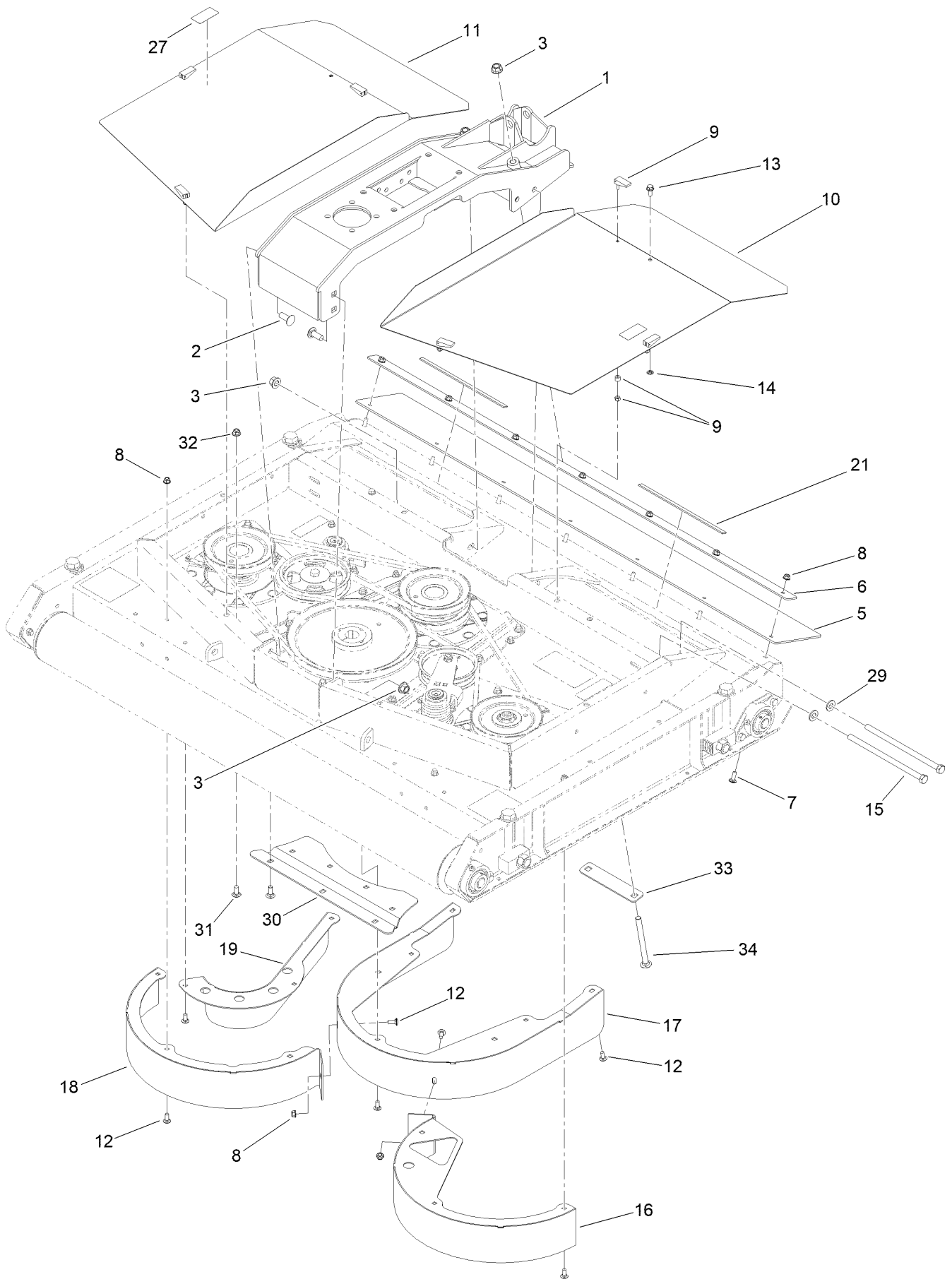


Low Spindle Assembly No. 139-3177 (continued)

<i>Ref.</i>	<i>Part Number</i>	<i>Qty.</i>	<i>Description</i>	<i>Ref.</i>	<i>Part Number</i>	<i>Qty.</i>	<i>Description</i>
1	139-3171	1	Spindle Shaft ASM	3:4	253-154	2	Seal-Oil
2	138-6416	1	Spacer-Spindle, Shaft	3:5	302-60	1	Fitting-Grease
3	119-4777	1	Spindle ASM	4	106-7159	1	O-Ring
3:1		1	Spindle ASM ●	5	137-3629	1	Pulley-Driven, Low
3:1:2	114-8195	8	Bolt-Neck, Ribbed	6	120-5576	1	Washer-Hardened
3:2	108-1954	1	Bearing Spacer Set	7	3296-60	1	Nut-Lock, NI
3:3	110-8297	1	Bearing ASM				

● Not serviced separately

Deck Mount and Deck Cover Assembly



Deck Mount and Deck Cover Assembly (continued)

<i>Ref.</i>	<i>Part Number</i>	<i>Qty.</i>	<i>Description</i>	<i>Ref.</i>	<i>Part Number</i>	<i>Qty.</i>	<i>Description</i>
1	140-7000-03	1	Mount-Deck	15	325-39	2	Screw-HH
2	3233-26	4	Screw-CARR, Shortneck	16	139-3188-0P	1	Chamber-LH
3	99-5107	8	Nut-Lock	17	139-3189-0P	1	Chamber-Center
5	137-3646	1	Flap-Rear	18	139-3190-0P	1	Chamber-RH
6	137-3647-01	1	Plate-Flap	19	137-3665-0P	1	Baffle-Inner
7	3230-10	7	Bolt-CARR	21	115-8827	2	Foam-Strip
8	104-8300	23	Nut-HF, NI	27	119-6807	2	Decal-Warning
9	74-5950	6	Latch-Swell	29	3256-26	2	Washer-Flat
10	137-3519-03	1	Cover-Deck, LH	30	140-0030-0P	1	Stiffener-Deck
11	137-3520-03	1	Cover-Deck, RH	31	3231-27	7	Screw-CARR
12	3230-23	16	Bolt-CARR	32	104-8301	7	Nut-HF, NI
13	3234-47	2	Screw-HHF	33	140-7036	1	Plate-Cover
14	117-2749	2	Nut-Push	34	140-7029	2	Screw-CARR

Attachments and Accessories

For 31905 Groundsmaster 1200 Series Pull Behind Rotary Mower

Product Name	Model/Part
Pintle Hitch	07536
High Lift Blades MVP Kit.....	138-9028
Standard Lift MVP Kit	138-9029
SMV Kit.....	138-9030
Fender Kit.....	139-3174
Blade Cover Kit.....	139-3178
Safety Chain Kit.....	139-3179
Atomic Blade MVP Kit.....	140-0028
Roller Scraper Kit.....	140-0034
Hitch Clevis Kit.....	140-7011sp
Pintle Eye Kit	140-7012SP
1 Inch Hitch Pin.....	140-7025
Bearing Service Kit	140-7027
Tail Light Homologation Kit	31950

Notes:

Notes:

Notes:



Count on it.