



Form No. 3450-214 Rev A

**Count on it.**

**Operator's Manual**

**Floor Scraper  
e-Dingo 500 Compact Tool Carrier**

Model No. 22670—Serial No. 321000001 and Up

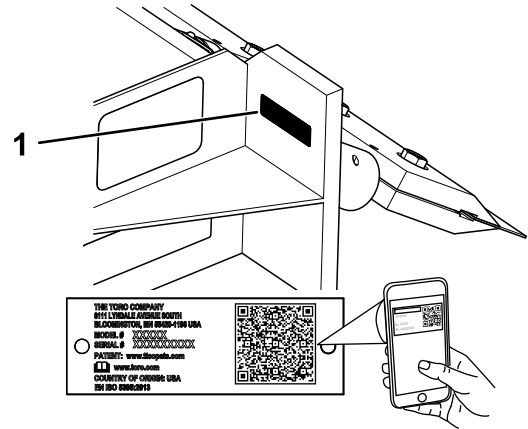


**⚠ WARNING**

**CALIFORNIA  
Proposition 65 Warning**

**Use of this product may cause exposure to chemicals known to the State of California to cause cancer, birth defects, or other reproductive harm.**

**Important:** With your mobile device, you can scan the QR code on the serial number decal (if equipped) to access warranty, parts, and other product information.



**Figure 1**

g370906

# Introduction

The floor scraper is intended to be used on a Toro compact tool carrier. It is designed to remove flooring such as vinyl, wood, carpet and other flooring materials. Using this product for purposes other than its intended use could prove dangerous to you and bystanders.

Read this information carefully to learn how to operate and maintain your product properly and to avoid injury and product damage. You are responsible for operating the product properly and safely.

Visit [www.Toro.com](http://www.Toro.com) for more information, including safety tips, training materials, accessory information, help finding a dealer, or to register your product.

Whenever you need service, genuine Toro parts, or additional information, contact an Authorized Service Dealer or Toro Customer Service and have the model and serial numbers of your product ready. The model and serial numbers are located on a plate on the blade pivot frame. Write the numbers in the space provided.

Model No. \_\_\_\_\_  
Serial No. \_\_\_\_\_

This manual identifies potential hazards and has safety messages identified by the safety-alert symbol (Figure 2), which signals a hazard that may cause serious injury or death if you do not follow the recommended precautions.



**Figure 2**

g000502

1. Safety-alert symbol

This manual uses 2 words to highlight information. **Important** calls attention to special mechanical information and **Note** emphasizes general information worthy of special attention.

# Contents


Safety .....	3
General Safety .....	3
Slope Safety .....	4
Floor Scraper Safety .....	4
Maintenance and Storage Safety .....	4
Safety and Instructional Decals .....	5
Product Overview .....	6
Specifications .....	6
Operation .....	6
Installing and Removing the Attachment .....	6
Installing and Removing the Blade	
Assembly .....	7
Selecting a Blade .....	9
Removing Flooring .....	10
Transport Position .....	10
Storage .....	11

# Safety

## General Safety

Always follow all safety instructions to avoid serious injury or death. Using this product for purposes other than its intended use could prove dangerous to you and bystanders.

- Do not exceed the rated operating capacity, as the machine may become unstable, which may result in loss of control.
- Do not carry a load with the arms raised; always carry loads close to the ground.
- Slopes are a major factor related to loss-of-control and tip-over accidents, which can result in severe injury or death. **Operating the machine on any slope or uneven terrain requires extra caution.**
- **Operate the machine up and down slopes with the heavy end of the machine uphill and the load close to the ground.** Weight distribution changes with attachments. An empty bucket makes the rear of the machine the heavy end, and a full bucket makes the front of the machine the heavy end. Most other attachments make the front of the machine the heavy end.
- Have the property or work area marked for buried lines and other objects, and do not dig in marked areas.
- Read and understand the content of this *Operator's Manual* before starting the machine.
- Use your full attention while operating the machine. Do not engage in any activity that causes distractions; otherwise, injury or property damage may occur.
- Never allow children or untrained people to operate the machine.
- Keep your hands and feet away from the moving components and attachments.
- Do not operate the machine without the guards and other safety protective devices in place and working on the machine.
- Keep bystanders and children out of the operating area.
- Stop the machine, shut off the machine, and remove the key before servicing or unclogging the machine.

Improperly using or maintaining this machine can result in injury. To reduce the potential for injury, comply with these safety instructions and always pay attention to the safety-alert symbol , which means Caution, Warning, or Danger—personal safety instruction. Failure to comply with these instructions may result in personal injury or death.

## Slope Safety

- **Operate the machine up and down slopes with the heavy end of the machine uphill.** Weight distribution changes with attachments. This attachment makes the front of machine the heavy end.
- Raising the loader arms on a slope affects the stability of the machine. Keep the loader arms in the lowered position when on slopes.
- Slopes are a major factor related to loss of control and tip-over accidents, which can result in severe injury or death. Operating the machine on any slope or uneven terrain requires extra caution.
- Establish your own procedures and rules for operating on slopes. These procedures must include surveying the site to determine which slopes are safe for machine operation. Always use common sense and good judgment when performing this survey.
- Slow down and use extra care on hillsides. Ground conditions can affect the stability of the machine.
- Avoid starting or stopping on a slope. If the machine loses traction, proceed slowly, straight down the slope.
- Avoid turning on slopes. If you must turn, turn slowly and keep the heavy end of the machine uphill.
- Keep all movements on slopes slow and gradual. Do not make sudden changes in speed or direction.
- If you feel uneasy operating the machine on a slope, do not do it.
- Watch for holes, ruts, or bumps, as uneven terrain could overturn the machine. Tall grass can hide obstacles.
- Use caution when operating on wet surfaces. Reduced traction could cause sliding.
- Evaluate the area to ensure that the ground is stable enough to support the machine.
- Use caution when operating the machine near the following:
  - Drop-offs
  - Ditches
  - Embankments
  - Bodies of water

The machine could suddenly roll over if a track goes over the edge or the edge caves in. Maintain a safe distance between the machine and any hazard.

- Do not remove or add attachments on a slope.
- Do not park the machine on a hillside or slope.

## Floor Scraper Safety

- Wear cut-resistant gloves and use caution when installing, removing, or servicing the scraper blade.
- Keep fingers and body parts away from the sharp edges of the scraper blade.
- Remove the scraper blade before moving or changing the blade-holder assembly.

## Maintenance and Storage Safety

- Check fasteners at frequent intervals for proper tightness to ensure that the equipment is in safe operating condition.
- Refer to this *Operator's Manual* for important details if you store the attachment for an extended period of time.
- Maintain or replace safety and instruction labels, as necessary.

# Safety and Instructional Decals



Safety decals and instructions are easily visible to the operator and are located near any area of potential danger. Replace any decal that is damaged or missing.

**WARNING:** Cancer and Reproductive Harm - [www.P65Warnings.ca.gov](http://www.P65Warnings.ca.gov).  
For more information, please visit [www.ttcoCAProp65.com](http://www.ttcoCAProp65.com)

133-8061

decal133-8061

133-8061



decal145-4939

145-4939

1. Thrown object hazard—wear eye protection
2. Warning—keep bystanders away
3. Warning—read the *Operator's Manual* before performing maintenance.
4. Cutting hazard of the hand—keep hands away from the attachment.
5. Crushing hazard of hands or feet—keep feet away from the attachment.

# Product Overview

## Specifications

**Note:** Specifications and design are subject to change without notice.

Width	86 cm (34 inches)
Length	81 cm (32 inches)
Height	58 cm (23 inches)
Weight	254 kg (560 lb)

To ensure optimum performance and continued safety certification of the machine, use only genuine Toro replacement parts and accessories. Replacement parts and accessories made by other manufacturers could be dangerous, and such use could void the product warranty.

# Operation

Determine the left and right sides of the machine from the normal operating position.

## Installing and Removing the Attachment

Refer to the *Operator's Manual* for the traction unit for the installation and removal procedure.

**Important:** Before installing the attachment, position the machine on a level surface, ensure that the mount plates are free of any dirt or debris, and ensure that the pins rotate freely. If the pins do not rotate freely, grease them.

**Note:** Always use the traction unit to lift and move the attachment.

### **⚠ WARNING**

If you do not fully seat the quick-attach pins through the attachment mount plate, the attachment could fall off the machine, crushing you or bystanders.

Ensure that the quick-attach pins are fully seated in the attachment mount plate.

# Installing and Removing the Blade Assembly

**Service Interval:** Before each use or daily—Lubricate the blade-holder assembly shaft.

## ⚠ CAUTION

The blade assembly is heavy. Hands or other body parts could be crushed.

Use caution when installing the assembly.

## ⚠ WARNING

The scraper blade is sharp and can cut your hands.

Wear heavy leather or cut resistant gloves and move tools away from the blade edge when installing or removing the blade.

## Installing the Blade Assembly

Refer to [Selecting a Blade \(page 9\)](#) to select the appropriate blade for the application.

1. Park the machine on a level surface.
2. Raise the attachment a few inches off the ground for easier access.
3. Engage the parking brake, shut off the machine, and remove the key.
4. Lubricate the shaft of the blade-holder assembly, then install it into 1 of the 3 tubes on the attachment. Secure it with a locking pin.

**Note:** Use the side tubes when removing flooring close to vertical surfaces, such as walls.

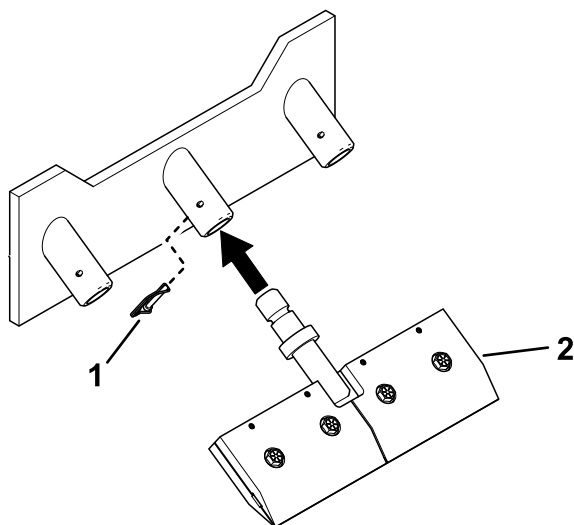


Figure 3

g371150

1. Locking pin
2. Blade-holder assembly

5. Loosen the 4 bolts on the blade-holder clamp 2 turns counterclockwise. Do not remove the bolts.

## ⚠ WARNING

Removing the bolts can cause the clamp to not securely hold the blade, which can slip and injure you.

Only loosen the bolts; do not remove them.

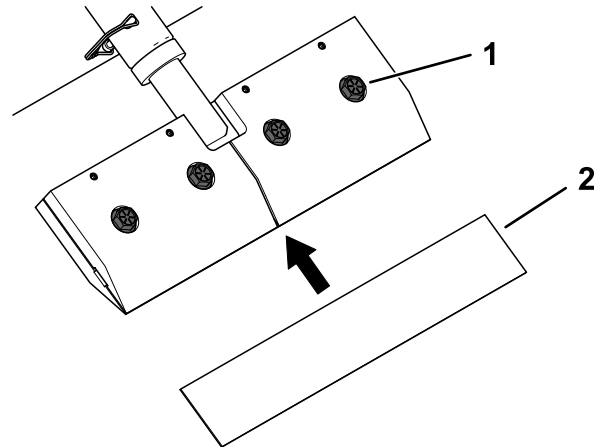


Figure 4

g371151

1. Bolt (4)
  2. Blade
- 
6. Carefully torque the bolts to 271 N·m (200 ft-lb).

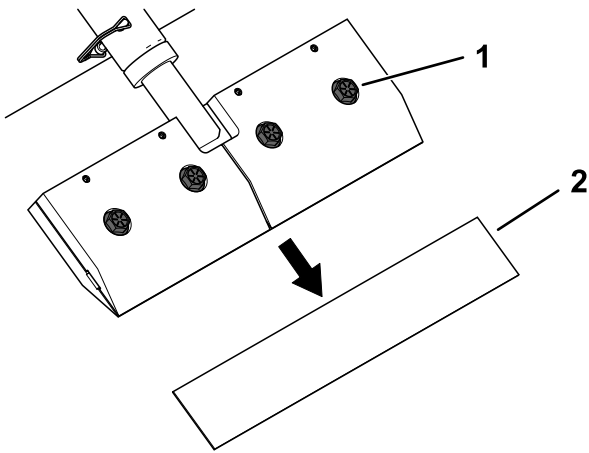
## Removing the Blade Assembly

1. Park the machine on a level surface and engage the parking brake.
2. Raise the attachment a few inches off the ground for easier access.
3. Shut off the machine, and remove the key.
4. Loosen the 4 bolts on the blade-holder clamp 2 turns counterclockwise.

### **⚠ WARNING**

Removing the bolts can cause the clamp to not securely hold the blade, which can slip and injure you.

Only loosen the bolts; do not remove them.



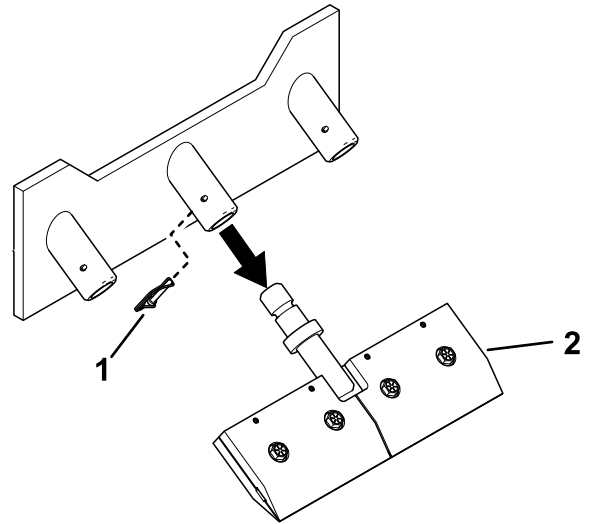
**Figure 5**

g371177

1. Bolt (4)
2. Blade

- 
5. Remove the blade

6. Remove the locking pin and the blade-holder assembly.



**Figure 6**

g371176

1. Locking pin
  2. Blade-holder assembly
-



# Selecting a Blade

Refer to the table below to select the appropriate blade for the application.

	Straight/Flat Blade				Blade with 45° cutting wings		Blade with 90° cutting wings		Ceramic Removal Tool	
	20 cm (8 inch)	30.5 cm (12 inch)	30.5 cm (12 inch) Heavy Duty	61 cm (24 inch)	25 cm (10 inch)	56 cm (22 inch)	25 cm (10 inch)	56 cm (22 inch)	Single tooth	Dual tooth
Vinyl tile	X	X	X	X						
Carpet squares	X	X	X	X						
Carpet					X	X				
Ceramic tile			X						X	X
Quarry tile									X	X
Level coat			X							X
Linoleum					X	X	X	X		
Rubber gym floor							X	X		
Wood floor									X	X
Elastomeric coating			X							
Paint		X								
Epoxy		X	X							
Grease and grime				X						
Asphalt		X	X	X						
Tennis court surface			X							
Track surface			X							
Glue		X								
Mastic		X								
Striping		X								
Tape		X								
Road reflector			X							
Tar paper		X								
Cork floor		X								
Plywood sub-floor									X	X

# Removing Flooring

1. Fully tilt the attachment rearward and lower the loader arms. Use this as the starting angle for scraping the floor.

**Note:** Using a scraper angle greater than 30 degrees can cause premature wear on the blade and reduce visibility of the area being scraped.

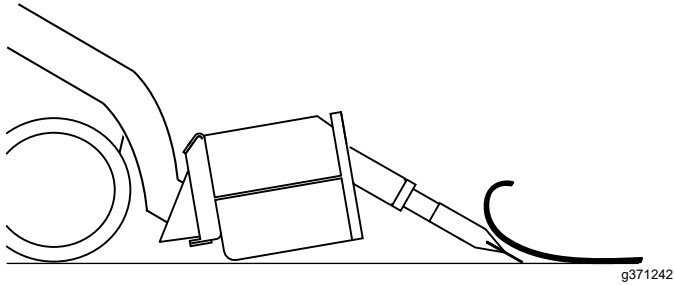


Figure 7

# Transport Position

When transporting the attachment, keep it as close to the ground as possible, no more than 15 cm (6 inches) above the ground. Tilt it rearward.

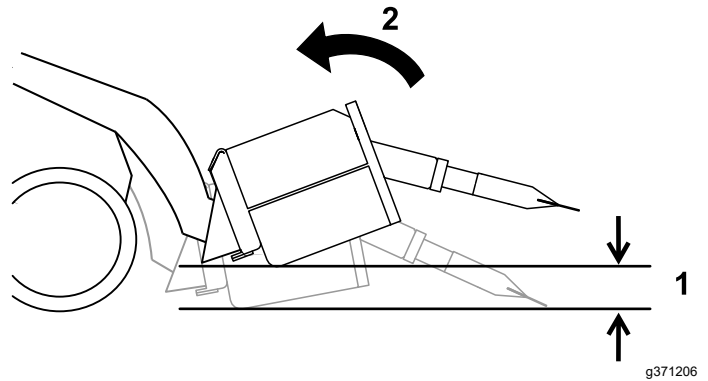


Figure 9

1. No more than 15 cm (6 inches) above the ground
2. Tilt the attachment rearward.

2. Drive the traction unit forward to remove flooring.
3. As the blade edge wears, tilt the scraper attachment in small increments as needed.

**Note:** If the blade edge becomes dull, manually rotate the blade-holder assembly 180 degrees to use a new edge. Use the starting angle described in step 1 after rotating the blade-holder assembly.

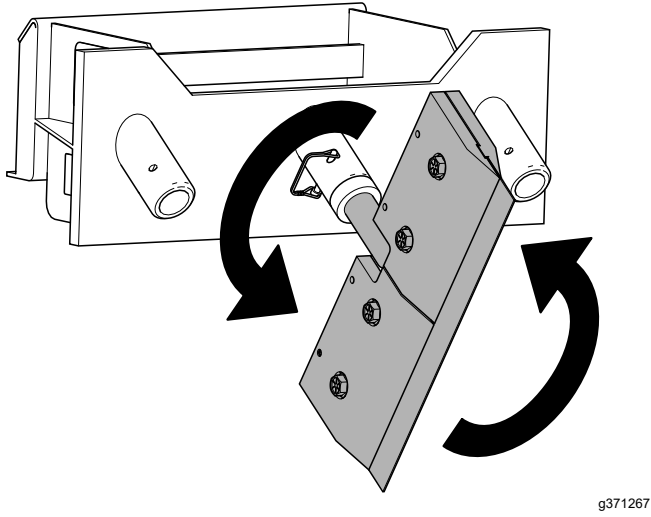


Figure 8

# Storage

1. Before long term storage, wash the attachment with mild detergent and water to remove dirt and grime.
2. Check the condition of the cutting edge. Remove and rotate the blade 180 degrees so the worn edge is on top, if it is badly worn.
3. Check and tighten all bolts, nuts, and screws. Repair or replace any part that is damaged or worn.
4. Paint all scratched or bare metal surfaces.

**Note:** Paint is available from your Authorized Service Dealer.

5. Store the attachment in a clean, dry garage or storage area. Cover it to protect it and keep it clean.

**Notes:**

**Notes:**

## EEA/UK Privacy Notice

### **Toro's Use of Your Personal Information**

The Toro Company ("Toro") respects your privacy. When you purchase our products, we may collect certain personal information about you, either directly from you or through your local Toro company or dealer. Toro uses this information to fulfil contractual obligations - such as to register your warranty, process your warranty claim or to contact you in the event of a product recall - and for legitimate business purposes - such as to gauge customer satisfaction, improve our products or provide you with product information which may be of interest. Toro may share your information with our subsidiaries, affiliates, dealers or other business partners in connection these activities. We may also disclose personal information when required by law or in connection with the sale, purchase or merger of a business. We will never sell your personal information to any other company for marketing purposes.

### **Retention of your Personal Information**

Toro will keep your personal information as long as it is relevant for the above purposes and in accordance with legal requirements. For more information about applicable retention periods please contact [legal@toro.com](mailto:legal@toro.com).

### **Toro's Commitment to Security**

Your personal information may be processed in the US or another country which may have less strict data protection laws than your country of residence. Whenever we transfer your information outside of your country of residence, we will take legally required steps to ensure that appropriate safeguards are in place to protect your information and to make sure it is treated securely.

### **Access and Correction**

You may have the right to correct or review your personal data, or object to or restrict the processing of your data. To do so, please contact us by email at [legal@toro.com](mailto:legal@toro.com). If you have concerns about the way in which Toro has handled your information, we encourage you to raise this directly with us. Please note that European residents have the right to complain to your Data Protection Authority.

# California Proposition 65 Warning Information

## What is this warning?

You may see a product for sale that has a warning label like the following:



**WARNING: Cancer and Reproductive Harm—[www.p65Warnings.ca.gov](http://www.p65Warnings.ca.gov).**

## What is Prop 65?

Prop 65 applies to any company operating in California, selling products in California, or manufacturing products that may be sold in or brought into California. It mandates that the Governor of California maintain and publish a list of chemicals known to cause cancer, birth defects, and/or other reproductive harm. The list, which is updated annually, includes hundreds of chemicals found in many everyday items. The purpose of Prop 65 is to inform the public about exposure to these chemicals.

Prop 65 does not ban the sale of products containing these chemicals but instead requires warnings on any product, product packaging, or literature with the product. Moreover, a Prop 65 warning does not mean that a product is in violation of any product safety standards or requirements. In fact, the California government has clarified that a Prop 65 warning "is not the same as a regulatory decision that a product is 'safe' or 'unsafe.'" Many of these chemicals have been used in everyday products for years without documented harm. For more information, go to <https://oag.ca.gov/prop65/faqs-view-all>.

A Prop 65 warning means that a company has either (1) evaluated the exposure and has concluded that it exceeds the "no significant risk level"; or (2) has chosen to provide a warning based on its understanding about the presence of a listed chemical without attempting to evaluate the exposure.

## Does this law apply everywhere?

Prop 65 warnings are required under California law only. These warnings are seen throughout California in a wide range of settings, including but not limited to restaurants, grocery stores, hotels, schools, and hospitals, and on a wide variety of products. Additionally, some online and mail order retailers provide Prop 65 warnings on their websites or in catalogs.

## How do the California warnings compare to federal limits?

Prop 65 standards are often more stringent than federal and international standards. There are various substances that require a Prop 65 warning at levels that are far lower than federal action limits. For example, the Prop 65 standard for warnings for lead is 0.5 µg/day, which is well below the federal and international standards.

## Why don't all similar products carry the warning?

- Products sold in California require Prop 65 labelling while similar products sold elsewhere do not.
- A company involved in a Prop 65 lawsuit reaching a settlement may be required to use Prop 65 warnings for its products, but other companies making similar products may have no such requirement.
- The enforcement of Prop 65 is inconsistent.
- Companies may elect not to provide warnings because they conclude that they are not required to do so under Prop 65; a lack of warnings for a product does not mean that the product is free of listed chemicals at similar levels.

## Why does Toro include this warning?

Toro has chosen to provide consumers with as much information as possible so that they can make informed decisions about the products they buy and use. Toro provides warnings in certain cases based on its knowledge of the presence of one or more listed chemicals without evaluating the level of exposure, as not all the listed chemicals provide exposure limit requirements. While the exposure from Toro products may be negligible or well within the "no significant risk" range, out of an abundance of caution, Toro has elected to provide the Prop 65 warnings. Moreover, if Toro does not provide these warnings, it could be sued by the State of California or by private parties seeking to enforce Prop 65 and subject to substantial penalties.



**Count on it.**