



Count on it.

Parts Catalog

**Groundsmaster® 4300-D
Traction Unit**

Model No. 30864—Serial No. 410500000 and Up



Ordering Replacement Parts

To order replacement parts, please supply the part number, the quantity, and the description of each part desired.

Understanding Reference Numbers

Each identified part in an illustration has a reference number. The reference number for a part also appears in the parts list, along with other information about the part.

This catalog uses two special reference number formats, one to indicate parts in a service assembly and another to indicate the quantity of a given part in an illustration.

Service Assembly Reference Numbers

Parts in service assemblies have reference numbers in the form a:b. The a represents the reference number of the entire service assembly and the b represents a sequential number unique to each part within the service assembly.

For example, a wheel assembly might be identified by reference number 6, the tire by 6:1, the valve by 6:2, and the wheel by 6:3. When you order the assembly identified by reference number 6, you receive all parts identified by reference numbers 6:1, 6:2, and 6:3. However, you may also order any part individually. Reference numbers of this type appear in illustration and in parts lists.

Reference Numbers Indicating Quantity

In an illustration, if a reference number indicates more than one part, the reference number has the form nX y. The n represents the quantity of the part, the X is the multiplication symbol, and the y represents the reference number.

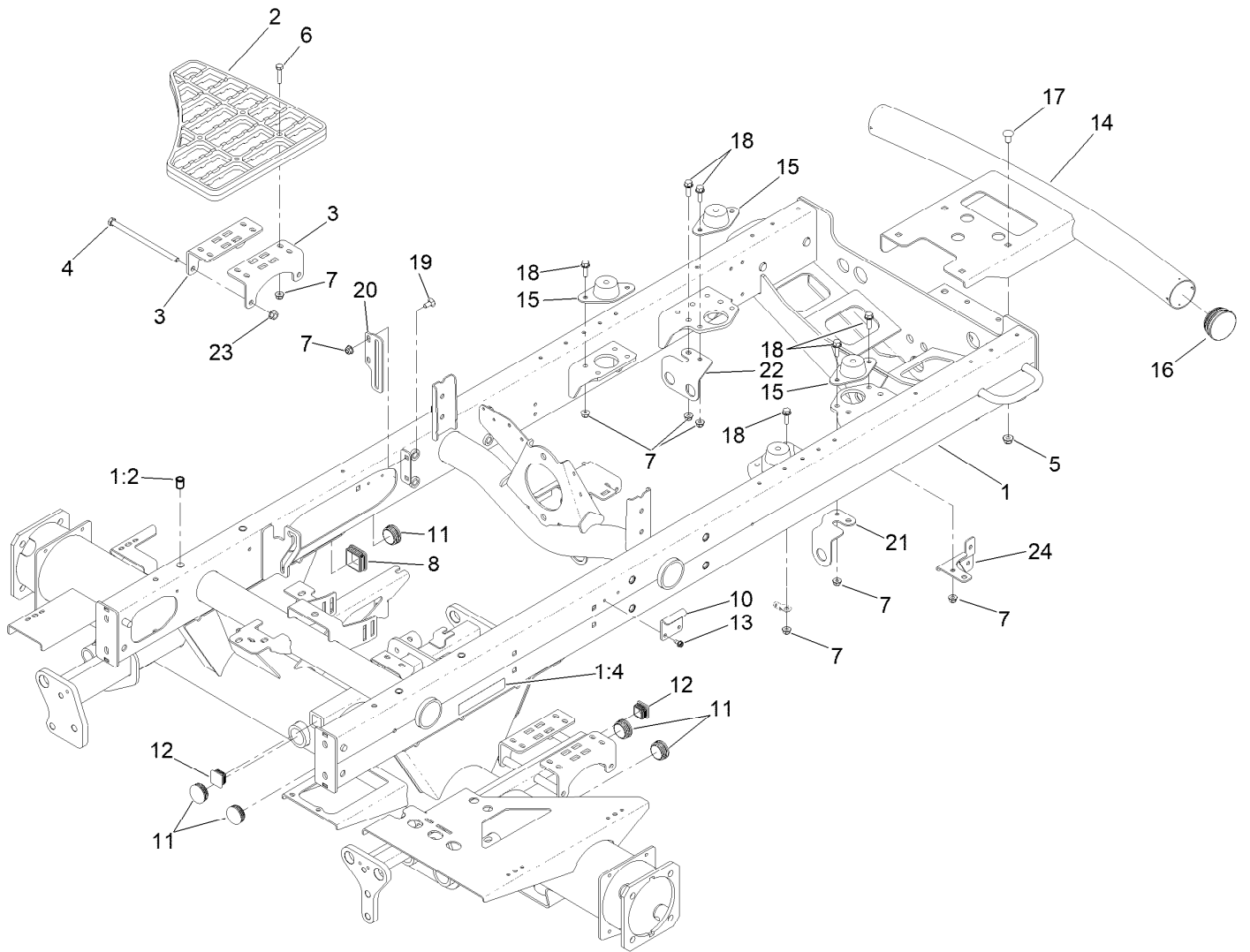
For example, in an illustration, the reference number 2X 37 means that two of the parts identified by reference number 37 are indicated.

Contents

Frame Assembly	5
Operator Platform Assembly	6
Pedal Assembly	7
Steering Assembly	9
Steering Tilt Column Assembly No. 106-3622	10
Steering Valve Assembly No. 106-3621	11
Control Arm Assembly	12
Joystick Bracket Assembly No. 120-5280	14
Front Axle Assembly	15
LH Brake Assembly No. 139-5952	16
RH Brake Assembly No. 139-5951	17
Rear Axle Assembly	18
Tie Rod Assembly No. 110-5334-03	19
No. 1, 4 and 5 Lift Arm and Deck Assembly	20
Roller and Carrier Frame Assembly	22
Roller Assembly No. 137-6143	23
Height-of-Cut Assembly	24
Spindle, Blade and Chamber Assembly	25
Spindle Assembly No. 121-3666	26
No. 2 and 3 Lift Arm and Deck Assembly	28
Seat and Control Arm Wiring Harness Assembly	30
Main Wiring Harness Assembly	31
Electrical Assembly	32
Gear Pump Mounting Assembly	33
Gear Pump Assembly No. 121-5645	34
Seat Base Assembly	35
Hood Assembly	36
Radiator and Shroud Assembly	37
Hydraulic Tank Assembly	38
Fuel System Assembly	39
Seat Mount Assembly	40
Seat Assembly No. 139-2700	41
Mechanical Seat Suspension Assembly No. 110-8851	42
Traction Pump Assembly	43
Hydraulic Pump Assembly No. 119-6972	44
Traction Hydraulic Circuit Assembly	46
Hydraulic Motor Assembly No. 133-2935 (CCW)	47
Hydraulic Motor Assembly No. 133-2934 (CW)	48
Rear Traction Hydraulic Circuit	49
Hydraulic Motor Assembly No. 107-4544	50
Hydraulic Motor Assembly No. 110-0901	51
Four Wheel Drive Manifold Assembly No. 108-1825	52
Deck No. 1, 4 and 5 Hydraulic Circuit Assembly	53
Gear Motor Assembly No. 108-4004	55
Deck Control Manifold Assembly No. 114-0359	56
Deck No. 2 and 3 Hydraulic Circuit Assembly	57
Deck No. 1, 4 and 5 Lift Circuit Hydraulic Assembly	59
Lift Control Manifold Assembly No. 117-0158	60
Hydraulic Cylinder Assembly No. 119-6989	61
Hydraulic Cylinder Assembly No. 119-6991	62
Hydraulic Cylinder Assembly No. 119-6990	63
Deck No. 2 and 3 Lift Circuit Hydraulic Assembly	64
Hydraulic Cylinder Assembly No. 138-6999	65
Steering Hydraulic Assembly	66

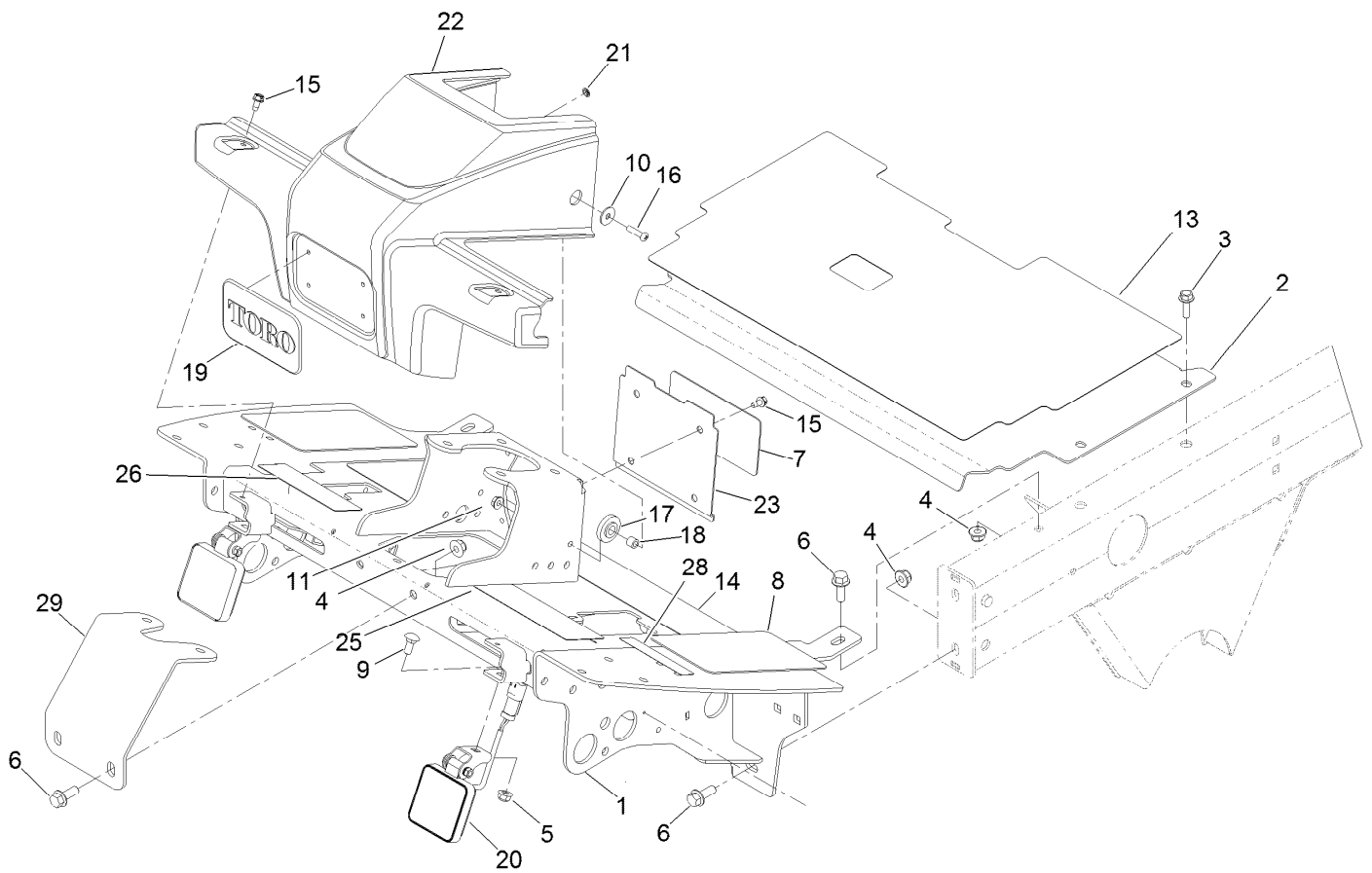
Contents (continued)

Steering Cylinder Assembly No. 138-6994	68
Engine, Driveshaft and Air Cleaner Assembly	69
Air Cleaner Assembly No. 98-4517	71
Driveshaft Kit Assembly No. 133-2996	72
Cylinder Block Assembly	73
Gear Housing Assembly	74
Flywheel Housing and Oil Sump Assembly	75
Cylinder Head and Cover Assembly	76
Suction Manifold Assembly	78
Exhaust Manifold Assembly	79
Diesel Particulate Filter Assembly	80
Camshaft and Driving Gear Assembly	82
Turbine Assembly	84
Crankshaft and Piston Assembly	86
Lubrication and Oil System Assembly	87
Lubrication Oil Line Assembly	88
Cooling Water System Assembly	89
Fuel System Assembly	90
Fuel Injection Valve Assembly	92
Fuel Line Assembly	93
Starting Motor Assembly	94
Generator Assembly	96
Electric Parts Assembly	97
Gasket Set	98
Attachments and Accessories	100



Frame Assembly

<i>Ref.</i>	<i>Part Number</i>	<i>Qty.</i>	<i>Description</i>	<i>Ref.</i>	<i>Part Number</i>	<i>Qty.</i>	<i>Description</i>
1	120-3809	1	Frame ASM	13	32104-17	2	Screw-HWH
1:2	32148-7	4	Nut-Clinch	14	110-8951-03	1	Bumper
1:4	93-6689	2	Decal-No Riders	15	120-6274	4	Mount-Engine
2	110-9041	2	Step-Aluminum	16	2410-42	2	Cap-End
3	127-2697-01	4	Bracket-Step	17	3231-21	4	Screw-CARR
4	323-36	4	Screw-HH	18	3234-29	10	Screw-HHF
5	104-8301	4	Nut-HF, NI	19	3230-1	2	Bolt-CARR
6	322-17	8	Screw-HH	20	108-7584-01	1	Plate-Guide, Rod
7	104-8300	20	Nut-HF, NI	21	117-0155	1	Bracket-4Wd, LH
8	95-9495	1	Cap	22	117-0154	1	Bracket-4Wd, RH
10	110-8972	1	Hook-Latch	23	32128-21	4	Nut-HF Lock
11	110-9012	5	Caplug	24	133-2985	1	Brkt-Tube Clamp
12	110-9013	2	Caplug				



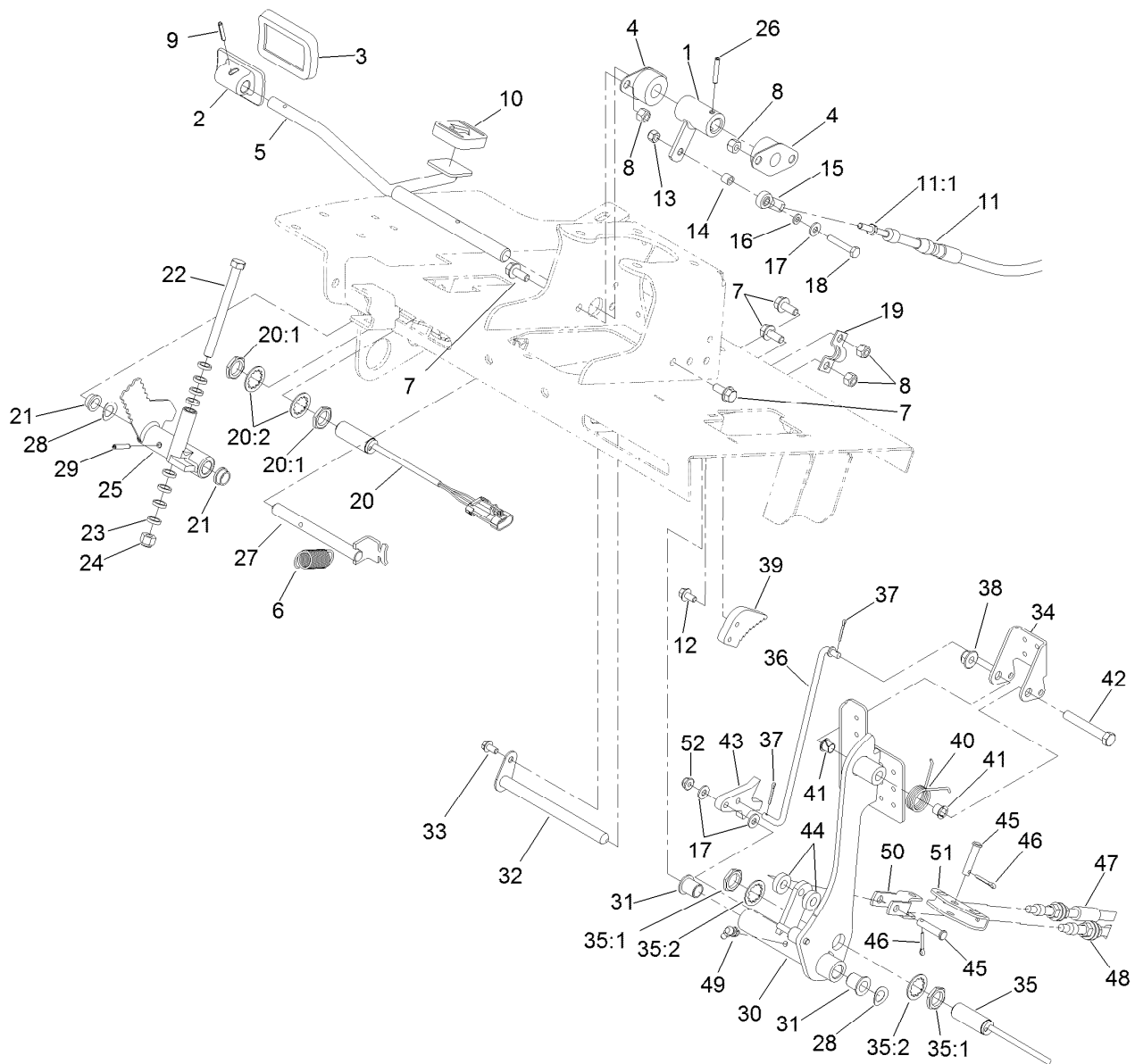
Operator Platform Assembly

<i>Ref.</i>	<i>Part Number</i>	<i>Qty.</i>	<i>Description</i>	<i>Ref.</i>	<i>Part Number</i>	<i>Qty.</i>	<i>Description</i>
1	127-2310-01	1	Platform ASM	15	32104-17	6	Screw-HWH
2	115-8064-01	1	Plate-Floor	16	106-9518	2	Screw-PRH
3	3234-17	4	Screw-HHF	17	240-11	2	Bushing-Flange
4	104-8301	6	Nut-HF, NI	18	66-8010	2	Spacer
5	104-8300	2	Nut-HF, NI	19	93-6028	1	Plate-Logo
6	3234-11	6	Screw-HHF	20	140-6990	2	Light-Work, LED
7	110-0986	1	Decal-Plate, Cover	21	138-6996	4	Nut-Push
8	125-2910	2	Tread-Floor, Side	22	110-0944	1	Shroud-Platform
9	3230-1	2	Bolt-CARR	23	110-0947-03	1	Plate-Cover
10	87-6630	2	Washer-Plain	25	133-2930	1	Decal-Danger
11	32128-33	2	Nut-HF	26	110-8921	1	Decal-Speed, Mow
13	125-2911	1	Tread-Panel, Service	28	133-8062	1	Decal-Arrestor, Spark
14	125-2909	1	Tread-Floorboard	29	110-8876-0P	1	Brace-Column



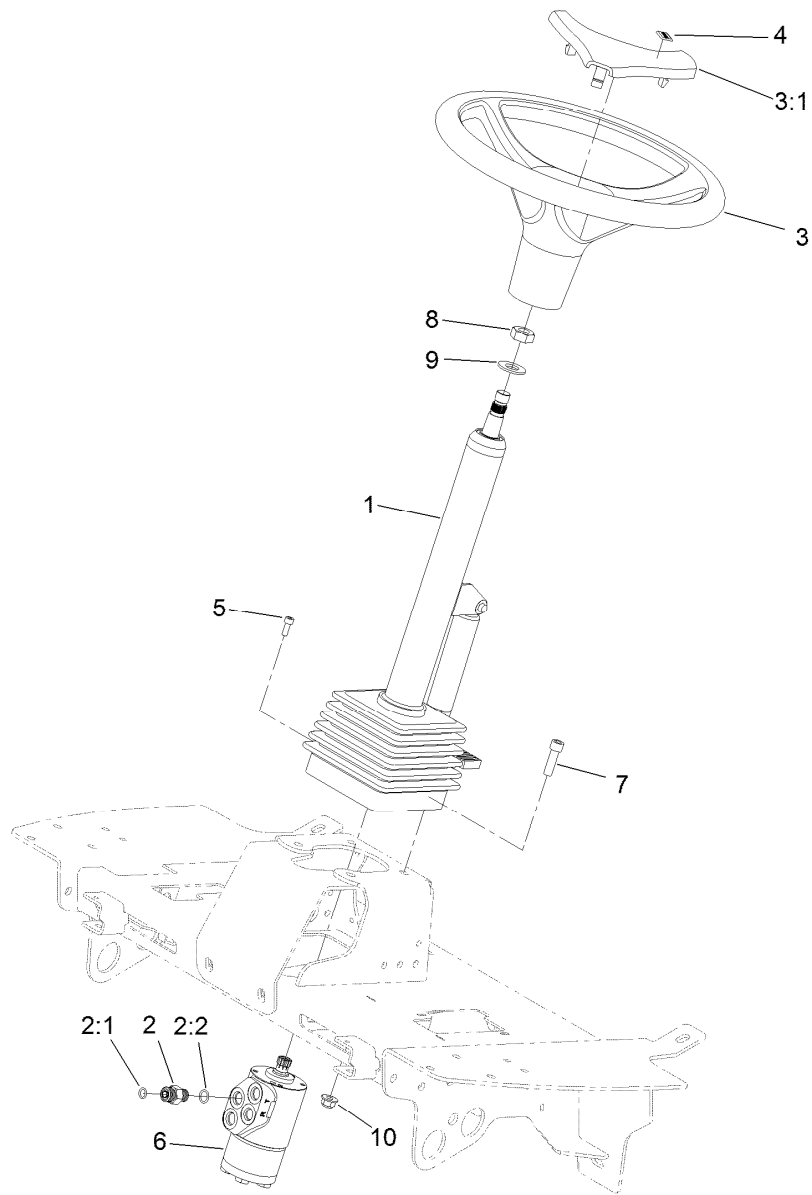
Pedal Assembly

Ref.	Part Number	Qty.	Description	Ref.	Part Number	Qty.	Description
1	117-5199	1	Hub-Pedal, Traction	20:1	117-3207	2	Nut-Hex
2	117-9507	1	Pedal-Accelerator	20:2	117-3208	2	Washer-Lock, Internal Tooth
3	74-9100	1	Pad-Pedal, Forward	21	256-156	2	Bushing-Flange
4	256-236	2	Bearing-Mount, Flange	22	323-17	1	Screw-HH
5	106-3840	1	Pedal-Traction	23	62-4420	8	Washer
6	92-7305	1	Spring-Extension	24	3296-39	1	Nut-Lock, NI
7	3234-5	6	Screw-HHF	25	117-8066	1	Mow-Stop
8	3296-29	6	Nut-Lock, NI	26	32121-6	1	Pin-Roll, Slotted
9	32121-45	1	Pin-Spring	27	106-3731	1	Rod-Pivot
10	74-9110	1	Pad-Pedal, Reverse	28	110-8982	2	Washer-Spring
11	127-2721	1	Cable-Traction	29	32121-16	1	Pin-Spring
11:1	3220-1	2	Nut-Jam	30	115-0120-03	1	Pedal-Brake
12	3234-13	2	Screw-HHF	31	125-8775	2	Bushing-Flange
13	3296-42	1	Nut-Lock, NI	32	104-7179	1	Pivot-Pedal
14	66-8010	1	Spacer	33	32144-4	1	Screw-HWH
15	2411-41	1	Rod End-Ball Joint	34	99-7963-03	1	Pedal-Park
16	33093-00	1	Washer-Flat	35	115-5300	1	Proximity Switch ASM
17	3256-22	3	Washer-Flat	35:1	117-3207	2	Nut-Hex
18	321-9	1	Screw-HH	35:2	117-3208	2	Washer-Lock, Internal Tooth
19	93-2092	1	Clamp-Cable	36	115-0129	1	Rod-Pawl, Brake
20	115-0282	1	Proximity Sensor ASM	37	3272-6	2	Pin-Cotter



Pedal Assembly (continued)

<i>Ref.</i>	<i>Part Number</i>	<i>Qty.</i>	<i>Description</i>	<i>Ref.</i>	<i>Part Number</i>	<i>Qty.</i>	<i>Description</i>
38	104-8301	1	Nut-HF, NI	46	3272-10	2	Pin-Cotter
39	99-7214	1	Pawl-Brake	47	117-0106	1	Cable-Brake, RH
40	99-7140	1	Spring-Torsion	48	117-0107	1	Cable-Brake, LH
41	52-2891	2	Bushing-Flanged, Nylon	49	302-60	1	Fitting-Grease
42	323-12	1	Screw-HH	50	115-8060	1	Clevis-Double
43	117-0238	1	Detent	51	115-8059	1	Yoke-Cable
44	5-0652	2	Spacer	52	104-7201	1	Nut-HF, NI
45	283-14	2	Pin-Clevis				



Steering Assembly

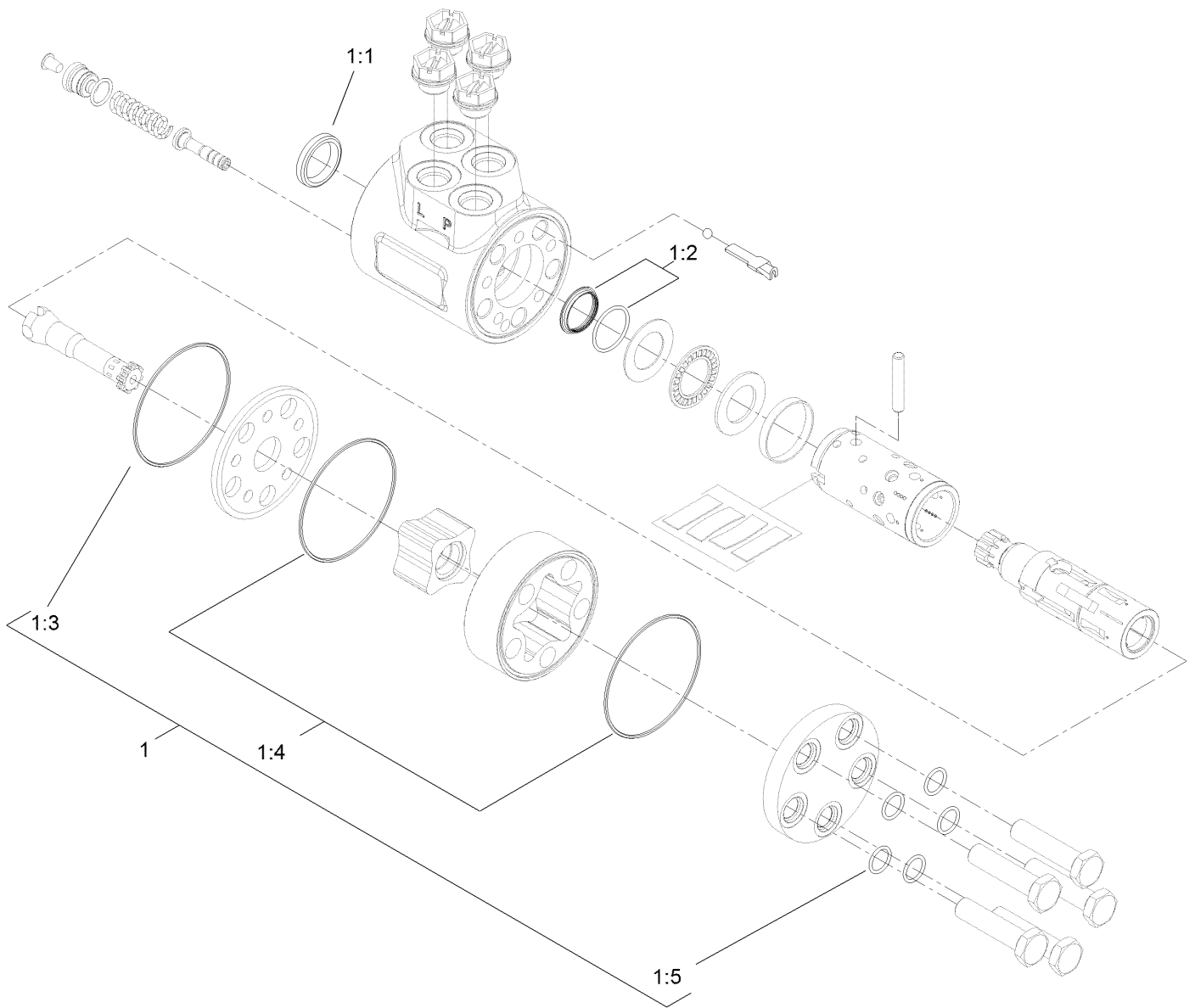
Ref.	Part Number	Qty.	Description
1	106-3622	1	Steering Tilt Column ASM
2	340-2	4	Fitting-Straight
2:1	237-22	1	O-Ring
2:2	237-42	1	O-Ring
3	98-1471	1	Wheel-Steering
3:1	98-1468	1	Cover-Wheel, Steering
4	98-1459	1	Decal
5	105-2409	4	Screw-HSH
6	106-3621	1	Steering Valve ASM
7	3274-1	4	Screw-HSH
8	3296-33	1	Nut-Lock, NI
9	3256-27	1	Washer-Flat
10	104-8301	4	Nut-HF, NI



Steering Tilt Column Assembly No. 106-3622

Ref.	Part Number	Qty.	Description
1	110-6462	1	Bellows-Rubber
2	110-6463	1	Cylinder Service Kit
2:1		1	Cylinder-Gas ●
2:2		1	Block-Pedal ●
2:3		2	Bolt ●
2:4		1	Pin ●
2:5		2	Washer-Lock ●
3	110-6464	1	Pedal Service Kit
3:1		1	Pedal ●
3:2		1	Pin ●
3:3		1	Spring ●
4	110-6465	1	Cover-Pedal
5	120-6256	1	Universal Joint Kit

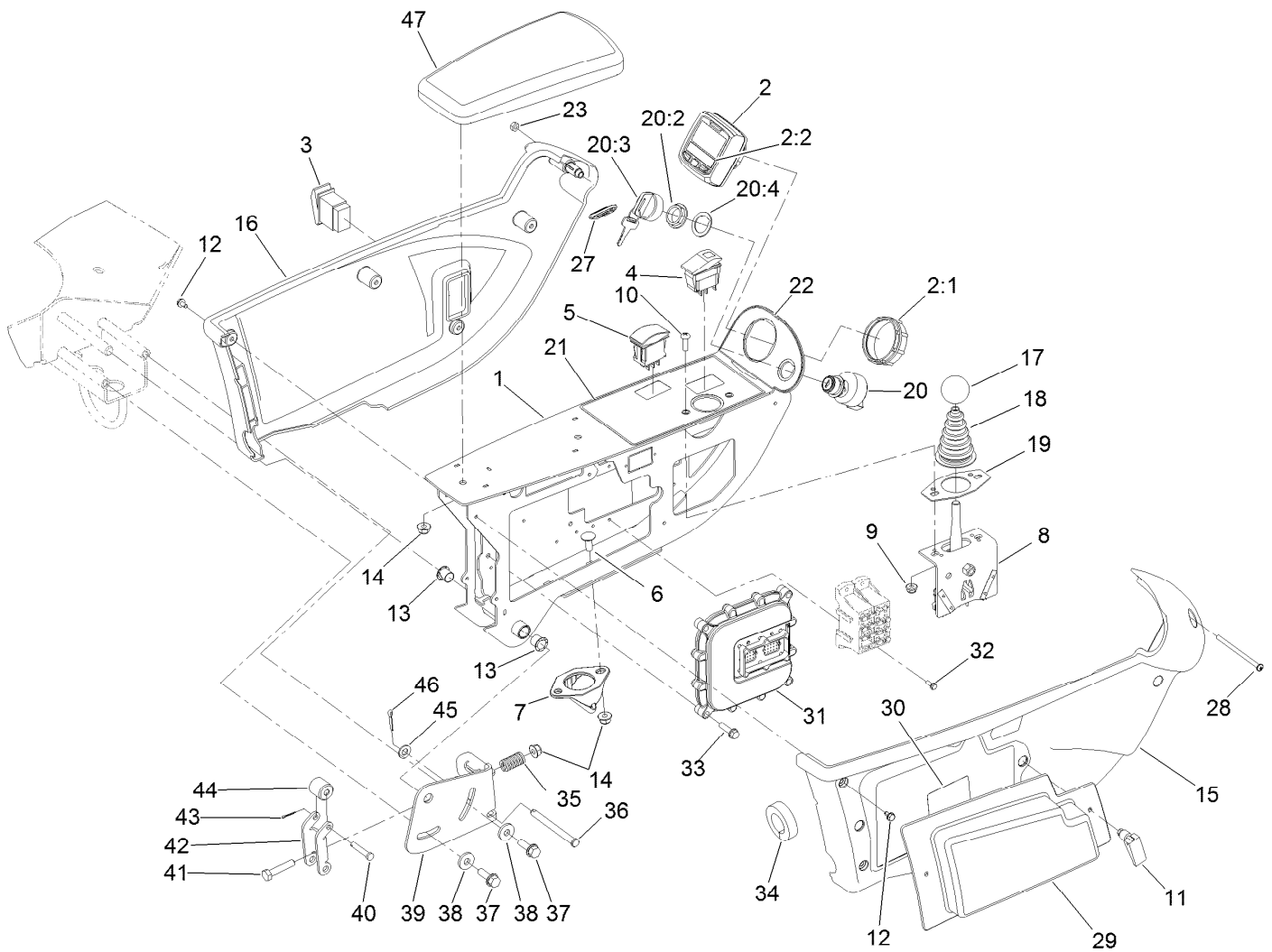
● Not serviced separately



Steering Valve Assembly No. 106-3621

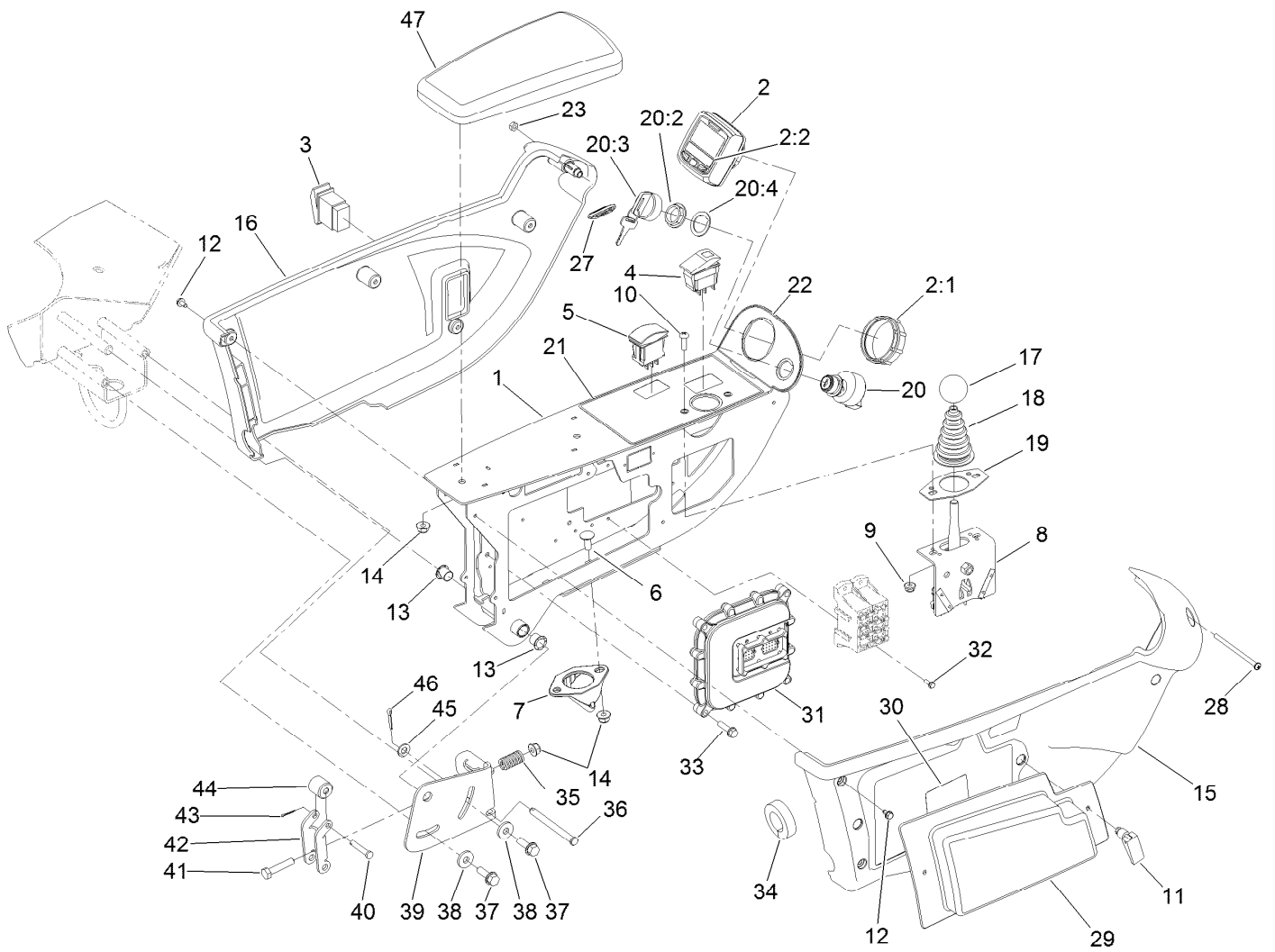
<i>Ref.</i>	<i>Part Number</i>	<i>Qty.</i>	<i>Description</i>
1	106-6716	1	Seal Kit
1:1		1	Ring-Seal, Dust ●
1:2		1	Seal-Shaft ●
1:3		1	O-Ring ●
1:4		2	O-Ring ●
1:5		5	O-Ring ●

● Not serviced separately



Control Arm Assembly

Ref.	Part Number	Qty.	Description	Ref.	Part Number	Qty.	Description
1	120-3801-03	1	Frame-Arm, Control	19	112-9181	1	Plate-Boot
2	120-6310	1	LCD Display ASM	20	106-5269	1	Ignition Switch ASM
2:1	120-4630	1	Nut-Display	20:2	108-8660	1	Nut-Mounting
2:2	120-6311	1	Decal-Display	20:3	106-5270	1	Ignition Key Set
3	95-8999	1	Switch	20:4	108-8659	1	Washer-Backup
4	105-4232	1	Switch	21	125-8754	1	Decal-Panel, Control
5	100-1535	1	Switch-Rocker, (On)-Off-(On)	22	120-4158	1	Decal-Console, Upper
6	3230-23	2	Bolt-CARR	23	3296-2	1	Nut-Lock, NI
7	125-1938	1	Latch	27	99-8970	1	Key-Latch, Hood
8	120-5280	1	Bracket-Joystick	28	3250-22	1	Screw-PPH
9	104-7201	2	Nut-HF, NI	29	114-0446	1	Panel-Access
10	3258-166	2	Screw-PRH	30	145-5261	1	Decal-Fuse
11	74-5950	2	Latch-Swell	31	114-3321	1	Controller-Tec
12	104-2065	10	Screw-HWH	32	32144-87	4	Screw-HWHTF
13	256-257	2	Bushing-Nyliner	33	32144-86	4	Screw-HWHTF
14	104-8300	5	Nut-HF, NI	34	110-8912	1	Seal-Foam
15	108-7605	1	Cover-RH	35	110-5331	1	Spring-Compression
16	108-7604	1	Cover-LH	36	283-88	1	Pin-Clevis
17	233-42	1	Knob	37	3234-29	2	Screw-HHF
18	93-5961	1	Boot-Lever	38	4-2390	2	Washer-Flat
				39	110-5313-03	1	Bracket-Retainer



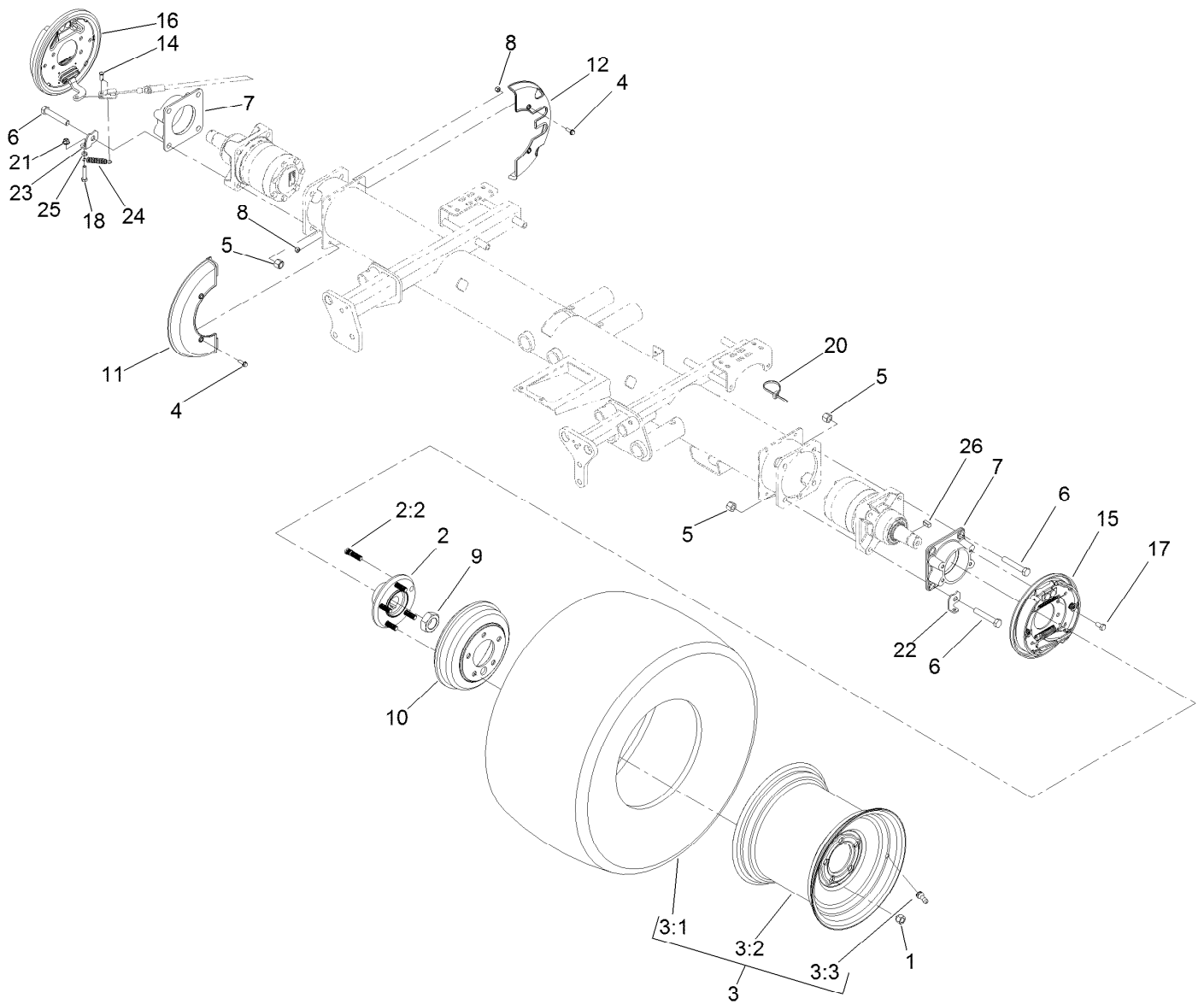
Control Arm Assembly (continued)

<i>Ref.</i>	<i>Part Number</i>	<i>Qty.</i>	<i>Description</i>	<i>Ref.</i>	<i>Part Number</i>	<i>Qty.</i>	<i>Description</i>
40	283-73	1	Pin-Clevis	44	110-8856	1	Spacer
41	322-7	1	Screw-HH	45	3256-23	1	Washer-Plain
42	110-5314	1	Latch	46	3272-10	1	Pin-Cotter
43	3272-1	1	Pin-Cotter	47	108-7602	1	Rest-Arm



Joystick Bracket Assembly No. 120-5280

<i>Ref.</i>	<i>Part Number</i>	<i>Qty.</i>	<i>Description</i>
1	115-5357-03	1	Bracket-Joystick
2	106-4192	1	Spacer
3	93-5547	2	Bushing-Nylon
4	119-3540	1	Hub-Pivot, Joystick
5	105-8289	1	Spring-Torsion
6	106-4193	2	Washer-Finger, Spring
7	322-9	1	Screw-HH
8	3296-29	1	Nut-Lock, NI
9	3290-354	2	Nut-Speed
10	108-6496	2	Switch (W/Boot)
11	95-3003	4	Screw-PPHTF
12	3256-3	1	Washer-Flat



Front Axle Assembly

Ref.	Part Number	Qty.	Description	Ref.	Part Number	Qty.	Description
1	242-50	10	Nut-Lug	11	127-2741	2	Shield-Wheel, Front
2	121-5631	2	Hub ASM	12	127-2742	2	Shield-Wheel, Rear
2:2	114-3918	5	Stud-Wheel	14	283-62	2	Pin-Clevis
3	139-6005	2	Tire ASM	15	139-5952	1	LH Brake ASM
3:1	133-2724	1	Tire	16	139-5951	1	RH Brake ASM
3:2	139-6006	1	Wheel	17	323-4	8	Screw-HH
3:3	232-27	1	Stem-Valve	18	322-7	2	Screw-HH
4	115-5103	8	Screw-HHF	20	3290-378	2	Tie-Cable
5	3296-23	8	Nut-Lock, NI	21	104-8300	2	Nut-HF, NI
6	325-12	8	Screw-HH	22	120-6267	1	Clip-Spring, LH
7	120-6253-03	2	Adapter-Brake	23	120-6266	1	Clip-Spring, RH
8	3296-42	8	Nut-Lock, NI	24	87-4020	2	Spring-Extension
9	117-3290	2	Nut-Hex	25	3218-2	2	Nut-Hex Jam
10	114-8864	2	Drum-Brake	26	117-5198	2	Key-Square



LH Brake Assembly No. 139-5952

Ref.	Part Number	Qty.	Description
1	139-5950	1	Brake Shoe Kit
2	108-6983	1	Brake Hardware Kit
3	110-8910	1	LH Actuator Kit
3:1		1	Housing ●
3:2		1	Lever-LH ●
3:3		1	Pin-Pivot ●
3:4		1	E-Ring ●
4	110-8885	1	Dust Boot Kit
4:1		1	Boot ●
4:2		1	Plate-Back Up ●
4:3		2	Rivet ●

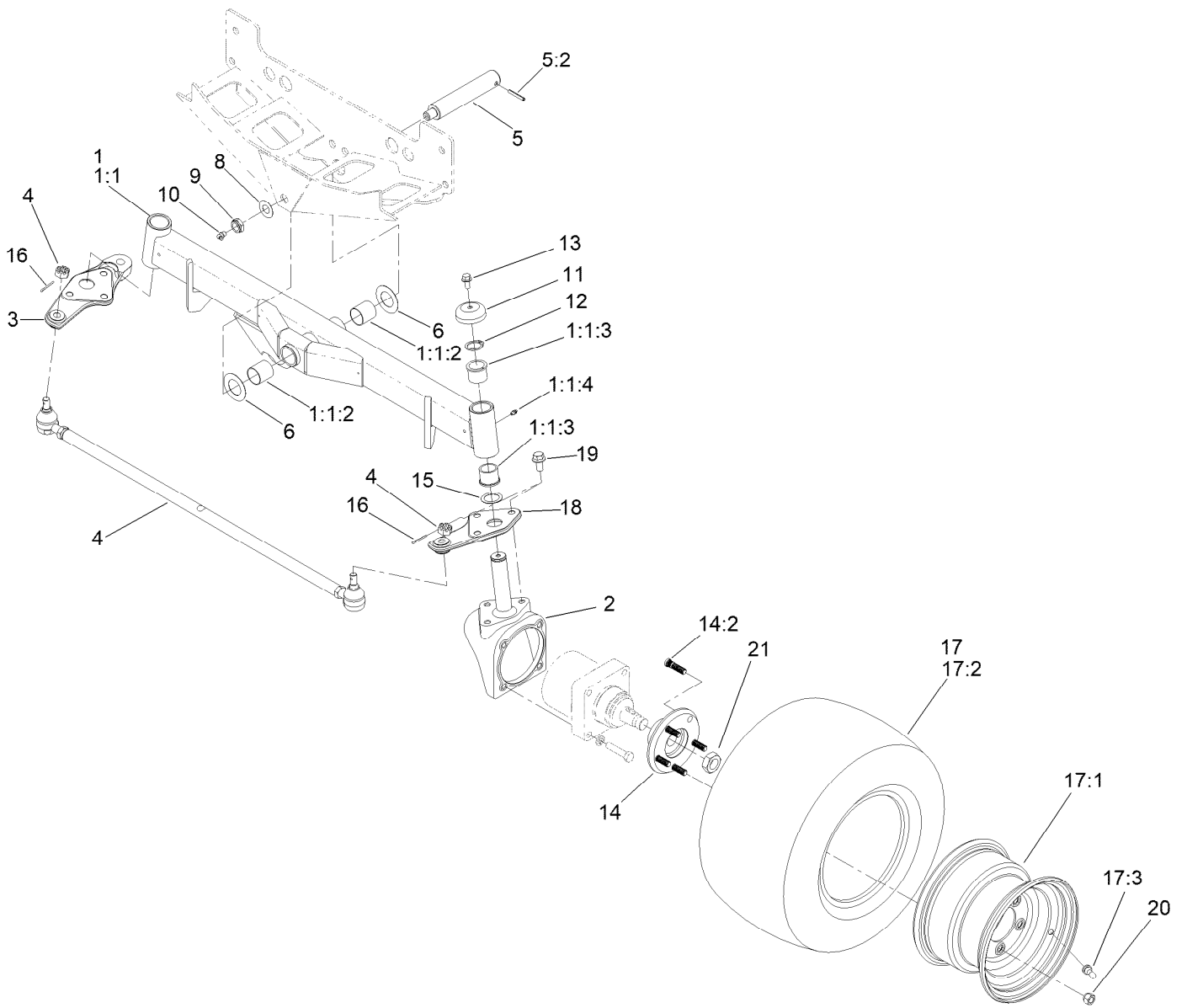
● Not serviced separately



RH Brake Assembly No. 139-5951

Ref.	Part Number	Qty.	Description
1	139-5950	1	Brake Shoe Kit
2	108-6983	1	Brake Hardware Kit
3	110-8884	1	RH Actuator Kit
3:1		1	Housing ●
3:2		1	Lever-RH ●
3:3		1	Pin-Pivot ●
3:4		1	E-Ring ●
4	110-8885	1	Dust Boot Kit
4:1		1	Boot ●
4:2		1	Plate-Back Up ●
4:3		2	Rivet ●

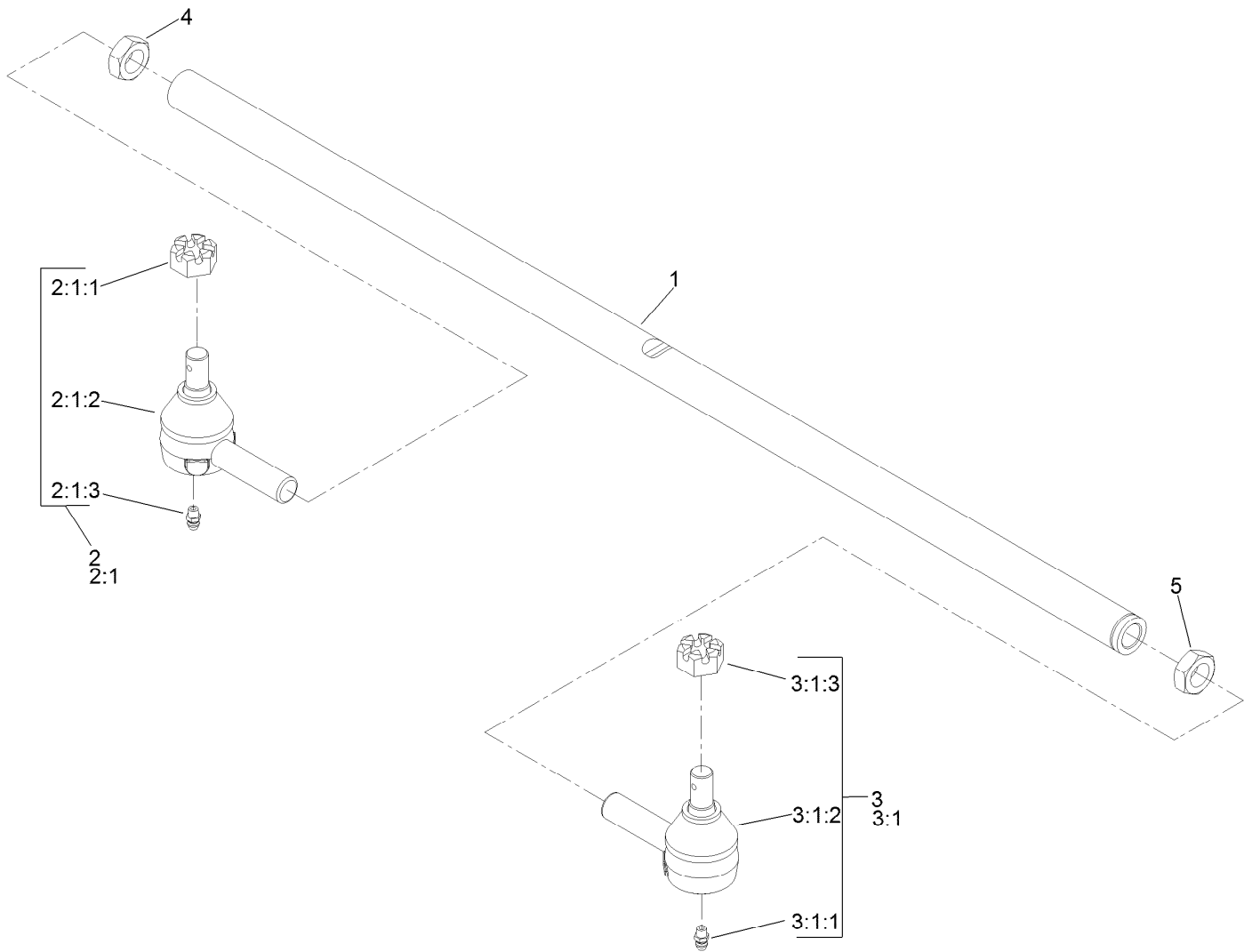
● Not serviced separately



Rear Axle Assembly

Ref.	Part Number	Qty.	Description	Ref.	Part Number	Qty.	Description
1	117-0256-03	1	Axle ASM	12	32151-77	2	Ring-Retaining, External
1:1		1	Axle ●	13	3234-1	2	Screw-HHF
1:1:2	99-6964	2	Bushing-Axle	14	121-5633	2	Hub ASM
1:1:3	104-0015	4	Bushing-Flange	14:2	114-3918	5	Stud-Wheel
1:1:4	302-5	2	Fitting-Grease	15	76-2980	2	Washer-Thrust
2	107-4517-03	2	Housing-Motor	16	3272-12	2	Pin-Cotter
3	140-3142	1	Link-Drag, RH	17	117-0281	2	Rim And Tire ASM
4	110-5334-03	1	Tie Rod ASM	17:1	117-0280	1	Rim
5	140-6101	1	Pin ASM-Axle Pivot	17:2	117-5125	1	Tire
5:2	32121-32	1	Pin-Roll	17:3	232-27	1	Stem-Valve
6	99-8432	2	Washer-Thrust	18	140-3144	1	Link-Drag, LH
8	71-4540	1	Washer-Thrust	19	3234-6	6	Screw-HHF
9	3296-15	1	Nut-Lock, NI	20	242-50	10	Nut-Lug
10	302-33	1	Fitting-Grease	21	26-3790	2	Nut-Lock
11	69-8890	2	Cap-Spindle				

● Not serviced separately



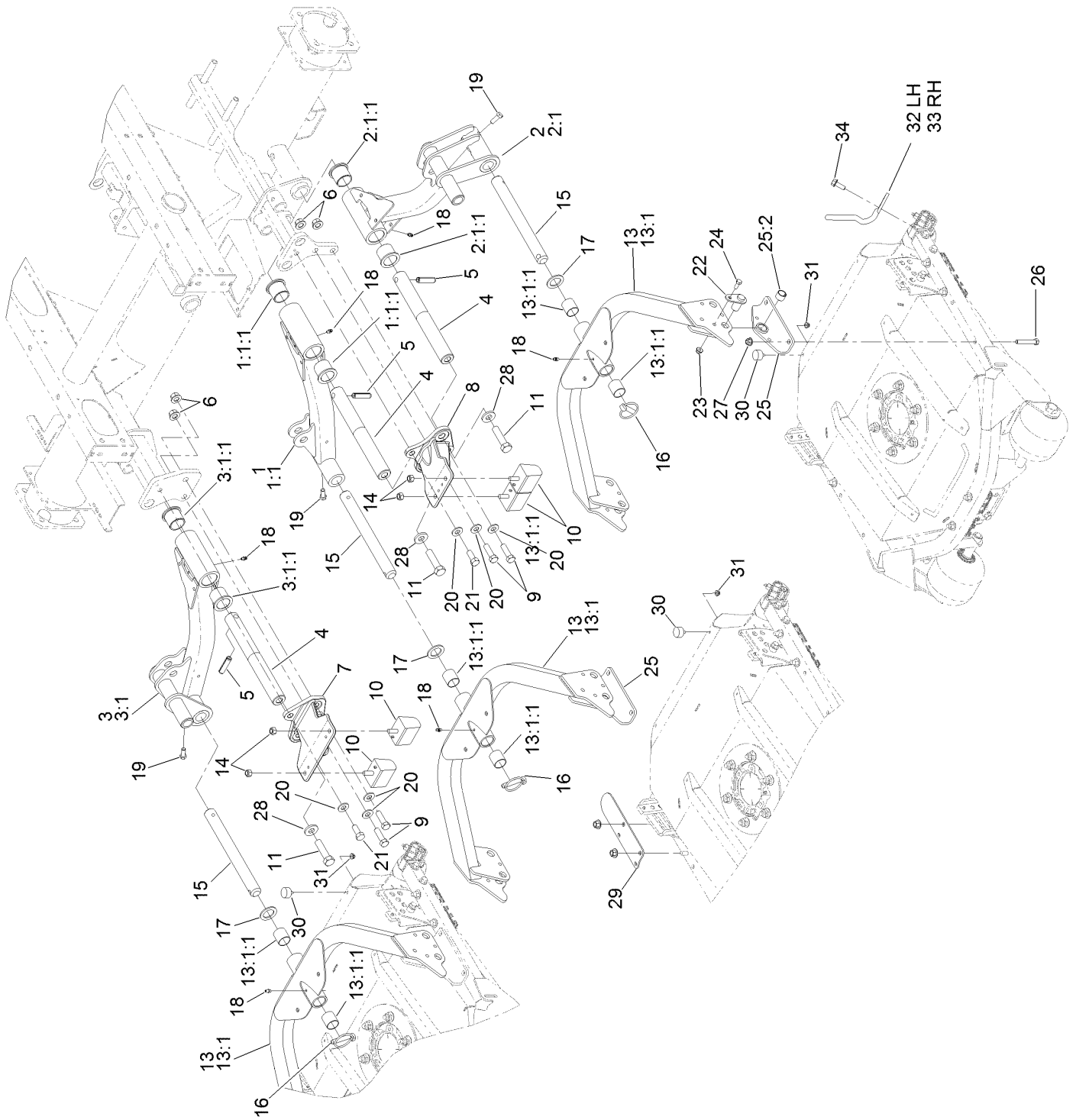
Tie Rod Assembly No. 110-5334-03

Ref.	Part Number	Qty.	Description
1	110-5335	1	Rod-Tie
2	71-4740-03	1	RH Tie Rod End ASM
2:1		1	End-Rod, Tie (RH) ●■
2:1:1	105-7941	1	Nut-Hex, Slotted
2:1:2	105-7835	1	Seal
2:1:3	302-5	1	Fitting-Grease
3	2411-46-03	1	LH Tie Rod ASM
3:1	2411-46	1	End-Rod, Tie (LH) ●
3:1:1	302-5	1	Fitting-Grease
3:1:2	105-7835	1	Seal
3:1:3	105-7941	1	Nut-Hex, Slotted
4	84-5300	1	Nut-Jam
5	110-5337	1	Nut-Jam

● Not illustrated

■ Not serviced separately

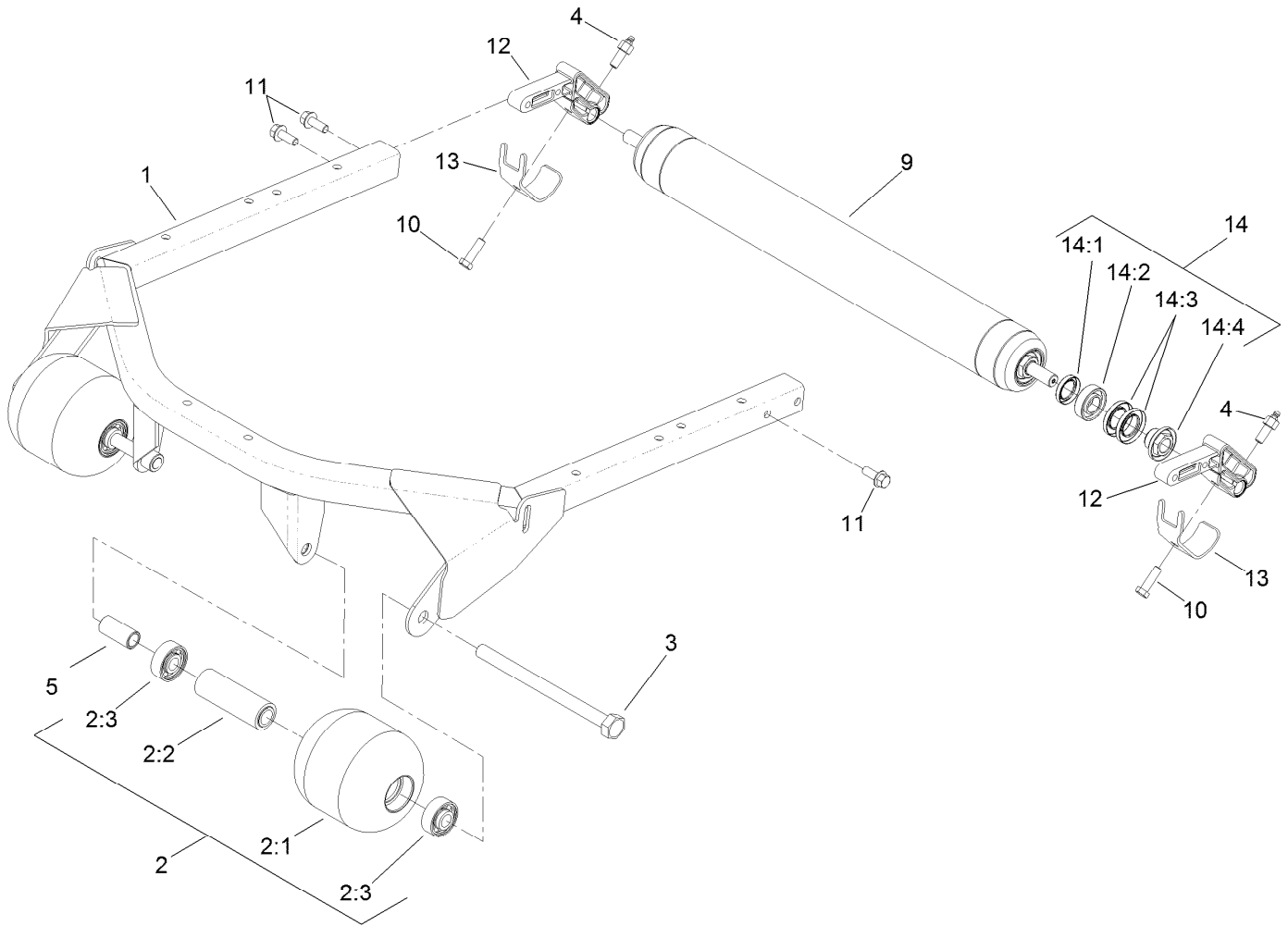
No. 1, 4 and 5 Lift Arm and Deck Assembly



No. 1, 4 and 5 Lift Arm and Deck Assembly (continued)

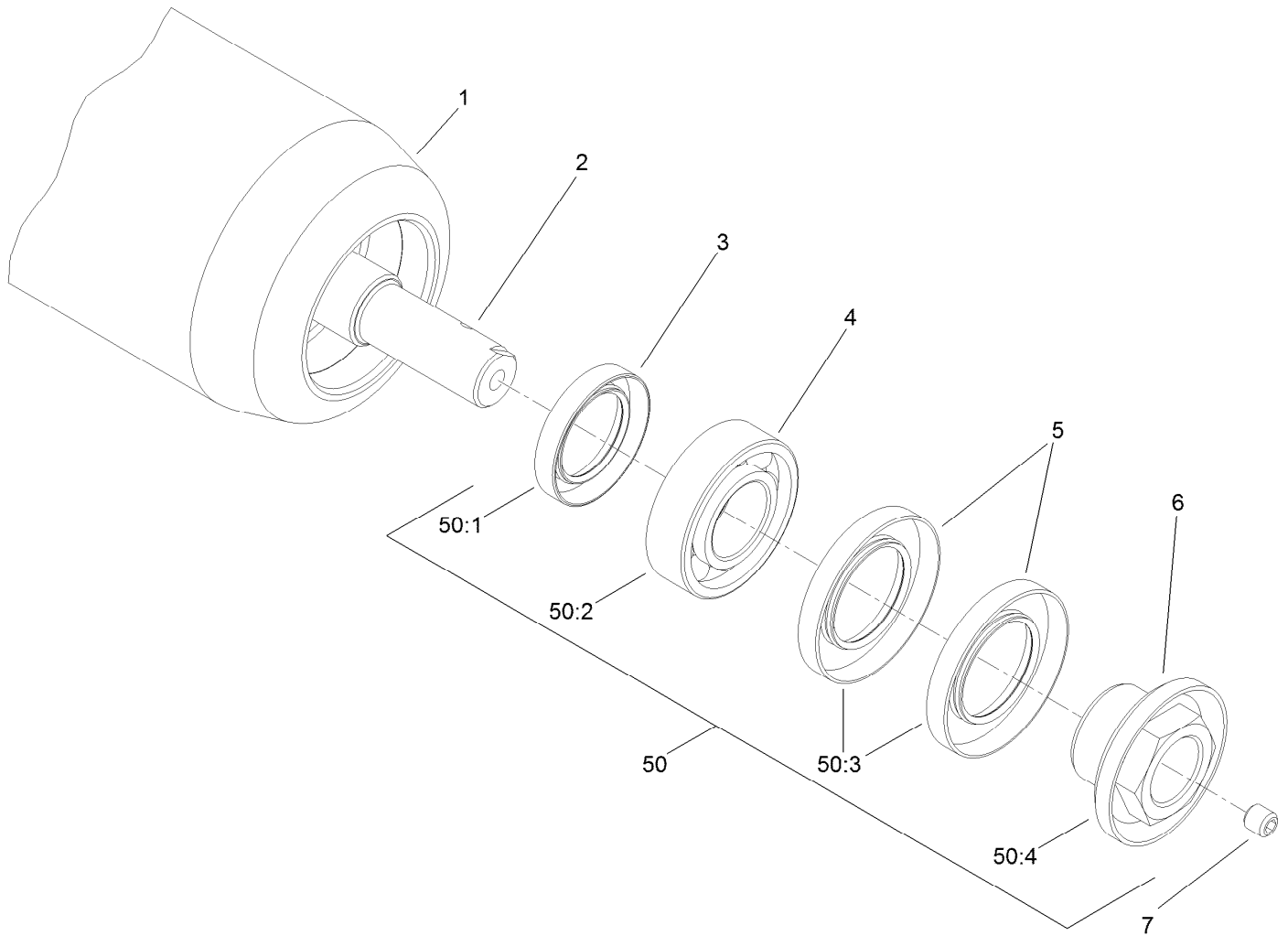
<i>Ref.</i>	<i>Part Number</i>	<i>Qty.</i>	<i>Description</i>	<i>Ref.</i>	<i>Part Number</i>	<i>Qty.</i>	<i>Description</i>
1	114-0381-03	1	Arm No. 1 ASM	15	105-7560	3	Shaft-Cu Pivot
1:1		1	Arm ●	16	283-71	3	Pin-Lynch
1:1:1	69-6470	2	Bushing-Caster	17	3-6781	3	Washer-Thrust
2	114-0384-03	1	Arm No. 4 ASM	18	302-5	6	Fitting-Grease
2:1		1	Arm ●	19	323-6	3	Screw-HH
2:1:1	69-6470	2	Bushing-Caster	20	87-7270	6	Washer-Thrust
3	114-0385-03	1	Arm No. 5 ASM	21	325-5	2	Screw-HH
3:1		1	Arm ●	22	136-3568	6	Pin-Flag (Mach)
3:1:1	69-6470	2	Bushing-Caster	23	104-8300	6	Nut-HF, NI
4	117-0208	3	Shaft-Pivot, Liftarm	24	322-4	6	Screw-HH
5	32121-122	3	Pin-Roll	25	117-0118	6	Pivot ASM
6	99-5107	4	Nut-Lock	25:2	108-8482	1	Bushing-Sleeve
7	117-0250-03	1	Tippe-RH	26	323-11	12	Screw-HH
8	117-0252-03	1	Tipper-LH	27	104-8301	12	Nut-HF, NI
9	325-7	4	Screw-HH	28	99-7667	3	Washer-Flat
10	87-3470	4	Bumper	29	105-9831-03	1	Bracket-Bumper, No. 1
11	327-7	3	Screw-HH	30	240-14	3	Bumper-Rubber
13	108-7384-03	3	Carrier Frame ASM	31	104-7201	3	Nut-HF, NI
13:1		1	Frame-Carrier ●	32	127-2613-03	1	Guard-Foot, LH
13:1:1	108-4000	2	Bushing	33	127-2614-03	1	Guard-Foot, RH
14	33025-00	4	Nut-Lock, NI	34	3234-11	2	Screw-HHF

● Not serviced separately



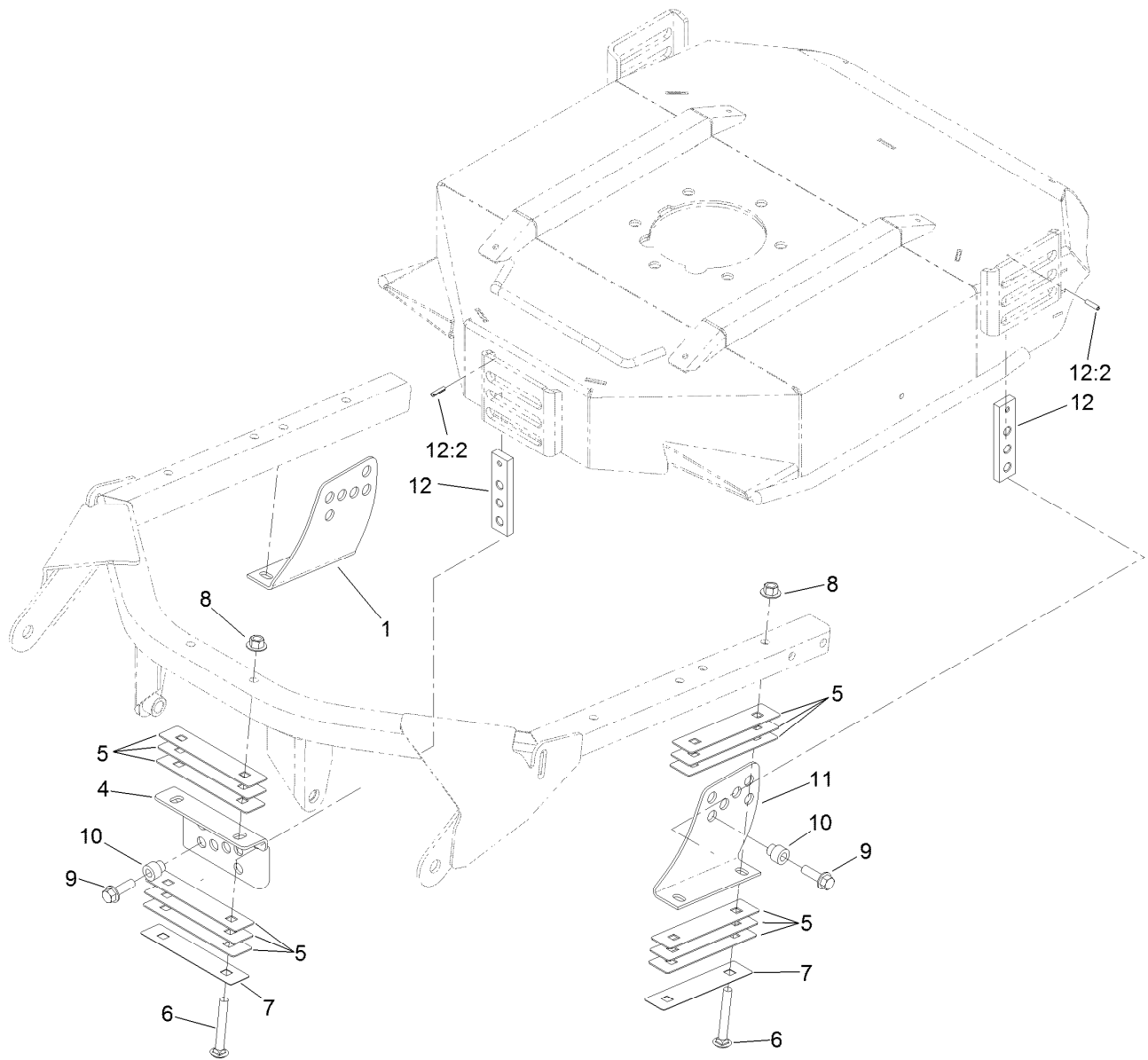
Roller and Carrier Frame Assembly

Ref.	Part Number	Qty.	Description	Ref.	Part Number	Qty.	Description
1	114-0440-03	1	Support-Deck	10	323-7	2	Screw-HH
2	136-2908	2	Roller ASM	11	3234-11	4	Screw-HHF
2:1	104-1093	1	Roller	12	112-5268	2	Mount-Roller
2:2	100-5762	1	Spacer-Bearing	13	107-7816	2	Bracket-Skid
2:3	120-3366	2	Bearing	14	114-5430	1	Roller Rebuild Kit
3	117-0172	2	Screw-HH	14:1	114-3717	2	Seal-Oil
4	127-6422	2	Screw-Grease, Roller	14:2	112-5290	2	Bearing-Steel, Stainless
5	136-7985	2	Tube-Spacer	14:3	112-7494	4	Seal
9	137-6143	1	Rear Roller ASM	14:4	114-5411	2	Nut-Lock, Bearing



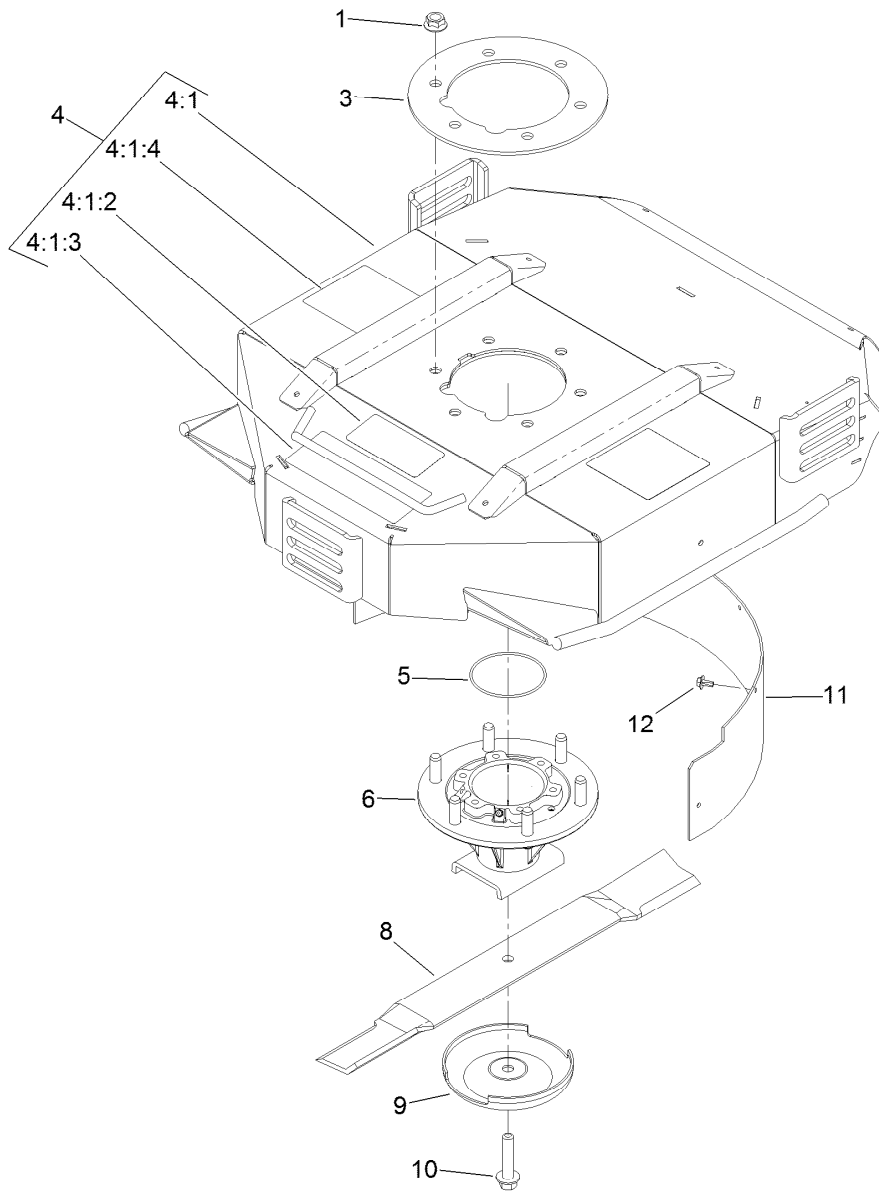
Roller Assembly No. 137-6143

<i>Ref.</i>	<i>Part Number</i>	<i>Qty.</i>	<i>Description</i>
1	137-6142	1	Tube-Roller
2	108-7388	1	Shaft-Roller
3	114-3717	2	Seal-Oil
4	112-5290	2	Bearing-Steel, Stainless
5	112-7494	4	Seal
6	114-5411	2	Nut-Lock, Bearing
7	108-0989	2	Screw-Set
50	114-5430	1	Roller Rebuild Kit
50:1	114-3717	2	Seal-Oil
50:2	112-5290	2	Bearing-Steel, Stainless
50:3	112-7494	4	Seal
50:4	114-5411	2	Nut-Lock, Bearing



Height-of-Cut Assembly

Ref.	Part Number	Qty.	Description
1	108-7391-03	1	Bracket-HOC, RH
4	104-1052-03	1	Bracket-HOC, Front
5	100-5799	18	Shim-HOC, .060 Inch
6	3231-9	6	Screw-CARR
7	104-4641	3	Shim-HOC, .030 Inch
8	32128-43	6	Nut-Flange
9	3234-24	3	Screw-HHF
10	121-3575	3	Spacer-HOC
11	108-7392-03	1	Bracket-HOC,LH
12	136-2921	3	HOC Plate ASM
12:2	32121-5	1	Pin-Spring



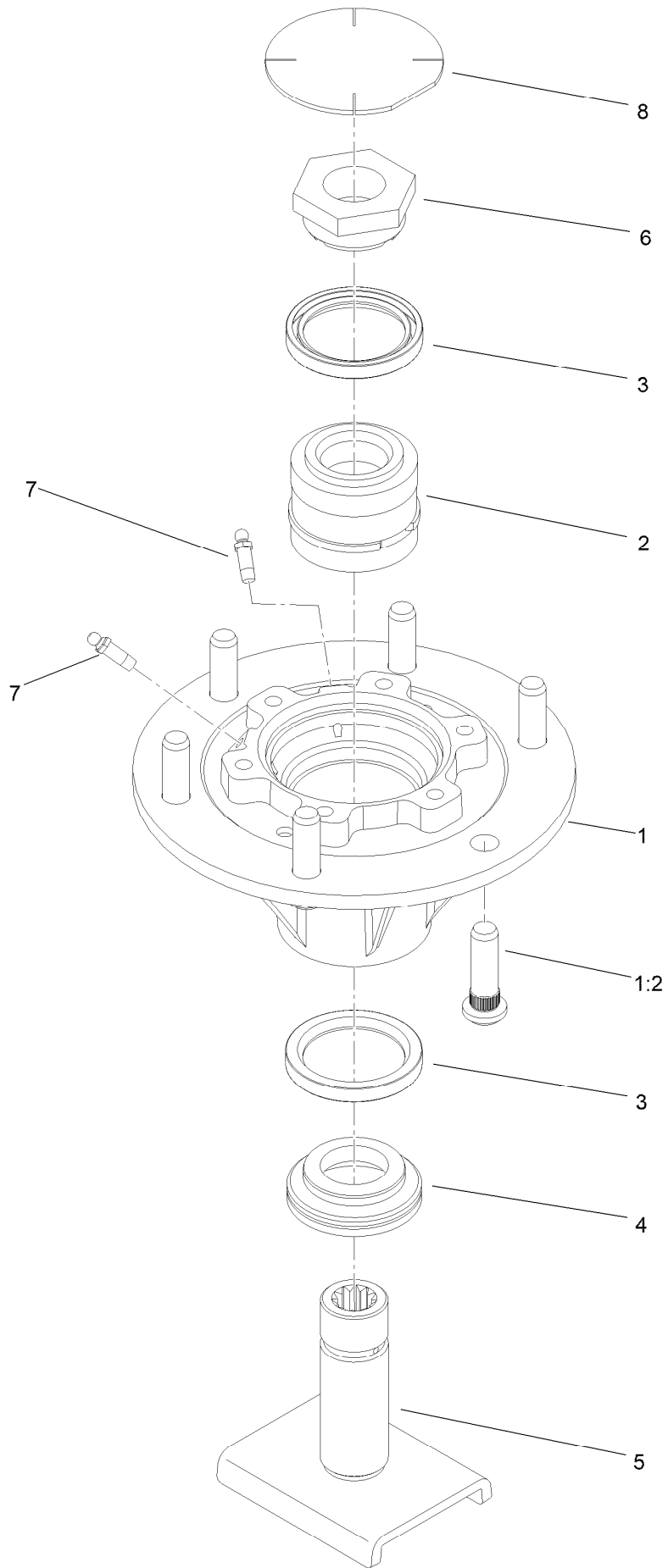
Spindle, Blade and Chamber Assembly

Ref.	Part Number	Qty.	Description
1	32128-39	6	Nut-HHF
3	104-1051-03	1	Plate-Spindle
4	138-1227	1	Deck Chamber ASM
4:1		1	Chamber ASM ●
4:1:2	93-7818	1	Decal-Torque, Blade Bolt
4:1:3	121-3627	1	Decal-Height Of Cut
4:1:4	117-4764	2	Decal-Danger
5	237-161	1	O-Ring
6	121-3666	1	Spindle ASM

Ref.	Part Number	Qty.	Description
8	108-7395-03	1	Blade-Combo, 22In
8	114-0434-03	1	Blade-High Lift, 22In
8	114-0435-03	1	Blade-Atomic, 22In
8	117-0209-03	1	Blade-Angle Sail, 22In
9	72-9361	1	Cup-Scalp, Anti
10	92-5816	1	Bolt-Blade
11	108-7409-01	1	Baffle-Mulching
12	46-8560	5	Screw-HHFTF

● Not serviced separately

Spindle Assembly No. 121-3666

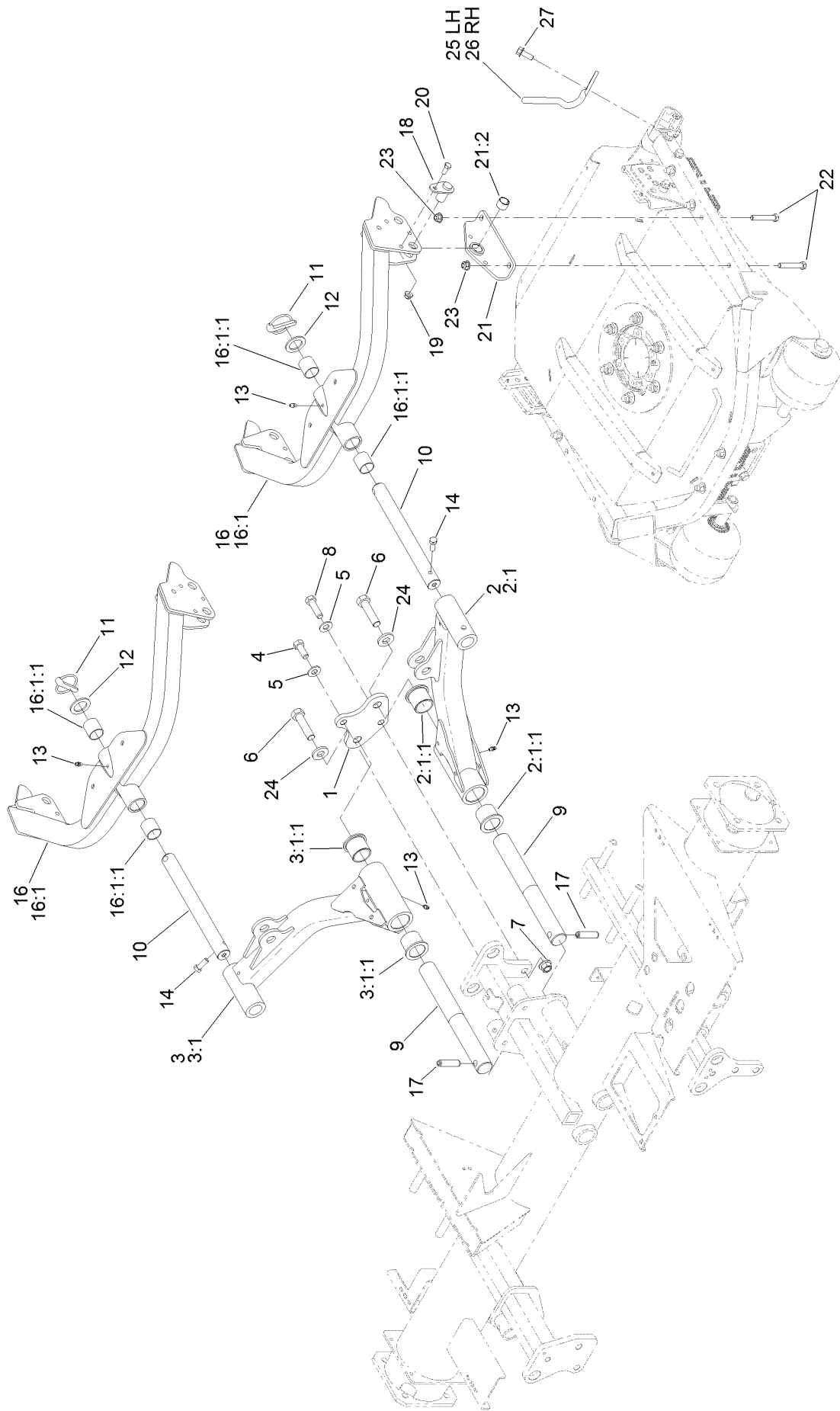


Spindle Assembly No. 121-3666 (continued)

<i>Ref.</i>	<i>Part Number</i>	<i>Qty.</i>	<i>Description</i>
1	115-3434	1	Spindle
1:2	10-6830	6	Stud-Type, Drive
2	100-5703	1	Spacer And Bearing ASM
3	253-154	2	Seal-Oil
4	138-6416	1	Spacer-Spindle, Shaft

<i>Ref.</i>	<i>Part Number</i>	<i>Qty.</i>	<i>Description</i>
5	121-3664	1	Spindle Shaft ASM
6	100-5709	1	Nut-Spindle, Spcl
7	302-62	2	Fitting-Grease
8	94-2703	1	Plug

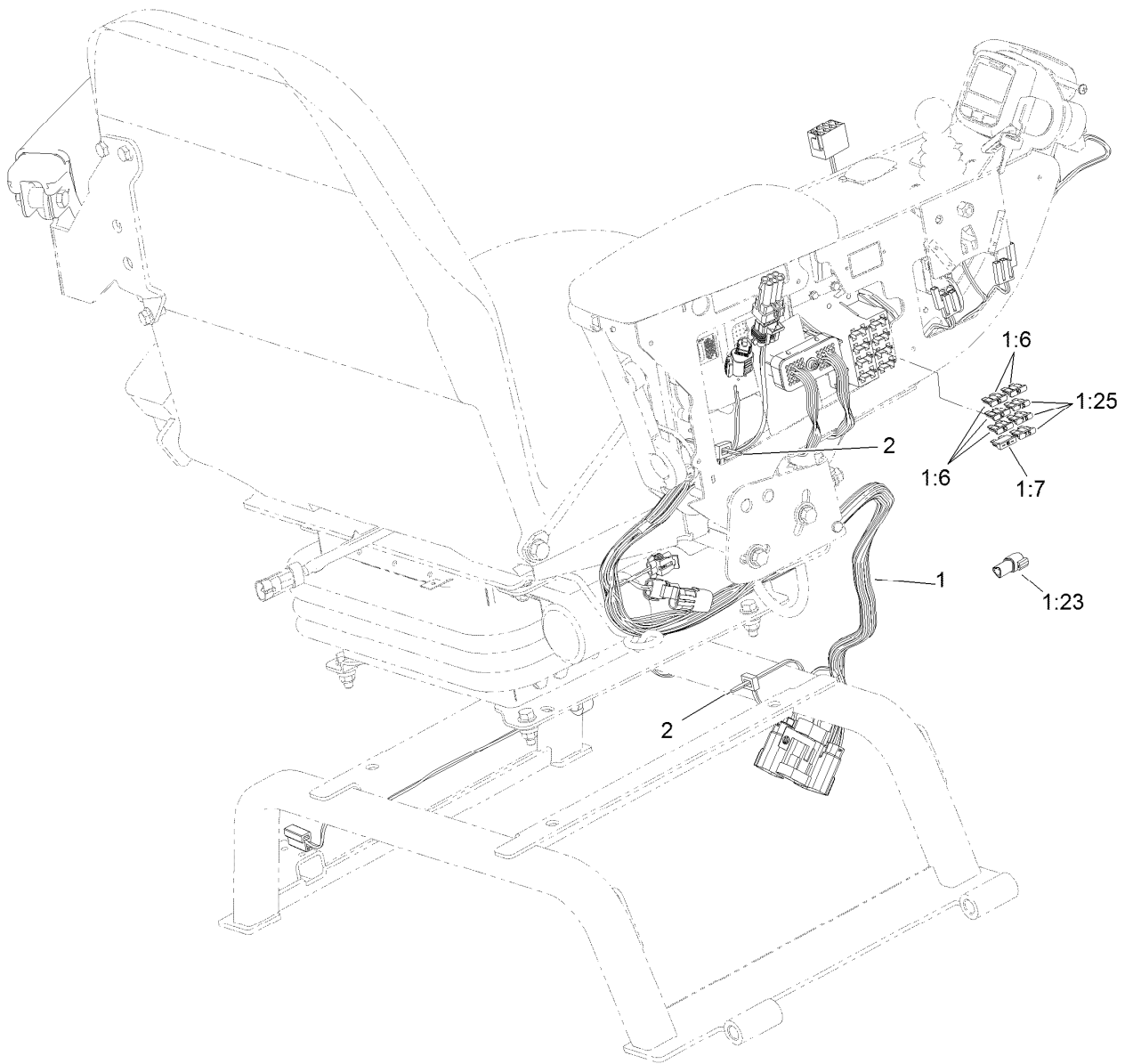
No. 2 and 3 Lift Arm and Deck Assembly



No. 2 and 3 Lift Arm and Deck Assembly (continued)

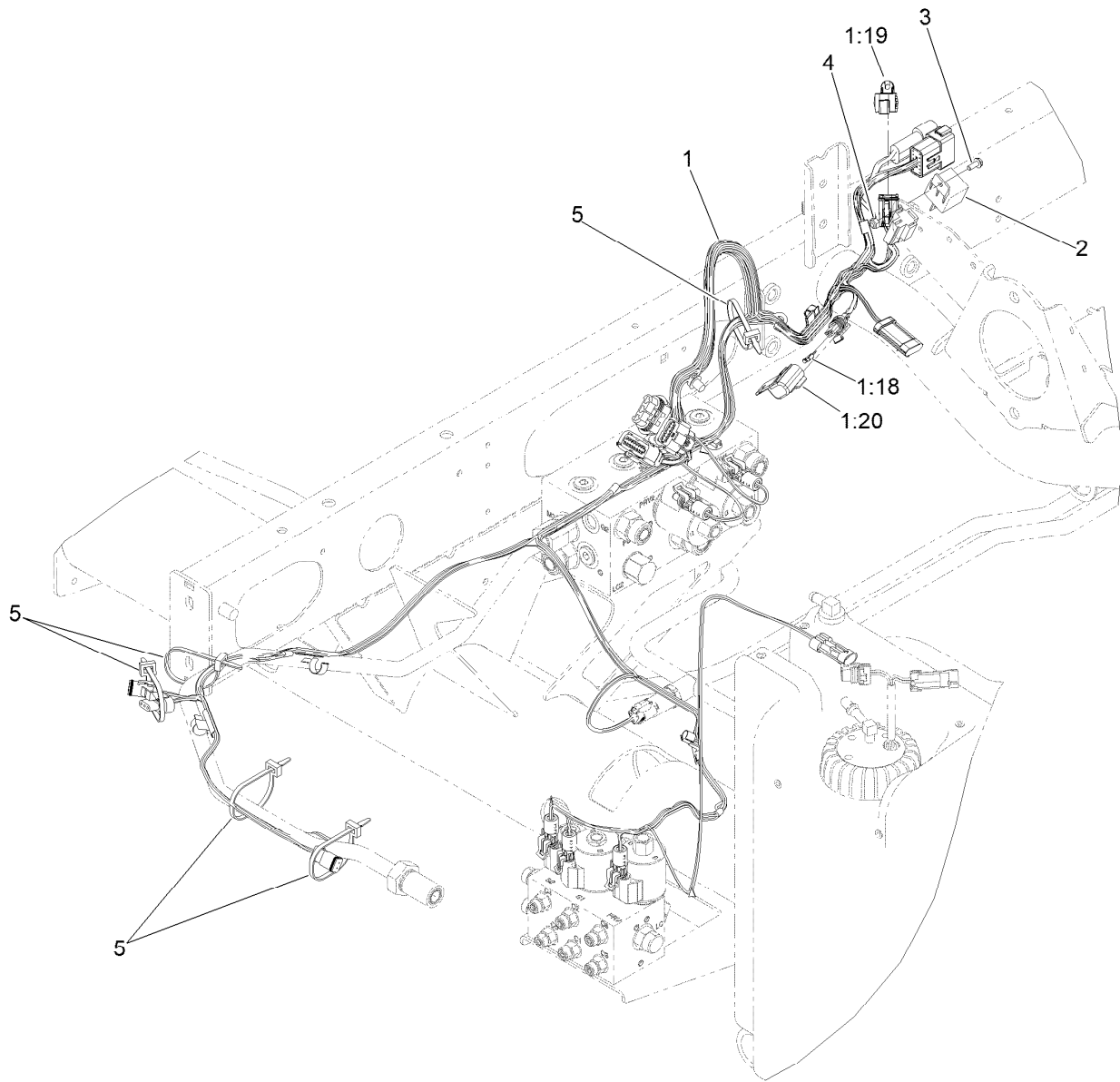
<i>Ref.</i>	<i>Part Number</i>	<i>Qty.</i>	<i>Description</i>	<i>Ref.</i>	<i>Part Number</i>	<i>Qty.</i>	<i>Description</i>
1	114-0352-0P	1	Plate - Bridge, No 2&3	14	323-6	2	Screw-HH
2	114-0382-03	1	Arm No. 2 ASM	16	108-7384-03	2	Carrier Frame ASM
2:1		1	Arm ●	16:1		1	Frame-Carrier ●
2:1:1	69-6470	2	Bushing-Caster	16:1:1	108-4000	2	Bushing
3	114-0383-03	1	Arm No. 3 ASM	17	32121-122	2	Pin-Roll
3:1		1	Arm ●	18	136-3568	4	Pin-Flag (Mach)
3:1:1	69-6470	2	Bushing-Caster	19	104-8300	4	Nut-HF, NI
4	325-5	1	Screw-HH	20	322-4	4	Screw-HH
5	87-7270	2	Washer-Thrust	21	117-0118	4	Pivot ASM
6	327-7	2	Screw-HH	21:2	108-8482	1	Bushing-Sleeve
7	99-5107	1	Nut-Lock	22	323-11	8	Screw-HH
8	325-7	1	Screw-HH	23	104-8301	8	Nut-HF, NI
9	117-0208	2	Shaft-Pivot, Liftarm	24	99-7667	2	Washer-Flat
10	105-7560	2	Shaft-Cu Pivot	25	127-2613-03	1	Guard-Foot, LH
11	283-71	2	Pin-Lynch	26	127-2614-03	1	Guard-Foot, RH
12	3-6781	2	Washer-Thrust	27	3234-11	2	Screw-HHF
13	302-5	4	Fitting-Grease				

● Not serviced separately



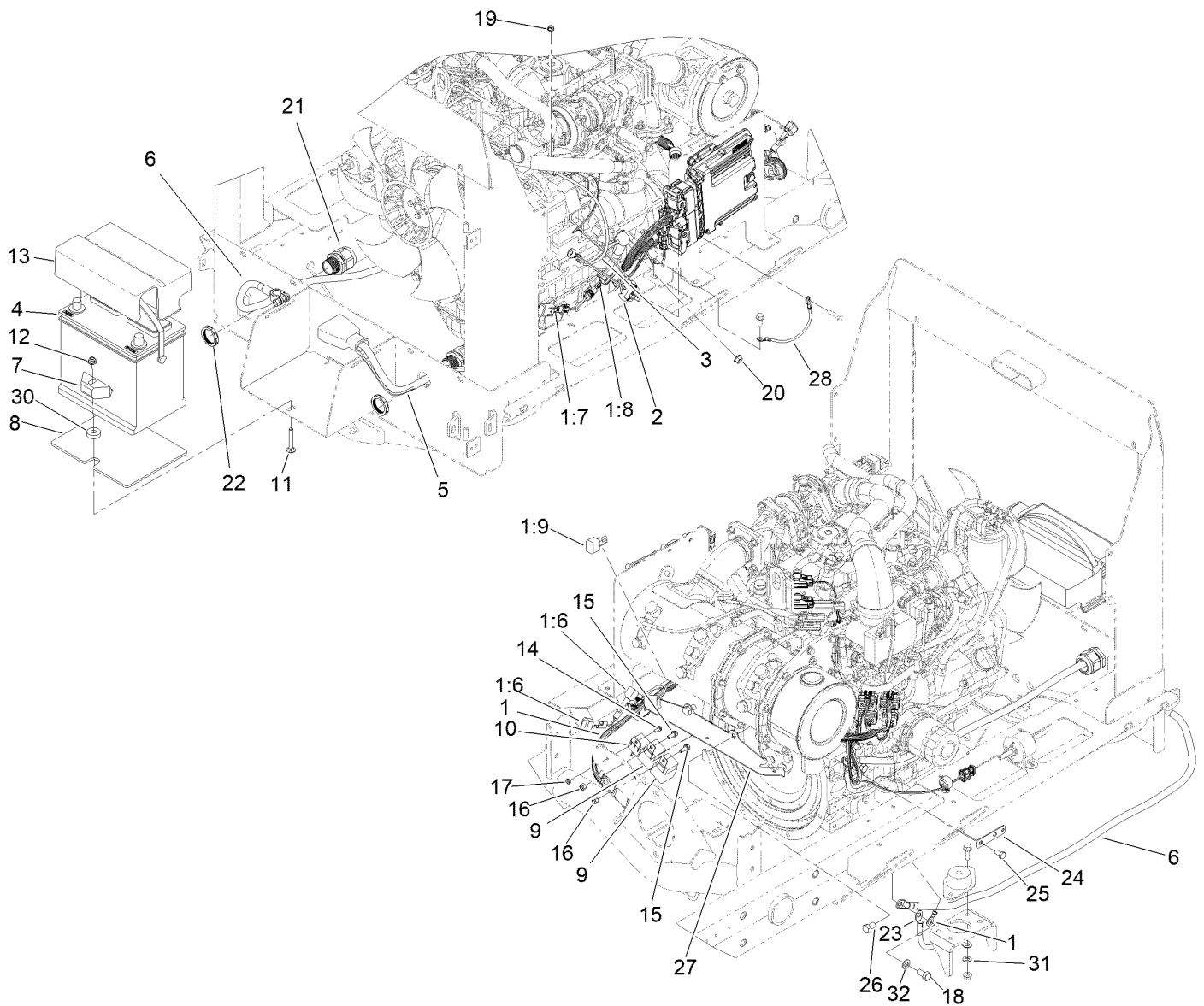
Seat and Control Arm Wiring Harness Assembly

<i>Ref.</i>	<i>Part Number</i>	<i>Qty.</i>	<i>Description</i>
1	115-8081	1	Harness-Wire, Seat
1:6	218-578	3	Fuse-Blade, 10 Amp
1:7	109355	1	Fuse-Blade, 15 Amp
1:23	32180-043	1	Resistor-120 Ohm
1:25	114241	3	Fuse-Blade, 7.5 Amp
2	3290-378	3	Tie-Cable



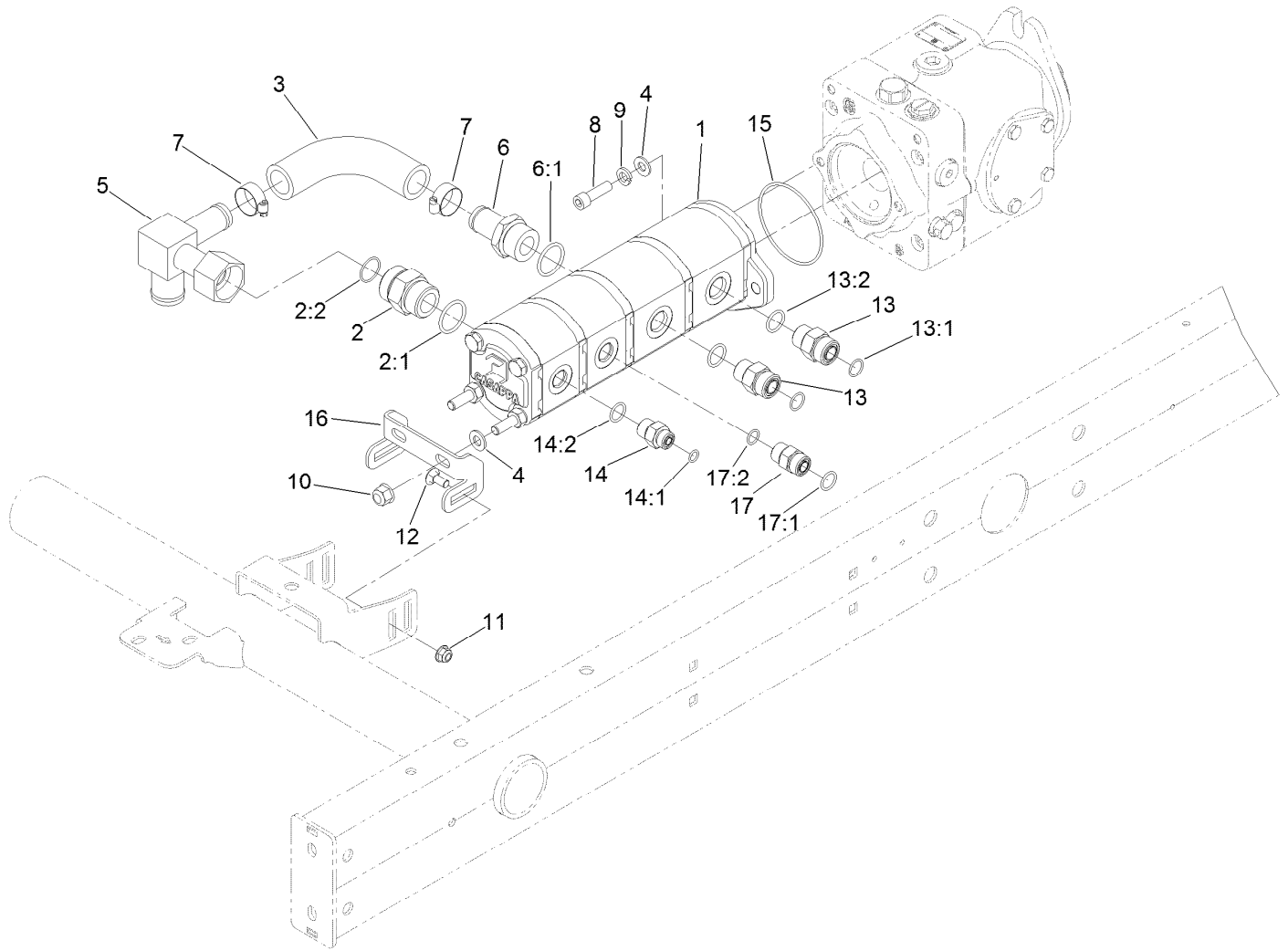
Main Wiring Harness Assembly

<i>Ref.</i>	<i>Part Number</i>	<i>Qty.</i>	<i>Description</i>
1	122-1727	1	Harness-Wire, Gm4300 Main
1:18	121-8866	1	Fuse-Mini Blade, 10 Amp
1:19	32180-156	1	Cap-Plug, 6 Way
1:20	32180-101	1	Cover-Fuse, Single
2	99-7435	1	Relay
3	3290-321	1	Screw-HWH
4	3296-2	1	Nut-Lock, NI
5	3290-378	10	Tie-Cable



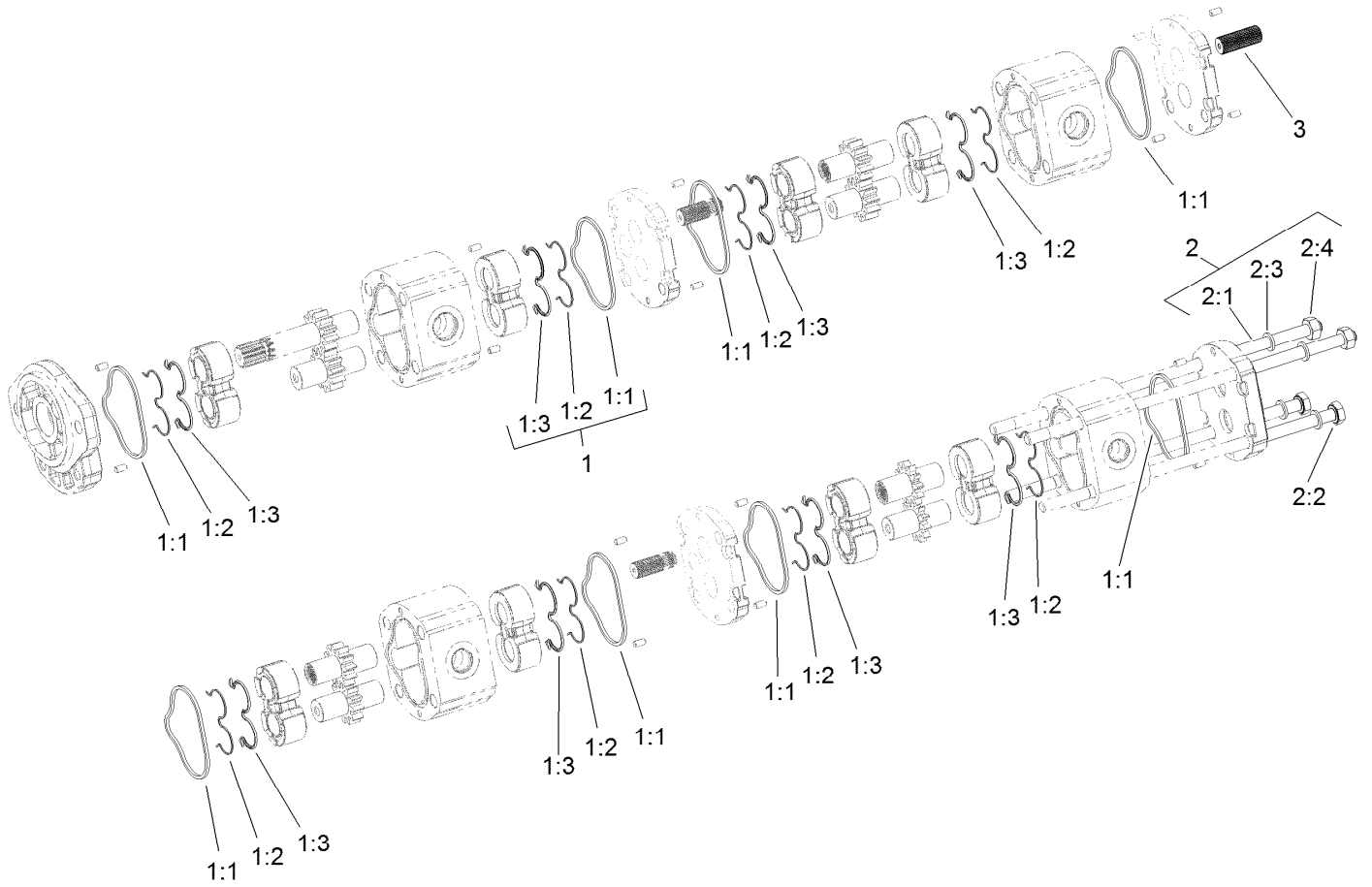
Electrical Assembly

Ref.	Part Number	Qty.	Description	Ref.	Part Number	Qty.	Description
1	122-0893	1	Harness-Wire, Engine	15	3234-33	2	Screw-HHF
1:6	100-4918	2	Diode	16	3296-42	2	Nut-Lock, NI
1:7	121-8861	1	Fuse-Mini Blade, 2 Amp	17	3296-2	1	Nut-Lock, NI
1:8	121-8866	1	Fuse-Mini Blade, 10 Amp	18	33115-020	1	Screw-HH
1:9	104-4022	1	Resistor-75 Ohm	19	33003-00	1	Nut-HF
2	99-3441	1	Harness-Wire, Fusible Link	20	33004-00	1	Nut-HF
3	100-5552	1	Harness-Wire	21	121-8854	2	Grip-Cord
4	104-9979	1	Battery	22	121-8855	2	Locknut-Grip, Cord
5	121-8850	1	Cable-Battery, Positive	23	121-8856	1	Cable-Ground, Engine
6	121-8851	1	Cable-Battery, Negative	24	121-5636	1	Tab-Harness
7	138-6335	1	Retainer-Battery	25	33114-016	2	Screw-HH
8	127-2781	1	Mat-Battery	26	33115-016	2	Screw-HH
9	99-7430	2	Relay-Mini	27	132-9706-03	1	Bracket-Harness
10	99-7435	1	Relay	28	122-0058	1	Harness-Wire, Ground
11	3230-6	1	Bolt-CARR	30	62-6660	1	Spacer
12	104-8300	1	Nut-HF, NI	31	120-9683	1	Washer-Plain
13	121-5615	1	Cover-Battery	32	33095-00	1	Washer-Flat
14	3290-321	1	Screw-HWH				



Gear Pump Mounting Assembly

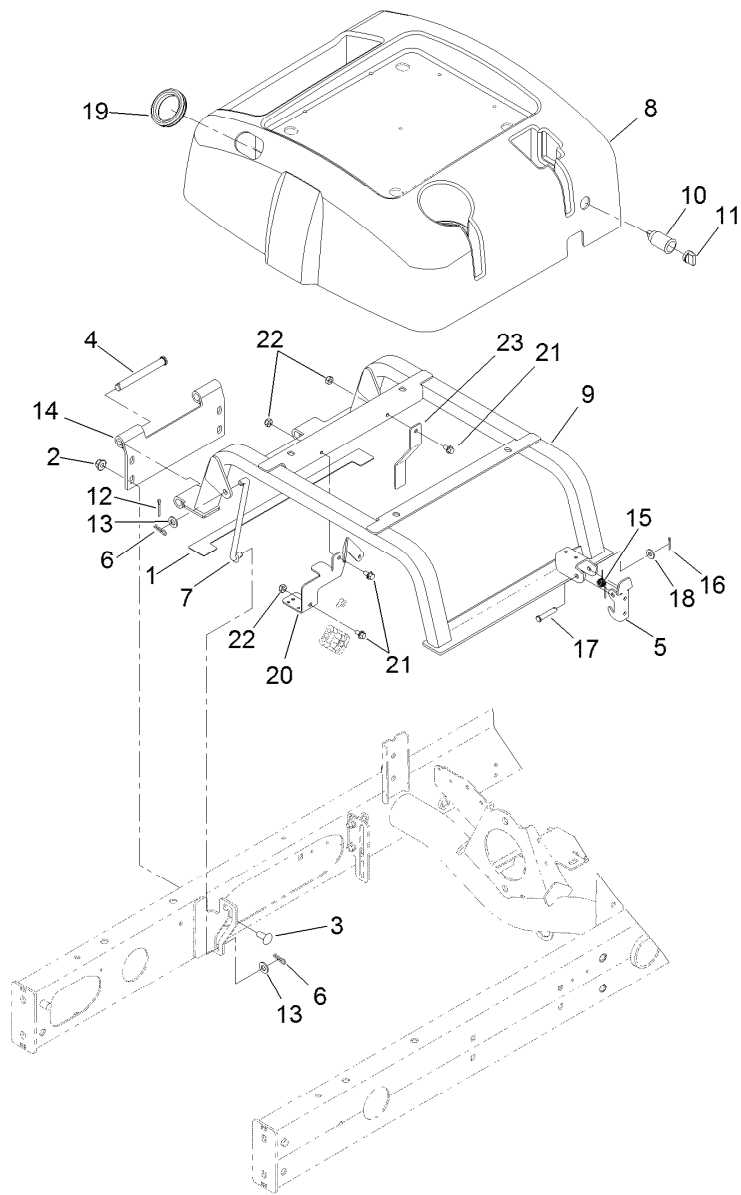
<i>Ref.</i>	<i>Part Number</i>	<i>Qty.</i>	<i>Description</i>	<i>Ref.</i>	<i>Part Number</i>	<i>Qty.</i>	<i>Description</i>
1	121-5645	1	Gear Pump ASM	11	104-8300	2	Nut-HF, NI
2	104-3797	1	Fitting-Straight	12	3230-1	2	Bolt-CARR
2:1	237-146	1	O-Ring	13	340-7	2	Fitting-Straight
2:2	340-65	1	O-Ring	13:1	237-65	1	O-Ring
3	108-1683	1	Hose-Formed	13:2	237-80	1	O-Ring
4	3256-24	4	Washer-Flat	14	340-3	1	Fitting-Straight
5	108-1672	1	Manifold-Tube	14:1	237-22	1	O-Ring
6	354-78	1	Fitting-STR	14:2	237-79	1	O-Ring
6:1	237-146	1	O-Ring	15	237-161	1	O-Ring
7	2412-34	2	Clamp-Hose	16	108-1801-0P	1	Bracket - Pump Support
8	3274-1	2	Screw-HSH	17	340-4	1	Fitting-Straight
9	3253-5	2	Washer-Lock	17:1	237-30	1	O-Ring
10	103-9511	2	Nut-Lock, NI	17:2	237-79	1	O-Ring



Gear Pump Assembly No. 121-5645

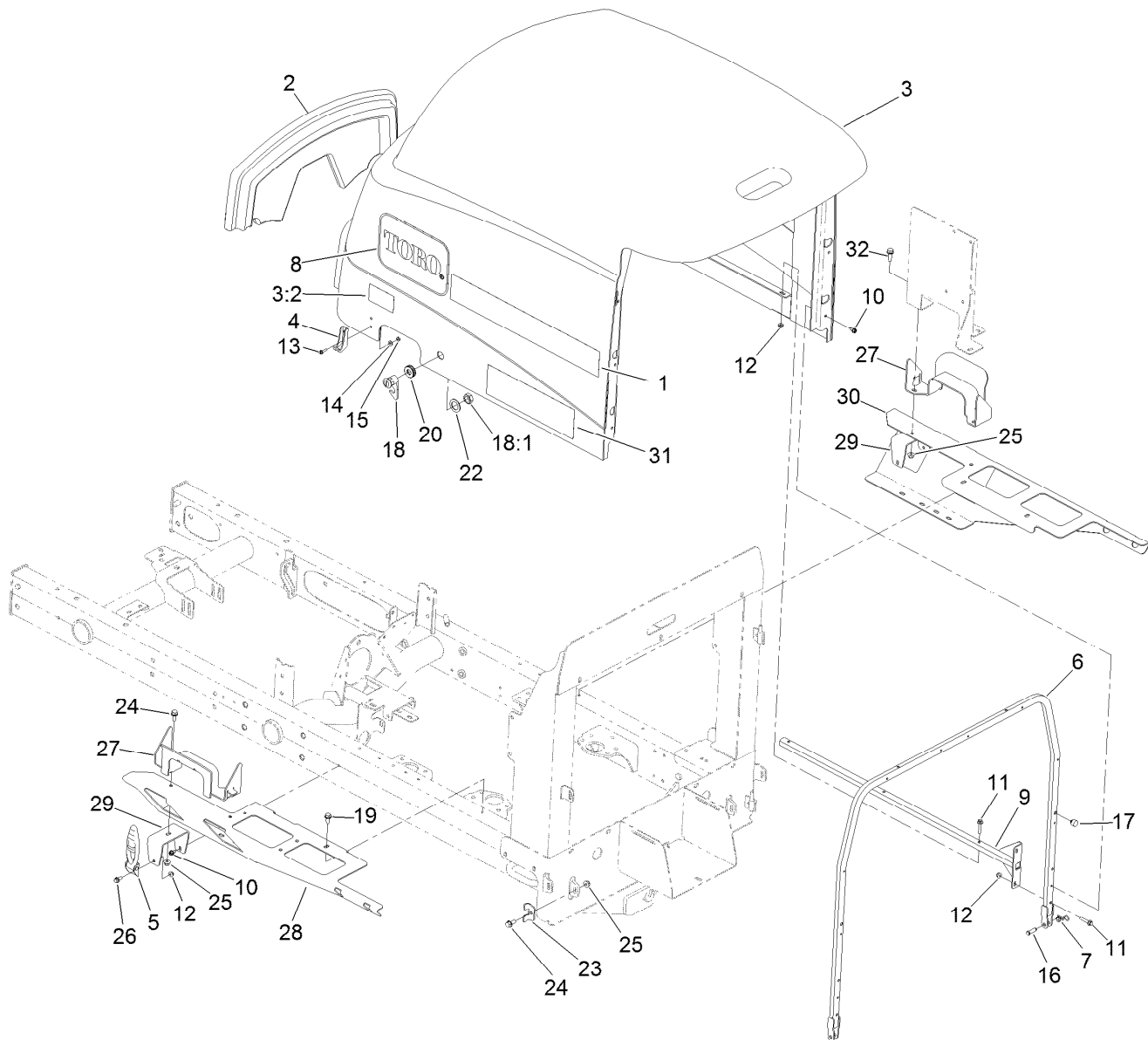
<i>Ref.</i>	<i>Part Number</i>	<i>Qty.</i>	<i>Description</i>
1	108-4595	1	Seal Kit
1:1		8	Seal ●
1:2		8	Seal ●
1:3		8	Ring-Back Up ●
2	120-6273	1	Bolt Kit
2:1		2	Stud Bolt ●
2:2		2	Screw ●
2:3		4	Washer ●
2:4		2	Nut ●
3	120-6284	3	Hub-Connecting

● Not serviced separately



Seat Base Assembly

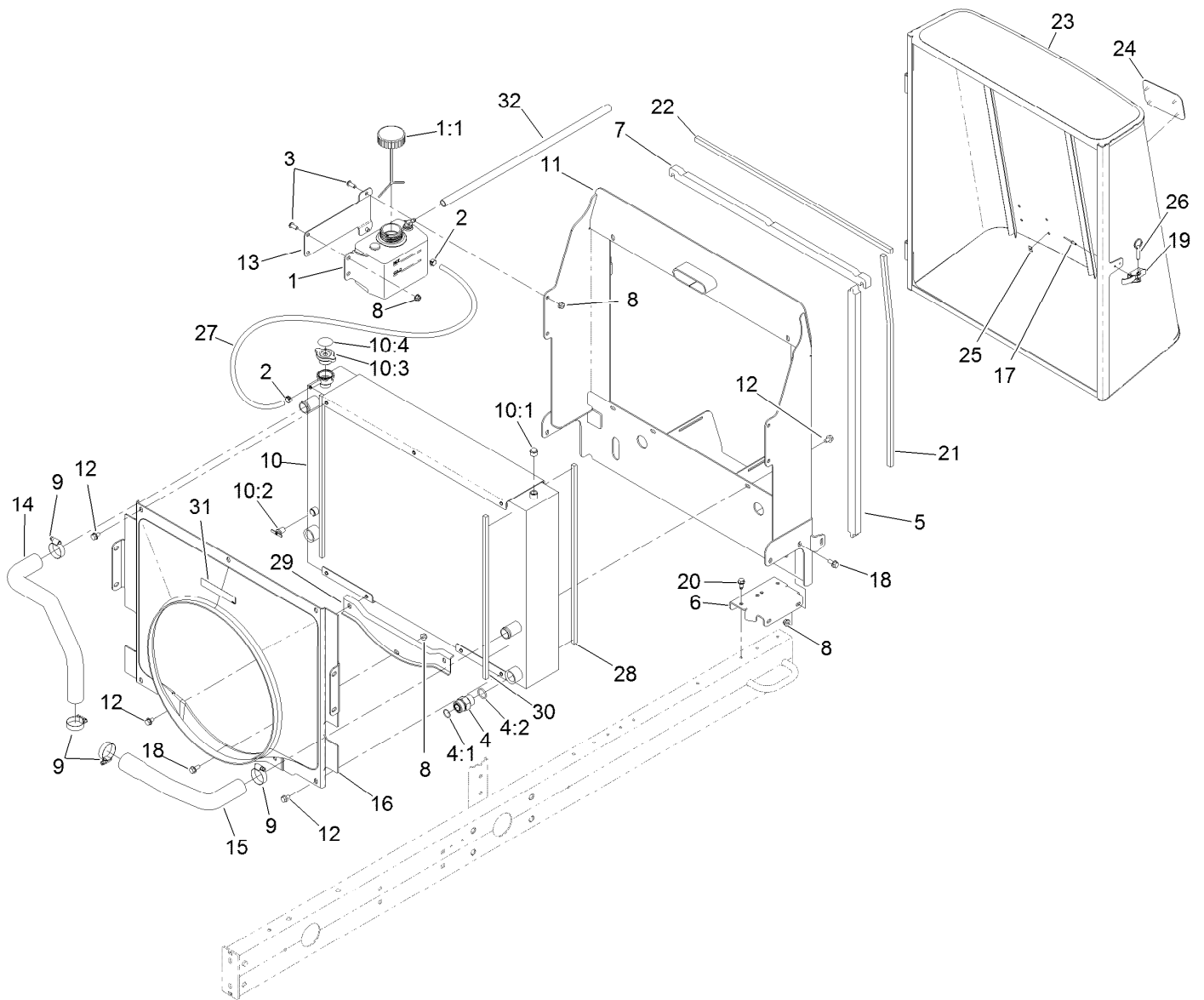
<i>Ref.</i>	<i>Part Number</i>	<i>Qty.</i>	<i>Description</i>	<i>Ref.</i>	<i>Part Number</i>	<i>Qty.</i>	<i>Description</i>
1	110-5255	2	Bumper-Base, Seat	13	3256-24	4	Washer-Flat
2	104-8301	4	Nut-HF, NI	14	125-2121-03	1	Hinge-Seatbase
3	3231-27	4	Screw-CARR	15	104-4821	1	Spring-Torsion
4	283-83	2	Pin-Clevis	16	3272-6	1	Pin-Cotter
5	110-8971	1	Latch	17	94-3829	1	Pin-Clevis
6	3290-307	4	Pin-Cotter	18	3256-2	1	Washer-Flat
7	98-0917	2	Rod-Prop	19	240-12	1	Grommet-Rubber
8	108-1757	1	Cover-Seatbase	20	127-2711-0P	1	Bracket-Harness
9	125-2122-03	1	Seat Base ASM	21	3234-13	3	Screw-HHF
10	99-7411	1	Point-Power	22	3296-16	3	Nut-Lock, NI
11	99-7416	1	Cap	23	127-2615-0P	1	Brkt-Wire Harness
12	3272-11	2	Pin-Cotter				



Hood Assembly

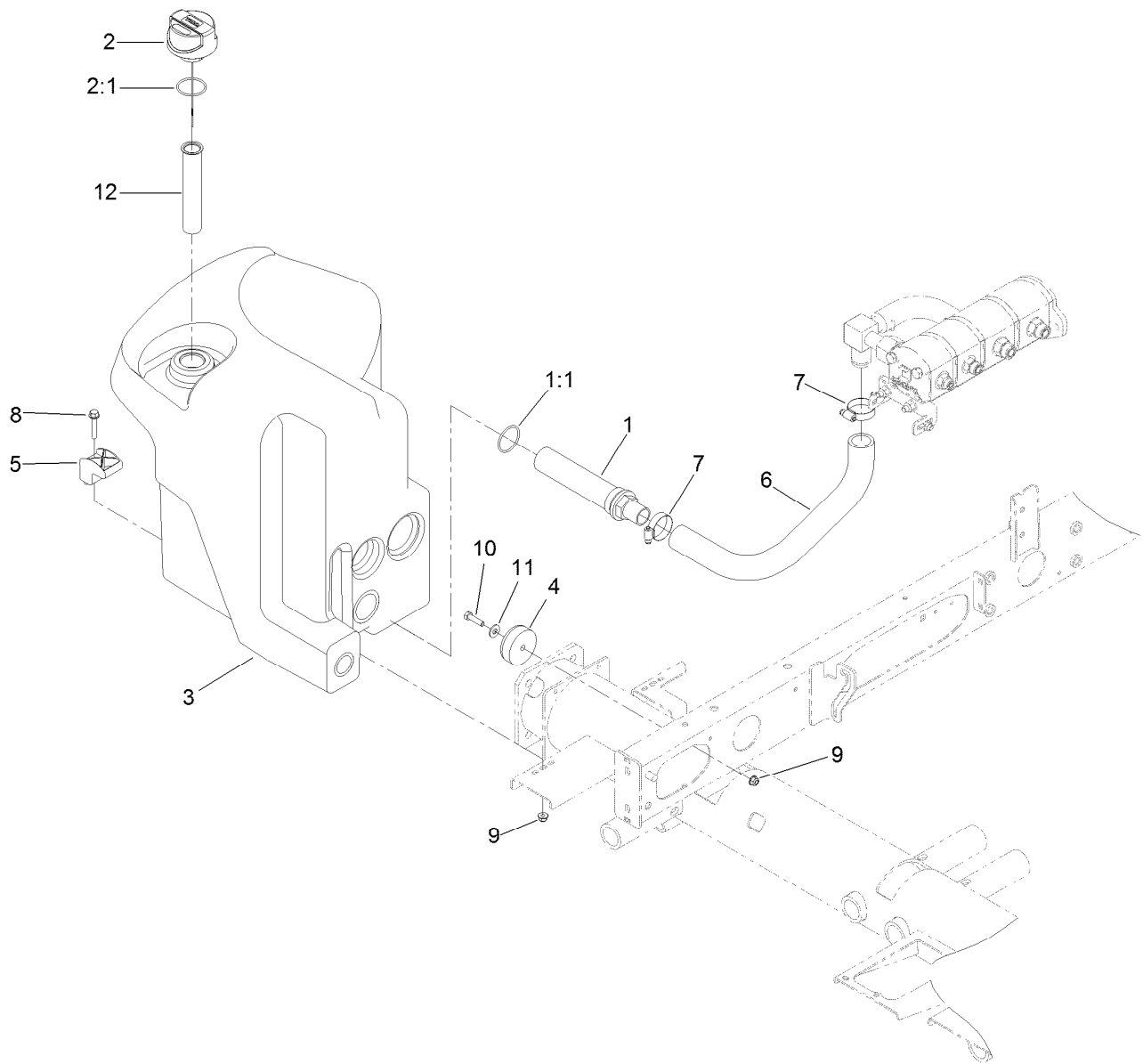
Ref.	Part Number	Qty.	Description	Ref.	Part Number	Qty.	Description
1	117-0173	2	Decal	17	107-8042	2	Bumper-Rubber
2	108-7587	1	Saddle-Hood	18	98-5398	1	Latch
3	121-5616	1	Hood ASM	18:1	3218-20	1	Nut-Jam ●
3:2	106-6754	1	Decal-Danger	19	32104-32	5	Screw-HWH
4	103-2897	2	Latch-Catch	20	104-1453	1	Grommet
5	103-2898	2	Latch-Rubber	22	99-4958	1	Spacer
6	125-8813-03	1	Tube-Frame, Hood	23	110-8946	2	Clamp-Frame, Radiator
7	105-7512	2	Pin-Tie, Bow	24	3234-5	4	Screw-HHF
8	66-6140	2	Decal	25	104-8300	6	Nut-HF, NI
9	108-1790-03	2	Tube	26	3234-33	2	Screw-HHF
10	32104-17	12	Screw-HWH	27	121-5627-03	2	Guide-Hood
11	3234-21	10	Screw-HHF	28	110-5253-01	1	Adapter-Hood, LH
12	104-7201	12	Nut-HF, NI	29	110-5256-01	2	Bracket-Latch, Hood
13	32105-13	4	Screw-HWH	30	110-5254-01	1	Adapter-Hood, RH
14	3256-14	4	Washer-Flat	31	110-8859	2	Decal
15	3296-12	4	Nut-Lock, NI	32	3234-17	2	Screw-HHF
16	283-61	2	Pin-Yoke				

● Not illustrated



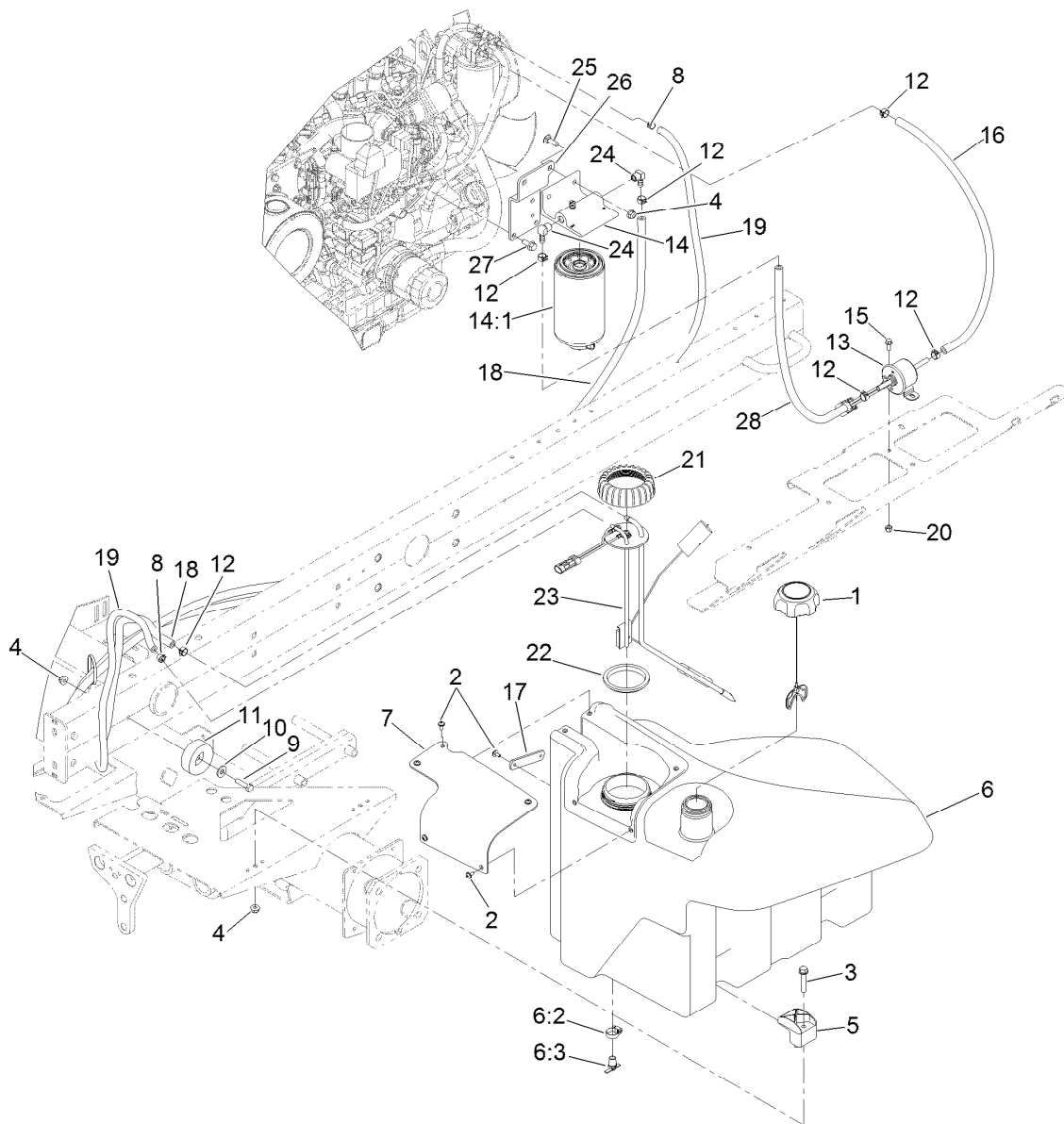
Radiator and Shroud Assembly

Ref.	Part Number	Qty.	Description	Ref.	Part Number	Qty.	Description
1	120-5573	1	Coolant Reservoir ASM	13	121-5568-0P	1	Bracket-Reservoir
1:1	87-7050	1	Cap-Reservoir	14	133-2994	1	Hose-Formed
2	92-2379	3	Clamp-Hose	15	121-5558	1	Hose-Radiator, Lower
3	3274-55	5	Screw-HSBH	16	125-2901	1	Shroud-Fan, Turbo Diesel
4	340-9	2	Fitting-STR	17	3269-15	2	Rivet-Pop
4:1	237-58	1	O-Ring	18	3234-5	5	Screw-HHF
4:2	237-81	1	O-Ring	19	115-1554	1	Latch-Draw
5	121-5554	2	Seal-Foam	20	32104-32	6	Screw-HWH
6	110-5310-0P	2	Bracket - Mounting	21	121-5575	2	Seal-Foam
7	110-5276	2	Seal-Foam	22	121-5576	1	Seal-Foam
8	104-8300	10	Nut-HF, NI	23	120-3844-03	1	Screen
9	2412-3	4	Clamp-Hose	24	93-6028	1	Plate-Logo
10	120-3840	1	Oil Cooler And Radiator ASM	25	138-6996	4	Nut-Push
10:1	281-13	1	Plug-Pipe	26	115-1556	1	Pin-Ball, Detent
10:2	304-46	1	Draincock	27	110-8752	1	Hose-Fuel
10:3	93-5957	1	Cap-Radiator	28	110-0969	2	Seal-Foam
10:4	106-6755	1	Decal-Cap, Radiator	29	125-2905	1	Cap-Shroud, Diesel
11	120-3815-03	1	Frame-Radiator	30	125-8767	2	Seal-Foam
12	3234-30	14	Screw-HHF	31	93-7272	1	Decal-Warning
				32	110-3257	1	Hose-Fuel



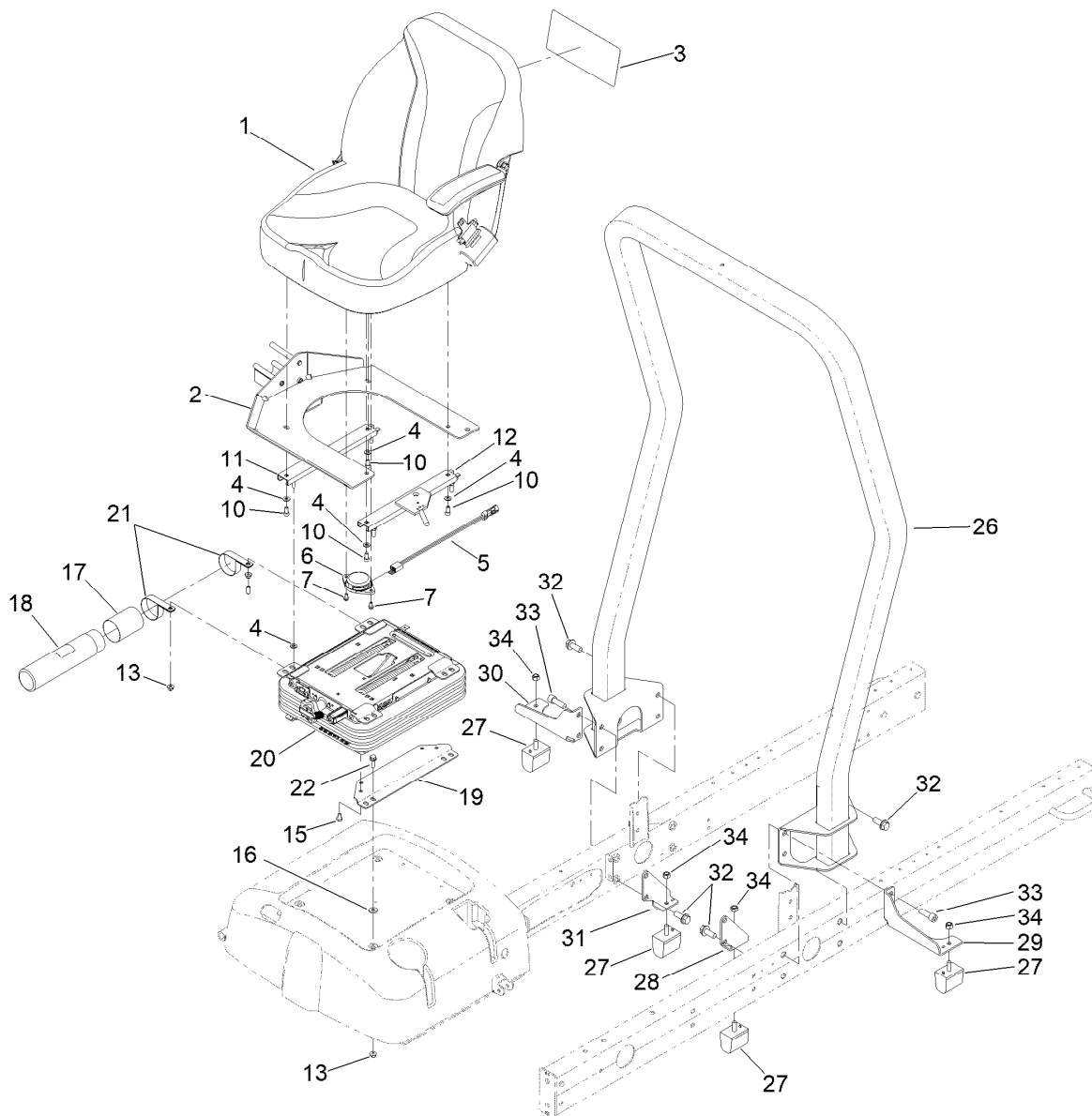
Hydraulic Tank Assembly

<i>Ref.</i>	<i>Part Number</i>	<i>Qty.</i>	<i>Description</i>
1	105-0131	1	Strainer-Tank, Oil
1:1	340-136	1	O-Ring
2	117-0193	1	Cap-Hydraulic, Vented Breather
2:1	237-101	1	O-Ring
3	121-5587	1	Tank-Hydraulic
4	108-1605	1	Bumper-Recess
5	107-4543	2	Clamp
6	108-1685	1	Hose-Formed
7	2412-3	2	Clamp-Hose
8	94-5780	2	Screw-HWH
9	104-8300	3	Nut-HF, NI
10	322-6	1	Screw-HH
11	3256-3	1	Washer-Flat
12	61-2790	1	Filter-Screen



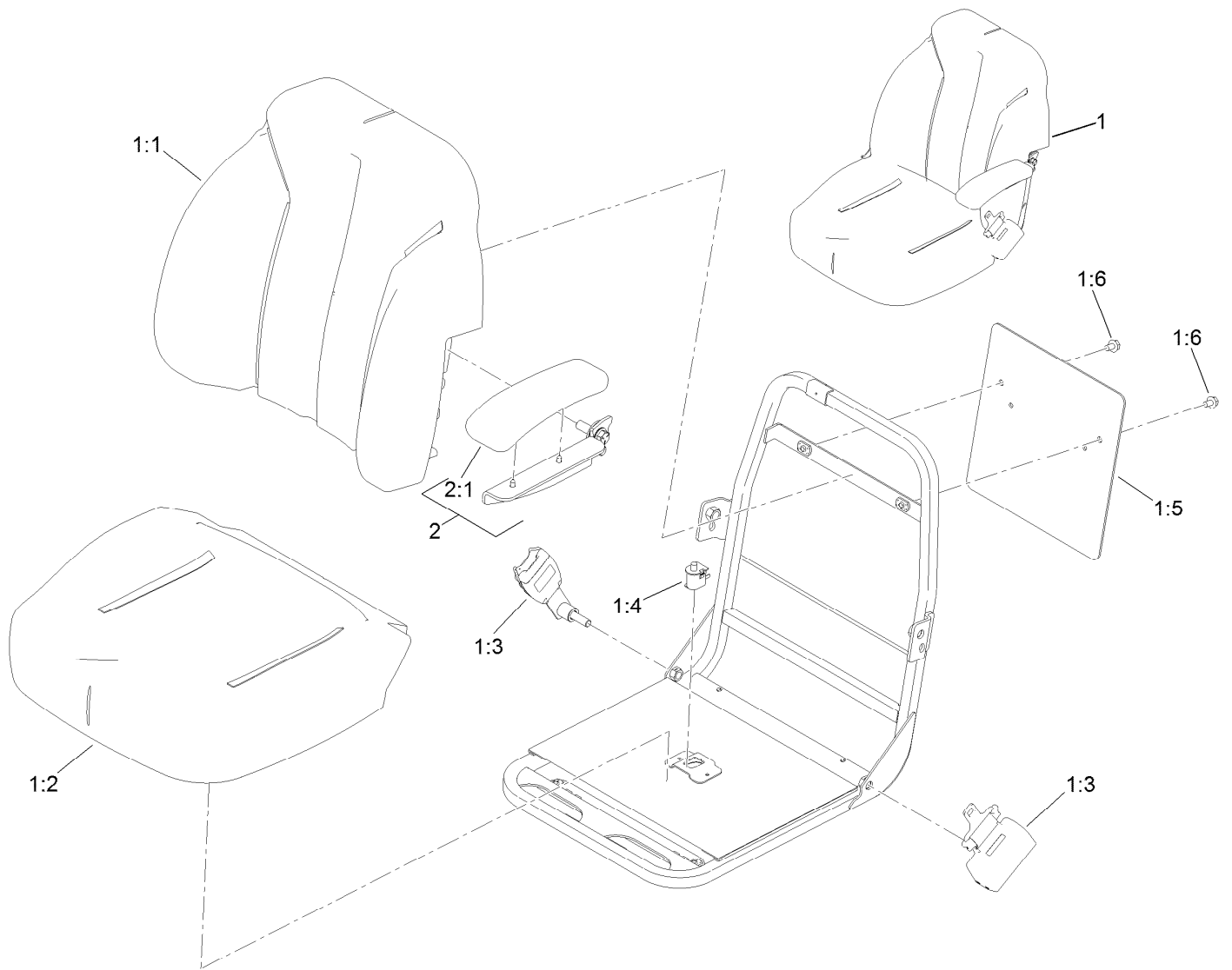
Fuel System Assembly

Ref.	Part Number	Qty.	Description	Ref.	Part Number	Qty.	Description
1	125-9173	1	Cap-Fuel, Diesel, Ultra Low Sulfur	14	125-2914	1	Filter-Separator
2	109-2661	7	Screw-PPH	14:1	125-2915	1	Filter-Fuel/Water Separator
3	94-5780	2	Screw-HWH	15	3234-33	2	Screw-HHF
4	104-8300	5	Nut-HF, NI	16	109-0308	1	Hose-Fuel
5	107-4543	2	Clamp	17	125-2945	1	Strap-Cable
6	125-2907	1	Fuel Tank ASM	18	121-5608	1	Hose-Fuel
6:2	2412-36	1	Clamp-Hose	19	121-5614	1	Hose-Fuel
6:3	304-46	1	Draincock	20	3296-42	2	Nut-Lock, NI
7	125-2903	1	Cover-Pump/Sender	21	115-2162	1	Cap-Pump, Fuel
8	2412-98	2	Clamp-Hose	22	115-2163	1	Gasket-Pump, Fuel
9	322-6	1	Screw-HH	23	121-5642	1	Sender-Fuel
10	3256-3	1	Washer-Flat	24	353-781	2	Fitting-HYD, 90
11	108-1605	1	Bumper-Recess	25	3230-22	2	Screw-CARR
12	92-2379	6	Clamp-Hose	26	120-6299-0P	1	Bracket-Separator
13	121-5613	1	Pump-Fuel, Electric	27	33104-020	3	Screw-HHF
				28	109-0274	1	Hose-Fuel



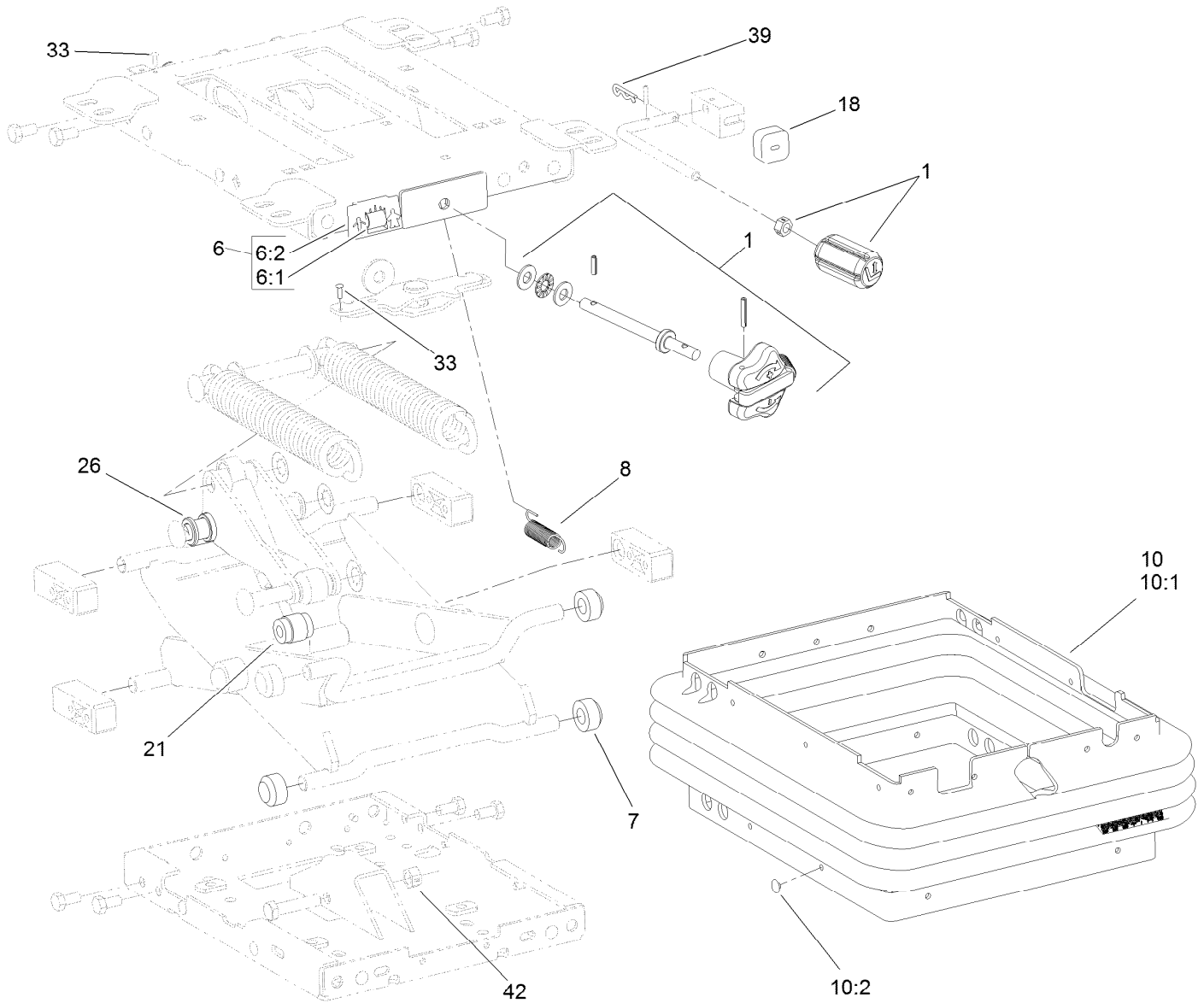
Seat Mount Assembly

Ref.	Part Number	Qty.	Description	Ref.	Part Number	Qty.	Description
1	139-2700	1	Seat ASM	19	108-6590-0P	2	Bracket-Seat, Lower
2	138-6985-03	1	Mount-Seat	20	110-8851	1	Mechanical Suspension ASM
3	136-3723	1	Decal-Service	21	2412-133	2	Clamp-R
4	3256-23	8	Washer-Plain	22	3234-17	4	Screw-HHF
5	108-8657	1	Harness-Wire, Seat	26	136-7954	1	ROPS ASM
6	136-9002	4	Spacer-Mounting	27	87-3470	4	Bumper
7	130-7100	1	Trim-Seatbase	28	117-0183-0P	1	Brkt-Bump, LH
10	3290-511	4	Screw-HSBH	29	117-0184-03	1	Bracket-Bumper, LH
11	92-8990	1	Adjuster-Seat, Non-Locking	30	117-0233-03	1	Bracket-Bumper, RH
12	92-8991	1	Adjuster (W/Latch)	31	117-0234-0P	1	Brkt - Bump, RH
13	104-8300	8	Nut-HF, NI	32	3234-38	8	Screw-HHF
15	48-7680	4	Screw-HH	33	3274-4	4	Screw-HSH
16	71-9310	4	Spacer	34	33025-00	4	Nut-Lock, NI
17	104-7048	1	Cap-Housing				
18	104-7050	1	Tube-Manual				



Seat Assembly No. 139-2700

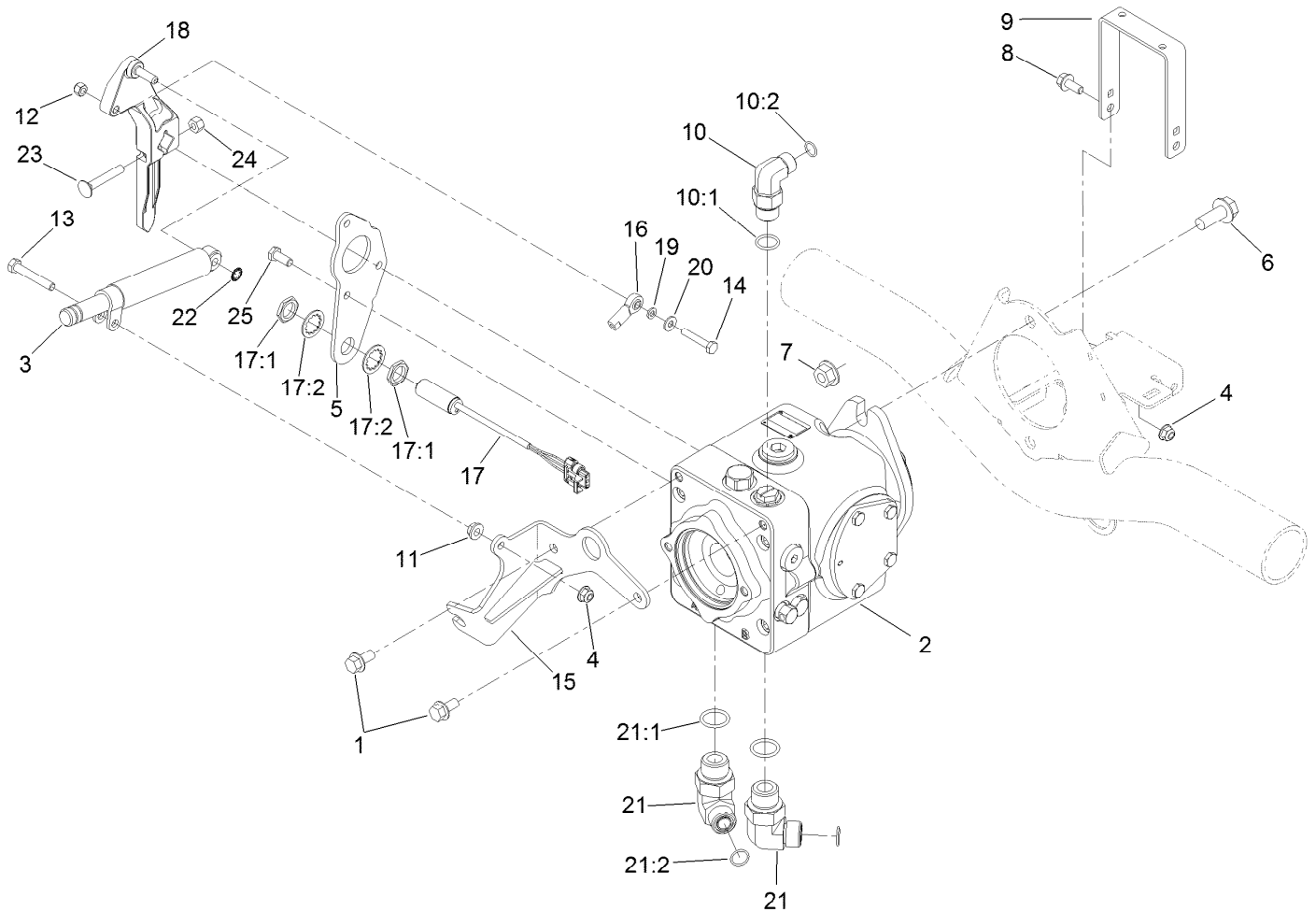
<i>Ref.</i>	<i>Part Number</i>	<i>Qty.</i>	<i>Description</i>
1	139-2680	1	Seat ASM
1:1	145-0083	1	Cover-Seat, Back
1:2	145-0084	1	Cover-Seat, Bottom
1:3	139-2707	1	Seat Belt Kit
1:4	82-2190	1	Switch-Bail
1:5	139-2701	1	Plate-Decal
1:6	3234-30	2	Screw-HHF
2	121-3660	1	LH Arm Rest Kit
2:1	110-4163	1	Cushion-Rest, Arm



Mechanical Seat Suspension Assembly No. 110-8851

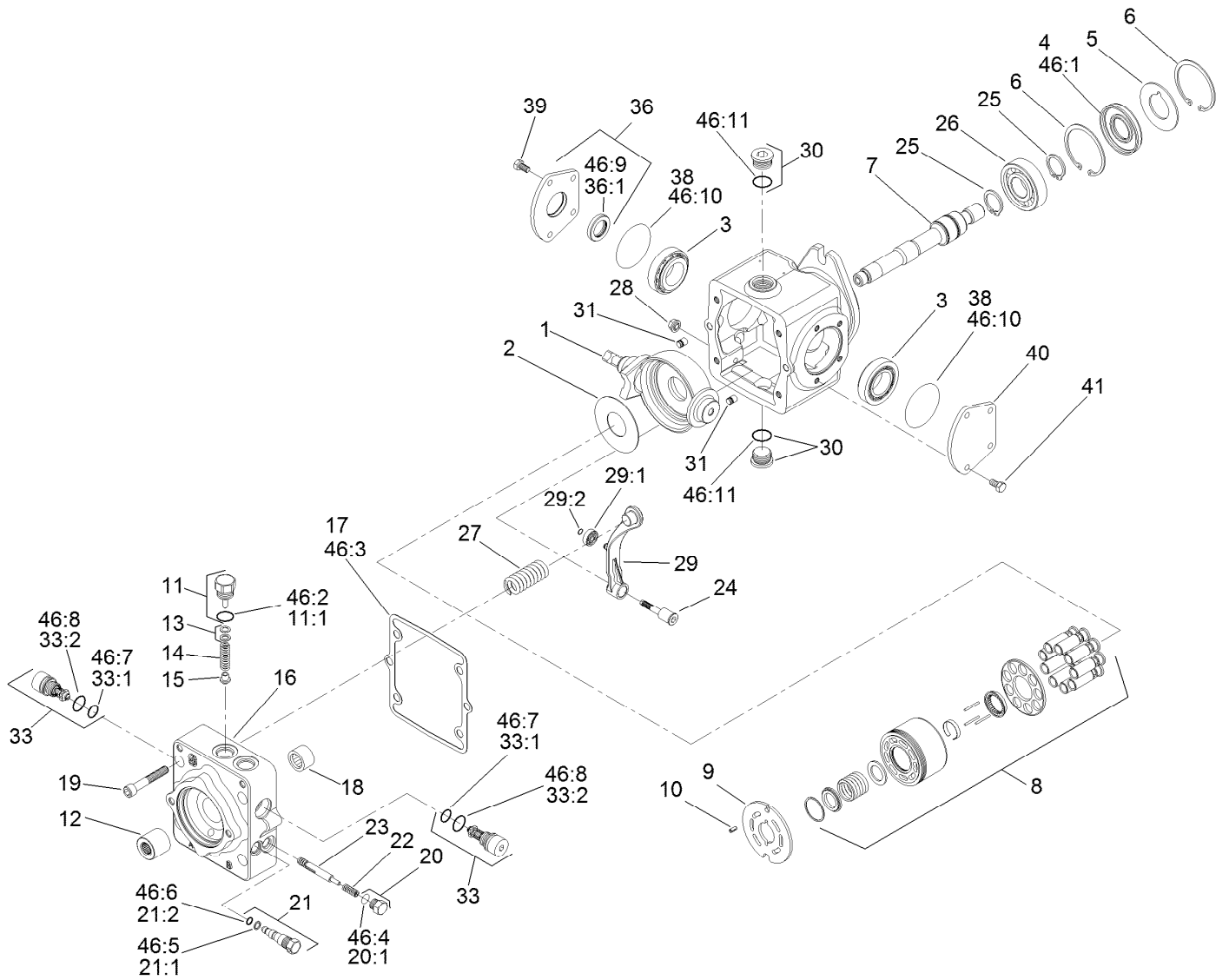
Ref.	Part Number	Qty.	Description
1	119-8040	1	Knobs Service Kit
6	108-4584	1	Weight Indicator Service Kit
6:1		1	Tape-Weight Adjust ●
6:2		1	Guide-Weight Adjust ●
7	108-9632	4	Roller
8	108-9633	1	Spring-Extension
10	112-0164	1	Boot Kit
10:1		1	Boot-Suspension ●
10:2	108-9641	21	Clip-Plug
18	108-9634	1	Bumper
21	108-9614	1	Damper
26	108-9622	2	Tube
33	3290-54	2	Rivet-Blind
39	3272-9	1	Pin-Cotter
42	32152-2	1	Nut-Lock, Cone

● Not serviced separately



Traction Pump Assembly

Ref.	Part Number	Qty.	Description	Ref.	Part Number	Qty.	Description
1	3234-1	2	Screw-HHF	14	321-9	1	Screw-HH
2	119-6972	1	Variable Hydraulic Pump ASM	15	127-2356-0P	1	Brkt-Cable [primed]
3	140-6248	1	Damper	16	2411-41	1	Rod End-Ball Joint
4	104-8300	3	Nut-HF, NI	17	115-5300	1	Proximity Switch ASM
5	125-8822-0P	1	Plate-Pump	17:1	117-3207	2	Nut-Hex
6	3234-38	2	Screw-HHF	17:2	117-3208	2	Washer-Lock, Internal Tooth
7	32128-49	2	Nut-HHF	18	117-0265	1	Lever-Pump
8	3234-5	2	Screw-HHF	19	33093-00	1	Washer-Flat
9	108-1799-0P	1	Hoop - Guard	20	3256-22	1	Washer-Flat
10	340-105	1	Fitting-Elbow, 90 DEG	21	340-139	2	Fitting-Elbow 90
10:1	237-80	1	O-Ring	21:1	237-81	1	O-Ring
10:2	237-30	1	O-Ring	21:2	237-65	1	O-Ring
11	32128-20	1	Nut-HF	22	32151-72	1	Ring-Retaining
12	3296-42	1	Nut-Lock, NI	23	3230-6	1	Bolt-CARR
13	322-10	1	Screw-HH	24	3296-29	1	Nut-Lock, NI
				25	33114-020	3	Screw-HH

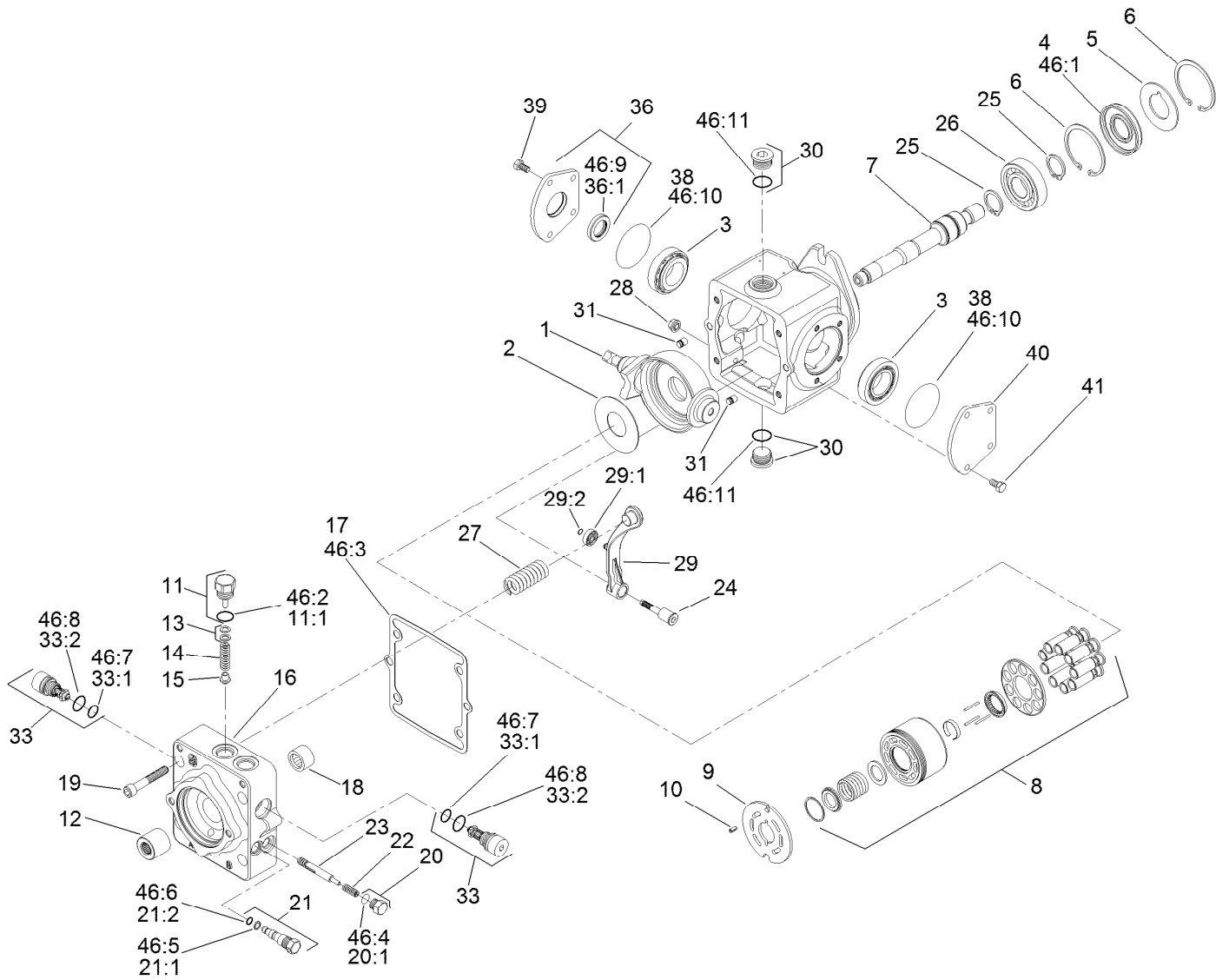


Hydraulic Pump Assembly No. 119-6972

Ref.	Part Number	Qty.	Description	Ref.	Part Number	Qty.	Description
1	115-8092	1	Swashplate	18	75-0500	1	Bearing-Needle
2	75-0400	1	Plate-Thrust	19	110-6489	4	Screw
3	110-6483	2	Bearing Kit	20	94-9415	2	Plug ASM
4	110-6471	1	Seal-Lip	20:1		1	O-Ring ■
5	95-4400	1	Washer-Backup	21	107-4364	1	Bypass Valve ASM
6	69-3200	2	Ring-Retaining	21:1	25-2630	1	Ring-Back Up
7	110-6484	1	Shaft-Auxiliary	21:2	110-6498	1	O-Ring
8	110-6472	1	Cylinder Block Kit ASM	22	110-6491	2	Spring
9	110-6473	1	Plate-Valve (Clockwise)	23	110-6492	1	Spool-Loop, Flush
10	110-6485	1	Pin-Slotted	24	110-6493	1	Pivot-Return, Neutral
11	110-6486	1	Plug-Relief, Charge	25	69-3170	2	Ring-Retaining
11:1	28-3570	1	O-Ring	26	75-0460	1	Bearing-Ball
12	110-6480	1	Coupling	27	115-8085	1	Spring-Neutral Return
13	92-1353	1	Shim Kit	28	110-6496	1	Nut-Seal
14	110-6474	1	Spring	29	110-6497	1	Neutral Return Arm ASM
15	110-6475	1	Poppet	29:1	110-6494	1	Bearing-Cam
16	115-8087	1	Cap-End	29:2	110-3056	1	Ring-Retaining
17	110-6476	1	Gasket-Cap, End	30	69-3130	2	Plug

● Not illustrated

■ Not serviced separately

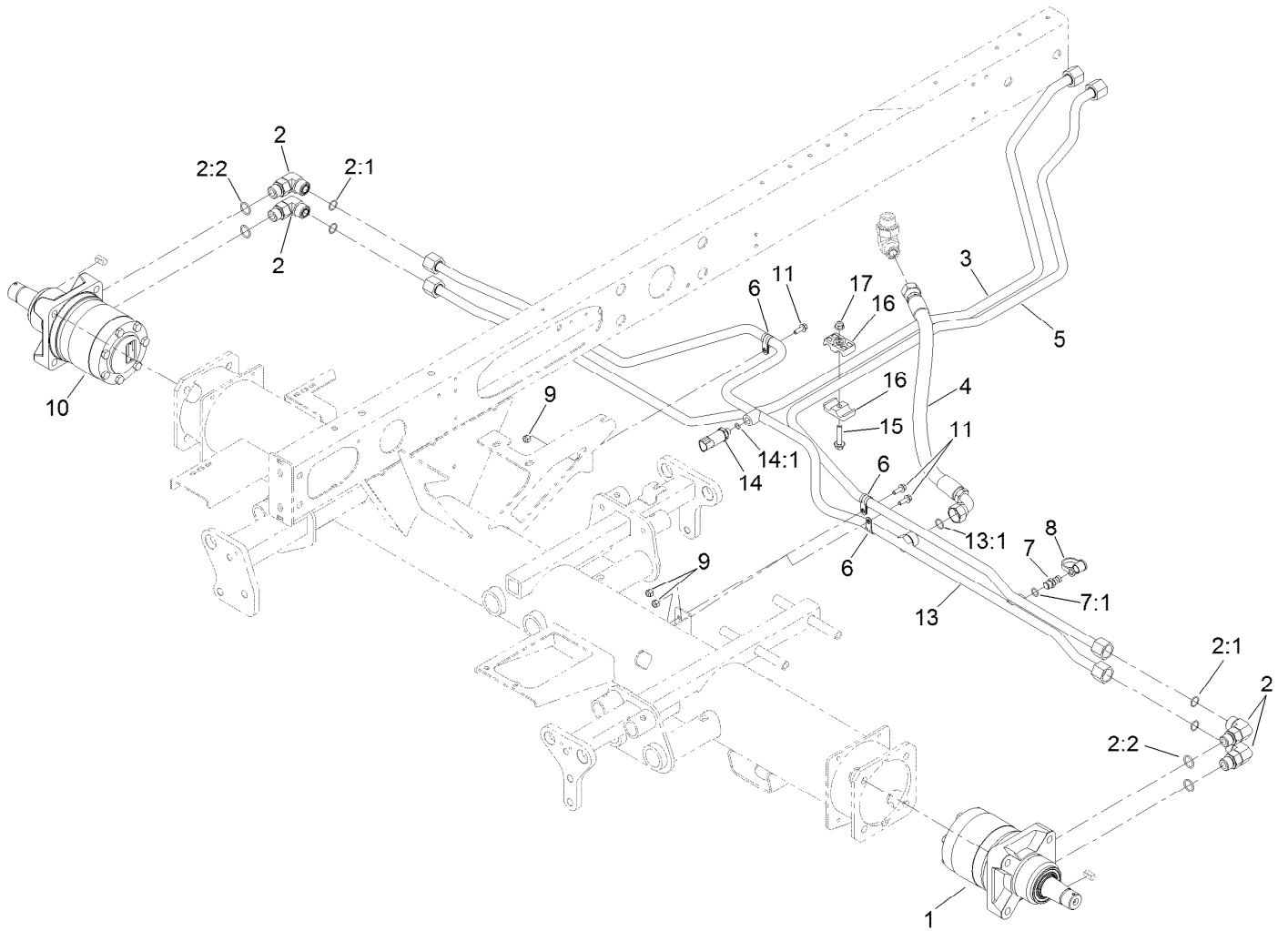


Hydraulic Pump Assembly No. 119-6972 (continued)

Ref.	Part Number	Qty.	Description	Ref.	Part Number	Qty.	Description
31	112-0158	2	Pin	46:1	110-6471	1	Seal-Lip
33	110-6477	2	Valve-Relief	46:2	28-3570	1	O-Ring
33:1	75-0240	1	O-Ring ●	46:3	110-6476	1	Gasket-Cap, End
33:2	84-0560	1	O-Ring ●	46:4	131-8631	2	O-Ring
36	110-6499	1	Trunnion Cover ASM	46:5	25-2630	1	Ring-Back Up
36:1	110-6478	1	Seal-Lip	46:6	110-6498	1	O-Ring
38	84-0430	2	O-Ring	46:7	75-0240	2	O-Ring
39	112-0150	4	Screw	46:8	84-0560	2	O-Ring
40	84-0440	1	Cover-Trunnion	46:9	110-6478	1	Seal-Lip
41	112-0151	4	Screw	46:10	84-0430	2	O-Ring
46	110-6481	1	Seal Kit ●	46:11	131-8614	2	O-Ring

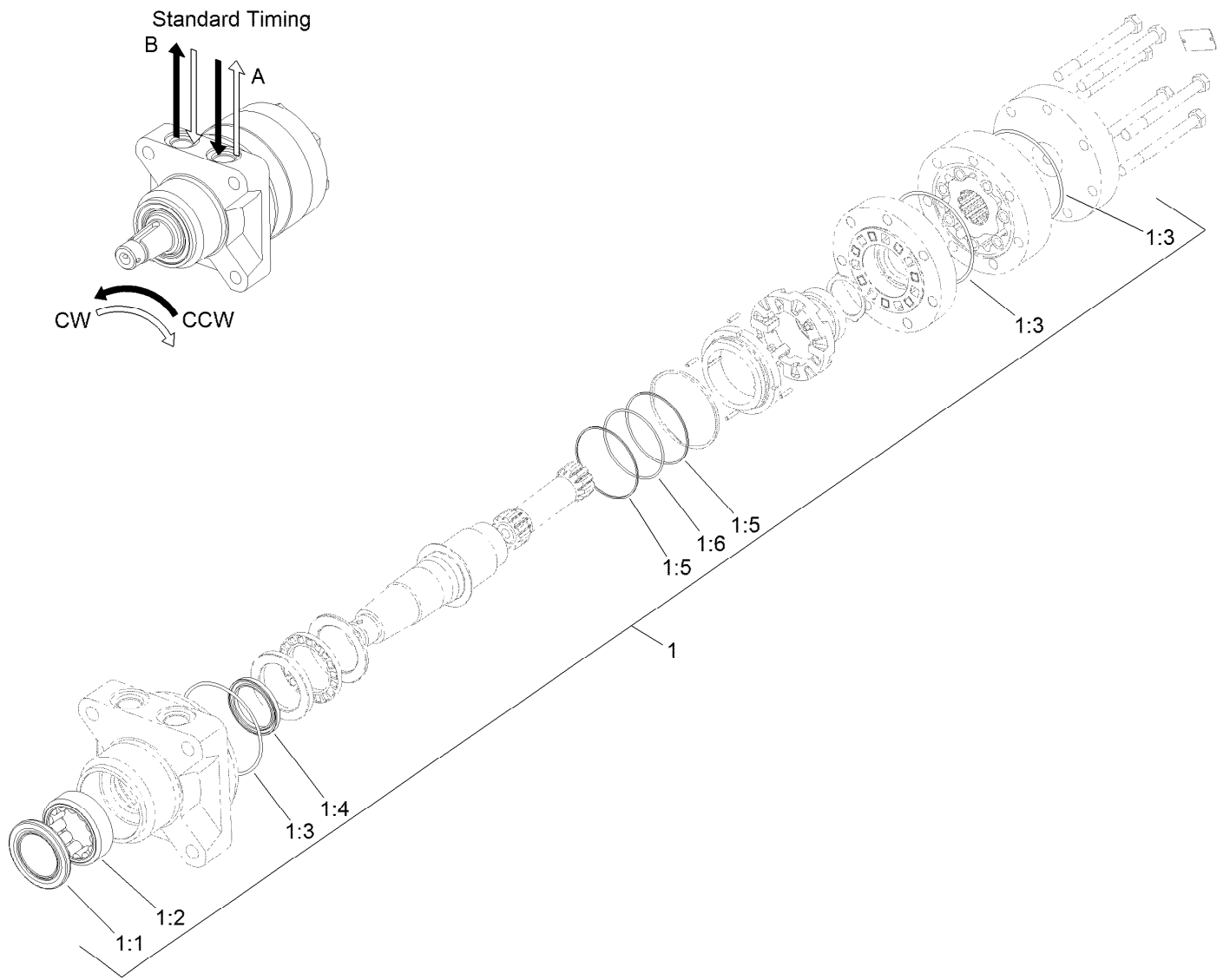
● Not illustrated

■ Not serviced separately



Traction Hydraulic Circuit Assembly

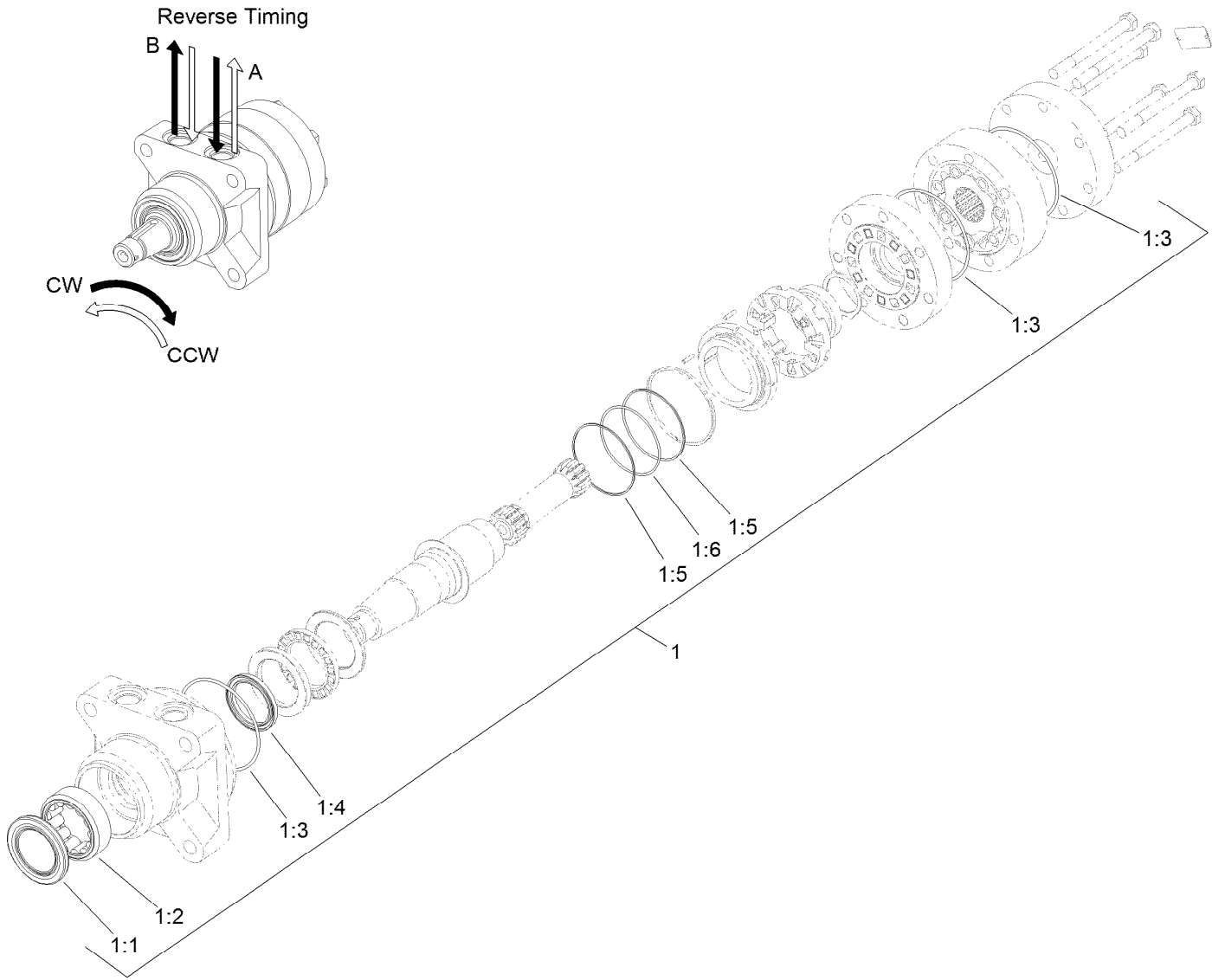
Ref.	Part Number	Qty.	Description	Ref.	Part Number	Qty.	Description
1	133-2935	1	Hydraulic Motor ASM	9	3296-42	3	Nut-Lock, NI
2	340-17	4	Fitting-Elbow, 90 DEG	10	133-2934	1	Hydraulic Motor ASM
2:1	237-65	1	O-Ring	11	3234-4	3	Screw-HHF
2:2	237-80	1	O-Ring	13	114-0389	1	Hydraulic Tube ASM
3	114-0425	1	Hydraulic Tube ASM	13:1	237-65	1	O-Ring
4	108-1679	1	Hose-HYD	14	119-0011	1	Pressure Transducer ASM
5	114-0424	1	Hydraulic Tube ASM	14:1	237-78	1	O-Ring
6	2412-134	3	Clamp-R	15	94-5780	1	Screw-HWH
7	59-7410	1	Fitting-Diagnostic	16	56-7971	2	Clamp-Tube
7:1	237-42	1	O-Ring	17	104-8300	1	Nut-HF, NI
8	354-79	1	Cap-Dust				



Hydraulic Motor Assembly No. 133-2935 (CCW)

Ref.	Part Number	Qty.	Description
1	120-6268	1	Seal Kit
1:1		1	Seal-Grease ●
1:2		1	Shell-Bearing ●
1:3		3	O-Ring ●
1:4		1	Seal-Shaft ●
1:5		2	Ring-Back Up ●
1:6		1	O-Ring ●

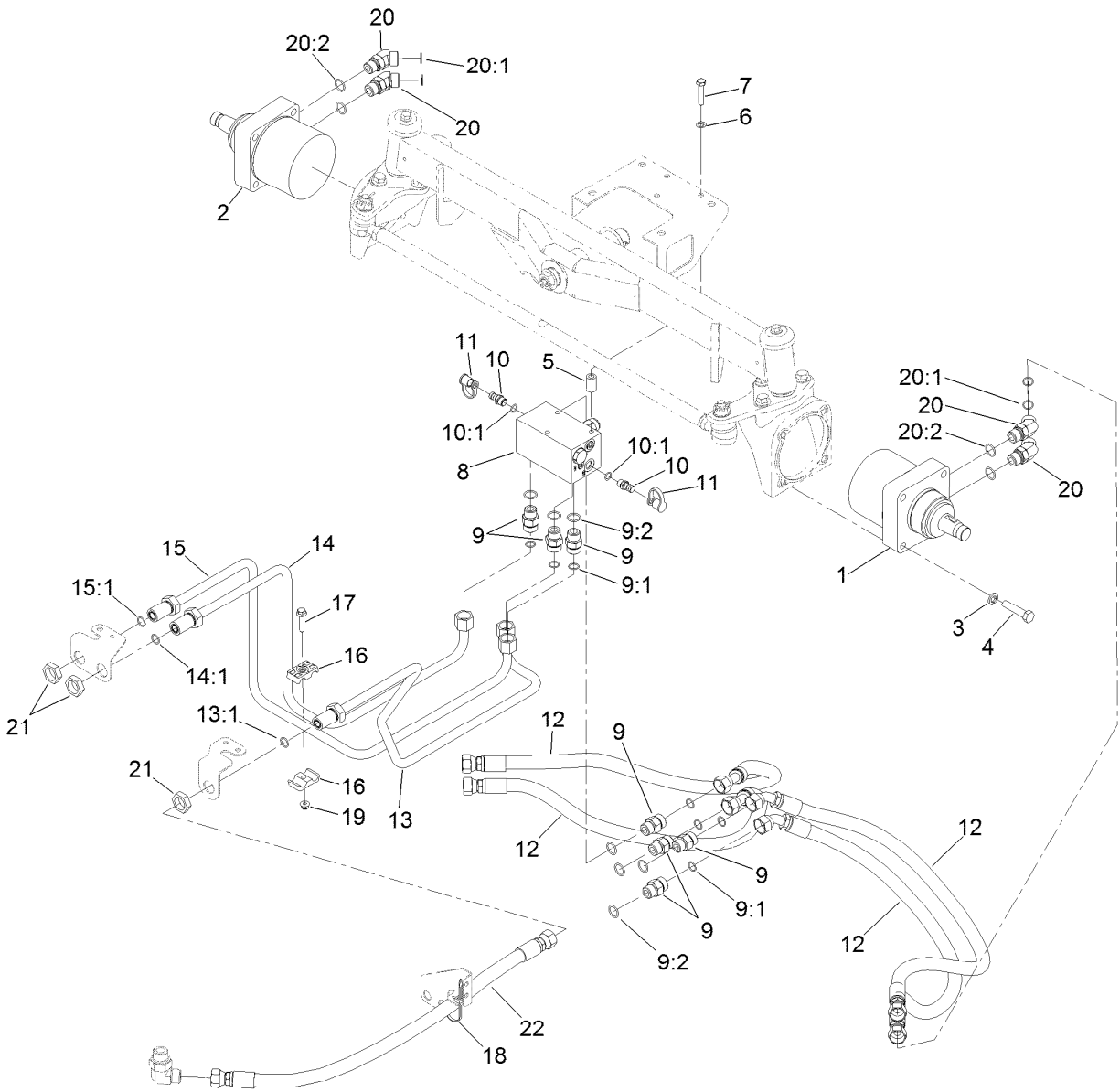
● Not serviced separately



Hydraulic Motor Assembly No. 133-2934 (CW)

Ref.	Part Number	Qty.	Description
1	120-6268	1	Seal Kit
1:1		1	Seal-Grease ●
1:2		1	Shell-Bearing ●
1:3		3	O-Ring ●
1:4		1	Seal-Shaft ●
1:5		2	Ring-Back Up ●
1:6		1	O-Ring ●

● Not serviced separately

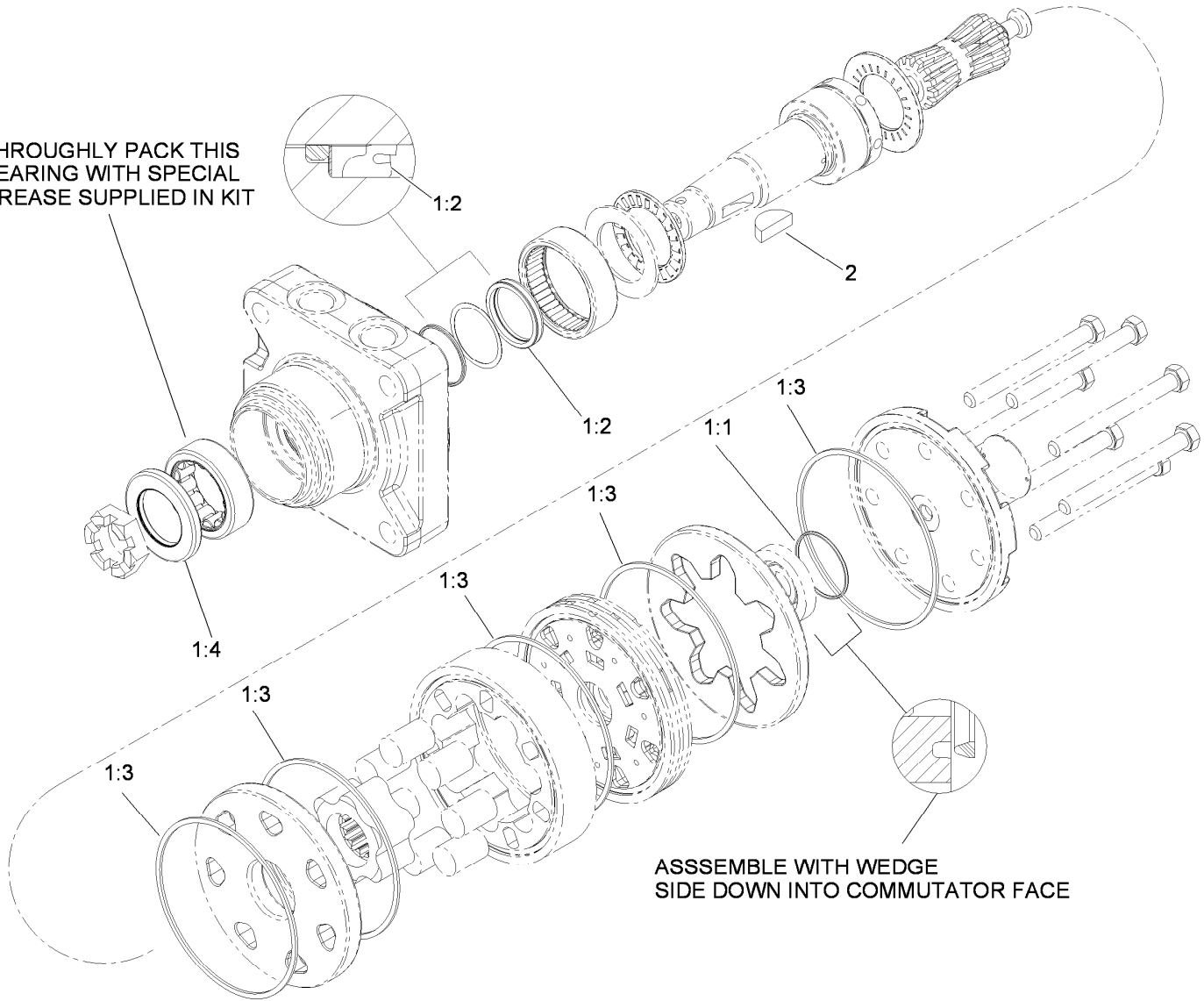


Rear Traction Hydraulic Circuit

Ref.	Part Number	Qty.	Description
1	107-4544	1	HYD Motor ASM
2	110-0901	1	HYD Motor ASM
3	3253-7	8	Washer-Lock
4	325-9	8	Screw-HH
5	93-6981	3	Spacer
6	3253-21	3	Washer-Lock
7	323-9	3	Screw-HH
8	108-1825	1	HYD Manifold ASM
9	340-7	7	Fitting-Straight
9:1	237-65	1	O-Ring
9:2	237-80	1	O-Ring
10	59-7410	2	Fitting-Diagnostic
10:1	237-42	1	O-Ring
11	354-79	2	Cap-Dust
12	106-3662	4	Hose-HYD

Ref.	Part Number	Qty.	Description
13	108-7626	1	Tube ASM
13:1	237-65	1	O-Ring
14	108-7625	1	Tube ASM
14:1	237-65	1	O-Ring
15	108-7624	1	Tube ASM
15:1	237-65	1	O-Ring
16	56-7971	2	Clamp-Tube
17	94-5780	1	Screw-HWH
18	3290-378	1	Tie-Cable
19	104-8300	1	Nut-HF, NI
20	340-14	4	Fitting-HYD, 45 DEG
20:1	237-65	1	O-Ring
20:2	237-80	1	O-Ring
21	340-74	3	Nut-Lock, Bulkhead
22	108-7645	1	Hose-HYD

THOROUGHLY PACK THIS BEARING WITH SPECIAL GREASE SUPPLIED IN KIT



ASSEMBLE WITH WEDGE SIDE DOWN INTO COMMUTATOR FACE

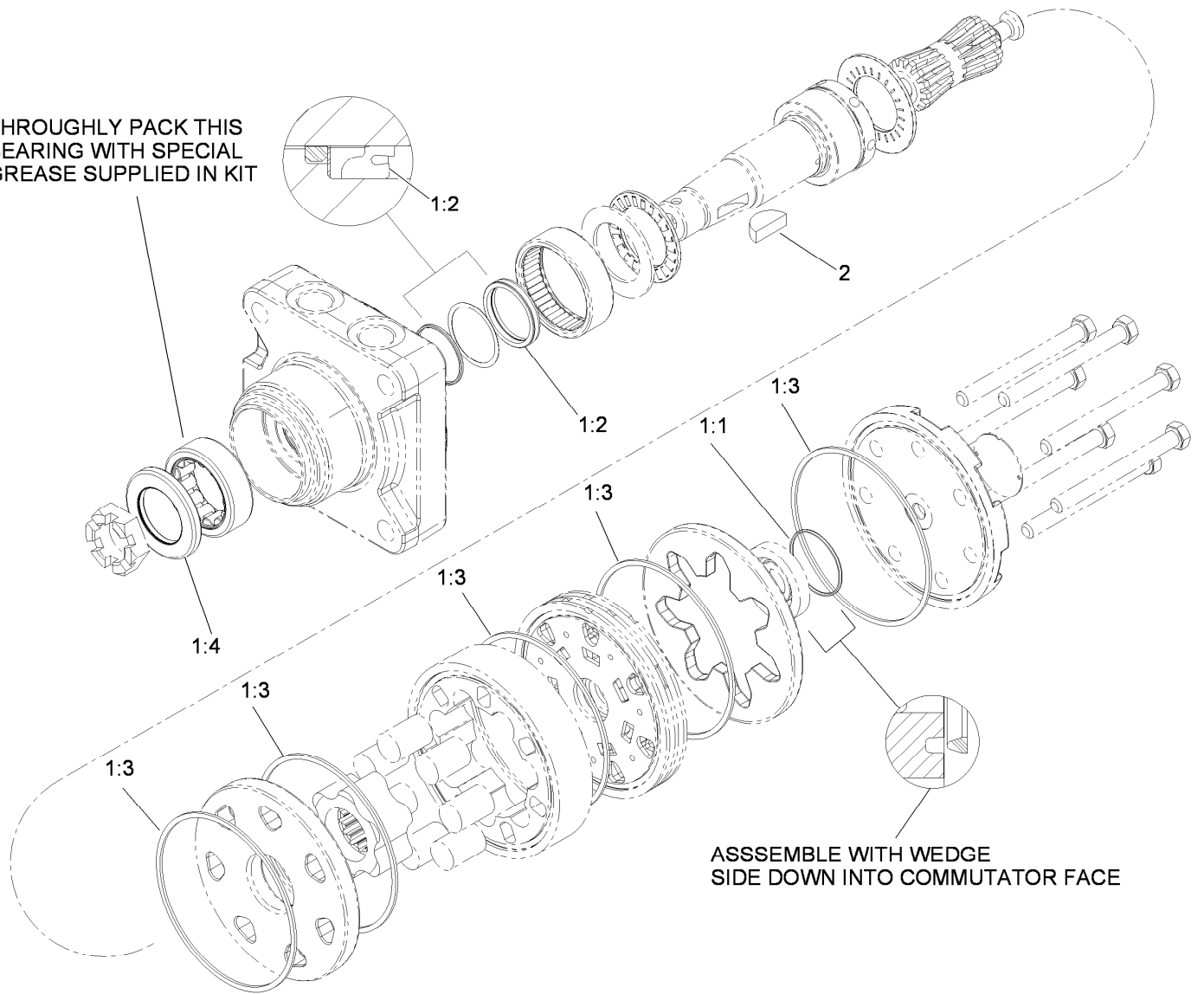
Hydraulic Motor Assembly No. 107-4544

Ref.	Part Number	Qty.	Description
1	110-8897	1	Seal Kit ●
1:1		1	Seal-Commutator, Vespel ■
1:2		1	Seal-Shaft ■
1:3		5	Seal-Body, Buna ■
1:4		1	Seal-Dirt / Water ■
2	3257-42	1	Key-Woodruff

● Not illustrated

■ Not serviced separately

THOROUGHLY PACK THIS BEARING WITH SPECIAL GREASE SUPPLIED IN KIT



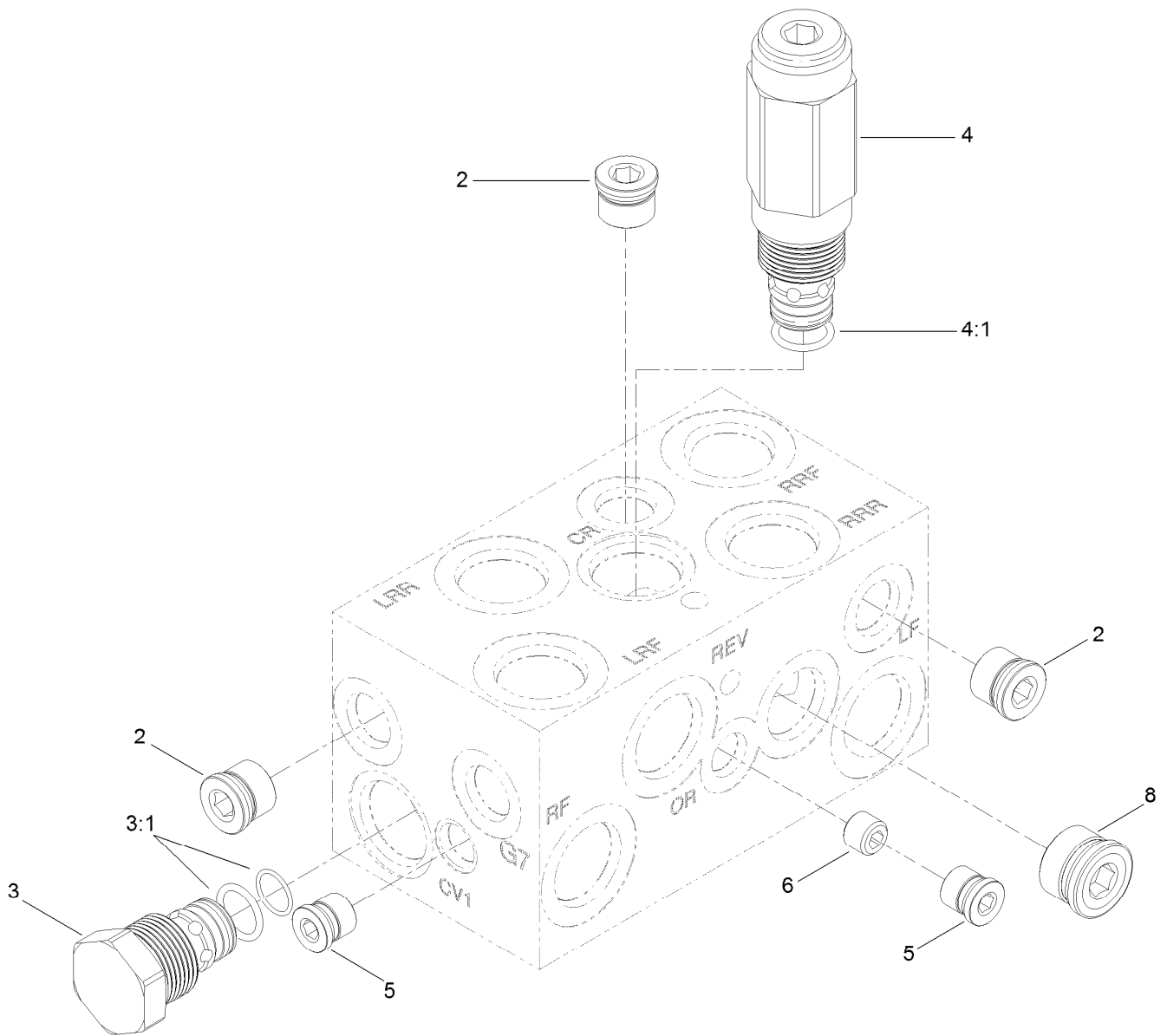
ASSEMBLE WITH WEDGE
SIDE DOWN INTO COMMUTATOR FACE

Hydraulic Motor Assembly No. 110-0901

Ref.	Part Number	Qty.	Description
1	110-8897	1	Seal Kit ●
1:1		1	Seal-Commutator, Vespel ■
1:2		1	Seal-Shaft ■
1:3		5	Seal-Body, Buna ■
1:4		1	Seal-Dirt / Water ■
2	3257-42	1	Key-Woodruff

● Not illustrated

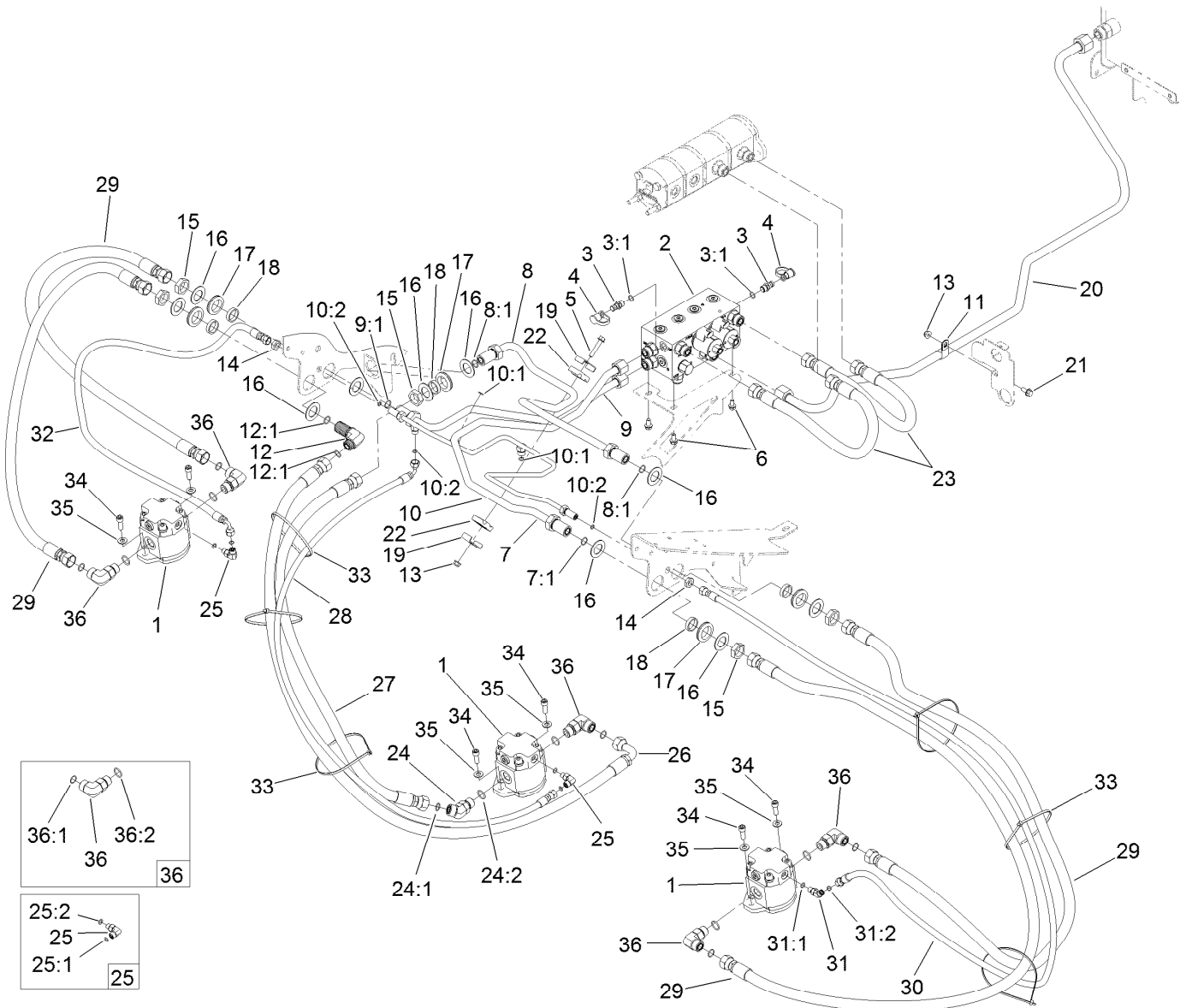
■ Not serviced separately



Four Wheel Drive Manifold Assembly No. 108-1825

<i>Ref.</i>	<i>Part Number</i>	<i>Qty.</i>	<i>Description</i>
2	106-1026	3	Plug-HYD
3	110-8881	2	Valve-Check
3:1	105-9159	1	Seal Kit ●
4	110-8882	1	Valve-Relief, Cross Over
4:1	110-6316	1	Seal Kit
5	106-1025	2	Plug-HYD
6	110-8883	1	Plug-Orifice (0.040)
8	106-1027	1	Plug

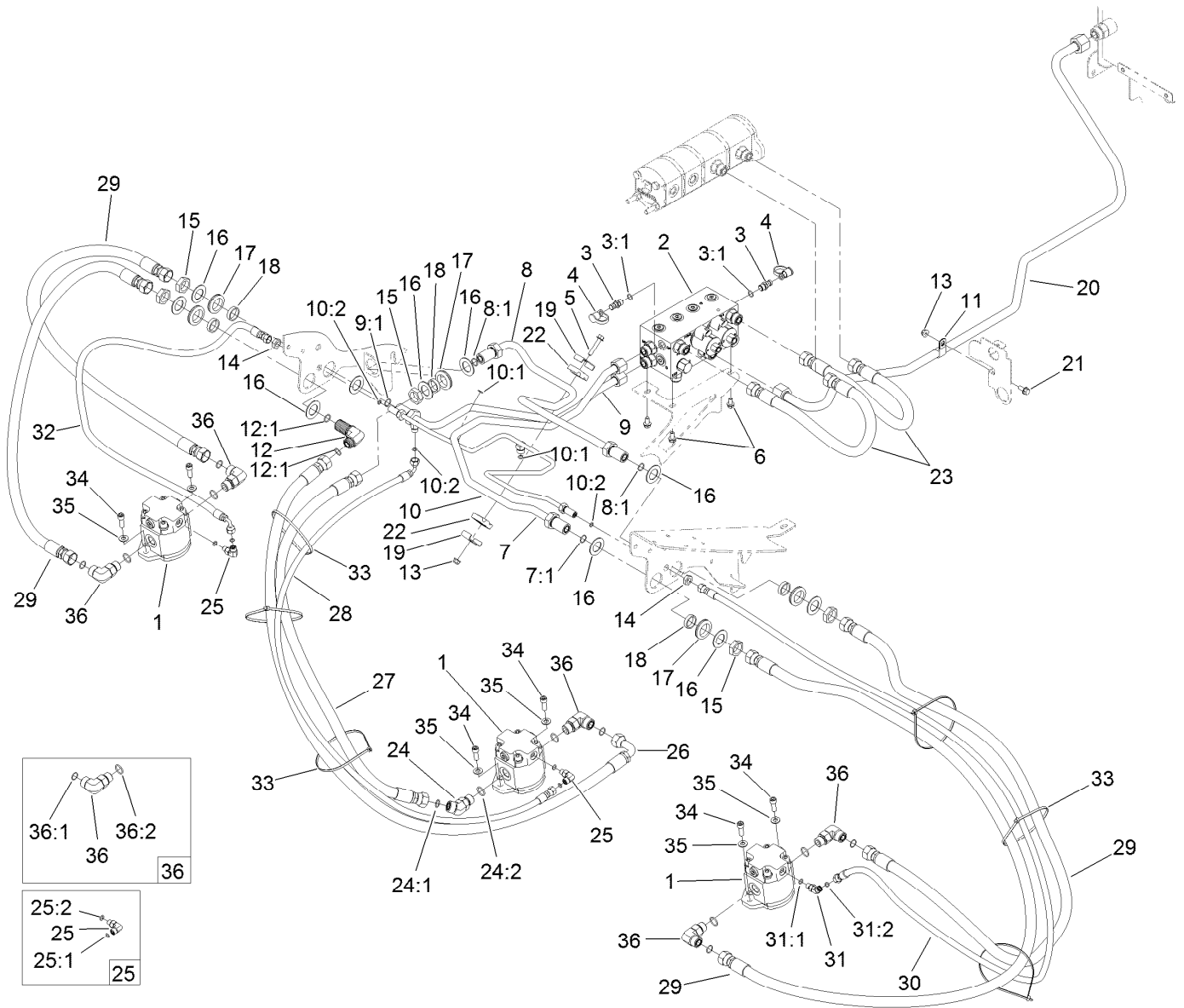
● Not illustrated



Deck No. 1, 4 and 5 Hydraulic Circuit Assembly

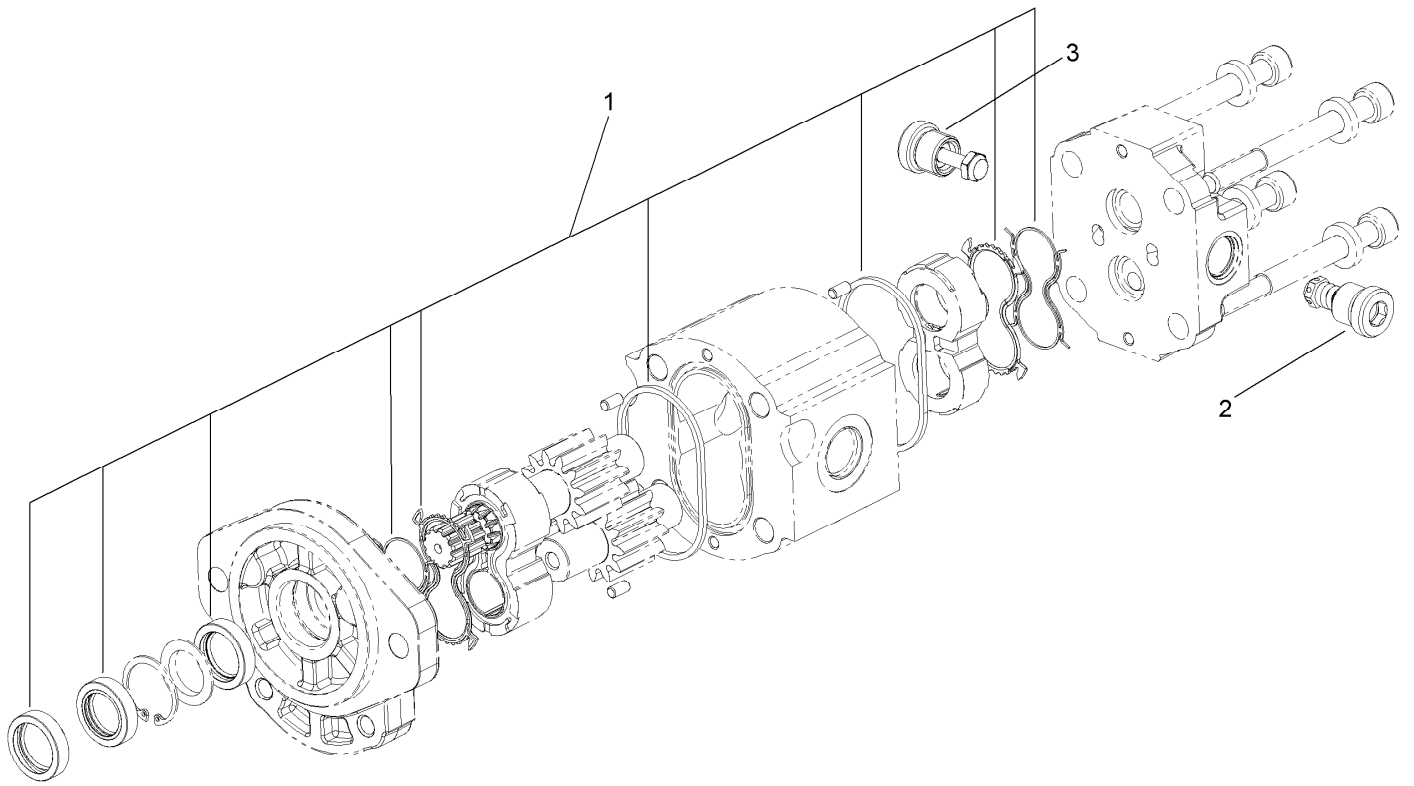
Ref.	Part Number	Qty.	Description
1	108-4004	3	Gear Motor ASM
2	114-0359	1	Deck Control Manifold ASM
3	59-7410	2	Fitting-Diagnostic
3:1	237-42	1	O-Ring
4	354-79	2	Cap-Dust
5	94-5780	1	Screw-HWH
6	3234-14	3	Screw-HHF
7	117-0138	1	Tube ASM
7:1	237-65	1	O-Ring
8	117-0137	1	Tube ASM
8:1	237-65	2	O-Ring
9	117-0139	1	Tube ASM
9:1	237-65	1	O-Ring
10	110-5286	1	Tube ASM
10:1	237-22	2	O-Ring
10:2	237-21	3	O-Ring
11	2412-4	1	Clamp-R
12	340-72	1	Fitting-Bulkhead, 90 DEG
12:1	237-65	2	O-Ring
13	104-8300	2	Nut-HF, NI
14	340-78	2	Nut-Lock

Ref.	Part Number	Qty.	Description
15	340-74	5	Nut-Lock, Bulkhead
16	69-9010	10	Washer
17	240-3	5	Grommet-Rubber
18	125-1984	5	Spacer
19	119-1419	2	Plate-Clamp
20	120-3769	1	Hydraulic Tube ASM
21	3234-5	1	Screw-HHF
22	56-7970	2	Clamp-Tube
23	108-1686	2	Hose-HYD
24	340-14	1	Fitting-HYD, 45 DEG
24:1	237-65	1	O-Ring
24:2	237-80	1	O-Ring
25	340-132	2	Fitting-Elbow, 90 DEG
25:1	237-78	1	O-Ring
25:2	237-21	1	O-Ring
26	117-0213	1	HYD Hose ASM
27	117-0211	1	HYD Hose ASM
28	117-0212	1	HYD Hose ASM
29	117-0299	4	HYD Hose ASM
30	104-9323	1	Hose-HYD
31	340-103	1	Fitting-HYD, 45 DEG



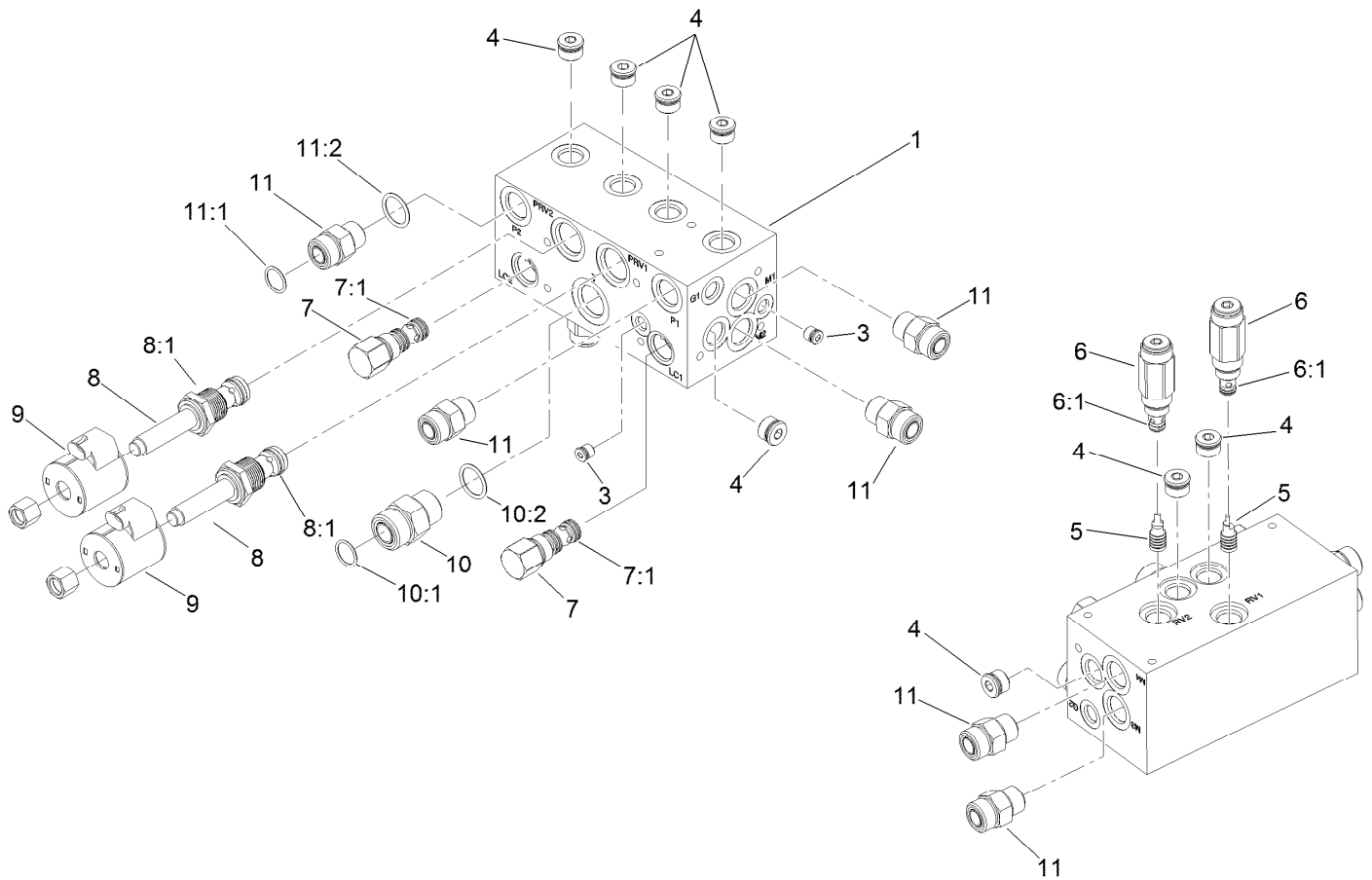
Deck No. 1, 4 and 5 Hydraulic Circuit Assembly (continued)

Ref.	Part Number	Qty.	Description	Ref.	Part Number	Qty.	Description
31:1	237-78	1	O-Ring	35	3256-24	6	Washer-Flat
31:2	237-21	1	O-Ring	36	340-17	5	Fitting-Elbow, 90 DEG
32	92-7638	1	Hose ASM	36:1	237-65	1	O-Ring
33	3334-945	9	Tie-Cable	36:2	237-80	1	O-Ring
34	3274-7	6	Screw-HSH				



Gear Motor Assembly No. 108-4004

<i>Ref.</i>	<i>Part Number</i>	<i>Qty.</i>	<i>Description</i>
1	117-0235	1	Seal Kit
2	107-7820	1	Valve-Relief
3	107-7821	1	Valve-Anticavitation



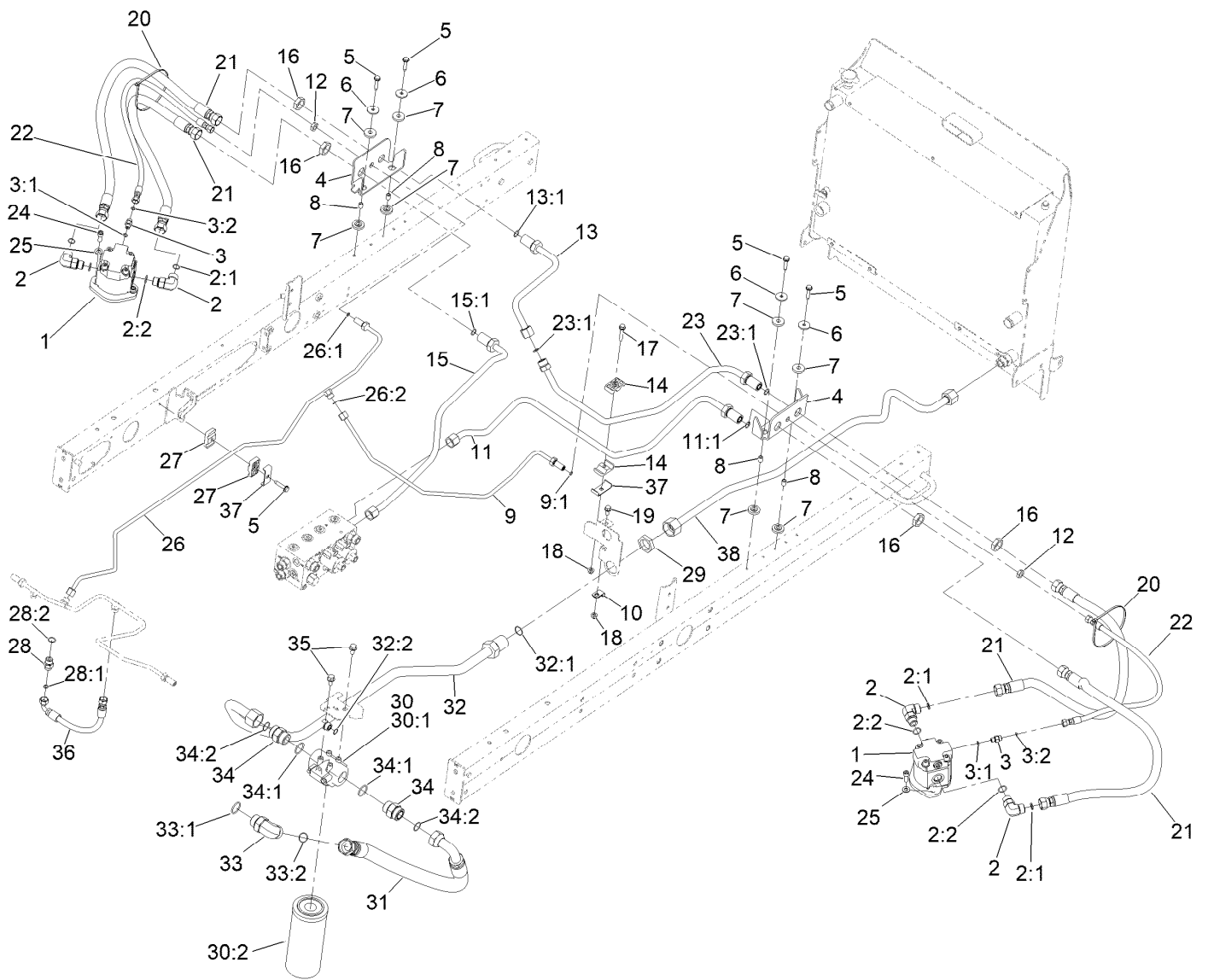
Deck Control Manifold Assembly No. 114-0359

Ref.	Part Number	Qty.	Description
1		1	Hydraulic Manifold ■
3	106-1025	2	Plug-HYD
4	106-1027	8	Plug
5	105-9157	2	Piston-Pilot
6	112-5259	2	Valve-Relief
6:1	105-9156	1	Seal Kit
7	105-9153	2	Element-Logic, Vented
7:1	119-2159	1	Seal Kit ●
8	117-0229	2	Valve-Relief, Proportional

Ref.	Part Number	Qty.	Description
8:1	117-1114	1	*obs* Seal Kit
9	110-6344	2	Coil-12V, DC
10	340-9	1	Fitting-STR
10:1	237-58	1	O-Ring
10:2	237-81	1	O-Ring
11	340-7	2	Fitting-Straight
11:1	237-65	1	O-Ring
11:2	237-80	1	O-Ring

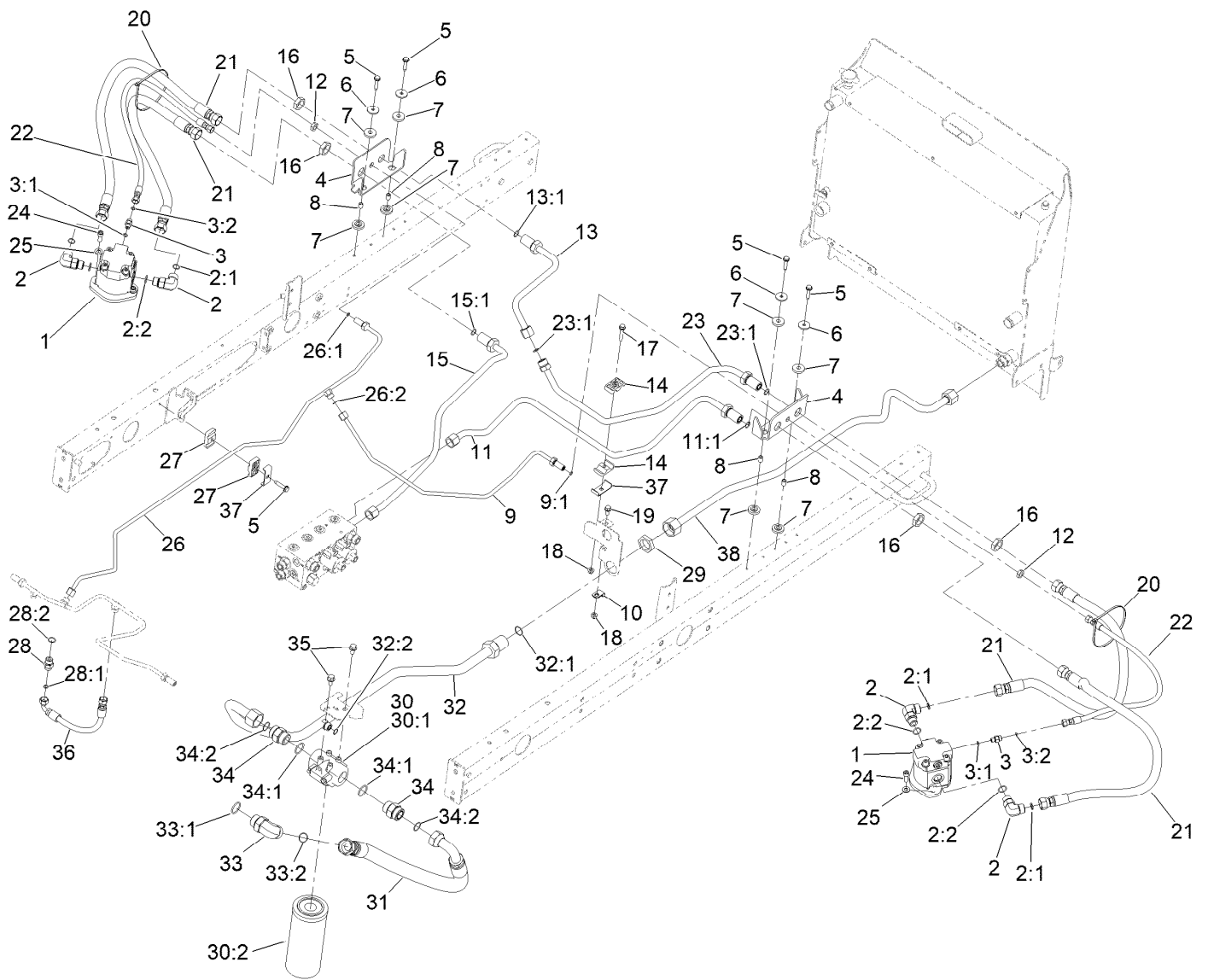
● Not illustrated

■ Not serviced separately



Deck No. 2 and 3 Hydraulic Circuit Assembly

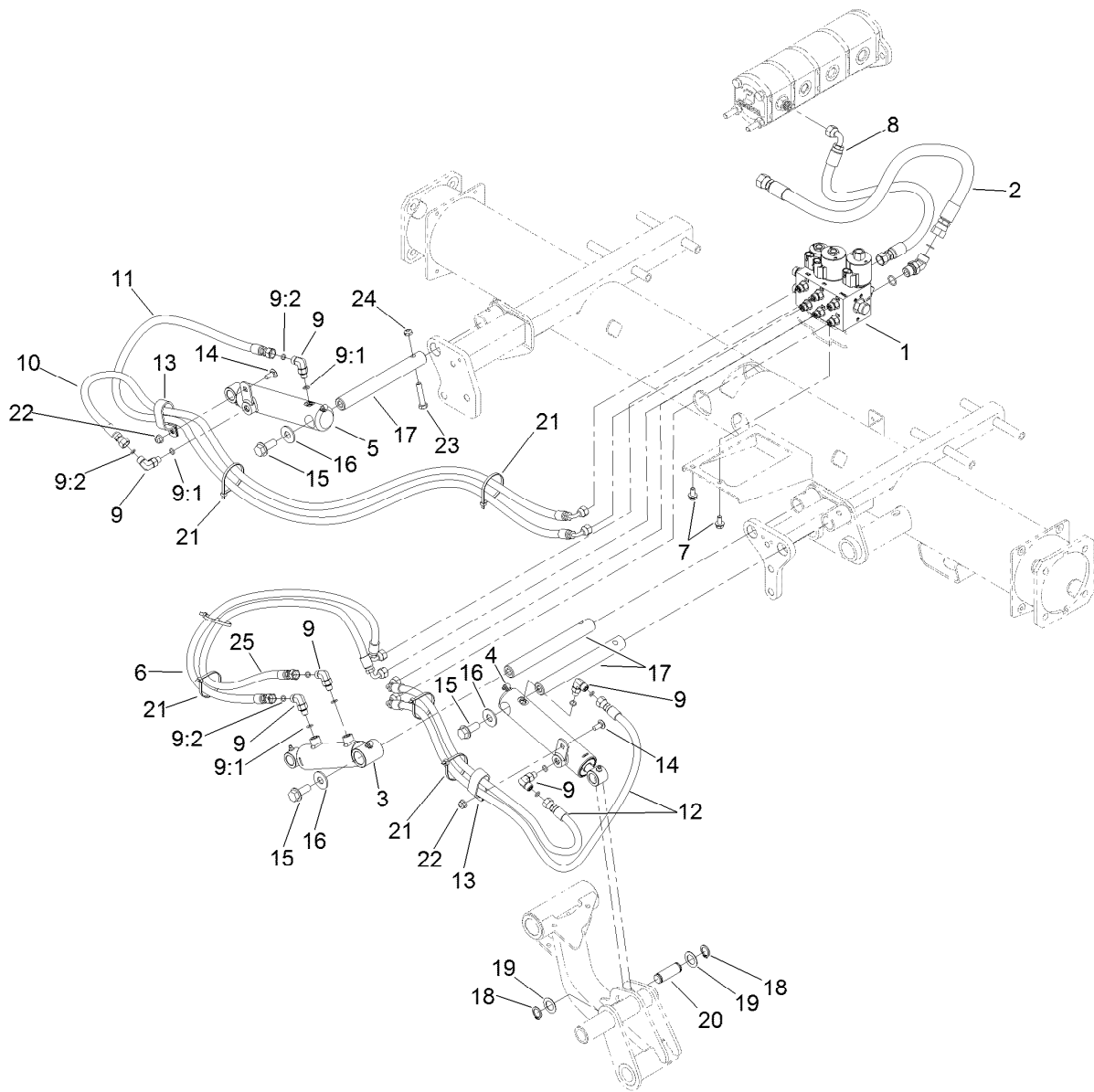
Ref.	Part Number	Qty.	Description	Ref.	Part Number	Qty.	Description
1	108-4004	2	Gear Motor ASM	15	120-3773	1	Tube ASM HYD
2	340-17	4	Fitting-Elbow, 90 DEG	15:1	237-65	1	O-Ring
2:1	237-65	1	O-Ring	16	340-74	4	Nut-Lock, Bulkhead
2:2	237-80	1	O-Ring	17	94-5780	1	Screw-HWH
3	340-92	2	Fitting-Straight	18	104-8300	2	Nut-HF, NI
3:1	237-78	1	O-Ring	19	3234-5	1	Screw-HHF
3:2	237-21	1	O-Ring	20	3334-945	6	Tie-Cable
4	117-0174-03	2	Bracket-Bulkhead	21	105-1215	4	Hose-HYD
5	32144-57	5	Screw	22	108-6507	2	Hose-HYD
6	105-3048	4	Washer-Flat	23	120-3775	1	HYD Tube ASM
7	240-11	8	Bushing-Flange	23:1	237-65	2	O-Ring
8	99-8611	4	Spacer	24	3274-7	4	Screw-HSH
9	120-3772	1	HYD Tube ASM	25	3256-24	4	Washer-Flat
9:1	237-21	1	O-Ring	26	120-3811	1	HYD Tube ASM
10	2412-113	1	Clamp-R	26:1	237-21	1	O-Ring
11	120-3774	1	HYD Tube ASM	26:2	237-22	1	O-Ring
11:1	237-65	1	O-Ring	27	56-7972	2	Clamp-Tube
12	340-78	2	Nut-Lock	28	340-3	1	Fitting-Straight
13	117-0140	1	Tube ASM	28:1	237-22	1	O-Ring
13:1	237-65	1	O-Ring	28:2	237-79	1	O-Ring
14	56-7971	2	Clamp-Tube	29	340-128	1	Nut-Bulkhead



Deck No. 2 and 3 Hydraulic Circuit Assembly (continued)

Ref.	Part Number	Qty.	Description
30	98-3923	1	Oil Filter ASM
30:1	104-0080	1	Filter Head ASM
30:2	94-2621	1	Element-Filter
31	108-1689	1	Hose-HYD
32	108-1699	1	Tube ASM
32:1	340-65	1	O-Ring
32:2	237-30	1	O-Ring
33	340-129	1	Fitting-Elbow, 90 DEG
33:1	237-146	1	O-Ring

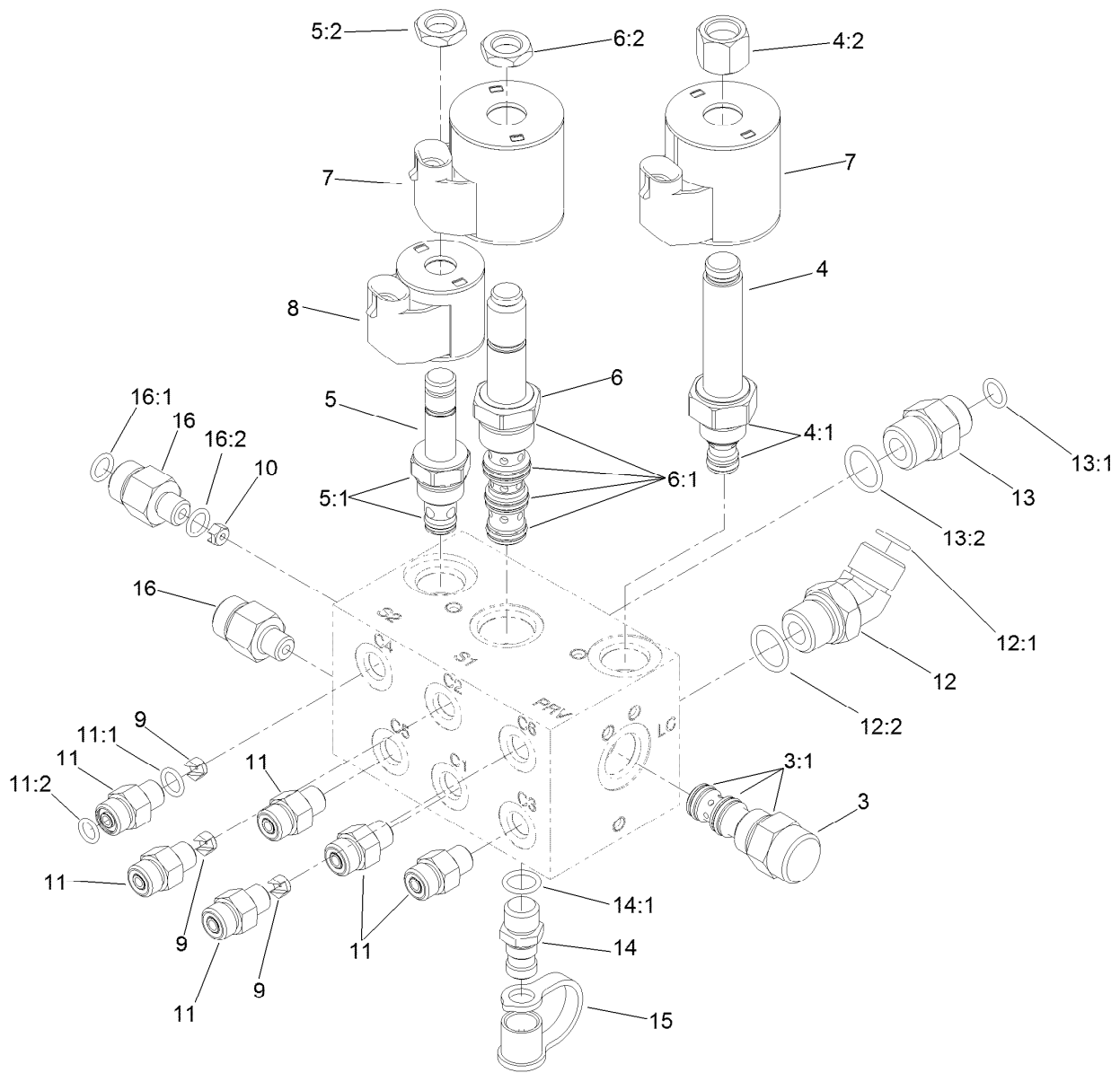
Ref.	Part Number	Qty.	Description
33:2	340-65	1	O-Ring
34	104-3797	2	Fitting-Straight
34:1	237-146	1	O-Ring
34:2	340-65	1	O-Ring
35	3234-1	2	Screw-HHF
36	66-8490	1	Hose-HYD
37	119-1419	2	Plate-Clamp
38	121-5600	1	HYD Tube ASM



Deck No. 1, 4 and 5 Lift Circuit Hydraulic Assembly

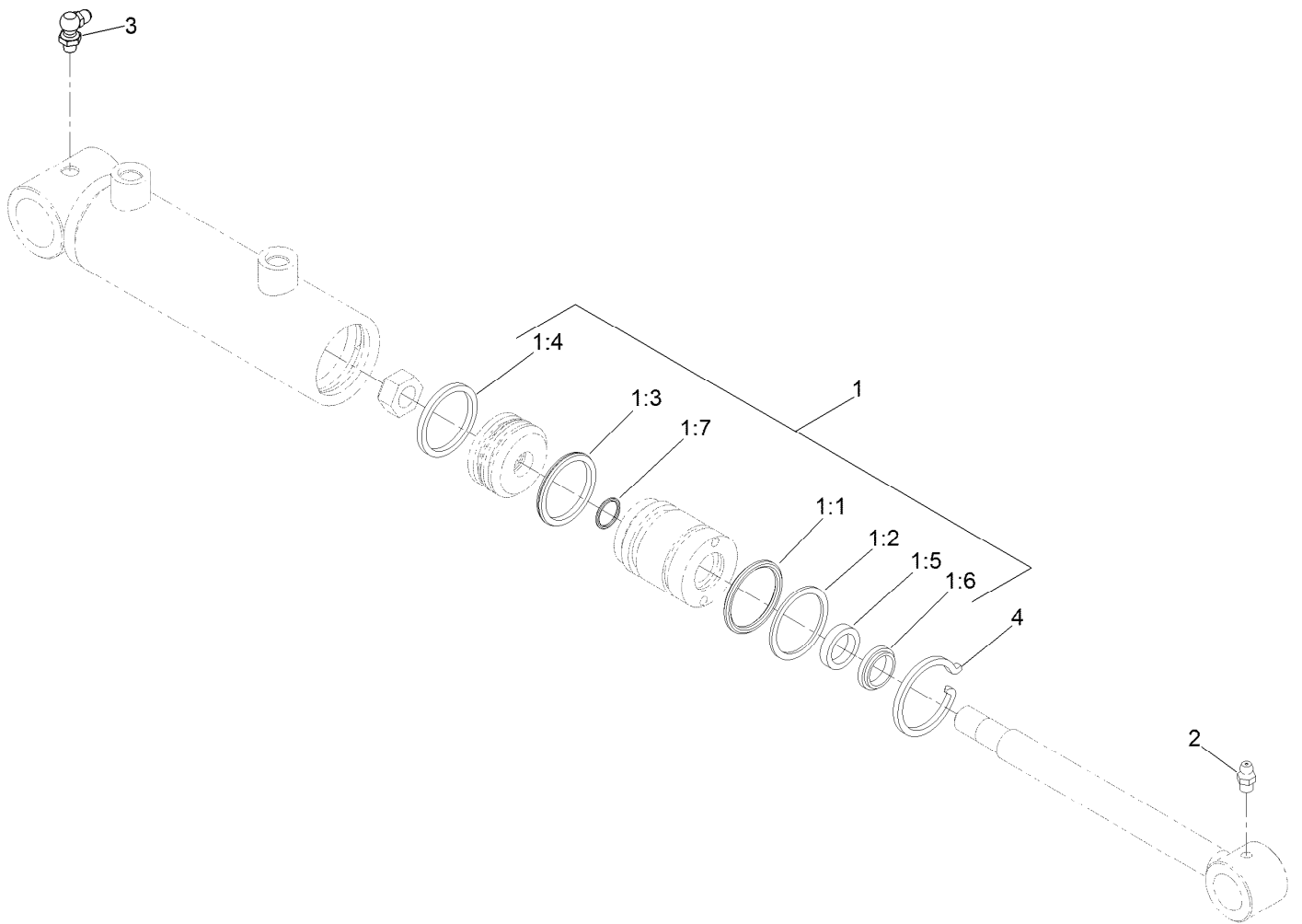
Ref.	Part Number	Qty.	Description
1	117-0158	1	Lift Control Manifold ASM
2	117-0180	1	Hose-HYD
3	119-6989	1	HYD Cylinder ASM
4	119-6990	1	HYD Cylinder ASM
5	119-6991	1	HYD Cylinder ASM
6	117-0253	1	Hose-HYD
7	3234-14	2	Screw-HHF
8	92-5694	1	Hose-Hydraulic
9	340-132	6	Fitting-Elbow, 90 DEG
9:1	237-78	1	O-Ring
9:2	237-21	1	O-Ring
10	117-0262	1	Hose-HYD
11	117-0261	1	Hose-HYD
12	85-4940	2	Hose-HYD

Ref.	Part Number	Qty.	Description
13	2412-137	2	Clamp-R, Double
14	3230-23	2	Bolt-CARR
15	3234-38	3	Screw-HHF
16	3256-6	3	Washer-Flat
17	117-0148	3	Pin-Cylinder
18	32120-93	6	Ring-Retaining
19	3-6498	6	Washer-Thrust
20	104-0046	3	Pin-Slide, Cylinder
21	3290-379	6	Tie-Cable
22	104-8300	2	Nut-HF, NI
23	323-9	3	Screw-HH
24	3296-59	3	Nut-Lock, NI
25	117-0254	1	HP HYD Hose ASM



Lift Control Manifold Assembly No. 117-0158

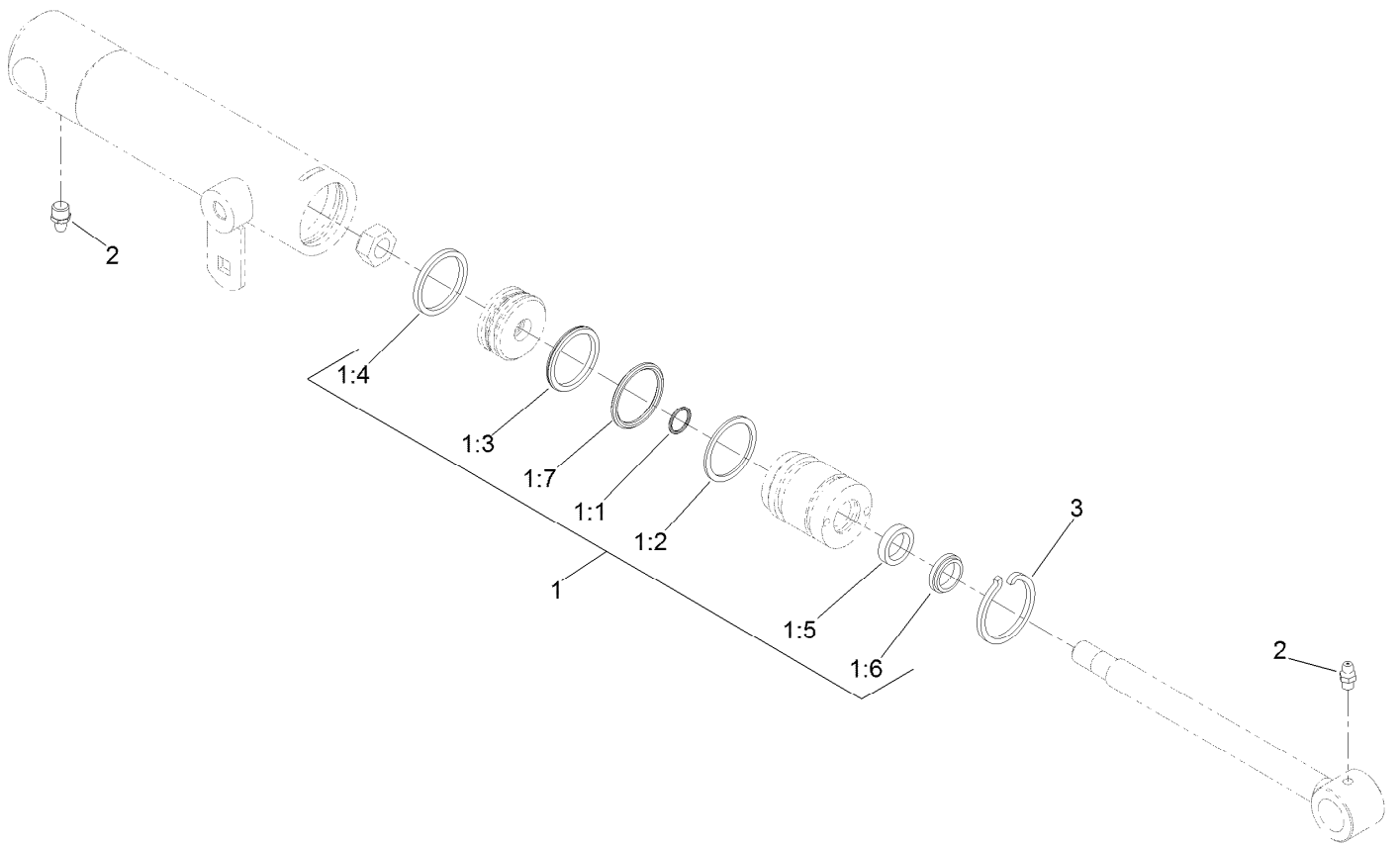
Ref.	Part Number	Qty.	Description	Ref.	Part Number	Qty.	Description
3	117-0228	1	Element-Directional, Pilot	11:1	237-78	1	O-Ring
3:1	115-5413	1	Seal Kit	11:2	237-21	1	O-Ring
4	117-0227	1	Valve-Relief, Proportional	12	340-101	1	Fitting-HYD, 45 DEG
4:1	105-9156	1	Seal Kit	12:1	237-30	1	O-Ring
4:2	130-8180	1	Nut-Coil (9/16-24 Unef-2B)	12:2	237-79	1	O-Ring
5	107-7516	1	Solenoid Valve ASM	13	340-3	1	Fitting-Straight
5:1	105-9156	1	Seal Kit	13:1	237-22	1	O-Ring
5:2	110-2634	1	Nut-Coil	13:2	237-79	1	O-Ring
6	110-8906	1	Valve-Solenoid	14	59-7410	1	Fitting-Diagnostic
6:1	110-8908	1	Spool Valve Seal Kit	14:1	237-42	1	O-Ring
6:2	110-2634	1	Nut-Coil	15	354-79	1	Cap-Dust
7	110-6344	2	Coil-12V, DC	16	340-88	2	Fitting-Straight
8	110-0497	1	Coil-Solenoid	16:1	237-22	1	O-Ring
9	110-8902	3	Orifice-Control, Flow (0.046)	16:2	237-78	1	O-Ring
10	114-4682	1	Orifice-Flow Control (.030)				
11	340-92	6	Fitting-Straight				



Hydraulic Cylinder Assembly No. 119-6989

Ref.	Part Number	Qty.	Description
1	133-2900	1	Seal Kit
1:1		1	O-Ring ●
1:2		1	Backup ●
1:3		1	Bp Seal ●
1:4		1	Wear Ring-Ht ●
1:5		1	Bt Seal ●
1:6		1	Dust Seal-Dt ●
1:7		1	O-Ring ●
2	302-5	1	Fitting-Grease
3	302-60	1	Fitting-Grease
4	84-1680	1	Ring-Retaining

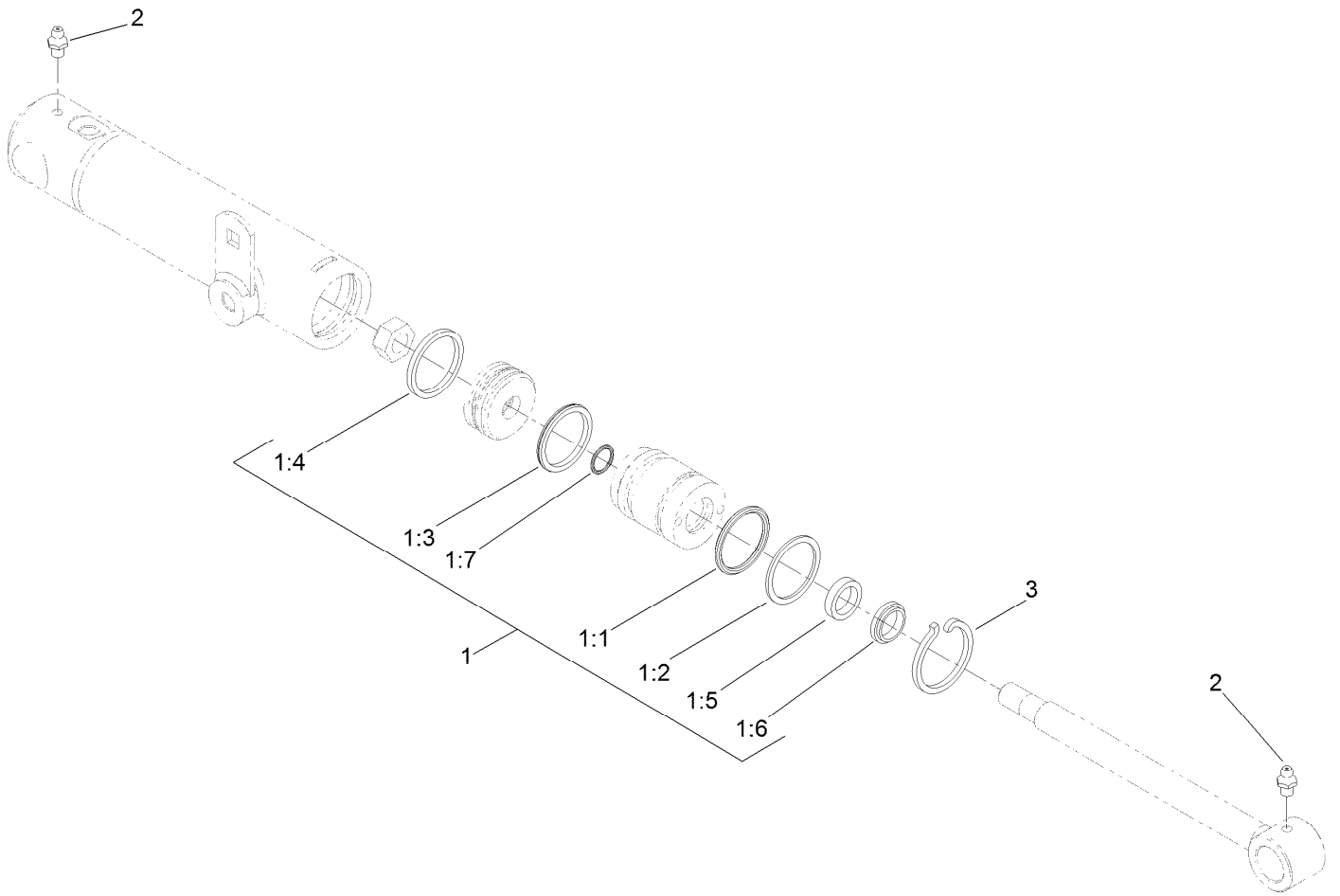
● Not serviced separately



Hydraulic Cylinder Assembly No. 119-6991

<i>Ref.</i>	<i>Part Number</i>	<i>Qty.</i>	<i>Description</i>
1	133-2900	1	Seal Kit
1:1		1	O-Ring ●
1:2		1	Backup ●
1:3		1	Bp Seal ●
1:4		1	Wear Ring-Ht ●
1:5		1	Bt Seal ●
1:6		1	Dust Seal-Dt ●
1:7		1	O-Ring ●
2	302-5	2	Fitting-Grease
3	84-1680	1	Ring-Retaining

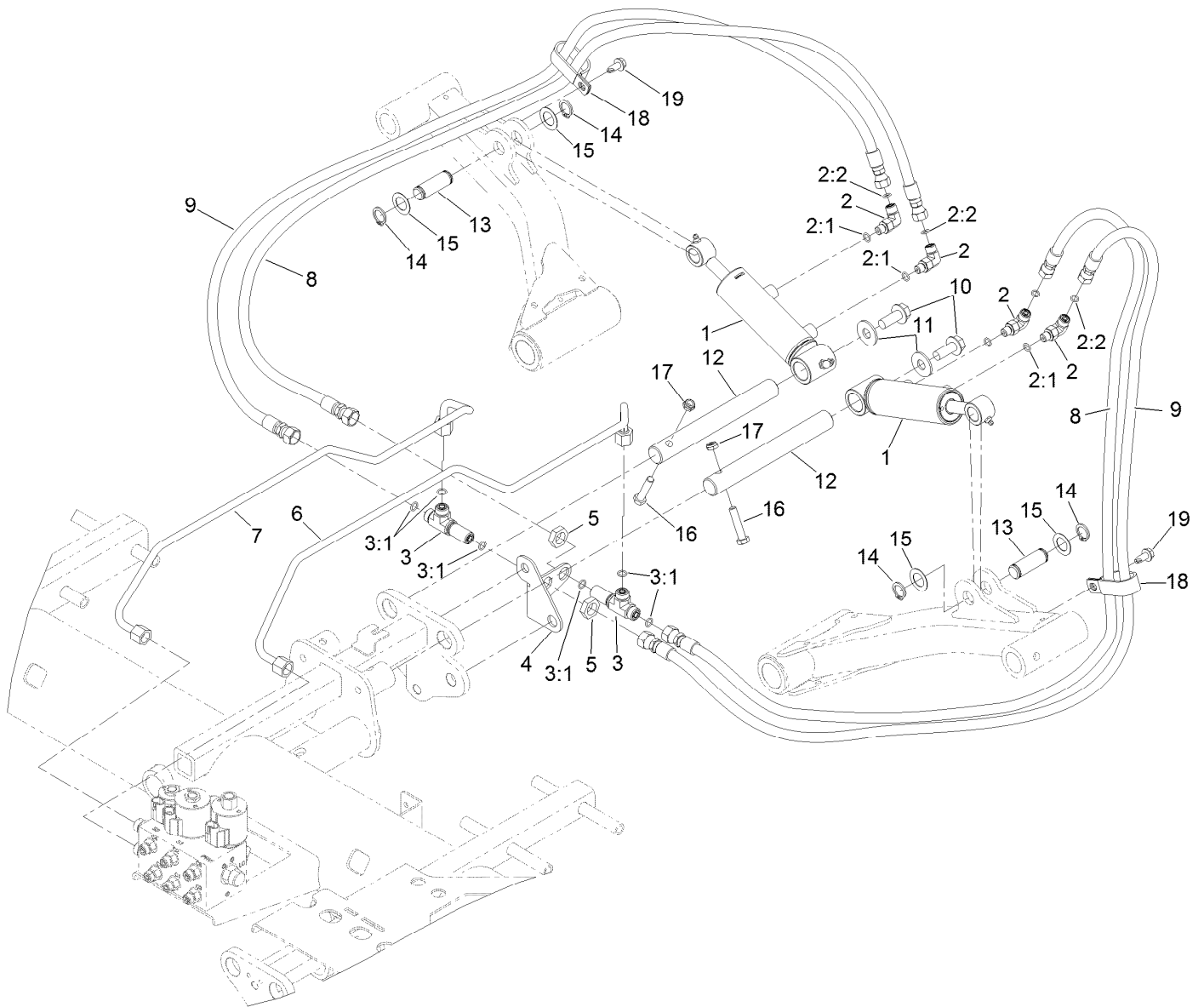
● Not serviced separately



Hydraulic Cylinder Assembly No. 119-6990

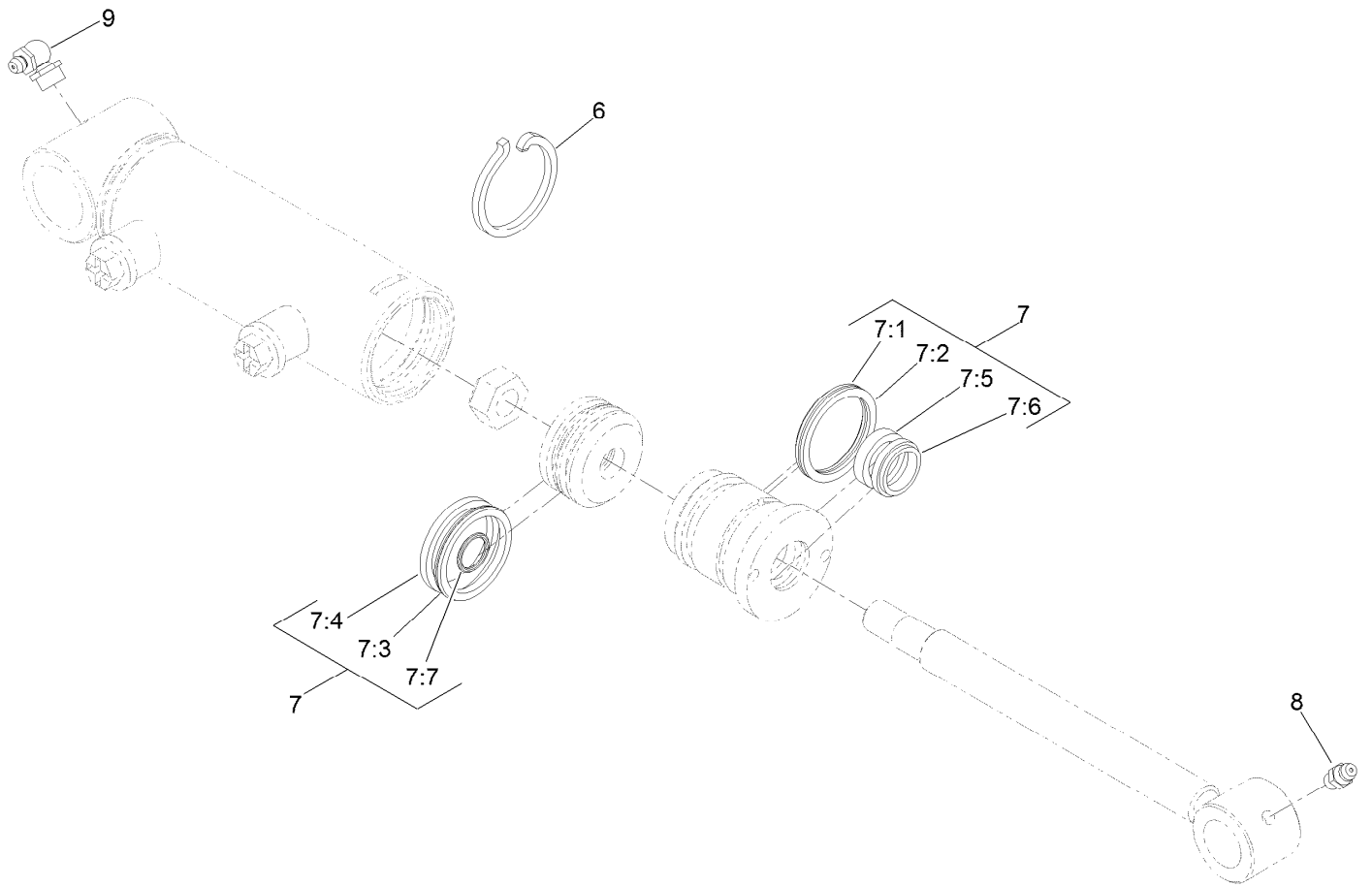
<i>Ref.</i>	<i>Part Number</i>	<i>Qty.</i>	<i>Description</i>
1	133-2900	1	Seal Kit
1:1		1	O-Ring ●
1:2		1	Backup ●
1:3		1	Bp Seal ●
1:4		1	Wear Ring-Ht ●
1:5		1	Bt Seal ●
1:6		1	Dust Seal-Dt ●
1:7		1	O-Ring ●
2	302-5	2	Fitting-Grease
3	84-1680	1	Ring-Retaining

● Not serviced separately



Deck No. 2 and 3 Lift Circuit Hydraulic Assembly

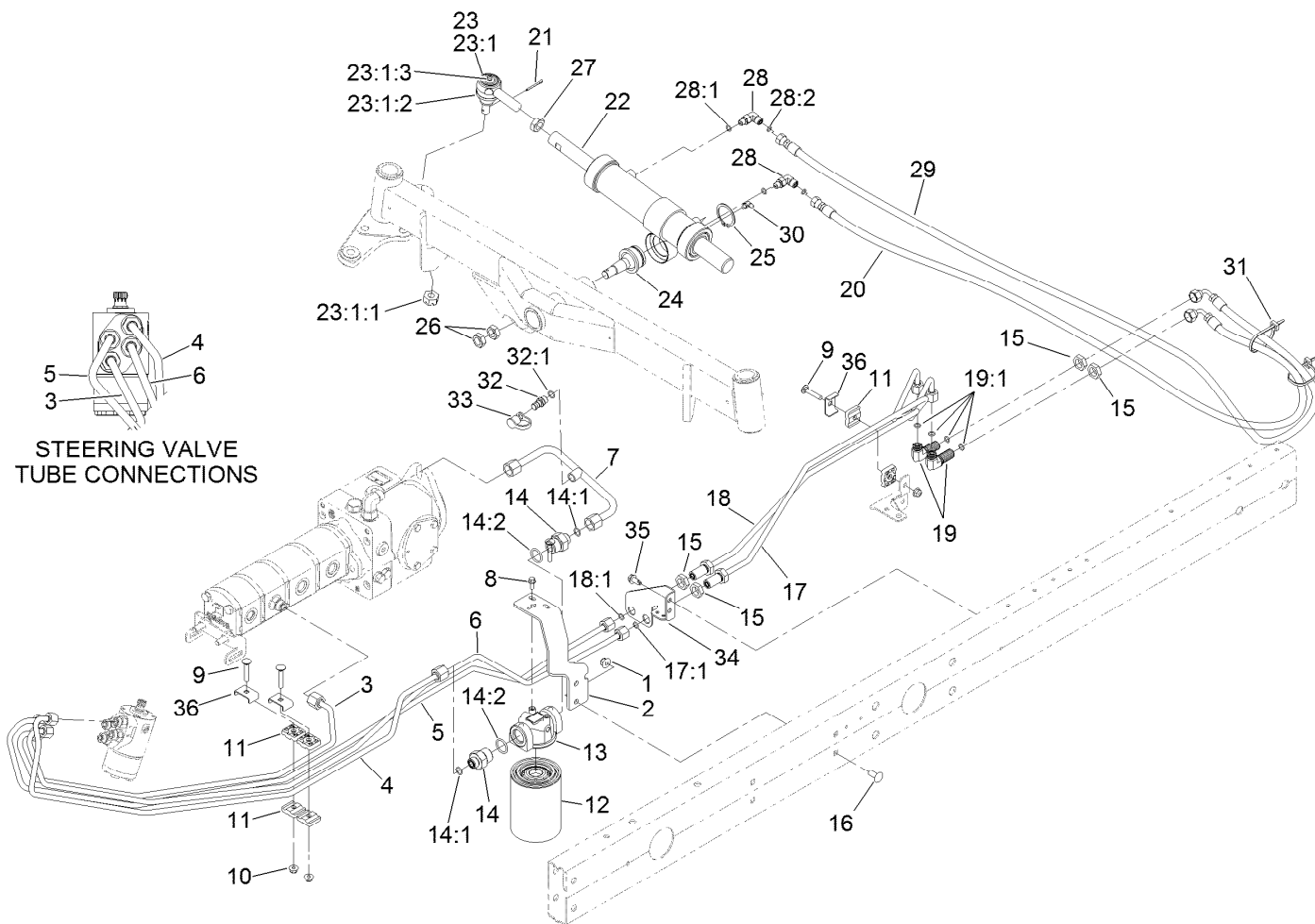
<i>Ref.</i>	<i>Part Number</i>	<i>Qty.</i>	<i>Description</i>	<i>Ref.</i>	<i>Part Number</i>	<i>Qty.</i>	<i>Description</i>
1	138-6999	2	HYD Cylinder ASM	9	105-5405	2	Hose-HYD
2	340-132	4	Fitting-Elbow, 90 DEG	10	3234-38	2	Screw-HHF
2:1	237-78	1	O-Ring	11	3256-6	2	Washer-Flat
2:2	237-21	1	O-Ring	12	117-0148	2	Pin-Cylinder
3	340-68	2	Fitting-Tee, Bulkhead	13	104-0046	2	Pin-Slide, Cylinder
3:1	237-22	3	O-Ring	14	32120-93	4	Ring-Retaining
4	117-0179	1	Bracket-Bulkhead	15	3-6498	4	Washer-Thrust
5	340-70	2	Nut-Lock	16	323-9	2	Screw-HH
6	117-0175	1	Tube-HYD	17	3296-59	2	Nut-Lock, NI
7	117-0176	1	Tube-HYD	18	2412-137	2	Clamp-R, Double
8	105-5402	2	Hose-HYD	19	32104-32	2	Screw-HWH



Hydraulic Cylinder Assembly No. 138-6999

Ref.	Part Number	Qty.	Description
6	84-1680	1	Ring-Retaining
7	133-2900	1	Seal Kit
7:1		1	O-Ring ●
7:2		1	Backup ●
7:3		1	Bp Seal ●
7:4		1	Wear Ring-Ht ●
7:5		1	Bt Seal ●
7:6		1	Dust Seal-Dt ●
7:7		1	O-Ring ●
8	302-5	1	Fitting-Grease
9	302-33	1	Fitting-Grease

● Not serviced separately

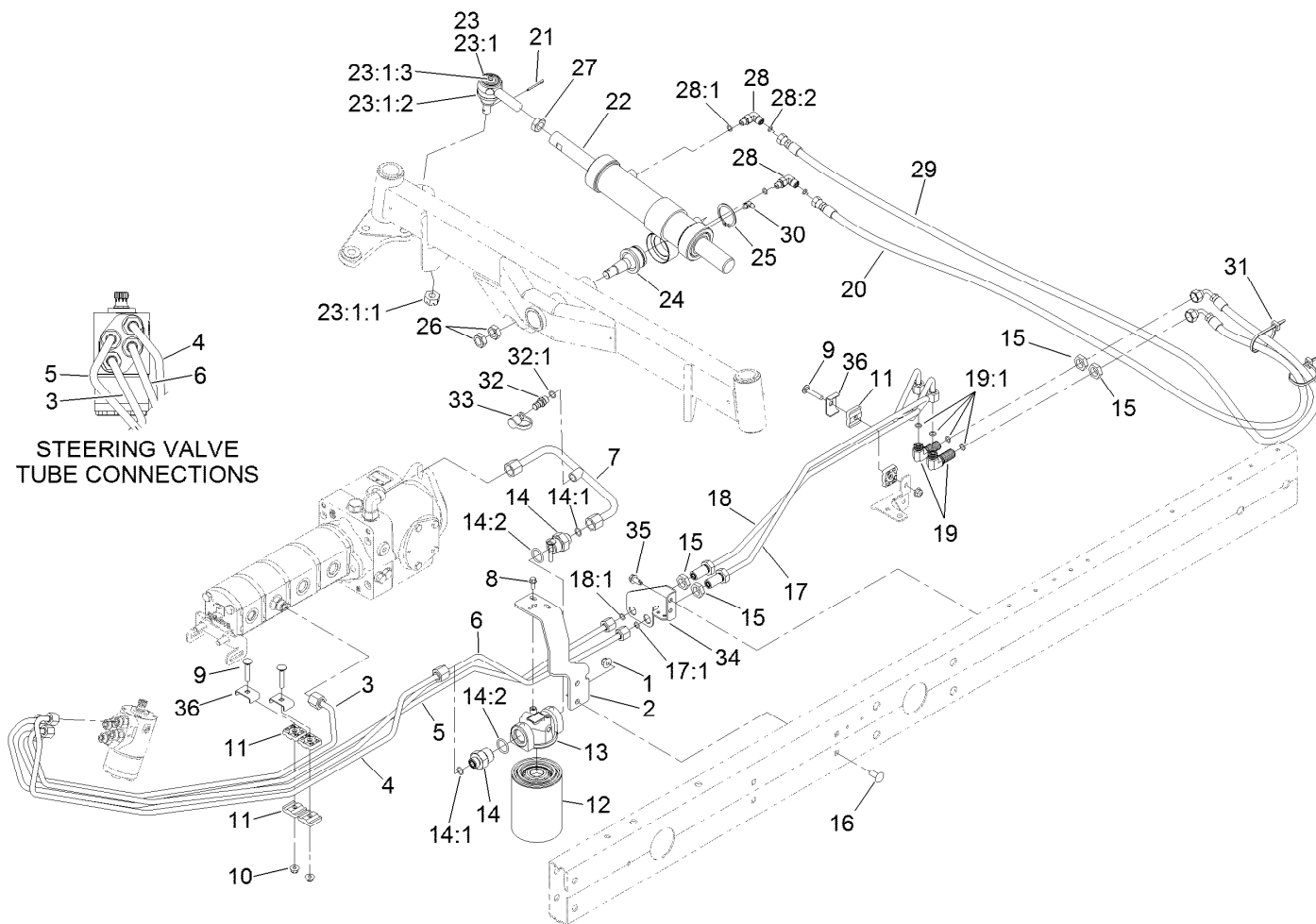


Steering Hydraulic Assembly

Ref.	Part Number	Qty.	Description	Ref.	Part Number	Qty.	Description
1	104-8301	2	Nut-HF, NI	17	133-2988	1	Tube ASM
2	110-0906-0P	1	Support - Filter, Oil	17:1	237-22	1	O-Ring
3	117-0167	1	Tube-HYD	18	133-2989	1	Tube ASM
4	108-1711	1	Tube-HYD	18:1	237-22	1	O-Ring
5	120-3764	1	Tube-HYD	19	340-154	2	Union-Bulkhead
6	120-3765	1	Tube-HYD	19:1	237-22	2	O-Ring
7	121-5601	1	Tube-HYD	20	110-0928	1	Hose-HYD
8	3234-33	2	Screw-HHF	21	3272-12	1	Pin-Cotter
9	3230-5	3	Bolt-CARR	22	138-6994	1	Cylinder-Hydraulic
10	104-8300	4	Nut-HF, NI	23	71-4740-03	1	RH Tie Rod End ASM
11	56-7973	6	Clamp-Tube	23:1		1	End-Rod, Tie (RH) ●■
12	86-3010	1	Filter-Oil	23:1:1	105-7941	1	Nut-Hex, Slotted
13	117-5820	1	Head-Filter	23:1:2	105-7835	1	Seal
14	100-4240	2	Fitting-STR	23:1:3	302-5	1	Fitting-Grease
14:1	237-30	1	O-Ring	24	106-6774	1	Joint-Ball
14:2	237-81	1	O-Ring	25	32151-104	1	Ring-Retaining, External
15	340-70	4	Nut-Lock	26	3220-6	2	Nut-Jam
16	3231-27	2	Screw-CARR	27	84-5300	1	Nut-Jam

● Not illustrated

■ Not serviced separately



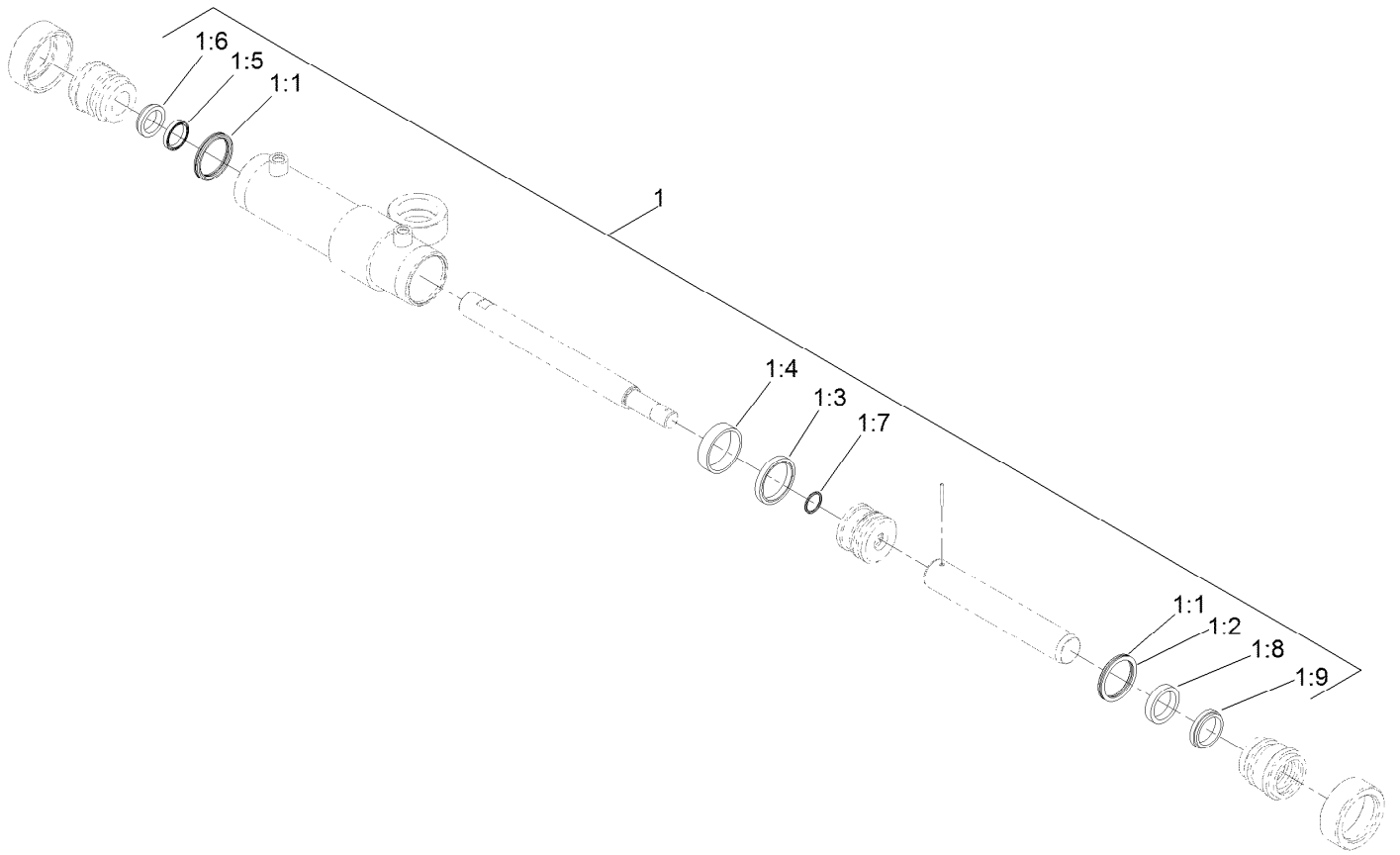
Steering Hydraulic Assembly (continued)

Ref.	Part Number	Qty.	Description
28	340-132	2	Fitting-Elbow, 90 DEG
28:1	237-78	1	O-Ring
28:2	237-21	1	O-Ring
29	110-0973	1	Hose-HYD
30	302-40	1	Fitting-Grease, 90 DEG
31	3290-378	2	Tie-Cable

Ref.	Part Number	Qty.	Description
32	59-7410	1	Fitting-Diagnostic
32:1	237-42	1	O-Ring
33	354-79	1	Cap-Dust
34	120-3781-0P	1	Brkt-Bulhead Steer
35	32104-32	2	Screw-HWH
36	119-1418	3	Plate-Clamp, Short

● Not illustrated

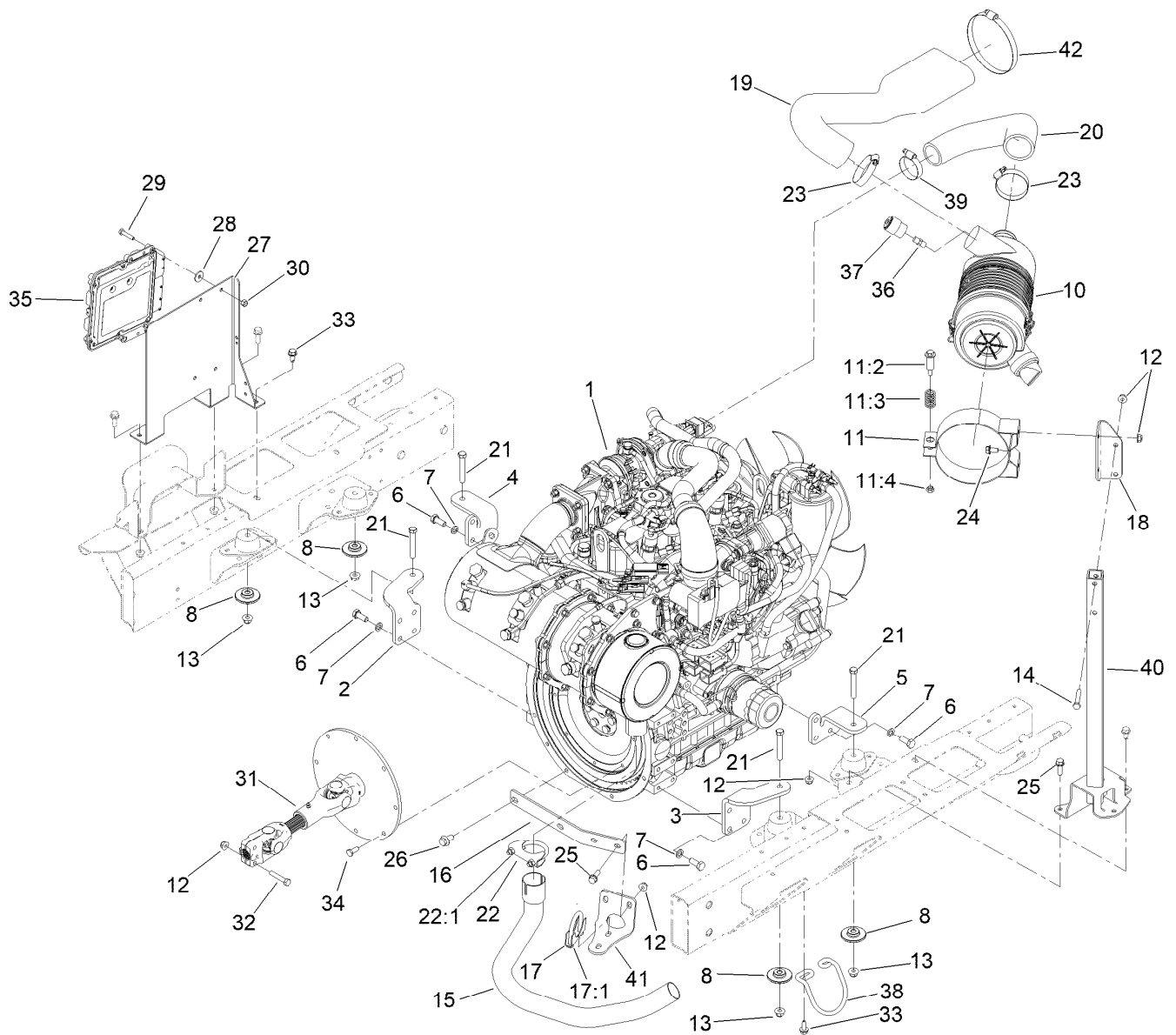
■ Not serviced separately



Steering Cylinder Assembly No. 138-6994

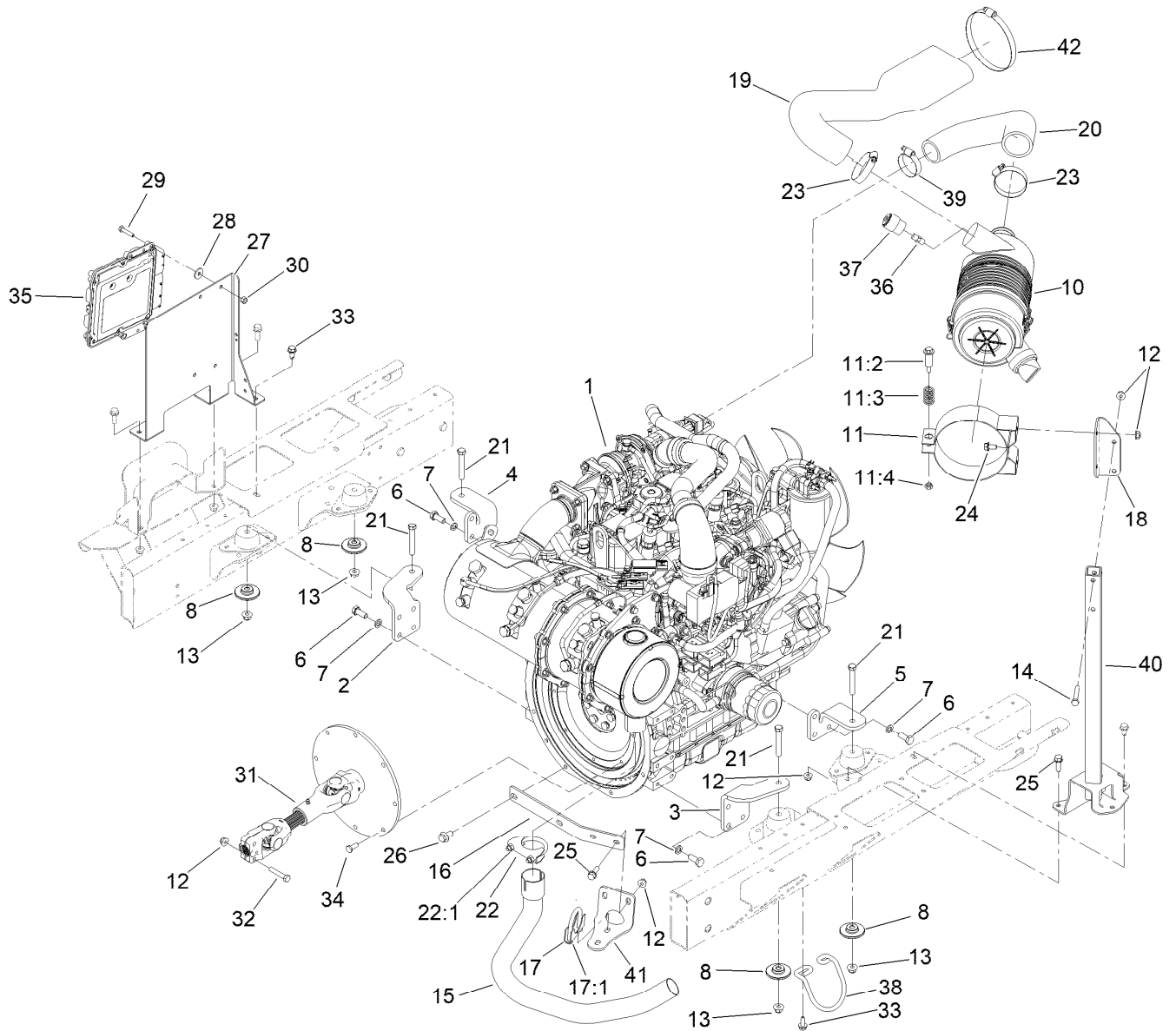
<i>Ref.</i>	<i>Part Number</i>	<i>Qty.</i>	<i>Description</i>
1	136-8000	1	Kit-Seal
1:1		2	O-Ring ●
1:2		2	Backup ●
1:3		1	Psp Seal ●
1:4		1	Wear Ring ●
1:5		1	Bs Seal ●
1:6		1	Dust Seal ●
1:7		1	O-Ring ●
1:8		1	Bt Seal ●
1:9		1	Dust Seal ●

● Not serviced separately



Engine, Driveshaft and Air Cleaner Assembly

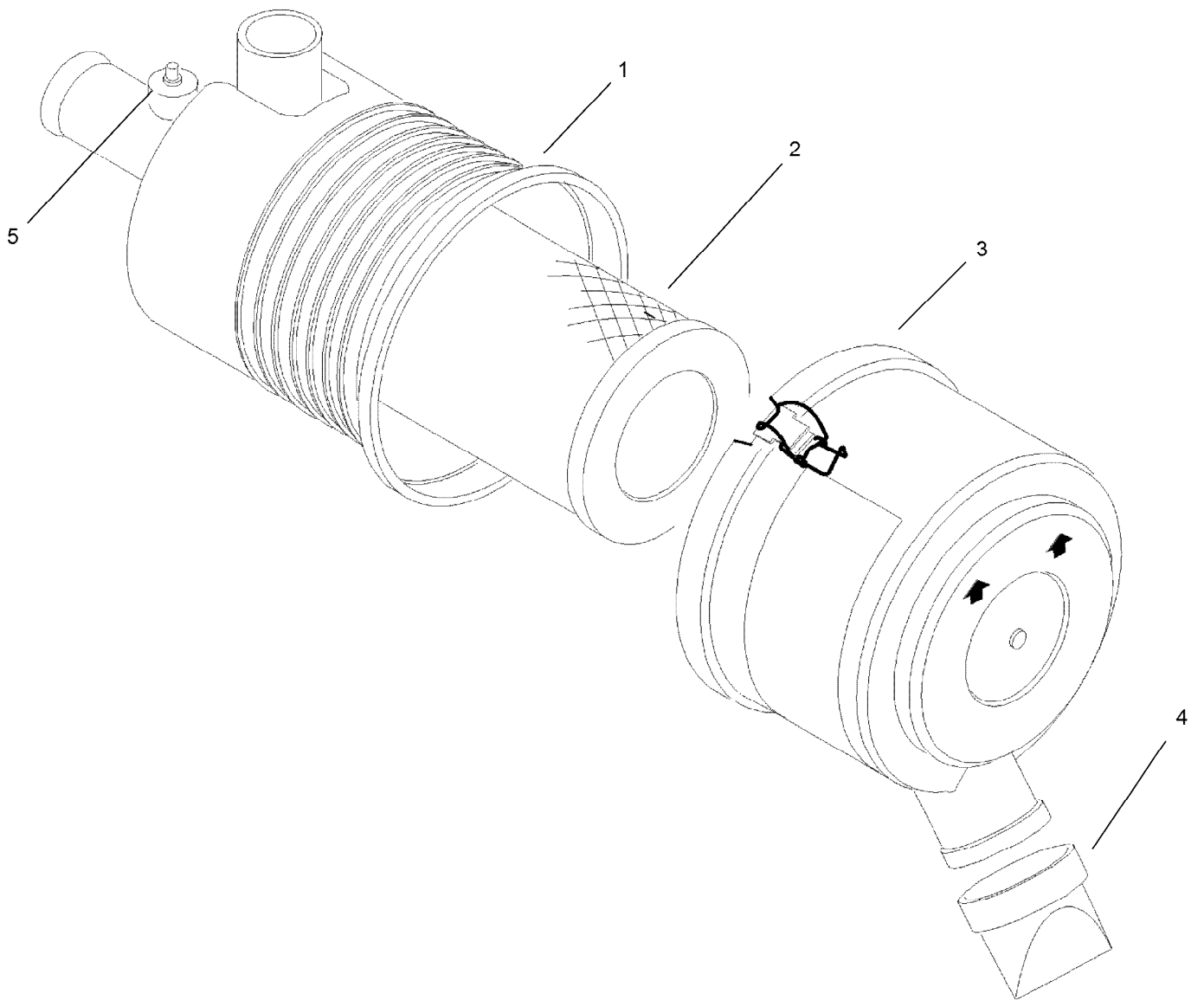
Ref.	Part Number	Qty.	Description	Ref.	Part Number	Qty.	Description
1	138-6916	1	Engine-Yanmar	19	121-5559	1	Hose-Air Cleaner
2	120-3777-0P	1	Mount-Engine Rf	20	133-2991	1	Hose-AC, Out
3	120-3778-0P	1	Mount-Engine Lf	21	323-14	4	Screw-HH
4	120-3779-0P	1	Mount-Engine Rr	22	2112-6	1	Clamp-Muffler
5	120-3780-0P	1	Mount-Engine Lr	22:1	3218-2	2	Nut-Hex Jam
6	33115-025	14	Screw-HH	23	2412-125	2	Clamp-Hose
7	48-9590	14	Washer-Lock	24	3234-14	2	Screw-HHF
8	138-6462	4	Support-Isolator	25	3234-29	4	Screw-HHF
10	98-4517	1	Air Cleaner ASM	26	33105-020	2	Screw-HHF
11	100-4825	1	Band-Mounting, Air Cleaner	27	122-0898-0P	1	Bracket-Ecu
11:2	94-3653	1	Bolt	28	66-2921	4	Washer-Friction
11:3	94-3654	1	Spring	29	321-8	4	Screw-HH
11:4	48-9510	1	Nut	30	3296-42	4	Nut-Lock, NI
12	104-8300	10	Nut-HF, NI	31	133-2996	1	Driveshaft Kit
13	104-8301	4	Nut-HF, NI	32	322-9	2	Screw-HH
14	322-10	2	Screw-HH	33	32104-32	3	Screw-HWH
15	120-3790	1	Tube-Exhaust	34	33104-016	8	Screw-HHF
16	121-5594-0P	1	Bracket-Tailpipe	35	121-5592	1	Electronic Control Unit
17	2112-9	1	Clamp	36	94-1416	1	Adapter-Indicator
17:1	32128-20	2	Nut-HF	37	93-9164	1	Indicator-Mini
18	120-6298-0P	1	Bracket-Aircleaner	38	127-2612	1	Guard-Pipe, Tail



Engine, Driveshaft and Air Cleaner Assembly (continued)

Ref.	Part Number	Qty.	Description
39	2412-3	1	Clamp-Hose
40	120-2949-0P	1	Stand ASM [primed]

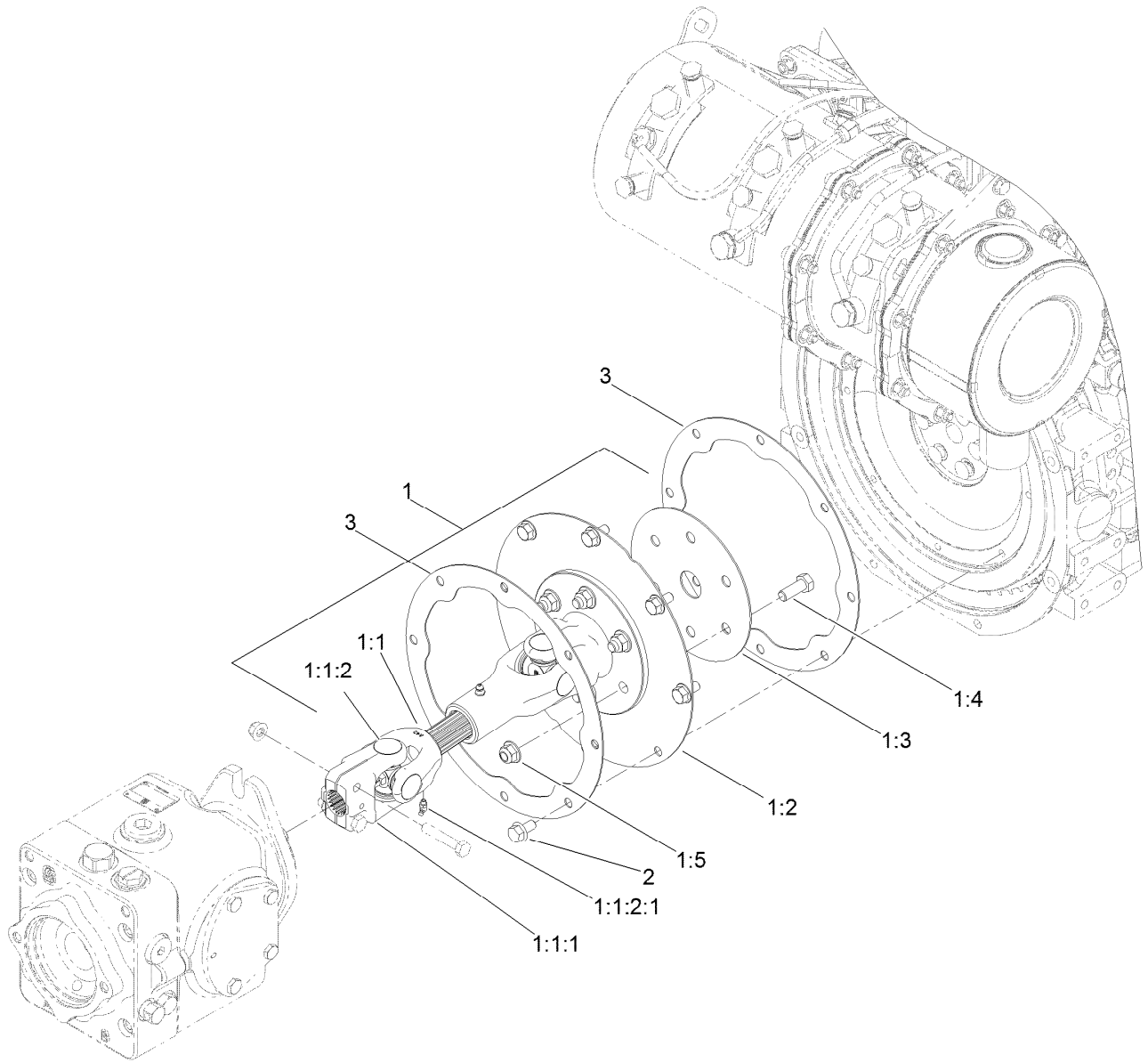
Ref.	Part Number	Qty.	Description
41	121-5595-0P	1	Bracket-Tailpipe
42	2412-46	1	Clamp



Air Cleaner Assembly No. 98-4517

<i>Ref.</i>	<i>Part Number</i>	<i>Qty.</i>	<i>Description</i>
1		1	Body ASM ●
2	108-3810	1	Filter-Air
3	98-9771	1	Cover ASM
4	87-9400	1	Valve-Vacuator
5		1	Plug ●

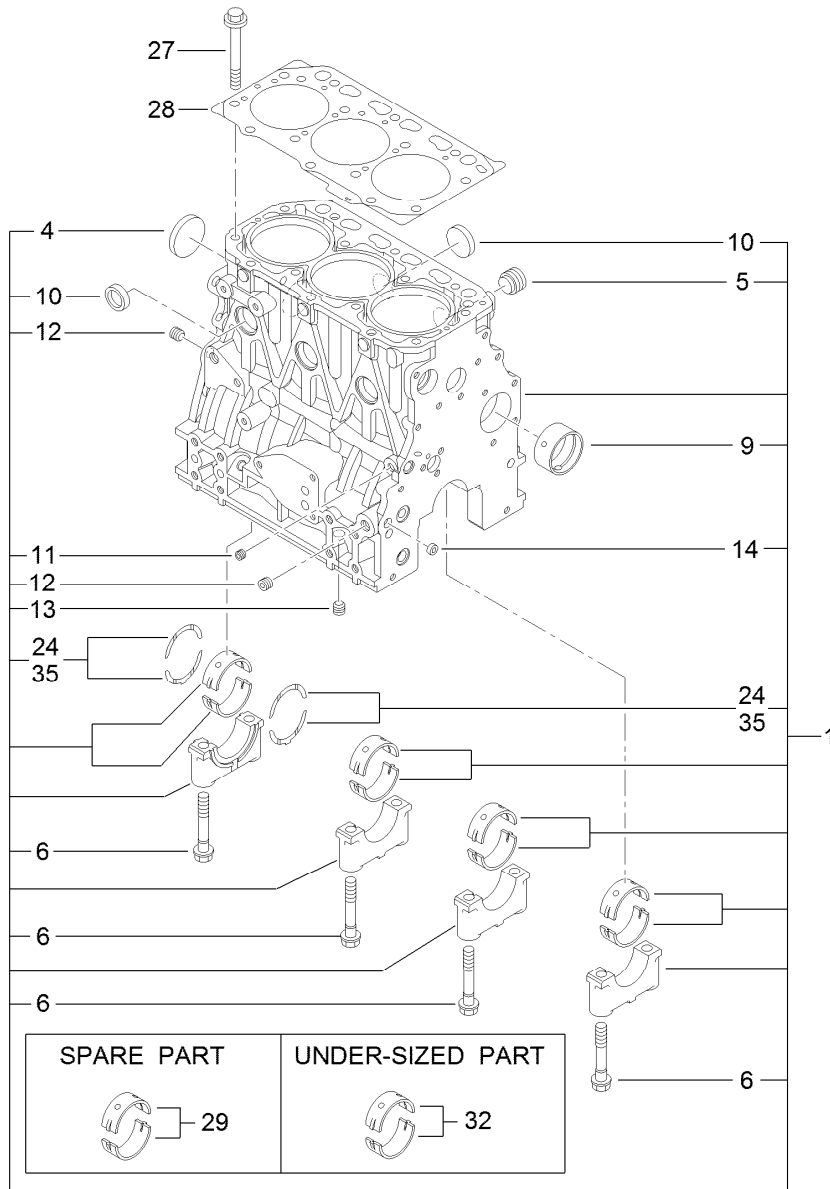
● Not serviced separately



Driveshaft Kit Assembly No. 133-2996

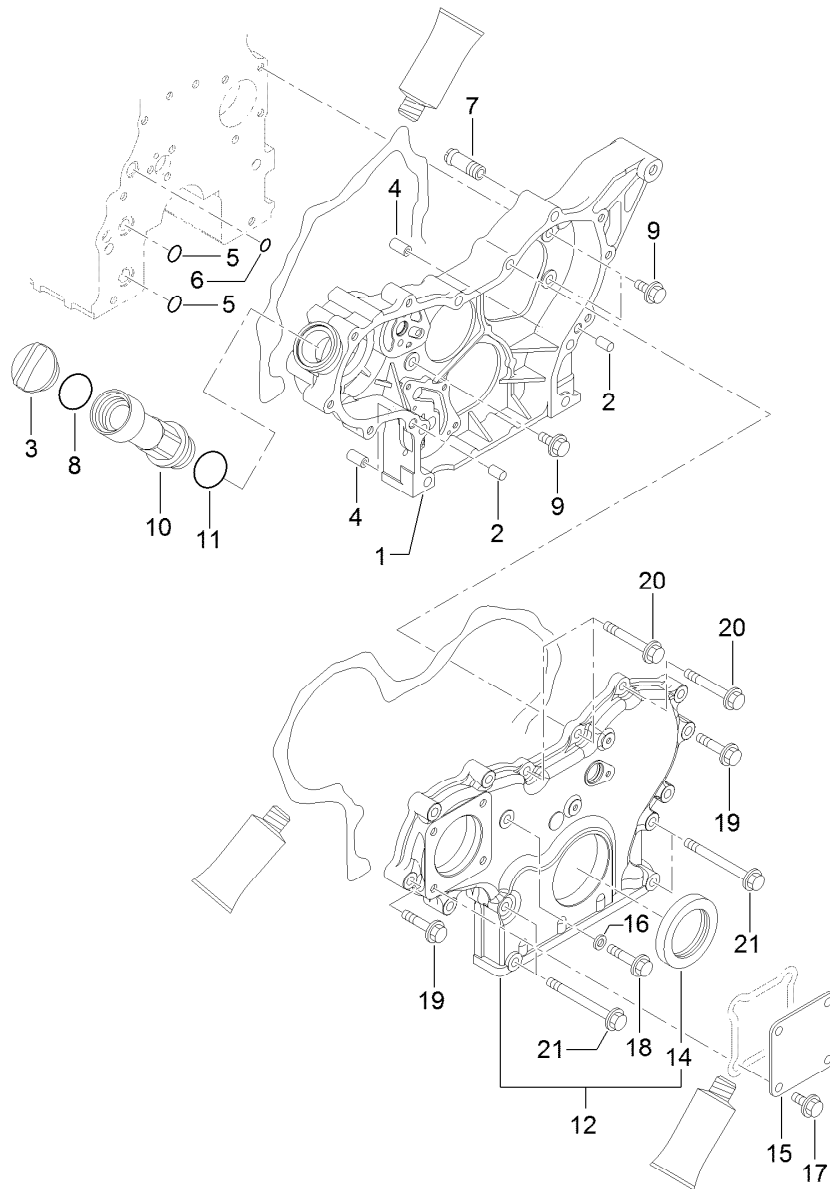
Ref.	Part Number	Qty.	Description
1		1	Driveshaft ASM ●
1:1		1	Driveshaft ●
1:1:1	54-9040	1	Yoke-End
1:1:2	54-9180	2	U-Joint Kit
1:1:2:1	62-3820	1	Fitting-Grease
1:2	138-6933-03	1	Plate-Adapter, Flywheel
1:3	133-2963-03	1	Ring-Backup
1:4	323-6	6	Screw-HH
1:5	104-8301	6	Nut-HF, NI
2	33104-016	8	Screw-HHF
3	136-8040-0P	2	Ring - Backup

● Not serviced separately



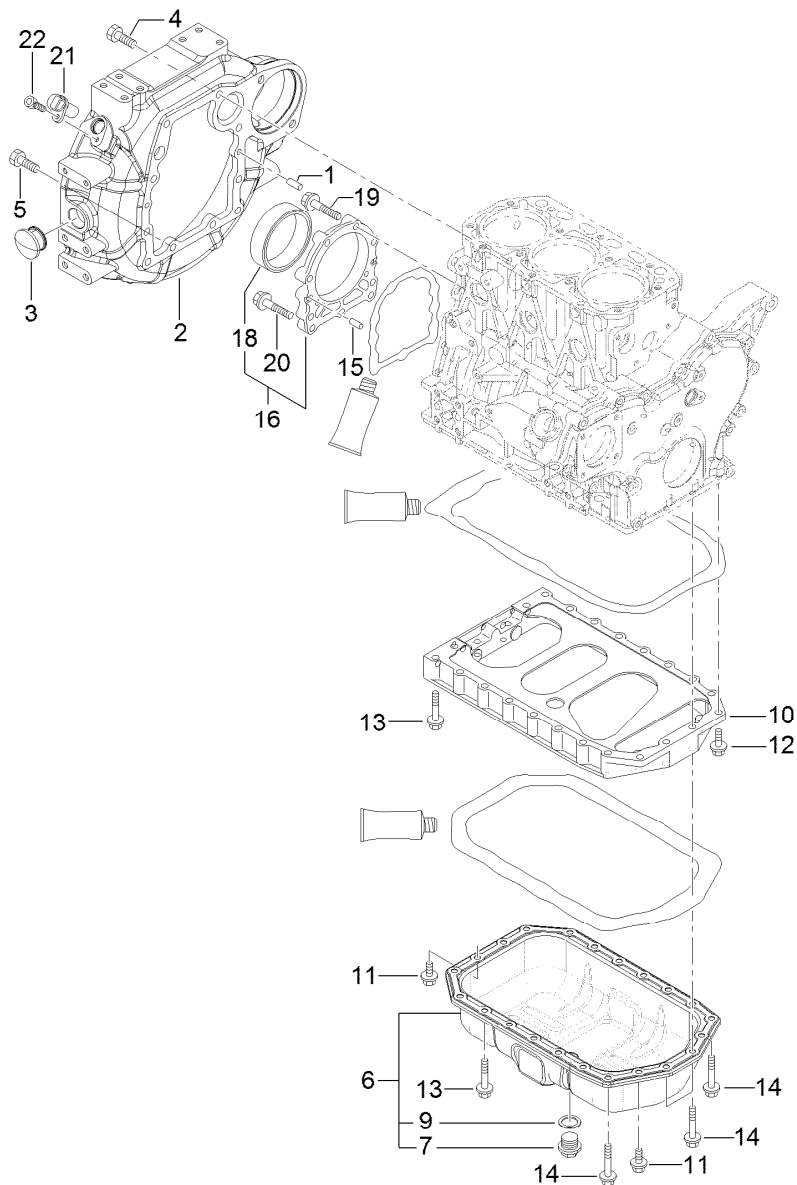
Cylinder Block Assembly

Ref.	Part Number	Qty.	Description	Ref.	Part Number	Qty.	Description
1	127-3750	1	Cylinder Block ASM	13	125-6973	1	Plug
4	125-6980	1	Plug	14	125-7237	1	Plug
5	125-7170	1	Plug	24	125-7010	2	Metal-Thrust
6	125-7007	8	Bolt	27	125-7006	14	Bolt
9	125-7108	1	Bushing	28	127-3751	1	Head Gasket ASM
10	125-7239	6	Plug	29	125-6981	4	Metal-Main
11	125-6969	1	Plug	32	125-7009	4	Metal-Main (0.25)
12	125-6973	2	Plug	35	125-7011	1	Metal-Thrust (0.25)



Gear Housing Assembly

<i>Ref.</i>	<i>Part Number</i>	<i>Qty.</i>	<i>Description</i>	<i>Ref.</i>	<i>Part Number</i>	<i>Qty.</i>	<i>Description</i>
1	127-3752	1	Case-Gear	11	125-7197	1	O-Ring
2	125-6995	2	Pin	12	127-3024	1	Gearcase Cover ASM
3	125-6972	1	Cover-Filler	14	125-6944	1	Seal-Oil
4	125-7107	2	Pipe	15	125-6977	1	Cover
5	125-6909	2	O-Ring	16	125-7174	1	Washer-Seal
6	127-2973	1	O-Ring	17	125-7214	4	Bolt
7	127-3753	1	Joint	18	125-7217	1	Bolt
8	125-7197	1	O-Ring	19	125-7218	7	Bolt
9	125-7214	3	Bolt	20	125-7222	3	Bolt
10	127-3754	1	Pipe	21	125-7224	4	Bolt

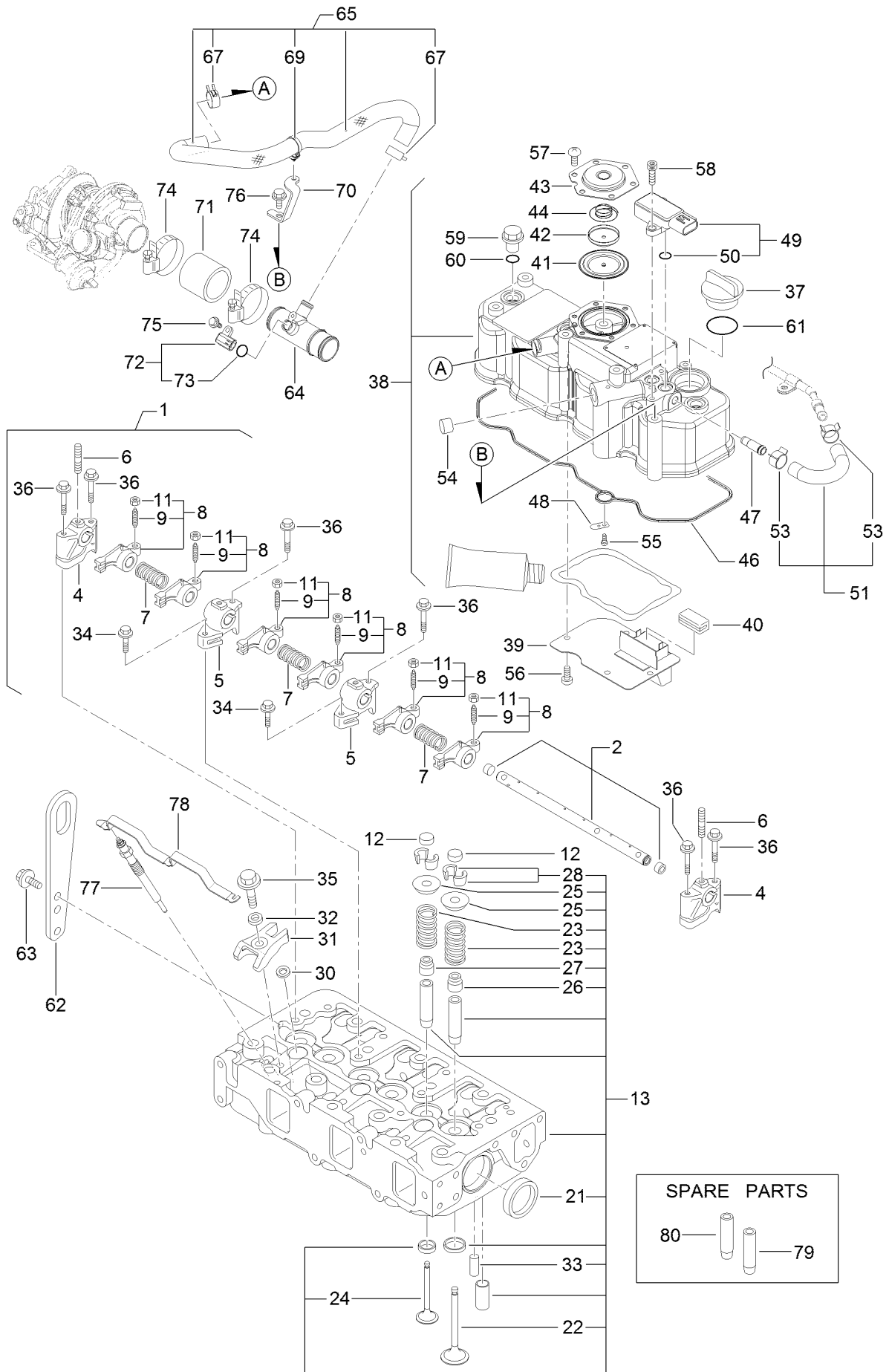


Flywheel Housing and Oil Sump Assembly

<i>Ref.</i>	<i>Part Number</i>	<i>Qty.</i>	<i>Description</i>
1	125-6995	1	Pin
2	127-3025	1	Housing-Flywheel
3	125-6910	1	Cap
4	125-7226	6	Bolt
5	125-7227	4	Bolt
6	127-3755	1	Oil Pan ASM
7	125-6912	1	Plug-Drain
9	125-7177	1	Washer-Seal
10	127-3756	1	Spacer
11	125-7214	4	Bolt

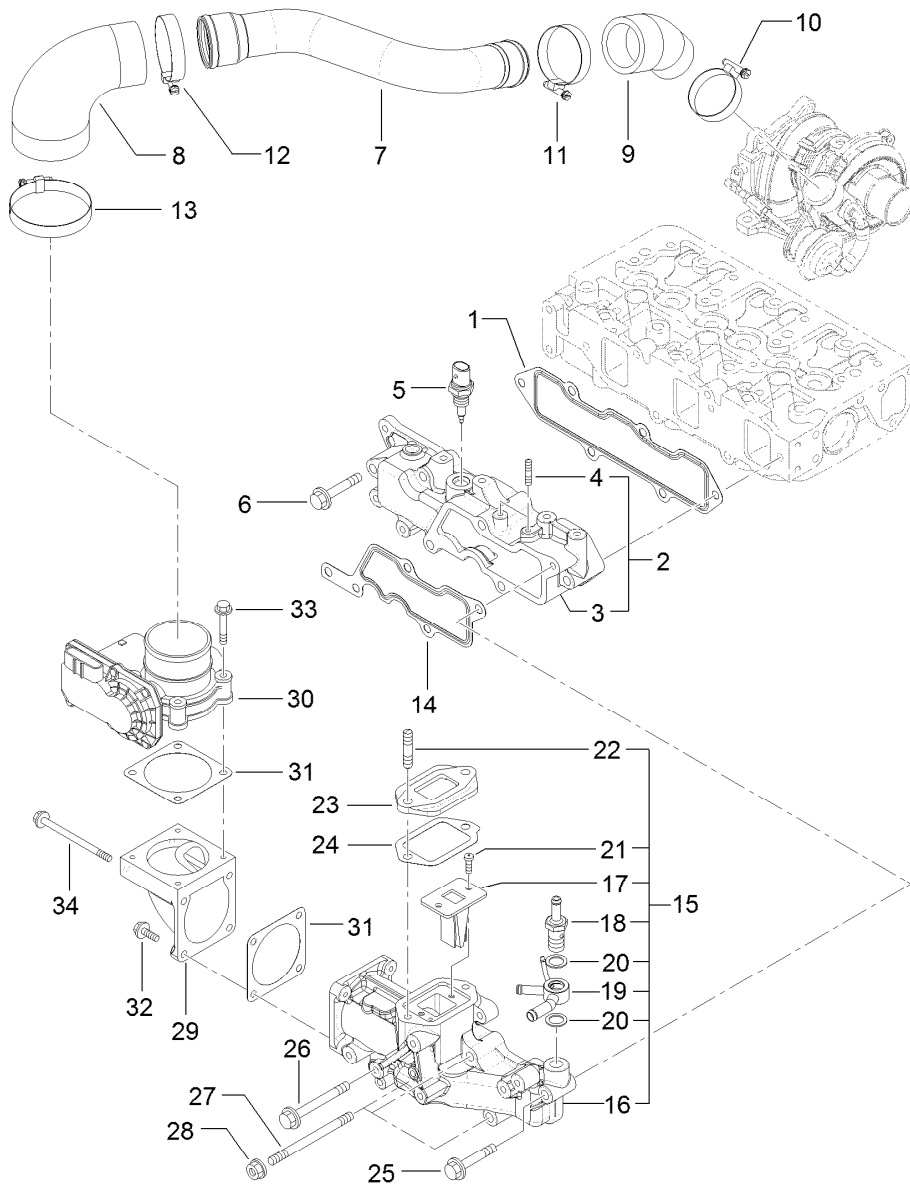
<i>Ref.</i>	<i>Part Number</i>	<i>Qty.</i>	<i>Description</i>
12	125-7215	2	Bolt
13	125-7219	16	Bolt
14	125-7220	4	Bolt
15	125-6995	2	Pin
16	125-6996	1	Case ASM
18	125-7106	1	Seal-Oil
19	125-7045	6	Bolt
20	125-7217	3	Bolt
21	127-3062	1	Sensor-Rev, Flywheel
22	127-3184	1	Bolt

Cylinder Head and Cover Assembly



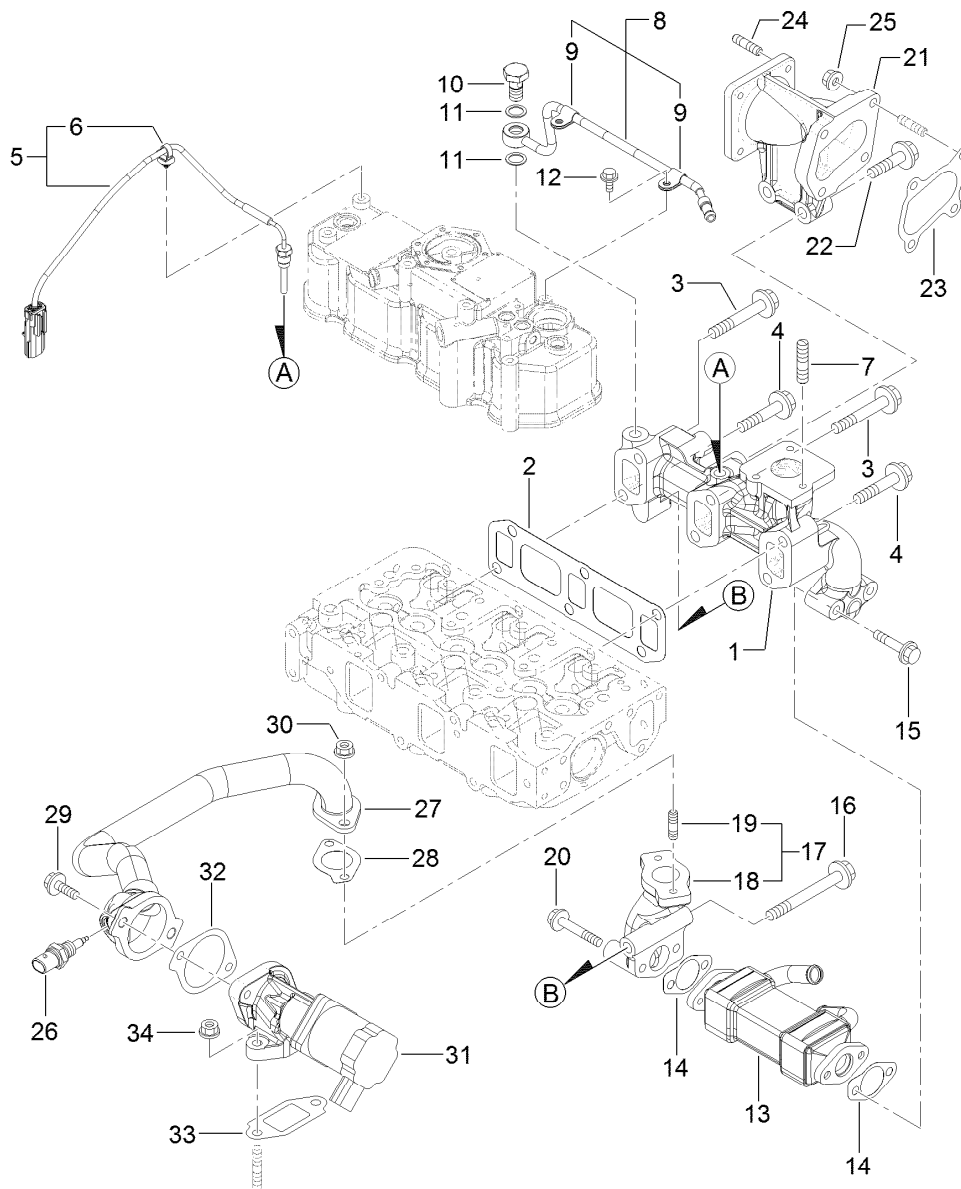
Cylinder Head and Cover Assembly (continued)

<i>Ref.</i>	<i>Part Number</i>	<i>Qty.</i>	<i>Description</i>	<i>Ref.</i>	<i>Part Number</i>	<i>Qty.</i>	<i>Description</i>
1	127-3757	1	Shaft ASM	46	127-3762	1	Gasket-Cover, Cylinder Head
2	127-3758	1	Shaft	47	127-3026	1	Joint
4	127-2974	2	Support	48	125-6994	1	Spring
5	127-2975	2	Support	49	127-3029	1	Sensor-Pressure
6	127-3759	3	Stud	50	127-3032	2	O Ring-Sensor, Pressure
7	127-2995	3	Spring	51	127-3040	1	Hose ASM
8	127-2989	6	Arm-Rocker	53	127-3041	2	Clip-Hose
9	125-7013	6	Screw-Adjust, Valve	54	125-6913	1	Plug
11	125-7014	6	Nut	55	125-7186	1	Screw
12	127-2996	6	Cap-Valve	56	125-7186	4	Screw
13	127-3760	1	Cylinder Head ASM	57	125-7186	6	Screw
21	125-7240	2	Plug	58	127-3184	2	Bolt
22	127-2990	3	Valve	59	125-6974	3	Knob
23	127-3012	6	Spring	60	93-0418	3	O-Ring
24	127-2994	3	Valve	61	125-7197	1	O-Ring
25	127-3013	6	Retainer-Spring	62	125-7111	1	Lifter
26	127-2986	3	Seal-Stem, Valve	63	125-7214	2	Bolt
27	127-3027	3	Seal-Stem, Valve	64	127-3763	1	Joint-Breather
28	127-3186	6	Pin-Cotter	65	127-3764	1	Hose Breather ASM
30	127-3021	3	Gasket-Injector	67	125-7040	2	Clip-Hose
31	127-3028	3	Retainer-Injector	69	127-3087	1	Band-Clip
32	127-2980	3	Washer-Injector	70	127-3765	1	Stay-Hose, Breather
33	125-7184	2	Pin-Spring	71	127-3766	1	Hose, Air
34	125-7215	2	Bolt	72	127-3030	1	Sensor-Temp, Air
35	125-7217	3	Bolt	73	127-3033	1	O-Ring
36	125-7220	6	Bolt	74	127-3767	2	Clamp 50
37	125-6972	1	Cover-Filler	75	125-7208	1	Bolt
38	127-3761	1	Cylinder Head Cover ASM	76	92-0803	1	Bolt
39	127-2988	1	Plate	77	127-2991	3	Plug-Glow
40	125-7012	1	Baffle	78	127-3768	1	Connector-Plug, Glow
41	125-6959	1	Diaphragm	79	127-2979	3	Guide
42	125-6960	1	Plate	80	127-2997	3	Guide-Valve
43	125-6961	1	Plate-Breather				
44	125-6962	1	Spring-Diaphragm				



Suction Manifold Assembly

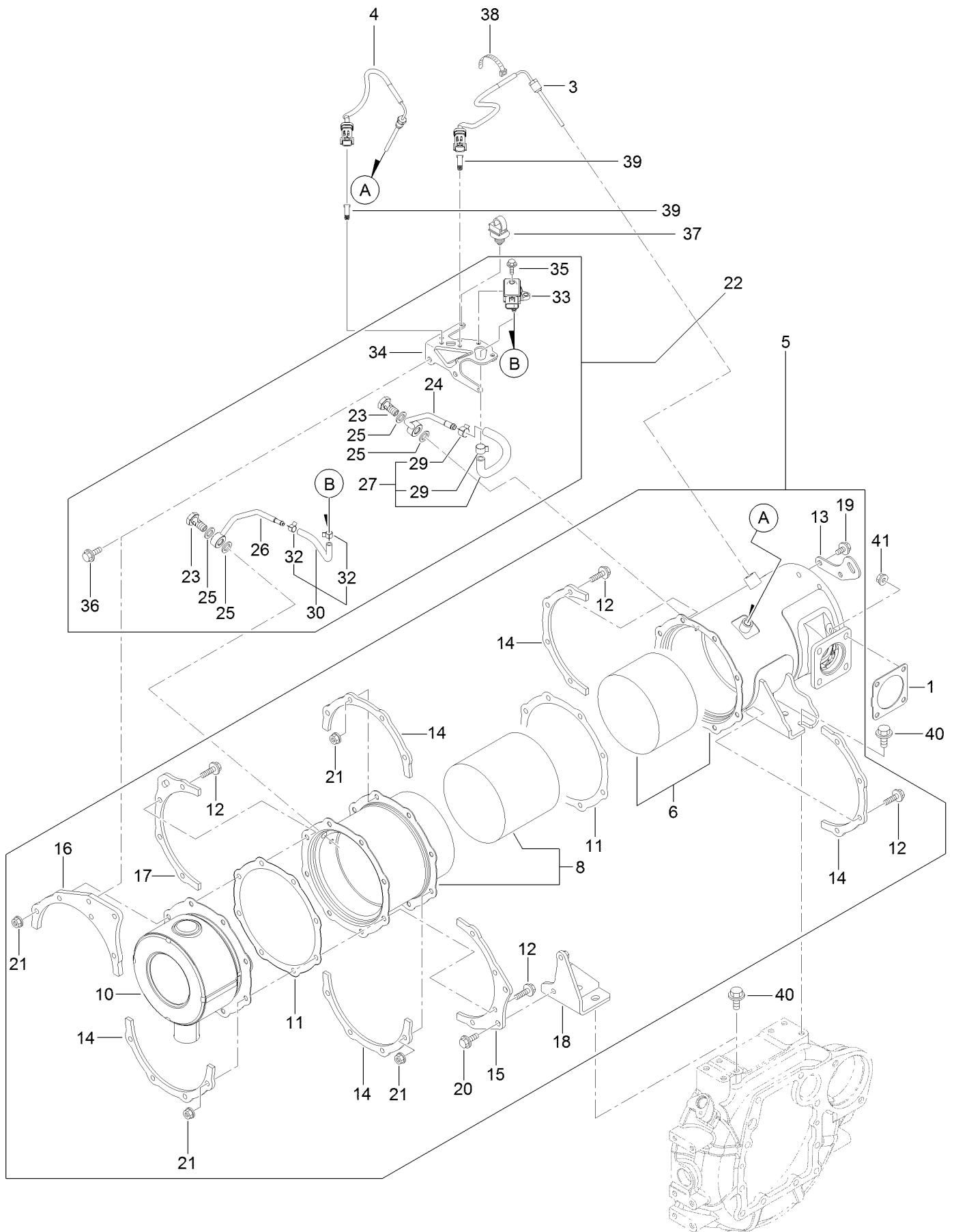
Ref.	Part Number	Qty.	Description	Ref.	Part Number	Qty.	Description
1	127-3769	1	Gasket-Manifold, Intake	18	127-3080	1	Joint-Hose
2	127-3770	1	Intake Manifold ASM	19	127-3081	1	Joint-Hose
3	127-3771	1	Manifold-Intake, Air	20	127-3166	1	Washer-Seal
4	127-3180	2	Stud	21	127-3168	11	Screw
5	127-3031	1	Sensor-Temp, Air	22	127-3181	1	Stud
6	125-7220	3	Bolt	23	127-3045	1	Spacer-Valve, E G R
7	127-3772	1	Duct Suction	24	127-3046	1	Gasket-E G R
8	127-3096	1	Joint-Rubber	25	125-7220	1	Bolt
9	127-3773	1	Joint, Rubber	26	127-3178	1	Bolt
10	125-7189	1	Clamp-Hose	27	127-3182	3	Stud
11	127-3170	1	Clamp-Hose	28	125-7229	3	Nut
12	125-7190	1	Clamp-Hose	29	127-3035	1	Bend-Inlet
13	127-3171	1	Clamp-Hose	30	127-3036	1	Body-Throttle
14	127-3034	1	Gasket-Collector	31	127-3037	2	Gasket-Throttle
15	127-3093	1	Intake Collector ASM	32	125-7209	2	Bolt
16	127-3092	1	Collector-Intake	33	125-7211	4	Bolt
17	127-3139	1	Valve-Reed	34	127-3177	2	Bolt



Exhaust Manifold Assembly

Ref.	Part Number	Qty.	Description	Ref.	Part Number	Qty.	Description
1	127-3774	1	Manifold-Exhaust	18	127-3049	1	Pipe-Out, E G R
2	127-3775	1	Gasket-Manifold, Exhaust	19	125-7043	2	Stud
3	127-3776	4	Bolt-Flange	20	125-7220	2	Bolt
4	127-3094	2	Bolt	21	127-3778	1	Pipe Extension ASM
5	127-3777	1	Sensor-Temp, Exhaust	22	127-3138	2	Bolt-Flange
6	127-3087	1	Band-Clip	23	127-3779	1	Gasket-Out, T C
7	125-7043	3	Stud	24	125-6906	4	Stud
8	127-3038	1	Exhaust Pipe ASM	25	125-7229	4	Nut
9	127-3173	2	Clamp	26	127-3047	1	Sensor-Gas Temp, E G R
10	127-3039	1	Bolt-Joint, Pipe	27	127-3780	1	E G R Pipe ASM
11	127-3174	2	Gasket	28	127-3016	1	Gasket
12	125-7206	2	Bolt	29	125-7215	2	Bolt
13	127-3042	1	Cooler-E G R	30	125-7229	2	Nut
14	127-3043	2	Gasket-Cooler, E G R	31	127-3781	1	Valve-E G R
15	127-2976	2	Bolt	32	127-3050	1	Gasket-Intake Valve, E G R
16	127-3022	1	Bolt-Flange	33	127-3051	1	Gasket-Out Valve, E G R
17	127-3048	1	E G R Pipe ASM	34	125-7229	2	Nut

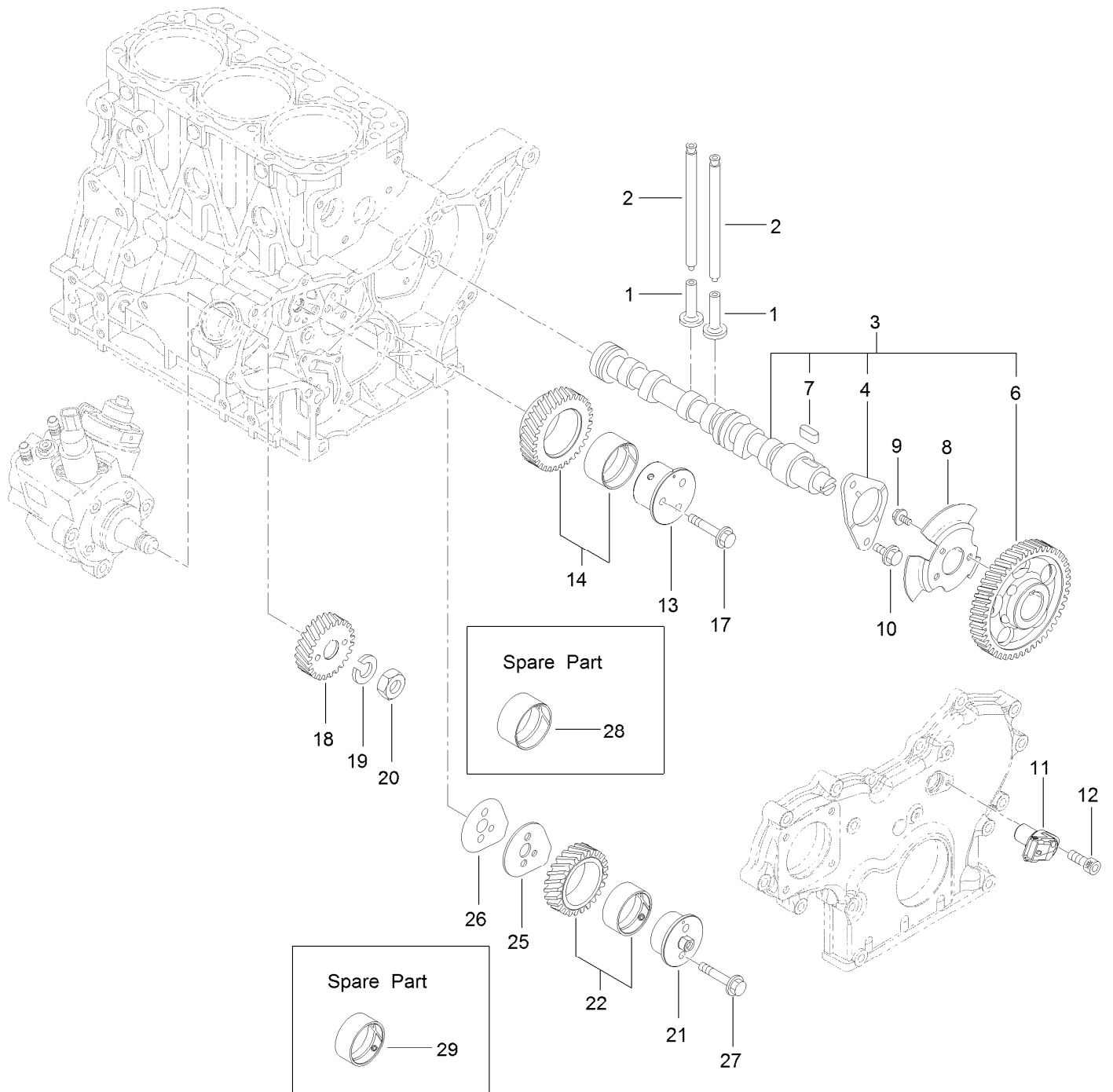
Diesel Particulate Filter Assembly



Diesel Particulate Filter Assembly (continued)

<i>Ref.</i>	<i>Part Number</i>	<i>Qty.</i>	<i>Description</i>	<i>Ref.</i>	<i>Part Number</i>	<i>Qty.</i>	<i>Description</i>
1	127-3019	1	Gasket	23	127-3039	2	Bolt-Joint, Pipe
3	127-4764	1	Sensor-Temp, Exhaust	24	127-3795	1	Pipe-Sensor
4	127-3112	1	Sensor-Temp, Exhaust	25	127-3056	4	Gasket-Sensor
5	127-3783	1	D P F ASM	26	127-3796	1	Pipe-Sensor
6	127-3784	1	Case-D O C	27	127-3114	1	Exhaust Hose ASM
8	127-3785	1	Case-Filter, Soot	29	127-3057	2	Clip-Hose
10	127-3786	1	Silencer-D P F	30	127-3059	1	Exhaust Pressure Hose ASM
11	127-3787	2	Gasket-D P F	32	127-3058	2	Clip-Hose
12	127-3055	16	Bolt	33	127-3060	1	Sensor-Pressure
13	127-3788	1	Lifter-D P F	34	127-3061	1	Bracket-Sensor, Pressure
14	127-3789	5	Stiffener-D P F, A	35	125-7208	2	Bolt
15	127-3790	1	Stiffener-D P F, B	36	125-7595	2	Bolt
16	127-3791	1	Stiffener-D P F, C	37	127-3087	1	Band-Clip
17	127-3792	1	Stiffener-D P F, C	38	127-3124	1	Band
18	127-3793	1	Stay-D P F	39	127-3088	2	Clip-Connector
19	125-7213	2	Bolt	40	127-3179	4	Bolt
20	125-7594	2	Bolt	41	125-7229	4	Nut
21	125-7229	16	Nut				
22	127-3794	1	Pressure Sensor Unit				

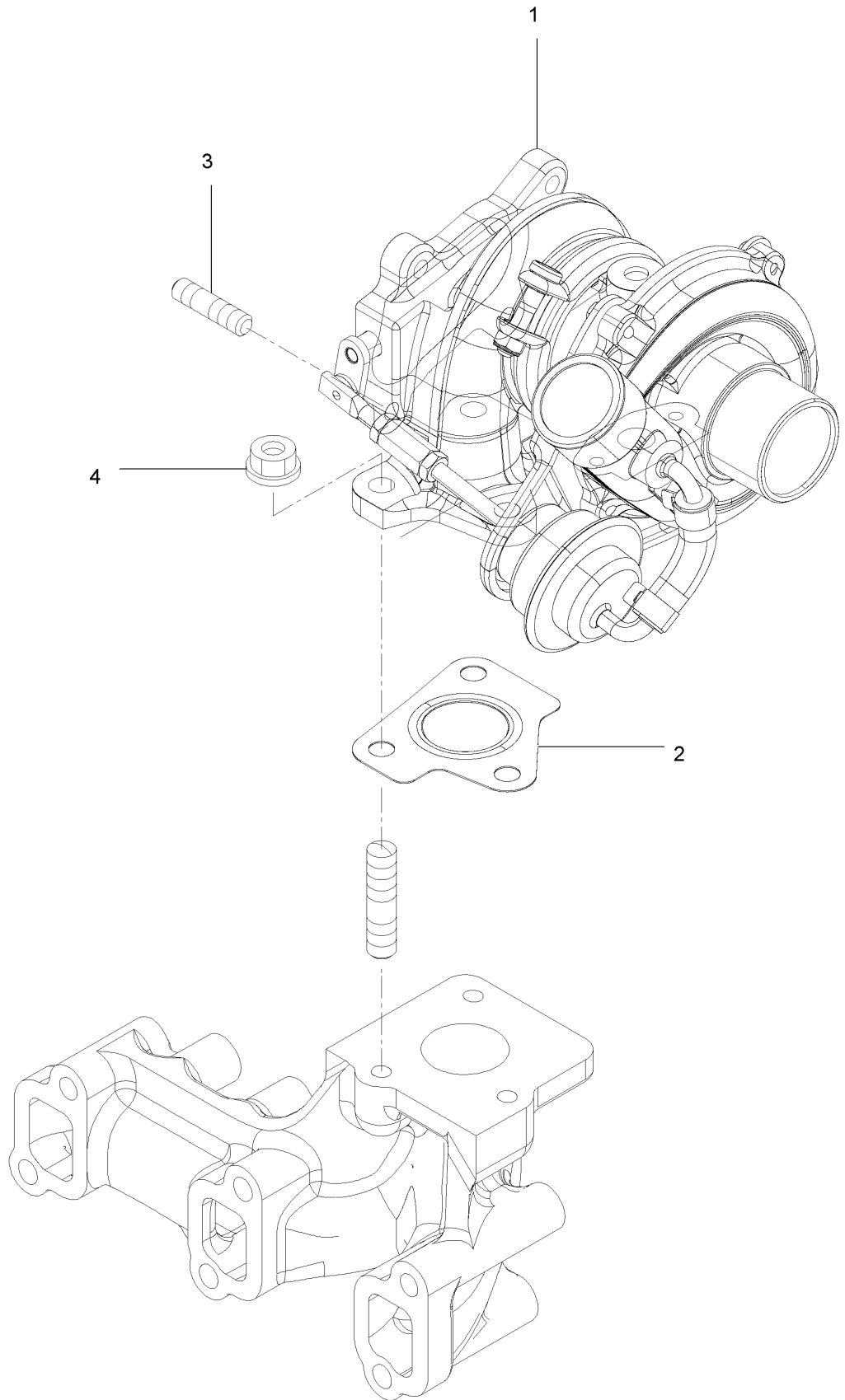
Camshaft and Driving Gear Assembly



Camshaft and Driving Gear Assembly (continued)

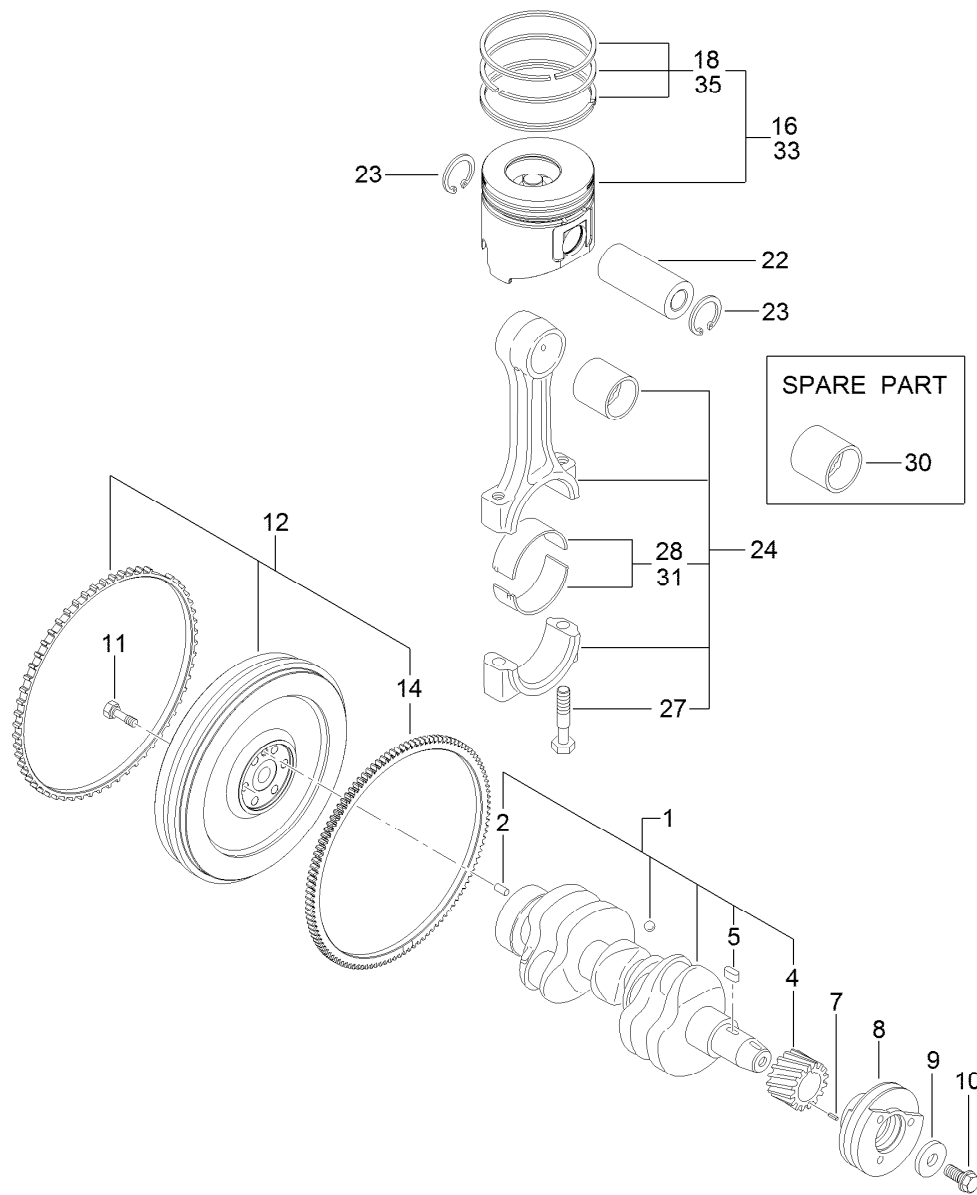
<i>Ref.</i>	<i>Part Number</i>	<i>Qty.</i>	<i>Description</i>	<i>Ref.</i>	<i>Part Number</i>	<i>Qty.</i>	<i>Description</i>
1	125-7016	6	Tappet	14	127-3066	1	Idle Gear A ASM
2	125-7017	6	Rod-Push	17	125-7219	3	Bolt
3	127-3797	1	Camshaft ASM	18	127-3070	1	Gear-Pump, Supply
4	125-7008	1	Metal-Thrust	19	127-3167	1	Washer-Spring
6	127-3052	1	Gear-Camshaft	20	127-3185	1	Nut-Lock
7	125-7185	1	Key	21	127-3064	1	Shaft-Idle, Gear B
8	127-3053	1	Pulser-Camshaft	22	127-3067	1	Idle Gear B ASM
9	125-7205	3	Bolt	25	127-3068	1	Plate-Idle, Shaft
10	125-7213	2	Bolt	26	127-3069	1	Gasket-Idle, Shaft B
11	127-3054	1	Sensor-Rev, Gear	27	125-7218	2	Bolt
12	127-3184	1	Bolt	28	125-6927	1	Bushing
13	127-3063	1	Shaft-Idle, Gear A	29	127-3065	1	Bushing

Turbine Assembly



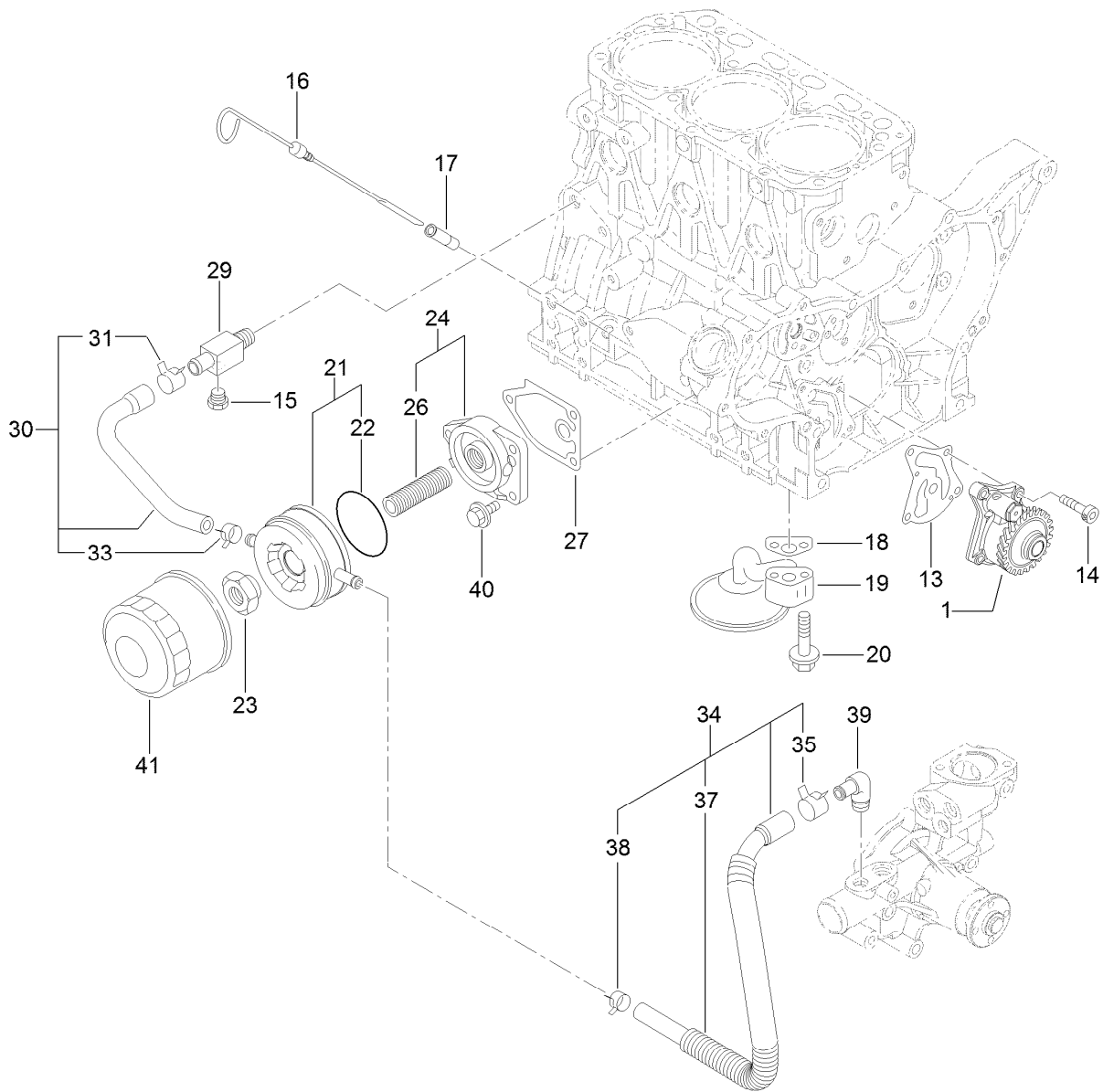
Turbine Assembly (continued)

<i>Ref.</i>	<i>Part Number</i>	<i>Qty.</i>	<i>Description</i>	<i>Ref.</i>	<i>Part Number</i>	<i>Qty.</i>	<i>Description</i>
1	135-4151	1	Turbocharger	3	125-6906	4	Stud
2	127-3799	1	Gasket-In, T C	4	125-7229	3	Nut



Crankshaft and Piston Assembly

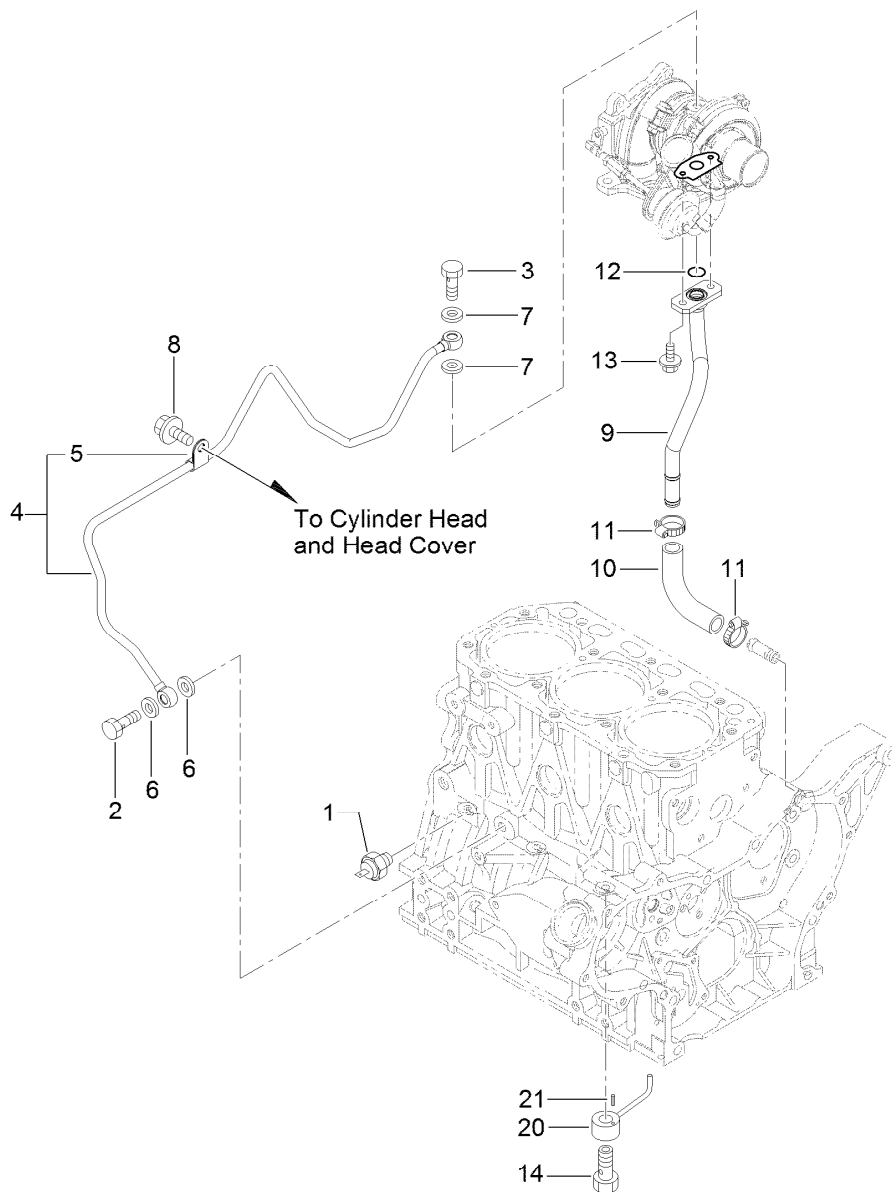
Ref.	Part Number	Qty.	Description	Ref.	Part Number	Qty.	Description
1	127-3800	1	Crankshaft ASM	16	127-3097	3	Piston ASM
2	125-6995	1	Pin	18	127-3098	3	Piston Ring ASM
4	125-6937	1	Gear	22	125-7030	3	Pin
5	125-7185	1	Key	23	125-7180	6	Ring
7	125-7182	1	Pin-Spring	24	125-7242	3	Connecting Rod ASM
8	127-3801	1	Pulley-V	27	125-6955	6	Bolt
9	125-7109	1	Washer	28	125-7018	3	Pin-Crank
10	125-6956	1	Bolt	30	125-6997	3	Pin-Piston
11	125-6951	6	Bolt	31	125-7019	3	Pin-Crank (.25)
12	127-3802	1	Flywheel ASM	33	127-3099	3	Piston ASM (0.25 O.S.)
14	125-6943	1	Gear	35	127-3100	3	Piston Ring ASM (0.25 O.S.)



Lubrication and Oil System Assembly

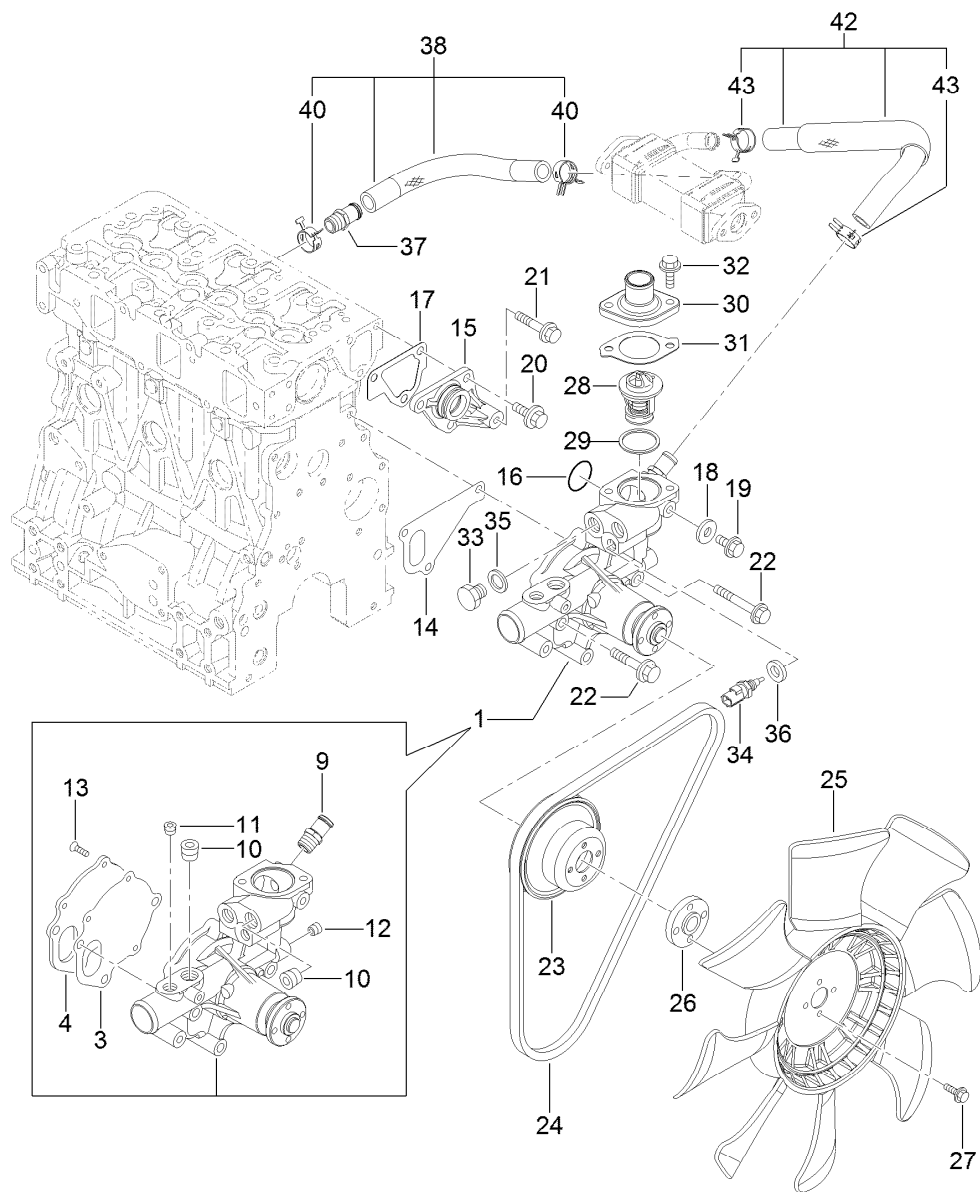
Ref.	Part Number	Qty.	Description
1	127-3101	1	Oil Lube Pump ASM
13	127-3004	1	Gasket
14	125-7232	4	Bolt
15	125-7171	1	Plug-Drain
16	125-6987	1	Dipstick
17	125-6954	1	Guide-Dipstick
18	125-7022	1	Gasket
19	127-3803	1	Pipe ASM
20	125-7217	2	Bolt
21	125-7074	1	Cooler ASM
22	125-7075	1	O-Ring
23	125-7041	1	Nut-Cooler, Oil
24	125-6989	1	Bracket ASM

Ref.	Part Number	Qty.	Description
26	125-7042	1	Stud
27	125-7024	1	Gasket
29	125-6990	1	Joint
30	125-7078	1	Pipe ASM
31	125-7162	1	Clip
33	125-7191	1	Clamp-Hose
34	127-3804	1	Pipe ASM
35	125-7162	1	Clip
37	127-3805	1	Tube
38	125-7191	1	Clamp-Hose
39	125-7001	1	Elbow
40	125-7595	3	Bolt
41	125-7025	1	Filter-Engine, Oil



Lubrication Oil Line Assembly

<i>Ref.</i>	<i>Part Number</i>	<i>Qty.</i>	<i>Description</i>	<i>Ref.</i>	<i>Part Number</i>	<i>Qty.</i>	<i>Description</i>
1	125-6918	1	Switch-Oil	9	127-3807	1	Pipe-Return, Lube Oil
2	125-6975	1	Bolt-Joint, Pipe	10	127-3808	1	Joint
3	125-6952	1	Bolt-Joint, Pipe	11	127-3169	2	Clamp-Hose
4	127-3806	1	Lube Oil Pipe ASM	12	125-7198	1	O-Ring
5	125-6976	1	Retainer	13	125-7208	2	Bolt
6	125-7175	2	Washer-Seal	14	125-7105	3	Check Valve ASM
7	125-7193	2	Gasket	20	125-7098	3	Nozzle
8	93-0362	1	Bolt	21	125-7182	3	Pin-Spring

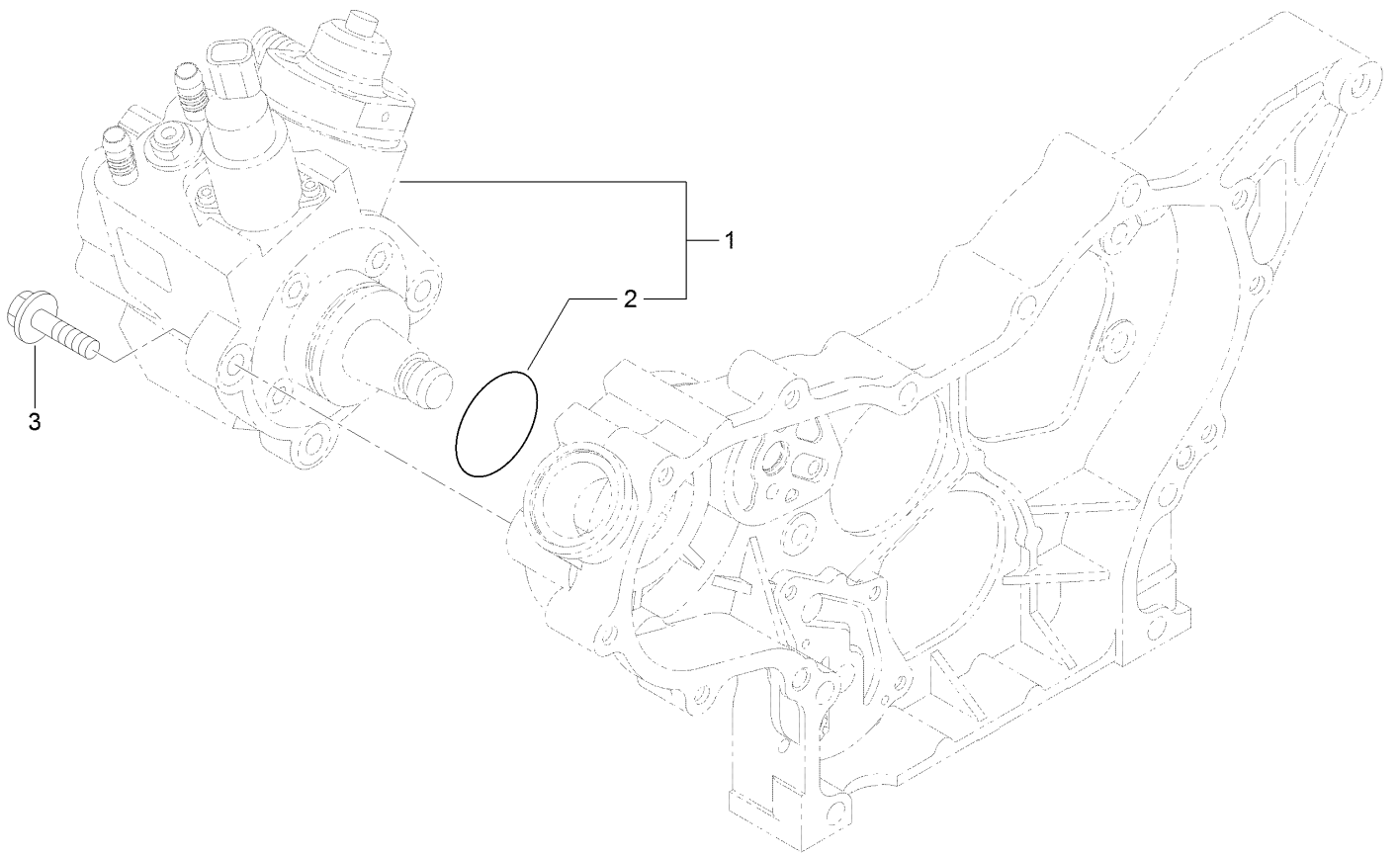


Cooling Water System Assembly

Ref.	Part Number	Qty.	Description
1	127-3071	1	Water Pump ASM
3	125-6998	1	Gasket
4	125-6999	1	Plate
9	127-3017	1	Joint
10	125-7123	2	Plug
11	127-3175	1	Plug
12	125-7195	1	Plug
13	125-7234	3	Screw
14	125-7047	1	Gasket
15	125-6986	1	Joint
16	125-7048	1	O-Ring
17	125-6978	1	Gasket
18	125-7192	1	Gasket
19	93-0362	1	Bolt
20	125-7214	3	Bolt
21	125-7219	1	Bolt
22	125-7222	3	Bolt
23	125-7039	1	V-Pulley

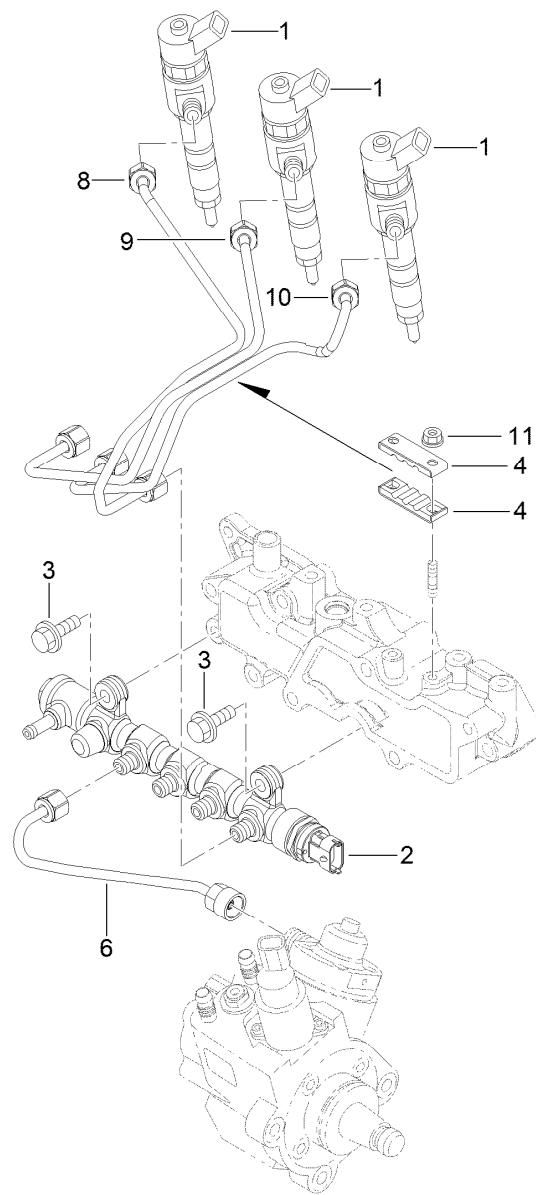
Ref.	Part Number	Qty.	Description
24	127-2998	1	V-Belt
25	127-3809	1	Fan
26	127-3810	1	Spacer
27	125-7209	4	Bolt
28	125-7029	1	Thermostat
29	125-7026	1	Gasket
30	125-7034	1	Cover
31	125-7110	1	Gasket
32	125-7594	2	Bolt
33	125-6953	1	Plug
34	125-7124	1	Sensor-Thermostat, CW
35	125-6979	1	Gasket
36	125-7176	1	Washer-Seal
37	127-3017	1	Joint
38	127-3072	1	Water In Pipe ASM
40	127-3020	2	Clip-Hose
42	127-3811	1	CW Pipe ASM
43	127-3020	2	Clip-Hose

Fuel System Assembly



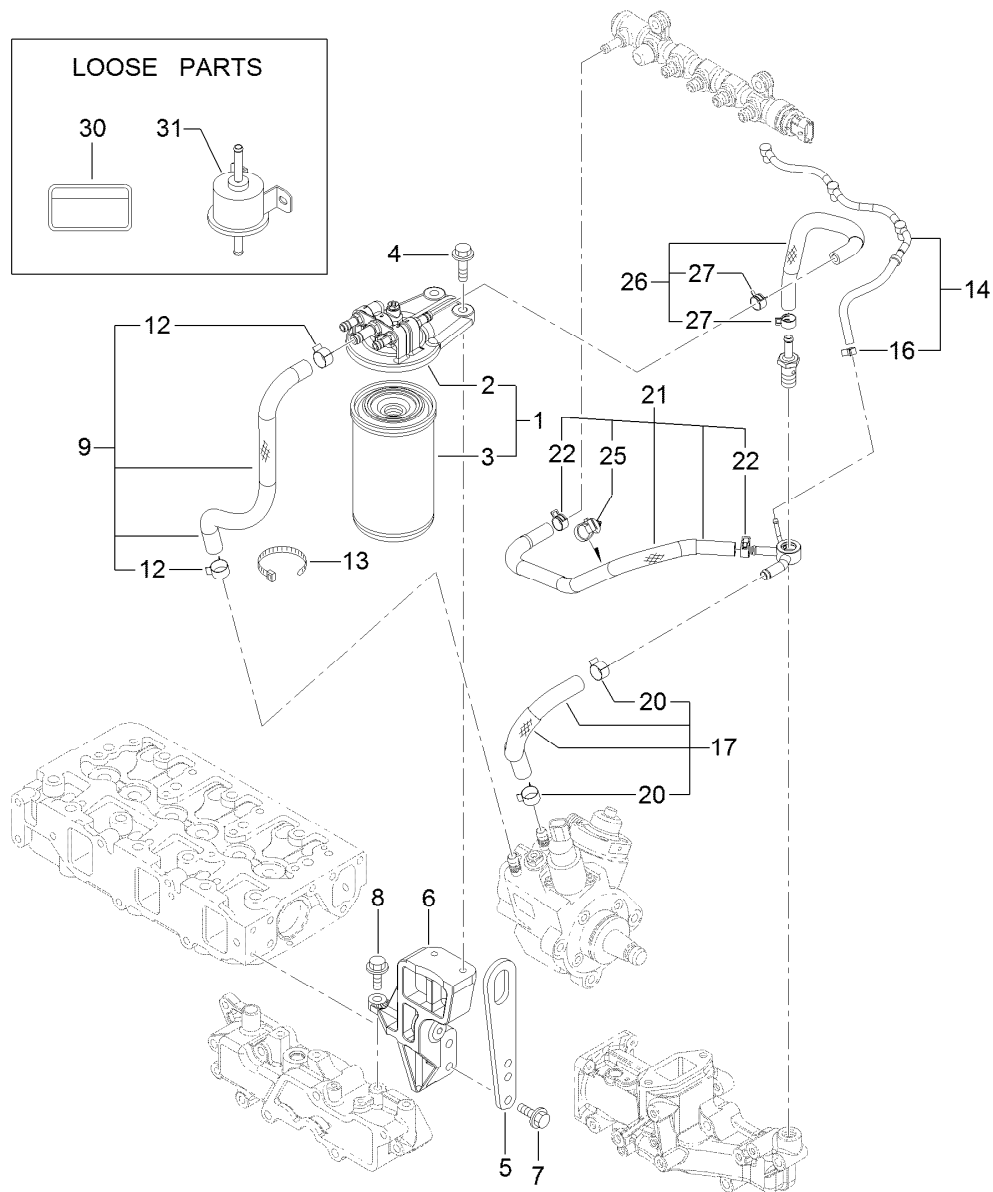
Fuel System Assembly (continued)

<i>Ref.</i>	<i>Part Number</i>	<i>Qty.</i>	<i>Description</i>
1	127-3073	1	Fuel Pump ASM
2	127-3074	1	O-Ring
3	125-7216	3	Bolt



Fuel Injection Valve Assembly

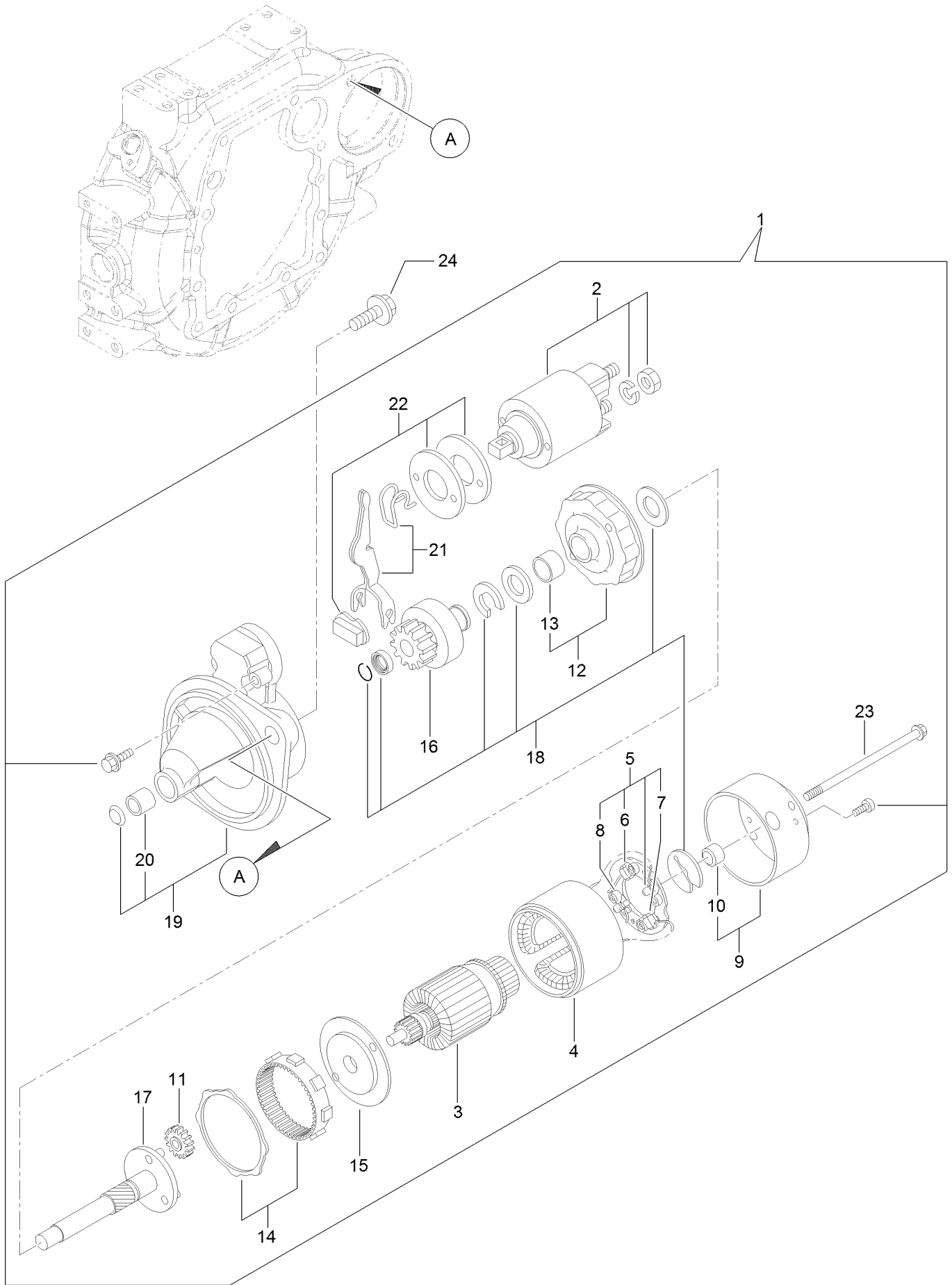
Ref.	Part Number	Qty.	Description
1	127-3104	3	Injector ASM
2	127-3812	1	Rail ASM
3	125-7215	2	Bolt
4	127-3813	2	Retainer
6	127-3082	1	Rail In Pipe ASM
8	127-3814	1	Injection Pipe ASM
9	127-3083	1	Injection Pipe ASM
10	127-3084	1	Injection Pipe ASM
11	125-7231	2	Nut



Fuel Line Assembly

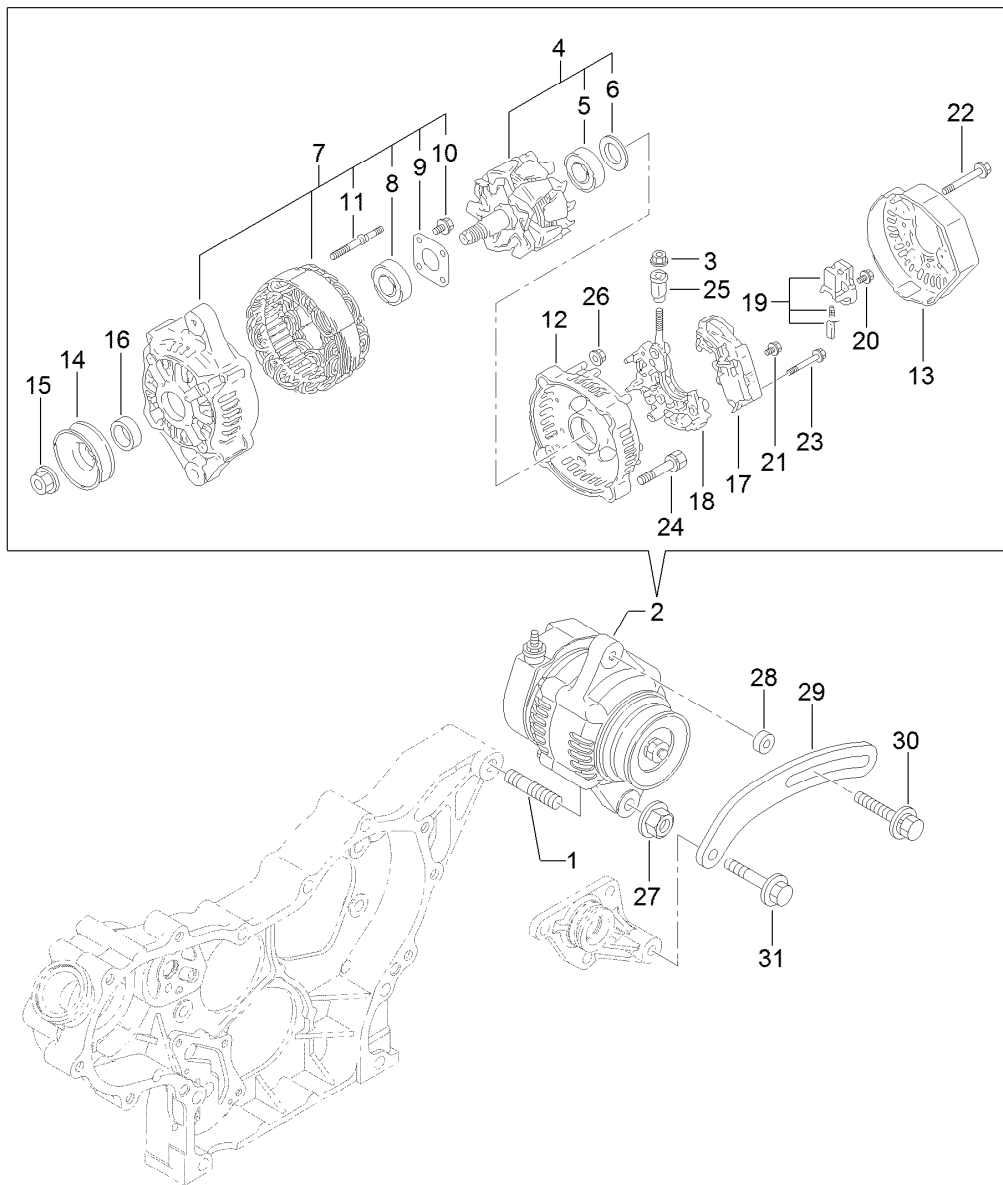
Ref.	Part Number	Qty.	Description	Ref.	Part Number	Qty.	Description
1	127-3075	1	Fuel/Oil Filter ASM	14	127-3816	1	Fuel/Oil Return Pipe ASM
2	127-3076	1	Fuel/Oil Filter Bracket ASM	16	127-3172	1	Clamp-Hose
3	125-8752	1	Filter-Fuel/Oil	17	127-3078	1	Fuel Pipe ASM
4	125-7216	2	Bolt	20	125-7191	2	Clamp-Hose
5	125-7111	1	Lifter	21	127-3817	1	Fuel Pipe ASM
6	127-3815	1	Filter Bracket ASM	22	127-2950	2	Clip-Hose
7	125-7215	2	Bolt	25	127-3087	1	Band-Clip
8	125-7215	1	Bolt	26	127-3079	1	Fuel Pipe ASM
9	127-3077	1	Fuel Pipe ASM	27	127-2950	2	Clip-Hose
12	125-7191	2	Clamp-Hose	30	125-6900	1	Label-Caution, Fuel Oil
13	127-2981	1	Band	31	121-5613	1	Pump-Fuel, Electric

Starting Motor Assembly



Starting Motor Assembly (continued)

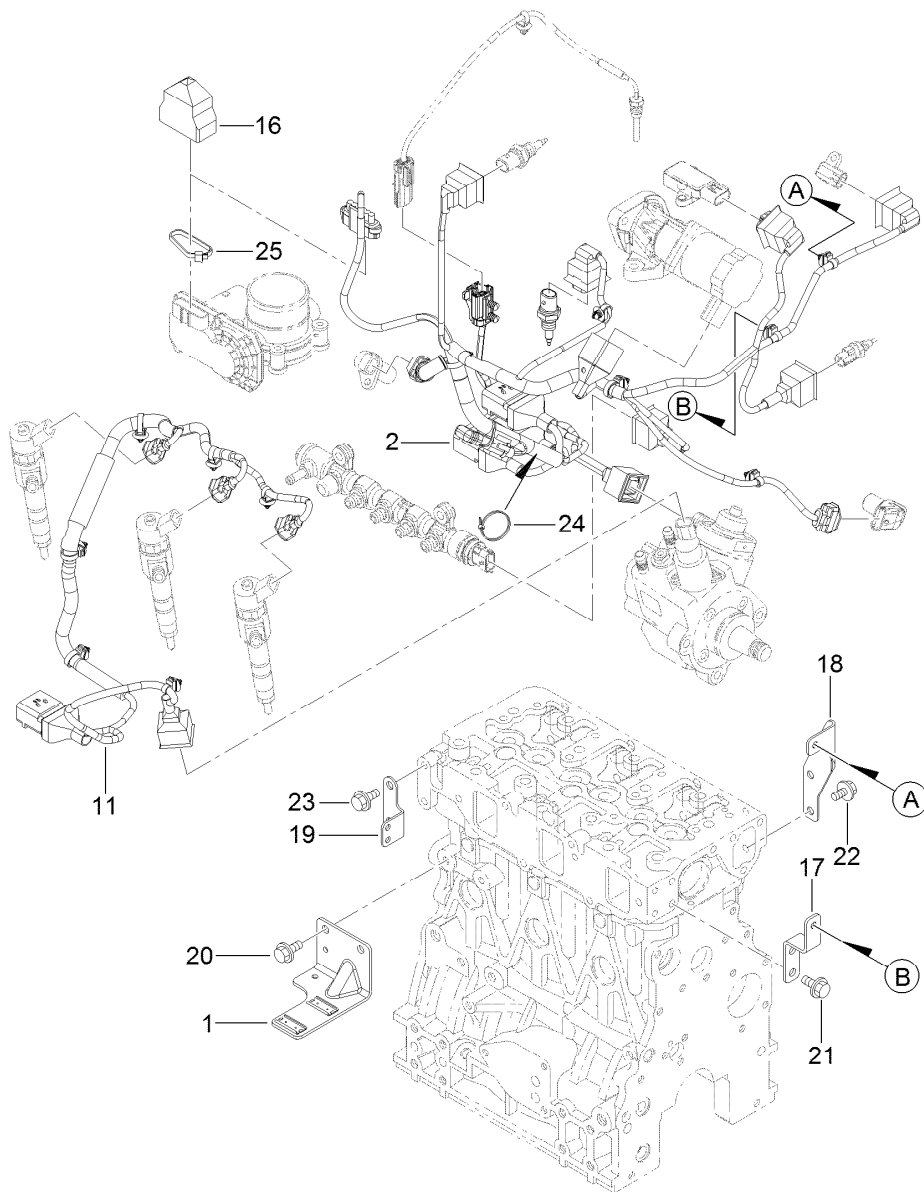
<i>Ref.</i>	<i>Part Number</i>	<i>Qty.</i>	<i>Description</i>	<i>Ref.</i>	<i>Part Number</i>	<i>Qty.</i>	<i>Description</i>
1	127-3818	1	Starter ASM	13	127-3830	1	Bracket
2	127-3819	1	Switch ASM	14	127-3831	1	Gear
3	127-3820	1	Armature ASM	15	127-3832	1	Bracket
4	127-3821	1	Yoke ASM	16	127-3833	1	Pinion ASM
5	127-3822	1	Brush Holder ASM	17	127-3834	1	Shaft
6	127-3823	2	Brush	18	127-3835	1	Washer Set
7	127-3824	1	Brush Set	19	127-3836	1	Case ASM
8	127-3825	4	Spring	20	127-3837	1	Metal-Starter
9	127-3826	1	Cover ASM	21	127-3838	1	Lever Set
10	127-3827	1	Metal	22	127-3839	1	Dust Cover ASM
11	127-3828	3	Gear	23	127-3840	2	Bolt-Through
12	127-3829	1	Bracket	24	125-7225	2	Bolt



Generator Assembly

<i>Ref.</i>	<i>Part Number</i>	<i>Qty.</i>	<i>Description</i>
1	127-3011	1	Stud
2	127-3841	1	Generator
3	127-3842	1	Nut
4	127-3843	1	Rotor ASM
5	127-2983	1	Bearing-Ball
6	127-2962	1	Cover
7	127-3844	1	Frame ASM
8	127-2958	1	Bearing-Ball
9	127-2959	1	Plate-Retainer
10	127-2960	4	Screw
11	127-2961	2	Stud
12	127-3845	1	Frame
13	127-3846	1	Cover
14	127-2954	1	Pulley
15	127-2955	1	Nut
16	127-2957	1	Collar

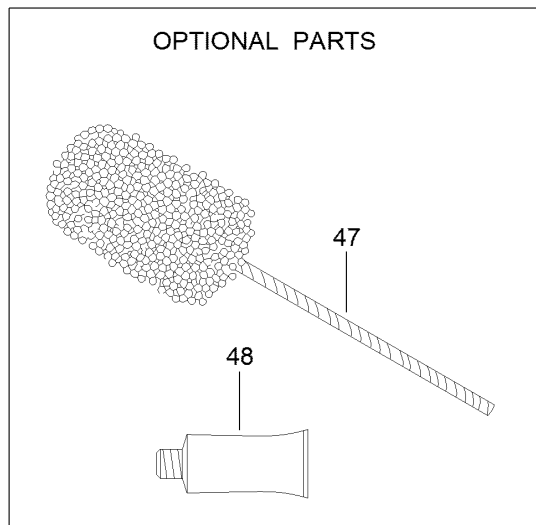
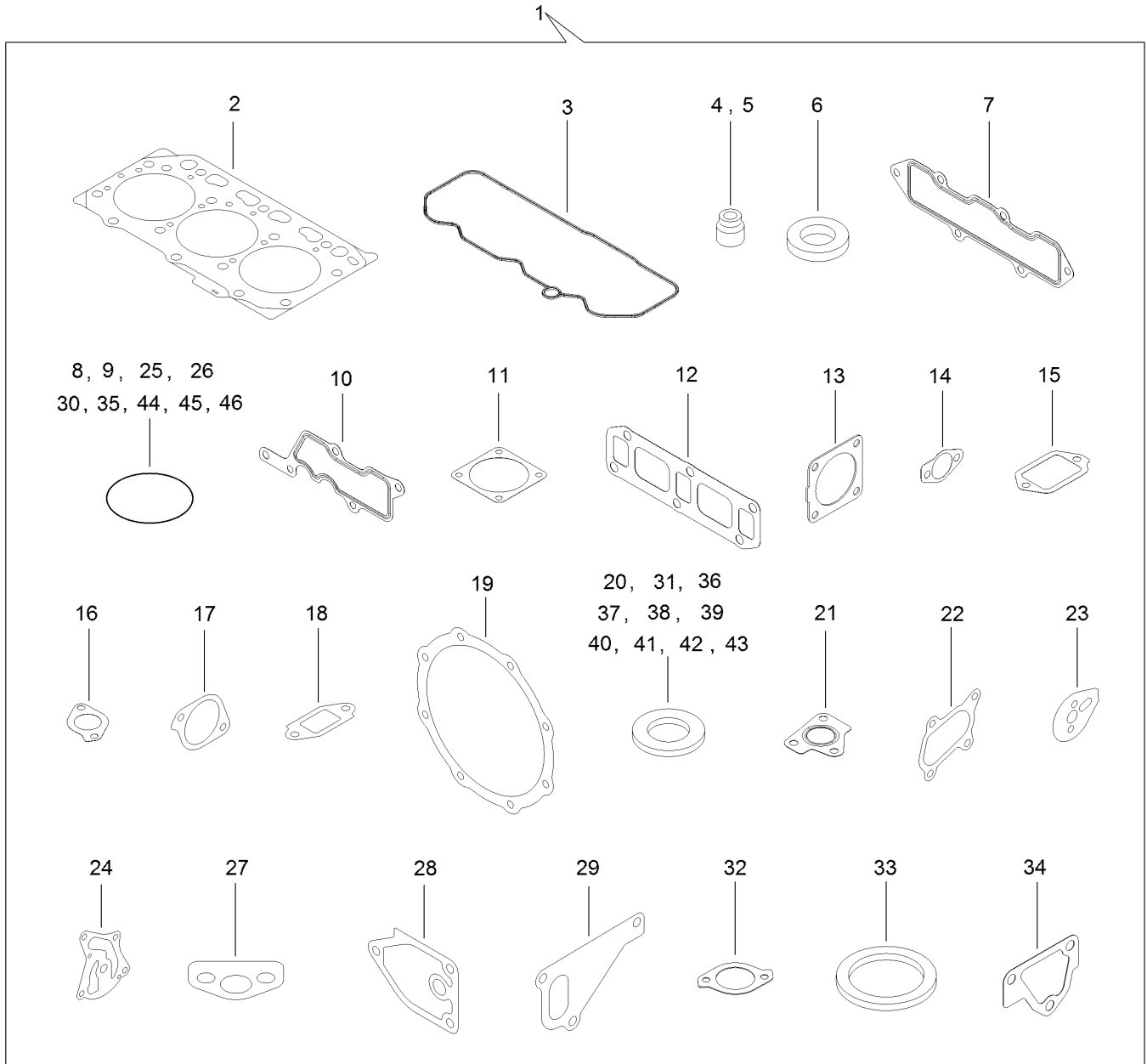
<i>Ref.</i>	<i>Part Number</i>	<i>Qty.</i>	<i>Description</i>
17	127-3847	1	Regulator ASM
18	127-3848	1	Holder
19	127-2993	1	Holder
20	127-2965	6	Screw
21	127-2966	1	Screw
22	127-2967	3	Bolt
23	127-2968	2	Screw
24	127-2969	2	Bolt
25	127-2970	1	Bushing-Insulation
26	127-2971	2	Nut
27	125-7230	1	Nut
28	125-6947	1	Spacer
29	127-2977	1	Adjuster
30	125-7134	1	Bolt
31	125-7219	1	Bolt



Electric Parts Assembly

Ref.	Part Number	Qty.	Description
1	127-3086	1	Bracket-Connector
2	127-3850	1	Harness B-Engine, E C O
11	127-3851	1	Harness
16	127-3089	1	Boot-Type, Cap
17	127-3852	1	Bracket-Harness
18	127-3853	1	Bracket-Harness
19	127-3090	1	Bracket-Harness
20	93-0362	2	Bolt
21	93-0362	2	Bolt
22	93-0362	2	Bolt
23	93-0362	2	Bolt
24	127-3187	1	Band
25	127-3188	1	Band

Gasket Set



Gasket Set (continued)

<i>Ref.</i>	<i>Part Number</i>	<i>Qty.</i>	<i>Description</i>	<i>Ref.</i>	<i>Part Number</i>	<i>Qty.</i>	<i>Description</i>
1	127-3854	1	Gasket Kit	25	125-6909	2	O-Ring
2	127-3751	1	Head Gasket ASM	26	127-2973	1	O-Ring
3	127-3762	1	Gasket-Cover, Cylinder Head	27	125-7022	1	Gasket
4	127-2986	3	Seal-Stem, Valve	28	125-7024	1	Gasket
5	127-3027	3	Seal-Stem, Valve	29	125-7047	1	Gasket
6	127-3021	3	Gasket-Injector	30	125-7048	1	O-Ring
7	127-3769	1	Gasket-Manifold, Intake	31	125-6979	1	Gasket
8	127-3032	2	O Ring-Sensor, Pressure	32	125-7110	1	Gasket
9	127-3033	1	O-Ring	33	125-7026	1	Gasket
10	127-3034	1	Gasket-Collector	34	125-6978	1	Gasket
11	127-3037	2	Gasket-Throttle	35	127-3074	1	O-Ring
12	127-3775	1	Gasket-Manifold, Exhaust	36	125-7174	1	Washer-Seal
13	127-3019	1	Gasket	37	125-7175	2	Washer-Seal
14	127-3043	2	Gasket-Cooler, E G R	38	125-7176	1	Washer-Seal
15	127-3046	1	Gasket-E G R	39	127-3166	2	Washer-Seal
16	127-3016	1	Gasket	40	125-7177	1	Washer-Seal
17	127-3050	1	Gasket-Intake Valve, E G R	41	125-7192	1	Gasket
18	127-3051	1	Gasket-Out Valve, E G R	42	125-7193	2	Gasket
19	127-3787	2	Gasket-D P F	43	127-3174	2	Gasket
20	127-3056	4	Gasket-Sensor	44	93-0418	3	O-Ring
21	127-3799	1	Gasket-In, T C	45	125-7197	3	O-Ring
22	127-3779	1	Gasket-Out, T C	46	125-7198	1	O-Ring
23	127-3069	1	Gasket-Idle, Shaft B	47	125-7038	1	Hone
24	127-3004	1	Gasket	48	125-7248	1	Gasket-Liquid

Attachments and Accessories

For 30864 Groundsmaster 4300-D Traction Unit

Product Name	Model/Part
22in Rotary Cutting Unit.....	30845
Spark Arrestor	98-9099
Air Ride Seat Suspension Kit.....	03667
22in Angle Sail Blade.....	117-0209-03
22in High Lift Blade.....	114-0434-03
22in Atomic Blade.....	114-0435-03
PX Hydraulic Fluid (55 Gal).....	133-8087
22in Combo Blade	108-7395-03
PX Hydraulic Fluid (5 Gal)	133-8086
Mulching Kit.....	117-0185
Premium Synthetic Bio-Degradable Hydraulic Fluid (5 Gallon Pail)	119-2157
Premium Synthetic Bio-Degradable Hydraulic Fluid (55 Gallon Drum).....	119-2158
Premium All Purpose Grease (Tube)	108-1190
Premium Engine Oil 10w30 (55 Gallon Drum)	121-6392
Premium Engine Oil 10w30 (5 Gallon Pail)	121-6393
Filter-Air.....	108-3810
Roller Scraper Kit.....	117-0149
Service Pack-Combo Blade.....	119-6957
Weight Plate	110-8985-03
22in Sectional Roller Assembly	137-6147
MVP Kit 1000 Hour	44964
White Universal Sunshade	30669
Operator Golf Ball Guard, Reelmaster 3100/3500/5010 or Groundsmaster 3500/4300 Series Traction Unit	03614
Wheel Weight Kit	104-1478
Hydraulic Hose Kit	117-0289
Red Universal Sunshade	30671
Operator Cooling Fan	03247
2 Post ROPS Extension Kit.....	03611
Switch Panel-Universal Sunshade.....	03248
Beacon Kit	138-2699
Sunshade Work Lights Kit.....	138-2700
EU Light Kit.....	31579
Power Harness Kit.....	138-2993
Hi-Back Seat Cover	133-1308
Fuel Cooler Kit [yanmar Rm5x10, Gm4300]	139-6040
Semi-Gloss Black Spray Paint.....	361-9
Dark Metallic Gray Aerosol Paint.....	361-12
New Red Paint - Gallon	361-11
Air Dry Red Paint - Qt	5340

Notes:

Notes:

Notes:



Count on it.