



**Count on it.**

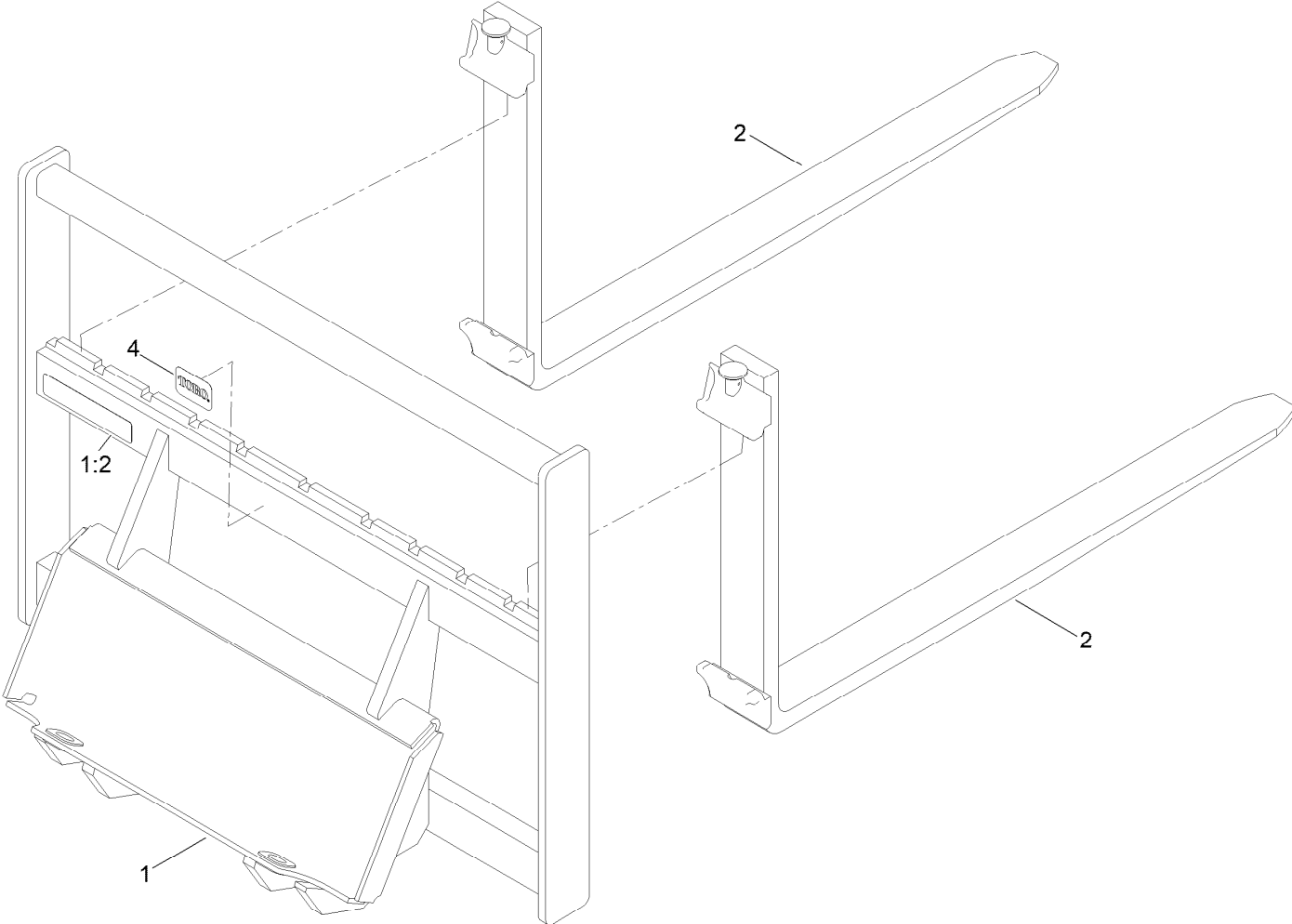
**Parts Catalog**

**Adjustable Forks  
Compact Tool Carriers**

Model No. 22586—Serial No. 321000001 and Up



# Adjustable Fork Assembly



## Adjustable Fork Assembly (continued)

<i>Ref.</i>	<i>Part Number</i>	<i>Qty.</i>	<i>Description</i>	<i>Ref.</i>	<i>Part Number</i>	<i>Qty.</i>	<i>Description</i>
1	139-4785	1	Fork Frame ASM,	2	139-4784	2	Tine-Fork
1:2	139-4779	1	Decal-Capacity,	4	98-3206	1	Decal



**Count on it.**