



22in Electric Hedge Trimmer

Model No. 51490—Serial No. 319000001 and Up

Operator's Manual



If you have questions or problems, contact us at www.Toro.com or call toll free 1-800-237-2654 (US) or 1-800-248-3258 (Canada) before returning this product.

This hedge trimmer is intended to be used by residential homeowners to maintain bushes and hedges. It is to be used only by adults. Using this product for purposes other than its intended use could prove dangerous to you and bystanders.

Read this information carefully to learn how to operate and maintain your product properly and to avoid injury and product damage. You are responsible for operating the product properly and safely.

Visit www.Toro.com for more information, including safety tips, training materials, accessory information, help finding a dealer, or to register your product.

▲ WARNING

CALIFORNIA Proposition 65 Warning

The power cord on this product contains lead, a chemical known to the State of California to cause birth defects or other reproductive harm. Wash hands after handling.

Use of this product may cause exposure to chemicals known to the State of California to cause cancer, birth defects, or other reproductive harm.

General Power Tool Safety Warnings

▲WARNING Read all safety warnings, instructions, illustrations and specifications provided with this power tool. Failure to follow all instructions listed below may result in electric shock, fire, and/or serious injury.

Save all warnings and instructions for future reference.

The term "power tool" in all of the warnings refers to your mains-operated (corded) power tool or BATTERY-operated (cordless) power tool.

READ ALL INSTRUCTIONS

1. **Work area safety**
 - A. **Keep work area clean and well lit.** *Cluttered or dark areas invite accidents.*
 - B. **Do not operate power tools in explosive atmospheres, such as in the presence of flammable liquids, gases, or dust.** *Power tools create sparks, which may ignite the dust or fumes.*
 - C. **Keep children and bystanders away while operating a power tool.** *Distractions can cause you to lose control.*
2. **Electrical safety**
 - A. **Power tool plugs must match the outlet. Never modify the plug in any way. Do not use any adapter plugs with earthed (grounded) power tools.** *Unmodified plugs and matching outlets will reduce risk of electric shock.*
 - B. **Avoid body contact with earthed or grounded surfaces, such as pipes, radiators, ranges and refrigerators.** *There is an increased risk of electric shock if your body is earthed or grounded.*
 - C. **Do not expose power tools to rain or wet conditions.** *Water entering a power tool will increase the risk of electric shock.*
 - D. **Do not abuse the cord. Never use the cord for carrying, pulling or unplugging the power tool. Keep cord away from heat, oil, sharp edges or moving parts.** *Damaged or entangled cords increase the risk of electric shock.*
 - E. **When operating a power tool outdoors, use an extension cord suitable for outdoor use.** *Use of a*



cord suitable for outdoor use reduces the risk of electric shock.

preventive safety measures reduce the risk of starting the power tool accidentally.

- F. **If operating a power tool in a damp location is unavoidable, use a ground fault circuit interrupter (GFCI) protected supply.** *Use of a GFCI reduces the risk of electric shock.*
 - G. **Disconnect the plug from the power source when the appliance is not in use.** *Such preventive safety measures reduce the risk of starting the power tool accidentally.*
3. **Personal safety**
- A. **Stay alert; watch what you are doing, and use common sense when operating a power tool. Do not use a power tool while you are tired or under the influence of drugs, alcohol, or medication.** *A moment of inattention while operating power tools may result in serious personal injury.*
 - B. **Use personal protective equipment. Always wear eye protection.** *Protective equipment such as a dust mask, non-skid safety shoes, hard hat or hearing protection used for appropriate conditions will reduce personal injuries.*
 - C. **Prevent unintentional starting. Ensure the switch is in the OFF-position before connecting to power source and/or BATTERY pack, picking up or carrying the tool.** *Carrying power tools with your finger on the switch or energizing power tools that have the switch on invites accidents.*
 - D. **Remove any adjusting key or wrench before turning the power tool on.** *A wrench or a key left attached to a rotating part of the power tool may result in personal injury.*
 - E. **Do not overreach. Keep proper footing and balance at all times.** *This enables better control of the power tool in unexpected situations.*
 - F. **Dress properly. Do not wear loose clothing or jewellery. Keep your hair and clothing away from moving parts.** *Loose clothes, jewelry or long hair can be caught in moving parts.*
 - G. **If devices are provided for the connection of dust extraction and collection facilities, ensure these are connected and properly used.** *Use of dust collection can reduce dust-related hazards.*
 - H. **Do not let familiarity gained from frequent use of tools allow you to become complacent and ignore tool safety principles.** *A careless action can cause severe injury within a fraction of a second.*
 - I. **Do not allow children or untrained people to operate or service this device.** *Allow only people who are responsible, trained, familiar with the instructions, and physically capable to operate or service the device.*
4. **Power tool use and care**
- A. **Do not force the power tool. Use the correct power tool for your application.** *The correct power tool will do the job better and safer at the rate for which it was designed.*
 - B. **Do not use the power tool if the switch does not turn it on and off.** *Any power tool that cannot be controlled with the switch is dangerous and must be repaired.*
 - C. **Disconnect the plug from the power source/and or remove the BATTERY pack, if detachable, from the power tool before making any adjustments, changing accessories, or storing power tools.** *Such*
- D. **Store idle power tools out of the reach of children, and do not allow persons unfamiliar with the power tool or these instructions to operate the power tool.** *Power tools are dangerous in the hands of untrained users.*
 - E. **Maintain power tools and accessories. Check for misalignment or binding of moving parts, breakage of parts, and any other condition that may affect the operation of the power tool. If damaged, have the power tool repaired before use.** *Many accidents are caused by poorly maintained power tools.*
 - F. **Keep cutting tools sharp and clean.** *Properly maintained cutting tools with sharp cutting edges are less likely to bind and are easier to control.*
 - G. **Use the power tool, accessories and tool bits etc. in accordance with these instructions, taking into account the working conditions and the work to be performed.** *Use of the power tool for operations different from those intended could result in a hazardous situation.*
 - H. **Keep handles and grasping surfaces dry, clean and free from oil and grease.** *Slippery handles and grasping surfaces do not allow for safe handling and control of the tool in unexpected situations.*
 - I. **Ground Fault Circuit Interrupter (GFCI) protection should be provided on the circuit(s) or outlet(s) to be used for the gardening appliance.** *Receptacles are available having built-in GFCI protection and may be used for this measure of safety.*
 - J. **To reduce the risk of electric shock, this appliance has a polarized plug (one blade is wider than the other) and will require the use of a polarized extension cord.** *The appliance plug will fit into a polarized extension cord only one way. If the plug does not fit, obtain a correct polarized extension cord. A polarized extension cord will require the use of a polarized wall outlet. This plug will fit into the polarized wall outlet only one way. If the plug still does not fit, contact a qualified electrician to install the proper wall outlet. Do not change the equipment plug, extension cord receptacle, or extension cord plug in any way.*
 - K. **Keep guards in place and in working order.** *Ensure that all guards are not damaged and properly installed to reduce the risk of injury.*
 - L. **Store idle appliances indoors.** *When not in use, appliances should be stored indoors in a dry and high or locked-up place, out of the reach of children.*
 - M. **Maintain Appliance With Care – Keep cutting edge sharp and clean for best performance and to reduce the risk of injury.** *Follow instructions for lubricating and changing accessories. Inspect appliance cord periodically, and if damaged, have it repaired by an authorized service facility. Inspect extension cords periodically and replace if damaged. Keep handles dry, clean, and free from oil and grease.*
 - N. **Check Damaged Parts – Before further use of the appliance, a guard or other part that is damaged should be carefully checked to determine that it will operate properly and perform its intended function.** *Check for alignment of moving parts, binding of moving parts, breakage of parts, mounting, and any other condition that may affect its operation. A guard or other part that is damaged should be properly repaired*

or replaced by an authorized service center unless indicated elsewhere in this manual.

5. Service

- A. **Have your power tool serviced by a qualified repair person using only identical replacement parts.** *This will ensure that the safety of the power tool is maintained.*
- B. **Never service damaged power cords.** *If the cord is damaged, it must be replaced by the manufacturer, its authorized service agent or a similarly qualified specialist in order to avoid hazard.*

6. Hedge trimmer safety warnings

- A. **Keep all parts of the body away from the blade. Do not remove cut material or hold material to be cut when blades are moving.** *Blades continue to move after the switch is turned off. A moment of inattention while operating the hedge trimmer may result in serious personal injury.*
- B. **Carry the hedge trimmer by the handle with the blade stopped and taking care not to operate any power switch.** *Proper carrying of the hedge trimmer will decrease the risk of inadvertent starting and resultant personal injury from the blades.*
- C. **When transporting or storing the hedge trimmer, always fit the blade cover.** *Proper handling of the hedge trimmer will decrease the risk of personal injury from the blades.*
- D. **When clearing jammed material or servicing the unit, make sure all power switches are off and the power cord is disconnected.** *Unexpected actuation of the hedge trimmer while clearing jammed material or servicing may result in serious personal injury.*
- E. **Hold the hedge trimmer by insulated gripping surfaces only, because the blade may contact hidden wiring or its own cord.** *Blades contacting a "live" wire may make exposed metal parts of the hedge trimmer "live" and could give the operator an electric shock.*
- F. **Keep all power cords and cables away from cutting area.** *Power cords or cables may be hidden in hedges or bushes and can be accidentally cut by the blade.*
- G. **Do not use the hedge trimmer in bad weather conditions, especially when there is a risk of lightning.** *This decreases the risk of being struck by lightning.*
- H. **Always use two hands when operating the hedge trimmer.** *Hold the hedge trimmer with both hands to avoid loss of control.*
- I. **Always keep proper footing and operate the hedge trimmer only when standing on a fixed, secure and level surface.** *Slippery or unstable surfaces such as ladders may cause a loss of balance or control of the hedge trimmer.*

7. Class II Appliance

A class II appliance is an appliance in which protection against electric shock does not rely on basic insulation only, but in which additional safety precautions, such as double insulation or reinforced insulation, are provided, there being no provision for protective earthing or reliance upon installation conditions. A class II appliance is marked by this symbol (□).

8. Extension Cord

⚠ WARNING

Using an incorrect extension cord may result in electric shock.

Use only with an extension cord intended for outdoor use, such as an extension cord of cord type SW-A, SOW-A, STW-A, STOW-A, SJW-A, SJOW-A, SJTW-A, or SJTOW-A

Ensure that your extension cord is in good condition. When using an extension cord, use one heavy enough to carry the current your product will draw. An undersized extension cord will cause a drop in line voltage, resulting in loss of power and overheating. The following table lists the correct cord size depending on the length of the cord. If you are in doubt, use the next heavier gauge. The smaller the gauge number, the heavier the cord.

Extension Cord Length	Minimum Wire Gauge (A.W.G.)
7.6 m (25 feet)	16
15.0 m (50 feet)	16
30.5 m (100 feet)	16
45.7 m (150 feet)	14

Note: Do not use an extension cord over 45.7 m (150 feet) long.

To reduce the risk of disconnection of the extension cord during use, connect the extension cord to the trimmer as illustrated in [Connecting to Power Supply \(page 5\)](#).

SAVE THESE INSTRUCTIONS

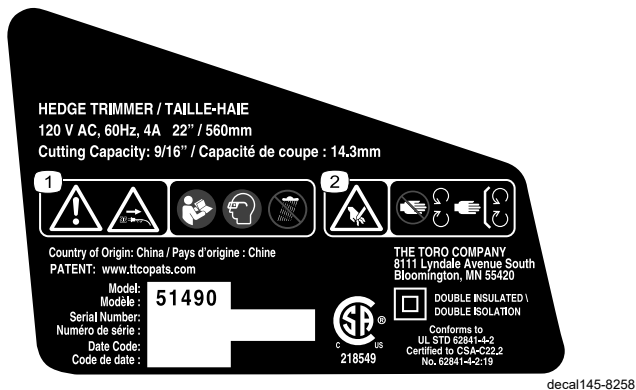
Electrical specifications: 120V ~ 60Hz 4A

Safety and Instructional Decals



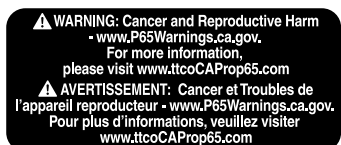
Safety decals and instructions are easily visible to the operator and are located near any area of potential danger. Replace any decal that is damaged or missing.

Symbol	Name	Designation/Explanation
AC	Alternating current	Type of current
A	Amperes	Current
Hz	Hertz	Frequency (cycles per second)
SPM	Strokes per minute	Speed of blade
V	Volts	Voltage



145-8258

1. Warning; remove plug from the socket if the wire is damaged—read the *Operator's Manual*; wear eye protection; do not operate in wet conditions.
2. Cutting/dismemberment hazard of the fingers or hand— keep all guards and shields in place.



138-6699

Operation

Preparing the Appliance

For safe and efficient use of your hedge trimmer, use only a UL-listed extension cord recommended for outdoor use. Refer to the Extension Cord Chart below.

Minimum Gauge for Extension Cords (AWG—120 V Only)

Extension Cord Length	Minimum Wire Gauge (A.W.G.)
7.6 m (25 feet)	16
15.0 m (50 feet)	16
30.5 m (100 feet)	16
45.7 m (150 feet)	14

Note: Do not use an extension cord over 150 feet (45.7 m) long.

Important: Check the power cord frequently during use for holes in the insulation. Do not use a damaged cord. Do not run the cord through standing water or wet grass. Remove plug from the mains immediately if the power cord is damaged or cut.

Connecting to Power Supply

This product is designed with a cord retainer that prevents the extension cord from being pulled loose while in use.

1. Form a loop with the end of the extension cord.
2. Insert loop portion of extension cord through opening in the bottom of the rear handle and place over cord retainer.
3. Slowly pull loop against cord retainer until the slack is removed.
4. Plug product into extension cord (Figure 1).

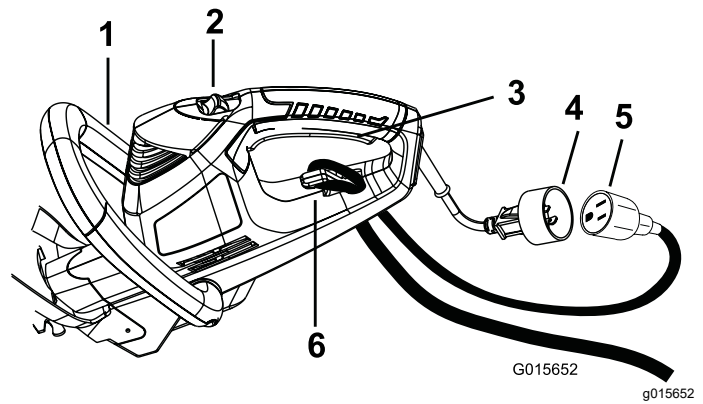


Figure 1

1. Auxiliary handle
2. Lock switch
3. Trigger and rear handle
4. 2-prong plug
5. Extension cord
6. Cord retainer

Starting the Hedge Trimmer

1. Remove the protective cover from the cutter blades (Figure 2).

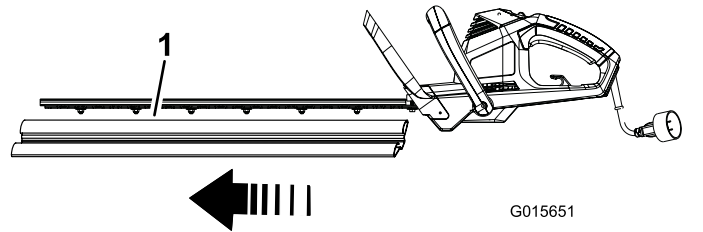


Figure 2

1. Protective cover
2. Attach an extension cord to the trimmer (Figure 1).
3. Place one hand on the trigger handle. Place the other hand on the auxiliary handle.
4. Slide the lock switch backwards, towards you, then squeeze the trigger switch to turn on the hedge trimmer (Figure 1). The trimmer will stay on as long as the trigger switch is squeezed. Lock-off switch may be released once hedge trimmer is running.

Stopping the Hedge Trimmer

1. Release the trigger switch (Figure 1).
2. Allow at least 5 seconds for the cutting blade to stop moving.
3. Fit the protective cover to the cutter blades and disconnect the trimmer from the extension cord when you are finished trimming.

Operating Tips

- Always check the hedge and cutting area for hidden objects; remove any foreign objects before trimming.
- The unit is used for cutting in either direction in a slow, sweeping action from side to side.
- Stand so that you are stable and balanced on both feet. Do not overreach.
- Never use the hedge trimmer near power lines, fencing, posts, buildings, or other immovable objects.
- Never use a blade after hitting a hard object without first inspecting it for damage. Do not use if any damage is detected.
- Never touch blades or service unit with the power supply connected.
- When operating the hedge trimmer, keep the extension cord behind the trimmer. Never drape it over the hedge being trimmed.
- When using a GFCI, ensure that the GFCI tripping current is 30 mA or less.
- Do not force the hedge trimmer through heavy shrubbery. This can cause the blades to bind and slow down. If the blades slow down, reduce the pace.
- Do not attempt to cut stems or twigs that are larger than 9/16 in., or those obviously too large to feed into the cutting blade. Use a non-powered hand saw or pruning saw to trim large stems.
- If blades do become jammed, stop the motor, allow the blades to stop, and disconnect the plug from the power source before attempting to remove the obstruction.
- If desired, you can use a string to help cut your hedge level. Decide how high you want the hedge. Stretch a piece of string along the hedge at the desired height. Trim the hedge just above the guide line of string. Trim the side of a hedge so that it will be slightly narrower at the top. More of the hedge will be exposed when shaped this way, and it will be more uniform.
- Wear gloves when trimming thorny or prickly growth. When trimming new growth, use a wide sweeping action, so that the stems are fed directly into the cutting blade. Older growth will have thicker stems and will be trimmed easiest by using a sawing movement.

Maintenance

Oiling the Trimmer Blade

1. Stop the motor and disconnect from power supply.
2. Clean dirt and debris from the body of the hedge trimmer, using a damp cloth with a mild detergent.

Note: Do not use any strong detergents on the plastic housing or the handle. They can be damaged by certain aromatic oils such as pine and lemon, and by solvents such as kerosene.

3. Lay the hedge trimmer on a flat surface. Apply light weight machine oil along the edge of the top blade. If you will be using the hedge trimmer for an extended period of time, it is advisable to oil the blade during use.

Note: Do not oil while the hedge trimmer is running.

Service

Should this item need service, take the product to your Authorized Toro Service Dealer. Your Toro Dealer is specially trained to fix Toro products and will ensure that your Toro stays "All" Toro.

Class II Appliance

A class II appliance is an appliance in which protection against electric shock does not rely on basic insulation only, but in which additional safety precautions, such as double insulation or reinforced insulation, are provided, there being no provision for protective earthing or reliance upon installation conditions. A class II appliance is marked by this symbol (□).

No grounding means is provided on a class II appliance, nor should a means for grounding be added to the appliance.

Servicing a class II appliance requires extreme care and knowledge of the system, and should be done only by the qualified service personnel at your Authorized Service Dealer.

Replacement parts for a class II appliance must be identical to the parts that they replace.

Storage

- Clean all foreign material from the product.
- Store it in a well-ventilated place that is inaccessible to children.
- Keep away from corrosive agents such as garden chemicals and de-icing salts.

California Proposition 65 Warning Information

What is this warning?

You may see a product for sale that has a warning label like the following:



WARNING: Cancer and Reproductive Harm—www.p65Warnings.ca.gov.

What is Prop 65?

Prop 65 applies to any company operating in California, selling products in California, or manufacturing products that may be sold in or brought into California. It mandates that the Governor of California maintain and publish a list of chemicals known to cause cancer, birth defects, and/or other reproductive harm. The list, which is updated annually, includes hundreds of chemicals found in many everyday items. The purpose of Prop 65 is to inform the public about exposure to these chemicals.

Prop 65 does not ban the sale of products containing these chemicals but instead requires warnings on any product, product packaging, or literature with the product. Moreover, a Prop 65 warning does not mean that a product is in violation of any product safety standards or requirements. In fact, the California government has clarified that a Prop 65 warning "is not the same as a regulatory decision that a product is 'safe' or 'unsafe.'" Many of these chemicals have been used in everyday products for years without documented harm. For more information, go to <https://oag.ca.gov/prop65/faqs-view-all>.

A Prop 65 warning means that a company has either (1) evaluated the exposure and has concluded that it exceeds the "no significant risk level"; or (2) has chosen to provide a warning based on its understanding about the presence of a listed chemical without attempting to evaluate the exposure.

Does this law apply everywhere?

Prop 65 warnings are required under California law only. These warnings are seen throughout California in a wide range of settings, including but not limited to restaurants, grocery stores, hotels, schools, and hospitals, and on a wide variety of products. Additionally, some online and mail order retailers provide Prop 65 warnings on their websites or in catalogs.

How do the California warnings compare to federal limits?

Prop 65 standards are often more stringent than federal and international standards. There are various substances that require a Prop 65 warning at levels that are far lower than federal action limits. For example, the Prop 65 standard for warnings for lead is 0.5 µg/day, which is well below the federal and international standards.

Why don't all similar products carry the warning?

- Products sold in California require Prop 65 labelling while similar products sold elsewhere do not.
- A company involved in a Prop 65 lawsuit reaching a settlement may be required to use Prop 65 warnings for its products, but other companies making similar products may have no such requirement.
- The enforcement of Prop 65 is inconsistent.
- Companies may elect not to provide warnings because they conclude that they are not required to do so under Prop 65; a lack of warnings for a product does not mean that the product is free of listed chemicals at similar levels.

Why does the manufacturer include this warning?

the manufacturer has chosen to provide consumers with as much information as possible so that they can make informed decisions about the products they buy and use. the manufacturer provides warnings in certain cases based on its knowledge of the presence of one or more listed chemicals without evaluating the level of exposure, as not all the listed chemicals provide exposure limit requirements. While the exposure from the manufacturer products may be negligible or well within the "no significant risk" range, out of an abundance of caution, the manufacturer has elected to provide the Prop 65 warnings. Moreover, if the manufacturer does not provide these warnings, it could be sued by the State of California or by private parties seeking to enforce Prop 65 and subject to substantial penalties.