



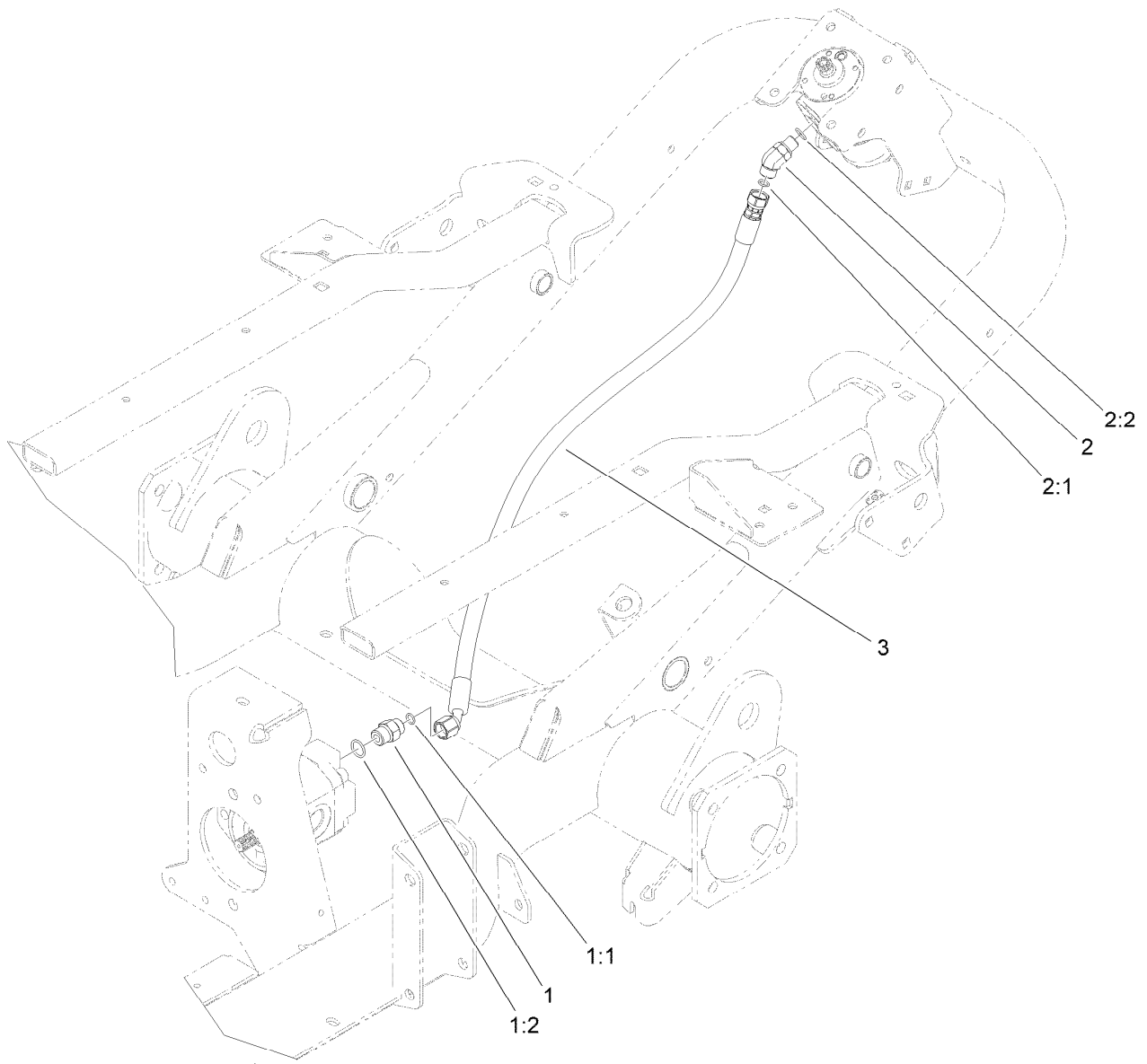
**Count on it.**

**Parts Catalog**

**Tube Replacement Kit**  
**Groundsmaster® 3200 or 3300 Series**  
**Traction Unit**

Model No. 144-4047





## Tube Replacement Kit Assembly No. 144-4047

Ref.	Part Number	Qty.	Description
1	340-3	1	Fitting-Straight
1:1	237-22	1	O-Ring
1:2	237-79	1	O-Ring
2	340-87	1	Fitting-Elbow, 45 DEG
2:1	237-22	1	O-Ring
2:2	237-42	1	O-Ring
3	137-5844	1	Hose ASM