



Tube Replacement Kit

Groundsmaster® 3200 or 3300 Series Traction Unit

Model No. 144-4047

Installation Instructions

Installation

Loose Parts

Use the chart below to verify that all parts have been shipped.

Procedure	Description	Qty.	Use
1	No parts required	–	Prepare the machine.
2	No parts required	–	Remove the attachment (if equipped)
3	No parts required	–	Remove the existing hydraulic line.
4	Hydraulic hose Straight fitting 45° fitting	1 1 1	Install the hose to the steering valve and hydraulic pump.
5	No parts required	–	Complete the installation.

1

Preparing the Machine

No Parts Required

Procedure

1. Park the machine on a level surface.
2. Engage the parking brake.
3. Lower the attachment.
4. Shut off the engine and remove the key.

2

Removing the Attachment

If Equipped

No Parts Required

Procedure

1. If you have an equipped attachment, remove it; refer to the removal instructions in your traction unit *Operator's Manual*.
2. Use a cord or cable tie to secure the PTO shaft out of the working area.



3

Removing the Existing Hydraulic Line

No Parts Required

Procedure

Remove the existing hard hydraulic line shown in [Figure 1](#).

The hydraulic line is connected to the following ports:

- Steering valve: P
- Hydraulic pump: OUT

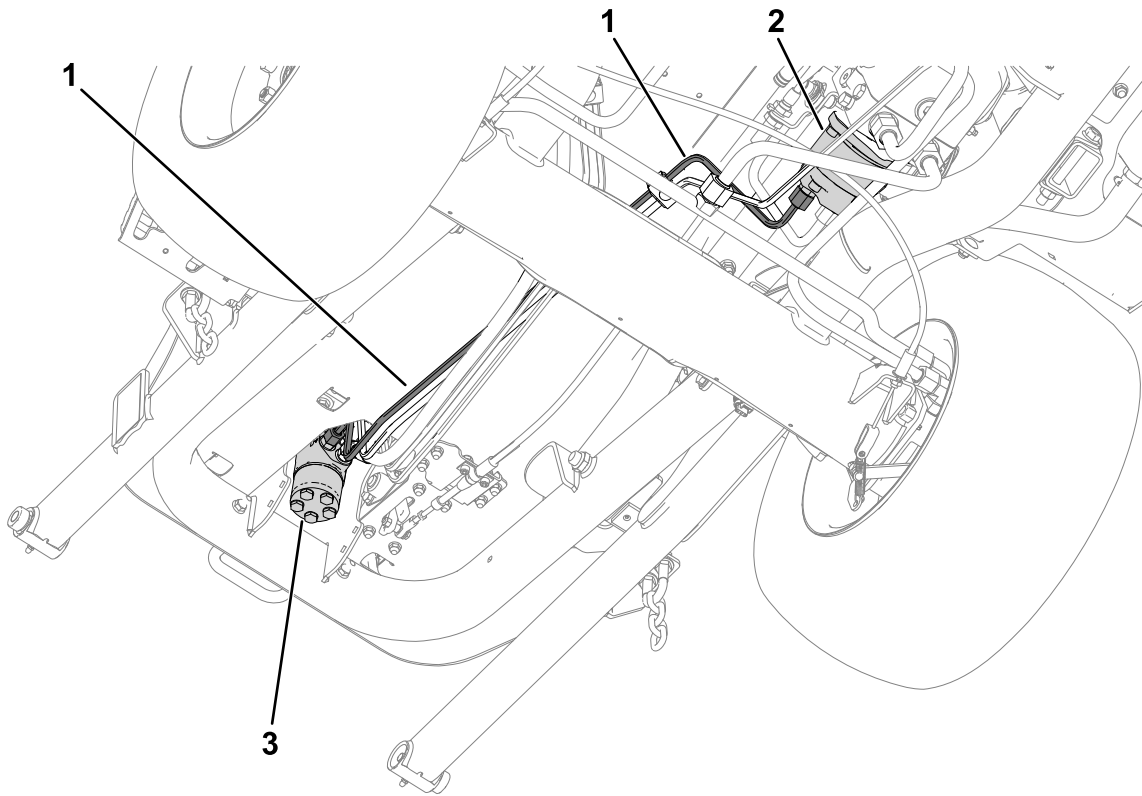


Figure 1

g363634

1. Hydraulic line
2. Hydraulic pump

3. Steering valve

4

Installing the Hose

Parts needed for this procedure:

1	Hydraulic hose
1	Straight fitting
1	45° fitting

Procedure

1. Remove the existing fitting from the hydraulic pump and replace it with the straight fitting.
2. Connect the 45° hydraulic-hose fitting to the new straight fitting and orient it at 50° as shown in [Figure 2](#).

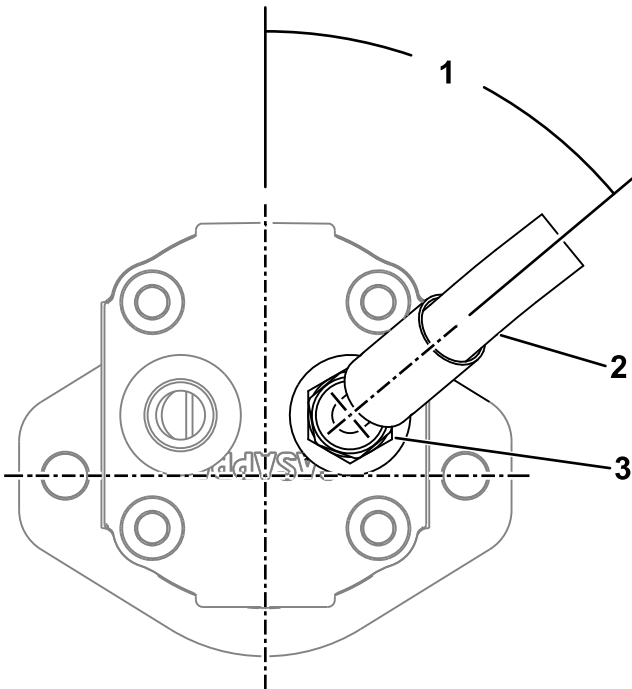


Figure 2

g363805

1. 50°
2. Hydraulic hose with the 45°-fitting end
3. Straight fitting

-
3. Remove the existing fitting from the steering valve and replace it with the 45° fitting and orient it downwards.
 4. Connect the straight hydraulic-hose fitting to the new 45° fitting as shown in [Figure 3](#).

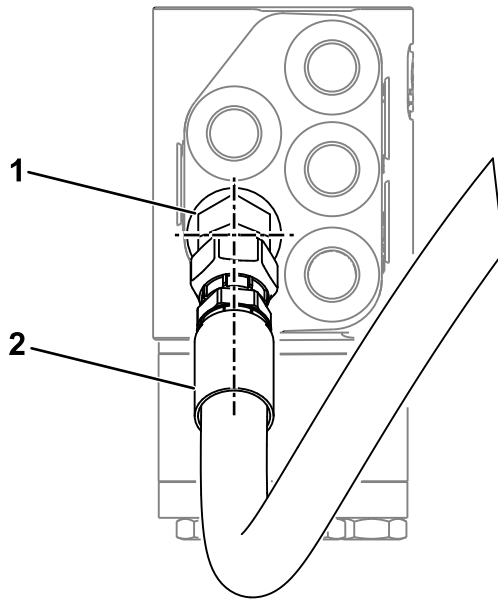


Figure 3

g363806

1. 45° fitting
2. Hydraulic hose with straight-fitting end

5. Ensure that the hydraulic hose is routed as shown in [Figure 4](#).

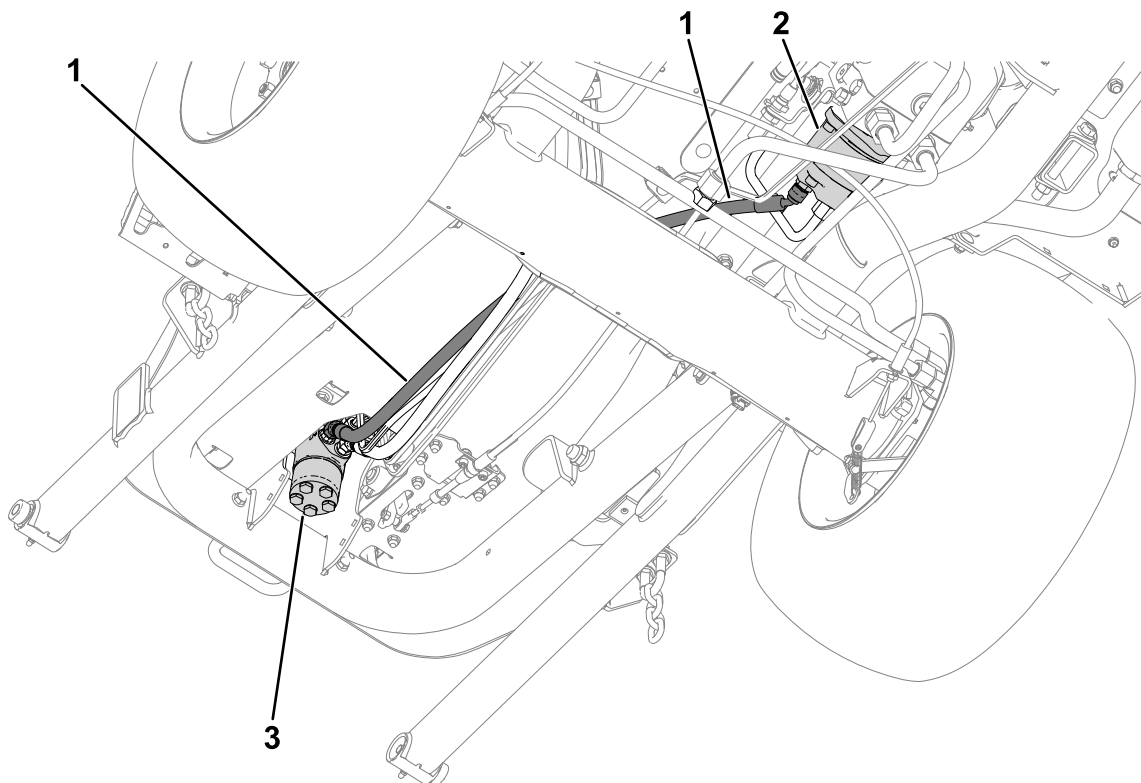


Figure 4

g363637

1. Hydraulic hose
2. Hydraulic pump
3. Steering valve

6. Ensure that the hose and fittings are aligned as shown in [Figure 2](#) and [Figure 3](#) and that there is no twist in the hose when routed next to the existing hydraulic lines.

5

Completing the Installation

No Parts Required

Procedure

1. Install an attachment; refer to the installation instructions in your traction unit *Operator's Manual*.
2. Perform the following steps to purge air from the hydraulic system:
 - Fully lower and raise the attachment.
 - Cycle steering wheel all-the-way to the left and the right.

Notes:

Notes:



Count on it.