



**Count on it.**

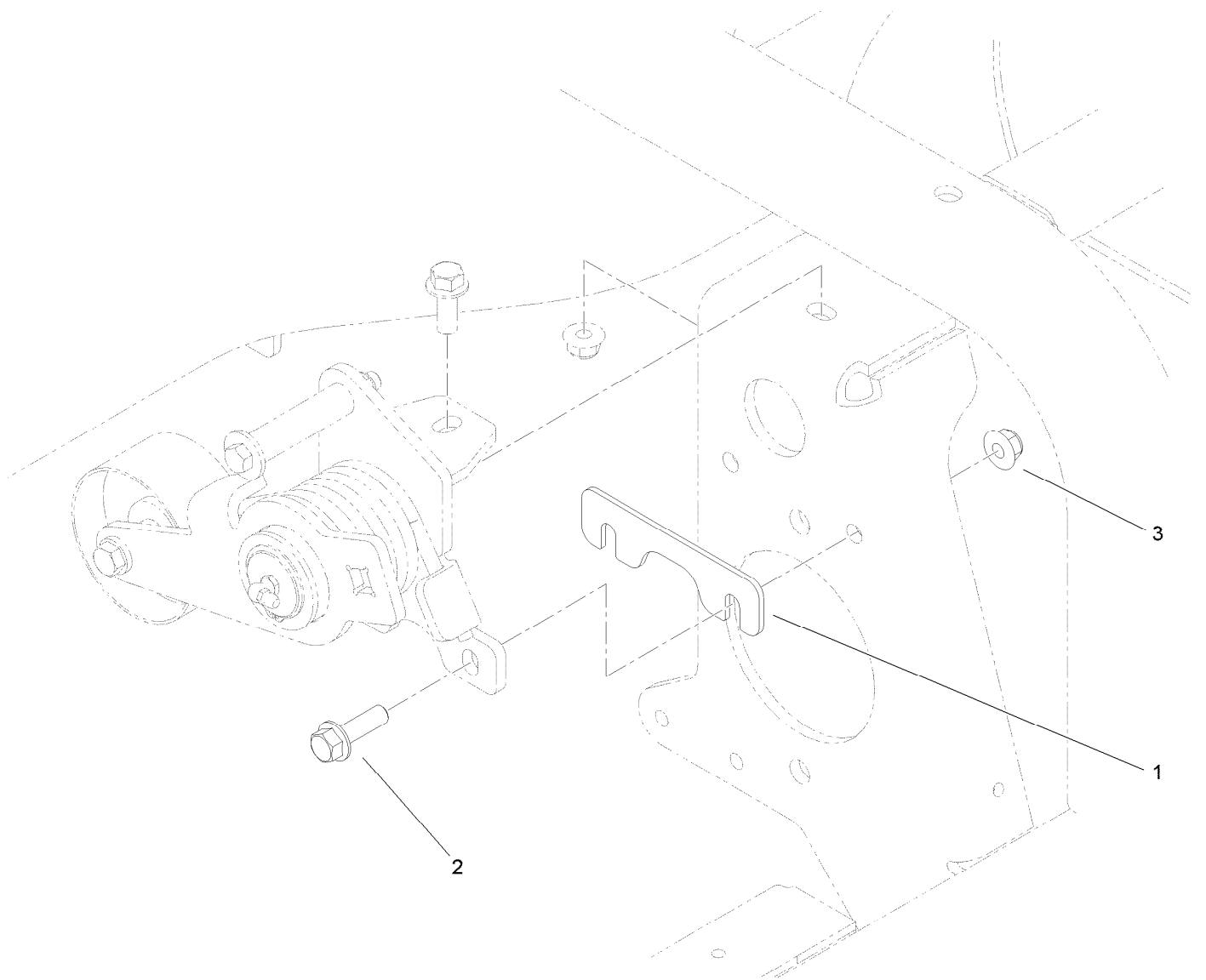
**Parts Catalog**

**Shim Tensioner Kit**

**Groundsmaster® 3200 or 3300 Series  
Traction Unit**

**Model No. 144-4045**





## Shim Tensioner Kit Assembly No. 144-4045

<i>Ref.</i>	<i>Part Number</i>	<i>Qty.</i>	<i>Description</i>
1	144-4046	1	Shim-Pivot
2	119-4061	2	Screw-HHF
3	104-8301	2	Nut-HF, NI