



---

**EN Flex-Force Power System™ 24in 60V Hedge Trimmer**

51840, 51840T

**ES Cortasetos Flex-Force Power System™ de 61 cm (24") de 60V**

51840, 51840T

**FR Taille-haie Flex-Force Power System™ 60 V de 61 cm (24 po)**

51840, 51840T







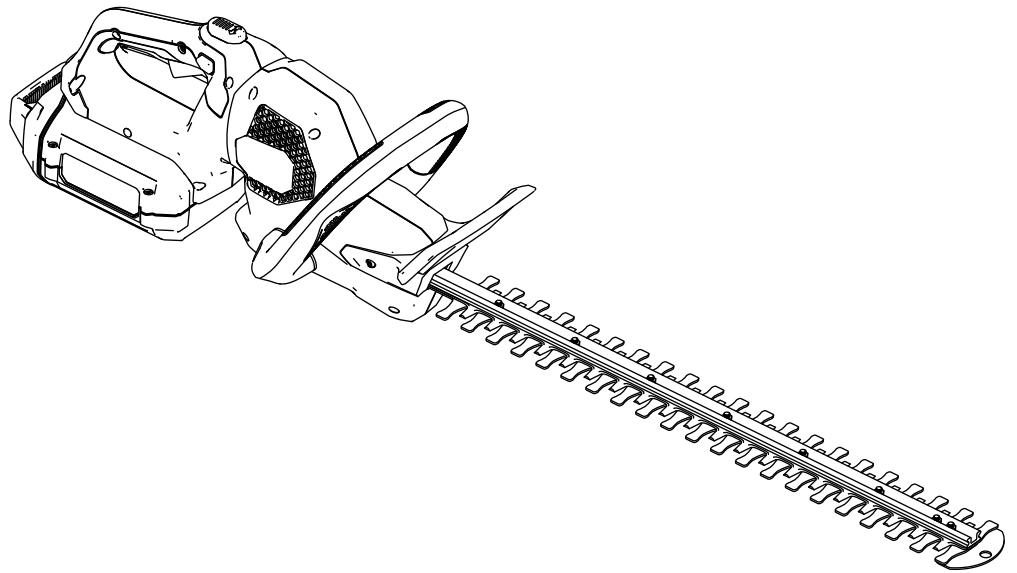
**Count on it.**

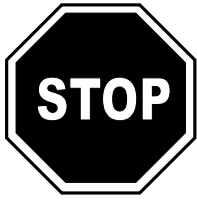
**Operator's Manual**

# Flex-Force Power System™ 24in 60V Hedge Trimmer

Model No. 51840—Serial No. 32000001 and Up

Model No. 51840T—Serial No. 32000001 and Up





For assistance, please see [www.Toro.com/support](http://www.Toro.com/support) for instructional videos or contact 1-888-384-9939 before returning this product.

**Important:** With your mobile device, you can scan the QR code (if equipped) on the serial number plate to access warranty, parts, and other product information.

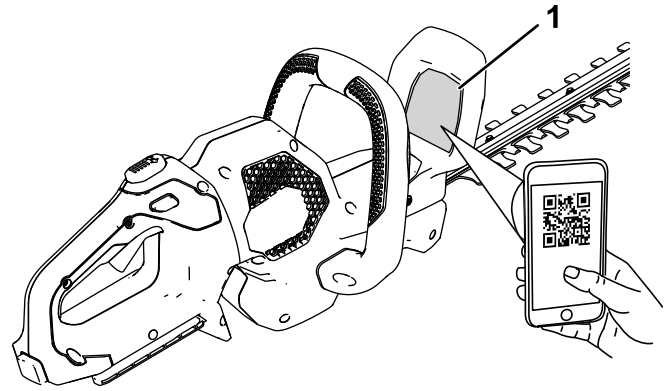


Figure 1

1. Model and serial number location

g308284

Model No. _____
Serial No. _____

This manual identifies potential hazards and has safety messages identified by the safety-alert symbol (Figure 2), which signals a hazard that may cause serious injury or death if you do not follow the recommended precautions.



Figure 2

Safety-alert symbol

g000502

This manual uses 2 words to highlight information. **Important** calls attention to special mechanical information and **Note** emphasizes general information worthy of special attention.

**⚠ WARNING**

**CALIFORNIA Proposition 65 Warning**

The power cord on this product contains lead, a chemical known to the State of California to cause birth defects or other reproductive harm. Wash hands after handling.

Use of this product may cause exposure to chemicals known to the State of California to cause cancer, birth defects, or other reproductive harm.

# Introduction

This hedge trimmer is intended to be used by residential homeowners to maintain bushes and hedges. It is designed to use Toro Flex-Force lithium-ion battery pack Models 88625 (provided with Model 51840), 88625, 88640, 88650, 88660, or 88675. These battery packs are designed to be charged only by battery charger Models 88602 (provided with Model 51840), 88605, or 88610. Using these products for purposes other than their intended use could prove dangerous to you and bystanders.

Read this information carefully to learn how to operate and maintain your product properly and to avoid injury and product damage. You are responsible for operating the product properly and safely.

Visit [www.Toro.com](http://www.Toro.com) for more information, including safety tips, training materials, accessory information, help finding a dealer, or to register your product.

Whenever you need service, genuine Toro parts, or additional information, contact an Authorized Service Dealer or Toro Customer Service and have the model and serial numbers of your product ready. Figure 1 identifies the location of the model and serial numbers on the product. Write the numbers in the space provided.

# Safety

## **▲ WARNING**

Read all safety warnings, instructions, illustrations and specifications provided with this power tool.

*Failure to follow the warnings and instructions may result in electric shock, fire and/or serious injury.*

Save all warnings and instructions for future reference.

*The term "power tool" in the warnings refers to your mains-operated (corded) power tool or battery-operated (cordless) power tool.*

## **IMPORTANT SAFETY INSTRUCTIONS**

### **I. Work area safety**

1. **Keep work area clean and well lit.** *Cluttered or dark areas invite accidents.*
2. **Do not operate power tools in explosive atmospheres, such as in the presence of flammable liquids, gases or dust.** *Power tools create sparks which may ignite the dust or fumes.*
3. **Keep children and bystanders away while operating a power tool.** *Distractions can cause you to lose control.*

### **II. Electrical safety**

1. **Power tool plugs must match the outlet. Never modify the plug in any way. Do not use any adapter plugs with earthed (grounded) power tools.** *Unmodified plugs and matching outlets will reduce risk of electric shock.*
2. **Avoid body contact with earthed or grounded surfaces, such as pipes, radiators, ranges and refrigerators.** *There is an increased risk of electric shock if your body is earthed or grounded.*
3. **Do not expose power tools to rain or wet conditions.** *Water entering a power tool will increase the risk of electric shock..*
4. **Do not abuse the cord. Never use the cord for carrying, pulling or unplugging the power tool. Keep cord away from heat, oil, sharp edges or moving parts.** *Damaged or entangled cords increase the risk of electric shock.*
5. **When operating a power tool outdoors, use an extension cord suitable for outdoor use.**

*Use of a cord suitable for outdoor use reduces the risk of electric shock.*

6. **If operating a power tool in a damp location is unavoidable, use a residual current device (RCD) protected supply.** *Use of an RCD reduces the risk of electric shock.*

### **III. Personal safety**

1. **Stay alert, watch what you are doing and use common sense when operating a power tool. Do not use a power tool while you are tired or under the influence of drugs, alcohol or medication.** *A moment of inattention while operating power tools may result in serious personal injury.*
2. **Use personal protective equipment. Always wear eye protection.** *Protective equipment such as a dust mask, non-skid safety shoes, hard hat or hearing protection used for appropriate conditions will reduce personal injuries.*
3. **Prevent unintentional starting. Ensure the switch is in the off-position before connecting to power source and/or battery pack, picking up or carrying the tool.** *Carrying power tools with your finger on the switch or energizing power tools that have the switch on invites accidents.*
4. **Remove any adjusting key or wrench before turning the power tool on.** *A wrench or a key left attached to a rotating part of the power tool may result in personal injury.*
5. **Do not overreach. Keep proper footing and balance at all times.** *This enables better control of the power tool in unexpected situations.*
6. **Dress properly. Do not wear loose clothing or jewellery. Keep your hair and clothing away from moving parts.** *Loose clothes, jewelry or long hair can be caught in moving parts.*
7. **If devices are provided for the connection of dust extraction and collection facilities, ensure these are connected and properly used.** *Use of dust collection can reduce dust-related hazards.*
8. **Do not let familiarity gained from frequent use of tools allow you to become complacent and ignore tool safety principles.** *A careless action can cause severe injury within a fraction of a second.*

### **IV. Power tool use and care**

1. **Do not force the power tool. Use the correct power tool for your application.** *The correct power tool will do the job better and safer at the rate for which it was designed.*

2. **Do not use the power tool if the switch does not turn it on and off.** *Any power tool that cannot be controlled with the switch is dangerous and must be repaired.*
3. **Disconnect the plug from the power source and/or remove the battery pack, if detachable, from the power tool before making any adjustments, changing accessories, or storing power tools.** *Such preventive safety measures reduce the risk of starting the power tool accidentally.*
4. **Store idle power tools out of the reach of children and do not allow persons unfamiliar with the power tool or these instructions to operate the power tool.** *Power tools are dangerous in the hands of untrained users.*
5. **Maintain power tools and accessories.** *Check for misalignment or binding of moving parts, breakage of parts and any other condition that may affect the power tool's operation. If damaged, have the power tool repaired before use. Many accidents are caused by poorly maintained power tools.*
6. **Keep cutting tools sharp and clean.** *Properly maintained cutting tools with sharp cutting edges are less likely to bind and are easier to control.*
7. **Use the power tool, accessories and tool bits etc. in accordance with these instructions, taking into account the working conditions and the work to be performed.** *Use of the power tool for operations different from those intended could result in a hazardous situation.*
8. **Keep handles and grasping surfaces dry, clean and free from oil and grease.** *Slippery handles and grasping surfaces do not allow for safe handling and control of the tool in unexpected situations.*

## V. Battery tool use and care

1. **Recharge only with the charger specified by the manufacturer.** *A charger that is suitable for one type of battery pack may create a risk of fire when used with another battery pack.*
2. **Use power tools only with specifically designated battery packs.** *Use of any other battery packs may create a risk of injury and fire.*
3. **When battery pack is not in use, keep it away from other metal objects, like paper clips, coins, keys, nails, screws or other small metal objects, that can make a connection from one terminal to another.** *Shorting the battery terminals together may cause burns or a fire.*
4. **Under abusive conditions, liquid may be ejected from the battery; avoid contact. If contact accidentally occurs, flush with water. If liquid contacts eyes, additionally seek medical help.** *Liquid ejected from the battery may cause irritation or burns.*
5. **Do not use a battery pack or tool that is damaged or modified.** *Damaged or modified batteries may exhibit unpredictable behaviour resulting in fire, explosion or risk of injury.*
6. **Do not expose a battery pack or tool to fire or excessive temperature.** *Exposure to fire or temperature above 130 °C (265 °F) may cause explosion.*
7. **Follow all charging instructions and do not charge the battery pack or tool outside the temperature range specified in the instructions.** *Charging improperly or at temperatures outside the specified range may damage the battery and increase the risk of fire.*

## VI. Service

1. **Have your power tool serviced by a qualified repair person using only identical replacement parts.** *This will ensure that the safety of the power tool is maintained.*
2. **Never service damaged battery packs.** *Service of battery packs should only be performed by the manufacturer or authorized service providers.*

## VII. Hedge trimmer safety warnings

1. **Keep all parts of the body away from the blade. Do not remove cut material or hold material to be cut when blades are moving.** *Blades continue to move after the switch is turned off. A moment of inattention while operating the hedge trimmer may result in serious personal injury.*
2. **Carry the hedge trimmer by the handle with the blade stopped and taking care not to operate any power switch.** *Proper carrying of the hedge trimmer will decrease the risk of inadvertent starting and resultant personal injury from the blades.*
3. **When transporting or storing the hedge trimmer, always fit the blade cover.** *Proper handling of the hedge trimmer will decrease the risk of personal injury from the blades.*
4. **When clearing jammed material or servicing the unit, make sure all power switches are off and the battery pack is removed or disconnected.** *Unexpected actuation of the hedge trimmer while clearing jammed material or servicing may result in serious personal injury.*
5. **Hold the hedge trimmer by insulated gripping surfaces only, because the blade may contact hidden wiring or its own cord.** *Blades contacting a "live" wire may make exposed metal parts of the hedge trimmer "live" and could give the operator an electric shock.*
6. **Keep all power cords and cables away from cutting area.** *Power cords or cables may be hidden in hedges or bushes and can be accidentally cut by the blade.*
7. **Do not use the hedge trimmer in bad weather conditions, especially when there is a risk of lightning.** *This decreases the risk of being struck by lightning.*

**SAVE THESE  
INSTRUCTIONS**

# Safety and Instructional Decals



Safety decals and instructions are easily visible to the operator and are located near any area of potential danger. Replace any decal that is damaged or missing.

Model 51840



decal139-5251

139-5251

1. Warning—read the *Operator's Manual*; wear eye protection; do not expose to rain.
2. Keep hands away from blade—stay away from moving parts; keep all guards and shields in place.

Model 51840T



decal139-5252

139-5252

1. Warning—read the *Operator's Manual*; wear eye protection; do not expose to rain.
2. Keep hands away from blade—stay away from moving parts; keep all guards and shields in place.



decal137-9454

137-9454

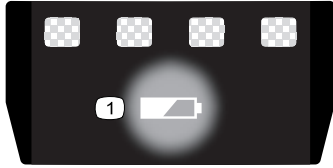
1. Read the *Operator's Manual*.
2. Call2Recycle® battery recycling program
3. Keep away from open fire or flames.
4. Do not expose to rain.





137-9462

decal137-9462



137-9461

decal137-9461

1. Battery charge status

**WARNING: Cancer and Reproductive Harm - www.P65Warnings.ca.gov.**  
 For more information, please visit [www.ttcoCAProp65.com](http://www.ttcoCAProp65.com)

133-8061

decal133-8061

# Setup

**Important:** The battery pack is not fully charged when it is purchased. Before using the machine for the first time, refer to [Charging the Battery Pack \(page 11\)](#).

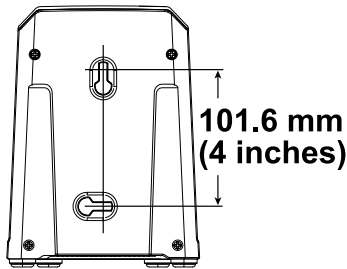
## Mounting the Battery Charger (Optional)

If desired, mount the battery charger securely on a wall using the wall-mount key holes on the back of the charger.

Mount it indoors (such as a garage or other dry place), near a power outlet, and out of the reach of children.

Refer to [Figure 3](#) for assistance in mounting the charger.

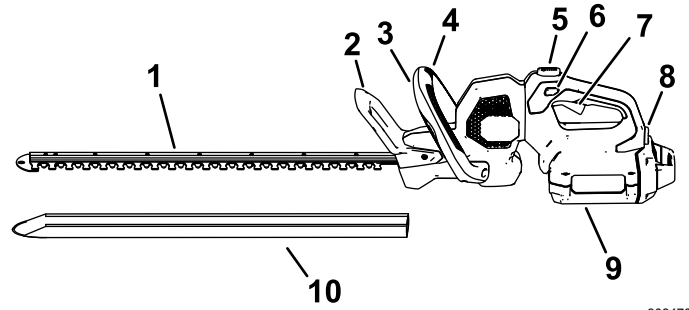
Slide the charger over the appropriately positioned hardware to secure the charger in place (hardware not included).



**Figure 3**

g290534

# Product Overview

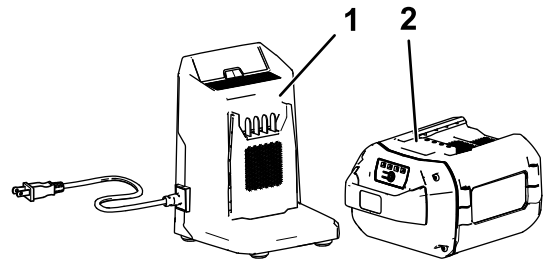


g308470

**Figure 4**

Left side of the machine shown.

- |                            |                      |
|----------------------------|----------------------|
| 1. Blades                  | 6. Lock switch       |
| 2. Guard                   | 7. Trigger           |
| 3. Auxiliary-handle switch | 8. Battery latch     |
| 4. Auxiliary handle        | 9. Battery pack      |
| 5. Handle-rotation button  | 10. Protective cover |



g355813

**Figure 5**

- |                                                            |                                                         |
|------------------------------------------------------------|---------------------------------------------------------|
| 1. Battery charger Model 88620 (included with Model 51840) | 2. Battery pack Model 88625 (included with Model 51840) |
|------------------------------------------------------------|---------------------------------------------------------|

# Specifications

<b>Model</b>	51840/T
<b>Cutting Length</b>	610 mm (24 inches)
<b>Rated Voltage</b>	60V DC maximum, 54 VDC nominal usage
<b>No-load Speed</b>	3200 spm at 60 VDC max
<b>Cutting width</b>	19 mm (3/4 inch)
<b>Charger Type</b>	88602 (included with 51840), 88605, or 88610
<b>Battery Type</b>	88625 (included with 51840), 88620, 88640, 88650, 88660, or 88675

## Appropriate Temperature Ranges

Charge/store the battery pack at	5°C (41°F) to 40°C (104°F)*
Use the battery pack at	-30°C (-22°F) to 49°C (120°F)*
Use the machine at	0°C (32°F) to 49°C (120°F)*

\*Charging time will increase if you do not charge the battery pack within this range.

Store the machine, battery pack, and battery charger in an enclosed clean, dry area.

# Operation

## Starting the Hedge Trimmer

1. Remove the protective cover from the blades (Figure 6).

### ⚠ WARNING

The hedge trimmer blades can cause cuts or amputation.

Be careful when handling the hedge trimmer with the protective cover removed.

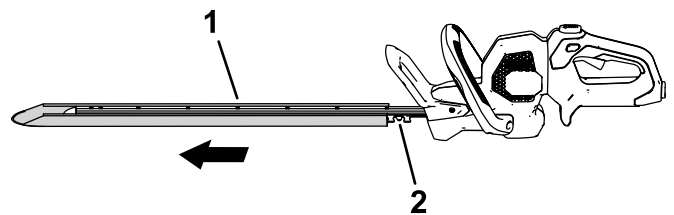


Figure 6

g308414

1. Protective cover
2. Blades

2. Make sure that the vents on the hedge trimmer are clear of any dust and debris.
3. Align the cavity of the battery pack with the tongue in the handle housing, grasp the handle, and push the battery pack into the handle until the latch locks into place (Figure 7).

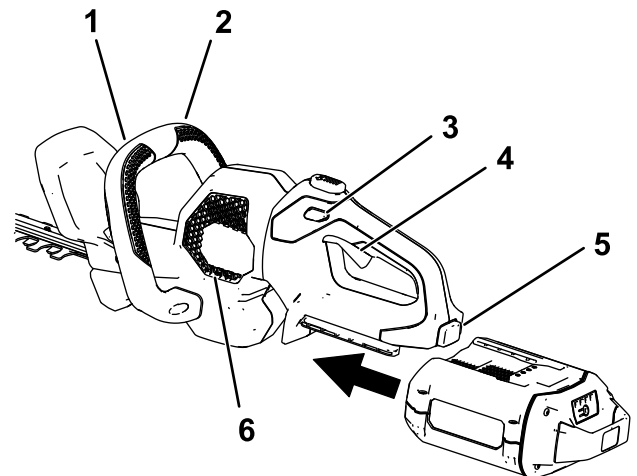


Figure 7

g308413

1. Auxiliary-handle switch
2. Auxiliary handle
3. Lock switch
4. Trigger
5. Battery latch
6. Hedge trimmer venting areas

4. Place 1 hand on the trigger handle. Place the other hand on the auxiliary handle (Figure 7).

5. Press the lock switch and then squeeze the trigger switch while engaging the auxiliary-handle switch to turn on the hedge trimmer (Figure 7).

The trimmer stays on as long as the auxiliary-handle switch is engaged and the trigger is squeezed. You may release the lock switch once the hedge trimmer is running (Figure 7).

## Rotating the Hedge Trimmer Handle

1. Press and hold the rotational lock button (A of Figure 8).
2. Rotate the handle 90° to the right or left depending on desired cutting direction, then release the rotational lock button to lock the handle in the desired position (B of Figure 8).

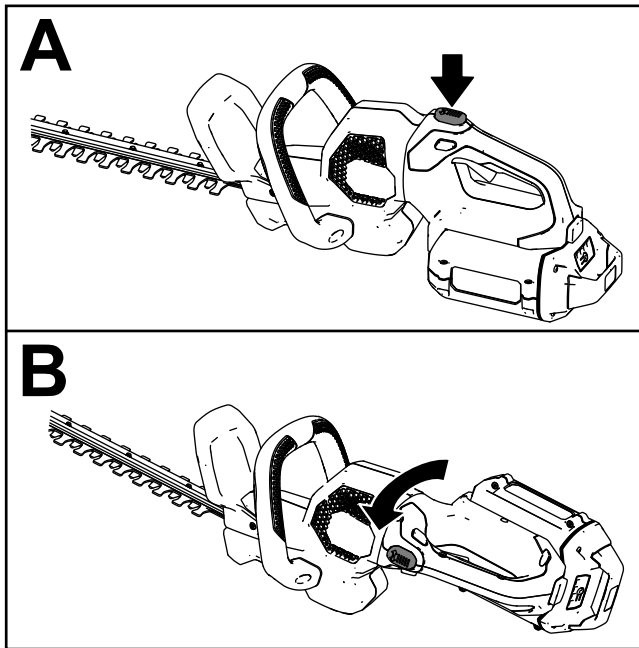


Figure 8

g308389

## Shutting Off the Hedge Trimmer

To shut off the hedge trimmer, release the trigger, auxiliary-handle switch, or both (Figure 7). Allow at least 5 seconds for the cutting blade to stop moving.

Whenever you are not using the trimmer or are transporting the trimmer to or from the work area, remove the battery pack.

## Removing the Battery Pack

Press the battery latch on the tool to release the battery pack and slide the battery pack out of the tool (Figure 9).

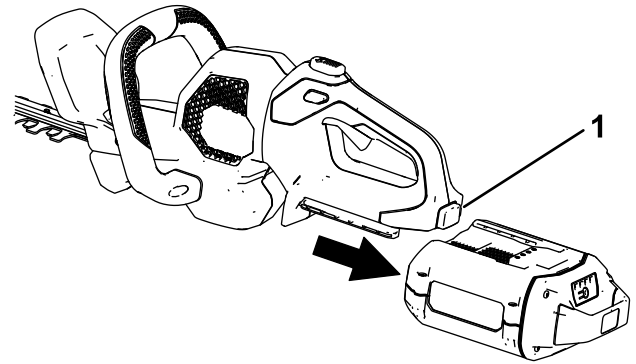


Figure 9

g308388

1. Battery latch

# Charging the Battery Pack

**Important:** The battery pack is not fully charged when you purchase it. Before using the tool for the first time, place the battery pack in the charger and charge it until the LED display indicates the battery pack is fully charged. Read all safety precautions.

**Important:** Charge the battery pack only in temperatures that are within the appropriate range; refer to [Specifications \(page 9\)](#).

**Note:** At any time, press the battery-charge-indicator button on the battery pack to display the current charge (LED indicators).

1. Ensure that the vents on the battery and charger are clear of any dust and debris.

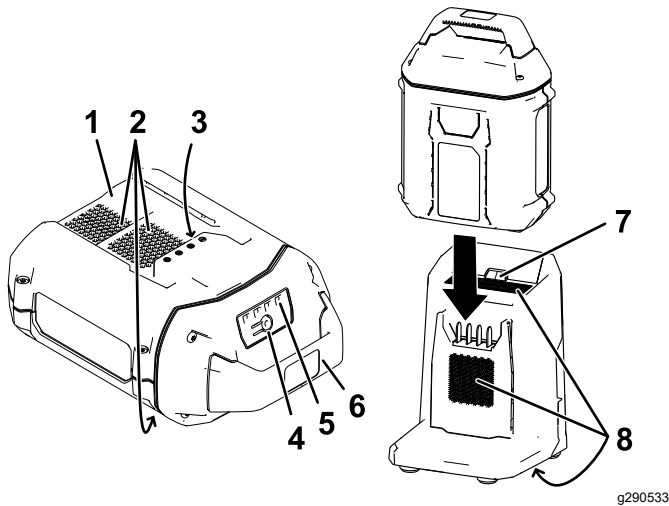


Figure 10

1. Battery pack cavity
  2. Battery pack venting areas
  3. Battery pack terminals
  4. Battery-charge-indicator button
  5. LED indicators (current charge)
  6. Handle
  7. Charger
2. Line up the charger with the cavity on the back of the battery pack ([Figure 10](#)).
  3. Slide the charger into the battery pack until it is fully seated ([Figure 10](#)).
  4. To remove the charger, slide the charger backward out of the battery.
  5. Refer to the following table to interpret the LED indicator light on the battery charger.

Indicator light	Indicates
Off	No battery pack inserted
Green blinking	Battery pack is charging
Green	Battery pack is charged

Red	Battery pack and/or battery charger is over or under the appropriate temperature range
Red blinking	Battery pack charging fault*

\*Refer to [Troubleshooting \(page 13\)](#) for more information.

**Important:** The battery can be left on the charger for short periods between uses.

If the battery will not be used for longer periods, remove the battery from the charger; refer to [Storage \(page 12\)](#).

## Operating Tips

- Use the power tool for cutting in either direction in a slow, sweeping action from side to side.
- When trimming new growth, use a wide sweeping action so that the stems are fed directly into the cutting blade.
- Use a non-powered hand saw or pruning saw to trim stems that are too large.
- If desired, you can use a string to help cut your hedge level. Decide how high you want the hedge. Stretch a piece of string along the hedge at the desired height. Trim the hedge just above the guide line of string.

# Maintenance

Remove the battery pack before maintenance or cleaning work.

Use only the manufacturer's recommended replacement parts and accessories.

Inspect and maintain the product regularly. Have the product repaired only by an Authorized Service Dealer.

## Preparing the Battery Pack for Recycling

**Important:** Upon removal, cover the terminals of the battery pack with heavy-duty adhesive tape. Do not attempt to destroy or disassemble the battery pack or remove any of its components.



Lithium-ion battery packs labeled with the Call2Recycle seal can be recycled at any participating retailer or battery recycling facility in the Call2Recycle program (US and Canada only). To locate a participating retailer or facility closest to you, please call 1-800-822-8837 or visit [www.call2recycle.org](http://www.call2recycle.org). If you cannot locate a participating retailer or facility nearby, or if your rechargeable battery is not labeled with the Call2Recycle seal, please contact your local municipality for more information on how to responsibly recycle the battery. If you are located outside of the US and Canada, please contact your authorized Toro distributor.

# Storage

**Important:** Store the tool, battery pack, and charger only in temperatures that are within the appropriate range; refer to [Specifications \(page 9\)](#).

**Important:** If you are storing the battery pack for the off-season, remove the battery pack from the tool and charge the battery pack until 2 or 3 LED indicators turn green on the battery. Do not store a fully charged or fully depleted battery. When you are ready to use the tool again, charge the battery pack until the left indicator light turns green on the charger or all 4 LED indicators turn green on the battery.

- Disconnect the product from the power supply (i.e., remove the plug from the power supply or the battery pack) and check for damage after use.
- Clean all foreign material from the product.
- Do not store the tool with the battery pack installed.
- When not in use, store the tool, battery pack, and battery charger out of the reach of children.
- Keep the tool, battery pack, and battery charger away from corrosive agents, such as garden chemicals and de-icing salts.
- To reduce the risk of serious personal injury, do not store the battery pack outside or in vehicles.
- Store the tool, battery pack, and battery charger in an enclosed clean, dry area.

# Troubleshooting

Perform only the steps described in these instructions. All further inspection, maintenance, and repair work must be performed by an authorized service center or a similarly qualified specialist if you cannot solve the problem yourself.

Problem	Possible Cause	Corrective Action
The tool does not start.	<ol style="list-style-type: none"> <li>1. The battery is not fully installed in the tool.</li> <li>2. The battery pack is not charged.</li> <li>3. The battery pack is damaged.</li> <li>4. There is another electrical problem with the tool.</li> </ol>	<ol style="list-style-type: none"> <li>1. Remove and then replace the battery into the tool, making sure that it is fully installed and latched.</li> <li>2. Remove the battery pack from the tool and charge it.</li> <li>3. Replace the battery pack.</li> <li>4. Contact an Authorized Service Dealer.</li> </ol>
The tool does not reach full power.	<ol style="list-style-type: none"> <li>1. The battery pack charge capacity is too low.</li> <li>2. The air vents are blocked.</li> </ol>	<ol style="list-style-type: none"> <li>1. Remove the battery pack from the tool and fully charge the battery pack.</li> <li>2. Clean the air vents.</li> </ol>
The tool is producing excessive vibration or noise.	<ol style="list-style-type: none"> <li>1. The blades are dull or damaged.</li> </ol>	<ol style="list-style-type: none"> <li>1. Contact an Authorized Service Dealer.</li> </ol>
The battery pack loses charge quickly.	<ol style="list-style-type: none"> <li>1. The battery pack is over or under the appropriate temperature range.</li> <li>2. The machine is overloaded</li> </ol>	<ol style="list-style-type: none"> <li>1. Move the battery pack to a place where it is dry and the temperature is between 5°C (41°F) and 40°C (104°F).</li> <li>2. Trim at a slower pace.</li> </ol>
The battery charger is not working.	<ol style="list-style-type: none"> <li>1. The battery charger is over or under the appropriate temperature range.</li> <li>2. The outlet that the battery charger is plugged into does not have power.</li> </ol>	<ol style="list-style-type: none"> <li>1. Unplug the battery charger and move it to a place where it is dry and the temperature is between 5°C (41°F) and 40°C (104°F).</li> <li>2. Contact your licensed electrician to repair the outlet.</li> </ol>
The LED indicator light on the battery charger is red.	<ol style="list-style-type: none"> <li>1. The battery charger and/or battery pack is over or under the appropriate temperature range.</li> </ol>	<ol style="list-style-type: none"> <li>1. Unplug the battery charger and move the battery charger and battery pack to a place where it is dry and the temperature is between 5°C (41°F) and 40°C (104°F).</li> </ol>
The LED indicator light on the battery charger is blinking red.	<ol style="list-style-type: none"> <li>1. There is an error in the communication between the battery pack and the charger.</li> <li>2. The battery pack is weak.</li> </ol>	<ol style="list-style-type: none"> <li>1. Remove the battery pack from the battery charger, unplug the battery charger from the outlet, and wait 10 seconds. Plug the battery charger into the outlet again and place the battery pack on the battery charger. If the LED indicator light on the battery charger is still blinking red, repeat this procedure again. If the LED indicator light on the battery charger is still blinking red after 2 attempts, properly dispose of the battery pack at a battery recycling facility.</li> <li>2. Contact your authorized service dealer if the battery is in warranty, or properly dispose of the battery pack at a battery recycling facility.</li> </ol>

# California Proposition 65 Warning Information

## What is this warning?

You may see a product for sale that has a warning label like the following:



**WARNING: Cancer and Reproductive Harm—[www.p65Warnings.ca.gov](http://www.p65Warnings.ca.gov).**

## What is Prop 65?

Prop 65 applies to any company operating in California, selling products in California, or manufacturing products that may be sold in or brought into California. It mandates that the Governor of California maintain and publish a list of chemicals known to cause cancer, birth defects, and/or other reproductive harm. The list, which is updated annually, includes hundreds of chemicals found in many everyday items. The purpose of Prop 65 is to inform the public about exposure to these chemicals.

Prop 65 does not ban the sale of products containing these chemicals but instead requires warnings on any product, product packaging, or literature with the product. Moreover, a Prop 65 warning does not mean that a product is in violation of any product safety standards or requirements. In fact, the California government has clarified that a Prop 65 warning "is not the same as a regulatory decision that a product is 'safe' or 'unsafe.'" Many of these chemicals have been used in everyday products for years without documented harm. For more information, go to <https://oag.ca.gov/prop65/faqs-view-all>.

A Prop 65 warning means that a company has either (1) evaluated the exposure and has concluded that it exceeds the "no significant risk level"; or (2) has chosen to provide a warning based on its understanding about the presence of a listed chemical without attempting to evaluate the exposure.

## Does this law apply everywhere?

Prop 65 warnings are required under California law only. These warnings are seen throughout California in a wide range of settings, including but not limited to restaurants, grocery stores, hotels, schools, and hospitals, and on a wide variety of products. Additionally, some online and mail order retailers provide Prop 65 warnings on their websites or in catalogs.

## How do the California warnings compare to federal limits?

Prop 65 standards are often more stringent than federal and international standards. There are various substances that require a Prop 65 warning at levels that are far lower than federal action limits. For example, the Prop 65 standard for warnings for lead is 0.5 µg/day, which is well below the federal and international standards.

## Why don't all similar products carry the warning?

- Products sold in California require Prop 65 labelling while similar products sold elsewhere do not.
- A company involved in a Prop 65 lawsuit reaching a settlement may be required to use Prop 65 warnings for its products, but other companies making similar products may have no such requirement.
- The enforcement of Prop 65 is inconsistent.
- Companies may elect not to provide warnings because they conclude that they are not required to do so under Prop 65; a lack of warnings for a product does not mean that the product is free of listed chemicals at similar levels.

## Why does Toro include this warning?

Toro has chosen to provide consumers with as much information as possible so that they can make informed decisions about the products they buy and use. Toro provides warnings in certain cases based on its knowledge of the presence of one or more listed chemicals without evaluating the level of exposure, as not all the listed chemicals provide exposure limit requirements. While the exposure from Toro products may be negligible or well within the "no significant risk" range, out of an abundance of caution, Toro has elected to provide the Prop 65 warnings. Moreover, if Toro does not provide these warnings, it could be sued by the State of California or by private parties seeking to enforce Prop 65 and subject to substantial penalties.





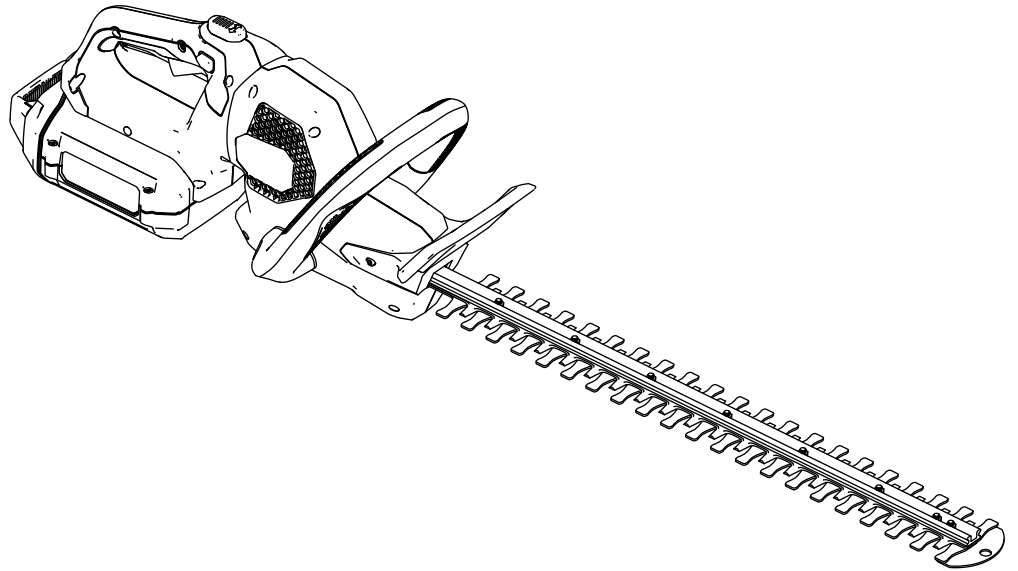
**Count on it.**

**Manual del operador**

# Cortasetos Flex-Force Power System™ de 61 cm (24") de 60V

Nº de modelo 51840—Nº de serie 320000001 y superiores

Nº de modelo 51840T—Nº de serie 320000001 y superiores





**Si necesita ayuda, consulte los videos instruccionales en [www.Toro.com/support](http://www.Toro.com/support) o llame al 1-888-384-9939 antes de devolver este producto.**

### ⚠ ADVERTENCIA

#### CALIFORNIA

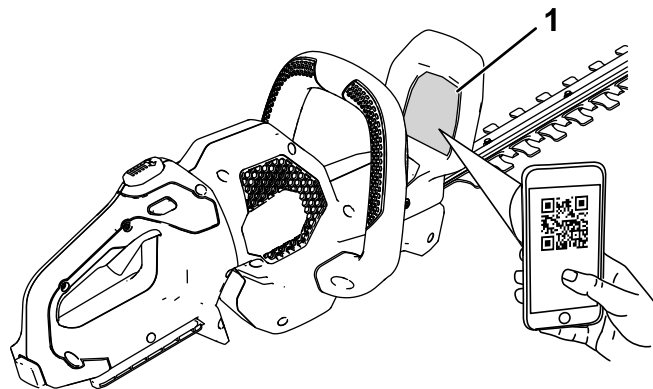
##### Advertencia de la Propuesta 65

El cable eléctrico de este producto contiene plomo, que el Estado de California sabe que causa defectos congénitos u otros peligros para la reproducción. Lávese las manos después de manejar el material.

El uso de este producto puede provocar la exposición a sustancias químicas que el Estado de California considera causantes de cáncer, defectos congénitos u otros trastornos del sistema reproductor.

con un Servicio Técnico Autorizado o con Atención al cliente de Toro, y tenga a mano los números de modelo y serie de su producto. **Figura 1** identifica la ubicación de los números de modelo y serie en el producto. Escriba los números en el espacio provisto.

**Importante:** Con su dispositivo móvil, puede escanear el código QR (en su caso) de la placa del número de serie para acceder a información sobre la garantía, las piezas, y otra información sobre el producto.



g308284

**Figura 1**

1. Ubicación de los números de modelo y de serie

Nº de modelo \_\_\_\_\_

Nº de serie \_\_\_\_\_

## Introducción

Este cortasetos está indicado para el mantenimiento de arbustos y setos por parte de usuarios domésticos. Está diseñado para usar la batería de iones de litio Flex-Force de Toro, Modelo 88625 (suministrada con el modelo 51840), 88625, 88640, 88650, 88660 o 88675. Estas baterías están diseñadas para ser cargadas únicamente con el cargador de baterías modelo 88602 (suministrado con el modelo 51840), 88605 o 88610. El uso de estos productos para propósitos diferentes a los previstos puede ser peligroso para usted y para otras personas.

Lea este manual detenidamente para aprender a utilizar y mantener correctamente su producto, y para evitar lesiones y daños al producto. Usted es responsable de utilizar el producto de forma correcta y segura.

Visite [www.Toro.com](http://www.Toro.com) para obtener más información, incluidos consejos de seguridad, materiales de formación, información sobre accesorios, ayuda para encontrar a un distribuidor o para registrar su producto.

Cuando necesite asistencia técnica, piezas genuinas Toro o información adicional, póngase en contacto

Este manual identifica peligros potenciales y contiene mensajes de seguridad identificados por el símbolo de alerta de seguridad (**Figura 2**), que señala un peligro que puede causar lesiones graves o la muerte si usted no sigue las precauciones recomendadas.



g000502

**Figura 2**

Símbolo de alerta de seguridad

Este manual utiliza 2 palabras más para resaltar información. **Importante** llama la atención sobre información mecánica especial, y **Nota** resalta información general que merece una atención especial.

# Seguridad

## ⚠ ADVERTENCIA

Lea todas las instrucciones, ilustraciones, especificaciones y advertencias de seguridad proporcionadas con esta herramienta eléctrica.

***El hacer caso omiso de las advertencias e instrucciones puede dar lugar a descargas eléctricas, incendios y/o lesiones graves.***

Guarde todas las advertencias e instrucciones para su referencia futura.

*El término "herramienta eléctrica" que aparece en las advertencias se refiere siempre a una herramienta accionada por el suministro eléctrico de la red (con cable) o una herramienta eléctrica accionada por batería (sin cable).*

## INSTRUCCIONES DE SEGURIDAD IMPORTANTES

### I. Seguridad de la zona de trabajo

1. **Mantenga la zona de trabajo limpia y bien iluminada.** *Las zonas desordenadas u oscuras son una invitación al accidente.*
2. **No utilice herramientas eléctricas en atmósferas explosivas, como por ejemplo en presencia de líquidos inflamables, gases o polvo.** *Las herramientas eléctricas crean chispas que pueden inflamar el polvo o los vapores.*
3. **Mantenga alejados a niños y otras personas mientras utiliza una herramienta eléctrica.** *Las distracciones pueden hacer que pierda el control.*

### II. Seguridad eléctrica

1. **La clavija de la herramienta eléctrica debe ser del tipo correcto para el enchufe. Nunca modifique el enchufe en modo alguno. No utilice ningún tipo de adaptadores de enchufe con herramientas eléctricas con toma de tierra.** *El uso de clavijas sin modificar y enchufes apropiados reducirá el riesgo de descarga eléctrica.*
2. **Evite tocar superficies conectadas a tierra, tales como tuberías, radiadores, cocinas y refrigeradores.** *Hay un mayor riesgo de descarga eléctrica si su cuerpo hace tierra.*
3. **No exponga las herramientas eléctricas a la lluvia o a condiciones húmedas. Si entra**

*agua en una herramienta eléctrica, el riesgo de descarga eléctrica aumenta.*

4. **No maltrate el cable. No utilice el cable nunca para transportar, arrastrar o desenchufar la herramienta eléctrica. Mantenga el cable alejado del calor, del aceite, de bordes cortantes y de piezas móviles.** *Los cables dañados o enredados aumentan el riesgo de descarga eléctrica.*
5. **Si utiliza una herramienta eléctrica en el exterior, utilice un cable alargador adecuado para el uso en exteriores.** *El uso de un cable apropiado para el uso en exteriores reduce el riesgo de descarga eléctrica.*
6. **Si no es posible evitar el uso de una herramienta eléctrica en un lugar húmedo, utilice un suministro eléctrico protegido por un dispositivo de corriente residual (RCD).** *El uso de un RCD reduce el riesgo de descarga eléctrica.*

### III. Seguridad personal

1. **Manténgase alerta, esté atento a lo que está haciendo y utilice el sentido común mientras utiliza una herramienta eléctrica. No utilice un herramienta eléctrica si está cansado o bajo la influencia de drogas, alcohol o medicamentos.** *Una breve falta de atención mientras utiliza una herramienta eléctrica puede provocar lesiones personales graves.*
2. **Utilice equipos de protección personal. Lleve siempre protección ocular.** *El uso de equipos de protección personal como mascarillas, calzado de seguridad antideslizante, casco y protección auditiva en condiciones apropiadas reducirá el riesgo de lesiones personales.*
3. **Evite el encendido accidental. Asegúrese de que el interruptor está en la posición de apagado antes de conectar la herramienta a la toma de corriente y/o a la batería, y antes de levantar o transportar la herramienta.** *Transportar las herramientas eléctricas con el dedo sobre el interruptor o enchufar herramientas eléctricas con el interruptor en la posición de encendido es una invitación al accidente.*
4. **Retire cualquier llave de ajuste antes de encender la herramienta eléctrica.** *Una llave olvidada en un componente giratorio de una herramienta eléctrica puede dar lugar a lesiones personales.*
5. **No intente alcanzar zonas demasiado alejadas. Pise firme y mantenga el equilibrio en todo momento.** *Esto permite un mayor control de la herramienta en situaciones imprevistas.*

6. **Utilice la ropa adecuada. No lleve ropas sueltas o joyas. Mantenga el pelo y la ropa alejados de las piezas móviles.** *La ropa suelta, las joyas y el pelo largo pueden quedar atrapados en las piezas móviles.*
7. **Si existen dispositivos para la conexión de sistemas de recogida y extracción de polvo, asegúrese de conectarlos y usarlos correctamente.** *El uso de dispositivos de recolección de polvo puede reducir los riesgos asociados con el polvo.*
8. **No deje que la familiaridad adquirida con el uso frecuente de las herramientas le haga confiarse demasiado y pasar por alto los principios de seguridad de las herramientas.** *Una acción descuidada puede causar lesiones graves en una fracción de un segundo.*
6. **Mantenga las herramientas de corte afiladas y limpias.** *Una herramienta de corte bien mantenida con filos bien afilados es más fácil de controlar y hay menos probabilidades de que se agarrote.*
7. **Utilice la herramienta eléctrica, los accesorios, las brocas, etc., según lo indicado en estas instrucciones, teniendo en cuenta las condiciones de trabajo y el trabajo a realizar.** *El uso de la herramienta eléctrica para operaciones diferentes de las previstas podría dar lugar a una situación de peligro.*
8. **Mantenga las asas, empuñaduras y otras superficies de agarre secas, limpias y libres de aceite y grasa.** *Una asa o superficie de agarre resbaladiza no permite manejar y controlar la herramienta con seguridad en situaciones imprevistas.*

#### **IV. Uso y cuidado de las herramientas eléctricas**

1. **No fuerce la herramienta eléctrica. Utilice la herramienta eléctrica adecuada para el trabajo a realizar.** *La herramienta eléctrica correcta realizará el trabajo mejor y con mayor seguridad a la velocidad para la que fue diseñada.*
2. **No utilice la herramienta eléctrica si el interruptor no la enciende y apaga.** *Cualquier herramienta eléctrica que no pueda ser controlada con el interruptor es peligrosa y debe ser reparada.*
3. **Desconecte la clavija del suministro eléctrico y/o extraiga la batería, si es extraíble, de la herramienta eléctrica antes de realizar cualquier ajuste, cambiar de accesorio o almacenar la herramienta.** *Estas medidas de seguridad preventivas reducen el riesgo de un arranque accidental de la herramienta eléctrica.*
4. **Si no la está usando, guarde la herramienta eléctrica fuera del alcance de los niños, y no permita que la utilicen personas no familiarizadas con la herramienta eléctrica o con estas instrucciones de uso.** *Las herramientas eléctricas son peligrosas en manos de usuarios inexpertos.*
5. **Mantenimiento de las herramientas eléctricas y los accesorios. Compruebe que las piezas móviles están correctamente alineadas y que se mueven libremente sin agarrotarse, que no hay piezas rotas, y que no hay otras circunstancias que podrían afectar al uso de la herramienta eléctrica. Si existen daños, haga reparar la herramienta eléctrica antes de usarla.** *Muchos accidentes se deben a un mantenimiento deficiente de las herramientas eléctricas.*

## V. Uso y cuidado de las herramientas a batería

1. **Recargar únicamente con el cargador especificado por el fabricante.** *Un cargador diseñado para un tipo de batería puede crear un riesgo de incendio si se utiliza con otra batería.*
2. **Utilice las herramientas eléctricas únicamente con las baterías específicas indicadas.** *El uso de otra batería puede crear un riesgo de incendio y lesiones.*
3. **Cuando la batería no está en uso, manténgala alejada de otros objetos metálicos, como por ejemplo clips, monedas, llaves, puntillas u otros objetos metálicos pequeños, que podrían hacer una conexión entre un terminal y otro.** *Un cortocircuito entre los terminales de la batería puede causar quemaduras o un incendio.*
4. **En condiciones de uso incorrecto, puede haber una fuga de líquido de la batería; evite el contacto con dicho líquido. En caso de un contacto accidental, lavar con abundante agua. Si el líquido entra en contacto con los ojos, busque también ayuda médica.** *El líquido expulsado de la batería puede causar irritación o quemaduras.*
5. **No utilice una batería o una herramienta dañada o modificada.** *Las baterías dañadas o modificadas podrían mostrar un comportamiento impredecible con resultado de incendio, explosión o riesgo de lesiones.*
6. **No exponga una batería o un cargador al fuego o a temperaturas excesivas.** *La exposición al fuego o a temperaturas superiores a los 130 °C (265 °F) puede causar una explosión.*
7. **Siga todas las instrucciones de carga y no cargue la batería o la herramienta si la temperatura está fuera del intervalo especificado en las instrucciones.** *El cargar de forma incorrecta o a temperaturas fuera del intervalo especificado puede dañar la batería y aumentar el riesgo de incendio.*

## VI. Mantenimiento

1. **El mantenimiento de su herramienta eléctrica debe ser realizado por un técnico de reparaciones debidamente cualificado, utilizando únicamente piezas de repuesto idénticas.** *Sólo de esta manera se garantiza el mantenimiento de la seguridad de la herramienta eléctrica.*
2. **No realice ningún tipo de mantenimiento en una batería dañada.** *El mantenimiento de las baterías sólo debe ser realizado por el fabricante o por un servicio técnico autorizado.*

## VII. Advertencias de seguridad para cortasetos

1. **Mantenga todo el cuerpo alejado de la cuchilla. No retire el material cortado ni sujete el material a cortar mientras las cuchillas están en movimiento.** *Las cuchillas siguen moviéndose después de apagarse el interruptor. Una breve falta de atención mientras utiliza una herramienta eléctrica podría provocar lesiones personales graves.*
2. **Transporte el cortasetos por la empuñadura con la cuchilla parada y tenga cuidado de no accionar ningún interruptor de encendido.** *Si transporta correctamente el cortasetos, se reducirá el riesgo de un arranque inadvertido y el riesgo de lesiones personales causadas por las cuchillas.*
3. **Antes de transportar o almacenar el cortasetos, coloque siempre la funda de la cuchilla.** *Un manejo correcto del cortasetos reduce la posibilidad de sufrir lesiones personales causadas por las cuchillas.*
4. **Antes de eliminar material atascado o realizar tareas de mantenimiento en la unidad, asegúrese de que todos los interruptores de encendido están desconectados y que la batería ha sido retirada o desconectada.** *La activación inesperada del cortasetos durante la eliminación de material atascado o durante el mantenimiento puede causar lesiones personales graves.*
5. **Sujete el cortasetos únicamente por las superficies de agarre aisladas, porque la cuchilla podría entrar en contacto con cables ocultos o con su propio cable.** *Si las cuchillas entran en contacto con un cable con corriente, las partes metálicas expuestas del cortasetos también tendrán corriente y el operador podría recibir una descarga eléctrica.*
6. **Mantenga todos los cables eléctricos alejados de la zona de corte.** *Los cables eléctricos puede quedar ocultos entre los setos o arbustos y ser cortados accidentalmente por la cuchilla.*
7. **No utilice el cortasetos en condiciones meteorológicas adversas, especialmente si hay riesgo de rayos.** *Esto reduce el riesgo de ser alcanzado por un rayo.*

# GUARDE ESTAS INSTRUCCIONES

# Pegatinas de seguridad e instrucciones



Las pegatinas de seguridad e instrucciones están a la vista del operador y están ubicadas cerca de cualquier zona de peligro potencial. Sustituya cualquier pegatina que esté dañada o que falte.

## Modelo 51840



decal139-5251

139-5251

1. Advertencia — lea el *Manual del operador*, lleve protección para los ojos; no exponer a la lluvia.
2. Mantenga las manos alejadas de la cuchilla—no se acerque a las piezas en movimiento; mantenga colocados todos los protectores y defensas.



decal137-9454

137-9454

1. Lea el *Manual del operador*.
2. Programa de reciclado de baterías Call2Recycle®
3. Mantener alejado de fuegos o llamas desnudas.
4. No exponer a la lluvia.

## Modelo 51840T



decal139-5252

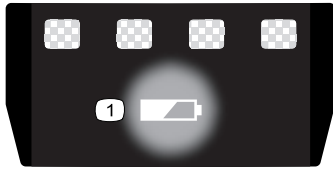
139-5252

1. Advertencia — lea el *Manual del operador*, lleve protección para los ojos; no exponer a la lluvia.
2. Mantenga las manos alejadas de la cuchilla—no se acerque a las piezas en movimiento; mantenga colocados todos los protectores y defensas.



137-9462

decal137-9462



137-9461

decal137-9461

1. Estado de carga de la batería

**WARNING: Cancer and Reproductive Harm - www.P65Warnings.ca.gov.**  
 For more information, please visit [www.ttcoCAProp65.com](http://www.ttcoCAProp65.com)

133-8061

decal133-8061

# Montaje

**Importante:** En el momento de la compra la batería no está totalmente cargada. Antes de utilizar la máquina por primera vez, consulte [Carga de la batería \(página 11\)](#).

## Cómo montar el cargador de la batería (opcional)

Si lo desea, monte el cargador de la batería firmemente en la pared utilizando los orificios de montaje en pared en la parte trasera del cargador.

Móntelo en un espacio interior (tal como un garaje u otro lugar seco), cerca de una toma de corriente y fuera del alcance de los niños.

Consulte la [Figura 3](#) para obtener asistencia sobre el montaje del cargador.

Coloque el cargador sobre las fijaciones correctamente posicionadas para fijarlo en su lugar (fijaciones no incluidas).

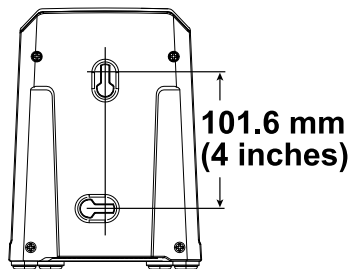


Figura 3

g290534

# El producto

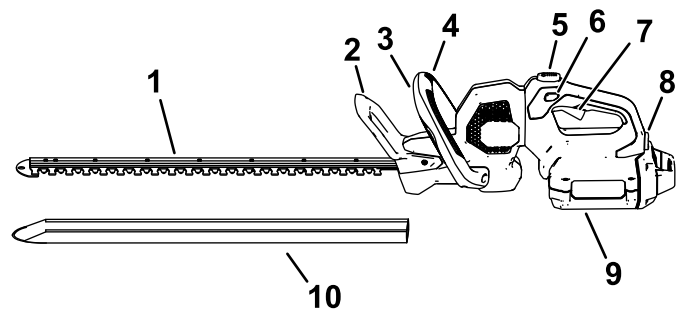


Figura 4

Lado izquierdo de la máquina ilustrado.

- |                                          |                           |
|------------------------------------------|---------------------------|
| 1. Cuchillas                             | 6. Interruptor de bloqueo |
| 2. Protector                             | 7. Gatillo                |
| 3. Interruptor de la empuñadura auxiliar | 8. Cierre de la batería   |
| 4. Empuñadura auxiliar                   | 9. Batería                |
| 5. Botón de rotación de la empuñadura    | 10. Funda protectora      |

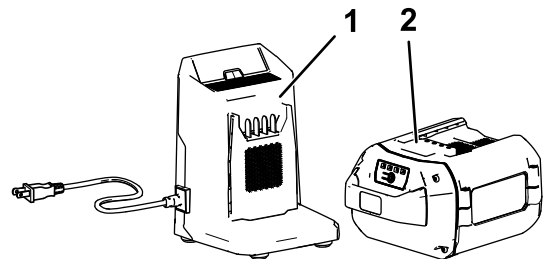


Figura 5

- |                                                                    |                                                        |
|--------------------------------------------------------------------|--------------------------------------------------------|
| 1. Cargador de batería modelo 88620 (incluido con el modelo 51840) | 2. Batería modelo 88625 (incluida con el Modelo 51840) |
|--------------------------------------------------------------------|--------------------------------------------------------|



# Especificaciones

Modelo	51840/T
Longitud de corte	610 mm (24")
Voltaje nominal	Máximo 60 VCC , uso nominal 54 VCC
Velocidad sin carga	3200 cpm a 60 Vcc máx
Anchura de corte	19 mm (¾")
Tipo de cargador	88602 (incluido con el modelo 51840), 88605 o 88610
Tipo de batería	88625 (incluida con el modelo 51840), 88620, 88640, 88650, 88660 o 88675

## Intervalos de temperatura adecuados

Cargue/guarde la batería a	5 °C – 40 °C (41 °F – 104 °F)*
Utilice la batería a	Entre -30 °C y 49 °C (-22 °F y 120 °F)*
Utilice la máquina a	0 °C a 49 °C (32 °F a 120 °F)*

\*El tiempo de carga será mayor si la temperatura no está dentro de este intervalo durante la carga.

Guarde la máquina, la batería y el cargador en un lugar cerrado, limpio y seco.

# Operación

## Cómo arrancar el cortasetos

1. Retire la funda protectora de las cuchillas (Figura 6).

### ⚠ ADVERTENCIA

Las cuchillas del cortasetos pueden provocar cortes o amputaciones.

Tenga cuidado al manejar el cortasetos con la funda protectora retirada.

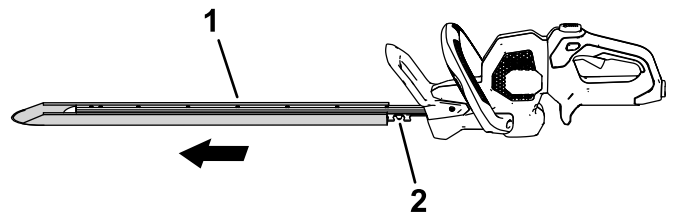


Figura 6

g308414

1. Funda protectora
2. Cuchillas

2. Compruebe que los orificios de ventilación del cortasetos están libres de polvo y residuos.
3. Alinee el hueco de la batería con la lengüeta del alojamiento de la empuñadura, sujete la empuñadura, e introduzca la batería en la empuñadura hasta que el cierre encaje en su sitio (Figura 7).

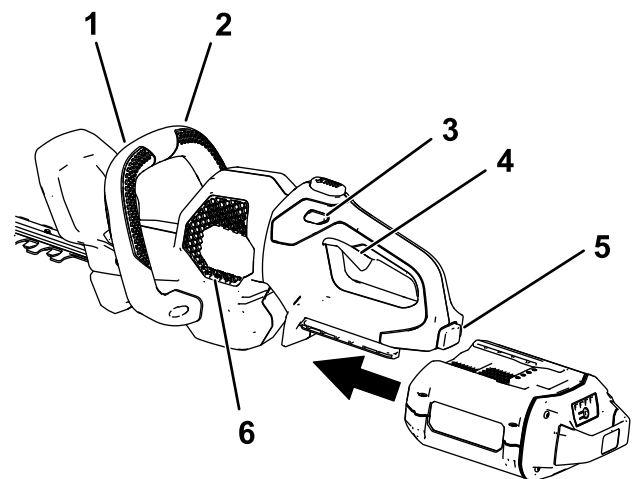


Figura 7

g308413

1. Interruptor de la empuñadura auxiliar
2. Empuñadura auxiliar
3. Interruptor de bloqueo
4. Gatillo
5. Cierre de la batería
6. Zonas de ventilación del cortasetos

- Coloque una mano en la empuñadura con gatillo. Coloque la otra mano en la empuñadura auxiliar (Figura 7).
- Presione el interruptor de bloqueo y apriete el interruptor del gatillo mientras activa el interruptor de la empuñadura auxiliar para encender el cortasetos (Figura 7).

El cortasetos seguirá encendido mientras se aprieten el interruptor de la empuñadura auxiliar y el gatillo. Puede soltar el interruptor de interruptor de bloqueo una vez que el cortasetos esté funcionando (Figura 7).

## Cómo rotar la empuñadura del cortasetos

- Mantenga pulsado el botón de bloqueo de la rotación (Figura 8, A).
- Rote la empuñadura 90° a la izquierda o a la derecha dependiendo del sentido de corte deseado, luego suelte el botón de bloqueo para bloquear la empuñadura en la posición deseada (Figura 8, B).

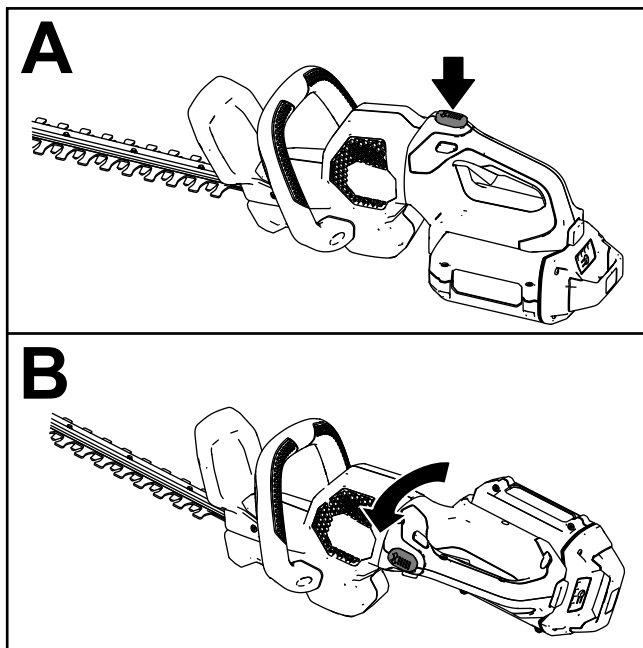


Figura 8

## Cómo parar el cortasetos

Para apagar el cortasetos, suelte el gatillo, el interruptor de la empuñadura auxiliar, o ambos (Figura 7). Espere al menos 5 segundos para que la cuchilla se detenga.

Cuando no esté utilizando la desbrozadora o la esté transportando hacia o desde el área de trabajo, retire la batería.

## Cómo retirar la batería

Presione el cierre de la batería en la herramienta para liberar la batería, y retire la batería de la herramienta (Figura 9).

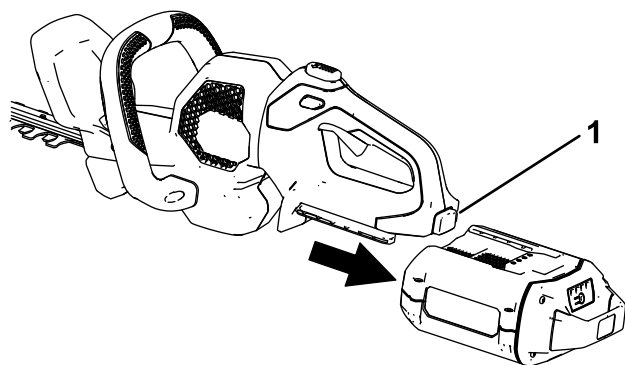


Figura 9

- Cierre de la batería

# Carga de la batería

**Importante:** En el momento de la compra la batería no está totalmente cargada. Antes de usar la herramienta por primera vez, coloque la batería en el cargador y cárguela hasta que el indicador LED indique que la batería está completamente cargada. Lea todas las precauciones de seguridad.

**Importante:** Cargue la batería solo a temperaturas que estén dentro del intervalo apropiado; consulte [Especificaciones \(página 9\)](#).

**Nota:** En cualquier momento, presione el botón del indicador de carga de la batería de la batería para mostrar la carga actual (indicadores LED).

1. Compruebe que los orificios de ventilación de la batería y del cargador están libres de polvo y residuos.

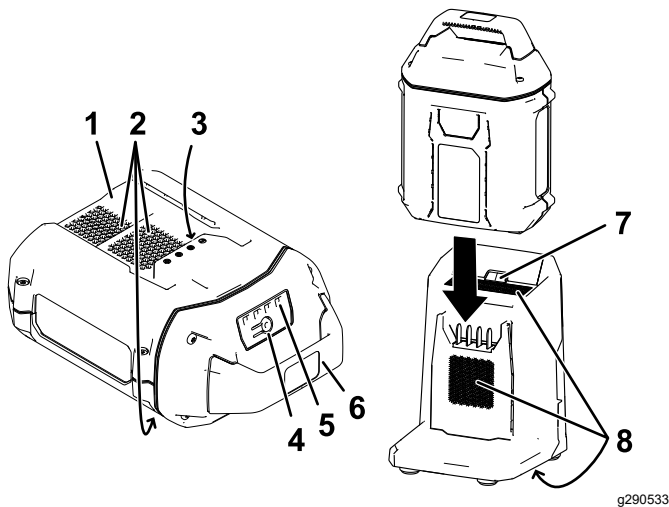


Figura 10

- |                                               |                                   |
|-----------------------------------------------|-----------------------------------|
| 1. Hueco de la batería                        | 5. Indicadores LED (carga actual) |
| 2. Zonas de ventilación de la batería         | 6. Empuñadura                     |
| 3. Terminales de la batería                   | 7. Cargador                       |
| 4. Botón del indicador de carga de la batería |                                   |
2. Alinee el cargador con el hueco de la parte trasera de la batería ([Figura 10](#)).
  3. Introduzca el cargador en la batería hasta que esté completamente asentada ([Figura 10](#)).
  4. Para retirar el cargador, deslice el cargador hacia atrás para sacarla de la batería.
  5. Consulte la tabla siguiente para interpretar el indicador LED del cargador de la batería.

Indicador	Indica:
Apagado	No hay batería insertada

Verde intermitente	La batería se está cargando
Verde	La batería está cargada
Rojo	La batería y/o el cargador de la batería está por encima o por debajo del intervalo de temperatura adecuado
Rojo intermitente	Fallo de carga de la batería*

\*Consulte [Solución de problemas \(página 13\)](#) si desea más información.

**Importante:** La batería puede permanecer conectada al cargador durante periodos cortos entre usos.

Si la batería no se va a utilizar durante periodos más largos, retire la batería del cargador; consulte [Almacenamiento \(página 12\)](#).

## Consejos de operación

- Utilice la herramienta eléctrica para cortar en cualquier sentido, con movimientos lentos de barrido de un lado a otro.
- Para cortar el crecimiento nuevo, utilice una acción amplia de barrido, de manera que los tallos se dirijan directamente hacia la cuchilla.
- Utilice un serrucho o una sierra de podar manual sin motor para recortar los tallos grandes.
- Si lo desea, puede utilizar una cuerda para facilitar el corte horizontal del seto. Decida a qué altura desea dejar el seto. Extienda una cuerda a lo largo del seto a la altura deseada. Corte el seto justo por encima de la línea guía de cuerda.

# Mantenimiento

Retire la batería antes de realizar tareas de mantenimiento o limpieza.

Utilice únicamente piezas de repuesto y accesorios recomendados por el fabricante.

Inspeccione y haga el mantenimiento del producto periódicamente. El producto solo lo debe reparar un Servicio Técnico Autorizado.

## Preparación de la batería para el reciclado

**Importante:** Al retirarla, cubra los terminales de la batería con cinta adhesiva de servicio pesado. No intente destruir o desmontar la batería ni intente retirar cualquiera de los componentes de la misma.



Las baterías de iones de litio etiquetadas con el sello Call2Recycle pueden ser recicladas en cualquier comercio o instalación de reciclado de baterías adscrito al programa Call2Recycle (solo EE. UU. y Canadá). Para localizar un comercio o una instalación adscrito cercano, llame al 1-800-822-8837 o visite [www.call2recycle.org](http://www.call2recycle.org). Si no puede localizar un comercio o instalación adscrito cercano, o si su batería recargable no está etiquetada con el sello Call2Recycle, póngase en contacto con su ayuntamiento para obtener más información sobre el reciclado responsable de la batería. Si se encuentra fuera de EE. UU. o Canadá, póngase en contacto con su distribuidor Toro autorizado.

# Almacenamiento

**Importante:** Almacene la herramienta, la batería y el cargador solo a temperaturas que estén dentro del intervalo apropiado; consulte [Especificaciones \(página 9\)](#).

**Importante:** Si va a almacenar la batería fuera de temporada, retire la batería de la herramienta y cargue la batería hasta que 2 o 3 de los indicadores LED de la batería cambien a verde. No almacene la batería completamente cargada ni completamente descargada. Antes de volver a usar la herramienta, cargue la batería hasta que se encienda el indicador izquierdo del cargador en verde, o hasta que los 4 indicadores LED de la batería cambien a verde.

- Desconecte el producto del suministro de energía (es decir, retire el enchufe del suministro de energía o la batería) y compruebe si hay daños después del uso.
- Limpie cualquier material extraño del producto.
- No guarde la herramienta con la batería instalada.
- Cuando no se estén utilizando, almacene la herramienta, la batería y el cargador de la batería fuera del alcance de los niños.
- Mantenga la herramienta, la batería y el cargador de la batería alejados de agentes corrosivos como productos químicos de jardín o sal para deshielo.
- Para reducir el riesgo de lesiones personales graves, no almacene la batería en el exterior o en un vehículo.
- Guarde la herramienta, la batería y el cargador en un lugar cerrado, limpio y seco.

# Solución de problemas

Realice solo los pasos descritos en estas instrucciones. Cualquier otro trabajo de inspección, mantenimiento o reparación debe ser realizado por un Servicio Técnico Autorizado o por un especialista autorizado si no puede solucionar el problema usted mismo.

Problema	Posible causa	Acción correctora
La herramienta no arranca.	<ol style="list-style-type: none"> <li>1. La batería no está correctamente instalada en la herramienta.</li> <li>2. La batería no está cargada.</li> <li>3. La batería está dañada.</li> <li>4. Hay otro problema eléctrico con la herramienta.</li> </ol>	<ol style="list-style-type: none"> <li>1. Retire y luego vuelva a colocar la batería en la herramienta, asegurándose de que está completamente instalada y bloqueada.</li> <li>2. Retire la batería de la herramienta y cárguela.</li> <li>3. Sustituya la batería.</li> <li>4. Póngase en contacto con el Servicio Técnico Autorizado.</li> </ol>
La herramienta no alcanza la potencia completa.	<ol style="list-style-type: none"> <li>1. La batería está casi descargada.</li> <li>2. Los orificios de ventilación están obstruidos.</li> </ol>	<ol style="list-style-type: none"> <li>1. Retire la batería de la herramienta y cargue la batería completamente.</li> <li>2. Limpie los orificios de ventilación.</li> </ol>
La herramienta produce vibraciones o ruidos excesivos.	<ol style="list-style-type: none"> <li>1. Las cuchillas están desafiladas o dañadas.</li> </ol>	<ol style="list-style-type: none"> <li>1. Póngase en contacto con el Servicio Técnico Autorizado.</li> </ol>
La batería se descarga rápidamente.	<ol style="list-style-type: none"> <li>1. La temperatura de la batería está por encima o por debajo del intervalo de temperatura adecuado.</li> <li>2. La máquina está sobrecargada.</li> </ol>	<ol style="list-style-type: none"> <li>1. Traslade la batería a un lugar seco cuya temperatura sea de entre 5 °C y 40 °C (41 °F y 104 °F).</li> <li>2. Recorte a una velocidad más lenta.</li> </ol>
El cargador de la batería no funciona.	<ol style="list-style-type: none"> <li>1. La temperatura del cargador de la batería está por encima o por debajo del intervalo de temperatura adecuado.</li> <li>2. La toma de corriente en la que está enchufado el cargador de la batería no tiene corriente.</li> </ol>	<ol style="list-style-type: none"> <li>1. Desenchufe el cargador de la batería y trasládalo a un lugar seco cuya temperatura sea de entre 5 °C y 40 °C (41 °F y 104 °F).</li> <li>2. Póngase en contacto con un electricista autorizado para que repare la toma de corriente.</li> </ol>
El indicador LED del cargador de la batería está rojo.	<ol style="list-style-type: none"> <li>1. El cargador de la batería y/o la batería está por encima o por debajo del intervalo de temperatura adecuado.</li> </ol>	<ol style="list-style-type: none"> <li>1. Desenchufe el cargador de la batería y mueva el cargador de la batería y la batería a un lugar seco cuya temperatura sea de entre 5 °C (41 °F) y 40 °C (104 °F).</li> </ol>
El indicador LED del cargador de la batería parpadea en rojo.	<ol style="list-style-type: none"> <li>1. Hay un error de comunicaciones entre la batería y el cargador.</li> <li>2. La batería está casi agotada.</li> </ol>	<ol style="list-style-type: none"> <li>1. Retire la batería del cargador, desconecte el cargador de la toma de corriente y espere 10 segundos. Vuelva a enchufar el cargador en la toma de corriente y coloque la batería en el cargador. Si el indicador LED del cargador sigue parpadeando en rojo, repita este procedimiento. Si el indicador LED del cargador sigue parpadeando después de 2 intentos, elimine la batería correctamente en una instalación de reciclado de baterías.</li> <li>2. Póngase en contacto con un servicio técnico autorizado si la batería está en garantía, o elimine correctamente la batería en una instalación de reciclado de baterías.</li> </ol>

# Información sobre las Advertencias de la Proposición 65 de California

## ¿Qué significa esta advertencia?

Puede ver un producto a la venta que lleva una etiqueta de advertencia como la siguiente:



**ADVERTENCIA: Cáncer y daños reproductivos – [www.p65Warnings.ca.gov](http://www.p65Warnings.ca.gov).**

## ¿Qué es la Proposición 65?

La Proposición 65 afecta a cualquier empresa que tenga presencia en California, que venda productos en California, o que fabrique productos que podrían ser introducidos o vendidos en California. Esta ley exige que el Gobernador de California mantenga y publique una lista de sustancias químicas identificadas como causantes de cáncer, defectos de nacimiento y/u otros daños reproductivos. La lista, que se actualiza anualmente, incluye cientos de productos químicos que se encuentran en muchos artículos de uso diario. El propósito de la Proposición 65 es informar al público sobre la exposición a estos productos químicos.

La Proposición 65 no prohíbe la venta de productos que contengan estos productos químicos, sino que requiere la presencia de advertencias en el producto, el envase y la documentación suministrada con el producto. Además, una advertencia de la Proposición 65 no significa que el producto contravenga ninguna norma o requisito de seguridad. De hecho, el gobierno de California ha aclarado que una advertencia bajo la Proposición 65 "no es lo mismo que una decisión legal sobre la 'seguridad' o la 'inseguridad' de un producto". Muchos de estos productos químicos han sido utilizados durante años en productos de uso diario sin que se hayan producido daños documentados. Para obtener más información, visite <https://oag.ca.gov/prop65/faqs-view-all>.

Una advertencia de la Proposición 65 significa que una empresa (1) ha evaluado la exposición y ha concluido que supera el nivel de "sin riesgo significativo"; o (2) ha optado por proporcionar una advertencia basándose en sus conocimientos respecto a la presencia de un producto químico de los incluidos en la lista, sin intentar evaluar la exposición.

## ¿Esta ley es aplicable en todas partes?

Las advertencias de la Proposición 65 sólo son obligatorias bajo la legislación de California. Estas advertencias se ven por toda California en una gran variedad de entornos, incluyendo entre otros restaurantes, tiendas de alimentación, hoteles, escuelas y hospitales, y en una amplia variedad de productos. Además, algunos minoristas de Internet y de la venta por correo incluyen advertencias de la Proposición 65 en sus sitios web o en sus catálogos.

## ¿Qué diferencia hay entre las advertencias de California y los límites federales?

Las normas de la Proposición 65 son a menudo más exigentes que las normas federales o internacionales. Varias sustancias requieren una advertencia bajo la Proposición 65 a niveles muy inferiores a los límites federales. Por ejemplo, el nivel exigido por la Proposición 65 para las advertencias sobre el plomo es de 0.5 µg/día, que es muy inferior a lo que exigen las normas federales e internacionales.

## ¿Por qué no llevan la advertencia todos los productos similares?

- Los productos vendidos en California deben llevar etiquetas bajo la Proposición 65, mientras que otros productos similares que se venden en otros lugares no las necesitan.
- Una empresa puede estar obligada a incluir advertencias de Proposición 65 en sus productos como condición de un acuerdo tras un procedimiento legal relacionado con la Proposición 65, pero otras empresas que fabrican productos similares no tienen necesariamente la misma obligación.
- La aplicación de la Proposición 65 no es uniforme.
- Algunas empresas pueden optar por no proporcionar advertencias porque concluyen que no están obligadas a hacerlo bajo la Proposición 65; la falta de advertencias en un producto no significa que el producto esté libre de los productos químicos incluidos en la lista a niveles similares.

## ¿Por qué incluye Toro esta advertencia?

Toro ha optado por proporcionar a los consumidores la mayor cantidad posible de información para que puedan tomar decisiones informadas sobre los productos que compra y utiliza. Toro proporciona advertencias en ciertos casos basándose en sus conocimientos sobre la presencia de uno o más productos químicos de la lista, sin evaluar el nivel de exposición, puesto que la lista no incluye límites de exposición para todos los productos químicos que contiene. Aunque la exposición que provocan los productos Toro puede ser insignificante, o estar dentro de los límites de la categoría "sin riesgo significativo", Toro ha optado por proporcionar las advertencias de la Proposición 65 por simple precaución. Además, si Toro no proporcionara estas advertencias, podría ser demandada por el Estado de California o por particulares bajo la Proposición 65, y estar sujeta a importantes sanciones.



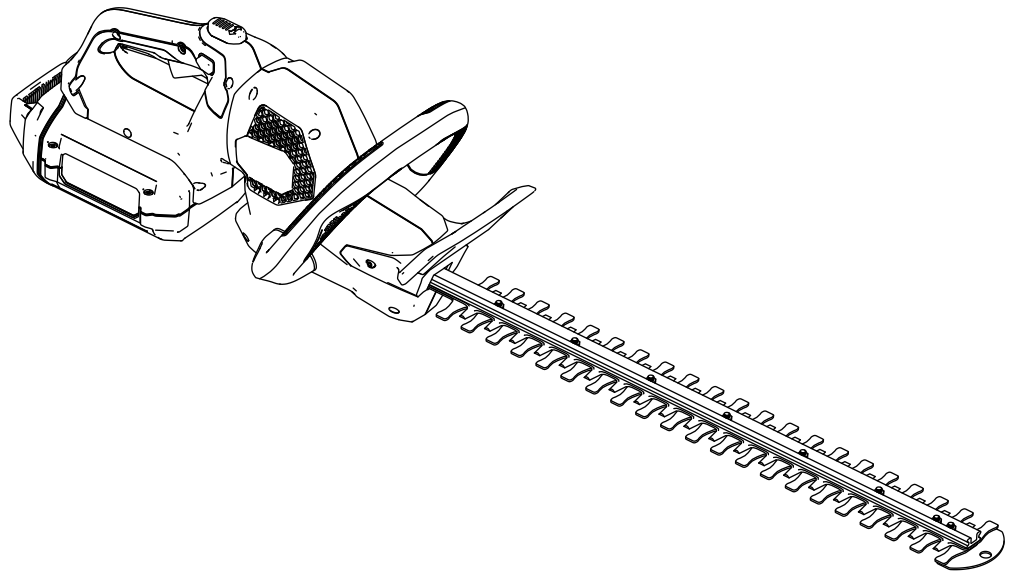
**Count on it.**

**Manuel de l'utilisateur**

# Taille-haie Flex-Force Power System™ 60 V de 61 cm (24 po)

N° de modèle 51840—N° de série 320000001 et suivants

N° de modèle 51840T—N° de série 320000001 et suivants





**Si vous avez besoin d'aide, visionnez les vidéos d'instruction sur [www.Toro.com/support](http://www.Toro.com/support) ou appelez le 1-888-384-9939 avant de renvoyer ce produit.**

**⚠ ATTENTION**

**CALIFORNIE**

**Proposition 65 - Avertissement**

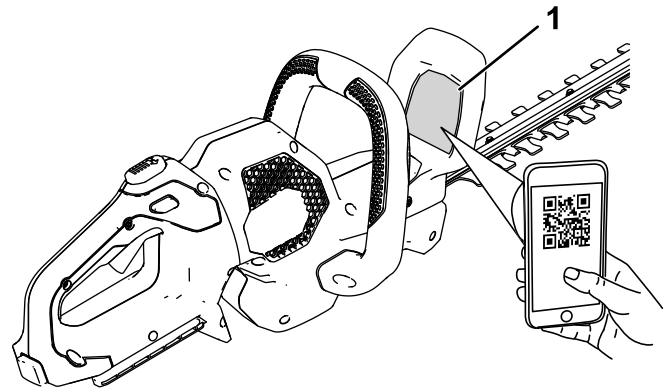
**Le cordon d'alimentation de cette machine contient du plomb, une substance chimique considérée par l'état de Californie comme susceptible de provoquer des malformations congénitales et autres troubles de la reproduction. Lavez-vous les mains après avoir manipulé la batterie.**

**L'utilisation de ce produit peut entraîner une exposition à des substances chimiques considérées par l'état de Californie comme capables de provoquer des cancers, des anomalies congénitales ou d'autres troubles de la reproduction.**

obtenir l'adresse d'un dépositaire ou pour enregistrer votre produit, rendez-vous sur le site [www.Toro.com](http://www.Toro.com).

Pour une demande d'entretien, des pièces Toro d'origine ou des renseignements complémentaires, munissez-vous des numéros de modèle et de série du produit et contactez un dépositaire-réparateur ou le service client Toro agréé. La **Figure 1** indique l'emplacement des numéros de modèle et de série du produit. Inscrivez les numéros dans l'espace réservé à cet effet.

**Important:** Avec votre appareil mobile, vous pouvez scanner le code QR (selon l'équipement) sur la plaque du numéro de série afin d'accéder aux informations sur la garantie, les pièces et le produit.



**Figure 1**

1. Emplacement des numéros de modèle et de série

N° de modèle \_\_\_\_\_

N° de série \_\_\_\_\_

# Introduction

Ce taille-haie est destiné au grand public, pour la taille des buissons et des haies. Il est conçu pour fonctionner avec la batterie ion-lithium Toro Flex-Force modèle 88625 (fournie avec le modèle 51840), 88625, 88640, 88650, 88660 ou 88675. Ces batteries sont conçues pour être chargées uniquement avec le chargeur modèle 88602 (fourni avec le modèle 51840), 88605 ou 88610. L'utilisation de ces produits à d'autres fins que celles prévues peut être dangereuse pour vous-même et toute personne à proximité.

Lisez attentivement cette notice pour apprendre comment utiliser et entretenir correctement votre produit, et éviter ainsi de l'endommager ou de vous blesser. Vous êtes responsable de l'utilisation sûre et correcte du produit.

Pour plus d'information, y compris des conseils de sécurité, des documents de formation, des renseignements concernant un accessoire, pour

Les mises en garde de ce manuel soulignent des dangers potentiels et sont signalées par le symbole de sécurité (**Figure 2**), qui indique un danger pouvant entraîner des blessures graves ou mortelles si les précautions recommandées ne sont pas respectées.



**Figure 2**

Symbole de sécurité

Ce manuel utilise deux termes pour faire passer des renseignements essentiels. **Important**, pour attirer l'attention sur une information d'ordre mécanique spécifique, et **Remarque**, pour souligner une information d'ordre général méritant une attention particulière.



# Sécurité

## ⚠ ATTENTION

Prenez connaissance de toutes les consignes de sécurité, instructions, illustrations et spécifications qui accompagnent cet outil électrique.

**Le non respect des avertissements et consignes peut entraîner des chocs électriques, un incendie et/ou des blessures graves.**

Conservez précieusement toutes les mises en garde et consignes de sécurité pour référence ultérieure.

Le terme « outil électrique » utilisé dans les mises en garde renvoie à votre outil électrique branché sur le secteur (câblé) ou alimenté par batterie (sans fil).

## CONSIGNES DE SÉCURITÉ DE SÉCURITÉ

### I. Sécurité sur la zone de travail

1. **La zone de travail doit être propre et bien éclairée.** *Les endroits sombres et encombrés sont propices aux accidents.*
2. **N'utilisez jamais d'outils électriques dans des atmosphères explosives, en présence de liquides, gaz ou poussière inflammables par exemple.** *Les outils électriques produisent des étincelles qui peuvent enflammer la poussière ou les vapeurs/émanations.*
3. **Tenez enfants et spectateurs à distance pendant l'utilisation d'un outil électrique.** *Les distractions peuvent entraîner la perte de contrôle de l'outil.*

### II. Sécurité électrique

1. **La fiche des outils électriques doit correspondre au type de prise. Ne modifiez jamais la fiche électrique. N'utilisez pas d'adaptateur avec les outils électriques reliés à la terre.** *Les fiches et prises correspondantes non modifiées réduisent le risque de choc électrique.*
2. **Évitez tout contact du corps avec des surfaces reliées à la terre/masse, par exemple tuyaux, radiateurs, cuisinières et réfrigérateurs.** *Le risque de choc électrique augmente si vous êtes relié à la terre.*
3. **N'exposez pas les outils électriques à la pluie ou à l'humidité.** *Toute infiltration d'eau dans un outil électrique augmente le risque de choc électrique.*

4. **Ne maltraitez pas le cordon d'alimentation. Ne vous servez jamais du cordon pour transporter, tirer ou débrancher l'outil électrique.** *Éloignez le cordon des surfaces chaudes, de la graisse, des arêtes vives ou des pièces mobiles. Les cordons endommagés ou emmêlés augmentent le risque de choc électrique.*
5. **Si vous utilisez un outil électrique à l'extérieur, utilisez toujours une rallonge adaptée à l'usage extérieur.** *L'utilisation d'une rallonge prévue pour l'usage extérieur réduit le risque de choc électrique.*
6. **Si l'utilisation d'un outil électrique dans un endroit humide ne peut être évitée, utilisez une alimentation protégée par un disjoncteur différentiel.** *L'utilisation d'un disjoncteur différentiel réduit le risque de choc électrique.*

### III. Sécurité personnelle

1. **Restez vigilant(e), regardez ce que vous faites et faites preuve de bon sens lorsque vous utilisez un outil électrique. N'utilisez jamais un outil électrique si vous êtes fatigué ou sous l'emprise de l'alcool, de drogues ou de médicaments.** *Un seul moment d'inattention pendant l'utilisation peut entraîner de graves blessures.*
2. **Utilisez des équipements de protection individuelle. Portez toujours une protection oculaire.** *Les équipements de protection individuelle comme les masques antipoussière, les chaussures de sécurité à semelle antidérapante, les casques et les protections antibruit utilisés de manière pertinente réduisent les risques de blessures.*
3. **Évitez tout démarrage accidentel. Assurez-vous que l'interrupteur Marche/Arrêt est en position Arrêt avant de connecter l'outil à une source d'alimentation et/ou à la batterie, de le prendre en main ou de le transporter.** *Des accidents peuvent se produire si vous transportez un outil électrique en gardant le doigt sur l'interrupteur d'alimentation ou si vous le mettez sous tension sans avoir placé l'interrupteur en position d'arrêt.*
4. **Retirez toute clé de réglage ou autre avant de mettre l'outil en marche.** *Une clé oubliée sur une pièce rotative de l'outil électrique pourrait vous blesser.*
5. **Ne travaillez pas trop loin devant vous. Gardez toujours les pieds bien posés à terre et faites en sorte de ne pas perdre l'équilibre.** *Vous pourrez ainsi garder le contrôle de l'outil en cas d'événement inattendu.*

6. **Portez des vêtements adéquats. Ne portez pas de vêtements amples ni de bijoux pendants. N'approchez pas les cheveux ni les vêtements des pièces en mouvement.** *Les vêtements amples, les bijoux pendants ou les cheveux longs peuvent se prendre dans les pièces mobiles.*
7. **Si des dispositifs sont fournis pour le raccordement d'équipements de dépoussiérage et de récupération, assurez-vous qu'ils sont connectés et utilisés correctement.** *L'utilisation d'un dispositif de récupération des poussières peut réduire les risques associés aux poussières.*
8. **Même si vous avez l'habitude d'utiliser les outils, ne relâchez pas votre attention et n'ignorez pas les principes de sécurité des outils.** *Une imprudence peut causer des blessures graves en une fraction de seconde.*

*correctement et bien affûtés sont moins susceptibles de coincer et sont plus faciles à contrôler.*

7. **Utilisez l'outil électrique, les accessoires, les outils rapportés, etc. en conformité avec ces instructions, en tenant compte des conditions de travail et de la tâche à réaliser.** *L'utilisation de l'outil électrique pour des opérations autres que celles prévues peut engendrer une situation dangereuse.*
8. **Gardez les poignées et surfaces de préhension sèches, propres et exemptes d'huile et de graisse.** *Les poignées et les surfaces de préhension glissantes ne permettent pas de manipuler et de contrôler l'outil en toute sécurité dans des situations imprévues.*

#### **IV. Utilisation et entretien des outils électriques**

1. **Ne faites pas forcer l'outil électrique. Utilisez l'outil électrique correct pour la tâche à accomplir.** *Un outil électrique adapté donnera de meilleurs résultats et sera moins dangereux s'il est utilisé dans les limites prévues.*
2. **Ne vous servez pas de l'outil électrique si l'interrupteur marche/arrêt ne permet pas de le mettre en marche et de l'arrêter correctement.** *Un outil électrique qui ne peut pas être commandé par l'interrupteur marche/arrêt est dangereux et doit être réparé.*
3. **Débranchez l'outil de la source d'alimentation et/ou enlevez la batterie de l'outil, si elle est amovible, avant d'effectuer des réglages, de changer d'accessoire ou de ranger l'outil.** *Ces mesures de sécurité préventives réduisent le risque de démarrage accidentel de l'outil.*
4. **Rangez les outils électriques non utilisés hors de portée des enfants et ne confiez leur utilisation qu'à des personnes connaissant leur maniement et ayant lu ces instructions.** *Les outils électriques sont dangereux s'ils sont mis entre les mains d'utilisateurs novices.*
5. **Effectuez l'entretien des outils et des accessoires. Vérifiez si des pièces sont mal alignées, grippées, cassées ou présentent tout autre défaut susceptible d'affecter le bon fonctionnement de l'outil électrique. S'il est endommagé, faites réparer l'outil électrique avant de l'utiliser.** *De nombreux accidents sont causés par des outils électriques en mauvais état.*
6. **Gardez les outils de coupe propres et bien affûtés.** *Des outils de coupe entretenus*

## V. Utilisation et entretien des outils à batterie

1. **Ne les rechargez qu'avec le chargeur spécifié par le fabricant.** *Un chargeur convenant à un type de batterie peut créer un risque d'incendie s'il est utilisé avec une autre batterie.*
2. **Utilisez les outils électriques uniquement avec les batteries spécifiquement prévues.** *L'utilisation d'autres batteries peut créer un risque de blessure et d'incendie.*
3. **Lorsque la batterie ne sert pas, rangez-la à distance d'objets métalliques tels que trombones, pièces de monnaie, clés, clous, vis ou autre petit objet métallique qui pourrait relier les bornes entre elles.** *Un court-circuit aux bornes de la batterie peut causer des brûlures ou un incendie.*
4. **Une utilisation abusive peut causer la projection de liquide hors de la batterie; évitez tout contact. En cas de contact accidentel, rincez à l'eau. En cas de contact du liquide avec les yeux, consultez en plus un médecin.** *Le liquide éjecté de la batterie peut causer des irritations ou des brûlures.*
5. **N'utilisez pas une batterie ou un outil qui a été endommagé(e) ou modifié(e).** *Les batteries endommagées ou modifiées peuvent avoir un comportement imprévisible et causer un incendie, une explosion ou des blessures.*
6. **N'exposez pas la batterie ou l'outil au feu ou à une température excessive.** *L'exposition au feu ou à une température supérieure à 130 °C (265 °F) peut provoquer une explosion.*
7. **Suivez toutes les instructions de charge et ne chargez pas la batterie ou l'outil en dehors de la plage de température spécifiée dans les instructions.** *Une charge incorrecte ou à des températures en dehors de la plage spécifiée peut endommager la batterie et augmenter le risque d'incendie.*

## VI. Entretien

1. **Confiez l'entretien de votre outil électrique à un réparateur qualifié utilisant exclusivement des pièces de rechange identiques.** *La sécurité de votre outil électrique sera ainsi maintenue.*
2. **Ne faites jamais l'entretien des batteries endommagées.** *L'entretien des batteries ne doit être effectué que par le fabricant ou les fournisseurs de services autorisés.*

## VII. Avertissements de sécurité pour le taille-haie

1. **N'approchez aucune partie du corps de la lame. Ne retirez pas le matériau coupé et ne tenez pas le matériau à couper pendant le fonctionnement des lames.** *Les lames continuent de fonctionner après la mise hors tension de l'outil. Un seul moment d'inattention pendant l'utilisation du taille-haie peut entraîner de graves blessures.*
2. **Portez le taille-haie par la poignée avec la lame arrêtée et en prenant soin de ne pas actionner l'interrupteur d'alimentation.** *Le transport correct du taille-haie réduit le risque de démarrage accidentel et de blessures causées par les lames.*
3. **Mettez toujours le couvre-lame en place avant de transporter ou de ranger le taille-haie.** *La manipulation correcte du taille-haie réduit le risque de démarrage accidentel et de blessures causées par les lames.*
4. **Lorsque vous enlevez des matériaux coincés ou que vous faites l'entretien de l'appareil, assurez-vous que tous les interrupteurs d'alimentation sont en position hors tension et que la batterie est retirée ou débranchée.** *La mise en marche inopinée du taille-haie lors du dégagement d'une obstruction ou de l'entretien peut entraîner des blessures graves.*
5. **Tenez le taille-haie uniquement par les surfaces de préhension isolées, car la lame peut toucher des câbles cachés ou son propre cordon d'alimentation.** *Si les lames entrent en contact avec un câble « sous tension », les pièces métalliques exposées du taille-haie peuvent également être mises « sous tension » et causer un choc électrique pour l'utilisateur.*
6. **Tenez tous les cordons et câbles d'alimentation à l'écart de la zone de coupe.** *Des cordons ou câbles d'alimentation peuvent être cachés par des haies ou des buissons et risquent d'être accidentellement coupé par la lame.*
7. **N'utilisez pas le taille-haie par mauvais temps, surtout s'il existe un risque de foudre.** *Cela réduit le risque d'être frappé par la foudre.*

# CONSERVEZ CES INSTRUCTIONS

# Autocollants de sécurité et d'instruction



Des autocollants de sécurité et des instructions bien visibles par l'opérateur sont placés près de tous les endroits potentiellement dangereux. Remplacez tout autocollant endommagé ou manquant.

Modèle 51840



139-5251

1. Attention – lisez le *Manuel de l'utilisateur*; protégez-vous les yeux; n'exposez pas l'appareil à la pluie.
2. N'approchez pas les mains de la lame – ne vous approchez pas des pièces en mouvement; gardez toutes les protections et tous les capots en place.

Modèle 51840T



139-5252

1. Attention – lisez le *Manuel de l'utilisateur*; protégez-vous les yeux; n'exposez pas l'appareil à la pluie.
2. N'approchez pas les mains de la lame – ne vous approchez pas des pièces en mouvement; gardez toutes les protections et tous les capots en place.



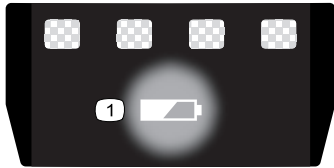
137-9454

1. Lisez le *Manuel de l'utilisateur*.
2. Programme de recyclage des batteries Call2Recycle®
3. Tenir à l'écart du feu ou des flammes.
4. Ne pas exposer à la pluie.



decal137-9462

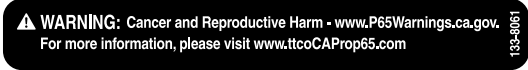
**137-9462**



**137-9461**

decal137-9461

1. État de charge de la batterie



**133-8061**

decal133-8061

# Mise en service

**Important:** La batterie n'est pas complètement chargée à l'achat. Avant la toute première utilisation de la machine, voir [Charge de la batterie](#) (page 11).

## Montage du chargeur de batterie (option)

Si vous le souhaitez, vous pouvez fixer le chargeur de batterie solidement sur un mur à l'aide des fentes situées au dos.

Montez-le à l'intérieur (par exemple dans un garage ou tout autre endroit à l'abri de l'humidité), à proximité d'une prise de courant et hors de la portée des enfants.

Pour vous aider à monter le chargeur, voir la [Figure 3](#).

Pour fixer le chargeur en place, insérez-le sur les fixations installées à la bonne position (fixations non incluses).

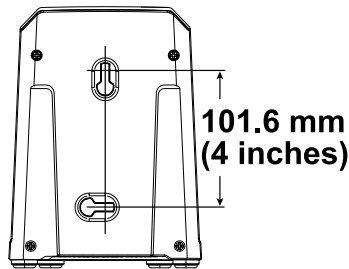
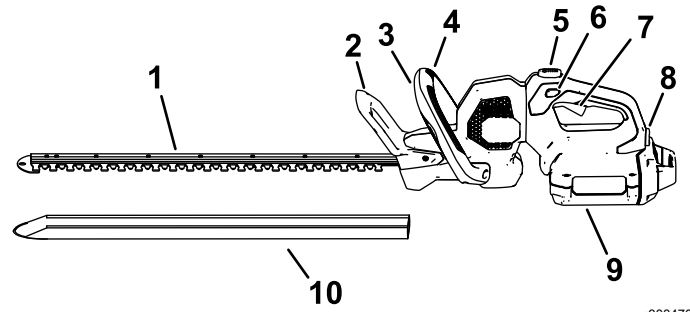


Figure 3

g290534

# Vue d'ensemble du produit

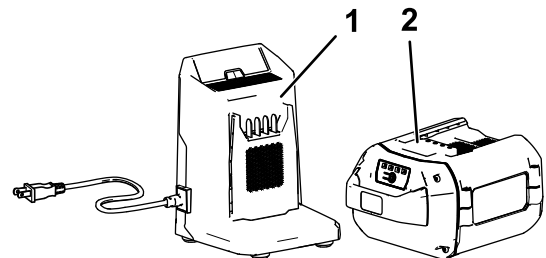


g308470

Figure 4

Côté gauche de la machine montré

- |                                      |                                |
|--------------------------------------|--------------------------------|
| 1. Lames                             | 6. Commutateur de verrouillage |
| 2. Protection                        | 7. Gâchette                    |
| 3. Commutateur de poignée auxiliaire | 8. Verrou de batterie          |
| 4. Poignée auxiliaire                | 9. Batterie                    |
| 5. Bouton de rotation de la poignée  | 10. Couvercle de protection    |



g355813

Figure 5

- |                                                                    |                                                         |
|--------------------------------------------------------------------|---------------------------------------------------------|
| 1. Chargeur de batterie modèle 88620 (inclus avec le modèle 51840) | 2. Batterie modèle 88625 (incluse avec le modèle 51840) |
|--------------------------------------------------------------------|---------------------------------------------------------|

# Caractéristiques techniques

<b>Modèle</b>	51840/T
<b>Longueur de coupe</b>	610 mm (24 po)
<b>Tension nominale</b>	60 V c.c. maximum, 54 V c.c. utilisation nominale
<b>Vitesse à vide</b>	3200 c/min à 60 V c.c. max.
<b>Largeur de coupe</b>	19 mm (¾ po)
<b>Type de chargeur</b>	88602 (inclus avec le modèle 51840), 88605 ou 88610
<b>Type de batterie</b>	88625 (incluse avec le modèle 51840), 88620, 88640, 88650, 88660 ou 88675

## Plages de température adéquates

Charger/ranger la batterie entre	5 °C (41 °F) et 40 °C (104 °F)*
Utiliser la batterie entre	-30 °C (-22 °F) et 49 °C (120 °F)*
Utiliser la machine entre	0 °C (32 °F) et 49 °C (120 °F)*

\*Le temps de charge sera plus long en dehors de cette plage de température.

Rangez la machine, la batterie et le chargeur de batterie dans un local fermé, propre et sec.

# Utilisation

## Démarrage du taille-haie

1. Enlevez le couvercle de protection des lames (Figure 6).

### ⚠ ATTENTION

Les lames du taille-haie peuvent causer des coupures ou des mutilations.

Manipulez toujours le taille-haie avec prudence quand le couvercle de protection est retiré.

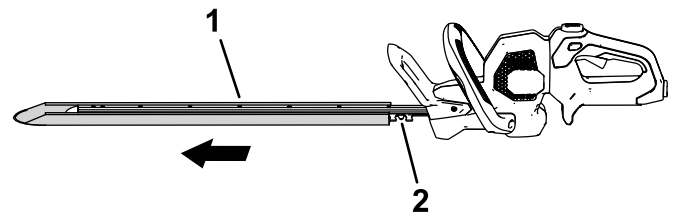


Figure 6

g308414

1. Couvercle de protection
2. Lames

2. Assurez-vous que les prises d'air du taille-haie sont exemptes de toute poussière et tout débris.
3. Alignez le creux de la batterie sur la languette dans le corps de la poignée, saisissez la poignée et poussez la batterie dans la poignée jusqu'à ce que le verrou s'enclenche en position (Figure 7).

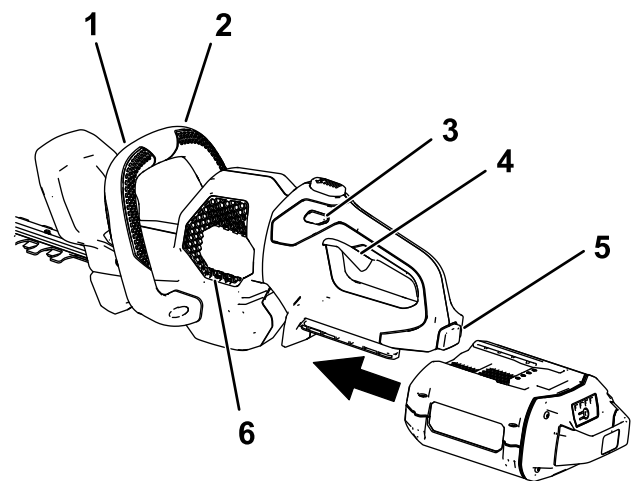


Figure 7

g308413

1. Commutateur de poignée auxiliaire
2. Poignée auxiliaire
3. Commutateur de verrouillage
4. Gâchette
5. Verrou de batterie
6. Prises d'air du taille-haie

- Placez une main sur la poignée d'actionnement. Placez l'autre main sur la poignée auxiliaire (Figure 7).
- Appuyez sur le commutateur de verrouillage puis serrez la poignée d'actionnement tout en actionnant le commutateur de poignée auxiliaire pour mettre le taille-haie en marche (Figure 7).

Le taille-haie reste en marche tant que vous appuyez sur le commutateur de poignée auxiliaire et la gâchette. Vous pouvez relâcher le commutateur de verrouillage une fois que le taille-haie est en marche (Figure 7).

## Rotation de la poignée du taille-haie

- Appuyez de manière prolongée sur le bouton de verrouillage de la rotation (encadré A de la Figure 8).
- Tournez la poignée de 90° vers la droite ou la gauche selon le sens de coupe recherché, puis relâchez le bouton de verrouillage de la rotation pour bloquer la poignée à la position voulue (encadré B de la Figure 8).

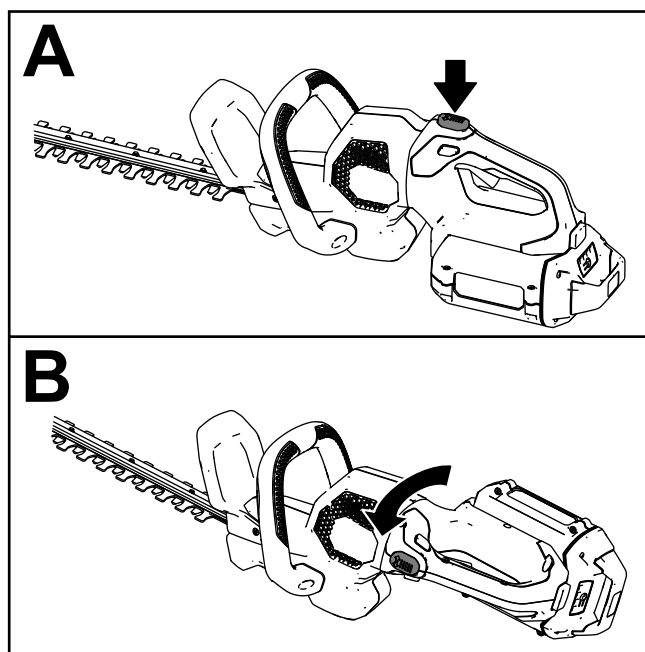


Figure 8

g308389

## Arrêt du taille-haie

Pour arrêter le taille-haie, relâchez la gâchette, le commutateur de la poignée auxiliaire ou les deux (Figure 7). Patientez au moins 5 secondes jusqu'à l'arrêt complet de la lame.

Chaque fois que vous cessez d'utiliser la débroussailleuse ou que vous la transportez vers ou de la zone de travail, enlevez la batterie.

## Retrait de la batterie

Appuyez sur le verrou de batterie de l'outil afin de débloquer la batterie, et faites glisser cette dernière hors de l'outil (Figure 9).

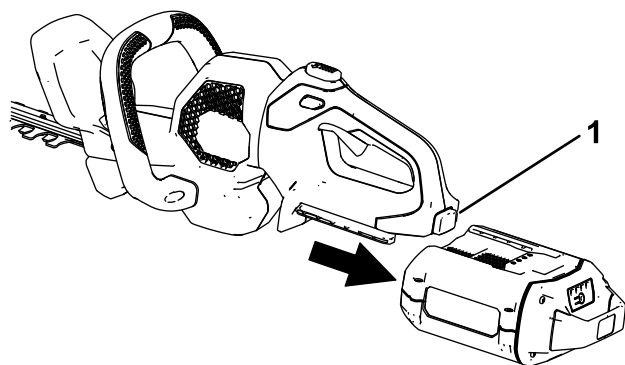


Figure 9

g308388

- Verrou de batterie



# Charge de la batterie

**Important:** La batterie n'est pas complètement chargée à l'achat. Avant d'utiliser l'outil pour la première fois, placez la batterie dans le chargeur et chargez-la jusqu'à ce que l'affichage à DEL indique que la batterie est complètement chargée. Lisez toutes les consignes de sécurité.

**Important:** Chargez la batterie uniquement à des températures comprises dans la plage adéquate; voir [Caractéristiques techniques \(page 9\)](#).

**Remarque:** À tout moment, appuyez sur le bouton indicateur de charge de la batterie pour afficher la charge actuelle (diodes).

1. Vérifiez que les événements de la batterie et du chargeur sont exempts de poussière et de débris.

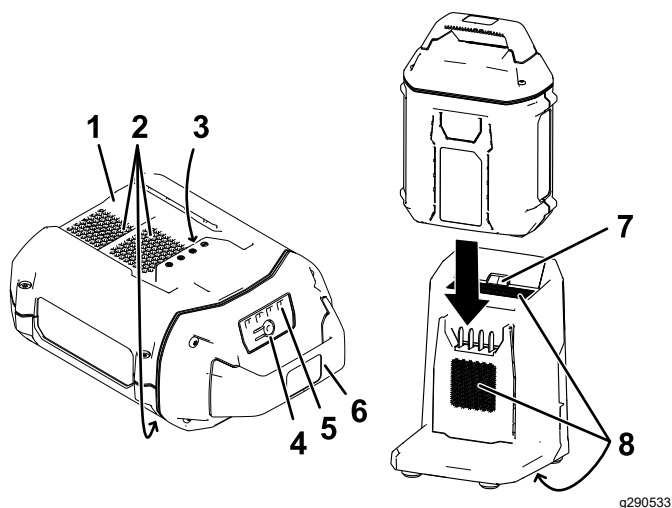


Figure 10

- |                                |                             |
|--------------------------------|-----------------------------|
| 1. Creux de la batterie        | 5. Diodes (charge actuelle) |
| 2. Événements de la batterie   | 6. Poignée                  |
| 3. Bornes de la batterie       | 7. Chargeur                 |
| 4. Bouton indicateur de charge |                             |

2. Alignez le chargeur sur la cavité au dos de la batterie ([Figure 10](#)).
3. Glissez le chargeur dans la batterie jusqu'à ce qu'il soit complètement enclenché ([Figure 10](#)).
4. Pour retirer le chargeur de la batterie, faites-le glisser vers l'arrière.
5. Reportez-vous au tableau ci-dessous pour interpréter les indications du voyant sur le chargeur de batterie.

Voyant	Indication
Éteint	Pas de batterie présente
Clignotement vert	La batterie est en charge

Vert	La batterie est chargée
Rouge	La température du chargeur et/ou de la batterie est supérieure ou inférieure à la plage appropriée.
Clignotement rouge	Anomalie de charge de la batterie*

\*Voir [Dépistage des défauts \(page 13\)](#) pour plus de précisions.

**Important:** Vous pouvez laisser la batterie dans le chargeur pendant une courte période entre deux utilisations.

Si la batterie ne doit pas servir pendant une période prolongée, retirez-la du chargeur ; voir [Remisage \(page 12\)](#).

## Conseils d'utilisation

- L'outil électrique permet de couper dans un sens ou dans l'autre en exécutant un mouvement de va-et-vient lentement sur le plan transversal.
- Lorsque vous taillez de nouvelles pousses, utilisez un mouvement transversal plus ample pour qu'elles passent directement dans la lame.
- Utilisez une scie à main non électrique ou une scie à élaguer pour couper les branchages qui sont trop gros.
- Vous pouvez utiliser un cordeau pour vous aider à tailler la haie bien droite. Décidez à quelle hauteur vous souhaitez couper la haie. Tendez un cordeau le long de la haie à la hauteur voulue. Taillez la haie juste au-dessus du cordeau.

# Entretien

Retirez la batterie avant de procéder à tout entretien ou nettoyage.

Utilisez exclusivement les pièces et accessoires de rechange recommandés par le constructeur.

Inspectez et entretenez régulièrement le produit. Ne confiez la réparation du produit qu'à un dépositaire-réparateur agréé.

## Préparation de la batterie pour le recyclage

**Important:** Après avoir retiré la batterie, recouvrez les bornes de ruban adhésif épais. N'essayez pas de détruire ou de démonter la batterie ni de déposer aucun de ses composants.



Les batteries ion-lithium avec le label Call2Recycle peuvent être recyclées dans n'importe quel centre de recyclage participant au programme Call2Recycle (États-Unis et Canada seulement). Pour trouver le revendeur ou le centre participant le plus proche, téléphonez au 1-800-822-8837 ou rendez-vous sur [www.call2recycle.org](http://www.call2recycle.org). Si vous ne trouvez pas de revendeur ou de centre à proximité, ou si votre batterie rechargeable ne porte pas le label Call2Recycle, contactez votre municipalité pour vous renseigner sur le recyclage responsable de la batterie. Hors des États-Unis et du Canada, veuillez contacter votre dépositaire Toro agréé.

# Remisage

**Important:** Remisez l'outil, la batterie et le chargeur uniquement à des températures comprises dans la plage adéquate; voir [Caractéristiques techniques \(page 9\)](#).

**Important:** Si vous remisez la batterie à la fin de la saison, retirez-la de l'outil et chargez-la jusqu'à ce que 2 ou 3 de ses diodes deviennent vertes. Ne remisez pas une batterie complètement chargée ou complètement déchargée. Avant de réutiliser l'outil, chargez la batterie jusqu'à ce que le voyant gauche devienne vert sur le chargeur, ou que les 4 diodes de la batterie deviennent vertes.

- Débranchez le produit de l'alimentation (autrement dit, retirez la prise de l'alimentation ou de la batterie) et recherchez tout dommage éventuel après utilisation.
- Débarrassez l'appareil de tout corps étranger.
- Ne remisez pas l'outil en laissant la batterie dessus.
- Lorsqu'ils ne sont pas utilisés, rangez l'outil, la batterie et le chargeur de batterie hors de la portée des enfants.
- N'approchez pas l'outil, la batterie et le chargeur des agents corrosifs, tels les produits chimiques de jardinage et les sels de dégivrage.
- Pour réduire les risques de blessures graves, ne rangez pas la batterie à l'extérieur ou dans un véhicule.
- Rangez l'outil, la batterie et le chargeur dans un lieu fermé, propre et sec.

# Dépistage des défauts

Effectuez uniquement les opérations décrites dans cette notice. Tout autre contrôle, entretien ou réparation doit être réalisé par un centre d'entretien agréé ou un spécialiste qualifié si vous n'arrivez pas à résoudre le problème vous-même.

Problème	Cause possible	Mesure corrective
L'outil ne démarre pas.	<ol style="list-style-type: none"><li>1. La batterie n'est pas complètement installée dans l'outil.</li><li>2. La batterie n'est pas chargée.</li><li>3. La batterie est endommagée.</li><li>4. L'outil a un problème de nature électrique.</li></ol>	<ol style="list-style-type: none"><li>1. Retirez et remettez la batterie en place dans l'outil, en vérifiant qu'elle est complètement insérée et enclenchée.</li><li>2. Retirez la batterie de l'outil et chargez-la.</li><li>3. Remplacez la batterie.</li><li>4. Contactez un dépositaire-réparateur agréé.</li></ol>
L'outil n'atteint pas sa pleine puissance.	<ol style="list-style-type: none"><li>1. La capacité de charge de la batterie est trop faible.</li><li>2. Les prises d'air sont obstruées.</li></ol>	<ol style="list-style-type: none"><li>1. Retirez la batterie de l'outil et chargez-la complètement.</li><li>2. Nettoyez les prises d'air.</li></ol>
L'outil produit des vibrations ou des bruits excessifs.	<ol style="list-style-type: none"><li>1. Les lames sont émoussées ou endommagées.</li></ol>	<ol style="list-style-type: none"><li>1. Contactez un dépositaire-réparateur agréé.</li></ol>
La batterie se décharge rapidement.	<ol style="list-style-type: none"><li>1. La température de la batterie est supérieure ou inférieure à la plage de température appropriée.</li><li>2. La machine est surchargée.</li></ol>	<ol style="list-style-type: none"><li>1. Placez la batterie dans un endroit sec, où la température est comprise entre 5 °C (41 °F) et 40 °C (104 °F).</li><li>2. Taillez plus lentement.</li></ol>
Le chargeur de batterie est défectueux.	<ol style="list-style-type: none"><li>1. La température du chargeur de batterie est supérieure ou inférieure à la plage de température adéquate.</li><li>2. La prise utilisée pour brancher le chargeur n'est pas sous tension.</li></ol>	<ol style="list-style-type: none"><li>1. Débranchez le chargeur de batterie et placez-le dans un endroit sec où la température est comprise entre 5 °C (41 °F) et 40 °C (104 °F).</li><li>2. Demandez à un électricien qualifié de réparer la prise.</li></ol>
Le voyant du chargeur de batterie est rouge.	<ol style="list-style-type: none"><li>1. La température du chargeur de batterie et/ou de la batterie est supérieure ou inférieure à la plage de température adéquate.</li></ol>	<ol style="list-style-type: none"><li>1. Débranchez le chargeur de batterie et placez-le, ainsi que la batterie, dans un endroit sec où la température est comprise entre 5 °C (41 °F) et 40 °C (104 °F).</li></ol>
Le voyant du chargeur de batterie clignote en rouge.	<ol style="list-style-type: none"><li>1. Une erreur de communication s'est produite entre la batterie et le chargeur.</li><li>2. La batterie est faible.</li></ol>	<ol style="list-style-type: none"><li>1. Retirez la batterie du chargeur, débranchez le chargeur de la prise secteur et patientez 10 secondes. Rebranchez le chargeur sur la prise secteur et insérez la batterie dans le chargeur. Si le voyant du chargeur clignote encore en rouge, répétez cette procédure. Si le voyant du chargeur de batterie clignote encore en rouge après 2 tentatives, mettez la batterie au rebut correctement dans un centre de recyclage de batteries.</li><li>2. Contactez votre dépositaire-réparateur agréé si la batterie est sous garantie, ou mettez la batterie au rebut correctement dans un centre de recyclage de batteries.</li></ol>

# Proposition 65 de Californie – Informations concernant cet avertissement

## En quoi consiste cet avertissement?

Certains produits commercialisés présentent une étiquette d'avertissement semblable à ce qui suit :



**AVERTISSEMENT : Cancer et troubles de la reproduction –**  
[www.p65Warnings.ca.gov](http://www.p65Warnings.ca.gov).

## Qu'est-ce que la Proposition 65?

La Proposition 65 s'applique à toute société exerçant son activité en Californie, qui vend des produits en Californie ou qui fabrique des produits susceptibles d'être vendus ou importés en Californie. Elle stipule que le Gouverneur de Californie doit tenir et publier une liste des substances chimiques connues comme causant des cancers, malformations congénitales et/ou autres troubles de la reproduction. Cette liste, qui est mise à jour chaque année, comprend des centaines de substances chimiques présentes dans de nombreux objets du quotidien. La Proposition 65 a pour objet d'informer le public quant à l'exposition à ces substances chimiques.

La Proposition 65 n'interdit pas la vente de produits contenant ces substances chimiques, mais impose la présence d'avertissements sur tout produit concerné, sur son emballage ou sur la documentation fournie avec le produit. D'autre part, un avertissement de la Proposition 65 ne signifie pas qu'un produit est en infraction avec les normes ou exigences de sécurité du produit. D'ailleurs, le gouvernement californien a clairement indiqué qu'un avertissement de la Proposition 65 « n'est pas une décision réglementaire quant au caractère « sûr » ou « dangereux » d'un produit ». Bon nombre de ces substances chimiques sont utilisées dans des produits du quotidien depuis des années, sans aucun effet nocif documenté. Pour plus de renseignements, rendez-vous sur <https://oag.ca.gov/prop65/faqs-view-all>.

Un avertissement de la Proposition 65 signifie qu'une société a soit (1) évalué l'exposition et conclu qu'elle dépassait le « niveau ne posant aucun risque significatif »; soit (2) choisi d'émettre un avertissement simplement sur la base de sa compréhension quant à la présence d'une substance chimique de la liste, sans tenter d'en évaluer l'exposition.

## Cette loi s'applique-t-elle partout?

Les avertissements de la Proposition 65 sont exigés uniquement en vertu de la loi californienne. Ces avertissements sont présents dans tout l'état de Californie, dans des environnements très variés, notamment mais pas uniquement les restaurants, magasins d'alimentation, hôtels, écoles et hôpitaux, et sur un vaste éventail de produits. En outre, certains détaillants en ligne et par correspondance fournissent des avertissements de la Proposition 65 sur leurs sites internet ou dans leurs catalogues.

## Quelles différences entre les avertissements de Californie et les limites fédérales?

Les normes de la Proposition 65 sont souvent plus strictes que les normes fédérales et internationales. Diverses substances exigent un avertissement de la Proposition 65 à des niveaux bien inférieurs aux limites d'intervention fédérales. Par exemple, la norme de la Proposition 65 en matière d'avertissements pour le plomb se situe à 0,5 µg/jour, soit bien moins que les normes fédérales et internationales.

## Pourquoi l'avertissement ne figure-t-il pas sur tous les produits semblables?

- Pour les produits commercialisés en Californie, l'étiquetage Proposition 65 est exigé, tandis qu'il ne l'est pas sur des produits similaires commercialisés ailleurs.
- Il se peut qu'une société impliquée dans un procès lié à la Proposition 65 et parvenant à un accord soit obligée d'utiliser les avertissements de la Proposition 65 pour ses produits, tandis que d'autres sociétés fabriquant des produits semblables peuvent ne pas être soumises à cette obligation.
- L'application de la Proposition 65 n'est pas uniforme.
- Certaines sociétés peuvent choisir de ne pas indiquer d'avertissements car elles considèrent qu'elles n'y sont pas obligées au titre de la Proposition 65; l'absence d'avertissements sur un produit ne signifie pas que le produit ne contient pas de substances de la liste à des niveaux semblables.

## Pourquoi cet avertissement apparaît-il sur les produits Toro?

Toro a choisi de fournir aux consommateurs le plus d'information possible afin qu'ils puissent prendre des décisions éclairées quant aux produits qu'ils achètent et utilisent. Toro fournit des avertissements dans certains cas d'après ses connaissances quant à la présence de l'une ou plusieurs des substances chimiques de la liste, sans en évaluer le niveau d'exposition, car des exigences de limites ne sont pas fournies pour tous les produits chimiques de la liste. Bien que l'exposition avec les produits Toro puisse être négligeable ou parfaitement dans les limites « sans aucun risque significatif », par mesure de précaution, Toro a décidé de fournir les avertissements de la Proposition 65. De plus, en l'absence de ces avertissements, la société Toro pourrait être poursuivie en justice par l'État de Californie ou par des particuliers cherchant à faire appliquer la Proposition 65, et donc assujettie à d'importantes pénalités.