



Count on it.

Parts Catalog

22in Recycler®

Lawn Mower with SmartStow®

Model No. 21465—Serial No. 40000000 and Up



Ordering Replacement Parts

To order replacement parts, please supply the part number, the quantity, and the description of each part desired.

Understanding Reference Numbers

Each identified part in an illustration has a reference number. The reference number for a part also appears in the parts list, along with other information about the part.

This catalog uses two special reference number formats, one to indicate parts in a service assembly and another to indicate the quantity of a given part in an illustration.

Service Assembly Reference Numbers

Parts in service assemblies have reference numbers in the form a:b. The a represents the reference number of the entire service assembly and the b represents a sequential number unique to each part within the service assembly.

For example, a wheel assembly might be identified by reference number 6, the tire by 6:1, the valve by 6:2, and the wheel by 6:3. When you order the assembly identified by reference number 6, you receive all parts identified by reference numbers 6:1, 6:2, and 6:3. However, you may also order any part individually. Reference numbers of this type appear in illustration and in parts lists.

Reference Numbers Indicating Quantity

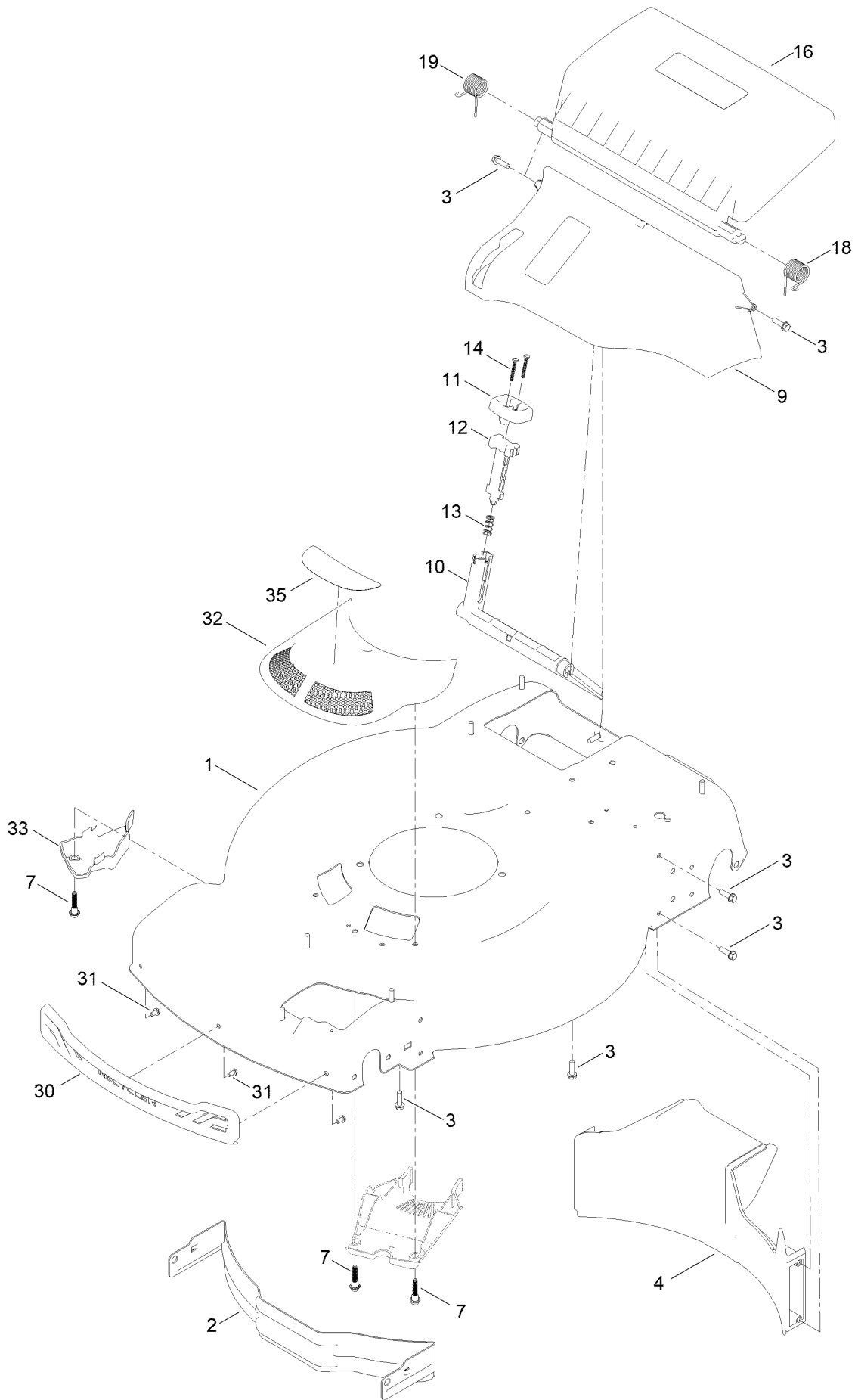
In an illustration, if a reference number indicates more than one part, the reference number has the form nX y. The n represents the quantity of the part, the X is the multiplication symbol, and the y represents the reference number.

For example, in an illustration, the reference number 2X 37 means that two of the parts identified by reference number 37 are indicated.

Contents

Housing Assembly	4
Grass Bag Assembly	6
Decal Assembly	8
Engine and Blade Assembly	10
Front Wheel and Height-of-Cut Assembly	12
Rear Wheel and Height-of-Cut Assembly	14
Handle Assembly	16
Attachments and Accessories	18

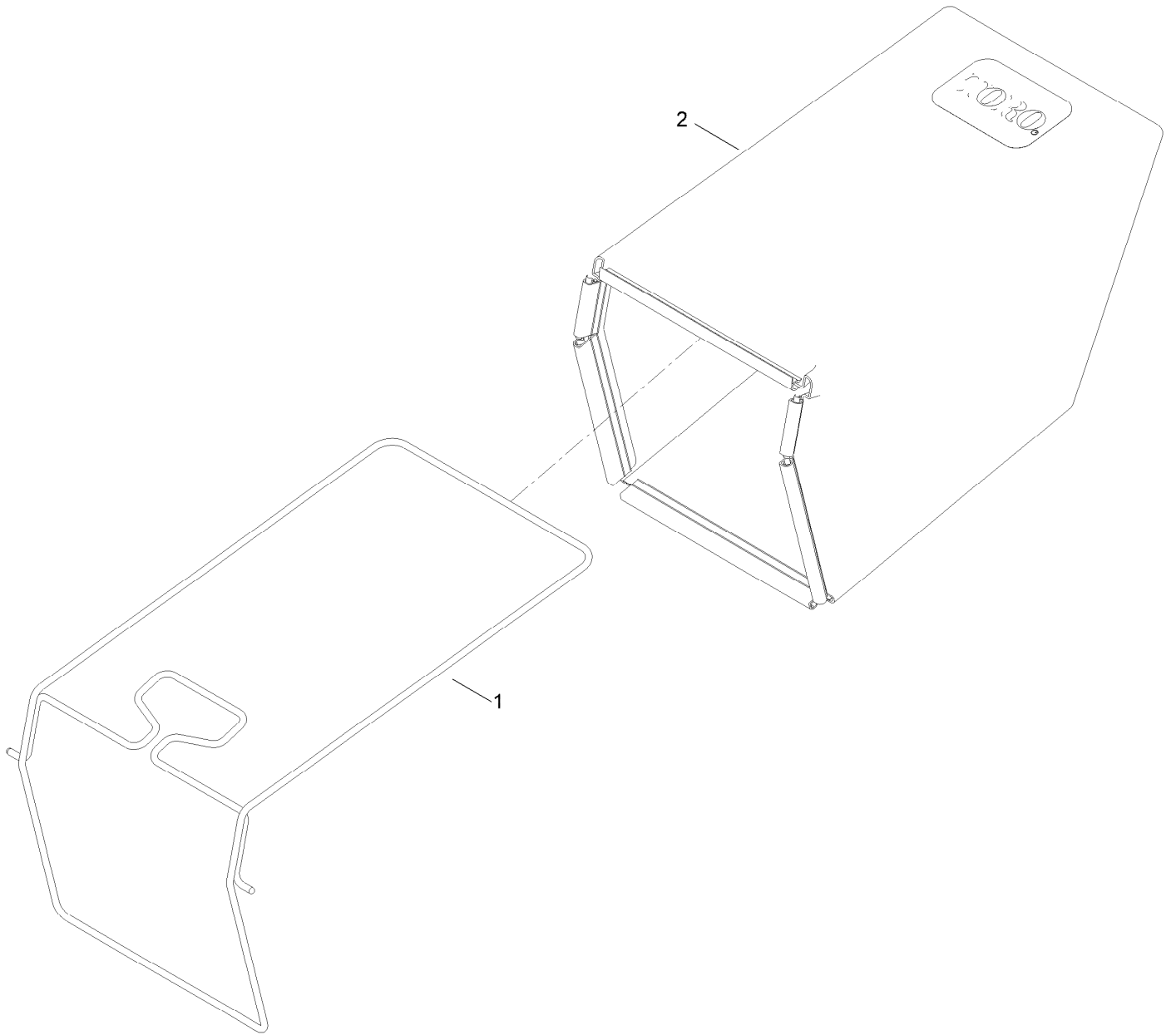
Housing Assembly



Housing Assembly (continued)

<i>Ref.</i>	<i>Part Number</i>	<i>Qty.</i>	<i>Description</i>	<i>Ref.</i>	<i>Part Number</i>	<i>Qty.</i>	<i>Description</i>
1	144-3192	1	Housing ASM	14	32104-120	2	Screw-PPH
2	114-7963-01	1	Baffle-Front	16	139-5476	1	ASM-Rear Door, In Mold
3	46-8091	13	Screw-HWH	18	139-5478	1	Spring-Torsion, LH
4	139-5440	1	Baffle-Rear, Rwd	19	139-5479	1	Spring-Torsion, RH
7	131-0837	1	Screw-Shoulder, HHF	30	139-5457	1	Bumper-Front
9	140-2368	1	ASM-Chute, In Mold	32	144-0210	4	ASM-Intake, Rwd
10	139-5443	1	Deflector-Recycle	31	139-5467	3	Screw-Plastic, HWH
11	139-5444	1	Knob-Recycle	33	140-2384	1	Cover-Intake, Bottom
12	139-5445	1	Latch-Recycle	35	140-4185	1	Decal
13	140-4192	1	Spring-Compression				

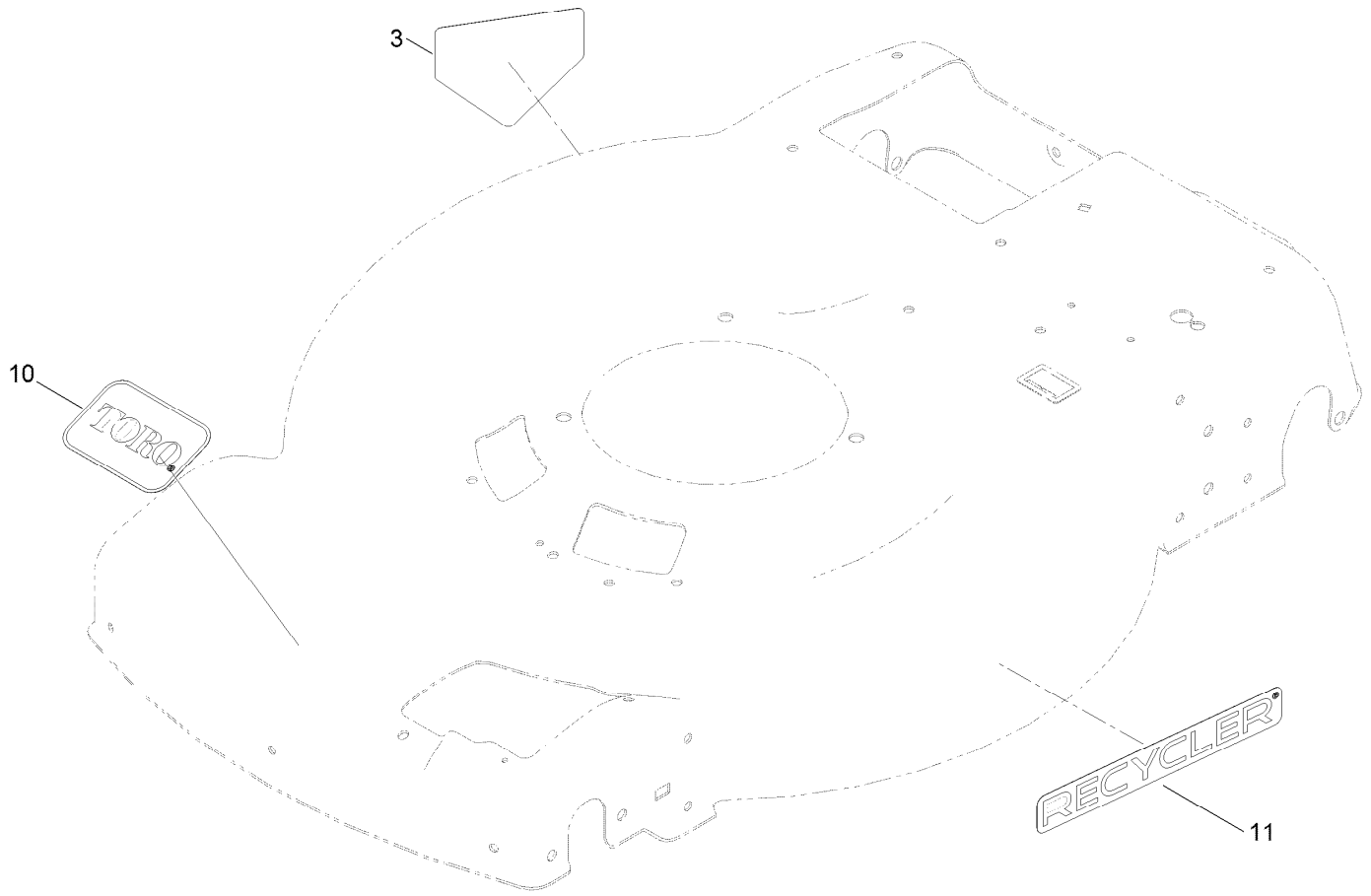
Grass Bag Assembly



Grass Bag Assembly (continued)

<i>Ref.</i>	<i>Part Number</i>	<i>Qty.</i>	<i>Description</i>
1	139-5470-03	1	ASM-Frame, Bag
2	139-5471	1	ASM-Bag, Grass

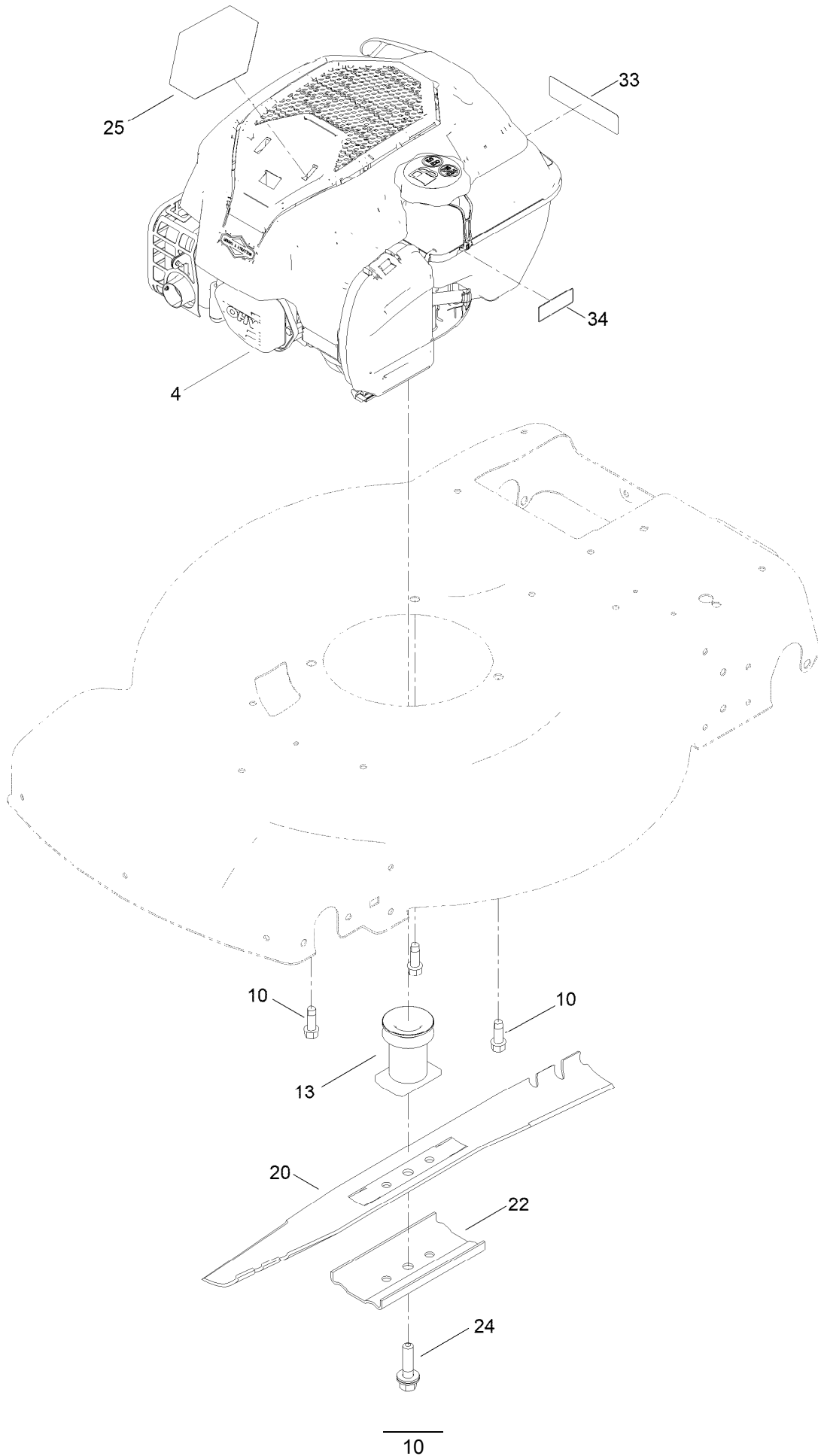
Decal Assembly



Decal Assembly (continued)

<i>Ref.</i>	<i>Part Number</i>	<i>Qty.</i>	<i>Description</i>
3	94-8072	1	Decal-Danger
10	140-4183	1	Decal
11	140-4184	1	Decal

Engine and Blade Assembly



Engine and Blade Assembly (continued)

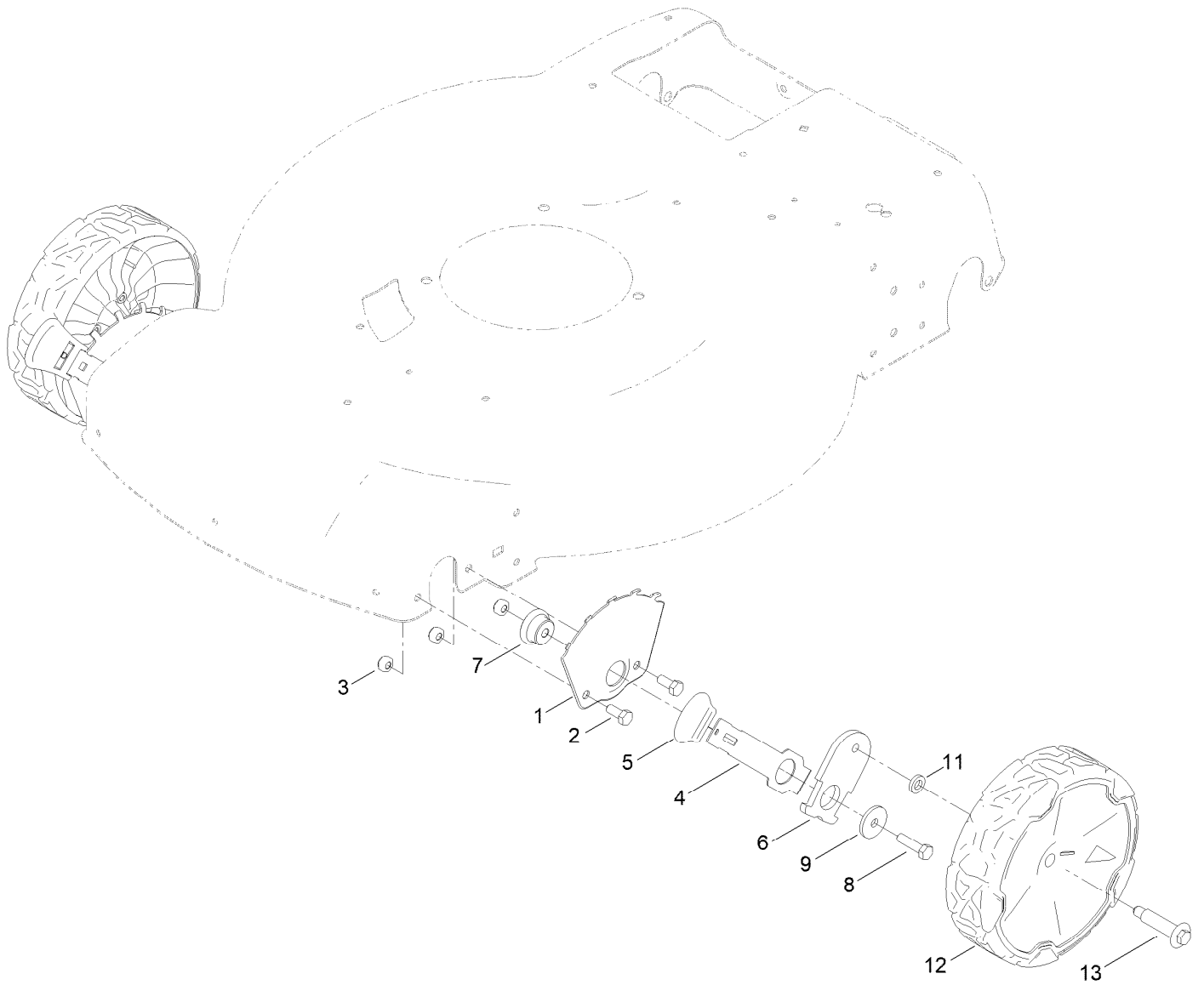
<i>Ref.</i>	<i>Part Number</i>	<i>Qty.</i>	<i>Description</i>	<i>Ref.</i>	<i>Part Number</i>	<i>Qty.</i>	<i>Description</i>
4		1	Engine-Briggs, 625 Exi Zs SS ■▲	24	125-2466	1	Bolt-Blade
10	121-5844	3	Screw-Thd Form, HWH	25	140-4247	1	Decal-Briggs 625 Exi SS
13	139-1816	1	Driver-Blade	33	133-8062	1	Decal-Arrestor, Spark
20	131-4547-03	1	Blade-22 Inch	34	133-8198	1	Decal-Level, Fuel
22	108-3766-03	1	Support-Blade	35	2210-316	1	Stop-Rope ●

● Not illustrated

▲ Obtain parts from www.briggsandstratton.com

■ Not serviced separately

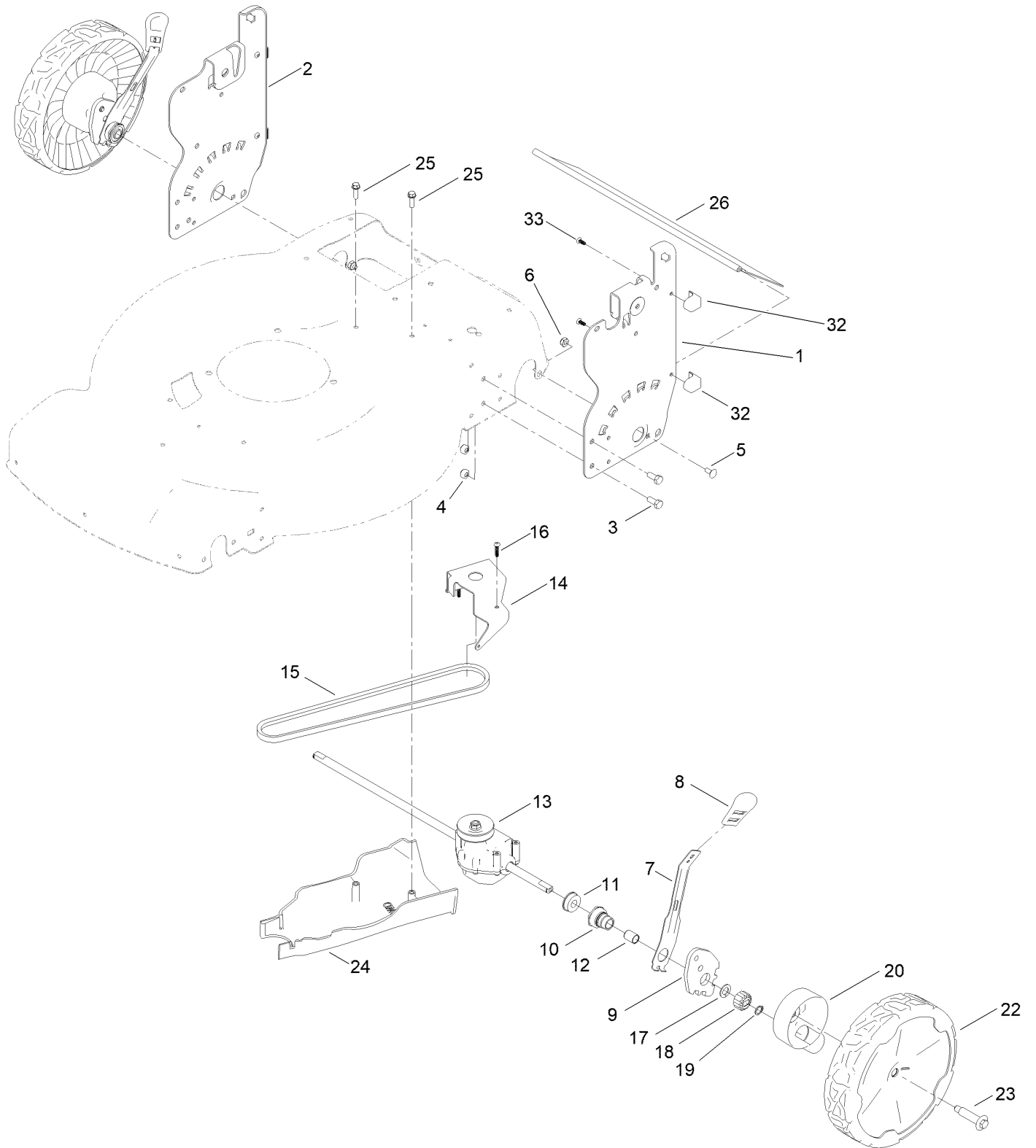
Front Wheel and Height-of-Cut Assembly



Front Wheel and Height-of-Cut Assembly (continued)

<i>Ref.</i>	<i>Part Number</i>	<i>Qty.</i>	<i>Description</i>	<i>Ref.</i>	<i>Part Number</i>	<i>Qty.</i>	<i>Description</i>
1	115-1956-05	2	Plate-HOC,Front Fsvq Wednesday	7	105-1818	2	Bushing-Mount, HOC
2	322-3	4	Screw-HH	8	322-6	2	Screw-HH
3	3296-29	6	Nut-Lock, NI	9	105-3048	2	Washer-Flat
4	105-1809	2	Arm-Spring	11	139-5449	2	Washer-Wheel Bolt
5	110-0549	2	Knob-HOC	12	140-2355	2	ASM-8" Wheel, Idler
6	137-9128	2	Arm-Pivot, Front	13	139-1789	2	Wheel Bolt

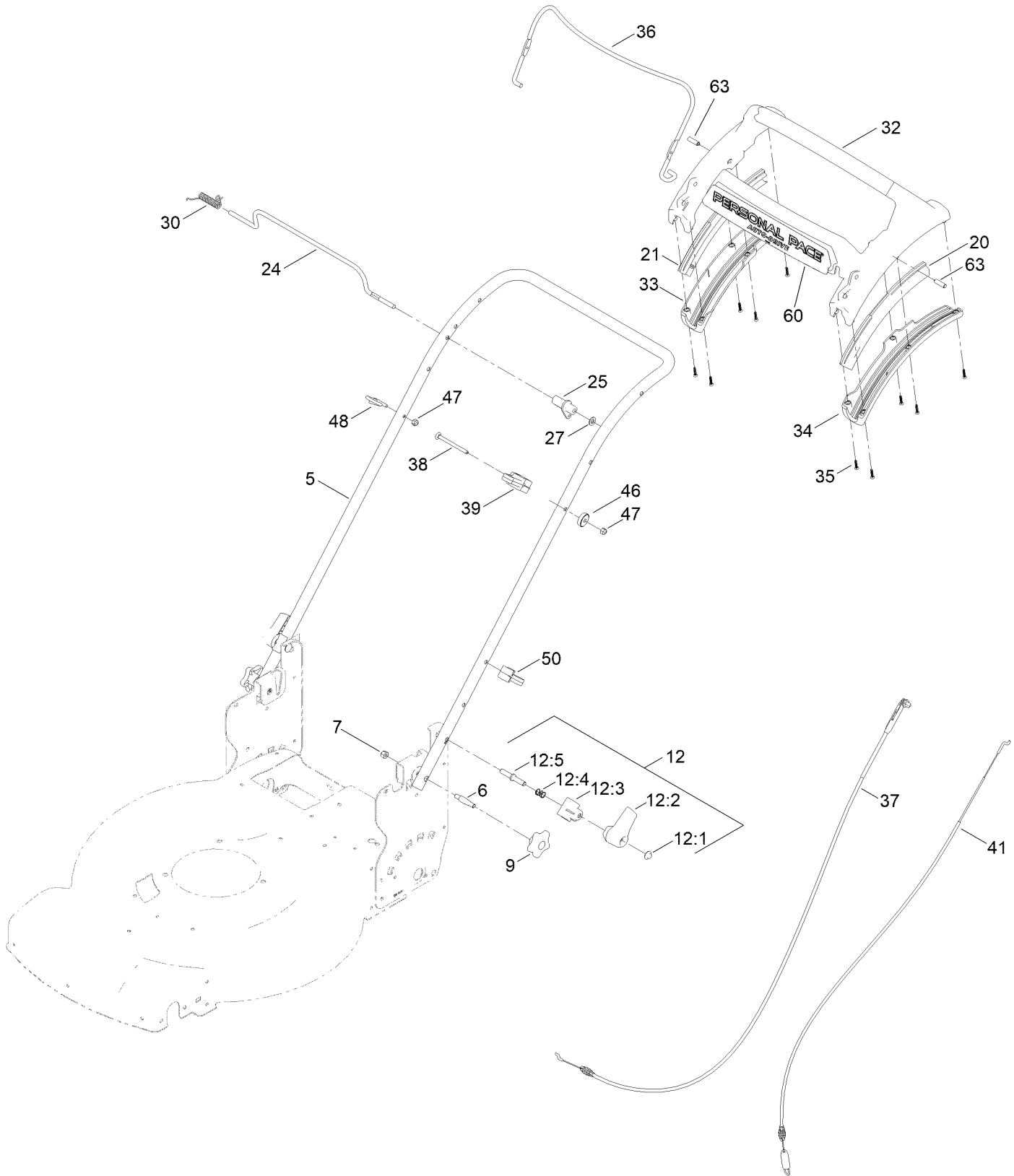
Rear Wheel and Height-of-Cut Assembly



Rear Wheel and Height-of-Cut Assembly (continued)

<i>Ref.</i>	<i>Part Number</i>	<i>Qty.</i>	<i>Description</i>	<i>Ref.</i>	<i>Part Number</i>	<i>Qty.</i>	<i>Description</i>
1	139-6593-05	1	Plate-HOC, LH (2 Hole)	15	140-4041	1	V-Belt
2	139-6592-05	1	Plate-HOC, RH (2 Hole)	16	108-7476	3	Screw-Plastite
3	322-3	4	Screw-HH	17	110-7191	2	Washer-Thrust
4	3296-29	4	Nut-Lock, NI	18	131-5399	2	Gear-Pinion, 15T
5	3229-11	2	Screw-CARR	19	32151-61	2	Ring-Retaining
6	3296-16	2	Nut-Lock, NI	20	140-2362	2	ASM-Cover, Gear (Dk Gray)
7	132-4486	2	Arm-Spring	22	140-2350	2	ASM-9.65" Wheel, Geared
8	110-0549	2	Knob-HOC	23	139-1789	2	Wheel Bolt
9	139-5451	2	Arm-Pivot, Rear	24	139-5448	1	Cover-Belt, Rwd
10	108-9779	2	Retainer-Bushing, HOC	25	46-8091	2	Screw-HWH
11	104-8699	2	Bearing-Ball	26	139-6597	1	Shield-Trailing
12	108-9782	2	Bushing-Sleeve	32	140-2369	4	Pad-Smart Stow
13	139-6561	1	Transmission-Rwd	33	107-7461	4	Screw-Plastite
14	114-7977-03	1	Bracket-Transmission				

Handle Assembly



Handle Assembly (continued)

<i>Ref.</i>	<i>Part Number</i>	<i>Qty.</i>	<i>Description</i>	<i>Ref.</i>	<i>Part Number</i>	<i>Qty.</i>	<i>Description</i>
5	139-5458-05	1	Handle-Curved	32	139-6569	1	Handle-Personal Pace, Curved
6	139-6588	2	Bolt-Shoulder, Handle	33	139-6567	1	Bottom-Handle, RH
7	3296-29	2	Nut-Lock, NI	34	139-6568	1	Bottom-Handle, LH
9	117-5976	2	Knob-Handle	35	94-4496	10	Screw-PPH
12	138-3249	2	Quick Release ASM	36	140-4023-03	1	Bail-Brake
12:1	32112-11	1	Nut-Push	37	139-6594	1	Cable-Brake, Pp B&s
12:2	138-3248	1	Lever-Release	38	144-0221	1	Screw-CARR
12:3	138-3253	1	Anchor-Spring	39	139-6581	1	Anchor-Cable, Rwd
12:4	115-2858	1	Spring-Compression	41	139-6595	1	Cable-Traction, Rwd (Pp)
12:5	138-3243	1	Rod-Release	46	136-9075	1	Washer-Curved
20	140-2367	1	Guide-Curved, LH (Rwd)	47	3296-73	2	Nut-Lock, NI
21	140-2366	1	Guide-Curved, RH (Rwd)	48	86-9671	1	Guide-Rope
24	139-5464	1	Rod-Control, Traction	50	114-7988	1	Guide-Cable
25	139-6554	1	Lever-Traction, Rwd	60	140-4187	1	Decal
27	3256-23	1	Washer-Plain	63	139-6577	2	Pin-Handle, Pp
30	140-4194	1	Spring-Torsion				

Attachments and Accessories

For 21465 22in Recycler Lawn Mower with SmartStow

Product Name	Model/Part
Fuel Stabilizer .05 oz	130-2393
Briggs Maint Kit.....	130-8148
4-Cycle Fuel, Snow And Lawn 32oz Can	131-3823
Toro Premium Fuel Treatment 12 Oz Bottle	131-6572
Oil-30/10W-30 Synthetic (Quart).....	138-6053
Chute ASM	139-6556
Lawn Striping Kit with 22in Roller	20601
Toro 4-Cycle SAE 30 Oil (32oz Bottle)	38903
Summer Oil-Case of 24 (20oz Bottles).....	38916
Smart Stow Walk Power Mower Cover	490-2012
Bag-Walk Behind (Toro).....	490-7318
Lawnmower Cover	490-7462
22 Inch Atomic Blade	59534P

Notes:



Count on it.