



---

**EN** 10in Cultivator

58601

**ES** Motoazada de 25 cm (10")

58601

**FR** Cultivateur de 25 cm (10 po)

58601







Form No. 3441-764 Rev D

**Count on it.**

**Operator's Manual**

**10in Cultivator**

Model No. 58601—Serial No. 321000001 and Up



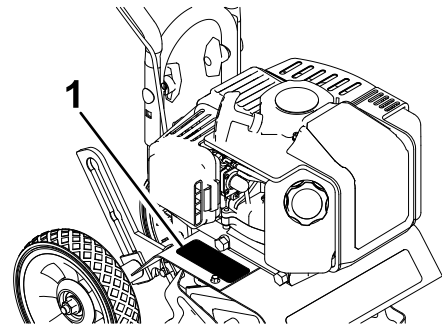
It is a violation of California Public Resource Code Section 4442 or 4443 to use or operate the engine on any forest-covered, brush-covered, or grass-covered land unless the engine is equipped with a spark arrester, as defined in Section 4442, maintained in effective working order or the engine is constructed, equipped, and maintained for the prevention of fire.

**⚠ WARNING**

**CALIFORNIA  
Proposition 65 Warning**

**The engine exhaust from this product contains chemicals known to the State of California to cause cancer, birth defects, or other reproductive harm.**

**Use of this product may cause exposure to chemicals known to the State of California to cause cancer, birth defects, or other reproductive harm.**



g342516

**Figure 1**

1. Model and serial number location

Model No. \_\_\_\_\_

Serial No. \_\_\_\_\_

This manual identifies potential hazards and has safety messages identified by the safety-alert symbol (Figure 2), which signals a hazard that may cause serious injury or death if you do not follow the recommended precautions.



g000502

**Figure 2**

Safety-alert symbol

# Introduction

This cultivator is intended to be used by residential homeowners or professional, hired operators to cultivate and level soil as well as blend landscape materials, compost and fertilizer. Using this product for purposes other than its intended use could prove dangerous to you and bystanders.

Read this information carefully to learn how to operate and maintain your product properly and to avoid injury and product damage. You are responsible for operating the product properly and safely.

Visit [www.Toro.com](http://www.Toro.com) for more information, including safety tips, training materials, accessory information, help finding a dealer, or to register your product.

Whenever you need service, genuine Toro parts, or additional information, contact an Authorized Service Dealer or Toro Customer Service and have the model and serial numbers of your product ready. [Figure 1](#) identifies the location of the model and serial numbers on the product. Write the numbers in the space provided.

This manual uses 2 words to highlight information. **Important** calls attention to special mechanical information and **Note** emphasizes general information worthy of special attention.

# Contents

Safety .....	3
General Safety .....	3
Safety and Instructional Decals .....	4
Setup .....	5
1 Assembling the Handle .....	5
2 Rotating the Drag Stake .....	6
Product Overview .....	7
Controls .....	7
Specifications .....	8
Before Operation .....	8
Before Operation Safety .....	8
Adding Fuel .....	9
Performing Daily Maintenance .....	10
Removing and Installing the Tines .....	10
During Operation .....	11
During Operation Safety .....	11
Starting the Engine .....	12
Shutting Off the Engine .....	12
Adjusting the Wheels .....	12
Adjusting the Drag Stake .....	13
Operating Tips .....	13
After Operation .....	14
After Operation Safety .....	14
Hauling the Machine .....	14
Maintenance .....	15
Maintenance Safety .....	15
Recommended Maintenance Schedule(s) .....	15
Pre-Maintenance Procedures .....	15
Preparing for Maintenance .....	15
Engine Maintenance .....	16
Servicing the Air Filter .....	16
Servicing the Spark Plug .....	16
Storage .....	17
Storage Safety .....	17
Cleaning and Storing the Machine .....	17
Troubleshooting .....	19


# Safety

This machine has been designed in accordance with ANSI B71.8-2016.

## General Safety

This product is capable of amputating hands and feet and of throwing objects. Always follow all safety instructions to avoid serious personal injury or death.

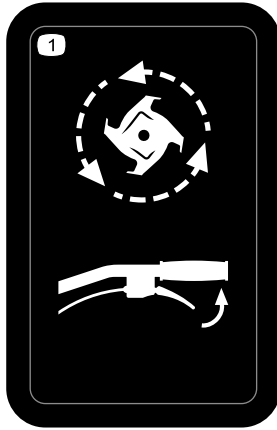
- Read, understand, and follow the instructions and warnings in this *Operator's Manual* and on the machine and attachments before starting the engine.
- Be thoroughly familiar with the controls and the proper use of the equipment. Know how to stop the machine and disengage the controls quickly.
- Do not put your hands, feet, other body parts, or clothing near or under the rotating tines or other moving parts of the machine.
- Do not operate the machine without all proper shields, guards, and other safety protective devices in place and functioning properly on the machine.
- Keep bystanders, especially small children, and pets out of the operating area.
- Do not allow children to operate the machine. Allow only people who are responsible, trained, familiar with the instructions, and physically capable to operate the machine.
- Shut off the machine and wait for all moving parts to stop before you leave the operator's position. Disconnect the spark-plug wire, keep it away from the plug to prevent accidental starting, and allow the machine to cool before adjusting, fueling, unclogging, servicing, cleaning, or storing the machine.

Improperly using or maintaining this machine can result in injury. To reduce the potential for injury, comply with these safety instructions and always pay attention to the safety-alert symbol , which means Caution, Warning, or Danger—personal safety instruction. Failure to comply with these instructions may result in personal injury or death.

# Safety and Instructional Decals



Safety decals and instructions are easily visible to the operator and are located near any area of potential danger. Replace any decal that is damaged or missing.



144-4726

decal144-4726

1. Squeeze the throttle to engage the tines.



decal144-4732

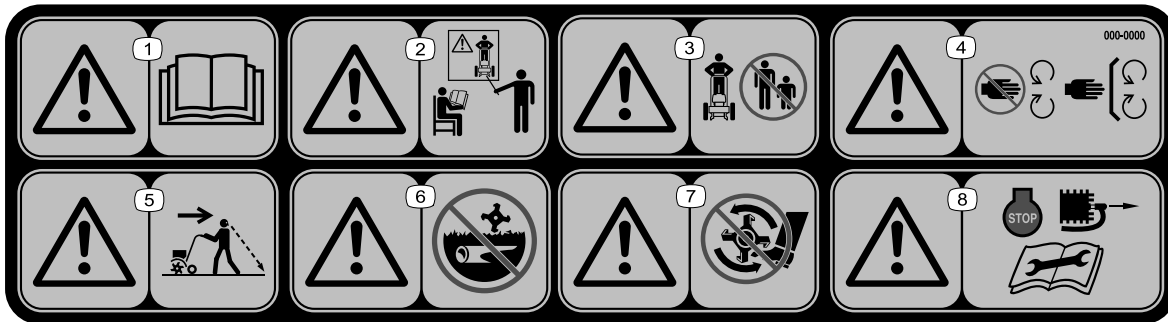
144-4732

1. Press the primer 3 times, push the choke lever down, pull the recoil-start handle, and once the engine is running pull the choke lever up.



decal133-8062

133-8062



decal144-4727

144-4727

1. Warning—read the *Operator's Manual*.
2. Warning—all operators should be trained before operating the machine.
3. Warning—keep bystanders away.
4. Warning—stay away from moving parts; keep all guards and shields in place.
5. Warning—look behind you when operating the machine in reverse.
6. Warning—do not operate over buried lines.
7. Warning—keep feet away from moving parts.
8. Warning—shut off the engine and disconnect the spark plug and read the *Operator's Manual* before performing maintenance.

# Setup

## Loose Parts

Use the chart below to verify that all parts have been shipped.

Procedure	Description	Qty.	Use
<b>1</b>	Knob nut	4	Assemble the handle.
	Curved washer	4	
	Saddle bolt	4	
	Middle handlebar	1	
	Upper left handlebar	1	
	Upper right handlebar	1	
<b>2</b>	No parts required	–	Rotate the drag stake.

# 1

## Assembling the Handle

Parts needed for this procedure:

4	Knob nut
4	Curved washer
4	Saddle bolt
1	Middle handlebar
1	Upper left handlebar
1	Upper right handlebar

## Procedure

1. Park the machine on a level surface.
2. Set the wheels to the lowest position; [Adjusting the Wheels \(page 12\)](#).
3. Attach the middle handlebar to the lower handlebar.

**Note:** You can install it in the upper or lower holes, depending on height preference.

**Important:** Do not overtighten the knob nuts.

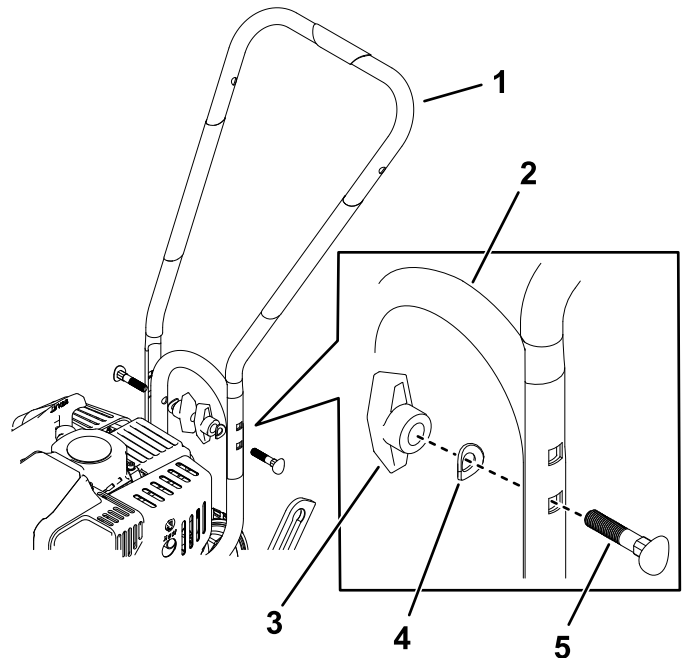


Figure 3

1. Middle handle
  2. Lower handle
  3. Knob nut (2)
  4. Curved washer (2)
  5. Saddle bolt (2)
4. Attach the upper right and upper left handlebars to the middle handlebar.

**Important:** Do not overtighten the knob nuts.

# 2

## Rotating the Drag Stake

No Parts Required

### Procedure

1. Remove the lock pin.
2. Rotate the drag stake so that it points downward, facing toward the tines.
3. Install the lock pin.

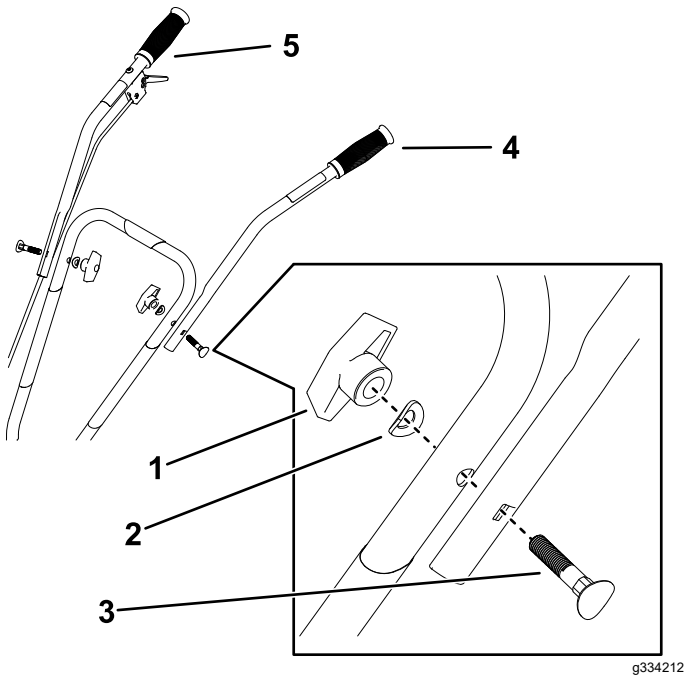


Figure 4

g334212

- |                      |                       |
|----------------------|-----------------------|
| 1. Knob nut (2)      | 4. Left upper handle  |
| 2. Curved washer (2) | 5. Right upper handle |
| 3. Saddle bolt (2)   |                       |

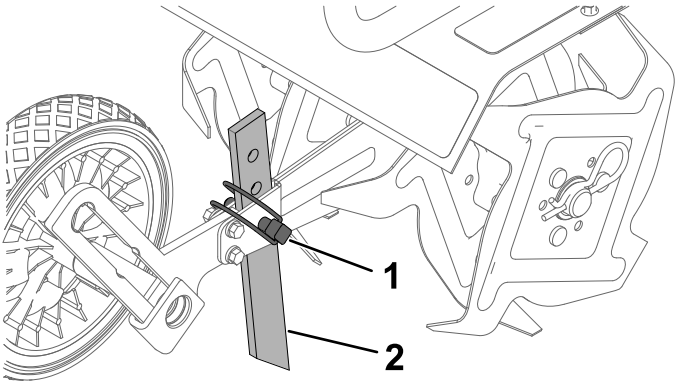


Figure 5

g334215

- |             |               |
|-------------|---------------|
| 1. Lock pin | 2. Drag stake |
|-------------|---------------|



# Product Overview

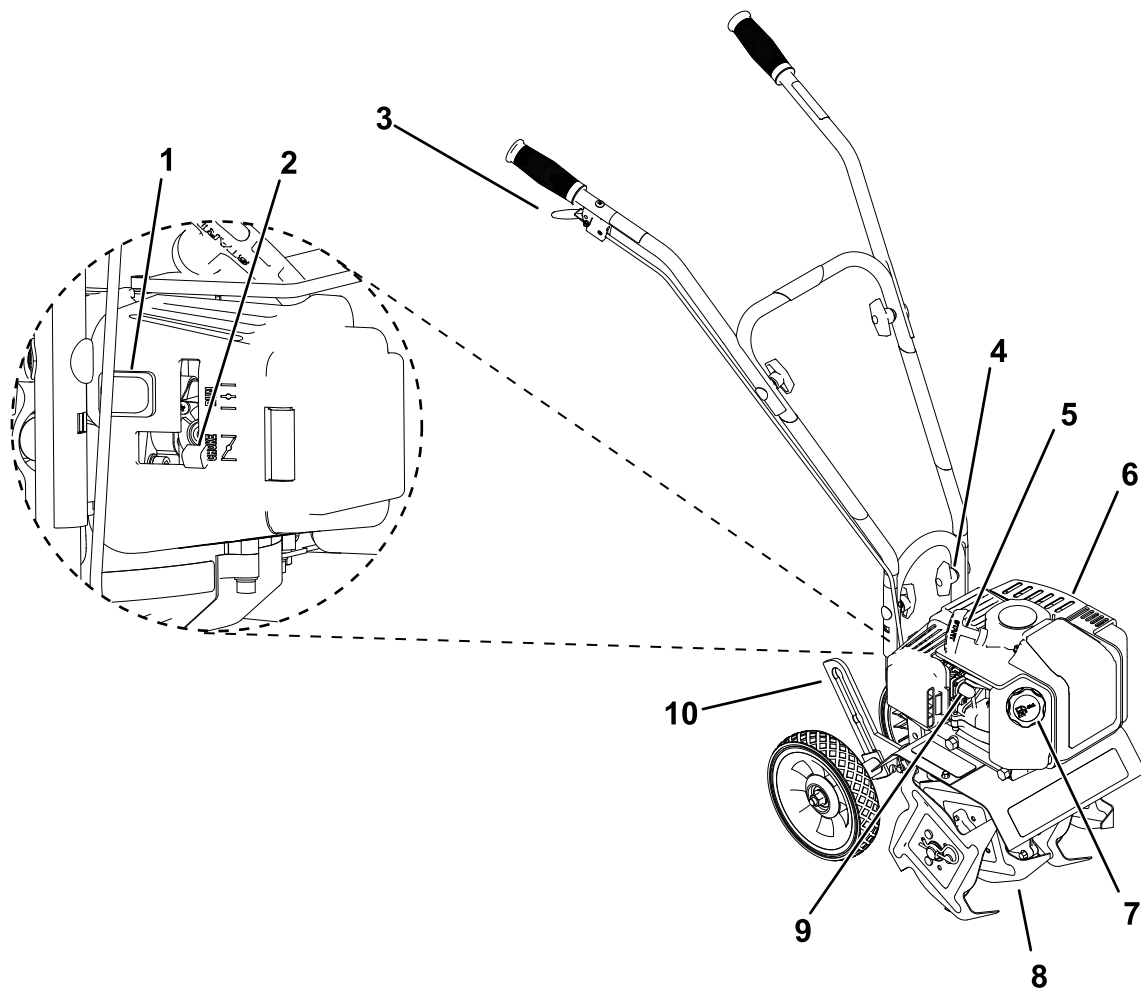


Figure 6

g334228

- 1. Engine on/off switch
- 2. Choke lever
- 3. Throttle control
- 4. Handlebar-height adjustment
- 5. Starter handle
- 6. Engine
- 7. Fuel cap
- 8. Tines
- 9. Primer bulb
- 10. Wheel vertical guide

## Controls

### Engine On/Off Switch

Use the engine On/Off switch to shut the engine off. Ensure that the switch is in the ON position before starting the engine.

### Throttle Control

The throttle controls the engine speed, and it has a continuous-variable setting.

Operate the machine using full throttle for best performance.

### Choke Lever

Move the choke lever on the engine to the CHOKE position when initially starting a cold engine, then move it into the RUN position once started.

# Specifications

Specifications and design are subject to change without notice.

Height	97 cm (38 inches)
Length	89 cm (35 inches)
Width	46 cm (18 inches)
Weight	15 kg (33 lb)
Cultivating width	15 to 25 cm (6 to 10 inches)
Cultivating depth	Up to 20 cm (8 inches)

To ensure optimum performance and continued safety certification of the machine, use only genuine Toro replacement parts and accessories. Replacement parts and accessories made by other manufacturers could be dangerous, and such use could void the product warranty.

# Operation

**Note:** Determine the left and right sides of the machine from the normal operating position.

## *Before Operation*

## Before Operation Safety

### General Safety

- Do not allow children or untrained adults to operate or service the machine. Local regulations may restrict the age of the operator.
- Using this machine is strenuous. You must be in good physical condition and mentally alert. If you have any condition that might be aggravated by strenuous work, check with your doctor before operating the machine.
- Shut off the machine and wait for all moving parts to stop before you leave the operator's position. Disconnect the spark-plug wire, keep it away from the plug to prevent accidental starting, and allow the machine to cool before adjusting, fueling, unclogging, servicing, cleaning, or storing the machine.
- Become familiar with the safe operation of the equipment, operator controls, and safety signs.
- Check that all guards and safety devices, such as deflectors, are in place and functioning properly. Do not operate the machine unless they are functioning properly.
- Know how to shut off the engine quickly.
- Keep bystanders, especially small children, and pets out of the operating area.
- Thoroughly inspect the area where you will use the machine and remove all objects that could interfere with the operation of the machine or that the machine could throw.

### Fuel Safety

- Use extreme care in handling fuel. It is extremely flammable and its vapors are explosive.
- Extinguish all cigarettes, cigars, pipes, and other sources of ignition.
- Use only an approved fuel container.
- Do not remove the fuel cap or add fuel to the tank while the engine is running or hot.
- Allow the engine to cool before filling the fuel tank.
- Do not fill the fuel tank indoors.

# Adding Fuel

## Recommended Fuel

Type	Unleaded gasoline
Minimum octane rating	87 (US) or 91 (research octane; outside the US)
Ethanol	No more than 10% by volume
Methanol	None
MTBE (methyl tertiary butyl ether)	Less than 15% by volume
Oil	2-cycle oil; mixed in 50:1 fuel-to-oil ratio

Use only clean, fresh (no more than 30 days old), fuel from a reputable source.

## Mixing Fuel

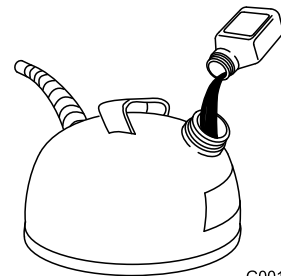
This product is powered by a 2-cycle engine and requires pre-mixing fuel and 2-cycle oil. Pre-mix unleaded gasoline and 2-cycle engine oil in a clean container approved for fuel. Do not mix quantities larger than usable in a 30-day period.

**Important:** To prevent engine damage, do not use automotive oil (such as SAE 30 or 10W30) or fuel mixed at the wrong fuel-to-oil ratio.

### 50:1 Fuel-to-Oil Ratio Mixing Chart

Fuel	Oil
3.8 L (1 US gallon)	76 ml (2.6 fl oz)
7.6 L (2 US gallons)	152 ml (5.1 fl oz)
19 L (5 US gallons)	380 ml (13 fl oz)

1. Pour 1.9 L (0.5 US gallon) fresh, unleaded fuel into an approved fuel container.
2. Add 2-cycle oil to the fuel according to the chart.



G001120

g001120

Figure 7

3. Install the cap on the fuel container.
4. Shake the container to mix the fuel and oil thoroughly.
5. Slowly remove the cap and add the remaining amount of fuel.

- Do not overfill the fuel tank. Replace the fuel cap and tighten it securely after fueling. Clean up spilled fuel before starting the engine.
- Do not fill containers inside a vehicle or on a truck or trailer bed with a plastic liner. Always place containers on the ground, away from the vehicle before filling.
- Remove the machine from the truck or trailer before filling the fuel tank. If this is not possible, then add fuel from a portable container rather than from a fuel-dispenser nozzle.
- Keep the fuel-dispenser nozzle in contact with the rim of the fuel tank or container opening at all times until fueling is complete. Do not use a nozzle lock-open device.
- If you spill fuel on your clothing, change your clothing immediately.
- If you spill fuel, do not attempt to start the engine; move the machine away from the spill and avoid creating a source of ignition until the fuel vapors have dissipated.
- If you must drain the fuel tank, do it outdoors.
- Store fuel in a fuel container and keep it out of the reach of children.
- Do not store the machine with fuel in the fuel tank or fuel container where there is an open flame, spark, or pilot light, such as on a water heater or other appliance. Allow the engine to cool before storing the machine in any enclosure.
- Fuel is harmful or fatal if swallowed. Long-term exposure to vapors can cause serious injury and illness.
  - Avoid prolonged breathing of vapors.
  - Keep your hands and face away from the nozzle and the fuel-tank opening.
  - Keep fuel away from your eyes and skin.

**Note:** Do not mix fuel and oil in the fuel tank. Oil at room temperature mixes easier and more thoroughly than cold oil. Oil below 0°C (32°F) requires additional mixing.

## Using Stabilizer/Conditioner

Use fuel stabilizer/conditioner in the machine to keep the fuel fresh longer when used as directed by the fuel-stabilizer manufacturer.

**Important:** Do not use fuel additives containing methanol or ethanol.

Add the amount of fuel stabilizer/conditioner to fresh fuel as directed by the fuel-stabilizer manufacturer.

## Filling the Fuel Tank

**Fuel-tank capacity:** 1.1 L (36 fl oz)

Refer to your engine owner's manual for additional information.

Fill the fuel tank as shown in [Figure 8](#).

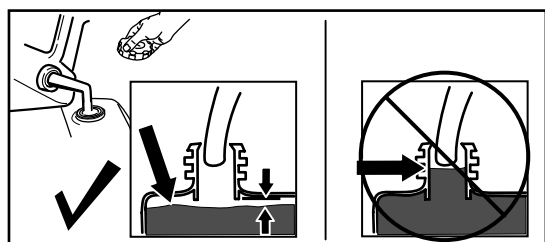


Figure 8

g230458

## Performing Daily Maintenance

Before starting the machine each day, perform the Each Use/Daily procedures listed in [Maintenance \(page 15\)](#).

## Removing and Installing the Tines

1. Park the machine on a level surface, shut off the engine, and allow the engine to cool.
2. Remove the hairpin cotter from each end of the tine shaft.

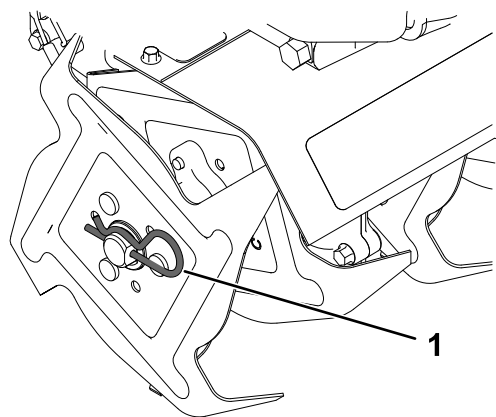


Figure 9

g334235

1. Hairpin cotter
3. Slide the tines off the shaft.
4. Slide the inner tines ("B" and "C") on the shaft.

**Note:** The letters are stamped on the tines. Slide tine "B" on the left side of the shaft, and slide tine "C" to the right side of the shaft.

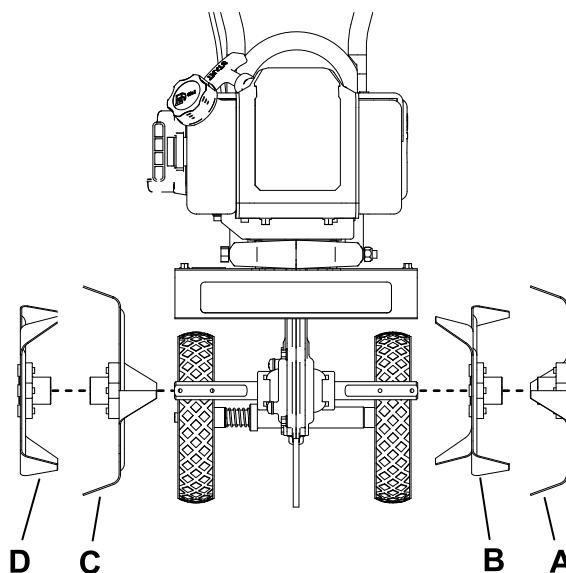


Figure 10

g334237

5. Slide the outer tines ("A" and "D") on the shaft, so that the order of the tines is "A", "B", "C", "D", when viewed from the operating position.

**Note:** Ensure that the hub collars on both the left and right pairs of tines face each other to ensure adequate spacing between the tine blades.

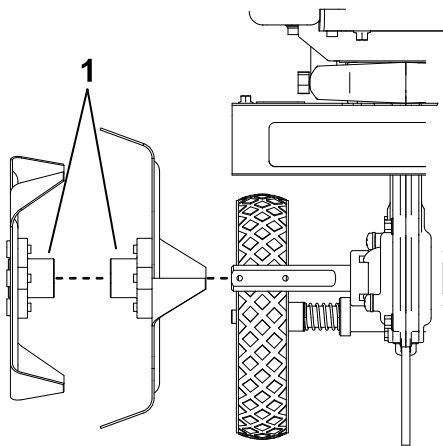


Figure 11

g334236

1. Hub collar

6. Install a hairpin cotter on each end of the tine shaft.

**Note:** To dig more aggressively, reverse the order of the tines so that the tips face forward (“D”, “C”, “B”, “A”, when viewed from the operating position) as shown in Figure 12.

**Note:** For a more narrow digging width, do not install tines “A” and “D” in step 5.

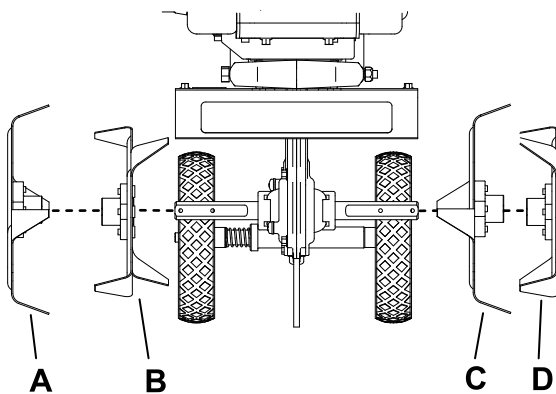


Figure 12

g334238

Tine order for more aggressive digging

## During Operation

### During Operation Safety

#### General Safety

- Use your full attention while operating the machine. Do not engage in any activity that causes distractions; otherwise, injury or property damage may occur.
- Do not operate the machine while ill, tired, or under the influence of alcohol or drugs.

- Wear appropriate clothing, including eye protection; long pants; substantial, slip-resistant footwear; hearing protection; and gloves. Tie back long hair and do not wear loose clothing or loose jewelry.
- Keep your hands, feet, other body parts, and clothing away from rotating tines and moving parts of the machine. The tines begin rotating when you start the engine and may continue to rotate momentarily after you shut off the engine.
- Start the engine carefully according to instructions in this *Operator's Manual* and with your feet well away from the tines.
- Use extreme caution when reversing or pulling the machine toward you. To avoid getting pinned against a structure, allow enough distance to reverse direction near a wall or fence.
- Keep bystanders out of the operating area. Keep small children out of the operating area and under the watchful care of a responsible adult who is not operating the machine. Stop the machine if anyone enters the area.
- Before you start the engine, ensure that all drives are in neutral and you are in the operating position.
- Operate the machine only in good visibility and appropriate weather conditions. Do not operate the machine when there is the risk of lightning.
- Do not attempt to adjust the machine while the engine is running.
- If the machine strikes an object or starts to vibrate abnormally, immediately shut off the engine, wait for all moving parts to stop, and disconnect the wire from the spark plug before examining the machine for damage. Vibration is often a warning sign of trouble. Make all necessary repairs before resuming operation.
- Do not operate the machine at high transport speeds on hard or slippery surfaces.
- Look behind and down and use care when reversing.
- Do not overload the machine capacity by attempting to till or cultivate too deep and at too fast a rate.
- Do not pick up or carry a machine while the engine is running.
- Exercise caution and be sure of your footing, especially when backing up, to avoid slipping or falling.
- Be careful when operating the machine in hard ground. The tines can catch in the ground and propel the machine forward. If this occurs, let go of the machine; do not try to restrain it.

- Exercise extreme caution when crossing gravel surfaces. Stay alert for hidden hazards or traffic.
- Do not leave a running machine unattended.
- Shut off the machine and wait for all moving parts to stop before you leave the operator's position. Disconnect the spark-plug wire, keep it away from the plug to prevent accidental starting, and allow the machine to cool before adjusting, fueling, unclogging, servicing, cleaning, or storing the machine.
- Operate the engine only in well-ventilated areas. Exhaust gases contain carbon monoxide, which is an odorless, deadly poison.
- Use only accessories and attachments approved by The Toro® Company.
- Do not change the engine governor settings or overspeed the engine.
- Always be sure of your footing; keep a firm hold on the handle and walk, never run.
- Allow the muffler and engine area to cool before touching them.
- The tines should not rotate when the engine is idling; if they do rotate, contact your Authorized Service Dealer.
- If an object becomes lodged in the tines, shut off the engine, disconnect the wire from the spark plug, and allow the engine to cool before removing the object.
- Do not operate the machine on steep slopes. To prevent overturning, operate the machine up and down the slope.

## Starting the Engine

1. Press the primer bulb until the primer hose is filled with gas.  
**Note:** Allow the bulb to return to its original position between presses.  
**Note:** A warm or hot engine may not require priming.
2. Move the choke lever to the CHOKE position.  
**Note:** A warm or hot engine may not require choking.
3. Press the engine On/Off switch to the ON position.
4. Stand in the operating position and grab the handle bar with 1 hand.
5. With your other hand, pull the starter handle lightly until you feel resistance, then pull the handle briskly. Return the starter handle gently.  
**Note:** If the engine does not start after 5 or 6 pulls, press the primer bulb once and pull the starter handle again.

6. Once the engine is running, move the choke lever midway between the CHOKE and RUN positions.
7. When the engine runs smoothly, move the choke lever to the RUN position.
8. Squeeze the throttle lever to the desired speed.

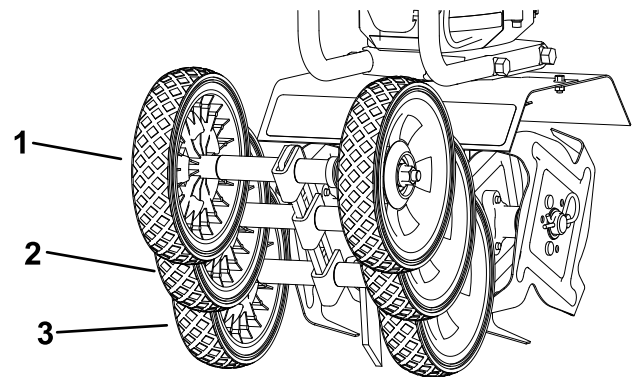
**Note:** Use full throttle when possible. Do not let the machine idle for extended periods of time.

## Shutting Off the Engine

1. Release the throttle lever.
2. Remain in the operating position and grab the handle bar with 1 hand.
3. Move the engine On/Off switch to the OFF position.
4. Wait for all moving parts to stop before leaving the operating position.

## Adjusting the Wheels

Adjust the wheels to 1 of 3 positions. Use the low position when transporting the cultivator over level surfaces while the engine is off. Use the middle and high positions to help stabilize the machine when cultivating at different depths.



**Figure 13**

g334240

1. High position
2. Middle position
3. Low position

1. Move the machine to a level surface, shut off the engine, and wait for all moving parts to stop.
2. Pull the locking sleeve away out of the vertical guide to the unlocked position (Figure 14).
3. Slide the wheels to the desired position.
4. Release the locking sleeve and ensure it locks into a notch in the vertical guide.

## Operating Tips

- Inspect the area where you will use the cultivator and remove all objects such as large rocks, trash, and branches before cultivating to prevent equipment damage.
- The clutch transfers maximum power after about 2 hours of normal operation. During this break-in period, the clutch may slip. Keep the clutch free of oil and other moisture for efficient operation.
- Always begin cultivating with the slowest ground speed possible. Increase the speed if conditions permit.
- Do not place excessive body weight on the cultivator. Use the weight of the machine to cultivate more efficiently.

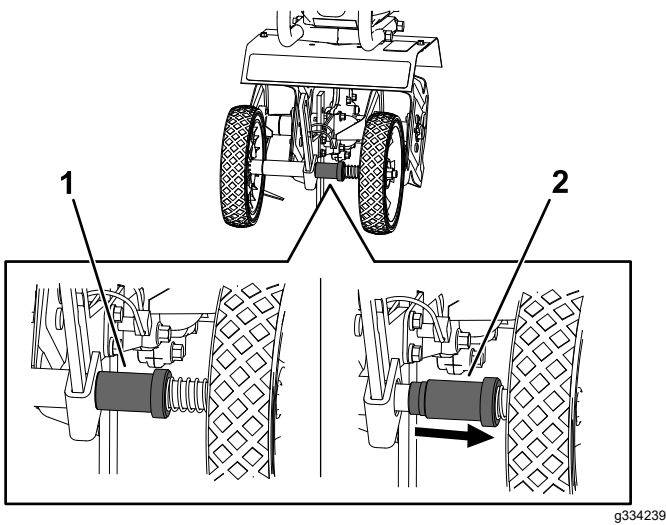


Figure 14

g334239

1. Locking sleeve—locked position
2. Locking sleeve—unlocked position

## Adjusting the Drag Stake

The drag stake helps regulate cultivating depth and prevents the cultivator from jerking forward during operation. Set the drag stake in the lowest position to increase resistance to forward motion and to dig deeper.

1. Move the machine to a level surface, shut off the engine, and wait for all moving parts to stop.
2. Remove the lock pin.
3. Position the drag stake to the desired depth with the tip pointing downward.
4. Secure the drag stake with the lock pin.

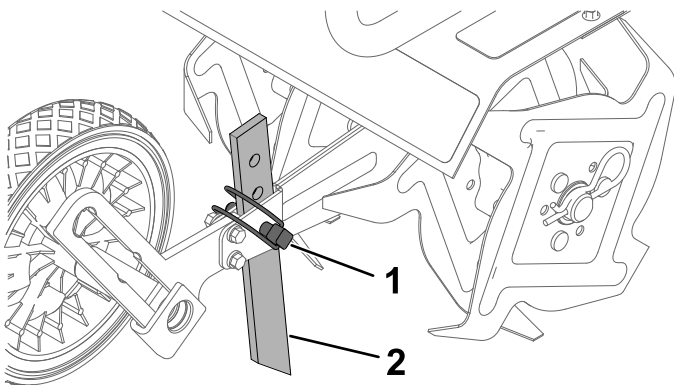


Figure 15

g334215

1. Lock pin
2. Drag stake

# After Operation

## After Operation Safety

### General Safety

- Shut off the machine and wait for all moving parts to stop before you leave the operator's position. Disconnect the spark-plug wire, keep it away from the plug to prevent accidental starting, and allow the machine to cool before adjusting, fueling, unclogging, servicing, cleaning, or storing the machine.
- Clean debris from the machine to help prevent fires. Clean up oil or fuel spills.

### Hauling Safety

- Disconnect the wire from the spark plug before loading the machine for hauling.
- Use care when loading or unloading the machine.

## Hauling the Machine

### **▲ DANGER**

**When transporting the machine inside an enclosed space inside a vehicle, fuel and fuel vapors may ignite and cause serious injury or death.**

**Transport the machine in an upright position in an open vehicle or remove fuel from the machine.**

Ensure that the fuel cap is tight and transport the machine in an upright position in an open vehicle. Secure the machine from movement.

If fuel is present in the fuel tank and you must transport the machine in an enclosed vehicle, continue as follows:

1. Drain the fuel into an approved fuel container.
2. Start the machine and run it until it shuts off.
3. Wipe away any fuel spills and allow the machine to dry.
4. Tightly screw on the fuel cap.
5. Secure the machine from movement.



# Maintenance

## Maintenance Safety

- Inspect the machine frequently to ensure that it is in safe working condition and that shear bolts, engine-mounting bolts, and other fasteners are properly tightened.
- Shut off the machine and wait for all moving parts to stop before you leave the operator's position. Disconnect the spark-plug wire, keep it away from the plug to prevent accidental starting, and allow the machine to cool before adjusting, fueling, unclogging, servicing, cleaning, or storing the machine.
- Wear gloves and eye protection when servicing the machine.

- Never tamper with safety devices. Check their proper operation regularly.
- To ensure optimum performance of the machine, use only genuine Toro replacement parts and accessories. Replacement parts and accessories made by other manufacturers could be dangerous, and such use could void the product warranty.
- Replace tines that are bent, damaged, or loose; do not repair or alter them.
- Keep the machine, attachments, and accessories in safe working condition.
- Do not attempt to repair the machine unless you have the proper tools and instructions for disassembling, assembling, and repairing the machine.

## Recommended Maintenance Schedule(s)

Maintenance Service Interval	Maintenance Procedure
Before each use or daily	<ul style="list-style-type: none"> <li>• Check the air filter.</li> <li>• Clean debris from cooling fins, air inlets and linkages.</li> </ul>
Every 20 hours	<ul style="list-style-type: none"> <li>• Clean the air filter. (Clean daily in extremely dusty conditions.)</li> <li>• Replace the air filter.</li> <li>• Check, clean, and gap the spark plug.</li> </ul>
Yearly	<ul style="list-style-type: none"> <li>• Replace the air filter.</li> <li>• Replace the spark plug.</li> </ul>

## Pre-Maintenance Procedures

### Preparing for Maintenance

1. Move the machine to a level surface, shut off the engine, and wait for all moving parts to stop.
2. Disconnect the spark-plug wire from the spark plug.

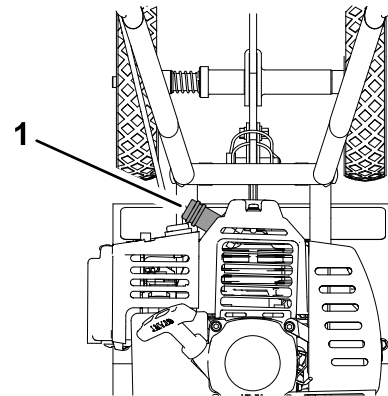


Figure 16

g335329

1. Spark-plug wire

3. After performing the maintenance procedure(s), connect the spark-plug wire to the spark plug.

**Important:** Before tipping the machine to replace the blade, allow the fuel tank to run dry through normal usage. If you must tip the machine prior to running out of fuel, use a hand fuel pump to remove the fuel.

# Engine Maintenance

## Servicing the Air Filter

**Service Interval:** Before each use or daily—Check the air filter.

Every 20 hours—Clean the air filter. (Clean daily in extremely dusty conditions.)

Every 20 hours—Replace the air filter.

Yearly—Replace the air filter.

1. Move the choke lever to the CHOKE position.
2. Squeeze the latch tabs and rotate the air filter cover off the machine.

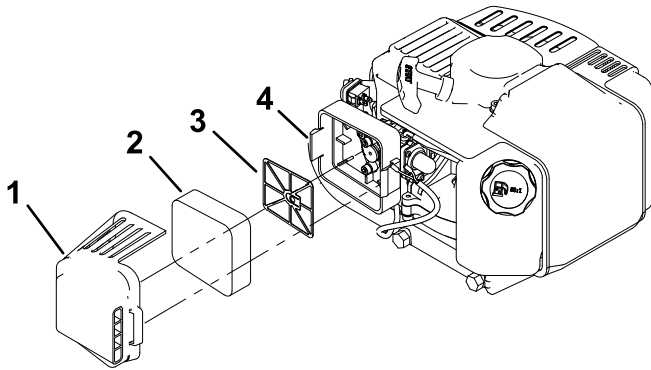


Figure 17

g335328

1. Air filter cover
2. Foam filter element
3. Filter-reinforcement plate
4. Latch tab (2)

3. Remove and inspect the foam filter element.

**Important:** Replace the foam element if it is torn or worn.

4. Wash the foam element in liquid soap and warm water. When the element is clean, rinse it thoroughly.

**Important:** Do not twist the foam element while cleaning it.

5. Dry the element by squeezing it in a clean cloth.
6. Dip the foam element in clean engine oil (30 or 40 weight), then squeeze out the excess oil.
7. Install the filter over the filter-reinforcement plate. Press the foam filter evenly over the plate to ensure it is fully seated into its sealed position.
8. Install the air filter cover. Ensure that it snaps into place and is secured by the latch tabs.

## Servicing the Spark Plug

**Service Interval:** Every 20 hours—Check, clean, and gap the spark plug.

Yearly—Replace the spark plug.

Ensure that the air gap between the center and side electrodes is correct before installing the spark plug.

Use a spark plug wrench for removing and installing the spark plug(s) and a gapping tool/feeler gauge to check and adjust the air gap. Install a new spark plug(s) if necessary.

**Type:** Torch L7RTC, Champion RCJ8Y, or equivalent

**Air gap:** 0.71 mm (0.028 inch)

## Removing the Spark Plug

1. Disconnect the spark-plug wire from the spark plug.

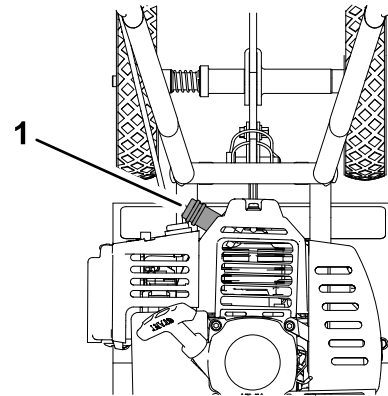


Figure 18

g335329

1. Spark-plug wire
2. Clean around the spark plugs to prevent dirt from entering the engine and potentially causing damage.
3. Remove the spark plug.

## Checking the Spark Plug

**Important:** Do not clean the spark plug(s). Always replace the spark plug(s) when it has a black coating, worn electrodes, an oily film, or cracks.

If you see light brown or gray on the insulator, the engine is operating properly. A black coating on the insulator usually means the air cleaner is dirty.

Set the gap to 0.71 mm (0.028 inch).

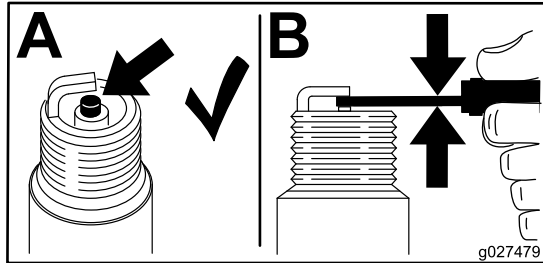


Figure 19

g027479

## Installing the Spark Plug

1. Thread the spark plug clockwise into the spark-plug hole by hand.
2. Rotate the spark plug clockwise using a spark-plug wrench until the plug and sealing washer are seated.
3. Tighten the spark plug as follows:
  - When installing the original spark plug, tighten the plug an additional 1/2 turn.
  - When installing a new spark plug, tighten the plug an additional 1/8 to 1/4 turn.

**Important:** A loose spark plug may cause the cylinder to overheat. An over-tight spark plug may damage the threads in the cylinder head.

4. Connect the spark-plug wire to the spark plug.

## Storage

### Storage Safety

- Shut off the machine and wait for all moving parts to stop before you leave the operator's position. Disconnect the spark-plug wire, keep it away from the plug to prevent accidental starting, and allow the machine to cool before adjusting, fueling, unclogging, servicing, cleaning, or storing the machine.
- Run the engine dry or remove the fuel with a hand pump; never siphon the fuel. If you must drain the fuel tank, do it outdoors.
- Follow the instructions in this *Operator's Manual* to safely unload, transport, and store the machine.
- Do not store the machine with fuel in the fuel tank inside a building where ignition sources are present, such as hot water and space heaters and clothes dryers. Allow the engine to cool before storing the machine in an enclosure.
- Always refer to the *Operator's Manual* for important details if the machine is to be stored for an extended period.

## Cleaning and Storing the Machine

1. Park the machine on a level surface, shut off the engine, and wait for all moving parts to stop before leaving the operating position.
2. Remove debris from the cultivator tines and engine.

**Important:** You can wash the machine with mild detergent and water. Do not pressure-wash the machine. Avoid excessive use of water, especially near the engine and transmission.

3. Service the air filter; refer to [Servicing the Air Filter \(page 16\)](#).
4. Prepare the machine for storage for over 30 days as follows:
  - A. Add fuel stabilizer/conditioner to fresh fuel in the tank. Follow mixing instructions from the fuel stabilizer manufacturer. Do not use an alcohol-based stabilizer (ethanol or methanol).
  - B. Run the engine to distribute conditioned fuel through the fuel system for 5 minutes.
  - C. Shut off the engine, allow it to cool, and drain the fuel tank.
  - D. Start the engine and run it until it shuts off.

- E. Dispose of fuel properly. Recycle the fuel according to local codes.

***Important:* Do not store fuel containing stabilizer/conditioner longer than the duration recommended by the fuel-stabilizer manufacturer.**

- 5. Remove and check the condition of the spark plug; refer to [Servicing the Spark Plug \(page 16\)](#). With the spark plug removed from the engine, pour 15 ml (1 tablespoon) of engine oil into the spark plug hole. Install the spark plug and pull the recoil rope 3 times to coat the cylinder with oil. Do not install the wire on the spark plug.
- 6. Check and tighten all fasteners. Repair or replace any part that is damaged.
- 7. Paint all scratched or bare metal surfaces. Paint is available from your Authorized Service Dealer.
- 8. Store the machine in an upright position in a clean, dry garage or storage area. Keep it out of reach of children or other unauthorized users. Cover the machine to protect it and keep it clean.

# Troubleshooting

Problem	Possible Cause	Corrective Action
The engine does not start.	<ol style="list-style-type: none"> <li>1. The engine switch is in the OFF position.</li> <li>2. The spark-plug wire is loose or disconnected.</li> <li>3. The spark plug is wet, pitted, fouled, or the gap is incorrect.</li> <li>4. The fuel-line hose is not positioned at the bottom of the fuel tank.</li> </ol>	<ol style="list-style-type: none"> <li>1. Move the switch to the ON position.</li> <li>2. Install the wire on the spark plug.</li> <li>3. Install a new, correctly gapped spark plug.</li> <li>4. Push the fuel-line hose into the fuel in the fuel tank.</li> </ol>
The engine runs rough or floods during operation.	<ol style="list-style-type: none"> <li>1. The air filter is dirty.</li> <li>2. The choke is partially engaged.</li> <li>3. The carburetor is out of adjustment.</li> </ol>	<ol style="list-style-type: none"> <li>1. Clean or replace the air filter.</li> <li>2. Move the choke lever to the RUN position.</li> <li>3. Contact an Authorized Service Dealer</li> </ol>
The engine is difficult to start.	<ol style="list-style-type: none"> <li>1. Stale fuel is in the fuel system.</li> <li>2. The spark-plug wire is loose or disconnected.</li> <li>3. The carburetor is dirty.</li> <li>4. The fuel is not sufficiently primed.</li> </ol>	<ol style="list-style-type: none"> <li>1. Drain the fuel tank and add fresh fuel.</li> <li>2. Install the wire on the spark plug.</li> <li>3. Clean the carburetor, use fuel stabilizer, and use a new fuel can.</li> <li>4. Press the primer bulb 3 times, then pull recoil handle.</li> </ol>
The engine does not start, starts hard, or fails to keep running.	<ol style="list-style-type: none"> <li>1. The fuel tank is empty.</li> <li>2. The choke is not engaged.</li> <li>3. The air filter is dirty.</li> <li>4. Dirt, water, or stale fuel is in fuel system.</li> <li>5. There is incorrect fuel in the fuel tank.</li> </ol>	<ol style="list-style-type: none"> <li>1. Fill the fuel tank.</li> <li>2. Move the choke lever to the CHOKE position.</li> <li>3. Clean or replace the air filter.</li> <li>4. Contact an Authorized Service Dealer.</li> <li>5. Drain the tank and replace the fuel with the proper type.</li> </ol>
The engine misses or lacks power.	<ol style="list-style-type: none"> <li>1. The fuel filter is clogged.</li> <li>2. The air cleaner is dirty or damaged.</li> <li>3. The carburetor is out of adjustment.</li> <li>4. The spark plug is wet, pitted, fouled, or the gap is incorrect.</li> </ol>	<ol style="list-style-type: none"> <li>1. Clean the fuel tank and replace the fuel filter.</li> <li>2. Clean or replace the air-cleaner element.</li> <li>3. Contact an Authorized Service Dealer</li> <li>4. Install a new, correctly gapped spark plug.</li> </ol>
The engine runs and then stops.	<ol style="list-style-type: none"> <li>1. The gas cap is not venting.</li> <li>2. The fuel filter is plugged.</li> <li>3. The carburetor is out of adjustment.</li> </ol>	<ol style="list-style-type: none"> <li>1. Clean or replace the gas cap; check the vent.</li> <li>2. Clean or replace the fuel filter.</li> <li>3. Contact an Authorized Service Dealer</li> </ol>
The engine speed is too high.	<ol style="list-style-type: none"> <li>1. The carburetor is out of adjustment.</li> </ol>	<ol style="list-style-type: none"> <li>1. Contact an Authorized Service Dealer</li> </ol>
The tines turn when the machine idles.	<ol style="list-style-type: none"> <li>1. The idle speed is too high.</li> <li>2. The clutch spring is broken.</li> </ol>	<ol style="list-style-type: none"> <li>1. Lower the idle speed.</li> <li>2. Replace the clutch.</li> </ol>

**Notes:**



# Warranty Terms and Conditions

## Product 5-Year Limited Warranty Statement

The Toro Company warrants this product under a five-year limited warranty to be free from defects in the material or workmanship or both for a period not exceeding 60 consecutive months from the date of original purchase by the first retail consumer or first commercial end user. This warranty does not apply to the engine mounted on the product. "Consumer use" means personal recreational use by a retail consumer. "Commercial use" or "commercial application" means all other uses, including use for commercial, income producing, or rental purposes. Once a product has experienced commercial use, it shall thereafter be considered as a commercial use product for the purpose of this warranty. This warranty applies to the original owner who provides a proof of purchase. This warranty is not transferable. The warranty period begins on the date of purchase by the first retail consumer or commercial end user and continues for the 60 month consecutive period thereafter. Any unit used in a commercial application is covered for a period of 90 days after purchase by the first commercial end user. For the warranty to be valid, the product must be registered online within 30 days of purchase, or the warranty card must be filled out and received by Toro within 30 days of purchase. Toro shall not be obligated for transportation charges that result from repair or replacement under the terms of this warranty. Transportation charges are the sole responsibility of the purchaser.

This warranty excludes parts that are worn or damaged due to normal wear such as blades, bearings, belts, tines, debris deflector chain, wheels, tires, tri-hammers, j-hammers, chipper knives, seals, bushings, clutches, pulleys, trimmer line, debris shield, line cutter, grips, shafts, springs and cables. This warranty excludes routine maintenance items such as batteries, filter elements, O-rings, seals, lubricants, tune-ups, rotating parts, accessory parts such as tiller furrowers, edger kits, dethatcher kits, manual canister, battery box, nylon collection bag, collection bag mounts, augers, extensions, shocktops, nylon parts bags and height adjustment heads. These warranties shall not cover damage caused by improper storage and maintenance including but not limited to use of unauthorized parts, failure to perform periodic maintenance as specified in product manual, or repairs performed at unauthorized service centers. These warranties apply only to products which have not been subjected to negligent use, abuse, misuse, alteration or overload which includes but is not limited to running the product dry (without oil), or below minimum oil levels, running engine without proper fuel (straight gasoline or mixed gas), damage to tow bar caused by over cornering, using the equipment for a purpose other than that for which it was designed and manufactured, continued use of product after sudden change in vibration, using the equipment in violation of local codes, ordinances and good trade practices, improper installation, operating the equipment above recommended maximums as stated in the accompanying product and/or engine manuals.

This warranty does not cover events beyond the control of Toro such as accident, acts of God, lightning, and vandalism. This limited warranty applies only to defects in the material or workmanship. There is no other express warranty. Implied warranties, including those of merchantability and fitness for a particular purpose, are limited to one year from purchase, or to the extent permitted by law. All other implied warranties are excluded. Liability for incidental or consequential damages are excluded to the extent exclusion is permitted by law. Toro does not assume, and does not authorize any other person to assume for Toro, any liability in connection with the sale of Toro products. To be at "No Charge," warranty work must be sent directly to and performed by Toro or an Toro Authorized Warranty Service Facility. To obtain warranty service and/or replacement instructions, contact the Toro Customer Service Department at 952-888-8801. If you choose to ship your product to Toro for warranty repair, you must first have prior approval from Toro by calling the Toro Customer Service Department for a return material authorization number (RMA#). Under these circumstances, all items must be shipped prepaid. Toro will, in its discretion, at no charge, repair or replace any defective part to which this warranty applies. Toro retains the right to change models, specifications and price without notice. Toro shall not be obligated to ship any repair or replacement product to any location outside of the United States of America or Canada. Some states and countries do not allow the limitations on how long an implied warranty lasts, or the exclusion or limitation of incidental or consequential damages, so the above limitation may not apply to you. This warranty gives you specific legal rights, and you may also have other rights which vary from state to state and country to country.

# California Proposition 65 Warning Information

## What is this warning?

You may see a product for sale that has a warning label like the following:



**WARNING: Cancer and Reproductive Harm—[www.p65Warnings.ca.gov](http://www.p65Warnings.ca.gov).**

## What is Prop 65?

Prop 65 applies to any company operating in California, selling products in California, or manufacturing products that may be sold in or brought into California. It mandates that the Governor of California maintain and publish a list of chemicals known to cause cancer, birth defects, and/or other reproductive harm. The list, which is updated annually, includes hundreds of chemicals found in many everyday items. The purpose of Prop 65 is to inform the public about exposure to these chemicals.

Prop 65 does not ban the sale of products containing these chemicals but instead requires warnings on any product, product packaging, or literature with the product. Moreover, a Prop 65 warning does not mean that a product is in violation of any product safety standards or requirements. In fact, the California government has clarified that a Prop 65 warning "is not the same as a regulatory decision that a product is 'safe' or 'unsafe.'" Many of these chemicals have been used in everyday products for years without documented harm. For more information, go to <https://oag.ca.gov/prop65/faqs-view-all>.

A Prop 65 warning means that a company has either (1) evaluated the exposure and has concluded that it exceeds the "no significant risk level"; or (2) has chosen to provide a warning based on its understanding about the presence of a listed chemical without attempting to evaluate the exposure.

## Does this law apply everywhere?

Prop 65 warnings are required under California law only. These warnings are seen throughout California in a wide range of settings, including but not limited to restaurants, grocery stores, hotels, schools, and hospitals, and on a wide variety of products. Additionally, some online and mail order retailers provide Prop 65 warnings on their websites or in catalogs.

## How do the California warnings compare to federal limits?

Prop 65 standards are often more stringent than federal and international standards. There are various substances that require a Prop 65 warning at levels that are far lower than federal action limits. For example, the Prop 65 standard for warnings for lead is 0.5 µg/day, which is well below the federal and international standards.

## Why don't all similar products carry the warning?

- Products sold in California require Prop 65 labelling while similar products sold elsewhere do not.
- A company involved in a Prop 65 lawsuit reaching a settlement may be required to use Prop 65 warnings for its products, but other companies making similar products may have no such requirement.
- The enforcement of Prop 65 is inconsistent.
- Companies may elect not to provide warnings because they conclude that they are not required to do so under Prop 65; a lack of warnings for a product does not mean that the product is free of listed chemicals at similar levels.

## Why does Toro include this warning?

Toro has chosen to provide consumers with as much information as possible so that they can make informed decisions about the products they buy and use. Toro provides warnings in certain cases based on its knowledge of the presence of one or more listed chemicals without evaluating the level of exposure, as not all the listed chemicals provide exposure limit requirements. While the exposure from Toro products may be negligible or well within the "no significant risk" range, out of an abundance of caution, Toro has elected to provide the Prop 65 warnings. Moreover, if Toro does not provide these warnings, it could be sued by the State of California or by private parties seeking to enforce Prop 65 and subject to substantial penalties.





Form No. 3441-765 Rev D

**Count on it.**

**Manuel de l'utilisateur**

**Cultivateur de 25 cm (10 po)**

N° de modèle 58601—N° de série 321000001 et suivants



Vous commettez une infraction à la section 4442 ou 4443 du Code des ressources publiques de Californie si vous utilisez cette machine dans une zone boisée, broussailleuse ou recouverte d'herbe, à moins d'équiper le moteur d'un pare-étincelles en bon état, tel que défini dans la section 4442, ou à moins que le moteur soit construit, équipé et entretenu correctement pour prévenir les incendies.

## ▲ ATTENTION

### CALIFORNIE Proposition 65 - Avertissement

Les gaz d'échappement de ce produit contiennent des substances chimiques considérées par l'état de Californie comme susceptibles de provoquer des cancers, des malformations congénitales et autres troubles de la reproduction.

L'utilisation de ce produit peut entraîner une exposition à des substances chimiques considérées par l'état de Californie comme capables de provoquer des cancers, des anomalies congénitales ou d'autres troubles de la reproduction.

# Introduction

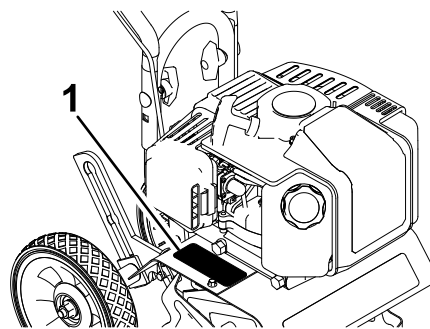
Ce cultivateur est destiné au grand public, aux professionnels et aux utilisateurs temporaires. Il permet de retourner et niveler la terre, mais aussi de mélanger les matériaux de paysagement, le compost et les engrais. L'utilisation de ce produit à d'autres fins que celle prévue peut être dangereuse pour vous-même et toute personne à proximité.

Lisez attentivement cette notice pour apprendre comment utiliser et entretenir correctement votre produit, et éviter ainsi de l'endommager ou de vous blesser. Vous êtes responsable de l'utilisation sûre et correcte du produit.

Pour plus d'information, y compris des conseils de sécurité, des documents de formation, des renseignements concernant un accessoire, pour obtenir l'adresse d'un dépositaire ou pour enregistrer votre produit, rendez-vous sur le site [www.Toro.com](http://www.Toro.com).

Pour obtenir des prestations de service, des pièces Toro d'origine ou des renseignements complémentaires, munissez-vous des numéros de modèle et de série du produit et contactez un dépositaire-réparateur ou le service client Toro agréé. La [Figure 1](#) indique l'emplacement des numéros de

modèle et de série du produit. Inscrivez les numéros dans l'espace réservé à cet effet.



g342516

Figure 1

1. Emplacement des numéros de modèle et de série

N° de modèle \_\_\_\_\_

N° de série \_\_\_\_\_

Les mises en garde de ce manuel soulignent des dangers potentiels et sont signalées par le symbole de sécurité ([Figure 2](#)), qui indique un danger pouvant entraîner des blessures graves ou mortelles si les précautions recommandées ne sont pas respectées.



g000502

Figure 2

Symbole de sécurité

Ce manuel utilise deux termes pour faire passer des renseignements essentiels. **Important**, pour attirer l'attention sur une information d'ordre mécanique spécifique, et **Remarque**, pour souligner une information d'ordre général méritant une attention particulière.

# Table des matières

Sécurité .....	3
Consignes de sécurité générales.....	3
Autocollants de sécurité et d'instruction .....	4
Mise en service .....	5
1 Montage du guidon .....	5
2 Rotation de la barre de traînée .....	6
Vue d'ensemble du produit .....	7
Commandes .....	7
Caractéristiques techniques .....	8
Avant l'utilisation .....	8
Consignes de sécurité avant l'utilisation.....	8
Ajout de carburant .....	9
Procédures d'entretien quotidien .....	10
Dépose et repose des dents .....	10
Pendant l'utilisation .....	11
Consignes de sécurité pendant l'utilisation .....	11
Démarrage du moteur.....	12
Arrêt du moteur.....	13
Réglage des roues .....	13
Réglage de la barre de traînée .....	13
Conseils d'utilisation .....	14
Après l'utilisation .....	14
Consignes de sécurité après l'utilisation.....	14
Transport de la machine .....	14
Entretien .....	15
Consignes de sécurité pendant l'entretien .....	15
Programme d'entretien recommandé .....	15
Procédures avant l'entretien .....	16
Préparation à l'entretien.....	16
Entretien du moteur .....	16
Entretien du filtre à air .....	16
Entretien de la bougie .....	17
Remisage .....	18
Consignes de sécurité pour le remisage.....	18
Nettoyage et remisage de la machine .....	18
Dépistage des défauts .....	19

# Sécurité

Cette machine est conçue en conformité avec la norme ANSI B71.8-2016.

## Consignes de sécurité générales

Ce produit peut sectionner les mains ou les pieds et projeter des objets. Respectez toujours toutes les consignes de sécurité pour éviter des blessures graves ou mortelles.

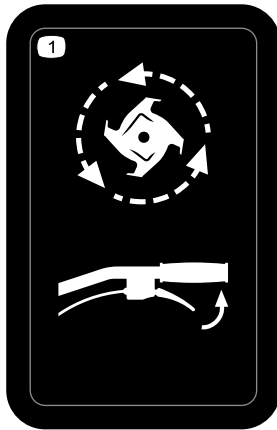
- Vous devez lire, comprendre et respecter toutes les instructions et mises en garde données dans ce *Manuel de l'utilisateur*, ainsi que sur la machine et les accessoires, avant de démarrer le moteur.
- Familiarisez-vous avec les commandes et l'utilisation correcte de la machine. Apprenez à arrêter la machine et à débrayer les commandes rapidement.
- Ne placez pas les mains, les pieds et autres parties du corps, ou les vêtements sous ou près des dents en rotation ou des pièces mobiles de la machine.
- N'utilisez pas la machine s'il manque des capots, des déflecteurs ou d'autres dispositifs de protection, ou s'ils sont en mauvais état.
- Tenez tout le monde, en particulier les jeunes enfants, et les animaux, à l'écart de la zone de travail.
- N'autorisez pas les enfants à utiliser la machine. Ne confiez l'utilisation de la machine qu'à des personnes responsables, compétentes, qui ont lu et compris les instructions et sont physiquement aptes.
- Avant de quitter la position d'utilisation, coupez le moteur de la machine et attendez l'arrêt complet de toutes les pièces mobiles. Débranchez le fil de la bougie, écartez-le de la bougie pour éviter tout démarrage accidentel et laissez la machine avant de la régler, d'en faire l'entretien, de la nettoyer, de la déboucher, de faire le plein ou de la remiser.

L'usage ou l'entretien incorrect de cette machine peut occasionner des accidents. Pour réduire les risques d'accidents et de blessures, respectez les consignes de sécurité qui suivent. Tenez toujours compte des mises en garde signalées par le symbole de sécurité (▲) et la mention Prudence, Attention ou Danger. Le non respect de ces instructions peut entraîner des blessures graves voire mortelles.

# Autocollants de sécurité et d'instruction



Des autocollants de sécurité et des instructions bien visibles par l'opérateur sont placés près de tous les endroits potentiellement dangereux. Remplacez tout autocollant endommagé ou manquant.



144-4726

1. Serrez la commande d'accélérateur pour engager les dents.

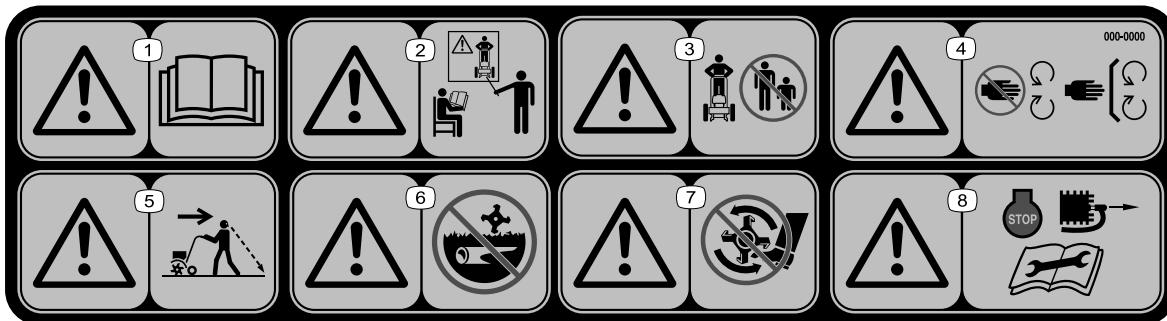


144-4732

1. Appuyez 3 fois sur l'amorceur, baissez la commande du volet de départ, tirez la poignée du lanceur et levez la commande du volet de départ lorsque le moteur tourne.

**WARNING: Cancer and Reproductive Harm - [www.P65Warnings.ca.gov](http://www.P65Warnings.ca.gov).**  
 For more information, please visit [www.ttcocalprop65.com](http://www.ttcocalprop65.com)  
**CALIFORNIA SPARK ARRESTER WARNING**  
 Operation of this equipment may create sparks that can start fires around dry vegetation. A spark arrester may be required. The operator should contact local fire agencies for laws or regulations relating to fire prevention requirements.

133-8062



144-4727

1. Attention – lisez le *Manuel de l'utilisateur*.
2. Attention – tous les utilisateurs doivent être formés avant d'utiliser la machine.
3. Attention – ne laissez personne s'approcher.
4. Attention – ne vous approchez pas des pièces mobiles; laissez toutes les protections et tous les capots en place.
5. Attention – regardez derrière vous quand vous utilisez la machine en marche arrière.
6. Attention – n'utilisez pas la machine au-dessus de conduites enfouies.
7. Attention – n'approchez pas les pieds des pièces mobiles.
8. Attention – coupez le moteur, débranchez la bougie et lisez le *Manuel de l'utilisateur* avant d'effectuer tout entretien.

# Mise en service

## Pièces détachées

Reportez-vous au tableau ci-dessous pour vérifier si toutes les pièces ont été expédiées.

Procédure	Description	Qté	Utilisation
<b>1</b>	Bouton-écrou	4	Montage du guidon.
	Rondelle bombée	4	
	Boulon de serrage	4	
	Barre supérieure du guidon	1	
	Tige supérieure gauche du guidon	1	
	Tige supérieure droite du guidon	1	
<b>2</b>	Aucune pièce requise	–	Rotation de la barre de traînée.

# 1

## Montage du guidon

Pièces nécessaires pour cette opération:

4	Bouton-écrou
4	Rondelle bombée
4	Boulon de serrage
1	Barre supérieure du guidon
1	Tige supérieure gauche du guidon
1	Tige supérieure droite du guidon

## Procédure

1. Garez la machine sur une surface plane et horizontale.
2. Réglez les roues à la position la plus basse; [Réglage des roues \(page 13\)](#).
3. Fixez la barre supérieure à la barre inférieure du guidon.

**Remarque:** Suivant la hauteur qui vous convient, vous pouvez utiliser les trous supérieurs ou inférieurs pour l'installation.

**Important:** Ne serrez pas les boutons-écrous excessivement.

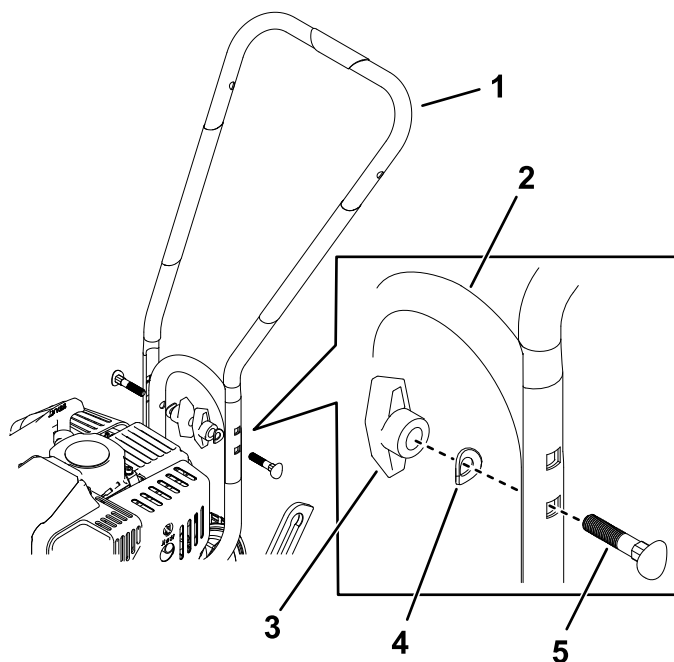


Figure 3

g334211

1. Barre supérieure
  2. Barre inférieure
  3. Bouton-écrou (2)
  4. Rondelle bombée (2)
  5. Boulon de serrage (2)
4. Fixez les tiges supérieures droite et gauche à la barre supérieure du guidon.

**Important:** Ne serrez pas les boutons-écrous excessivement.

# 2

## Rotation de la barre de traînée

Aucune pièce requise

### Procédure

1. Retirez la goupille de verrouillage.
2. Faites pivoter la barre de traînée afin qu'elle pointe vers le bas, et qu'elle soit face aux dents.
3. Retirez la goupille de blocage.

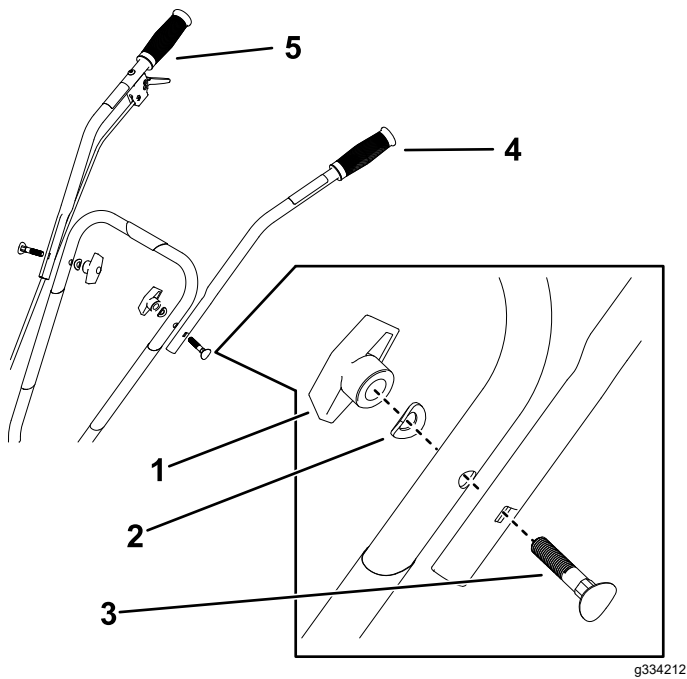


Figure 4

g334212

- |                          |                           |
|--------------------------|---------------------------|
| 1. Bouton-écrou (2)      | 4. Tige supérieure gauche |
| 2. Rondelle bombée (2)   | 5. Tige supérieure droite |
| 3. Boulon de serrage (2) |                           |

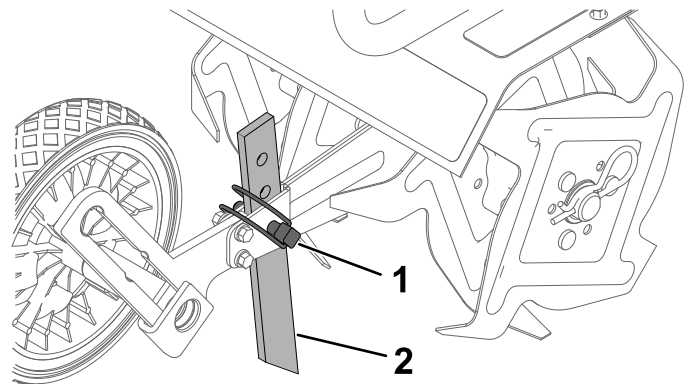


Figure 5

g334215

- |                             |                     |
|-----------------------------|---------------------|
| 1. Goupille de verrouillage | 2. Barre de traînée |
|-----------------------------|---------------------|

# Vue d'ensemble du produit

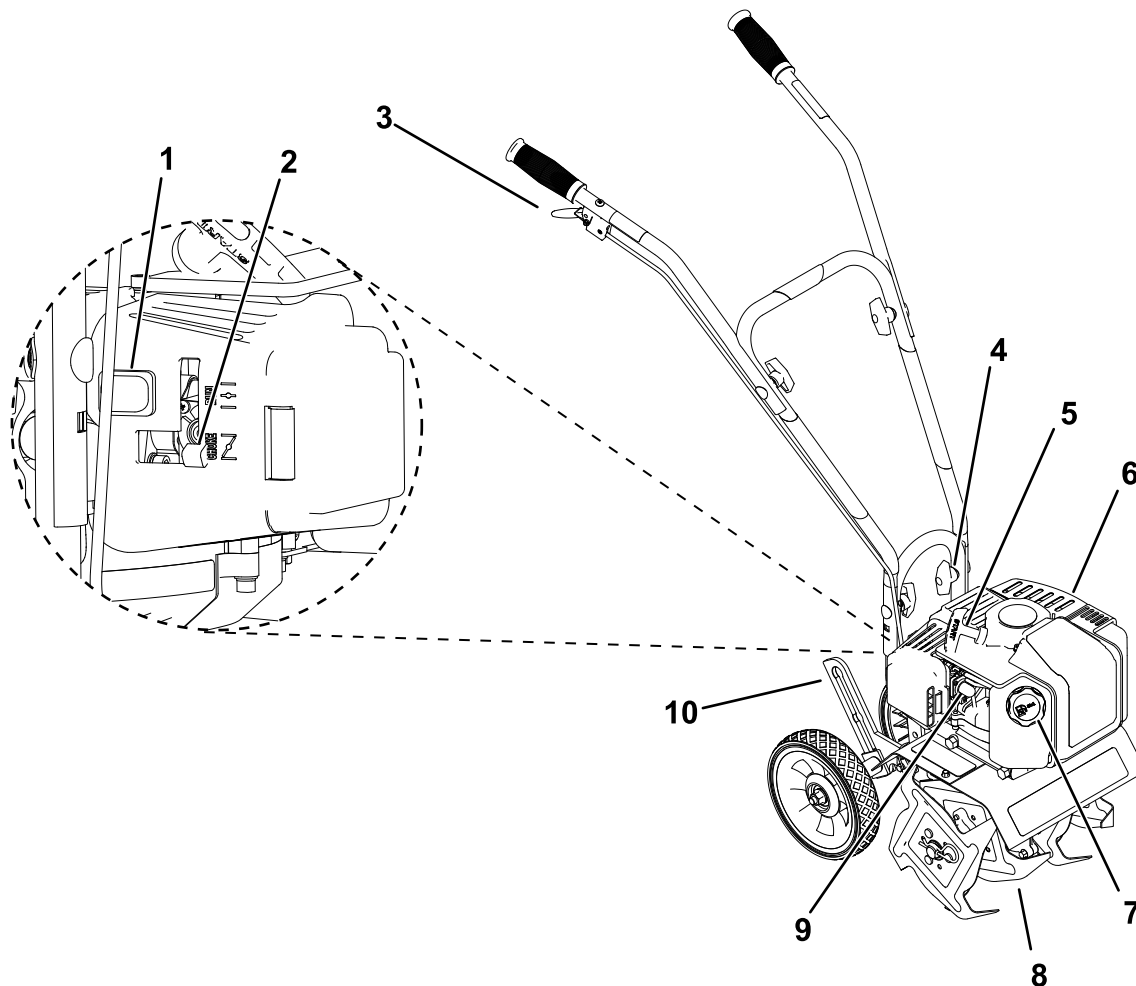


Figure 6

g334228

- |                                    |                                      |
|------------------------------------|--------------------------------------|
| 1. Commande Marche/Arrêt du moteur | 6. Moteur                            |
| 2. Commande du volet de départ     | 7. Bouchon du réservoir de carburant |
| 3. Commande d'accélérateur         | 8. Dents                             |
| 4. Réglage de hauteur du guidon    | 9. Poire d'amorçage                  |
| 5. Poignée du lanceur              | 10. Guide-roue vertical              |

## Commandes

### Commande Marche/Arrêt du moteur

Coupez le moteur au moyen de l'interrupteur marche/arrêt. Assurez-vous que l'interrupteur est à la position MARCHÉ avant de mettre le moteur en marche.

### Commande d'accélérateur

L'accélérateur commande le régime moteur et peut se régler à l'infini.

Utilisez la machine à plein régime pour obtenir des performances optimales.

### Commande du volet de départ

Amenez la commande du volet de départ sur le moteur à la position VOLET DE DÉPART pour démarrer le moteur s'il est froid; ramenez la commande à la position MARCHÉ une fois que le moteur a démarré.

# Caractéristiques techniques

Les spécifications et la conception peuvent faire l'objet de modifications sans préavis.

Hauteur	97 cm (38 po)
Longueur	89 cm (35 po)
Largeur	46 cm (18 po)
Poids	15 kg (33 lb)
Largeur de travail	15 à 25 cm (6 à 10 po)
Profondeur de travail	Jusqu'à 20 cm (8 po)

Pour garantir un rendement optimal et conserver la certification de sécurité de la machine, utilisez uniquement des pièces de rechange et accessoires Toro d'origine. Les pièces de rechange et accessoires d'autres constructeurs peuvent être dangereux et leur utilisation risque d'annuler la garantie de la machine.

# Utilisation

**Remarque:** Les côtés gauche et droit de la machine sont déterminés d'après la position d'utilisation normale.

## *Avant l'utilisation*

## Consignes de sécurité avant l'utilisation

### Consignes de sécurité générales

- Ne confiez pas l'utilisation ou l'entretien de la machine à des enfants ou à des adultes non qualifiés. La réglementation locale peut imposer un âge minimum pour les utilisateurs.
- L'utilisation de cette machine est fatigante. Vous devez être en bonne condition physique et mentale. Si vous souffrez d'un problème de santé qui pourrait être aggravé par un travail pénible, consultez votre médecin avant d'utiliser la machine.
- Avant de quitter la position d'utilisation, coupez le moteur de la machine et attendez l'arrêt complet de toutes les pièces mobiles. Débranchez le fil de la bougie, écartez-le de la bougie pour éviter tout démarrage accidentel et laissez la machine avant de la régler, d'en faire l'entretien, de la nettoyer, de la déboucher, de faire le plein ou de la remiser.
- Familiarisez-vous avec le maniement correct du matériel, les commandes et les symboles de sécurité.
- Vérifiez que tous les capots et dispositifs de sécurité, tels que les déflecteurs, sont en place et en bon état. N'utilisez pas la machine en cas de mauvais fonctionnement.
- Apprenez à arrêter le moteur rapidement.
- Tenez tout le monde, en particulier les jeunes enfants, et les animaux, à l'écart de la zone de travail.
- Inspectez soigneusement la zone de travail et débarrassez-la de tout objet pouvant gêner le fonctionnement de la machine ou être projeté pendant son utilisation.

### Consignes de sécurité pour le carburant

- Faites preuve de la plus grande prudence quand vous manipulez du carburant, en raison de son extrême inflammabilité et du risque d'explosion des vapeurs qu'il dégage.



- Éteignez cigarettes, cigares, pipes et autres sources d'étincelles.
- Utilisez exclusivement un bidon à carburant homologué.
- N'enlevez pas le bouchon du réservoir de carburant et n'ajoutez pas de carburant quand le moteur tourne ou est encore chaud.
- Laissez refroidir le moteur avant de faire le plein de carburant.
- Ne remplissez pas le réservoir de carburant à l'intérieur.
- Ne remplissez pas excessivement le réservoir de carburant. Remettez le bouchon du réservoir de carburant en place et serrez-le solidement après avoir fait le plein. Nettoyez le carburant éventuellement répandu avant de démarrer le moteur.
- Ne remplissez pas les bidons de carburant à l'intérieur d'un véhicule ou sur le plateau d'une remorque dont le revêtement est en plastique. Posez toujours les bidons sur le sol, à l'écart du véhicule, avant de les remplir.
- Descendez la machine du camion ou de la remorque avant de faire le plein de carburant. Si cela n'est pas possible, remplissez le réservoir à l'aide d'un bidon, et non directement à la pompe.
- Maintenez le pistolet en contact avec le bord du réservoir ou du bidon jusqu'à la fin du remplissage. N'utilisez pas de dispositif de verrouillage du pistolet en position ouverte.
- Si du carburant s'est répandu sur vos vêtements, changez-vous immédiatement.
- Si vous renversez du carburant, n'essayez pas de démarrer le moteur, éloignez la machine du carburant renversé et évitez de créer des sources d'inflammation jusqu'à dissipation complète des vapeurs de carburant.
- Si vous devez vidanger le réservoir de carburant, faites-le à l'extérieur.
- Conservez le carburant dans un bidon spécial et hors de la portée des enfants.
- Ne remisez pas la machine avec du carburant dans le réservoir ou les bidons de carburant à proximité d'une flamme nue, d'une source d'étincelles ou d'une veilleuse, telle celle d'un chauffe-eau ou autre appareil. Laissez refroidir le moteur avant de ranger la machine dans un local fermé.
- Le carburant est toxique, voire mortel en cas d'ingestion. L'exposition prolongée aux vapeurs de carburant peut causer des blessures et des maladies graves.

- Évitez de respirer les vapeurs de carburant de façon prolongée.
- N'approchez pas les mains et le visage du pistolet ou de l'ouverture du réservoir de carburant.
- Tenez le carburant à l'écart des yeux et de la peau.

## Ajout de carburant

### Carburant recommandé

Type	Essence sans plomb
Indice d'octane minimum	87 (US) or 91 (octane recherche; hors États-Unis)
Éthanol	Pas plus de 10 % par volume
Méthanol	Aucune
MTBE (éther méthyltertiobutylique)	Moins de 15 % par volume
Huile	Huile 2 temps; mélange 50:1 carburant/huile

Utilisez uniquement du carburant propre et frais (stocké depuis moins d'un mois) provenant d'une source fiable.

### Mélange de carburant

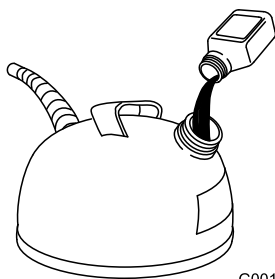
Ce produit est entraîné par un moteur 2 temps qui exige de prémélanger du carburant et d'huile 2 temps. Prémélangez de l'essence sans plomb et de l'huile moteur 2 temps dans un récipient propre homologué pour contenir du carburant. Ne mélangez pas de plus que la quantité pouvant être utilisée dans une période de 30 jours.

**Important:** Pour éviter d'endommager le moteur, n'utilisez pas d'huile automobile (telle SAE 30 ou 10W30) ni un mélange carburant/huile mal dosé.

#### Tableau du mélange 50:1 carburant/huile

Carburant	Huile
3,8 L (1 gallon américain)	76 ml (2,6 oz liq.)
7,6 L (2 gallons américains)	152 ml (5,1 oz liq.)
19 L (5 gallons américains)	380 ml (13 oz liq.)

1. Versez 1,9 L (0,5 gal américain) de carburant sans plomb frais dans un contenant homologué.
2. Ajoutez de l'huile 2 temps dans le carburant en vous reportant au tableau.



G001120

Figure 7

g001120

3. Rebouchez le contenant de carburant.
4. Agitez le contenant pour bien mélanger le carburant et l'huile.
5. Retirez avec précaution le bouchon et ajoutez le reste de carburant.

**Remarque:** Ne mélangez pas le carburant et l'huile dans le réservoir de carburant. L'huile à température ambiante se mélange mieux et plus facilement que l'huile froide. Au-dessous de 0 °C (32 °F) l'huile devra être mélangée plus longuement.

## Utilisation d'un stabilisateur/conditionneur

Ajoutez un stabilisateur/conditionneur dans le réservoir de carburant de la machine pour que le carburant reste frais plus longtemps quand il est utilisé conformément aux indications du fabricant du stabilisateur.

**Important:** N'utilisez pas d'additifs contenant du méthanol ou de l'éthanol.

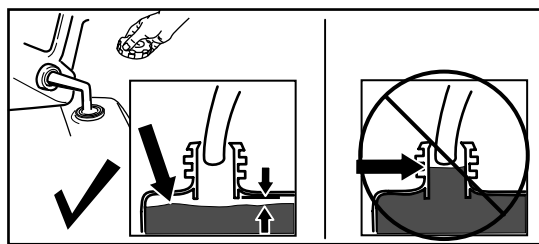
Ajoutez la quantité correcte de stabilisateur/conditionneur au carburant neuf et suivez les directives du fabricant du stabilisateur.

## Remplissage du réservoir de carburant

**Capacité du réservoir de carburant :** 1,1 L (36 oz liq.)

Reportez-vous au manuel du propriétaire du moteur pour plus de renseignements.

Remplissez le réservoir de carburant comme montré à la [Figure 8](#).



g230458

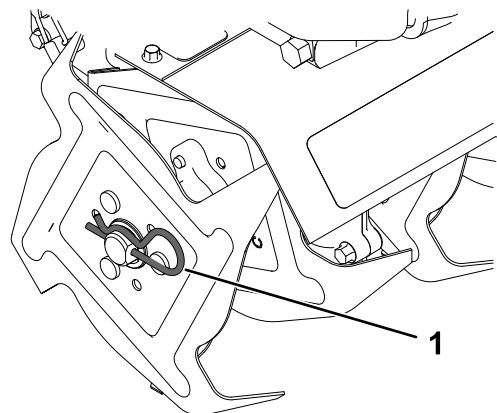
Figure 8

## Procédures d'entretien quotidien

Avant de démarrer la machine chaque jour, effectuez les procédures décrites à la section [Entretien \(page 15\)](#).

## Dépose et repose des dents

1. Garez la machine sur une surface plane et horizontale, coupez le moteur et laissez-le refroidir.
2. Retirez la goupille fendue à chaque extrémité de l'arbre porte-dents.



g334235

Figure 9

1. Goupille fendue
3. Glissez les dents hors de l'arbre.
4. Enfilez les dents intérieures (« B » et « C ») sur l'arbre.

**Remarque:** Les lettres sont gravées sur les dents. Enfilez la dent « B » sur le côté gauche de l'arbre et la dent « C » sur le côté droit.

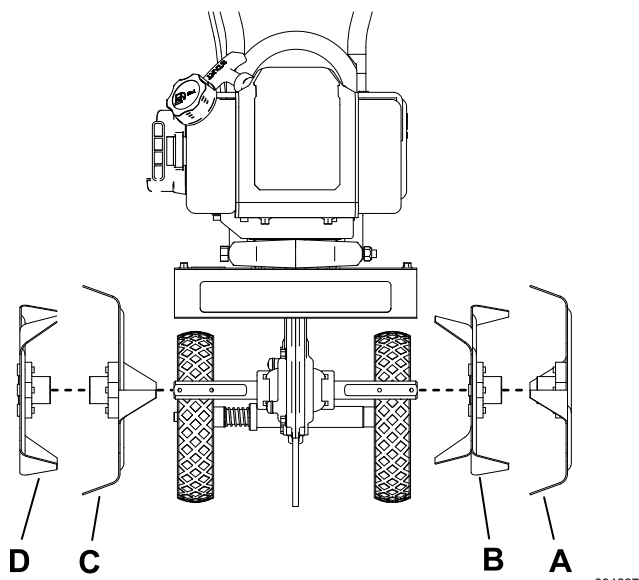


Figure 10

5. Enfilez les dents extérieures (« A » et « D ») sur l'arbre, de sorte que les dents soient dans l'ordre « A », « B », « C » et « D », vue depuis la position d'utilisation.

**Remarque:** Veillez à ce que les collets de moyeu sur les paires de dents droites et gauche soient en face l'un de l'autre entre les pointes des dents.

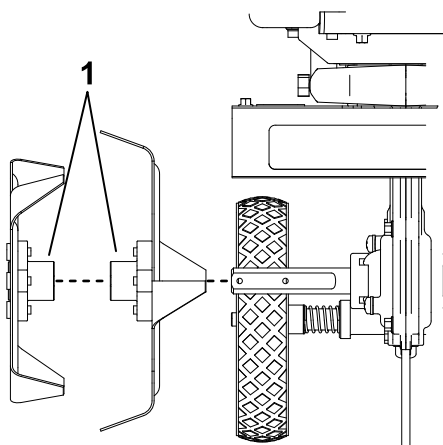


Figure 11

1. Collet de moyeu

6. Installez une goupille fendue à chaque extrémité de l'arbre porte-dents.

**Remarque:** Pour un travail du sol plus agressif, inversez l'ordre des dents afin d'orienter les pointes vers l'avant (« D », « C », « B », « A », vu depuis la position d'utilisation), comme montré à la [Figure 12](#).

**Remarque:** Pour une largeur de travail plus réduite, ne montez pas les dents « A » et « D » à l'opération 5.

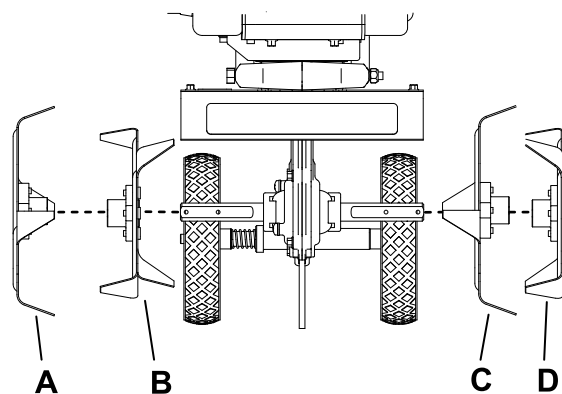


Figure 12

Ordre des dents pour un travail du sol plus agressif

## Pendant l'utilisation

### Consignes de sécurité pendant l'utilisation

#### Consignes de sécurité générales

- Accordez toute votre attention à l'utilisation de la machine. Ne vous livrez à aucune activité risquant de vous distraire, au risque de causer des dommages corporels ou matériels.
- N'utilisez pas la machine si vous êtes fatigué(e), malade ou sous l'emprise de l'alcool, de médicaments ou de drogues.
- Portez des vêtements adaptés, y compris une protection oculaire, un pantalon, des chaussures solides à semelle antidérapante, des protecteurs d'oreilles et des gants. Si vos cheveux sont longs, attachez-les et ne portez pas de vêtements amples ni de bijoux pendants.
- N'approchez pas les mains, les pieds, d'autres parties du corps et les vêtements des dents en rotation et des pièces en mouvement de la machine. Les dents commencent à tourner lorsque vous démarrez le moteur et peuvent continuer de tourner momentanément après la coupure du moteur.
- Démarrez prudemment le moteur en suivant les instructions dans ce *Manuel de l'utilisateur* et en gardant les pieds à bonne distance des dents.
- Redoublez de prudence lorsque vous reculez ou que vous tirez la machine vers vous. Pour éviter de se faire coincer contre une structure, prévoyez une distance suffisante pour inverser le sens de déplacement près d'un mur ou d'une clôture.
- N'admettez personne dans le périmètre de travail. Veillez à ce que les jeunes enfants restent hors de

la zone de travail, sous la surveillance d'un adulte responsable autre que l'utilisateur. Arrêtez la machine si quelqu'un entre dans la zone de travail.

- Avant de démarrer le moteur, assurez-vous que tous les embrayages sont au point mort, et que vous êtes à la position d'utilisation.
- N'utilisez la machine que si la visibilité est suffisante et dans de bonnes conditions météorologiques. N'utilisez pas la machine si la foudre menace.
- N'essayez pas de régler la machine lorsque le moteur tourne.
- Si la machine heurte un obstacle ou se met à vibrer, coupez immédiatement le moteur, attendez l'arrêt complet de toutes les pièces mobiles et débranchez le fil de la bougie avant de vérifier si la machine est endommagée. Les vibrations indiquent souvent la présence d'un problème. Effectuez toutes les réparations nécessaires avant de réutiliser la machine.
- N'utilisez jamais la machine à grande vitesse sur des surfaces dures ou glissantes.
- Regardez derrière la machine et vers le bas, et faites marche arrière avec prudence.
- Ne surchargez pas la machine en essayant de travailler le sol trop vite.
- Ne soulevez pas ou ne transportez pas la machine pendant que le moteur tourne.
- Faites preuve de prudence et veillez à ne pas perdre l'équilibre, surtout lorsque vous reculez, pour éviter de glisser ou de tomber.
- Conduisez la machine avec prudence sur les sols durs. Les dents peuvent rester accrochées dans le sol et propulser la machine en avant. Si cela se produit, lâchez la machine; n'essayez pas de la retenir.
- Faites preuve d'une extrême prudence lorsque vous traversez du gravier. Faites attention aux dangers cachés et à la circulation.
- Ne laissez pas la machine en marche sans surveillance.
- Avant de quitter la position d'utilisation, coupez le moteur de la machine et attendez l'arrêt complet de toutes les pièces mobiles. Débranchez le fil de la bougie, écarter-le de la bougie pour éviter tout démarrage accidentel et laissez la machine avant de la régler, d'en faire l'entretien, de la nettoyer, de la déboucher, de faire le plein ou de la remiser.
- Ne faites tourner le moteur que dans des lieux bien aérés. Les gaz d'échappement contiennent du monoxyde de carbone, un gaz inodore mortel.
- Utilisez uniquement des accessoires et outils agréés par The Toro® Company.

- Ne modifiez pas le réglage du régulateur et ne faites pas tourner le moteur à un régime excessif.
- Veillez à ne pas perdre l'équilibre; tenez fermement le guidon et avancez à une allure normale, ne courez jamais.
- Laissez refroidir le silencieux et le moteur avant de les toucher.
- Les dents ne doivent pas tourner quand le moteur fonctionne au ralenti; si elles tournent, contactez votre dépositaire-réparateur agréé.
- Si un objet reste coincé dans les dents, coupez le moteur, débranchez le fil de la bougie et laissez refroidir le moteur avant d'enlever l'objet.
- N'utilisez pas la machine sur des pentes raides. Pour éviter que la machine se retourne, utilisez dans le sens de la pente.

## Démarrage du moteur

1. Appuyez sur la poire d'amorçage jusqu'à ce que le flexible de l'amorceur soit rempli de gaz.

**Remarque:** Attendez que la poire reprenne sa position initiale entre chaque pression.

**Remarque:** L'amorçage n'est pas toujours pas nécessaire si le moteur est chaud.

2. Amenez la commande du volet de départ à la position **VOLET DE DÉPART**.

**Remarque:** L'usage du volet de départ n'est généralement pas nécessaire si le moteur est chaud.

3. Poussez la commande marche/arrêt du moteur à la position **MARCHE**.
4. Tenez-vous derrière le guidon et posez une main dessus.
5. De l'autre main, tirez légèrement sur la poignée du lanceur jusqu'à ce que vous sentiez une résistance, puis tirez vigoureusement. Relâchez lentement la poignée du lanceur.

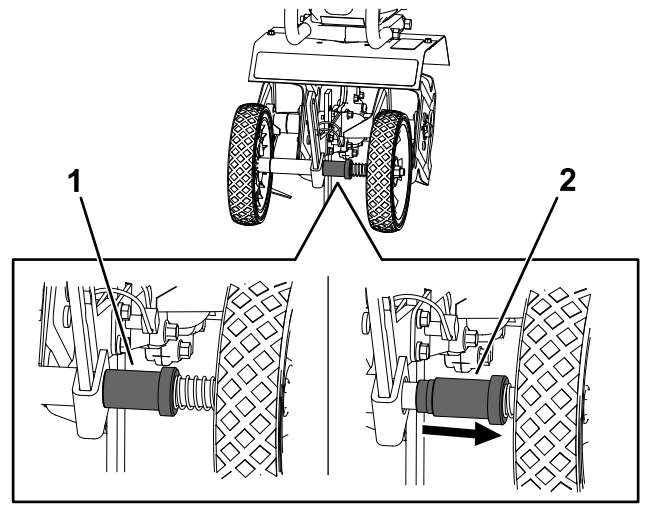
**Remarque:** Si le moteur ne démarre pas après 5 ou 6 tentatives, appuyez une fois sur la pompe d'amorçage et tirez de nouveau la poignée du lanceur.

6. Lorsque le moteur a démarré, réglez la commande du volet de départ à mi-course entre les positions **VOLET DE DÉPART** et **MARCHE**.
7. Lorsque le moteur tourne régulièrement, amenez la commande du volet de d"part à la position **MARCHE**.
8. Serrez la commande d'accélérateur pour obtenir le régime moteur voulu.

**Remarque:** Utilisez le régime maximum lorsque possible. Ne laissez pas le moteur de la machine tourner au ralenti pendant longtemps.

## Arrêt du moteur

1. Relâchez la commande d'accélérateur.
2. Restez derrière le guidon et tenez-le d'une main.
3. Amenez la commande marche/arrêt du moteur à la position ARRÊT.
4. Attendez l'arrêt complet de toutes les pièces mobiles avant de quitter la position d'utilisation.



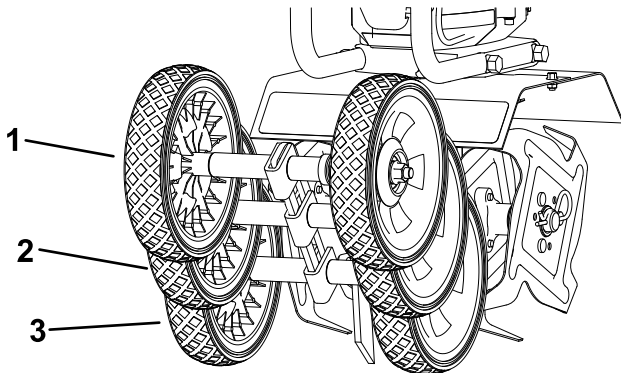
g334239

Figure 14

1. Manchon de verrouillage en position verrouillée
2. Manchon de verrouillage en position déverrouillée

## Réglage des roues

Réglez les roues à l'une de 3 positions. Utilisez la position basse pour transporter le cultivateur sur des surfaces planes moteur coupé. Utilisez les positions intermédiaire et haute pour stabiliser la machine quand vous travaillez à différentes profondeurs.



g334240

Figure 13

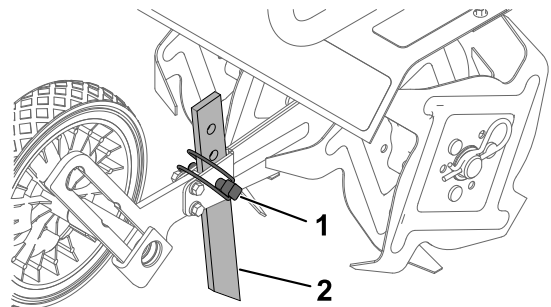
1. Position haute
2. Position centrale
3. Position basse

1. Amenez la machine sur une surface plane et horizontale, coupez le moteur et attendez l'arrêt complet de toutes les pièces mobiles.
2. Tirez le manchon de verrouillage hors du guide vertical à la position déverrouillée (Figure 14).
3. Placez les roues à la position voulue.
4. Relâchez le manchon de verrouillage et assurez-vous qu'il s'engage dans un cran du guide vertical.

## Réglage de la barre de traînée

La barre de traînée permet de régler la profondeur de travail et empêche le cultivateur d'être propulsé en avant pendant l'utilisation. Réglez la barre de traînée à la position la plus basse pour augmenter la résistance en marche avant et pour augmenter la profondeur de travail.

1. Amenez la machine sur une surface plane et horizontale, coupez le moteur et attendez l'arrêt complet de toutes les pièces mobiles.
2. Retirez la goupille de verrouillage.
3. Positionnez la barre de traînée à la profondeur voulue, en dirigeant la pointe vers le bas.
4. Fixez la barre de traînée avec la goupille de blocage.



g334215

Figure 15

1. Goupille de verrouillage
2. Barre de traînée

## Conseils d'utilisation

- Inspectez la zone de travail et enlevez tout objet qui pourrait endommager le cultivateur (grosses pierres, détritrus, branches, etc.).
- L'embrayage transfère la puissance maximale après environ 2 heures de fonctionnement normal. Pendant la période de rodage, l'embrayage peut glisser. Gardez l'embrayage exempt d'huile et autre type d'humidité pour assurer un fonctionnement efficace.
- Commencez toujours à travailler avec la vitesse de déplacement la plus basse possible. Augmentez la vitesse de déplacement si les conditions le permettent.
- N'exercez pas de pression excessive sur le cultivateur avec le corps. Servez-vous du poids de la machine pour travailler plus efficacement.

## Après l'utilisation

### Consignes de sécurité après l'utilisation

#### Consignes de sécurité générales

- Avant de quitter la position d'utilisation, coupez le moteur de la machine et attendez l'arrêt complet de toutes les pièces mobiles. Débranchez le fil de la bougie, écartez-le de la bougie pour éviter tout démarrage accidentel et laissez la machine avant de la régler, d'en faire l'entretien, de la nettoyer, de la déboucher, de faire le plein ou de la remiser.
- Pour éviter les risques d'incendie, enlevez les débris déposés sur la machine. Nettoyez les coulées éventuelles d'huile ou de carburant.

#### Consignes de sécurité pour le transport

- Débranchez le fil de la bougie avant de charger la machine pour la transporter.
- Chargez ou déchargez la machine avec précaution.

## Transport de la machine

### **▲ DANGER**

**Lorsque vous transportez la machine dans un espace fermé à l'intérieur d'un véhicule, le carburant et les vapeurs de carburant peuvent s'enflammer et causer des blessures graves ou mortelles.**

**Transportez la machine debout dans un véhicule ouvert ou vidangez le réservoir de carburant de la machine.**

Vérifiez que le bouchon du réservoir de carburant est bien serré et transportez la machine debout dans un véhicule ouvert. Immobilisez la machine.

S'il reste du carburant dans le réservoir et que vous devez transporter la machine dans un véhicule fermé, procédez comme suit :

1. Vidangez le carburant dans un récipient homologué.
2. Démarrez le moteur de la machine et laissez-le tourner jusqu'à ce qu'il s'arrête.
3. Essuyez les coulures éventuelles de carburant et laissez sécher la machine.
4. Vissez solidement le bouchon du réservoir de carburant.
5. Immobilisez la machine.

# Entretien

## Consignes de sécurité pendant l'entretien

- Examinez la machine fréquemment pour vérifier qu'elle est en bon état de marche et que les boulons de cisaillement, les boulons de fixation du moteur et autres fixations sont correctement serrés.
- Avant de quitter la position d'utilisation, coupez le moteur de la machine et attendez l'arrêt complet de toutes les pièces mobiles. Débranchez le fil de la bougie, écarter-le de la bougie pour éviter tout démarrage accidentel et laissez la machine avant de la régler, d'en faire l'entretien, de la nettoyer, de la déboucher, de faire le plein ou de la remiser.
- Portez des gants et une protection oculaire pour faire l'entretien de la machine.
- N'enlevez pas et ne modifiez pas les dispositifs de sécurité. Vérifiez régulièrement qu'ils fonctionnent correctement.
- Pour garantir des performances optimales de la machine, utilisez uniquement des pièces de rechange et des accessoires Toro d'origine. Les pièces de rechange et accessoires d'autres constructeurs peuvent être dangereux et leur utilisation risque d'annuler la garantie de la machine.
- Remplacez les dents faussées, endommagées ou desserrées; ne les réparez pas et ne les modifiez pas.
- Maintenez la machine, les accessoires et les outils en bon état de marche.
- N'essayez pas de réparer la machine si vous n'avez pas les outils et instructions corrects pour la démonter, la monter et la réparer.

## Programme d'entretien recommandé

Périodicité d'entretien	Procédure d'entretien
À chaque utilisation ou une fois par jour	<ul style="list-style-type: none"><li>• Contrôlez le filtre à air</li><li>• Nettoyez les débris sur les ailettes de refroidissement, les prises d'air et les tiges de commande.</li></ul>
Toutes les 20 heures	<ul style="list-style-type: none"><li>• Nettoyez le filtre à air (nettoyez tous les jours si l'atmosphère est extrêmement poussiéreuse).</li><li>• Remplacez le filtre à air.</li><li>• Contrôlez, nettoyez et réglez l'écartement des électrodes.</li></ul>
Une fois par an	<ul style="list-style-type: none"><li>• Remplacez le filtre à air.</li><li>• Remplacez la bougie.</li></ul>

# Procédures avant l'entretien

## Préparation à l'entretien

1. Amenez la machine sur une surface plane et horizontale, coupez le moteur et attendez l'arrêt complet de toutes les pièces mobiles.
2. Débranchez le fil de la bougie.

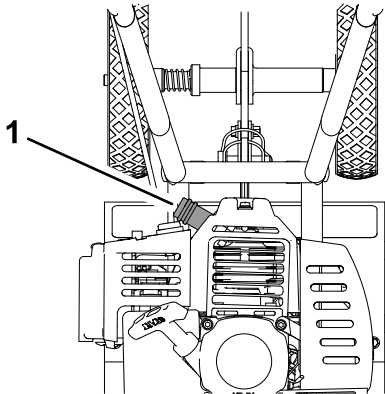


Figure 16

g335329

1. Fil de bougie

3. Rebranchez le fil de la bougie une fois l'entretien terminé.

**Important:** Avant de basculer la machine pour remplacer la lame, faites tourner le moteur jusqu'à ce que le réservoir de carburant soit à sec. S'il est nécessaire de basculer la machine avant de ne plus avoir de carburant, utilisez une pompe à carburant manuelle pour vidanger le carburant.

# Entretien du moteur

## Entretien du filtre à air

**Périodicité des entretiens:** À chaque utilisation ou une fois par jour—Contrôlez le filtre à air

Toutes les 20 heures—Nettoyez le filtre à air (nettoyez tous les jours si l'atmosphère est extrêmement poussiéreuse).

Toutes les 20 heures—Remplacez le filtre à air.

Une fois par an—Remplacez le filtre à air.

1. Amenez la commande du volet de départ à la position VOLET DE DÉPART.
2. Serrez les languettes de verrouillage et tournez le couvercle du filtre à air pour le détacher de la machine.

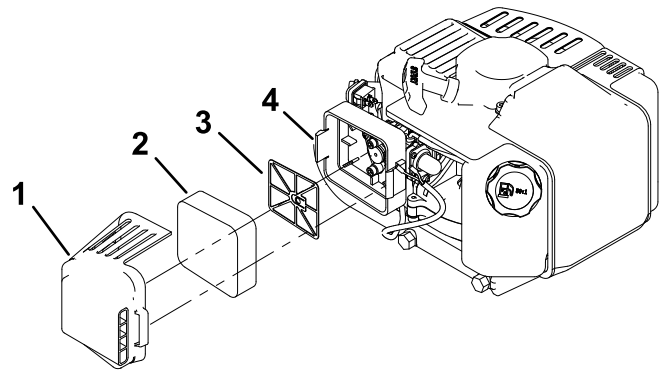


Figure 17

g335328

1. Couvercle du filtre à air
2. Élément filtrant en mousse
3. Plaque de renfort du filtre
4. Languette de verrouillage (2)

3. Déposez et examinez l'élément filtrant en mousse.

**Important:** Remplacez l'élément en mousse s'il est usé ou déchiré.

4. Lavez l'élément en mousse dans de l'eau chaude additionnée de savon liquide. Rincez soigneusement l'élément une fois propre.

**Important:** Ne tordez pas l'élément en mousse en le séchant.

5. Séchez l'élément en le pressant dans un chiffon propre.
6. Trempez l'élément en mousse dans de l'huile moteur propre (indice 30 ou 40), puis pressez-le pour éliminer l'excédent d'huile.
7. Placez le filtre par dessus la plaque de renfort. Appuyez uniformément le filtre en mousse sur la plaque pour bien l'engager en position d'étanchéité.



- Reposez le couvercle du filtre à air. Assurez-vous qu'il s'enclenche en place et est fermement fixé par les languettes de verrouillage.

## Entretien de la bougie

**Périodicité des entretiens:** Toutes les 20 heures—Contrôlez, nettoyez et réglez l'écartement des électrodes.

Une fois par an—Remplacez la bougie.

Avant de monter une bougie, vérifiez si l'écartement entre l'électrode centrale et l'électrode latérale est correct.

Utilisez une clé à bougies pour déposer et reposer la bougie, et une jauge d'épaisseur pour contrôler et régler l'écartement des électrodes. Remplacez les bougies au besoin.

**Type :** Torch L7RTC, Champion RCJ8Y, ou équivalent

**Écartement des électrodes :** 0,71 mm (0,028 po)

## Dépose de la bougie

- Débranchez le fil de la bougie.

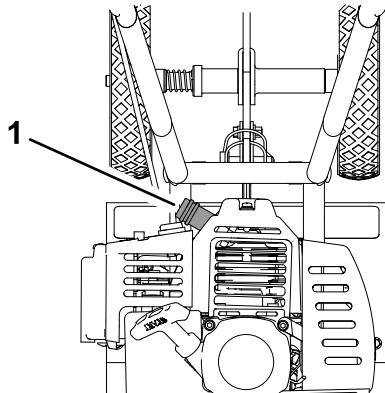


Figure 18

g335329

- Fil de bougie
- Nettoyez la surface autour des bougies pour éviter que des impuretés n'endommagent le moteur en tombant à l'intérieur.
- Déposez la bougie.

## Contrôle de la bougie

**Important:** Ne nettoyez pas la ou les bougies. Remplacez toujours les bougies si elles sont recouvertes d'un dépôt noir ou d'une couche grasse, si elles sont fissurées ou si les électrodes sont usées.

Si le bec isolant est recouvert d'un léger dépôt gris ou brun, le moteur fonctionne correctement. S'il est recouvert d'un dépôt noir, cela signifie généralement que le filtre à air est encrassé.

Réglez l'écartement des électrodes à 0,71 mm (0,028 po).

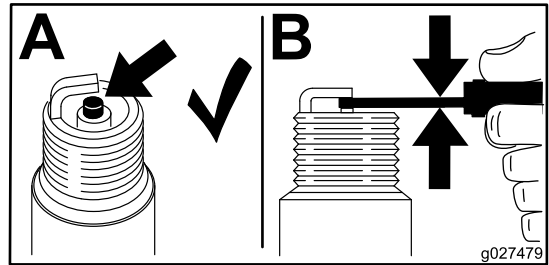


Figure 19

g027479

## Pose de la bougie

- Vissez la bougie dans le sens horaire à la main dans le trou prévu.
- Avec la clé à bougie, tournez la bougie dans le sens horaire jusqu'à ce qu'elle soit parfaitement en place avec sa rondelle d'étanchéité.
- Serrez la bougie comme suit :
  - Si vous reposez la même bougie, serrez-la de 1/2 tour supplémentaire.
  - Si vous posez une bougie neuve, serrez-la de 1/8 à 1/4 de tour supplémentaire.

**Important:** Une bougie mal serrée peut faire surchauffer le cylindre. Une bougie trop serrée peut endommager le filetage de la culasse.

- Rebranchez le fil sur la bougie.

# Remisage

## Consignes de sécurité pour le remisage

- Avant de quitter la position d'utilisation, coupez le moteur de la machine et attendez l'arrêt complet de toutes les pièces mobiles. Débranchez le fil de la bougie, écarter-le de la bougie pour éviter tout démarrage accidentel et laissez la machine avant de la régler, d'en faire l'entretien, de la nettoyer, de la déboucher, de faire le plein ou de la remiser.
- Laissez tourner le moteur jusqu'à ce qu'il s'arrête faute de carburant ou vidangez le reste de carburant avec une pompe manuelle; ne siphonnez jamais le carburant. Si vous devez vidanger le réservoir de carburant, faites-le à l'extérieur.
- Suivez les instructions dans ce *Manuel de l'utilisateur* pour décharger, transporter et remiser la machine en toute sécurité.
- S'il reste du carburant dans le réservoir, ne remisez pas la machine dans un local contenant des sources d'inflammation, telles que chauffe-eau, appareils de chauffage et séchoirs à linge. Laissez refroidir le moteur avant de remiser la machine dans un local fermé.
- Suivez toujours les instructions de remisage qui figurent dans le *Manuel de l'utilisateur* avant de remiser la machine pour une durée prolongée, afin de n'oublier aucune opération importante.

## Nettoyage et remisage de la machine

1. Avant de quitter la position d'utilisation, garez la machine sur une surface plane et horizontale, coupez le moteur, enlevez la clé et attendez l'arrêt complet de toutes les pièces en mouvement.
2. Enlevez les débris accumulés sur les dents du cultivateur et sur le moteur.  
**Important: Vous pouvez laver la machine avec de l'eau et un détergent doux. N'utilisez pas de nettoyeur haute pression. N'utilisez pas trop d'eau, surtout près du moteur et de la transmission.**
3. Faites l'entretien du filtre à air; voir [Entretien du filtre à air \(page 16\)](#).
4. Si vous devez remiser la machine plus de 30 jours de suite, préparez-la comme suit :
  - A. Ajoutez un stabilisateur/conditionneur de carburant dans le réservoir de carburant.

Respectez les proportions spécifiées par le fabricant du stabilisateur. N'utilisez pas de stabilisateur à base d'alcool (éthanol ou méthanol).

- B. Faites tourner le moteur pendant 5 minutes pour faire circuler le carburant traité dans tout le système d'alimentation.
- C. Coupez le moteur, laissez-le refroidir et vidangez le réservoir de carburant.
- D. Redémarrez le moteur et laissez-le tourner jusqu'à ce qu'il s'arrête.
- E. Débarrassez-vous du carburant correctement. Recyclez le carburant conformément à la réglementation locale.

**Important: Ne conservez pas le carburant additionné de stabilisateur/conditionneur plus longtemps que recommandé par le fabricant du stabilisateur de carburant.**

5. Déposez la bougie et vérifiez son état; voir [Entretien de la bougie \(page 17\)](#). Versez 15 ml (1 cuillère à soupe) d'huile moteur dans l'ouverture laissée par la bougie. Installez la bougie et tirez 3 fois le cordon du lanceur pour enduire le cylindre d'huile. Ne rebranchez pas le fil de la bougie.
6. Contrôlez et resserrez toutes les fixations. Réparez ou remplacez toute pièce endommagée.
7. Peignez toutes les surfaces métalliques éraflées ou mises à nu. Une peinture pour retouches est disponible chez les dépositaires-réparateurs agréés.
8. Remisez la machine debout dans un endroit propre et sec, comme un garage ou une remise. Gardez-la hors de la portée des enfants et des personnes non autorisées. Couvrez la machine pour la protéger et la garder propre.

# Dépistage des défauts

Problème	Cause possible	Mesure corrective
Le moteur ne démarre pas.	<ol style="list-style-type: none"> <li>1. Le commutateur du moteur est à la position ARRÊT.</li> <li>2. Le fil de la bougie est mal branché ou débranché.</li> <li>3. La bougie est humide, piquée ou encrassée, ou l'écartement des électrodes est incorrect.</li> <li>4. La conduite de carburant n'est pas au fond du réservoir de carburant.</li> </ol>	<ol style="list-style-type: none"> <li>1. Placez l'interrupteur en position MARCHE.</li> <li>2. Rebranchez le fil de la bougie.</li> <li>3. Montez une bougie neuve, à écartement correct.</li> <li>4. Poussez la conduite de carburant dans le réservoir de carburant.</li> </ol>
Le moteur ne tourne pas régulièrement ou se noie pendant le fonctionnement.	<ol style="list-style-type: none"> <li>1. Le filtre à air est colmaté.</li> <li>2. La commande du volet de départ est partiellement engagée.</li> <li>3. Le carburateur est déréglé.</li> </ol>	<ol style="list-style-type: none"> <li>1. Nettoyez ou remplacez le filtre à air.</li> <li>2. Amenez la commande du volet de départ à la position MARCHE.</li> <li>3. Contactez un dépositaire-réparateur agréé.</li> </ol>
Le moteur a du mal à démarrer.	<ol style="list-style-type: none"> <li>1. Carburant altéré dans le système d'alimentation.</li> <li>2. Le fil de la bougie est mal branché ou débranché.</li> <li>3. Le carburateur est encrassé.</li> <li>4. Le carburant n'est pas suffisamment amorcé.</li> </ol>	<ol style="list-style-type: none"> <li>1. Vidangez le réservoir de carburant et remplissez-le de carburant neuf.</li> <li>2. Rebranchez le fil de la bougie.</li> <li>3. Nettoyez le carburateur, utilisez un stabilisateur de carburant et un bidon de carburant neuf.</li> <li>4. Appuyez 3 fois sur l'amorceur, puis tirez la poignée du lanceur.</li> </ol>
Le moteur ne démarre pas, démarre difficilement ou cale.	<ol style="list-style-type: none"> <li>1. Le réservoir de carburant est vide.</li> <li>2. La commande du volet de départ n'est pas engagée.</li> <li>3. Le filtre à air est colmaté.</li> <li>4. Impuretés, eau ou carburant altéré dans le système d'alimentation.</li> <li>5. Mauvais type de carburant dans le réservoir.</li> </ol>	<ol style="list-style-type: none"> <li>1. Remplissez le réservoir de carburant.</li> <li>2. Amenez la commande du volet de départ à la position VOLET DE DÉPART.</li> <li>3. Nettoyez ou remplacez le filtre à air.</li> <li>4. Contactez un dépositaire-réparateur agréé.</li> <li>5. Vidangez le réservoir et faites le plein de carburant correct.</li> </ol>
Le moteur a des ratés ou manque de puissance.	<ol style="list-style-type: none"> <li>1. Le filtre à carburant est colmaté.</li> <li>2. Le filtre à air est encrassé ou endommagé.</li> <li>3. Le carburateur est déréglé.</li> <li>4. La bougie est humide, piquée ou encrassée, ou l'écartement des électrodes est incorrect.</li> </ol>	<ol style="list-style-type: none"> <li>1. Nettoyez le réservoir de carburant et remplacez le filtre à carburant.</li> <li>2. Nettoyez ou remplacez l'élément du filtre à air.</li> <li>3. Contactez un dépositaire-réparateur agréé.</li> <li>4. Montez une bougie neuve, à écartement correct.</li> </ol>
Le moteur tourne puis s'arrête.	<ol style="list-style-type: none"> <li>1. Le bouchon du réservoir de carburant n'assure pas la mise à l'air libre.</li> <li>2. Le filtre à carburant est colmaté.</li> <li>3. Le carburateur est déréglé.</li> </ol>	<ol style="list-style-type: none"> <li>1. Nettoyez ou remplacez le bouchon du réservoir de carburant; contrôlez l'évent.</li> <li>2. Nettoyez ou remplacez le filtre à carburant.</li> <li>3. Contactez un dépositaire-réparateur agréé.</li> </ol>
Le régime moteur est trop élevé.	<ol style="list-style-type: none"> <li>1. Le carburateur est déréglé.</li> </ol>	<ol style="list-style-type: none"> <li>1. Contactez un dépositaire-réparateur agréé.</li> </ol>
Les dents tournent quand le moteur de la machine tourne au ralenti.	<ol style="list-style-type: none"> <li>1. Le régime de ralenti est trop élevé.</li> <li>2. Le ressort d'embrayage est cassé.</li> </ol>	<ol style="list-style-type: none"> <li>1. Réduisez le régime de ralenti.</li> <li>2. Remplacez l'embrayage.</li> </ol>

**Remarques:**



## Conditions de garantie

### Déclaration de garantie limitée de 5 ans pour le produit

The Toro Company garantit ce produit dans le cadre d'une garantie limitée de cinq ans contre tout défaut de matériau, de défaut de fabrication ou les deux, pendant une période ne dépassant pas 60 mois consécutifs, à compter de la date d'achat initiale par le premier consommateur au détail ou le premier utilisateur final commercial. Cette garantie ne s'applique pas au moteur monté sur le produit. L'expression « utilisation par le consommateur » signifie une utilisation récréative personnelle par un consommateur au détail. L'expression « utilisation commerciale » ou « application commerciale » signifie toutes les autres utilisations, y compris l'utilisation à des fins commerciales, dans un but lucratif ou à des fins de location. Une fois qu'un produit a fait l'objet d'une utilisation commerciale, il sera ensuite considéré comme un produit à usage commercial aux fins de la présente garantie. Cette garantie s'applique au propriétaire initial qui fournit une preuve d'achat. Cette garantie n'est pas transférable. La période de garantie commence à la date d'achat par le premier consommateur au détail ou l'utilisateur final commercial et se poursuit pendant la période de 60 mois consécutifs qui suit. Toute machine utilisée dans le cadre d'une application commerciale est couverte pendant une période de 90 jours après l'achat par le premier utilisateur final commercial. Pour que la garantie soit valable, le produit doit être enregistré en ligne dans les 30 jours suivant l'achat, ou la carte de garantie doit être remplie et reçue par Toro dans les 30 jours suivant l'achat. La société Toro n'est pas tenue de payer les frais de transport résultant de la réparation ou du remplacement aux termes de cette garantie. Les frais de transport sont à la charge exclusive de l'acheteur.

Cette garantie exclut les pièces qui sont usées ou endommagées en raison d'une usure normale telles lames, roulements, courroies, dents, chaîne de déflecteur de débris, roues, pneus, tri-marteaux, marteaux J, couteaux de déchiquetage, joints, bagues, embrayages, poulies, fil de débroussailluse, déflecteur de débris, coupe-ligne, pinces de serrage, arbres, ressorts et câbles. Cette garantie exclut les éléments utilisés pour l'entretien courant tels que batteries, éléments filtrants, joints toriques, joints d'étanchéité, lubrifiants, dispositifs de mise au point, pièces rotatives, pièces accessoires telles que butteuses sillonneuses, kits coupe-bordures, kits de déchaumage, tubes pour manuels, boîtier de batterie, bac de ramassage en nylon, supports de bac de ramassage, vis sans fin, rallonges, amortisseurs, sachets de pièces en nylon et têtes de réglage de hauteur. Ces garanties ne couvrent pas les dommages causés par un stockage et un entretien inadéquats, y compris, mais sans s'y limiter, l'utilisation de pièces non autorisées, le défaut d'entretien périodique tel que spécifié dans le manuel du produit, ou les réparations effectuées dans des centres de service non autorisés. Ces garanties s'appliquent uniquement aux produits qui n'ont pas fait l'objet d'une utilisation négligente, d'abus, d'une mauvaise utilisation, d'une altération ou d'une surcharge, ce qui comprend, sans s'y limiter, le fonctionnement à sec (sans huile) ou en dessous des niveaux d'huile minimum, le fonctionnement du moteur sans carburant adéquat (essence ordinaire ou gaz mixte), les dommages causés à la barre de remorquage par des virages trop serrés, l'utilisation de l'équipement à des fins autres que celles pour lesquelles il a été conçu et fabriqué, la poursuite de l'utilisation du produit après un changement soudain des vibrations, l'utilisation de l'équipement en violation des codes, ordonnances et bonnes pratiques commerciales au niveau local, une installation incorrecte, l'utilisation de l'équipement au-dessus des maximums recommandés comme indiqué dans les manuels du produit et/ou du moteur qui l'accompagnent.

Cette garantie ne couvre pas les événements échappant au contrôle de Toro tels que les accidents, les catastrophes naturelles, la foudre et le vandalisme. Cette garantie limitée s'applique uniquement aux défauts de matériaux ou de fabrication. Il n'existe aucune autre garantie expresse. Les garanties implicites, y compris celles de qualité marchande et d'adéquation à un usage particulier, sont limitées à un an à compter de l'achat, ou dans la mesure autorisée par la loi. Toutes les autres garanties implicites sont exclues. La responsabilité concernant les dommages accessoires ou indirects est exclue dans la mesure où l'exclusion est autorisée par la loi. Toro n'assume, et n'autorise aucune autre personne à assumer au nom de Toro, aucune responsabilité en rapport avec la vente de produits Toro. Pour être « sans frais », les travaux dans le cadre de la garantie doivent être envoyés directement à Toro ou à un centre de service de garantie agréé par Toro et être effectués par eux. Pour obtenir un service de garantie et/ou des instructions de remplacement, contactez le service clientèle de Toro au 952-888-8801. Si vous choisissez d'envoyer votre produit à Toro pour une réparation sous garantie, vous devez d'abord obtenir l'autorisation préalable de Toro en appelant le service clientèle de Toro pour obtenir un numéro d'autorisation de retour de matériel (n° RMA). Dans ces circonstances, tous les éléments doivent être expédiés en port payé. Toro réparera ou remplacera, à sa discrétion et sans frais, toute pièce défectueuse à laquelle s'applique cette garantie. Toro se réserve le droit de modifier les modèles, les spécifications et le prix sans préavis. La société Toro ne sera pas tenue d'expédier tout produit de réparation ou de remplacement en dehors des États-Unis d'Amérique ou du Canada. Certains états et pays n'autorisent pas les limitations de durée d'une garantie implicite, ni l'exclusion ou la limitation des dommages accessoires ou indirects, de sorte que la limitation ci-dessus peut ne pas s'appliquer à vous. Cette garantie vous accorde des droits spécifiques, auxquels peuvent s'ajouter d'autres droits qui varient selon les états et les pays.

# Proposition 65 de Californie – Information concernant cet avertissement

## En quoi consiste cet avertissement?

Certains produits commercialisés présentent une étiquette d'avertissement semblable à ce qui suit :



**AVERTISSEMENT : Cancer et troubles de la reproduction –**  
[www.p65Warnings.ca.gov](http://www.p65Warnings.ca.gov).

## Qu'est-ce que la Proposition 65?

La Proposition 65 s'applique à toute société exerçant son activité en Californie, qui vend des produits en Californie ou qui fabrique des produits susceptibles d'être vendus ou importés en Californie. Elle stipule que le Gouverneur de Californie doit tenir et publier une liste des substances chimiques connues comme causant des cancers, malformations congénitales et/ou autres troubles de la reproduction. Cette liste, qui est mise à jour chaque année, comprend des centaines de substances chimiques présentes dans de nombreux objets du quotidien. La Proposition 65 a pour objet d'informer le public quant à l'exposition à ces substances chimiques.

La Proposition 65 n'interdit pas la vente de produits contenant ces substances chimiques, mais impose la présence d'avertissements sur tout produit concerné, sur son emballage ou sur la documentation fournie avec le produit. D'autre part, un avertissement de la Proposition 65 ne signifie pas qu'un produit est en infraction avec les normes ou exigences de sécurité du produit. D'ailleurs, le gouvernement californien a clairement indiqué qu'un avertissement de la Proposition 65 « n'est pas une décision réglementaire quant au caractère « sûr » ou « dangereux » d'un produit ». Bon nombre de ces substances chimiques sont utilisées dans des produits du quotidien depuis des années, sans aucun effet nocif documenté. Pour plus de renseignements, rendez-vous sur <https://oag.ca.gov/prop65/faqs-view-all>.

Un avertissement de la Proposition 65 signifie qu'une société a soit (1) évalué l'exposition et conclu qu'elle dépassait le « niveau ne posant aucun risque significatif »; soit (2) choisi d'émettre un avertissement simplement sur la base de sa compréhension quant à la présence d'une substance chimique de la liste, sans tenter d'en évaluer l'exposition.

## Cette loi s'applique-t-elle partout?

Les avertissements de la Proposition 65 sont exigés uniquement en vertu de la loi californienne. Ces avertissements sont présents dans tout l'état de Californie, dans des environnements très variés, notamment mais pas uniquement les restaurants, magasins d'alimentations, hôtels, écoles et hôpitaux, et sur un vaste éventail de produits. En outre, certains détaillants en ligne et par correspondance fournissent des avertissements de la Proposition 65 sur leurs sites internet ou dans leurs catalogues.

## Quelles différences entre les avertissements de Californie et les limites fédérales?

Les normes de la Proposition 65 sont souvent plus strictes que les normes fédérales et internationales. Diverses substances exigent un avertissement de la Proposition 65 à des niveaux bien inférieurs aux limites d'intervention fédérales. Par exemple, la norme de la Proposition 65 en matière d'avertissements pour le plomb se situe à 0,5 µg/jour, soit bien moins que les normes fédérales et internationales.

## Pourquoi l'avertissement ne figure-t-il pas sur tous les produits semblables?

- Pour les produits commercialisés en Californie, l'étiquetage Proposition 65 est exigé, tandis qu'il ne l'est pas sur des produits similaires commercialisés ailleurs.
- Il se peut qu'une société impliquée dans un procès lié à la Proposition 65 et parvenant à un accord soit obligée d'utiliser les avertissements de la Proposition 65 pour ses produits, tandis que d'autres sociétés fabriquant des produits semblables peuvent ne pas être soumises à cette obligation.
- L'application de la Proposition 65 n'est pas uniforme.
- Certaines sociétés peuvent choisir de ne pas indiquer d'avertissements car elles considèrent qu'elles n'y sont pas obligées au titre de la Proposition 65; l'absence d'avertissements sur un produit ne signifie pas que le produit ne contient pas de substances de la liste à des niveaux semblables.

## Pourquoi cet avertissement apparaît-il sur les produits Toro?

Toro a choisi de fournir aux consommateurs le plus d'information possible afin qu'ils puissent prendre des décisions éclairées quant aux produits qu'ils achètent et utilisent. Toro fournit des avertissements dans certains cas d'après ses connaissances quant à la présence de l'une ou plusieurs des substances chimiques de la liste, sans en évaluer le niveau d'exposition, car des exigences de limites ne sont pas fournies pour tous les produits chimiques de la liste. Bien que l'exposition avec les produits Toro puisse être négligeable ou parfaitement dans les limites « sans aucun risque significatif », par mesure de précaution, Toro a décidé de fournir les avertissements de la Proposition 65. De plus, en l'absence de ces avertissements, la société Toro pourrait être poursuivie en justice par l'État de Californie ou par des particuliers cherchant à faire appliquer la Proposition 65, et donc assujettie à d'importantes pénalités.



**Count on it.**

Form No. 3441-864 Rev D

**Manual del operador**

**Motoazada de 25 cm (10")**

Nº de modelo 58601—Nº de serie 321000001 y superiores



El uso o la operación del motor en cualquier terreno forestal, de monte o cubierto de hierba a menos que el motor esté equipado con parachispas (conforme a la definición de la sección 4442) mantenido en buenas condiciones de funcionamiento, o que el motor haya sido fabricado, equipado y mantenido para la prevención de incendios, constituye una infracción de la legislación de California (California Public Resource Code Section 4442 o 4443).

## ⚠ ADVERTENCIA

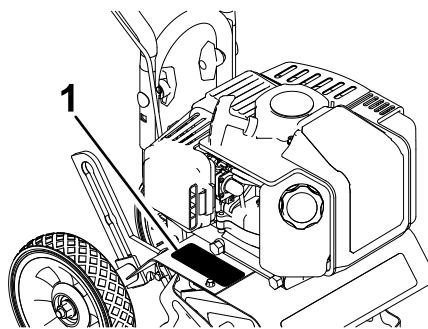
### CALIFORNIA

#### Advertencia de la Propuesta 65

**Los gases de escape de este producto contienen productos químicos que el Estado de California sabe que causan cáncer, defectos congénitos u otros peligros para la reproducción.**

**El uso de este producto puede provocar la exposición a sustancias químicas que el Estado de California considera causantes de cáncer, defectos congénitos u otros trastornos del sistema reproductor.**

de modelo en el producto. Escriba los números en el espacio provisto.



g342516

Figura 1

1. Ubicación de los números de modelo y de serie

Nº de modelo \_\_\_\_\_

Nº de serie \_\_\_\_\_

Este manual identifica peligros potenciales y contiene mensajes de seguridad identificados por el símbolo de alerta de seguridad (Figura 2), que señala un peligro que puede causar lesiones graves o la muerte si usted no sigue las precauciones recomendadas.



g000502

Figura 2

Símbolo de alerta de seguridad

# Introducción

Esta motoazada está diseñada para ser usada por usuarios domésticos o por operadores profesionales contratados para cultivar y nivelar la tierra, y para mezclar materiales de jardinería, compost o fertilizante. El uso de este producto para otros propósitos que los previstos podría ser peligroso para usted y para otras personas.

Lea este manual detenidamente para aprender a utilizar y mantener correctamente su producto, y para evitar lesiones y daños al producto. Usted es responsable de utilizar el producto de forma correcta y segura.

Visite [www.Toro.com](http://www.Toro.com) para obtener más información, incluidos consejos de seguridad, materiales de formación, información sobre accesorios, ayuda para encontrar a un distribuidor o para registrar su producto.

Cuando necesite asistencia técnica, piezas genuinas Toro o información adicional, póngase en contacto con un Distribuidor de Servicio Autorizado o con Asistencia al Cliente Toro, y tenga a mano los números de modelo y serie de su producto. La Figura 1 identifica la ubicación de los números de serie y

Este manual utiliza 2 palabras para resaltar información. **Importante** llama la atención sobre información mecánica especial, y **Nota** resalta información general que merece una atención especial.



# Contenido

Seguridad .....	3
Seguridad general .....	3
Pegatinas de seguridad e instrucciones .....	4
Montaje .....	5
1 Ensamblaje del manillar .....	5
2 Rotación de la barra de arrastre .....	6
El producto .....	7
Controles .....	7
Especificaciones .....	8
Antes del funcionamiento .....	8
Seguridad antes del uso .....	8
Cómo añadir combustible .....	9
Mantenimiento diario .....	10
Retirada e instalación de las cuchillas .....	10
Durante el funcionamiento .....	11
Seguridad durante el uso .....	11
Arranque del motor .....	12
Apagado del motor .....	12
Ajuste de las ruedas .....	12
Ajuste de la barra de arrastre .....	13
Consejos de operación .....	14
Después del funcionamiento .....	14
Seguridad tras el uso .....	14
Transporte de la máquina .....	14
Mantenimiento .....	15
Seguridad durante el mantenimiento .....	15
Calendario recomendado de manteni- miento .....	15
Procedimientos previos al mantenimiento .....	15
Preparación para el mantenimiento .....	15
Mantenimiento del motor .....	16
Mantenimiento del filtro de aire .....	16
Mantenimiento de la bujía .....	17
Almacenamiento .....	18
Seguridad durante el almacenamiento .....	18
Limpieza y almacenamiento de la máquina .....	18
Solución de problemas .....	19


# Seguridad

Esta máquina ha sido diseñada de conformidad con la norma ANSI B71.8-2016.

## Seguridad general

Este producto puede amputar manos y pies y lanzar objetos. Siga siempre todas las instrucciones de seguridad con el fin de evitar lesiones personales graves o la muerte.

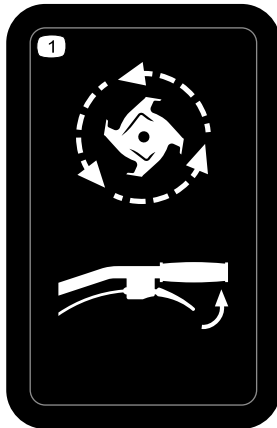
- Antes de arrancar el motor, lea, comprenda y siga las instrucciones y advertencias de este *Manual del operador* y las que están colocadas en la máquina y en los accesorios.
- Familiarícese bien con los controles y con el uso correcto del equipo. Sepa cómo parar la máquina y desenganar los controles rápidamente.
- No coloque las manos, los pies, otras partes del cuerpo o la ropa cerca de o debajo de las fresas rotativas u otras piezas móviles de la máquina.
- No haga funcionar la máquina si no están colocados y funcionando todos los protectores, defensas y dispositivos de seguridad de la máquina.
- No permita que entren otras personas, especialmente niños pequeños, ni animales domésticos, en la zona de trabajo.
- No permita que este vehículo sea utilizado por niños. Sólo permita que manejen la máquina personas responsables, formadas y familiarizadas con las instrucciones, y físicamente capaces de utilizar la máquina.
- Apague la máquina y espere a que se detengan todas las piezas en movimiento antes de abandonar el puesto del operador. Desconecte el cable de la bujía, manténgalo alejado de la bujía para evitar un arranque accidental, y deje que la máquina se enfríe antes de ajustar, repostar, desatasca, revisar, limpiar o almacenar la máquina.

El uso o mantenimiento incorrecto de esta máquina puede causar lesiones. Para reducir el peligro de lesiones, cumpla estas instrucciones de seguridad y preste atención siempre al símbolo de alerta de seguridad , que significa: Cuidado, Advertencia o Peligro – instrucción relativa a la seguridad personal. El incumplimiento de estas instrucciones puede dar lugar a lesiones personales o la muerte.

# Pegatinas de seguridad e instrucciones



Las pegatinas de seguridad e instrucciones están a la vista del operador y están ubicadas cerca de cualquier zona de peligro potencial. Sustituya cualquier pegatina que esté dañada o que falte.



144-4726

decal144-4726

1. Apriete el acelerador para engranar las cuchillas.



144-4732

decal144-4732

1. Pulse el cebador 3 veces, empuje la palanca del estérter hacia abajo, tire del arrancador de retroceso y, una vez que el motor esté en marcha, tire de la palanca del estérter hacia arriba.

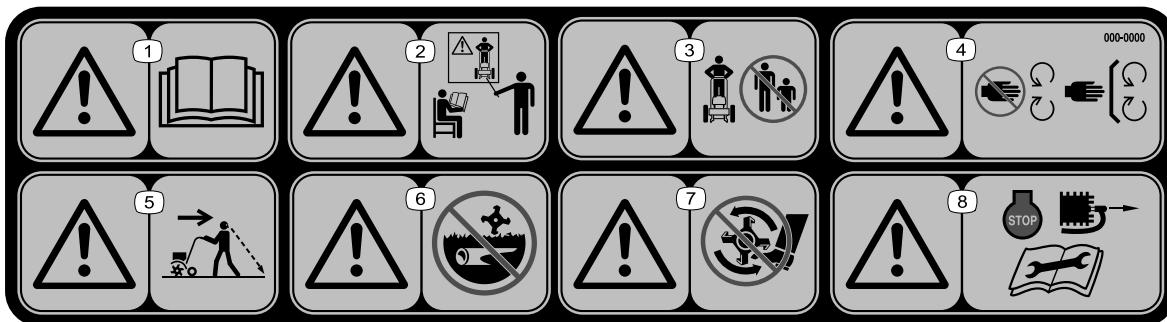
**WARNING: Cancer and Reproductive Harm - [www.P65Warnings.ca.gov](http://www.P65Warnings.ca.gov).**  
For more information, please visit [www.ttcocaprop65.com](http://www.ttcocaprop65.com)

**CALIFORNIA SPARK ARRESTER WARNING**  
Operation of this equipment may create sparks that can start fires around dry vegetation. A spark arrester may be required. The operator should contact local fire agencies for laws or regulations relating to fire prevention requirements.

133-8062

decal133-8062

133-8062



144-4727

decal144-4727

1. Advertencia – lea el *Manual del operador*.
2. Advertencia – todos los operadores deberían capacitarse antes de operar la máquina.
3. Advertencia – no permita que se acerquen otras personas.
4. Advertencia – no se acerque a las piezas en movimiento; mantenga colocados todos los protectores y defensas.
5. Advertencia – mire hacia atrás mientras utiliza la máquina en marcha atrás.
6. Advertencia – no trabaje encima de tendidos subterráneos.
7. Advertencia – mantenga los pies alejados de las piezas en movimiento.
8. Advertencia – apague el motor, desconecte la bujía y lea el *Manual del operador* antes de realizar cualquier tarea de mantenimiento.

# Montaje

## Piezas sueltas

Utilice la tabla siguiente para verificar que no falta ninguna pieza.

Procedimiento	Descripción	Cant.	Uso
<b>1</b>	Tuerca de mariposa	4	Ensamble el manillar.
	Arandela curva	4	
	Tornillo de carroceros	4	
	Manillar central	1	
	Manillar superior izquierdo	1	
	Manillar superior derecho	1	
<b>2</b>	No se necesitan piezas	–	Rote la barra de arrastre.

# 1

## Ensamblaje del manillar

Piezas necesarias en este paso:

4	Tuerca de mariposa
4	Arandela curva
4	Tornillo de carroceros
1	Manillar central
1	Manillar superior izquierdo
1	Manillar superior derecho

## Procedimiento

1. Estacione la máquina en una superficie nivelada.
2. Ajuste las ruedas a la posición más baja; [Ajuste de las ruedas \(página 12\)](#).
3. Conecte el manillar central al manillar inferior.

**Nota:** Puede instalarlo en los orificios superiores o inferiores, dependiendo de las preferencias de altura.

**Importante:** No apriete demasiado las tuercas de mariposa.

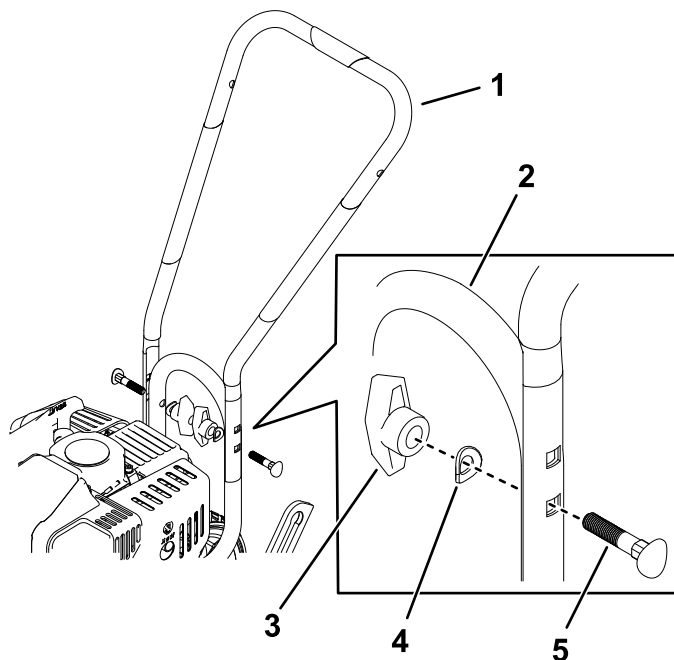


Figura 3

g334211

1. Manillar central
  2. Manillar inferior
  3. Tuerca de mariposa (2)
  4. Arandela curva (2)
  5. Tornillo de carroceros (2)
4. Conecte los manillares superiores izquierdo y derecho al manillar central.

**Importante:** No apriete demasiado las tuercas de mariposa.

# 2

## Rotación de la barra de arrastre

No se necesitan piezas

### Procedimiento

1. Retire el pasador de bloqueo.
2. Rote la barra de arrastre hasta que apunte hacia abajo, hacia las cuchillas.
3. Instale el pasador de bloqueo.

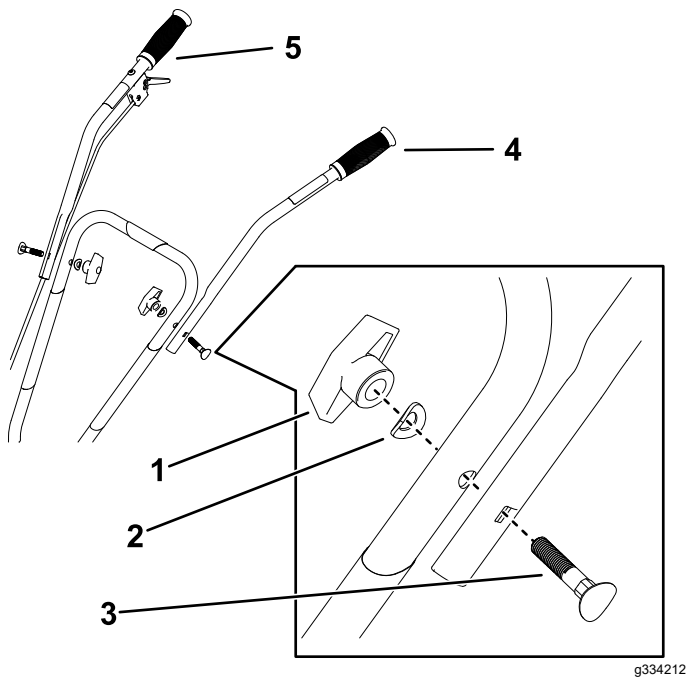


Figura 4

- |                               |                                |
|-------------------------------|--------------------------------|
| 1. Tuerca de mariposa (2)     | 4. Manillar superior izquierdo |
| 2. Arandela curva (2)         | 5. Manillar superior derecho   |
| 3. Tornillo de carrocería (2) |                                |

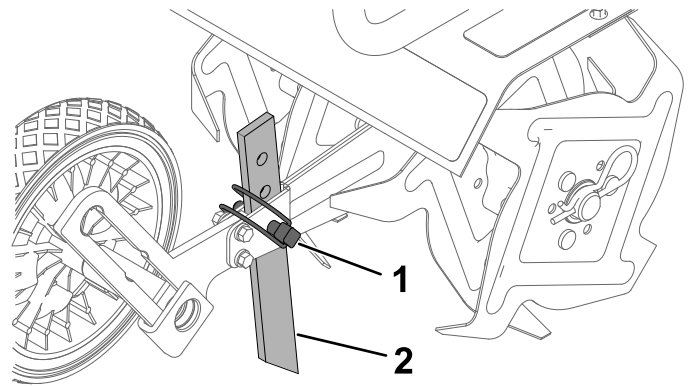


Figura 5

- |                       |                      |
|-----------------------|----------------------|
| 1. Pasador de bloqueo | 2. Barra de arrastre |
|-----------------------|----------------------|

# El producto

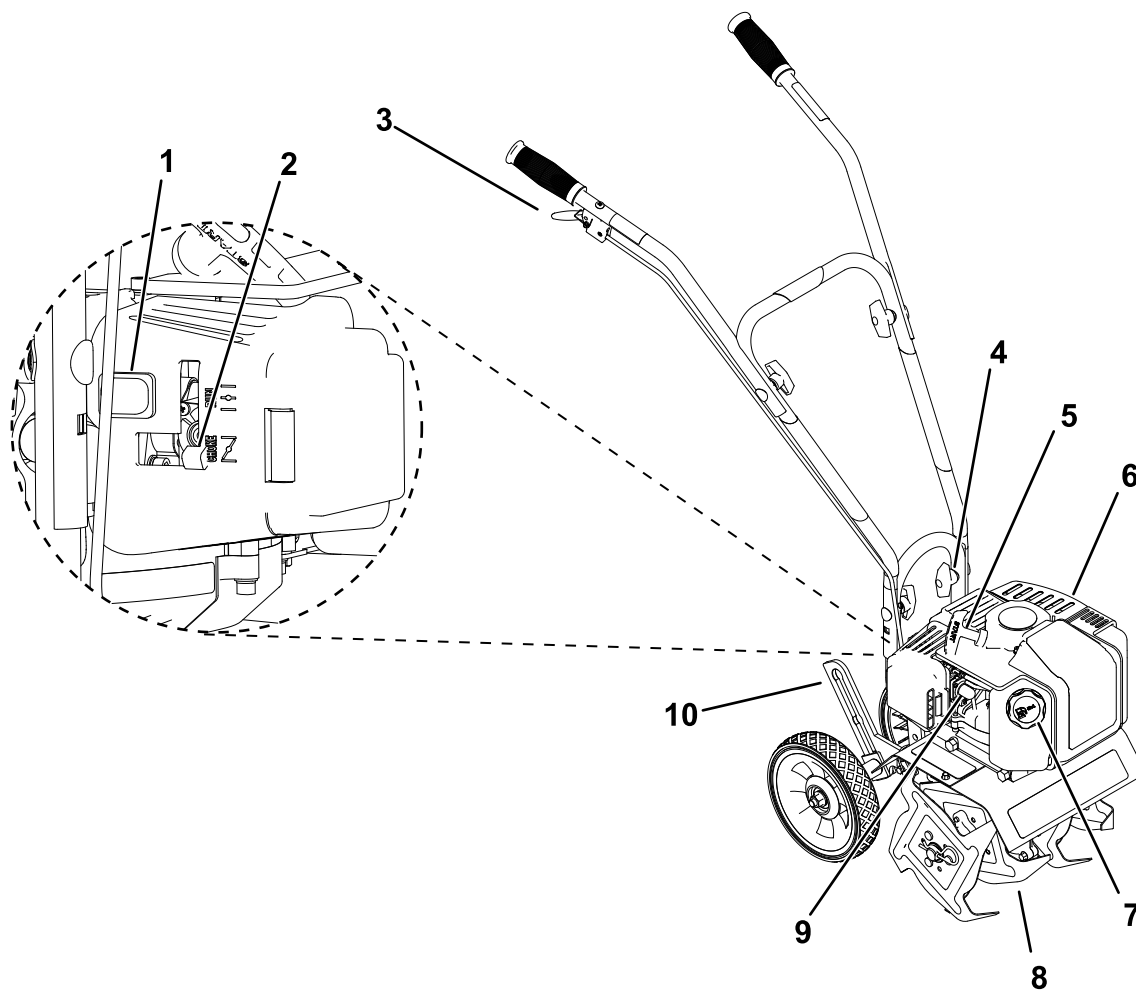


Figura 6

g334228

- |   |                               |
|---|-------------------------------|
| 1. Interruptor de encendido/apagado del motor | 6. Motor                      |
| 2. Palanca del estárter                       | 7. Tapón de combustible       |
| 3. Acelerador                                 | 8. Cuchillas                  |
| 4. Ajuste de la altura del manillar           | 9. Perilla del cebador        |
| 5. Arrancador                                 | 10. Guía vertical de la rueda |

## Controles

### Interruptor de encendido/apagado del motor

Utilice el interruptor de encendido/apagado del motor para apagar el motor. Asegúrese de que el interruptor está en la posición de CONECTADO antes de arrancar el motor.

### Acelerador

El acelerador controla la velocidad del motor y tiene un ajuste variable continuo.

Utilice la máquina a velocidad máxima para obtener el mejor rendimiento.

### Palanca del estárter

Mueva la palanca del estárter a la posición de ESTÁRTER para arrancar un motor frío, y luego muévala a la posición de MARCHA cuando el motor arranque.

# Especificaciones

Las especificaciones y los diseños están sujetos a modificación sin previo aviso.

Altura	97 cm (38")
Longitud	89 cm (35")
Anchura	46 cm (18")
Peso	15 kg (33 libras)
Anchura de cultivo	15 cm – 25 cm (6" – 10")
Profundidad de cultivo	Hasta 20 cm (8")

Para asegurar un rendimiento óptimo y mantener la certificación de seguridad de la máquina, utilice solamente piezas y accesorios genuinos Toro. Las piezas de recambio y accesorios de otros fabricantes podrían ser peligrosos, y su uso podría invalidar la garantía del producto.

# Operación

**Nota:** Los lados derecho e izquierdo de la máquina se determinan desde la posición normal del operador.

## Antes del funcionamiento

## Seguridad antes del uso

### Seguridad general

- No deje que la máquina sea utilizada o mantenida por niños o por adultos que no hayan recibido la formación adecuada. La normativa local puede imponer límites sobre la edad del operador.
- El uso de esta máquina requiere esfuerzo físico. Usted debe estar en buenas condiciones físicas y mentalmente alerta. Si usted tiene algún problema de salud que pudiera agravarse con el trabajo intenso, consulte a su médico antes de utilizar la máquina.
- Apague la máquina y espere a que se detengan todas las piezas en movimiento antes de abandonar el puesto del operador. Desconecte el cable de la bujía, manténgalo alejado de la bujía para evitar un arranque accidental, y deje que la máquina se enfríe antes de ajustar, repostar, desatasca, revisar, limpiar o almacenar la máquina.
- Familiarícese con la operación segura del equipo, los controles del operador y las señales de seguridad.
- Compruebe que todos los protectores y dispositivos de seguridad, como por ejemplo los deflectores, están colocados y que funcionan correctamente. No utilice la máquina si no funcionan correctamente.
- Sepa cómo parar el motor rápidamente.
- No permita que entren otras personas, especialmente niños pequeños, ni animales domésticos, en la zona de trabajo.
- Inspeccione a fondo el área donde se va a utilizar la máquina, y retire cualquier objeto que pudiera interferir con el funcionamiento de la máquina o que pudiera ser arrojado por la máquina.

### Seguridad – Combustible

- Extreme las precauciones al manejar el combustible. Es extremadamente inflamable y sus vapores son explosivos.
- Apague cualquier cigarrillo, cigarro, pipa u otra fuente de ignición.

# Cómo añadir combustible

## Combustible recomendado

Tipo	Gasolina sin plomo
Octanaje mínimo	87 (US) o 91 (RON; fuera de los Estados Unidos)
Etanol	No más del 10% por volumen
Metanol	Ninguno
MTBE (éter metil tert-butílico)	Menos del 15% por volumen
Aceite	Aceite de 2 tiempos; mezcla 50:1 de combustible/aceite

Utilice solamente combustible limpio y fresco (no más de 30 días de antigüedad) de origen acreditado.

## Mezcla de combustible

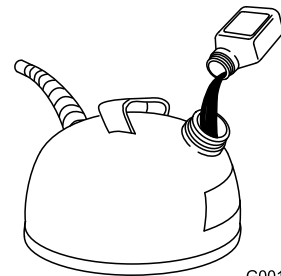
Este producto es impulsado por un motor de 2 tiempos y utiliza una premezcla de combustible y aceite de 2 tiempos. Haga la premezcla de gasolina sin plomo y aceite de motor de 2 tiempos en un recipiente limpio homologado para el combustible. No mezcle cantidades mayores que las que vaya a utilizar en un periodo de 30 días.

**Importante:** Para evitar dañar el motor, no utilice aceite para automóviles (por ejemplo, SAE 30 o 10W30) o combustible mezclado con una relación incorrecta de combustible/aceite.

## Tabla de mezclas 50:1 de combustible – aceite

Combustible	Aceite
3.8 litros (1 galón US)	76 ml (2.6 onzas fluidas)
7.6 litros (2 galones US)	152 ml (5.1 onzas fluidas)
19 litros (5 galones US)	380 ml (13 onzas fluidas)

1. Vierta 1.9 litros (0.5 galones US) de combustible fresco sin plomo en un recipiente de combustible homologado.
2. Añada aceite de 2 tiempos al combustible según la tabla.



G001120

g001120

Figura 7

3. Coloque el tapón del recipiente de combustible.

- Utilice solamente un recipiente de combustible homologado.
- No retire el tapón de combustible ni añada combustible al depósito si el motor está caliente o en marcha.
- Deje que se enfríe el motor antes de llenar el depósito de combustible.
- No llene el depósito de combustible dentro de un edificio.
- No llene el depósito de combustible en exceso. Vuelva a colocar el tapón de combustible y apriételo firmemente después de repostar. Limpie cualquier combustible derramado antes de arrancar el motor.
- No llene los recipientes dentro de un vehículo o sobre la plataforma de un camión o remolque con forro de plástico. Coloque los recipientes siempre en el suelo, lejos del vehículo, antes de llenarlos.
- Retire la máquina del camión o del remolque antes de llenar el depósito de combustible. Si esto no es posible, añada combustible con un recipiente portátil, en vez de usar un surtidor o boquilla dosificadora de combustible.
- Mantenga la boquilla dosificadora de combustible en contacto con el borde del depósito de combustible o el orificio del recipiente en todo momento hasta que termine de repostar. No utilice dispositivos que mantengan abierta la boquilla.
- Si se le derrama combustible sobre la ropa, cámbiese de ropa inmediatamente.
- Si se derrama combustible, no intente arrancar el motor; aleje la máquina del derrame y evite crear fuentes de ignición hasta que los vapores del combustible se hayan disipado.
- Si es necesario drenar el depósito, hágalo al aire libre.
- Almacene el combustible en un recipiente para combustible y manténgalo fuera del alcance de los niños.
- No almacene la máquina con combustible en el depósito de combustible, ni guarde un recipiente de combustible, donde pudiera haber una llama desnuda, chispas o una llama piloto, por ejemplo en un calentador de agua u otro electrodoméstico. Espere a que se enfríe el motor antes de guardar la máquina en un recinto cerrado.
- El combustible es dañino o mortal si es ingerido. La exposición a los vapores a largo plazo puede causar lesiones y enfermedades graves.
  - Evite la respiración prolongada de los vapores.
  - Mantenga las manos y el rostro alejados de la boquilla y de la abertura del depósito de combustible.
  - Mantenga alejado el combustible de los ojos y la piel.

4. Agite el recipiente para mezclar bien el combustible y el aceite.
5. Retire lentamente el tapón y añada la cantidad restante de combustible.

**Nota:** No mezcle combustible y aceite en el depósito de combustible. El aceite es más fácil de mezclar, y se mezcla mejor, a temperatura ambiente que cuando está frío. Si la temperatura del aceite es de menos de 0 °C (32 °F), necesitará un mezclado adicional.

## Uso del estabilizador/acondicionador

Utilice estabilizador/acondicionador en la máquina para mantener el combustible fresco durante más tiempo, siguiendo las indicaciones del fabricante del estabilizador de combustible.

**Importante:** No utilice aditivos de combustible que contengan metanol o etanol.

Agregue la cantidad apropiada de estabilizador/acondicionador a combustible fresco, siguiendo las indicaciones del fabricante del estabilizador de combustible.

## Llenado del/de los depósito(s) de combustible

**Capacidad del depósito de combustible:** 1.1 litros (36 onzas fluidas)

Consulte el manual del propietario del motor si desea más información.

Llene el depósito de combustible tal como se muestra en [Figura 8](#).

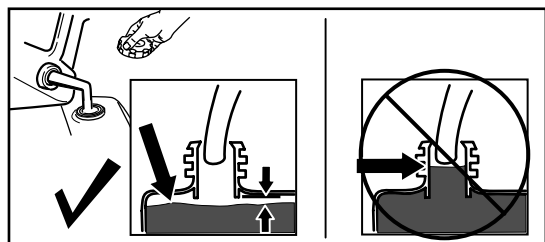


Figura 8

g230458

## Mantenimiento diario

Cada día, antes de arrancar la máquina, siga los procedimientos marcados como "Cada uso/A diario" en la sección [Mantenimiento \(página 15\)](#).

## Retirada e instalación de las cuchillas

1. Aparque la máquina en una superficie nivelada, pare el motor y deje que el motor se enfríe.
2. Retire la chaveta de cada extremo del eje de las cuchillas.

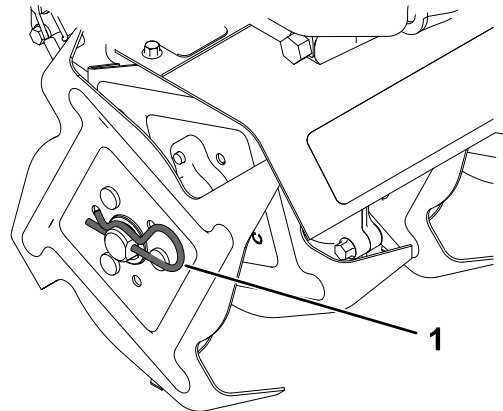


Figura 9

g334235

1. Chaveta

3. Retire las cuchillas del eje.
4. Coloque las cuchillas interiores ("B" y "C") en el eje.

**Nota:** Las letras están estampadas en las cuchillas. Coloque la cuchilla "B" en el lado izquierdo del eje, y coloque la cuchilla "C" hacia el lado derecho del eje.

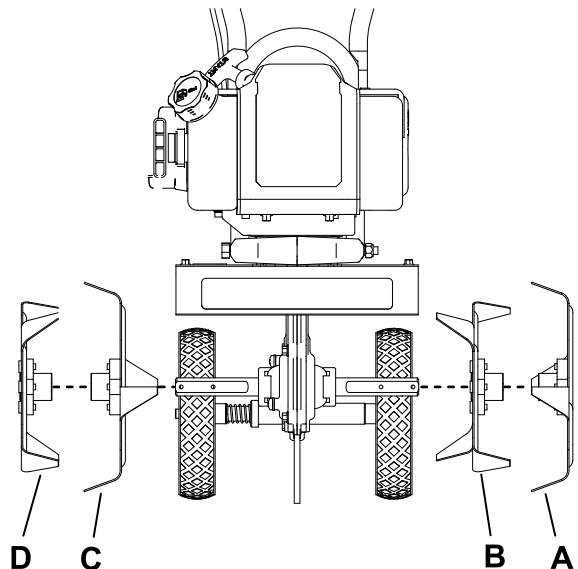


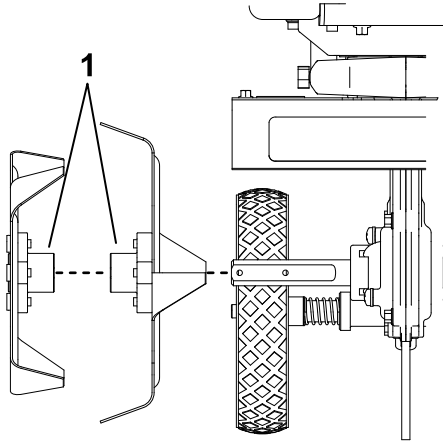
Figura 10

g334237

5. Coloque las cuchillas exteriores ("A" y "D") en el eje de manera que las cuchillas estén en el orden "A", "B", "C", "D", vistas desde la posición del operador.



**Nota:** Asegúrese de que los bujes de los pares de cuchillas izquierdo y derecho están enfrentados, para asegurar un espaciado adecuado entre las cuchillas.



**Figura 11**

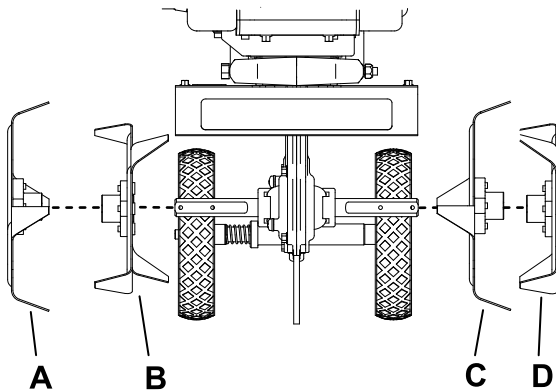
g334236

1. Buje

6. Instale una chaveta en cada extremo del eje de las cuchillas.

**Nota:** Para labrar más agresivamente, invierta el orden de las cuchillas de manera que las puntas estén orientadas hacia adelante (“D”, “C”, “B”, “A”, vistas desde la posición del operador) como se muestra en la [Figura 12](#).

**Nota:** Para una anchura de labranza más estrecha, no instale las cuchillas “A” y “D” en el paso 5.



**Figura 12**

g334238

Orden de las cuchillas para una labranza más agresiva

## Durante el funcionamiento

### Seguridad durante el uso

#### Seguridad en general

- Dedique toda su atención al manejo de la máquina. No realice ninguna actividad que pudiera distraerle; de lo contrario, podrían producirse lesiones o daños materiales.
- No utilice la máquina si está enfermo, cansado o bajo la influencia de alcohol o drogas.
- Lleve ropa adecuada, incluyendo protección ocular, pantalón largo, calzado resistente y antideslizante, protección auditiva y guantes. Si tiene el pelo largo, recójase, y no lleve joyas o prendas sueltas.
- Mantenga las manos, los pies, otras partes del cuerpo y la ropa alejados de las fresas en rotación y de las piezas en movimiento de la máquina. Las fresas empiezan a girar cuando el motor arranca, y pueden seguir girando momentáneamente después de que apague el motor.
- Arranque el motor con cuidado siguiendo las instrucciones de este *Manual del operador* y con los pies bien alejados de las fresas.
- Extreme las precauciones al ir hacia atrás o tirar de la máquina hacia usted. Para evitar quedarse atrapado contra una estructura, deje una distancia suficiente para poder cambiar de dirección cerca de una pared o una valla.
- Mantenga a otras personas fuera de la zona de trabajo. Mantenga a los niños pequeños alejados de la zona de trabajo y bajo la atenta mirada de un adulto responsable que no sea el operador de la máquina. Pare la máquina si alguien entra en la zona.
- Antes de arrancar el motor, asegúrese de que todas las transmisiones están en punto muerto y que usted está en la posición de operación.
- Utilice la máquina únicamente con buena visibilidad y en condiciones meteorológicas apropiadas. No use la máquina si hay riesgo de rayos.
- No intente ajustar la máquina con el motor en marcha.
- Si la máquina golpea un objeto o empieza a vibrar anormalmente, apague inmediatamente el motor, espere a que se detengan todas las piezas en movimiento, y desconecte el cable de la bujía antes de examinar la máquina en busca de daños. La vibración es a menudo una señal de

posibles problemas. Haga todas las reparaciones necesarias antes de volver a utilizar la máquina.

- No utilice la máquina a una velocidad de transporte alta sobre superficies duras o resbaladizas.
- Mire hacia atrás y hacia abajo y extreme las precauciones al trabajar en marcha atrás.
- No sobrecargue la máquina intentando arar o cultivar a demasiada profundidad y a una velocidad demasiado elevada.
- No levante ni transporte la máquina mientras el motor está en marcha.
- Extreme las precauciones y asegúrese de pisar firme, especialmente al ir hacia atrás, para evitar resbalar o caerse.
- Tenga cuidado al utilizar la máquina en suelo duro. Las fresas pueden engancharse en el suelo y propulsar la máquina repentinamente hacia adelante. Si esto ocurre, suelte la máquina; no intente retenerla.
- Extreme las precauciones al cruzar superficies de grava. Esté alerta a obstáculos ocultos y a otros vehículos.
- No deje desatendida la máquina si está en marcha.
- Apague la máquina y espere a que se detengan todas las piezas en movimiento antes de abandonar el puesto del operador. Desconecte el cable de la bujía, manténgalo alejado de la bujía para evitar un arranque accidental, y deje que la máquina se enfríe antes de ajustar, repostar, desatasca, revisar, limpiar o almacenar la máquina.
- Haga funcionar el motor únicamente en zonas bien ventiladas. Los gases de escape contienen monóxido de carbono, que es un veneno inodoro y mortal.
- Utilice solamente accesorios y aperos homologados por The Toro® Company.
- No cambie los ajustes del regulador del motor ni haga funcionar el motor a una velocidad excesiva.
- Mire siempre donde pisa, agarre firmemente el manillar y camine, no corra nunca.
- Deje que se enfríen la zona del silenciador y del motor antes de tocarlos.
- Las fresas no deben girar cuando el motor está en ralentí; si giran, póngase en contacto con su Servicio Técnico Autorizado.
- Si algún objeto queda atrapado en las fresas, apague el motor, desconecte el cable de la bujía y deje que el motor se enfríe antes de retirar el objeto.
- No utilice la máquina en pendientes o cuestas empinadas. Para evitar vuelcos, conduzca la máquina hacia arriba y hacia abajo en pendientes.

## Arranque del motor

1. Pulse la perilla del cebador hasta que la manguera de cebado esté llena de gasolina.

**Nota:** Deje que la perilla vuelva a su posición original entre pulsaciones.

**Nota:** Si el motor está caliente, puede no ser necesario cebarlo.

2. Mueva la palanca del estárter a la posición de ESTÁRTER.

**Nota:** Si el motor está caliente, puede no ser necesario usar el estárter.

3. Mueva el interruptor de Encendido/Apagado del motor a la posición de ENCENDIDO.
4. Colóquese en la posición de operación y agarre el manillar con una mano.
5. Con la otra mano, tire del arrancador suavemente hasta que note resistencia, luego tire con fuerza. Deje que el arrancador vuelva lentamente a su posición inicial.

**Nota:** Si el motor no arranca después de 5 o 6 intentos, pulse una vez la perilla del cebador y tire otra vez del arrancador.

6. Cuando el motor esté en marcha, mueva la palanca del estárter hasta el punto intermedio entre las posiciones de ESTÁRTER y MARCHA.
7. Cuando el motor funcione suavemente, mueva la palanca del estárter a la posición de MARCHA.
8. Apriete la palanca del acelerador hasta obtener la velocidad deseada.

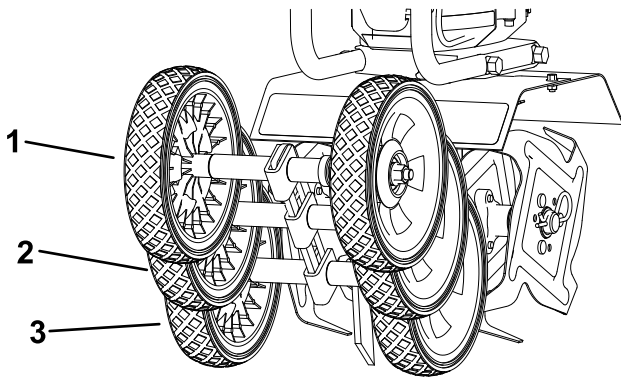
**Nota:** Utilice la velocidad máxima siempre que sea posible. No deje la máquina en ralentí durante periodos de tiempo prolongados.

## Apagado del motor

1. Suelte la palanca del acelerador.
2. Permanezca en la posición de operación y agarre el manillar con una mano.
3. Mueva el interruptor de Encendido/Apagado del motor a la posición de APAGADO.
4. Espere a que se detengan todas las piezas en movimiento antes de abandonar el puesto del operador.

## Ajuste de las ruedas

Ajuste las ruedas a una de las tres posiciones. Utilice la posición baja cuando transporte la motoazada por encima de superficies llanas con el motor apagado. Utilice las posiciones media y alta para estabilizar la máquina cuando cultive a diferentes profundidades.

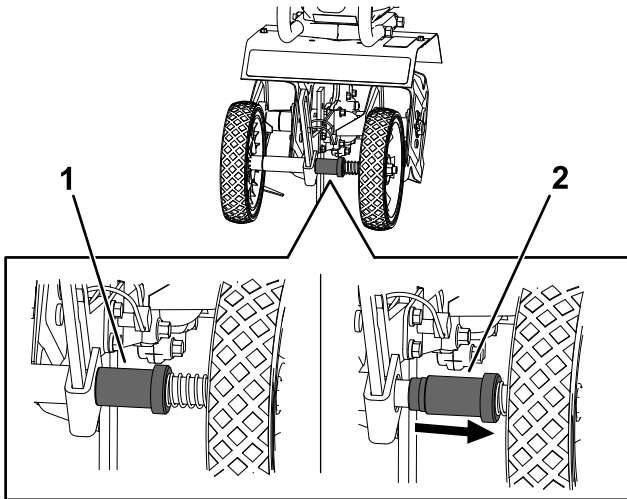


**Figura 13**

g334240

- 1. Posición alta
- 2. Posición media
- 3. Posición baja

1. Mueva la máquina a una superficie nivelada, apague el motor, y espere a que se detengan todas las piezas en movimiento.
2. Tire del manguito de bloqueo hasta que salga de la guía vertical a la posición desbloqueada (Figura 14).
3. Coloque las ruedas en la posición deseada.
4. Suelte el manguito de bloqueo y asegúrese de que se bloquea en una de las muescas de la guía vertical.



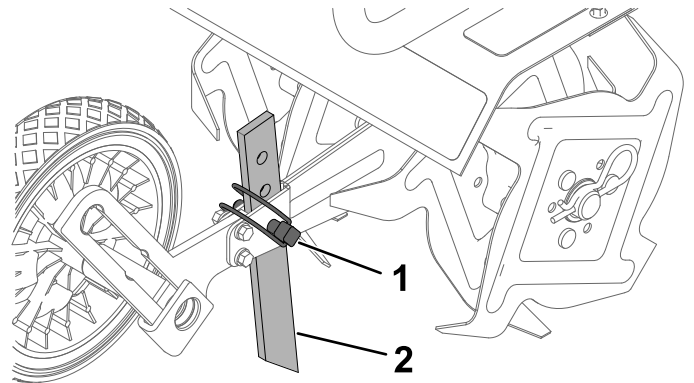
**Figura 14**

g334239

- 1. Manguito de bloqueo – posición de bloqueo
- 2. Manguito de bloqueo – posición de desbloqueo

la resistencia al avance y para labrar a mayor profundidad.

1. Mueva la máquina a una superficie nivelada, apague el motor, y espere a que se detengan todas las piezas en movimiento.
2. Retire el pasador de bloqueo.
3. Ajuste la barra de arrastre a la profundidad deseada con la punta orientada hacia abajo.
4. Sujete la barra de arrastre con el pasador de bloqueo.



**Figura 15**

g334215

- 1. Pasador de bloqueo
- 2. Barra de arrastre

## Ajuste de la barra de arrastre

La barra de arrastre ayuda a regular la profundidad de cultivo y evita que la motoazada salte bruscamente hacia adelante durante el uso. Ajuste la barra de arrastre a la posición más baja para aumentar

## Consejos de operación

- Inspeccione la zona en la que va a utilizar la motoazada y retire cualquier objeto, como por ejemplo piedras grandes, basura o ramas, antes de usar la motoazada, para evitar dañar el equipo.
- El embrague transfiere la máxima potencia después de unas 2 horas de operación normal. Durante este periodo de rodaje, el embrague puede patinar. Mantenga el embrague libre de aceite y humedad para un funcionamiento eficiente.
- Comience siempre a cultivar usando la menor velocidad de avance posible. Aumente la velocidad si las condiciones lo permiten.
- No apoye un peso excesivo sobre la motoazada. Utilice el peso de la máquina para cultivar más eficazmente.

## Después del funcionamiento

### Seguridad tras el uso

#### Seguridad en general

- Apague la máquina y espere a que se detengan todas las piezas en movimiento antes de abandonar el puesto del operador. Desconecte el cable de la bujía, manténgalo alejado de la bujía para evitar un arranque accidental, y deje que la máquina se enfríe antes de ajustar, repostar, desatasca, revisar, limpiar o almacenar la máquina.
- Limpie cualquier residuo de la máquina para ayudar a prevenir incendios. Limpie cualquier aceite o combustible derramado.

#### Seguridad durante el transporte

- Desconecte el cable de la bujía antes de cargar la máquina para el transporte.
- Tenga cuidado al cargar o descargar la máquina.

## Transporte de la máquina

### **⚠ PELIGRO**

**Si transporta la máquina dentro de un vehículo en un lugar cerrado, el combustible y los vapores del combustible pueden prenderse y causar lesiones graves o la muerte.**

**Transporte la máquina en posición vertical en un vehículo abierto, o extraiga el combustible de la máquina.**

Asegúrese de que el tapón de combustible está apretado y transporte la máquina en posición vertical en un vehículo abierto. Inmovilice la máquina.

Si hay combustible en el depósito de combustible y es necesario transportar la máquina en un vehículo cerrado, siga estos pasos:

1. Drene el combustible en un recipiente de combustible homologado.
2. Arranque la máquina y déjela en marcha hasta que se pare.
3. Limpie cualquier derrame de combustible y deje que la máquina se seque.
4. Apriete firmemente el tapón de combustible.
5. Inmovilice la máquina.

# Mantenimiento

## Seguridad durante el mantenimiento

- Inspeccione la máquina frecuentemente para asegurarse de que está en condiciones seguras de funcionamiento, y que los pernos de seguridad, los pernos de montaje del motor y otras fijaciones están correctamente apretadas.
- Apague la máquina y espere a que se detengan todas las piezas en movimiento antes de abandonar el puesto del operador. Desconecte el cable de la bujía, manténgalo alejado de la bujía para evitar un arranque accidental, y deje que la máquina se enfríe antes de ajustar, repostar, desatascar, revisar, limpiar o almacenar la máquina.
- Lleve guantes y protección ocular al realizar el mantenimiento de la máquina.
- No manipule nunca los dispositivos de seguridad. Compruebe regularmente que funcionan correctamente.
- Para asegurar el rendimiento óptimo de la máquina, utilice solamente piezas de recambio y accesorios genuinos de Toro. Las piezas de recambio y accesorios de otros fabricantes podrían ser peligrosos, y su uso podría invalidar la garantía del producto.
- Cambie cualquier fresa que esté doblada, dañada o suelta; no repare ni modifique las fresas.
- Mantenga la máquina, los aperos y los accesorios en condiciones seguras de funcionamiento.
- No intente reparar la máquina a menos que tenga las herramientas necesarias y las instrucciones correctas para desmontar, montar y reparar la máquina.

## Calendario recomendado de mantenimiento

Intervalo de mantenimiento y servicio	Procedimiento de mantenimiento
Cada vez que se utilice o diariamente	<ul style="list-style-type: none"><li>• Compruebe el filtro de aire.</li><li>• Limpie cualquier residuo de las aletas de refrigeración, las entradas de aire y los acoplamientos.</li></ul>
Cada 20 horas	<ul style="list-style-type: none"><li>• Limpie el filtro de aire. (Limpiar a diario en condiciones de mucho polvo.)</li><li>• Cambie el filtro de aire.</li><li>• Inspeccione, limpie y ajuste la bujía.</li></ul>
Cada año	<ul style="list-style-type: none"><li>• Cambie el filtro de aire.</li><li>• Cambie la bujía.</li></ul>

## Procedimientos previos al mantenimiento

### Preparación para el mantenimiento

1. Mueva la máquina a una superficie nivelada, apague el motor, y espere a que se detengan todas las piezas en movimiento.
2. Desconecte el cable de la bujía.

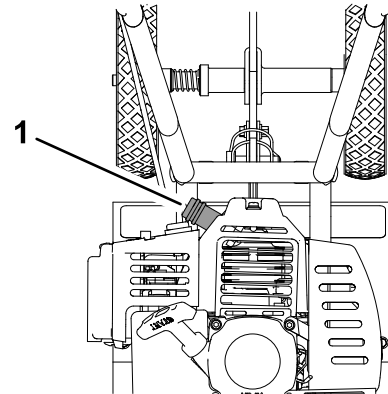


Figura 16

g335329

1. Cable de la bujía
3. Después de realizar el/los procedimiento(s) de mantenimiento, conecte el cable de la bujía a la bujía.  
**Importante:** Antes de inclinar la máquina para sustituir la cuchilla, deje que se vacíe el

depósito de combustible con el uso normal. Si es imprescindible inclinar la máquina antes de que se acabe el combustible, utilice una bomba manual para extraer el combustible.

## Mantenimiento del motor

### Mantenimiento del filtro de aire

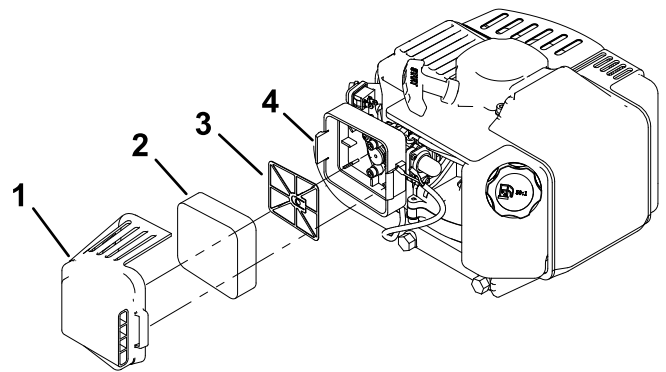
**Intervalo de mantenimiento:** Cada vez que se utilice o diariamente—Compruebe el filtro de aire.

Cada 20 horas—Limpie el filtro de aire. (Limpiar a diario en condiciones de mucho polvo.)

Cada 20 horas—Cambie el filtro de aire.

Cada año—Cambie el filtro de aire.

1. Mueva la palanca del estárter a la posición ESTÁRTER.
2. Apriete las pestañas de cierre y gire la tapa del filtro de aire para separarla de la máquina.



g335328

Figura 17

- |                                  |                                 |
|----------------------------------|---------------------------------|
| 1. Tapa del filtro de aire       | 3. Placa de refuerzo del filtro |
| 2. Elemento de espuma del filtro | 4. Pestaña de cierre (2)        |

3. Retire e inspeccione el elemento filtrante de espuma.

**Importante:** Sustituya el elemento de espuma si está roto o desgastado.

4. Lave el filtro de espuma con jabón líquido y agua templada. Cuando el filtro esté limpio, enjuáguelo bien.

**Importante:** No retuerza el elemento de espuma durante la limpieza.

5. Seque el elemento apretándolo con un trapo limpio.
6. Sumerja el elemento de espuma en aceite de motor limpio (30W o 40W), luego apriételo para eliminar el exceso de aceite.
7. Instale el filtro sobre la placa de refuerzo del filtro. Presione el filtro de espuma uniformemente sobre la placa para asegurarse de que quede correctamente asentado en su posición sellada.

8. Instale la tapa del filtro de aire. Asegúrese de que encaje en su sitio y quede sujeta por las pestañas.

## Mantenimiento de la bujía

**Intervalo de mantenimiento:** Cada 20 horas—Inspeccione, limpie y ajuste la bujía.

Cada año—Cambie la bujía.

Asegúrese de que la distancia entre los electrodos central y lateral es correcta antes de instalar la bujía.

Utilice una llave de bujías para desmontar e instalar la(s) bujía(s) y una galga de espesores/herramienta para electrodos para comprobar y ajustar el espacio entre los mismos. Instale una bujía nueva si es necesario.

**Tipo:** Torch L7RTC, Champion RCJ8Y o equivalente

**Distancia entre electrodos:** 0.71 mm (0.028")

## Retirada de la bujía

1. Desconecte el cable de la bujía.

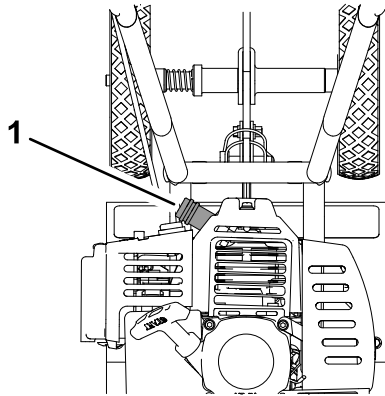


Figura 18

g335329

1. Cable de la bujía
- 
2. Limpie alrededor de las bujías para evitar que entre suciedad en el motor, lo que podría dañarlo.
  3. Retire la bujía.

## Inspección de la bujía

**Importante:** No limpie las bujías. Cambie siempre la(s) bujía(s) si tiene(n) un revestimiento negro, los electrodos desgastados, una película aceitosa o grietas.

Si se observa un color gris o marrón claro en el aislante, el motor está funcionando correctamente. Si el aislante aparece de color negro, significa que el limpiador de aire está sucio.

Ajuste la distancia a 0.71 mm (0.028").

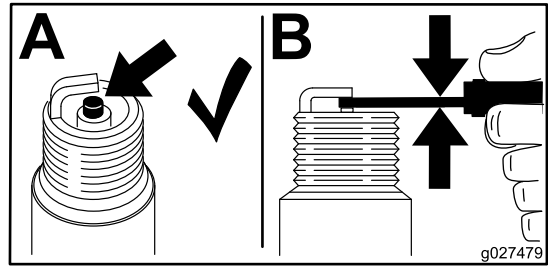


Figura 19

g027479

## Instalación de la bujía

1. Enrosque la bujía en el orificio de la bujía a mano en sentido horario.
2. Gire la bujía en sentido horario usando una llave para bujías hasta que la bujía y la junta estén asentadas.
3. Apriete la bujía según se indica a continuación:
  - Si instala la bujía original, apriétela  $\frac{1}{2}$  vuelta más.
  - Si instala una bujía nueva, apriete la bujía entre  $\frac{1}{8}$  y  $\frac{1}{4}$  de vuelta más.

**Importante:** Una bujía que no está correctamente apretada puede hacer que el cilindro se recaliente. Si se aprieta demasiado la bujía, pueden dañarse las roscas de la culata del motor.

4. Conecte el cable de la bujía a la bujía.

# Almacenamiento

## Seguridad durante el almacenamiento

- Apague la máquina y espere a que se detengan todas las piezas en movimiento antes de abandonar el puesto del operador. Desconecte el cable de la bujía, manténgalo alejado de la bujía para evitar un arranque accidental, y deje que la máquina se enfríe antes de ajustar, repostar, desatasca, revisar, limpiar o almacenar la máquina.
- Deje funcionar el motor hasta que no quede combustible, o retire la gasolina con una bomba de mano; nunca utilice un sifón. Si es necesario drenar el depósito, hágalo al aire libre.
- Siga las instrucciones de este *Manual del operador* para descargar, transportar y almacenar la máquina con seguridad.
- No almacene nunca la máquina con combustible en el depósito dentro de un edificio donde haya fuentes de ignición tales como calentadores de agua o calefactores, secadoras de ropa, etc. Espere a que se enfríe el motor antes de guardar la máquina en un recinto cerrado.
- Siempre consulte el *Manual del operador* para obtener información importante antes de almacenar la máquina durante un periodo de tiempo extendido.

## Limpieza y almacenamiento de la máquina

1. Aparque la máquina en una superficie nivelada, apague el motor, y espere a que se detengan todas las piezas en movimiento antes de abandonar el puesto del operador.
2. Elimine los residuos de las cuchillas y del motor de la motoazada.

**Importante:** La máquina puede lavarse con un detergente suave y agua. No lave la máquina a presión. Evite el uso excesivo de agua, especialmente cerca del motor y la transmisión.

3. Revise el filtro de aire; consulte [Mantenimiento del filtro de aire \(página 16\)](#).
4. Prepare la máquina para un almacenamiento de más de 30 días como se indica a continuación:
  - A. Agregue un estabilizador/acondicionador a combustible fresco en el depósito. Siga las instrucciones de mezcla del fabricante

del estabilizador de combustible. No use un estabilizador a base de alcohol (etanol o metanol).

- B. Haga funcionar el motor para distribuir el combustible con acondicionador por todo el sistema de combustible durante 5 minutos.
- C. Pare el motor, deje que se enfríe y drene el depósito de combustible.
- D. Arranque el motor y hágalo funcionar hasta que se pare.
- E. Deseche el combustible adecuadamente. Recicle el combustible según la normativa local.

**Importante:** No guarde combustible que contenga estabilizador/acondicionador durante más tiempo que el recomendado por el fabricante del estabilizador de combustible.

5. Retire la bujía y verifique su condición; consulte [Mantenimiento de la bujía \(página 17\)](#). Con la bujía retirada del motor, vierta 15 ml (1 cucharada sopera) de aceite de motor en el orificio de la bujía. Retire la bujía y tire del arrancador 3 veces para cubrir el cilindro de aceite. No instale el cable en la bujía.
6. Compruebe y apriete todas las fijaciones. Repare o sustituya cualquier pieza dañada.
7. Pinte las superficies que estén arañadas o donde esté visible el metal. Puede adquirir la pintura en su Servicio Técnico Autorizado.
8. Almacene la máquina en posición vertical en un garaje o almacén seco y limpio. Manténgala fuera del alcance de niños u otros usuarios no autorizados. Cubra la máquina para protegerla y para conservarla limpia.



# Solución de problemas

Problema	Posible causa	Acción correctora
El motor no arranca.	<ol style="list-style-type: none"> <li>1. El interruptor del motor está en la posición de APAGADO.</li> <li>2. El cable de la bujía está suelto o desconectado.</li> <li>3. La bujía está húmeda, picada, sucia o la distancia entre los electrodos es incorrecta.</li> <li>4. La manguera de combustible no está colocada en el fondo del depósito de combustible.</li> </ol>	<ol style="list-style-type: none"> <li>1. Mueva el interruptor a la posición de ENCENDIDO.</li> <li>2. Conecte el cable a la bujía.</li> <li>3. Instale una bujía nueva, con los electrodos a la distancia correcta.</li> <li>4. Introduzca la manguera de combustible en el combustible dentro del depósito de combustible.</li> </ol>
El motor funciona irregularmente o se ahoga durante el uso.	<ol style="list-style-type: none"> <li>1. El filtro de aire está sucio.</li> <li>2. El estérter está parcialmente activado.</li> <li>3. El carburador está mal ajustado.</li> </ol>	<ol style="list-style-type: none"> <li>1. Limpie o cambie el filtro de aire.</li> <li>2. Mueva la palanca del estérter a la posición de MARCHA.</li> <li>3. Póngase en contacto con el Servicio Técnico Autorizado.</li> </ol>
Es difícil arrancar el motor.	<ol style="list-style-type: none"> <li>1. Hay combustible viejo en el sistema de combustible.</li> <li>2. El cable de la bujía está suelto o desconectado.</li> <li>3. El carburador está sucio.</li> <li>4. El combustible no está suficientemente cebado.</li> </ol>	<ol style="list-style-type: none"> <li>1. Drene el depósito de combustible y añada combustible nuevo.</li> <li>2. Conecte el cable a la bujía.</li> <li>3. Limpie el carburador, utilice estabilizador de combustible, y utilice un recipiente de combustible nuevo.</li> <li>4. Pulse la perilla del cebador 3 veces, luego tire del arrancador.</li> </ol>
El motor no arranca, arranca con dificultad, o no sigue funcionando.	<ol style="list-style-type: none"> <li>1. El depósito de combustible está vacío.</li> <li>2. El estérter no está activado.</li> <li>3. El filtro de aire está sucio.</li> <li>4. Hay suciedad, agua o combustible viejo en el sistema de combustible.</li> <li>5. Hay combustible incorrecto en el depósito de combustible.</li> </ol>	<ol style="list-style-type: none"> <li>1. Llene el depósito de combustible.</li> <li>2. Mueva la palanca del estérter a la posición de ESTÁRTER.</li> <li>3. Limpie o cambie el filtro de aire.</li> <li>4. Póngase en contacto con el Servicio Técnico Autorizado.</li> <li>5. Drene el depósito y rellene con combustible del tipo correcto.</li> </ol>
El motor falla o le falta potencia.	<ol style="list-style-type: none"> <li>1. El filtro de combustible está obstruido.</li> <li>2. El limpiador de aire está sucio o dañado.</li> <li>3. El carburador está mal ajustado.</li> <li>4. La bujía está húmeda, picada, sucia o la distancia entre los electrodos es incorrecta.</li> </ol>	<ol style="list-style-type: none"> <li>1. Limpie el depósito de combustible y cambie el filtro de combustible.</li> <li>2. Limpie o cambie el elemento del limpiador de aire.</li> <li>3. Póngase en contacto con el Servicio Técnico Autorizado.</li> <li>4. Instale una bujía nueva, con los electrodos a la distancia correcta.</li> </ol>
El motor funciona y luego se para.	<ol style="list-style-type: none"> <li>1. El tapón de combustible no ventila.</li> <li>2. El filtro de combustible está obstruido.</li> <li>3. El carburador está mal ajustado.</li> </ol>	<ol style="list-style-type: none"> <li>1. Limpie o sustituya el tapón de combustible; compruebe el respiradero.</li> <li>2. Limpie o cambie el filtro de combustible.</li> <li>3. Póngase en contacto con el Servicio Técnico Autorizado.</li> </ol>
La velocidad del motor es demasiado alta.	<ol style="list-style-type: none"> <li>1. El carburador está mal ajustado.</li> </ol>	<ol style="list-style-type: none"> <li>1. Póngase en contacto con el Servicio Técnico Autorizado.</li> </ol>

<b>Problema</b>	<b>Posible causa</b>	<b>Acción correctora</b>
Las cuchillas giran cuando la máquina está en ralentí.	<ol style="list-style-type: none"><li>1. La velocidad de ralentí es demasiado alta.</li><li>2. El muelle del embrague está roto.</li></ol>	<ol style="list-style-type: none"><li>1. Baje la velocidad de ralentí.</li><li>2. Cambie el embrague.</li></ol>



## Términos y Condiciones de la garantía

### Declaración de garantía limitada de 5 años sobre el producto

The Toro Company garantiza este producto bajo una garantía limitada de cinco años contra defectos en materiales o mano de obra o ambos por un periodo no superior a 60 meses consecutivos a partir de la fecha de compra original por el primer consumidor minorista o primer usuario final comercial. Esta garantía no es aplicable al motor montado en el producto. "Uso de consumo" significa uso recreativo personal por un consumidor minorista. "Uso comercial" o "aplicación comercial" significa todos los demás usos, incluyendo el uso para un propósito comercial, de generación de ingresos o de alquiler. Una vez que un producto haya experimentado el uso comercial, se considerará a partir de entonces como producto de uso comercial para los propósitos de esta garantía. Esta garantía es aplicable al propietario original que proporcione una prueba de compra. Esta garantía no es transferible. El periodo de garantía empieza en la fecha de la compra por el primer consumidor minorista o usuario final comercial y continúa durante el periodo de 60 meses consecutivos subsiguiente. Cualquier unidad utilizada en una aplicación comercial está cubierta durante un periodo de 90 días después de la compra por el primer usuario final comercial. Para que la garantía sea válida, el producto debe registrarse online en el plazo de 30 días a partir de la fecha de compra, o la tarjeta de garantía debe ser rellenada y recibida por Toro en el plazo de 30 días a partir de la fecha de compra. Toro no será responsable de los cargos de transporte que surjan de la reparación o sustitución bajo los términos de esta garantía. Los cargos de transporte son responsabilidad exclusiva del comprador.

Esta garantía excluye piezas desgastadas o dañadas debido a desgaste normal, como por ejemplo cuchillas, cojinetes, correas, taladros, cuchillas, cadenas del deflector de residuos, ruedas, neumáticos, martillos triangulares, martillos en J, cuchillas de trituradora, juntas y retenes, casquillos, embragues, poleas, hilo de desbrozadora, protectores de residuos, cortadores de hilo, empuñaduras, ejes y husillos, muelles y cables. Esta garantía excluye elementos de mantenimiento rutinario tales como baterías, elementos filtrantes, juntas tóricas, juntas y retenes, lubricantes, piezas de puesta a punto, piezas rotativas, piezas de accesorios tales como aporcadores, kits de cortabordes, kits de escarificadoras, cartuchos manuales, cajas de batería, bolsas de recogida de nylon, soportes para bolsas de recogida, barrenas y sinfines, extensiones, amortiguadores, bolsas de piezas de nylon o cabezales de ajuste de altura. Estas garantías no cubren daños causados por almacenamiento y mantenimiento inadecuados, incluyendo pero sin limitarse al uso de piezas no autorizadas, el no realizar el mantenimiento periódico especificado en el manual del producto, o las reparaciones realizadas en centros de servicio no autorizados. Estas garantías son aplicables únicamente a productos que no hayan sido sometidos a uso negligente, abuso, modificación o sobrecarga, que incluyen pero no se limitan a hacer funcionar el producto en seco (sin aceite), o por debajo de los niveles mínimos de aceite, hacer funcionar el motor sin el combustible correcto (gasolina sola o mezclada con aceite), daños en la barra de tiro causados por la realización de giros demasiado cerrados, el uso del equipo para un propósito diferente al propósito para el que fue diseñado y fabricado, el uso continuado del equipo tras un cambio repentino en las vibraciones, el uso del equipo en contra de la normativa y las ordenanzas locales y las buenas prácticas comerciales, la instalación incorrecta, el uso del equipo por encima de los valores máximos recomendados e indicados en los manuales del producto y/o del motor adjuntos.

Esta garantía no cubre eventos que estén fuera del control de Toro como accidentes, fuerza mayor, rayos y vandalismo. Esta garantía limitada es aplicable únicamente a defectos en materiales o mano de obra. No existe ninguna otra garantía expresa. Las garantías implícitas, incluyendo las de mercantilidad y adecuación a un propósito determinado, están limitadas a un año a partir de la compra, o a lo dispuesto en la legislación aplicable. Se excluyen todas las demás garantías implícitas. La responsabilidad por daños incidentales o consecuentes se excluye en la medida en que la ley permite la exclusión. Toro no asume, ni autoriza a ninguna otra persona a asumir por Toro, ninguna responsabilidad en conexión con la venta de productos Toro. Para estar "Sin Cargo", los trabajos bajo la garantía deben ser enviados directamente a, y ser realizados por, Toro o por un Servicio Técnico Autorizado de Toro. Para obtener instrucciones de asistencia y/o sustitución bajo la garantía, póngase en contacto con el Departamento de Atención al Cliente de Toro, teléfono 952-888-8801. Si usted elige enviar su producto a Toro para su reparación bajo la garantía, primero debe contar con la autorización previa de Toro, llamando al Departamento de Atención al Cliente de Toro para obtener un número de autorización de devolución de material (Número RMA). Bajo estas circunstancias, todos los elementos deben enviarse a portes pagados. Toro reparará o sustituirá a su discreción sin cargo alguno cualquier pieza defectuosa a la que sea aplicable esta garantía. Toro se reserva el derecho a cambiar modelos, especificaciones y precios sin previo aviso. Toro no estará obligado a enviar ningún producto de reparación o sustitución a ningún lugar situado fuera de los Estados Unidos de América o Canadá. Algunos estados y países no permiten limitaciones sobre la duración de una garantía implícita, ni la exclusión o la limitación de daños incidentales o consecuentes, de manera que la limitación anterior puede no serle aplicable a usted. Esta garantía le otorga a usted derechos legales específicos, y es posible que tenga otros derechos que pueden variar de un estado a otro y de un país a otro.

# Información sobre las Advertencias de la Proposición 65 de California

## ¿Qué significa esta advertencia?

Puede ver un producto a la venta que lleva una etiqueta de advertencia como la siguiente:



**ADVERTENCIA: Cáncer y daños reproductivos – [www.p65Warnings.ca.gov](http://www.p65Warnings.ca.gov).**

## ¿Qué es la Proposición 65?

La Proposición 65 afecta a cualquier empresa que tenga presencia en California, que venda productos en California, o que fabrique productos que podrían ser introducidos o vendidos en California. Esta ley exige que el Gobernador de California mantenga y publique una lista de sustancias químicas identificadas como causantes de cáncer, defectos de nacimiento y/u otros daños reproductivos. La lista, que se actualiza anualmente, incluye cientos de productos químicos que se encuentran en muchos artículos de uso diario. El propósito de la Proposición 65 es informar al público sobre la exposición a estos productos químicos.

La Proposición 65 no prohíbe la venta de productos que contengan estos productos químicos, sino que requiere la presencia de advertencias en el producto, el envase y la documentación suministrada con el producto. Además, una advertencia de la Proposición 65 no significa que el producto contravenga ninguna norma o requisito de seguridad. De hecho, el gobierno de California ha aclarado que una advertencia bajo la Proposición 65 “no es lo mismo que una decisión legal sobre la “seguridad” o la “inseguridad” de un producto”. Muchos de estos productos químicos han sido utilizados durante años en productos de uso diario sin que se hayan producido daños documentados. Para obtener más información, visite <https://oag.ca.gov/prop65/faqs-view-all>.

Una advertencia de la Proposición 65 significa que una empresa (1) ha evaluado la exposición y ha concluido que supera el nivel de “sin riesgo significativo”; o (2) ha optado por proporcionar una advertencia basándose en sus conocimientos respecto a la presencia de un producto químico de los incluidos en la lista, sin intentar evaluar la exposición.

## ¿Esta ley es aplicable en todas partes?

Las advertencias de la Proposición 65 sólo son obligatorias bajo la legislación de California. Estas advertencias se ven por toda California en una gran variedad de entornos, incluyendo entre otros restaurantes, tiendas de alimentación, hoteles, escuelas y hospitales, y en una amplia variedad de productos. Además, algunos minoristas de Internet y de la venta por correo incluyen advertencias de la Proposición 65 en sus sitios web o en sus catálogos.

## ¿Qué diferencia hay entre las advertencias de California y los límites federales?

Las normas de la Proposición 65 son a menudo más exigentes que las normas federales o internacionales. Varias sustancias requieren una advertencia bajo la Proposición 65 a niveles muy inferiores a los límites federales. Por ejemplo, el nivel exigido por la Proposición 65 para las advertencias sobre el plomo es de 0.5 µg/día, que es muy inferior a lo que exigen las normas federales e internacionales.

## ¿Por qué no llevan la advertencia todos los productos similares?

- Los productos vendidos en California deben llevar etiquetas bajo la Proposición 65, mientras que otros productos similares que se venden en otros lugares no las necesitan.
- Una empresa puede estar obligada a incluir advertencias de Proposición 65 en sus productos como condición de un acuerdo tras un procedimiento legal relacionado con la Proposición 65, pero otras empresas que fabrican productos similares no tienen necesariamente la misma obligación.
- La aplicación de la Proposición 65 no es uniforme.
- Algunas empresas pueden optar por no proporcionar advertencias porque concluyen que no están obligadas a hacerlo bajo la Proposición 65; la falta de advertencias en un producto no significa que el producto esté libre de los productos químicos incluidos en la lista a niveles similares.

## ¿Por qué incluye Toro esta advertencia?

Toro ha optado por proporcionar a los consumidores la mayor cantidad posible de información para que pueda tomar decisiones informadas sobre los productos que compra y utiliza. Toro proporciona advertencias en ciertos casos basándose en sus conocimientos sobre la presencia de uno o más productos químicos de la lista, sin evaluar el nivel de exposición, puesto que la lista no incluye límites de exposición para todos los productos químicos que contiene. Aunque la exposición que provocan los productos Toro puede ser insignificante, o estar dentro de los límites de la categoría “sin riesgo significativo”, Toro ha optado por proporcionar las advertencias de la Proposición 65 por simple precaución. Además, si Toro no proporcionara estas advertencias, podría ser demandada por el Estado de California o por particulares bajo la Proposición 65, y estar sujeta a importantes sanciones.