



Count on it.

Parts Catalog

**Outcross® 9060 Series
Traction Unit with Loader**

Model No. 07511BA—Serial No. 405800000 and Up



Ordering Replacement Parts

To order replacement parts, please supply the part number, the quantity, and the description of each part desired.

Understanding Reference Numbers

Each identified part in an illustration has a reference number. The reference number for a part also appears in the parts list, along with other information about the part.

This catalog uses two special reference number formats, one to indicate parts in a service assembly and another to indicate the quantity of a given part in an illustration.

Service Assembly Reference Numbers

Parts in service assemblies have reference numbers in the form a:b. The a represents the reference number of the entire service assembly and the b represents a sequential number unique to each part within the service assembly.

For example, a wheel assembly might be identified by reference number 6, the tire by 6:1, the valve by 6:2, and the wheel by 6:3. When you order the assembly identified by reference number 6, you receive all parts identified by reference numbers 6:1, 6:2, and 6:3. However, you may also order any part individually. Reference numbers of this type appear in illustration and in parts lists.

Reference Numbers Indicating Quantity

In an illustration, if a reference number indicates more than one part, the reference number has the form nX y. The n represents the quantity of the part, the X is the multiplication symbol, and the y represents the reference number.

For example, in an illustration, the reference number 2X 37 means that two of the parts identified by reference number 37 are indicated.

Contents

| | |
|----------------------------------------------------------------|-----|
| Rear Frame Assembly | 6 |
| Rear Frame Decal and Bushing Assembly | 8 |
| Front Axle Assembly | 10 |
| Front Axle Axle Housing Assembly | 12 |
| Front Axle Swivel Housings and Trunnions Assembly | 14 |
| Front Axle Bevel Gear Set Assembly | 16 |
| Front Axle Double U-Joint Assembly | 18 |
| Front Axle Wheel Hub Assembly | 20 |
| Front Axle Planetary Carrier Assembly | 22 |
| Motor Assembly No. 131-5635 | 24 |
| Hydraulic Cylinder Assembly No. 133-4863 | 26 |
| Tie Rod Assembly No. 133-4760 | 28 |
| Rear Axle Assembly | 30 |
| Rear Axle Axle Housing Assembly | 32 |
| Rear Axle Swivel Housings and Trunnions Assembly | 34 |
| Rear Axle Bevel Gear Set Assembly | 36 |
| Rear Axle Double U-Joint Assembly | 38 |
| Rear Axle Wheel Hub Assembly | 40 |
| Rear Axle Planetary Carrier Assembly | 42 |
| Parking Brake Assembly No. 133-4850 | 44 |
| Hydraulic Cylinder Assembly No. 133-4864 | 46 |
| Standard Box Assembly | 48 |
| Panel Assembly | 50 |
| Steering Assembly | 52 |
| Steering Valve Assembly No. 131-5626 | 54 |
| Paddle Shift Assembly | 56 |
| Pedal Assembly | 58 |
| Dash and Console Control Assembly | 60 |
| Dash Component Assembly | 62 |
| Engine Assembly | 64 |
| Exhaust and Bracket Assembly | 66 |
| Screen and Support Assembly | 68 |
| Radiator Assembly | 70 |
| Engine Cooling and Hose Assembly | 72 |
| Transmission, Gearbox and Gear Pump Assembly | 74 |
| Hydraulic Tandem Pump Assembly No. 131-5625 | 76 |
| Hydraulic Gear Pump Assembly No. 131-5632 | 78 |
| Gearbox Assembly No. 138-4083 | 80 |
| Transmission, Gearbox and Gear Pump Fitting Assembly | 82 |
| Driveshaft and Gearbox Assembly | 84 |
| Gearbox Assembly No. 133-4790 | 86 |
| Drawbar Hitch and Upper Link Assembly | 88 |
| Rear Lift Assembly | 90 |
| Hydraulic Cylinder Assembly No. 133-7622 | 92 |
| Lower Link Assembly | 94 |
| LH Extendable Arm Assembly | 96 |
| RH Extendable Arm Assembly | 98 |
| Operator Platform Assembly | 100 |
| Seat Mount Assembly | 102 |
| Air Ride Seat Suspension Assembly No. 130-2702 | 104 |
| Premium Seat Assembly No. 138-3806 | 106 |
| Floor Grips and Hydraulic Tube Assembly | 108 |
| Manifold, Filter and Auxiliary Valve Assembly | 110 |
| Hydraulic Valve Assembly No. 131-5637 | 112 |

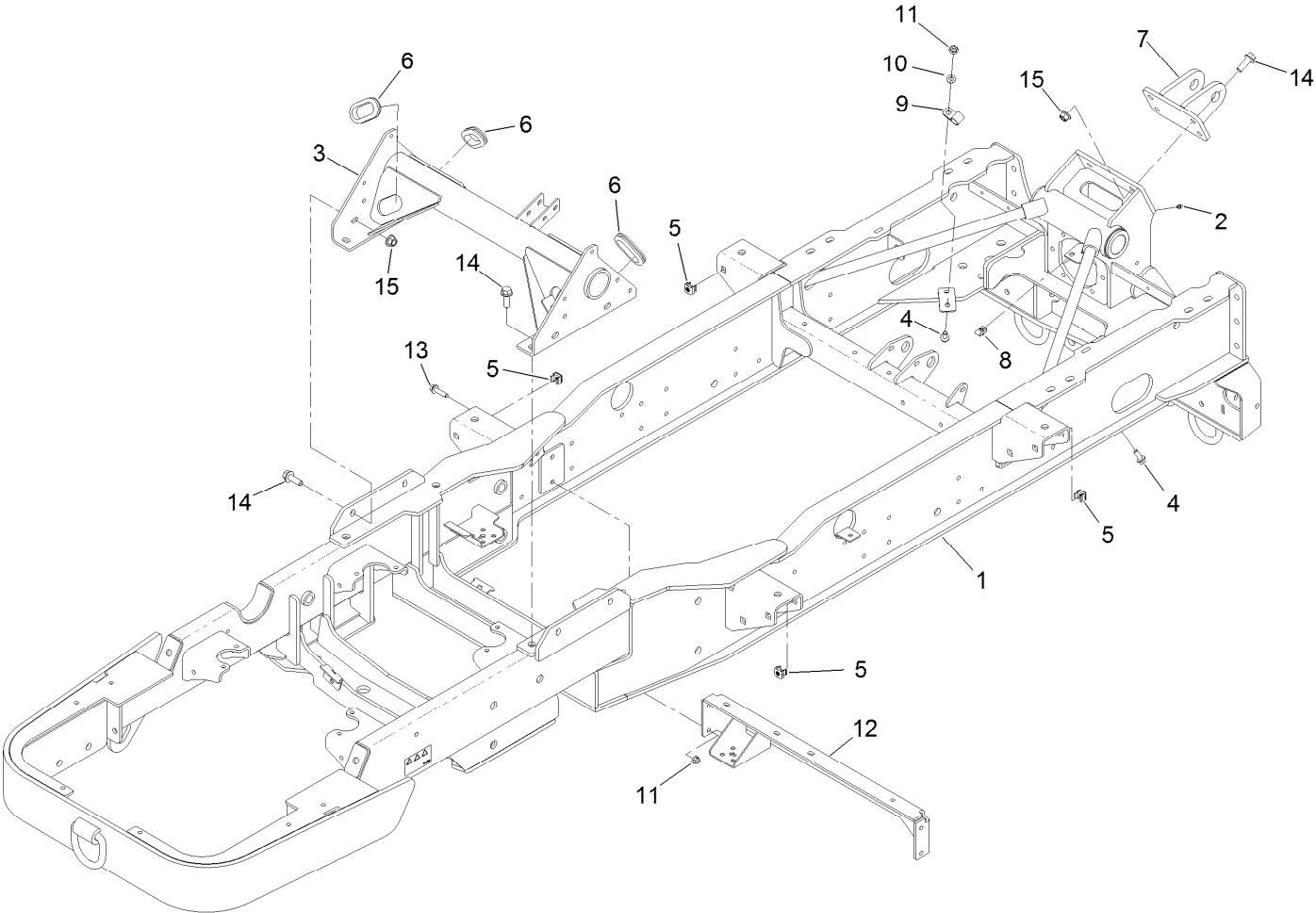
Contents (continued)

| | |
|----------------------------------------------------------------------|-----|
| Manifold Assembly No. 131-5639 | 114 |
| Hydraulic Tank Assembly | 116 |
| Hydraulic Tank, Manifold, and Auxiliary Valve Fitting Assembly | 118 |
| Hydraulic Hose and Tube Assembly | 120 |
| Hydraulic Hose Assembly 1 | 122 |
| Hydraulic Hose Assembly 2 | 124 |
| Hydraulic Hose Assembly 3 | 126 |
| Fuel Pump and Filter Assembly | 128 |
| Fuel Tank and Line Assembly | 130 |
| Hood Assembly | 132 |
| Hood Assembly No. 138-4138 | 134 |
| Air Intake Assembly | 136 |
| Air Cleaner Assembly No. 99-5410 | 138 |
| Screen Assembly | 140 |
| Battery Assembly | 142 |
| Engine Wire Harness Assembly | 144 |
| Platform Wire Harness Assembly | 146 |
| Frame Wire Harness Assembly | 148 |
| Headlight Wire Harness Assembly | 150 |
| Front Loader Assembly | 152 |
| Coupler Support Assembly No. 138-3844 | 154 |
| Loader Decal Assembly | 156 |
| Loader Hydraulic Assembly No. 138-3807 | 158 |
| Turf Loader Tower Assembly | 160 |
| Turf Loader Frame Assembly | 162 |
| Bucket Cylinder Assembly | 164 |
| Lift Cylinder Assembly | 166 |
| Turf Hydraulics Assembly | 168 |
| Skid Steer Coupler Assembly | 170 |
| Rear Counterweight Kit Assembly | 172 |
| Joystick Kit Assembly | 174 |
| Hydraulic Valve Assembly No. 131-5638 | 176 |
| Cylinder Block Assembly | 178 |
| Gear Housing Assembly | 180 |
| Flywheel Housing and Oil Sump Assembly | 182 |
| Cylinder Head and Cover Assembly | 184 |
| Suction Manifold Assembly | 186 |
| Exhaust Manifold Assembly | 188 |
| Diesel Particulate Filter Assembly | 190 |
| Camshaft and Driving Gear Assembly | 192 |
| Turbine Assembly | 194 |
| Crankshaft and Piston Assembly | 196 |
| Lubrication and Oil System Assembly | 198 |
| Lubrication Oil Pipe Assembly | 200 |
| Cooling Water System Assembly | 202 |
| Fuel Supply Pump Assembly | 204 |
| Fuel Injection Valve Assembly | 206 |
| Fuel Pipe Assembly | 208 |
| Starter Motor Assembly | 210 |
| Generator Assembly | 212 |
| Electronic Control Unit Assembly | 214 |
| Electric Parts Assembly | 216 |
| Miscellaneous Engine Parts | 218 |
| Gasket Set | 220 |

Contents (continued)

Attachments and Accessories 222

Rear Frame Assembly

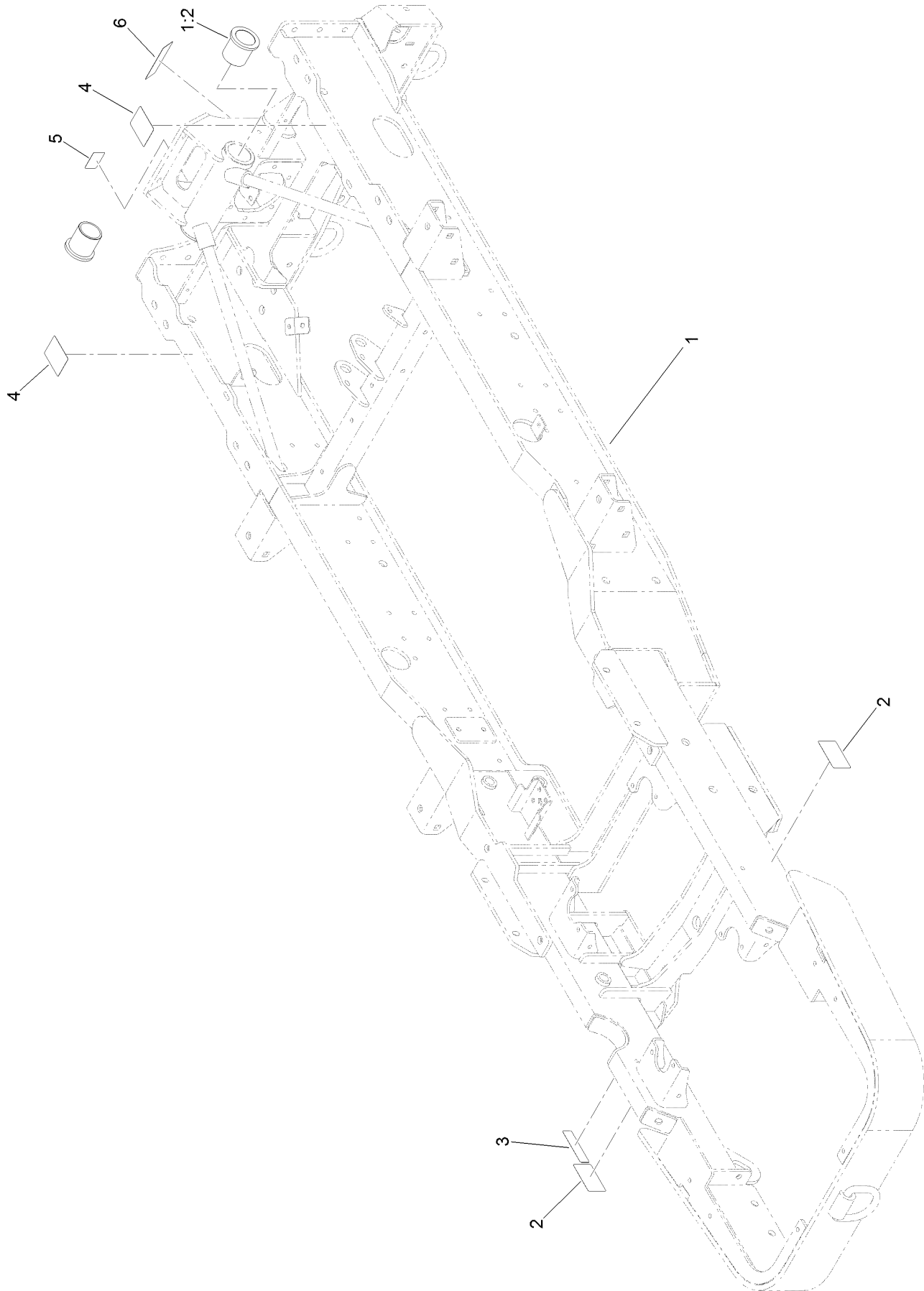


Rear Frame Assembly (continued)

| <i>Ref.</i> | <i>Part Number</i> | <i>Qty.</i> | <i>Description</i> | <i>Ref.</i> | <i>Part Number</i> | <i>Qty.</i> | <i>Description</i> |
|-------------|--------------------|-------------|--------------------|-------------|--------------------|-------------|--------------------|
| 1 | | 1 | Frame ASM ● | 9 | 2412-81 | 2 | Clamp-R |
| 2 | 302-5 | 1 | Fitting-Grease | 10 | 3256-24 | 2 | Washer-Flat |
| 3 | 136-5050-03 | 1 | Support-Frame | 11 | 104-8301 | 6 | Nut-HF, NI |
| 4 | 3234-42 | 2 | Screw-HHF | 12 | 136-9960-01 | 1 | Crossmember |
| 5 | 138-4106 | 8 | Nut-Clip, Sq | 13 | 114-4681 | 4 | Screw-HHF |
| 6 | 126-0015 | 3 | Grommet | 14 | 100-6116 | 8 | Screw-HHF |
| 7 | 131-5487-03 | 1 | Attach-Link | 15 | 99-5107 | 4 | Nut-Lock |
| 8 | 94-2413 | 1 | Nut-U | | | | |

● Not serviced separately

Rear Frame Decal and Bushing Assembly

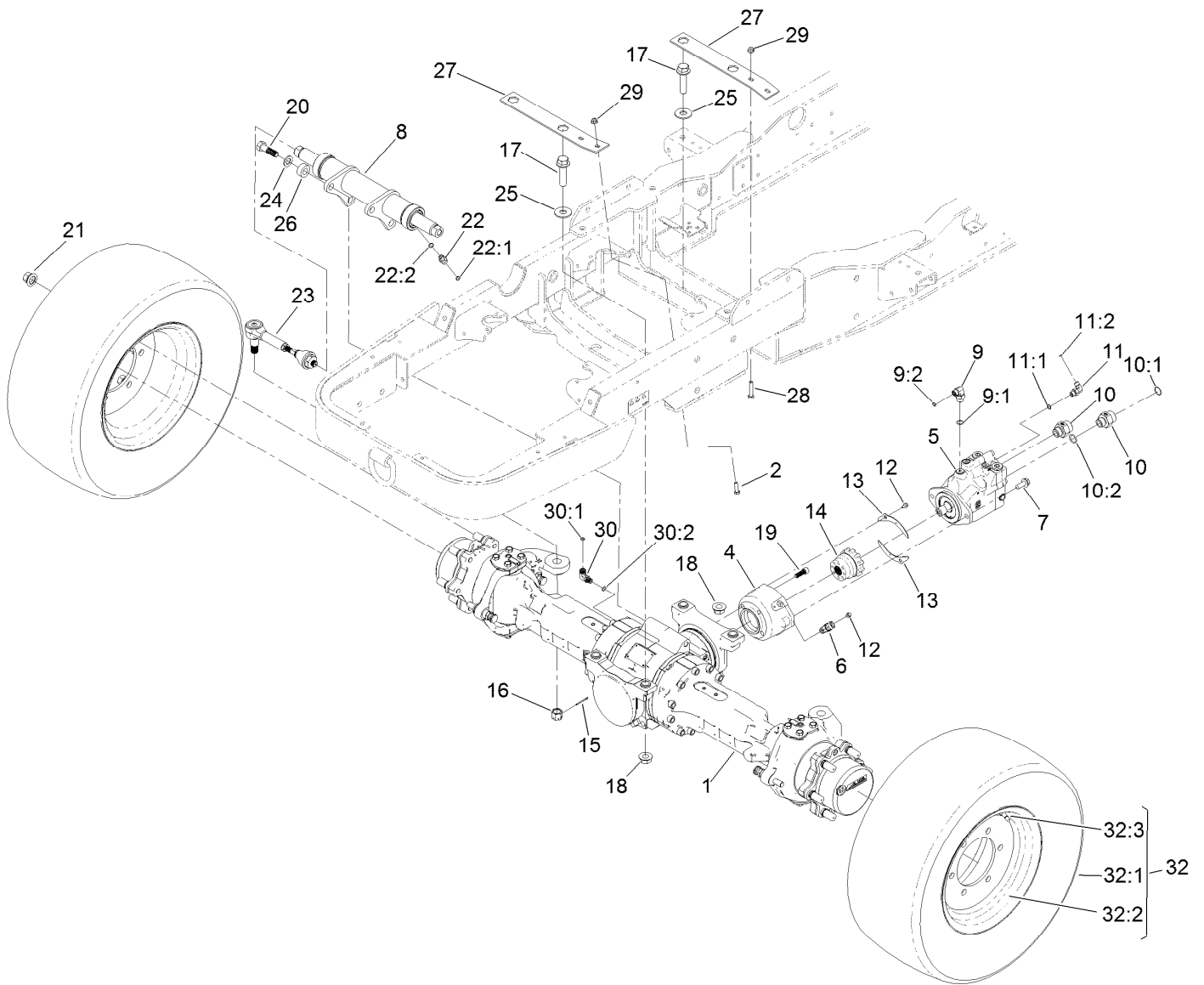


Rear Frame Decal and Bushing Assembly (continued)

| <i>Ref.</i> | <i>Part Number</i> | <i>Qty.</i> | <i>Description</i> | <i>Ref.</i> | <i>Part Number</i> | <i>Qty.</i> | <i>Description</i> |
|-------------|--------------------|-------------|-----------------------|-------------|--------------------|-------------|--------------------|
| 1 | | 1 | Frame ASM ● | 4 | 138-3799 | 2 | Decal-Warning |
| 1:2 | 125-4386 | 2 | Bushing-Castor | 5 | 138-4061 | 1 | Decal-Load, Towing |
| 2 | 106-6754 | 2 | Decal-Danger | 6 | 125-6119 | 1 | Decal-Danger |
| 3 | 133-8062 | 1 | Decal-Arrestor, Spark | | | | |

● Not serviced separately

Front Axle Assembly

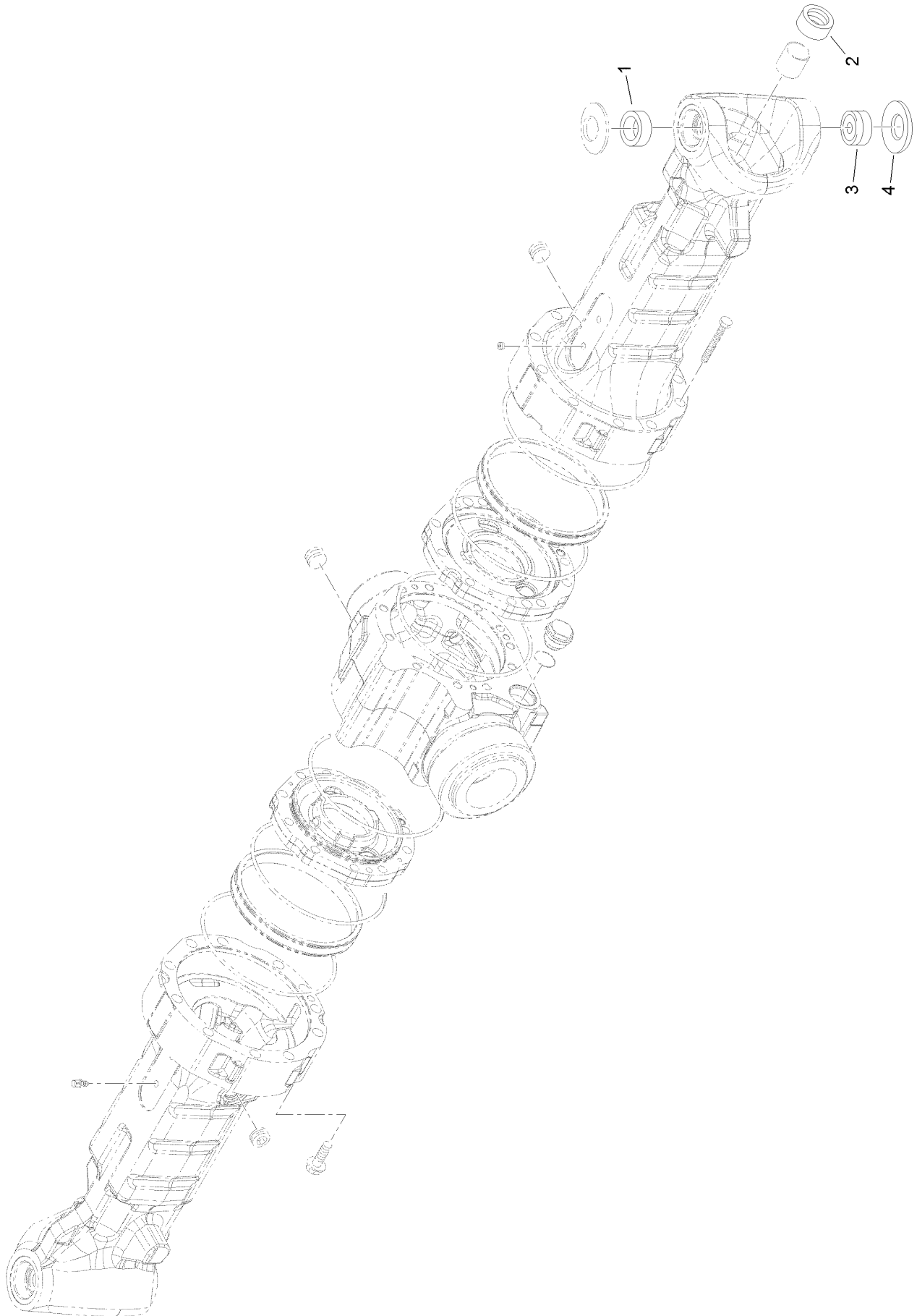


Front Axle Assembly (continued)

| <i>Ref.</i> | <i>Part Number</i> | <i>Qty.</i> | <i>Description</i> | <i>Ref.</i> | <i>Part Number</i> | <i>Qty.</i> | <i>Description</i> |
|-------------|--------------------|-------------|--------------------------|-------------|--------------------|-------------|-----------------------|
| 1 | 133-4861 | 1 | Front Steerable Axle ASM | 18 | 138-4082 | 4 | Nut-HF |
| 2 | 323-7 | 1 | Screw-HH | 19 | 136-5255 | 4 | Screw-HSH |
| 4 | 133-7683 | 1 | Mount-Motor, Front | 20 | 136-5259 | 4 | Screw-HH |
| 5 | 131-5635 | 1 | Hydraulic Motor ASM | 21 | 133-7706 | 12 | Nut-Wheel |
| 6 | 136-5271 | 1 | Sensor-Geartooth | 22 | 340-2 | 2 | Fitting-Straight |
| 7 | 3234-38 | 2 | Screw-HHF | 22:1 | 237-22 | 1 | O-Ring |
| 8 | 133-4863 | 1 | Cylinder-HYD, Front | 22:2 | 237-42 | 1 | O-Ring |
| 9 | 340-18 | 1 | Fitting-HYD, 90 DEG | 23 | 133-4760 | 2 | Tie Rod ASM |
| 9:1 | 237-79 | 1 | O-Ring | 24 | 136-5267 | 4 | Washer-Plain |
| 9:2 | 237-22 | 1 | O-Ring | 25 | 3256-8 | 4 | Washer-Flat |
| 10 | 87-7290 | 2 | Fitting-STR | 26 | 136-5276 | 4 | Spacer |
| 10:1 | 340-65 | 1 | O-Ring | 27 | 136-9747-03 | 2 | Strap-Retainer |
| 10:2 | 237-81 | 1 | O-Ring | 28 | 323-10 | 1 | Screw-HH |
| 11 | 340-82 | 1 | Fitting-Elbow, 90 DEG | 29 | 104-8301 | 2 | Nut-HF, NI |
| 11:1 | 237-42 | 1 | O-Ring | 30 | 133-7658 | 1 | Fitting-Elbow, 90 DEG |
| 11:2 | 237-21 | 1 | O-Ring | 30:1 | 237-22 | 1 | O-Ring |
| 12 | 33103-012 | 3 | Screw-HHF | 30:2 | 133-7657 | 1 | O-Ring, M14 |
| 13 | 133-7686 | 2 | Plate-Cover | 32 | | 2 | Tire And Wheel ASM ● |
| 14 | 138-4054 | 1 | Axle Coupler ASM | 32:1 | 136-5270 | 1 | Tire-Turf |
| 15 | 3272-13 | 2 | Pin-Cotter | 32:2 | 133-4892 | 1 | Wheel-Turf (15 X 8) |
| 16 | 133-7763 | 2 | Nut-Slotted | 32:3 | 232-24 | 1 | Stem-Valve |
| 17 | 138-4087 | 4 | Screw-HHF | | | | |

● Not serviced separately

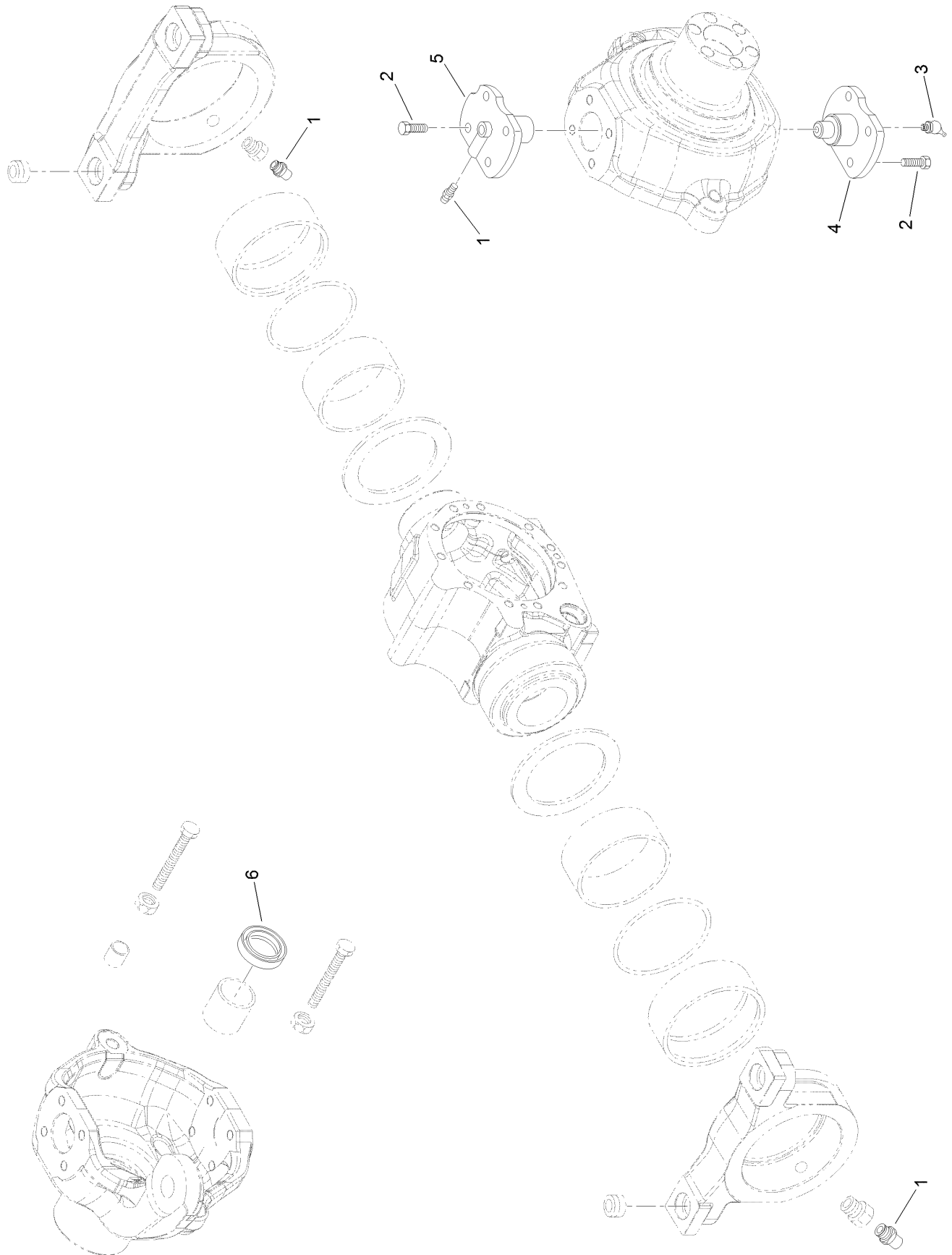
Front Axle Axle Housing Assembly



Front Axle Axle Housing Assembly (continued)

| <i>Ref.</i> | <i>Part Number</i> | <i>Qty.</i> | <i>Description</i> | <i>Ref.</i> | <i>Part Number</i> | <i>Qty.</i> | <i>Description</i> |
|-------------|--------------------|-------------|--------------------|-------------|--------------------|-------------|--------------------|
| 1 | 138-7817 | 2 | Bushing | 3 | 138-7816 | 2 | Joint-Spherical |
| 2 | 133-5253 | 2 | Ring-Seal, Oil | 4 | AU122268A1 | 2 | Washer |

Front Axle Swivel Housings and Trunnions Assembly

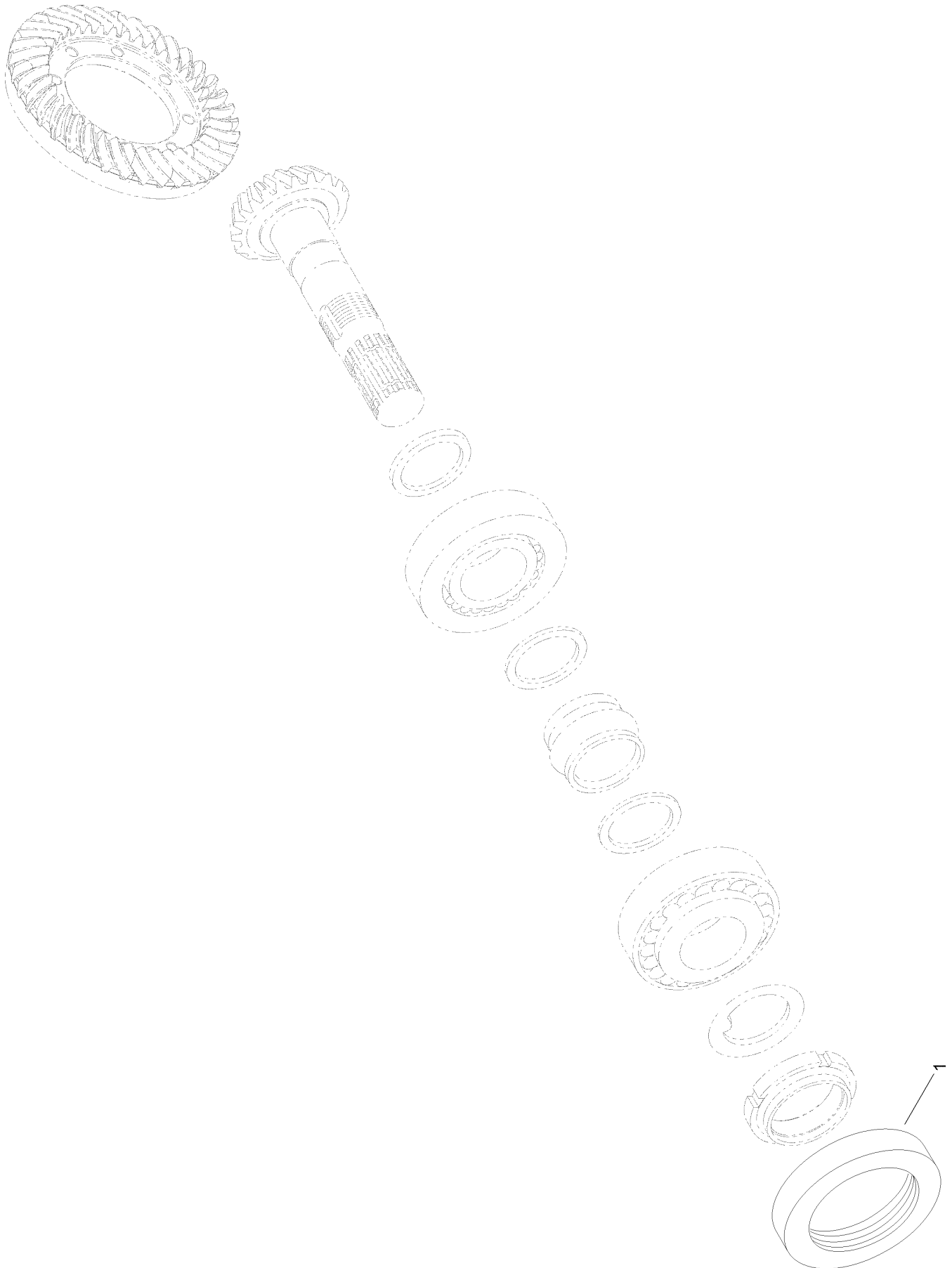


Front Axle

Swivel Housings and Trunnions Assembly (continued)

| <i>Ref.</i> | <i>Part Number</i> | <i>Qty.</i> | <i>Description</i> | <i>Ref.</i> | <i>Part Number</i> | <i>Qty.</i> | <i>Description</i> |
|-------------|--------------------|-------------|--------------------|-------------|--------------------|-------------|--------------------|
| 1 | 133-5215 | 4 | Greaser-Nipple | 4 | 138-7804 | 2 | Pin-King |
| 2 | 138-7803 | 16 | Screw | 5 | AU122265A1 | 2 | Pin-King, Upper |
| 3 | 133-5235 | 2 | Greaser-Nipple | 6 | 138-7805 | 2 | Seal |

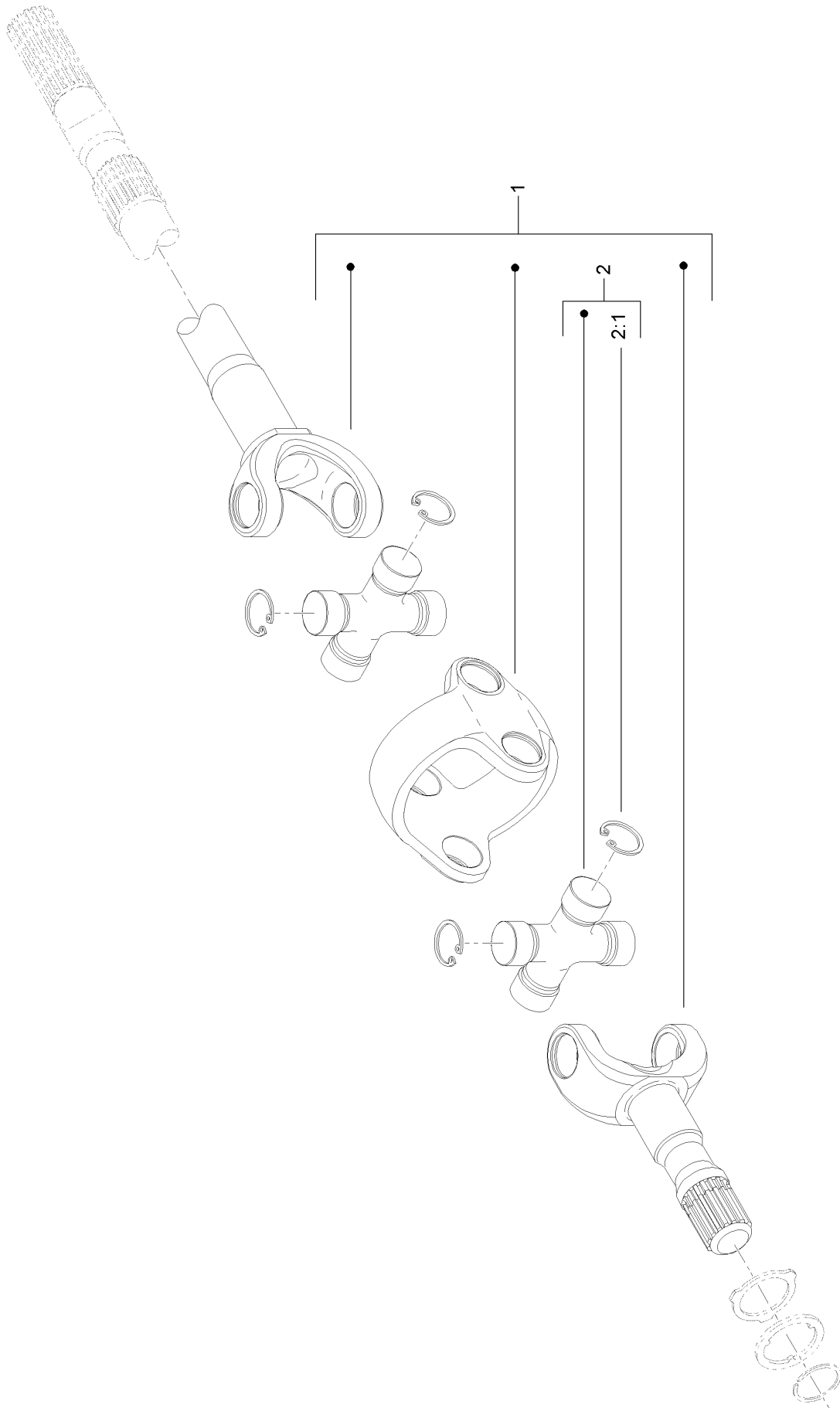
Front Axle Bevel Gear Set Assembly



Front Axle Bevel Gear Set Assembly (continued)

| <i>Ref.</i> | <i>Part Number</i> | <i>Qty.</i> | <i>Description</i> |
|-------------|--------------------|-------------|--------------------|
| 1 | 138-7806 | 1 | Seal-Ring |

Front Axle Double U-Joint Assembly

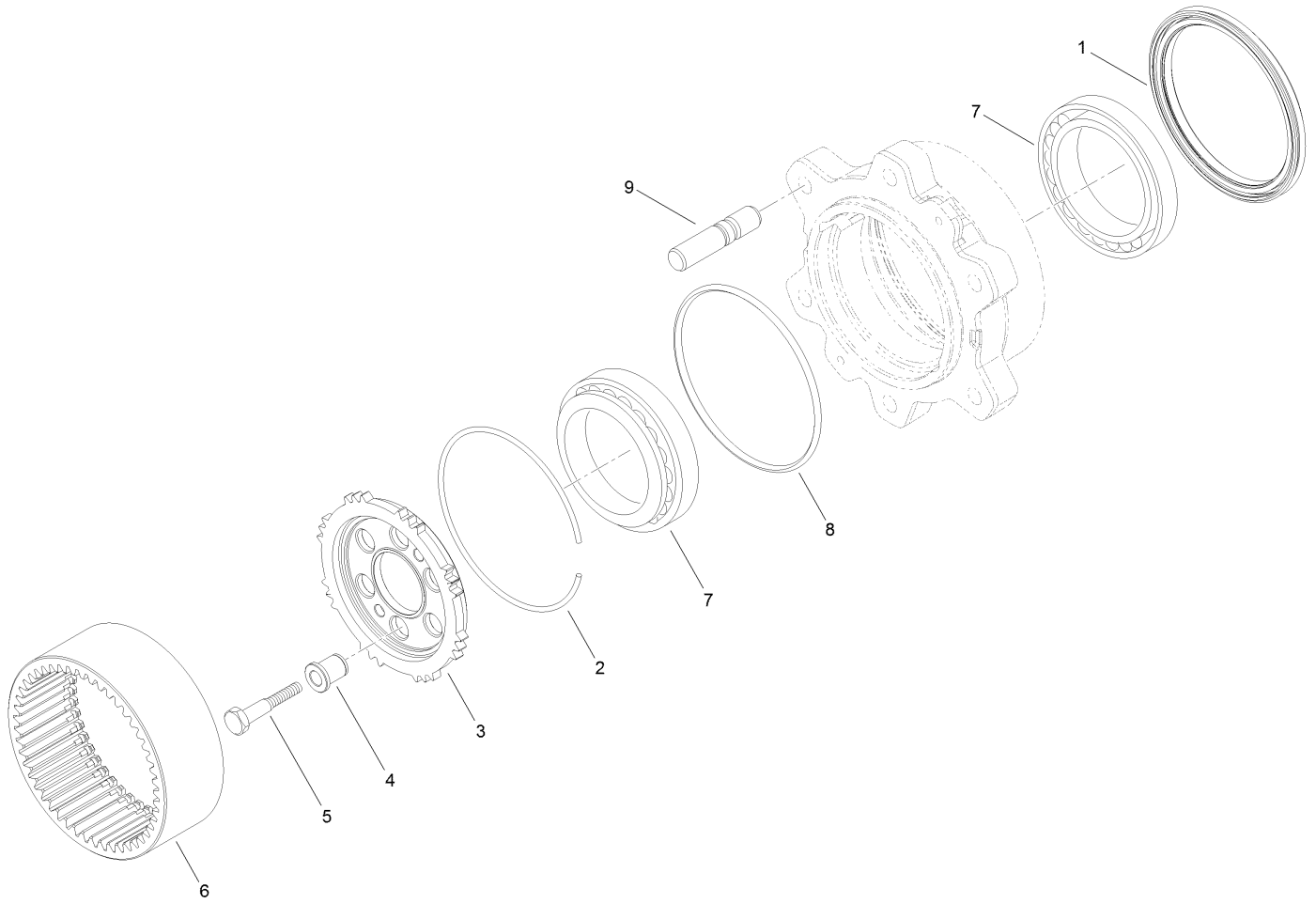


Front Axle

Double U-Joint Assembly (continued)

| <i>Ref.</i> | <i>Part Number</i> | <i>Qty.</i> | <i>Description</i> |
|-------------|--------------------|-------------|--------------------|
| 1 | 138-7807 | 2 | Double Joint Kit |
| 2 | AU100546A1 | 4 | Spider-A |
| 2:1 | AU100548A1 | 4 | Ring-Snap |

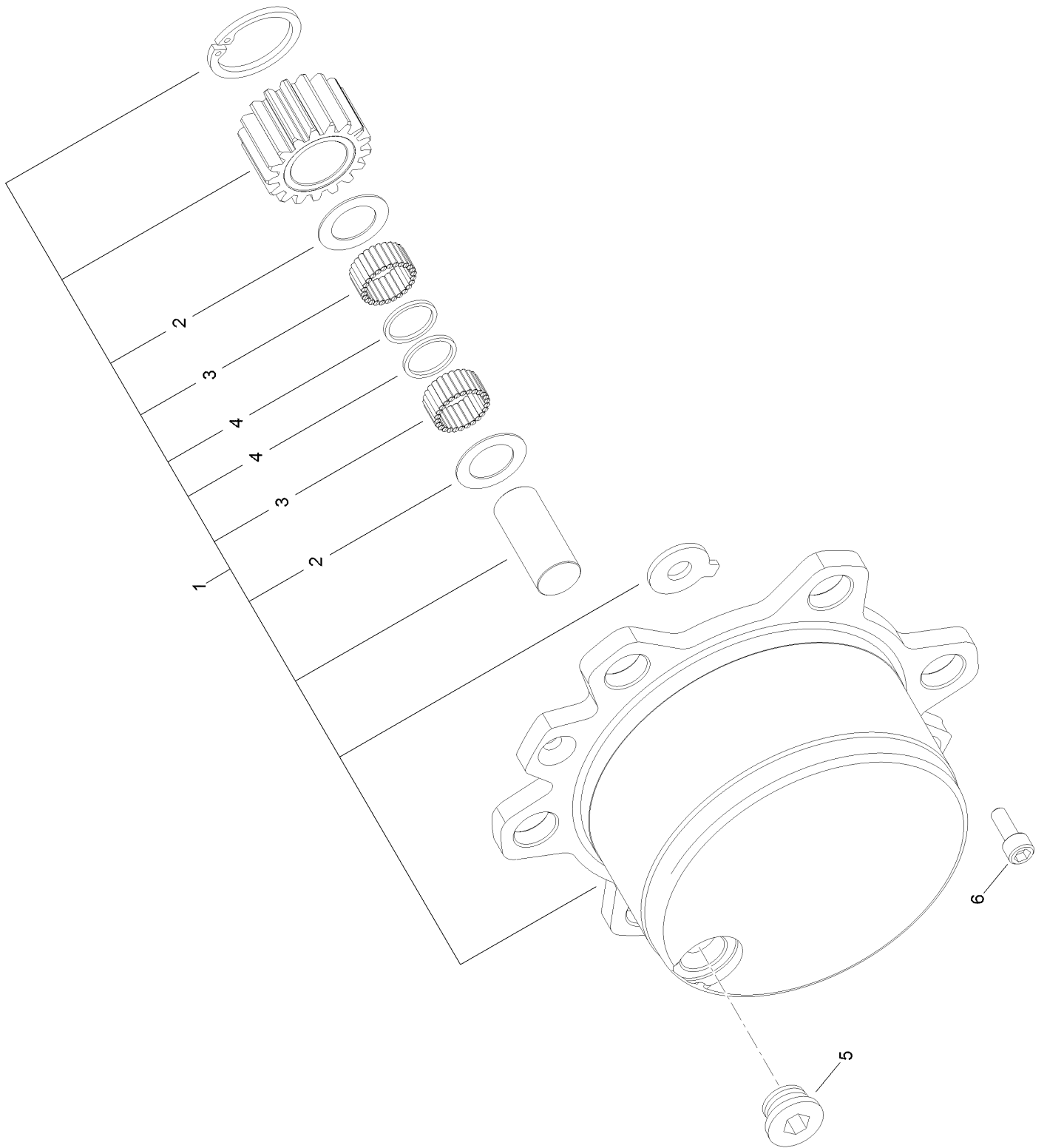
Front Axle Wheel Hub Assembly



Front Axle Wheel Hub Assembly (continued)

| <i>Ref.</i> | <i>Part Number</i> | <i>Qty.</i> | <i>Description</i> | <i>Ref.</i> | <i>Part Number</i> | <i>Qty.</i> | <i>Description</i> |
|-------------|--------------------|-------------|--------------------|-------------|--------------------|-------------|--------------------|
| 1 | 138-7811 | 2 | Seal-Ring | 6 | AU112495A1 | 2 | Gear |
| 2 | AU112496A1 | 2 | Ring | 7 | 138-7814 | 4 | Bearing |
| 3 | 138-7812 | 2 | Carrier-Hub, Wheel | 8 | 138-7815 | 2 | O-Ring |
| 4 | 138-7813 | 12 | Bushing-Centering | 9 | auk260218 | 6 | Stud |
| 5 | AU116425A1 | 12 | Bolt | | | | |

Front Axle Planetary Carrier Assembly

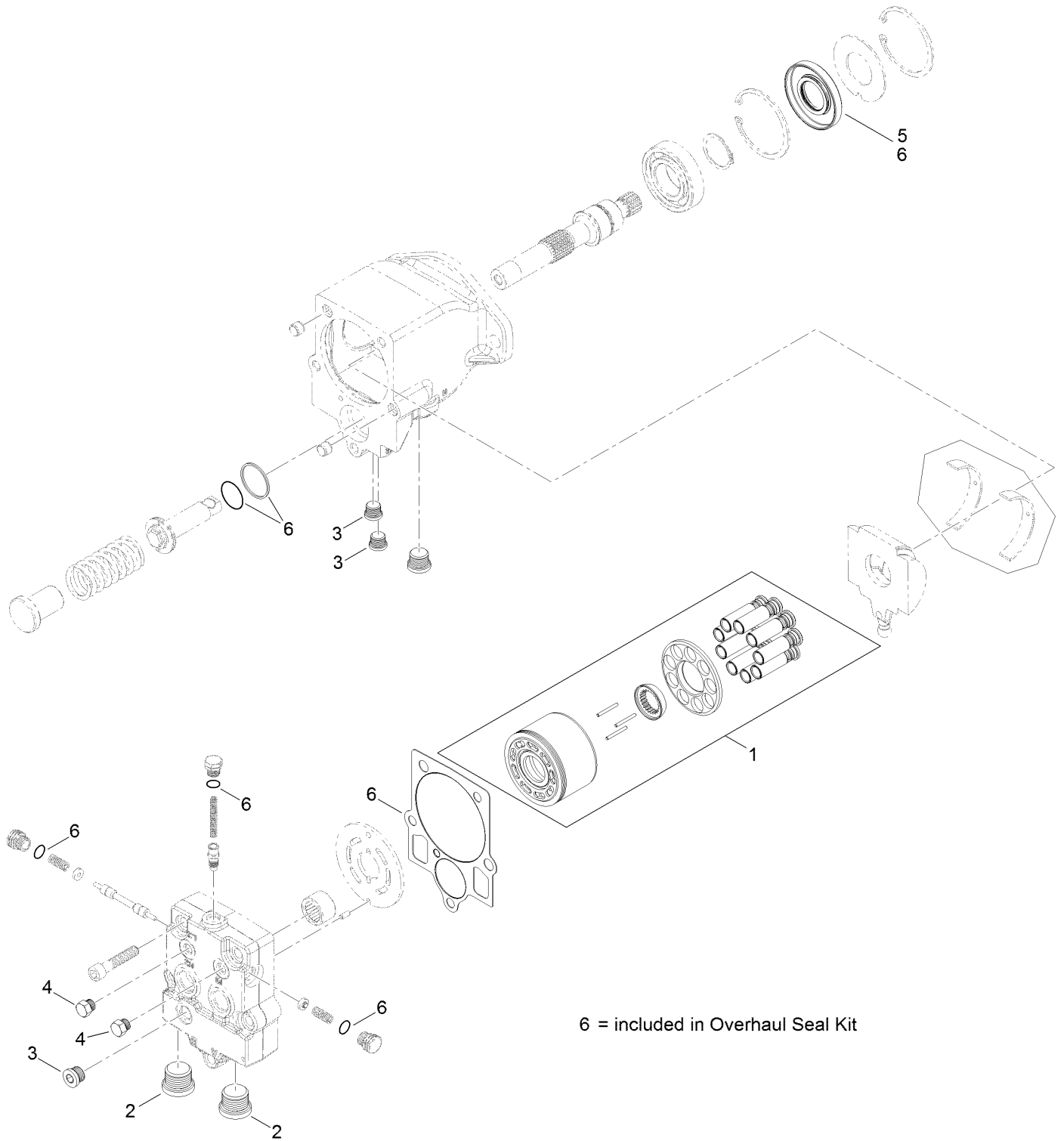


Front Axle

Planetary Carrier Assembly (continued)

| <i>Ref.</i> | <i>Part Number</i> | <i>Qty.</i> | <i>Description</i> | <i>Ref.</i> | <i>Part Number</i> | <i>Qty.</i> | <i>Description</i> |
|-------------|--------------------|-------------|-----------------------|-------------|--------------------|-------------|--------------------|
| 1 | 138-7809 | 2 | Planetary Carrier ASM | 4 | AU141371A1 | 6 | Washer-Thrust |
| 2 | AU112501A1 | 6 | Washer | 5 | 133-5295 | 2 | Plug |
| 3 | AU141368A1 | 32 | Bearing-Needle | 6 | 138-7810 | 4 | Screw |

Motor Assembly No. 131-5635



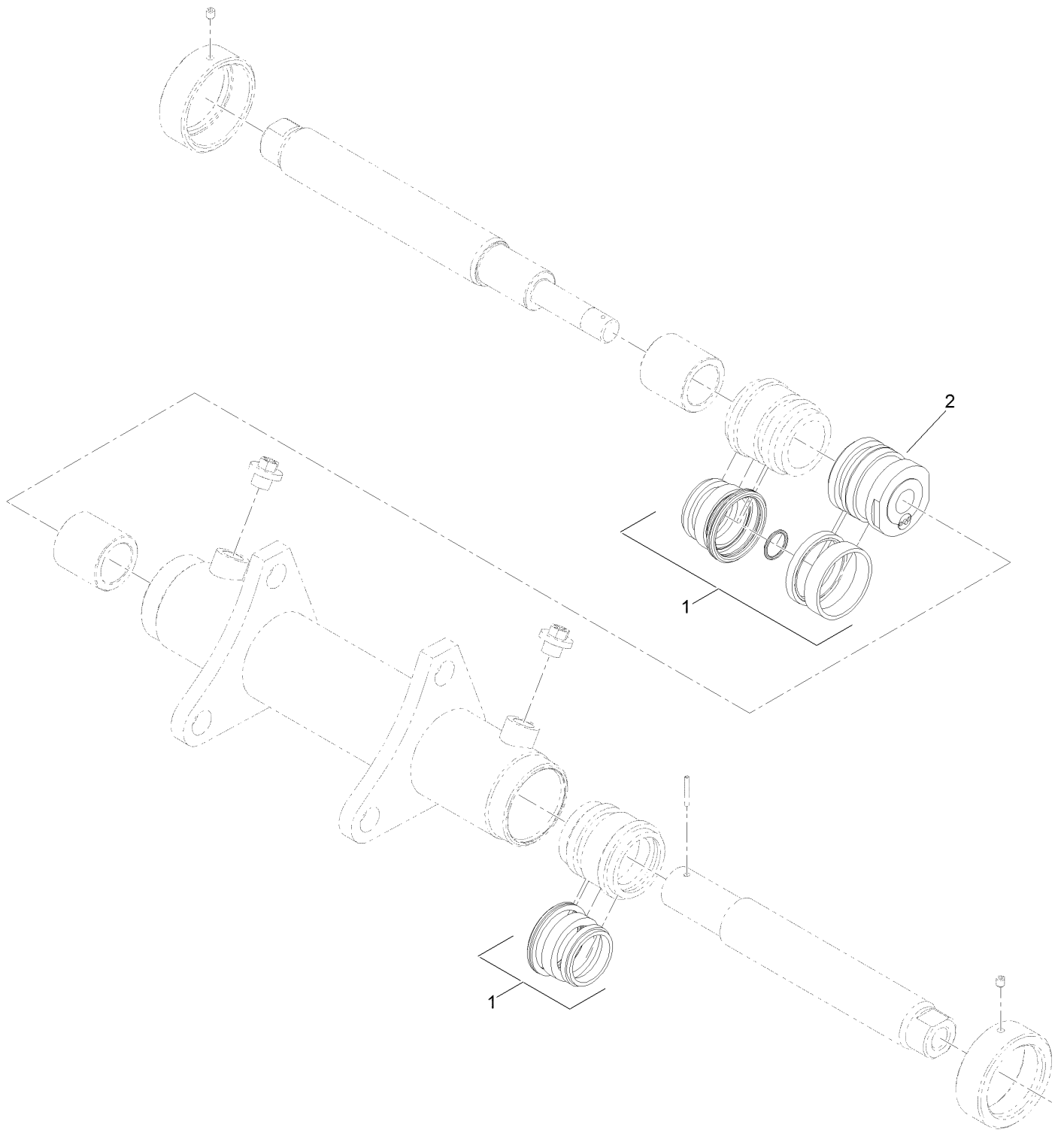
6 = included in Overhaul Seal Kit

Motor Assembly No. 131-5635 (continued)

| <i>Ref.</i> | <i>Part Number</i> | <i>Qty.</i> | <i>Description</i> |
|-------------|--------------------|-------------|--------------------|
| 1 | 125-4639 | 1 | Cylinder Block Kit |
| 2 | 69-3130 | 2 | Plug |
| 3 | 75-0070 | 3 | Plug |

| <i>Ref.</i> | <i>Part Number</i> | <i>Qty.</i> | <i>Description</i> |
|-------------|--------------------|-------------|--------------------|
| 4 | 92-1352 | 2 | Plug |
| 5 | 127-6214 | 1 | Seal-Lip |
| 6 | 138-7823 | 1 | Overhaul Seal Kit |

Hydraulic Cylinder Assembly No. 133-4863

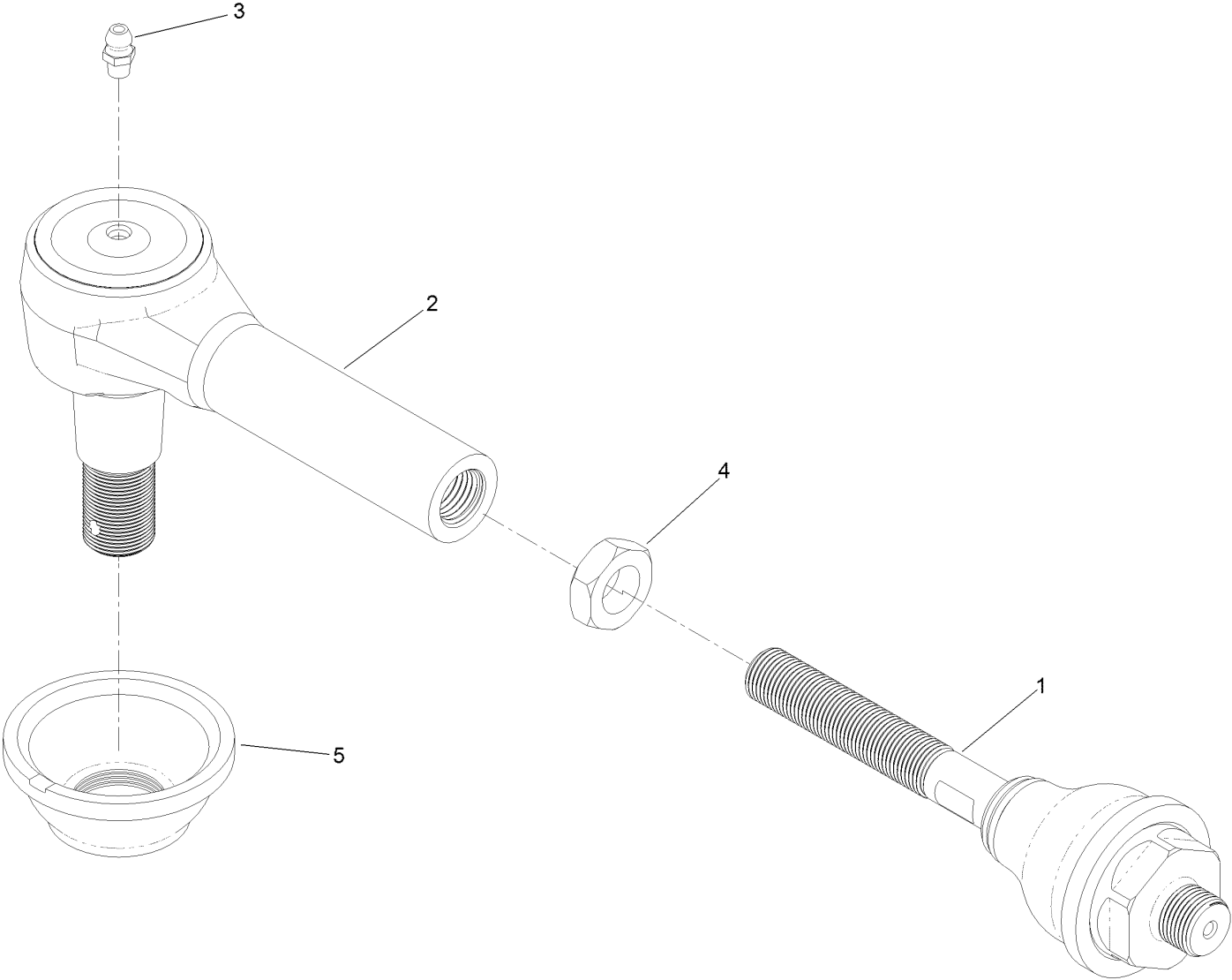


1 = included in Seal Repair Kit

Hydraulic Cylinder Assembly No. 133-4863 (continued)

| <i>Ref.</i> | <i>Part Number</i> | <i>Qty.</i> | <i>Description</i> |
|-------------|--------------------|-------------|--------------------|
| 1 | 138-7820 | 1 | Seal Repair Kit |
| 2 | 138-8163 | 1 | Piston |

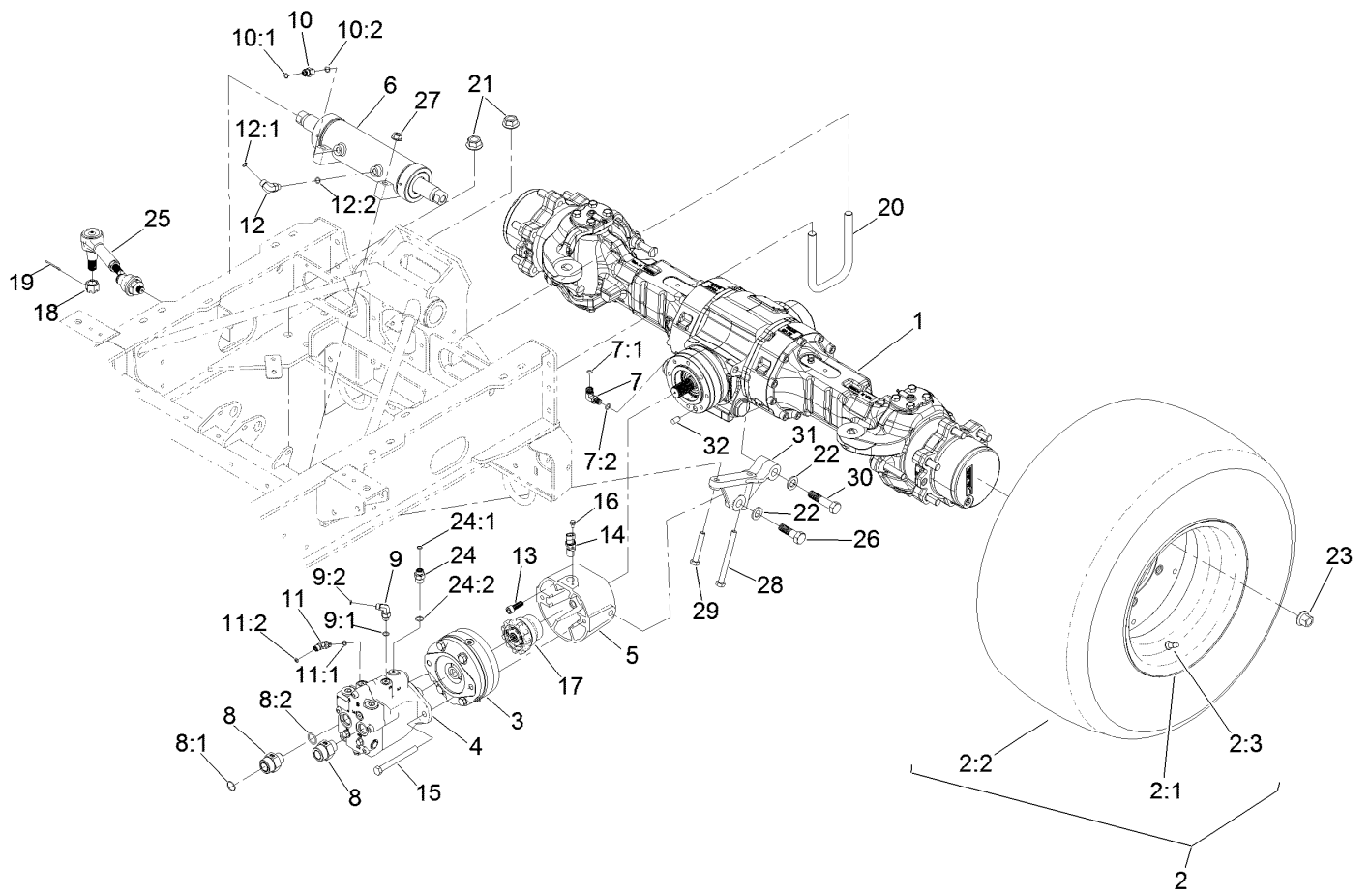
Tie Rod Assembly No. 133-4760



Tie Rod Assembly No. 133-4760 (continued)

| <i>Ref.</i> | <i>Part Number</i> | <i>Qty.</i> | <i>Description</i> | <i>Ref.</i> | <i>Part Number</i> | <i>Qty.</i> | <i>Description</i> |
|-------------|--------------------|-------------|--------------------|-------------|--------------------|-------------|--------------------|
| 1 | 133-4761 | 1 | Inner Tie Rod ASM | 4 | 95-4182 | 1 | Nut-Hex, Jam |
| 2 | 133-4762 | 1 | Outer Tie Rod ASM | 5 | 136-5290 | 1 | Boot-Dust |
| 3 | 302-5 | 1 | Fitting-Grease | | | | |

Rear Axle Assembly

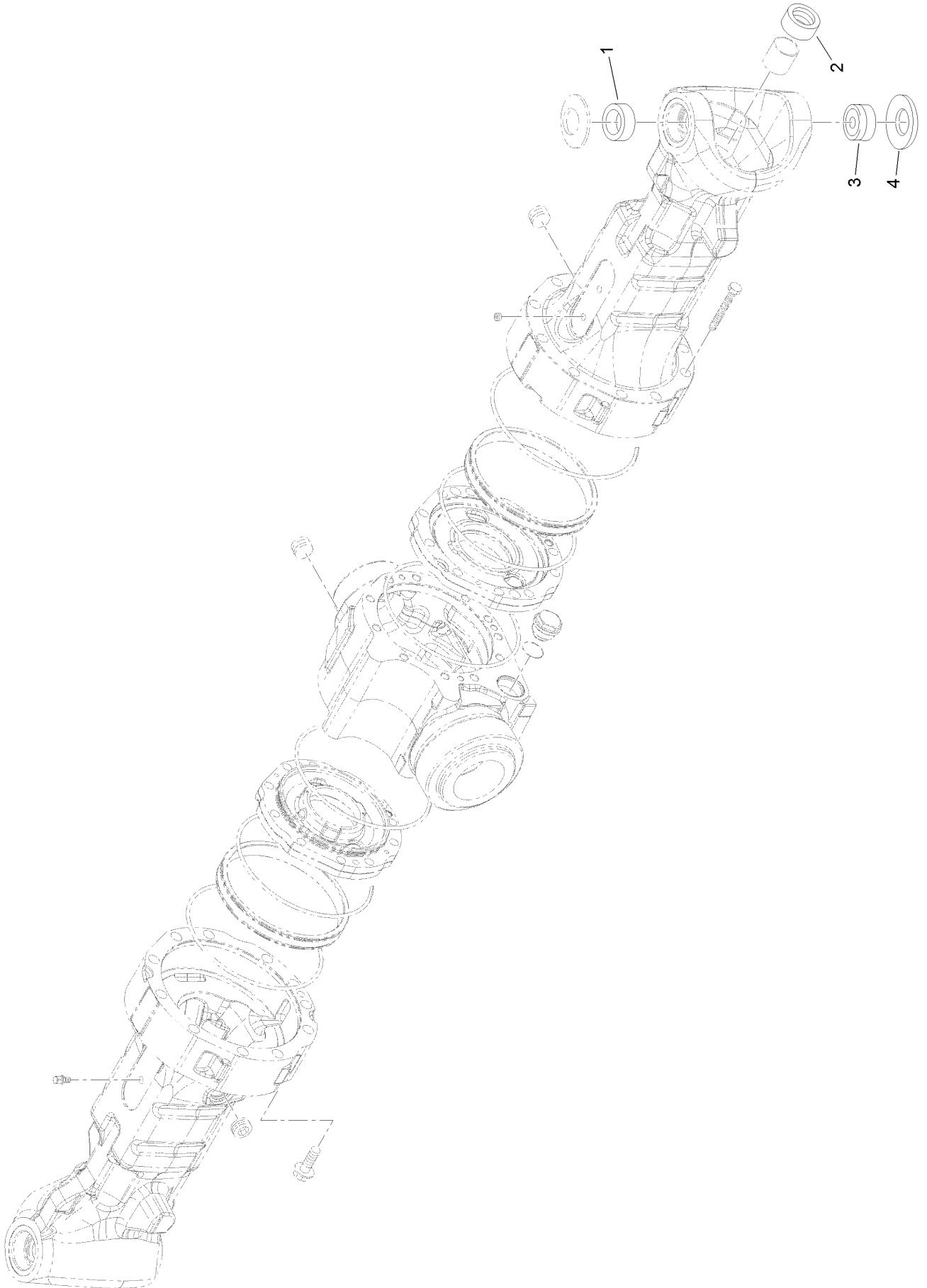


Rear Axle Assembly (continued)

| <i>Ref.</i> | <i>Part Number</i> | <i>Qty.</i> | <i>Description</i> | <i>Ref.</i> | <i>Part Number</i> | <i>Qty.</i> | <i>Description</i> |
|-------------|--------------------|-------------|-------------------------|-------------|--------------------|-------------|------------------------|
| 1 | 133-4860 | 1 | Rear Steerable Axle ASM | 12:1 | 237-22 | 1 | O-Ring |
| 2 | | 2 | Tire And Wheel ASM ● | 12:2 | 237-42 | 1 | O-Ring |
| 2:1 | 138-4089 | 1 | Wheel-Turf | 13 | 136-5255 | 4 | Screw-HSH |
| 2:2 | 133-4894 | 1 | Tire-Turf | 14 | 136-5271 | 1 | Sensor-Gear tooth |
| 2:3 | 232-24 | 1 | Stem-Valve | 15 | 325-19 | 2 | Screw-HH |
| 3 | 133-4850 | 1 | Parking Brake ASM | 16 | 33103-012 | 1 | Screw-HHF |
| 4 | 131-5635 | 1 | Hydraulic Motor ASM | 17 | 138-4054 | 1 | Axle Coupler ASM |
| 5 | 133-7681 | 1 | Mount-Motor, Rear | 18 | 133-7763 | 2 | Nut-Slotted |
| 6 | 133-4864 | 1 | Cylinder-HYD, Rear | 19 | 3272-13 | 2 | Pin-Cotter |
| 7 | 133-7658 | 1 | Fitting-Elbow, 90 DEG | 20 | 136-5251 | 4 | Bolt-U |
| 7:1 | 237-22 | 1 | O-Ring | 21 | 138-4082 | 8 | Nut-HF |
| 7:2 | 133-7657 | 1 | O-Ring, M14 | 22 | 136-5267 | 4 | Washer-Plain |
| 8 | 87-7290 | 2 | Fitting-STR | 23 | 133-7706 | 12 | Nut-Wheel |
| 8:1 | 340-65 | 1 | O-Ring | 24 | 340-3 | 1 | Fitting-Straight |
| 8:2 | 237-81 | 1 | O-Ring | 24:1 | 237-22 | 1 | O-Ring |
| 9 | 340-82 | 1 | Fitting-Elbow, 90 DEG | 24:2 | 237-79 | 1 | O-Ring |
| 9:1 | 237-42 | 1 | O-Ring | 25 | 133-4760 | 2 | Tie Rod ASM |
| 9:2 | 237-21 | 1 | O-Ring | 26 | 136-5259 | 2 | Screw-HH |
| 10 | 340-2 | 1 | Fitting-Straight | 27 | 32128-23 | 4 | Nut-HF |
| 10:1 | 237-22 | 1 | O-Ring | 28 | 325-22 | 2 | Screw-HH |
| 10:2 | 237-42 | 1 | O-Ring | 29 | 325-12 | 2 | Screw-HH |
| 11 | 340-132 | 1 | Fitting-Elbow, 90 DEG | 30 | 136-5268 | 2 | Screw-HH |
| 11:1 | 237-78 | 1 | O-Ring | 31 | 136-9749 | 2 | Support-Cylinder, Rear |
| 11:2 | 237-21 | 1 | O-Ring | 32 | 136-5277 | 1 | Pin-Dowel |
| 12 | 340-77 | 1 | Fitting-Elbow, 90 DEG | | | | |

● Not serviced separately

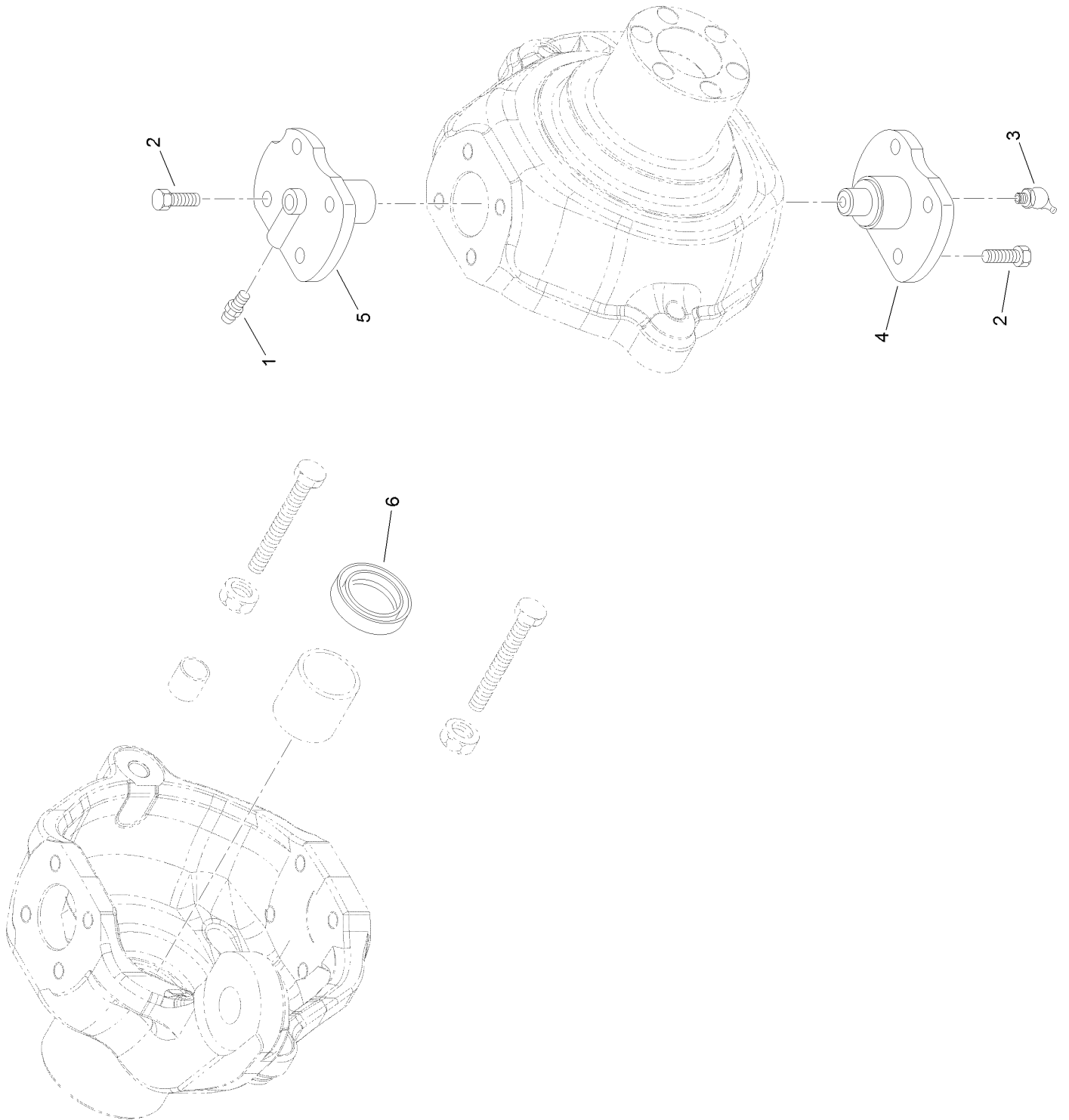
Rear Axle Axle Housing Assembly



Rear Axle Axle Housing Assembly (continued)

| <i>Ref.</i> | <i>Part Number</i> | <i>Qty.</i> | <i>Description</i> | <i>Ref.</i> | <i>Part Number</i> | <i>Qty.</i> | <i>Description</i> |
|-------------|--------------------|-------------|--------------------|-------------|--------------------|-------------|--------------------|
| 1 | 138-7817 | 2 | Bushing | 3 | 138-7816 | 2 | Joint-Spherical |
| 2 | 133-5253 | 2 | Ring-Seal, Oil | 4 | AU122268A1 | 2 | Washer |

Rear Axle Swivel Housings and Trunnions Assembly

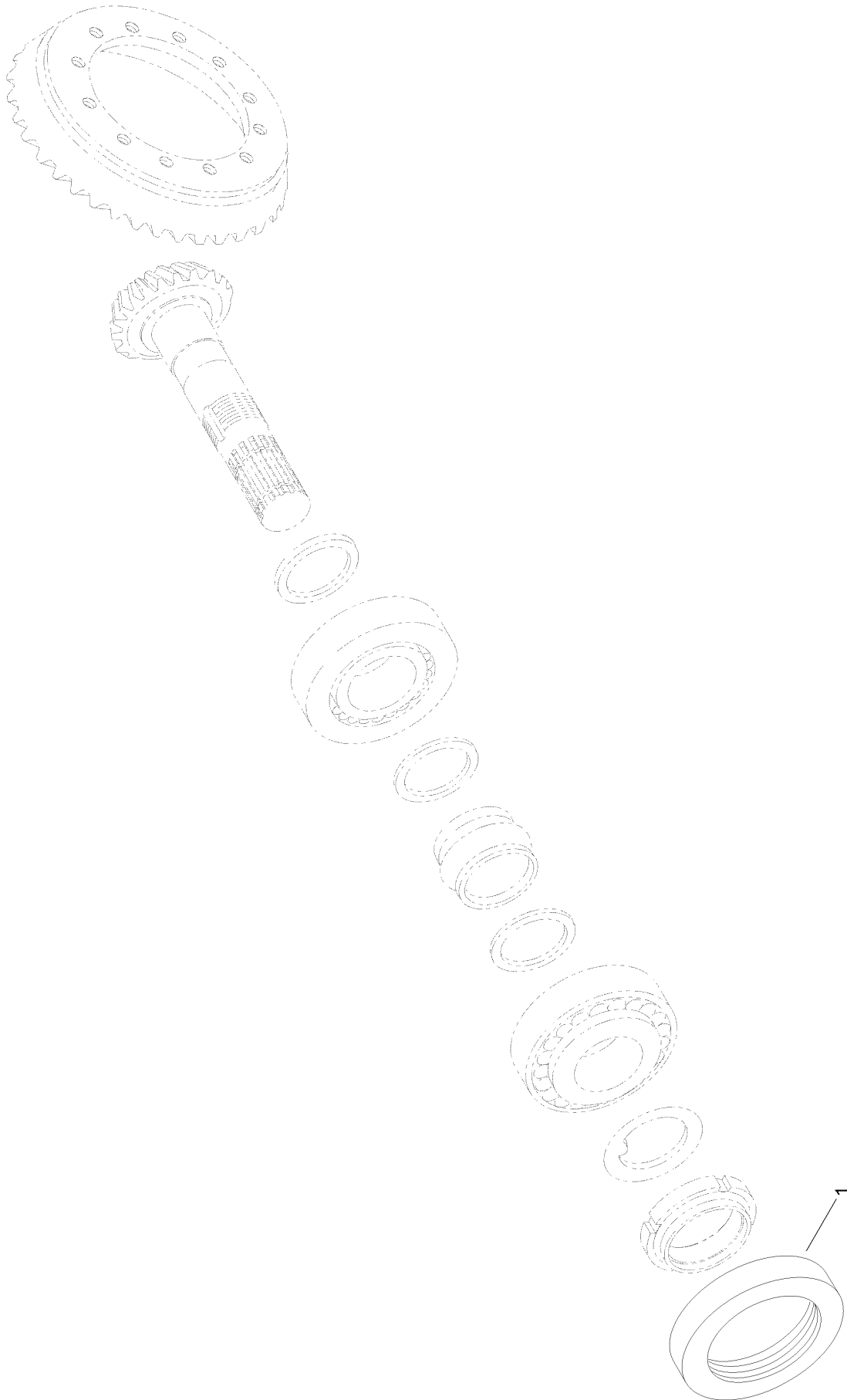


Rear Axle

Swivel Housings and Trunnions Assembly (continued)

| <i>Ref.</i> | <i>Part Number</i> | <i>Qty.</i> | <i>Description</i> | <i>Ref.</i> | <i>Part Number</i> | <i>Qty.</i> | <i>Description</i> |
|-------------|--------------------|-------------|--------------------|-------------|--------------------|-------------|--------------------|
| 1 | 133-5215 | 4 | Greaser-Nipple | 4 | 138-7804 | 2 | Pin-King |
| 2 | 138-7803 | 16 | Screw | 5 | AU122265A1 | 2 | Pin-King, Upper |
| 3 | 133-5235 | 2 | Greaser-Nipple | 6 | 138-7805 | 2 | Seal |

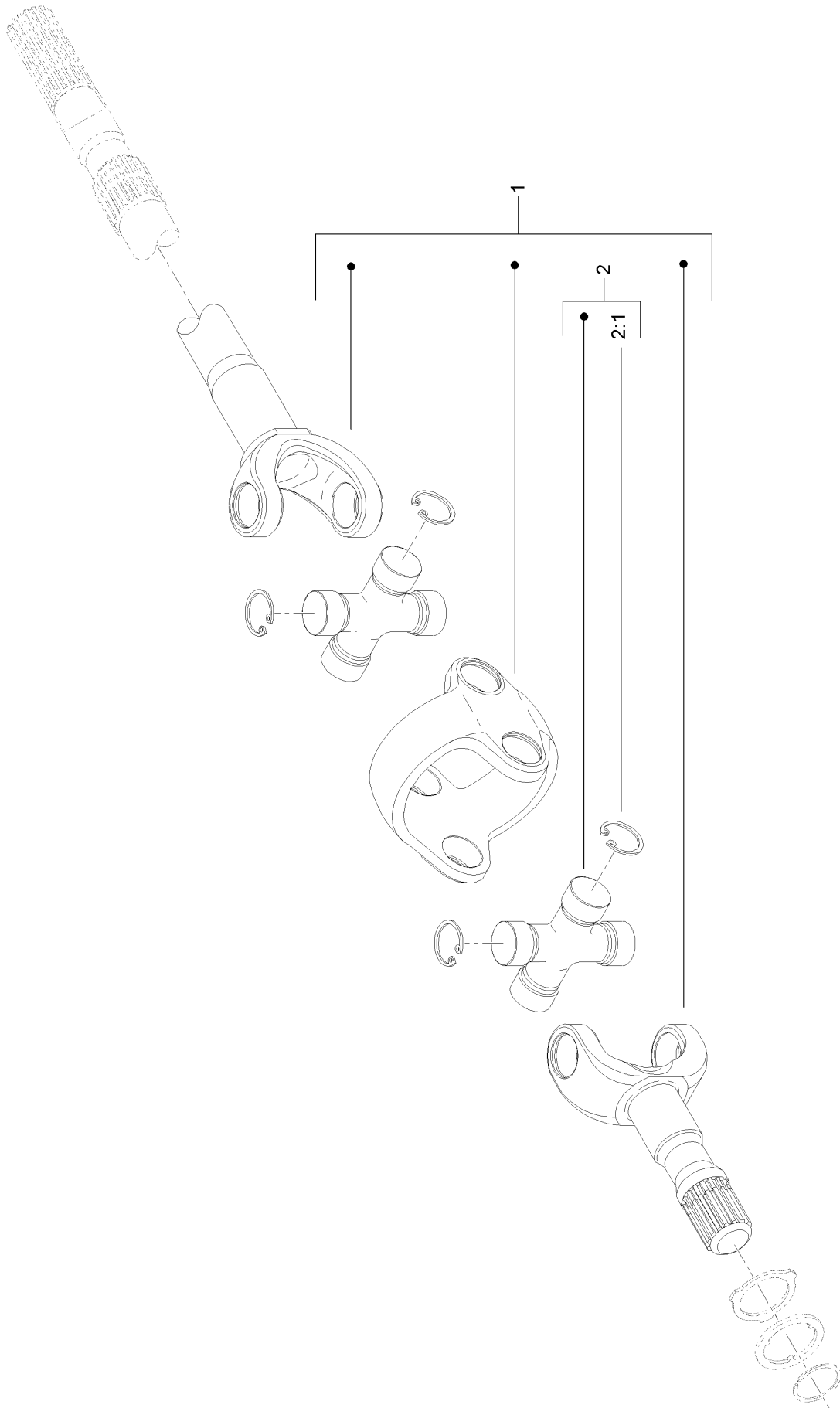
Rear Axle Bevel Gear Set Assembly



Rear Axle Bevel Gear Set Assembly (continued)

| <i>Ref.</i> | <i>Part Number</i> | <i>Qty.</i> | <i>Description</i> |
|-------------|--------------------|-------------|--------------------|
| 1 | 138-7806 | 1 | Seal-Ring |

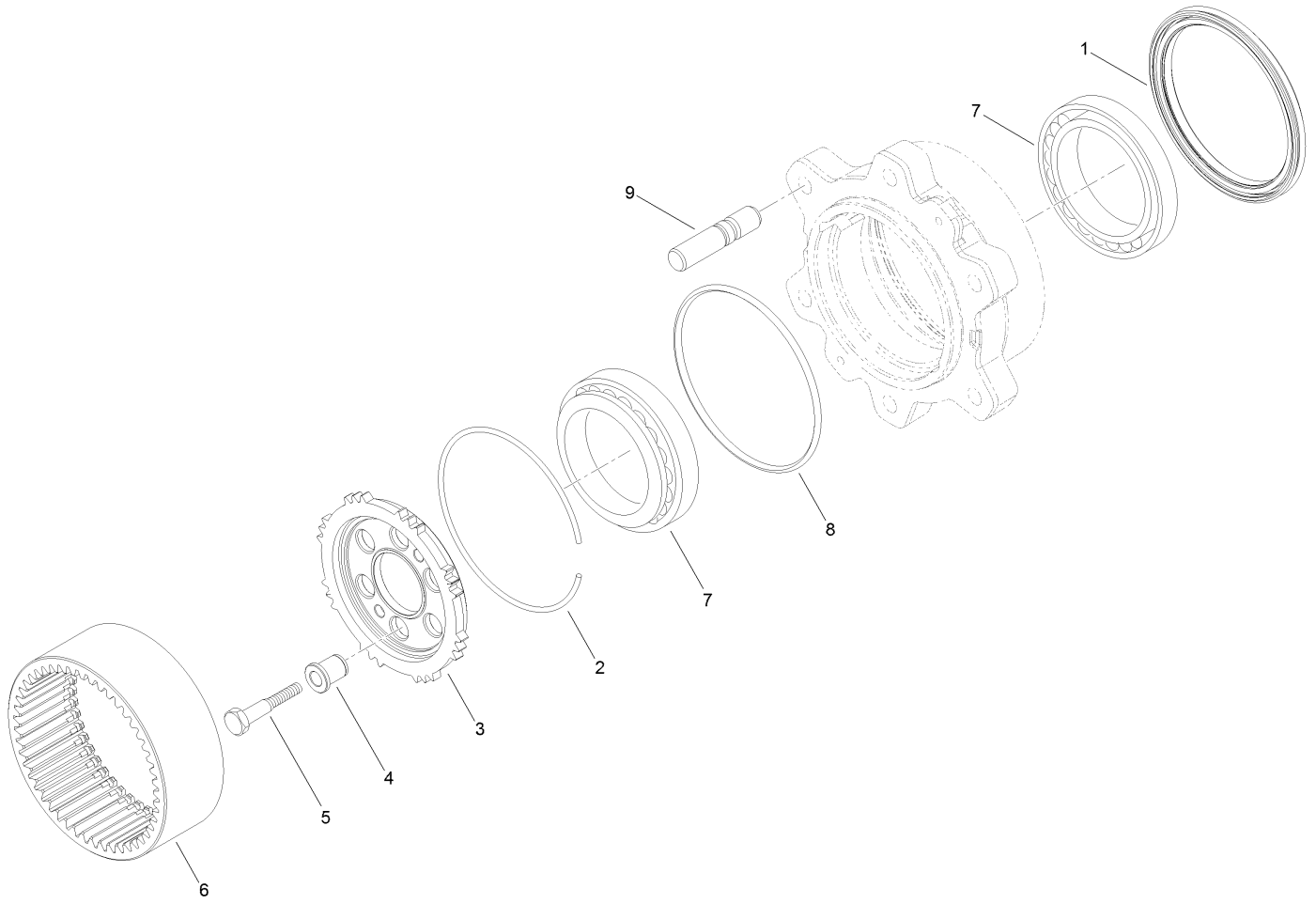
Rear Axle Double U-Joint Assembly



Rear Axle Double U-Joint Assembly (continued)

| <i>Ref.</i> | <i>Part Number</i> | <i>Qty.</i> | <i>Description</i> |
|-------------|--------------------|-------------|--------------------|
| 1 | 138-7807 | 2 | Double Joint Kit |
| 2 | AU100546A1 | 4 | Spider-A |
| 2:1 | AU100548A1 | 4 | Ring-Snap |

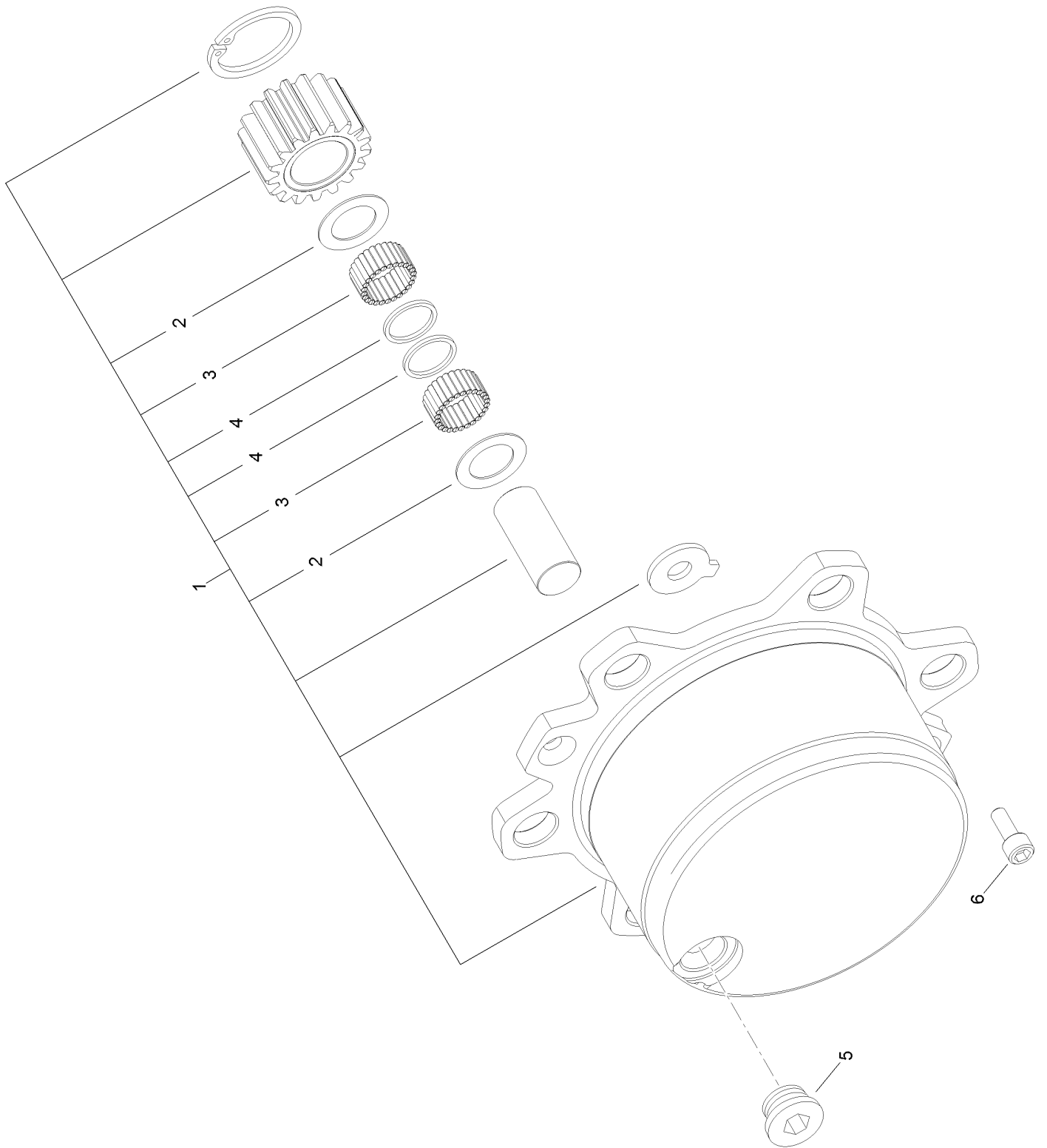
Rear Axle Wheel Hub Assembly



Rear Axle Wheel Hub Assembly (continued)

| <i>Ref.</i> | <i>Part Number</i> | <i>Qty.</i> | <i>Description</i> | <i>Ref.</i> | <i>Part Number</i> | <i>Qty.</i> | <i>Description</i> |
|-------------|--------------------|-------------|--------------------|-------------|--------------------|-------------|--------------------|
| 1 | 138-7811 | 2 | Seal-Ring | 6 | AU112495A1 | 2 | Gear |
| 2 | AU112496A1 | 2 | Ring | 7 | 138-7814 | 4 | Bearing |
| 3 | 138-7812 | 2 | Carrier-Hub, Wheel | 8 | 138-7815 | 2 | O-Ring |
| 4 | 138-7813 | 12 | Bushing-Centering | 9 | auk260218 | 6 | Stud |
| 5 | AU116425A1 | 12 | Bolt | | | | |

Rear Axle Planetary Carrier Assembly

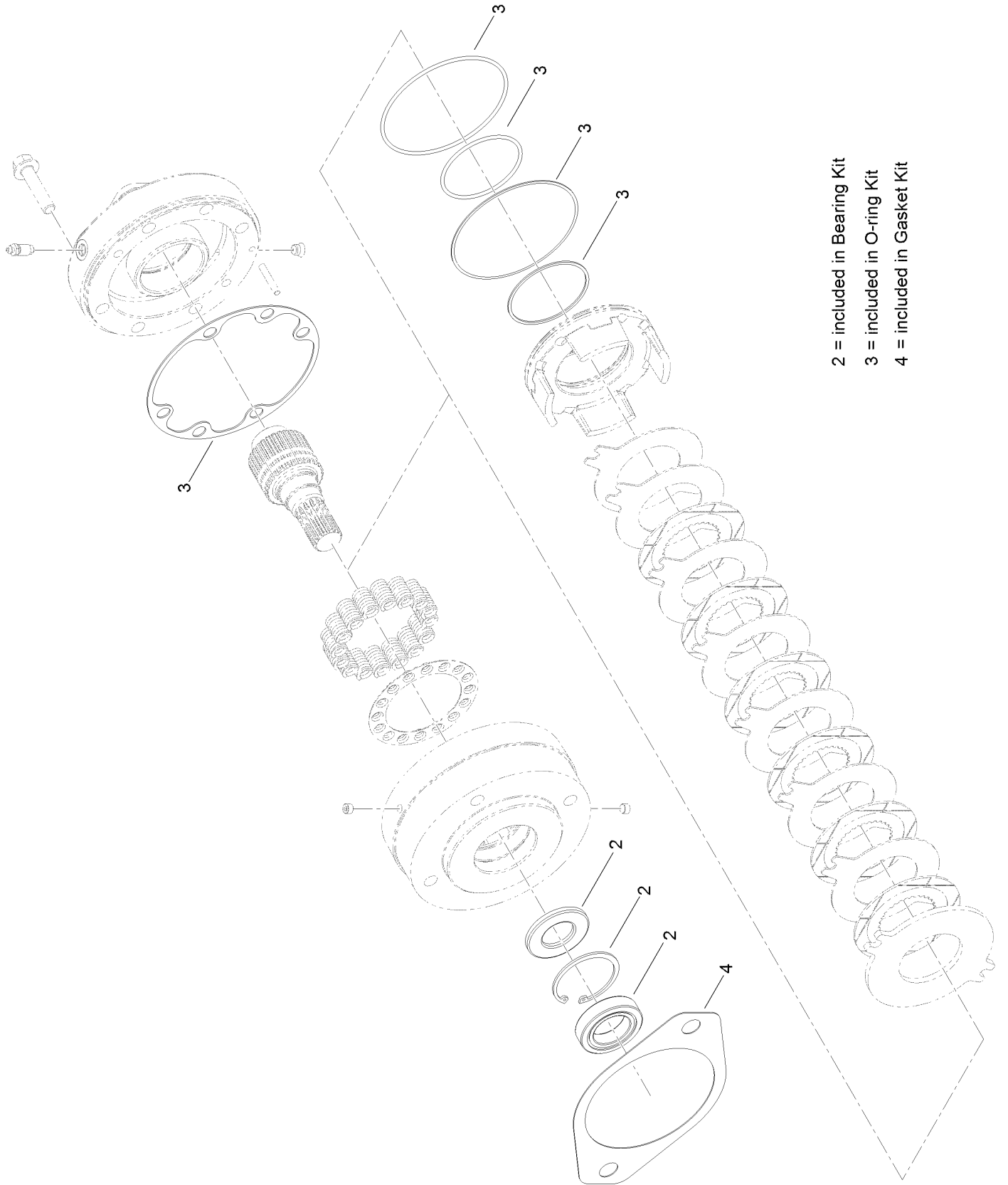


Rear Axle

Planetary Carrier Assembly (continued)

| <i>Ref.</i> | <i>Part Number</i> | <i>Qty.</i> | <i>Description</i> | <i>Ref.</i> | <i>Part Number</i> | <i>Qty.</i> | <i>Description</i> |
|-------------|--------------------|-------------|-----------------------|-------------|--------------------|-------------|--------------------|
| 1 | 138-7809 | 2 | Planetary Carrier ASM | 4 | AU141371A1 | 6 | Washer-Thrust |
| 2 | AU112501A1 | 6 | Washer | 5 | 133-5295 | 2 | Plug |
| 3 | AU141368A1 | 32 | Bearing-Needle | 6 | 138-7810 | 4 | Screw |

Parking Brake Assembly No. 133-4850



2 = included in Bearing Kit

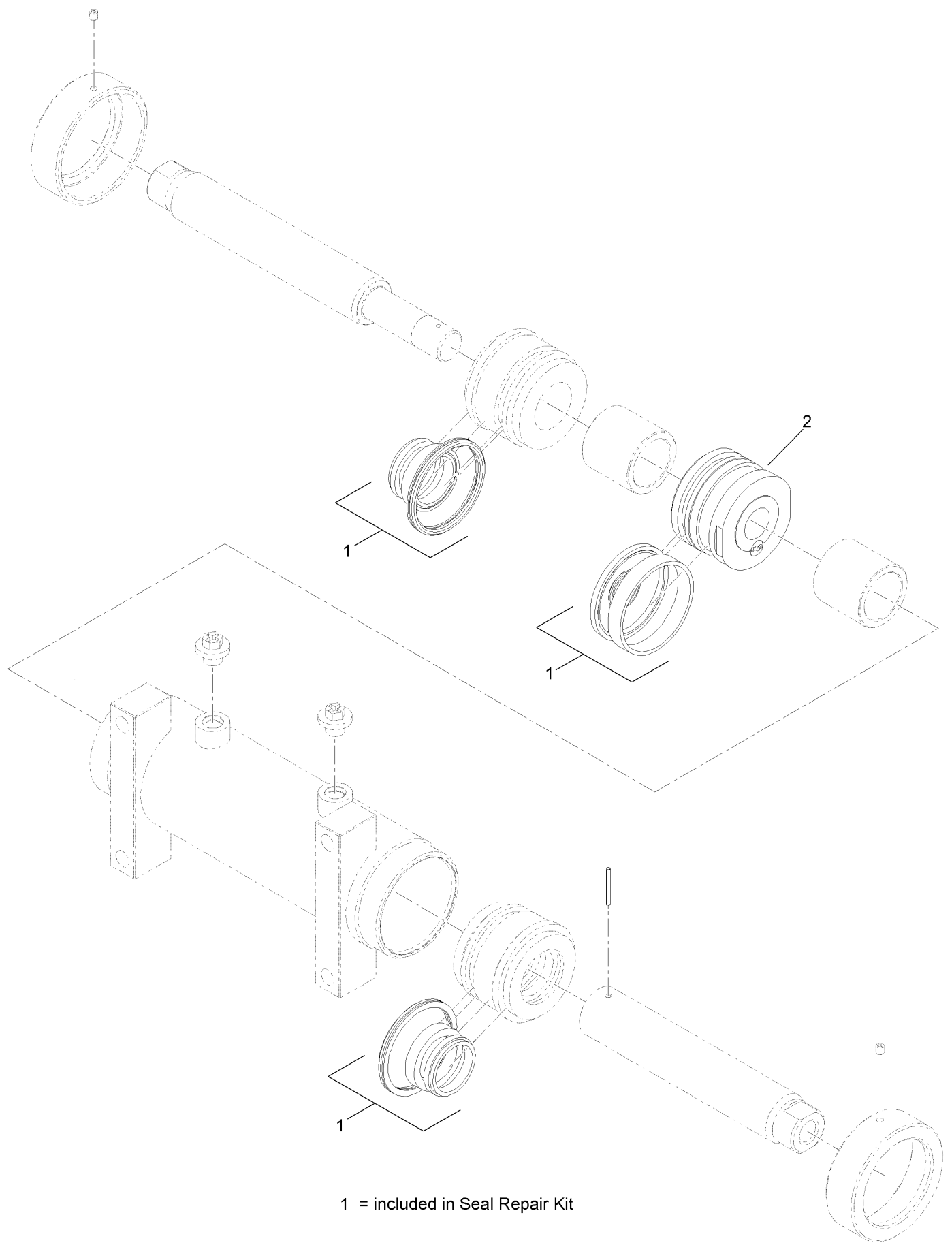
3 = included in O-ring Kit

4 = included in Gasket Kit

Parking Brake Assembly No. 133-4850 (continued)

| <i>Ref.</i> | <i>Part Number</i> | <i>Qty.</i> | <i>Description</i> |
|-------------|--------------------|-------------|--------------------|
| 2 | 138-7800 | 1 | Bearing Kit |
| 3 | 138-7801 | 1 | O-Ring Kit |
| 4 | 138-7802 | 1 | Gasket Kit |

Hydraulic Cylinder Assembly No. 133-4864

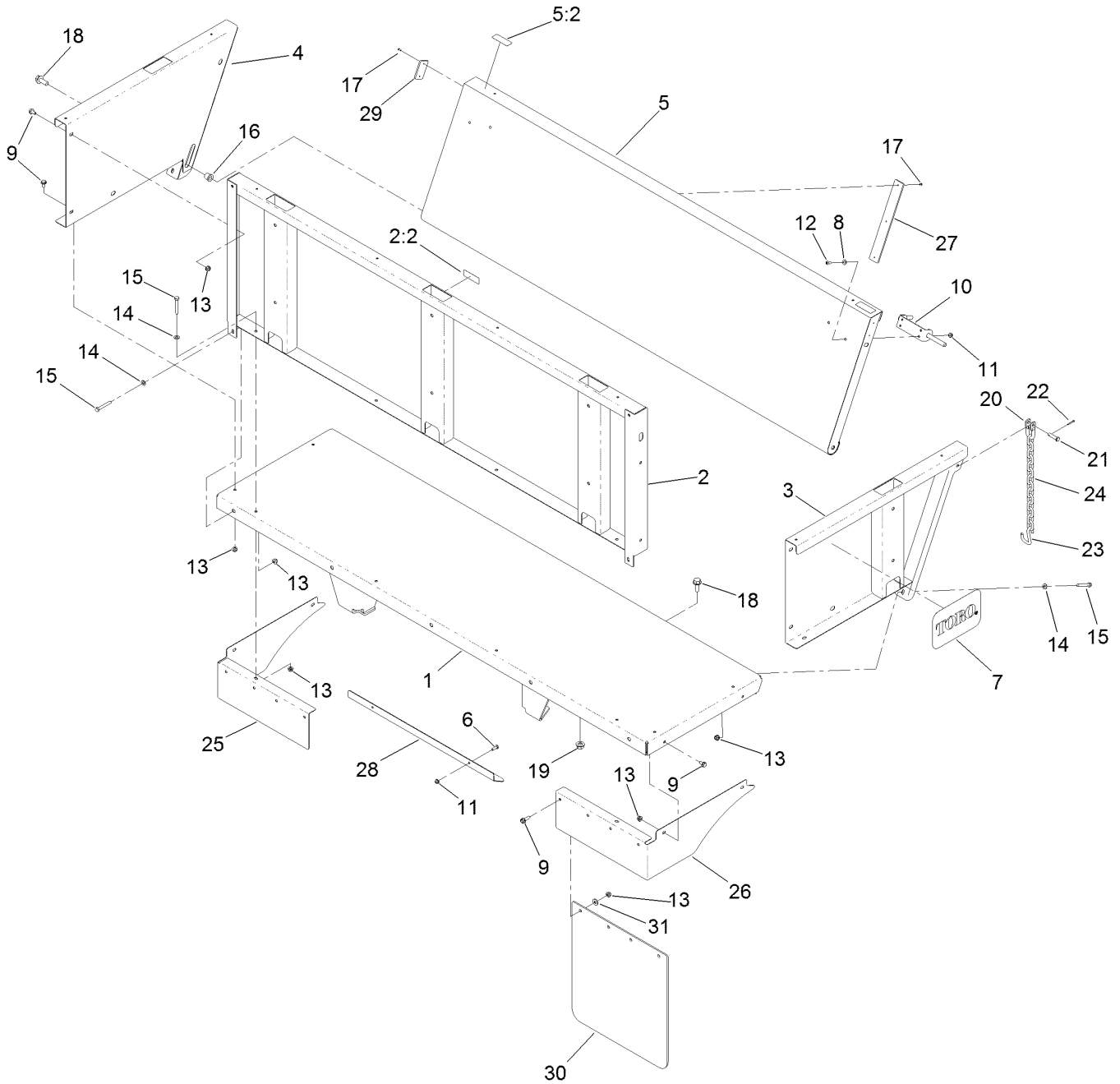


1 = included in Seal Repair Kit

Hydraulic Cylinder Assembly No. 133-4864 (continued)

| <i>Ref.</i> | <i>Part Number</i> | <i>Qty.</i> | <i>Description</i> |
|-------------|--------------------|-------------|-----------------------------|
| 1 | 138-7819 | 1 | Seal Repair Kit |
| 2 | 138-8164 | 1 | Piston (3In Ball Valve ASM) |

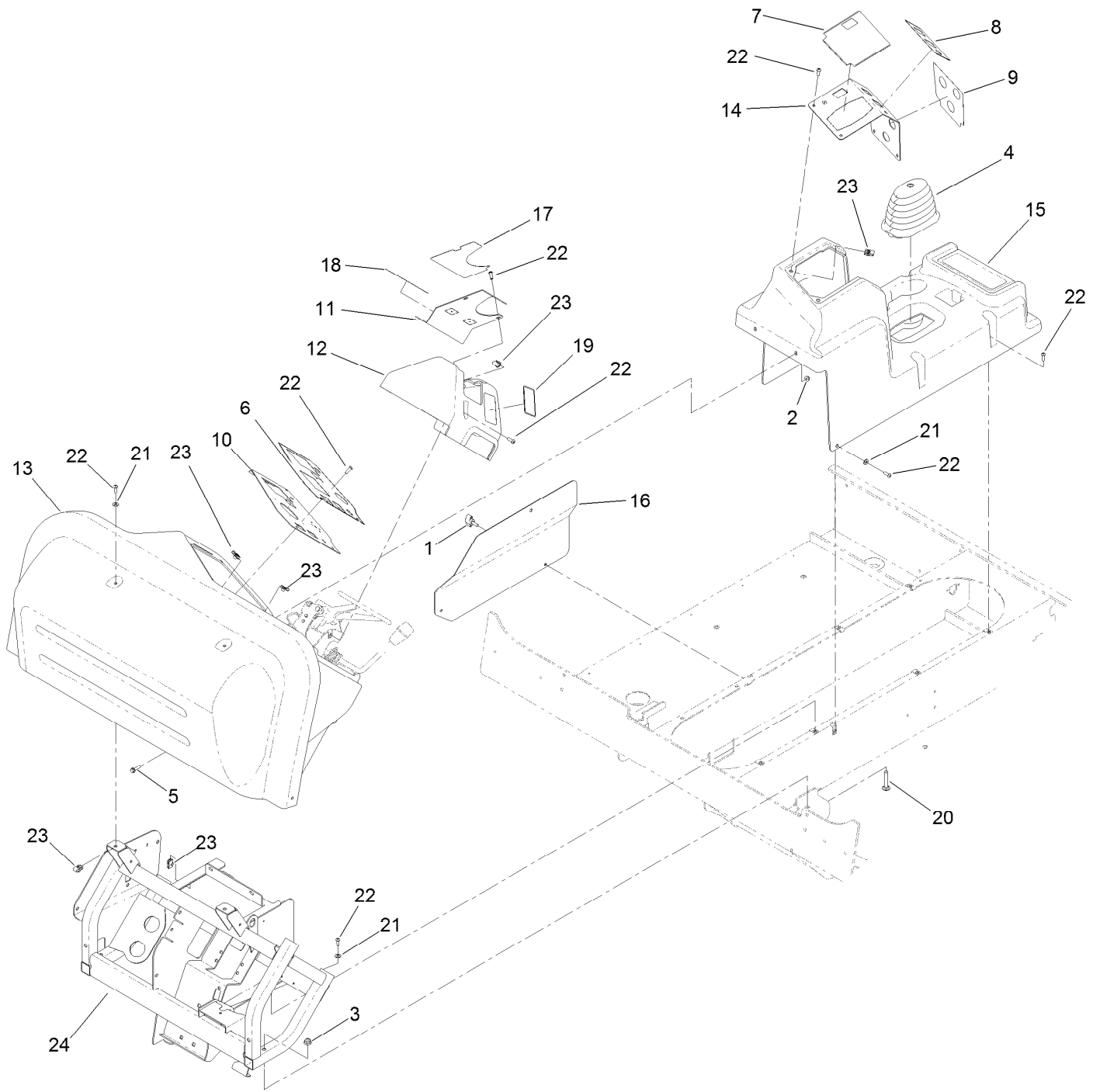
Standard Box Assembly



Standard Box Assembly (continued)

| <i>Ref.</i> | <i>Part Number</i> | <i>Qty.</i> | <i>Description</i> | <i>Ref.</i> | <i>Part Number</i> | <i>Qty.</i> | <i>Description</i> |
|-------------|--------------------|-------------|---------------------|-------------|--------------------|-------------|--------------------|
| 1 | 136-9832-03 | 1 | Bed ASM | 16 | 256-243 | 2 | Bearing-Flange |
| 2 | 138-3851 | 1 | Panel ASM | 17 | 3290-271 | 10 | Rivet-Pop |
| 2:2 | 115-7739 | 1 | Decal-No Riders | 18 | 3234-38 | 6 | Screw-HHF |
| 3 | 136-9830-03 | 1 | Panel-LH | 19 | 99-5107 | 4 | Nut-Lock |
| 4 | 136-9831-03 | 1 | Panel-RH | 20 | 5-2942 | 2 | Shackle |
| 5 | 138-4080 | 1 | Tailgate ASM | 21 | 283-10 | 2 | Pin-Clevis |
| 5:2 | 138-4107 | 2 | Decal-Hazard, Pinch | 22 | 3272-10 | 2 | Pin-Cotter |
| 6 | 321-4 | 2 | Screw-HH | 23 | 136-9808 | 2 | Hook-Tailgate |
| 7 | 92-1242 | 2 | Decal | 24 | 136-9809 | 2 | Chain |
| 8 | 3256-1 | 4 | Washer-Flat | 25 | 136-9806-03 | 1 | Filler-RH |
| 9 | 3234-47 | 20 | Screw-HHF | 26 | 136-9807-03 | 1 | Filler-LH |
| 10 | T62021030 | 2 | Latch-Spring | 27 | 136-9953 | 2 | Pad-Wear |
| 11 | 104-7201 | 6 | Nut-HF, NI | 28 | 136-9954-03 | 1 | Shield-Box |
| 12 | 3274-31 | 4 | Screw-HSBH | 29 | 136-9956 | 2 | Pad-Wear |
| 13 | 104-8300 | 28 | Nut-HF, NI | 30 | 136-9999 | 2 | Mudflap-Box |
| 14 | 3256-23 | 8 | Washer-Plain | 31 | 3256-3 | 8 | Washer-Flat |
| 15 | 322-11 | 8 | Screw-HH | | | | |

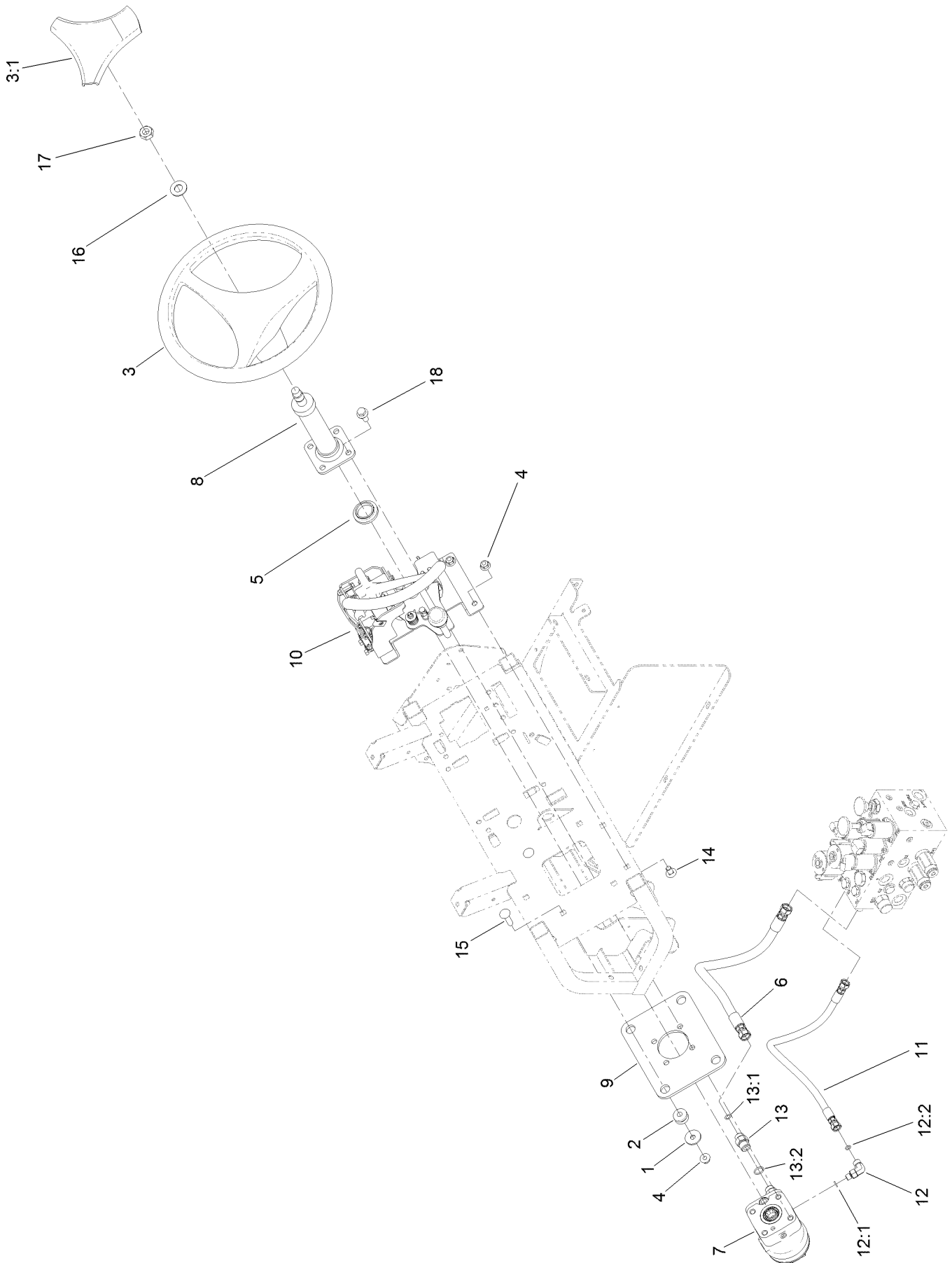
Panel Assembly



Panel Assembly (continued)

| <i>Ref.</i> | <i>Part Number</i> | <i>Qty.</i> | <i>Description</i> | <i>Ref.</i> | <i>Part Number</i> | <i>Qty.</i> | <i>Description</i> |
|-------------|--------------------|-------------|-------------------------|-------------|--------------------|-------------|-------------------------|
| 1 | 98-8332 | 3 | Knob | 13 | 136-9634 | 1 | Dash-Molded |
| 2 | 104-7201 | 2 | Nut-HF, NI | 14 | 138-4163-03 | 1 | Plate-Console, Joystick |
| 3 | 104-8301 | 2 | Nut-HF, NI | 15 | 136-9636 | 1 | Console |
| 4 | 117-8063 | 1 | Boot-Shift | 16 | 136-9776-03 | 1 | Panel-Service |
| 5 | 120-4654 | 2 | Screw-HHF | 17 | 136-9866 | 1 | Decal-Console |
| 6 | 136-5023 | 1 | Decal-Panel, Control | 18 | 136-9867 | 1 | Decal-Console |
| 7 | 138-4164 | 1 | Decal-Console, Joystick | 19 | 138-2017 | 1 | Decal-Shifter |
| 8 | 136-5025 | 1 | Decal-Console, Mid | 20 | 3231-6 | 2 | Screw-CARR |
| 9 | 136-5026 | 1 | Decal-Console, Lower | 21 | 3256-1 | 5 | Washer-Flat |
| 10 | 136-9619-03 | 1 | Panel-Control | 22 | 3274-69 | 21 | Screw-HSBH |
| 11 | 136-9627-03 | 1 | Panel-Steer | 23 | 107069 | 14 | Clip |
| 12 | 136-9628 | 1 | Cover-Steer | 24 | 138-8260-03 | 1 | Dash ASM |

Steering Assembly

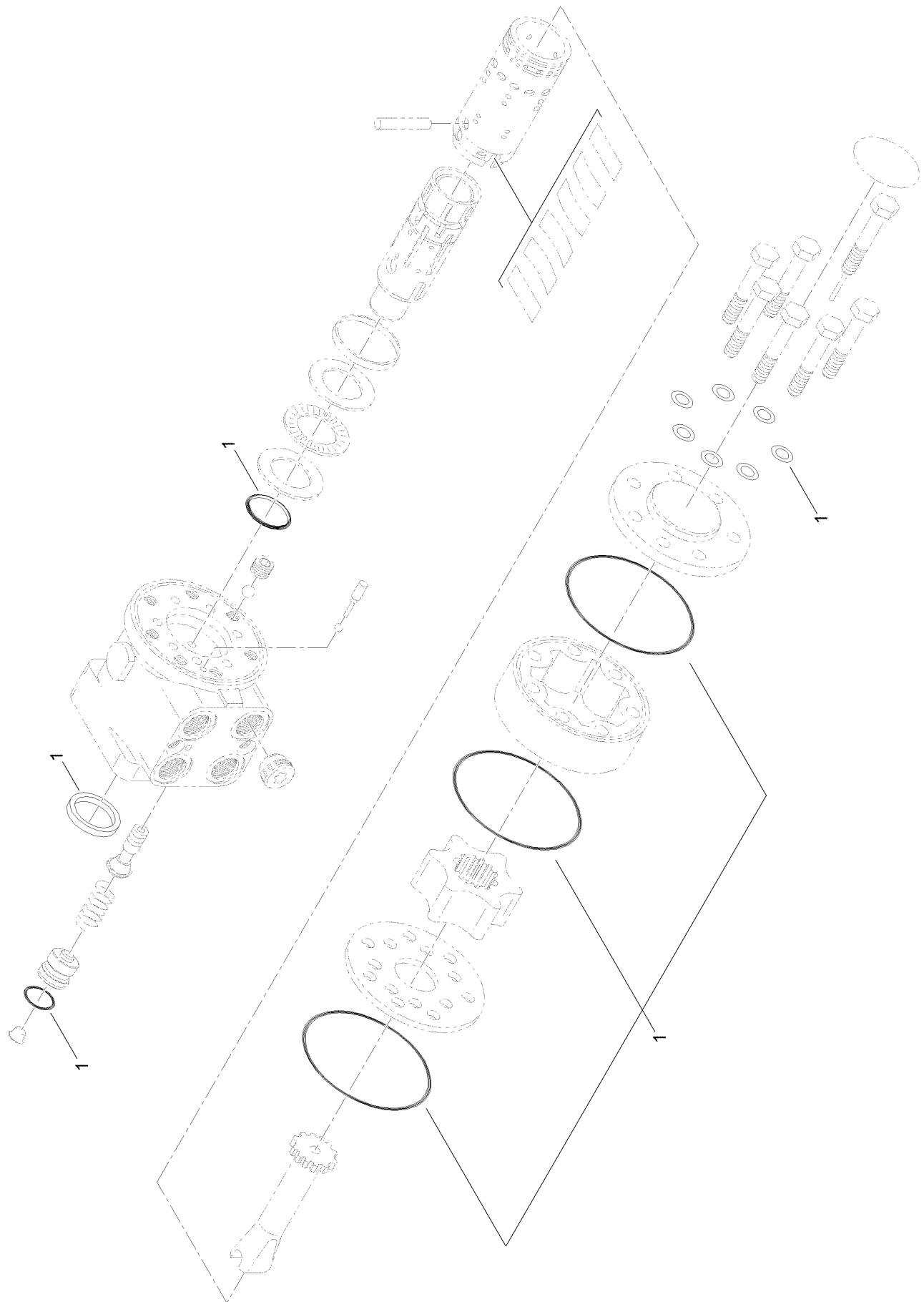


Steering Assembly (continued)

| <i>Ref.</i> | <i>Part Number</i> | <i>Qty.</i> | <i>Description</i> | <i>Ref.</i> | <i>Part Number</i> | <i>Qty.</i> | <i>Description</i> |
|-------------|--------------------|-------------|-----------------------|-------------|--------------------|-------------|-----------------------|
| 1 | 63-8410 | 4 | Washer | 12 | 340-132 | 1 | Fitting-Elbow, 90 DEG |
| 2 | 63-9750 | 4 | Mount | 12:1 | 237-78 | 1 | O-Ring |
| 3 | 98-1471 | 1 | Wheel-Steering | 12:2 | 237-21 | 1 | O-Ring |
| 3:1 | 98-1468 | 1 | Cover-Wheel, Steering | 13 | 340-3 | 4 | Fitting-Straight |
| 4 | 104-8301 | 7 | Nut-HF, NI | 13:1 | 237-22 | 1 | O-Ring |
| 5 | 140-0553 | 1 | Bushing-Alignment | 13:2 | 237-79 | 1 | O-Ring |
| 6 | 119-1433 | 1 | Hose ASM | 14 | 3231-21 | 3 | Screw-CARR |
| 7 | 131-5626 | 1 | Valve-Steering | 15 | 3231-26 | 4 | Screw-CARR |
| 8 | 132-6319 | 1 | Column-Steer | 16 | 3256-27 | 1 | Washer-Flat |
| 9 | 133-7895-03 | 1 | Plate-Steering | 17 | 3296-33 | 1 | Nut-Lock, NI |
| 10 | | 1 | Paddle Shift ASM ● | 18 | 33105-025 | 4 | Screw-HHF |
| 11 | 136-9713 | 1 | Hose ASM | | | | |

● Not serviced separately

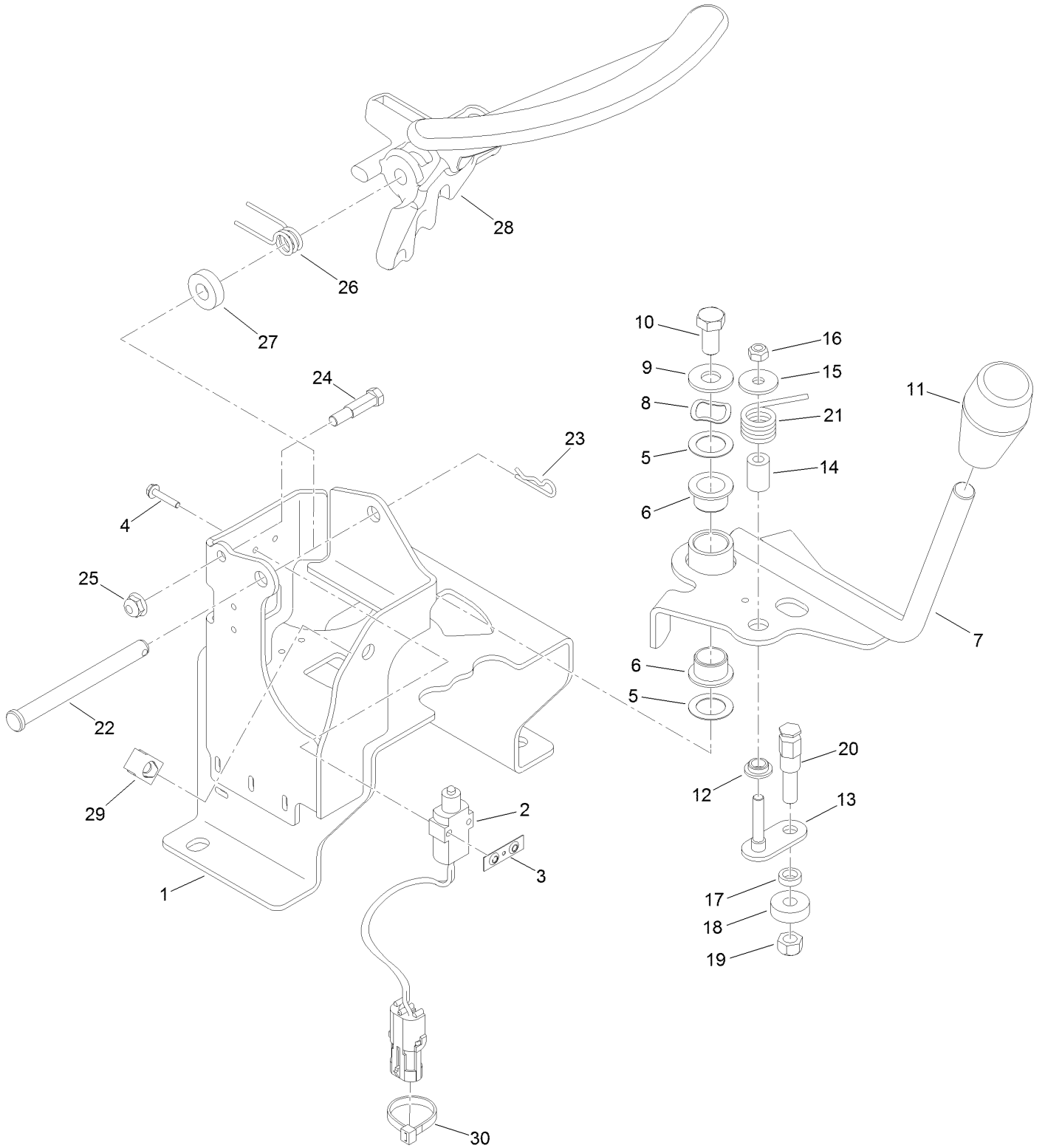
Steering Valve Assembly No. 131-5626



Steering Valve Assembly No. 131-5626 (continued)

| <i>Ref.</i> | <i>Part Number</i> | <i>Qty.</i> | <i>Description</i> |
|-------------|--------------------|-------------|---------------------|
| 1 | 138-7822 | 1 | Seal And O-Ring Kit |

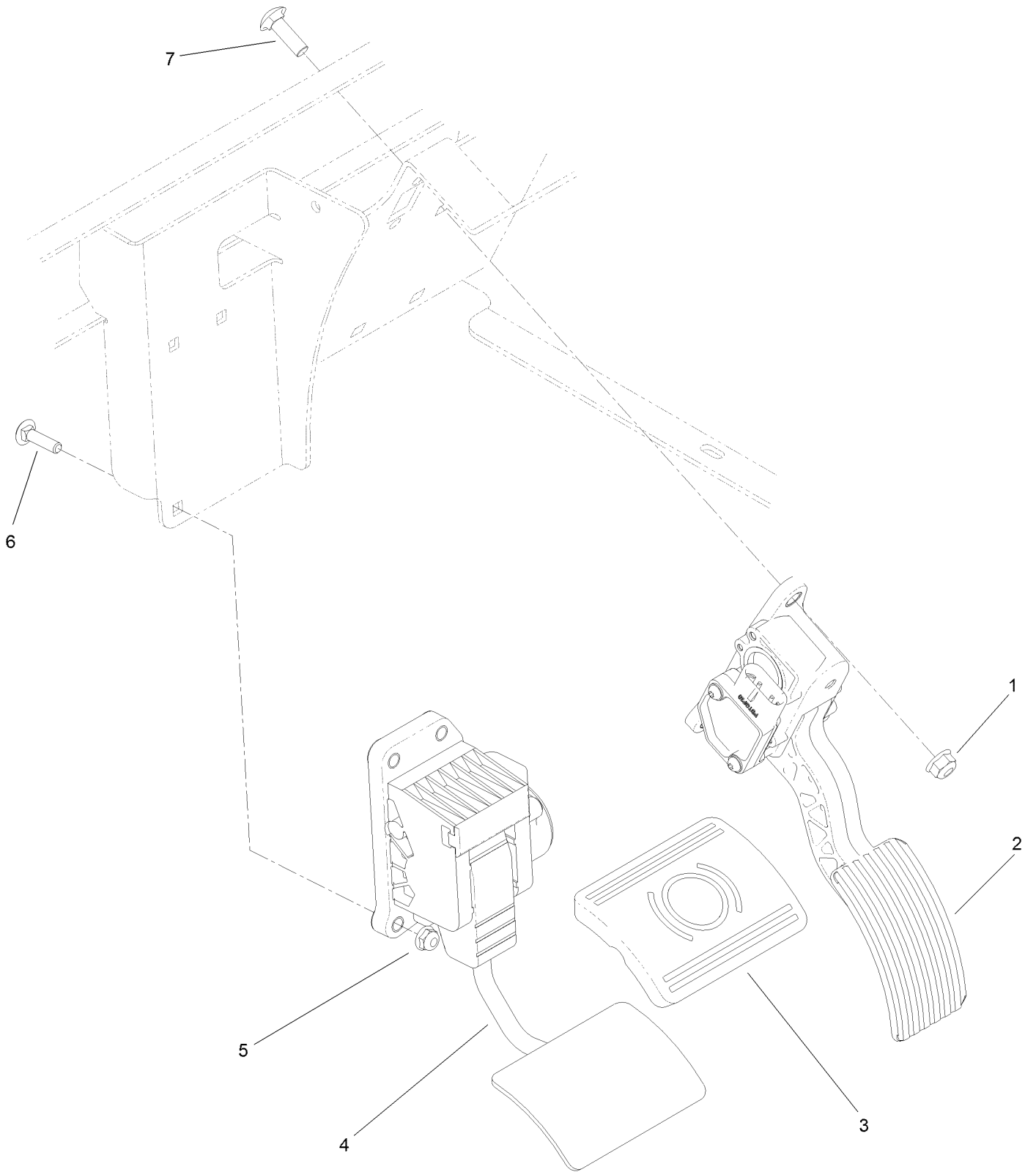
Paddle Shift Assembly



Paddle Shift Assembly (continued)

| <i>Ref.</i> | <i>Part Number</i> | <i>Qty.</i> | <i>Description</i> | <i>Ref.</i> | <i>Part Number</i> | <i>Qty.</i> | <i>Description</i> |
|-------------|--------------------|-------------|--------------------|-------------|--------------------|-------------|--------------------|
| 1 | 136-9644-03 | 1 | Control | 16 | 33023-00 | 1 | Nut-Lock |
| 2 | 99-3410 | 4 | Switch | 17 | 82-4240 | 1 | Spacer-Bearing |
| 3 | 108-9824 | 4 | Nut-Switch | 18 | 251-259 | 1 | Bearing-Ball |
| 4 | 117-5458 | 8 | Screw-HHF | 19 | 33024-00 | 1 | Nut-Lock, NI |
| 5 | 7-4650 | 2 | Washer-Plain | 20 | 94-9617 | 1 | Pin-Spring |
| 6 | 108-2973 | 2 | Bushing-Flange | 21 | 94-9620 | 1 | Spring-Torsion |
| 7 | 132-8178 | 1 | Lever ASM | 22 | 100-1413 | 1 | Pin-Clevis |
| 8 | 3290-317 | 1 | Washer-Spring | 23 | 1-806003 | 1 | Pin-Cotter |
| 9 | 3256-4 | 1 | Washer-Flat | 24 | 132-8187 | 1 | Bolt-Shoulder |
| 10 | 323-4 | 1 | Screw-HH | 25 | 104-7201 | 1 | Nut-HF, NI |
| 11 | 131-8473 | 1 | Knob-Tapered | 26 | 131-6107 | 1 | Spring-Torsion |
| 12 | 94-9619 | 1 | Bushing | 27 | 5-0652 | 1 | Spacer |
| 13 | 120-3198 | 1 | Roller-Pivot | 28 | 132-8173 | 1 | Paddle |
| 14 | 94-9618 | 1 | Spacer-Spring | 29 | 107069 | 1 | Clip |
| 15 | 3256-67 | 1 | Washer | 30 | 3290-378 | 4 | Tie-Cable |

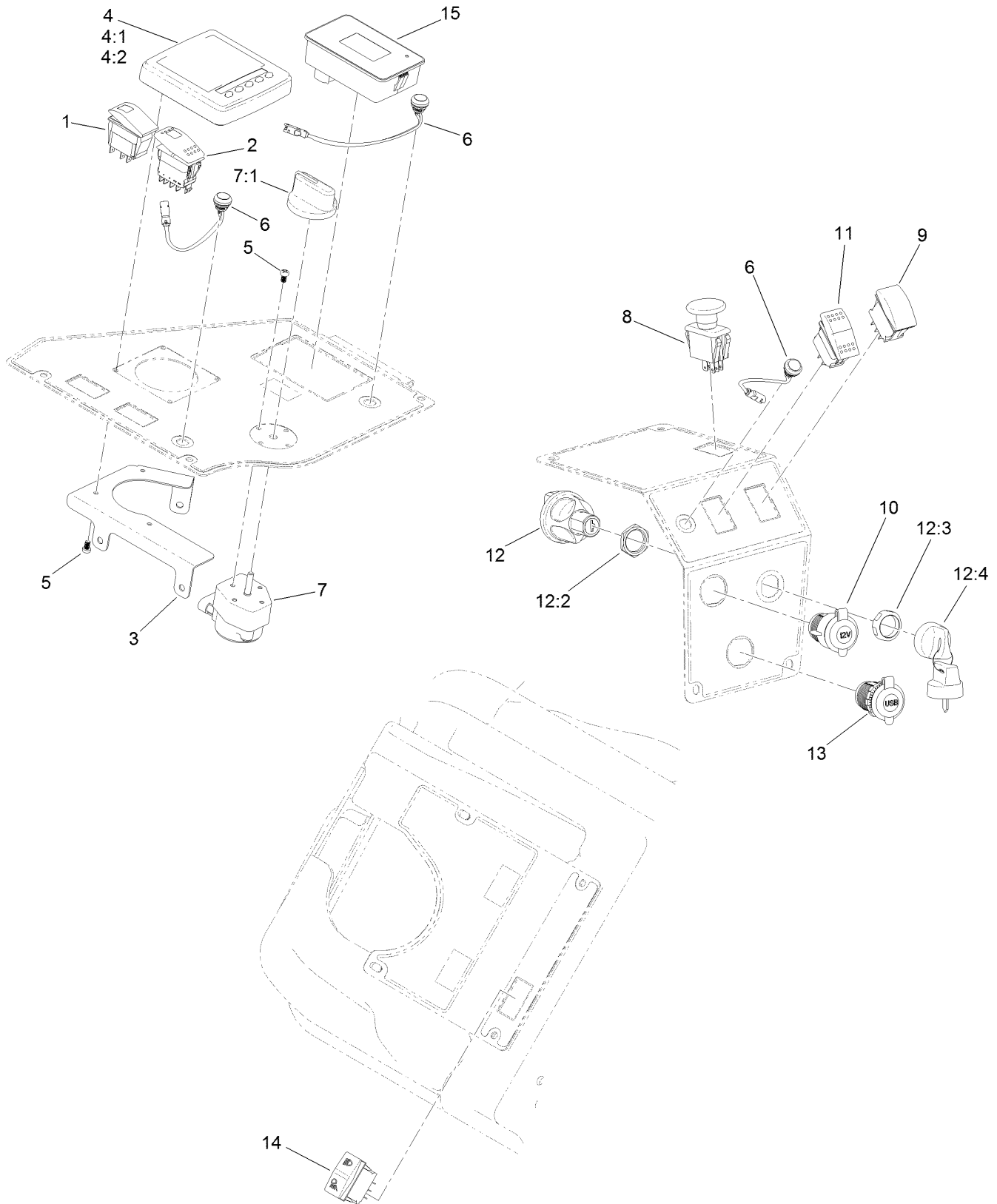
Pedal Assembly



Pedal Assembly (continued)

| <i>Ref.</i> | <i>Part Number</i> | <i>Qty.</i> | <i>Description</i> | <i>Ref.</i> | <i>Part Number</i> | <i>Qty.</i> | <i>Description</i> |
|-------------|--------------------|-------------|--------------------|-------------|--------------------|-------------|--------------------|
| 1 | 104-8300 | 3 | Nut-HF, NI | 5 | 104-7201 | 3 | Nut-HF, NI |
| 2 | 121-9675 | 1 | Pedal-Accelerator | 6 | 3229-2 | 3 | Screw-CARR |
| 3 | 93-8742 | 1 | Footpad-Brake | 7 | 3230-22 | 3 | Screw-CARR |
| 4 | 138-8270 | 1 | Brake ASM | | | | |

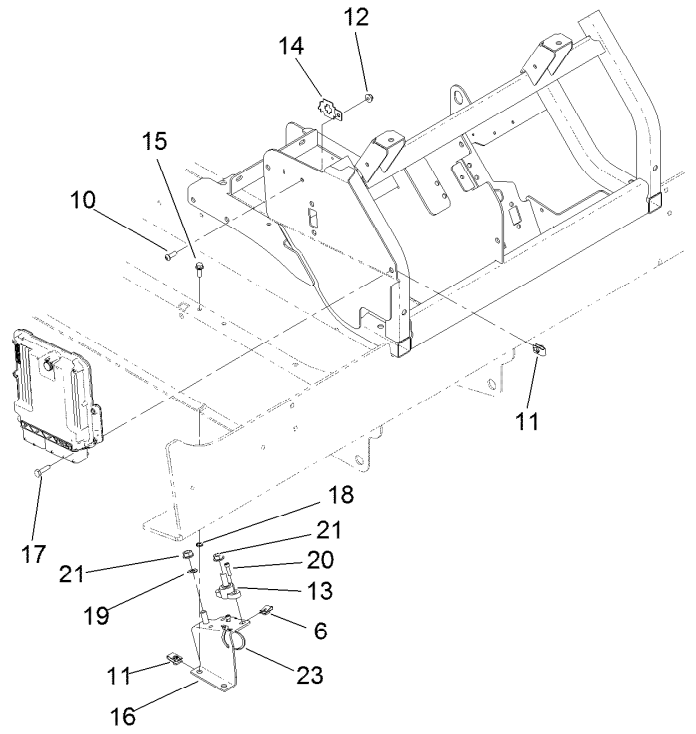
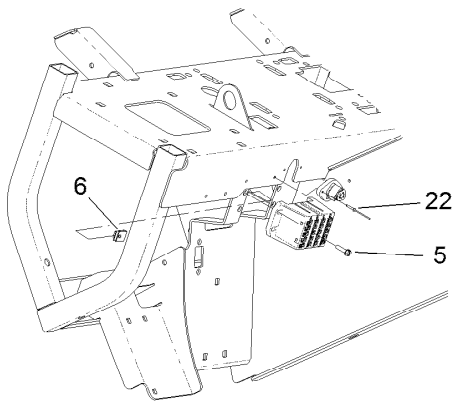
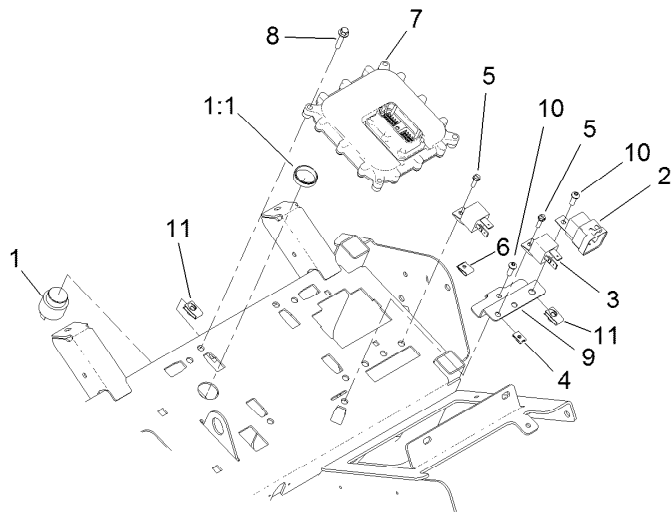
Dash and Console Control Assembly



Dash and Console Control Assembly (continued)

| <i>Ref.</i> | <i>Part Number</i> | <i>Qty.</i> | <i>Description</i> | <i>Ref.</i> | <i>Part Number</i> | <i>Qty.</i> | <i>Description</i> |
|-------------|--------------------|-------------|---------------------|-------------|--------------------|-------------|---------------------------------|
| 1 | 105-4232 | 1 | Switch | 9 | 100-1535 | 1 | Switch-Rocker, (On)-Off-(On) |
| 2 | 122-0938 | 1 | Switch-Rocker | 10 | 109-9376 | 1 | Receptacle-12V |
| 3 | 122-1109-03 | 1 | Bracket-Panel, Wire | 11 | 114-3329 | 1 | Switch-Rocker |
| 4 | 125-5320 | 1 | Infocenter | 12 | 121-5159 | 1 | Ignition Switch ASM |
| 4:1 | 115-8884 | 4 | Nut-Thumb | 12:2 | 121-5160 | 1 | Nut-Hex |
| 4:2 | 115-8885 | 4 | Stud | 12:3 | 121-5161 | 1 | Nut-Face |
| 5 | 132-7668 | 8 | Screw-PPH | 12:4 | 121-5162 | 1 | Set-Key, Ignition |
| 6 | 136-9678 | 3 | Switch-Pushbutton | 13 | 131-8388 | 1 | Socket-USB |
| 7 | 122-1338 | 1 | Switch-Rotary | 14 | 120-0334 | 1 | Switch-Rocker |
| 7:1 | 122-1362 | 1 | Knob | 15 | 122-1201 | 1 | Module-Display |
| 8 | 93-9999 | 1 | Switch-PTO | | | | |

Dash Component Assembly

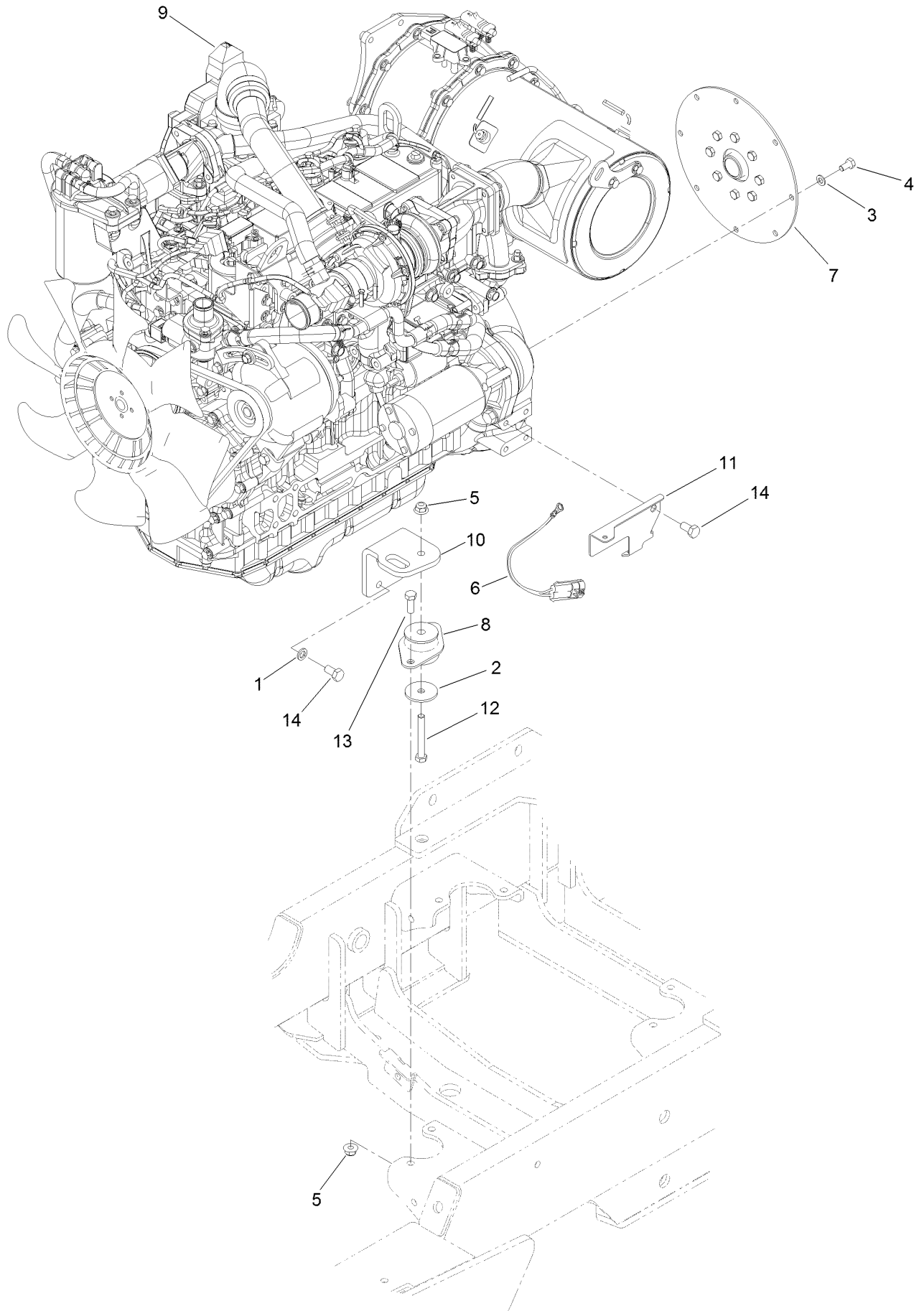


Dash Component Assembly (continued)

| <i>Ref.</i> | <i>Part Number</i> | <i>Qty.</i> | <i>Description</i> | <i>Ref.</i> | <i>Part Number</i> | <i>Qty.</i> | <i>Description</i> |
|-------------|--------------------|-------------|------------------------|-------------|--------------------|-------------|--------------------|
| 1 | 80-9330 | 1 | Audio Alarm ASM | 12 | 104-7201 | 1 | Nut-HF, NI |
| 1:1 | 104-5107 | 1 | Nut-Plastic, Knurled ● | 13 | 110-8822 | 1 | Block-Junction |
| 2 | 99-7430 | 1 | Relay-Mini | 14 | 114-5502 | 1 | Clip-Fuse |
| 3 | 99-7435 | 5 | Relay | 15 | 115-5103 | 2 | Screw-HHF |
| 4 | 107-1013 | 2 | Nut-Speed | 16 | 138-8144-03 | 1 | Bracket-Terminal |
| 5 | 32105-13 | 9 | Screw-HWH | 17 | 321-6 | 3 | Screw-HH |
| 6 | 120-6686 | 9 | Nut-Clip, U | 18 | 3255-7 | 2 | Washer-Lock/EXT |
| 7 | 127-2770 | 1 | Controller | 19 | 3255-9 | 1 | Washer-Lock |
| 8 | 127-8639 | 4 | Screw-HHF | 20 | 3274-14 | 2 | Screw-HSH |
| 9 | 136-9654 | 1 | Bracket-Fuse, Engine | 21 | 3290-357 | 2 | Nut-HHF, Whiz |
| 10 | 3274-69 | 3 | Screw-HSBH | 22 | 136-9679 | 2 | Rivet-Tiny |
| 11 | 107069 | 11 | Clip | 23 | 3290-378 | 1 | Tie-Cable |

● Not illustrated

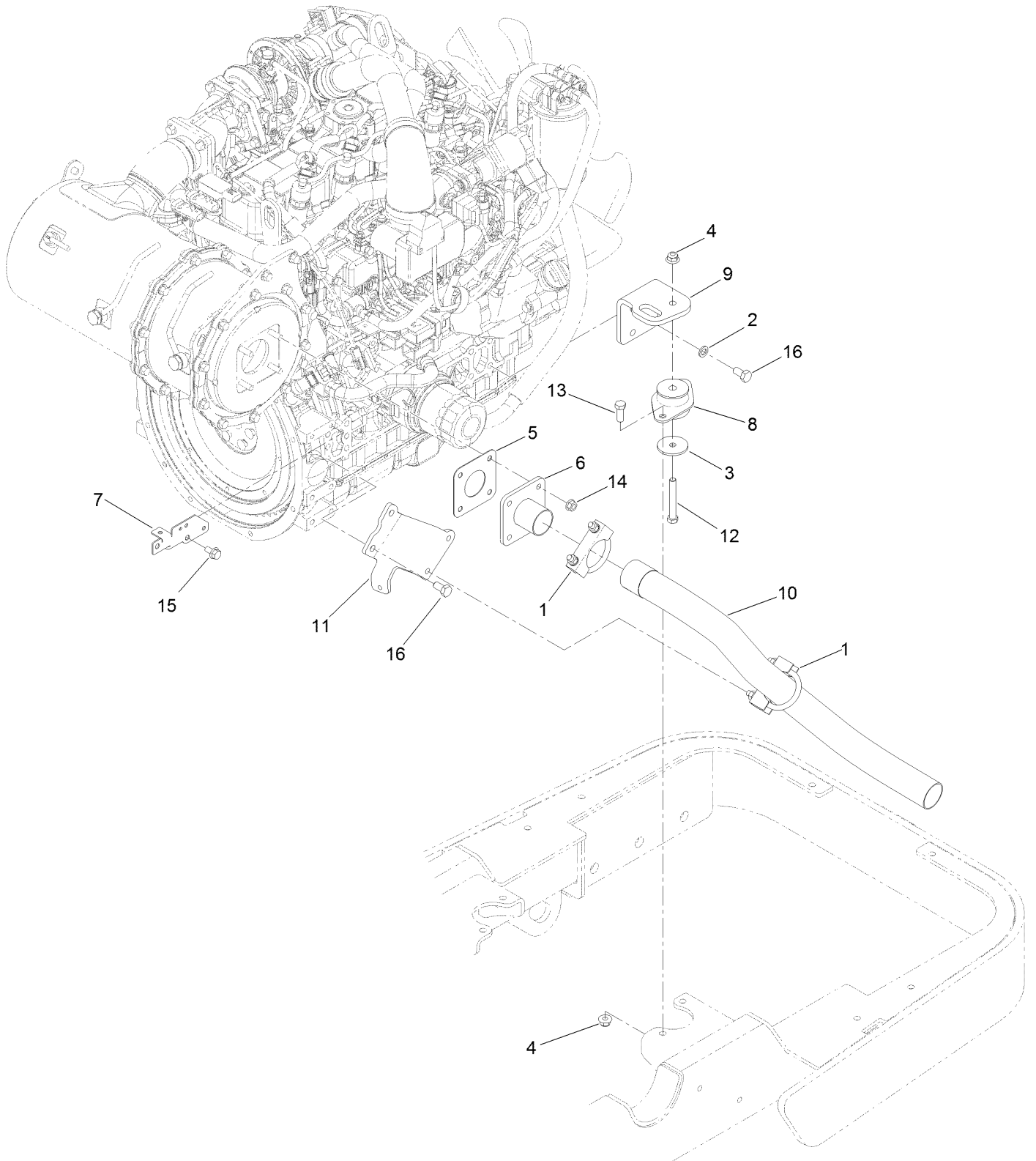
Engine Assembly



Engine Assembly (continued)

| <i>Ref.</i> | <i>Part Number</i> | <i>Qty.</i> | <i>Description</i> | <i>Ref.</i> | <i>Part Number</i> | <i>Qty.</i> | <i>Description</i> |
|-------------|--------------------|-------------|----------------------------|-------------|--------------------|-------------|--------------------|
| 1 | 48-9590 | 4 | Washer-Lock | 8 | 131-1821 | 1 | Mount-Engine |
| 2 | 63-7400 | 1 | Washer-Rebound | 9 | 138-8198 | 1 | Engine-Yanmar |
| 3 | 87-7510 | 8 | Washer-Flat | 10 | 132-6304-03 | 1 | Bracket-Engine |
| 4 | 99-5132 | 8 | Bolt | 11 | 133-7894 | 1 | Bracket-Wire, LH |
| 5 | 104-8301 | 3 | Nut-HF, NI | 12 | 323-13 | 1 | Screw-HH |
| 6 | 108-9470 | 1 | Harness-Wire, Fusible Link | 13 | 323-6 | 2 | Screw-HH |
| 7 | 120-4176 | 1 | Coupling-Spring, Flywheel | 14 | 33115-020 | 5 | Screw-HH |

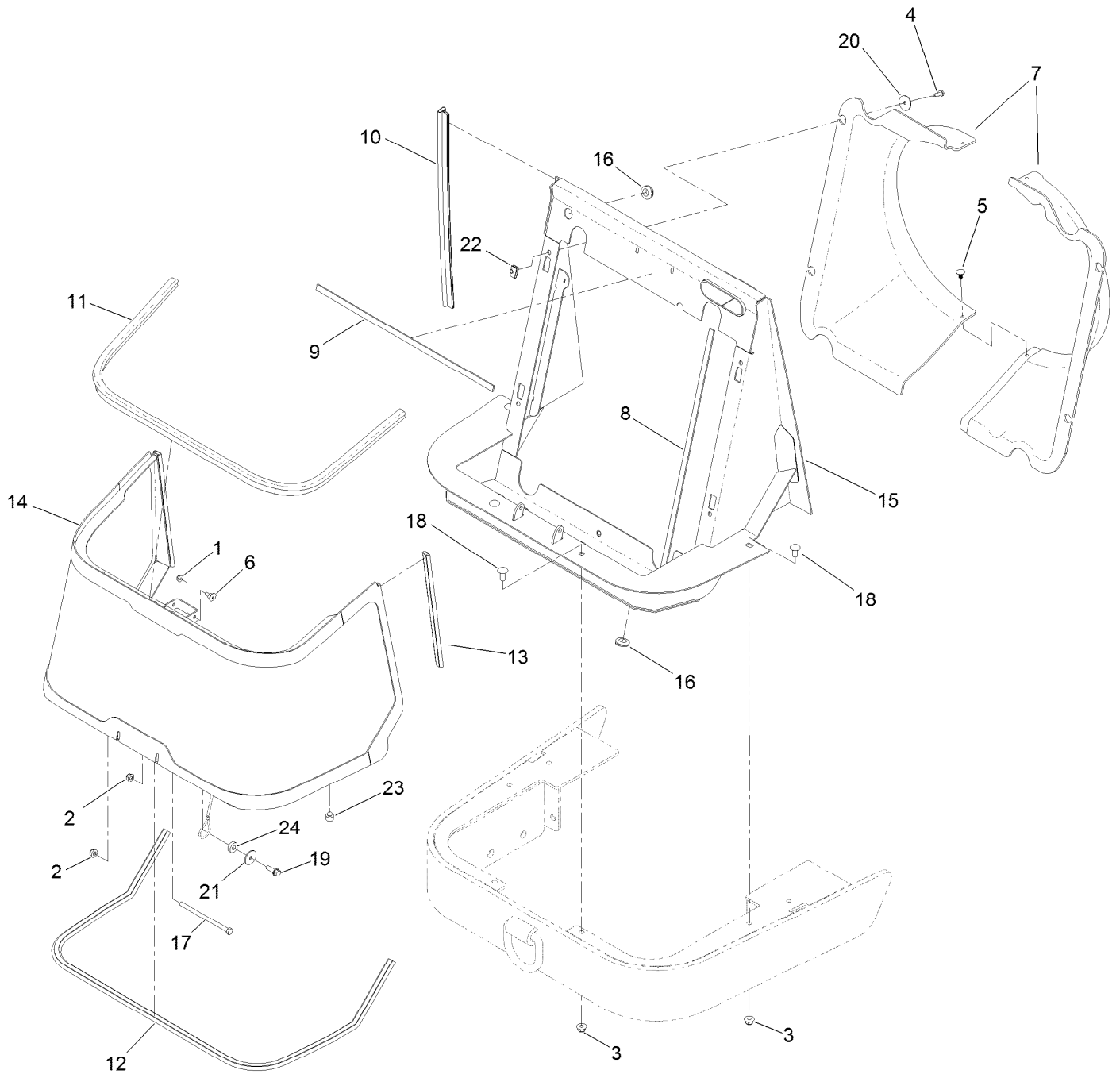
Exhaust and Bracket Assembly



Exhaust and Bracket Assembly (continued)

| <i>Ref.</i> | <i>Part Number</i> | <i>Qty.</i> | <i>Description</i> | <i>Ref.</i> | <i>Part Number</i> | <i>Qty.</i> | <i>Description</i> |
|-------------|--------------------|-------------|-------------------------|-------------|--------------------|-------------|--------------------|
| 1 | 18-2130 | 2 | Clamp | 9 | 132-6304-03 | 1 | Bracket-Engine |
| 2 | 48-9590 | 4 | Washer-Lock | 10 | 133-7870 | 1 | Tube-Exhaust |
| 3 | 63-7400 | 1 | Washer-Rebound | 11 | 133-7893-03 | 1 | Bracket-Exhaust |
| 4 | 104-8301 | 3 | Nut-HF, NI | 12 | 323-13 | 1 | Screw-HH |
| 5 | 121-3058 | 1 | Gasket-Exhaust | 13 | 323-6 | 2 | Screw-HH |
| 6 | 121-3060 | 1 | Flange-Exhaust | 14 | 33004-00 | 4 | Nut-HF |
| 7 | 122-0940 | 1 | Bracket-Harness, Engine | 15 | 33104-016 | 1 | Screw-HHF |
| 8 | 131-1821 | 1 | Mount-Engine | 16 | 33115-020 | 6 | Screw-HH |

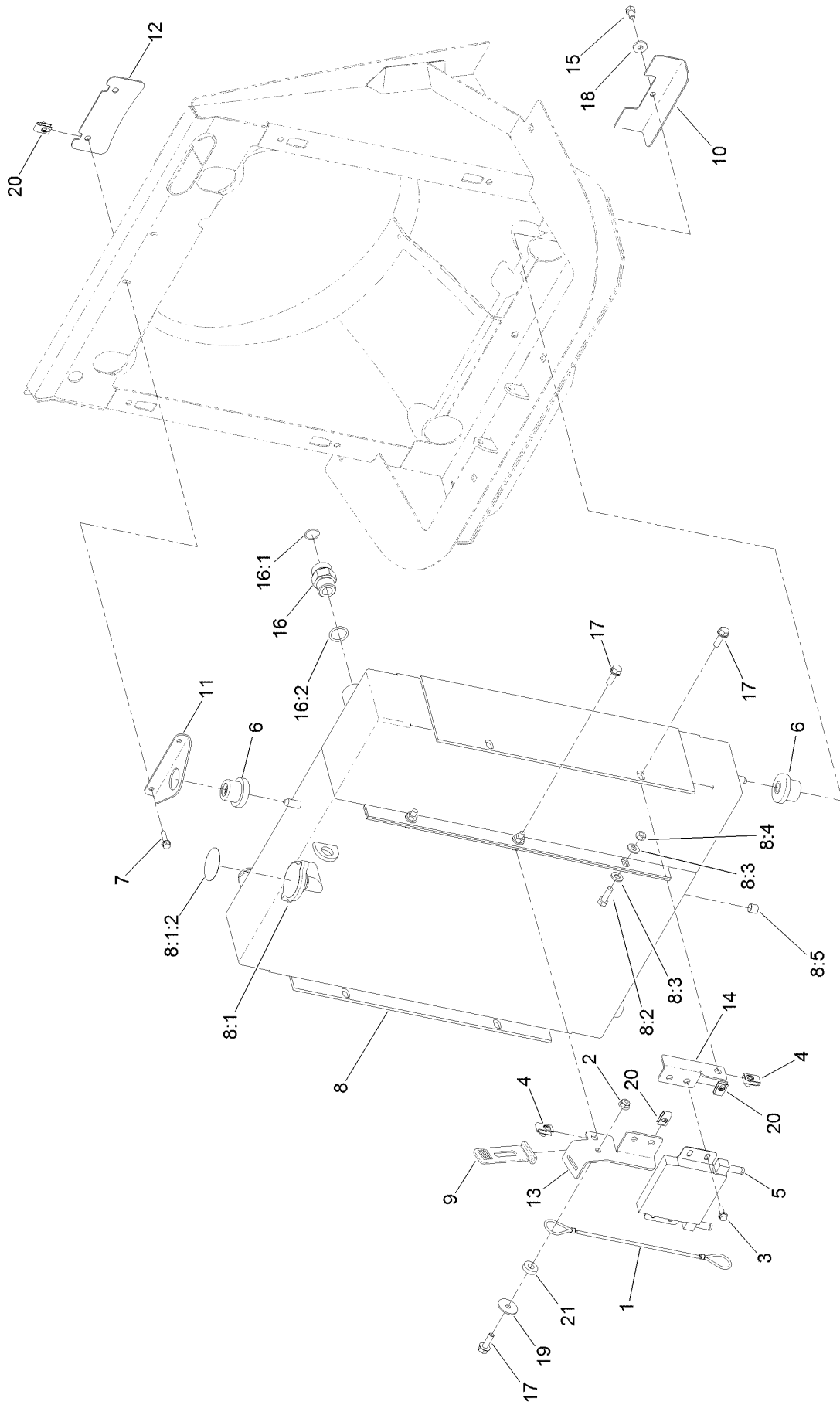
Screen and Support Assembly



Screen and Support Assembly (continued)

| <i>Ref.</i> | <i>Part Number</i> | <i>Qty.</i> | <i>Description</i> | <i>Ref.</i> | <i>Part Number</i> | <i>Qty.</i> | <i>Description</i> |
|-------------|--------------------|-------------|--------------------|-------------|--------------------|-------------|--------------------|
| 1 | 104-7201 | 1 | Nut-HF, NI | 13 | 138-2028 | 2 | Seal-Bulb |
| 2 | 104-8300 | 2 | Nut-HF, NI | 14 | 138-2030-03 | 1 | Screen |
| 3 | 104-8301 | 4 | Nut-HF, NI | 15 | 138-4175-01 | 1 | Mount-Cooling |
| 4 | 115-5103 | 4 | Screw-HHF | 16 | 237-124 | 3 | Grommet |
| 5 | 117-2382 | 2 | Plug-Plastic | 17 | 322-49 | 1 | Bolt-HH |
| 6 | 125-1122 | 1 | Screw | 18 | 3231-27 | 4 | Screw-CARR |
| 7 | 136-5166 | 1 | Fan Shroud ASM | 19 | 3234-29 | 1 | Screw-HHF |
| 8 | 136-9862 | 2 | Seal-Foam | 20 | 3256-55 | 4 | Washer-Flat |
| 9 | 136-9865 | 2 | Seal-Foam | 21 | 3256-57 | 1 | Washer-Flat |
| 10 | 138-2025 | 2 | Seal-Bulb | 22 | 107069 | 4 | Clip |
| 11 | 138-2026 | 1 | Seal-Bulb | 23 | 107-8042 | 2 | Bumper-Rubber |
| 12 | 138-2027 | 1 | Seal-Bulb | 24 | 5-0652 | 1 | Spacer |

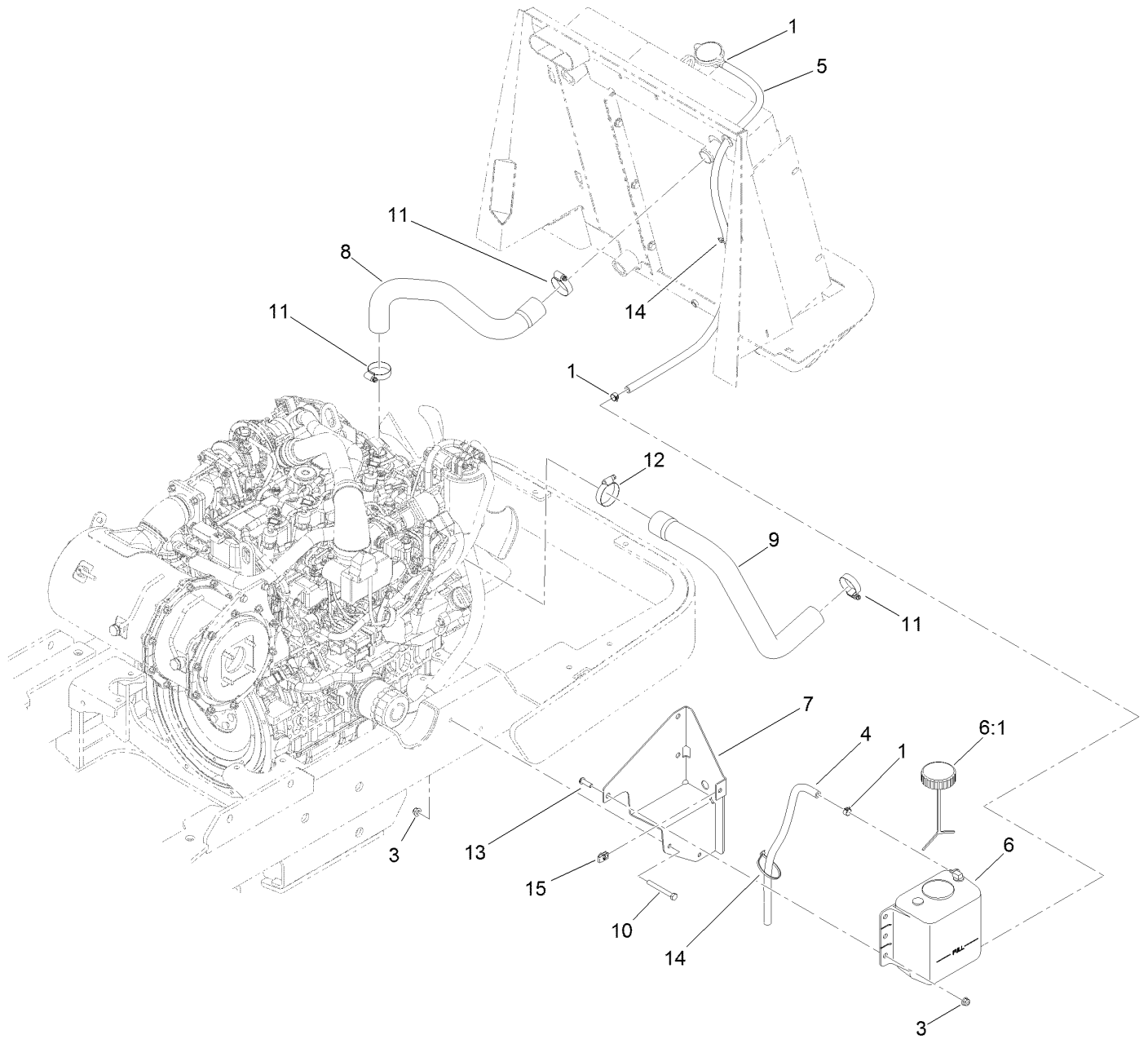
Radiator Assembly



Radiator Assembly (continued)

| <i>Ref.</i> | <i>Part Number</i> | <i>Qty.</i> | <i>Description</i> | <i>Ref.</i> | <i>Part Number</i> | <i>Qty.</i> | <i>Description</i> |
|-------------|--------------------|-------------|---------------------|-------------|--------------------|-------------|--------------------|
| 1 | 93-9595 | 1 | Lanyard | 10 | 138-1855 | 1 | Bracket-Clamp |
| 2 | 104-8300 | 1 | Nut-HF, NI | 11 | 138-2029 | 1 | Bracket-Clamp |
| 3 | 115-5103 | 4 | Screw-HHF | 12 | 138-2049 | 1 | Plate-Clamp |
| 4 | 94-2413 | 2 | Nut-U | 13 | 138-3750 | 1 | Bracket-Cooler, RH |
| 5 | 116-7205 | 1 | Cooler | 14 | 138-3751 | 1 | Bracket-Cooler, LH |
| 6 | 119-1422 | 3 | Mount-Isolator | 15 | 322-1 | 1 | Screw-HH |
| 7 | 120-4654 | 2 | Screw-HHF | 16 | 340-9 | 2 | Fitting-STR |
| 8 | 131-5630 | 1 | Radiator Cooler ASM | 16:1 | 237-58 | 1 | O-Ring |
| 8:1 | 119-1430 | 1 | Radiator Cap ASM | 16:2 | 237-81 | 1 | O-Ring |
| 8:1:2 | 117-3276 | 1 | Decal-Danger | 17 | 3234-29 | 3 | Screw-HHF |
| 8:2 | 33114-025 | 6 | Screw-HH | 18 | 88-7200 | 1 | Washer-Flat |
| 8:3 | 33094-00 | 12 | Washer-Plain | 19 | 3256-57 | 1 | Washer-Flat |
| 8:4 | 33014-00 | 6 | Nut-Hex | 20 | 107069 | 6 | Clip |
| 8:5 | 99-8551 | 1 | Plug-Pipe | 21 | 5-0652 | 1 | Spacer |
| 9 | 131-8402 | 1 | Strap-Down, Hold | | | | |

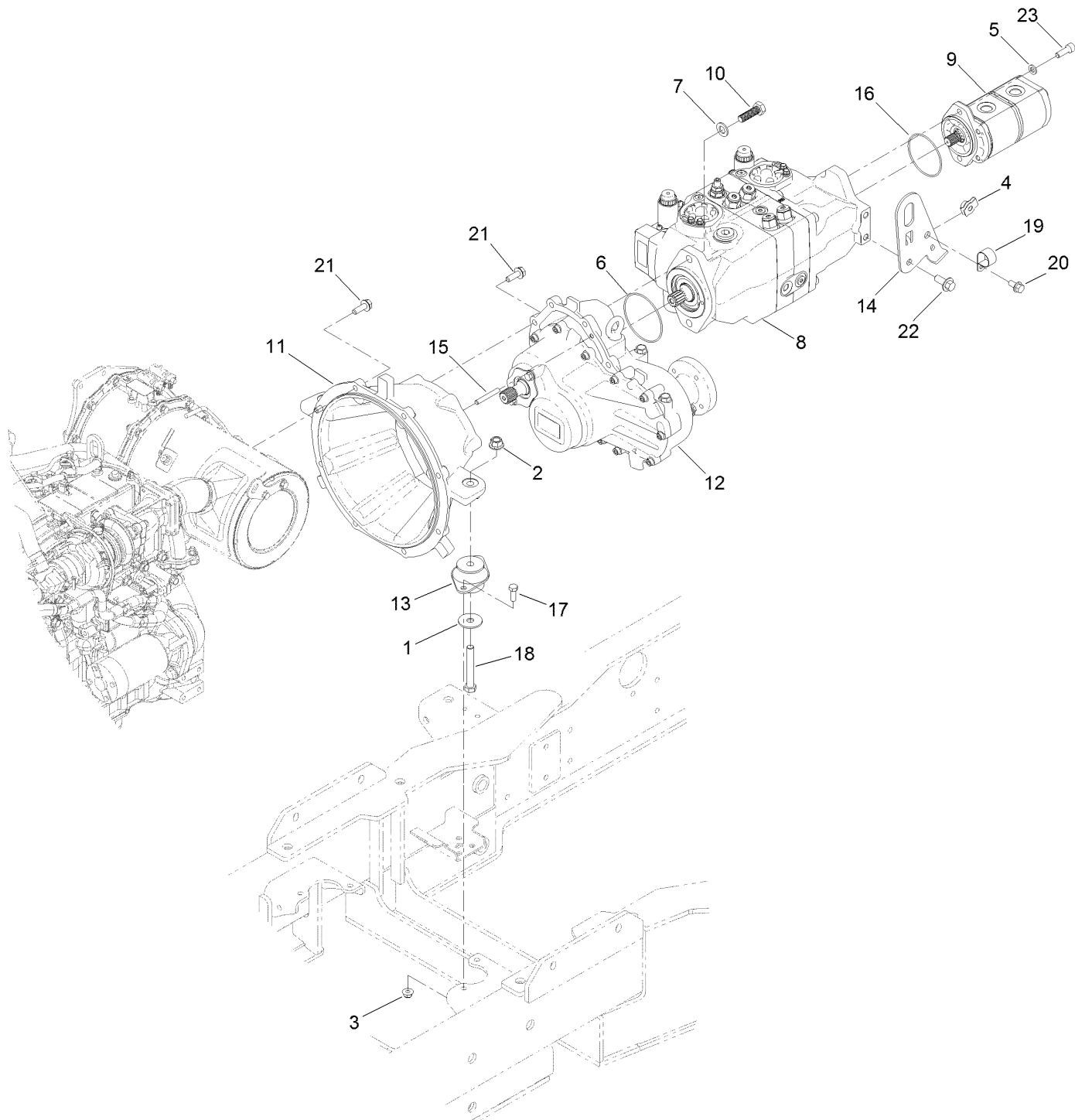
Engine Cooling and Hose Assembly



Engine Cooling and Hose Assembly (continued)

| <i>Ref.</i> | <i>Part Number</i> | <i>Qty.</i> | <i>Description</i> | <i>Ref.</i> | <i>Part Number</i> | <i>Qty.</i> | <i>Description</i> |
|-------------|--------------------|-------------|-----------------------|-------------|--------------------|-------------|---------------------|
| 1 | 92-2379 | 3 | Clamp-Hose | 9 | 136-5179 | 1 | Hose-Coolant, Lower |
| 3 | 104-8300 | 5 | Nut-HF, NI | 10 | 322-13 | 2 | Screw-HH |
| 4 | 110-4109 | 1 | Hose-Fuel | 11 | 2412-111 | 3 | Clamp-Hose, W/Liner |
| 5 | 110-4114 | 1 | Hose-Fuel | 12 | 2412-3 | 1 | Clamp-Hose |
| 6 | 120-5571 | 1 | Coolant Reservoir ASM | 13 | 3274-104 | 3 | Screw-HSBH |
| 6:1 | 87-7050 | 1 | Cap-Reservoir | 14 | 3290-378 | 2 | Tie-Cable |
| 7 | 136-5171-01 | 1 | Bracket-Bottle | 15 | 107069 | 1 | Clip |
| 8 | 136-5178 | 1 | Hose-Coolant, Upper | | | | |

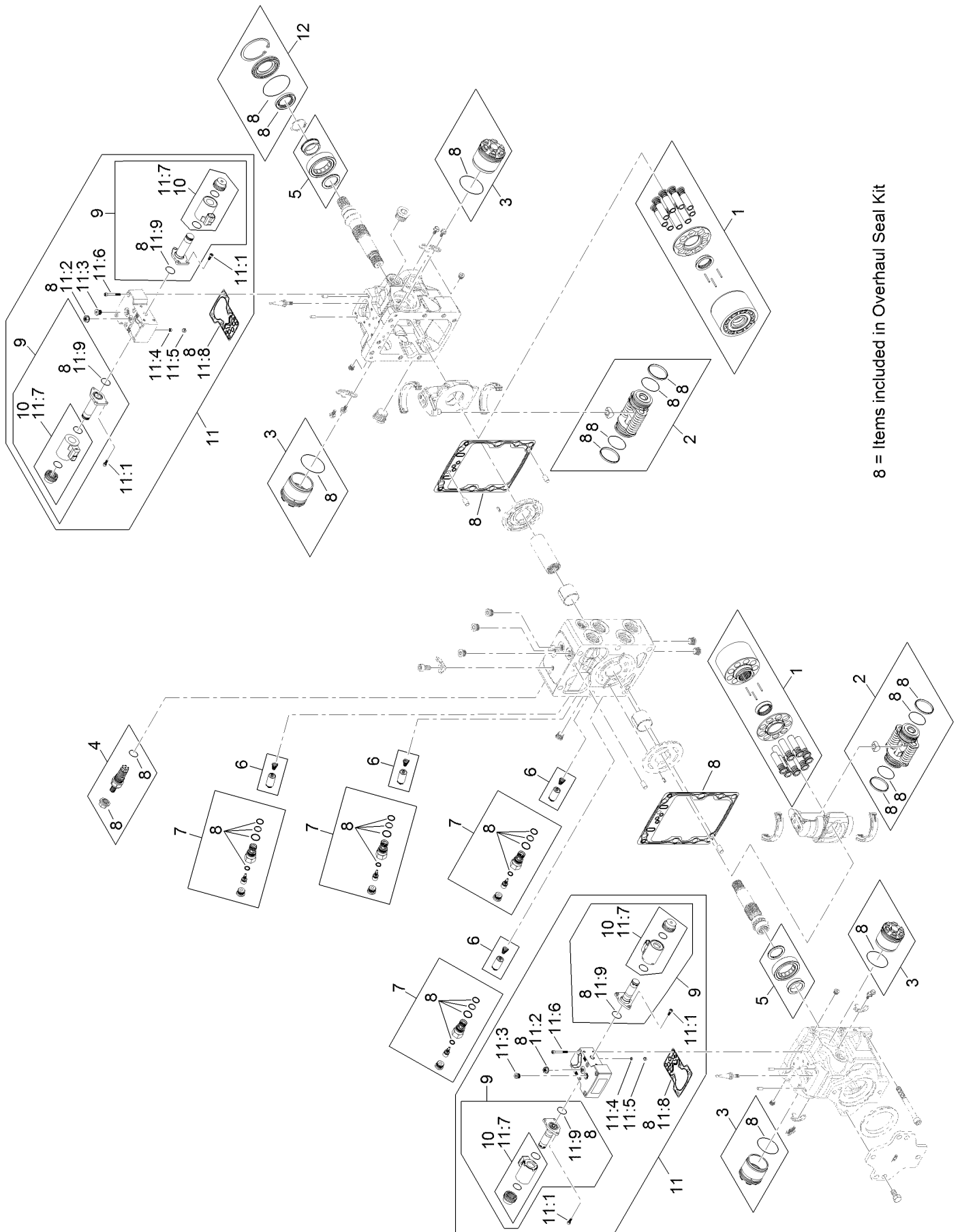
Transmission, Gearbox and Gear Pump Assembly



Transmission, Gearbox and Gear Pump Assembly (continued)

| <i>Ref.</i> | <i>Part Number</i> | <i>Qty.</i> | <i>Description</i> | <i>Ref.</i> | <i>Part Number</i> | <i>Qty.</i> | <i>Description</i> |
|-------------|--------------------|-------------|------------------------------|-------------|--------------------|-------------|--------------------|
| 1 | 86-1990 | 2 | Washer-Thrust | 12 | 138-4083 | 1 | Gearbox ASM |
| 2 | 99-5107 | 2 | Nut-Lock | 13 | 133-7877 | 2 | Mount-Engine |
| 3 | 104-8301 | 4 | Nut-HF, NI | 14 | 133-7910-03 | 1 | Plate-Hanger, Pump |
| 4 | 105-4886 | 1 | Nut-Tinnerman | 15 | 136-5260 | 2 | Pin-Dowel |
| 5 | 107-1413 | 2 | Washer-Hardened | 16 | 237-161 | 1 | O-Ring |
| 6 | 107-9447 | 1 | O-Ring | 17 | 323-6 | 4 | Screw-HH |
| 7 | 115-7144 | 2 | Washer-Flat | 18 | 325-14 | 2 | Screw-HH |
| 8 | 131-5625 | 1 | Hydraulic Tandem Pump ASM | 19 | 2412-126 | 1 | R-Clamp |
| 9 | 131-5632 | 1 | Dual Gear Pump ASM | 20 | 3234-1 | 1 | Screw-HHF |
| 10 | AU615-14045 | 2 | Screw-HH | 21 | 33105-030 | 15 | Screw-HHF |
| 11 | 132-8195 | 1 | Housing-Flywheel | 22 | 33106-020 | 1 | Screw-HHF |
| | | | | 23 | AU862-10030 | 2 | Screw-HSH |

Hydraulic Tandem Pump Assembly No. 131-5625

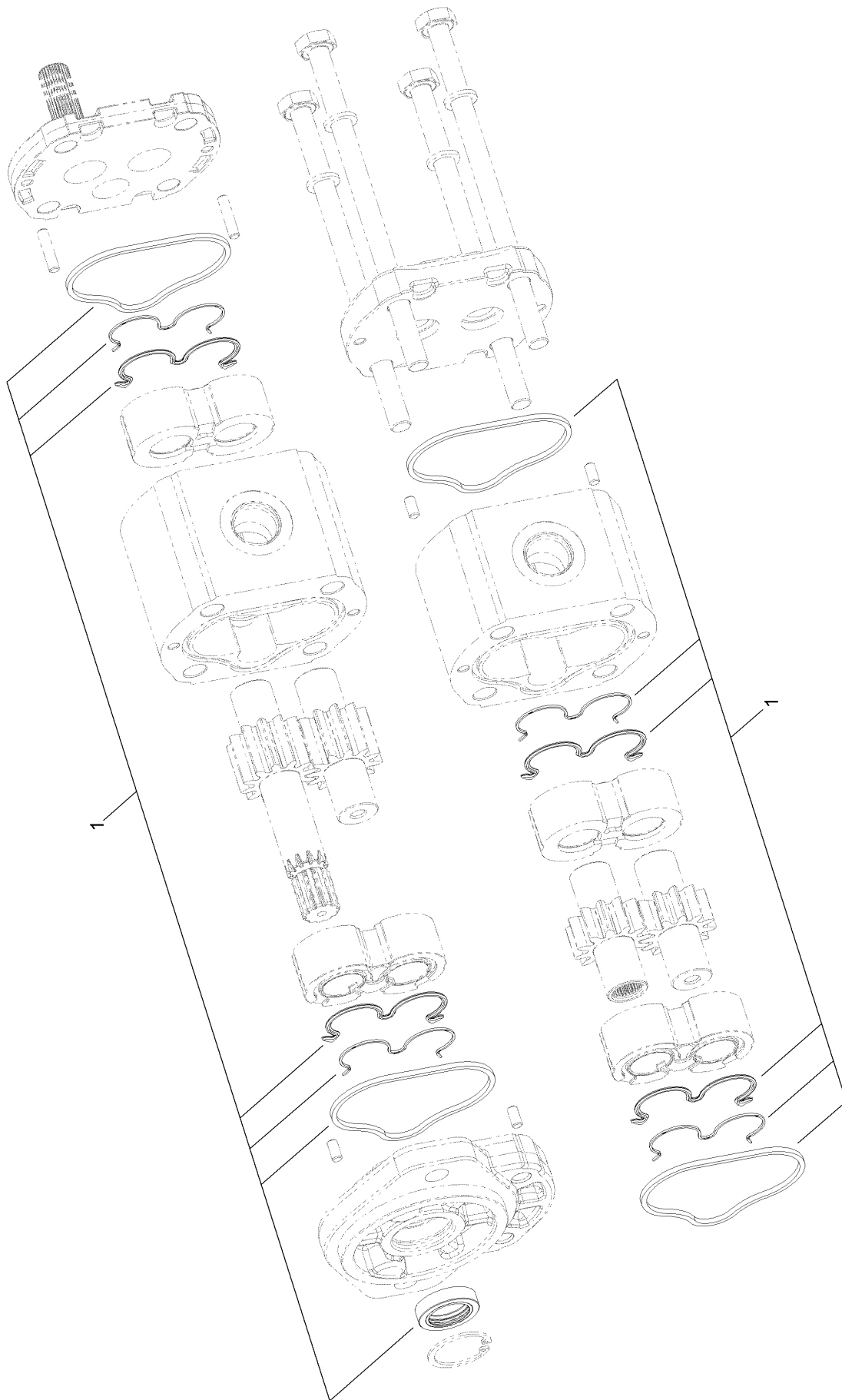


8 = Items included in Overhaul Seal Kit

Hydraulic Tandem Pump Assembly No. 131-5625 (continued)

| <i>Ref.</i> | <i>Part Number</i> | <i>Qty.</i> | <i>Description</i> | <i>Ref.</i> | <i>Part Number</i> | <i>Qty.</i> | <i>Description</i> |
|-------------|--------------------|-------------|-------------------------|-------------|--------------------|-------------|--------------------|
| 1 | 121-1723 | 2 | Cylinder Block Kit | 11:1 | 125-5272 | 6 | Screw |
| 2 | 121-1725 | 2 | Servo Piston ASM | 11:2 | 125-5273 | 1 | Nut-Seal |
| 3 | 136-4996 | 4 | Servo Cylinder ASM | 11:3 | 125-5302 | 1 | Plug |
| 4 | 136-8296 | 1 | Charge Relief Valve Kit | 11:4 | 125-5266 | 1 | Screen |
| 5 | 125-5279 | 1 | Bearing-Roller | 11:5 | 125-5269 | 1 | Ring-Locking |
| 6 | 138-7864 | 4 | S C R Valve ASM | 11:6 | 125-5274 | 6 | Screw |
| 7 | 138-7865 | 4 | S C R Valve Plug ASM | 11:7 | 125-5294 | 2 | Coil Kit |
| 8 | 136-8295 | 1 | Overhaul Seal Kit | 11:8 | 125-5283 | 1 | Gasket-Control |
| 9 | 138-7866 | 4 | Valve-Solenoid | 11:9 | 125-5288 | 2 | O-Ring |
| 10 | 125-5294 | 4 | Coil Kit | 12 | 121-1729 | 1 | Shaft Seal Kit |
| 11 | 125-5295 | 2 | Control Kit (12 Volt) | | | | |

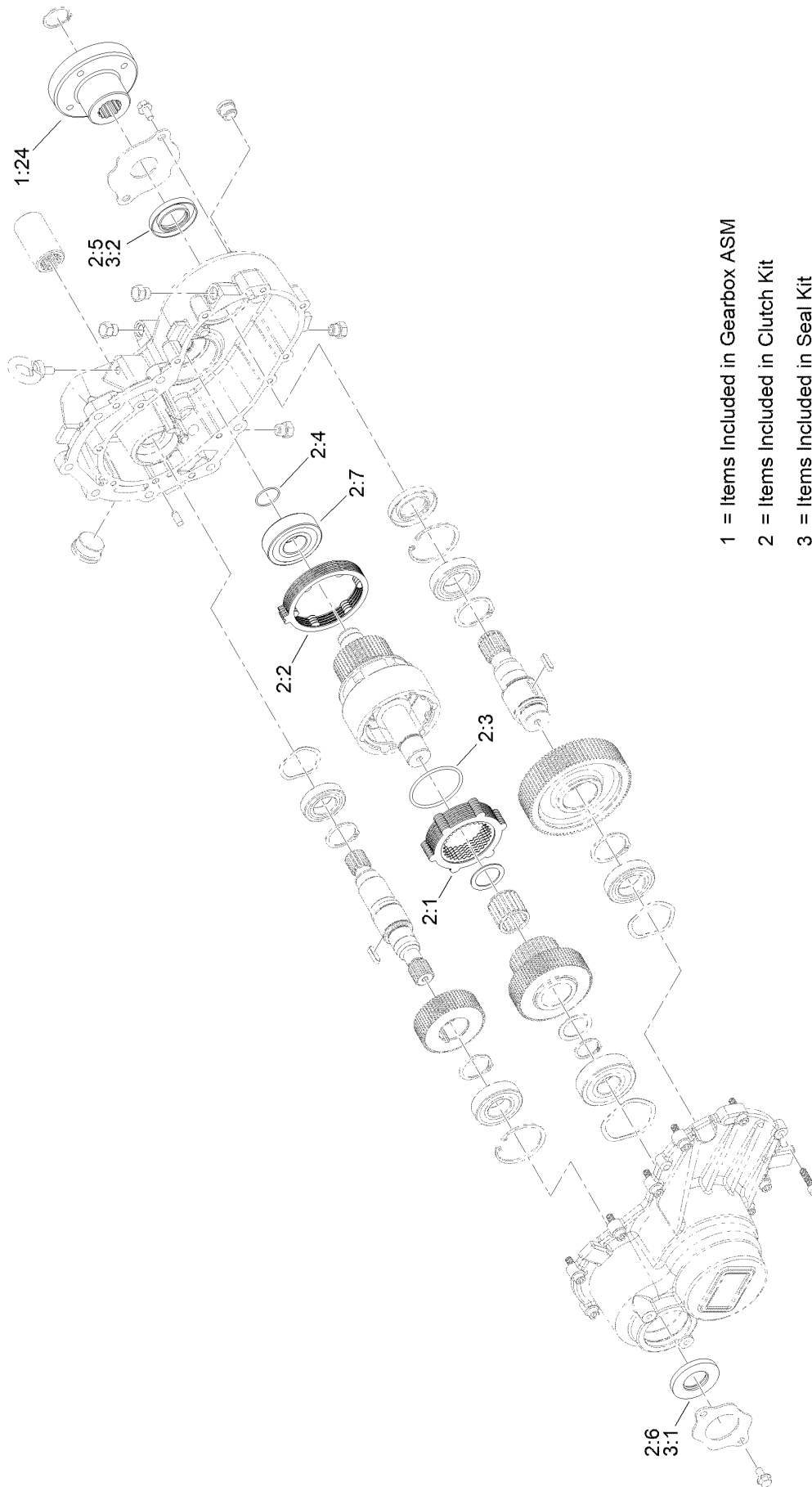
Hydraulic Gear Pump Assembly No. 131-5632



Hydraulic Gear Pump Assembly No. 131-5632 (continued)

| <i>Ref.</i> | <i>Part Number</i> | <i>Qty.</i> | <i>Description</i> |
|-------------|--------------------|-------------|--------------------|
| 1 | 138-7818 | 1 | Seal Kit |

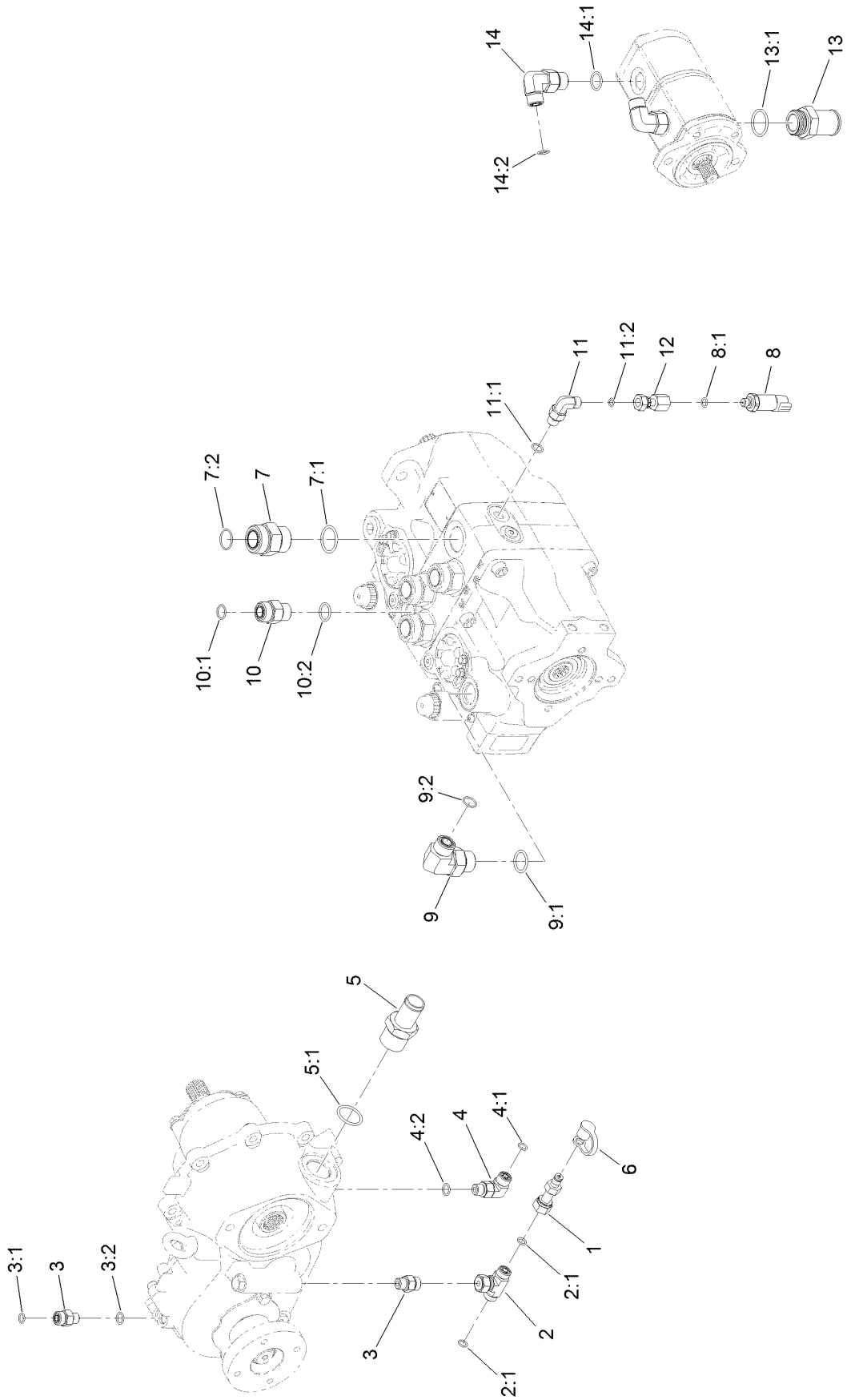
Gearbox Assembly No. 138-4083



Gearbox Assembly No. 138-4083 (continued)

| <i>Ref.</i> | <i>Part Number</i> | <i>Qty.</i> | <i>Description</i> | <i>Ref.</i> | <i>Part Number</i> | <i>Qty.</i> | <i>Description</i> |
|-------------|--------------------|-------------|--------------------|-------------|--------------------|-------------|--------------------|
| 1 | 133-4750 | 1 | Gearbox ASM | 2:5 | 131-5584 | 1 | Seal-Oil |
| 1:24 | 136-9555 | 1 | Hub-Driveshaft | 2:6 | 133-4775 | 1 | Seal-Oil |
| 2 | 136-5280 | 1 | Clutch Kit | 2:7 | 131-5582 | 1 | Bearing-Ball |
| 2:1 | 136-5285 | 1 | Clutch Pack ASM | 3 | 136-5281 | 1 | Seal Kit |
| 2:2 | 136-5286 | 1 | Brake Pack ASM | 3:1 | 133-4775 | 1 | Seal-Oil |
| 2:3 | 237-173 | 1 | O-Ring | 3:2 | 131-5584 | 1 | Seal-Oil |
| 2:4 | 132-7837 | 1 | O-Ring | | | | |

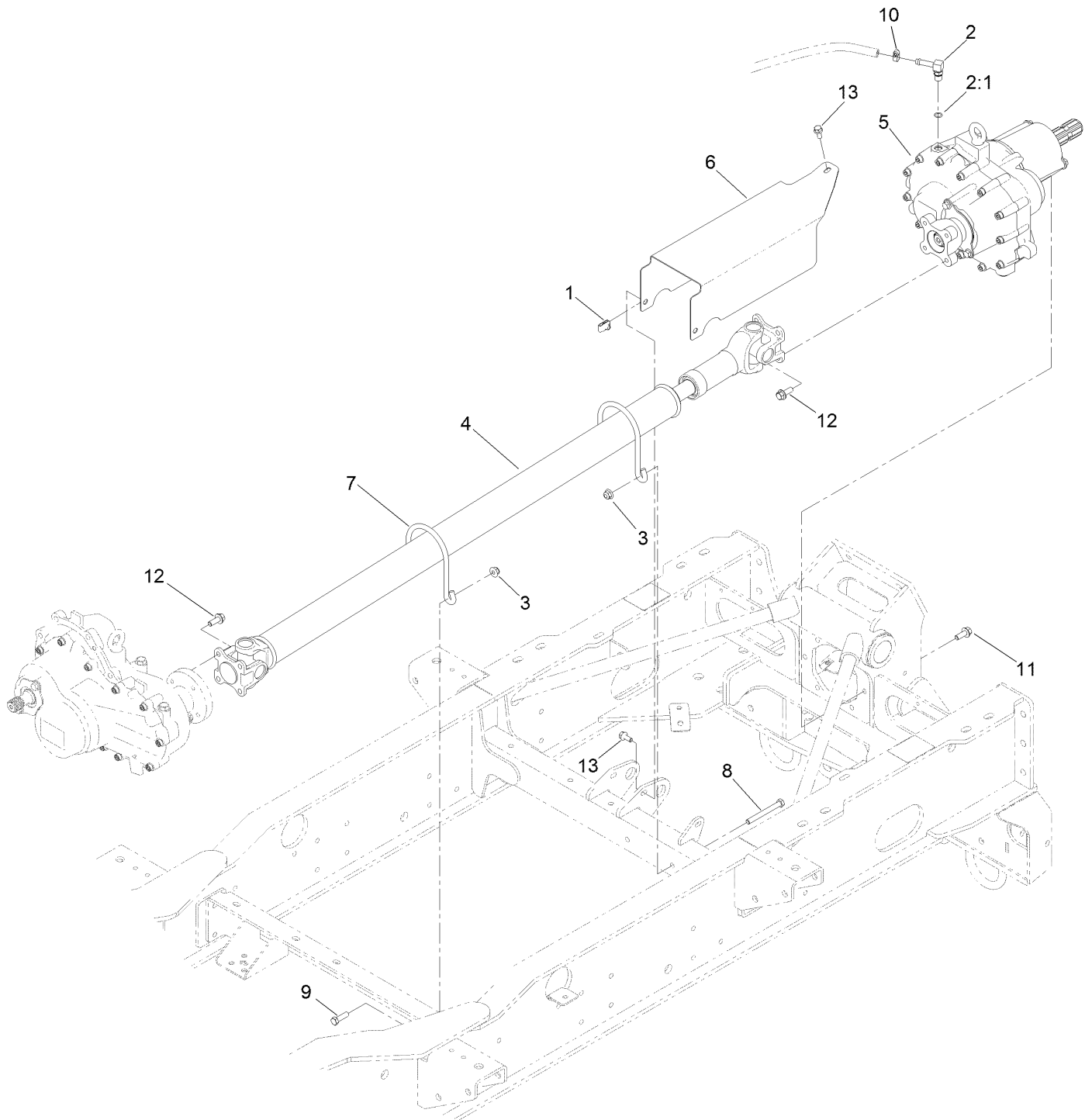
Transmission, Gearbox and Gear Pump Fitting Assembly



Transmission, Gearbox and Gear Pump Fitting Assembly (continued)

| <i>Ref.</i> | <i>Part Number</i> | <i>Qty.</i> | <i>Description</i> | <i>Ref.</i> | <i>Part Number</i> | <i>Qty.</i> | <i>Description</i> |
|-------------|--------------------|-------------|-------------------------|-------------|--------------------|-------------|-----------------------|
| 1 | 86-5480 | 1 | Nipple-Test | 8:1 | 237-78 | 1 | O-Ring |
| 2 | 340-166 | 1 | Fitting-Tee | 9 | 340-139 | 1 | Fitting-Elbow 90 |
| 2:1 | 237-22 | 2 | O-Ring | 9:1 | 237-81 | 1 | O-Ring |
| 3 | 340-2 | 2 | Fitting-Straight | 9:2 | 237-65 | 1 | O-Ring |
| 3:1 | 237-22 | 1 | O-Ring | 10 | 340-7 | 1 | Fitting-Straight |
| 3:2 | 237-42 | 1 | O-Ring | 10:1 | 237-65 | 1 | O-Ring |
| 4 | 340-77 | 1 | Fitting-Elbow, 90 DEG | 10:2 | 237-80 | 1 | O-Ring |
| 4:1 | 237-22 | 1 | O-Ring | 11 | 340-82 | 2 | Fitting-Elbow, 90 DEG |
| 4:2 | 237-42 | 1 | O-Ring | 11:1 | 237-42 | 1 | O-Ring |
| 5 | 354-78 | 1 | Fitting-STR | 11:2 | 237-21 | 1 | O-Ring |
| 5:1 | 237-146 | 1 | O-Ring | 12 | AU8SA60404 | 2 | Fitting-Straight |
| 6 | 354-79 | 1 | Cap-Dust | 13 | 125-1528 | 1 | Fitting-STR |
| 7 | 104-3797 | 4 | Fitting-Straight | 13:1 | 237-146 | 1 | O-Ring |
| 7:1 | 237-146 | 1 | O-Ring | 14 | 340-105 | 2 | Fitting-Elbow, 90 DEG |
| 7:2 | 340-65 | 1 | O-Ring | 14:1 | 237-80 | 1 | O-Ring |
| 8 | 119-0011 | 2 | Pressure Transducer ASM | 14:2 | 237-30 | 1 | O-Ring |

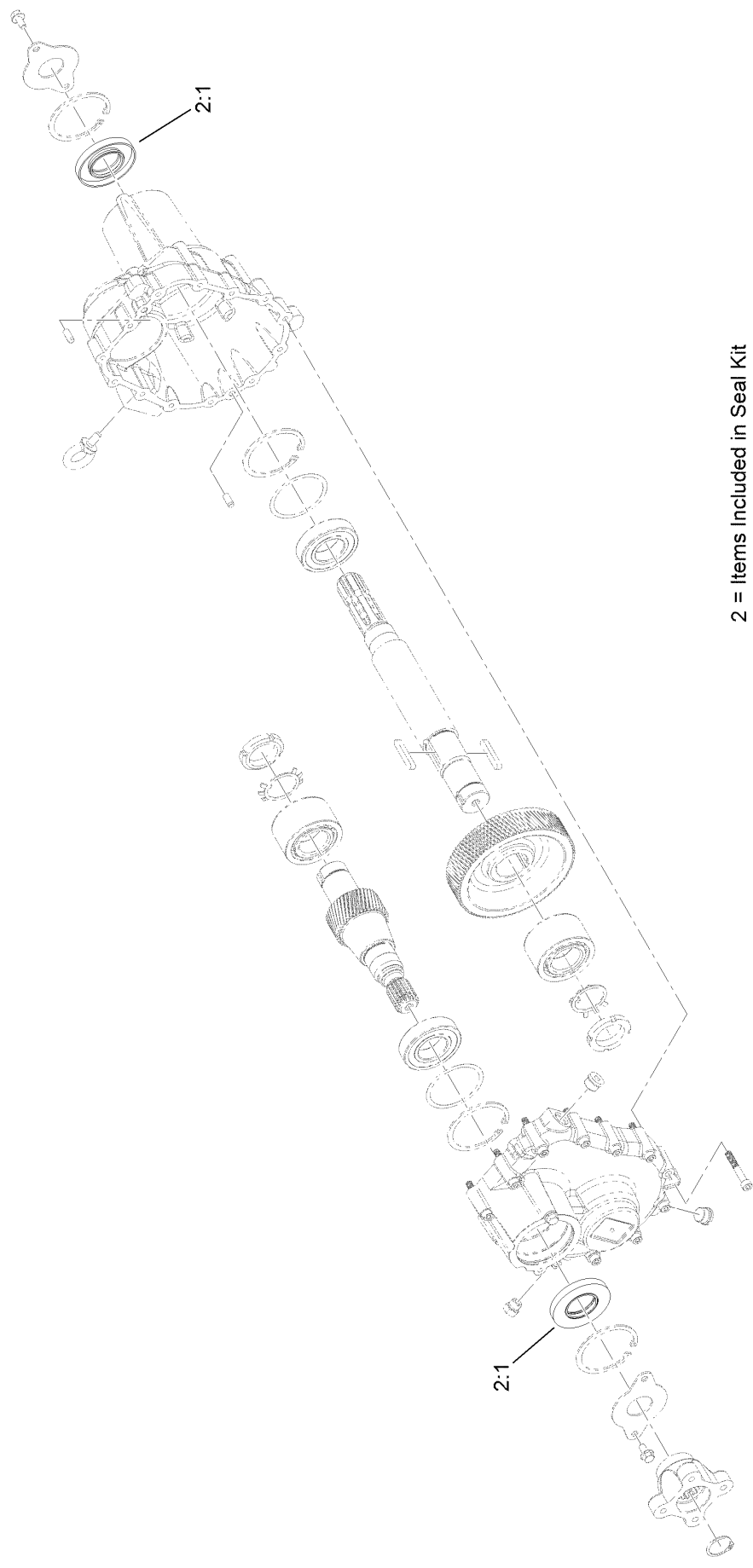
Driveshaft and Gearbox Assembly



Driveshaft and Gearbox Assembly (continued)

| <i>Ref.</i> | <i>Part Number</i> | <i>Qty.</i> | <i>Description</i> | <i>Ref.</i> | <i>Part Number</i> | <i>Qty.</i> | <i>Description</i> |
|-------------|--------------------|-------------|--------------------|-------------|--------------------|-------------|--------------------|
| 1 | 94-2413 | 2 | Nut-U | 7 | 136-9977 | 2 | Rod-Guard |
| 2 | 126-2927 | 1 | Fitting-90 DEG | 8 | 323-15 | 2 | Screw-HH |
| 2:1 | 237-42 | 1 | O-Ring | 9 | 323-7 | 2 | Screw-HH |
| 3 | 104-8301 | 4 | Nut-HF, NI | 10 | 2412-108 | 1 | Clamp-Worm |
| 4 | 132-7844 | 1 | Driveshaft ASM | 11 | 3234-11 | 6 | Screw-HHF |
| 5 | 133-4790 | 1 | Gearbox ASM | 12 | 3234-42 | 8 | Screw-HHF |
| 6 | 136-5149-03 | 1 | Shield-Driveshaft | 13 | 3234-47 | 3 | Screw-HHF |

Gearbox Assembly No. 133-4790

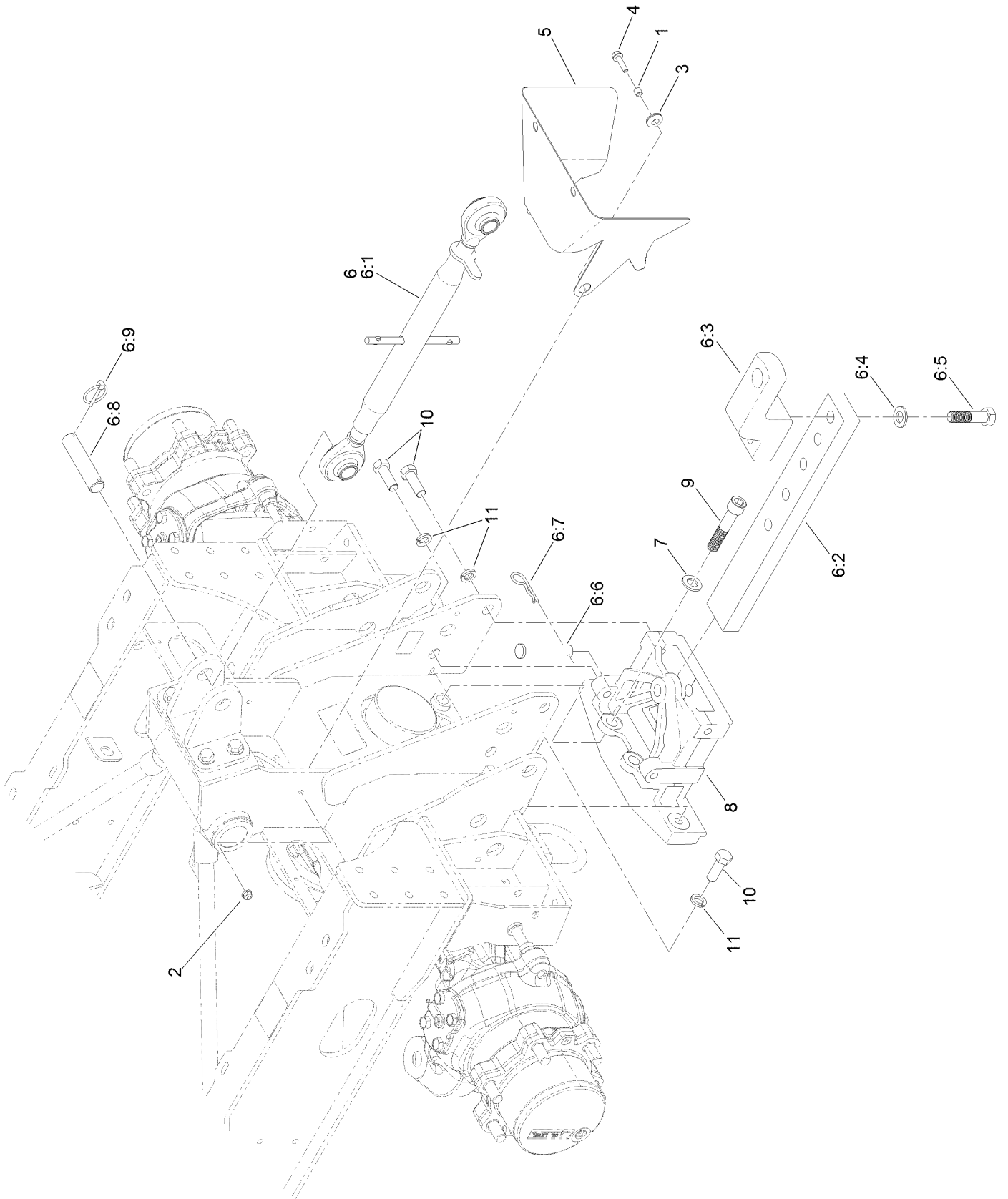


2 = Items Included in Seal Kit

Gearbox Assembly No. 133-4790 (continued)

| <i>Ref.</i> | <i>Part Number</i> | <i>Qty.</i> | <i>Description</i> |
|-------------|--------------------|-------------|--------------------|
| 2 | 136-5279 | 1 | Seal Kit |
| 2:1 | 133-4882 | 2 | Seal-Shaft |

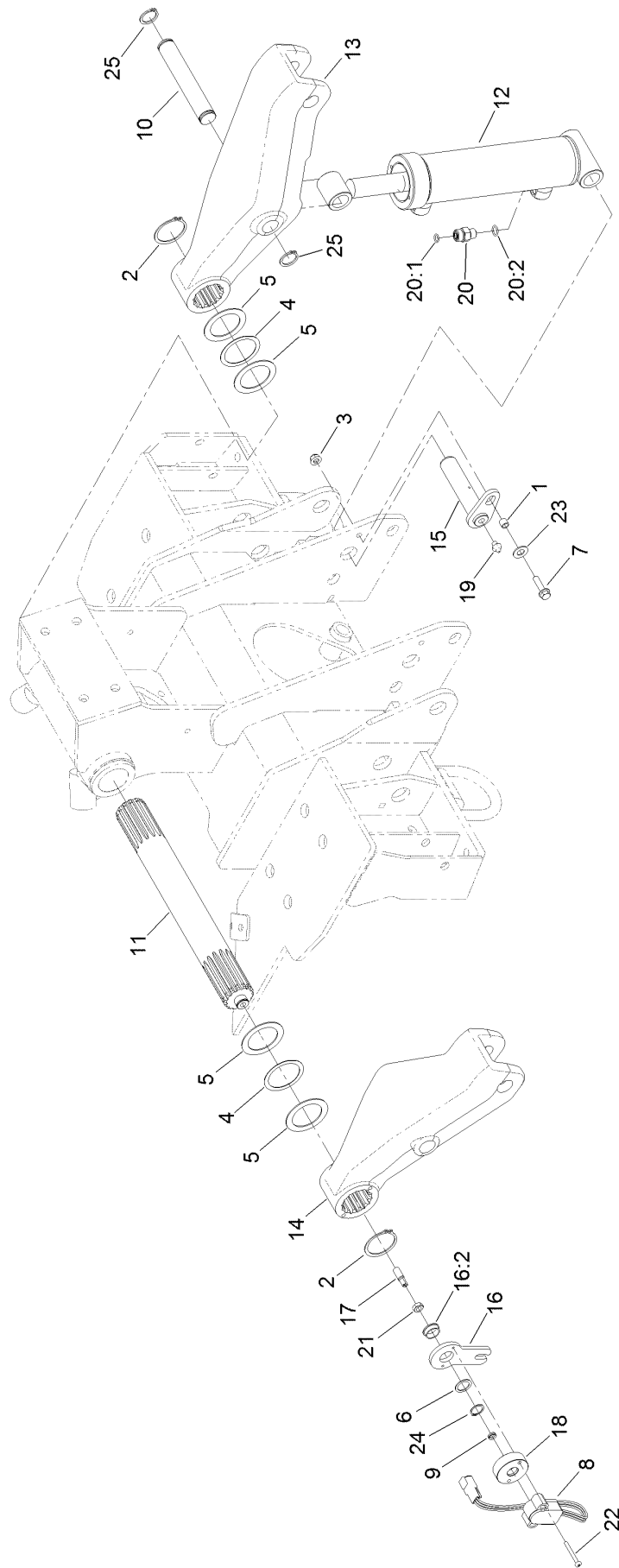
Drawbar Hitch and Upper Link Assembly



Drawbar Hitch and Upper Link Assembly (continued)

| <i>Ref.</i> | <i>Part Number</i> | <i>Qty.</i> | <i>Description</i> | <i>Ref.</i> | <i>Part Number</i> | <i>Qty.</i> | <i>Description</i> |
|-------------|--------------------|-------------|------------------------|-------------|--------------------|-------------|--------------------|
| 1 | 1-633545 | 2 | Spacer | 6:5 | 136-5257 | 2 | Screw-HH |
| 2 | 104-8300 | 2 | Nut-HF, NI | 6:6 | 136-8908 | 1 | Pin-Clevis |
| 3 | 112-9559 | 2 | Grommet | 6:7 | 3290-343 | 1 | Pin-Hair |
| 4 | 119-4036 | 2 | Screw-HHF | 6:8 | 131-5443 | 1 | Pin-Cylinder |
| 5 | 133-7631-03 | 1 | Shield-Shaft, PTO | 6:9 | 92-1298 | 2 | Pin-Lynch |
| 6 | 136-5135 | 1 | Drawbar Upper Arm ASM | 7 | 136-5267 | 2 | Washer-Plain |
| 6:1 | 132-8090 | 1 | Pitch Control Link ASM | 8 | 136-5318 | 1 | Support-Drawbar |
| 6:2 | 133-7620-03 | 1 | Drawbar | 9 | 136-9729 | 2 | Screw-HSH |
| 6:3 | 133-7621-03 | 1 | Hammer Strap | 10 | 327-5 | 6 | Screw-HH |
| 6:4 | 136-5267 | 2 | Washer-Plain | 11 | 3253-23 | 6 | Washer-Lock |

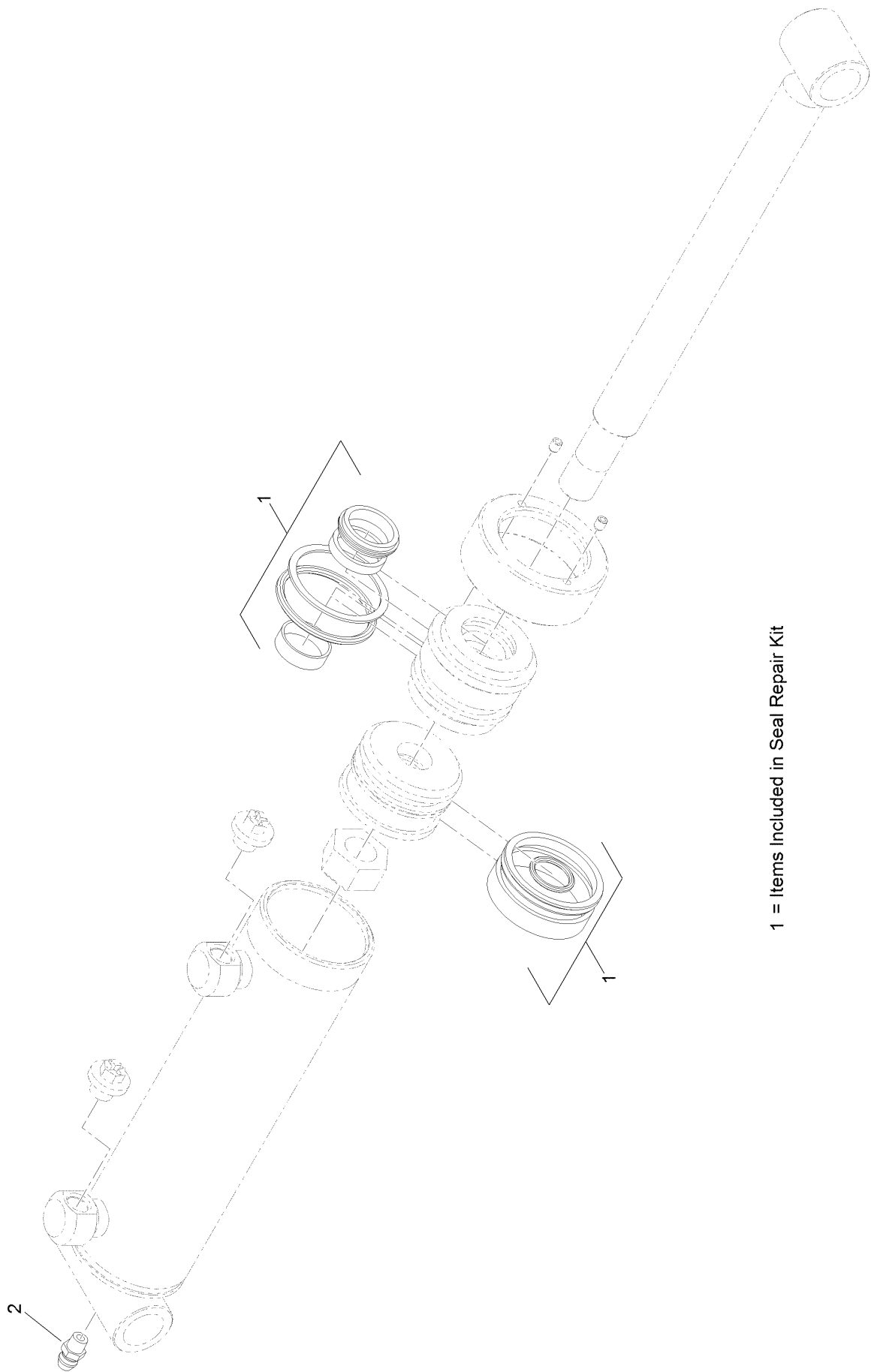
Rear Lift Assembly



Rear Lift Assembly (continued)

| <i>Ref.</i> | <i>Part Number</i> | <i>Qty.</i> | <i>Description</i> | <i>Ref.</i> | <i>Part Number</i> | <i>Qty.</i> | <i>Description</i> |
|-------------|--------------------|-------------|--------------------|-------------|--------------------|-------------|--------------------|
| 1 | 1-633545 | 2 | Spacer | 15 | 133-7638 | 2 | Pin ASM |
| 2 | 100-4196 | 2 | Ring-Retaining | 16 | 133-7800 | 1 | Sensor Stop ASM |
| 3 | 104-8300 | 2 | Nut-HF, NI | 16:2 | 99-4243 | 1 | Bushing-Flange |
| 4 | 107-3947 | 2 | Washer-Nylon | 17 | 133-7804 | 1 | Shaft-Sensor |
| 5 | 115-0169 | 4 | Washer-Thrust | 18 | 133-7805 | 1 | Spacer-Sensor |
| 6 | 115-7210 | 1 | Washer-Thrust | 19 | 302-2 | 2 | Fitting-Grease |
| 7 | 119-4036 | 2 | Screw-HHF | 20 | 340-2 | 4 | Fitting-Straight |
| 8 | 122-0943 | 1 | Sensor-Position | 20:1 | 237-22 | 1 | O-Ring |
| 9 | 131-3187 | 1 | Seal-V-Ring | 20:2 | 237-42 | 1 | O-Ring |
| 10 | 131-5444 | 2 | Pin | 21 | 3220-3 | 1 | Nut-HJ |
| 11 | 140-0469 | 1 | Shaft-Splined | 22 | 3250-48 | 2 | Screw-PPH |
| 12 | 133-7622 | 2 | Cylinder-HYD | 23 | 3256-25 | 2 | Washer-Flat |
| 13 | 133-7626 | 1 | Arm-Lift, RH | 24 | 32120-72 | 1 | Ring-Snap |
| 14 | 133-7628 | 1 | Arm-Lift, LH | 25 | 32151-36 | 4 | Ring-Retaining |

Hydraulic Cylinder Assembly No. 133-7622

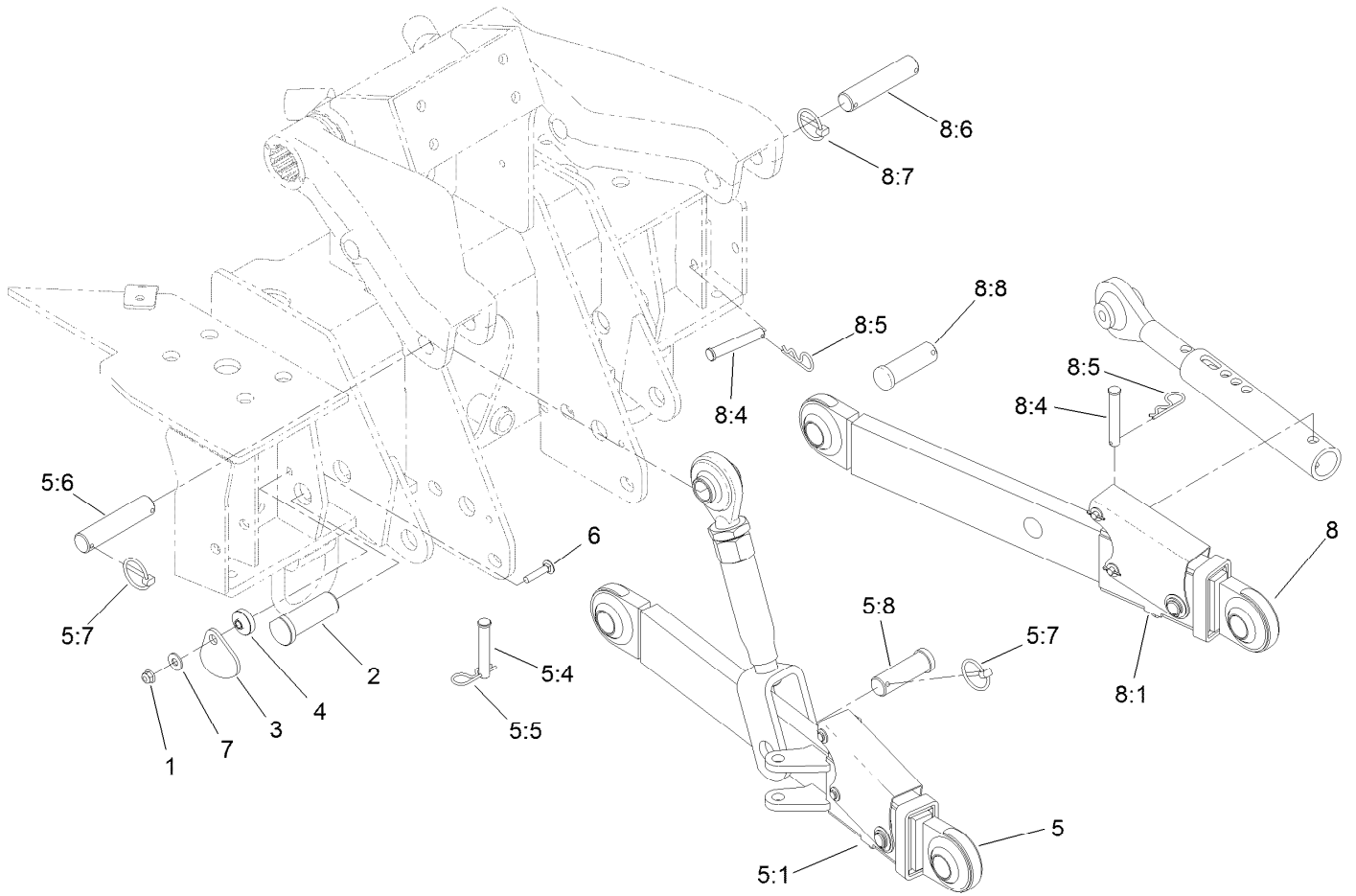


1 = Items Included in Seal Repair Kit

Hydraulic Cylinder Assembly No. 133-7622 (continued)

| <i>Ref.</i> | <i>Part Number</i> | <i>Qty.</i> | <i>Description</i> |
|-------------|--------------------|-------------|--------------------|
| 1 | 138-7821 | 1 | Seal Repair Kit |
| 2 | 302-5 | 1 | Fitting-Grease |

Lower Link Assembly

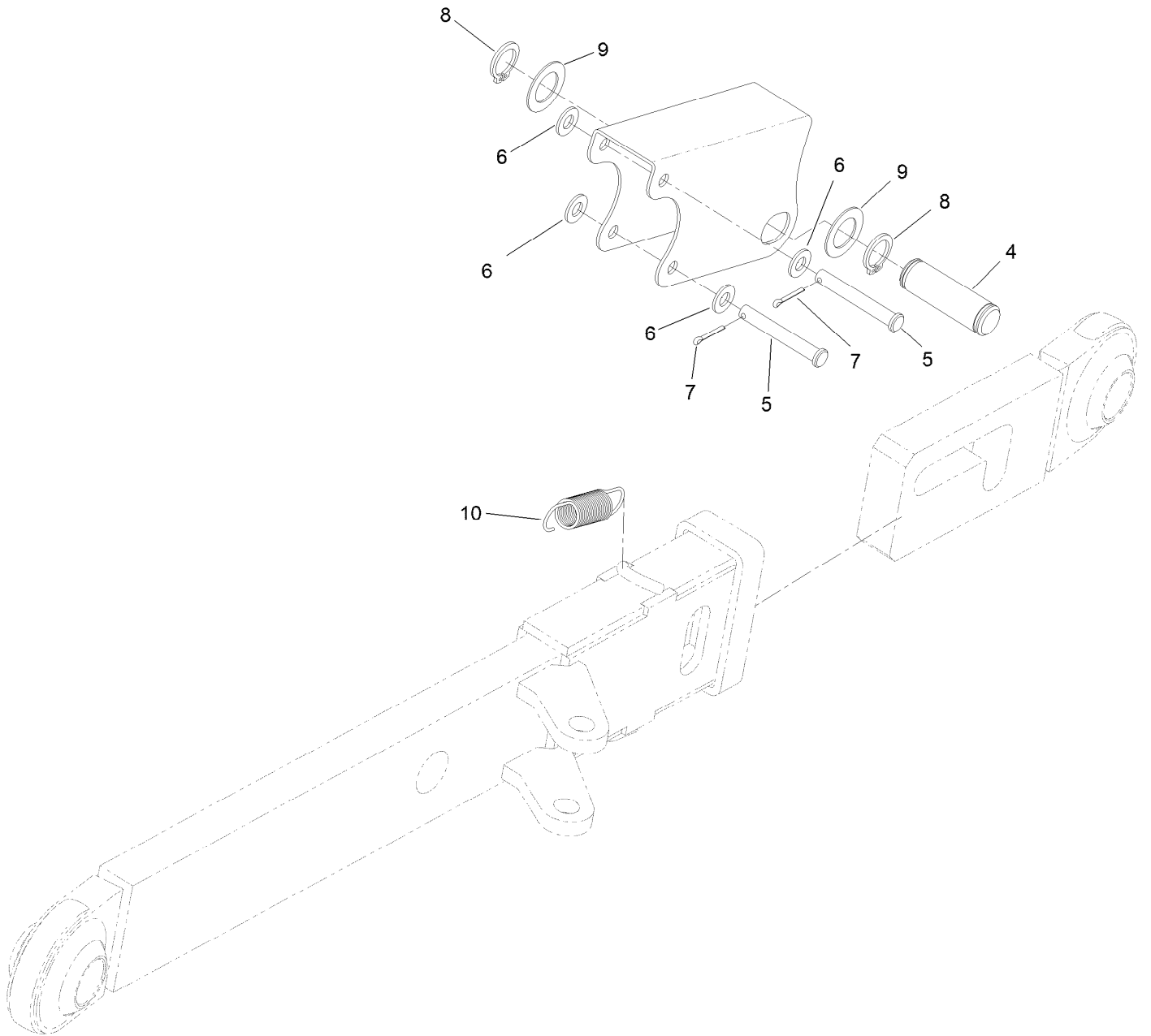


Lower Link Assembly (continued)

| <i>Ref.</i> | <i>Part Number</i> | <i>Qty.</i> | <i>Description</i> | <i>Ref.</i> | <i>Part Number</i> | <i>Qty.</i> | <i>Description</i> |
|-------------|--------------------|-------------|---------------------------|-------------|--------------------|-------------|---------------------------|
| 1 | 104-8300 | 2 | Nut-HF, NI | 5:8 | 131-5650 | 1 | Pin-Clevis |
| 2 | 133-7623 | 2 | Pin-Lower | 6 | 3230-4 | 2 | Bolt-CARR |
| 3 | 133-7624 | 2 | Plate-Latch | 7 | 3256-3 | 2 | Washer-Flat |
| 4 | 133-7629 | 2 | Hub-Latch | 8 | 140-0482 | 1 | 3Pt Extendable Arm Kit-RH |
| 5 | 140-0481 | 1 | 3Pt Extendable Arm Kit-LH | 8:1 | | 1 | Extendable Arm ASM, RH ● |
| 5:1 | | 1 | Extendable Arm ASM, LH ● | 8:4 | 283-55 | 3 | Pin-Clevis |
| 5:4 | 283-55 | 3 | Pin-Clevis | 8:5 | 92-2762 | 3 | Pin-Hair |
| 5:5 | 92-2762 | 3 | Pin-Hair | 8:6 | 131-5443 | 1 | Pin-Cylinder |
| 5:6 | 131-5443 | 1 | Pin-Cylinder | 8:7 | 92-1298 | 3 | Pin-Lynch |
| 5:7 | 92-1298 | 3 | Pin-Lynch | 8:8 | 131-5650 | 1 | Pin-Clevis |

● Not serviced separately

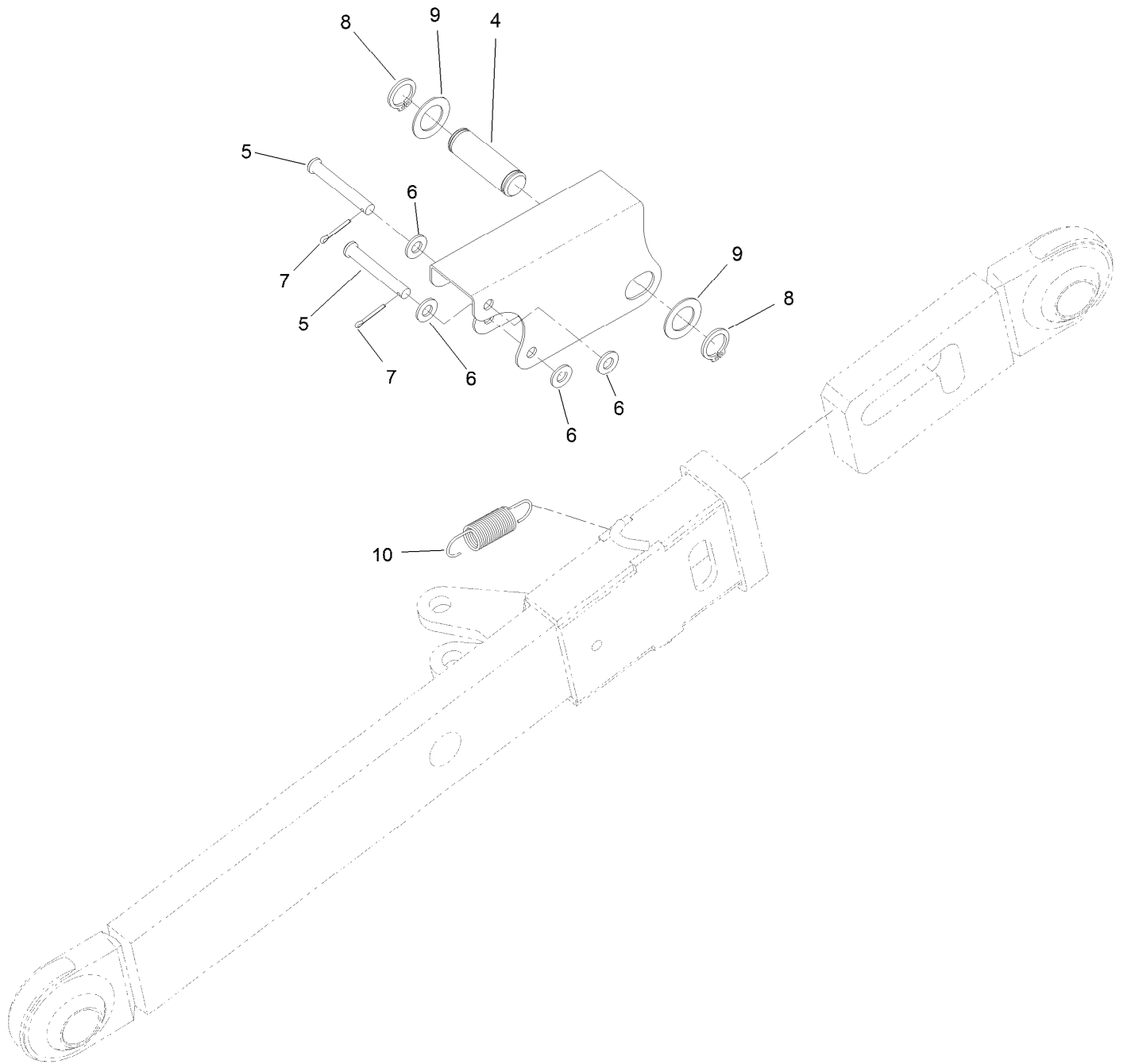
LH Extendable Arm Assembly



LH Extendable Arm Assembly (continued)

| <i>Ref.</i> | <i>Part Number</i> | <i>Qty.</i> | <i>Description</i> | <i>Ref.</i> | <i>Part Number</i> | <i>Qty.</i> | <i>Description</i> |
|-------------|--------------------|-------------|--------------------|-------------|--------------------|-------------|--------------------|
| 4 | 110-8189 | 1 | Pin-Plain | 8 | 32120-93 | 2 | Ring-Retaining |
| 5 | 110-0618 | 2 | Pin-Clevis | 9 | 1-413235 | 2 | Washer, Spacer |
| 6 | 3256-23 | 4 | Washer-Plain | 10 | 120-3888 | 1 | Spring-Extension |
| 7 | 3272-6 | 2 | Pin-Cotter | | | | |

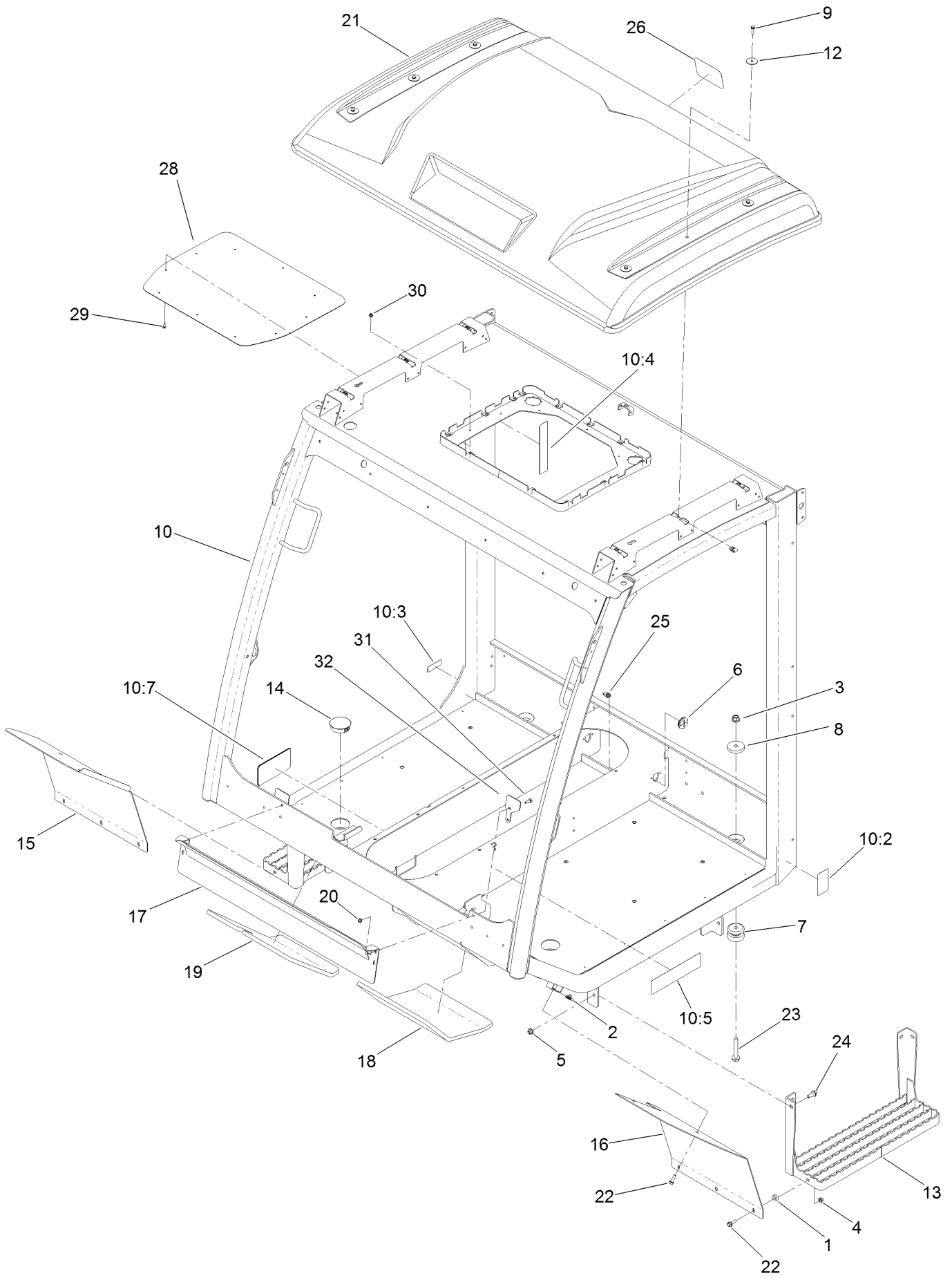
RH Extendable Arm Assembly



RH Extendable Arm Assembly (continued)

| <i>Ref.</i> | <i>Part Number</i> | <i>Qty.</i> | <i>Description</i> | <i>Ref.</i> | <i>Part Number</i> | <i>Qty.</i> | <i>Description</i> |
|-------------|--------------------|-------------|--------------------|-------------|--------------------|-------------|--------------------|
| 4 | 110-8189 | 1 | Pin-Plain | 8 | 32120-93 | 2 | Ring-Retaining |
| 5 | 110-0618 | 2 | Pin-Clevis | 9 | 1-413235 | 2 | Washer, Spacer |
| 6 | 3256-23 | 4 | Washer-Plain | 10 | 120-3888 | 1 | Spring-Extension |
| 7 | 3272-6 | 2 | Pin-Cotter | | | | |

Operator Platform Assembly

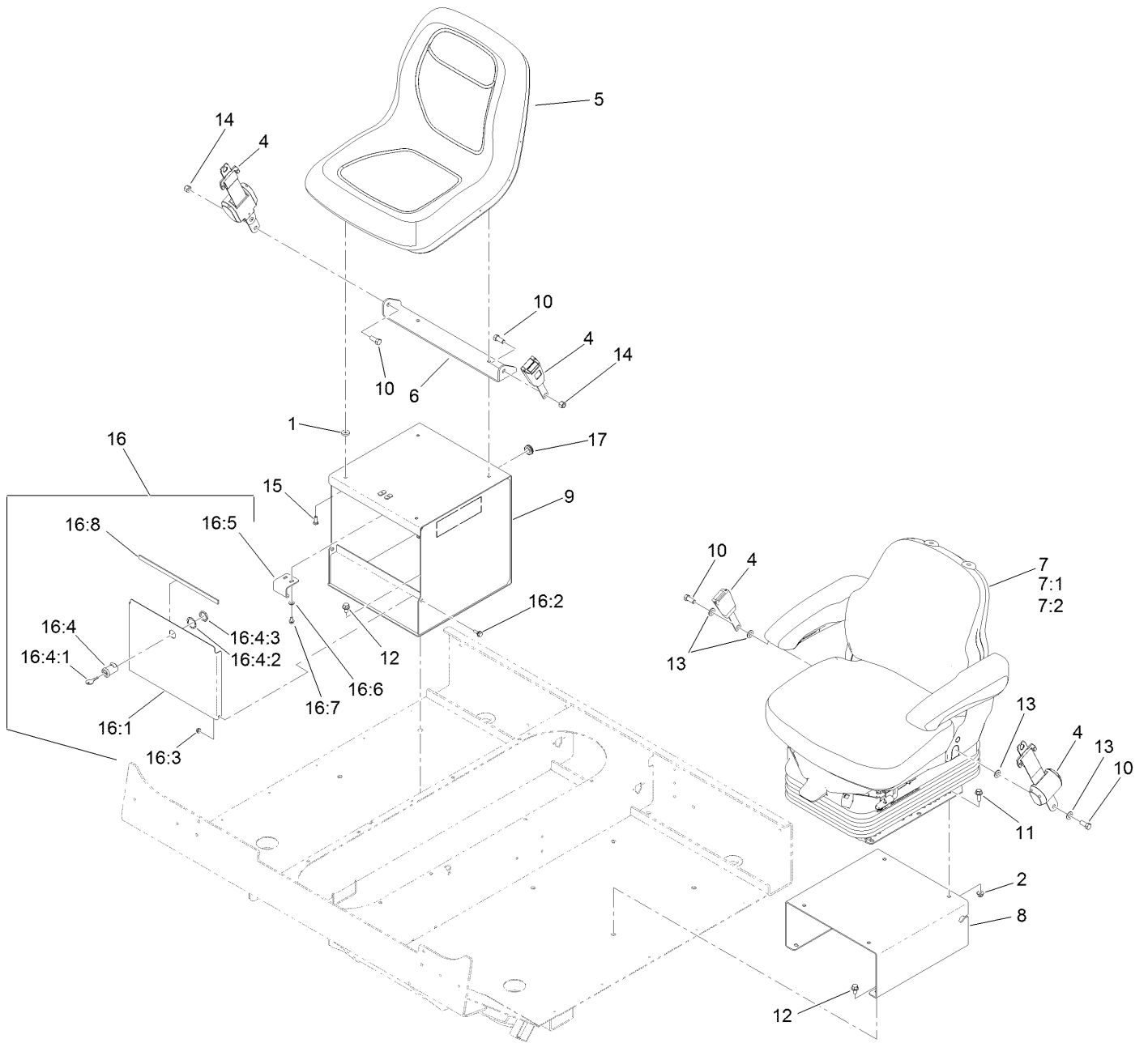


Operator Platform Assembly (continued)

| <i>Ref.</i> | <i>Part Number</i> | <i>Qty.</i> | <i>Description</i> | <i>Ref.</i> | <i>Part Number</i> | <i>Qty.</i> | <i>Description</i> |
|-------------|--------------------|-------------|--------------------------------|-------------|--------------------|-------------|--------------------|
| 1 | 5-0652 | 2 | Spacer | 14 | 136-9791 | 2 | Plug-Panel |
| 2 | 94-2413 | 4 | Nut-U | 15 | 136-9996-03 | 1 | Fender-Front, RH |
| 3 | 99-5107 | 4 | Nut-Lock | 16 | 136-9997-03 | 1 | Fender-Front, LH |
| 4 | 104-8300 | 2 | Nut-HF, NI | 17 | 138-1861-03 | 1 | Bracket-Seal |
| 5 | 104-8301 | 8 | Nut-HF, NI | 18 | 138-2015 | 1 | Foam-LH |
| 6 | 138-8134 | 2 | Grommet-Web | 19 | 138-2016 | 1 | Foam-RH |
| 7 | 110-5954 | 4 | Mount-Center, Bonded | 20 | 104-7201 | 4 | Nut-HF, NI |
| 8 | 115-5519 | 4 | Washer-Plain | 21 | 138-2716 | 1 | Roof-Short |
| 9 | 120-4654 | 6 | Screw-HHF | 22 | 3234-17 | 6 | Screw-HHF |
| 10 | | 1 | Platform ASM ● | 23 | 3234-40 | 4 | Screw-HF |
| 10:2 | 138-3796 | 1 | Decal-Safety, Battery | 24 | 3234-42 | 8 | Screw-HHF |
| 10:3 | 131-8410 | 1 | Decal-Danger, Fuel | 25 | 107069 | 15 | Clip |
| 10:4 | 138-3797 | 2 | Decal-Safety, ROPS | 26 | 108-8452 | 1 | Decal-Logo |
| 10:5 | 136-9873 | 1 | Decal-Safety | 28 | 138-8046-03 | 1 | Insert-Roof |
| 10:7 | 138-4136 | 1 | Decal-Parking Brake Release | 29 | 117-2382 | 10 | Plug-Plastic |
| 12 | 136-7176 | 6 | Washer-Fender | 30 | 107069 | 6 | Clip |
| 13 | 136-9630-03 | 2 | Step | 31 | 3229-2 | 4 | Screw-CARR |
| | | | | 32 | 138-2949-03 | 2 | Plate-Retainer |

● Not serviced separately

Seat Mount Assembly

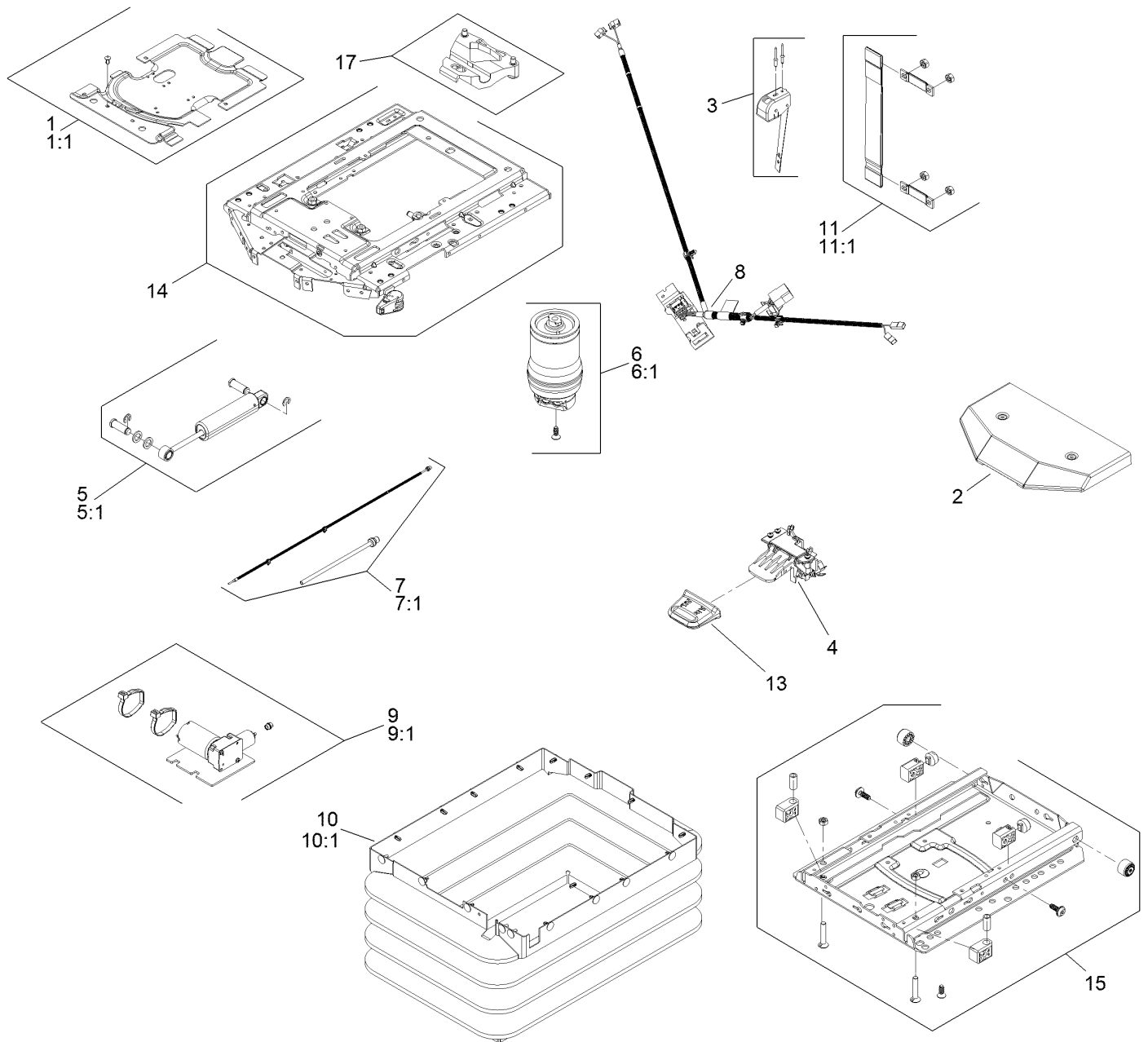


Seat Mount Assembly (continued)

| <i>Ref.</i> | <i>Part Number</i> | <i>Qty.</i> | <i>Description</i> | <i>Ref.</i> | <i>Part Number</i> | <i>Qty.</i> | <i>Description</i> |
|-------------|--------------------|-------------|--------------------------|-------------|--------------------|-------------|---------------------|
| 1 | 104-7658 | 2 | Spacer | 15 | 33114-020 | 4 | Screw-HH |
| 2 | 104-8301 | 4 | Nut-HF, NI | 16 | 130-4831 | 1 | Seat Storage Kit |
| 4 | 110-0413 | 2 | Seatbelt-Retractable | 16:1 | 136-9990-03 | 1 | Cover-Front |
| 5 | 112-2923 | 1 | Seat ASM | 16:2 | 120-7024 | 2 | Screw-Shoulder, HWH |
| 6 | 119-0727-03 | 1 | Bracket-Belt, Seat | 16:3 | 104-7201 | 2 | Nut-HF, NI |
| 7 | 138-3805 | 1 | Seat And Suspension ASM | 16:4 | 98-9315 | 1 | Latch-Locking |
| 7:1 | 130-2702 | 1 | Air Ride Seat Suspension | 16:4:1 | 99-8350 | 2 | Key-Latch, Locking |
| 7:2 | 138-3806 | 1 | Premium Seat ASM | 16:4:2 | | 1 | Washer-Switch ● |
| 8 | 136-9751-03 | 1 | Base-Seat, Deluxe | 16:4:3 | | 1 | Nut-Switch ● |
| 9 | 138-2022-03 | 1 | Base-Seat | 16:5 | 136-9991 | 1 | Plate-Latch |
| 10 | 3212-4 | 4 | Screw-HH | 16:6 | 3256-22 | 2 | Washer-Flat |
| 11 | 3234-42 | 4 | Screw-HHF | 16:7 | 3234-13 | 2 | Screw-HHF |
| 12 | 3234-9 | 8 | Screw-HHF | 16:8 | 130-9174 | 1 | Foam-Cooler, Short |
| 13 | 3256-25 | 4 | Washer-Flat | 17 | 237-124 | 1 | Grommet |
| 14 | 3296-7 | 2 | Nut-Lock | | | | |

● Not serviced separately

Air Ride Seat Suspension Assembly No. 130-2702

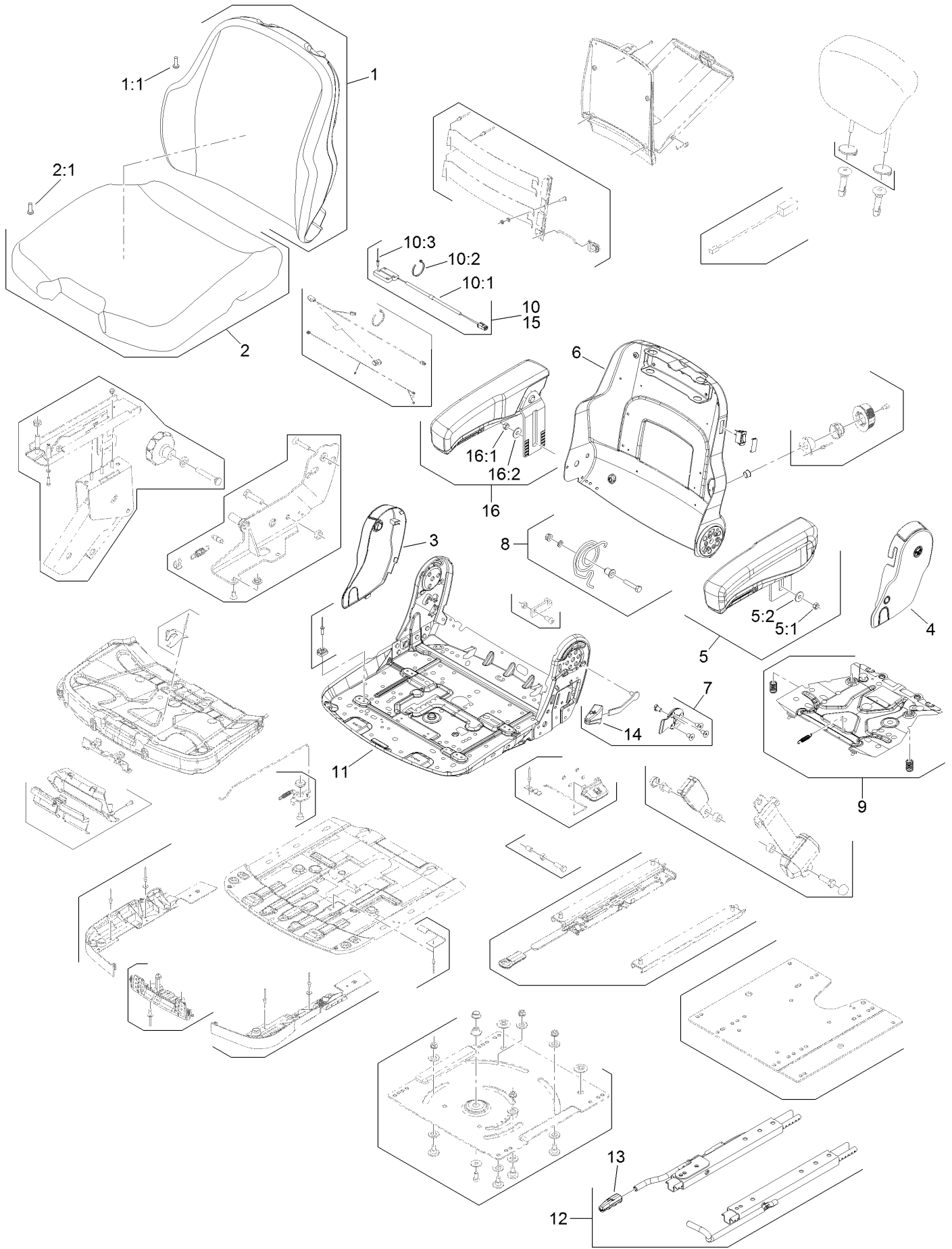


Air Ride Seat Suspension Assembly No. 130-2702 (continued)

| <i>Ref.</i> | <i>Part Number</i> | <i>Qty.</i> | <i>Description</i> | <i>Ref.</i> | <i>Part Number</i> | <i>Qty.</i> | <i>Description</i> |
|-------------|--------------------|-------------|--------------------|-------------|--------------------|-------------|-------------------------|
| 1 | 130-2709 | 1 | Cover ASM | 9 | 130-2719 | 1 | Compressor |
| 1:1 | 130-2710 | 1 | Cover Kit | 9:1 | 130-2720 | 1 | Compressor Kit |
| 2 | 108-8027 | 1 | Cover | 10 | 130-2721 | 1 | Bellows ASM |
| 3 | 130-2711 | 1 | Control-Level | 10:1 | 130-2722 | 1 | Bellows Kit |
| 4 | 108-8029 | 1 | Valve-Control, Air | 11 | 130-2723 | 1 | Tether |
| 5 | 130-2712 | 1 | Shock Absorber ASM | 11:1 | 130-2724 | 1 | Tether Kit |
| 5:1 | 130-2713 | 1 | Shock Absorber Kit | 12 | 130-2725 | 1 | Wear Parts Kit ● |
| 6 | 130-2714 | 1 | Air Spring ASM | 13 | 130-2726 | 1 | Handle |
| 6:1 | 130-2715 | 1 | Air Spring Kit | 14 | 130-2727 | 1 | Upper Suspension Kit |
| 7 | 130-2716 | 1 | Air Tube ASM | 15 | 130-2728 | 1 | Lower Suspension Kit |
| 7:1 | 130-2717 | 1 | Air Tube Kit | 16 | 130-2729 | 1 | Adjuster Mounting Kit ● |
| 8 | 130-2718 | 1 | Harness-Wire | 17 | 130-2730 | 1 | Limiters-Thrust |

● Not illustrated

Premium Seat Assembly No. 138-3806

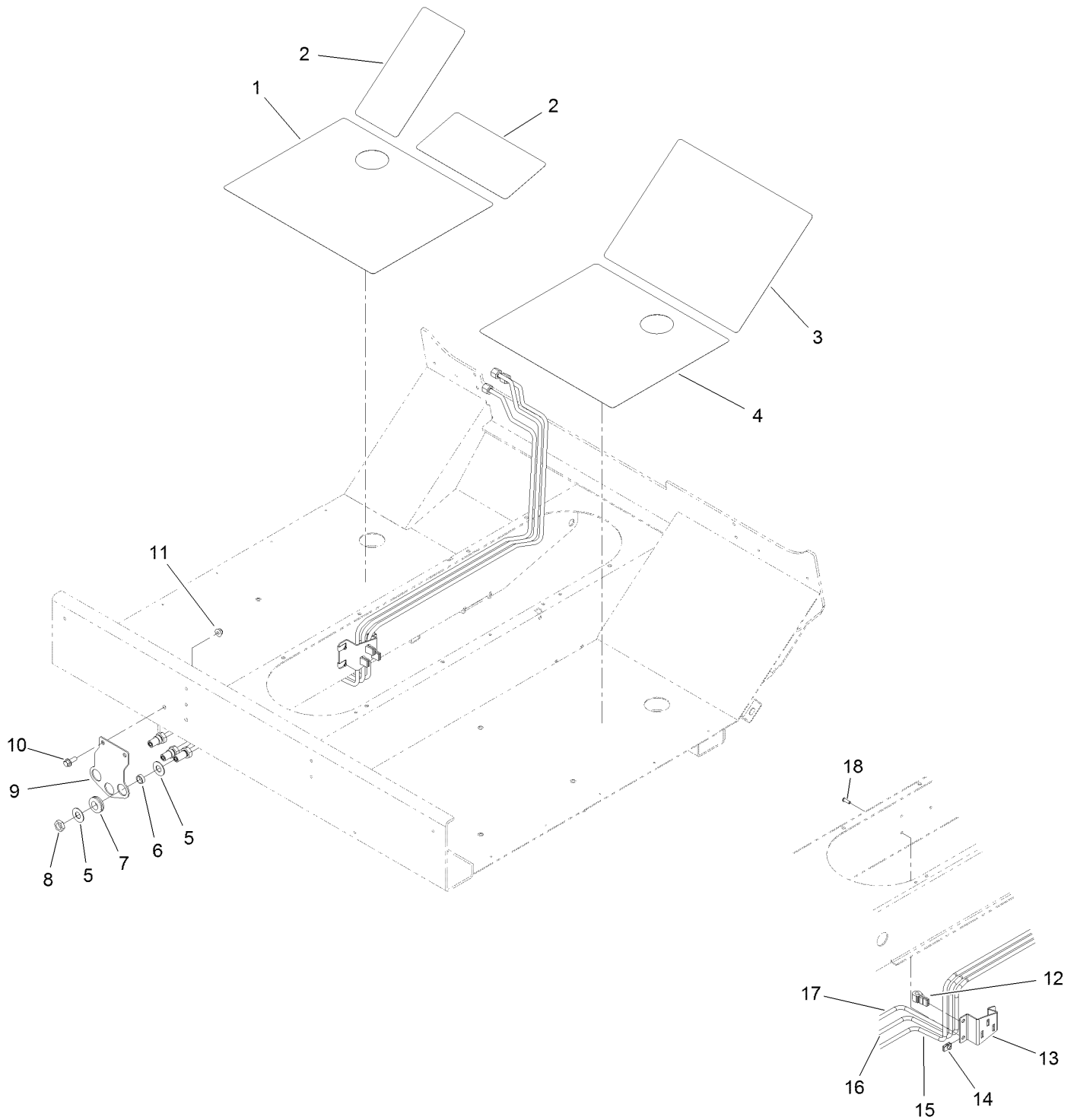


Premium Seat Assembly No. 138-3806 (continued)

| <i>Ref.</i> | <i>Part Number</i> | <i>Qty.</i> | <i>Description</i> | <i>Ref.</i> | <i>Part Number</i> | <i>Qty.</i> | <i>Description</i> |
|-------------|--------------------|-------------|--------------------------------------|-------------|--------------------|-------------|-------------------------|
| 1 | 117-9415 | 1 | Backrest Cushion ASM Matrix Cloth | 8 | 140-0471 | 1 | Backrest Bearing |
| 1 | 108-8016 | 1 | Backrest Cushion ASM Vinyl | 9 | 140-0472 | 1 | Compensator |
| 1:1 | 119-7742 | 4 | Screw-Cushion | 10 | 110-6189 | 1 | Switch Kit |
| 2 | 108-8017 | 1 | Seat Cushion ASM Vinyl | 10:1 | | 1 | Switch ● |
| 2 | 117-9416 | 1 | Seat Cushion ASM Matrix Cloth | 10:2 | | 3 | Wire Tie ● |
| | | | | 10:3 | | 2 | Rivet ● |
| 2:1 | 119-7742 | 3 | Screw-Cushion | 11 | 140-0473 | 1 | Seat Pan Kit |
| 3 | 108-8018 | 1 | Cover-Armrest | 12 | 108-8025 | 1 | Adjustment Rail Set |
| 4 | 108-8021 | 1 | Cover-Armrest | 13 | 140-0475 | 1 | Handle |
| 5 | 108-8019 | 1 | LH Armrest ASM | 14 | 140-0476 | 1 | Handle Grip-Back Angle |
| 5:1 | 82-9650 | 1 | Nut | 15 | 140-0477 | 1 | Small Parts-Seat Switch |
| 5:2 | 107-1198 | 1 | Washer | 16 | 108-8020 | 1 | RH Armrest ASM |
| 6 | 140-0470 | 1 | Backrest Kit | 16:1 | 82-9650 | 1 | Nut |
| 7 | 132-1304 | 1 | Backrest Adjustment Kit | 16:2 | 107-1198 | 1 | Washer |

● Not serviced separately

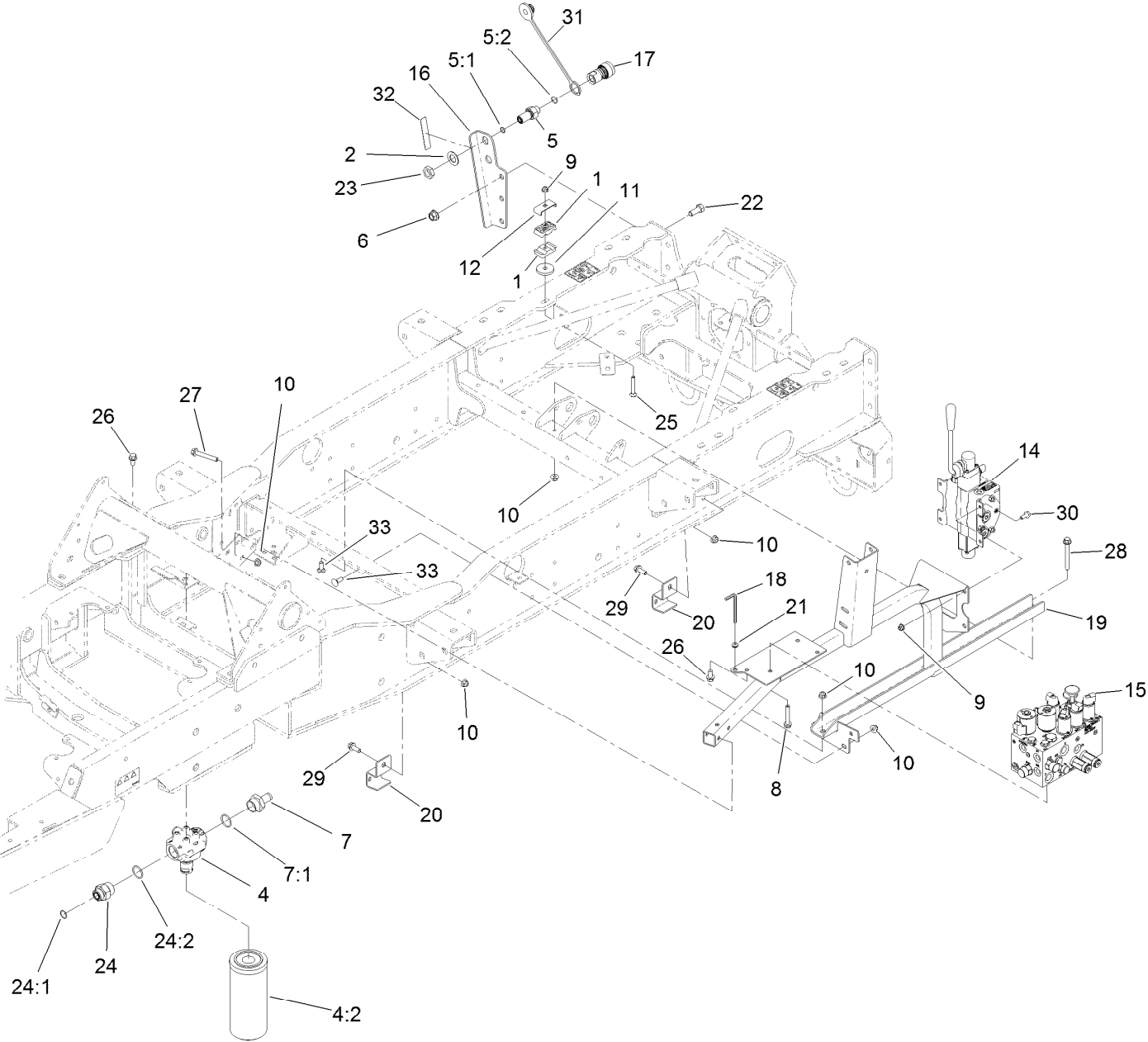
Floor Grips and Hydraulic Tube Assembly



Floor Grips and Hydraulic Tube Assembly (continued)

| <i>Ref.</i> | <i>Part Number</i> | <i>Qty.</i> | <i>Description</i> | <i>Ref.</i> | <i>Part Number</i> | <i>Qty.</i> | <i>Description</i> |
|-------------|--------------------|-------------|----------------------------|-------------|--------------------|-------------|--------------------|
| 1 | 136-9950 | 1 | Tread-Foot, Abrasive (LH) | 10 | 3234-42 | 2 | Screw-HHF |
| 2 | 136-9952 | 2 | Tread-Foot, Abrasive Upper | 11 | 104-8301 | 2 | Nut-HF, NI |
| 3 | 138-4169 | 1 | Tread-Foot, Abrasive Front | 12 | 136-9782 | 3 | Isolator-Tube |
| 4 | 138-4168 | 1 | Tread-Foot, Abrasive RH | 13 | 138-8129-01 | 1 | Bracket-Isolator |
| 5 | 69-8940 | 6 | Washer | 14 | 107069 | 3 | Clip |
| 6 | 69-8970 | 3 | Spacer | 15 | 136-9712 | 1 | Tube ASM |
| 7 | 240-4 | 3 | Grommet-Rubber | 16 | 136-9711 | 1 | Tube ASM |
| 8 | 340-70 | 3 | Nut-Lock | 17 | 136-9710 | 1 | Tube ASM |
| 9 | 137-1264-03 | 1 | Support-Bulkhead | 18 | 3274-69 | 3 | Screw-HSBH |

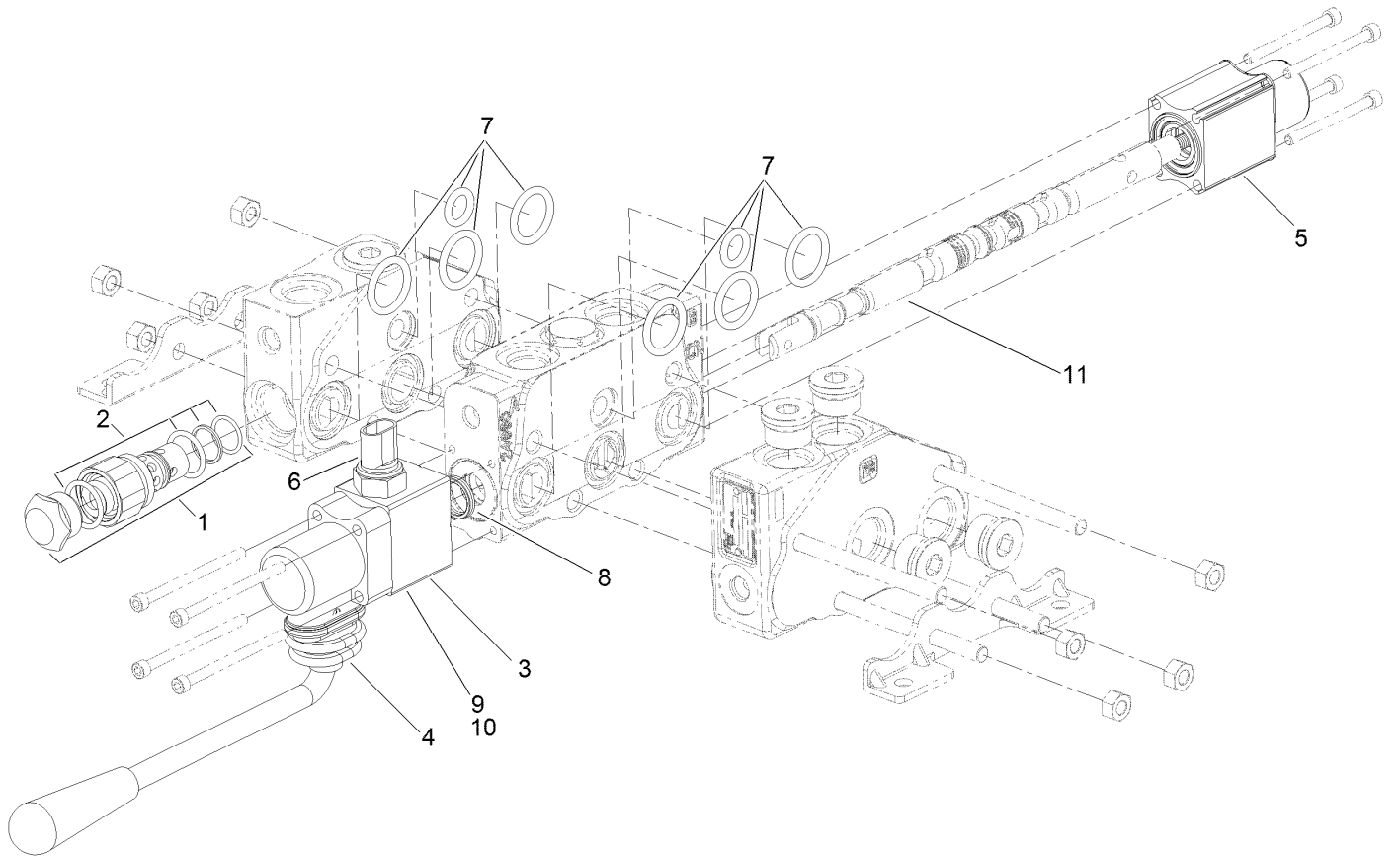
Manifold, Filter and Auxiliary Valve Assembly



Manifold, Filter and Auxiliary Valve Assembly (continued)

| <i>Ref.</i> | <i>Part Number</i> | <i>Qty.</i> | <i>Description</i> | <i>Ref.</i> | <i>Part Number</i> | <i>Qty.</i> | <i>Description</i> |
|-------------|--------------------|-------------|-----------------------|-------------|--------------------|-------------|--------------------|
| 1 | 56-7976 | 2 | Clamp-Tube | 18 | 136-5288 | 1 | Wrench-Hexagon |
| 2 | 69-8930 | 2 | Washer | 19 | 136-5340-01 | 1 | Support-Manifold |
| 4 | 139-1010 | 1 | Filter Head ASM | 20 | 136-9718-03 | 2 | Support-Hose |
| 4:2 | 94-2621 | 1 | Element-Filter | 21 | 136-9976 | 1 | Grommet |
| 5 | 98-9907 | 2 | Union-Bulkhead | 22 | 325-5 | 2 | Screw-HH |
| 5:1 | 237-30 | 1 | O-Ring | 23 | 340-127 | 2 | Nut-Bulkhead |
| 5:2 | 237-79 | 1 | O-Ring | 24 | 340-91 | 1 | Fitting-STR |
| 6 | 99-5107 | 2 | Nut-Lock | 24:1 | 237-58 | 1 | O-Ring |
| 7 | 99-6932 | 1 | Fitting-STR | 24:2 | 237-146 | 1 | O-Ring |
| 7:1 | 237-117 | 1 | O-Ring | 25 | 3230-7 | 1 | Bolt-CARR |
| 8 | 100-2592 | 1 | Screw-HHF | 26 | 3234-1 | 7 | Screw-HHF |
| 9 | 104-8300 | 5 | Nut-HF, NI | 27 | 3234-39 | 2 | Screw-HHF |
| 10 | 104-8301 | 8 | Nut-HF, NI | 28 | 3234-41 | 1 | Screw-HHF |
| 11 | 110-9981 | 1 | Washer-Plain | 29 | 3234-42 | 2 | Screw-HHF |
| 12 | 119-1419 | 1 | Plate-Clamp | 30 | 3234-47 | 4 | Screw-HHF |
| 14 | 131-5637 | 1 | Valve-Aux | 31 | T56152150 | 2 | Plug-Quick Connect |
| 15 | 131-5639 | 1 | Manifold ASM | 32 | 138-4135 | 1 | Decal-HYD, Remote |
| 16 | 131-5668-03 | 1 | Plate-Bulkhead, Rear | 33 | 3231-2 | 3 | Bolt-CARR |
| 17 | 133-7827 | 2 | Coupler-Quick Connect | | | | |

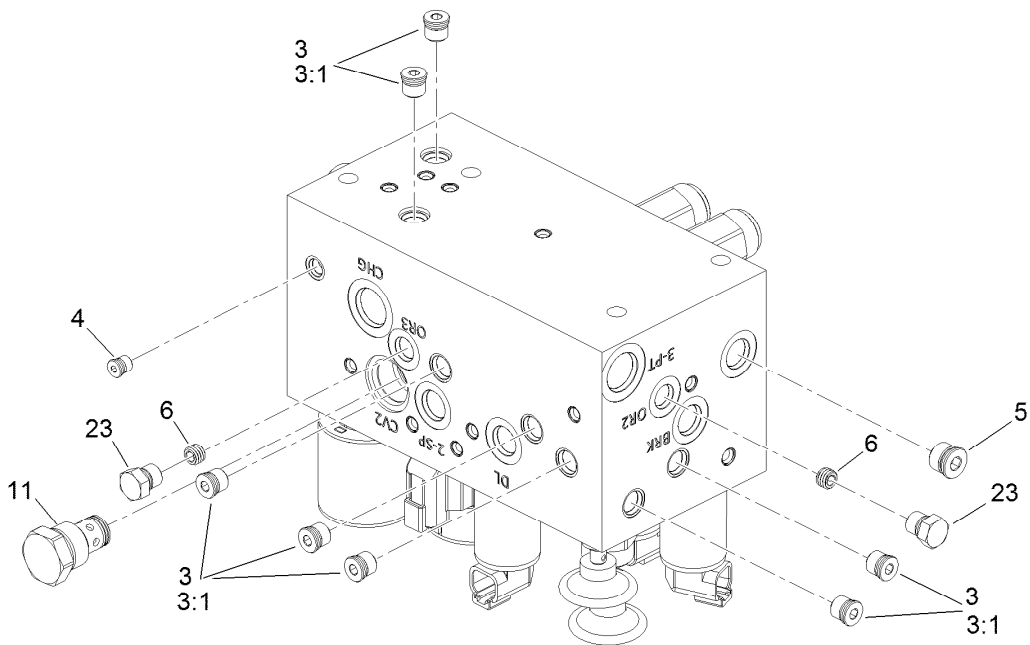
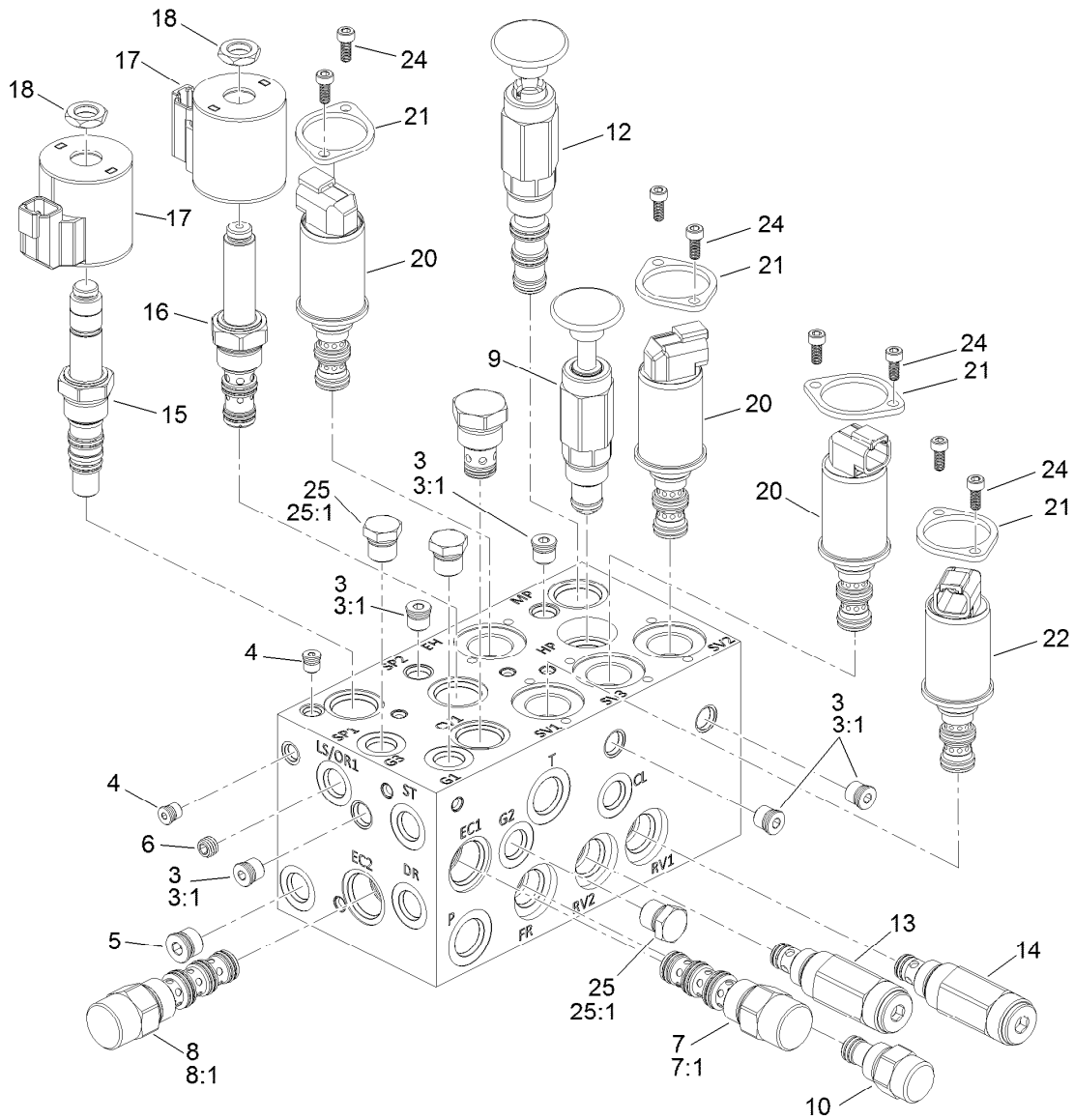
Hydraulic Valve Assembly No. 131-5637



Hydraulic Valve Assembly No. 131-5637 (continued)

| <i>Ref.</i> | <i>Part Number</i> | <i>Qty.</i> | <i>Description</i> | <i>Ref.</i> | <i>Part Number</i> | <i>Qty.</i> | <i>Description</i> |
|-------------|--------------------|-------------|--------------------------------|-------------|--------------------|-------------|--------------------|
| 1 | 138-7870 | 1 | Rcm Relief ASM | 6 | 138-7875 | 1 | Switch-Interlock |
| 2 | 138-7871 | 1 | Seal Kit | 7 | 138-7877 | 1 | Section Seal Kit |
| 3 | 138-7872 | 1 | Handle-Horizontal, Enclosed | 8 | 130-8354 | 1 | O-Ring |
| 4 | 131-6753 | 1 | Boot-Dust | 9 | 140-0500 | 1 | Block-Switch Mount |
| 5 | 138-7874 | 1 | Positioner-Spool, Float | 10 | 140-0501 | 1 | Ring-Pilot |
| | | | | 11 | 140-0502 | 1 | Spool-Switch |

Manifold Assembly No. 131-5639

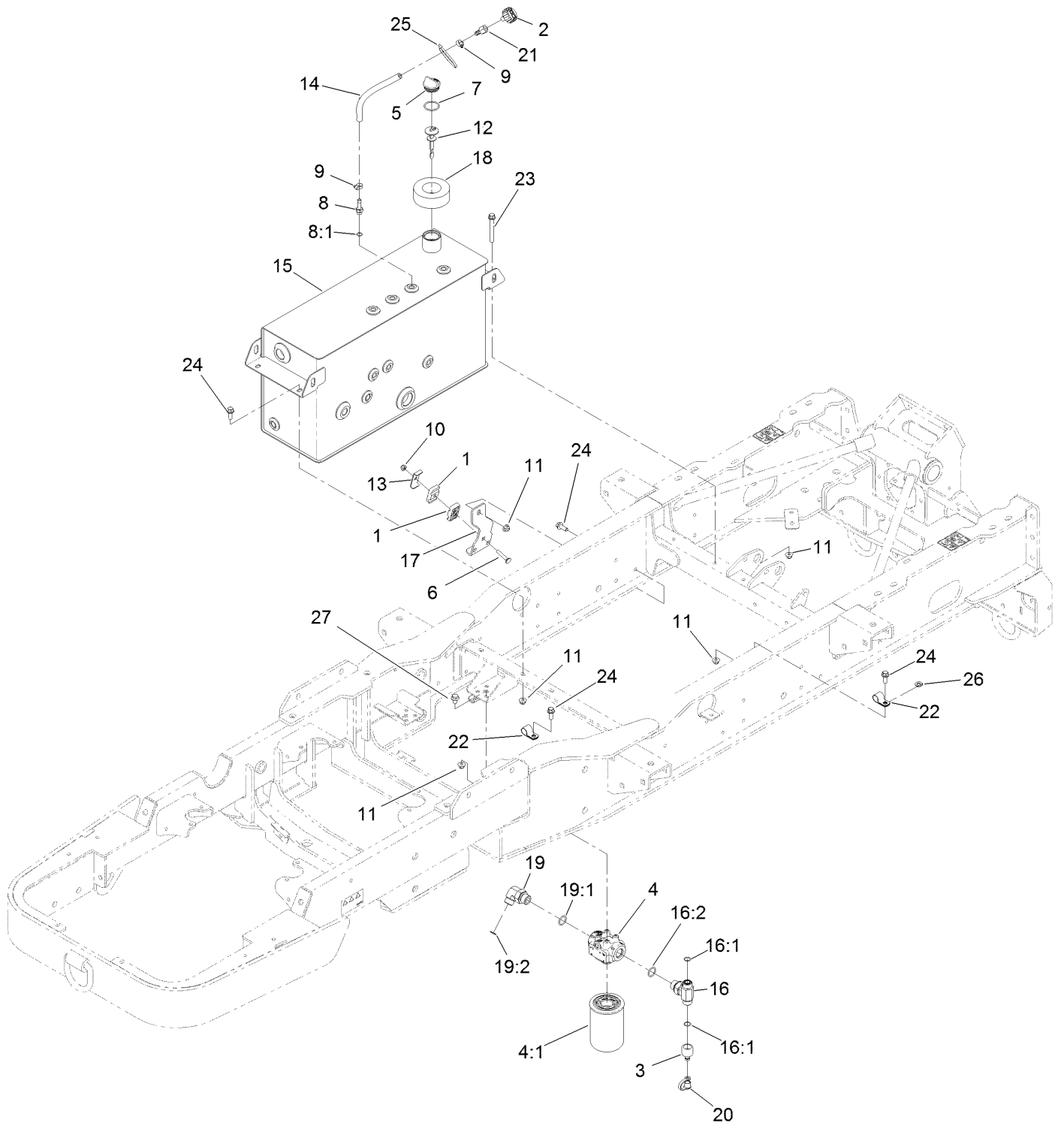


Manifold Assembly No. 131-5639 (continued)

| <i>Ref.</i> | <i>Part Number</i> | <i>Qty.</i> | <i>Description</i> | <i>Ref.</i> | <i>Part Number</i> | <i>Qty.</i> | <i>Description</i> |
|-------------|--------------------|-------------|-------------------------------|-------------|--------------------|-------------|-----------------------------------------|
| 3 | 353-990 | 12 | Plug ASM | 13 | 140-0492 | 1 | Valve-Relief |
| 3:1 | 237-78 | 1 | O-Ring | 14 | 138-3821 | 1 | Valve-Relief |
| 4 | 131-1825 | 3 | Plug-ORB | 15 | 138-3822 | 1 | Valve-Poppet, Prop |
| 5 | 112-9213 | 2 | Plug | 16 | 138-3823 | 1 | Valve-Flow Control, Prop |
| 6 | 136-4363 | 3 | Orifice-0.028 | 17 | 119-4619 | 2 | Coil-Solenoid |
| 7 | 115-5409 | 1 | Compensator ASM | 18 | 110-2634 | 2 | Nut-Coil |
| 7:1 | 110-8908 | 1 | Spool Valve Seal Kit | 20 | 138-3824 | 3 | Valve-Solenoid |
| 8 | 117-8314 | 1 | Compensator-Pressure | 21 | 138-3825 | 4 | Plate-Mounting, Standard |
| 8:1 | 110-8908 | 1 | Spool Valve Seal Kit | 22 | 138-3826 | 1 | Valve-Press Reducing/Relieving, Prop |
| 9 | 132-4904 | 1 | Pump-Hand | 23 | 117-0115 | 2 | Plug |
| 10 | 138-3820 | 1 | Regulator-Flow, Press Comp | 24 | 138-3827 | 8 | Screw |
| 11 | 110-8881 | 2 | Valve-Check | 25 | 353-508 | 3 | Plug-HH |
| 11:1 | 105-9159 | 1 | Seal Kit ● | 25:1 | 237-42 | 1 | O-Ring |
| 12 | 132-4903 | 1 | Valve-2 Way, Manual | | | | |

● Not illustrated

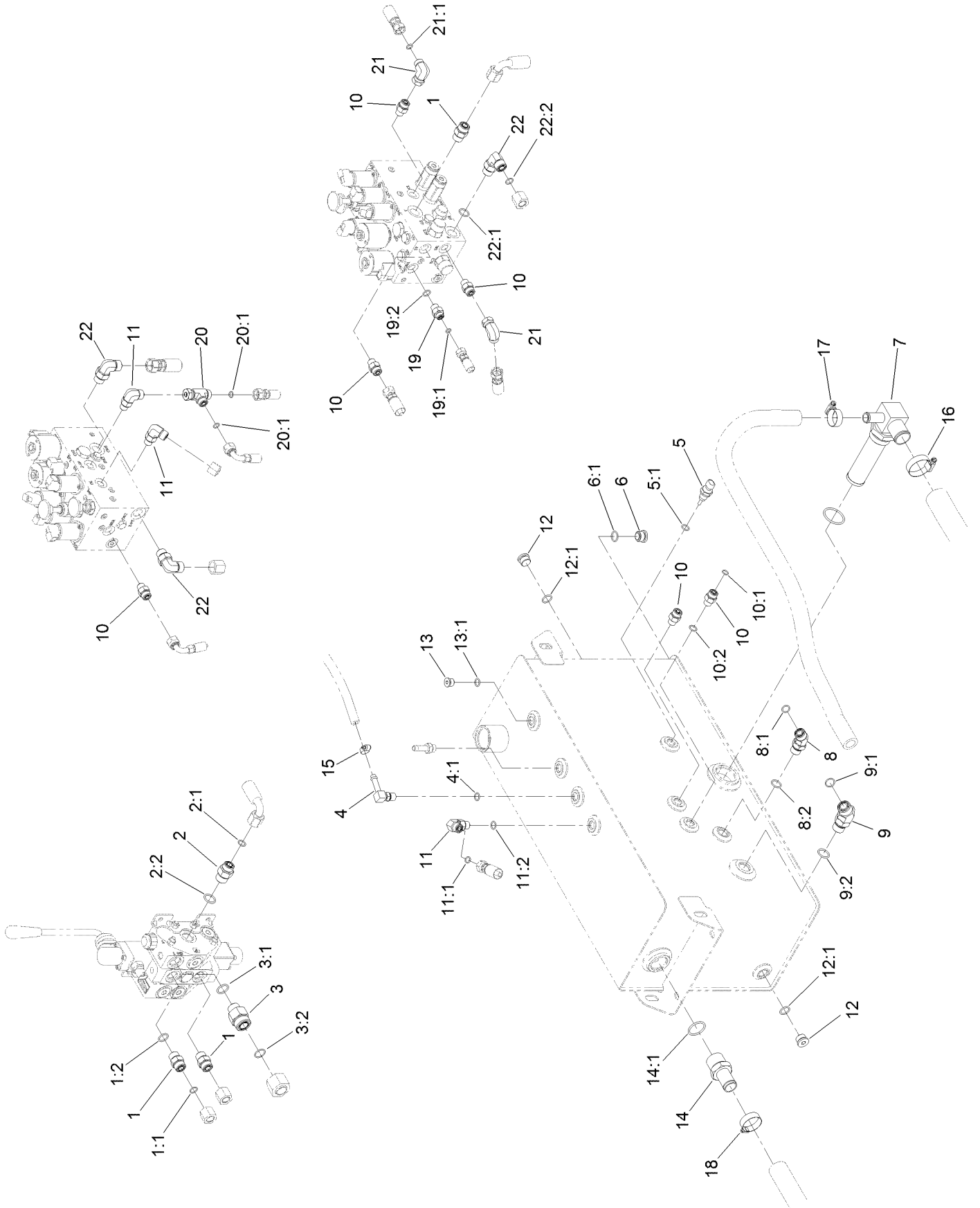
Hydraulic Tank Assembly



Hydraulic Tank Assembly (continued)

| <i>Ref.</i> | <i>Part Number</i> | <i>Qty.</i> | <i>Description</i> | <i>Ref.</i> | <i>Part Number</i> | <i>Qty.</i> | <i>Description</i> |
|-------------|--------------------|-------------|--------------------|-------------|--------------------|-------------|------------------------|
| 1 | 56-7972 | 4 | Clamp-Tube | 16 | 136-9719 | 1 | Fitting-HYD, Tee |
| 2 | 68-6150 | 1 | Breather | 16:1 | 237-65 | 2 | O-Ring |
| 3 | 86-5860 | 1 | Nipple | 16:2 | 237-81 | 1 | O-Ring |
| 4 | 93-2242 | 1 | Oil Filter ASM | 17 | 136-9744-03 | 2 | Support-Hardline |
| 4:1 | 75-1310 | 1 | Filter-HYD | 18 | 136-9788 | 1 | Seal-Ring |
| 5 | 93-7498 | 1 | Plug-Plastic | 19 | 340-139 | 1 | Fitting-Elbow 90 |
| 6 | 3230-5 | 2 | Bolt-CARR | 19:1 | 237-81 | 1 | O-Ring |
| 7 | 94-8166 | 1 | O-Ring | 19:2 | 237-65 | 1 | O-Ring |
| 8 | 103-1912 | 1 | Adapter-Straight | 20 | 354-79 | 1 | Cap-Dust |
| 8:1 | 237-42 | 1 | O-Ring | 21 | 354-94 | 1 | Fitting-Female, Barbed |
| 9 | 2412-108 | 2 | Clamp-Worm | 22 | 2412-81 | 2 | Clamp-R |
| 10 | 104-8300 | 2 | Nut-HF, NI | 23 | 3234-41 | 2 | Screw-HHF |
| 11 | 104-8301 | 8 | Nut-HF, NI | 24 | 3234-42 | 6 | Screw-HHF |
| 12 | 112-6365 | 1 | Dipstick | 25 | 3290-379 | 1 | Tie-Cable |
| 13 | 119-1419 | 2 | Plate-Clamp | 26 | 3256-24 | 2 | Washer-Flat |
| 14 | 138-4159 | 1 | Hose-Fuel | 27 | 33105-016 | 4 | Screw-HHF |
| 15 | 133-7632 | 1 | Tank-Hydraulic | | | | |

Hydraulic Tank, Manifold, and Auxiliary Valve Fitting Assembly



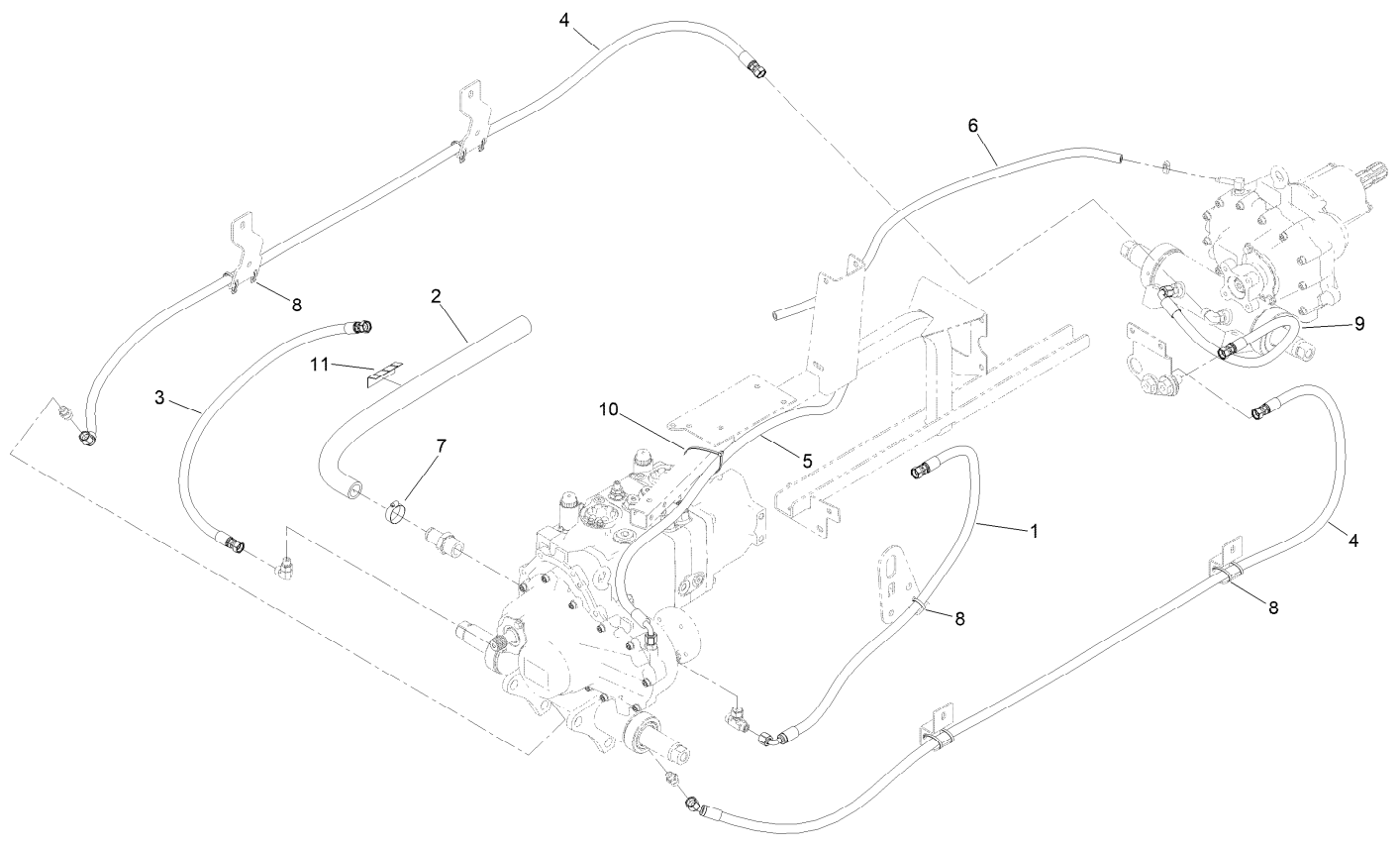
Hydraulic Tank, Manifold, and Auxiliary Valve Fitting Assembly (continued)

| <i>Ref.</i> | <i>Part Number</i> | <i>Qty.</i> | <i>Description</i> | <i>Ref.</i> | <i>Part Number</i> | <i>Qty.</i> | <i>Description</i> |
|-------------|--------------------|-------------|----------------------|-------------|--------------------|-------------|-----------------------|
| 1 | 340-4 | 3 | Fitting-Straight | 10:2 | 237-42 | 1 | O-Ring |
| 1:1 | 237-30 | 1 | O-Ring | 11 | 340-77 | 3 | Fitting-Elbow, 90 DEG |
| 1:2 | 237-79 | 1 | O-Ring | 11:1 | 237-22 | 1 | O-Ring |
| 2 | 340-6 | 1 | Fitting-Straight | 11:2 | 237-42 | 1 | O-Ring |
| 2:1 | 237-30 | 1 | O-Ring | 12 | 353-988 | 2 | Plug-Hex |
| 2:2 | 237-80 | 1 | O-Ring | 12:1 | 237-79 | 1 | O-Ring |
| 3 | 340-66 | 1 | Fitting-Straight | 13 | 353-989 | 1 | Plug-Hex, Hollow |
| 3:1 | 237-80 | 1 | O-Ring | 13:1 | 237-42 | 1 | O-Ring |
| 3:2 | 237-58 | 1 | O-Ring | 14 | 354-78 | 1 | Fitting-STR |
| 4 | 100-4887 | 1 | Fitting-Elbow, 90 | 14:1 | 237-146 | 1 | O-Ring |
| 4:1 | 237-42 | 1 | O-Ring | 15 | 2412-108 | 1 | Clamp-Worm |
| 5 | 110-8829 | 1 | Sender-Temperature | 16 | 2412-111 | 1 | Clamp-Hose, W/Liner |
| 5:1 | 237-42 | 1 | O-Ring | 17 | 2412-129 | 1 | Clamp-Hose |
| 6 | 133-7659 | 1 | Plug ASM | 18 | 2412-34 | 1 | Clamp-Hose |
| 6:1 | 237-79 | 1 | O-Ring | 19 | 340-1 | 1 | Fitting-Straight |
| 7 | 136-5109 | 1 | Strainer Fitting ASM | 19:1 | 237-21 | 1 | O-Ring |
| 8 | 340-101 | 1 | Fitting-HYD, 45 DEG | 19:2 | 237-42 | 1 | O-Ring |
| 8:1 | 237-30 | 1 | O-Ring | 20 | 340-115 | 1 | Fitting-Tee |
| 8:2 | 237-79 | 1 | O-Ring | 20:1 | 237-22 | 2 | O-Ring |
| 9 | 340-14 | 1 | Fitting-HYD, 45 DEG | 21 | 340-159 | 2 | Elbow-90 |
| 9:1 | 237-65 | 1 | O-Ring | 21:1 | 237-22 | 2 | O-Ring |
| 9:2 | 237-80 | 1 | O-Ring | 22 | 340-98 | 3 | Fitting-Elbow, 90 DEG |
| 10 | 340-2 | 6 | Fitting-Straight | 22:1 | 237-79 | 1 | O-Ring |
| 10:1 | 237-22 | 1 | O-Ring | 22:2 | 237-30 | 1 | O-Ring |

Hydraulic Hose and Tube Assembly (continued)

| <i>Ref.</i> | <i>Part Number</i> | <i>Qty.</i> | <i>Description</i> | <i>Ref.</i> | <i>Part Number</i> | <i>Qty.</i> | <i>Description</i> |
|-------------|--------------------|-------------|--------------------|-------------|--------------------|-------------|--------------------|
| 1 | 69-8910 | 1 | Washer | 12:2 | 340-117 | 1 | Cap |
| 2 | 69-8930 | 2 | Washer | 12:3 | 237-22 | 2 | O-Ring |
| 3 | 114-5501 | 1 | Hose-Hydraulic | 12:4 | 237-65 | 1 | O-Ring |
| 4 | 115-4384 | 1 | Hose-HYD | 12:5 | 340-150 | 1 | Cap |
| 5 | 131-2041 | 1 | Hose ASM | 13 | 133-2287 | 1 | Tube ASM-HYD |
| 6 | 133-2252 | 1 | Hose | 13:1 | 237-30 | 2 | O-Ring |
| 7 | 132-8941 | 1 | Hose-Hydraulic | 14 | 133-2289 | 1 | Tube ASM-HYD |
| 8 | 133-2272 | 1 | Hose ASM | 15 | 133-2290 | 1 | Tube ASM-HYD |
| 9 | 133-2273 | 1 | Hose ASM | 16 | 340-121 | 1 | Fitting-Tee |
| 10 | 133-2275 | 1 | Hose ASM | 16:1 | 237-30 | 3 | O-Ring |
| 11 | 133-2282 | 1 | Tube-HYD | 17 | 340-126 | 1 | Nut-Bulkhead |
| 11:1 | 237-58 | 1 | O-Ring | 18 | 340-127 | 2 | Nut-Bulkhead |
| 12 | 133-2283 | 1 | Tube ASM-HYD | 19 | 2412-129 | 1 | Clamp-Hose |
| 12:1 | 237-30 | 1 | O-Ring | 20 | 3290-379 | 2 | Tie-Cable |

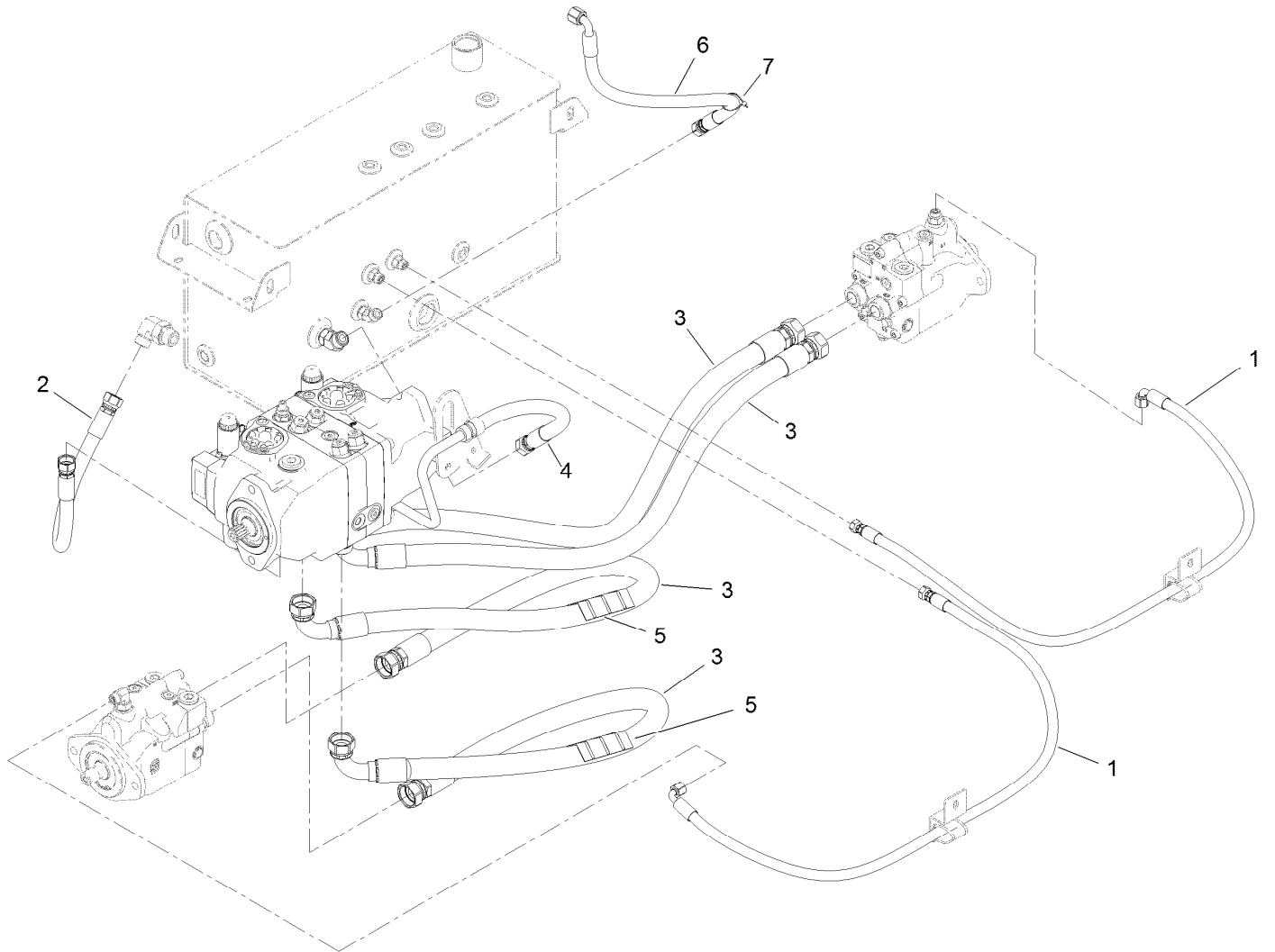
Hydraulic Hose Assembly 1



Hydraulic Hose Assembly 1 (continued)

| <i>Ref.</i> | <i>Part Number</i> | <i>Qty.</i> | <i>Description</i> | <i>Ref.</i> | <i>Part Number</i> | <i>Qty.</i> | <i>Description</i> |
|-------------|--------------------|-------------|--------------------|-------------|--------------------|-------------|--------------------|
| 1 | 93-5385 | 1 | Hose ASM | 7 | 2412-34 | 1 | Clamp-Hose |
| 2 | 132-6480 | 1 | Hose | 8 | 3290-378 | 9 | Tie-Cable |
| 3 | 133-2260 | 1 | Hose ASM | 9 | 92-5687 | 1 | Hose ASM |
| 4 | 136-9700 | 2 | Hose ASM | 10 | 3290-379 | 1 | Tie-Cable |
| 5 | 136-9705 | 1 | Hose ASM | 11 | AU112950 | 1 | Protector-Hose |
| 6 | 136-9706 | 1 | Hose | | | | |

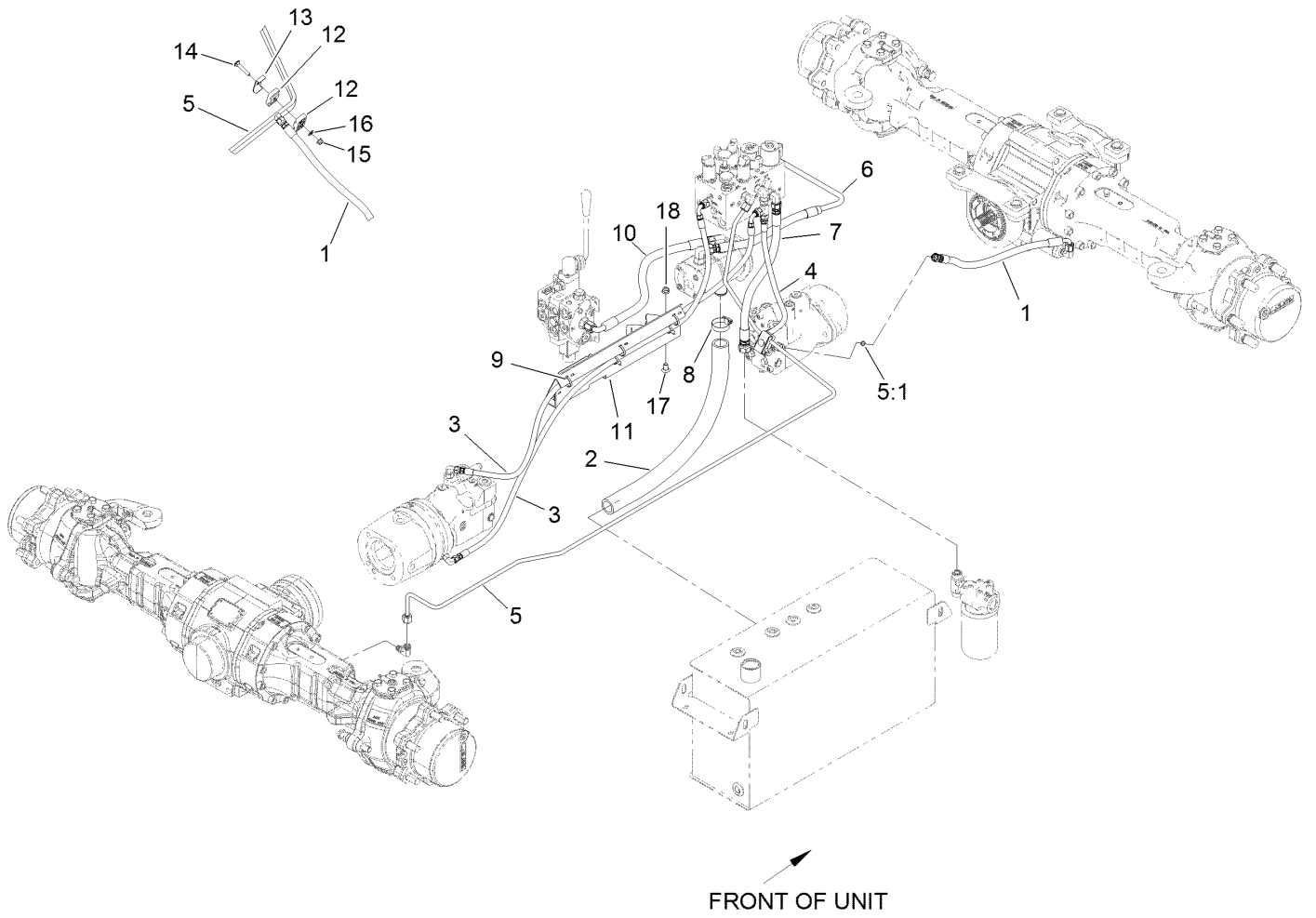
Hydraulic Hose Assembly 2



Hydraulic Hose Assembly 2 (continued)

| <i>Ref.</i> | <i>Part Number</i> | <i>Qty.</i> | <i>Description</i> | <i>Ref.</i> | <i>Part Number</i> | <i>Qty.</i> | <i>Description</i> |
|-------------|--------------------|-------------|--------------------|-------------|--------------------|-------------|--------------------|
| 1 | 100-3919 | 2 | HYD Hose ASM | 5 | AU112950 | 2 | Protector-Hose |
| 2 | 120-3538 | 1 | Hose-HYD | 6 | 121-1559 | 1 | Hose-HYD |
| 3 | 132-6470 | 4 | Hose ASM | 7 | 3290-378 | 1 | Tie-Cable |
| 4 | 133-2297 | 1 | Tube ASM | | | | |

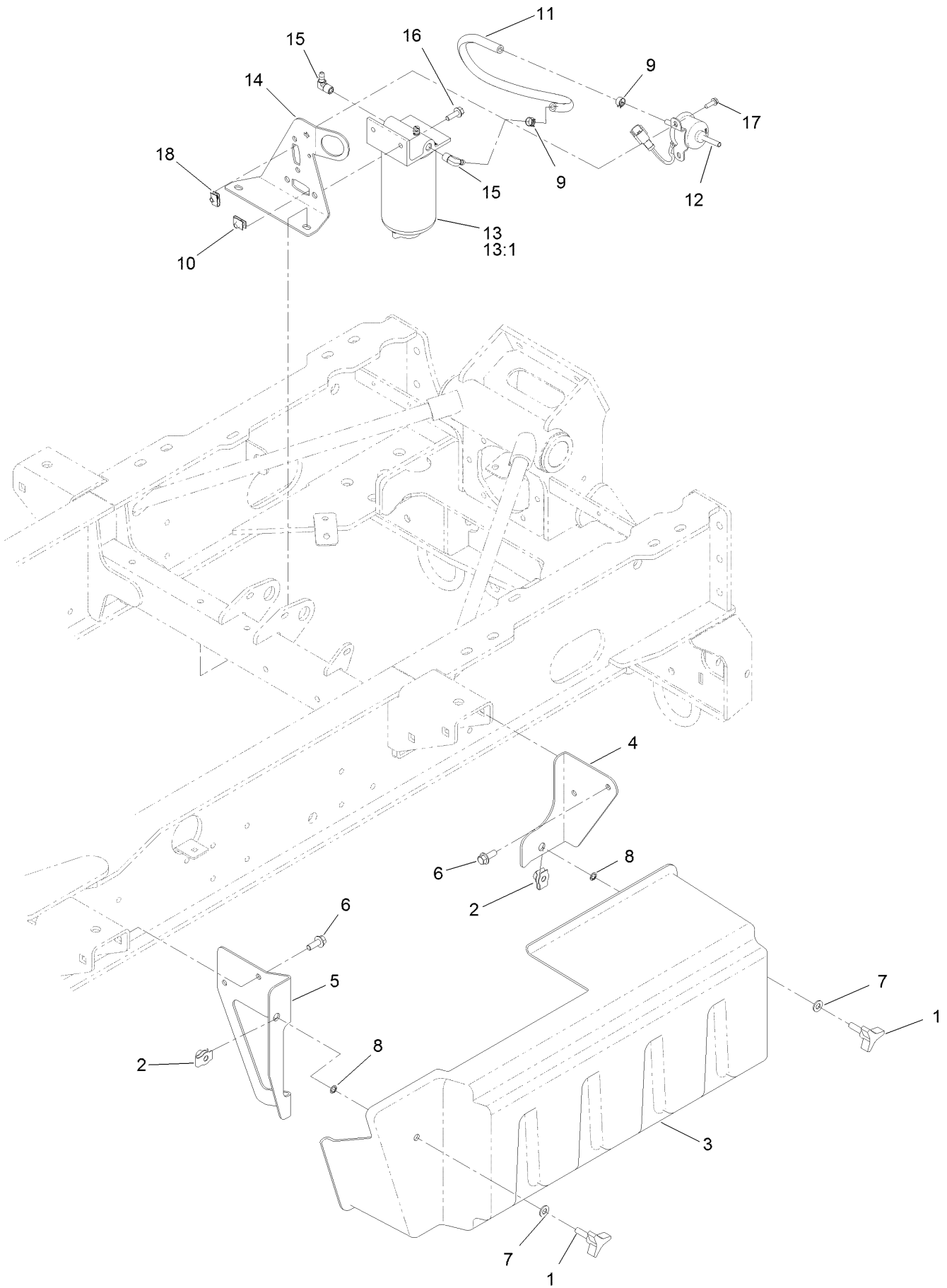
Hydraulic Hose Assembly 3



Hydraulic Hose Assembly 3 (continued)

| <i>Ref.</i> | <i>Part Number</i> | <i>Qty.</i> | <i>Description</i> | <i>Ref.</i> | <i>Part Number</i> | <i>Qty.</i> | <i>Description</i> |
|-------------|--------------------|-------------|---------------------|-------------|--------------------|-------------|--------------------|
| 1 | 69-5490 | 1 | Hose ASM | 10 | 104-2807 | 1 | Hose-HYD |
| 2 | 132-6490 | 1 | Hose | 11 | 138-8023-03 | 1 | Bracket-Routing |
| 3 | 133-2255 | 2 | Hose ASM | 12 | 56-7972 | 2 | Clamp-Tube |
| 4 | 133-2259 | 1 | Hose ASM | 13 | 119-1419 | 1 | Plate-Clamp |
| 5 | 133-2280 | 1 | HYD Tube ASM | 14 | 3230-4 | 1 | Bolt-CARR |
| 5:1 | 237-22 | 1 | O-Ring | 15 | 104-8300 | 1 | Nut-HF, NI |
| 6 | 136-9709 | 1 | Tube-Hydrualic | 16 | 3256-23 | 1 | Washer-Plain |
| 7 | 136-9714 | 1 | Hose ASM | 17 | 3231-21 | 2 | Screw-CARR |
| 8 | 2412-111 | 1 | Clamp-Hose, W/Liner | 18 | 104-8301 | 2 | Nut-HF, NI |
| 9 | 3290-378 | 5 | Tie-Cable | | | | |

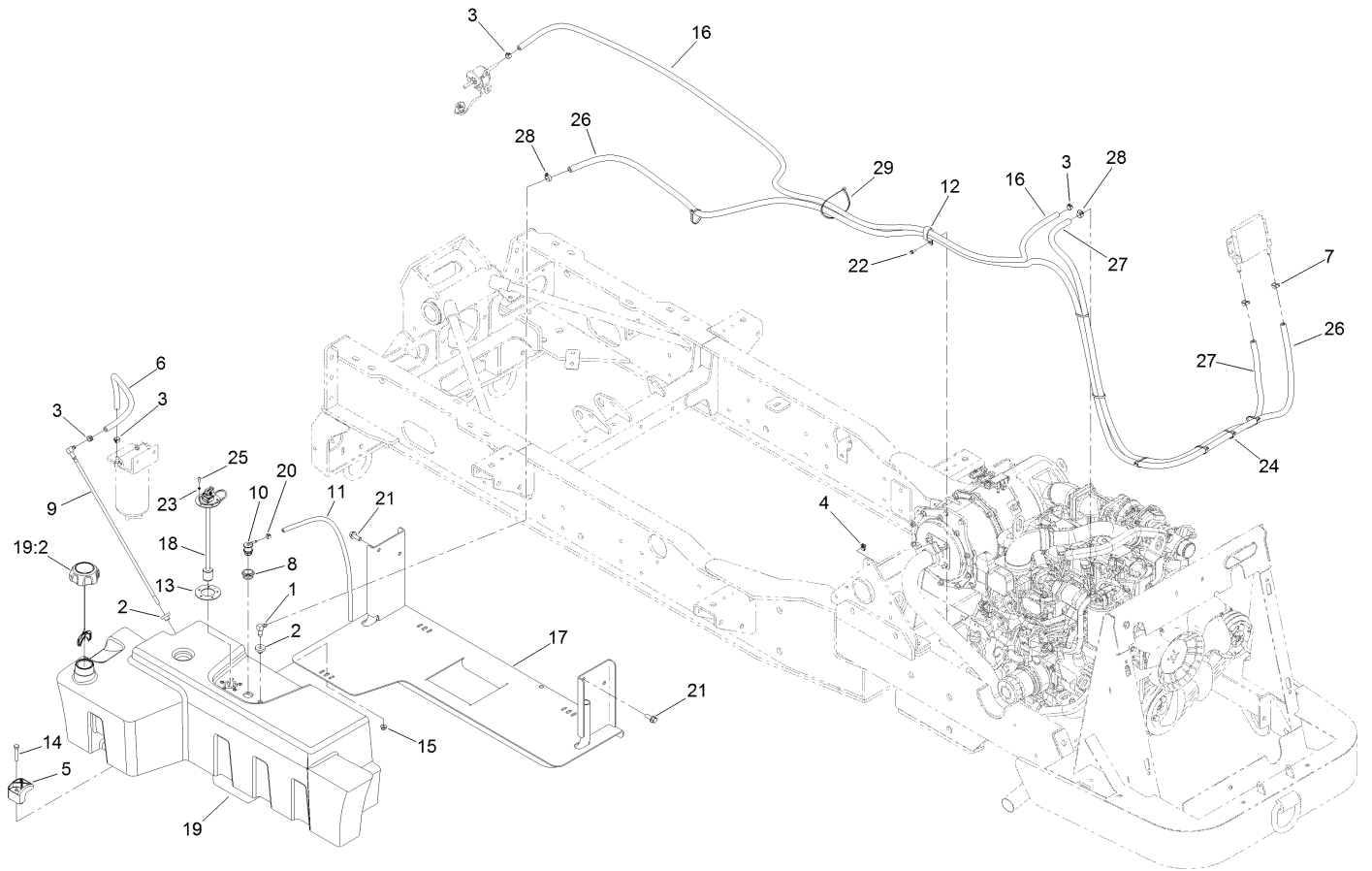
Fuel Pump and Filter Assembly



Fuel Pump and Filter Assembly (continued)

| <i>Ref.</i> | <i>Part Number</i> | <i>Qty.</i> | <i>Description</i> | <i>Ref.</i> | <i>Part Number</i> | <i>Qty.</i> | <i>Description</i> |
|-------------|--------------------|-------------|----------------------|-------------|--------------------|-------------|-----------------------------|
| 1 | 27-4570 | 2 | Knob-Seat | 11 | 110-4109 | 1 | Hose-Fuel |
| 2 | 105-4886 | 2 | Nut-Tinnerman | 12 | 121-5613 | 1 | Pump-Fuel, Electric |
| 3 | 136-9742 | 1 | Cover-LH | 13 | 125-2914 | 1 | Filter-Separator |
| 4 | 136-9957-01 | 1 | Bracket-Latch, Rear | 13:1 | 125-2915 | 1 | Filter-Fuel/Water Separator |
| 5 | 136-9958-01 | 1 | Bracket-Latch, Front | 14 | 136-9728-03 | 1 | Bracket-Support, Fuel |
| 6 | 3234-42 | 4 | Screw-HHF | 15 | 353-781 | 2 | Fitting-HYD, 90 |
| 7 | 3256-80 | 2 | Washer-Plain | 16 | 3234-29 | 2 | Screw-HHF |
| 8 | 32151-72 | 2 | Ring-Retaining | 17 | 32105-15 | 2 | Screw-HWH |
| 9 | 92-2379 | 2 | Clamp-Hose | 18 | 107069 | 2 | Clip |
| 10 | 94-2413 | 2 | Nut-U | | | | |

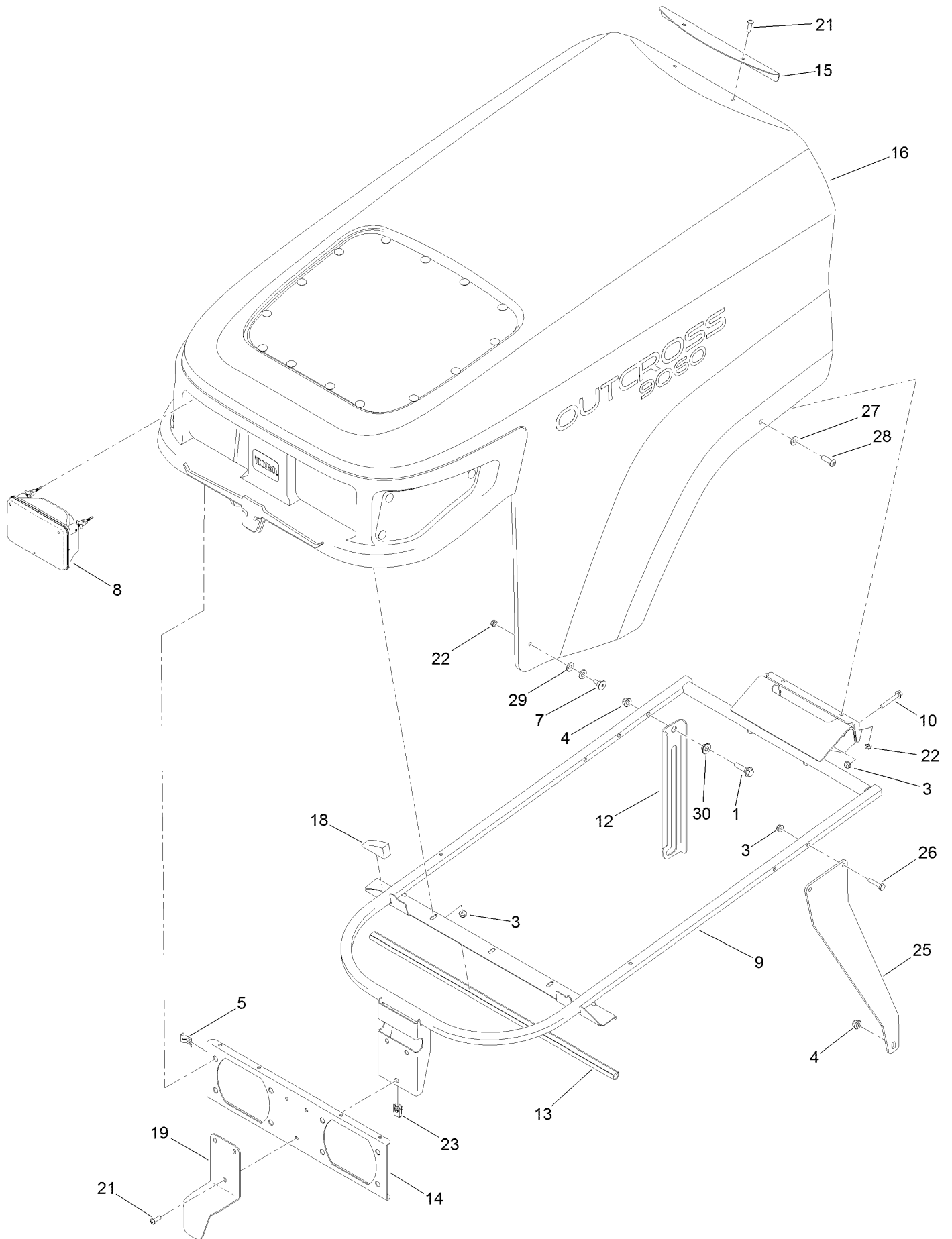
Fuel Tank and Line Assembly



Fuel Tank and Line Assembly (continued)

| <i>Ref.</i> | <i>Part Number</i> | <i>Qty.</i> | <i>Description</i> | <i>Ref.</i> | <i>Part Number</i> | <i>Qty.</i> | <i>Description</i> |
|-------------|--------------------|-------------|-----------------------|-------------|--------------------|-------------|--------------------|
| 1 | 46-6550 | 1 | Fitting-Elbow, 90 DEG | 16 | 136-9708 | 1 | Hose-Fuel |
| 2 | 46-6560 | 2 | Bushing | 17 | 136-9730-03 | 1 | Support-Tank |
| 3 | 92-2379 | 4 | Clamp-Hose | 18 | 136-9739 | 1 | Gauge-Fuel, Float |
| 4 | 107069 | 1 | Clip | 19 | 136-9740 | 1 | Fuel Tank ASM |
| 5 | 107-4543 | 3 | Clamp | 19:2 | 138-3795 | 1 | Fuel Cap ASM |
| 6 | 110-4109 | 1 | Hose-Fuel | 20 | 2412-80 | 1 | Clamp-Hose |
| 7 | 103-1988 | 2 | Clamp-Hose | 21 | 3234-42 | 4 | Screw-HHF |
| 8 | 114-0284 | 1 | Grommet | 22 | 32105-15 | 1 | Screw-HWH |
| 9 | 114-3836 | 1 | Pipe-Stand | 23 | 3253-15 | 5 | Washer-Lock |
| 10 | 114-0285 | 1 | Valve-Rollover | 24 | 3290-378 | 9 | Tie-Cable |
| 11 | 119-8149 | 1 | Hose-Fuel | 25 | 32122-24 | 5 | Screw-PTH |
| 12 | 120-1959 | 1 | Clamp | 26 | 136-9978 | 1 | Hose-Fuel |
| 13 | 121-1707 | 1 | Gasket-Fuel, Viton | 27 | 136-9979 | 1 | Hose-Fuel |
| 14 | 125-7944 | 3 | Screw-HH | 28 | 2412-108 | 2 | Clamp-Worm |
| 15 | 130-6655 | 3 | Nut-Flange, NI | 29 | 3290-379 | 1 | Tie-Cable |

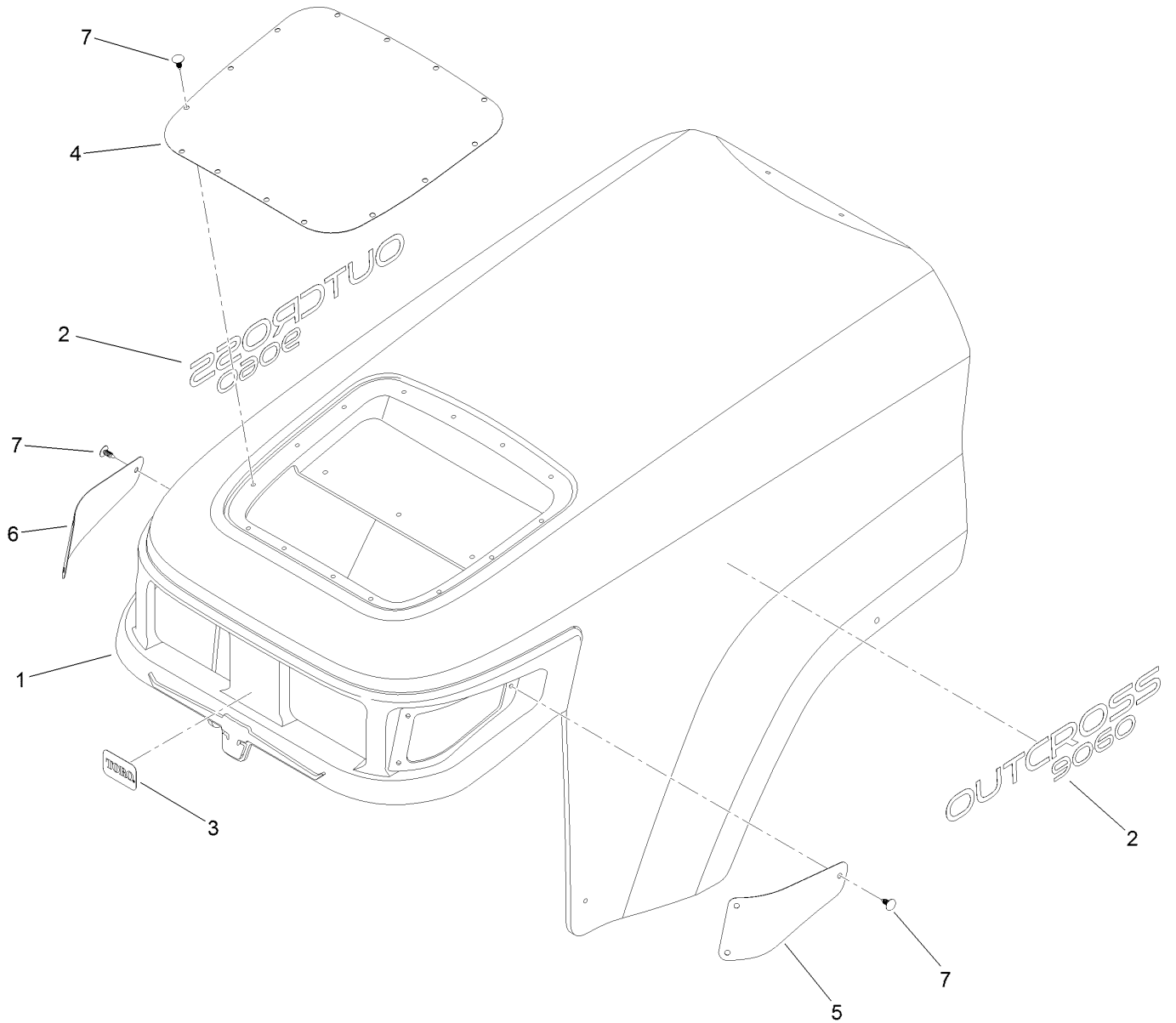
Hood Assembly



Hood Assembly (continued)

| <i>Ref.</i> | <i>Part Number</i> | <i>Qty.</i> | <i>Description</i> | <i>Ref.</i> | <i>Part Number</i> | <i>Qty.</i> | <i>Description</i> |
|-------------|--------------------|-------------|--------------------|-------------|--------------------|-------------|------------------------|
| 1 | 322-7 | 1 | Screw-HH | 16 | 138-4138 | 1 | Hood ASM |
| 3 | 104-7201 | 5 | Nut-HF, NI | 18 | 138-2013 | 2 | Block-Foam |
| 4 | 104-8300 | 1 | Nut-HF, NI | 19 | 138-3755-03 | 1 | Bracket-Lift, Hood |
| 5 | 115-2408 | 6 | Clip-Speed | 21 | 3274-69 | 8 | Screw-HSBH |
| 7 | 125-1122 | 2 | Screw | 22 | 3296-56 | 4 | Nut-Lock, NI |
| 8 | 138-9260 | 2 | Headlight ASM | 23 | 107069 | 3 | Clip |
| 9 | 136-9602-03 | 1 | Support-Hood | 25 | 138-8145-03 | 2 | Brace-Hood |
| 10 | 32105-18 | 2 | Screw-HHF | 26 | 321-8 | 4 | Screw-HH |
| 12 | 138-8279-01 | 1 | Prop-Hood | 27 | 3256-70 | 2 | Washer-Flat |
| 13 | 136-9779 | 1 | Seal-Bulb | 28 | 3274-104 | 2 | Screw-HSBH |
| 14 | 136-9786-03 | 1 | Bracket-Light | 29 | 3256-22 | 4 | Washer-Flat |
| 15 | 136-9792-03 | 1 | Bracket-Hood, Rear | 30 | 125-9249 | 1 | Spacer-Coupler, Rubber |

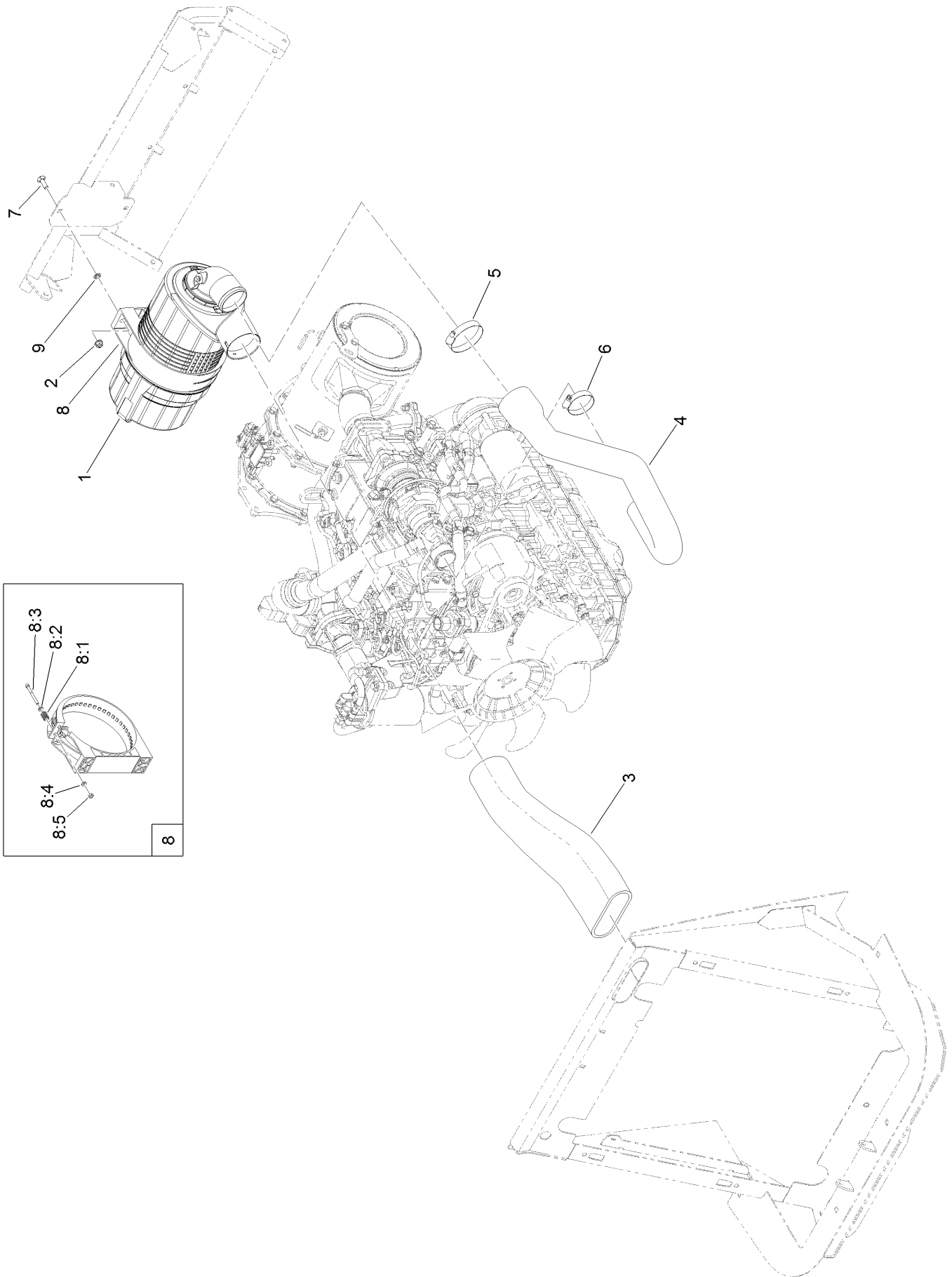
Hood Assembly No. 138-4138



Hood Assembly No. 138-4138 (continued)

| <i>Ref.</i> | <i>Part Number</i> | <i>Qty.</i> | <i>Description</i> | <i>Ref.</i> | <i>Part Number</i> | <i>Qty.</i> | <i>Description</i> |
|-------------|--------------------|-------------|--------------------|-------------|--------------------|-------------|--------------------|
| 1 | 136-9856 | 1 | Hood ASM | 5 | 138-3756-03 | 1 | Screen-Side, LH |
| 2 | 136-9884 | 2 | Decal | 6 | 138-3784-03 | 1 | Screen-Side, RH |
| 3 | 138-4105 | 1 | Decal-Logo | 7 | 117-2382 | 20 | Plug-Plastic |
| 4 | 136-9611-03 | 1 | Screen | | | | |

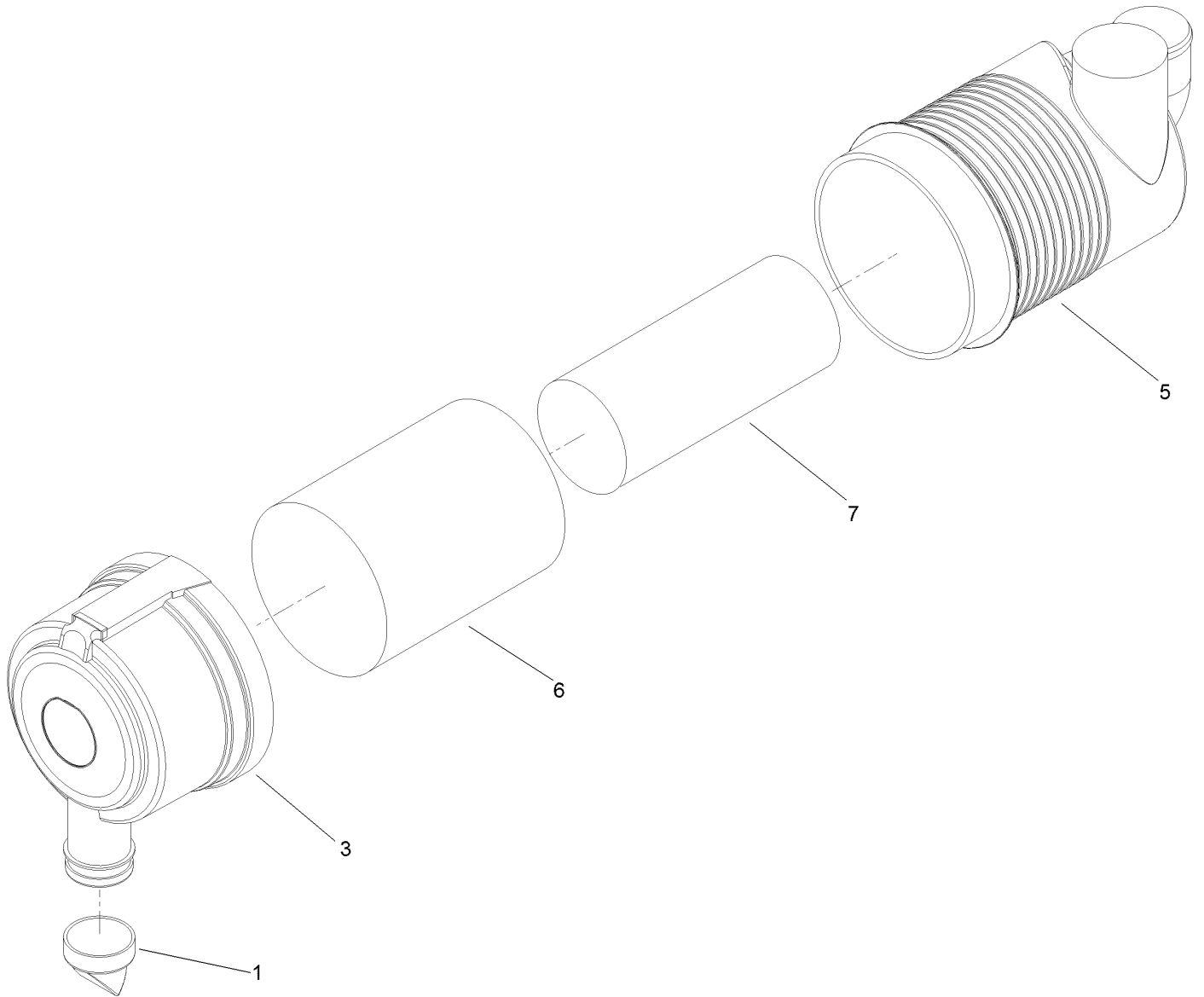
Air Intake Assembly



Air Intake Assembly (continued)

| <i>Ref.</i> | <i>Part Number</i> | <i>Qty.</i> | <i>Description</i> | <i>Ref.</i> | <i>Part Number</i> | <i>Qty.</i> | <i>Description</i> |
|-------------|--------------------|-------------|--------------------|-------------|--------------------|-------------|--------------------|
| 1 | 99-5410 | 1 | Air Cleaner ASM | 8 | 99-5414 | 1 | Strap-Cleaner, Air |
| 2 | 104-8300 | 2 | Nut-HF, NI | 8:1 | 108-1512 | 2 | Spring |
| 3 | 136-5195 | 1 | Hose-Air | 8:2 | 3256-22 | 2 | Washer-Flat |
| 4 | 136-5196 | 1 | Hose-Air | 8:3 | 33113-050 | 2 | Screw-HH |
| 5 | 2412-125 | 1 | Clamp-Hose | 8:4 | 33093-00 | 2 | Washer-Flat |
| 6 | 2412-130 | 1 | Clamp-Hose | 8:5 | 33023-00 | 2 | Nut-Lock |
| 7 | 3230-22 | 2 | Screw-CARR | 9 | 117-2749 | 2 | Nut-Push |

Air Cleaner Assembly No. 99-5410

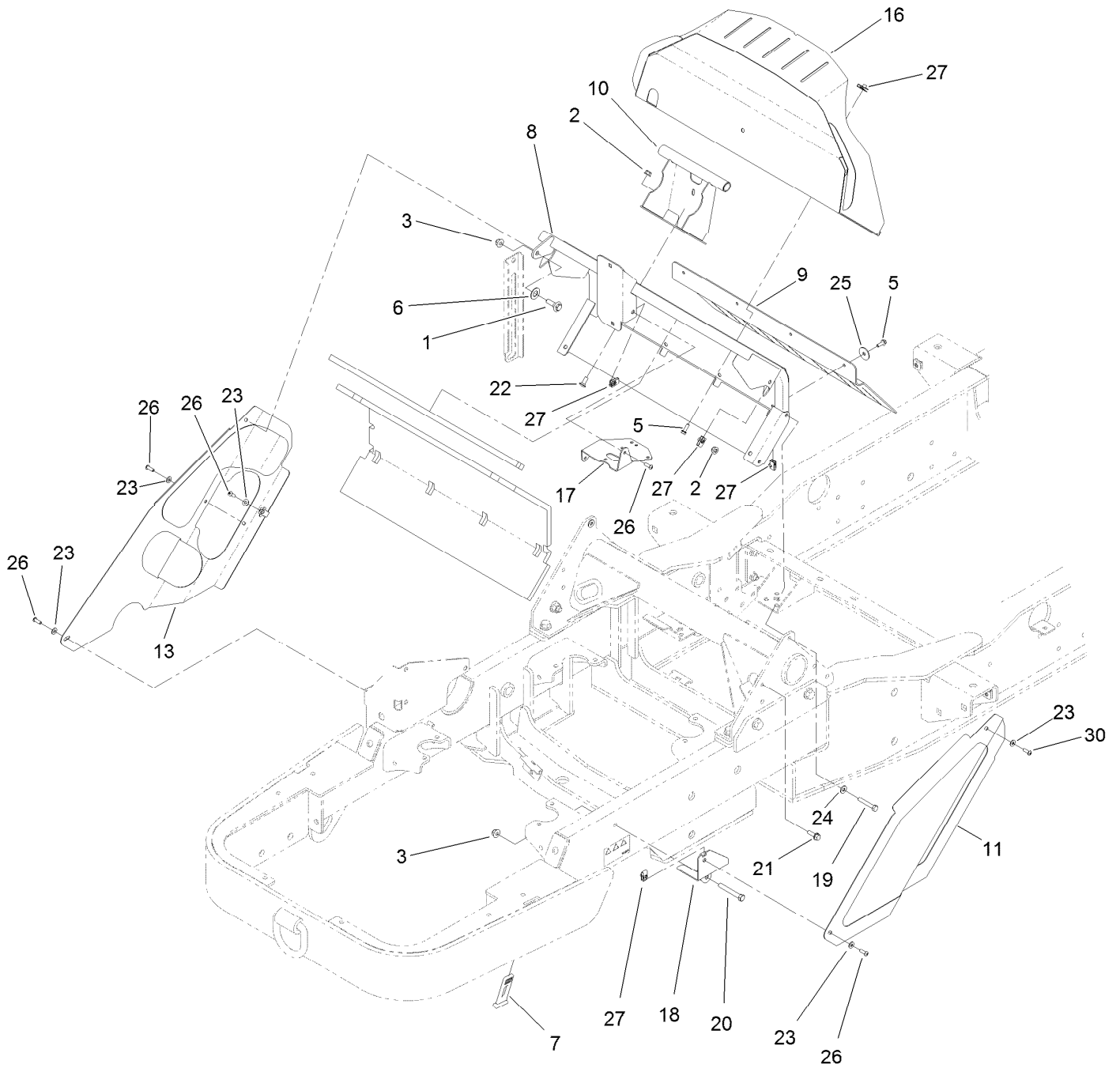


Air Cleaner Assembly No. 99-5410 (continued)

| <i>Ref.</i> | <i>Part Number</i> | <i>Qty.</i> | <i>Description</i> | <i>Ref.</i> | <i>Part Number</i> | <i>Qty.</i> | <i>Description</i> |
|-------------|--------------------|-------------|--------------------|-------------|--------------------|-------------|--------------------|
| 1 | 104-4258 | 1 | Valve-Vacuator | 6 | 108-3814 | 1 | Filter-Air |
| 3 | 104-4259 | 1 | Cover | 7 | 108-3816 | 1 | Filter-Air |
| 5 | | 1 | Body ASM ● | | | | |

● Not serviced separately

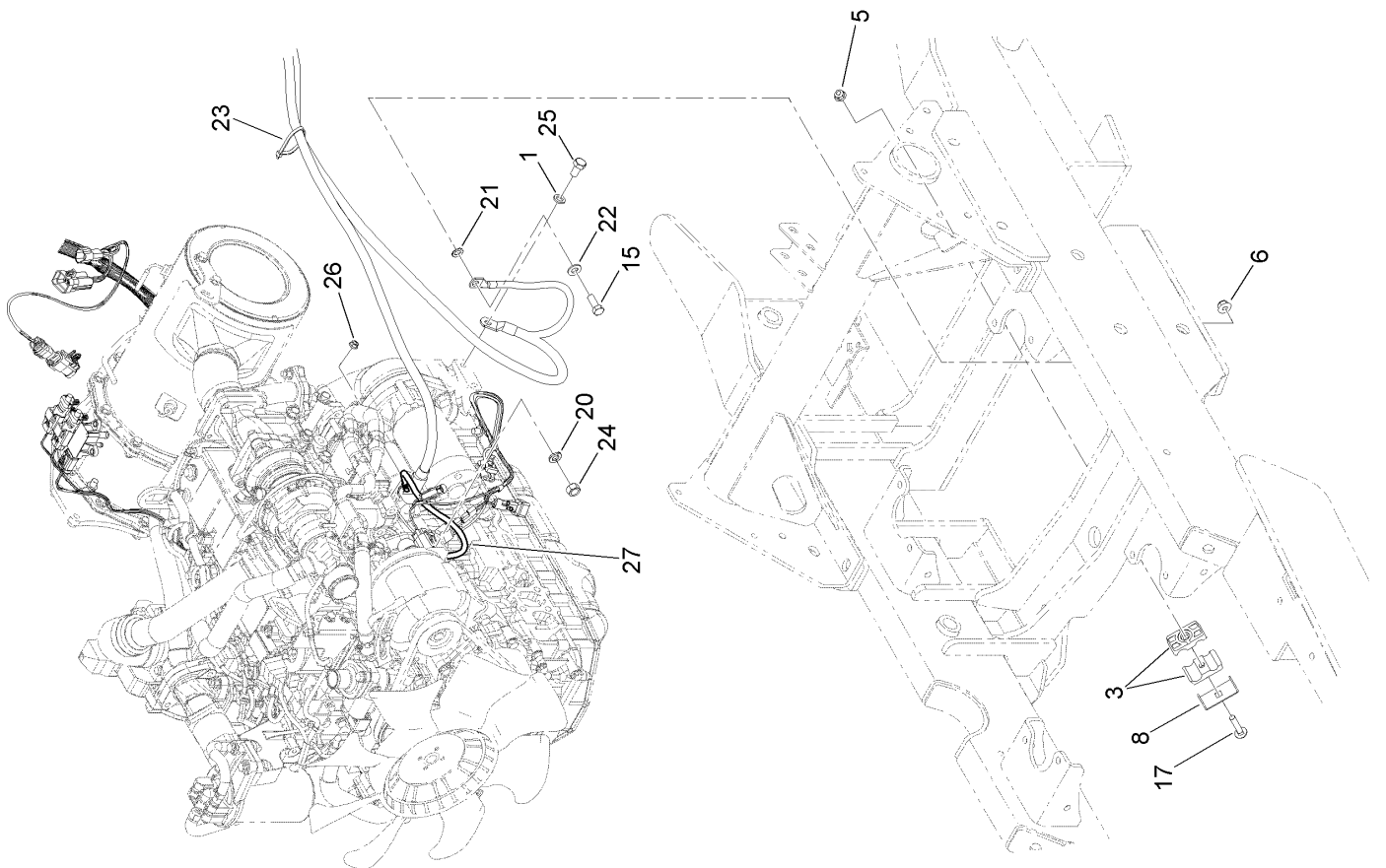
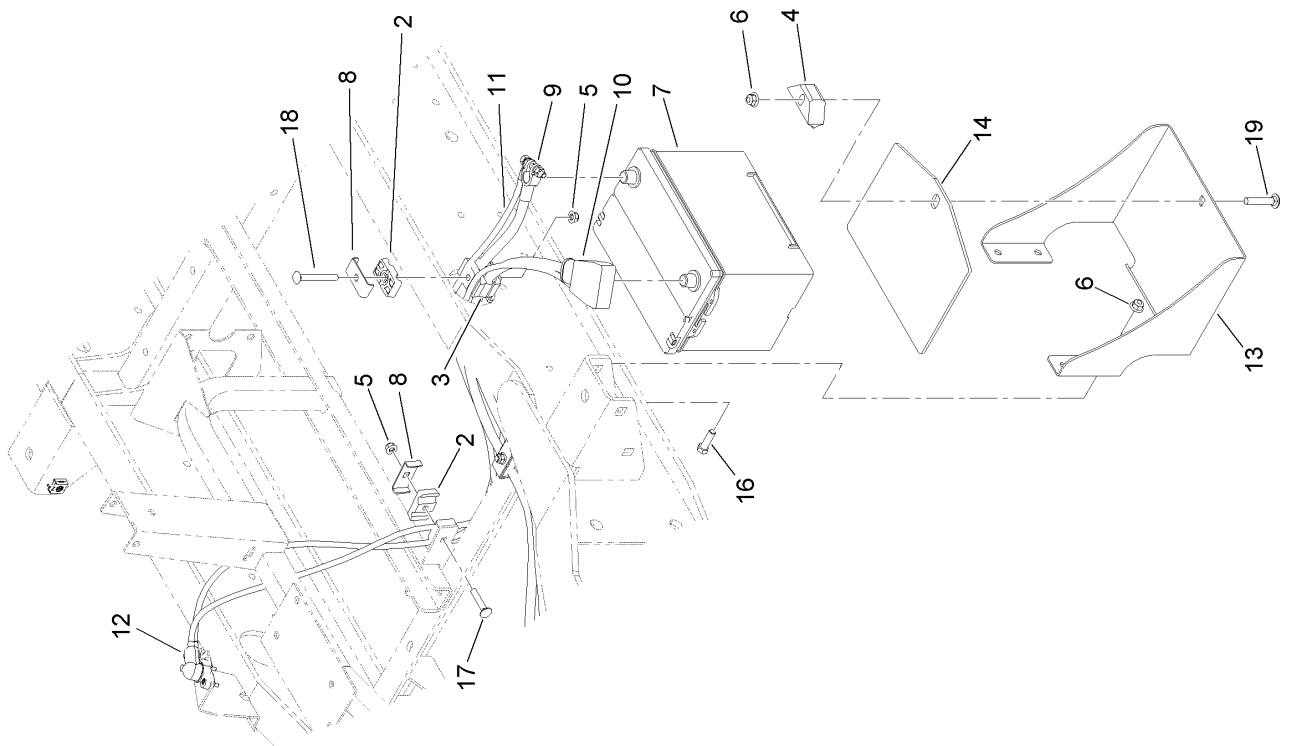
Screen Assembly



Screen Assembly (continued)

| <i>Ref.</i> | <i>Part Number</i> | <i>Qty.</i> | <i>Description</i> | <i>Ref.</i> | <i>Part Number</i> | <i>Qty.</i> | <i>Description</i> |
|-------------|--------------------|-------------|---------------------|-------------|--------------------|-------------|--------------------|
| 1 | 614672 | 1 | Screw-Shoulder, HWH | 17 | 138-1876 | 1 | Bracket-Sensor |
| 2 | 104-8300 | 5 | Nut-HF, NI | 18 | 138-1877-01 | 1 | Bracket-Shield |
| 3 | 104-8301 | 2 | Nut-HF, NI | 19 | 322-10 | 2 | Screw-HH |
| 5 | 115-5103 | 7 | Screw-HHF | 20 | 323-13 | 1 | Screw-HH |
| 6 | 117-1240 | 1 | Washer | 21 | 3234-29 | 1 | Screw-HHF |
| 7 | 131-8402 | 2 | Strap-Down, Hold | 22 | 3230-23 | 1 | Bolt-CARR |
| 8 | 138-8130-03 | 1 | Mount-Mid | 23 | 3256-1 | 6 | Washer-Flat |
| 9 | 138-1857 | 1 | Flap-Air | 24 | 3256-2 | 2 | Washer-Flat |
| 10 | 138-8124-03 | 1 | Hinge | 25 | 3256-57 | 4 | Washer-Flat |
| 11 | 138-1862-03 | 1 | Shield-LH | 26 | 3274-69 | 5 | Screw-HSBH |
| 13 | 138-3791 | 1 | Shield-RH | 27 | 107069 | 13 | Clip |
| 16 | 138-1886-03 | 1 | Shield-Dash | 30 | 321-3 | 2 | Screw-HH |

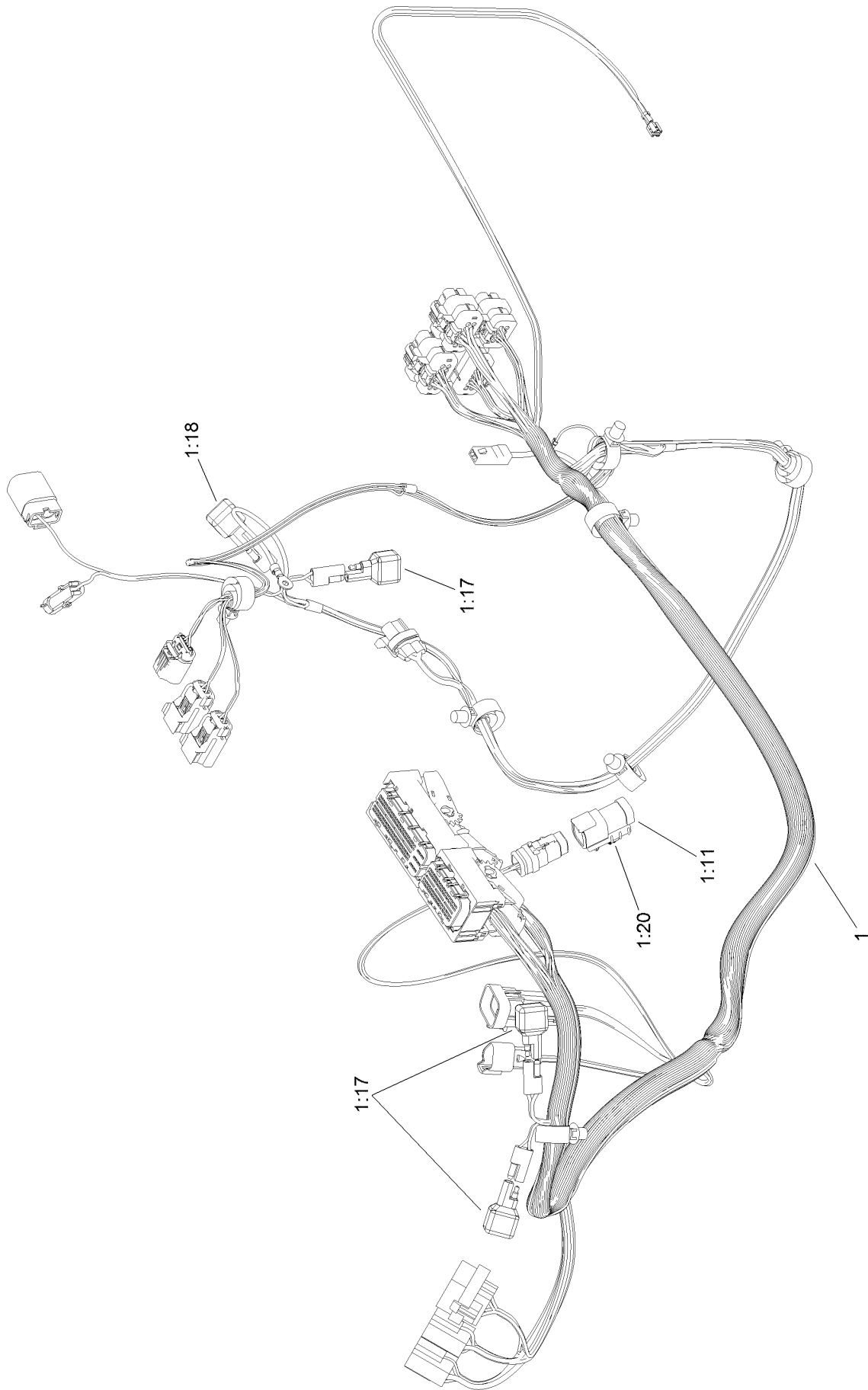
Battery Assembly



Battery Assembly (continued)

| <i>Ref.</i> | <i>Part Number</i> | <i>Qty.</i> | <i>Description</i> | <i>Ref.</i> | <i>Part Number</i> | <i>Qty.</i> | <i>Description</i> |
|-------------|--------------------|-------------|-------------------------------------|-------------|--------------------|-------------|-------------------------|
| 1 | 48-9590 | 1 | Washer-Lock | 14 | 136-5338 | 1 | Mat-Battery |
| 2 | 56-7972 | 4 | Clamp-Tube | 15 | 323-6 | 1 | Screw-HH |
| 3 | 56-7977 | 6 | Clamp-Tube | 16 | 323-7 | 4 | Screw-HH |
| 4 | 138-6335 | 1 | Retainer-Battery | 17 | 3230-5 | 2 | Bolt-CARR |
| 5 | 104-8300 | 4 | Nut-HF, NI | 18 | 3230-9 | 1 | Screw-CARR |
| 6 | 104-8301 | 6 | Nut-HF, NI | 19 | 3231-6 | 1 | Screw-CARR |
| 7 | 106-5190 | 1 | Battery, 660 CCA W/O Electrolyte | 20 | 3230-6 | 1 | Bolt-CARR |
| 8 | 119-1419 | 4 | Plate-Clamp | 21 | 3255-9 | 1 | Washer-Lock |
| 9 | 122-0709 | 1 | Cable-Battery, Negative | 22 | 3256-24 | 1 | Washer-Flat |
| 10 | 122-0710 | 1 | Cable-Battery, Positive | 23 | 3290-378 | 1 | Tie-Cable |
| 11 | 122-0969 | 1 | Cable-Battery, Negative | 24 | 33004-00 | 2 | Nut-HF |
| 12 | 122-0970 | 1 | Cable-Battery, Positive | 25 | 33115-020 | 1 | Screw-HH |
| 13 | 133-7817-01 | 1 | Support-Battery | 26 | 33003-00 | 1 | Nut-HF |
| | | | | 27 | 122-0071 | 1 | Cable-Battery, Positive |

Engine Wire Harness Assembly

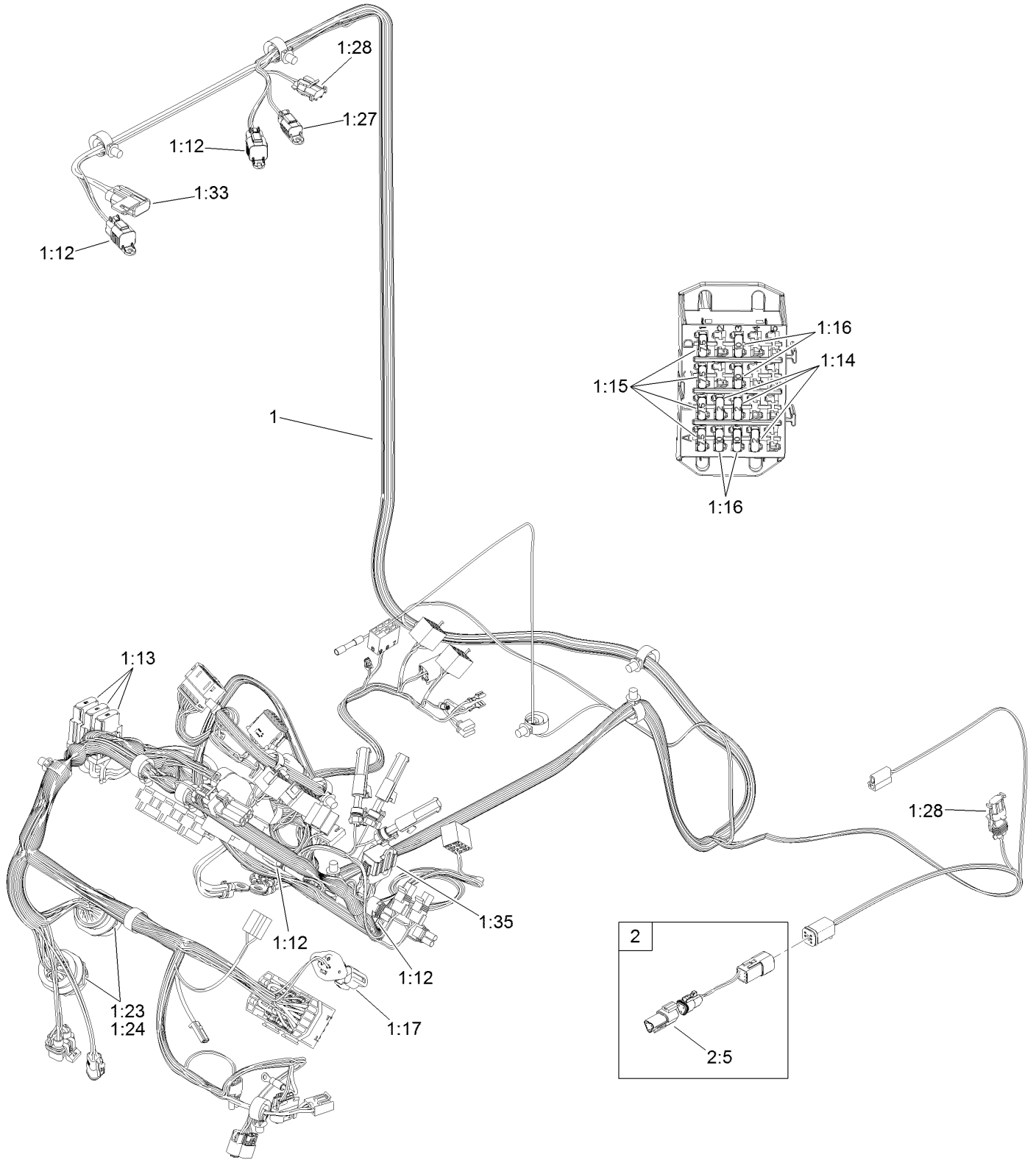


Engine Wire Harness Assembly (continued)

| <i>Ref.</i> | <i>Part Number</i> | <i>Qty.</i> | <i>Description</i> |
|-------------|--------------------|-------------|----------------------|
| 1 | 122-0921 | 1 | Harness-Wire, Engine |
| 1:11 | 32160-359 | 1 | Connector (6M) |
| 1:17 | 100-4918 | 3 | Diode |

| <i>Ref.</i> | <i>Part Number</i> | <i>Qty.</i> | <i>Description</i> |
|-------------|--------------------|-------------|---------------------|
| 1:18 | 121-8891 | 1 | Resistor (1.6K Ohm) |
| 1:20 | 32180-103 | 1 | Clip-Connector |

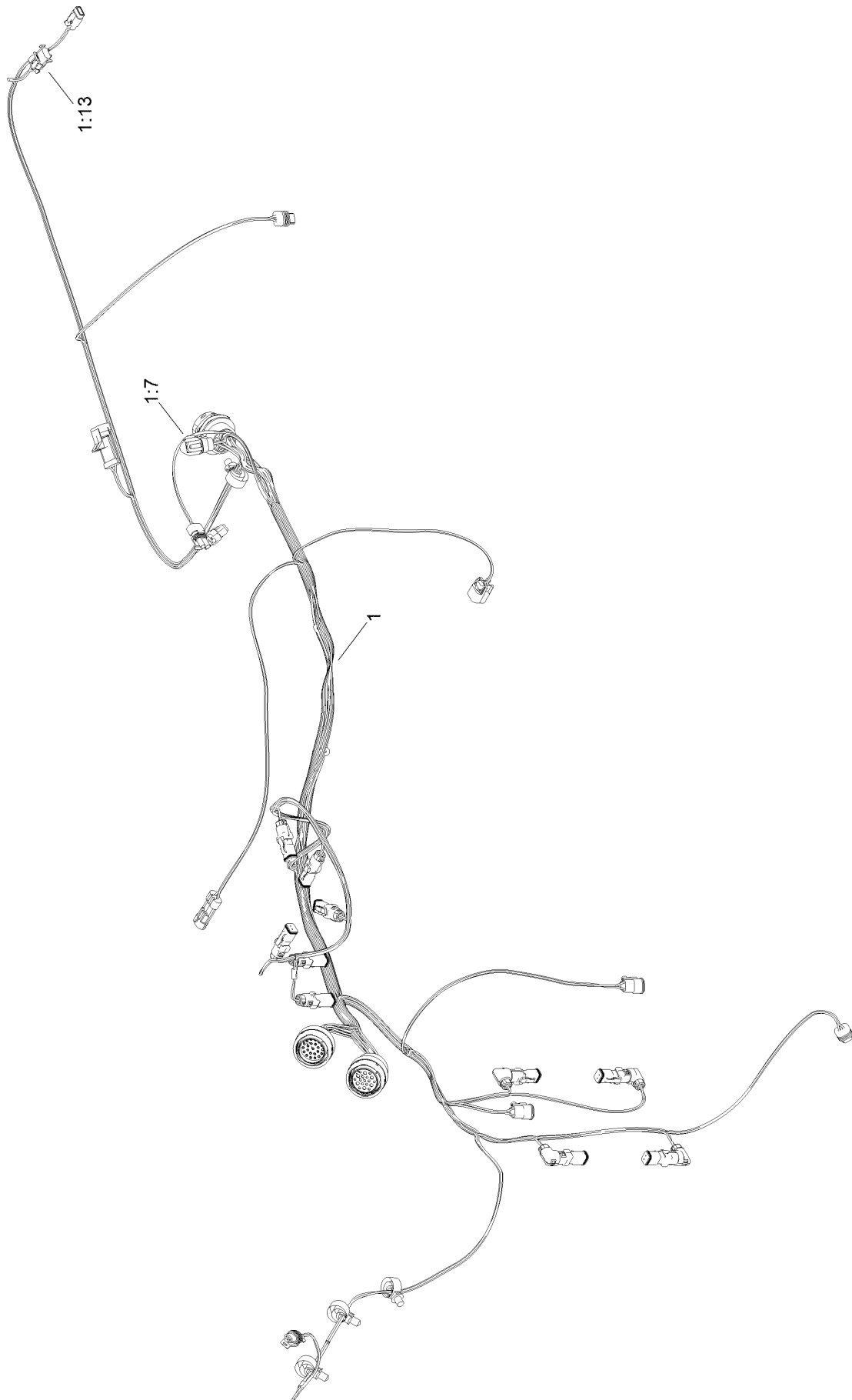
Platform Wire Harness Assembly



Platform Wire Harness Assembly (continued)

| <i>Ref.</i> | <i>Part Number</i> | <i>Qty.</i> | <i>Description</i> | <i>Ref.</i> | <i>Part Number</i> | <i>Qty.</i> | <i>Description</i> |
|-------------|--------------------|-------------|--------------------------|-------------|--------------------|-------------|------------------------------|
| 1 | 122-1668 | 1 | Harness-Wire, Platform | 1:24 | 32180-174 | 2 | Washer-Lock |
| 1:12 | 32180-156 | 4 | Cap-Plug, 6 Way | 1:27 | 32180-091 | 1 | Cap-Dust, 2 Way |
| 1:13 | 114-3342 | 3 | Fuse-Maxi, 60 Amp | 1:28 | 32180-056 | 1 | Cap |
| 1:14 | 121-8861 | 3 | Fuse-Mini Blade, 2 Amp | 1:33 | 32180-019 | 1 | Cover-Fuse, Single |
| 1:15 | 121-8865 | 4 | Fuse-Mini Blade, 7.5 Amp | 1:35 | 32180-270 | 1 | Cap-Dust, 12 Way |
| 1:16 | 121-8866 | 4 | Fuse-Mini Blade, 10 Amp | 2 | 122-1047 | 1 | Harness-Wire, Can Terminator |
| 1:17 | 32180-089 | 1 | Cap-Plug, 3 Way | 2:5 | 32180-043 | 1 | Resistor-120 Ohm |
| 1:23 | 32180-175 | 2 | Nut-Connector | | | | |

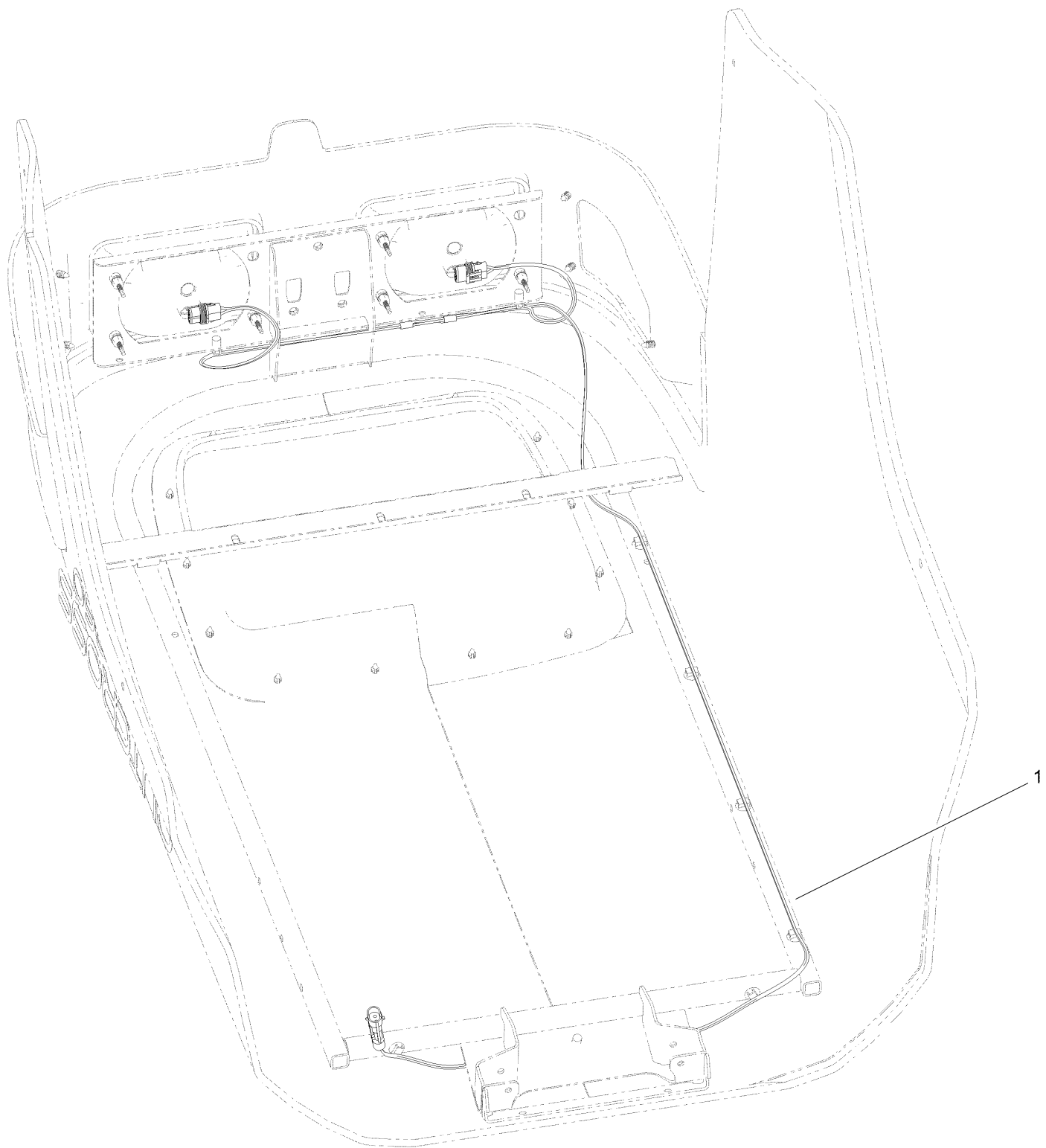
Frame Wire Harness Assembly



Frame Wire Harness Assembly (continued)

| <i>Ref.</i> | <i>Part Number</i> | <i>Qty.</i> | <i>Description</i> |
|-------------|--------------------|-------------|---------------------|
| 1 | 122-0923 | 1 | Harness-Wire, Frame |
| 1:7 | 32180-089 | 1 | Cap-Plug, 3 Way |
| 1:13 | 32180-056 | 1 | Cap |

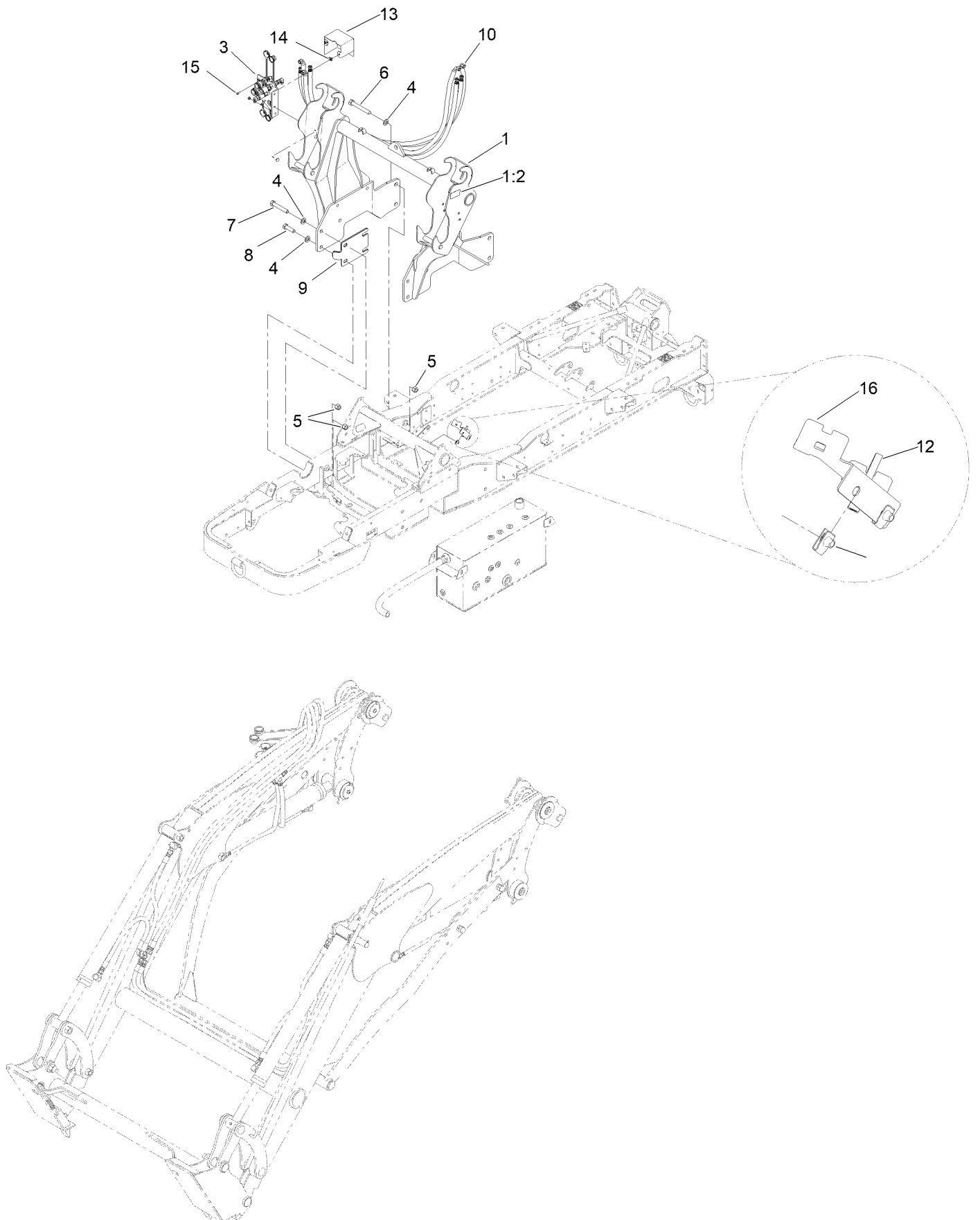
Headlight Wire Harness Assembly



Headlight Wire Harness Assembly (continued)

| <i>Ref.</i> | <i>Part Number</i> | <i>Qty.</i> | <i>Description</i> |
|-------------|--------------------|-------------|-------------------------|
| 1 | 122-1732 | 1 | Harness-Wire, Headlight |

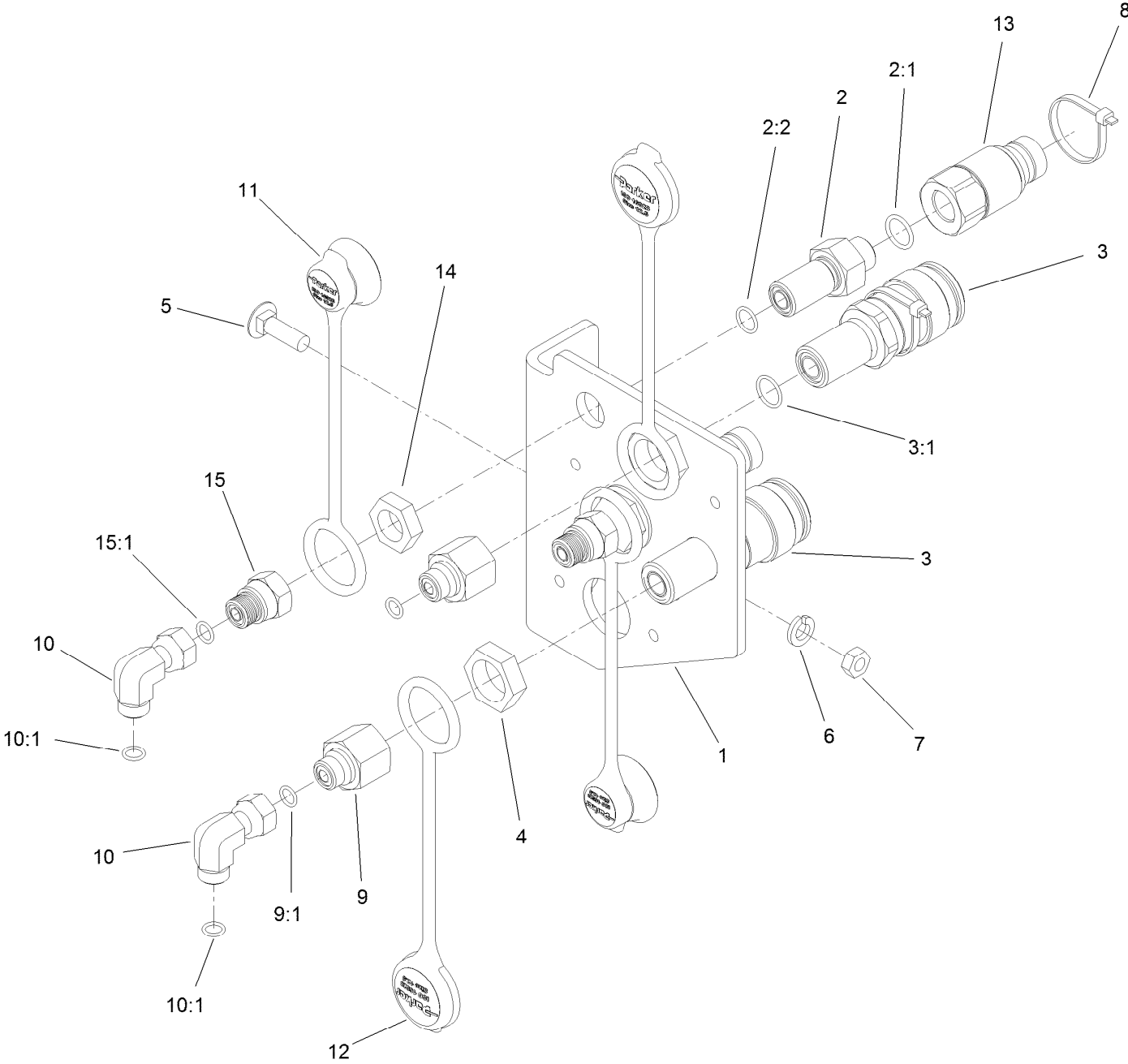
Front Loader Assembly



Front Loader Assembly (continued)

| <i>Ref.</i> | <i>Part Number</i> | <i>Qty.</i> | <i>Description</i> | <i>Ref.</i> | <i>Part Number</i> | <i>Qty.</i> | <i>Description</i> |
|-------------|--------------------|-------------|---------------------|-------------|--------------------|-------------|--------------------|
| 1 | 138-3856 | 1 | Support ASM | 9 | 136-5315-03 | 5 | Plate-Shim, Loader |
| 1:2 | 138-4107 | 2 | Decal-Hazard, Pinch | 10 | 136-9702 | 4 | Hose ASM |
| 3 | 138-3844 | 1 | Coupler Support ASM | 12 | 3334-945 | 2 | Tie-Cable |
| 4 | 3256-28 | 10 | Washer-Flat | 13 | 138-4172-03 | 1 | Cover-Coupler |
| 5 | 3296-51 | 10 | Nut-Lock, NI | 14 | 107069 | 4 | Clip |
| 6 | 328-12 | 4 | Screw-HH | 15 | 32105-15 | 4 | Screw-HWH |
| 7 | 328-8 | 4 | Screw-HH | 16 | 138-4182-03 | 1 | Angle-Support |
| 8 | 328-2 | 2 | Screw-HH | | | | |

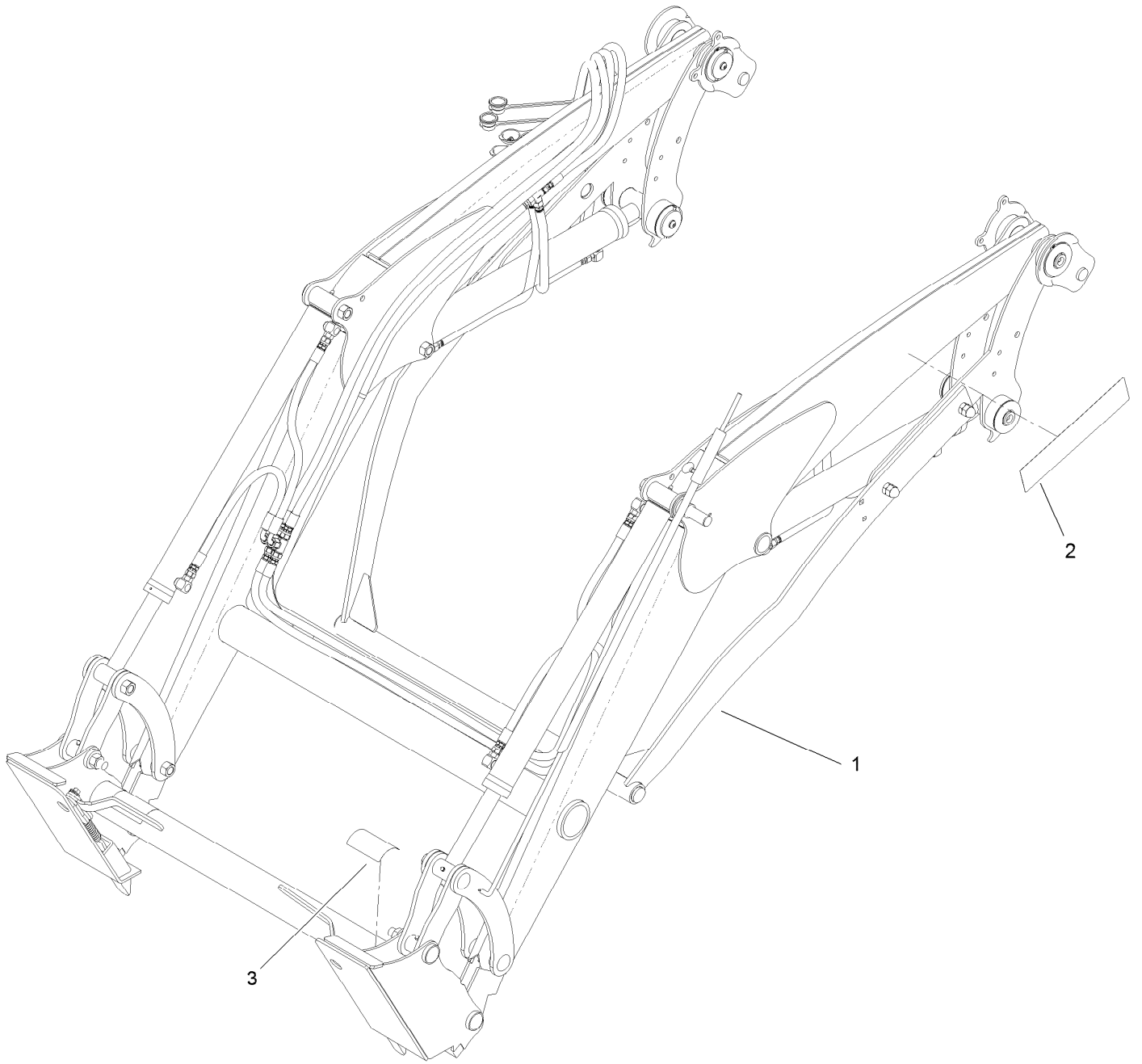
Coupler Support Assembly No. 138-3844



Coupler Support Assembly No. 138-3844 (continued)

| <i>Ref.</i> | <i>Part Number</i> | <i>Qty.</i> | <i>Description</i> | <i>Ref.</i> | <i>Part Number</i> | <i>Qty.</i> | <i>Description</i> |
|-------------|--------------------|-------------|----------------------|-------------|--------------------|-------------|---------------------------------|
| 1 | 138-4171-03 | 1 | Support-Coupler | 9 | 98-7067 | 2 | Fitting-Rdcr |
| 2 | 98-9907 | 2 | Union-Bulkhead | 9:1 | 237-22 | 1 | O-Ring |
| 2:1 | 237-30 | 1 | O-Ring | 10 | 340-159 | 2 | Elbow-90 |
| 2:2 | 237-79 | 1 | O-Ring | 10:1 | 237-22 | 2 | O-Ring |
| 3 | 105-8394 | 2 | Bulkhead Coupler ASM | 11 | 138-4152 | 2 | Dust Cap-Nipple |
| 3:1 | 237-65 | 1 | O-Ring | 12 | 138-4153 | 2 | Cap-Dust, Coupler |
| 4 | 340-74 | 2 | Nut-Lock, Bulkhead | 13 | 138-4150 | 2 | Nipple-Quick Conn, Flat Face |
| 5 | 3231-2 | 2 | Bolt-CARR | 14 | 340-127 | 2 | Nut-Bulkhead |
| 6 | 3253-5 | 2 | Washer-Lock | 15 | 95-7776 | 2 | Fitting-HYD |
| 7 | 3217-7 | 2 | Nut-Hex | 15:1 | 237-22 | 1 | O-Ring |
| 8 | 3290-378 | 4 | Tie-Cable | | | | |

Loader Decal Assembly

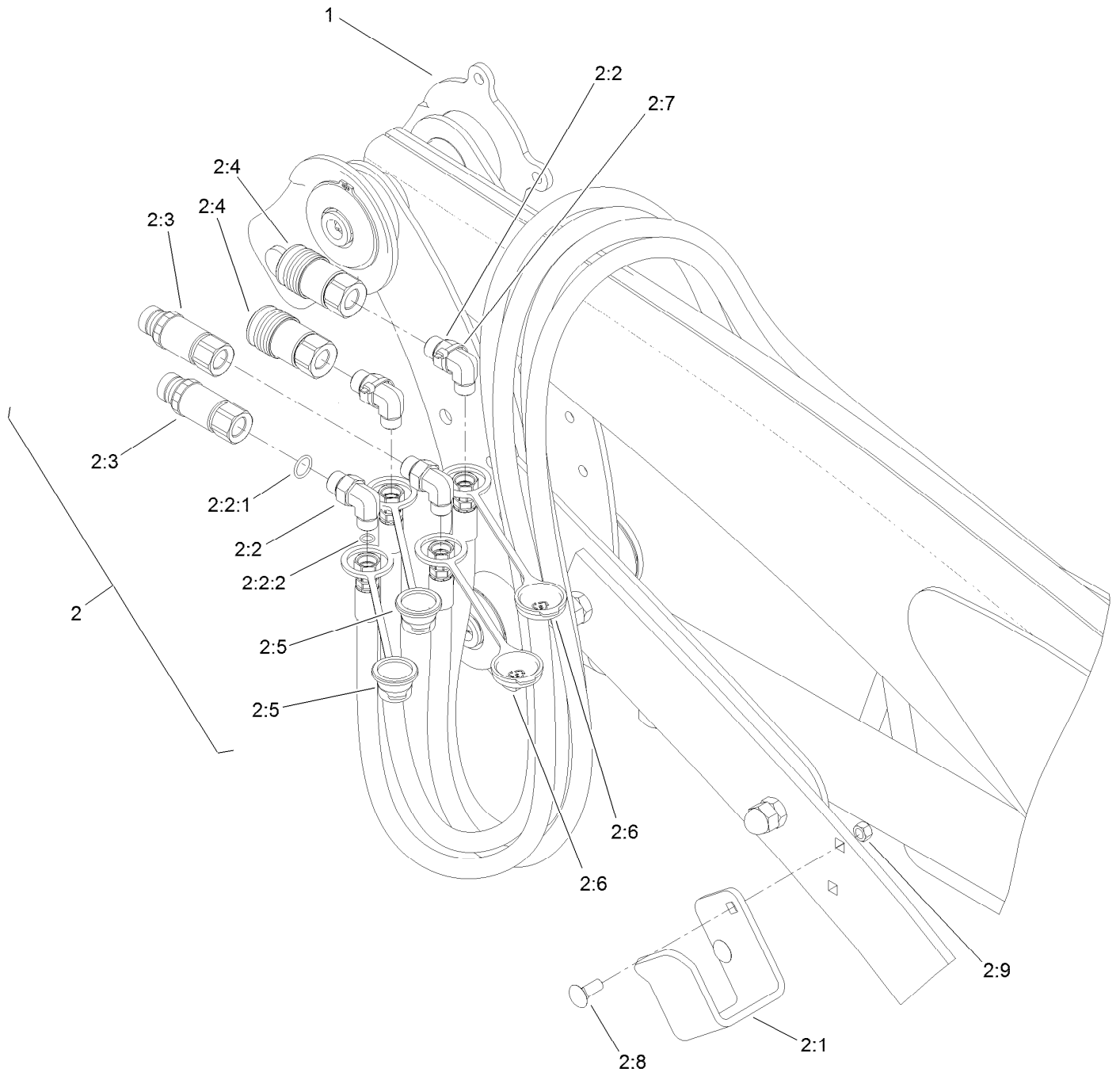


Loader Decal Assembly (continued)

| <i>Ref.</i> | <i>Part Number</i> | <i>Qty.</i> | <i>Description</i> |
|-------------|--------------------|-------------|-----------------------|
| 1 | | 1 | Loader ASM ● |
| 2 | 138-3792 | 2 | Decal-Warning, Loader |
| 3 | 138-3798 | 2 | Decal-Warning, Bucket |

● Not serviced separately

Loader Hydraulic Assembly No. 138-3807

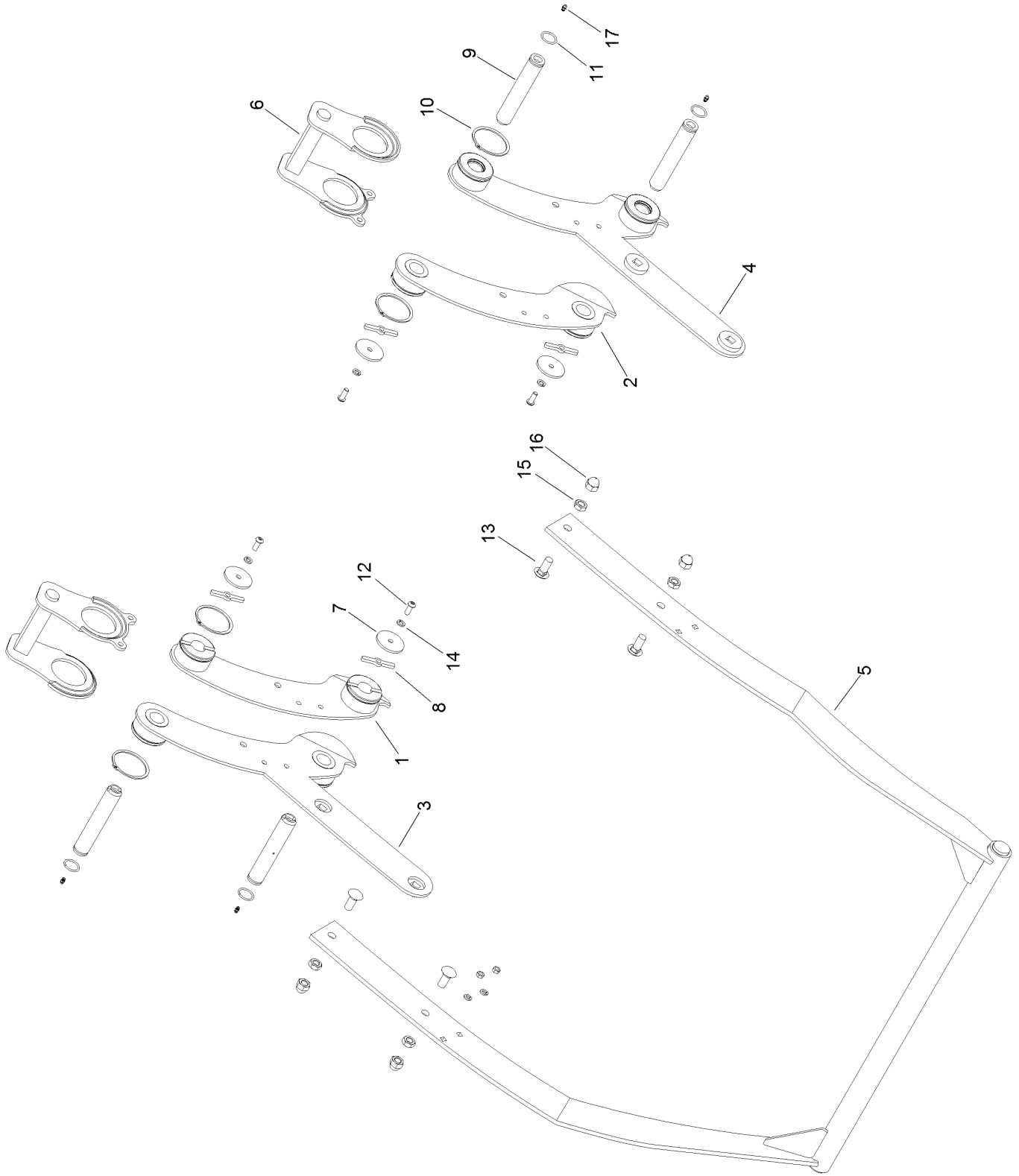


Loader Hydraulic Assembly No. 138-3807 (continued)

| <i>Ref.</i> | <i>Part Number</i> | <i>Qty.</i> | <i>Description</i> | <i>Ref.</i> | <i>Part Number</i> | <i>Qty.</i> | <i>Description</i> |
|-------------|--------------------|-------------|------------------------------|-------------|--------------------|-------------|-------------------------------|
| 1 | | 1 | Loader ASM ● | 2:4 | 138-4151 | 2 | Coupler-Quick Conn, Flat Face |
| 2 | | 1 | Coupler ASM-Loader Side ● | 2:5 | 138-4152 | 2 | Dust Cap-Nipple |
| 2:1 | 138-4173-03 | 1 | Support-Hose | 2:6 | 138-4153 | 2 | Cap-Dust, Coupler |
| 2:2 | 340-18 | 4 | Fitting-HYD, 90 DEG | 2:7 | 3290-378 | 2 | Tie-Cable |
| 2:2:1 | 237-79 | 1 | O-Ring | 2:8 | 3231-2 | 2 | Bolt-CARR |
| 2:2:2 | 237-22 | 1 | O-Ring | 2:9 | 125-5069 | 2 | Nut-Hex |
| 2:3 | 138-4150 | 2 | Nipple-Quick Conn, Flat Face | | | | |

● Not serviced separately

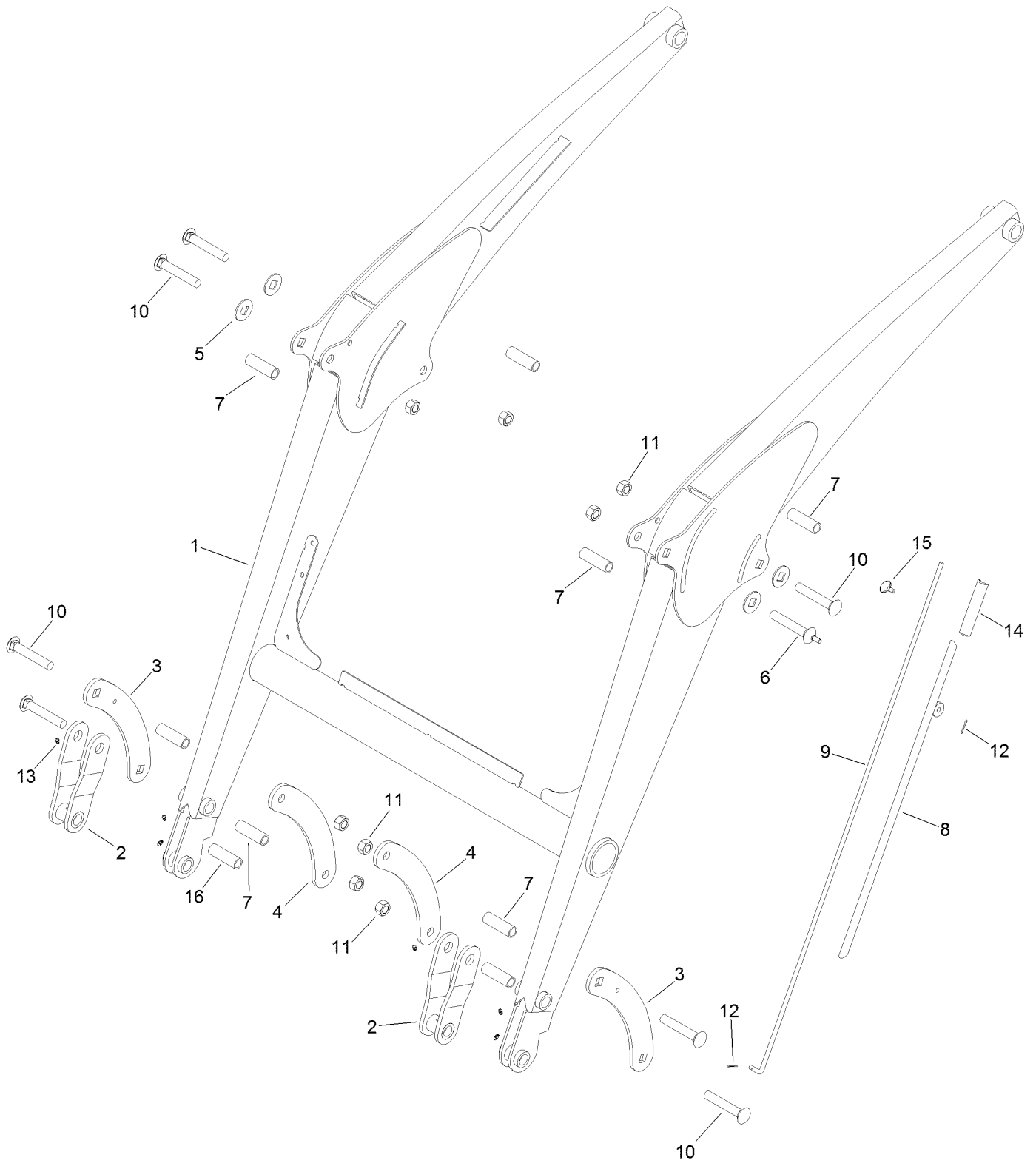
Turf Loader Tower Assembly



Turf Loader Tower Assembly (continued)

| <i>Ref.</i> | <i>Part Number</i> | <i>Qty.</i> | <i>Description</i> | <i>Ref.</i> | <i>Part Number</i> | <i>Qty.</i> | <i>Description</i> |
|-------------|--------------------|-------------|---------------------------|-------------|--------------------|-------------|--------------------------------------------|
| 1 | 138-7883 | 1 | Upright-Inside Tower, RH | 10 | 138-7893 | 4 | Ring-Snap |
| 2 | 138-7884 | 1 | Upright-Inside Tower, LH | 11 | 138-7894 | 4 | Ring-Wire |
| 3 | 138-7885 | 1 | Upright-Outside Tower, RH | 12 | HDW07502 | 4 | Capscrew,3/8-16X1,Butt HD,GR5,W/360,YZN |
| 4 | 138-7886 | 1 | Upright-Outside Tower, LH | 13 | 138-7897 | 4 | Bolt-Carriage |
| 5 | 138-7887 | 1 | Wrap-Front | 14 | 3253-5 | 4 | Washer-Lock |
| 6 | 138-7888 | 2 | Lock-Smart | 15 | 120-9494 | 4 | Nut-Jam |
| 7 | 138-7890 | 4 | Washer | 16 | 138-7902 | 4 | Nut-Acorn |
| 8 | 138-7891 | 4 | Lock-Pin | 17 | 302-52 | 4 | Fitting-Grease |
| 9 | 138-7892 | 4 | Pin-Linkage | | | | |

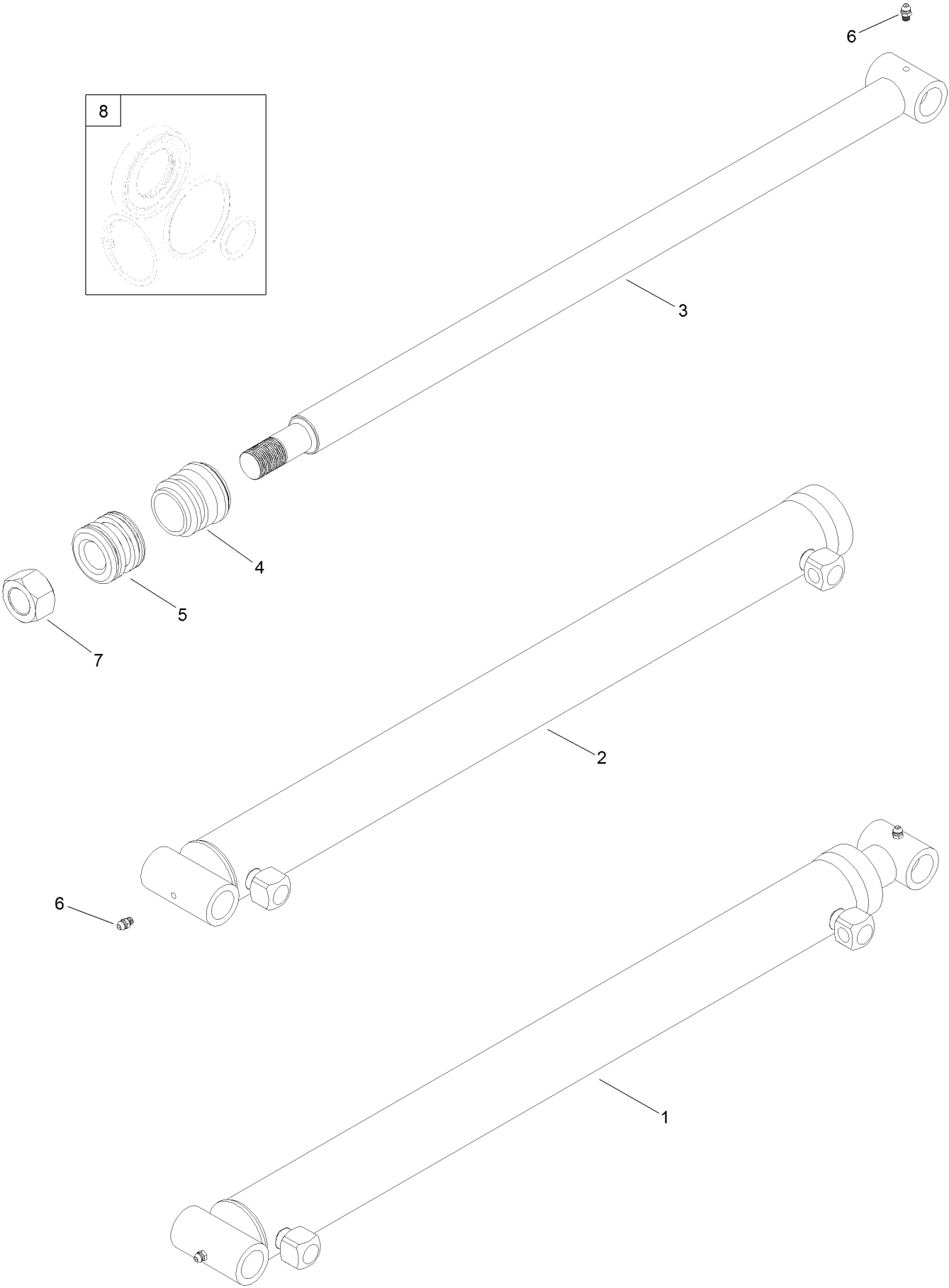
Turf Loader Frame Assembly



Turf Loader Frame Assembly (continued)

| <i>Ref.</i> | <i>Part Number</i> | <i>Qty.</i> | <i>Description</i> | <i>Ref.</i> | <i>Part Number</i> | <i>Qty.</i> | <i>Description</i> |
|-------------|--------------------|-------------|----------------------|-------------|--------------------|-------------|--------------------|
| 1 | 138-8028 | 1 | Frame | 9 | 138-8036 | 1 | Rod-Gauge, Inner |
| 2 | 138-8029 | 2 | Linkage | 10 | 138-8037 | 11 | Bolt-Carriage |
| 3 | 138-8030 | 2 | Strap-Pivot, Outside | 11 | 32153-6 | 12 | Nut-Lock |
| 4 | 138-8031 | 2 | Strap-Pivot, Inside | 12 | 3272-11 | 2 | Pin-Cotter |
| 5 | 138-8032 | 4 | Washer-Square Head | 13 | 302-52 | 6 | Fitting-Grease |
| 6 | 138-8033 | 1 | Bolt-Rod, Gauge | 14 | 138-8040 | 1 | Bushing-Insert |
| 7 | 138-8034 | 8 | Bushing-Insert | 15 | 138-8041 | 1 | Screw-Thumb |
| 8 | 138-8035 | 1 | Holder-Rod, Gauge | 16 | 138-8075 | 4 | Bushing-Insert |

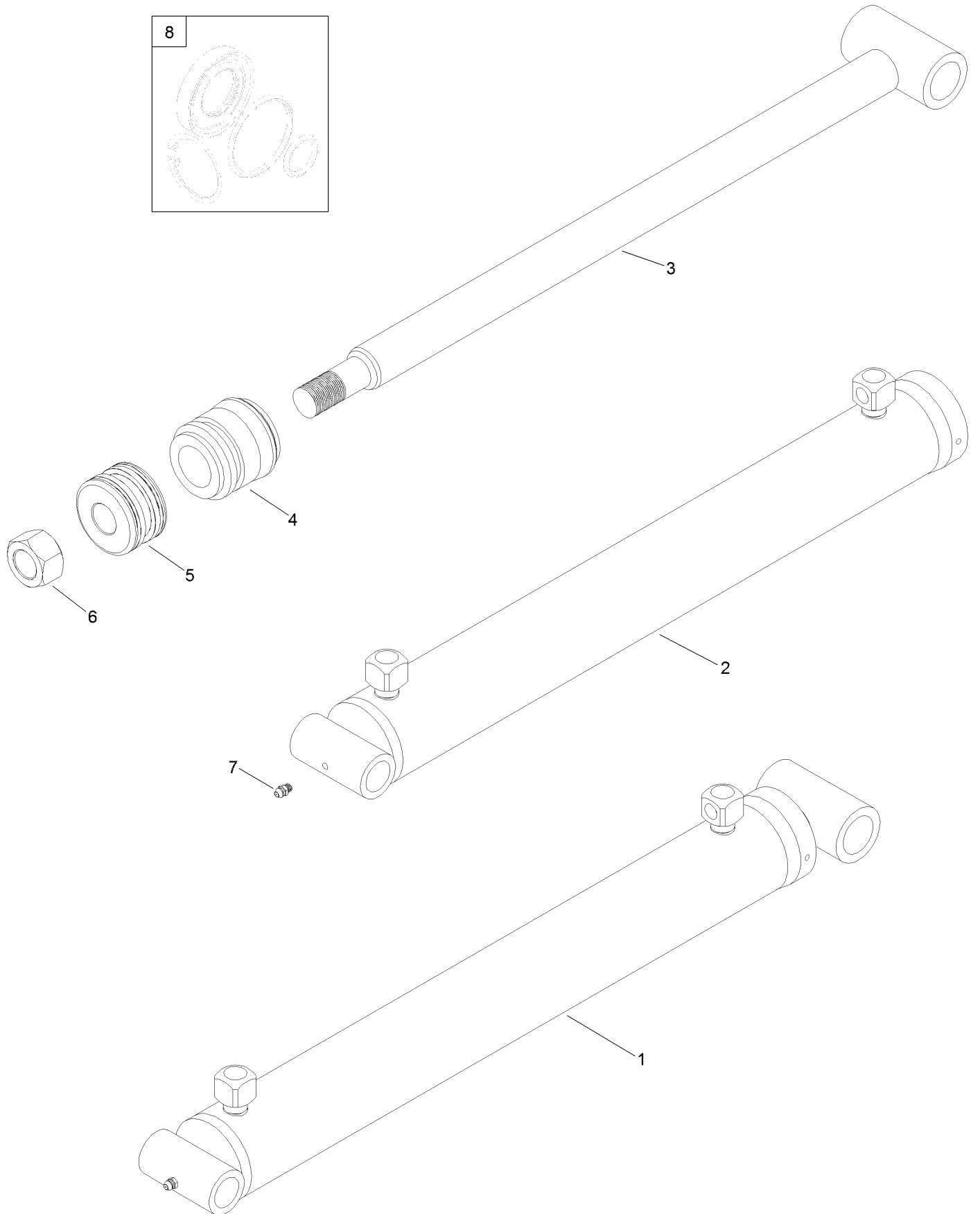
Bucket Cylinder Assembly



Bucket Cylinder Assembly (continued)

| <i>Ref.</i> | <i>Part Number</i> | <i>Qty.</i> | <i>Description</i> | <i>Ref.</i> | <i>Part Number</i> | <i>Qty.</i> | <i>Description</i> |
|-------------|--------------------|-------------|--------------------|-------------|--------------------|-------------|--------------------|
| 1 | 138-8042 | 1 | Cylinder-Bucket | 5 | 138-8117 | 1 | Piston |
| 2 | 138-8043 | 1 | Barrel | 6 | 302-52 | 2 | Fitting-Grease |
| 3 | 138-8044 | 1 | Ram | 7 | 138-8119 | 1 | Nut |
| 4 | 138-8045 | 1 | Gland | 8 | 138-8120 | 1 | Repair Kit |

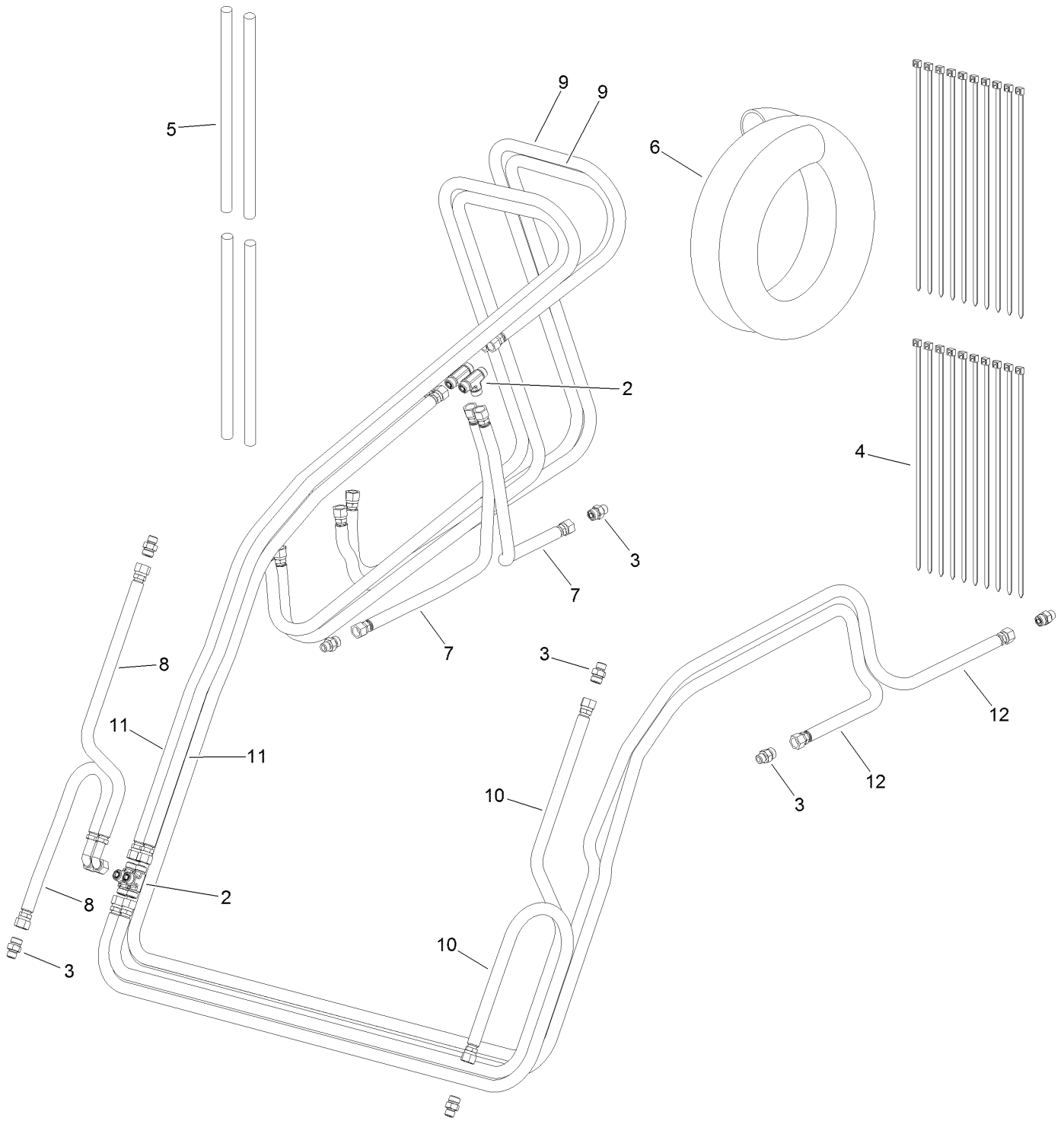
Lift Cylinder Assembly



Lift Cylinder Assembly (continued)

| <i>Ref.</i> | <i>Part Number</i> | <i>Qty.</i> | <i>Description</i> | <i>Ref.</i> | <i>Part Number</i> | <i>Qty.</i> | <i>Description</i> |
|-------------|--------------------|-------------|--------------------|-------------|--------------------|-------------|--------------------|
| 1 | 138-8050 | 1 | Cylinder-Lift | 5 | 138-8054 | 1 | Piston |
| 2 | 138-8051 | 1 | Barrel | 6 | 138-8119 | 1 | Nut |
| 3 | 138-8052 | 1 | Ram | 7 | 302-52 | 1 | Fitting-Grease |
| 4 | 138-8053 | 1 | Gland | 8 | 138-8057 | 1 | Seal Kit |

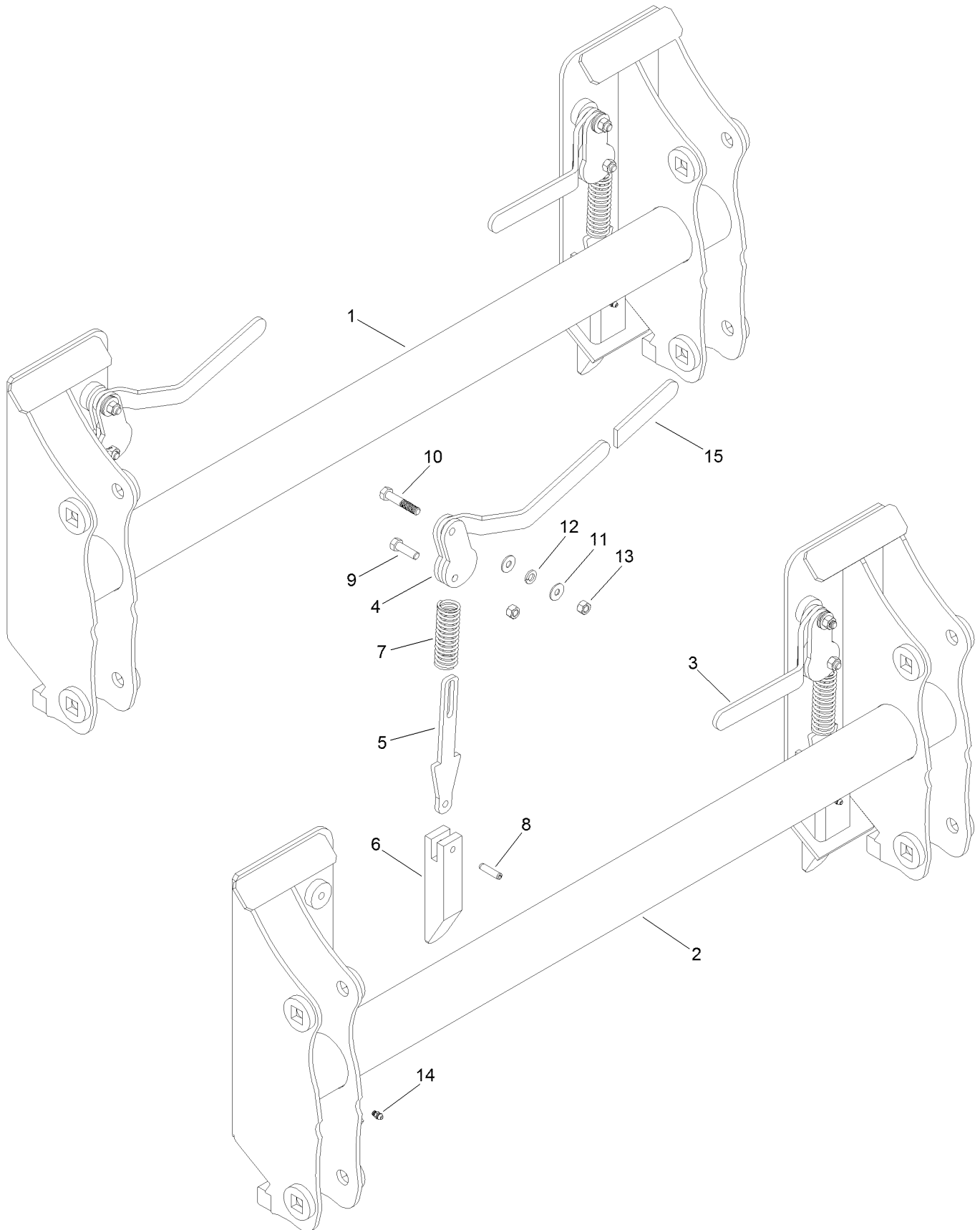
Turf Hydraulics Assembly



Turf Hydraulics Assembly (continued)

| <i>Ref.</i> | <i>Part Number</i> | <i>Qty.</i> | <i>Description</i> | <i>Ref.</i> | <i>Part Number</i> | <i>Qty.</i> | <i>Description</i> |
|-------------|--------------------|-------------|---------------------|-------------|--------------------|-------------|--------------------|
| 2 | 138-8060 | 4 | Tee-O Ring | 8 | 138-8063 | 2 | Hose |
| 3 | 138-8061 | 8 | Fitting | 9 | 138-7942 | 2 | Hose |
| 4 | 138-7947 | 20 | Band-Plastic, Black | 10 | 138-8064 | 2 | Hose |
| 5 | 138-4189 | 4 | Wrap-Hose | 11 | 138-8065 | 2 | Hose |
| 6 | 138-8067 | 1 | Wrap-Hose, Flex | 12 | 138-8066 | 2 | Hose |
| 7 | 138-8062 | 2 | Hose | | | | |

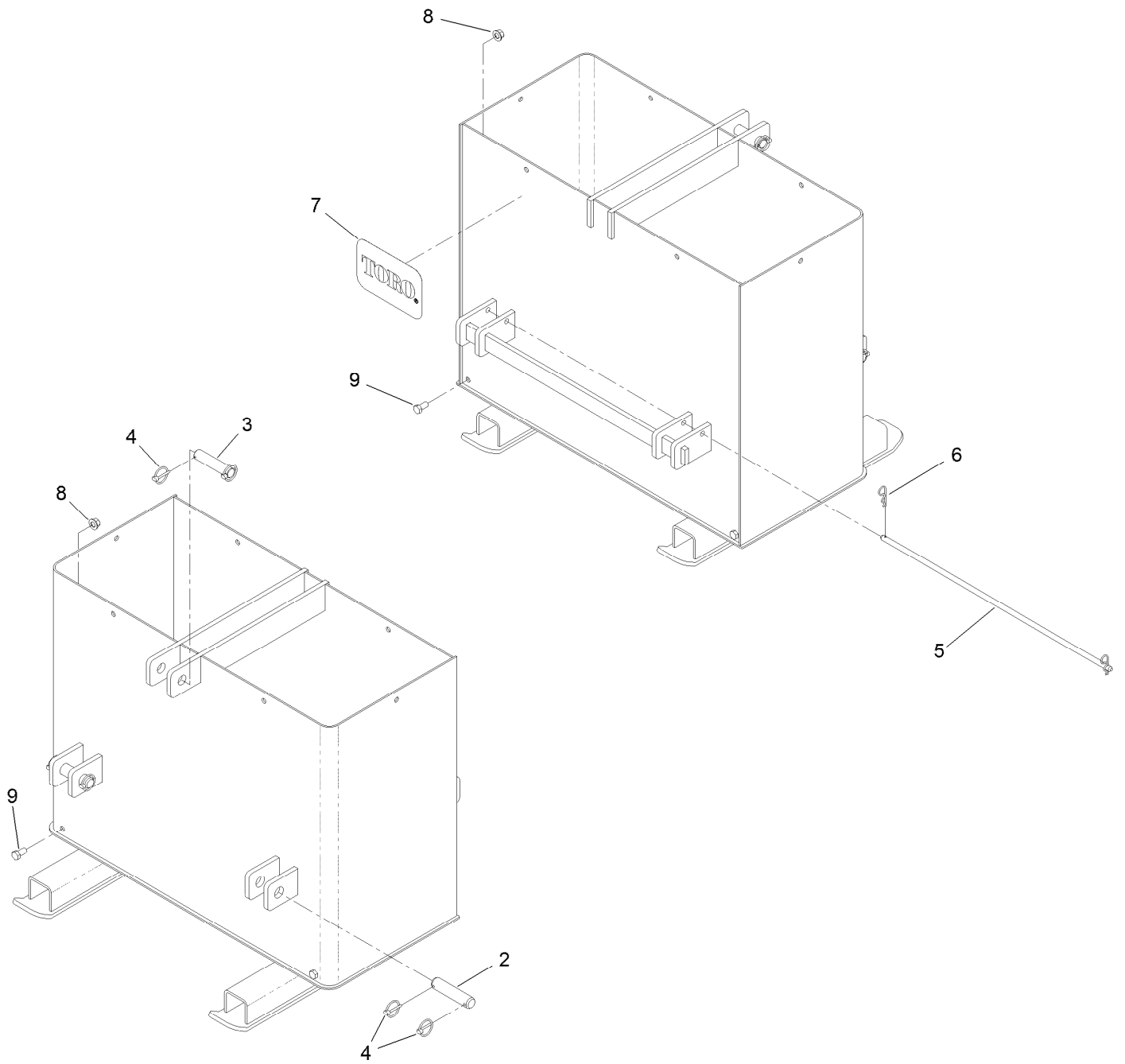
Skid Steer Coupler Assembly



Skid Steer Coupler Assembly (continued)

| <i>Ref.</i> | <i>Part Number</i> | <i>Qty.</i> | <i>Description</i> | <i>Ref.</i> | <i>Part Number</i> | <i>Qty.</i> | <i>Description</i> |
|-------------|--------------------|-------------|---------------------|-------------|--------------------|-------------|--------------------|
| 1 | 138-7949 | 1 | Coupler-Steer, Skid | 9 | 323-7 | 2 | Screw-HH |
| 2 | 138-8069 | 1 | Coupler | 10 | 323-10 | 2 | Screw-HH |
| 3 | 138-8070 | 1 | Handle-RH | 11 | 3256-23 | 4 | Washer-Plain |
| 4 | 138-8071 | 1 | Handle-LH | 12 | 3253-5 | 2 | Washer-Lock |
| 5 | 138-8072 | 2 | Linkage | 13 | 125-5069 | 4 | Nut-Hex |
| 6 | 138-8073 | 2 | Latch | 14 | 302-52 | 2 | Fitting-Grease |
| 7 | 138-8074 | 2 | Spring | 15 | 1-633268 | 2 | Grip-Lever |
| 8 | 138-8076 | 2 | Pin-Roll | | | | |

Rear Counterweight Kit Assembly



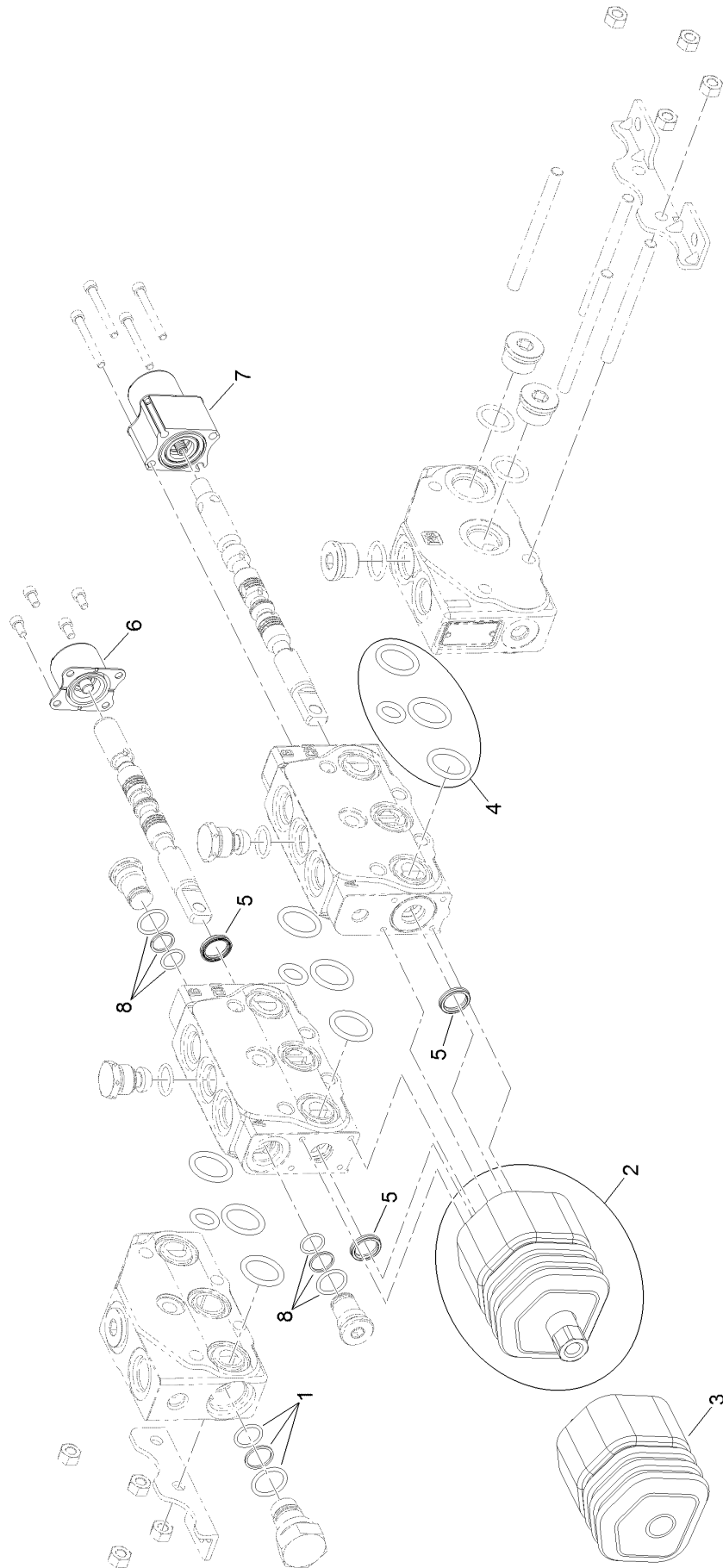
Rear Counterweight Kit Assembly (continued)

| <i>Ref.</i> | <i>Part Number</i> | <i>Qty.</i> | <i>Description</i> | <i>Ref.</i> | <i>Part Number</i> | <i>Qty.</i> | <i>Description</i> |
|-------------|--------------------|-------------|--------------------|-------------|--------------------|-------------|--------------------|
| 2 | 138-3841 | 2 | Pin-Lower | 6 | 92-2762 | 2 | Pin-Hair |
| 3 | 138-3839 | 1 | Pin | 7 | 92-1242 | 1 | Decal |
| 4 | 92-1298 | 6 | Pin-Lynch | 8 | 99-5107 | 4 | Nut-Lock |
| 5 | 136-9994 | 1 | Rod-Weight | 9 | 325-4 | 4 | Screw-HH |

Joystick Kit Assembly (continued)

| <i>Ref.</i> | <i>Part Number</i> | <i>Qty.</i> | <i>Description</i> | <i>Ref.</i> | <i>Part Number</i> | <i>Qty.</i> | <i>Description</i> |
|-------------|--------------------|-------------|---------------------------|-------------|--------------------|-------------|---------------------|
| 1 | 340-7 | 1 | Fitting-Straight | 9:2 | 237-80 | 1 | O-Ring |
| 1:1 | 237-65 | 1 | O-Ring | 10 | 340-3 | 2 | Fitting-Straight |
| 1:2 | 237-80 | 1 | O-Ring | 10:1 | 237-22 | 1 | O-Ring |
| 2 | 131-5643 | 1 | Fitting-Power Beyond | 10:2 | 237-79 | 1 | O-Ring |
| 2:1 | 237-80 | 1 | O-Ring | 11 | 340-18 | 2 | Fitting-HYD, 90 DEG |
| 3 | 3234-47 | 8 | Screw-HHF | 11:1 | 237-79 | 1 | O-Ring |
| 4 | 140-0490-03 | 1 | Valve Bracket ASM [black] | 11:2 | 237-22 | 1 | O-Ring |
| 5 | 131-5638 | 1 | Valve-Loader | 12 | 104-8300 | 4 | Nut-HF, NI |
| 6 | 3218-4 | 1 | Nut-Jam | 13 | 133-2279 | 1 | Hose ASM |
| 7 | 136-9843 | 1 | Rod-Control | 14 | 133-2269 | 1 | Hose ASM |
| 8 | 131-8473 | 1 | Knob-Tapered | 15 | 117-8063 | 1 | Boot-Shift |
| 9 | 340-17 | 2 | Fitting-Elbow, 90 DEG | 16 | 138-4101 | 1 | Decal-Joystick |
| 9:1 | 237-65 | 1 | O-Ring | | | | |

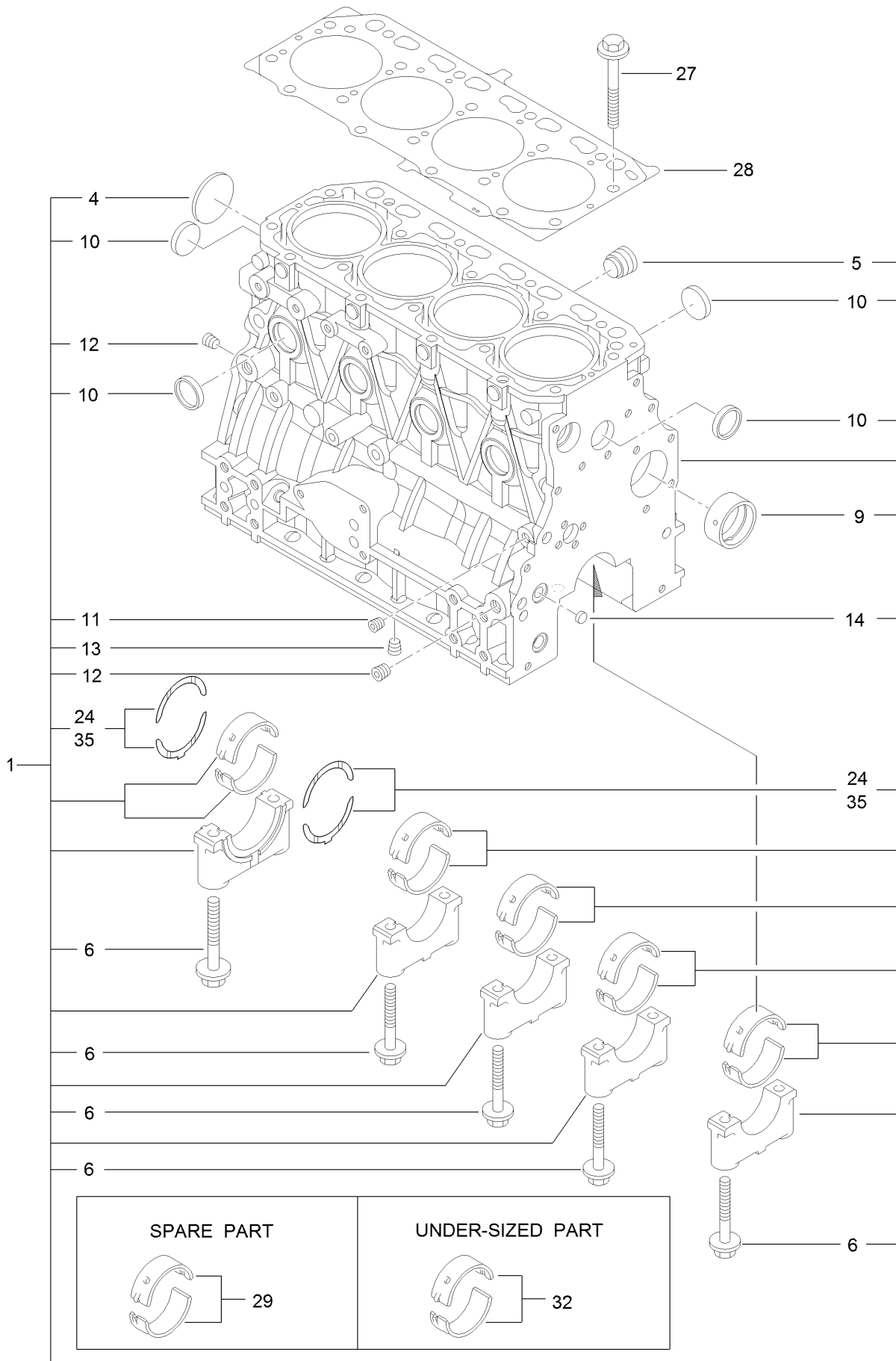
Hydraulic Valve Assembly No. 131-5638



Hydraulic Valve Assembly No. 131-5638 (continued)

| <i>Ref.</i> | <i>Part Number</i> | <i>Qty.</i> | <i>Description</i> | <i>Ref.</i> | <i>Part Number</i> | <i>Qty.</i> | <i>Description</i> |
|-------------|--------------------|-------------|--------------------|-------------|--------------------|-------------|----------------------------|
| 1 | 138-7871 | 1 | Seal Kit | 5 | 130-8354 | 3 | O-Ring |
| 2 | 138-7882 | 1 | Left Joystick ASM | 6 | 138-7880 | 1 | Spring Center Position ASM |
| 3 | 138-7881 | 1 | Boot-Dust | 7 | 138-7879 | 1 | Float Position ASM |
| 4 | 138-7877 | 3 | Section Seal Kit | 8 | 138-7878 | 2 | Seal Kit |

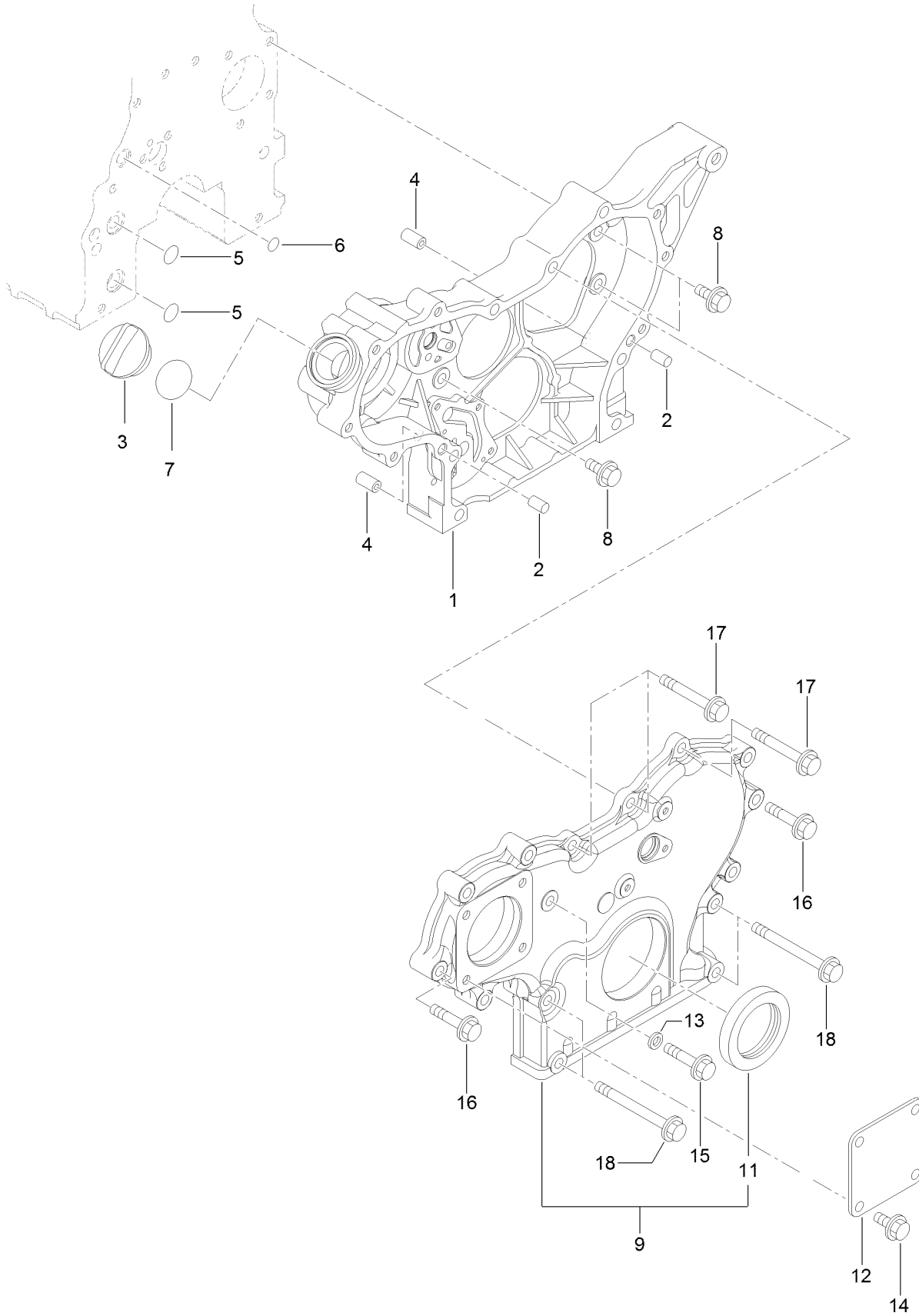
Cylinder Block Assembly



Cylinder Block Assembly (continued)

| <i>Ref.</i> | <i>Part Number</i> | <i>Qty.</i> | <i>Description</i> | <i>Ref.</i> | <i>Part Number</i> | <i>Qty.</i> | <i>Description</i> |
|-------------|--------------------|-------------|--------------------|-------------|--------------------|-------------|-----------------------|
| 1 | 127-3127 | 1 | Cylinder Block ASM | 13 | 125-6973 | 1 | Plug |
| 4 | 125-6980 | 1 | Plug | 14 | 125-7237 | 1 | Plug |
| 5 | 125-7170 | 1 | Plug | 24 | 125-7010 | 2 | Metal-Thrust |
| 6 | 125-7007 | 10 | Bolt | 27 | 125-7006 | 18 | Bolt |
| 9 | 125-7108 | 1 | Bushing | 28 | 127-3126 | 1 | Gasket-Head, Cylinder |
| 10 | 138-7824 | 8 | Plug | 29 | 125-6981 | 5 | Metal-Main |
| 11 | 125-6969 | 1 | Plug | 32 | 125-7009 | 5 | Metal-Main (0.25) |
| 12 | 125-6973 | 2 | Plug | 35 | 125-7011 | 1 | Metal-Thrust (0.25) |

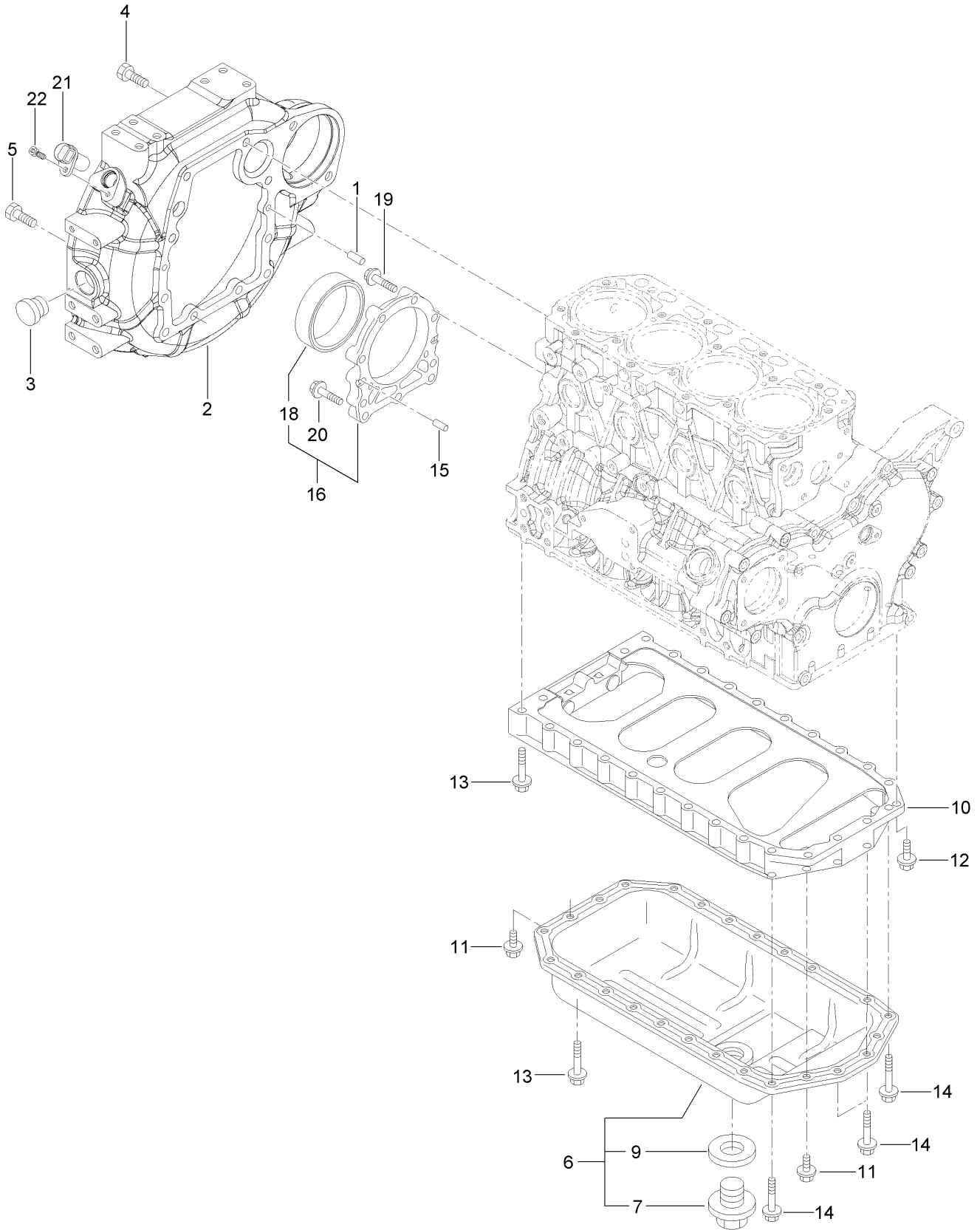
Gear Housing Assembly



Gear Housing Assembly (continued)

| <i>Ref.</i> | <i>Part Number</i> | <i>Qty.</i> | <i>Description</i> | <i>Ref.</i> | <i>Part Number</i> | <i>Qty.</i> | <i>Description</i> |
|-------------|--------------------|-------------|--------------------|-------------|--------------------|-------------|--------------------|
| 1 | 138-7825 | 1 | Case-Gear | 11 | 125-6944 | 1 | Seal-Oil |
| 2 | 125-6995 | 2 | Pin | 12 | 125-6977 | 1 | Cover |
| 3 | 125-6972 | 1 | Cover-Filler | 13 | 125-7174 | 1 | Washer-Seal |
| 4 | 125-7107 | 2 | Pipe | 14 | 125-7214 | 4 | Bolt |
| 5 | 125-6909 | 2 | O-Ring | 15 | 125-7217 | 1 | Bolt |
| 6 | 127-2973 | 1 | O-Ring | 16 | 125-7218 | 7 | Bolt |
| 7 | 125-7197 | 1 | O-Ring | 17 | 125-7222 | 3 | Bolt |
| 8 | 125-7214 | 3 | Bolt | 18 | 125-7224 | 4 | Bolt |
| 9 | 127-3024 | 1 | Gearcase Cover ASM | | | | |

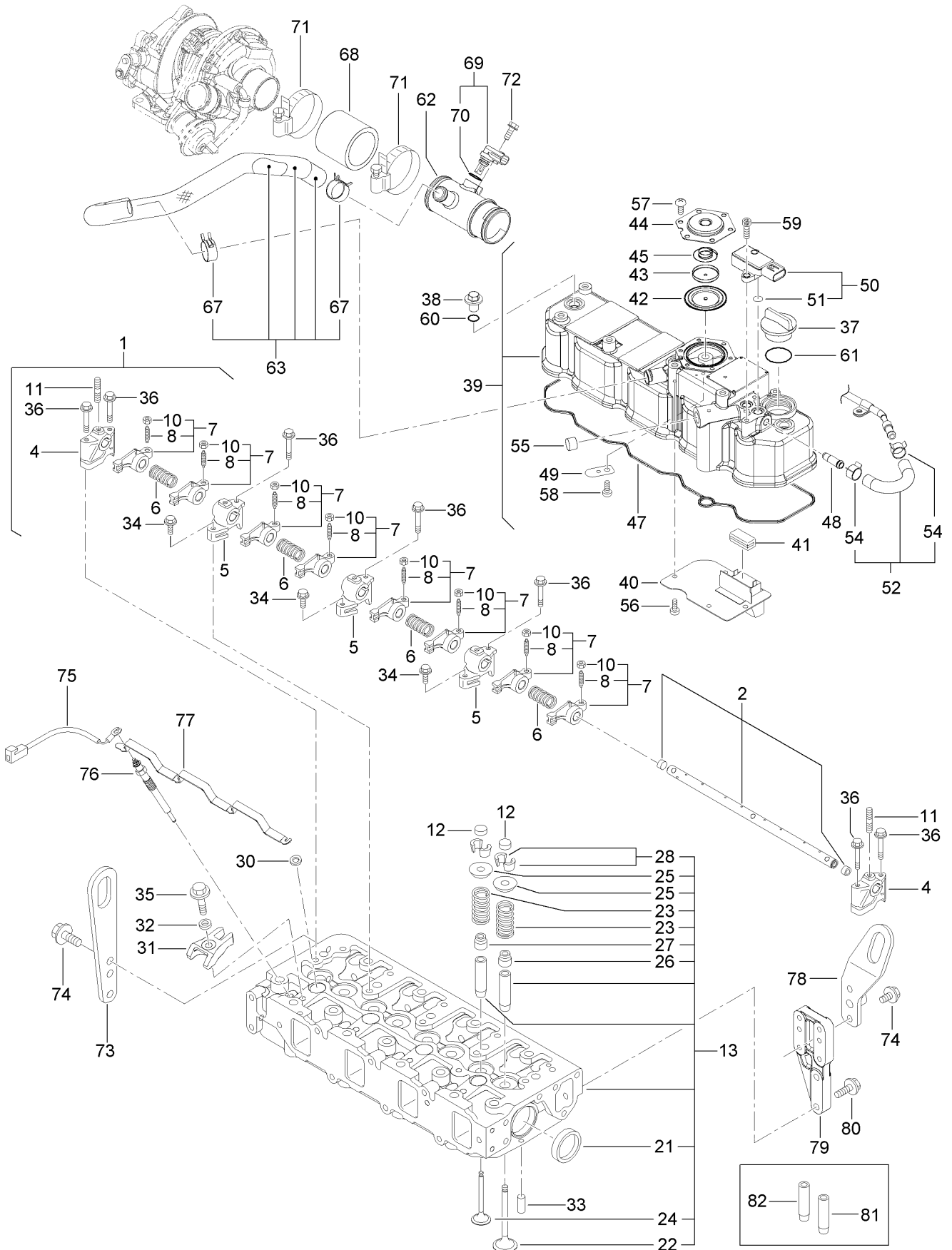
Flywheel Housing and Oil Sump Assembly



Flywheel Housing and Oil Sump Assembly (continued)

| <i>Ref.</i> | <i>Part Number</i> | <i>Qty.</i> | <i>Description</i> | <i>Ref.</i> | <i>Part Number</i> | <i>Qty.</i> | <i>Description</i> |
|-------------|--------------------|-------------|--------------------|-------------|--------------------|-------------|----------------------|
| 1 | 125-6995 | 2 | Pin | 12 | 125-7215 | 2 | Bolt |
| 2 | 127-3025 | 1 | Housing-Flywheel | 13 | 125-7219 | 20 | Bolt |
| 3 | 125-6910 | 1 | Cap | 14 | 125-7220 | 4 | Bolt |
| 4 | 125-7226 | 6 | Bolt | 15 | 125-6995 | 2 | Pin |
| 5 | 125-7227 | 4 | Bolt | 16 | 135-4011 | 1 | Case ASM |
| 6 | 138-7826 | 1 | Oil Pan ASM | 18 | 138-7827 | 1 | Seal, Oil |
| 7 | 125-6912 | 1 | Plug-Drain | 19 | 125-7045 | 6 | Bolt |
| 9 | 125-7177 | 1 | Washer-Seal | 20 | 125-7217 | 3 | Bolt |
| 10 | 125-7035 | 1 | Spacer | 21 | 127-3062 | 1 | Sensor-Rev, Flywheel |
| 11 | 125-7214 | 4 | Bolt | 22 | 127-3184 | 1 | Bolt |

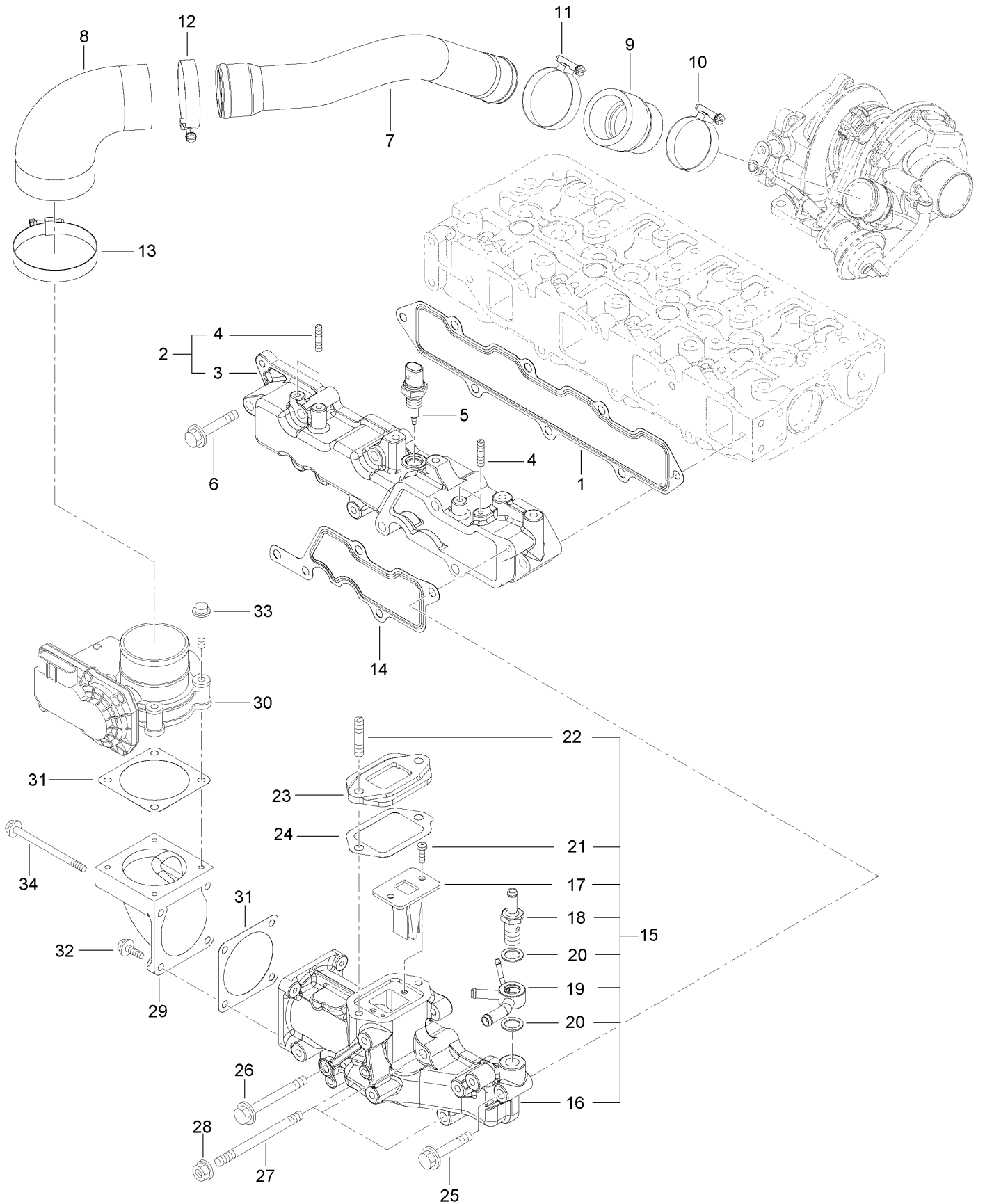
Cylinder Head and Cover Assembly



Cylinder Head and Cover Assembly (continued)

| <i>Ref.</i> | <i>Part Number</i> | <i>Qty.</i> | <i>Description</i> | <i>Ref.</i> | <i>Part Number</i> | <i>Qty.</i> | <i>Description</i> |
|-------------|--------------------|-------------|---------------------|-------------|--------------------|-------------|-------------------------|
| 1 | 127-3005 | 1 | Shaft ASM | 45 | 125-6962 | 1 | Spring-Diaphragm |
| 2 | 127-3006 | 1 | Shaft | 47 | 127-3106 | 1 | Gasket-Cover |
| 4 | 127-2974 | 2 | Support | 48 | 127-3026 | 1 | Joint |
| 5 | 127-2975 | 3 | Support | 49 | 125-6994 | 1 | Spring |
| 6 | 127-2995 | 4 | Spring | 50 | 127-3029 | 1 | Sensor-Pressure |
| 7 | 127-2989 | 8 | Arm-Rocker | 51 | 127-3032 | 2 | O Ring-Sensor, Pressure |
| 8 | 125-7013 | 8 | Screw-Adjust, Valve | 52 | 127-3040 | 1 | Hose ASM |
| 10 | 125-7014 | 8 | Nut | 54 | 127-3041 | 2 | Clip-Hose |
| 11 | 127-3759 | 3 | Stud | 55 | 125-6913 | 1 | Plug |
| 12 | 127-2996 | 8 | Cap-Valve | 56 | 125-7186 | 4 | Screw |
| 13 | 127-3132 | 1 | Cylinder Head ASM | 57 | 125-7186 | 6 | Screw |
| 21 | 125-7240 | 2 | Plug | 58 | 125-7186 | 1 | Screw |
| 22 | 127-2990 | 4 | Valve | 59 | 127-3184 | 2 | Bolt |
| 23 | 127-3012 | 8 | Spring | 60 | 138-7829 | 3 | O-Ring |
| 24 | 127-2994 | 4 | Valve | 61 | 125-7197 | 1 | O-Ring |
| 25 | 127-3013 | 8 | Retainer-Spring | 62 | 137-5169 | 1 | Breather Joint |
| 26 | 127-2986 | 4 | Seal-Stem, Valve | 63 | 138-7830 | 1 | Breather Hose ASM |
| 27 | 127-3027 | 4 | Seal-Stem, Valve | 67 | 125-7040 | 1 | Clip-Hose |
| 28 | 127-3186 | 8 | Pin-Cotter | 68 | 127-3133 | 1 | Hose-Intake |
| 30 | 127-3021 | 4 | Gasket-Injector | 69 | 127-3030 | 1 | Sensor-Temp, Air |
| 31 | 127-3028 | 4 | Retainer-Injector | 70 | 127-3033 | 1 | O-Ring |
| 32 | 127-2980 | 4 | Washer-Injector | 71 | 125-7190 | 1 | Clamp-Hose |
| 33 | 125-7184 | 2 | Pin-Spring | 72 | 125-7208 | 1 | Bolt |
| 34 | 125-7215 | 3 | Bolt | 73 | 125-7111 | 1 | Lifter |
| 35 | 125-7217 | 4 | Bolt | 74 | 100-6928 | 1 | Bolt |
| 36 | 125-7220 | 7 | Bolt | 75 | 131-2704 | 1 | Harness-Wire |
| 37 | 125-6972 | 1 | Cover-Filler | 76 | 127-2991 | 1 | Plug-Glow |
| 38 | 125-6974 | 3 | Knob | 77 | 127-3123 | 1 | Connector-Glow Plug |
| 39 | 138-7828 | 1 | Head Cover ASM | 78 | 138-7868 | 1 | Lifter-Engine |
| 40 | 127-2988 | 1 | Plate | 79 | 138-7869 | 1 | Spacer-Lifter |
| 41 | 125-7012 | 1 | Baffle | 80 | 125-7215 | 1 | Bolt |
| 42 | 125-6959 | 1 | Diaphragm | 81 | 127-2979 | 1 | Guide |
| 43 | 125-6960 | 1 | Plate | 82 | 127-2997 | 1 | Guide-Valve |
| 44 | 125-6961 | 1 | Plate-Breather | | | | |

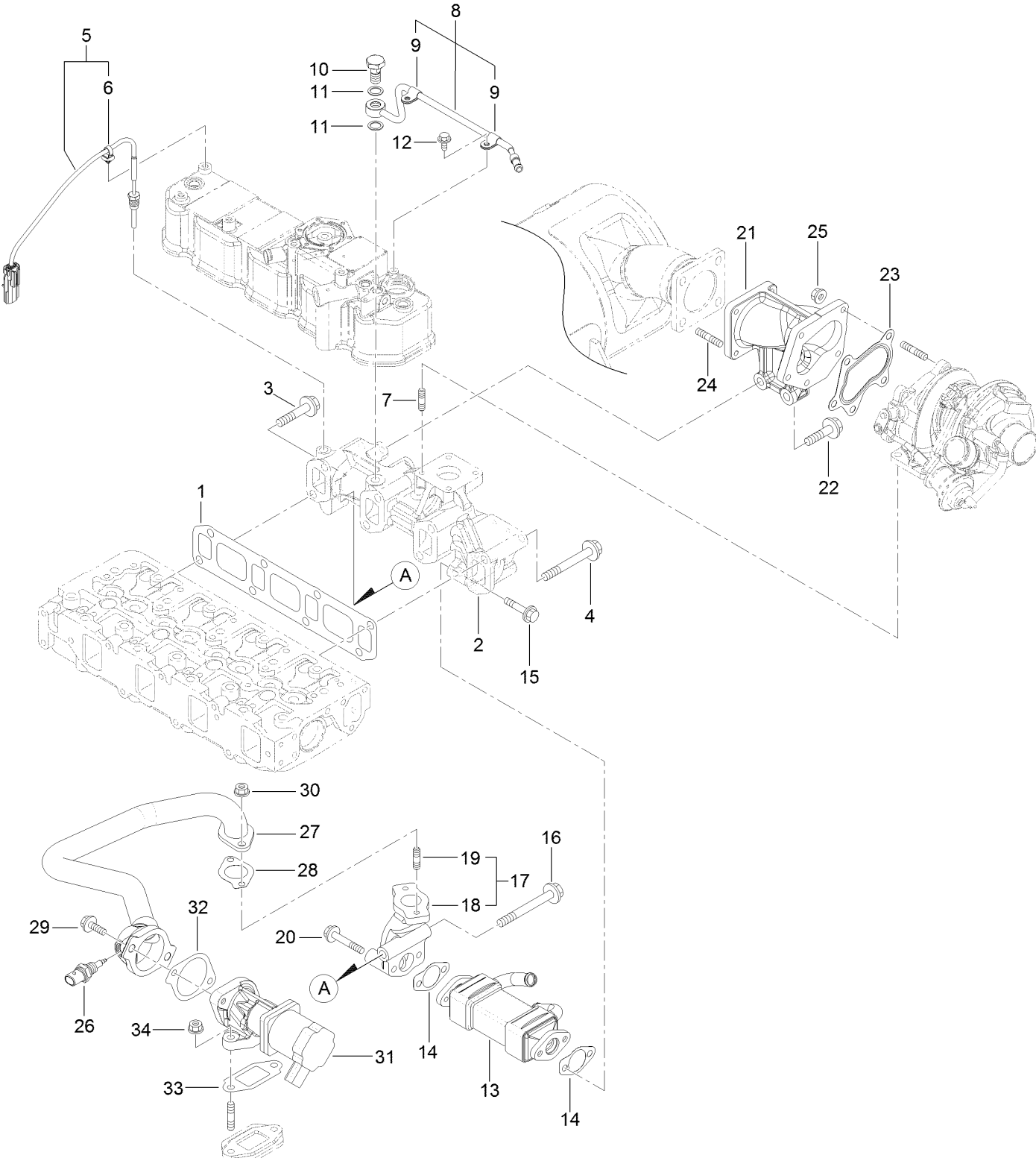
Suction Manifold Assembly



Suction Manifold Assembly (continued)

| <i>Ref.</i> | <i>Part Number</i> | <i>Qty.</i> | <i>Description</i> | <i>Ref.</i> | <i>Part Number</i> | <i>Qty.</i> | <i>Description</i> |
|-------------|--------------------|-------------|-------------------------|-------------|--------------------|-------------|---------------------|
| 1 | 127-3107 | 1 | Gasket-Manifold, Intake | 18 | 127-3080 | 1 | Joint-Hose |
| 2 | 127-3135 | 1 | Intake Manifold ASM | 19 | 127-3081 | 1 | Joint-Hose |
| 3 | 127-3134 | 1 | Manifold-Intake | 20 | 127-3166 | 2 | Washer-Seal |
| 4 | 127-3180 | 4 | Stud | 21 | 127-3168 | 2 | Screw |
| 5 | 137-5167 | 1 | Sensor-Temperature, Air | 22 | 138-7831 | 2 | Stud, M8X 35 |
| 6 | 125-7220 | 6 | Bolt | 23 | 127-3045 | 1 | Spacer-Valve, E G R |
| 7 | 127-3152 | 1 | Duct-Suction | 24 | 127-3046 | 1 | Gasket-E G R |
| 8 | 127-3096 | 1 | Joint-Rubber | 25 | 127-3178 | 1 | Bolt |
| 9 | 127-3153 | 1 | Joint-Rubber | 26 | 127-3178 | 1 | Bolt |
| 10 | 125-7189 | 1 | Clamp-Hose | 27 | 127-3182 | 3 | Stud |
| 11 | 127-3170 | 1 | Clamp-Hose | 28 | 125-7229 | 3 | Nut |
| 12 | 125-7190 | 1 | Clamp-Hose | 29 | 127-3035 | 1 | Bend-Inlet |
| 13 | 127-3171 | 1 | Clamp-Hose | 30 | 127-3036 | 1 | Body-Throttle |
| 14 | 127-3034 | 1 | Gasket-Collector | 31 | 127-3037 | 2 | Gasket-Throttle |
| 15 | 127-3093 | 1 | Intake Collector ASM | 32 | 125-7209 | 2 | Bolt |
| 16 | 127-3092 | 1 | Collector-Intake | 33 | 125-7211 | 4 | Bolt |
| 17 | 127-3139 | 1 | Valve-Reed | 34 | 127-3177 | 2 | Bolt |

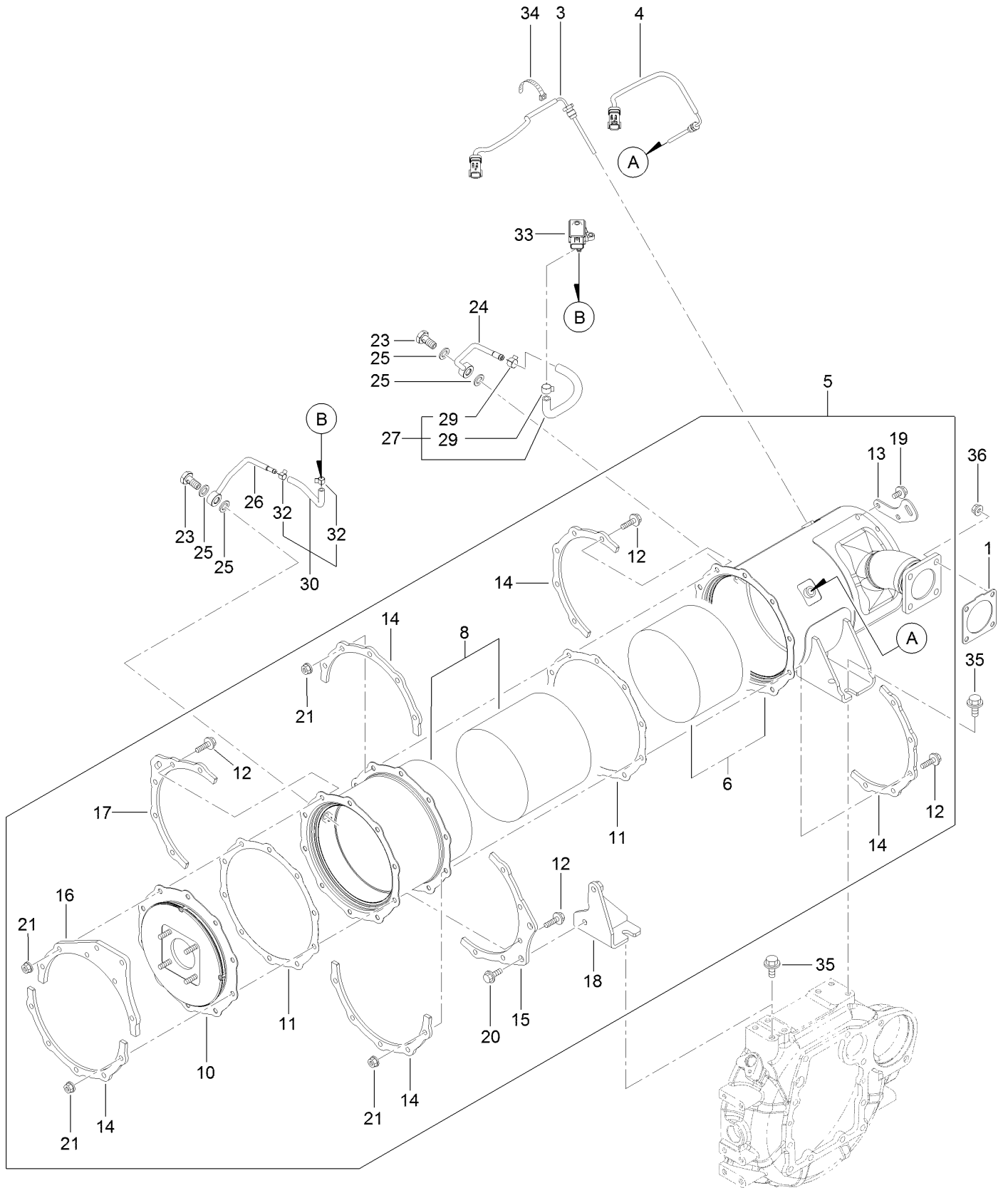
Exhaust Manifold Assembly



Exhaust Manifold Assembly (continued)

| <i>Ref.</i> | <i>Part Number</i> | <i>Qty.</i> | <i>Description</i> | <i>Ref.</i> | <i>Part Number</i> | <i>Qty.</i> | <i>Description</i> |
|-------------|--------------------|-------------|--------------------------|-------------|--------------------|-------------|----------------------------|
| 1 | 127-3108 | 1 | Gasket-Manifold, Exhaust | 18 | 127-3049 | 1 | Pipe-Out, E G R |
| 2 | 127-3136 | 1 | Manifold-Exhaust | 19 | 125-7043 | 2 | Stud |
| 3 | 135-4013 | 1 | Bolt | 20 | 125-7220 | 2 | Bolt |
| 4 | 135-4014 | 7 | Bolt | 21 | 138-7832 | 1 | Pipe, Exhaust |
| 5 | 127-3140 | 1 | Sensor-Temp, Exhaust | 22 | 133-6792 | 2 | Bolt |
| 6 | 127-3087 | 1 | Band-Clip | 23 | 125-7071 | 1 | Gasket |
| 7 | 125-7043 | 4 | Stud | 24 | 125-6906 | 4 | Stud |
| 8 | 127-3038 | 1 | Exhaust Pipe ASM | 25 | 125-7229 | 5 | Nut |
| 9 | 127-3173 | 2 | Clamp | 26 | 137-5168 | 1 | Sensor-Gas Temp, E G R |
| 10 | 127-3039 | 1 | Bolt-Joint, Pipe | 27 | 127-3109 | 1 | E G R Pipe ASM |
| 11 | 127-3174 | 2 | Gasket | 28 | 127-3016 | 1 | Gasket |
| 12 | 125-7206 | 2 | Bolt | 29 | 125-7215 | 2 | Bolt |
| 13 | 127-3042 | 1 | Cooler-E G R | 30 | 125-7229 | 2 | Nut |
| 14 | 127-3043 | 2 | Gasket-Cooler, E G R | 31 | 127-3110 | 1 | Valve-E G R |
| 15 | 135-4015 | 2 | Bolt | 32 | 127-3050 | 1 | Gasket-Intake Valve, E G R |
| 16 | 135-4016 | 1 | Bolt | 33 | 127-3051 | 1 | Gasket-Out Valve, E G R |
| 17 | 127-3048 | 1 | E G R Pipe ASM | 34 | 125-7229 | 2 | Nut |

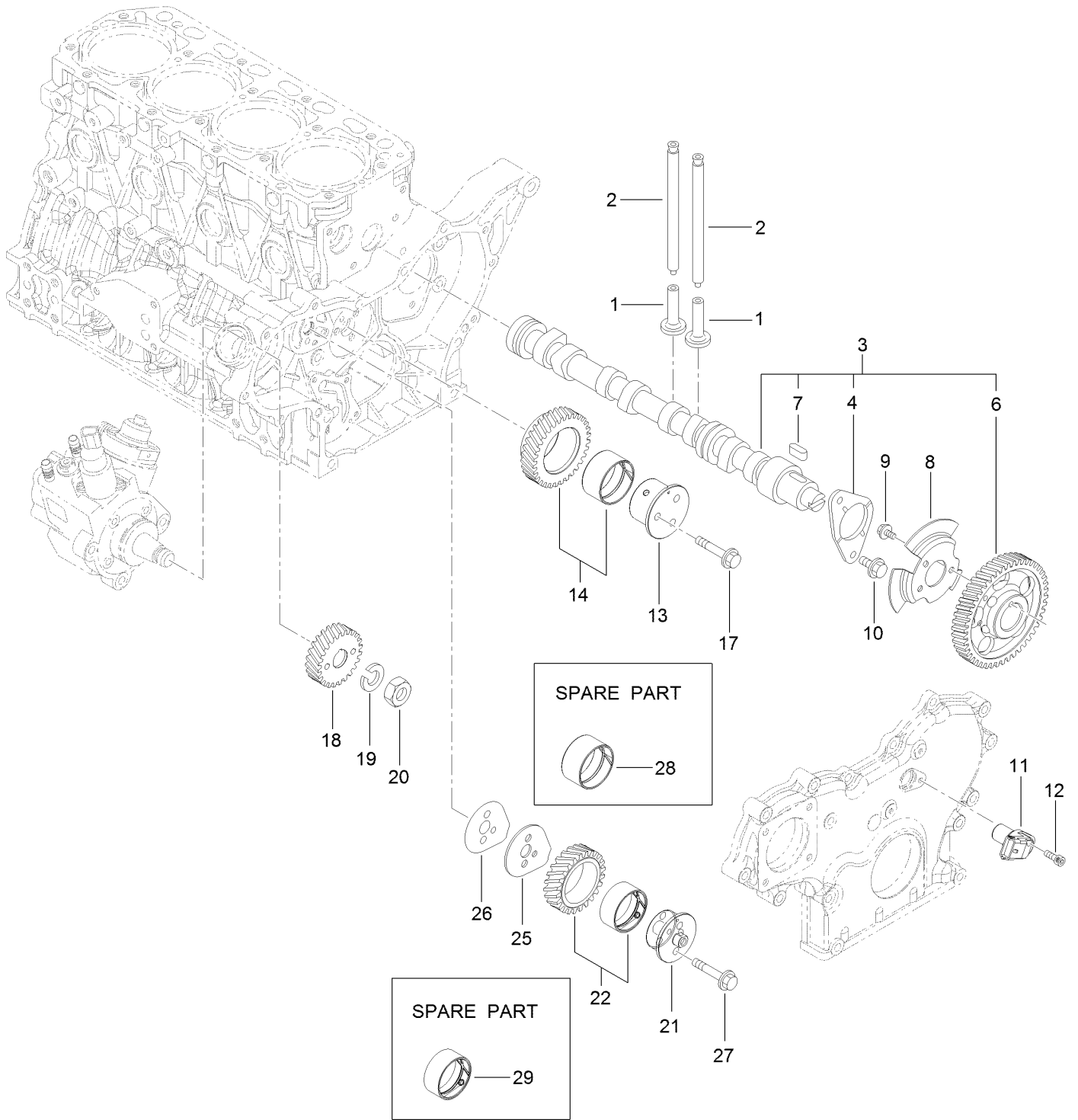
Diesel Particulate Filter Assembly



Diesel Particulate Filter Assembly (continued)

| <i>Ref.</i> | <i>Part Number</i> | <i>Qty.</i> | <i>Description</i> | <i>Ref.</i> | <i>Part Number</i> | <i>Qty.</i> | <i>Description</i> |
|-------------|--------------------|-------------|----------------------|-------------|--------------------|-------------|---------------------------|
| 1 | 127-3019 | 1 | Gasket | 19 | 125-7213 | 2 | Bolt |
| 3 | 127-4764 | 1 | Sensor-Temp, Exhaust | 20 | 131-2740 | 2 | Bolt |
| 4 | 127-4765 | 1 | Sensor-Temp, Exhaust | 21 | 125-7229 | 20 | Nut |
| 5 | 138-7833 | 1 | D P F ASM | 23 | 127-3039 | 2 | Bolt-Joint, Pipe |
| 6 | 138-7834 | 1 | Case-Doc | 24 | 127-3164 | 1 | Exhaust Pressure Pipe ASM |
| 8 | 137-5170 | 1 | Case-Filter, Soot | 25 | 127-3056 | 4 | Gasket-Sensor |
| 10 | 127-3143 | 1 | Flange-Outlet | 26 | 127-3165 | 1 | Exhaust Pressure Pipe ASM |
| 11 | 127-3162 | 2 | Gasket-D P F | 27 | 138-8256 | 1 | Exhaust Hose ASM |
| 12 | 127-3055 | 20 | Bolt | 29 | 127-3057 | 2 | Clip-Hose |
| 13 | 127-3144 | 1 | Lifter-D P F | 30 | 138-8257 | 1 | Exhaust Press Hose ASM |
| 14 | 127-3145 | 5 | Stiffener-D P F, A | 32 | 127-3058 | 2 | Clip-Hose |
| 15 | 137-5171 | 1 | Stiffener-D P F, B | 33 | 127-3060 | 1 | Sensor-Pressure |
| 16 | 137-5172 | 1 | Stiffener-D P F, C | 34 | 127-3124 | 1 | Band |
| 17 | 127-3147 | 1 | Stiffener-D P F, C | 35 | 130-7444 | 4 | Bolt |
| 18 | 138-7835 | 1 | Stay, Dpf | 36 | 125-7229 | 4 | Nut |

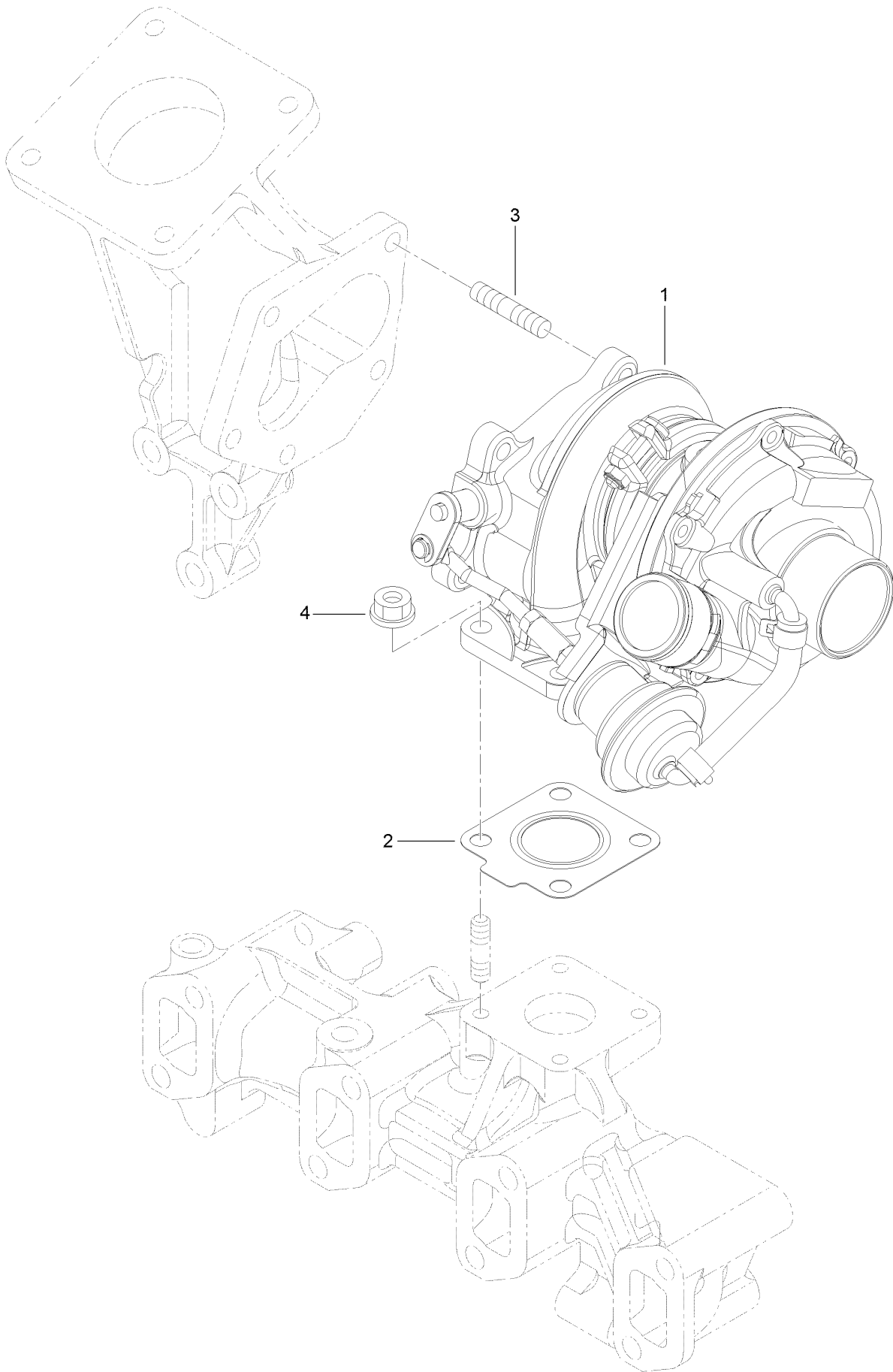
Camshaft and Driving Gear Assembly



Camshaft and Driving Gear Assembly (continued)

| <i>Ref.</i> | <i>Part Number</i> | <i>Qty.</i> | <i>Description</i> | <i>Ref.</i> | <i>Part Number</i> | <i>Qty.</i> | <i>Description</i> |
|-------------|--------------------|-------------|--------------------|-------------|--------------------|-------------|----------------------|
| 1 | 125-7016 | 8 | Tappet | 14 | 127-3066 | 1 | Idle Gear A ASM |
| 2 | 125-7017 | 8 | Rod-Push | 17 | 125-7219 | 3 | Bolt |
| 3 | 127-3113 | 1 | Camshaft ASM | 18 | 127-3070 | 1 | Gear-Pump, Supply |
| 4 | 125-7008 | 1 | Metal-Thrust | 19 | 127-3167 | 1 | Washer-Spring |
| 6 | 127-3052 | 1 | Gear-Camshaft | 20 | 127-3185 | 1 | Nut-Lock |
| 7 | 125-7185 | 1 | Key | 21 | 127-3064 | 1 | Shaft-Idle, Gear B |
| 8 | 127-3053 | 1 | Pulser-Camshaft | 22 | 127-3067 | 1 | Idle Gear B ASM |
| 9 | 125-7205 | 3 | Bolt | 25 | 127-3068 | 1 | Plate-Idle, Shaft |
| 10 | 125-7213 | 2 | Bolt | 26 | 127-3069 | 1 | Gasket-Idle, Shaft B |
| 11 | 127-3054 | 1 | Sensor-Rev, Gear | 27 | 125-7218 | 2 | Bolt |
| 12 | 127-3184 | 1 | Bolt | 28 | 125-6927 | 1 | Bushing |
| 13 | 127-3063 | 1 | Shaft-Idle, Gear A | 29 | 127-3065 | 1 | Bushing |

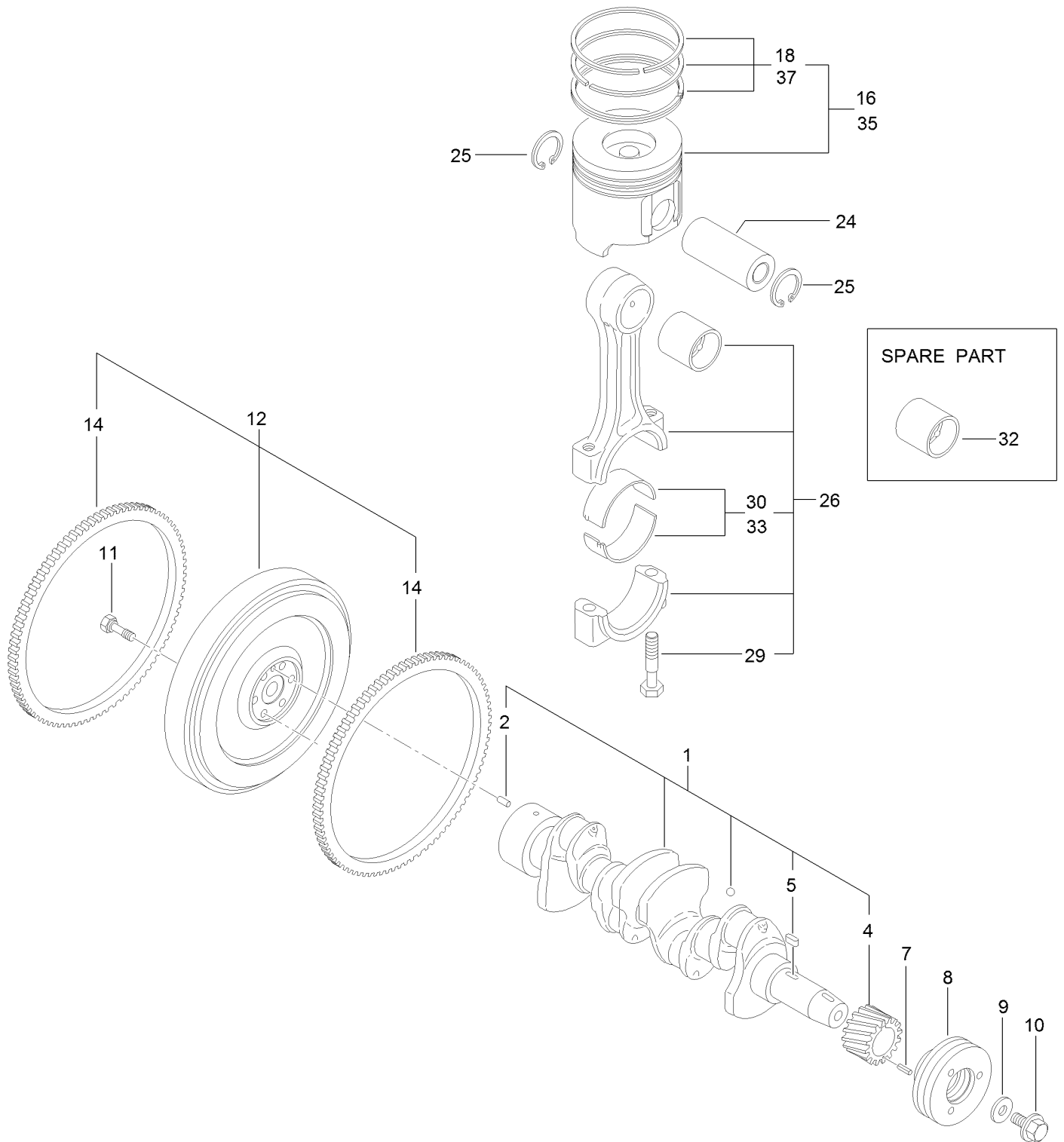
Turbine Assembly



Turbine Assembly (continued)

| <i>Ref.</i> | <i>Part Number</i> | <i>Qty.</i> | <i>Description</i> | <i>Ref.</i> | <i>Part Number</i> | <i>Qty.</i> | <i>Description</i> |
|-------------|--------------------|-------------|--------------------|-------------|--------------------|-------------|--------------------|
| 1 | 138-7836 | 1 | Turbocharger | 3 | 125-6906 | 5 | Stud |
| 2 | 125-7070 | 1 | Gasket | 4 | 125-7229 | 4 | Nut |

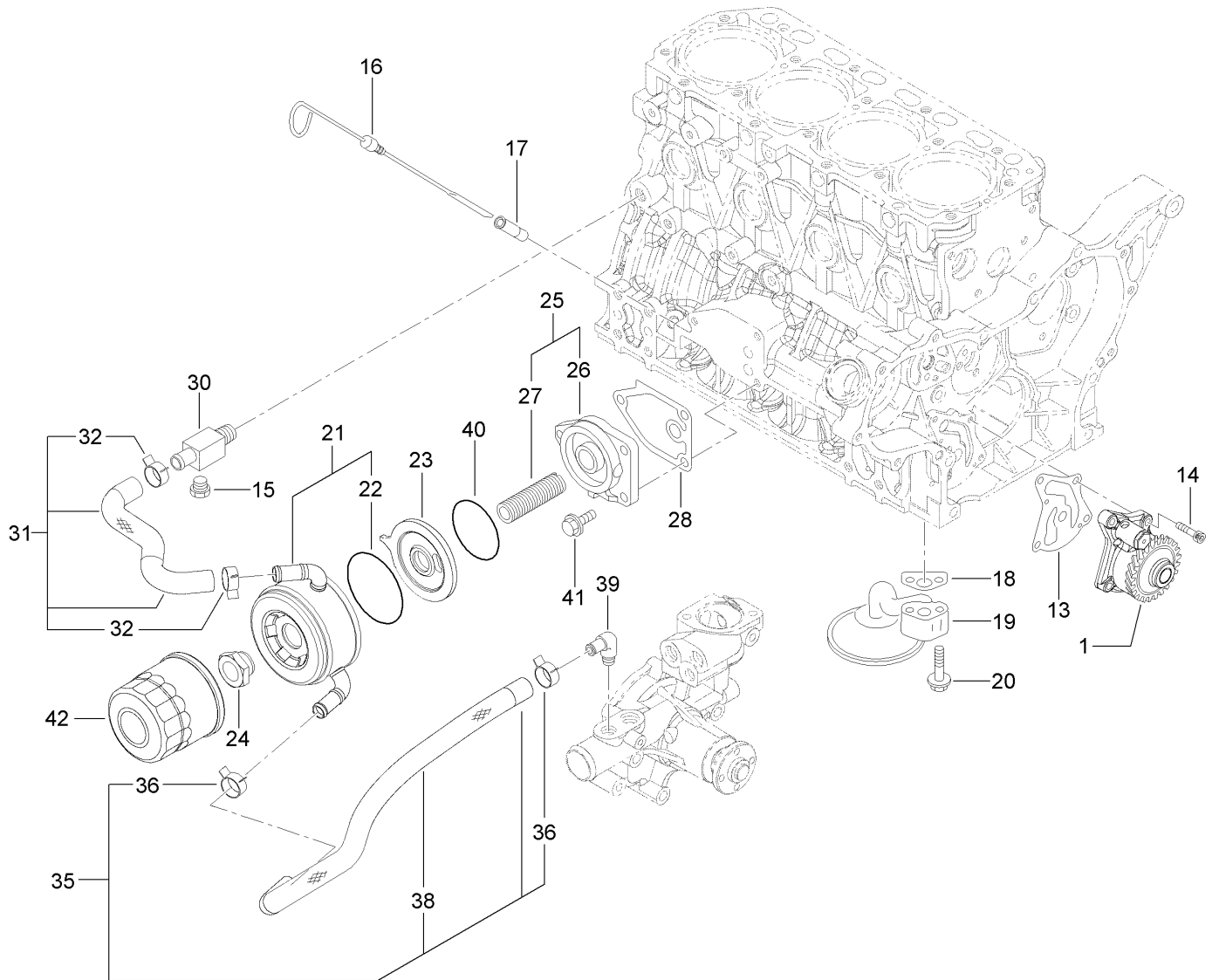
Crankshaft and Piston Assembly



Crankshaft and Piston Assembly (continued)

| <i>Ref.</i> | <i>Part Number</i> | <i>Qty.</i> | <i>Description</i> | <i>Ref.</i> | <i>Part Number</i> | <i>Qty.</i> | <i>Description</i> |
|-------------|--------------------|-------------|--------------------|-------------|--------------------|-------------|-----------------------------|
| 1 | 125-7091 | 1 | Crankshaft ASM | 16 | 127-3097 | 4 | Piston ASM |
| 2 | 125-6995 | 1 | Pin | 18 | 127-3098 | 4 | Piston Ring ASM |
| 4 | 125-6937 | 1 | Gear | 24 | 125-7030 | 4 | Pin |
| 5 | 125-7185 | 1 | Key | 25 | 125-7180 | 8 | Ring |
| 7 | 125-7182 | 1 | Pin-Spring | 26 | 125-7242 | 4 | Connecting Rod ASM |
| 8 | 125-6925 | 1 | V-Pulley | 29 | 125-6955 | 8 | Bolt |
| 9 | 125-7109 | 1 | Washer | 30 | 125-7018 | 4 | Pin-Crank |
| 10 | 125-6956 | 1 | Bolt | 32 | 125-6997 | 4 | Pin-Piston |
| 11 | 125-6951 | 6 | Bolt | 33 | 125-7019 | 4 | Pin-Crank (.25) |
| 12 | 127-3160 | 1 | Flywheel ASM | 35 | 127-3099 | 4 | Piston ASM (0.25 O.S.) |
| 14 | 125-6943 | 1 | Gear | 37 | 127-3100 | 4 | Piston Ring ASM (0.25 O.S.) |

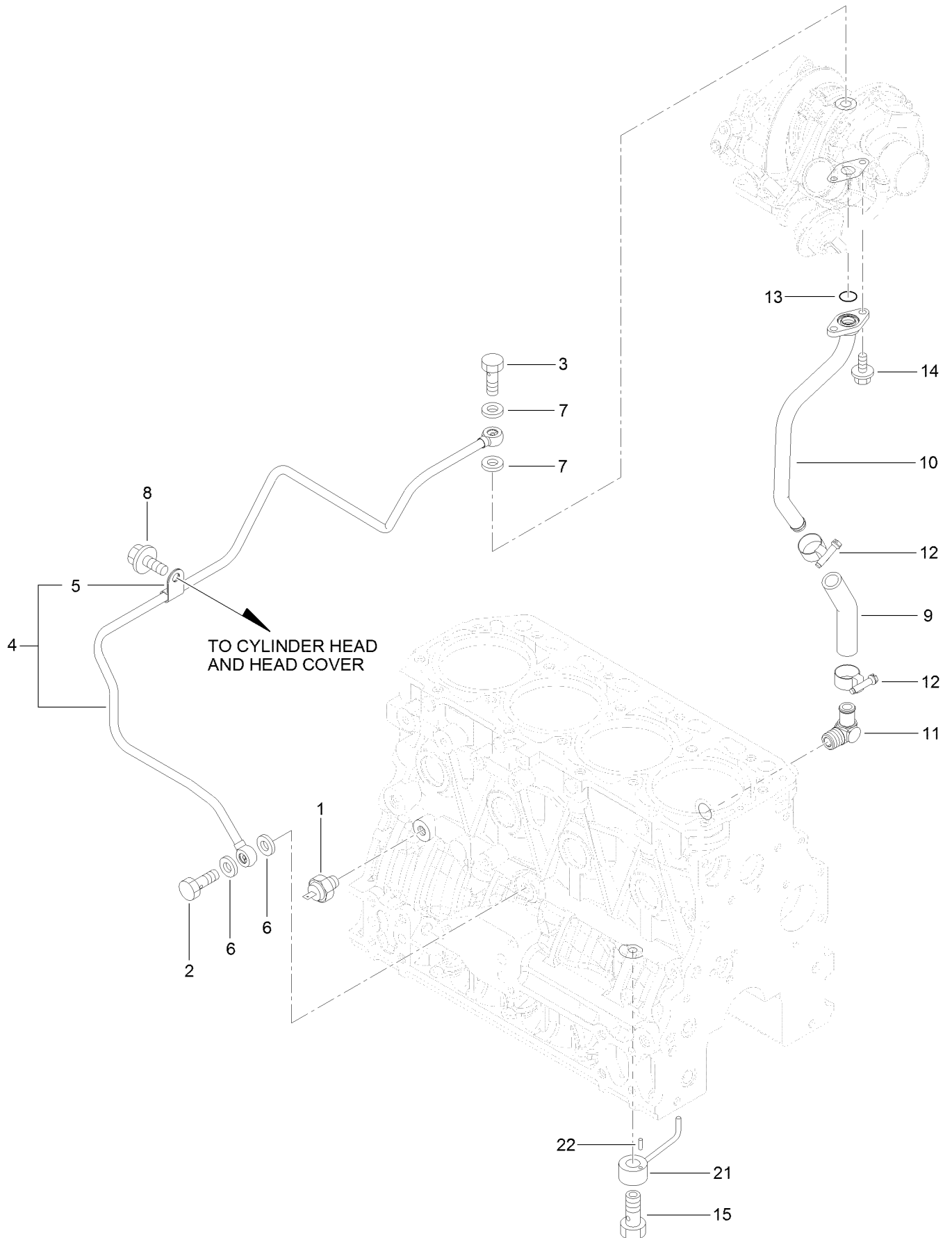
Lubrication and Oil System Assembly



Lubrication and Oil System Assembly (continued)

| <i>Ref.</i> | <i>Part Number</i> | <i>Qty.</i> | <i>Description</i> | <i>Ref.</i> | <i>Part Number</i> | <i>Qty.</i> | <i>Description</i> |
|-------------|--------------------|-------------|----------------------|-------------|--------------------|-------------|---------------------|
| 1 | 127-3101 | 1 | Oil Lube Pump ASM | 26 | 125-6930 | 1 | Bracket |
| 13 | 127-3004 | 1 | Gasket | 27 | 127-3010 | 1 | Stud |
| 14 | 125-7232 | 4 | Bolt | 28 | 125-7024 | 1 | Gasket |
| 15 | 125-7171 | 1 | Plug-Drain | 30 | 125-6990 | 1 | Joint |
| 16 | 125-6987 | 1 | Dipstick | 31 | 127-3102 | 1 | Pipe-Cooling, Water |
| 17 | 125-6954 | 1 | Guide-Dipstick | 32 | 125-7162 | 2 | Clip |
| 18 | 125-7022 | 1 | Gasket | 35 | 127-3103 | 1 | Hose-Cooling, Water |
| 19 | 138-7837 | 1 | Pipe Assy, Oil Inlet | 36 | 125-7162 | 2 | Clip |
| 20 | 138-7838 | 2 | Bolt, M8X 55 Plated | 38 | 127-3007 | 1 | Tube |
| 21 | 127-3014 | 1 | Cooler ASM | 39 | 125-7001 | 1 | Elbow |
| 22 | 127-2985 | 1 | O-Ring | 40 | 127-3176 | 1 | O-Ring |
| 23 | 138-7839 | 1 | Bracket, Cooler | 41 | 125-7595 | 3 | Bolt |
| 24 | 125-7041 | 1 | Nut-Cooler, Oil | 42 | 125-7025 | 1 | Filter-Engine, Oil |
| 25 | 127-3009 | 1 | Bracket ASM | | | | |

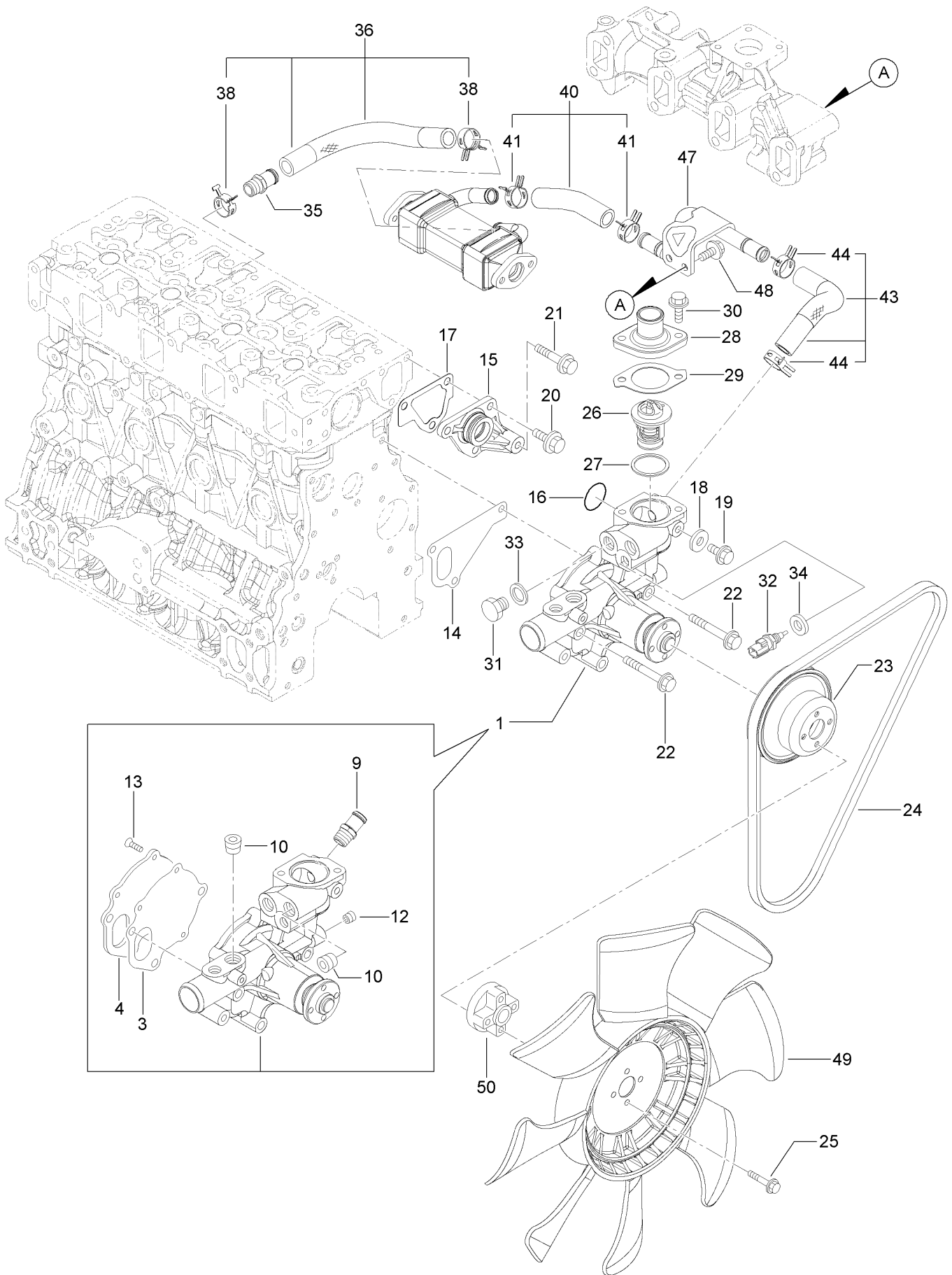
Lubrication Oil Pipe Assembly



Lubrication Oil Pipe Assembly (continued)

| <i>Ref.</i> | <i>Part Number</i> | <i>Qty.</i> | <i>Description</i> | <i>Ref.</i> | <i>Part Number</i> | <i>Qty.</i> | <i>Description</i> |
|-------------|--------------------|-------------|--------------------|-------------|--------------------|-------------|--------------------|
| 1 | 125-6918 | 1 | Switch-Oil | 10 | 127-3155 | 1 | Pipe-Lube, Oil |
| 2 | 125-6975 | 1 | Bolt-Joint, Pipe | 11 | 127-3003 | 1 | Elbow |
| 3 | 125-6952 | 1 | Bolt-Joint, Pipe | 12 | 127-3169 | 2 | Clamp-Hose |
| 4 | 127-3154 | 1 | Lube Oil Pipe ASM | 13 | 125-7198 | 1 | O-Ring |
| 5 | 125-6976 | 1 | Retainer | 14 | 125-7206 | 2 | Bolt |
| 6 | 125-7175 | 2 | Washer-Seal | 15 | 125-7105 | 4 | Check Valve ASM |
| 7 | 125-7193 | 2 | Gasket | 21 | 125-7098 | 4 | Nozzle |
| 8 | 138-7840 | 1 | Bolt | 22 | 125-7182 | 4 | Pin-Spring |
| 9 | 127-2992 | 1 | Joint | | | | |

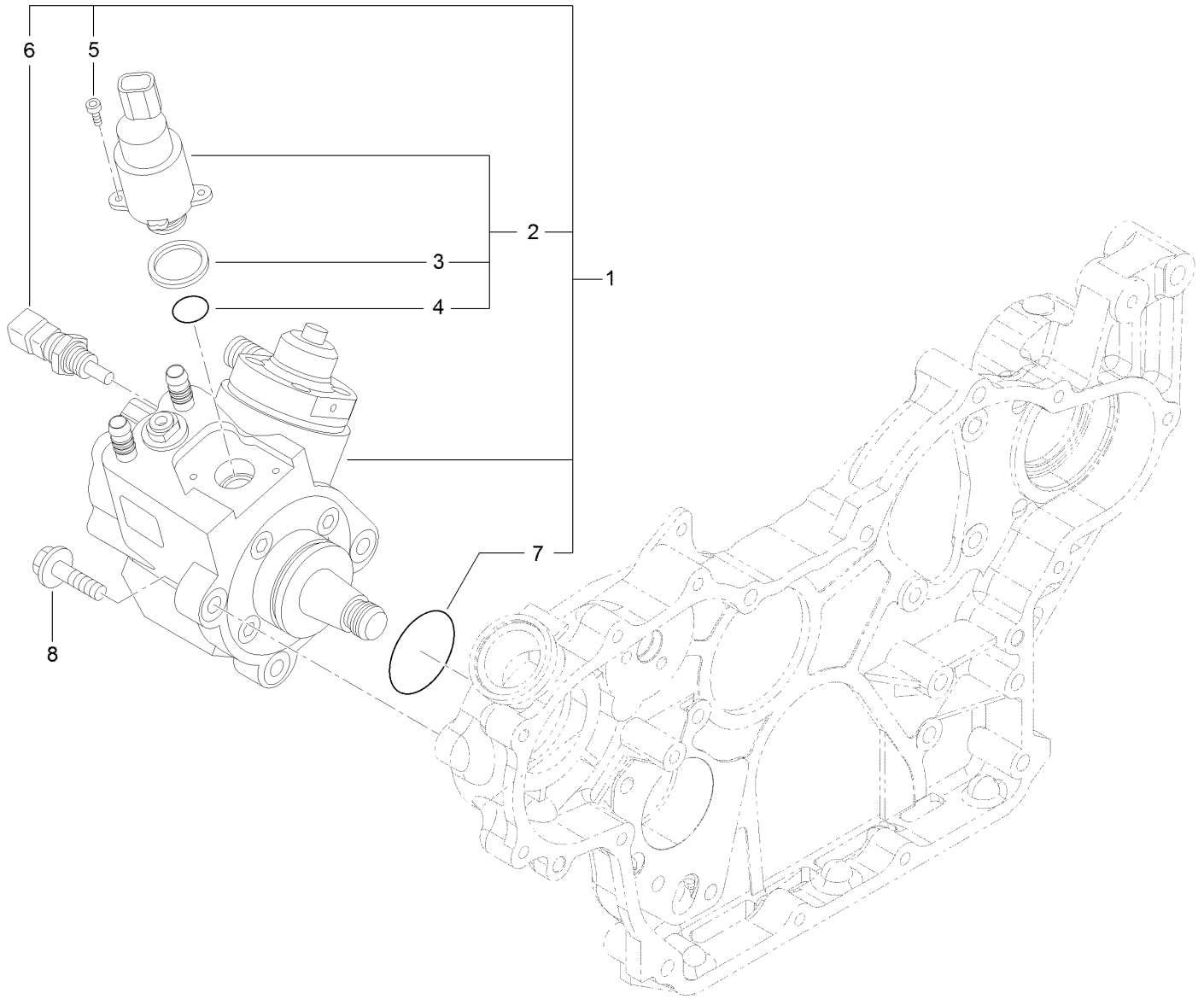
Cooling Water System Assembly



Cooling Water System Assembly (continued)

| <i>Ref.</i> | <i>Part Number</i> | <i>Qty.</i> | <i>Description</i> | <i>Ref.</i> | <i>Part Number</i> | <i>Qty.</i> | <i>Description</i> |
|-------------|--------------------|-------------|--------------------|-------------|--------------------|-------------|-----------------------|
| 1 | 131-2714 | 1 | Water Pump ASM | 27 | 125-7026 | 1 | Gasket |
| 3 | 125-6998 | 1 | Gasket | 28 | 125-7034 | 1 | Cover |
| 4 | 125-6999 | 1 | Plate | 29 | 125-7110 | 1 | Gasket |
| 9 | 127-3017 | 1 | Joint | 30 | 125-7594 | 2 | Bolt |
| 10 | 125-7123 | 2 | Plug | 31 | 125-6953 | 1 | Plug |
| 12 | 125-7195 | 1 | Plug | 32 | 125-7124 | 1 | Sensor-Thermostat, CW |
| 13 | 125-7234 | 3 | Screw | 33 | 125-6979 | 1 | Gasket |
| 14 | 125-7047 | 1 | Gasket | 34 | 125-7176 | 1 | Washer-Seal |
| 15 | 125-6986 | 1 | Joint | 35 | 127-3017 | 1 | Joint |
| 16 | 125-7048 | 1 | O-Ring | 36 | 127-3072 | 1 | Water In Pipe ASM |
| 17 | 125-6978 | 1 | Gasket | 38 | 127-3020 | 2 | Clip-Hose |
| 18 | 125-7192 | 1 | Gasket | 40 | 127-3115 | 1 | Water Out Pipe ASM |
| 19 | 138-7840 | 1 | Bolt | 41 | 127-3020 | 2 | Clip-Hose |
| 20 | 125-7214 | 3 | Bolt | 43 | 127-3116 | 1 | Water Out Pipe ASM |
| 21 | 125-7219 | 1 | Bolt | 44 | 127-3020 | 2 | Clip-Hose |
| 22 | 125-7222 | 3 | Bolt | 47 | 138-7841 | 1 | Water Pipe ASM |
| 23 | 125-7039 | 1 | V-Pulley | 48 | 125-7214 | 2 | Bolt |
| 24 | 127-4771 | 1 | V-Belt | 49 | 127-3809 | 1 | Fan |
| 25 | 125-7211 | 4 | Bolt | 50 | 127-4768 | 1 | Spacer |
| 26 | 125-7029 | 1 | Thermostat | | | | |

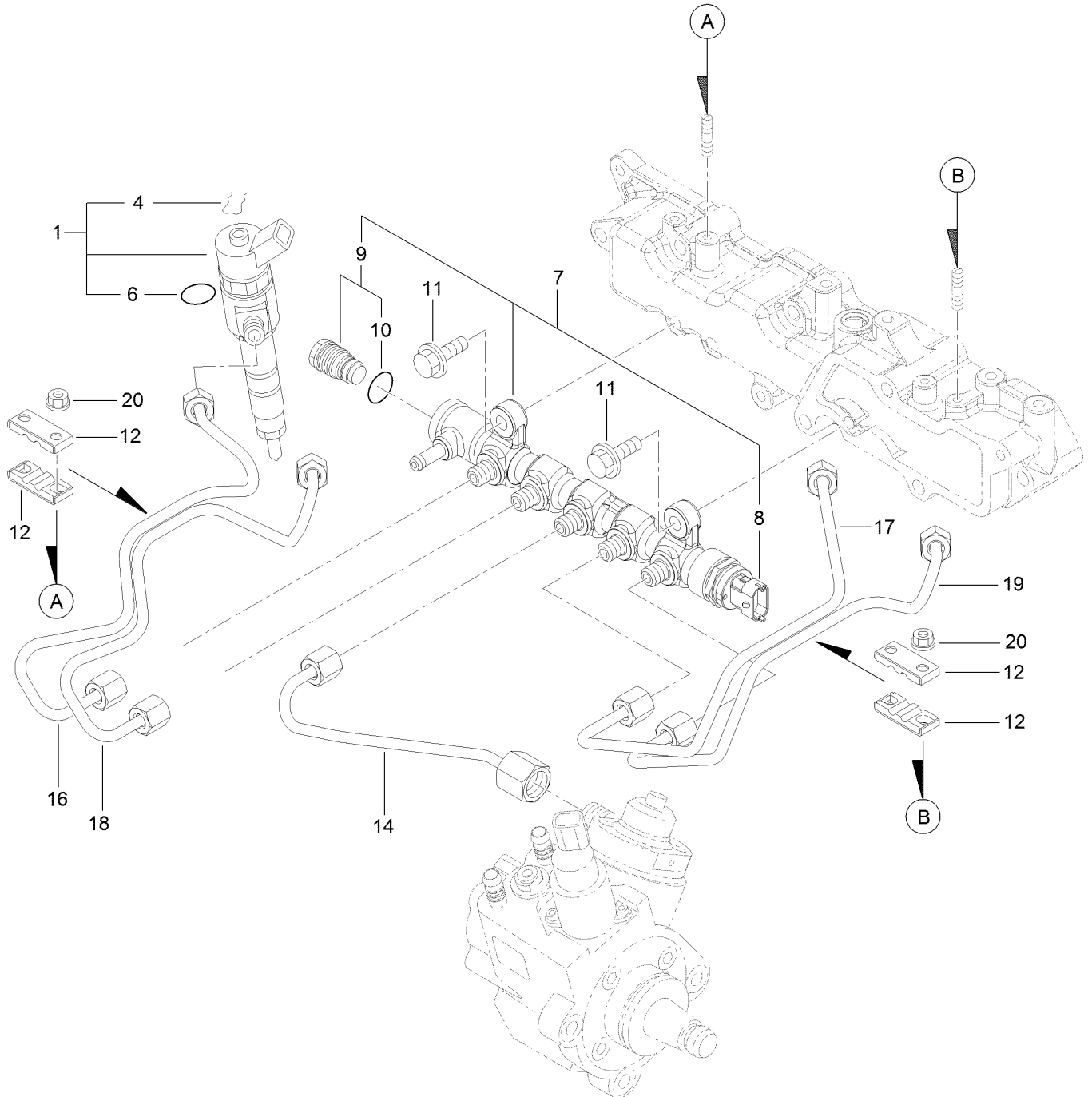
Fuel Supply Pump Assembly



Fuel Supply Pump Assembly (continued)

| <i>Ref.</i> | <i>Part Number</i> | <i>Qty.</i> | <i>Description</i> | <i>Ref.</i> | <i>Part Number</i> | <i>Qty.</i> | <i>Description</i> |
|-------------|--------------------|-------------|--------------------|-------------|--------------------|-------------|--------------------|
| 1 | 127-3073 | 1 | Fuel Pump ASM | 5 | 131-2107 | 2 | Bolt |
| 2 | 131-2103 | 1 | Valve ASM | 6 | 131-2108 | 1 | Sensor-Temperature |
| 3 | 131-2105 | 1 | Ring-Sealing | 7 | 127-3074 | 1 | O-Ring |
| 4 | 131-2106 | 1 | O-Ring | 8 | 125-7216 | 3 | Bolt |

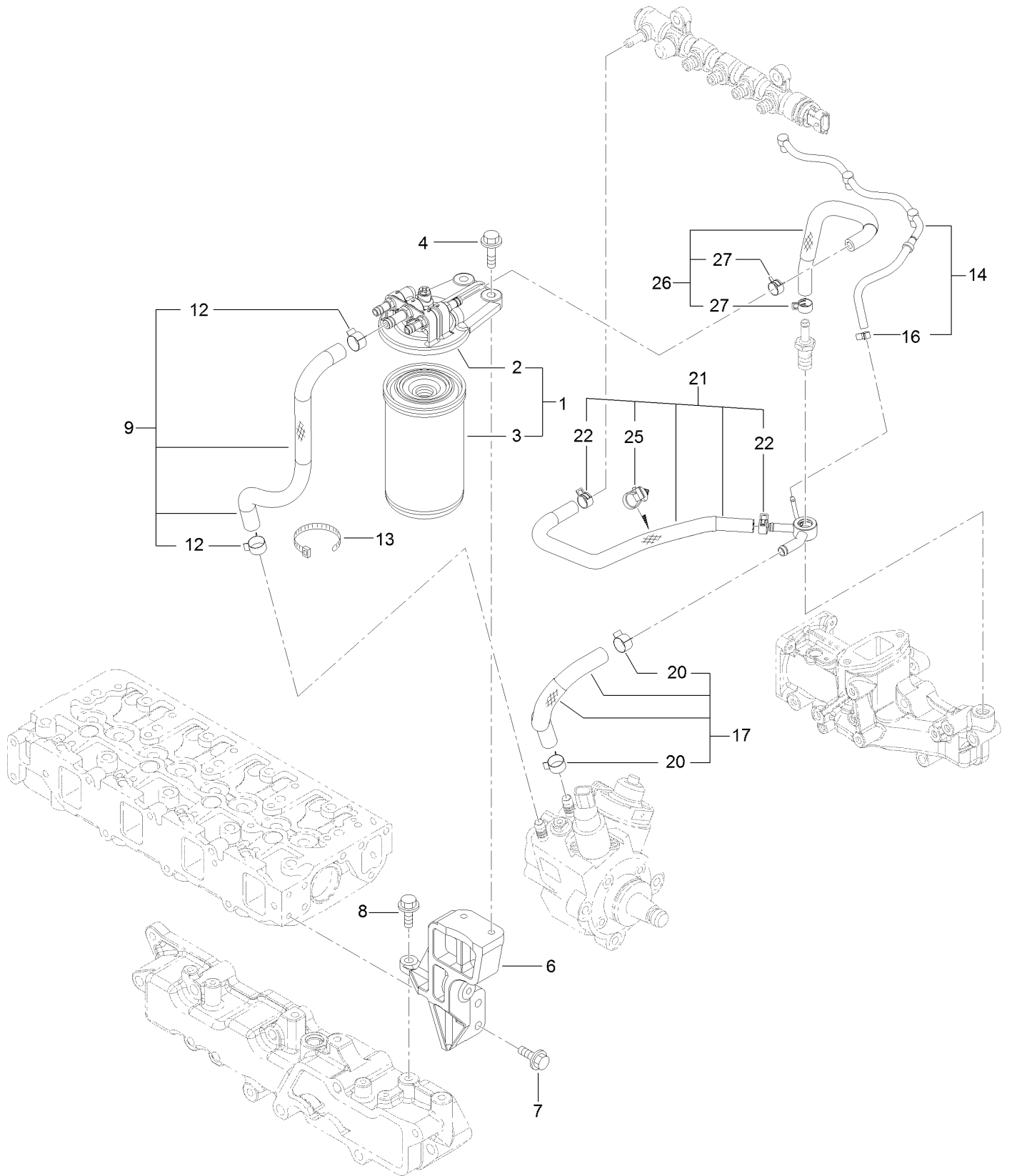
Fuel Injection Valve Assembly



Fuel Injection Valve Assembly (continued)

| <i>Ref.</i> | <i>Part Number</i> | <i>Qty.</i> | <i>Description</i> | <i>Ref.</i> | <i>Part Number</i> | <i>Qty.</i> | <i>Description</i> |
|-------------|--------------------|-------------|-----------------------|-------------|--------------------|-------------|--------------------|
| 1 | 127-3104 | 4 | Injector ASM | 12 | 127-2982 | 4 | Retainer |
| 4 | 130-7430 | 4 | Ring-Retaining | 14 | 127-3082 | 1 | Rail In Pipe ASM |
| 6 | 137-5173 | 4 | O-Ring | 16 | 127-3121 | 1 | Injection Pipe ASM |
| 7 | 127-3118 | 1 | Rail ASM | 17 | 127-3083 | 1 | Injection Pipe ASM |
| 8 | 131-2709 | 1 | Sensor-Pressure, Rail | 18 | 127-3122 | 1 | Injection Pipe ASM |
| 9 | 131-2710 | 1 | Valve ASM | 19 | 127-3084 | 1 | Injection Pipe ASM |
| 10 | 131-2711 | 1 | O-Ring | 20 | 125-7231 | 4 | Nut |
| 11 | 125-7215 | 2 | Bolt | | | | |

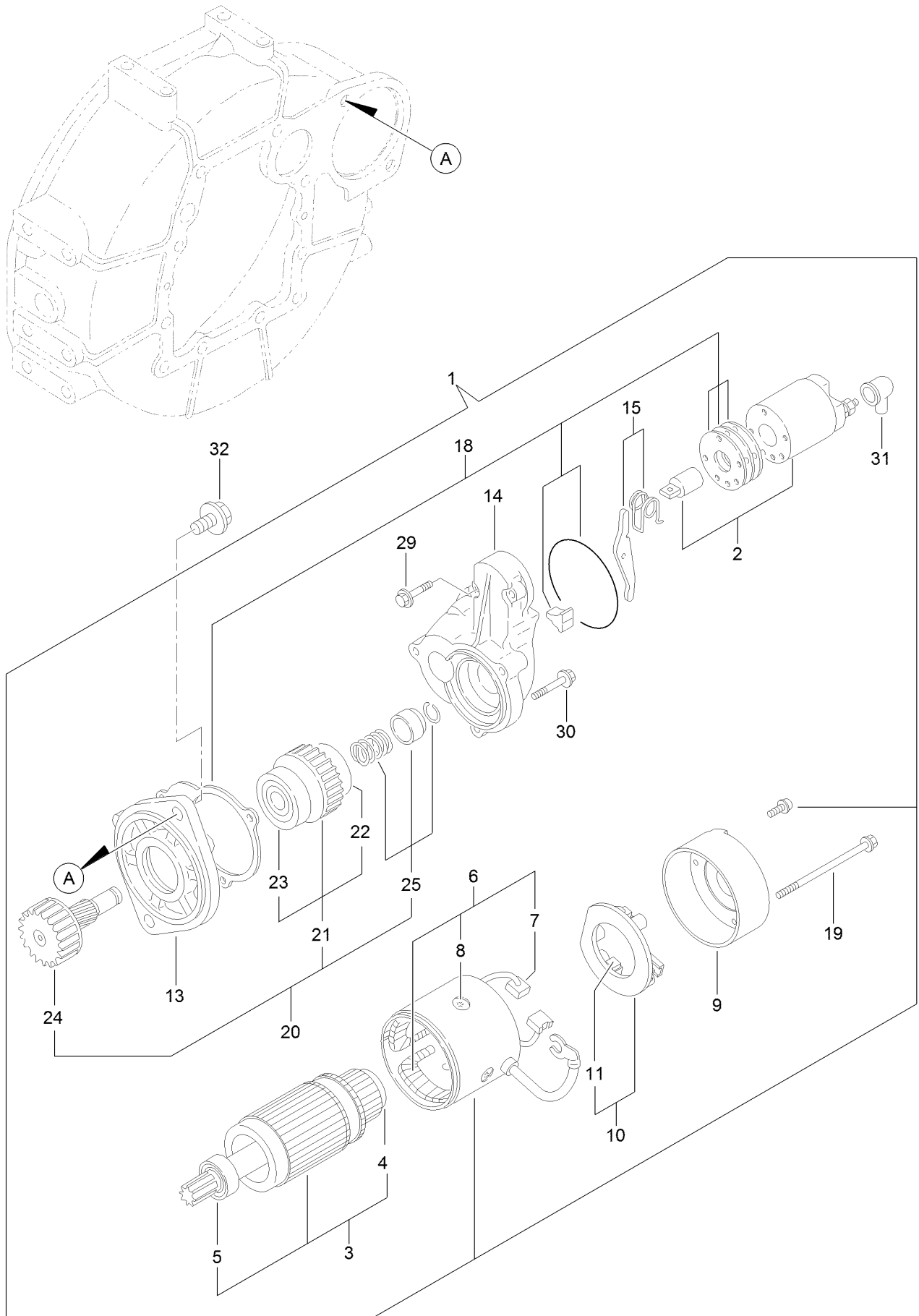
Fuel Pipe Assembly



Fuel Pipe Assembly (continued)

| <i>Ref.</i> | <i>Part Number</i> | <i>Qty.</i> | <i>Description</i> | <i>Ref.</i> | <i>Part Number</i> | <i>Qty.</i> | <i>Description</i> |
|-------------|--------------------|-------------|-----------------------------|-------------|--------------------|-------------|--------------------|
| 1 | 127-3075 | 1 | Fuel/Oil Filter ASM | 14 | 138-7845 | 1 | Return Pipe ASM |
| 2 | 127-3076 | 1 | Fuel/Oil Filter Bracket ASM | 16 | 127-3172 | 1 | Clamp-Hose |
| 3 | 125-8752 | 1 | Filter-Fuel/Oil | 17 | 127-3078 | 1 | Fuel Pipe ASM |
| 4 | 125-7216 | 2 | Bolt | 20 | 125-7191 | 2 | Clamp-Hose |
| 6 | 127-3815 | 1 | Filter Bracket ASM | 21 | 127-3119 | 1 | Fuel Pipe ASM |
| 7 | 125-7595 | 2 | Bolt | 22 | 127-2950 | 2 | Clip-Hose |
| 8 | 125-7215 | 1 | Bolt | 25 | 127-3087 | 1 | Band-Clip |
| 9 | 127-3077 | 1 | Fuel Pipe ASM | 26 | 127-3079 | 1 | Fuel Pipe ASM |
| 12 | 125-7191 | 2 | Clamp-Hose | 27 | 127-2950 | 2 | Clip-Hose |
| 13 | 127-2981 | 1 | Band | | | | |

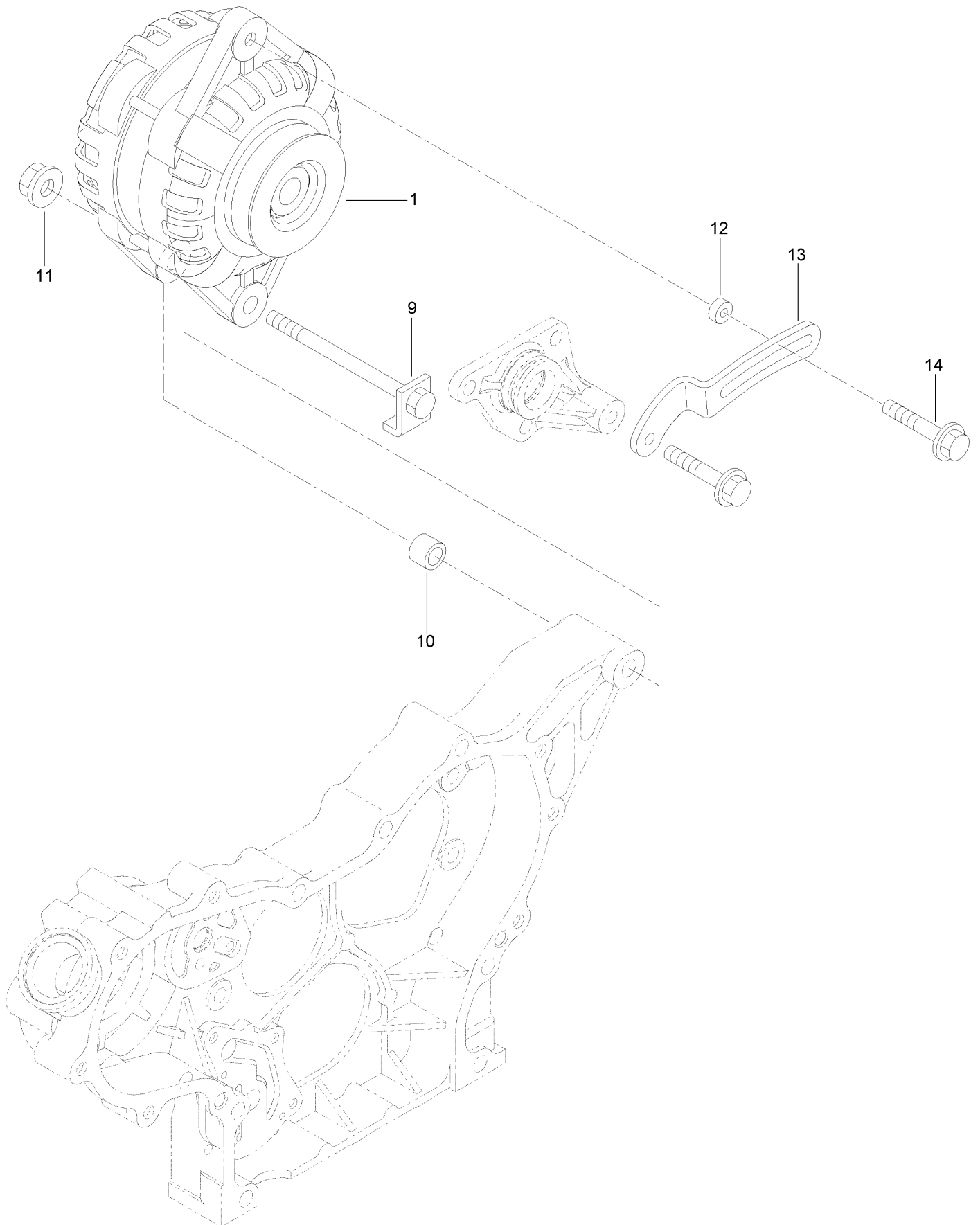
Starter Motor Assembly



Starter Motor Assembly (continued)

| <i>Ref.</i> | <i>Part Number</i> | <i>Qty.</i> | <i>Description</i> | <i>Ref.</i> | <i>Part Number</i> | <i>Qty.</i> | <i>Description</i> |
|-------------|--------------------|-------------|--------------------|-------------|--------------------|-------------|--------------------|
| 1 | 125-7003 | 1 | Starter | 15 | 125-7165 | 1 | Lever Set |
| 2 | 125-7004 | 1 | Switch ASM | 18 | 125-7037 | 1 | Dust Cover ASM |
| 3 | 125-7112 | 1 | Armature ASM | 19 | 125-7117 | 2 | Bolt-Through |
| 4 | 138-7846 | 1 | Bearing-Ball | 20 | 125-7166 | 1 | Pinion ASM |
| 5 | 138-7847 | 1 | Bearing-Ball | 21 | 125-7250 | 1 | Clutch ASM |
| 6 | 125-7113 | 1 | Field Coil ASM | 22 | 125-7251 | 1 | Bearing-Ball |
| 7 | 125-7114 | 2 | Brush | 23 | 138-7850 | 1 | Bearing-Ball |
| 8 | 138-7848 | 4 | Screw-Set | 24 | 125-7167 | 1 | Shaft |
| 9 | 125-7115 | 1 | Cover | 25 | 125-7168 | 1 | Stopper Set |
| 10 | 125-7116 | 1 | Brush Holder ASM | 29 | 125-7210 | 2 | Bolt |
| 11 | 138-7849 | 2 | Brush | 30 | 125-7211 | 3 | Bolt |
| 13 | 125-7164 | 1 | Case-Gear | 31 | 125-7169 | 1 | Cover |
| 14 | 125-7005 | 1 | Housing | 32 | 125-7225 | 2 | Bolt |

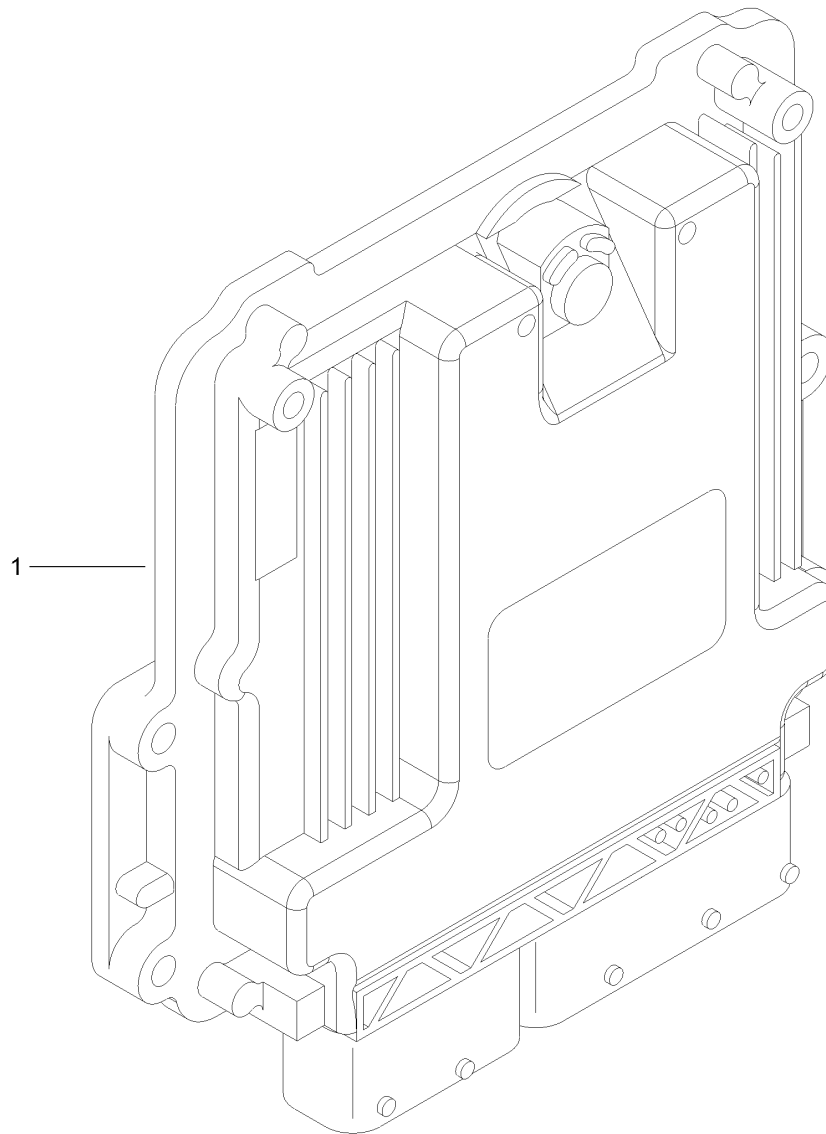
Generator Assembly



Generator Assembly (continued)

| <i>Ref.</i> | <i>Part Number</i> | <i>Qty.</i> | <i>Description</i> | <i>Ref.</i> | <i>Part Number</i> | <i>Qty.</i> | <i>Description</i> |
|-------------|--------------------|-------------|--------------------|-------------|--------------------|-------------|--------------------|
| 1 | 125-7120 | 1 | Alternator-12V | 12 | 138-7852 | 1 | Spacer-Alternator |
| 9 | 125-7121 | 1 | Bolt-Stopper | 13 | 138-7853 | 1 | Adjuster-Belt |
| 10 | 138-7851 | 1 | Piece-Distance | 14 | 135-4027 | 1 | Bolt-Adjust |
| 11 | 125-7230 | 1 | Nut | | | | |

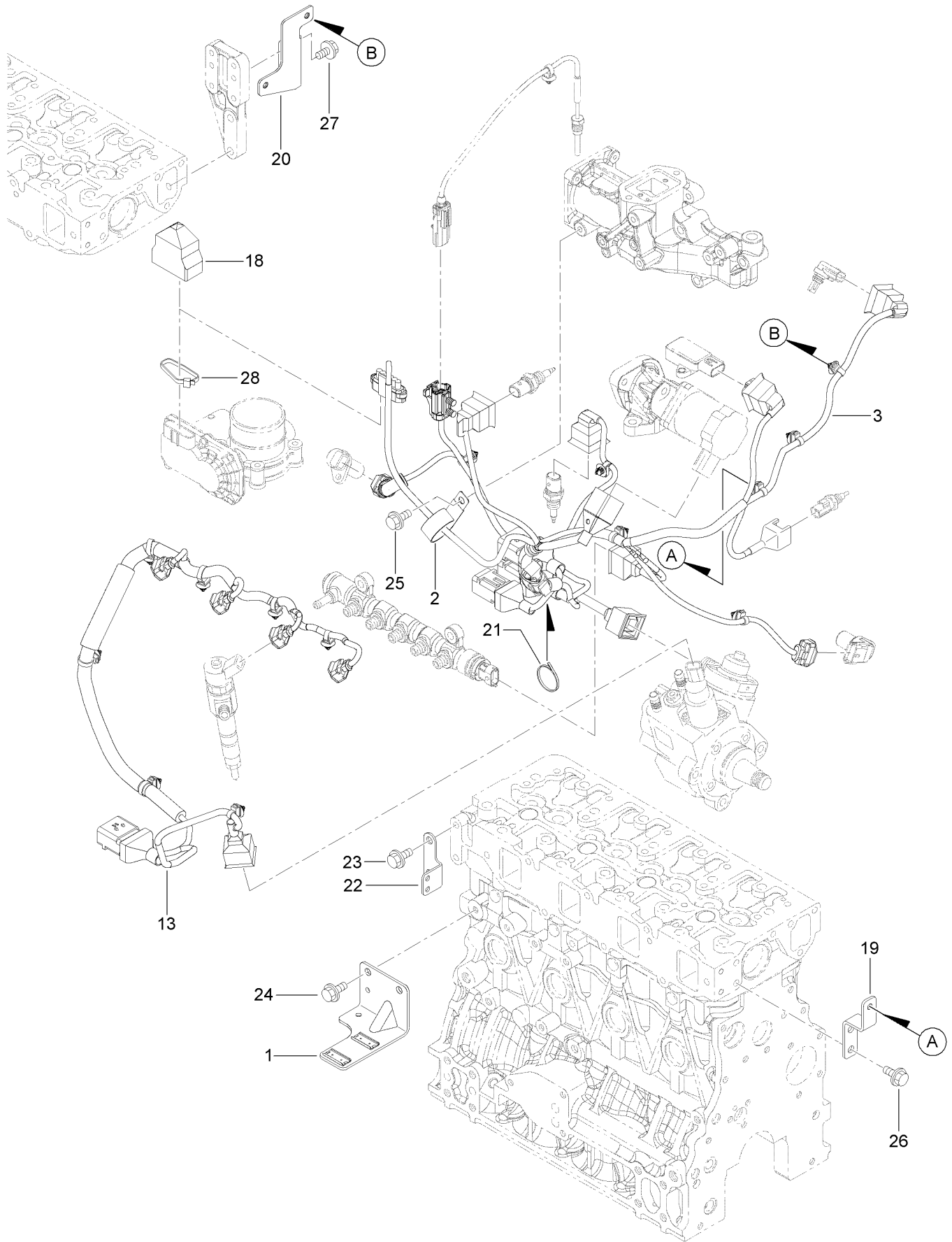
Electronic Control Unit Assembly



Electronic Control Unit Assembly (continued)

| <i>Ref.</i> | <i>Part Number</i> | <i>Qty.</i> | <i>Description</i> |
|-------------|--------------------|-------------|-------------------------|
| 1 | 121-5592 | 1 | Electronic Control Unit |

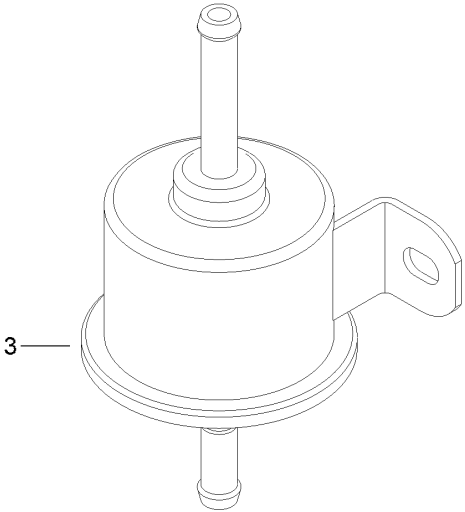
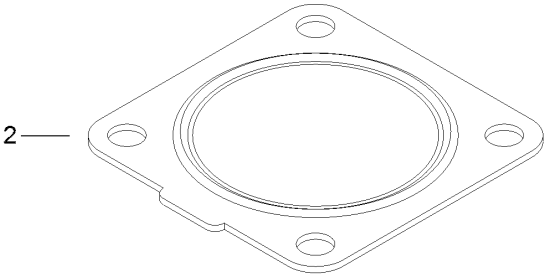
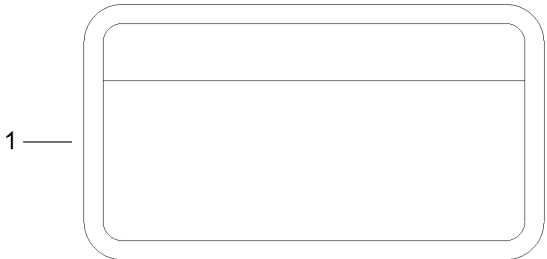
Electric Parts Assembly



Electric Parts Assembly (continued)

| <i>Ref.</i> | <i>Part Number</i> | <i>Qty.</i> | <i>Description</i> | <i>Ref.</i> | <i>Part Number</i> | <i>Qty.</i> | <i>Description</i> |
|-------------|--------------------|-------------|--------------------|-------------|--------------------|-------------|--------------------|
| 1 | 127-3086 | 1 | Bracket-Connector | 22 | 127-3090 | 1 | Bracket-Harness |
| 2 | 127-3018 | 1 | Clip | 23 | 125-7212 | 7 | Bolt |
| 3 | 138-7855 | 1 | Harness B | 24 | 125-7212 | 2 | Bolt |
| 13 | 127-3125 | 1 | Harness C | 25 | 125-7212 | 1 | Bolt |
| 18 | 131-2713 | 1 | Boot-Cap | 26 | 125-7212 | 2 | Bolt |
| 19 | 127-3852 | 1 | Bracket-Harness | 27 | 138-7857 | 2 | Bolt |
| 20 | 138-7856 | 1 | Bracket-Harness | 28 | 127-3188 | 1 | Band |
| 21 | 127-3187 | 1 | Band | | | | |

Miscellaneous Engine Parts

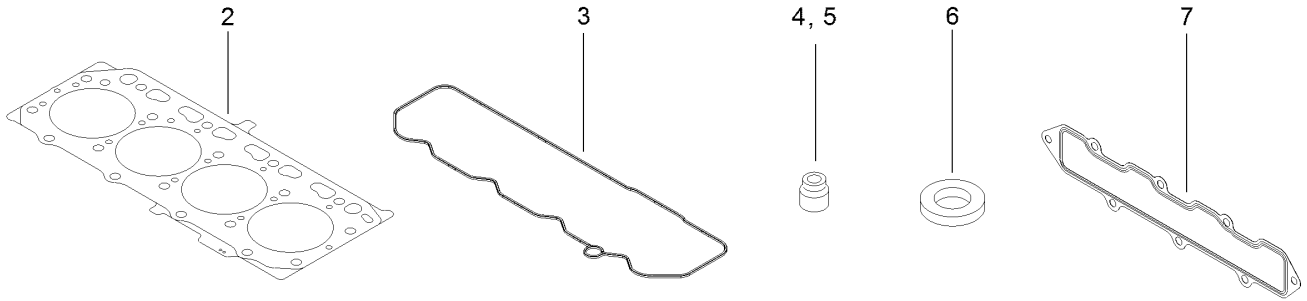


Miscellaneous Engine Parts (continued)

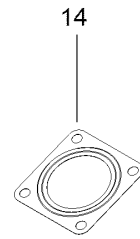
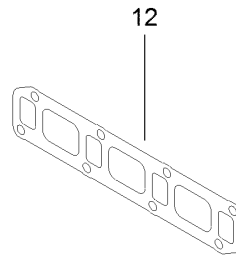
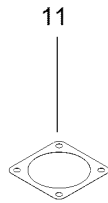
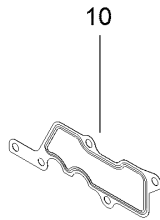
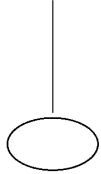
| <i>Ref.</i> | <i>Part Number</i> | <i>Qty.</i> | <i>Description</i> |
|-------------|--------------------|-------------|-------------------------|
| 1 | 125-6900 | 1 | Label-Caution, Fuel Oil |
| 2 | 127-3019 | 1 | Gasket |
| 3 | 121-5613 | 1 | Pump-Fuel, Electric |

Gasket Set

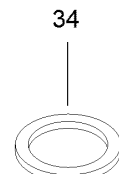
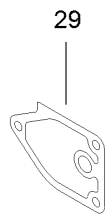
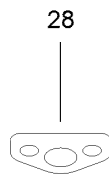
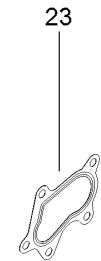
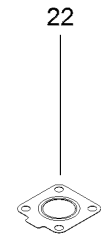
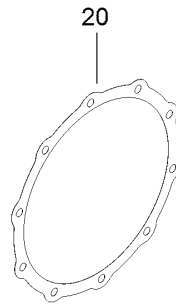
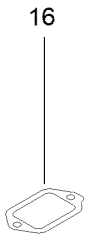
1



8, 9, 26
27, 31, 36
45, 46, 47, 48



21, 32, 37
38, 39, 40
41, 42, 43, 44



Gasket Set (continued)

| <i>Ref.</i> | <i>Part Number</i> | <i>Qty.</i> | <i>Description</i> | <i>Ref.</i> | <i>Part Number</i> | <i>Qty.</i> | <i>Description</i> |
|-------------|--------------------|-------------|----------------------------|-------------|--------------------|-------------|--------------------|
| 1 | 127-3189 | 1 | Gasket Kit | 25 | 127-3004 | 1 | Gasket |
| 2 | 127-3126 | 1 | Gasket-Head, Cylinder | 26 | 125-6909 | 2 | O-Ring |
| 3 | 127-3106 | 1 | Gasket-Cover | 27 | 127-2973 | 1 | O-Ring |
| 4 | 127-2986 | 4 | Seal-Stem, Valve | 28 | 125-7022 | 1 | Gasket |
| 5 | 127-3027 | 4 | Seal-Stem, Valve | 29 | 125-7024 | 1 | Gasket |
| 6 | 127-3021 | 4 | Gasket-Injector | 30 | 125-7047 | 1 | Gasket |
| 7 | 127-3107 | 1 | Gasket-Manifold, Intake | 31 | 125-7048 | 1 | O-Ring |
| 8 | 127-3032 | 2 | O Ring-Sensor, Pressure | 32 | 125-6979 | 1 | Gasket |
| 9 | 127-3033 | 1 | O-Ring | 33 | 125-7110 | 1 | Gasket |
| 10 | 127-3034 | 1 | Gasket-Collector | 34 | 125-7026 | 1 | Gasket |
| 11 | 127-3037 | 2 | Gasket-Throttle | 35 | 125-6978 | 1 | Gasket |
| 12 | 127-3108 | 1 | Gasket-Manifold, Exhaust | 36 | 127-3074 | 1 | O-Ring |
| 13 | 127-3019 | 1 | Gasket | 37 | 125-7174 | 1 | Washer-Seal |
| 14 | 127-2987 | 1 | Gasket-Silencer | 38 | 125-7175 | 2 | Washer-Seal |
| 15 | 127-3043 | 2 | Gasket-Cooler, E G R | 39 | 125-7176 | 1 | Washer-Seal |
| 16 | 127-3046 | 1 | Gasket-E G R | 40 | 127-3166 | 2 | Washer-Seal |
| 17 | 127-3016 | 1 | Gasket | 41 | 125-7177 | 1 | Washer-Seal |
| 18 | 127-3050 | 1 | Gasket-Intake Valve, E G R | 42 | 125-7192 | 1 | Gasket |
| 19 | 127-3051 | 1 | Gasket-Out Valve, E G R | 43 | 125-7193 | 2 | Gasket |
| 20 | 127-3162 | 2 | Gasket-D P F | 44 | 127-3174 | 2 | Gasket |
| 21 | 127-3056 | 4 | Gasket-Sensor | 45 | 138-7858 | 3 | O-Ring |
| 22 | 125-7070 | 1 | Gasket | 46 | 125-7197 | 1 | O-Ring |
| 23 | 125-7071 | 1 | Gasket | 47 | 125-7198 | 1 | O-Ring |
| 24 | 127-3069 | 1 | Gasket-Idle, Shaft B | 48 | 127-3176 | 1 | O-Ring |

Attachments and Accessories

For 07511BA Outcross 9060 Series Traction Unit with Loader

| Product Name | Model/Part |
|--------------------------------------------------------------------|------------|
| Bucket..... | 07521 |
| Loader Select Valve..... | 07526 |
| Rear Selector Valve Kit..... | 07527 |
| Cargo Bed..... | 07530 |
| Hood Guard..... | 07531 |
| Rear Screen..... | 07532 |
| Aggressive Tires..... | 07535 |
| Pintle Hitch..... | 07536 |
| 7-way Trailer Plug Kit EU..... | 07538 |
| InchMode..... | 07540 |
| Homologation..... | 07541 |
| Road Light Kit and Horn..... | 07542 |
| Work Lights..... | 07545 |
| Beacon Kit..... | 07546 |
| 7-Way Trailer Plug Kit..... | 07547 |
| Foam Marker Finish Kit..... | 07548 |
| Horn Kit..... | 07549 |
| Premium Transmission/Hydraulic Tractor Fluid (55 Gallon Drum)..... | 108-1183 |
| Premium Transmission/Hydraulic Tractor Fluid (5 Gallon Pail)..... | 108-1184 |
| Wireless Hourmeter..... | 115-4754 |
| External Antenna Kit, Wireless Hourmeter System..... | 115-9524 |
| Base Station Kit, Wireless Hourmeter System..... | 115-9542 |
| Repeater Kit, Wireless Hourmeter System..... | 115-9543 |
| Premium Engine Oil 10w30 (55 Gallon Drum)..... | 121-6392 |
| Premium Engine Oil 10w30 (5 Gallon Pail)..... | 121-6393 |
| Premium Engine Oil 15w40 (55 Gallon Drum)..... | 121-6394 |
| Premium Engine Oil 15w40 (5 Gallon Pail)..... | 121-6395 |
| Brake Controller..... | 130-4230 |
| Exterior Mirror Kit..... | 130-5448 |
| Interior Mirror Kit..... | 130-5449 |
| Large Seat Cover..... | 131-6691 |
| Wide Angle Mirror Kit..... | 133-1038 |
| Top Link Bushing Kit, Category 2 To 1..... | 138-4196 |
| Lift Arm Bushing Kit, Category 2 To 1..... | 138-4197 |
| Backup Alarm Kit..... | 140-0508 |
| Grapple..... | 22535 |
| Adjustable Forks..... | 22549 |
| 500 Hour MVP Maintenance Kit..... | 31196 |
| Toro Red 12oz Aerosol Can..... | 361-10 |
| New Red Paint - Gallon..... | 361-11 |
| Dark Metallic Gray Aerosol Paint..... | 361-12 |
| Semi-Gloss Black Spray Paint..... | 361-9 |
| Foam Marker Kit..... | 41249 |
| Air Dry Red Paint - Qt..... | 5340 |
| Box Plow Blade, 8ft Rubber Edge..... | BXP16408 |
| Box Plow Blade, 10ft Rubber Edge..... | BXP16410 |

Attachments and Accessories (continued)

| | |
|-------------------------------------|----------|
| Box Plow Wing Kit, Rubber Edge..... | BXP16420 |
| Box Plow Blade, 8ft..... | BXP16508 |
| Box Plow Blade, 10ft..... | BXP16510 |
| Box Plow Wing Kit | BXP16584 |



Count on it.