



Groundsmaster[®] 345

Traction Unit

Model No. 30789—210000001 and Up

Parts Catalog

Ordering Replacement Parts

To order replacement parts, please supply: the part number, the quantity, and the description of each part desired.

Understanding Reference Numbers

Each identified part in an illustration has a reference number. The reference number for a part also appears in the parts list, along with other information about the part.

This catalog uses two special reference number formats, one to indicate parts in a service assembly and another to indicate the quantity of a given part in an illustration.

Service Assembly Reference Numbers

Parts in service assemblies have reference numbers in the form **a:b**. The **a** represents the reference number of the entire service assembly and the **b** represents a sequential number unique to each part within the service assembly.

For example, a wheel assembly might be identified by reference number **6**, the tire by **6:1**, the valve by **6:2**, and the wheel by **6:3**. When you order the assembly identified by reference number **6**, you receive all parts identified by reference numbers **6:1**, **6:2**, and **6:3**. However, you may also order any part individually.

Reference numbers of this type appear in illustrations and in part lists.

Reference Numbers Indicating Quantity

In an illustration, if a reference number indicates more than one part, the reference number has the form **nX y**. The **n** represents the quantity of the part, the **X** is the multiplication symbol, and the **y** represents the reference number.

For example, in an illustration, the reference number **2X 37** means that two of the parts identified by reference number **37** are indicated.

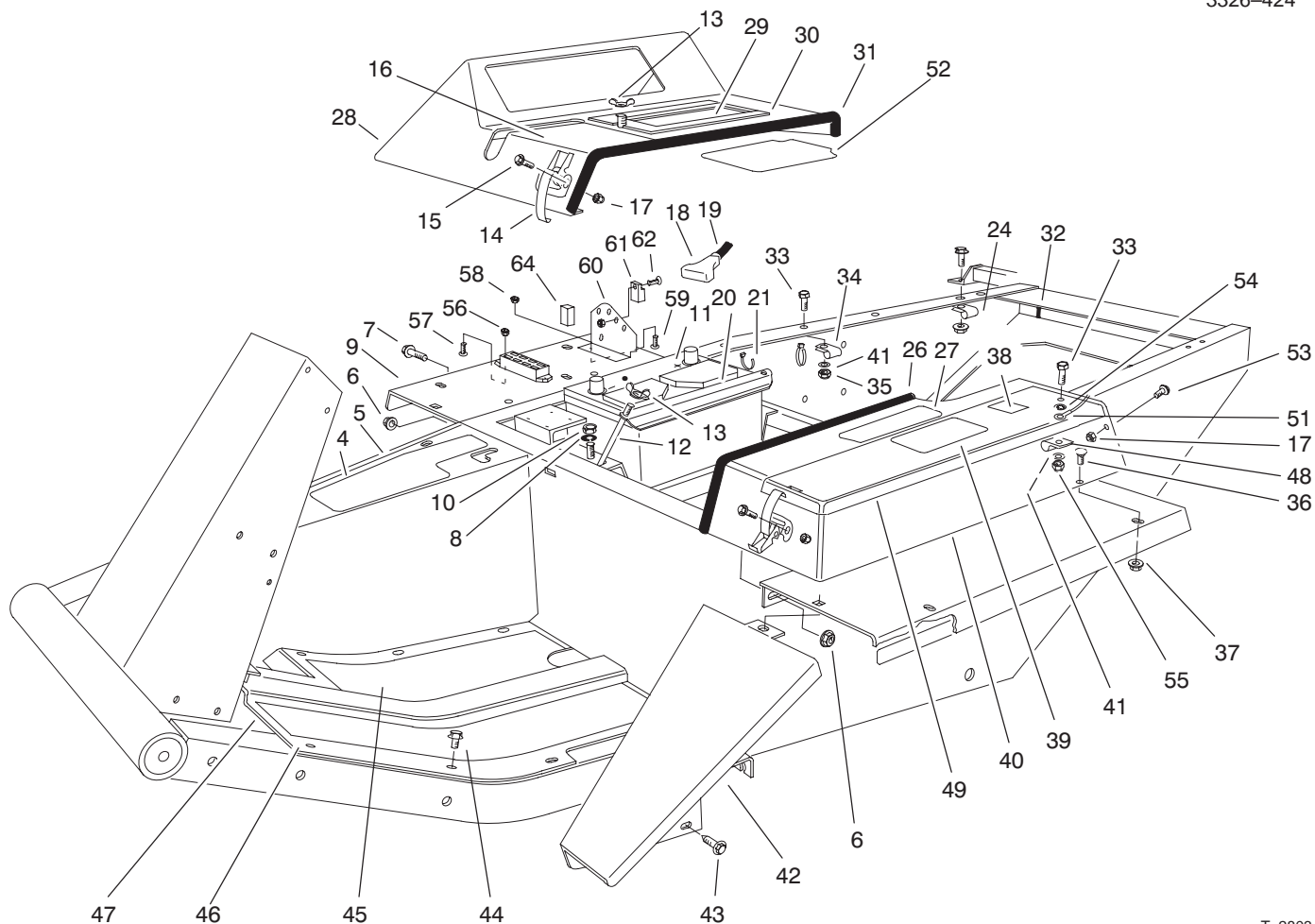
Contents

Description	Page	Description	Page
Main Frame Assembly	3	Valve and Cylinder Assembly	29
Frame Assembly	5	Hydraulic Lift Cylinder Assembly	
Instrument Panel Assembly	6	No. 100-6586 (2-1/2" Bore)	30
Radiator and Hood Assembly	7	Hydraulic Lift Cylinder Assembly	
Interlock Assembly	9	No. 100-6591 (3" Bore)	31
Power Take Off Assembly	10	Control Valve Assembly No. 43-1710	32
Brake Pedal Assembly	12	Engine Assembly	33
Power Steering Assembly	14	Air Cleaner Assembly	38
Power Steering and Valve Assembly		Push Arm Assembly	39
No. 92-7308	15	Electrical Schematic	40
Front Axle and Fuel Tank Assembly	16	Hydraulic Schematic	41
Front Axle Assembly No. 86-9600	18	Crankshaft and Camshaft Assembly	43
Brake Assembly	21	Oil Pump and Filter Assembly	46
Rear Wheel and Axle Assembly	22	Cylinder Head and Valve Assembly	47
Hydraulic Steering Cylinder Assembly		Manifold Assembly	48
No. 92-7828	24	Carburetor Assembly	49
Hydraulic Transmission Assembly	25	Ignition and Fuel Pump Assembly	50
Transmission Assembly No. 92-8947	27	Starter Motor Assembly (91AB1100JB)	51

Part Description Abbreviations

Part descriptions in this catalog may include the following abbreviations.

Abbreviation	Meaning	Abbreviation	Meaning
AR	as required	HYD	hydraulic
ASM	assembly	INC	incorporated
CARR	carriage	LH	left hand
DEG	degrees	NI	nylon insert
FH	flat head	PPH	Phillips pan head
GA	gauge	PTH	Phillips truss head
HF	hex flange	PTO	power take off
HH	hex head	RH	right hand
HHF	hex head flange	SFH	slotted fillister head
HLH	hex lag head	SHH	slotted hex head
HJ	hex jam	SQH	square head
HOC	height-of-cut	SHWH	slotted hex washer head
HS	hex socket	SPH	slotted pan head
HSBH	hex socket button head	SRH	slotted round head
HSFH	hex socket flat head	STD	standard
HSH	hex socket head	TAP	self tapping
HWH	hex washer head	TTH	Torx truss head
HWHTF	hex washer head thread forming	WH	wing head

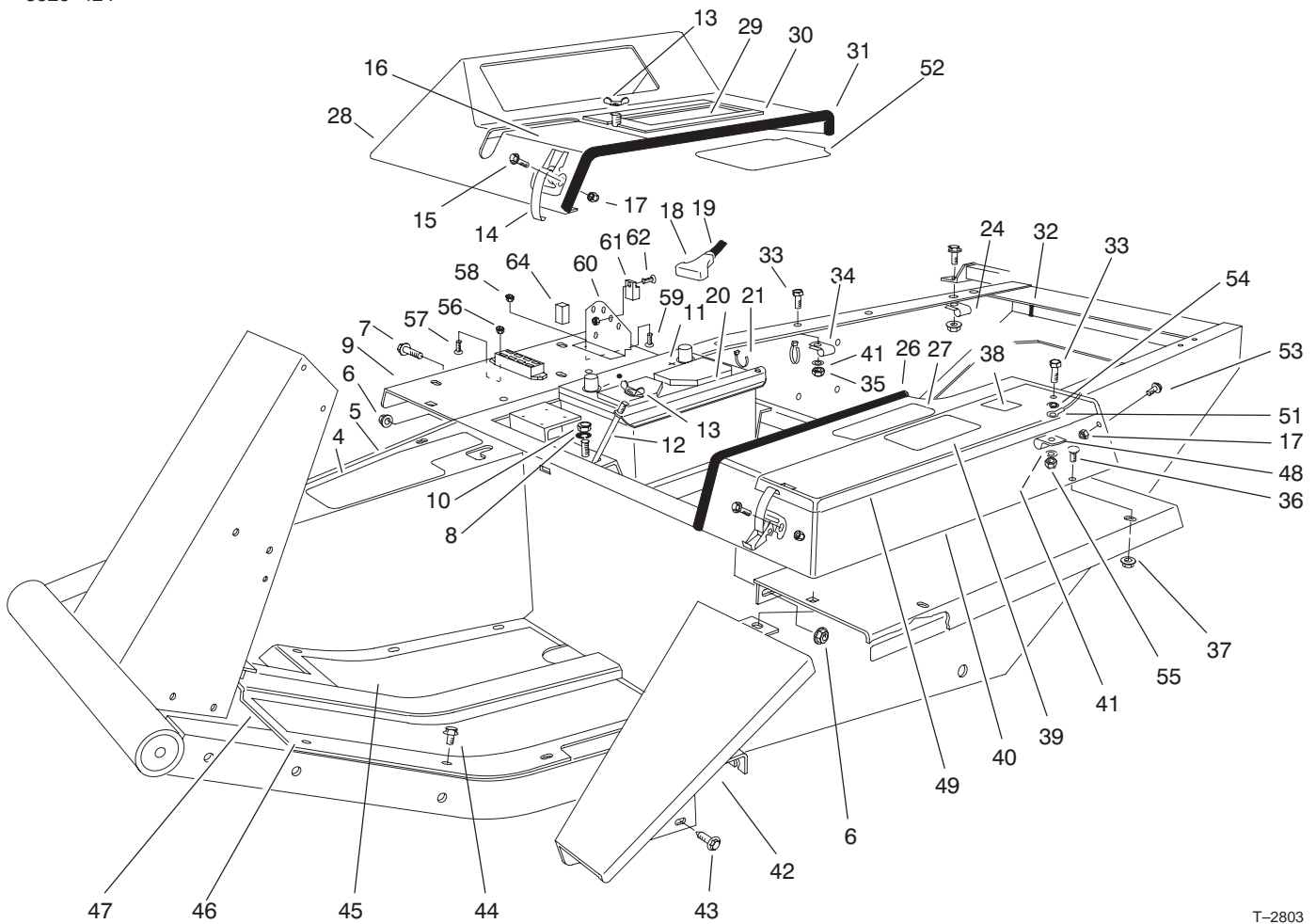


T-2803

Main Frame Assembly

Ref. No.	Part No.	Qty.	Description
4	66-6390	1	Decal-Caution
5	21-2660	1	Footrest
6	32128-19	6	Nut-Flange
7	3234-12	4	Screw-HHF
8	3253-4	2	Washer-Lock
9	105-2596-01	2	Fender
10	3217-6	2	Nut
11	55-7290	1	Battery (Group Size 24)
12	24-6390	2	Stud-Hold Down, Battery
13	32103-2	2	Nut-Wing
14	249-21	3	Hook Clamp
15	3290-144	6	Screw-Machine
16	27-7290	1	Decal-Take Off, Power
17	3296-2	9	Nut-Lock
18	28-1280	1	Boot-Cable
19	105-2530	1	Cable-Battery, Positive
20	24-6420	1	Down-Hold, Battery
21	3290-378	2	Tie-Cable
24	2412-39	2	Clamp
26	37-9650	1	Trim
27	67-1710	1	Decal-Caution
28	38-4550	1	Cover-Instrument
29	92-7802	1	Decal-Instructions,

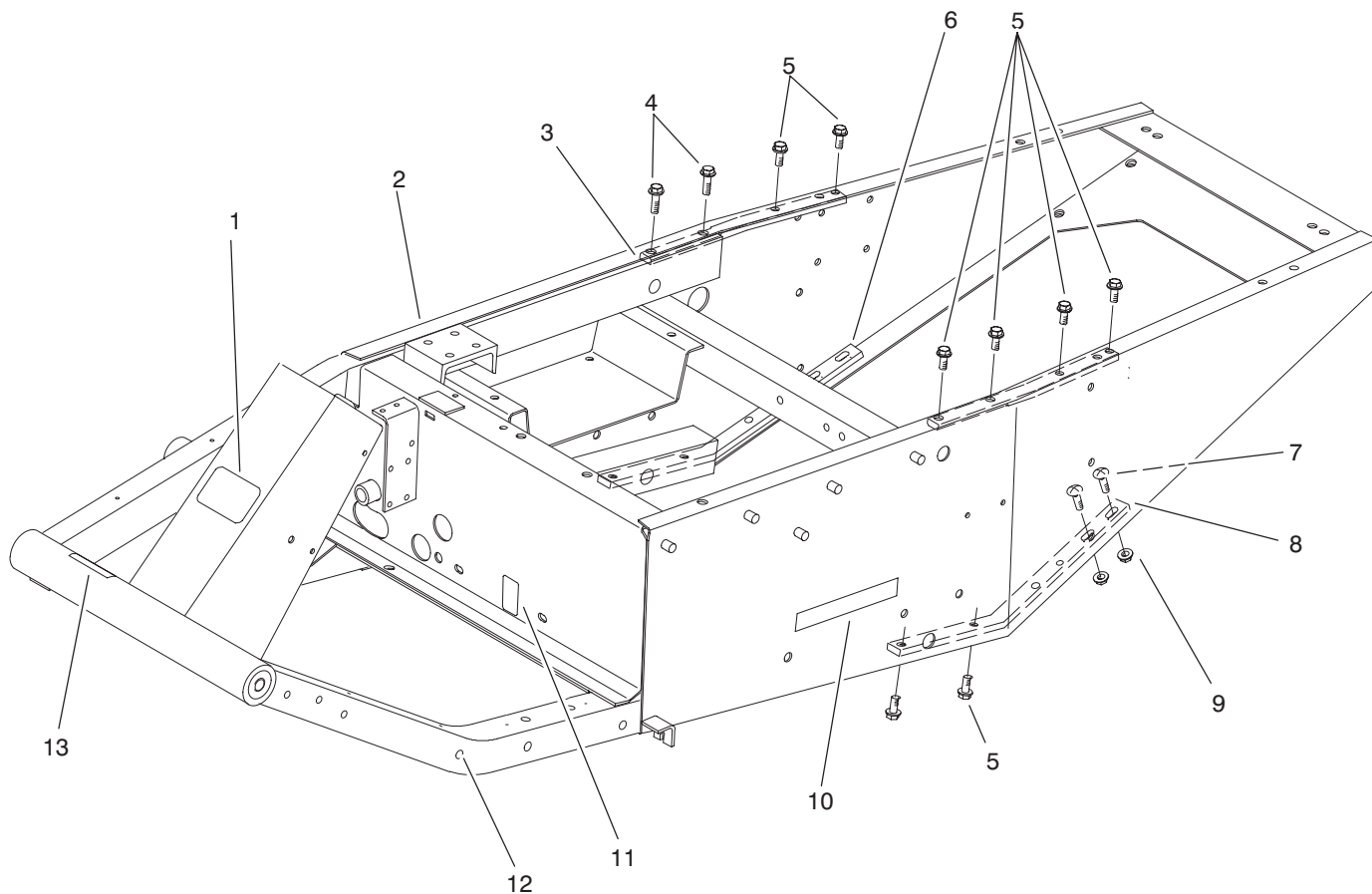
Ref. No.	Part No.	Qty.	Description
30	92-7800	1	Starting Cover-Access, Battery (Incl. Ref. #29 & 52)
31	39-8020	1	Trim-Cover, Instrument
32	43-4300	2	Trim-Frame, Rear
33	322-6	2	Screw-HH
34	2412-74	1	Clamp
35	3296-39	1	Nut-Lock
36	3229-1	5	Bolt-Carriage
37	32128-13	5	Nut-Lock, Flange
38	53-4420	1	Decal-Fuel
39	27-7310	1	Decal-Refueling
40	93-3183	1	Tool Box (Incl. Ref. #27)
41	3256-23	2	Washer-Flat
42	68-8610	1	Fender-Extension
43	3234-14	2	Screw-HH
44	32144-10	11	Screw-Tapping, Self
45	21-2770	1	Pad-Foot Rest, RH
46	21-2760	1	Pad-Foot Rest, LH
47	88-0070	1	PlateFloor
48	98-3883	1	Clamp-Wire
49	93-3184	1	Cover (Incl. Ref. # 39)



T-2803

Main Frame Assembly (Continued)

Ref. No.	Part No.	Qty.	Description
51	18-2770	1	Cable—Ground
52	92-7801	1	Shield—Cover, Battery
53	3290-144	4	Screw—HH
54	3254-2	1	Washer—Lock
55	3296-29	1	Nut—Lock
56	3296-2	2	Nut—Lock
57	32105-13	2	Screw
58	32128-20	2	Nut
59	322-3	2	Screw
60	105-0002-03	1	Bracket—Relay
61	70-1480	3	Relay
62	321-4	3	Screw
63	32128-33	3	Nut
64	100-6170	1	Module

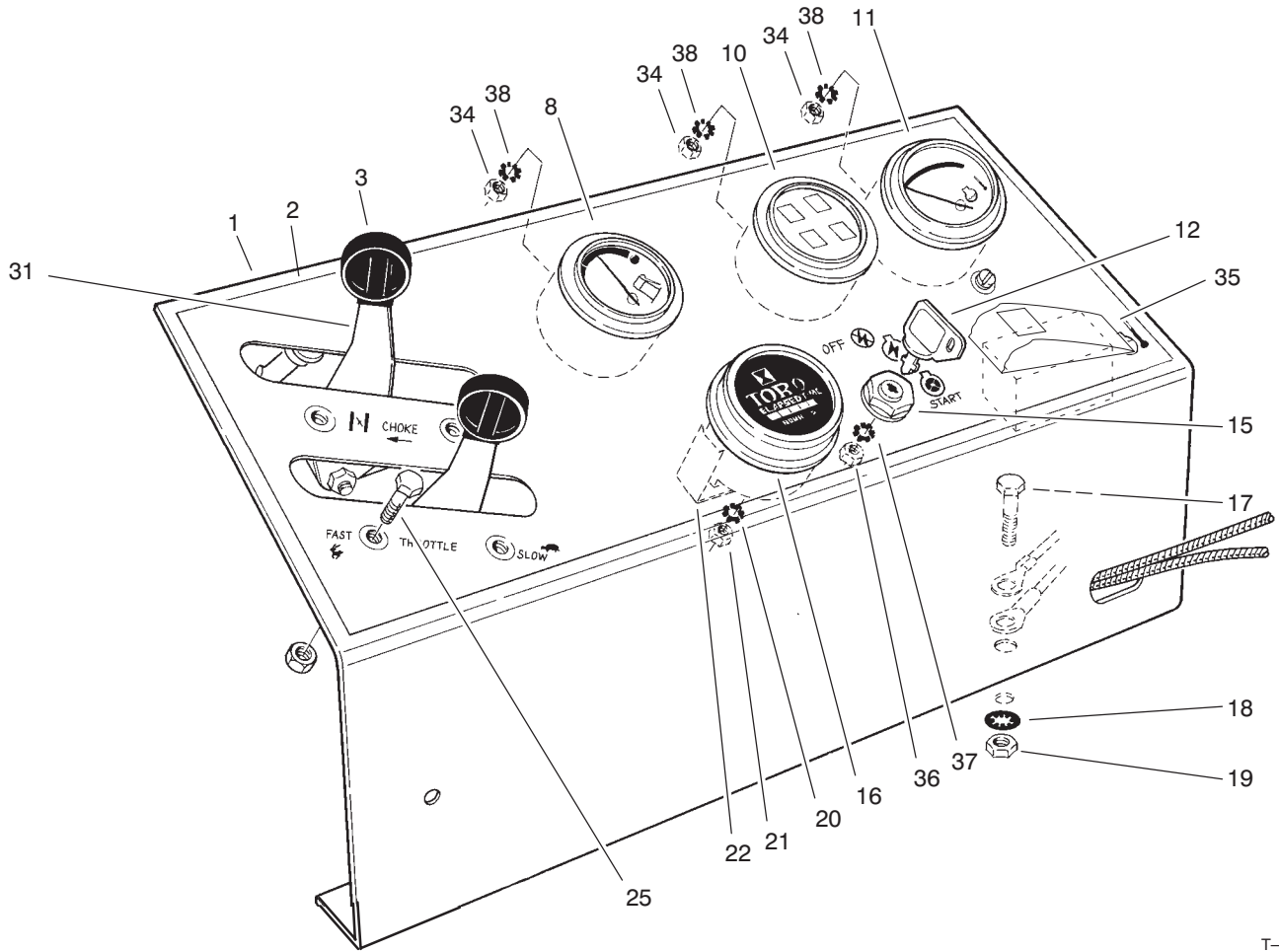


T-2802

Frame Assembly

Ref. No.	Part No.	Qty.	Description
1	70-2200	1	Decal-Toro
2	98-3879	1	Frame ASM (Incl. Ref. #1, & 3-13)
3	98-3866	2	Brace-Upper
4	3234-24	2	Screw-HHF
5	3234-25	10	Screw-HHF
6	98-3865	1	Brace-Right, Lower
7	3231-25	4	Screw-Carriage
8	98-3864	1	Brace-Left, Lower
9	32128-21	4	Nut-Lock, HFH
10	67-1720	2	Decal-Torque
11	53-4430	1	Decal-Fill, Oil
12	32148-9	1	Insert-Threaded
13	27-7320	1	Decal-Pedal, Traction

Ref. No.	Part No.	Qty.	Description

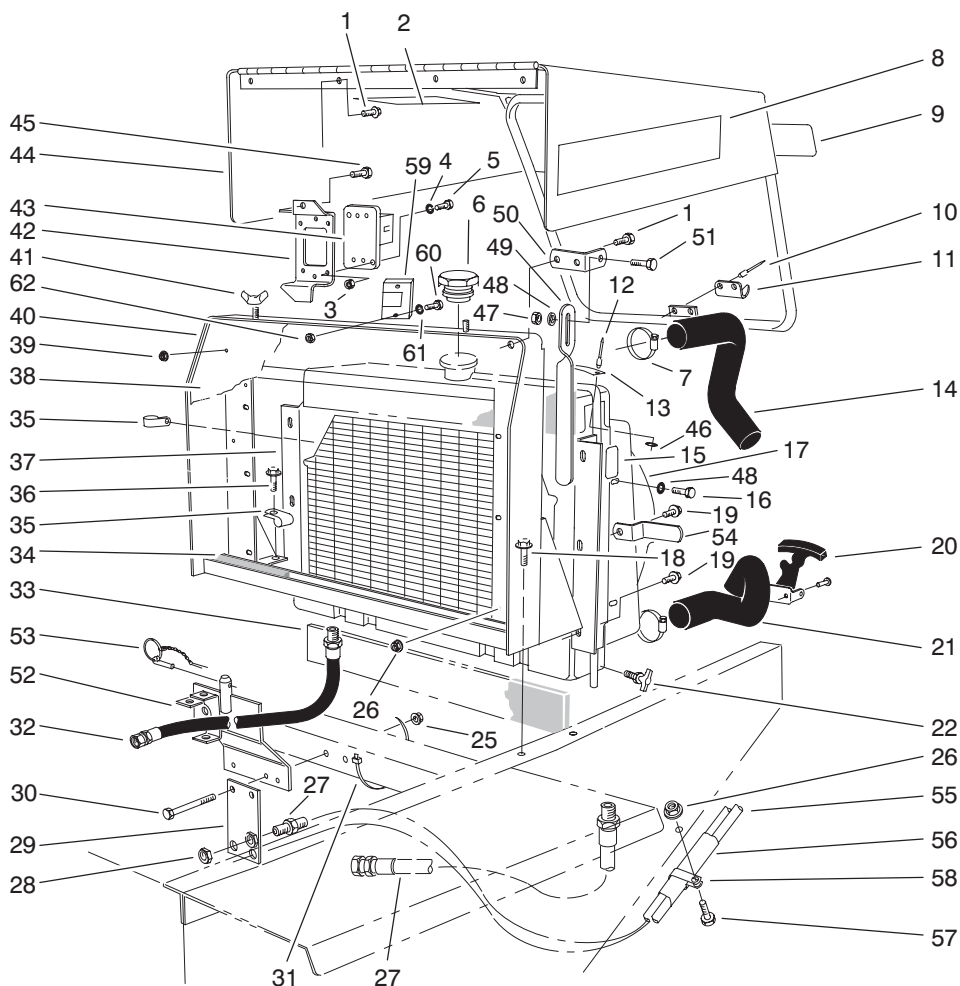


T-1175

Instrument Panel Assembly

Ref. No.	Part No.	Qty.	Description
1	105-0081-03	1	Panel-Instrument
2	105-0080	1	Decal-Panel, Instrument
3	233-35	2	Knob-Control
8	98-9339	1	Gauge-Fuel (Incl. Ref. #34, 38)
10	98-9306	1	Ammeter (Incl. Ref. #34, 38)
11	105-2540	1	Gauge-Temperature, Engine (Incl. Ref. #34, 38)
12	63-8360	1	Key
15	104-2541	1	Switch (Incl. Ref. #36, 37)
16	12-9990	1	Meter-Hour (Incl. Ref. #20-22)
17	322-5	2	Screw-HH
18	3254-2	6	Washer-Lock, Int.
19	3217-6	2	Nut
20	3255-5	1	Washer-Lock
21	3217-26	1	Nut-Hex
22	218-515	1	Bracket-Mounting
25	3290-134	4	Screw-Machine, HH
31	67-8560	2	Control-Throttle & Choke (Incl. Ref. #3)
34	3217-27	3	Nut-Hex

Ref. No.	Part No.	Qty.	Description
35	100-8072	1	Switch
36	218-461	1	Nut
37	3254-5	1	Washer
38	3254-5	3	Washer



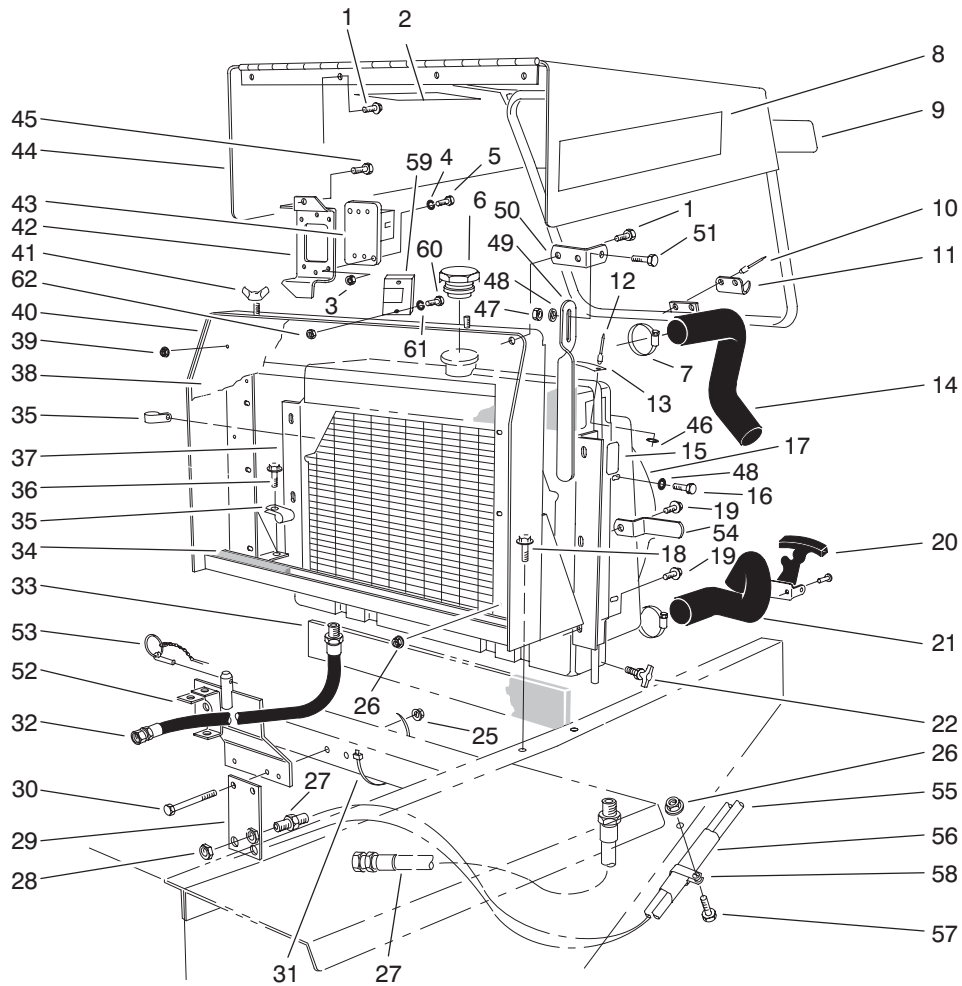
T-0916

Radiator and Hood Assembly

Ref. No.	Part No.	Qty.	Description
1	32144-10	5	Screw-TAP
2	82-8970	1	Decal-Coolant, Engine
3	3217-5	3	Nut
4	3253-3	3	Washer
5	321-5	3	Screw
6	66-3240	1	Cap-Radiator, Pressure
7	2412-3	4	Clamp-Hose
8	105-0089	2	Decal-GM345
9	66-6140	1	Decal-Toro
10	3290-55	4	Rivet
11	249-40	1	Keeper
12	3269-13	2	Rivet
13	76-8750	1	Decal-Warning
14	70-1630	1	Hose-Upper, Radiator
15	77-3100	2	Decal-Warning
16	32104-109	4	Screw-HHF
17	67-8640	1	Shroud-Radiator
18	3234-25	1	Screw-HHF
19	3234-14	6	Screw-HHF
20	59-9740	1	Latch-Draw (Inc. Ref. #11)
21	67-8660	1	Hose-Lower, Radiator
22	304-46	1	Draincock

Ref. No.	Part No.	Qty.	Description
24	63-9010	1	Hose ASM (Cooler to Pump)
25	32128-21	3	Nut-HF
26	32128-20	7	Nut-HF
27	340-71	2	Union-Bulkhead
28	340-70	2	Nut-Lock, Bulkhead
29	68-9160	1	Bracket
30	323-14	3	Screw-HH
31	3290-379	A/R	Tie-Cable
32	63-8960	1	Hose ASM
33	43-3320	2	Foam-Radiator
34	70-1790	1	Strip-Sealing, Foam
35	2412-39	2	Clamp
36	3234-24	2	Screw-HHF
37	67-8590	1	Radiator ASM
38	67-9030	1	Grille-Radiator
39	32128-33	2	Nut-Lock, Flange
40	86-9400	1	Support-Radiator
41	32103-2	2	Nut-Wing
42	105-2500	1	Bracket-E.S.C.
†43	YU1L-12A297FA	1	Module-E.S.C.
44	14-8459	1	Hood
45	321-39	2	Screw-HH
46	3269-10	2	Washer
47	3296-16	1	Nut-Lock

† Obtain from your local Ford Power Products Dealer



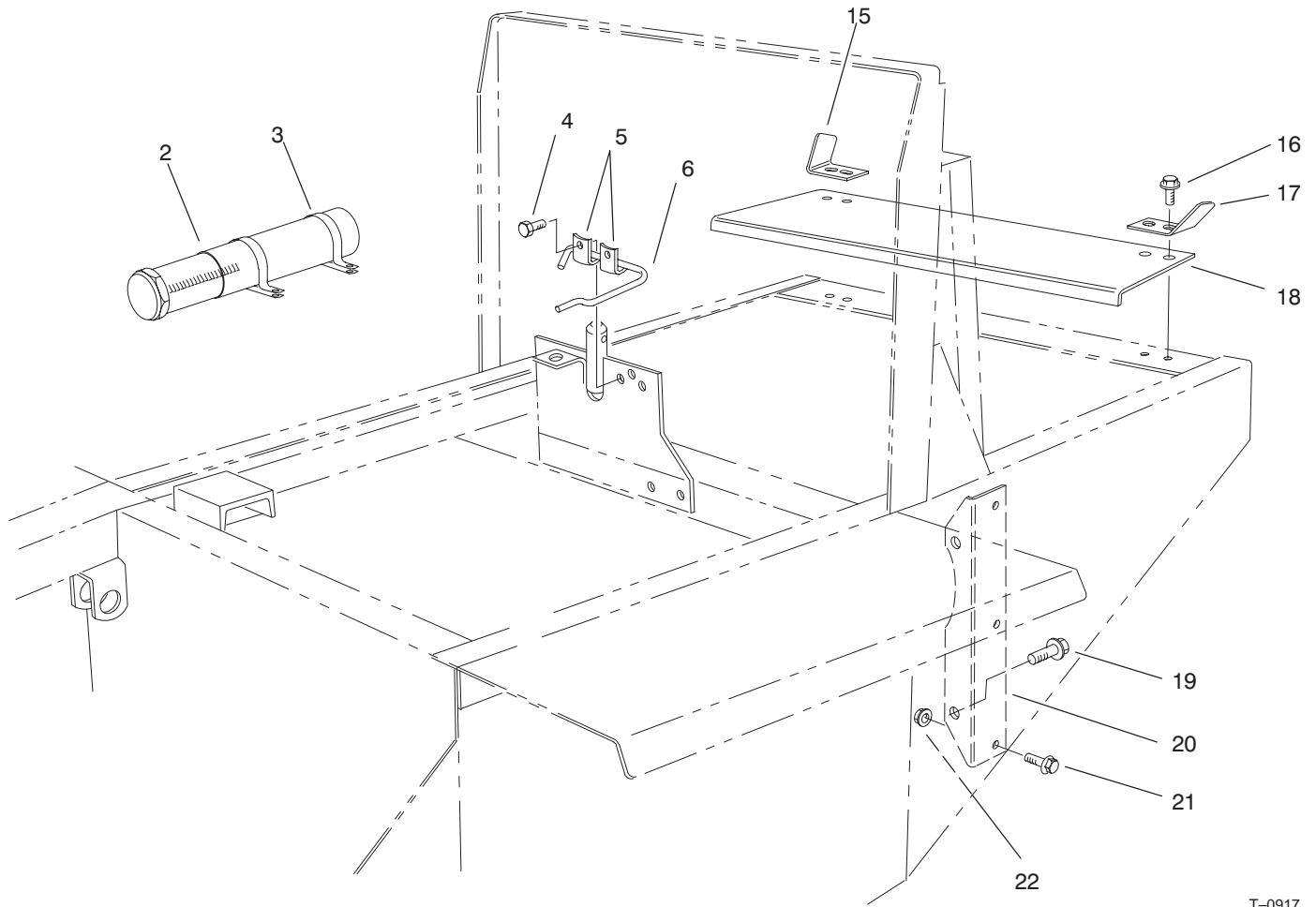
T-0916

Radiator and Hood Assembly (Continued)

Ref. No.	Part No.	Qty.	Description
48	3256-22	5	Washer-Flat
49	84-5380	1	Strap-Prop, Hood
50	84-5330	1	Bracket-Prop, Hood
51	321-6	1	Screw-HH
52	105-2542-01	1	Support-Seat
53	283-76	1	Pin-Lynch
54	86-7060	1	Bracket-Hold Down, Hood
55	68-9710	2	Hose-Cylinder, Steering
56	56-7980	1	Sleeve-Protective
57	322-6	1	Screw-HH
58	2412-147	1	Clamp
†59	F8JL-95428-AB	1	Sensor-Map
60	3290-360	2	Screw
61	3256-51	2	Washer
62	3296-2	2	Nut

Ref. No.	Part No.	Qty.	Description

† Obtain from your local Ford Power Products Dealer

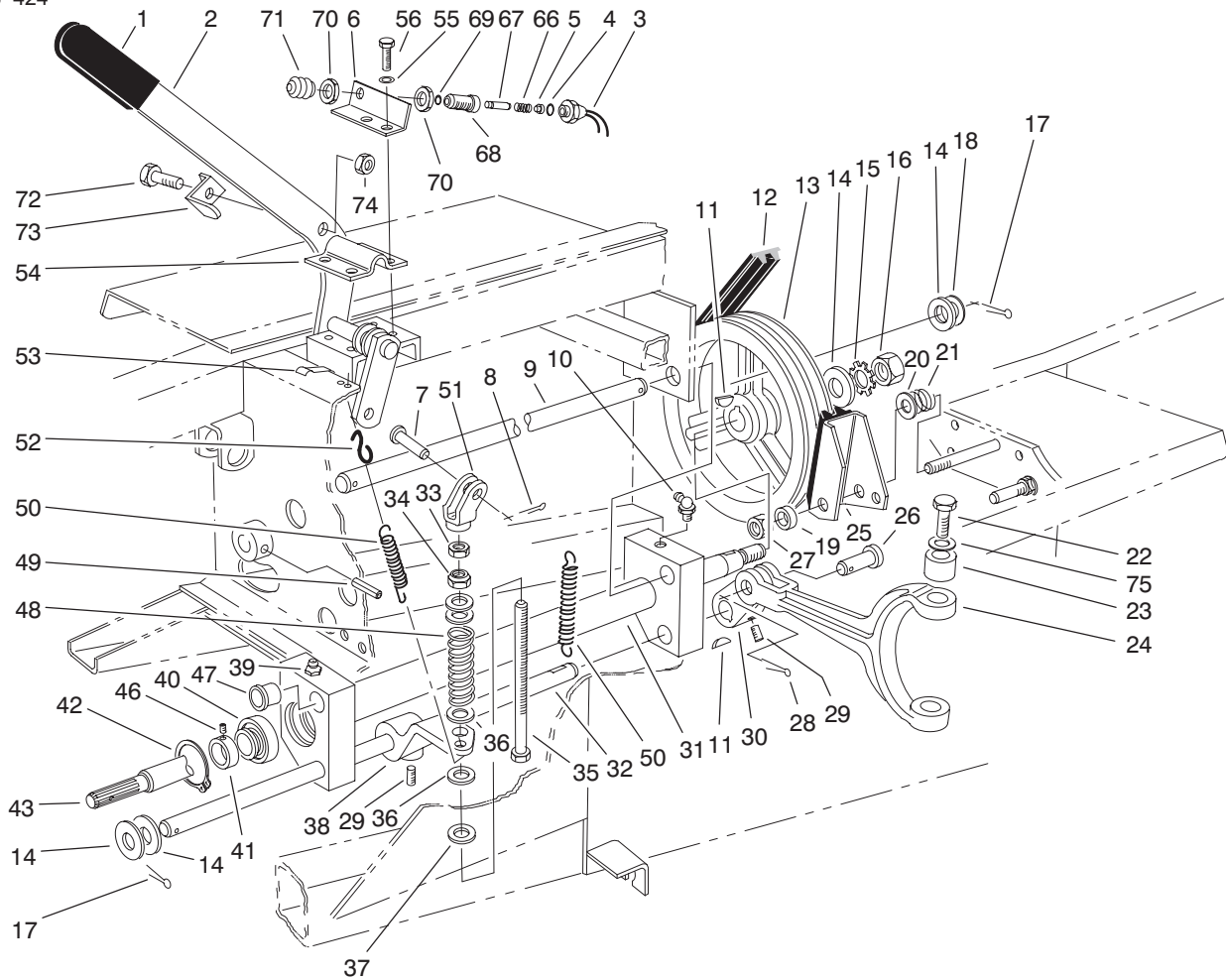


T-0917

Interlock Assembly

Ref. No.	Part No.	Qty.	Description
2	74-0720	1	Tube-Manual
3	2412-133	2	R-Clamp
4	32144-10	2	Screw-TAP
5	3-6657	2	Clip
6	86-7040	1	Rod-Prop, Seat
15	62-3010	1	Bracket-RH
16	3234-17	4	Screw-HHF
17	62-3020	1	Bracket-LH
18	70-1890	1	Guard-Flywheel
19	3234-6	2	Screw-HHF
20	67-8190	2	Bracket-Support, Engine
21	3234-11	6	Screw-HHF
22	3290-357	6	Nut-Lock, Flange

Ref. No.	Part No.	Qty.	Description

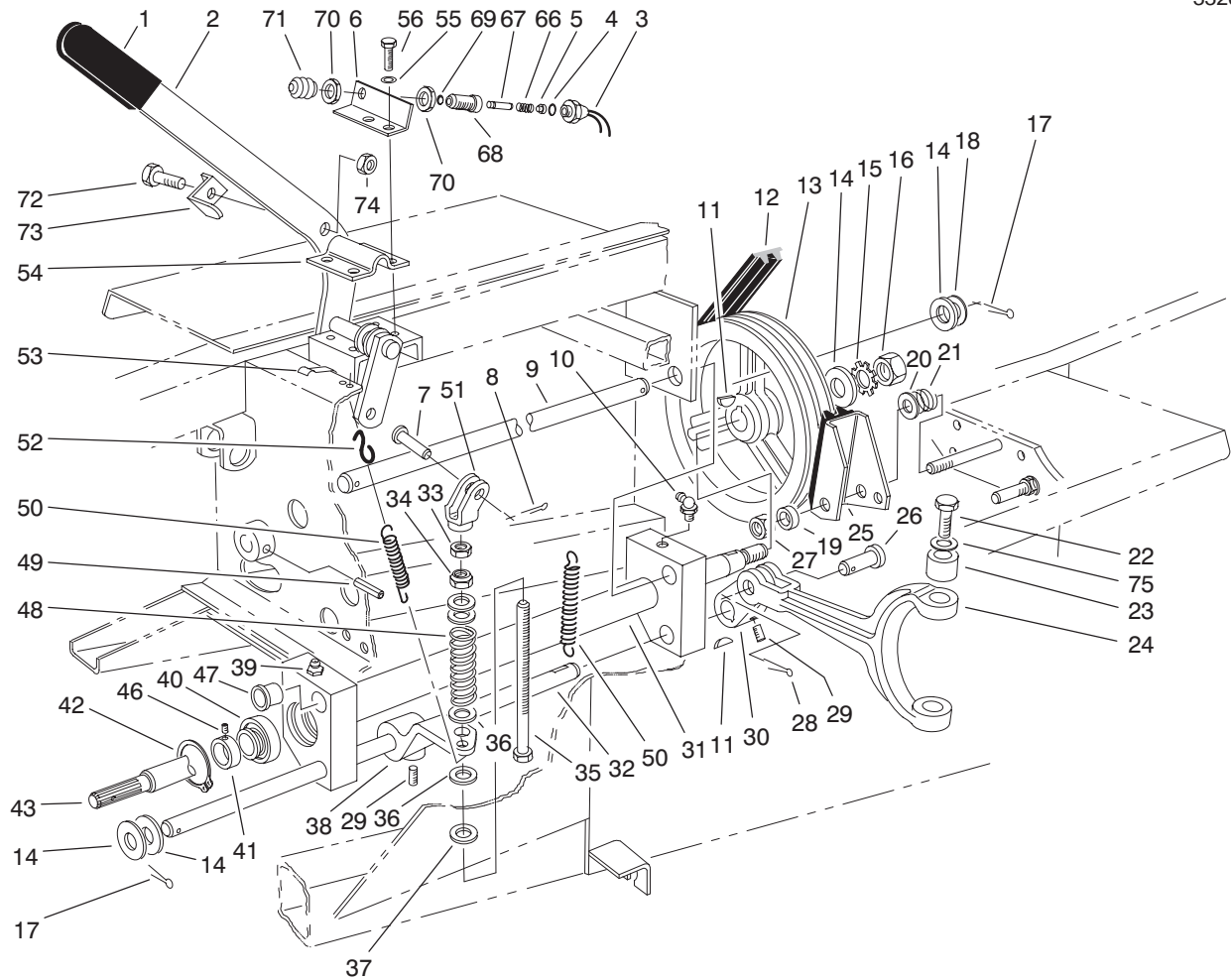


T-0413

Power Take Off Assembly

Ref. No.	Part No.	Qty.	Description
1	21-1880	1	Grip-Handle
2	84-8500	1	Lever-P.T.O.
3	72-4320	1	Switch-Ball
4	237-30	1	O-Ring
5	43-8610	1	Guide-Seat, Spring & Ball
6	84-8520	1	Bracket-Switch, P.T.O.
7	283-42	1	Pin-Clevis
8	3272-6	1	Pin-Cotter
9	43-3860	1	Shaft-Pivot, P.T.O.
10	302-10	1	Fitting-Grease
11	3257-5	3	Key-Woodruff
12	53-9660	1	V-Belt
13	21-0230	1	Pulley- P.T.O.
14	3256-28	4	Washer-Flat
15	3254-7	1	Washer-Lock
16	3219-7	1	Nut-Hex
17	3272-22	2	Pin-Cotter
18	3-6498	A/R	Washer
19	3-8812	1	Spacer
20	3256-6	1	Washer-Flat
21	5-1747	1	Spring
22	92-5727	2	Screw-HH
23	92-5723	2	Bushing-Fork, P.T.O.
24	92-4060	1	Fork-P.T.O.
25	27-7370	1	P.T.O. Brake ASM

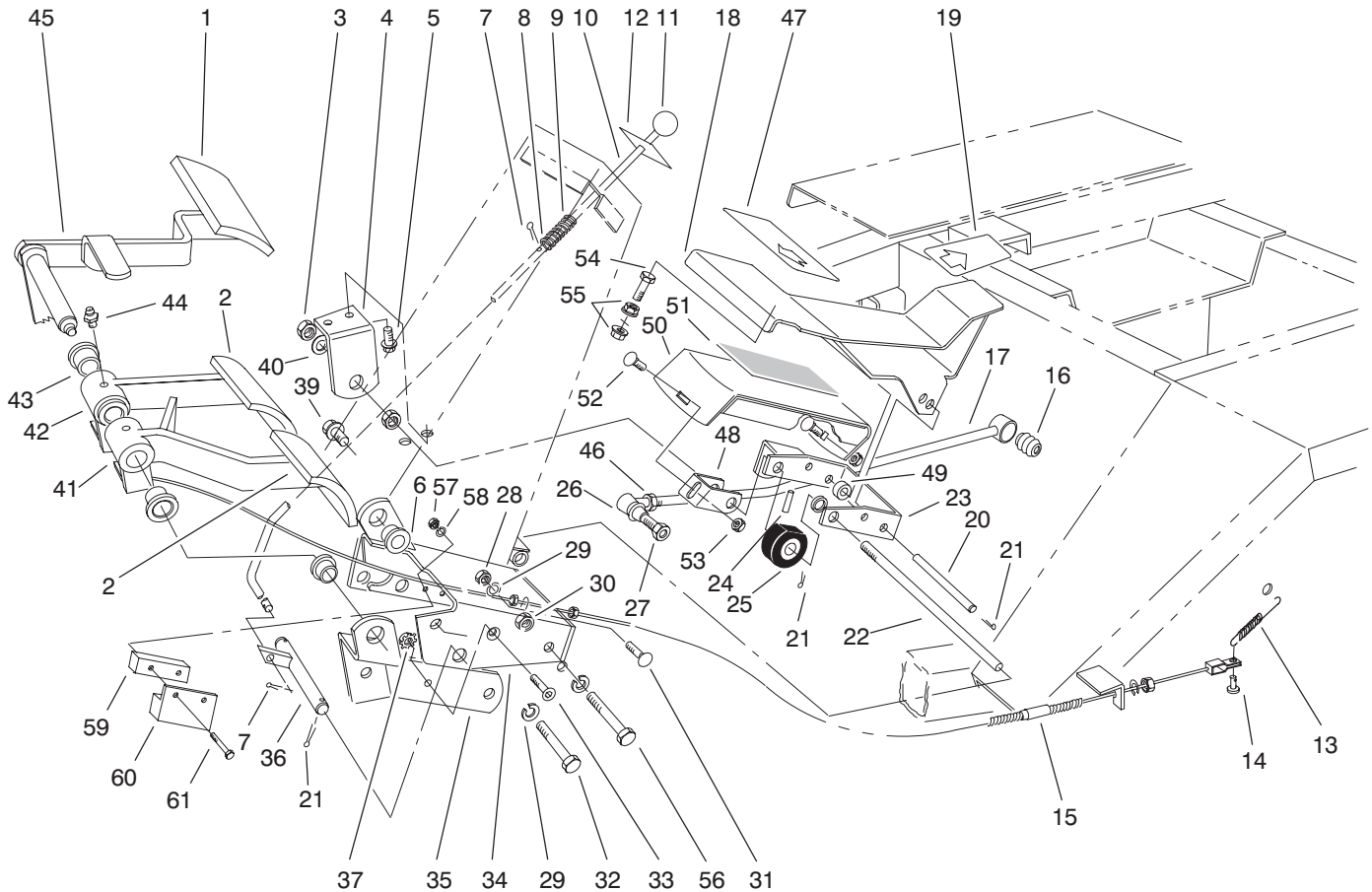
Ref. No.	Part No.	Qty.	Description
26	93-3769	1	Pin-Clevis
27	3296-28	1	Nut-Lock
28	3272-11	1	Pin-Cotter
29	3246-3	4	Screw-Set
30	92-4058	1	Arm-P.T.O.
31	43-5500	1	Pivot-P.T.O.
32	43-5550	1	Shaft-Actuator, P.T.O.
33	3219-3	1	Nut
34	3296-6	1	Nut-Lock
35	27-7900	1	Screw-Adjusting
36	3256-41	4	Washer-Flat
37	5-0652	1	Spacer
38	43-5570	1	Arm-Actuator, P.T.O.
39	302-2	1	Fitting-Grease
40	251-252	2	Bearing-Ball (Incl. Ref. #41)
41	251-234	2	Collar-Lock (Incl. Ref. #46)
42	32120-22	2	Ring-Retaining
43	43-5540	1	Shaft P.T.O.
46	3246-1	2	Screw-Set
47	256-113	4	Bushing-Flange
48	21-0400	1	Spring-Compression
49	32121-9	1	Pin-Roll
50	21-1830	2	Spring-Tension
51	43-5630	1	Yoke-P.T.O.



T-0413

Power Take Off Assembly (Continued)

Ref. No.	Part No.	Qty.	Description	Ref. No.	Part No.	Qty.	Description
52	5-0701	1	Anchor—Spring				
53	212-93	1	Clip—Wire				
54	21-1600	1	Clamp—Lever, P.T.O.				
55	3253-21	4	Washer—Lock				
56	32104-6	4	Screw—TAP				
66	43-8600	1	Spring—Compression				
67	43-8860	1	Plunger—Switch				
68	43-8620	1	Guide—Pin, Switch				
69	237-7	1	O—Ring				
70	218-461	2	Nut—Jam				
71	43-8870	1	Boot—Switch				
72	321-4	1	Screw—HH				
73	86-7050	1	Bracket—Actuator, Switch				
74	3296-16	1	Nut—Lock				
75	75-9890	A/R	Washer—Shim				
*	43-9071	1	Switch ASM (Incl. Ref. #3-5 & 66-71) (Qty. 1 of Item #70)				

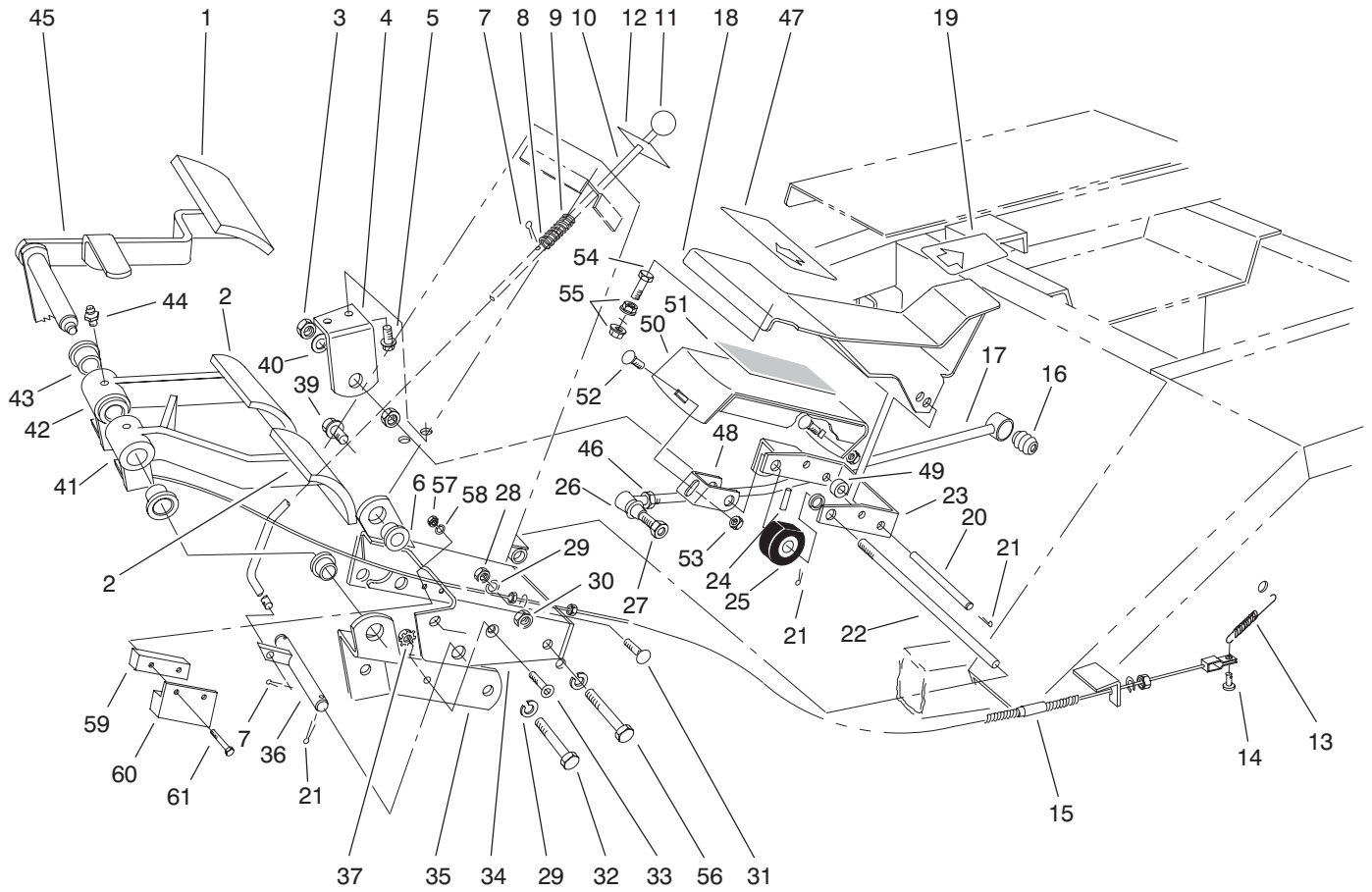


T-0415

Brake Pedal Assembly

Ref. No.	Part No.	Qty.	Description
1	93-8742	1	Pad-Brake
2	93-8743	2	Pad-Turn
3	3218-5	2	Nut-Jam
4	21-2850	1	Mount-Pedal, RH
5	11-0590	2	Screw-TAP
6	256-156	7	Bushing
7	3272-5	3	Pin-Cotter
8	3256-22	1	Washer-Flat
9	95-1821	1	Spring-Compression
10	82-8670	1	Rod-Latch, Brake
11	233-17	1	Knob
12	82-8930	1	Decal-Brake, Parking
13	3-7243	2	Spring-Extension
14	283-58	2	Pin-Clevis
15	21-3380	1	Cable-Brake, LH
*	21-3370	1	Cable-Brake, RH
16	23-2270	1	Bushing-Rubber
17	23-2240	1	Rod-Control, Pump
18	94-3304	1	Pedal-Traction
19	94-3308	1	Pad-Pedal, Rear
20	88-1640	1	Pin-Pedal, Traction
21	3272-6	6	Pin-Cotter
22	88-1650	1	Shaft-Pedal, Traction
23	88-1670	1	Bracket-Pivot (Inc. Ref. #6)
24	32121-16	1	Pin-Roll

Ref. No.	Part No.	Qty.	Description
25	28-5220	1	Wheel-Friction
26	21-0141	1	RH Socket ASM
27	3220-3	1	Nut-Jam
28	3217-7	2	Nut-Hex
29	3253-21	4	Washer-Lock
30	32153-2	2	Nut-Lock
31	3231-21	2	Bolt-Carriage
32	323-13	1	Screw-HH
33	3274-47	1	Screw-HSFH
34	105-0066-01	1	Mount-Brake
35	27-9270	1	Mount-Pivot, Brake Shaft
36	105-0065	1	Shaft-Latch, Brake
37	32149-2	1	Nut
39	3234-11	3	Screw-HH
40	3256-26	1	Washer-Flat
41	27-7490	1	Pedal-Brake, LH (Incl. Ref. #43)
42	27-7510	1	Pedal-Brake, RH (Incl. Ref. #43)
43	256-10	4	Bushing
44	302-5	2	Fitting-Grease
45	27-8550	1	Pedal-Brake, Parking
46	3220-5	1	Nut-Jam
47	94-3307	1	Pad-Pedal, Front
48	88-1680	1	Bracket-Footrest

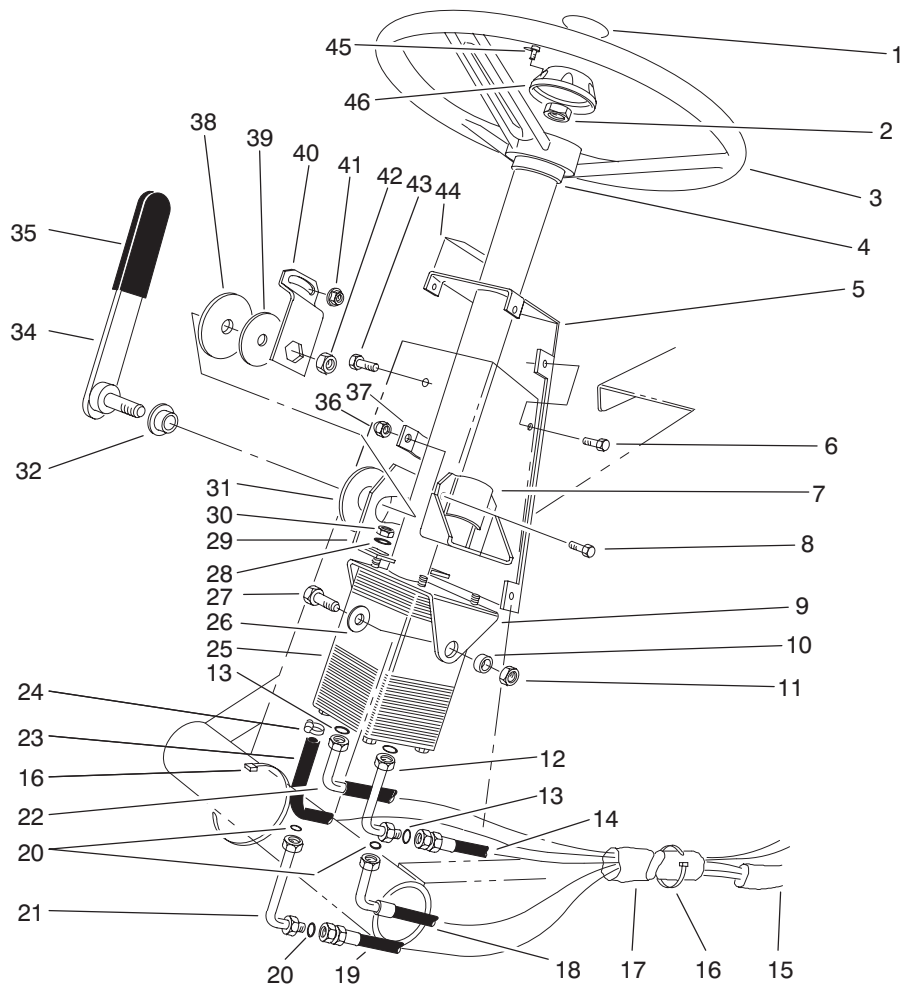


T-0415

Brake Pedal Assembly (Continued)

Ref. No.	Part No.	Qty.	Description
49	88-0470	1	Tube—Spacer, Pedal
50	88-1710	1	Footrest
51	88-1720	1	Pad—Footrest
52	3230-1	2	Bolt—Carriage
53	32128-25	2	Nut—Lock, Flange
54	323-42	1	Screw—HH
55	32128-43	2	Nut—HF
56	323-14	1	Screw—HH
57	3296-2	2	Nut
58	3256-51	2	Washer
59	105-0064	1	Spacer—Switch
60	100-1270	1	Switch
61	3290-360	2	Screw

Ref. No.	Part No.	Qty.	Description
----------	----------	------	-------------

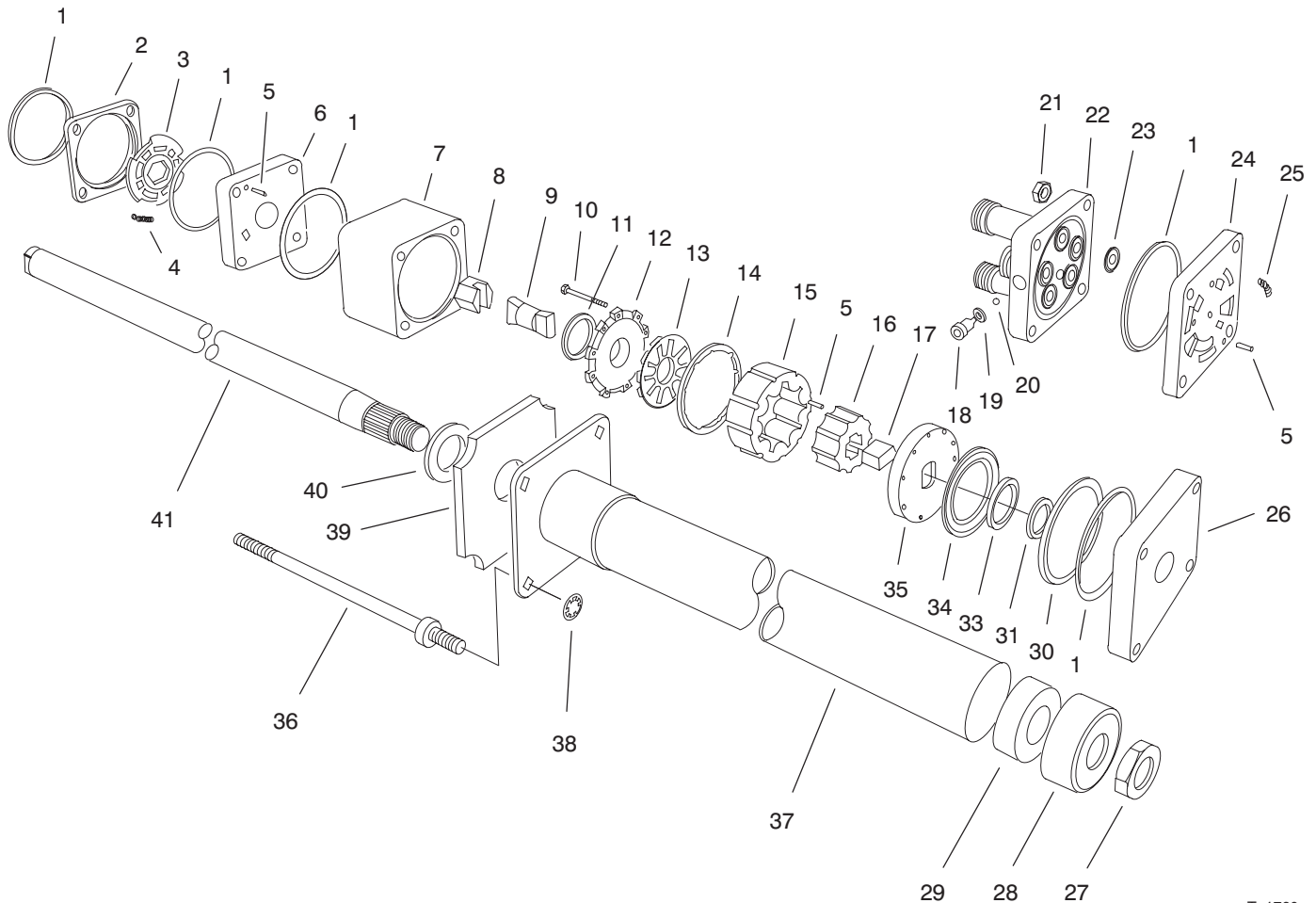


T-1187

Power Steering Assembly

Ref. No.	Part No.	Qty.	Description
1	68-5370	1	Decal-Toro
2	66-9760	1	Nut-Hex
3	75-0560	1	Steering Wheel ASM (Incl. Ref. #45 & 46)
4	21-9260	1	Cover-Dust
5	82-8660	1	Cover-Tower
6	32144-10	6	Screw-HWHTF
7	67-8690	1	Support-Column
8	3234-17	2	Screw-HH
9	77-3120	1	Bracket-Mount, Column
10	80-2960	2	Spacer-Tower
11	32153-2	2	Nut-Hex
12	82-8760	1	Elbow
13	237-30	3	O-Ring
14	63-8970	1	Hose
15	70-1390	1	Sleeve-Protective
16	3290-379	A/R	Tie-Cable
17	70-1380	1	Sleeve-Protective
18	68-9730	1	Hose
19	68-9720	1	Hose
20	237-22	3	O-Ring
21	82-8770	1	Elbow
22	63-8980	1	Hose
23	63-8990	1	Hose
24	2412-36	2	Clamp

Ref. No.	Part No.	Qty.	Description
25	92-7308	1	Valve-Steering, Power
26	3256-46	2	Washer-Flat
27	323-6	2	Screw-HH
28	3256-3	4	Washer-Flat
29	80-2940	1	Plate-Pivot
30	3296-20	4	Nut-Lock
31	31-0390	1	Disc-Friction
32	80-2980	1	Boss-Pin
34	93-1353	1	Lever-Steering, Tilt
35	21-1880	1	Grip-Handle
36	3296-29	2	Nut-Lock
37	82-8650	1	Clamp-Half
38	82-9010	1	Disc-Friction
39	80-2930	1	Washer
40	80-2880	1	Bracket-Steering, Tilt
41	32128-20	1	Nut-Flange
42	3218-7	1	Nut-Jam
43	322-4	1	Screw-HH
44	82-8940	1	Decal-Steering, Tilt
45	32144-21	1	Screw
46	68-5140	1	Cap-Wheel, Steering



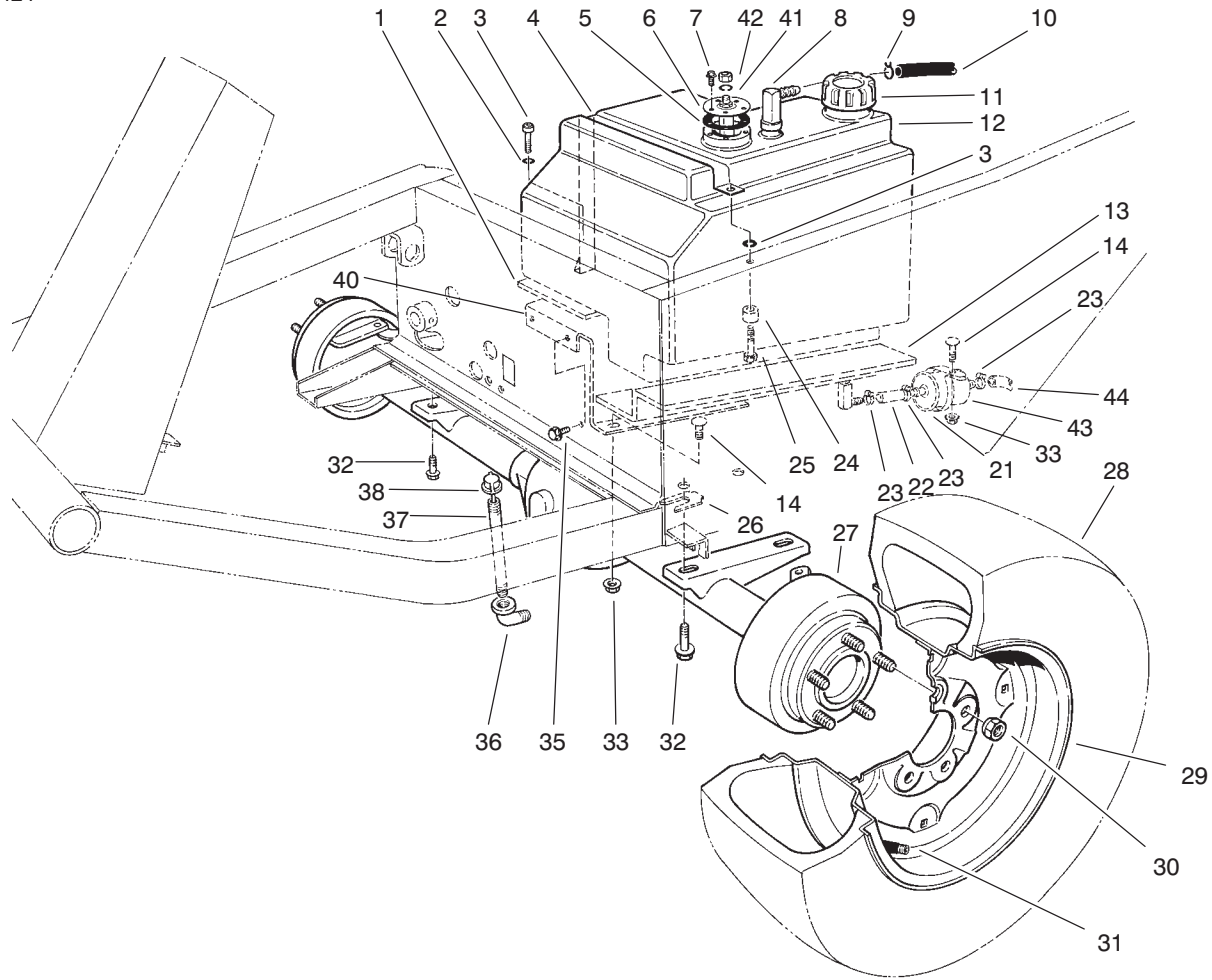
T-1760

Power Steering and Valve Assembly No. 92-7308

Ref. No.	Part No.	Qty.	Description
☆1		5	Ring—Seal
☆2		1	Ring—Valve
☆3		1	Plate—Valve
☆4		3	Spring
☆5		9	Pin—Alignment
☆6		1	Manifold—Isolation
☆7		1	Ring—Metering
☆8		1	Hex Drive ASM
☆9		1	Link—Drive
☆10		11	Screw—HSH
☆11		1	Seal—Commutator
☆12		1	Cover—Commutator
☆13		1	Commutator
☆14		1	Ring—Commutator
☆15		1	Stator
☆16		1	Rotor
☆17		1	Spacer—Link, Drive
☆18		1	Plug
☆19		1	O—Ring
☆20		1	Ball
☆21		4	Nut—Hex
☆22		1	Cover—Port
☆23		5	O—Ring
☆24		1	Manifold—Port
☆25		3	Spring
☆26		1	Plate—Cover, Upper

Ref. No.	Part No.	Qty.	Description
27	3220-6	1	Nut
28	92-7315	1	Seal
☆29		1	Bearing
☆30		1	Spacer—Thrust Bearing
☆31		1	Spacer—Seal
☆33		1	Seal—Face
☆34		1	Bearing—Thrust
☆35		1	Plate—Drive
36	92-7310	4	Bolt—Special
☆37		1	Cover & Jacket—Upper
38	92-7316	4	Nut—On, Push
39	92-7317	1	Foam
☆40		1	Washer—Retaining
☆41		1	Shaft—Input
*	66-9970	1	Kit—Spring (Incl. Ref. #4 & 25)
*	66-9980	1	Kit—Seal (Incl. Ref. #1, 11, 19, 23, 31 & 33)
*	66-9990	1	Kit—Roller, Needle (Incl. Ref. #5)
*	92-7314	1	Column ASM (Incl. Ref. #27-29 & 37-41)

☆ Not serviced

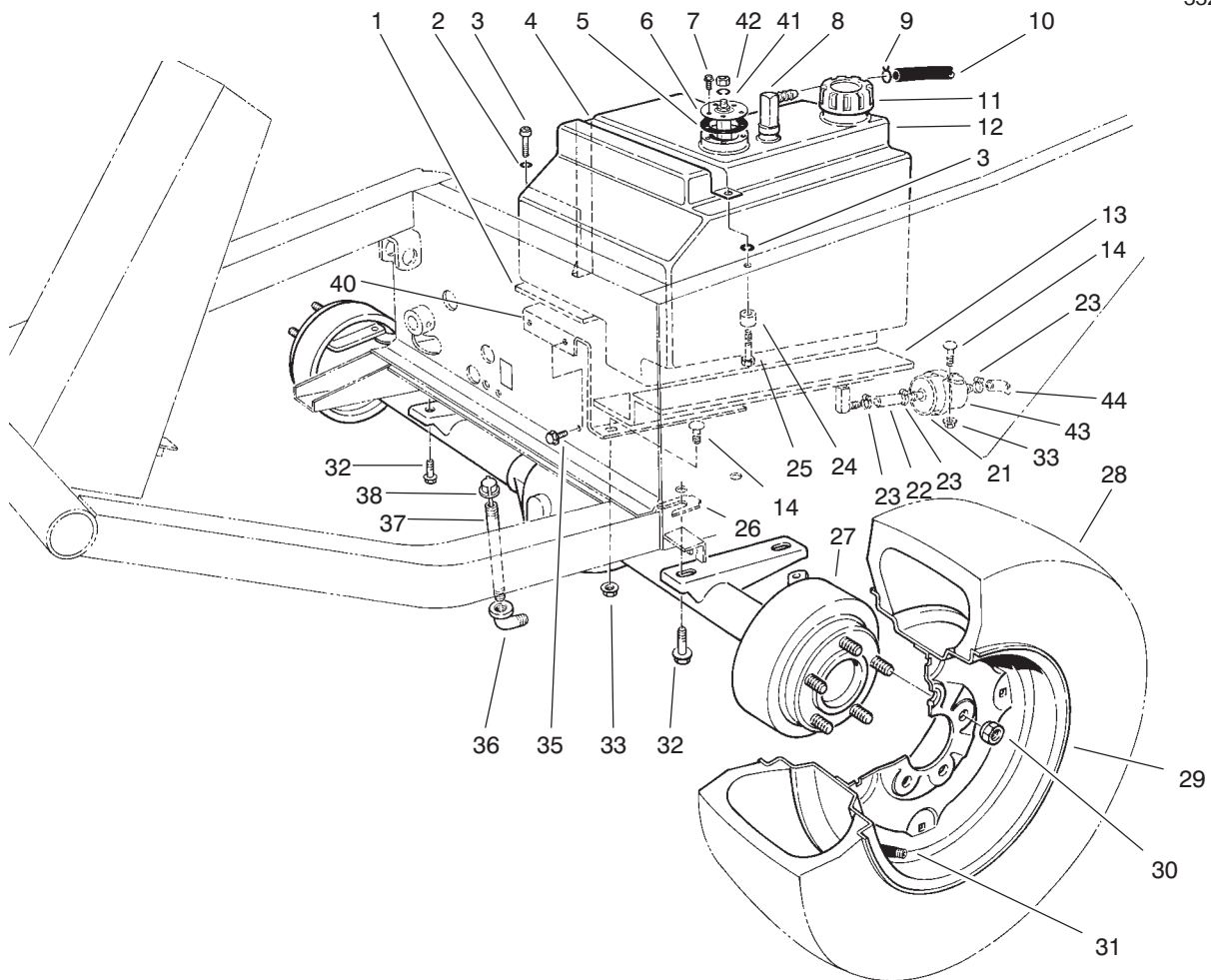


T-0218

Front Axle and Fuel Tank Assembly

Ref. No.	Part No.	Qty.	Description
1	21-3600	1	Foam-Tank, Support
2	3253-3	2	Washer-Lock
3	32104-96	1	Screw-HH
4	37-9550	1	Strap-Tank, Fuel
5	62-7650	1	Gasket-Tank, Fuel
6	105-2563	1	Sender-Level, Fuel
7	32144-53	5	Screw-HWHTF
8	353-536	2	Fitting-Tank, Fuel
9	2412-6	1	Clamp
10	63-7630	1	Hose-Vent, Fuel
11	55-3574	1	Cap-Tank, Fuel
12	43-9110	1	Tank-Fuel (Incl. Ref. #8)
13	21-3610	1	Foam-Support, Tank
14	3230-2	3	Bolt-Carriage
21	2412-96	1	Clamp-R
22	92-1662	1	Hose-Fuel
23	2412-108	3	Clamp
24	22-7810	1	Spacer
25	321-6	1	Screw-HH
26	42-6080	A/R	Shim-Axle
27	86-9600	1	Front Axle ASM
28	95-3348	2	Tire
*	231-95	2	Tire-23" x 10.5" x 12" 4 Ply (Optional)

Ref. No.	Part No.	Qty.	Description
*	69-9880	2	Tire-23" x 10.5" x 12" 6 Ply (Optional)
29	217-117	2	Rim
*	217-116	2	Rim-23" x 10.5" x 12" (Optional)
30	23-7270	10	Nut-Wheel
31	232-31	2	Stem-Valve
*	232-27	2	Stem-Valve 23 x 10.5 x 12 (Optional)
32	32144-67	4	Screw-Forming, Thread
33	32128-20	3	Nut-Flange
35	3234-11	2	Screw-HHF
36	2811-9	1	Elbow-Street
37	289-37	1	Nipple-Pipe
38	23-5180	1	Dipstick
40	68-9760	1	Base-Tank, Fuel
41	3253-17	1	Washer-Lock
42	3219-14	1	Nut
43	18-1520	1	Filter-Gas
44	92-1661	1	Hose-Fuel

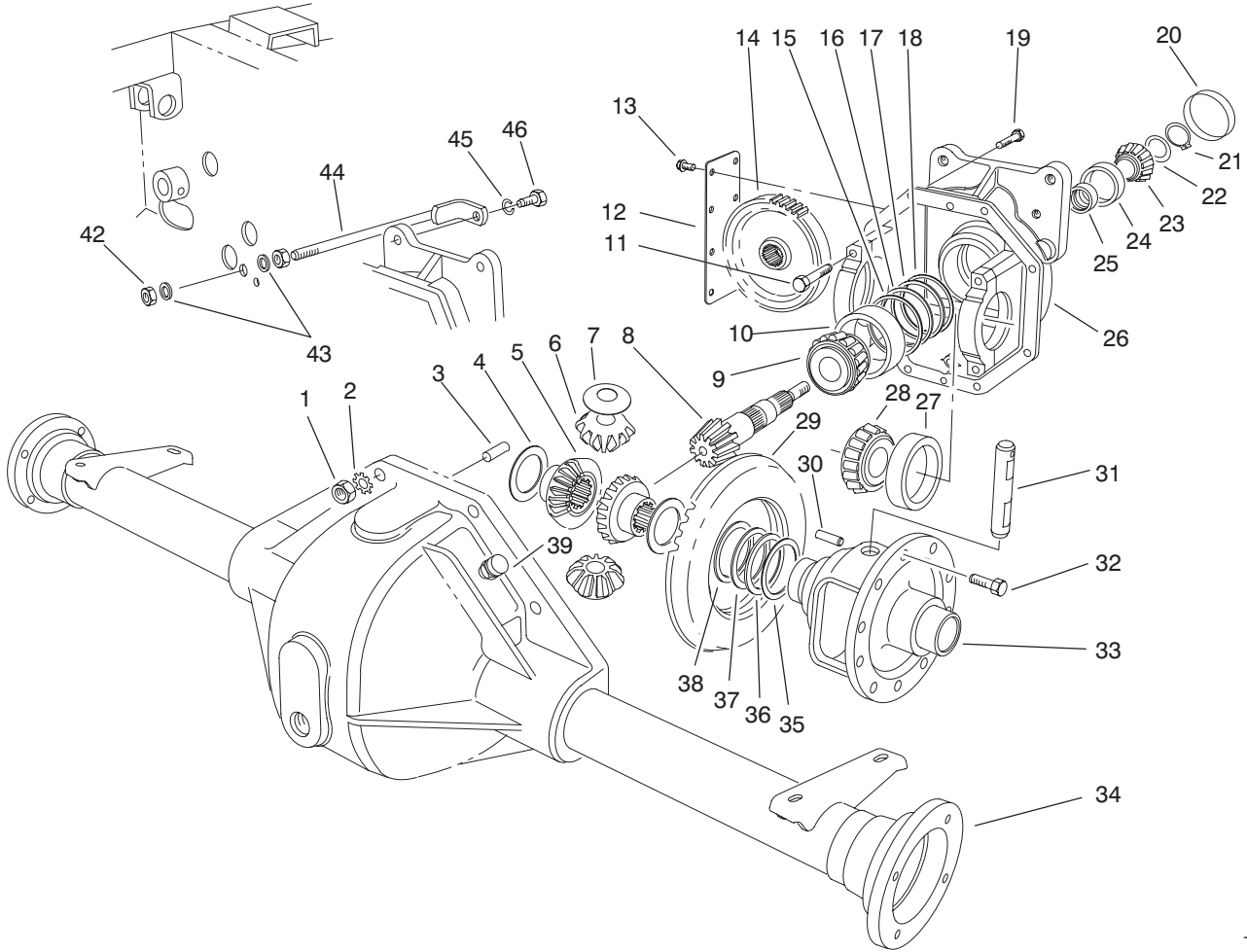


T-0218

Front Axle and Fuel Tank Assembly (Continued)

Ref. No.	Part No.	Qty.	Description
*	62-7020	2	4 Ply Wheel & Tire ASM (23" x 10.5" x 12") (Optional)
*	69-9870	2	6 Ply Wheel & Tire ASM (23" x 10.5" x 12") (Optional)
*	231-90	2	Tube-Inner (Optional)
*	95-3093	1	Kit-Filter, 400 Hour (Incl. Ref. #43)

Ref. No.	Part No.	Qty.	Description

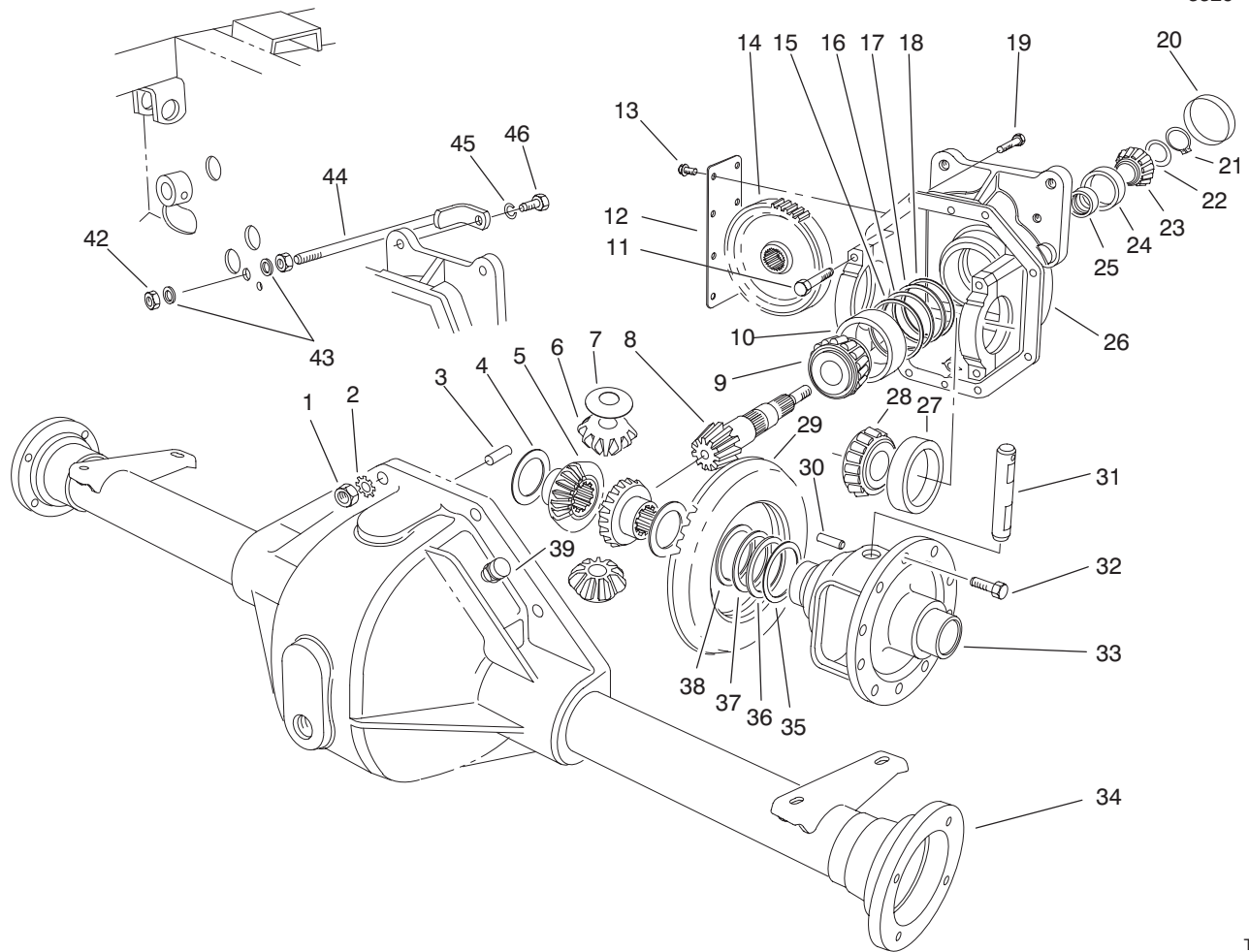


T-0919

Front Axle Assembly No. 86-9600

Ref. No.	Part No.	Qty.	Description
1	3219-2	8	Nut
2	3255-8	8	Washer-Lock
3	21-8270	2	Pin-Dowel
4	21-7720	2	Washer-Thrust
5	24-8790	2	Differential-Bevel Gear, Side
6	21-7690	2	Gear-Pinion
7	21-7730	2	Washer-Thrust
8		1	Drive Pinion
9	43-6760	1	Bearing-Roller, Cone
10	43-6750	1	Bearing-Roller, Cup
11	92-1773	4	Screw-HH
12	21-7830	1	Cover-Gear
13	32144-112	8	Screw-Forming, Thread
14	86-7230	1	Spur-Gear
15	43-6710	A/R	Shim-Adj. (.003)
16	43-6711	A/R	Shim-Adj. (.005)
17	43-6712	A/R	Shim-Adj. (.010)
18	43-6713	A/R	Shim-Adj. (.030)
19	3210-7	8	Screw-HH
20	21-7850	1	Cap-Plug
21	43-6550	1	Ring-Snap
22	46-2210	A/R	Shim-Pinion Bearing, Front (.031)

Ref. No.	Part No.	Qty.	Description
*	46-2211	A/R	Shim-Pinion Bearing, Front (.033)
*	46-2212	A/R	Shim-Pinion Bearing, Front (.035)
*22	46-2213	A/R	Shim-Pinion Bearing, Front (.037)
*	46-2214	A/R	Shim-Pinion Bearing, Front (.039)
*	46-2215	A/R/	Shim-Pinion Bearing, Front (.041)
*	46-2216	A/R	Shim-Pinion Bearing, Front (.043)
*	46-2220	A/R	Shim-Pinion Bearing, Front (.045)
*	46-2221	A/R	Shim-Pinion Bearing, Front (.047)
*	46-2222	A/R	Shim-Pinion Bearing, Front (.049)
*	46-2223	A/R	Shim-Pinion Bearing, Front (.051)
*	46-2224	A/R	Shim-Pinion Bearing, Front (.053)
*	46-2225	A/R	Shim-Pinion Bearing, Front (.055)

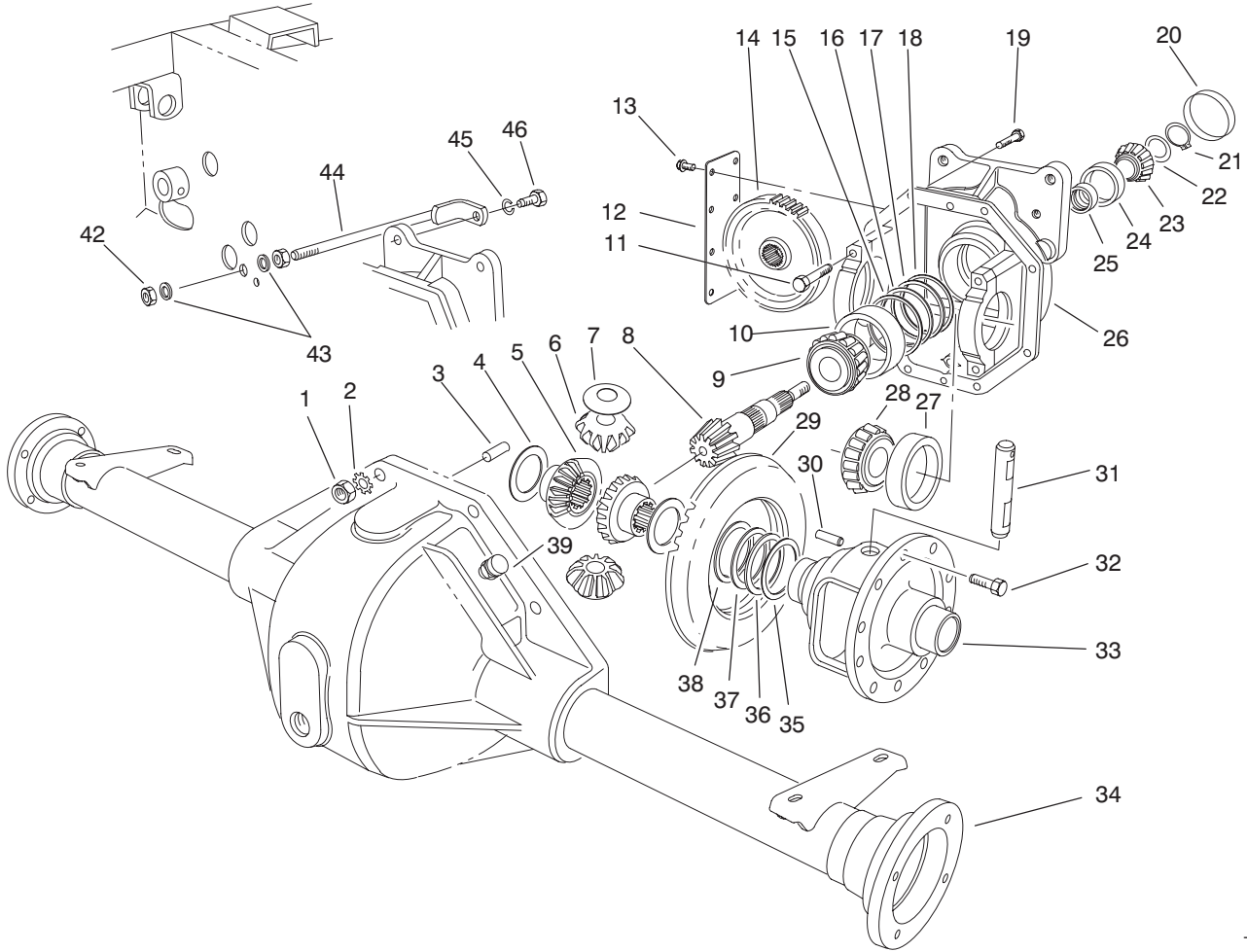


T-0919

Front Axle Assembly No. 86-9600 (Continued)

Ref. No.	Part No.	Qty.	Description
*	46-2226	A/R	Shim-Pinion Bearing, Front (.057)
*	46-2410	A/R	Shim-Pinion Bearing, Front (.062)
*	46-2411	A/R	Shim-Pinion Bearing, Front (.064)
*22	46-2412	A/R	Shim-Pinion Bearing, Front (.066)
*	46-2413	A/R	Shim-Pinion Bearing, Front (.068)
*	46-2414	A/R	Shim-Pinion Bearing, Front (.070)
*	46-2415	A/R	Shim-Pinion Bearing, Front (.072)
*	46-2416	A/R	Shim-Pinion Bearing, Front (.074)
*	46-2420	A/R	Shim-Pinion Bearing, Front (.076)
*	46-2421	A/R	Shim-Pinion Bearing, Front (.078)
*	46-2422	A/R	Shim-Pinion Bearing, Front (.080)
*	46-2423	A/R	Shim-Pinion Bearing, Front (.082)
*	46-2424	A/R	Shim-Pinion Bearing, Front (.084)

Ref. No.	Part No.	Qty.	Description
*	46-2425	A/R	Shim-Pinion Bearing, Front (.086)
*	46-2426	A/R	Shim-Pinion Bearing, Front (.088)
23	254-91	1	Bearing-Cone
24	254-90	1	Bearing-Cup
25	21-8020	1	Spacer-Bearing, Pinion
26	86-9580	1	Housing-Upper (Incl. Ref. #11)
27	254-66	2	Bearing-Cup, Tapered
28	254-65	2	Bearing-Cone, Tapered
29		1	Gear-Ring
30	32121-15	1	Pin-Roll
31	21-7700	1	Shaft-Mate, Pinion
32	21-7770	5	Screw-Gear, Drive
33	21-7670	1	Case-Differential
34	43-6840	1	Housing-Lower
35	21-8120	A/R	Shim-Adj. (.030)
36	21-8110	A/R	Shim-Adj. (.010)
37	21-8100	A/R	Shim-Adj. (.005)
38	21-8090	A/R	Shim-Adj. (.003)
39	72-9420	1	Vent Tube ASM

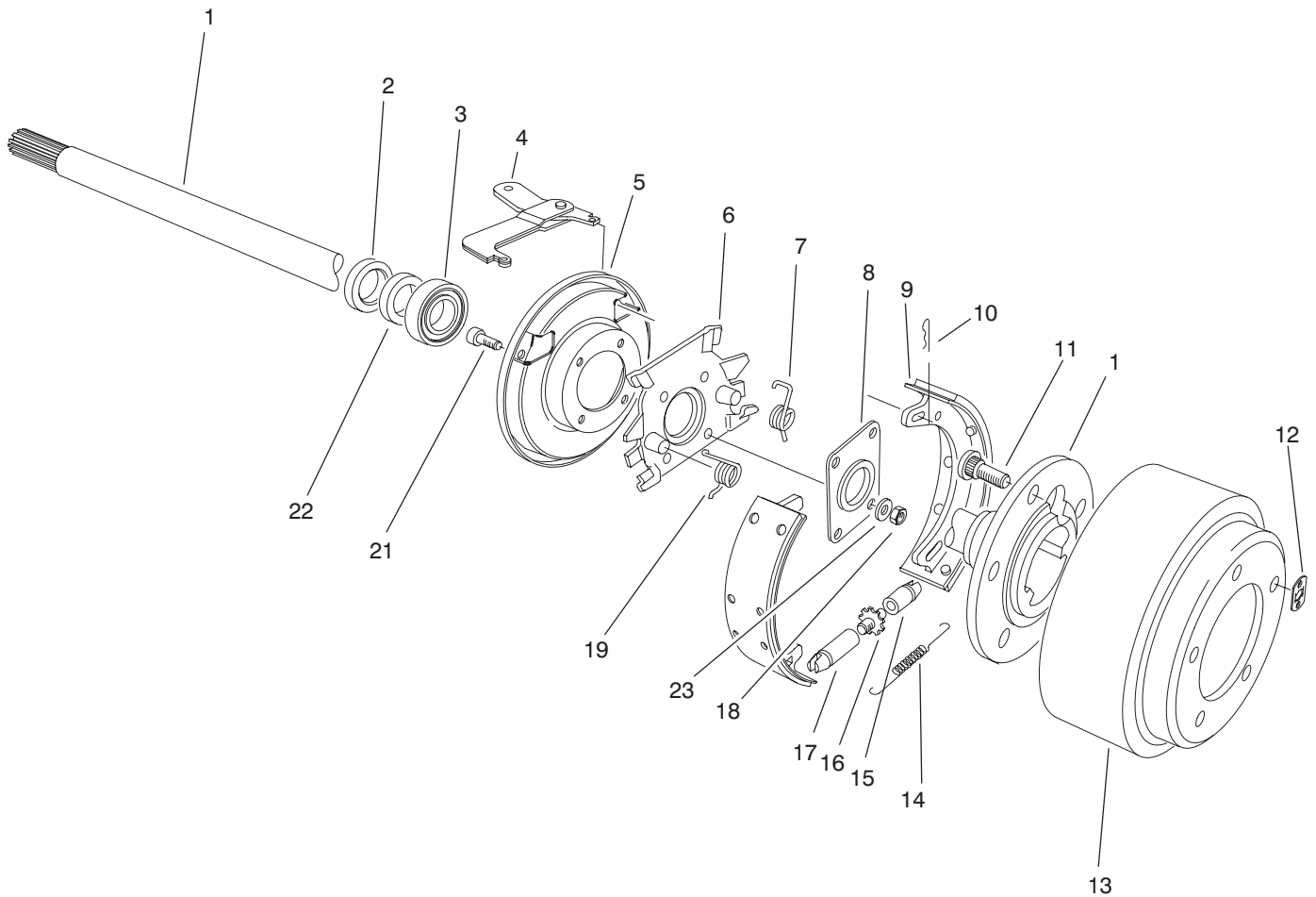


T-0919

Front Axle Assembly No. 86-9600 (Continued)

Ref. No.	Part No.	Qty.	Description
*	92-4903	1	2WD Upper Housing ASM (Incl. Ref.# 4-33 & 35-38)
*	92-4848	1	Gear & Pinion ASM (Incl. Ref. # 8 & 29)
42	3217-9	2	Nut
43	3256-5	2	Washer-Flat
44	24-9830	1	Support-Axle
45	3253-21	1	Washer-Lock
46	323-6	1	Screw-HH

Ref. No.	Part No.	Qty.	Description

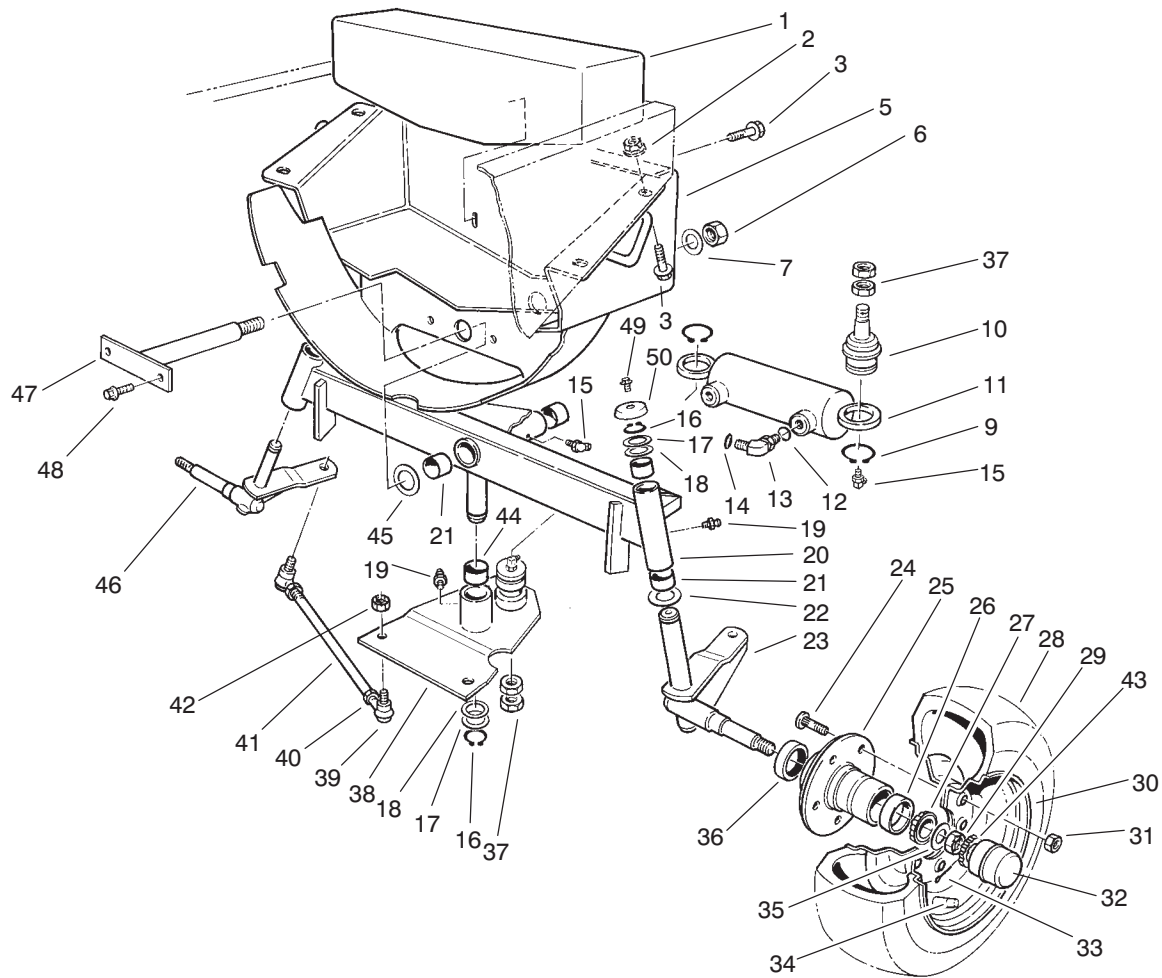


T-0421

Brake Assembly

Ref. No.	Part No.	Qty.	Description
1	28-0650	2	Shaft-Axle, Flanged
2	92-1774	2	Seal-Oil
3	21-8180	2	Bearing
4	24-9180	2	Brake-Parking, Strut & Lever
5	21-9450	2	Shield-Dust
6	43-6810	2	Torque-Spider
7	21-9430	2	Spring-Shoe Return, RH
8	28-0670	2	Seal-Oil
9	84-8600	1	Shoe & Lining ASM (Set of 4)
10	21-9460	4	Retainer-Lever, Brake
11	242-34	10	Stud-Flange, Axle
12	21-8360	2	Clip-Retaining
13	28-0680	2	Drum-Brake
14	21-9440	2	Spring-Screw, Adj.
15	21-9390	2	Socket-Screw, Adj.
16	21-9370	2	Screw-Adj.
17	21-9380	2	Nut-Pivot
18	94-6935	8	Nut-Lock
19	21-9420	2	Spring-Shoe Return, LH
21	94-6934	8	Screw-Head, Socket
22	24-8840	2	Ring-Bearing, Wheel

Ref. No.	Part No.	Qty.	Description
23	94-6936	8	Washer
*	92-8775	2	Kit-Gasket, Liquid

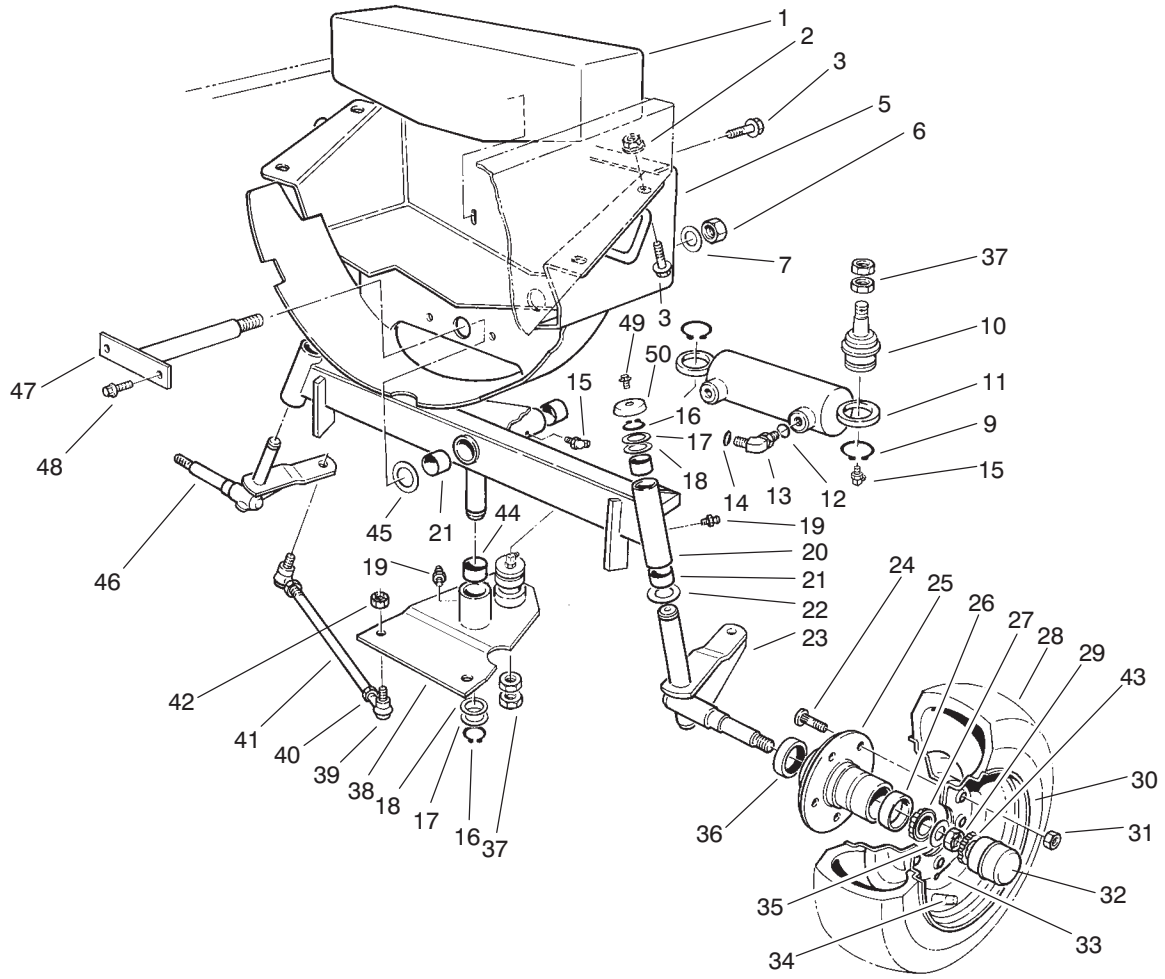


T-1759

Rear Wheel and Axle Assembly

Ref. No.	Part No.	Qty.	Description
1	98-3869-01	1	Weight—Axle, Rear
2	32128-23	4	Nut—Lock, Flange
3	3234-32	6	Screw—HHF
5	92-7841	1	Support—Axle, Rear
6	32146-20	1	Nut—Lock
7	71-4540	1	Washer—Thrust
9	32151-104	2	Ring—Retaining
10	92-5838	2	Joint—Ball
11	92-7828	1	Cylinder—Hydraulic
12	237-78	1	O—Ring
13	340-54	1	Fitting—45°
14	237-22	1	O—Ring
15	302-11	3	Fitting
16	32151-36	3	Ring—Retaining
17	5-1226	A/R	Washer
18	10-8110	3	Washer
19	302-5	3	Fitting
20	100-6566	1	Axle—Rear (Incl. Ref. #21)
21	67-1750	6	Bushing—Axle
22	256-121	2	Bushing—Thrust
23	93-3198	1	LH Spindle ASM
24	10-6830	10	Stud—Drive
25	21-2820	2	Hub—Wheel (Incl. Ref. #24 & 26)
26	254-72	4	Bearing—Cup

Ref. No.	Part No.	Qty.	Description
27	254-94	4	Bearing—Cone
28	231-105	2	Tire
29	3220-7	2	Nut—Jam
30	217-106	2	Wheel
31	242-50	10	Nut—Wheel
32	241-119	2	Cap—Dust
33	3272-13	2	Pin—Cotter
34	232-31	2	Stem—Valve (w/Cap)
35	93-0309	2	Washer—Tab
36	253-129	2	Closure
37	3220-6	4	Nut—Jam
38	92-7821	1	Pivot—Steering (Incl. Ref. #44)
39	21-0140	2	RH Socket ASM (Incl. Ref. #42)
*	21-0150	2	LH Socket ASM (Incl. Ref. #42)
40	3220-5	2	Nut—Jam, RH Thread
*	3220-12	2	Nut—Jam, LH Thread
41	21-2000	2	Rod—Tie
42	3220-3	8	Nut—Jam
43	93-0307	2	Retainer—Nut, Lock
44	256-242	2	Bushing
45	56-2460	A/R	Washer
46	93-3199	1	RH Spindle ASM
47	92-7843	1	Pin—Axle, Rear

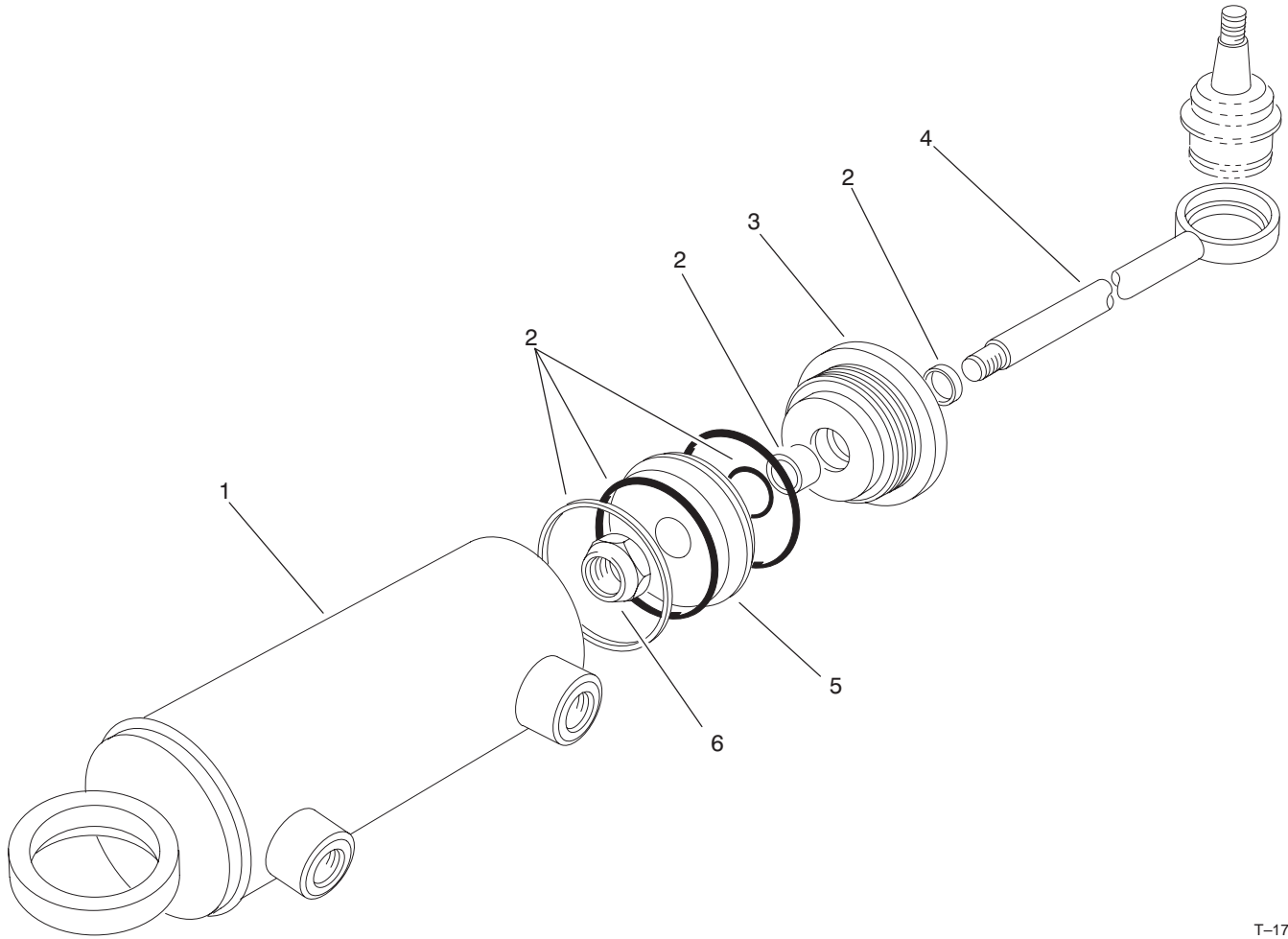


T-1759

Rear Wheel and Axle Assembly (Continued)

Ref. No.	Part No.	Qty.	Description
48	32144-14	2	Screw-TAP
49	3234-13	2	Screw
50	66-2990	2	Cup-Spindle

Ref. No.	Part No.	Qty.	Description

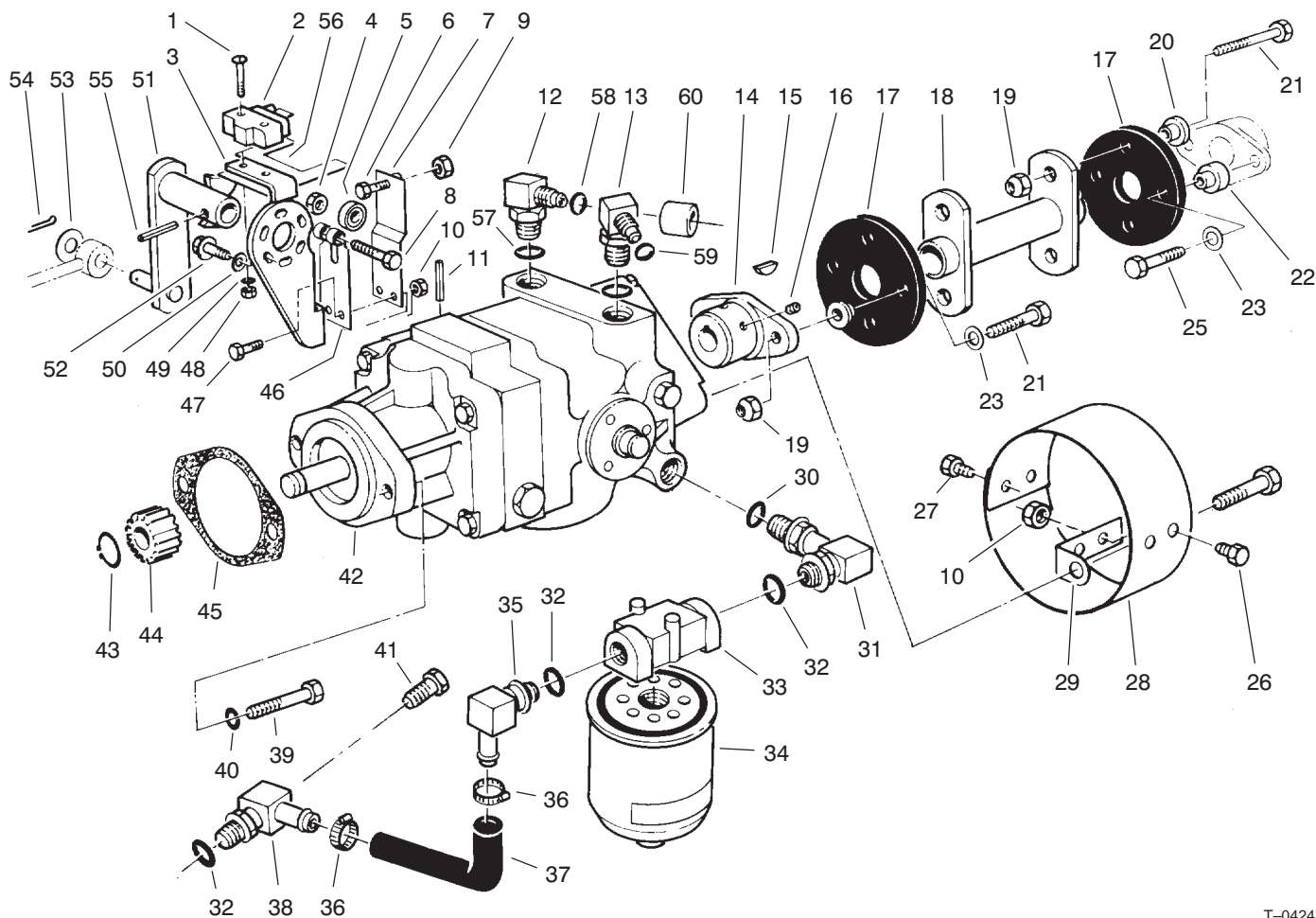


T-1761

Hydraulic Steering Cylinder Assembly No. 92-7828

Ref. No.	Part No.	Qty.	Description
1		1	Tube ASM
2	92-6593	1	Kit-Seal
3	92-6588	1	Gland
4		1	Piston Rod ASM
5	66-1940	1	Piston
6	66-1930	1	Nut-Lock

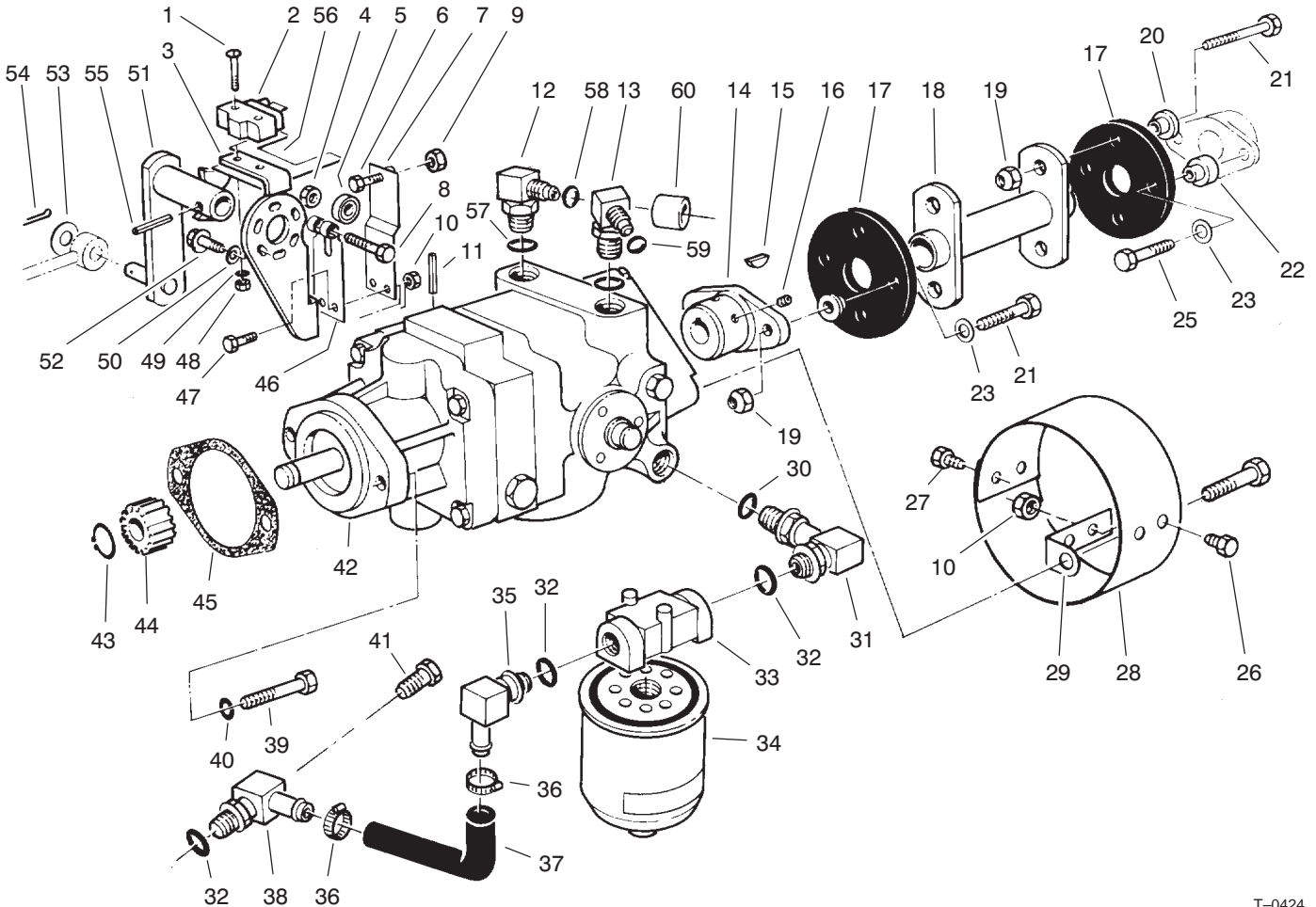
Ref. No.	Part No.	Qty.	Description



T-0424

Hydraulic Transmission Assembly

Ref. No.	Part No.	Qty.	Description	Ref. No.	Part No.	Qty.	Description
1	3249-11	2	Screw—Machine, Round Head	23	3256-3	4	Washer—Flat
2	29-6163	1	Switch—Micro	25	322-8	2	Screw—HH
3	29-6120	1	Plate—Pump	26	321-2	2	Screw—HH
4	3296-29	1	Nut—Lock	27	321-4	2	Screw—HH
5	251-259	1	Bearing—Ball	28	54-9300	1	Cover
6	3210-7	1	Screw—HH	29	54-9290	2	Bracket
7	29-6170	1	Spring—Leaf, Extended	30	237-80	1	O—Ring
8	322-17	1	Screw—HH	31	68-8660	1	Elbow
9	3219-2	1	Nut—Hex	32	237-81	3	O—Ring
10	3296-42	6	Nut—Lock	33	68-8990	1	Head—Filter
11	32121-6	1	Pin—Roll	34	23-9740	1	Filter—Oil
12	340-77	1	Elbow	35	353-987	1	Elbow
13	340-99	1	Elbow	36	2412-34	2	Clamp—Hose
14	33-4380	1	Hub—Pump	37	68-9650	1	Hose—Axle
15	3257-32	1	Key—Woodruff	38	70-2620	1	Elbow—90°
16	3241-5	2	Screw—Set, SQH	39	323-7	2	Screw—HH
17	44-2230	2	Coupling—Rubber	40	3253-21	2	Washer—Lock
18	46-6390	1	Coupling— Drive	41	353-508	1	Plug—Drain
19	32152-1	8	Nut—Lock	42	92-8947	1	Transmission—Inline
20	27-6600	6	Spacer—Coupling, Rubber	43	32120-72	1	Ring—Retaining, Ext.
21	322-6	6	Screw—HH	44	86-7220	1	Gear—Transmission, Output
22	27-6590	2	Spacer—Coupling, Rubber	45	41-8760	1	Gasket—Transmission
				46	29-6150	1	Spring—Leaf
				47	321-6	2	Screw—HH
				48	3217-16	2	Nut

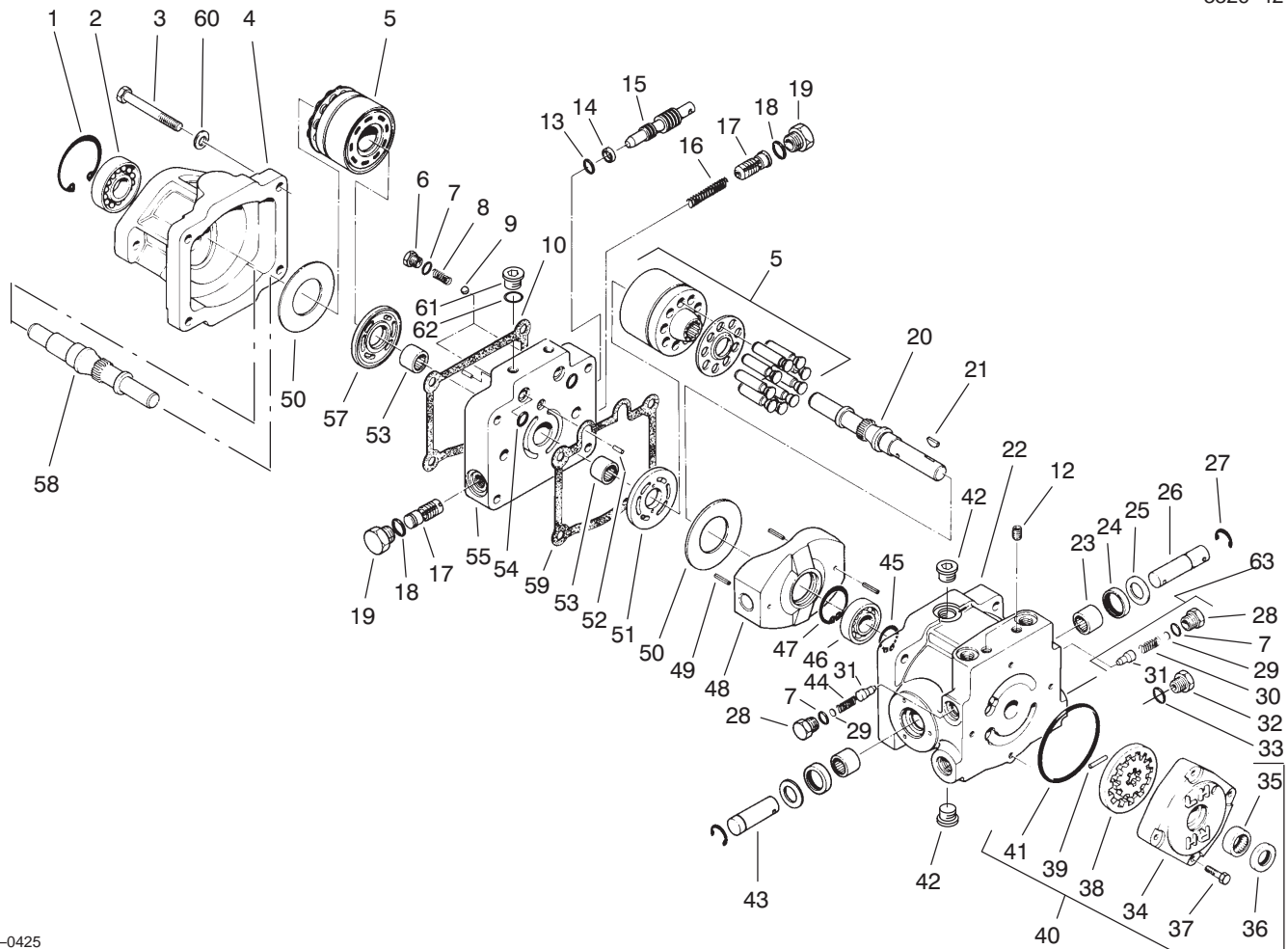


T-0424

Hydraulic Transmission Assembly (Continued)

Ref. No.	Part No.	Qty.	Description
49	3254-9	2	Washer-Lock
50	3255-7	3	Washer-Lock
51	28-9570	1	Lever-Pump
52	11-9760	3	Screw-TAP
53	3256-6	1	Washer-Flat
54	3272-10	1	Pin-Cotter
55	32121-24	1	Pin-Roll
56	46-8810	1	Stop-Spring, Leaf
57	237-42	2	O-Ring
58	237-22	1	O-Ring
59	237-30	1	O-Ring
60	38-3400	1	Guard-Rubber
*	95-3093	1	Kit-Filter, 400 Hour (Incl. Ref. #34)

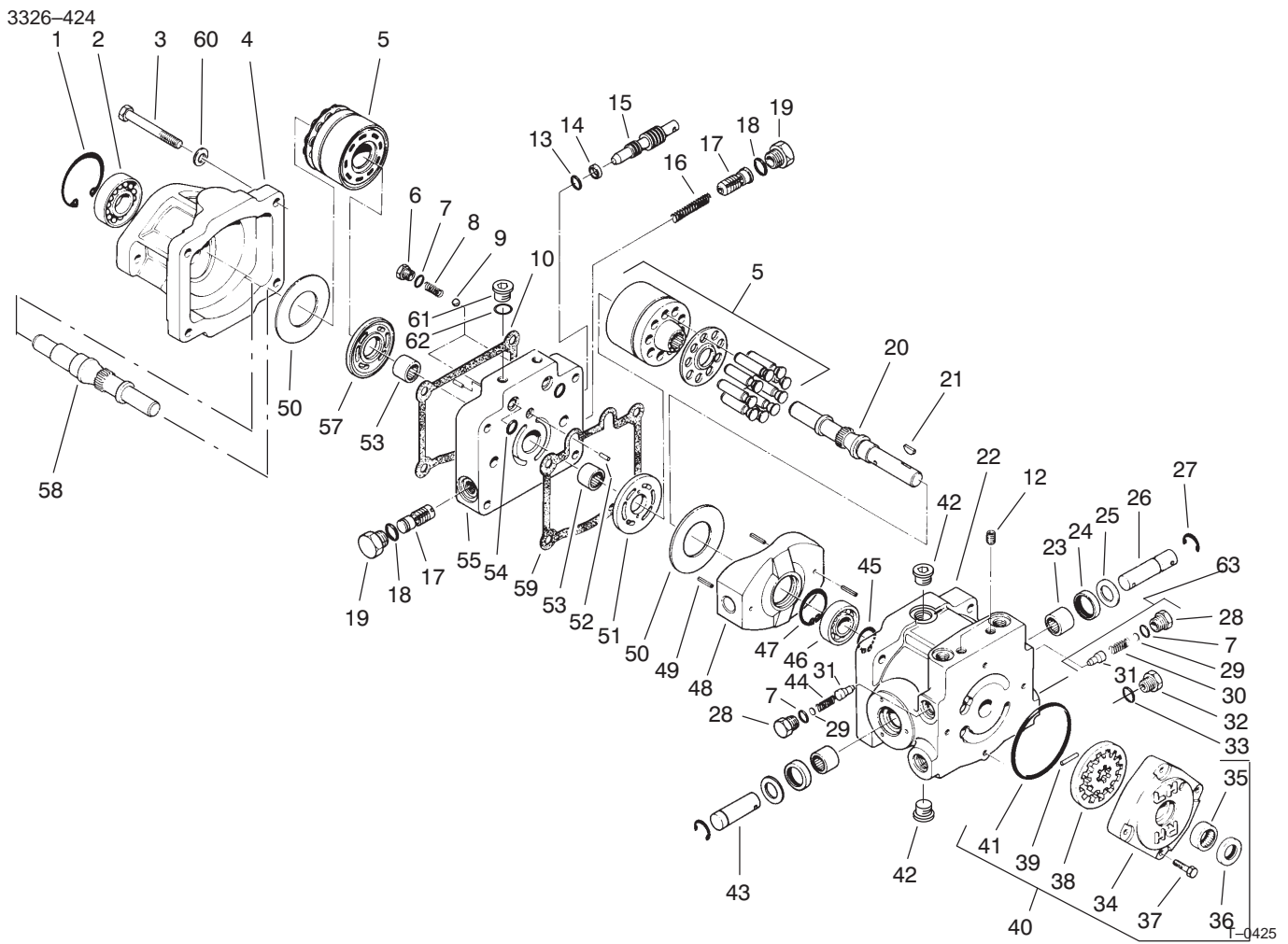
Ref. No.	Part No.	Qty.	Description



T-0425

Transmission Assembly No. 92-8947

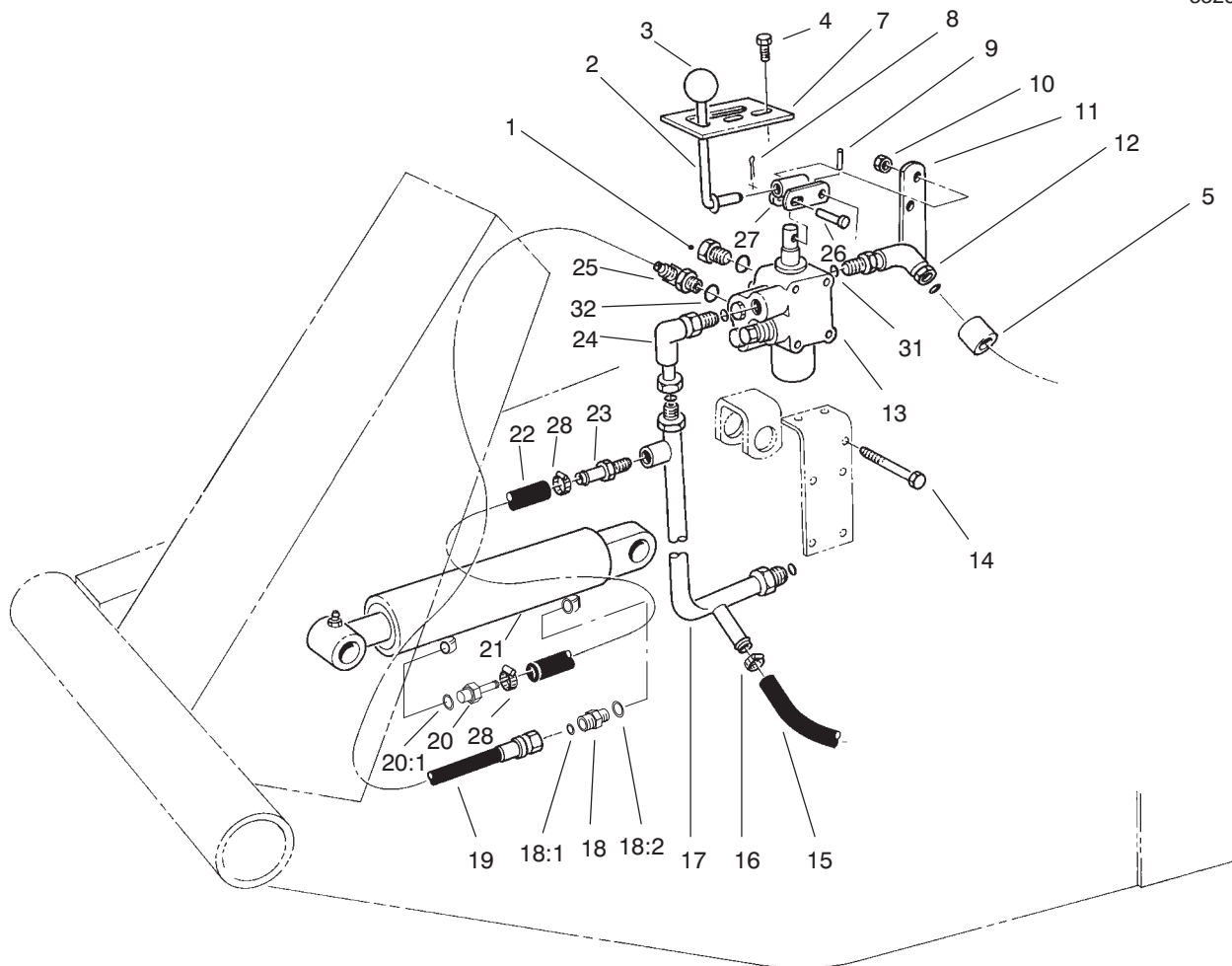
Ref. No.	Part No.	Qty.	Description	Ref. No.	Part No.	Qty.	Description
1	32120-8	1	Ring-Retaining	26	25-2580	1	Shaft-Trunnion
2	72-3750	1	Bearing-Roller	27	32151-46	2	Ring-Retaining
3	323-56	4	Screw-HH	28	25-2460	2	Plug-HH
4	67-9080	1	Housing-Motor	29	25-2470	2	Pack-Shim
5	48-1800	2	Kit-Block, Cylinder	30	25-2570	1	Spring-Valve
6	25-2650	2	Plug-Valve, Check	31	83-7260	2	Cone-Valve, Relief
7	237-86	4	O-Ring	32	353-551	1	Plug-HH
8	25-2640	2	Spring-Valve	33	237-80	1	O-Ring
9	25-2490	2	Ball	34	25-2550	1	Housing-Pump, Charge
10	67-9100	1	Gasket	35	67-8050	1	Bearing-Needle
12	285-17	2	Plug-Pipe	36	93-4133	1	Seal-Lip
13	237-22	1	O-Ring	37	322-4	4	Screw-HH
14	25-2630	1	Ring-Back Up	38	25-2680	1	Gerotor ASM
15	88-8220	1	Valve-By Pass	39	25-2530	1	Pin-Straight, Headless
16	25-2610	1	Spring-Valve, Accel.	40	25-3190	1	Pump-Charge (Incl. Ref. #34-39 & 41)
17	25-2410	2	Accel. Valve ASM	41	237-95	1	O-Ring
18	76-1900	2	O-Ring	42	67-9090	2	Plug
19	353-550	2	Plug-HH	43	25-2500	1	Shaft-Trunnion
20	67-8020	1	Shaft-Pump	44	25-2480	1	Spring-Valve
21	3257-32	1	Key-Woodruff	45	32120-15	1	Ring-Retaining
22	54-7890	1	Housing-Pump (Incl. Ref. #12 & 23-25)	46	251-8	1	Bearing-Ball
23	252-82	2	Bearing-Needle	47	32120-11	1	Ring-Retaining
24	25-3210	2	Seal-Lip				
25	25-2510	2	Washer-Flat				



Transmission Assembly No. 92-8947 (Continued)

Ref. No.	Part No.	Qty.	Description
48	25-2450	1	Swashplate-Variable
49	32121-91	3	Pin-Spring, Coil
50	25-2380	2	Plate-Thrust
51	25-2440	1	Plate-Valve, Pump
52	25-2430	2	Pin-Dowel
53	46-8400	2	Bearing-Needle
54	93-4132	2	O-Ring
55	92-8918	1	Section-Center
57	25-2390	1	Plate-Valve, Motor
58	46-8410	1	Shaft-Motor
59	25-2400	1	Gasket
60	93-0312	4	Washer
61	92-8776	4	Plug (Incl. Ref. #62)
62	92-8777	2	O-Ring
63	49-8520	1	Kit-Relief, Implement (Incl. Ref. #7 & 28-31)

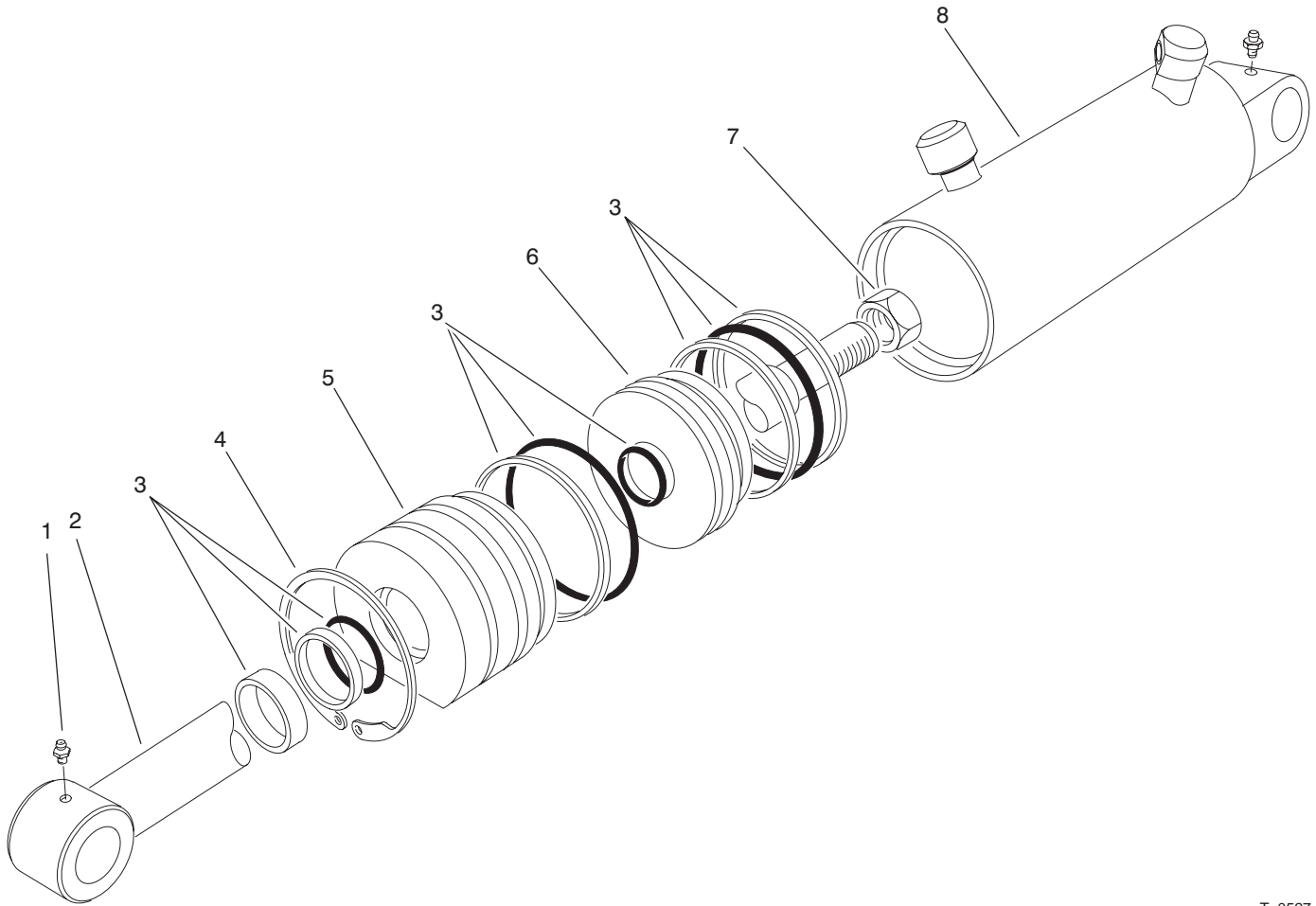
Ref. No.	Part No.	Qty.	Description



T-0426

Valve and Cylinder Assembly

Ref. No.	Part No.	Qty.	Description	Ref. No.	Part No.	Qty.	Description
1	353-512	1	Plug	22	92-7834	1	Hose
2	21-8620	1	Lever-Valve	23	304-73	1	Fitting-Barb, Straight
3	233-21	1	Knob	24	340-110	1	Elbow-90°
4	32144-10	2	Screw-TAP	25	340-97	1	Fitting-90°
5	38-3400	1	Guard-Rubber	26	283-17	1	Pin
7	21-8640	1	Latch-Lever, Valve	27	21-8590	1	Link-Lever, Valve
8	3272-	6	Pin-Cotter	28	2412-108	2	Clamp-Hose
9	32121-73	1	Pin-Spring, Slotted	31	237-42	2	O-Ring
10	3296-42	5	Nut-Lock	32	237-78	2	O-Ring
11	21-9010	1	Mount-Pivot, Valve Lever				
12	340-99	1	Fitting-Elbow, 90°				
13	43-1710	1	Valve ASM				
14	321-23	5	Screw-HH				
15	63-8990	1	Hose				
16	2412-36	1	Clamp-Hose				
17	63-9260	1	Manifold-Valve				
18	340-2	1	Elbow-90°				
18:1	237-22	1	O-Ring				
18:2	237-42	1	O-Ring				
19	92-7833	1	Hose				
20	95-8849	1	Fitting-Barb, 90°				
20:1	237-78	1	O-Ring				
21	100-6586	1	Cylinder-Hydraulic				
*	100-6591	1	Cylinder-Hydraulic (Optional)				



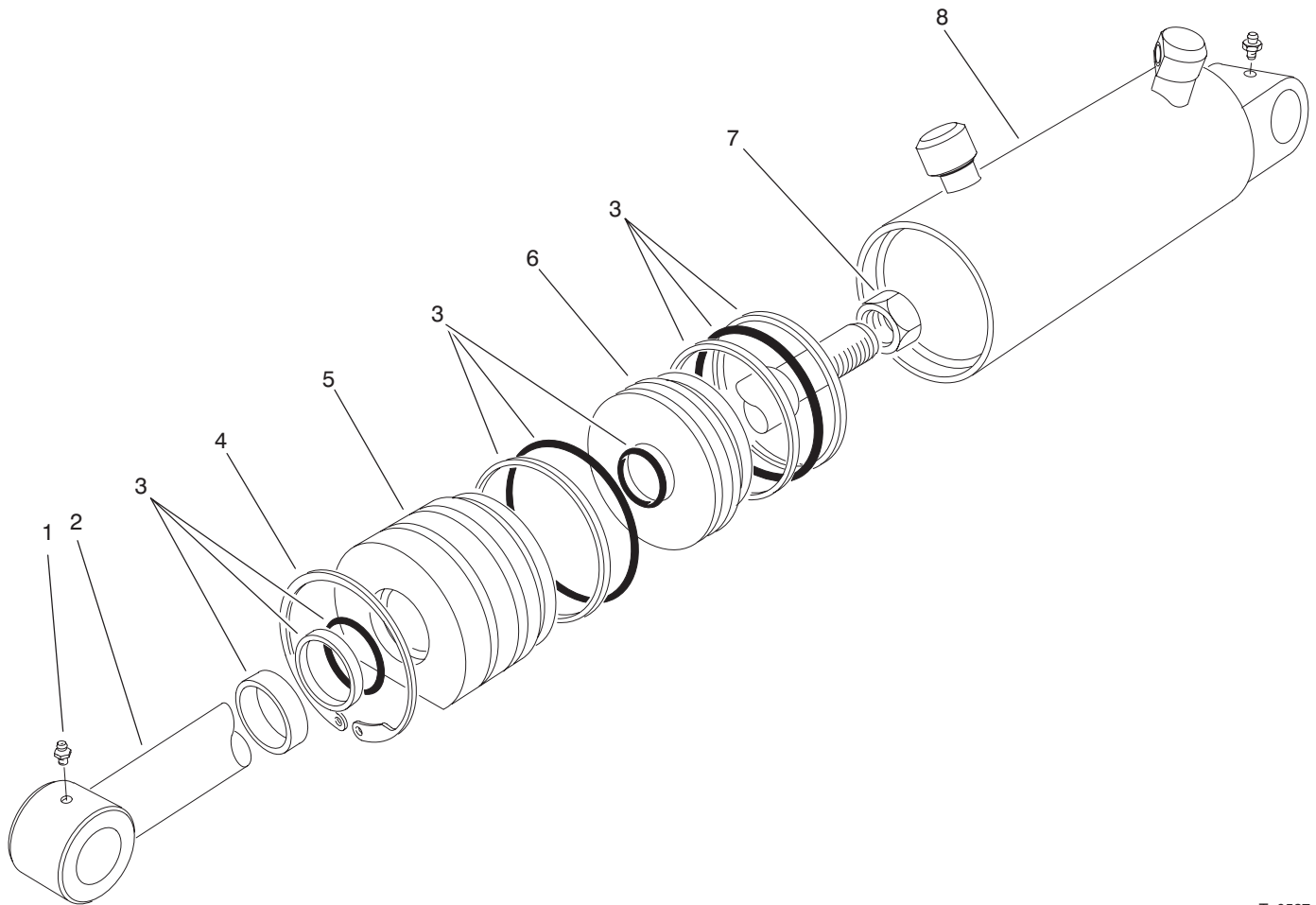
T-0527

Hydraulic Lift Cylinder Assembly No. 100-6586 (2-1/2" Bore)

Ref. No.	Part No.	Qty.	Description
1	302-55	2	Fitting-Grease
2	61-4980	1	Shaft w/Clevis
3	61-4960	1	Kit-Repair
4	61-4990	1	Ring-Retaining
5	60-9780	1	Head
6	60-9770	1	Piston
7	60-9760	1	Nut
☆8		1	Barrel

Ref. No.	Part No.	Qty.	Description

☆ Not serviced



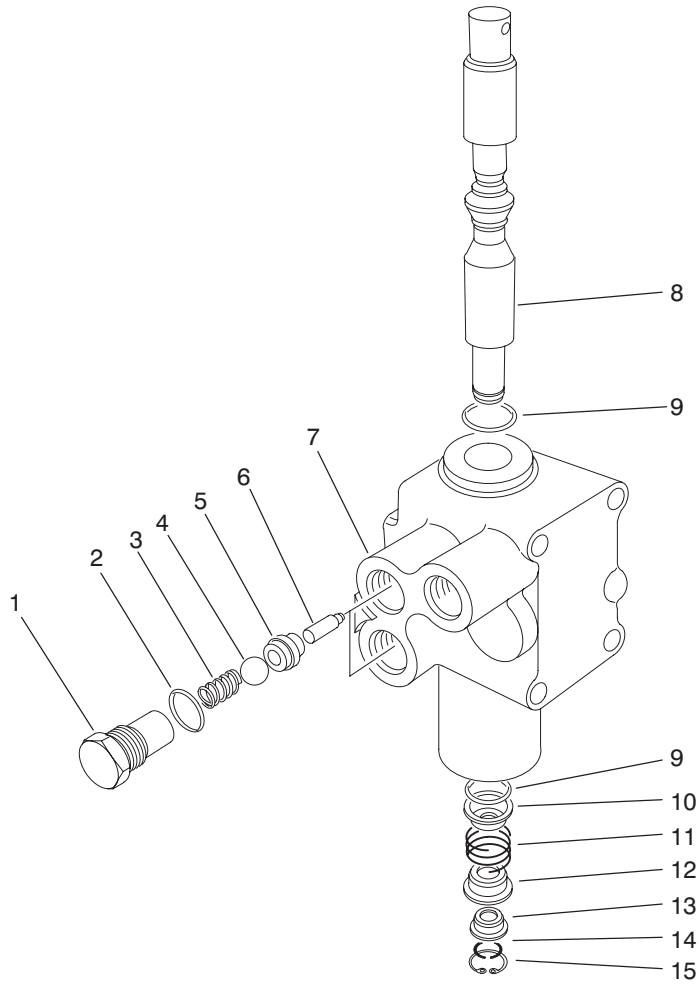
T-0527

Hydraulic Lift Cylinder Assembly No. 100-6591 (3" Bore)

Ref. No.	Part No.	Qty.	Description
1	302-55	2	Fitting-Grease
2	67-5480	1	Shaft
3	67-5500	1	Kit-Repair
4	67-5470	1	Ring-Retaining
5	67-5460	1	Head
6	67-5450	1	Piston
7	60-9760	1	Nut-Hex
☆8		1	Barrel

Ref. No.	Part No.	Qty.	Description

☆ Not serviced

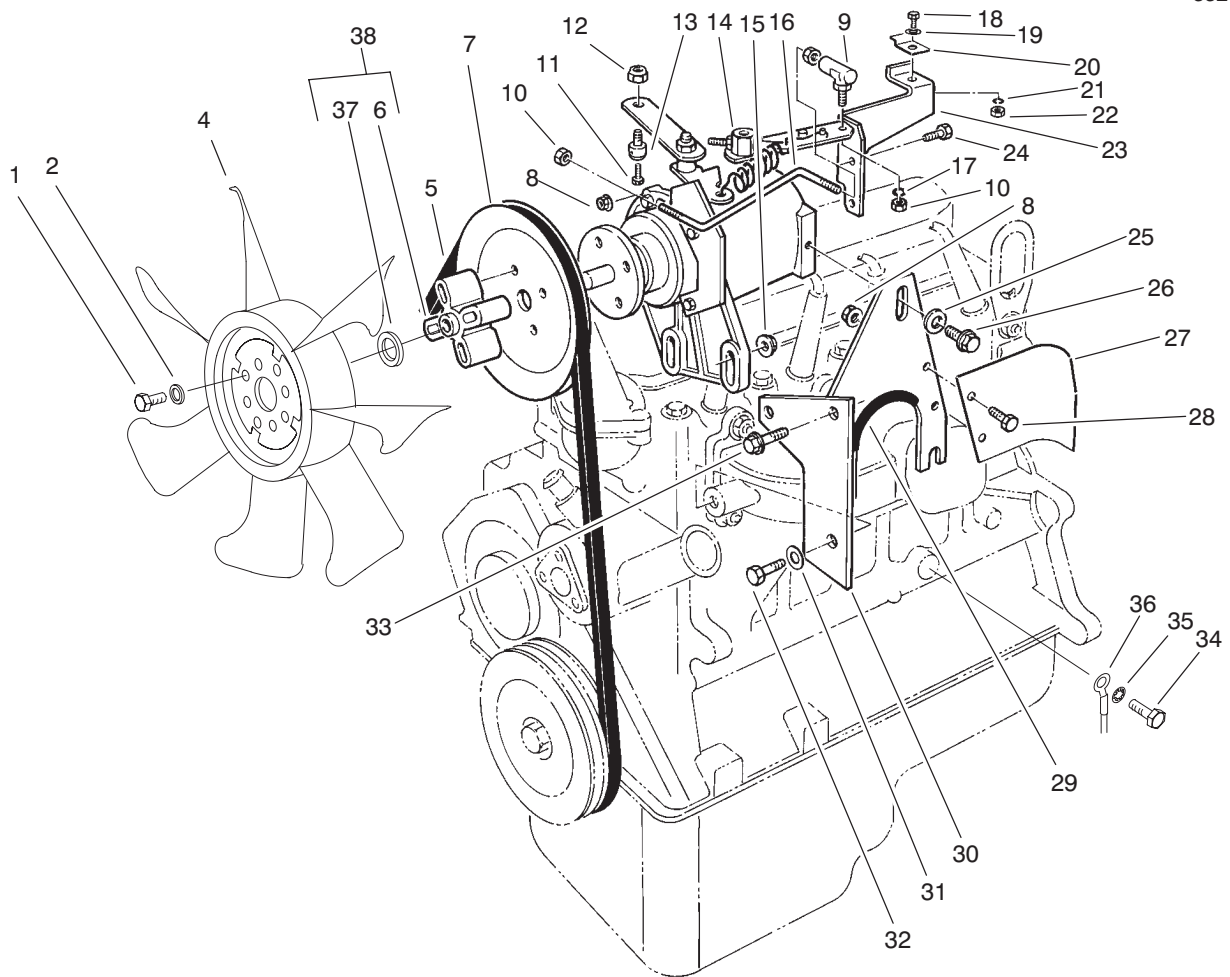


T-0428

Control Valve Assembly No. 43-1710

Ref. No.	Part No.	Qty.	Description
1	22-8330	2	Plug
2	237-42	2	O-Ring
3	22-8340	2	Spring
4	22-8350	2	Ball
5	22-8370	2	Seat-Valve, Check
6	22-8360	2	Pin-Cam
7	43-1730	1	Body
8	22-8420	1	Spool
9	22-8500	2	O-Ring
10	22-8380	1	Retainer-Spring
11	22-8410	1	Spring
12	22-8390	1	Retainer-Spring
13	22-8400	1	Spacer-Float
14	22-8480	1	Spring-Spool, Ring
15	22-8490	1	Ring-Snap

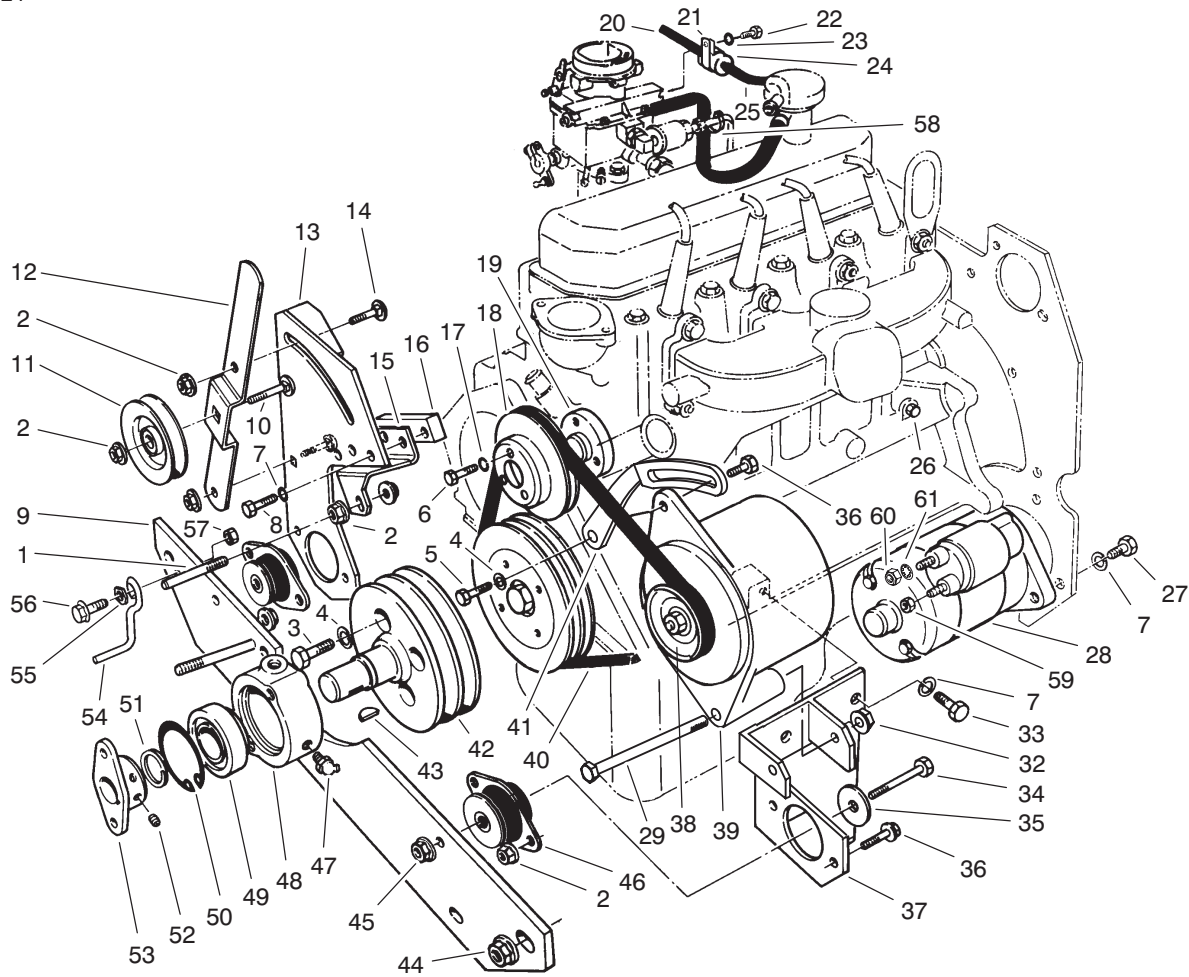
Ref. No.	Part No.	Qty.	Description



T-0921

Engine Assembly

Ref. No.	Part No.	Qty.	Description	Ref. No.	Part No.	Qty.	Description
1	322-12	4	Screw-HH	28	321-39	2	Screw-HH
2	3253-4	4	Washer-Lock	29	70-2040	1	Guard-Trim
4	104-2532	1	Fan	30	67-9150	1	Support-Governor
5	67-8510	1	Belt-Fan	31	33094-00	1	Washer-Flat
6	67-8390	1	Spacer-Fan	32	33114-020	1	Screw-HH
7	67-8380	1	Pulley-Fan	33	3234-11	2	Screw-HHF
8	32128-33	4	Nut-HHF	34	33115-020	1	Screw
9	21-5640	1	Joint-Ball	35	3254-3	1	Washer-Lock
10	3219-14	3	Nut-Hex	36	18-2770	1	Cable-Ground
11	25-8640	1	Screw-Machine	37	104-4605	1	Spacer
12	3296-20	1	Nut-Lock	38	104-4606	1	Fan Spacer ASM (Incl. 6,37)
13	43-3780	1	Swivel-Cable, Throttle				
14	67-8360	1	Governor				
15	3290-357	2	Nut-Lock, Flange				
16	67-8250	1	Rod-Throttle				
17	3253-12	1	Washer-Lock				
18	321-4	1	Screw-HH				
19	3256-22	1	Washer-Flat				
20	2412-31	1	Clamp-Cable				
21	3253-3	1	Washer-Lock				
22	3217-5	1	Nut				
23	67-8240	1	Bracket-Throttle				
24	321-6	2	Screw-HH				
25	3256-56	1	Washer-Flat				
26	3234-5	1	Screw-HHF				
27	67-8920	1	Shield-Heat				



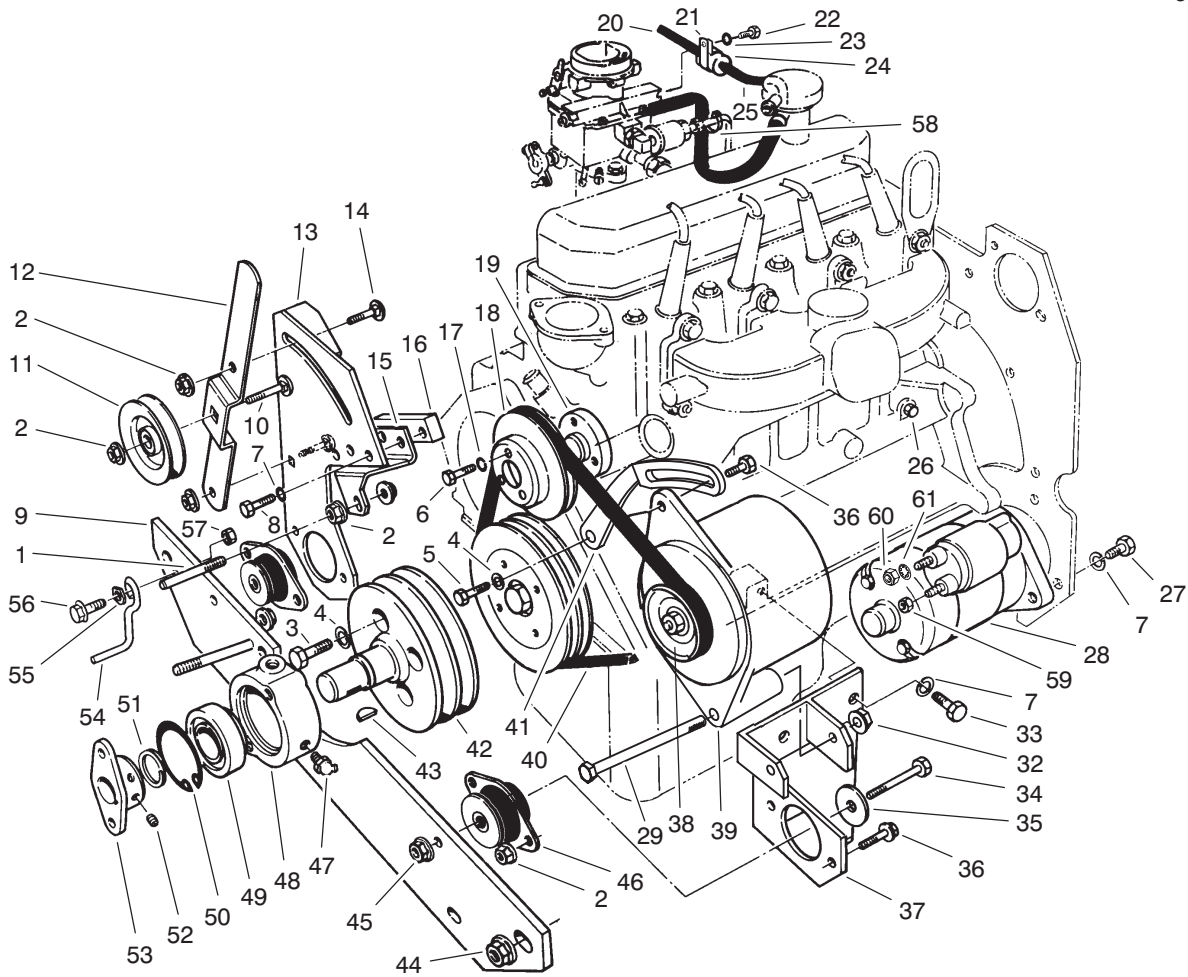
T-0922

Engine Assembly

Ref. No.	Part No.	Qty.	Description
1	21-1820	3	Stud-Retainer, Belt
2	3290-357	12	Nut-Lock, Flange
3	33114-045	4	Screw-Metric
4	42-9850	5	Washer-Lock
5	33114-030	1	Screw-Metric
6	33113-025	3	Screw-Metric
7	48-9590	8	Washer-Lock
8	48-7800	3	Screw-Metric
9	75-9900	1	Support-Engine, Front
10	3231-28	1	Bolt-Carriage
11	63-8140	1	Pulley-Idler
12	67-8890	1	Arm-Idler
13	67-8310	1	Mount-Engine Front, RH
14	3231-22	2	Bolt-Carriage
15	67-8350	1	Bracket-Guide, Belt
16	67-8340	1	Bar-Spacer
17	43-5930	3	Washer-Lock
†18		1	Pulley-Pump, Water
19	67-8910	1	Spacer-Pulley
20	70-1920	1	Hose-Vacuum
†21	384007-S	1	Clamp-Valve
22	3250-29	1	Screw-PH
23	3256-21	1	Washer-Flat
†24	D4FZ-9C369-A	1	Separator-Fuel

Ref. No.	Part No.	Qty.	Description
25	70-1910	1	Hose-Advance, Vac.
†26	353055-S7	1	Plug-Drain, Water
27	33115-030	3	Screw-Metric
†28	91AB-11000-JB	1	Starter
29	3212-17	1	Screw-HH
32	3296-38	1	Nut-HF
33	33115-025	2	Screw-Metric
34	324-11	2	Screw-HH
35	53-9480	2	Washer-Snubber
36	3234-11	5	Screw-Lock, Flange
37	93-7663	1	Mount-Engine Front, LH
38	D3JL-10A352-B	1	Pulley-Alternator
39	EZJL-10346-AB	1	Alternator
40	92-9785	1	Belt-Alternator
41	93-8489	1	Arm-Adjust, Alternator
42	67-8460	1	Pulley-Engine
43	3257-33	1	Key-Woodruff
44	32128-23	2	Nut-Lock, Flange
45	32128-37	2	Nut-Lock, Flange
46	53-9680	2	Mount-Engine
47	302-10	1	Fitting-Grease
48	43-3720	1	Bearing-Collar
49	251-252	1	Bearing
50	32120-22	1	Ring-Retaining, Int.
51	32120-69	1	Ring-Retaining, Ext.

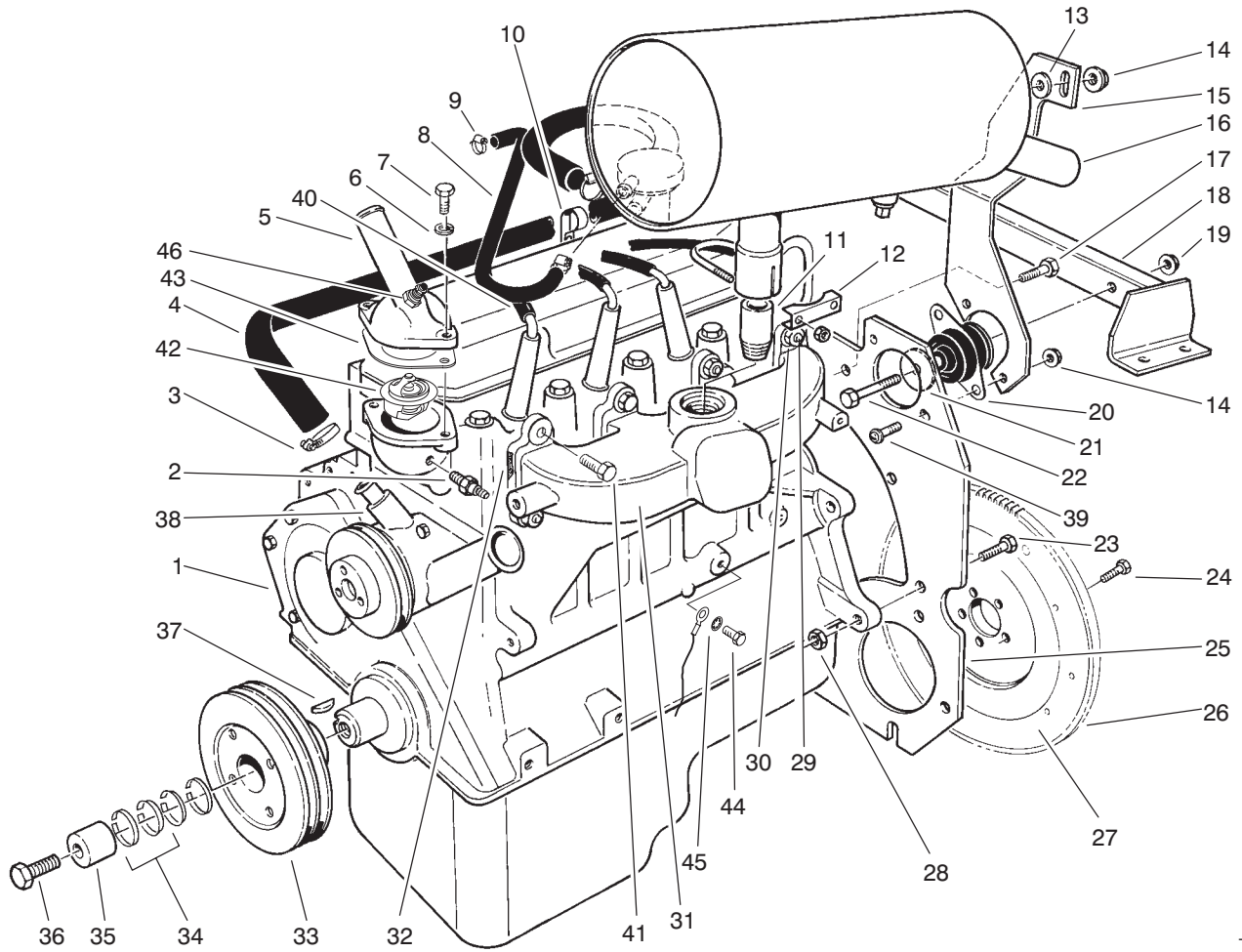
† Obtain from your local Ford Power Products Dealer



T-0922

Engine Assembly (Continued)

Ref. No.	Part No.	Qty.	Description	Ref. No.	Part No.	Qty.	Description
52	3241-5	2	Screw-Set, SQH				
53	27-1960	1	Hub-Engine				
54	63-1400	1	Rod-Belt				
55	3290-224	1	Washer-Pyramidal				
56	3234-18	1	Screw-HHF				
57	32153-2	1	Nut-Lock				
58	3290-379	A/R	Cable-Tie				
59	48-7890	1	Nut				
60	33014-00	1	Nut				
61	3254-2	1	Washer-Lock				



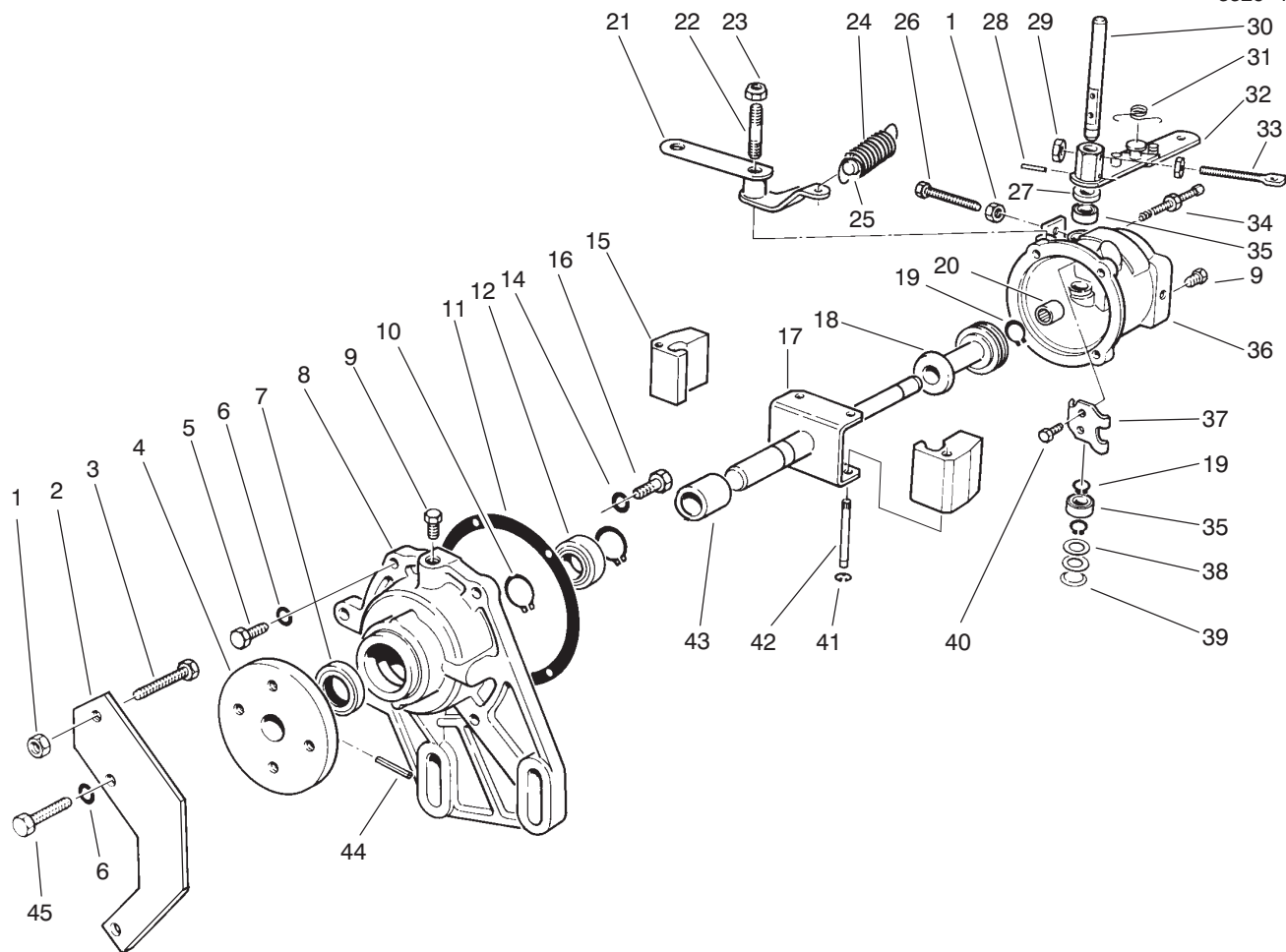
T-0923

Engine Assembly

Ref. No.	Part No.	Qty.	Description
†1		1	Engine, Model VSG-413, TYPE 6005A
2	93-5395	1	Switch-Gauge, Temp.
3	2412-119	2	Clamp-Hose
4	70-1670	1	Hose-Heater
5	93-5410	1	Connector-Outlet
†6	E630173-S71 M	2	Washer-Lock
†7	E6021 87-S72	2	Screw-Cap
8	70-2050	1	Hose-Breather
9	2412-108	2	Clamp
10	2412-39	1	Clamp-R
11	67-9130	1	Pipe-Muffler
12	2112-6	1	Clamp-Muffler
13	5-0652	1	Spacer
14	3290-357	5	Nut-Lock, Flange
15	67-8420	1	Bracket-Muffler
16	67-9120	1	Muffler
†17	N605799-S2	2	Bolt
18	67-8480	1	Support-Engine, Rear
19	32128-37	2	Nut-Lock, Flange
20	53-9680	2	Mount-Engine
21	53-9480	2	Washer-Snubber
22	324-11	2	Screw-HH
†23	N800057-S2	4	Bolt

Ref. No.	Part No.	Qty.	Description
†24	D2RY-6379-A	6	Bolt
25	67-8440	1	Plate-Support, Engine
†26	D8RZ-6384-A	1	Gear-Ring, Flywheel
†27	89BM-6375-BA	1	Flywheel ASM (Incl. Ref. #26)
†28	N620482-S2	4	Nut
†29	E805697-S76	6	Stud
†30	N620481-S2	6	Nut
†31	F5JL-9430-CA	1	Manifold-Exhaust
†32	89BM-9448-BA	4	Gasket-Manifold
†33	E7JL-6A312-AA	1	Pulley
†34	E7JL-6N300-AA	2	Set-Ring, Locking
†35	E7JL-6378-AB	1	Ring-Compression
†36	E7JL-6K340-AA	1	Bolt
†37	Dory-6B316-A	1	Key
†38	92BX8591-CA	1	Kit-Pump, Water (Incl. Pulley & Gasket)
39	3234-11	4	Screw-HHF
40	86-7921	4	Cover-Wire, Spark Plug
41	33114-030	2	Screw-HH
†42	D4PZ-8575-A	1	Thermostat
†43	D1FZ-8255-B	1	Gasket
44	33115-020	1	Screw-HH
45	3254-3	1	Washer-Lock
46	94-7621	1	Sender-Temp.

† Obtain from your local Ford Power Products Dealer

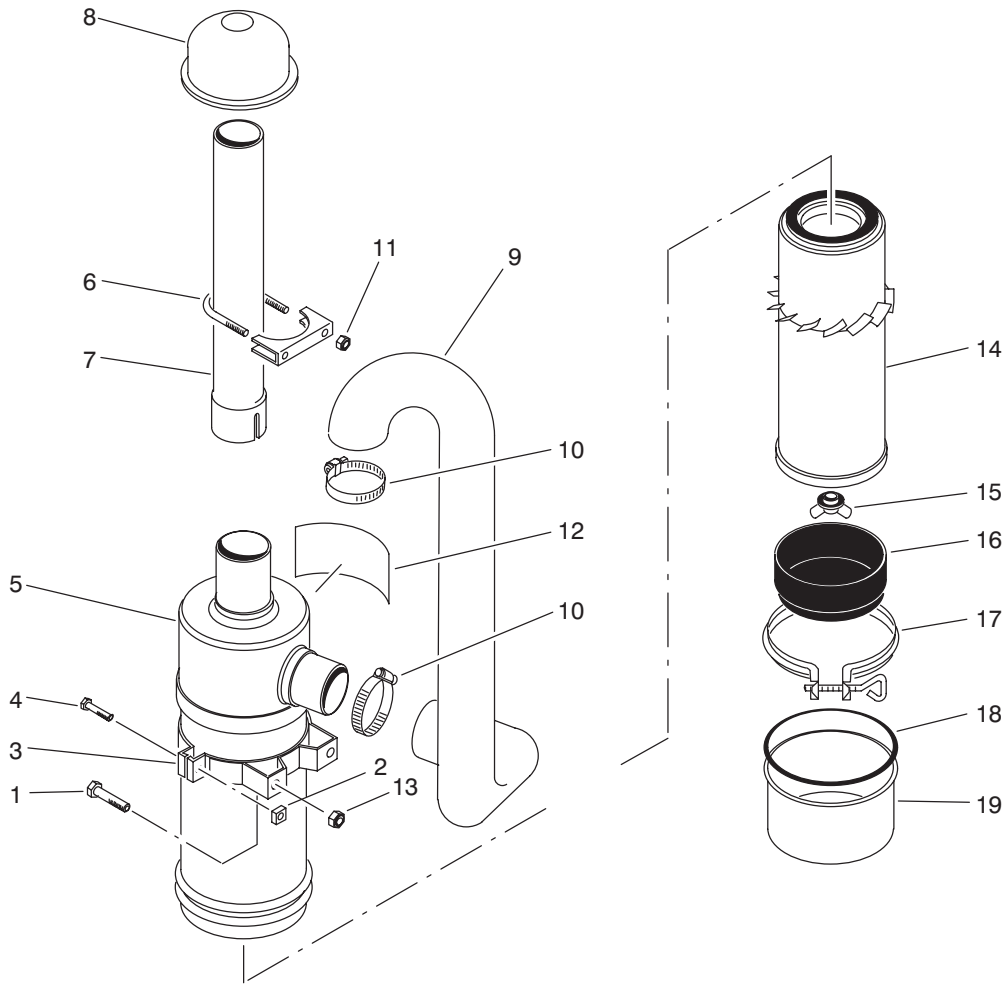


T-0933

Governor Assembly No. 67-8360

Ref. No.	Part No.	Qty.	Description
1	3219-1	2	Nut
2	70-2160	1	Bracket-Stop, Speed
3	72-5920	1	Screw
4	67-8370	1	Hub
5	18-5620	2	Screw
6	18-5630	4	Washer-Lock
7	18-5580	1	Seal-Oil, Front
8	104-2524	1	Cover-Governor
9	285-17	2	Plug-Pipe
10	18-5640	2	Ring-Retaining
11	18-5790	1	Gasket
12	70-2140	1	Bearing-Front
14	18-5770	2	Washer-Lock
15	70-2150	2	Flyweight
16	32113-14	2	Screw-HH
17	70-2110	1	Shaft & Yoke-Main
18	70-2100	1	Sleeve & Bearing ASM
19	18-5540	3	Ring-Retaining
20	72-5940	1	Bearing-Needle
21	70-2070	1	Lever-Adj., Speed
22	70-2090	1	Stud-Lever, Pivot
23	3296-5	1	Nut-Lock
24	72-5860	1	Spring-Governor
25	72-5850	1	Pin-Force, Idle
26	72-5930	1	Screw
27	71-4780	1	Seal-Oil, Rocker Shaft

Ref. No.	Part No.	Qty.	Description
28	18-5750	1	Pin
29	3219-2	2	Nut
30	72-5890	1	Shaft-Rocker
31	18-5410	1	Spring-Torsion
32	72-5880	1	Throttle Lever ASM (Incl. Ref. #31)
33	72-5870	1	Eyebolt
34	72-5910	1	Bumper Screw ASM
35	18-5450	2	Bearing
36	70-2080	1	Body
37	18-5520	1	Lever-Rocker
38	18-5440	2	Spacer
39	18-5430	1	Plug-Expansion
40	18-5530	2	Screw & Lockwasher
41	18-5670	2	Retainer-Pivot, Pin
42	18-5660	2	Pin-Pivot, Flyweight
43	70-2120	1	Spacer
44	32121-51	1	Pin-Hub To Shaft
45	71-4770	2	Screw

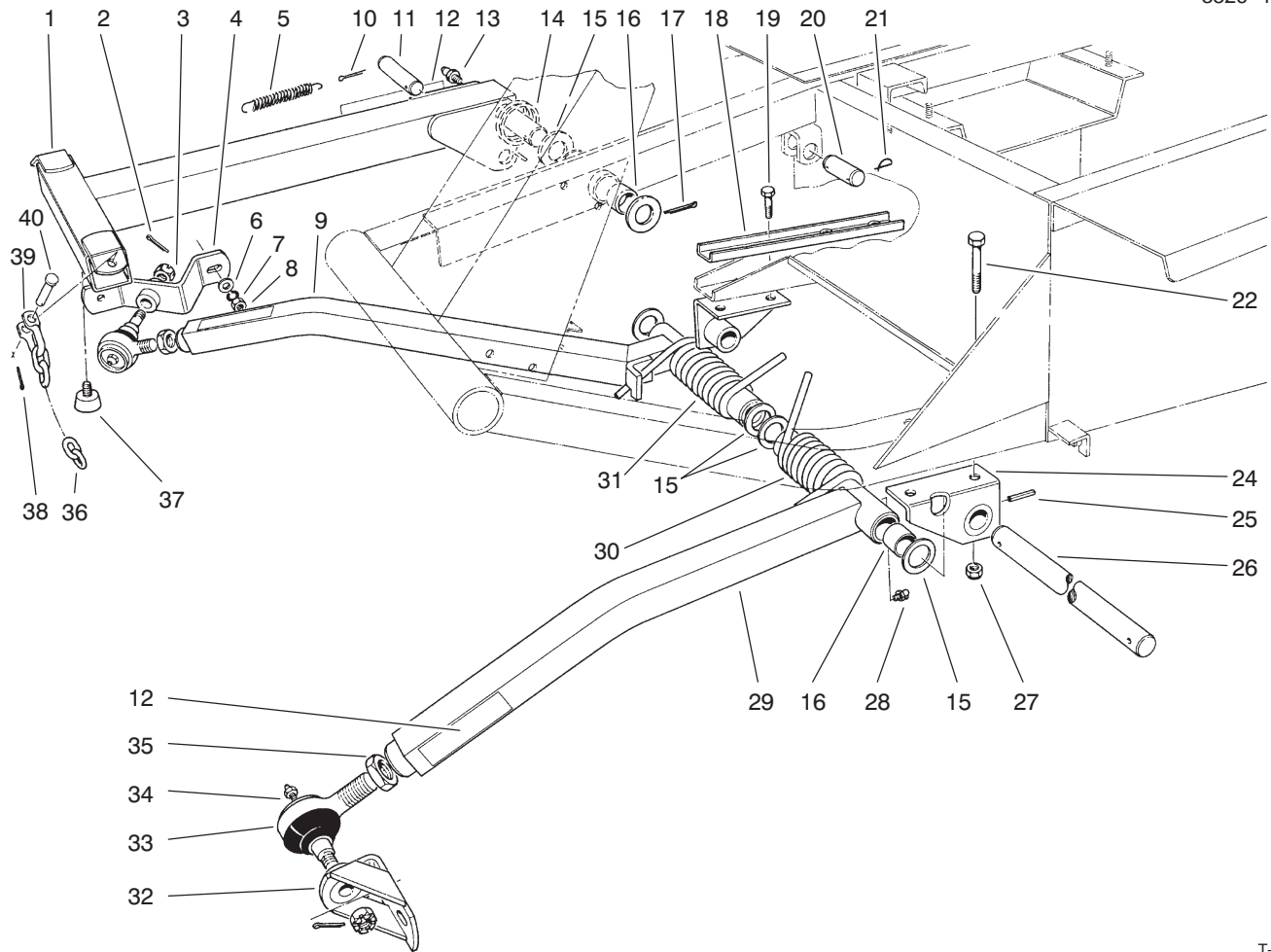


T-0934

Air Cleaner Assembly

Ref. No.	Part No.	Qty.	Description
1	322-3	4	Screw-HH
2	32107-11	2	Nut
3	27-7170	2	Band ASM (Incl. Ref. #2 & 4)
4	3258-19	2	Screw-Machine, Round Head Screw
5	27-7100	1	Air Cleaner ASM (Incl. Ref. #12, 14-19)
6	20-4840	1	Muffler Clamp (Incl. Ref. #11)
7	43-3810	1	Tube-Cleaner, Air
8	27-7180	1	Air Inlet Cap ASM
9	82-5590	1	Hose-Cleaner, Air
10	2412-42	2	Clamp-Hose
11	3217-6	2	Nut
12	27-7160	1	Decal-Instructions
13	32128-20	4	Nut-Lock, Flange
14	27-7110	1	Element ASM
15	27-7120	1	Nut & Gasket ASM
16	27-7140	1	Skirt-Baffle
17	27-7130	1	Clamp ASM
18	80-3330	1	Gasket
19	27-7150	1	Cup ASM

Ref. No.	Part No.	Qty.	Description
*	95-3093	1	Kit-Filter, 400 Hour (Incl. Ref. #14)



T-0440

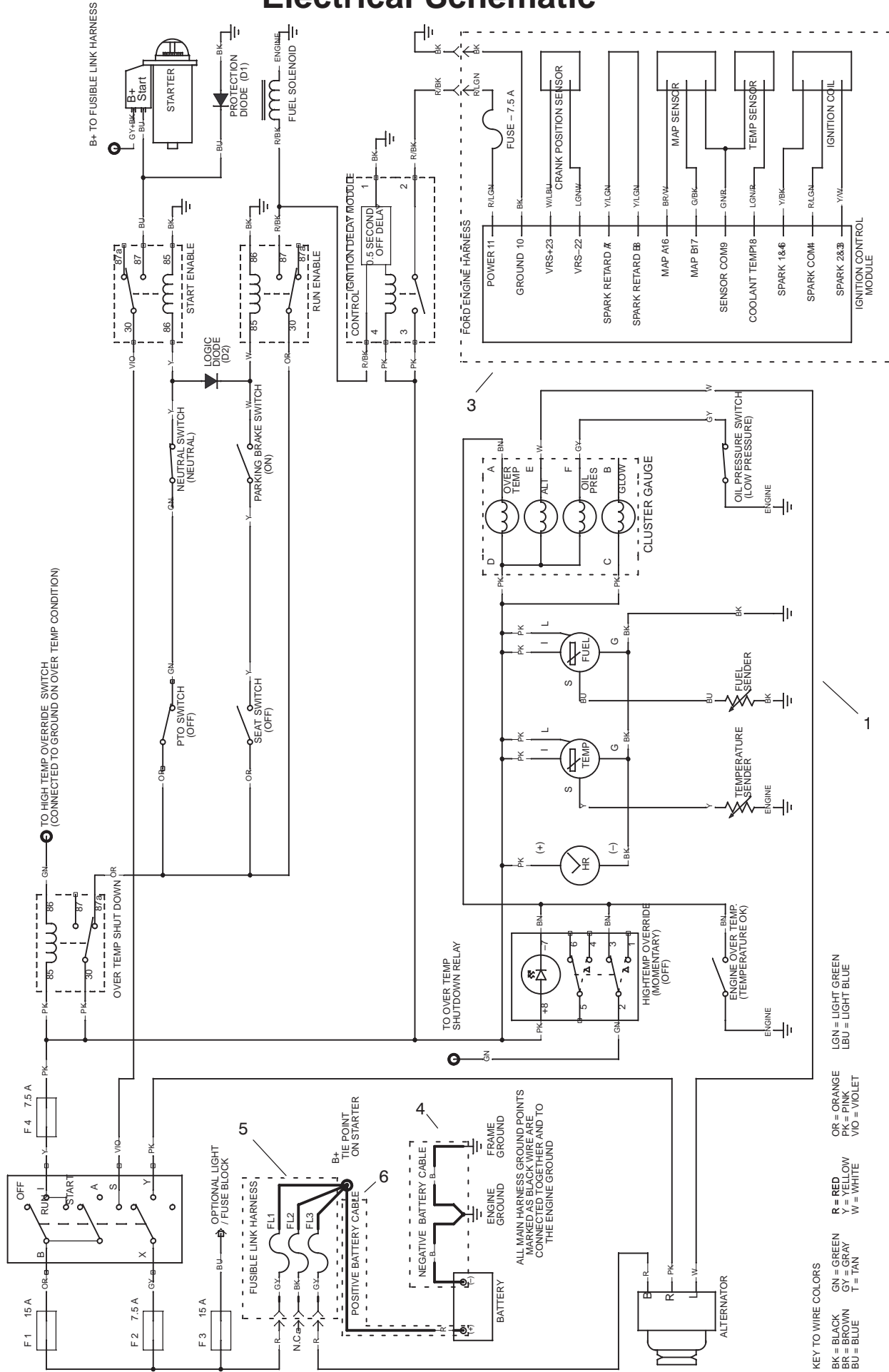
Push Arm Assembly

Ref. No.	Part No.	Qty.	Description
1	66-6370	1	Arm-Lift
2	3272-11	2	Pin-Cotter
3	32136-2	2	Nut
4	21-3020	1	Mount-Joint, Ball
5	21-1830	1	Spring-Tension
6	3256-25	1	Washer-Flat
7	3253-6	2	Washer-Lock
8	3217-8	2	Nut-Full
9	66-7150	1	Arm-Push, RH (Incl. Ref. #16 & 28)
10	3272-24	1	Pin-Cotter
11	24-9510	1	Pin
12	55-4300	3	Decal-Warning
13	302-5	1	Fitting-Grease
14	46-8840	1	Spring-Arm, Lift
15	5-1754	6	Washer
16	256-126	6	Bushing
17	3272-33	1	Pin-Cotter
18	23-1950	1	Support-Reinforcement
19	324-4	2	Screw-HH
20	3-7292	1	Pin
21	5-3126	3	Pin-Spring
22	324-12	2	Screw-HH
24	21-2860	2	Bracket-Arm, Push
25	32121-84	2	Pin-Roll

Ref. No.	Part No.	Qty.	Description
26	21-2990	1	Shaft-Pivot
27	32128-42	4	Nut-Flange
28	302-33	2	Fitting-Grease
29	21-2960	1	Arm-Push, LH (Incl. Ref. #16 & 28)
30	21-2900	1	Spring-Torsion, LH
31	21-2890	1	Spring-Torsion, RH
32	21-3050	1	Mount-Ball Joint, LH
33	86-8100	2	Ball Joint ASM
34	302-5	2	Fitting-Grease
35	21-3000	2	Nut-Jam
36	3-1365	3	Chain-Lift
37	67-9800	1	Bumper
38	3272-10	6	Pin-Cotter
39	5-2942	1	Shackle
40	283-10	1	Pin

Electrical Schematic

MAIN HARNESS



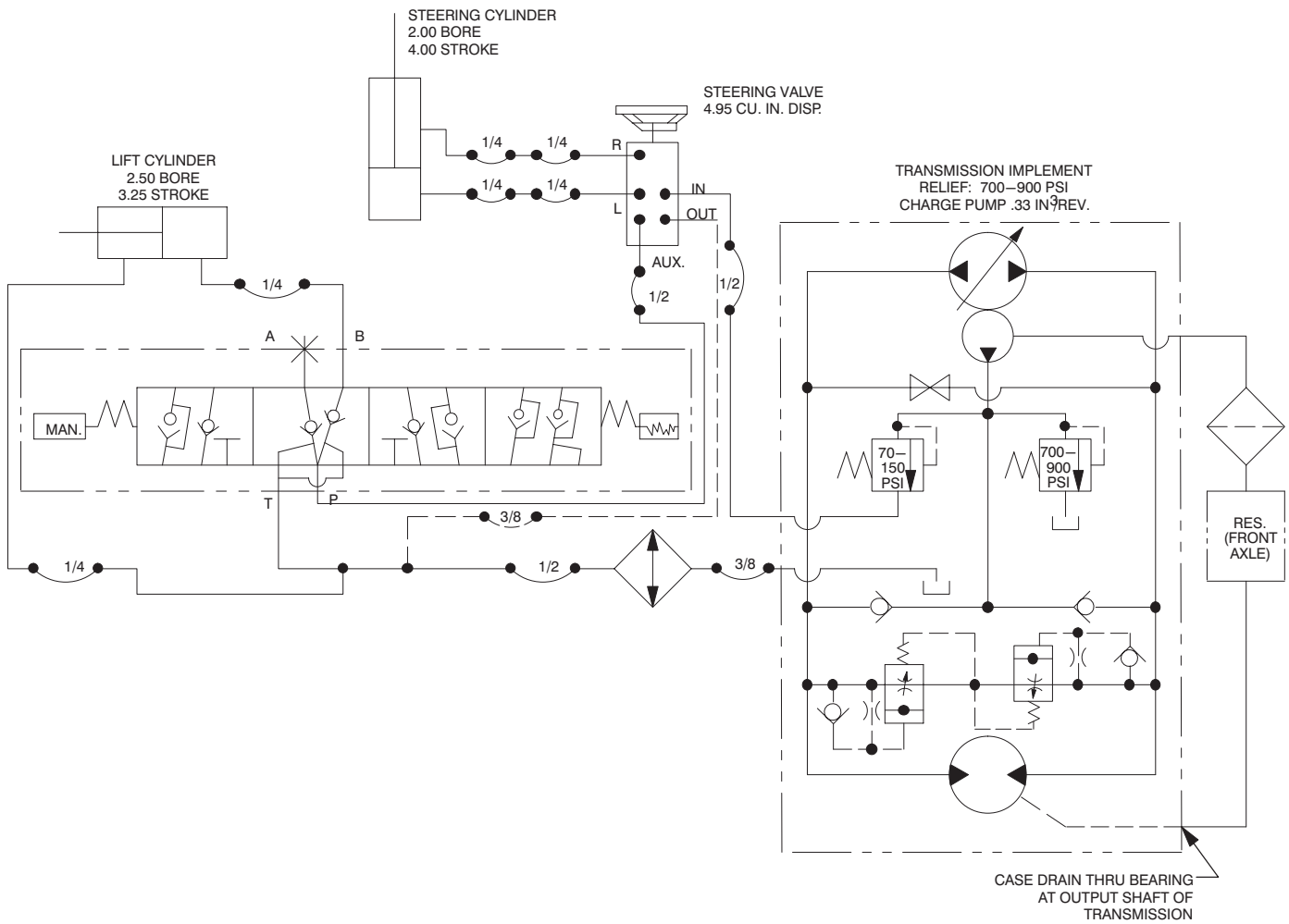
Electrical Schematic (Continued)

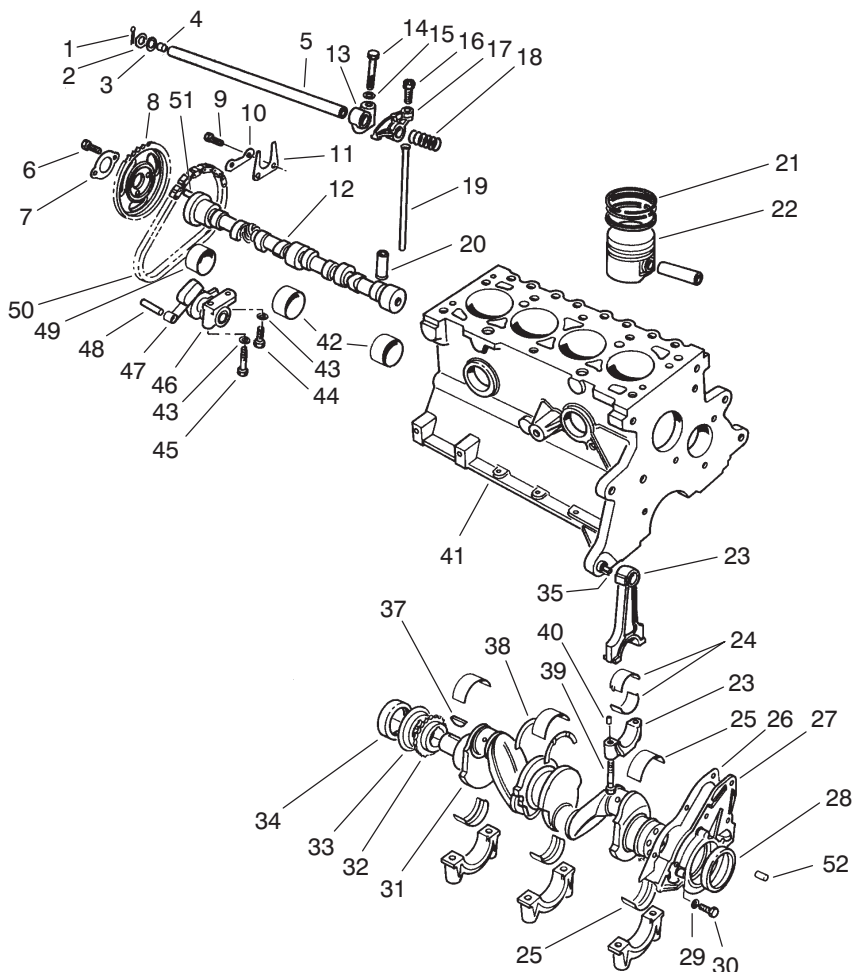
Ref. No.	Part No.	Qty.	Description
1	105-0015	1	Wire Harness ASM
†3	YU1L-12A200-AA	1	Harness-Wire (Ford)
4	67-8540	1	Cable-Ground
5	99-3441	1	Link-Fusible
6	105-2530	1	Cable-Battery, Positive

Ref. No.	Part No.	Qty.	Description

† Obtain from your local Ford Power Products Dealer.

Hydraulic Schematic





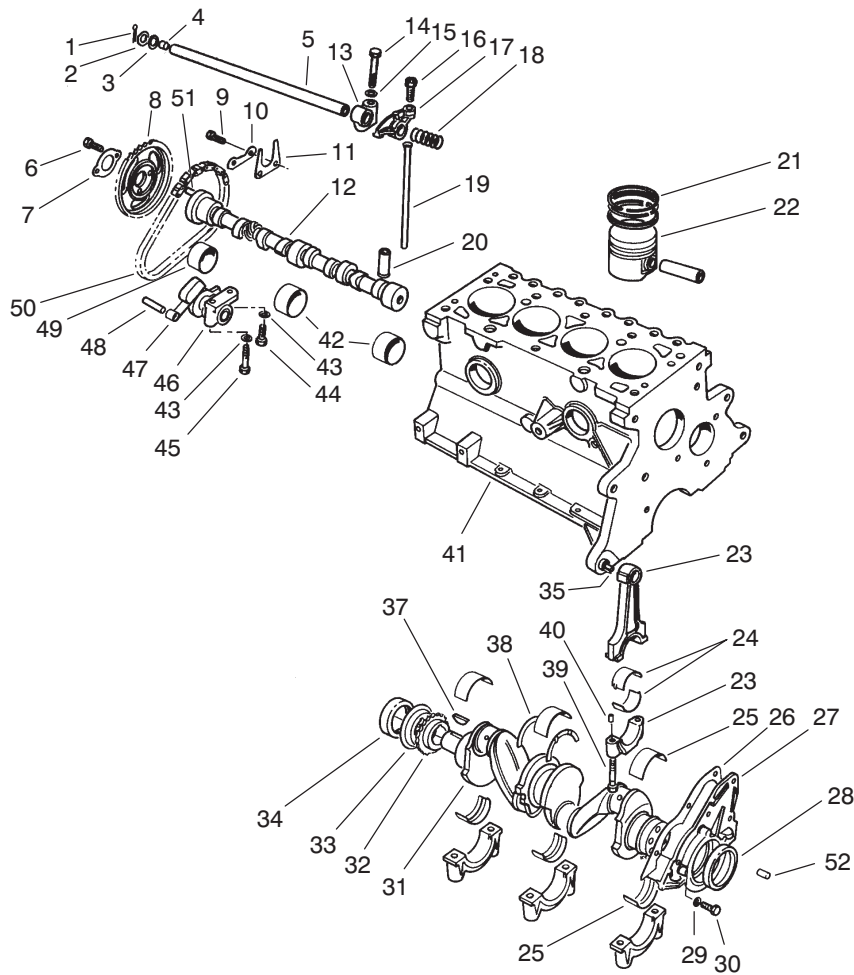
T-1004

Crankshaft and Camshaft Assembly

Ref. No.	Part No.	Qty.	Description	Ref. No.	Part No.	Qty.	Description
1	72025-S7	2	Pin-Cotter	21	89BM-6148-DA	4	Set-Ring, STD.
2	77BM-6598-AB	2	Washer-Spring	*	89BM-6148-EA	A/R	Set-Ring, .020 OS.
3	DORY-6590-A	2	Washer-Flat	*	89BM-6148-FA	A/R	Set-Ring, .040 OS.
4	357966-S	2	Plug-Shaft, Rocker Arm	22	89BM-6102-DA	4	STD Piston ASM (Inc. Ref. #21)
5	89BM-6A557-AA	1	Rocker Arm Shaft ASM (Incl. Ref. #4)	*	89BM-6102-EA	A/R	.020 OS. Piston ASM (Incl. Ref. #21)
6	E602351-S72	2	Bolt	*	89BM-6102-FA	A/R	.040 OS. Piston ASM (Incl. Ref. #21)
7	DORY-6258-A	1	Retainer	23	89BM-6200-AD	4	Connecting Rod ASM
8	77BM-6256-AA	1	Sprocket-Camshaft	24	89BM-6211-AA	8	Bearing-Rod, STD.
9	N602166-S2	2	Bolt	*	89BM-6211-BA	A/R	Bearing-Rod, .001 U.S.
10	DORY-6255-A	1	Retainer	*	89BM-6211-CA	A/R	Bearing-Rod, .010 U.S.
11	DORY-6269-A	1	Plate-Thrust	*	89BM-6211-DA	A/R	Bearing-Rod, .020 U.S.
12	89BM-6251-AA	1	Camshaft	*	89BM-6211-EA	A/R	Bearing-Rod, .030 U.S.
13	77BM-6531-BB	4	Support-Shaft, Rocker	25	89BM-6333-AA	5	Bearing-Crank, Upper (STD. OD STD. ID)
14	E800509-S72	4	Bolt-Support, Rocker	*	89BM-6331-AA	5	Bearing-Crank, Lower (STD. OD STD. ID)
15	E630031-S101	4	Washer				
16	DORY-6549-B	8	Screw				
17	89BM-6529-AB	4	Arm-Valve Rocker, RH (Inc. Ref. #16)				
*	89BM-6K528-AB	4	Arm-Valve Rocker, LH (Inc. Ref. #16)				
18	DORY-6587-A	3	Spring-Locating				
19	89BM-6565-AA	8	Rod-Push, Valve				
20	89BM-6500-AA	8	Tappet-STD.				

*Not Illustrated

Note: Order parts from your local Ford Power Products Dealer.



T-1004

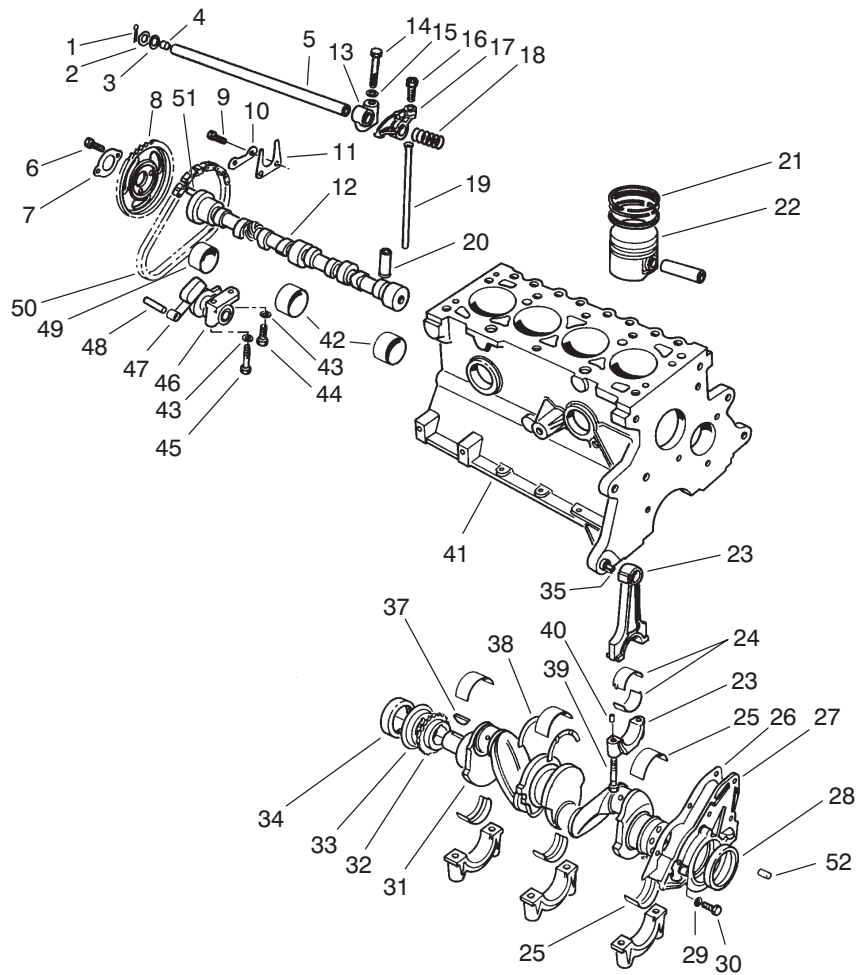
Crankshaft and Camshaft Assembly (Continued)

Ref. No.	Part No.	Qty.	Description
*	89BM-6333-BA	A/R	Bearing-Crank, Upper (STD. OD .005 US. ID)
*	89BM-6331-BA	A/R	Bearing-Crank, Lower (STD. OD .005 US. ID)
*	89BM-6333-CA	A/R	Bearing-Crank, Upper (STD. OD .010 US. ID)
*25	89BM-6333-DA	A/R	Bearing-Crank, Upper (.015 OD STD. ID)
*	89BM-6331-DA	A/R	Bearing-Crank, Lower (.015 OD STD. ID)
*	89BM-6333-EA	A/R	Bearing-Crank, Upper (STD. OD .020 US. ID)
*	89BM-6331-EA	A/R	Bearing-Crank, Lower (STD. OD .020 US. ID)
*	89BM-6333-FA	A/R	Bearing-Crank, Upper (STD. OD .030 US. ID)
*	89BM-6331-FA	A/R	Bearing-Crank, Lower (STD. OD .030 US. ID)
*	89BM-6333-GA	A/R	Bearing-Crank, Upper (.015 OS. OD .010 US. ID)
*	89BM-6331-GA	A/R	Bearing-Crank, Lower (.015 OS. OD .010 US. ID)

Ref. No.	Part No.	Qty.	Description
*	89BM-6333-HA	A/R	Bearing-Crank, Upper (.015 OS. OD .020 US. ID)
*	89BM-6331-HA	A/R	Bearing-Crank, Lower (.015 OS. OD .020 US. ID)
26	89BM-6344-BA	1	Gasket-Retainer, Rear
27	86BM-6K318-AA	1	Rear Retainer ASM
28	86HM-6701-A1A	1	Seal-Crankshaft, Rear
29	E630173-S71M	4	Lockwasher
30	E602187-S72	4	Bolt
31	89BM-6303-DA	1	Crankshaft ASM
32	DORY-6306-A	1	Sprocket
33	D8RZ-6310-A	1	Slinger-Oil
34	83BM-6700-A4A	1	Seal-Cover, Front
35	70HM-6397-AA	2	Dowel
37	D0RY-6B316-A	1	Key-Woodruff
38	89BM-6A341-AA	2	Washer-Thrust Bearing, STD.
*	89BM-6A341-BA	A/R	Washer-Thrust Bearing, .015 OS.
39	89BM-6214-DB	8	Bolt-Rod, Connecting
40	116336-ES100	8	Pin-Dowe, Rod
41	89BM-6011-DA	1	Block-Cylinder
42	DORY-6261-A	2	Bearing (STD. ID STD. OD)

*Not Illustrated

Note: Order parts from your local Ford Power Products Dealer.



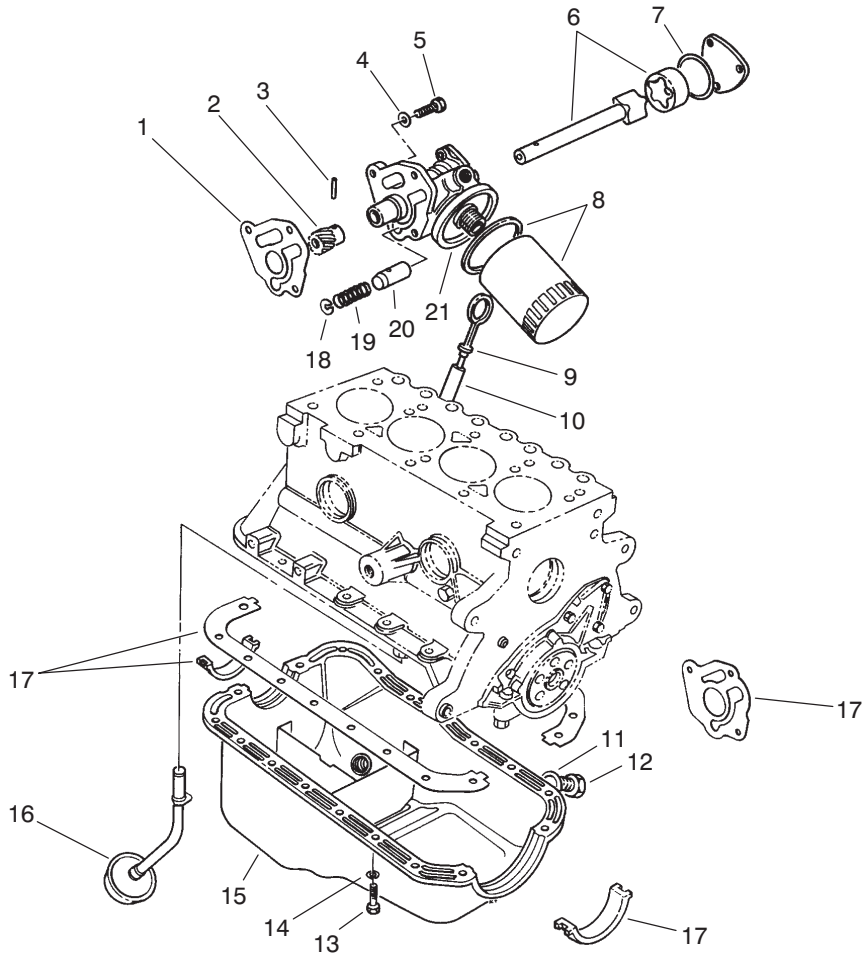
T-1004

Crankshaft and Camshaft Assembly (Continued)

Ref. No.	Part No.	Qty.	Description	Ref. No.	Part No.	Qty.	Description
*	DORY-6262-B	A/R	Bearing (STD. ID +.020 OD)				
43	34805-S8	2	Lockwasher				
44	E602166-S72	1	Bolt				
45	E600116-S72	1	Bolt				
46	DIFZ-6284-A	1	Tensioner				
47	77BM-6K255-AC	1	Arm-Tensioner				
48	E43-CP-1	1	Pin				
49	DORY-6261-A	1	Bearing (STD. ID STD. OD)				
*	DORY-6261-B	A/R	Bearing (STD. ID +.020 OD)				
50	DORY-6268-A	1	Chain				
51	E93A-6253-A	1	Dowel				
52	E-840161-S	1	Dowel				
*	93BX-6014-AA	1	Kit-Gasket, Upper (Less Head Gasket)				
*	89BM-6051-C2B	1	Gasket-Head				
*	93BX-6013-BA	1	Kit-Gasket, Lower				

*Not Illustrated

Note: Order parts from your local Ford Power Products Dealer.

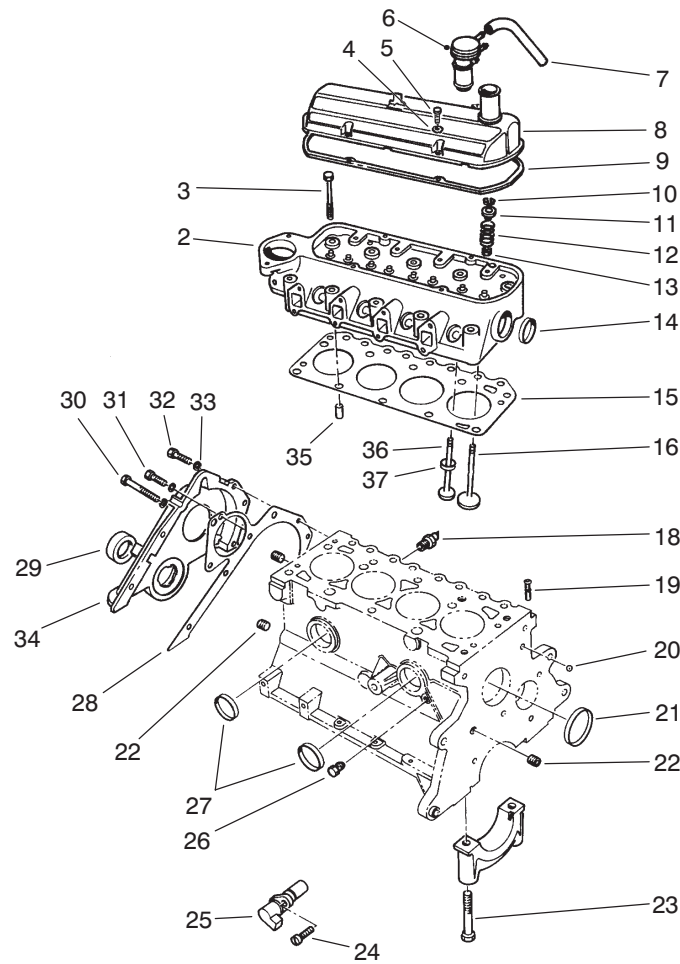


T-1003

Oil Pump and Filter Assembly

Ref. No.	Part No.	Qty.	Description	Ref. No.	Part No.	Qty.	Description
1	96BM-6659-A1A	1	Gasket-Pump, Oil				
2	DORY-6652-A	1	Gear				
3	72432-S	1	Pin-Gear, Drive				
4	E630173-S71M	3	Lockwasher				
5	E800519-S72	3	Bolt				
6	DIFZ-6608-B	1	Rotor & Shaft				
7	116682-ES	1	Plate-Cover, Seal				
8	95-3304	1	Filter-Oil				
9	92BM-6750-AA	1	Indicator-Level, Oil				
10	89BM-6784-AA	1	Tube-Indicator, Oil Level				
11	E9DZ-6734-B	1	Gasket-Drain Plug, Oil				
12	E9DZ-6730-B	1	Plug-Drain, Oil				
13	E602165-S72	18	Bolt				
14	34805-S8	18	Lockwasher				
15	86BM-6675-AA	1	Pan-Oil				
16	86BM-6617-AA	1	Oil Pickup Tube ASM				
17	A850X-6013-A2A	1	Kit-Seal, Gasket				
18	DORY-6666-A	1	Plug				
19	DORY-6670-A	1	Spring				
20	DORY-6674-A	1	Plunger				
21	D8RZ-6600-A	1	Pump-Oil				

Note: Order parts from your local Ford Power Products Dealer.



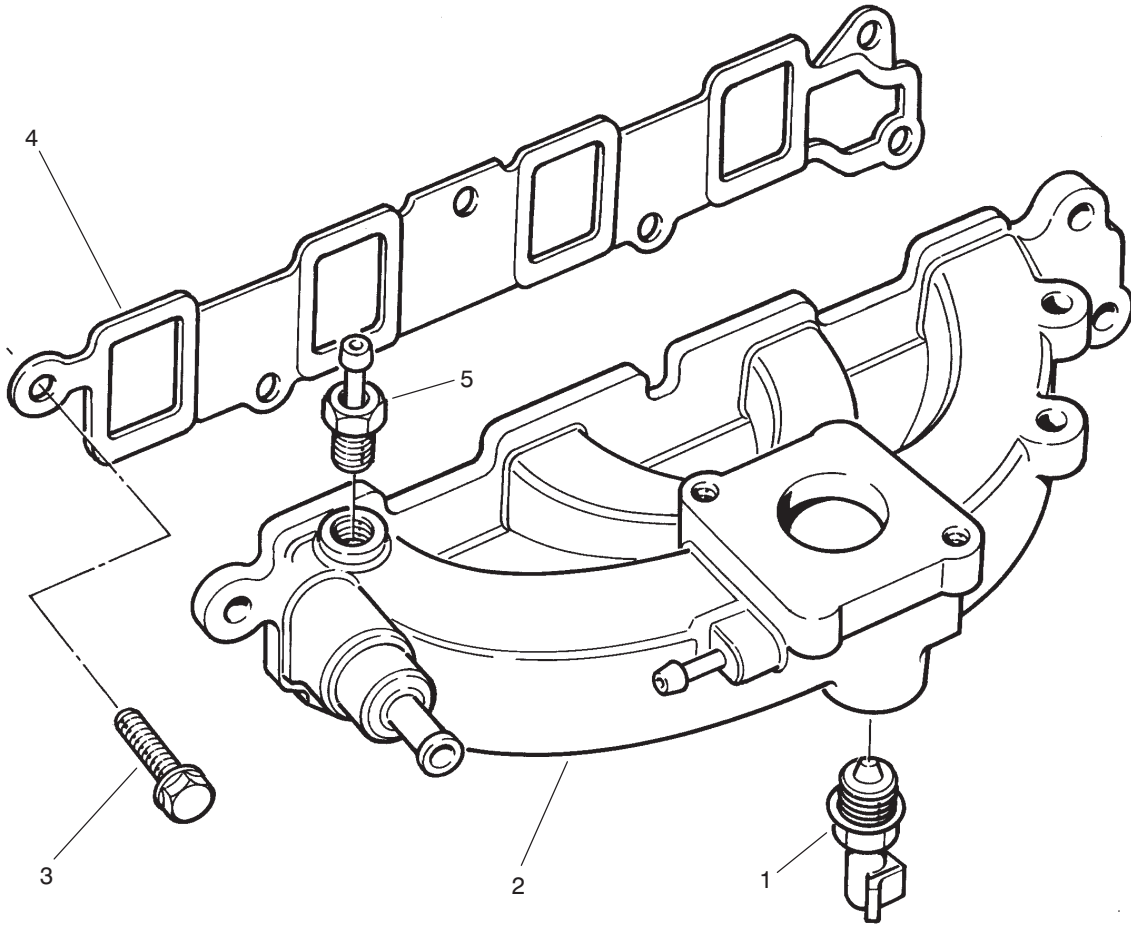
T-1002

Cylinder Head and Valve Assembly

Ref. No.	Part No.	Qty.	Description	Ref. No.	Part No.	Qty.	Description
2	89BM-6049-DD	1	Cylinder Head ASM	26	353055-S7	1	Plug
3	89BM-6065-DA	10	Bolt-Head, Cylinder	27	DORY-6026-A	2	Plug
4	E630024-S201	4	Washer-Flat	28	D8RZ-6020-A	1	Gasket-Cover, Front
5	E800516-S72	4	Screw-Cover, Rocker	29	83BM-6700-A4A	1	Seal-Cover, Front
6	84BF-6K614-CA	1	Cap-Fill, Oil	30	E800518-S72	1	Bolt
7	E9JL-6K609-AA	1	Hose-PCV	31	E600113-S72	3	Bolt
8	91BM-6582-GA	1	Cover-Arm, Rocker	32	E800512-S72	4	Bolt
9	77BM-6584-CA	1	Gasket-Cover	33	E832108-S71M	8	Lockwasher
10	88WM-6518-AA	16	Spring-Valve, Lock	34	95BM-6019-AC	1	Cover & Seal ASM (Incl. Ref. #29)
11	89BM-6A536-AA	8	Retainer	35	E840126S	2	Dowel
12	89BM-6513-AA	8	Spring-Valve	36	89BM-6505-EA	A/R	Valve-Exhaust (.040mm O.S.)
13	88WM-6571-BB	8	Seal-Stem, Valve	*	89BM-6505-CA	4	Valve-Exhaust (Std.)
14	DORY-6026-A	1	Plug	37	89BM-6057-A2E	4	Insert-Seat, Exhaust
15	89BM-6051-C2B	1	Gasket-Head, Cylinder				
16	89BM-6507-BA	4	Valve-Intake (Std.)				
*	89BM-6507-BC	A/R	Valve-Intake (.040mm O.S.)				
18	E7RZ-9278-A	1	Switch-Pressure, Oil				
19	D8RZ-6767-A	1	Adapter				
20	E890100-S	1	Plug-Ball, Oil Gallery				
21	DORY-6026-A	1	Plug				
22	F1ZZ-6026-A	3	Plug				
23	D1FZ-6345-A	10	Bolt-Cap, Bearing				
24	E802666-S72	1	Screw				
25	89BF-6C315-AB	1	Transducer				

*Not Illustrated

Note: Order parts from your local Ford Power Products Dealer.

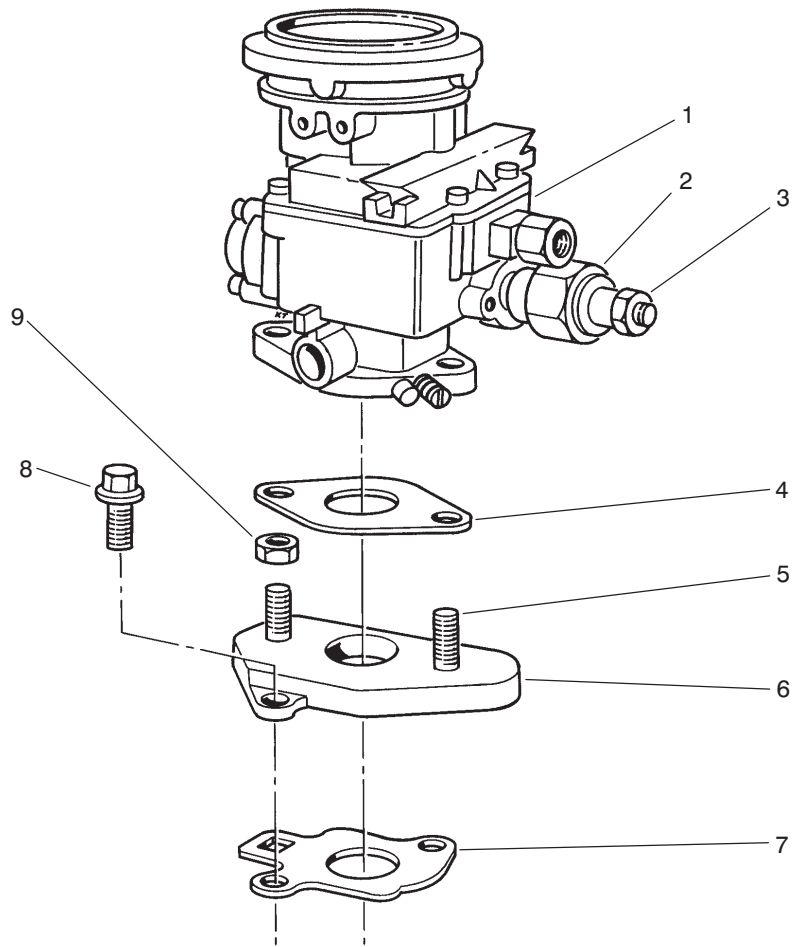


T-1176

Manifold Assembly

Ref. No.	Part No.	Qty.	Description
1	E1AZ-12A648-A	1	Sensor—Temperature, Water
2	89BF-9424-AD	1	Manifold—Intake
3	E800157-S72	6	Bolt
4	89BM-9441-AB	1	Gasket—Manifold, Intake
5	77BF-9K442-AA	1	Adapter—Vacuum

Ref. No.	Part No.	Qty.	Description
----------	----------	------	-------------



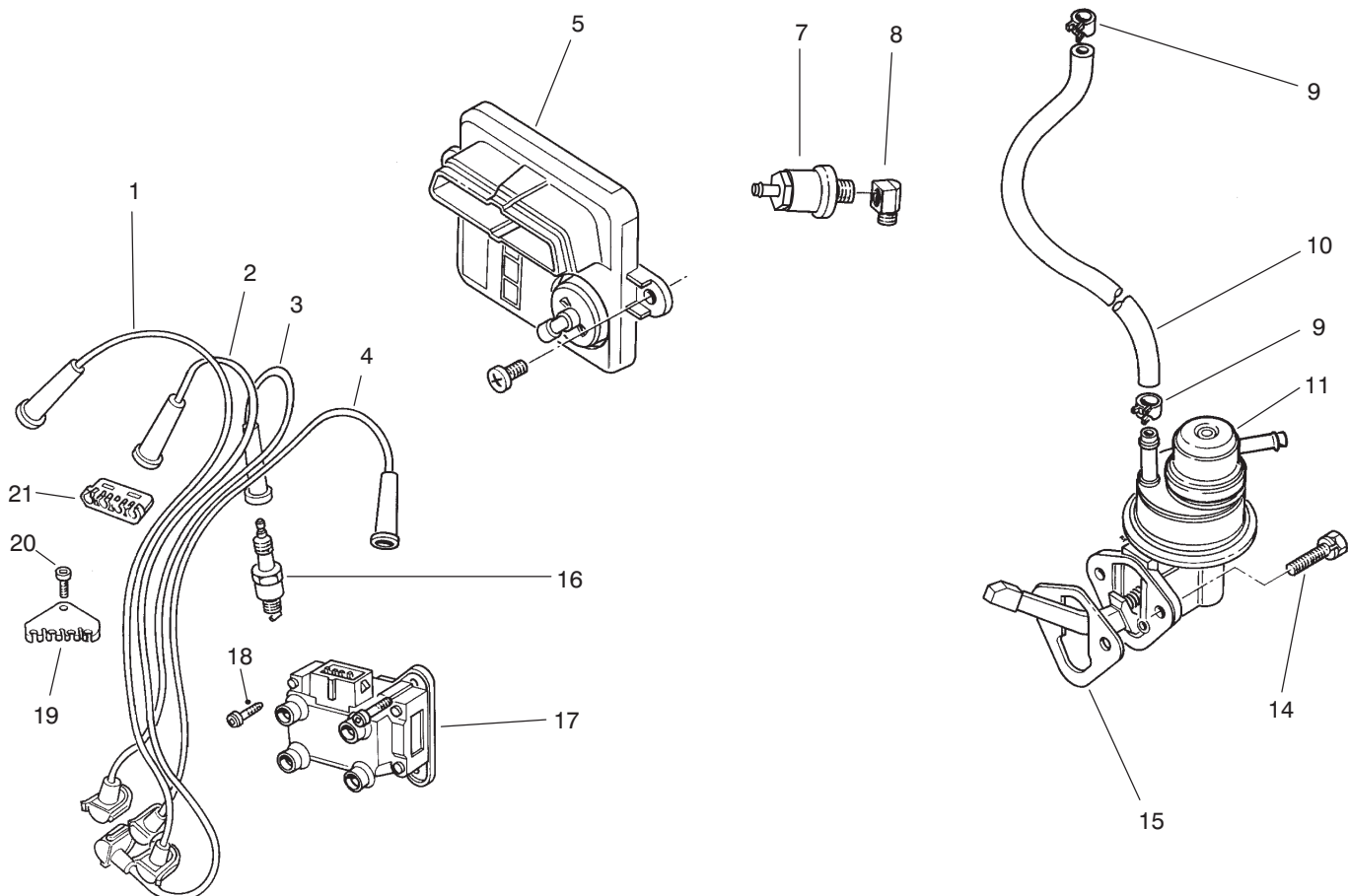
T-0999

Carburetor Assembly

Ref. No.	Part No.	Qty.	Description
1	F8JL-9510LA	1	Carburetor ASM
2	84FB-9K765-BA	1	Solenoid
3	N621903-S2	1	Nut & Washer
4	E5JL-9447-BA	1	Gasket
5	E804216S	2	Stud
6	E8JL-9A589-CB	1	Adapter
7	87BF-9447-BA	1	Gasket
8	N800055-S	2	Bolt
9	N620041-S51	2	Nut

Ref. No.	Part No.	Qty.	Description

Note: Order parts from your local Ford Power Products Dealer.



T-1233

Ignition and Fuel Pump Assembly

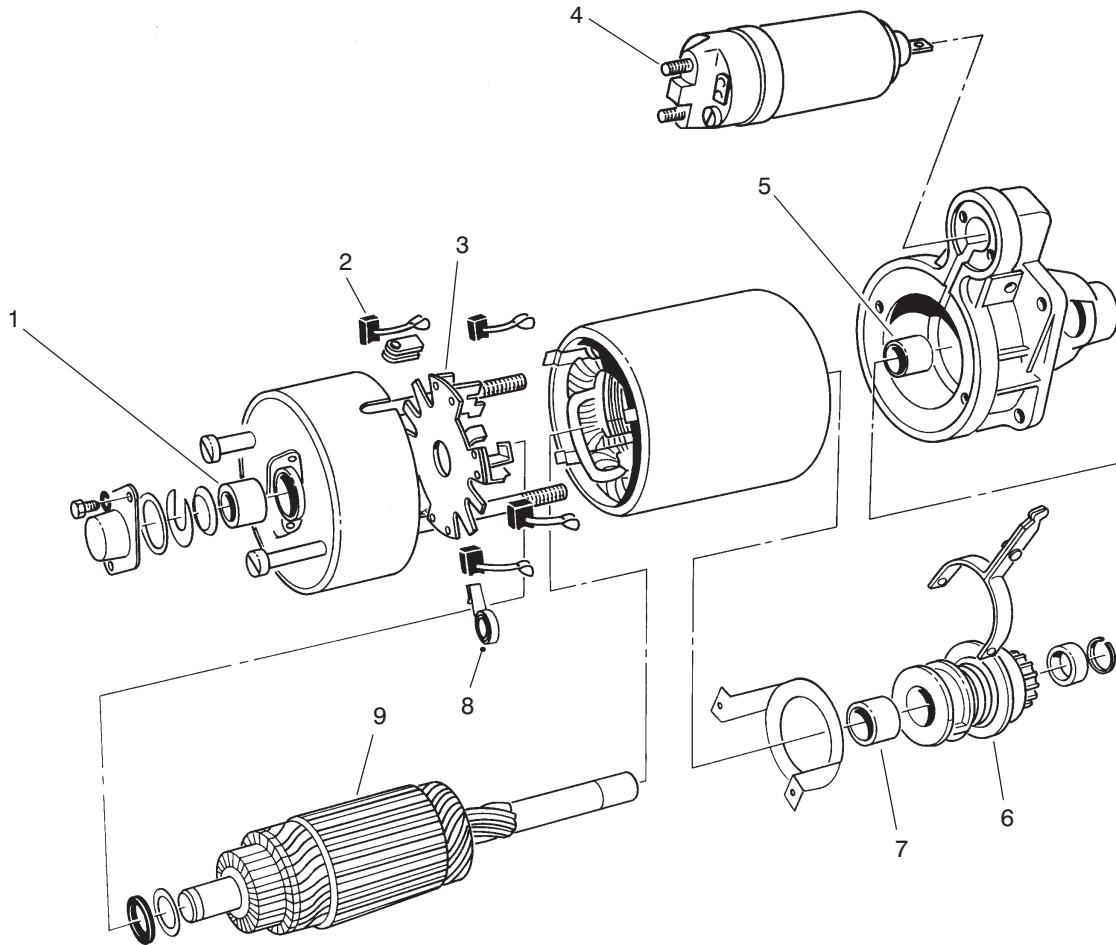
Ref. No.	Part No.	Qty.	Description
1	89BF-12287-AC	1	Wire—Spark Plug, #4
2	89BF-12284-AD	1	Wire—Spark Plug, #3
3	89BF-12283-AD	1	Wire—Spark Plug, #2
4	88BF-12286-AD	1	Wire—Spark Plug, #1
5	89FB-12A297-GA	1	Module—Ignition
†7	FG778-B	1	Filter—Fuel (Motorcraft)
8	370829-S101	1	Elbow
9	380882-S32	A/R	Clamp—Hose, Fuel
10	381103-S180A	1	Hose—Fuel
11	83BF-9350-AA	1	Pump—Fuel
14	N602551-S2	2	Screw & Washer
15	83BM-9417-A1A	1	Gasket—Pump, Fuel
16	AGRF22	1	Plug—Spark
*	AGSF22C	4	Plug—Spark (Motorcraft)
17	96BF-12024-A1A	1	Coil & Bracket ASM
18	E804335-S201	3	Screw
19	89BF-12297-AA	1	Separator—Wire
20	E802166-S76	1	Screw
21	E865648-S	1	Separator—Wire

Ref. No.	Part No.	Qty.	Description

*Not Illustrated

†For use on Serial No. 40501 & UP

Note: Order parts from your local Ford Power Products Dealer.



T-1005

Starter Motor Assembly (91AB11000JB)

Ref. No.	Part No.	Qty.	Description
1		1	Bushing—End, Brush
2		1	Set—Brush
3		1	Holder—Brush
4	F7JL-11450-AA	1	Solenoid—Starter
5		1	Bushing—End, Drive
6	F7JL-11350-BA	1	Kit—Drive, Starter
7		1	Bushing—Drive, Starter
8		4	Spring—Brush
9		1	Kit—Install, Armature
*		1	Kit—Wiring, Service

Ref. No.	Part No.	Qty.	Description

*Not Illustrated
 Note: Order parts from your local Ford Power Products Dealer.

