



EN PowerJet F700 Blower

51624

ES Soplador F700 PowerJet

51624

FR Souffleur PowerJet F700

51624



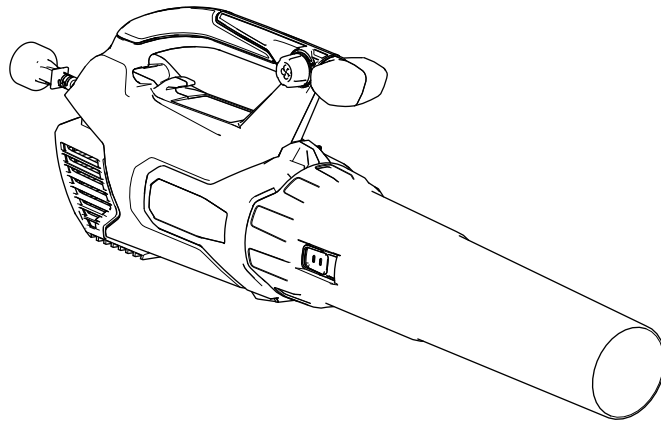


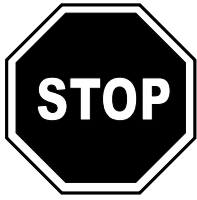
Count on it.

Operator's Manual

PowerJet F700 Blower

Model No. 51624—Serial No. 321000001 and Up





If you have questions or problems, call toll free 1-888-367-6631 (US) or 1-888-430-1687 (Canada) before returning this product.

▲ WARNING

**CALIFORNIA
Proposition 65 Warning**

The power cord on this product contains lead, a chemical known to the State of California to cause birth defects or other reproductive harm. Wash hands after handling.

Use of this product may cause exposure to chemicals known to the State of California to cause cancer, birth defects, or other reproductive harm.

Introduction

This blower is intended to be used by residential homeowners to move leaf-like debris as needed outdoors.

Read this information carefully to learn how to operate and maintain your product properly and to avoid injury and product damage. You are responsible for operating the product properly and safely.

You may contact the manufacturer directly at www.Toro.com for product and accessory information, help finding a dealer, complete warranty details, or to register your product.

Safety

IMPORTANT SAFETY INSTRUCTIONS

When using an electrical appliance, basic precautions should always be followed, including the following:

READ ALL INSTRUCTIONS BEFORE USING BLOWER

WARNING—To reduce the risk of fire, electric shock, or injury, follow these safety instructions.

To ensure maximum safety, best performance, and to gain knowledge of the appliance, it is essential that you or any other operator of the appliance read and understand the contents of this manual before operating the appliance. Pay particular attention to the safety-alert symbol ▲ which means CAUTION, WARNING or DANGER—personal safety instruction. Read and understand the instruction because it has to do with safety. **Failure to comply with these instructions may result in personal injury, risk of fire, or electrical shock.**

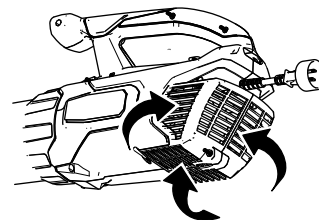
Do not leave the appliance when plugged in. Unplug it from the outlet when not in use and before servicing.

WARNING—To reduce the risk of electric shock, **do not** use the appliance on wet surfaces. **Do not** expose it to rain. Store it indoors.

Do not allow the appliance to be used as a toy. Do not use it near children. Do not let children use the appliance.

Use the appliance only as described in this manual. Use only the manufacturer's recommended attachments.

Dress properly. Keep hair, loose clothing, fingers, and all parts of the body away from openings and moving parts. Be aware of the position of the blower and the air inlets during operation. Loose clothing, jewelry and hair can be drawn into the inlets and may result in personal injury. Always wear substantial footwear, long pants, hearing protection, and eye protection.



g252752

Do not use the appliance with a damaged electrical cord or plug. If it is not working as it should, has been

dropped, damaged, left outdoors, or dropped into water, return it to a service dealer.

Do not pull or carry the appliance by the cord, use the electrical cord as a handle, close a door on the cord, or pull the cord around sharp edges or corners. Keep the cord away from heated surfaces.

Do not unplug the appliance by pulling on the electrical cord. To unplug the cord, grasp the plug, not the cord.

Do not handle the plug or appliance with wet hands.

This appliance is not rated for cold weather use.

Do not put any object into the openings. Do not use the appliance with any opening blocked; keep it free of dust, lint, hair, leaves, debris, and anything that may reduce air flow.

Turn off all controls before unplugging the appliance.

Use extra care when cleaning on stairs.

Do not use the appliance in areas where flammable or combustible liquids or fumes may be present.

This appliance is provided with double electrical insulation. Use only identical replacement parts. See instructions for servicing double-insulated appliances.

SAVE THESE INSTRUCTIONS

Safety and Instructional Decals



Safety decals and instructions are easily visible to the operator and are located near any area of potential danger. Replace any decal that is damaged or missing.



decal137-9337

137-9337

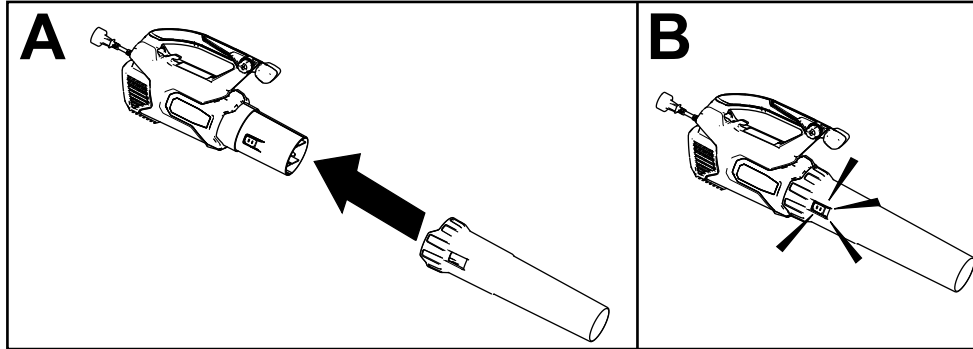
1. Warning—read the *Operator's Manual*.
2. Electric shock hazard—do not operate in wet conditions.
3. Warning—unplug the machine before servicing or performing maintenance.
4. Thrown object hazard—wear eye protection.
5. Warning—wear hearing protection.
6. Thrown object hazard—keep bystanders away from the machine.
7. Double insulated

Setup

Register your product at www.Toro.com so that Toro can notify you in the case of a safety or warranty product recall.

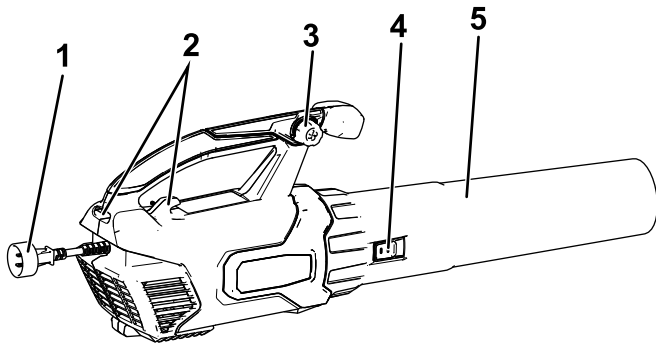
Assembling the Blower

Install the blower tube.



g249284

Product Overview



g249285

1. Power plug
2. Cord lock
3. Variable-speed knob
4. Tube latch
5. Blower tube

Operation

Important: This appliance is intended for outdoor, residential use only. Do not use it indoors or for commercial or industrial purposes. This appliance is for household use only.

⚠ WARNING

This appliance can throw debris, possibly causing serious personal injury to you or bystanders.

- Do not blow hard objects such as nails, bolts, or rocks.
- Do not operate the blower near bystanders or pets.
- Use extra care when cleaning debris from stairs or other tight areas.
- Wear safety goggles or other suitable eye protection, hearing protection, long pants, and shoes.

Connecting to a Power Source

To reduce the risk of electric shock, this appliance has a polarized plug (i.e., one blade is wider than the other). Use only a polarized, UL listed (CSA certified in Canada) extension cord recommended for outdoor use. A polarized plug will fit in a polarized cord only one way. If the plug does not fit fully in the cord, reverse the cord. If it still does not fit, purchase

a polarized extension cord. If you have a polarized extension cord and the extension cord plug does not fit fully into the wall receptacle, reverse the plug. If it still does not fit, contact a qualified electrician to install the proper outlet. Do not change the appliance or extension cord plug in any way.

Use only an extension cord recommended for outdoor use.

⚠ WARNING

If you do not fully seat the extension cord on the inlet plug, or if the plug and cord do not fit firmly, the loose plug could lead to overheating and cause a fire, possibly burning you or others.

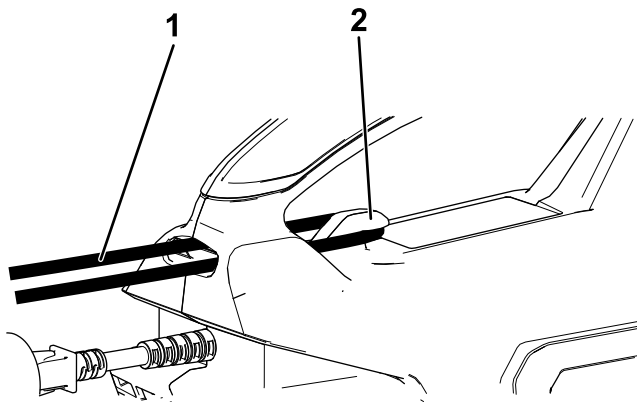
- Ensure that you fully seat the cord on the plug.
- Check the connection regularly to ensure that the cord is firmly attached.
- Do not use a worn-out or loose extension cord.

Extension Cord Length	Minimum Wire Gage (A.W.G.)
7.6 m (25 feet)	16
15.0 m (50 feet)	16
30.5 m (100 feet)	14
45.7 m (150 feet)	10

Note: Do not use an extension cord over 45.7 m (150 feet).

Important: Check the extension cord frequently during use for holes or cracks in the insulation. Do not use a damaged cord. Do not run the cord through standing water or wet grass.

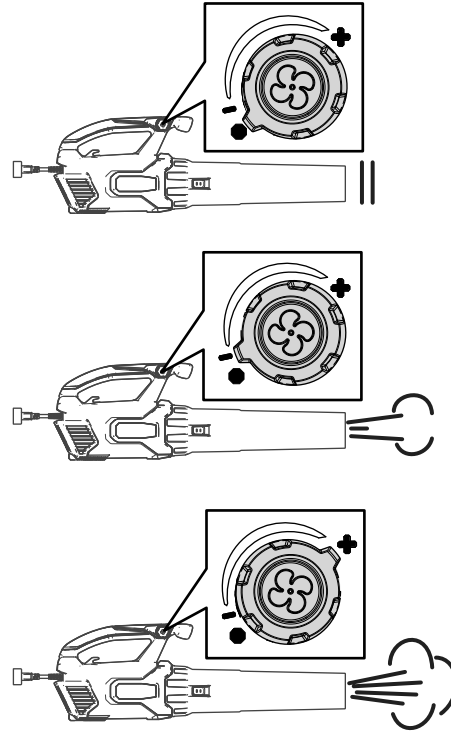
Secure the extension cord to the appliance using the molded in cord-lock feature.



1. Extension cord 2. Cord lock

g249316

Starting, Stopping, and Adjusting the Air Speed



g249327

Double-insulated Appliances

In a double-insulated appliance, two systems of insulation are provided instead of grounding. No grounding means is provided on a double-insulated appliance, nor should a means for grounding be added to the appliance. Servicing a double-insulated appliance requires extreme care and knowledge of the system, and should be done only by the qualified service personnel at your Authorized Service Dealer. Replacement parts for a double-insulated appliance must be identical to the parts they replace. A double-insulated appliance is marked with the words "Double Insulation" or "Double Insulated." The symbol (square within a square) □ may also be marked on the appliance.

Lubricating the Machine

You do not need to lubricate the appliance; all necessary lubrication has been completed at the factory for the life of the appliance.

Service

This appliance has no serviceable parts.

Storage

Store the appliance indoors, in a cool dry location, out of reach of children and animals.

Troubleshooting

If your blower fails to run when you turn it on, check the following before contacting your Authorized Service Dealer:

Ensure that the power cord is secured in place at the back of the appliance and that the plug is fully seated.

California Proposition 65 Warning Information

What is this warning?

You may see a product for sale that has a warning label like the following:



WARNING: Cancer and Reproductive Harm—www.p65Warnings.ca.gov.

What is Prop 65?

Prop 65 applies to any company operating in California, selling products in California, or manufacturing products that may be sold in or brought into California. It mandates that the Governor of California maintain and publish a list of chemicals known to cause cancer, birth defects, and/or other reproductive harm. The list, which is updated annually, includes hundreds of chemicals found in many everyday items. The purpose of Prop 65 is to inform the public about exposure to these chemicals.

Prop 65 does not ban the sale of products containing these chemicals but instead requires warnings on any product, product packaging, or literature with the product. Moreover, a Prop 65 warning does not mean that a product is in violation of any product safety standards or requirements. In fact, the California government has clarified that a Prop 65 warning "is not the same as a regulatory decision that a product is 'safe' or 'unsafe.'" Many of these chemicals have been used in everyday products for years without documented harm. For more information, go to <https://oag.ca.gov/prop65/faqs-view-all>.

A Prop 65 warning means that a company has either (1) evaluated the exposure and has concluded that it exceeds the "no significant risk level"; or (2) has chosen to provide a warning based on its understanding about the presence of a listed chemical without attempting to evaluate the exposure.

Does this law apply everywhere?

Prop 65 warnings are required under California law only. These warnings are seen throughout California in a wide range of settings, including but not limited to restaurants, grocery stores, hotels, schools, and hospitals, and on a wide variety of products. Additionally, some online and mail order retailers provide Prop 65 warnings on their websites or in catalogs.

How do the California warnings compare to federal limits?

Prop 65 standards are often more stringent than federal and international standards. There are various substances that require a Prop 65 warning at levels that are far lower than federal action limits. For example, the Prop 65 standard for warnings for lead is 0.5 µg/day, which is well below the federal and international standards.

Why don't all similar products carry the warning?

- Products sold in California require Prop 65 labelling while similar products sold elsewhere do not.
- A company involved in a Prop 65 lawsuit reaching a settlement may be required to use Prop 65 warnings for its products, but other companies making similar products may have no such requirement.
- The enforcement of Prop 65 is inconsistent.
- Companies may elect not to provide warnings because they conclude that they are not required to do so under Prop 65; a lack of warnings for a product does not mean that the product is free of listed chemicals at similar levels.

Why does Toro include this warning?

Toro has chosen to provide consumers with as much information as possible so that they can make informed decisions about the products they buy and use. Toro provides warnings in certain cases based on its knowledge of the presence of one or more listed chemicals without evaluating the level of exposure, as not all the listed chemicals provide exposure limit requirements. While the exposure from Toro products may be negligible or well within the "no significant risk" range, out of an abundance of caution, Toro has elected to provide the Prop 65 warnings. Moreover, if Toro does not provide these warnings, it could be sued by the State of California or by private parties seeking to enforce Prop 65 and subject to substantial penalties.



Count on it.

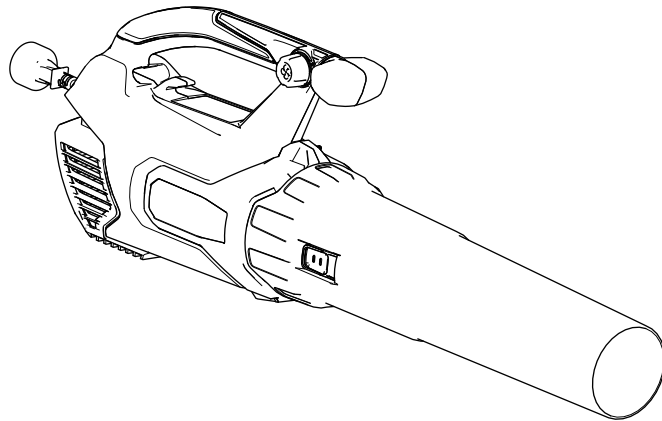


Count on it.

Manual del operador

Soplador F700 PowerJet

Nº de modelo 51624—Nº de serie 321000001 y superiores





Si usted tiene alguna pregunta o algún problema, llame al teléfono gratuito 1-888-367-6631 (EE. UU.) o 1-888-430-1687 (Canadá) antes de devolver este producto.

▲ ADVERTENCIA

CALIFORNIA

Advertencia de la Propuesta 65

El cable eléctrico de este producto contiene plomo, que el Estado de California sabe que causa defectos congénitos u otros peligros para la reproducción. Lávese las manos después de manejar el material.

El uso de este producto puede provocar la exposición a sustancias químicas que el Estado de California considera causantes de cáncer, defectos congénitos u otros trastornos del sistema reproductor.

Introducción

Este soplador está diseñado para ser usado por usuarios domésticos para mover hojas y otros residuos similares en espacios exteriores.

Lea este manual detenidamente para aprender a utilizar y mantener correctamente su producto, y para evitar lesiones y daños al producto. Usted es responsable de utilizar el producto de forma correcta y segura.

Usted puede ponerse en contacto directamente con el fabricante en www.Toro.com si desea información sobre productos y accesorios, si necesita localizar un distribuidor, buscar datos completos sobre su garantía o registrar su producto.

Seguridad

INSTRUCCIONES DE SEGURIDAD IMPORTANTES

Al utilizar un aparato eléctrico, debe tomar siempre unas precauciones básicas, incluyendo las siguientes:

LEA TODAS LAS INSTRUCCIONES ANTES DE USAR EL SOPLADOR

ADVERTENCIA – Para reducir el riesgo de incendio, descarga eléctrica o lesión, respete estas instrucciones de seguridad.

Para asegurar la máxima seguridad, el mejor rendimiento, y para adquirir conocimientos sobre el producto, es imprescindible que usted y cualquier otra persona que opere la máquina lea y comprenda el contenido de este manual antes de poner en marcha el aparato. Preste atención especial al símbolo de alerta de seguridad ▲ que significa CUIDADO, ADVERTENCIA o PELIGRO – instrucción de seguridad personal. Lea y comprenda la instrucción porque tiene que ver con su seguridad. **El incumplimiento de estas instrucciones puede dar lugar a lesiones corporales, riesgo de incendio, o descarga eléctrica.**

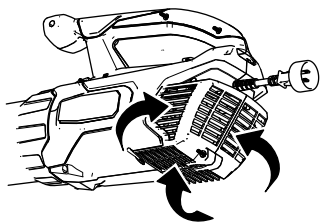
No deje el aparato sin supervisar mientras está enchufado. Desenchúfelo cuando no se esté utilizando y antes del mantenimiento.

ADVERTENCIA – Para reducir el riesgo de descarga eléctrica, **no** utilice este aparato sobre superficies húmedas. **No** lo exponga a la lluvia. No lo almacene en el exterior.

No deje que se utilice el aparato como juguete. No lo utilice cerca de los niños. No deje que los niños utilicen el aparato.

Utilice el aparato solamente tal y como se describe en este manual. Utilice solamente los accesorios recomendados por el fabricante.

Utilice la ropa adecuada. Mantenga el pelo, las prendas sueltas, los dedos y todo el cuerpo alejados de aberturas y piezas en movimiento. Esté atento a la posición del soplador y de las entradas de aire durante la operación. Las prendas sueltas, las joyas y el pelo, si están sueltos, pueden ser aspirados en las entradas de aire y causar lesiones personales. Lleve siempre calzado fuerte, pantalón largo, protección auditiva y protección ocular.



g252752

No utilice el aparato si el cable o el enchufe están dañados. Si no funciona como es debido, si se ha caído, si está dañado, si se ha dejado a la intemperie, o si se ha caído al agua, llévelo a un Servicio Técnico autorizado.

No transporte ni tire del aparato sujetándolo por el cable eléctrico; no utilice el cable como asa; no cierre la puerta atrapando el cable; no tire del cable por bordes o esquinas afilados. Mantenga alejado el cable de las superficies calientes.

No desenchufe el aparato tirando del cable eléctrico. Para desenchufar el cable, sujete el enchufe, no el cable.

No toque el enchufe ni el cable con las manos mojadas.

Este aparato no es apto para su uso en climas fríos.

No introduzca objetos en las aberturas. No utilice el aparato si alguna abertura está bloqueada; manténgalo libre de polvo, pelusas, pelos, hojas, residuos y cualquier cosa que pudiera reducir el flujo de aire.

Apague todos los controles antes de desenchufar el aparato.

Extreme las precauciones al usar el aparato en escaleras.

No use el aparato en áreas donde pudiera haber líquidos o gases inflamables o combustibles.

Este aparato está equipado con doble aislamiento eléctrico. Utilice solamente piezas de repuesto idénticas. Consulte las instrucciones para el mantenimiento de aparatos con doble aislamiento.

GUARDE ESTAS INSTRUCCIONES

Pegatinas de seguridad e instrucciones



Las pegatinas de seguridad e instrucciones están a la vista del operador y están ubicadas cerca de cualquier zona de peligro potencial. Sustituya cualquier pegatina que esté dañada o que falte.



decal137-9337

137-9337

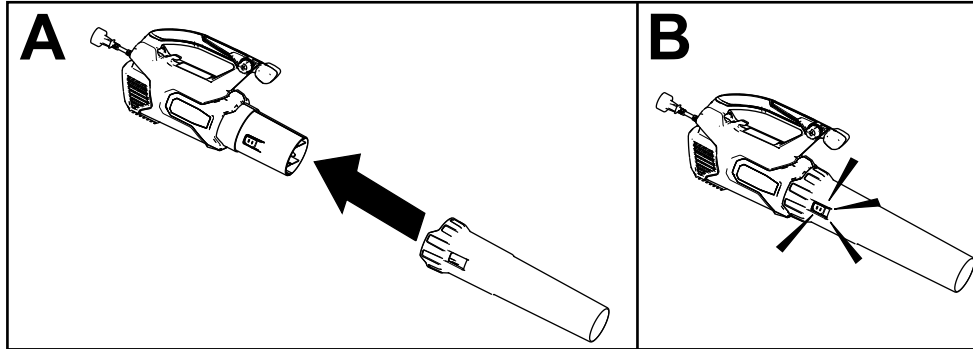
1. Advertencia – lea el *Manual del operador*.
2. Peligro de descarga eléctrica – no utilice la máquina en condiciones húmedas.
3. Advertencia – desenchufe la máquina antes de realizar cualquier operación de mantenimiento.
4. Peligro de objetos arrojados – lleve protección ocular.
5. Advertencia – use protección auditiva.
6. Peligro de objetos arrojados – mantenga a otras personas alejadas de la máquina.
7. Doble aislamiento

Montaje

Registre su producto en www.Toro.com para que Toro pueda notificarle en caso de una retirada del producto por motivos de seguridad o bajo la garantía.

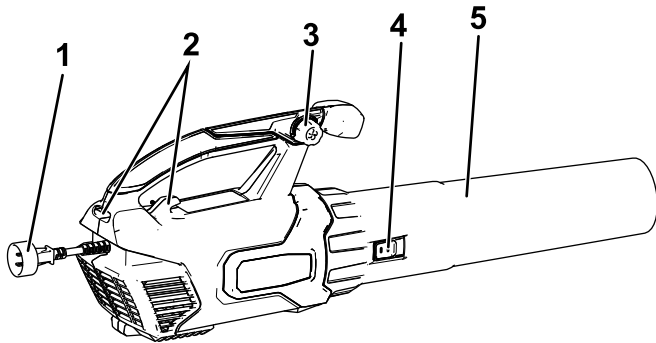
Montaje del soplador

Instalación del tubo manual.



g249284

El producto



g249285

1. Enchufe de alimentación
2. Dispositivo de sujeción del cable
3. Mando de velocidad variable
4. Cierre del tubo
5. Tubo del soplador

Operación

Importante: Este aparato está diseñado solamente para uso residencial en exteriores. No lo utilice en interiores o para fines comerciales o industriales. Este aparato está diseñado para uso doméstico solamente.

⚠ ADVERTENCIA

Este aparato puede arrojar residuos que podrían causar graves lesiones personales a usted o a otras personas.

- No sople objetos duros como clavos, pernos o piedras.
- No utilice el soplador cerca de otras personas o animales domésticos.
- Extreme el cuidado al soplar residuos en escaleras u otros lugares de espacio reducido.
- Use gafas de seguridad u otra protección ocular adecuada, protección auditiva, pantalón largo y zapatos.

Conexión a una fuente de alimentación

Para reducir el riesgo de descarga eléctrica, este aparato tiene una clavija polarizada (es decir, una patilla es más ancha que la otra). Utilice solamente un alargador de cable polarizado homologado por UL (Certificación CSA en Canadá) recomendado para el

uso en exteriores. Un enchufe polarizado sólo puede conectarse a un cable polarizado en un sentido. Si el enchufe no se acopla perfectamente al cable, dele la vuelta al cable. Si todavía no es posible conectarlo, compre un alargador de cable polarizado. Si usted tiene un alargador de cable polarizado y la clavija no se acopla perfectamente al enchufe de pared, dele la vuelta a la clavija. Si todavía no es posible conectarlo, póngase en contacto con un electricista autorizado para que instale una base de enchufe adecuada. No modifique de ninguna manera el aparato o el enchufe del cable alargador.

Utilice únicamente alargadores recomendados para su uso en exteriores.

⚠ ADVERTENCIA

Si usted no conecta firmemente el cable alargador al enchufe, o si el cable y la clavija no encajan firmemente, el enchufe suelto podría calentarse y causar un incendio, posiblemente quemándole a usted o a otras personas.

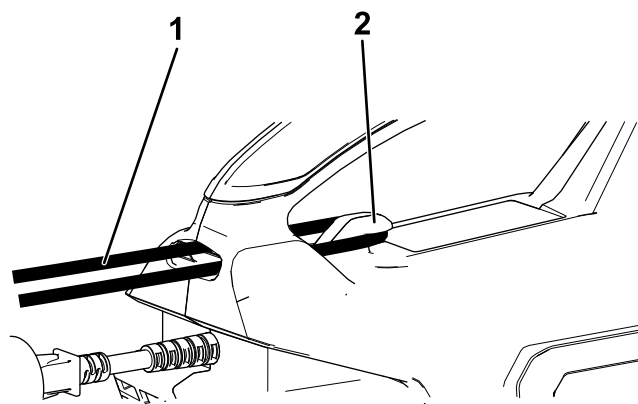
- **Asegúrese de conectar firmemente el cable al enchufe.**
- **Compruebe la conexión frecuentemente para confirmar que el cable está firmemente sujeto.**
- **No utilice cables alargadores desgastados o que no se enchufen firmemente.**

Longitud del cable alargador	Sección mínima del conductor
7.6 m (25 pies)	16
15.2 m (50 pies)	16
30.5 m (100 pies)	14
45.7 m (150 pies)	10

Nota: No utilice un alargador de cable de más de 45.7 m (150 pies).

Importante: Compruebe frecuentemente que el cable alargador no tiene el aislamiento perforado o agrietado. No utilice el cable si está dañado. No deje que el cable pase por zonas de agua o hierba húmeda.

Sujete el cable alargador al aparato usando el dispositivo de sujeción moldeado.

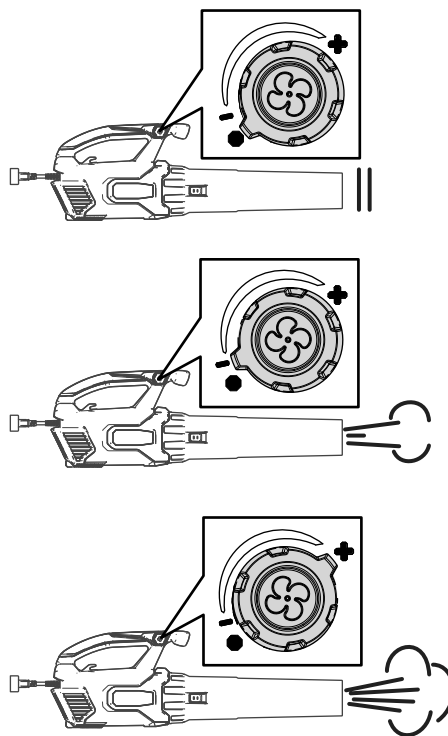


g249316

1. Cable alargador


2. Dispositivo de sujeción del cable

Cómo encender, apagar y ajustar la velocidad del aire



g249327

Aparatos con doble aislamiento

En un aparato con doble aislamiento, hay dos sistemas de aislamiento en lugar de una conexión a tierra. No se proporciona ningún medio de conexión a tierra en un aparato con doble aislamiento, y no se debe añadir al aparato una conexión a tierra. El mantenimiento de un aparato con doble aislamiento requiere un cuidado extremo y un buen conocimiento del sistema, y sólo debe ser realizado por el personal de servicio cualificado de un Servicio Técnico Autorizado. Las piezas de repuesto de un aparato con doble aislamiento deben ser idénticas a las que sustituyen. Un aparato con doble aislamiento lleva las palabras "Double Insulation" o "Double Insulated". El aparato también puede llevar el símbolo  (un cuadrado dentro de otro).

Lubricación de la máquina

No necesita lubricar el aparato; todas las tareas de lubricación necesarias se han completado en la fábrica por la vida útil del aparato.

Mantenimiento

Este aparato no tiene piezas que puedan repararse.

Almacenamiento

Guarde el aparato en el interior, en un lugar fresco y seco, fuera del alcance de niños y animales.

Solución de Problemas

Si el soplador no funciona cuando usted lo enciende, revise los puntos siguientes antes de ponerse en contacto con su Servicio Técnico Autorizado:

Asegúrese de que el cable está firmemente conectado a la parte trasera del soplador, y que el enchufe está bien conectado.

Información sobre las Advertencias de la Proposición 65 de California

¿Qué significa esta advertencia?

Puede ver un producto a la venta que lleva una etiqueta de advertencia como la siguiente:



ADVERTENCIA: Cáncer y daños reproductivos – www.p65Warnings.ca.gov.

¿Qué es la Proposición 65?

La Proposición 65 afecta a cualquier empresa que tenga presencia en California, que venda productos en California, o que fabrique productos que podrían ser introducidos o vendidos en California. Esta ley exige que el Gobernador de California mantenga y publique una lista de sustancias químicas identificadas como causantes de cáncer, defectos de nacimiento y/u otros daños reproductivos. La lista, que se actualiza anualmente, incluye cientos de productos químicos que se encuentran en muchos artículos de uso diario. El propósito de la Proposición 65 es informar al público sobre la exposición a estos productos químicos.

La Proposición 65 no prohíbe la venta de productos que contengan estos productos químicos, sino que requiere la presencia de advertencias en el producto, el envase y la documentación suministrada con el producto. Además, una advertencia de la Proposición 65 no significa que el producto contravenga ninguna norma o requisito de seguridad. De hecho, el gobierno de California ha aclarado que una advertencia bajo la Proposición 65 "no es lo mismo que una decisión legal sobre la 'seguridad' o la 'inseguridad' de un producto". Muchos de estos productos químicos han sido utilizados durante años en productos de uso diario sin que se hayan producido daños documentados. Para obtener más información, visite <https://oag.ca.gov/prop65/faqs-view-all>.

Una advertencia de la Proposición 65 significa que una empresa (1) ha evaluado la exposición y ha concluido que supera el nivel de "sin riesgo significativo"; o (2) ha optado por proporcionar una advertencia basándose en sus conocimientos respecto a la presencia de un producto químico de los incluidos en la lista, sin intentar evaluar la exposición.

¿Esta ley es aplicable en todas partes?

Las advertencias de la Proposición 65 sólo son obligatorias bajo la legislación de California. Estas advertencias se ven por toda California en una gran variedad de entornos, incluyendo entre otros restaurantes, tiendas de alimentación, hoteles, escuelas y hospitales, y en una amplia variedad de productos. Además, algunos minoristas de Internet y de la venta por correo incluyen advertencias de la Proposición 65 en sus sitios web o en sus catálogos.

¿Qué diferencia hay entre las advertencias de California y los límites federales?

Las normas de la Proposición 65 son a menudo más exigentes que las normas federales o internacionales. Varias sustancias requieren una advertencia bajo la Proposición 65 a niveles muy inferiores a los límites federales. Por ejemplo, el nivel exigido por la Proposición 65 para las advertencias sobre el plomo es de 0.5 µg/día, que es muy inferior a lo que exigen las normas federales e internacionales.

¿Por qué no llevan la advertencia todos los productos similares?

- Los productos vendidos en California deben llevar etiquetas bajo la Proposición 65, mientras que otros productos similares que se venden en otros lugares no las necesitan.
- Una empresa puede estar obligada a incluir advertencias de Proposición 65 en sus productos como condición de un acuerdo tras un procedimiento legal relacionado con la Proposición 65, pero otras empresas que fabrican productos similares no tienen necesariamente la misma obligación.
- La aplicación de la Proposición 65 no es uniforme.
- Algunas empresas pueden optar por no proporcionar advertencias porque concluyen que no están obligadas a hacerlo bajo la Proposición 65; la falta de advertencias en un producto no significa que el producto esté libre de los productos químicos incluidos en la lista a niveles similares.

¿Por qué incluye Toro esta advertencia?

Toro ha optado por proporcionar a los consumidores la mayor cantidad posible de información para que puedan tomar decisiones informadas sobre los productos que compra y utiliza. Toro proporciona advertencias en ciertos casos basándose en sus conocimientos sobre la presencia de uno o más productos químicos de la lista, sin evaluar el nivel de exposición, puesto que la lista no incluye límites de exposición para todos los productos químicos que contiene. Aunque la exposición que provocan los productos Toro puede ser insignificante, o estar dentro de los límites de la categoría "sin riesgo significativo", Toro ha optado por proporcionar las advertencias de la Proposición 65 por simple precaución. Además, si Toro no proporcionara estas advertencias, podría ser demandada por el Estado de California o por particulares bajo la Proposición 65, y estar sujeta a importantes sanciones.



Count on it.

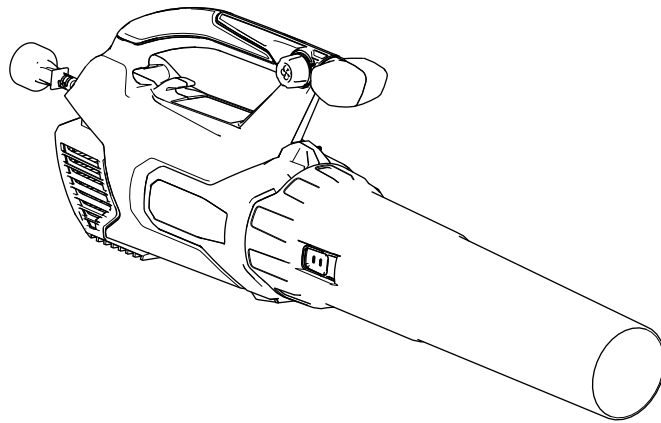


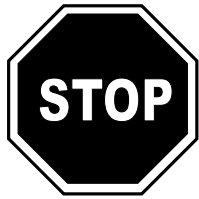
Count on it.

Manuel de l'utilisateur

Souffleur PowerJet F700

N° de modèle 51624—N° de série 321000001 et suivants





Pour tout conseil ou renseignement, appelez notre numéro vert 1-888-367-6631 (États-Unis) ou 1-888-430-1687 (Canada) avant de renvoyer ce produit.

▲ ATTENTION

CALIFORNIE

Proposition 65 - Avertissement

Le cordon d'alimentation de cette machine contient du plomb, une substance chimique considérée par l'état de Californie comme susceptible de provoquer des malformations congénitales et autres troubles de la reproduction. Lavez-vous les mains après avoir manipulé la batterie.

L'utilisation de ce produit peut entraîner une exposition à des substances chimiques considérées par l'état de Californie comme capables de provoquer des cancers, des anomalies congénitales ou d'autres troubles de la reproduction.

Introduction

Ce souffleur est destiné au grand public, pour déblayer les débris assimilables aux feuilles en extérieur, selon les besoins.

Lisez attentivement cette notice pour apprendre comment utiliser et entretenir correctement votre produit, et éviter ainsi de l'endommager ou de vous blesser. Vous êtes responsable de l'utilisation sûre et correcte du produit.

Vous pouvez contacter le fabricant directement sur www.Toro.com pour tout renseignement concernant un produit ou un accessoire, pour obtenir l'adresse des dépositaires, pour connaître tous les détails concernant la garantie ou pour enregistrer votre produit.

Sécurité

CONSIGNES DE SÉCURITÉ IMPORTANTES

L'utilisation d'un appareil électrique exige de prendre certaines précautions élémentaires, notamment :

LISEZ TOUTES LES INSTRUCTIONS

AVANT D'UTILISER LE SOUFFLEUR

ATTENTION – Respectez ces consignes de sécurité pour réduire le risque d'incendie, de choc électrique ou de blessures.

Pour assurer une sécurité et un rendement optimaux, et apprendre à bien connaître le produit, vous-même et tout autre utilisateur de l'appareil, devez impérativement lire et comprendre le contenu de ce manuel avant même de mettre le moteur en marche. Faites particulièrement attention aux symboles de sécurité ▲ qui signifient PRUDENCE, ATTENTION ou DANGER et concernent la sécurité des personnes. Vous devez lire et bien comprendre ces directives car elles portent sur votre sécurité. **Ne pas les respecter, c'est risquer de vous blesser, de vous électrocuter ou de provoquer un incendie.**

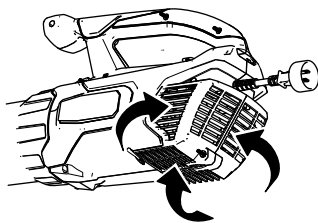
Ne laissez pas l'appareil sans surveillance quand il est sous tension. Débranchez-le du secteur quand il ne sert pas et avant tout entretien.

ATTENTION – Pour réduire le risque de choc électrique, n'utilisez **pas** l'appareil sur des surfaces mouillées. Ne l'exposez **pas** à la pluie. Rangez-le à l'intérieur.

L'appareil n'est pas un jouet. Ne l'utilisez pas quand des enfants sont à proximité. N'autorisez pas les enfants à utiliser l'appareil.

Respectez les instructions d'utilisation de ce manuel. Utilisez uniquement les accessoires recommandés par le fabricant.

Portez des vêtements adéquats. N'approchez pas les cheveux, les doigts ou autres parties du corps, ni les vêtements amples, des ouvertures et des pièces mobiles. Sachez où se trouvent le souffleur et les entrées d'air pendant le fonctionnement de l'appareil. Les vêtements amples, les bijoux et les cheveux peuvent être aspirés dans les entrées d'air et vous risquez de vous blesser. Portez toujours des chaussures solides, un pantalon, des protège-oreilles et des lunettes de protection.



g252752

Autocollants de sécurité et d'instruction



Des autocollants de sécurité et des instructions bien visibles par l'opérateur sont placés près de tous les endroits potentiellement dangereux. Remplacez tout autocollant endommagé ou manquant.

N'utilisez pas l'appareil si le cordon d'alimentation ou la fiche est endommagé(e). Si l'appareil ne fonctionne pas correctement, s'il est tombé, a été endommagé, oublié à l'extérieur ou est tombé dans l'eau, renvoyez-le à un dépositaire-réparateur agréé.

Évitez de tirer ou de soulever l'appareil par le cordon électrique, d'utiliser le cordon comme poignée, de coincer le cordon dans une porte ou de le traîner sur des arêtes ou des angles vifs. N'approchez pas le cordon des surfaces chaudes.

Ne débranchez pas l'appareil en tirant sur le cordon électrique. Débranchez le cordon en tirant sur la fiche.

Ne manipulez pas l'appareil ou la fiche si vous avez les mains mouillées.

Cet appareil n'est pas homologué pour être utilisé par temps froid.

N'introduisez jamais rien dans les ouvertures. N'utilisez pas l'appareil si les ouvertures sont bloquées; ne laissez pas s'accumuler la poussière, les peluches, les cheveux, les feuilles, les débris ou quoi que ce soit d'autre qui pourrait gêner la circulation de l'air.

Coupez toutes les commandes avant de débrancher l'appareil.

Soyez particulièrement prudent lorsque vous nettoyez sur un escalier.

N'utilisez pas l'appareil dans des endroits pouvant contenir des liquides ou vapeurs inflammables ou combustibles.

L'appareil bénéficie d'une double isolation électrique. Utilisez uniquement des pièces de rechange identiques. Consultez les instructions d'entretien des appareils à double isolation.



decal137-9337

137-9337

1. Attention – lisez le *Manuel de l'utilisateur*.
2. Risque d'électrocution – n'utilisez pas la machine en conditions humides.
3. Attention – débranchez la machine avant de procéder à l'entretien ou à des révisions.
4. Risque de projection d'objets – portez une protection oculaire.
5. Attention – portez des protège-oreilles.
6. Risque de projection d'objets – tenez les spectateurs à bonne distance de la machine.
7. Double isolation

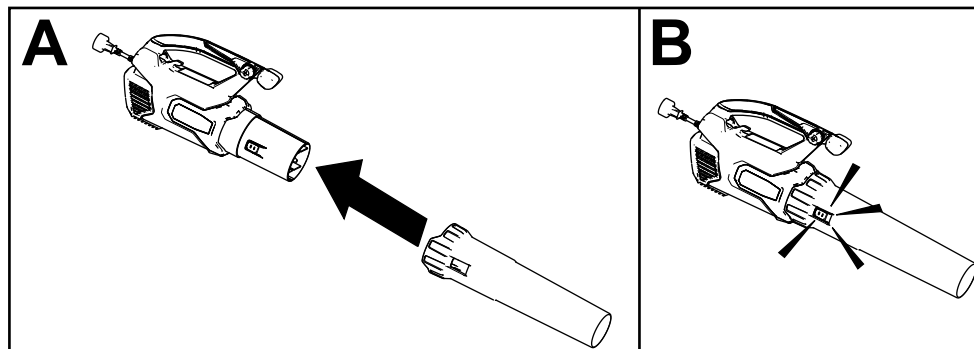
CONSERVEZ CES INSTRUCTIONS

Mise en service

Enregistrez votre produit sur www.Toro.com afin que Toro puisse vous contacter en cas de rappel de produit pour raison de sécurité ou dans le cadre de la garantie.

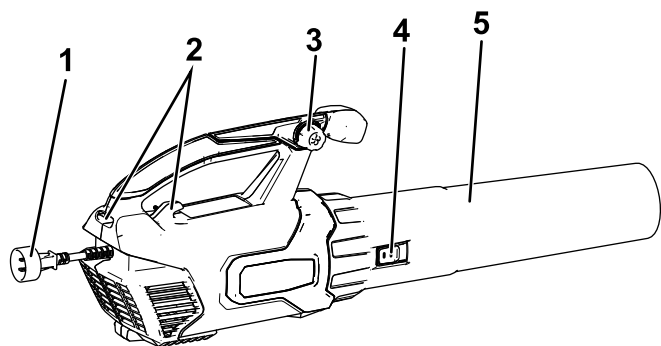
Assemblage du souffleur

Montez le tube d'aspiration.



g249284

Vue d'ensemble du produit



g249285

- | | |
|---|----------------------|
| 1. Prise d'alimentation | 4. Verrou de tube |
| 2. Dispositif de blocage du cordon d'alimentation | 5. Tube de souffleur |
| 3. Commande de vitesse variable | |

Utilisation

Important: Cet appareil est uniquement destiné à l'usage domestique et extérieur. Ne l'utilisez pas à l'intérieur ni à des fins commerciales ou industrielles. Cet appareil est réservé à l'usage domestique.

⚠ ATTENTION

Cette machine peut projeter des débris et vous blesser gravement, ainsi que toute personne à proximité.

- Ne soufflez pas sur des objets durs du type clous, boulons ou pierres.
- N'utilisez pas le souffleur près de personnes ou d'animaux.
- Soyez particulièrement prudent lorsque vous nettoyez des escaliers ou d'autres endroits peu accessibles.
- Portez des lunettes de sécurité ou une autre protection oculaire appropriée, une protection auditive, un pantalon et des chaussures.

Raccordement à une source d'alimentation

Pour réduire les risques de choc électrique, l'appareil est muni d'une fiche polarisée (une broche est plus large que l'autre). Utilisez uniquement une rallonge polarisée, portée sur la liste UL (certifiée CSA au

Canada) et prévue pour l'utilisation à l'extérieur. Une fiche polarisée ne s'adapte à un cordon polarisé que d'une seule façon. Si la fiche ne s'adapte pas parfaitement au cordon, inversez le cordon. Si le problème persiste, procurez-vous une rallonge polarisée. Si vous avez une rallonge polarisée et que sa fiche ne s'adapte pas à la prise murale, inversez la fiche. Si le problème persiste, demandez à un électricien qualifié d'installer une prise murale adéquate. Ne modifiez en aucun cas la fiche de la rallonge ou de l'appareil.

Utilisez uniquement une rallonge prévue pour l'extérieur.

⚠ ATTENTION

Si la rallonge n'est pas parfaitement branchée à la prise d'entrée, ou si la fiche et le cordon ne sont pas connectés solidement, la fiche mal ajustée peut provoquer une surchauffe et éventuellement un incendie, et vous brûler ainsi que d'autres personnes.

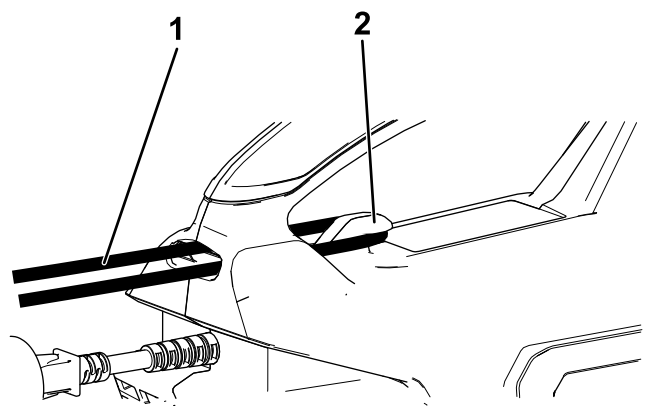
- Le cordon doit être parfaitement engagé sur la fiche.
- Vérifiez régulièrement que le cordon est bien connecté.
- N'utilisez pas la rallonge si elle est usée ou mal ajustée.

Longueur de la rallonge	Calibre de fil minimum (A.W.G.)
7,6 m (25 pi)	16
15 m (50 pi)	16
30,5 m (100 pi)	14
45,7 m (150 pi)	10

Remarque: N'utilisez pas de rallonge de plus de 45,7 m (150 pi).

Important: Pendant l'utilisation, vérifiez souvent que la gaine de la rallonge ne présente pas de perforations ou de fissures. N'utilisez pas le cordon d'alimentation s'il est endommagé. Ne faites pas passer le cordon dans des flaques d'eau ou de l'herbe détrempée.

Fixez la rallonge à l'appareil au moyen du système de blocage du cordon moulé.

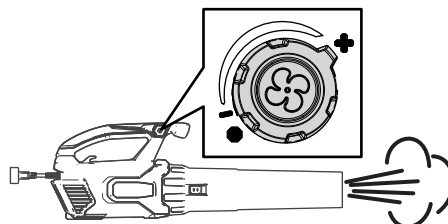
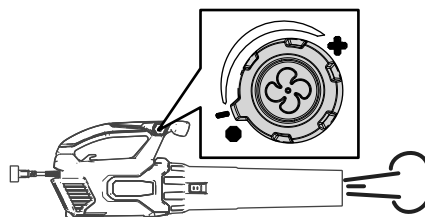
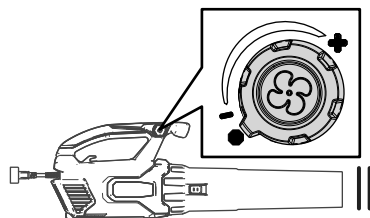


g249316

1. Rallonge

2. Dispositif de blocage du cordon d'alimentation


Démarrage, arrêt et réglage de la vitesse de l'air



g249327

Appareils à double isolation

Ce type d'appareil dispose de deux systèmes d'isolation au lieu d'une mise à la masse. Aucun dispositif de mise à la terre n'est prévu sur un appareil à double isolation et aucun ne doit lui être ajouté. L'entretien d'un appareil à double isolation est délicat et exige de bien connaître le système. Pour cette raison, son entretien ne doit être réalisé que par le personnel qualifié de votre dépositaire-réparateur agréé. Les pièces de rechange d'un appareil à double isolation doivent être identiques aux pièces

d'origine. Les appareils à double isolation portent les mots « Double Insulation » ou « Double Insulated » (« Double isolation » ou « Doublement isolé »). Le symbole  (un carré entouré d'un carré) est parfois aussi utilisé.

Graissage de la machine

La machine ne nécessite aucune lubrification, car tous les composants concernés ont été lubrifiés à vie en usine.

Entretien

Cette machine n'a aucune pièce à entretenir.

Remisage

Rangez la machine à l'intérieur, dans un endroit frais et sec, hors la portée des enfants et des animaux.

Dépannage

Si le souffleur ne fonctionne pas quand vous le mettez en marche, consultez la liste suivante avant de contacter votre dépositaire réparateur agréé :

Vérifiez que le cordon d'alimentation est bien fixé en position à l'arrière de l'appareil et que la fiche est correctement branchée.

Proposition 65 de Californie – Information concernant cet avertissement

En quoi consiste cet avertissement?

Certains produits commercialisés présentent une étiquette d'avertissement semblable à ce qui suit :



AVERTISSEMENT : Cancer et troubles de la reproduction –
www.p65Warnings.ca.gov.

Qu'est-ce que la Proposition 65?

La Proposition 65 s'applique à toute société exerçant son activité en Californie, qui vend des produits en Californie ou qui fabrique des produits susceptibles d'être vendus ou importés en Californie. Elle stipule que le Gouverneur de Californie doit tenir et publier une liste des substances chimiques connues comme causant des cancers, malformations congénitales et/ou autres troubles de la reproduction. Cette liste, qui est mise à jour chaque année, comprend des centaines de substances chimiques présentes dans de nombreux objets du quotidien. La Proposition 65 a pour objet d'informer le public quant à l'exposition à ces substances chimiques.

La Proposition 65 n'interdit pas la vente de produits contenant ces substances chimiques, mais impose la présence d'avertissements sur tout produit concerné, sur son emballage ou sur la documentation fournie avec le produit. D'autre part, un avertissement de la Proposition 65 ne signifie pas qu'un produit est en infraction avec les normes ou exigences de sécurité du produit. D'ailleurs, le gouvernement californien a clairement indiqué qu'un avertissement de la Proposition 65 « n'est pas une décision réglementaire quant au caractère « sûr » ou « dangereux » d'un produit ». Bon nombre de ces substances chimiques sont utilisées dans des produits du quotidien depuis des années, sans aucun effet nocif documenté. Pour plus de renseignements, rendez-vous sur <https://oag.ca.gov/prop65/faqs-view-all>.

Un avertissement de la Proposition 65 signifie qu'une société a soit (1) évalué l'exposition et conclu qu'elle dépassait le « niveau ne posant aucun risque significatif »; soit (2) choisi d'émettre un avertissement simplement sur la base de sa compréhension quant à la présence d'une substance chimique de la liste, sans tenter d'en évaluer l'exposition.

Cette loi s'applique-t-elle partout?

Les avertissements de la Proposition 65 sont exigés uniquement en vertu de la loi californienne. Ces avertissements sont présents dans tout l'état de Californie, dans des environnements très variés, notamment mais pas uniquement les restaurants, magasins d'alimentation, hôtels, écoles et hôpitaux, et sur un vaste éventail de produits. En outre, certains détaillants en ligne et par correspondance fournissent des avertissements de la Proposition 65 sur leurs sites internet ou dans leurs catalogues.

Quelles différences entre les avertissements de Californie et les limites fédérales?

Les normes de la Proposition 65 sont souvent plus strictes que les normes fédérales et internationales. Diverses substances exigent un avertissement de la Proposition 65 à des niveaux bien inférieurs aux limites d'intervention fédérales. Par exemple, la norme de la Proposition 65 en matière d'avertissements pour le plomb se situe à 0,5 µg/jour, soit bien moins que les normes fédérales et internationales.

Pourquoi l'avertissement ne figure-t-il pas sur tous les produits semblables?

- Pour les produits commercialisés en Californie, l'étiquetage Proposition 65 est exigé, tandis qu'il ne l'est pas sur des produits similaires commercialisés ailleurs.
- Il se peut qu'une société impliquée dans un procès lié à la Proposition 65 et parvenant à un accord soit obligée d'utiliser les avertissements de la Proposition 65 pour ses produits, tandis que d'autres sociétés fabriquant des produits semblables peuvent ne pas être soumises à cette obligation.
- L'application de la Proposition 65 n'est pas uniforme.
- Certaines sociétés peuvent choisir de ne pas indiquer d'avertissements car elles considèrent qu'elles n'y sont pas obligées au titre de la Proposition 65; l'absence d'avertissements sur un produit ne signifie pas que le produit ne contient pas de substances de la liste à des niveaux semblables.

Pourquoi cet avertissement apparaît-il sur les produits Toro?

Toro a choisi de fournir aux consommateurs le plus d'information possible afin qu'ils puissent prendre des décisions éclairées quant aux produits qu'ils achètent et utilisent. Toro fournit des avertissements dans certains cas d'après ses connaissances quant à la présence de l'une ou plusieurs des substances chimiques de la liste, sans en évaluer le niveau d'exposition, car des exigences de limites ne sont pas fournies pour tous les produits chimiques de la liste. Bien que l'exposition avec les produits Toro puisse être négligeable ou parfaitement dans les limites « sans aucun risque significatif », par mesure de précaution, Toro a décidé de fournir les avertissements de la Proposition 65. De plus, en l'absence de ces avertissements, la société Toro pourrait être poursuivie en justice par l'État de Californie ou par des particuliers cherchant à faire appliquer la Proposition 65, et donc assujettie à d'importantes pénalités.



Count on it.