



**Count on it.**

**Parts Catalog**

**HoverPro® 550 Machine**

Model No. 02617—Serial No. 40000000 and Up



# Ordering Replacement Parts

To order replacement parts, please supply the part number, the quantity, and the description of each part desired.

## Understanding Reference Numbers

Each identified part in an illustration has a reference number. The reference number for a part also appears in the parts list, along with other information about the part.

This catalog uses two special reference number formats, one to indicate parts in a service assembly and another to indicate the quantity of a given part in an illustration.

## Service Assembly Reference Numbers

Parts in service assemblies have reference numbers in the form a:b. The a represents the reference number of the entire service assembly and the b represents a sequential number unique to each part within the service assembly.

For example, a wheel assembly might be identified by reference number 6, the tire by 6:1, the valve by 6:2, and the wheel by 6:3. When you order the assembly identified by reference number 6, you receive all parts identified by reference numbers 6:1, 6:2, and 6:3. However, you may also order any part individually. Reference numbers of this type appear in illustration and in parts lists.

## Reference Numbers Indicating Quantity

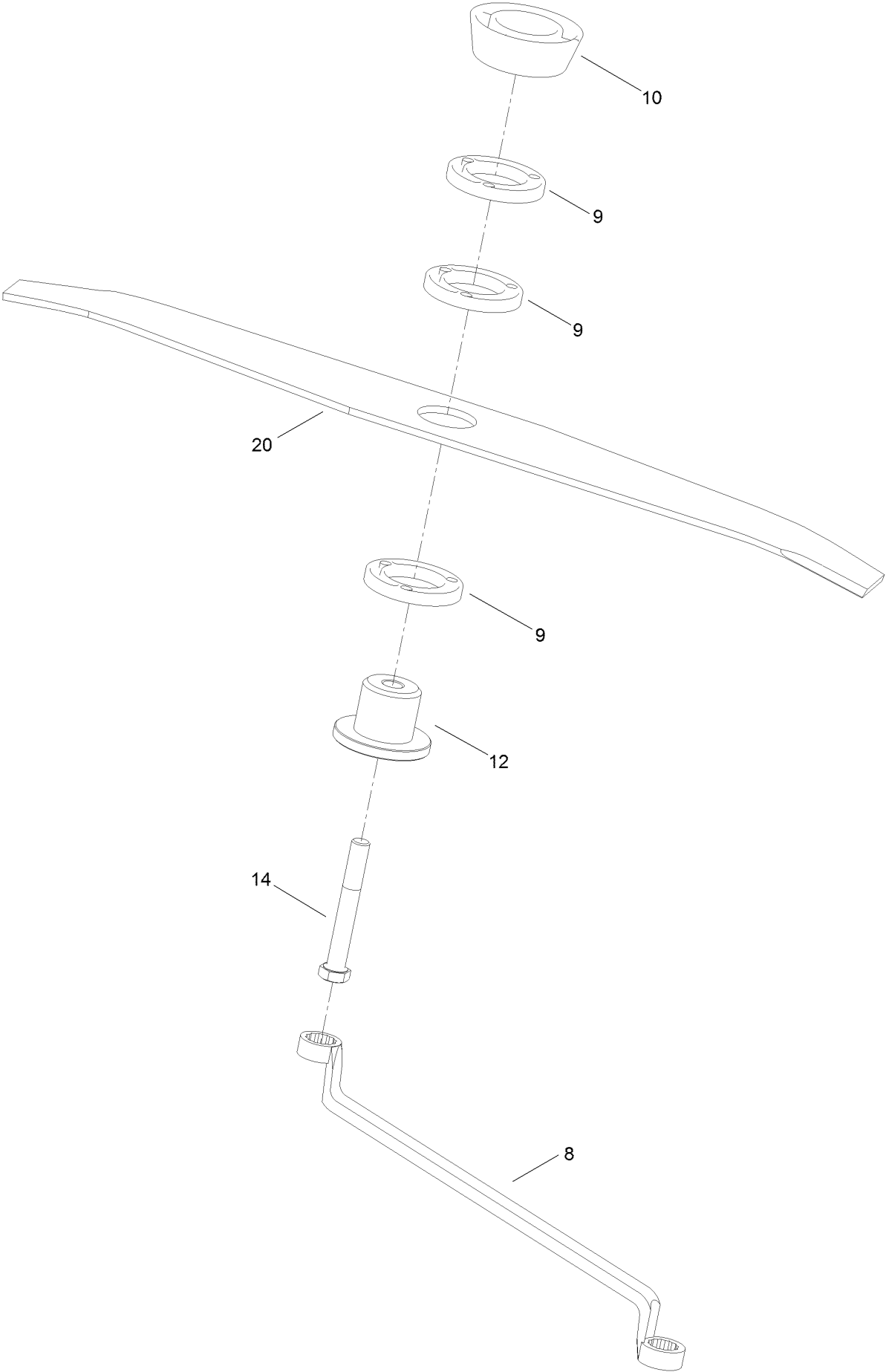
In an illustration, if a reference number indicates more than one part, the reference number has the form nX y. The n represents the quantity of the part, the X is the multiplication symbol, and the y represents the reference number.

For example, in an illustration, the reference number 2X 37 means that two of the parts identified by reference number 37 are indicated.

# Contents

- Cutting Assembly ..... 4
- Engine and Deck Assembly ..... 6
- Handle Assembly ..... 8
- Attachments and Accessories ..... 10

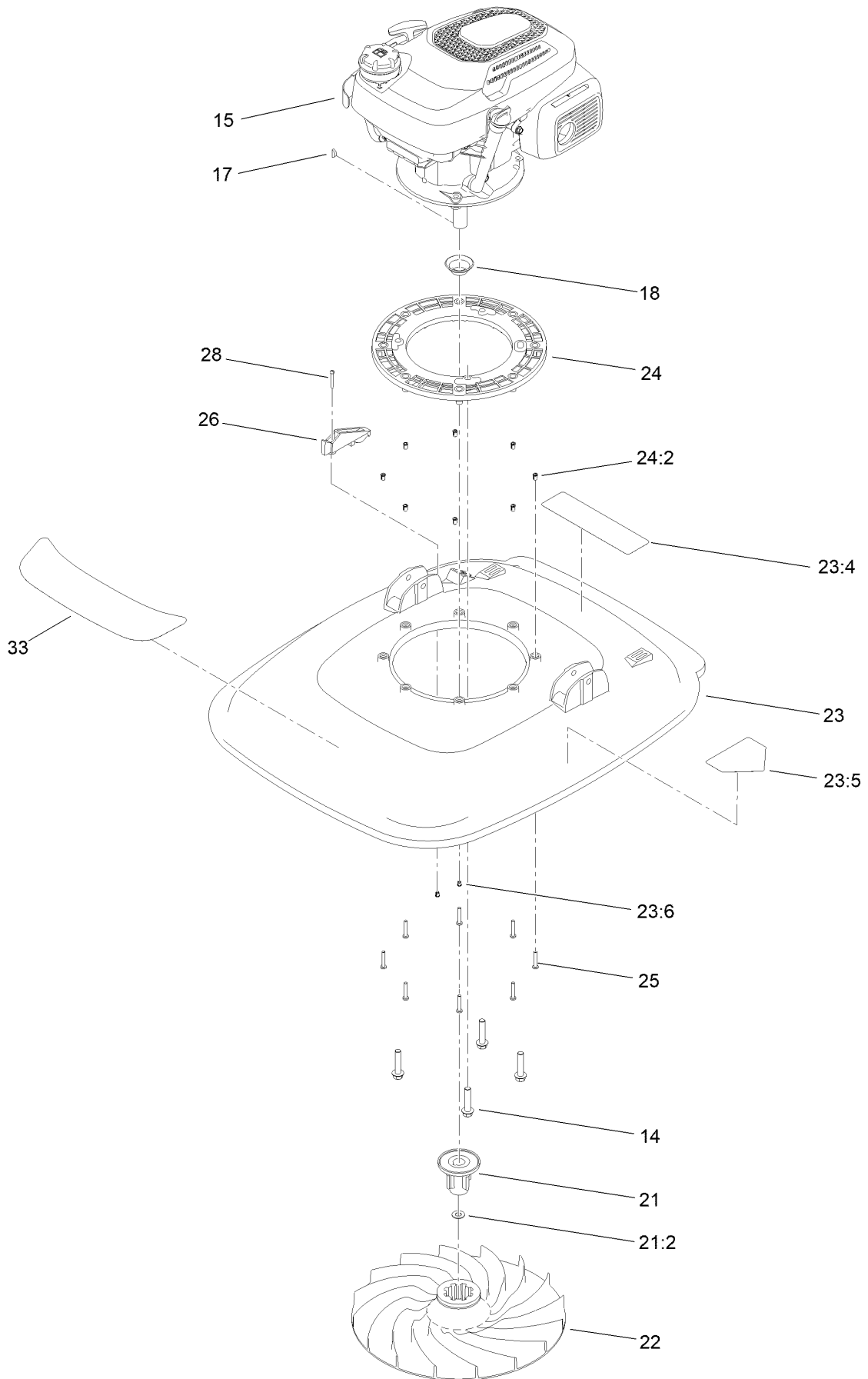
# Cutting Assembly



## Cutting Assembly (continued)

| <i>Ref.</i> | <i>Part Number</i> | <i>Qty.</i> | <i>Description</i>      | <i>Ref.</i> | <i>Part Number</i> | <i>Qty.</i> | <i>Description</i> |
|-------------|--------------------|-------------|-------------------------|-------------|--------------------|-------------|--------------------|
| 8           | H190210            | 1           | Spanner                 | 12          | H192272            | 1           | Retainer-Blade     |
| 9           | H192025            | 3           | Spacer-Blade, Aluminium | 14          | H292018            | 1           | Screw-Set          |
| 10          | H192270            | 1           | Spacer-Distance         | 20          | H292351            | 1           | Blade (50 CM)      |

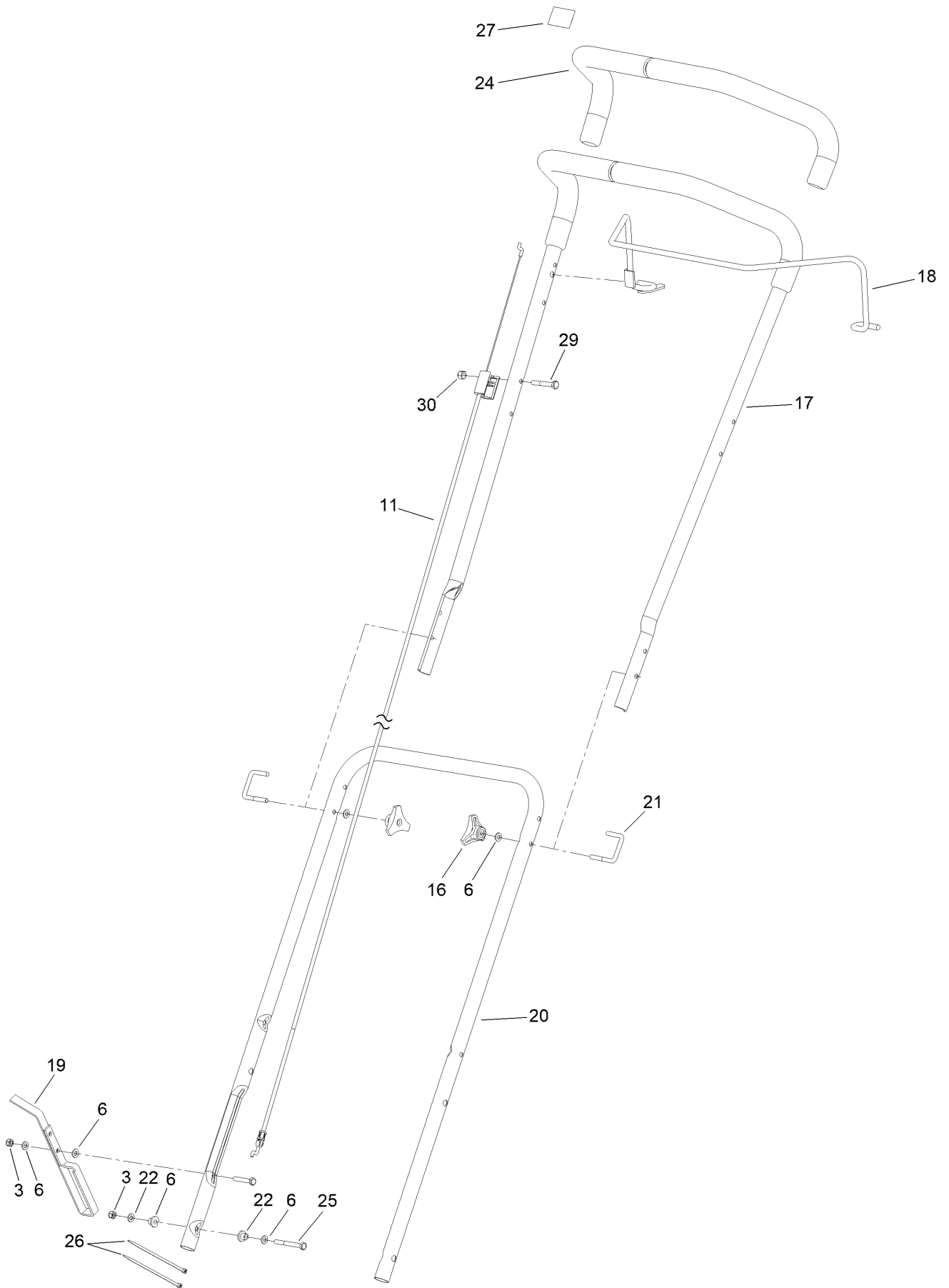
# Engine and Deck Assembly



## Engine and Deck Assembly (continued)

| <i>Ref.</i> | <i>Part Number</i> | <i>Qty.</i> | <i>Description</i>     | <i>Ref.</i> | <i>Part Number</i> | <i>Qty.</i> | <i>Description</i> |
|-------------|--------------------|-------------|------------------------|-------------|--------------------|-------------|--------------------|
| 14          | 111-2157           | 4           | Screw-Taptite          | 23:5        | 111-9826           | 1           | Decal-Danger       |
| 15          | 134-6432           | 1           | Engine-Honda (Gcvx170) | 23:6        | H292280            | 2           | Insert             |
| 17          | 1662               | 1           | Key-Woodruff           | 24          | H290003            | 1           | Frame-Engine       |
| 18          | H190118            | 1           | Protector-Seal, Oil    | 24:2        | H192266            | 8           | Insert-Brass       |
| 21          | H290011            | 1           | Drive And Spacer ASM   | 25          | H292004            | 8           | Set-Screw          |
| 21:2        | 09479              | 1           | Washer-Plain           | 26          | H292269            | 1           | Bracket            |
| 22          | H192268            | 1           | Impeller               | 28          | H292279            | 2           | Screw              |
| 23          | 111-6004           | 1           | Deck ASM               | 33          | 111-5351           | 1           | Decal-Hover Pro    |
| 23:4        | 111-5393           | 1           | Decal-Warning          |             |                    |             |                    |

# Handle Assembly





## Handle Assembly (continued)

| <i>Ref.</i> | <i>Part Number</i> | <i>Qty.</i> | <i>Description</i> | <i>Ref.</i> | <i>Part Number</i> | <i>Qty.</i> | <i>Description</i> |
|-------------|--------------------|-------------|--------------------|-------------|--------------------|-------------|--------------------|
| 3           | 09438              | 3           | Nut-Nyloc          | 21          | H292026            | 2           | Bolt-U             |
| 6           | 111-7679           | 8           | Washer-Plain       | 22          | H292058            | 4           | Spacer-Handle      |
| 11          | 134-6958           | 1           | OPC Cable          | 24          | H292276            | 2           | Grip-Handle        |
| 16          | H192204            | 2           | Handwheel          | 25          | H292309            | 2           | Bolt-Hex           |
| 17          | H290237            | 1           | Handle-Upper       | 26          | HY3966             | 2           | Tie-Cable          |
| 18          | H290239            | 1           | Arm-Bail           | 27          | H295159            | 1           | Decal-Stop         |
| 19          | H290286            | 1           | Footstop           | 29          | 05010              | 1           | Bolt               |
| 20          | 111-7260-03        | 1           | Handle-Lower       | 30          | 137-3088           | 1           | Nut-Hex            |

# Attachments and Accessories

## For 02617 HoverPro 550 Machine

| Product Name                  | Model/Part |
|-------------------------------|------------|
| Transport Wheel Kit .....     | 02622      |
| Handlebar Extension Kit ..... | 02628      |

**Notes:**



**Count on it.**