



Count on it.

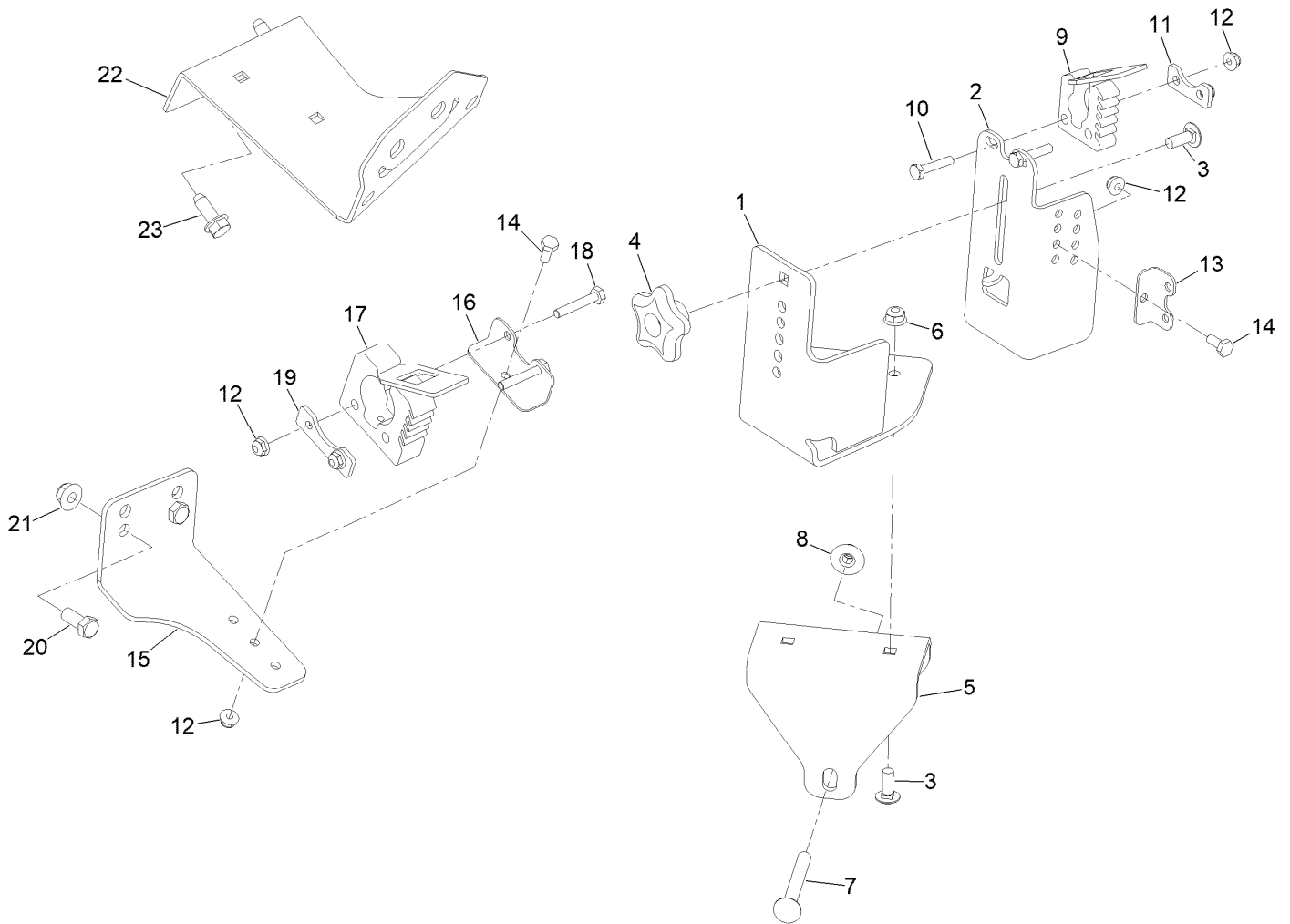
Parts Catalog

Trimmer Mount Kit

Z Master[®] Professional 2000 Series Riding Mower

Model No. 145-3689





Trimmer Mount Assembly No. 145-3689

<i>Ref.</i>	<i>Part Number</i>	<i>Qty.</i>	<i>Description</i>
1	136-1678-03	1	Plate-Mount, Trimmer
2	136-1679-03	1	Plate-Trimmer, Adj.
3	3230-10	3	Bolt-CARR
4	106-4161	1	Knob-Handle
5	136-1677-03	1	Channel-Bracket, Weight
6	104-8300	2	Nut-HF, NI
7	3231-10	1	Screw-CARR
8	109-6658	1	Nut-Flange, NI
9	133-1899	1	Clamp-Quick Fist, Mini
10	321-8	2	Screw-HH
11	126-8060-03	1	Plate-Backer, Small
12	104-7201	6	Nut-HF, NI

<i>Ref.</i>	<i>Part Number</i>	<i>Qty.</i>	<i>Description</i>
13	126-8250-03	1	Bracket-Quick Fist, Small
14	321-3	2	Screw-HH
15	136-1681-03	1	Bracket-Trimmer, Rear
16	126-8251-03	1	Bracket-Quickfist, Large
17	133-1898	1	Clamp-Quick Fist, Original
18	321-9	2	Screw-HH
19	126-8058-03	1	Plate-Backer, Large
20	323-5	2	Screw-HH
21	104-8301	2	Nut-HF, NI
22	136-9030-01	1	Bracket-Support, Pod (RH)
23	126-1696	2	Screw-HWHTF